

- Hard plastic angled console cover
- Auto kick out function
- PTO indicator light
- Push to connect fittings for hose ¼"
- Operating Pressure = up to 175 psi

ABER

Manufacturing Hydraulic Excellence since 1972



Note: ABER is constantly engaged in improving its products and, therefore, reserves itself the right to modify without any further notice the characteristics shown in this material.

MODEL NUMBER CONSTRUCTION

ABCD - 73 - T14 - SABCD - HL

Code	Detent	PTO Switch
73	Up/Down/Center	STANDARD
83	Center	
93	Down/Center	
42	Up/Down/Center	Not Available
52	Center	
62	Down/Center	

Code	Extra Switch
---	---
HL*	High/Low selector for dual pressure systems

*Only available with 5SABCD and 12SABCD consoles

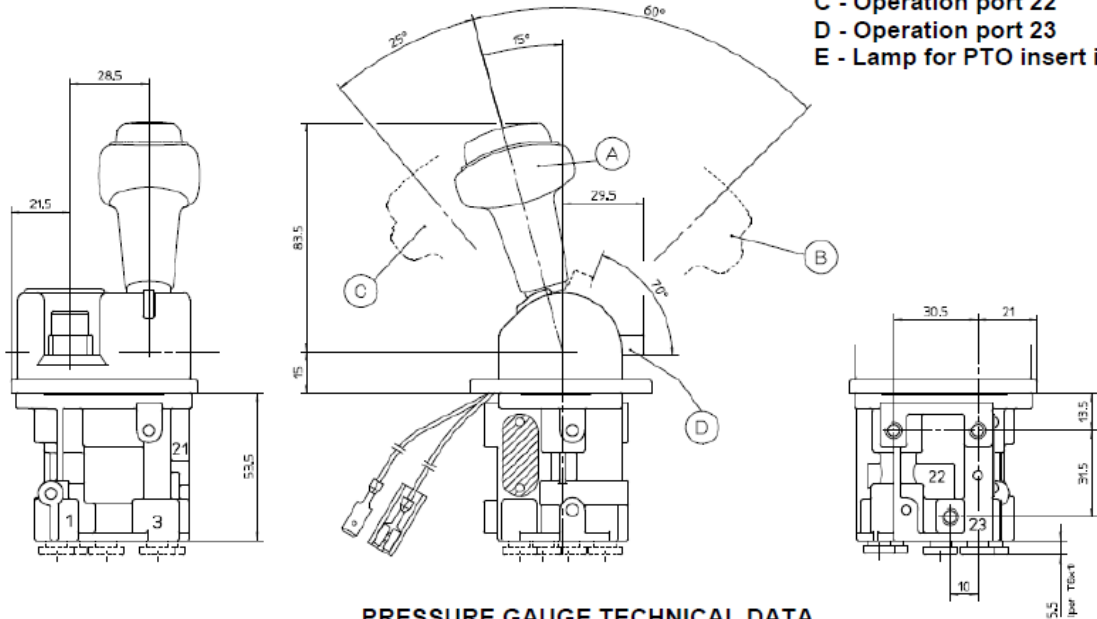
Code	Console
SABCD	Hard Plastic Angled
5ABCD	5" tall steel tower
12ABCD	12" tall steel tower

Code	PTO Switch Auto Kick Out
T14	STANDARD
ILT14	Not Available



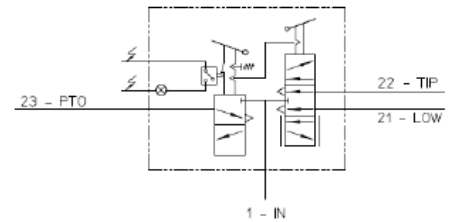
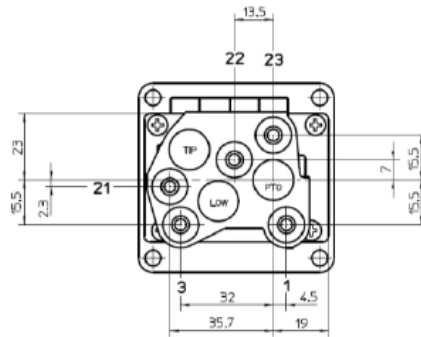
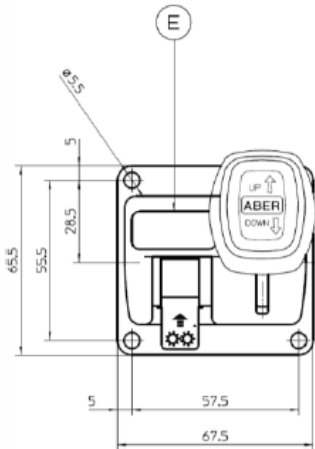
DIMENSIONS in mm - ABCD73/83/93

- A - Reset position (with Lock)
- B - Operation port 21
- C - Operation port 22
- D - Operation port 23
- E - Lamp for PTO insert indication



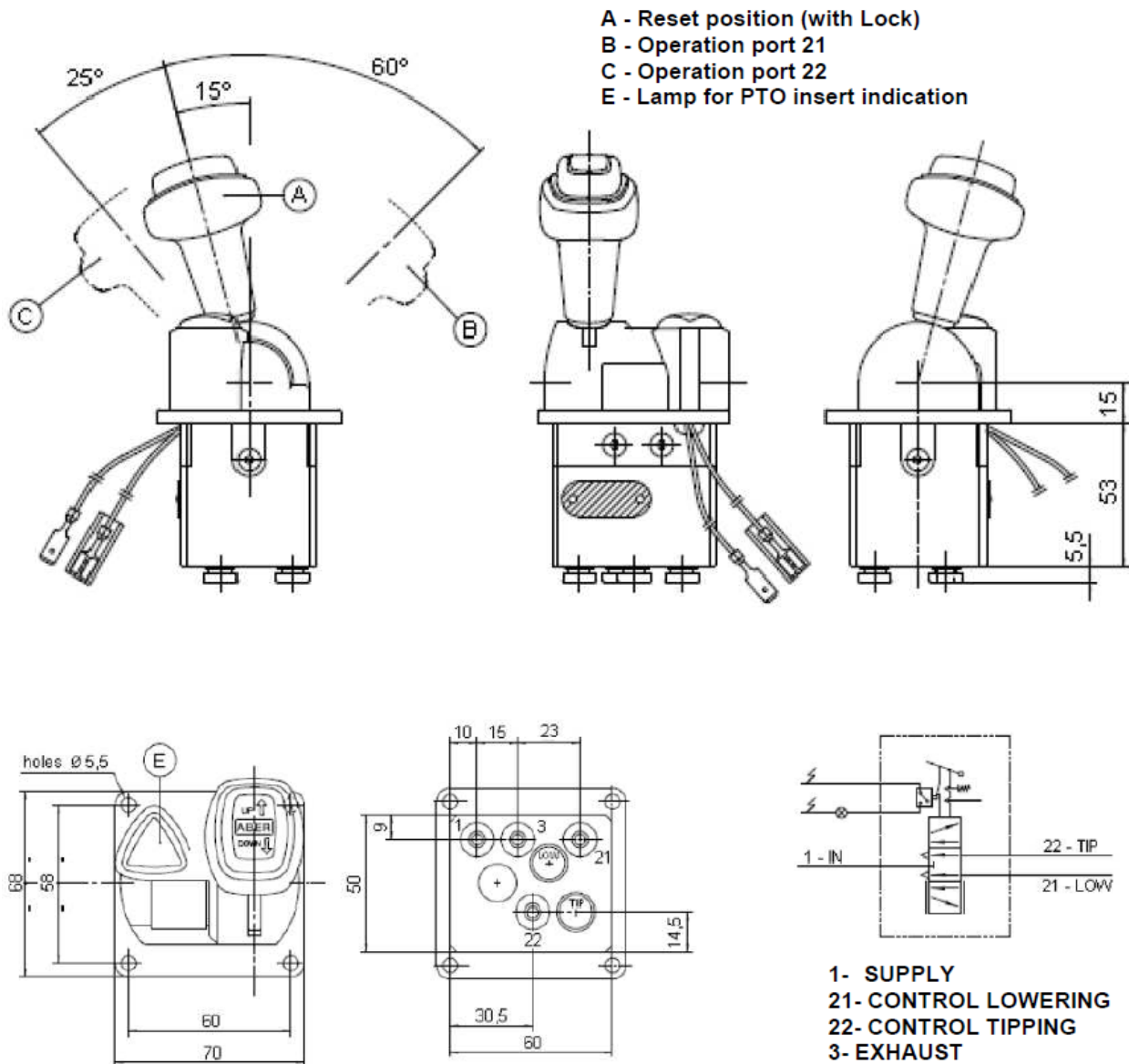
PRESSURE GAUGE TECHNICAL DATA

Operating voltage = 24VDC
Contacts = NO (normally open)



- 1- ENERGY SUPPLY
- 21- CONTROL LOWERING
- 22- CONTROL TIPPING
- 23- ENGAGEMENT POWER TAKE OFF
- 3- EXHAUST

DIMENSIONS in mm - ABCD42/52/62



Typical Cab Installations



Ordering Code Examples



ABCD - ** - **

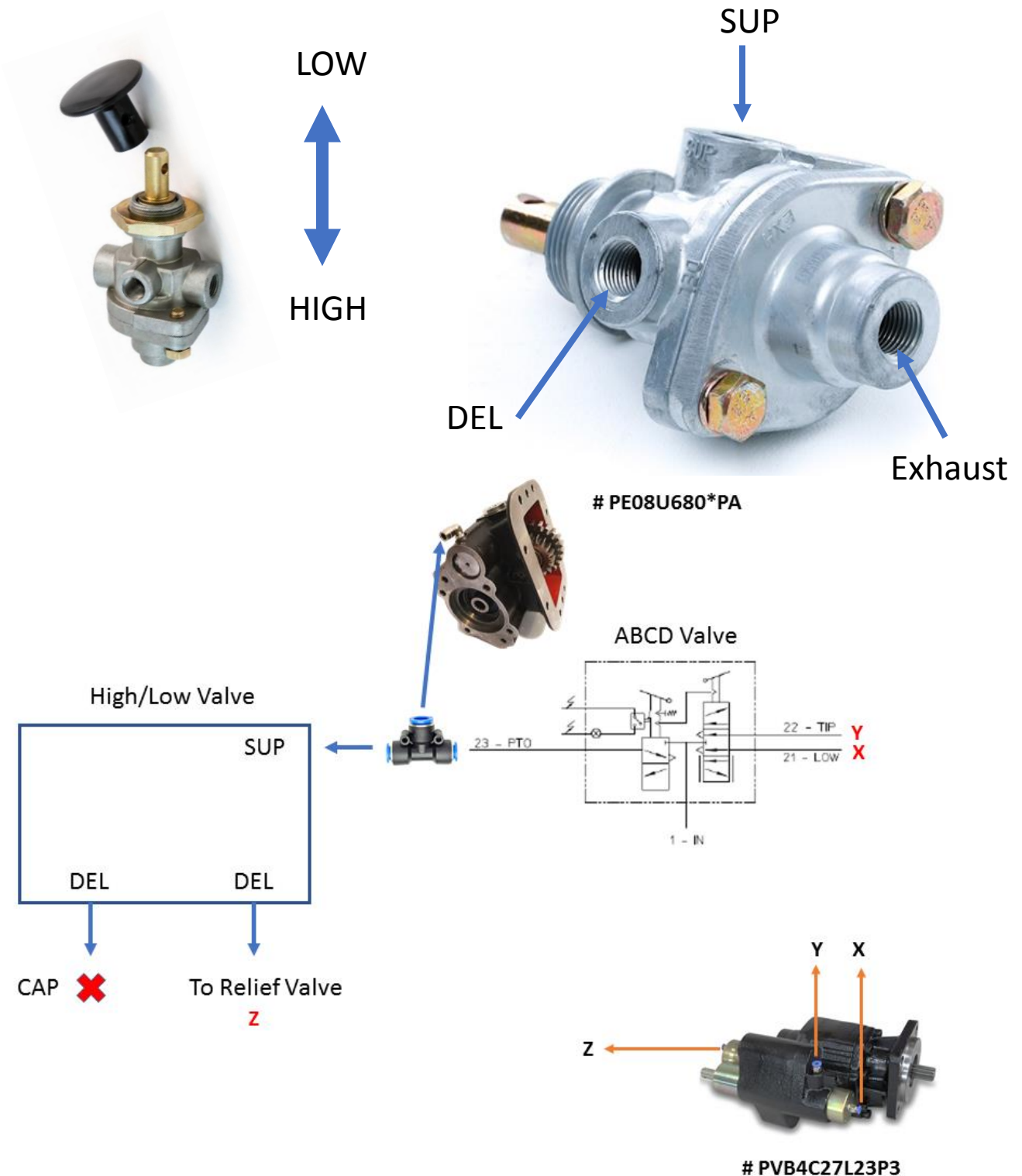


ABCD - ** - ** - SABCD



ABCD - ** - ** - 12ABCD

High/Low Selector Switch



When installed as shown, the valve will automatically switch back to low pressure when PTO is disengaged as a safety function and avoiding connecting a wet line set for high pressure to a low-pressure trailer.