

H4W4PRV3 WDR IR Rugged Mini Dome IP Camera

Quick Installation Guide





Document 800-22218 – Rev A – 06/2016

Thank you for purchasing an H4W4PRV3 camera. Follow the instructions in this guide to install and log in to your camera. For instructions on configuring the camera, refer to *the Performance Series IP Cameras User Guide* on the installation CD that came with your camera.

If you require additional assistance, contact Tech Support (contact info is listed on the back page).



Cautions and Warnings

 <p>CAUTION RISK OF ELECTRIC SHOCK DO NOT OPEN</p> 	 <p>THIS SYMBOL INDICATES THAT DANGEROUS VOLTAGE CONSTITUTING A RISK OF ELECTRIC SHOCK IS PRESENT WITHIN THE UNIT.</p>
<p>CAUTION: TO REDUCE THE RISK OF ELECTRIC SHOCK, DO NOT REMOVE THE COVER. NO USER-SERVICEABLE PARTS INSIDE. REFER SERVICING TO QUALIFIED SERVICE PERSONNEL.</p>	 <p>THIS SYMBOL INDICATES THAT IMPORTANT OPERATING AND MAINTENANCE INSTRUCTIONS ACCOMPANY THIS UNIT.</p>

WARNING To ensure compliance with electrical safety standards, this product is intended for use with a Listed Power Adapter marked “Limited Power Source” or “LPS” on the unit, output rated to 12 VDC, minimum 0.33 A, TMA=60 deg C, or from Power over Ethernet (PoE) provided by Listed Information Technology Equipment meeting IEEE 802.3af PoE standard.

The Ethernet connection is not intended to be connected to exposed (outside plant) networks. Do not connect two power sources to the camera at the same time.

CAUTION Invisible LED radiation (850 nm). Avoid exposure to beam.

Regulatory Statements

Information to the User: This equipment has been tested and found to comply with the limits for a Class B digital device, pursuant to part 15 of the FCC Rules. These limits are designed to provide reasonable protection against harmful interference in a residential installation. This equipment generates, uses, and can radiate radio frequency energy and, if not installed and used in accordance with the instructions, may cause harmful interference to radio communications. However, there is no guarantee that interference will not occur in a particular installation.

If this equipment does cause harmful interference to radio or television reception, which can be determined by turning the equipment off and on, the user is encouraged to try to correct the interference by one or more of the following measures:

- Reorient or relocate the receiving antenna.
- Increase the separation between the equipment and receiver.
- Connect the equipment into an outlet on a circuit different from that to which the receiver is connected.
- Consult the dealer or an experienced radio/TV technician for help.

Note Changes or modifications not expressly approved by the party responsible for compliance could void the user’s authority to operate the equipment.

This Class B digital apparatus complies with Canadian ICES-003.

Cet appareil numérique de la Classe B est conforme à la norme NMB-003 du Canada.

Important Safeguards

- Read and keep these instructions.
- Do not aim the camera toward a bright light source for extended periods to prevent damage to the imager. Avoid operating the unit under or close to unstable light sources (may cause flickering), or close to fluorescent lamps or objects reflecting light.
- Do not touch the camera lens.
- Do not drop the camera or subject it to physical shock.
- Do not use a strong or abrasive detergent when cleaning the camera.
- Avoid operating or storing the unit in extremely humid, dusty, hot/cold environments, where the operating temperature is outside the recommended range of -4°F to 140°F (-20°C to 60°C).

Note Do not apply power to the camera before completing installation.

Note Ensure that the installation surface can support at least three times the weight of the camera.

Before You Begin

Before you begin, check that you have received all of the parts listed below. If any parts are missing or damaged, contact your dealer immediately.

- Camera
- Installation CD
- Quick installation guide
- Allen key (L-wrench)
- Self-tapping screws (x4)
- Plastic wall anchors (x4)
- Mounting template

Required tools

- Phillips screwdriver
- Drill with appropriate bit for pre-drilling wall anchor holes

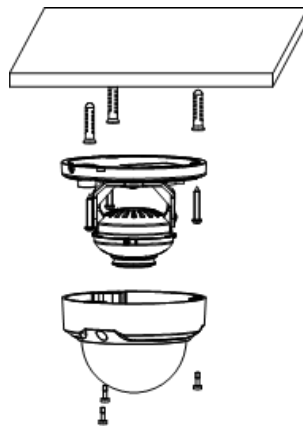
CAUTION Installation and servicing should be performed only by qualified and experienced technicians to conform to all local codes and to maintain your warranty.

Preparing the Mounting Surface

1. Inspect the site where you want to install the camera. The mounting surface must be flat and capable of supporting at least three times the weight of the camera.
2. Remove the backing from the mounting template sticker and affix the sticker to the mounting surface.

Note If you are using the side exit for the cable, note the orientation of the cable exit notch. In outdoor installations the notch should point downwards to prevent water from entering the camera housing.

3. Drill three screw holes at the locations indicated on the mounting template sticker and insert the three supplied plastic anchors in the holes.
4. If you are flush mounting the camera and want to store the cables inside the wall or ceiling, drill a hole at the cable exit position on the mounting template and then pull the cables through the hole.



Mounting the Camera

1. Use the supplied Allen key to remove the dome cover from the camera assembly and set it aside.
2. Connect one end of the Ethernet cable to the RJ-45 port on the camera.
3. If the other end of the Ethernet cable is NOT connected to a PoE switch or NVR, connect the power connector of the camera to a 12 VDC power source.
4. Attach the camera assembly to the mounting surface using the supplied screws.

Aiming the Camera

1. Aim the camera lens in the desired direction.
2. Set the lens zoom and focus.
3. Tighten the adjustment screws to secure the camera lens in place.
4. Attach the dome cover to the camera and remove the protective film from the bubble.

Logging On to the Camera

If the camera is connected to the PoE port of a Honeywell Embedded NVR, you can log on to the camera directly from the NVR.

To log on to the camera from a PC:

1. Install the Honeywell Config Tool from the installation CD.
2. Use the Config Tool to discover the camera and open the camera's webpage.
3. Log on to the camera as the admin user. The default user name is **admin** (case-sensitive) and the default password is **1234**.

Note Only Internet Explorer 11 and Firefox 46.0.1 (or later) browsers are supported.

Honeywell

www.honeywell.com/security www.honeywell.com/security/uk www.asia.security.honeywell.com
+1 800 323 4576 (North America only) +1 44 (0) 1928 754 028 (Europe only) +86 21 221 96888 (Asia Pacific only)

Document 800-22218 – Rev A – 06/2016