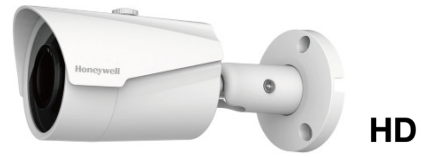


# HBD2PER1

Network TDN 1080p IR Bullet Camera







| OPERATIONAL              |                                                                                                                                      |
|--------------------------|--------------------------------------------------------------------------------------------------------------------------------------|
| VIDEO STANDARD           | NTSC/PAL                                                                                                                             |
| SCANNING SYSTEM          | Progressive scan                                                                                                                     |
| IMAGE SENSOR             | 1/2.9" 2 MP CMOS                                                                                                                     |
| NUMBER OF PIXELS (H × V) | 1920 × 1080                                                                                                                          |
| MINIMUM ILLUMINATION     | 0.08 lux color @ F2.0 (Color, 1/3s, 30 IRE)<br>0 lux B/W with IR LEDs on @ F2.0                                                      |
| S/N RATIO                | > 45 dB                                                                                                                              |
| ELECTRONIC SHUTTER SPEED | 1/3(4) – 1/100,000 s                                                                                                                 |
| IR DISTANCE              | Up to 98 ft (30 m), depending on scene reflectance                                                                                   |
| SMART IR                 | Auto/Manual                                                                                                                          |
| DAY/NIGHT                | Auto (ICR)/Color/BW                                                                                                                  |
| BACKLIGHT COMPENSATION   | BLC/HLC/DWDR                                                                                                                         |
| WHITE BALANCE            | Auto/Natural/Street Lamp/Outdoor/Manual/<br>Customized Region                                                                        |
| GAIN CONTROL             | 0~100                                                                                                                                |
| NOISE REDUCTION          | 3D DNR                                                                                                                               |
| PRIVACY MASKING          | Up to 4 configurable zones                                                                                                           |
| MOTION DETECTION         | Up to 4 configurable zones                                                                                                           |
| REGION OF INTEREST       | Up to 4 configurable zones                                                                                                           |
| DIGITAL ZOOM             | 16x                                                                                                                                  |
| LENS                     | 3.6 mm, fixed, F2.0                                                                                                                  |
| ANGLE OF VIEW            | 110°/83° (H), 56°/44° (V)                                                                                                            |
| VIDEO                    |                                                                                                                                      |
| VIDEO COMPRESSION        | H.265/H.264H/Smart Codec/MJPEG (Sub Stream)                                                                                          |
| RESOLUTION               | 1080p (1920×1080), SXGA (1280×1024),<br>1.3 MP (1280×960), 720p (1280×720),<br>D1 (704×480/576), VGA (640×480),<br>CIF (352×240/288) |
| FRAME RATE               | 2 MP at 1 – 25/30fps<br>D1/CIF at 1 – 25/30fps                                                                                       |
| BIT RATE CONTROL         | CBR/VBR                                                                                                                              |
| BIT RATE                 | H.265: 12K – 6400 Kbps<br>H.264: 32K – 10240 Kbps                                                                                    |
| NETWORK                  |                                                                                                                                      |
| ETHERNET                 | RJ-45 (10/100BASE-T)                                                                                                                 |
| SUPPORTED WEB BROWSERS   | Internet Explorer (11.0+)                                                                                                            |
| SUPPORTED OS             | Windows® 7 32-bit/64-bit;<br>Windows® 10 32-bit/64-bit                                                                               |

| NETWORK (CONT'D)      |                                                                                                                                                                                         |
|-----------------------|-----------------------------------------------------------------------------------------------------------------------------------------------------------------------------------------|
| PROTOCOLS*            | HTTP; HTTPS; TCP; ARP; RTSP; RTP; RTCP; UDP;<br>SMTP; DHCP; DNS; PPPoE; IPv4/v6; QoS; UPnP; NTP;<br>Bonjour; IEEE 802.1x; Multicast; ICMP; IGMP; TLS                                    |
| INTEROPERABILITY      | ONVIF Profile S/Q                                                                                                                                                                       |
| MAXIMUM USER ACCESS   | 20 users                                                                                                                                                                                |
| SECURITY              | User account and password protection HTTPS, IP Filter,<br>Digest authentication, User access log, TLS1.2 only,<br>AES-128/256, SSH/Telnet closed, sFTP by default,<br>PCIDSS compliance |
| EVENT                 | Network disconnection, IP address conflict, illegal<br>access, video tampering, motion detection                                                                                        |
| EVENT NOTIFICATION    | Record (NAS and FTP), relay output, email, snapshot                                                                                                                                     |
| ELECTRICAL            |                                                                                                                                                                                         |
| POWER SUPPLY          | PoE (802.3af) Class 0, 12 VDC                                                                                                                                                           |
| POWER CONSUMPTION     | 5.03 W max. (IR LEDs on)                                                                                                                                                                |
| MECHANICAL            |                                                                                                                                                                                         |
| DIMENSIONS            | 6.49" × 2.79" (164.8 mm × 71.0 mm)                                                                                                                                                      |
| PRODUCT WEIGHT        | 0.84 lb (0.38 kg)                                                                                                                                                                       |
| PACKAGE WEIGHT        | 0.97 lb (0.44 kg)                                                                                                                                                                       |
| CONSTRUCTION          | Die-cast aluminum housing with powder coat                                                                                                                                              |
| CONSTRUCTION COLOR    | RAL 9003 (White)                                                                                                                                                                        |
| ENVIRONMENTAL         |                                                                                                                                                                                         |
| OPERATING TEMPERATURE | -22°F to 131°F (-30°C to 55°C)                                                                                                                                                          |
| STORAGE TEMPERATURE   | -22°F to 131°F (-30°C to 55°C)                                                                                                                                                          |
| RELATIVE HUMIDITY     | Less than 95%, non-condensing                                                                                                                                                           |
| INGRESS PROTECTION    | IP66                                                                                                                                                                                    |
| REGULATORY            |                                                                                                                                                                                         |
| EMISSIONS             | FCC Part 15B, EN 55032                                                                                                                                                                  |
| IMMUNITY              | EN 50130-4                                                                                                                                                                              |
| SAFETY                | EU: EN 60950-1<br>North America UL listed to UL/CSA 60950-1                                                                                                                             |
| ROHS                  | EN 50581                                                                                                                                                                                |

\* Some development may be required in specific user cases to support some of these protocols in the field as they mature over time.

# Network TDN 1080p IR Bullet Camera

## RECOMMENDED ACCESSORIES

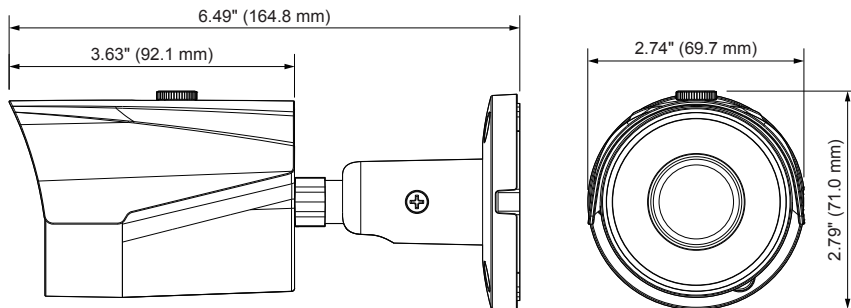
| SYSTEM COMPATIBILITY |                                                                 | MOUNTS AND ACCESSORIES |                                                                                   |                      |
|----------------------|-----------------------------------------------------------------|------------------------|-----------------------------------------------------------------------------------|----------------------|
| HEN*4                | 8/16/32/64-channel Performance Series 4K NVRs (H.264 and H.265) | HQA-PM2**              |  | Pole Mount Bracket   |
| HEN*2                | 4/8/16-channel Performance Series NVRs (H.264)                  | HB34S2-CM**            |  | Corner Mount Bracket |
|                      |                                                                 | HBS2-BB                |  | Junction Box         |
|                      |                                                                 | HEJB                   |  | Junction Box         |

\*\* The HBS2-BB or HEJB junction box must be used when installing the camera to HQA-PM2 or HB34S2-CM.

## ORDERING

|          |                                                                                                               |
|----------|---------------------------------------------------------------------------------------------------------------|
| HBD2PER1 | Network TDN 1080p IR Bullet Camera, 1/2.9" CMOS, 3.6 mm Fixed, 18 IR LEDs, PoE, IP66, H.265/H.264/Smart Codec |
|----------|---------------------------------------------------------------------------------------------------------------|

## DIMENSIONS



### For more information

[www.honeywellvideo.com](http://www.honeywellvideo.com)

### Honeywell Security

2700 Blankenbaker Pkwy, Suite 150

Louisville, KY 40299

1.800.323.4576

[www.honeywell.com](http://www.honeywell.com)

ONVIF and the ONVIF logo are trademarks of ONVIF Inc. Honeywell reserves the right, without notification, to make changes in product design or specifications.

L/HBD2PER1D/D | 11/18  
© 2018 Honeywell International Inc.

**Honeywell**