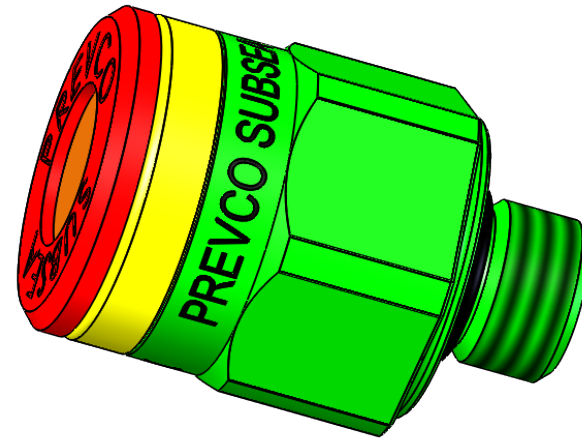


NOTES, UNLESS OTHERWISE SPECIFIED:

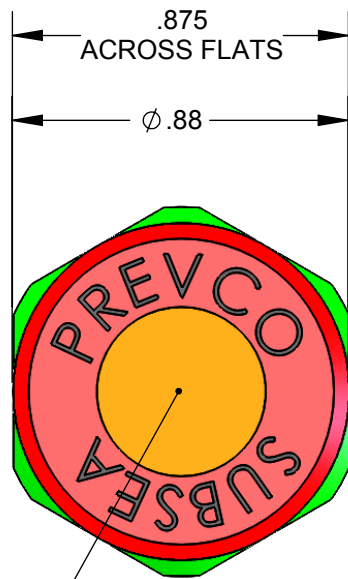
1. ALL EXTERIOR DIMENSIONS ARE NOMINAL AND SHOWN FOR REFERENCE ONLY.
2. ALL EXPOSED MATERIAL: TITANIUM, GRADE 5 (DOMESTIC).
3. ALL EXPOSED MATERIAL FINISH: TIODIZE.
4. ALL SEALS AND MOVING PARTS IN THIS PRESSURE RELIEF VALVE ARE SERIALLY REDUNDANT.
5. RATED FOR 6,000M OPERATING DEPTH.
6. FACTORY SET CRACKING PRESSURE: 10-15 PSI. (4.5-7 PSI IN DEGRADED MODE).
7. TORQUE TO 55-75 INCH LBS.

REVISIONS			
REV.	DESCRIPTION	DATE	APP.
A	INITIAL RELEASE OF MOD 0 CONFIGURATION	9/5/13	JAN
B	REDESIGNED	9/6/13	JAN
C	UPDATED TO MOD 1	7/23/2015	JAN
D	SHT 3: ADDED SPOTFACE CALLOUT	8/29/2016	RFM
E	SHT 3: ADDED .547 MIN, ϕ .300 WAS ϕ .172	10/4/2016	RFM
F	.02 MAX -was- .02	2/28/2018	DC



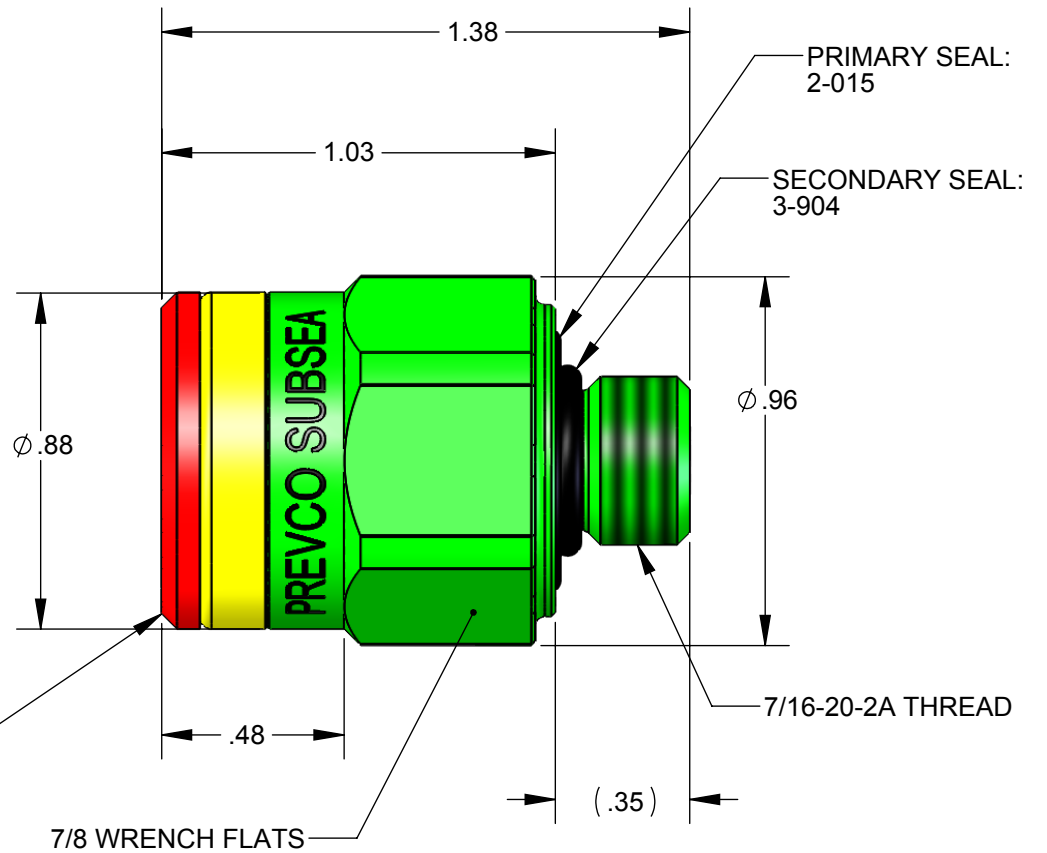
PREVCO SUBSEA FULLY REDUNDANT HI-RELIABILITY PRESSURE RELIEF VALVE

<p>PROPRIETARY NOTE</p> <p>All data and information contained or disclosed by this document is confidential and proprietary information of PREVCO Subsea LLC and all rights therein are expressly reserved. By accepting this material the recipient agrees that the material and the information therein is held in confidence and in trust and will not be used, copied, reproduced in whole or in part, nor its content revealed in any manner to others, except to meet the specific purpose for which it was delivered.</p>	TOLERANCES UNLESS NOTED				<p>PREVCO SUBSEA LLC</p> <p>PROJECT: PS2005 MODEL NO. PREFIX: MOD 1</p>		DRAWING TITLE	
	.X	.XX	.XXX	ANGLES			<p>HI-REL PRESSURE RELIEF VALVE, MOD 1 - INTERFACE DRAWING</p>	
	±.050	±.010	±.003	±.5°	CAGE CODE: 1PV08		DRAWING NO. 02074-001	
	CONCENTRICITY .004 TIR				DRAWN BY: MAD APPR. BY: JAN		DRAWN DATE: 06/24/13 SHEET 1 of 3 REV.F	
PRIMARY UNITS ARE INCHES								



COPPER BERYLLIUM
ANTI-FOULING DISK

PLASTIC
PROTECTIVE
COVER



7/8 WRENCH FLATS

PRIMARY SEAL:
2-015

SECONDARY SEAL:
3-904

Ø .96

7/16-20-2A THREAD

(.35)

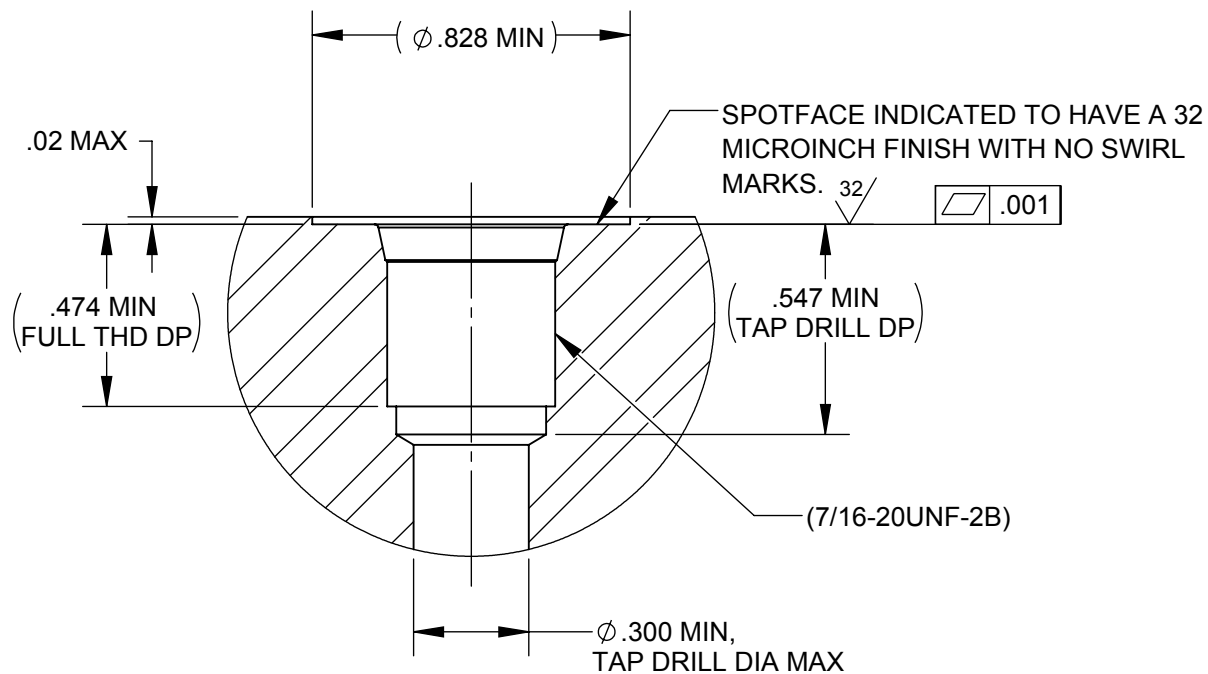
Ø .88

PROPRIETARY NOTE
All data and information contained or disclosed by this document is confidential and proprietary information of **PREVCO Subsea LLC** and all rights therein are expressly reserved. By accepting this material the recipient agrees that the material and the information therein is held in confidence and in trust and will not be used, copied, reproduced in whole or in part, nor its content revealed in any manner to others, except to meet the specific purpose for which it was delivered.

TOLERANCES UNLESS NOTED			
.X	.XX	.XXX	ANGLES
±.050	±.010	±.003	±.5°
CONCENTRICITY .004 TIR			
PRIMARY UNITS ARE INCHES			

PREVCO SUBSEA LLC	
PROJECT PS2005	MODEL NO. PREFIX MOD 1
CAGE CODE: 1PV08	
DRAWN BY: MAD	APPR. BY: JAN

DRAWING TITLE	
HI-REL PRESSURE RELIEF VALVE, MOD 1 - INTERFACE DRAWING	
DRAWING NO.	02074-001
DRAWN DATE: 06/24/13	SHEET 2 of 3
	REV.F



INSTALLATION DETAIL
STANDARD SAE #4 PORT PER SAE J1926
MODIFIED AS INDICATED ABOVE
USE PARKER TOOL #Y34732

PROPRIETARY NOTE All data and information contained or disclosed by this document is confidential and proprietary information of PREVCO Subsea LLC and all rights therein are expressly reserved. By accepting this material the recipient agrees that the material and the information therein is held in confidence and in trust and will not be used, copied, reproduced in whole or in part, nor its content revealed in any manner to others, except to meet the specific purpose for which it was delivered.	TOLERANCES UNLESS NOTED				PREVCO SUBSEA LLC		DRAWING TITLE		
	.X	.XX	.XXX	ANGLES	PROJECT	MODEL NO. PREFIX	HI-REL PRESSURE RELIEF VALVE, MOD 1 - INTERFACE DRAWING		
	±.050	±.010	±.003	±.5°	PS2005	MOD 1	DRAWING NO.		
	CONCENTRICITY .004 TIR				CAGE CODE: 1PV08		02074-001		
PRIMARY UNITS ARE INCHES				DRAWN BY:	MAD	APPR. BY:	JAN	DRAWN DATE: 06/24/13	
							SHEET 3 of 3		REV.F