

Catalogue No: **EEX ZS 71 10/1S WVD**

Ex PULLWIRE W/CLLR IP65 35M PB-RELEASE 1NO/1NC 3M

Hazardous Area Equipment > Hazardous Area Field Switching and Sensors > Hazardous Area Field Switches and Sensors > Steute Limit Switches and Sensors > Ex Emergency Pull-Wire Switches > Ex ZS 71 Series



Representative Photo Only
(actual product may vary based on configuration selections)

Ex emergency pull-wire switches with 2 contacts; 1NO+1NC, pushbutton release, pre-wired cable of 3 meter length

- Ex zone 1, 2, 21 and 22
- Metal enclosure
- 2 contacts
- Small design
- Wire length up to 35 m
- Release by push-button (VD)
- Available without unlocking mechanism
- Wire pull and breakage detection
- Watertight collar W for protection against penetration of dirt available
- Position indicator A available

SPECIFICATIONS

Product Series	Ex ZS 71
Zone(s)	1 21
IECEX Certified	Yes
Certificate Number	IECEX PTB 07.0034X
Certificate URL	http://iecex.iec.ch/IECEX/IECEXWeb.nsf/CoCHistory/IECEX%20PTB%2007.00343
Marking 1	Ex d IIC T6 or T5 Gb
Marking 2	Ex tb IIIC T80 °C or T95 °C Db
Ambient temperature, min	-20 °C
Ambient temperature, max	90 °C
Details, Temperature	T6: -20°C to +65°C, T5: -20°C to +90°C
Component Type HAE	Pull Wire Switch
Material, Body / Housing	Aluminium, Die-Cast material
Finish, body / housing	Powder Coated body/housing
Actuator Action	Momentary action
Pretensioning Force	100 N
Length, Cable, max	35 m, max
Contact Block Included	Yes
Contact Configuration	1 NO + 1 NC EB 1st Contact
Contact Action	Slow Action action
Contact Type	Double Break, Positively Driven type
Ie, Rated Operational Current, AC-15, 250V	6 A@250V
Ie, Rated Operational Current, DC-13, 230V	0.25 A@230V
Ithe, Thermal Current, T5	3 A
Ithe, Thermal Current, T6	6 A
Ui, Rated Insulation Voltage	250 V (rms)
Uimp, Impulse Withstand Voltage	4 kV

Catalogue No: **EEX ZS 71 10/1S WVD**

Ex PULLWIRE W/CLLR IP65 35M PB-RELEASE 1NO/1NC 3M

Hazardous Area Equipment > Hazardous Area Field Switching and Sensors > Hazardous Area Field Switches and Sensors > Steute Limit Switches and Sensors > Ex Emergency Pull-Wire Switches > Ex ZS 71 Series



Material, Contacts	Silver material
Fuse Characteristic Type(s)	gG/gN
B10d (ISO 13849:2006)	200000
IP Rating	IP65
Material, Cover	GRP (Glass Reinforced Plastic / Polyester / Thermoplastic) material
Material, cable jacket	PVC material
Connection / Termination	Built-in cable with flying leads
Cable Cross Section (Max)	4 x 0.75 mm ²
Length, Cable	3 m
Mechanical Service Life	100000 cycles
Tm, service life, max	20 years
Weight	0.685 kg
Standards Compliance	EN 60947-5-1 EN 60079-1 EN 60079-31 ISO 13850 EN 60079-0 EN 60529 IEC 60529 IEC/EN 62061 SILCL3
Certifications	ATEX IECEX C-CSA-US INMETRO EAC-EX

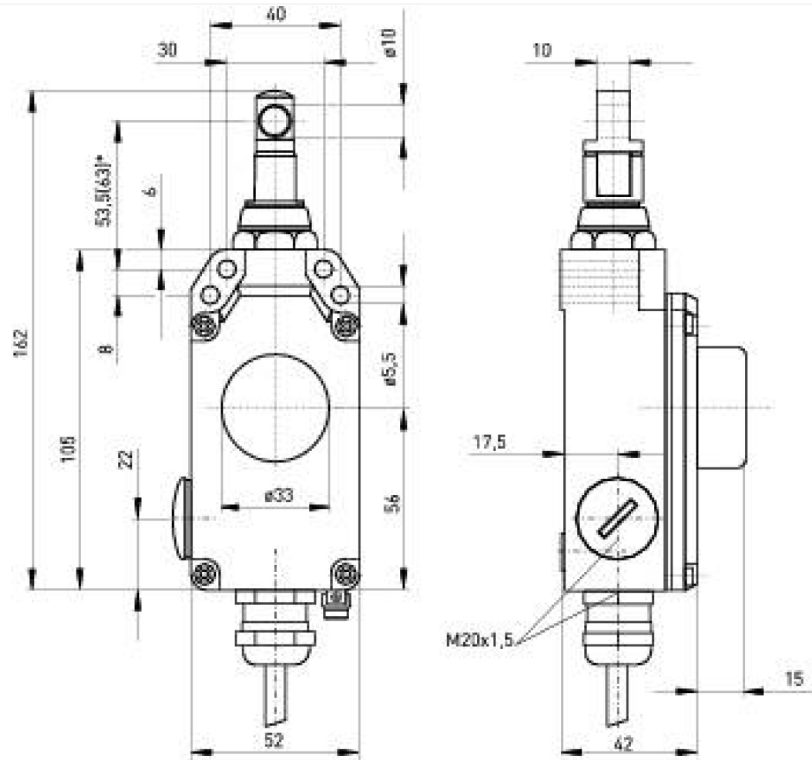
REFERENCES

IECEX Certificate	IECEX PTB 07.0034X
Supplier Declaration of Conformity:	EEXZS71101SWVD_Supplier Declaration of Conformity (SDoC)
Installation Guide:	EEXZS71101SWVD_Installation Instructions
User Manual:	-
Manufacturer Datasheet:	EEXZS71101SWVD_Manufacturer Datasheet
Manufacturer Catalogue & Product Selection:	-

Catalogue No: **EEX ZS 71 10/1S WVD**

Ex PULLWIRE W/CLLR IP65 35M PB-RELEASE 1NO/1NC 3M

Hazardous Area Equipment > Hazardous Area Field Switching and Sensors > Hazardous Area Field Switches and Sensors > Steute Limit Switches and Sensors > Ex Emergency Pull-Wire Switches > Ex ZS 71 Series

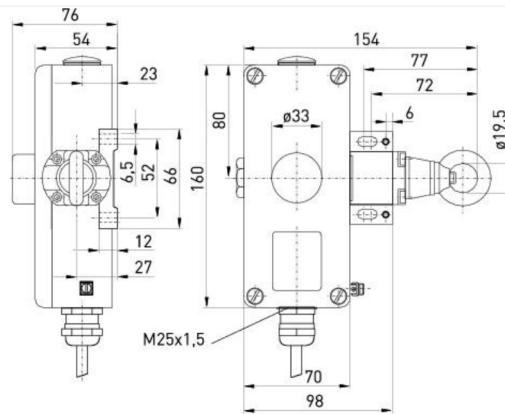


Dimension Diagram

Catalogue No: **EEX ZS 71 10/1S WVD**

Ex PULLWIRE W/CLLR IP65 35M PB-RELEASE 1NO/1NC 3M

Hazardous Area Equipment > Hazardous Area Field Switching and Sensors > Hazardous Area Field Switches and Sensors > Steute Limit Switches and Sensors > Ex Emergency Pull-Wire Switches > Ex ZS 71 Series



Technical Diagram