

FXIRS01-1 Infrared flame detector module

ControlNet™ FLEX I/O™ Infrared flame detector module corresponding to 1 burner

*ControlNet™ is ControlNet International's registered trademark.
*FLEX I/O™ is Rockwell Automation's registered trademark.



■ Outline

- * Infrared flame detector module corresponding to 1 burner
- * Detection factor : Flame luminance and flicker component
- * Multi-fuel firing : Available (by fuel selection signal)
- * Sensor check : 1 time / 1 day
- * FLEX I/O™ / ControlNet™ LAN compatible

ITEM	SPECIFICATION
Output signal	Flame-on (Contact output) : N.O. × 1 Low luminance level (Contact output) : N.O. × 1 Analog output (Luminance level signal) : DC 0 to 10 V
Input signal	Burner valve open/close (Contact input) Fuel selecting signal (Contact input) Sensor signal input: DC 0 to 10 V
Alarm output	Detector module abnormal (Contact output) : N.O. × 1
Module check terminal (Test jack)	Sensor output signal (TP.1) Flame tremble output signal (TP.2) Flame detection signal (TP.3) Luminance amplification signal (TP.4)
Watchdog timer	Monitoring the periodical pulse that sensor sends
Check interval	Once 24 hours (Selection available by check start input)
Self-diagnostic functions	Watchdog timer Clock monitor Sensor power supply (±12 V) abnormal Sensor (drop-out check) abnormal Power supply voltage low Bus time-out Flame detector (OFF check) abnormal
Indicator	LED × 1 2 Modes Green (Normal) Red (Abnormal) LED × 16 LED0 Yellow (Flame ON) LED1 Yellow (Low luminance level) LED2 Yellow (Sensor abnormal) LED3 Yellow (Flame detector abnormal) LED4 Yellow (Checking modules) LED5 Yellow (Sensor power supply normal) LED6 to 15 Unused
Compatible terminal bases	1794-TB3/TB3S 1794-TBN/TBNF
Dielectric strength	AC 1500 V Between digital I/O terminal and FG (1 min.)
Environmental conditions	(Operating) Temperature: 0 to 55°C Humidity: 5 to 95% RH (No condensation) (Storage) Temperature: -25 to 84°C Humidity: 5 to 95% RH (No condensation)
Power supply	DC 24 V ±10% / Less than 340 mA DC 5 V / Less than 80 mA
Shock/Vibration	15 G / 2 G @ 10 to 500 Hz
Dimensions	110 mm (D) × 46 mm (H) × 92 mm (W)

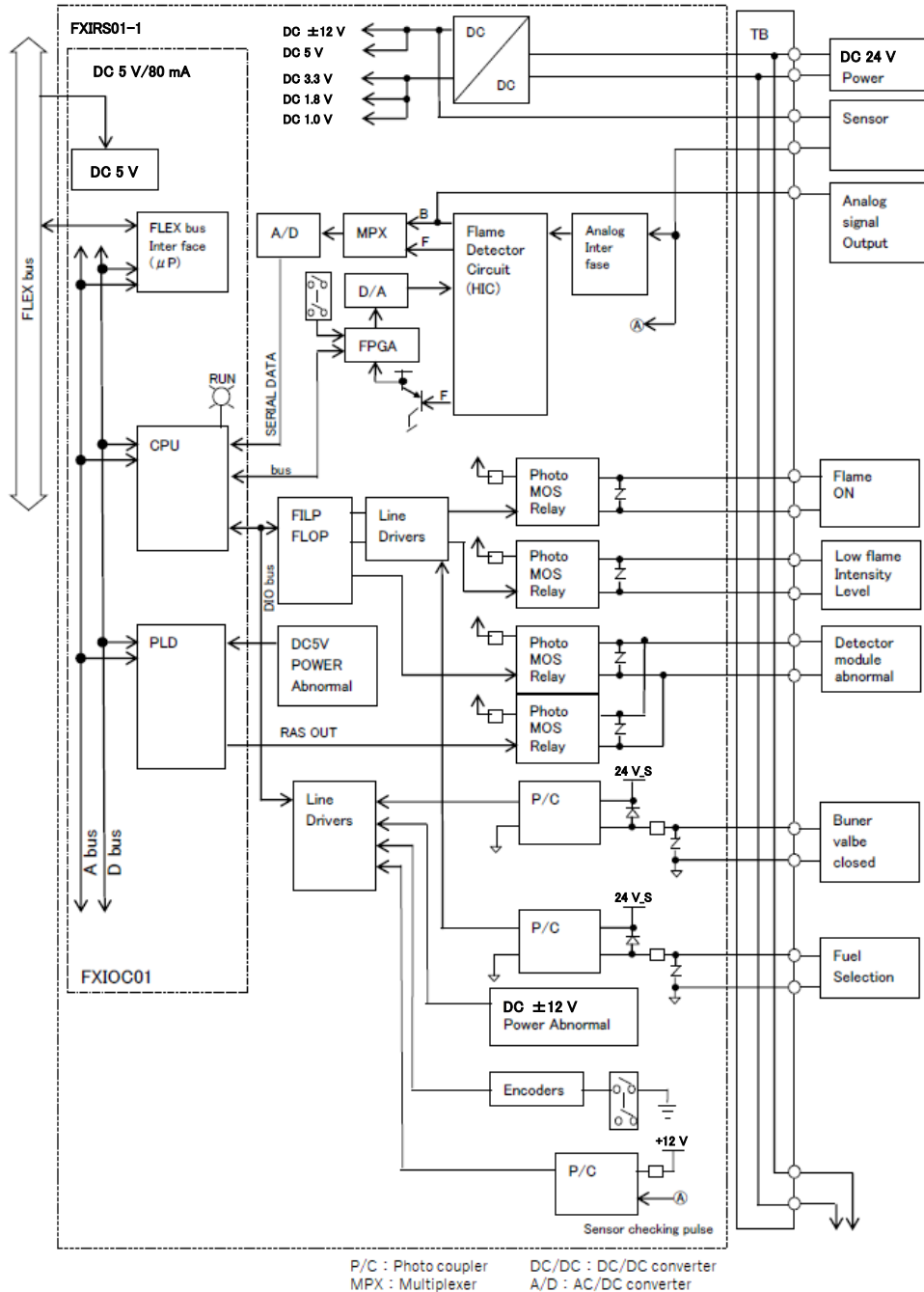
This product uses technology licensed from Rockwell Automation Technologies, Inc.

FXIRS01-1 Infrared flame detector module

ControlNet™ FLEX I/O™ Infrared flame detector module corresponding to 1 burner

*ControlNet™ is ControlNet International's registered trademark.
*FLEX I/O™ is Rockwell Automation's registered trademark.

FXIRS01-1 block diagram



When using, please read the instruction manual attached to the product carefully and use it properly.

This catalog may not be distributed or reproduced in whole or in part without permission.

Please be aware that due to product improvements and modifications, the product description in this catalog may differ in certain respects from the actual product.

DIASYS Netmation/DIASYS Netmation4S is a registered trademark of Mitsubishi Heavy Industries, Ltd.

The service names and product names of other companies described in this catalog are the trademarks or registered trademarks of each company.