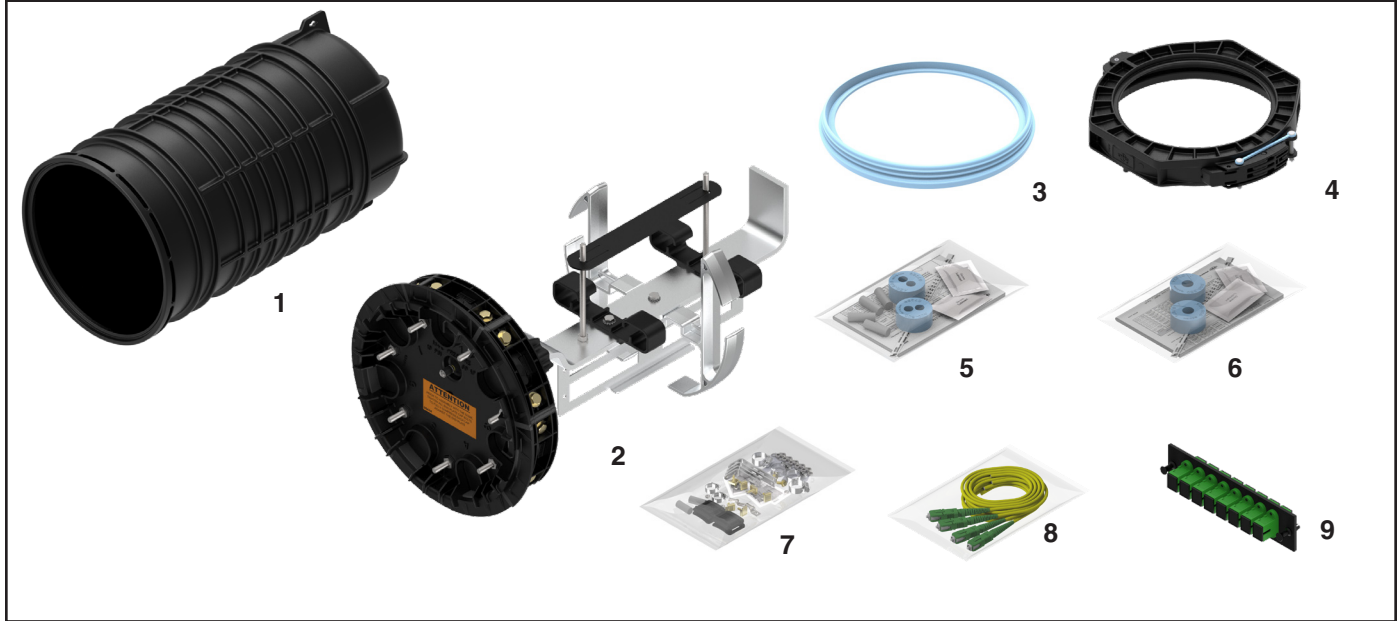




# COYOTE® Dome Closure Cross-Connect 9.5" x 19"

Be sure to read and completely understand this procedure before applying product. Be sure to select the proper PREFORMED™ product before application.



## NOMENCLATURE

1. Dome (1)
2. End Plate with 9.5" x 19" Organizer (1)
3. Dome Gasket (1)
4. Dome Collar (1)
5. Grommet Kit (1) (0.42" - 0.60" Cable Range)

6. Grommet Kit (1) (0.60" - 0.85" Cable Range)
7. Small Parts Bag (1)
8. Fiber Pigtail Kit - Ordered Separately
9. Adapter Module - Ordered Separately

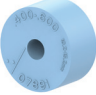

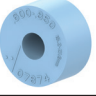

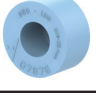

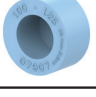



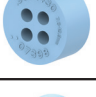

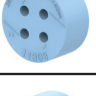

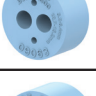

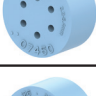

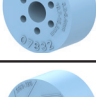

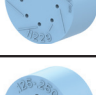

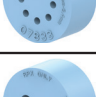


## TOOLS REQUIRED

- 3/8" & 7/16" Can Wrench or Socket
- Snips
- Side Cutters
- Fiber Optic Cable Opening Tools
- 1/4" Nut Driver
- Utility Knife

Splice Tray Capacities for COYOTE® Dome Closure Cross-Connect 9.5" x 19"					
PLP Catalog Number	Description	Image	Splice Type	Maximum Trays per Closure	Closure Maximum Splice Capacity
80809958	Short Low Profile LITE-GRIP Splice Tray (24ct)		Single Fusion	10	240
80813152	Short Low Profile LITE-GRIP Splice Tray (36ct)		Single Fusion	10	360
80808945	Short Deep Profile LITE-GRIP Splice Tray (40ct)		Single Fusion (Double Stack)	5	200

Closure Kits for COYOTE Dome Cross-Connect 9.5" x 19"	
PLP Catalog Number	Description
<b>CXD91901</b>	COYOTE Cross-Connect Dome Closure 9.5" x 19" for Buffer Tube – Includes (2) 2-Hole Grommets 0.42" – 0.60" (10.7 – 15.2 mm) and (2) 1-Hole Grommets 0.60" – 0.85" (15.2 – 21.6 mm)
Accessory Kits for COYOTE Dome 9.5" x 19"	
<b>COYEPIFIX1</b>	End Plate Assembly Fixture for COYOTE Domes
<b>8004160</b>	Heat Shrink Splice Protector Kit – Includes (50) 40 mm Mass Fusion
<b>8004095</b>	Heat Shrink Splice Protector Kit – Includes (50) 40 mm Single Fusion
<b>8003717</b>	Heat Shrink Splice Protector Kit – Includes (50) 60 mm Single Fusion
<b>80061477</b>	9.5" End Plate Gasket & Latching Collar
<b>80061201</b>	Breakaway Bonding Plate for 9.5" Domes
<b>80809205</b>	Strength Member Bracket Kit – Includes (2) Short L-Brackets
<b>800015236</b>	Strength Member Bracket Kit – Includes (3) Long L-Brackets and (3) Hose Clamps
<b>80808651</b>	Strength Member Bracket Kit – Includes (4) Long L-Brackets
<b>80808878</b>	Large Strength Member Adapter Kit
<b>80811037</b>	4-Port Cable Retention Bobbin Kit
<b>80811036</b>	6-Port Drop Cable Retention Bobbin Kit
<b>80812928</b>	6/8-Port Drop Cable Retention Bobbin Kit
Mounting Brackets for COYOTE Dome 9.5" x 19"	
<b>8003940</b>	Aerial Mounting Bracket – Strand Applications
<b>8004037</b>	Aerial Adjustable Offset Mounting Bracket – Strand Applications
<b>8003869</b>	Aerial Mounting Bracket – ADSS Applications
<b>8004038</b>	Aerial Adjustable Offset Mounting Bracket – ADSS Applications
<b>8003942</b>	Pole/Wall Mounting Bracket
<b>8003835</b>	Universal Mounting Bracket Kit – Handhole Applications
<b>8003941</b>	Aerial Mounting Bracket – End Plate Mounting Applications
<b>8004003</b>	Manhole Support Bracket
Adapter Modules for COYOTE Dome 9.5" x 19"	
<b>12SMDSCA</b>	12-Port SC/APC Adapter Module
<b>12SMDSC</b>	12-Port SC/UPC Adapter Module
<b>12SMLCA</b>	12-Port LC/APC Adapter Module
<b>12SMLC</b>	12-Port LC/UPC Adapter Module
<b>24LCAPC</b>	24-Port LC/APC Adapter Module
<b>24SMLC</b>	24-Port LC/UPC Adapter Module
Fiber Pigtail Kits for COYOTE Dome 9.5" x 19"	
<b>COYTRM-4PK-SCA</b>	4-Pack of SC/APC Fiber Pigtails
<b>COYTRM-4PK-SCU</b>	4-Pack of SC/UPC Fiber Pigtails
<b>COYTRM-4PK-LCA</b>	4-Pack of LC/APC Fiber Pigtails
<b>COYTRM-4PK-LCU</b>	4-Pack of LC/UPC Fiber Pigtails

**Grommet Chart for COYOTE® Dome Closure 9.5" x 19"**

<b>PLP Catalog Number</b>	<b>Cable Range Inches (mm)</b>	<b>Description</b>	<b>Image</b>	<b>Slitting Location</b>
<b>8003691</b>	.40 - .60 (10.2 - 15.2 mm)	1-entry grommet		
<b>8003692</b>	.60 - .85 (15.2 - 21.6 mm)	1-entry grommet		
<b>8003693</b>	.85 - 1.00 (21.6 - 25.4 mm)	1-entry grommet		
<b>8003694</b>	1.00 - 1.25 (25.4 - 31.8 mm)	1-entry grommet		
<b>8003663</b>	.42 - .60 (10.7 - 15.2 mm)	2-entry grommet		
<b>8003664</b>	.30 - .43 (7.6 - 10.9 mm)	4-entry grommet		
<b>8004065</b>	.250 - .312 (6.4 - 7.9 mm)	4-entry grommet		
<b>8003990</b>	.50 - .60 (12.7 - 15.2 mm) .125 - .250 (3.2 - 6.4 mm) and flat drop	4-entry grommet		
<b>8003665</b>	.125 - .250 (3.2 - 6.4 mm) and flat drop	6-entry grommet		
<b>8003676</b>	.42 - .60 (10.7 - 15.2 mm) .125 - .250 (3.2 - 6.4 mm) and flat drop	7-entry grommet		
<b>8004094</b>	.093 - .125 (2.4 - 3.2 mm)	8-entry grommet		
<b>8003677</b>	.125 - .250 (3.2 - 6.4 mm) and flat drop	8-entry grommet		N/A
<b>8004122</b>	RPX only	2-entry grommet		

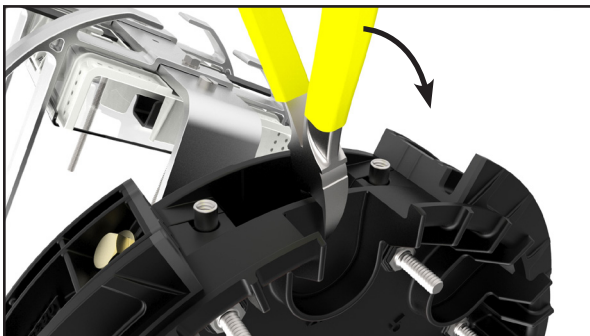
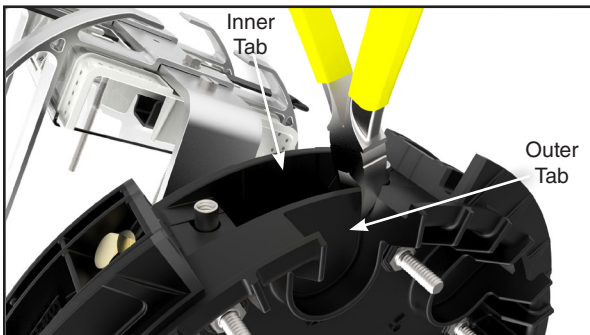
## End Plate Preparation

**Step #1** Determine which cable ports will be used and mark the respective break-out tabs of the end plate.



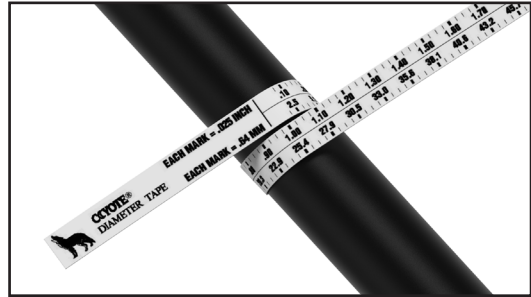
**NOTE:** For expressed buffer tube, buffered ribbon, or unitube applications use ports 3, 4, 5, and 6. Use all other cable ports for branch or drop cables.

**Step #2** Remove the end plate caps from the selected cable ports. Break out the outer and inner tabs of each cable port by snipping the grooves on both sides of each tab with side cutters. Once the grooves have been snipped, remove each tab by pulling the tab outwards from the end plate.

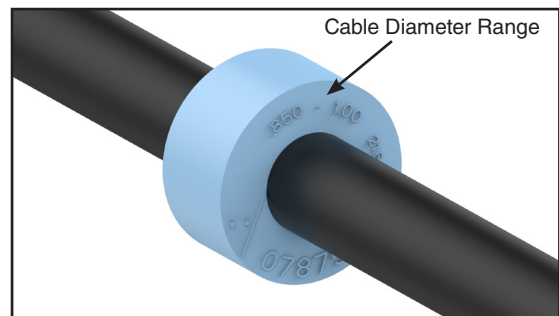


## Cable Preparation

**Step #3** Measure the cable to determine the diameter and hole location to use in the grommet.



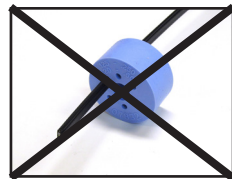
**Step #4** If using cut cable, insert cable through grommet. If your application requires express/balloon/ring cut cables, see Step 6 for grommet slitting procedure.



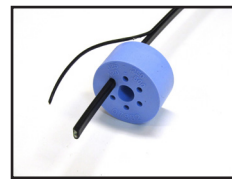
### Step #5 Installing Figure 8 Style Cables and Cables with Tracer Wires

Remove tracer wire or ground wire from the portion of the cable that will be positioned into the grommet and insert cable into grommet. Remove any burrs left on the cable caused by separating the tracer wire from the sheath.

#### Cable with Tracer Wire

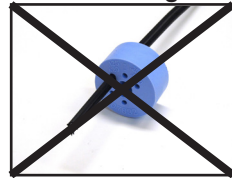


NOT CORRECT  
INSTALLATION

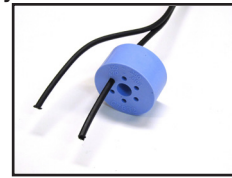


CORRECT  
INSTALLATION

#### Figure 8 Style Cable

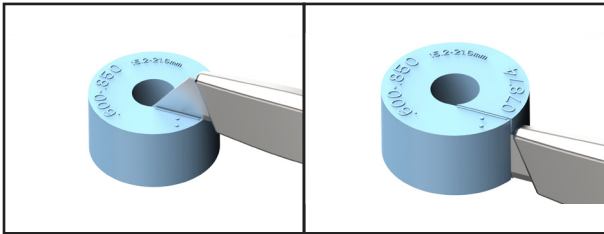


NOT CORRECT  
INSTALLATION

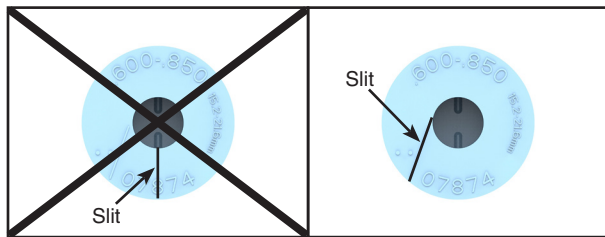


CORRECT  
INSTALLATION

**Step #6 Grommet Slitting** – If slitting is required, lay grommet on a stable flat surface. Position utility knife with the cutting edge against the top surface and cut through grommet. **Consult the grommet chart on page 3 for slitting locations of all grommets.**



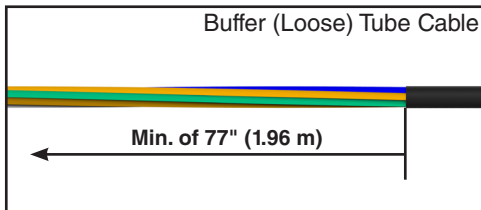
**PLP Tip:** Use a pen to sketch slitting lines on top surface of grommet prior to cutting.



**NOT CORRECT SLITTING ANGLE**

**CORRECT SLITTING ANGLE**

**Step #7** Prepare loose tube/buffer tube or unitube/ribbon cable(s) for cut applications.



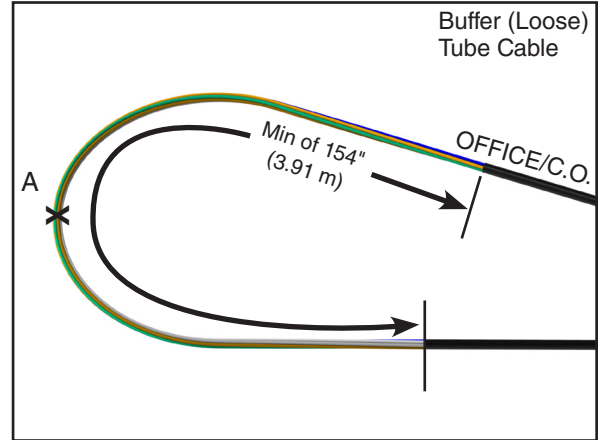
**Minimum Sheath Opening for Cut Cable Applications**

77" Min.	1.96 m Min.
----------	-------------

**PLP TIP:** Leave about 8" (203 mm) of strength member to trim later.

**Cable Sheath Opening for Applications Where Fiber is NOT Dedicated to the Splice Point**

**Step #8** Prepare loose tube/buffer tube cable(s) for mid sheath applications (Express/Balloon/Ring Cut).



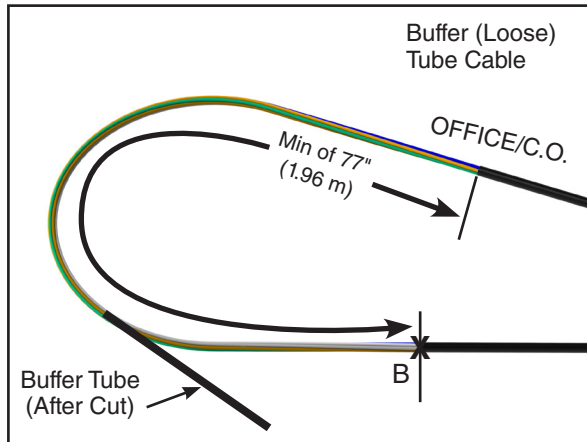
**For Applications Where Fiber is NOT Dedicated to the Splice Point**

Sheath Opening	Max. of 154" (3.91 m)
Buffer Tube Cable Cut Location	A (see 1st image)

**PLP TIP:** Leave about 8" (203 mm) of strength member to trim later.

## Cable Sheath Opening for Applications Where Fiber is Dedicated to the Splice Point

**Step #9** Prepare loose tube/buffer tube cable(s) for mid sheath applications (Express/Balloon/Ring Cut).



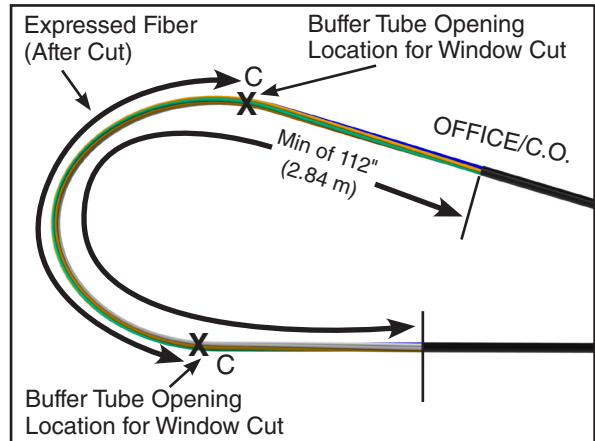
### For Applications Where Fiber is Dedicated to the Splice Point

Sheath Opening	Min. of 77" (1.96 m)
Buffer Tube Cable Cut Location	B (see 1st image)

**PLP TIP:** Leave about 8" (203 mm) of strength member to trim later.

## Cable Sheath Opening for Window Cut Applications

**Step #10** Prepare loose tube/buffer tube cable(s) for expressed fiber (buffer tube window cut).

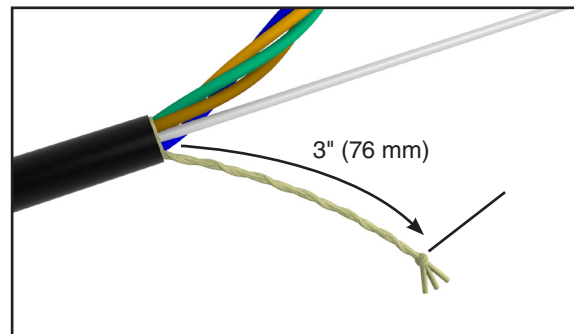


### For Window Cut Applications

Buffer Tube Length	26" (0.66 m)
Expressed Fiber Length	60" (1.52 m)
Sheath Opening	112" (2.84 m)
Buffer Tube Opening Location	C (see image above)

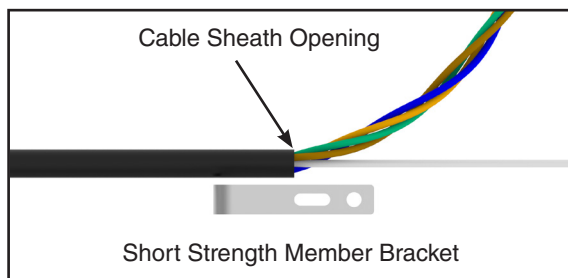
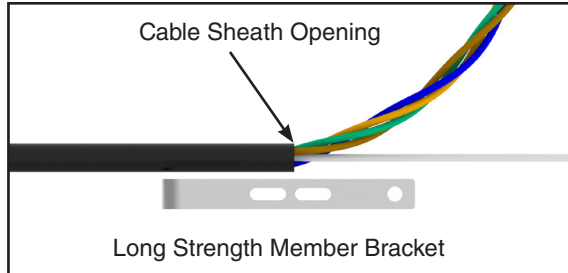
**PLP TIP:** Leave about 8" (203 mm) of strength member to trim later.

**Step #11** If the cable contains aramid yarn, braid roughly 3" (7.2 cm) of the aramid yarn.

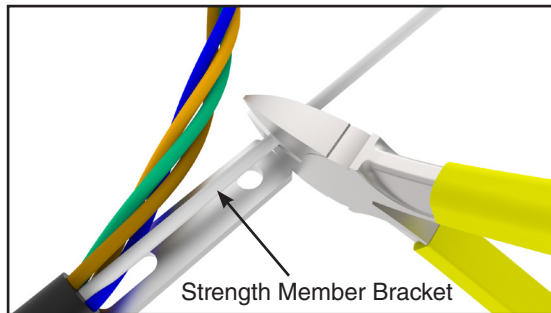


## Attaching Standard Buffer Tube Cable to the Strength Member Bracket

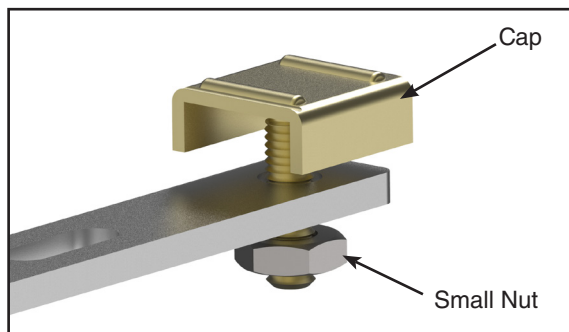
**Step #12** Align the sheath opening with the end of the slot of the strength member bracket as shown below.



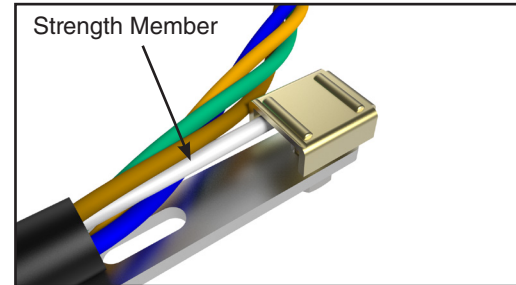
**Step #13** Trim the strength members flush with the end of the strength member bracket(s).



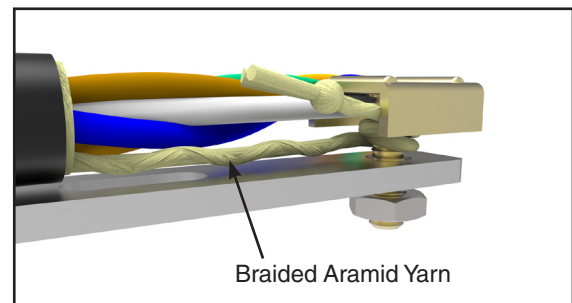
**Step #14** Install the cap on the strength member bracket and loosely secure it to the bracket with the small nut provided.



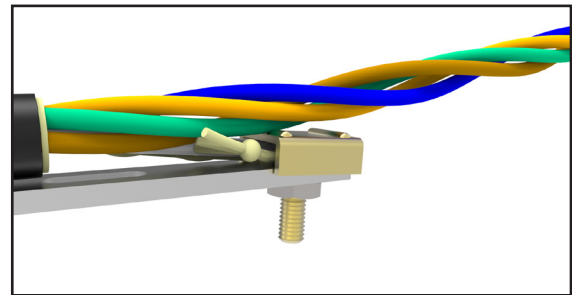
**Step #15** Position strength members under the cap of the strength member bracket(s).



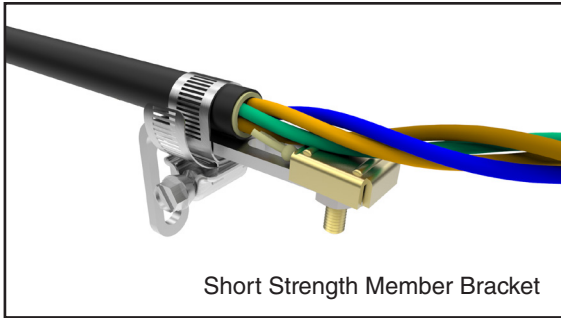
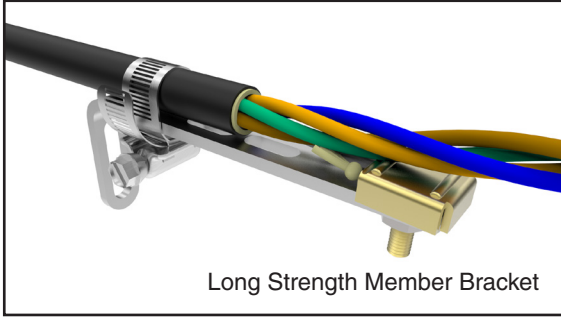
**Step #16** If the cable contains aramid yarn, wrap the braided aramid yarn around the stud of the cap as shown.



**Step #17** Tighten the nut of the cap to secure the strength members under the cap.

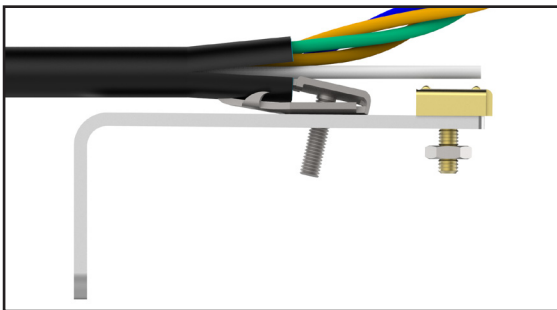


**Step #18** Secure the cable to the strength member bracket(s) with a hose clamp.



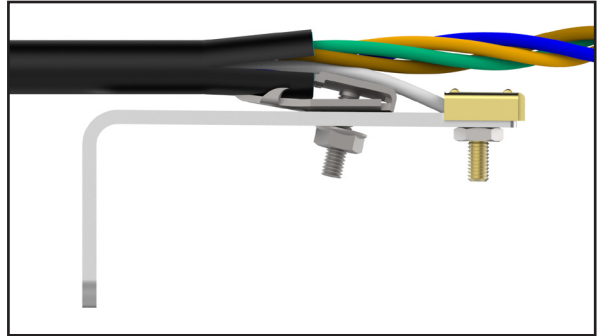
### Attaching Shielded Cable to Strength Member Bracket

**Step #19** Install the shield connector on the cable and insert the stud of the shield connector through the slot of the strength member bracket.

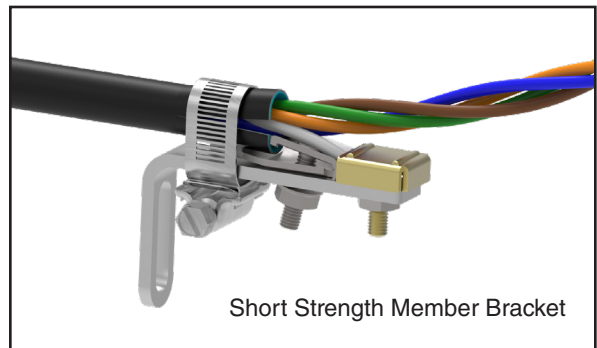
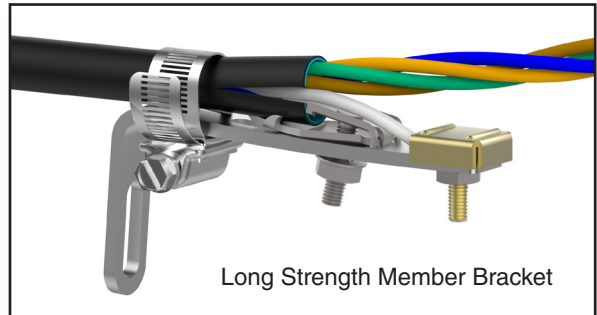


Follow standard company practices when applying shield connector to cable.

**Step #20** Secure the shield connector to the strength member bracket with the nut and secure the cable strength members under the cap of the strength member bracket.



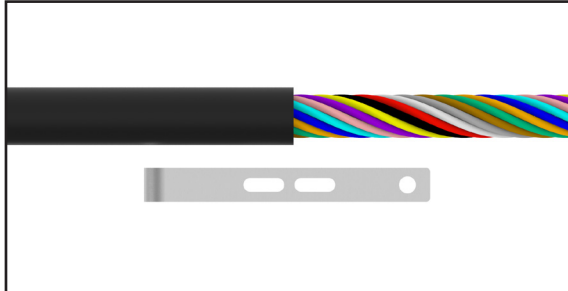
**Step #21** Secure the shielded cable to the strength member bracket with the hose clamp.



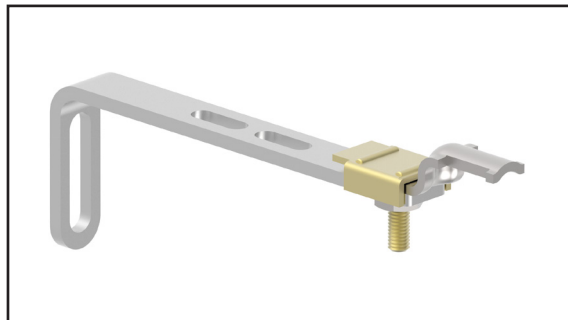
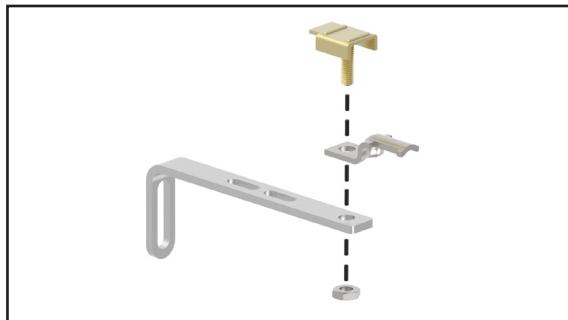


## Securing Cable with Large Central Strength Member to Strength Member Bracket

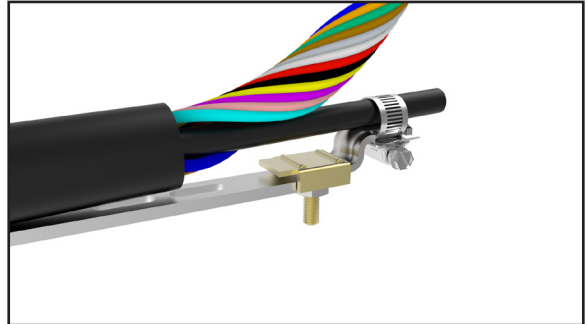
**Step #22** Align the sheath opening with the end of the slot of the strength member bracket as shown below.



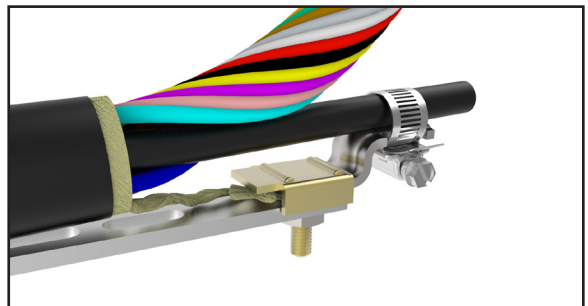
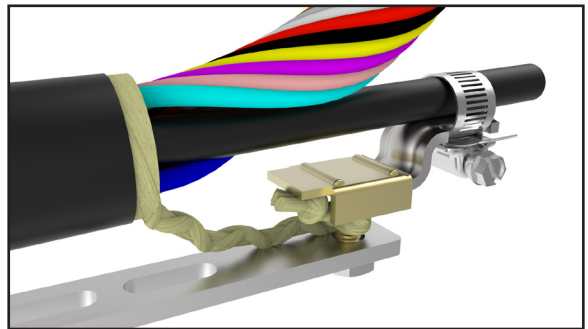
**Step #23** Assemble the adapter to the bracket as shown below.



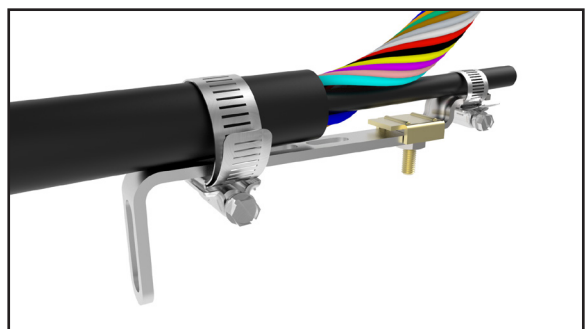
**Step #24** Trim the large strength member 1/2" (12.7 mm) past the end of the adapter. Secure the cable strength member to the adapter with the small hose clamp provided.



**Step #25** If the cable contains aramid yarn, braid roughly 3" (76 mm) of it and wrap it around the stud of the cap as shown below. Tighten the nut of the cap to secure the yarn under the cap.

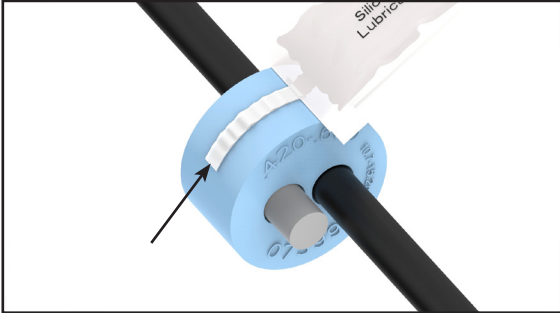


**Step #26** Secure the cable to the strength member bracket with the hose clamp provided.

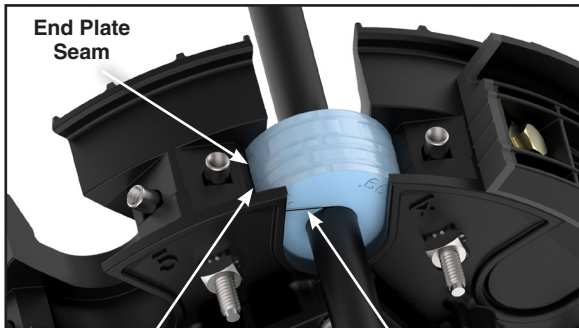
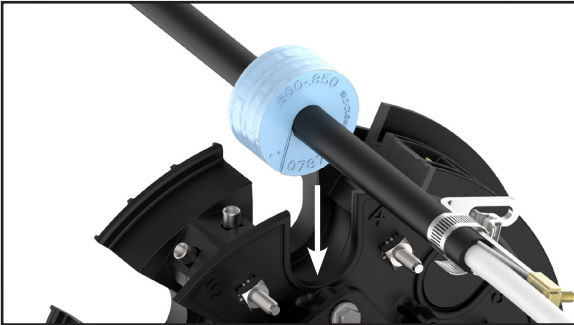


## Cable Installation and Routing

**Step #27** Lubricate the outer surface of the grommets. Spread lubricant evenly around the outer surface.



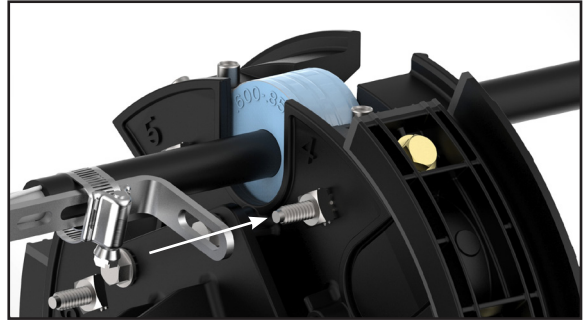
**Step #28** Position the grommets in the end plate slots.



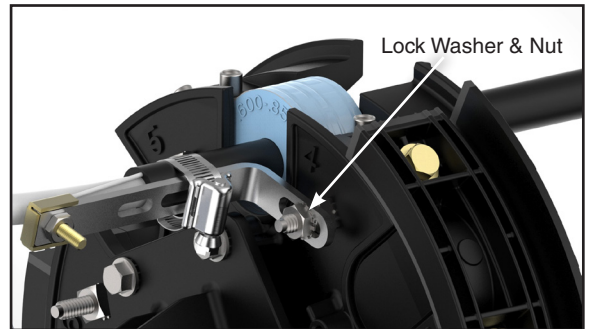
**DO NOT** align grommet slit with end plate seam.

Grommet Slit

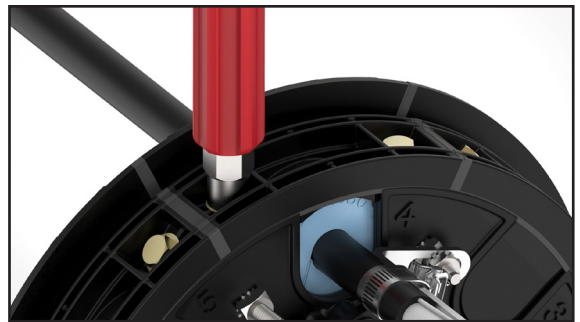
**Step #29** Position the slot of the strength member bracket leg over the stud and pull back the cable.



**Step #30** Install the strength member bracket on the stud. Install the lock washer and nut against the bracket, but do not tighten fully, so the bracket can slide as the grommet is inserted.



**Step #31** Install the end caps and secure with hex bolts.



**NOTE:** Tighten bolts by hand evenly until end cap is fully seated (**DO NOT USE POWER TOOLS TO TIGHTEN BOLTS**).

When using a can wrench or nut driver, the installed torque is 35 to 40 in-lbs.

**NOTE: TIGHTEN ALL UNUSED END CAPS.**

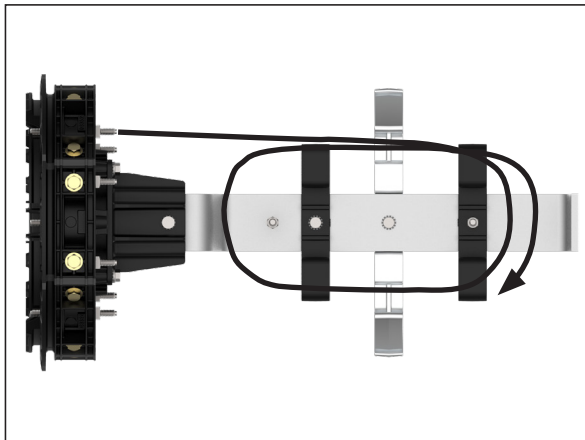
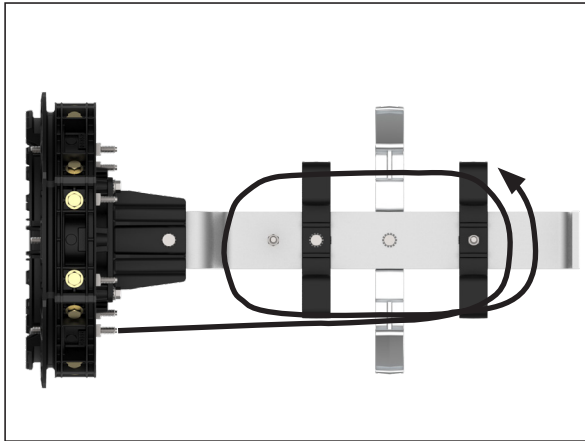
**IMPORTANT: TIGHTEN DOWN THE STRENGTH MEMBER BRACKET AFTER THE CAPS ARE TIGHTENED.**

**Step #32** Complete end plate assembly.

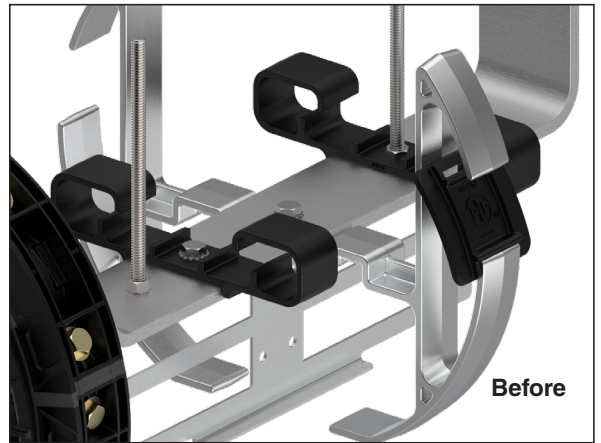


### Buffer Tube Applications

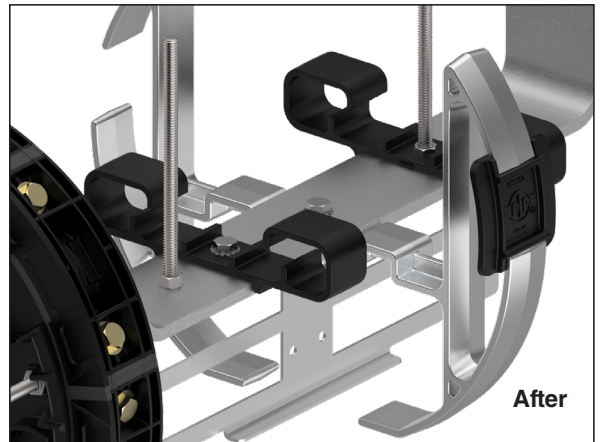
**Step #33** Route and store buffer tubes in storage brackets. If routing in side storage brackets, see Step #34 for installation of the retainer clips.



**Step #34** To install the retainer clip, position the bottom slot of the retainer clip onto the bottom of the bracket. Tilt the retainer clip forward until the top of the bracket snaps into the top slot of the retainer clip.

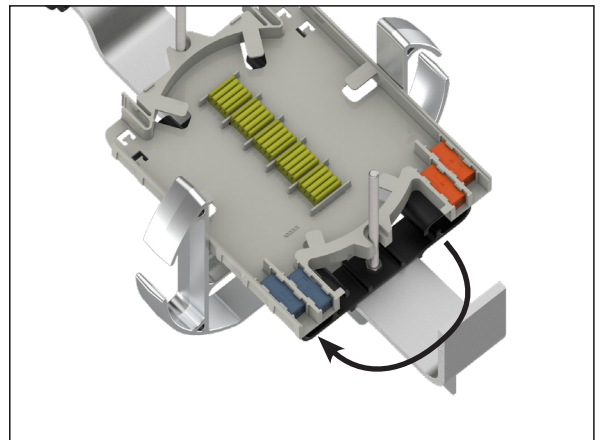


Before



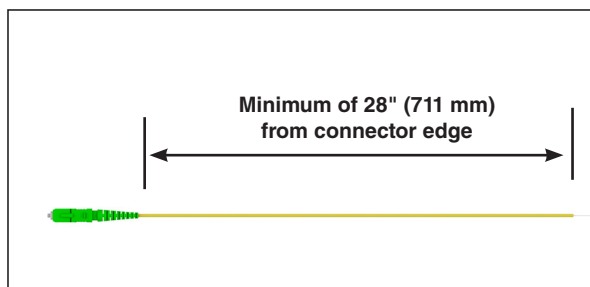
After

**Step #35** Route buffer tube(s) to splice tray(s) and secure.

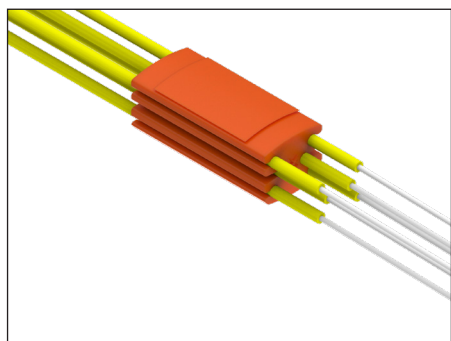


## Pigtail Assembly Installations

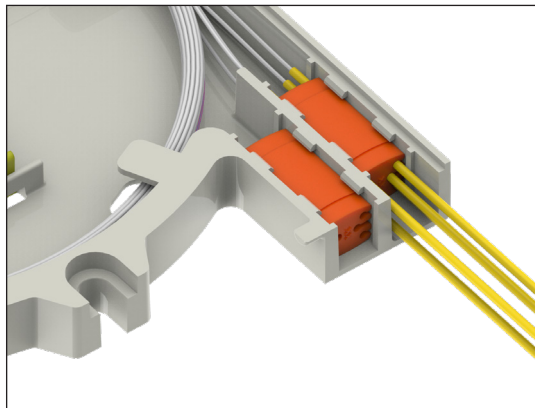
**Step #36** Measure and mark pigtail. Remove the pigtail jacket and aramid yarn beyond this mark.



**Step #37** Install the pigtails into the LITE-GRIP® sleeve.



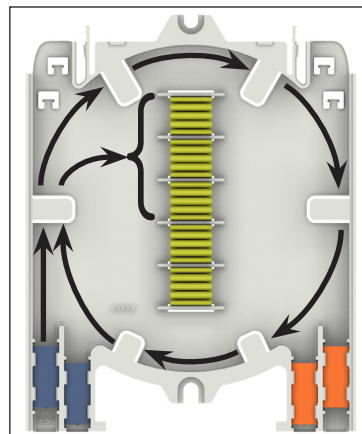
**Step #38** Install the LITE-GRIP® sleeve with the pigtails into splice tray.



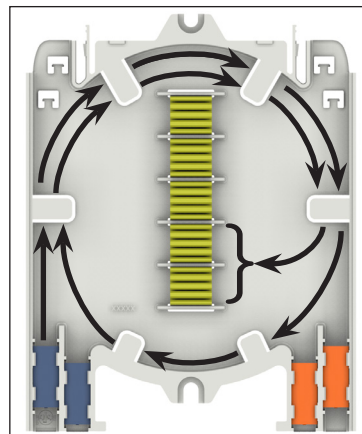
## Splice Tray Management

**Step #39** Route incoming fibers in splice tray.

Fibers  
1 - 24

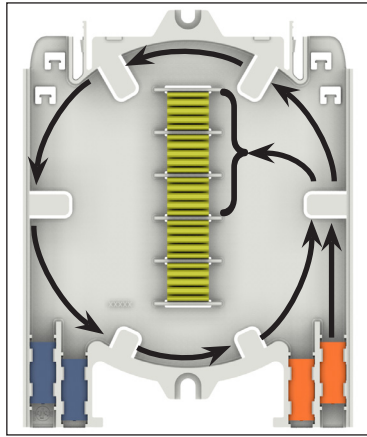


Fibers  
25 - 40

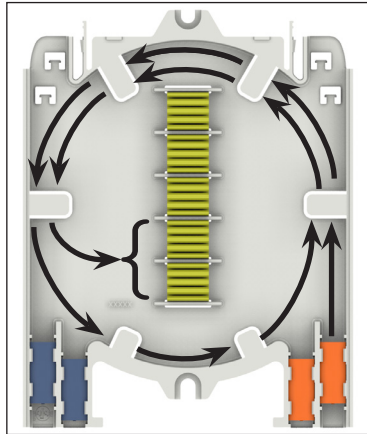


**Step #40** Route outgoing fibers in splice tray.

Fibers  
1 - 24

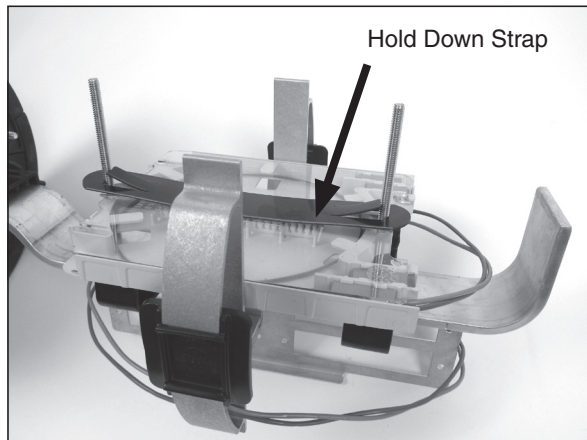


Fibers  
25 - 40



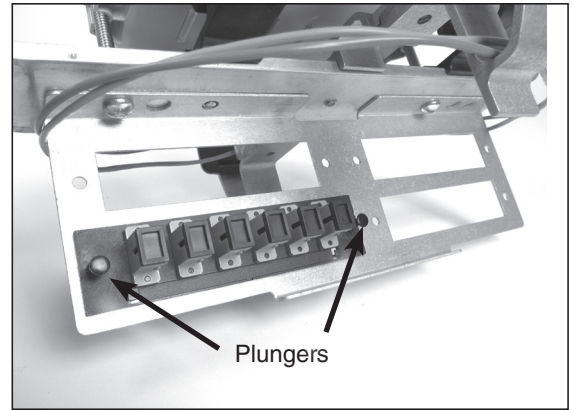
**Step #41** Splice incoming fibers to outgoing pigtail fibers per your accepted company practice.

**Step #42** Secure splice tray(s) with the hold down strap.



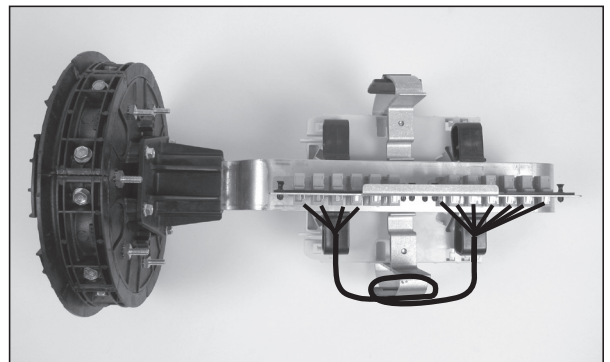
## Adapter Plate Installation

**Step #43** Insert adapter plate into bulkhead holes and secure by pushing on the heads of the plungers.

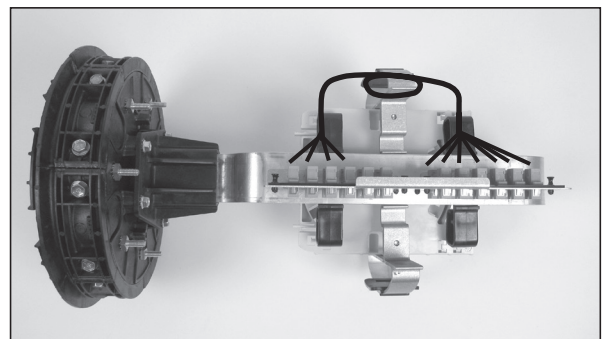


## Pigtail Routing

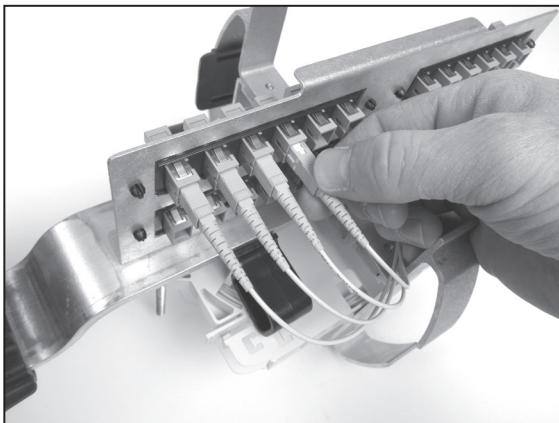
**Step #44** Route incoming (Feed/Central Office) pigtails to bulkhead as shown.



**Step #45** Route outgoing (Distribution) pigtails to bulkhead as shown.



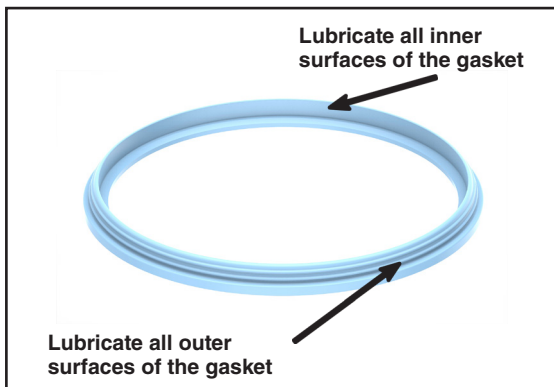
**Step #46** Install the pigtail connectors into adapters.



### Dome Preparation & Installation

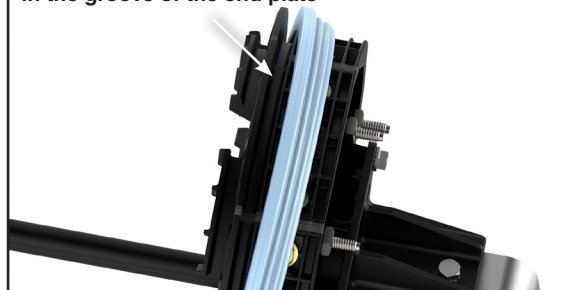
**Step #47** Re-tighten all cable cap bolts (step #31) to assure that the cable caps are fully seated. When using a can wrench or nut driver, the installed torque is 35 to 40 in-lbs.

**Step #48** Lubricate all surfaces around gasket with silicone lubricant to assure easy assembly and closure re-entry.

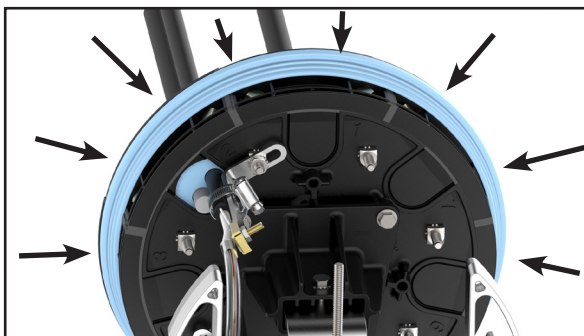


**Step #49** Slide the end plate gasket onto the end plate and press into the groove.

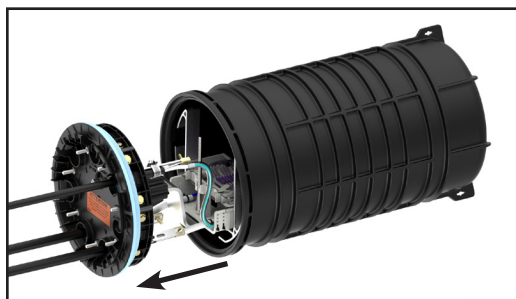
Make sure the gasket is seated in the groove of the end plate



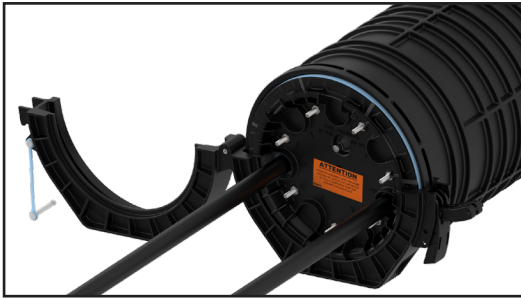
**Step #50** Work the gasket into the groove.



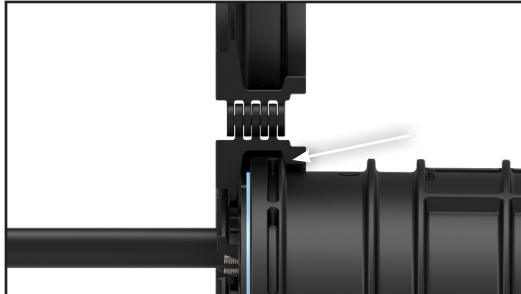
**Step #51** Position the dome over the end plate.



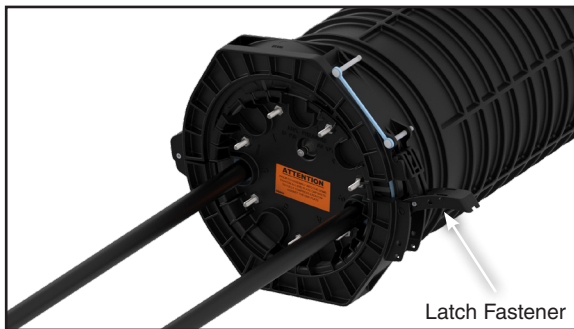
**Step #52** Install the dome collar.



Make sure that the lip of dome is captured underneath the collar before securing the latch.



**Step #53** Fasten the latch and lock the collar with the pin.



## Flash Test Procedure

**Step #54** Remove the cap from the air valve of the end plate.



**Step #55** Pressurize closure up to a max of 10 psi.



**Step #56** Spray all the sealing surfaces of the dome end plate with a soap/water solution to determine if the end plate has been assembled properly.



**Step #57** Release the pressure in the closure using the bump on the top of the air valve cap.

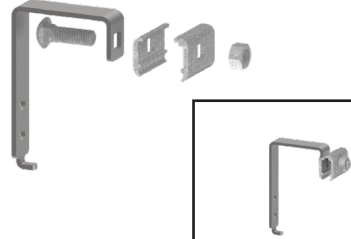


## Aerial Mounting Options

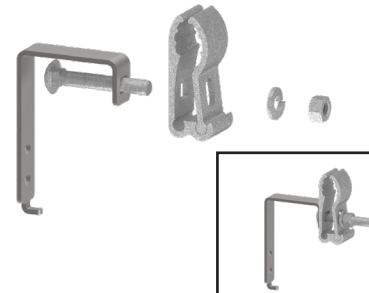
**Step #58a** COYOTE® 9.5" Dome Strand Mount Aerial Offset Bracket Kit (PLP Catalog Number: 8004037) and COYOTE 9.5" Dome ADSS Mount Aerial Offset Bracket Kit (PLP Catalog Number: 8004038).

Assemble each bug nut or ADSS clamp to each top aerial offset bracket as shown below.

### Strand Clamp



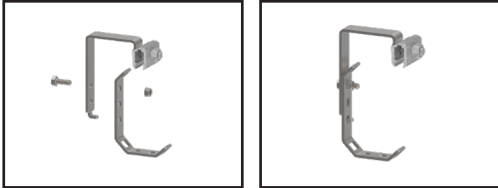
### ADSS Clamp





**Step #58b For Taller Spacing.**

Align the top aerial offset bracket with the bottom aerial offset bracket in either Position 1 or Position 2 as shown below and secure with the bolts and keps nuts provided.



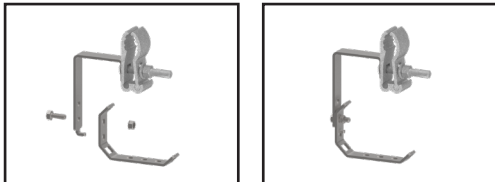
**Position 1 - Strand Clamp Shown**



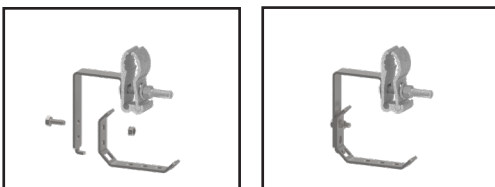
**Position 2 - Strand Clamp Shown**

**Step #58c For Shorter Spacing.**

Align the top aerial offset bracket with the bottom aerial offset bracket in either Position 1 or Position 2 as shown below and secure with the bolts and keps nuts provided.

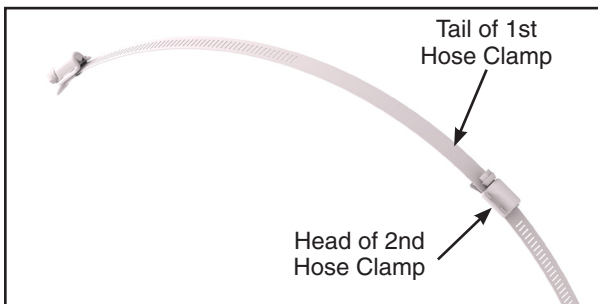


**Position 1 - ADSS Clamp Shown**

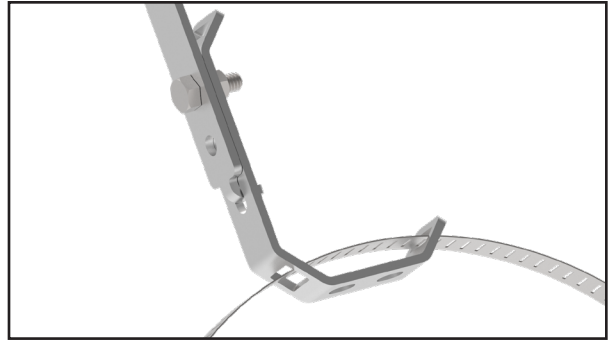


**Position 2 - ADSS Clamp Shown**

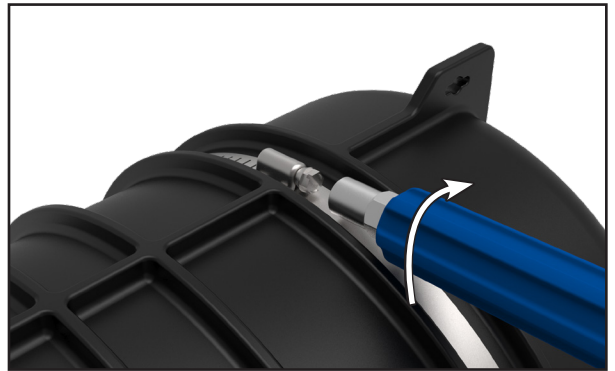
**Step #59** Secure the tail of one hose clamp to the head of the other hose clamp.



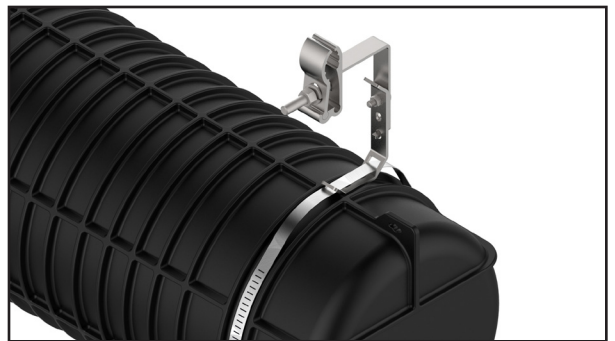
**Step #60** Insert hose clamp through slots in each of the bottom aerial offset brackets.



**Step #61** Tighten each hose clamp around the dome.



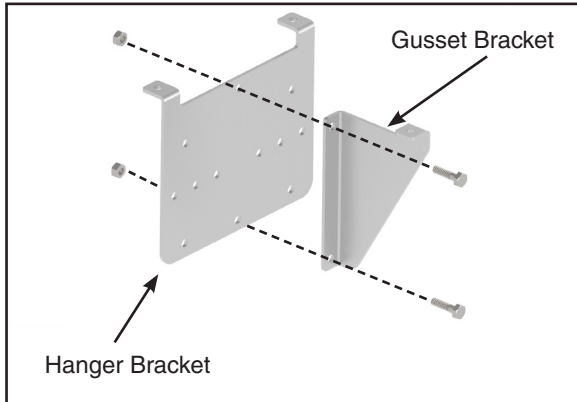
**Step #62** Bracket installed on dome closure. Second bracket also installed on opposite end of dome.



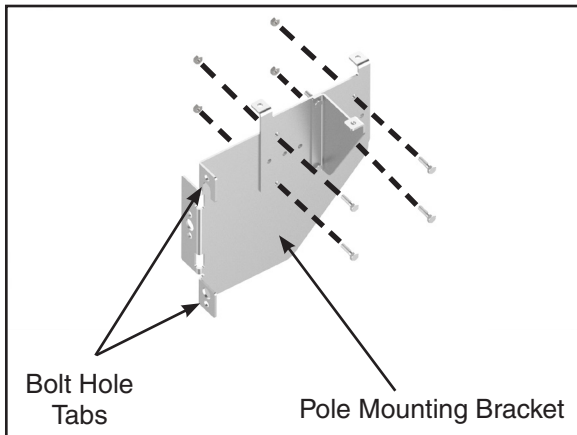
## Pole/Wall Mounting Option

### Step #63 COYOTE® 9.5" Dome Pole/Wall Mount Bracket (PLP Catalog Number: 8003942)

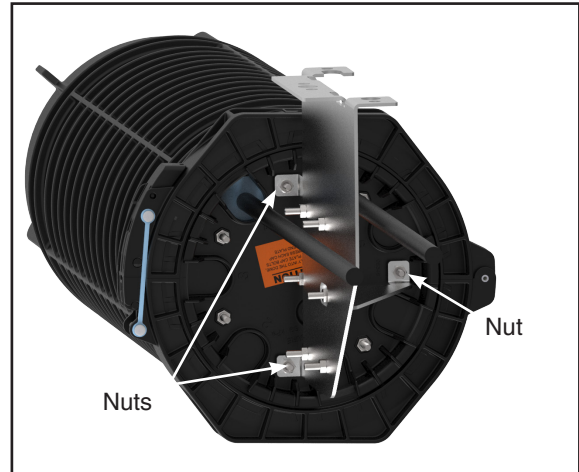
Secure the gusset bracket to the hanger bracket with the bolts and nuts provided as shown below.



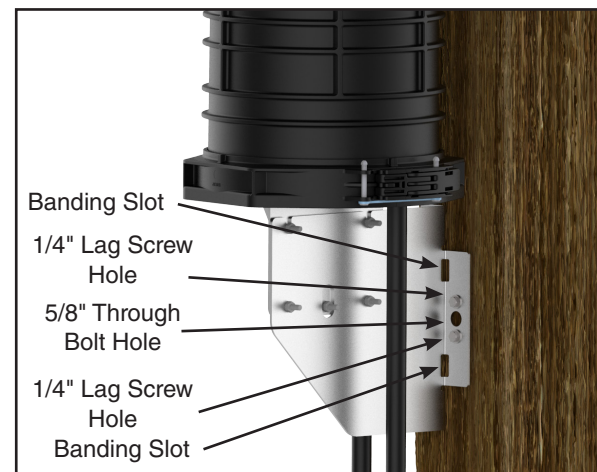
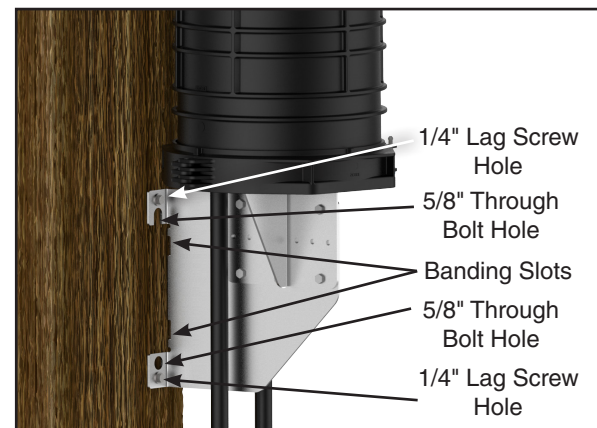
**Step #64** Attach the hanger bracket to the pole mounting plate with the gusset side facing the same side as the bolt hole tabs of the pole mounting bracket.



**Step #65** Install the pole/wall mount bracket assembly on to the grounding studs of the end plate of the closure and secure it to the end plate with the three nuts that are provided.



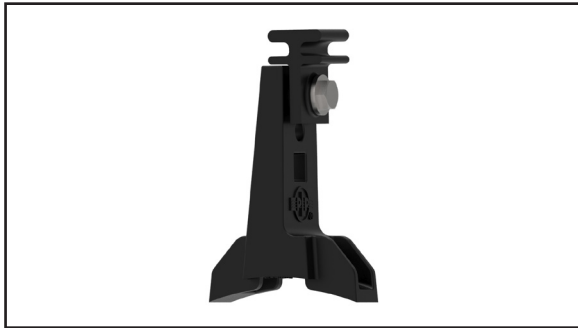
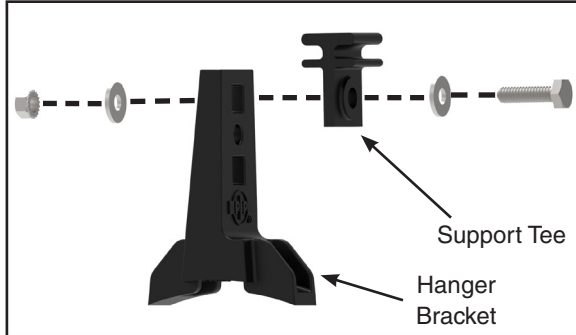
**Step #66** Attach the dome pole mounting plate to a pole or a wall with either 5/8" through bolts, 1/4" lag screws, or banding.



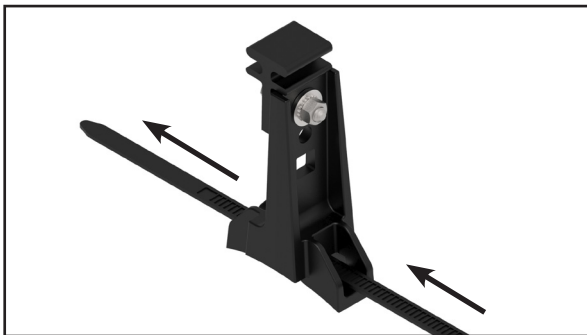
## Manhole Support Bracket Option

### Step #67 COYOTE® Dome 9.5" Manhole Support Bracket (PLP Catalog Number: 8004003)

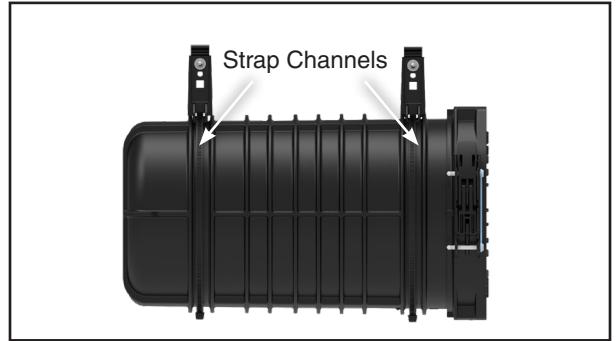
Attach a support tee to each hanger bracket using two washers, a bolt, and a nut, as shown below.



### Step #68 Slide a tie wrap through each hanger bracket as shown below.



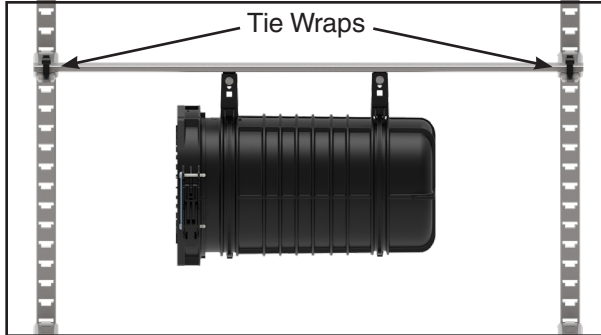
### Step #69 Secure the hanger brackets to the dome with the tie wraps. Make sure the hanger brackets seat within the strap channels of the dome.



### Step #70 Slide the tees of the hanger brackets within the slot of the manhole support bracket.



**PLP TIP:** The manhole support bar can then be mounted to step brackets with large stainless steel hose clamps or plastic tie wraps (Not included).



## SAFETY CONSIDERATIONS

This application procedure is not intended to supersede any company construction or safety standards. This procedure is offered only to illustrate safe application for the individual.

**FAILURE TO FOLLOW THESE PROCEDURES MAY RESULT IN PERSONAL INJURY OR DEATH.**

**Do not modify this product under any circumstances.**

This product is intended for use by trained technicians only. **This product should not be used by anyone who is not familiar with, and not trained to use it.**

When working in the area of energized lines, extra care should be taken to prevent accidental electrical contact. Be sure to wear proper safety equipment per your company protocol.

For proper performance and personal safety, be sure to select the proper size PREFORMED™ product before application.

PREFORMED products are precision devices. To ensure proper performance, they should be stored in cartons under cover and handled carefully.



# PREFORMED LINE PRODUCTS

P.O. Box 91129, Cleveland, Ohio 44101 • 440.461.5200 • plp.com • email: info@plp.com

SP3168-1