

TECHNICAL SPECIFICATIONS

GR6GD Series

Single Packaged Gas/Electric Units

13 SEER, R-410A 2 Ton thru 5 Ton Units

The GR6GD Series single packaged gas/electrics are high efficiency self contained cooling units that can be installed on the roof or on a slab. The convertible unit design makes installations simple in all applications. Units are ETL and ETLc listed.



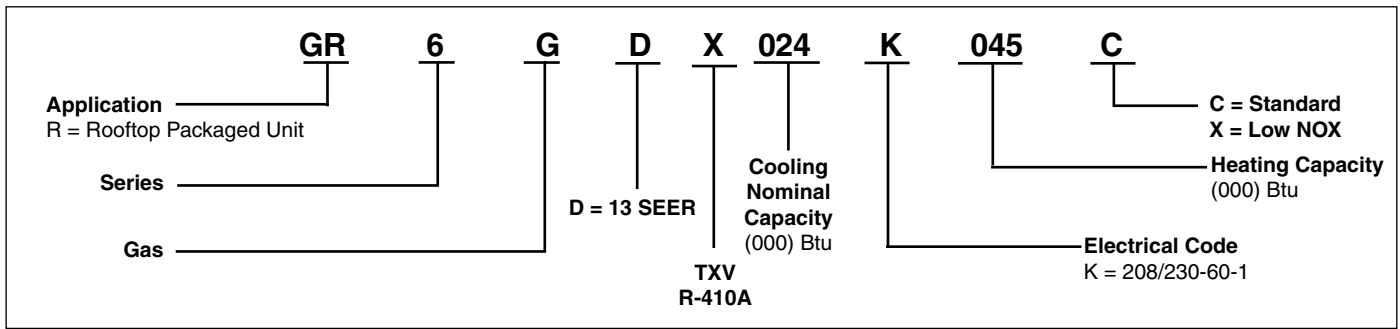
WARRANTY

- This product offers a 10-year all-parts warranty.
- This product offers a 1 Year Quality Pledge to replace the unit if the heat exchanger or the compressor fails within the first year of operation, to the original owner.
- Consumer product registration required for 10 year All Parts Warranty and Quality Pledge within a limited period of time after the installation. See current warranty document or visit our consumer web site listed on the back of this document for warranty details.
- Also when registered, this product is upgraded to a limited lifetime heat exchanger warranty.

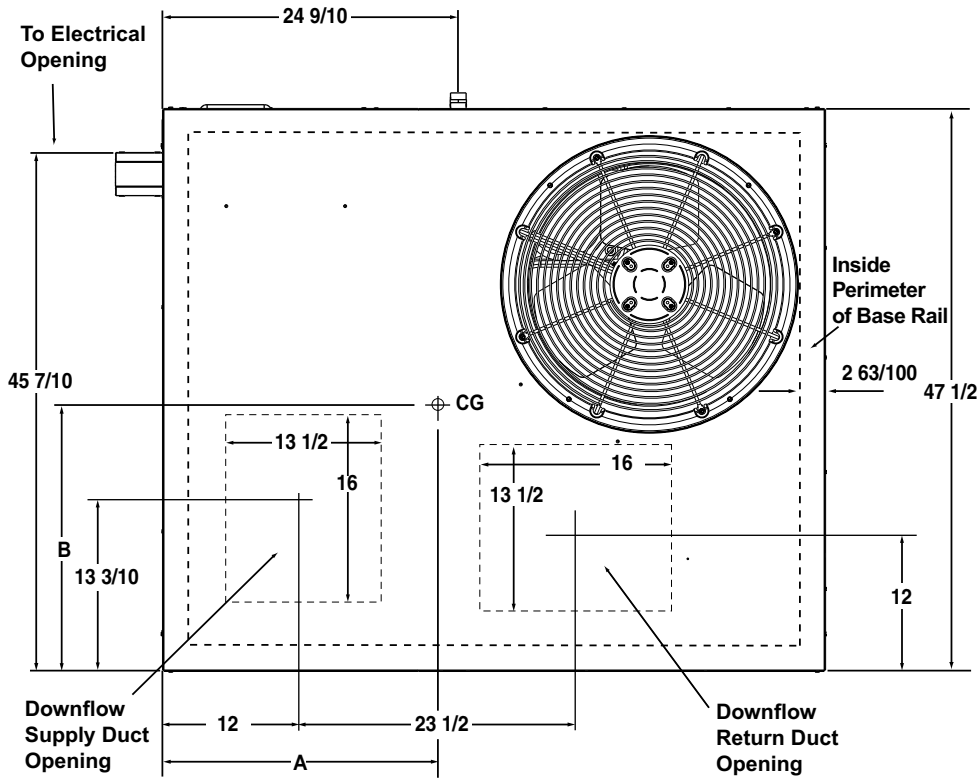
FEATURES and BENEFITS

- **R-410A Refrigerant:** Environmentally friendly.
- **High Pressure Switch:** Added compressor protection.
- **Copper Tube / Aluminum Fin Coils:** Both indoor and outdoor coils are designed to optimize heat transfer, minimize size and cost, and increase durability and reliability.
- **Liquid Line Filter Driers:** Factory installed at a convenient location for service.
- **Externally Accessible Service Ports:** Quick access to refrigerant system without disrupting operation.
- **Compact Footprint/Low Profile:** Easy to handle and transport.
- **Heavy-Gauge Full Perimeter Base Rails:** Facilitates forklift handling and curb mounting.
- **Convertible Air Delivery:** Horizontal or downflow to accommodate rooftop or horizontal application.
- **Galvanized Steel Cabinet:** Polyurethane finish provides 950 hour salt spray protection to resist corrosion.
- **Mesh Hail Guard:** Will never rust and protect the coil from being damaged by balls, lawnmowers, hail etc.
- **Access to Controls and Major Components:** Easy in and out service.
- **Low Voltage Transformer:** Includes 5 Amp fuse to protect low voltage circuit.
- **Corrosion-Resistant Drain Pan:** Quickly drains away evaporator condensate.
- **One Piece Top for Great Fit and Finish, Total Seal:** Well designed, quality construction. Drip edge on top panels whisks away rainwater. Embossed bottom pan keeps blower component compartment dry.
- **Proven, Industry Standard Components:** Easier service and availability.
- **Quiet Operation:** Low vibration. 20" fan blade combined with custom venturi condenser fan.
- **SmartLite™ Control Board:** Provides extended life to igniters using hot surface ignition technology. Programmed to learn the heat-up characteristics of the igniter, then adapt the ignition time to the characteristics of the furnace so the igniter is energized appropriately.
- **Hot Surface igniter:** Innovative application of an appliance type igniter with a 20 year history of reliability.
- **Accessories:** Roof curbs and more.

MODEL IDENTIFICATION CODE



DIMENSIONS

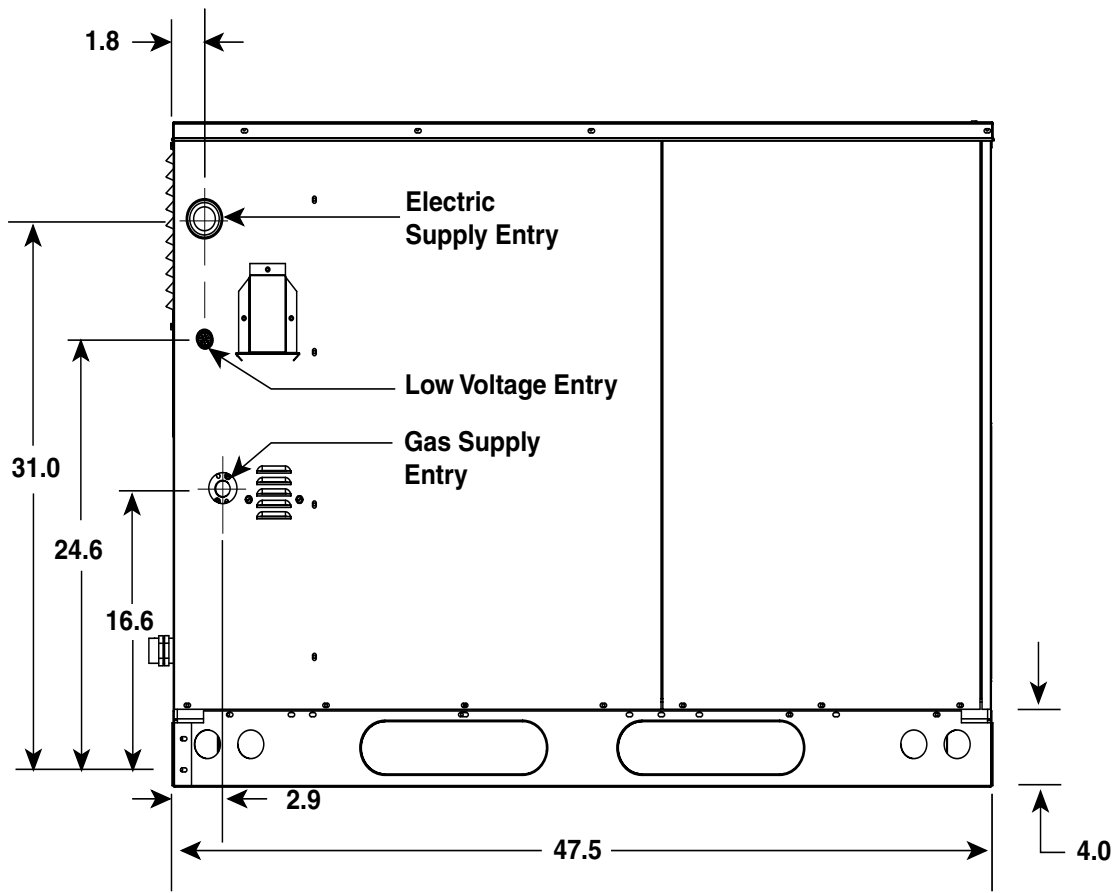


Top View

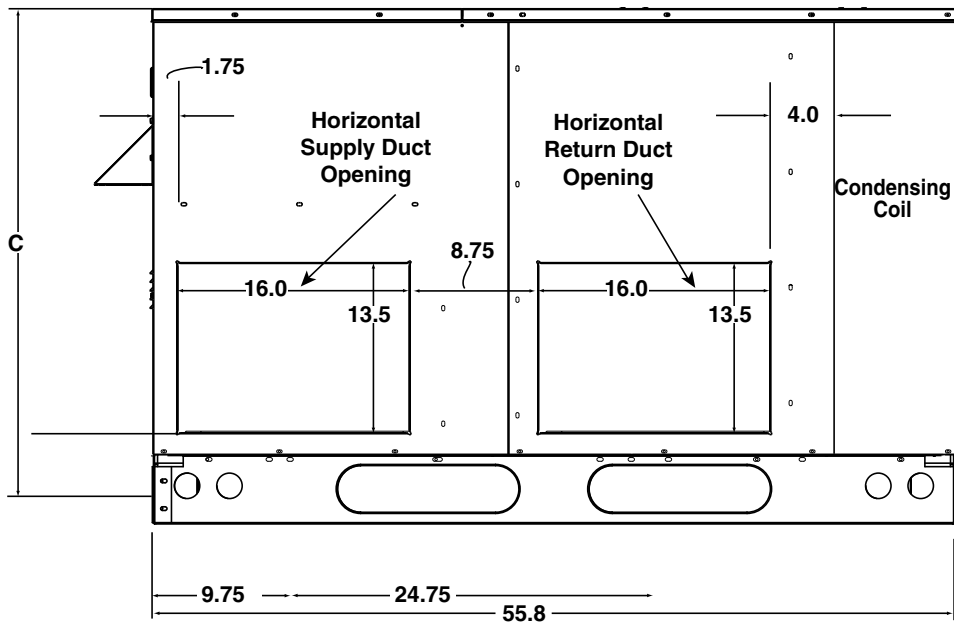
Model Number GR6GD	Unit Weight	Shipping Weight	Center of Gravity		Height (in inches)	
			A	B	C with base rails	without base rails
X24K045†	425	435	26.5	26.5	39.0	35.3
X24K072†	435	445	26.0	26.5	39.0	35.3
X30K045†	430	440	26.5	26.5	39.0	35.3
X30K072†	440	450	26.0	26.5	39.0	35.3
X36K072†	470	480	26.5	26.5	39.0	35.3
X36K096†	485	495	26.0	26.5	39.0	35.3
X42K072†	500	510	27.0	26.5	39.0	35.3
X42K096†	515	525	27.0	26.5	39.0	35.3
X48K096†	540	550	27.5	26.5	43.0	39.3
X48K120†	555	565	27.5	26.5	43.0	39.3
X60K096†	560	570	27.5	26.5	43.0	39.3
X60K120†	575	585	27.5	26.5	43.0	39.3

† Denotes either "C" or "X"

DIMENSIONS Continued



Side View



Back (Duct) View

SPECIFICATIONS AND ELECTRICAL DATA

SINGLE PHASE

MODEL GR6GD	-X24K045(*)	-X24K072(*)	-X30K045(*)	-X30K072(*)	-X36K072(*)	-X36K096(*)	-X42K72(*)	-X42K96(*)	-X48K96(*)	-X48K120(*)	-X60K096(*)	-X60K120(*)
Performance												
Heating Input Btuh	45,000	72,000	45,000	72,000	72,000	96,000	72,000	96,000	96,000	120,000	96,000	120,000
Heating Output Btuh	35,100	57,600	35,100	57,600	57,600	76,800	57,600	76,800	76,800	96,000	76,800	96,000
Capacity-Cooling Btuh	24,000	24,000	28,400	28,400	36,000	36,000	42,000	42,000	47,800	47,800	56,500	56,500
AFUE	78	80	78	80	80	80	80	80	80	80	80	80
Efficiency -- SEER	13.5	13.50	13.3	13.3	13.5	13.5	13.0	13.0	13.0	13.0	13.0	13.0
Efficiency -- EER	12.0	12.0	11.5	11.5	11.8	11.8	10.8	10.8	11.0	11.0	11.0	11.0
Electrical Rating - 60 Hz												
Phase	1	1	1	1	1	1	1	1	1	1	1	1
Operating Voltage Range	187 - 253	187 - 253	187 - 253	187 - 253	187 - 253	187 - 253	187 - 253	187 - 253	187 - 253	187 - 253	187 - 253	187 - 253
Minimum Circuit Ampacity	22.7	22.7	26.3	26.3	29.9	29.9	36.2	36.2	39.0	39.0	46.8	46.8
Max. Overcurrent Protection	35	35	40	40	45	45	50	50	60	60	70	70
Compressor Data												
Volts	208 / 230	208 / 230	208 / 230	208 / 230	208 / 230	208 / 230	208 / 230	208 / 230	208 / 230	208 / 230	208 / 230	208 / 230
Rated Load Amps	12.8	12.8	15.7	15.7	18.6	18.6	22.1	22.1	24.3	24.3	29.3	29.3
Lock Rotor Amps	58.3	58.3	73	73	79	79	109	109	117	117	134	134
Indoor Blower												
Wheel Diameter	10 x 10	10 x 10	10 x 10	10 x 10	10 x 10	10 x 10	10 x 10	10 x 10	10 x 10	10 x 10	11 x 10	11 x 10
Motor Type	Fixed Torque	Fixed Torque	Fixed Torque	Fixed Torque	Fixed Torque	Fixed Torque	Fixed Torque	Fixed Torque	Fixed Torque	Fixed Torque	Fixed Torque	Fixed Torque
Motor HP	1/2	1/2	1/2	1/2	1/2	1/2	3/4	3/4	3/4	3/4	1	1
Motor Amps	4.1	4.1	4.1	4.1	4.1	4.1	6.0	6.0	6.0	6.0	7.6	7.6
Outdoor Fan												
Motor HP	1/4	1/4	1/4	1/4	1/4	1/4	1/4	1/4	1/4	1/4	1/4	1/4
Motor Amps	1.2	1.2	1.2	1.2	1.2	1.2	1.2	1.2	1.2	1.2	1.2	1.2
Fan Diameter/CFM	20" / 3800	20" / 3800	20" / 3800	20" / 3800	20" / 3800	20" / 3800	20" / 3800	20" / 3800	20" / 3800	20" / 3800	20" / 3800	20" / 3800
Refrigerant Charge (oz)	99.2	99.2	96	96	112	112	115.2	115.2	224	224	184	184
Sound Rating	76	76	76	76	78	78	78	78	78	78	78	78

AIRFLOW DATA

Model Number GR6GD-	Heating Input (Btu/h)	Heating Output (Btu/h)	Heating Rise Range (F)	Motor Tap	External Static Pressure Drop - inches water column															
					0.1		0.2		0.3		0.4		0.5		0.6		0.7		0.8	
					(cfm)	(°F) Rise	(cfm)	(°F) Rise	(cfm)	(°F) Rise	(cfm)	(°F) Rise	(cfm)	(°F) Rise	(cfm)	(°F) Rise	(cfm)	(°F) Rise	(cfm)	(°F) Rise
X24C045(†)	45,000	35,100	30-60	Tap T1	845	39	735	45	625	53	540	--	453	--	335	--	217	--	207	--
				*Tap T2	845	39	735	45	625	52	540	--	453	--	335	--	217	--	207	--
				**Tap T3	905	36	830	40	750	44	690	48	635	52	575	57	515	--	495	--
				Tap T4	950	35	880	37	810	41	755	44	705	47	655	50	600	55	570	58
				Tap T5	1110	--	1065	31	1020	32	965	34	910	36	865	38	825	40	790	42
X24C072(†)	72,000	57,600	40-70	Tap T1	845	64	735	--	625	--	540	--	453	--	335	--	217	--	207	--
				*Tap T2	845	64	735	--	625	--	540	--	453	--	335	--	217	--	207	--
				Tap T3	950	57	880	61	810	66	755	--	705	--	655	--	600	--	570	--
				**Tap T4	1110	49	1065	51	1020	53	965	56	910	59	865	62	825	65	790	68
				Tap T5	1260	43	1215	44	1175	46	1125	48	1075	50	1030	52	990	54	960	56
X30C045(†)	45,000	35,100	30-60	Tap T1	845	39	735	45	625	52	540	--	453	--	335	--	217	--	207	--
				*Tap T2	845	39	735	45	625	52	540	--	453	--	335	--	217	--	207	--
				**Tap T3	905	36	830	40	750	44	690	48	635	52	575	57	515	--	495	--
				Tap T4	950	35	880	37	810	41	755	44	705	47	655	50	600	55	570	58
				Tap T5	1110	--	1065	31	1020	32	965	34	910	36	865	38	825	40	790	42
X30C072(†)	72,000	57,600	40-70	Tap T1	845	64	735	--	625	--	540	--	453	--	335	--	217	--	207	--
				*Tap T2	845	64	735	--	625	--	540	--	453	--	335	--	217	--	207	--
				Tap T3	950	57	880	61	810	66	755	--	705	--	655	--	600	--	570	--
				**Tap T4	1110	49	1065	51	1020	53	965	56	910	59	865	62	825	65	790	68
				Tap T5	1260	43	1215	44	1175	46	1125	48	1075	50	1030	52	990	54	960	56
X36C072(†)	72,000	57,600	40-70	Tap T1	950	57	880	61	810	66	755	--	705	--	655	--	600	--	570	--
				**Tap T2	1110	49	1065	51	1020	53	965	56	910	59	865	62	825	65	790	68
				Tap T3	1220	44	1180	46	1135	47	1085	50	1030	52	990	54	945	57	915	59
				*Tap T4	1260	43	1215	44	1175	46	1125	48	1075	50	1030	52	990	54	960	56
				Tap T5	1345	--	1300	42	1250	43	1210	45	1170	46	1120	48	1070	50	1030	52
X36C096(†)	96,000	76,800	45-75	Tap T1	950	75	880	--	810	--	755	--	705	--	655	--	600	--	570	--
				Tap T2	1110	65	1065	68	1020	70	965	74	910	--	865	--	825	--	790	--
				**Tap T3	1220	59	1180	61	1135	63	1085	66	1030	70	990	72	945	--	915	--
				*Tap T4	1260	57	1215	59	1175	61	1125	64	1075	67	1030	70	990	72	960	75
				Tap T5	1345	53	1300	55	1250	60	1210	59	1170	61	1120	64	1070	67	1030	70

* Denotes Factory Set Cooling Speed
 ** Denotes Factory Set Electric Heating Speed
 † Can be C or X

AIRFLOW DATA (Continued)

Model Number GR6GD-	Heating Input (Btu/h)	Heating Output (Btu/h)	Heating Rise Range (F)	Motor Tap	External Static Pressure Drop - inches water column															
					0.1		0.2		0.3		0.4		0.5		0.6		0.7		0.8	
					(cfm)	(°F) Rise	(cfm)	(°F) Rise	(cfm)	(°F) Rise	(cfm)	(°F) Rise	(cfm)	(°F) Rise	(cfm)	(°F) Rise	(cfm)	(°F) Rise	(cfm)	(°F) Rise
X42C072(†)	72,000	57,600	40-70	Tap T1	1020	53	940	57	860	63	800	67	740	--	680	--	615	--	570	--
				**Tap T2	1185	46	1110	49	1035	52	980	55	925	58	875	61	820	66	785	68
				Tap T3	1410	--	1330	41	1250	43	1195	45	1140	47	1085	50	1030	52	975	55
				*Tap T4	1525	--	1450	--	1370	--	1320	41	1270	42	1210	45	1150	47	1100	49
				Tap T5	1650	--	1585	--	1520	--	1465	--	1405	--	1340	--	1280	42	1235	44
X42C096(†)	96,000	76,800	45-75	Tap T1	1020	70	940	--	860	--	800	--	740	--	680	--	615	--	570	--
				Tap T2	1185	61	1110	65	1035	69	980	73	925	--	875	--	820	--	785	--
				**Tap T3	1410	51	1330	54	1250	57	1195	60	1140	63	1085	66	1030	70	975	73
				*Tap T4	1525	47	1450	50	1370	52	1320	54	1270	56	1210	59	1150	62	1100	65
				Tap T5	1650	44	1585	--	1520	47	1465	49	1405	51	1340	54	1280	56	1235	58
X48C096(†)	96,000	76,800	45-75	*Tap T5	1775	--	1715	--	1650	--	1600	--	1540	47	1460	49	1375	52	1330	54
				Tap T1	1185	--	1110	--	1035	--	980	--	925	--	875	--	820	--	785	--
				Tap T2	1410	64	1330	67	1250	72	1195	75	1140	--	1085	--	1030	--	975	--
				**Tap T3	1525	59	1450	62	1370	65	1320	68	1270	70	1210	74	1150	--	1100	--
				Tap T4	1650	54	1585	57	1520	59	1465	61	1405	64	1340	67	1280	70	1235	72
X60C096(†)	96,000	76,800	45-75	*Tap T5	1775	51	1715	52	1650	54	1600	56	1540	58	1460	61	1375	65	1330	67
				Tap T1	1259	57	1187	60	1130	63	1069	67	1015	71	955	75	923	--	869	--
				**Tap T2	1583	--	1521	47	1416	51	1416	51	1360	53	1306	55	1265	57	1212	59
				*Tap T3	1827	--	1771	--	1703	--	1656	--	1565	46	1461	49	1363	53	1237	58
				Tap T4	2009	--	1931	--	1834	--	1761	--	1639	--	1525	47	1441	50	1293	56
X60C120(†)	120,000	96,000	45-75	Tap T5	2076	--	1967	--	1870	--	1758	--	1662	--	1556	46	1450	50	1331	54
				Tap T1	1259	71	1187	75	1130	--	1069	--	1015	--	955	--	923	--	869	--
				**Tap T2	1583	57	1521	59	1467	61	1416	63	1360	66	1306	69	1265	71	1212	74
				*Tap T3	1827	49	1771	51	1703	53	1656	54	1565	57	1461	61	1363	66	1237	72
				Tap T4	2009	--	1931	47	1834	49	1761	51	1639	56	1525	59	1441	62	1293	69
Tap T5	2076	--	1967	46	1870	48	1758	51	1662	54	1556	58	1450	62	1331	67s				

* Denotes Factory Set Cooling Speed
 ** Denotes Factory Set Electric Heating Speed
 † Can be C or X

EXPANDED RATINGS

GR6GD-X24

O.D.T			85°F			95°F			105°F			115°F		
CFM	E.D.B.	E.W.B.	T.C.	S.C.	K.W.	T.C.	S.C.	K.W.	T.C.	S.C.	K.W.	T.C.	S.C.	K.W.
725	80	62	24.7	20.5	1.66	22.7	20.3	1.89	20.7	20.2	2.17	18.7	18.5	2.53
	80	67	26.7	16.4	1.69	24.4	15.6	1.92	22.1	15.1	2.19	19.5	14.3	2.55
	80	72	24.7	20.5	1.66	22.7	19.7	1.89	20.7	18.7	2.17	18.7	16.8	2.53
	75	63	24.9	16.1	1.67	22.8	16.1	1.89	20.5	15.6	2.17	18.1	14.9	2.52
800	80	62	25.2	21.7	1.67	23.2	22.0	1.89	21.3	20.8	2.18	19.2	19.2	2.55
	80	67	27.1	17.2	1.70	24.8	16.8	1.92	22.4	16.0	2.20	19.7	15.2	2.57
	80	72	25.2	21.7	1.67	23.2	20.8	1.89	21.3	19.2	2.18	19.2	17.3	2.55
	75	63	25.3	17.6	1.67	23.2	17.4	1.89	20.8	16.7	2.17	18.3	15.9	2.53
875	80	62	25.7	23.6	1.68	23.9	22.7	1.90	21.9	21.9	2.19	19.6	19.6	2.56
	80	67	27.5	18.4	1.70	25.2	17.7	1.93	22.7	16.9	2.21	20.0	16.1	2.57
	80	72	25.7	22.9	1.68	23.9	21.5	1.90	21.9	19.7	2.19	19.6	17.7	2.56
	75	63	25.7	19.5	1.68	23.5	18.8	1.90	21.1	18.0	2.17	18.6	17.0	2.53

GR6GD-X30

O.D.T			85°F			95°F			105°F			115°F		
CFM	E.D.B.	E.W.B.	T.C.	S.C.	K.W.	T.C.	S.C.	K.W.	T.C.	S.C.	K.W.	T.C.	S.C.	K.W.
850	80	62	27.6	23.5	2.09	26.4	23.7	2.32	25.2	24.4	2.57	24.0	23.8	2.87
	80	67	29.8	18.8	2.11	28.5	18.5	2.34	27.1	18.1	2.59	25.6	17.6	2.88
	80	72	32.6	14.2	2.14	31.1	13.8	2.36	29.6	13.4	2.61	27.9	13.0	2.90
	75	63	32.6	14.5	2.14	31.1	14.8	2.36	29.6	14.8	2.61	27.9	14.7	2.90
950	80	62	28.3	25.1	2.10	27.2	25.8	2.32	26.0	25.4	2.58	24.8	24.8	2.87
	80	67	30.4	20.2	2.12	29.0	19.8	2.34	27.5	19.3	2.59	26.0	18.8	2.88
	80	72	33.1	14.9	2.15	31.6	14.5	2.37	30.0	14.1	2.61	28.3	13.7	2.90
	75	63	33.1	16.2	2.15	31.6	16.2	2.37	30.0	16.1	2.61	28.3	15.8	2.90
1050	80	62	29.5	27.3	2.11	28.4	27.0	2.34	27.2	27.2	2.59	25.9	25.9	2.88
	80	67	31.2	21.8	2.13	29.8	21.4	2.35	28.3	20.9	2.60	26.7	20.4	2.89
	80	72	33.9	16.0	2.15	32.3	15.6	2.37	30.7	15.2	2.63	28.9	14.8	2.90
	75	63	33.9	18.3	2.15	32.3	18.1	2.37	30.7	17.7	2.63	28.9	17.3	2.90

EXPANDED RATINGS Continued

GR6GD-X36

O.D.T			85°F			95°F			105°F			115°F		
CFM	E.D.B.	E.W.B.	T.C.	S.C.	K.W.	T.C.	S.C.	K.W.	T.C.	S.C.	K.W.	T.C.	S.C.	K.W.
1300	80	62	36.4	32.8	2.69	34.9	32.3	2.95	33.3	32.4	3.25	31.5	31.2	3.58
	80	67	38.6	27.0	2.71	36.6	26.4	2.97	34.6	25.7	3.26	32.5	25.1	3.59
	80	72	41.8	19.8	2.76	39.7	19.2	3.01	37.5	18.7	3.30	35.2	18.1	3.62
	75	63	35.9	26.3	2.68	34.1	26.5	2.94	32.2	26.3	3.23	30.2	25.9	3.57
1400	80	62	37.1	33.4	2.72	35.5	33.8	2.99	33.9	33.0	3.28	32.1	32.1	3.62
	80	67	38.9	28.2	2.74	36.9	27.6	3.00	34.9	26.9	3.29	32.8	26.3	3.63
	80	72	42.0	20.5	2.79	39.9	20.0	3.04	37.7	19.4	3.33	35.4	18.9	3.66
	75	63	36.2	28.4	2.71	34.4	28.3	2.98	32.5	27.9	3.26	30.5	27.3	3.60
1500	80	62	37.8	34.9	2.76	36.1	34.3	3.02	34.4	34.4	3.31	32.6	32.6	3.65
	80	67	39.2	29.4	2.77	37.2	28.8	3.04	35.1	28.1	3.32	33.0	27.4	3.66
	80	72	42.3	21.3	2.82	40.1	20.7	3.07	37.9	20.3	3.37	35.6	19.7	3.69
	75	63	36.5	30.7	2.75	34.7	30.2	3.01	32.7	29.5	3.29	30.7	28.8	3.63

GR6GD-X42

O.D.T			85°F			95°F			105°F			115°F		
CFM	E.D.B.	E.W.B.	T.C.	S.C.	K.W.	T.C.	S.C.	K.W.	T.C.	S.C.	K.W.	T.C.	S.C.	K.W.
1400	80	62	42.1	37.5	3.57	40.3	37.3	3.95	38.5	37.5	4.37	36.5	36.2	4.82
	80	67	45.3	30.2	3.61	43.0	29.5	3.98	40.7	28.7	4.40	38.3	28.0	4.86
	80	72	49.3	22.5	3.66	46.7	21.8	4.02	44.2	21.1	4.43	41.5	20.5	4.90
	75	63	42.2	29.6	3.57	40.1	29.7	3.95	37.9	29.5	4.36	35.6	29.1	4.81
1500	80	62	43.0	38.7	3.58	41.2	39.1	3.96	39.3	38.3	4.38	37.3	37.3	4.84
	80	67	45.7	31.5	3.62	43.4	30.8	3.98	41.1	30.0	4.40	38.7	29.2	4.86
	80	72	49.7	23.3	3.66	47.2	22.6	4.03	44.5	21.9	4.44	41.7	21.3	4.90
	75	63	42.7	32.0	3.58	40.5	31.7	3.95	38.3	31.3	4.37	36.0	30.6	4.82
1600	80	62	43.8	40.5	3.59	41.9	39.8	3.97	40.0	40.0	4.39	37.9	37.9	4.85
	80	67	46.2	32.8	3.62	43.9	32.0	3.99	41.5	31.2	4.41	39.0	30.4	4.87
	80	72	50.1	24.1	3.67	47.5	23.4	4.03	44.8	22.7	4.44	42.1	22.0	4.91
	75	63	43.1	34.5	3.59	40.9	33.9	3.95	38.7	33.2	4.37	36.3	32.3	4.82

EXPANDED RATINGS Continued

GR6GD-X48

O.D.T			85°F			95°F			105°F			115°F		
CFM	E.D.B.	E.W.B.	T.C.	S.C.	K.W.	T.C.	S.C.	K.W.	T.C.	S.C.	K.W.	T.C.	S.C.	K.W.
1650	80	62	46.9	41.9	3.88	45.0	41.6	4.29	43.0	41.9	4.73	40.9	40.5	5.21
	80	67	50.2	33.9	3.92	47.7	33.0	4.32	45.1	32.2	4.76	42.6	31.3	5.25
	80	72	50.2	33.9	3.92	47.7	33.0	4.32	45.1	32.2	4.76	42.6	31.3	5.25
	75	63	46.8	33.1	3.88	44.4	33.2	4.28	42.1	33.0	4.72	39.6	32.5	5.19
1800	80	62	48.0	43.2	3.95	45.9	43.6	4.36	43.8	42.7	4.80	41.6	41.6	5.29
	80	67	50.6	35.5	3.98	48.1	34.6	4.39	45.5	33.8	4.83	42.9	32.9	5.32
	80	72	50.6	35.5	3.98	48.1	34.6	4.39	45.5	33.8	4.83	42.9	32.9	5.32
	75	63	47.2	35.9	3.95	44.8	35.7	4.35	42.4	35.1	4.78	40.0	34.4	5.26
1950	80	62	48.9	45.2	4.02	46.7	44.4	4.43	44.7	44.6	4.88	42.4	42.4	5.37
	80	67	51.0	37.1	4.04	48.5	36.2	4.45	45.9	35.3	4.89	43.2	34.4	5.38
	80	72	51.0	37.1	4.04	48.5	36.2	4.45	45.9	35.3	4.89	43.2	34.4	5.38
	75	63	47.6	38.9	4.01	45.2	38.2	4.41	42.7	37.3	4.85	40.3	36.4	5.33

GR6GD-X60

O.D.T			85°F			95°F			105°F			115°F		
CFM	E.D.B.	E.W.B.	T.C.	S.C.	K.W.	T.C.	S.C.	K.W.	T.C.	S.C.	K.W.	T.C.	S.C.	K.W.
1500	80	62	54.4	43.1	4.61	52.0	43.4	5.09	49.6	44.8	5.61	47.0	44.2	6.20
	80	67	58.7	35.1	4.70	56.1	34.2	5.17	53.3	33.2	5.69	50.5	32.2	6.28
	80	72	64.4	27.0	4.82	61.6	26.1	5.29	58.5	25.3	5.82	55.4	24.4	6.39
	75	63	54.7	34.7	4.62	52.3	34.9	5.09	49.7	34.6	5.61	47.0	34.1	6.20
1650	80	62	55.6	45.6	4.64	53.1	47.2	5.11	50.6	47.3	5.63	48.0	47.1	6.22
	80	67	59.8	36.9	4.72	57.1	36.0	5.19	54.3	35.0	5.71	51.4	34.3	6.30
	80	72	65.5	28.1	4.84	62.5	27.3	5.31	59.4	26.5	5.84	56.1	25.6	6.41
	75	63	55.8	37.9	4.64	53.3	37.6	5.11	50.7	37.1	5.63	47.9	36.6	6.22
1800	80	62	56.6	49.4	4.66	54.1	49.6	5.13	51.6	50.9	5.65	49.2	49.1	6.25
	80	67	60.7	38.6	4.74	58.0	38.0	5.21	55.1	37.0	5.73	52.1	36.0	6.31
	80	72	66.3	29.3	4.86	63.2	28.5	5.32	60.0	27.6	5.85	56.5	26.7	6.42
	75	63	56.7	41.3	4.66	54.2	40.9	5.13	51.5	39.9	5.65	48.6	38.9	6.23

GR6GD ACCESSORIES

Description	Part Number
Roof Curb (8")	547830
Roof Curb (14")	547831
Roof Curb (18")	547850
Roof Curb (24")	547851
Cap, Duct Adapter, 12" Round	913811A
Cap, Duct Adapter, 14" Round	913812A
Supply/return transition, 16"	547834
Supply/return transition, 18"	547835
Concentric diffuser, flush, 16"	547836
Concentric diffuser, flush, 18"	547837
Concentric diffuser, step down 16"	547838
Concentric diffuser, step down 18"	547839
Manual Fresh Air Damper	547832
Motorized Fresh Air Damper	547840
Economizer, downflow w/filter (does not require filter kit) modulating	558870
Economizer, horizontal modulating	547841
Power Exhaust, horizontal economizer (special order)	547843
Power Exhaust, downflow economizer (special order)	547842
Filter Kit GR6GD 024 - 042	547888
Filter Kit GR6GD 048 - 060	547889
Filter Kit, All Downflow Applications (not required with economizer)	547885
Hood Type Hail Guard, Coil Dim. 34" X 76" GR6GD-024,030,036,042	547846
Hood Type Hail Guard, Coil Dim. 38" X 76" GR6GD-048,060	547847
DUCT SMOKE DETECTOR PHOTO ELEC	547892
MULTI SIGNAL CONTROL	547893
SAMPLING TUBE ST3	547894
SAMPLING TUBE ST5	547895
Low Ambient Kit	918837
Low Pressure Switch Kit	913551
Canadian LP Gas Conversion Kit (0 to 4,500 ft above sea level)	904091A
U.S. LP Gas Conversion Kit (0 ft to 10,000 ft above sea level)	904090A
Outdoor Thermostat Kit	913852
Universal Hard Start Kit	912933
Skirt Trim Kit	919729
Extreme High Wind Kit - Roof Curb Mount	903696
Extreme High Wind Kit - Ground Mount	903695
Freezestat Kit	917108
Control, CO2 Sensor, Wall Mount	920317
Control, CO2 sensor, Duct Mount	920318



We Encourage Professionalism



Through Technician Certification by NATE

GENERAL TERMS OF LIMITED WARRANTY

NORDYNE will furnish a replacement for any part of this product which fails in normal use and service in accordance with the terms of the warranty.

For complete details of the Limited Warranty, including applicable terms and conditions, see your local installer or contact the NORDYNE warranty department for a copy.

NORDYNE

COMPLETE COMFORT. GENUINE VALUE. 8000 Phoenix Parkway | O'Fallon, MO 63368-3827

Specifications and illustrations subject to change without notice and without incurring obligations. Printed in U.S.A (01/2012)

873C-0112 (Replaces 873C-0808)