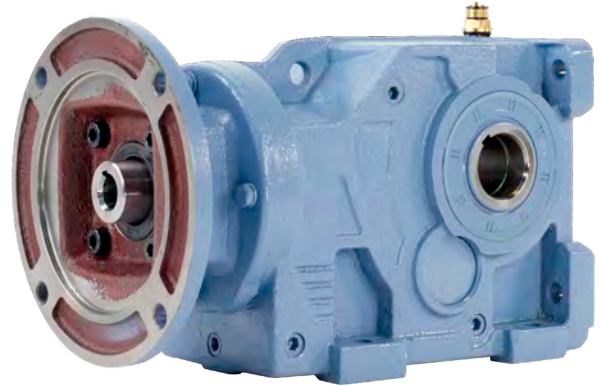




**WorldWide**  
ELECTRIC CORPORATION

(800) 808-2131  
[WORLDWIDEELECTRIC.NET](http://WORLDWIDEELECTRIC.NET)

**GEAR  
REDUCERS**



# **Gear Reducers**

## **Stock Products Catalog**

# **2022-2023**

WorldWide Electric's complete line of Worm Gear, Inline, Helical, Bevel, and Shaft Mount Reducers



## WorldWide Electric Motors

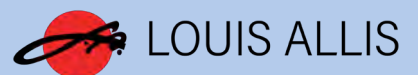
Proven, reliable designs

---

WorldWide Electric's line of Gear Reducers includes Worm Gear Reducers, Shaft Mount Reducers, Inline Helical Reducers, and our new KAN and KHN series Helical-Bevel Reducers. Reduce speed, increase torque, and maintain exceptional efficiency and performance with our field-tested and industry proven Gear Reducers.

WorldWide Electric has been in the motor business for two decades, providing reliable and affordable electric motors, gear reducers, motor controls and generators. We continue to meet the needs of the most unique applications and strive to have the best customer service in the industry.

### WORLDWIDE FAMILY OF BRANDS



# Application Questionnaire for Gear Selection



Company Name: \_\_\_\_\_

Phone: \_\_\_\_\_ Fax: \_\_\_\_\_ Email: \_\_\_\_\_

Application description: \_\_\_\_\_

Ambient operating temperature range (°F): \_\_\_\_\_

Operating environment description: \_\_\_\_\_

Hours operated per day: \_\_\_\_\_ Start/Stops per day: \_\_\_\_\_

Is this a reversing application? Yes  No  if Yes, how often per hour: \_\_\_\_\_

Are there any size restrictions? Explain: \_\_\_\_\_

Moment of Inertia of Driven Machine: \_\_\_\_\_

## PRIME MOVER INFORMATION:

Electric motor?  Frame size: \_\_\_\_\_ Rated HP: \_\_\_\_\_ at \_\_\_\_\_ RPM

Foot mount?  C-face?  Integral gearmotor?  Peak torque (lbs.): \_\_\_\_\_

Frequency of peak torque: \_\_\_\_\_/hour

Duration of peak motor torque (seconds): \_\_\_\_\_ Phase/ frequency/ voltage: \_\_\_\_\_

Internal combustion engine?  Single cylinder?  Multi-cylinder?

HP \_\_\_\_\_ or torque (lbs.) \_\_\_\_\_ developed at \_\_\_\_\_ RPM

Other prime mover? Explain: \_\_\_\_\_

Is the prime mover directly coupled to the reducers? Yes  No  If No, explain: \_\_\_\_\_

## GEAR DRIVE INFORMATION:

Type of unit required:	<u>Shaft Mount Reducer</u>	<u>Worm Gear Reducer</u>	<u>Helical/Helical-Bevel</u>
	<input type="checkbox"/> Original (SMR)	<input type="checkbox"/> Cast Iron (HdR)	<input type="checkbox"/> Inline (WINL)
	<input type="checkbox"/> Eliminator (SCSMR)	<input type="checkbox"/> Stainless Steel (SSHdR)	<input type="checkbox"/> Helical-Bevel (KAN/KHN)
	<input type="checkbox"/> Ultimate (WSMR)	<input type="checkbox"/> Aluminum (CALM)	

Desired ratio: \_\_\_\_\_ Ratio tolerance: \_\_\_\_\_ Mounting position: \_\_\_\_\_

Constant speed?  Variable speed?  If variable speed, what is the desired speed range? \_\_\_\_\_

Backstop required? Yes  No  Direction of rotation: Clockwise?  Counter Clock?

Overhung Load? Input shaft  Output shaft  Radial load  Thrust load

Radial load location on shaft of OHL from shaft shoulder ( $F_N$ ): \_\_\_\_\_(in.)

Angle of applied load: \_\_\_\_\_(degrees) Load: ( $F_N$  Perm): \_\_\_\_\_(lb.)

Thrust load - toward unit?  Away from unit?

Special features or accessories required? Yes  No

If Yes, detail features required (i.e. output covers, mounting brackets, etc.): \_\_\_\_\_

## Information required to size a motor and shaft mount reducer for a belt conveyor drive system

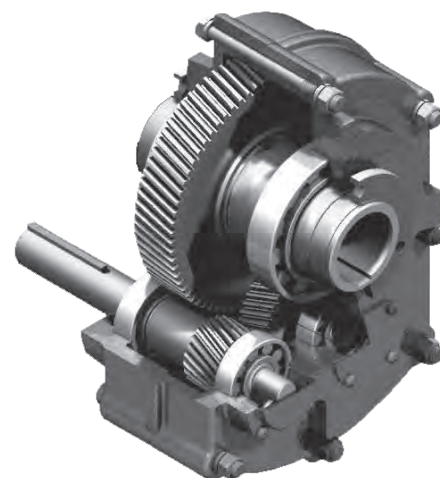
- 1) What is the length of conveyor?
  
- 2) What is the conveyor belt width?
  
- 3) What is the incline angle or discharge height from load zone/ground?
  
- 4) What is the head-pulley (drum) diameter?
  
- 5) What type of material is being conveyed?
  
- 6) What is the productivity or through-put expressed in either tons per hour and/or feet per minute?
  
- 7) How many hours of operation does the equipment operate per day or per week?
  
- 8) Is there the presence of shock loading, and if so what is the frequency and severity?
  
- 9) What is the number of starts and stops (cycles) per hour or day?

<b>Section 1: Shaft Mount Reducers</b>			<b>Multiplier</b>
<b>The Original Shaft Mount Reducer (SMR)</b>			<b>2</b>
Product Overview	2	Mechanical Ratings	3
Overhung Load Ratings	2	Drawings and Dimensions	6
<b>Original SMR Series Reducers - Hydraulically Powered</b>			
Product Overview	7	Mechanical Ratings	8
Overhung Load Ratings	7	Drawings and Dimensions	11
<b>The Eliminator Shaft Mount Reducer (SCSMR)</b>			<b>12</b>
Product Overview	12	Mechanical Ratings	13
Overhung Load Ratings	12	Drawings and Dimensions	17
<b>The Ultimate Shaft Mount Reducer (WSMR)</b>			<b>18</b>
Product Overview	18	Mechanical Ratings	19
Overhung Load Ratings	18	Drawings and Dimensions	22
<b>Competitive Interchanges</b>			<b>23</b>
<b>Accessories and Parts</b>			<b>25</b>
Backstop Assemblies, Belt Guards, Motor Mounts			25
Torque Arms, Original SMR Rebuild Kits			26
Tapered Bushing Kits			27
WSMR/SCSMR Screw Conveyor Components, Screw Conveyor Drive Shafts, Screw Conveyor Flanges			28
<b>Section 2: Worm Gear Reducers</b>			
<b>Heavy Duty Cast Iron Worm Gear Reducer (HdR)</b>			<b>29</b>
Product Overview	29	Flange Input, Hollow Bore Output	34
How to Order	29	Shaft Input, Shaft Output	36
Mechanical Ratings	30	Competitive Interchange	38
Flange Input, Shaft Output	31	Accessories and Parts	39
<b>Stainless Steel Worm Gear Reducer (SSHdR)</b>			<b>40</b>
Product Overview	40	Dimensions	42
Mechanical Ratings	41	Accessories and Parts	43
<b>Aluminum Worm Gear Reducer (CALM)</b>			<b>44</b>
Product Overview	44	Competitor Dimensional Comparison	48
Mechanical Ratings	46	Accessories and Parts	49
Drawings and Dimensions	47		
<b>Section 3: Helical and Helical-Bevel Gear Reducers</b>			
<b>WINL Series Inline Helical Gear Reducer</b>			<b>50</b>
Product Overview	50	Competitor Dimensional Comparison	55
Dimensions	54		
<b>KAN &amp; KHN Series Helical-Bevel Gear Reducer</b>			<b>56</b>
Product Overview	56	KHN Dimensions	68
Product Specification - Power Lock Units	58	KHN Competitor Dimensional Comparison	70
Mechanical Ratings	60	KAN and KHN with Power Lock Dimensions	72
KAN Dimensions	63	Accessories and Parts	73
KAN Competitor Dimensional Comparison	65		
<b>Section 4: Reference</b>			
<b>A.G.M.A. Service Factor &amp; Load Class Information</b>			<b>74</b>
<b>Terms and Warranty Information</b>			<b>77</b>
Terms and Conditions of Sale			77
Return Policy			78
Freight Terms			78

## Original SMR Series Reducers: Overview

### Product Specifications

- » 15:1 and 25:1 ratios
- » Box sizes 2 - 12
- » Tapered bushing type (bushing not included)
- » Premium quality ball and tapered bearings - double lip seals
- » Shafts and gears manufactured from high grade steel, case hardened and precision ground to A.G.M.A. standards
- » Industrial grade all-cast iron housings protect gearing for life
- » Extended gear centers and tooth contact
- » Metal reinforced double lip, spring loaded oil seals
- » Dimensional drop-in for all major makes
- » Torque arm included
- » 2 year warranty



Box Size	Ratio	Output Bore (Max.)	Approx. Wt. (lbs.)	Model Number
2	15:1	1 15/16"	58	SMR2-15/1
	25:1			SMR2-25/1
3	15:1	2 3/16"	98	SMR3-15/1
	25:1			SMR3-25/1
4	15:1	2 7/16"	139	SMR4-15/1
	25:1			SMR4-25/1
5	15:1	2 15/16"	207	SMR5-15/1
	25:1			SMR5-25/1
6	15:1	3 3/16"	285	SMR6-15/1
	25:1			SMR6-25/1
7	15:1	3 15/16"	462	SMR7-15/1
	25:1			SMR7-25/1
8	15:1	4 7/16"	633	SMR8-15/1
	25:1			SMR8-25/1
9	15:1	4 15/16"	760	SMR9-15/1
	25:1			SMR9-25/1
10	15:1	5 7/16"	882	SMR10-15/1
	25:1			SMR10-25/1
12	15:1	6 1/2"	1785	SMR12-15/1
	25:1			SMR12-25/1

## SMR Series Reducers: Overhung Load Capacity of Output Shaft (lbs)

Box Size	Shaft Size	Output Speed (RPM)										
		10	20	30	50	80	100	120	140	160	180	200
2	1 7/16	2000	1510	1270	1010	840	820	720	720	710	710	700
	1 15/16	1750	1320	1110	890	730	710	630	630	620	620	610
3	1 15/16	5400	4250	3680	3050	2620	2440	2310	2210	2110	2040	1980
	2 3/16	5240	4120	3570	2960	2540	2370	2240	2140	2050	1980	1920
4	2 3/16	6520	5180	4510	3800	3230	3000	2830	2710	2600	2510	2430
	2 7/16	6360	5060	4410	3710	3160	2930	2770	2640	2530	2450	2370
5	2 7/16	7460	5860	5080	4280	3690	3450	3270	3110	2980	2880	2790
	2 15/16	7060	5540	4800	4040	3490	3260	3090	2940	2820	2720	2640
6	2 15/16	9100	7100	6100	5000	4100	4050	3700	3550	3400	3300	3200
	3 3/16	8200	6400	5500	4500	3700	3650	3400	3300	3250	3200	3150
7	3 3/16	11400	9500	7300	5950	4750	5050	4500	4300	4250	4200	4150

## Original SMR Series Reducers: Mechanical Ratings

Reducer Model Number	Service Class I			Service Class II			Service Class III		
	Power (HP)	Output (RPM)	Output * Torque	Power (HP)	Output (RPM)	Output * Torque	Power (HP)	Output (RPM)	Output * Torque
SMR2-15/1	2	18-32	6700-3769	1.5	19-34	4761-2660	1.5	27-51	3350-1774
	3	27-51	6700-3547	2	25-47	4824-2566	2	37-71	3260-1699
	5	71-85	4247-3547	3	39-75	4639-2412	3	58-113	3119-1601
	7.5	75-140	6030-3230	5	70-136	4307-2217	5	104-140	2899-2154
	10	104-140	5798-4307	7.5	111-140	4074-3230	—	—	—
SMR2-25/1	0.5	4-6	7538-5025	0.33	4-6	5025-3350	0.25	4-6	3769-2513
	0.75	6-10	7538-4523	0.5	6-9	5025-3350	0.33	5-9	4020-2233
	1	8-15	7538-4020	0.75	9-16	5025-2827	0.5	8-15	3769-2010
	1.5	13-23	6958-3933	1	12-22	5025-2741	0.75	13-23	3479-1966
	2	18-32	6700-3769	1.5	19-34	4761-2660	1	18-32	3350-1884
	3	27-51	6700-3547	2	25-47	4824-2566	1.5	27-51	3350-1774
	5	47-70	6415-4307	3	39-75	4639-2412	2	37-71	3260-1699
SMR3-15/1	7.5	75-85	6030-5321	5	70-85	4307-3547	3	58-85	3119-2128
	5	27-46	11167-6555	2	15-24	8040-5025	2	22-36	5482-3350
	7.5	41-74	11031-6112	3	23-38	7865-4761	3	33-57	5482-3174
	10	57-103	10579-5855	5	38-69	7934-4370	5	57-103	5290-2927
	15	94-140	9623-6461	7.5	60-110	7538-4111	7.5	94-140	4811-3230
SMR3-25/1	—	—	—	10	85-140	7094-4307	—	—	—
	0.75	4-5	11307-9045	0.5	4-5	7538-6030	0.5	6-7	5025-4307
	1	6-7	10050-8615	0.75	6-8	7538-5653	0.75	8-12	5653-3769
	1.5	8-12	11307-7538	1	8-11	7538-5482	1	11-17	5482-3547
	2	11-17	10964-7094	1.5	12-18	7538-5025	1.5	16-26	5653-3479
	3	16-26	11307-6958	2	15-24	8040-5025	2	22-36	5482-3350
	5	27-46	11167-6555	3	23-38	7865-4761	3	33-57	5482-3174
	7.5	41-74	11031-6112	5	38-69	7934-4370	5	57-85	5290-3547
SMR4-15/1	10	57-85	10579-7094	7.5	60-85	7538-5321	—	—	—
	5	18-26	16750-11596	3	15-22	12060-8223	3	21-32	8615-5653
	7.5	27-40	16750-11307	5	25-37	12060-8149	5	37-56	8149-5384
	10	37-56	16298-10768	7.5	39-59	11596-7665	7.5	57-93	7934-4863
	15	57-93	15869-9726	10	53-84	11378-7179	10	79-141	7633-4277
	20	79-140	15266-8615	15	83-140	10898-6461	—	—	—
SMR4-25/1	25	102-140	14780-10768	—	—	—	—	—	—
	1	4-5	15075-12060	0.75	4-5	11307-9045	0.5	4-5	7538-6030
	1.5	5-7	18091-12922	1	5-7	12060-8515	0.75	5-7	9045-6461
	2	7-10	17229-12060	1.5	7-11	12922-8223	1	7-10	8615-6030
	3	11-15	16446-12060	2	10-14	12060-8615	1.5	11-15	8223-6030
	5	18-26	16750-11596	3	15-22	12060-8223	2	14-21	8615-5743
	7.5	27-40	16750-11307	5	25-37	12060-8149	3	21-32	8615-5653
	10	37-56	16298-10768	7.5	39-59	11596-7665	5	37-56	8149-5384
	15	57-85	15869-10641	10	53-84	11378-7179	7.5	57-85	7934-5321
SMR5-15/1	20	79-85	15266-14189	—	—	—	—	—	—
	10	21-36	28715-16750	7.5	22-38	20557-11902	5	21-36	14358-8375
	15	33-56	27410-16152	10	30-52	20101-11596	7.5	33-56	13705-8076
	20	46-78	26218-15462	15	48-82	118844-11031	10	46-78	13109-7731
	25	60-101	25126-14926	20	69-117	17479-10308	15	76-125	11902-7236
	30	76-125	23803-14472	25	95-125	15869-12060	20	115-125	10487-9648
	40	115-125	20975-19297	—	—	—	—	—	—

1 THE ORIGINAL SHAFT MOUNT REDUCER

\* All output torque ratings listed in inch-pounds

Continued On Next Page

**Original SMR Series Reducers: Mechanical Ratings (Cont)**

THE ORIGINAL  
SHAFT MOUNT REDUCER

Reducer Model Number	Service Class I			Service Class II			Service Class III		
	Power (HP)	Output (RPM)	Output * Torque	Power (HP)	Output (RPM)	Output * Torque	Power (HP)	Output (RPM)	Output * Torque
SMR5-25/1	1.5	4	22613	1.5	5-6	18091-15075	0.75	4	11307
	2	4-6	30151-20101	2	6-9	20101-13400	1	4-6	15075-10050
	3	6-10	30151-18091	3	9-14	20101-12922	1.5	6-10	15075-9045
	5	10-17	30151-17736	5	15-24	20101-12563	2	8-13	15075-9277
	7.5	16-26	28266-17395	7.5	22-38	20557-11902	3	13-20	13916-9045
	10	21-36	28715-16750	10	30-52	20101-11596	5	21-36	14358-8375
	15	33-56	27410-16152	15	48-82	18844-11031	7.5	33-56	13705-8076
	20	46-78	26218-15462	20	69-80	17479-15075	10	46-78	13109-7731
	25	60-80	25126-18844	—	—	—	—	—	—
SMR6-15/1	15	20-32	45226-28266	10	19-29	31738-20794	7.5	20-32	22613-14133
	20	27-45	44668-26801	15	28-47	32304-19245	10	27-45	22334-13400
	25	34-59	44339-25552	20	39-68	30924-17736	15	42-75	21536-12060
	30	42-75	43073-24121	25	50-94	30151-16038	20	58-114	20794-10579
	40	58-114	41587-21158	30	61-125	29657-14472	25	75-125	20101-12060
SMR6-25/1	3	4-5	45226-36181	2	4-5	30151-24121	1.5	4-5	22613-18091
	5	7-9	43073-33501	3	6-8	30151-22613	2	5-7	24121-17229
	7.5	10-15	45226-30151	5	9-14	33501-21536	3	8-12	22613-15075
	10	13-20	46386-30151	7.5	14-21	32304-21536	5	13-20	23193-15075
	15	20-32	45226-28266	10	19-29	31738-20794	7.5	20-32	22613-14133
	20	27-45	44668-26801	15	28-47	32304-19245	10	27-45	22334-13400
	25	34-59	44339-25552	20	39-68	30924-17736	15	42-75	21536-12060
	30	42-75	43073-24121	25	50-80	30151-18844	20	58-70	20794-17229
	40	58-81	41587-29779	30	61-76	29657-23803	—	—	—
SMR7-15/1	20	19-26	63480-46392	20	27-38	44664-31740	10	19-26	31740-23196
	25	24-33	62820-45684	25	34-49	44340-30768	15	29-41	31188-22056
	30	29-41	62388-44124	30	42-60	43068-30156	20	39-57	30924-21156
	40	39-57	61848-42312	40	57-88	42312-27408	25	50-74	30156-20376
	50	50-74	60300-40740	—	—	—	30	61-98	29652-18456
SMR7-25/1	5	5-6	60300-50256	3	4-5	45228-36180	3	6-7	30156-25848
	7.5	7-9	64608-50256	5	7-8	43068-37692	5	9-12	33504-25128
	10	9-12	67008-50256	7.5	10-13	45228-34788	7.5	14-19	32304-23808
	15	14-19	64608-47604	10	13-18	46392-33504	10	19-26	31740-23196
	20	19-26	63480-46392	15	20-27	45228-33504	15	29-41	31188-22056
	25	24-33	62820-45684	20	27-38	44664-31740	20	39-57	30924-21156
	30	29-41	62388-44124	25	34-49	44340-30768	25	50-74	30156-20376
	40	39-57	61848-42312	30	42-60	43068-30156	30	61-70	29652-25848
	50	50-74	60300-40740	40	57-75	42312-32160	—	—	—
SMR8-15/1	30	20-28	90456-64608	25	23-33	65544-45684	15	20-28	45228-32304
	40	26-38	92772-63480	30	28-41	64608-44124	20	26-38	46392-31740
	50	33-49	91368-61536	40	37-56	65196-43068	25	33-49	45684-30768
	60	40-60	90456-60300	50	47-72	64152-41880	30	40-60	45228-30156
	75	51-70	88680-64608	60	57-89	63480-40656	40	54-84	44664-28716
	—	—	—	75	74-75	61116-60300	50	70-110	43068-27408
	—	—	—	—	—	—	60	86-115	42072-31464
SMR8-25/1	7.5	4-6	113064-75384	5	4-6	75384-50256	3	4-5	45228-36180
	10	6-8	100500-75384	7.5	6-9	75384-50256	5	6-8	50256-37692
	15	9-13	100500-69576	10	8-12	75384-50256	7.5	9-13	50256-34788
	20	13-18	92772-67008	15	13-19	69576-47604	10	13-18	46392-33504
	25	16-23	94224-65544	20	18-26	67008-46392	15	20-28	45228-32304
	30	20-28	90456-64608	25	23-33	65544-45684	20	26-38	46392-31740
	40	26-38	92772-63480	30	28-41	64608-44124	25	33-49	45684-30768
50	33-49	91368-61536	40	37-56	65196-43068	30	40-60	45228-30156	

All output torque ratings listed in inch-pounds

Continued On Next Page



## Original SMR Series Reducers: Mechanical Ratings (Cont)

Reducer Model Number	Service Class I			Service Class II			Service Class III		
	Power (HP)	Output (RPM)	Output * Torque	Power (HP)	Output (RPM)	Output * Torque	Power (HP)	Output (RPM)	Output * Torque
SMR8-25/1	60	40-60	90456-60300	50	47-72	64152-41880	40	54-70	44664-34464
	75	51-70	88680-64608	60	57-75	63480-48240	50	70-75	43068-40200
	—	—	—	75	74-75	61116-60300	—	—	—
SMR9-15/1	40	19-25	126948-96480	30	20-27	90456-67008	20	19-25	63480-48240
	50	23-32	131088-94224	40	26-36	92772-67008	25	23-32	65544-47112
	60	28-39	129216-92772	50	33-46	91368-65544	30	28-39	64608-46392
	75	35-50	129216-90456	60	40-56	90456-64608	40	38-53	63480-45516
	—	—	—	75	50-73	90456-61956	50	47-69	64152-43692
	—	—	—	—	—	—	60	57-85	63480-42564
SMR9-25/1	10	5	120600	7.5	5	90456	5	5	60300
	15	7-8	129216-113064	10	6-7	100500-86148	7.5	7-8	64608-56532
	20	9-12	134004-100500	15	10-12	90456-75384	10	9-12	67008-50256
	25	11-15	137052-100500	20	13-17	92772-70944	15	14-19	64608-47604
	30	14-19	129216-95220	25	16-22	94224-68520	20	19-25	63480-48240
	40	19-25	126948-96480	30	20-27	90456-67008	25	23-32	65544-47112
	50	23-32	131088-94224	40	26-36	92772-67008	30	28-39	64608-46392
	60	28-39	129216-92772	50	33-46	91368-65544	40	38-53	63480-45516
	75	35-50	129216-90456	60	40-56	90456-64608	50	47-69	64152-43692
	—	—	—	75	50-73	90456-61956	60	57-75	63480-48240
SMR10-15/1	60	19-27	189075-133053	50	22-32	136077-93553	30	19-27	94538-66526
	75	24-34	187105-132074	60	27-39	133053-92113	40	26-37	92113-64728
	100	32-46	187105-130160	75	34-49	132074-91643	50	32-46	93553-65080
	125	41-59	182542-126851	100	46-67	130160-89364	60	39-56	92113-64150
	150	50-70	179621-128301	125	76-85	98477-88050	75	50-72	89811-62368
	—	—	—	—	—	—	100	59-120	10148-49895
SMR10-25/1	15	5-6	179621-149684	10	5	119748	7.5	5-6	89811-74842
	20	7-8	171068-149684	15	7-9	128301-99790	10	7-8	85534-74842
	25	8-10	187105-149684	20	9-12	133053-99790	15	10-13	89811-69085
	30	10-13	179621-138170	25	11-15	136077-99790	20	13-18	92113-65526
	40	13-18	184227-133053	30	13-19	138170-94538	25	16-22	93553-68038
	50	16-22	187105-136077	40	18-25	133053-95798	30	19-27	94538-66526
	60	19-27	189075-133053	50	22-32	136077-93553	40	26-37	92113-64728
	75	24-34	187105-132074	60	27-39	133053-92113	50	32-46	93553-65080
	100	32-46	187105-130160	75	34-49	132074-91643	60	39-56	92113-64150
	125	41-59	182542-126851	100	46-67	130160-89364	75	50-72	89811-62368
	150	50-70	179621-128301	125	59-75	126851-99790	—	—	—
SMR12-15/1	100	23 - 31	262000 - 194000	75	25 - 33	181000 - 137000	50	23 - 31	131000 - 97000
	125	30 - 40	251000 - 188000	100	34 - 45	177000 - 134000	60	29 - 38	124000 - 95000
	150	37 - 49	244000 - 184000	125	44 - 58	171000 - 130000	75	37 - 49	122000 - 92000
	200	52 - 68*	232000 - 177000	150	55 - 72 +	164000 - 125000	100	52 - 68 +	116000 - 88000
	250	68 - 75*	222000 - 201000	200	77 - 120 +	156000 - 100000	125	68 - 70 +	110000 - 107000
	--	--	--	--	--	--	150	83 - 110*	109000 - 82000
SMR12-25/1	20	4 - 6	301000 - 201000	10	4	150000	10	4 - 9	150000 - 100000
	25	5 - 7	301000 - 215000	15	4 - 6	226000 - 150000	15	6 - 9	150000 - 100000
	30	6 - 9	301000 - 201000	20	6 - 8	201000 - 150000	20	8 - 12	150000 - 100000
	40	8 - 12	301000 - 201000	25	7 - 10	215000 - 150000	25	10 - 15	150000 - 100000
	50	10 - 15	301000 - 201000	30	9 - 12	201000 - 150000	30	13 - 18	139000 - 100000
	60	13 - 18	278000 - 201000	40	12 - 17	201000 - 142000	40	18 - 25	134000 - 96000
	75	16 - 23	282000 - 196000	50	15 - 21	201000 - 143000	50	23 - 31	131000 - 97000
	100	23 - 31	262000 - 194000	60	19 - 26	190000 - 139000	60	29 - 38	124000 - 95000
	125	30 - 40	251000 - 188000	75	25 - 33	181000 - 137000	75	37 - 49	122000 - 92000
	150	37 - 49	244000 - 184000	100	34 - 45	177000 - 134000	100	52 - 68 +	115000 - 88000
	200	52 - 68	232000 - 177000	125	44 - 58	171000 - 130000	125	68 - 70 +	110000 - 107000
250	68 - 75*	221000 - 201000	150	55 - 72 +	164000 - 125000	--	--	--	

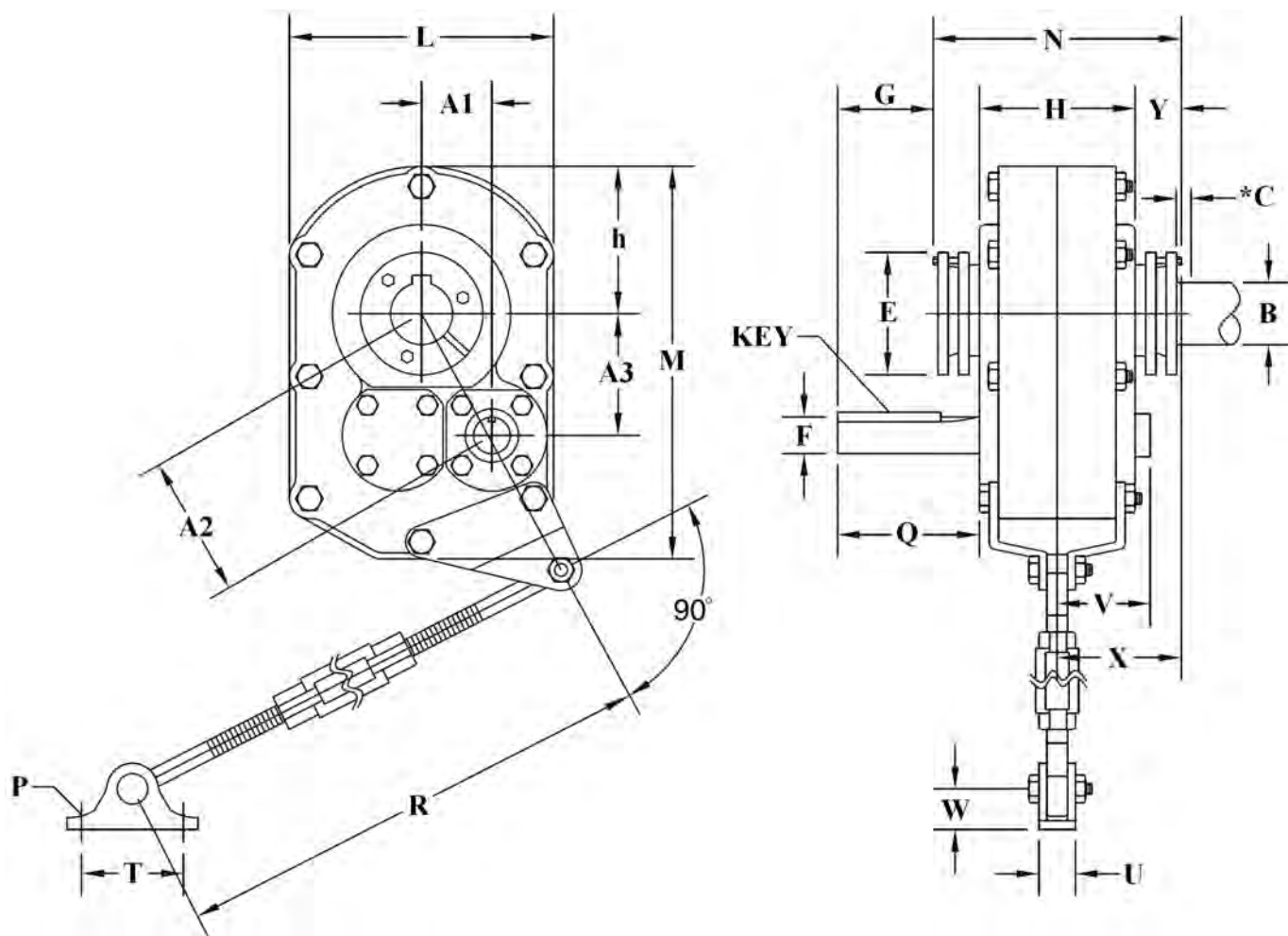
All output torque ratings listed in inch-pounds  
+ Fan cooling required  
\* Heat exchanger required

1  
THE ORIGINAL  
SHAFT MOUNT REDUCER

**Original SMR Series Reducers: Drawings and Dimensions**

1

THE ORIGINAL  
SHAFT MOUNT REDUCER



All listed dimensions in inches														
Box Size	L M	N	F Key	B Max.	C	E G	W U	X V	Q Y	H	A1 A2	A3 h	R Min. R Max.	P T
2	8.38	7.32	1.125	1 15/16	1.25	4.06	1.06	3.68	3.59	4.56	2.14	3.75	26.94	0.44
	11.41		0.25 x 0.125 x 2.50			2.22								
3	9.25	9.22	1.25	2 3/16	1.5	4.38	1.06	4.52	4.34	5.63	2.33	4.17	26.94	0.44
	12.88		0.25 x 0.125 x 2.875			2.34								
4	10.38	9.98	1.4375	2 7/16	1.75	4.81	1.75	4.79	5.57	6.13	2.76	4.79	29.19	0.55
	15.13		0.375 x 0.1875 x 4.06			3.44								
5	13.13	10.52	1.9375	2 15/16	1.81	5.63	1.75	5.05	5.74	6.31	3.04	5.67	29.19	0.5
	18.31		0.50 x 0.25 x 4.50			3.44								
6	15.13	11.53	2.1875	3 7/16	1.81	6.13	2	5.73	6.08	6.88	4.09	6.71	29.19	0.63
	21.31		0.50 x 0.25 x 4.50			3.73								
7	18.75	12.85	2.4375	3 15/16	2.06	7.25	2	6.38	6.35	7.75	5.11	8.3	29.44	0.63
	25.94		0.625 x 0.312 x 4.75			3.75								
8	20.25	14.03	2.4375	4 7/16	2.06	7.75	3.13	7.04	7.11	8.37	6.03	9.5	30	0.75
	28.25		0.625 x 0.312 x 5.375			4.31								
9	22.63	14.12	2.4375	4 15/16	2.44	8.75	3.13	7.04	9.65	8.12	6.59	10.81	30	0.75
	31.69		0.625 x 0.312 x 7.75			6.63								
10	25.50	15.63	2.6875	5 7/16	2.5	10.04	3.15	7.83	9.10	9.49	6.58	12.50	30	0.75
	35.00		0.625 x 0.312 x 7.875			6.53								
12	31.5	18.49	2.69	6 1/2	2.69	10.95	3.38	9.1	9.39	12	0	22.91	30.5	1.12
	43.5		0.625 x 0.3125 x 7.375			6.12								

Dimensions shown in this catalog are for general use only.  
 For an exact drawing on a specific rating, please contact our sales office.

## SMR Series Reducers - Hydraulically Powered: Overview

### Product Specifications

- » 15:1 and 25:1 ratios
- » Box sizes 3 - 5
- » Tapered bushing type (bushing not included)
- » Premium quality ball and tapered bearings - double lip seals
- » Shafts and gears manufactured from high grade steel, case hardened and precision ground to A.G.M.A. standards
- » Industrial grade all-cast iron housings protect gearing for life
- » Extended gear centers and tooth contact
- » Metal reinforced double lip, spring loaded oil seals
- » Dimensional drop-in for all major makes
- » Torque arm included
- » 2 year warranty



**1**  
THE ORIGINAL  
SHAFT MOUNT REDUCER

Box Size	Ratio	Output Bore (Max.)	Approx. Wt. (lbs.)	Model Number
3	15:1	2 3/16"	101	HYSMR3-15/1
4	15:1	2 7/16"	142	HYSMR4-15/1
	25:1			HYSMR4-25/1
5	15:1	2 15/16"	207	HYSMR5-15/1
	25:1			HYSMR5-25/1

## SMR Series Reducers: Overhung Load Capacity of Output Shaft (lbs)

Box Size	Shaft Size	Output Speed (RPM)							
		10	20	30	50	80	100	120	140
3	1 15/16	5400	4250	2680	3050	2620	2440	2310	2210
	2 3/16	5240	4120	3570	2690	2540	2370	2240	2140
4	2 3/16	6520	5180	4510	3800	3230	3000	2830	2710
	2 7/16	6360	5060	4410	3710	3160	2930	2770	2640
5	2 7/16	7460	5860	5080	4280	3690	3450	3270	3110
	2 15/16	7060	5540	4800	4040	3490	3260	3090	2940

Motor Size	Displacement (in <sup>3</sup> /rev.)	Running Torque (in lb/100 psi)	Starting Torque (in lb/100 psi)	Flow Rate (gpm/100rpm)	Internal Leakage (gpm/1000 rpm)	Minimum Motor RPM
B30	3.58	51.3	46.2	1.6	1.5	100

**SMR Series Reducers: Service Class I Selection Tables**

1  
THE ORIGINAL  
SHAFT MOUNT REDUCER

Reducer Model Number	Requirements	Output Speed													
		10	15	20	25	30	35	40	45	50	55	60	65	70	75
HYSMR3-15/1	OUTPUT HP (RUNNING)	1.8	2.6	3.4	4.3	5.1	5.9	6.8	7.4	8.1	8.7	9.4	10.0	10.7	11.4
	Running Torque (lb.-in.)	11096	10892	10793	10730	10687	10660	10638	10378	10171	10003	9861	9740	9639	9549
	Starting Torque (lb.-in.)	17185	17185	17185	17185	17185	17185	17185	17185	17185	17185	17185	17185	17185	17185
	Running Pressure (psi)	1520	1495	1483	1473	1467	1463	1461	1425	1396	1375	1353	1337	1322	1311
	Flow Rate (gpm)	4.6	5.7	6.9	8.0	9.2	10.3	11.5	12.6	13.7	14.8	15.9	17.1	18.2	19.4
HYSMR4-15/1	OUTPUT HP (RUNNING)	2.6	3.9	5.1	6.3	7.5	8.7	9.9	11.0	12.1	13.1	14.2	15.3	16.3	17.4
	Running Torque (lb.-in.)	16675	16229	16005	15871	15783	15717	15669	15423	15227	15066	14932	14817	14721	14636
	Starting Torque (lb.-in.)	17475	17475	17475	17475	17475	17475	17475	17475	17475	17475	17475	17475	17475	17475
	Running Pressure (psi)	2250	2191	2162	2142	2130	2121	2115	2082	2056	2035	2016	2000	1987	1976
	Flow Rate (gpm)	5.7	6.8	8.0	9.1	10.3	11.4	12.6	13.7	14.9	16.0	17.2	18.3	19.5	20.7
HYSMR4-25/1	OUTPUT HP (RUNNING)	2.6	3.9	5.1	6.3	7.5	8.7	9.9	11.0	12.1	13.1	14.2	15.3	16.3	17.4
	Running Torque (lb.-in.)	16673	16229	16005	15871	15780	15717	15669	15425	15227	15066	14932	14818	14721	14636
	Starting Torque (lb.-in.)	28160	28160	28160	28160	28160	28160	28160	28160	28160	28160	28160	28160	28160	28160
	Running Pressure (psi)	1396	1360	1341	1330	1323	1317	1313	1292	1275	1262	1251	1241	1233	1226
	Flow Rate (gpm)	5.9	7.7	9.6	11.5	13.4	15.3	17.2	19.0	20.9	22.8	24.7	26.6	28.5	30.3
HYSMR5-15/1	OUTPUT HP (RUNNING)	4.6	6.5	8.5	10.5	12.5	14.4	16.4	17.9	19.3	20.8	22.3	23.7	24.8	24.2
	Running Torque (lb.-in.)	28750	27473	26835	26451	26196	26013	25876	25046	24380	23838	23383	23001	22329	20336
	Starting Torque (lb.-in.)	31920	31920	31920	31920	31920	31920	31920	31920	31920	31920	31920	31920	31920	31920
	Running Pressure (psi)	2125	2031	1983	1953	1936	1923	1913	1851	1800	1762	1728	1700	1650	1503
	Flow Rate (gpm)	10.0	11.9	13.9	16.0	18.1	20.2	22.3	24.3	26.3	28.4	30.5	32.5	34.6	36.3
HYSMR5-25/1	OUTPUT HP (RUNNING)	4.6	6.5	8.5	10.5	12.5	14.4	16.4	17.9	19.3	20.8	22.3	23.7	24.8	24.2
	Running Torque (lb.-in.)	28751	27472	26835	26451	26196	26013	25876	25046	24381	23838	23385	23001	22329	20336
	Starting Torque (lb.-in.)	29525	29525	29525	29525	29525	29525	29525	29525	29525	29525	29525	29525	29525	29525
	Running Pressure (psi)	2296	2195	2144	2115	2093	2079	2068	2001	1947	1905	1869	1838	1781	1625
	Flow Rate (gpm)	7.4	9.3	11.2	13.1	15.1	17.1	19.0	20.9	22.8	24.8	26.7	28.7	30.6	32.3

Reducer Model Number	Requirements	Output Speed													
		80	85	90	95	100	105	110	115	120	125	130	135	140	
HYSMR3-15/1	OUTPUT HP (RUNNING)	12.0	12.7	13.3	13.8	14.3	14.8	15.3	15.8	15.9	15.7	15.5	15.2	15.0	
	Running Torque (lb.-in.)	9472	9400	9340	9171	9020	8882	8758	8641	8351	7916	7515	7095	6751	
	Starting Torque (lb.-in.)	17185	17185	17185	17185	17185	17185	17185	17185	17075	16860	16660	16475	16305	
	Running Pressure (psi)	1300	1291	1282	1259	1239	1219	1202	1185	1146	1087	1031	974	926	
	Flow Rate (gpm)	20.5	21.7	22.8	23.9	25.1	26.2	27.3	28.5	29.6	30.6	31.7	32.8	33.9	
HYSMR4-15/1	OUTPUT HP (RUNNING)	18.5	19.6	20.6	21.5	22.0	21.5	21.0	20.5	20.0	19.5	19.0	18.5	18.0	
	Running Torque (lb.-in.)	14563	14497	14440	14295	13866	12905	12032	11235	10503	9832	9210	8637	8102	
	Starting Torque (lb.-in.)	17475	17475	17475	17475	17475	17475	17475	17475	17475	17475	17475	17475	17475	
	Running Pressure (psi)	1966	1957	1949	1930	1872	1742	1625	1517	1418	1327	1244	1166	1095	
	Flow Rate (gpm)	21.8	23.0	24.1	25.3	26.4	27.4	28.4	29.4	30.4	31.5	32.5	33.6	34.7	
HYSMR4-25/1	OUTPUT HP (RUNNING)	18.5	19.6												
	Running Torque (lb.-in.)	14563	14496												
	Starting Torque (lb.-in.)	28160	28160												
	Running Pressure (psi)	1220	1213												
	Flow Rate (gpm)	32.2	34.1												
HYSMR5-15/1	OUTPUT HP (RUNNING)	23.5	22.9	22.3	21.7	21.1	20.5	19.8	19.2	18.6	18.0				
	Running Torque (lb.-in.)	18512	16980	15616	14396	13298	12305	11345	10522	9769	9075				
	Starting Torque (lb.-in.)	31920	31920	31920	31920	31920	31920	31920	31920	31920	31920				
	Running Pressure (psi)	1368	1255	1153	1062	983	909	838	778	722	671				
	Flow Rate (gpm)	38.1	40.0	41.8	43.8	45.7	47.7	49.6	51.6	53.6	55.6				
HYSMR5-25/1	OUTPUT HP (RUNNING)	23.5													
	Running Torque (lb.-in.)	18512													
	Starting Torque (lb.-in.)	29525													
	Running Pressure (psi)	1479													
	Flow Rate (gpm)	34.1													

Output Hp – Horsepower rating of the reducer/motor under continuous operation after load has been started.  
 Running torque – Continuous output torque rating of reducer/motor (in.-lbs.)  
 Starting torque – Momentary output torque available for starting (in.-lbs.)  
 Running pressure – Motor pressure required to generate running torque. This will start loads not to exceed 75% of the running load. For greater starting requirements, motor pressure may be increased – see table (PSI).  
 Flow rate – Flow required for given output RPM. With oil viscosity of 200SUS @ 100°F. For B30 motors.

## SMR Series Reducers: Service Class II Selection Tables

Reducer Model Number	Requirements	Output Speed													
		10	15	20	25	30	35	40	45	50	55	60	65	70	75
HYSMR3-15/1	OUTPUT HP (RUNNING)	1.3	1.9	2.4	3.0	3.6	4.2	4.8	5.3	5.8	6.2	6.7	7.2	7.6	8.1
	Running Torque (lb.-in.)	7925	7781	7708	7665	7635	7614	7599	7413	7265	7145	7043	6957	6884	6820
	Starting Torque (lb.-in.)	17185	17185	17185	17185	17185	17185	17185	17185	17185	17185	17185	17185	17185	17185
	Running Pressure (psi)	1086	1068	1058	1052	1047	1045	1043	1018	997	981	967	955	945	936
	Flow Rate (gpm)	4.0	5.1	6.2	7.4	8.5	9.7	10.8	12.0	13.1	14.2	15.4	16.5	17.7	18.8
HYSMR4-15/1	OUTPUT HP (RUNNING)	1.9	2.8	3.6	4.5	5.4	6.2	7.1	7.9	8.6	9.4	10.2	10.9	11.7	12.4
	Running Torque (lb.-in.)	11910	11592	11432	11336	11272	11227	11192	11017	10876	10761	10665	10583	10515	10455
	Starting Torque (lb.-in.)	17475	17475	17475	17475	17475	17475	17475	17475	17475	17475	17475	17475	17475	17475
	Running Pressure (psi)	1606	1565	1543	1530	1522	1516	1511	1487	1467	1453	1440	1429	1419	1411
	Flow Rate (gpm)	4.8	5.9	7.0	8.2	9.4	10.5	11.7	12.8	14.0	15.2	16.3	17.5	18.6	19.8
HYSMR4-25/1	OUTPUT HP (RUNNING)	1.9	2.8	3.6	4.5	5.4	6.2	7.1	7.9	8.6	9.4	10.2	10.9	11.7	12.4
	Running Torque (lb.-in.)	11910	11592	11432	11336	11272	11227	11192	11018	10876	10761	10665	10584	10515	10455
	Starting Torque (lb.-in.)	28160	28160	28160	28160	28160	28160	28160	28160	28160	28160	28160	28160	28160	28160
	Running Pressure (psi)	996	971	958	950	945	941	938	923	911	902	894	887	881	876
	Flow Rate (gpm)	5.3	7.2	9.0	10.9	12.8	14.7	16.6	18.5	20.4	22.3	24.1	26.0	27.9	29.8
HYSMR5-15/1	OUTPUT HP (RUNNING)	3.3	4.7	6.1	7.5	8.9	10.3	11.7	12.8	13.8	14.9	15.9	16.9	18.0	19.0
	Running Torque (lb.-in.)	20536	19624	19168	18893	18711	18581	18483	17890	17415	17027	16703	16429	16195	15991
	Starting Torque (lb.-in.)	31920	31920	31920	31920	31920	31920	31920	31920	31920	31920	31920	31920	31920	31920
	Running Pressure (psi)	1517	1450	1417	1396	1383	1373	1366	1322	1287	1256	1235	1214	1197	1182
	Flow Rate (gpm)	8.4	10.3	12.4	14.5	16.6	18.7	20.9	22.9	25.0	27.1	29.1	31.2	33.3	35.5
HYSMR5-25/1	OUTPUT HP (RUNNING)	3.3	4.7	6.1	7.5	8.9	10.3	11.7	12.8	13.8	14.9	15.9	16.9	18.0	19.0
	Running Torque (lb.-in.)	20537	19625	19168	18895	18711	18581	18483	17890	17415	17027	16703	16429	16195	15991
	Starting Torque (lb.-in.)	29525	29525	29525	29525	29525	29525	29525	29525	29525	29525	29525	29525	29525	29525
	Running Pressure (psi)	1641	1566	1532	1510	1495	1483	1477	1430	1392	1361	1335	1313	1294	1278
	Flow Rate (gpm)	6.4	8.3	10.3	12.2	14.2	16.2	18.2	20.1	22.0	24.0	25.9	27.9	29.8	31.8

Reducer Model Number	Requirements	Output Speed													
		80	85	90	95	100	105	110	115	120	125	130	135	140	
HYSMR3-15/1	OUTPUT HP (RUNNING)	8.6	9.1	9.5	9.9	10.2	10.6	10.9	11.3	11.6	11.9	12.3	12.6	12.9	
	Running Torque (lb.-in.)	6765	6716	6672	6552	6443	6345	6256	6174	6099	6022	5951	5885	5825	
	Starting Torque (lb.-in.)	17185	17185	17185	17185	17185	17185	17185	17185	17075	16860	16660	16475	16305	
	Running Pressure (psi)	929	922	916	899	884	871	859	847	837	827	817	808	799	
	Flow Rate (gpm)	20.0	21.1	22.2	23.4	24.5	25.7	26.8	27.9	29.1	30.2	31.4	32.5	33.7	
HYSMR4-15/1	OUTPUT HP (RUNNING)	13.2	14.0	14.7	15.4	16.1	16.7	17.4	18.0	18.7	19.2	19.0	18.5	18.0	
	Running Torque (lb.-in.)	10402	10355	10312	10211	10118	10034	9957	9887	9823	9693	9211	8637	8103	
	Starting Torque (lb.-in.)	17475	17475	17475	17475	17475	17475	17475	17475	17475	17475	17475	17475	17475	
	Running Pressure (psi)	1403	1398	1392	1378	1366	1355	1344	1335	1326	1309	1244	1166	1095	
	Flow Rate (gpm)	21.0	22.1	23.3	24.5	25.6	26.8	28.0	29.1	30.3	31.4	32.5	33.6	34.7	
HYSMR4-25/1	OUTPUT HP (RUNNING)	13.2	14.0												
	Running Torque (lb.-in.)	10402	10353												
	Starting Torque (lb.-in.)	28160	28160												
	Running Pressure (psi)	871	867												
	Flow Rate (gpm)	31.7	33.6												
HYSMR5-15/1	OUTPUT HP (RUNNING)	20.1	21.1	22.2	21.7	21.1	20.5	19.8	19.2	18.6	18.0				
	Running Torque (lb.-in.)	15813	15656	15517	14396	13296	12305	11345	10522	9769	9075				
	Starting Torque (lb.-in.)	31920	31920	31920	31920	31920	31920	31920	31920	31920	31920				
	Running Pressure (psi)	1169	1157	1147	1064	983	909	836	778	722	671				
	Flow Rate (gpm)	37.6	39.7	41.8	43.8	45.7	47.7	49.6	51.6	53.6	55.6				
HYSMR5-25/1	OUTPUT HP (RUNNING)	20.1													
	Running Torque (lb.-in.)	15815													
	Starting Torque (lb.-in.)	29525													
	Running Pressure (psi)	1265													
	Flow Rate (gpm)	33.8													

1 THE ORIGINAL SHAFT MOUNT REDUCER

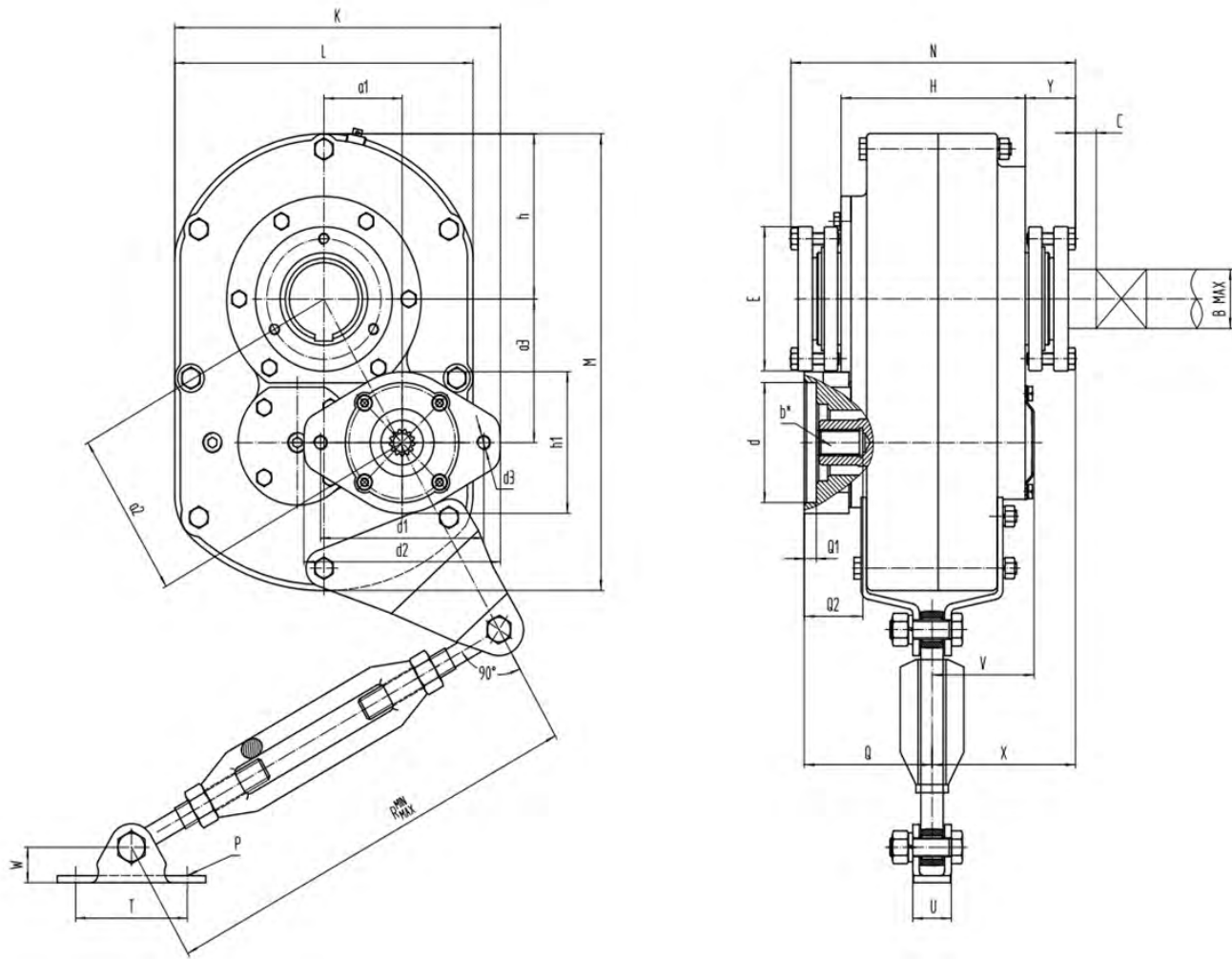
## SMR Series Reducers: Service Class III Selection Tables

1  
THE ORIGINAL  
SHAFT MOUNT REDUCER

Reducer Model Number	Requirements	Output Speed													
		10	15	20	25	30	35	40	45	50	55	60	65	70	75
HYSMR3-15/1	OUTPUT HP (RUNNING)	0.9	1.3	1.7	2.1	2.5	3.0	3.4	3.7	4.0	4.4	4.7	5.0	5.4	5.7
	Running Torque (lb.-in.)	5547	5446	5396	5365	5345	5330	5319	5189	5086	5001	4930	4870	4819	4774
	Starting Torque (lb.-in.)	17185	17185	17185	17185	17185	17185	17185	17185	17185	17185	17185	17185	17185	17185
	Running Pressure (psi)	762	747	741	736	734	732	730	712	698	686	677	668	661	655
	Flow Rate (gpm)	3.5	4.6	5.8	6.9	8.1	9.2	10.4	11.5	12.6	13.8	14.9	16.1	17.2	18.4
HYSMR4-15/1	OUTPUT HP (RUNNING)	1.3	1.9	2.5	3.1	3.8	4.4	5.0	5.5	6.0	6.6	7.1	7.6	8.2	8.7
	Running Torque (lb.-in.)	8339	8115	8002	7935	7891	7859	7835	7712	7613	7533	7466	7409	7360	7318
	Starting Torque (lb.-in.)	17475	17475	17475	17475	17475	17475	17475	17475	17475	17475	17475	17475	17475	17475
	Running Pressure (psi)	1126	1095	1081	1071	1065	1061	1058	1043	1028	1017	1008	1000	994	988
	Flow Rate (gpm)	4.1	5.2	6.3	7.5	8.7	9.8	11.0	12.2	13.3	14.5	15.7	16.8	18.0	19.2
HYSMR4-25/1	OUTPUT HP (RUNNING)	1.3	1.9	2.5	3.1	3.8	4.4	5.0	5.5	6.0	6.6	7.1	7.6	8.2	8.7
	Running Torque (lb.-in.)	8338	8113	8002	7935	7891	7859	7835	7712	7613	7533	7466	7409	7360	7318
	Starting Torque (lb.-in.)	28160	28160	28160	28160	28160	28160	28160	28160	28160	28160	28160	28160	28160	28160
	Running Pressure (psi)	699	683	670	665	661	659	656	646	638	631	625	621	617	613
	Flow Rate (gpm)	4.9	6.7	8.6	10.5	12.4	14.3	16.2	18.1	20.0	21.8	23.7	25.6	27.5	29.4
HYSMR5-15/1	OUTPUT HP (RUNNING)	2.3	3.3	4.3	5.2	6.2	7.2	8.2	8.9	9.7	10.4	11.1	11.9	12.6	13.3
	Running Torque (lb.-in.)	14375	13737	13417	13226	13099	13007	12938	12523	12191	11919	11692	11501	11336	11193
	Starting Torque (lb.-in.)	31920	31920	31920	31920	31920	31920	31920	31920	31920	31920	31920	31920	31920	31920
	Running Pressure (psi)	1065	1015	992	978	968	961	956	926	903	881	865	850	838	827
	Flow Rate (gpm)	7.1	9.2	11.3	13.4	15.5	17.6	19.8	21.9	23.9	26.0	28.2	30.3	32.4	34.5
HYSMR5-25/1	OUTPUT HP (RUNNING)	2.3	3.3	4.3	5.2	6.2	7.2	8.2	8.9	9.7	10.4	11.1	11.9	12.6	13.3
	Running Torque (lb.-in.)	14376	13737	13417	13225	13098	13007	12938	12523	12191	11919	11692	11501	11336	11193
	Starting Torque (lb.-in.)	29525	29525	29525	29525	29525	29525	29525	29525	29525	29525	29525	29525	29525	29525
	Running Pressure (psi)	1147	1098	1072	1057	1046	1039	1034	1001	975	952	934	919	906	895
	Flow Rate (gpm)	5.7	7.6	9.6	11.5	13.5	15.5	17.5	19.4	21.4	23.3	25.3	27.3	29.2	31.2

Reducer Model Number	Requirements	Output Speed												
		80	85	90	95	100	105	110	115	120	125	130	135	140
HYSMR3-15/1	OUTPUT HP (RUNNING)	6.0	6.3	6.7	6.9	7.2	7.4	7.6	7.9	8.1	8.4	8.6	8.8	9.1
	Running Torque (lb.-in.)	4735	470	4671	4586	4510	4441	4379	4322	4270	4216	4166	4119	4077
	Starting Torque (lb.-in.)	17185	17185	17185	17185	17185	17185	17185	17185	17075	16860	16660	16475	16305
	Running Pressure (psi)	650	645	641	630	619	610	601	593	586	579	572	565	560
	Flow Rate (gpm)	19.5	20.7	21.8	23.0	24.1	25.3	26.4	27.6	28.7	29.9	31.0	32.2	33.3
HYSMR4-15/1	OUTPUT HP (RUNNING)	9.2	9.8	10.3	10.8	11.2	11.7	12.2	12.6	13.1	13.5	13.8	14.2	14.6
	Running Torque (lb.-in.)	7281	7249	7220	7147	7082	7025	6970	6921	6876	6785	6701	6623	6550
	Starting Torque (lb.-in.)	17475	17475	17475	17475	17475	17475	17475	17475	17475	17475	17475	17475	17475
	Running Pressure (psi)	983	979	975	965	956	948	941	934	928	916	905	894	885
	Flow Rate (gpm)	20.3	21.5	22.7	23.9	25.0	26.2	27.4	28.5	29.7	30.9	32.0	33.2	34.3
HYSMR4-25/1	OUTPUT HP (RUNNING)	9.2	9.8											
	Running Torque (lb.-in.)	7281	7250											
	Starting Torque (lb.-in.)	28160	28160											
	Running Pressure (psi)	610	607											
	Flow Rate (gpm)	31.3	33.2											
HYSMR5-15/1	OUTPUT HP (RUNNING)	14.1	14.8	15.5	16.1	16.6	17.2	17.7	18.2	18.6	18.0			
	Running Torque (lb.-in.)	11069	10959	10862	10653	10466	10296	10141	10000	9769	9076			
	Starting Torque (lb.-in.)	31920	31920	31920	31920	31920	31920	31920	31920	31920	31920			
	Running Pressure (psi)	818	810	803	787	774	761	750	739	722	671			
	Flow Rate (gpm)	36.6	38.8	40.9	43.0	45.1	47.3	49.4	51.5	53.6	55.6			
HYSMR5-25/1	OUTPUT HP (RUNNING)	14.1												
	Running Torque (lb.-in.)	11069												
	Starting Torque (lb.-in.)	29525												
	Running Pressure (psi)	885												
	Flow Rate (gpm)	33.2												

**SMR - Hydraulically Powered: Drawings and Dimensions**



**1**  
THE ORIGINAL  
SHAFT MOUNT REDUCER

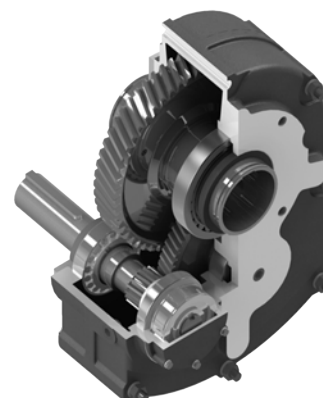
Reducer Model Number	K	M	B Max	C	E	W	X	Q	H	a1	a3	R Min	R Max	P	b* Spline to fit SA 498b Flat Root Side Fit	d	Q1	h1	d2	d3
	L	N			G	U	V	Y		a2	h					T	Q	Q2		
SMRY3-H	10.42	12.88	2-3/16"	1.50	4.38	1.06	4.52	4.34	5.63	2.33	4.17	26.94	0.44	"13 Tooth 16/32 DP 30°"	4.00	0.43	4.72	6.93	2*1/2"-13-UNC-2A	
	9.25	9.22			2.34	1.25	3.30	1.59		4.78	4.84				32.94	3.00	4.34			2.07
SMRY4-H	11.48	15.13	2-7/16"	1.75	4.81	1.75	4.79	5.57	6.13	2.76	4.79	29.19	0.50	"13 Tooth 16/32 DP 30°"	4.00	0.43	4.72	6.93	2*1/2"-13-UNC-2A	
	10.38	9.98			3.44	1.44	3.41	1.72		5.53	5.50				4.00	4.51	2.07			5.75
SMRY5-H	13.08	18.31	2-15/16"	1.81	5.63	1.75	5.05	5.74	6.31	3.04	5.67	29.19	0.50	"13 Tooth 16/32 DP 30°"	4.00	0.43	4.72	6.93	2*1/2"-13-UNC-2A	
	13.13	10.52			3.44	1.44	4.45	1.91		6.43	6.56				35.19	4.00	4.69			2.07

## Eliminator SCSMR Series Reducers: Overview

### Product Specifications

- » 9:1, 15:1, 25:1 ratios
- » Box sizes 2 - 10
- » Tapered bushing type (bushing not included)
- » Premium quality ball and tapered bearings - double lip seals
- » Shafts and gears manufactured from high grade steel, case hardened and precision ground to A.G.M.A. standards
- » Industrial grade all-cast iron housings protect gearing for life
- » Extended gear centers and tooth contact
- » Metal reinforced double lip, spring loaded oil seals
- » Dimensional drop-in for most major makes
- » Torque arm included
- » 2 year warranty

Box Size	Ratio	Output Bore (Max.)	Approx. Wt. (lbs.)	Model Number
2	9:1	1-15/16"	68	SCSMR2-9/1
	15:1			SCSMR2-15/1
	25:1			SCSMR2-25/1
3	9:1	2-3/16"	106	SCSMR3-9/1
	15:1			SCSMR3-15/1
	25:1			SCSMR3-25/1
4	9:1	2-7/16"	156	SCSMR4-9/1
	15:1			SCSMR4-15/1
	25:1			SCSMR4-25/1
5	9:1	2-15/16"	204	SCSMR5-9/1
	15:1			SCSMR5-15/1
	25:1			SCSMR5-25/1
6	9:1	3-7/16"	314	SCSMR6-9/1
	15:1			SCSMR6-15/1
	25:1			SCSMR6-25/1
7	15:1	3-15/16"	487	SCSMR7-15/1
	25:1			SCSMR7-25/1
	15:1			SCSMR8-15/1
8	25:1	4-7/16"	655	SCSMR8-25/1
	15:1			SCSMR9-15/1
	25:1			SCSMR9-25/1
9	15:1	4-15/16"	783	SCSMR9-15/1
	25:1			SCSMR9-25/1
	15:1			SCSMR10-15/1
10	25:1	5-7/16"	882	SCSMR10-25/1



## SCSMR Series Reducers: Overhung Load Capacity of Output Shaft (lbs)

Box Size	Shaft Size (inches)	Output Speed (RPM)									
		10	20	30	40	50	60	80	100	120	140
2	1 7/16	2416	1918	1675	1522	1413	1330	1208	1121	1055	1003
	1 15/16	2202	1748	1527	1387	1288	1212	1101	1022	962	914
3	1 15/16	4336	3520	3120	2856	2672	2536	2320	2176	2056	1960
	2 3/16	4176	3392	3008	2760	2576	2440	2240	2096	1984	1896
4	2 3/16	6024	4896	4336	3976	3720	3520	3232	3016	2856	2728
	2 7/16	5832	4736	4192	3848	3600	3408	32158	2920	2768	2640
5	2 7/16	6272	5096	4512	4136	3872	3664	3360	144	2976	2840
	2 15/16	5928	4816	4264	3912	3656	3464	3176	2968	2816	2688
6	2 15/16	7408	6016	5328	4888	4568	4328	3968	3712	3512	3360
	3 7/16	7064	5736	5080	4664	4360	4128	3784	3544	3352	3200
7	3 7/16	5968	4848	4296	3936	3688	3488	3200	2992	2832	2704
	3 15/16	5736	4656	4120	3784	3536	3352	3072	2872	2720	2600
8	3 15/16	7472	6072	5376	4928	4608	4368	4008	3744	3544	3384
	4 7/16	7208	5826	5184	4760	4448	4208	3864	3616	3424	3264
9	4 7/16	9032	7336	6496	5960	5576	5272	4840	4528	4288	4088
	4 15/16	8744	7104	6288	5768	5400	5112	4688	4384	4152	3960
10	5 7/16	11134	8161	7588	7181	6828	6607	6145	5881	5660	-

1  
THE ELIMINATOR  
SHAFT MOUNT REDUCER

THE ELIMINATOR



# Section 1: Shaft Mount Reducers

## The Eliminator Shaft Mount Reducer



### Eliminator SCSMR Series Reducers: Mechanical Ratings

1

THE ELIMINATOR  
SHAFT MOUNT REDUCER

Reducer Model Number	Service Class I			Service Class II			Service Class III		
	Power (HP)	Output (RPM)	Output * Torque	Power (HP)	Output (RPM)	Output * Torque	Power (HP)	Output (RPM)	Output * Torque
SCSMR2-9/1	7.5	85-105	5035-4076	5	85-105	3357-2717	3	85-100	2014-1712
	10	105-150	5435-3804	7.5	110-150	3891-2853	5	105-150	2717-1902
	15	160-200	5350-4280	10	150-200	3804-2853	7.5	160-200	2675-2140
SCSMR2-15/1	2	16-24	7065-4710	1.5	18-24	4710-3532	1.5	26-34	3261-2493
	3	26-45	6521-3768	2	24-34	4710-3324	2	38-58	2975-1949
	5	46-74	6143-3819	3	38-70	4462-2422	3	58-100	2923-1695
	7.5	78-105	5434-4037	5	70-105	4037-2691	5	105-140	2691-2018
	10	105-140	5382-4037	7.5	110-140	3853-3028			
SCSMR2-25/1	0.5	4-6	7065-4710	0.33	4-5	4663-3730	0.25	4-5	3532-2826
	0.75	6-8	7065-5298	0.5	6-8	4710-3532	0.33	6-8	3108-2331
	1	8-10	7065-5652	0.75	8-12	5298-3532	0.5	8-12	3532-2355
	1.5	12-16	7065-5298	1	12-16	4710-3532	0.75	12-16	3532-2649
	2	16-24	7065-4710	1.5	18-24	4710-3532	1	16-24	3532-2355
	3	26-45	6521-3768	2	24-34	4710-3324	1.5	26-34	3261-2493
	5	46-74	6143-3819	3	38-70	4462-2422	2	38-58	2975-1949
SCSMR3-9/1	7.5	78-85	5434-4987	5	70-85	4037-3324	3	58-85	2923-1995
	10	85-105	6714-5435	7.5	85-105	5035-4076	5	85-105	3357-2717
	15	110-140	7782-6114	10	100-140	5707-4076	7.5	110-140	3891-3057
SCSMR3-15/1	20	150-200	7609-5707	15	150-200	5707-4280	10	150-200	3804-2853
	3	28-30	6055-5652	2	16-24	7065-4710	2	24-38	4710-2975
	5	32-50	8831-5652	3	26-46	6521-3686	3	40-70	4239-2422
	7.5	52-74	8151-5728	5	50-74	5652-3819	5	74-105	3819-2691
	10	78-105	7246-5382	7.5	78-105	5434-4037	7.5	110-140	3853-3028
SCSMR3-25/1	15	110-140	7707-6055	10	100-140	5652-4037	-	-	-
	0.75	4-5	10597-8477	0.5	4-5	7065-5652	0.5	6-7	4710-4037
	1	6-7	9419-8074	0.75	6-7	7065-6055	0.75	8-10	5298-4239
	1.5	8-10	10597-8477	1	8-10	7065-5652	1	10-16	5652-3532
	2	12-16	9419-7065	1.5	12-16	7065-5298	1.5	18-24	4710-3532
	3	18-30	9419-5652	2	16-24	7065-4710	2	24-38	4710-2975
	5	32-50	8831-5652	3	26-46	6521-3686	3	40-70	4239-2422
SCSMR4-9/1	7.5	52-74	8151-5728	5	50-74	5652-3819	5	74-85	3819-3324
	10	78-85	7246-6649	7.5	78-85	5434-4987	-	-	-
	20	85-105	13427-10870	15	85-115	10071-7443	10	85-115	6714-4962
	25	100-135	14267-10568	20	110-150	10376-7609	15	120-150	7133-5707
SCSMR4-15/1	30	120-160	14267-10700	25	140-190	10190-7509	20	160-200	7133-5707
	40	160-200	14267-11413	30	170-200	10700-8560	-	-	-
	5	18-24	15699-11774	3	14-22	12111-7707	3	20-34	8477-4987
SCSMR4-25/1	7.5	26-34	16303-12467	5	24-34	11774-8311	5	38-54	7436-5233
	10	38-54	14873-10466	7.5	38-54	11154-7849	7.5	58-80	7308-5298
	15	58-80	14616-10597	10	54-80	10466-7065	10	80-140	7065-4037
	20	80-110	14219-10276	15	85-115	9973-7372	-	-	-
	25	100-140	14129-10092	20	110-140	10276-8074	-	-	-

\* All output torque ratings listed in inch-pounds

Data Revised 03.18.2022

1

THE ELIMINATOR  
SHAFT MOUNT REDUCER

Continued On Next Page

# Section 1: Shaft Mount Reducers

## The Eliminator Shaft Mount Reducer



### Eliminator SCSMR Series Reducers: Mechanical Ratings (Cont)

1

THE ELIMINATOR  
SHAFT MOUNT REDUCER

Reducer Model Number	Service Class I			Service Class II			Service Class III		
	Power (HP)	Output (RPM)	Output * Torque	Power (HP)	Output (RPM)	Output * Torque	Power (HP)	Output (RPM)	Output * Torque
SCSMR4-25/1	1	4-5	14129-11303	0.75	4-5	10597-8477	0.5	4-5	7065-5652
	1.5	5-7	16955-12111	1	5-6	11303-9419	0.75	5-6	8477-7065
	2	6-8	18839-14129	1.5	6-8	14129-10597	1	6-8	9419-7065
	3	10-14	16955-12111	2	10-12	11303-9419	1.5	10-12	8477-7065
	5	16-24	17661-11774	3	14-22	12111-7707	2	14-18	8074-6280
	7.5	26-34	16303-12467	5	24-34	11774-8311	3	20-34	8477-4987
	10	38-54	14873-10466	7.5	38-54	11154-7849	5	38-54	7436-5233
	15	58-80	14616-10597	10	54-85	10466-6649	7.5	58-85	7308-4987
SCSMR5-9/1	20	80-85	14129-13298	-	-	-	-	-	-
	25	78-95	18291-15018	20	78-105	14632-10870	10	78-80	7316-7133
	30	85-115	20141-14887	25	100-135	14267-10568	15	85-105	10071-8152
	40	110-150	20752-15218	30	120-160	14267-10700	20	110-135	10376-8454
	50	140-180	20381-15852	40	160-200	14267-11413	25	140-160	10190-8917
SCSMR5-15/1	60	170-200	20141-17120	-	-	-	30	170-200	10071-14267
	7.5	22-24	19267-17661	7.5	24-34	17661-12467	5	24-34	11774-8311
	10	24-34	23548-16622	10	38-54	14873-10466	7.5	38-52	11154-8151
	15	38-54	22309-15699	15	58-80	14616-10597	10	54-80	10466-7065
	20	54-78	20932-14491	20	78-110	14491-10276	15	85-110	9973-7707
	25	70-95	20184-14873	25	100-125	14129-11303	20	110-125	10276-9043
	30	85-115	19947-14743	-	-	-	-	-	-
SCSMR5-25/1	40	110-125	20551-18085	-	-	-	-	-	-
	2	4-5	28258-22606	1.5	4-5	21194-16955	1	4-5	14129-11303
	3	6-8	28258-21194	2	5-6	22606-18839	1.5	6-7	14129-12111
	5	10-14	28258-20184	3	8-14	21194-12111	2	8-12	14129-9419
	7.5	16-24	26492-17661	5	16-24	17661-11774	3	14-22	12111-7707
	10	24-34	23548-16622	7.5	24-34	17661-12467	5	24-34	11774-8311
	15	38-54	22309-15699	10	38-54	14873-10466	7.5	38-52	11154-8151
	20	54-78	20932-14491	15	58-80	14616-10597	10	54-78	10466-7246
SCSMR6-9/1	70-80	20184-17661	20	78-80	14491-14129	-	-	-	
	50	78-105	36581-27175	30	78-90	21949-19022	25	78-95	18291-15018
	60	95-125	36042-27392	40	90-120	25363-19022	30	95-120	18021-14267
	75	120-200	35667-21400	50	110-150	25939-19022	40	125-150	18261-15218
SCSMR6-15/1	-	-	-	60	130-180	26338-19022	50	160-200	17833-14267
	-	-	-	75	160-200	26750-21400	60	190-200	18021-17120
	15	20-26	42387-32605	10	18-26	31398-21737	7.5	20-24	21194-17661
	20	26-38	43474-29745	15	28-40	30276-21194	10	26-40	21737-14129
	25	34-50	41556-28258	20	40-58	28258-19488	15	45-58	18839-14616
	30	45-62	37677-27346	25	52-78	27171-18114	20	62-74	18231-15275
	40	62-85	36462-26596	30	66-90	25689-18839	25	78-95	18114-14873
SCSMR6-25/1	50	78-105	36228-26912	40	90-120	25118-18839	30	95-125	17847-13564
	60	95-125	35694-27128	-	-	-	-	-	-
	3	4-5	42387-33910	2	4-5	28258-22606	1.5	4-5	21194-16955
	5	6-8	47097-35323	3	6-8	28258-21194	2	6-7	18839-16147
	7.5	10-12	42387-35323	5	10-12	28258-23548	3	8-12	21194-14129
	10	14-18	40369-31398	7.5	14-18	30276-23548	5	14-18	20184-15699
	15	20-26	42387-32605	10	18-26	31398-21737	7.5	20-24	21194-17661
	20	26-38	43474-29745	15	28-40	30276-21194	10	26-40	21737-14129
25	34-50	41556-28258	20	40-58	28258-19488	15	45-58	18839-14616	
30	45-62	37677-27346	25	52-78	27171-18114	20	62-70	18231-16147	
40	62-80	36462-28258	30	66-78	25689-21737	-	-	-	

\* All output torque ratings listed in inch-pounds

Data Revised 03.18.2022

Continued On Next Page

**Section 1: Shaft Mount Reducers**  
**The Eliminator Shaft Mount Reducer**



**Eliminator SCSMR Series Reducers: Mechanical Ratings (Cont)**

1

THE ELIMINATOR  
SHAFT MOUNT REDUCER

Reducer Model Number	Service Class I			Service Class II			Service Class III		
	Power (HP)	Output (RPM)	Output * Torque	Power (HP)	Output (RPM)	Output * Torque	Power (HP)	Output (RPM)	Output * Torque
SCSMR7-9/1	60	74-85	46270-40282	50	74-100	38559-28533	30	74-80	23135-21400
	75	78-105	54872-40370	60	90-120	38044-28533	40	85-100	26855-22827
	100	105-200	53827-28259	75	110-150	38909-28259	50	105-125	27175-22827
	-	-	-	100	150-200	37679-28259	60	125-150	27392-22607
	-	-	-	-	-	-	75	160-200	26493-21195
SCSMR7-15/1	20	18-22	62796-51378	20	26-34	43474-33245	10	16-24	35323-23548
	25	22-30	64223-47097	25	32-46	44153-30715	15	26-34	32605-24934
	30	26-38	65211-44618	30	40-58	42387-29232	20	38-46	29745-24572
	40	38-54	59491-41864	40	58-80	38977-28258	25	50-62	28258-22789
	50	50-74	56516-38187	50	74-100	38188-28259	30	62-80	27346-21194
	60	62-85	54696-39896	60	90-115	37679-29488	40	85-100	26596-22607
	75	90-115	47099-36860	-	-	-	50	105-115	26914-24573
SCSMR7-25/1	5	4-5	70645-56516	3	4-5	42387-33910	3	5-7	33910-24221
	7.5	6-7	70645-60553	5	6-7	47097-40369	5	8-10	35323-28258
	10	8-10	70645-56516	7.5	8-10	52984-42387	7.5	12-14	35323-30276
	15	12-16	70645-52984	10	12-16	47097-35323	10	16-24	35323-23548
	20	16-22	70645-51378	15	18-26	47097-32605	15	26-34	32605-24934
	25	22-30	64223-47097	20	24-34	47097-33245	20	38-46	29745-24572
	30	26-38	65211-44618	25	32-46	44153-30715	25	50-62	28258-22789
	40	38-54	59491-41864	30	40-58	42387-29232	30	62-80	27346-21195
	50	50-74	56516-38187	40	58-74	38977-30549	-	-	-
60	62-80	54696-42389	50	74-80	38188-35324	-	-	-	
SCSMR8-9/1	100	70-85	80741-66493	75	70-90	60556-47099	50	70-78	40370-36230
	125	80-200	88310-35324	100	90-120	62799-47099	60	78-95	43476-35696
	-	-	-	125	110-200	64226-35324	75	95-125	44620-33911
	-	-	-	-	-	-	100	130-200	43476-28259
SCSMR8-15/1	40	20-30	113032-75355	25	20-26	70645-54342	15	18-20	47097-42387
	50	28-40	100922-70645	30	22-32	77067-52984	20	20-26	56516-43474
	60	34-46	99734-73717	40	32-46	70645-49144	25	28-34	50461-41556
	75	45-70	94193-60553	50	40-58	70645-48721	30	34-46	49867-36858
	100	62-85	91159-66493	60	50-74	67819-45824	40	50-58	45213-38977
	125	80-125	88310-56519	75	66-90	64223-47099	50	62-78	45577-36228
	-	-	-	100	90-125	62799-45215	60	78-95	43474-35696
	-	-	-	-	-	-	75	95-125	44620-33911
SCSMR8-25/1	7.5	4-5	105968-84774	5	4-5	70645-56516	3	4-5	42387-33910
	10	6-7	94193-80737	7.5	6-7	70645-60553	5	5-7	56516-40369
	15	8-9	105968-94193	10	8-9	70645-62796	7.5	7-9	60553-47097
	20	10-12	113032-94193	15	10-14	84774-60553	10	10-14	56516-40369
	25	12-16	117742-88306	20	14-20	80737-56516	15	16-20	52984-42387
	30	16-20	105968-84774	25	18-26	78495-54342	20	20-26	56516-43474
	40	20-30	113032-75355	30	22-32	77067-52984	25	28-34	50461-41556
	50	28-40	100922-70645	40	32-46	70645-49144	30	34-46	49867-36858
	60	34-46	99734-73717	50	40-58	70645-48721	40	50-58	45213-38977
	75	45-70	94193-60553	60	50-74	67819-45824	50	62-80	45577-35324
	100	62-80	91159-70648	75	66-80	64223-52986	-	-	-
SCSMR9-9/1	150	70-200	121111-42389	100	70-85	80741-66493	75	70-90	60556-47099
	-	-	-	125	85-110	83116-64226	100	95-110	59493-51381
	-	-	-	150	100-200	84778-42389	125	115-140	61433-50463
	-	-	-	-	-	-	150	140-200	60556-42389

\* All output torque ratings listed in inch-pounds  
 Data Revised 03.18.2022

1

THE ELIMINATOR  
SHAFT MOUNT REDUCER

# Section 1: Shaft Mount Reducers

## The Eliminator Shaft Mount Reducer



### Eliminator SCSMR Series Reducers: Mechanical Ratings (Cont)

1

THE ELIMINATOR  
SHAFT MOUNT REDUCER

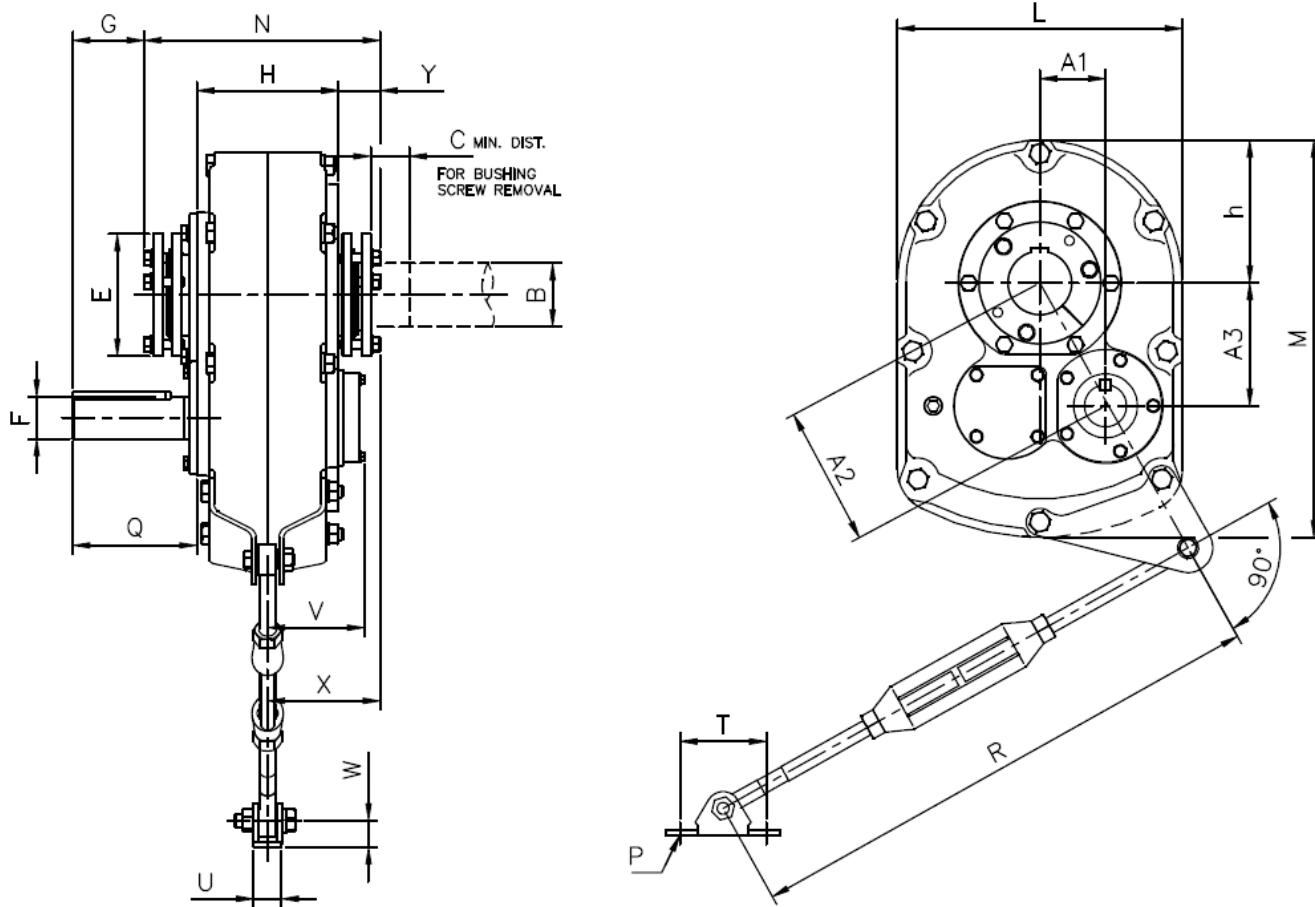
Reducer Model Number	Service Class I			Service Class II			Service Class III		
	Power (HP)	Output (RPM)	Output * Torque	Power (HP)	Output (RPM)	Output * Torque	Power (HP)	Output (RPM)	Output * Torque
SCSMR9-15/1	50	18-26	156989-108685	30	20-22	84774-77067	25	18-22	78495-64223
	60	22-32	154135-105968	40	22-30	102757-75355	30	22-30	77067-56516
	75	30-45	141290-94198	50	28-40	100922-70645	40	32-40	70645-56516
	100	45-58	125597-97449	60	34-50	99734-67819	50	45-52	62796-54342
	125	54-80	130830-88310	75	45-66	94193-64226	60	52-66	65211-42387
	150	70-125	121111-67822	100	62-90	91159-62799	75	70-90	60556-47099
	-	-	-	125	85-125	83116-56519	100	95-125	59493-45215
SCSMR9-25/1	15	5-6	169548-141290	7.5	4-5	105968-84774	5	4-5	70645-56516
	20	6-8	188387-141290	10	4-6	141290-94193	7.5	5-6	84774-70645
	25	8-10	176613-141290	15	8-9	105968-94193	10	6-8	94193-70645
	30	10-14	169548-121106	20	10-12	113032-94193	15	10-12	84774-70645
	40	14-20	161475-113032	25	12-16	117742-88306	20	14-16	80737-70645
	50	18-26	156989-108685	30	16-22	105968-77067	25	18-22	78495-64223
	60	22-32	154135-105968	40	22-30	102757-75355	30	22-30	77067-56516
	75	30-45	141290-94198	50	28-40	100922-70645	40	32-40	70645-56516
	100	45-62	125597-91159	60	34-50	99734-67819	50	45-52	62796-54342
	125	54-78	130830-90575	75	45-62	94193-68369	60	52-66	65211-51381
	-	-	-	100	62-78	91159-72460	75	70-78	60556-54345
SCSMR10-9/1	200	70-200	161482-56519	150	70-80	121111-105973	125	70-85	100926-83116
	-	-	-	200	80-200	141297-56519	150	90-105	94198-80741
	-	-	-	-	-	-	200	110-200	102761-56519
SCSMR10-15/1	75	18-22	235495-192677	60	18-26	188396-130428	40	18-24	125597-94198
	100	24-32	235495-176621	75	24-34	176621-124674	50	24-32	117747-88310
	125	30-40	235495-176621	100	34-50	166231-113037	60	28-40	121111-84778
	150	38-54	223100-156996	125	45-62	156996-113949	75	38-54	111550-78498
	200	52-125	217380-90430	150	58-80	146169-105973	100	52-74	108690-76377
	-	-	-	200	78-125	144920-90430	125	70-95	100926-74367
	-	-	-	-	-	-	150	85-125	99739-67822
SCSMR10-25/1	25	5-6	299899-235495	15	4-6	211945-141297	10	4-6	141297-94198
	30	6-8	282593-211945	20	6-8	188396-141297	15	6-8	141297-105973
	40	8-10	282593-226075	25	8-10	176621-141297	20	8-10	141297-113037
	50	10-14	282593-201852	30	10-12	169556-141297	25	10-14	141297-100926
	60	12-16	282593-211945	40	12-16	188396-141297	30	12-18	141297-94198
	75	16-22	264931-192677	50	16-20	176621-141297	40	18-24	125597-94198
	100	24-32	235495-176621	60	18-26	188396-130428	50	24-32	117747-88310
	125	30-40	235495-176621	75	24-34	176621-124674	60	28-40	121111-84778
	150	38-54	223100-156996	100	34-50	166231-113037	75	38-54	111550-78498
	200	52-78	217380-144920	125	45-62	156996-113949	100	52-78	108690-72460
	-	-	-	150	58-78	146169-108690	-	-	-

\* All output torque ratings listed in inch-pounds

Data Revised 03.18.2022

**Eliminator SCSMR Series Reducers: Drawings and Dimensions**

1  
 THE ELIMINATOR  
 SHAFT MOUNT REDUCER



1  
 THE ELIMINATOR  
 SHAFT MOUNT REDUCER

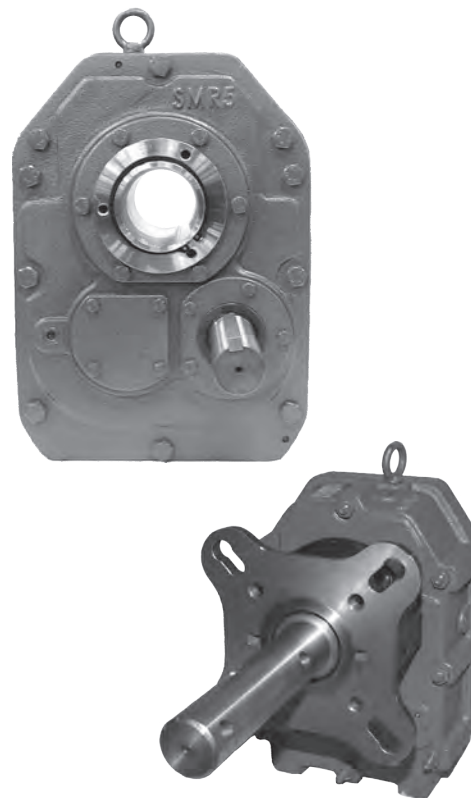
All listed dimensions in inches														
Box Size	L M	N	F Key	B Max.	C	E G	W U	X V	Q Y	H	A1 A2	A3 h	R Min. R Max.	P T
2	8.39	7.44	1-1/8 1/4x1/8x2-5/8	1-15/16	1.25	4.06	1.06	3.74	3.58	4.57	2.13	3.76	26.94	0.51
	11.42					2.15	1.10	2.87	1.44		4.32	4.09	32.94	3.00
3	9.25	9.36	1-1/4 1/4x1/8x2-15/16	2-3/16	1.5	4.37	1.06	4.72	4.33	5.63	2.34	4.17	26.94	0.51
	12.87					2.31	1.10	3.49	1.70		4.78	4.84	32.94	3.00
4	10.39	10.29	1-7/16 3/8x3/16x4	2-7/16	1.75	4.81	1.23	5.20	5.40	6.38	2.76	4.79	29.19	0.67
	15.16					3.26	1.34	4.03	1.78		5.53	5.50	35.19	4.00
5	13.15	10.89	1-15/16 1/2x1/4x4-1/2	2-15/16	1.81	5.63	1.23	5.19	5.72	6.54	3.03	5.67	29.19	0.67
	18.31					3.29	1.34	4.47	1.92		6.43	6.57	35.19	4.00
6	15.12	11.76	2-3/16 1/2x1/4x4-1/2	3-7/16	1.81	6.12	2.00	5.79	6.03	7.36	4.08	6.73	29.19	0.67
	21.34					3.58	2.75	5.24	1.94		7.87	7.56	35.19	4.75
7	18.74	13.35	2-7/16 5/8x5/16x4-3/4	3-15/16	2.06	7.24	2.00	6.71	6.34	7.36	5.10	8.30	29.44	0.67
	25.94					3.35	2.75	4.57	3.01		9.74	9.37	35.44	4.75
8	20.24	14.56	2-7/16 5/8x5/16x5-3/8	4-7/16	2.06	7.80	3.15	7.35	7.11	8.46	6.03	9.50	30.00	0.83
	28.27					4.07	4.02	5.89	3.06		11.25	10.12	36.00	7.00
9	22.64	14.74	2-7/16 5/8x5/16x7-3/4	4-15/16	2.44	8.66	3.15	7.51	9.65	8.27	6.59	10.81	30.00	0.83
	31.69					6.50	4.02	6.13	3.33		12.66	11.32	36.00	7.00
10	25.76	15.69	2-11/16 5/8x5/8x8	5-7/16	2.44	10.12	3.15	7.86	10.26	9.45	6.59	12.5	29.92	0.83
	34.96					7.14	3.5	6.9	3.12		14.13	12.94	36.22	7.00

Dimensions shown in this catalog are for general use only.  
 For an exact drawing on a specific rating, please contact our sales office.

## Ultimate WSMR Series Reducers: Product Overview

### Product Specifications

- » 9:1, 15:1 and 25:1 ratios
- » Box sizes 2 - 9
- » Tapered bushing type (bushing not included)
- » Premium quality ball and tapered bearings - double lip seals
- » Shafts and gears manufactured from high grade steel, case hardened and precision ground to A.G.M.A. standards
- » Industrial grade all-cast iron housings protect gearing for life
- » Extended gear centers and tooth contact
- » Metal reinforced double lip, spring loaded oil seals
- » Dimensional drop-in for all major makes
- » Torque arm included
- » Made in Taiwan (highest level of manufacturing expertise)
- » 3 year warranty



**All-in-1 Ultimate Shaft Mount Reducer System Components can be found on Page 23**

Box Size	Ratio	Output Bore (Max.)	Approx. Wt. (lbs.)	Model Number
2	9:1	1 15/16"	68	WSMR2-9/1
	15:1			WSMR2-15/1
	25:1			WSMR2-25/1
3	9:1	2 3/16"	106	WSMR3-9/1
	15:1			WSMR3-15/1
	25:1			WSMR3-25/1
4	9:1	2 7/16"	156	WSMR4-9/1
	15:1			WSMR4-15/1
	25:1			WSMR4-25/1
5	9:1	2 15/16"	204	WSMR5-9/1
	15:1			WSMR5-15/1
	25:1			WSMR5-25/1
6	9:1	3 7/16"	314	WSMR6-9/1
	15:1			WSMR6-15/1
	25:1			WSMR6-25/1
7	15:1	3 15/16"	487	WSMR7-15/1
	25:1			WSMR7-25/1
8	15:1	4 7/16"	655	WSMR8-15/1
	25:1			WSMR8-25/1
9	15:1	4 15/16"	783	WSMR9-15/1
	25:1			WSMR9-25/1

## WSMR Series Reducers: Overhung Load Capacity of Output Shaft (lbs)

Box Size	Shaft Size (inches)	Output Speed (RPM)									
		10	20	30	40	50	60	80	100	120	140
2	1 7/16	2416	1918	1675	1522	1413	1330	1208	1121	1055	1003
	1 15/16	2202	1748	1527	1387	1288	1212	1101	1022	962	914
3	1 15/16	4336	3520	3120	2856	2672	2536	2320	2176	2056	1960
	2 3/16	4176	3392	3008	2760	2576	2440	2240	2096	1984	1896
4	2 3/16	6024	4896	4336	3976	3720	3520	3232	3016	2856	2728
	2 7/16	5832	4736	4192	3848	3600	3408	32158	2920	2768	2640
5	2 7/16	6272	5096	4512	4136	3872	3664	3360	144	2976	2840
	2 15/16	5928	4816	4264	3912	3656	3464	3176	2968	2816	2688
6	2 15/16	7408	6016	5328	4888	4568	4328	3968	3712	3512	3360
	3 7/16	7064	5736	5080	4664	4360	4128	3784	3544	3352	3200
7	3 7/16	5968	4848	4296	3936	3688	3488	3200	2992	2832	2704
	3 15/16	5736	4656	4120	3784	3536	3352	3072	2872	2720	2600
8	3 15/16	7472	6072	5376	4928	4608	4368	4008	3744	3544	3384
	4 7/16	7208	5826	5184	4760	4448	4208	3864	3616	3424	3264
9	4 7/16	9032	7336	6496	5960	5576	5272	4840	4528	4288	4088
	4 15/16	8744	7104	6288	5768	5400	5112	4688	4384	4152	3960

## Ultimate WSMR Series Reducers: Mechanical Ratings

Reducer Model Number	Service Class I			Service Class II			Service Class III		
	Power (HP)	Output (RPM)	Output * Torque	Power (HP)	Output (RPM)	Output * Torque	Power (HP)	Output (RPM)	Output * Torque
WSMR2-9/1	7.5	85-105	5035-4076	5	85-105	3357-2717	3	85-100	2014-1712
	10	105-150	5435-3804	7.5	110-150	3891-2853	5	105-150	2717-1902
	15	160-200	5350-4280	10	150-200	3804-2853	7.5	160-200	2675-2140
WSMR2-15/1	2	16-24	7065-4710	1.5	18-24	4710-3532	1.5	26-34	3261-2493
	3	26-45	6521-3768	2	24-34	4710-3324	2	38-58	2975-1949
	5	46-74	6143-3819	3	38-70	4462-2422	3	58-100	2923-1695
	7.5	78-105	5434-4037	5	70-105	4037-2691	5	105-140	2691-2018
	10	105-140	5382-4037	7.5	110-140	3853-3028	-	-	-
WSMR2-25/1	0.5	4-6	7065-4710	0.33	4-5	4663-3730	0.25	4-5	3532-2826
	0.75	6-8	7065-5298	0.5	6-8	4710-3532	0.33	6-8	3108-2331
	1	8-10	7065-5652	0.75	8-12	5298-3532	0.5	8-12	3532-2355
	1.5	12-16	7065-5298	1	12-16	4710-3532	0.75	12-16	3532-2649
	2	16-24	7065-4710	1.5	18-24	4710-3532	1	16-24	3532-2355
	3	26-45	6521-3768	2	24-34	4710-3324	1.5	26-34	3261-2493
	5	46-74	6143-3819	3	38-70	4462-2422	2	38-58	2975-1949
	7.5	78-85	5434-4987	5	70-85	4037-3324	3	58-85	2923-1995
WSMR3-9/1	10	85-105	6714-5435	7.5	85-105	5035-4076	5	85-105	3357-2717
	15	110-140	7782-6114	10	100-140	5707-4076	7.5	110-140	3891-3057
	20	150-200	7609-5707	15	150-200	5707-4280	10	150-200	3804-2853
WSMR3-15/1	3	28-30	6055-5652	2	16-24	7065-4710	2	24-38	4710-2975
	5	32-50	8831-5652	3	26-46	6521-3686	3	40-70	4239-2422
	7.5	52-74	8151-5728	5	50-74	5652-3819	5	74-105	3819-2691
	10	78-105	7246-5382	7.5	78-105	5434-4037	7.5	110-140	3853-3028
	15	110-140	7707-6055	10	100-140	5652-4037	-	-	-
WSMR3-25/1	0.75	4-5	10597-8477	0.5	4-5	7065-5652	0.5	6-7	4710-4037
	1	6-7	9419-8074	0.75	6-7	7065-6055	0.75	8-10	5298-4239
	1.5	8-10	10597-8477	1	8-10	7065-5652	1	10-16	5652-3532
	2	12-16	9419-7065	1.5	12-16	7065-5298	1.5	18-24	4710-3532
	3	18-30	9419-5652	2	16-24	7065-4710	2	24-38	4710-2975
	5	32-50	8831-5652	3	26-46	6521-3686	3	40-70	4239-2422
	7.5	52-74	8151-5728	5	50-74	5652-3819	5	74-85	3819-3324
	10	78-85	7246-6649	7.5	78-85	5434-4987	-	-	-
WSMR4-9/1	20	85-105	13427-10870	15	85-115	10071-7443	10	85-115	6714-4962
	25	100-135	14267-10568	20	110-150	10376-7609	15	120-150	7133-5707
	30	120-160	14267-10700	25	140-190	10190-7509	20	160-200	7133-5707
	40	160-200	14267-11413	30	170-200	10700-8560	-	-	-
WSMR4-15/1	5	18-24	15699-11774	3	14-22	12111-7707	3	20-34	8477-4987
	7.5	26-34	16303-12467	5	24-34	11774-8311	5	38-54	7436-5233
	10	38-54	14873-10466	7.5	38-54	11154-7849	7.5	58-80	7308-5298
	15	58-80	14616-10597	10	54-80	10466-7065	10	80-140	7065-4037
	20	80-110	14219-10276	15	85-115	9973-7372	-	-	-
	25	100-140	14129-10092	20	110-140	10276-8074	-	-	-
WSMR4-25/1	1	4-5	14129-11303	0.75	4-5	10597-8477	0.5	4-5	7065-5652
	1.5	5-7	16955-12111	1	5-6	11303-9419	0.75	5-6	8477-7065
	2	6-8	18839-14129	1.5	6-8	14129-10597	1	6-8	9419-7065
	3	10-14	16955-12111	2	10-12	11303-9419	1.5	10-12	8477-7065
	5	16-24	17661-11774	3	14-22	12111-7707	2	14-18	8074-6280
	7.5	26-34	16303-12467	5	24-34	11774-8311	3	20-34	8477-4987
	10	38-54	14873-10466	7.5	38-54	11154-7849	5	38-54	7436-5233
	15	58-80	14616-10597	10	54-85	10466-6649	7.5	58-85	7308-4987
25	100-140	14129-10092	20	110-140	10276-8074	-	-	-	

\* All output torque ratings listed in inch-pounds

Continued On Next Page

**Ultimate WSMR Series Reducers: Mechanical Ratings (Cont)**

1

THE ULTIMATE  
SHAFT MOUNT REDUCER

Reducer Model Number	Service Class I			Service Class II			Service Class III		
	Power (HP)	Output (RPM)	Output * Torque	Power (HP)	Output (RPM)	Output * Torque	Power (HP)	Output (RPM)	Output * Torque
WSMR5-9/1	25	78-95	18291-15018	20	78-105	14632-10870	10	78-80	7316-7133
	30	85-115	20141-14887	25	100-135	14267-10568	15	85-105	10071-8152
	40	110-150	20752-15218	30	120-160	14267-10700	20	110-135	10376-8454
	50	140-180	20381-15852	40	160-200	14267-11413	25	140-160	10190-8917
	60	170-200	20141-17120	-	-	-	30	170-200	10071-14267
WSMR5-15/1	7.5	22-24	19267-17661	7.5	24-34	17661-12467	5	24-34	11774-8311
	10	24-34	23548-16622	10	38-54	14873-10466	7.5	38-52	11154-8151
	15	38-54	22309-15699	15	58-80	14616-10597	10	54-80	10466-7065
	20	54-78	20932-14491	20	78-110	14491-10276	15	85-110	9973-7707
	25	70-95	20184-14873	25	100-125	14129-11303	20	110-125	10276-9043
	30	85-115	19947-14743	-	-	-	-	-	-
WSMR5-25/1	2	4-5	28258-22606	1.5	4-5	21194-16955	1	4-5	14129-11303
	3	6-8	28258-21194	2	5-6	22606-18839	1.5	6-7	14129-12111
	5	10-14	28258-20184	3	8-14	21194-12111	2	8-12	14129-9419
	7.5	16-24	26492-17661	5	16-24	17661-11774	3	14-22	12111-7707
	10	24-34	23548-16622	7.5	24-34	17661-12467	5	24-34	11774-8311
	15	38-54	22309-15699	10	38-54	14873-10466	7.5	38-52	11154-8151
	20	54-78	20932-14491	15	58-80	14616-10597	10	54-78	10466-7246
	25	70-80	20184-17661	20	78-80	14491-14129	-	-	-
WSMR6-9/1	50	78-105	36581-27175	30	78-90	21949-19022	25	78-95	18291-15018
	60	95-125	36042-27392	40	90-120	25363-19022	30	95-120	18021-14267
	75	120-200	35667-21400	50	110-150	25939-19022	40	125-150	18261-15218
	-	-	-	60	130-180	26338-19022	50	160-200	17833-14267
	-	-	-	75	160-200	26750-21400	60	190-200	18021-17120
WSMR6-15/1	15	20-26	42387-32605	10	18-26	31398-21737	7.5	20-24	21194-17661
	20	26-38	43474-29745	15	28-40	30276-21194	10	26-40	21737-14129
	25	34-50	41556-28258	20	40-58	28258-19488	15	45-58	18839-14616
	30	45-62	37677-27346	25	52-78	27171-18114	20	62-74	18231-15275
	40	62-85	36462-26596	30	66-90	25689-18839	25	78-95	18114-14873
	50	78-105	36228-26912	40	90-120	25118-18839	30	95-125	17847-13564
WSMR6-25/1	60	95-125	35694-27128	-	-	-	-	-	-
	3	4-5	42387-33910	2	4-5	28258-22606	1.5	4-5	21194-16955
	5	6-8	47097-35323	3	6-8	28258-21194	2	6-7	18839-16147
	7.5	10-12	42387-35323	5	10-12	28258-23548	3	8-12	21194-14129
	10	14-18	40369-31398	7.5	14-18	30276-23548	5	14-18	20184-15699
	15	20-26	42387-32605	10	18-26	31398-21737	7.5	20-24	21194-17661
	20	26-38	43474-29745	15	28-40	30276-21194	10	26-40	21737-14129
	25	34-50	41556-28258	20	40-58	28258-19488	15	45-58	18839-14616
WSMR7-15/1	30	45-62	37677-27346	25	52-78	27171-18114	20	62-70	18231-16147
	40	62-80	36462-28258	30	66-78	25689-21737	-	-	-
	20	18-22	62796-51378	20	26-34	43474-33245	10	16-24	35323-23548
	25	22-30	64223-47097	25	32-46	44153-30715	15	26-34	32605-24934
	30	26-38	65211-44618	30	40-58	42387-29232	20	38-46	29745-24572
	40	38-54	59491-41864	40	58-80	38977-28258	25	50-62	28258-22789
	50	50-74	56516-38187	50	74-100	38188-28259	30	62-80	27346-21194
60	62-85	54696-39896	60	90-115	37679-29488	40	85-100	26596-22607	
75	90-115	47099-36860	-	-	-	50	105-115	26914-24573	

\* All output torque ratings listed in inch-pounds

Continued On Next Page



## Ultimate WSMR Series Reducers: Mechanical Ratings (Cont)

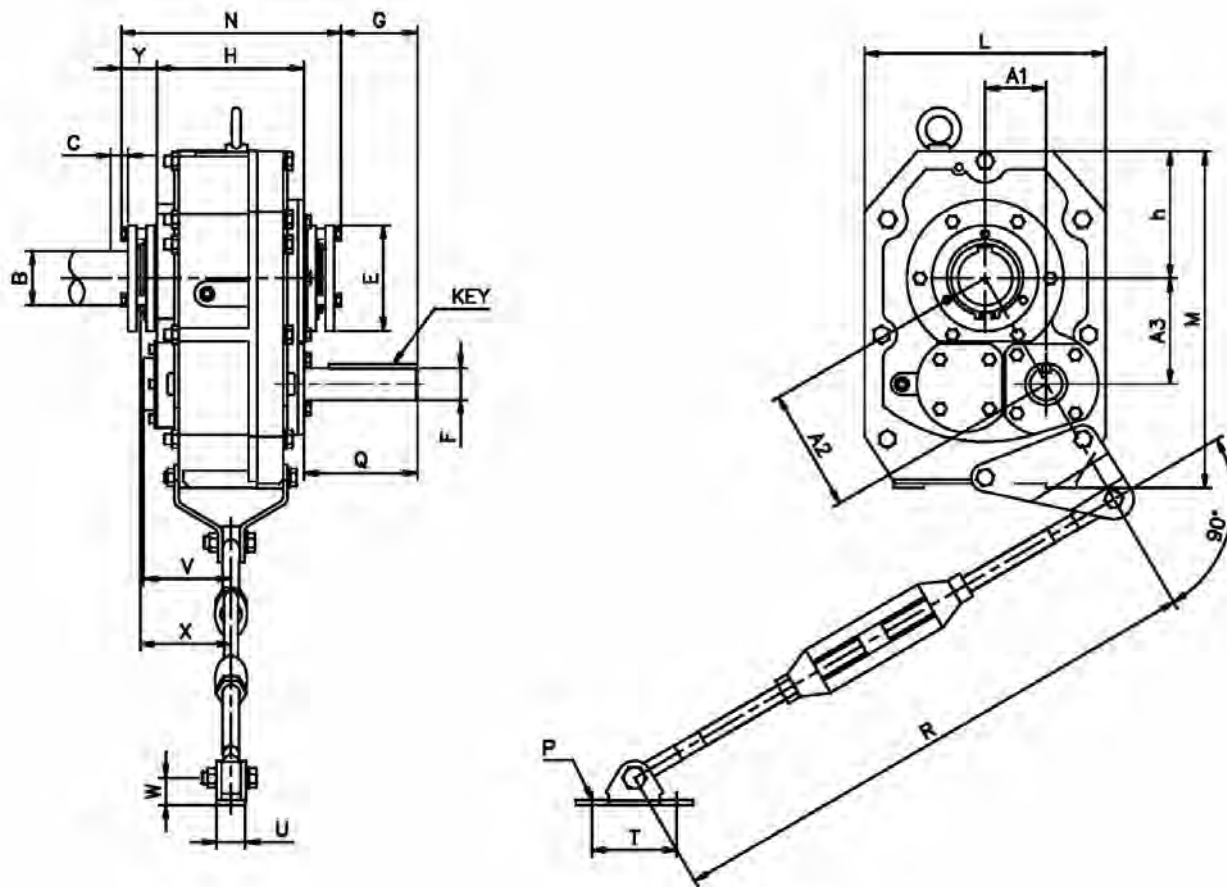
Reducer Model Number	Service Class I			Service Class II			Service Class III		
	Power (HP)	Output (RPM)	Output * Torque	Power (HP)	Output (RPM)	Output * Torque	Power (HP)	Output (RPM)	Output * Torque
WSMR7-25/1	5	4-5	70645-56516	3	4-5	42387-33910	3	5-7	33910-24221
	7.5	6-7	70645-60553	5	6-7	47097-40369	5	8-10	35323-28258
	10	8-10	70645-56516	7.5	8-10	52984-42387	7.5	12-14	35323-30276
	15	12-16	70645-52984	10	12-16	47097-35323	10	16-24	35323-23548
	20	16-22	70645-51378	15	18-26	47097-32605	15	26-34	32605-24934
	25	22-30	64223-47097	20	24-34	47097-33245	20	38-46	29745-24572
	30	26-38	65211-44618	25	32-46	44153-30715	25	50-62	28258-22789
	40	38-54	59491-41864	30	40-58	42387-29232	30	62-80	27346-21195
	50	50-74	56516-38187	40	58-74	38977-30549	-	-	-
60	62-80	54696-42389	50	74-80	38188-35324	-	-	-	
WSMR8-9/1	100	70-85	80741-66493	75	70-90	60556-47099	50	70-78	40370-36230
	125	80-200	88310-35324	100	90-120	62799-47099	60	78-95	43476-35696
	-	-	-	125	110-200	64226-35324	75	95-125	44620-33911
	-	-	-	-	-	-	100	130-200	43476-28259
WSMR8-15/1	40	20-30	113032-75355	25	20-26	70645-54342	15	18-20	47097-42387
	50	28-40	100922-70645	30	22-32	77067-52984	20	20-26	56516-43474
	60	34-46	99734-73717	40	32-46	70645-49144	25	28-34	50461-41556
	75	45-70	94193-60553	50	40-58	70645-48721	30	34-46	49867-36858
	100	62-85	91159-66493	60	50-74	67819-45824	40	50-58	45213-38977
	125	80-125	88310-56519	75	66-90	64223-47099	50	62-78	45577-36228
	-	-	-	100	90-125	62799-45215	60	78-95	43474-35696
	-	-	-	-	-	-	75	95-125	44620-33911
WSMR8-25/1	7.5	4-5	105968-84774	5	4-5	70645-56516	3	4-5	42387-33910
	10	6-7	94193-80737	7.5	6-7	70645-60553	5	5-7	56516-40369
	15	8-9	105968-94193	10	8-9	70645-62796	7.5	7-9	60553-47097
	20	10-12	113032-94193	15	10-14	84774-60553	10	10-14	56516-40369
	25	12-16	117742-88306	20	14-20	80737-56516	15	16-20	52984-42387
	30	16-20	105968-84774	25	18-26	78495-54342	20	20-26	56516-43474
	40	20-30	113032-75355	30	22-32	77067-52984	25	28-34	50461-41556
	50	28-40	100922-70645	40	32-46	70645-49144	30	34-46	49867-36858
	60	34-46	99734-73717	50	40-58	70645-48721	40	50-58	45213-38977
	75	45-70	94193-60553	60	50-74	67819-45824	50	62-80	45577-35324
	100	62-80	91159-70648	75	66-80	64223-52986	-	-	-
WSMR9-9/1	150	70-200	121111-42389	100	70-85	80741-66493	75	70-90	60556-47099
	-	-	-	125	85-110	83116-64226	100	95-110	59493-51381
	-	-	-	150	100-200	84778-42389	125	115-140	61433-50463
	-	-	-	-	-	-	150	140-200	60556-42389
WSMR9-15/1	50	18-26	156989-108685	30	20-22	84774-77067	25	18-22	78495-64223
	60	22-32	154135-105968	40	22-30	102757-75355	30	22-30	77067-56516
	75	30-45	141290-94198	50	28-40	100922-70645	40	32-40	70645-56516
	100	45-58	125597-97449	60	34-50	99734-67819	50	45-52	62796-54342
	125	54-80	130830-88310	75	45-66	94193-64226	60	52-66	65211-42387
	150	70-125	121111-67822	100	62-90	91159-62799	75	70-90	60556-47099
	-	-	-	125	85-125	83116-56519	100	95-125	59493-45215
WSMR9-25/1	15	5-6	169548-141290	7.5	4-5	105968-84774	5	4-5	70645-56516
	20	6-8	188387-141290	10	4-6	141290-94193	7.5	5-6	84774-70645
	25	8-10	176613-141290	15	8-9	105968-94193	10	6-8	94193-70645
	30	10-14	169548-121106	20	10-12	113032-94193	15	10-12	84774-70645
	40	14-20	161475-113032	25	12-16	117742-88306	20	14-16	80737-70645
	50	18-26	156989-108685	30	16-22	105968-77067	25	18-22	78495-64223
	60	22-32	154135-105968	40	22-30	102757-75355	30	22-30	77067-56516
	75	30-45	141290-94198	50	28-40	100922-70645	40	32-40	70645-56516
	100	45-62	125597-91159	60	34-50	99734-67819	50	45-52	62796-54342
	125	54-78	130830-90575	75	45-62	94193-68369	60	52-66	65211-51381
	-	-	-	100	62-78	91159-72460	75	70-78	60556-54345

\* All output torque ratings listed in inch-pounds

## Ultimate WSMR Series Reducers: Drawings and Dimensions

1

THE ULTIMATE  
SHAFT MOUNT REDUCER



All listed dimensions in inches

Box Size	L M	N	F Key	B Max.	C	E G	W U	X V	Q Y	H	A1 A2	A3 h	R Min. R Max.	P T
2	8.38 11.41	7.32	1.125 0.25 x 0.125 x 2.50	1 1/16	1.25	4.06 2.22	1.06 1.25	3.68 2.89	3.59 1.4	4.56	2.14 4.32	3.75 4.09	26.94 32.94	0.44 3
3	9.25 12.88	9.22	1.25 0.25 x 0.125 x 2.875	2 3/16	1.5	4.38 2.34	1.06 1.25	4.52 3.3	4.34 1.59	5.63	2.33 4.78	4.17 4.84	26.94 32.94	0.44 3
4	10.38 15.13	9.98	1.4375 0.375 x 0.188 x 4.06	2 7/16	1.75	4.81 3.44	1.75 1.44	4.79 3.41	5.57 1.72	6.13	2.76 5.53	4.79 5.5	29.19 35.19	0.55 4
5	13.13 18.31	10.52	1.9375 0.50 x 0.25 x 4.50	2 15/16	1.81	5.63 3.44	1.75 1.44	5.05 4.45	5.74 1.91	6.31	3.04 6.43	5.67 6.56	29.19 35.19	0.5 4
6	15.13 21.31	11.53	2.1875 0.50 x 0.25 x 4.50	3 7/16	1.81	6.13 3.73	2 2.75	5.73 4.57	6.08 2.3	6.88	4.09 7.88	6.71 7.56	29.19 35.19	0.63 4.75
7	18.75 25.94	12.85	2.4375 0.625 x 0.312 x 4.75	3 15/16	2.06	7.25 3.75	2 2.75	6.38 4.69	6.35 2.5	7.75	5.11 9.74	8.3 9.38	29.44 35.44	0.63 4.75
8	20.25 28.25	14.03	2.4375 0.625 x 0.312 x 5.375	4 7/16	2.06	7.75 4.31	3.13 4	7.04 5.85	7.11 2.86	8.37	6.03 11.25	9.5 10.13	30 36	0.75 7
9	22.63 31.69	14.12	2.4375 0.625 x 0.312 x 7.75	4 15/16	2.44	8.75 6.63	3.13 4	7.04 5.66	9.65 2.98	8.12	6.59 12.66	10.81 11.31	30 36	0.75 7

Dimensions shown in this catalog are for general use only.  
For an exact drawing on a specific rating, please contact our sales office.

## Competitive Interchange, Ratios 9:1 and 15:1

### 9:1 Ratio

WorldWide Electric	Dodge	Hub City	Browning	Cleveland Gear
SCSMR2-9/1 WSMR2-9/1	TXT209AT	PT2115S09	115SMTP09	CGUSM2-09
SCSMR3-9/1 WSMR3-9/1	TXT309AT	PT3203S09	203SMTP09	CGUSM3-09
SCSMR4-9/1 WSMR4-9/1	TXT409AT	PT4207S09	207SMTP09	CGUSM4-09
SCSMR5-9/1 WSMR5-9/1	TXT509AT	PT5215S09	215SMTP09	CGUSM5-09
SCSMR6-9/1 WSMR6-9/1	TXT609AT	PT6307S09	307SMTP09	CGUSM6-09

### 15:1 Ratio

WorldWide Electric	Dodge	Hub City	Browning	Cleveland Gear
SMR2-15/1 SCSMR2-15/1 WSMR2-15/1	TXT215AT	PT2115S15	115SMTP15	CGUSM2-15
SMR3-15/1 SCSMR3-15/1 WSMR3-15/1	TXT315AT	PT3203S15	203SMTP15	CGUSM3-15
SMR4-15/1 SCSMR4-15/1 WSMR4-15/4	TXT415AT	PT4207S15	207SMTP15	CGUSM4-15
SMR5-15/1 SCSMR5-15/1 WSMR5-15/1	TXT515AT	PT5215S15	215SMTP15	CGUSM5-15
SMR6-15/1 SCSMR6-15/1 WSMR6-15/1	TXT615AT	PT6307S15	307SMTP15	CGUSM6-15
SMR7-15/1 SCSMR7-15/1 WSMR7-15/1	TXT715AT	PT7315S15	315SMTP15	CGSM7- 15
SMR8-15/1 SCSMR8-15/1 WSMR8-15/1	TXT815AT	PT8407S15	407SMTP15	CGSM8-15
SMR9-15/1 SCSMR9-15/1 WSMR9-15/1	TXT915AT	PT9415S15	415SMTP15	CGSM9-15
SMR10-15/1 SCSMR10-15/1	TXT1015AT	PT10507S15	507SMT15	CGSM10-15
SMR12-15/1	TXT1215TV	-	608SMTP15	-

Continued On Next Page

**Competitive Interchange, Ratios 25:1**

**1**

**25:1 Ratio**

SHAFT MOUNT REDUCER  
COMPETITIVE INTERCHANGE

WorldWide Electric	Dodge	Hub City	Browning	Cleveland Gear
SMR2-25/1 SCSMR2-25/1 WSMR2-25/1	TXT225AT	PT2115S25	115SMTP25	CGUSM2-25
SMR3-25/1 SCSMR3-25/1 WSMR3-25/1	TXT325AT	PT3203S25	203SMTP25	CGUSM3-25
SMR4-25/1 SCSMR4-25/1 WSMR4-25/4	TXT425AT	PT4207S25	207SMTP25	CGUSM4-25
SMR5-25/1 SCSMR5-25/1 WSMR5-25/1	TXT525AT	PT5215S25	215SMTP25	CGUSM5-25
SMR6-25/1 SCSMR6-25/1 WSMR6-25/1	TXT625AT	PT6307S25	307SMTP25	CGUSM6-25
SMR7-25/1 SCSMR7-25/1 WSMR7-25/1	TXT725AT	PT7315S25	315SMTP25	CGSM7-25
SMR8-25/1 SCSMR8-25/1 WSMR8-25/1	TXT825AT	PT8407S25	407SMTP25	CGSM8-25
SMR9-25/1 SCSMR9-25/1 WSMR9-25/1	TXT925AT	PT9415S25	415SMTP25	CGSM9-25
SMR10-25/1 SCSMR10-25/1	TXT1025AT	PT10507S25	507SMT25	CGSM10-25
SMR12-25/1	TXT1225TV	-	-	-

## Backstop Assemblies



- » Easy mount for WorldWide shaft mount reducers
- » Smooth forward operation of conveyor with no backslip
- » WSMR backstops are also compatible with the Eliminator SCSMR series.

Box Size	Model Number (1)	Model Number (2)
2	SMR2BSK	WSMR2BSK
3	SMR3BSK	WSMR3BSK
4	SMR4BSK	WSMR4BSK
5	SMR5BSK	WSMR5BSK
6	SMR6/7BSK	WSMR6BSK
7	SMR6/7BSK	WSMR7BSK
8	SMR8/9BSK	WSMR8BSK
9	SMR8/9BSK	WSMR9BSK
10	SMR10/12BSK	SCSMR10BSK
12	SMR10/12BSK	--

(1) Use SMR#BSK model number backstop assemblies for WorldWide Electric Original series shaft mount reducers.

(2) Use WSMR#BSK model number backstop assemblies for WorldWide Electric's Ultimate (WSMR) or Eliminator (SCSMR) series shaft mount reducers. The SCSMR10BSK is compatible with the SCSMR10 only.

## Belt Guards



- » Hinged design for easy access to belts and sheaves
- » Slotted metal panel construction
- » Assembles to reducer and motor mount holes
- » Easy mount for WorldWide shaft mount reducers

Box Size	Model Number
2	BG2
3	BG3
4	BG4
5	BG5
6	BG6
7	BG7
8	BG8
9	BG9
10	BG10
12	BG12

\* WWE belt guards are painted orange. Yellow belt guards are available by adding the suffix "Y" to the model number (i.e. BG2Y is a box size 2 belt guard painted yellow).

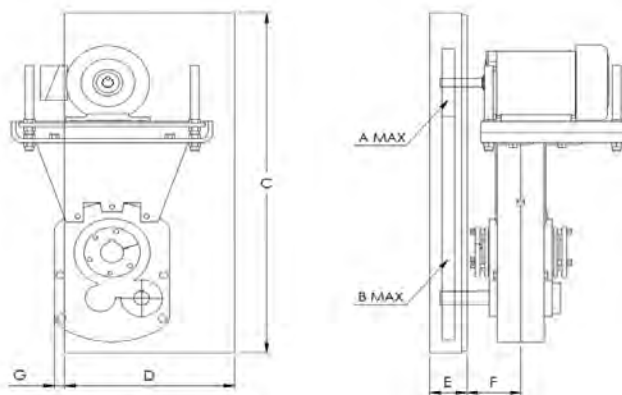
## Motor Mounts



- » Heavy gauge steel construction for NEMA frame motors
- » Adjustable top plate for belt tensioning

Box Size	NEMA Frame	Model Number
2	56-215T	MM2
3	56-215T	MM3A
4	143T-286T	MM4
5	143T-286T	MM5A
6	143T-326T	MM6A
7	143T-365T	MM7
8	213T-365T	MM8A
9	284T-365T	MM9
9	404T-445T	MM9L
10	254T-365T	MM10
10	404T-445T	MM10L
12	286T-445T	MM12

## Maximum Allowable Sheave Sizes for Belt Guards



Reducer Size	Belt Guard Size	Motor Mount Part Number	NEMA Motor Frame	Center Distances		A	B	C	D	E	F	G
				Min	Max							
SMR2, WSMR2, SCSMR2	BG2	MM2	56T-215T	18.7	23.9	6	12	34	15	4	3.5	---
SMR3, WSMR3, SCSMR3	BG3	MM3A	56T-215T	20.2	26.3	7	14	37	17	4	3.94	---
SMR4, WSMR4, SCSMR4	BG4	MM4	143T-286T	21.2	28.7	7	15	43	18	4.5	5.19	---
SMR5, WSMR5, SCSMR5	BG5	MM5A	143T-286T	22.7	31.1	7	15	45	18	4.25	5.13	0.625
SMR6, WSMR6, SCSMR6	BG6	MM6A	143T-326T	25.9	34.2	8	18	50	20	6	6.06	1.63
SMR7, WSMR7, SCSMR7	BG7	MM7	143T-365T	30.6	40.0	10	20	56	23	6	6.88	0.5
SMR8, WSMR8, SCSMR8	BG8	MM8A	213T-365T	35.5	44.2	12	25	63	27	6.5	7.46	0.156
SMR9, WSMR9, SCSMR9	BG9	MM9	284T-365T	38.0	46.7	12	25	66	30	9	7.63	2.91
SMR10, SCSMR10	BG10	MM10	284T-365T	42.6	50.2	12	25	72.5	30	9	8.25	4.31
SMR12	BG12	MM12	320T-445T	58.1	66.6	15	30	91	34	9.5	8.13	---

## V-Belt Drive Center Distances for MM Series Motor Mounts

1

ACCESSORIES  
AND PARTS

Motor Mount	SMR Size	Center Distances For Various NEMA Motor Frames (Table ratings for 1800 RPM Motors only.)																			
		56C		143/5T		182/4T		213/5T		254/6T		284/6T		324/6T		364/5T		404/5T		444/5T	
		Min	Max	Min	Max	Min	Max	Min	Max	Min	Max	Min	Max	Min	Max	Min	Max	Min	Max	Min	Max
MM2	SMR2 SCSMR2 WSMR2	18.7	22.1	18.7	22.1	19.7	23.1	20.5	23.9	---	---	---	---	---	---	---	---	---	---	---	---
MM3A	SMR3 SCSMR3 WSMR3	20.2	23.6	20.2	23.6	21.2	24.6	22.0	25.3	23.0	26.3	---	---	---	---	---	---	---	---	---	---
MM4	SMR4 SCSMR4 WSMR4	---	---	21.2	25.2	22.2	26.2	23.0	26.9	23.9	27.9	24.7	28.7	---	---	---	---	---	---	---	---
MM5A	SMR5 SCSMR5 WSMR5	---	---	22.7	26.6	23.7	27.6	24.4	28.4	25.4	29.4	26.2	30.1	27.2	31.1	---	---	---	---	---	---
MM6A	SMR6 SCSMR6 WSMR6	---	---	25.9	29.7	26.9	30.7	27.6	31.4	28.6	32.4	29.4	33.2	30.4	34.2	---	---	---	---	---	---
MM7	SMR7 SCSMR7 WSMR7	---	---	30.6	34.4	31.6	35.4	32.4	36.2	33.4	37.2	34.1	37.9	35.1	38.9	36.1	40.0	36.1	40.0	36.1	40.0
MM8	SMR8 SCSMR8 WSMR8	---	---	---	---	---	---	35.5	40.5	36.4	41.2	37.2	42.2	38.2	43.2	39.2	44.2	39.2	44.2	39.2	44.2
MM9	SMR9 SCSMR9 WSMR9	---	---	---	---	---	---	38.0	43.0	39.0	44.0	39.8	44.7	40.7	45.7	41.7	46.7	41.7	46.7	41.7	46.7
MM10	SMR10 SCSMR10	---	---	---	---	---	---	---	---	42.6	47.5	43.3	48.2	44.3	49.2	45.3	50.2	45.3	50.2	45.3	50.2
MM12	SMR12	---	---	---	---	---	---	---	---	---	---	57.0	61.0	57.7	62.1	58.7	63.1	59.7	64.1	60.7	65.1

### Torque Arms



- » Included with every shaft mount reducer
- » Heavy gauge steel construction
- » Machine precision ground interlocking parts for easy and accurate tensioning and tightening
- » SMR torque arms are compatible with the Original SMR series only.
- » WSMR torque arms are compatible with the Ultimate WSMR series and the Eliminator SCSMR series. The SCSMR10-TA is compatible with the SCSMR10 only.

Box Size	Model Number	Model Number
2	SMR2-TA	WSMR2-TA
3	SMR3-TA	WSMR3-TA
4	SMR4-TA	WSMR4-TA
5	SMR5-TA	WSMR5-TA
6	SMR6-TA	WSMR6-TA
7	SMR7-TA	WSMR7-TA
8	SMR8-TA	WSMR8-TA
9	SMR9-TA	WSMR9-TA
10	SMR10-TA	SCSMR10-TA
12	SMR12-TA	--

### Original SMR Rebuild Kits

Rebuild Kit is compatible with the Original SMR Series.

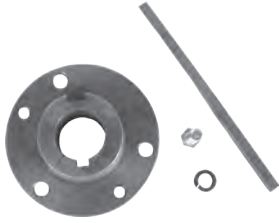


Kits Include (Sold As Kit Only):

- » High speed input shaft
- » First gear reduction gear
- » Input bearings
- » Input seal
- » Output seals

Box Size	Ratio	Model Number
3	15:1	SMR315RBKIT
	25:1	SMR325RBKIT
4	15:1	SMR415RBKIT
	25:1	SMR425RBKIT
5	15:1	SMR515RBKIT
	25:1	SMR525RBKIT
6	15:1	SMR615RBKIT
	25:1	SMR625RBKIT
7	15:1	SMR715RBKIT
	25:1	SMR725RBKIT
8	15:1	SMR815RBKIT
	25:1	SMR825RBKIT
9	15:1	SMR915RBKIT
	25:1	SMR925RBKIT
10	15:1	SMR1015RBKIT
	25:1	SMR1025RBKIT
12	25:1	SMR1225RBKITWIP

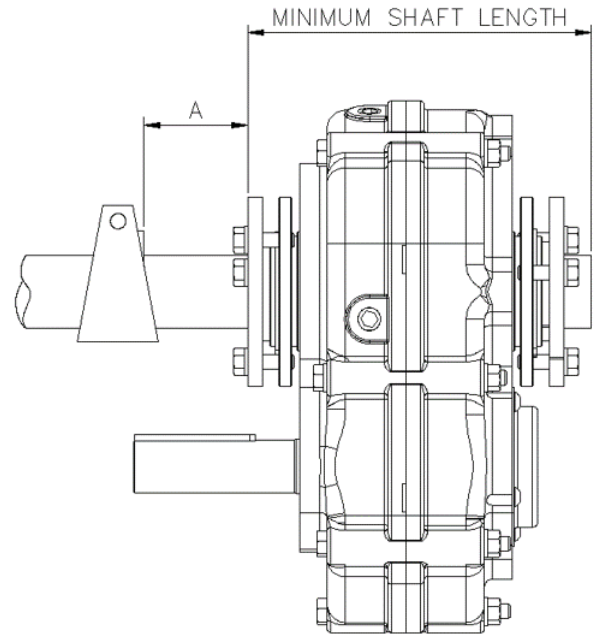
## Tapered Bushing Kits



- » Sized for WorldWide shaft mount reducers
- » Interchangeable with other manufacturers
- » Fast and simple installation
- » Tapered support on both sides of the reducer
- » Includes fastening bolts and a full length shaft key

Box Size	Bushing Size (in.)	Model Number
2	1-1/4	2WTBK-1.14
	1-5/16	2WTBK-1.516
	1-3/8	2WTBK-1.38
	1-7/16	2WTBK-1.716
	1-1/2	2WTBK-1.12
	1-5/8	2WTBK-1.58
	1-11/16	2WTBK-1.1116
	1-3/4	2WTBK-1.34
	1-15/16	2WTBK-1.1516
	1-11/16	3WTBK-1.1116
3	1-3/4	3WTBK-1.34
	1-15/16	3WTBK-1.1516
	2	3WTBK-2
	2-3/16	3WTBK-2.316
4	1-15/16	4WTBK-1.1516
	2	4WTBK-2
	2-3/16	4WTBK-2.316
	2-1/4	4WTBK-2.14
5	2-7/16	4WTBK-2.716
	2-3/16	5WTBK-2.316
	2-7/16	5WTBK-2.716
	2-1/2	5WTBK-2.12
	2-11/16	5WTBK-2.1116
	2-15/16	5WTBK-2.1516
6	2-1/2	6WTBK-2.12
	2-11/16	6WTBK-2.1116
	2-15/16	6WTBK-2.1516
	3	6WTBK-3
	3-7/16	6WTBK-3.716
	2-7/16	7WTBK-2.716
7	2-11/16	7WTBK-2.1116
	2-15/16	7WTBK-2.1516
	3	7WTBK-3
	3-3/16	7WTBK-3.316
	3-7/16	7WTBK-3.716
	3-15/16	7WTBK-3.1516
8	2-15/16	8WTBK-2.1516
	3-7/16	8WTBK-3.716
	3-15/16	8WTBK-3.1516
	4-3/16	8WTBK-4.316
	4-7/16	8WTBK-4.716
9	3-7/16	9WTBK-3.716
	3-15/16	9WTBK-3.1516
	4-7/16	9WTBK-4.716
	4-15/16	9WTBK-4.1516
10	3-15/16	10WTBK-3.1516
	4-7/16	10WTBK-4.716
	4-15/16	10WTBK-4.1516
	5-7/16	10WTBK-5.716
12	5-7/16	12WTBK-5.716
	5-15/16	12WTBK-5.1516
	6	12WTBK-6
	6-7/16	12WTBK-6.716
6-1/2	12WTBK-6.12	

## Minimum Mounting Dimensions



Preferred Minimum Required Shaft Length	
Reducer Size	Preferred Minimum Required Shaft Length (inches)
SMR2, WSMR2, SCSMR2	7.84
SMR3, WSMR3, SCSMR3	9.93
SMR4, WSMR4, SCSMR4	10.71
SMR5, WSMR5, SCSMR5	11.48
SMR6, WSMR6, SCSMR6	12.49
SMR7, WSMR7, SCSMR7	13.73
SMR8, WSMR8, SCSMR8	14.91
SMR9, WSMR9, SCSMR9	15.11
SMR10, SCSMR10	16.62
SMR12	19.81

Bushing Screw Information and Minimum Clearance for Removal			
Reducer Size	Fastener Size	Torque (in.-lbs)	Dimension A
SMR2, WSMR2, SCSMR2	5/16-18	200	1.25
SMR3, WSMR3, SCSMR3	3/8-16	360	1.5
SMR4, WSMR4, SCSMR4	3/8-16	360	1.75
SMR5, WSMR5, SCSMR5	7/16-14	800	1.81
SMR6, WSMR6, SCSMR6	7/16-14	800	1.81
SMR7, WSMR7, SCSMR7	1/2-13	1000	2.06
SMR8, WSMR8, SCSMR8	1/2-13	1000	2.06
SMR9, WSMR9, SCSMR9	5/8-11	1900	2.44
SMR10, SCSMR10	5/8-11	1900	2.44
SMR12	5/8-11	1900	2.44

**Screw Conveyor Components for Eliminator SCSMR & Ultimate WSMR Series Reducers**

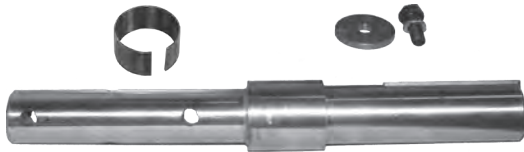
ACCESSORIES AND PARTS

**Product Specifications (for screw conveyor applications)**

- » 9:1, 15:1 and 25:1 ratios
- » Box sizes 2 - 6
- » Heavy duty FCD45 cast iron housing for corrosion resistance
- » CEMA adapter flange bolt-on design allows for easy mounting
- » Drive shaft machined from high strength alloy steel
- » Hardened gears for long-life, A.G.M.A. rated class 11
- » Double lip seal and braided felt seal installed
- » Flat bottom with four (4) tapped holes for additional mounting flexibility
- » Compatible with the Ultimate WSMR and Eliminator SCSMR series shaft mount reducers.



**Screw Conveyor Drive Shafts**



- » Machined from high tensile strength alloy steel
- » Conforms to CEMA standards
- » Three-hole design for easy installation onto screw

Box Size	Model Number	Drive Shaft Size (inches)
2	2SCDS-1.12	1 1/2"
	2SCDS-2	2"
	2SCDS-2.716	2 7/16"
3	2SCDS-3	3"
	3SCDS-1.12	1 1/2"
	3SCDS-2	2"
4	3SCDS-2.716	2 7/16"
	3SCDS-3	3"
	4SCDS-1.12	1 1/2"
5	4SCDS-2	2"
	4SCDS-2.716	2 7/16"
	4SCDS-3	3"
6	4SCDS-3.716	3 7/16"
	5SCDS-2	2"
	5SCDS-2.716	2 7/16"
6	5SCDS-3	3"
	5SCDS-3.716	3 7/16"
	6SCDS-2.716	2 7/16"
6	6SCDS-3	3"
	6SCDS-3.716	3 7/16"

**Screw Conveyor Flanges**



- » Conforms to CEMA standards
- » Bolt-on design allows for easy mounting
- » Heavy duty FCD45 cast iron construction
- » Double lip seal and braided felt seal installed

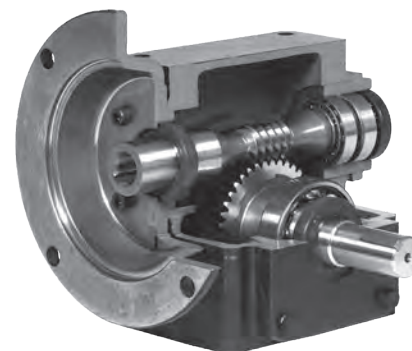
Box Size	Model Number
2	2SCF
3	3SCF
4	4SCF
5	5SCF
6	6SCF



## HD Cast Iron Worm Gear Reducers: Overview

### Product Specifications

- » 5:1 - 60:1 ratios
- » Box sizes (Center distances of 1.33" to 3.25")
- » One piece # FC20 all cast iron housing
- » Embedded double-lip oil seals
- » Double bearings used on both shaft ends
- » Anti-rust primer applied outside gearbox before top painting
- » S45C carbon steel shafts
- » AIBC3 aluminum - bronze gear
- » Interior oil channel guide directly and constantly lube bearings
- » Tapered roller bearing on output and input shafts
- » All angle - radiused mounting holes
- » Air dry special black paint
- » Shaft sleeve protects all shafts
- » Compact design
- » Units filled with Mobil #SHC632 synthetic oil for "A" position mounting
- » Adjust oil level for alternative mounting positions
- » Universally interchangeable
- » 1 year warranty



Flange Input  
Shaft Output  
Left Hand Output



Flange Input  
Shaft Output  
Right Hand Output



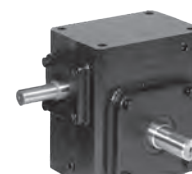
Flange Input  
Shaft Output  
Double End Output



Flange Input  
Hollow Bore Output



Shaft Input  
Shaft Output  
Left Hand Output



Shaft Input  
Shaft Output  
Right Hand Output

2

HEAVY DUTY  
CAST IRON REDUCERS

## HD Cast Iron Worm Gear Reducers: How To Order

» Please use the following table and nomenclature for ordering WorldWide Electric Worm Gear Reducers

Style	Box Size	Ratio	Output	Motor Frame*
S - Shaft Input	133	5:1	L - Left Hand	56C
F - Flange Input	154	10:1	R - Right Hand	145TC
	175	15:1	DE - Double End	182/4TC
	206	20:1	H - Hollow Bore	
	237	30:1		
	262	40:1		
	325	50:1		
		60:1		*Leave Blank for Shaft Input
<b>HdR</b> ___	___	___/___	___	___

## HD Cast Iron Worm Gear Reducers: Mechanical Ratings

2

HEAVY DUTY  
CAST IRON REDUCERS

Input Speed		1750 RPM									
Box Size	Ratio	Mechanical (1.0 SF)			Thermal			Efficiency (%)	O.H.L. (lbs.)	Output Shaft Thrust Load (lbs.)	Backlash (ft.) (Angular Minutes)
		Input HP	Output Torque (lbs. in.)	Output HP	Input HP	Output Torque (lbs. in.)	Output HP				
133	5:1	1.15	209	1.05	1.15	209	1.05	91	300	300	27
	10:1	0.77	247	0.66	0.75	240	0.64	86			
	15:1	0.63	283	0.50	0.53	238	0.42	80			
	20:1	0.50	276	0.39	0.48	266	0.38	78			
	25:1	0.48	321	0.36	0.42	282	0.32	75			
	30:1	0.47	336	0.31	0.31	221	0.20	66			
	40:1	0.38	356	0.25	0.30	282	0.19	65			
	50:1	0.29	312	0.17	0.26	282	0.15	59			
60:1	0.23	261	0.12	0.22	252	0.12	53				
154	5:1	2.04	341	1.88	2.04	341	1.88	92	450	400	23
	10:1	1.03	327	0.90	1.03	327	0.90	88			
	15:1	0.78	363	0.67	0.78	363	0.67	86			
	20:1	0.65	384	0.53	0.65	384	0.53	81			
	25:1	0.53	354	0.40	0.53	354	0.40	75			
	30:1	0.48	388	0.36	0.48	388	0.36	74			
	40:1	0.40	397	0.27	0.40	397	0.27	68			
	50:1	0.34	407	0.22	0.34	407	0.22	66			
60:1	0.29	373	0.17	0.29	373	0.17	59				
175	5:1	2.83	499	2.62	2.28	402	2.11	93	650	550	20
	10:1	1.57	515	1.38	1.36	445	1.19	88			
	15:1	1.24	554	1.06	1.13	506	0.96	85			
	20:1	1.02	596	0.85	0.98	572	0.81	83			
	25:1	0.82	547	0.61	0.66	441	0.49	75			
	30:1	0.78	666	0.56	0.69	533	0.50	69			
	40:1	0.74	714	0.49	0.59	558	0.39	62			
	50:1	0.50	575	0.32	0.50	575	0.32	59			
60:1	0.38	469	0.20	0.38	469	0.20	52				
206	5:1	3.62	685	3.33	2.57	486	2.36	92	700	750	17
	10:1	2.77	935	2.50	2.10	708	1.89	90			
	15:1	2.09	1002	1.78	1.40	673	1.20	85			
	20:1	1.57	914	1.29	1.17	681	0.96	82			
	25:1	1.48	1016	1.14	0.89	607	0.68	77			
	30:1	1.65	1310	1.21	0.76	606	0.56	73			
	40:1	1.09	1120	0.77	0.71	726	0.50	71			
	50:1	0.74	830	0.46	0.54	606	0.33	62			
60:1	0.60	750	0.35	0.48	606	0.28	58				
237	5:1	4.57	798	4.24	3.56	630	3.31	93	900	900	17
	10:1	3.47	1158	3.09	2.24	746	1.99	89			
	15:1	2.64	1249	2.22	1.55	732	1.30	84			
	20:1	2.06	1195	1.69	1.36	791	1.12	82			
	25:1	1.85	1297	1.45	1.13	793	0.89	78			
	30:1	1.82	1507	1.39	1.02	847	0.78	76			
	40:1	1.45	1483	1.02	0.83	845	0.58	71			
	50:1	1.32	1527	0.84	0.67	779	0.43	64			
60:1	0.86	1149	0.53	0.63	844	0.39	61				
100:1	0.39	809	0.23	0.39	809	0.23	58				
262	5:1	5.24	924	4.86	4.32	761	4.00	93	1000	1000	17
	10:1	4.17	1445	3.74	3.06	1061	2.75	90			
	15:1	3.22	1577	2.81	2.47	1212	2.16	87			
	20:1	2.67	1563	2.21	1.84	1078	1.53	83			
	25:1	2.37	1707	1.91	1.62	1167	1.30	81			
	30:1	2.22	1827	1.68	1.30	1072	0.99	76			
	40:1	1.85	1919	1.32	1.11	1153	0.80	72			
	50:1	1.37	1658	0.92	0.95	1152	0.64	67			
60:1	1.16	1670	0.77	0.94	1346	0.62	66				
325	5:1	9.72	1724	9.06	6.93	1228	6.46	93	1200	1100	15
	10:1	7.19	2419	6.46	4.63	1558	4.16	90			
	15:1	5.45	2611	4.65	3.19	1527	2.72	85			
	20:1	4.74	2875	4.07	3.31	2011	2.85	86			
	25:1	3.85	2838	3.17	2.67	1965	2.20	82			
	30:1	3.66	3045	2.80	2.00	1661	1.53	77			
	40:1	3.35	3692	2.55	1.96	2156	1.49	76			
	50:1	2.49	3413	1.88	1.92	2637	1.46	76			
60:1	2.03	3127	1.44	1.61	2476	1.14	71				

\* Thermal limit ratings - max. input HP at 20 ambient temperature with Mobil SHC 632 lubricant

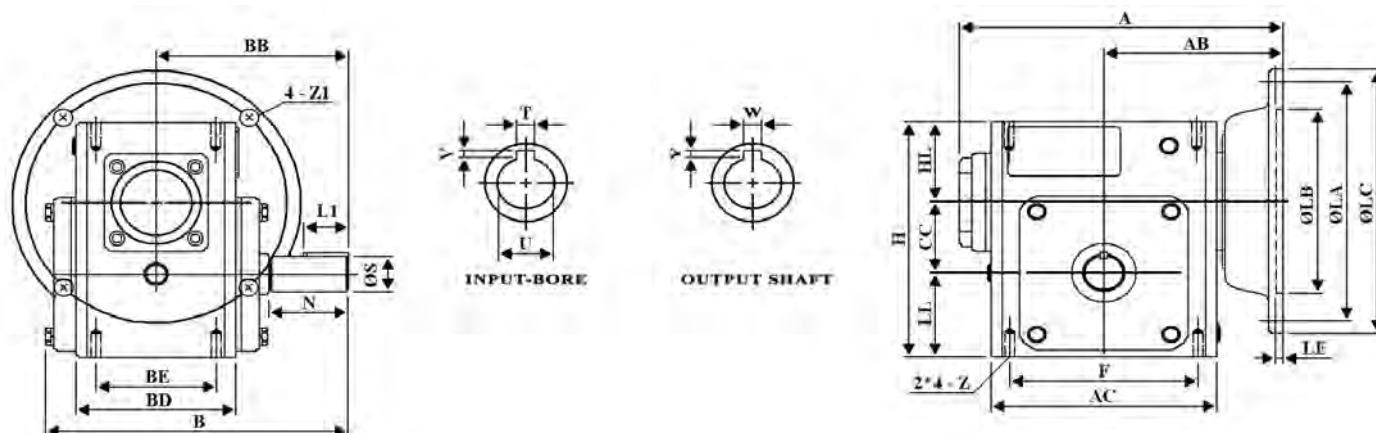
## HD Cast Iron Worm Gear Reducers: Flange Input, Shaft Output

Ratio	Output RPM @ 1800 RPM Input	WCD Center (in.)	NEMA Motor Frame	Approx. Wt. (lbs.)	Model Number Left Hand Output	Model Number Right Hand Output	Model Number Double End Output
5:1	350	1.33	56C	17	HdRF133-5/1-L-56C	HdRF133-5/1-R-56C	HdRF133-5/1-DE-56C
		1.54	56C	22	---	HdRF154-5/1-R-56C	HdRF154-5/1-DE-56C
		1.75	56C	27	HdRF175-5/1-L-56C	HdRF175-5/1-R-56C	HdRF175-5/1-DE-56C
		2.06	56C	32	HdRF206-5/1-L-56C	HdRF206-5/1-R-56C	HdRF206-5/1-DE-56C
		2.37	56C	38	HdRF237-5/1-L-56C	HdRF237-5/1-R-56C	HdRF237-5/1-DE-56C
		2.62	182/4TC	53	HdRF262-5/1-L-182/4TC	HdRF262-5/1-R-182/4TC	HdRF262-5/1-DE-182/4TC
		3.25	182/4TC	90	HdRF325-5/1-L-182/4TC	HdRF325-5/1-R-182/4TC	HdRF325-5/1-DE-182/4TC
10:1	175	1.33	56C	17	HdRF133-10/1-L-56C	HdRF133-10/1-R-56C	HdRF133-10/1-DE-56C
		1.54	56C	22	HdRF154-10/1-L-56C	HdRF154-10/1-R-56C	HdRF154-10/1-DE-56C
		1.75	56C	27	HdRF175-10/1-L-56C	HdRF175-10/1-R-56C	HdRF175-10/1-DE-56C
		2.06	56C	32	HdRF206-10/1-L-56C	HdRF206-10/1-R-56C	HdRF206-10/1-DE-56C
		2.37	56C	38	HdRF237-10/1-L-56C	HdRF237-10/1-R-56C	HdRF237-10/1-DE-56C
		2.37	145TC	53	HdRF237-10/1-L-145TC	HdRF237-10/1-R-145TC	HdRF237-10/1-DE-145TC
		2.62	182/4TC	53	HdRF262-10/1-L-182/4TC	HdRF262-10/1-R-182/4TC	HdRF262-10/1-DE-182/4TC
3.25	182/4TC	90	HdRF325-10/1-L-182/4TC	HdRF325-10/1-R-182/4TC	HdRF325-10/1-DE-182/4TC		
15:1	120	1.33	56C	17	HdRF133-15/1-L-56C	HdRF133-15/1-R-56C	HdRF133-15/1-DE-56C
		1.54	56C	22	HdRF154-15/1-L-56C	HdRF154-15/1-R-56C	HdRF154-15/1-DE-56C
		1.75	56C	27	HdRF175-15/1-L-56C	HdRF175-15/1-R-56C	HdRF175-15/1-DE-56C
		2.06	56C	32	HdRF206-15/1-L-56C	HdRF206-15/1-R-56C	HdRF206-15/1-DE-56C
		2.37	56C	38	HdRF237-15/1-L-56C	HdRF237-15/1-R-56C	HdRF237-15/1-DE-56C
		2.62	56C	53	HdRF262-15/1-L-56C	HdRF262-15/1-R-56C	HdRF262-15/1-DE-56C
		2.62	145TC	53	HdRF262-15/1-L-145TC	HdRF262-15/1-R-145TC	HdRF262-15/1-DE-145TC
3.25	182/4TC	90	HdRF325-15/1-L-182/4TC	HdRF325-15/1-R-182/4TC	HdRF325-15/1-DE-182/4TC		
20:1	88	1.33	56C	17	HdRF133-20/1-L-56C	HdRF133-20/1-R-56C	HdRF133-20/1-DE-56C
		1.54	56C	22	HdRF154-20/1-L-56C	HdRF154-20/1-R-56C	HdRF154-20/1-DE-56C
		1.75	56C	27	HdRF175-20/1-L-56C	HdRF175-20/1-R-56C	HdRF175-20/1-DE-56C
		2.06	56C	32	HdRF206-20/1-L-56C	HdRF206-20/1-R-56C	HdRF206-20/1-DE-56C
		2.37	56C	38	HdRF237-20/1-L-56C	HdRF237-20/1-R-56C	HdRF237-20/1-DE-56C
		2.62	56C	53	HdRF262-20/1-L-56C	HdRF262-20/1-R-56C	HdRF262-20/1-DE-56C
		2.62	145TC	53	HdRF262-20/1-L-145TC	HdRF262-20/1-R-145TC	HdRF262-20/1-DE-145TC
3.25	182/4TC	90	HdRF325-20/1-L-182/4TC	HdRF325-20/1-R-182/4TC	HdRF325-20/1-DE-182/4TC		
30:1	58	1.33	56C	17	HdRF133-30/1-L-56C	HdRF133-30/1-R-56C	HdRF133-30/1-DE-56C
		1.54	56C	22	HdRF154-30/1-L-56C	HdRF154-30/1-R-56C	HdRF154-30/1-DE-56C
		1.75	56C	27	HdRF175-30/1-L-56C	HdRF175-30/1-R-56C	HdRF175-30/1-DE-56C
		2.06	56C	32	HdRF206-30/1-L-56C	HdRF206-30/1-R-56C	HdRF206-30/1-DE-56C
		2.37	56C	38	HdRF237-30/1-L-56C	HdRF237-30/1-R-56C	HdRF237-30/1-DE-56C
		2.62	56C	50	HdRF262-30/1-L-56C	HdRF262-30/1-R-56C	HdRF262-30/1-DE-56C
		2.62	145TC	50	HdRF262-30/1-L-145TC	HdRF262-30/1-R-145TC	HdRF262-30/1-DE-145TC
		3.25	56C	87	HdRF325-30/1-L-56C	HdRF325-30/1-R-56C	HdRF325-30/1-DE-56C
		3.25	145TC	87	HdRF325-30/1-L-145TC	HdRF325-30/1-R-145TC	HdRF325-30/1-DE-145TC
3.25	182/4TC	90	HdRF325-30/1-L-182/4TC	HdRF325-30/1-R-182/4TC	---		
40:1	44	1.33	56C	17	HdRF133-40/1-L-56C	HdRF133-40/1-R-56C	HdRF133-40/1-DE-56C
		1.54	56C	22	HdRF154-40/1-L-56C	HdRF154-40/1-R-56C	HdRF154-40/1-DE-56C
		1.75	56C	27	HdRF175-40/1-L-56C	HdRF175-40/1-R-56C	HdRF175-40/1-DE-56C
		2.06	56C	32	HdRF206-40/1-L-56C	HdRF206-40/1-R-56C	HdRF206-40/1-DE-56C
		2.37	56C	38	HdRF237-40/1-L-56C	HdRF237-40/1-R-56C	HdRF237-40/1-DE-56C
		2.62	56C	50	HdRF262-40/1-L-56C	HdRF262-40/1-R-56C	HdRF262-40/1-DE-56C
		2.62	145TC	50	HdRF262-40/1-L-145TC	---	---
3.25	56C	87	HdRF325-40/1-L-56C	HdRF325-40/1-R-56C	HdRF325-40/1-DE-56C		
3.25	145TC	87	HdRF325-40/1-L-145TC	HdRF325-40/1-R-145TC	HdRF325-40/1-DE-145TC		
50:1	35	1.33	56C	17	HdRF133-50/1-L-56C	HdRF133-50/1-R-56C	HdRF133-50/1-DE-56C
		1.54	56C	22	HdRF154-50/1-L-56C	HdRF154-50/1-R-56C	HdRF154-50/1-DE-56C
		1.75	56C	27	HdRF175-50/1-L-56C	HdRF175-50/1-R-56C	HdRF175-50/1-DE-56C
		2.06	56C	32	HdRF206-50/1-L-56C	HdRF206-50/1-R-56C	HdRF206-50/1-DE-56C
		2.37	56C	38	HdRF237-50/1-L-56C	HdRF237-50/1-R-56C	HdRF237-50/1-DE-56C
		2.62	56C	50	HdRF262-50/1-L-56C	HdRF262-50/1-R-56C	HdRF262-50/1-DE-56C
		3.25	56C	87	HdRF325-50/1-L-56C	HdRF325-50/1-R-56C	HdRF325-50/1-DE-56C
3.25	145TC	87	HdRF325-50/1-L-145TC	HdRF325-50/1-R-145TC	HdRF325-50/1-DE-145TC		
60:1	29	1.33	56C	17	HdRF133-60/1-L-56C	HdRF133-60/1-R-56C	HdRF133-60/1-DE-56C
		1.54	56C	22	HdRF154-60/1-L-56C	HdRF154-60/1-R-56C	HdRF154-60/1-DE-56C
		1.75	56C	27	HdRF175-60/1-L-56C	HdRF175-60/1-R-56C	HdRF175-60/1-DE-56C
		2.06	56C	32	HdRF206-60/1-L-56C	HdRF206-60/1-R-56C	HdRF206-60/1-DE-56C
		2.37	56C	38	HdRF237-60/1-L-56C	HdRF237-60/1-R-56C	HdRF237-60/1-DE-56C
		2.62	56C	50	HdRF262-60/1-L-56C	HdRF262-60/1-R-56C	HdRF262-60/1-DE-56C
		3.25	56C	87	HdRF325-60/1-L-56C	HdRF325-60/1-R-56C	HdRF325-60/1-DE-56C
3.25	145TC	87	HdRF325-60/1-L-145TC	HdRF325-60/1-R-145TC	HdRF325-60/1-DE-145TC		

**HD Cast Iron Worm Gear Reducers: Dimensions**  
**Flange Input, Shaft Output, Left / Right Hand Output**

2

HEAVY DUTY  
 CAST IRON REDUCERS

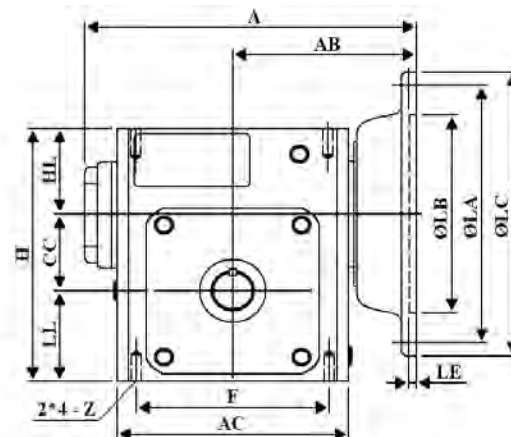
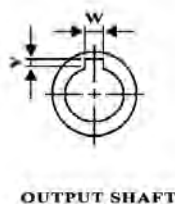
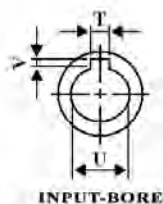
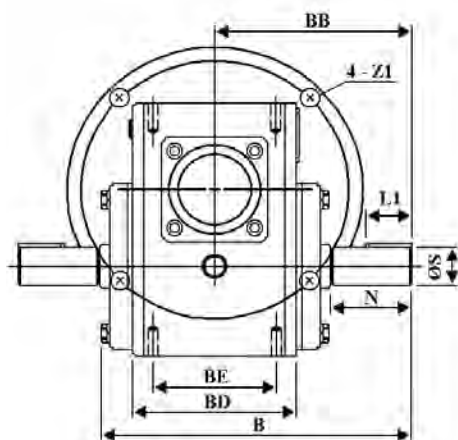


All listed dimensions in inches														
Box Size	NEMA Frame	A	AB	AC	B	BB	BD	BE	CC	F	H	HL	LL	N
133	56C	5.99	3.386	3.78	6.067	4	2.835	2	1.333	3.25	4.656	1.605	1.718	2
154	56C	7.15	3.976	4.961	6.122	4.311	3.622	2.75	1.54	4.188	5.378	1.929	1.909	1.772
175	56C	7.29	4.035	5.059	6.831	4.311	3.563	2.75	1.75	4.188	5.75	1.938	2.062	1.781
206	56C	7.95	4.37	5.748	7.249	4.69	3.819	2.88	2.062	5	6.375	2.032	2.281	2.09
237	56C	8.71	4.705	6.378	7.948	5.087	4.055	2.88	2.375	5	6.937	2.062	2.5	2.37
262	56C	9.41	5.059	7.165	8.872	5.63	4.685	3.375	2.625	6.375	8	2.437	2.938	2.626
	145TC	9.41	5.059	7.165	8.872	5.63	4.685	3.375	2.625	6.375	8	2.437	2.938	2.626
325	182/4TC	10.57	6.24	7.165	8.872	5.63	4.685	3.375	2.625	6.375	8	2.437	2.938	2.626
	56C	11.42	6.063	9.016	11.014	7.059	5.748	4	3.25	7.5	9.375	2.625	3.5	3.25
	145TC	11.42	6.063	9.016	11.014	7.059	5.748	4	3.25	7.5	9.375	2.625	3.5	3.25
	182/4TC	12.59	7.244	9.016	11.014	7.059	5.748	4	3.25	7.5	9.375	2.625	3.5	3.25

All listed dimensions in inches														
Box Size	NEMA Frame	Z (UNC)	INPUT BORE		OUTPUT SHAFT			FLANGE					Oil (oz.)	
			U	T x V	L1	S	W x Y	LA	LB	LC	LE	Z1		
133	56C	5/16 - 18	0.625	3/16 x 3/32	1	0.625	3/16 x 3/32	5.875	4.5	6.496	0.157	0.433	5.82	
154	56C	5/16 - 18	0.625	3/16 x 3/32	1	0.75	3/16 x 3/32	5.875	4.5	6.496	0.157	0.433	11.64	
175	56C	5/16 - 18	0.625	3/16 x 3/32	1	0.875	3/16 x 3/32	5.875	4.5	6.496	0.157	0.433	11.64	
206	56C	3/8 - 16	0.625	3/16 x 3/32	1.25	1	1/4 x 1/8	5.875	4.5	6.496	0.157	0.433	19.41	
237	56C	3/8 - 16	0.625	3/16 x 3/32	1.25	1.125	1/4 x 1/8	5.875	4.5	6.496	0.157	0.433	24.07	
262	56C	3/8 - 16	0.625	3/16 x 3/32	2	1.125	1/4 x 1/8	5.875	4.5	6.496	0.157	0.433	34.55	
	145TC	3/8 - 16	0.875	3/16 x 3/32	2	1.125	1/4 x 1/8	5.875	4.5	6.496	0.157	0.433	34.55	
	182/4TC	3/8 - 16	1.125	1/4 x 1/8	2	1.125	1/4 x 1/8	8.5	7.25	9	0.197	0.551	34.55	
325	56C	7/16 - 14	0.625	3/16 x 3/32	2.438	1.375	5/16 x 5/32	5.875	4.5	6.496	0.157	0.433	73.75	
	145TC	7/16 - 14	0.875	3/16 x 3/32	2.438	1.375	5/16 x 5/32	5.875	4.5	6.496	0.157	0.433	73.75	
	182/4TC	7/16 - 14	1.125	1/4 x 1/8	2.438	1.375	5/16 x 5/32	8.5	7.25	9	0.197	0.551	73.75	

Dimensions shown in this catalog are for general use only.  
 For an exact drawing on a specific rating, please contact our sales office.

## HD Cast Iron Worm Gear Reducers: Dimensions Flange Input, Shaft Output, Double End Output



**2**  
HEAVY DUTY  
CAST IRON REDUCERS

All listed dimensions in inches

Box Size	NEMA Frame	A	AB	AC	B	BB	BD	BE	CC	F	H	HL	LL	N
133	56C	5.99	3.386	3.78	6.067	4	2.835	2	1.333	3.25	4.656	1.605	1.718	2
175	56C	7.29	4.035	5.059	6.831	4.311	3.563	2.75	1.75	4.188	5.75	1.938	2.062	1.781
206	56C	7.95	4.37	5.748	7.249	4.69	3.819	2.88	2.062	5	6.375	2.032	2.281	2.09
237	56C	8.71	4.705	6.378	7.948	5.087	4.055	2.88	2.375	5	6.937	2.062	2.5	2.37
262	56C	9.41	5.059	7.165	8.872	5.63	4.685	3.375	2.625	6.375	8	2.437	2.938	2.626
	145TC	9.41	5.059	7.165	8.872	5.63	4.685	3.375	2.625	6.375	8	2.437	2.938	2.626
	182/4TC	10.57	6.24	7.165	8.872	5.63	4.685	3.375	2.625	6.375	8	2.437	2.938	2.626
325	56C	11.42	6.063	9.016	11.014	7.059	5.748	4	3.25	7.5	9.375	2.625	3.5	3.25
	145TC	11.42	6.063	9.016	11.014	7.059	5.748	4	3.25	7.5	9.375	2.625	3.5	3.25
	182/4TC	12.59	7.244	9.016	11.014	7.059	5.748	4	3.25	7.5	9.375	2.625	3.5	3.25

All listed dimensions in inches

Box Size	NEMA Frame	Z (UNC)	INPUT BORE		OUTPUT SHAFT			FLANGE				Oil (oz.)	
			U	T x V	L1	S	W x Y	LA	LB	LC	LE		Z1
133	56C	5/16 - 18	0.625	3/16 x 3/32	1	0.625	3/16 x 3/32	5.875	4.5	6.496	0.157	0.433	5.82
175	56C	5/16 - 18	0.625	3/16 x 3/32	1	0.875	3/16 x 3/32	5.875	4.5	6.496	0.157	0.433	11.64
206	56C	3/8 - 16	0.625	3/16 x 3/32	1.25	1	1/4 x 1/8	5.875	4.5	6.496	0.157	0.433	19.41
237	56C	3/8 - 16	0.625	3/16 x 3/32	1.25	1.125	1/4 x 1/8	5.875	4.5	6.496	0.157	0.433	24.07
262	56C	3/8 - 16	0.625	3/16 x 3/32	2	1.125	1/4 x 1/8	5.875	4.5	6.496	0.157	0.433	34.55
	145TC	3/8 - 16	0.875	3/16 x 3/32	2	1.125	1/4 x 1/8	5.875	4.5	6.496	0.157	0.433	34.55
	182/4TC	3/8 - 16	1.125	1/4 x 1/8	2	1.125	1/4 x 1/8	8.5	7.25	9	0.197	0.551	34.55
325	56C	7/16 - 14	0.625	3/16 x 3/32	2.438	1.375	5/16 x 5/32	5.875	4.5	6.496	0.157	0.433	73.75
	145TC	7/16 - 14	0.875	3/16 x 3/32	2.438	1.375	5/16 x 5/32	5.875	4.5	6.496	0.157	0.433	73.75
	182/4TC	7/16 - 14	1.125	1/4 x 1/8	2.438	1.375	5/16 x 5/32	8.5	7.25	9	0.197	0.551	73.75

Dimensions shown in this catalog are for general use only.  
For an exact drawing on a specific rating, please contact our sales office.

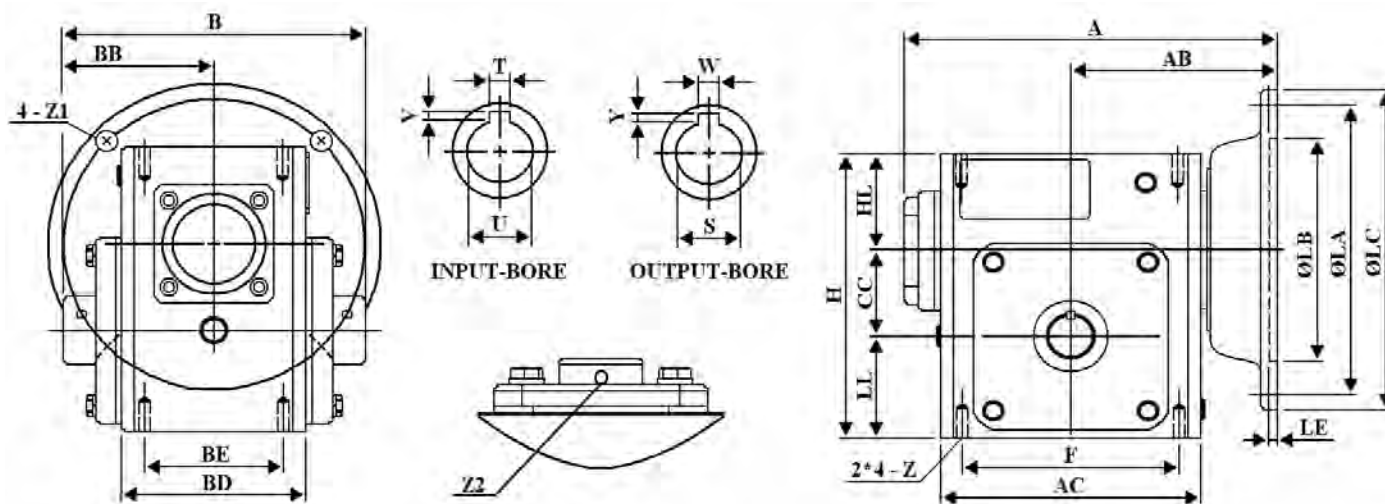
**HD Cast Iron Worm Gear Reducers:**  
**Flange Input, Hollow Bore Output**

**2**

HEAVY DUTY  
CAST IRON REDUCERS

Ratio C	Output RPM @ 1800 RPM Input	WCD Center (in.)	NEMA Motor Frame	Approx. Wt. (lbs.)	Model Number
5:1	350	1.33	56C	17	HdRF133-5/1-H-56C
		1.75	56C	27	HdRF175-5/1-H-56C
		2.06	56C	32	HdRF206-5/1-H-56C
		2.37	56C	38	HdRF237-5/1-H-56C
		2.62	182/4TC	53	HdRF262-5/1-H-182/4TC
		3.25	182/4TC	90	HdRF325-5/1-H-182/4TC
10:1	175	1.33	56C	17	HdRF133-10/1-H-56C
		1.75	56C	27	HdRF175-10/1-H-56C
		2.06	56C	32	HdRF206-10/1-H-56C
		2.37	56C	38	HdRF237-10/1-H-56C
		2.62	182/4TC	53	HdRF262-10/1-H-182/4TC
		3.25	182/4TC	90	HdRF325-10/1-H-182/4TC
15:1	120	1.33	56C	17	HdRF133-15/1-H-56C
		1.75	56C	27	HdRF175-15/1-H-56C
		2.06	56C	32	HdRF206-15/1-H-56C
		2.37	56C	38	HdRF237-15/1-H-56C
		2.62	56C	53	HdRF262-15/1-H-56C
		3.25	182/4TC	90	HdRF325-15/1-H-182/4TC
20:1	88	1.33	56C	17	HdRF133-20/1-H-56C
		1.75	56C	27	HdRF175-20/1-H-56C
		2.06	56C	32	HdRF206-20/1-H-56C
		2.37	56C	38	HdRF237-20/1-H-56C
		2.62	56C	53	HdRF262-20/1-H-56C
		3.25	182/4TC	90	HdRF325-20/1-H-182/4TC
30:1	58	1.33	56C	17	HdRF133-30/1-H-56C
		1.75	56C	27	HdRF175-30/1-H-56C
		2.06	56C	32	HdRF206-30/1-H-56C
		2.37	56C	38	HdRF237-30/1-H-56C
		2.62	56C	50	HdRF262-30/1-H-56C
		3.25	145TC	50	HdRF262-30/1-H-145TC
40:1	44	1.33	56C	17	HdRF133-40/1-H-56C
		1.75	56C	27	HdRF175-40/1-H-56C
		2.06	56C	32	HdRF206-40/1-H-56C
		2.37	56C	38	HdRF237-40/1-H-56C
		2.62	56C	50	HdRF262-40/1-H-56C
		3.25	145TC	87	HdRF325-40/1-H-145TC
50:1	35	1.33	56C	17	HdRF133-50/1-H-56C
		1.76	56C	27	HdRF175-50/1-H-56C
		2.06	56C	32	HdRF206-50/1-H-56C
		2.37	56C	38	HdRF237-50/1-H-56C
		2.62	56C	50	HdRF262-50/1-H-56C
		3.25	145TC	87	HdRF325-50/1-H-145TC
60:1	29	1.33	56C	17	HdRF133-60/1-H-56C
		1.75	56C	27	HdRF175-60/1-H-56C
		2.06	56C	32	HdRF206-60/1-H-56C
		2.37	56C	38	HdRF237-60/1-H-56C
		2.62	56C	50	HdRF262-60/1-H-56C
		3.25	145TC	87	HdRF325-60/1-H-145TC
		3.25	182/4TC	90	HdRF325-60/1-H-182/4TC

## HD Cast Iron Worm Gear Reducers: Dimensions Flange Input, Hollow Bore Output



2  
HEAVY DUTY  
CAST IRON REDUCERS

All listed dimensions in inches														
Box Size	NEMA Frame	A	AB	AC	B	BB	BD	BE	CC	F	H	HL	LL	Z2
133	56C	5.98	3.386	3.78	4.44	2.218	2.835	2	1.333	3.25	4.656	1.605	1.718	#10 - 32 UNF x 1/4
175	56C	7.28	4.035	5.059	6.18	3.091	3.563	2.75	1.75	4.19	5.75	1.938	2.062	#10 - 32 UNF x 1/4
206	56C	7.95	4.37	5.748	6.44	3.219	3.819	2.88	2.062	5	6.375	2.032	2.281	1/4 - 28 UNF x 3/8
237	56C	8.68	4.705	6.378	6.44	3.22	4.055	2.88	2.375	5	6.937	2.062	2.5	1/4 - 28 UNF x 3/8
262	56C	9.41	5.059	7.165	7	3.5	4.68	3.375	2.625	6.38	8	2.437	2.938	1/4 - 28 UNF x 3/8
	145TC	9.41	5.059	7.165	7	3.5	4.68	3.375	2.625	6.38	8	2.437	2.938	1/4 - 28 UNF x 3/8
325	182/4TC	10.59	6.24	7.165	7	3.5	4.68	3.375	2.625	6.38	8	2.437	2.938	1/4 - 28 UNF x 3/8
	56C	11.42	6.063	9.016	8.76	4.38	5.748	4	3.25	7.5	9.375	2.625	3.5	3/16 - 24 UNF x 3/8
	145TC	11.42	6.063	9.016	8.76	4.38	5.748	4	3.25	7.5	9.375	2.625	3.5	3/16 - 24 UNF x 3/8
	182/4TC	12.6	7.244	9.016	8.76	4.38	5.748	4	3.25	7.5	9.375	2.625	3.5	3/16 - 24 UNF x 3/8

All listed dimensions in inches														
Box Size	NEMA Frame	Z (UNC)	INPUT BORE		OUTPUT BORE		FLANGE					Oil (oz.)		
			U	T x V	S	W x Y	LA	LB	LC	LE	Z1			
133	56C	5/16 - 18	0.625	3/16 x 3/32	0.625	3/16 x 3/32	5.875	4.5	6.5	0.157	0.433	5.82		
175	56C	5/16 - 18	0.625	3/16 x 3/32	1	1/4 x 7/64	5.875	4.5	6.5	0.157	0.433	11.64		
206	56C	3/8 - 16	0.625	3/16 x 3/32	1.125	1/4 x 1/8	5.875	4.5	6.5	0.157	0.433	19.41		
237	56C	3/8 - 16	0.625	3/16 x 3/32	1.25	1/4 x 1/8	5.875	4.5	6.5	0.157	0.433	24.07		
262	56C	3/8 - 16	0.625	3/16 x 3/32	1.437	3/8 x 3/16	5.875	4.5	6.5	0.157	0.433	34.55		
	145TC	3/8 - 16	0.875	3/16 x 3/32	1.437	3/8 x 3/16	5.875	4.5	6.5	0.157	0.433	34.55		
	182/4TC	3/8 - 16	1.125	1/4 x 1/8	1.437	3/8 x 3/16	7.25	8.5	9	0.2	0.551	34.55		
325	56C	7/16 - 14	0.625	3/16 x 3/32	1.937	1/2 x 1/4	5.875	4.5	6.5	0.157	0.433	73.75		
	145TC	7/16 - 14	0.875	3/16 x 3/32	1.937	1/2 x 1/4	5.875	4.5	6.5	0.157	0.433	73.75		
	1842/TC	7/16 - 14	1.125	1/4 x 1/8	1.937	1/2 x 1/4	7.25	8.5	9	0.2	0.551	73.75		

Dimensions shown in this catalog are for general use only.  
For an exact drawing on a specific rating, please contact our sales office.

**HD Cast Iron Worm Gear Reducers:**  
**Shaft Input, Shaft Output**

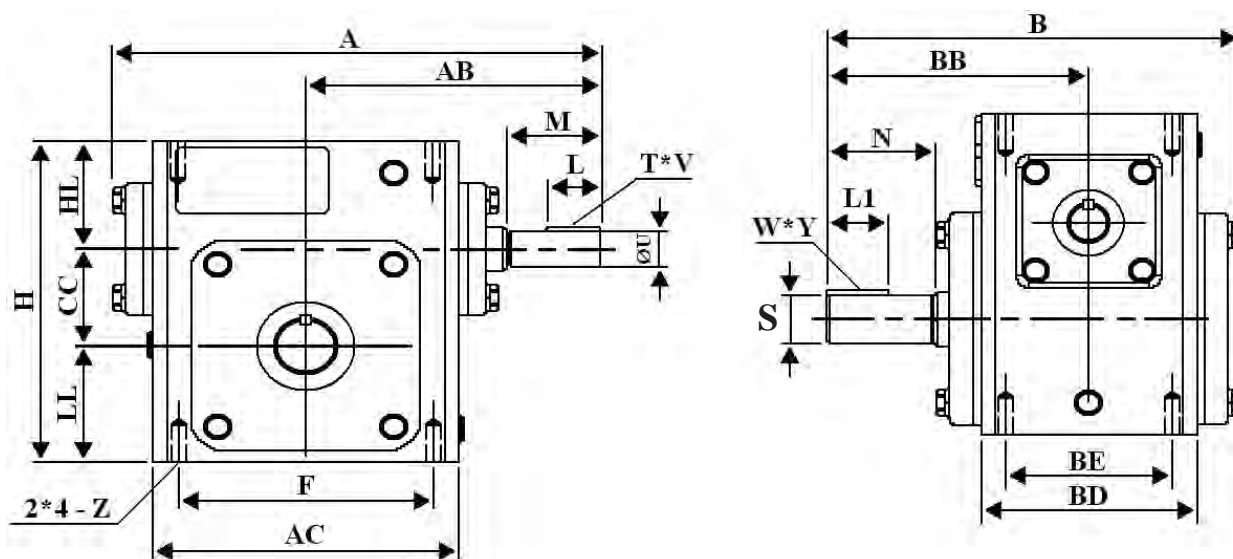
**2**

HEAVY DUTY  
 CAST IRON REDUCERS

Ratio C	Output RPM @ 1800 RPM Input	WCD Center (in.)	NEMA Motor Frame	Approx. Wt. (lbs.)	Model Number Left Hand Output	Model Number Right Hand Output
5:1	350	1.33	56C	17	HdRS133-5/1-L	HdRS133-5/1-R
		1.75	56C	27	HdRS175-5/1-L	HdRS175-5/1-R
		2.06	56C	32	HdRS206-5/1-L	HdRS206-5/1-R
		2.37	56C	38	HdRS237-5/1-L	HdRS237-5/1-R
		2.62	182/4TC	53	HdRS262-5/1-L	HdRS262-5/1-R
		3.25	182/4TC	90	HdRS325-5/1-L	HdRS325-5/1-R
10:1	175	1.33	56C	17	HdRS133-10/1-L	HdRS133-10/1-R
		1.54	56C	22	HdRS154-10/1-L	---
		1.75	56C	27	HdRS175-10/1-L	HdRS175-10/1-R
		2.06	56C	32	HdRS206-10/1-L	HdRS206-10/1-R
		2.37	56C	38	HdRS237-10/1-L	HdRS237-10/1-R
		2.62	182/4TC	53	HdRS262-10/1-L	HdRS262-10/1-R
15:1	120	1.33	56C	17	HdRS133-15/1-L	HdRS133-15/1-R
		1.75	56C	27	HdRS175-15/1-L	HdRS175-15/1-R
		2.06	56C	32	HdRS206-15/1-L	HdRS206-15/1-R
		2.37	56C	38	HdRS237-15/1-L	HdRS237-15/1-R
		2.62	56C/145TC	53	HdRS262-15/1-L	HdRS262-15/1-R
		3.25	182/4TC	90	HdRS325-15/1-L	HdRS325-15/1-R
20:1	88	1.33	56C	17	HdRS133-20/1-L	HdRS133-20/1-R
		1.54	56C	22	HdRS154-20/1-L	---
		1.75	56C	27	HdRS175-20/1-L	HdRS175-20/1-R
		2.06	56C	32	HdRS206-20/1-L	HdRS206-20/1-R
		2.37	56C	38	HdRS237-20/1-L	HdRS237-20/1-R
		2.62	56C/145TC	53	HdRS262-20/1-L	HdRS262-20/1-R
30:1	58	1.33	56C	17	HdRS133-30/1-L	HdRS133-30/1-R
		1.75	56C	27	HdRS175-30/1-L	HdRS175-30/1-R
		2.06	56C	32	HdRS206-30/1-L	HdRS206-30/1-R
		2.37	56C	38	HdRS237-30/1-L	HdRS237-30/1-R
		2.62	56C/145TC	50	HdRS262-30/1-L	HdRS262-30/1-R
		3.25	56C/145TC	87	HdRS325-30/1-L	HdRS325-30/1-R
40:1	44	1.33	56C	17	HdRS133-40/1-L	HdRS133-40/1-R
		1.54	56C	22	HdRS154-40/1-L	---
		1.75	56C	27	HdRS175-40/1-L	HdRS175-40/1-R
		2.06	56C	32	HdRS206-40/1-L	HdRS206-40/1-R
		2.37	56C	38	HdRS237-40/1-L	HdRS237-40/1-R
		2.62	56C	50	HdRS262-40/1-L	HdRS262-40/1-R
50:1	35	1.33	56C	17	HdRS133-50/1-L	HdRS133-50/1-R
		1.76	56C	27	HdRS175-50/1-L	HdRS175-50/1-R
		2.06	56C	32	HdRS206-50/1-L	HdRS206-50/1-R
		2.37	56C	38	HdRS237-50/1-L	HdRS237-50/1-R
		2.62	56C	50	HdRS262-50/1-L	HdRS262-50/1-R
		3.25	56C/145TC	87	HdRS325-50/1-L	HdRS325-50/1-R
60:1	29	1.33	56C	17	HdRS133-60/1-L	HdRS133-60/1-R
		1.75	56C	27	HdRS175-60/1-L	HdRS175-60/1-R
		2.06	56C	32	HdRS206-60/1-L	HdRS206-60/1-R
		2.37	56C	38	HdRS237-60/1-L	HdRS237-60/1-R
		2.62	56C	50	HdRS262-60/1-L	HdRS262-60/1-R
		3.25	56C/145TC/182/4TC	87	HdRS325-60/1-L	HdRS325-60/1-R



## HD Cast Iron Worm Gear Reducers: Dimensions Shaft Input, Shaft Output



**2**  
 HEAVY DUTY  
 CAST IRON REDUCERS

All listed dimensions in inches

Box Size	NEMA Frame	A	AB	AC	B	BB	BD	BE	CC	F	H	HL	LL
133	56	6.45	3.907	3.78	6.067	4	2.835	2	1.333	3.25	4.656	1.605	1.718
175	56	8.06	4.872	5.059	6.831	4.311	3.563	2.75	1.75	4.188	5.75	1.938	2.062
206	56	8.65	5.128	5.748	7.249	4.69	3.819	2.88	2.062	5	6.375	2.032	2.281
	145T	8.65	5.128	5.748	7.249	4.69	3.819	2.88	2.062	5	6.375	2.032	2.281
237	56	9.69	5.75	6.378	7.948	5.087	4.055	2.88	2.375	5	6.937	2.062	2.5
	145T	9.69	5.75	6.378	7.948	5.087	4.055	2.88	2.375	5	6.937	2.062	2.5
	182/4T	9.69	5.75	6.378	7.948	5.087	4.055	2.88	2.375	5	6.937	2.062	2.5
262	56	10.61	6.309	7.165	8.872	5.63	4.685	3.375	2.625	6.375	8	2.437	2.938
	145T	10.61	6.309	7.165	8.872	5.63	4.685	3.375	2.625	6.375	8	2.437	2.938
	182/4T	10.61	6.309	7.165	8.872	5.63	4.685	3.375	2.625	6.375	8	2.437	2.938
325	145T	12.74	7.441	9.016	11.01	7.059	5.748	4	3.25	7.5	9.375	2.625	3.5
	182/4T	12.74	7.441	9.016	11.01	7.059	5.748	4	3.25	7.5	9.375	2.625	3.5

All listed dimensions in inches

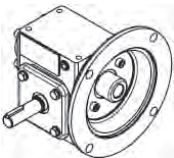
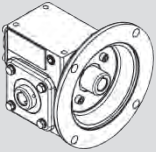

Box Size	NEMA Frame	Z (UNC)	INPUT SHAFT			OUTPUT SHAFT			Oil (oz.)
			L	U	T x V	L1	S	W x Y	
133	56	5/16 - 18	0.625	0.5	1/8 x 1/16	1	0.625	3/16 x 3/32	5.82
175	56	5/16 - 18	0.875	0.625	3/16 x 3/32	1	0.875	3/16 x 3/32	11.64
206	56	3/8 - 16	0.875	0.625	3/16 x 3/32	1.25	1	1/4 x 1/8	19.41
	145T	3/8 - 16	0.875	0.625	3/16 x 3/32	1.25	1	1/4 x 1/8	19.41
237	56	3/8 - 16	1	0.75	3/16 x 3/32	1.25	1.125	1/4 x 1/8	24.07
	145T	3/8 - 16	1	0.75	3/16 x 3/32	1.25	1.125	1/4 x 1/8	24.07
	182/4T	3/8 - 16	1	0.75	3/16 x 3/32	1.25	1.125	1/4 x 1/8	24.07
262	56	3/8 - 16	1	0.75	3/16 x 3/32	2	1.125	1/4 x 1/8	34.55
	145T	3/8 - 16	1	0.75	3/16 x 3/32	2	1.125	1/4 x 1/8	34.55
	182/4T	3/8 - 16	1	0.75	3/16 x 3/32	2	1.125	1/4 x 1/8	34.55
325	145T	7/16 - 14	1	0.875	3/16 x 3/32	2.438	1.375	5/16 x 5/32	73.75
	182/4T	7/16 - 14	1	0.875	3/16 x 3/32	2.438	1.375	5/16 x 5/32	73.75

Dimensions shown in this catalog are for general use only.  
For an exact drawing on a specific rating, please contact our sales office.

## HD Cast Iron Worm Gear Reducers: Competitive Interchange

2

HEAVY DUTY  
CAST IRON REDUCERS

	Center Distance	1.33	1.75	2.06	2.37	2.62	3.25
 <p>C-FACE INPUT SHAFT OUTPUT</p>	<b>WorldWide Electric</b>	<b>HdRF133-L/R</b>	<b>HdRF175-L/R</b>	<b>HdRF206-L/R</b>	<b>HdRF237-L/R</b>	<b>HdRF262-L/R</b>	<b>HdRF325-L/R</b>
	Alling Lander	13UF	17UF	20UF	23UF	26UF	32UF
	Baldor	F913	F918	F921	F924	F926	F932
	Boston	F713	F718	F721	F724	F726	F732
	Browning - Raider	Q133	Q175	Q206	Q237	Q262	Q325
	Dodge - Tigear	Q133	Q175	Q200	—	Q262	—
	Electra *	MSC13	MSC17	MSC21	—	MSC26	—
	Falk - Omnibox	1133WBM	1175WBM	1206WBM	1238WBM	1262WBM	1325WBM
	Grove (New)	BMQ213	BMQ218	BMQ220	BMQ224	BMQ226	BMQ232
	Grove (Old)	BMQ1133	BMQ1175	BMQ1206	BMQ1238	BMQ1262	BMQ1325
	Hub City *	134	184	214	—	264	324
	Leeson	BMQ613	BMQ618	BMQ621	BMQ624	BMQ626	BMQ632
	Morse Cobra *	13Q	18Q	21Q	—	26Q	—
	Morse Raider	713F	718F	721F	724F	726F	732F
	Ohio Gear	BMQ2133	BMQ2175	BMQ2206	BMQ2238	BMQ2262	BMQ2325
Winsmith *	913MDN	917MDN	920MDN	924MDN	926MDN	—	
 <p>C-FACE INPUT HOLLOW BORE OUTPUT</p>	<b>WorldWide Electric</b>	<b>HdRF133-H</b>	<b>HdRF175-H</b>	<b>HdRF206-H</b>	<b>HdRF237-H</b>	<b>HdRF262-H</b>	<b>HdRF325-H</b>
	Alling Lander	13YF	17YF	20YF	23YF	26YF	32YF
	Baldor	HF913	HF918	HF921	HF924	HF926	HF932
	Boston	HF713	HF718	HF721	HF724	HF726	HF732
	Browning - Raider	QH133	QH175	QH206	QH237	QH262	QH325
	Electra *	—	MHSC17	MHSC21	—	MHSC26	—
	Falk - Omnibox	1133WBQM	1175WBQM	1206WBQM	1238WBQM	1262WBQM	1325WBQM
	Grove (New)	HMQ213	HMQ218	HMQ220	HMQ224	HMQ226	HMQ232
	Grove (Old)	HMQ1133	HMQ1175	HMQ1206	HMQ1238	HMQ1262	HMQ1325
	Hub City *	—	185	215	—	265	325
	Leeson	HMQ613	HMQ618	HMQ621	HMQ624	HMQ626	HMQ632
	Morse Cobra *	13QH	18QH	21QH	—	26QH	—
	Morse Raider	713SF	718SF	721SF	724SF	726SF	732SF
	Ohio Gear	SM2133MQ	SM2175MQ	SM2206MQ	SM2238MQ	SM2262MQ	SM2325MQ
	Winsmith *	—	917MDSN	920MDSN	924MDSN	926MDSN	—
 <p>SHAFT INPUT SHAFT OUTPUT</p>	<b>WorldWide Electric</b>	<b>HdRS133</b>	<b>HdRS175</b>	<b>HdRS206</b>	<b>HdRS237</b>	<b>HdRS262</b>	<b>HdRS325</b>
	Alling Lander	13U	17U	20U	23U	26U	32U
	Baldor	S913	S918	S921	S924	S926	S932
	Boston	713	718	721	724	726	732
	Browning - Raider	U133	U175	U206	U237	U262	U325
	Dodge - Tigear	S133	S175	S200	—	S262	—
	Electra *	M13	M17	M21	—	M26	—
	Falk - Omnibox	1133WB	1175WB	1206WB	1238WB	1262WB	1325WB
	Grove (New)	B213	B218	B220	B224	B226	B232
	Grove (Old)	B1133	B1175	B1206	B1238	B1262	B1325
	Hub City *	131	181	211	—	261	321
	Leeson	B613	B618	B621	B624	B626	B632
	Morse Cobra *	13U	18U	21U	—	26U	—
	Morse Raider	713B	718B	721B	724B	726B	732B
	Ohio Gear	B2133	B2175	B2206	B2238	B2262	B2325
Winsmith *	913DN	917DN	920DN	924DN	926DN	—	

\* WorldWide worm gearboxes are not dimensionally interchangeable with these manufacturers.

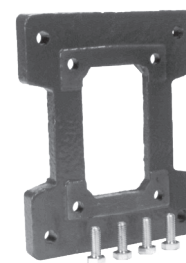
\*\* WorldWide hollow bore worm gearboxes have only one output diameter bore available per center distance.

## HD Cast Iron Worm Gear Reducers: Accessories and Parts Mounting Bases

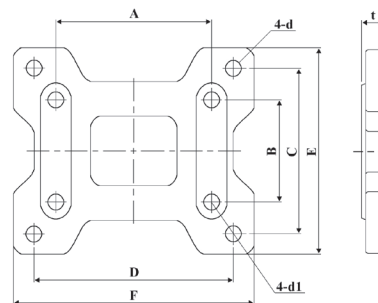
### Product Specifications

- » Box Sizes 1.33 - 3.25
- » Includes Mounting Bolts

Box Size	Model Number
133	HdRBASE133
154	HdRBASE154
175	HdRBASE175
206	HdRBASE206
237	HdRBASE237
262	HdRBASE262
325	HdRBASE325



All dimensions in inches									
Box Size	A	B	C	D	E	F	t	d	d1
133	3.25	2.00	3.31	4.38	4.19	5.38	0.53	1 <sup>1</sup> / <sub>2</sub>	3/8
154	4.19	2.75	4.31	5.25	5.44	6.44	0.59	1 <sup>1</sup> / <sub>2</sub>	3/8
175	4.19	2.75	4.50	5.75	5.69	7.00	0.69	1 <sup>3</sup> / <sub>2</sub>	3/8
206	5.00	2.88	4.69	6.38	5.94	7.75	0.72	1 <sup>5</sup> / <sub>2</sub>	7/16
237	5.00	2.88	4.88	7.06	6.22	8.50	0.75	1 <sup>5</sup> / <sub>2</sub>	7/16
262	6.38	3.38	5.25	8.00	6.66	9.63	0.75	1 <sup>7</sup> / <sub>2</sub>	7/16
325	7.50	4.00	6.13	9.50	7.66	11.19	0.88	1 <sup>7</sup> / <sub>2</sub>	1/2



2  
HEAVY DUTY  
CAST IRON REDUCERS

## HD Cast Iron Worm Gear Reducers: Accessories and Parts

Model Number	Description
<b>Breather Plugs</b>	
HdR-BPBRASSALL	BREATHER PLUG HdRF133-HdRF262 / HdRS133-HdRS262
HdR-BPBRASS325	BREATHER PLUG HdRF325 / HdRS325
<b>Bearings / Input</b>	
HdR-PBA30203	INPUT BEARING HdRF133-HdRF206
HdR-PBA30204	INPUT BEARING HdRS133
HdR-PBA30205	INPUT BEARING HdRF237-HdRF262 / HdRS175-HdRS206
HdR-PBA30206	INPUT BEARING HdRF133-HdRF206 / HdRF325
HdR-PBA30207	INPUT BEARING HdRS325
<b>Bearings / Output</b>	
HdR-PBA30204	OUTPUT BEARING HdRF133 / HdRS133
HdR-PBA30206	OUTPUT BEARING HdRF175-HdRF206 / HdRS175-HdRS206
HdR-PBA30207	OUTPUT BEARING HdRF237-HdRF262 / HdRS237-HdRS262
HdR-PBA30208	OUTPUT BEARING HdRF325 / HdRS325
HdR-PBA32008	OUTPUT BEARING HdRF175 HOLLOW BORE
HdR-PBA32009	OUTPUT BEARING HdRF206 HOLLOW BORE
HdR-PBA32010	OUTPUT BEARING HdRF237 HOLLOW BORE
HdR-PBA32012	OUTPUT BEARING HdRF262 HOLLOW BORE
HdR-PBA32014	OUTPUT BEARING HdRF325 HOLLOW BORE
<b>Input Flanges</b>	
HdR-KFYG0331651	INPUT FLANGE HdRF133-HdRF154 (56C)
HdR-KFYG0451651	INPUT FLANGE HdRF175-HdRF206 (56C)
HdR-KFYG0611651	INPUT FLANGE HdRF237-HdRF262 (56C/145TC)
HdR-KFYG0612281	INPUT FLANGE HdRF262 (182/4TC)
HdR-KFYG0831651	INPUT FLANGE HdRF325 (56C/145TC)
HdR-KFYG0832281	INPUT FLANGE HdRF325 (182/4TC)
<b>Oil Seals / Sealed</b>	
HdR-PSS000040087	OIL SEAL / SEALED HdRF133-HdRF206
HdR-PSS000052079	OIL SEAL / SEALED HdRF237-HdRF262
HdR-PSS000062107	OIL SEAL / SEALED HdRF325
<b>Oil Seals / Input</b>	
HdR-PSS030042081	OIL SEAL / INPUT HdRF133-HdRF325 (56C)
HdR-PSS035042081	OIL SEAL / INPUT HdRF237-HdRF262 (145TC)
HdR-PSS045062081	OIL SEAL / INPUT HdRF262-HdRF325 (182/4TC)
HdR-PSS045062081	OIL SEAL / INPUT HdRF325 (145TC)
HdR-PSS017035071	OIL SEAL / INPUT HdRS133 (56C)
HdR-PSS020035081	OIL SEAL / INPUT HdRS175-HdRS206 (56C)
HdR-PSS025035061	OIL SEAL / INPUT HdRS237-HdRS262 (56C)
HdR-PSS030040071	OIL SEAL / INPUT HdRS325 (56C)

Model Number	Description
<b>Oil Seals / Output</b>	
HdR-PSS020032061	OIL SEAL / OUTPUT HdRF133 / HdRS133
HdR-PSS025045081	OIL SEAL / OUTPUT HdRF175 / HdRS175
HdR-PSS030047061	OIL SEAL / OUTPUT HdRF206 / HdRS206
HdR-PSS035050081	OIL SEAL / OUTPUT HdRF237 / HdRS237
HdR-PSS035055081	OIL SEAL / OUTPUT HdRF262 / HdRS262
HdR-PSS040055081	OIL SEAL / OUTPUT HdRF325 / HdRS325
HdR-PSS040062121	OIL SEAL / OUTPUT HdRF175 HOLLOW BORE
HdR-PSS045068121	OIL SEAL / OUTPUT HdRF206 HOLLOW BORE
HdR-PSS050072121	OIL SEAL / OUTPUT HdRF237 HOLLOW BORE
HdR-PSS060082121	OIL SEAL / OUTPUT HdRF262 HOLLOW BORE
HdR-PSS070095131	OIL SEAL / OUTPUT HdRF325 HOLLOW BORE
<b>Output Flanges</b>	
HdR133-OPF	OUTPUT FLANGE HdRF133-H
HdR150-OPF	OUTPUT FLANGE HdRF154-H
HdR175-OPF	OUTPUT FLANGE HdRF175-H
HdR206-OPF	OUTPUT FLANGE HdRF206-H
HdR237-OPF	OUTPUT FLANGE HdRF237-H
HdR262-OPF	OUTPUT FLANGE HdRF262-H
HdR325-OPF	OUTPUT FLANGE HdRF325-H
<b>Set Screws</b>	
HdR-H-PTCB10006F	SET SCREW HdRF133-HdRF175 / HdRS133-HdRS175
HdR-H-PTCB02009F	SET SCREW HdRF206-HdRF237 / HdRS206-HdRS237
HdR-H-PTCB02011F	SET SCREW HdRF262 / HdRS262
HdR-H-PTCBH2009F	SET SCREW HdRF325 / HdRS325

Reducer Size CD (in.)	Output Bore Size	Model Number	Inner Diameter I.D. (in.)
<b>Bushing Kits</b>			
2.06	1-1/8"	HdRB118.1	1"
2.37	1-1/4"	HdRB114.1	1"
2.62	1-7/16"	HdRB1716.1	1"
3.25	1-15/16"	HdRB11516.114	1-1/4"
		HdRB11516.1716	1-7/16"
		HdRB11516.112	1-1/2"

## Stainless Steel Worm Gear Reducers: Product Overview

### Product Specifications

- » 5:1 - 60:1 ratios
- » Box sizes (Center distances 1.75" - 3.25")
- » 304 stainless steel housing, covers and flange
- » BISSC certified
- » IP69K protection against close-range high pressure, high temperature spray downs
- » Magnetic hardware allows for recognition by metal detection devices to prevent contamination
- » Double-lipped VITON oil seals (at output)
- » Smooth, polished surfaces and etched nameplate

- » Internal bladder functions as a breather and effectively dispels heat
- » 15CrMo4 NEMA quill input with carburizing heat treatment
- » CuSn12Ni2 bronze alloy worm wheel with high efficiency gear tooth configuration
- » RoHS plastic covers supplied to fill unused mounting slots
- » O-ring provided on input flange to prevent moisture intrusion
- » Performance equivalent to other major brands
- » Units filled with Mobil CIBUS 460 H1 food grade lubricant
- » 1 year warranty



2

STAINLESS STEEL  
REDUCERS

Ratio	Output RPM @ 1750 RPM Input	WCD Center (in.)	NEMA Motor Frame	Approx. Wt. (lbs.)	Model Number
5:1	350	1.75	56C	16	SSHdR175-5/1-H-56C-1.0
		2.06	56C	22	SSHdR206-5/1-H-56C-1.716
		2.37	56C	28	SSHdR237-5/1-H-56C-1.716
		2.62	145TC	39	SSHdR262-5/1-H-145TC-1.1516
		3.25	56C	66	SSHdR325-5/1-H-56C-2.316
		3.25	145TC	66	SSHdR325-5/1-H-145TC-2.316
10:1	175	1.75	56C	16	SSHdR175-10/1-H-56C-1.0
		2.06	56C	22	SSHdR206-10/1-H-56C-1.716
		2.37	56C	28	SSHdR237-10/1-H-56C-1.716
		2.62	145TC	39	SSHdR262-10/1-H-145TC-1.1516
		3.25	56C	66	SSHdR325-10/1-H-56C-2.316
		3.25	145TC	66	SSHdR325-10/1-H-145TC-2.316
15:1	120	1.75	56C	16	SSHdR175-15/1-H-56C-1.0
		2.06	56C	22	SSHdR206-15/1-H-56C-1.716
		2.37	56C	28	SSHdR237-15/1-H-56C-1.716
		2.62	145TC	39	SSHdR262-15/1-H-145TC-1.1516
		3.25	145TC	66	SSHdR325-15/1-H-145TC-2.316
		1.75	56C	16	SSHdR175-20/1-H-56C-1.0
20:1	88	2.06	56C	22	SSHdR206-20/1-H-56C-1.716
		2.37	56C	28	SSHdR237-20/1-H-56C-1.716
		2.62	56C	39	SSHdR262-20/1-H-56C-1.1516
		2.62	145TC	39	SSHdR262-20/1-H-145TC-1.1516
		3.25	56C	66	SSHdR325-20/1-H-56C-2.316
		3.25	145TC	66	SSHdR325-20/1-H-145TC-2.316
30:1	58	1.75	56C	16	SSHdR175-30/1-H-56C-1.0
		2.06	56C	22	SSHdR206-30/1-H-56C-1.716
		2.37	56C	28	SSHdR237-30/1-H-56C-1.716
		2.62	56C	39	SSHdR262-30/1-H-56C-1.1516
		2.62	145TC	39	SSHdR262-30/1-H-145TC-1.1516
		3.25	56C	66	SSHdR325-30/1-H-56C-2.316
40:1	44	3.25	145TC	66	SSHdR325-30/1-H-145TC-2.316
		1.75	56C	16	SSHdR175-40/1-H-56C-1.0
		2.06	56C	22	SSHdR206-40/1-H-56C-1.716
		2.37	56C	28	SSHdR237-40/1-H-56C-1.716
		2.62	56C	39	SSHdR262-40/1-H-56C-1.1516
		3.25	56C	66	SSHdR325-40/1-H-56C-2.316
50:1	35	3.25	145TC	66	SSHdR325-40/1-H-145TC-2.316
		1.75	56C	16	SSHdR175-50/1-H-56C-1.0
		2.06	56C	22	SSHdR206-50/1-H-56C-1.716
		2.37	56C	28	SSHdR237-50/1-H-56C-1.716
		2.62	56C	39	SSHdR262-50/1-H-56C-1.1516
		3.25	56C	66	SSHdR325-50/1-H-56C-2.316
60:1	29	3.25	145TC	66	SSHdR325-50/1-H-145TC-2.316
		1.75	56C	16	SSHdR175-60/1-H-56C-1.0
		2.06	56C	22	SSHdR206-60/1-H-56C-1.716
		2.37	56C	28	SSHdR237-60/1-H-56C-1.716
		2.62	56C	39	SSHdR262-60/1-H-56C-1.1516
		3.25	56C	66	SSHdR325-60/1-H-56C-2.316
80:1	22	3.25	145TC	66	SSHdR325-60/1-H-145TC-2.316
		2.06	56C	22	SSHdR206-80/1-H-56C-1.716
		2.36	56C	28	SSHdR237-80/1-H-56C-1.716
		3.25	143TC	66	SSHdR325-80/1-H-143TC-2.316
100:1	18	2.06	56C	22	SSHdR206-100/1-H-56C-1.716
		2.37	56C	28	SSHdR237-100/1-H-56C-1.716
		3.25	56C	66	SSHdR325-100/1-H-56C-2.316

## Stainless Steel Worm Gear Reducers: Mechanical Ratings

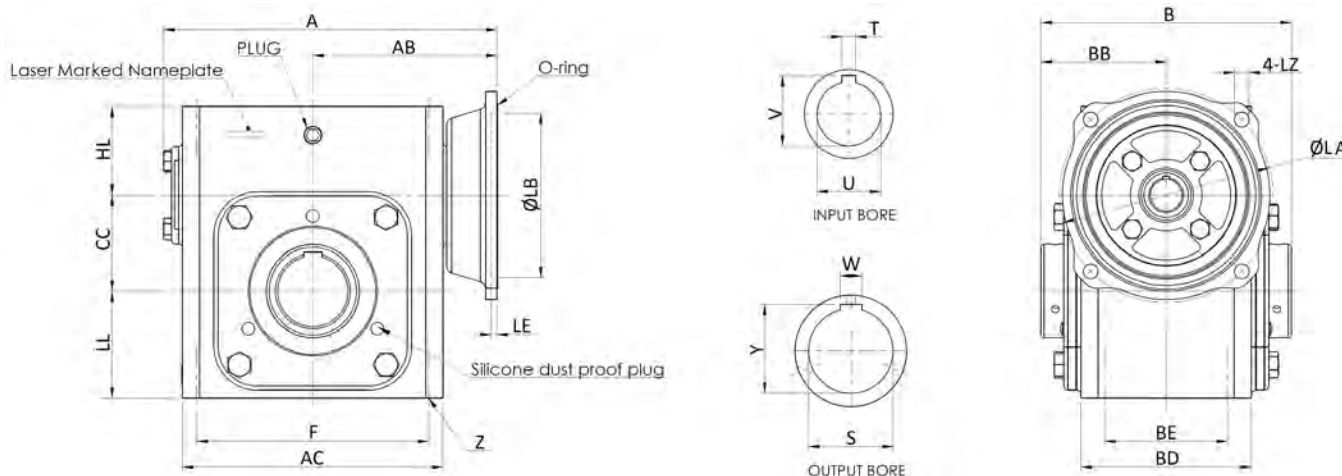
Input Speed: 1750 RPM											
Series Size		Mechanical			Thermal			Efficiency (%)	O.H.L. (lbs.)	Output Shaft Thrust Load (lbs.)	Backlash (Angular Min.) (')
Box Size	Ratio	Input HP	Output Torque (lbs. in.)	Output HP	Input HP	Output Torque (lbs. in.)	Output HP				
175	5:1	2.36	416	2.20	1.99	350	1.85	93.2	650	550	20
	10:1	1.52	495	1.38	1.43	467	1.30	90.5			
	15:1	1.09	506	0.94	0.96	448	0.83	85.9			
	20:1	0.85	527	0.71	0.85	514	0.71	84.0			
	30:1	0.65	532	0.49	0.56	460	0.43	75.8			
	40:1	0.57	599	0.42	0.50	527	0.37	72.9			
	50:1	0.44	568	0.32	0.44	568	0.32	71.7			
	60:1	0.31	457	0.21	0.31	457	0.21	68.3			
	80:1	0.26	488	0.17	0.26	488	0.17	65.1			
	100:1	0.21	460	0.13	0.21	460	0.13	60.8			
206	5:1	3.62	640	3.38	3.04	538	2.84	93.5	700	750	17
	10:1	2.47	799	2.22	1.94	627	1.74	89.8			
	15:1	1.80	850	1.57	1.57	741	1.37	87.4			
	20:1	1.48	907	1.23	1.16	713	0.97	83.0			
	30:1	0.95	802	0.74	0.90	762	0.71	78.1			
	40:1	0.76	774	0.54	0.67	687	0.48	70.7			
	50:1	0.60	771	0.43	0.60	771	0.43	71.4			
	60:1	0.52	777	0.36	0.52	777	0.36	69.2			
	80:1	0.39	706	0.24	0.39	706	0.24	62.8			
	100:1	0.33	698	0.19	0.33	698	0.19	58.7			
237	5:1	4.32	767	4.06	3.91	693	3.67	93.9	900	900	17
	10:1	3.23	1055	2.93	2.56	837	2.32	90.7			
	15:1	2.36	1108	2.05	1.82	854	1.58	86.9			
	20:1	2.01	1243	1.68	1.47	910	1.23	83.8			
	30:1	1.33	1105	1.02	1.03	857	0.79	76.9			
	40:1	1.07	1156	0.80	0.95	1029	0.71	75.0			
	50:1	0.87	1111	0.62	0.82	1045	0.58	70.9			
	60:1	0.71	1008	0.47	0.69	986	0.46	65.7			
	80:1	0.48	871	0.30	0.48	871	0.30	63.0			
	100:1	0.37	767	0.21	0.37	767	0.21	57.6			
262	5:1	5.24	933	4.94	5.17	920	4.87	94.2	1000	1000	17
	10:1	3.96	1301	3.61	3.41	1119	3.11	91.2			
	15:1	2.96	1415	2.62	2.61	1246	2.31	88.5			
	20:1	2.36	1472	1.99	1.93	1206	1.63	84.5			
	30:1	1.68	1446	1.34	1.48	1271	1.18	79.7			
	40:1	1.33	1454	1.01	1.24	1360	0.94	75.9			
	50:1	1.08	1423	0.79	1.08	1423	0.79	73.2			
	60:1	0.89	1279	0.59	0.89	1279	0.59	66.5			
	80:1	0.62	1159	0.40	0.62	1159	0.40	64.9			
	100:1	0.46	961	0.27	0.46	961	0.27	58.0			
325	5:1	9.72	1740	9.20	8.14	1458	7.71	94.7	1200	1100	15
	10:1	6.60	2184	6.07	5.33	1763	4.90	91.9			
	15:1	4.94	2380	4.41	4.00	1925	3.56	89.2			
	20:1	3.93	2530	3.43	3.37	2170	2.94	87.2			
	30:1	2.84	2476	2.29	2.24	1949	1.80	80.7			
	40:1	2.22	2523	1.75	2.04	2324	1.61	78.9			
	50:1	1.80	2434	1.35	1.73	2343	1.30	75.1			
	60:1	1.49	2286	1.06	1.49	2286	1.06	71.0			
	80:1	0.94	1760	0.61	0.94	1760	0.61	65.0			
	100:1	0.71	1611	0.45	0.71	1611	0.45	63.0			

\* Thermal limit ratings - max. input HP at 20 ° ambient temperature with HI Food Grade 460 lubricant

## Stainless Steel Worm Gear Reducers: Dimensions

2

STAINLESS STEEL  
REDUCERS



All listed dimensions in inches

Box Size	NEMA Frame	A	AB	AC	B	BB	BD	BE	CC	F	HL	LL
175	56C	7.05	4.04	5.06	5.7	2.85	3.57	2.75	1.75	4.19	1.94	2.06
206	56C	7.72	4.37	5.75	6.44	3.22	3.82	2.88	2.06	5	2.03	2.28
237	56C	8.41	4.69	6.38	6.44	3.22	4.06	2.88	2.38	5	2.06	2.5
	145TC	8.41	4.69	6.38	6.44	3.22	4.06	2.88	2.38	5	2.06	2.5
262	56C	9.16	5.06	7.17	6.88	3.44	4.69	3.37	2.62	6.37	2.44	2.94
	145TC	9.16	5.06	7.17	6.88	3.44	4.69	3.37	2.62	6.37	2.44	2.94
325	56C	11.17	6.06	9.02	8.62	4.31	5.75	4	3.25	7.5	2.63	3.5
	145TC	11.17	6.06	9.02	8.62	4.31	5.75	4	3.25	7.5	2.63	3.5

Box Size	NEMA Frame	Z	INPUT BORE (inches)			OUTPUT BORE (inches)			FLANGE (inches)			
			U	T	V	S	W	Y	LA	LB	LE	LZ
175	56C	2x4-5/16-18UNCx0.5"	0.625	0.19	0.71	1	0.25	1.11	5.875	4.5	0.16	0.41
206	56C	2x4-3/8-16UNCx0.55"	0.625	0.19	0.71	1.438	0.38	1.54	5.875	4.5	0.16	0.41
237	56C	2x4-3/8-16UNCx0.59"	0.625	0.19	0.71	1.438	0.38	1.54	5.875	4.5	0.16	0.41
	145TC	2x4-3/8-16UNCx0.59"	0.875	0.19	0.96	1.438	0.38	1.54	5.875	4.5	0.16	0.41
262	56C	2x4-3/8-16UNCx1"	0.625	0.19	0.71	1.938	0.5	2.03	5.875	4.5	0.16	0.41
	145TC	2x4-3/8-16UNCx1"	0.875	0.19	0.96	1.938	0.5	2.03	5.875	4.5	0.16	0.41
325	56C	2x4-7/16-14UNCx0.86"	0.625	0.19	0.71	2.188	0.5	2.29	5.875	4.5	0.16	0.41
	145TC	2x4-7/16-14UNCx0.86"	0.875	0.19	0.96	2.188	0.5	2.29	5.875	4.5	0.16	0.41

Dimensions shown in this catalog are for general use only.  
For an exact drawing on a specific rating, please contact our sales office.

## Stainless Steel Worm Gear Reducers: Accessories and Parts

### Output Covers

- » Stainless Steel output covers.
- » Sizes available for 1.75" through 3.25" center distances.

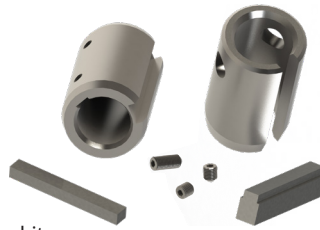
Reducer Size CD (in.)	Model Number	Engineering Make-up
1.75	SSHdR175-H-OPC	Non Toxic -PP
2.06	SSHdR206-H-OPC	Non Toxic -PP
2.37	SSHdR237-H-OPC	Non Toxic -PP
2.62	SSHdR262-H-OPC	Non Toxic -PP
3.25	SSHdR325-H-OPC	Non Toxic -PP



## Stainless Steel Worm Gear Reducers: Accessories and Parts

### Stainless Steel Bushing Kits

- » Stainless Steel Bushing Kits include sizing inserts, keys and set screws.
- » Sizes available for 1.75" through 3.25" center distances.
- » Stainless Steel Bushing Kits are not suitable for cast iron gear reducers. Please see page 39 for cast iron bushing kits.



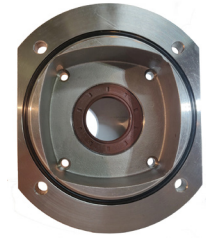
Reducer Size CD (in.)	Output Bore Size	Model Number	Outer Diameter O.D. (in.)	Inner Diameter I.D. (in.)
1.75	1"	SSB1.58	1"	5/8"
	1"	SSB1.1116	1"	11/16"
	1"	SSB1.34	1"	3/4"
	1"	SSB1.78	1"	7/8"
	1"	NOT REQUIRED	1"	1"
2.06	1-7/16"	SSB1716.1	1-7/16"	1"
	1-7/16"	SSB1716.1.18	1-7/16"	1-1/8"
	1-7/16"	SSB1716.1.316	1-7/16"	1-3/16"
	1-7/16"	SSB1716.1.14	1-7/16"	1-1/4"
	1-7/16"	NOT REQUIRED	1-7/16"	1-7/16"
2.37	1-7/16"	SSB1716.1	1-7/16"	1"
	1-7/16"	SSB1716.1.18	1-7/16"	1-1/8"
	1-7/16"	SSB1716.1.316	1-7/16"	1-3/16"
	1-7/16"	SSB1716.1.14	1-7/16"	1-1/4"
	1-7/16"	NOT REQUIRED	1-7/16"	1-7/16"
2.62	1-15/16"	SSB11516.1	1-15/16"	1"
	1-15/16"	SSB11516.1.18	1-15/16"	1-1/8"
	1-15/16"	SSB11516.1.316	1-15/16"	1-3/16"
	1-15/16"	SSB11516.1.14	1-15/16"	1-1/4"
	1-15/16"	SSB11516.1.716	1-15/16"	1-7/16"
	1-15/16"	SSB11516.1.12	1-15/16"	1-1/2"
	1-15/16"	NOT REQUIRED	1-15/16"	1-15/16"
	2-3/16"	SSB2316.1.14	2-3/16"	1-1/4"
3.25	2-3/16"	SSB2316.1.716	2-3/16"	1-7/16"
	2-3/16"	SSB2316.1.12	2-3/16"	1-1/2"
	2-3/16"	SSB2316.1.58	2-3/16"	1-5/8"
	2-3/16"	SSB2316.1.1116	2-3/16"	1-11/16"
	2-3/16"	SSB2316.1.34	2-3/16"	1-3/4"
	2-3/16"	SSB2316.1.1516	2-3/16"	1-15/16"
	2-3/16"	SSB2316.2	2-3/16"	2"
	2-3/16"	NOT REQUIRED	2-3/16"	2-3/16"

### Hollow Output Shaft Oil Seals

- » Tapered seals sold in quantities of two.

Unit Size	Max. Bore Size	Bearing #	Model Number
SSHdR175-H	1"	32008	SSHdR-PSS040062083
SSHdR206-H	1-7/16"	32010	SSHdR-PSS050068083
SSHdR237-H	1-7/16"	32010	SSHdR-PSS050072123
SSHdR262-H	1-15/16"	32013	SSHdR-PSS065088123
SSHdR325-H	2-3/16"	32015	SSHdR-PSS075100133

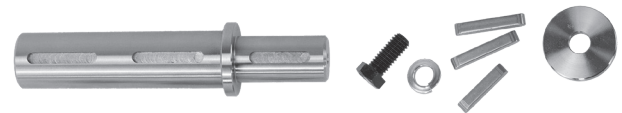
### SSHdR Output Flanges



Model Number	Description
SSHdR175-SCF	OUTPUT FLANGE SSHdR175
SSHdR206-SCF	OUTPUT FLANGE SSHdR206
SSHdR237-SCF	OUTPUT FLANGE SSHdR237
SSHdR262-SCF	OUTPUT FLANGE SSHdR262

### Single Output Shafts

- » Kit includes single output shaft, keys, endplate and bolt.



Box Size	Shaft Diameter (in.)	Shaft Length (in.)	Model Number
175	0.875	1.781	SSHdR175-OPS-S
206	1	2.090	SSHdR206-OPS-S
237	1.125	2.370	SSHdR237-OPS-S
262	1.125	2.626	SSHdR262-OPS-S-1.125
262	1.25	2.626	SSHdR262-OPS-S
325	1.375	3.250	SSHdR325-OPS-S-1.375
325	1.5	3.250	SSHdR325-OPS-S

### Double Output Shafts

- » Kit includes double output shaft, keys, retaining rings and C-clips.



Box Size	Shaft Diameter (in.)	Shaft Length (in.)	Model Number
175	0.875	1.781	SSHdR175-OPS-DS
206	1	2.090	SSHdR206-OPS-DS
237	1.125	2.370	SSHdR237-OPS-DS
262	1.125	2.626	SSHdR262-OPS-DS-1.125
262	1.25	2.626	SSHdR262-OPS-DS
325	1.375	3.250	SSHdR325-OPS-DS-1.375
325	1.5	3.250	SSHdR325-OPS-DS

## Aluminum Worm Gear Reducers: Product Overview

### Product Specifications

- » 7.5:1 - 100:1 ratios
- » Box sizes (Center distances 30 mm - 90 mm)
- » Aluminum alloy housing for light weight design
- » Hardened worm shaft for increased durability
- » Two bearings on input and output shafts
- » NEMA motor input flanges
- » All units filled with synthetic oil (Mobil SHC632) for an "M1" position mounting
- » Adjust oil level for alternative mounting positions
- » Double lip oil seals prevent leakage
- » Multiple mounting holes for all angle mounts
- » Powder coat paint plan on external housing to resist corrosion
- » Hollow output bores with plug-in output shafts
- » 1 year warranty



2

ALUMINUM WORM  
 GEAR REDUCERS

Ratio	Output RPM @ 1750 RPM Input	WCD Center (mm)	HP	NEMA Motor Frame	Approx. Wt. (lbs.)	Model Number
7.5:1	233	30	0.70	56C	3	CALM30-7.5/1-56C
		40	1.50	56C	5	CALM40-7.5/1-56C
		50	2.72	56C	8	CALM50-7.5/1-56C
		63	4.46	56C	13	CALM63-7.5/1-56C
		63	4.46	145TC	13	CALM63-7.5/1-145TC
		75	6.44	56C	19	CALM75-7.5/1-56C
		75	6.44	145TC	19	CALM75-7.5/1-145TC
		75	6.44	182/4TC	19	CALM75-7.5/1-182/4TC
		90	10.98	56C	28	CALM90-7.5/1-56C
		90	10.98	145TC	28	CALM90-7.5/1-145TC
10:1	175	30	0.54	56C	3	CALM30-10/1-56C
		40	1.21	56C	5	CALM40-10/1-56C
		50	2.12	56C	8	CALM50-10/1-56C
		63	3.52	56C	13	CALM63-10/1-56C
		63	3.52	145TC	13	CALM63-10/1-145TC
		75	5.20	56C	19	CALM75-10/1-56C
		75	5.20	145TC	19	CALM75-10/1-145TC
		75	5.20	182/4TC	19	CALM75-10/1-182/4TC
		90	8.92	56C	28	CALM90-10/1-56C
		90	8.92	145TC	28	CALM90-10/1-145TC
15:1	117	30	0.38	56C	3	CALM30-15/1-56C
		40	0.83	56C	5	CALM40-15/1-56C
		50	1.52	56C	8	CALM50-15/1-56C
		63	2.70	56C	13	CALM63-15/1-56C
		63	2.70	145TC	13	CALM63-15/1-145TC
		75	4.07	56C	19	CALM75-15/1-56C
		75	4.07	145TC	19	CALM75-15/1-145TC
		75	4.07	182/4TC	19	CALM75-15/1-182/4TC
		90	7.05	56C	28	CALM90-15/1-56C
		90	7.05	145TC	28	CALM90-15/1-145TC
20:1	88	30	0.28	56C	3	CALM30-20/1-56C
		40	0.63	56C	5	CALM40-20/1-56C
		50	1.14	56C	8	CALM50-20/1-56C
		63	2.06	56C	13	CALM63-20/1-56C
		63	2.06	145TC	13	CALM63-20/1-145TC

Continued On Next Page



## Aluminum Worm Gear Reducers: Product Overview

Ratio	Output RPM @ 1800 RPM Input	WCD Center (mm)	HP	NEMA Motor Frame	Approx. Wt. (lbs.)	Model Number
20:1	88	75	3.24	56C	19	CALM75-20/1-56C
		75	3.24	145TC	19	CALM75-20/1-145TC
		90	5.33	56C	28	CALM90-20/1-56C
		90	5.33	145TC	28	CALM90-20/1-145TC
		90	5.33	182/4TC	28	CALM90-20/1-182/4TC
25:1	70	30	0.30	56C	3	CALM30-25/1-56C
		40	0.48	56C	5	CALM40-25/1-56C
		50	0.86	56C	8	CALM50-25/1-56C
		63	1.56	56C	13	CALM63-25/1-56C
		75	2.43	56C	19	CALM75-25/1-56C
		75	2.43	145TC	19	CALM75-25/1-145TC
		90	4.18	56C	28	CALM90-25/1-56C
		90	4.18	145TC	28	CALM90-25/1-145TC
		90	4.18	182/4TC	28	CALM90-25/1-182/4TC
30:1	58	30	0.25	56C	3	CALM30-30/1-56C
		40	0.53	56C	5	CALM40-30/1-56C
		50	0.94	56C	8	CALM50-30/1-56C
		63	1.64	56C	13	CALM63-30/1-56C
		75	2.41	56C	19	CALM75-30/1-56C
		75	2.41	145TC	19	CALM75-30/1-145TC
		90	4.21	56C	28	CALM90-30/1-56C
		90	4.21	145TC	28	CALM90-30/1-145TC
		90	4.21	182/4TC	28	CALM90-30/1-182/4TC
40:1	44	30	0.19	56C	3	CALM30-40/1-56C
		40	0.40	56C	5	CALM40-40/1-56C
		50	0.70	56C	8	CALM50-40/1-56C
		63	1.21	56C	13	CALM63-40/1-56C
		75	1.90	56C	19	CALM75-40/1-56C
		90	3.01	56C	28	CALM90-40/1-56C
		90	3.01	145TC	28	CALM90-40/1-145TC
50:1	35	30	0.15	56C	3	CALM30-50/1-56C
		40	0.31	56C	5	CALM40-50/1-56C
		50	0.56	56C	8	CALM50-50/1-56C
		63	0.99	56C	13	CALM63-50/1-56C
		75	1.47	56C	19	CALM75-50/1-56C
		90	2.36	56C	28	CALM90-50/1-56C
		90	2.36	145TC	28	CALM90-50/1-145TC
60:1	29	30	0.12	56C	3	CALM30-60/1-56C
		40	0.25	56C	5	CALM40-60/1-56C
		50	0.47	56C	8	CALM50-60/1-56C
		63	0.82	56C	13	CALM63-60/1-56C
		75	1.22	56C	19	CALM75-60/1-56C
80:1	22	40	0.18	56C	5	CALM40-80/1-56C
		50	0.35	56C	8	CALM50-80/1-56C
		63	0.60	56C	13	CALM63-80/1-56C
		75	0.91	56C	19	CALM75-80/1-56C
		90	1.27	56C	28	CALM90-80/1-56C
100:1	17.5	40	0.14	56C	5	CALM40-100/1-56C
		50	0.26	56C	8	CALM50-100/1-56C
		63	0.51	56C	13	CALM63-100/1-56C
		75	0.74	56C	19	CALM75-100/1-56C
		90	1.03	56C	28	CALM90-100/1-56C

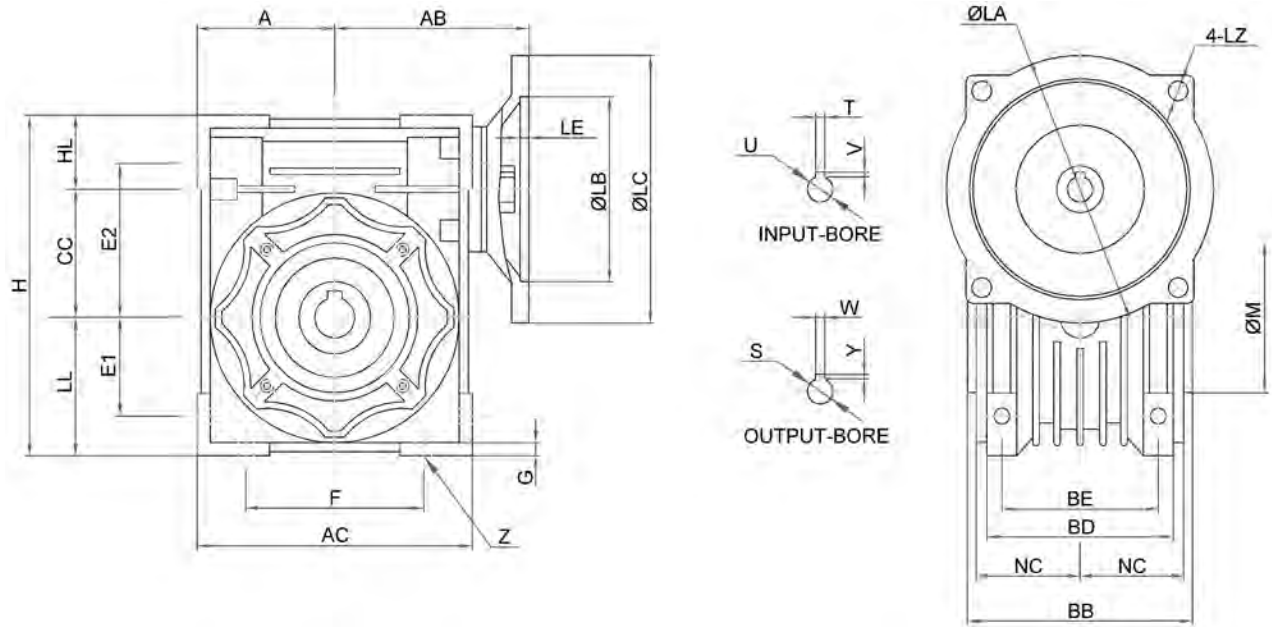
## Aluminum Worm Gear Reducers: Mechanical Ratings

2

ALUMINUM WORM  
GEAR REDUCERS

Input Speed		1750 RPM					Output Shaft Thrust Load (lbs.)	Backlash (Angular Minutes) ( ' )	
Box Size	Ratio	Mechanical (1.0 SF)			Efficiency (%)	O.H.L. (lbs.)		Min	Max
		Input HP	Output Torque (lbs. in.)	Output Speed					
30	7.5:1	0.70	160	233	85	143	29	13.8	28.8
	10:1	0.54	160	175	83	157	31	13.8	28.8
	15:1	0.38	160	117	78	180	36	13.8	28.8
	20:1	0.28	151	88	74	198	40	13.2	28.2
	25:1	0.30	185	70	69	213	43	13.2	27.0
	30:1	0.25	177	58	66	226	45	13.8	28.8
	40:1	0.19	160	44	60	249	50	13.2	28.2
	50:1	0.15	151	35	56	268	54	13.2	27.0
	60:1	0.12	134	29	52	285	57	12.6	25.8
	100:1	0.08	100	20	48	350	65	11.4	21.6
40	7.5:1	1.50	353	233	87	274	55	11.4	24.0
	10:1	1.21	370	175	85	302	60	11.4	24.0
	15:1	0.83	370	117	83	346	69	11.4	24.0
	20:1	0.63	361	88	79	381	76	11.4	24.0
	25:1	0.48	328	70	76	410	82	10.8	21.0
	30:1	0.53	403	58	71	436	87	11.4	24.0
	40:1	0.40	378	44	66	479	96	11.4	24.0
	50:1	0.31	353	35	63	517	103	10.8	21.0
	60:1	0.25	319	29	59	549	110	11.4	21.6
	80:1	0.18	277	22	53	604	121	11.4	21.6
100:1	0.14	244	18	48	651	130	11.4	21.6	
50	7.5:1	2.72	647	233	88	377	75	8.4	19.2
	10:1	2.12	664	175	87	415	83	8.4	19.2
	15:1	1.52	681	117	83	475	95	8.4	19.2
	20:1	1.14	656	88	80	522	104	6.6	17.4
	25:1	0.86	597	70	77	563	113	7.2	17.4
	30:1	0.94	740	58	73	598	120	8.4	19.2
	40:1	0.70	689	44	68	658	132	6.6	17.4
	50:1	0.56	647	35	64	709	142	7.2	17.4
	60:1	0.47	605	29	60	753	151	6.6	16.2
	80:1	0.35	546	22	54	829	166	6.6	16.2
100:1	0.26	462	18	50	893	179	6.6	16.2	
63	7.5:1	4.46	1076	233	89	492	98	7.8	17.4
	10:1	3.52	1108	175	87	542	108	7.8	17.4
	15:1	2.70	1236	117	85	620	124	7.8	17.4
	20:1	2.06	1225	88	83	683	137	6.6	16.2
	25:1	1.56	1124	70	80	736	147	6.6	13.8
	30:1	1.64	1345	58	76	782	156	7.8	17.4
	40:1	1.21	1261	44	72	860	172	6.6	16.2
	50:1	0.99	1208	35	68	927	185	6.6	13.8
	60:1	0.82	1135	29	64	985	197	6.0	13.8
	80:1	0.60	1027	22	59	1084	217	6.0	13.8
100:1	0.51	992	18	54	1168	234	6.0	13.8	
75	7.5:1	6.44	1555	233	89	581	116	7.8	16.2
	10:1	5.20	1656	175	88	640	128	7.8	16.2
	15:1	4.07	1900	117	86	732	146	7.8	16.2
	20:1	3.24	1953	88	84	806	161	6.6	14.4
	25:1	2.43	1784	70	82	868	174	6.6	13.2
	30:1	2.41	2028	58	78	923	185	7.8	16.2
	40:1	1.90	2029	44	74	1015	203	6.6	14.4
	50:1	1.47	1881	35	71	1094	219	6.6	13.2
	60:1	1.22	1778	29	67	1162	232	6.0	12.6
	80:1	0.91	1632	22	62	1279	256	6.0	12.6
100:1	0.74	1517	18	57	1378	276	6.0	12.6	
90	7.5:1	10.98	2682	233	90	643	129	7.2	14.4
	10:1	8.92	2867	175	89	708	142	7.2	14.4
	15:1	7.05	3330	117	87	810	162	7.2	14.4
	20:1	5.33	3288	88	86	892	178	6.6	12.0
	25:1	4.18	3145	70	84	961	192	6.0	11.4
	30:1	4.21	3632	58	80	1021	204	7.2	14.4
	40:1	3.01	3330	44	77	1123	225	6.6	12.0
	50:1	2.36	3145	35	74	1210	242	6.0	11.4
	60:1	1.93	2960	29	71	1286	257	5.4	10.8
	80:1	1.27	2397	22	65	1416	283	5.4	10.8
100:1	1.03	2271	18	61	1525	305	5.4	10.8	

## Aluminum Worm Gear Reducers: Dimensions



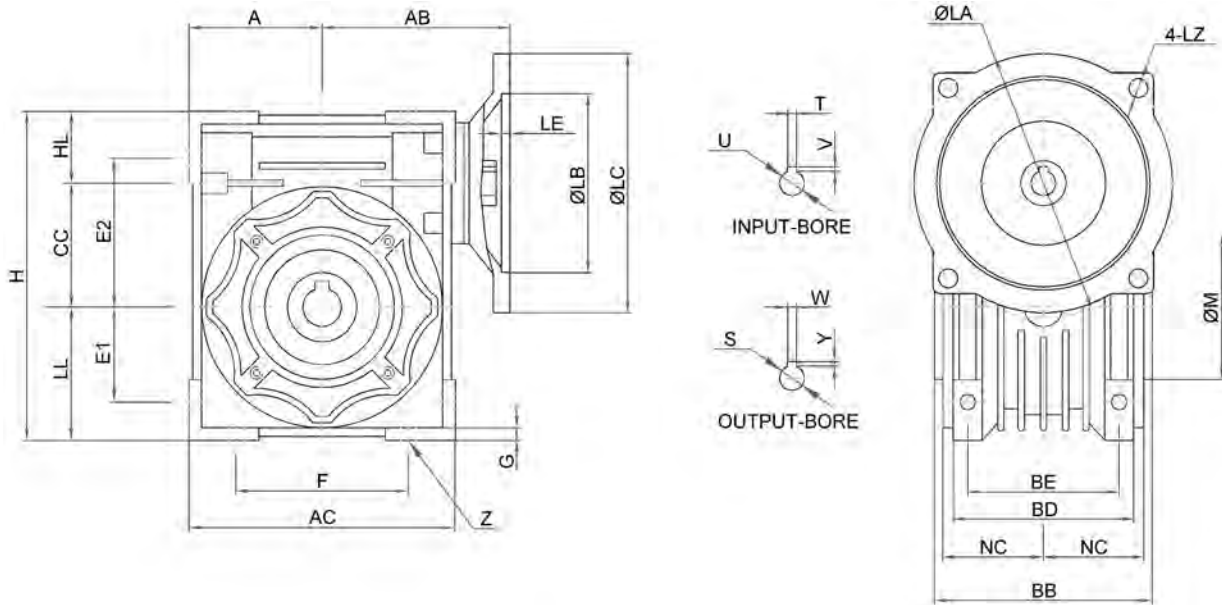
2  
ALUMINUM WORM  
GEAR REDUCERS

All listed dimensions in millimeters																
Box Size	NEMA Frame	A	AB	AC	BB	BD	BE	CC	E1	E2	F	G	H	HL	LL	M
30	56C	40	70	80	63	56	44	30	27	44	54	5.5	97	27	40	55
40	56C	50	86	101	78	71	60	40	35	55	70	6.6	121	31.5	50	60
50	56C	60	94	121	92	85	70	50	40	64	80	7	144	34	60	70
63	56C	72	105	146	112	103	85	63	50	80	100	8	174	39	72	80
	145TC	72	105	146	112	103	85	63	50	80	100	8	174	39	72	80
75	56C	86	126	174	120	112	90	75	60	93	120	10	205	45	86	95
	145TC	86	126	174	120	112	90	75	60	93	120	10	205	45	86	95
	182/4TC	86	126	174	120	112	90	75	60	93	120	10	205	45	86	95
90	56C	103	143	208	140	130	100	90	70	102	140	11	238	45	103	110
	145TC	103	143	208	140	130	100	90	70	102	140	11	238	45	103	110
	182/4TC	103	143	208	140	130	100	90	70	102	140	11	238	45	103	110

Box Size	NEMA Frame	NC	Z	INPUT BORE (inches)		OUTPUT BORE (inches)		FLANGE (inches)				
				U	T x V	S	W x Y	LA	LB	LC	LE	LZ
30	56C	29	6.5	0.625	3/16 x 3/32	0.625	3/16 x 3/32	5.875	4.5	5.787	0.177	0.413
40	56C	36.5	6.5	0.625	3/16 x 3/32	0.75	3/16 x 3/32	5.875	4.5	5.787	0.157	0.413
50	56C	43.5	8.4	0.625	3/16 x 3/32	1	1/4 x 7/64	5.875	4.5	5.787	0.157	0.413
63	56C	53	8.5	0.625	3/16 x 3/32	1.125	1/4 x 1/8	5.875	4.5	5.787	0.177	0.413
	145TC	53	8.5	0.875	3/16 x 3/32	1.125	1/4 x 1/8	5.875	4.5	5.787	0.177	0.413
75	56C	57	11	0.625	3/16 x 3/32	1.25	1/4 x 1/8	5.875	4.5	5.787	0.157	0.413
	145TC	57	11	0.875	3/16 x 3/32	1.25	1/4 x 1/8	5.875	4.5	5.787	0.157	0.413
	182/4TC	57	11	1.125	1/4 x 1/8	1.25	1/4 x 1/8	7.25	8.5	9	0.217	0.413
90	56C	67	13	0.625	3/16 x 3/32	1.375	5/16 x 3/64	5.875	4.5	5.787	0.157	0.413
	145TC	67	13	0.875	3/16 x 3/32	1.375	5/16 x 3/64	5.875	4.5	5.787	0.157	0.413
	182/4TC	67	13	1.125	1/4 x 1/8	1.375	5/16 x 3/64	7.25	8.5	9	0.217	0.413

Dimensions shown in this catalog are for general use only.  
For an exact drawing on a specific rating, please contact our sales office.

## Aluminum Worm Gear Reducers: Competitor Dimensional Comparison - Motovario



2

ALUMINUM WORM  
GEAR REDUCERS

All listed dimensions in millimeters

Box Size	NEMA Frame	A	AB	AC	BB	BD	BE	CC	E1	E2	F	G	H	HL	LL	M
30	56C	40	67	80	63	56	44	30	27	44	54	5.5	97	27	40	55
40	56C	50	80	100	78	71	60	40	35	55	70	6.5	121.5	31.5	50	60
50	56C	60	90	120	92	85	70	50	40	64	80	7	144	34	60	70
63	56C	72	122	144	112	103	85	63	50	80	100	8	179	44	72	80
	145TC	72	122	144	112	103	85	63	50	80	100	8	179	44	72	80
75	56C	89	140	178	120	112	90	75	60	93	120	10	209	48	86	95
	145TC	89	140	178	120	112	90	75	60	93	120	10	209	48	86	95
	182/4TC	89	150	178	120	112	90	75	60	93	120	10	209	48	86	95
90	56C	103	158	206	140	130	100	90	70	102	140	11	247	54	103	110
	145TC	103	158	206	140	130	100	90	70	102	140	11	247	54	103	110
	182/4TC	103	168	206	140	130	100	90	70	102	140	11	247	54	103	110

Box Size	NEMA Frame	NC	Z	INPUT BORE (inches)		OUTPUT BORE (inches)		FLANGE (inches)				
				U	T x V	S	W x Y	LA	LB	LC	LE	LZ
30	56C	29	6.5	0.625	3/16 x 3/32	0.625	3/16 x 3/32	5.875	3	5.625	NL	0.413
40	56C	36.5	6.5	0.625	3/16 x 3/32	0.75	3/16 x 3/32	5.875	4.5	6.5	NL	0.413
50	56C	43.5	8.4	0.625	3/16 x 3/32	1	1/4 x 7/64	5.875	4.5	6.5	NL	0.413
63	56C	53	8.5	0.625	3/16 x 3/32	1.125	1/4 x 1/8	5.875	4.5	6.5	NL	0.413
	145TC	53	8.5	0.875	3/16 x 3/32	1.125	1/4 x 1/8	5.875	4.5	6.5	NL	0.413
75	56C	57	11	0.625	3/16 x 3/32	1.25	1/4 x 1/8	5.875	4.5	6.5	NL	0.413
	145TC	57	11	0.875	3/16 x 3/32	1.25	1/4 x 1/8	5.875	4.5	6.5	NL	0.413
	182/4TC	57	11	1.125	1/4 x 1/8	1.25	1/4 x 1/8	7.25	8.5	9	NL	0.413
90	56C	67	13	0.625	3/16 x 3/32	1.375	5/16 x 3/64	5.875	4.5	6.5	NL	0.413
	145TC	67	13	0.875	3/16 x 3/32	1.375	5/16 x 3/64	5.875	4.5	6.5	NL	0.413
	182/4TC	67	13	1.125	1/4 x 1/8	1.375	5/16 x 3/64	7.25	8.5	9	NL	0.413

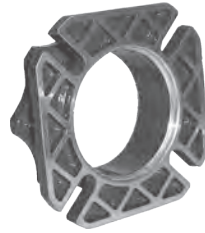
Motovario® dimensional data was derived from their Catalog\_VSF\_Nema\_WEB\_3012012111322.  
Blue shaded cells indicate a dimensional difference. NL denotes ratings not listed.  
All dimensions are in millimeters unless denoted in inches.

**Aluminum Worm Gear Reducers:  
 Accessories and Parts**

**2**

ALUMINUM WORM  
 GEAR REDUCERS

**Output Flanges**



Box Size	Model Number	
30	CALM30-OPF	
40	CALM40-OPF	
50	CALM50-OPF	
63	CALM63-OPF	
75	CALM75-OPF	
90	CALM90-OPF	

Output Flanges are FA style.  
 FB and FC style output flanges are available for order as non-stock items.

**Output Covers**



Box Size	Model Number	
30	CALM30-OPC	
40	CALM40-OPC	
50	CALM50-OPC	
63	CALM63-OPC	
75	CALM75-OPC	
90	CALM90-OPC	

**Drain Plugs**



Box Size	Model Number	
30	PJK10W	
40	PJK10W	
50	PJK10W	
63	PJK16W	
75	PJK16W	
90	PJK16W	

**Torque Arms**



Box Size	Model Number	
30	CALM30-TA	
40	CALM40-TA	
50	CALM50-TA	
63	CALM63-TA	
75	CALM75-TA	
90	CALM90-TA	

**Single Output Shafts**



Box Size	Model Number	
30	CALM30-S	
40	CALM40-S	
50	CALM50-S	
63	CALM63-S	
75	CALM75-S	
90	CALM90-S	

**Double Output Shafts**

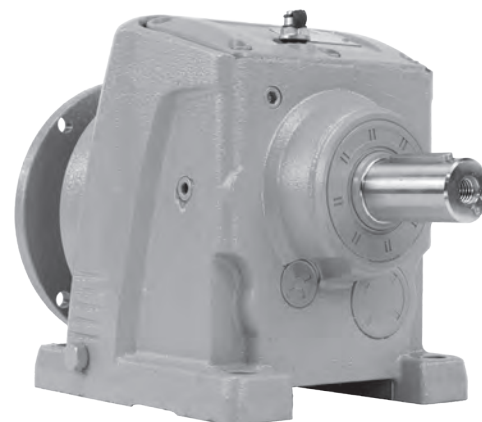


Box Size	Model Number	
30	CALM30-DS	
40	CALM40-DS	
50	CALM50-DS	
63	CALM63-DS	
75	CALM75-DS	
90	CALM90-DS	

## WINL Series - Helical Inline Reducers: Product Overview

### Product Specifications

- » 2:1 - 120:1 ratios (other ratios available as custom orders)
- » Box sizes 37 - 147
- » Horsepower range from 1/4 HP to 100 HP
- » Built for high efficiency, high strength and low noise
- » All cast iron housings for increased strength and reliability
- » Gears are precision machined for better rotation and quieter operation
- » Gearbox flanges are designed to accept NEMA C-face electric motors
- » No coupling necessary
- » Drop-in for most major European-produced inline reducer brands
- » Units filled with HD320 mineral oil for an "M1" mounting position
- » Adjust oil level for alternative mounting positions
- » 2 year warranty



3

WINL SERIES - HELICAL  
 INLINE GEAR REDUCERS

Box Size	Nominal Ratio	Actual Ratio	Output RPM @ 1800 RPM Input	Input HP	Output Torque (lbs. in.)	O.H.L. (lbs.)	Motor Frame	Stages	Approx. Weight (lbs.)	Model Number
37	5:1	4.88	359	1.00	160	465	56C	2	31	WINL37-5/1-56C
	5:1	4.88	359	2.00	330	440	145TC	2	31	WINL37-5/1-145TC
	10:1	10.02	175	1.00	340	575	56C	2	31	WINL37-10/1-56C
	10:1	10.02	175	2.00	670	530	145TC	2	31	WINL37-10/1-145TC
	15:1	15.75	111	1.00	530	650	56C	2	31	WINL37-15/1-56C
	15:1	14.08	124	2.00	950	580	145TC	3	31	WINL37-15/1-145TC-3S
	20:1	19.95	88	1.00	670	690	56C	2	31	WINL37-20/1-56C
	20:1	19.95	88	2.00	1350	630	145TC	2	31	WINL37-20/1-145TC
	30:1	31.02	56	1.00	1010	760	56C	3	31	WINL37-30/1-56C
	30:1	31.02	56	2.00	2020	700	145TC	3	31	WINL37-30/1-145TC
	40:1	40.08	44	1.00	1310	800	56C	3	31	WINL37-40/1-56C
	50:1	52.24	33	1.00	1710	840	56C	3	31	WINL37-50/1-56C
60:1	60.84	29	0.82	1770	705	56C	3	31	WINL37-60/1-56C	
47	5:1	4.85	361	2.00	330	670	145TC	2	50	WINL47-5/1-145TC
	5:1	4.85	361	3.00	490	645	182/4TC	2	50	WINL47-5/1-182/4TC
	10:1	11.27	155	5.00	1900	740	182/4TC	2	50	WINL47-10/1-182/4TC
	15:1	15.18	115	3.00	1520	880	182/4TC	2	50	WINL47-15/1-182/4TC
	20:1	18.37	95	2.00	1240	975	145TC	2	50	WINL47-20/1-145TC
	20:1	19.18	95	3.00	1860	910	182/4TC	2	50	WINL47-20/1-182/4TC
	30:1	31.83	55	2.00	2080	1070	145TC	3	50	WINL47-30/1-145TC
	40:1	41.51	42	1.00	1360	1215	56C	3	50	WINL47-40/1-56C
	50:1	52.84	33	1.00	1730	1215	56C	3	50	WINL47-50/1-56C
60:1	63.37	28	1.00	2070	1215	56C	3	50	WINL47-60/1-56C	
RX57	3:1	3.19	549	3.00	336	345	182TC	1	44	WINL57-3/1-182TC
RX67	2:1	1.86	941	5.00	327	365	182/4TC	1	49	WINL67-2/1-182/4TC
	2.5:1	2.35	745	5.00	413	385	182/4TC	1	49	WINL67-2.5/1-182/4TC
	3.5:1	3.52	497	3.00	371	420	182TC	1	49	WINL67-3.5/1-182TC
67	5:1	5.23	335	2.00	350	770	145TC	2	73	WINL67-5/1-145TC
	5:1	5.23	335	5.00	880	710	182/4TC	2	73	WINL67-5/1-182/4TC
	10:1	9.90	177	5.00	1670	845	182/4TC	2	73	WINL67-10/1-182/4TC
	15:1	15.41	114	2.00	1040	1060	145TC	2	73	WINL67-15/1-145TC
	15:1	15.41	114	3.00	1560	1020	182TC	2	73	WINL67-15/1-182TC
	20:1	21.33	82	3.00	2160	1100	182/4TC	3	73	WINL67-20/1-182/4TC
	30:1	28.77	61	2.00	1880	1220	145TC	3	73	WINL67-30/1-145TC

Continued On Next Page

**WINL Series - Helical Inline Reducers:**  
**Product Overview**

Box Size	Nominal Ratio	Actual Ratio	Output RPM @ 1800 RPM Input	Input HP	Output Torque (lbs. in.)	O.H.L. (lbs.)	Motor Frame	Stages	Approx. Weight (lbs.)	Model Number
67	40:1	41.22	42	2.00	2690	1320	145TC	3	73	WINL67-40/1-145TC
	50:1	52.21	34	2.00	3410	1430	145TC	3	73	WINL67-50/1-145TC
	60:1	63.07	28	1.00	2060	1630	56C	3	73	WINL67-60/1-56C
	80:1	78.59	22	1.00	2570	1700	56C	3	73	WINL67-80/1-56C
	100:1	98.69	18	1.00	3220	1700	56C	3	73	WINL67-100/1-56C
	120:1	125.28	14	1.00	4090	1700	56C	3	73	WINL67-120/1-56C
RX77	2.5:1	2.38	735	5.00	418	650	182/4TC	1	71	WINL77-2.5/1-182/4TC
	2.5:1	2.38	735	7.50	627	535	213TC	1	71	WINL77-2.5/1-213TC
	4:1	4.19	418	3.00	442	885	182TC	1	71	WINL77-4/1-182TC
77	5:1	4.78	366	5.00	800	800	182/4TC	2	83	WINL77-5/1-182/4TC
	5:1	4.78	366	7.50	1210	765	213TC	2	83	WINL77-5/1-213TC
	10:1	10.91	160	5.00	1840	1010	182/4TC	2	83	WINL77-10/1-182/4TC
	10:1	10.91	160	7.50	2760	935	213TC	2	83	WINL77-10/1-213TC
	15:1	14.83	118	5.00	2500	1080	182/4TC	2	83	WINL77-15/1-182/4TC
	20:1	23.31	75	3.00	2350	1300	182TC	2	83	WINL77-20/1-182TC
	25:1	25.27	69	5.00	4130	1150	182/4TC	3	83	WINL77-25/1-182/4TC
	30:1	31.97	55	3.00	3130	1370	182/4TC	3	83	WINL77-30/1-182/4TC
	40:1	39.31	45	3.00	3850	1420	182/4TC	3	83	WINL77-40/1-182/4TC
	50:1	53.24	33	2.00	3480	1680	145TC	3	83	WINL77-50/1-145TC
	60:1	57.73	30	2.00	3770	1710	145TC	3	83	WINL77-60/1-145TC
	80:1	84.62	21	2.00	5530	1850	145TC	3	83	WINL77-80/1-145TC
100:1	109.54	16	2.00	7180	1870	145TC	3	83	WINL77-100/1-145TC	
120:1	124.34	14	1.00	4060	1940	56C	3	83	WINL77-120/1-56C	
RX87	2:1	2.04	858	10.00	717	740	213/5TC	1	124	WINL87-2/1-213/5TC
	2:1	2.04	858	20.00	1434	655	254/6TC	1	159	WINL87-2/1-254/6TC
	2.5:1	2.52	694	10.00	886	780	213/5TC	1	124	WINL87-2.5/1-213/5TC
	2.5:1	2.52	694	20.00	1771	700	254/6TC	1	159	WINL87-2.5/1-254/6TC
	3:1	3.19	549	10.00	1121	825	213/5TC	1	124	WINL87-3/1-213/5TC
	3.5:1	3.54	494	10.00	1244	845	213/5TC	1	124	WINL87-3.5/1-213/5TC
	4:1	3.77	464	10.00	1325	880	213/5TC	1	124	WINL87-4/1-213/5TC
4.5:1	4.43	395	5.00	778	990	182/4TC	1	106	WINL87-4.5/1-182/4TC	
87	5:1	4.73	370	10.00	1590	1790	213/5TC	2	160	WINL87-5/1-213/5TC
	5:1	4.73	370	15.00	2390	1730	254TC	2	160	WINL87-5/1-254TC
	10:1	10.66	164	5.00	1800	2390	182/4TC	2	160	WINL87-10/1-182/4TC
	10:1	10.66	164	10.00	3590	2260	213/5TC	2	160	WINL87-10/1-213/5TC
	10:1	10.66	164	15.00	5390	2140	254TC	2	160	WINL87-10/1-254TC
	15:1	15.29	114	5.00	2570	2650	182/4TC	2	160	WINL87-15/1-182/4TC
	15:1	15.29	114	7.50	3860	2570	213/5TC	2	160	WINL87-15/1-213/5TC
	20:1	20.06	87	5.00	3280	2840	182/4TC	3	160	WINL87-20/1-182/4TC
	20:1	20.06	87	7.50	4910	2710	213/5TC	3	160	WINL87-20/1-213/5TC
	30:1	31.73	55	5.00	5180	3200	182/4TC	3	160	WINL87-30/1-182/4TC
	40:1	38.20	46	5.00	6240	3420	182/4TC	3	160	WINL87-40/1-182/4TC
	50:1	49.16	36	2.00	3250	3790	145TC	3	160	WINL87-50/1-145TC
	50:1	49.16	36	5.00	8030	3630	182/4TC	3	160	WINL87-50/1-182/4TC
	60:1	61.54	28	2.00	4070	3790	145TC	3	160	WINL87-60/1-145TC
	60:1	61.54	28	3.00	6030	3790	182/4TC	3	160	WINL87-60/1-182/4TC
	80:1	87.27	20	2.00	5700	3790	145TC	3	160	WINL87-80/1-145TC
	80:1	87.27	20	3.00	8550	3790	182/4TC	3	160	WINL87-80/1-182/4TC
	110:1	112.52	16	2.00	7350	3790	145TC	3	160	WINL87-110/1-145TC
120:1	122.17	14	2.00	7980	3790	145TC	3	160	WINL87-120/1-145TC	
180:1	179.70	10	2.00	11740	3790	145TC	3	160	WINL87-180/1-145TC	

**3**  
 WINL SERIES - HELICAL  
 INLINE GEAR REDUCERS

Continued On Next Page

# Section 3: Helical Gear Reducers

## WINL Series - Helical Inline Gear Reducers



### WINL Series - Helical Inline Reducers: Product Overview

3

WINL SERIES - HELICAL  
INLINE GEAR REDUCERS

Box Size	Nominal Ratio	Actual Ratio	Output RPM @ 1800 RPM Input	Input HP	Output Torque (lbs. in.)	O.H.L. (lbs.)	Motor Frame	Stages	Approx. Weight (lbs.)	Model Number
RX97	2:1	2.12	825	30.00	2235	845	284/6TC	1	214	WINL97-2/1-284/6TC
	2:1	1.89	926	40.00	2657	765	324TC	1	214	WINL97-2/1-324TC
	2.5:1	2.68	653	30.00	2826	950	284/6TC	1	214	WINL97-2.5/1-284/6TC
	3:1	3.07	570	20.00	2158	1300	254/6TC	1	214	WINL97-3/1-254/6TC
	3.5:1	3.48	503	20.00	2446	1235	254/6TC	1	214	WINL97-3.5/1-254/6TC
	3.5:1	3.48	503	30.00	3669	1105	284/6TC	1	214	WINL97-3.5/1-284/6TC
	4:1	3.81	459	30.00	4017	1115	284/6TC	1	214	WINL97-4/1-284/6TC
4.5:1	4.42	396	10.00	1553	1470	213/5TC	1	214	WINL97-4.5/1-213/5TC	
97	5:1	5.42	323	20.00	3650	2380	254/6TC	2	244	WINL97-5/1-254/6TC
	5:1	5.42	323	30.00	5480	2250	284/6TC	2	244	WINL97-5/1-284/6TC
	10:1	10.00	175	30.00	10100	2650	254/6TC	2	244	WINL97-10/1-254/6TC
	10:1	10.00	175	20.00	6730	2850	284/6TC	2	244	WINL97-10/1-284/6TC
	15:1	13.56	129	10.00	4560	3320	213/5TC	2	244	WINL97-15/1-213/5TC
	15:1	13.56	129	20.00	9130	3050	254/6TC	2	244	WINL97-15/1-254/6TC
	15:1	13.56	129	30.00	13700	2780	284/6TC	2	244	WINL97-15/1-284/6TC
	20:1	21.23	82	20.00	14300	3320	254/6TC	2	244	WINL97-20/1-254/6TC
	30:1	28.98	60	10.00	9470	3940	213/5TC	3	244	WINL97-30/1-213/5TC
	30:1	28.98	60	15.00	14200	3600	254TC	3	244	WINL97-30/1-254TC
	40:1	37.84	46	10.00	12400	4060	213/5TC	3	244	WINL97-40/1-213/5TC
	50:1	51.10	34	10.00	16700	4060	213/5TC	3	244	WINL97-50/1-213/5TC
	60:1	59.52	29	7.50	14600	4060	213/5TC	3	244	WINL97-60/1-213/5TC
	80:1	82.59	21	5.00	13500	4060	182/4TC	3	244	WINL97-80/1-182/4TC
80:1	82.59	21	7.50	20200	4060	213TC	3	244	WINL97-80/1-213TC	
100:1	97.76	18	5.00	16000	4060	182/4TC	3	244	WINL97-100/1-182/4TC	
120:1	127.61	14	3.00	12500	4060	182/4TC	3	244	WINL97-120/1-182/4TC	
180:1	181.06	10	3.00	1770	4060	182/4TC	3	244	WINL97-180/1-182/4TC	
RX107	2:1	2.30	761	50.00	4052	990	324/6TC	1	286	WINL107-2/1-324/6TC
	3:1	3.12	561	30.00	3289	1305	284/6TC	1	286	WINL107-3/1-284/6TC
	4:1	4.13	424	20.00	2903	1535	254/6TC	1	286	WINL107-4/1-254/6TC
107	5:1	4.50	389	10.00	1510	3000	213/5TC	2	411	WINL107-5/1-213/5TC
	5:1	4.50	389	20.00	3030	2890	254/6TC	2	411	WINL107-5/1-254/6TC
	5:1	4.50	389	30.00	4540	2790	284/6TC	2	411	WINL107-5/1-284/6TC
	5:1	4.50	389	50.00	7570	2580	324/6TC	2	411	WINL107-5/1-324/6TC
	10:1	10.44	168	50.00	17580	3080	324/6TC	2	411	WINL107-10/1-324/6TC
	15:1	14.38	122	10.00	4840	4280	213/5TC	2	411	WINL107-15/1-213/5TC
	15:1	14.38	122	20.00	9680	3980	254/6TC	2	411	WINL107-15/1-254/6TC
	20:1	21.79	86	30.00	21350	3930	284/6TC	3	411	WINL107-20/1-284/6TC
	20:1	21.79	86	40.00	28470	3490	324TC	3	411	WINL107-20/1-324TC
	30:1	29.23	60	30.00	28640	4020	284/6TC	3	411	WINL107-30/1-284/6TC
	40:1	39.52	44	20.00	22360	4760	254/6TC	3	411	WINL107-40/1-254/6TC
	50:1	53.00	33	10.00	17300	6040	213/5TC	3	411	WINL107-50/1-213/5TC
	50:1	53.00	33	20.00	34600	5030	254/6TC	3	411	WINL107-50/1-254/6TC
	60:1	62.90	28	10.00	20500	6230	213/5TC	3	411	WINL107-60/1-213/5TC
	60:1	62.90	28	15.00	30800	5620	254TC	3	411	WINL107-60/1-254TC
	80:1	79.95	22	10.00	26100	6520	213/5TC	3	411	WINL107-80/1-213/5TC
120:1	115.50	15	10.00	37700	6620	213/5TC	3	411	WINL107-120/1-213/5TC	

Continued On Next Page



## Section 3: Helical Gear Reducers

### WINL Series - Helical Inline Gear Reducers



## WINL Series - Helical Inline Reducers: Product Overview

Box Size	Nominal Ratio	Actual Ratio	Output RPM @ 1800 RPM Input	Input HP	Output Torque (lbs. in.)	O.H.L. (lbs.)	Motor Frame	Stages	Approx. Weight (lbs.)	Model Number
137 Non-Stock Items *	5:1	4.87	360	20.00	3300	3970	254/6TC	2	619	WINL137-5/1-254/6TC
	5:1	4.87	360	30.00	4900	3880	284/6TC	2	619	WINL137-5/1-284/6TC
	5:1	4.87	360	50.00	8200	3700	324/6TC	2	619	WINL137-5/1-324/6TC
	5:1	4.87	360	75.00	12300	3480	364/5TC	2	619	WINL137-5/1-364/5TC
	10:1	10.12	173	75.00	25600	4090	364/5TC	2	619	WINL137-10/1-364/5TC
	15:1	14.60	120	30.00	14300	5200	284/6TC	3	619	WINL137-15/1-284/6TC
	15:1	14.60	120	50.00	23800	4680	324/6TC	3	619	WINL137-15/1-324/6TC
	15:1	14.60	120	75.00	35800	4030	364/5TC	3	619	WINL137-15/1-364/5TC
	20:1	20.68	85	75.00	50600	3950	364/5TC	3	619	WINL137-20/1-364/5TC
	30:1	32.81	53	50.00	53600	5210	324/6TC	3	619	WINL137-30/1-324/6TC
	40:1	43.25	40	30.00	42400	6520	284/6TC	3	619	WINL137-40/1-284/6TC
	40:1	43.25	40	40.00	56500	5830	324TC	3	619	WINL137-40/1-324TC
	50:1	50.13	35	20.00	32700	7430	254/6TC	3	619	WINL137-50/1-254/6TC
	50:1	50.13	35	30.00	49100	6620	284/6TC	3	619	WINL137-50/1-284/6TC
	60:1	59.14	30	20.00	38600	7740	254/6TC	3	619	WINL137-60/1-254/6TC
80:1	79.05	22	20.00	51600	8070	254/6TC	3	619	WINL137-80/1-254/6TC	
120:1	117.25	15	15.00	57400	9300	254TC	3	619	WINL137-120/1-254TC	
147 Non-Stock Items *	4:1	4.16	421	125.00	17500	6140	405TC	2	915	WINL147-4/1-405TC
	5:1	5.00	350	30.00	5100	7010	284/6TC	2	915	WINL147-5/1-284/6TC
	5:1	5.00	350	50.00	8400	6890	324/6TC	2	915	WINL147-5/1-324/6TC
	5:1	5.00	350	75.00	12600	6470	364/5TC	2	915	WINL147-5/1-364/5TC
	5:1	5.00	350	125.00	21000	6440	405TC	2	915	WINL147-5/1-405TC
	10:1	10.24	171	100.00	34500	7910	405TC	2	915	WINL147-10/1-405TC
	15:1	15.62	112	50.00	26300	9600	324/6TC	2	915	WINL147-15/1-324/6TC
	15:1	15.62	112	75.00	39400	9140	364/5TC	2	915	WINL147-15/1-364/5TC
	15:1	15.62	112	125.00	65700	8230	405TC	2	915	WINL147-15/1-405TC
	20:1	19.99	88	75.00	49000	9710	364/5TC	3	915	WINL147-20/1-364/5TC
	30:1	30.23	58	50.00	49400	11400	324/6TC	3	915	WINL147-30/1-324/6TC
	30:1	30.23	58	60.00	59200	11000	364/5TC	3	915	WINL147-30/1-364/5TC
	40:1	41.70	42	30.00	40900	13200	284/6TC	3	915	WINL147-40/1-284/6TC
	40:1	41.70	42	50.00	68100	12200	324/6TC	3	915	WINL147-40/1-324/6TC
	50:1	50.49	35	20.00	33000	14100	254/6TC	3	915	WINL147-50/1-254/6TC
	50:1	50.49	35	30.00	49500	13800	284/6TC	3	915	WINL147-50/1-284/6TC
	60:1	60.38	29	20.00	39400	14100	254/6TC	3	915	WINL147-60/1-254/6TC
	60:1	60.38	29	40.00	78900	13800	324TC	3	915	WINL147-60/1-324TC
80:1	83.30	21	20.00	54400	14100	254/6TC	3	915	WINL147-80/1-254/6TC	
80:1	83.30	21	30.00	81600	14100	284/6TC	3	915	WINL147-80/1-284/6TC	
120:1	117.29	15	20.00	76600	14100	254/6TC	3	915	WINL147-120/1-254/6TC	

3

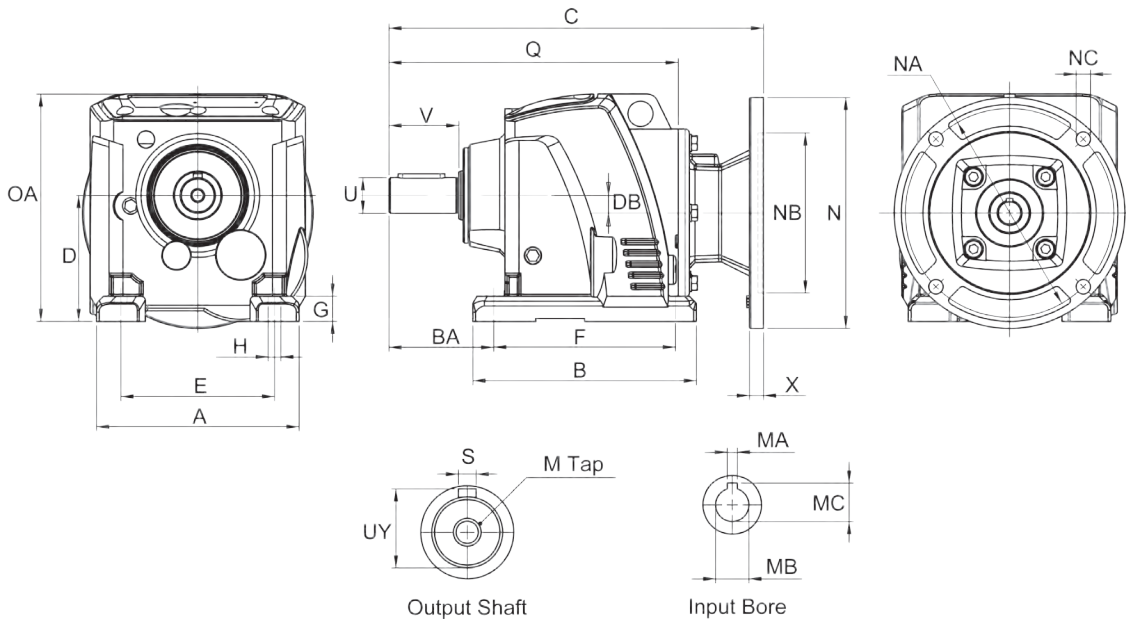
WINL SERIES - HELICAL  
INLINE GEAR REDUCERS

\* WINL137 and WINL147 are Non-Stock Items available by special order only.

**Section 3: Helical Gear Reducers**  
**WINL Series - Helical Inline Gear Reducers**



**WINL Series - Helical Inline Reducers:**  
**Dimensions**

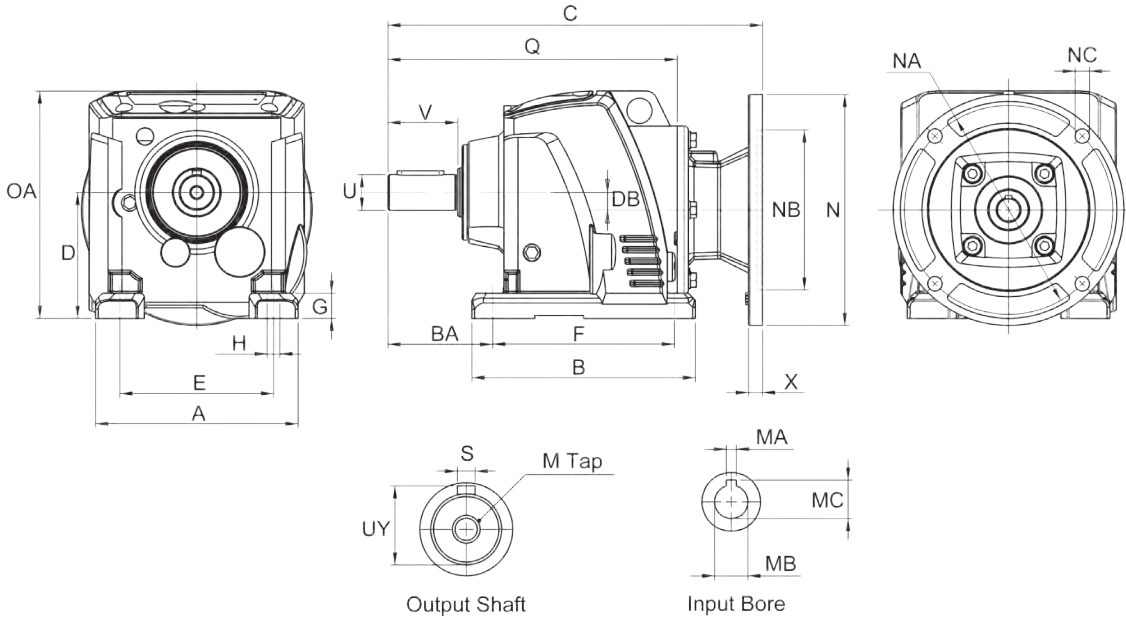


3  
 WINL SERIES - HELICAL  
 INLINE GEAR REDUCERS

All listed dimensions in inches																										
Box Size	NEMA Frame	A	B	BA	C	D	DB	E	F	G	H	M (UNC)	MA	MB	MC	N	NA	NB	NC	OA	Q	S	U	UY	V	X
37	56C	5.71	6.3	2.95	10.55	3.54	0.49	4.33	5.12	0.71	0.35	3/8-16	0.19	0.63	0.72	6.5	5.88	4.5	4 x 0.41	6.4	8.15	0.25	1.0	1.11	1.97	0.39
	145TC	5.71	6.3	2.95	10.94	3.54	0.49	4.33	5.12	0.71	0.35	3/8-16	0.19	0.88	0.97	6.5	5.88	4.5	4 x 0.41	6.4	8.15	0.25	1.0	1.11	1.97	0.47
47	56C	6.69	7.68	3.54	11.63	4.53	0.55	5.31	6.5	0.94	0.55	1/2-13	0.19	0.63	0.72	6.5	5.88	4.5	4 x 0.41	8.25	9.41	0.25	1.25	1.36	2.36	0.39
	145TC	6.69	7.68	3.54	12.03	4.53	0.55	5.31	6.5	0.94	0.55	1/2-13	0.19	0.88	0.97	6.5	5.88	4.5	4 x 0.41	8.25	9.41	0.25	1.25	1.36	2.36	0.47
	182/4TC	6.69	7.68	3.54	12.76	4.53	0.55	5.31	6.5	0.94	0.55	1/2-13	0.25	1.13	1.25	9	7.25	8.5	4 x 0.55	8.25	9.41	0.25	1.25	1.36	2.36	0.67
67	56C	8.27	9.25	3.94	13.13	5.12	0.67	5.91	7.68	1.26	0.55	1/2-13	0.19	0.63	0.72	6.5	5.88	4.5	4 x 0.41	8.89	10.98	0.31	1.38	1.51	2.76	0.39
	145TC	8.27	9.25	3.94	13.52	5.12	0.67	5.91	7.68	1.26	0.55	1/2-13	0.19	0.88	0.97	6.5	5.88	4.5	4 x 0.41	8.89	10.98	0.31	1.38	1.51	2.76	0.47
	182/4TC	8.27	9.25	3.94	14.25	5.12	0.67	5.91	7.68	1.26	0.55	1/2-13	0.25	1.13	1.25	9	7.25	8.5	4 x 0.55	8.89	10.98	0.31	1.38	1.51	2.76	0.67
77	56C	9.06	9.65	4.53	14.23	5.51	0.61	6.69	8.07	1.18	0.71	5/8-11	0.19	0.63	0.72	6.5	5.88	4.5	4 x 0.41	10.04	11.91	0.38	1.63	1.79	3.15	0.39
	145TC	9.06	9.65	4.53	14.23	5.51	0.61	6.69	8.07	1.18	0.71	5/8-11	0.19	0.88	0.97	6.5	5.88	4.5	4 x 0.41	10.04	11.91	0.38	1.63	1.79	3.15	0.47
	182/4TC	9.06	9.65	4.53	14.96	5.51	0.61	6.69	8.07	1.18	0.71	5/8-11	0.25	1.13	1.25	9	7.25	8.5	4 x 0.55	10.04	11.91	0.38	1.63	1.79	3.15	0.67
	213/5TC	9.06	9.65	4.53	17.22	5.51	0.61	6.69	8.07	1.18	0.71	5/8-11	0.31	1.38	1.53	9	7.25	8.5	4 x 0.55	10.04	11.91	0.38	1.63	1.79	3.15	0.67
87	145TC	11.42	12.2	5.51	17.2	7.09	0.71	8.46	10.24	1.77	0.71	3/4-10	0.19	0.88	0.97	6.5	5.88	4.5	4 x 0.41	12.99	14.65	0.5	2.13	2.34	3.94	0.47
	182/4TC	11.42	12.2	5.51	17.33	7.09	0.71	8.46	10.24	1.77	0.71	3/4-10	0.25	1.13	0.68	9	7.25	8.5	4 x 0.55	12.99	14.65	0.5	2.13	2.34	3.94	0.67
	213/5TC	11.42	12.2	5.51	19.59	7.09	0.71	8.46	10.24	1.77	0.71	3/4-10	0.31	1.38	0.88	9	7.25	8.5	4 x 0.55	12.99	14.65	0.5	2.13	2.34	3.94	0.67
	254/6TC	11.42	12.2	5.51	20.57	7.09	0.71	8.46	10.24	1.77	0.71	3/4-10	0.31	1.38	1.53	10	7.25	8.5	4 x 0.55	12.99	14.65	0.5	2.13	2.34	3.94	0.79
97	182/4TC	13.39	14.37	6.3	19.84	8.86	0.81	9.84	12.2	2.17	0.87	3/4-11	0.25	1.13	0.68	9	7.25	8.5	4 x 0.55	15.16	17.32	0.63	2.38	2.65	4.72	0.67
	213/5TC	13.39	14.37	6.3	21.95	8.86	0.81	9.84	12.2	2.17	0.87	3/4-11	0.31	1.38	0.88	9	7.25	8.5	4 x 0.55	15.16	17.32	0.63	2.38	2.65	4.72	0.67
	254/6TC	13.39	14.37	6.3	22.93	8.86	0.81	9.84	12.2	2.17	0.87	3/4-11	0.38	1.63	1.81	10	7.25	8.5	4 x 0.55	15.16	17.32	0.63	2.38	2.65	4.72	0.79
	284/6TC	13.39	14.37	6.3	23.29	8.86	0.81	9.84	12.2	2.17	0.87	3/4-11	0.5	1.88	1.10	11.26	9	10.5	4 x 0.59	15.16	17.32	0.63	2.38	2.65	4.72	0.79
107	213/5TC	15.75	17.32	7.28	23.74	9.84	0.91	11.42	14.57	2.56	1.02	3/4-10	0.31	1.38	1.52	9	7.25	8.5	4 x 0.55	15.92	19.49	0.75	2.88	3.2	5.51	0.67
	254/6TC	15.75	17.32	7.28	24.72	9.84	0.91	11.42	14.57	2.56	1.02	3/4-10	0.38	1.63	1.81	10	7.25	8.5	4 x 0.55	15.92	19.49	0.75	2.88	3.2	5.51	0.79
	284/6TC	15.75	17.32	7.28	25.08	9.84	0.91	11.42	14.57	2.56	1.02	3/4-10	0.5	1.88	2.13	11.26	9	10.5	4 x 0.59	15.92	19.49	0.75	2.88	3.2	5.51	0.79
	324/6TC	15.75	17.32	7.28	26.3	9.84	0.91	11.42	14.57	2.56	1.02	3/4-10	0.5	2.13	2.38	14.02	11	12.5	4 x 0.65	15.92	19.49	0.75	2.88	3.2	5.51	0.79
137	254/6TC	17.72	19.29	8.66	28.07	12.4	1.38	13.39	16.14	2.76	1.3	1 - 8	0.38	1.63	1.81	10	7.25	8.5	4 x 0.55	19.29	23.23	0.88	3.63	4.01	6.69	0.79
	284/6TC	17.72	19.29	8.66	28.39	12.4	1.38	13.39	16.14	2.76	1.3	1 - 8	0.5	1.88	2.13	11.26	9	10.5	4 x 0.59	19.29	23.23	0.88	3.63	4.01	6.69	0.79
	324/6TC	17.72	19.29	8.66	29.61	12.4	1.38	13.39	16.14	2.76	1.3	1 - 8	0.5	2.13	2.38	14.02	11	12.5	4 x 0.65	19.29	23.23	0.88	3.63	4.01	6.69	0.79
	364/5TC	17.72	19.29	8.66	30.67	12.4	1.38	13.39	16.14	2.76	1.3	1 - 8	0.63	2.38	2.65	14.02	11	12.5	4 x 0.65	19.29	23.23	0.88	3.63	4.01	6.69	0.87
147	254/6TC	20.87	23.23	10.24	31.89	13.98	2.05	14.96	19.69	3.15	1.54	1 - 8	0.38	1.63	1.81	10	7.25	8.5	4 x 0.55	24.96	27.36	1	4.38	4.82	8.27	0.79
	284/6TC	20.87	23.23	10.24	32.2	13.98	2.05	14.96	19.69	3.15	1.54	1 - 8	0.5	1.88	2.13	11.26	9	10.5	4 x 0.59	24.96	27.36	1	4.38	4.82	8.27	0.79
	324/6TC	20.87	23.23	10.24	33.58	13.98	2.05	14.96	19.69	3.15	1.54	1 - 8	0.5	2.13	2.38	14.02	11	12.5	4 x 0.65	24.96	27.36	1	4.38	4.82	8.27	0.79
	365/5TC	20.87	23.23	10.24	34.65	13.98	2.05	14.96	19.69	3.15	1.54	1 - 8	0.63	2.38	2.65	14.02	11	12.5	4 x 0.65	24.96	27.36	1	4.38	4.82	8.27	0.87
405TC	20.87	23.23	10.24	36.61	13.98	2.05	14.96	19.69	3.15	1.54	1 - 8	0.75	2.88	3.21	13.88	11	12.5	4 x 0.73	24.96	27.36	1	4.38	4.82	8.27	0.75	

Dimensions shown in this catalog are for general use only.  
 RX model dimensions are not shown.  
 For an exact drawing on a specific rating, please contact our sales office.

WINL Series - Helical Inline Reducers:  
Competitor Dimensional Comparison - SEW Eurodrive



3  
WINL SERIES - HELICAL  
INLINE GEAR REDUCERS

All listed dimensions in inches

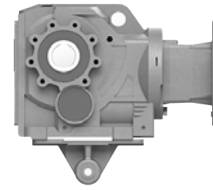
Box Size	NEMA Frame	SEW Model	A	B	BA	C	D	DB	E	F	G	H	M (UNC)	MA	MB	MC	N	NA	NB	NC	OA	Q	S	U	UY	V	X
37	56C	R37	5.71	6.30	2.95	11.77	3.54	0.40	4.33	5.12	0.71	0.35	3/8 - 16	0.19	0.63	0.71	6.69	5.87	4.5	4 x 0.41	5.94	7.91	0.25	1	1.11	1.97	0.61
	145TC		5.71	6.30	2.95	12.70	3.54	0.40	4.33	5.12	0.71	0.35	3/8 - 16	0.19	0.88	0.97	6.69	5.87	4.5	4 x 0.41	5.94	7.91	0.25	1	1.11	1.97	0.65
47	56C	R47	6.69	7.68	3.54	12.86	4.53	0.55	5.31	6.50	0.94	0.53	1/2 - 13	0.19	0.63	0.71	6.69	5.87	4.5	4 x 0.41	7.36	9.25	0.25	1.25	1.36	2.36	0.61
	145TC		6.69	7.68	3.54	13.78	4.53	0.55	5.31	6.50	0.94	0.53	1/2 - 13	0.19	0.88	0.97	6.69	5.87	4.5	4 x 0.41	7.36	9.25	0.25	1.25	1.36	2.36	0.65
67	56C	R67	8.27	9.25	3.94	14.63	5.12	0.81	5.91	7.68	1.18	0.55	1/2 - 13	0.19	0.63	0.71	6.69	5.87	4.5	4 x 0.41	8.35	11.02	0.31	1.38	1.51	2.76	0.61
	145TC		8.27	9.25	3.94	15.55	5.12	0.81	5.91	7.68	1.18	0.55	1/2 - 13	0.19	0.88	0.97	6.69	5.87	4.5	4 x 0.41	8.35	11.02	0.31	1.38	1.51	2.76	0.65
77	56C	R77	9.06	9.65	4.53	15.18	5.51	0.63	6.69	8.07	1.18	0.69	5/8 - 11	0.19	0.63	0.71	6.69	5.87	4.5	4 x 0.41	8.98	11.81	0.38	1.63	1.79	3.15	0.59
	145TC		9.06	9.65	4.53	16.06	5.51	0.63	6.69	8.07	1.18	0.69	5/8 - 11	0.19	0.88	0.97	6.69	5.87	4.5	4 x 0.41	8.98	11.81	0.38	1.63	1.79	3.15	0.65
87	56C	R77	9.06	9.65	4.53	17.50	5.51	0.63	6.69	8.07	1.18	0.69	5/8 - 11	0.25	1.13	1.25	8.98	7.24	8.5	4 x 0.59	8.98	11.81	0.38	1.63	1.79	3.15	0.59
	145TC		9.06	9.65	4.53	19.43	5.51	0.63	6.69	8.07	1.18	0.69	5/8 - 11	0.31	1.38	1.52	8.98	7.24	8.5	4 x 0.59	8.98	11.81	0.38	1.63	1.79	3.15	0.63
97	145TC	R87	11.42	12.20	5.51	18.71	7.09	0.50	8.46	10.24	1.77	0.69	3/4 - 10	0.19	0.88	0.97	6.69	5.87	4.5	4 x 0.41	11.61	14.65	0.5	2.13	2.35	3.94	0.65
	182/4TC		11.42	12.20	5.51	20.15	7.09	0.50	8.46	10.24	1.77	0.69	3/4 - 10	0.25	1.13	1.25	8.98	7.24	8.5	4 x 0.59	11.61	14.65	0.5	2.13	2.35	3.94	0.59
97	182/4TC	R87	11.42	12.20	5.51	22.07	7.09	0.50	8.46	10.24	1.77	0.69	3/4 - 10	0.31	1.38	1.52	8.98	7.24	8.5	4 x 0.59	11.61	14.65	0.5	2.13	2.35	3.94	0.63
	213/5TC		13.39	14.37	6.30	22.62	8.86	0.40	9.84	12.20	2.17	0.87	3/4 - 10	0.25	1.13	1.25	8.98	7.24	8.5	4 x 0.59	14.49	17.32	0.63	2.38	2.65	4.72	0.59
97	213/5TC	R97	13.39	14.37	6.30	24.55	8.86	0.40	9.84	12.20	2.17	0.87	3/4 - 10	0.31	1.38	1.52	8.98	7.24	8.5	4 x 0.59	14.49	17.32	0.63	2.38	2.65	4.72	0.63
	254/6TC		13.39	14.37	6.30	26.54	8.86	0.40	9.84	12.20	2.17	0.87	3/4 - 10	0.38	1.63	1.8	8.98	7.24	8.5	4 x 0.59	14.49	17.32	0.63	2.38	2.65	4.72	0.67
107	284/6TC	R97	13.39	14.37	6.30	26.81	8.86	0.40	9.84	12.20	2.17	0.87	3/4 - 10	0.50	1.88	2.1	11.26	9	10.5	4 x 0.59	14.49	17.32	0.63	2.38	2.65	4.72	0.99
	324/6TC		15.75	17.32	7.28	26.48	9.84	0.80	11.42	14.57	2.56	1.02	3/4 - 10	0.31	1.38	1.52	8.98	7.24	8.5	4 x 0.59	16.06	19.49	0.75	2.88	3.2	5.51	0.63
107	254/6TC	R107	15.75	17.32	7.28	28.47	9.84	0.80	11.42	14.57	2.56	1.02	3/4 - 10	0.38	1.63	1.8	8.98	7.24	8.5	4 x 0.59	16.06	19.49	0.75	2.88	3.2	5.51	0.67
	284/6TC		15.75	17.32	7.28	28.75	9.84	0.80	11.42	14.57	2.56	1.02	3/4 - 10	0.50	1.88	2.1	11.26	9	10.5	4 x 0.59	16.06	19.49	0.75	2.88	3.2	5.51	0.79
137	324/6TC	R107	15.75	17.32	7.28	31.11	9.84	0.80	11.42	14.57	2.56	1.02	3/4 - 10	0.50	2.13	2.36	14.02	11	12.5	4 x 0.69	16.06	19.49	0.75	2.88	3.2	5.51	0.87
	254/6TC		17.72	19.29	8.66	31.89	12.40	0.99	13.39	16.14	2.76	1.30	1 - 8	0.38	1.63	1.8	8.98	7.24	8.5	4 x 0.59	19.49	23.19	0.88	3.63	4.01	6.69	0.67
Non-Stock Items	284/6TC	R137	17.72	19.29	8.66	32.17	12.40	0.99	13.39	16.14	2.76	1.30	1 - 8	0.50	1.88	2.1	11.26	9	10.5	4 x 0.59	19.49	23.19	0.88	3.63	4.01	6.69	0.79
	324/6TC		17.72	19.29	8.66	34.53	12.40	0.99	13.39	16.14	2.76	1.30	1 - 8	0.50	2.13	2.36	14.02	11	12.5	4 x 0.69	19.49	23.19	0.88	3.63	4.01	6.69	0.87
147	365/5TC	R137	17.72	19.29	8.66	34.53	12.40	0.99	13.39	16.14	2.76	1.30	1 - 8	0.63	2.38	2.66	14.02	11	12.5	4 x 0.69	19.49	23.19	0.88	3.63	4.01	6.69	0.87
	254/6TC		20.87	23.23	10.24	35.75	13.98	1.31	14.96	19.69	3.15	1.54	1 - 8	0.38	1.63	1.8	8.98	7.24	8.5	4 x 0.59	22.24	27.36	1	4.38	4.82	8.27	0.67
Non-Stock Items	284/6TC	R147	20.87	23.23	10.24	36.02	13.98	1.31	14.96	19.69	3.15	1.54	1 - 8	0.50	1.88	2.1	11.26	9	10.5	4 x 0.59	22.24	27.36	1	4.38	4.82	8.27	0.79
	324/6TC		20.87	23.23	10.24	38.39	13.98	1.31	14.96	19.69	3.15	1.54	1 - 8	0.50	2.13	2.36	14.02	11	12.5	4 x 0.69	22.24	27.36	1	4.38	4.82	8.27	0.87
	365/5TC		20.87	23.23	10.24	38.39	13.98	1.31	14.96	19.69	3.15	1.54	1 - 8	0.63	2.38	2.66	14.02	11	12.5	4 x 0.69	22.24	27.36	1	4.38	4.82	8.27	0.87

SEW Eurodrive dimensional data was derived from their Catalog - US - GM. Blue shaded cells indicate a dimensional difference.

## Product Overview

### Product Specifications

- » 5:1 - 120:1 ratios
  - » Additional ratios via custom order
- » Box sizes 37 - 97
- » Horsepower range from 3/4 HP to 30 HP
- » **KAN Series:** Torque arm mounted or flange mounted - hollow bore output series. Torque arm and B5 flange are sold separately.
- » **KHN Series:** Foot mounted - hollow bore output series
- » All cast iron housings for increased strength and reliability
- » Gears are precision machined for better rotation and quieter operation
- » Gearbox flanges are designed to accept NEMA C-face electric motors
- » Drop-in for most major European-produced inline reducer brands
- » 2 year warranty



KAN Series



KHN Series

Box Size	Nominal Ratio	Actual Ratio	Output RPM @ 1750 RPM Input	Input HP	Output Torque (lbs. in.)	Max OHL (lbs.)	Motor Frame	Stages	Approx. Weight (lbs.)	KAN Model Number	KHN Model Number
37	5	4.73	370	8.5	1310	400	56C	3	32	KAN37-5/1-H-56C	KHN37-5/1-H-56C
	5	4.73	370	8.5	1310	395	143/5TC	3	37	KAN37-5/1-H-143/5TC	KHN37-5/1-H-143/5TC
	7.5	7.96	220	6	1559	465	56C	3	32	KAN37-7.5/1-H-56C	KHN37-7.5/1-H-56C
	7.5	7.96	220	6	1559	460	143/5TC	3	37	KAN37-7.5/1-H-143/5TC	KHN37-7.5/1-H-143/5TC
	10	11.09	158	4.33	1565	520	56C	3	32	KAN37-10/1-H-56C	KHN37-10/1-H-56C
	10	11.09	158	4.33	1565	510	143/5TC	3	37	KAN37-10/1-H-143/5TC	KHN37-10/1-H-143/5TC
	15	15.32	114	3.14	1568	575	56C	3	32	KAN37-15/1-H-56C	KHN37-15/1-H-56C
	15	15.32	114	3.14	1568	560	143/5TC	3	37	KAN37-15/1-H-143/5TC	KHN37-15/1-H-143/5TC
	25	23.1	76	2.2	1659	635	56C	3	32	KAN37-25/1-H-56C	KHN37-25/1-H-56C
	25	23.1	76	2.2	1659	610	143/5TC	3	37	KAN37-25/1-H-143/5TC	KHN37-25/1-H-143/5TC
	30	32.19	54	1.66	1747	705	56C	3	32	KAN37-30/1-H-56C	KHN37-30/1-H-56C
	30	32.19	54	1.66	1747	680	143TC	3	37	KAN37-30/1-H-143TC	KHN37-30/1-H-143TC
	40	37.97	46	1.43	1770	735	56C	3	32	KAN37-40/1-H-56C	KHN37-40/1-H-56C
	40	37.97	46	1.43	1770	705	143TC	3	37	KAN37-40/1-H-143TC	KHN37-40/1-H-143TC
	50	49.51	35	1.1	1770	785	56C	3	32	KAN37-50/1-H-56C	KHN37-50/1-H-56C
	60	59.67	29	0.91	1770	815	56C	3	32	KAN37-60/1-H-56C	KHN37-60/1-H-56C
47	5	5.85	299	9.2	1757	505	145TC	3	51	KAN47-5/1-H-145TC	KHN47-5/1-H-145TC
	5	5.85	299	9.2	1757	485	182/4TC	3	57	KAN47-5/1-H-182/4TC	KHN47-5/1-H-182/4TC
	7.5	7.11	246	8.08	1875	530	145TC	3	51	KAN47-7.5/1-H-145TC	KHN47-7.5/1-H-145TC
	7.5	7.11	246	8.08	1875	510	182/4TC	3	57	KAN47-7.5/1-H-182/4TC	KHN47-7.5/1-H-182/4TC
	10	9.95	176	6.46	2097	620	56C	3	46	KAN47-10/1-H-56C	KHN47-10/1-H-56C
	10	9.95	176	6.46	2097	615	143/5TC	3	51	KAN47-10/1-H-143/5TC	KHN47-10/1-H-143/5TC
	10	9.95	176	6.46	2097	550	182/4TC	3	57	KAN47-10/1-H-182/4TC	KHN47-10/1-H-182/4TC
	15	16.99	103	4.52	2507	660	145TC	3	51	KAN47-15/1-H-145TC	KHN47-15/1-H-145TC
	15	16.99	103	4.52	2507	600	182TC	3	57	KAN47-15/1-H-182TC	KHN47-15/1-H-182TC
	20	20.65	85	3.97	2675	690	143/5TC	3	51	KAN47-20/1-H-143/5TC	KHN47-20/1-H-143/5TC
	20	20.65	85	3.97	2675	610	182TC	3	57	KAN47-20/1-H-182TC	KHN47-20/1-H-182TC
	30	28.88	61	3.17	2991	855	56C	3	46	KAN47-30/1-H-56C	KHN47-30/1-H-56C
	30	28.88	61	3.17	2991	830	143/5TC	3	51	KAN47-30/1-H-143/5TC	KHN47-30/1-H-143/5TC
	40	41.36	42	2.5	3372	945	56C	3	46	KAN47-40/1-H-56C	KHN47-40/1-H-56C
	40	41.36	42	2.5	3372	905	143/5TC	3	51	KAN47-40/1-H-143/5TC	KHN47-40/1-H-143/5TC
	50	47.08	37	2.21	3400	975	56C	3	46	KAN47-50/1-H-56C	KHN47-50/1-H-56C
50	47.08	37	2.21	3400	935	143TC	3	51	KAN47-50/1-H-143TC	KHN47-50/1-H-143TC	
60	58.99	30	1.84	3540	1030	56C	3	46	KAN47-60/1-H-56C	KHN47-60/1-H-56C	
60	58.99	30	1.84	3540	980	143TC	3	51	KAN47-60/1-H-143TC	KHN47-60/1-H-143TC	
70	71.78	24	1.51	3540	1070	56C	3	46	KAN47-70/1-H-56C	KHN47-70/1-H-56C	
70	71.78	24	1.51	3540	1000	143TC	3	51	KAN47-70/1-H-143TC	KHN47-70/1-H-143TC	
85	86.89	20	1.42	3540	1110	56C	3	46	KAN47-85/1-H-56C	KHN47-85/1-H-56C	
67	10	9.66	181	12.06	3800	1500	145TC	3	73	KAN67-10/1-H-145TC	KHN67-10/1-H-145TC
	10	9.66	181	12.06	3800	1410	182/4TC	3	80	KAN67-10/1-H-182/4TC	KHN67-10/1-H-182/4TC
	15	14.16	124	9.23	4265	1770	56C	3	69	KAN67-15/1-H-56C	KHN67-15/1-H-56C
	15	14.16	124	9.23	4265	1740	143/5TC	3	73	KAN67-15/1-H-143/5TC	KHN67-15/1-H-143/5TC
	15	14.16	124	9.23	4265	1500	182/4TC	3	80	KAN67-15/1-H-182/4TC	KHN67-15/1-H-182/4TC
	20	22.18	79	6.26	4530	1760	145TC	3	73	KAN67-20/1-H-145TC	KHN67-20/1-H-145TC
	20	22.18	79	6.26	4530	1570	182/4TC	3	80	KAN67-20/1-H-182/4TC	KHN67-20/1-H-182/4TC
	30	30.9	57	5.34	5390	1820	145TC	3	73	KAN67-30/1-H-145TC	KHN67-30/1-H-145TC
	30	30.9	57	5.34	5390	1550	182/4TC	3	80	KAN67-30/1-H-182/4TC	KHN67-30/1-H-182/4TC
	40	37.98	46	4.62	5730	2140	56C	3	69	KAN67-40/1-H-56C	KHN67-40/1-H-56C
	40	37.98	46	4.62	5730	1850	143/5TC	3	73	KAN67-40/1-H-143/5TC	KHN67-40/1-H-143/5TC
	40	37.98	46	4.62	5730	1510	182TC	3	80	KAN67-40/1-H-182TC	KHN67-40/1-H-182TC
	45	46.33	38	4.02	6080	2140	56C	3	69	KAN67-45/1-H-56C	KHN67-45/1-H-56C
	45	46.33	38	4.02	6080	2140	143/5TC	3	73	KAN67-45/1-H-143/5TC	KHN67-45/1-H-143/5TC
	45	46.33	38	4.02	6080	1450	182TC	3	80	KAN67-45/1-H-182TC	KHN67-45/1-H-182TC
	65	64.97	27	2.95	6260	2140	56C	3	69	KAN67-65/1-H-56C	KHN67-65/1-H-56C
65	64.97	27	2.95	6260	2140	143/5TC	3	73	KAN67-65/1-H-143/5TC	KHN67-65/1-H-143/5TC	
85	84.1	21	2.46	6760	2140	56C	3	69	KAN67-85/1-H-56C	KHN67-85/1-H-56C	
85	84.1	21	2.46	6760	2140	143/5TC	3	73	KAN67-85/1-H-143/5TC	KHN67-85/1-H-143/5TC	

Continued On Next Page

**Section 3: Helical Gear Reducers**

**KAN & KHN Series - Helical Bevel Gear Reducers**



**KAN & KHN Series - Helical Bevel Reducers:  
Product Overview**

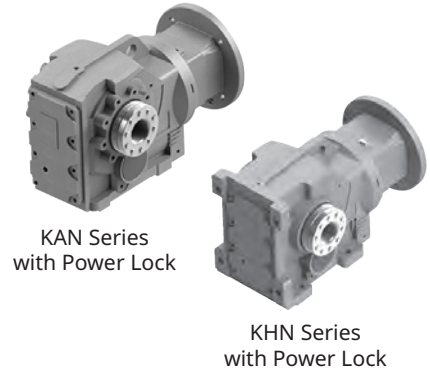
Box Size	Nominal Ratio	Actual Ratio	Output RPM @ 1750 RPM Input	Input HP	Output Torque (lbs. in.)	Max OHL (lbs.)	Motor Frame	Stages	Approx. Weight (lbs.)	KAN Model Number	KHN Model Number	
67	110	108.03	16	2.06	7260	2140	56C	3	69	KAN67-110/1-H-56C	KHN67-110/1-H-56C	
	110	108.03	16	2.06	7260	2140	143TC	3	73	KAN67-110/1-H-143TC	KHN67-110/1-H-143TC	
	120	118.14	15	1.88	7260	2140	56C	3	69	KAN67-120/1-H-56C	KHN67-120/1-H-56C	
	120	118.14	15	1.88	7260	2140	143TC	3	73	KAN67-120/1-H-143TC	KHN67-120/1-H-143TC	
	77	7.5	8.40	208	27.05	7415	1810	184TC	3	132	KAN77-7.5/1-H-184TC	KHN77-7.5/1-H-184TC
		7.5	8.40	208	27.05	7415	1660	213/5TC	3	148	KAN77-7.5/1-H-213/5TC	KHN77-7.5/1-H-213/5TC
		10	9.96	176	24.02	7800	1860	184TC	3	132	KAN77-10/1-H-184TC	KHN77-10/1-H-184TC
		10	9.96	176	24.02	7800	1690	213/5TC	3	148	KAN77-10/1-H-213/5TC	KHN77-10/1-H-213/5TC
		15	15.73	111	17.64	9050	2030	184TC	3	132	KAN77-15/1-H-184TC	KHN77-15/1-H-184TC
		15	15.73	111	17.64	9050	1760	213/5TC	3	148	KAN77-15/1-H-213/5TC	KHN77-15/1-H-213/5TC
		20	20.24	86	14.78	9765	2080	184TC	3	132	KAN77-20/1-H-184TC	KHN77-20/1-H-184TC
		20	20.24	86	14.78	9765	1740	213/5TC	3	148	KAN77-20/1-H-213/5TC	KHN77-20/1-H-213/5TC
30		30.48	57	10.97	10915	2020	184TC	3	132	KAN77-30/1-H-184TC	KHN77-30/1-H-184TC	
30		30.48	57	10.97	10915	1470	213/5TC	3	148	KAN77-30/1-H-213/5TC	KHN77-30/1-H-213/5TC	
40		39.76	44	9.21	11955	2050	184TC	3	132	KAN77-40/1-H-184TC	KHN77-40/1-H-184TC	
40		39.76	44	9.21	11955	1390	213TC	3	148	KAN77-40/1-H-213TC	KHN77-40/1-H-213TC	
50		51.18	34	7.72	12900	1940	184TC	3	132	KAN77-50/1-H-184TC	KHN77-50/1-H-184TC	
60		57.05	31	7.16	13325	2620	182/4TC	3	132	KAN77-60/1-H-182/4TC	KHN77-60/1-H-182/4TC	
65		64.06	27	6.56	13710	2610	182/4TC	3	132	KAN77-65/1-H-182/4TC	KHN77-65/1-H-182/4TC	
80		78.07	22	5.38	13710	3080	145TC	3	128	KAN77-80/1-H-145TC	KHN77-80/1-H-145TC	
80		78.07	22	5.38	13710	2570	182TC	3	132	KAN77-80/1-H-182TC	KHN77-80/1-H-182TC	
100		100.66	17	4.18	13710	3090	145TC	3	128	KAN77-100/1-H-145TC	KHN77-100/1-H-145TC	
100		100.66	17	4.18	13710	2450	182TC	3	132	KAN77-100/1-H-182TC	KHN77-100/1-H-182TC	
120		122.94	14	3.42	12240	3090	143TC	3	128	KAN77-120/1-H-143TC	KHN77-120/1-H-143TC	
87	7.5	8.27	212	49.53	13365	2400	213/5TC	3	230	KAN87-7.5/1-H-213/5TC	KHN87-7.5/1-H-213/5TC	
	7.5	8.27	212	49.53	13365	2070	254/6TC	3	257	KAN87-7.5/1-H-254/6TC	KHN87-7.5/1-H-254/6TC	
	10	10.53	166	41.81	14370	2660	184TC	3	208	KAN87-10/1-H-184TC	KHN87-10/1-H-184TC	
	10	10.53	166	41.81	14370	2520	213/5TC	3	230	KAN87-10/1-H-213/5TC	KHN87-10/1-H-213/5TC	
	10	10.53	166	41.81	14370	2100	254/6TC	3	257	KAN87-10/1-H-254/6TC	KHN87-10/1-H-254/6TC	
	15	15.66	112	31.67	16185	2690	213/5TC	3	230	KAN87-15/1-H-213/5TC	KHN87-15/1-H-213/5TC	
	15	15.66	112	31.67	16185	2060	254/6TC	3	257	KAN87-15/1-H-254/6TC	KHN87-15/1-H-254/6TC	
	20	20.90	84	25.88	17650	2780	213/5TC	3	230	KAN87-20/1-H-213/5TC	KHN87-20/1-H-213/5TC	
	20	20.90	84	25.88	17650	1940	254/6TC	3	257	KAN87-20/1-H-254/6TC	KHN87-20/1-H-254/6TC	
	30	28.30	62	20.93	19330	3200	184TC	3	208	KAN87-30/1-H-184TC	KHN87-30/1-H-184TC	
	30	28.30	62	20.93	19330	2820	213/5TC	3	230	KAN87-30/1-H-213/5TC	KHN87-30/1-H-213/5TC	
	30	28.30	62	20.93	19330	1700	254/6TC	3	257	KAN87-30/1-H-254/6TC	KHN87-30/1-H-254/6TC	
	40	43.31	40	14.76	20870	3450	184TC	3	208	KAN87-40/1-H-184TC	KHN87-40/1-H-184TC	
	40	43.31	40	14.76	20870	2930	213/5TC	3	230	KAN87-40/1-H-213/5TC	KHN87-40/1-H-213/5TC	
	50	50.45	35	13.04	21470	3490	184TC	3	208	KAN87-50/1-H-184TC	KHN87-50/1-H-184TC	
	50	50.45	35	13.04	21470	2890	213/5TC	3	230	KAN87-50/1-H-213/5TC	KHN87-50/1-H-213/5TC	
	60	61.42	28	11.11	22270	3510	184TC	3	208	KAN87-60/1-H-184TC	KHN87-60/1-H-184TC	
	60	61.42	28	11.11	22270	2780	213/5TC	3	230	KAN87-60/1-H-213/5TC	KHN87-60/1-H-213/5TC	
	70	72.35	24	9.73	22970	3500	184TC	3	208	KAN87-70/1-H-184TC	KHN87-70/1-H-184TC	
	70	72.35	24	9.73	22970	2640	213TC	3	230	KAN87-70/1-H-213TC	KHN87-70/1-H-213TC	
80	82.86	21	8.72	23570	4260	182/4TC	3	208	KAN87-80/1-H-182/4TC	KHN87-80/1-H-182/4TC		
110	108.00	16	6.78	23900	4350	182TC	3	208	KAN87-110-H-182TC	KHN87-110-H-182TC		
120	117.56	15	6.23	23900	4370	182TC	3	208	KAN87-120-H-182TC	KHN87-120-H-182TC		
97	7.5	8.31	211	81.48	22095	5190	254/6TC	3	393	KAN97-7.5/1-H-254/6TC	KHN97-7.5/1-H-254/6TC	
	7.5	8.31	211	81.48	22095	4820	284/6TC	3	402	KAN97-7.5/1-H-284/6TC	KHN97-7.5/1-H-284/6TC	
	10	10.16	172	70.80	23465	5770	213/5TC	3	362	KAN97-10/1-H-213/5TC	KHN97-10/1-H-213/5TC	
	10	10.16	172	70.80	23465	5420	254/6TC	3	393	KAN97-10/1-H-254/6TC	KHN97-10/1-H-254/6TC	
	10	10.16	172	70.80	23465	4970	284/6TC	3	402	KAN97-10/1-H-284/6TC	KHN97-10/1-H-284/6TC	
	15	14.11	124	64.78	29820	6320	213/5TC	3	362	KAN97-15/1-H-213/5TC	KHN97-15/1-H-213/5TC	
	15	14.11	124	64.78	29820	5900	254/6TC	3	393	KAN97-15/1-H-254/6TC	KHN97-15/1-H-254/6TC	
	15	14.11	124	64.78	29820	5350	284/6TC	3	402	KAN97-15/1-H-284/6TC	KHN97-15/1-H-284/6TC	
	20	21.33	82	48.50	33760	7000	213/5TC	3	362	KAN97-20/1-H-213/5TC	KHN97-20/1-H-213/5TC	
	20	21.33	82	48.50	33760	6360	254/6TC	3	393	KAN97-20/1-H-254/6TC	KHN97-20/1-H-254/6TC	
	20	21.33	82	48.50	33760	5520	284/6TC	3	402	KAN97-20/1-H-284/6TC	KHN97-20/1-H-284/6TC	
	30	31.19	56	28.65	29165	6450	254/6TC	3	393	KAN97-30/1-H-254/6TC	KHN97-30/1-H-254/6TC	
	30	31.19	56	28.65	29165	5060	284/6TC	3	402	KAN97-30/1-H-284/6TC	KHN97-30/1-H-284/6TC	
	40	38.12	46	23.33	29030	7800	213/5TC	3	362	KAN97-40/1-H-213/5TC	KHN97-40/1-H-213/5TC	
	40	38.12	46	23.33	29030	6520	254/6TC	3	393	KAN97-40/1-H-254/6TC	KHN97-40/1-H-254/6TC	
	50	47.16	37	18.78	28910	8100	213/5TC	3	362	KAN97-50/1-H-213/5TC	KHN97-50/1-H-213/5TC	
	50	47.16	37	18.78	28910	6510	254/6TC	3	393	KAN97-50/1-H-254/6TC	KHN97-50/1-H-254/6TC	
	65	64.72	27	18.02	38060	8550	213/5TC	3	362	KAN97-65/1-H-213/5TC	KHN97-65/1-H-213/5TC	
	65	64.72	27	18.02	38060	6810	254TC	3	393	KAN97-65/1-H-254TC	KHN97-65/1-H-254TC	
	70	71.78	24	16.24	38060	8550	213/5TC	3	362	KAN97-70/1-H-213/5TC	KHN97-70/1-H-213/5TC	
80	80.07	22	14.56	38060	8550	213/5TC	3	362	KAN97-80/1-H-213/5TC	KHN97-80/1-H-213/5TC		
100	101.37	17	11.50	38060	8550	213/5TC	3	362	KAN97-100/1-213/5TC	KHN97-100/1-213/5TC		
120	119.87	15	9.73	38060	8550	213TC	3	362	KAN97-120/1-213TC	KHN97-120/1-213TC		

**3**  
KAN & KHN SERIES - HELICAL BEVEL GEAR REDUCERS

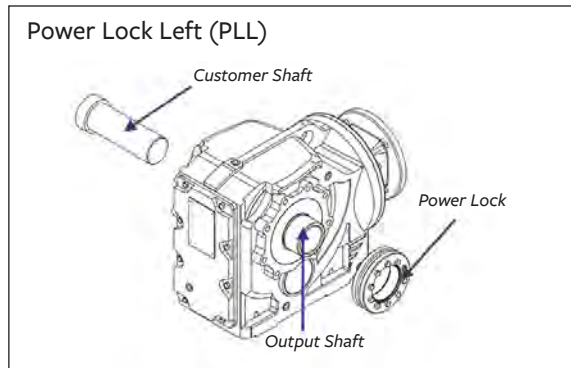
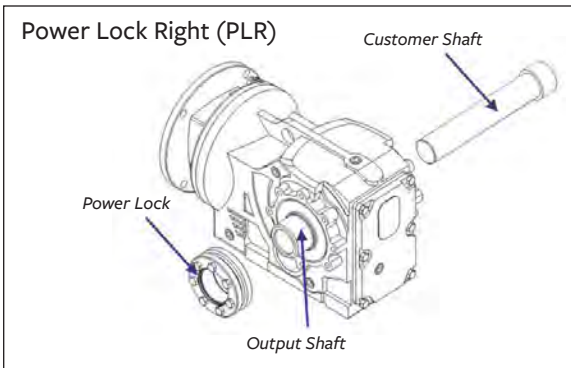
**KAN & KHN Series with Power Lock**  
**Product Overview**

**Product Specifications**

- » KAN and KHN Series Helical-Bevel Speed Reducers are available with power lock bushings for a more secure connection.
- » The power lock assembly achieves a non-positive connection between the driven shaft and the hollow shaft in the gear unit.
- » Available on units with frame sizes 87 or 97
- » The power lock configuration is not field convertible from left to right or vice versa. The proper configuration must be selected at the time the unit is purchased.
- » Power Lock Right (PLR): When facing the input, the power lock is on the right, and the customer shaft is on the left. *See illustration below.*
- » Power Lock Left (PLL): When facing the input, the power lock is on the left, and the customer shaft is on the right. *See illustration below.*
- » All product features (aside from power lock bushing) and mechanical ratings are consistent with the standard design KAN and KHN Helical Bevel Gear Reducers.



3  
 KAN & KHN SERIES - HELICAL BEVEL GEAR REDUCERS



Box Size	Nominal Ratio	Actual Ratio	Output RPM @ 1750 RPM Input	Input HP	Output Torque (lbs. in.)	Max OHL (lbs.)	Motor Frame	Stages	Approx. Weight (lbs.)	KAN Model Number	KHN Model Number
87	7.5	8.27	212	49.53	13365	2400	213/5TC	3	230	KAN87-7.5/1-H-213/5TC-PLL	KHN87-7.5/1-H-213/5TC-PLL
	7.5	8.27	212	49.53	13365	2400	213/5TC	3	230	KAN87-7.5/1-H-213/5TC-PLR	KHN87-7.5/1-H-213/5TC-PLR
	7.5	8.27	212	49.53	13365	2070	254/6TC	3	257	KAN87-7.5/1-H-254/6TC-PLL	KHN87-7.5/1-H-254/6TC-PLL
	7.5	8.27	212	49.53	13365	2070	254/6TC	3	257	KAN87-7.5/1-H-254/6TC-PLR	KHN87-7.5/1-H-254/6TC-PLR
	10	10.53	166	41.81	14370	2660	184TC	3	208	KAN87-10/1-H-184TC-PLL	KHN87-10/1-H-184TC-PLL
	10	10.53	166	41.81	14370	2660	184TC	3	208	KAN87-10/1-H-184TC-PLR	KHN87-10/1-H-184TC-PLR
	10	10.53	166	41.81	14370	2520	213/5TC	3	230	KAN87-10/1-H-213/5TC-PLL	KHN87-10/1-H-213/5TC-PLL
	10	10.53	166	41.81	14370	2520	213/5TC	3	230	KAN87-10/1-H-213/5TC-PLR	KHN87-10/1-H-213/5TC-PLR
	10	10.53	166	41.81	14370	2100	254/6TC	3	257	KAN87-10/1-H-254/6TC-PLL	KHN87-10/1-H-254/6TC-PLL
	10	10.53	166	41.81	14370	2100	254/6TC	3	257	KAN87-10/1-H-254/6TC-PLR	KHN87-10/1-H-254/6TC-PLR
	15	15.66	112	31.67	16185	2690	213/5TC	3	230	KAN87-15/1-H-213/5TC-PLL	KHN87-15/1-H-213/5TC-PLL
	15	15.66	112	31.67	16185	2690	213/5TC	3	230	KAN87-15/1-H-213/5TC-PLR	KHN87-15/1-H-213/5TC-PLR
	15	15.66	112	31.67	16185	2060	254/6TC	3	257	KAN87-15/1-H-254/6TC-PLL	KHN87-15/1-H-254/6TC-PLL
	15	15.66	112	31.67	16185	2060	254/6TC	3	257	KAN87-15/1-H-254/6TC-PLR	KHN87-15/1-H-254/6TC-PLR
	20	20.90	84	25.88	17650	2780	213/5TC	3	230	KAN87-20/1-H-213/5TC-PLL	KHN87-20/1-H-213/5TC-PLL
	20	20.90	84	25.88	17650	2780	213/5TC	3	230	KAN87-20/1-H-213/5TC-PLR	KHN87-20/1-H-213/5TC-PLR
	20	20.90	84	25.88	17650	1940	254/6TC	3	257	KAN87-20/1-H-254/6TC-PLL	KHN87-20/1-H-254/6TC-PLL
	20	20.90	84	25.88	17650	1940	254/6TC	3	257	KAN87-20/1-H-254/6TC-PLR	KHN87-20/1-H-254/6TC-PLR
	30	28.30	62	20.93	19330	3200	184TC	3	208	KAN87-30/1-H-184TC-PLL	KHN87-30/1-H-184TC-PLL
	30	28.30	62	20.93	19330	3200	184TC	3	208	KAN87-30/1-H-184TC-PLR	KHN87-30/1-H-184TC-PLR
30	28.30	62	20.93	19330	2820	213/5TC	3	230	KAN87-30/1-H-213/5TC-PLL	KHN87-30/1-H-213/5TC-PLL	
30	28.30	62	20.93	19330	2820	213/5TC	3	230	KAN87-30/1-H-213/5TC-PLR	KHN87-30/1-H-213/5TC-PLR	
30	28.30	62	20.93	19330	1700	254/6TC	3	257	KAN87-30/1-H-254/6TC-PLL	KHN87-30/1-H-254/6TC-PLL	
30	28.30	62	20.93	19330	1700	254/6TC	3	257	KAN87-30/1-H-254/6TC-PLR	KHN87-30/1-H-254/6TC-PLR	
40	43.31	40	14.76	20870	3450	184TC	3	208	KAN87-40/1-H-184TC-PLL	KHN87-40/1-H-184TC-PLL	
40	43.31	40	14.76	20870	3450	184TC	3	208	KAN87-40/1-H-184TC-PLR	KHN87-40/1-H-184TC-PLR	
40	43.31	40	14.76	20870	2930	213/5TC	3	230	KAN87-40/1-H-213/5TC-PLL	KHN87-40/1-H-213/5TC-PLL	
40	43.31	40	14.76	20870	2930	213/5TC	3	230	KAN87-40/1-H-213/5TC-PLR	KHN87-40/1-H-213/5TC-PLR	
50	50.45	35	13.04	21470	3490	184TC	3	208	KAN87-50/1-H-184TC-PLL	KHN87-50/1-H-184TC-PLL	
50	50.45	35	13.04	21470	3490	184TC	3	208	KAN87-50/1-H-184TC-PLR	KHN87-50/1-H-184TC-PLR	
50	50.45	35	13.04	21470	2890	213/5TC	3	230	KAN87-50/1-H-213/5TC-PLL	KHN87-50/1-H-213/5TC-PLL	
50	50.45	35	13.04	21470	2890	213/5TC	3	230	KAN87-50/1-H-213/5TC-PLR	KHN87-50/1-H-213/5TC-PLR	

Continued On Next Page

**Section 3: Helical Gear Reducers**

**KAN & KHN Series - Helical Bevel Gear Reducers**



**KAN & KHN Series with Power Lock  
Product Overview**

Box Size	Nominal Ratio	Actual Ratio	Output RPM @ 1750 RPM Input	Input HP	Output Torque (lbs. in.)	Max OHL (lbs.)	Motor Frame	Stages	Approx. Weight (lbs.)	KAN Model Number	KHN Model Number
87	60	61.42	28	11.11	22270	3510	184TC	3	208	KAN87-60/1-H-184TC-PLL	KHN87-60/1-H-184TC-PLL
	60	61.42	28	11.11	22270	3510	184TC	3	208	KAN87-60/1-H-184TC-PLR	KHN87-60/1-H-184TC-PLR
	60	61.42	28	11.11	22270	2780	213/5TC	3	230	KAN87-60/1-H-213/5TC-PLL	KHN87-60/1-H-213/5TC-PLL
	60	61.42	28	11.11	22270	2780	213/5TC	3	230	KAN87-60/1-H-213/5TC-PLR	KHN87-60/1-H-213/5TC-PLR
	70	72.35	24	9.73	22970	3500	184TC	3	208	KAN87-70/1-H-184TC-PLL	KHN87-70/1-H-184TC-PLL
	70	72.35	24	9.73	22970	3500	184TC	3	208	KAN87-70/1-H-184TC-PLR	KHN87-70/1-H-184TC-PLR
	70	72.35	24	9.73	22970	2640	213TC	3	230	KAN87-70/1-H-213TC-PLL	KHN87-70/1-H-213TC-PLL
	70	72.35	24	9.73	22970	2640	213TC	3	230	KAN87-70/1-H-213TC-PLR	KHN87-70/1-H-213TC-PLR
	80	82.86	21	8.72	23570	4260	182/4TC	3	208	KAN87-80/1-182/4TC-PLL	KHN87-80/1-182/4TC-PLL
	80	82.86	21	8.72	23570	4260	182/4TC	3	208	KAN87-80/1-182/4TC-PLR	KHN87-80/1-182/4TC-PLR
	110	108.00	16	6.78	23900	4350	182TC	3	208	KAN87-110-H-182TC-PLL	KHN87-110-H-182TC-PLL
	110	108.00	16	6.78	23900	4350	182TC	3	208	KAN87-110-H-182TC-PLR	KHN87-110-H-182TC-PLR
	120	117.56	15	6.23	23900	4370	182TC	3	208	KAN87-120-H-182TC-PLL	KHN87-120-H-182TC-PLL
	120	117.56	15	6.23	23900	4370	182TC	3	208	KAN87-120-H-182TC-PLR	KHN87-120-H-182TC-PLR
	7.5	8.31	211	81.48	22095	5190	254/6TC	3	393	KAN97-7.5/1-H-254/6TC-PLL	KHN97-7.5/1-H-254/6TC-PLL
	7.5	8.31	211	81.48	22095	5190	254/6TC	3	393	KAN97-7.5/1-H-254/6TC-PLR	KHN97-7.5/1-H-254/6TC-PLR
	7.5	8.31	211	81.48	22095	4820	284/6TC	3	402	KAN97-7.5/1-H-284/6TC-PLL	KHN97-7.5/1-H-284/6TC-PLL
	7.5	8.31	211	81.48	22095	4820	284/6TC	3	402	KAN97-7.5/1-H-284/6TC-PLR	KHN97-7.5/1-H-284/6TC-PLR
	10	10.16	172	70.80	23465	5770	213/5TC	3	362	KAN97-10/1-H-213/5TC-PLL	KHN97-10/1-H-213/5TC-PLL
	10	10.16	172	70.80	23465	5770	213/5TC	3	362	KAN97-10/1-H-213/5TC-PLR	KHN97-10/1-H-213/5TC-PLR
	10	10.16	172	70.80	23465	5420	254/6TC	3	393	KAN97-10/1-H-254/6TC-PLL	KHN97-10/1-H-254/6TC-PLL
	10	10.16	172	70.80	23465	5420	254/6TC	3	393	KAN97-10/1-H-254/6TC-PLR	KHN97-10/1-H-254/6TC-PLR
	10	10.16	172	70.80	23465	4970	284/6TC	3	402	KAN97-10/1-H-284/6TC-PLL	KHN97-10/1-H-284/6TC-PLL
	10	10.16	172	70.80	23465	4970	284/6TC	3	402	KAN97-10/1-H-284/6TC-PLR	KHN97-10/1-H-284/6TC-PLR
15	14.11	124	64.78	29820	6320	213/5TC	3	362	KAN97-15/1-H-213/5TC-PLL	KHN97-15/1-H-213/5TC-PLL	
15	14.11	124	64.78	29820	6320	213/5TC	3	362	KAN97-15/1-H-213/5TC-PLR	KHN97-15/1-H-213/5TC-PLR	
15	14.11	124	64.78	29820	5900	254/6TC	3	393	KAN97-15/1-H-254/6TC-PLL	KHN97-15/1-H-254/6TC-PLL	
15	14.11	124	64.78	29820	5900	254/6TC	3	393	KAN97-15/1-H-254/6TC-PLR	KHN97-15/1-H-254/6TC-PLR	
15	14.11	124	64.78	29820	5350	284/6TC	3	402	KAN97-15/1-H-284/6TC-PLL	KHN97-15/1-H-284/6TC-PLL	
15	14.11	124	64.78	29820	5350	284/6TC	3	402	KAN97-15/1-H-284/6TC-PLR	KHN97-15/1-H-284/6TC-PLR	
20	21.33	82	48.50	33760	7000	213/5TC	3	362	KAN97-20/1-H-213/5TC-PLL	KHN97-20/1-H-213/5TC-PLL	
20	21.33	82	48.50	33760	7000	213/5TC	3	362	KAN97-20/1-H-213/5TC-PLR	KHN97-20/1-H-213/5TC-PLR	
20	21.33	82	48.50	33760	6360	254/6TC	3	393	KAN97-20/1-H-254/6TC-PLL	KHN97-20/1-H-254/6TC-PLL	
20	21.33	82	48.50	33760	6360	254/6TC	3	393	KAN97-20/1-H-254/6TC-PLR	KHN97-20/1-H-254/6TC-PLR	
20	21.33	82	48.50	33760	5520	284/6TC	3	402	KAN97-20/1-H-284/6TC-PLL	KHN97-20/1-H-284/6TC-PLL	
20	21.33	82	48.50	33760	5520	284/6TC	3	402	KAN97-20/1-H-284/6TC-PLR	KHN97-20/1-H-284/6TC-PLR	
30	31.19	56	28.65	29165	6450	254/6TC	3	393	KAN97-30/1-H-254/6TC-PLL	KHN97-30/1-H-254/6TC-PLL	
30	31.19	56	28.65	29165	6450	254/6TC	3	393	KAN97-30/1-H-254/6TC-PLR	KHN97-30/1-H-254/6TC-PLR	
30	31.19	56	28.65	29165	5060	284/6TC	3	402	KAN97-30/1-H-284/6TC-PLL	KHN97-30/1-H-284/6TC-PLL	
30	31.19	56	28.65	29165	5060	284/6TC	3	402	KAN97-30/1-H-284/6TC-PLR	KHN97-30/1-H-284/6TC-PLR	
40	38.12	46	23.33	29030	7800	213/5TC	3	362	KAN97-40/1-H-213/5TC-PLL	KHN97-40/1-H-213/5TC-PLL	
40	38.12	46	23.33	29030	7800	213/5TC	3	362	KAN97-40/1-H-213/5TC-PLR	KHN97-40/1-H-213/5TC-PLR	
40	38.12	46	23.33	29030	6520	254/6TC	3	393	KAN97-40/1-H-254/6TC-PLL	KHN97-40/1-H-254/6TC-PLL	
40	38.12	46	23.33	29030	6520	254/6TC	3	393	KAN97-40/1-H-254/6TC-PLR	KHN97-40/1-H-254/6TC-PLR	
50	47.16	37	18.78	28910	8100	213/5TC	3	362	KAN97-50/1-H-213/5TC-PLL	KHN97-50/1-H-213/5TC-PLL	
50	47.16	37	18.78	28910	8100	213/5TC	3	362	KAN97-50/1-H-213/5TC-PLR	KHN97-50/1-H-213/5TC-PLR	
50	47.16	37	18.78	28910	6510	254/6TC	3	393	KAN97-50/1-H-254/6TC-PLL	KHN97-50/1-H-254/6TC-PLL	
50	47.16	37	18.78	28910	6510	254/6TC	3	393	KAN97-50/1-H-254/6TC-PLR	KHN97-50/1-H-254/6TC-PLR	
65	64.72	27	18.02	38060	8550	213/5TC	3	362	KAN97-65/1-H-213/5TC-PLL	KHN97-65/1-H-213/5TC-PLL	
65	64.72	27	18.02	38060	8550	213/5TC	3	362	KAN97-65/1-H-213/5TC-PLR	KHN97-65/1-H-213/5TC-PLR	
65	64.72	27	18.02	38060	6810	254TC	3	393	KAN97-65/1-H-254TC-PLL	KHN97-65/1-H-254TC-PLL	
65	64.72	27	18.02	38060	6810	254TC	3	393	KAN97-65/1-H-254TC-PLR	KHN97-65/1-H-254TC-PLR	
70	71.78	24	16.24	38060	8550	213/5TC	3	362	KAN97-70/1-H-213/5TC-PLL	KHN97-70/1-H-213/5TC-PLL	
70	71.78	24	16.24	38060	8550	213/5TC	3	362	KAN97-70/1-H-213/5TC-PLR	KHN97-70/1-H-213/5TC-PLR	
80	80.07	22	14.56	38060	8550	213/5TC	3	362	KAN97-80/1-H-213/5TC-PLL	KHN97-80/1-H-213/5TC-PLL	
80	80.07	22	14.56	38060	8550	213/5TC	3	362	KAN97-80/1-H-213/5TC-PLR	KHN97-80/1-H-213/5TC-PLR	
100	101.37	17	11.50	38060	8550	213/5TC	3	362	KAN97-100/1-213/5TC-PLL	KHN97-100/1-213/5TC-PLL	
100	101.37	17	11.50	38060	8550	213/5TC	3	362	KAN97-100/1-213/5TC-PLR	KHN97-100/1-213/5TC-PLR	
120	119.87	15	9.73	38060	8550	213TC	3	362	KAN97-120/1-213TC-PLL	KHN97-120/1-213TC-PLL	
120	119.87	15	9.73	38060	8550	213TC	3	362	KAN97-120/1-213TC-PLR	KHN97-120/1-213TC-PLR	

**3**  
KAN & KHN SERIES - HELICAL BEVEL GEAR REDUCERS





**Section 3: Helical Gear Reducers**

**KAN & KHN Series - Helical Bevel Gear Reducers**



**KAN & KHN Series - Helical Bevel Reducers:  
Mechanical Ratings (cont.)**

Box Size	Nominal Ratio	Actual Ratio	Output RPM	Input HP	Output Torque (lbs. in.)	Motor Frame	Stages	56C			143TC			145TC			182TC			184TC			
								HP	T	OHL	HP	T	OHL	HP	T	OHL	HP	T	OHL	HP	T	OHL	
77	7.5	8.40	208	27.05	7415	184TC	3													5	1389	1810	
	7.5	8.40	208	27.05	7415	213/5TC	3																
	10	9.96	176	24.02	7800	184TC	3													5	1646	1860	
	10	9.96	176	24.02	7800	213/5TC	3																
	15	15.73	111	17.64	9050	184TC	3													5	2600	2030	
	15	15.73	111	17.64	9050	213/5TC	3																
	20	20.24	86	14.78	9765	184TC	3													5	3347	2080	
	20	20.24	86	14.78	9765	213/5TC	3																
	30	30.48	57	10.97	10915	184TC	3													5	5039	2020	
	30	30.48	57	10.97	10915	213/5TC	3																
	40	39.76	44	9.21	11955	184TC	3													5	6574	2050	
	40	39.76	44	9.21	11955	213TC	3																
	50	51.18	34	7.72	12900	184TC	3													5	8461	1940	
	60	57.05	31	7.16	13325	182/4TC	3										3	5660	2620	5	9433	1860	
	65	64.06	27	6.56	13710	182/4TC	3										3	6355	2610	5	10591	1760	
	80	78.07	22	5.38	13710	145TC	3						2	5163	3080								
80	78.07	22	5.38	13710	182TC	3										3	7745	2570					
100	100.66	17	4.18	13710	145TC	3						2	6657	3090									
100	100.66	17	4.18	13710	182TC	3										3	9986	2450					
120	122.94	14	3.42	8125	143TC	3			1	4065	3090												
87	7.5	8.27	212	49.53	13365	213/5TC	3																
	7.5	8.27	212	49.53	13365	254/6TC	3																
	10	10.53	166	41.81	14370	184TC	3													5	1741	2660	
	10	10.53	166	41.81	14370	213/5TC	3																
	10	10.53	166	41.81	14370	254/6TC	3																
	15	15.66	112	31.67	16185	213/5TC	3																
	15	15.66	112	31.67	16185	254/6TC	3																
	20	20.90	84	25.88	17650	213/5TC	3																
	20	20.90	84	25.88	17650	254/6TC	3																
	30	28.30	62	20.93	19330	184TC	3														5	4679	3200
	30	28.30	62	20.93	19330	213/5TC	3																
	30	28.30	62	20.93	19330	254/6TC	3																
	40	43.31	40	14.76	20870	184TC	3														5	7161	3450
	40	43.31	40	14.76	20870	213/5TC	3																
	50	50.45	35	13.04	21470	184TC	3														5	8342	3490
	50	50.45	35	13.04	21470	213/5TC	3																
60	61.42	28	11.11	22270	184TC	3														5	10154	3510	
60	61.42	28	11.11	22270	213/5TC	3																	
70	72.35	24	9.73	22970	184TC	3														5	11961	3500	
70	72.35	24	9.73	22970	213TC	3																	
80	82.86	21	8.72	23570	182/4TC	3										3	8220	4260	5	13700	3470		
110	108.00	16	6.78	23900	182TC	3										3	10714	4350					
120	117.56	15	6.23	23900	182TC	3										3	11662	4370					
97	7.5	8.31	211	81.48	22095	254/6TC	3																
	7.5	8.31	211	81.48	22095	284/6TC	3																
	10	10.16	172	70.80	23465	213/5TC	3																
	10	10.16	172	70.80	23465	254/6TC	3																
	10	10.16	172	70.80	23465	284/6TC	3																
	15	14.11	124	64.78	29820	213/5TC	3																
	15	14.11	124	64.78	29820	254/6TC	3																
	15	14.11	124	64.78	29820	284/6TC	3																
	20	21.33	82	48.50	33760	213/5TC	3																
	20	21.33	82	48.50	33760	254/6TC	3																
	20	21.33	82	48.50	33760	284/6TC	3																
	30	31.19	56	28.65	29165	254/6TC	3																
	30	31.19	56	28.65	29165	284/6TC	3																
	40	38.12	46	23.33	29030	213/5TC	3																
	40	38.12	46	23.33	29030	254/6TC	3																
	50	47.16	37	18.78	28910	213/5TC	3																
50	47.16	37	18.78	28910	254/6TC	3																	
65	64.72	27	18.02	38060	213/5TC	3																	
65	64.72	27	18.02	38060	254TC	3																	
70	71.78	24	16.24	38060	213/5TC	3																	
80	80.07	22	14.56	38060	213/5TC	3																	
100	101.37	17	11.50	38060	213/5TC	3																	
120	119.87	15	9.73	38060	213TC	3																	

**3**  
KAN & KHN SERIES - HELICAL BEVEL GEAR REDUCERS

Continued On Next Page

# Section 3: Helical Gear Reducers

## KAN & KHN Series - Helical Bevel Gear Reducers

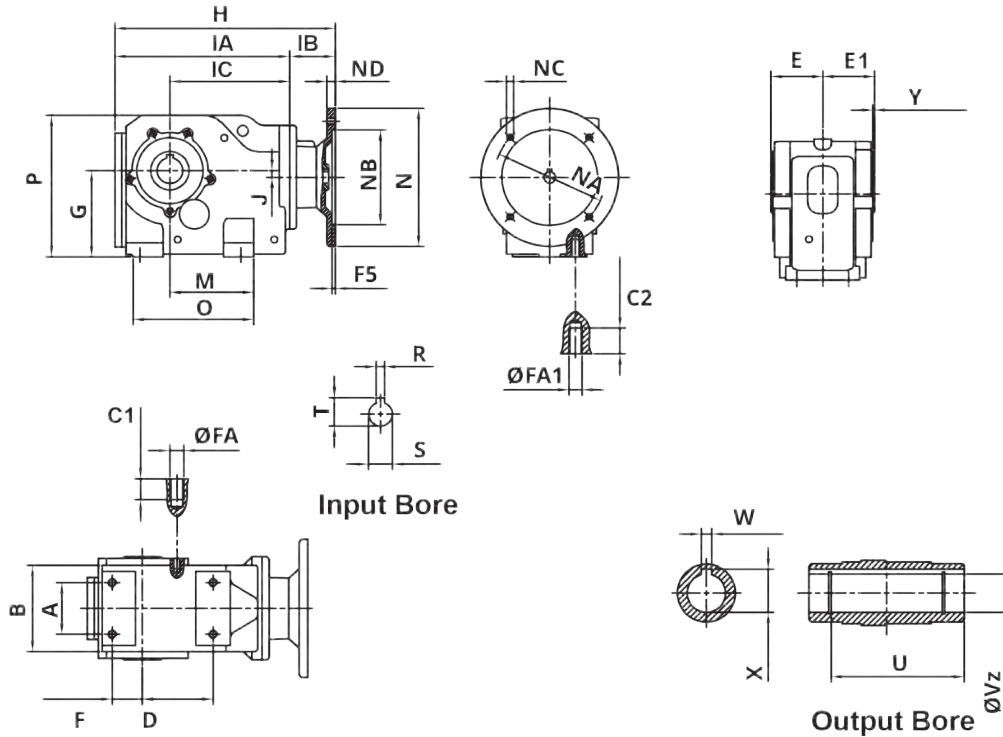


### KAN & KHN Series - Helical Bevel Reducers: Mechanical Ratings (cont.)

3  
KAN & KHN SERIES - HELICAL  
BEVEL GEAR REDUCERS

Box Size	Nominal Ratio	Actual Ratio	Output RPM	Input HP	Output Torque (lbs. in.)	Motor Frame	Stages	213TC			215TC			254TC			256TC			284TC			286TC			
								HP	T	OHL	HP	T	OHL	HP	T	OHL	HP	T	OHL	HP	T	OHL	HP	T	OHL	
77	7.5	8.40	208	27.05	7415	184TC	3																			
	7.5	8.40	208	27.05	7415	213/5TC	3	7.5	2084	1660	10	2778	1510													
	10	9.96	176	24.02	7800	184TC	3																			
	10	9.96	176	24.02	7800	213/5TC	3	7.5	2469	1690	10	3292	1510													
	15	15.73	111	17.64	9050	184TC	3																			
	15	15.73	111	17.64	9050	213/5TC	3	7.5	3900	1760	10	5200	1510													
	20	20.24	86	14.78	9765	184TC	3																			
	20	20.24	86	14.78	9765	213/5TC	3	7.5	5020	1740	10	6694	1410													
	30	30.48	57	10.97	10915	184TC	3																			
	30	30.48	57	10.97	10915	213/5TC	3	7.5	7559	1470	10	10079	925													
	40	39.76	44	9.21	11955	184TC	3																			
	40	39.76	44	9.21	11955	213TC	3	7.5	9861	1390																
	50	51.18	34	7.72	12900	184TC	3																			
	60	57.05	31	7.16	13325	182/4TC	3																			
	65	64.06	27	6.56	13710	182/4TC	3																			
80	78.07	22	5.38	13710	145TC	3																				
80	78.07	22	5.38	13710	182TC	3																				
100	100.66	17	4.18	13710	145TC	3																				
100	100.66	17	4.18	13710	182TC	3																				
120	122.94	14	3.42	8125	143TC	3																				
87	7.5	8.27	212	49.53	13365	213/5TC	3	7.5	2050	2400	10	2734	2290													
	7.5	8.27	212	49.53	13365	254/6TC	3							15	4100	2070	20	5467	1850							
	10	10.53	166	41.81	14370	184TC	3																			
	10	10.53	166	41.81	14370	213/5TC	3	7.5	2612	2520	10	3483	2380													
	10	10.53	166	41.81	14370	254/6TC	3							15	5224	2100	20	6965	1820							
	15	15.66	112	31.67	16185	213/5TC	3	7.5	3885	2690	10	5179	2480													
	15	15.66	112	31.67	16185	254/6TC	3							15	7769	2060	20	10359	1640							
	20	20.90	84	25.88	17650	213/5TC	3	7.5	5183	2780	10	6911	2500													
	20	20.90	84	25.88	17650	254/6TC	3							15	10367	1940	20	13822	1390							
	30	28.30	62	20.93	19330	184TC	3																			
	30	28.30	62	20.93	19330	213/5TC	3	7.5	7019	2820	10	9359	2450													
	30	28.30	62	20.93	19330	254/6TC	3							15	14038	1700	20	18717	940							
	40	43.31	40	14.76	20870	184TC	3																			
	40	43.31	40	14.76	20870	213/5TC	3	7.5	10742	2930	10	14322	2410													
	50	50.45	35	13.04	21470	184TC	3																			
50	50.45	35	13.04	21470	213/5TC	3	7.5	12512	2890	10	16683	2280														
60	61.42	28	11.11	22270	184TC	3																				
60	61.42	28	11.11	22270	213/5TC	3	7.5	15232	2780	10	20309	2040														
70	72.35	24	9.73	22970	184TC	3																				
70	72.35	24	9.73	22970	213TC	3	7.5	17942	2640																	
80	82.86	21	8.72	23570	182/4TC	3																				
110	108.00	16	6.78	23900	182TC	3																				
120	117.56	15	6.23	23900	182TC	3																				
97	7.5	8.31	211	81.48	22095	254/6TC	3							15	4121	5190	20	5495	5010							
	7.5	8.31	211	81.48	22095	284/6TC	3													25	6869	4820	30	8243	4630	
	10	10.16	172	70.80	23465	213/5TC	3	7.5	2519	5770	10	3358	5660						15	5037	5420	20	6716	5200		
	10	10.16	172	70.80	23465	254/6TC	3																			
	10	10.16	172	70.80	23465	284/6TC	3													25	8395	4970	30	10074	4740	
	15	14.11	124	64.78	29820	213/5TC	3	7.5	3498	6320	10	4665	6180													
	15	14.11	124	64.78	29820	254/6TC	3								15	6997	5900	20	9329	5620						
	15	14.11	124	64.78	29820	284/6TC	3													25	11661	5350	30	13994	5070	
	20	21.33	82	48.50	33760	213/5TC	3	7.5	5290	7000	10	7053	6790													
	20	21.33	82	48.50	33760	254/6TC	3								15	10579	6360	20	14106	5940						
	20	21.33	82	48.50	33760	284/6TC	3													25	17632	5520	30	21159	5100	
	30	31.19	56	28.65	29165	254/6TC	3								15	15472	6450	20	20629	5760						
	30	31.19	56	28.65	29165	284/6TC	3													25	25786	5060				
	40	38.12	46	23.33	29030	213/5TC	3	7.5	9455	7800	10	12606	7370													
	40	38.12	46	23.33	29030	254/6TC	3								15	18910	6520	20	25213	5670						
50	47.16	37	18.78	28910	213/5TC	3	7.5	11696	8100	10	15595	7570														
50	47.16	37	18.78	28910	254/6TC	3								15	23393	6510	20	31191	5460							
65	64.72	27	18.02	38060	213/5TC	3	7.5	16052	8550	10	21402	8090														
65	64.72	27	18.02	38060	254TC	3								15	32103	6810										
70	71.78	24	16.24	38060	213/5TC	3	7.5	17803	8550	10	23737	8140														
80	80.07	22	14.56	38060	213/5TC	3	7.5	19857	8550	10	26477	8180														
100	101.37	17	11.50	38060	213/5TC	3	7.5	25141	8550	10	33521	8170														
120	119.87	15	9.73	38060	213TC	3	7.5	29729	8550																	

**KAN Series - Helical Bevel Reducers:  
 Dimensions**

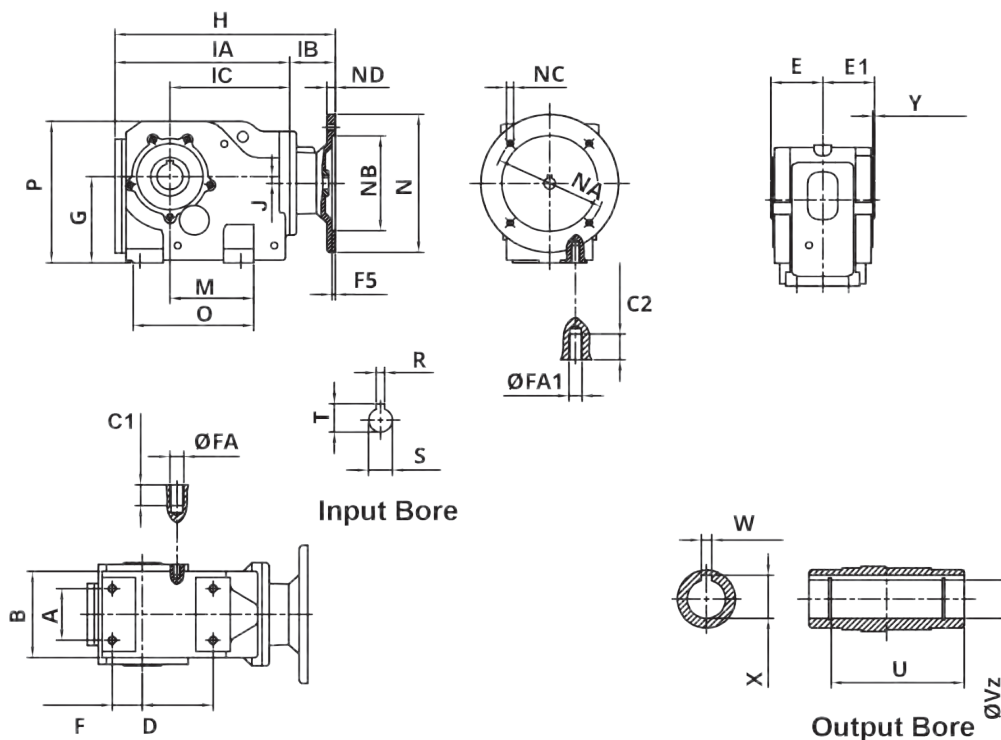


**3**  
 KAN & KHN SERIES - HELICAL  
 BEVEL GEAR REDUCERS

All listed dimensions in inches																					
Box Size	NEMA Frame	A	B	C1	C2	D	E	E1	F	FA	FA1	F5	G	H	IA	IB	IC	J	M	O	P
37	56C	2.36	3.94	0.47	0.79	3.23	2.36	2.36	1.38	M8	M10	0.08	3.94	10.35	7.99	2.40	5.47	0.31	3.82	5.51	6.46
	143/5TC	2.36	3.94	0.47	0.79	3.23	2.36	2.36	1.38	M8	M10	0.08	3.94	10.75	7.99	2.80	5.47	0.31	3.82	5.51	6.46
47	56C	2.76	4.17	0.47	0.79	3.94	2.95	2.95	1.57	M8	M10	0.12	4.41	10.35	9.41	2.4	6.54	0.21	4.41	6.65	7.32
	143/5TC	2.76	4.17	0.47	0.79	3.94	2.95	2.95	1.57	M8	M10	0.12	4.41	10.75	9.41	2.8	6.54	0.21	4.41	6.65	7.32
	182/4TC	2.76	4.17	0.47	0.79	3.94	2.95	2.95	1.57	M8	M10	0.12	4.41	12.68	9.41	3.35	6.54	0.21	4.41	6.65	7.32
67	56C	3.46	5.28	0.79	0.98	4.33	3.54	3.54	1.65	M12	M12	0.14	5.51	12.74	10.75	2.15	7.05	0.75	4.72	6.89	8.98
	143/5TC	3.46	5.28	0.79	0.98	4.33	3.54	3.54	1.65	M12	M12	0.14	5.51	13.13	10.75	2.54	7.05	0.75	4.72	6.89	8.98
	182/4TC	3.46	5.28	0.79	0.98	4.33	3.54	3.54	1.65	M12	M12	0.14	5.51	13.23	10.75	3.27	7.05	0.75	4.72	6.89	8.98
77	143/5TC	4.02	6.46	0.79	1.26	4.80	4.13	4.13	1.89	M12	M16	0.16	7.09	14.69	12.81	2.32	7.95	1.47	5.91	8.66	15.54
	182/4TC	4.02	6.46	0.79	1.26	4.80	4.13	4.13	1.89	M12	M16	0.20	7.09	15.41	12.81	3.05	7.95	1.47	5.91	8.66	15.54
	213/5TC	4.02	6.46	0.79	1.26	4.80	4.13	4.13	1.89	M12	M16	0.20	7.09	17.68	12.81	5.31	7.95	1.47	5.91	8.66	15.54
87	182/4TC	4.65	5.98	1.02	1.26	6.30	4.72	4.72	2.56	M16	M16	0.20	8.35	15.41	15.35	2.68	10.12	1.24	7.48	10.79	13.39
	213/5TC	4.65	5.98	1.02	1.26	6.30	4.72	4.72	2.56	M16	M16	0.20	8.35	17.68	15.35	5.31	10.12	1.24	7.48	10.79	13.39
	254/6TC	4.65	5.98	1.02	1.26	6.30	4.72	4.72	2.56	M16	M16	0.20	8.35	21.24	15.35	5.93	10.12	1.24	7.48	10.79	13.39
97	213/5TC	6.30	9.21	1.02	1.42	6.50	5.91	5.91	3.27	M16	M20	0.20	10.43	21.83	17.64	4.63	10.91	1.82	8.07	12.20	16.42
	254/6TC	6.30	9.21	1.02	1.42	6.50	5.91	5.91	3.27	M16	M20	0.20	10.43	22.81	17.64	5.61	10.91	1.82	8.07	12.20	16.42
	284/6TC	6.30	9.21	1.02	1.42	6.50	5.91	5.91	3.27	M16	M20	0.20	10.43	23.17	17.64	5.96	10.91	1.82	8.07	12.20	16.42

Dimensions shown in this catalog are for general use only.  
 For an exact drawing on a specific rating, please contact our sales office.

**KAN Series - Helical Bevel Reducers:  
Dimensions (cont.)**

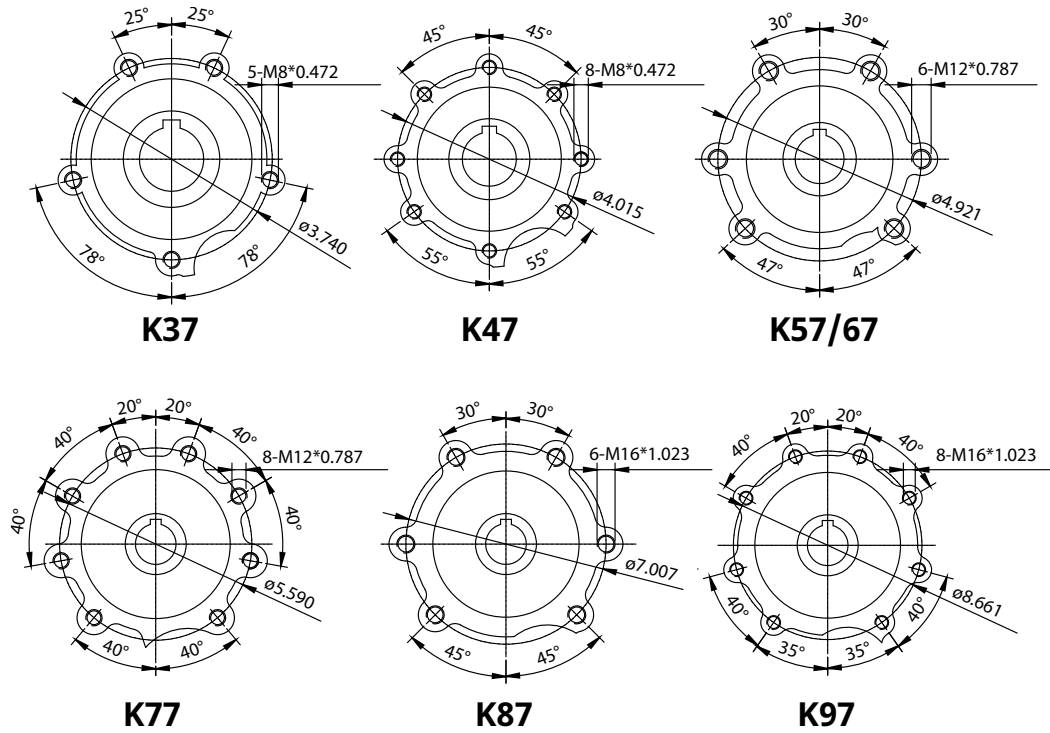


3  
KAN & KHN SERIES - HELICAL  
BEVEL GEAR REDUCERS

All listed dimensions in inches															
Box Size	NEMA Frame	FLANGE (inches)					INPUT BORE (inches)			OUTPUT BORE (inches)					BORE TOLERANCE
		N	NA	NB	NC	ND	R	S	T	U	V	W	X	Y	Z
37	56C	6.50	5.875	4.50	0.41	0.39	0.188	0.625	0.71	4.13	1.25	0.25	1.37	0.08	+ 0.001 / -0.0
	143/5TC	6.50	5.875	4.50	0.41	0.47	0.188	0.875	0.97	4.13	1.25	0.25	1.37	0.08	+ 0.001 / -0.0
47	56C	6.50	5.875	4.50	0.41	0.39	0.188	0.625	0.71	5.20	1.375	0.31	1.52	0.12	+ 0.001 / -0.0
	143/5TC	6.50	5.875	4.50	0.41	0.47	0.188	0.875	0.97	5.20	1.375	0.31	1.52	0.12	+ 0.001 / -0.0
	182/4TC	9.00	7.250	8.50	0.55	0.67	0.250	1.125	1.24	5.20	1.375	0.31	1.52	0.12	+ 0.001 / -0.0
67	56C	6.50	5.875	4.50	0.41	0.39	0.188	0.625	0.71	6.14	1.50	0.38	1.67	0.14	+ 0.001 / -0.0
	143/5TC	6.50	5.875	4.50	0.41	0.47	0.188	0.875	0.96	6.14	1.50	0.38	1.67	0.14	+ 0.001 / -0.0
	182/4TC	9.00	7.250	8.50	0.55	0.67	0.250	1.125	1.24	6.14	1.50	0.38	1.67	0.14	+ 0.001 / -0.0
77	143/5TC	6.50	5.875	4.50	0.41	0.39	0.188	0.875	0.96	7.20	2.00	0.50	2.25	0.16	+ 0.001 / -0.0
	182/4TC	9.00	7.250	8.50	0.55	0.67	0.250	1.125	1.24	7.20	2.00	0.50	2.25	0.16	+ 0.001 / -0.0
	213/5TC	9.00	7.250	8.50	0.55	0.67	0.312	1.375	1.52	7.20	2.00	0.50	2.25	0.16	+ 0.001 / -0.0
87	182/4TC	9.00	7.250	8.50	0.55	0.67	0.250	1.125	1.24	8.27	2.375	0.63	2.65	0.16	+ 0.001 / -0.0
	213/5TC	9.00	7.250	8.50	0.55	0.67	0.312	1.375	1.52	8.27	2.375	0.63	2.65	0.16	+ 0.001 / -0.0
	254/6TC	10.00	7.250	8.50	0.55	0.79	0.375	1.625	1.80	8.27	2.375	0.63	2.65	0.16	+ 0.001 / -0.0
97	213/5TC	9.00	7.250	8.50	0.55	0.67	0.312	1.375	1.52	10.63	2.75	0.63	3.03	0.16	+ 0.001 / -0.0
	254/6TC	10.00	7.250	8.50	0.55	0.79	0.375	1.625	1.80	10.63	2.75	0.63	3.03	0.16	+ 0.001 / -0.0
	284/6TC	11.26	9.000	10.50	0.59	0.79	0.500	1.875	2.10	10.63	2.75	0.63	3.03	0.16	+ 0.001 / -0.0

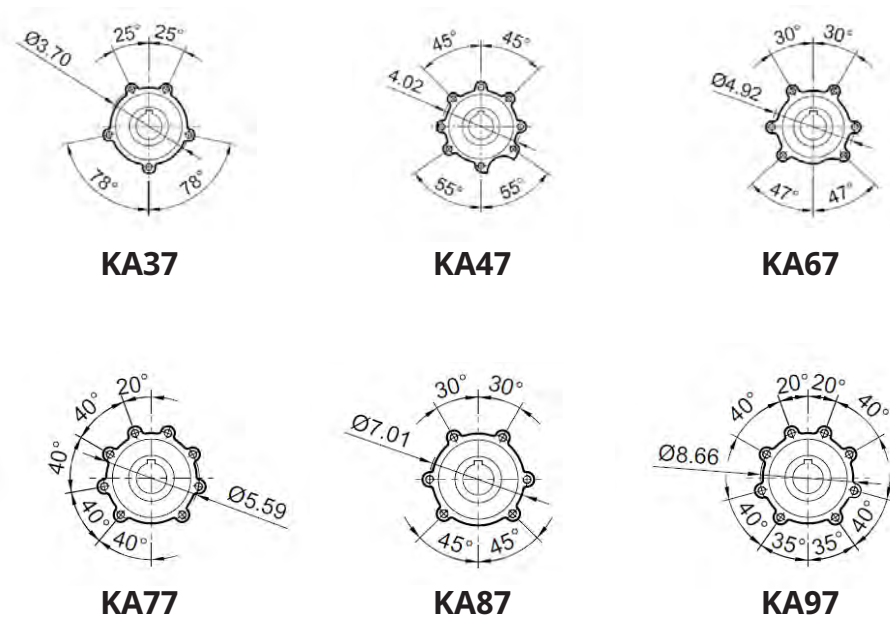
Dimensions shown in this catalog are for general use only.  
For an exact drawing on a specific rating, please contact our sales office.

**KAN Series - Helical Bevel Reducers:  
 Integrated Output Mounting Dimensions**



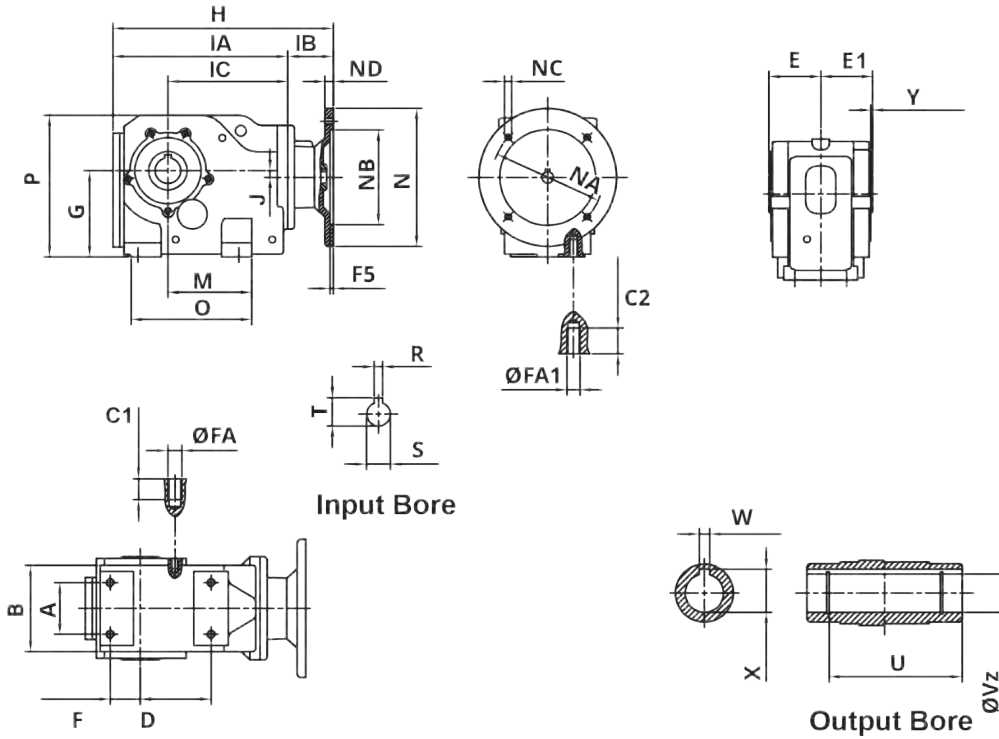
**3**  
 KAN & KHN SERIES - HELICAL  
 BEVEL GEAR REDUCERS

**KAN Series Integrated Output Mounting Dimensions  
 Competitor Dimensional Comparison - SEW Eurodrive**



**KAN Series - Helical Bevel Reducers:**  
**Competitor Dimensional Comparison - SEW Eurodrive**

**3**  
 KAN & KHN SERIES - HELICAL BEVEL GEAR REDUCERS

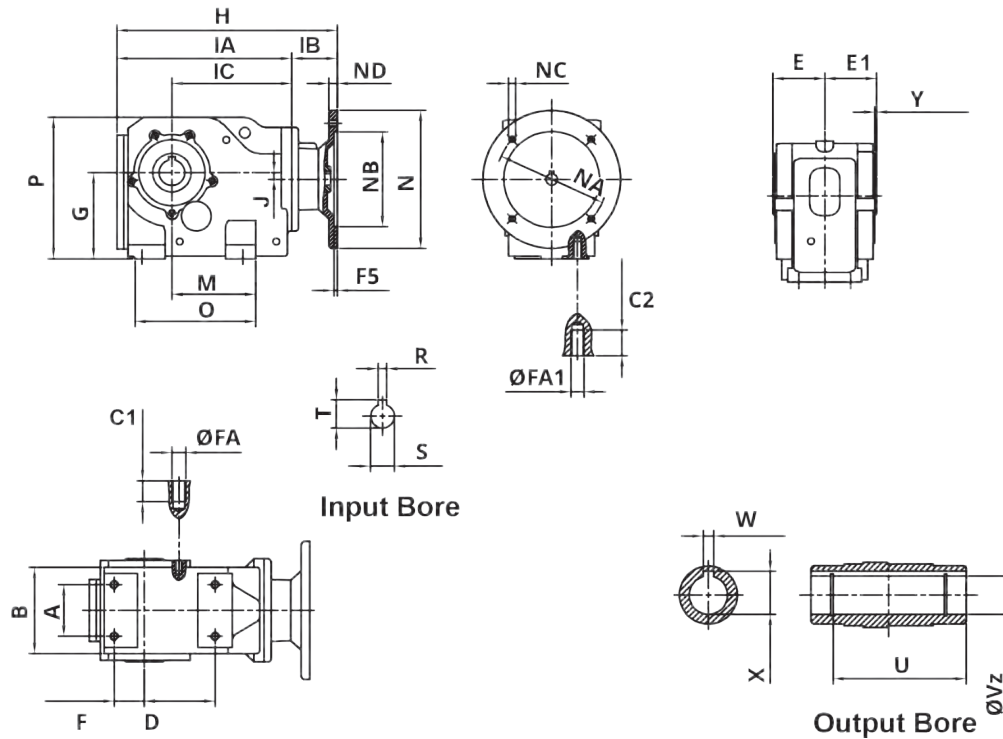


All listed dimensions in inches																					
Box Size	NEMA Frame	A	B	C1	C2	D	E	E1	F	FA	FA1	F5	G	H	IA	IB	IC	J	M	O	P
37	56C	2.36	3.94	0.47	0.79	3.23	2.48	2.36	1.38	M8	M10	0.10	3.94	11.95	8.27	3.68	5.47	0.33	3.82	5.79	6.46
	143/5TC	2.36	3.94	0.47	0.79	3.23	2.48	2.36	1.38	M8	M10	0.10	3.94	12.88	8.27	4.61	5.47	0.33	3.82	5.79	6.46
47	56C	2.76	4.33	0.47	0.79	3.94	3.07	2.95	1.57	M8	M10	0.12	4.41	13.00	9.57	3.43	6.54	0.33	4.53	6.69	7.28
	143/5TC	2.76	4.33	0.47	0.79	3.94	3.07	2.95	1.57	M8	M10	0.12	4.41	13.92	9.57	4.35	6.54	0.33	4.53	6.69	7.28
	182/4TC	2.76	4.33	0.47	0.79	3.94	3.07	2.95	1.57	M8	M10	0.12	4.41	15.38	9.57	5.81	6.54	0.33	4.53	6.69	7.28
67	56C	3.46	5.12	0.79	0.98	4.33	3.70	3.54	1.65	M12	M12	0.14	5.51	14.22	10.79	3.43	7.05	0.79	4.92	7.17	8.90
	143/5TC	3.46	5.12	0.79	0.98	4.33	3.70	3.54	1.65	M12	M12	0.14	5.51	15.14	10.79	4.35	7.05	0.79	4.92	7.17	8.90
	182/4TC	3.46	5.12	0.79	0.98	4.33	3.70	3.54	1.65	M12	M12	0.14	5.51	16.60	10.79	5.81	7.05	0.79	4.92	7.17	8.90
77	143/5TC	4.02	6.06	0.79	1.26	4.80	4.25	4.13	1.89	M12	M16	0.18	7.09	16.35	12.28	4.07	7.95	1.23	5.47	8.03	11.26
	182/4TC	4.02	6.06	0.79	1.26	4.80	4.25	4.13	1.89	M12	M16	0.20	7.09	17.77	12.28	5.49	7.95	1.23	5.47	8.03	11.26
	213/5TC	4.02	6.06	0.79	1.26	4.80	4.25	4.13	1.89	M12	M16	0.20	7.09	19.70	12.28	7.42	7.95	1.23	5.47	10.79	11.26
87	182/4TC	4.65	6.69	1.02	1.26	6.30	4.84	4.72	2.56	M16	M16	0.20	8.35	20.65	15.35	5.3	10.12	1.02	7.48	11.02	13.31
	213/5TC	4.65	6.69	1.02	1.26	6.30	4.84	4.72	2.56	M16	M16	0.20	8.35	22.57	15.35	7.22	10.12	1.02	7.48	11.02	13.31
	254/6TC	4.65	6.69	1.02	1.26	6.30	4.84	4.72	2.56	M16	M16	0.20	8.35	24.56	15.35	9.21	10.12	1.02	7.48	11.02	13.31
97	213/5TC	6.30	8.90	1.02	1.42	6.50	6.02	5.91	3.27	M16	M20	0.20	10.44	24.16	17.13	7.03	10.91	1.27	7.48	11.73	16.30
	254/6TC	6.30	8.90	1.02	1.42	6.50	6.02	5.91	3.27	M16	M20	0.20	10.44	26.15	17.13	9.02	10.91	1.27	7.48	11.73	16.30
	284/6TC	6.30	8.90	1.02	1.42	6.50	6.02	5.91	3.27	M16	M20	0.20	10.44	26.42	17.13	9.29	10.91	1.27	7.48	11.73	16.30

SEW Eurodrive dimensional data was derived from their Catalog 9PD0016/0300. Blue shaded cells indicate a dimensional difference. All dimensions are in inches.

Continued On Next Page

**KAN Series - Helical Bevel Reducers:**  
*Competitor Dimensional Comparison - SEW Eurodrive (cont.)*



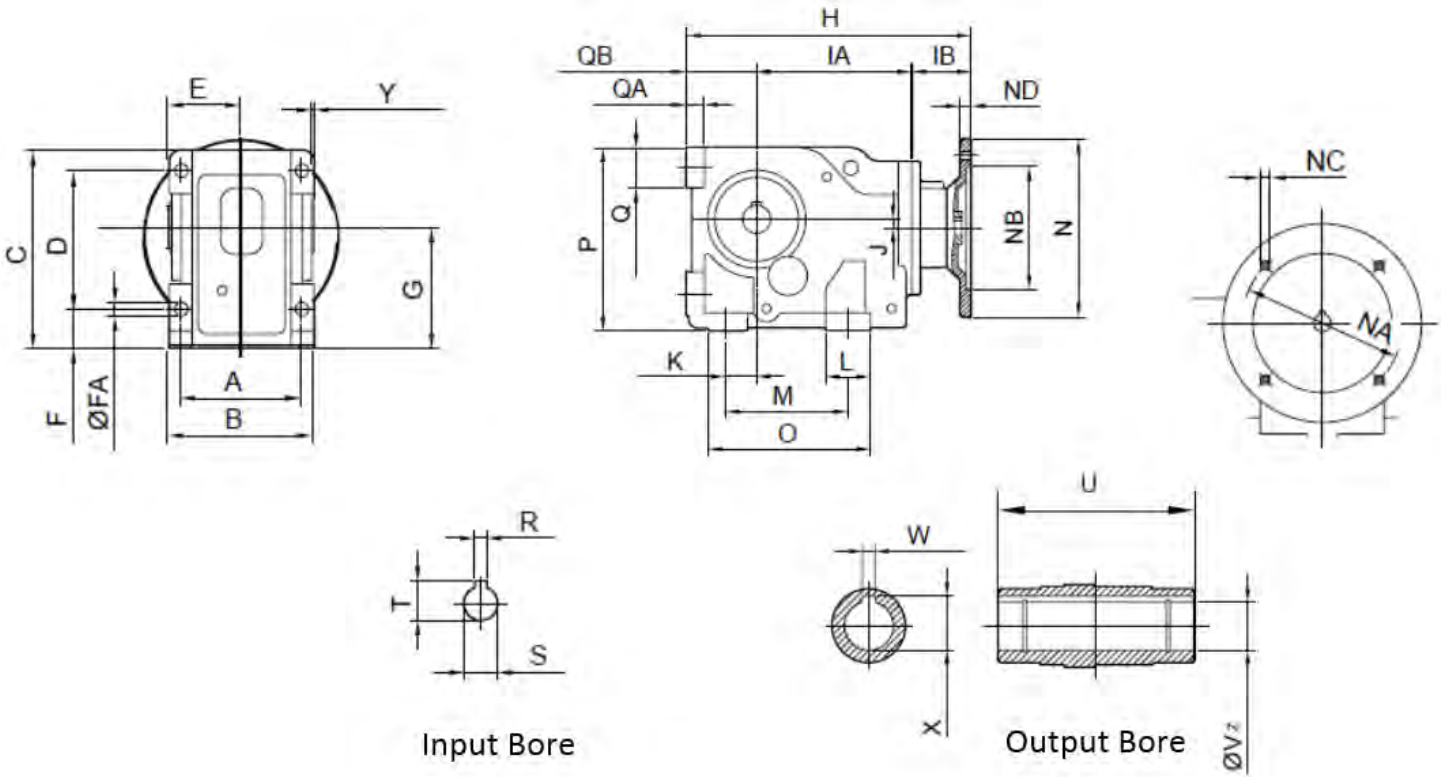
**3**  
KAN & KHN SERIES - HELICAL BEVEL GEAR REDUCERS

All listed dimensions in inches															
Box Size	NEMA Frame	FLANGE (inches)					INPUT BORE (inches)			OUTPUT BORE (inches)					BORE TOLERANCE
		N	NA	NB	NC	ND	R	S	T	U	V	W	X	Y	Z
37	56C	6.69	5.875	4.50	0.41	0.43	0.188	0.625	0.71	4.13	1.25	0.25	1.37	0.10	+ 0.001 / -0.0
	143/5TC	6.69	5.875	4.50	0.41	0.47	0.188	0.875	0.98	4.13	1.25	0.25	1.37	0.10	+ 0.001 / -0.0
47	56C	6.69	5.875	4.50	0.41	0.43	0.188	0.625	0.71	5.20	1.375	0.31	1.52	0.12	+ 0.001 / -0.0
	143/5TC	6.69	5.875	4.50	0.41	0.47	0.188	0.875	0.98	5.20	1.375	0.31	1.52	0.12	+ 0.001 / -0.0
	182/4TC	8.98	7.250	8.50	0.59	0.39	0.250	1.125	1.24	5.20	1.375	0.31	1.52	0.12	+ 0.001 / -0.0
67	56C	6.69	5.875	4.50	0.41	0.43	0.188	0.625	0.71	6.14	1.50	0.38	1.67	0.14	+ 0.001 / -0.0
	143/5TC	6.69	5.875	4.50	0.41	0.47	0.188	0.875	0.98	6.14	1.50	0.38	1.67	0.14	+ 0.001 / -0.0
	182/4TC	8.98	7.250	8.50	0.59	0.39	0.250	1.125	1.24	6.14	1.50	0.38	1.67	0.14	+ 0.001 / -0.0
77	143/5TC	6.69	5.875	4.50	0.41	0.47	0.188	0.875	0.98	7.20	2.00	0.50	2.22	0.16	+ 0.001 / -0.0
	182/4TC	6.69	7.250	8.50	0.59	0.39	0.250	1.125	1.24	7.20	2.00	0.50	2.22	0.16	+ 0.001 / -0.0
	213/5TC	8.98	7.250	8.50	0.59	0.43	0.312	1.375	1.52	7.20	2.00	0.50	2.22	0.16	+ 0.001 / -0.0
87	182/4TC	8.98	7.250	8.50	0.59	0.39	0.250	1.125	1.24	8.27	2.375	0.63	2.65	0.16	+ 0.001 / -0.0
	213/5TC	8.98	7.250	8.50	0.59	0.43	0.312	1.375	1.52	8.27	2.375	0.63	2.65	0.16	+ 0.001 / -0.0
	254/6TC	8.98	7.250	8.50	0.59	0.47	0.375	1.625	1.80	8.27	2.375	0.63	2.65	0.16	+ 0.001 / -0.0
97	213/5TC	8.98	7.250	8.50	0.59	0.43	0.312	1.375	1.52	10.63	2.75	0.63	3.03	0.16	+ 0.001 / -0.0
	254/6TC	8.98	7.250	8.50	0.59	0.47	0.375	1.625	1.80	10.63	2.75	0.63	3.03	0.16	+ 0.001 / -0.0
	284/6TC	11.26	9.000	10.50	0.59	0.79	0.500	1.875	2.10	10.63	2.75	0.63	3.03	0.16	+ 0.001 / -0.0

SEW Eurodrive dimensional data was derived from their Catalog 9PD0016/0300. Blue shaded cells indicate a dimensional difference. All dimensions are in inches.

**KHN Series - Helical Bevel Reducers:  
 Dimensions**

**3**  
 KAN & KHN SERIES - HELICAL  
 BEVEL GEAR REDUCERS



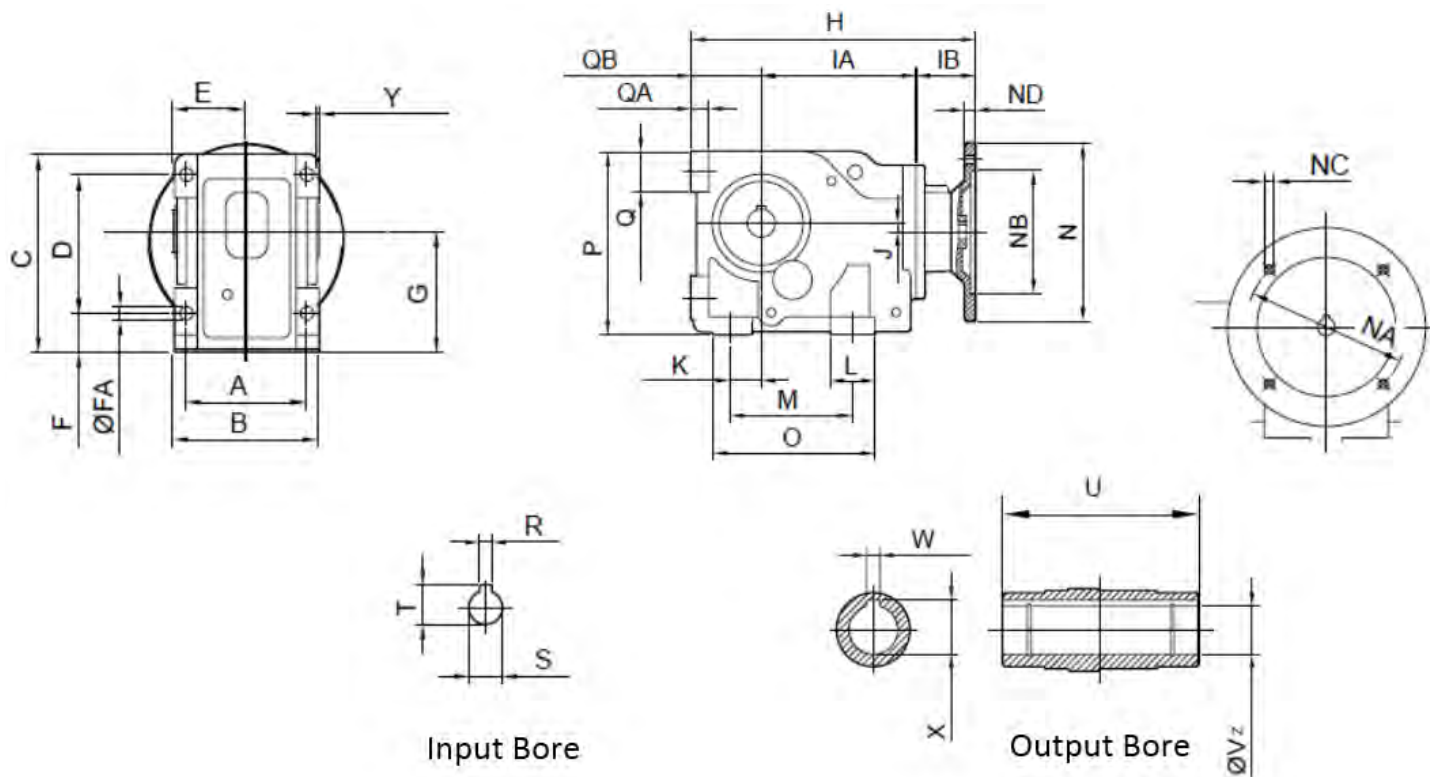
All listed dimensions in inches																		
Box Size	NEMA Frame	A	B	C	D	E	F	FA	G	H	IA	IB	J	K	L	M	O	P
37	56C	3.94	4.72	6.46	4.53	2.36	1.26	0.43	3.94	10.35	5.47	2.40	0.31	1.10	1.57	4.33	5.71	6.46
	143/5TC	3.94	4.72	6.46	4.53	2.36	1.26	0.43	3.94	10.75	5.47	2.80	0.31	1.10	1.57	4.33	5.71	6.46
47	56C	4.72	5.71	7.32	5.12	2.85	1.46	0.43	4.41	10.35	6.54	2.40	0.20	1.38	1.50	5.12	6.65	7.32
	143/5TC	4.72	5.71	7.32	5.12	2.85	1.46	0.43	4.41	10.75	6.54	2.80	0.20	1.38	1.50	5.12	6.65	7.32
	182/4TC	4.72	5.71	7.32	5.12	2.85	1.46	0.43	4.41	12.68	6.54	3.35	0.20	1.38	1.50	5.12	6.65	7.32
67	56C	5.51	6.69	8.98	6.30	3.41	1.77	0.53	5.51	12.74	7.05	2.15	0.75	1.18	1.77	4.72	6.69	8.98
	143/5TC	5.51	6.69	8.98	6.30	3.41	1.77	0.53	5.51	13.13	7.05	2.54	0.75	1.18	1.77	4.72	6.69	8.98
	182/4TC	5.51	6.69	8.98	6.30	3.41	1.77	0.53	5.51	13.23	7.05	3.27	0.75	1.18	1.77	4.72	6.69	8.98
77	143/5TC	6.50	7.87	11.54	7.87	3.94	2.17	0.69	7.09	14.69	7.95	2.32	1.47	1.57	2.56	5.91	8.66	11.54
	182/4TC	6.50	7.87	11.54	7.87	3.94	2.17	0.69	7.09	15.41	7.95	3.05	1.47	1.57	2.56	5.91	8.66	11.54
	213/5TC	6.50	7.87	11.54	7.87	3.94	2.17	0.69	7.09	17.68	7.95	5.31	1.47	1.57	2.56	5.91	8.66	11.54
87	182/4TC	7.09	8.82	13.99	9.17	4.41	2.76	0.87	8.34	15.41	10.12	2.68	1.24	2.17	3.39	7.09	11.02	13.39
	213/5TC	7.09	8.82	13.99	9.17	4.41	2.76	0.87	8.34	17.68	10.12	4.94	1.24	2.17	3.39	7.09	11.02	13.39
	254/6TC	7.09	8.82	13.99	9.17	4.41	2.76	0.87	8.34	21.24	10.12	5.93	1.24	2.17	3.39	7.09	11.02	13.39
97	213/5TC	9.45	11.42	16.42	11.61	5.71	2.95	1.02	10.43	21.83	10.91	4.63	1.82	2.95	2.99	9.45	12.20	16.42
	254/6TC	9.45	11.42	16.42	11.61	5.71	2.95	1.02	10.43	22.81	10.91	5.61	1.82	2.95	2.99	9.45	12.20	16.42
	284/6TC	9.45	11.42	16.42	11.61	5.71	2.95	1.02	10.43	23.17	10.91	5.96	1.82	2.95	2.99	9.45	12.20	16.42

Dimensions shown in this catalog are for general use only.  
 For an exact drawing on a specific rating, please contact our sales office.

Continued On Next Page



**KHN Series - Helical Bevel Reducers:  
Dimensions (cont.)**



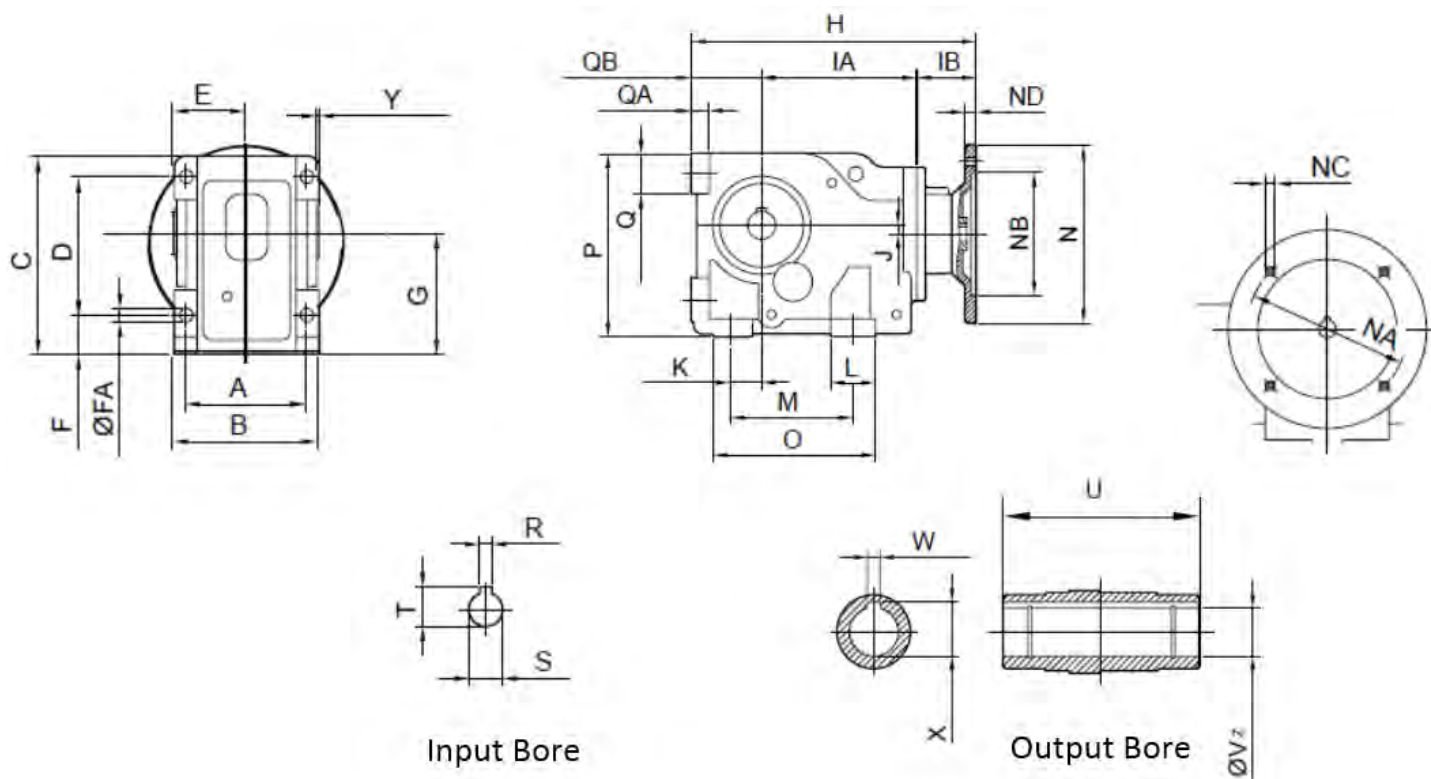
**3**  
 KAN & KHN SERIES - HELICAL  
 BEVEL GEAR REDUCERS

All listed dimensions in inches																		
Box Size	NEMA Frame	Q	QA	QB	FLANGE (inches)					INPUT BORE (inches)			OUTPUT BORE (inches)				BORE TOLERANCE	
					N	NA	NB	NC	ND	R	S	T	U	V	W	X	Y	Z
37	56C	1.42	0.63	2.48	6.50	5.875	4.50	4 x 0.41	0.39	0.188	0.625	0.71	4.72	1.250	0.25	1.37	0.08	+ .0010 / -0.0
	143/5TC	1.42	0.63	2.48	6.50	5.875	4.50	4 x 0.41	0.47	0.188	0.875	0.97	4.72	1.250	0.25	1.37	0.08	+ .0010 / -0.0
47	56C	1.34	0.71	2.80	6.50	5.875	4.50	4 x 0.41	0.39	0.188	0.625	0.71	5.90	1.375	0.31	1.52	0.10	+ .0010 / -0.0
	143/5TC	1.34	0.71	2.80	6.50	5.875	4.50	4 x 0.41	0.47	0.188	0.875	0.97	5.90	1.375	0.31	1.52	0.10	+ .0010 / -0.0
67	182/4TC	1.34	0.71	2.80	9.00	7.250	8.50	4 x 0.55	0.67	0.250	1.125	1.24	5.90	1.375	0.31	1.52	0.10	+ .0010 / -0.0
	56C	2.13	0.94	3.54	6.50	5.875	4.50	4 x 0.41	0.39	0.188	0.625	0.71	7.08	1.500	0.38	1.67	0.14	+ .0010 / -0.0
77	143/5TC	2.13	0.94	3.54	6.50	5.875	4.50	4 x 0.41	0.47	0.188	0.875	0.96	7.08	1.500	0.38	1.67	0.14	+ .0010 / -0.0
	182/4TC	2.13	0.94	3.54	9.00	7.250	8.50	4 x 0.55	0.67	0.250	1.125	1.24	7.08	1.500	0.38	1.67	0.14	+ .0010 / -0.0
87	143/5TC	2.36	1.06	4.41	6.50	5.875	4.50	4 x 0.41	0.47	0.188	0.875	0.96	8.26	2.000	0.50	2.22	0.16	+ .0011 / -0.0
	182/4TC	2.36	1.06	4.41	9.00	7.250	8.50	4 x 0.55	0.67	0.250	1.125	1.24	8.26	2.000	0.50	2.22	0.16	+ .0011 / -0.0
97	213/5TC	2.36	1.06	4.41	9.00	7.250	8.50	4 x 0.55	0.67	0.312	1.375	1.52	8.26	2.000	0.50	2.22	0.16	+ .0011 / -0.0
	182/4TC	3.46	1.26	5.20	9.00	7.250	8.50	4 x 0.55	0.67	0.250	1.125	1.24	9.44	2.375	0.63	2.65	0.16	+ .0011 / -0.0
97	213/5TC	3.46	1.26	5.20	9.00	7.250	8.50	4 x 0.55	0.67	0.312	1.375	1.52	9.44	2.375	0.63	2.65	0.16	+ .0011 / -0.0
	254/6TC	3.46	1.26	5.20	10.00	7.250	8.50	4 x 0.55	0.79	0.375	1.625	1.80	9.44	2.375	0.63	2.65	0.16	+ .0011 / -0.0
97	213/5TC	3.39	1.42	6.30	9.00	7.250	8.50	4 x 0.55	0.67	0.312	1.375	1.52	11.82	2.750	0.63	3.03	0.16	+ .0011 / -0.0
	254/6TC	3.39	1.42	6.30	10.00	7.250	8.50	4 x 0.55	0.79	0.375	1.625	1.80	11.82	2.750	0.63	3.03	0.16	+ .0011 / -0.0
97	284/6TC	3.39	1.42	6.30	11.26	9.000	10.50	4 x 0.59	0.79	0.500	1.875	2.10	11.82	2.750	0.63	3.03	0.16	+ .0011 / -0.0

Dimensions shown in this catalog are for general use only.  
For an exact drawing on a specific rating, please contact our sales office.

**KHN Series - Helical Bevel Reducers:  
Competitor Dimensional Comparison - SEW Eurodrive**

3  
KAN & KHN SERIES - HELICAL BEVEL GEAR REDUCERS

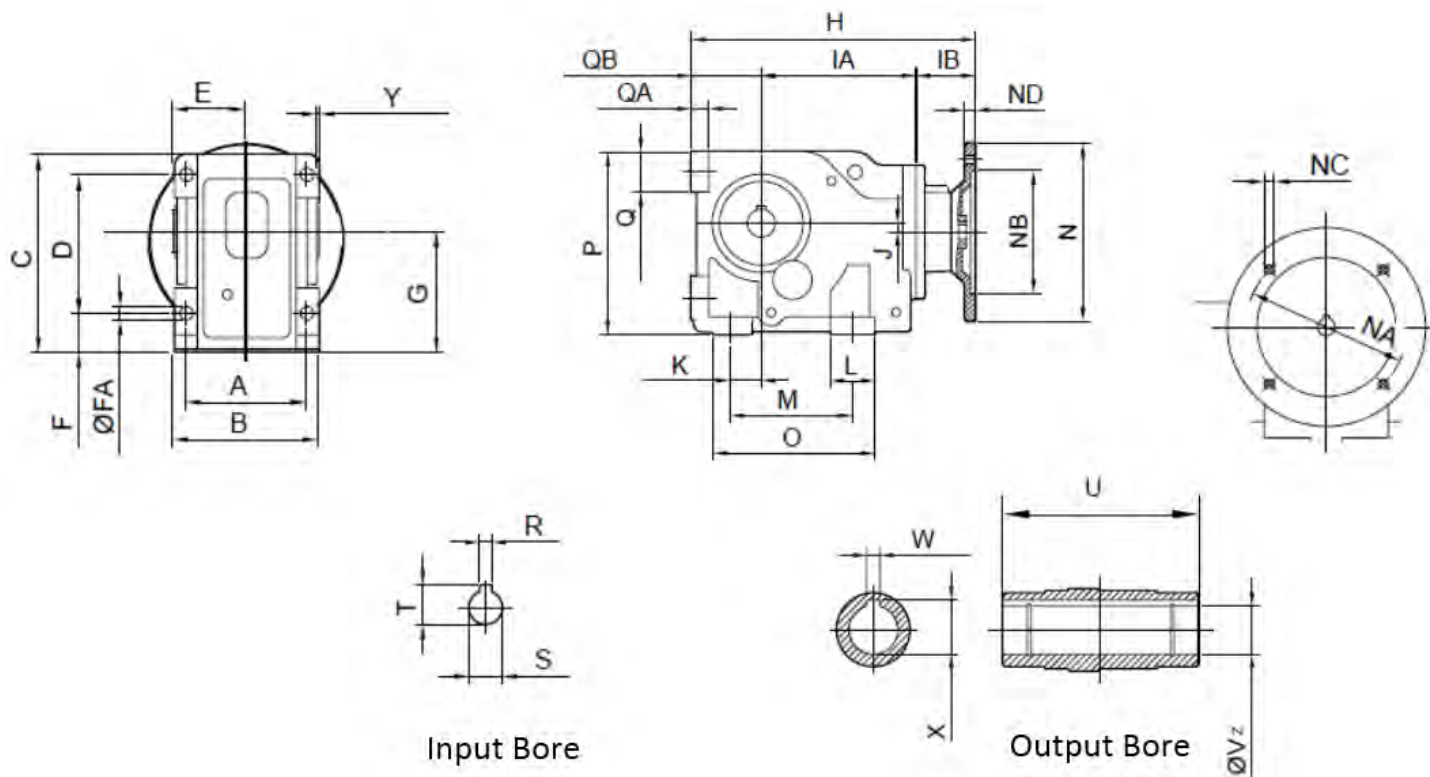


All listed dimensions in inches																		
Box Size	NEMA Frame	A	B	C	D	E	F	FA	G	H	IA	IB	J	K	L	M	O	P
37	56C	3.94	4.72	6.50	4.53	2.36	1.26	0.43	3.94	11.63	5.47	3.68	0.33	1.10	1.50	4.33	5.63	6.50
	143/5TC	3.94	4.72	6.50	4.53	2.36	1.26	0.43	3.94	12.56	5.47	4.61	0.33	1.10	1.50	4.33	5.63	6.50
47	56C	4.72	5.71	7.28	5.12	2.83	1.46	0.43	4.41	12.77	6.54	3.43	0.28	1.38	1.26	5.12	6.38	7.28
	143/5TC	4.72	5.71	7.28	5.12	2.83	1.46	0.43	4.41	13.69	6.54	4.35	0.28	1.38	1.26	5.12	6.38	7.28
	182/4TC	4.72	5.71	7.28	5.12	2.83	1.46	0.43	4.41	15.15	6.54	5.81	0.28	1.38	1.26	5.12	6.38	7.28
67	56C	5.51	6.69	8.98	6.30	3.41	1.77	0.53	5.51	14.02	7.05	3.43	0.79	1.18	1.77	4.72	6.69	8.98
	143/5TC	5.51	6.69	8.98	6.30	3.41	1.77	0.53	5.51	14.94	7.05	4.35	0.79	1.18	1.77	4.72	6.69	8.98
	182/4TC	5.51	6.69	8.98	6.30	3.41	1.77	0.53	5.51	16.40	7.05	5.81	0.79	1.18	1.77	4.72	6.69	8.98
77	143/5TC	6.50	7.87	11.34	7.87	3.98	2.17	0.69	7.09	16.43	7.95	4.07	1.23	1.57	2.17	5.91	8.19	11.34
	182/4TC	6.50	7.87	11.34	7.87	3.98	2.17	0.69	7.09	17.85	7.95	5.49	1.23	1.57	2.17	5.91	8.19	11.34
	213/5TC	6.50	7.87	11.34	7.87	3.98	2.17	0.69	7.09	19.78	7.95	7.42	1.23	1.57	2.17	5.91	8.19	11.34
87	182/4TC	7.09	9.06	13.39	9.17	4.57	2.76	0.87	8.35	20.62	10.12	5.30	1.02	2.17	2.95	7.09	10.24	13.39
	213/5TC	7.09	9.06	13.39	9.17	4.57	2.76	0.87	8.35	22.54	10.12	7.22	1.02	2.17	2.95	7.09	10.24	13.39
	254/6TC	7.09	9.06	13.39	9.17	4.57	2.76	0.87	8.35	24.53	10.12	9.21	1.02	2.17	2.95	7.09	10.24	13.39
97	213/5TC	9.45	11.41	16.42	11.61	5.75	2.95	1.02	10.43	24.24	10.91	7.03	1.27	2.95	2.36	9.45	11.57	16.42
	254/6TC	9.45	11.41	16.42	11.61	5.75	2.95	1.02	10.43	26.23	10.91	9.02	1.27	2.95	2.36	9.45	11.57	16.42
	284/6TC	9.45	11.41	16.42	11.61	5.75	2.95	1.02	10.43	26.50	10.91	9.29	1.27	2.95	2.36	9.45	11.57	16.42

SEW Eurodrive dimensional data was derived from their Catalog 9PD0016/0300. Blue shaded cells indicate a dimensional difference. All dimensions are in inches.

Continued On Next Page

**KHN Series - Helical Bevel Reducers:**  
*Competitor Dimensional Comparison - SEW Eurodrive (cont.)*



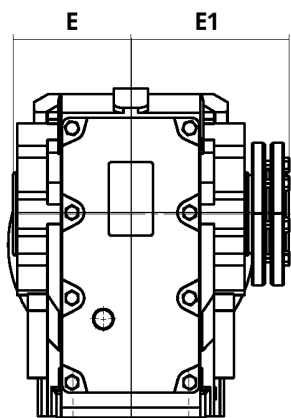
**3**  
 KAN & KHN SERIES - HELICAL  
 BEVEL GEAR REDUCERS

All listed dimensions in inches																		
Box Size	NEMA Frame	Q	QA	QB	FLANGE (inches)					INPUT BORE (inches)			OUTPUT BORE (inches)				BORE TOLERANCE	
					N	NA	NB	NC	ND	R	S	T	U	V	W	X	Y	Z
37	56C	1.42	0.63	2.48	6.69	5.875	4.50	4 x 0.41	0.43	0.188	0.625	0.71	4.72	1.250	0.25	1.37	0.10	+ .0010 / -0.0
	143/5TC	1.42	0.63	2.48	6.69	5.875	4.50	4 x 0.41	0.47	0.188	0.875	0.98	4.72	1.250	0.25	1.37	0.10	+ .0010 / -0.0
47	56C	1.34	0.71	2.80	6.69	5.875	4.50	4 x 0.41	0.43	0.188	0.625	0.71	5.90	1.375	0.31	1.52	0.12	+ .0010 / -0.0
	143/5TC	1.34	0.71	2.80	6.69	5.875	4.50	4 x 0.41	0.47	0.188	0.875	0.98	5.90	1.375	0.31	1.52	0.12	+ .0010 / -0.0
67	182/4TC	1.34	0.71	2.80	8.98	7.250	8.50	4 x 0.59	0.59	0.250	1.125	1.24	5.90	1.375	0.31	1.52	0.12	+ .0010 / -0.0
	56C	2.13	0.94	3.54	6.69	5.875	4.50	4 x 0.41	0.43	0.188	0.625	0.71	7.08	1.500	0.38	1.67	0.14	+ .0010 / -0.0
77	143/5TC	2.13	0.94	3.54	6.69	5.875	4.50	4 x 0.41	0.47	0.188	0.875	0.98	7.08	1.500	0.38	1.67	0.14	+ .0010 / -0.0
	182/4TC	2.13	0.94	3.54	8.98	7.250	8.50	4 x 0.59	0.59	0.250	1.125	1.24	7.08	1.500	0.38	1.67	0.14	+ .0010 / -0.0
87	143/5TC	2.36	1.06	4.41	6.69	5.875	4.50	4 x 0.41	0.47	0.188	0.875	0.98	8.26	2.000	0.50	2.22	0.16	+ .0011 / -0.0
	182/4TC	2.36	1.06	4.41	8.98	7.250	8.50	4 x 0.59	0.59	0.250	1.125	1.24	8.26	2.000	0.50	2.22	0.16	+ .0011 / -0.0
97	213/5TC	2.36	1.06	4.41	8.98	7.250	8.50	4 x 0.59	0.63	0.312	1.375	1.52	8.26	2.000	0.50	2.22	0.16	+ .0011 / -0.0
	182/4TC	3.46	1.26	5.20	8.98	7.250	8.50	4 x 0.59	0.59	0.250	1.125	1.24	9.44	2.375	0.63	2.65	0.16	+ .0011 / -0.0
97	213/5TC	3.46	1.26	5.20	8.98	7.250	8.50	4 x 0.59	0.63	0.312	1.375	1.52	9.44	2.375	0.63	2.65	0.16	+ .0011 / -0.0
	254/6TC	3.46	1.26	5.20	8.98	7.250	8.50	4 x 0.59	0.67	0.375	1.625	1.80	9.44	2.375	0.63	2.65	0.16	+ .0011 / -0.0
97	213/5TC	3.39	1.42	6.30	8.98	7.250	8.50	4 x 0.59	0.63	0.312	1.375	1.52	11.82	2.750	0.63	3.03	0.16	+ .0011 / -0.0
	254/6TC	3.39	1.42	6.30	8.98	7.250	8.50	4 x 0.59	0.67	0.375	1.625	1.80	11.82	2.750	0.63	3.03	0.16	+ .0011 / -0.0
97	284/6TC	3.39	1.42	6.30	11.26	9.000	10.50	4 x 0.59	0.79	0.500	1.875	2.10	11.82	2.750	0.63	3.03	0.16	+ .0011 / -0.0

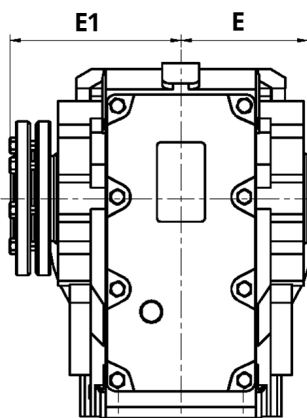
SEW Eurodrive dimensional data was derived from their Catalog 9PD0016/0300. Blue shaded cells indicate a dimensional difference. All dimensions are in inches.

**KAN and KHN Series with Power Lock - Helical Bevel Reducers:  
Dimensions**

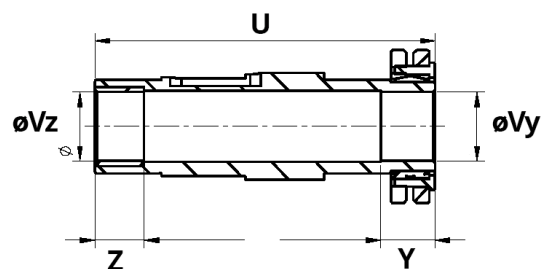
3  
KAN & KHN SERIES - HELICAL  
BEVEL GEAR REDUCERS



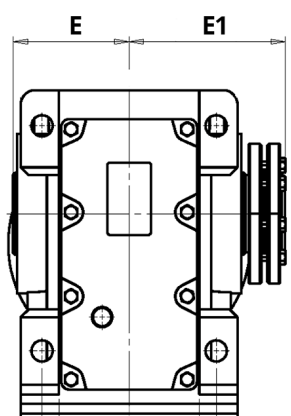
**KAN-PLL**



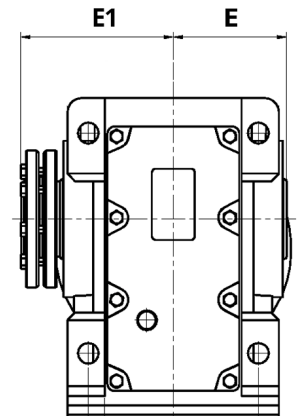
**KAN-PLR**



**OUTPUT BORE**



**KHN-PLL**



**KHN-PLR**

All listed dimensions in inches									
Box Size	Power Lock	Shaft Output Direction	E	E1	U	øVy	Z	øVz	Y
KAN87	PLL	RIGHT	4.724	6.358	11.063	2.375	1.575	2.375	--
	PLR	LEFT	6.358	4.724	11.063	2.375	1.575	2.375	--
KAN97	PLL	RIGHT	7.677	5.906	13.583	2.75	1.969	2.75	2.165
	PLR	LEFT	5.906	7.677	13.583	2.75	1.969	2.75	2.165
KHN87	PLL	RIGHT	6.358	4.724	11.063	2.375	1.575	2.375	--
	PLR	LEFT	6.358	4.724	11.063	2.375	1.575	2.375	--
KHN97	PLL	RIGHT	7.677	5.906	13.583	2.75	1.969	2.75	2.165
	PLR	LEFT	7.677	5.906	13.583	2.75	1.969	2.75	2.165

## KAN & KHN Series - Helical Bevel Reducers: Accessories

### Single Output Shafts

Used for mounting into WorldWide Electric K Series hollow bore reducers for the purpose of turning a hollow bore output unit to a shaft output unit. KHN shaft kits are compatible with the KAN series except when the KAN reducer features a B5 flange. Kit includes single output shaft, key, endplate and bolt.



Box Size	Shaft Diameter (Inches)	Shaft Length (Inches)	Model Number
37	1.00	6.852	KHN37-OPS-S
47	1.25	8.423	KHN47-OPS-S
67	1.50	10.433	KHN67-OPS-S
77	2.00	12.444	KHN77-OPS-S
87	2.375	14.405	KHN87-OPS-S
97	2.75	17.597	KHN97-OPS-S

### Double Output Shafts

KHN shaft kits are for mounting into WorldWide Electric KHN Series hollow bore reducers for the purpose of turning a hollow bore output unit to a shaft output unit. KHN shaft kits are compatible with the KAN series except when the KAN reducer features a B5 flange. Kit includes double output shaft, key, retaining ring and C-clips.



Box Size	Shaft Diameter (Inches)	Shaft Length (Inches)	Model Number
37	1.00	9.137	KHN37-OPS-DS
47	1.25	11.098	KHN47-OPS-DS
67	1.50	13.938	KHN67-OPS-DS
77	2.00	16.778	KHN77-OPS-DS
87	2.375	19.519	KHN87-OPS-DS
97	2.75	23.54	KHN97-OPS-DS

### Single Output Shaft with B5 Flange

The B5 Single Output Shaft with a B5 Flange is compatible with the KAN Series reducer. Kit includes single output shaft, key, endplate, and bolt.



Box Size	Shaft Diameter (Inches)	Shaft Length (Inches)	Model Number
37	1.00	7.559	KAN37-OPS-S-B5
47	1.25	9.137	KAN47-OPS-S-B5
67	1.50	11.063	KAN67-OPS-S-B5
77	2.00	13.583	KAN77-OPS-S-B5
87	2.375	15.275	KAN87-OPS-S-B5
97	2.75	18.898	KAN97-OPS-S-B5

### B5 Output Flange

The B5 Output Flange is compatible with the KAN Series reducer. Kit includes B5 output flange and mounting bolts.



Box Size	Model Number
37	KAN37-OPF-B5
47	KAN47-OPF-B5
67	KAN67-OPF-B5
77	KAN77-OPF-B5
87	KAN87-OPF-B5
97	KAN97-OPF-B5

### KAN Series Torque Arm

The KAN Series Torque Arm is available for box sizes 37-97 and is sold separately from the gearbox. Kit includes torque arm, mounting bolts, and lock washers.



Box Size	Model Number
37	KAN37-TA
47	KAN47-TA
67	KAN67-TA
77	KAN77-TA
87	KAN87-TA
97	KAN97-TA

3  
KAN & KHN SERIES - HELICAL BEVEL GEAR REDUCERS

## How To Read A.G.M.A. Service Factors Table

- » The ratings for gear drives in this manual are based on a service factor of 1.00, for uniform load and uniform power source, up to 10 hours of operation per day. For other operating conditions, the application horsepower or torque must be multiplied by the appropriate service factor, to determine the equivalent gear drive power rating. A gear drive should be selected with a rated capacity equal to or greater than the equivalent rating. A condensed service factor chart is located in the selection information pages for each type of gear drive or reducer.
- » A.G.M.A. Service Factors for Worm and Helical Worm Reducers are listed on pages 72-73.
- » Table 1 indicates the relationship between service factors and load classification numbers.

- » A.G.M.A. service factors are based on a uniform power source. If other power sources are used, the service factors must be converted using Table 2. Determine the required service factor with uniform power source. Locate that service factor in the first column and read straight across to obtain required service factor with multi-cylinder or single cylinder engines.
- » Service factors do not need to be used with thermal ratings.
- » Service Factor charts are for general guidelines in determining required service factors. Past experience may indicate that different service factors are required. Consult the factory for unusual or severe applications, or when there are any safety considerations.

4

A.G.M.A. SERVICE FACTOR AND LOAD CLASS INFO.

**Table 1 - Load Classification Numbers**

Load Class (S.F.)	Up to 3 Hours Total Operation Per Day	3 to 10 Hours Total Operation Per Day	Over 10 Hours Total Operation Per Day
I (1.0)	Moderate Shock Load	Uniform Load	---
II (1.4)	Heavy Shock Load	Moderate Shock Load	Uniform Load
III (2.0)	---	Heavy Shock Load	Moderate Shock Load

**Table 2 - Service Factor Conversion Based on Type of Power Source**

Steam or Gas Turbine Hydraulic or Electric Motor	Multi-Cylinder Engine	Single Cylinder Engine
1.00	1.25	1.50
1.25	1.50	1.75
1.50	1.75	2.00
1.75	2.00	2.25
2.00	2.25	2.50
2.50	2.75	3.00
3.00	3.25	3.50

## A.G.M.A. Service Factors: Worm Gear Reducers & Gearmotors

Application	Total Operation		
	< 3 Hrs. Per Day	3-10 Hrs. Per Day	> 10 Hrs. Per Day
Agitators (mixers)			
Pure liquids	---	1.00	1.25
Liquids and solids	1.00	1.25	1.50
Liquids-variable density	1.00	1.25	1.50
Blowers			
Centrifugal	---	1.00	1.25
Lobe	1.00	1.25	1.50
Vane	---	1.00	1.25
Brewing and distilling			
Bottling machinery	---	1.00	1.25
Brew kettles-continuous duty	---	1.00	1.25
Cookers-continuous duty	---	1.00	1.25
Mash tubs-continuous duty	---	1.00	1.25
Scale hopper-frequent starts	1.00	1.25	1.50
Can filling machines	---	1.00	1.25
Car dumpers	1.25	1.50	1.75
Car pullers	1.00	1.25	1.50
Clarifiers	---	1.00	1.25
Classifiers	1.00	1.25	1.50
Clay working machinery			
Brick press	1.25	1.50	1.75
Briquette machine	1.25	1.50	1.75
Pug mill	1.00	1.25	1.50
Compactors	1.50	1.75	2.00
Compressors			
Centrifugal	---	1.00	1.25
Lobe	1.00	1.25	1.50
Reciprocating, multi-cylinder	1.00	1.25	1.50
Reciprocating, single-cylinder	1.25	1.50	1.75
Conveyors-general purpose			
Uniformly loaded or fed	---	1.00	1.25
Not uniformly fed	1.00	1.25	1.50
Reciprocating or shaker	1.25	1.50	1.75

Application	Total Operation		
	< 3 Hrs. Per Day	3-10 Hrs. Per Day	> 10 Hrs. Per Day
Cranes			
Dry dock			
Main hoist	1.25	1.50	1.75
Auxiliary hoist	1.25	1.50	1.75
Boom hoist	1.25	1.50	1.75
Slewing drive	1.25	1.50	1.75
Traction drive	1.50	1.50	1.50
Container			
Main hoist	---	---	---
Boom hoist	---	---	---
Trolley drive, Gantry drive	---	---	---
Trolley drive, Traction drive	---	---	---
Mill duty			
Main hoist	---	---	---
Auxiliary	---	---	---
Bridge	---	---	---
Trolley travel	---	---	---
Industrial duty			
Main	---	---	---
Auxiliary	---	---	---
Bridge	---	---	---
Trolley travel	---	---	---
Crushers			
Stone or ore	1.50	1.75	2.00
Dredges			
Cable reels	1.00	1.25	1.50
Conveyors	1.00	1.25	1.50
Cutter head drives	1.25	1.50	1.75
Pumps	1.00	1.25	1.50
Screen drives	1.25	1.50	1.75
Stackers	1.00	1.25	1.50
Winches	1.00	1.25	1.50
Elevators			
Bucket	1.00	1.25	1.50
Centrifugal discharge	---	1.00	1.25
Escalators	---	---	---
Freight	---	---	---
Gravity discharge	---	1.00	1.25

Application	Total Operation		
	< 3 Hrs. Per Day	3-10 Hrs. Per Day	> 10 Hrs. Per Day
Extruders			
General	1.25	1.25	1.25
Plastics			
Variable speed drive	1.50	1.50	1.50
Fixed speed drive	1.75	1.75	1.75
Rubber			
Continuous screw operation	1.50	1.50	1.50
Intermittent screw operation	1.75	1.75	1.75
Fans			
Centrifugal	---	1.00	1.25
Cooling towers	---	---	---
Forced draft	1.25	1.25	1.25
Induced draft	1.00	1.25	1.50
Industrial and mine	1.00	1.25	1.50
Feeders			
Apron	---	1.25	1.50
Belt	1.00	1.25	1.50
Disc	---	1.00	1.25
Reciprocating	1.25	1.50	1.75
Screw	1.00	1.25	1.50
Food industry			
Cereal cooker	---	1.00	1.25
Dough mixer	1.00	1.25	1.50
Meat grinders	1.00	1.25	1.50
Slicers	1.00	1.25	1.50
Generators and exciters	---	1.00	1.25
Hammer mills	1.50	1.50	1.75
Hoists			
Heavy duty	1.25	1.50	1.75
Medium duty	1.00	1.25	1.50
Skip hoist	1.00	1.25	1.50
Laundry			
Tumblers	1.00	1.25	1.50
Washers	1.25	1.25	1.50

**A.G.M.A. Service Factors: Worm Gear Reducers & Gearmotors (cont.)**

Application	Total Operation			Application	Total Operation			Application	Total Operation		
	< 3 Hrs. Per Day	3-10 Hrs. Per Day	> 10 Hrs. Per Day		< 3 Hrs. Per Day	3-10 Hrs. Per Day	> 10 Hrs. Per Day		< 3 Hrs. Per Day	3-10 Hrs. Per Day	> 10 Hrs. Per Day
Lumber industry				Paper mills				Pumps			
Barkers-spindle feed	1.25	1.25	1.50	Agitator (mixer)	1.50	1.50	1.50	Centrifugal			
Main drive	1.50	1.50	1.50	Agitator for pure liquors	1.25	1.25	1.25	Proportioning	---	1.00	1.25
Conveyors-burner	1.25	1.25	1.50	Barking drums	1.75	1.75	1.75	Reciprocating	1.00	1.25	1.50
Main or heavy duty	1.50	1.50	1.50	Barkers - mechanical	1.75	1.75	1.75	Single acting, 3 or more			
Main log	1.50	1.50	1.75	Beater	1.50	1.50	1.50	cylinders	1.00	1.25	1.50
Re-saw, merry-go-round	1.25	1.25	1.50	Breaker stack	1.25	1.25	1.25	Double acting, 2 or more	1.00	1.25	1.50
Conveyors				Calender 2)	1.25	1.25	1.25	cylinders			
Slab	1.50	1.50	1.75	Chipper	1.75	1.75	1.75	Rotary	---	1.00	1.50
Transfer	1.25	1.25	1.50	Chip feeder	1.50	1.50	1.50	Gear type	---	1.00	1.25
Chains				Coating rolls	1.25	1.25	1.25	Lobe	---	1.00	1.25
Floor	1.50	1.50	1.50	Conveyors				Vane			
Green	1.50	1.50	1.50	Chip, bark, chemical	1.25	1.25	1.25	Rubber industry			
Cut-off saws				Log (including slab)	1.75	1.75	1.75	Intensive internal mixers			
Chain	1.50	1.50	1.50	Couch rolls	1.25	1.25	1.25	Batch mixers	1.50	1.70	1.75
Drag	1.50	1.50	1.50	Cutter	1.75	1.75	1.75	Continuous mixers	1.25	1.50	1.50
Debarking drums	1.50	1.50	1.75	Cylinder molds	1.25	1.25	1.25	Mixing mill - 2 smooth rolls (if			
Feeds				Dryers 2)				corrugated rolls are used, then			
Edger	1.25	1.25	1.50	Paper machine	1.25	1.25	1.25	use the same service factors			
Gang	1.50	1.50	1.50	Conveyor type	1.25	1.25	1.25	that are used for a cracker warmer)	1.50	1.50	1.50
Trimmer	1.25	1.25	1.50	Embosser	1.25	1.25	1.25	Batch drop mill - 2 smooth rolls	1.50	1.50	1.50
Log deck	1.50	1.50	1.50	Extruder	1.50	1.50	1.50	Cracker warmer-2rolls,1 corrugated roll	1.75	1.75	1.75
Log hauls-incline-well type	1.50	1.50	1.50	Fourdrinier rolls	1.25	1.25	1.25	Cracker - 2 corrugated rolls	1.75	1.75	1.75
Log turning devices	1.50	1.50	1.50	(includes lump breaker, dandy				Holding, feed & blend mill - 2 rolls	1.25	1.25	1.25
Planer feed	1.25	1.25	1.50	roll, wire turning, and return rolls)				Refiner - 2 rolls	1.50	1.50	1.50
Planer tilting hoists	1.50	1.50	1.50	Jordan	1.25	1.25	1.25	Calenders	1.50	1.50	1.50
Rolls-live-off bearing-roll cases	1.50	1.50	1.50	Kiln drive	1.50	1.50	1.50	Sand muller	1.00	1.25	1.50
Sorting table	1.25	1.50	1.50	Mt. Hope roll	1.25	1.25	1.25	Sewage disposal equipment			
Tipple hoist	1.25	1.25	1.50	Paper rolls	1.25	1.25	1.25	Bar screens	---	1.00	1.25
Transfers				Platter	1.50	1.50	1.50	Chemical feeders	1.00	1.00	1.25
Chain	1.50	1.50	1.50	Presses - felt & suction	1.25	1.25	1.25	Dewatering screens	1.00	1.25	1.50
Craneway	1.50	1.50	1.50	Pulper	1.50	1.50	1.75	Scum breakers	1.00	1.25	1.50
Tray drives	1.25	1.25	1.50	Pumps - vacuum	1.50	1.50	1.50	Slow or rapid mixers	1.00	1.25	1.50
Veneer lathe drives	---	---	---	Reel (surface type)	1.25	1.25	1.50	Sludge collectors	1.00	1.00	1.25
Metal mills				Screens				Thickeners	1.00	1.25	1.50
Drawbench carriage and main drive	1.00	1.25	1.50	Chip	1.50	1.50	1.50	Vacuum filters	1.00	1.25	1.50
Runout table				Rotary	1.50	1.50	1.50	Screens			
Non-reversing, Group drives	1.00	1.25	1.50	Vibrating	1.75	1.75	1.75	Air washing	---	1.00	1.25
Non-reversing, Individual drives	1.50	1.50	1.75	Size press	1.25	1.25	1.25	Rotary - stone or gravel	1.00	1.25	1.50
Reversing	1.50	1.50	1.75	Super calender 3)	1.25	1.25	1.25	Traveling water intake	---	1.00	1.25
Slab pushers	1.25	1.25	1.50	Thickener (AC motor)	1.50	1.50	1.50	Sugar industry			
Shears	1.50	1.50	1.75	(DC motor)	1.25	1.25	1.25	Beet slicer	1.50	1.50	1.75
Wire drawing	1.00	1.25	1.50	Washer (AC motor)	1.50	1.50	1.50	Cane knives	1.50	1.50	1.50
Wire winding machine	1.00	1.25	1.50	(DC motor)	1.25	1.25	1.25	Crushers	1.50	1.50	1.50
Metal strip processing machinery				Wind and unwind stand	1.00	1.00	1.00	Mills (low speed end)	1.50	1.50	1.50
Bridles	1.25	1.25	1.50	Winders (surface type)	1.25	1.25	1.25	Textile industry			
Coilers and uncoilers	1.00	1.00	1.25	Yankee dryers 2)	1.25	1.25	1.25	Batchers	1.00	1.25	1.50
Edge trimmers	1.00	1.25	1.50	Plastic industry				Calenders	1.00	1.25	1.50
Flatteners	1.25	1.25	1.50	Primary processing				Cards	1.00	1.25	1.50
Loopers (accumulators)	1.00	1.00	1.00	Intensive internal mixers				Dry cans	1.00	1.25	1.50
Pinch rolls	1.25	1.25	1.50	Batch mixers	1.75	1.75	1.75	Dryers	1.00	1.25	1.50
Scrap choppers	1.00	1.25	1.50	Continuous mixers	1.50	1.50	1.50	Dyeing machinery	1.00	1.25	1.50
Shears	1.50	1.50	1.75	Batch drop mill - 2 smooth rolls	1.25	1.25	1.25	Looms	1.00	1.25	1.50
Slitters	1.00	1.25	1.50	Continuous feed, holding, blend mill	1.25	1.25	1.25	Mangles	1.00	1.25	1.50
Mills, rotary type				Compounding mill	1.25	1.25	1.25	Nappers	1.00	1.25	1.50
Ball & rod				Calenders	1.50	1.50	1.50	Pads	1.00	1.25	1.50
Spur ring gear	1.50	1.50	1.75	Secondary processing				Slashers	1.00	1.25	1.50
Helical ring gear	1.50	1.50	1.50	Blow molders	1.50	1.50	1.50	Soapers	1.00	1.25	1.50
Direct connected	1.50	1.50	1.75	Coating	1.25	1.25	1.25	Spinners	1.00	1.25	1.50
Cement kilns	1.50	1.50	1.50	Film	1.25	1.25	1.25	Tenter frames	1.00	1.25	1.50
Dryers & coolers	1.50	1.50	1.50	Pipe	1.25	1.25	1.25	Washers	1.00	1.25	1.50
Mixers				Pre-plasticizers	1.50	1.50	1.50	Winders	1.00	1.25	1.50
Concrete	1.00	1.25	1.50	Rods	1.25	1.25	1.25				
				Sheet	1.25	1.25	1.25				
				Tubing	1.25	1.25	1.50				
				Pullers - barge haul	1.00	1.50	1.75				

**4**  
 A.G.M.A. SERVICE FACTOR  
 AND LOAD CLASS INFO.

**A.G.M.A. Load Classifications for Shaft Mount Reducers**

**4**

**A.G.M.A. SERVICE FACTOR AND LOAD CLASS INFO.**

Application	Total Operation			Application	Total Operation			Application	Total Operation		
	< 3 Hrs. Per Day	3-10 Hrs. Per Day	> 10 Hrs. Per Day		< 3 Hrs. Per Day	3-10 Hrs. Per Day	> 10 Hrs. Per Day		< 3 Hrs. Per Day	3-10 Hrs. Per Day	> 10 Hrs. Per Day
Agitators (mixers)				Laundry				Paper mills (Continued)			
Pure liquids	I	I	II	Tumblers	II	II	II	Screens			
Liquids and solids	I	II	II	Washers	II	II	III	Chip	II	II	II
Liquids-variable density	I	II	II	Lumber industry				Rotary	II	II	II
Blowers				Barkers-spindle feed	II	II	II	Vibrating	III	III	III
Centrifugal	I	I	II	Main drive	III	III	III	Size press	II	II	II
Lobe	I	II	II	Conveyors-burner	II	II	II	Super calender (3)	II	II	II
Vane	I	II	II	Main or heavy duty	II	II	II	Thickener (AC motor)	II	II	II
Brewing and distilling				Main log	III	III	III	(DC motor)	II	II	II
Bottling machinery	I	I	II	Re-saw, merry-go-round	II	II	II	Washer (AC motor)	II	II	II
Brew kettles-continuous duty	II	II	II	Conveyors	III	III	III	(DC motor)	II	II	II
Cookers-continuous duty	II	II	II	Slab	III	III	III	Wind and unwind stand	I	I	I
Mash tubs-continuous duty	II	II	II	Transfer	II	II	II	Winders (surface type)	II	II	II
Scale hopper-frequent starts	II	II	II	Chains				Yankee dryers (2)	II	II	II
Can filling machines	I	I	II	Floor	II	II	II	Plastic industry			
Car dumpers	I	III	III	Green	II	II	III	Primary processing			
Car pullers	I	II	II	Cut-off saws				Intensive internal mixers			
Clarifiers	I	I	II	Chain	II	II	III	Batch mixers	III	III	III
Classifiers	I	II	II	Drag	II	II	III	Continuous mixers	II	II	II
Clay working machinery				Debarking drums	III	III	III	Batch drop mill - 2 smooth rolls	II	II	II
Brick press	II	III	III	Feeds				Continuous feed, holding, blend mill	II	II	II
Briquette machine	II	III	III	Edger	II	II	II	Calenders	II	II	II
Pug mill	I	II	II	Gang	III	III	III	Secondary processing			
Compactors	III	III	III	Trimmer	II	II	II	Blow molders	II	II	II
Compressors				Log deck	III	III	III	Coating	II	II	II
Centrifugal	I	I	II	Log hauls-incline-well type	III	III	III	Film	II	II	II
Lobe	II	II	III	Log turning devices	III	III	III	Pipe	II	II	II
Reciprocating, multi-cylinder	II	II	III	Planer feed	II	II	II	Pre-plasticizers	II	II	II
Reciprocating, single-cylinder	III	III	III	Planer tilting hoists	III	III	III	Rods	II	II	II
Cranes (1)				Rolls-live-off bearing-roll cases	III	III	III	Sheet	II	II	II
Dry dock	2.50	2.50	2.50	Sorting table	II	II	II	Tubing	II	II	II
Main hoist	2.50	2.50	3.00	Tipple hoist	II	II	II	Pullers - barge haul	II	II	II
Auxiliary hoist	2.50	2.50	3.00	Transfers				Pumps			
Boom hoist	2.50	2.50	3.00	Chain	II	II	III	Centrifugal	I	I	II
Slewing drive	2.50	2.50	3.00	Craneway	II	II	III	Proportioning	II	II	II
Traction drive	3.00	3.00	3.00	Tray drives	II	II	II	Reciprocating	II	II	II
Container				Veneer lathe drives	II	II	II	Single acting, 3 or more cylinders	II	II	II
Main hoist	3.00	3.00	3.00	Metal mills				Double acting, 2 or more	II	II	II
Boom hoist	2.00	2.00	2.00	Draw bench carriage and main drive	II	II	II	Cylinders			
Trolley drive, Gantry drive	3.00	3.00	3.00	Runout table	II	II	II	Rotary	I	I	II
Trolley drive, Traction drive	2.00	2.00	2.00	Non-reversing, Group drives	III	III	III	Gear type	I	I	II
Mill duty				Non-reversing, Individual drives	III	III	III	Lobe	I	I	II
Main hoist	3.50	3.50	3.50	Reversing	III	III	III	Vane	I	I	II
Auxiliary	3.50	3.50	3.50	Slab pushers	II	II	II	Rubber industry			
Bridge	2.50	3.00	3.00	Shears	III	III	III	Intensive internal mixers			
Trolley travel	2.50	3.00	3.00	Wire drawing	II	II	II	Batch mixers	III	III	III
Industrial duty				Wire winding machine	II	II	II	Continuous mixers	II	II	II
Main	2.50	2.50	3.00	Metal strip processing machinery				Mixing mill - 2 smooth rolls	II	II	II
Auxiliary	2.50	2.50	3.00	Bridles	II	II	II	Mixing mill - 1 or 2 corrugated rolls	III	III	III
Bridge	2.50	3.00	3.00	Coilers and uncoilers	I	I	II	Batch drop mill - 2 smooth rolls	II	II	II
Trolley travel	2.50	3.00	3.00	Edge trimmers	I	II	II	Cracker warmer - 2 rolls; 1 corrugated roll	III	III	III
Crushers				Flatteners	II	II	II	Cracker - 2 corrugated rolls	III	III	III
Stone or ore	III	III	III	Loopers (accumulators)	I	I	I	Holding, feed & blend mill - 2 rolls	II	II	II
Dredges				Pinch rolls	II	II	II	Refiner - 2 rolls	II	II	II
Cable reels	II	II	II	Scrap choppers	II	II	II	Calenders	II	II	II
Conveyors	II	II	II	Shears	III	III	III	Sand muller	II	II	II
Cutter head drives	III	III	III	Slitters	I	II	II	Sewage disposal equipment			
Pumps	III	III	III	Mills, rotary type				Bar screens	II	II	II
Screen drives	III	III	III	Ball & rod				Chemical feeders	II	II	II
Stackers	II	II	II	Spur ring gear	III	III	III	Dewatering screens	II	II	II
Winches	II	II	II	Helical ring gear	III	II	II	Scum breakers	II	II	II
Elevators				Direct connected	III	III	III	Slow or rapid mixers	II	II	II
Bucket	I	II	II	Cement kilns	II	II	II	Sludge collectors	II	II	II
Centrifugal discharge	I	I	II	Dryers & coolers	II	II	II	Thickeners	II	II	II
Escalators	I	II	II	Mixers				Vacuum filters	II	II	II
Freight	I	II	II	Concrete	II	II	II	Screens			
Gravity discharge	I	I	II	Paper mills				Air washing	I	I	II
Extruders				Agitator (mixer)	II	II	II	Rotary - stone or gravel	II	II	II
General	II	II	II	Agitator for pure liquors	II	II	II	Traveling water intake	I	I	I
Plastics				Barking drums	III	III	III	Screw conveyors			
Variable speed drive	III	III	III	Barkers - mechanical	III	III	III	Uniformly loaded or fed	I	I	II
Fixed speed drive	III	III	III	Beater	II	II	II	Heavy duty	I	II	II
Rubber				Breaker stack	II	II	II	Sugar industry			
Continuous screw operation	III	III	III	Calender (2)	II	II	II	Beet slicer	III	III	III
Intermittent screw operation	III	III	III	Chipper	III	III	III	Cane knives	II	II	II
Fans				Chip feeder	III	III	III	Crushers	II	II	II
Centrifugal	I	I	II	Coating rolls	II	II	II	Mills (low speed end)	III	III	III
Cooling towers	III	III	III	Conveyors				Textile industry			
Forced draft	II	II	II	Chip, bark, chemical	II	II	II	Batchers	II	II	II
Induced draft	II	II	II	Log (including slab)	III	III	III	Calenders	II	II	II
Industrial and mine	II	II	II	Couch rolls	II	II	II	Gards	II	II	II
Feeders				Cutter	II	II	II	Dry cans	II	II	II
Apron	I	II	II	Cylinder molds	III	III	III	Dryers	II	II	II
Belt	I	II	II	Dryers (2)	II	II	II	Dyeing machinery	II	II	II
Disc	I	I	II	Paper machine	II	II	II	Looms	II	II	II
Reciprocating	II	III	III	Conveyor type	II	II	II	Mangles	II	II	II
Screw	I	II	II	Embosser	II	II	II	Nappers	II	II	II
Food industry				Extruder	II	II	II	Pads	II	II	II
Cereal cooker	I	I	II	Fourdrinier rolls	II	II	II	Slashers	II	II	II
Dough mixer	II	II	II	(includes lump breaker, dandy roll, wire turning, and return rolls)	II	II	II	Soapers	II	II	II
Meat grinders	II	II	II	Jordan	II	II	II	Spinners	II	II	II
Slicers	I	II	II	Kiln drive	II	II	II	Tenter frames	II	II	II
Generators and exciters	II	II	II	Mt. Hope roll	II	II	II	Washers	II	II	II
Hammer mills	III	III	III	Paper rolls	II	II	II	Winders	II	II	II
Hoists				Platter	II	II	II				
Heavy duty	III	III	III	Presses - felt & suction	II	II	II				
Medium duty	II	II	II	Pulper	III	III	III				
Skip hoist	II	II	II	Pumps - vacuum	II	II	II				
				Reel (surface type)	II	II	II				

□ (1) Crane drives are to be selected based on gear tooth bending strength, using the numeric service factors in this table. Service factor in durability shall be a minimum of 1.00.  
 □ (2) Anti-friction bearings only.  
 □ (3) A class number of I may be applied at base speed of a super calender operating over-speed range or part range constant horsepower, part range constant torque where the constant horsepower speed range is greater than 1.5 to 1. A class number of II is applicable to super calenders operating over the entire speed range at constant torque or where the constant horsepower speed range is less than 1.5 to 1.



## Terms and Conditions of Sale

1. **WARRANTY** – WORLDWIDE ELECTRIC CORPORATION (“SELLER”) MAKES NO WARRANTY OF MERCHANTABILITY OR FITNESS FOR ANY PARTICULAR PURPOSE IN RESPECT TO THE PRODUCT AND THERE IS NO WARRANTY EXPRESS OR IMPLIED EXCEPT THAT THE PRODUCT SHALL BE OF THE KIND AND QUALITY DESCRIBED IN THE SPECIFICATIONS.
2. **DELIVERY** – Unless otherwise stated, delivery will be made f.o.b. point of shipment. Shipping dates are approximate and are based on the prompt receipt of all necessary information from the purchaser.
3. **LOSS, DAMAGE OR DELAY** – Seller shall not be liable for loss, damage, detention, or delay resulting from causes beyond its reasonable control or from fire, strike or other concerted action of workmen, act or omission of any Governmental authority or of the Purchaser, insurrection or riot, embargo, car shortage, wreck or delay in transportation, or inability to obtain necessary labor, materials, or manufacturing facilities from usual sources. In the event of delay due to any such cause, the date of delivery will be postponed by such length of time as may be reasonably necessary to compensate for the delay.
4. **RISK OF LOSS** – Risk of loss of the product, or any part of the same, shall pass to the Purchaser upon delivery of such product or part.
5. **PAYMENTS** – If, in the judgment of Seller, the financial condition of the Purchaser at any time prior to shipment does not support the terms of payment specified, Seller may require full or partial payment in advance. Pro-rata payments shall become due as shipments are made. If shipments are delayed by the Purchaser, payments shall become due from date when Seller is prepared to make shipment. If manufacture is delayed by the Purchaser, payment shall be made based on the contract price and percent of completion. Products held for Purchaser shall be at the risk and expense of the Purchaser.
6. **PAYMENT BY CREDIT CARD** – If Seller accepts payment by credit card, Purchaser agrees to pay the issuer of the credit card the total amount shown on this invoice upon presentation of a bill, without offset or deduction.
7. **PRICES** – Prices are those in effect at time of shipment. In the event of a published increase or reduction in prices by Seller, the new price will become effective immediately on the unshipped portion of the order, unless stated at the time of the change. In no case, however, will a reduction in price be retroactive to shipments made prior to the date of the price change. Purchaser’s order will be entered promptly upon acceptance by Seller and will not thereafter be subject to Cancellation nor to Deferment of Deliveries without Seller’s written consent, except upon terms which take into proper account the work already done and commitments made by Seller. Prices include the Seller’s standard packing for domestic shipments.
8. **LIMITATION OF LIABILITY** – In no event shall Seller be liable for any special, indirect, incidental, consequential or punitive damages, including but not limited to damages for lost profits or business opportunities or damage to reputation. Seller’s maximum liability for any breach of contract or sale, or any other claim related to the product sold hereunder, shall be limited to the price of the product, or portion thereof, on which such liability is based.
9. **GOVERNING LAW/JURISDICTION/VENUE** – This sale shall be governed by and construed in accordance with the laws of the State of New York, without regard to its conflicts of laws principles, and shall be deemed entered into at Seller’s principal place of business in New York. By purchasing Seller’s product, Purchaser expressly consents, for any litigation arising out of or related to the sale, to the exclusive jurisdiction and venue of the courts of competent jurisdiction located in Monroe County, New York (i.e., the U.S. District Court, Western District of New York, and the New York State Supreme Court, County of Monroe) and waives the right and hereby agrees not to assert, by way of motion, defense or otherwise in any proceeding brought in either of such courts, any claim that it is not subject to the personal jurisdiction of such court, that such proceeding is brought in an inconvenient forum, or that the venue of such proceeding is improper.
10. **TERMINATION** – Any order or contract may be terminated by the Purchaser only upon payment of reasonable charges based upon expenses already incurred and commitments made by Seller.
11. **RETURN OF GOODS** – No product or part shall be returned to the Seller without written authorization and shipping instructions first having been obtained from the Seller. Returns may be subject to freight charge and/or restocking charge, as circumstances dictate.
12. **REPAIR POLICY** – Positively no allowance will be made for repairs if made by others without Seller’s written consent.
13. **NO ASSIGNMENT** – Purchaser’s obligations are not transferable or assignable by operation of law, change of control or ownership, or otherwise, without prior written consent of Seller.

## Return Policy

1. All WorldWide Electric products (electric motors, motor controls and gearing products) that are purchased as normal stock items may be returned, with freight to be paid, back to the closest WorldWide Electric warehouse by the customer.
2. Any returned products must be new, undamaged and in original cartons/packaging. Final credit will not be issued until WorldWide Electric has verified the products/shipping cartons as such.
3. All RGA requests must be made within 90 days of original purchase.
4. If the returned products were ordered incorrectly by the customer, 20% will be levied as a restocking charge which carries a minimum \$75 charge.
5. If the customer places an order equal to or greater than the goods being returned, then the restocking charge will be 10% (minimum \$75 charge).
6. If the product being returned was originally shipped to the customer prepaid and allowed, the original freight charge will be deducted from the return credit.
7. If the returned products are not in original condition (as well as the packaging), there will be additional fees applied to repair and/or replace those parts/products.

4

TERMS AND WARRANTY  
 INFORMATION

## Freight Terms

Freight terms are as follows on all orders shipped from any of our warehouses. All products can be assorted from all three divisions; motors, controls and gearing.

FedEx / UPS may be utilized for shipments under 100 lbs. and billed on a prepaid and add basis (excluding cast iron motors and gear reducer products). Customers may always choose to have their shipment sent freight collect.

\$5,000 +	Truck - Prepaid and Allowed
\$1,000 - \$4,999	Truck - 10% of Invoice - Prepaid and Add
\$0 - \$999	Truck - \$100 Minimum - Prepaid and Add

### Special Freight Prepaid Programs

#### Worm Gear Reducers: 25 + Pieces Assorted, Prepaid and Allowed

Orders may be picked up from any of our warehouses as a will call. We would prefer a one-hour advance notification for orders to be picked up. However, allowances will be made for special rush and urgent situations. Freight terms are as follows on all orders shipped from any of our warehouses.

### Additional Freight Services

Delivery Appointment	\$65.00
Liftgate Delivery	\$200.00
Residential Delivery	\$125.00
Expedited Delivery	Please Call For Quote

# ADDITIONAL PRODUCTS FROM WORLDWIDE

*Call 1-800-808-2131 and request additional catalogs today!*

## WorldWide Electric Motors

- Fractional Motors
  - General Purpose
  - Jet Pump
  - Stainless Steel / Washdown Duty
  - Permanent Magnet DC
- Integral Motors
  - Farm Duty
  - Stainless Steel
  - Open Drip Proof (ODP)
  - Premium Efficient Severe Duty
  - Explosion Proof
  - Advanced Design Rock Crusher
  - Oil Well and Close Coupled Pump
  - Vertical Hollow Shaft
  - Louis Allis IEEE 45 Marine-Duty



## Hyundai Electric Motors

- Crown Triton™ Series
  - Premium Efficiency
  - Severe Duty Large Frame
  - IEEE-841

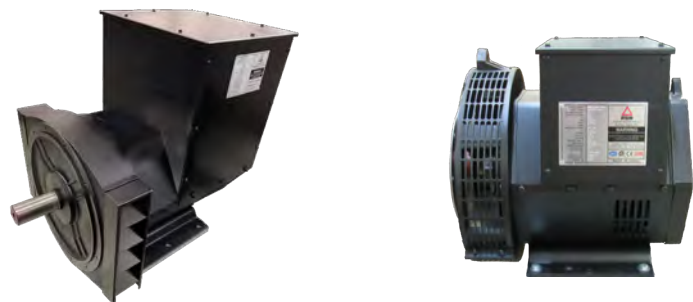
## Motor Controls

- Variable Frequency Drives
  - Chassis and Enclosed
- Soft Starters
- Across-Line Starters
- Contactors
- Overload Relays
- Pressure Switches
- Alternator Relays
- Drum Controllers
- Safety Switches
- Pilot Devices



## ATHLON Classic Plus Generators

- Single Bearing
- Double Bearing
- Pancake



## WORLDWIDE FAMILY OF BRANDS



# 2022-2023

## Motor Control Products Catalog

Document No: GR-CAT-03.2022



**WorldWide**  
ELECTRIC CORPORATION

**INCREDIBLE PRICING.  
24/7 ONLINE ORDERING.  
(OH, AND IT'S IN STOCK TOO.†)**

Call us today at **(800) 808-2131**  
or browse our complete product lines at **worldwideelectric.net**.

**worldwideelectric.net**

WorldWide Electric Corporation  
3540 Winton Place  
Rochester, NY 14623

† While most products are in stock in one of our distribution centers, certain conditions may lead to temporary stock shortages.