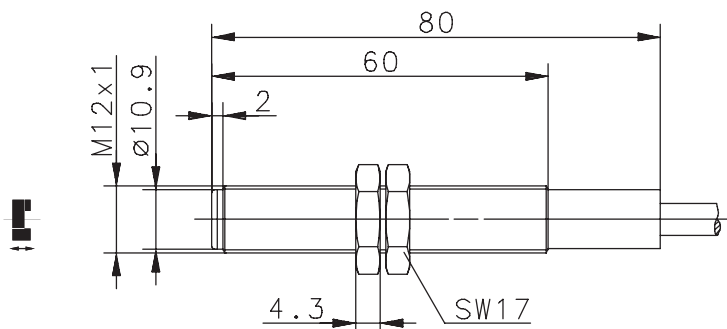
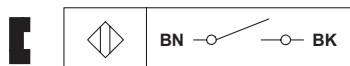


Magnetic Switch Series MA-33

Description **MAK-3312-A-2**

Article number **6314233708**

Wiring diagram



Technical data


Switching function	N.O.
Reference magnet	T-62 N/S (6301262074)
Assured operating distance - ON	S_{ao} 7 mm
Assured operating distance - OFF	S_{ar} 28 mm
Repeat accuracy	R $\pm 0,1$ mm, under same geometrical conditions at the same temperature
Utilization category	DC-12

Electrical data

Max. voltage	250V AC/DC
Max. switching current	3A
Max. switching capacity	120 VA
Protection class acc. to EN 61140	II (totally insulated)
Note	Combinations of switching voltage and switching current must not exceed the maximum switching capacity.

Mechanical data

Enclosure	PA 6, red; encapsulated reed contact
Ambient temperature	-5°C to +70°C (cable moved) -25°C to +70°C (cable fixed)
Mechanical life	3×10^8 operating cycles
Shock	50 g (11 ms, 1/2 Sinevawe)
Vibration	35 g (10 - 1000 Hz)
Protection type	IP67 acc. EN 60529
Termination type	Cable 2 x AWG 20 x 2 m ± 5 %; PVC -outer jacket black
Assembly position	optional (assembly on ferromagnetic material means reduction of switch distance)

Standards	
	EN 60947-5-1
	EN 62246-1
EU Conformity	
	acc. to directive 2014/35/EU (Low-Voltage-Directive)
Approvals	
	
	UL Listed, Ind. Cont. Eq. / Class 2 Power source
	Note limited electrical data:
	max. switching voltage 30 V AC / 60 V DC
	max. switching current 2 A
	max. switching capacity 100 VA
Notes	
	Contact protection must be provided for inductive and capacitive loads.