

# The GLC

Sport Utility Vehicle

Mercedes-Benz of Shrewsbury  
760 Boston Turnpike  
Shrewsbury, MA 01545  
877-253-6691  
[wagnermercedesofshrewsbury.com](http://wagnermercedesofshrewsbury.com)



Mercedes-Benz



# The new GLC. Ever higher. Further ahead.

Encounter every drive on a whole new level: with the new GLC. Progressive and athletic, yet virtually silent and astonishingly efficient – so much is possible with one of the most advanced SUVs in its class. On request with the PLUG-IN HYBRID drive system and AIR BODY CONTROL air suspension, for instance. Get on board: an interior that is as exquisite as it is spacious awaits you. The new GLC. Make the best of every ground.

MAKE THE BEST OF EVERY FORMAT.



Experience the new GLC in thrilling HD. With the Mercedes-Benz brochure app for the iPad<sup>®</sup> and with the Digital Owner's Manual from "Mercedes-Benz Guides" for the iPhone<sup>®</sup>. Both apps feature a host of films and additional content and are available free of charge from the iTunes Store<sup>®</sup>.

Make the best of every angle.

**2 | Mercedes-Benz GLC 250 d 4MATIC  
diamond silver metallic**

Appointments: AMG Line with AMG Exterior and Interior Line, AMG multi-spoke light-alloy wheels, upholstery in DINAMICA microfibre/ARTICO man-made leather, light longitudinal-grain aluminium trim

**8 | Mercedes-Benz GLC 350 e 4MATIC  
designo diamond white bright**

Appointments: EXCLUSIVE Exterior line with designo interior, 5-spoke light-alloy wheels, upholstery in designo two-tone platinum white pearl/black nappa leather, black open-pore ash wood trim

**16 | Mercedes-Benz GLC 250 4MATIC  
selenite grey metallic**

Appointments: EXCLUSIVE line with EXCLUSIVE Interior and Exterior line, 5-spoke light-alloy wheels, upholstery in saddle brown/black, brown open-pore ash wood trim

In its element every kilometre of the way.

- 26 | Mercedes me**
- 32 | Engines, 9G-TRONIC and 4MATIC**
- 33 | PLUG-IN HYBRID**
- 34 | AIR BODY CONTROL**
- 35 | DYNAMIC SELECT, Off-Road Engineering package**
- 36 | Driving Assistance package Plus**
- 37 | Integral safety concept**
- 38 | Intelligent Light System**
- 39 | 360° camera**
- 40 | Infotainment**
- 42 | Spatial concept**
- 44 | Equipment, packages and accessories**
- 56 | Wheels**
- 58 | Technical data**
- 61 | Upholstery and paintwork**

The illustrations may include accessories and optional extras which do not form part of the standard specification.

A silver Mercedes-Benz SUV is shown from a side-rear perspective, driving on a city street. The street is busy with pedestrians on the sidewalk and other vehicles in the distance. The scene is set in a city with tall buildings and trees. The lighting is bright, suggesting a sunny day.

## SUV. These three letters have never sounded so good.

Radiate effortless superiority and power without appearing pushy. Stipulate the direction with pride and confidence, whilst knowing when to hold back. This is the fine art of contemporary luxury. And this is the design idiom of the new GLC. The upright, highly expressive front and the three-dimensionally configured radiator grille lend it a progressive presence. On the side of the vehicle precise feature lines and muscular surfaces produce an inimitably Sensual Purity, a hallmark of the new Mercedes-Benz Design.





#### LOOKING INTO THE FUTURE

The Intelligent Light System is available on request. The clearly defined contours and high-quality detailing with the three-dimensional design ensure that the vehicle has an unmistakable front view. The LEDs used are also much more durable and more efficient than conventional lights. A characteristic feature is what is known as the flare with the functions indicator, position light and daytime running lamps. The light follows the inside contours, ensuring a distinctive, very high-quality Mercedes-Benz Design during the daytime and at night.





Make the best of every drive: five different drive programs can be selected via the DYNAMIC SELECT Controller on the centre console: Comfort, ECO, Individual, Sport and Sport+. Depending on the equipment they influence factors such as the drive system, the chassis and the steering. This means that the driving experience can be optimally adapted to individual requirements or to external conditions.





Town. Country. And  
everywhere in between.





## On the road to a better world: The new GLC 350 e 4MATIC.

One car length ahead of its time: the new GLC 350 e 4MATIC with PLUG-IN HYBRID. The drive combination featuring a 4-cylinder petrol engine and a hybrid module facilitates purely electric driving up to a speed of 140 km/h. Over a range of up to 34 km you will be accompanied only by slight wind noise, otherwise there is peace and quiet and the good feeling that no fuel is being consumed locally and that no emissions are being produced. An exciting experience. Presented by the new GLC 350 e 4MATIC.

A white SUV is shown from the rear, driving on a bridge. The bridge has a dark metal truss structure. In the background, there are several tall buildings of a city skyline under a cloudy sky. The car is moving towards the right side of the frame.

Knows only one direction: onwards.

#### CROSSWIND ASSIST

Sudden gusts of wind can take a vehicle off course, especially at high speeds. In the new GLC a standard-fit Crosswind Assist ensures quiet and stability. It is part of the Electronic Stability Program ESP® and from a speed of 80 km/h it is active when driving straight ahead and during slight cornering. Depending on the direction and the intensity of the crosswind meeting the car, it can influence the braking torques in an intelligent manner. The driver is supported through a brake actuation on one side of the car. The influence of the wind on the car is reduced to a minimum, whilst handling safety is maximised.







Sit higher. Shine deeper.

More radiance. More depth. Even more elegance and value appeal. This is the new GLC in fine designo diamond white bright. With this paintwork the first, colouring layer is combined with a pearlescent effect layer on top of it. And with clear coat it is then completed to become a 3-layer designo paint. Incidentally, designo diamond white bright is a perfect match for the fine designo two-tone platinum white pearl/black interior. One of many colour and material combinations which make the new GLC the most personal SUV in its class.

Life in the city.  
At its best by a distance.







## Pure refinement.

Savour every metre of height – with the new AIR BODY CONTROL. The optional air suspension with continuous adjustable damping pampers the occupants using every rule of engineering artistry in the book. Understeering is tangibly reduced for a dynamic driving experience. What's more, any unevenness in the road surface is almost completely absorbed. Automatic height regulation ensures more stability and less consumption, depending on the current speed. On stony ground or when the car is heavily laden, the vehicle height can also be manually adapted via the level control switch. Start relaxed – arrive more relaxed: best achieved with the new GLC with AIR BODY CONTROL air suspension.





Every type of ground is good grounds –  
for the new GLC.





The interior of the new GLC impresses with its outstandingly high quality feel. The secret behind this are the surfaces: materials such as open-pore wood, machined aluminium or perforated leather make contemporary luxury tangible – up close and personal.



#### THE TOUCHPAD: INTUITIVELY INNOVATIVE

Gestures are the original form of communication. Brief and unambiguous. As if made for motoring. Because one thing above all deserves your attention whilst you're driving: the traffic around you. One or two gestures with your fingers – a quick swipe or splay – is all the newly developed touchpad with multitouch sensor system (optional depending on the equipment) integrated in Audio 20 CD and COMAND Online needs to understand what you want. It can even decipher the letters and digits in your handwriting. All the infotainment system's functions can be actuated using gestures. A unique haptic experience – and a perfect example of the leading-edge ergonomics in the new GLC.

The image shows the rear passenger compartment of a Mercedes-Benz GLC. The seats are upholstered in brown leather with horizontal stitching. The right-side door is open, revealing the interior door panel with a silver handle and a speaker. The view through the window shows a rocky coastline with waves crashing against the shore under a cloudy sky. The overall lighting is soft and natural, highlighting the texture of the leather and the spaciousness of the cabin.

57 mm more legroom.

Whether you're off on a long journey with the family or on a great adventure with friends – tremendous freedom awaits you in the new GLC. Tangibly more room than in the GLK predecessor model and even more variability make so much possible.





4.66 m more freedom.

## What makes a car a Mercedes?

Deep-rooted traditions: in our case, it is innovative traditions that run deep. We have continually gone down previously uncharted avenues. Milestone by milestone. These ventures spawned the first vehicle with a crumple zone, the first ABS, the first diesel passenger car. The first car. But rather than wallowing in the past, let us look to the future.

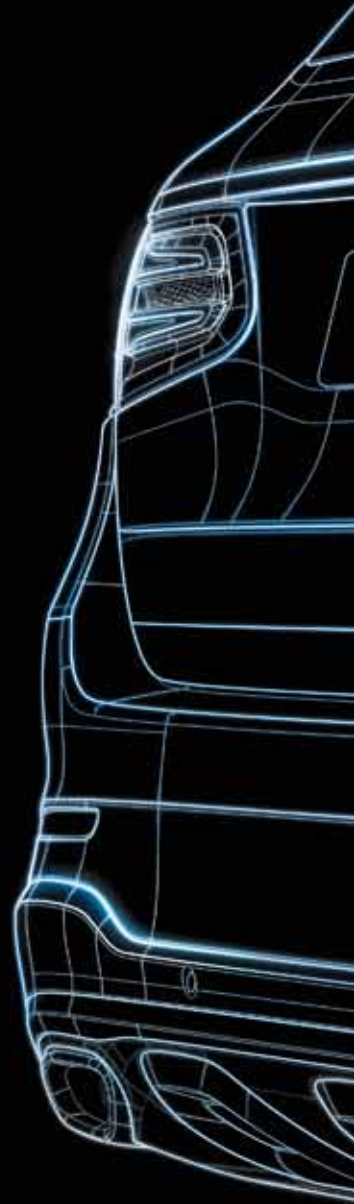
**Mercedes-Benz Intelligent Drive** – on the road to accident-free driving. We develop intelligent assistance systems which actively support the driver and noticeably relieve their workload. They monitor and analyse the vehicle's surroundings and handling characteristics – and warn the driver if they identify any critical situations. When necessary, some of the systems are able to intervene to take corrective action. Potential dangers are identified earlier than ever – and ever more frequently avoided as a result. Discover the fascinating world of Mercedes-Benz Intelligent Drive at [www.mercedes-benz-intelligent-drive.com](http://www.mercedes-benz-intelligent-drive.com)

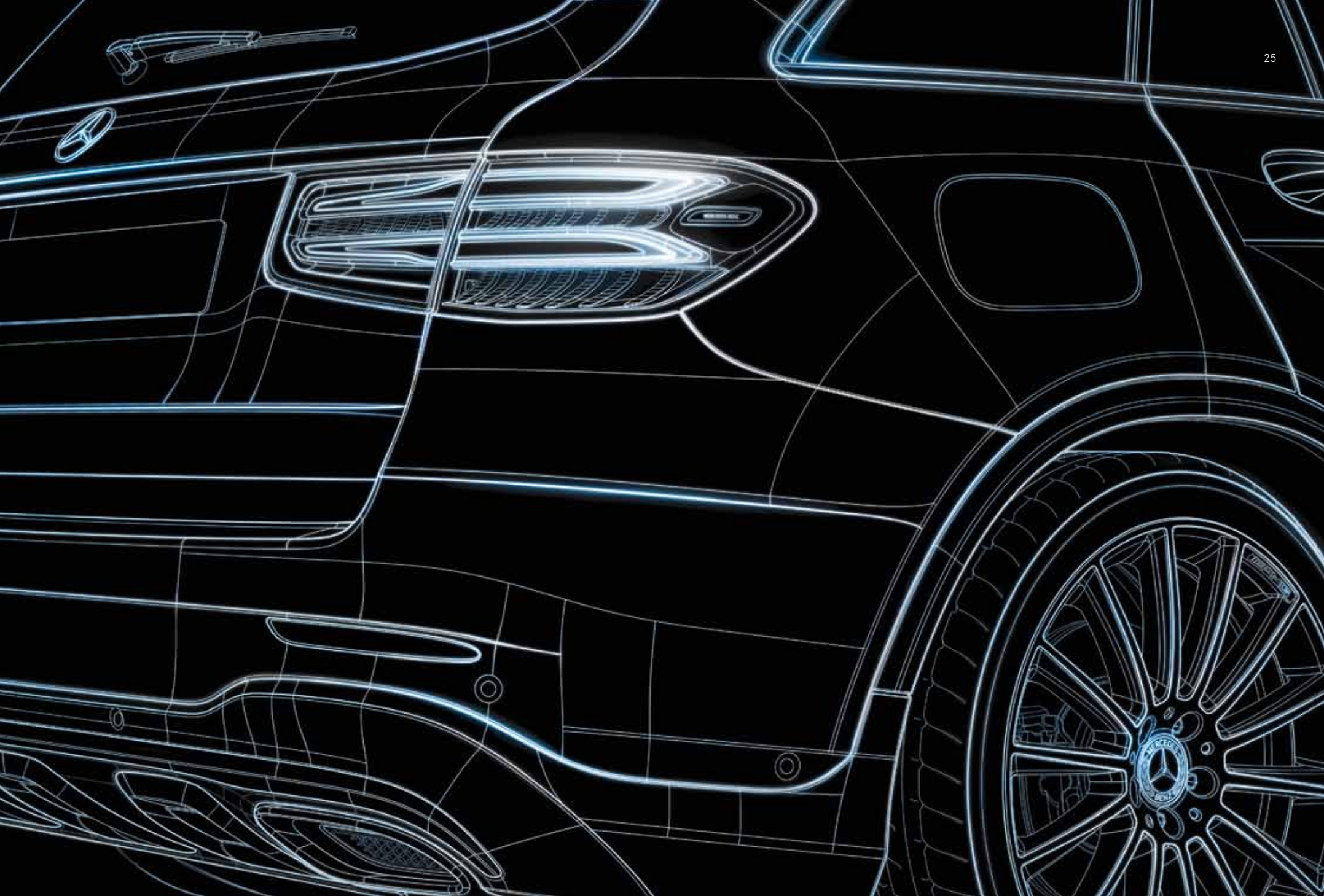
**BlueEFFICIENCY** – our vision of emission-free driving. Sustainability is a big word to which we lend real meaning in all that we do, down to the smallest details. From minimising the environmental impact of our production operations to alternative drive configurations.

### 30! years 4MATIC

**4MATIC** – driven by new challenges, the vision of optimum traction led the Mercedes-Benz engineers to the International Motor Show in Frankfurt. That is where, in 1985, they unveiled 4MATIC, an innovative traction system working with state-of-the-art microelectronics and hydraulics. Just two years later it entered series production in the E-Class. It has continued its triumphal advance ever since in virtually all model series. And on every terrain. 75 models are now out on the road with 4MATIC and it is tailor-made for each class. Comfortable and efficiently configured for the compact class, right through to extremely sporty for the Mercedes-AMG performance models. For more safety and an intensive driving experience in every single moment.

As you can see, we have major goals in our sights. And what could be better than seeing these aims achieved whilst on a long drive in a Mercedes?







## Our next great innovation revolves around you.

Prepare to be inspired, surprised and thrilled by new services, products and experiences at [www.mercedes.me](http://www.mercedes.me). You are warmly invited to check out our theme stores in major cities such as Berlin, Hamburg, Munich, Paris or Tokyo.





## Mercedes me. Welcome to your Mercedes-Benz world.

You have new questions, Mercedes-Benz has a new answer for you: Mercedes me. Your point of access to a fascinating world of personalised services from Mercedes-Benz. Offering innovative, individualised mobility, connectivity, finance and other services, as well as special brand experiences. New, simple and cutting-edge: [www.mercedes.me](http://www.mercedes.me)

The new portal is open for you now – on your smartphone, tablet or PC. Climb aboard and let's shape tomorrow's world together.

Mercedes

connect *me*



**Mercedes connect me** is all about networking the vehicle with the driver – and more besides: the car is becoming part of the way we live, providing added comfort as well as the reassurance of being permanently connected, even while on the move. Mercedes connect me includes Standard Services, which are able to provide you with automatic support in the event of a breakdown or an accident, and Remote Online services – the option enabling vehicle settings to be carried out by smartphone.



## Mercedes finance *me*

**Mercedes finance me** offers you various routes to your vehicle of choice – by way of financing or leasing, for example. Daimler Financial Services will help you to identify which solution is best suited to you and what sort of insurance best meets your needs. Our leasing products not only enable you to drive the latest models at all times. You also enjoy maximum flexibility, as you pay not for acquisition of the vehicle, but only for its use. This also results in attractive monthly instalments. Our financing arrange-

ments enable you to pay for your vehicle of choice in a way that suits your personal budget. You can tailor your monthly instalments to your needs by deciding on an appropriate down-payment and term for your contract. Our car insurance solutions offer reliable protection for your budget and your vehicle. Any repair work that may be necessary will always be carried out by qualified specialists in accordance with the manufacturer's specifications.

## Mercedes assist *me*

**Mercedes assist me** makes easy work of organising maintenance for your vehicle, providing a convenient online means of locating a Mercedes-Benz dealer in your neighbourhood and arranging a service appointment. The digital service report keeps you up to date on the current status of service work at all times. Our Service Contracts are the key to motoring without any worries. They offer you a reliable basis for long-term planning and transparency with regard to due items of maintenance work<sup>1</sup>. Your authorised

Mercedes-Benz dealer will be happy to draw up an individual offer for you. Should you nevertheless require on-the-spot assistance due to a breakdown, an accident, a minor mishap or vandalism, you can rely on swift help from Mobilo<sup>2</sup>. You are entitled to on-the-spot services, a replacement vehicle, towing or hotel accommodation for one night – for a period of up to 30 years in over 40 countries throughout Europe. And whenever you need assistance, you can reach us free of charge throughout Europe on 00800 1 777 7777<sup>3</sup>.

## Mercedes move *me*

**Mercedes move me** offers access to the intelligent mobility solution moovel: this mobility app pools the offerings from various mobility providers to find the ideal route from A to B. car2go is the pioneer and market leader worldwide in free-floating car sharing, and car2go black stands for smartphone-based car sharing with comfortable Mercedes-Benz B-Class vehicles. The smartphone app Park2gether makes it easier for you to find a parking space.

## Mercedes inspire *me*

**Mercedes inspire me** offers special brand experiences and an opportunity to engage in an inspiring dialogue. We aim to share our ideas with you and we would like to know your ideas and wishes. So that we can always offer you the best solutions. To this end we are developing a community, for example, and a growing range of offerings and experiences which go beyond the traditional vehicle-related topics – from areas such as events, travel and lifestyle.

<sup>1</sup> Please refer to the General Terms and Conditions for precise details. <sup>2</sup> Upon expiry (two years after initial registration) a service at an authorised Mercedes-Benz service partner is sufficient to renew Mobilo.

<sup>3</sup> Alternatively: +49 69 95 30 72 77 directly via Mercedes-Benz Contact. Calls to the hotline network entail charges.

## What would motorsport be without Mercedes-Benz?

The first vehicle to ever win an automobile race was powered by a Daimler engine. The first Mercedes was a racing car. The Silver Arrows – a true legend. Mercedes-Benz has a long tradition of involvement with the world of sport. Motorsport shapes the brand and every vehicle bearing the Mercedes star to this day. Discover the brand's unique history first-hand: at the Mercedes-Benz Museum in Stuttgart.

### ↘ FIND OUT MORE

Discover just what has been moving the world for more than 125 years and take a journey through time as well as through the history of the automobile at the Mercedes-Benz Museum. More than 1500 exhibits await you on 16,500 sqm of floor-space, including unique gems such as the oldest surviving Mercedes from 1902 or the legendary gull-wing models. Welcome to a place of innovation:

[www.mercedes-benz-classic.com/museum](http://www.mercedes-benz-classic.com/museum)





## What would Mercedes-Benz be without motorsport?

3 June 1934 marked the beginning of the Silver Arrows legend in the International Eifel Race at the Nürburgring. The Silver Arrows works team MERCEDES AMG PETRONAS continued this tradition in the 2014 Formula 1 season. Its successful involvement was crowned by the most impressive double victory of the season, with the team topping both the constructors' and the drivers' rankings. The team's successes are not restricted to the race track, however. Every mile raced also advances the development of hybrid technology for series production.

### ▾ FIND OUT MORE

Fascinating Formula 1 goes multimedia:

<http://www.facebook.com/MercedesAMGF1>

<http://twitter.com/MERCEDESAMGF1>

<http://www.youtube.com/user/MERCEDESAMGPETRONAS>

<http://plus.google.com/+Mercedesamgf1/posts>

<http://instagram.com/MercedesAMGF1#>

<http://www.MercedesAMGF1.com>



MERCEDES AMG PETRONAS F1 W06 hybrid, 2015 season.



## Energy needs change. And somebody to change it.

Four different drive variants, three different fuels, one common goal: to retain the uniquely high ride comfort of a Mercedes-Benz and at the same time to achieve astonishingly low consumption and emission values. This is taken care of by a complete package of innovation, at the technological helm of which is a new transmission drive system: **9G-TRONIC** and **4MATIC**.

All the engines are fitted with the new automatic transmission 9G-TRONIC even as standard (7G-TRONIC PLUS in the case of the GLC 350 e 4MATIC). A milestone in the field of transmission technology. Nine gears facilitate extremely low and thus virtually indiscernible speed jumps. This cuts the consumption and the noise level – and raises ride comfort to a whole new level. The combination of 9G-TRONIC and the all-wheel drive system 4MATIC is also entirely new. A compact design and numerous lightweight design measures cut the emission output further – without any compromises where ride comfort, driving dynamics or safety are concerned.

### THE ENGINE RANGE.

---

#### Diesel:

GLC 220 d 4MATIC with an output of 125 kW (170 hp) and 400 Nm maximum torque

GLC 250 d 4MATIC with an output of 150 kW (204 hp) and 500 Nm maximum torque

---

#### Petrol:

GLC 250 4MATIC with an output of 155 kW (211 hp) and 350 Nm maximum torque

GLC 350 e 4MATIC, petrol engine with 155 kW (211 hp) and 350 Nm torque, electric motor 85 kW (116 hp) and 340 Nm torque, system output of 235 kW (320 hp) and 560 Nm torque

---



### GLC 350 e 4MATIC

The PLUG-IN HYBRID technology facilitates rapid external charging from 20 to 100%<sup>1</sup> via a wallbox in just two hours, taking a good four hours via a normal socket.

- 1 | Four-cylinder petrol engine.
- 2 | Recuperative brake system.
- 3 | Electric motor.
- 4 | Lithium-ion high-voltage battery.
- 5 | Battery charging socket.

<sup>1</sup> Charge time 20–100%, varies depending on power source between 1.9 and 4.1 h (400 V/16 A–230 V/8 A).

## GLC 350 e 4MATIC with PLUG-IN HYBRID technology.

The new GLC 350 e 4MATIC makes the best of every drive system: power, serenity and extreme efficiency. The drive unit consists of a turbocharged 4-cylinder combustion engine with 155 kW (211 hp) and a maximum torque of 350 Nm plus a hybrid module with 85 kW (116 hp) and a maximum torque of 340 Nm. Purely electric driving is possible with a maximum speed of up to 140 km/h and over a distance of 34 km maximum. When driving faster or on steep inclines, the new GLC changes over to combustion operation fully automatically.

The PLUG-IN HYBRID technology also facilitates charging at a conventional socket with 3.0 kW from 20 to 100% in a good four hours. As soon as you take your foot off the accelerator pedal whilst driving – during every braking phase and every stop – the battery even charges automatically thanks to an intelligent operating strategy, and the car can thus achieve a local CO<sub>2</sub> emission value of 0 g/km.

**MANY HAVE HYBRID.**

**ONLY ONE HAS INTELLIGENT HYBRID.**

**Intelligent HYBRID** is the foresighted operating strategy for Mercedes-Benz hybrid vehicles, in order to use the electric drive system as efficiently as possible. It comprises the following functions, depending on the equipment: **radar-based recuperation** additionally uses the proximity control data to make the best possible use of recuperation and the sailing function. A **foresighted shift strategy** also uses the data from the proximity control for gear selection. A **route-based operating strategy** uses the navigation system data to optimise the hybrid drive operating modes to make the best possible use of the battery charge. An **ECO assistant** assists the driver in adopting an efficient driving style with the help of a haptic accelerator pedal.



## Comfort in the air. AIR BODY CONTROL.

The new GLC cushions the occupants so that they almost feel as though they are travelling on air. Via **AIR BODY CONTROL air suspension**. It ensures outstanding ride comfort even when the vehicle is fully laden. Through the automatic height regulations, depending on the current speed, the fuel consumption can be reduced and handling safety improved. In addition the ground clearance can be increased on rough roads or on difficult climbs using the level adjustment switch. Without restricting comfort the AIR BODY CONTROL also improves a dynamic driving style. Springing and damping forces are thus fully automatically adapted during evasive manoeuvres. The car remains calm and controllable even in critical situations. The dampers at the front and rear axle are continuously adjustable. The air springs can be set at three stages of tautness. Via the Controller on the DYNAMIC SELECT the driver can select totally different driving characteristics by choosing from comfortable or sporty. An extremely pleasant side effect of the AIR BODY CONTROL air suspension: when at a standstill the driver can lower the tail end of the car by 40 mm in order to make loading and unloading easier. The switch for lowering the car is located on the left-hand side wall in the load compartment.

---

### CHASSIS AND STEERING.

The standard-fit **AGILITY CONTROL** suspension with a selective damping system ensures balanced ride comfort by optimising ride characteristics, damping effect and stabilisation according to the road surface conditions.

The **Direct-Steer system** supplements the comfort of speed-sensitive power steering with a variable ratio dependent on the steering angle. On winding roads, for example, this produces a more agile handling response and improved straight-line stability.

The optional **sports suspension** facilitates dynamic driving through a tauter configuration of the springing and damping – without any significant concessions where comfort is concerned.

---



## Emotions at the press of a button. DYNAMIC SELECT.

Comfortable, sporty or entirely individual suspension settings can be called up with the Controller on the **DYNAMIC SELECT** in the centre console. The “Comfort” drive program enables particularly harmonious driving. “ECO” adjusts all parameters for low fuel consumption, the ECO display in the multifunction display supports an efficient driving style, and depending on the engine variant the “sailing function” can be activated. “Sport” is characterised by an additionally lowered chassis, sportily taut damper tuning (in conjunction with optional AIR BODY CONTROL respectively), a more direct steering feel plus modified shift points. “Sport+” means extremely sporty shifting and damping characteristics. The “Individual” drive

program allows the driver to vary individual parameters at will – from the steering and the drive system to the suspension. The lavish showcasing of the selected drive program via the media display is an experience in its own right.

In conjunction with the optional **Off-Road Engineering package**, DYNAMIC SELECT is equipped with up to five further preconfigured drive programs for better off-road capability. These are operated using the Downhill Speed Regulation or the off-road switch block, the Controller and the touchpad. The off-road settings facilitate an optimum vehicle configuration even in less than optimum external

conditions: the selectable programs are: “Slippery”, “Off-road”, “Trailer”, “Incline” and, in conjunction with AIR BODY CONTROL, what is known as “Rocking Assist”, in case the car should become stuck in deep mud, for instance.

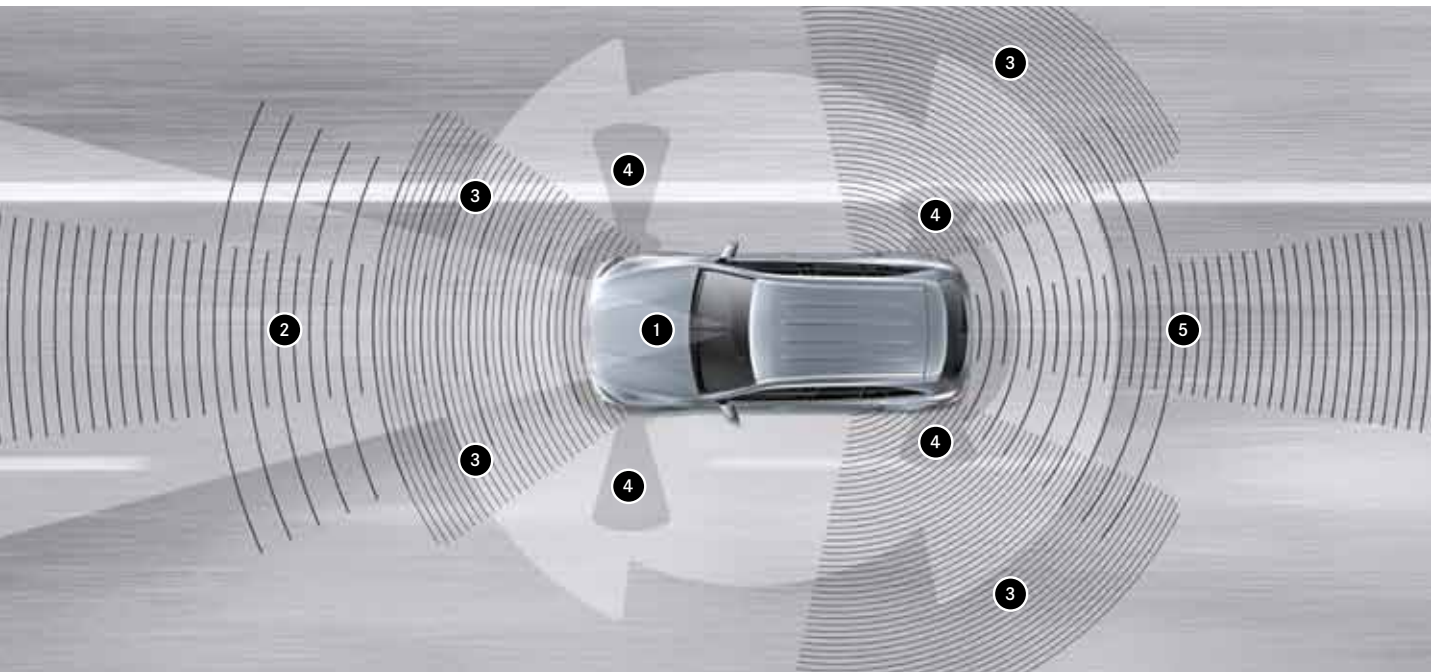
## Driving Assistance package PLUS. Minus dangers.

Intervening where necessary. Holding back where possible. This effortless superiority is part of the optional **Driving Assistance package Plus**. It combines safety and assistance systems which relieve the burden on the driver, reduce the risk of accidents and improve protection for the occupants and other road users. Particularly in urban driving, the Brake Assist **BAS PLUS** with Cross-Traffic Assist brake assistant and the **PRE-SAFE® Brake** can reduce the risk of collisions at junctions and rear-end collisions as well as accidents involving pedestrians. The **Active Lane Keeping Assist** and **Active Blind Spot Assist** can provide assistance if the car inadvertently drifts out of its lane or if the danger of collision with other vehicles arises when changing lanes. One-sided brake actuation can help return the car to its lane and prevent an accident. **PRE-SAFE® PLUS** expands the **PRE-SAFE®** preventive occupant protection system to include protective measures in the event of an imminent rear impact. **DISTRONIC PLUS with Steering Assist and Stop&Go Pilot** can help the driver to maintain a safe distance from the vehicle in front and stay in the centre of the lane.

### ↘ FIND OUT MORE

All the info on Mercedes-Benz Intelligent Drive for computers, tablet PCs or smartphones at:

[www.mercedes-benz-intelligent-drive.com](http://www.mercedes-benz-intelligent-drive.com)



### MERCEDES-BENZ INTELLIGENT DRIVE

A stereo camera, short- and long-range radars and all-round sensor systems form the basis for numerous safety and assistance systems in the new GLC.

- 1 | Stereo multi-purpose camera.
- 2 | Long-range radar with intermediate range sensing.
- 3 | Short-range radar.
- 4 | Ultrasonic sensors.
- 5 | Multi-mode radar.

# The reassuring feeling of driving a Mercedes-Benz.

We are the first automotive manufacturer worldwide to have developed an **integral safety concept**, aimed at avoiding accidents, ensuring ideal responses to dangers and lessening the consequences of accidents. For the occupants of a Mercedes and for all other road users, too.

## SAFE DRIVING

---

The **drowsiness detection system ATTENTION ASSIST** can enhance driving safety, in particular on long trips and during night-time driving. It can monitor the steering behaviour of the driver to recognise typical signs of drowsiness and severe loss of attention, and give a visual and acoustic warning of impending microsleep.

The **ADAPTIVE BRAKE** control system improves braking performance through intelligent intervention: in wet conditions, the brake discs are kept dry. The brake pads are applied automatically when the driver's foot is removed abruptly from the accelerator pedal. And on uphill slopes, the system is able to prevent the vehicle from rolling backwards.

The optional **DISTRONIC PLUS proximity control** helps to maintain a safe distance from the vehicle ahead above all in stop-and-go traffic. The system is able to brake the vehicle automatically and subsequently accelerate again as appropriate to the traffic situation. When a danger of a rear-end collision arises, the **COLLISION PREVENTION ASSIST PLUS** function is able to initiate partial braking in order to avoid a collision or to mitigate the consequences.

The optional **Blind Spot Assist** with radar sensors makes one of the major hazards in traffic visible. When a vehicle is detected in the blind spot, a red triangle lights up in the exterior mirror. An acoustic warning additionally sounds as necessary. The system is active at speeds between 30 and 250 km/h. The optional **Lane Keeping Assist** system is able to recognise when the vehicle is unintentionally drifting out of its lane at speeds between 60 and 200 km/h, duly warning the driver by means of pulsed vibrations on the steering wheel. Blind Spot Assist and Lane Keeping Assist also form part of the optional **Lane Tracking package**.

## IN THE EVENT OF DANGER

---

The optional **PRE-SAFE® occupant protection system** is able to identify critical driving situations in advance and to initiate precautionary measures to protect the vehicle's occupants if an accident appears imminent. Such measures include reversible belt tensioning or automatic closing of open side windows, for example.

## IN AN ACCIDENT

---

A comprehensive protection system can reduce the risk of injury for occupants and other road users. This includes the **active bonnet**, which can automatically spring up a few centimetres and thus help to protect pedestrians or cyclists. The car occupants can also be extensively protected by up to **nine airbags** (two of which are optional sidebags in the rear).

## AFTER AN ACCIDENT

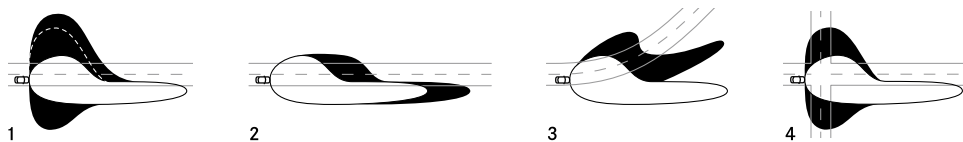
---

Every Mercedes-Benz is optimally trained in first aid. If the worst comes to the worst, the engine can be switched off automatically and the central locking unlocked, plus the hazard warning lights and emergency interior lighting can be activated. Finally the **Mercedes-Benz emergency call system** (country-specific) integrated as standard can send GPS position data and important vehicle information, though it is to be hoped this will never be necessary.



## Radiates pure intelligence.

The optional **Intelligent Light System** impresses sustainably. With an unmistakeable design, very low energy consumption and a long lifespan. But above all it offers even more vision and safety. When turning or cornering, the low-beam headlamps automatically adapt to the light and driving conditions. And the “Coming Home” function welcomes the driver with blue LED locator lighting when locking and unlocking the car via radio remote control key. The optional Adaptive Assist Plus distributes the light in such a way that oncoming traffic is not dazzled, but the road surface is always optimally illuminated.



### INTELLIGENT LIGHT SYSTEM

The **Intelligent Light System** in concrete terms: **1** | On rural roads the left-hand edge of the road is much better illuminated, in particular when the fog lamps are switched on. **2** | On motorways the visibility range is increased by up to 60 percent. **3** | The active light function enhances safety on bends. **4** | The cornering light increases safety when turning at crossroads due to better lateral illumination. The extended fog lamp function reduces dazzling of the vehicle's driver due to light reflected by the fog. To supplement this the **Adaptive Highbeam Assist** is available on request: when main beam is switched on it facilitates an optimum headlamp range without dazzling oncoming traffic.

### MORE LIGHT.

The optional **Adaptive Highbeam Assist Plus** facilitates driving with main-beam headlamps on permanently, without dazzling other road users. As a result the best possible headlamp range is always available to the driver. The function is active from a speed of 30 km/h on unlit roads.





## Shows you more of the world.

The optional **360° camera** makes parking and manoeuvring with a realistic all-round view possible with the help of four networked short-range cameras. A bird's-eye view of the vehicle and its surroundings can be displayed on the optional COMAND Online screen. Obstacles below the window line are also visible to the driver. This is helpful, for example, when approaching kerbs. One camera is centrally mounted in the radiator grille at the front; there is one in each exterior mirror and another one in the centre of the boot lid. In different views additional auxiliary lines are faded in to help parking. The display also shows the range of movement of the vehicle for the steering angle. The views alter automatically, for example when changing from forward to reverse gear, and can also be individually selected.



### PARKING. NOTHING COULD BE EASIER.

The optionally available **Active Parking Assist with PARKTRONIC** makes it easier to find a parking space and also to enter or leave parking spaces. When activated, it automatically steers the vehicle into perpendicular and parallel parking spaces, relieving the driver of the work of steering and braking.

Reverse parking and manoeuvring is considerably easier and safer using the optional **reversing camera**. Protected by a flap, it automatically switches on when reverse gear is engaged and shows the driver the surroundings behind the vehicle with dynamic guide lines on the media display.

## Sense and sensuality. The infotainment in the new GLC.

Keep an overview of key driver information without taking your eyes off the road – thanks to the optional **Head-up Display**. It projects a virtual image (approx. 21 x 7 cm) within the driver's field of vision. This image appears to float over the bonnet around two metres ahead of the driver. The information is displayed in high-resolution and in colour. Depending on the equipment, the information displayed may include navigation tips, speed, speed limits or settings for cruise control or DISTRONIC PLUS, for example.

All the information at a glance, incredible sound for the ears. Enjoy the optional **Burmester® surround sound system**. An exceptional sound experience comprising 13 high-performance loudspeakers, a 9-channel DSP amplifier and an output of 590 watts. Perfectly tuned electronic and acoustic components that turn the interior into a concert hall. Whether you are sitting in the front or the rear, the surround function creates a spatial feel-good sound.

### MULTIMEDIA IN THE NEW GLC.

Navigation, telephone, audio, video, internet – all this is part of the optional **COMAND Online** control and display system. Information is shown on a 21.3 cm (8.4-inch) high-resolution central display. Operation via the new touchpad is easy and intuitive.

The **Audio 20 USB** multimedia system with 17.8 cm (7-inch) media display is internet-capable and enables networking with mobile devices via Bluetooth®. Optionally available as Audio 20 CD with 17.8 cm (7-inch) media display including navigation pre-installation. Also available with touchpad on request.

User-friendly navigation, accurate map data and excellent route guidance – the optional **Garmin® MAP PILOT** transfers all the advantages of a Garmin® navigation system to the Audio 20 CD, with touchpad on request.







## A climate with a special feel.

With its large glazed areas the optional **panoramic sliding sunroof** ensures a particularly light and friendly ambience. It consists of a fixed glass roof at the rear and an electrically operated sliding glass roof at the front. Two electric sunblinds provide shade from strong sunlight. In the raised position, the sliding glass roof automatically adjusts to three tilt positions to suit the current road speed. The glass roof is lowered at high speeds, reducing the noise level and air circulation in the interior. Conversely, it raises itself again at low speeds.

The optional **AIR-BALANCE package** allows completely individual fragrancing of the interior. There is a choice of four high-quality interior fragrances according to personal preference and mood. In addition, the air quality can be improved by ionisation and optimised filtering of the incoming and recirculating air.

### LOADING LUXURY.

---

The optional **EASY-PACK tailgate** can be opened and closed at the touch of a button for more convenient loading and unloading of the load compartment.

---

The **load** compartment is one of the most spacious in the segment. A maximum load compartment volume of 1600 l is available for loads when the rear seat backrests are completely folded down. The larger dimensions of the load compartment opening and load compartment width make loading and unloading easier. To enable more convenient use of the load compartment there are multifunction rails on the left and right in the side panel. Depending on the equipment, this is where the switches for releasing the rear seat backrests and lowering the boot sill, as well as bag hooks and a 12 V socket are positioned.

---







## The standard equipment.

Comprehensive safety equipment unique in this class. Comfort features which make every journey that little bit more pleasant. Lots of useful details and extremely high-quality workmanship. All this is on board the new GLC as standard. For responsible, thrilling and luxurious driving, day after day.

### EXTERIOR HIGHLIGHTS

Front bumper painted in the vehicle colour featuring a matt iridium silver simulated underguard

Radiator trim with two louvres in matt iridium silver

Window weatherstrips in black

Rear bumper in the vehicle colour featuring a matt iridium silver simulated underguard

10-spoke light-alloy wheels, painted vanadium silver, with 235/65 R 17 tyres (GLC 350 e 4MATIC with 235/60 R 18 tyres)

### INTERIOR HIGHLIGHTS

Seats upholstered in black Aberdeen fabric

3-spoke multifunction steering wheel in black leather

Dashboard in black with silver chrome nozzle surrounds

Instrument cluster with 13.97 cm (5.5-inch) multifunction display

Centre console in black with trim in black piano lacquer look

Roof liner in crystal grey fabric



## The EXCLUSIVE Exterior and Interior line.

A glittering appearance: with lots of chrome, fine-grained man-made leather and beautifully structured wood trim, the EXCLUSIVE design and equipment line radiates a very special feeling of contemporary luxury.

### EXTERIOR HIGHLIGHTS

---

Radiator trim with two louvres in matt iridium silver with chrome inserts

---

Simulated underguard front and rear in chrome

---

Beltline trim strip and window frame in chrome

---

Roof rails anodised in aluminium, flush-fitting

---

5-spoke light-alloy wheels, painted vanadium silver and with a high-sheen finish, with 235/60 R 18 tyres

---

Exhaust system with two visible stainless steel tailpipe trims, mounted in the bumper, or two decorative tailpipe trims (with diesel engines)

---

### INTERIOR HIGHLIGHTS

---

Seats with exclusive seat upholstery layout in ARTICO man-made leather/ Grenoble fabric in black or black/espresso brown, respectively

---

3-spoke multifunction steering wheel in black or espresso brown leather

---

Upper dashboard section and beltlines in ARTICO man-made leather with contrasting topstitching

---

High-gloss brown linestructure lime wood trim

---

Fabric roof liner available in crystal grey, black or porcelain

---









## The AMG Exterior and Interior Line.

On request the AMG Exterior and Interior Lines ensure more than a mere touch of sportiness. Performance-oriented design, exclusive features borrowed from motorsport and high-tech components emphasise the S in SUV.

### EXTERIOR HIGHLIGHTS

---

AMG bodystyling comprising AMG front and rear apron with front and rear underide guard in chrome

---

Radiator trim with two louvres in matt iridium silver with chrome inserts

---

Shoulderline trim strip and window frame in chrome

---

Roof rails anodised in aluminium, flush-fitting

---

AMG 5-twin-spoke light-alloy wheels, painted titanium grey and with a high-sheen finish, with 235/55 R 19 tyres

---

### INTERIOR HIGHLIGHTS

---

Seats with exclusive seat upholstery layout in ARTICO man-made leather/ DINAMICA microfibre and grey contrasting topstitching

---

3-spoke multifunction sports steering wheel in black leather, with flattened bottom section, with steering-wheel gearshift paddles

---

Light longitudinal-grain aluminium trim

---

Black roof liner

---

Brushed stainless steel AMG sports pedals with black rubber studs

---



## The OFF-ROAD Exterior line.

How it all began: the OFF-ROAD design and equipment line with striking design elements awakens a sense of adventure and cites the already legendary off-road expertise of Mercedes-Benz. The Off-Road Engineering package additionally available as an option is the perfect supplement for genuine off-road capability.

### EXTERIOR HIGHLIGHTS

---

Front bumper with larger angle of approach/departure

---

Radiator trim with two louvres in matt iridium silver with chrome inserts

---

Simulated underguard front and rear in chrome

---

Shoulderline trim strip and window frame in chrome

---

Roof rails anodised in aluminium, flush-fitting

---



---

5-spoke light-alloy wheels, painted tremolite grey and with a high-sheen finish, with 235/60 R 18 tyres

---

Exhaust system with two visible stainless steel tailpipe trims, mounted in the bumper, or two decorative tailpipe trims (with diesel engines)

---





## designo.

Whether it's bathed in elegant black or in fine platinum white pearl – transform the interior of the new GLC into a thrillingly exclusive place. With the designo equipment packages. Nappa leather of matchless high quality, special trim parts and lots of extraordinary details pamper the occupants using every trick in the book of craftsmanship.

### **designo two-tone interior in platinum white pearl/black**

---

Seats in platinum pearl/black designo nappa leather in a diamond design with white contrasting topstitching

---

“designo” badge in the backrests of the front and rear seats

---

3-spoke multifunction sports steering wheel in black leather

---

Upper part of dashboard and beltlines in ARTICO man-made leather in black with contrasting topstitching in crystal grey

---

Door centre panels in diamond design and door armrests both in platinum white pearl with contrasting white topstitching

---

### **designo interior in black**

---

Seats in black designo nappa leather in a diamond design with crystal grey contrasting topstitching

---

“designo” badge in the backrests of the front and rear seats

---

3-spoke multifunction steering wheel in black leather

---

Upper part of dashboard and beltlines in ARTICO man-made leather in black with contrasting topstitching in crystal grey

---

Centre armrest in black with contrasting topstitching in crystal grey

---

Door centre panels in a diamond pattern with contrasting topstitching in crystal grey

---



## The Night package.

The Night package (optional in conjunction with EXCLUSIVE Exterior line or AMG Exterior Line) underlines the sportily expressive character of the new GLC with lots of design elements in black. Whether it's the rims, trim or windows – everything appears that bit more distinctive here.

### EXTERIOR HIGHLIGHTS

---

Radiator trim with two louvres in high-gloss black with chrome inserts

---

Underride guard front and rear, painted in black

---

Exterior mirrors painted in high-gloss black

---

Beltline trim strip and window weatherstrip in high-gloss black

---

Heat-insulating dark-tinted glass starting from the B-pillar

---

Roof rails powder-coated in black matt

---



---

5-spoke light-alloy wheels, painted black and with a high-sheen finish, with 235/55 R 19 tyres (in conjunction with EXCLUSIVE Exterior line), optional: 5-spoke light-alloy wheels, painted black and with a high-sheen finish, with 255/45 R 20 tyres

---

AMG 5-twin-spoke light-alloy wheels, painted high-gloss black and with a high-sheen finish, with 235/55 R 19 tyres (in conjunction with AMG Exterior Line), optional: AMG multi-spoke light-alloy wheels, painted high-gloss black and with a high-sheen finish, with 255/45 R 20 tyres

---



## Optional equipment.

Whether it's fine details, a unique atmosphere or ingenious technical solutions – the possibilities are virtually endless. Take a look round, here in the brochure, in the price list or at [www.mercedes-benz.com](http://www.mercedes-benz.com). Customise the new GLC to suit your very own individual style.

- 
- 1 The optional **EASY-PACK tailgate** can be opened and closed at the touch of a button for more convenient loading and unloading of the load compartment.

---

  - 2 For optimum visibility on rural roads and motorways, when turning or cornering, the **Intelligent Light System** automatically adapts to light and driving conditions. In addition to the striking look, LED technology features greater luminosity while producing less glare.

---

  - 3 With pleasant, indirect light the **ambient lighting** creates a unique atmosphere of wellbeing. Three different colours and five dimming levels are available to create the desired lighting mood.

---

  - 4 **KEYLESS-GO**: the vehicle can be conveniently unlocked, started and locked with this access and drive authorisation system – simply by carrying the electronic key.

---

  - 5 **Panoramic sliding sunroof**: with its large glazed areas, this roof system ensures a particularly bright and welcoming ambience in the interior. It consists of a fixed panoramic glass rear section and an electrically operated sliding glass front section for ventilation of the interior as required.

---



## Genuine accessories.

The range of genuine accessories is as extensive as the variety of routes you'll drive. Every accessory has been specifically developed for the new GLC in accordance with the high Mercedes-Benz quality standards. Discover the entire range at [www.mercedes-benz-accessories.com](http://www.mercedes-benz-accessories.com)



1  
3



2

---

1 Lockable **rear-mounted bicycle rack** for transporting two or three bicycles as required. Convenient assembly on the trailer coupling. Maximum payload capacity of up to 30 kg per bicycle rail, therefore suitable for most e-bikes. Thanks to a roller mechanism the boot can still be opened. The rack can be folded for space-saving storage.

---

2 The **roof spoiler** lends the car a more dynamic and sportier appearance, without restricting the field of vision in the rear-view mirror. A high-quality base coat makes the paint finish in the desired colour possible. No bores or entry in the vehicle documents are required.

---

3 The **roof box** matches the design of the new GLC and is aerodynamic. Made of extremely durable material and lockable on both sides. It has a capacity of approx. 330 litres, the maximum payload is 50 kg (please bear in mind the permissible roof load of your car here).

---





25R



R41



R96 48R



R31



R04



R31



R26 75R



R26 75R

## Wheels.

Wheels are indispensable from a purely factual point of view, of course. But on an emotional level, too, the choice of wheels is an absolutely crucial ingredient of many people's dream car. We understand this and would like to make choosing from our range as difficult as possible for you.

### STANDARD EQUIPMENT AND OPTIONAL EXTRAS

25R 10-spoke light-alloy wheels, painted vanadium silver, with 235/65 R 17 tyres (standard equipment for GLC 220 d 4MATIC, GLC 250 d 4MATIC and GLC 250 4MATIC)

R04 5-twin-spoke light-alloy wheels, painted tremolite grey and with a high-sheen finish, with 235/65 R 17 tyres (option)

R41 10-spoke light-alloy wheels, painted vanadium silver, with 235/60 R 18 tyres (option; standard equipment for GLC 350 e 4MATIC)

R31 5-spoke light-alloy wheels, painted tremolite grey and with a high-sheen finish, with 235/60 R 18 tyres (option; part of the OFF-ROAD line)

R96 5-spoke light-alloy wheels, painted vanadium silver, with 235/60 R 18 tyres (option; part of EXCLUSIVE Exterior line)

R26 10-spoke light-alloy wheels, painted matt himalayas grey, with 235/55 R 19 tyres (option)



R39



R61



99R 29R



41R



638



688 698



48R 5-spoke light-alloy wheels, painted tremolite grey and with a high-sheen finish, with 235/55 R 19 tyres (option)

75R Multi-spoke light-alloy wheels painted tremolite grey and with a high-sheen finish, with 235/55 R 19 tyres (option)

R39 5-spoke light-alloy wheels, painted black and with a high-sheen finish, with 235/55 R 19 tyres (option; part of Night package with EXCLUSIVE Exterior line)

41R 5-spoke light-alloy wheels, painted tremolite grey and with a high-sheen finish, with 255/45 R 20 tyres (option)

R61 5-spoke light-alloy wheels, painted tremolite grey and with a high-sheen finish, with 255/45 R 20 tyres (option)

638 AMG 5-twin-spoke light-alloy wheels, painted titanium grey and with a high-sheen finish, with 235/55 R 19 tyres (part of AMG Line)

99R AMG 5-twin-spoke light-alloy wheels, painted high-gloss black and with a high-sheen finish, with 235/55 R 19 tyres (option and part of Night package with AMG Exterior Line)

688 AMG multi-spoke light-alloy wheels, painted titanium grey and with a high-sheen finish, with 255/45 R 20 tyres (only in conjunction with AMG Exterior Line)

29R 5-spoke light-alloy wheels, painted black and with a high-sheen finish, with 255/45 R 20 tyres (option; part of Night package with EXCLUSIVE Exterior line)

698 AMG multi-spoke light-alloy wheels, painted high-gloss black and with a high-sheen finish, with 255/45 R 20 tyres (option for AMG Line)

➤ **FURTHER WHEELS**

can be found in our accessories range. Information on the range of Mercedes-Benz Genuine Accessories is available at [www.mercedes-benz-accessories.com](http://www.mercedes-benz-accessories.com) or from your authorised Mercedes-Benz dealer.

# Technical data.

	<b>DIESEL ENGINES</b>	
	<b>GLC 220 d 4MATIC</b>	<b>GLC 250 d 4MATIC</b>
No. of cylinders/arrangement	4/in-line	4/in-line
Total displacement in cc	2143	2143
Rated output <sup>1</sup> in kW (hp) at rpm	125 (170)/3000-4200	150 (204)/3800
Rated output <sup>1</sup> electric motor in kW (hp) at rpm	-	-
System output <sup>1</sup> in kW (hp) at rpm	-	-
Rated torque <sup>1</sup> in Nm at rpm	400/1400-2800	500/1600-1800
Rated torque electric motor in Nm at rpm		
Transmission	9G-TRONIC	9G-TRONIC
Acceleration from 0 to 100 km/h in s	8.3	7.6
Top speed, approx. in km/h	210	222
Tyre size – front axle, rear axle	235/65 R 17	235/65 R 17
Fuel	Diesel	Diesel
Fuel consumption <sup>2</sup> in l/100 km		
Urban/extra-urban/combined	6.3-5.5/5.1-4.7/5.5-5.0	6.3-5.5/5.1-4.7/5.5-5.0
NEDC energy consumption in kWh/100 km <sup>9</sup>	-	-
Electric range in km <sup>9</sup>	-	-
CO <sub>2</sub> emissions <sup>2</sup> in g/km combined	143-129	143-129
Emission class <sup>3</sup> /efficiency class <sup>4</sup>	Euro 6/A	Euro 6/A
Tank capacity, of which reserve, approx. in l	50/7.0	50/7.0
Boot capacity <sup>5</sup> in l	550	550
Turning circle diameter in m	11.80	11.80
Kerb weight <sup>6</sup> in kg	1845	1845
Perm. GVW in kg	2500	2500
Length <sup>7</sup> /width incl. mirrors <sup>7</sup> in mm	4656/2096	4656/2096
Wheelbase <sup>7</sup> in mm	2873	2873
Track width front <sup>7</sup> /rear <sup>7</sup> in mm	1621/1617	1621/1617

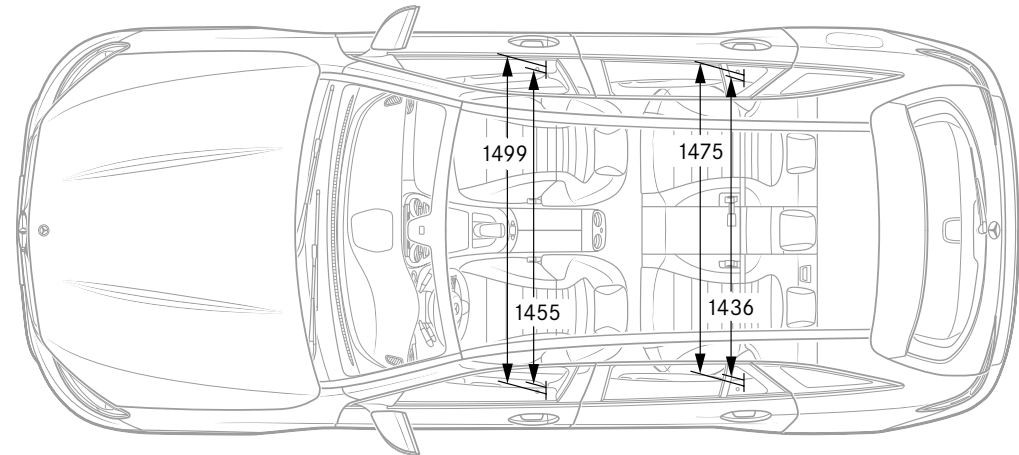
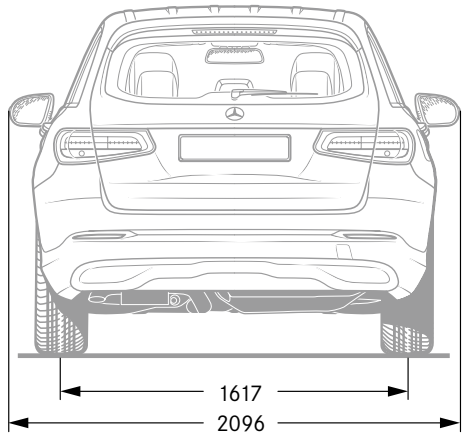
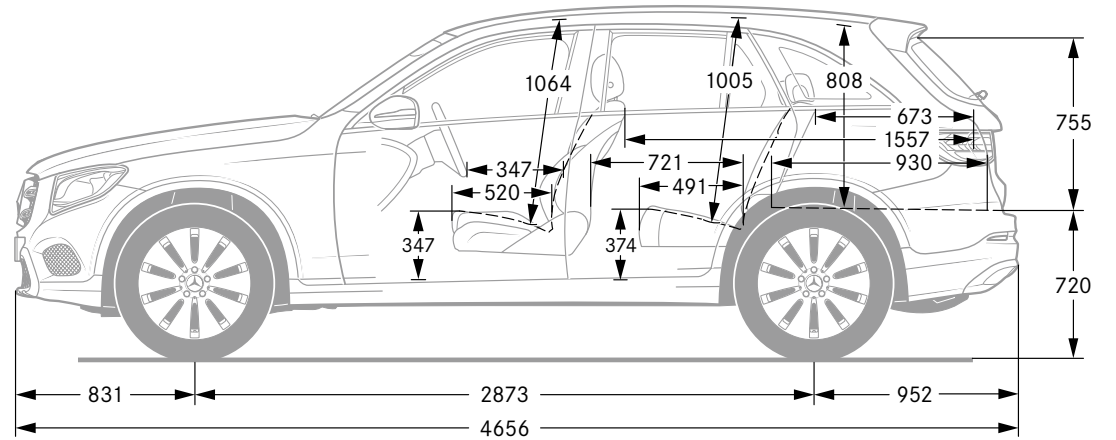
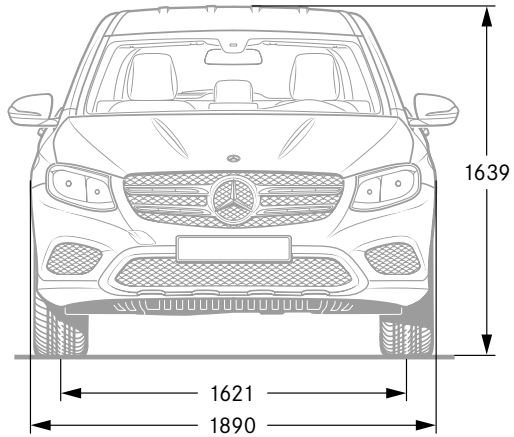
**The best for the engine:**  
Mercedes-Benz genuine engine oils.

<sup>1</sup> Values for rated output and torque in accordance with Directive (EC) No. 595/2009 in the currently applicable version. <sup>2</sup> The data on fuel consumption and the values for the CO<sub>2</sub> emissions were determined in accordance with the prescribed measuring process (§2 Nos. 5, 6, 6a Passenger Car Energy Consumption Registration Regulation in the currently applicable version). The figures are not based on an individual model and do not constitute part of the product offer; they are provided solely for purposes of comparison between different vehicle models. <sup>3</sup> Data applicable within the European Union only. Information may

	<b>PETROL ENGINES</b>	
	<b>GLC 250 4MATIC</b>	<b>GLC 350 e 4MATIC<sup>8</sup></b>
No. of cylinders/arrangement	4/in-line	4/in-line
Total displacement in cc	1991	1991
Rated output <sup>1</sup> in kW (hp) at rpm	155 (211)/5500	155 (211)/5500
Rated output <sup>1</sup> electric motor in kW (hp) at rpm	-	85 (116)/3500
System output <sup>1</sup> in kW (hp) at rpm	-	235 (320)/5000
Rated torque <sup>1</sup> in Nm at rpm	350/1200-4000	350/1200-1400
Rated torque electric motor in Nm at rpm		340/0-2000
Transmission	9G-TRONIC	7G-TRONIC PLUS
Acceleration from 0 to 100 km/h in s	7.3	5.9
Top speed, approx. in km/h	222	235
Tyre size – front axle, rear axle	235/65 R 17	235/60 R 18
Fuel	Premium petrol	Premium petrol
Fuel consumption <sup>2</sup> in l/100 km		
Urban/extra-urban/combined	8.5-8.1/6.3-5.6/7.1-6.5	-/-/2.6
NEDC in kWh/100 km <sup>9</sup>	-	20
Electric range in km <sup>9</sup>	-	34
CO <sub>2</sub> emissions <sup>2</sup> in g/km combined	166-152	60
Emission class <sup>3</sup> /efficiency class <sup>4</sup>	Euro 6/B	Euro 6/A+
Tank capacity, of which reserve, approx. in l	66/7.0	50/7.0
Boot capacity <sup>5</sup> in l	550	395
Turning circle diameter in m	11.80	11.80
Kerb weight <sup>6</sup> in kg	1735	2025
Perm. GVW in kg	2400	2605
Length <sup>7</sup> /width incl. mirrors <sup>7</sup> in mm	4656/2096	4656/2096
Wheelbase <sup>7</sup> in mm	2873	2873
Track width front <sup>7</sup> /rear <sup>7</sup> in mm	1621/1617	1614/1605

vary from country to country. <sup>4</sup> Determined on the basis of the measured CO<sub>2</sub> emissions, taking into account the mass of the vehicle. <sup>5</sup> Figures in accordance with Directive 2007/46/EC in the currently applicable version. <sup>6</sup> Figures on kerb weight in accordance with Directive 92/21/EC in the currently applicable version (with fuel tank 90 percent full, driver, 68 kilograms, and luggage, 7 kilograms) for standard-specification vehicles. Optional extras and accessories will generally increase this figure and reduce the payload capacity accordingly. <sup>7</sup> The dimensions shown are mean values and apply to standard-specification, unladen vehicles. <sup>8</sup> Available from December 2015. <sup>9</sup> Data apply to the electric motor. You can find further technical data at [www.mercedes-benz.com](http://www.mercedes-benz.com)

# Dimensions.



All dimensions in millimetres. The dimensions shown are mean values and apply to standard-specification, unladen vehicles.

# Upholstery and trim.

---

## Upholstery

---

- 001 Aberdeen fabric
- 101 ARTICO man-made leather in black<sup>1</sup>
- 105 ARTICO man-made leather in silk beige/espresso brown<sup>1</sup>
- 114 ARTICO man-made leather in espresso brown/black<sup>1</sup>
- 115 ARTICO man-made leather in silk beige/black<sup>1</sup>
- 221 Leather in black<sup>1</sup>
- 224 Leather in espresso brown/black<sup>1</sup>
- 225 Leather in silk beige/espresso brown<sup>1</sup>
- 234 Leather in saddle brown/black<sup>1</sup>
- 235 Leather in silk beige/black<sup>1</sup>
- 301 ARTICO man-made leather/Grenoble in black<sup>1,3</sup>
- 314 ARTICO man-made leather/Grenoble fabric in espresso brown/black<sup>1,3</sup>
- 651 ARTICO man-made leather/DINAMICA microfibre in black<sup>1,2</sup>
- 971 designo nappa leather in black<sup>1</sup>
- 975 designo nappa leather in platinum white pearl/black<sup>1</sup>

---

## Trim

---

- H80 black piano lacquer look
  - H07 high-gloss brown linestructure lime wood<sup>1,4</sup>
  - 736 black open-pore ash wood<sup>1</sup>
  - H09 brown open-pore ash wood<sup>1</sup>
  - 731 high-gloss brown burr walnut wood<sup>1</sup>
  - H24 high-gloss light brown linestructure lime wood<sup>1</sup>
  - 739 light longitudinal-grain aluminium<sup>1,2</sup>
  - H73 AMG carbon-fibre/light longitudinal-grain aluminium trim<sup>1,5</sup>
- 

<sup>1</sup> Optional extra. <sup>2</sup> Standard for AMG Interior Line. <sup>3</sup> Standard for EXCLUSIVE line. <sup>4</sup> Standard for EXCLUSIVE Interior line and black designo interior. <sup>5</sup> In all likelihood available from 4<sup>th</sup> quarter of 2015.

## Appointments



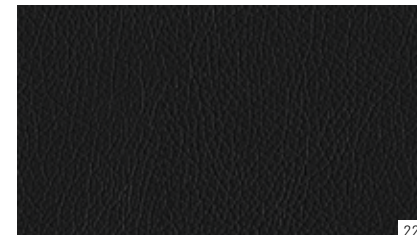
001



101



115



221



235

## EXCLUSIVE<sup>1</sup>



301



314



105

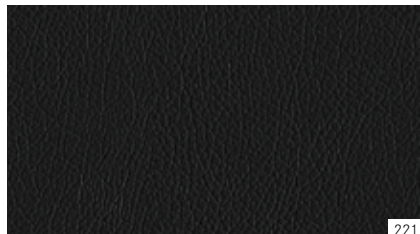


105

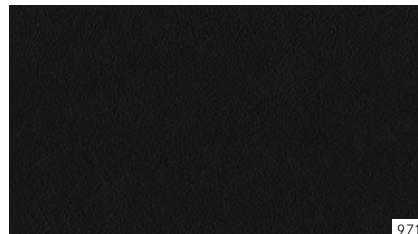


114

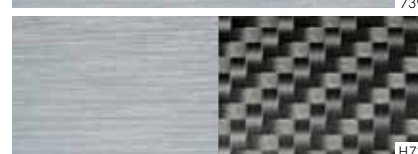
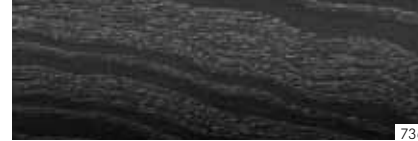
AMG Line<sup>1</sup>



designo<sup>1</sup>



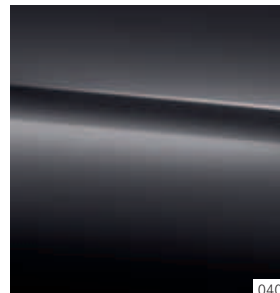
Trim





# Paintwork.

## Non-metallic paints



040



149

---

### Non-metallic paints

---

- 040 black  
149 polar white
- 

### Metallic paints<sup>1</sup>

---

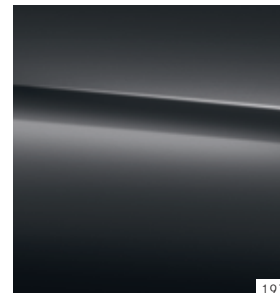
- 197 obsidian black  
755 tenorite grey  
775 iridium silver  
796 citrine brown  
890 cavansite blue  
988 diamond silver  
992 selenite grey
- 

### designo paints<sup>1</sup>

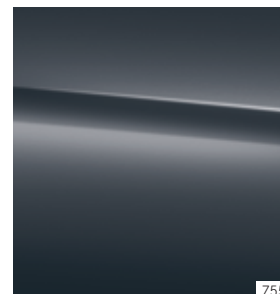
---

- 271 designo citrine brown magno  
799 designo diamond white bright  
996 designo hyacinth red metallic
- 

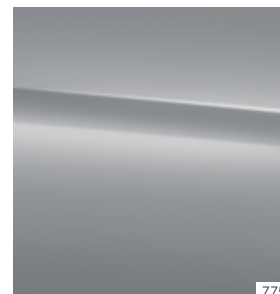
## Metallic paints<sup>1</sup>



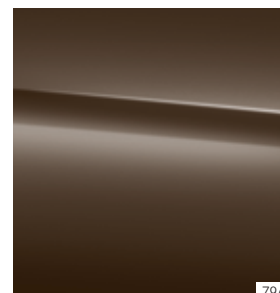
197



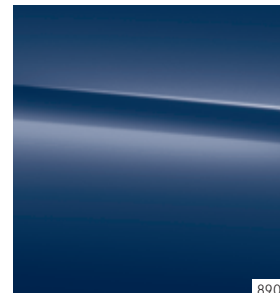
755



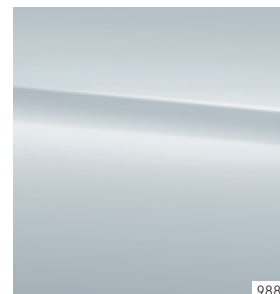
775



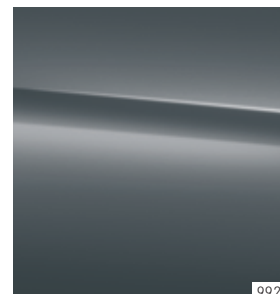
796



890

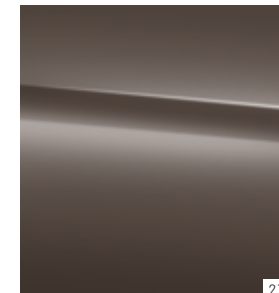


988



992

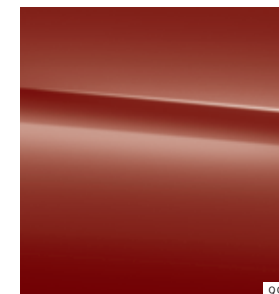
## designo paints<sup>1</sup>



271



799



996

<sup>1</sup> Optional extra.  
Additional individual designo paint finishes are available from your Mercedes-Benz dealer.



Mercedes-Benz of Shrewsbury  
760 Boston Turnpike  
Shrewsbury, MA 01545  
877-253-6691  
wagnermercedesofshrewsbury.com

**Mercedes-Benz is one of the founding partners of the “Laureus Sport for Good Foundation”.**

Since the foundation was established in 2000, Mercedes-Benz has been supporting and promoting the aims and values of this worldwide non-profit-making programme: to improve the lives of children and young people who are disadvantaged or suffering from illnesses through social sports projects. Laureus has become a fundamental element of Mercedes-Benz’s social responsibility. Every new Mercedes is an ambassador embodying these values. In buying a Mercedes you are supporting the “Laureus Sport for Good Foundation”.

**Please note:** changes may have been made to the product since this brochure went to press (27.05.2015). The manufacturer reserves the right during the delivery period to make changes to the design, form, colour or specification, provided these changes, while taking into account the interests of the vendor, can be deemed reasonable with respect to the purchaser. Where the vendor or the manufacturer uses symbols or numbers to describe an order or the subject of an order, no rights may be derived solely from these. The illustrations may include accessories and optional extras which do not form part of the standard specification. Actual colours may differ slightly from those shown owing to the limitations of the printing process. This brochure is distributed internationally. Information given regarding statutory regulations, legal requirements and taxation and the consequences thereof applies to the Federal Republic of Germany only and is correct at the time of going to press. For current and more specific information in relation to the range of models, features, optional extras, colours and/or services available in your country, and their pricing, you should contact your nearest authorised Mercedes-Benz Passenger Car Dealer.

[www.mercedes-benz.com](http://www.mercedes-benz.com)

**Take-back of end-of-life vehicles.** You can return your GLC to us for environment-friendly disposal in accordance with the European Union (EU) End-Of-Life Vehicle Directive. But that day lies a long way off.

A network of vehicle take-back depots and dismantlers is available to make returning your vehicle as easy as possible for you. You are welcome to return your vehicle to one of these establishments free of charge. In so doing, you will be making a valuable contribution towards closing the recycling cycle and preserving resources.

For further information about the recycling and disposal of end-of-life vehicles and take-back conditions, please visit your national Mercedes-Benz website.