

DATA SHEET

D100 4X4 OUTDOOR MIMO ANTENNA

Q8N50A

ANT-4x4-D100 is a multi-polarized antenna with 90° H x 90° V beamwidths. This antenna is well suited for 2.4 and 5 GHz sector coverage for access.

FREQUENCY/GAIN

- 4.9-6.0 GHz/5 dBi
- 2.4-2.5 GHz/6 dBi

DIMENSIONS

- 198 x 198 x 34.5 mm (7.9 x 7.9 x 1.25 inches)
exclusive of connectors

POLARIZATION

- V, H, and slant +/- 45°

UNPACKAGED WEIGHT

- Antenna: 568g (1.25 lbs)
- Bracket: 922g (2.03 lbs)

BEAMWIDTH

- Horizontal plane: 90°
- Vertical plane: 90°

HOUSING

- Housing: Aluminum
- Radome: Plastic

IMPEDANCE

- 50 ohms

CONNECTORS

- N-type female x4

MAXIMUM INPUT POWER

- 20 watts

OPERATING TEMPERATURE

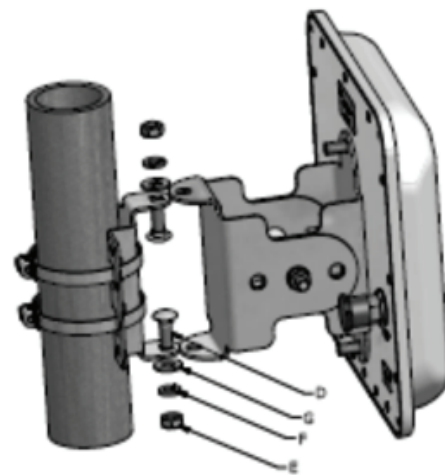
- -45°C to +70°C

VSWR

- 2:1 max

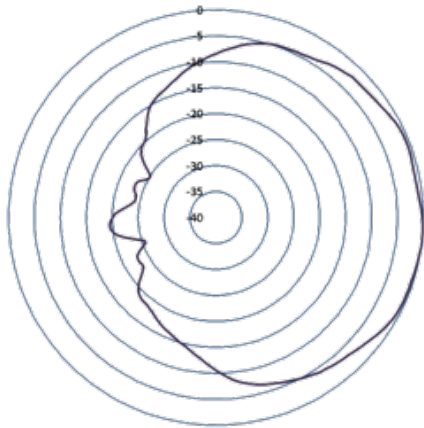
INSTALLATION HARDWARE

- Mount kit for wall and pole included

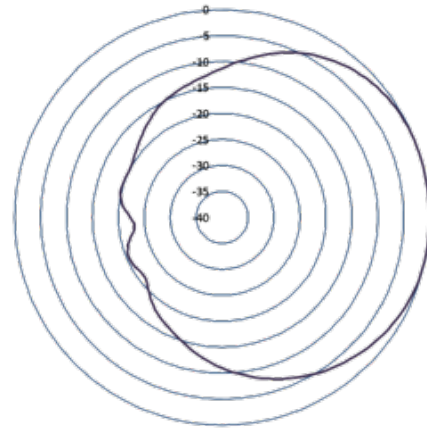


ANTENNA PATTERN PLOTS

Vertical pattern

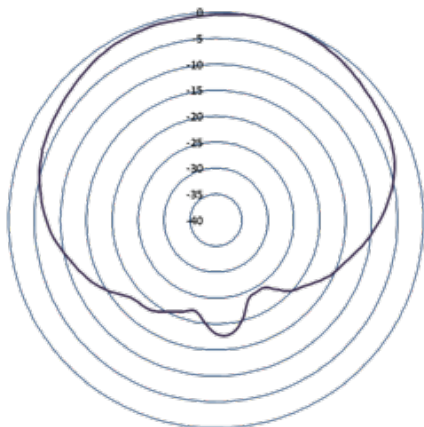


5.x GHz

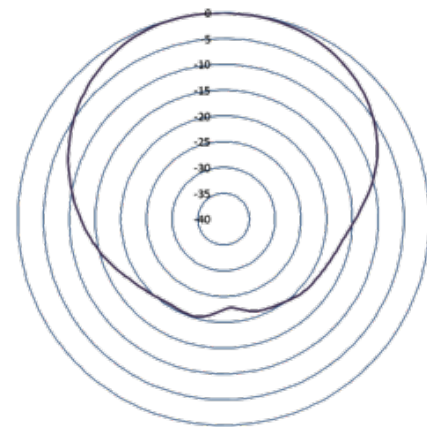


2.4 GHz

Horizontal pattern



5.x GHz



2.4 GHz

ORDERING INFORMATION

Part Number	Description
Q8N50A	ANT-4x4-D100 4x4 2.4/5G 5dBi Panel