

# CIRCULATION TANK HEATER

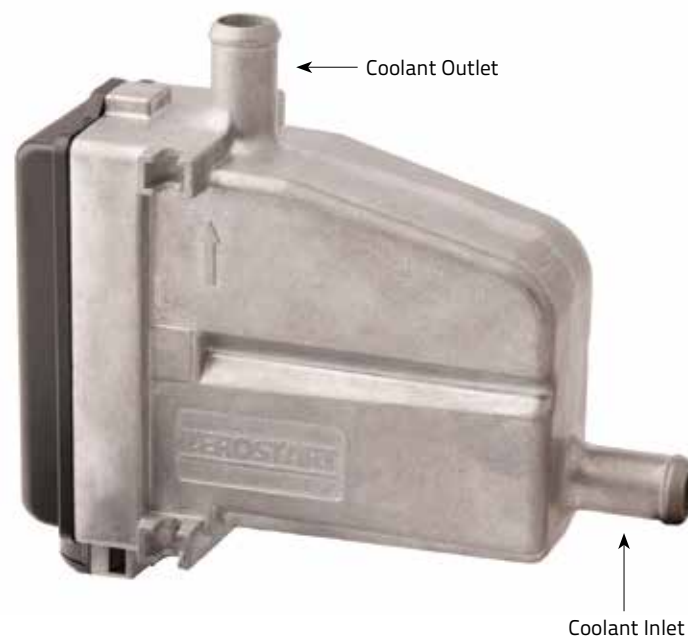
Circulation tank heaters provide dependable pre-heating for engine starts in all temperatures by circulating warmed coolant throughout the engine.

## BENEFITS

- Provides engine warming for quick, clean starts
  - Reduces time to reach operating temperature
  - Enhances immediate full-load acceptance
  - Durable aluminum housing is corrosion and impact resistant
  - Controls temperature by using a regulating thermostat
  - UL Listed, UL Recognized, CSA, and CE Certified
- \*UL Recognized (models without plugs) for OEM use only
- \*CSA models with plugs only

## WHERE TO USE

- Diesel & Gas Gensets
- Compressors
- Agriculture



## FEATURES

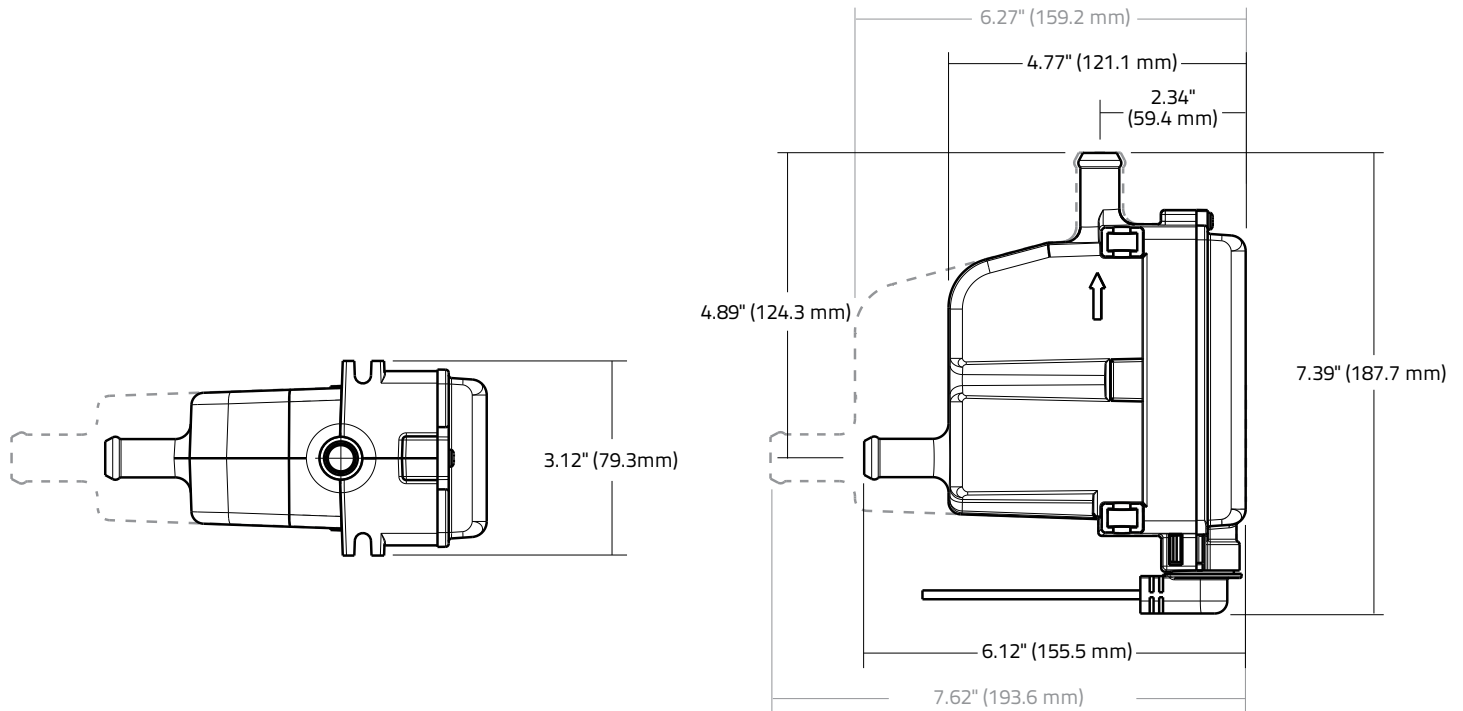
- Rugged die cast, one-piece, aluminum construction
  - Regulating thermostat with automatic reset
  - Safety overheat thermostat with automatic reset
  - 5 ft. (1.52 m) or 12 ft. (3.65 m) power cords available
  - Available in 120, 230, 240 volt versions
- **Thermostat Ranges:**
    - 60°-80°F (16°-27°C)
    - 80°-100°F (27°-38°C)
    - 100°-120°F (38°-49°C)
  - 750 W-1500 W using 5/8" (16 mm) hose connections and 1500 W – 2250 W using 3/4" (19 mm) hose connections
  - Available with or without electrical plugs

**PHILLIPS & TEMRO**  
*industries*<sup>®</sup>

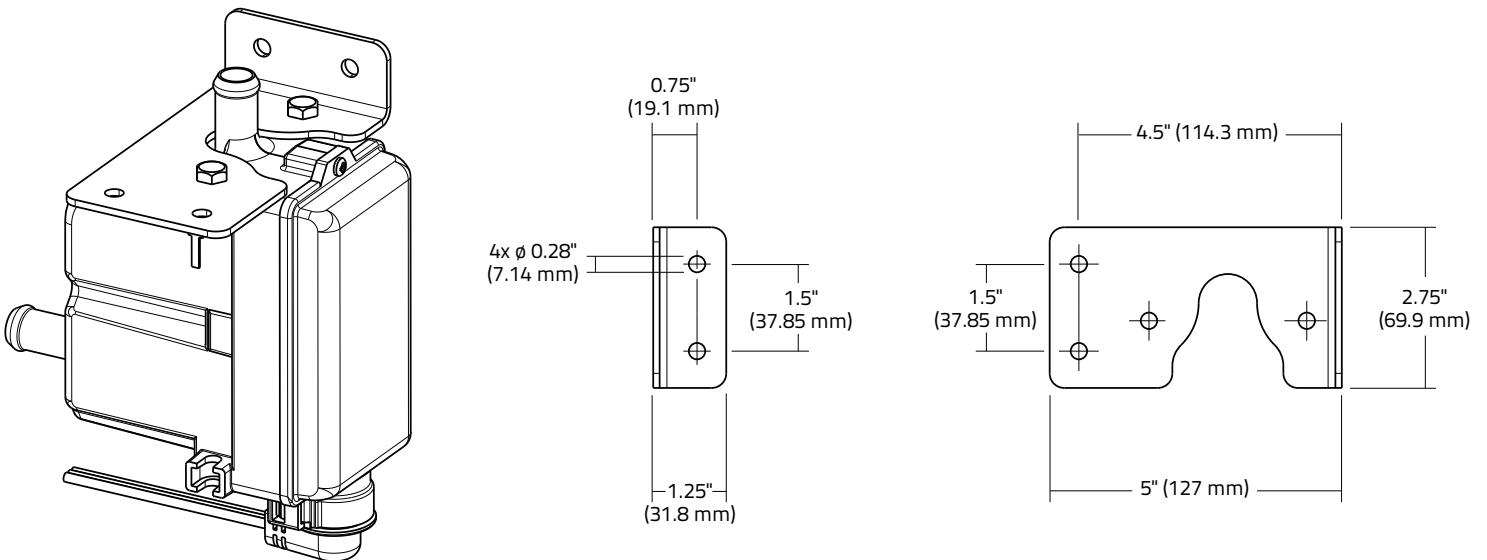
[phillipsandtemro.com](http://phillipsandtemro.com)

# CIRCULATION TANK HEATER

## HEATER DIMENSIONS



## TYPICAL MOUNTING BRACKET INSTALLATION AND DIMENSIONS (4 Possible Orientations)



# CIRCULATION TANK HEATER

## PARTS LIST: UL LISTED AND/OR CSA CERTIFIED

Part Number	Volts	Watts	Inlet/Outlet Size	Power Cord Length	Tank Size	Plug Type	UL Listed	CSA
<b>Regulating Thermostat: On 60°F (16°C) / Off 80°F (27°C)</b>								
3309061	120	750	5/8" (15.8 mm)	5' (1.5 m)	Small	NEMA 5-15	✓	✓
3309091	120	1000	5/8" (19 mm)	5' (1.5 m)	Small	NEMA 5-15	✓	✓
3309500	125	1500	5/8" (15.8 mm)	5' (1.5 m)	Small	NEMA 5-15	✓	✓
3309526	125	1500	3/4" (19 mm)	5' (1.5 m)	Large	NEMA 5-15	✓	✓
3305004	120	2250	3/4" (19 mm)	7' (2 m)	Large	NEMA 5-20	-	✓
<b>Regulating Thermostat: On 80°F (27°C) / Off 100°F (38°C)</b>								
3309063	120	750	5/8" (15.8 mm)	5' (1.5 m)	Small	NEMA 5-15	✓	✓
3309040	120	1000	5/8" (15.8 mm)	5' (1.5 m)	Small	NEMA 5-15	✓	✓
3309043	120	1500	3/4" (19 mm)	5' (1.5 m)	Large	NEMA 5-20	✓	✓
3309502	125	1500	5/8" (15.8 mm)	5' (1.5 m)	Small	NEMA 5-15	✓	✓
3309528	125	1500	3/4" (19 mm)	5' (1.5 m)	Large	NEMA 5-15	✓	✓
3309048	240	1000	5/8" (15.8 mm)	5' (1.5 m)	Small	NEMA 6-15	✓	✓
3309052	240	1500	3/4" (19 mm)	5' (1.5 m)	Large	NEMA 6-15	✓	✓
3309055	240	2250	3/4" (19 mm)	5' (1.5 m)	Large	NEMA 6-15	✓	✓
3309056	240	2250	3/4" (19 mm)	12' (3.6 m)	Large	NEMA 6-15	✓	✓
<b>Regulating Thermostat: On 100°F (38°C) / Off 120°F (49°C)</b>								
3309065	120	750	5/8" (15.8 mm)	5' (1.5 m)	Small	NEMA 5-15	✓	✓
3309042	120	1000	5/8" (15.8 mm)	5' (1.5 m)	Small	NEMA 5-15	✓	✓
3309041	120	1000	5/8" (15.8 mm)	12' (3.6 m)	Small	NEMA 5-15	✓	✓

# CIRCULATION TANK HEATER

Part Number	Volts	Watts	Inlet/Outlet Size	Power Cord Length	Tank Size	Plug Type	UL Listed	CSA
3309042	120	1000	5/8" (15.8 mm)	5' (1.5 m)	Small	NEMA 5-15	✓	✓
3309504	125	1500	5/8" (15.8 mm)	5' (1.5 m)	Small	NEMA 5-15	✓	✓
3309530	125	1500	3/4" (19 mm)	5' (1.5 m)	Large	NEMA 5-15	✓	✓
3309047	120	1500	3/4" (19 mm)	5' (1.5 m)	Large	NEMA 5-20	✓	✓
3309046	120	1500	3/4" (19 mm)	12' (3.6 m)	Large	NEMA 5-20	✓	✓
3309049	240	1000	5/8" (15.8 mm)	5' (1.5 m)	Small	NEMA 6-15	✓	✓
3309050	240	1000	5/8" (15.8 mm)	12' (3.6 m)	Small	NEMA 6-15	✓	✓
3309053	240	1500	3/4" (19 mm)	5' (1.5 m)	Large	NEMA 6-15	✓	✓
3309054	240	1500	3/4" (19 mm)	12' (3.6 m)	Large	NEMA 6-15	✓	✓
3309057	240	2250	3/4" (19 mm)	5' (1.5 m)	Large	NEMA 6-15	✓	✓
3309058	240	2250	3/4" (19 mm)	12' (3.6 m)	Large	NEMA 6-15	✓	✓

# CIRCULATION TANK HEATER

## PARTS LIST: CE CERTIFIED

Part Number	Volts	Watts	Inlet/Outlet Size	Power Cord Length	Tank Size	Regulating Thermostat	Plug Type	Certifications
33E5017	230	750	15.8 mm (5/8")	1.5 m (5')	Small	On 38°C (100°F) / Off 49°C (120°F)	Hard wire	CE
33E5020	230	750	15.8 mm (5/8")	1.5 m (5')	Small	On 38°C (100°F) / Off 49°C (120°F)	CEE7/7 PLUG	CE
33E5018	230	1000	15.8 mm (5/8")	1.5 m (5')	Small	On 38°C (100°F) / Off 49°C (120°F)	Hard wire	CE
33E5021	230	1000	15.8 mm (5/8")	1.5 m (5')	Small	On 38°C (100°F) / Off 49°C (120°F)	CEE7/7 PLUG	CE
33E5019	230	1500	15.8 mm (5/8")	1.5 m (5')	Small	On 38°C (100°F) / Off 49°C (120°F)	Hard wire	CE
33E5022	230	1500	15.8 mm (5/8")	1.5 m (5')	Small	On 38°C (100°F) / Off 49°C (120°F)	CEE7/7 PLUG	CE
33E5001	230	1500	19 mm	1.5 m (5')	Large	On 38°C (100°F) / Off 49°C (120°F)	Hard wire	CE
33E5003	230	1500	19 mm	1.5 m (5')	Large	On 38°C (100°F) / Off 49°C (120°F)	CEE7/7 PLUG	CE
33E5002	230	2250	19 mm	1.5 m (5')	Large	On 38°C (100°F) / Off 49°C (120°F)	Hard wire	CE
33E5004	230	2250	19 mm	1.5 m (5')	Large	On 38°C (100°F) / Off 49°C (120°F)	CEE7/7 PLUG	CE