



GAS FURNACES

ML196UHE

MERIT® SERIES

Upflow / Horizontal - Constant Torque Blower - 60Hz

**RESIDENTIAL
PRODUCT SPECIFICATIONS**

Bulletin No. 210909
August 2020
Supersedes April 2020



**MERIT®
SERIES**



AFUE - 96%

**Input - 30,000 to 132,000 Btuh
Nominal Add-on Cooling - 1.5 to 5 Tons**

MODEL NUMBER IDENTIFICATION

ML 1 96 UH 070 X E 36 B

Unit Type
ML = Merit® Series

Stages
1 = One-Stage

AFUE
96 = 96%

Configuration
UH = Upflow/Horizontal

Nominal Gas Heat Input
030 = 30,000 Btuh
045 = 44,000 Btuh
070 = 66,000 Btuh
090 = 88,000 Btuh
110 = 110,000 Btuh
135 = 132,000 Btuh

1 Cabinet Width
B = 17-1/2 in.
C = 21 in.
D = 24-1/2 in.

Nominal Add-On Cooling Capacity
36 = 1.5 - 3 tons
48 = 2.5 - 4 tons
60 = 3 - 5 tons

Blower
E = High Efficiency Constant Torque Blower Motor

Low NOx
X = Units meet California Nitrogen Oxides Standard (40 ng/J)

¹ Indoor coils with the same letter designation physically matches the furnace.

FEATURE HIGHLIGHTS

1. Lennox Duralok Plus™ Heat Exchanger
2. Secondary Heat Exchanger
3. Inshot Burners
4. Gas Control Valve
5. Combustion Air Inducer
6. Flame Rollout Switch
7. SureLight® Integrated Furnace Control
8. Power Saver™ Constant Torque Blower
9. Insulated Cabinet
10. Safety Interlock Switch
11. Gas Piping And Electrical Inlets



CONTENTS

Approvals And Warranty	3
Blower Data	22
Dimensions - Furnace/Coil Combined Dimensions	18
Dimensions - Optional Accessories	17
Dimensions - Optional Accessories - Venting	19
Dimensions - Unit - Horizontal Position	16
Dimensions - Unit - Upflow Position	15
Features	3
Gas Heat Accessories	11
High Altitude Derate	11
Installation Clearances	11
Optional Accessories	10
Specifications	9
Vent Lengths - Exhaust Or Intake	13
Vent Lengths - Exhaust Using Ventilated Attic/Crawlspace Intake Air.	14
Vent Lengths - Uninsulated Exhaust Pipe In Unconditioned Space	14

APPROVALS AND WARRANTY

APPROVALS

- AHRI Certified
- Tested and rated according to US DOE test procedures and FTC labeling regulations
- Approved by the California Energy Commission and meets California Nitrogen Oxides Standard (NOx) limits of 40 ng/J
- ENERGY STAR® certified units are designed to use less energy, help save money on utility bills, and help protect the environment
- ISO 9001 Registered Manufacturing Quality System
- Blower data from unit tests conducted in Lennox Laboratory air test chamber

California Only

- This furnace **does not meet** the South Coast Air Quality Management District (SCAQMD) Rule 1111 and San Joaquin Valley Air Pollution Control District (SJVAPCD) Rule 4905 NOx emission limit (14 ng/J) and cannot be installed within the SCAQMD and SJVAPCD areas
- Approved by the California Energy Commission and meets California Nitrogen Oxides Standard (NOx) limits of 40 ng/J

WARRANTY

- Duralok Plus™ Aluminized Steel Heat Exchanger:
 - Limited twenty year in residential applications
 - Limited ten years in non-residential applications
- All other covered components:
 - Limited five years in residential installations
 - Limited one year in non-residential installations

NOTE - Refer to Lennox Equipment Limited Warranty certificate included with unit for specific details.

FEATURES

APPLICATIONS

- Input capacities of 30,000, 44,000, 66,000, 88,000, 110,000 and 135,000 Btuh
- Energy efficiency (AFUE) - 96%
- Compact cabinet for upflow, horizontal-left or horizontal-right applications without any modifications
- Lennox add-on indoor coils, high-efficiency air cleaners and humidifiers can easily be added to furnace
- Shipped factory assembled with all controls installed and wired
- Factory test operated to ensure proper operation

HEATING SYSTEM

1 Lennox Duralok Plus™ Heat Exchanger Assembly

- Lennox developed heat exchanger assembly consists of primary heat exchanger and secondary condenser coil assembly
- Main multi-pass crimped seam design clamshell type
- Constructed of heavy-gauge, aluminized steel
- Designed for normal expansion and contraction with maximum efficiency and minimum resistance to air flow

- 2 • Secondary heat exchanger condenser coil constructed of aluminum fins fitted to stainless steel tubes
- Coil is factory tested for leaks
- Condensate drain header box assembly located on front of coil
- Compact size permits low overall design of furnace cabinet
- Laboratory life cycle tested in excess of industry standards

Lennox Designed Header Box

- Header box on end of condenser coil collects flue condensate for disposal through condensate drains
- Drains are located on each side of the cabinet for easy field installation of condensate drain trap
- Only one drain is used, the other drain is sealed
- Condensate drain trap is included with the unit for field installation

FEATURES

HEATING SYSTEM (continued)

Lennox Designed Flue Condensate Trap Assembly

- Field installed outside the conditioned air stream
- Assembly can be mounted on either side of cabinet in upflow applications
- Assembly is mounted below the cabinet in horizontal applications
- Can also be mounted remotely (up to 5 ft. away) from unit
- See Dimension Drawing and Installation Instructions
- 90° street elbow furnished for ease of drain trap installation
- Drain connection can be made with field provided PVC pipe or PVC coupling
- Drain cap on trap allows easy cleaning and winterizing

3 Inshot Burners

- Aluminized steel inshot burners provide efficient, trouble-free operation
- Burner venturi mixes air and gas in correct proportion for proper combustion
- Burner assembly can be removed from the unit as a single component for ease of service

SureLight® Hot Surface Ignitor

- Tough, reliable, long-life, trouble-free performance
- Silicon nitride ignitor
- Cemented to steatite block for protection against current leakage
- Ignition leads are constructed of nickel plated copper and are enclosed in high temperature Teflon® insulation for dependable operation

4 Gas Control Valve

- 24 volt redundant combination gas control valve combines manual shut off switch (On-Off), automatic electric valve (dual) and gas pressure regulation into a compact combination control

5 Combustion Air Inducer

- Shaded pole heavy duty blower prepurges heat exchanger and safely vents flue products
- Operates only during heating cycle

Pressure Switch

- Proves Combustion Air Inducer operation before allowing gas valve to open

Limit Control

- Primary limit is accurately located on header box on all units
- Automatic reset

6 Flame Rollout Switches (2)

- Factory installed on the front of the burner box
- Switch provides protection from abnormal operating conditions
- Manual reset

Optional Accessories

High Altitude Orifice Kits

- Required on all units for proper operation at altitudes from 7501 to 10,000 ft.
- Kits are available for natural gas and LPG/propane

High Altitude Pressure Switch Kit

- Required for proper unit operation on installations above 4500 ft.

Natural Gas to LPG/Propane Conversion Kit

- Required for field changeover from natural gas to LPG/Propane

LPG/Propane to Natural Gas Conversion Kit

- Required for field changeover from LPG/Propane to natural gas

Muffler (US Only)

- Significantly reduces outdoor operating sound levels
- Two-inch diameter muffler is optional for 030 through 110 input models

NOTE - Two-inch muffler is optional for the 110 input model with a maximum vent pipe length of up to 29 ft.
Three-inch diameter muffler is optional for 110 input model.

NOTE - Three-inch muffler is optional for the 110 input model with a minimum vent pipe length of 30 ft.

- Installed vertically in the exhaust piping
- See Optional Accessory Dimension Drawing

DIRECT VENT / NON-DIRECT VENT SEALED COMBUSTION SYSTEM

- Furnace features a "sealed combustion" system and can be installed in either Direct Vent or Non-Direct applications
- In Direct Vent applications, combustion air is supplied from outdoors and flue gases are discharged outdoors
- In Non-Direct Vent applications, combustion air is supplied from indoors and flue gases are discharged outdoors

NOTE - Lennox has approved the use of DuraVent® PolyPro® and Centrotherm InnoFlue® manufactured vent pipe and terminations as an alternative to PVC vent pipe. Must be ordered separately.
Tested and listed to the ULC S636 standard in Canada

- The polypropylene venting system must follow the uninsulated and unconditioned space vent lengths listed in the table on Page 14
- Refer to the Installation Instructions for additional details

FEATURES

DIRECT VENT / NON-DIRECT VENT SEALED COMBUSTION SYSTEM (continued)

Flue Coupling

- Assists with exhaust flue piping connection and servicing
- Includes flexible one 2-inch rubber coupling and two adjustable bands
- Approved for all Lennox 90% furnaces

Vent Termination Kits

- Facilitates installation of combustion air intake pipe and flue exhaust pipe
- Refer to venting table in this bulletin to determine pipe size needed and proper termination kit required
- See Optional Accessories table and dimension drawings

Concentric Termination Kit - Direct Vent Applications

- 2 or 3 inch kit contains concentric termination assembly, reducer bushing and 45° elbow
- 2 inch kit for -030-045-070 models contains an outdoor exhaust accelerator
- Kit requires single hole penetration of roof or wall for installation
- Roof Termination Flashing Kit is available for use with 2 inch Kits
- CSA certified

Flush-Mount Termination Kit

- Kit contains flush-mount termination, accelerator, mounting template and hardware
- Kit may be used with 2, 2-1/2 or 3 in. pipe

Wall Assembly Termination Kits

Close Couple (US Only) - Direct Vent Applications

- 2 or 3 inch kit consists of close-couple, side-by-side PVC piping with galvanized steel wall cover plate
- Seals and isolates intake and exhaust piping penetration of wall
- Piping spacing and length is sized for proper wall installations
- CSA certified

Close Couple WTK (Canada Only) - Direct Vent Applications

- 2 or 3 inch kit contains one insulated faceplate, one insulated exhaust pipe, elbow and fittings

Wall Ring - Direct Vent or Non-Direct Vent Applications

- 2 inch kit contains 2 stainless steel outside seal caps, 2 galvanized steel inside seal caps, 4 seal rings for the caps and 18 inch insulation sleeve
- Seals and isolates intake and exhaust piping penetration of wall

NOTE - Maintain a maximum of 6 inches between the inlet and outlet openings in the installation of the pipes.

Roof Termination Flashing Kit

- For vertical venting through a roof
- 2 or 3 inch kit contains two neoprene rubber roof flashings
- Vent pipe and insulation not furnished
- Flashing Kit can also be used with 2 inch (use 3 inch flashing) Concentric Vent Termination Kits used in vertical venting rooftop applications

CONTROLS

7 SureLight® Integrated Furnace Control

- Contains all necessary controls and relays to operate furnace
- Combustion air inducer is operated by the integrated furnace control
- Prior to ignition, a pre-purge cycle for 15 seconds is initiated
- After the main burners are turned off, a post-purge cycle for 5 seconds is run
- Flame sensor assures safe and reliable operation
- Should loss of flame occur, the integrated furnace control will initiate 4 re-attempts at ignition before locking out unit operation for 60 minutes
- Watchguard type circuit automatically resets ignition controls after one hour of continuous thermostat demand after unit lockout, eliminating nuisance calls for service
- Fan control consists of adjustable blower timed-off delay (60, 90, 120, 180 seconds - factory setting 90 seconds) and fixed blower timed-on delay (30 seconds heating, 2 seconds cooling)
- For air-conditioning applications, blower is automatically energized on thermostat demand for cooling
- Two accessory terminals furnished for additional power supply requirements for 120 volt (less than 1 amp) power humidifiers and powered air cleaners
- One additional terminal is furnished for power supply requirements for 24V (less than 0.5 amp) low voltage accessories
- Ignition control has a single red LED to indicate status and as an aid in troubleshooting
- Last ten codes are stored in non-volatile memory (accessible by recall button on control) for servicing

24 Volt Transformer (40VA)

- Fuse wired in series
- Furnished and factory installed in control box

Field Wiring Make-Up Box

- Furnished for line voltage wiring
- Factory installed internally on left side of furnace
- Box may be installed internally or externally on either side of furnace

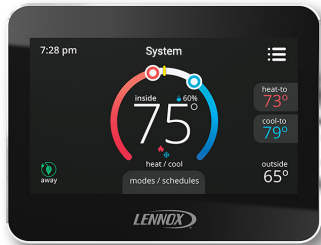
FEATURES

CONTROLS (continued)

Optional Accessories

iComfort® M30 Smart Wi-Fi Thermostat

- Wi-Fi-enabled, electronic 7-day, universal, multi-stage, programmable, touchscreen thermostat
- 4 Heat/2 Cool
- Auto-changeover
- Dual-fuel control with optional outdoor sensor
- Controls dehumidification during cooling mode and humidification during heating mode
- Offers enhanced capabilities including humidification / dehumidification / dewpoint measurement and control, Humiditol® control, and equipment maintenance reminders
- Easy to read 4.3 in. color touchscreen (measured diagonally)
- LCD display with backlight shows the current and set temperature, time, inside relative humidity, system status (operating mode and schedules) and outside temperature (optional outdoor sensor required)
- Smooth Setback Recovery starts system early to achieve setpoint at start of program period
- Compressor short-cycle protection (5 minutes)
- Up to four separate schedules are available plus Schedule IQ™
- One-Touch Away Mode - A quick and easy way to set the cooling and heating setpoints while away
- Smart Away™ - Uses geo-fencing technology to determine when the homeowner is within a predetermined distance from the home to operate the system when leaving, away and arriving
- Wi-Fi remote monitoring and adjustment through a home wireless network for desktop PCs, laptops and apps for smartphones or tablets
- Smart home automation compatible with Amazon Alexa®, Google Assistant and IFTTT
- Service Dashboard features online real-time monitoring of installed iComfort® thermostats



NOTE - See the iComfort® M30 Smart Wi-Fi Thermostat Product Specifications bulletin in the Controls section for more information.

Remote Outdoor Temperature Sensor

- Used with the iComfort® M30 Smart Thermostat
- Outdoor sensor allows thermostat to display outdoor temperature

NOTE - Sensor is required for the Enhanced Dehumidification Accessory (EDA).



Thermostat

- Thermostat is not furnished with unit
- See Lennox Price Book for selection

Blower Relay Kit (For Use With Two-Stage Outdoor Units)

- Allows furnace blower speed changes when matched with two-stage air conditioners or heat pumps

Furnace Twinning Kit

- Required to operate two furnaces simultaneously
- Kit consists of twinning relays, quick connect terminals and mounting hardware
- Used for single-stage heating/single-stage cooling with a single-stage thermostat

Night Service Kit

- Contains most commonly used service parts:
 - Furnace Control
 - Igniter
 - Flame Sensor
 - Gas Valve
 - Transformer
 - Service Manual

BLOWER

- Direct drive blower
- Statically and dynamically balanced
- Resiliently mounted
- Blower assembly easily removed for servicing

8 Power Saver™ Constant Torque Blower Motor

- DC Brushless Motor
- High Efficiency Constant Torque
- ECM (Electronically Commutated Motor)
- Motor is programmed to provide constant torque at each of the selectable speeds
- Motor is controlled by the Integrated Furnace Control
- Blower speeds are easily changed on the integrated furnace control
- See Blower Data tables

FEATURES

CABINET

- Low-profile, narrow width allows easy installation
- Heavy-gauge, cold rolled steel construction
- Pre-painted cabinet finish
- Flanges provided on supply air opening for ease of plenum connection or alignment with indoor coil
- 9 • Insulated with foil faced insulation on sides and back of heating compartment
- Sealed blower compartment
- Complete service access
- 10 • Safety interlock switch automatically shuts off power to unit when blower compartment access door is removed
- 11 • Gas piping and electrical inlets are provided in both sides of cabinet

Low Leakage Cabinet

- All models have less than 2% air leakage
- Meets ANSI/ASHRAE Standard 193-2010 "Method of Test for Determining the Air Tightness of HVAC Equipment"

Bottom/Side Return Air Entry:

- Upflow/horizontal with bottom return air entry:
 - Remove furnished bottom seal panel from cabinet
- Upflow only with side return-air entry:
 - Corners are marked on either side of cabinet for return air cut-out
- See dimension drawings

NOTE - 60C and 60D size units that require air volumes over 1800 cfm must have one of the following:

- Single side return air and Optional Return Air Base with transition that must accommodate required 20 x 25 x 1 inch air filter to maintain proper velocity
- Bottom return air
- Return air from both sides
- Bottom and one side return air
- See Blower Performance Tables for additional information

Coil Match-Up

- All furnaces exactly match Lennox cased upflow indoor coils and horizontal indoor coils with same letter designation (A, B, C, D) in model number
- No adaptor required
- Engaging holes furnished on cabinet for alignment
- Lennox uncased coils match furnaces without any overhang but require an optional adaptor base or field fabricated transition to match furnace opening
- See coil bulletin for additional information

Optional Accessories

Condensate Drain Heat Cable Kits

- Self-limiting wattage heat cable prevents condensate drain from freezing in unconditioned areas
- Available in 6 or 24 ft. lengths

Horizontal Suspension Kit

- Provides suspension of unit and indoor coil in horizontal applications
- Allows complete service access
- Consists of corner mounted hanging brackets with vibration isolators, return air end support rail and hardware for assembly
- Metal hanging straps must be field provided

Crawl Space Vent Drain Kit

- Allows venting through a crawl space for upflow and horizontal applications
- Includes 2 or 3 in. sanitary tee, 2 in. PVC assembly, PVC boot and clamp
- Kit for Canada is certified to ULC S636

Return Air Base

NOTE - On furnaces with side return air and condensate trap on the same side of the cabinet, a field fabricated transition or Return Air Base is required when using an IAQ product higher than 14-3/16 inches installed next to the unit and serviced from the front. IAQ products higher than 20 inches require a field fabricated transition.

NOTE - Must be used for 60C size models with air volumes over 1800 cfm in upflow applications when only one side return is required.

- Cabinet is shipped flat for easy field assembly
- Pre-painted steel to match the furnace
- See Dimension Drawing

High Performance Economizer (Commercial Applications Only)

- Designed for applications requiring outdoor air to be utilized in a commercial HVAC system
- Allows the entry of fresh outdoor air for free cooling, reducing the requirement for mechanical cooling
- Heavy gauge galvanized steel cabinet lined with thick fiberglass insulation
- Mixed air sensor, outdoor air sensor and 24VAC transformer furnished
- Approved for California Title 24 building standards
- ASHRAE 90.1-2010 compliant
- See separate Product Specifications bulletin for additional information and available control and sensor options.

FEATURES

FILTER (not furnished)

- Filter and provisions for external mounting must be field provided

Optional Accessories

Air Filter and Rack Kit for Horizontal Return Air (End)

Applications

- Washable or vacuum cleanable polyurethane frame type filter and external end return air rack
- Rack has filter door for servicing
- Flanges on rack for duct connection
- Field installed
- See dimension drawing

Air Filter and Rack Kit for Upflow Side Return Air

NOTE - Not for use with Return Air Base

- Washable or vacuum cleanable polyurethane frame type filter and external side return air rack available for field installation
- Available in single and ten pack kits
- Rack has filter door for servicing
- Flanges on rack for duct connection
- Field installs on either side of unit cabinet
- See dimension drawing

SPECIFICATIONS

Gas Heating Performance	Model No.	ML196UH 030XE36B	ML196UH 045XE36B	ML196UH 070XE36B	ML196UH 070XE48B	ML196UH 090XE36C
	¹ AFUE	96%	96%	96%	96%	96%
	Input - Btuh	30,000	44,000	66,000	66,000	88,000
	Output - Btuh	29,000	42,800	63,900	63,900	85,600
	Temperature rise range - °F	25 - 55	35 - 65	35 - 65	30 - 60	45 - 75
	Gas Manifold Pressure (in. w.g.) Nat. Gas / LPG/Propane	3.5 / 10	3.5 / 10	3.5 / 10	3.5 / 10	3.5 / 10
	High static - in. w.g.	0.5	0.5	0.5	0.5	0.5
Energy Star® Certified		Yes	Yes	Yes	Yes	Yes
Connections in.	Intake / Exhaust Pipe (PVC)	2 / 2	2 / 2	2 / 2	2 / 2	2 / 2
	Gas pipe size IPS	1/2	1/2	1/2	1/2	1/2
	Condensate Drain Trap (PVC pipe) - i.d.	3/4	3/4	3/4	3/4	3/4
	with furnished 90° street elbow with field supplied (PVC coupling) - o.d.	3/4 slip x 3/4 Mipt 3/4 slip x 3/4 MPT				
Indoor Blower	Wheel nom. dia. x width - in.	10 x 8	10 x 8	10 x 8	11-1/2 x 10	10 x 8
	Motor Type	DC Brushless	DC Brushless	DC Brushless	DC Brushless	DC Brushless
	Motor output - hp	1/2	1/2	1/2	3/4	1/2
	Tons of add-on cooling	1.5 - 3	1.5 - 3	1.5 - 3	2.5 - 4	1.5 - 3
	Air Volume Range - cfm	175 - 1435	520 - 1345	550 - 1380	835 - 1855	460 - 1470
Electrical Data	Voltage	120 volts - 60 hertz - 1 phase				
	Blower motor full load amps	6.8	6.8	6.8	8.4	6.8
	Maximum overcurrent protection	15	15	15	15	15
Shipping Data	lbs. - 1 package	120	124	129	132	142

NOTE - Filters and provisions for mounting are not furnished and must be field provided.

¹ Annual Fuel Utilization Efficiency based on DOE test procedures and according to FTC labeling regulations. Isolated combustion system rating for non-weatherized furnaces.

SPECIFICATIONS

Gas Heating Performance	Model No.	ML196UH 090XE48C	ML196UH 090XE60C	ML196UH 110XE60C	ML196UH 135XE60D
	¹ AFUE	96%	96%	96%	96%
	Input - Btuh	88,000	88,000	110,000	132,000
	Output - Btuh	85,600	85,600	107,200	127,000
	Temperature rise range - °F	50 - 80	35 - 65	45 - 75	45 - 75
	Gas Manifold Pressure (in. w.g.) Nat. Gas / LPG/Propane	3.5 / 10	3.5 / 10	3.5 / 10	3.5 / 10
	High static - in. w.g.	0.5	0.5	0.5	0.5
Energy Star® Certified		Yes	Yes	Yes	Yes
Connections in.	Intake / Exhaust Pipe (PVC)	2 / 2	2 / 2	2 / 2	2 / 2
	Gas pipe size IPS	1/2	1/2	1/2	1/2
	Condensate Drain Trap (PVC pipe) - i.d.	3/4	3/4	3/4	3/4
	with furnished 90° street elbow with field supplied (PVC coupling) - o.d.	3/4 slip x 3/4 Mipt 3/4 slip x 3/4 MPT			
Indoor Blower	Wheel nom. dia. x width - in.	10 x 10	11 x 11	11-1/2 x 10	11 x 11
	Motor Type	DC Brushless	DC Brushless	DC Brushless	DC Brushless
	Motor output - hp	3/4	1	1	1
	Tons of add-on cooling	2.5 - 4	3-5	3 - 5	3-5
	Air Volume Range - cfm	760 - 1740	1050 - 2105	1055 - 2220	1310 - 2400
Electrical Data	Voltage	120 volts - 60 hertz - 1 phase			
	Blower motor full load amps	8.4	10.9	10.9	10.9
	Maximum overcurrent protection	15	15	15	15
Shipping Data	lbs. - 1 package	152	152	164	174

NOTE - Filters and provisions for mounting are not furnished and must be field provided.

¹ Annual Fuel Utilization Efficiency based on DOE test procedures and according to FTC labeling regulations. Isolated combustion system rating for non-weatherized furnaces.

OPTIONAL ACCESSORIES

			"B" Width Models	"C" Width Models	"D" Width Models
CABINET ACCESSORIES					
Horizontal Suspension Kit - Horizontal only			51W10	51W10	51W10
Return Air Base - Upflow only			50W98	50W99	50W99
High Performance Economizer (Commercial Only)			10U53	10U53	10U53
CONDENSATE DRAIN KITS					
Condensate Drain Heat Cable	6 ft.		26K68	26K68	26K68
	24 ft.		26K69	26K69	26K69
Crawl Space Vent Drain Kit	US		51W18	51W18	51W18
	Canada		15Z70	15Z70	15Z70
CONTROLS					
Blower Relay Kit (for two-stage outdoor units)			85W66	85W66	85W66
iComfort® M30 Smart Wi-Fi Thermostat			15Z69	15Z69	15Z69
Remote Outdoor Temperature Sensor			X2658	X2658	X2658
Twinning Kit			16W72	16W72	16W72
FILTER KITS					
¹ Air Filter and Rack Kit	Horizontal (end)	Size of filter - in.	87L96 - 18 x 25 x 1	87L97 - 20 x 25 x 1	87L98 - 25 x 25 x 1
	Side Return	Single	44J22	44J22	44J22
		Ten Pack	66K63	66K63	66K63
			Size of filter - in.	16 x 25 x 1	16 x 25 x 1
NIGHT SERVICE KIT					
Night Service Kit			84W48	84W48	84W48
TERMINATION KITS					
See Installation Instructions for specific venting information.					
Termination Kits - Direct Vent Applications Only	Concentric	US - 2 in.	71M80	69M29	---
		3 in.	---	60L46	60L46
		Canada - 2 in.	44W92	44W92	---
		3 in.	---	44W93	44W93
	Flush-Mount	US - 2, 2-1/2 or 3 in.	51W11	51W11	51W11
		Canada - 2, 2-1/2 or 3 in.	51W12	51W12	51W12
	Wall - Close Couple	US - 2 in.	22G44	---	---
		3 in.	44J40	44J40	44J40
Wall - Close Couple WTK	Canada - 2 in.	30G28	---	---	
	3 in.	81J20	81J20	81J20	
Termination Kits - Direct or Non-Direct vent	Roof	2 in.	15F75	15F75	---
	Wall Ring Kit	2 in.	15F74	³ 15F74	---
² Roof Termination Flashing Kit - Direct or Non-Direct Vent (2 flashings)			2 in.	44J41	44J41
VENTING					
Flue Coupling			2 in.	17H92	17H92

¹ Cleanable polyurethane frame type filter.

² Kits contain enough parts for two, non-direct vent installations.

³ Non-direct vent only.

NOTE - Termination Kits (44W92, 44W93, 30G28, 51W12, 51W19, 81J20) and Crawl Space Vent Drain Kit (15Z70) are certified to ULC S636 standard for use in Canada only.

GAS HEAT ACCESSORIES

Input	High Altitude Pressure Switch Kit		Natural Gas to LPG/Propane Kit	LPG/Propane to Natural Gas Kit	Natural Gas High Altitude Orifice Kit	LPG/Propane High Altitude Orifice Kit	Muffler (US Only)
	4501 - 7500 ft.	7501 - 10,000 ft.	0 - 7500 ft.	0 - 7500 ft.	7501 - 10,000 ft.	7501 - 10,000 ft.	
030	11U65	11U66	17H63	N/A	14C90	17H66	15Y66 (2-inch)
045	11U65	11U66	11K49	73W81	73W37	11K44	15Y66 (2-inch)
070	11U71	11U67	11K49	73W81	73W37	11K44	15Y66 (2-inch)
090	11U70	11U64	11K49	73W81	73W37	11K44	15Y66 (2-inch)
110	11U71	11U64	11K49	73W81	73W37	11K44	¹ 15Y66 (2-inch) 16A56 (3-inch)
135	11U71	11U68	11K49	73W82	73W37	11K44	16A56 (3-inch)

¹ Two-inch diameter muffler (15Y66) is optional for 110 input model with a maximum vent pipe length of up to 29 ft.
Three-inch diameter muffler (16A56) is optional for 110 input model with a minimum vent pipe length of 30 ft.

HIGH ALTITUDE DERATE

NOTE - Units may be installed at altitudes up to 10,000 ft.

At altitudes above 4501 ft. the unit must be derated to match the manifold pressure information shown below.

Units installed at altitudes of 4501 to 10,000 ft. require a pressure switch change.

Units installed at altitudes of 7501 to 10,000 ft. require an orifice change.

See the Gas Heat Accessories table for ordering information.

NOTE - This is the only permissible derate for these units.

NOTE - In Canada, certification for installations at elevations over 4500 feet is the jurisdiction of local authorities.

Input	Gas	Manifold Pressure in. w.g.					Supply Line Pressure in. w.g.	
		0 - 4500 ft.	4501 - 5500 ft.	5501 - 6500 ft.	6501 - 7500 ft.	7501 - 10,000 ft.	0 - 10,000 ft.	
All Sizes	Natural	3.5	3.3	3.2	3.1	3.5	4.5	13.0
	LPG/Propane	10.0	9.4	9.1	8.9	10.0	11.0	13.0

INSTALLATION CLEARANCES

Sides	¹ 0 inches (0 mm)
Rear	0 inches (0 mm)
Top/Plenum	1 inch (25 mm)
Front	0 inches (0 mm)
Front (service/alcove)	24 inches (610 mm)
Floor	² Combustible

NOTE - Air for combustion must conform to the methods outlined in the National Fuel Gas Code (NFPA 54/ANSI-Z223.1) or the National Standard of Canada CAN/CSA-B149.1 Natural Gas and Propane Installation Code".

NOTE - In the U.S. flue sizing must conform to the methods outlined in the current National Fuel Gas Code (NFPA 54/ANSI-Z223.1) or applicable provisions of local building codes. In Canada flue sizing must conform to the methods outlined in National Standard of Canada CAN/CSA-B149.1.

¹ Allow proper clearances to accommodate condensate trap and vent pipe installation.

² Do not install the furnace directly on carpeting, tile, or other combustible materials other than wood flooring.

OUTDOOR TERMINATION KIT USAGE

Input Size	Vent Pipe Diameter (in.)	Standard Terminations				Concentric Terminations			
		Flush Mount Kit	Wall Kit		Wall Ring Kit	Field Fabricated Exhaust Accelerator Size Required	Concentric Kit		
			2 inch	3 inch	2 inch		1-1/2 inch	2 inch	3 inch
			51W11 (US) 5 51W12 (CA)	22G44 (US) 5 30G28 (CA)	44J40 (US) 5 81J20 (CA)		15F74	71M80 (US) 5 44W92 (CA)	69M29 (US) 5 44W92 (CA)
030/ 045	1 1-1/2	4 YES	YES	2 YES	YES	1-1/2 in.	3 YES	---	---
	2	4 YES	YES	2 YES	YES	1-1/2 in.	3 YES	---	---
	2-1/2	4 YES	YES	2 YES	YES	1-1/2 in.	3 YES	---	---
	3	4 YES	YES	2 YES	YES	1-1/2 in.	3 YES	---	---
070	1 1-1/2	4 YES	YES	2 YES	YES	1-1/2 in.	3 YES	---	---
	2	4 YES	YES	2 YES	YES	1-1/2 in.	3 YES	---	---
	2-1/2	4 YES	YES	2 YES	YES	1-1/2 in.	3 YES	---	---
	3	4 YES	YES	2 YES	YES	1-1/2 in.	3 YES	---	---
090	2	4 YES	---	YES	2 YES	2 in.	---	YES	YES
	2-1/2	4 YES	---	YES	2 YES	2 in.	---	YES	YES
	3	4 YES	---	YES	2 YES	2 in.	---	YES	YES
110	2	YES	---	YES	YES	2 in.	---	YES	YES
	2-1/2	YES	---	YES	---	2 in.	---	YES	YES
	3	YES	---	YES	---	2 in.	---	YES	YES
135	3	YES	---	YES	---	2 in.	---	---	YES

NOTE - Standard Terminations do not include any vent pipe or elbows external to the structure.

Any vent pipe or elbows external to the structure must be included in total vent length calculations. See Vent Length Tables.

¹ 2 inch to 1-1/2 inch reducer required, must be field provided.

² Requires field provided 1-1/2 in. outdoor exhaust accelerator.

³ Concentric Kits **71M80** and **44W92** include 1-1/2 in. outdoor exhaust accelerator, required when used with 030, 045 and 070 input models. Accelerator is not used with 090 or 110 input models. When using 1-1/2 in. piping, the pipe must be transitioned to 2 in. pipe when used with the Concentric Kit.

⁴ Flush Mount Kit **51W11** and **51W12** includes 1-1/2 in. outdoor exhaust accelerator, required when used with 030, 045, 070 and 090 input models. Accelerator is not used with 110 input models. When using 1-1/2 in. piping, the pipe must be transitioned to 2 in. pipe when used with the Flush Mount Kit.

⁵ Termination Kits **30G28**, **44W92**, **44W93**, **51W12** and **81J20** are certified to ULC S636 standard for use in Canada only.

VENT LENGTHS - EXHAUST OR INTAKE

STANDARD TERMINATION AT ELEVATION 0 - 4500 ft.

Pipe Size	1-1/2 in.						2 in.					2-1/2 in.					3 in.					
	030	045	070	090	110	135	030/ 045	070	090	110	135	030/ 045	070	090	110	135	030/ 045	070	090	110	135	
No. of 90 ELL	1	25	20	15	N/A	N/A	N/A	81	66	44	24	N/A	115	115	93	58	N/A	138	137	118	118	80
	2	20	15	10	N/A	N/A	N/A	76	61	39	19	N/A	110	110	88	53	N/A	133	132	113	113	75
	3	15	10	N/A	N/A	N/A	N/A	71	56	34	14	N/A	105	105	83	48	N/A	128	127	108	108	70
	4	10	N/A	N/A	N/A	N/A	N/A	66	51	29	N/A	N/A	100	100	78	43	N/A	123	122	103	103	65
	5	N/A	N/A	N/A	N/A	N/A	N/A	61	46	24	N/A	N/A	95	95	73	38	N/A	118	117	98	98	60
	6	N/A	N/A	N/A	N/A	N/A	N/A	56	41	19	N/A	N/A	90	90	68	33	N/A	113	112	93	93	55
	7	N/A	N/A	N/A	N/A	N/A	N/A	51	36	14	N/A	N/A	85	85	63	28	N/A	108	107	88	88	50
	8	N/A	N/A	N/A	N/A	N/A	N/A	46	31	N/A	N/A	N/A	80	80	58	23	N/A	103	102	83	83	45
	9	N/A	N/A	N/A	N/A	N/A	N/A	41	26	N/A	N/A	N/A	75	75	53	18	N/A	98	97	78	78	40
	10	N/A	N/A	N/A	N/A	N/A	N/A	36	21	N/A	N/A	N/A	70	70	48	13	N/A	93	92	73	73	35

STANDARD TERMINATION AT ELEVATION 4501 - 10,000 ft.

Pipe Size	1-1/2 in.						2 in.					2-1/2 in.					3 in.					
	030	045	070	090	110	135	030/ 045	070	090	110	135	030/ 045	070	090	110	135	030/ 045	070	090	110	135	
No. of 90 ELL	1	25	20	15	N/A	N/A	N/A	81	66	44	N/A	N/A	115	115	93	58	N/A	138	137	118	118	80
	2	20	15	10	N/A	N/A	N/A	76	61	39	N/A	N/A	110	110	88	53	N/A	133	132	113	113	75
	3	15	10	N/A	N/A	N/A	N/A	71	56	34	N/A	N/A	105	105	83	48	N/A	128	127	108	108	70
	4	10	N/A	N/A	N/A	N/A	N/A	66	51	29	N/A	N/A	100	100	78	43	N/A	123	122	103	103	65
	5	N/A	N/A	N/A	N/A	N/A	N/A	61	46	24	N/A	N/A	95	95	73	38	N/A	118	117	98	98	60
	6	N/A	N/A	N/A	N/A	N/A	N/A	56	41	19	N/A	N/A	90	90	68	33	N/A	113	112	93	93	55
	7	N/A	N/A	N/A	N/A	N/A	N/A	51	36	14	N/A	N/A	85	85	63	28	N/A	108	107	88	88	50
	8	N/A	N/A	N/A	N/A	N/A	N/A	46	31	N/A	N/A	N/A	80	80	58	23	N/A	103	102	83	83	45
	9	N/A	N/A	N/A	N/A	N/A	N/A	41	26	N/A	N/A	N/A	75	75	53	18	N/A	98	97	78	78	40
	10	N/A	N/A	N/A	N/A	N/A	N/A	36	21	N/A	N/A	N/A	70	70	48	13	N/A	93	92	73	73	35

CONCENTRIC TERMINATION ELEVATION 0 - 4500 ft.

Pipe Size	1-1/2 in.						2 in.					2-1/2 in.					3 in.					
	030	045	070	090	110	135	030/ 045	070	090	110	135	030/ 045	070	090	110	135	030/ 045	070	090	110	135	
No. of 90 ELL	1	20	15	10	N/A	N/A	N/A	73	58	42	22	N/A	105	105	89	54	N/A	121	121	114	114	70
	2	15	10	N/A	N/A	N/A	N/A	68	53	37	17	N/A	100	100	84	49	N/A	116	116	109	109	65
	3	10	N/A	N/A	N/A	N/A	N/A	63	48	32	12	N/A	95	95	79	44	N/A	111	111	104	104	60
	4	N/A	N/A	N/A	N/A	N/A	N/A	58	43	27	N/A	N/A	90	90	74	39	N/A	106	106	99	99	55
	5	N/A	N/A	N/A	N/A	N/A	N/A	53	38	22	N/A	N/A	85	85	69	34	N/A	101	101	94	94	50
	6	N/A	N/A	N/A	N/A	N/A	N/A	48	33	17	N/A	N/A	80	80	64	29	N/A	96	96	89	89	45
	7	N/A	N/A	N/A	N/A	N/A	N/A	43	28	12	N/A	N/A	75	75	59	24	N/A	91	91	84	84	40
	8	N/A	N/A	N/A	N/A	N/A	N/A	38	23	N/A	N/A	N/A	70	70	54	19	N/A	86	86	79	79	35
	9	N/A	N/A	N/A	N/A	N/A	N/A	33	18	N/A	N/A	N/A	65	65	49	14	N/A	81	81	74	74	30
	10	N/A	N/A	N/A	N/A	N/A	N/A	28	13	N/A	N/A	N/A	60	60	44	N/A	N/A	76	76	69	69	25

CONCENTRIC TERMINATION ELEVATION 4501 - 10,000 ft.

Pipe Size	1-1/2 in.						2 in.					2-1/2 in.					3 in.					
	030	045	070	090	110	135	030/ 045	070	090	110	135	030/ 045	070	090	110	135	030/ 045	070	090	110	135	
No. of 90 ELL	1	20	15	10	N/A	N/A	N/A	73	58	42	N/A	N/A	115	115	93	58	N/A	121	121	114	114	70
	2	15	10	N/A	N/A	N/A	N/A	68	53	37	N/A	N/A	110	110	88	53	N/A	116	116	109	109	65
	3	10	N/A	N/A	N/A	N/A	N/A	63	48	32	N/A	N/A	105	105	83	48	N/A	111	111	104	104	60
	4	N/A	N/A	N/A	N/A	N/A	N/A	58	43	27	N/A	N/A	100	100	78	43	N/A	106	106	99	99	55
	5	N/A	N/A	N/A	N/A	N/A	N/A	53	38	22	N/A	N/A	95	95	73	38	N/A	101	101	94	94	50
	6	N/A	N/A	N/A	N/A	N/A	N/A	48	33	17	N/A	N/A	90	90	68	33	N/A	96	96	89	89	45
	7	N/A	N/A	N/A	N/A	N/A	N/A	43	28	12	N/A	N/A	85	85	63	28	N/A	91	91	84	84	40
	8	N/A	N/A	N/A	N/A	N/A	N/A	38	23	N/A	N/A	N/A	80	80	58	23	N/A	86	86	79	79	35
	9	N/A	N/A	N/A	N/A	N/A	N/A	33	18	N/A	N/A	N/A	75	75	53	18	N/A	81	81	74	74	30
	10	N/A	N/A	N/A	N/A	N/A	N/A	28	13	N/A	N/A	N/A	70	70	48	13	N/A	76	76	69	69	25

VENT LENGTHS - UNINSULATED EXHAUST PIPE IN UNCONDITIONED SPACE

¹ Winter Design Temperatures	Vent Pipe Diameter	Unit Input Size													
		030		045		070		090		110		135			
		Maximum Un-Insulated Exhaust Vent Length (ft.)													
		PVC	PolyPro InnoFlue	PVC	PolyPro InnoFlue	PVC	PolyPro InnoFlue	PVC	PolyPro InnoFlue	PVC	PolyPro InnoFlue	PVC	PolyPro InnoFlue		
32 to 21°F	1-1/2 in.	N/A	N/A	25	N/A	25	N/A	N/A	N/A	N/A	N/A	N/A	N/A		
	2 in.	N/A	N/A	18	16	31	28	50	48	30	30	N/A	N/A		
	2-1/2 in.	N/A	N/A	13	N/A	24	N/A	42	N/A	56	N/A	N/A	N/A		
	3 in.	N/A	N/A	9	9	18	18	35	35	47	47	47	47		
20 to 1°F	1-1/2 in.	N/A	N/A	15	N/A	20	N/A	N/A	N/A	N/A	N/A	N/A	N/A		
	2 in.	N/A	N/A	9	8	18	16	32	29	30	30	N/A	N/A		
	2-1/2 in.	N/A	N/A	5	N/A	13	N/A	24	N/A	34	N/A	N/A	N/A		
	3 in.	N/A	N/A	N/A	N/A	8	8	19	19	26	26	26	26		
0 to -20°F	1-1/2 in.	N/A	N/A	10	N/A	15	N/A	N/A	N/A	N/A	N/A	N/A	N/A		
	2 in.	N/A	N/A	5	N/A	12	10	22	19	30	27	N/A	N/A		
	2-1/2 in.	N/A	N/A	N/A	N/A	7	N/A	15	N/A	22	N/A	N/A	N/A		
	3 in.	N/A	N/A	N/A	N/A	N/A	N/A	10	10	16	16	13	13		

NOTE - Concentric terminations are equivalent to 5 ft. of straight pipe and should be included when measuring total pipe length.

¹ Refer to 99% Minimum Design Temperature table provided in the current edition of the ASHRAE Handbook-Fundamentals.

PolyPro® poly-propylene vent pipe is a registered trademark of DuraVent®.

InnoFlue® is a registered trademark of Centrotherm Eco Systems.

VENT LENGTHS - EXHAUST USING VENTILATED ATTIC/CRAWLSPACE INTAKE AIR

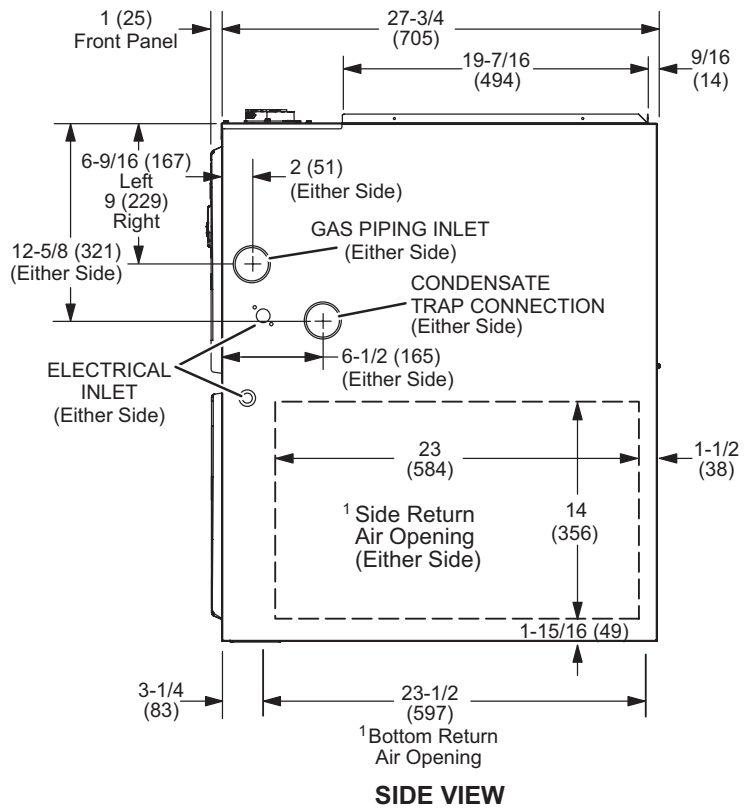
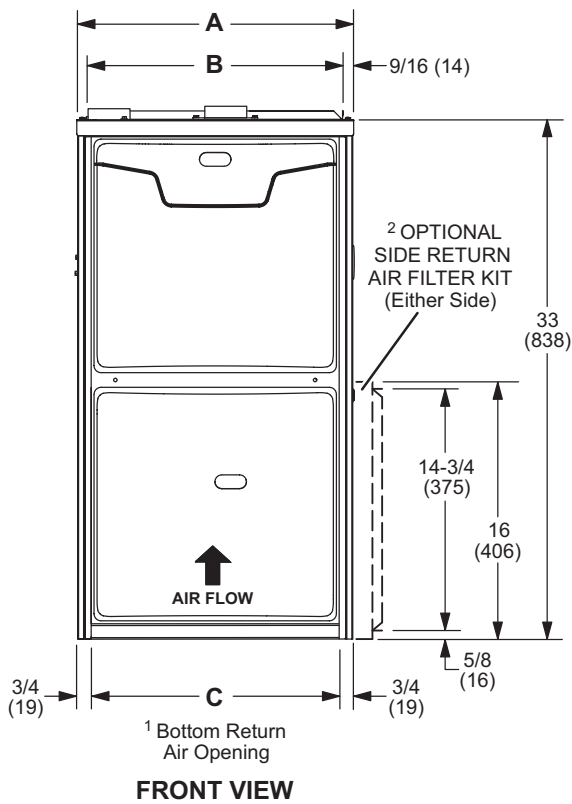
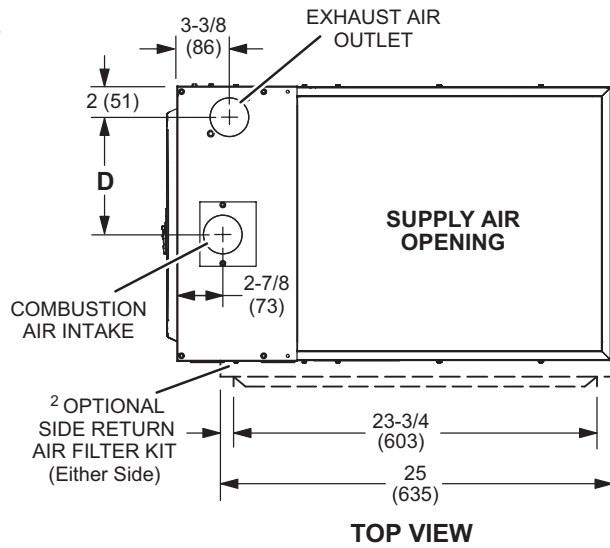
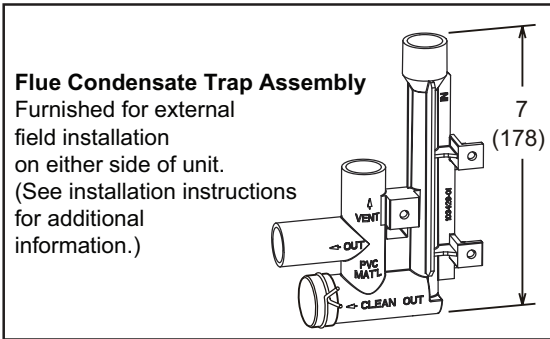
STANDARD TERMINATION AT ELEVATION 0 - 10,000 ft.

Pipe Size	Input	1-1/2 in.						2 in.					2-1/2 in.					3 in.				
		030	045	070	090	110	135	030/045	070	090	110	135	030/045	070	090	110	135	030/045	070	090	110	135
No. of 90 ELL	1	20	15	10	N/A	N/A	N/A	71	56	34	14	N/A	100	100	78	43	N/A	118	117	98	98	60
	2	15	10	N/A	N/A	N/A	N/A	66	51	29	9	N/A	95	95	73	38	N/A	113	112	93	93	55
	3	10	N/A	N/A	N/A	N/A	N/A	61	46	24	4	N/A	90	90	68	33	N/A	108	107	88	88	50
	4	N/A	N/A	N/A	N/A	N/A	N/A	56	41	19	N/A	N/A	85	85	63	28	N/A	103	102	83	83	45
	5	N/A	N/A	N/A	N/A	N/A	N/A	51	36	14	N/A	N/A	80	80	58	23	N/A	98	97	78	78	40
	6	N/A	N/A	N/A	N/A	N/A	N/A	46	31	9	N/A	N/A	75	75	53	18	N/A	93	92	73	73	35
	7	N/A	N/A	N/A	N/A	N/A	N/A	41	26	4	N/A	N/A	70	70	48	13	N/A	88	87	68	68	30
	8	N/A	N/A	N/A	N/A	N/A	N/A	36	21	N/A	N/A	N/A	65	65	43	8	N/A	83	82	63	63	25
	9	N/A	N/A	N/A	N/A	N/A	N/A	31	16	N/A	N/A	N/A	60	60	38	3	N/A	78	77	58	58	20
	10	N/A	N/A	N/A	N/A	N/A	N/A	26	11	N/A	N/A	N/A	55	55	33	-2	N/A	73	72	53	53	15

DIMENSIONS - UNIT - UPFLOW POSITION

- ¹ NOTE - 60C and 60D size units that require air volumes over 1800 cfm must have one of the following:
1. Single side return air and Optional Return Air Base with transition that must accommodate required 20 x 25 x 1 inch (508 x 635 x 25 mm) air filter to maintain proper velocity.
 2. Bottom return air.
 3. Return air from both sides.
 4. Bottom and one side return air.
- See Blower Performance Tables for additional information.

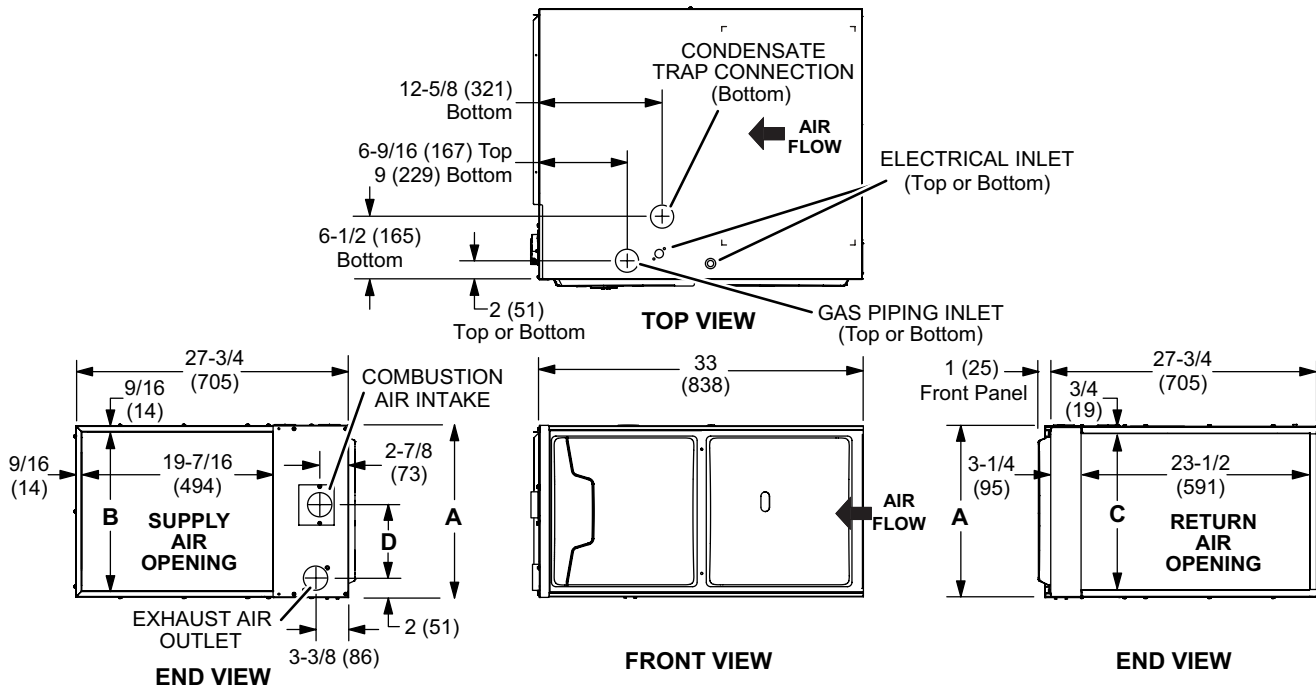
² Optional Side Return Air Filter Kit is not for use with the Optional Return Air Base.



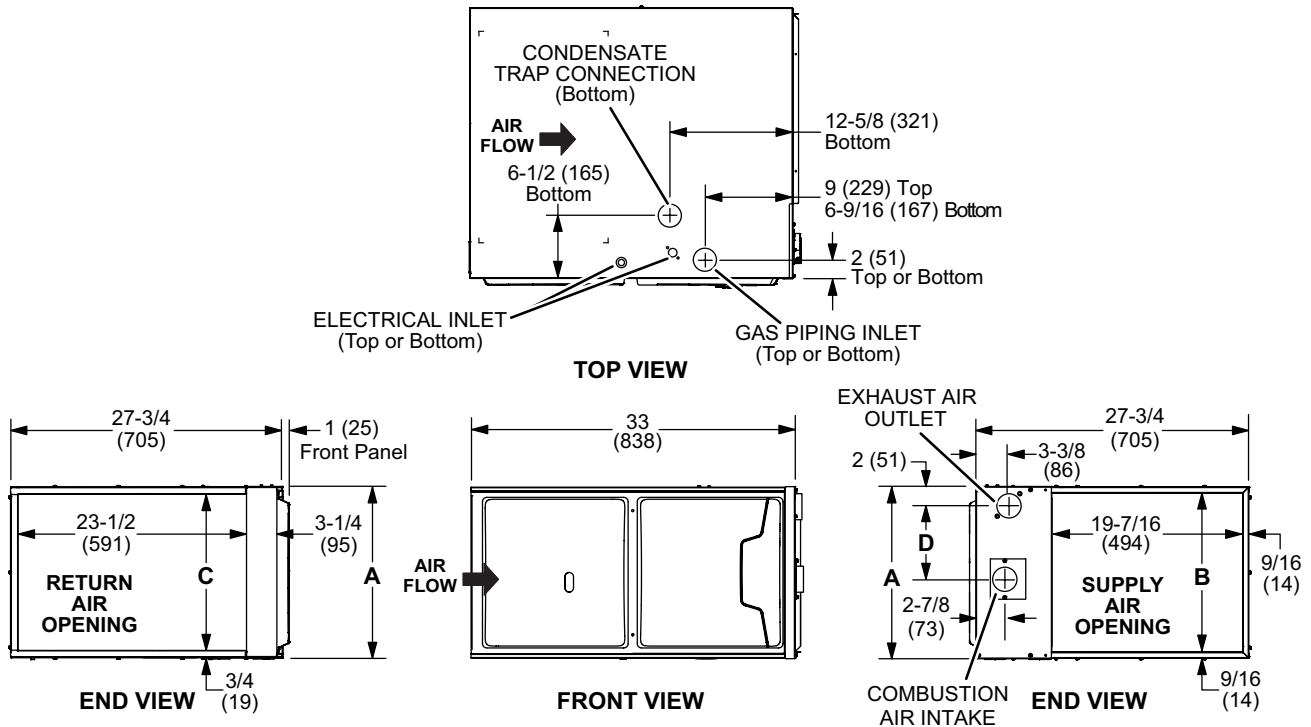
Model No.	A		B		C		D	
	in.	mm	in.	mm	in.	mm	in.	mm
ML196UH030XE36B	17-1/2	446	16-3/8	416	16	406	7-5/8	194
ML196UH045XE36B								
ML196UH070XE36B								
ML196UH070XE48B								
ML196UH090XE36C	21	533	19-7/8	505	19-1/2	495	9-3/8	238
ML196UH090XE48C								
ML196UH110XE60C								
ML196UH135XE60D	24-1/2	622	23-3/8	594	23	584	11-1/8	283

DIMENSIONS - UNIT - HORIZONTAL POSITION

LEFT-HAND AIR DISCHARGE



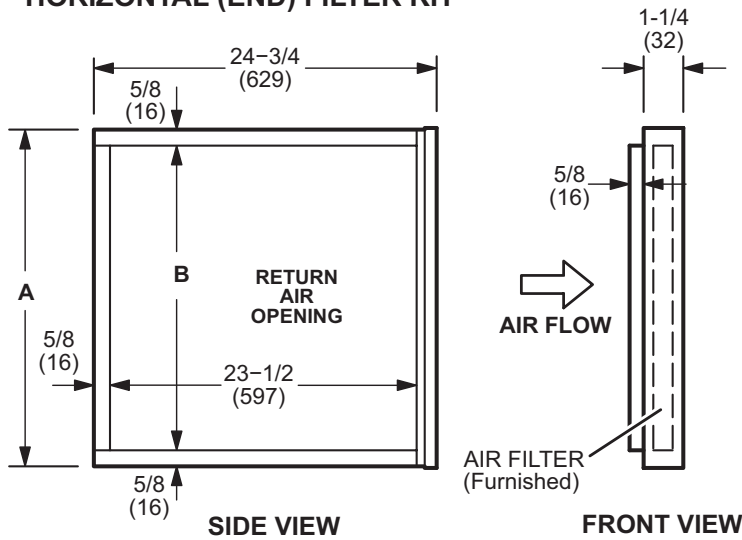
RIGHT-HAND AIR DISCHARGE



Model No.	A		B		C		D	
	in.	mm	in.	mm	in.	mm	in.	mm
ML196UH030XE36B	17-1/2	446	16-3/8	416	16	406	7-5/8	194
ML196UH045XE36B								
ML196UH070XE36B								
ML196UH070XE48B								
ML196UH090XE36C	21	533	19-7/8	505	19-1/2	495	9-3/8	238
ML196UH090XE48C								
ML196UH110XE60C								
ML196UH135XE60D	24-1/2	622	23-3/8	594	23	584	11-1/8	283

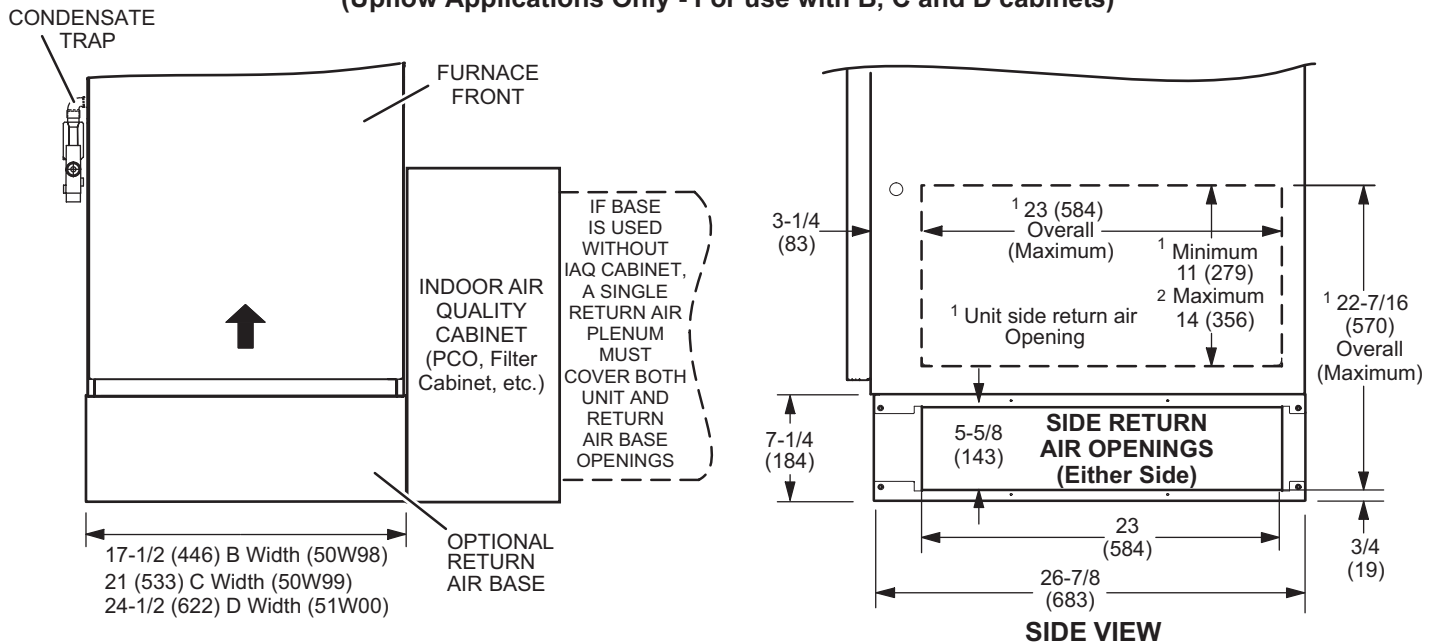
DIMENSIONS - OPTIONAL ACCESSORIES

HORIZONTAL (END) FILTER KIT



Furnace Cabinet Width	Catalog Number	A		B	
		in.	mm	in.	mm
B	87L96	18	457	16-3/4	425
C	87L97	21	533	18-3/4	476
D	87L98	25	635	23-3/4	603

Optional Return Air Base (Upflow Applications Only - For use with B, C and D cabinets)



NOTE- Optional Side Return Air Filter Kits are not for use with Optional Return Air Base.

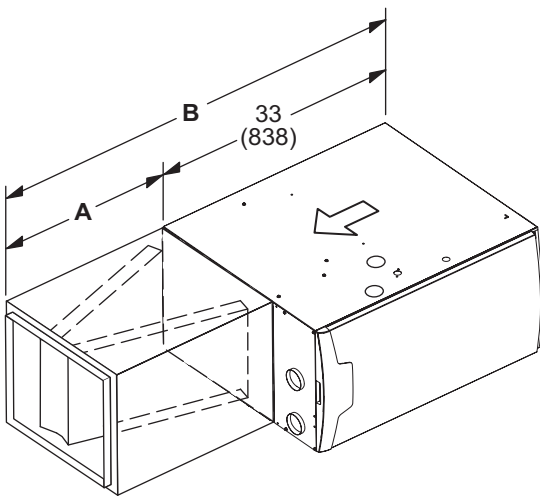
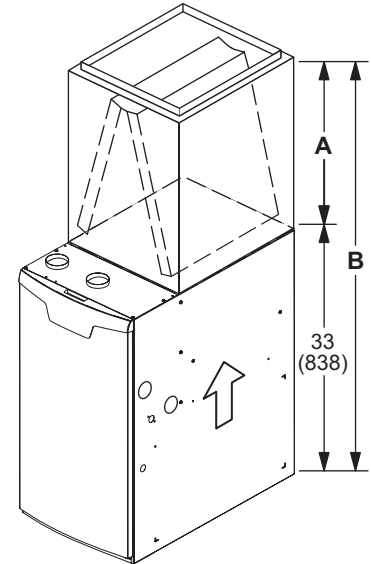
¹ Both the unit return air opening and the base return air opening must be covered by a single plenum or IAQ cabinet. Minimum unit side return air opening dimensions for units requiring 1800 cfm or more of air (W x H): 23 x 11 in. (584 x 279 mm). The opening can be cut as needed to accommodate plenum or IAQ cabinet while maintaining dimensions shown. Side return air openings must be cut in the field. There are cutting guides stenciled on the cabinet for the side return air opening. The size of the opening must not extend beyond the markings on the furnace cabinet.

² To minimize pressure drop, the largest opening height possible, up to 14 in. (356 mm), is preferred.

DIMENSIONS - FURNACE/COIL COMBINED DIMENSIONS

UPFLOW POSITION

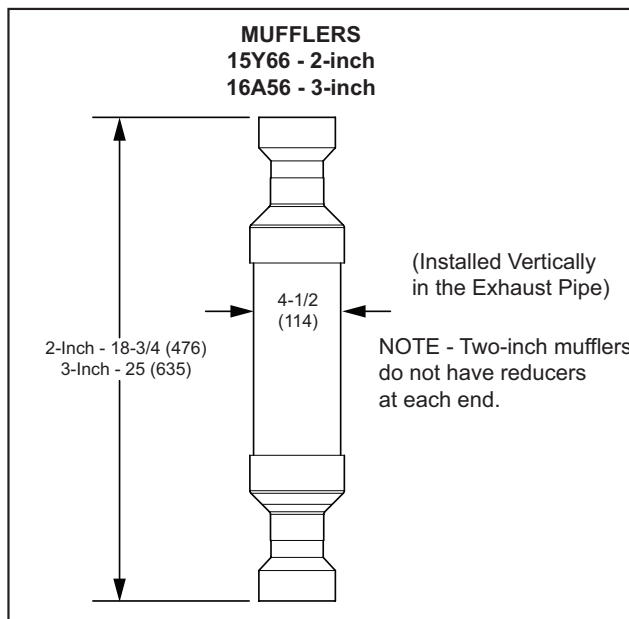
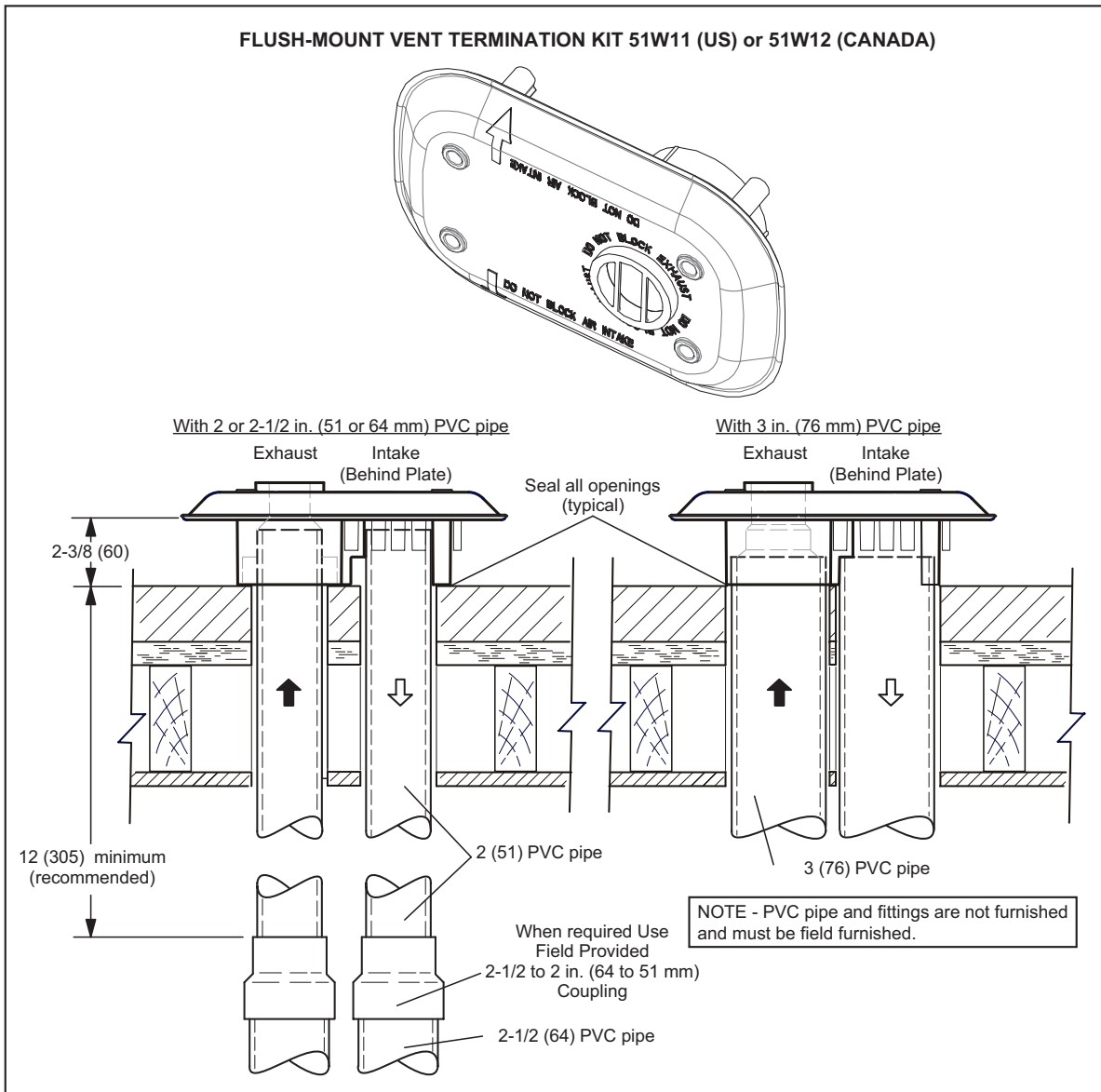
Model Number	C35/CX35 Cased				C35 Uncased			
	A		B		A		B	
	in.	mm	in.	mm	in.	mm	in.	mm
C35/CX35-18/24B	16-1/2	419	49-1/2	1257	14-1/8	359	47-1/8	1197
C35/CX35-24B	18-1/2	470	51-1/2	1308	16-3/8	416	49-3/8	1254
C35/CX35-30B	22-1/2	572	55-1/2	1410	20-3/4	527	53-3/4	1365
C35/CX35-30/36B C35/CX35-30/36C	24-1/2	622	57-1/2	1461	22-1/4	565	55-1/4	1403
C35/CX35-36B	24-1/2	622	57-1/2	1461	22-3/8	568	55-3/8	1407
C35/CX35-48B C35/CX35-48C	27-1/2	699	60-1/2	1537	26-1/4	667	59-1/4	1505
C35/CX35-49C	29-1/2	749	62-1/2	1588	28-1/2	724	61-1/2	1562
C35/CX35-50/60C	27-1/2	699	60-1/2	1537	25-7/8	657	58-7/8	1495
C35/CX35-60C	31-1/2	800	64-1/2	1638	30-5/8	778	63-5/8	1616
C35/CX35-60D	29-1/2	749	62-1/2	1588	28	711	61	1549



HORIZONTAL POSITION

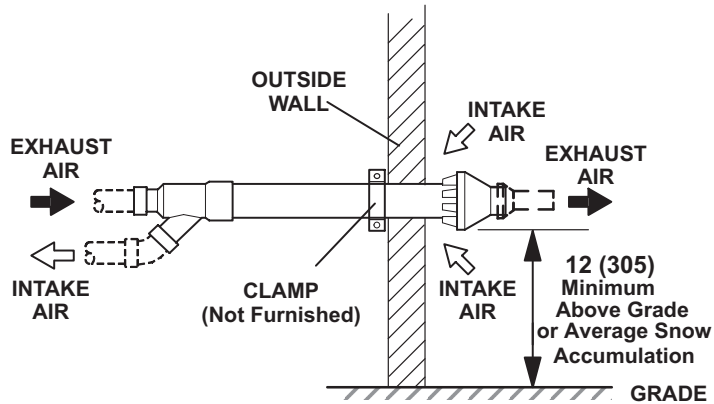
Model Number	CH35/CHX35			
	A		B	
	in.	mm	in.	mm
CH35/CHX35-24B CH35/CHX35-30B CH35/CHX35-36B CH35/CHX35-36C CH35/CHX35-42C CH35/CHX35-48C	26-1/2	673	59-1/2	1511
CH35/CHX35-42B CH35/CHX35-48B CH35/CHX35-51C CH35/CHX35-60D	31-1/2	880	64-1/2	1638

DIMENSIONS - OPTIONAL ACCESSORIES - VENTING

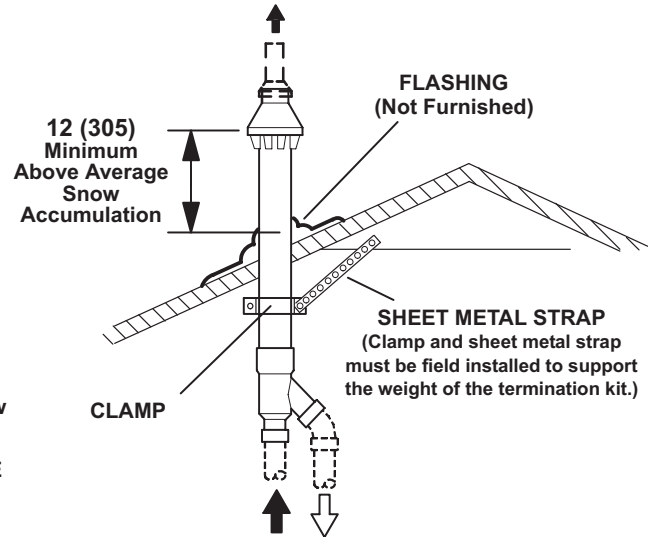


DIMENSIONS - OPTIONAL ACCESSORIES - VENTING

CONCENTRIC WALL TERMINATION APPLICATIONS

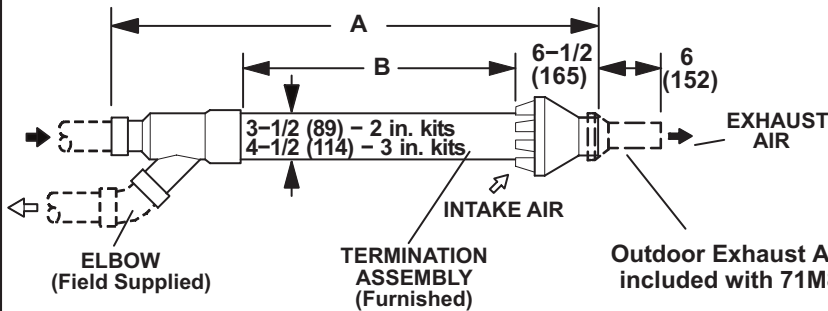


CONCENTRIC ROOF TERMINATION APPLICATIONS



71M80 / 69M29 / 44W92 – 2 inch kits
 60L46 / 44W93 – 3 inch kits
 See Installation Instructions for additional information.

Note - Field provided reducer may be required to adapt different vent pipe sizes to termination.



Cat. No.	A		B	
	in.	mm	in.	mm
71M80 69M29	33-3/8	848	16-3/4	425
44W92 (Canada)	29	737	15-1/2	394
60L46	38-7/8	987	21-3/16	538
44W93 (Canada)	36-1/8	918	19-1/2	495

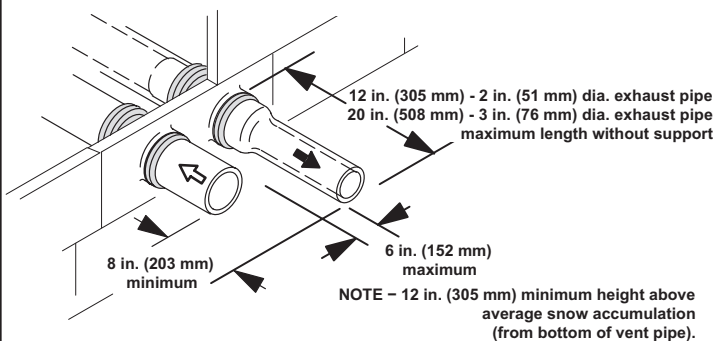
NOTE - Typical illustration for dimensions only. Design may vary depending on kit ordered.

WALL ASSEMBLY TERMINATION KIT - RING KIT 15F74 - 2 inch (51 mm)

See Installation Instructions for additional information.

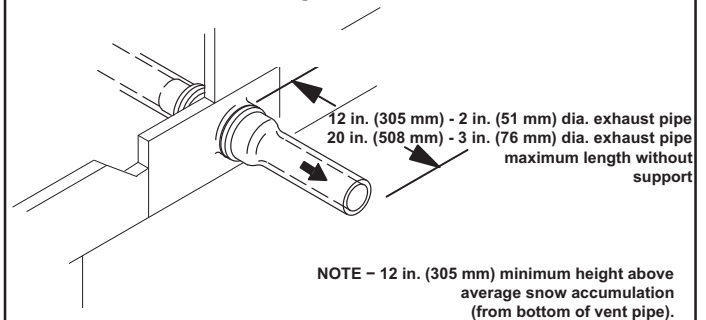
Note - Field provided reducer may be required to adapt larger vent pipe size to termination.

DIRECT VENT APPLICATION



NON-DIRECT VENT APPLICATION

NOTE - EXHAUST PIPE SHOWN
 Kit Contains Enough Parts For Two Installations



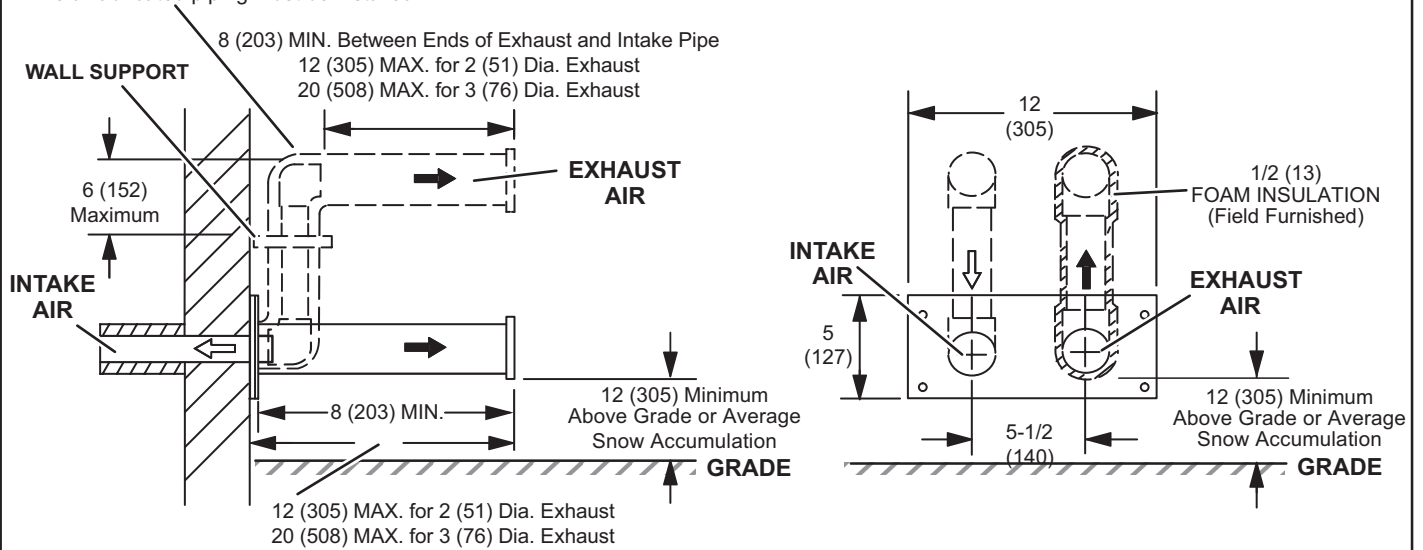
DIMENSIONS - OPTIONAL ACCESSORIES - VENTING

**WALL TERMINATION KITS (CLOSE-COUPLE)
EXTENDED VENT FOR GRADE CLEARANCE
2 inch (51 mm) 22G44 (US)
3 inch (76 mm) 44J40 (US)**

See Installation Instructions for additional information.

Note - Field provided reducer may be required to adapt different vent pipe sizes to termination.

If Intake and Exhaust Pipe is less than 12 in. (305 mm) above snow accumulation or other obstructions, field fabricated piping must be installed.

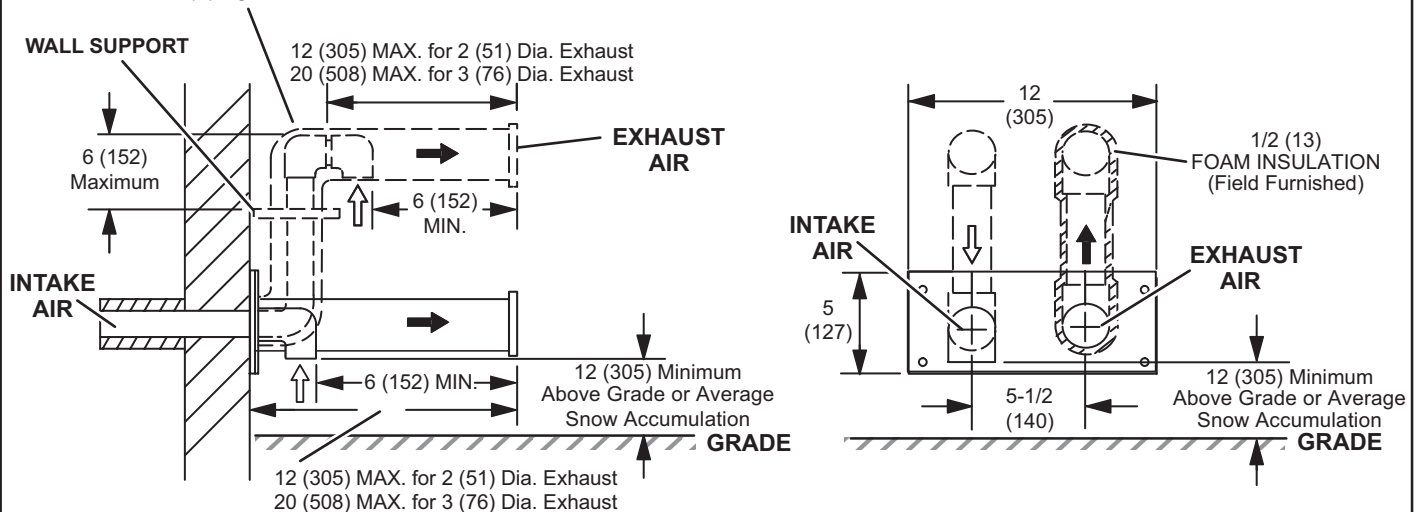


**WALL TERMINATION KITS (CLOSE-COUPLE)
EXTENDED VENT FOR GRADE CLEARANCE
2 inch (51 mm) 30G28 (WTK Canada)
3 inch (76 mm) 81J20 (WTK Canada)**

See Installation Instructions for additional information.

Note - Field provided reducer may be required to adapt different vent pipe sizes to termination.

If Intake and Exhaust Pipe is less than 12 in. (305 mm) above snow accumulation or other obstructions, field fabricated piping must be installed.



BLOWER DATA

ML196UH030XE36B PERFORMANCE (Less Filter)

External Static Pressure in. w.g.	Air Volume / Watts at Various Blower Speeds									
	High (Black)		Medium-High (Brown)		Medium (Blue)		Medium-Low (Yellow)		Low (Red)	
	cfm	Watts	cfm	Watts	cfm	Watts	cfm	Watts	cfm	Watts
0.00	1435	346	1170	191	1000	127	775	62	705	45
0.10	1400	351	1130	199	955	132	735	71	635	48
0.20	1360	358	1085	207	905	137	680	81	515	50
0.30	1325	370	1055	217	865	148	625	84	445	55
0.40	1300	382	1020	227	815	157	570	91	380	61
0.50	1265	387	990	231	785	161	515	95	310	66
0.60	1235	402	945	244	735	168	475	104	265	68
0.70	1200	411	910	253	710	175	425	107	215	72
0.80	1160	420	885	260	660	183	355	114	175	75

ML196UH045XE36B PERFORMANCE (Less Filter)

External Static Pressure in. w.g.	Air Volume / Watts at Various Blower Speeds									
	High (Black)		Medium-High (Brown)		Medium (Blue)		Medium-Low (Yellow)		Low (Red)	
	cfm	Watts	cfm	Watts	cfm	Watts	cfm	Watts	cfm	Watts
0.00	1460	335	1285	235	1190	170	910	85	870	75
0.10	1430	350	1260	245	1155	185	885	95	830	85
0.20	1405	365	1235	255	1125	200	860	105	800	90
0.30	1375	370	1205	265	1090	210	825	115	755	95
0.40	1350	380	1175	275	1055	215	780	125	710	105
0.50	1315	385	1145	285	1020	230	735	130	665	115
0.60	1245	375	1110	295	980	240	685	140	620	125
0.70	N/A	N/A	1070	305	940	250	640	145	575	135
0.80	N/A	N/A	1020	310	905	260	600	155	530	140

ML196UH070XE36B PERFORMANCE (Less Filter)

External Static Pressure in. w.g.	Air Volume / Watts at Various Blower Speeds									
	High (Black)		Medium-High (Brown)		Medium (Blue)		Medium-Low (Yellow)		Low (Red)	
	cfm	Watts	cfm	Watts	cfm	Watts	cfm	Watts	cfm	Watts
0.00	1445	315	1315	215	1215	165	930	85	925	75
0.10	1445	335	1275	230	1170	180	905	94	860	80
0.20	1415	345	1240	240	1125	190	870	101	800	85
0.30	1380	355	1205	250	1090	200	830	109	760	95
0.40	1345	370	1175	265	1055	210	790	117	710	105
0.50	1315	385	1150	280	1020	220	735	129	665	115
0.60	1275	390	1110	290	985	230	685	137	625	125
0.70	1210	395	1075	300	950	240	640	146	565	130
0.80	N/A	N/A	1030	305	915	250	595	148	535	135

ML196UH070XE48B PERFORMANCE (Less Filter)

External Static Pressure in. w.g.	Air Volume / Watts at Various Blower Speeds									
	High (Black)		Medium-High (Brown)		Medium (Blue)		Medium-Low (Yellow)		Low (Red)	
	cfm	Watts	cfm	Watts	cfm	Watts	cfm	Watts	cfm	Watts
0.00	1855	609	1710	466	1510	305	1330	209	1240	164
0.10	1825	619	1685	477	1485	317	1305	220	1200	178
0.20	1780	637	1675	486	1445	331	1250	232	1150	190
0.30	1745	645	1640	498	1400	347	1210	246	1095	203
0.40	1710	658	1590	518	1370	360	1170	260	1045	215
0.50	1650	674	1550	532	1315	374	1135	274	995	225
0.60	1595	682	1515	545	1270	392	1070	287	940	238
0.70	1510	691	1475	554	1240	402	1015	300	895	247
0.80	1465	703	1420	551	1195	419	965	305	835	259

BLOWER DATA

ML196UH090XE36C PERFORMANCE (Less Filter)

External Static Pressure in. w.g.	Air Volume / Watts at Various Blower Speeds									
	High (Black)		Medium-High (Brown)		Medium (Blue)		Medium-Low (Yellow)		Low (Red)	
	cfm	Watts	cfm	Watts	cfm	Watts	cfm	Watts	cfm	Watts
0.00	1470	313	1355	233	1195	171	975	92	895	50
0.10	1445	325	1330	249	1170	184	940	101	855	63
0.20	1430	335	1300	270	1150	196	885	109	735	75
0.30	1385	350	1265	275	1110	206	870	122	680	82
0.40	1370	365	1230	287	1085	217	815	126	640	91
0.50	1340	376	1200	298	1055	226	790	137	595	96
0.60	1300	384	1170	305	1015	231	735	146	565	103
0.70	1280	394	1150	317	985	245	700	152	505	108
0.80	1230	395	1125	328	960	256	665	162	460	117

ML196UH090XE48C PERFORMANCE (Less Filter)

External Static Pressure in. w.g.	Air Volume / Watts at Various Blower Speeds									
	High (Black)		Medium-High (Brown)		Medium (Blue)		Medium-Low (Yellow)		Low (Red)	
	cfm	Watts	cfm	Watts	cfm	Watts	cfm	Watts	cfm	Watts
0.00	1765	375	1535	250	1410	180	1315	155	1155	115
0.10	1735	390	1500	260	1365	200	1270	165	1130	125
0.20	1700	405	1465	275	1330	215	1230	175	1095	135
0.30	1660	425	1435	290	1295	225	1195	190	1055	145
0.40	1640	435	1400	300	1265	235	1165	200	1010	155
0.50	1615	450	1370	315	1230	250	1125	215	965	165
0.60	1575	465	1340	325	1190	265	1080	230	925	180
0.70	1530	470	1305	340	1150	280	1045	235	885	190
0.80	N/A	N/A	1260	345	1115	285	1000	245	845	195

ML196UH090XE60C PERFORMANCE (Less Filter)

External Static Pressure in. w.g.	Air Volume / Watts at Various Blower Speeds									
	High (Black)		Medium-High (Brown)		Medium (Blue)		Medium-Low (Yellow)		Low (Red)	
	cfm	Watts	cfm	Watts	cfm	Watts	cfm	Watts	cfm	Watts
0.00	2105	638	1860	431	1705	327	1585	274	1425	203
0.10	2075	652	1820	449	1675	344	1550	287	1380	213
0.20	2050	672	1790	470	1630	363	1505	295	1335	218
0.30	2005	694	1765	485	1590	375	1475	314	1300	233
0.40	1975	701	1715	496	1565	392	1425	325	1230	242
0.50	1960	714	1700	514	1510	405	1395	339	1195	256
0.60	1925	738	1650	530	1480	419	1355	351	1145	268
0.70	1865	745	1610	541	1435	434	1300	366	1110	282
0.80	1830	739	1580	554	1400	445	1270	383	1050	293

BLOWER DATA

ML196UH110XE60C PERFORMANCE (Less Filter)

External Static Pressure in. w.g.	Air Volume / Watts at Different Blower Speeds																			
	Bottom Return Air, Side Return Air with Return Air from Both Sides or Return Air from Bottom and One Side.										Single Side Return Air – Air volumes in bold (over 1800 cfm) require Optional Return Air Base and field fabricated transition to accommodate 20 x 25 x 1 in. air filter in order to maintain proper air velocity.									
	High (Black)		Medium-High (Brown)		Medium (Blue)		Medium-Low (Yellow)		Low (Red)		High (Black)		Medium-High (Brown)		Medium (Blue)		Medium-Low (Yellow)		Low (Red)	
	cfm	Watts	cfm	Watts	cfm	Watts	cfm	Watts	cfm	Watts	cfm	Watts	cfm	Watts	cfm	Watts	cfm	Watts	cfm	Watts
0.00	2220	655	1975	440	1800	325	1665	390	1050	180	2180	685	1910	460	1750	345	1660	285	1430	195
0.10	2185	680	1925	460	1750	345	1625	285	1440	200	2155	705	1885	480	1720	360	1610	295	1415	205
0.20	2150	705	1880	480	1710	365	1590	300	1390	220	2130	725	1855	495	1685	380	1565	305	1380	220
0.30	2110	720	1850	495	1680	380	1560	320	1350	230	2085	745	1825	510	1655	390	1535	325	1335	230
0.40	2080	735	1810	520	1650	405	1515	330	1310	245	2060	760	1795	530	1625	405	1495	340	1295	245
0.50	2045	755	1785	530	1610	415	1470	350	1265	255	2030	775	1765	545	1585	425	1450	355	1255	265
0.60	2010	775	1740	545	1575	430	1440	370	1220	270	1995	785	1725	565	1550	435	1420	370	1205	275
0.70	1980	790	1705	565	1525	450	1400	375	1170	280	1960	795	1690	575	1505	455	1385	385	1165	290
0.80	1950	795	1670	580	1485	460	1360	390	1140	293	1895	790	1650	590	1465	470	1335	395	1120	295

ML196UH135XE60D PERFORMANCE (Less Filter)

External Static Pressure in. w.g.	Air Volume / Watts at Different Blower Speeds																			
	Bottom Return Air, Side Return Air with Return Air from Both Sides or Return Air from Bottom and One Side.										Single Side Return Air – Air volumes in bold (over 1800 cfm) require Optional Return Air Base and field fabricated transition to accommodate 20 x 25 x 1 in. air filter in order to maintain proper air velocity.									
	High (Black)		Medium-High (Brown)		Medium (Blue)		Medium-Low (Yellow)		Low (Red)		High (Black)		Medium-High (Brown)		Medium (Blue)		Medium-Low (Yellow)		Low (Red)	
	cfm	Watts	cfm	Watts	cfm	Watts	cfm	Watts	cfm	Watts	cfm	Watts	cfm	Watts	cfm	Watts	cfm	Watts	cfm	Watts
0.00	2400	920	2205	709	2035	513	1800	363	1625	268	2280	929	2100	703	1935	531	1720	368	1550	269
0.10	2370	930	2170	718	1985	524	1760	375	1585	279	2245	941	2075	720	1910	543	1700	380	1530	280
0.20	2345	937	2150	723	1960	552	1725	385	1535	291	2210	957	2050	745	1895	558	1695	396	1500	295
0.30	2305	958	2120	744	1920	565	1690	404	1505	305	2200	978	2030	757	1850	569	1675	408	1475	308
0.40	2275	974	2070	763	1885	576	1665	419	1475	323	2175	990	2015	774	1845	584	1640	427	1450	326
0.50	2230	986	2055	779	1845	593	1620	433	1435	330	2145	989	2010	783	1820	603	1605	446	1410	332
0.60	2195	988	2030	796	1810	614	1590	451	1385	348	2125	980	1990	809	1785	618	1580	455	1375	351
0.70	2125	961	1985	806	1780	626	1545	468	1355	359	2060	937	1960	819	1765	635	1545	474	1340	366
0.80	2065	931	1965	822	1760	642	1500	479	1310	377	1980	912	1925	825	1730	646	1510	491	1295	379

REVISIONS

Sections	Description of Change
Blower Data	Added wire colors for different motor speeds.
Gas Heat Accessories	High Altitude Pressure Switch Kits - Usage updated.
Specifications, Ratings, Blower Data and Dimensions	New models added - ML196UH030XE36B, ML196UH070XE48B, ML196UH090XE36C, ML196UH090XE60C, ML196UH135XE60D. Models removed - ML196UH030XE24B and ML196UH045XE24B.



Visit us at www.lennox.com

For the latest technical information, www.LennoxPros.com

Contact us at 1-800-4-LENNOX

NOTE - Due to Lennox' ongoing commitment to quality, Specifications, Ratings and Dimensions subject to change without notice and without incurring liability. Improper installation, adjustment, alteration, service or maintenance can cause property damage or personal injury. Installation and service must be performed by a qualified installer and servicing agency.

©2020 Lennox Industries, Inc.