



Laurel Mountain

# Withams

## 60" x 32" Drop-In Acrylic Combo Bath

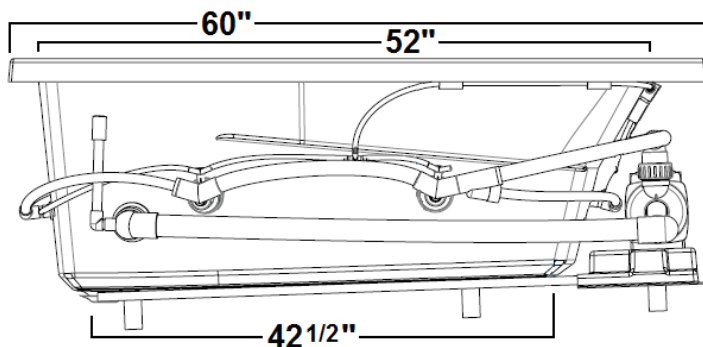
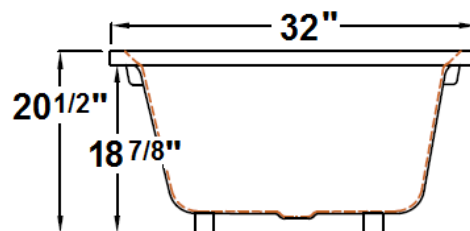
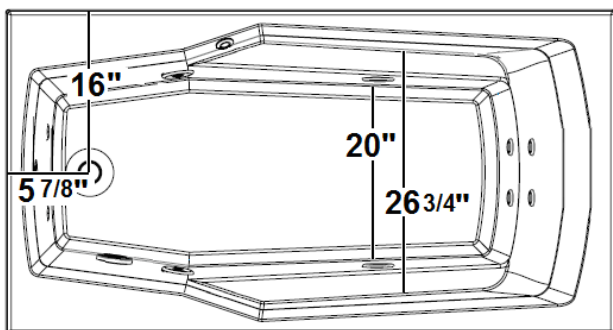
Model Number  
**6032WWA064**  
Drop-In Combo Bath in White

### Features

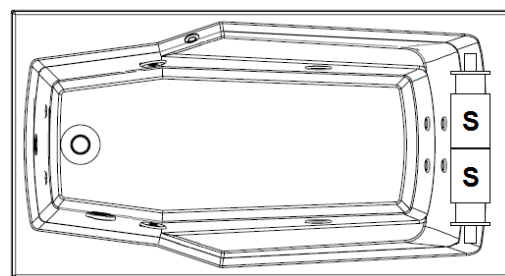
- Color-matched jet trim and air controls
- 10 adjustable hydrotherapy jets
- 20 high output lateral air injectors
- Pillow included
- Constructed of high-gloss durable acrylic
- 3-Speed control for the 9 Amp pump
- 12.0 Amp variable speed blower
- Inline heater available – LM300
- Mood light available – LM522
- Pre-leveled base for easy installation
- Made in the USA



**\*All dimensions are +/- 1/2" and subject to change without notice\***  
**Confirm specifications before installation**



Standard (S) Pump Location



### Technical Information

- Cut-Out Dimensions: 58" x 30"
- Weight: 183 lbs.
- Water Depth to Overflow: 12 1/8"
- Operating Capacity: 45 gal.
- Water Capacity: 50 gal.
- Sump Dimension: 42 1/2" x 20"

### Electrical Requirements.

- Standard Pump: 9 Amps
- Standard Blower: 12 Amps
- (Optional) LM300 Heater: 12 Amps
- Dedicated GFCI's required for each option



## AVAILABLE OPTIONS & UPGRADES

For current pricing, pictures, and descriptions of the Laurel Mountain options listed below, go to [www.lowes.com](http://www.lowes.com). Enter the model number of the option into the search bar at the top right of the page next to the magnifying glass. For additional information, visit [www.laurelmountainbath.com](http://www.laurelmountainbath.com) or call Laurel Mountain customer service at 800-930-0050.

### Therapeutic

**LM300 Inline Heater**

**LM522 Chromatherapy**

**LM320 Silent Pump**

**LM525 Wāv Music. Vibe. Lights**

### Accessories

#### **WHIRLPOOL TRIM KITS**

LM101 Chrome

LM102 Brushed Nickel

LM103 Bronze

#### **CABLE OPERATED DRAINS**

LM200 Chrome

LM201 Brushed Nickel

LM202 Bronze

LM210 White

LM211 Biscuit

#### **LM335 Ozonator**

**(Sanitizing System)**

### Design / Construction

**LM540 Tile Flange (RH)**

**LM542 Plastic Flange**

**LM541 Tile Flange (LH)**

## INSTALLATION

Install this unit according to the Owner's Manual. The Owner's manual can be found at [www.laurelmountainbath.com](http://www.laurelmountainbath.com). Select "Resources" at the top of the homepage, then click on "Literature and Manuals". Scroll down the page to the Owner's Manual section then click on the "Whirlpool, Air Bath, Combo Bath" document.