

**GP3\_4-TRK**

**PAVER**

MACHINE SERIAL NUMBER: \_\_\_\_\_

ENGINE SERIAL NUMBER: \_\_\_\_\_

PARTSBOOK NO.: 912600-043

DATE CREATED: 11/23/2020

GOMACO Corporation - Highways 59 175 - Ida Grove, Iowa 51445  
Phone: (712) 364-3347 - Fax: (712) 364-3986 - [www.gomaco.com](http://www.gomaco.com)

Parts in this manual that have a numerical size designation will be designated by decimal dimensions. In most instances, a decimal callout will be rounded to three places.

DECIMAL	FRACTION
.063	1/16
.125	1/8
.188	3/16
.250	1/4
.313	5/16
.375	3/8
.438	7/16
.500	1/2
.563	9/16
.625	5/8
.688	11/16
.750	3/4
.813	13/16
.875	7/8
.938	15/16

Right hand and left hand side are determined by facing in the direction of machine forward travel.

<b>Section</b>	<b>Page #</b>	<b>Part Number</b>	<b>Description</b>
MACH ASSY	1	912611-003	MACHINE ASSY - FINAL, 4 TRACK
MACH ASSY	2	912611-002	MACHINE ASSY - BASIC, 4 TRACK
MACH ASSY	3	912611-005	POWER UNIT BASE ASSEMBLY
MAIN FRAME	1	912612-010	MAIN FRAME ASSEMBLY
MAIN FRAME	2	912612-009	INNER FRAME TUBE ASSEMBLY
MAIN FRAME	3	912812-008	FRAME ROLLER ASSY, 20 IN FRAME
MAIN FRAME	4	912611-004	HOSE CARRIER ASSY - RH
MAIN FRAME	5	912611-001	HOSE CARRIER ASSY - LH
MAIN FRAME	6	912612-022	END FRAME ASSEMBLY 4-TRK RH
MAIN FRAME	7	912612-023	END FRAME ASSEMBLY 4-TRK LH
MAIN FRAME	8	912612-011	PIVOT ARM ASSEMBLY
MAIN FRAME	9	905212-351	PIVOT ARM SENSOR ASSY - CAN, .500IN
MAIN FRAME	10	912612-068	SLEW DRIVE MT ASSY
MAIN FRAME	11	220-54D28	SLEW DRIVE - HOURGLASS WORM, 17IN
MAIN FRAME	12	912612-041	END FRAME - ELEC/HYDR BOX ASSY (BOLT-ON)
MAIN FRAME	13	910920-011	CAN SENSOR JUNCTION PLATE PAVERS
MAIN FRAME	14	912811-022	VIBRATOR ASSY OPTION - PLUS 4, 24V
MAIN FRAME	15	912611-009	VIBRATOR ASSY OPTION - 20 VIB, 24V
MAIN FRAME	16	912813-024	VIBRATOR MODULE - 10 BANK 24V, UPPER
MAIN FRAME	17	912813-026	VIBRATOR MODULE W/ MT, RH - 10 BANK 24V
MAIN FRAME	18	912813-020	VIBRATOR MODULE W/ MT, LH - 10 BANK 24V
MAIN FRAME	19	912811-002	VIB HOSE COVER ASSY - RH
MAIN FRAME	20	912811-018	VIB HOSE COVER ASSY - LH
MAIN FRAME	21	912813-021	VIBRATOR MODULE - 10 BANK 24V
MAIN FRAME	22	912811-006	VIBRATOR MODULE - REAR COVER, BTM
MAIN FRAME	23	912611-006	TOOLBOX AND CLAMP ASSY
MAIN FRAME	24	912622-065	WORK PLATFORM ASSY - COMMON, FRONT
MAIN FRAME	25	912622-067	TELESCOPING WALKWAY RIGHT HAND
MAIN FRAME	26	912622-066	TELESCOPING WALKWAY LEFT HAND
MAIN FRAME	27	912622-029	ENDCAR WORKPLATFORM - RH
MAIN FRAME	28	912622-028	ENDCAR WORK PLATFORM - LH
MAIN FRAME	29	912622-021	WORK PLATFORM ASSEMBLY - COMMON, REAR
MAIN FRAME	30	912632-001	LADDER - ADJUSTABLE SLOPE
MAIN FRAME	31	912632-005	LADDER - ADJUSTABLE SLOPE, REAR
MAIN FRAME	32	912826-015	HANDRAIL CLAMP ASSY
MAIN FRAME	33	905310-005	HOSE HANGER
POWER UNIT	1	912621-004	OIL TANK ASSEMBLY
POWER UNIT	2	912621-001	FUEL TANK ASSEMBLY - 160 GALLON
POWER UNIT	3	912613-051	STEEL SHROUD ASSY (DEF TANK)

Section	Page #	Part Number	Description
POWER UNIT	4	912613-007	SHROUD PANEL ASSY, FRONT
POWER UNIT	5	912613-049	SHROUD PANEL ASSY, REAR (DEF TANK)
POWER UNIT	6	912613-050	SHROUD PANEL ASSY, LEFT END (DEF TANK)
POWER UNIT	7	912613-022	SHROUD TOP ASSY, FIBERGLASS
POWER UNIT	8	912613-045	ENGINE COVER ASSY - FIBERGLASS
POWER UNIT	9	912613-044	SHROUD FRONT ASSY - FIBERGLASS
POWER UNIT	10	912613-043	SHROUD REAR ASSY - FIBERGLASS
POWER UNIT	11	912611-028	SHROUD STAND ADJUSTABLE ASSEMBLY
POWER UNIT	12	912613-036	CONTROL CONSOLE ASSY G+/T3/24V
POWER UNIT	13	912613-002	CONSOLE MOUNT ASSY
POWER UNIT	14	912613-034	CONSOLE SUB ASSY
POWER UNIT	15	912613-035	CONTROL PANEL ASSEMBLY G+/T3/24V
POWER UNIT	16	905220-294	CONTROL PANEL ASSY 4 TRACK
POWER UNIT	17	912620-008	PANEL ASSEMBLY
POWER UNIT	18	912620-021	ENGINE CONT PANEL ASSY- T4 W/ FORCED SHTDN
POWER UNIT	19	912613-032	GAUGE PANEL ASSY, HYD - OPEN FRONT
POWER UNIT	20	912620-005	MASTER ASSY, GO-PAVE
POWER UNIT	21	912820-003	POWER DIST CENTER GO-PAVE
POWER UNIT	22	912849-001	BATTERY TRAY/POWER CONVERTER ASSY
ENGINE	1	912646-004	ENGINE ASSEMBLY - 173HP T4, CAT
ENGINE	2	912646-005	PIPE ASSEMBLY - 173HP CAT T4
ENGINE	3	913311-015	EXHAUST SAFETY GUARD
ENGINE	4	912819-023	AIR FILTER INDICATOR CIRCUIT
ENGINE	5	912646-008	COOLING PACKAGE ASSEMBLY - 173HP ENGINES
ENGINE	6	912613-010	SHROUD PANEL ASSY, GRILL - 173HP ENGINES
ENGINE	7	912611-011	DEF TANK ASSEMBLY
ENGINE	8	912611-012	SENSOR CONTROL UNIT MT ASSY SOOT AND NOX
ENGINE	9	912819-014	COOLANT PLUMBING DEF TANK/INJECTOR
ENGINE	10	912646-009	FUEL TRANSFER PUMP ASSEMBLY
ENGINE	11	912819-024	FUEL HOSE ASSY- T4, DUAL SECONDARY FILTE
ENGINE	12	912620-020	BATTERY DISCONNECT W/ WAIT TO DISC LIGHT
ENGINE	13	912634-001	PUMP DRIVE ASSY - 20 VIB 4-TRK O-F
ENGINE	14	912634-001_ID	PUMP IDENTIFICATION
ENGINE	15	912645-004	VALVE ASSY, 4T TRAVEL AND AUGER/TAMP -OF
ENGINE	16	908545-012	HIGH PRESSURE FILTER
ENGINE	17	110-50M07	FILTER - HP, 10 MICRON (ELEM 110-50M08)
ENGINE	18	912611-016	FILTER KIT - ENG (CAT C7.1 173HP T4)
ENGINE	19	912611-018	HYDR FILTER KIT - GP3
LEGS	1	912618-044	LEG ASSY OPTION - 6.00 X 42.00 STROKE

Section	Page #	Part Number	Description
LEGS	2	912618-038	LEG ASSY - 42 IN STROKE RIGHT FRONT
LEGS	3	912618-039	LEG ASSY - 42 IN STROKE RIGHT REAR
LEGS	4	912618-040	LEG ASSY - 42 IN STROKE LEFT FRONT
LEGS	5	912618-041	LEG ASSY - 42 IN STROKE LEFT REAR
LEGS	6	912618-042	LOWER GUIDE TUBE ASSY - 10 IN RH
LEGS	7	912618-043	LOWER GUIDE TUBE ASSY - 10 IN LH
LEGS	8	912618-011	LOWER GUIDE, RADIAL TAKE-UP ASSY - 10 IN
LEGS	9	912643-002	GREASE FITTING LOWER GUIDE TAKE-UP
LEGS	10	220-54P01	SLEW DRIVE-HOURLASS WORM, 17IN CLOSED
LEGS	11	912618-015	STEERING SENSOR ASSY
LEGS	12	903118-052	STEER SENSOR STEM ASSY
LEGS	13	903118-055	SENSOR MT HSG ASSY
LEGS	14	912811-008	SAFETY LOCK PIN - PAVER
TRACKS	1	912615-038	TRACK ASSY OPTION - 4-TRK, 400MM S2 POLY
TRACKS	2	912615-040	TRACK ASSY, FINAL - RH S2 400 MM POLY
TRACKS	3	912615-039	TRACK ASSY, FINAL - LH S2 400 MM POLY
TRACKS	4	912615-042	TRACK ASSY - RH 400MM S2 5 RLR, POLY
TRACKS	5	912615-041	TRACK ASSY - LH 400MM S2 5 RLR, POLY
TRACKS	6	625-55C14	TRACK ASSY, 400MM S2 30 PADS, POLY
TRACKS	7	912618-033	TRACK YOKE ASSY S2, 400 MM
TRACKS	8	912615-012	TRACK PIN, 400MM TRACK
TRACKS	9	903119-029	GREASE LINES - SLEW DRIVE
STEER/GRAD	1	900140-141	SENSOR ASSY (GR & STRG) (G+)
STEER/GRAD	2	900140-142	GRADE SENSOR ASSY (G+)
STEER/GRAD	3	GT13-118-B	SENSOR MT ASSY, ADJ (GR & STRG SENSOR)
STEER/GRAD	4	905240-073	CLAMP ASSY (SENSOR ARM MOUNT)
STEER/GRAD	5	905240-074	SENSOR MOUNT ASSY (END CARS)
STEER/GRAD	6	912640-002	SENSOR TUBE ASSEMBLY (CLAMP ON)
WORK PLATF	1	912622-043	WORK PLATFORM ASSY W/ STEPS (16FT-31FT)
WORK PLATF	2	912622-044	WORK PLATFORM - ALUMINUM, EXPANDING
WORK PLATF	3	912622-015	WORK PLATFORM MT ASSY - CENTER CAPABLE
WORK PLATF	4	912622-079	WORK PLATFORM STEP ASSY - REMOVABLE
OPTIONS	1	910952-013	TELEMATICS KIT, PAVERS
OPTIONS	2	907040-083	COMPUTER MOUNT ASSEMBLY
OPTIONS	3	905220-187	DISPLAY ASSY, SETUP REMOTE
OPTIONS	4	900111-068	UMBRELLA ASSEMBLY
WTR/AIR SYS	1	912621-024	HIGH/LOW PRESS WATER OPTION GP3, 4-TRK
WTR/AIR SYS	2	912621-027	PRESSURIZED WATER ASSY RH, GP3, 4-TRK
WTR/AIR SYS	3	912621-026	PRESSURIZED WATER ASSY LH, GP3, 4-TRK

Section	Page #	Part Number	Description
WTR/AIR SYS	4	912621-019	WATER TANK ASSEMBLY STEEL, 150 GAL
WTR/AIR SYS	5	FW81-142	FILL VALVE ASSEMBLY
WTR/AIR SYS	6	912611-024	PUMP MT ASSY 4-TRK
WTR/AIR SYS	7	912619-045	HIGH PRESSURE WATER SYSTEM
WTR/AIR SYS	8	912619-046	PRESSURIZED WATER SYSTEM
WTR/AIR SYS	9	912619-047	WATER SYSTEM HYDRAULIC
WTR/AIR SYS	10	110-47E98	STRAINER - 100 MESH (ELEM 110-49A50)
WTR/AIR SYS	11	725-49C17	PUMP - HI-PRESS WASH (W/WAND & HOSE)
WTR/AIR SYS	12	FW81-076	HIGH PRESSURE GUN ASSY
WTR/AIR SYS	13	912619-011	AIR RESERVOIR AND PLUMBING
HYDRAULICS	1	912621-003	OIL TANK - 230 GALLONS
HYDRAULICS	2	912619-004	TRACTIVE HYDRAULICS - 4 TRK, 2 SP
HYDRAULICS	3	125-53R74	MANIFOLD - MOTOR SHIFT
HYDRAULICS	4	125-54C03	MANIFOLD - LOAD SENSE UNLOADING
HYDRAULICS	5	912644-001	MANIFOLD ASSY, DUAL PRESS TRANSDUCER
HYDRAULICS	6	912619-009	ENDCAR HYDRAULICS, RH - 42IN LEGS
HYDRAULICS	7	912619-008	ENDCAR HYDRAULICS, LH - 42IN LEGS
HYDRAULICS	8	125-54G68	VALVE ASSY - 3 BANK, D03 PROP (24V)
HYDRAULICS	9	912619-007	LIFT HYDRAULICS, MAIN FRAME
HYDRAULICS	10	125-53V01	VALVE ASSY - 6 BANK, D03
HYDRAULICS	11	125-54T88	VALVE ASSY - 6 BANK, D03 (24V)
HYDRAULICS	12	912619-005	AUGER / TAMPER HYDR - SINGLE TAMPER DR
HYDRAULICS	13	912619-006	FAN MOTOR HYDRAULICS, COOLING PACKAGE
HYDRAULICS	14	912619-028	COOLING PACKAGE - PLUMBING
HYDRAULICS	15	912619-002	OIL COOLER MANIFOLD ASSEMBLY
HYDRAULICS	16	912619-043	VIBRATOR HYDRAULICS - 20 VIBS
HYDRAULICS	17	912819-020	VIBRATOR HYDRAULICS - ADDITIONAL 4 VIBS
HYDRAULICS	18	VA10-076	VIB CTRL ASSY, 10 BANK HIGH CAP LD SENSE
HYDRAULICS	19	VA10-065	VIB CONTROL ASSY 4 BANK LD SENSE 24 VOLT
HYDRAULICS	20	125-50H64	VALVE - FL CONT LD SEN 2 STAGE 0-4 GPM
HYDRAULICS	21	125-50R95	VALVE - FL CONT LD SEN 2 STAGE 0-4 GPM
HYDRAULICS	22	125-53R75	MANIFOLD ASSY - LOAD SENSE HIGH CAP, 24V
HYDRAULICS	23	GT10-190	TIE ROD, .375 IN X 14.25 IN
HYDRAULICS	24	GT10-250	ROD - TIE, .375 IN X 27.75 IN
HYDRAULICS	25	912619-001	MAIN FILTER HYDR (1 BANK)
HYDRAULICS	26	110-50W55	FILTER - RTN, 10 MICRON (ELEM 110-50T66)
HYDRAULICS	27	FW51-067	HOSE CLAMP ASSEMBLY (.375 & .500)
ELECTRICAL	1	912620-001E	ELEC ASSY, GO-PAVE, SMALL, 4 TRK
ELECTRICAL	2	912620-007E	RH FRONT SLAVE ASSY, GO-PAVE

Section	Page #	Part Number	Description
ELECTRICAL	3	912620-006E	LH FRONT SLAVE ASSY, GO-PAVE
ELECTRICAL	4	912620-010E	RH REAR SLAVE ASSY, GO-PAVE
ELECTRICAL	5	912620-009E	LH REAR SLAVE ASSY, GO-PAVE
ELECTRICAL	6	912420-010E	E-STOP ASSY W/4 PIN M EURO CONN
ELECTRICAL	7	912420-061E	WIRING ASSY, HORN SWITCH
ELECTRICAL	8	WH01-0179E	HARNESS - 5P M12 M 90DEG/4P PKD SHR30FT
ELECTRICAL	9	WH03-0160E	WIRE HARNESS, G BOX J15 ACC CAN
ELECTRICAL	10	WH03-0183E	HARNESS - TRACK PRESSURE FWD/RVS
ELECTRICAL	11	912420-051E	CONSOLE BOX BOTTOM ASSY, WIRE ROUTING
ELECTRICAL	12	912620-004E1	CABLE ASSY, FRAME GO-PAVE
ELECTRICAL	13	912620-004E2	CABLE ASSY, FRAME GO-PAVE
ELECTRICAL	14	WH03-0136E	HARNESS - 2 PIN DEUTSCH TEE
ELECTRICAL	15	WH03-0169E	HARNESS - 8 P FEM DEUTSCH/VIBS GO-PAVE
ELECTRICAL	16	WH04-0103E	MASTERBOX B8 CABLE
ELECTRICAL	17	WH04-0104E	MASTER BOX #6 FRAME EXT SIG
ELECTRICAL	18	WH01-0206E	5 PIN F M12/(3-#16)DEUTSCH F PINS X 8IN
ELECTRICAL	19	WH04-0105E	HARNESS - GO-PAVE B9
ELECTRICAL	20	912620-008E1	PANEL ASSEMBLY
ELECTRICAL	21	912620-008E2	PANEL ASSEMBLY
ELECTRICAL	22	WH03-0148E	REPL KIT 1K OHM POT &(1) 47OHM RES W/WIR
ELECTRICAL	23	WH01-0160E	RESISTOR ASSEMBLY - 47 OHM
ELECTRICAL	24	912820-003E1	POWER DIST CENTER GO-PAVE
ELECTRICAL	25	912820-003E2	POWER DIST CENTER GO-PAVE
ELECTRICAL	26	WH02-0180E	WIRE HARNESS, MA SIG 12 P DEUTSCH X 72IN
ELECTRICAL	27	WH04-0083E	WIRE HARNESS, PWR&GND 1/4 TRN PL X 72IN
ELECTRICAL	28	905220-294E	CONTROL PANEL ASSY 4 TRACK
ELECTRICAL	29	904920-043E	WIRING ASSY, HORN SWITCH
ELECTRICAL	30	WH01-0156E	90 DEG M M12/4 PIN F DEUTSCH X 29IN
ELECTRICAL	31	WH01-0157E	90 DEG M M12/4 PIN F DEUTSCH X 11IN
ELECTRICAL	32	WH06-0050E	WIRE HARNESS, DP600 CTRL PANEL G+
ELECTRICAL	33	912620-021E	ENG CONT PNL ASSY- T4 W/ FORCED SHTDN
ELECTRICAL	34	WH01-0159E	HARNESS - 12 P FEM DEUTSCH SEAL PLUG
ELECTRICAL	35	WH03-0180E	HARNESS - ENG PANEL - T4 MURPHY
ELECTRICAL	36	912620-005E1	MASTER ASSY, GO-PAVE
ELECTRICAL	37	912620-005E2	MASTER ASSY, GO-PAVE
ELECTRICAL	38	912620-002E	MACHINE CAN CABLES, GO-PAVE, SMALL, 4TRK
ELECTRICAL	39	WH02-0171E	ADAPTER - 1/4 TURN BHD F-MINIFAST M X 1M
ELECTRICAL	40	912620-003E	ACCESSORY CAN ASSY, GO-PAVE
ELECTRICAL	41	WH02-0161E	ADAPTER - MOBA SLOPE SENSOR ADDRESS 0

Section	Page #	Part Number	Description
ELECTRICAL	42	WH02-0162E	ADAPTER - MOBA SLOPE SENSOR ADDRESS 1
ELECTRICAL	43	910920-011E	CAN SENSOR JUNCTION PLATE PAVERS
ELECTRICAL	44	912620-015E	CAN & PWR CABLE ASSEMBLY, BAR INSERTERS
ELECTRICAL	45	912620-014E	CAN CABLE ASSEMBLY, GSI PAVERS
ELECTRICAL	46	912620-016E	FILTER INDICATOR ASSY, GO PAVE
ELECTRICAL	47	912620-022E	MISC FRAME ITEMS
ELECTRICAL	48	WH01-0161E	HARNESS - 8 PIN F DEUTSCH SEAL PLUG
ELECTRICAL	49	912620-018E	ENGINE WIRING, CAT C7.1 T4 GO-PAVE
ELECTRICAL	50	912620-013E	MISC WIRING, CAT C7.1 LH STARTR GO-PAVE
ELECTRICAL	51	903120-037E	LED ASSY, RED 2 PIN DEUTSCH
ELECTRICAL	52	WH02-0184E	HARNESS - 1.69K OHM RES W/ 5/16 R ASSY
ELECTRICAL	53	WH03-0177E	HARNESS - ADAPTER, CAT 3600 T4
ELECTRICAL	54	912620-028E	NAVIGATOR DISPLAY ASSY, G+
ELECTRICAL	55	905220-187E	DISPLAY ASSY, SETUP REMOTE
ELECTRICAL	56	WH01-0154E	COIL CORD MOD 5 P M12/7 P M 1/4 TRN PL
MOLD ASSY	1	909501-002-0377	MOLD - 24 FT 5000 SER AUG FWD 912600-043
END SECTION	1	909590-908	END SECT ASSY RH 4 FT AUG FWD SPLIT SIPL
END SECTION	2	909590-924	END SECT ASSY LH 4 FT AUG FWD SPLIT SIPL
END SECTION	3	909597-098	TAMPER DR ASSY MODULAR END SECT 4 FT DR
END SECTION	4	909597-083	TAMPER CONVERTER - RHS
END SECTION	5	909597-082	TAMPER CONVERTER LHS
END SECTION	6	FW51-190-B	TAMPER BAR IDLER CONVERTER ASSY-5000
END SECTION	7	900111-239	PRESS COMP BOX ASSY (4-BANK) (SIDEPLATES)
AUGER DRIVE	1	909590-905	AUGER ASSY - BASIC AUGER FORWARD - OL
AUGER DRIVE	2	910390-310	AUGER DRIVE ASSY - 20 INCH FLIGHTING
AUGER DRIVE	3	910390-198	BEARING ASSEMBLY
AUGER DRIVE	4	909590-851	IDLER ASSY, AUGER FORWARD
MOLD VIB	1	909599-166	VIB SPRT/POSN ASSY - AUGER FWD/NO AUGER
MOLD VIB	2	909599-167	VIBRATOR POSITION ASSY - MOLD MTD
MOLD VIB	3	909510-048	VIBRATOR SUPPORT ASSY
MOLD VIB	4	909511-011	HANGER - VIBRATOR HOSE
MOLD VIB	5	910311-022	VIBRATOR MOUNT
MOLD VIB	6	GT11-057	VIBRATOR-HYDRAULIC, MINNICH (LONG ECC)
MOLD VIB	7	GT11-070	MOTOR HOUSING ASSEMBLY - ANGLED
MOLD VIB	8	GT11-074	ECCENTRIC ASSEMBLY - HEAVY DUTY
MOLD VIB	9	GT11-120	VIBRATOR MOTOR ASSEMBLY
MOLD INSERT	1	FW51-029-B	INSERT SECTION ASSEMBLY 12 IN OR .305M
MOLD INSERT	2	FW51-029-C	INSERT SECTION ASSEMBLY 18 IN OR .455M
MOLD INSERT	3	FW51-029-D	INSERT SECTION ASSEMBLY 24 IN OR .61M



Section	Page #	Part Number	Description
MOLD INSERT	4	FW51-029-E	INSERT SECTION ASSEMBLY 36 IN OR .915M
MOLD INSERT	5	909595-069	LH 5 FT PLAT PAN W/ SIPL SEAL
MOLD INSERT	6	909595-070	RH 5 FT FLAT PAN W/ SIPL SEAL
PTA	1	909591-160	4FT PTA SLFSPRT (NO HANGERS)
PTA	2	910391-048	PTA DRIVE ASSY - SLF SPRT
PTA	3	909540-015	LINEAR PTA SENSOR ASSY - SELF SPRT PTA
SIDEPLATE	1	909590-317	VERTICAL HINGED SIDEPLATE
SIDEPLATE	2	909593-734	SIDEPLATE SPLIT RH AUG FWD OVERLAP
SIDEPLATE	3	909593-733	SIDEPLATE SPLIT LH AUG FWD OVERLAP
SIDEPLATE	4	909593-730	FOLDING WING EXT RH AUGER FORWARD DRIVE
SIDEPLATE	5	909593-729	FOLDING WING EXT LH AUGER FORWARD DRIVE
MOLD OPT	1	909590-716	SHIPPING SUPPORT TUBES
MOLD MT	1	912616-064	5000 MOLD MT ASSY, AUG FWD W/ AUG DR MT
MOLD MT	2	912616-065	MULE MT ASSY - 5000 MOLD - AUGER FWD, RH
MOLD MT	3	912616-066	MULE MT ASSY - 5000 MOLD - AUGER FWD, LH
MOLD MT	4	912690-005	AUGER DRIVE MT, AUG FWD - 3100/5000 MOLD
MOLD MT	5	912616-085	DEPTH ADJ ASSY - 4 IN DN 5000 AUG FWD
TIE BAR INS	1	908650-185	CENTER TIE BAR INSERTER ASSEMBLY - 5000
TIE BAR INS	2	908611-224	BAR INSERTER ASSEMBLY
TIE BAR INS	3	908611-284	BAR INSERTER GUIDE ASSEMBLY
TIE BAR INS	4	908611-195	FORK LINKAGE ASSEMBLY (SMART CYLINDER)
TIE BAR INS	5	908611-231	BAR INSERTER MOUNT ASSY - PINNED
TIE BAR INS	6	908611-232	BAR INSERTER MOUNT ASSY - SLOTTED
TIE BAR INS	7	908611-169	CHAIN DRIVE - CTR TIE BAR INSERTER
TIE BAR INS	8	908611-112	IDLER ASSEMBLY
TIE BAR INS	9	908611-118	CLAMP W/ HOLE, ASSY
TIE BAR INS	10	908611-119	CLAMP W/ SLOT, ASSY
TIE BAR INS	11	908611-150	SIDE PLATE ASSEMBLY
TIE BAR INS	12	908611-170	LEG ASSEMBLY - REAR, PINNED
TIE BAR INS	13	908611-171	LEG ASSEMBLY - REAR, SLOTTED
TIE BAR INS	14	908611-187	TIE BAR HOPPER - CAM STYLE
TIE BAR INS	15	908611-188	DRIVE MOUNT ASSEMBLY - CAM STYLE
TIE BAR INS	16	908611-223	CAM ASSEMBLY - TIE BAR INSERTER
TIE BAR INS	17	908611-262	BAR BOX ASSY (GOPAV)
TIE BAR INS	18	908611-146	BAR BOX ASSEMBLY
TIE BAR INS	19	908611-282	BAR BOX ADAPTER ATTACHMENT
TIE BAR INS	20	908620-041	CONTROL BOX - TBI/PTA, G+
TIE BAR INS	21	908611-136	CONTROL BOX MOUNT ASSEMBLY - TBI
MOLD HYD	1	909519-033	TAMPER MOTOR HYDRAULIC ORB/ORFS

Section	Page #	Part Number	Description
MOLD HYD	2	909519-031	AUGER DR HYDR, GROUT BOX - OF OPEN LOOP
MOLD HYD	3	909519-029	AUG DRIVE MOTOR HYDR OPEN FR
MOLD HYD	4	910319-010	SELF SUPPORTED PTA HYDRAULICS
MOLD HYD	5	909519-027	VIBRATOR POSITION HYDRAULICS
MOLD HYD	6	909519-032	HYDRAULICS - SIPL CYLINDERS, ORB/ORFS
MOLD HYD	7	900119-394	CONT BOX HYDR - 4 BANK (SIDEPLATES)
MOLD HYD	8	900119-225	COMP BOX JUMPER HOSE ASSY - 3/8 X 25FT
MOLD HYD	9	908619-024	TIE BAR INSERTER HYDR, 24V (SMART CYL)
MOLD HYD	10	125-54C76	VALVE ASSY - 2 BANK, D03 (24V)
MOLD ELEC	1	908620-043E1	ELEC ASSY, G+ TBI/PTA MOLD MTD 24V
MOLD ELEC	2	908620-043E2	ELEC ASSY, G+ TBI/PTA MOLD MTD 24V
MOLD ELEC	3	908620-041E	CONTROL BOX - TBI/PTA, G+
MOLD ELEC	4	900820-001E	PROXIMITY SWITCH ASSY
MOLD ELEC	5	WH01-0230E	CA 5P F M12/4P PLUG X 110 IN
MOLD ELEC	6	WH03-0137E	HARNESS, 2 PIN DEUTSCH TEE - FEMALE
MOLD ELEC	7	WH03-0138E	HARNESS, MOLD MOUNTED TBI/PTA

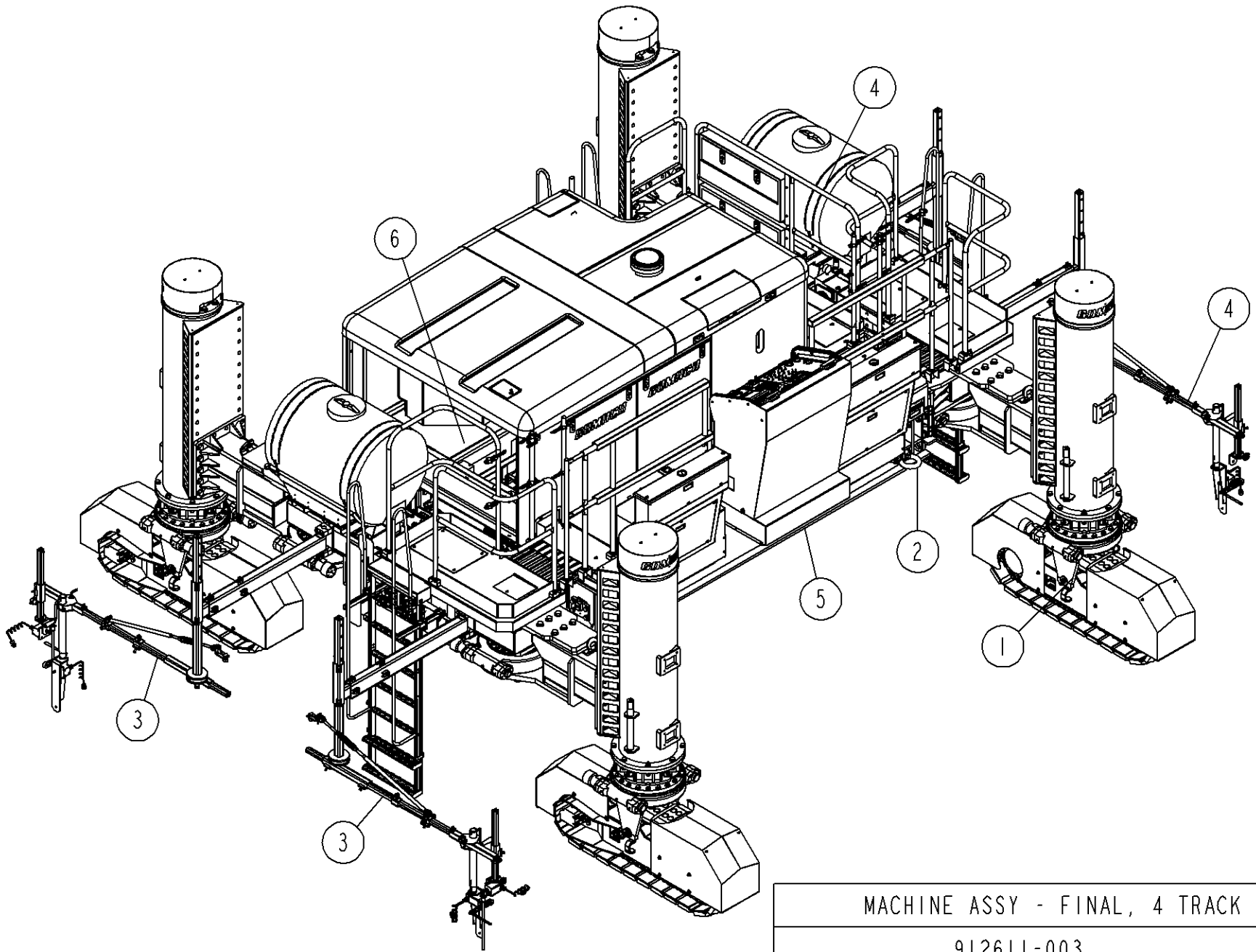
---

<b>Page #</b>	<b>Part Number</b>	<b>Description</b>
1	912611-003	MACHINE ASSY - FINAL, 4 TRACK
2	912611-002	MACHINE ASSY - BASIC, 4 TRACK
3	912611-005	POWER UNIT BASE ASSEMBLY

---

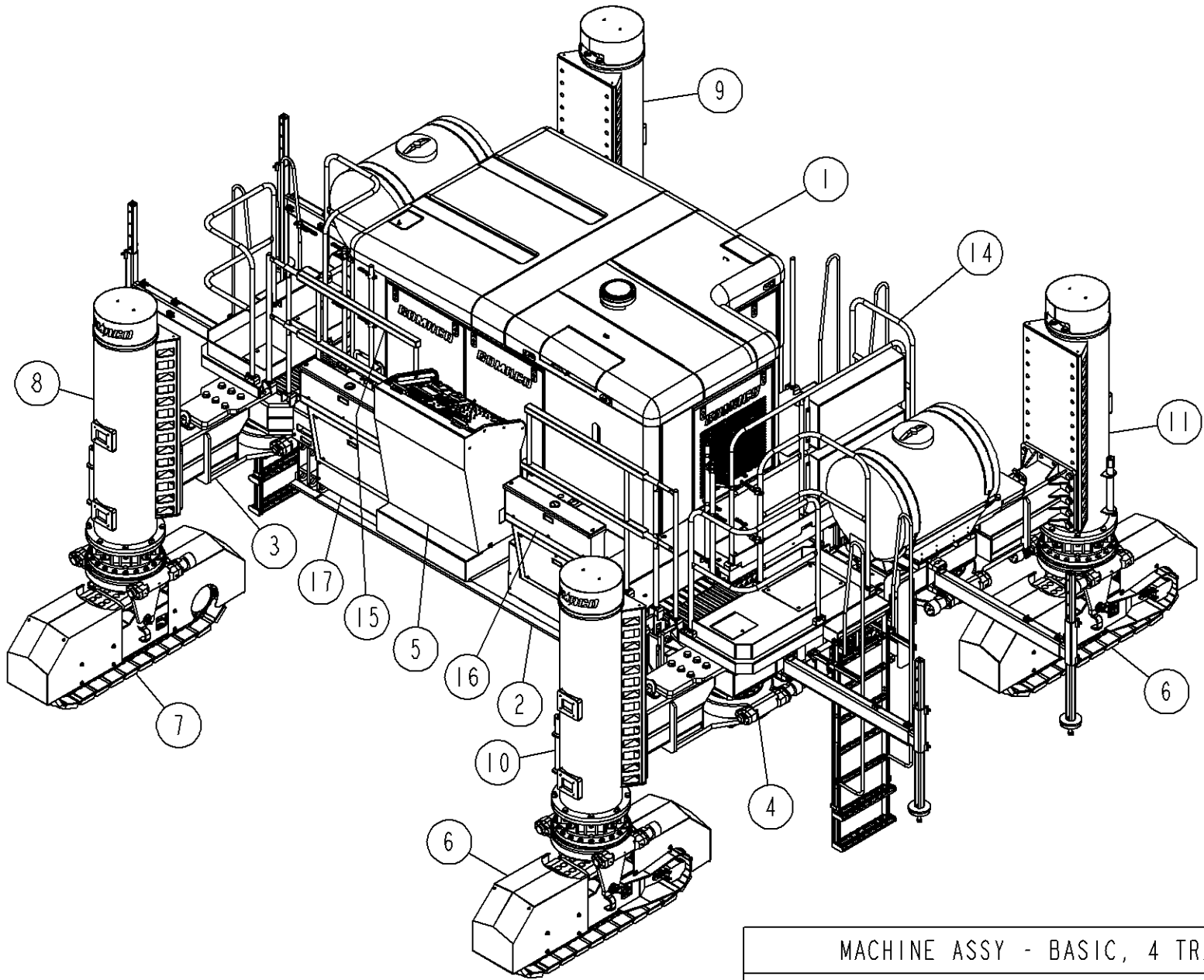






MACHINE ASSY - FINAL, 4 TRACK	
912611-003	G

MACHINE ASSY - FINAL, 4 TRACK			912611-003	G
ITEM NO.	QTY	PART NUMBER	DESCRIPTION	
1	1	140-55F46	CPLR - GIANT BTNHD METRIC FOR 140-55F45	
2	4	625-54G06	SHACKLE - CHAIN 1.375 IN	
3	2	900140-141	SENSOR ASSY (GR & STRG) (G+)	
4	2	900140-142	GRADE SENSOR ASSY (G+)	
5	1	912611-002	MACHINE ASSY - BASIC, 4 TRACK	
6	1	912611-006	TOOLBOX AND CLAMP ASSY	



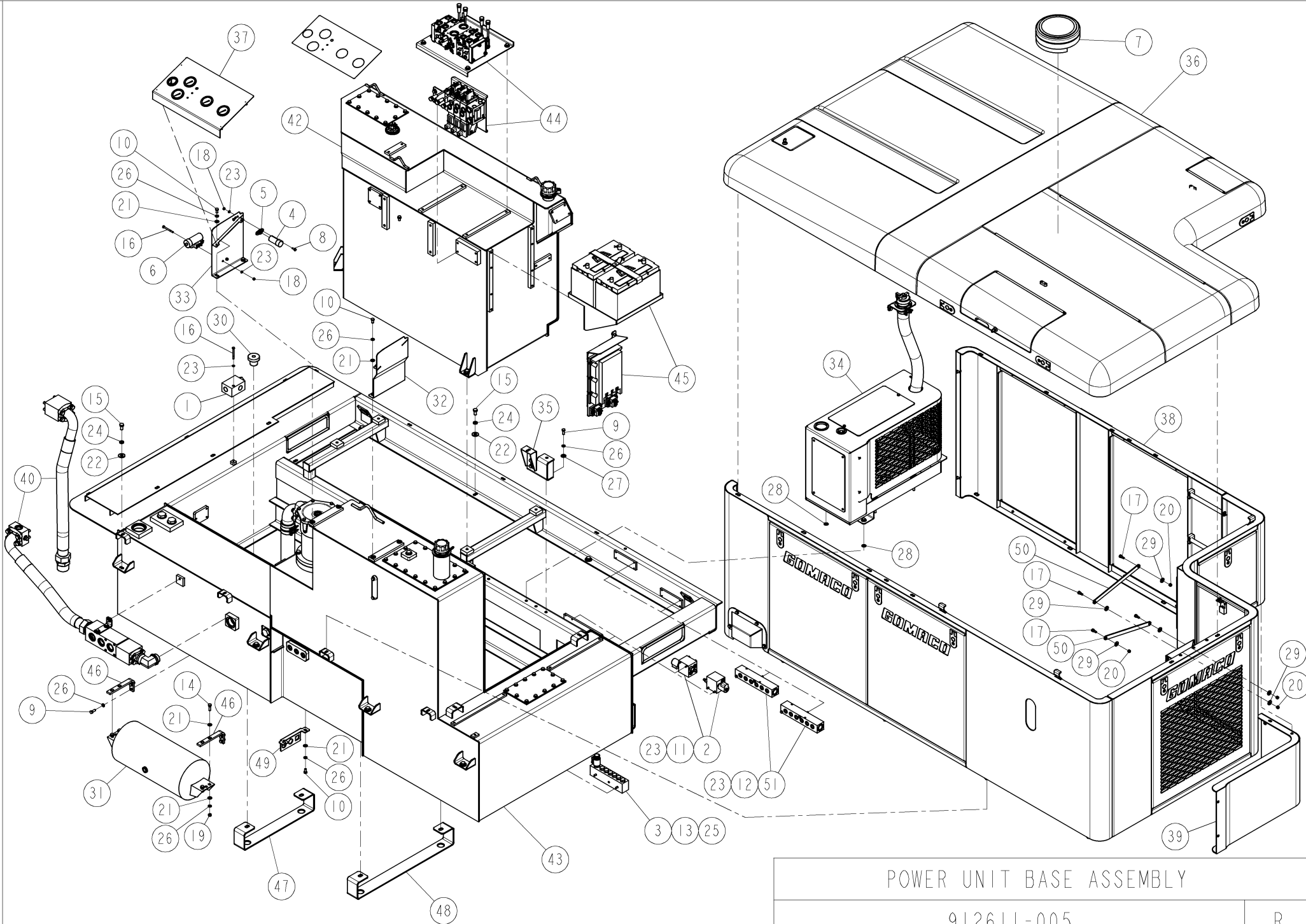
MACHINE ASSY - BASIC, 4 TRACK

912611-002

D



MACHINE ASSY - BASIC, 4 TRACK			912611-002	D
ITEM NO.	QTY	PART NUMBER	DESCRIPTION	
1	1	912611-005	POWER UNIT BASE ASSEMBLY	
2	1	912612-010	MAIN FRAME ASSEMBLY	
3	1	912612-022	END FRAME ASSEMBLY 4-TRK RH	
4	1	912612-023	END FRAME ASSEMBLY 4-TRK LH	
5	1	912613-036	CONTROL CONSOLE ASSY 4TRK, G+/T3/24V	
6	2	912615-039	TRACK ASSY, FINAL - LH S2 400 MM POLY	
7	2	912615-040	TRACK ASSY, FINAL - RH S2 400 MM POLY	
8	1	912618-038	LEG ASSY - 42 IN STROKE RIGHT FRONT	
9	1	912618-039	LEG ASSY - 42 IN STROKE RIGHT REAR	
10	1	912618-040	LEG ASSY - 42 IN STROKE LEFT FRONT	
11	1	912618-041	LEG ASSY - 42 IN STROKE LEFT REAR	
12	1	912619-043	VIBRATOR HYDRAULICS - 20 VIBS N.S.	
13	1	912620-001	ELEC ASSY, GO-PAVE, SMALL, 4 TRK N.S.	
14	1	912622-021	WORK PLATFORM ASSEMBLY - COMMON, REAR	
15	1	912622-065	WORK PLATFORM ASSY - COMMON, FRONT	
16	1	912813-020	VIBRATOR MODULE W/ MT, LH - 10 BANK 24V	
17	1	912813-026	VIBRATOR MODULE W/ MT, RH - 10 BANK 24V	
18	1	XXXXXX-XXX	SEE 912619-043 VIBRATOR HYDRAULICS - 20 VIBS	
19	1	XXXXXX-XXX	SEE 912620-001 ELEC ASSY, GO-PAVE, SMALL, 4 TR	



POWER UNIT BASE ASSEMBLY

912611-005

R

POWER UNIT BASE ASSEMBLY				912611-005	R		
ITEM NO.	QTY	PART NUMBER	DESCRIPTION				
1	1	125-51F78	VALVE - CHECK 1 PSI	41	1	912619-011	AIR RESERVOIR AND PLUMBING (NOT SHOWN)
2	2	125-53R74	MANIFOLD - MOTOR SHIFT	42	1	912621-001	FUEL TANK ASSEMBLY - 160 GALLON
3	1	125-54C03	MANIFOLD - LOAD SENSE UNLOADING	43	1	912621-004	OIL TANK ASSEMBLY
4	1	210-45D97	INDICATOR - AIR RESTRICTION 20.00 IN	44	1	912645-004	VALVE ASSY, 4T TRAVEL AND AUGER/TAMP -OF
5	1	210-45D99	FITTING - FLANGED	45	1	912849-001	BATTERY TRAY/POWER CONVERTER ASSY
6	1	210-49M33	GOVERNOR, AIR COMPRESSOR	46	2	9800-38237	MOUNT - AIR TANK
7	1	210-49Y38	AIR CLEANER INLET HOOD 6.00 IN	47	1	9800-41949	HOSE HANGER - RH
8	2	400-30A10	.250-20 UNC X .750 HHCS GR5	48	1	9800-41950	HOSE HANGER - MID FRAME
9	6	400-30A19	.375-16 UNC X 1.000 HHCS GR5	49	1	9810-19696	SHEET - FMD, BHD 5 PIN & 2 CAN
10	6	400-30A20	.375-16 UNC X .750 HHCS GR5	50	2	9810-19869	PROP ROD
11	4	400-30A55	.250-20 UNC X 3.000 HHCS GR5	51	2	9830-11110	MANIFOLD
12	4	400-30B30	.250-20 UNC X 2.500 HHCS GR5				
13	2	400-30B31	.3125-18 UNC X 2.500 HHCS GR5				
14	4	400-30B85	.375-16 UNC X 1.250 HHCS GR5				
15	8	400-30D75	.500-13 UNC X 1.000 HHCS GR8				
16	3	400-30E13	.250-20 UNC X 2.750 HHCS GR5				
17	4	410-54L68	SKT HD SHLDR BLT .312-18X .375				
18	4	415-30A04	.250-20 UNC GR5 HEXNUT				
19	4	415-30A06	.375-16 UNC GR5 HEXNUT				
20	4	415-45G76	.3125-18 UNC GR5 NYLOK HEXNUT				
21	14	420-10T99	FLAT WASHER .375 F436				
22	8	420-30A32	FLAT WASHER .500 W				
23	13	420-30A36	LOCK WASHER .250				
24	8	420-30A37	LOCK WASHER .500				
25	2	420-30A38	LOCK WASHER .312				
26	16	420-30A41	LOCK WASHER .375				
27	6	420-30A65	FLAT WASHER .375 W				
28	2	420-48F57	.500 STAR WASHER				
29	6	420-54L67	WASHER - FLAT, .375 X 1.00OD BLK NYL				
30	4	610-20B14	RUBBER ISOLATOR 1123				
31	1	730-10E52	AIR RESERVOIR (6.44 GAL/24.38 LITER)				
32	1	912610-020	GAUGE PANEL MOUNT, RH				
33	1	912610-021	GAUGE PANEL MOUNT, LH				
34	1	912611-011	DEF TANK ASSEMBLY				
35	1	912611-028	SHROUD STAND ADJUSTABLE ASSEMBLY				
36	1	912613-022	SHROUD TOP ASSY, FIBERGLASS				
37	1	912613-032	GAUGE PANEL ASSY, HYD - OPEN FRONT				
38	1	912613-051	STEEL SHROUD ASSY (DEF TANK)				
39	1	XXXXXX-XXX	NOT REQUIRED				
40	1	912619-002	OIL COOLER MANIFOLD ASSEMBLY				



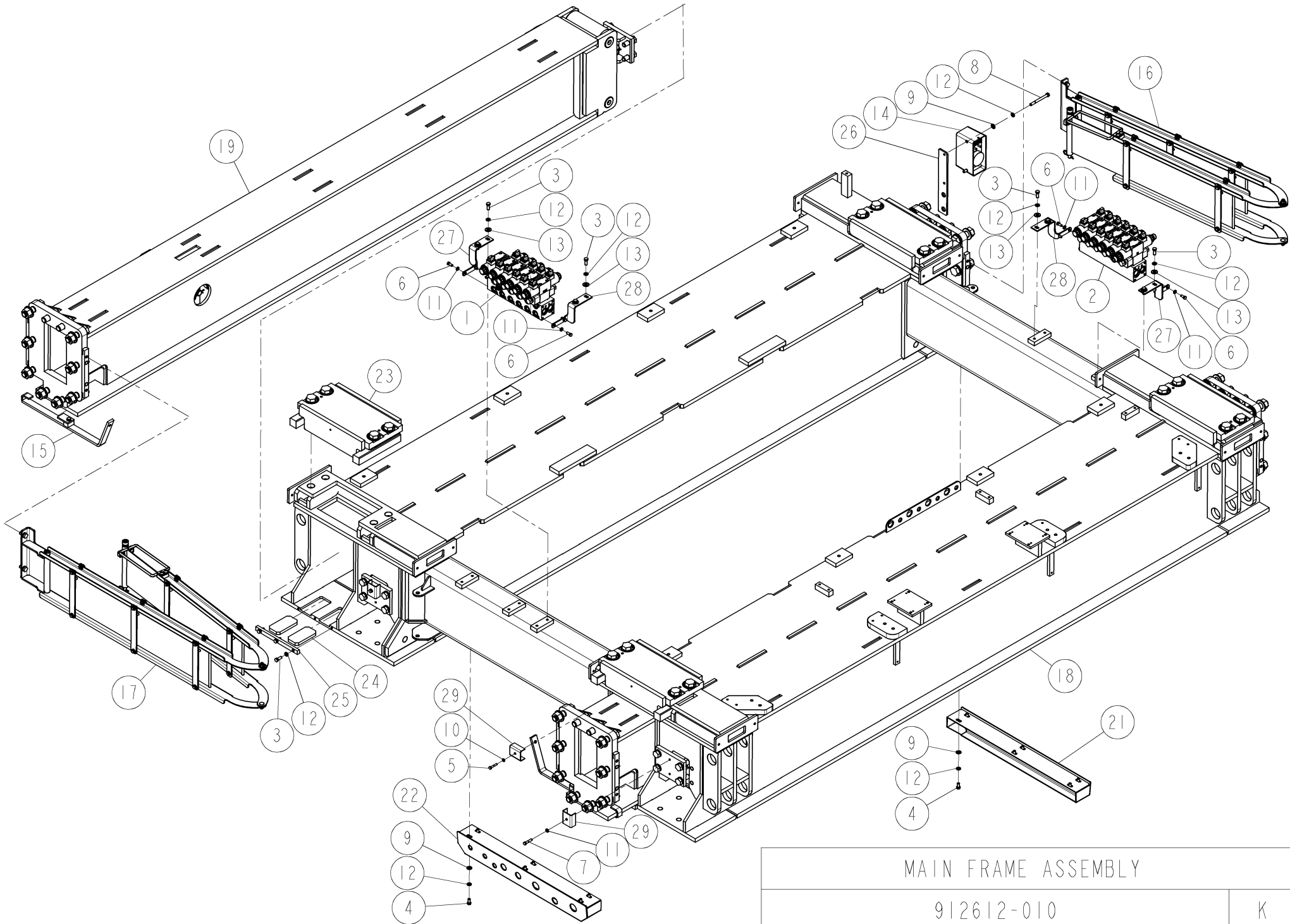
Page #	Part Number	Description
1	912612-010	MAIN FRAME ASSEMBLY
2	912612-009	INNER FRAME TUBE ASSEMBLY
3	912812-008	FRAME ROLLER ASSY, 20 IN FRAME
4	912611-004	HOSE CARRIER ASSY - RH
5	912611-001	HOSE CARRIER ASSY - LH
6	912612-022	END FRAME ASSEMBLY 4-TRK RH
7	912612-023	END FRAME ASSEMBLY 4-TRK LH
8	912612-011	PIVOT ARM ASSEMBLY
9	905212-351	PIVOT ARM SENSOR ASSY - CAN, .500IN
10	912612-068	SLEW DRIVE MT ASSY
11	220-54D28	SLEW DRIVE - HOURGLASS WORM, 17IN
12	912612-041	END FRAME - ELEC/HYDR BOX ASSY (BOLT-ON)
13	910920-011	CAN SENSOR JUNCTION PLATE PAVERS
14	912811-022	VIBRATOR ASSY OPTION - PLUS 4, 24V
15	912611-009	VIBRATOR ASSY OPTION - 20 VIB, 24V
16	912813-024	VIBRATOR MODULE - 10 BANK 24V, UPPER
17	912813-026	VIBRATOR MODULE W/ MT, RH - 10 BANK 24V
18	912813-020	VIBRATOR MODULE W/ MT, LH - 10 BANK 24V
19	912811-002	VIB HOSE COVER ASSY - RH
20	912811-018	VIB HOSE COVER ASSY - LH
21	912813-021	VIBRATOR MODULE - 10 BANK 24V
22	912811-006	VIBRATOR MODULE - REAR COVER, BTM
23	912611-006	TOOLBOX AND CLAMP ASSY
24	912622-065	WORK PLATFORM ASSY - COMMON, FRONT
25	912622-067	TELESCOPING WALKWAY RIGHT HAND
26	912622-066	TELESCOPING WALKWAY LEFT HAND
27	912622-029	ENDCAR WORKPLATFORM - RH
28	912622-028	ENDCAR WORK PLATFORM - LH
29	912622-021	WORK PLATFORM ASSEMBLY - COMMON, REAR
30	912632-001	LADDER - ADJUSTABLE SLOPE
31	912632-005	LADDER - ADJUSTABLE SLOPE, REAR
32	912826-015	HANDRAIL CLAMP ASSY

---

Page #	Part Number	Description
33	905310-005	HOSE HANGER

---





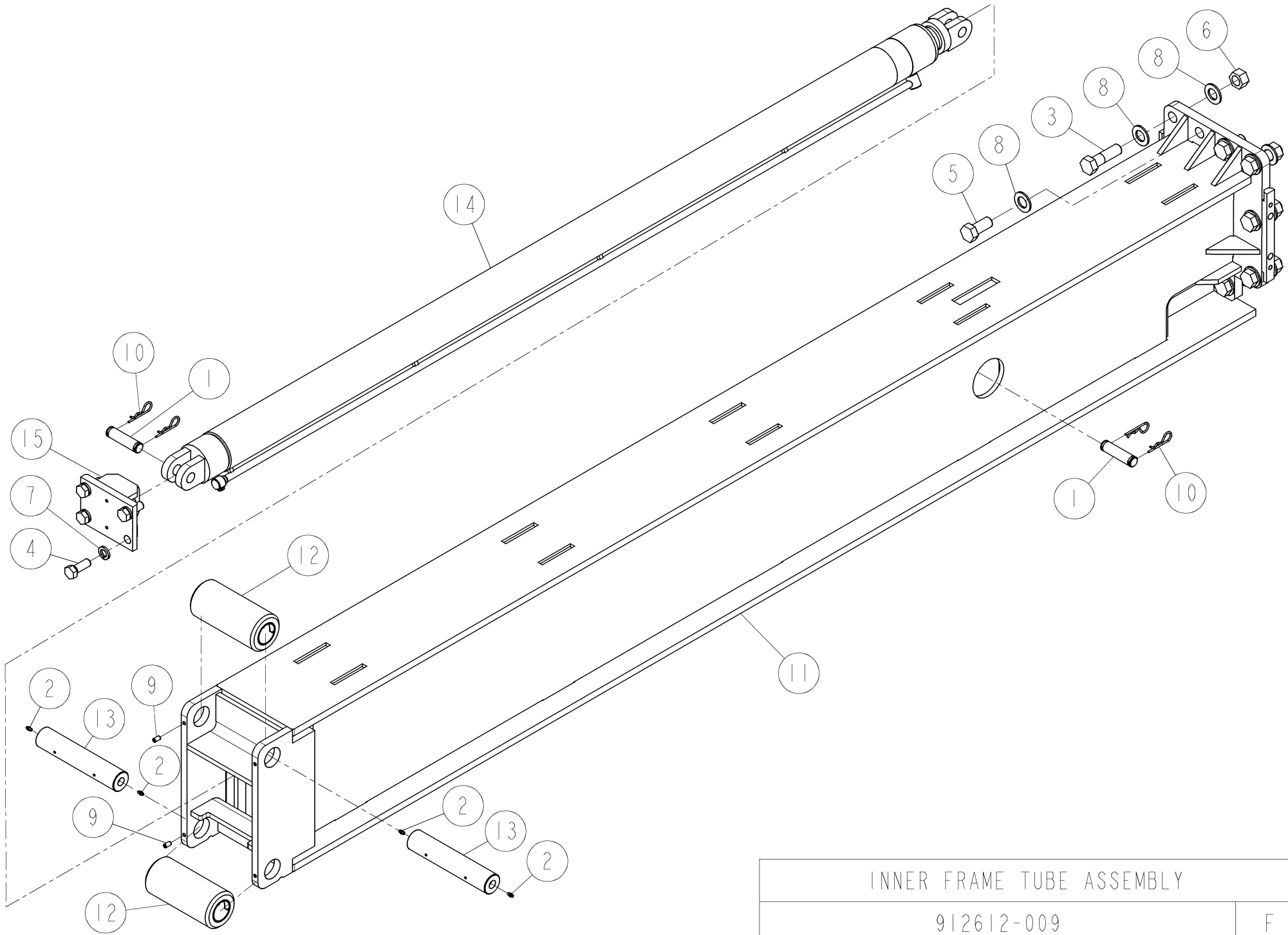
MAIN FRAME ASSEMBLY

912612-010

K



MAIN FRAME ASSEMBLY			912612-010	K
ITEM NO.	QTY	PART NUMBER	DESCRIPTION	
1	1	125-53V01	VALVE ASSY - 6 BANK, D03 (24V)	
2	1	125-54T88	VALVE ASSY - 6 BANK, D03 (24V)	
3	20	400-30A19	.375-16 UNC X 1.000 HHCS GR5	
4	12	400-30A20	.375-16 UNC X .750 HHCS GR5	
5	2	400-30A67	.250-20 UNC X 1.500 HHCS GR5	
6	8	400-30B55	.3125-18 UNC X .750 HHCS GR5	
7	4	400-30E11	.3125-18 UNC X 1.500 HHCS GR5	
8	2	400-47J88	.375-16 UNC X 4.000 HHCS GR8	
9	14	420-10T99	FLAT WASHER .375 F436	
10	2	420-30A36	LOCK WASHER .250	
11	12	420-30A38	LOCK WASHER .312	
12	34	420-30A41	LOCK WASHER .375	
13	8	420-30A65	FLAT WASHER .375 W	
14	1	550-53M11	ALARM - RVS WARN, 12-25VDC TYP A-C	
15	10	905310-005	HOSE HANGER	
16	1	912611-001	HOSE CARRIER ASSY - LH	
17	1	912611-004	HOSE CARRIER ASSY - RH	
18	1	912612-003	MAIN FRAME	
19	4	912612-009	INNER FRAME TUBE ASSEMBLY	
20	1	912612-039	FRAME ROLLER ASSY - SHIMMING PROC N.S.	
21	1	912810-031	HYDRAULIC BULKHEAD, LHS -12 AUGER HOSE	
22	1	912810-032	HYDRAULIC BULKHEAD, RHS -12 AUGER HOSE	
23	4	912812-008	FRAME ROLLER ASSY, 20 IN FRAME	
24	8	9610-01155	WEAR PAD	
25	4	9800-37588	WEAR PAD RETAINER	
26	1	9800-39411	PLATE - BACK UP ALARM	
27	2	9810-19697	VALVE MOUNT, LH	
28	2	9810-19698	VALVE MOUNT, RH	
29	6	FW50-116	HOSE CLAMP, .375	

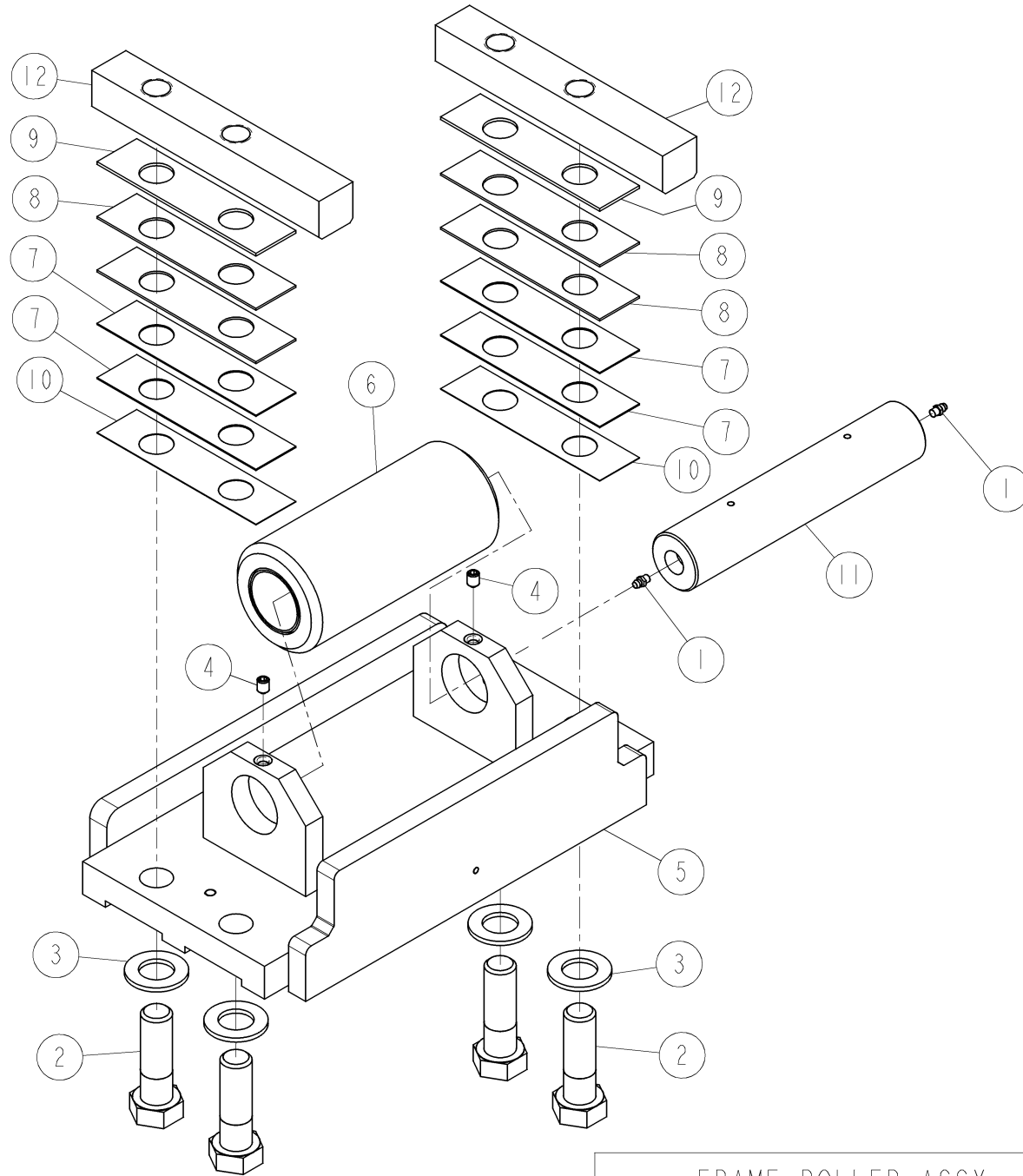


INNER FRAME TUBE ASSEMBLY

912612-009

F

INNER FRAME TUBE ASSEMBLY			912612-009	F
ITEM NO.	QTY	PART NUMBER	DESCRIPTION	
1	2	105-45D61	CYLINDER PIN 1.00 X 3.88	
2	4	140-10H57	FTG - GREASE .250-28 STR	
3	8	400-30B95	1.000-8 UNC X 3.500 HHCS GR8	
4	4	400-30D44	.750-10 UNC X 2.000 HHCS GR8	
5	2	400-45Q58	1.000-8 UNC X 2.250 HHCS GR8	
6	8	415-30A71	1.000-8 UNC GR8 HEX NUT	
7	4	420-30A40	LOCK WASHER .750	
8	18	420-45T12	FLAT WASHER 1.000 A325	
9	4	425-30C50	.375-16 UNC X .750 SOC SET SCR	
10	4	430-30A48	HAIR PIN (NO. 9)	
11	1	912612-007	TELESCOPING TUBE - INNER	
12	2	912812-010	ROLLER TUBE W/BUSHINGS	
13	2	9825-04006	ROLLER SHAFT	
14	1	GT10-532	CYLINDER - HYDR, 3.50 X 84.00 IN,24V SM	
15	1	PS62-012	CYLINDER MOUNT	

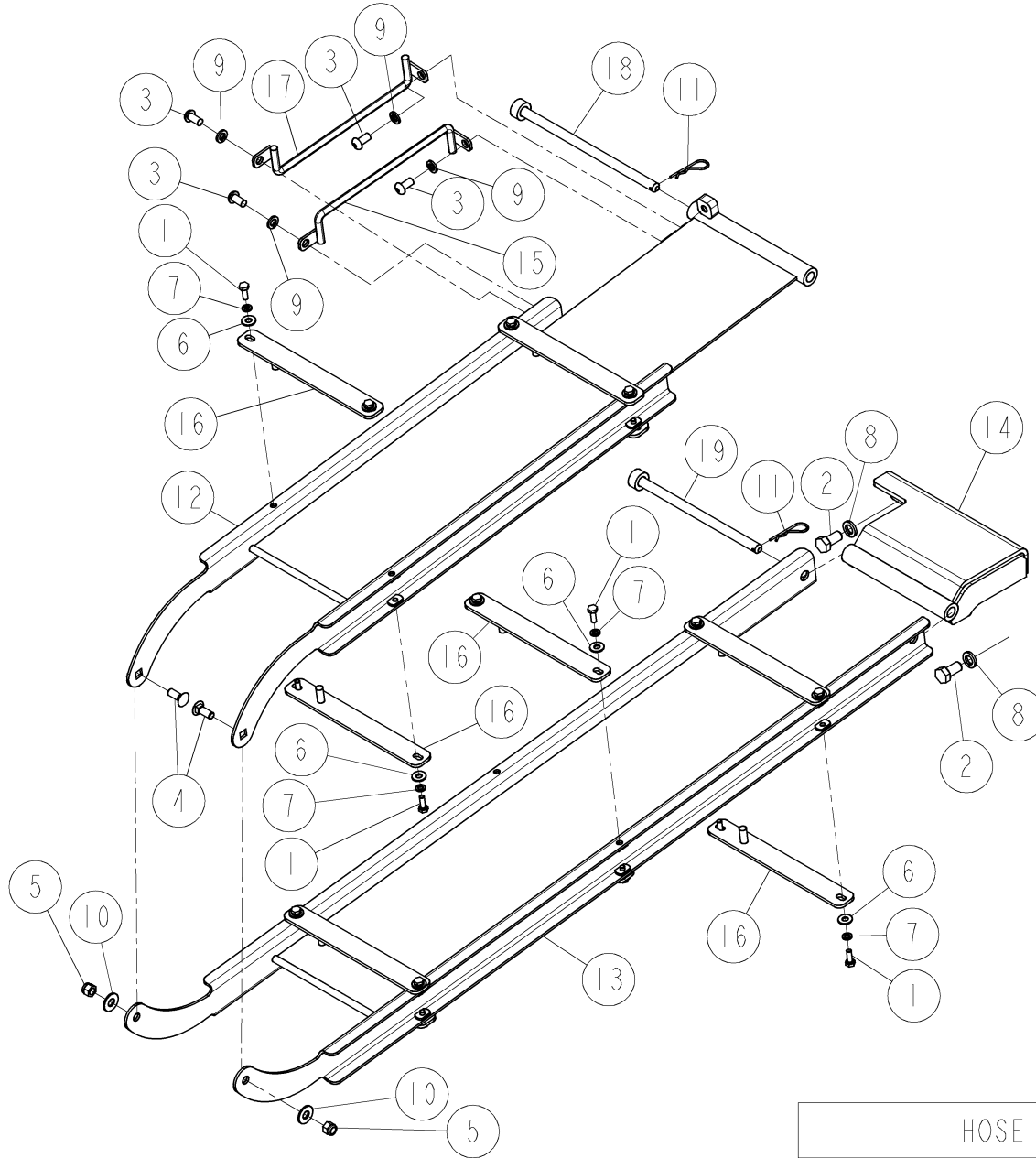


FRAME ROLLER ASSY, 20 IN FRAME

912812-008

C

FRAME ROLLER ASSY, 20 IN FRAME			912812-008	C
ITEM NO.	QTY	PART NUMBER	DESCRIPTION	
1	2	140-10H57	FTG - GREASE .250-28 STR	
2	4	400-45R28	1.000-8 UNC X 3.250 HHCS GR8	
3	4	420-45T12	FLAT WASHER 1.000 A325	
4	2	425-30C17	.375-16 UNC X .500 SOC SET SCR	
5	1	912812-009	ROLLER MOUNT	
6	1	912812-010	ROLLER TUBE W/BUSHINGS	
7	4	9810-19699	SHIM - OUTER ROLLER, 18GA	
8	4	9810-19700	SHIM - OUTER ROLLER, 14GA	
9	2	9810-19701	SHIM - OUTER ROLLER, 12GA	
10	2	9810-19711	SHIM - OUTER ROLLER, 24GA	
11	1	9825-04006	ROLLER SHAFT	
12	2	9830-15689	ROLLER MOUNT RETAINER, 1.00-8 UNC	

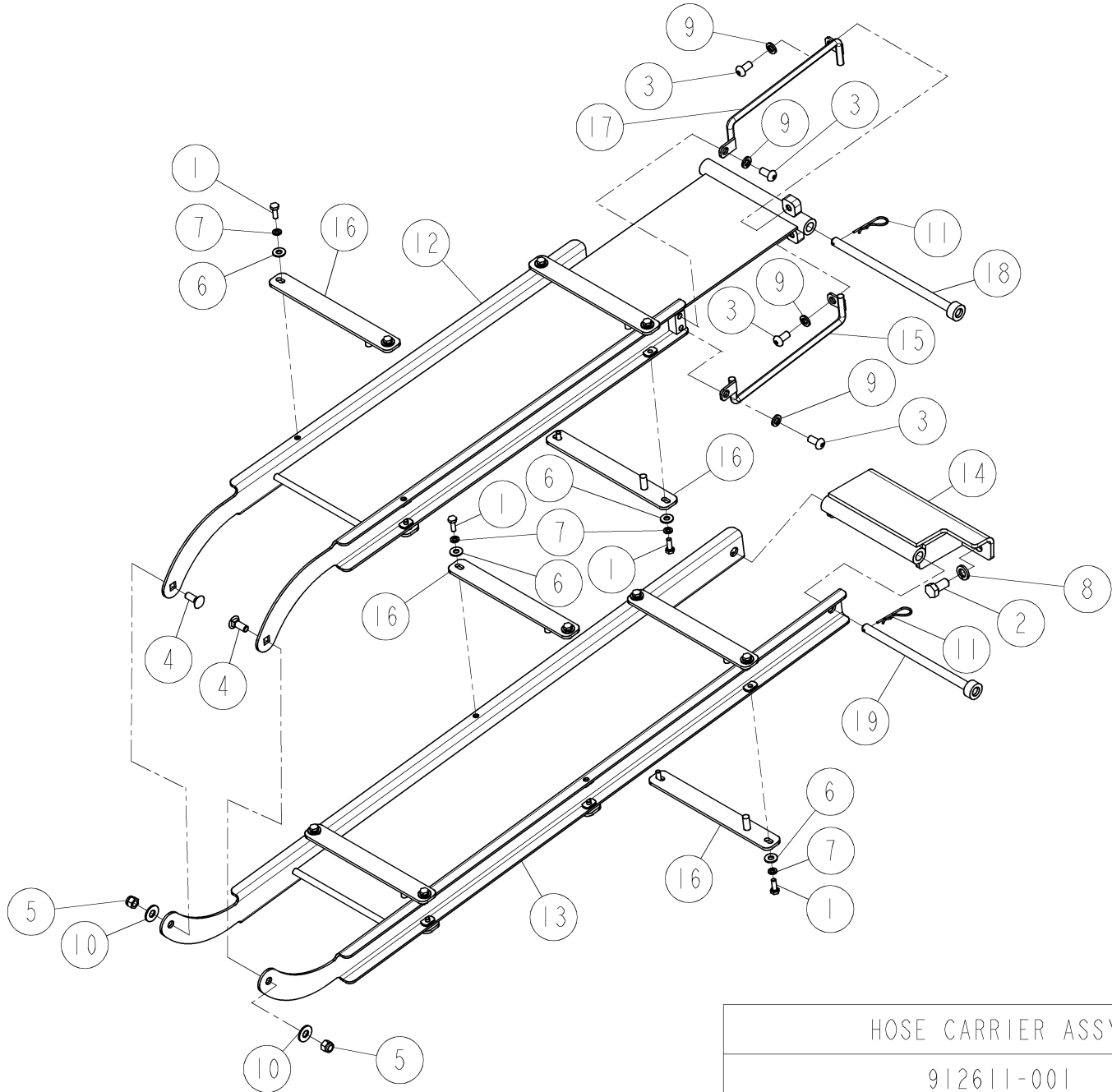


HOSE CARRIER ASSY - RH

912611-004

D

HOSE CARRIER ASSY - RH			912611-004	D
ITEM NO.	QTY	PART NUMBER	DESCRIPTION	
1	20	400-30A10	.250-20 UNC X .750 HHCS GR5	
2	2	400-30D75	.500-13 UNC X 1.000 HHCS GR8	
3	4	400-50N73	.375-16 UNC X .75 BHSS	
4	2	410-30D35	.375-16 UNC X 1.000 CRG BOLT GR5	
5	2	415-45G77	.375-16 UNC GR5 NYLOK HEX NUT	
6	20	420-30A30	FLAT WASHER .250 W	
7	20	420-30A36	LOCK WASHER .250	
8	2	420-30A37	LOCK WASHER .500	
9	4	420-30A41	LOCK WASHER .375	
10	2	420-30A65	FLAT WASHER .375 W	
11	2	430-30D93	HAIR PIN (NO. 7)	
12	1	912610-009	HOSE CARRIER HALF	
13	1	912610-010	HOSE CARRIER HALF	
14	1	912610-011	MOUNT - PIVOTING, RH	
15	1	912610-060	LH HOSE RETAINER	
16	10	912610-061	HOSE RETAINER	
17	1	912610-062	RH HOSE RETAINER	
18	1	912629-002	PIN - DIA .50 X 9.50	
19	1	912629-003	PIN - DIA .50 X 8.38	



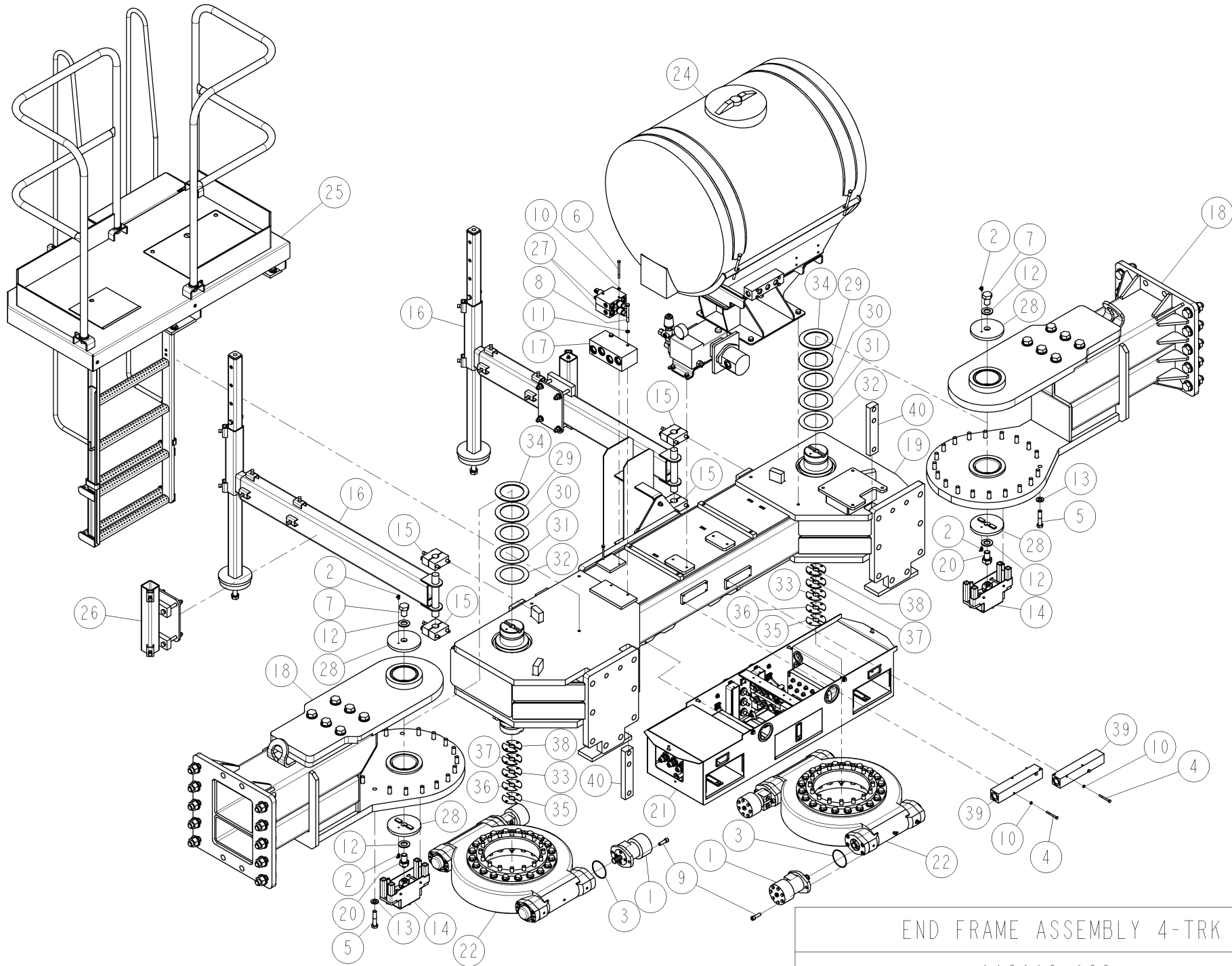
HOSE CARRIER ASSY - LH

912611-001

D



HOSE CARRIER ASSY - LH			912611-001	D
ITEM NO.	QTY	PART NUMBER	DESCRIPTION	
1	20	400-30A10	.250-20 UNC X .750 HHCS GR5	
2	2	400-30D75	.500-13 UNC X 1.000 HHCS GR8	
3	4	400-50N73	.375-16 UNC X .75 BHSS	
4	2	410-30D35	.375-16 UNC X 1.000 CRG BOLT GR5	
5	2	415-45G77	.375-16 UNC GR5 NYLOK HEX NUT	
6	20	420-30A30	FLAT WASHER .250 W	
7	20	420-30A36	LOCK WASHER .250	
8	2	420-30A37	LOCK WASHER .500	
9	4	420-30A41	LOCK WASHER .375	
10	2	420-30A65	FLAT WASHER .375 W	
11	2	430-30D93	HAIR PIN (NO. 7)	
12	1	912610-001	HOSE CARRIER HALF	
13	1	912610-002	HOSE CARRIER HALF	
14	1	912610-012	MOUNT - PIVOTING, LH	
15	1	912610-060	LH HOSE RETAINER	
16	10	912610-061	HOSE RETAINER	
17	1	912610-062	RH HOSE RETAINER	
18	1	912629-002	PIN - DIA .50 X 9.50	
19	1	912629-003	PIN - DIA .50 X 8.38	

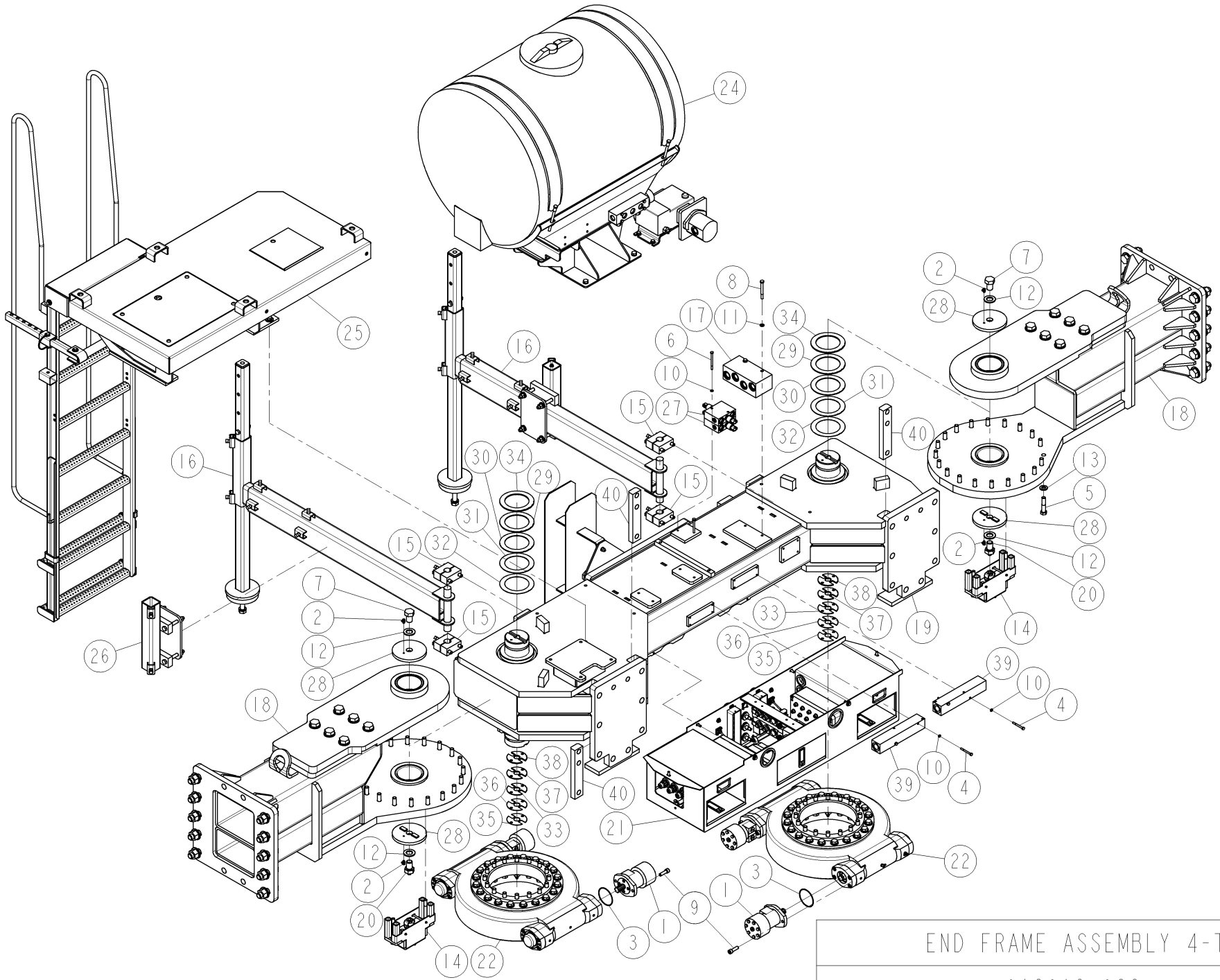


END FRAME ASSEMBLY 4-TRK RH

912612-022

R

END FRAME ASSEMBLY 4-TRK RH			912612-022	R
ITEM NO.	QTY	PART NUMBER	DESCRIPTION	
1	4	130-54M82	MOTOR - HYDRAULIC 9.6 CID T SER	
2	4	140-45K15	GREASE FTG (.250-28 X90)	
3	4	160-47D05	O RING-152	
4	4	400-30B30	.250-20 UNC X 2.500 HHCS GR5	
5	40	400-30C24	.625-11 UNC X 3.000 HHCS GR8	
6	2	400-30C97	.250-20 UNC X 3.500 HHCS GR5	
7	2	400-30D21	1.000-8 UNC X 1.500 HHCS GR8	
8	2	400-30E14	.375-16 UNC X 3.500 HHCS GR5	
9	8	400-54N06	SKT HD CAP SCR M12-1.75X40 GR12.9 BLK	
10	6	420-30A36	LOCK WASHER .250	
11	2	420-30A41	LOCK WASHER .375	
12	4	420-45T12	FLAT WASHER 1.000 A325	
13	40	420-46K85	FLAT WASHER .625 A325	
14	2	905212-351	PIVOT ARM SENSOR ASSY - CAN, .500IN	
15	4	905240-073	CLAMP ASSY (SENSOR ARM MOUNT)	
16	2	905240-074	SENSOR MOUNT ASSY (END CARS)	
17	1	905244-002	TRACK MANIFOLD	
18	2	912612-011	PIVOT ARM ASSEMBLY	
19	1	912612-017	END FRAME, 4-TRK RH	
20	2	912612-032	BOLT W/ COUPLER	
21	1	912612-041	END FRAME - ELEC/HYDR BOX ASSY (BOLT-ON)	
22	2	912612-068	SLEW DRIVE MT ASSY	
23	1	912619-009	ENDCAR HYDRAULICS, RH - 42IN (NOT SHOWN)	
24	1	912621-023	HIGH PRESSURE WATER ASSY RH, GP3, 4-TRK	
25	1	912622-029	ENDCAR WORKPLATFORM - RH	
26	2	912640-002	SENSOR TUBE ASSEMBLY (CLAMP ON)	
27	2	912644-001	MANIFOLD ASSY, DUAL PRESS TRANSDUCER	
28	4	9800-39919	RETAINER - PVT ARM, 6.00 DIA, KEYED	
29	2	9810-17914	SHIM 10 GA - 6.00 OD X 4.25 ID	
30	2	9810-17915	SHIM 12 GA - 6.00 OD X 4.25 ID	
31	2	9810-17916	SHIM 14 GA - 6.00 OD X 4.25 ID	
32	2	9810-17917	SHIM 18 GA - 6.00 OD X 4.25 ID	
33	2	9810-18808	SHIM 12 GA - 3.50 OD X 1.06 ID, KEYED	
34	2	9810-20781	SHIM 7 GA - 6.00 OD X 4.25 ID	
35	2	9810-20782	SHIM 18 GA - 3.50 OD X 1.06 ID, KEYED	
36	2	9810-20783	SHIM 14 GA - 3.50 OD X 1.06 ID, KEYED	
37	2	9810-20784	SHIM 10 GA - 3.50 OD X 1.06 ID, KEYED	
38	2	9810-20785	SHIM 7 GA - 3.50 OD X 1.06 ID, KEYED	
39	2	9830-11110	MANIFOLD	
40	3	9830-15517	BAR - END FRAME FLANGE BACKER	

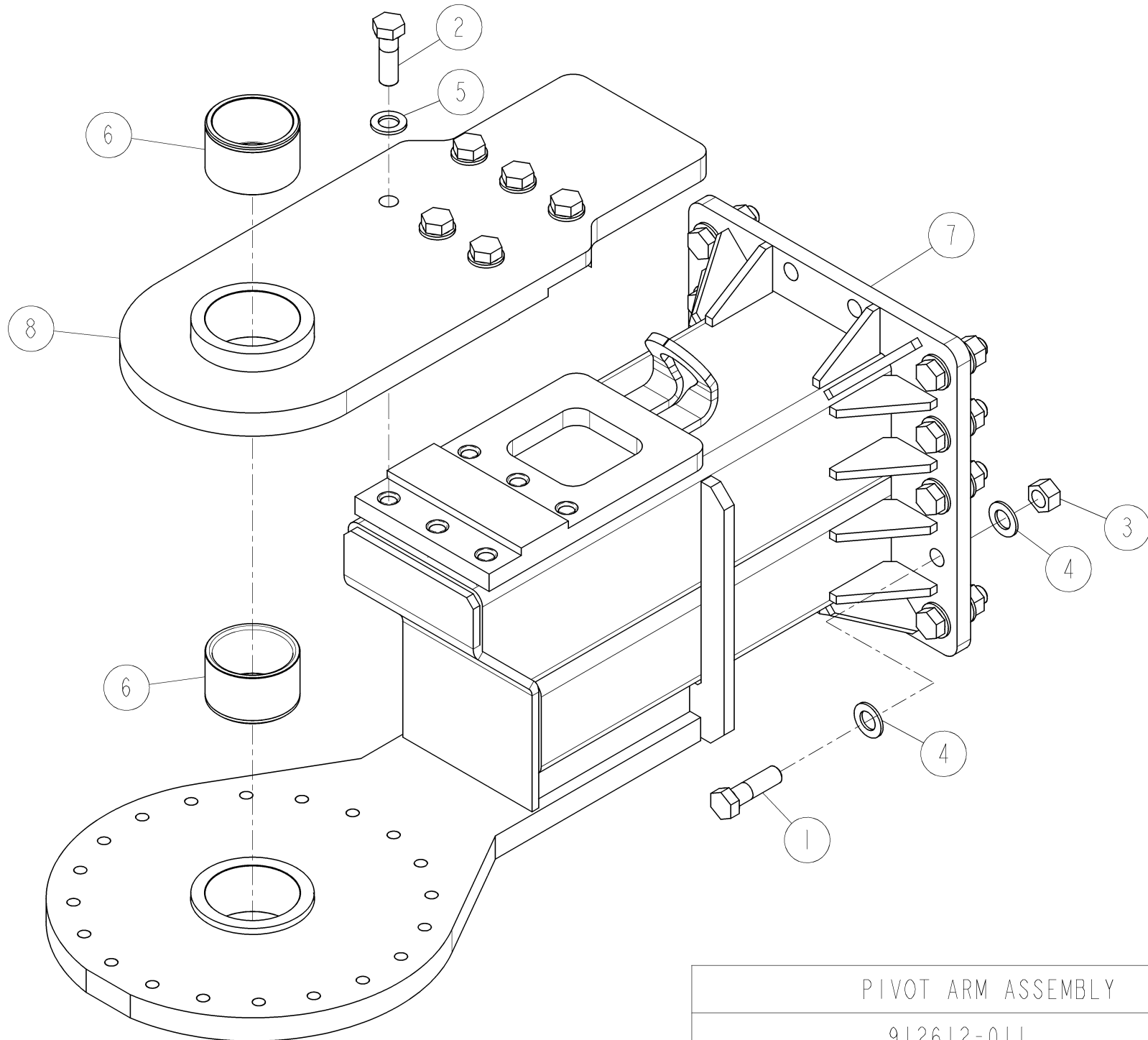


END FRAME ASSEMBLY 4-TRK LH

912612-023

R

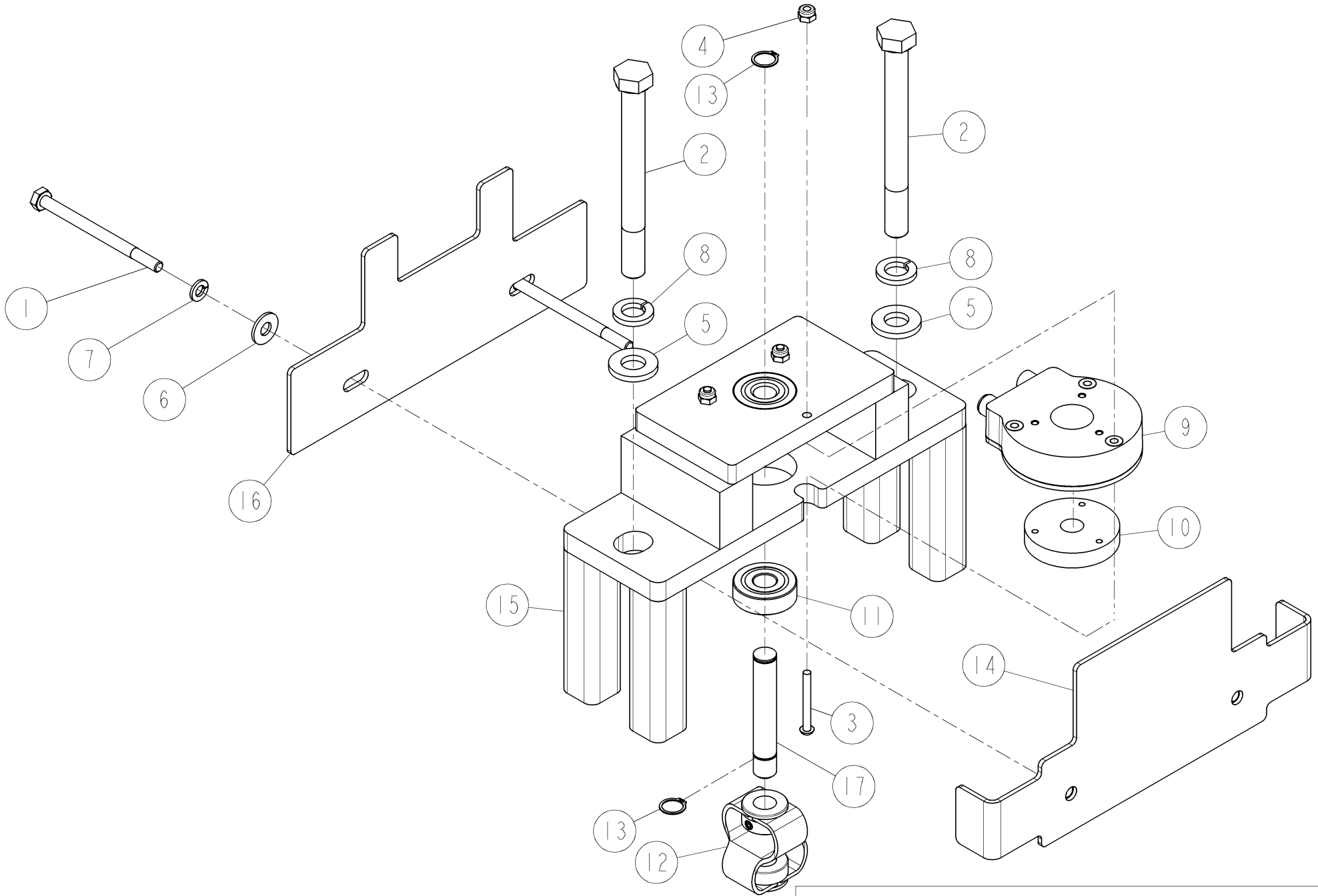
END FRAME ASSEMBLY 4-TRK LH			912612-023	R
ITEM NO.	QTY	PART NUMBER	DESCRIPTION	
1	4	130-54M82	MOTOR - HYDRAULIC 9.6 CID T SER	
2	4	140-45K15	GREASE FTG (.250-28 X90)	
3	4	160-47D05	O RING-152	
4	4	400-30B30	.250-20 UNC X 2.500 HHCS GR5	
5	40	400-30C24	.625-11 UNC X 3.000 HHCS GR8	
6	2	400-30C97	.250-20 UNC X 3.500 HHCS GR5	
7	2	400-30D21	1.000-8 UNC X 1.500 HHCS GR8	
8	2	400-30E14	.375-16 UNC X 3.500 HHCS GR5	
9	8	400-54N06	SKT HD CAP SCR M12-1.75X40 GR12.9 BLK	
10	6	420-30A36	LOCK WASHER .250	
11	2	420-30A41	LOCK WASHER .375	
12	4	420-45T12	FLAT WASHER 1.000 A325	
13	40	420-46K85	FLAT WASHER .625 A325	
14	2	905212-351	PIVOT ARM SENSOR ASSY - CAN, .500IN	
15	4	905240-073	CLAMP ASSY (SENSOR ARM MOUNT)	
16	2	905240-074	SENSOR MOUNT ASSY (END CARS)	
17	1	905244-002	TRACK MANIFOLD	
18	2	912612-011	PIVOT ARM ASSEMBLY	
19	1	912612-016	END FRAME, 4-TRK LH	
20	2	912612-032	BOLT W/ COUPLER	
21	1	912612-041	END FRAME - ELEC/HYDR BOX ASSY (BOLT-ON)	
22	2	912612-068	SLEW DRIVE MT ASSY	
23	1	912619-008	ENDCAR HYDRAULICS, LH - 42IN LEGS	
24	1	912621-022	HIGH PRESSURE WATER ASSY LH, GP3, 4-TRK	
25	1	912622-028	ENDCAR WORK PLATFORM - LH	
26	2	912640-002	SENSOR TUBE ASSEMBLY (CLAMP ON)	
27	2	912644-001	MANIFOLD ASSY, DUAL PRESS TRANSDUCER	
28	4	9800-39919	RETAINER - PVT ARM, 6.00 DIA, KEYED	
29	2	9810-17914	SHIM 10 GA - 6.00 OD X 4.25 ID	
30	2	9810-17915	SHIM 12 GA - 6.00 OD X 4.25 ID	
31	2	9810-17916	SHIM 14 GA - 6.00 OD X 4.25 ID	
32	2	9810-17917	SHIM 18 GA - 6.00 OD X 4.25 ID	
33	2	9810-18808	SHIM 12 GA - 3.50 OD X 1.06 ID, KEYED	
34	2	9810-20781	SHIM 7 GA - 6.00 OD X 4.25 ID	
35	2	9810-20782	SHIM 18 GA - 3.50 OD X 1.06 ID, KEYED	
36	2	9810-20783	SHIM 14 GA - 3.50 OD X 1.06 ID, KEYED	
37	2	9810-20784	SHIM 10 GA - 3.50 OD X 1.06 ID, KEYED	
38	2	9810-20785	SHIM 7 GA - 3.50 OD X 1.06 ID, KEYED	
39	2	9830-11110	MANIFOLD	
40	3	9830-15517	BAR - END FRAME FLANGE BACKER	



PIVOT ARM ASSEMBLY

912612-011

PIVOT ARM ASSEMBLY			912612-011	F
ITEM NO.	QTY	PART NUMBER	DESCRIPTION	
1	10	400-30B95	1.000-8 UNC X 3.500 HHCS GR8	
2	6	400-45R28	1.000-8 UNC X 3.250 HHCS GR8	
3	10	415-30A71	1.000-8 UNC GR8 HEX NUT	
4	20	420-45T12	FLAT WASHER 1.000 A325	
5	6	420-53C33	LOCK WASHER 1.000 NORD STYLE	
6	2	620-46A93	BUSHING - HDN 5.00 ODX 4.265 IDX 3.00	
7	1	912612-012	PIVOT ARM, LOWER	
8	1	912612-013	PIVOT ARM, UPPER	

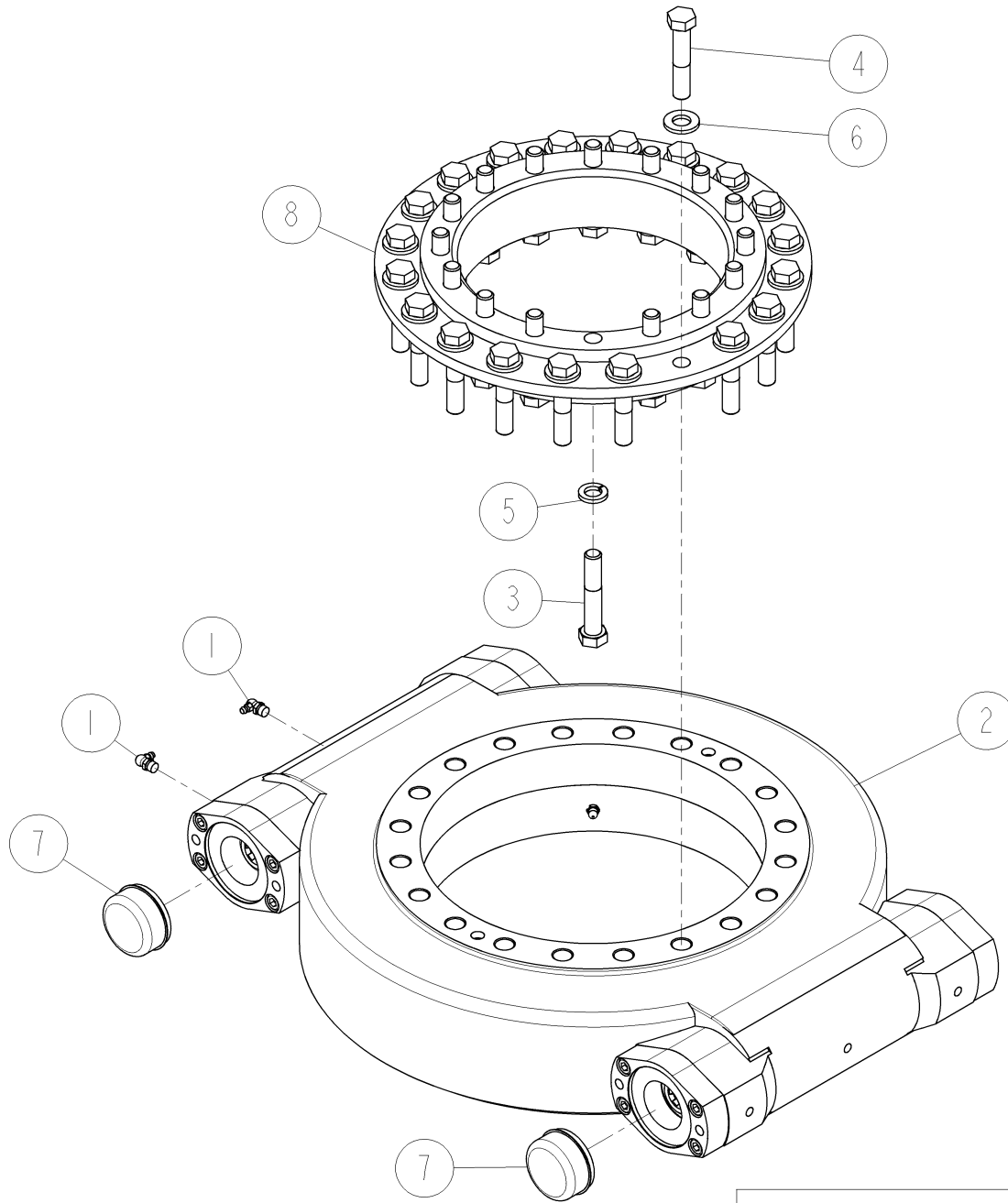


PIVOT ARM SENSOR ASSY - CAN, .500IN

905212-351



PIVOT ARM SENSOR ASSY - CAN, .500IN			905212-351	G
ITEM NO.	QTY	PART NUMBER	DESCRIPTION	
1	2	400-30C97	.250-20 UNC X 3.500 HHCS GR5	
2	2	400-30D43	.500-13 UNC X 5.000 HHCS GR8	
3	3	405-48A23	# 8-32 UNC X 1.500 RND HD MACH SCR	
4	3	415-49C38	# 8-32 UNC GR5 NYLOK HEX NUT	
5	2	420-10F69	FLAT WASHER .500 A325	
6	2	420-30A30	FLAT WASHER .250 W	
7	2	420-30A36	LOCK WASHER .250	
8	2	420-30A37	LOCK WASHER .500	
9	1	500-54H20	SENSOR - CONTACTLESS ENCODER CAN-OPEN	
10	1	500-54H26	SENSOR - POSITIONING PUCK, .500IN SHAFT	
11	2	615-54H25	BEARING - .500 ID X1.375 OD X .438	
12	1	630-54H24	ULTRA-FLEXIBLE HIGH-MISALIGNMENT SHAFT C	
13	2	685-52L56	RETAINING RING - EXTERNAL .500 DIA.	
14	1	905210-255	SENSOR COVER HALF	
15	1	905212-350	SENSOR MT - HOLE ADDITION	
16	1	9810-19305	SHEET - COVER	
17	1	9825-03826	RND BAR - SENSOR MT	

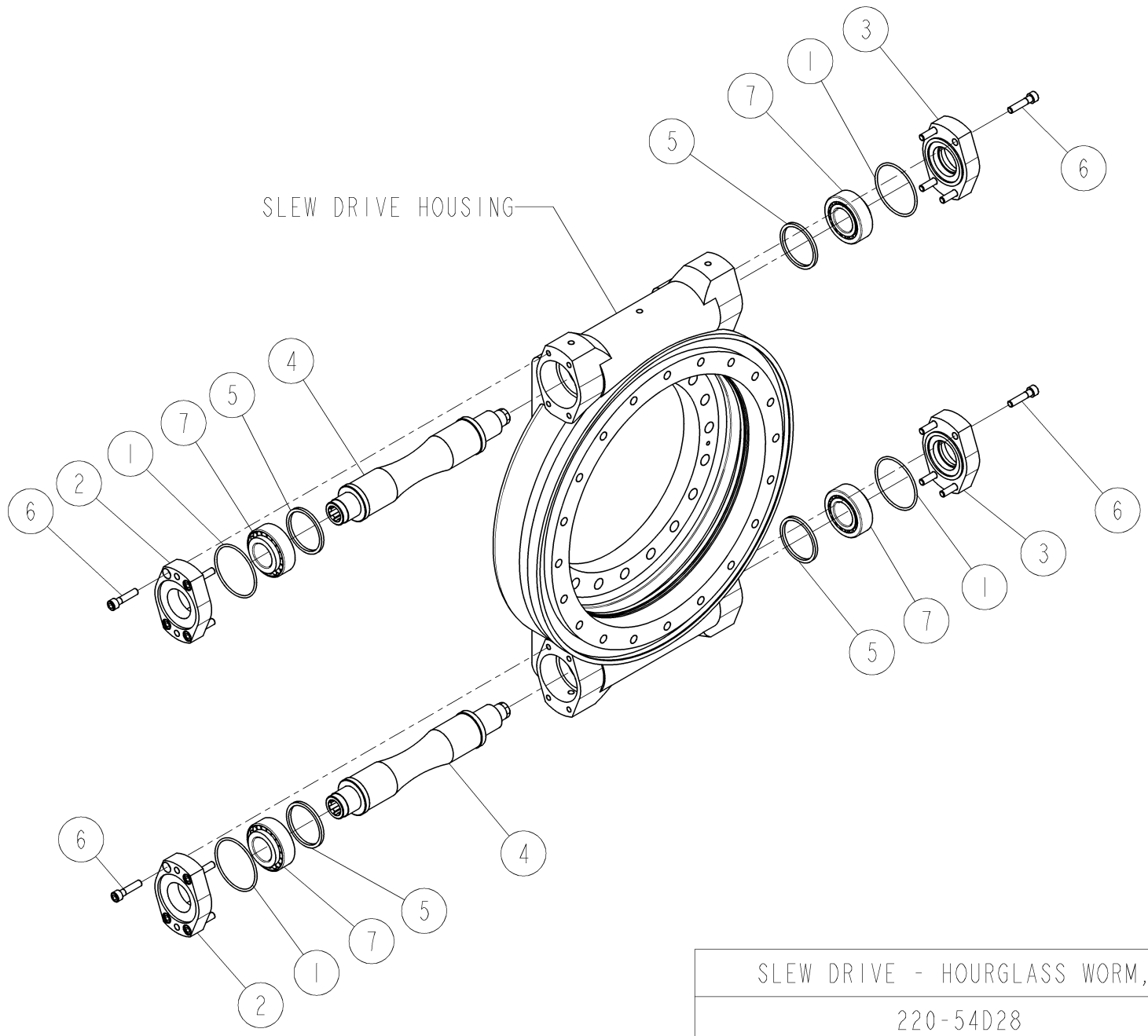


SLEW DRIVE MT ASSY

912612-068

F

SLEW DRIVE MT ASSY			912612-068	F
ITEM NO.	QTY	PART NUMBER	DESCRIPTION	
1	2	140-10J47	GREASE FTG (.125-27NPT X 90	
2	1	220-54D28	SLEW DRIVE - HOURGLASS WORM, 17IN	
3	16	400-30B41	.625-11 UNC X 3.500 HHCS GR8	
4	20	400-47C26	.625-11 UNC X 3.250 HHCS GR8	
5	16	420-30A39	LOCK WASHER .625	
6	20	420-46K85	FLAT WASHER .625 A325	
7	2	705-51P92	CAP - DUST	
8	1	912612-028	END FRAME - SLEW MT	

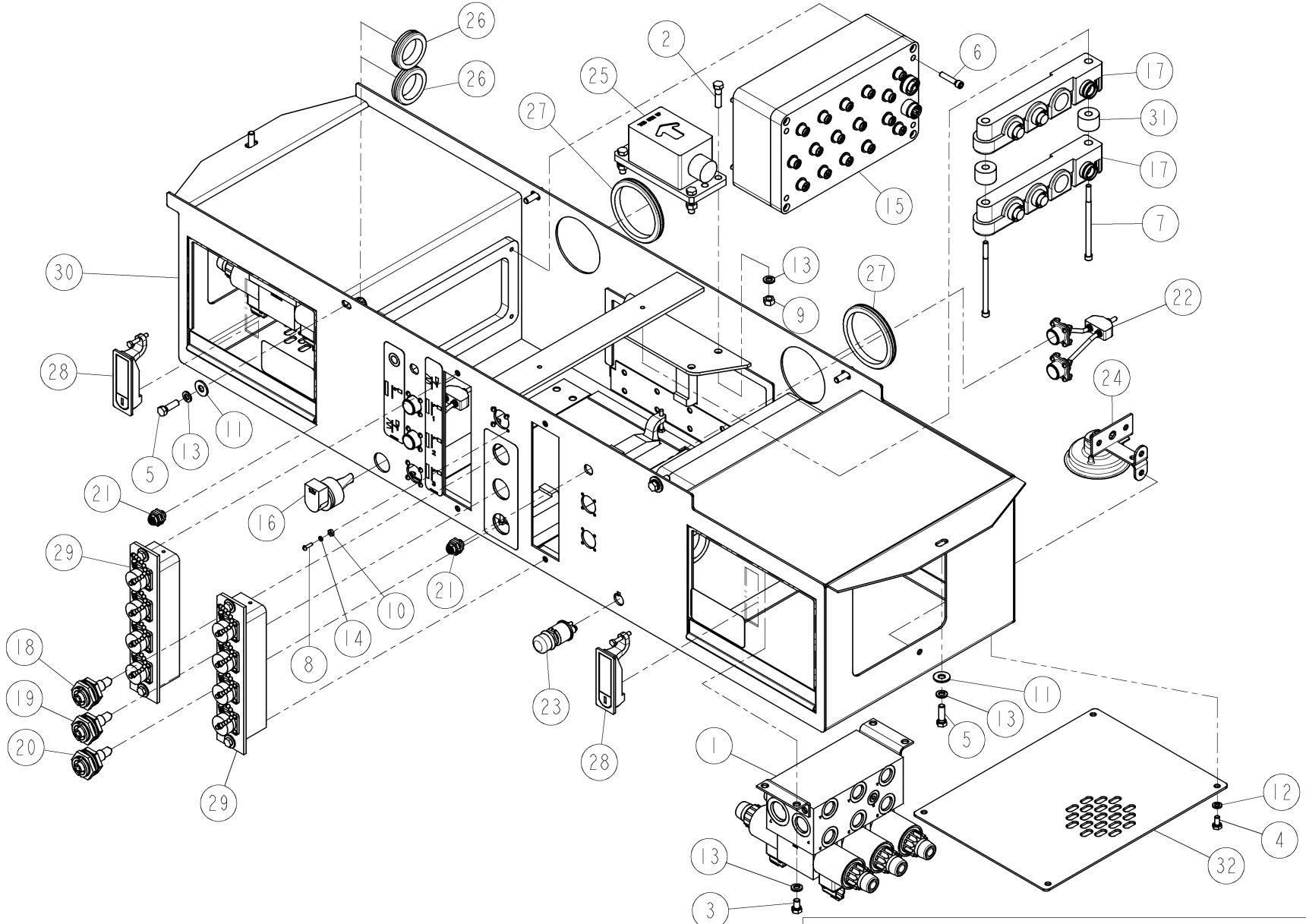


SLEW DRIVE - HOURGLASS WORM, 17IN

220-54D28

F

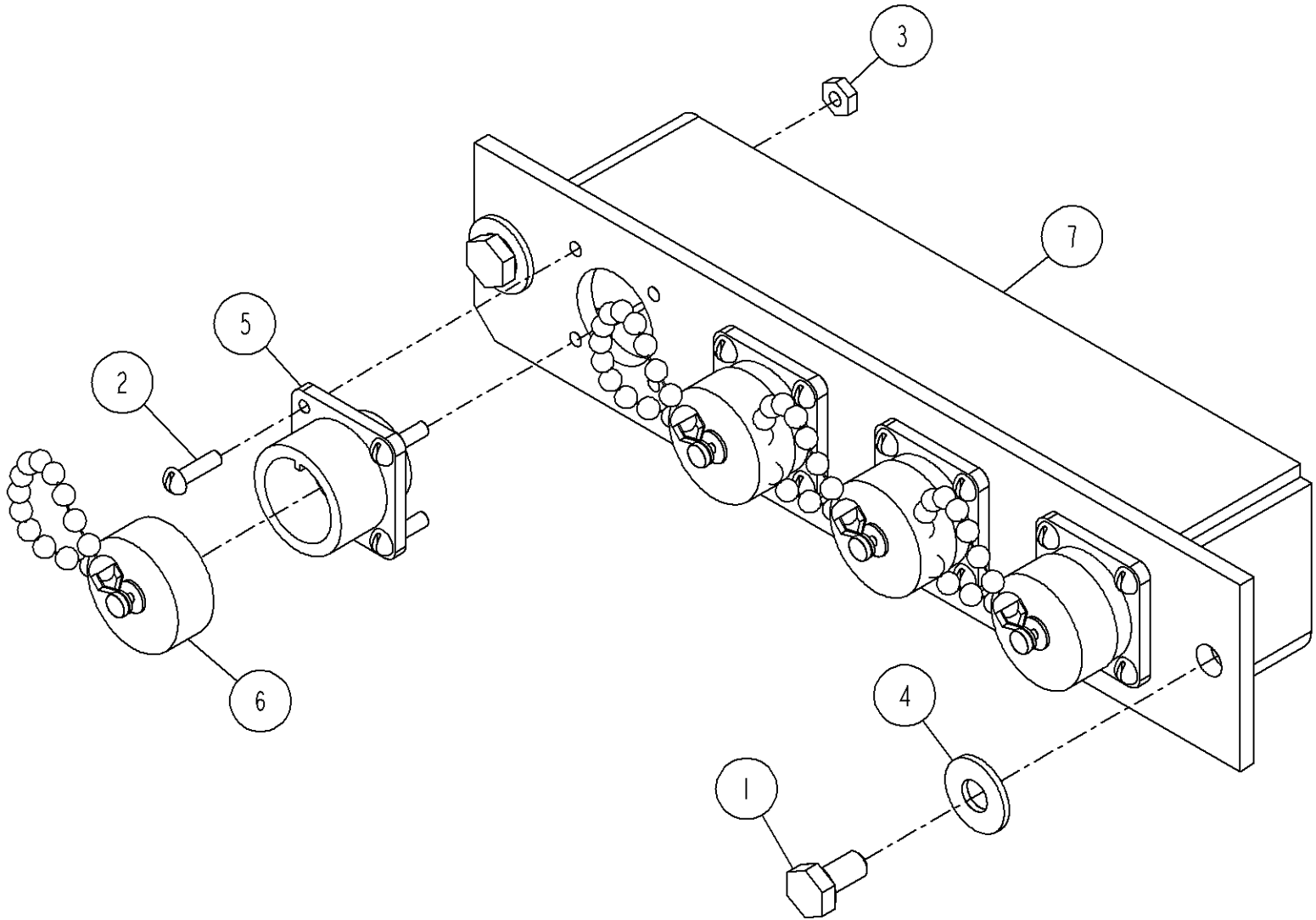
SLEW DRIVE - HOURGLASS WORM, 17IN		220-54D28	F
ITEM NO.	QTY	PART NUMBER	DESCRIPTION
1	4	160-55G33	O RING - 82.50MM OD X 3.55MM CS
2	2	220-55A89	END CAP - MOTOR MT, SAE A FLANGE
3	2	220-55A90	END CAP - BEARING RETAINER 2.25 DUST CAP
4	2	220-55T25	SHAFT - WORM, HRGLS SLEW DRIVE, 6 DEG
5	4	220-56C87	SEAL - SLEW DRIVE BEARING
6	16	400-55H03	SKT HD CAP SCR M10-1.50X 35 GR12.9 BLK
7	4	615-55B45	BEARING ASSY - TAPERED ROLLER, 80MM OD



END FRAME - ELEC/HYDR BOX ASSY (BOLT-ON)

912612-041

END FRAME - ELEC/HYDR BOX ASSY (BOLT-ON)			912612-041	G
ITEM NO.	QTY	PART NUMBER	DESCRIPTION	
1	2	125-54G68	VALVE ASSY - 3 BANK, D03 PROP (24V)	
2	4	400-30B59	.3125-18 UNC X 1.250 HHCS GR5	
3	8	400-30C36	.3125-18 UNC X .500 HHCS GR5	
4	8	400-30D64	.250-20 UNC X .500 HHCS GR5	
5	6	400-46B05	.3125-18 UNC X 1.000 HHCS GR5	
6	8	400-47D66	.250-20 UNC X 1.250 SKTHCS (BLK)	
7	2	400-54D83	.250-20 UNC X 4.500 SKTHCS (BLK)	
8	8	405-30D73	# 6-32 UNC X .500 RND HD MACH SCR	
9	4	415-30A05	.3125-18 UNC GR5 HEX NUT	
10	8	415-30B49	# 6-32 UNC GR2 HEX MACH SCR NUT	
11	6	420-30A31	FLAT WASHER .312 W	
12	8	420-30A36	LOCK WASHER .250	
13	18	420-30A38	LOCK WASHER .312	
14	8	420-30D62	LOCK WASHER # 6	
15	2	500-54E53	JUNCTION BOX - G-BOX 6.30 X 9.45 X 3.59	
16	1	515-51M24	POWER OUTLET 12V - 15 AMP	
17	2	515-52F09	BLOCK, JUNCTION (MINIFAST 1 MALE, 5 FEM)	
18	1	520-54B09	CABLE - MALE/FEM BHD BLK MINIFAST, 1M	
19	1	520-54B10	CABLE - MALE/FEM BHD GRY MINIFAST, 1M	
20	1	520-54B11	CABLE - MALE/FEM BHD GRN MINIFAST, 1M	
21	2	520-54E80	CABLE - 5P 90 DEG M M12/BHD F M12 X 1M	
22	2	520-54E91	SPLITTER - 5P 90DEG M M12/(2) F 6P BHD	
23	1	530-15A61	SWITCH - MOMENTARY PUSH BUTTON	
24	1	550-54B99	HORN - 24V	
25	1	570-50A49	SENSOR - DUAL SLOPE MAST	
26	4	610-30B02	GROMMET - 1.50 IN ID X 2.125 IN OD	
27	2	610-53A72	GROMMET - 3.00 IN ID X 3.625 IN OD	
28	7	730-51E34	LATCH - LEVER ADJUSTABLE W/KEYED LOCK	
29	2	910920-011	CAN SENSOR JUNCTION PLATE PAVERS	
30	1	912612-040	ELECTRICAL BOX	
31	2	9610-00464	SPACER	
32	2	9810-20491	SHEET - END FRAME, BOTTOM COVER	



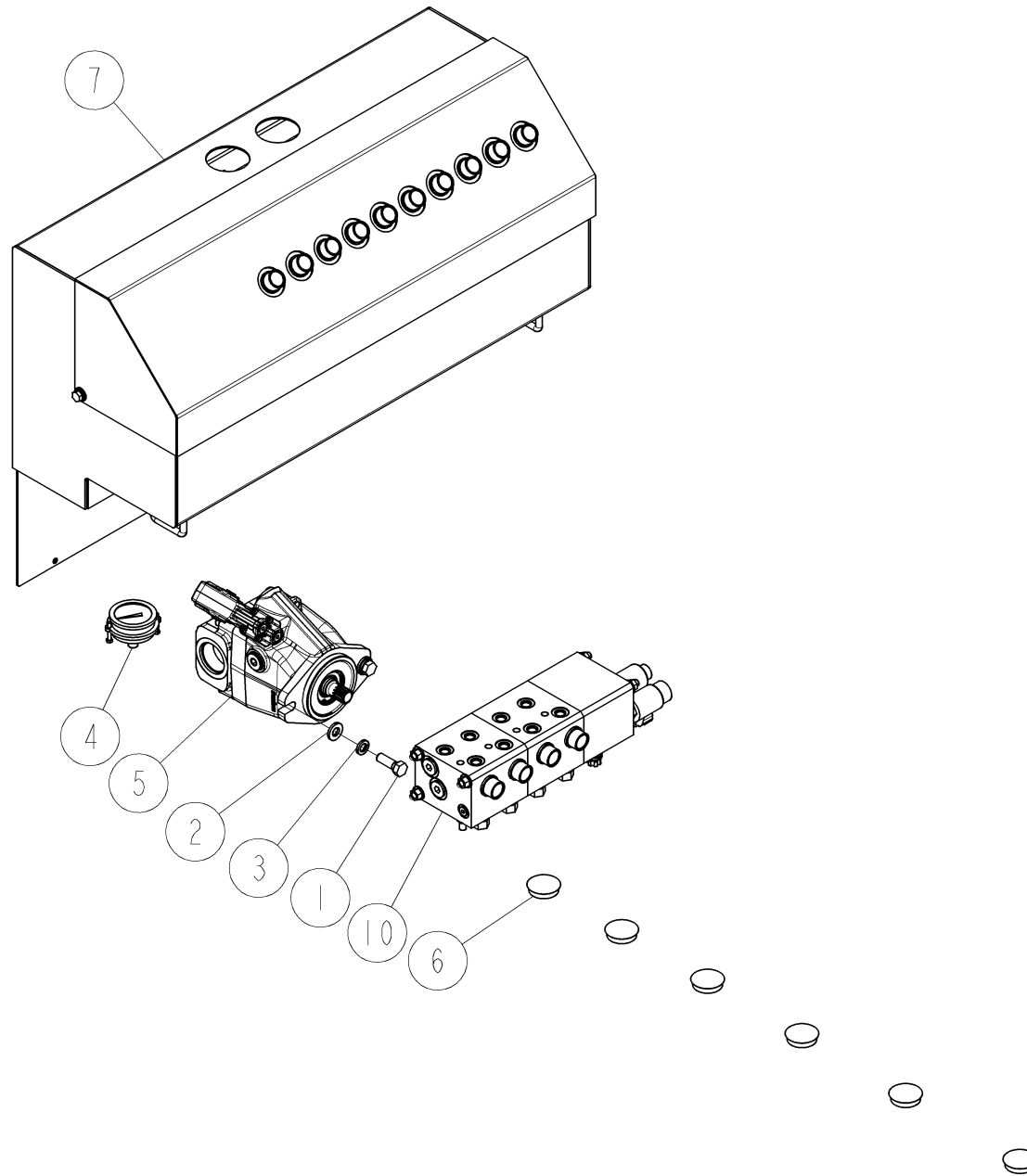
CAN SENSOR JUNCTION PLATE PAVERS

910920-011

B



CAN SENSOR JUNCTION PLATE PAVERS			910920-011	B
ITEM NO.	QTY	PART NUMBER	DESCRIPTION	
1	2	400-30D64	.250-20 UNC X .500 HHCS GR5	
2	17	405-30D73	# 6-32 UNC X .500 RND HD MACH SCR	
3	17	415-30B49	# 6-32 UNC GR2 HEX MACH SCR NUT	
4	2	420-30A30	FLAT WASHER .250 W	
5	4	515-53V19	BHD - CONN 7 PIN FEM UNCLP RCPT BAYONET	
6	4	515-53V48	CAP - DUST, SIZE 16	
7	1	905210-215	7 PIN BULKHEAD WELDMENT	

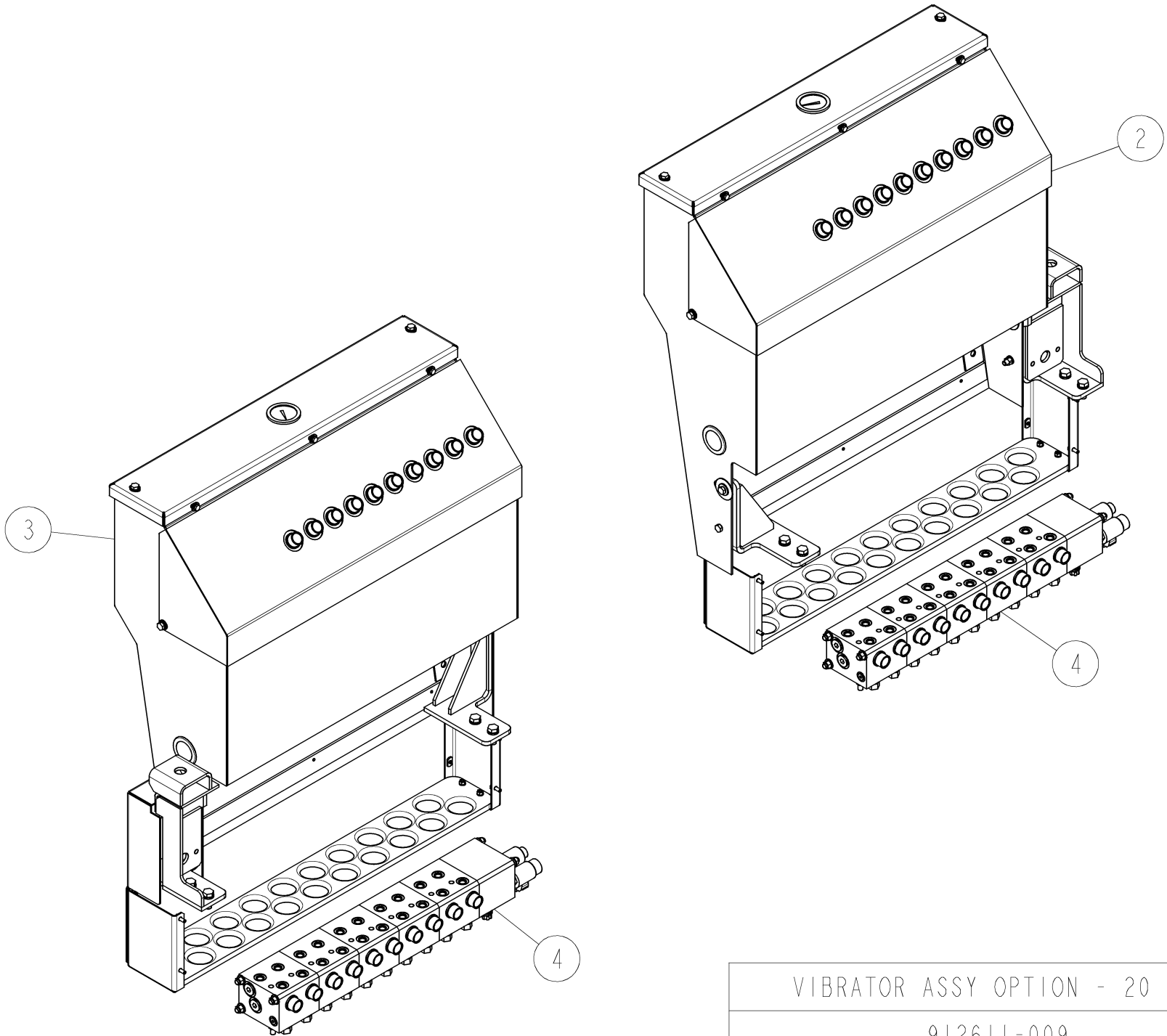


VIBRATOR ASSY OPTION - PLUS 4, 24V

912811-022

E

VIBRATOR ASSY OPTION - PLUS 4, 24V			912811-022	E
ITEM NO.	QTY	PART NUMBER	DESCRIPTION	
1	2	400-30B84	.500-13 UNC X 1.500 HHCS GR8	
2	2	420-10F69	FLAT WASHER .500 A325	
3	2	420-30A37	LOCK WASHER .500	
4	1	700-55J35	GAUGE - OIL PRESSURE 0-3000 PSI -4 ORFS	
5	1	725-55H52	PUMP - HYDR LD SEN 45CC SER 45	
6	6	730-46K37	PLUG - HOLE 1.75 IN DIA	
7	1	912813-024	VIBRATOR MODULE - 10 BANK 24V, UPPER	
8	1	912819-020	VIBRATOR HYDRAULICS - ADDITIONAL 4 VIBS	
9	1	CA02P-0108-0293	CA 2P DEUTSCH W(2) 2 P DEUTSCH FEM	
10	1	VA10-065	VIB CONTROL ASSY 4 BANK LD SENSE 24 VOLT	

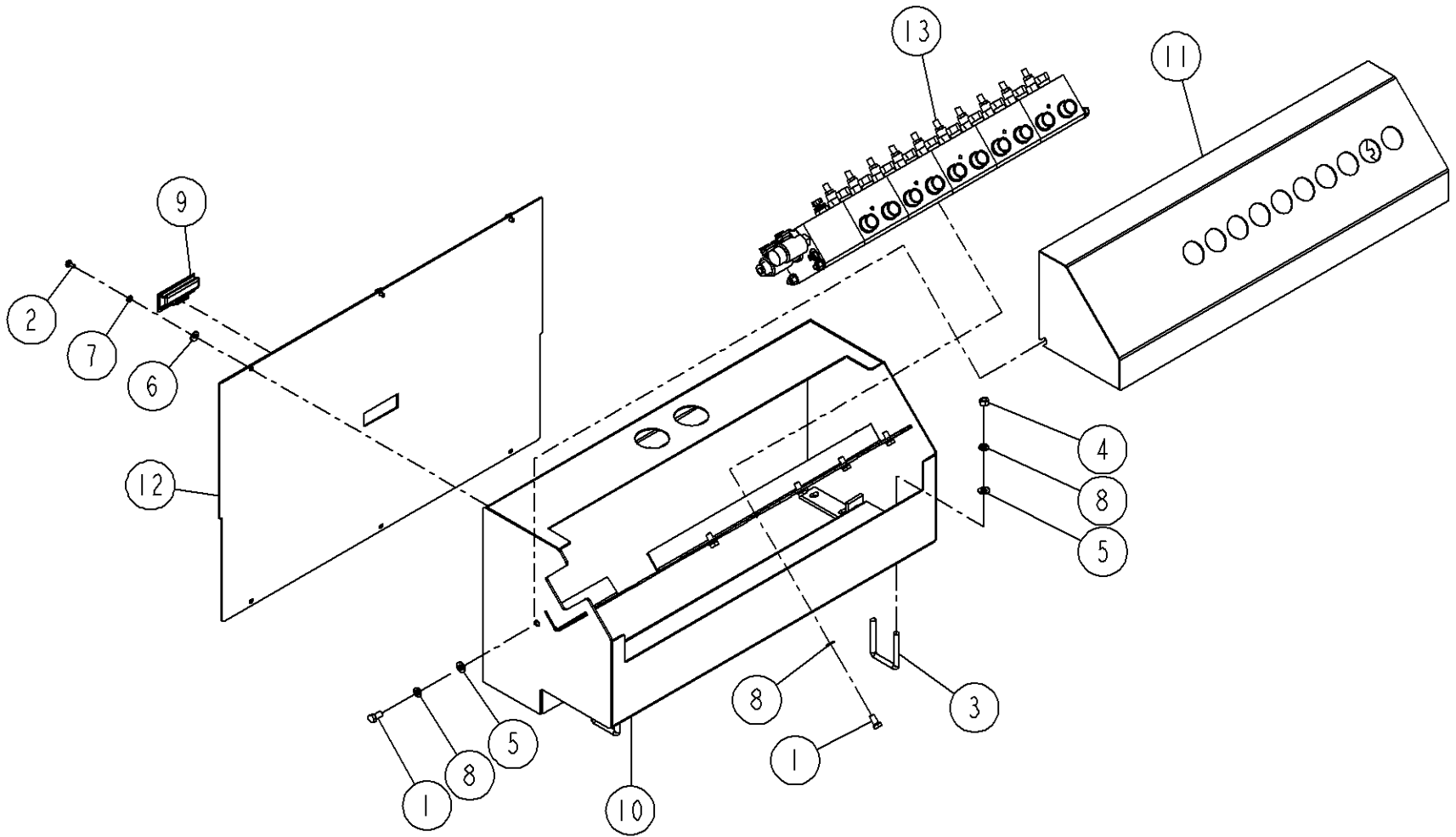


VIBRATOR ASSY OPTION - 20 VIB, 24V

912611-009

B

VIBRATOR ASSY OPTION - 20 VIB, 24V			912611-009	B
ITEM NO.	QTY	PART NUMBER	DESCRIPTION	
1	1	912619-043	VIBRATOR HYDRAULICS - 20 VIBS (NS)	
2	1	912813-020	VIBRATOR MODULE W/ MT, LH - 10 BANK 24V	
3	1	912813-026	VIBRATOR MODULE W/ MT, RH - 10 BANK 24V	
4	2	VA10-076	VIB CTRL ASSY, 10 BANK HIGH CAP LD SENSE	

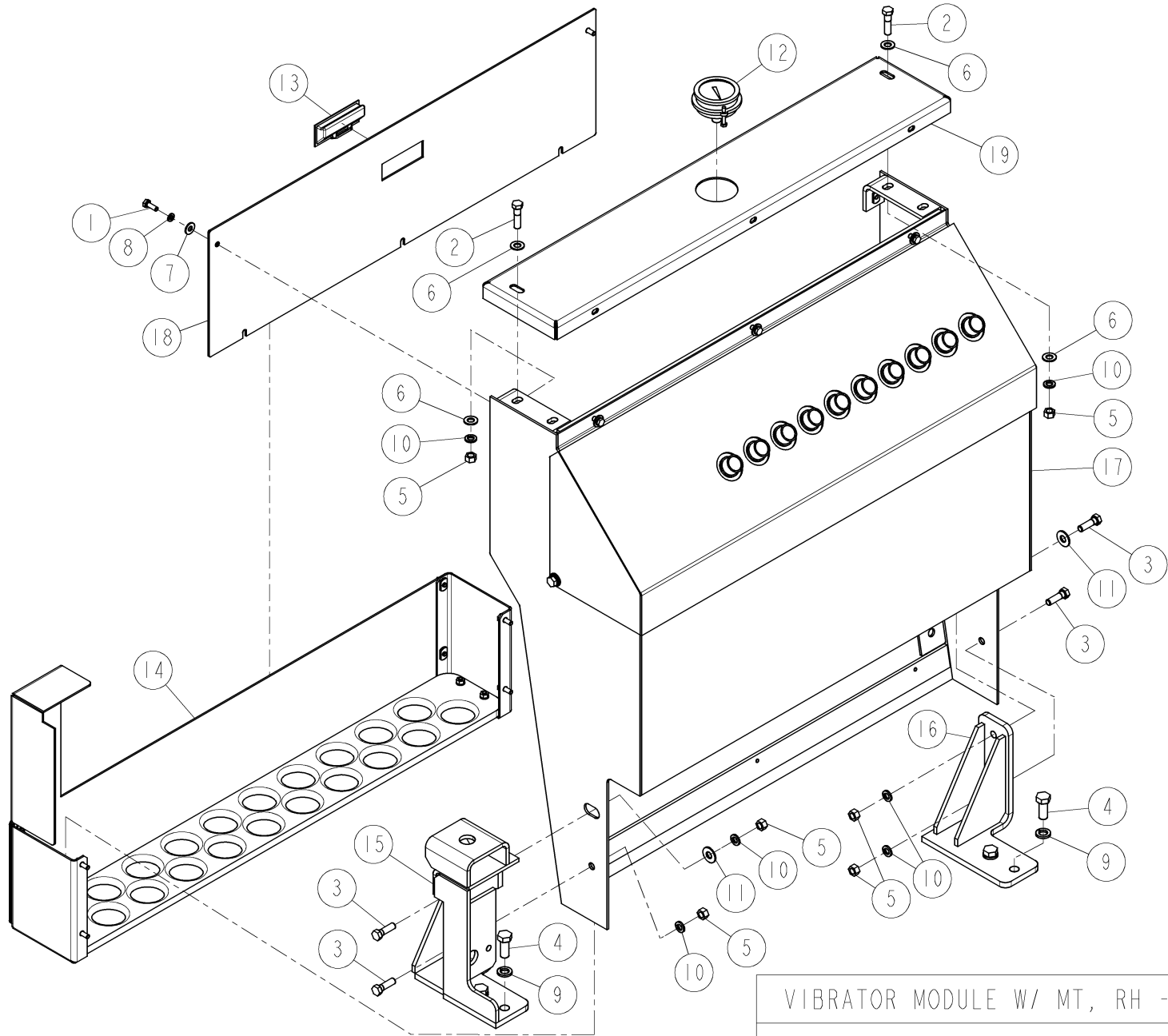


VIBRATOR MODULE - 10 BANK 24V, UPPER

912813-024

B

VIBRATOR MODULE - 10 BANK 24V, UPPER			912813-024	B
ITEM NO.	QTY	PART NUMBER	DESCRIPTION	
1	7	400-30A20	.375-16 UNC X .750 HHCS GR5	
2	3	400-30D64	.250-20 UNC X .500 HHCS GR5	
3	2	410-49A29	SQ BEND U BOLT W/ .375-16 UNC X 2.000	
4	4	415-46F74	.375-16 UNC GR8 HEX NUT	
5	6	420-10T99	FLAT WASHER .375 F436	
6	3	420-30A30	FLAT WASHER .250 W	
7	3	420-30A36	LOCK WASHER .250	
8	11	420-30A41	LOCK WASHER .375	
9	1	730-50K63	DOOR PULL - POCKET, SNAP-IN STYLE	
10	1	912813-025	VIB MODULE HSG, UPPER STK - 10 BANK	
11	1	912813-027	VIB COVER, TOP BANK	
12	1	9810-22014	SHEET, VIB MODULE - RR CVR, TOP	
13	1	VA10-076	VIB CTRL ASSY, 10 BANK HIGH CAP LD SENSE	



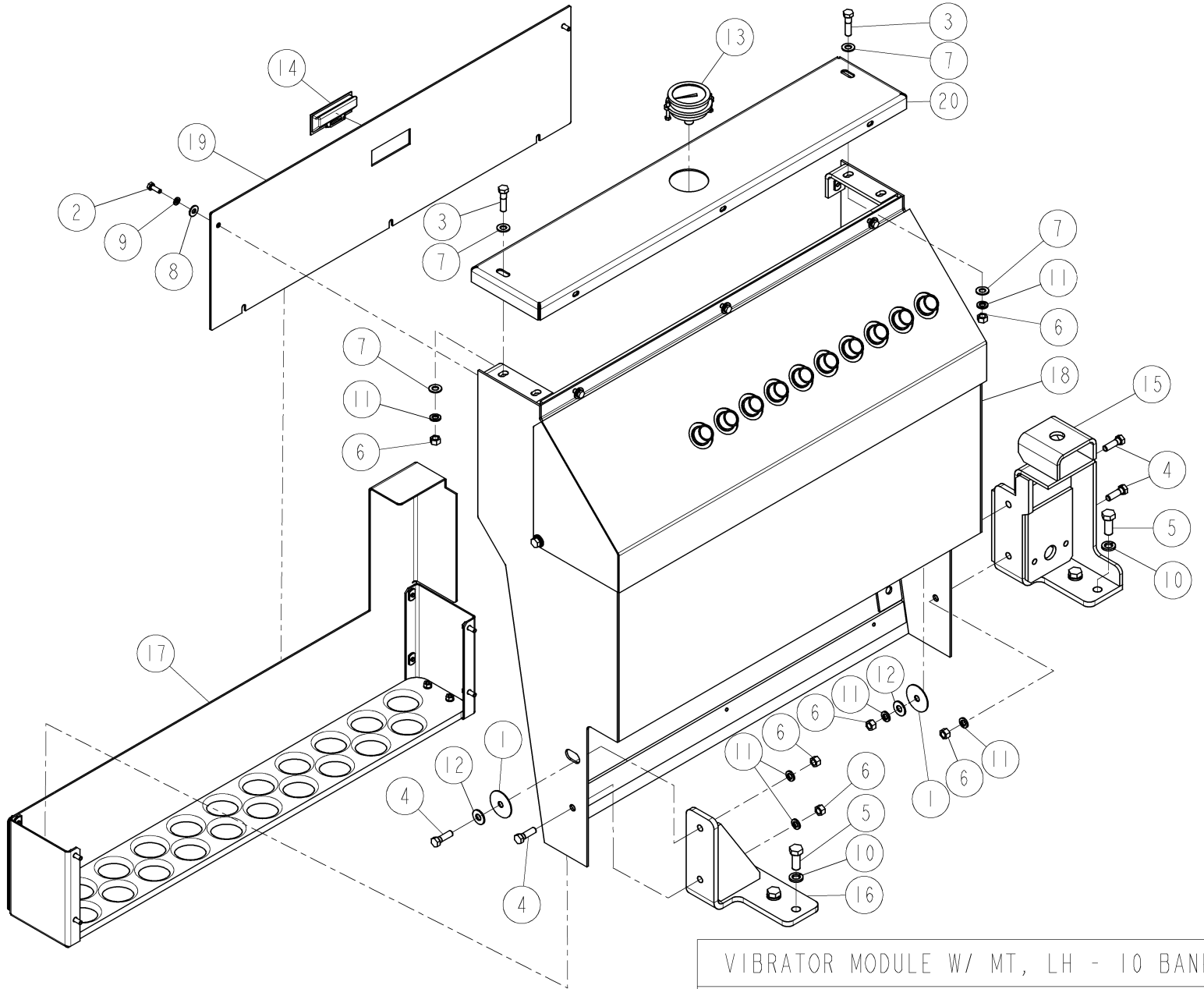
VIBRATOR MODULE W/ MT, RH - 10 BANK 24V

912813-026

D



VIBRATOR MODULE W/ MT, RH - 10 BANK 24V		912813-026	D
ITEM NO.	QTY	PART NUMBER	DESCRIPTION
1	2	400-30A10	.250-20 UNC X .750 HHCS GR5
2	2	400-30B37	.375-16 UNC X 1.500 HHCS GR5
3	4	400-30B85	.375-16 UNC X 1.250 HHCS GR5
4	4	400-30D76	.500-13 UNC X 1.250 HHCS GR8
5	6	415-30A06	.375-16 UNC GR5 HEX NUT
6	4	420-10T99	FLAT WASHER .375 F436
7	2	420-30A30	FLAT WASHER .250 W
8	2	420-30A36	LOCK WASHER .250
9	4	420-30A37	LOCK WASHER .500
10	6	420-30A41	LOCK WASHER .375
11	2	420-30A65	FLAT WASHER .375 W
12	1	700-55J35	GAUGE - OIL PRESSURE 0-3000 PSI -4 ORFS
13	1	730-50K63	DOOR PULL - POCKET, SNAP-IN STYLE
14	1	912811-002	VIB HOSE COVER ASSY - RH
15	1	912813-018	VIB MOUNT BRACKET
16	1	912813-019	VIB MOUNT BRACKET
17	1	912813-021	VIBRATOR MODULE - 10 BANK 24V
18	1	9810-21985	VIB MODULE REAR COVER
19	1	9810-22073	VIB MODULE TOP COVER

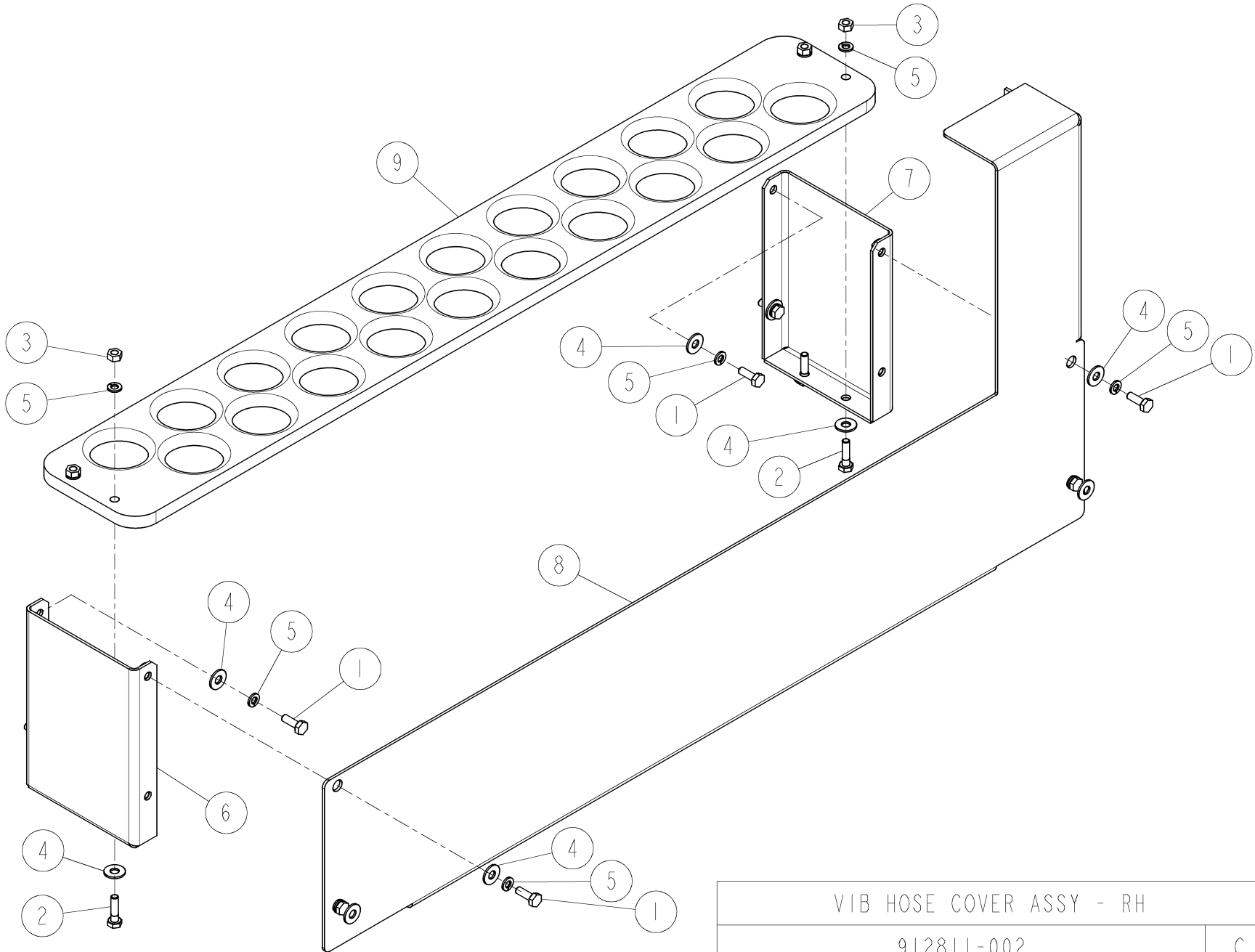


VIBRATOR MODULE W/ MT, LH - 10 BANK 24V

912813-020

E

VIBRATOR MODULE W/ MT, LH - 10 BANK 24V			912813-020	E
ITEM NO.	QTY	PART NUMBER	DESCRIPTION	
1	2	210-20B27	SNUBBING WASHER .375	
2	2	400-30A10	.250-20 UNC X .750 HHCS GR5	
3	2	400-30B37	.375-16 UNC X 1.500 HHCS GR5	
4	4	400-30B85	.375-16 UNC X 1.250 HHCS GR5	
5	4	400-30D76	.500-13 UNC X 1.250 HHCS GR8	
6	6	415-30A06	.375-16 UNC GR5 HEX NUT	
7	4	420-10T99	FLAT WASHER .375 F436	
8	2	420-30A30	FLAT WASHER .250 W	
9	2	420-30A36	LOCK WASHER .250	
10	4	420-30A37	LOCK WASHER .500	
11	6	420-30A41	LOCK WASHER .375	
12	2	420-30A65	FLAT WASHER .375 W	
13	1	700-55J35	GAUGE - OIL PRESSURE 0-3000 PSI -4 ORFS	
14	1	730-50K63	DOOR PULL - POCKET, SNAP-IN STYLE	
15	1	912811-016	VIB MOUNT BRACKET	
16	1	912811-017	VIB MOUNT BRACKET	
17	1	912811-018	VIB HOSE COVER ASSY - LH	
18	1	912813-021	VIBRATOR MODULE - 10 BANK 24V	
19	1	9810-21985	VIB MODULE REAR COVER	
20	1	9810-22073	VIB MODULE TOP COVER	

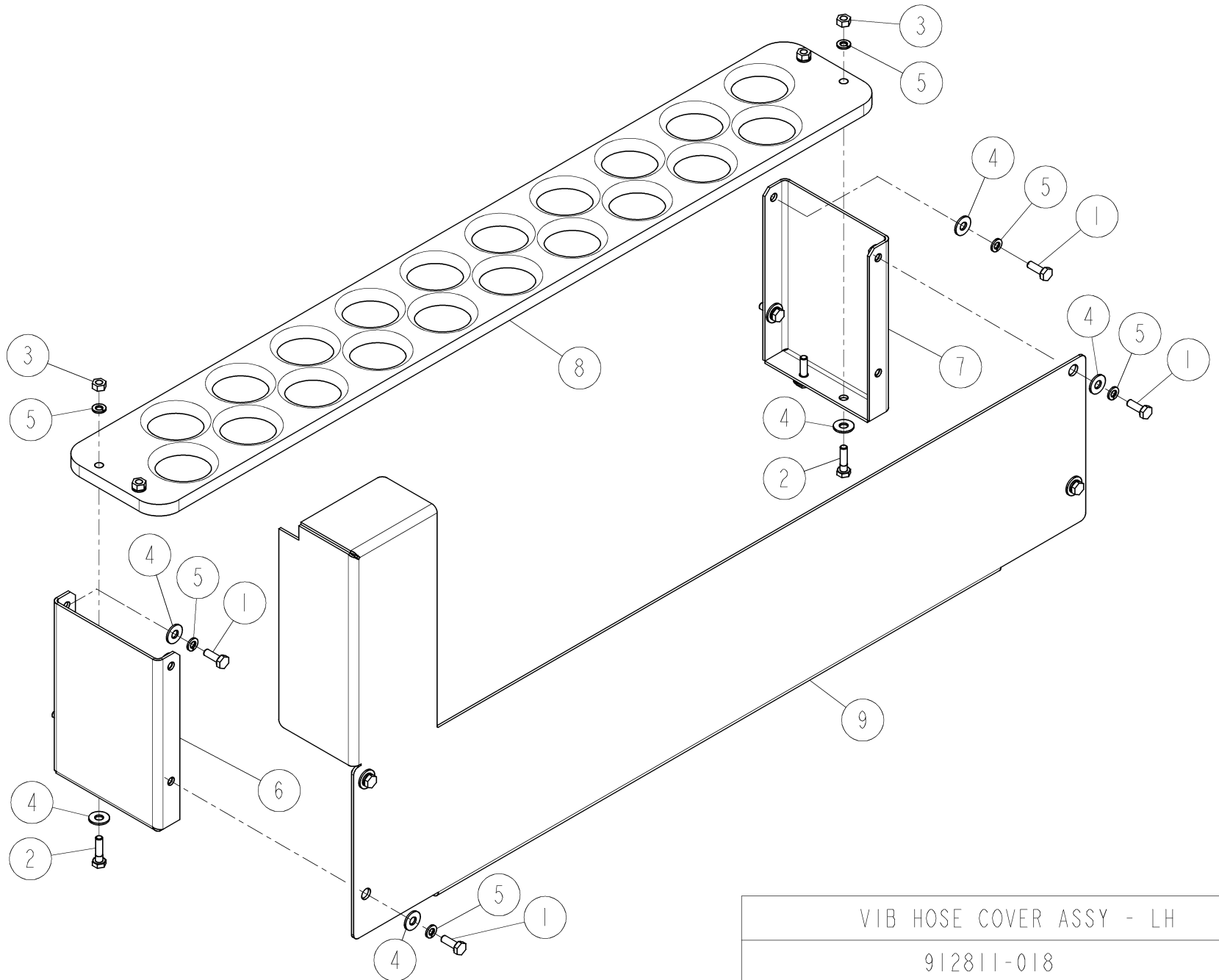


VIB HOSE COVER ASSY - RH

912811-002

C

VIB HOSE COVER ASSY - RH			912811-002	C
ITEM NO.	QTY	PART NUMBER	DESCRIPTION	
1	8	400-30A10	.250-20 UNC X .750 HHCS GR5	
2	4	400-30A77	.250-20 UNC X 1.000 HHCS GR5	
3	4	415-30A04	.250-20 UNC GR5 HEX NUT	
4	12	420-30A30	FLAT WASHER .250 W	
5	12	420-30A36	LOCK WASHER .250	
6	1	912810-009	MOUNT - VIB COVER, RH	
7	1	912810-010	MOUNT - VIB COVER, LH	
8	1	912810-011	MOUNT - VIB HOSE COVER, PLATE	
9	1	9610-01274	HOSE SPACER - 20 BANK	

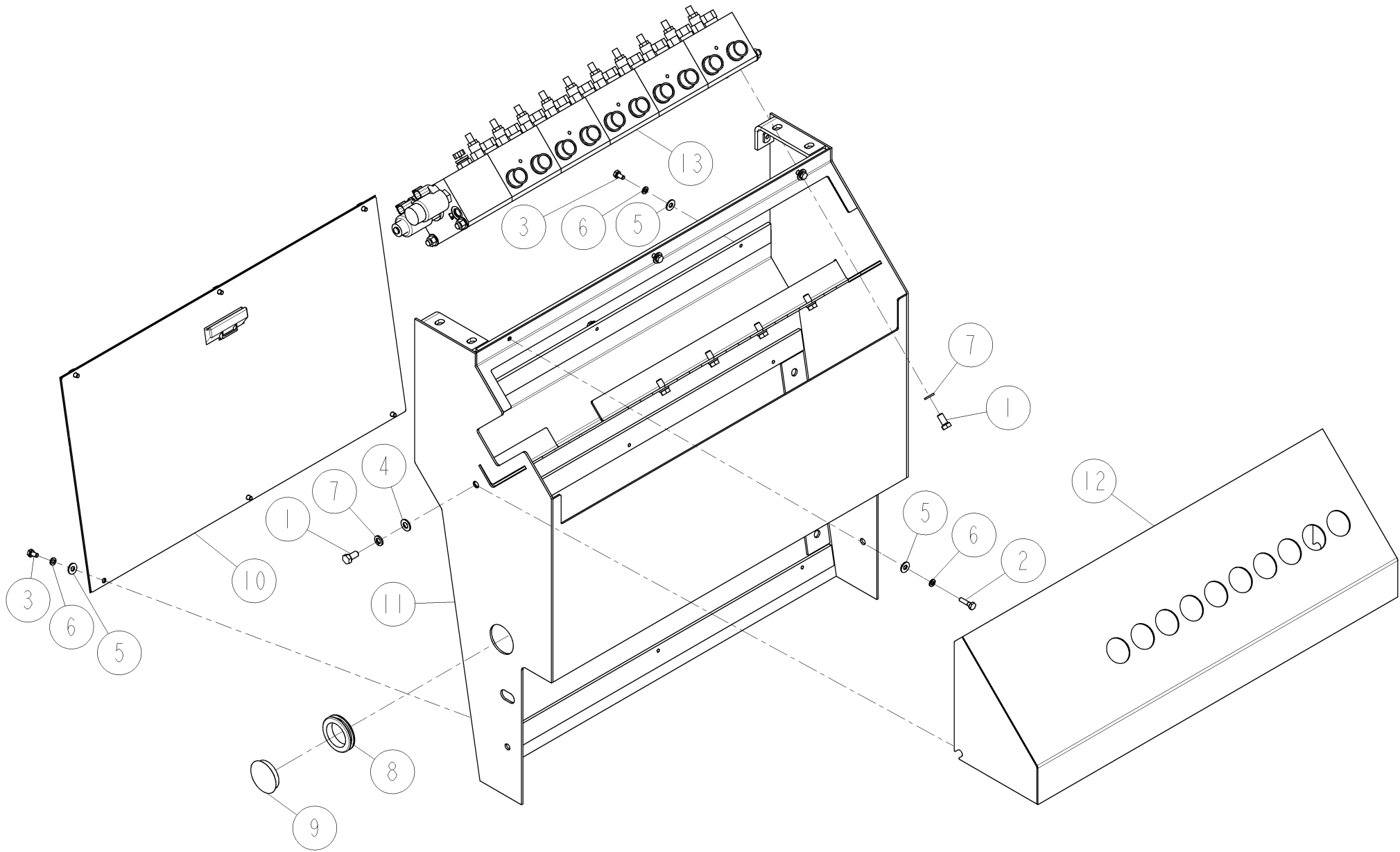


VIB HOSE COVER ASSY - LH

912811-018

B

VIB HOSE COVER ASSY - LH			912811-018	B
ITEM NO.	QTY	PART NUMBER	DESCRIPTION	
1	8	400-30A10	.250-20 UNC X .750 HHCS GR5	
2	4	400-30A77	.250-20 UNC X 1.000 HHCS GR5	
3	4	415-30A04	.250-20 UNC GR5 HEX NUT	
4	12	420-30A30	FLAT WASHER .250 W	
5	12	420-30A36	LOCK WASHER .250	
6	1	912810-009	MOUNT - VIB COVER, RH	
7	1	912810-010	MOUNT - VIB COVER, LH	
8	1	9610-01274	HOSE SPACER - 20 BANK	
9	1	9810-21984	VIB HOSE COVER - LH	



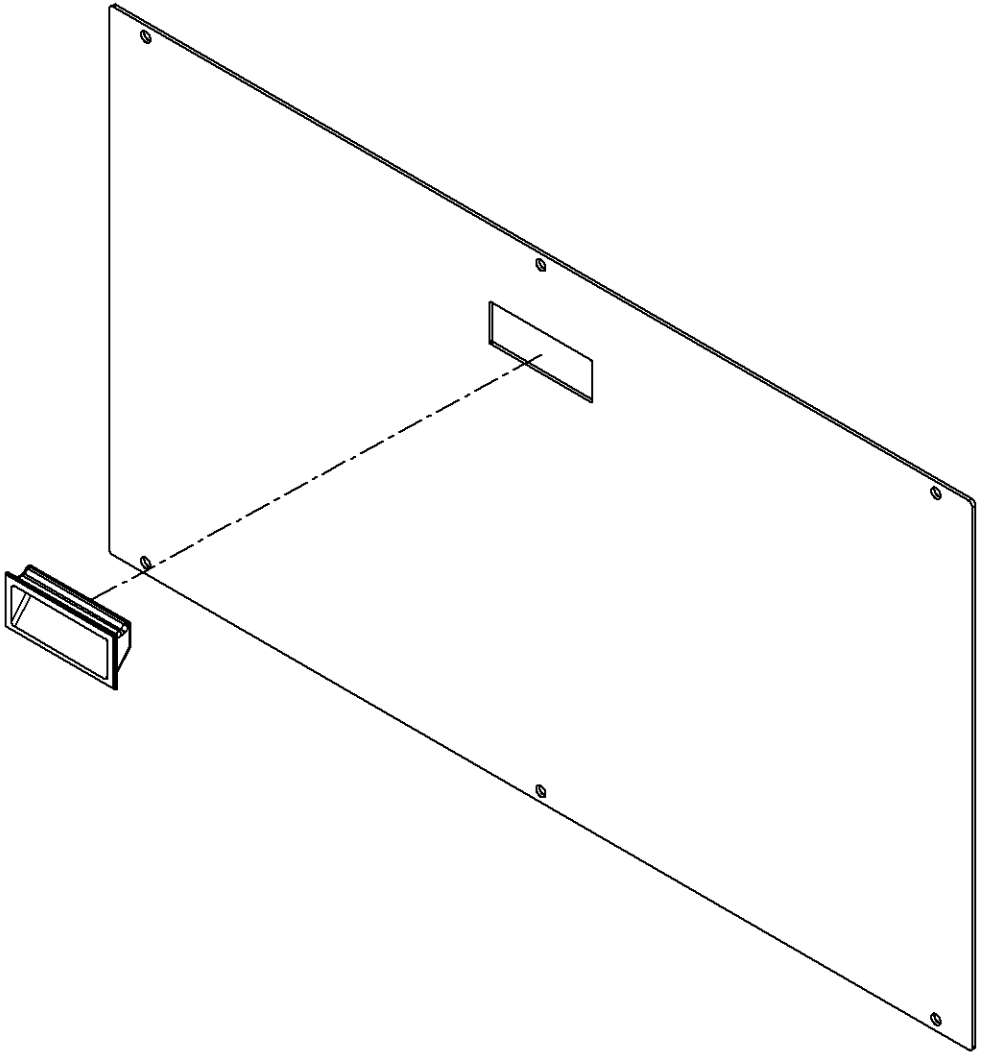
VIBRATOR MODULE - 10 BANK 24V

912813-021

C



VIBRATOR MODULE - 10 BANK 24V			912813-021	C
ITEM NO.	QTY	PART NUMBER	DESCRIPTION	
1	7	400-30A20	.375-16 UNC X .750 HHCS GR5	
2	3	400-30A77	.250-20 UNC X 1.000 HHCS GR5	
3	9	400-30D64	.250-20 UNC X .500 HHCS GR5	
4	2	420-10T99	FLAT WASHER .375 F436	
5	12	420-30A30	FLAT WASHER .250 W	
6	12	420-30A36	LOCK WASHER .250	
7	7	420-30A41	LOCK WASHER .375	
8	2	610-51F04	GROMMET - 1.75 IN ID X 2.125 IN OD	
9	2	730-49B79	PLUG - HOLE 2.125IN DIA	
10	1	912811-006	VIBRATOR MODULE - REAR COVER, BTM	
11	1	912813-022	VIB MODULE HSG, 10 BANK	
12	1	912813-028	VIB COVER, BOTTOM BANK	
13	1	VA10-076	VIB CTRL ASSY, 10 BANK HIGH CAP LD SENSE	

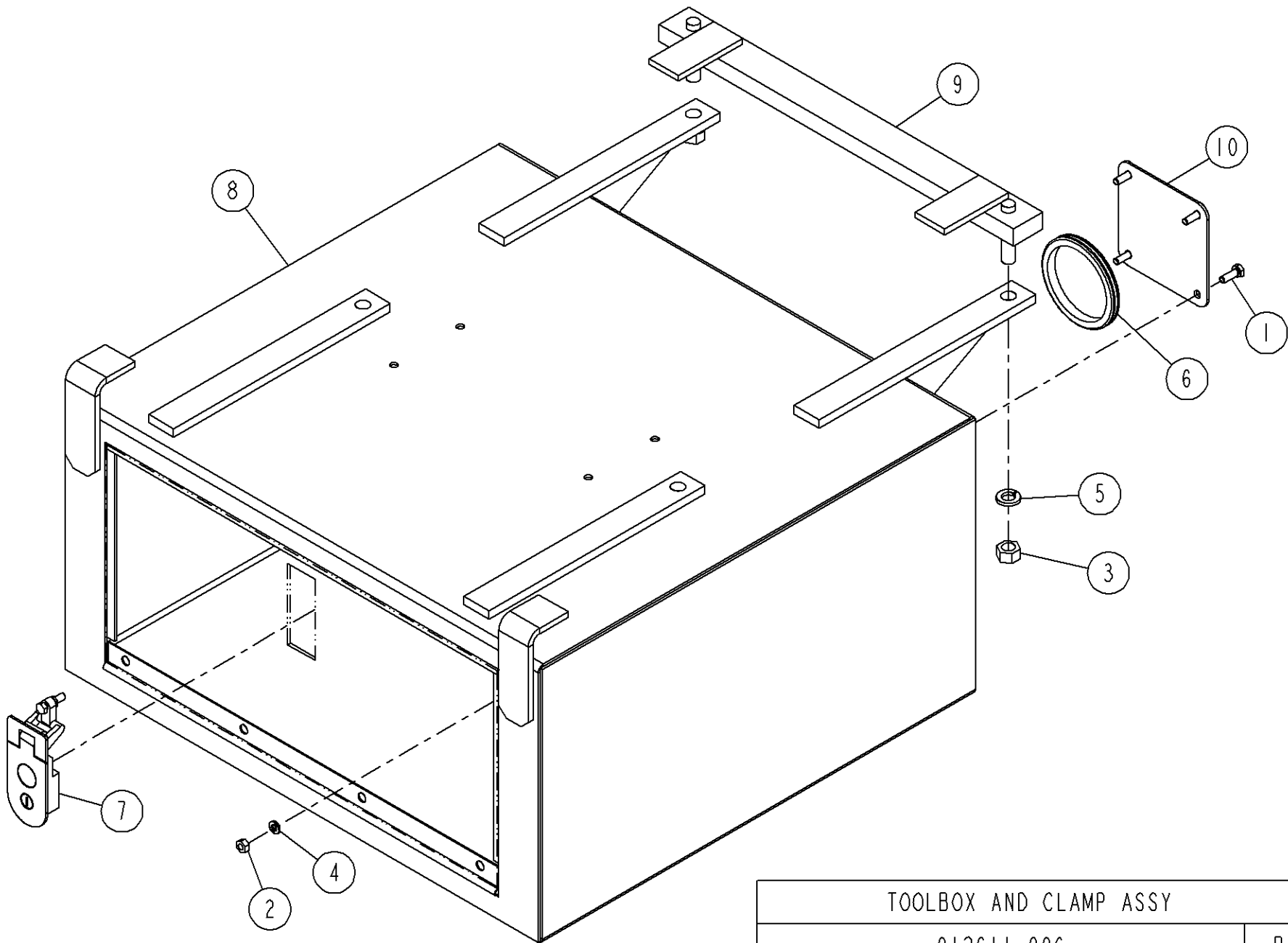


VIBRATOR MODULE - REAR COVER, BTM

912811-006

A

VIBRATOR MODULE - REAR COVER, BTM			912811-006	A
ITEM NO.	QTY	PART NUMBER	DESCRIPTION	
1	1	730-50K63	DOOR PULL - POCKET, SNAP-IN STYLE	
2	1	9810-21292	SHEET, VIB MODULE - RR CVR, BTM	

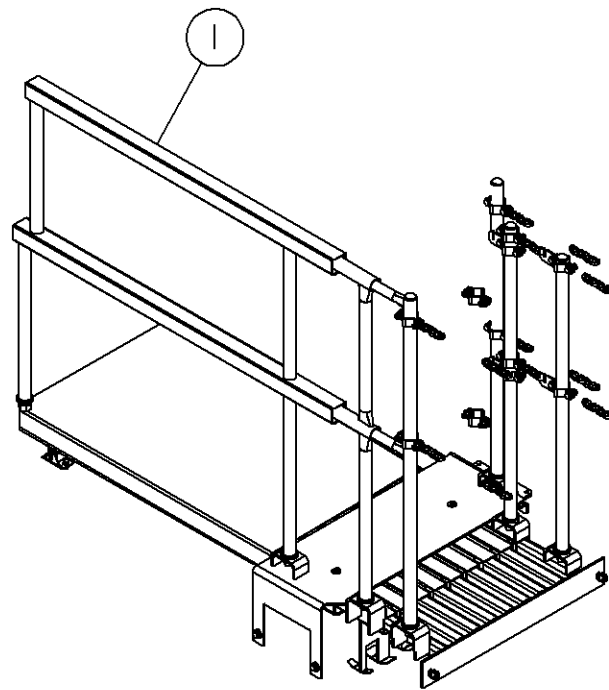
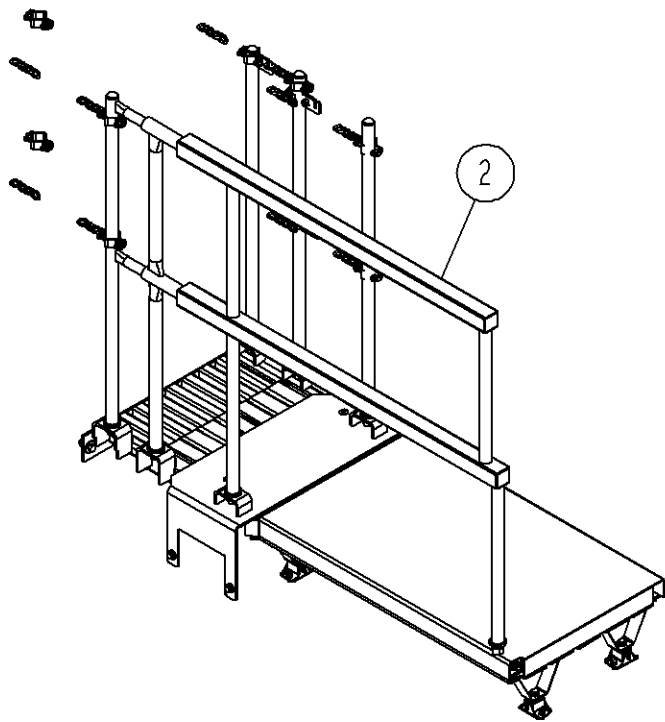


TOOLBOX AND CLAMP ASSY

912611-006

B

TOOLBOX AND CLAMP ASSY		912611-006	B
ITEM NO.	QTY	PART NUMBER	DESCRIPTION
1	4	400-30A10	.250-20 UNC X .750 HHCS GR5
2	4	415-30A04	.250-20 UNC GR5 HEX NUT
3	2	415-30A07	.500-13 UNC GR8 HEX NUT
4	4	420-30A36	LOCK WASHER .250
5	2	420-30A37	LOCK WASHER .500
6	1	610-53A72	GROMMET - 3.00 IN ID X 3.625 IN OD
7	1	730-48D81	LEVER LATCH (GRIP .04/.55)
8	1	912610-028	TOOLBOX - T-RAIL MOUNTED
9	1	912610-029	TOOL BOX CLAMP
10	1	9810-21689	SHEET, COVER

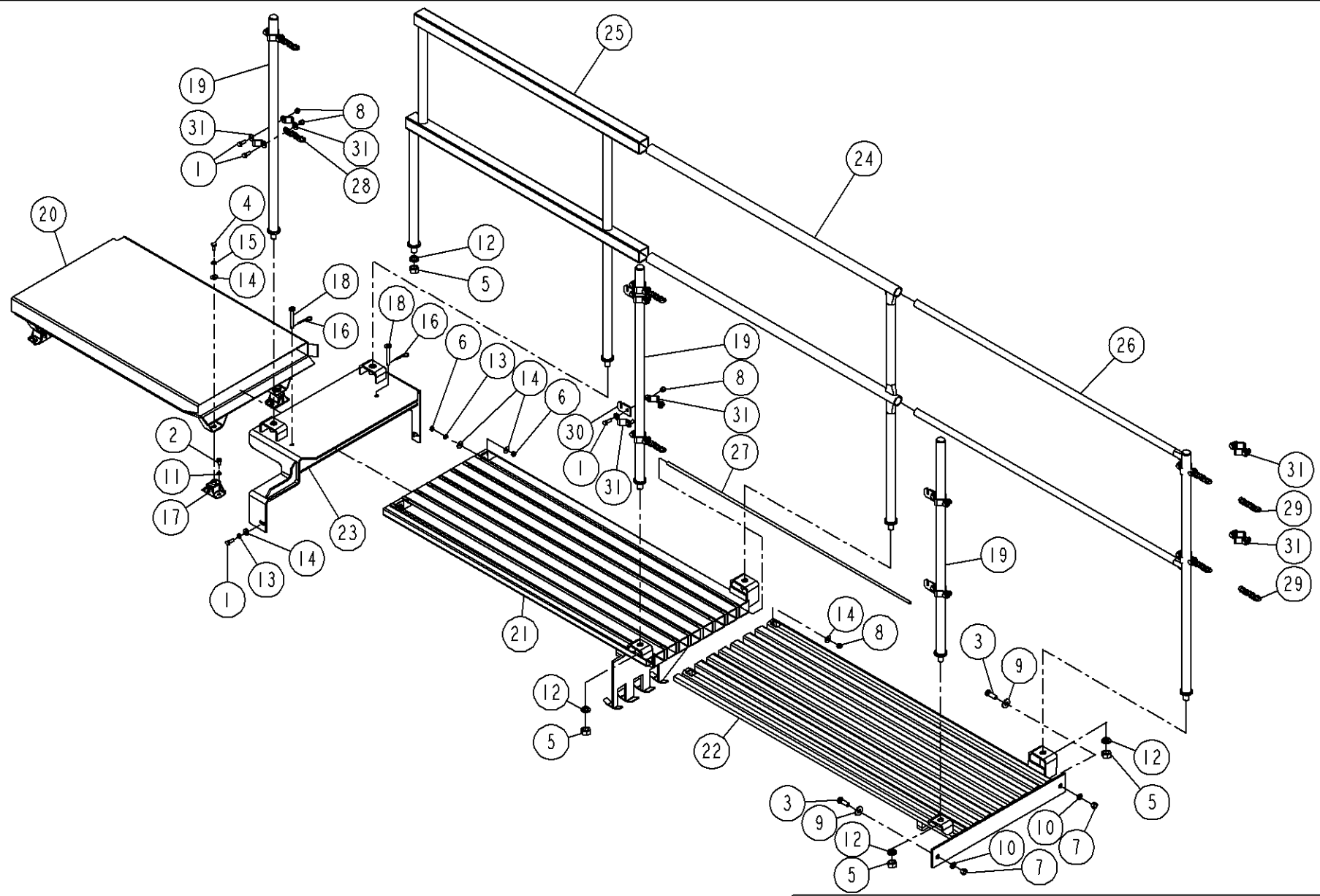


WORK PLATFORM ASSY - COMMON, FRONT

912622-065

C

WORK PLATFORM ASSY - COMMON, FRONT			912622-065	C
ITEM NO.	QTY	PART NUMBER	DESCRIPTION	
1	1	912622-066	TELESCOPING WALKWAY LEFT HAND	
2	1	912622-067	TELESCOPING WALKWAY RIGHT HAND	



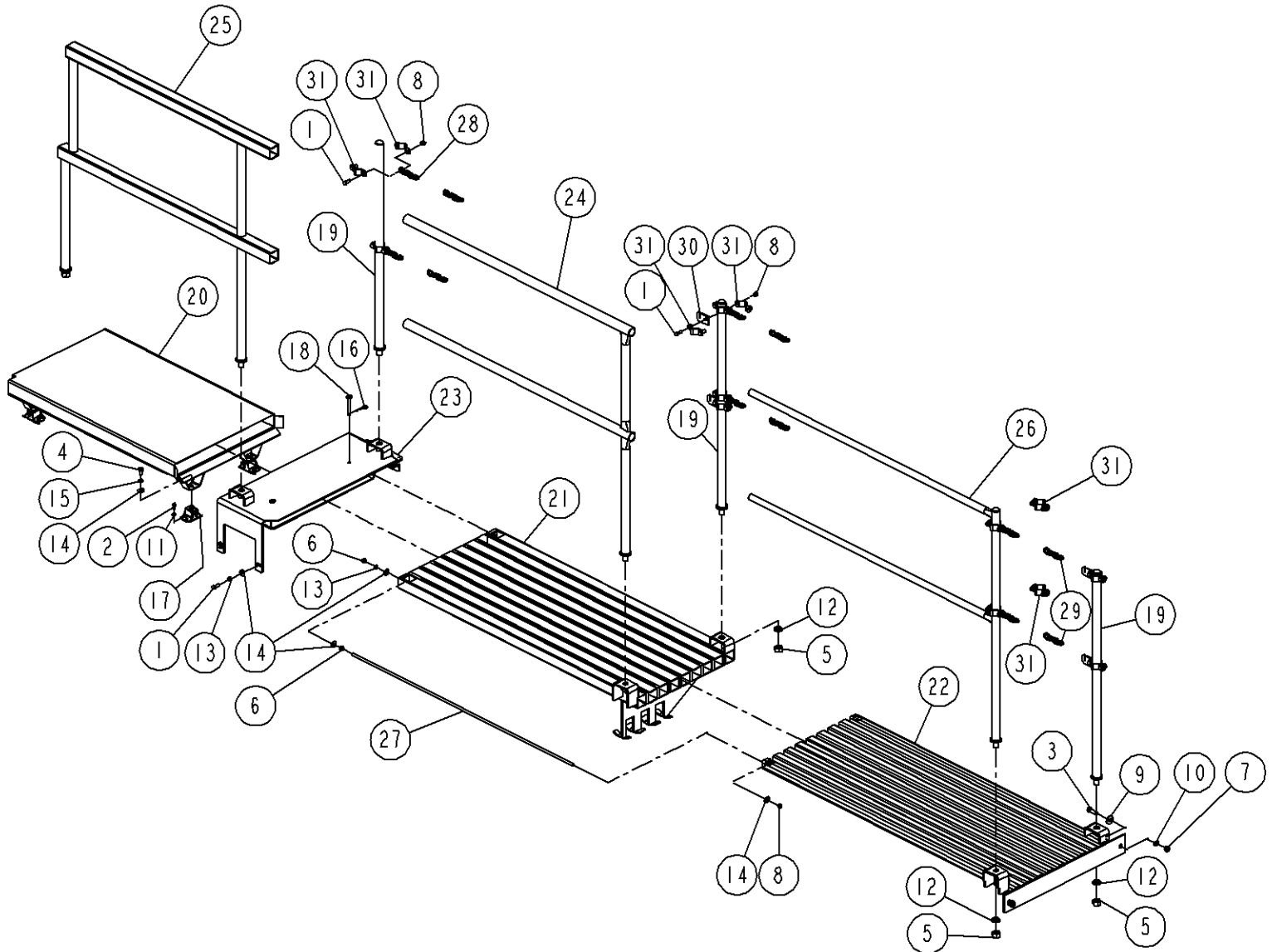
TELESCOPING WALKWAY RIGHT HAND

912622-067

D



TELESCOPING WALKWAY RIGHT HAND			912622-067	D
ITEM NO.	QTY	PART NUMBER	DESCRIPTION	
1	27	400-30A19	.375-16 UNC X 1.000 HHCS GR5	
2	8	400-30B55	.3125-18 UNC X .750 HHCS GR5	
3	2	400-30B84	.500-13 UNC X 1.500 HHCS GR8	
4	4	400-45C41	M10-1.50 X 20 MM HEX HD	
5	7	415-30A03	.750-10 UNC GR8 HEX NUT	
6	4	415-30A06	.375-16 UNC GR5 HEX NUT	
7	2	415-30A07	.500-13 UNC GR8 HEX NUT	
8	26	415-45G77	.375-16 UNC GR5 NYLOK HEX NUT	
9	2	420-30A32	FLAT WASHER .500 W	
10	2	420-30A37	LOCK WASHER .500	
11	8	420-30A38	LOCK WASHER .312	
12	7	420-30A40	LOCK WASHER .750	
13	5	420-30A41	LOCK WASHER .375	
14	13	420-30A65	FLAT WASHER .375 W	
15	4	420-45C40	LOCK WASHER 10 MM	
16	2	430-30D93	HAIR PIN (NO. 7)	
17	4	610-53L67	VIBRATION ISOLATOR, V-15	
18	2	905222-016	STOP PIN	
19	3	905222-017	CHAIN POST	
20	1	912622-069	RH DECK SECTION	
21	1	912622-071	WALKWAY SECTON (OUTER-RIGHT)	
22	1	912622-073	WALKWAY SECTION (INNER-RIGHT)	
23	1	912622-075	HANDRAIL MOUNT - RH	
24	1	912626-012	HANDRAIL (OUTER)	
25	1	912626-014	HANDRAIL (RH DECK SECTON)	
26	1	912626-024	HANDRAIL (INNER)	
27	2	9410-00688	STOP ROD	
28	4	9625-00008	CHAIN .188 COIL PRF X 60.00 LG	
29	2	9625-00154	CHAIN	
30	4	BT30-021	GATE CHAIN HOOK	
31	24	BT30-022	GATE CHAIN CLAMP	

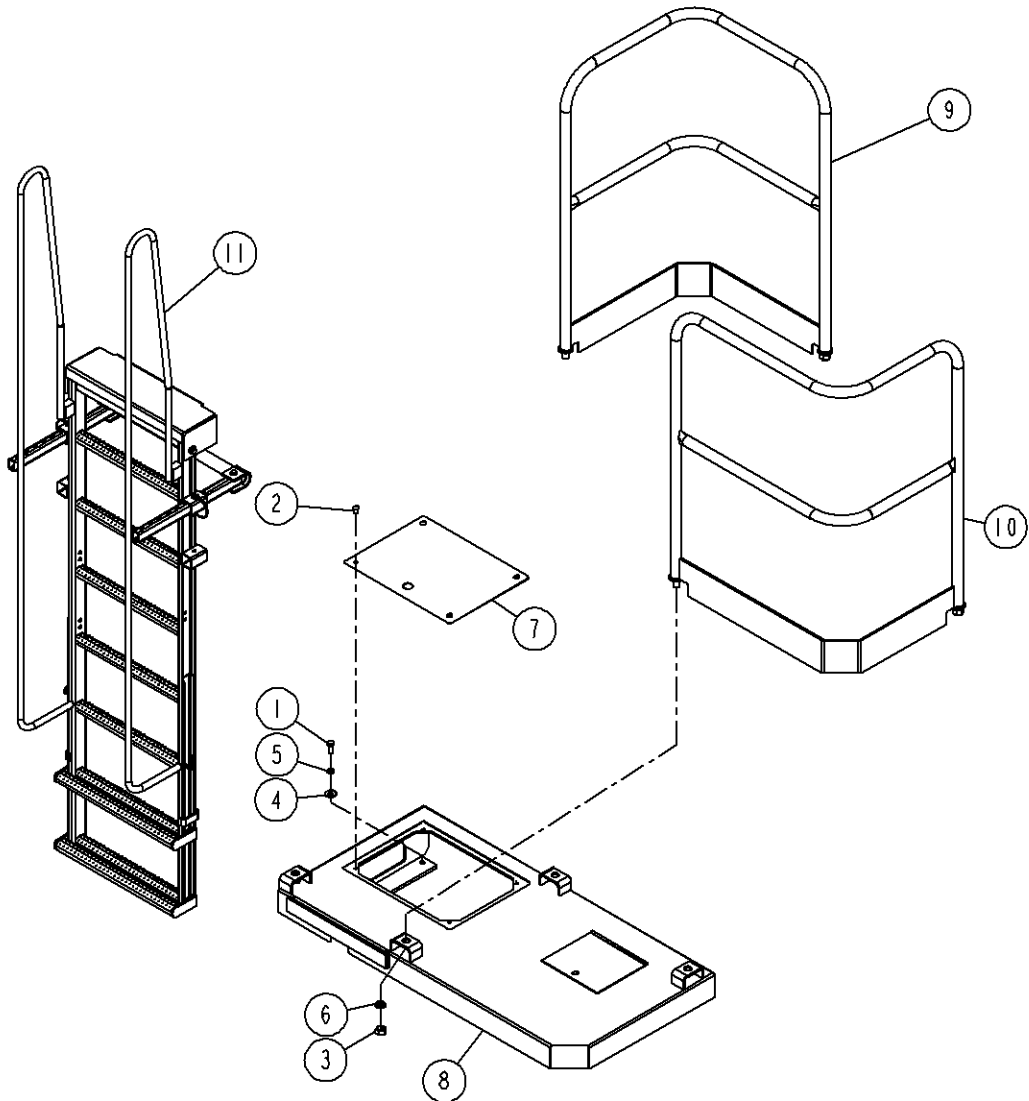


TELESCOPING WALKWAY LEFT HAND

912622-066

D

TELESCOPING WALKWAY LEFT HAND			912622-066	D
ITEM NO.	QTY	PART NUMBER	DESCRIPTION	
1	27	400-30A19	.375-16 UNC X 1.000 HHCS GR5	
2	8	400-30B55	.3125-18 UNC X .750 HHCS GR5	
3	2	400-30B84	.500-13 UNC X 1.500 HHCS GR8	
4	4	400-45C41	M10-1.50 X 20 MM HEX HD	
5	7	415-30A03	.750-10 UNC GR8 HEX NUT	
6	4	415-30A06	.375-16 UNC GR5 HEX NUT	
7	2	415-30A07	.500-13 UNC GR8 HEX NUT	
8	26	415-45G77	.375-16 UNC GR5 NYLOK HEX NUT	
9	2	420-30A32	FLAT WASHER .500 W	
10	2	420-30A37	LOCK WASHER .500	
11	8	420-30A38	LOCK WASHER .312	
12	7	420-30A40	LOCK WASHER .750	
13	5	420-30A41	LOCK WASHER .375	
14	13	420-30A65	FLAT WASHER .375 W	
15	4	420-45C40	LOCK WASHER 10 MM	
16	2	430-30D93	HAIR PIN (NO. 7)	
17	4	610-53L67	VIBRATION ISOLATOR, V-15	
18	2	905222-016	STOP PIN	
19	3	905222-017	CHAIN POST	
20	1	912622-068	DECK SECTION	
21	1	912622-070	WALKWAY SECTON (OUTER-LEFT)	
22	1	912622-072	WALKWAY SECTION (INNER-LEFT)	
23	1	912622-074	HANDRAIL MOUNT, LH	
24	1	912626-012	HANDRAIL (OUTER)	
25	1	912626-014	HANDRAIL (RH DECK SECTON)	
26	1	912626-024	HANDRAIL (INNER)	
27	2	9410-00688	STOP ROD	
28	4	9625-00008	CHAIN .188 COIL PRF X 60.00 LG	
29	2	9625-00154	CHAIN	
30	4	BT30-021	GATE CHAIN HOOK	
31	24	BT30-022	GATE CHAIN CLAMP	

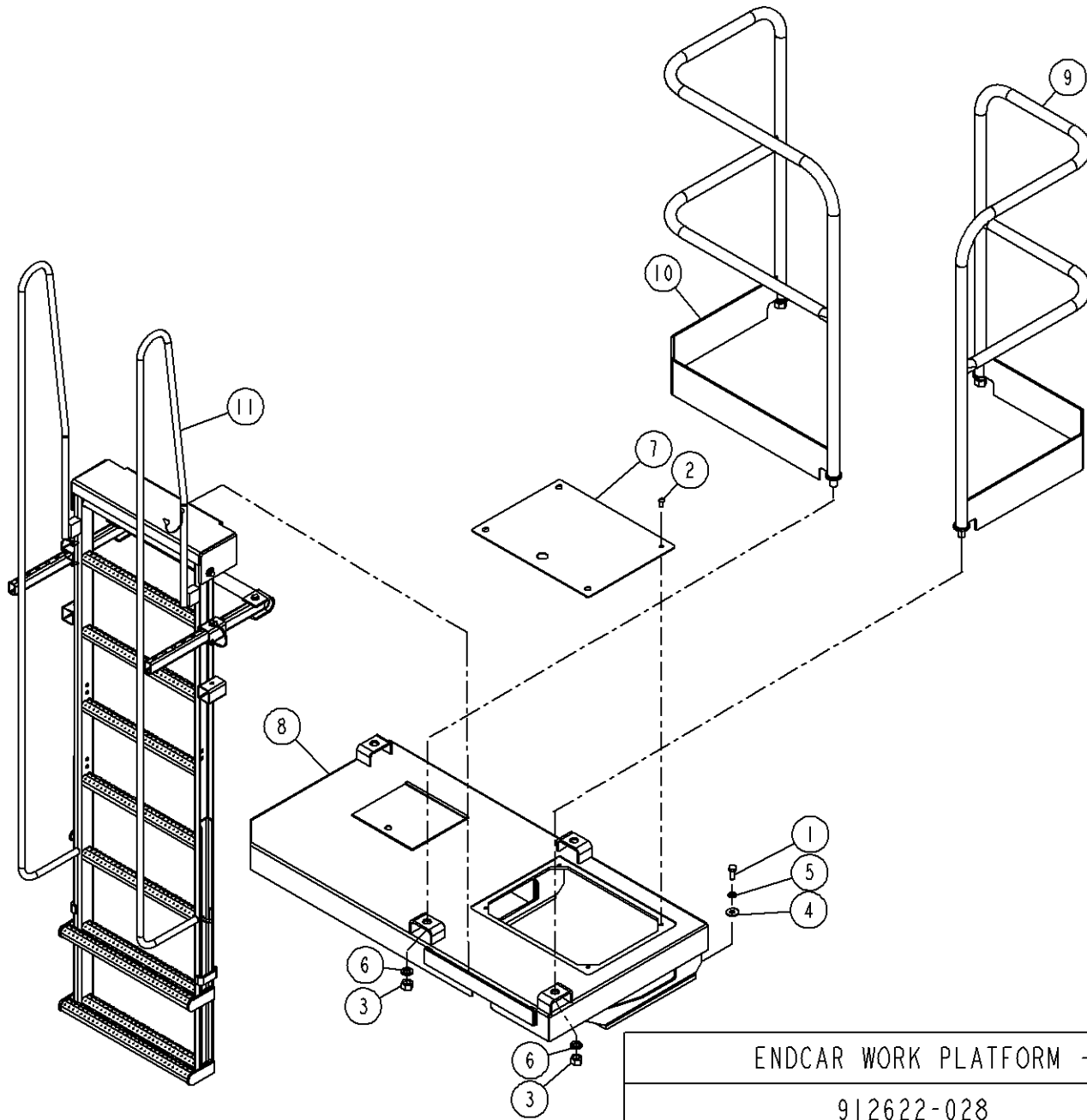


ENDCAR WORKPLATFORM - RH

912622-029

C

ENDCAR WORKPLATFORM - RH			912622-029	C
ITEM NO.	QTY	PART NUMBER	DESCRIPTION	
1	4	400-30D76	.500-13 UNC X 1.250 HHCS GR8	
2	4	400-50N73	.375-16 UNC X .75 BHSS	
3	4	415-30A03	.750-10 UNC GR8 HEX NUT	
4	4	420-30A32	FLAT WASHER .500 W	
5	4	420-30A37	LOCK WASHER .500	
6	4	420-30A40	LOCK WASHER .750	
7	1	912622-023	ACCESS COVER, DECK PLATE	
8	1	912622-033	END CAR PLATFORM - RH	
9	1	912626-019	HANDRAIL - END CAR, RH	
10	1	912626-021	HANDRAIL - END CAR, RH	
11	1	912632-001	LADDER - ADJUSTABLE SLOPE	

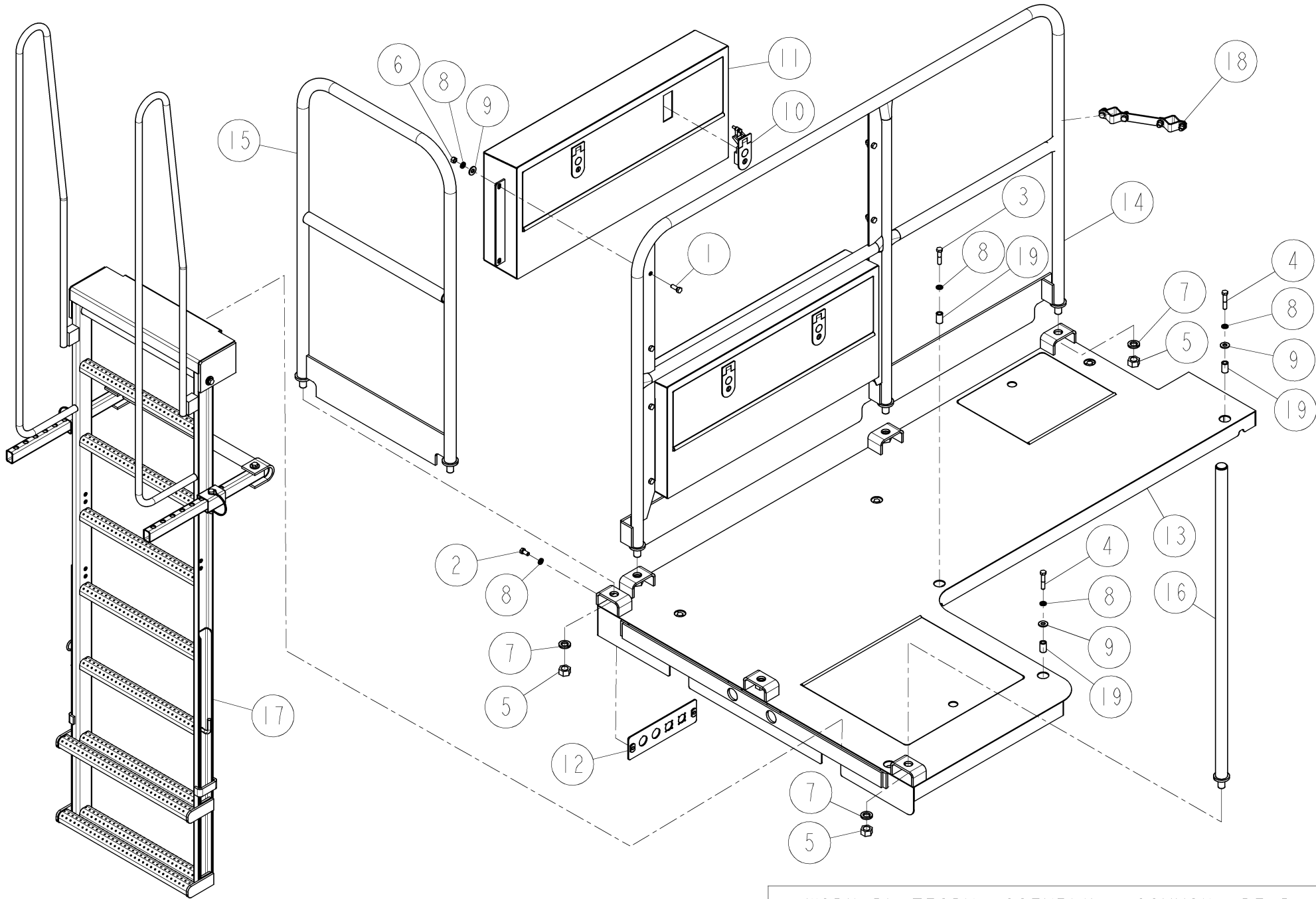


ENDCAR WORK PLATFORM - LH

912622-028

C

ENDCAR WORK PLATFORM - LH			912622-028	C
ITEM NO.	QTY	PART NUMBER	DESCRIPTION	
1	4	400-30D76	.500-13 UNC X 1.250 HHCS GR8	
2	4	400-50N73	.375-16 UNC X .75 BHSS	
3	4	415-30A03	.750-10 UNC GR8 HEX NUT	
4	4	420-30A32	FLAT WASHER .500 W	
5	4	420-30A37	LOCK WASHER .500	
6	4	420-30A40	LOCK WASHER .750	
7	1	912622-023	ACCESS COVER, DECK PLATE	
8	1	912622-032	END CAR PLATFORM - LH	
9	1	912626-018	HANDRAIL - END CAR	
10	1	912626-020	HANDRAIL - END CAR	
11	1	912632-001	LADDER - ADJUSTABLE SLOPE	

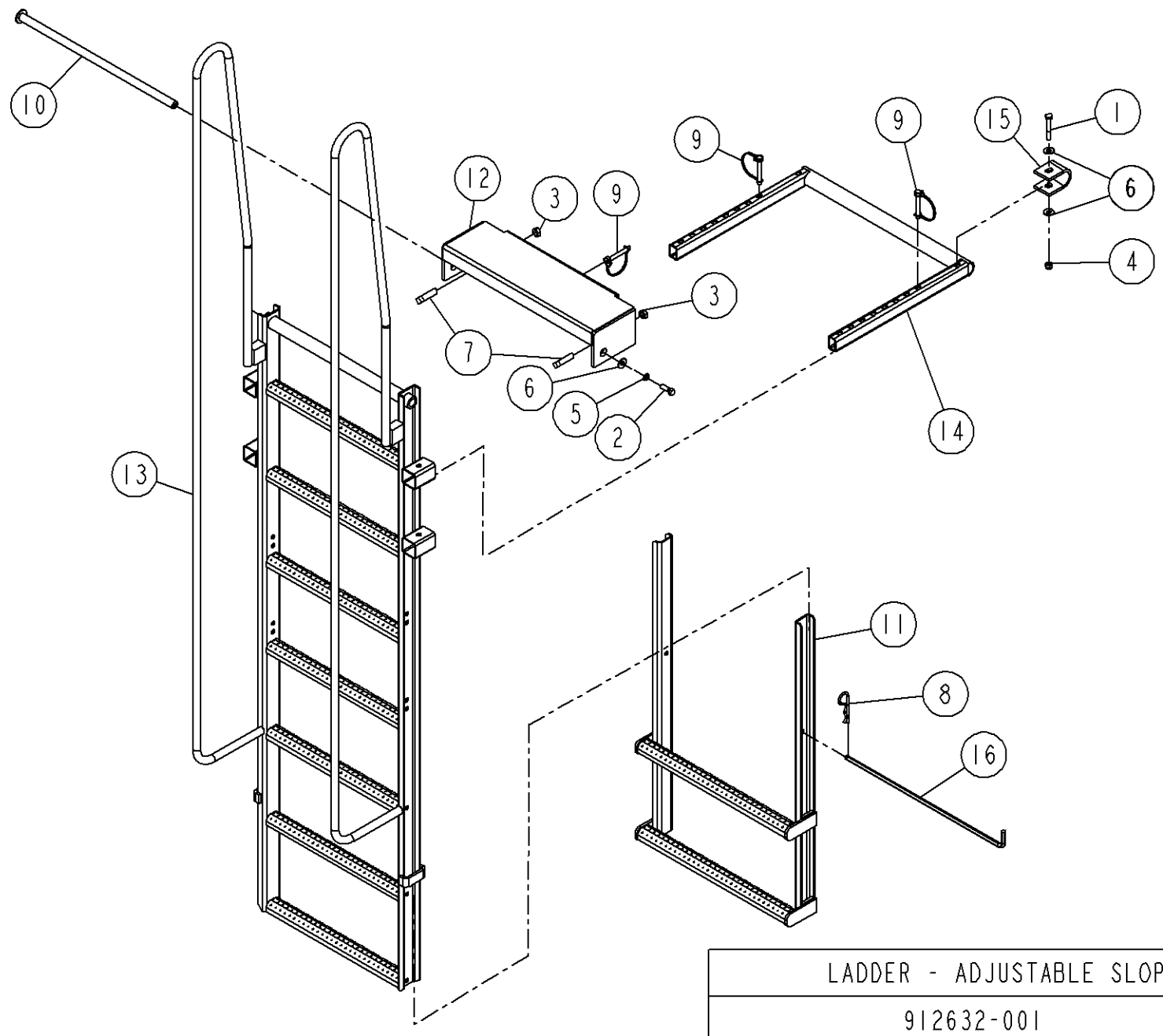


WORK PLATFORM ASSEMBLY - COMMON, REAR

912622-021



WORK PLATFORM ASSEMBLY - COMMON, REAR			912622-021	G
ITEM NO.	QTY	PART NUMBER	DESCRIPTION	
1	8	400-30A19	.375-16 UNC X 1.000 HHCS GR5	
2	2	400-30A20	.375-16 UNC X .750 HHCS GR5	
3	1	400-30D06	.375-16 UNC X 1.750 HHCS GR5	
4	6	400-45W10	.375-16 UNC X 2.000 HHCS GR5	
5	6	415-30A03	.750-10 UNC GR8 HEX NUT	
6	8	415-30A06	.375-16 UNC GR5 HEX NUT	
7	6	420-30A40	LOCK WASHER .750	
8	17	420-30A41	LOCK WASHER .375	
9	15	420-30A65	FLAT WASHER .375 W	
10	4	730-48D81	LEVER LATCH (GRIP .04/.55)	
11	2	903110-018	TOOLBOX - HANDRAIL MOUNTED	
12	1	912610-030	BULKHEAD MOUNT - 2X 5 PIN AND 2X CAN	
13	1	912622-017	WORK PLATFORM	
14	1	912626-007	HANDRAIL MOUNT, COMMON REAR	
15	1	912626-008	HANDRAIL - 22.81 IN	
16	1	912626-015	SINGLE HANDRAIL POST	
17	1	912632-005	LADDER - ADJUSTABLE SLOPE, REAR	
18	1	912826-015	HANDRAIL CLAMP ASSY	
19	7	9845-01182	SPACER	

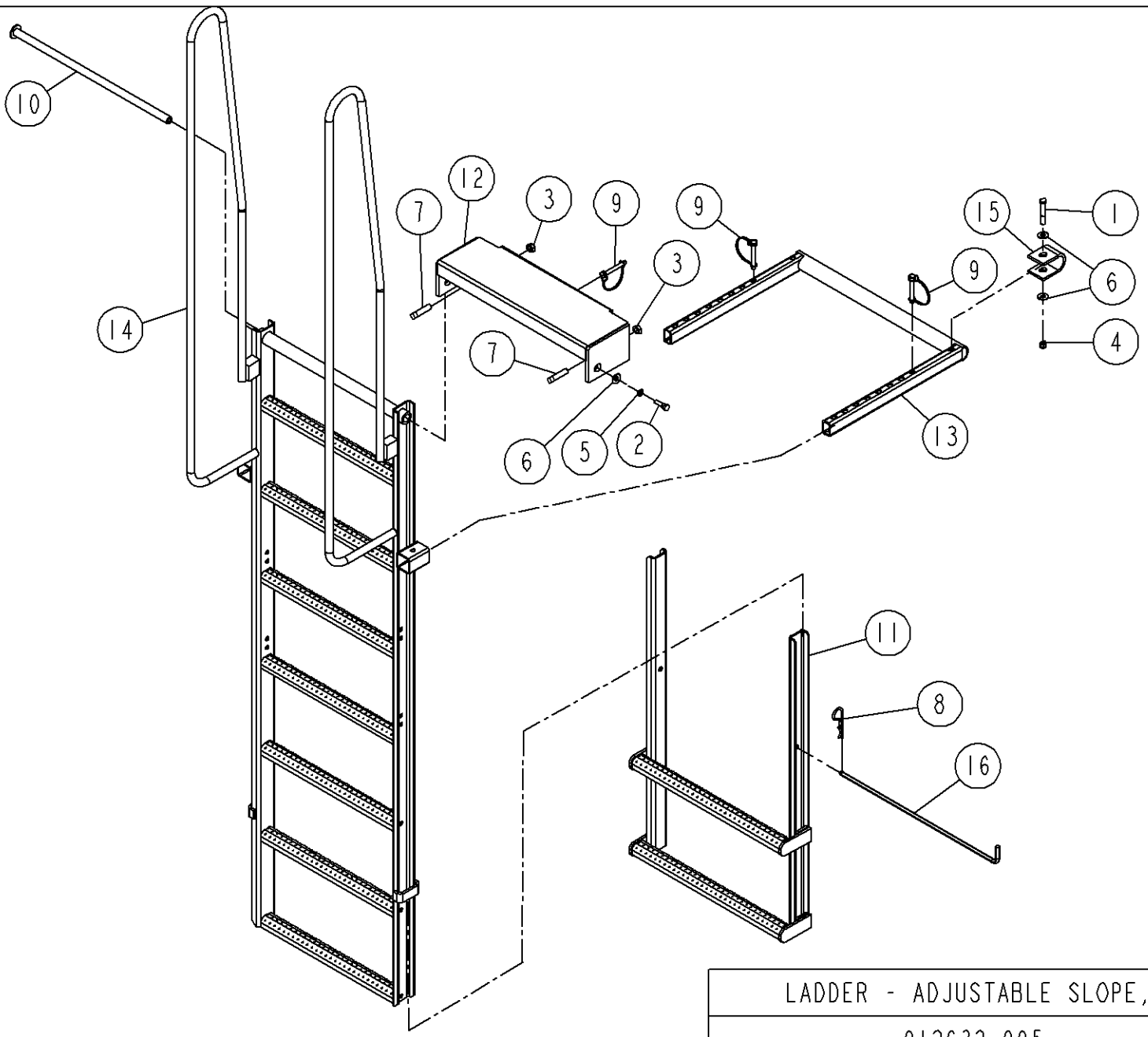


LADDER - ADJUSTABLE SLOPE

912632-001

E

LADDER - ADJUSTABLE SLOPE			912632-001	E
ITEM NO.	QTY	PART NUMBER	DESCRIPTION	
1	2	400-30A90	.375-16 UNC X 2.500 HHCS GR5	
2	1	400-46T63	.375-16 UNC X 1.250 HHCS GR8	
3	2	415-30B01	.500-13 UNC GR8 HEX JAM NUT	
4	2	415-45G77	.375-16 UNC GR5 NYLOK HEX NUT	
5	1	420-30A41	LOCK WASHER .375	
6	5	420-30A65	FLAT WASHER .375 W	
7	2	425-30B44	.500-13 UNC X 2.000 SQ HD SET SCR	
8	1	430-45G34	HAIR PIN (NO. 8)	
9	3	430-47H50	PIN - LOCK .375X2.500	
10	1	905232-019	PIN	
11	1	905232-027	LADDER EXTENSION - 2 STEPS	
12	1	912632-002	HINGE - LADDER	
13	1	912632-003	LADDER	
14	1	912632-004	LADDER ANGLE ADJUSTMENT	
15	2	9610-01177	LADDER - PAD	
16	1	9825-01233	LADDER PIN	

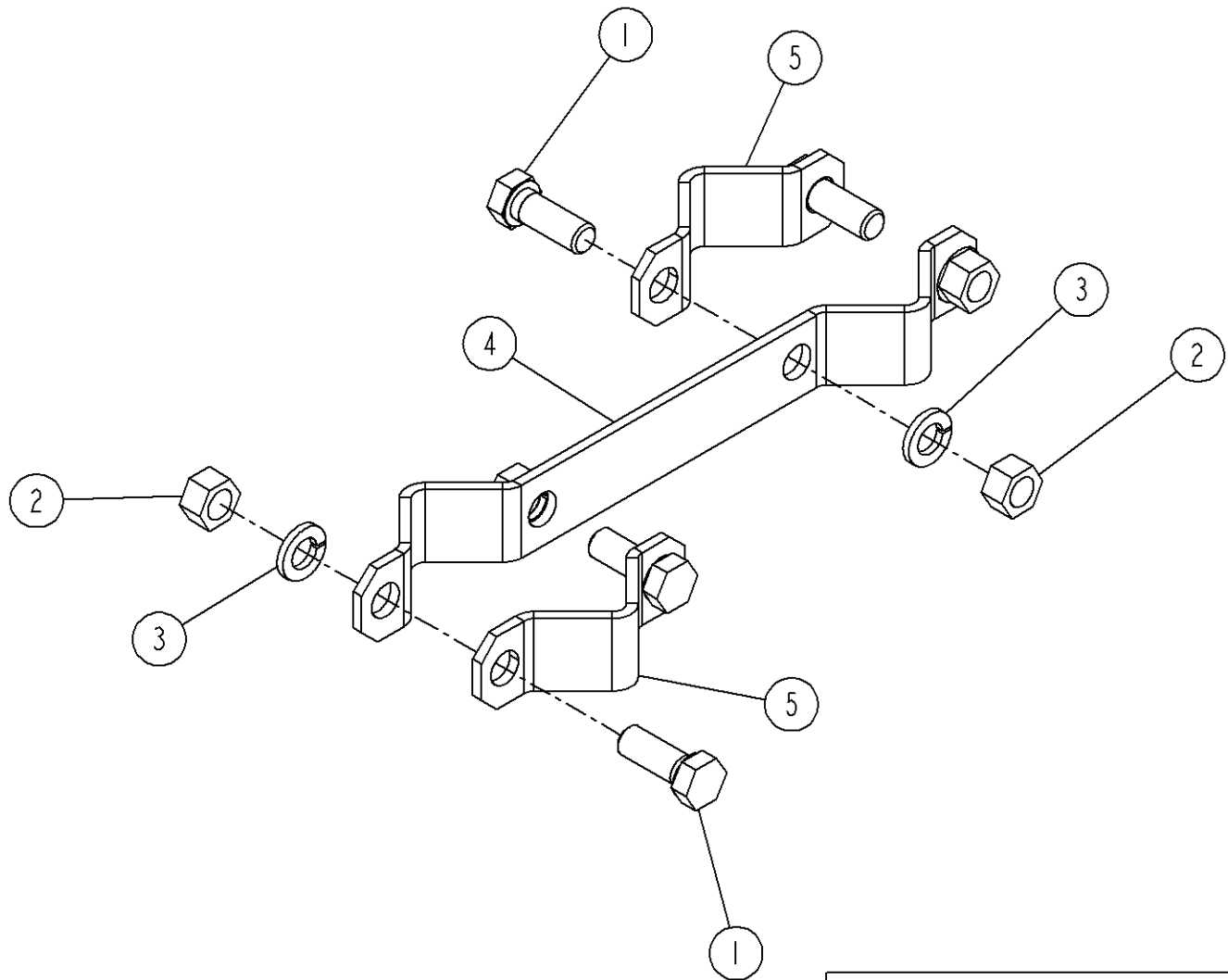


LADDER - ADJUSTABLE SLOPE, REAR

912632-005

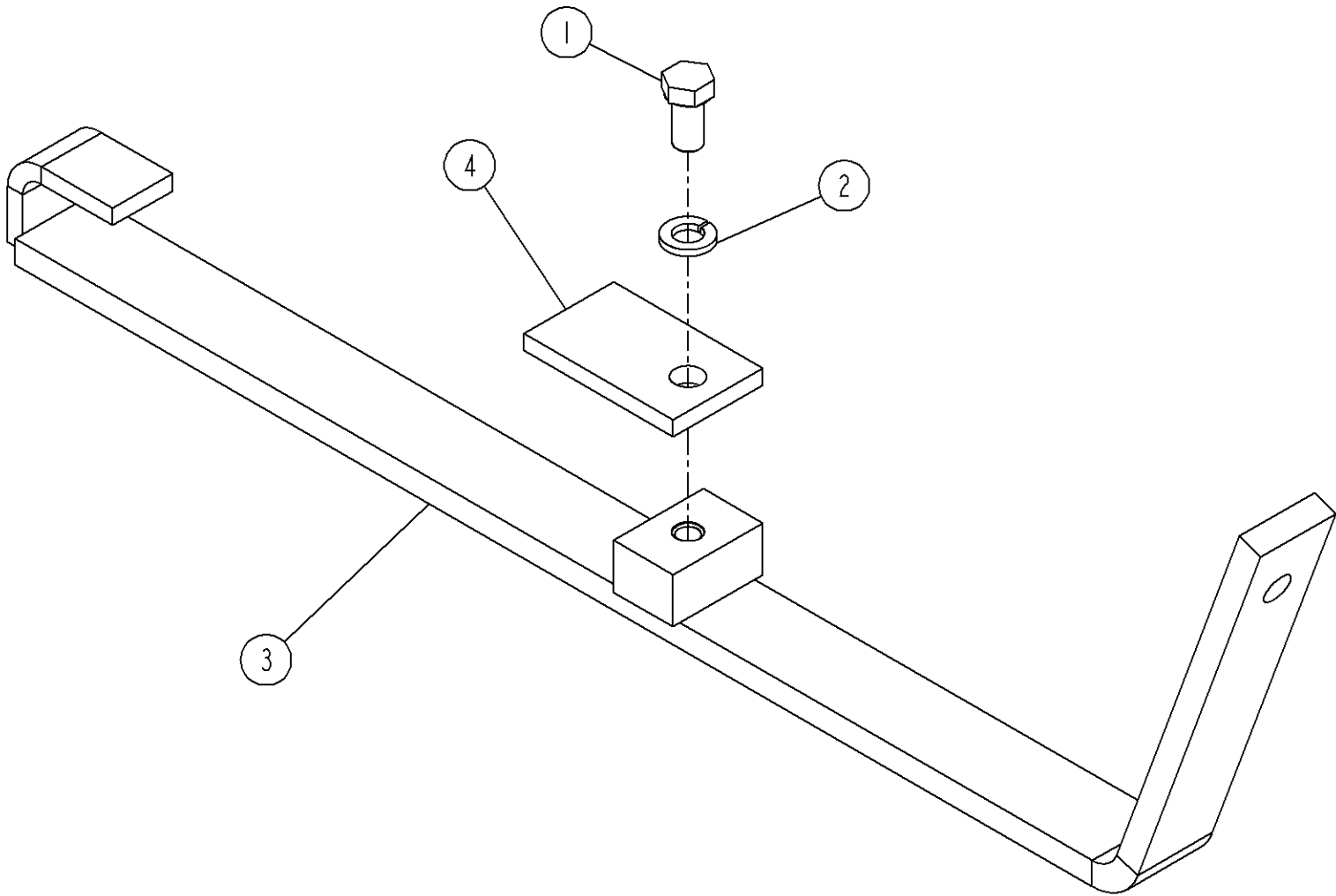
D

LADDER - ADJUSTABLE SLOPE, REAR			912632-005	D
ITEM NO.	QTY	PART NUMBER	DESCRIPTION	
1	2	400-30A90	.375-16 UNC X 2.500 HHCS GR5	
2	1	400-46T63	.375-16 UNC X 1.250 HHCS GR8	
3	2	415-30B01	.500-13 UNC GR8 HEX JAM NUT	
4	2	415-45G77	.375-16 UNC GR5 NYLOK HEX NUT	
5	1	420-30A41	LOCK WASHER .375	
6	5	420-30A65	FLAT WASHER .375 W	
7	2	425-30B44	.500-13 UNC X 2.000 SQ HD SET SCR	
8	1	430-45G34	HAIR PIN (NO. 8)	
9	3	430-47H50	PIN - LOCK .375X2.500	
10	1	905232-019	PIN	
11	1	905232-027	LADDER EXTENSION - 2 STEPS	
12	1	912632-002	HINGE - LADDER	
13	1	912632-004	LADDER ANGLE ADJUSTMENT	
14	1	912632-006	LADDER - REAR	
15	2	9610-01177	LADDER - PAD	
16	1	9825-01233	LADDER PIN	



HANDRAIL CLAMP ASSY	
912826-015	A

HANDRAIL CLAMP ASSY			912826-015	A
ITEM NO.	QTY	PART NUMBER	DESCRIPTION	
1	4	400-30A19	.375-16 UNC X 1.000 HHCS GR5	
2	4	415-30A06	.375-16 UNC GR5 HEX NUT	
3	4	420-30A41	LOCK WASHER .375	
4	1	9810-22113	SHEET - FORMED HANDRAIL SPACER	
5	2	BT30-022	GATE CHAIN CLAMP	



HOSE HANGER	
905310-005	G



HOSE HANGER			905310-005	G
ITEM NO.	QTY	PART NUMBER	DESCRIPTION	
1	1	400-30A20	.375-16 UNC X .750 HHCS GR5	
2	1	420-30A41	LOCK WASHER .375	
3	1	905310-065	HOSE HANGER	
4	1	9830-09557	FLAT BAR - W/HOLE	

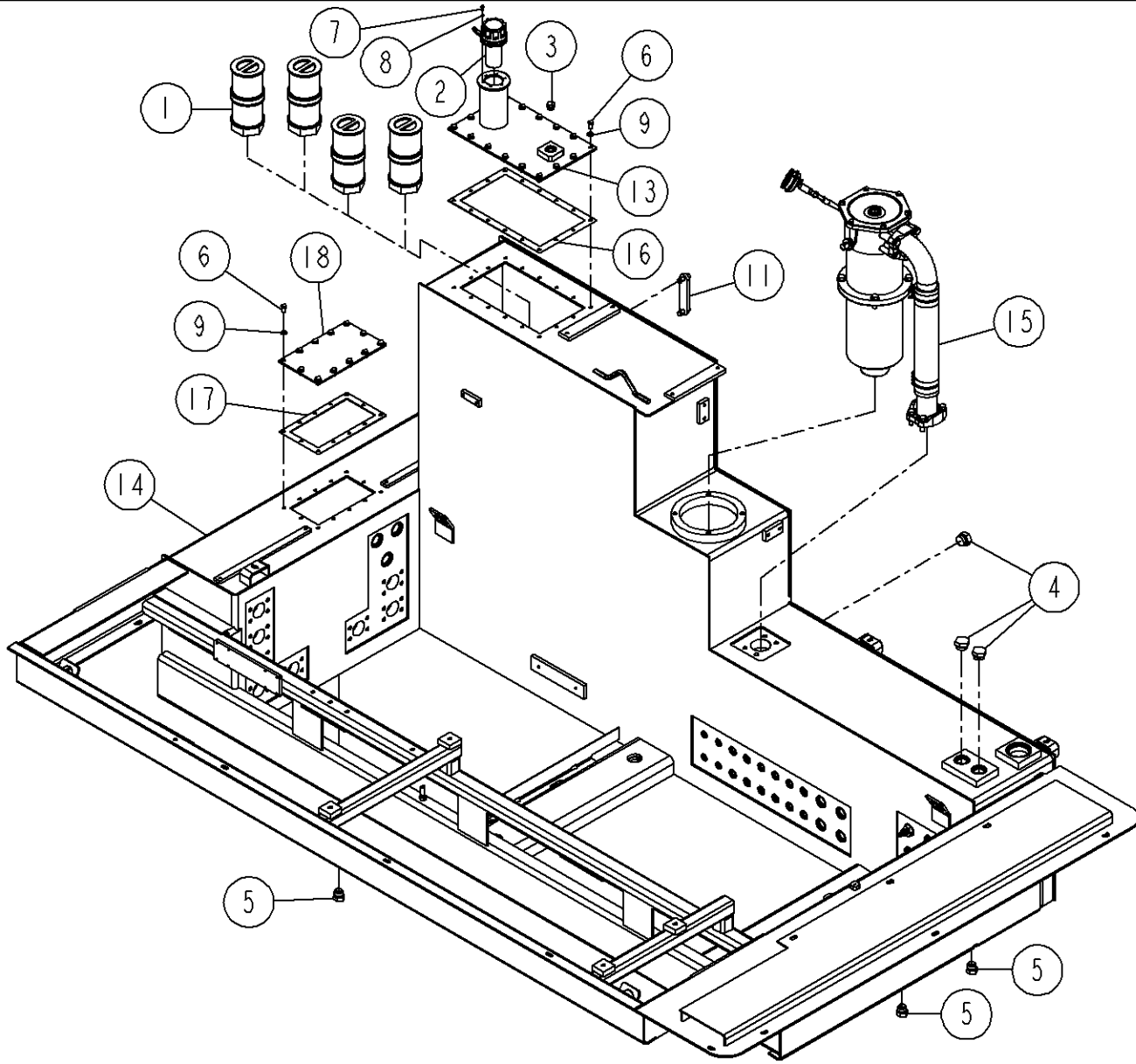


---

<b>Page #</b>	<b>Part Number</b>	<b>Description</b>
1	912621-004	OIL TANK ASSEMBLY
2	912621-001	FUEL TANK ASSEMBLY - 160 GALLON
3	912613-051	STEEL SHROUD ASSY (DEF TANK)
4	912613-007	SHROUD PANEL ASSY, FRONT
5	912613-049	SHROUD PANEL ASSY, REAR (DEF TANK)
6	912613-050	SHROUD PANEL ASSY, LEFT END (DEF TANK)
7	912613-022	SHROUD TOP ASSY, FIBERGLASS
8	912613-045	ENGINE COVER ASSY - FIBERGLASS
9	912613-044	SHROUD FRONT ASSY - FIBERGLASS
10	912613-043	SHROUD REAR ASSY - FIBERGLASS
11	912611-028	SHROUD STAND ADJUSTABLE ASSEMBLY
12	912613-036	CONTROL CONSOLE ASSY G+/T3/24V
13	912613-002	CONSOLE MOUNT ASSY
14	912613-034	CONSOLE SUB ASSY
15	912613-035	CONTROL PANEL ASSEMBLY G+/T3/24V
16	905220-294	CONTROL PANEL ASSY 4 TRACK
17	912620-008	PANEL ASSEMBLY
18	912620-021	ENGINE CONT PANEL ASSY- T4 W/ FORCED SHTDN
19	912613-032	GAUGE PANEL ASSY, HYD - OPEN FRONT
20	912620-005	MASTER ASSY, GO-PAVE
21	912820-003	POWER DIST CENTER GO-PAVE
22	912849-001	BATTERY TRAY/POWER CONVERTER ASSY





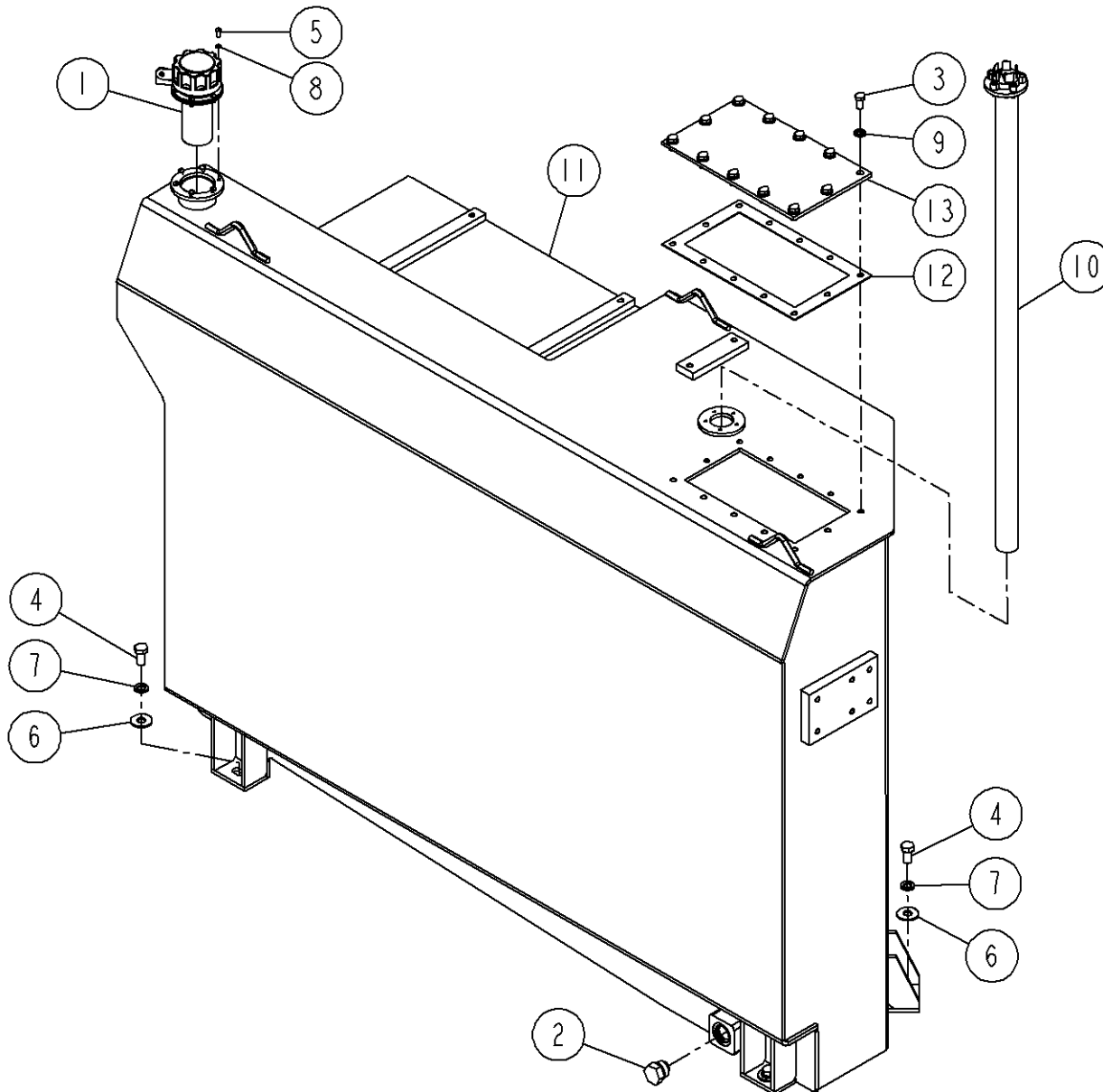


OIL TANK ASSEMBLY

912621-004

E

OIL TANK ASSEMBLY			912621-004	E
ITEM NO.	QTY	PART NUMBER	DESCRIPTION	
1	4	110-46F19	FILTER, SUMP - 100 MESH 2.50 NPT NS	
2	1	120-48N72	CAP-FILLER BREATHER	
3	1	155-10K98	MALE BOSS PLUG (- 8)	
4	3	155-46R02	MALE BOSS PLUG (-16)	
5	3	155-49E65	MALE BOSS PLUG (-12) MAGNETIC	
6	28	400-30A20	.375-16 UNC X .750 HHCS GR5	
7	6	405-30C75	#10-32 UNF X .500 RND HD MACH SCR	
8	6	420-30A80	LOCK WASHER #10	
9	28	420-30A96	THREAD SEAL WASHER .375 NS	
10	1	700-10S61	OIL TEMPERATURE SENDER	
11	1	700-48A31	GAUGE-SIGHT, OIL LEVEL, M12 X 1.75 BOLTS	
12	1	905543-004	ADAPTER - OIL SENDER (SAE -12/.125-27NPTF)	
13	1	912610-014	FILLER PLATE	
14	1	912612-021	POWER UNIT	
15	1	912619-001	MAIN FILTER HYDR (1 BANK)	
16	1	9610-01168	GASKET, FILLER PLATE AND SUMP ACCESS	
17	1	GT60-396	GASKET, SUMP ACCESS	
18	1	GT60-397	SUMP ACCESS COVER	



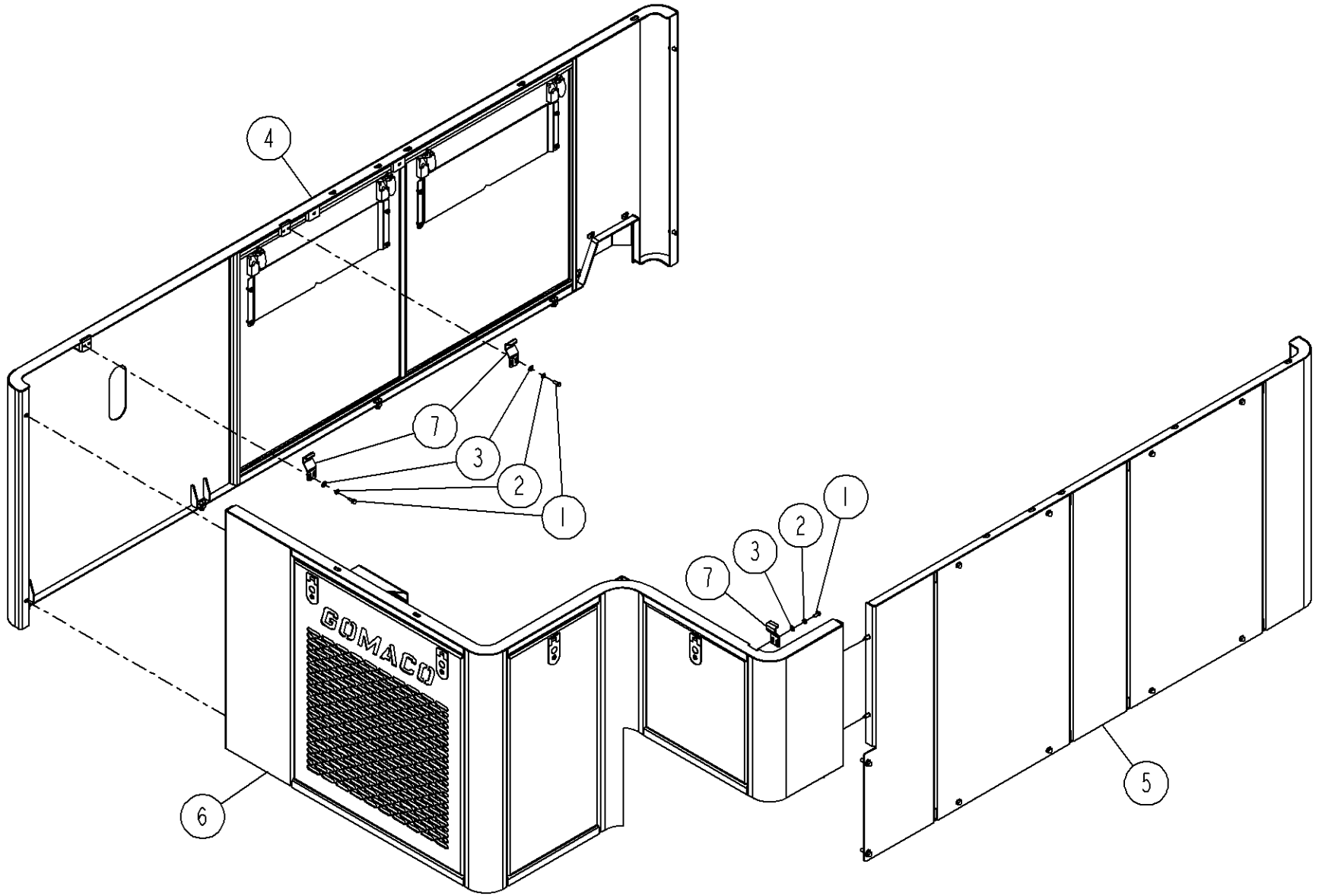
FUEL TANK ASSEMBLY - 160 GALLON

912621-001

F



FUEL TANK ASSEMBLY - 160 GALLON			912621-001	F
ITEM NO.	QTY	PART NUMBER	DESCRIPTION	
1	1	120-54P36	CAP - FILLER BREATHER W/BASKET	
2	1	155-49E65	MALE BOSS PLUG (-12) MAGNETIC	
3	12	400-30A20	.375-16 UNC X .750 HHCS GR5	
4	4	400-30D75	.500-13 UNC X 1.000 HHCS GR8	
5	6	405-30C75	#10-32 UNF X .500 RND HD MACH SCR	
6	4	420-30A32	FLAT WASHER .500 W	
7	4	420-30A37	LOCK WASHER .500	
8	6	420-30A80	LOCK WASHER #10	
9	12	420-30A96	THREAD SEAL WASHER .375 NS	
10	1	700-53R83	SENDER - FUEL LEVEL 36 IN (GSKT 700-49K54)	
11	1	912621-002	FUEL TANK - 160 GALLON	
12	1	GT60-396	GASKET, SUMP ACCESS	
13	1	GT60-397	SUMP ACCESS COVER	

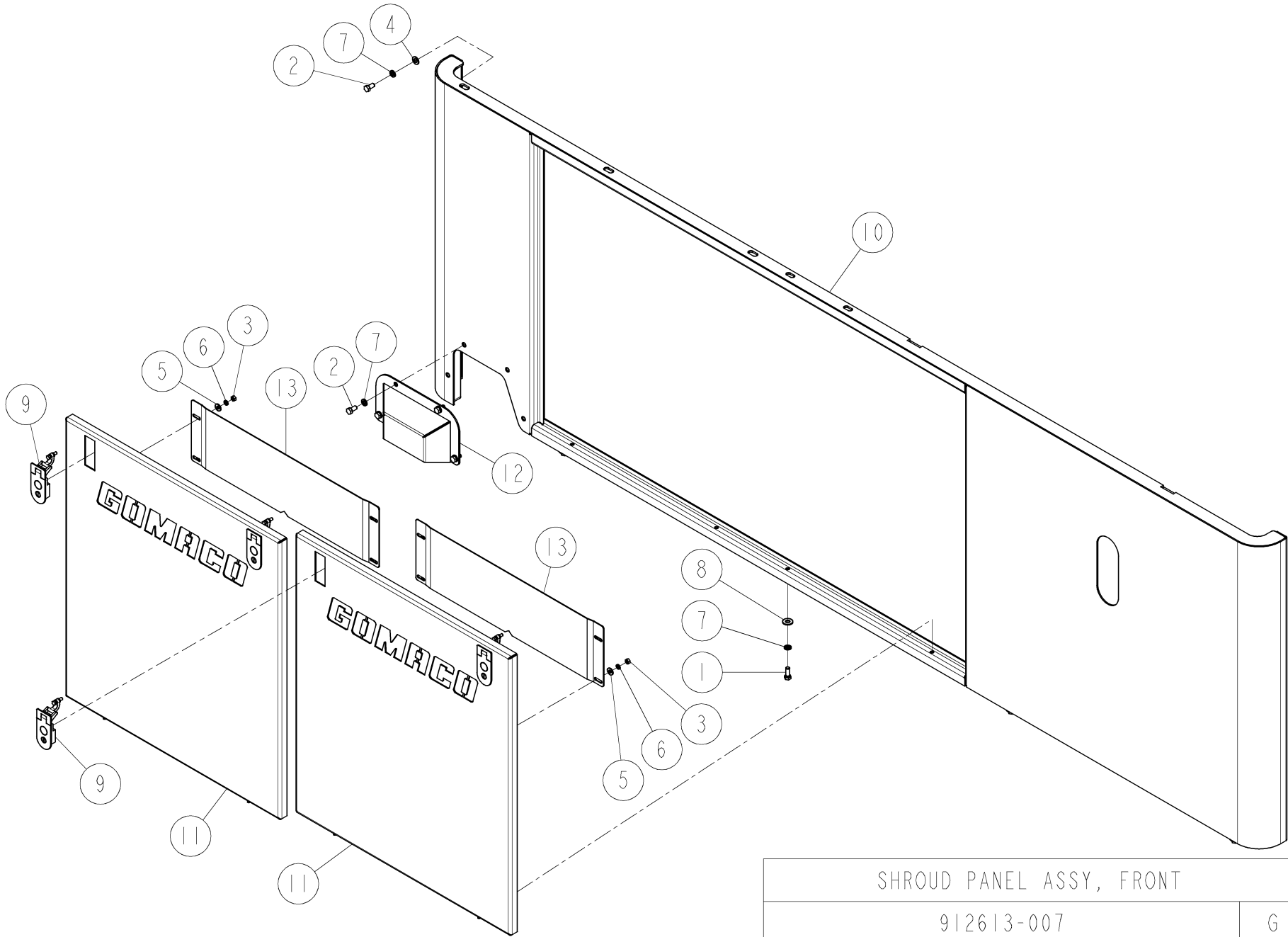


STEEL SHROUD ASSY (DEF TANK)

912613-051

A

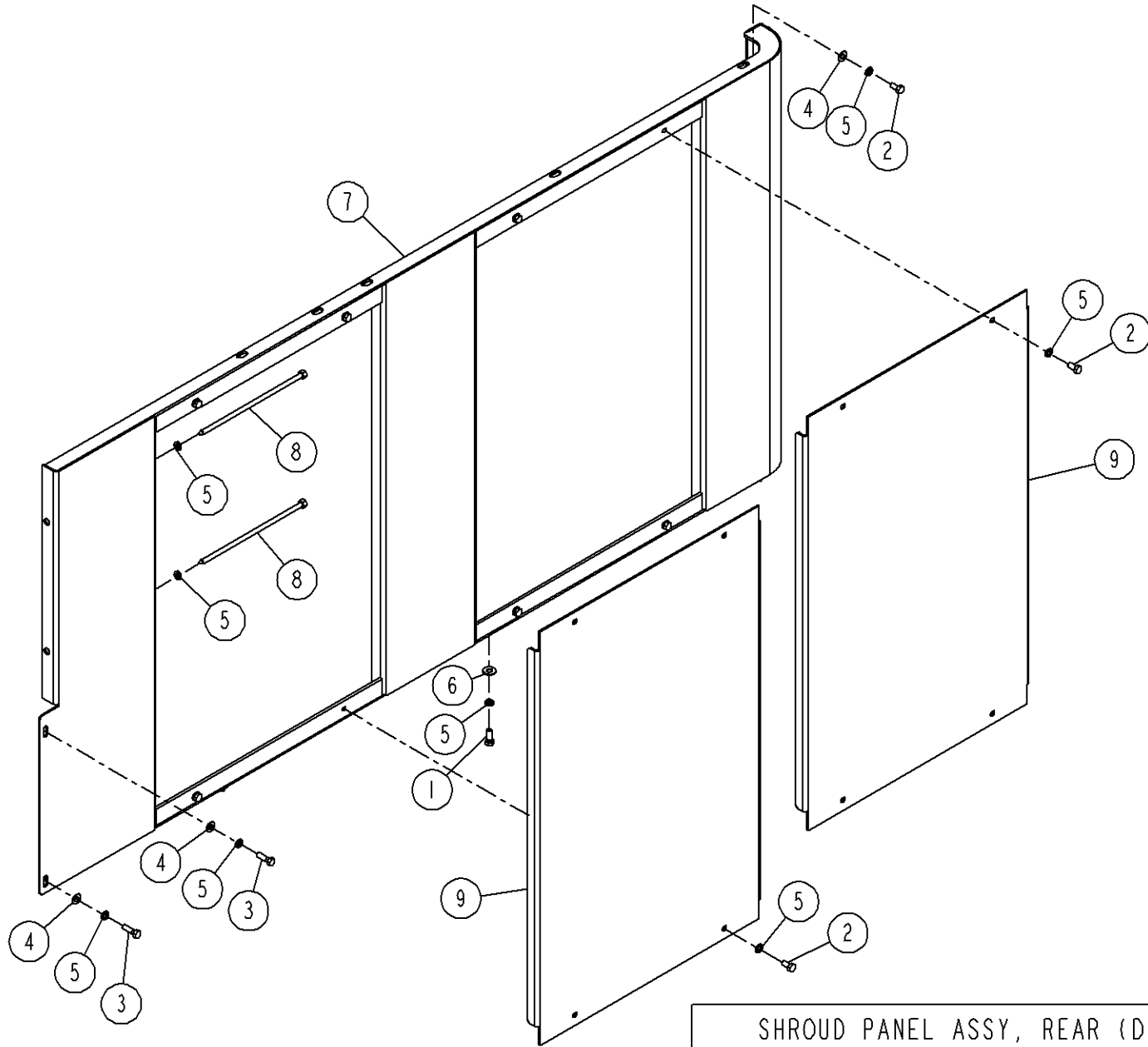
STEEL SHROUD ASSY (DEF TANK)			912613-051	A
ITEM NO.	QTY	PART NUMBER	DESCRIPTION	
1	6	400-30B55	.3125-18 UNC X .750 HHCS GR5	
2	6	420-30A38	LOCK WASHER .312	
3	6	420-49L41	FLAT WASHER .312 F436	
4	1	912613-007	SHROUD PANEL ASSY, FRONT	
5	1	912613-049	SHROUD PANEL ASSY, REAR (DEF TANK)	
6	1	912613-050	SHROUD PANEL ASSY, LEFT END (DEF TANK)	
7	3	9810-19736	LATCH	



SHROUD PANEL ASSY, FRONT

912613-007

SHROUD PANEL ASSY, FRONT			912613-007	G
ITEM NO.	QTY	PART NUMBER	DESCRIPTION	
1	4	400-30A19	.375-16 UNC X 1.000 HHCS GR5	
2	6	400-30A20	.375-16 UNC X .750 HHCS GR5	
3	8	415-30A04	.250-20 UNC GR5 HEX NUT	
4	2	420-10T99	FLAT WASHER .375 F436	
5	8	420-30A30	FLAT WASHER .250 W	
6	8	420-30A36	LOCK WASHER .250	
7	10	420-30A41	LOCK WASHER .375	
8	4	420-30A65	FLAT WASHER .375 W	
9	4	730-49K56	LEVER LATCH (GRIP .55/1.14)	
10	1	912613-011	SHROUD PANEL	
11	2	912613-012	DOOR	
12	1	912613-013	HOSE COVER	
13	2	9810-20576	SHEET - ACCESS PANEL, LOGO COVER	

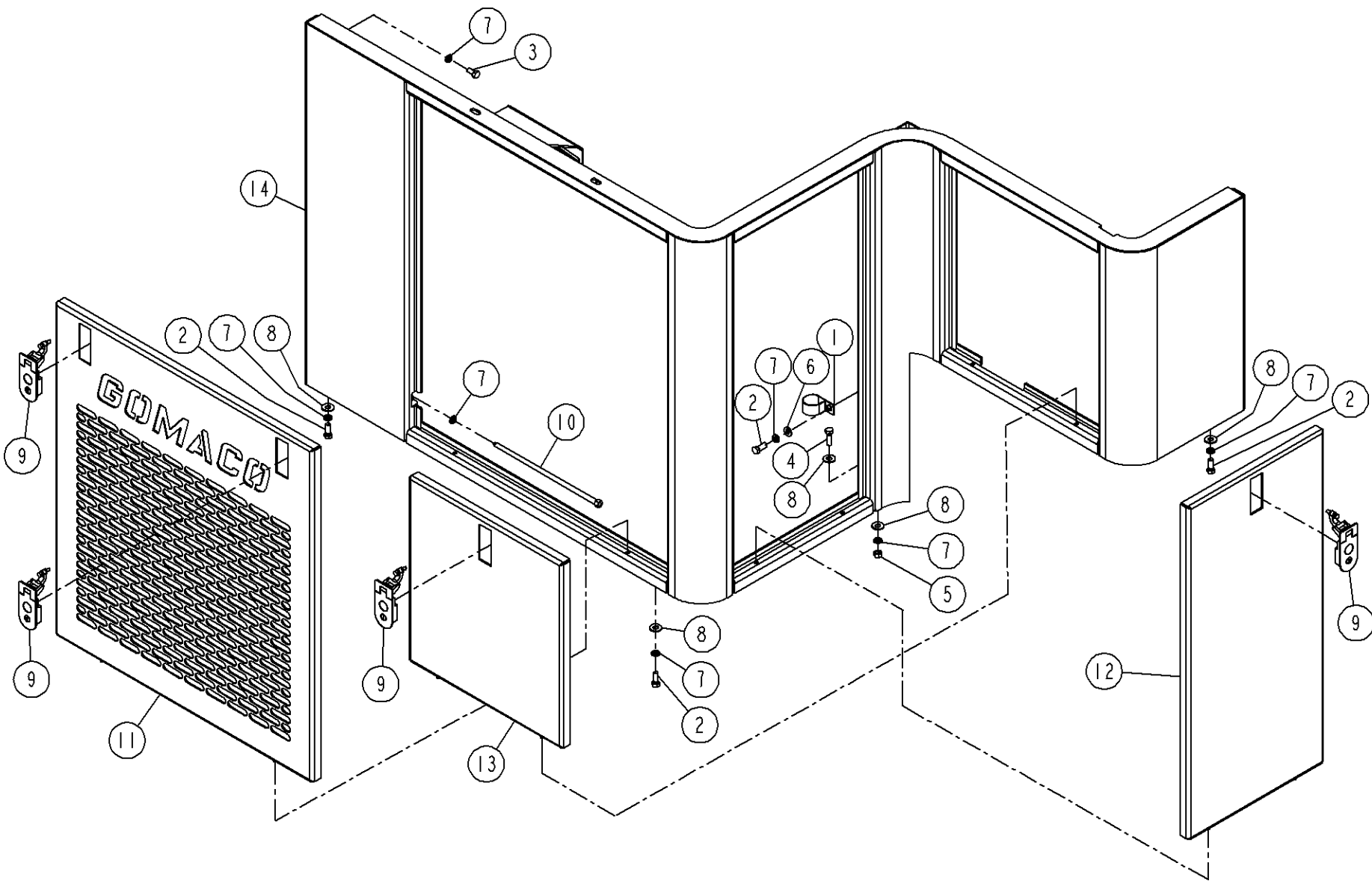


SHROUD PANEL ASSY, REAR (DEF TANK)

912613-049

B

SHROUD PANEL ASSY, REAR (DEF TANK)			912613-049	B
ITEM NO.	QTY	PART NUMBER	DESCRIPTION	
1	3	400-30A19	.375-16 UNC X 1.000 HHCS GR5	
2	10	400-30A20	.375-16 UNC X .750 HHCS GR5	
3	2	400-30B85	.375-16 UNC X 1.250 HHCS GR5	
4	4	420-10T99	FLAT WASHER .375 F436	
5	17	420-30A41	LOCK WASHER .375	
6	3	420-30A65	FLAT WASHER .375 W	
7	1	912613-046	SHROUD PANEL (DEF TANK)	
8	2	912613-052	PANEL CONNECTOR BOLT - .375-16 X 10.79	
9	2	9810-19536	DOOR	



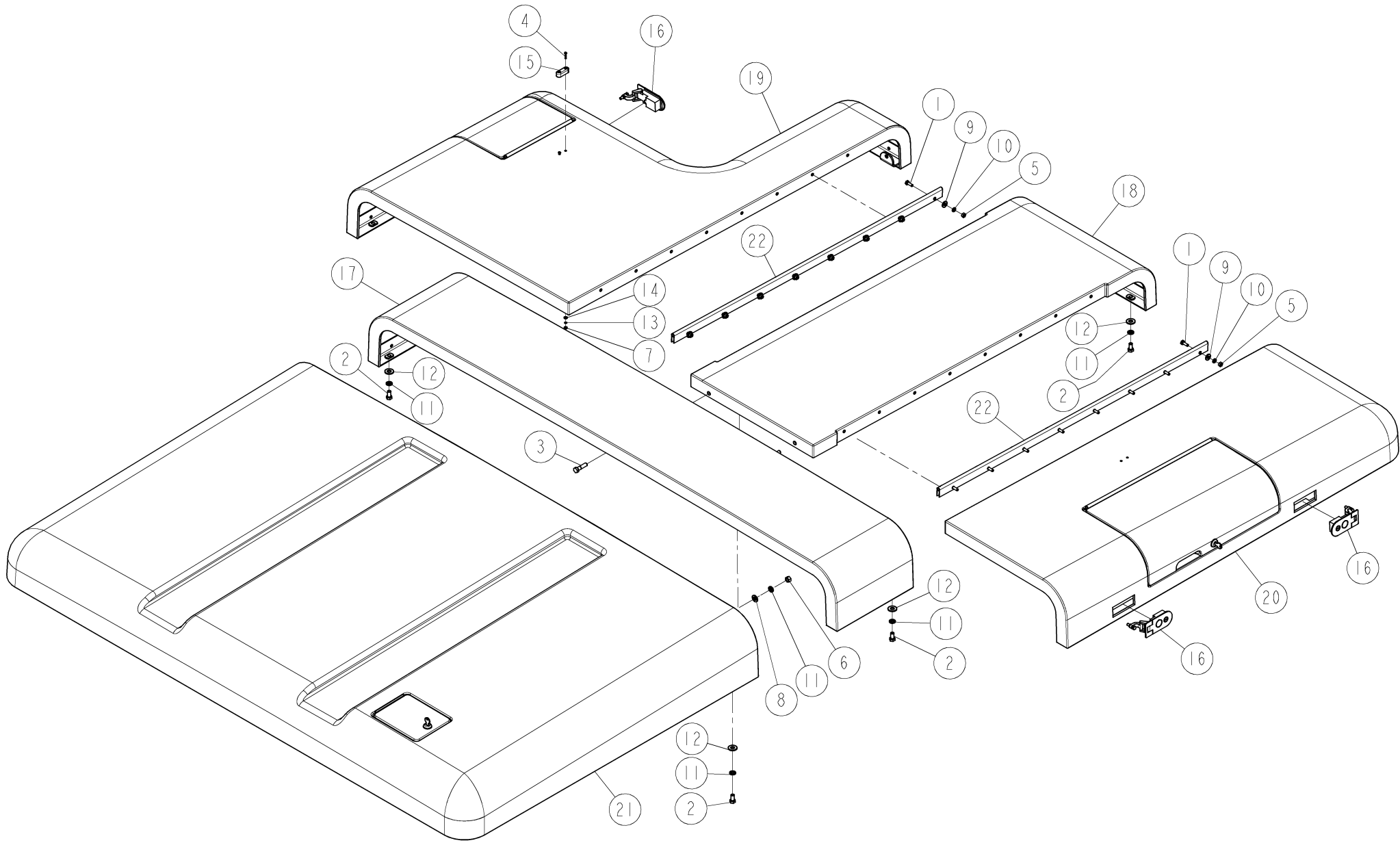
SHROUD PANEL ASSY, LEFT END (DEF TANK)

912613-050

C



SHROUD PANEL ASSY, LEFT END (DEF TANK)			912613-050	C
ITEM NO.	QTY	PART NUMBER	DESCRIPTION	
1	2	170-10L63	HOSE CLAMP - SUPPORT	
2	5	400-30A19	.375-16 UNC X 1.000 HHCS GR5	
3	1	400-30A20	.375-16 UNC X .750 HHCS GR5	
4	1	400-30B85	.375-16 UNC X 1.250 HHCS GR5	
5	1	415-30A06	.375-16 UNC GR5 HEX NUT	
6	3	420-10T99	FLAT WASHER .375 F436	
7	8	420-30A41	LOCK WASHER .375	
8	5	420-30A65	FLAT WASHER .375 W	
9	4	730-49K56	LEVER LATCH (GRIP .55/1.14)	
10	1	912613-015	PANEL CONNECTOR BOLT - .375-16 UNC X 11.88	
11	1	912613-016	SHROUD DOOR	
12	1	912613-017	SHROUD DOOR	
13	1	912613-047	SHROUD DOOR, SHORT	
14	1	912613-048	SHROUD FRAME (DEF TANK)	

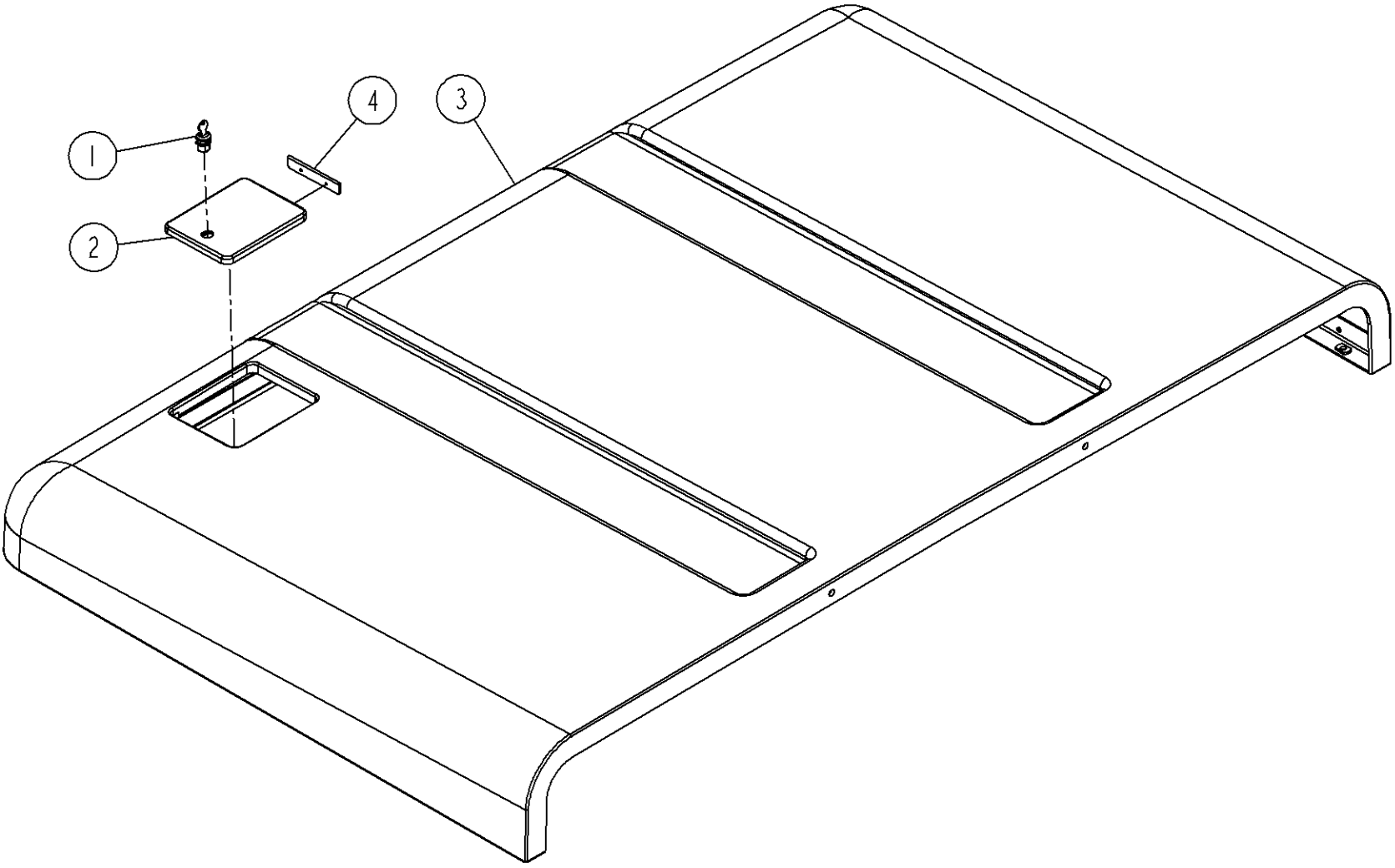


SHROUD TOP ASSY, FIBERGLASS

912613-022

H

SHROUD TOP ASSY, FIBERGLASS			912613-022	H
ITEM NO.	QTY	PART NUMBER	DESCRIPTION	
1	32	400-30A10	.250-20 UNC X .750 HHCS GR5	
2	12	400-30A20	.375-16 UNC X .750 HHCS GR5	
3	2	400-30B37	.375-16 UNC X 1.500 HHCS GR5	
4	4	405-45L46	# 6-32 UNC X .750 RND HD MACH SCR	
5	32	415-30A04	.250-20 UNC GR5 HEX NUT	
6	2	415-30A06	.375-16 UNC GR5 HEX NUT	
7	4	415-30B49	# 6-32 UNC GR2 HEX MACH SCR NUT	
8	2	420-10T99	FLAT WASHER .375 F436	
9	32	420-30A30	FLAT WASHER .250 W	
10	32	420-30A36	LOCK WASHER .250	
11	14	420-30A41	LOCK WASHER .375	
12	12	420-30A65	FLAT WASHER .375 W	
13	4	420-30D62	LOCK WASHER # 6	
14	4	420-48B92	FLAT WASHER # 6	
15	2	610-46E34	PAD - RUBBER BUMPER .625 X .50 X 1.75	
16	3	730-49K56	LEVER LATCH (GRIP .55/1.14)	
17	1	912613-023	SHROUD - CENTER RIB, FIBERGLASS	
18	1	912613-025	ACCESS DOOR - CENTER, FIBERGLASS	
19	1	912613-043	SHROUD REAR ASSY - FIBERGLASS	
20	1	912613-044	SHROUD FRONT ASSY - FIBERGLASS	
21	1	912613-045	ENGINE COVER ASSY - FIBERGLASS	
22	2	9730-01137	HINGE	

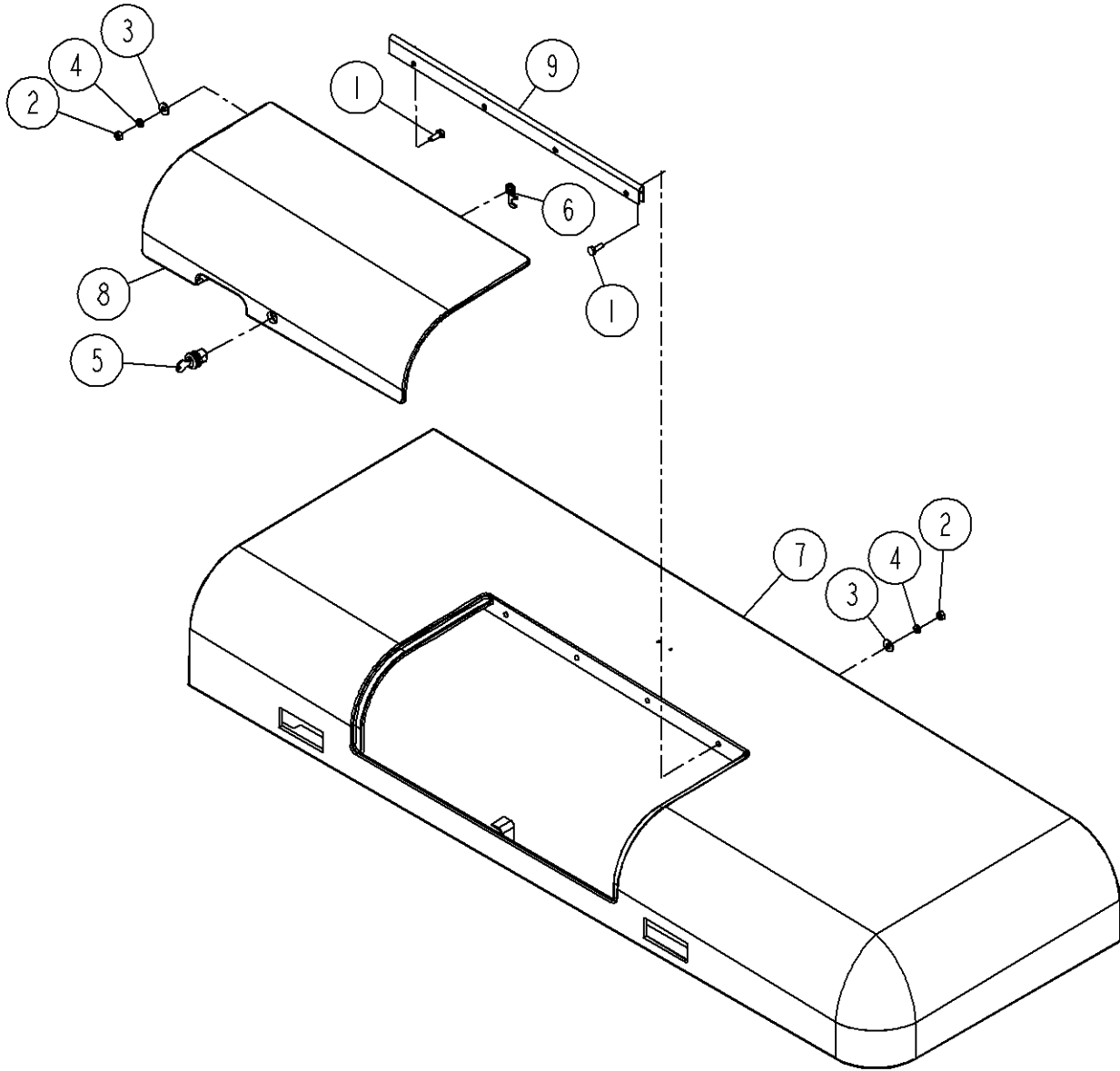


ENGINE COVER ASSY - FIBERGLASS

912613-045

B

ENGINE COVER ASSY - FIBERGLASS			912613-045	B
ITEM NO.	QTY	PART NUMBER	DESCRIPTION	
1	1	730-51B90	LOCK - SEALED, FIXED CORE	
2	1	906913-012	FUEL FILL ACCESS DOOR	
3	1	912613-024	ENGINE COVER - FIBERGLASS	
4	1	9730-00771	HINGE	

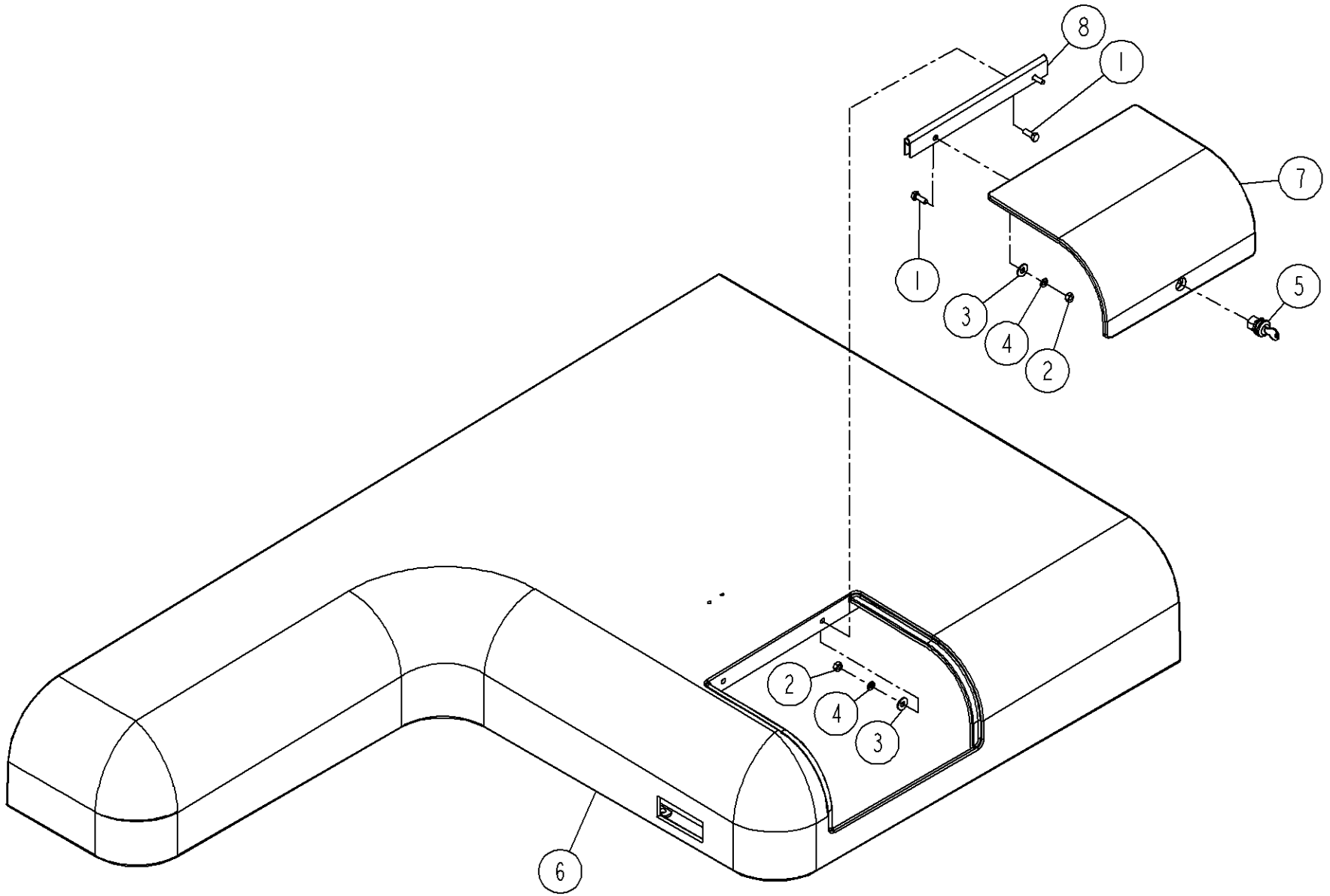


SHROUD FRONT ASSY - FIBERGLASS

912613-044

B

SHROUD FRONT ASSY - FIBERGLASS			912613-044	B
ITEM NO.	QTY	PART NUMBER	DESCRIPTION	
1	8	400-30A10	.250-20 UNC X .750 HHCS GR5	
2	8	415-30A04	.250-20 UNC GR5 HEX NUT	
3	8	420-30A30	FLAT WASHER .250 W	
4	8	420-30A36	LOCK WASHER .250	
5	1	730-51B90	LOCK - SEALED, FIXED CORE (.875 HSG LG)	
6	1	730-55D53	PAWL - HOOKED, OFFSET, 1.250 IN	
7	1	912613-026	SHROUD - FRONT, FIBERGLASS	
8	1	912613-028	GAUGE ACCESS PANEL - FIBERGLASS	
9	1	9730-01138	HINGE	



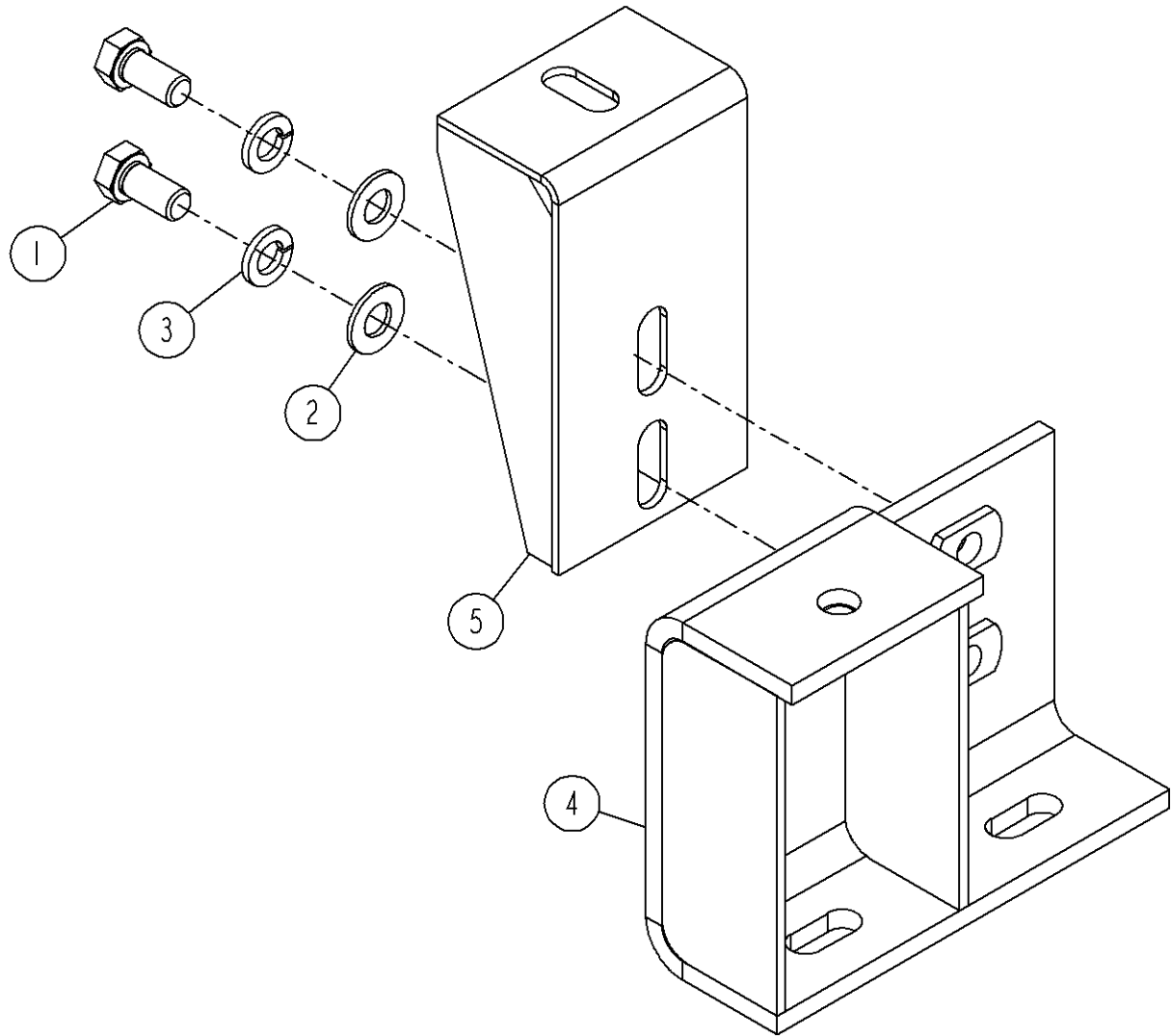
SHROUD REAR ASSY - FIBERGLASS

912613-043

A



SHROUD REAR ASSY - FIBERGLASS			912613-043	A
ITEM NO.	QTY	PART NUMBER	DESCRIPTION	
1	4	400-30A10	.250-20 UNC X .750 HHCS GR5	
2	4	415-30A04	.250-20 UNC GR5 HEX NUT	
3	4	420-30A30	FLAT WASHER .250 W	
4	4	420-30A36	LOCK WASHER .250	
5	1	730-51B90	LOCK - SEALED, FIXED CORE	
6	1	912613-027	SHROUD - REAR, FIBERGLASS	
7	1	912613-029	FUEL ACCESS DOOR - FIBERGLASS	
8	1	9730-01139	HINGE	

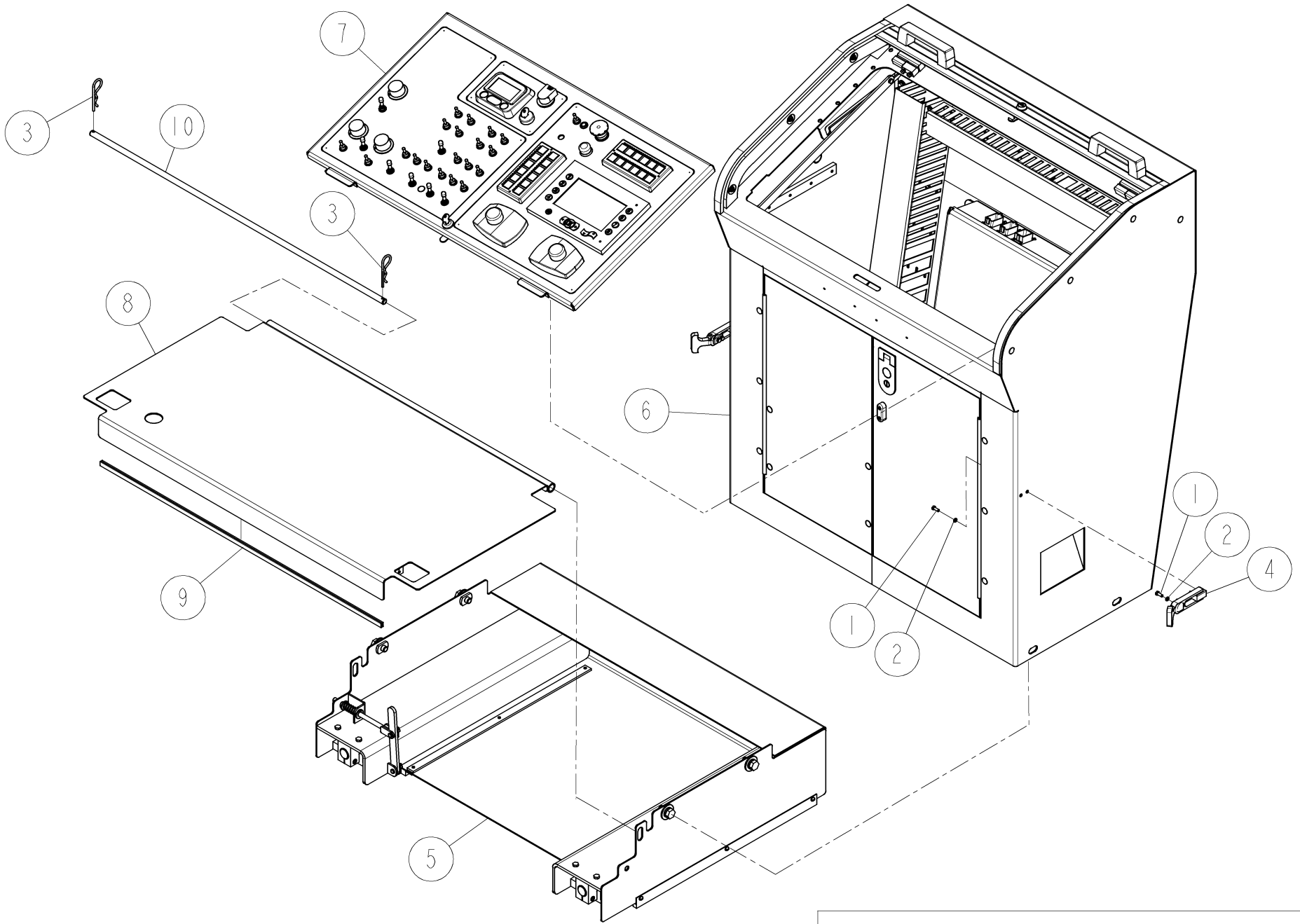


SHROUD STAND ADJUSTABLE ASSEMBLY

912611-028

A

SHROUD STAND ADJUSTABLE ASSEMBLY			912611-028	A
ITEM NO.	QTY	PART NUMBER	DESCRIPTION	
1	2	400-30A20	.375-16 UNC X .750 HHCS GR5	
2	2	420-10T99	FLAT WASHER .375 F436	
3	2	420-30A41	LOCK WASHER .375	
4	1	912610-015	SHROUD STAND	
5	1	912610-063	SHROUD STAND - ADJUSTABLE	

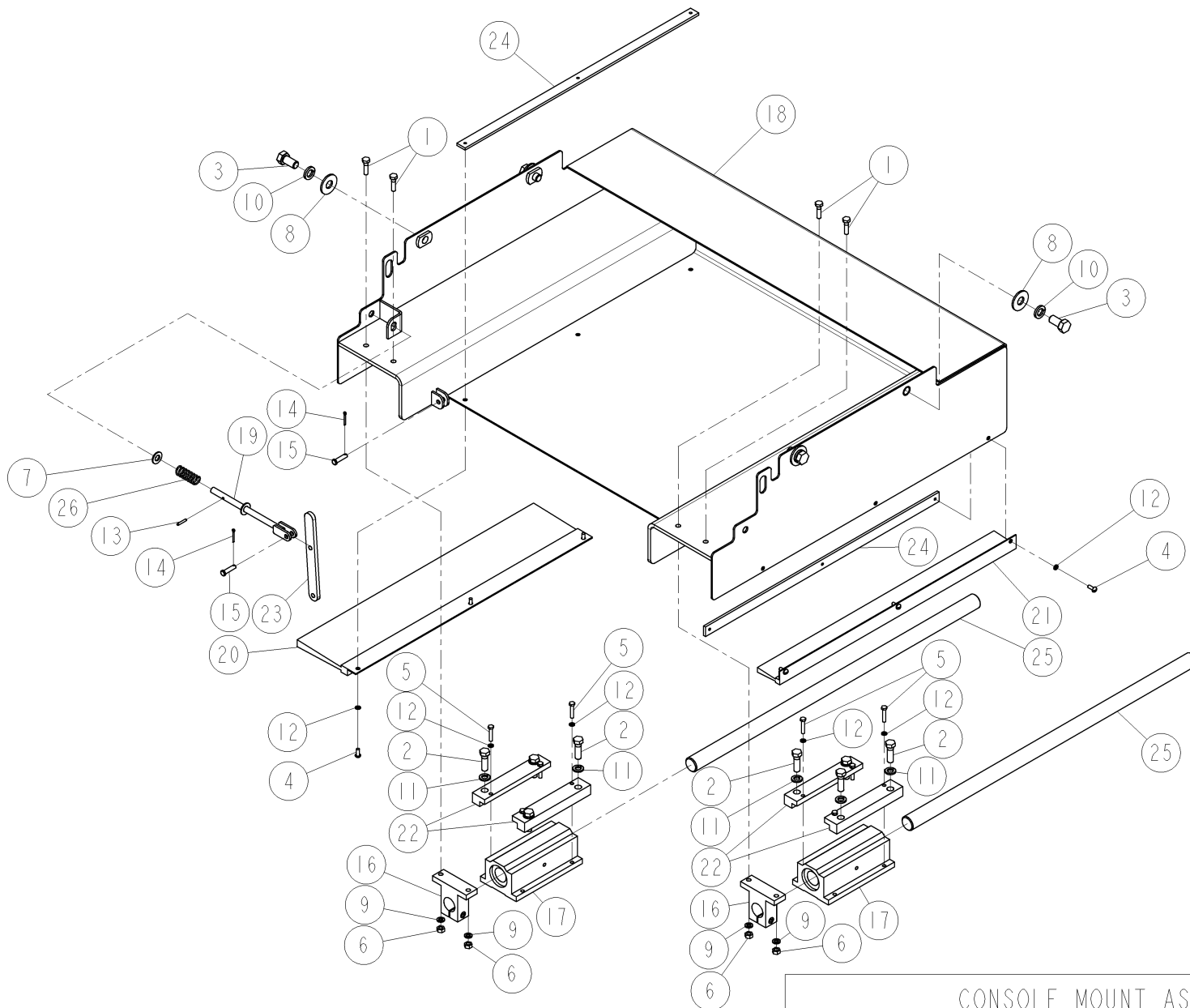


CONTROL CONSOLE ASSY G+/T3/24V

912613-036

D

CONTROL CONSOLE ASSY G+/T3/24V			912613-036	D
ITEM NO.	QTY	PART NUMBER	DESCRIPTION	
1	8	405-48J06	HEX HD MACH SCR GR2 #10-24 .50	
2	8	420-30A80	LOCK WASHER #10	
3	2	430-30A48	HAIR PIN (NO. 9)	
4	2	730-51F18	LATCH - FLEXIBLE T-HANDLE STYLE	
5	1	912613-002	CONSOLE MOUNT ASSY	
6	1	912613-034	CONSOLE SUB ASSY	
7	1	912613-035	CONTROL PANEL ASSEMBLY G+/T3/24V	
8	1	912622-018	CONSOLE DECK COVER	
9	1	9610-01429	EDGE TRIM - VINYL, 33.50IN	
10	1	9825-02440	COLD FINISHED ROUND	

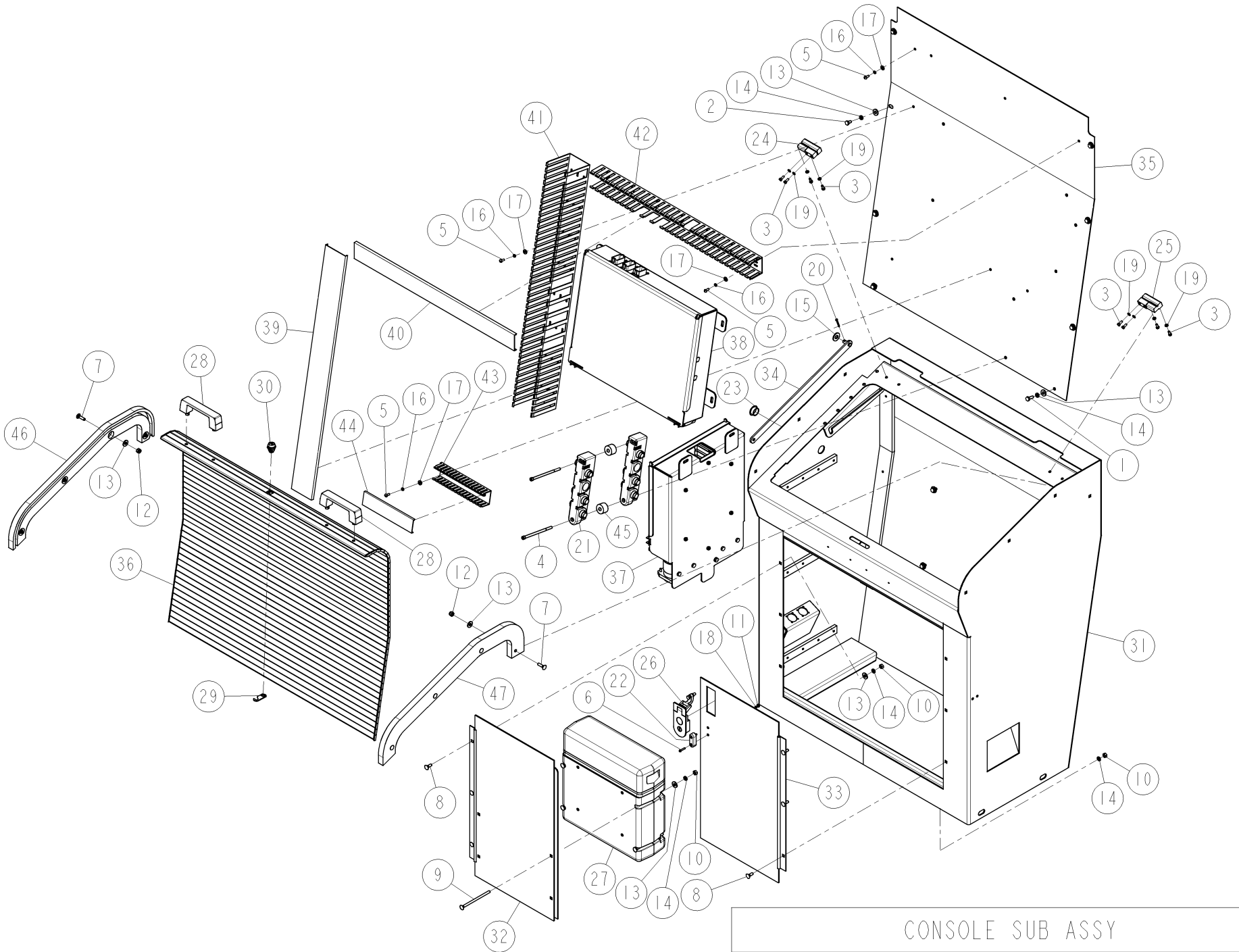


CONSOLE MOUNT ASSY

912613-002

H

CONSOLE MOUNT ASSY			912613-002	H
ITEM NO.	QTY	PART NUMBER	DESCRIPTION	
1	8	400-30A77	.250-20 UNC X 1.000 HHCS GR5	
2	8	400-30B85	.375-16 UNC X 1.250 HHCS GR5	
3	4	400-30D75	.500-13 UNC X 1.000 HHCS GR8	
4	12	405-30C75	#10-32 UNF X .500 RND HD MACH SCR	
5	8	405-48J08	HEX HD MACH SCR GR8 #10-32 X 1.00	
6	8	415-30A04	.250-20 UNC GR5 HEX NUT	
7	1	420-10T99	FLAT WASHER .375 F436	
8	4	420-30A32	FLAT WASHER .500 W	
9	8	420-30A36	LOCK WASHER .250	
10	4	420-30A37	LOCK WASHER .500	
11	8	420-30A41	LOCK WASHER .375	
12	20	420-30A80	LOCK WASHER #10	
13	1	430-10Y62	SLOTTED SPRING PIN .125 X .750	
14	2	430-30A62	COTTER PIN .094 X .750 EXT PRONG	
15	2	430-48J65	CLEVIS PIN .250 X 1.000	
16	4	615-51U70	SUPPORT BLOCK - BEARING SHAFT, 1.00IN	
17	2	615-51U71	BEARING - PILLOW BLOCK 1.00IN LINEAR	
18	1	912613-001	CONSOLE MOUNT	
19	1	912629-006	LOCKING PIN, CONSOLE SLIDE	
20	2	9730-01240	NYLON BRUSH 4.00 (978C)	
21	2	9730-01241	NYLON BRUSH - 90 DEG (986C)	
22	4	9800-35494	BEARING CLAMP	
23	1	9800-40717	HANDLE	
24	4	9810-21214	RETAINER BAR	
25	2	9825-03847	BEARING SHAFT	
26	1	GT60-339	LATCH SPRING	



CONSOLE SUB ASSY

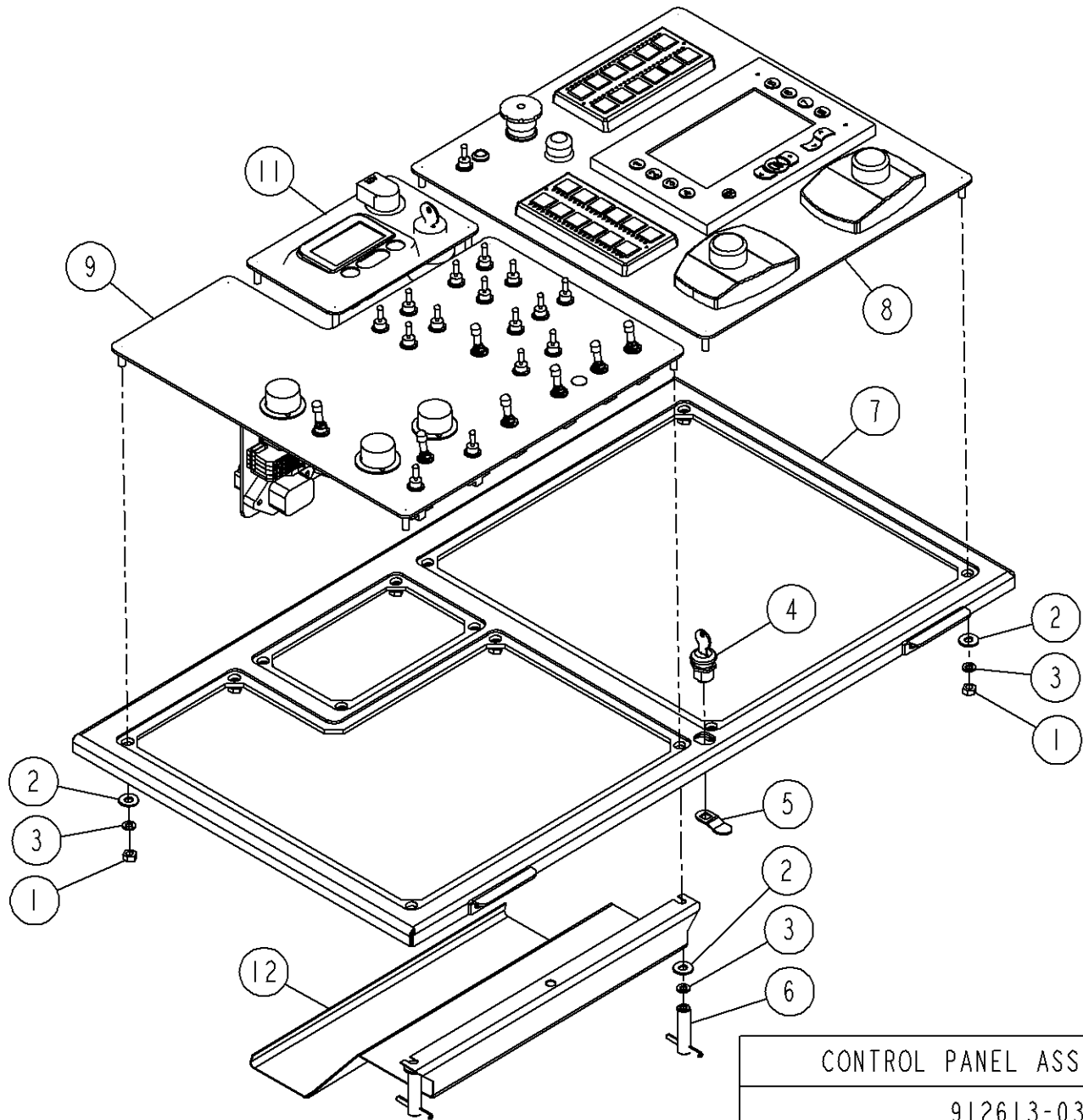
912613-034

F



CONSOLE SUB ASSY			912613-034	F
ITEM NO.	QTY	PART NUMBER	DESCRIPTION	
1	3	400-30A10	.250-20 UNC X .750 HHCS GR5	41
2	12	400-30D64	.250-20 UNC X .500 HHCS GR5	42
3	8	400-49J37	M5-0.80 X 12 MM HEX HD GR 8.8	43
4	2	400-54D83	.250-20 UNC X 4.500 SKTHCS (BLK)	44
5	8	405-30C75	#10-32 UNF X .500 RND HD MACH SCR	45
6	2	405-45L46	# 6-32 UNC X .750 RND HD MACH SCR	46
7	8	410-30C67	.250-20 UNC X 1.000 CRG BOLT GR5	47
8	6	410-53V14	.250-20 UNC X .750 CRG BOLT GR5	
9	4	410-54H88	.250-20 UNC X 4.500 CRG BOLT GR2	
10	10	415-30A04	.250-20 UNC GR5 HEX NUT	
11	2	415-30B49	# 6-32 UNC GR2 HEX MACH SCR NUT	
12	8	415-47R29	.250-20 UNC GR5 NYLOK HEX NUT	
13	32	420-30A30	FLAT WASHER .250 W	
14	25	420-30A36	LOCK WASHER .250	
15	1	420-30A65	FLAT WASHER .375 W	
16	8	420-30A80	LOCK WASHER #10	
17	8	420-30B82	FLAT WASHER #10	
18	2	420-30D62	LOCK WASHER # 6	
19	8	420-49J38	LOCK WASHER 5 MM	
20	1	430-30D23	COTTER PIN .125 X 1.000 EXT PRONG	
21	2	515-52F09	BLOCK, JUNCTION (MINIFAST 1 MALE, 5 FEM)	
22	1	610-46E34	PAD - RUBBER BUMPER .625 X .50 X 1.75	
23	1	730-45N77	PLUG - HOLE 1.00 IN DIA	
24	1	730-49C30	HINGE - OFFSET, TYPE A	
25	1	730-49C31	HINGE - OFFSET, TYPE B	
26	1	730-49K56	LEVER LATCH (GRIP .55/1.14)	
27	1	730-51A81	PARTS BOOK STORAGE CONTAINER, REMOVABLE	
28	2	730-51B88	HANDLE - REAR MOUNT, PLASTIC BLK	
29	1	730-51B89	PAWL - HOOKED, 1.250 IN	
30	1	730-55B77	LOCK - SEALED, FIXED CORE (.625 HSG LG)	
31	1	905213-189	CONTROL CONSOLE	
32	1	905213-190	DOOR LH	
33	1	905213-191	DOOR RH	
34	1	905213-192	PROP ROD	
35	1	905213-195	BACKER PANEL	
36	1	905213-196	ROLL TOP DOOR	
37	1	905220-230	POWER DIST CENTER 24V G+	
38	1	912620-005	MASTER ASSY, GO-PAVE	
39	1	9545-00017	COVER, WIRING DUCT - 3.00 X 32.00 LONG	
40	1	9545-00018	COVER, WIRING DUCT - 26.00 LONG	

41	1	9545-00020	WIRING DUCT, 3.00 X 4.00 X 32.00 LONG
42	1	9545-00021	WIRING DUCT, 2.00 X 2.00 X 26.00 LONG
43	1	9545-00022	WIRING DUCT, 8.00 LONG
44	1	9545-00023	COVER, WIRING DUCT - 8.00 LONG
45	2	9610-00464	SPACER
46	1	9610-01066	GUIDE RAIL - ROLL TOP LH
47	1	9610-01067	GUIDE RAIL - ROLL TOP RH

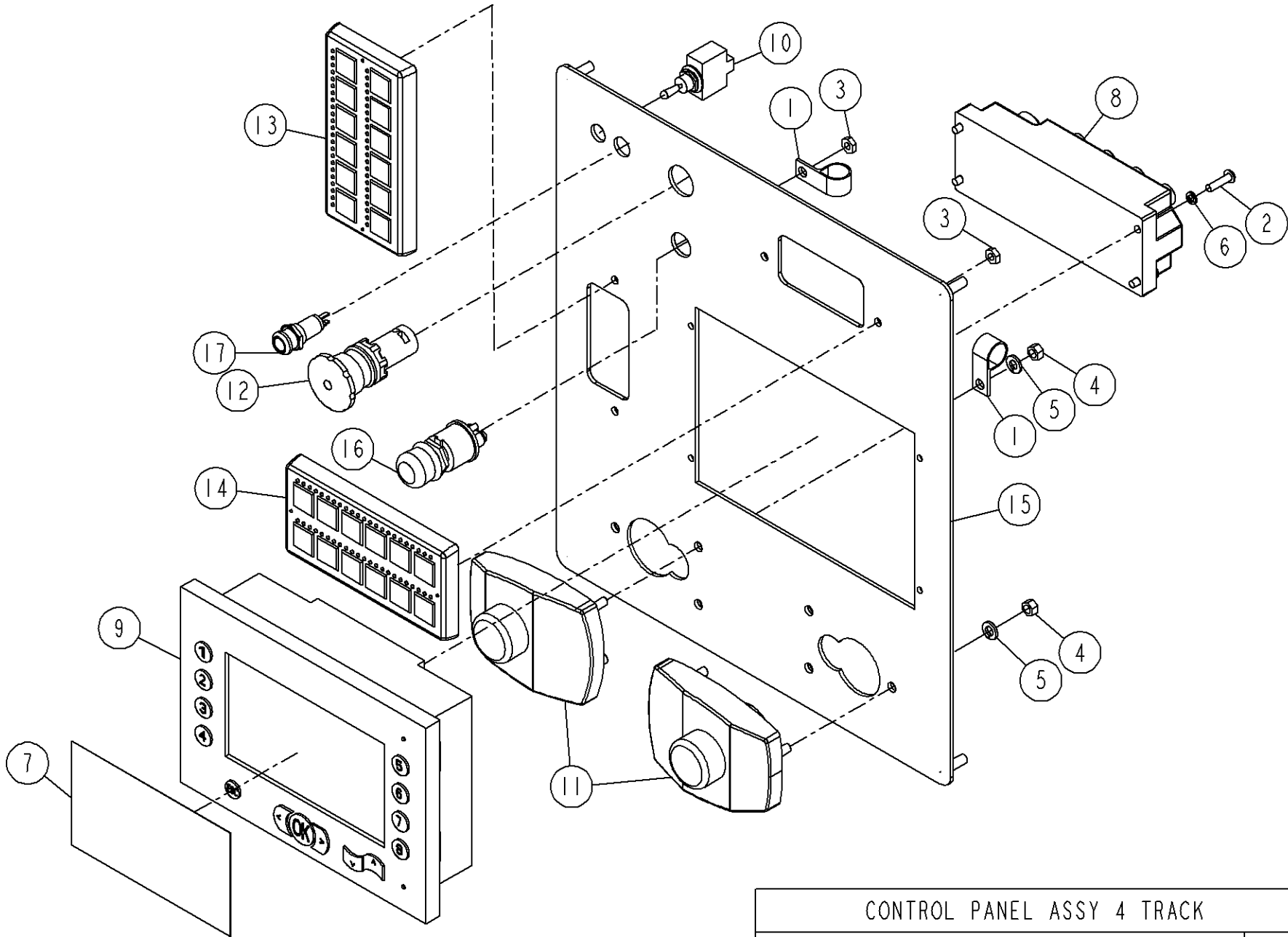


CONTROL PANEL ASSEMBLY G+/T3/24V

912613-035

B

CONTROL PANEL ASSEMBLY G+/T3/24V			912613-035	B
ITEM NO.	QTY	PART NUMBER	DESCRIPTION	
1	11	415-30A04	.250-20 UNC GR5 HEX NUT	
2	13	420-30A30	FLAT WASHER .250 W	
3	13	420-30A36	LOCK WASHER .250	
4	1	730-51B90	LOCK - SEALED, FIXED CORE	
5	1	730-54E05	PAWL - OFFSET .12 X 1.25	
6	2	905210-239	T-NUT .250-20 UNC 2.00 OAL	
7	1	905213-197	CONSOLE PANEL SHROUD	
8	1	905220-294	CONTROL PANEL ASSY 4 TRACK	
9	1	912620-008	PANEL ASSEMBLY	
10	1	912620-021	ENG CONT PNL ASSY- T4 W/ FORCED SHTDN NS	
11	1	913320-008	CONTROL PANEL - KEY SWITCH & DGTL GAUGE	
12	1	9810-18450	COVER - REAR, SWITCH PANEL	

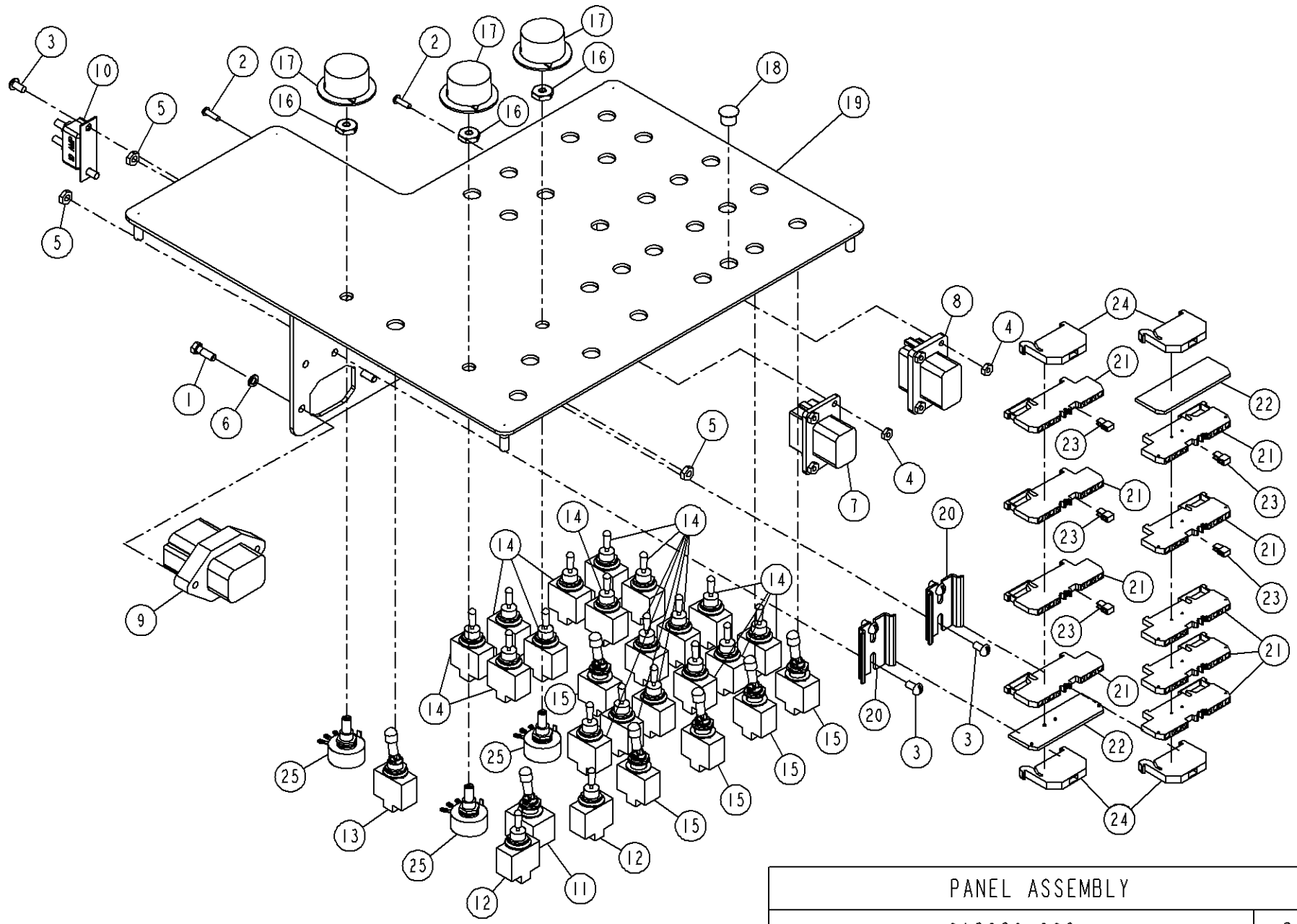


CONTROL PANEL ASSY 4 TRACK

905220-294

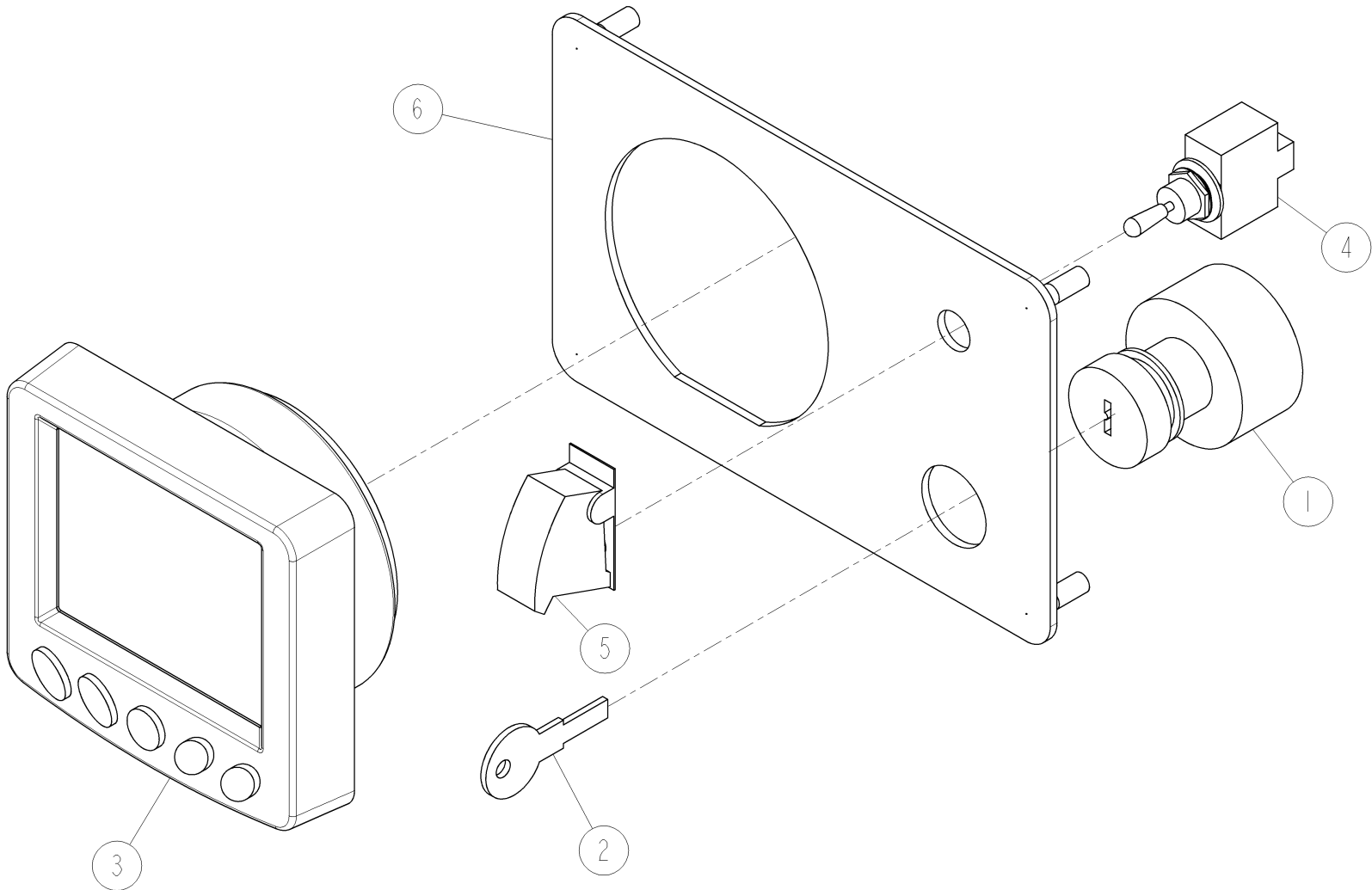
A

CONTROL PANEL ASSY 4 TRACK			905220-294	A
ITEM NO.	QTY	PART NUMBER	DESCRIPTION	
1	2	170-48C27	CLAMP-CABLE (NPRN) (.63 DIA)	
2	4	405-30C58	#10-32 UNF X .750 RND HD MACH SCR	
3	4	415-30C59	#10-24 UNC GR2 HEX MACH SCR NUT	
4	6	415-49J86	M6.0 X 1.0 GR 9.8 HEX NUT	
5	6	420-30A36	LOCK WASHER .250	
6	8	420-30A80	LOCK WASHER #10	
7	1	500-52V75	PROTECTIVE LENS COVER - DP600 GRPH DSPL	
8	1	500-53N01	JUNCTION BOX - CAN TEE	
9	1	500-54J39	GRAPHICAL DISPLAY - DP600TM	
10	1	530-10D39	SWITCH - TOGGLE, 1TL1-6	
11	2	530-53H52	ROTARY SELECTION CAN VDC - BLANK	
12	1	530-53K32	SWITCH - E-STOP, N/C - N/O 40MM	
13	1	530-54P83	CAN BUS KEYPAD - ELEVATION 12 BTN 2 X 6	
14	1	530-54P84	CAN BUS KEYPAD - STEER 12 BTN 2 X 6	
15	1	902952-018	CONTROL PANEL WELDMENT	
16	1	904920-043	WIRING ASSY, HORN SWITCH	
17	1	T510-52A79	LED - 24V RED	



PANEL ASSEMBLY	
912620-008	D

PANEL ASSEMBLY			912620-008	D
ITEM NO.	QTY	PART NUMBER	DESCRIPTION	
1	4	400-49K52	M5-0.80 X 16 MM HEX HD GR 8.8	
2	16	405-30D73	# 6-32 UNC X .500 RND HD MACH SCR	
3	6	405-46Q02	#10-32 UNF X .375 RND HD MACH SCR	
4	16	415-30B49	# 6-32 UNC GR2 HEX MACH SCR NUT	
5	6	415-30B83	#10-32 UNF GR2 HEX MACH SCR NUT	
6	4	420-49J38	LOCK WASHER 5 MM	
7	1	515-54B70	RECEPTACLE - CONN W/FLANGE 8 PIN, PINS	
8	3	515-54B71	RECEPTACLE - CONN W/FLANGE 12 PIN, PINS	
9	2	515-54D86	RECEPTACLE - CONNECTOR 18 PIN, PINS BLK	
10	1	525-10S44	CIRCUIT BREAKER - 10 AMP	
11	1	530-10D38	SWITCH - MICRO, 2 POLE 2TL1-3D	
12	2	530-10E56	SWITCH - TOGGLE, 1TL1-1	
13	1	530-10N92	SWITCH - TOGGLE, DETENTED 1TL1-3D	
14	17	530-15A54	SWITCH, TOGGLE, MICRO 1TL1-7	
15	5	530-15B39	SWITCH - SGL PULL & THROW 1TL1-2D	
16	3	530-47Y79	PANEL SEAL	
17	3	550-46E87	KNOB - DIAL SKIRT	
18	1	730-45B41	PLUG - HOLE .50 IN DIA	
19	1	912613-030	SWITCH PANEL	
20	2	9515-00025	MOUNTING TRACK - RELAY	
21	9	T535-51F84	TERMINAL BLOCK - 4 TERM W/CAGE CLAMP	
22	2	T535-51F85	END PLATE - TERMINAL BLOCK GRY	
23	6	T535-51F86	JUMPER - ADJACENT, TERMINAL BLOCK 20A	
24	4	T535-51F87	END STOP - TERMINAL BLOCK	
25	3	WH03-0148	REPL KIT 1K OHM POT &(1) 47OHM RES WWIR	



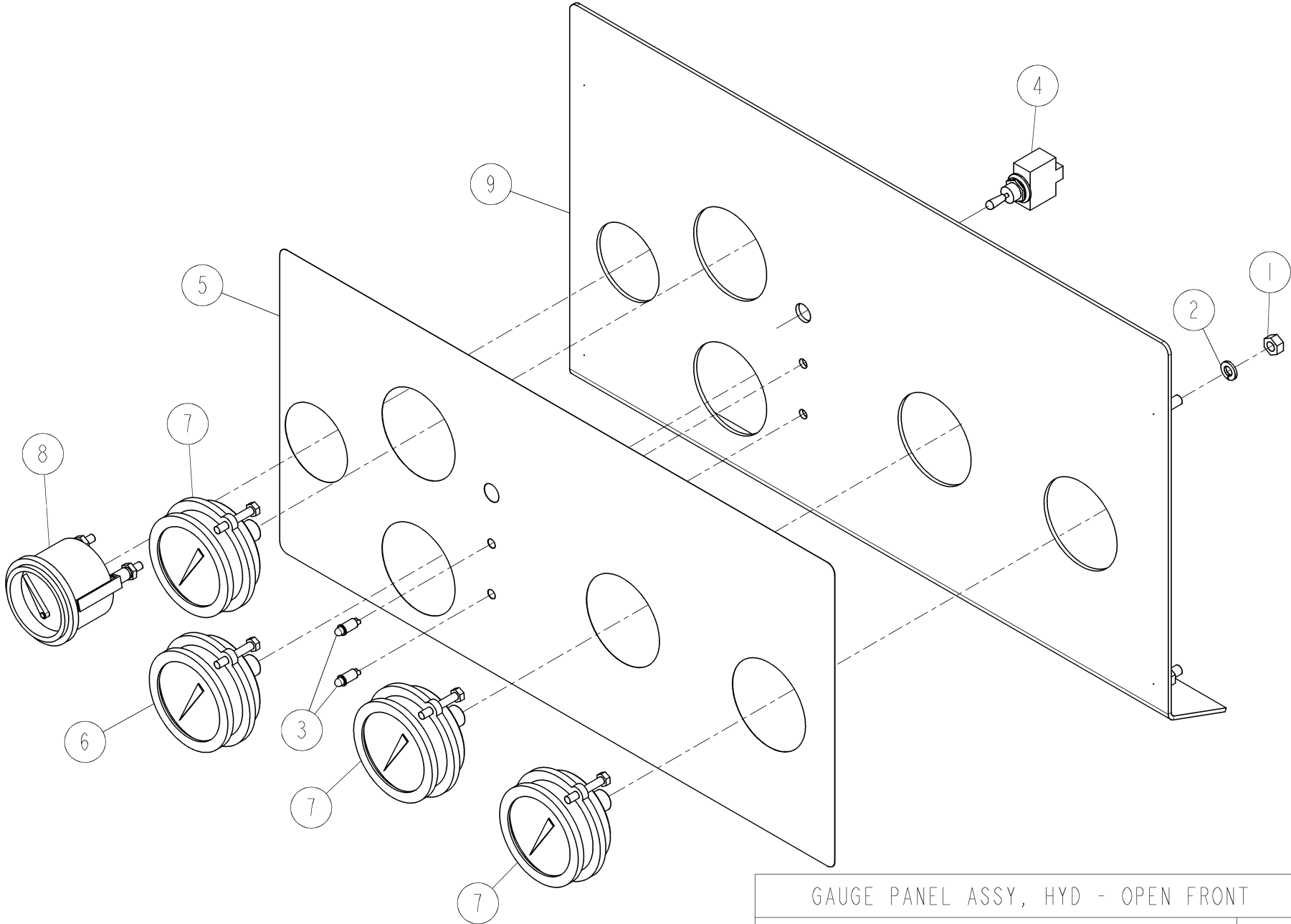
ENGINE CONT PANEL ASSY- T4 W/ FORCED SHTDN

912620-021

C



ENGINE CONT PANEL ASSY- T4 W/ FORCED SHTDN		912620-021	C
ITEM NO.	QTY	PART NUMBER	DESCRIPTION
1	1	210-48T87	SWITCH - W/KEY
2	1	210-48W43	KEY, SPARE
3	1	500-54R14	DISPLAY - 3.8 IN, TIER IV ENG
4	1	530-10D39	SWITCH - TOGGLE, 1TL1-6
5	1	530-53V99	GUARD - SWITCH, RED
6	1	912652-003	ENGINE CONT PANEL - T4 W/ FORCED SHTDN
7	1	WH03-0180	HARNESS - ENG PANEL - T4 MURPHY (NOT SHOWN)

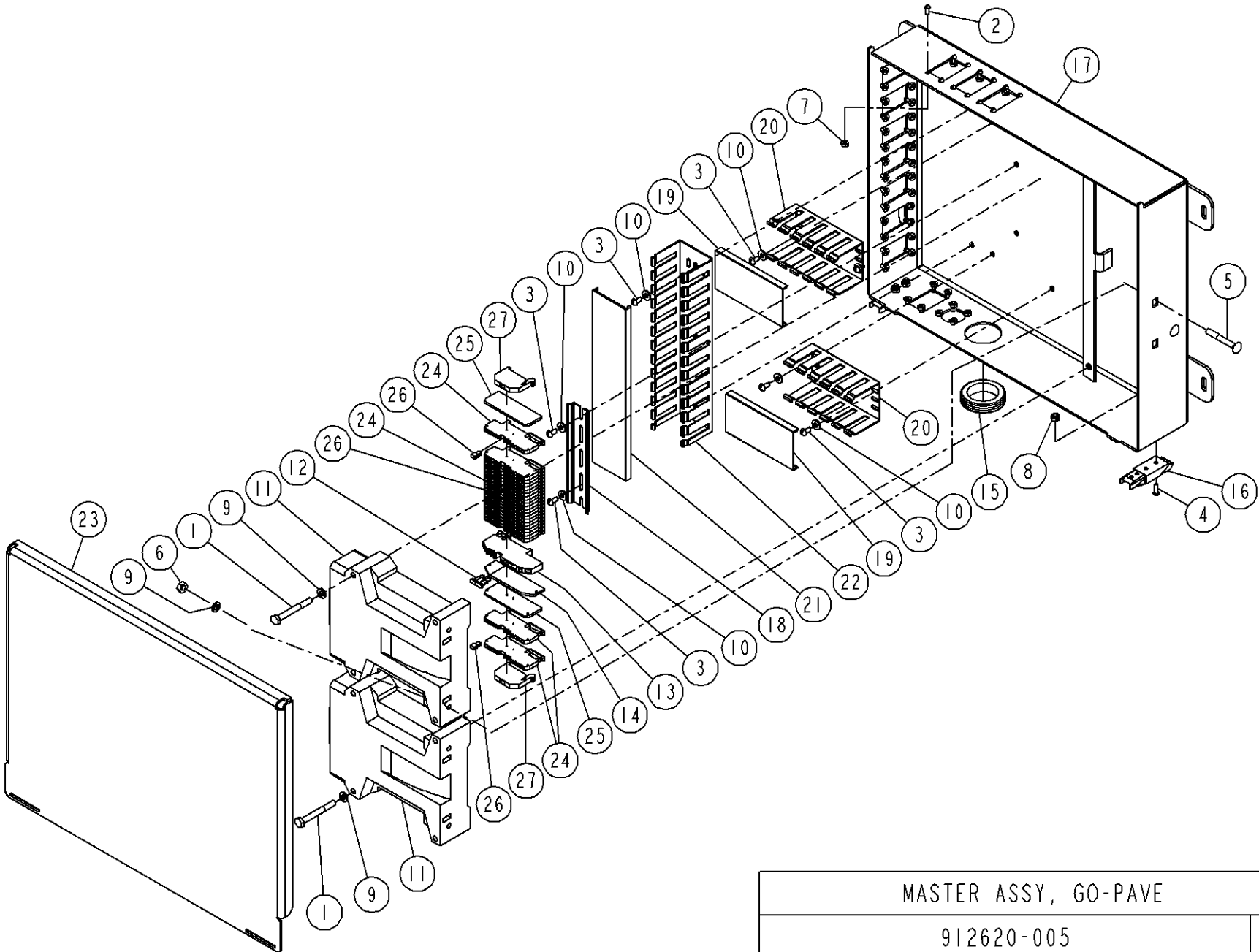


GAUGE PANEL ASSY, HYD - OPEN FRONT

912613-032

E

GAUGE PANEL ASSY, HYD - OPEN FRONT			912613-032	E
ITEM NO.	QTY	PART NUMBER	DESCRIPTION	
1	4	415-30A04	.250-20 UNC GR5 HEX NUT	
2	4	420-30A36	LOCK WASHER .250	
3	2	510-53V78	LED - 24V AMBER, W/.25 IN MTG HOLE	
4	1	530-10D39	SWITCH - TOGGLE, 1TL1-6	
5	1	695-54K75	HYDRAULIC GAGE PANEL (OPEN FRONT)	
6	1	700-55J33	GAUGE - OIL PRESSURE 0-60 PSI -4 ORFS	
7	3	700-55J35	GAUGE - OIL PRESSURE 0-3000 PSI -4 ORFS	
8	1	905219-176	24V CONVERSION - OIL TEMP GAUGE	
9	1	912613-033	GAUGE PANEL, HYD - OPEN FRONT	

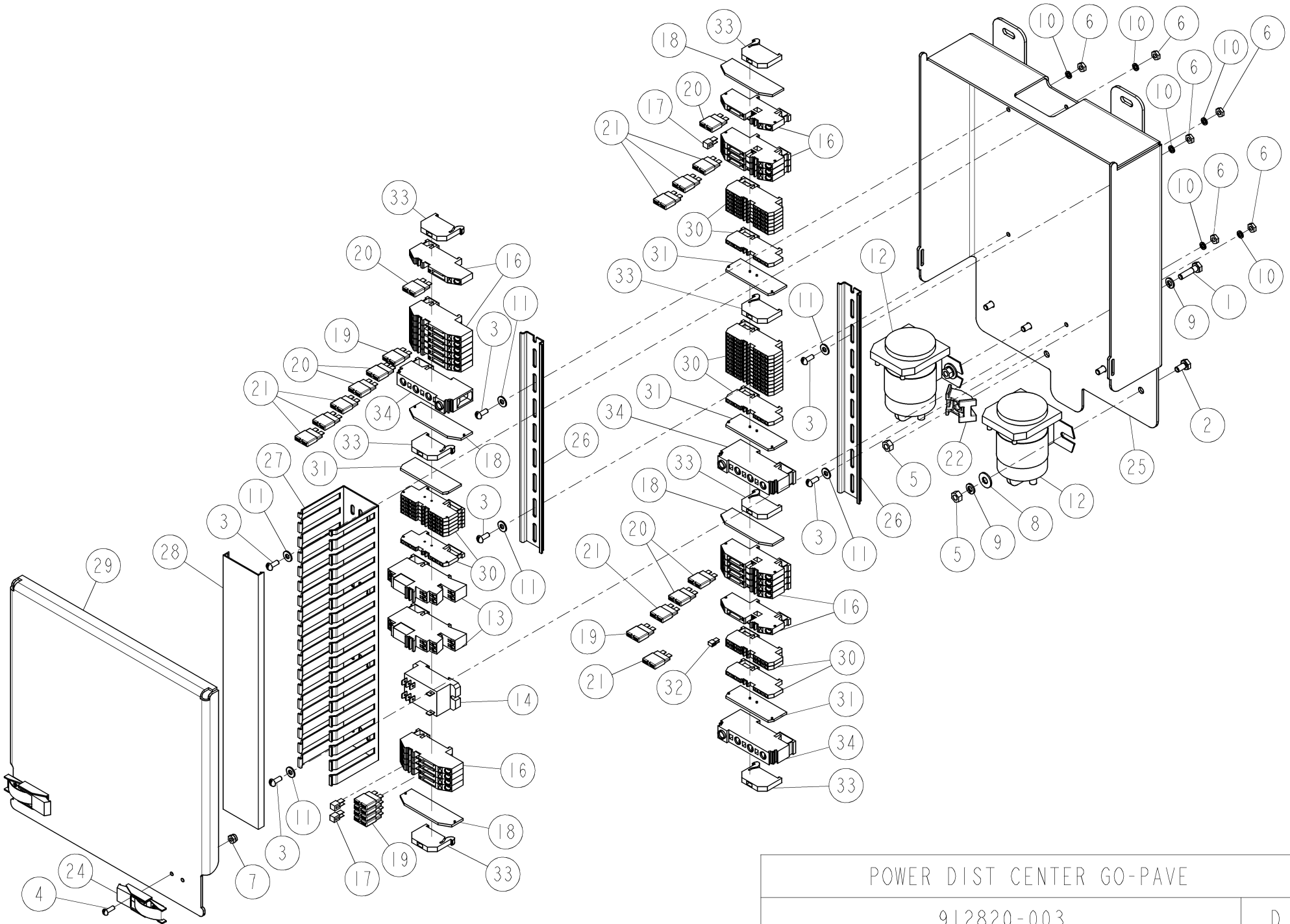


MASTER ASSY, GO-PAVE

912620-005

E

MASTER ASSY, GO-PAVE			912620-005	E
ITEM NO.	QTY	PART NUMBER	DESCRIPTION	
1	2	400-30E15	.250-20 UNC X 2.250 HHCS GR5	
2	51	405-30D60	# 6-32 UNC X .375 RND HD MACH SCR	
3	8	405-46Q02	#10-32 UNF X .375 RND HD MACH SCR	
4	4	405-48A45	# 8-32 UNC X .500 RND HD MACH SCR	
5	2	410-10D57	.250-20 UNC X 2.000 CRG BOLT GR5	
6	2	415-30A04	.250-20 UNC GR5 HEX NUT	
7	48	415-30B49	# 6-32 UNC GR2 HEX MACH SCR NUT	
8	4	415-49C38	# 8-32 UNC GR5 NYLOK HEX NUT	
9	4	420-30A36	LOCK WASHER .250	
10	8	420-30B82	FLAT WASHER	
11	2	500-54R83	CONTROLLER - S-D PLUS 1, MC050-110, 50P	
12	1	525-52P98	FUSE - AUTO BLADE TYPE, 1 AMP	
13	1	525-54B53	FUSE HOLDER - 24V MINI, AUTO STYLE W/LED	
14	1	525-54B55	END PLATE - FUSE HOLDER	
15	1	610-30B02	GROMMET - 1.50 IN ID X 2.125 IN OD	
16	2	730-49K87	LATCH - OVER-CENTER DRAW .89 X	
17	1	905252-021	CONTROLLER BOX	
18	1	9515-00028	MOUNTING TRACK - RELAY (1.38 X 5.75)	
19	2	9545-00011	COVER, WIRING DUCT - 4.50 LONG	
20	2	9545-00012	WIRING DUCT, 4.50 LONG	
21	1	9545-00013	COVER, WIRING DUCT - 10.00 LONG	
22	1	9545-00014	WIRING DUCT, 10.00 LONG	
23	1	9810-17946	LID, CONTROLLER BOX	
24	23	T535-51F84	TERMINAL BLOCK - 4 TERM W/CAGE CLAMP	
25	2	T535-51F85	END PLATE - TERMINAL BLOCK GRY	
26	13	T535-51F86	JUMPER - ADJACENT, TERMINAL BLOCK 20A	
27	2	T535-51F87	END STOP - TERMINAL BLOCK	

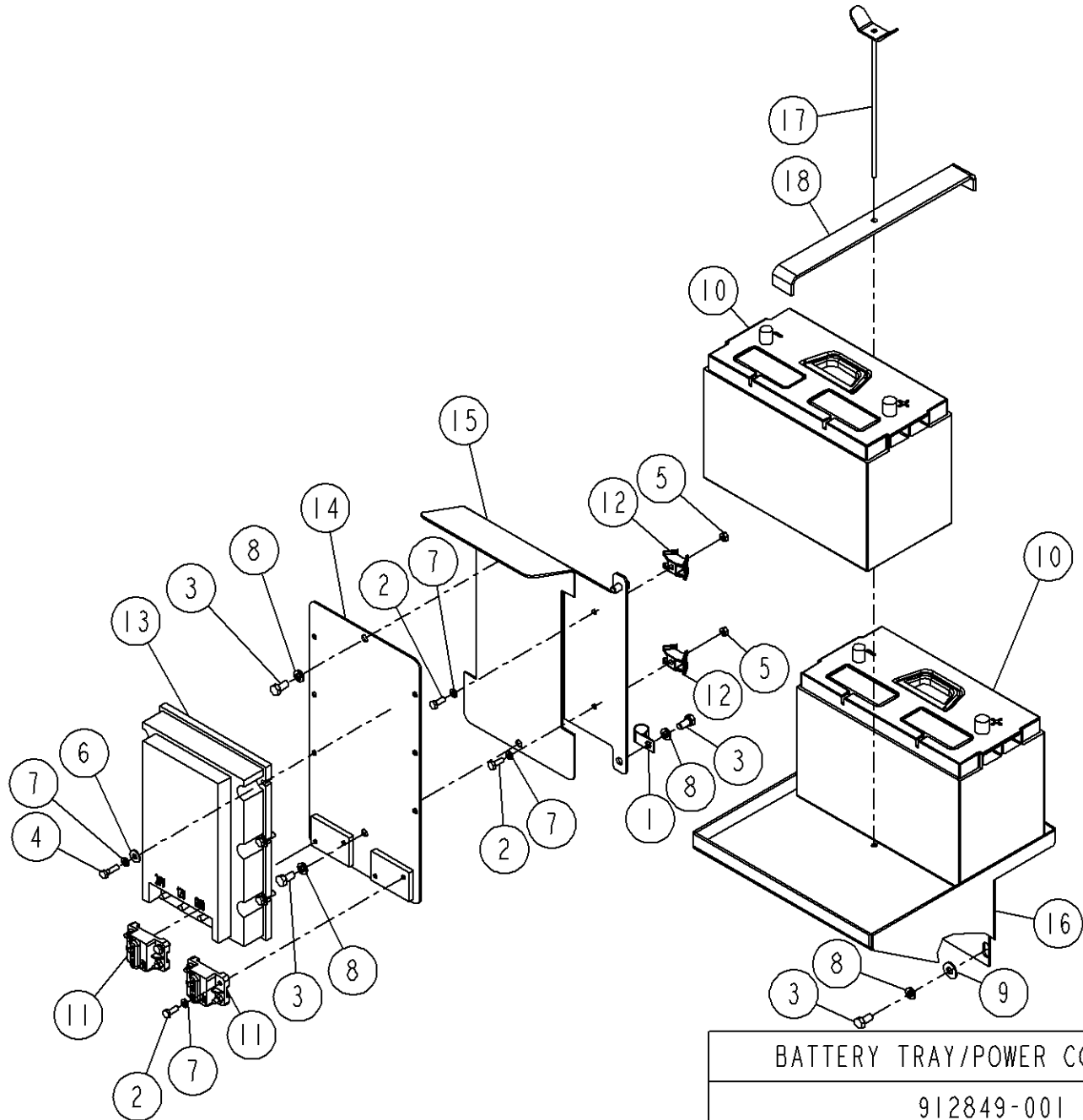


POWER DIST CENTER GO-PAVE

912820-003

D

POWER DIST CENTER GO-PAVE			912820-003	D
ITEM NO.	QTY	PART NUMBER	DESCRIPTION	
1	1	400-30A77	.250-20 UNC X 1.000 HHCS GR5	
2	4	400-30D64	.250-20 UNC X .500 HHCS GR5	
3	6	405-30C75	#10-32 UNF X .500 RND HD MACH SCR	
4	4	405-48A45	# 8-32 UNC X .500 RND HD MACH SCR	
5	5	415-30A04	.250-20 UNC GR5 HEX NUT	
6	6	415-30B83	NOM_SIZE NUT TYPE	
7	4	415-49C38	# 8-32 UNC GR5 NYLOK HEX NUT	
8	4	420-30A30	FLAT WASHER .250 W	
9	5	420-30A36	LOCK WASHER .250	
10	6	420-30A80	LOCK WASHER #10	
11	6	420-30B82	FLAT WASHER	
12	2	500-53T48	RELAY - 200 AMP 24 VOLT	
13	2	500-54B56	RELAY - CAGE CLAMP STYLE	
14	1	500-54H32	RELAY - POWER, 30A 24V DPDT DIN RAIL	
15	2	515-50K44	CONNECTOR - FEMALE INSUL 22018 GARED NS	
16	20	525-54B53	FUSE HOLDER - 24V MINI, AUTO STYLE W/LED	
17	12	525-54B54	JUMPER - ADJACENT, FUSE HOLDER 41A	
18	4	525-54B55	END PLATE - FUSE HOLDER	
19	6	525-54B57	CIRCUIT BREAKER - 10A MINI-AUTO	
20	6	525-54B58	CIRCUIT BREAKER - 15A MINI-AUTO	
21	8	525-54B59	CIRCUIT BREAKER - 20A MINI-AUTO	
22	1	545-54D12	STANDOFF CLAMP MT - CABLE, 1.7IN X 1IN	
23	1	695-54E21	DECAL - PWR DIST 24V	
24	2	730-49K87	LATCH - OVER-CENTER DRAW .89 X	
25	1	905252-022	POWER DISTRIBUTION BOX	
26	2	9515-00029	MOUNTING TRACK - RELAY	
27	1	9545-00015	WIRING DUCT, 2.00 X 3.00 X 14.00 LONG	
28	1	9545-00016	COVER, 2IN WIRING DUCT - 14.00 LONG	
29	1	9810-18253	LID, POWER DISTRIBUTION BOX	
30	28	T535-51F84	TERMINAL BLOCK - 4 TERM W/CAGE CLAMP	
31	4	T535-51F85	END PLATE - TERMINAL BLOCK GRY	
32	14	T535-51F86	JUMPER - ADJACENT, TERMINAL BLOCK 20A	
33	7	T535-51F87	END STOP - TERMINAL BLOCK	
34	3	T535-51F89	TERM BLOCK - PWR DISTR 3 TREM 125A GRY	



BATTERY TRAY/POWER CONVERTER ASSY

912849-001

B



BATTERY TRAY/POWER CONVERTER ASSY			912849-001	B
ITEM NO.	QTY	PART NUMBER	DESCRIPTION	
1	1	170-10G77	HOSE CLAMP - SUPPORT	
2	6	400-30A10	.250-20 UNC X .750 HHCS GR5	
3	8	400-30A20	.375-16 UNC X .750 HHCS GR5	
4	6	400-30A77	.250-20 UNC X 1.000 HHCS GR5	
5	2	415-30A04	.250-20 UNC GR5 HEX NUT	
6	6	420-30A30	FLAT WASHER .250 W	
7	12	420-30A36	LOCK WASHER .250	
8	8	420-30A41	LOCK WASHER .375	
9	4	420-30A65	FLAT WASHER .375 W	
10	2	505-50R22	BATTERY 12V 925 CCA EXIDE HP-31E	
11	2	525-51H45	CIRCUIT BREAKER - 100 AMP	
12	2	545-54D12	STANDOFF CLAMP MT - CABLE, 1.7IN X 1IN	
13	1	550-53W44	CONVERTER - DC TO DC, 24V IN 12V OUT 60A	
14	1	912610-013	MOUNT - CONVERTER	
15	1	912649-005	POWER CONVERTER MOUNT	
16	1	912849-002	BATTERY TRAY WLDMT	
17	1	912849-003	WING BOLT, .250-20 X 10.00	
18	1	9810-22081	FORMED SHEET - BATTERY RETAINER	

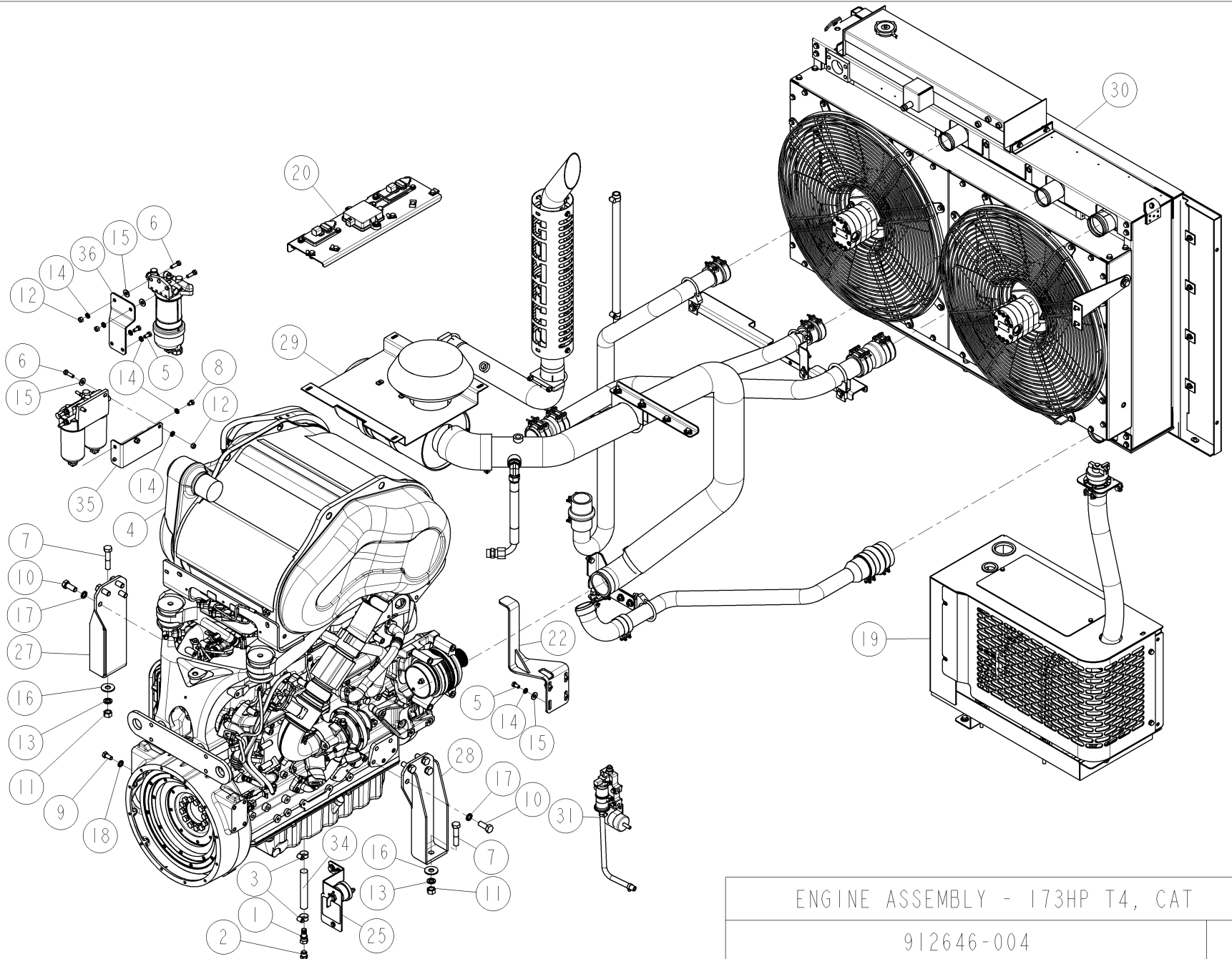


---

<b>Page #</b>	<b>Part Number</b>	<b>Description</b>
1	912646-004	ENGINE ASSEMBLY - 173HP T4, CAT
2	912646-005	PIPE ASSEMBLY - 173HP CAT T4
3	913311-015	EXHAUST SAFETY GUARD
4	912819-023	AIR FILTER INDICATOR CIRCUIT
5	912646-008	COOLING PACKAGE ASSEMBLY - 173HP ENGINES
6	912613-010	SHROUD PANEL ASSY, GRILL - 173HP ENGINES
7	912611-011	DEF TANK ASSEMBLY
8	912611-012	SENSOR CONTROL UNIT MT ASSY SOOT AND NOX
9	912819-014	COOLANT PLUMBING DEF TANK/INJECTOR
10	912646-009	FUEL TRANSFER PUMP ASSEMBLY
11	912819-024	FUEL HOSE ASSY- T4, DUAL SECONDARY FILTE
12	912620-020	BATTERY DISCONNECT W/ WAIT TO DISC LIGHT
13	912634-001	PUMP DRIVE ASSY - 20 VIB 4-TRK O-F
14	912634-001_ID	PUMP IDENTIFICATION
15	912645-004	VALVE ASSY, 4T TRAVEL AND AUGER/TAMP -OF
16	908545-012	HIGH PRESSURE FILTER
17	110-50M07	FILTER - HP, 10 MICRON (ELEM 110-50M08)
18	912611-016	FILTER KIT - ENG (CAT C7.1 173HP T4)
19	912611-018	HYDR FILTER KIT - GP3





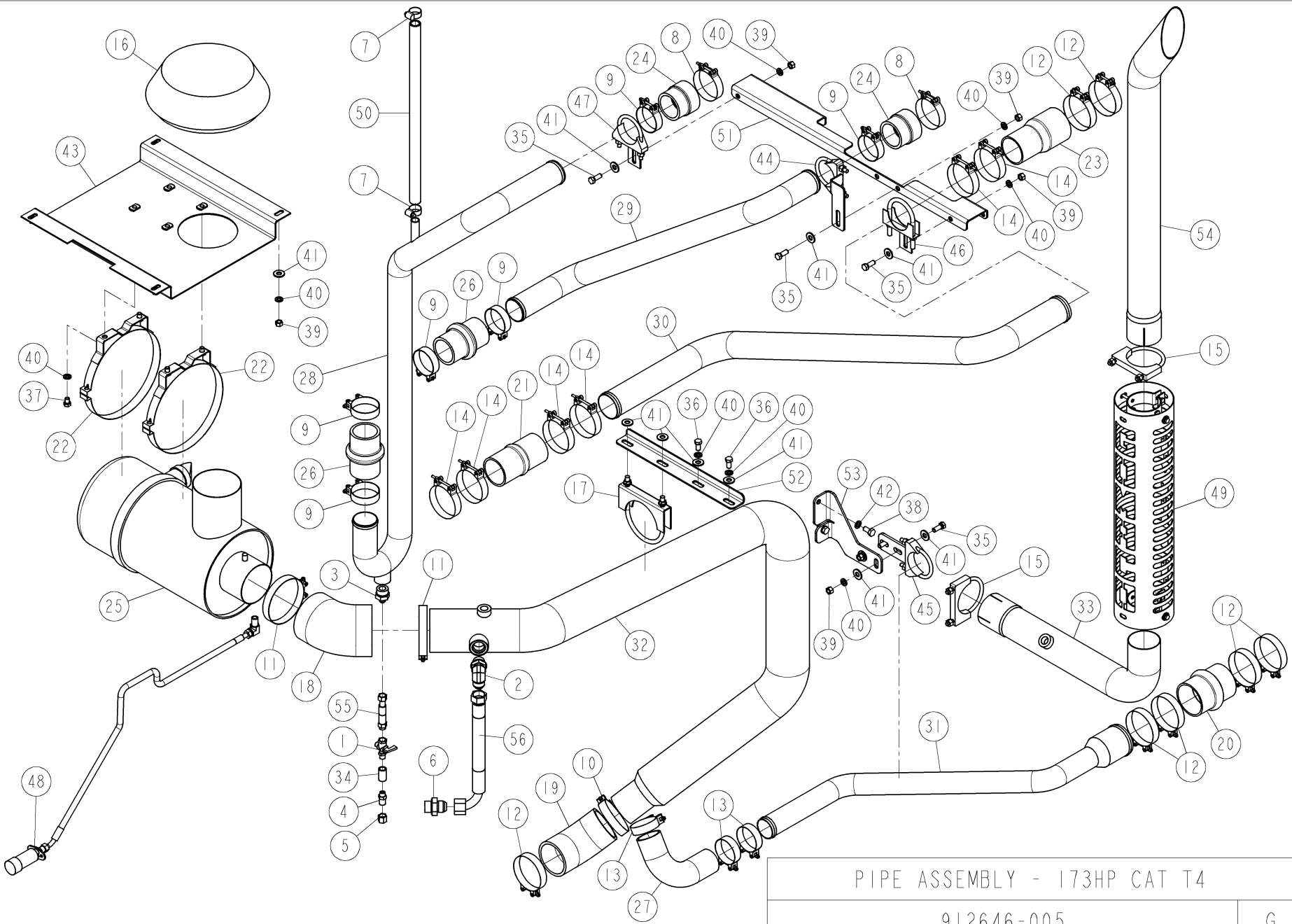


ENGINE ASSEMBLY - 173HP T4, CAT

912646-004

K

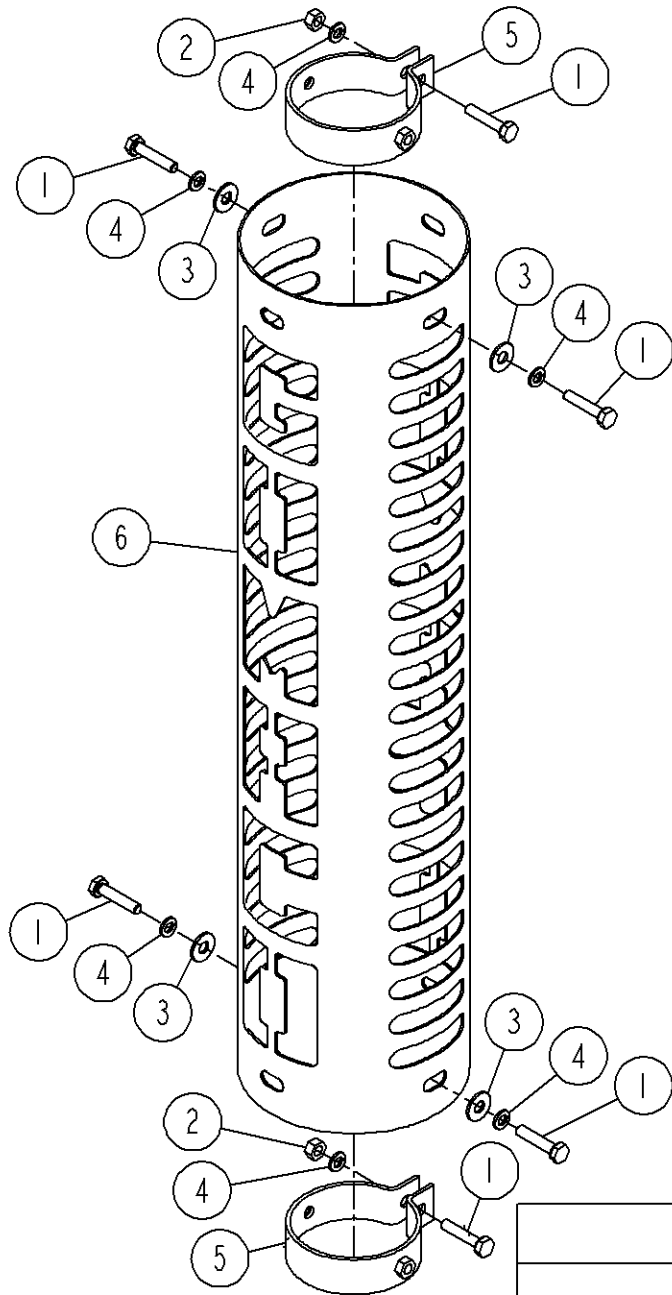
ENGINE ASSEMBLY - 173HP T4, CAT			912646-004	K
ITEM NO.	QTY	PART NUMBER	DESCRIPTION	
1	1	150-50L81	HOSE END - FEM (JIC SWVL BARB 8-8)	
2	1	155-46D51	ADAPTER - MF PLUG - 8	
3	2	170-10P31	HOSE CLAMP #10 (1.06 DIA)	
4	1	205-54R73	ENGINE - CAT C7.1 24V 173HP TIERIV	
5	6	400-30A20	.375-16 UNC X .750 HHCS GR5	
6	4	400-30B85	.375-16 UNC X 1.250 HHCS GR5	
7	2	400-30C24	.625-11 UNC X 3.000 HHCS GR8	
8	2	400-30C37	.375-16 UNC X .500 HHCS GR5	
9	1	400-45D30	M12-1.75 X 25 MM HEX HD	
10	8	400-48E95	M16-2.00 X 40 MM HEX HD	
11	2	415-30A02	.625-11 UNC GR8 HEX NUT	
12	4	415-30A06	.375-16 UNC GR5 HEX NUT	
13	2	420-30A39	LOCK WASHER .625	
14	12	420-30A41	LOCK WASHER .375	
15	8	420-30A65	FLAT WASHER .375 W	
16	2	420-30B58	FLAT WASHER .625 W	
17	8	420-46G07	LOCK WASHER 16 MM	
18	2	420-48F57	.500 STAR WASHER	
19	1	912611-011	DEF TANK ASSEMBLY	
20	1	912611-012	SENSOR CONTROL UNIT MT ASSY SOOT AND NOX	
21	1	912611-016	FILTER KIT - ENG (CAT C7.1 173HP T4) NS	
22	1	912613-054	SUPPORT BAR, SHROUD TOP - T4 ENGINES	
23	1	912613-055	SHROUD MOD, INTAKE HOLE - 173HP TIER 4	
24	1	912620-018	ENGINE WIRING, CAT C7.1 T4 GO-PAVE	
25	1	912620-020	BATTERY DISCONNECT W/ WAIT TO DISC LIGHT	
26	1	912620-021	ENG CONT PNL ASSY- T4 W/ FORCED SHTDN NS	
27	1	912636-004	ENGINE MOUNT - LH	
28	1	912636-005	ENGINE MOUNT - RH	
29	1	912646-005	PIPE ASSEMBLY - 173HP CAT T4	
30	1	912646-008	COOLING PACKAGE ASSEMBLY - 173HP ENGINES	
31	1	912646-009	FUEL TRANSFER PUMP ASSEMBLY	
32	1	912813-004	SHROUD MOD, EXH HOLE - TIER 4 ENGINES	
33	1	912819-024	FUEL HOSE ASSY-T4, DUAL SECONDARY FILTER NS	
34	1	9145-00256	HOSE - .625 X 18.00	
35	1	9810-19646	FILTER MOUNT, SECONDARY	
36	1	9810-20823	MOUNT - FUEL FILTER	



PIPE ASSEMBLY - 173HP CAT T4	
912646-005	G



PIPE ASSEMBLY - 173HP CAT T4				912646-005		G	
ITEM NO.	QTY	PART NUMBER	DESCRIPTION				
1	1	125-10L64	VALVE - PETCOCK .250 NPT W/SIDE HDL	41	15	420-30A65	FLAT WASHER .375 W
2	1	155-10T11	MALE BOSS/MALE FLARE 90 12-12	42	2	420-45C40	LOCK WASHER 10 MM
3	1	155-48M64	MALE BOSS/MALE FLARE (12-6)	43	1	912610-022	MOUNT - AIR CLEANER
4	1	155-49N40	ADAPTER - ORFS/MP 4-4	44	1	912610-051	PIPE SUPPORT, 90 DEG - 2.25 DIA
5	1	155-49N68	ADAPTER ORFS CAP NUT -4	45	1	912610-052	PIPE SUPPORT - 2.25 DIA
6	1	155-55W22	ADAPTER - FFPOR/MF M26-12	46	1	912646-006	PIPE SUPPORT - DIA 2.50
7	2	170-10P31	HOSE CLAMP #10 (1.06 DIA)	47	1	912646-007	PIPE SUPPORT - DIA 2.25
8	2	170-30B78	HOSE CLAMP - T-BOLT (2.375 DIA)	48	1	912819-023	AIR FILTER INDICATOR CIRCUIT
9	6	170-30C72	HOSE CLAMP - T-BOLT (2.00 DIA)	49	1	913311-015	EXHAUST SAFETY GUARD
10	1	170-46P20	HOSE CLAMP - T-BOLT 3.00 IN	50	1	9145-00225	HOSE - RESERVOIR
11	2	170-46Q86	HOSE CLAMP - T-BOLT (4.00 DIA)	51	1	9810-19651	MOUNT CHANNEL - FORMED
12	7	170-51G28	HOSE CLAMP - 3.25-4.12IN CONSTANT TORQUE	52	1	9810-20822	PIPE SUPPORT
13	3	170-51R58	HOSE CLAMP - 1.75-2.63IN CONSTANT TORQUE	53	1	9810-21374	PIPE SUPPORT MOUNT
14	6	170-53K90	HOSE CLAMP-2.75-3.06IN SPR-LOADED T-BOLT	54	1	9845-03198	EXHAUST STACK - 3IN OD, 45DEG FLARED END
15	2	210-10S86	CLAMP - MUFFLER 3.00 IN	55	1	CMP04-0180-G0P0	HA .25 MP X 18.0 FFO/MP0
16	1	210-45D21	CAP - AIR STACK 4.50 IN	56	1	CMP12-1020-F0F9	HA .75 MP X 102.0 FFO/FF9
17	1	210-47R52	MUFFLER CLAMP (4.00 DIA)				
18	1	210-49E88	ELBOW - RUBBER 4.00 IN 45 DEG				
19	1	210-51B98	ELBOW - RUBBER 3.00 IN 45 DEG				
20	1	210-51G31	CONNECTOR - HUMP 3.00 IN SILICONE				
21	1	210-51Y37	CONNECTOR - HUMP 2.50 IN SILICONE				
22	2	210-52B12	MOUNTING BAND - 9.00 IN, AIR CLEANER				
23	1	210-52F72	REDUCER - SILICONE CHG AIR 3.00-2.50				
24	2	210-53A08	REDUCER - RUBBER 2.00-2.50 IN				
25	1	210-53T08	AIR CLEANER ASSEMBLY, 9.00IN BODY				
26	2	210-53T16	CONNECTOR - RUBBER HUMP 2.25ID X 4.50LG				
27	1	210-53T34	ELBOW - SILICONE 2.00 IN 90 DEG				
28	1	210-54R76	PIPE - COOLANT				
29	1	210-54R77	PIPE - COOLANT				
30	1	210-54R78	PIPE - INTAKE, CHARGE AIR				
31	1	210-54R79	PIPE - CHARGE AIR, TURBO				
32	1	210-54R80	PIPE - AIR INTAKE				
33	1	210-54R81	PIPE - EXHAUST				
34	1	305-10R26	PIPE COUPLING .250 NPT				
35	5	400-30A19	.375-16 UNC X 1.000 HHCS GR5				
36	2	400-30A20	.375-16 UNC X .750 HHCS GR5				
37	4	400-30C37	.375-16 UNC X .500 HHCS GR5				
38	2	400-45C41	M10-1.50 X 20 MM HEX HD				
39	9	415-30A06	.375-16 UNC GR5 HEX NUT				
40	15	420-30A41	LOCK WASHER .375				

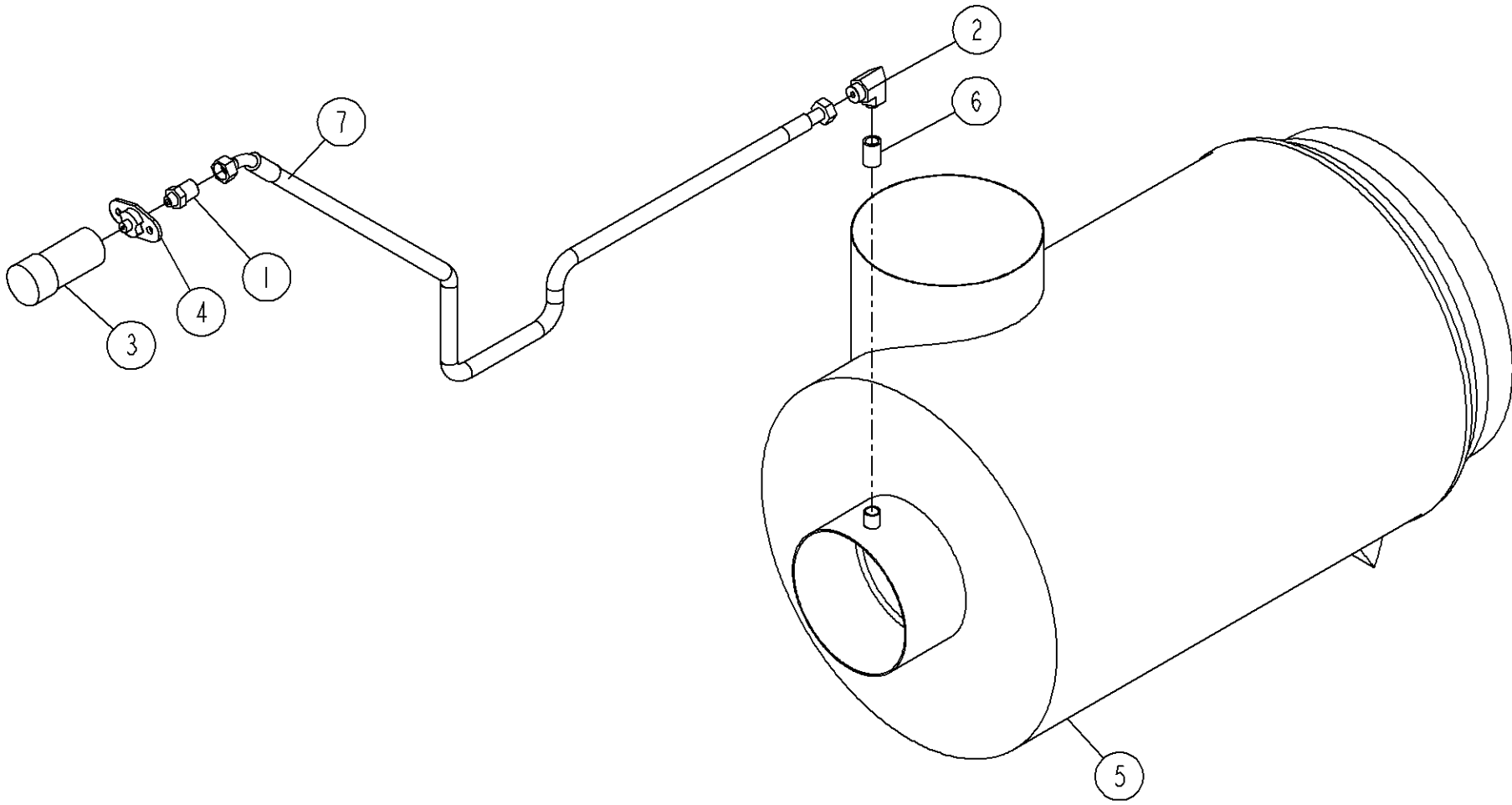


EXHAUST SAFETY GUARD

913311-015

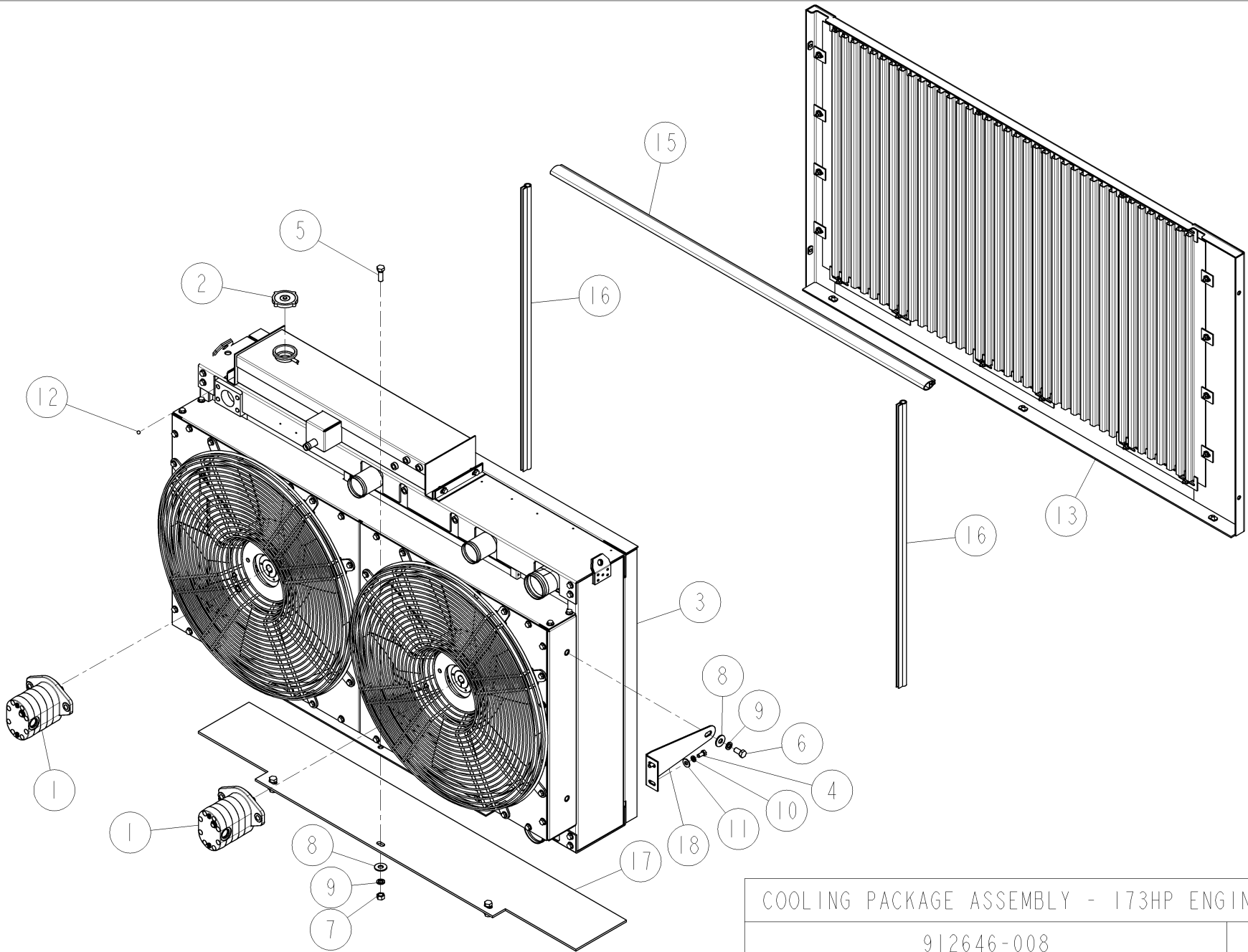
D

EXHAUST SAFETY GUARD			913311-015	D
ITEM NO.	QTY	PART NUMBER	DESCRIPTION	
1	6	400-48N75	.250-20 UNC X 1.250 HHCS GR5 (F/THD)	
2	2	415-30A04	.250-20 UNC GR5 HEX NUT	
3	4	420-30A30	FLAT WASHER .250 W	
4	6	420-30A36	LOCK WASHER .250	
5	2	913310-021	EXHAUST GUARD CLAMP	
6	1	9850-02023	EXHAUST STACK SHIELD	



AIR FILTER INDICATOR CIRCUIT	
912819-023	A

AIR FILTER INDICATOR CIRCUIT			912819-023	A
ITEM NO.	QTY	PART NUMBER	DESCRIPTION	
1	1	155-49R67	ADAPTER - ORFS/MP 4-2	
2	1	155-50A05	ADAPTER - ORFS/MP 90 DEG (4-2)	
3	1	210-45D97	INDICATOR - AIR RESTRICTION 20.00 IN	
4	1	210-45D99	FITTING - FLANGED	
5	1	210-49H79	AIR FILTER ASSEMBLY	
6	1	305-10R44	PIPE COUPLING .125 NPT	
7	1	CMP04-0360-V0V4	HA .25 MP X 36.0 FSF0/FSF4	

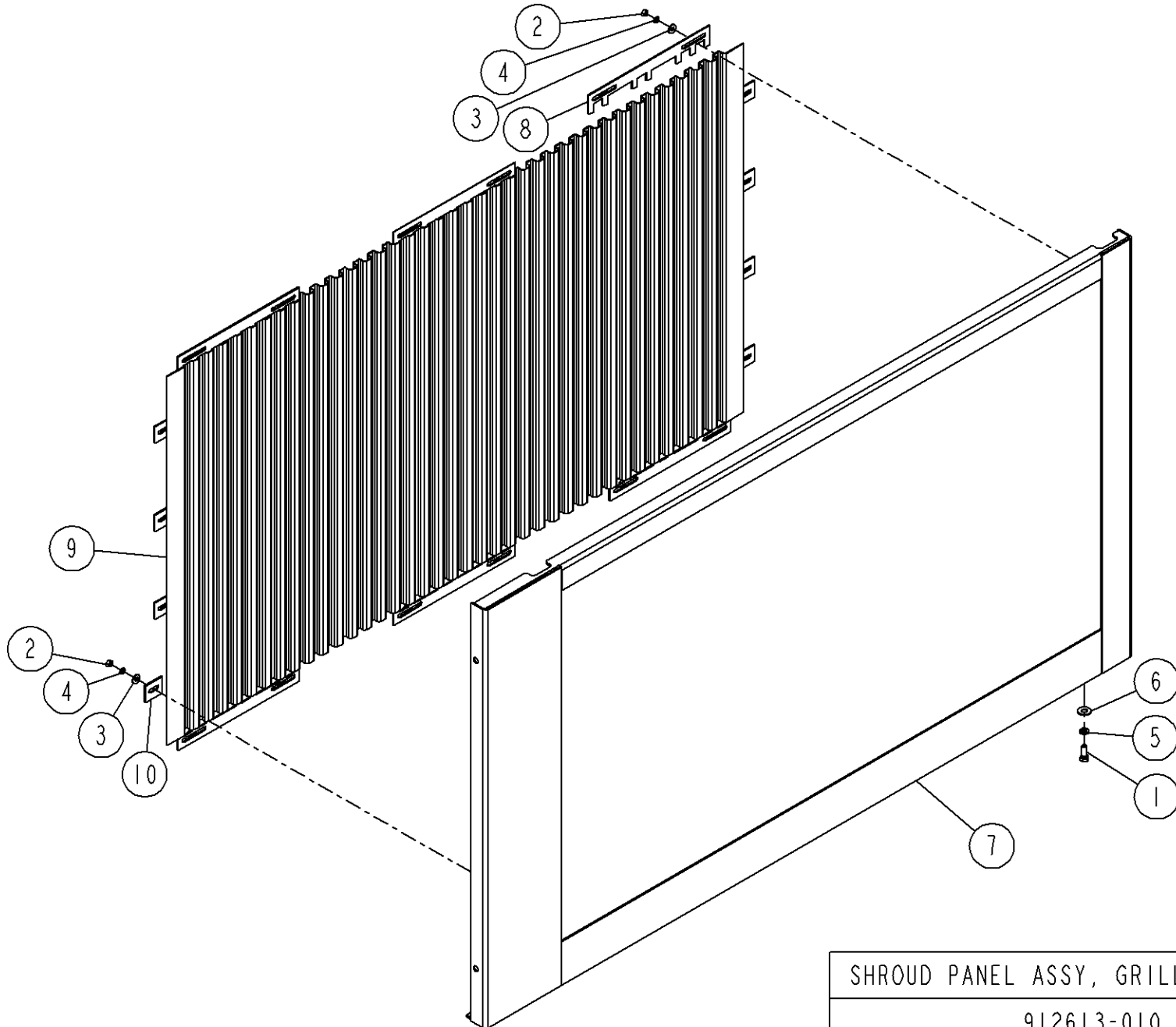


COOLING PACKAGE ASSEMBLY - 173HP ENGINES

912646-008

D

COOLING PACKAGE ASSEMBLY - 173HP ENGINES			912646-008	D
ITEM NO.	QTY	PART NUMBER	DESCRIPTION	
1	2	130-53L08	MOTOR - FAN, 38CC	
2	1	210-53G14	CAP - RADIATOR (15 LB)	
3	1	210-54J54	COOLING PKG - HYDR, DUAL 26IN SUCT FANS	
4	2	400-30A20	.375-16 UNC X .750 HHCS GR5	
5	3	400-30B84	.500-13 UNC X 1.500 HHCS GR8	
6	1	400-30D75	.500-13 UNC X 1.000 HHCS GR8	
7	3	415-30A07	.500-13 UNC GR8 HEX NUT	
8	4	420-30A32	FLAT WASHER .500 W	
9	4	420-30A37	LOCK WASHER .500	
10	2	420-30A41	LOCK WASHER .375	
11	2	420-30A65	FLAT WASHER .375 W	
12	8	610-55K59	SPHERE - MOLDED RUBBER, .375 DIA 60EPDM	
13	1	912613-010	SHROUD PANEL ASSY, GRILL - 173HP ENGINES	
14	1	912619-028	COOLING PACKAGE - PLUMBING	
15	1	9610-01170	TRIM SEAL	
16	2	9610-01171	TRIM SEAL	
17	1	9610-01172	COOLING PACKAGE MAT	
18	1	9810-19638	COOLING PACKAGE BRACE	



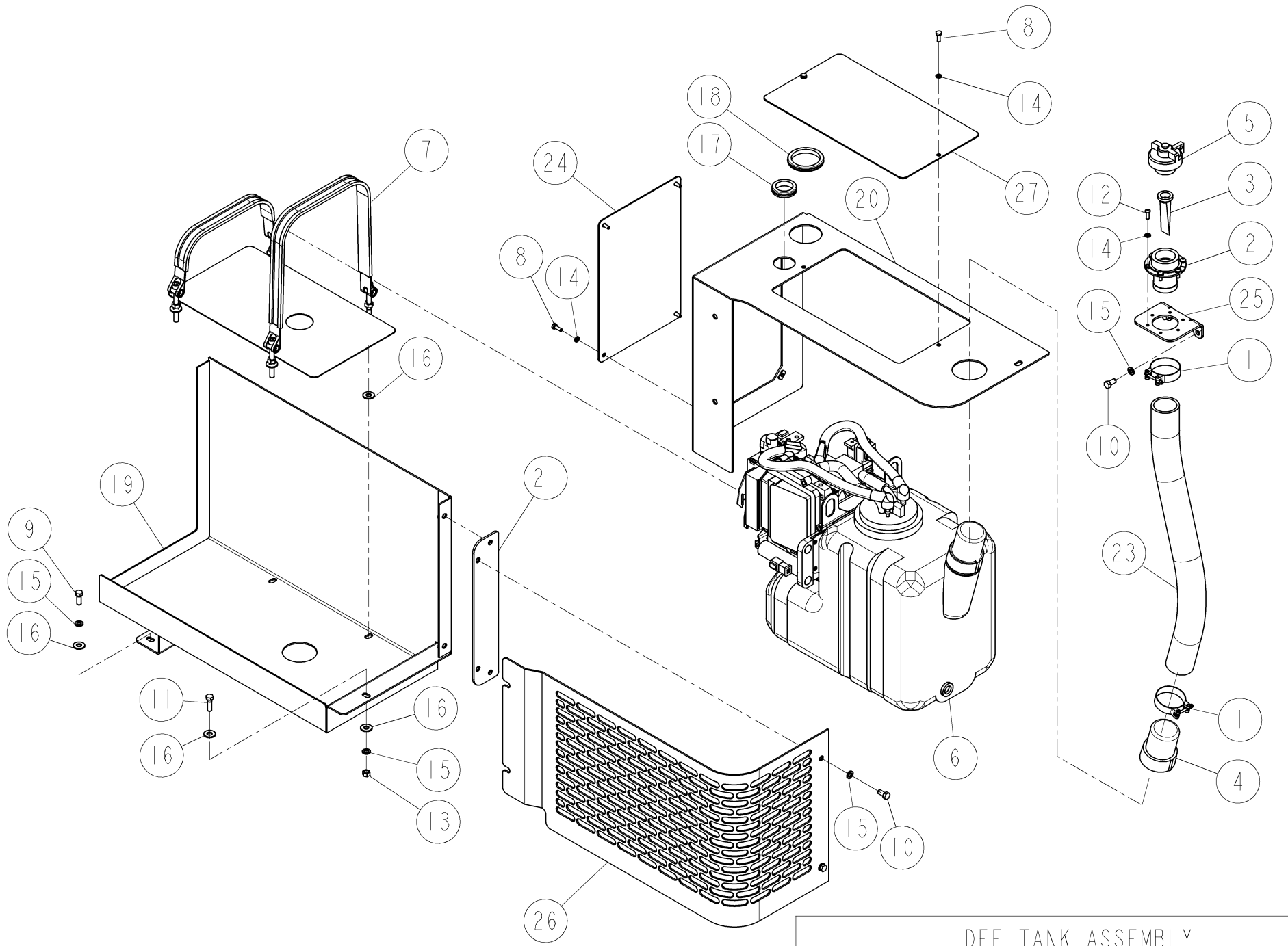
SHROUD PANEL ASSY, GRILL - 173HP ENGINES

912613-010

A



SHROUD PANEL ASSY, GRILL - 173HP ENGINES		912613-010	A
ITEM NO.	QTY	PART NUMBER	DESCRIPTION
1	3	400-30A19	.375-16 UNC X 1.000 HHCS GR5
2	20	415-30A04	.250-20 UNC GR5 HEXNUT
3	20	420-30A30	FLAT WASHER .250 W
4	20	420-30A36	LOCK WASHER .250
5	3	420-30A41	LOCK WASHER .375
6	3	420-30A65	FLAT WASHER .375 W
7	1	912613-021	GRILL MOUNT
8	6	9810-11218	RADIATOR GRILL RETAINER
9	1	9810-19537	PERFORATED SHEET, GRILL
10	8	9830-09584	RADIATOR GRILL CLAMP

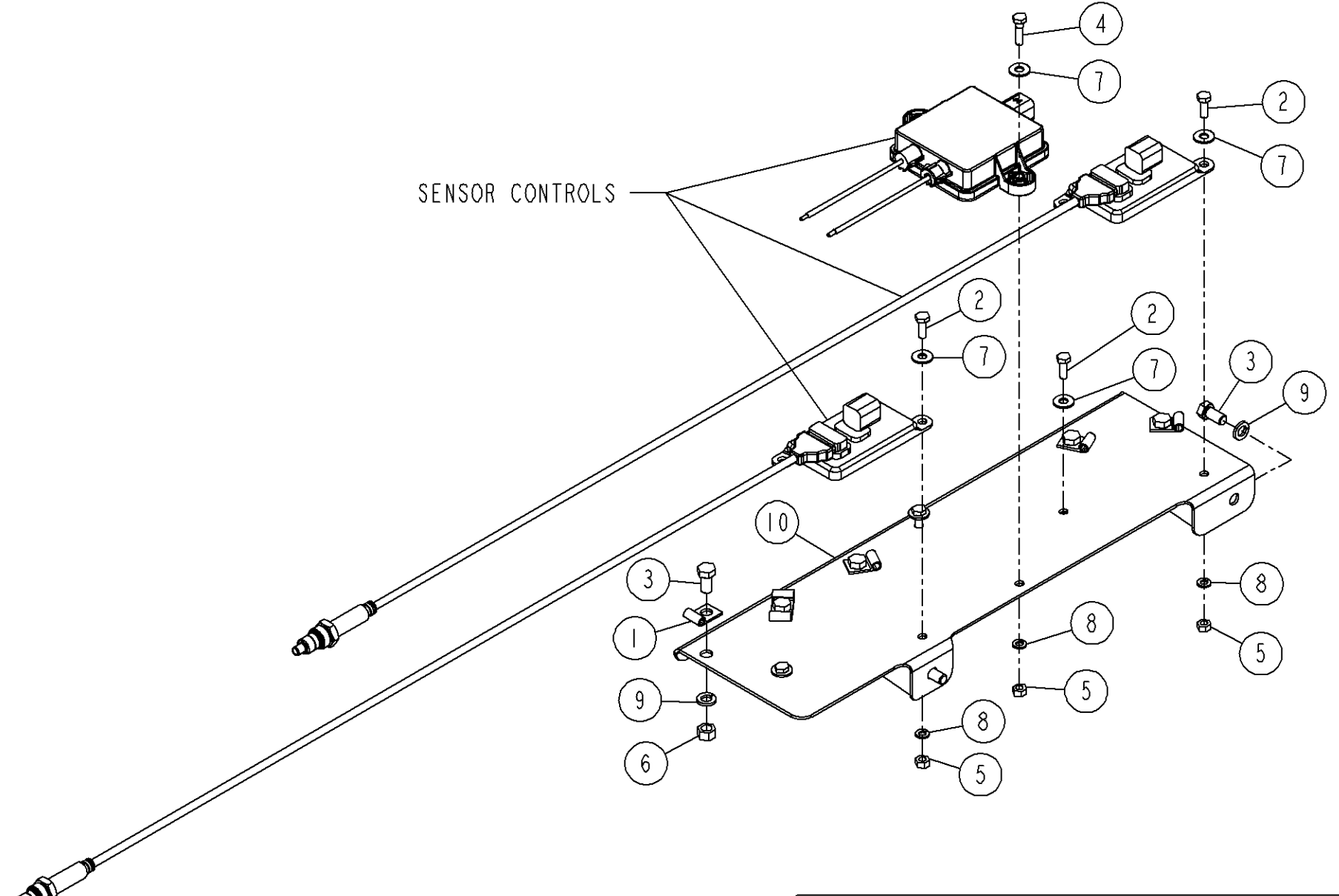


DEF TANK ASSEMBLY

912611-011

F

DEF TANK ASSEMBLY			912611-011	F
ITEM NO.	QTY	PART NUMBER	DESCRIPTION	
1	2	170-30C72	HOSE CLAMP - T-BOLT (2.00 DIA)	
2	1	210-54N81	ADAPTER - CAP FLANGE, REMOTE FILL	
3	1	210-54N82	SCREEN - TANK STRAINER	
4	1	210-54N83	ADAPTER - TANK, REMOTE FILL	
5	1	210-54R32	CAP - DEF TANK, W/LOCK	
6	1	210-54R84	DEF TANK - 24L	
7	1	210-54R85	STRAP KIT - 24L DEF TANK	
8	6	400-30A10	.250-20 UNC X .750 HHCS GR5	
9	2	400-30A19	.375-16 UNC X 1.000 HHCS GR5	
10	4	400-30A20	.375-16 UNC X .750 HHCS GR5	
11	1	400-30B85	.375-16 UNC X 1.250 HHCS GR5	
12	6	400-48T76	.250-20 UNC X .75 BHSS	
13	1	415-30A06	.375-16 UNC GR5 HEXNUT	
14	12	420-30A36	LOCK WASHER .250	
15	7	420-30A41	LOCK WASHER .375	
16	8	420-30A65	FLAT WASHER .375 W	
17	1	610-30B02	GROMMET - 1.50 IN ID X 2.125 IN OD	
18	1	610-54N96	GROMMET - 2.50IN X 3.13OD W/ .13 GRV	
19	1	912610-045	DEF TANK BOX	
20	1	912610-046	DEF TANK COVER	
21	1	912610-050	MOUNT, DEF TANK COVER	
22	1	912819-014	COOLANT PLUMBING DEF TANK/INJECTOR	
23	1	9145-00224	FILLER HOSE, DEF	
24	1	9810-20819	ACCESS COVER	
25	1	9810-20820	FILLER MOUNT - DEF	
26	1	9810-21257	COVER PANEL, DEF TANK	
27	1	9810-22117	SHEET - DEF TANK ACCESS COVER	

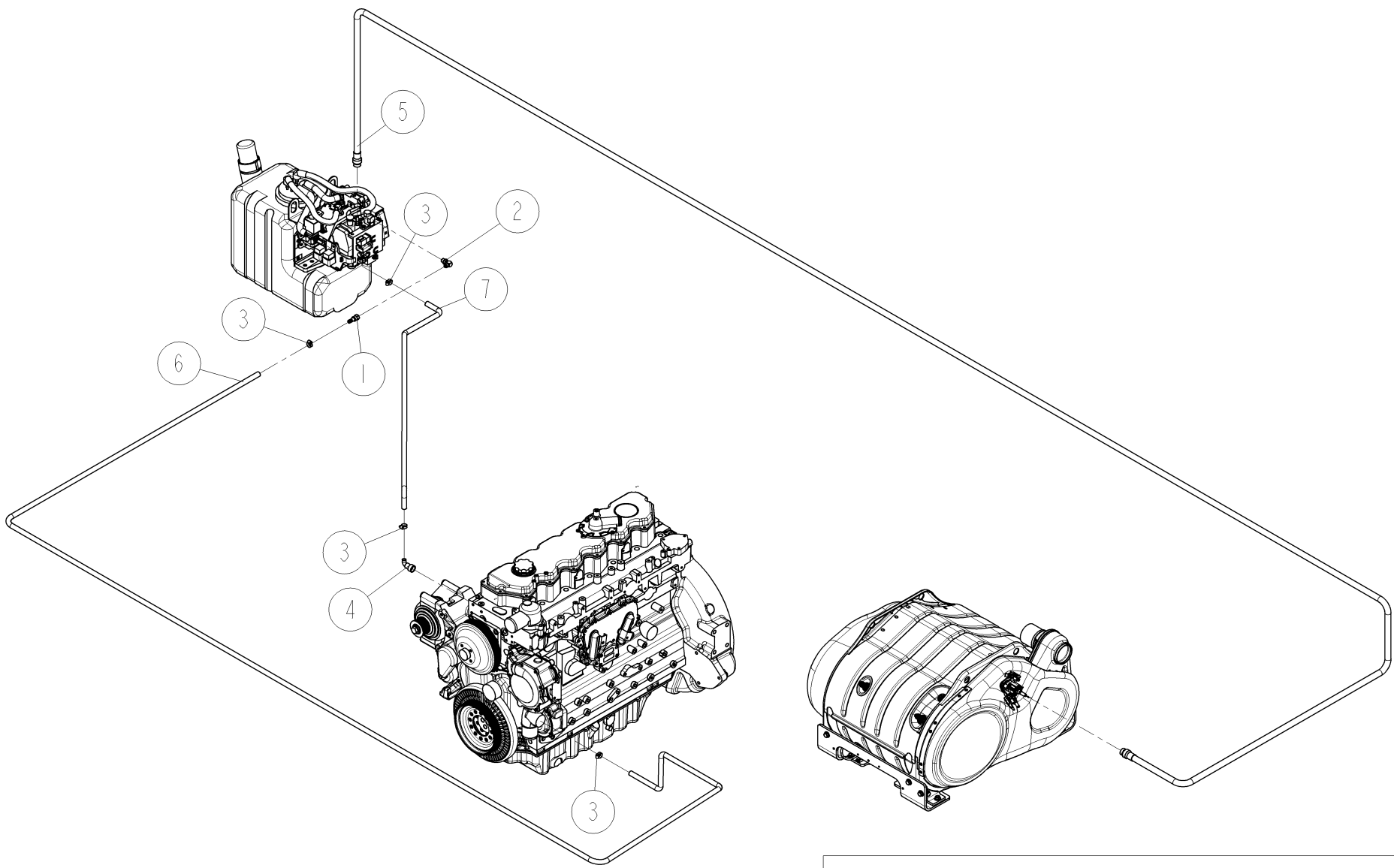


SENSOR CONTROL UNIT MT ASSY SOOT AND NOX	
--	--

912611-012
------------

A
---

SENSOR CONTROL UNIT MT ASSY SOOT AND NOX			912611-012	A
ITEM NO.	QTY	PART NUMBER	DESCRIPTION	
1	6	170-46T38	HOSE CLAMP - SUPPORT .25 IN ID CLOSED	
2	4	400-30A10	.250-20 UNC X .750 HHCS GR5	
3	7	400-30A20	.375-16 UNC X .750 HHCS GR5	
4	2	400-30A77	.250-20 UNC X 1.000 HHCS GR5	
5	6	415-30A04	.250-20 UNC GR5 HEX NUT	
6	5	415-30A06	.375-16 UNC GR5 HEX NUT	
7	6	420-30A30	FLAT WASHER .250 W	
8	6	420-30A36	LOCK WASHER .250	
9	7	420-30A41	LOCK WASHER .375	
10	1	912610-047	MOUNT - SENSOR CONTROL UNITS	

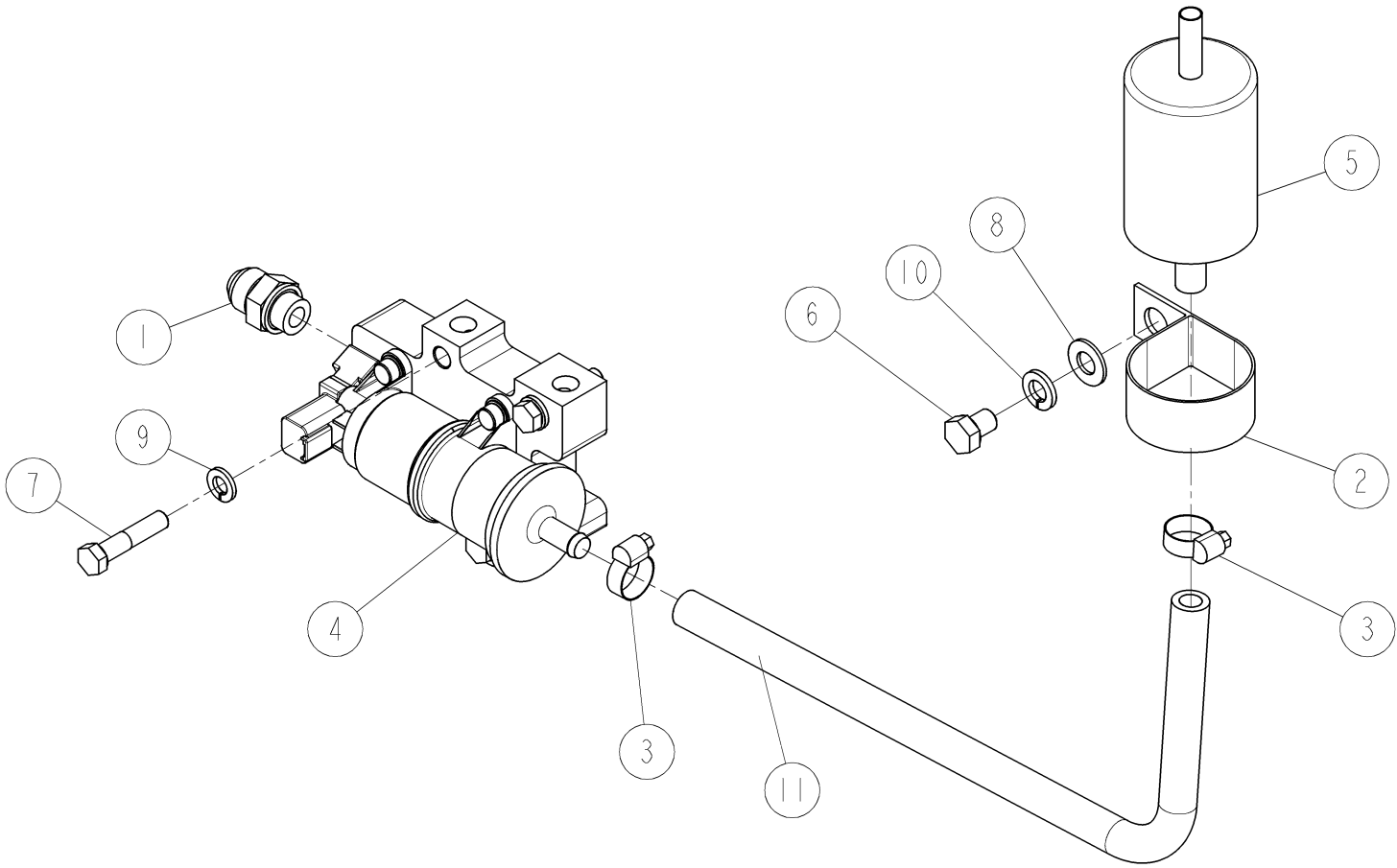


COOLANT PLUMBING DEF TANK/INJECTOR

912819-014

B

COOLANT PLUMBING DEF TANK/INJECTOR			912819-014	B
ITEM NO.	QTY	PART NUMBER	DESCRIPTION	
1	1	150-49C27	HOSE END - FEM (JIC SWVL BARB 6-6)	
2	1	155-10G76	MALE BOSS/MALE FLARE 90 6-6	
3	4	170-48T66	HOSE CLAMP # 3 (.75 DIA)	
4	1	210-54R03	FITTING - QUICK CONNECT, 90DEG	
5	1	210-54V39	DEF LINE - INJECTOR, 4.5M	
6	1	9145-00277	HOSE, HTR - SILICONE (.375 X 132.00 IN)	
7	1	9145-00286	HOSE, HTR - SILICONE (.375 X 168.00 IN)	



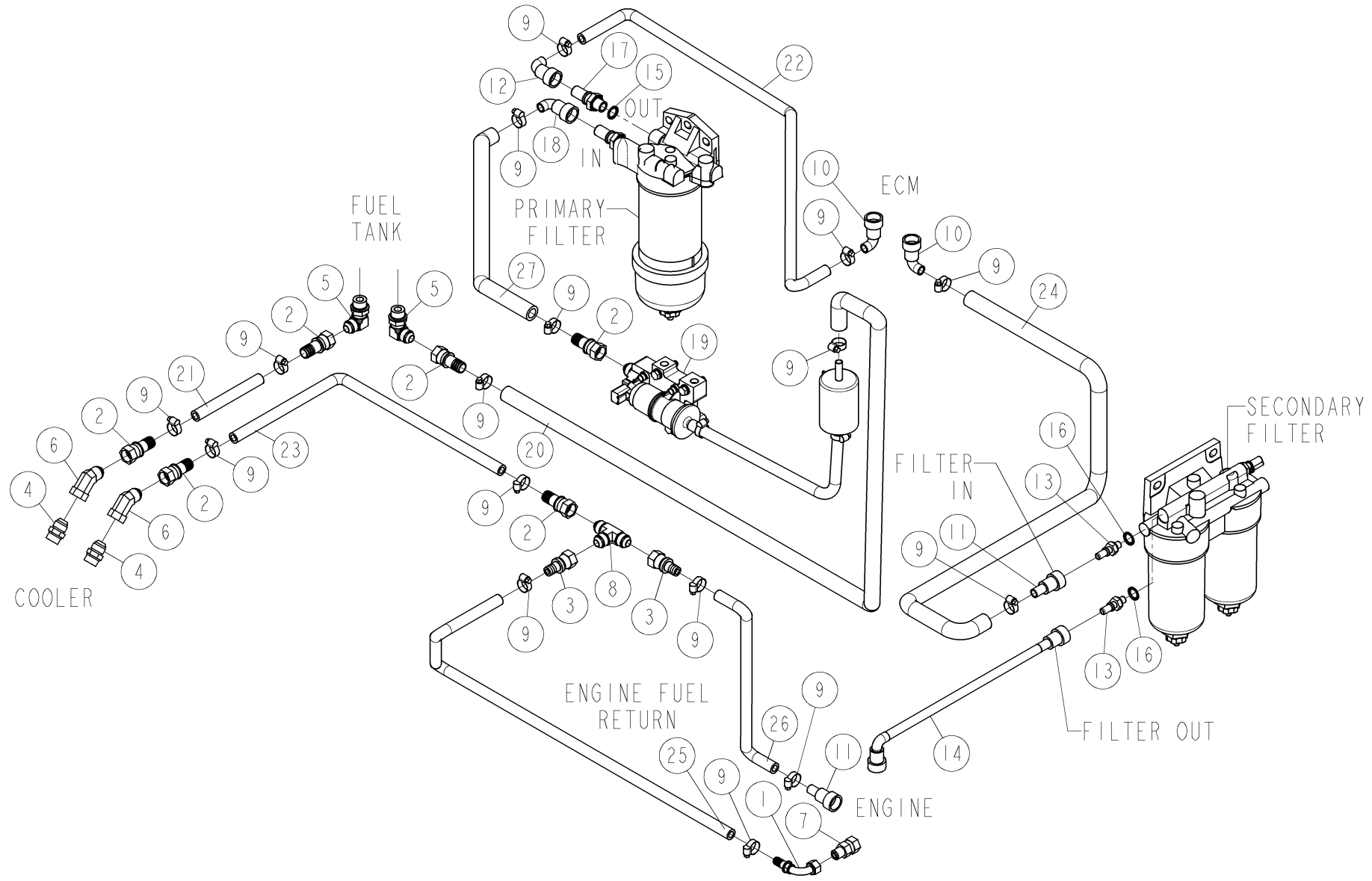
FUEL TRANSFER PUMP ASSEMBLY

912646-009

D

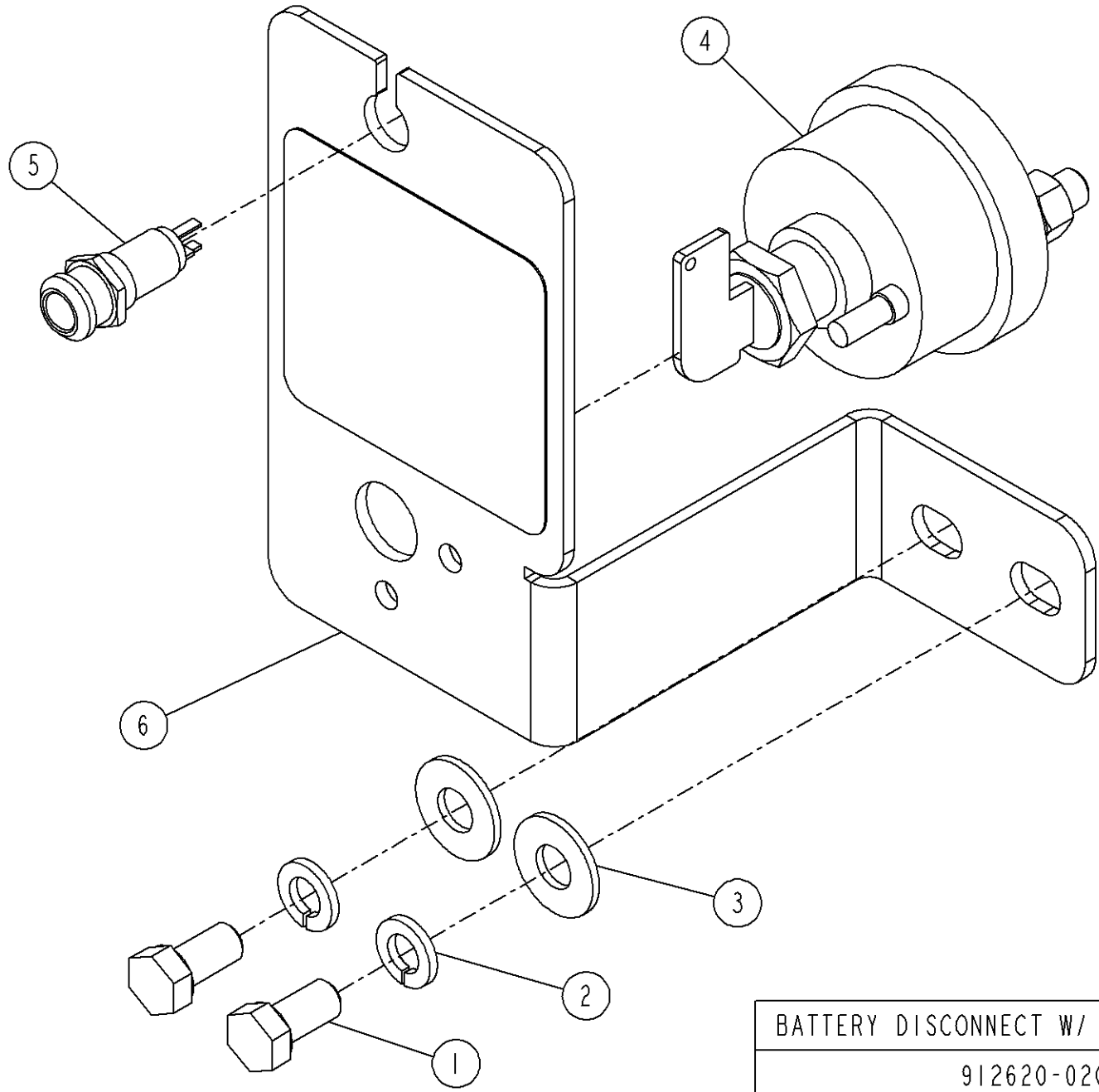


FUEL TRANSFER PUMP ASSEMBLY			912646-009	D
ITEM NO.	QTY	PART NUMBER	DESCRIPTION	
1	1	155-48H12	ADPTR - MF/MB OR STR THD M16 X 1.5 -8	
2	1	170-48H47	HOSE CLAMP - SUPPORT 2.00 IN ID NEOPRENE	
3	2	170-48T66	HOSE CLAMP # 3 (.75 DIA)	
4	1	210-54R90	PUMP - FUEL TRANSFER	
5	1	210-54R91	FILTER - FUEL INLINE	
6	1	400-30C37	.375-16 UNC X .500 HHCS GR5	
7	3	400-30E11	.3125-18 UNC X 1.500 HHCS GR5	
8	1	420-10T99	FLAT WASHER .375 F436	
9	3	420-30A38	LOCK WASHER .312	
10	1	420-30A41	LOCK WASHER .375	
11	1	9145-00289	FUEL LINE (.38 X 12.00)	



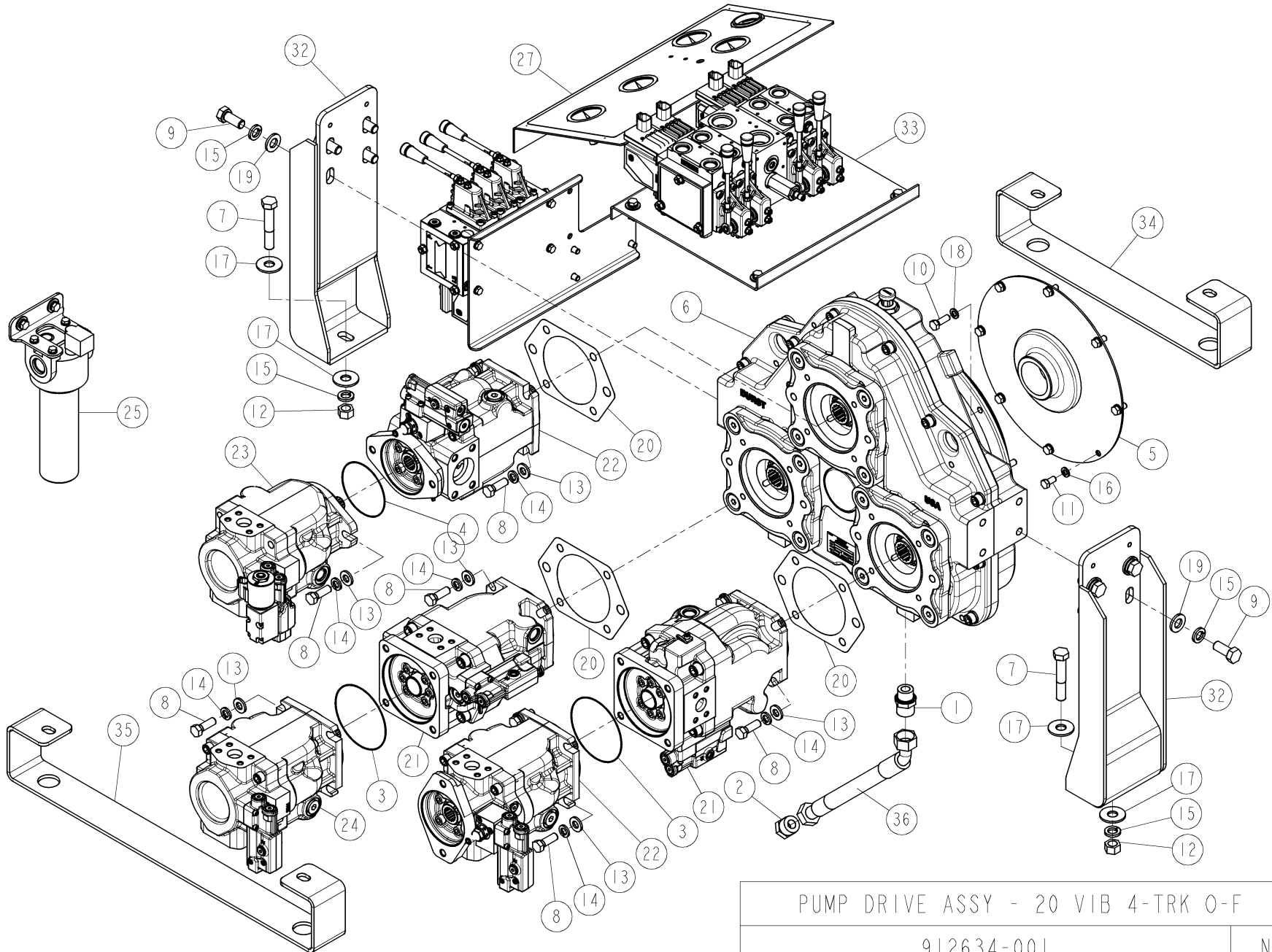
FUEL HOSE ASSY- T4, DUAL SECONDARY FILTE	
912819-024	M

FUEL HOSE ASSY- T4, DUAL SECONDARY FLTE			912819-024	M
ITEM NO.	QTY	PART NUMBER	DESCRIPTION	
1	1	150-49C26	HOSE END - FEM 90 (JIC SWVL BARB 6-6)	
2	6	150-50L81	HOSE END - FEM (JIC SWVL BARB 8-8)	
3	2	150-55D50	HOSE END - FEM (JIC SWVL BARB 8-6)	
4	2	155-10G78	MALE BOSS/MALE FLARE (8-8)	
5	2	155-10G82	MALE BOSS/MALE FLARE 90 8-8	
6	2	155-10L60	FEMALE JIC SWVL/MALE JIC 45	
7	1	155-49P94	ADAPTER - ORFS SWVL/JIC 6-6	
8	1	155-55D49	ADAPTER - MF TEE 8-8-8	
9	16	170-48T66	HOSE CLAMP # 3 (.75 DIA)	
10	2	210-54R03	FITTING - QUICK CONNECT, 90DEG	
11	2	210-54R04	FITTING - QUICK CONNECT, STRAIGHT	
12	1	210-54R51	FITTING - QUICK CONNECT, 90DEG .375	
13	2	210-55C97	NIPPLE - FUEL CONNECTOR ASSY	
14	1	210-55G14	FUEL LINE - W/QUICK CONN ENDS, 90IN T IV	
15	2	210-55K72	SEAL - FUEL T4, PRIMARY FILTER	
16	2	210-55K73	SEAL - FUEL T4, SECONDARY FILTER	
17	1	210-55K74	FITTING - QC FUEL STR 9.49MM X M16X1.5	
18	1	210-55K90	FITTING - QC FUEL, 12.61MM X .50 BARB	
19	1	912646-009	FUEL TRANSFER PUMP ASSEMBLY	
20	1	9145-00123	HOSE - FUEL LINE, .500 X 50IN	
21	1	9145-00175	HOSE - .500 IN X 54 IN	
22	1	9145-00180	HOSE - .375 IN FUEL X 33 IN	
23	1	9145-00218	FUEL LINE - DIA .50 X 86IN LG	
24	1	9145-00290	FUEL HOSE (.38 X 29.00)	
25	1	9145-00291	FUEL LINE (.38 X 48.00)	
26	1	9145-00292	FUEL LINE (.38 X 26.00)	
27	1	9145-00336	HOSE - .500 IN X 74 IN	



BATTERY DISCONNECT W/ WAIT TO DISC LIGHT	
912620-020	B

BATTERY DISCONNECT W/ WAIT TO DISC LIGHT		912620-020	B
ITEM NO.	QTY	PART NUMBER	DESCRIPTION
1	2	400-30A20	.375-16 UNC X .750 HHCS GR5
2	2	420-30A41	LOCK WASHER .375
3	2	420-30A65	FLAT WASHER .375 W
4	1	530-48H62	SWITCH - ELEC DISC, 1000A W/KEY LOCK-OUT
5	1	903120-037	LED ASSY, RED -2 PIN DEUTSCH
6	1	9810-19788	MOUNT, BATTERY DISCONNECT



PUMP DRIVE ASSY - 20 VIB 4-TRK O-F

912634-001

N

PUMP DRIVE ASSY - 20 VIB 4-TRK O-F			912634-001	N
ITEM NO.	QTY	PART NUMBER	DESCRIPTION	
1	1	155-49N44	ADAPTER ORFS/MB OR (12-12 STD)	
2	1	155-49P16	ADAPTER - ORFS PLUG -12	
3	2	160-45B17	O RING 1-048	
4	1	160-45X64	O RING 1-045	
5	1	225-53G62	DRIVE PLATE - 11.5 (2.83 PT)	
6	1	225-53T12	PUMP DRIVE - TPL, 3PD06	
7	2	400-30B41	.625-11 UNC X 3.500 HHCS GR8	
8	22	400-30B84	.500-13 UNC X 1.500 HHCS GR8	
9	8	400-30D78	.625-11 UNC X 1.500 HHCS GR8	
10	12	400-45C42	M10-1.50 X 30 MM HEX HD	
11	8	400-46J07	.375-24 UNF X .750 HHCS GR5	
12	2	415-30A02	.625-11 UNC GR8 HEX NUT	
13	22	420-10F69	FLAT WASHER .500 A325	
14	22	420-30A37	LOCK WASHER .500	
15	10	420-30A39	LOCK WASHER .625	
16	8	420-30A41	LOCK WASHER .375	
17	4	420-30B58	FLAT WASHER .625 W	
18	12	420-45C40	LOCK WASHER 10 MM	
19	8	420-46K85	FLAT WASHER .625 A325	
20	3	650-46C24	GASKET - PUMP (SAE C FLG 2/4 BOLT)	
21	2	725-52Y21	PUMP - HYDR LD SEN 74CC SER 45	
22	2	725-53H86	PUMP - HYDR LD SEN 60CC SER 45	
23	1	725-53L05	PUMP - HYDR PROPN 51CC SER 45	
24	1	725-54J29	PUMP - HYDR PRESS COMP 60CC SER 45	
25	1	908545-012	HIGH PRESSURE FILTER	
26	1	912611-018	HYDR FILTER KIT - GP3	
27	1	912613-032	GAUGE PANEL ASSY, HYD - OPEN FRONT	
28	1	912619-004	TRACTIVE HYDRAULICS - 4 TRK, 2SP	
29	1	912619-005	AUGER/TAMPER HYDR - SINGLE TAMPER DR	
30	1	912619-006	FAN MOTOR HYDRAULICS, COOLING PACKAGE	
31	1	912619-007	LIFT HYDRAULICS, MAIN FRAME	
32	2	912634-002	PUMP DRIVE MOUNT, REAR - 3 HOLE DRIVE	
33	1	912645-004	VALVE ASSY, 4T TRAVEL AND AUGER/TAMP -OF	
34	1	9800-41949	HOSE HANGER - RH	
35	1	9800-41950	HOSE HANGER - MID FRAME	
36	1	CMP12-0220-V0V4	HA .75 MP X 22.0 FSF0/FSF4	

PUMP DRIVE

TRACK PUMP

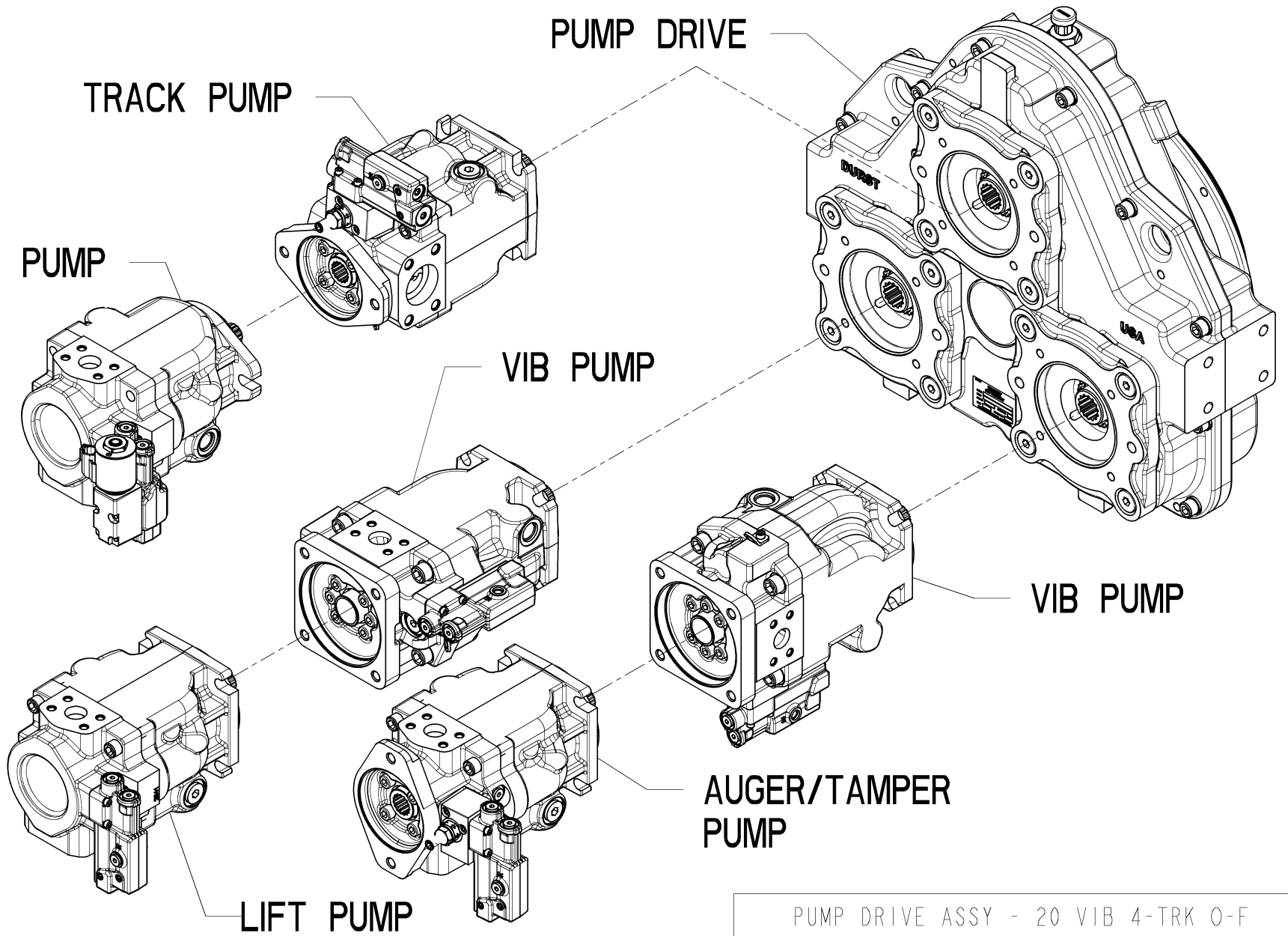
FAN PUMP

VIB PUMP

VIB PUMP

AUGER/TAMPER PUMP

LIFT PUMP

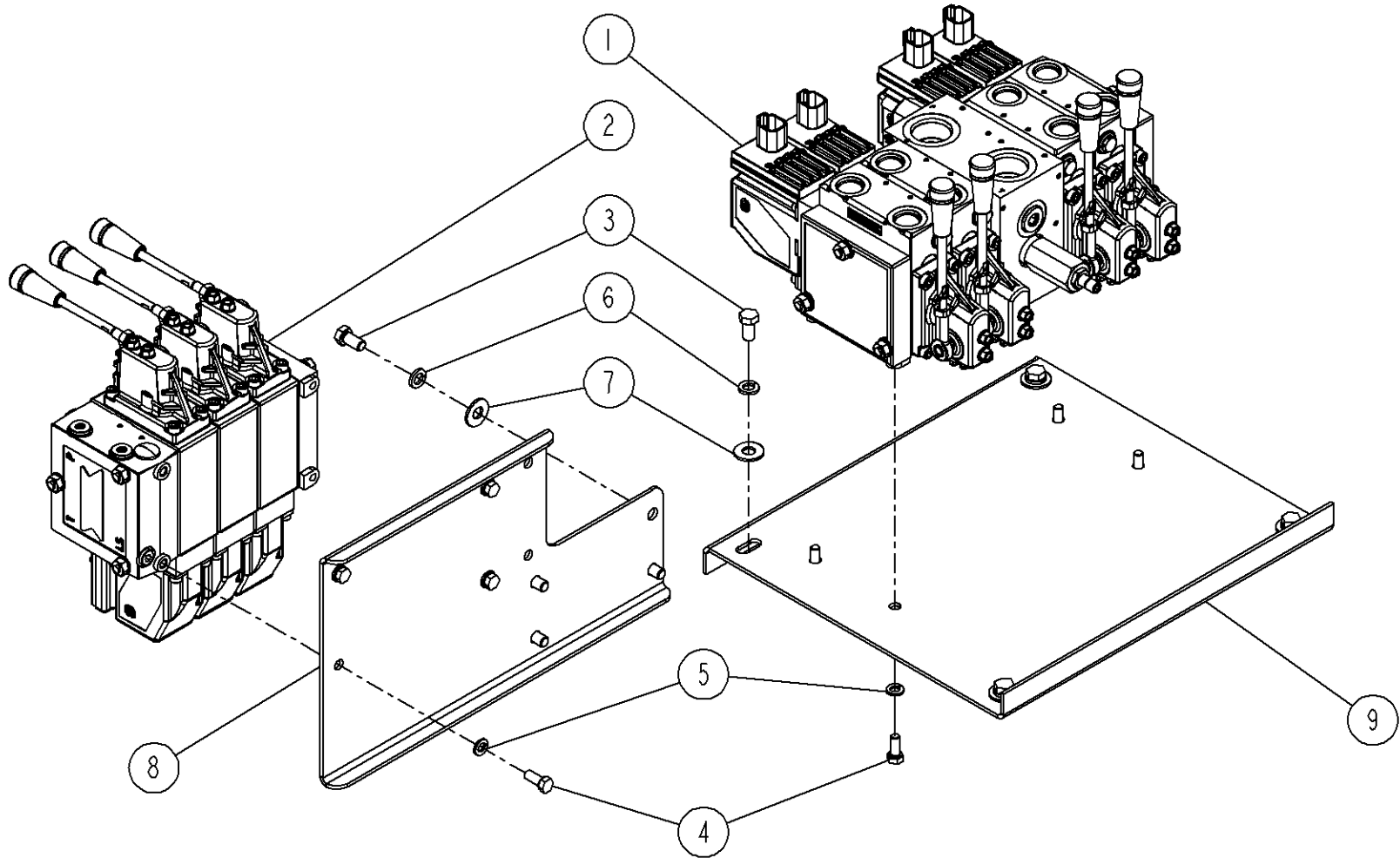


PUMP DRIVE ASSY - 20 VIB 4-TRK 0-F

912634-001\_ID

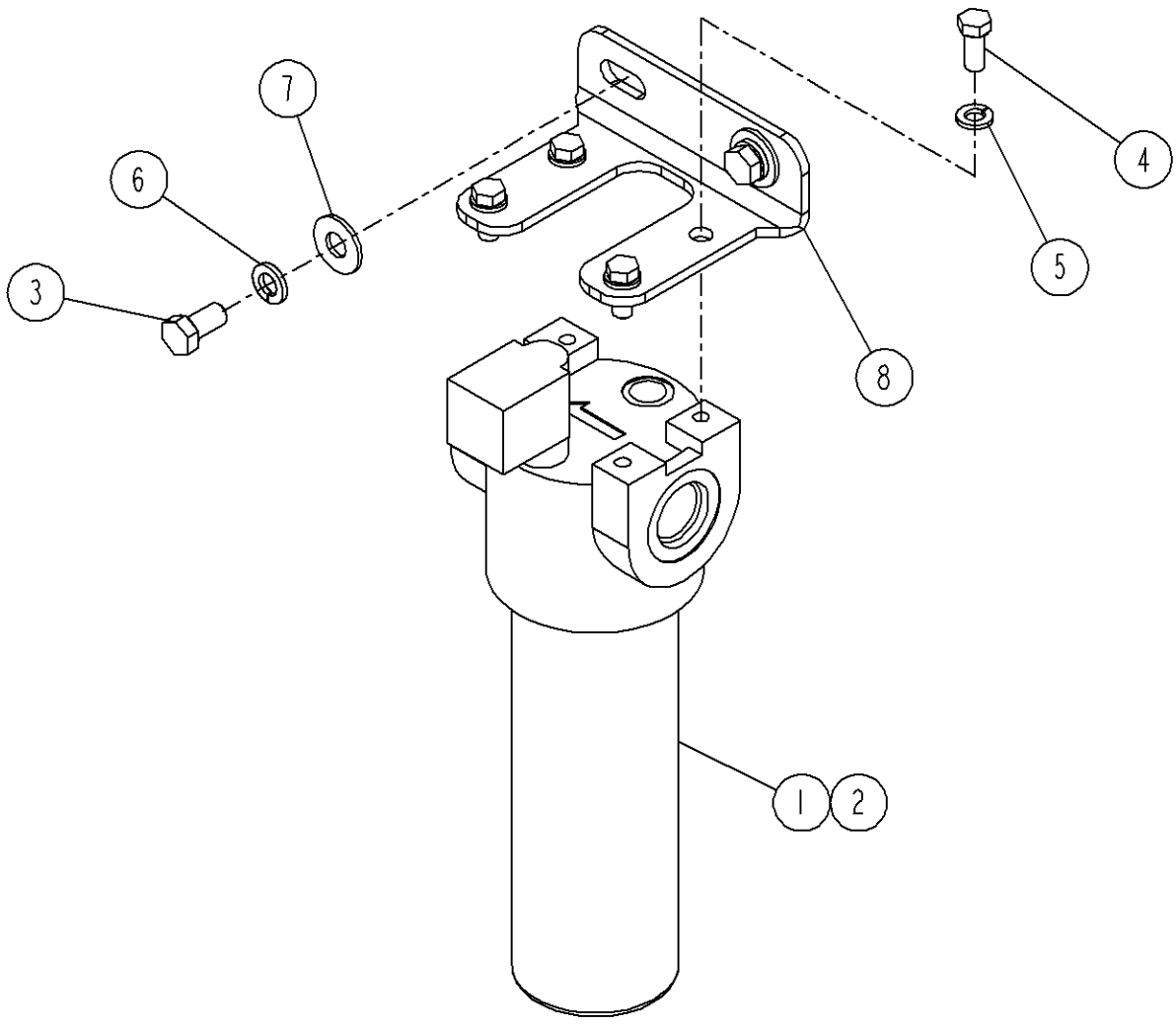


PUMP IDENTIFICATION		912634-001_ID	
ITEM NO.	QTY	PART NUMBER	DESCRIPTION
1	1	1	BILL OF MATERIAL NOT REQUIRED.



VALVE ASSY, 4T TRAVEL AND AUGER/TAMP -OF	
912645-004	A

VALVE ASSY, 4T TRAVEL AND AUGER/TAMP -OF		912645-004	A
ITEM NO.	QTY	PART NUMBER	DESCRIPTION
1	1	125-54J27	VALVE ASSY - 4 BANK, 10GPM (PVG32)
2	1	125-54J28	VALVE - PROPN 3 BANK
3	8	400-30A20	.375-16 UNC X .750 HHCS GR5
4	8	400-30B55	.3125-18 UNC X .750 HHCS GR5
5	8	420-30A38	LOCK WASHER .312
6	8	420-30A41	LOCK WASHER .375
7	8	420-30A65	FLAT WASHER .375 W
8	1	9810-22093	MOUNT, PVG VALVE
9	1	9810-22095	MOUNT, 4 PVG VALVES

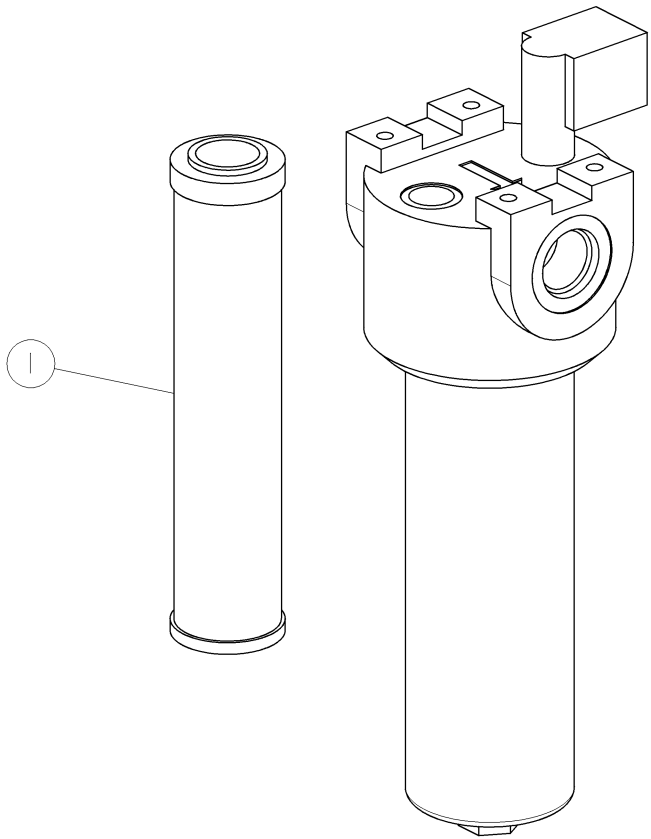


HIGH PRESSURE FILTER

908545-012

A

HIGH PRESSURE FILTER			908545-012	A
ITEM NO.	QTY	PART NUMBER	DESCRIPTION	
1	1	110-50M07	FILTER - HP, 10 MICRON (ELEM 110-50M08)	
2	1	110-50M08	FILTER ELEMENT (10 MICRON SYNTH)	
3	2	400-30A20	.375-16 UNC X .750 HHCS GR5	
4	4	400-30B55	.3125-18 UNC X .750 HHCS GR5	
5	4	420-30A38	LOCK WASHER .312	
6	2	420-30A41	LOCK WASHER .375	
7	2	420-30A65	FLAT WASHER .375 W	
8	1	9810-09791	MOUNT - HIGH PRESSURE FILTER	

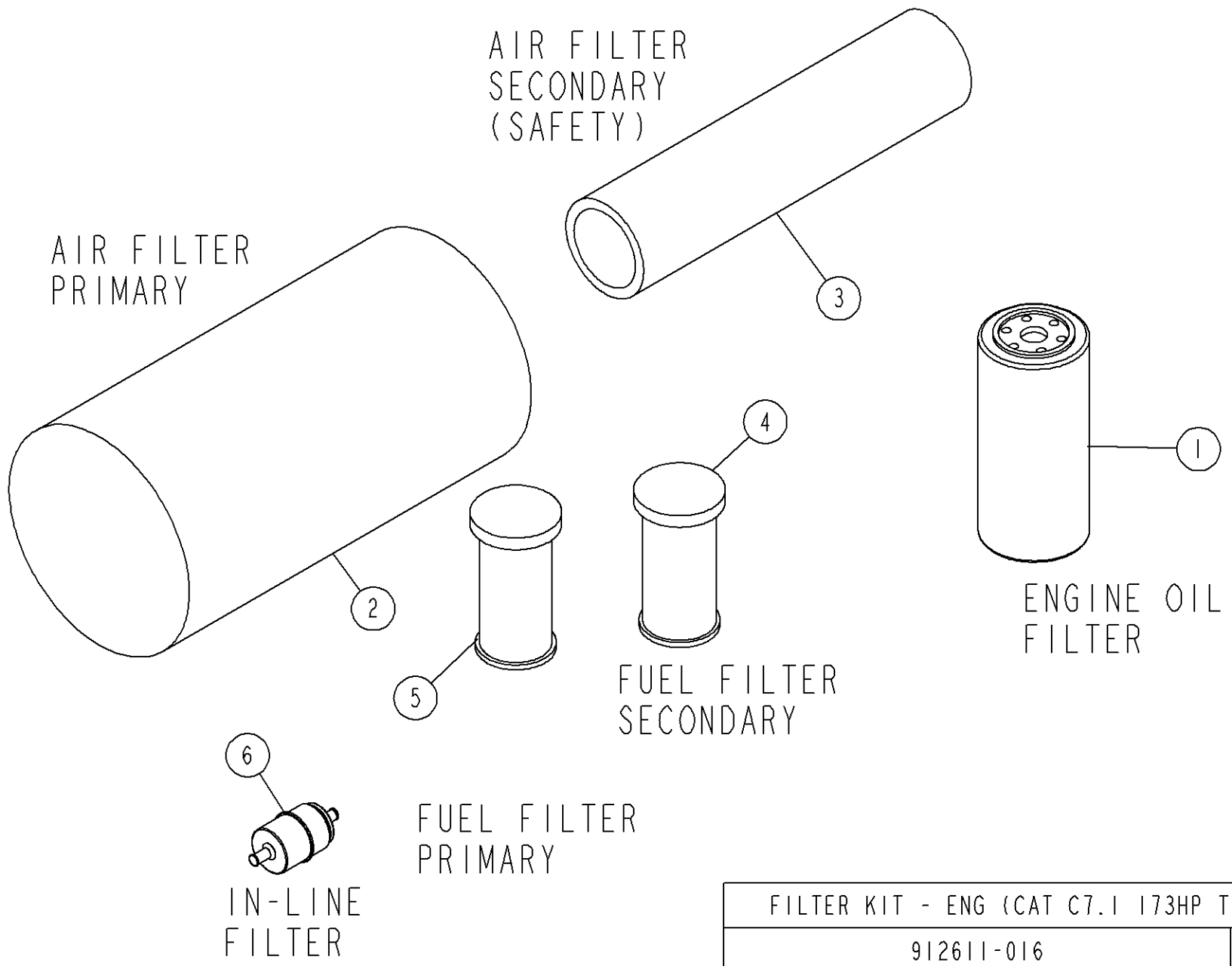


FILTER - HP, 10 MICRON (ELEM 110-50M08)

110-50M07

C

FILTER - HP, 10 MICRON (ELEM 110-50M08)			110-50M07	C
ITEM NO.	QTY	PART NUMBER	DESCRIPTION	
1	1	110-50M08	FILTER ELEMENT (10 MICRON SYNTH)	
2	1	110-53D24	ELECTRIC INDICATOR - FILTER (DIN) N.S.	
3	1	906733-004	KIT - FILTER SWITCH - NOT SHOWN	



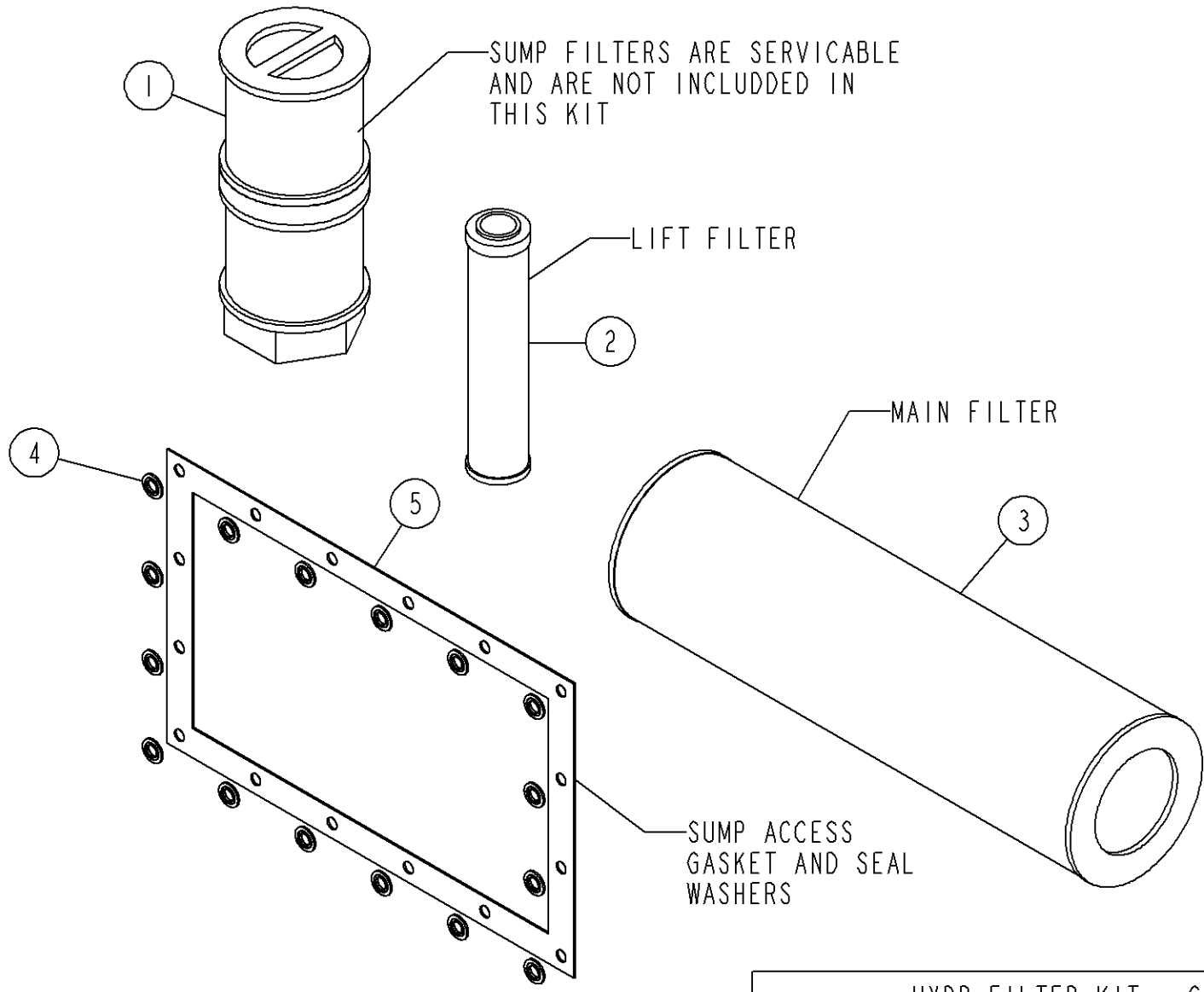
FILTER KIT - ENG (CAT C7.1 173HP T4)

912611-016

D



FILTER KIT - ENG (CAT C7.1 173HP T4)			912611-016	D
ITEM NO.	QTY	PART NUMBER	DESCRIPTION	
1	1	210-52W48	FILTER ELEMENT - OIL CAT	
2	1	210-53T09	FILTER ELEMENT - AIR, PRIMARY	
3	1	210-53T10	FILTER ELEMENT - AIR, SAFETY	
4	1	210-54N98	FILTER ELEMENT - FUEL, SECONDARY	
5	1	210-54R88	FILTER ELEMENT- FUEL, PRIMARY	
6	1	210-54R91	FILTER - FUEL INLINE	



HYDR FILTER KIT - GP3	
912611-018	A

HYDR FILTER KIT - GP3		912611-018	A
ITEM NO.	QTY	PART NUMBER	DESCRIPTION
1	1	110-46F19	FILTER, SUMP - 100 MESH 2.50 NPT NS
2	1	110-50M08	FILTER ELEMENT (10 MICRON SYNTH)
3	1	110-50T66	FILTER ELEMENT (10 MICRON SYNTH)
4	16	420-30A96	THREAD SEAL WASHER .375 NS
5	1	9610-01168	GASKET, FILLER PLATE AND SUMP ACCESS

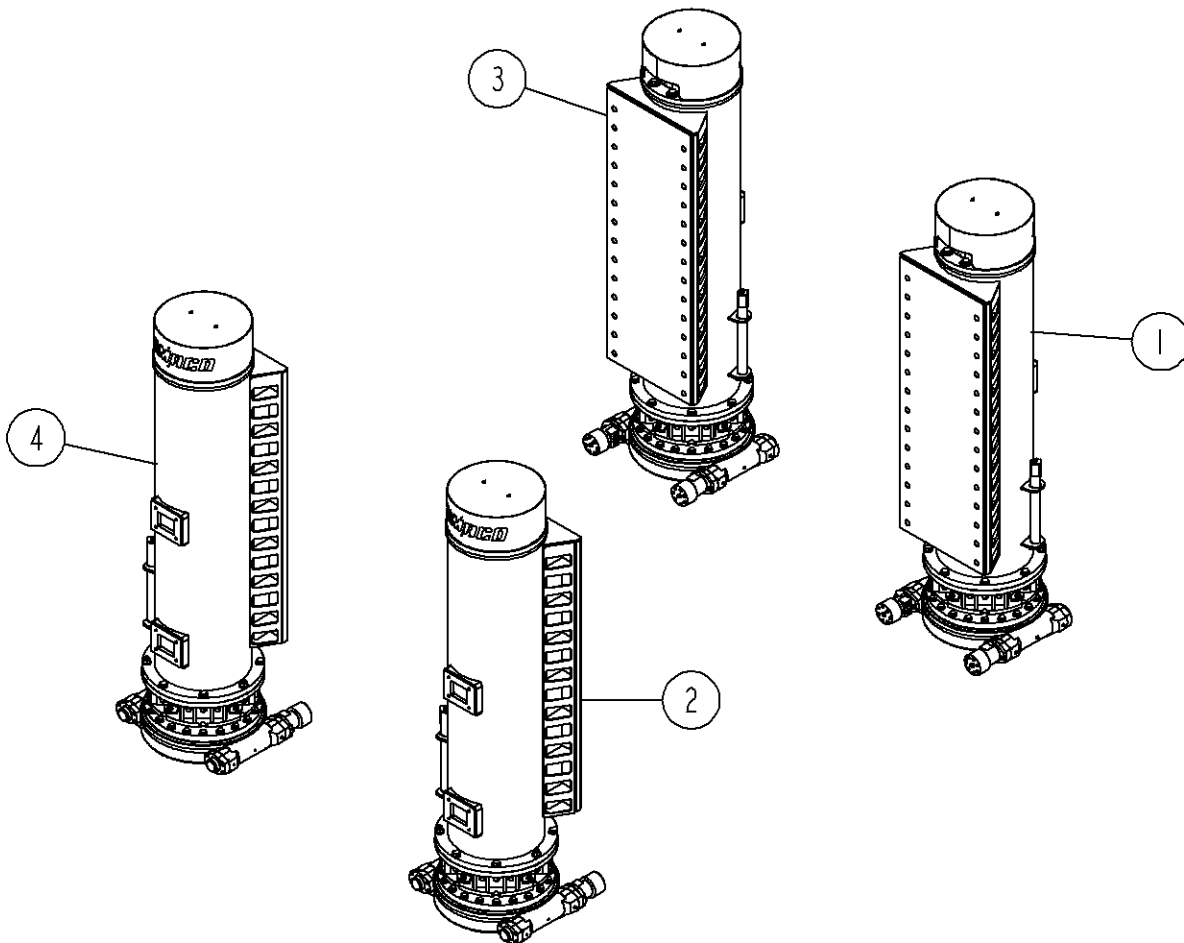


---

<b>Page #</b>	<b>Part Number</b>	<b>Description</b>
1	912618-044	LEG ASSY OPTION - 6.00 X 42.00 STROKE
2	912618-038	LEG ASSY - 42 IN STROKE RIGHT FRONT
3	912618-039	LEG ASSY - 42 IN STROKE RIGHT REAR
4	912618-040	LEG ASSY - 42 IN STROKE LEFT FRONT
5	912618-041	LEG ASSY - 42 IN STROKE LEFT REAR
6	912618-042	LOWER GUIDE TUBE ASSY - 10 IN RH
7	912618-043	LOWER GUIDE TUBE ASSY - 10 IN LH
8	912618-011	LOWER GUIDE, RADIAL TAKE-UP ASSY - 10 IN
9	912643-002	GREASE FITTING LOWER GUIDE TAKE-UP
10	220-54P01	SLEW DRIVE-HOURLASS WORM, 17IN CLOSED
11	912618-015	STEERING SENSOR ASSY
12	903118-052	STEER SENSOR STEM ASSY
13	903118-055	SENSOR MT HSG ASSY
14	912811-008	SAFETY LOCK PIN - PAVER







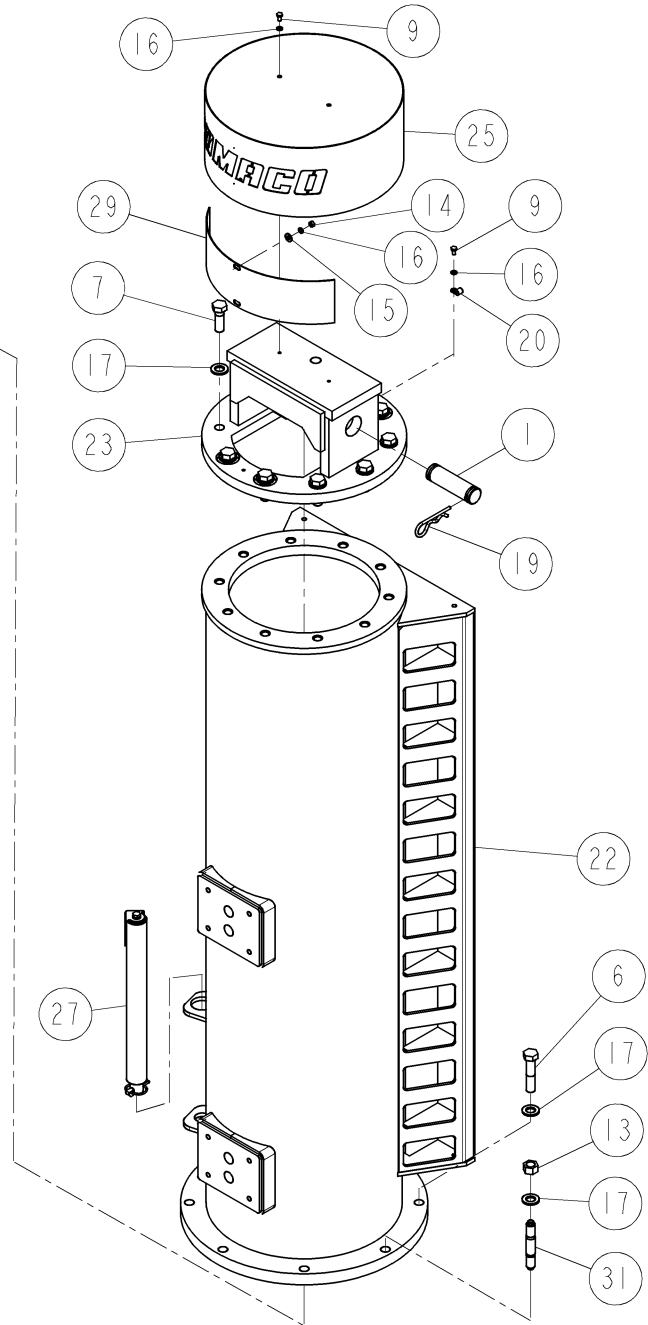
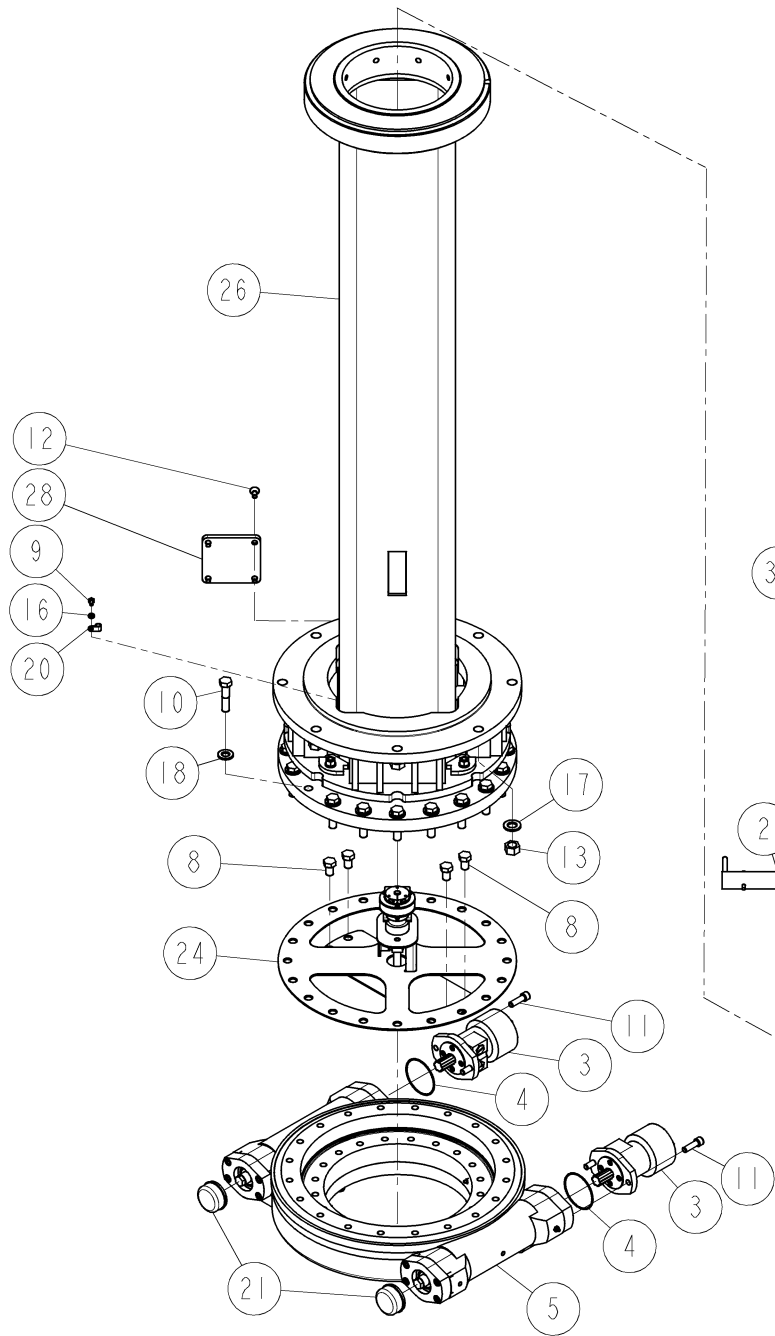
LEG ASSY OPTION - 6.00 X 42.00 STROKE

912618-044

A



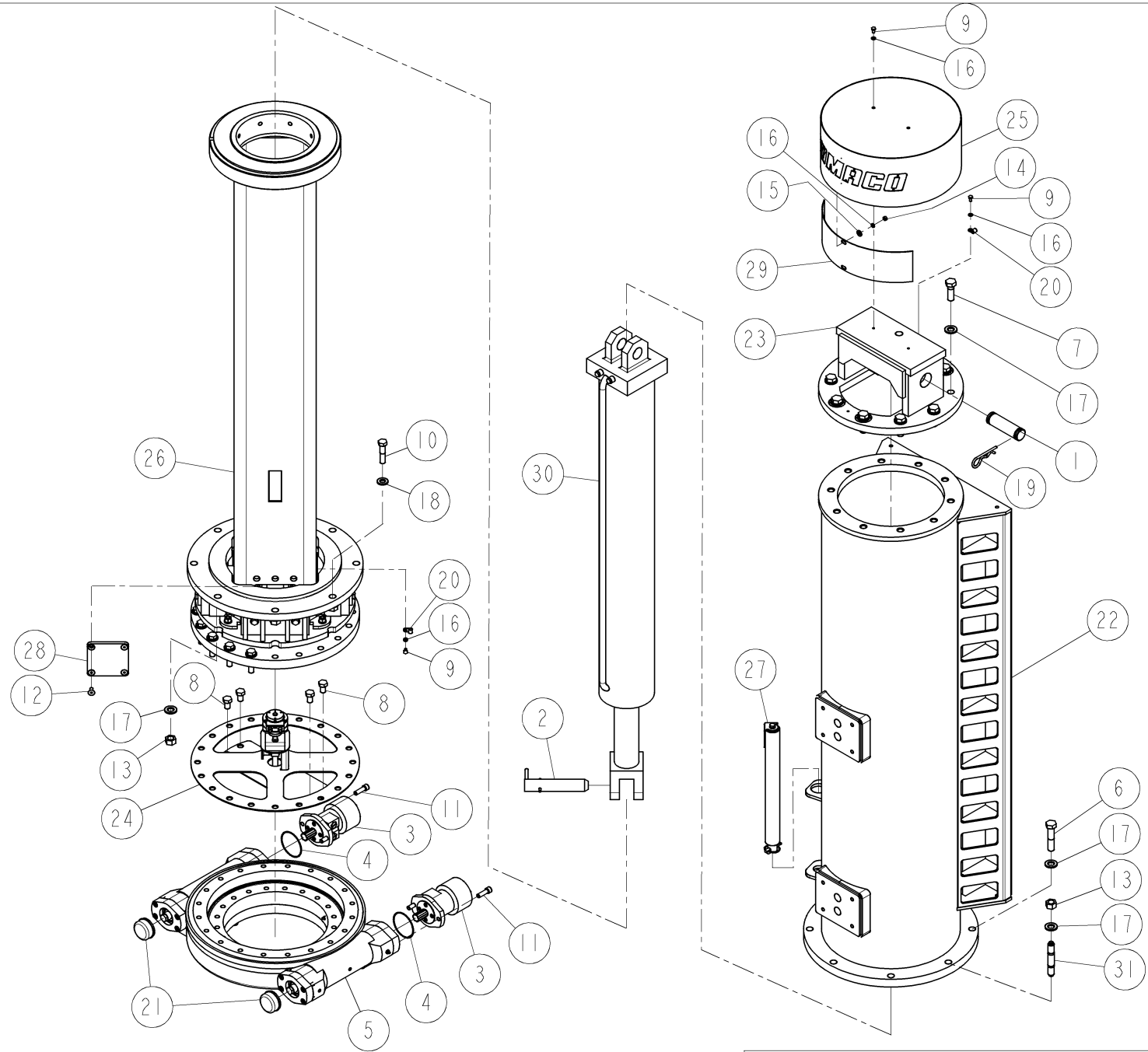
LEG ASSY OPTION - 6.00 X 42.00 STROKE			912618-044	A
ITEM NO.	QTY	PART NUMBER	DESCRIPTION	
1	1	912618-038	LEG ASSY - 42 IN STROKE RIGHT FRONT	
2	1	912618-039	LEG ASSY - 42 IN STROKE RIGHT REAR	
3	1	912618-040	LEG ASSY - 42 IN STROKE LEFT FRONT	
4	1	912618-041	LEG ASSY - 42 IN STROKE LEFT REAR	



LEG ASSY - 42 IN STROKE RIGHT FRONT

912618-038

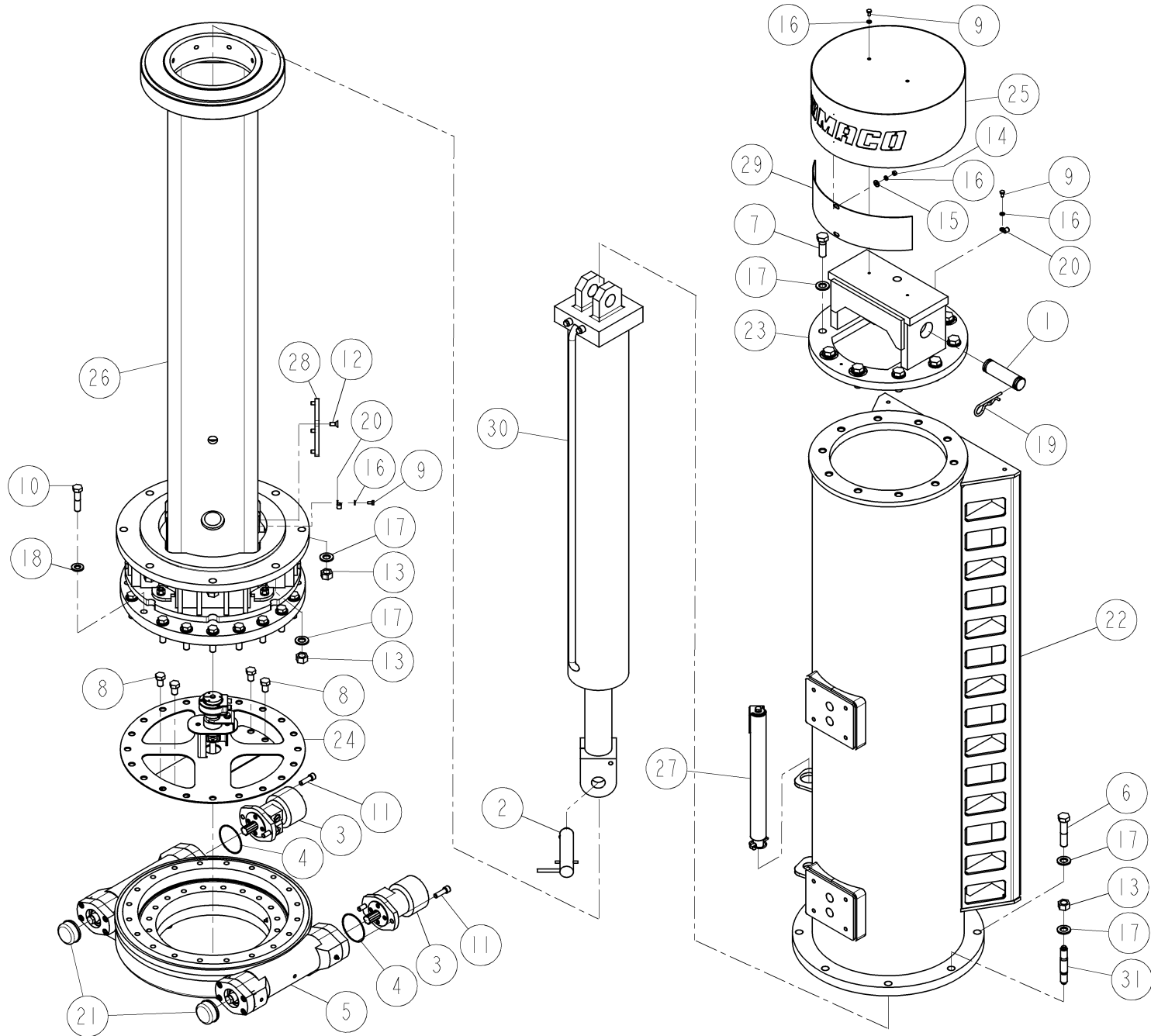
LEG ASSY - 42 IN STROKE RIGHT FRONT			912618-038	F
ITEM NO.	QTY	PART NUMBER	DESCRIPTION	
1	1	105-45R44	CYLINDER PIN 1.50 X 5.25	
2	1	105-53U27	PIN - CYLINDER 1.500 X 4.500 W/DETENT	
3	2	130-54M82	MOTOR - HYDRAULIC 9.6 CID T SER	
4	2	160-47D05	O RING-152	
5	1	220-54P01	SLEW DRIVE - HOURGLASS WORM, 17IN CLOSED	
6	6	400-30C60	.750-10 UNC X 3.500 HHCS GR8	
7	10	400-30D50	.750-10 UNC X 2.250 HHCS GR8	
8	4	400-30D54	.625-11 UNC X 1.000 HHCS GR8	
9	4	400-30D64	.250-20 UNC X .500 HHCS GR5	
10	20	400-45B27	.625-11 UNC X 2.750 HHCS GR8	
11	4	400-54N06	SKT HD CAP SCR M12-1.75X40 GR12.9 BLK	
12	4	405-53N98	SKT FLAT CTSK SCR .375-16 UNC X .875	
13	10	415-30A03	.750-10 UNC GR8 HEXNUT	
14	2	415-30A04	.250-20 UNC GR5 HEXNUT	
15	2	420-30A30	FLAT WASHER .250 W	
16	6	420-30A36	LOCK WASHER .250	
17	26	420-45T38	FLAT WASHER .750 A325	
18	20	420-46K85	FLAT WASHER .625 A325	
19	2	430-45R43	HAIR PIN (NO.19)	
20	2	545-47T69	HOSE CLAMP - SUPPORT	
21	2	705-51P92	CAP - DUST	
22	1	912618-003	GUIDE TUBE HSG - 42 IN STRK	
23	1	912618-006	LEG CAP CYL MT	
24	1	912618-015	STEERING SENSOR ASSY	
25	1	912618-017	LEG CAP	
26	1	912618-042	LOWER GUIDE TUBE ASSY - 10 IN RH	
27	1	912811-008	SAFETY LOCK PIN - PAVER	
28	1	9800-37937	COVER - STEER SENSOR ACCESS	
29	1	9810-19716	SHEET - ROLLED, LEG CAP BACKER	
30	1	GT10-550	CYLINDER - HYDR, 6.00 X 42.00 IN	
31	2	GT60-516	ALIGNMENT STUD .750 DIA X 5.00	



LEG ASSY - 42 IN STROKE RIGHT REAR

912618-039

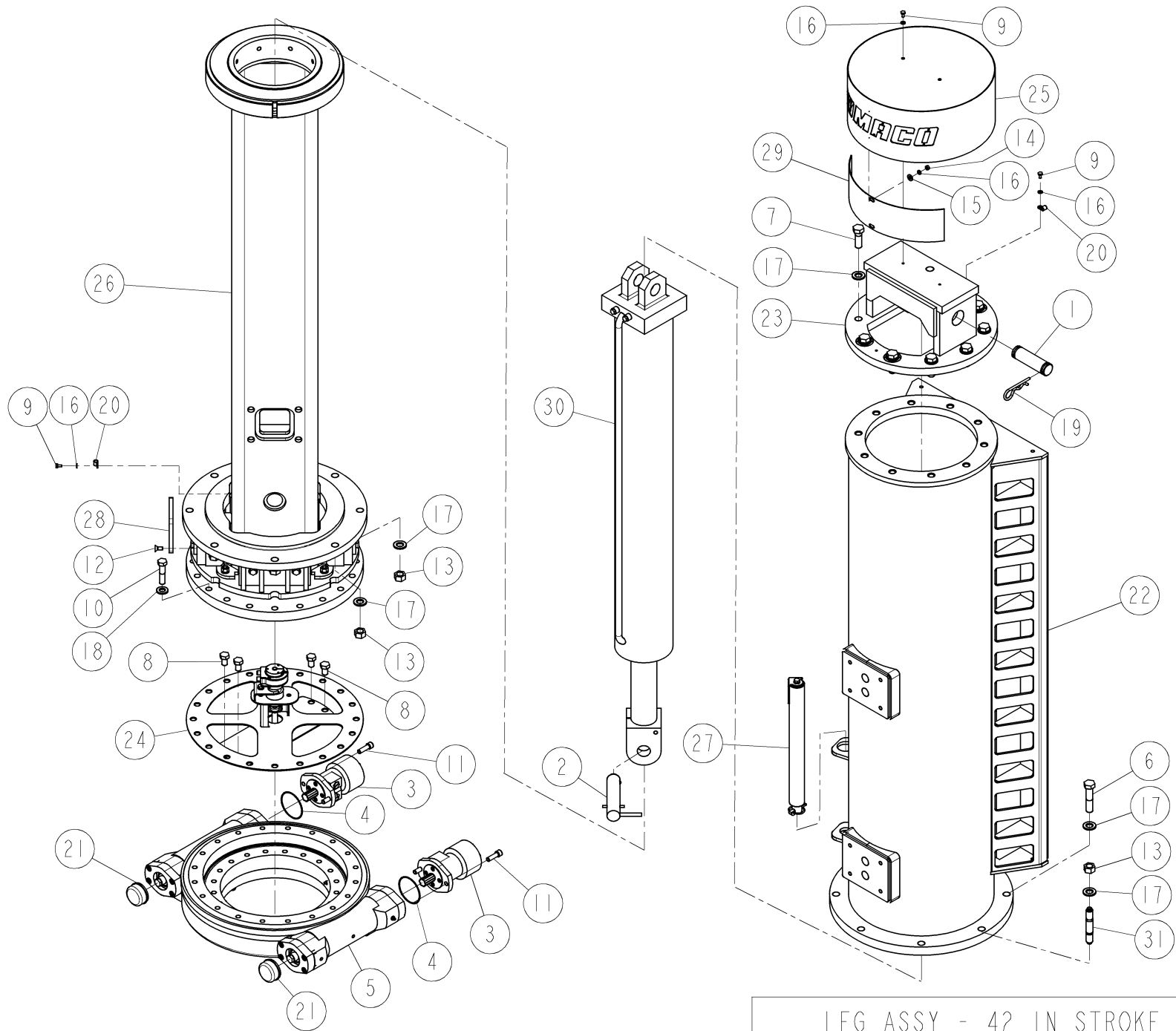
LEG ASSY - 42 IN STROKE RIGHT REAR			912618-039	F
ITEM NO.	QTY	PART NUMBER	DESCRIPTION	
1	1	105-45R44	CYLINDER PIN 1.50 X 5.25	
2	1	105-53U27	PIN - CYLINDER 1.500 X 4.500 W/DETENT	
3	2	130-54M82	MOTOR - HYDRAULIC 9.6 CID T SER	
4	2	160-47D05	O RING-152	
5	1	220-54P01	SLEW DRIVE - HOURGLASS WORM, 17IN CLOSED	
6	6	400-30C60	.750-10 UNC X 3.500 HHCS GR8	
7	10	400-30D50	.750-10 UNC X 2.250 HHCS GR8	
8	4	400-30D54	.625-11 UNC X 1.000 HHCS GR8	
9	4	400-30D64	.250-20 UNC X .500 HHCS GR5	
10	20	400-45B27	.625-11 UNC X 2.750 HHCS GR8	
11	4	400-54N06	SKT HD CAP SCR M12-1.75X40 GR12.9 BLK	
12	4	405-53N98	SKT FLAT CTSK SCR .375-16 UNC X .875	
13	10	415-30A03	.750-10 UNC GR8 HEXNUT	
14	2	415-30A04	.250-20 UNC GR5 HEXNUT	
15	2	420-30A30	FLAT WASHER .250 W	
16	6	420-30A36	LOCK WASHER .250	
17	26	420-45T38	FLAT WASHER .750 A325	
18	20	420-46K85	FLAT WASHER .625 A325	
19	2	430-45R43	HAIR PIN (NO.19)	
20	2	545-47T69	HOSE CLAMP - SUPPORT	
21	2	705-51P92	CAP - DUST	
22	1	912618-003	GUIDE TUBE HSG - 42 IN STRK	
23	1	912618-006	LEG CAP CYL MT	
24	1	912618-015	STEERING SENSOR ASSY	
25	1	912618-017	LEG CAP	
26	1	912618-042	LOWER GUIDE TUBE ASSY - 10 IN RH	
27	1	912811-008	SAFETY LOCK PIN - PAVER	
28	1	9800-37937	COVER - STEER SENSOR ACCESS	
29	1	9810-19716	SHEET - ROLLED, LEG CAP BACKER	
30	1	GT10-550	CYLINDER - HYDR, 6.00 X 42.00 IN	
31	2	GT60-516	ALIGNMENT STUD .750 DIA X 5.00	



LEG ASSY - 42 IN STROKE LEFT FRONT

912618-040

LEG ASSY - 42 IN STROKE LEFT FRONT			912618-040	F
ITEM NO.	QTY	PART NUMBER	DESCRIPTION	
1	1	105-45R44	CYLINDER PIN 1.50 X 5.25	
2	1	105-53U27	PIN - CYLINDER 1.500 X 4.500 W/DETENT	
3	2	130-54M82	MOTOR - HYDRAULIC 9.6 CID T SER	
4	2	160-47D05	O RING-152	
5	1	220-54P01	SLEW DRIVE - HOURGLASS WORM, 17IN CLOSED	
6	6	400-30C60	.750-10 UNC X 3.500 HHCS GR8	
7	10	400-30D50	.750-10 UNC X 2.250 HHCS GR8	
8	4	400-30D54	.625-11 UNC X 1.000 HHCS GR8	
9	4	400-30D64	.250-20 UNC X .500 HHCS GR5	
10	20	400-45B27	.625-11 UNC X 2.750 HHCS GR8	
11	4	400-54N06	SKT HD CAP SCR M12-1.75X40 GR12.9 BLK	
12	4	405-53N98	SKT FLAT CTSK SCR .375-16 UNC X .875	
13	10	415-30A03	.750-10 UNC GR8 HEXNUT	
14	2	415-30A04	.250-20 UNC GR5 HEXNUT	
15	2	420-30A30	FLAT WASHER .250 W	
16	6	420-30A36	LOCK WASHER .250	
17	26	420-45T38	FLAT WASHER .750 A325	
18	20	420-46K85	FLAT WASHER .625 A325	
19	2	430-45R43	HAIR PIN (NO.19)	
20	2	545-47T69	HOSE CLAMP - SUPPORT	
21	2	705-51P92	CAP - DUST	
22	1	912618-003	GUIDE TUBE HSG - 42 IN STRK	
23	1	912618-006	LEG CAP CYL MT	
24	1	912618-015	STEERING SENSOR ASSY	
25	1	912618-017	LEG CAP	
26	1	912618-043	LOWER GUIDE TUBE ASSY - 10 IN LH	
27	1	912811-008	SAFETY LOCK PIN - PAVER	
28	1	9800-37937	COVER - STEER SENSOR ACCESS	
29	1	9810-19716	SHEET - ROLLED, LEG CAP BACKER	
30	1	GT10-550	CYLINDER - HYDR, 6.00 X 42.00 IN	
31	2	GT60-516	ALIGNMENT STUD .750 DIA X 5.00	

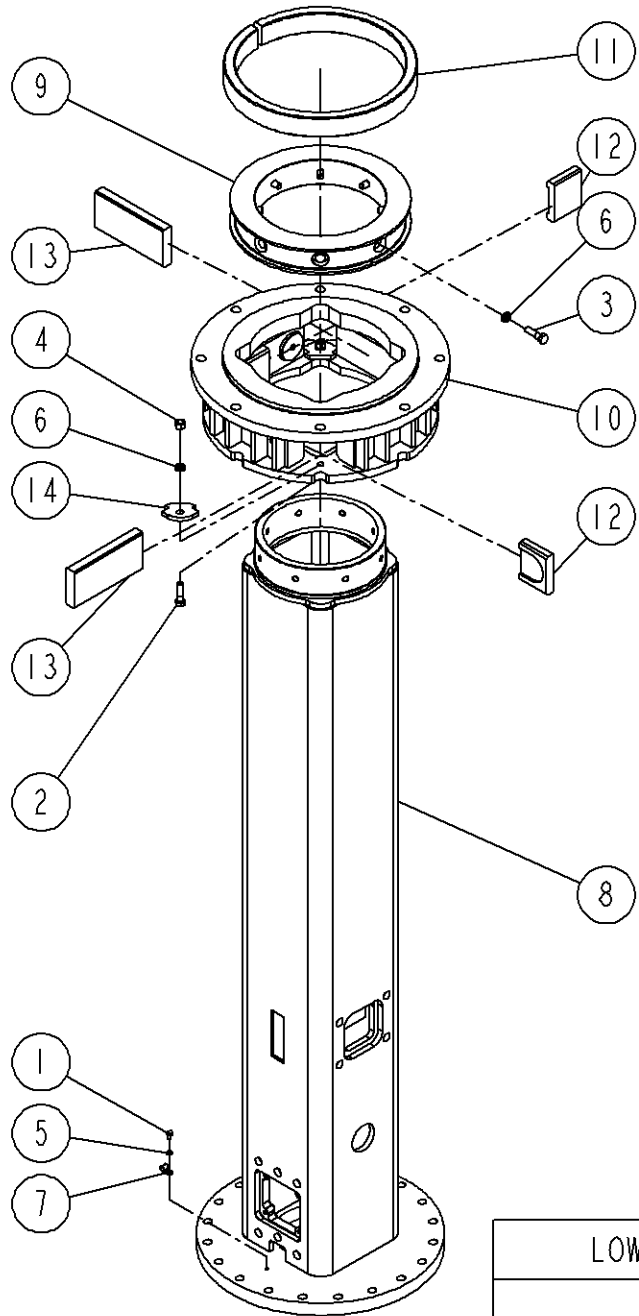


LEG ASSY - 42 IN STROKE LEFT REAR

912618-041



LEG ASSY - 42 IN STROKE LEFT REAR			912618-041	F
ITEM NO.	QTY	PART NUMBER	DESCRIPTION	
1	1	105-45R44	CYLINDER PIN 1.50 X 5.25	
2	1	105-53U27	PIN - CYLINDER 1.500 X 4.500 W/DETENT	
3	2	130-54M82	MOTOR - HYDRAULIC 9.6 CID T SER	
4	2	160-47D05	O RING-152	
5	1	220-54P01	SLEW DRIVE - HOURGLASS WORM, 17IN CLOSED	
6	6	400-30C60	.750-10 UNC X 3.500 HHCS GR8	
7	10	400-30D50	.750-10 UNC X 2.250 HHCS GR8	
8	4	400-30D54	.625-11 UNC X 1.000 HHCS GR8	
9	4	400-30D64	.250-20 UNC X .500 HHCS GR5	
10	20	400-45B27	.625-11 UNC X 2.750 HHCS GR8	
11	4	400-54N06	SKT HD CAP SCR M12-1.75X40 GR12.9 BLK	
12	4	405-53N98	SKT FLAT CTSK SCR .375-16 UNC X .875	
13	10	415-30A03	.750-10 UNC GR8 HEXNUT	
14	2	415-30A04	.250-20 UNC GR5 HEXNUT	
15	2	420-30A30	FLAT WASHER .250 W	
16	6	420-30A36	LOCK WASHER .250	
17	26	420-45T38	FLAT WASHER .750 A325	
18	20	420-46K85	FLAT WASHER .625 A325	
19	2	430-45R43	HAIR PIN (NO.19)	
20	2	545-47T69	HOSE CLAMP - SUPPORT	
21	2	705-51P92	CAP - DUST	
22	1	912618-003	GUIDE TUBE HSG - 42 IN STRK	
23	1	912618-006	LEG CAP CYL MT	
24	1	912618-015	STEERING SENSOR ASSY	
25	1	912618-017	LEG CAP	
26	1	912618-043	LOWER GUIDE TUBE ASSY - 10 IN LH	
27	1	912811-008	SAFETY LOCK PIN - PAVER	
28	1	9800-37937	COVER - STEER SENSOR ACCESS	
29	1	9810-19716	SHEET - ROLLED, LEG CAP BACKER	
30	1	GT10-550	CYLINDER - HYDR, 6.00 X 42.00 IN	
31	2	GT60-516	ALIGNMENT STUD .750 DIA X 5.00	

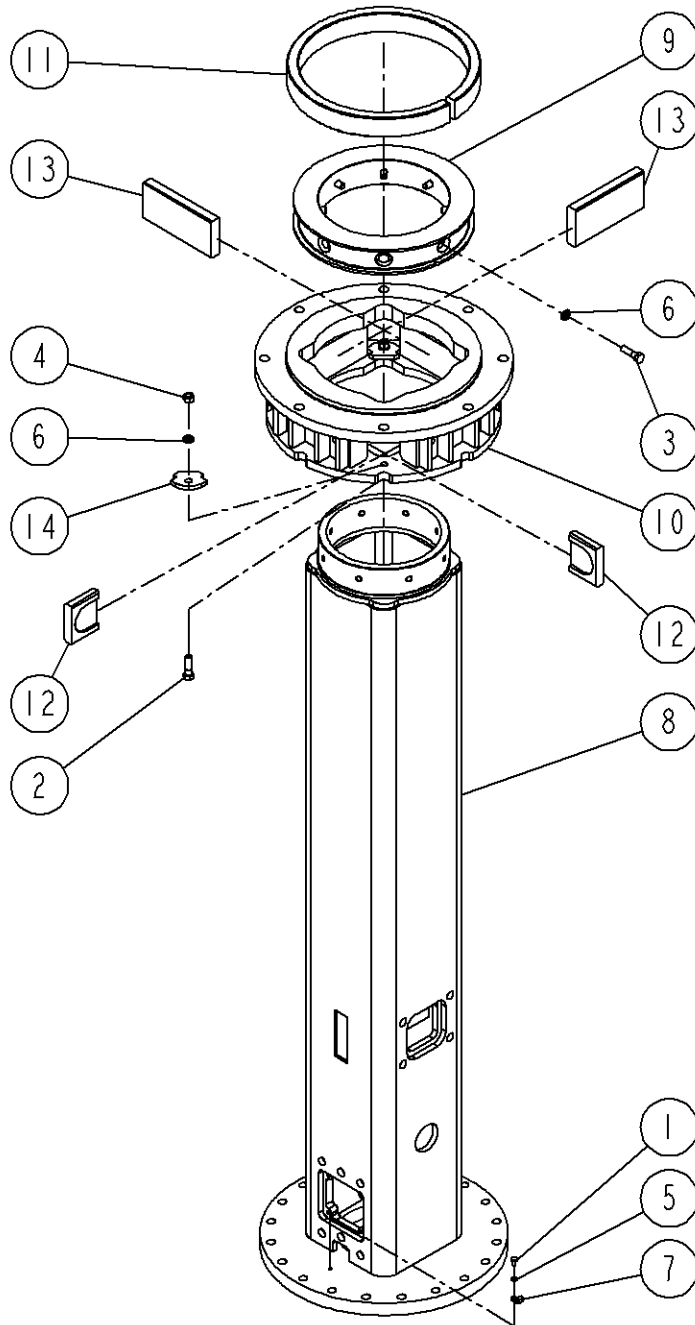


LOWER GUIDE TUBE ASSY - 10 IN RH

912618-042

A

LOWER GUIDE TUBE ASSY - 10 IN RH			912618-042	A
ITEM NO.	QTY	PART NUMBER	DESCRIPTION	
1	1	400-30D64	.250-20 UNC X .500 HHCS GR5	
2	4	400-30D77	.500-13 UNC X 1.750 HHCS GR8	
3	8	400-53C47	.500-20 UNF X 1.750 HHCS GR8	
4	4	415-30A07	.500-13 UNC GR8 HEX NUT	
5	1	420-30A36	LOCK WASHER .250	
6	12	420-30A37	LOCK WASHER .500	
7	1	545-47T69	HOSE CLAMP - SUPPORT	
8	1	912618-001	GUIDE TUBE - LOWER, 42 IN LEG STRK	
9	1	912618-008	UPPER BEARING MOUNT 16 IN GUIDE HSG	
10	1	912618-011	LOWER GUIDE, RADIAL TAKE-UP ASSY - 10 IN	
11	1	9610-01161	UPPER BEARING - NYOIL, 16.00 ID	
12	4	9610-01162	WEAR PAD	
13	2	9610-01163	WEAR PAD	
14	4	9800-37685	RETAINER	

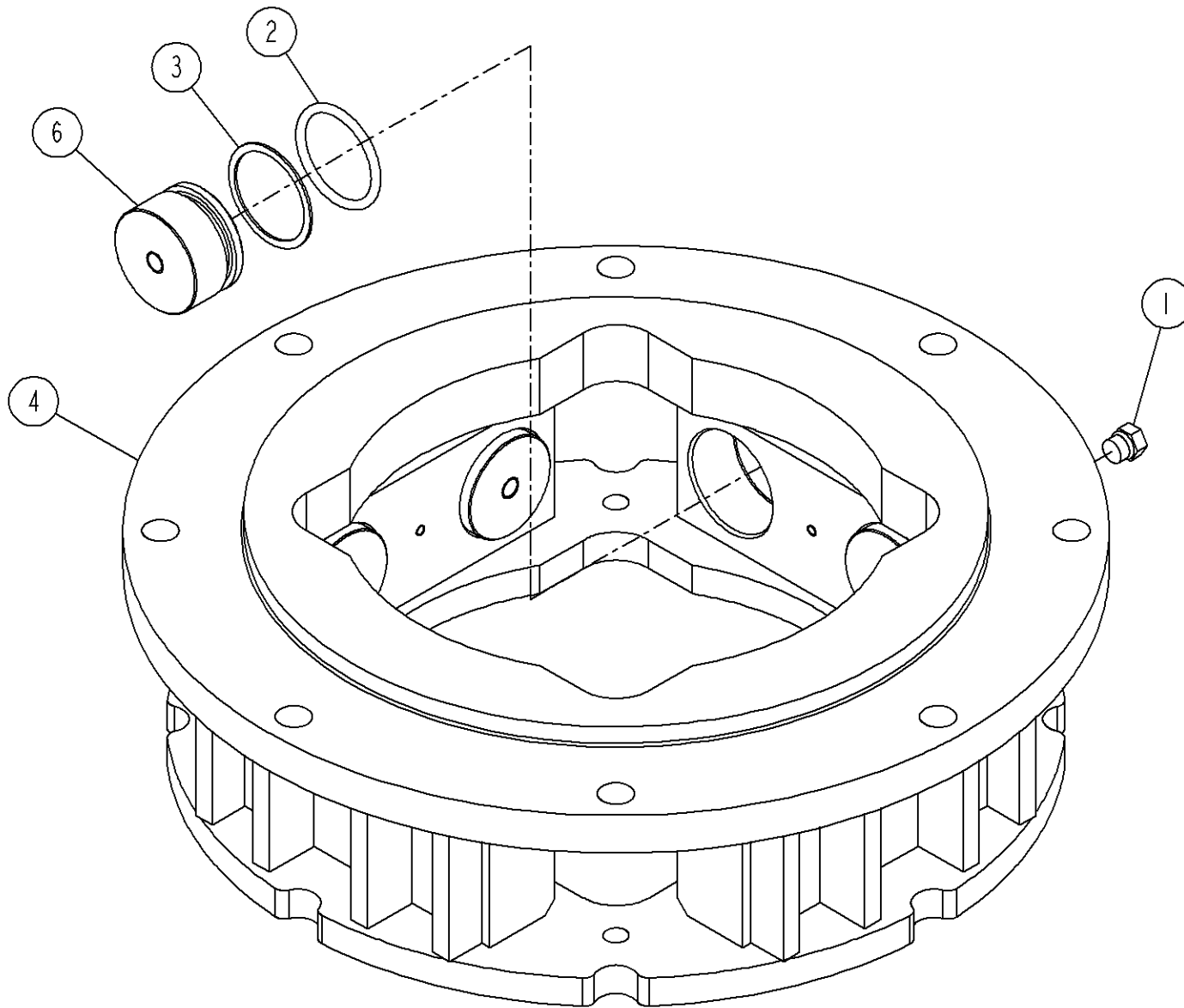


LOWER GUIDE TUBE ASSY - 10 IN LH

912618-043

A

LOWER GUIDE TUBE ASSY - 10 IN LH			912618-043	A
ITEM NO.	QTY	PART NUMBER	DESCRIPTION	
1	1	400-30D64	.250-20 UNC X .500 HHCS GR5	
2	4	400-30D77	.500-13 UNC X 1.750 HHCS GR8	
3	8	400-53C47	.500-20 UNF X 1.750 HHCS GR8	
4	4	415-30A07	.500-13 UNC GR8 HEX NUT	
5	1	420-30A36	LOCK WASHER .250	
6	12	420-30A37	LOCK WASHER .500	
7	1	545-47T69	HOSE CLAMP - SUPPORT	
8	1	912618-001	GUIDE TUBE - LOWER, 42 IN LEG STRK	
9	1	912618-008	UPPER BEARING MOUNT 16 IN GUIDE HSG	
10	1	912618-011	LOWER GUIDE, RADIAL TAKE-UP ASSY - 10 IN	
11	1	9610-01161	UPPER BEARING - NYOIL, 16.00 ID	
12	4	9610-01162	WEAR PAD	
13	2	9610-01163	WEAR PAD	
14	4	9800-37685	RETAINER	

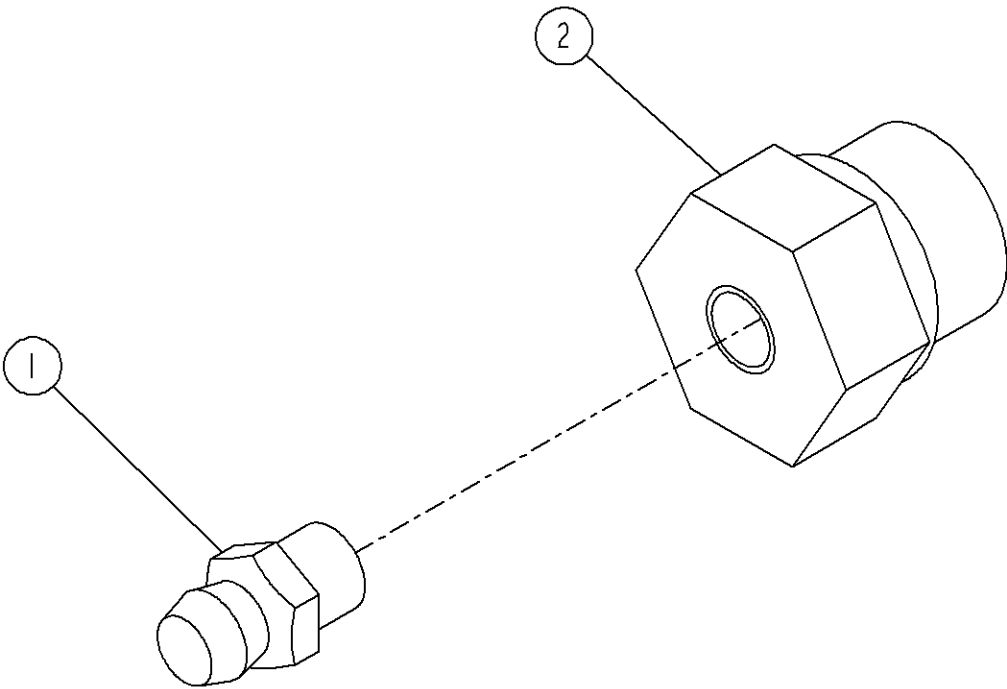


LOWER GUIDE, RADIAL TAKE-UP ASSY - 10 IN

912618-011

G

LOWER GUIDE, RADIAL TAKE-UP ASSY - 10 IN		912618-011	G
ITEM NO.	QTY	PART NUMBER	DESCRIPTION
1	4	155-10Y11	MALE BOSS PLUG (- 6)
2	4	160-54J24	O RING -330
3	4	160-54J25	RING - BACK-UP, 326 90 DURO
4	1	912618-009	LOWER COLLAR - 10 IN LWR GDE TUBE
5	2	912643-002	GREASE FITTING LOWER GUIDE TAKE-UP
6	4	9825-03855	PISTON - LWR PAD ADJ



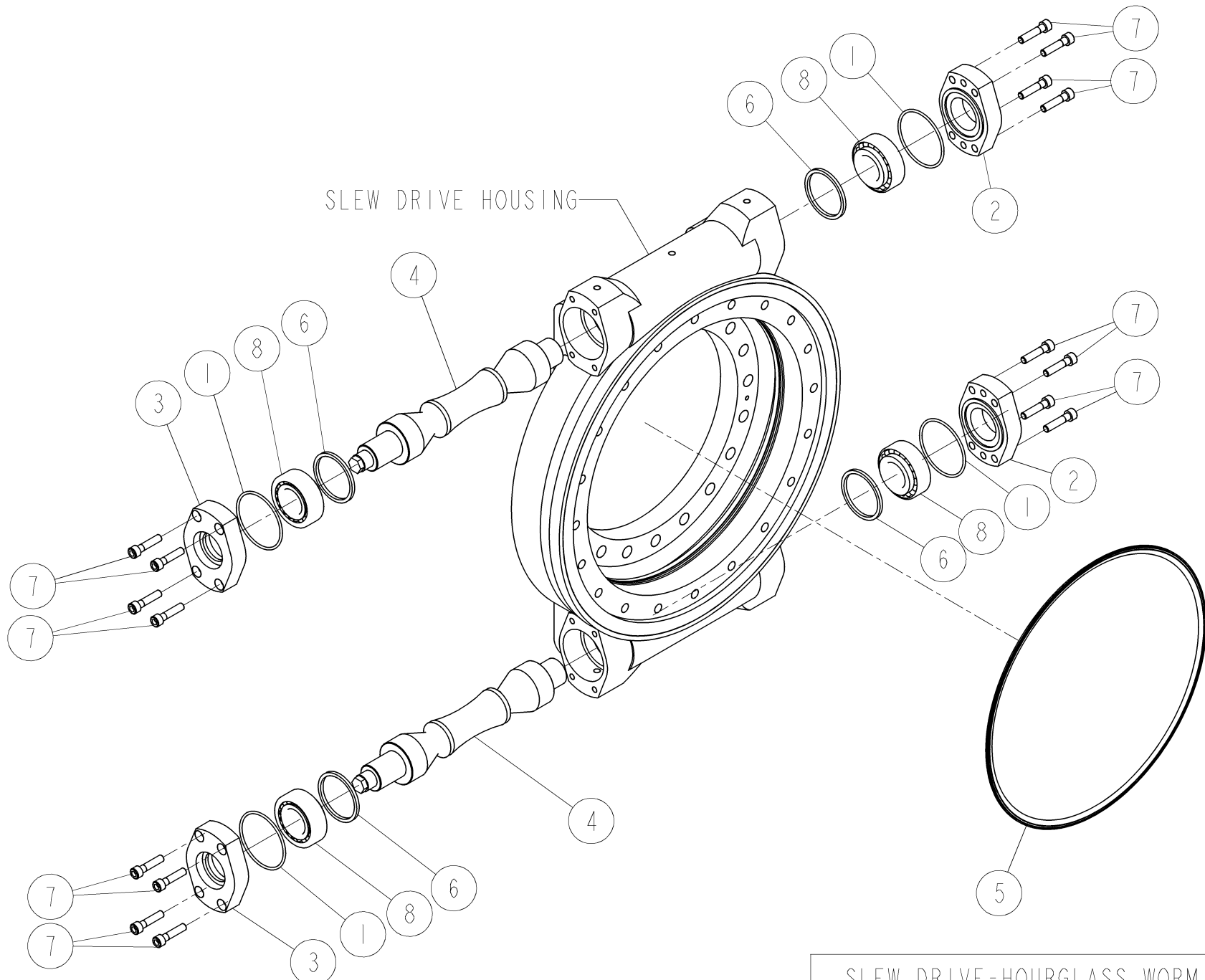
GREASE FITTING LOWER GUIDE TAKE-UP

912643-002

A



GREASE FITTING LOWER GUIDE TAKE-UP			912643-002	A
ITEM NO.	QTY	PART NUMBER	DESCRIPTION	
1	1	140-10H57	FTG - GREASE .250-28 STR	
2	1	912643-001	MODIFIED MALE BOSS PLUG (-6)	

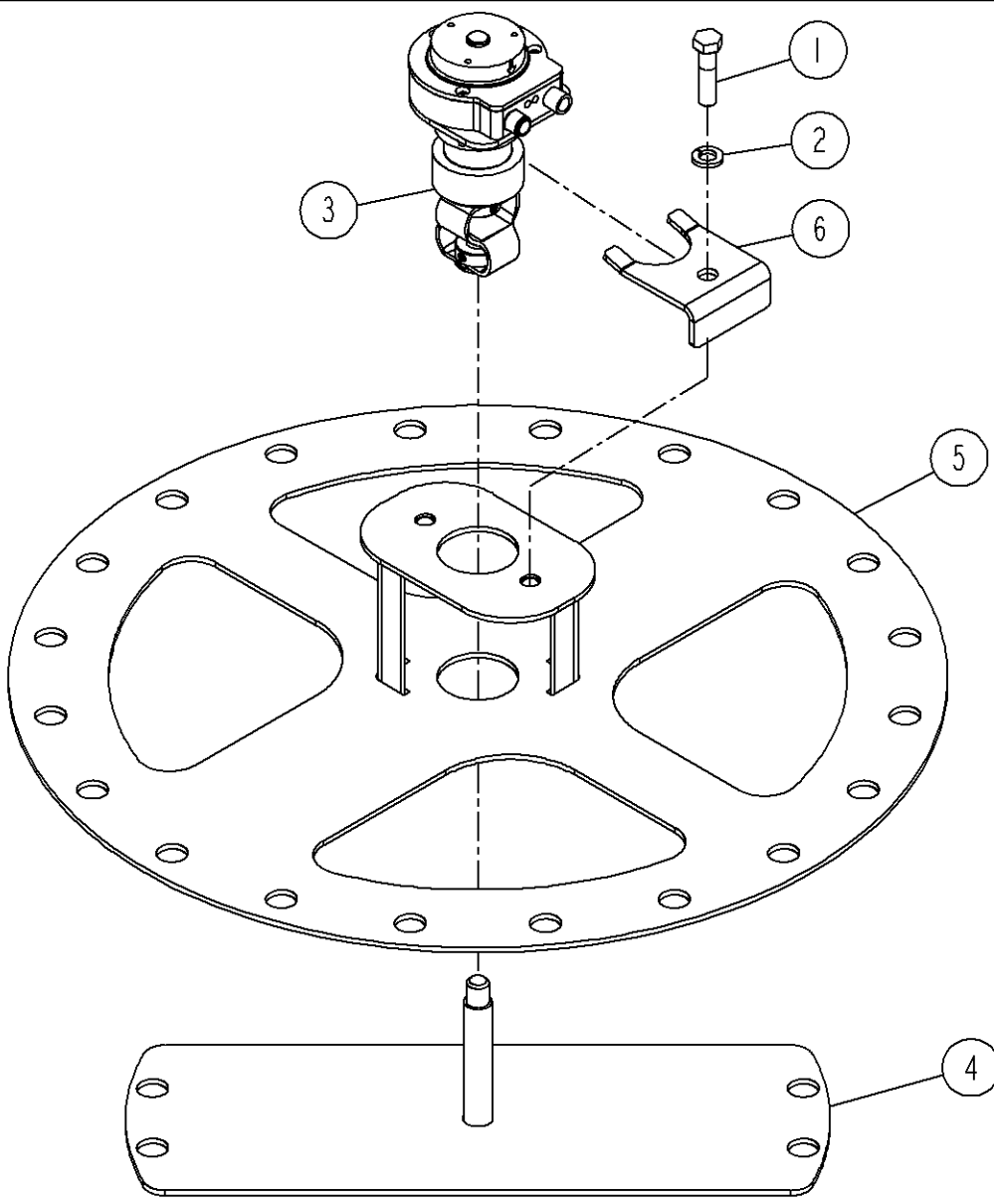


SLEW DRIVE-HOURLASS WORM, 17IN CLOSED

220-54P01

F

SLEW DRIVE-HOURLASS WORM, 17IN CLOSED		220-54P01	F
ITEM NO.	QTY	PART NUMBER	DESCRIPTION
1	4	160-55G33	O RING - 82.50MM OD X 3.55MM CS
2	2	220-55A89	END CAP - MOTOR MT, SAE A FLANGE
3	2	220-55A90	END CAP - BEARING RETAINER 2.25 DUST CAP
4	2	220-55T57	SHAFT - WORM, HRGLS SLEW DRIVE, 8 DEG
5	1	220-55U52	SEAL - OIL, 510MM X 550MM X 20MM FB
6	4	220-56C87	SEAL - SLEW DRIVE BEARING
7	16	400-55H03	SKT HD CAP SCR M10-1.50X 35 GR12.9 BLK
8	4	615-55B45	BEARING ASSY - TAPERED ROLLER, 80MM OD

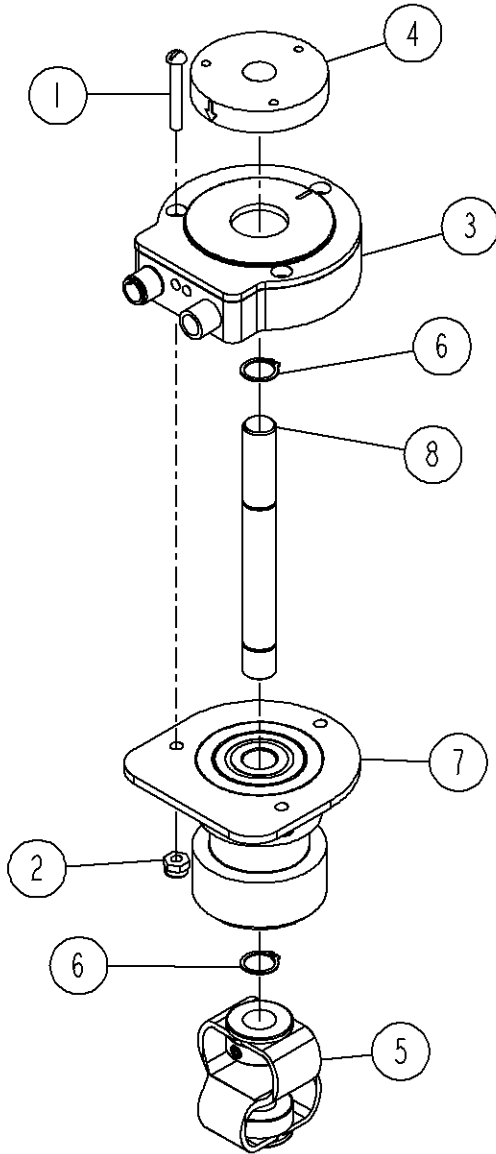


STEERING SENSOR ASSY

912618-015

C

STEERING SENSOR ASSY		912618-015	C
ITEM NO.	QTY	PART NUMBER	DESCRIPTION
1	1	400-30B37	.375-16 UNC X 1.500 HHCS GR5
2	1	420-30A41	LOCK WASHER .375
3	1	903118-052	STEER SENSOR STEM ASSY
4	1	912618-016	STEER SENSOR STUD - PUCK DRIVE
5	1	912618-018	STEER SENSOR MOUNT - STATIONARY
6	1	9810-19608	CLAMP - SENSOR MT STEM

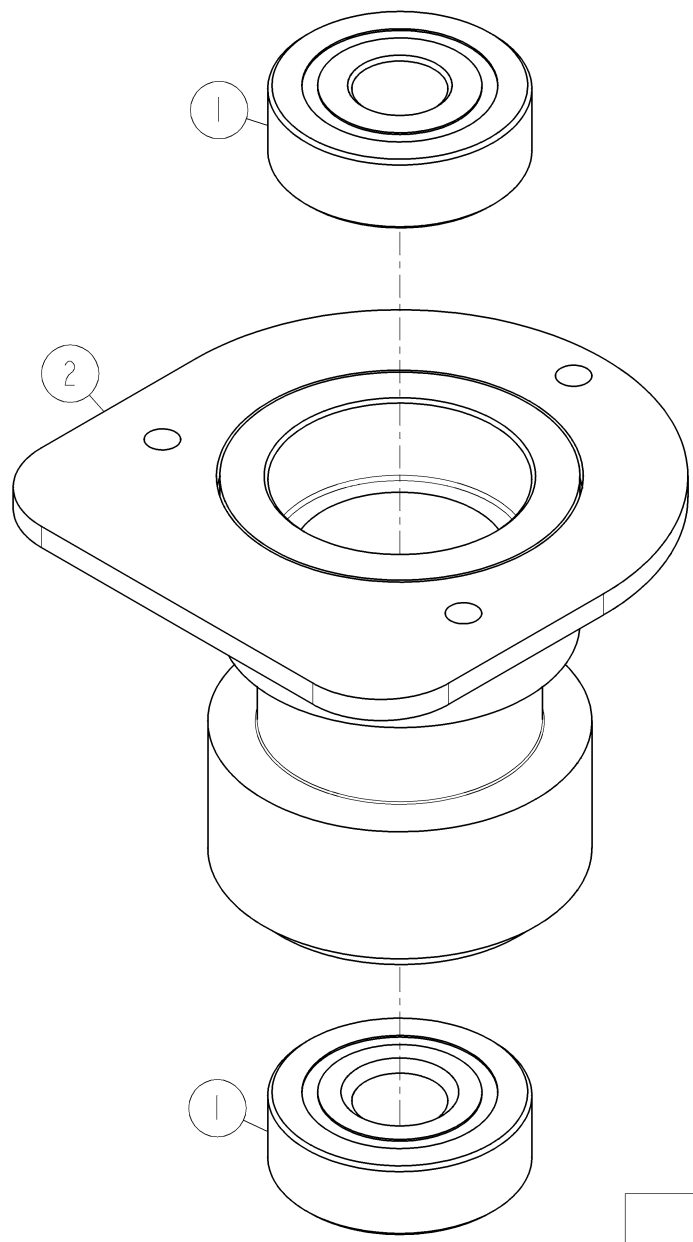


STEER SENSOR STEM ASSY

903118-052

B

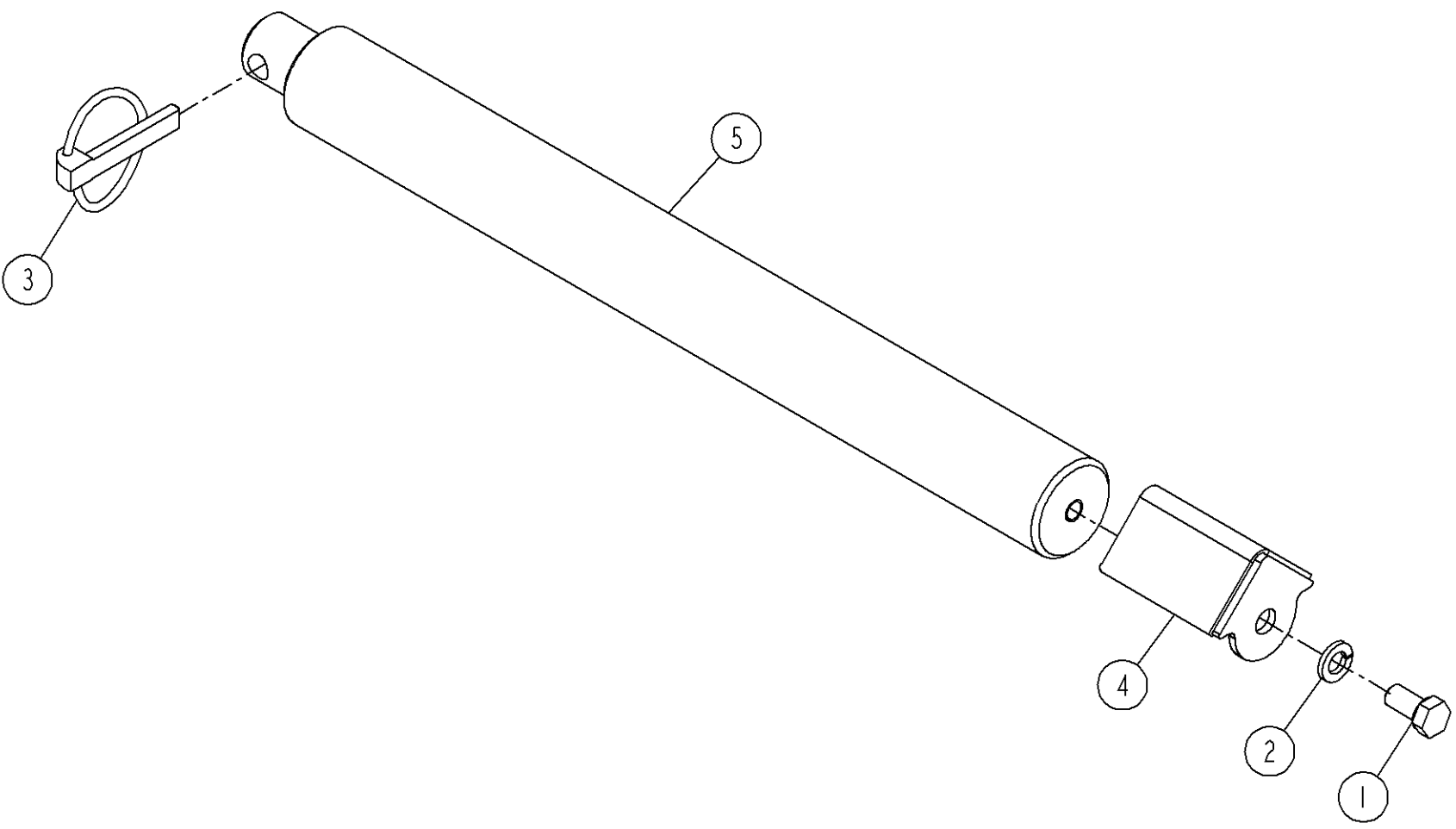
STEER SENSOR STEM ASSY		903118-052	B
ITEM NO.	QTY	PART NUMBER	DESCRIPTION
1	3	405-10E54	# 8-32 UNC X 1.250 RND HD MACH SCR
2	3	415-49C38	# 8-32 UNC GR5 NYLOK HEX NUT
3	1	500-54H20	SENSOR - CONTACTLESS ENCODER CAN-OPEN
4	1	500-54H26	SENSOR - POSITIONING PUCK, .500IN SHAFT
5	1	630-54H24	ULTRA-FLEXIBLE HIGH-MISALIGNMENT SHAFT C
6	2	685-52L56	RETAINING RING - EXTERNAL .500 DIA.
7	1	903118-055	SENSOR MT HSG ASSY
8	1	9825-03962	MT STUD - SENSOR POSN PUCK



SENSOR MT HSG ASSY	
903118-055	B



<b>SENSOR MT HSG ASSY</b>			<b>903118-055</b>	<b>B</b>
<b>ITEM NO.</b>	<b>QTY</b>	<b>PART NUMBER</b>	<b>DESCRIPTION</b>	
1	2	615-54H25	BEARING - .500 ID X1.375 OD X .438	
2	1	903118-053	STEER SENSOR MT HSG	



SAFETY LOCK PIN - PAVER

912811-008

A

SAFETY LOCK PIN - PAVER		912811-008	A
ITEM NO.	QTY	PART NUMBER	DESCRIPTION
1	1	400-30A20	.375-16 UNC X .750 HHCS GR5
2	1	420-30A41	LOCK WASHER .375
3	1	430-47N65	SNAP PIN
4	1	912810-015	DEPTH STOP
5	1	9825-04075	PIN, LOCKOUT

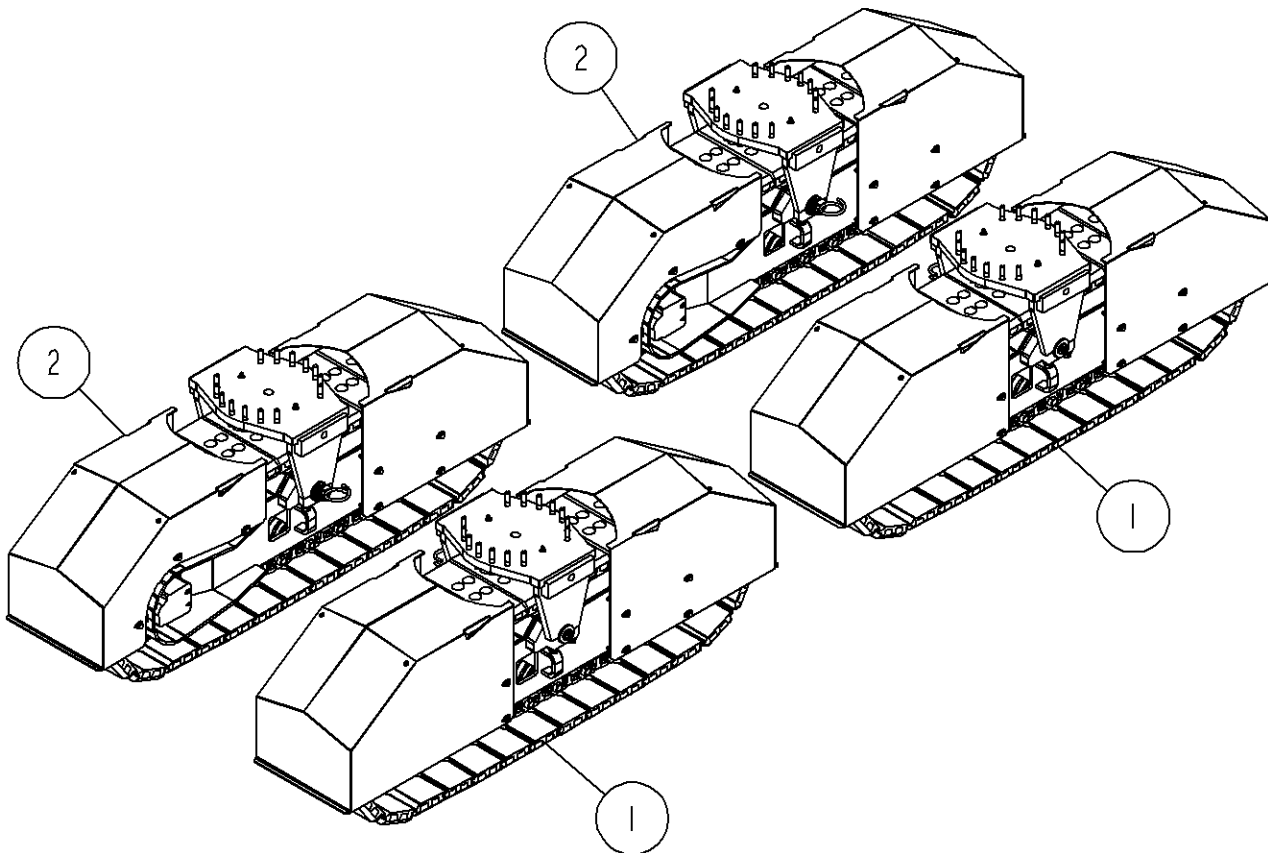


---

<b>Page #</b>	<b>Part Number</b>	<b>Description</b>
1	912615-038	TRACK ASSY OPTION - 4-TRK, 400MM S2 POLY
2	912615-040	TRACK ASSY, FINAL - RH S2 400 MM POLY
3	912615-039	TRACK ASSY, FINAL - LH S2 400 MM POLY
4	912615-042	TRACK ASSY - RH 400MM S2 5 RLR, POLY
5	912615-041	TRACK ASSY - LH 400MM S2 5 RLR, POLY
6	625-55C14	TRACK ASSY, 400MM S2 30 PADS, POLY
7	912618-033	TRACK YOKE ASSY S2, 400 MM
8	912615-012	TRACK PIN, 400MM TRACK
9	903119-029	GREASE LINES - SLEW DRIVE







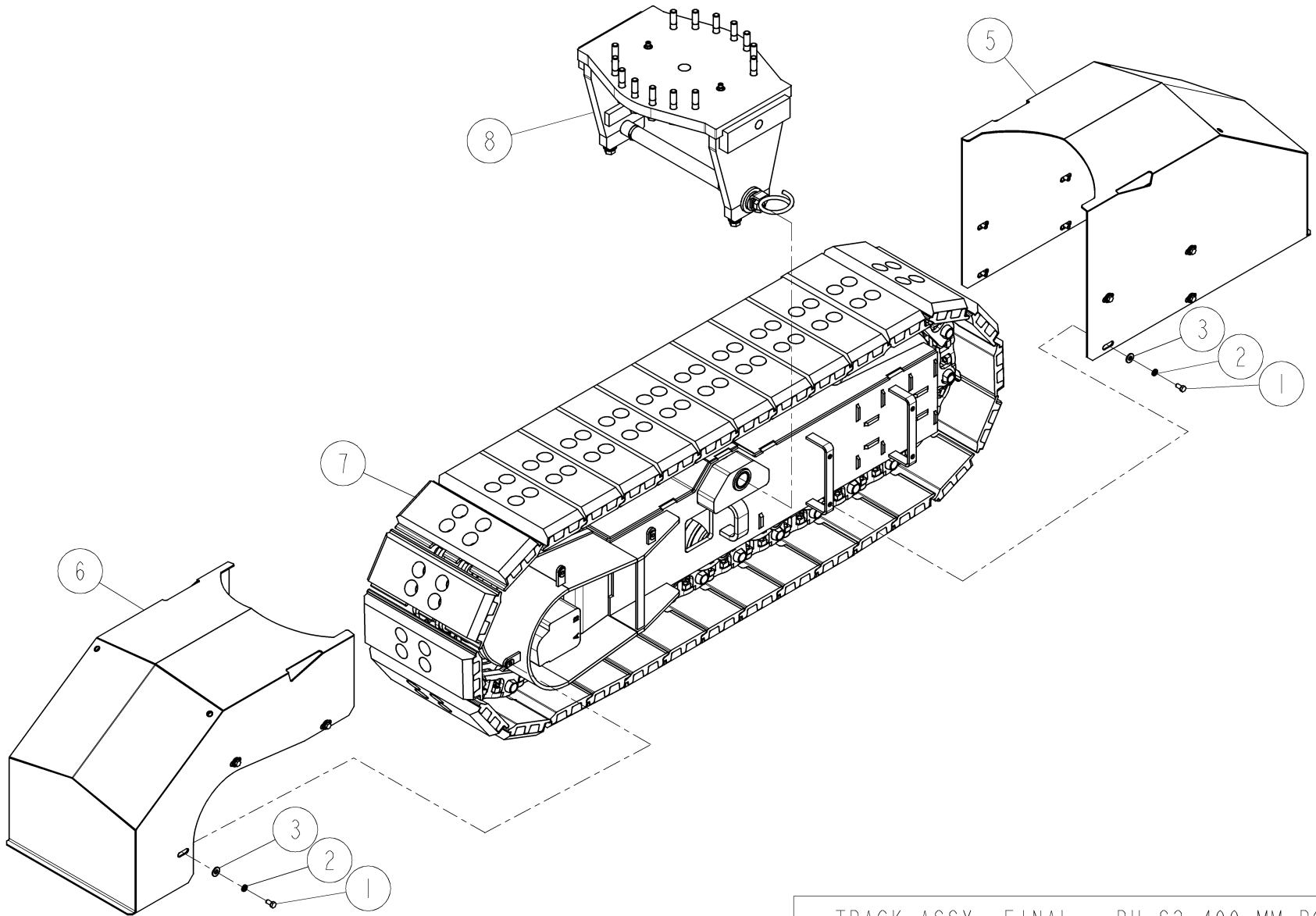
TRACK ASSY OPTION - 4-TRK, 400MM S2 POLY

912615-038

A



TRACK ASSY OPTION - 4-TRK, 400MM S2 POLY		912615-038	A
ITEM NO.	QTY	PART NUMBER	DESCRIPTION
1	2	912615-039	TRACK ASSY, FINAL - LH S2 400 MM POLY
2	2	912615-040	TRACK ASSY, FINAL - RH S2 400 MM POLY

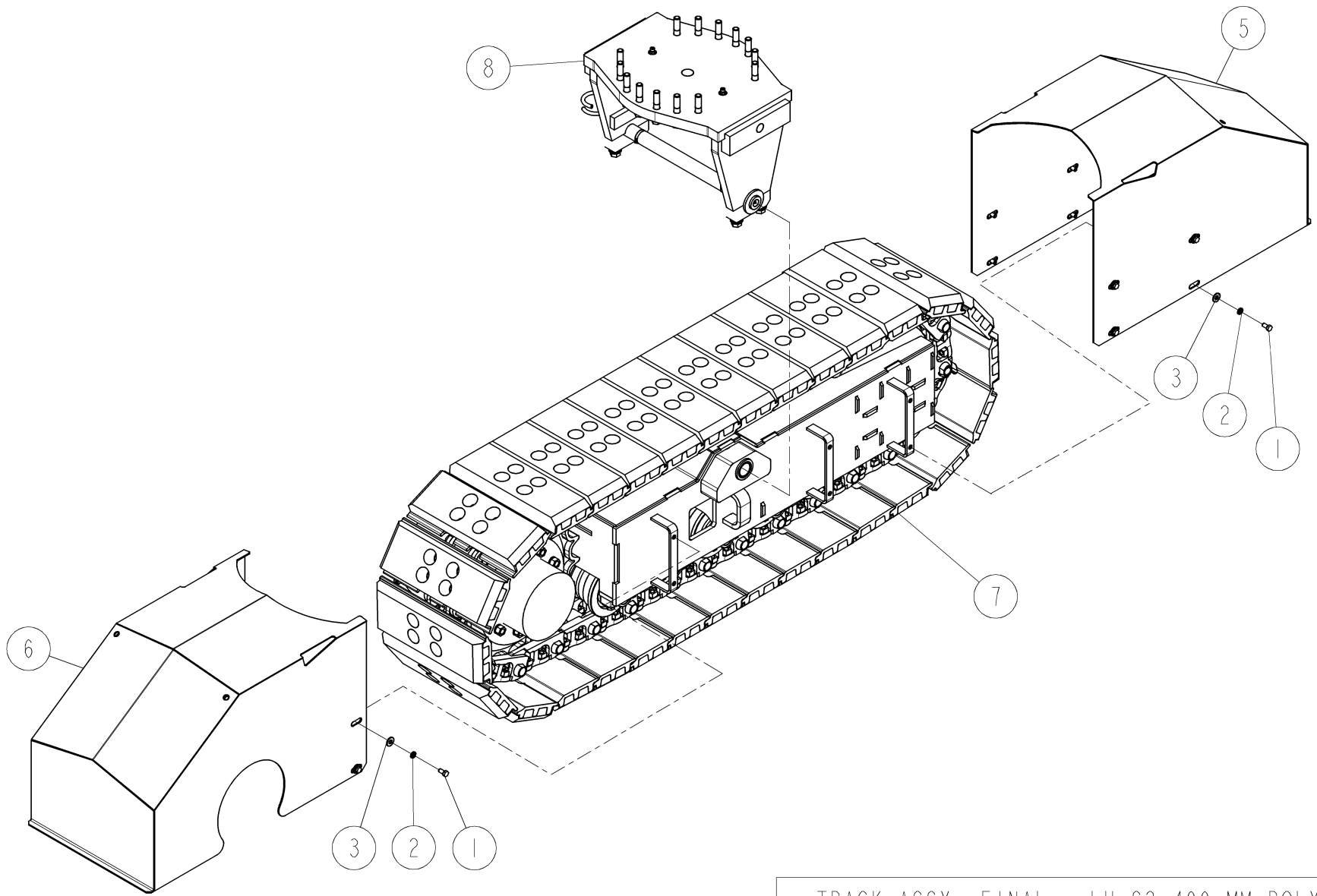


TRACK ASSY, FINAL - RH S2 400 MM POLY

912615-040

B

TRACK ASSY, FINAL - RH S2 400 MM POLY			912615-040	B
ITEM NO.	QTY	PART NUMBER	DESCRIPTION	
1	13	400-30A20	.375-16 UNC X .750 HHCS GR5	
2	13	420-30A41	LOCK WASHER .375	
3	13	420-30A65	FLAT WASHER .375 W	
4	1	500-51L33	PULSE PICKUP - QUAD, SERIES L	
5	1	912615-021	TRACK FENDER S2 - FRONT	
6	1	912615-022	TRACK FENDER S2 - RIGHT REAR	
7	1	912615-042	TRACK ASSY - RH 400MM S2 5 RLR, POLY	
8	1	912618-033	TRACK YOKE ASSY S2, 400 MM	
9	1	WH01-0179	HARN - 5P M12 M90DEG/4P PKD SHR30FT NS	

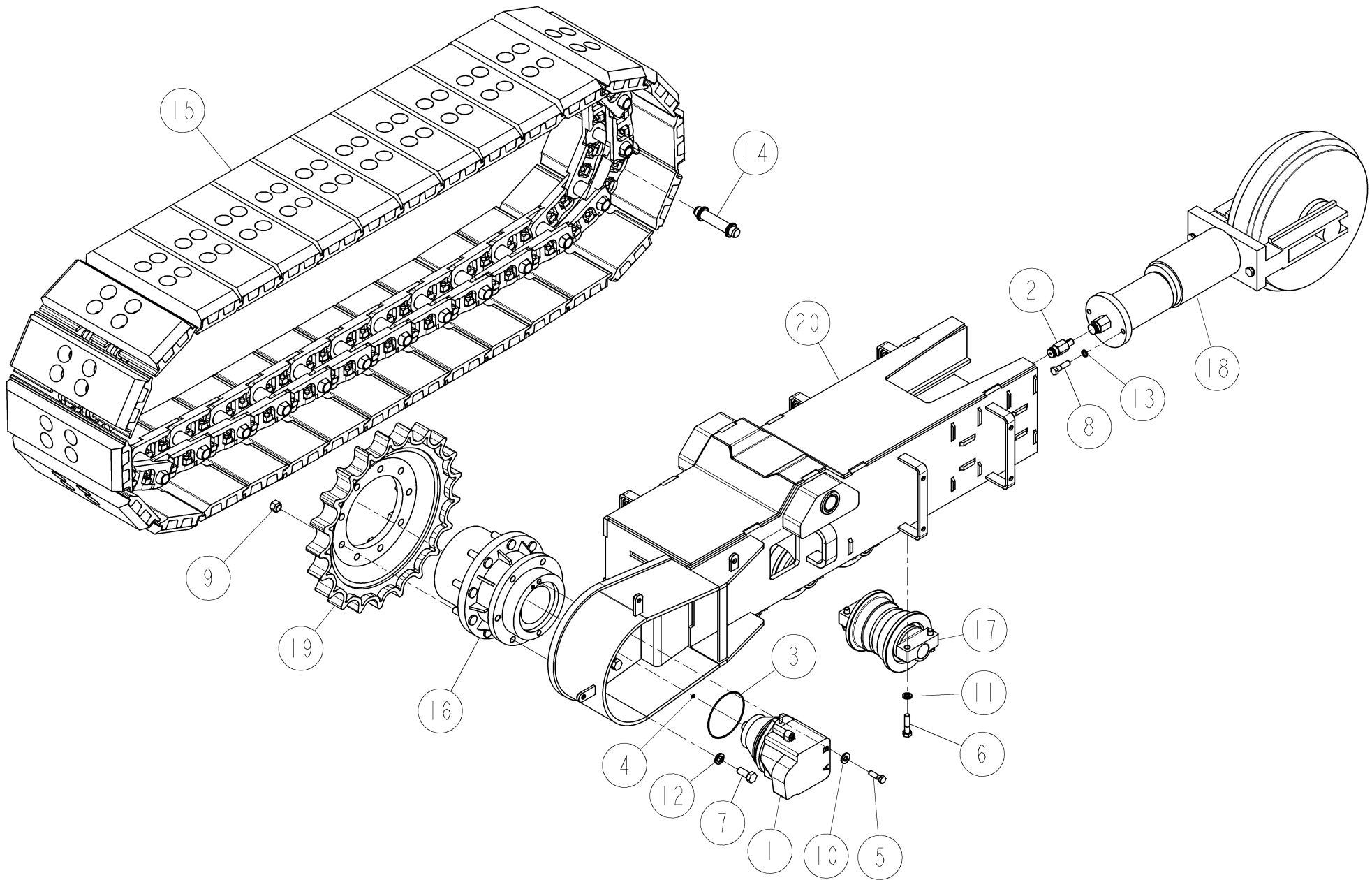


TRACK ASSY, FINAL - LH S2 400 MM POLY

912615-039

B

TRACK ASSY, FINAL - LH S2 400 MM POLY			912615-039	B
ITEM NO.	QTY	PART NUMBER	DESCRIPTION	
1	13	400-30A20	.375-16 UNC X .750 HHCS GR5	
2	13	420-30A41	LOCK WASHER .375	
3	13	420-30A65	FLAT WASHER .375 W	
4	1	500-51L33	PULSE PICKUP - QUAD, SERIES L	
5	1	912615-021	TRACK FENDER S2 - FRONT	
6	1	912615-023	TRACK FENDER S2 - LEFT REAR	
7	1	912615-041	TRACK ASSY - LH 400MM S2 5 RLR, POLY	
8	1	912618-033	TRACK YOKE ASSY S2, 400 MM	
9	1	WH01-0179	HARN - 5P M12 M90DEG/4P PKD SHR30FT NS	

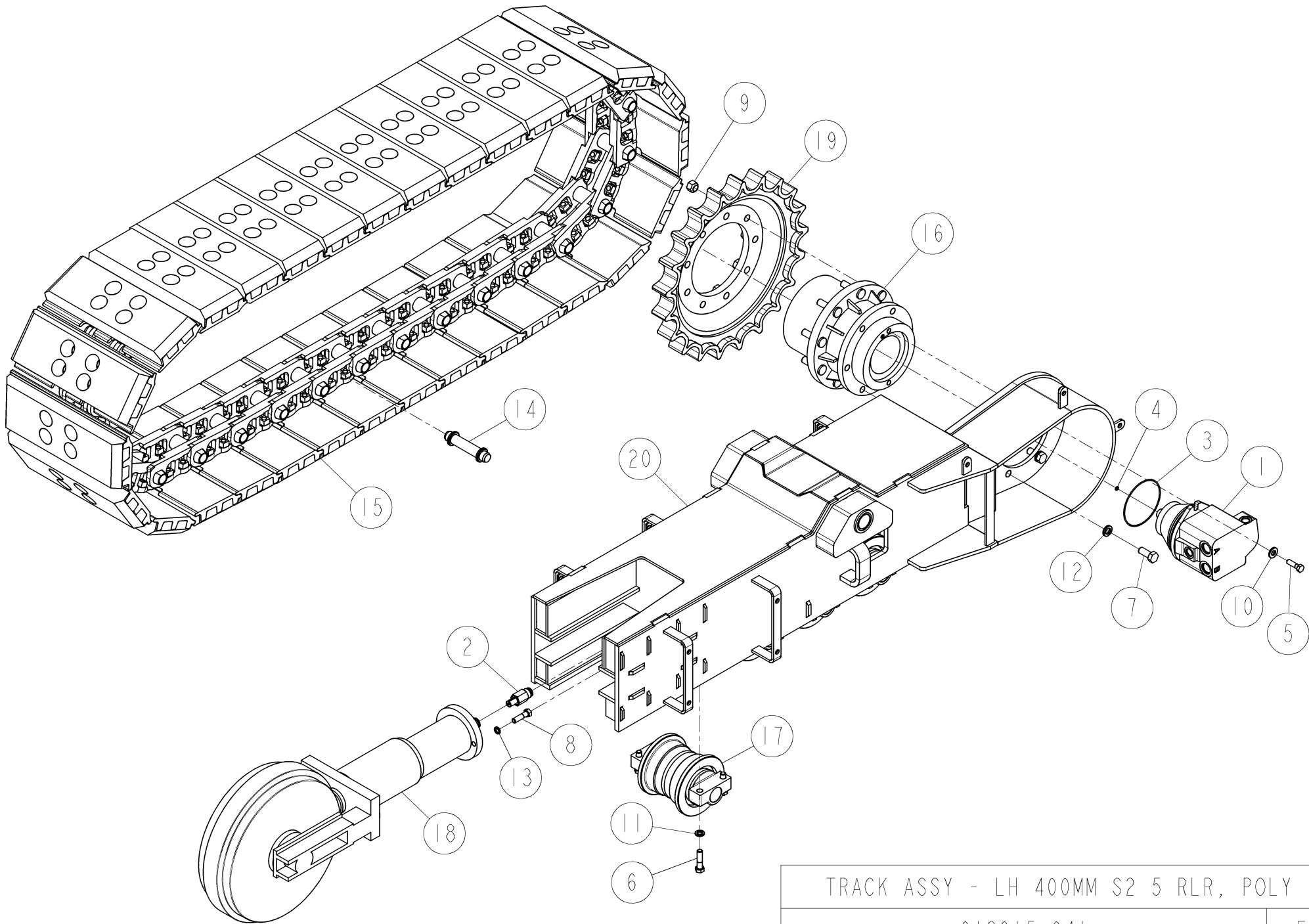


TRACK ASSY - RH 400MM S2 5 RLR, POLY

912615-042

E

TRACK ASSY - RH 400MM S2 5 RLR, POLY			912615-042	E
ITEM NO.	QTY	PART NUMBER	DESCRIPTION	
1	1	130-51N65	MOTOR - HYDRAULIC 35CC LC SER	
2	1	140-55F45	FTG - GIANT BTNHD METRIC	
3	1	160-51T57	O RING -158 VITON 75 DURO	
4	1	160-54C99	O RING - .063 C/S X .25ID X .375OD	
5	2	400-10N59	.4375-14 UNC X 1.500 HHCS GR8	
6	20	400-30D36	.500-13 UNC X 2.000 HHCS GR8	
7	6	400-30D78	.625-11 UNC X 1.500 HHCS GR8	
8	2	400-45A82	M12-1.75 X 45 MM HEX HD	
9	9	415-45B70	.625-18 UNF WHEEL NUT	
10	2	420-10F69	FLAT WASHER .500 A325	
11	20	420-30A37	LOCK WASHER .500	
12	6	420-30A39	LOCK WASHER .625	
13	2	420-45D31	LOCK WASHER 12 MM	
14	1	430-10Y25	PIN - MASTER CONN B-1/SERIES 2	
15	1	625-55C14	TRACK ASSY, 400MM S2 30 PADS, POLY-GREY	
16	1	645-54E23	GEARBOX ASSY W/BRAKE	
17	5	730-10T30	TRACK ROLLER	
18	1	730-10Y24	IDLER WHEEL	
19	1	900115-236	21 TOOTH DRIVE SPROCKET - OFFSET	
20	1	912615-014	TRACK FRAME - RH, S2 400MM 5 ROLLER	



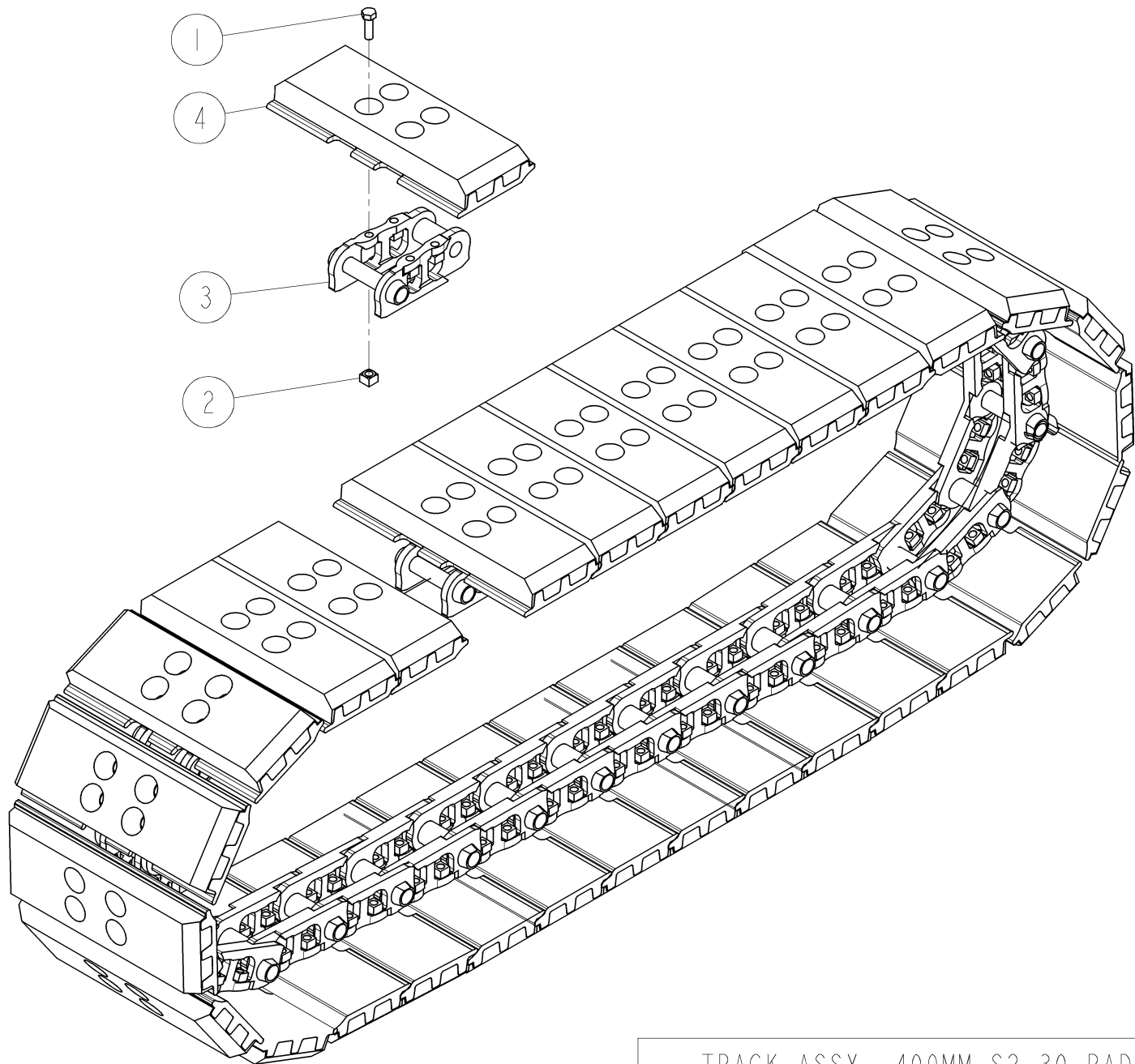
TRACK ASSY - LH 400MM S2 5 RLR, POLY

912615-041

E



TRACK ASSY - LH 400MM S2 5 RLR, POLY			912615-041	E
ITEM NO.	QTY	PART NUMBER	DESCRIPTION	
1	1	130-51N65	MOTOR - HYDRAULIC 35CC LC SER	
2	1	140-55F45	FTG - GIANT BTNHD METRIC	
3	1	160-51T57	O RING -158 VITON 75 DURO	
4	1	160-54C99	O RING - .063 C/S X .25ID X .375OD	
5	2	400-10N59	.4375-14 UNC X 1.500 HHCS GR8	
6	20	400-30D36	.500-13 UNC X 2.000 HHCS GR8	
7	6	400-30D78	.625-11 UNC X 1.500 HHCS GR8	
8	2	400-45A82	M12-1.75 X 45 MM HEX HD	
9	9	415-45B70	.625-18 UNF WHEEL NUT	
10	2	420-10F69	FLAT WASHER .500 A325	
11	20	420-30A37	LOCK WASHER .500	
12	6	420-30A39	LOCK WASHER .625	
13	2	420-45D31	LOCK WASHER 12 MM	
14	1	430-10Y25	PIN - MASTER CONN B-1/SERIES 2	
15	1	625-55C14	TRACK ASSY, 400MM S2 30 PADS, POLY-GREY	
16	1	645-54E23	GEARBOX ASSY W/BRAKE	
17	5	730-10T30	TRACK ROLLER	
18	1	730-10Y24	IDLER WHEEL	
19	1	900115-236	21 TOOTH DRIVE SPROCKET - OFFSET	
20	1	912615-017	TRACK FRAME - LH, S2 400MM 5 ROLLER	

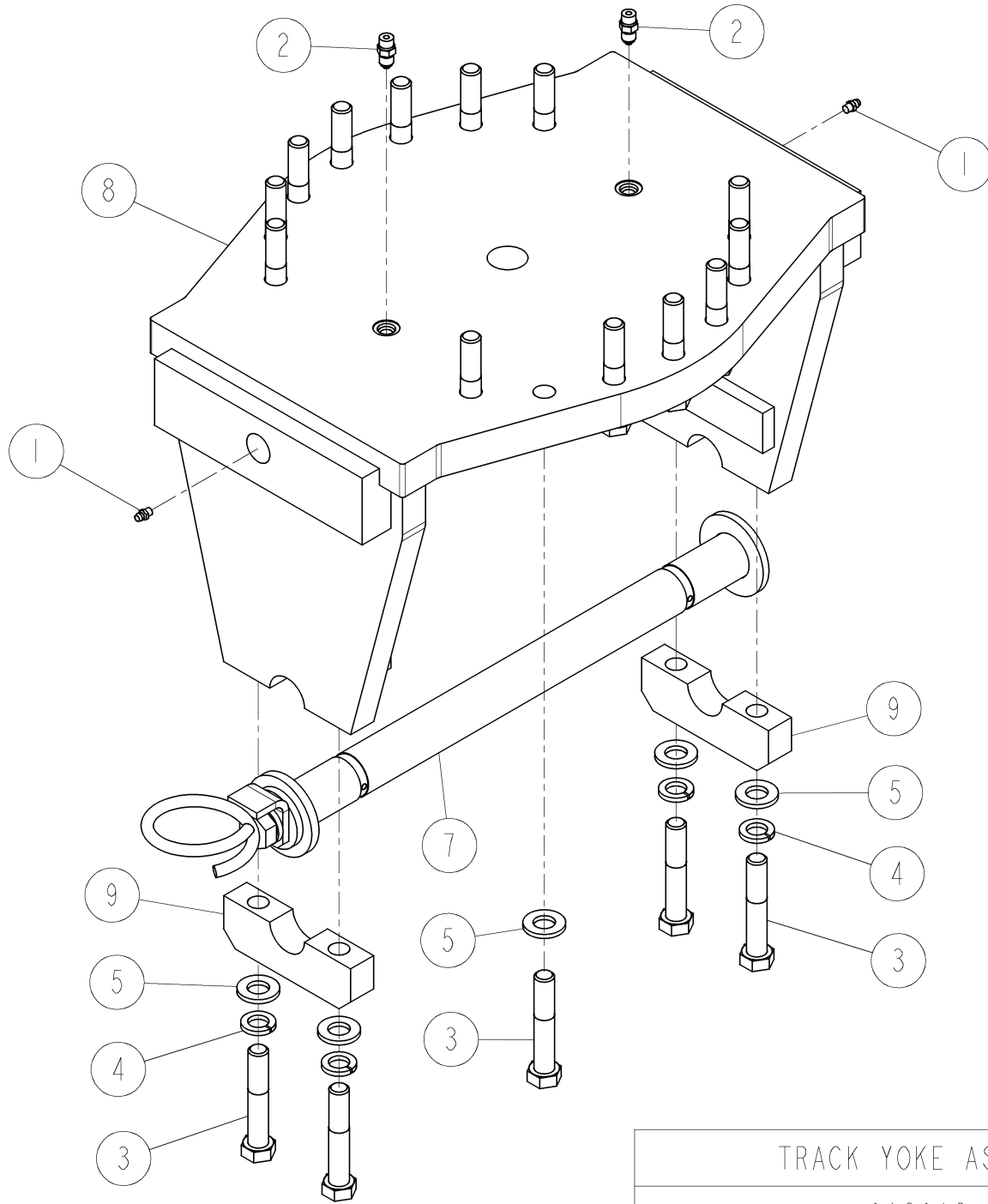


TRACK ASSY, 400MM S2 30 PADS, POLY

625-55C14

A

TRACK ASSY, 400MM S2 30 PADS, POLY			625-55C14	A
ITEM NO.	QTY	PART NUMBER	DESCRIPTION	
1	120	400-45K99	TRACK BOLT M12-1.00	
2	120	415-45L01	TRACK NUT M12-1.00	
3	30	625-45R17	TRACK CHAIN LINK	
4	30	625-55C24	POLY TRACK PAD SERIES 2-400MM	

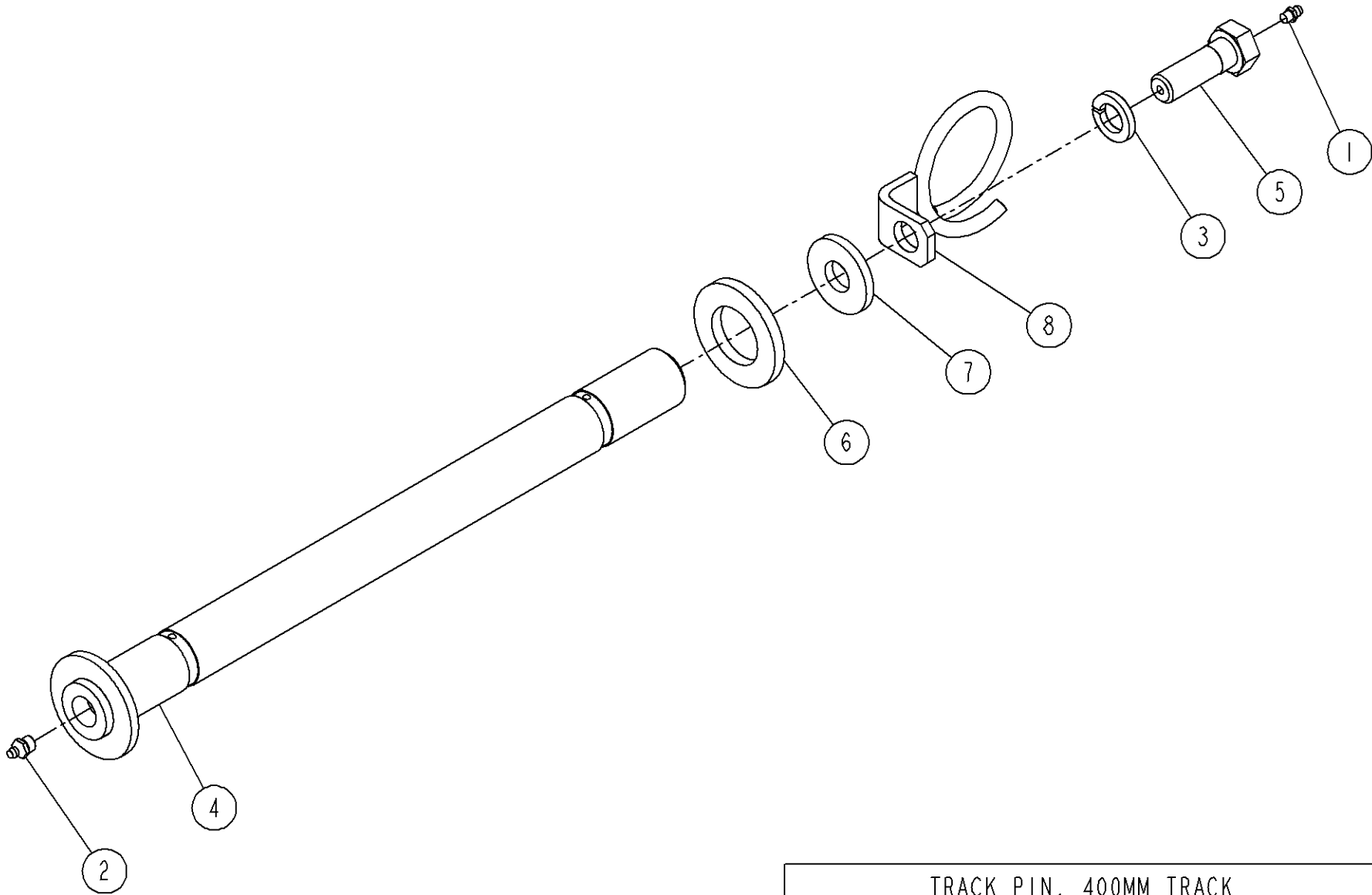


TRACK YOKE ASSY S2, 400 MM

912618-033

C

		TRACK YOKE ASSY S2, 400 MM	912618-033	C
ITEM NO.	QTY	PART NUMBER	DESCRIPTION	
1	2	140-10H57	FTG - GREASE .250-28 STR	
2	2	155-10K27	MALE BOSS/MALE FLARE (4-4)	
3	18	400-30B41	.625-11 UNC X 3.500 HHCS GR8	
4	4	420-30A39	LOCK WASHER .625	
5	18	420-46K85	FLAT WASHER .625 A325	
6	1	903119-029	GREASE LINES - SLEW DRIVE (NOT SHOWN)	
7	1	912615-012	TRACK PIN, 400MM TRACK	
8	1	912618-030	TRACK YOKE S2, 400 MM	
9	2	9830-15503	CLAMPING BLOCK, YOKE	

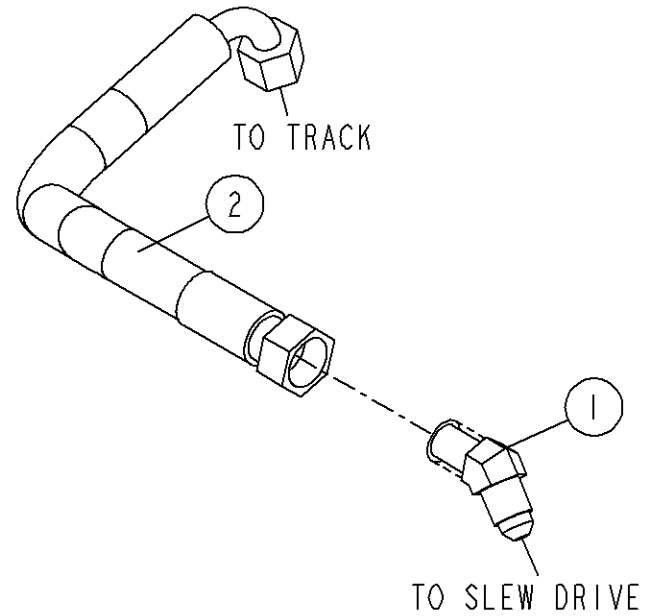
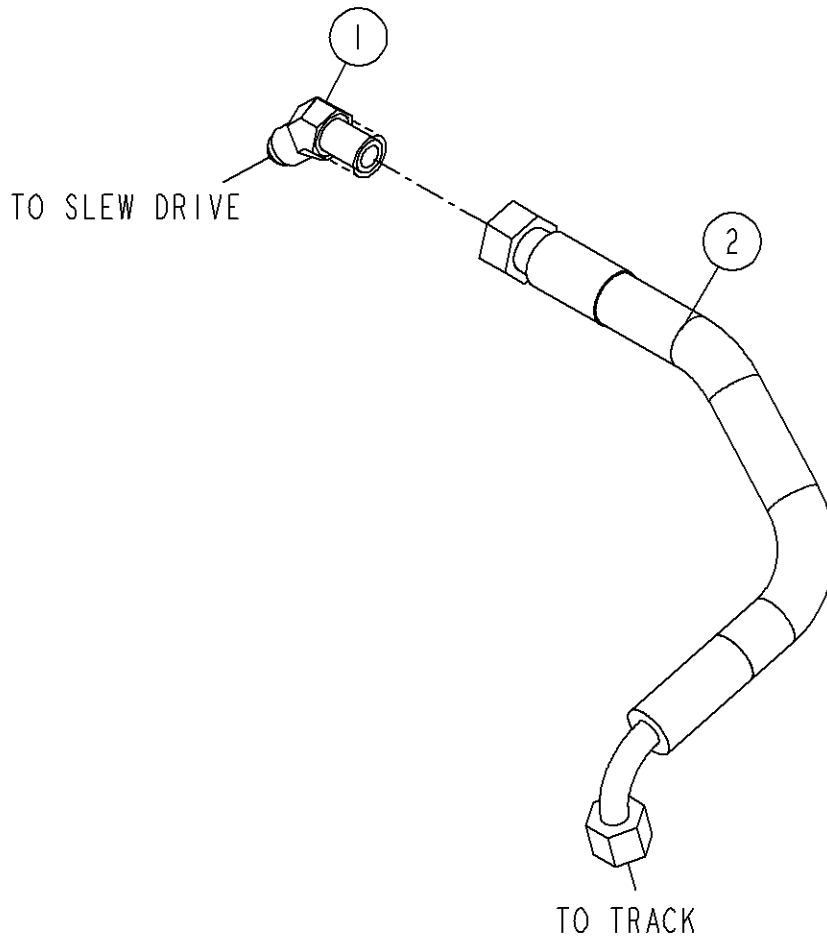


TRACK PIN, 400MM TRACK

912615-012

A

TRACK PIN, 400MM TRACK			912615-012	A
ITEM NO.	QTY	PART NUMBER	DESCRIPTION	
1	1	140-10H57	FTG - GREASE .250-28 STR	
2	1	140-10H95	FTG - GREASE .125 NPT STR	
3	1	420-30A40	LOCK WASHER .750	
4	1	912629-005	TRACK PIN - GP3, 400MM	
5	1	9400-00046	BOLT - .750 X 2.250, .250-28 TAPPED	
6	1	9800-01967	TRACK PIN SPACER	
7	1	GT62-237	TRACK PIN WASHER	
8	1	GT65-011	HOSE HANGER	



GREASE LINES - SLEW DRIVE

903119-029

B



GREASE LINES - SLEW DRIVE		903119-029	B
ITEM NO.	QTY	PART NUMBER	DESCRIPTION
1	2	155-45A37	ADAPTER - MP /MF 45 DEG 2-4
2	2	CMP04-0180-F0F9	HA .25 MP X 18.0 FF0/FF9

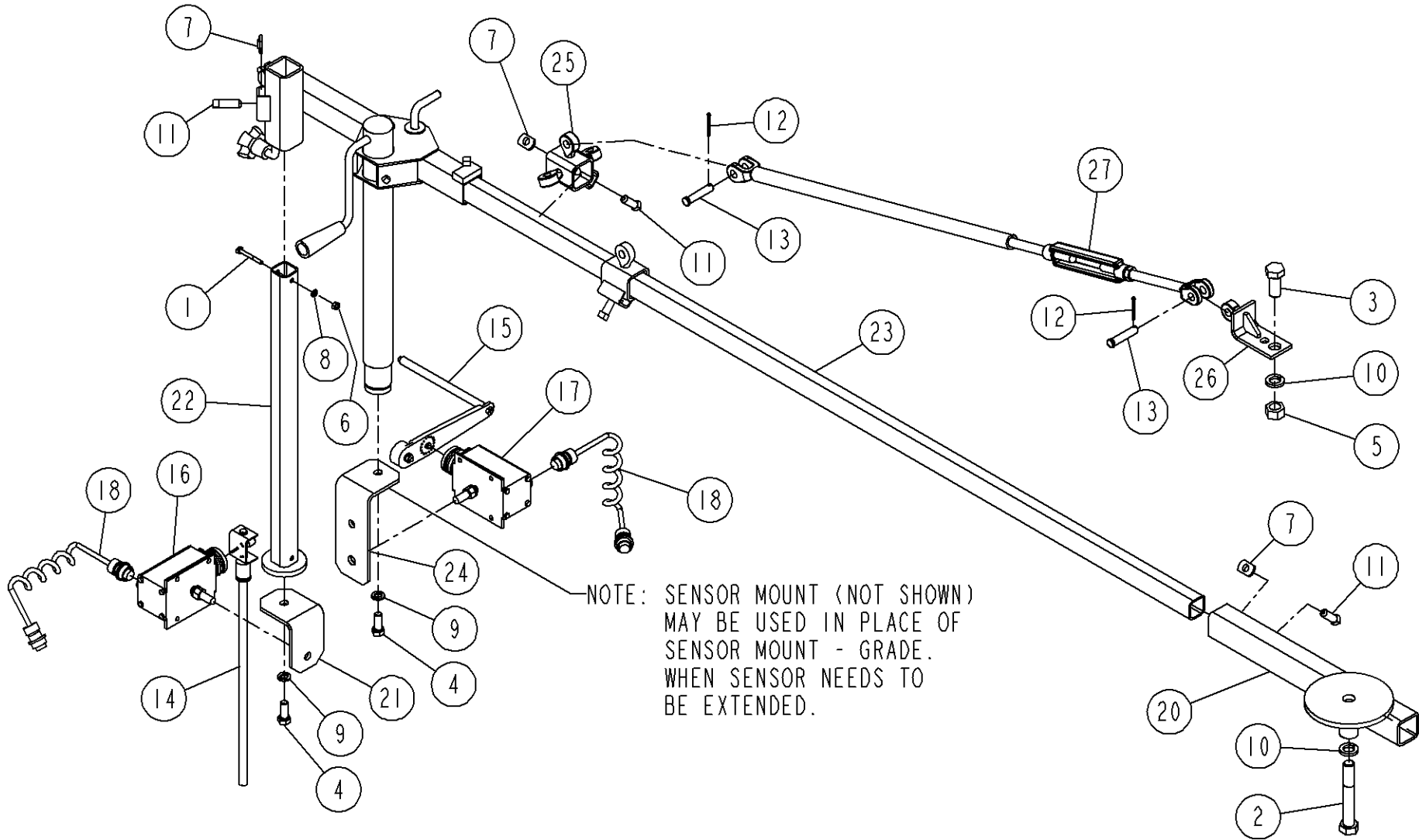


---

<b>Page #</b>	<b>Part Number</b>	<b>Description</b>
1	900140-141	SENSOR ASSY (GR & STRG) (G+)
2	900140-142	GRADE SENSOR ASSY (G+)
3	GT13-118-B	SENSOR MT ASSY, ADJ (GR & STRG SENSOR)
4	905240-073	CLAMP ASSY (SENSOR ARM MOUNT)
5	905240-074	SENSOR MOUNT ASSY (END CARS)
6	912640-002	SENSOR TUBE ASSEMBLY (CLAMP ON)





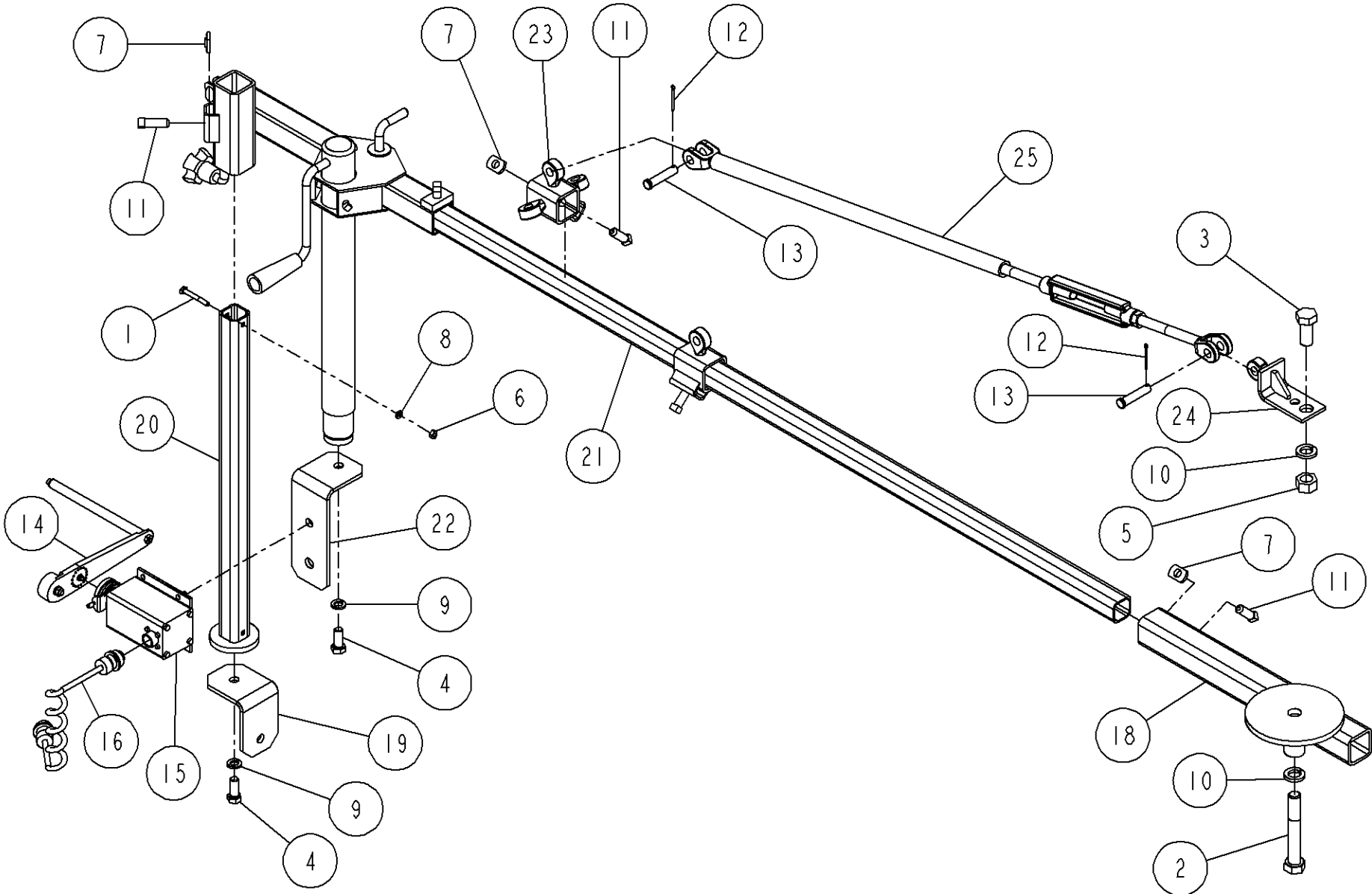


SENSOR ASSY (GR & STRG) (G+)

900140-141

A

SENSOR ASSY (GR & STRG) (G+)			900140-141	A
ITEM NO.	QTY	PART NUMBER	DESCRIPTION	
1	1	400-30A56	.250-20 UNC X 2.000 HHCS GR5	
2	1	400-30C49	.750-10 UNC X 5.000 HHCS GR8	
3	1	400-30C91	.750-10 UNC X 1.750 HHCS GR8	
4	2	400-30D76	.500-13 UNC X 1.250 HHCS GR8	
5	1	415-30A03	.750-10 UNC GR8 HEX NUT	
6	1	415-30A04	.250-20 UNC GR5 HEX NUT	
7	4	415-30A94	WELDNUT .500-13 UNC	
8	1	420-30A36	LOCK WASHER .250	
9	2	420-30A37	LOCK WASHER .500	
10	2	420-30A40	LOCK WASHER .750	
11	4	425-30B03	.500-13 UNC X 1.500 SQ HD SET SCR	
12	2	430-30B12	COTTER PIN .125 X 1.500 EXT PRONG	
13	2	430-52J93	CLEVIS PIN .500 X 2.250, GR8	
14	1	500-15A69	STEERING WAND ASSEMBLY	
15	1	500-15A77	GRADE ARM ASSEMBLY	
16	1	500-54A44	SENSOR - HALL GRADE & STEER, M12	
17	1	500-54A45	SENSOR - HALL GRADE & STEER, M12	
18	2	520-54A22	CORD - COIL, 4-20FT 1/4 TRN W/F 6 PIN	
19	1	FW40-136	SENSOR MOUNT	
20	1	GT13-029	SENSOR ARM PIVOT	
21	1	GT13-033	SENSOR BRACKET	
22	1	GT13-114	STEERING SENSOR ARM	
23	1	GT13-118-B	SENSOR MT ASSY, ADJ (GR & STRG SENSOR)	
24	1	GT63-055	SENSOR MOUNT - GRADE	
25	1	GT63-056	ADJ. SENSOR BRACE MOUNT	
26	1	GT63-058	SENSOR BRACE MOUNT	
27	1	GT63-059	TURNBUCKLE, .625 X 45.00 (+- 3.00)	



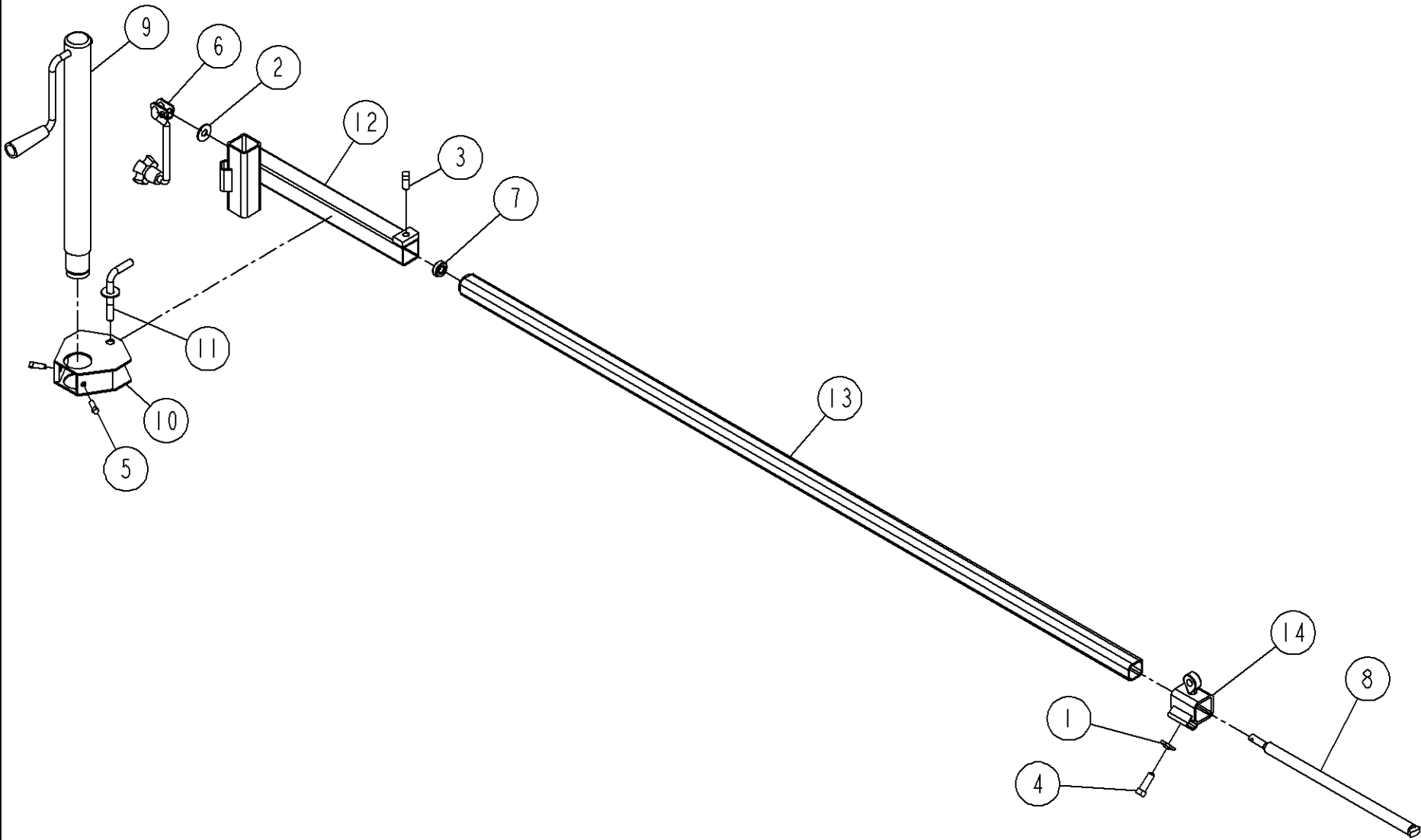
GRADE SENSOR ASSY (G+)

900140-142

A



GRADE SENSOR ASSY (G+)			900140-142	A
ITEM NO.	QTY	PART NUMBER	DESCRIPTION	
1	1	400-30A56	.250-20 UNC X 2.000 HHCS GR5	
2	1	400-30C49	.750-10 UNC X 5.000 HHCS GR8	
3	1	400-30C91	.750-10 UNC X 1.750 HHCS GR8	
4	2	400-30D76	.500-13 UNC X 1.250 HHCS GR8	
5	1	415-30A03	.750-10 UNC GR8 HEX NUT	
6	1	415-30A04	.250-20 UNC GR5 HEX NUT	
7	4	415-30A94	WELDNUT .500-13 UNC	
8	1	420-30A36	LOCK WASHER .250	
9	2	420-30A37	LOCK WASHER .500	
10	2	420-30A40	LOCK WASHER .750	
11	4	425-30B03	.500-13 UNC X 1.500 SQ HD SET SCR	
12	2	430-30B12	COTTER PIN .125 X 1.500 EXT PRONG	
13	2	430-52J93	CLEVIS PIN .500 X 2.250, GR8	
14	1	500-15A77	GRADE ARM ASSEMBLY	
15	1	500-54A45	SENSOR - HALL GRADE SIDE MT 1/4 TURN	
16	1	520-54A22	CORD - COIL, 4-20FT 1/4 TRN W/F 6 PIN	
17	1	FW40-136	SENSOR MOUNT	
18	1	GT13-029	SENSOR ARM PIVOT	
19	1	GT13-033	SENSOR BRACKET	
20	1	GT13-114	STEERING SENSOR ARM	
21	1	GT13-118-B	SENSOR MT ASSY, ADJ (GR & STRG SENSOR)	
22	1	GT63-055	SENSOR MOUNT - GRADE	
23	1	GT63-056	ADJ. SENSOR BRACE MOUNT	
24	1	GT63-058	SENSOR BRACE MOUNT	
25	1	GT63-059	TURNBUCKLE, .625 X 45.00 (+- 3.00)	

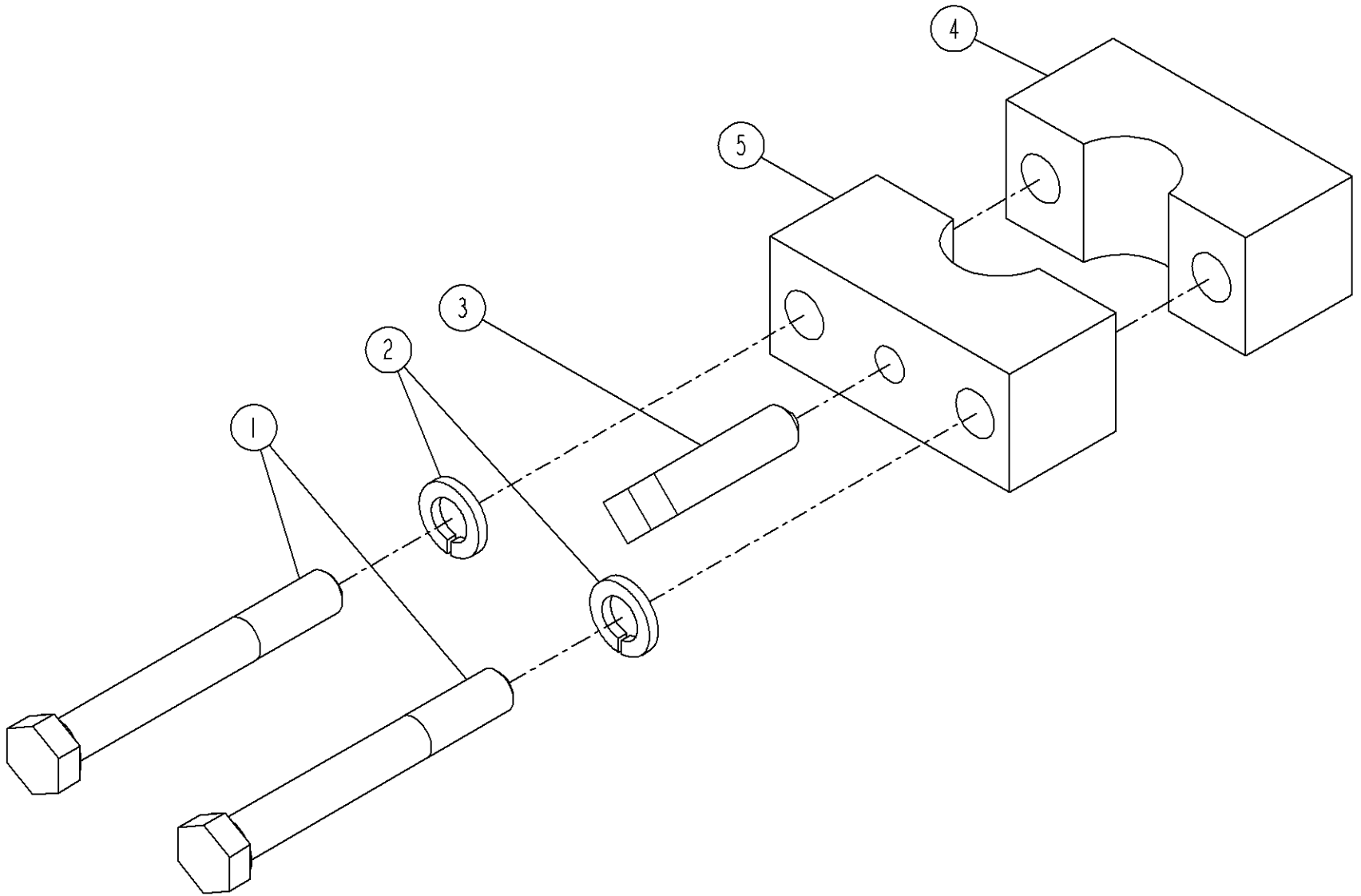


SENSOR MT ASSY, ADJ (GR & STRG SENSOR)

GT13-118-B

J

SENSOR MT ASSY, ADJ (GR & STRG SENSOR)			GT13-118-B	J
ITEM NO.	QTY	PART NUMBER	DESCRIPTION	
1	1	415-30A94	WELDNUT .500-13 UNC	
2	1	420-30A32	FLAT WASHER .500 W	
3	1	425-30A28	.500-13 UNC X 1.000 SQ HD SET SCR	
4	1	425-30B03	.500-13 UNC X 1.500 SQ HD SET SCR	
5	2	425-30B69	.375-16 UNC X 1.000 SQ HD SET SCR	
6	1	675-25C24	JACK CRANK ASSEMBLY	
7	1	675-25C29	JACK ROLLER BEARING	
8	1	675-25C32	JACK SCR (.875 LH THR X 17.750)	
9	1	GT13-104	GRADE SENSOR MOUNT	
10	1	GT13-112	GRADE SENSOR JACK MOUNT	
11	1	GT13-113	CLAMP BOLT	
12	1	GT13-115	TUBE, OUTER	
13	1	GT63-037	ADJUSTMENT TUBE INNER	
14	1	GT80-072	ADJUSTER BRACE MOUNT	

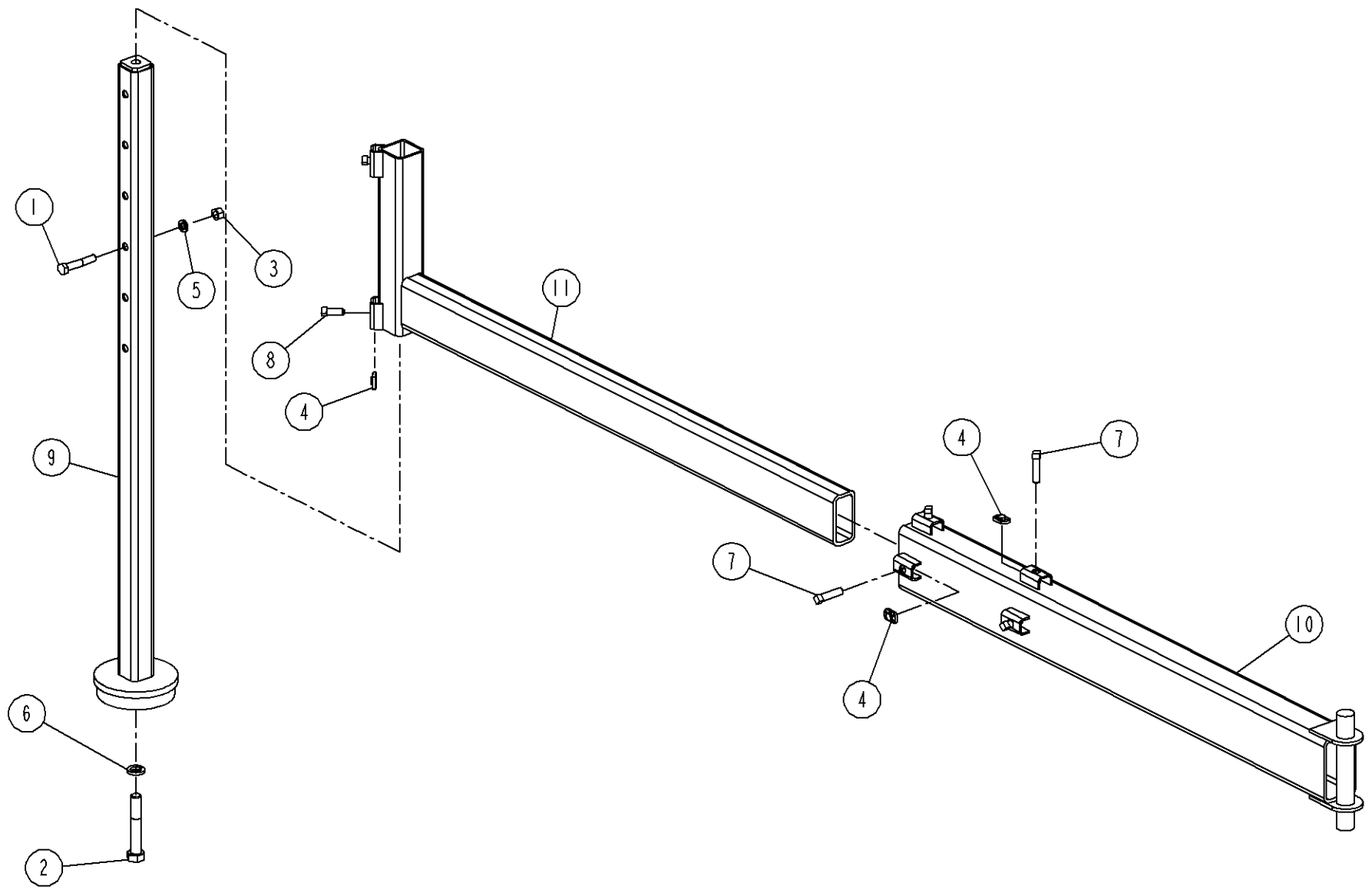


CLAMP ASSY (SENSOR ARM MOUNT)

905240-073

A.0

CLAMP ASSY (SENSOR ARM MOUNT)			905240-073	A.0
ITEM NO.	QTY	PART NUMBER	DESCRIPTION	
1	2	400-45X93	.500-13 UNC X 4.000 HHCS GR8	
2	2	420-30A37	LOCK WASHER .500	
3	1	425-30B44	.500-13 UNC X 2.000 SQ HD SET SCR	
4	1	9830-13672	CLAMP BAR - INNER (SENSOR ARM MOUNT)	
5	1	9830-13673	CLAMP BAR - OUTER (SENSOR ARM MOUNT)	

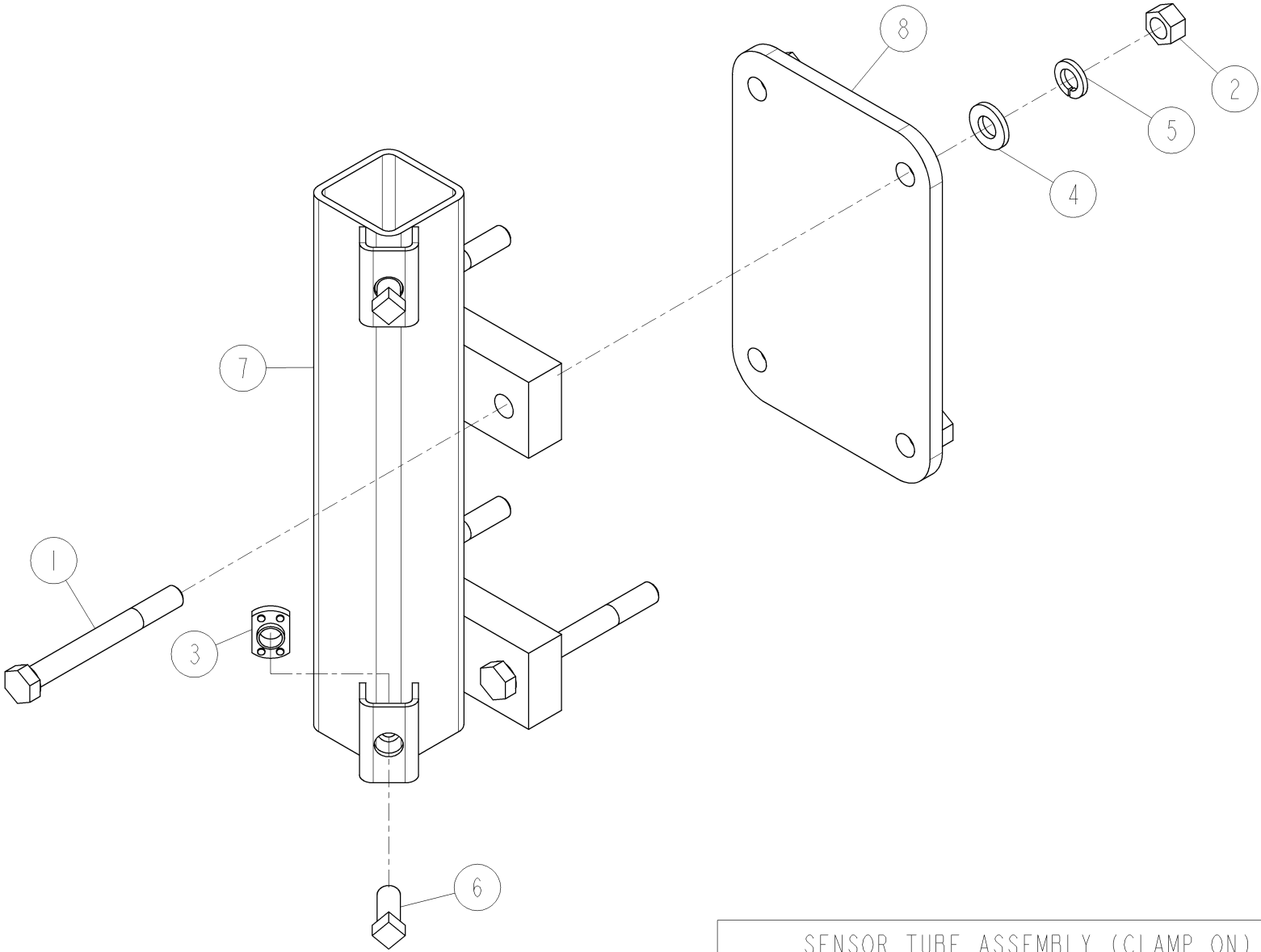


SENSOR MOUNT ASSY (END CARS)

905240-074

B

SENSOR MOUNT ASSY (END CARS)			905240-074	B
ITEM NO.	QTY	PART NUMBER	DESCRIPTION	
1	1	400-30A70	.500-13 UNC X 2.750 HHCS GR8	
2	1	400-30D85	.750-10 UNC X 4.500 HHCS GR8	
3	1	415-30A07	.500-13 UNC GR8 HEX NUT	
4	6	415-30A94	WELDNUT .500-13 UNC	
5	1	420-30A37	LOCK WASHER .500	
6	1	420-30A40	LOCK WASHER .750	
7	4	425-30B44	.500-13 UNC X 2.000 SQ HD SET SCR	
8	2	425-30C03	.500-13 UNC X 1.250 SQ HD SET SCR	
9	1	905240-057	ADJUSTMENT TUBE - VERTICAL	
10	1	905240-071	MOUNT - SENSOR (OUTER TUBE)	
11	1	905240-072	SENSOR TUBE (INNER)	



SENSOR TUBE ASSEMBLY (CLAMP ON)

912640-002

A



SENSOR TUBE ASSEMBLY (CLAMP ON)			912640-002	A
ITEM NO.	QTY	PART NUMBER	DESCRIPTION	
1	4	400-30C09	.500-13 UNC X 4.500 HHCS GR8	
2	4	415-30A07	.500-13 UNC GR8 HEX NUT	
3	2	415-30A94	WELDNUT .500-13 UNC	
4	4	420-10F69	FLAT WASHER .500 A325	
5	4	420-30A37	LOCK WASHER .500	
6	2	425-30C03	.500-13 UNC X 1.250 SQ HD SET SCR	
7	1	912640-001	SENSOR TUBE (CLAMP ON)	
8	1	9800-39594	PLATE, CLAMP	



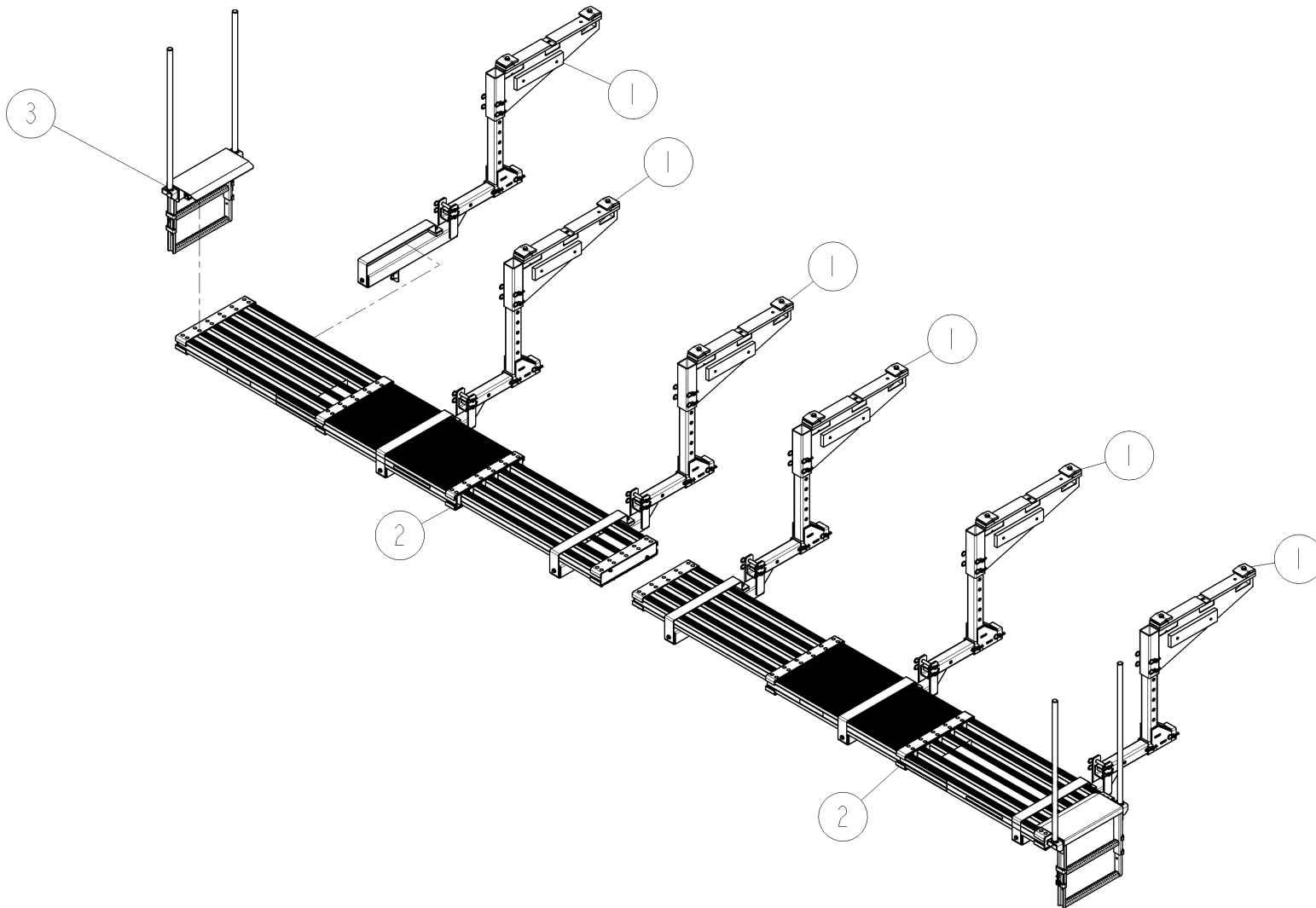
---

<b>Page #</b>	<b>Part Number</b>	<b>Description</b>
1	912622-043	WORK PLATFORM ASSY W/ STEPS (16FT-31FT)
2	912622-044	WORK PLATFORM - ALUMINUM, EXPANDING
3	912622-015	WORK PLATFORM MT ASSY - CENTER CAPABLE
4	912622-079	WORK PLATFORM STEP ASSY - REMOVABLE

---





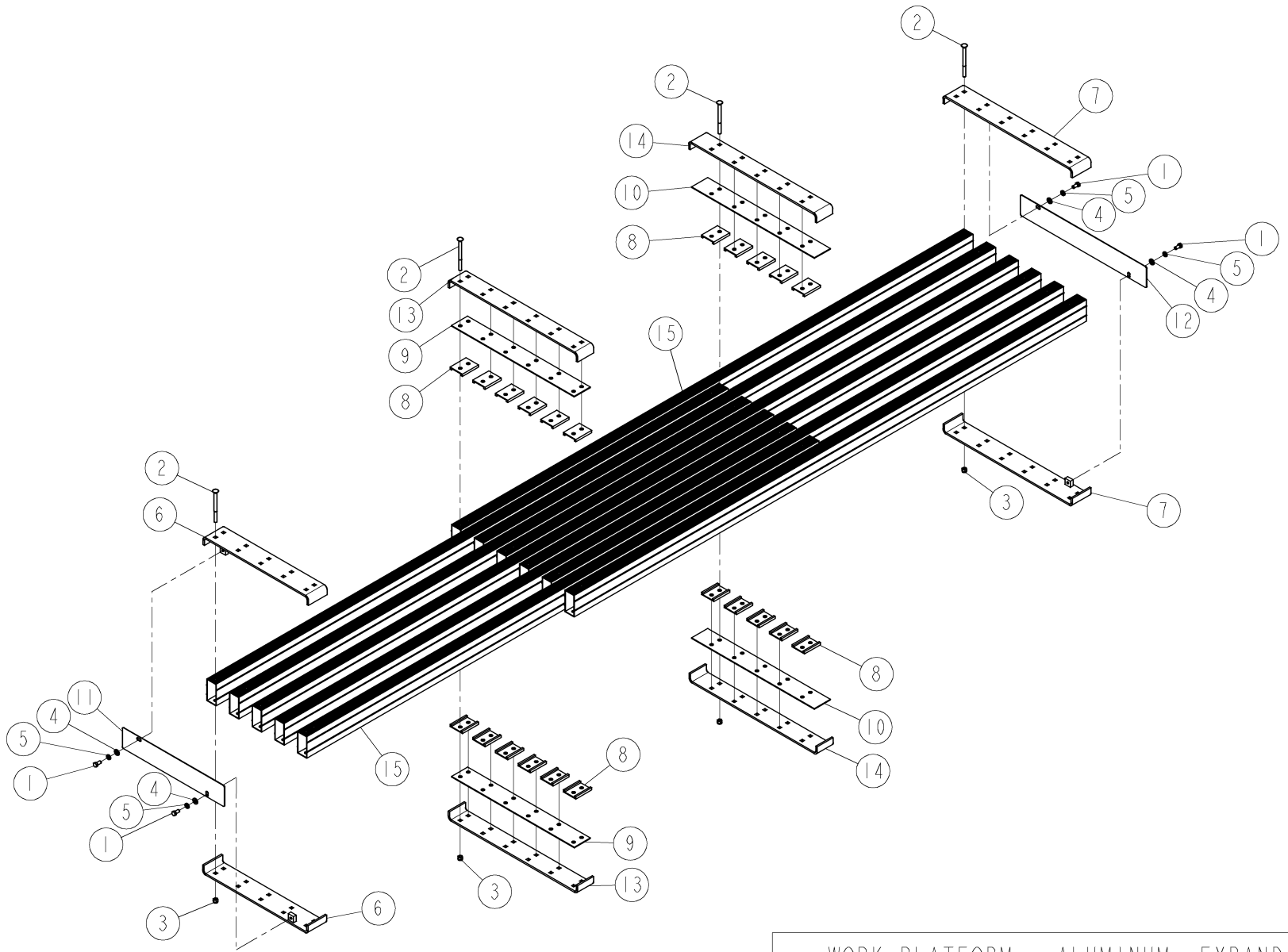


WORK PLATFORM ASSY W/ STEPS (16FT-31FT)

912622-043

E

WORK PLATFORM ASSY W/ STEPS (16FT-31FT)		912622-043	E
ITEM NO.	QTY	PART NUMBER	DESCRIPTION
1	6	912622-015	WORK PLATFORM MT ASSY - CENTER CAPABLE
2	2	912622-044	WORK PLATFORM - ALUMINUM, EXPANDING
3	2	912622-079	WORK PLATFORM STEP ASSY - REMOVABLE



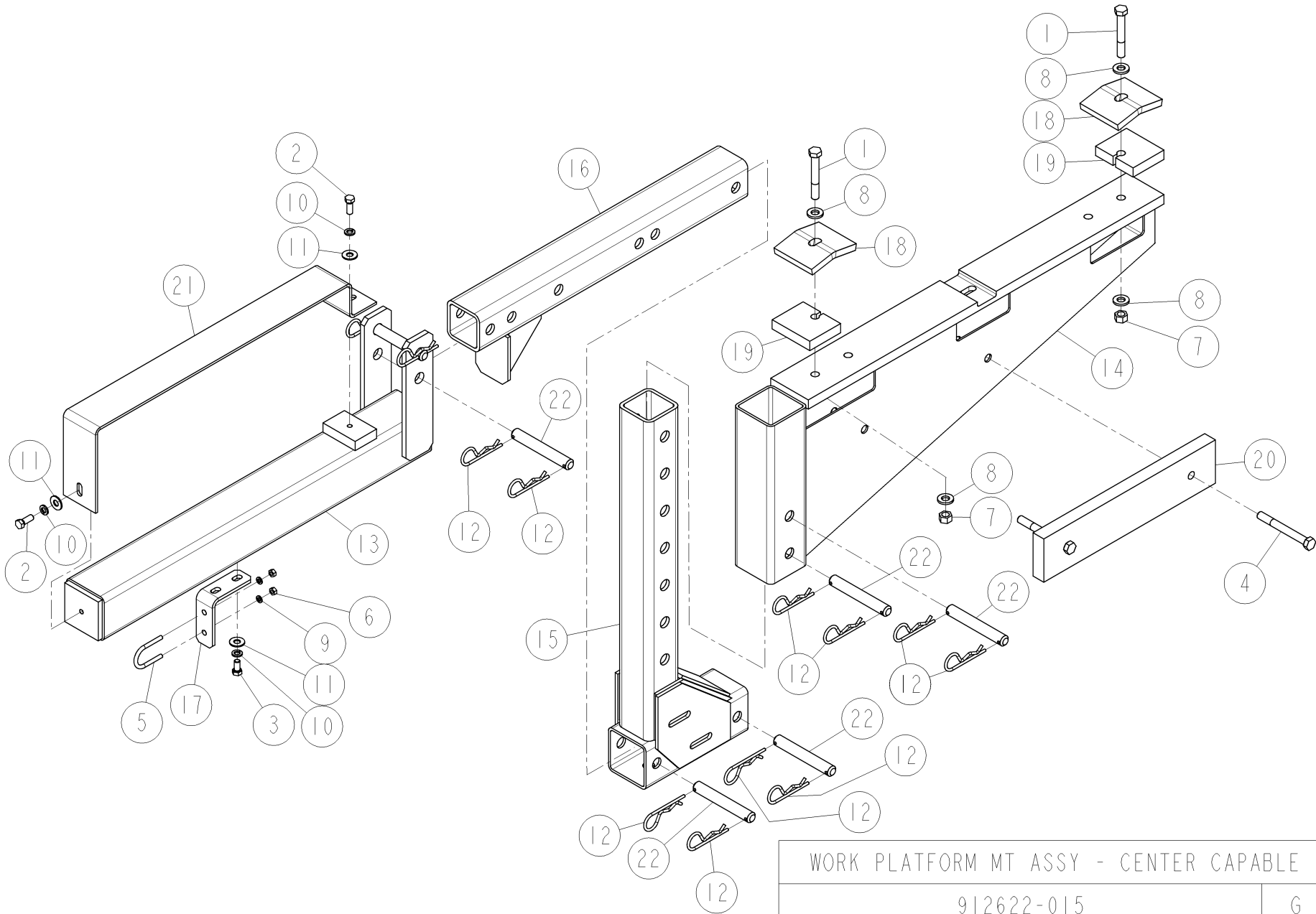
WORK PLATFORM - ALUMINUM, EXPANDING

912622-044

C



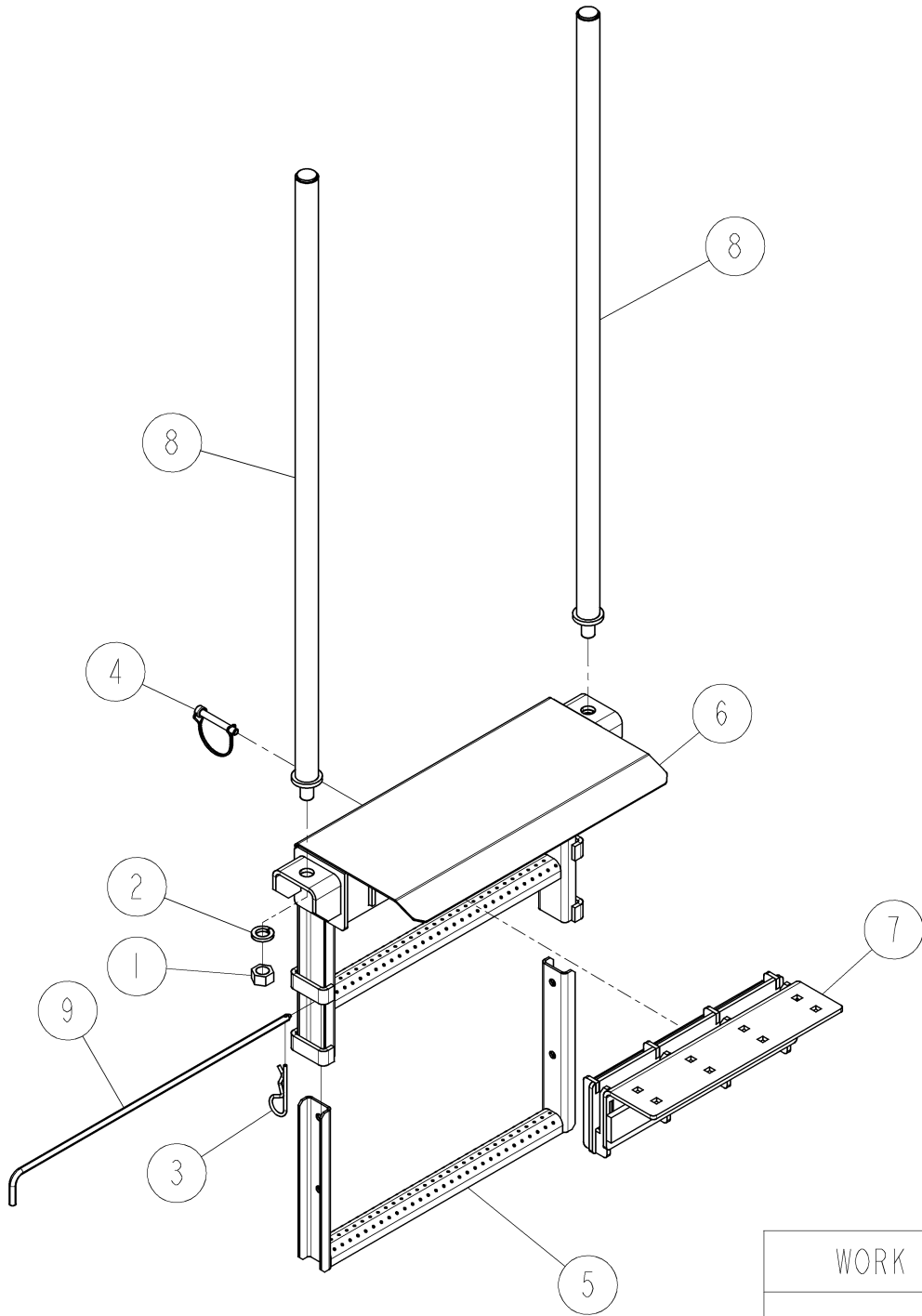
WORK PLATFORM - ALUMINUM, EXPANDING			912622-044	C
ITEM NO.	QTY	PART NUMBER	DESCRIPTION	
1	4	400-30A20	.375-16 UNC X .750 HHCS GR5	
2	44	410-50W80	.375-16 UNC X 5.00 CRG BOLT GR5	
3	44	415-45G77	.375-16 UNC GR5 NYLOK HEX NUT	
4	4	420-10T99	FLAT WASHER .375 F436	
5	4	420-30A41	LOCK WASHER .375	
6	2	905222-107	END STRAP - 5 TUBE	
7	2	905222-108	END STRAP - 6 TUBE	
8	22	9610-00247	TUBE GLIDE	
9	2	9610-00248	SLIDE PAD - 6 TUBE	
10	2	9610-00249	SLIDE PAD - 5 TUBE	
11	1	9810-06391	END CAP - 5 TUBE	
12	1	9810-06392	END CAP - 6 TUBE	
13	2	9830-07309	END STRAP - 6 TUBE PLATFORM SECTION	
14	2	9830-07310	CENTER STRAP - 5 TUBE PLATFORM SECTION	
15	11	9840-02872	TUBE - WORKPLATFORM EXTRUDED ALUMINUM	



WORK PLATFORM MT ASSY - CENTER CAPABLE

912622-015

WORK PLATFORM MT ASSY - CENTER CAPABLE			912622-015	G
ITEM NO.	QTY	PART NUMBER	DESCRIPTION	
1	2	400-30A16	.500-13 UNC X 3.500 HHCS GR8	
2	2	400-30A19	.375-16 UNC X 1.000 HHCS GR5	
3	2	400-30A20	.375-16 UNC X .750 HHCS GR5	
4	2	400-30C09	.500-13 UNC X 4.500 HHCS GR8	
5	1	410-45A67	.250 X 1.250 X 2.250 U BOLT	
6	2	415-30A04	.250-20 UNC GR5 HEX NUT	
7	2	415-30A07	.500-13 UNC GR8 HEX NUT	
8	4	420-10F69	FLAT WASHER .500 A325	
9	2	420-30A36	LOCK WASHER .250	
10	4	420-30A41	LOCK WASHER .375	
11	4	420-30A65	FLAT WASHER .375 W	
12	12	430-45G34	HAIR PIN (NO. 8)	
13	1	905222-264	WORK PLATFORM MOUNT - T-RAIL MOUNT ASSY	
14	1	912622-016	VERTICAL SUPPORT	
15	1	912622-024	WALKWAY VERT ADJ W/ HORIZ ADJ	
16	1	912622-025	WALKWAY MOUNT, HORIZONTAL ADJUST	
17	1	9800-01751	INSIDE SPRAY BAR MOUNT	
18	2	9800-37916	FORMED PLATE - CLAMP	
19	2	9800-37920	SPACER - WALKWAY MOUNT	
20	1	9800-37922	SPACER - WALKWAY MOUNT	
21	1	9810-06339	CLAMP - WORK PLATFORM	
22	6	SP33-010	CONNECTING PIN	



WORK PLATFORM STEP ASSY - REMOVABLE

912622-079

B

WORK PLATFORM STEP ASSY - REMOVABLE			912622-079	B
ITEM NO.	QTY	PART NUMBER	DESCRIPTION	
1	2	415-30A03	.750-10 UNC GR8 HEX NUT	
2	2	420-30A40	LOCK WASHER .750	
3	1	430-45G34	HAIR PIN (NO. 8)	
4	1	430-47H50	PIN - LOCK .375X2.500	
5	1	912622-057	STEP EXTENSION	
6	1	912622-077	WORK PLATFORM STEP	
7	1	912622-078	WORK PLATFORM STEP MOUNT	
8	2	912626-015	SINGLE HANDRAIL POST	
9	1	9825-04221	LADDER PIN	



---

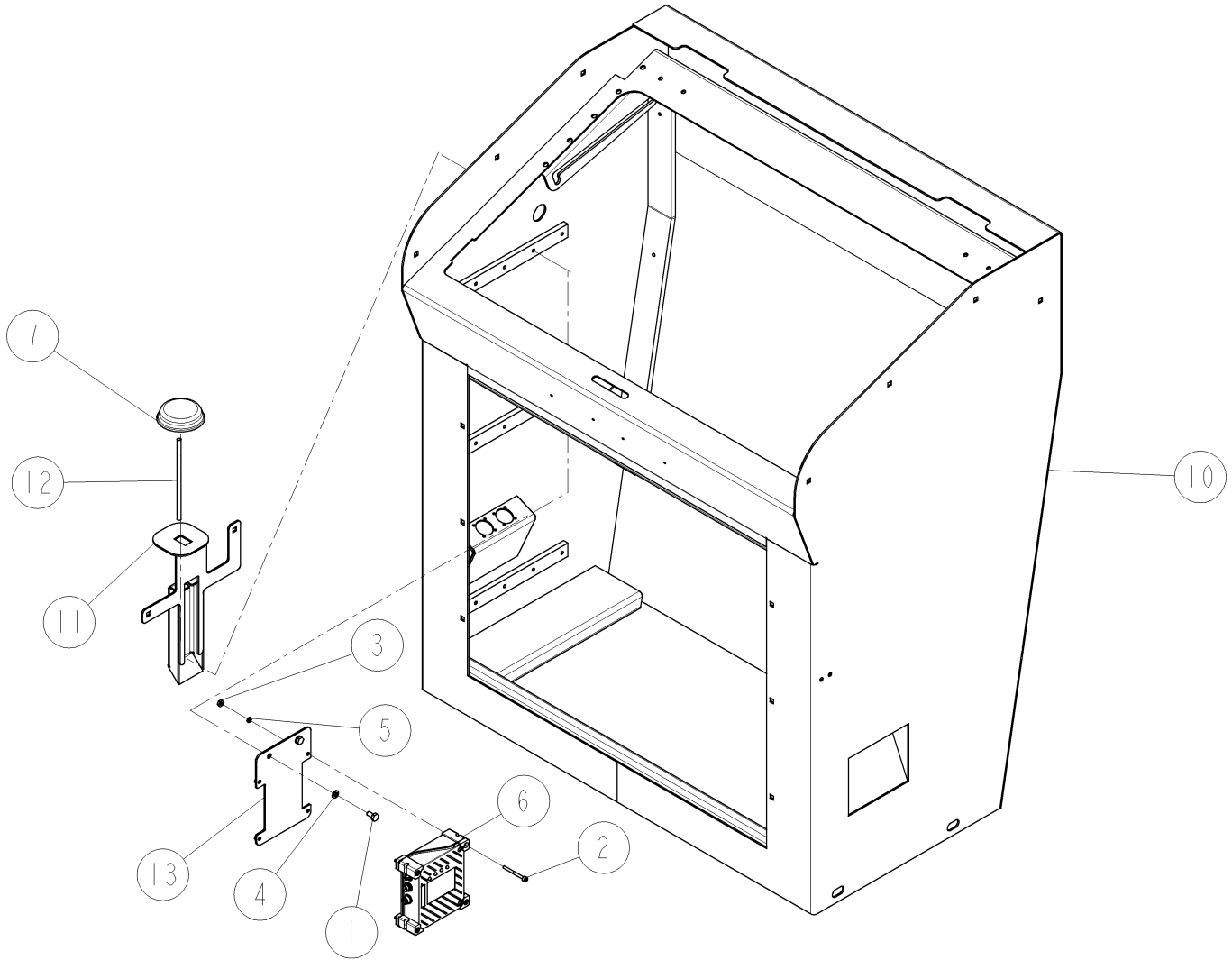
<b>Page #</b>	<b>Part Number</b>	<b>Description</b>
1	910952-013	TELEMATICS KIT, PAVERS
2	907040-083	COMPUTER MOUNT ASSEMBLY
3	905220-187	DISPLAY ASSY, SETUP REMOTE
4	900111-068	UMBRELLA ASSEMBLY

---







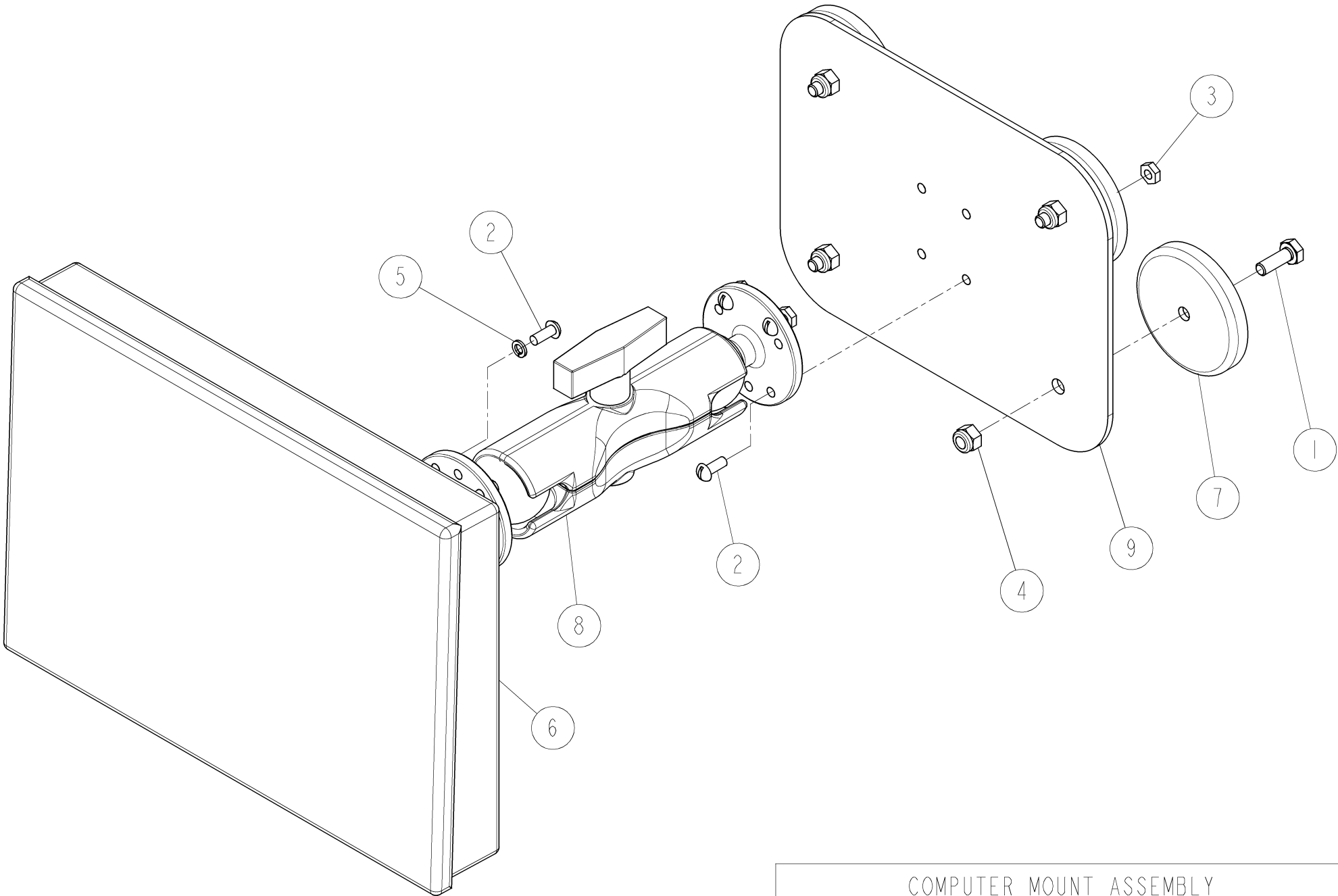


TELEMATICS KIT, PAVERS

910952-013

F

TELEMATICS KIT, PAVERS			910952-013	F
ITEM NO.	QTY	PART NUMBER	DESCRIPTION	
1	2	400-30D64	.250-20 UNC X .500 HHCS GR5	
2	4	400-51F53	#10-24 UNC X 1.750 SKTHCS (BLK)	
3	4	415-30C59	#10-24 UNC GR2 HEX MACH SCR NUT	
4	2	420-30A36	LOCK WASHER .250	
5	4	420-30A80	LOCK WASHER #10	
6	1	500-54K82	TELEMATICS UNIT WS403, GSM/GPS	
7	1	500-54K83	ANTENNA - GSM/GPS SCREW MOUNT	
8	1	500-55A38	SIM CARD MINI M2MAIR, TELEMATICS UNITS	
9	1	520-54U55	CABLE - TELEMETRICS CAN X 2M NS	
10	1	910933-008	TELEMATICS MOD, PAVER	
11	1	910952-012	TELEMATICS ANTENNA MT - PAVER	
12	1	9545-00019	WIRE GUARD - 6 IN	
13	1	9810-21183	SHEET - CNTLR MT PAVER	

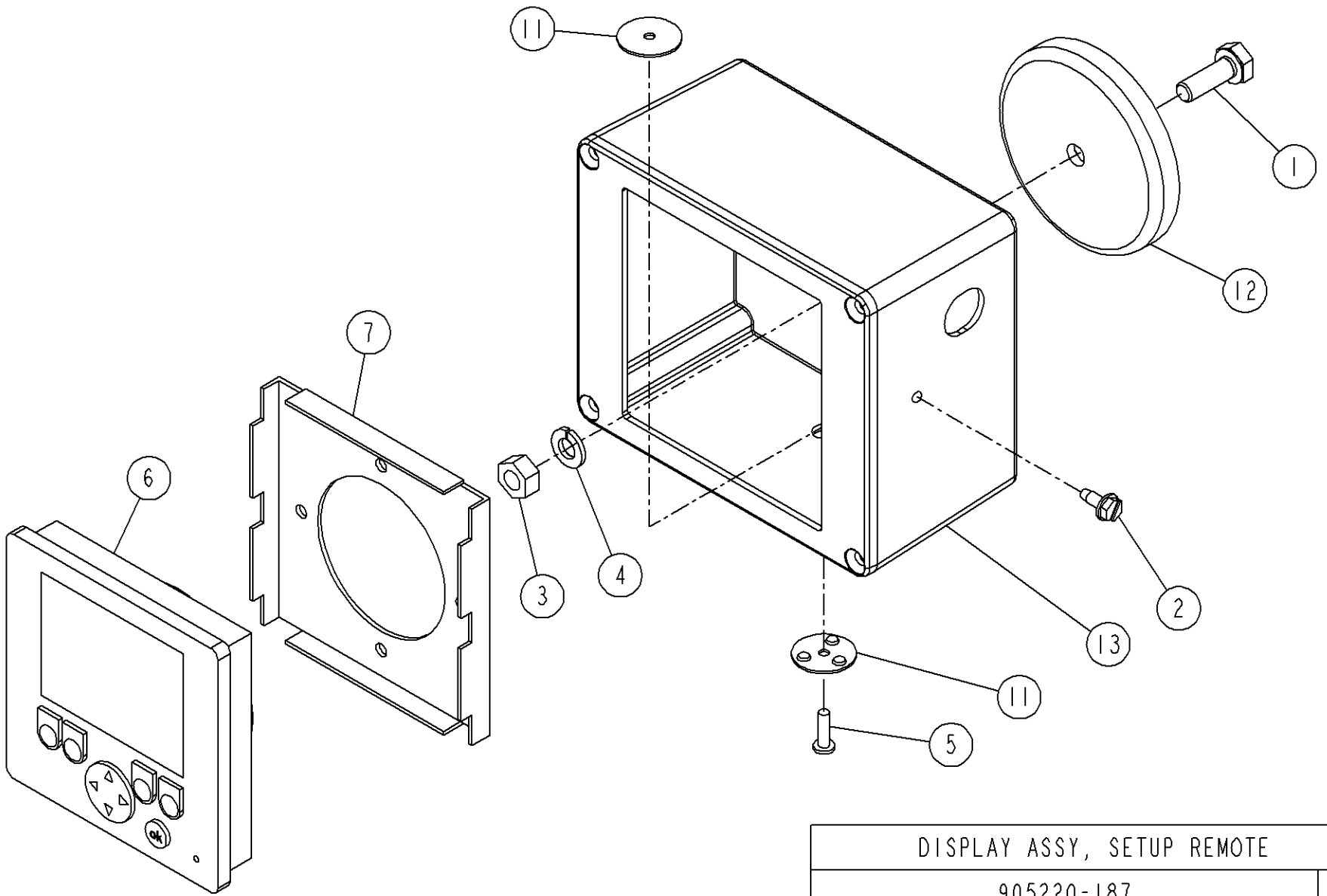


COMPUTER MOUNT ASSEMBLY

907040-083

E

COMPUTER MOUNT ASSEMBLY			907040-083	E
ITEM NO.	QTY	PART NUMBER	DESCRIPTION	
1	4	400-30A10	.250-20 UNC X .750 HHCS GR5	
2	8	405-30C75	#10-32 UNF X .500 RND HD MACH SCR	
3	4	415-30B83	#10-32 UNF GR2 HEX MACH SCR NUT	
4	4	415-47R29	.250-20 UNC GR5 NYLOK HEX NUT	
5	4	420-30A80	LOCK WASHER #10	
6	1	585-55G56	COMPUTER ASSY - GX-75 W/BACKPACK	
7	4	730-52M21	MAGNET - MOUNTED, HOLDING	
8	1	730-53B61	MOUNTING ARM, POSITIONAL	
9	1	9810-16877	GSI MOUNTING PLATE	

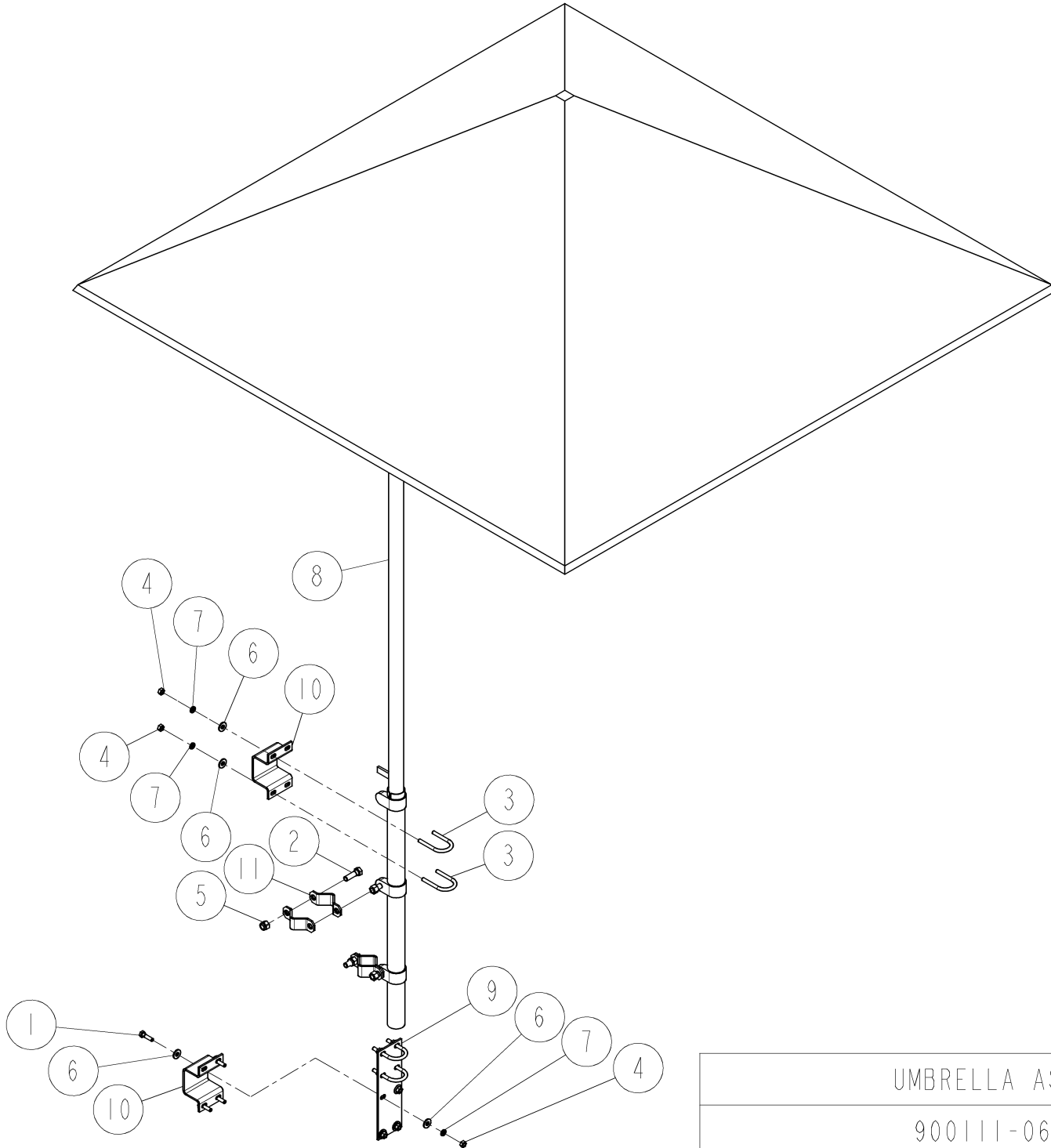


DISPLAY ASSY, SETUP REMOTE

905220-187

B

DISPLAY ASSY, SETUP REMOTE		905220-187	B
ITEM NO.	QTY	PART NUMBER	DESCRIPTION
1	1	400-30A10	.250-20 UNC X .750 HHCS GR5
2	1	405-51L46	# 6-32X .375 SELF TAPPING SCREW
3	1	415-30A04	.250-20 UNC GR5 HEX NUT
4	1	420-30A36	LOCK WASHER .250
5	1	435-30C56	POP RIVET (.125 X .313) AL
6	1	500-53V49	DISPLAY - 2.8 IN COLOR W/CAN INTERFACE
7	1	500-53V51	MOUNTING PANEL - DISPLAY
8	1	500-53W37	COVER - PLASTIC NS
9	1	515-53M06	PLUG PROTECTION - M12 W/#10 EYELET NS
10	1	520-53V84	CABLE, M12 5 P FEM 90DEG/5 P M BOX CONN NS
11	2	550-48E90	VENT - WASHER, CONTROL BOX VENT
12	1	730-52M21	MAGNET - MOUNTED, HOLDING
13	1	905252-017	BOX, SETUP REMOTE
14	1	WH01-0154	COIL CORD MOD 5 P M12 / 7 P M 1/4 TRN PL



UMBRELLA ASSEMBLY

900111-068

D



UMBRELLA ASSEMBLY			900111-068	D
ITEM NO.	QTY	PART NUMBER	DESCRIPTION	
1	4	400-30A77	.250-20 UNC X 1.000 HHCS GR5	
2	2	400-30B85	.375-16 UNC X 1.250 HHCS GR5	
3	4	410-45A67	.250 X 1.250 X 2.250 U BOLT	
4	12	415-30A04	.250-20 UNC GR5 HEX NUT	
5	2	415-45G77	.375-16 UNC GR5 NYLOK HEX NUT	
6	16	420-30A30	FLAT WASHER .250 W	
7	12	420-30A36	LOCK WASHER .250	
8	1	730-10G24	UMBRELLA W/MT BRKT (54 IN SQ)	
9	1	9800-45676	HANDRAIL CLAMP EXTENSION	
10	2	9810-07317	HANDRAIL CLAMP	
11	4	BT30-022	GATE CHAIN CLAMP	

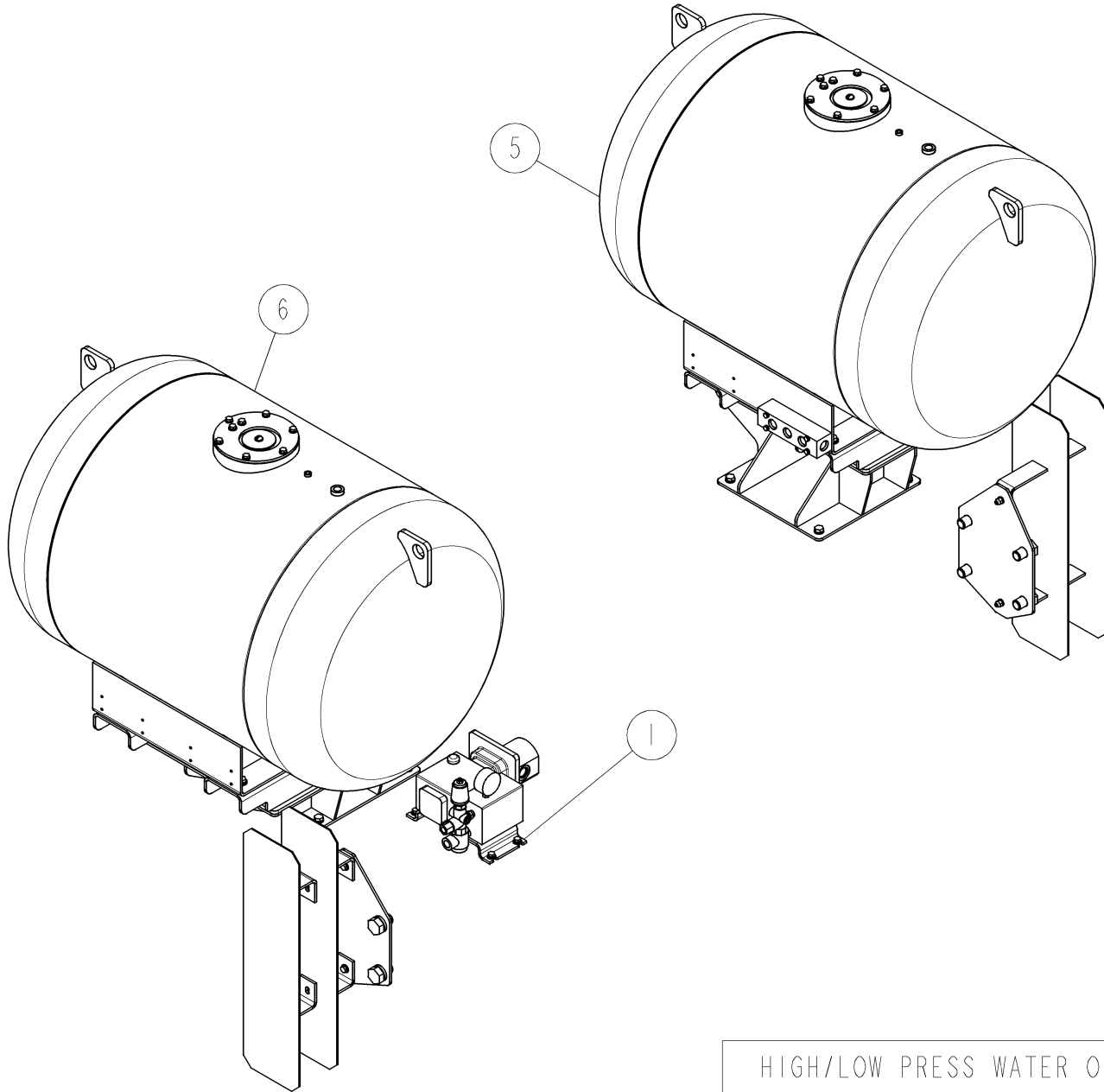


---

<b>Page #</b>	<b>Part Number</b>	<b>Description</b>
1	912621-024	HIGH/LOW PRESS WATER OPTION GP3, 4-TRK
2	912621-027	PRESSURIZED WATER ASSY RH, GP3, 4-TRK
3	912621-026	PRESSURIZED WATER ASSY LH, GP3, 4-TRK
4	912621-019	WATER TANK ASSEMBLY STEEL, 150 GAL
5	FW81-142	FILL VALVE ASSEMBLY
6	912611-024	PUMP MT ASSY 4-TRK
7	912619-045	HIGH PRESSURE WATER SYSTEM
8	912619-046	PRESSURIZED WATER SYSTEM
9	912619-047	WATER SYSTEM HYDRAULIC
10	110-47E98	STRAINER - 100 MESH (ELEM 110-49A50)
11	725-49C17	PUMP - HI-PRESS WASH (W/WAND & HOSE)
12	FW81-076	HIGH PRESSURE GUN ASSY
13	912619-011	AIR RESERVOIR AND PLUMBING





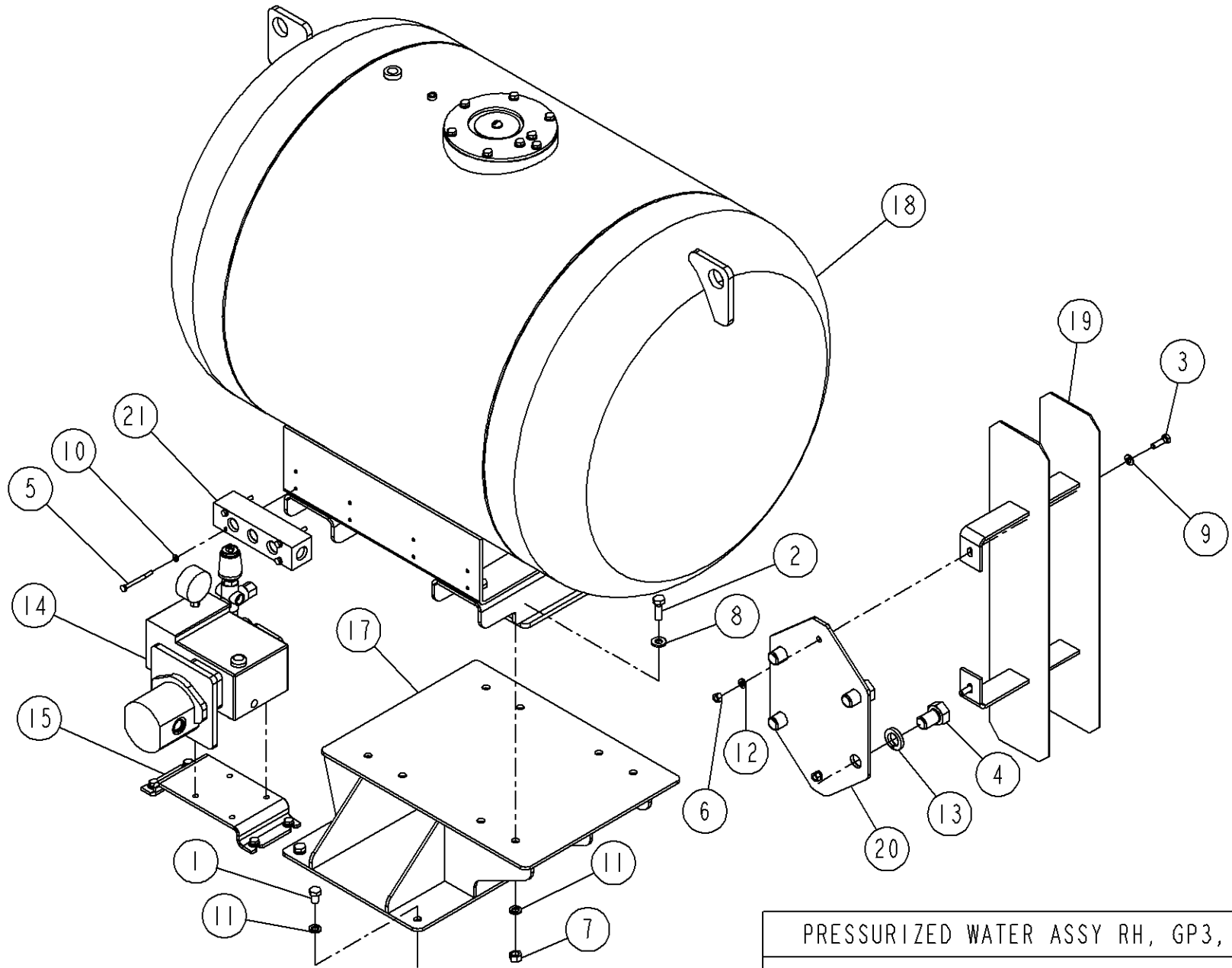


HIGH/LOW PRESS WATER OPTION GP3, 4-TRK

912621-024

B

HIGH/LOW PRESS WATER OPTION GP3, 4-TRK		912621-024	B
ITEM NO.	QTY	PART NUMBER	DESCRIPTION
1	1	912611-024	PUMP MT ASSY 4-TRK
2	1	912619-045	HIGH PRESSURE WATER SYSTEM NS
3	2	912619-046	PRESSURIZED WATER SYSTEM NS
4	1	912619-047	WATER SYSTEM HYDRAULIC NS
5	1	912621-026	PRESSURIZED WATER ASSY LH, GP3, 4-TRK
6	1	912621-027	PRESSURIZED WATER ASSY RH, GP3, 4-TRK



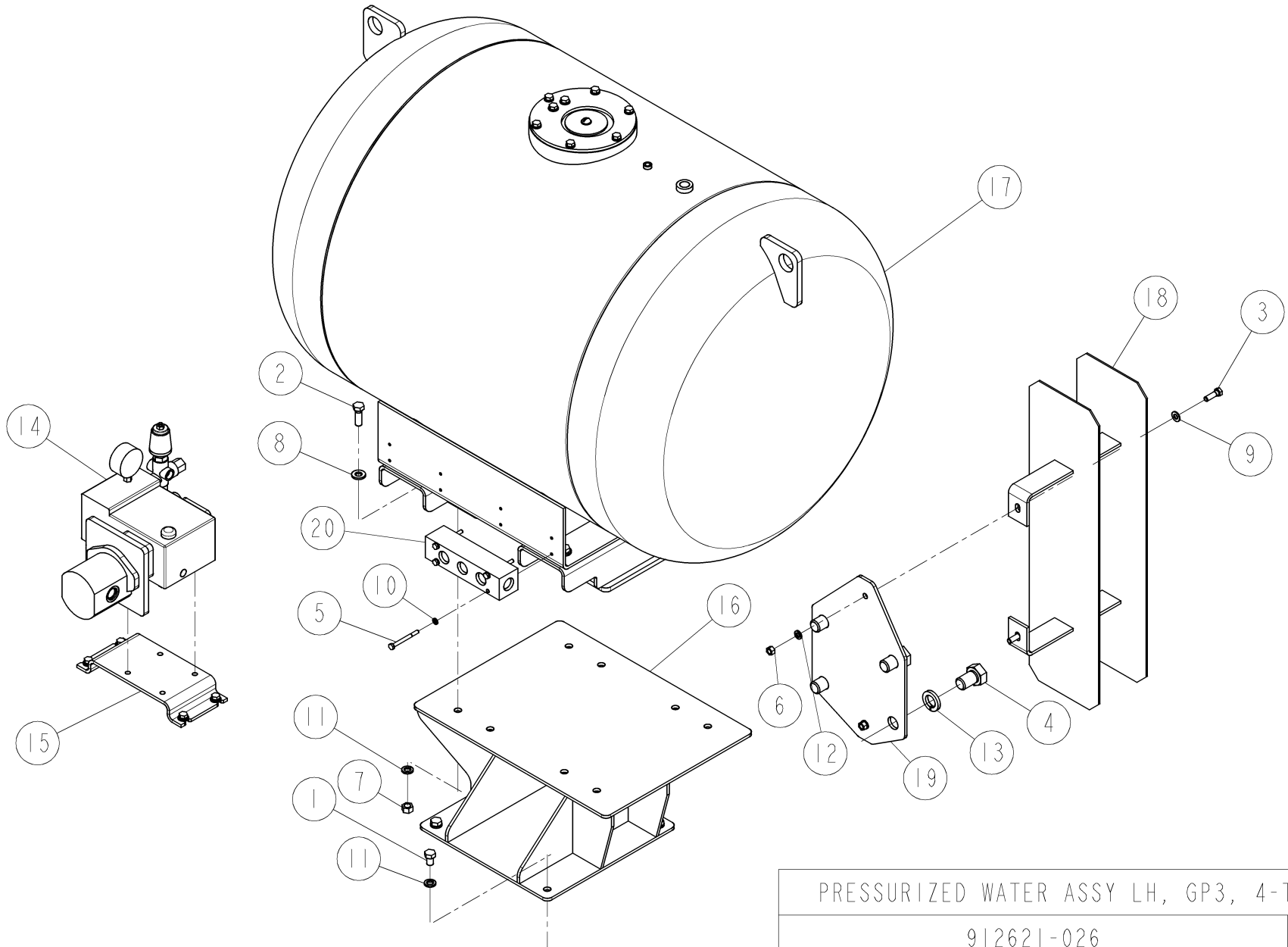
PRESSURIZED WATER ASSY RH, GP3, 4-TRK

912621-027

A

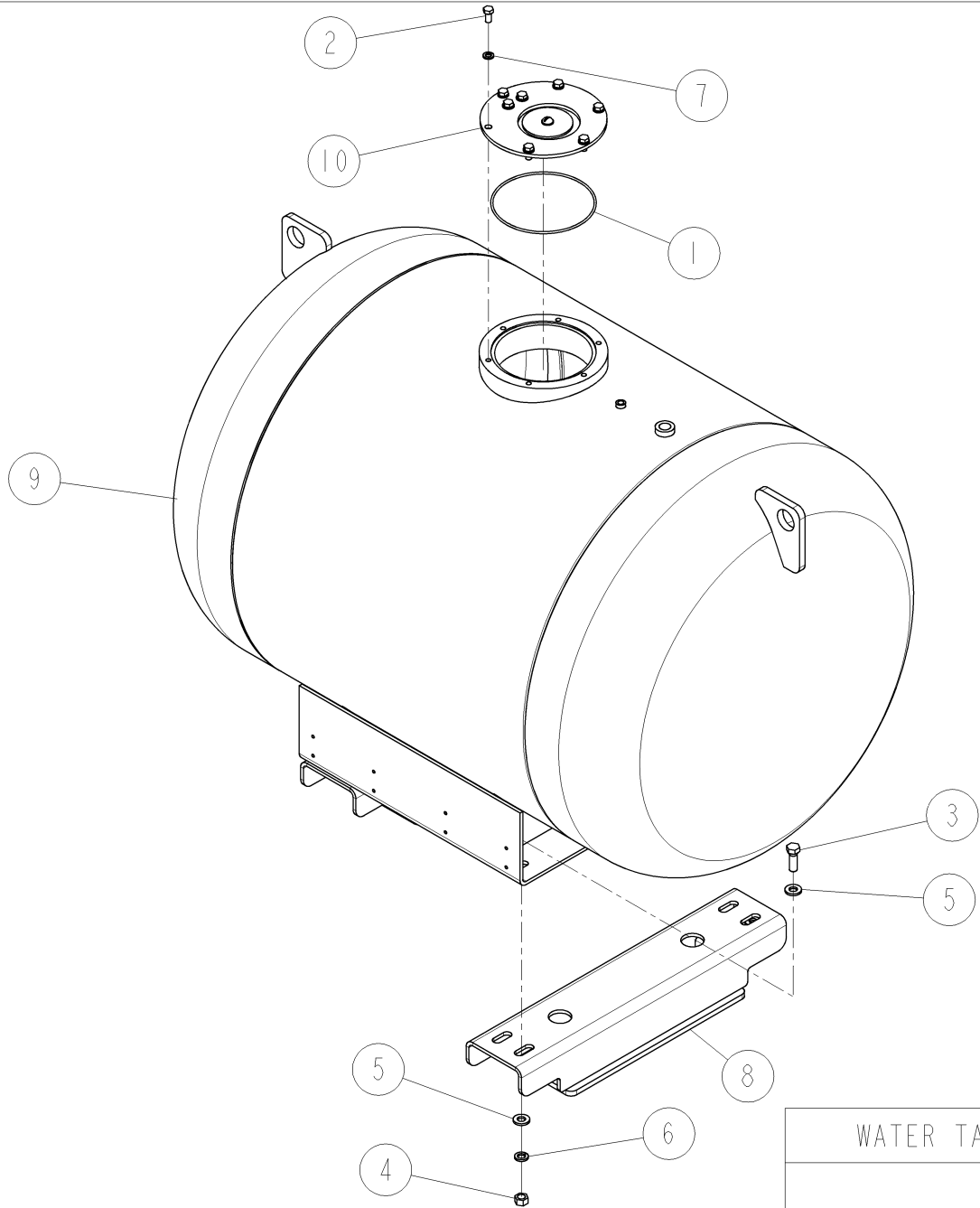


PRESSURIZED WATER ASSY RH, GP3, 4-TRK			912621-027	A
ITEM NO.	QTY	PART NUMBER	DESCRIPTION	
1	4	400-30A74	.500-13 UNC X .750 HHCS GR8	
2	8	400-30B84	.500-13 UNC X 1.500 HHCS GR8	
3	2	400-30B85	.375-16 UNC X 1.250 HHCS GR5	
4	4	400-30D21	1.000-8 UNC X 1.500 HHCS GR8	
5	4	400-30E13	.250-20 UNC X 2.750 HHCS GR5	
6	2	415-30A06	.375-16 UNC GR5 HEX NUT	
7	8	415-30A07	.500-13 UNC GR8 HEX NUT	
8	8	420-10F69	FLAT WASHER .500 A325	
9	2	420-10T99	FLAT WASHER .375 F436	
10	4	420-30A36	LOCK WASHER .250	
11	12	420-30A37	LOCK WASHER .500	
12	2	420-30A41	LOCK WASHER .375	
13	4	420-30A88	LOCK WASHER 1.000	
14	1	725-49C17	PUMP - HI-PRESS WASH (W/WAND & HOSE)	
15	1	912611-024	PUMP MT ASSY 4-TRK	
16	1	912619-046	PRESSURIZED WATER SYSTEM NS	
17	1	912621-017	WATER TANK MOUNT RH, GP3, 4 TRK	
18	1	912621-019	WATER TANK ASSEMBLY STEEL, 150 GAL	
19	1	912811-013	WATER HOSE HANGER	
20	1	9800-42868	MOUNT PLATE	
21	1	FW80-072	MANIFOLD BLOCK	



PRESSURIZED WATER ASSY LH, GP3, 4-TRK	
912621-026	B

PRESSURIZED WATER ASSY LH, GP3, 4-TRK			912621-026	B
ITEM NO.	QTY	PART NUMBER	DESCRIPTION	
1	4	400-30A74	.500-13 UNC X .750 HHCS GR8	
2	8	400-30B84	.500-13 UNC X 1.500 HHCS GR8	
3	2	400-30B85	.375-16 UNC X 1.250 HHCS GR5	
4	4	400-30D21	1.000-8 UNC X 1.500 HHCS GR8	
5	4	400-30E13	.250-20 UNC X 2.750 HHCS GR5	
6	2	415-30A06	.375-16 UNC GR5 HEX NUT	
7	8	415-30A07	.500-13 UNC GR8 HEX NUT	
8	8	420-10F69	FLAT WASHER .500 A325	
9	2	420-10T99	FLAT WASHER .375 F436	
10	4	420-30A36	LOCK WASHER .250	
11	12	420-30A37	LOCK WASHER .500	
12	2	420-30A41	LOCK WASHER .375	
13	4	420-30A88	LOCK WASHER 1.000	
14	1	725-49C17	PUMP - HI-PRESS WASH (W/WAND & HOSE)	
15	1	912611-024	PUMP MT ASSY 4-TRK	
16	1	912621-016	WATER TANK MOUNT LH, GP3, 4 TRK	
17	1	912621-019	WATER TANK ASSEMBLY STEEL, 150 GAL	
18	1	912811-013	WATER HOSE HANGER	
19	1	9800-42868	MOUNT PLATE	
20	1	FW80-072	MANIFOLD BLOCK	

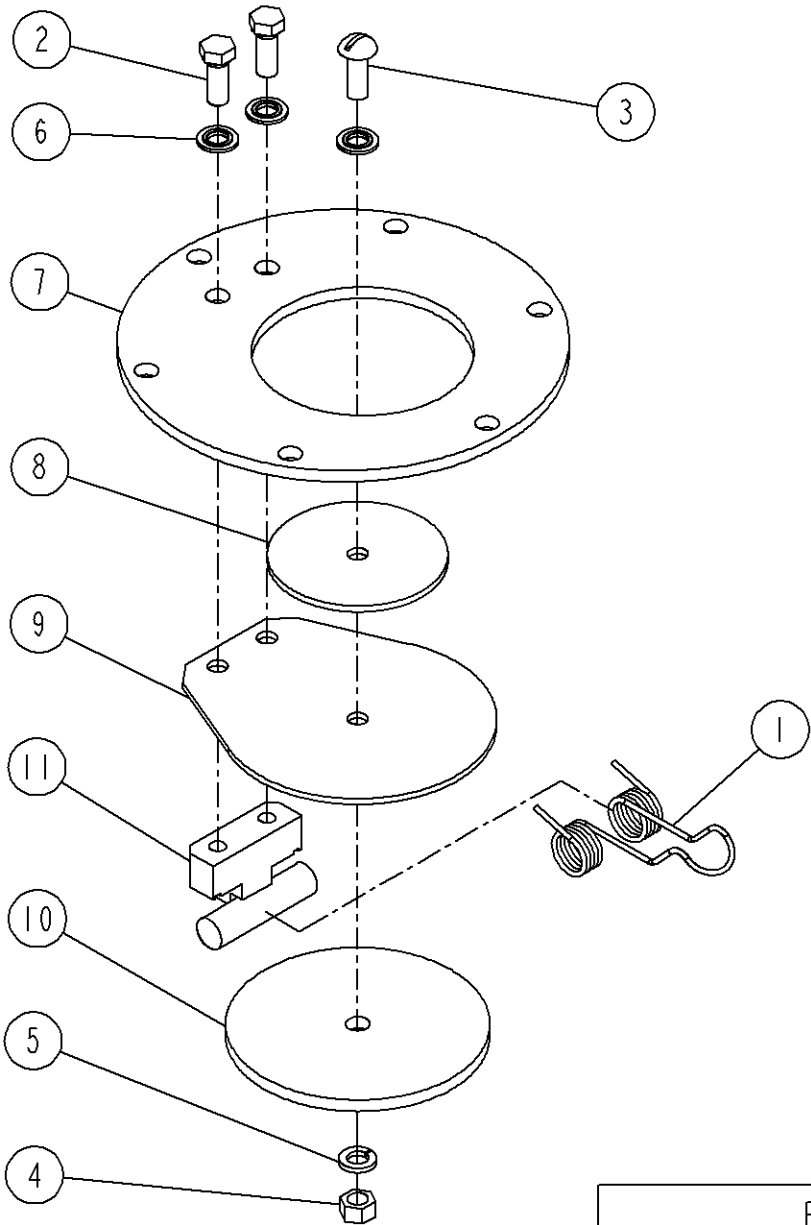


WATER TANK ASSEMBLY STEEL, 150 GAL

912621-019

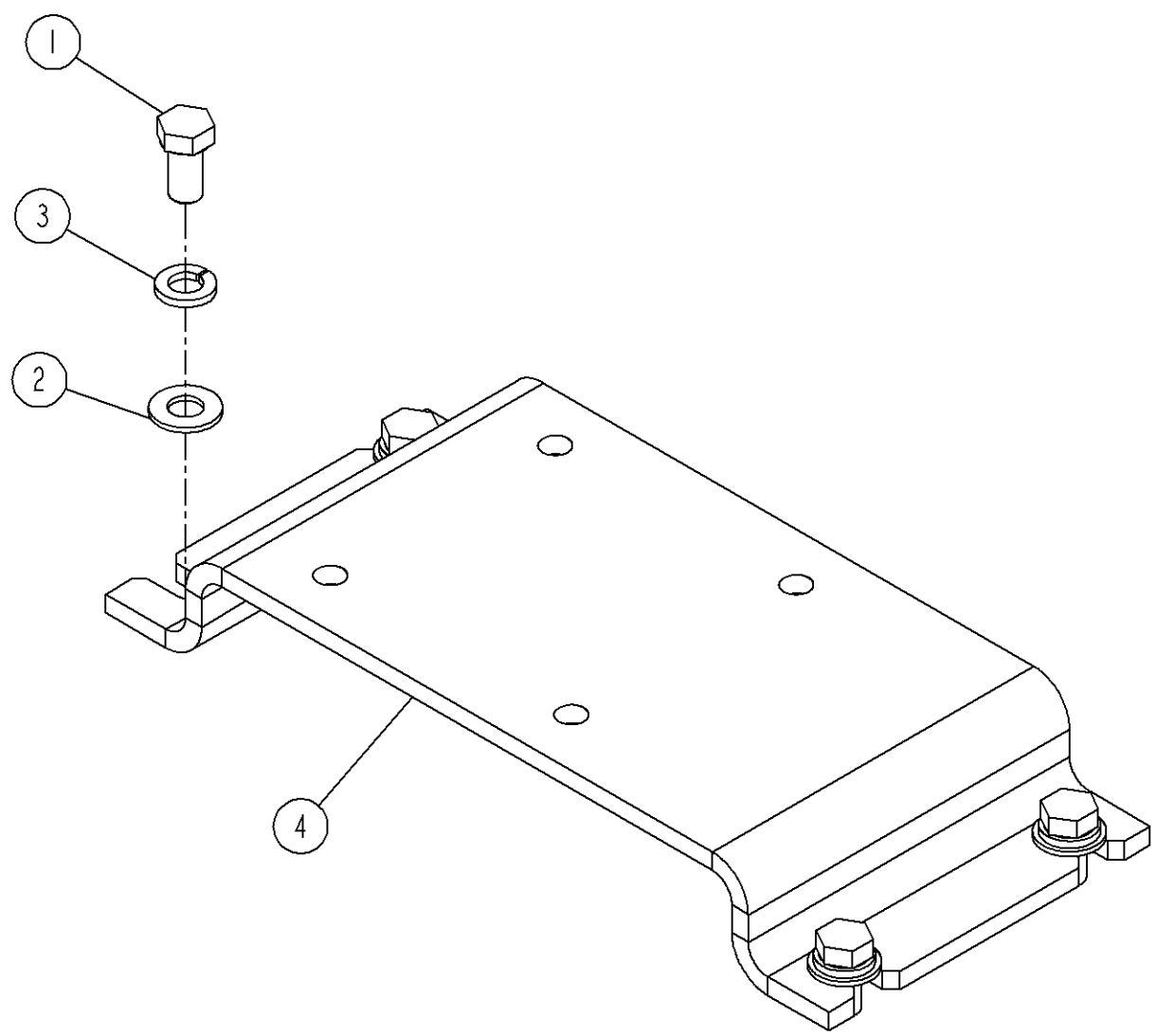
B

WATER TANK ASSEMBLY STEEL, 150 GAL		912621-019	B
ITEM NO.	QTY	PART NUMBER	DESCRIPTION
1	1	160-10M18	O RING 1-260
2	6	400-30A20	.375-16 UNC X .750 HHCS GR5
3	4	400-30B84	.500-13 UNC X 1.500 HHCS GR8
4	4	415-30A07	.500-13 UNC GR8 HEX NUT
5	8	420-10F69	FLAT WASHER .500 A325
6	4	420-30A37	LOCK WASHER .500
7	6	420-30A41	LOCK WASHER .375
8	2	912621-010	WATER TANK MT - LH/RH
9	1	FW10-011	WATER TANK, 150 GALLON
10	1	FW81-142	FILL VALVE ASSEMBLY



FILL VALVE ASSEMBLY	
FW81-142	F

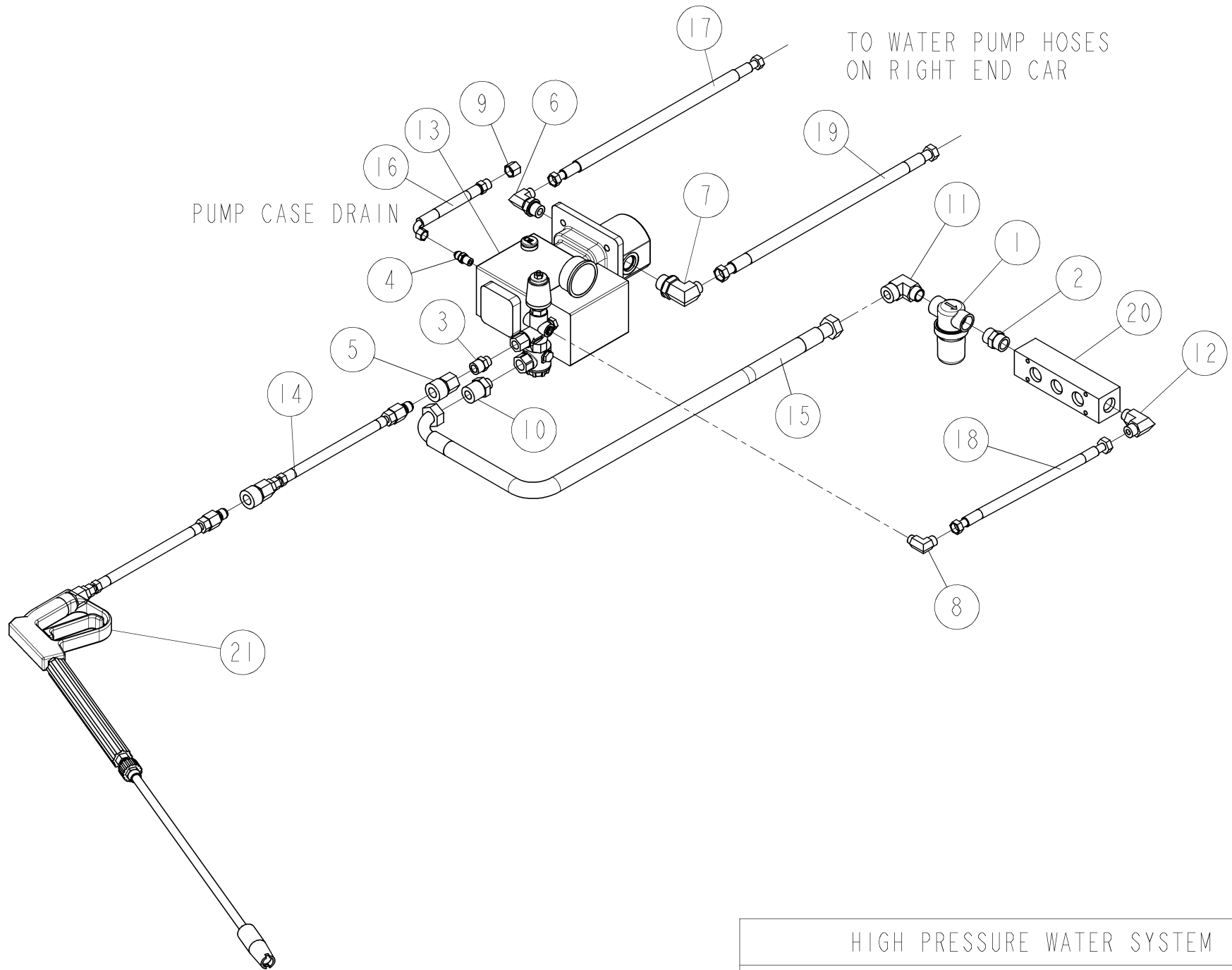
FILL VALVE ASSEMBLY			FW81-142	F
ITEM NO.	QTY	PART NUMBER	DESCRIPTION	
1	1	125-10T05	VALVE-SPRING (DOUBLE TORSION)	
2	2	400-30A19	.375-16 UNC X 1.000 HHCS GR5	
3	1	405-47K53	.375-16 UNC X 1.000 RND HD MACH SCR	
4	1	415-30A06	.375-16 UNC GR5 HEX NUT	
5	1	420-30A41	LOCK WASHER .375	
6	3	420-30A96	THREAD SEAL WASHER .375 NS	
7	1	FW80-158	PLATE FILL VALVE BASE	
8	1	FW80-159	SHEET	
9	1	FW80-160	FILL VALVE GASKET	
10	1	FW80-161	FILL VALVE BOTTOM	
11	1	FW80-162	FILL VALVE SPRING TEE	



PUMP MT ASSY 4-TRK	
912611-024	A



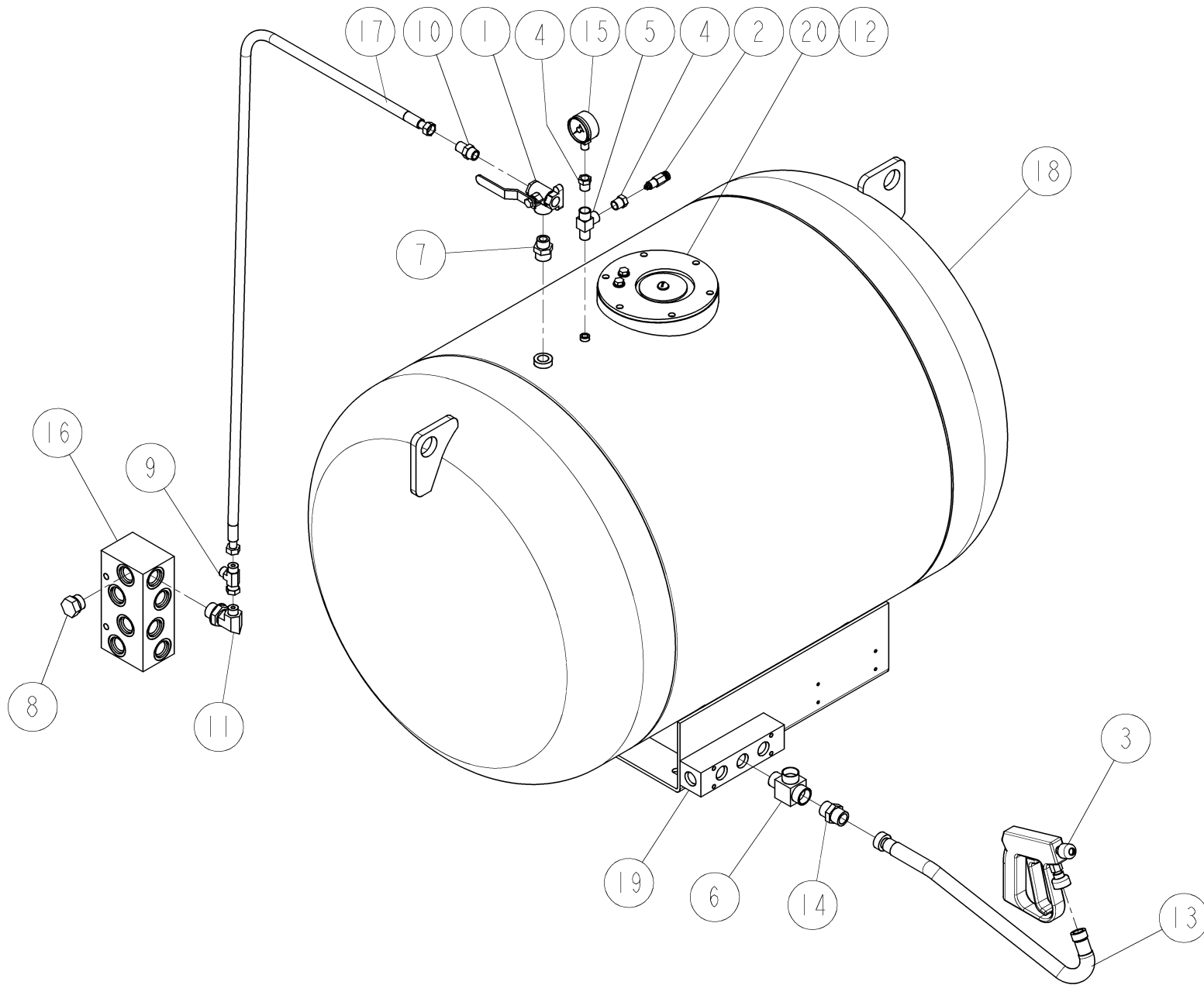
PUMP MT ASSY 4-TRK			912611-024	A
ITEM NO.	QTY	PART NUMBER	DESCRIPTION	
1	4	400-30A20	.375-16 UNC X .750 HHCS GR5	
2	4	420-10T99	FLAT WASHER .375 F436	
3	4	420-30A41	LOCK WASHER .375	
4	1	9800-42033	HIGH PRESSURE PUMP MOUNT	



HIGH PRESSURE WATER SYSTEM

912619-045

HIGH PRESSURE WATER SYSTEM			912619-045	D
ITEM NO.	QTY	PART NUMBER	DESCRIPTION	
1	1	110-47E98	STRAINER - 100 MESH (ELEM 110-49A50)	
2	1	155-10H28	MALE PIPE/MALE PIPE 12-12	
3	1	155-10K59	MALE PIPE/MALE PIPE 08-06	
4	1	155-46H43	ADAPTER BSPP OR/MF (.25-19/6)	
5	1	155-46X38	FEMALE QUICK COUPLER,FP 4-8, HP	
6	1	155-49N07	ADAPTER ORFS/MBOR 90 (6-10)	
7	1	155-49N11	ADAPTER ORFS/MBOR 90 (8-12)	
8	1	155-49N36	ADAPTER - ORFS/MP 90 DEG (6-6)	
9	1	155-49N69	ADAPTER ORFS CAP NUT -6	
10	1	155-49R95	ADAPTER - ORFS/MP 12-8	
11	1	155-50B89	ADAPTER - ORFS/MP 90 DEG (12)	
12	1	155-50H96	ADAPTER - ORFS/MP 90 DEG (8-12)	
13	1	725-49C17	PUMP - HI-PRESS WASH (W/WAND & HOSE)	
14	1	725-49G36	HIGH PRESSURE HOSE ASSY (50FT)	
15	1	CHP12-0180-V0V9	HA .75 HP X 18.0 FSF0/FSF9	
16	1	CMP06-0180-F9Y0	HA .375 MP X 018.0 FF9/FSM0	
17	1	CMP06-0250-V0V0	HA .38 MP X 25.0 FSF0/FSF0	
18	1	CMP06-0360-V0W0	HA .38 MP X 36.0 FSF0/FSF0	
19	1	CMP08-0250-V0V0	HA .50 MP X 25.0 FSF0/FSF0	
20	1	FW80-072	MANIFOLD BLOCK	
21	1	FW81-076	HIGH PRESSURE GUN ASSY	

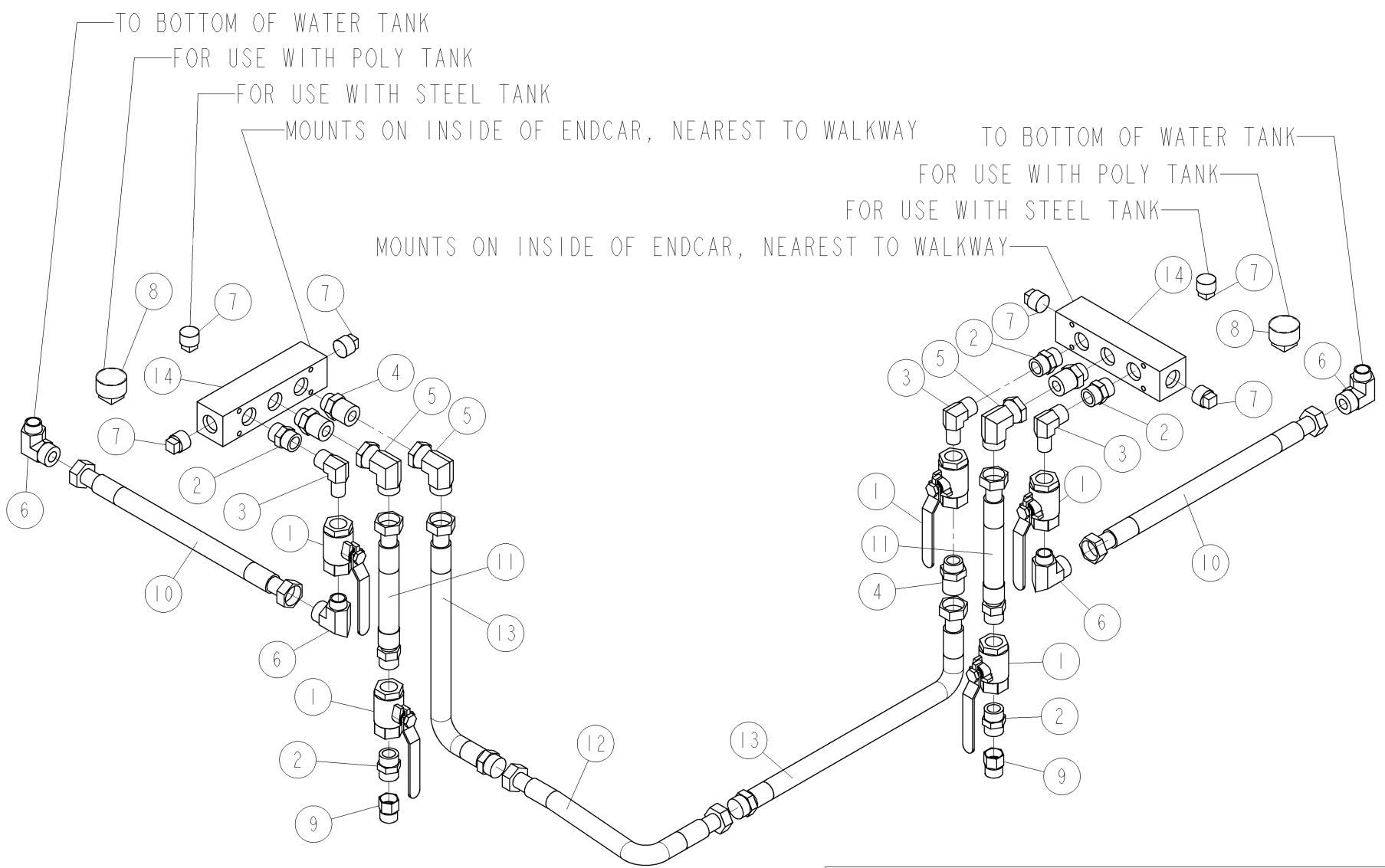


PRESSURIZED WATER SYSTEM

912619-046

D

PRESSURIZED WATER SYSTEM			912619-046	D
ITEM NO.	QTY	PART NUMBER	DESCRIPTION	
1	1	125-10C66	VALVE 3WAY BALL	
2	1	125-10C71	VALVE - SAFETY 150 PSI	
3	1	150-10C72	NOZZLE - HOSE .750 W/GARDEN HOSE ADPTR	
4	2	155-10H02	MALE PIPE/FEMALE PIPE ( 6- 4)	
5	1	155-10H09	MALE PIPE/2 FEMALE PIPE TEE	
6	1	155-10H33	MALE PIPE/2 FEMALE PIPE TEE 12-12	
7	1	155-10K67	MALE PIPE/MALE PIPE 12-08	
8	1	155-45P01	MALE BOSS PLUG (-12)	
9	1	155-49P22	ADAPTER - ORFS SWWL/ORFS TEE 6-6	
10	1	155-49R88	ADAPTER - ORFS/MP 6-8	
11	1	155-54L46	ADAPTER ORFS/MBOR 90 (6-12)	
12	1	160-10M18	O RING 1-260	
13	1	165-10M14	HOSE ASSY - WATER (.625 X 300.0 IN)	
14	1	310-10S17	ADPTR - .750 MP X .750 M HOSE BRS	
15	1	700-35B78	GAUGE - 2 IN FACE BOTTOM MT 160 LB.	
16	1	905244-002	TRACK MANIFOLD	
17	1	CMP06-0960-V0V0	HA .38 MP X 96.0 FSF0/FSF0	
18	1	FW10-011	WATER TANK, 150 GALLON	
19	1	FW80-072	MANIFOLD BLOCK	
20	1	FW81-142	FILL VALVE ASSEMBLY	

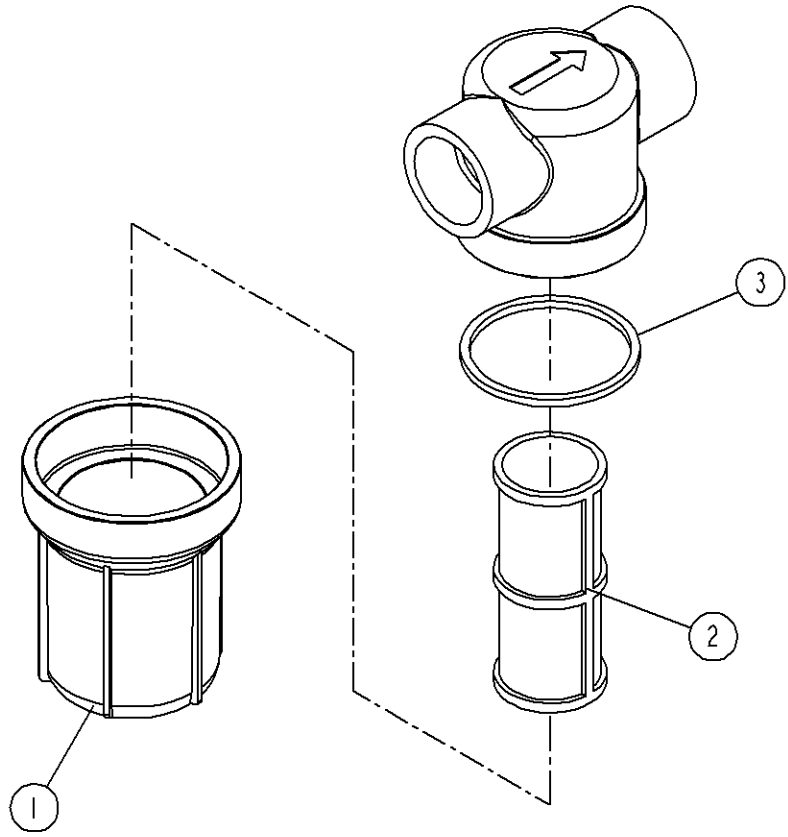


WATER SYSTEM HYDRAULIC

912619-047

E

WATER SYSTEM HYDRAULIC			912619-047	E
ITEM NO.	QTY	PART NUMBER	DESCRIPTION	
1	5	125-10T16	VALVE BALL .75 DIA	
2	5	155-10H28	MALE PIPE/MALE PIPE 12-12	
3	3	155-10H31	MALE PIPE/FEMALE PIPE 90 12-12	
4	4	155-49R66	ADAPTER - ORFS/MP 12-12	
5	3	155-49R71	ADAPTER - ORFS SWWL/ORFS 90 12-12	
6	4	155-50B89	ADAPTER - ORFS/MP 90 DEG (12)	
7	6	305-10R19	PIPE PLUG - .750 NPT SQ HD - BLK	
8	2	305-10S24	PIPE PLUG - 1.250 NPT SQ HD - BLK	
9	2	310-53H48	ADPTR - .750 NH FEM SWWL X .750 NPT	
10	2	CMP12-0160-V0V0	HA .75 MP X 16.0 FSF0/FSF0	
11	2	CMP12-0720-P0V0	HA .75 MP X 72.0 MP/FSF0	
12	1	CMP12-1080-V0V0	HA .75 MP X 108.0 FSF0/FSF0	
13	2	CMP12-1900-V0Y0	HA .75 MP X 190.0 FAF0/FSM0	
14	2	FW80-072	MANIFOLD BLOCK	



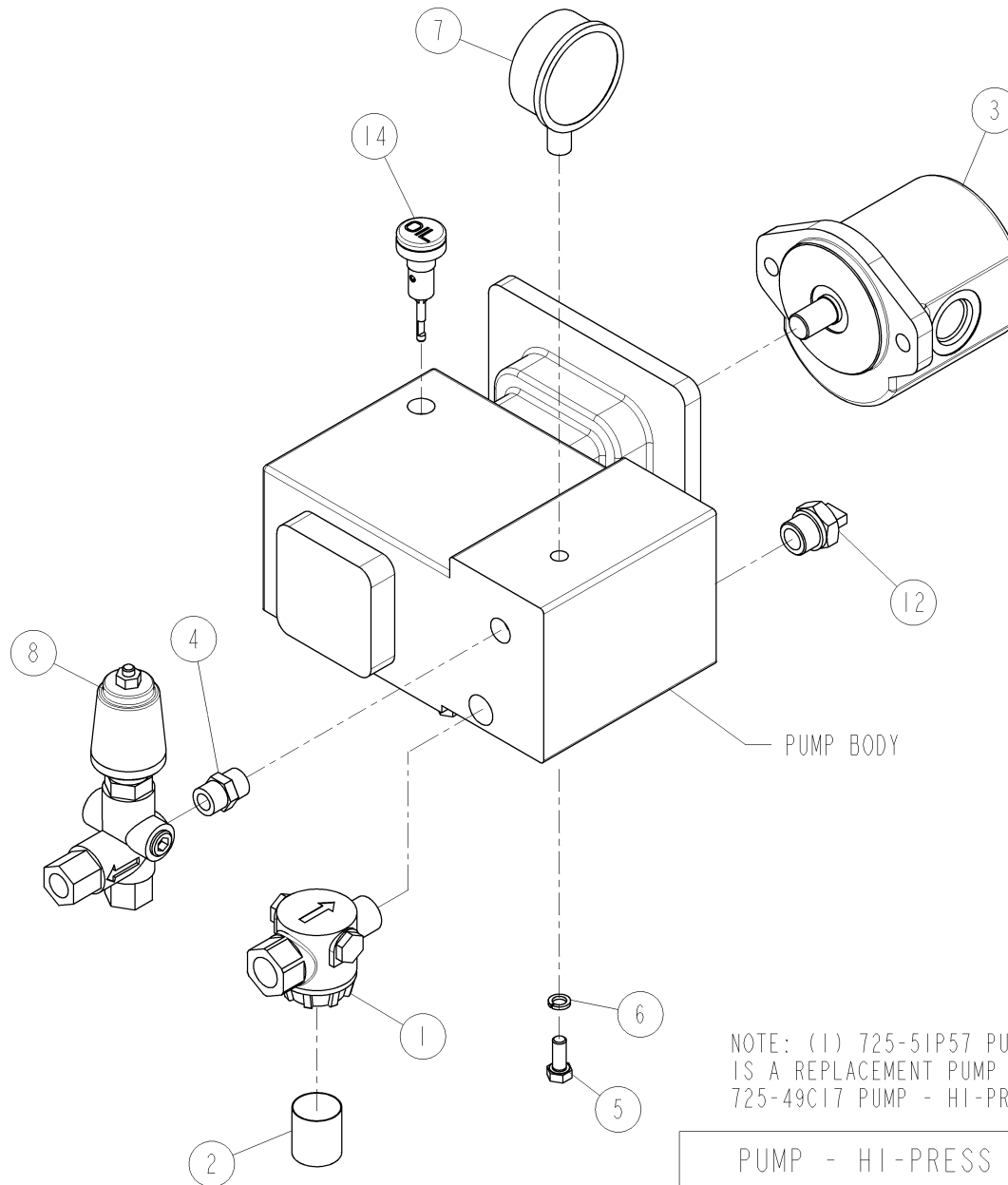
STRAINER - 100 MESH (ELEM 110-49A50)

110-47E98

B



STRAINER - 100 MESH (ELEM 110-49A50)			110-47E98	B
ITEM NO.	QTY	PART NUMBER	DESCRIPTION	
1	1	110-48T86	STRAINER BOWL	
2	1	110-49A50	SCREEN - 100 MESH	
3	1	110-49A89	GASKET - LIQUID STRAINER	



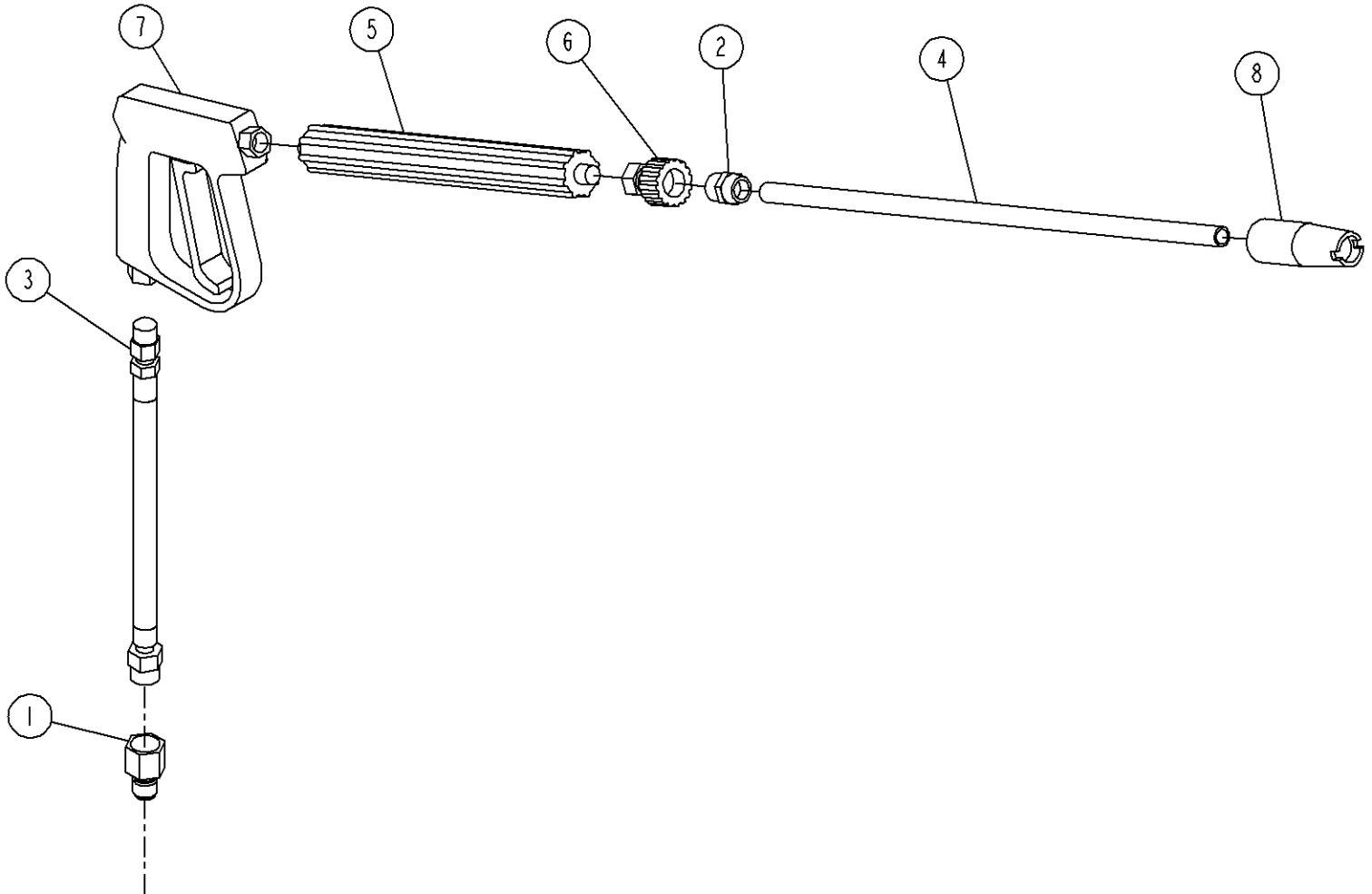
NOTE: (1) 725-51P57 PUMP - WATER, HP WSHR ENVIRO 420 IS A REPLACEMENT PUMP FOR THE PUMP THAT COMES WITH 725-49C17 PUMP - HI-PRESS WASH (W/WAND & HOSE)

PUMP - HI-PRESS WASH (W/WAND & HOSE)

725-49C17

H

PUMP - HI-PRESS WASH (W/WAND & HOSE)			725-49C17	H
ITEM NO.	QTY	PART NUMBER	DESCRIPTION	
1	1	110-49G28	FILTER - 40 MESH (ELEM 110-50Y11)	
2	1	110-50Y11	FILTER ELEMENT (40 MESH)	
3	1	130-49C91	MOTOR - HYDRAULIC	
4	1	155-10K58	MALE PIPE/MALE PIPE 06-06	
5	4	400-46T27	M8-1.25 X 20 MM HEX HD	
6	4	420-46Y95	LOCK WASHER 8 MM	
7	1	700-48E80	GAUGE-5000 PSI	
8	1	725-48N33	UNLOAD VALVE	
9	1	725-49G31	KIT - OIL SEAL NS	
10	1	725-49G32	KIT - CHECK VALVE NS	
11	1	725-49G33	KIT - CYLINDER PACKING NS	
12	1	725-49M07	THERMAL VALVE - PUMP	
13	1	725-51P57	PUMP - WATER, HP WSHR ENVIRO 420 (N.S.)	
14	1	730-53W72	DIPSTICK - HI-PRESS WASH	
15	1	FW81-076	HIGH PRESSURE GUN ASSY NS	

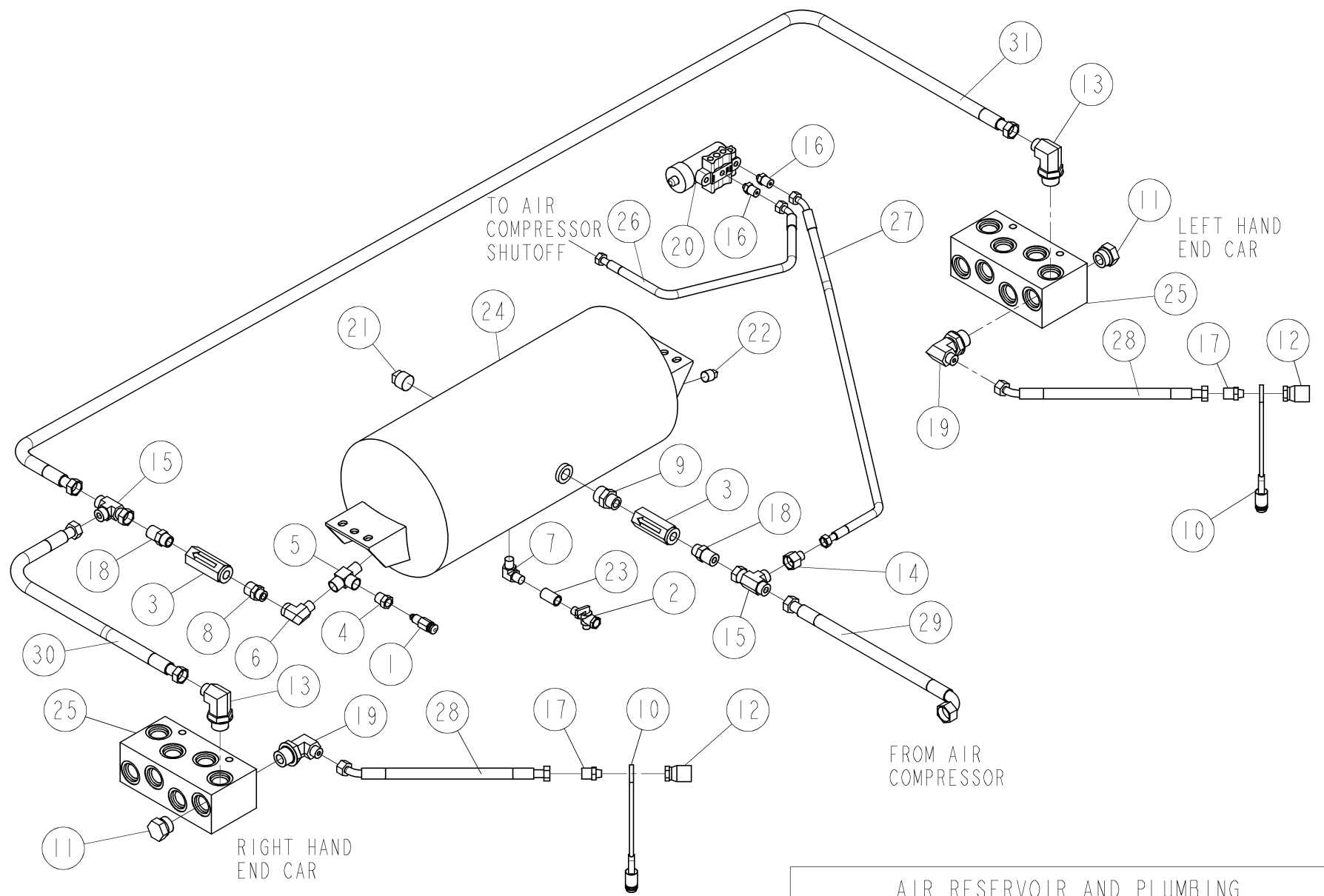


HIGH PRESSURE GUN ASSY

FW81-076

H.0

HIGH PRESSURE GUN ASSY			FW81-076	H.0
ITEM NO.	QTY	PART NUMBER	DESCRIPTION	
1	1	155-49G38	MALE QUICK COUPLER	
2	1	310-46X45	ST-41 - M/FM ADAPTER	
3	1	725-49G36	HIGH PRESSURE HOSE ASSY (50FT)	
4	1	725-49G53	LANCE	
5	1	725-49G54	INSULATED LANCE 12 IN	
6	1	725-49G55	ST-40 - FM/FM ADAPTER	
7	1	725-49G56	TRIGGER GUN	
8	1	730-48M63	NOZZEL	



TO AIR COMPRESSOR SHUTOFF

LEFT HAND END CAR

RIGHT HAND END CAR

FROM AIR COMPRESSOR

AIR RESERVOIR AND PLUMBING	
912619-011	K

AIR RESERVOIR AND PLUMBING			912619-011	K
ITEM NO.	QTY	PART NUMBER	DESCRIPTION	
1	1	125-10C71	VALVE - SAFETY 150 PSI	
2	1	125-10L64	VALVE - PETCOCK .250 NPT W/SIDE HDL	
3	2	125-55M48	VALVE - CHECK .500 IN NPTF, BRASS	
4	1	155-10H02	MALE PIPE/FEMALE PIPE ( 6- 4)	
5	1	155-10H09	MALE PIPE/2 FEMALE PIPE TEE	
6	1	155-10H10	MALE PIPE/FEMALE PIPE 90 6-6	
7	1	155-10J70	MALE PIPE/MALE PIPE 90	
8	1	155-10K59	MALE PIPE/MALE PIPE 08-06	
9	1	155-10K67	MALE PIPE/MALE PIPE 12-08	
10	2	155-10P98	DUST PLUG - 4	
11	2	155-45P01	MALE BOSS PLUG (-12)	
12	2	155-49F81	ADAPTER - QIK CPLR FEM/FP AIR 4- 4	
13	2	155-49N11	ADAPTER ORFS/MBOR 90 (8-12)	
14	1	155-49N85	ADAPTER - ORFS SWWL/ ORFS RDCR 8-4	
15	2	155-49P23	ADAPTER - ORFS SWWL/ORFS TEE 8-8	
16	2	155-49R67	ADAPTER - ORFS/MP 4-2	
17	2	155-49R87	ADAPTER - ORFS/MP 6-4	
18	2	155-49R91	ADAPTER - ORFS/MP 8-8	
19	2	155-54L46	ADAPTER ORFS/MBOR 90 (6-12)	
20	1	210-49M33	GOVERNOR, AIR COMPRESSOR	
21	1	305-10R19	PIPE PLUG - .750 NPT SQ HD - BLK	
22	1	305-10R20	PIPE PLUG - .375 NPT SQ HD	
23	1	305-10R26	PIPE COUPLING .250 NPT	
24	1	730-10E52	AIR RESERVOIR (6.44 GAL/24.38 LITER)	
25	2	905244-002	TRACK MANIFOLD	
26	1	CMP04-0500-V0V4	HA .25 MP X 50.0 FSF0/FSF4	
27	1	CMP04-0700-V0V4	HA .25 MP X 70.0 FSF0/FSF4	
28	2	CMP06-0200-V0V4	HA .38 MP X 20.0 FSF0/FSF4	
29	1	CMP08-0430-V0W9	HA .50 MP X 43.0 FSF0&FSF9	
30	1	CMP08-2160-V0V0	HA .50 MP X 216.0 FSF0/FSF0	
31	1	CMP08-2880-V0V0	HA .50 MP X 288.0 FSF0/FSF0	

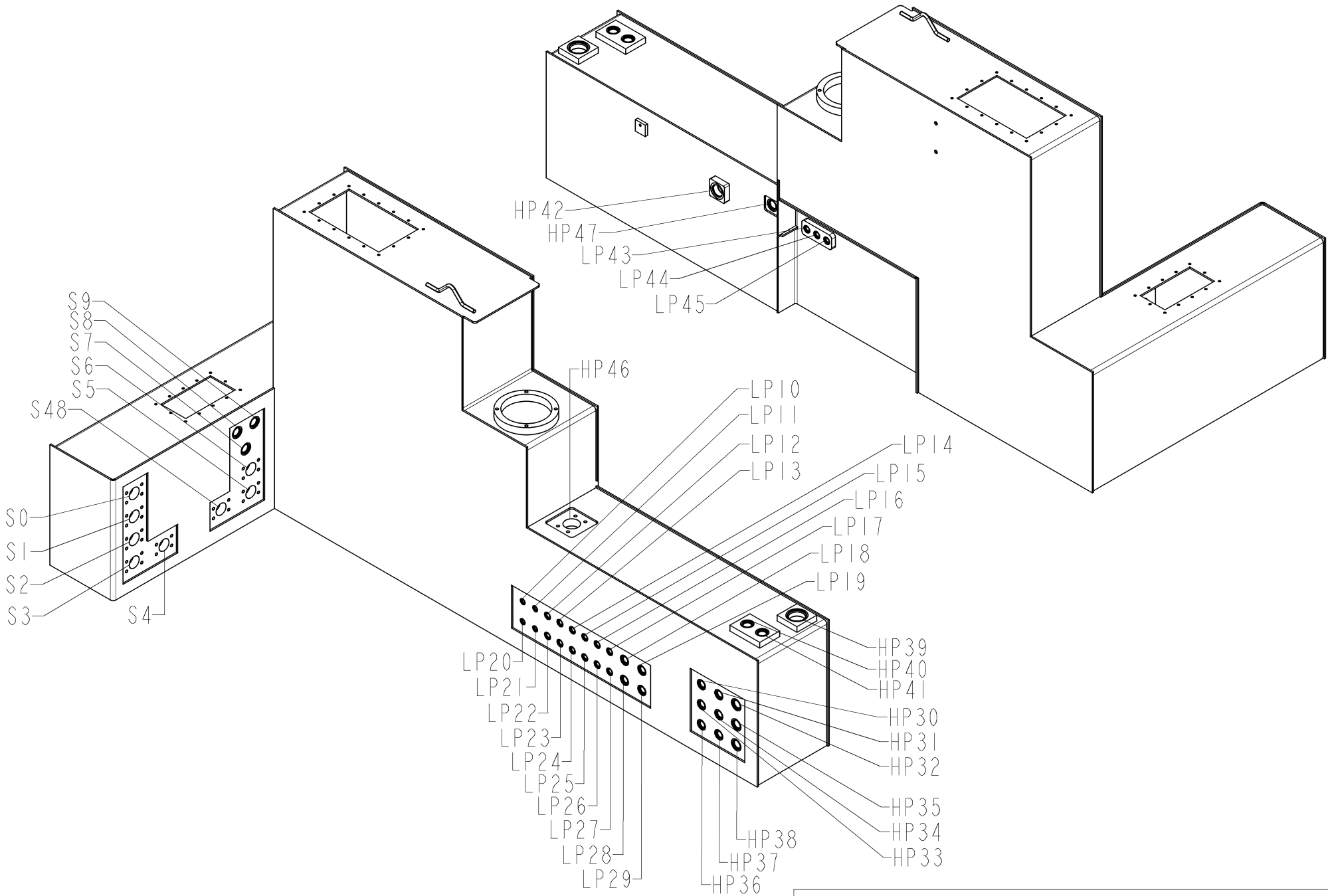




Page #	Part Number	Description
1	912621-003	OIL TANK - 230 GALLONS
2	912619-004	TRACTIVE HYDRAULICS - 4 TRK, 2 SP
3	125-53R74	MANIFOLD - MOTOR SHIFT
4	125-54C03	MANIFOLD - LOAD SENSE UNLOADING
5	912644-001	MANIFOLD ASSY, DUAL PRESS TRANSDUCER
6	912619-009	ENDCAR HYDRAULICS, RH - 42IN LEGS
7	912619-008	ENDCAR HYDRAULICS, LH - 42IN LEGS
8	125-54G68	VALVE ASSY - 3 BANK, D03 PROPN (24V)
9	912619-007	LIFT HYDRAULICS, MAIN FRAME
10	125-53V01	VALVE ASSY - 6 BANK, D03
11	125-54T88	VALVE ASSY - 6 BANK, D03 (24V)
12	912619-005	AUGER / TAMPER HYDR - SINGLE TAMPER DR
13	912619-006	FAN MOTOR HYDRAULICS, COOLING PACKAGE
14	912619-028	COOLING PACKAGE - PLUMBING
15	912619-002	OIL COOLER MANIFOLD ASSEMBLY
16	912619-043	VIBRATOR HYDRAULICS - 20 VIBS
17	912819-020	VIBRATOR HYDRAULICS - ADDITIONAL 4 VIBS
18	VA 10-076	VIB CTRL ASSY, 10 BANK HIGH CAP LD SENSE
19	VA 10-065	VIB CONTROL ASSY 4 BANK LD SENSE 24 VOLT
20	125-50H64	VALVE - FL CONT LD SEN 2 STAGE 0-4 GPM
21	125-50R95	VALVE - FL CONT LD SEN 2 STAGE 0-4 GPM
22	125-53R75	MANIFOLD ASSY - LOAD SENSE HIGH CAP, 24V
23	GT10-190	TIE ROD, .375 IN X 14.25 IN
24	GT10-250	ROD - TIE, .375 IN X 27.75 IN
25	912619-001	MAIN FILTER HYDR (1 BANK)
26	110-50W55	FILTER - RTN, 10 MICRON (ELEM 110-50T66)
27	FW51-067	HOSE CLAMP ASSEMBLY (.375 & .500)





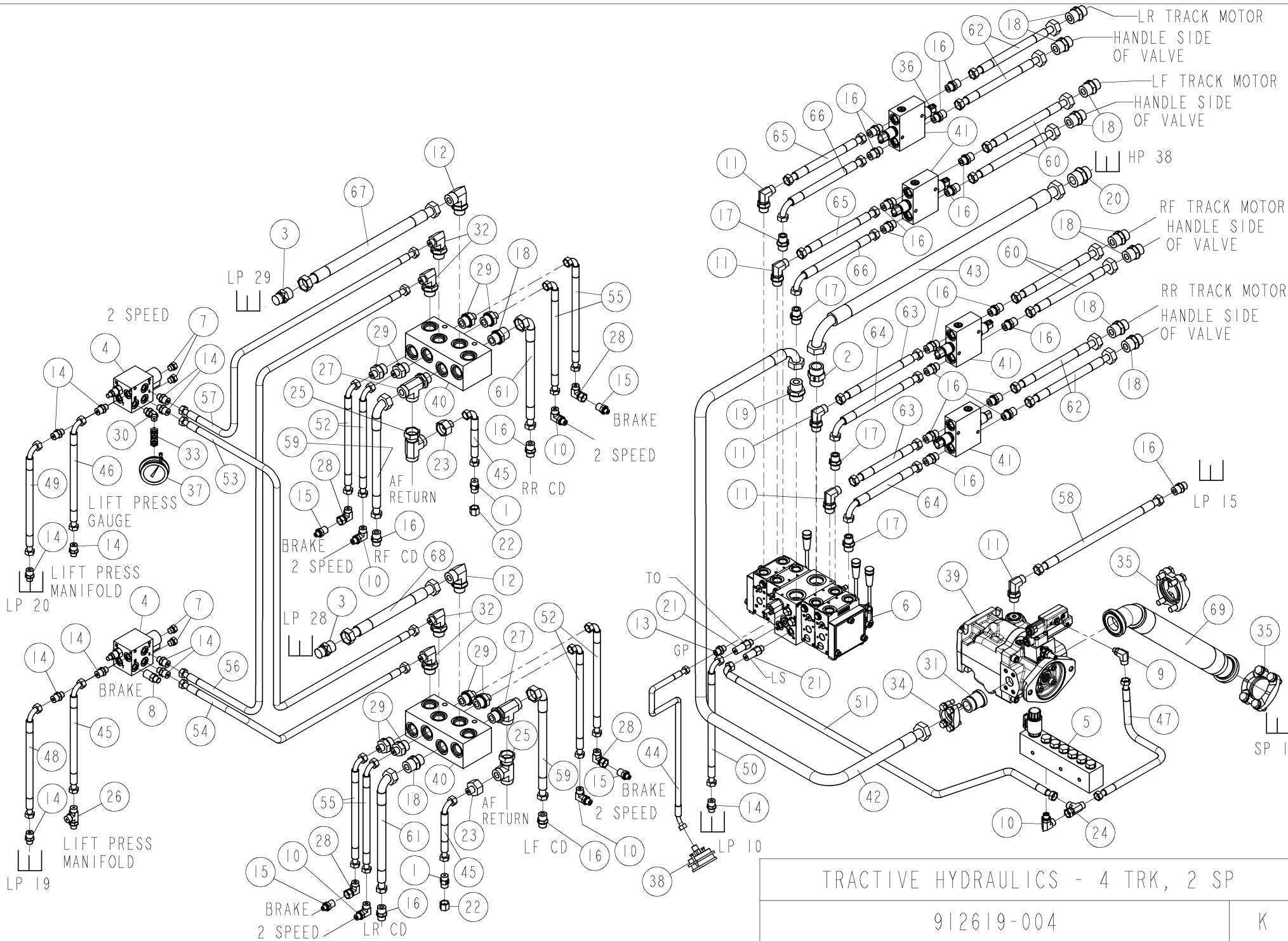


OIL TANK - 230 GALLONS

912621-003

H

OIL TANK - 230 GALLONS		912621-003	H
ITEM NO.	QTY	PART NUMBER	DESCRIPTION
1	1	1	BILL OF MATERIAL NOT REQUIRED.

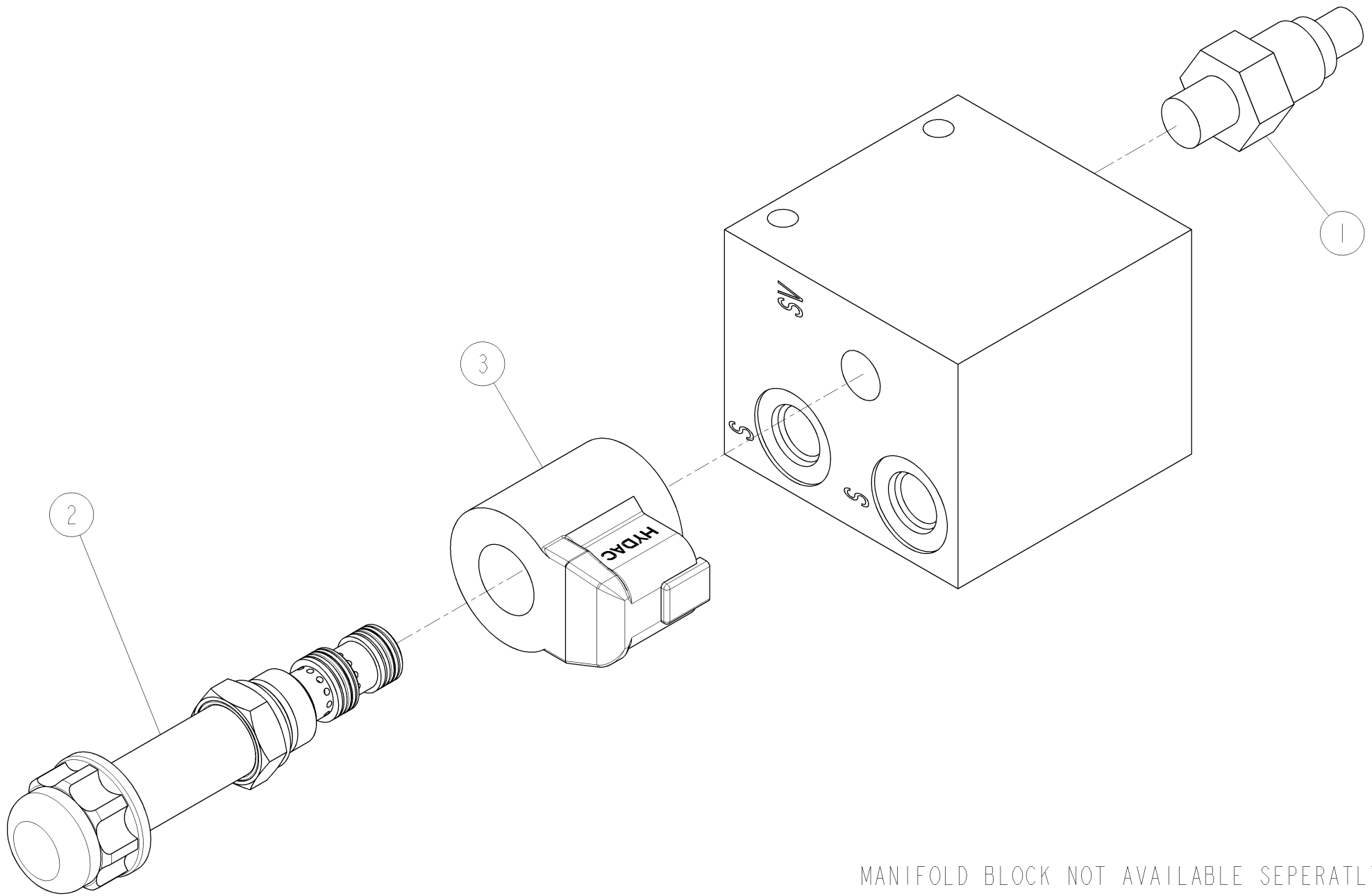


TRACTIVE HYDRAULICS - 4 TRK, 2 SP

912619-004

K

TRACTIVE HYDRAULICS - 4 TRK, 2 SP				912619-004		K	
ITEM NO.	QTY	PART NUMBER	DESCRIPTION				
1	2	125-49P62	VALVE - CHECK -6 MORFS INLET/O	41	4	912644-001	MANIFOLD ASSY, DUAL PRESS TRANSDUCER
2	1	125-49Y74	VALVE CHECK - 75PSI CRACK -16 MBOR/MORFS	42	1	CHP12-1460-V9W0	HA .75 HP X 146.0 FSF9&FSF0
3	2	125-53L45	VALVE - CHECK -12 ORFS INL/MB OR OUTL	43	1	CHP16-1360-V0V9	HA 1.00 HP X 136.0 FSF0/FSF9
4	2	125-53R74	MANIFOLD - MOTOR SHIFT	44	1	CMP04-1800-V0V4	HA .25 MP X 180.0 FSF0/FSF4
5	1	125-54C03	MANIFOLD - LOAD SENSE UNLOADING	45	3	CMP06-0160-V0V9	HA .38 MP X 16.0 FSF0/FSF9
6	1	125-54J27	VALVE ASSY - 4 BANK, 10GPM (PVG32)	46	1	CMP06-0180-V0V9	HA .38 MP X 18.0 FSF0/FSF9
7	4	155-10Y11	MALE BOSS PLUG (- 6)	47	1	CMP06-0440-V0V0	HA .38 MP X 44.0 FSF0/FSF0
8	1	155-48J28	TEST PORT COUPLING (- 6)	48	1	CMP06-0830-V0V9	HA .38 MP X 83.0 FSF0/FSF9
9	1	155-49N03	ADAPTER ORFS/MBOR 90 (6-4)	49	1	CMP06-0870-V0V9	HA .38 MP X 87.0 FSF0/FSF9
10	5	155-49N05	ADAPTER ORFS/MBOR 90 (6-6)	50	1	CMP06-1400-V0V9	HA .38 MP X 140.0 FSF0/FSF9
11	5	155-49N10	ADAPTER ORFS/MBOR 90 (8-10)	51	1	CMP06-1440-V0V9	HA .38 MP X 144.0 FSF0/FSF9
12	2	155-49N15	ADAPTER ORFS/MBOR 90 (12-12)	52	4	CMP06-1860-V0V9	HA .38 MP X 186.0 FSF0/FSF9
13	1	155-49N24	ADAPTER ORFS/MB OR (4-6 STD)	53	1	CMP06-1920-V0V0	HA .38 MP X 192.0 FSF0/FSF0
14	12	155-49N27	ADAPTER ORFS/MB OR (6-6 STD)	54	1	CMP06-2040-V0V0	HA .38 MP X 204.0 FSF0/FSF0
15	4	155-49N28	ADAPTER ORFS/MB OR (6-4 STD)	55	4	CMP06-2100-V0V9	HA .38 MP X 210.0 FSF0/FSF9
16	21	155-49N31	ADAPTER ORFS/MB OR (8-8 STD)	56	1	CMP06-2700-V0V0	HA .38 MP X 270.0 FSF0/FSF0
17	4	155-49N33	ADAPTER ORFS/MB OR (8-10 STD)	57	1	CMP06-2760-V0V0	HA .38 MP X 276.0 FSF0/FSF0
18	10	155-49N44	ADAPTER ORFS/MB OR (12-12 STD)	58	1	CMP08-0620-V0V0	HA .50 MP X 62.0 FSF0/FSF0
19	1	155-49N45	ADAPTER ORFS/MB OR (12-16 STD)	59	2	CMP08-1800-D9V0	HA .50 MP X 180.0 FSF9/FSF0
20	1	155-49N49	ADAPTER ORFS/MB OR (16-16 STD)	60	4	CMP08-1800-V0W0	HA .50 MP X 180.0 FSF0/FSF0
21	2	155-49N52	ADAPTER ORFS/MB OR (6-6 LG)	61	2	CMP08-2040-D9V0	HA .50 MP X 204.0 FSF9/FSF0
22	2	155-49N69	ADAPTER ORFS CAP NUT -6	62	4	CMP08-2040-V0W0	HA .50 MP X 204.0 FSF0/FSF0
23	2	155-49N90	ADAPTER - ORFS SWVL/ ORFS RDCR 12-6	63	2	CMP08-2740-V0V0	HA .50 MP X 274.0 FSF0/FSF0
24	1	155-49P22	ADAPTER - ORFS SWVL/ORFS TEE 6-6	64	2	CMP08-2740-V0V9	HA .50 MP X 274.0 FSF0/FSF9
25	2	155-49P24	ADAPTER - ORFS SWVL/ORFS TEE 12-12	65	2	CMP08-2900-V0V0	HA .50 MP X 290.0 FSF0/FSF0
26	1	155-49P71	ADAPTER - ORFS TEE/MB OR 6-6	66	2	CMP08-2960-V0V9	HA .50 MP X 296.0 FSF0/FSF0
27	2	155-49P74	ADAPTER - ORFS TEE/MB OR 12-12	67	1	CMP12-2400-V0V0	HA .75 MP X 240.0 FSF0/FSF0
28	4	155-49R69	ADAPTER - ORFS SWVL/ORFS 90 6-6	68	1	CMP12-3000-V0V0	HA .75 MP X 300.0 FSF0/FSF0
29	8	155-51T20	ADAPTER ORFS/MB OR (6-12 STD)	69	1	CSP32-0330-S0S4	HA 2.00 SUCT X 33.0 SF0/SF4
30	1	155-51T21	ADAPTER ORFS/MBOR 45 (4-6)				
31	1	155-53L20	ADAPTER - SF FGD/ORFS C61 16-16				
32	4	155-54L46	ADAPTER ORFS/MBOR 90 (6-12)				
33	1	155-55L08	ADAPTER - ORFS/ORFS SWVL NUT UNION 4-4				
34	1	175-10F63	SF KIT 1.000 (CODE 61) (O-RING 160-10H88)				
35	2	175-46R24	SF KIT 2.000 (CODE 61) (O-RING 160-10K12)				
36	4	500-54F50	SENSOR - PRESSURE TRANSDUCER 3000 PSI				
37	1	700-55J34	GAUGE - OIL PRESSURE 0-1,000 PSI -4 ORFS				
38	1	700-55J35	GAUGE - OIL PRESSURE 0-3000 PSI -4 ORFS				
39	1	725-53H86	PUMP - HYDR LD SEN 60CC SER 45				
40	2	905244-002	TRACK MANIFOLD				



MANIFOLD BLOCK NOT AVAILABLE SEPERATLY

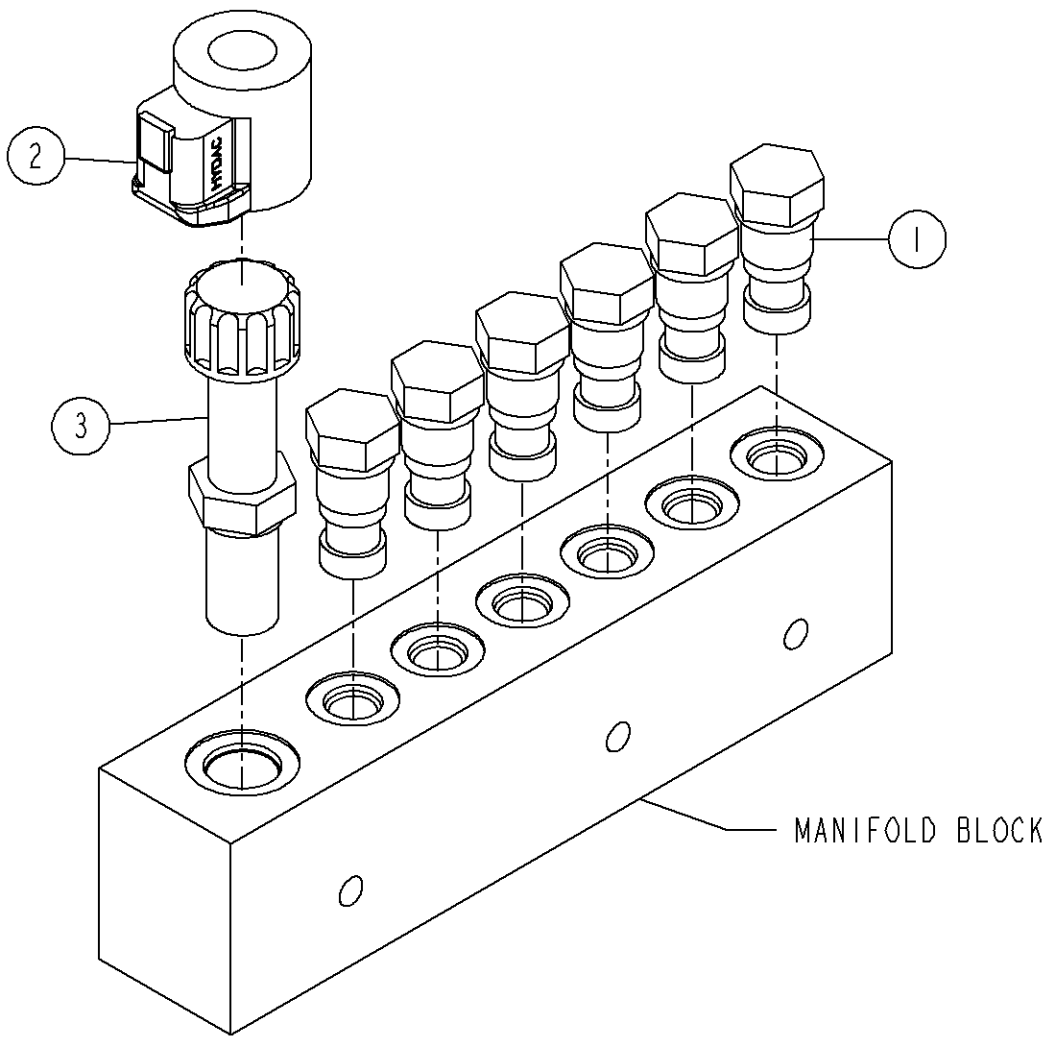
MANIFOLD - MOTOR SHIFT

125-53R74

B



MANIFOLD - MOTOR SHIFT		125-53R74	B
ITEM NO.	QTY	PART NUMBER	DESCRIPTION
1	1	125-50Y55	CARTRIDGE - PILOT OPERATED RED/REL VALVE
2	1	125-50Y56	VALVE - CRTG, SOLENOID DIRECTIONAL
3	1	125-53W76	COIL - 24VDC DEUTSCH (HYDAC)

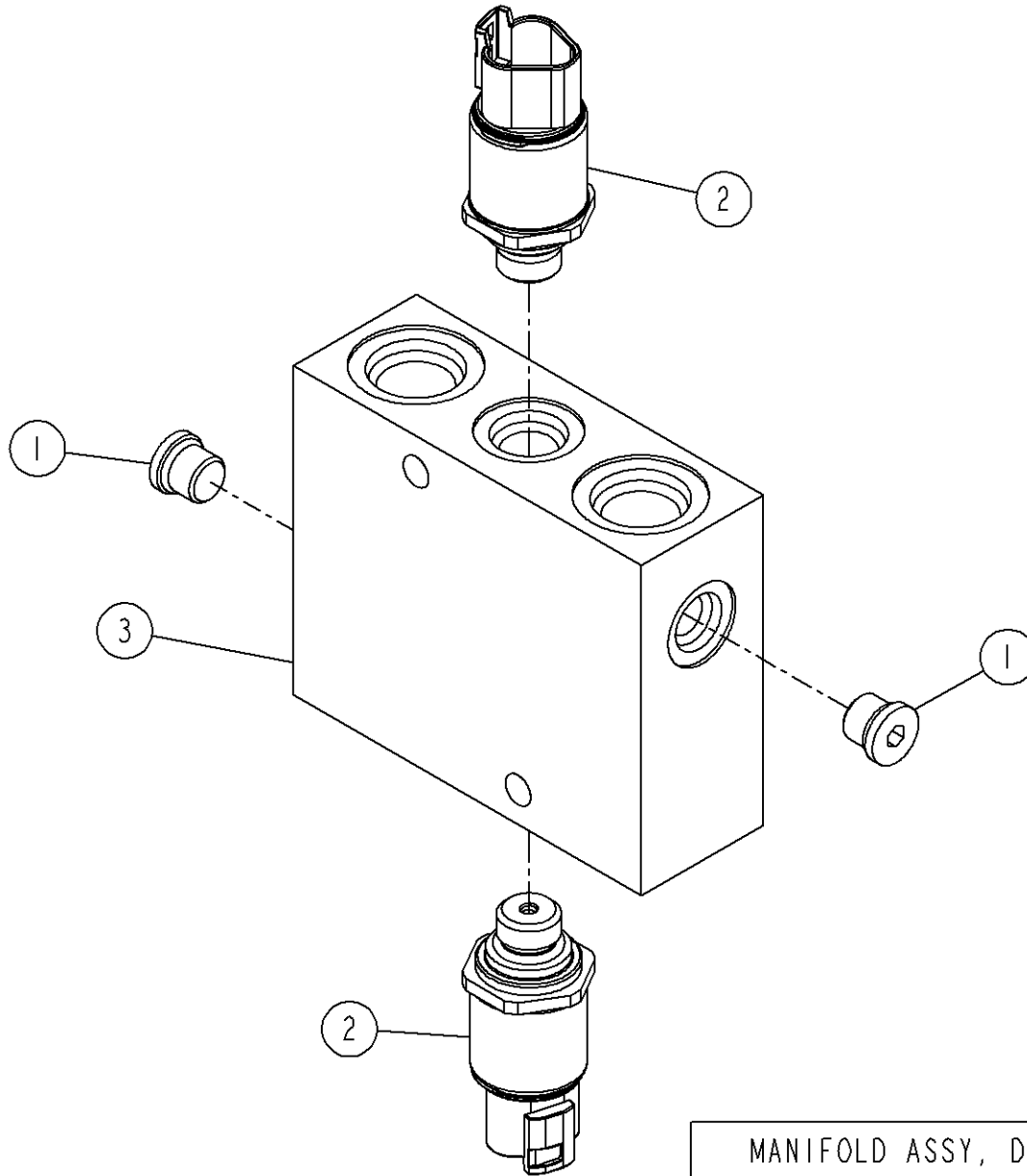


MANIFOLD - LOAD SENSE UNLOADING

125-54C03

A

MANIFOLD - LOAD SENSE UNLOADING			125-54C03	A
ITEM NO.	QTY	PART NUMBER	DESCRIPTION	
1	6	125-51A90	VALVE-CARTRIDGE CHECK	
2	1	125-53W76	COIL - 24VDC DEUTSCH (HYDAC)	
3	1	125-54C04	VALVE - CRTG 2 WAY SOLENOID POPPET N/O	

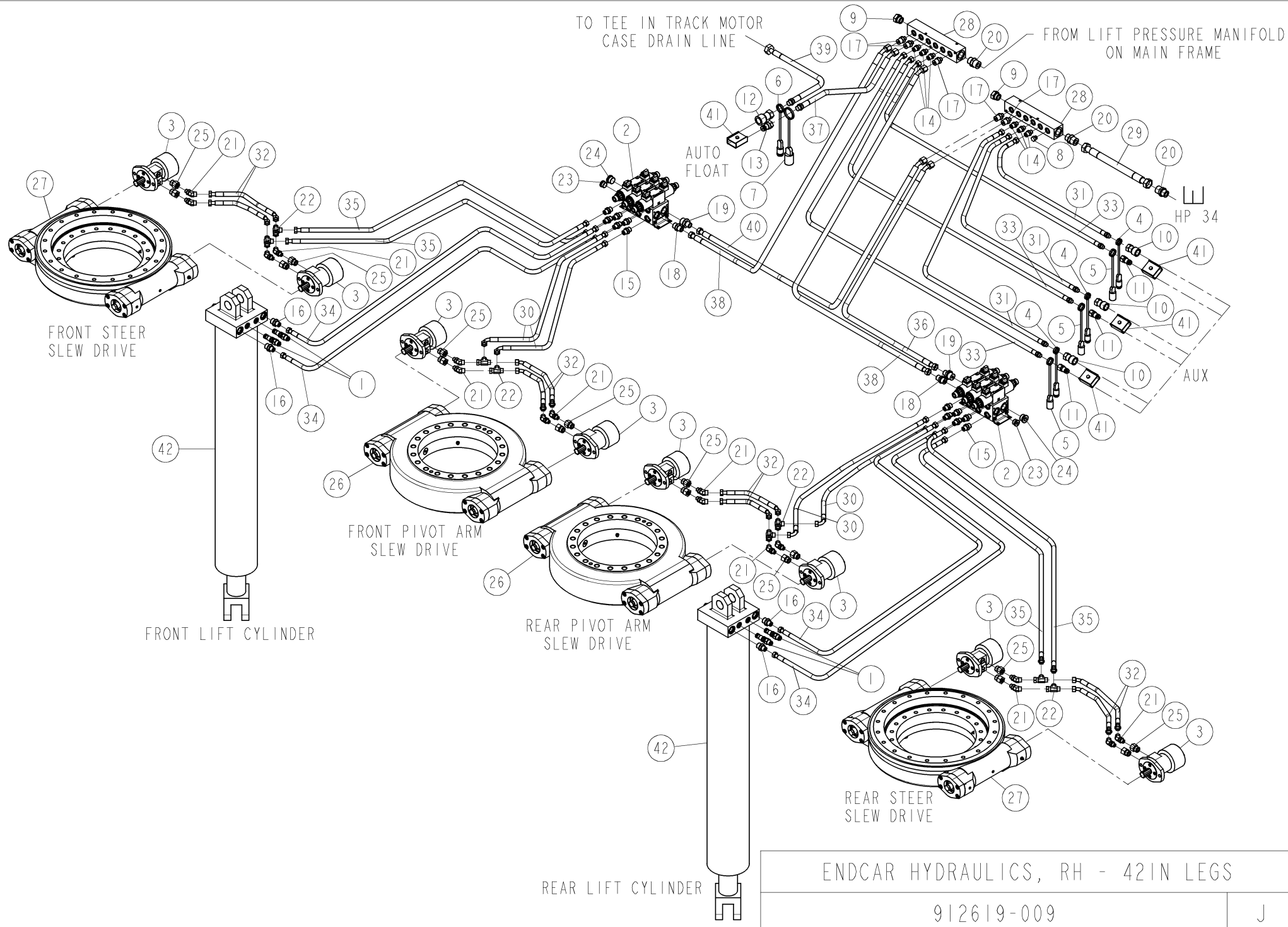


MANIFOLD ASSY, DUAL PRESS TRANSDUCER

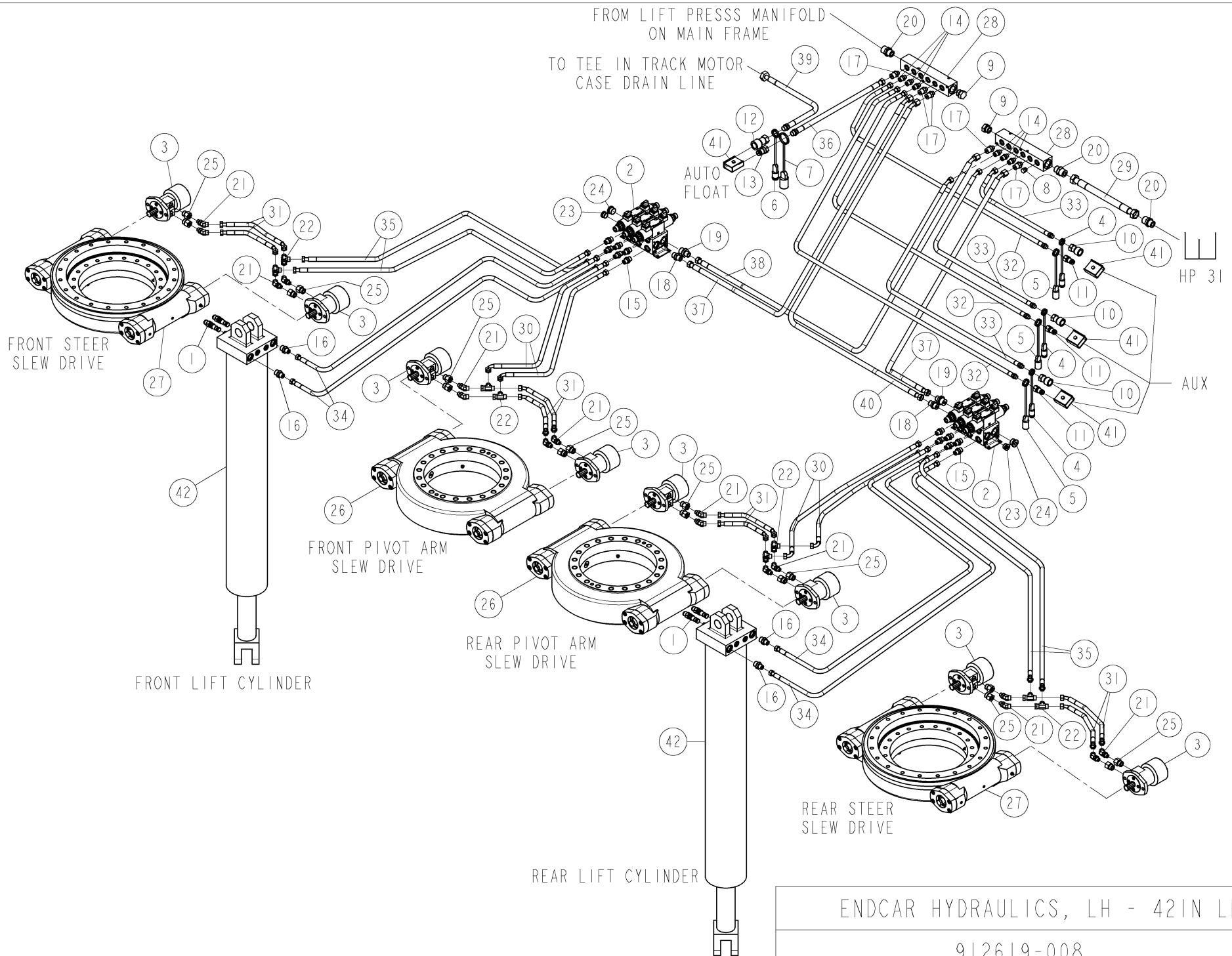
912644-001

A

MANIFOLD ASSY, DUAL PRESS TRANSDUCER		912644-001	A
ITEM NO.	QTY	PART NUMBER	DESCRIPTION
1	2	155-50A77	O-RING BOSS PLUG (- 4)
2	2	500-54F50	SENSOR - PRESSURE TRANSDUCER 3000 PSI
3	1	9830-15748	MANIFOLD, PRESSURE TRANSDUCER - DUAL



ENDCAR HYDRAULICS, RH - 42IN LEGS				912619-009	J		
ITEM NO.	QTY	PART NUMBER	DESCRIPTION				
1	4	125-45N98	VALVE - CBAL CARTRIDGE	41	4	FW51-067	HOSE CLAMP ASSEMBLY (.375 & .500)
2	2	125-54G68	VALVE ASSY - 3 BANK, D03 PROP (24V)	42	2	GT10-550	CYLINDER - HYDR, 6.00 X 42.00 IN
3	8	130-54M82	MOTOR - HYDRAULIC 9.6 CID T SER				
4	3	155-10H73	DUST PLUG - 6				
5	3	155-10H74	DUST CAP - 6				
6	1	155-10J44	DUST PLUG -10				
7	1	155-10J45	DUST CAP -10				
8	1	155-10Y11	MALE BOSS PLUG (- 6)				
9	2	155-45P01	MALE BOSS PLUG (-12)				
10	3	155-49M50	ADAPTER - QIK CPLR FEM ORB 6- 6				
11	3	155-49M51	ADAPTER - QIK CPLR MALE ORB 6- 6				
12	1	155-49M54	ADAPTER - QIK CPLR FEM ORB 8-10				
13	1	155-49M55	ADAPTER - QIK CPLR MALE ORB 8-10				
14	6	155-49N27	ADAPTER ORFS/MB OR (6-6 STD)				
15	12	155-49N29	ADAPTER ORFS/MB OR (6-8 STD)				
16	4	155-49N30	ADAPTER ORFS/MB OR (6-10 STD)				
17	5	155-49N32	ADAPTER ORFS/MB OR (8-6 STD)				
18	2	155-49N33	ADAPTER ORFS/MB OR (8-10 STD)				
19	2	155-49N34	ADAPTER ORFS/MB OR (8-12 STD)				
20	3	155-49N44	ADAPTER ORFS/MB OR (12-12 STD)				
21	16	155-49N56	ADAPTER ORFS/MBOR 45 (6-6)				
22	8	155-49P22	ADAPTER - ORFS SWVL/ORFS TEE 6-6				
23	2	155-50A80	O-RING BOSS PLUG (-10)				
24	2	155-50A81	O-RING BOSS PLUG (-12)				
25	16	155-54K99	MALE BOSS/FEMALE BOSS 10-6				
26	2	220-54D28	SLEW DRIVE - HOURGLASS WORM, 17IN				
27	2	220-54P01	SLEW DRIVE - HOURGLASS WORM, 17IN CLOSED				
28	2	9830-11110	MANIFOLD				
29	1	CHP12-2080-V0V0	HA .75 HP X 208.0 FSF0/FSF0				
30	4	CMP06-0100-V0V9	HA .38 MP X 10.0 FSF0/FSF9				
31	3	CMP06-0120-B0V0	HA .38 MP X 12.0 MB0/FSF0				
32	8	CMP06-0120-V0V4	HA .38 MP X 12.0 FSF0/FSF4				
33	3	CMP06-0200-B0V4	HA .38 MP X 20.0 MB0/FSF4				
34	4	CMP06-1080-V0V0	HA .38 MP X 108.0 FSF0/FSF0				
35	4	CMP06-1560-V0V0	HA .38 MP X 156.0 FSF0/FSF0				
36	1	CMP08-0120-V0V4	HA .50 MP X 12.0 FSF0/FSF4				
37	1	CMP08-0160-B0V4	HA .50 MP X 16.0 MB0/FSF4				
38	2	CMP08-0250-V0V4	HA .50 MP X 25.0 FSF0/FSF4				
39	1	CMP08-0260-B0W0	HA .50 MP X 26.0 MBO/FSF0				
40	1	CMP08-0320-V0V4	HA .50 MP X 32.0 FSF0/FSF4				



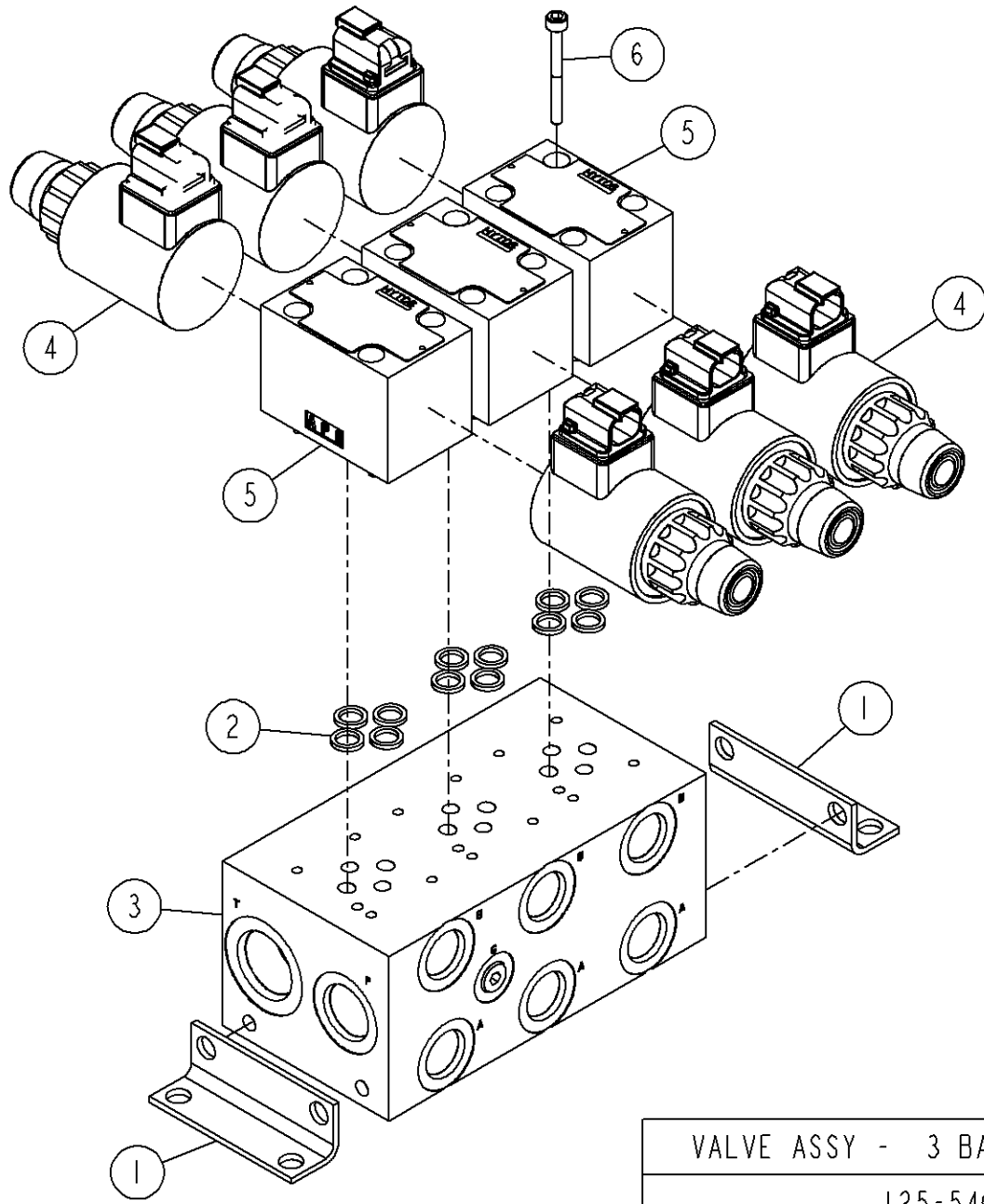
ENDCAR HYDRAULICS, LH - 42IN LEGS

912619-008

K



ENDCAR HYDRAULICS, LH - 42IN LEGS				912619-008	K		
ITEM NO.	QTY	PART NUMBER	DESCRIPTION				
1	4	125-45N98	VALVE - CBAL CARTRIDGE	41	4	FW51-067	HOSE CLAMP ASSEMBLY (.375 & .500)
2	2	125-54G68	VALVE ASSY - 3 BANK, D03 PROPN (24V)	42	2	GT10-550	CYLINDER - HYDR, 6.00 X 42.00 IN
3	8	130-54M82	MOTOR - HYDRAULIC 9.6 CID T SER				
4	3	155-10H73	DUST PLUG - 6				
5	3	155-10H74	DUST CAP - 6				
6	1	155-10J44	DUST PLUG -10				
7	1	155-10J45	DUST CAP -10				
8	1	155-10Y11	MALE BOSS PLUG (- 6)				
9	2	155-45P01	MALE BOSS PLUG (-12)				
10	3	155-49M50	ADAPTER - QIK CPLR FEM ORB 6- 6				
11	3	155-49M51	ADAPTER - QIK CPLR MALE ORB 6- 6				
12	1	155-49M54	ADAPTER - QIK CPLR FEM ORB 8-10				
13	1	155-49M55	ADAPTER - QIK CPLR MALE ORB 8-10				
14	6	155-49N27	ADAPTER ORFS/MB OR (6-6 STD)				
15	12	155-49N29	ADAPTER ORFS/MB OR (6-8 STD)				
16	4	155-49N30	ADAPTER ORFS/MB OR (6-10 STD)				
17	5	155-49N32	ADAPTER ORFS/MB OR (8-6 STD)				
18	2	155-49N33	ADAPTER ORFS/MB OR (8-10 STD)				
19	2	155-49N34	ADAPTER ORFS/MB OR (8-12 STD)				
20	3	155-49N44	ADAPTER ORFS/MB OR (12-12 STD)				
21	16	155-49N56	ADAPTER ORFS/MBOR 45 (6-6)				
22	8	155-49P22	ADAPTER - ORFS SWVL/ORFS TEE 6-6				
23	2	155-50A80	O-RING BOSS PLUG (-10)				
24	2	155-50A81	O-RING BOSS PLUG (-12)				
25	16	155-54K99	MALE BOSS/FEMALE BOSS 10-6				
26	2	220-54D28	SLEW DRIVE - HOURGLASS WORM, 17IN				
27	2	220-54P01	SLEW DRIVE - HOURGLASS WORM, 17IN CLOSED				
28	2	9830-11110	MANIFOLD				
29	1	CHP12-2940-V0V0	HA .75 HP X 294.0 FSF0/FSF0				
30	4	CMP06-0100-V0V9	HA .38 MP X 10.0 FSF0/FSF9				
31	8	CMP06-0120-V0V4	HA .38 MP X 12.0 FSF0/FSF4				
32	3	CMP06-0170-B0V0	HA .38 MP X 17.0 MB0/FSF0				
33	3	CMP06-0210-B0V4	HA .38 MP X 21.0 MB0/FSF4				
34	4	CMP06-1080-V0V0	HA .38 MP X 108.0 FSF0/FSF0				
35	4	CMP06-1560-V0V0	HA .38 MP X 156.0 FSF0/FSF0				
36	1	CMP08-0170-B0V0	HA .50 MP X 17.0 MB0/FSF0				
37	2	CMP08-0200-V0V4	HA .50 MP X 20.0 FSF0/FSF4				
38	1	CMP08-0240-V0V4	HA .50 MP X 24.0 FSF0/FSF4				
39	1	CMP08-0260-B0W0	HA .50 MP X 26.0 MBO/FSF0				
40	1	CMP08-0320-V0V4	HA .50 MP X 32.0 FSF0/FSF4				

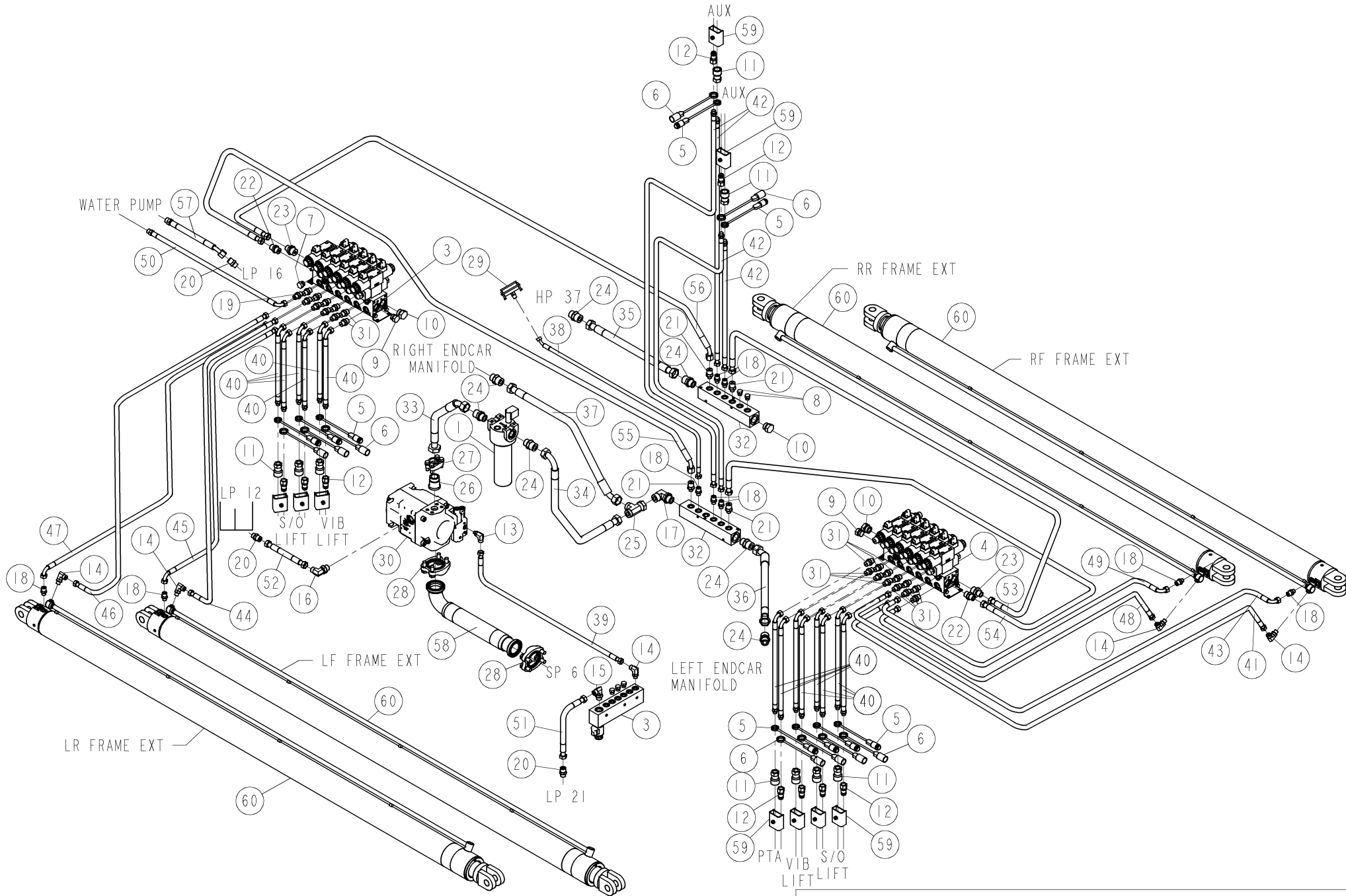


VALVE ASSY - 3 BANK, D03 PROP (24V)

125-54G68

A

VALVE ASSY - 3 BANK, D03 PROP (24V)			125-54G68	A
ITEM NO.	QTY	PART NUMBER	DESCRIPTION	
1	2	125-51R77	MOUNTING KIT	
2	3	125-53E83	SEAL KIT - D03 VALVE MOUNTING	
3	1	125-53W28	MANIFOLD - 3 BANK D03, PARALLEL	
4	6	125-53W73	COIL - 24VDC DEUTSCH (HYTOS PROP)	
5	3	125-54C47	VALVE - PROP (24V) (CLOSED SPOOL)	
6	12	400-51F53	#10-24 UNC X 1.750 SKTHCS (BLK)	

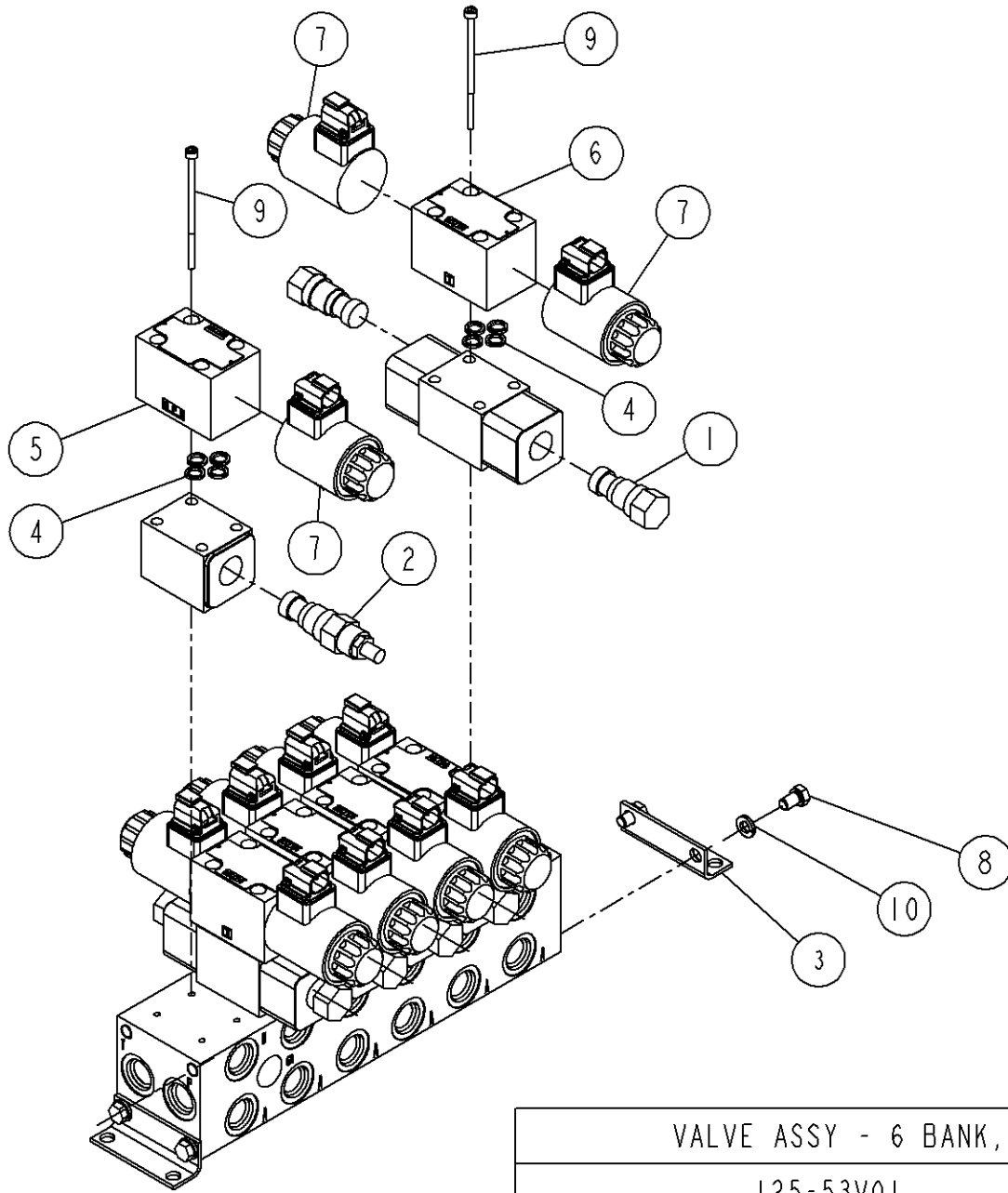


LIFT HYDRAULICS, MAIN FRAME

912619-007

F

LIFT HYDRAULICS, MAIN FRAME				912619-007	F			
ITEM NO.	QTY	PART NUMBER	DESCRIPTION					
1	1	110-50M07	FILTER - HP, 10 MICRON (ELEM 110-50M08)	41	1	CMP06-0440-V0V0	HA .38 MP X 44.0 FSF0/FSF0	
2	1	125-53V01	VALVE ASSY - 6 BANK, D03 (24V)	42	4	CMP06-0480-B0V0	HA .38 MP X 48.0 MB0/FSF0	
3	1	125-54C03	MANIFOLD - LOAD SENSE UNLOADING	43	1	CMP06-0480-V0V9	HA .38 MP X 48.0 FSF0/FSF9	
4	1	125-54T88	VALVE ASSY - 6 BANK, D03 (24V)	44	1	CMP06-0580-V0V0	HA .38 MP X 58.0 FSF0/FSF0	
5	9	155-10H73	DUST PLUG - 6	45	1	CMP06-0580-V0V9	HA .38 MP X 58.0 FSF0/FSF9	
6	9	155-10H74	DUST CAP - 6	46	1	CMP06-0600-V0V0	HA .38 MP X 60.0 FSF0/FSF0	
7	1	155-10K98	MALE BOSS PLUG (- 8)	47	1	CMP06-0620-V0V9	HA .38 MP X 62.0 FSF0/FSF9	
8	5	155-10Y11	MALE BOSS PLUG (- 6)	48	1	CMP06-0720-V0V0	HA .38 MP X 72.0 FSF0/FSF0	
9	2	155-45C22	MALE BOSS PLUG (-10)	49	1	CMP06-0720-V0V9	HA .38 MP X 72.0 FSF0/FSF9	
10	3	155-45P01	MALE BOSS PLUG (-12)	50	1	CMP06-1660-V9Y0	HA .38 MP X 166.0 FSF9/FSM0	
11	9	155-49M50	ADAPTER - QIK CPLR FEM ORB 6- 6	51	1	CMP08-0350-V0V0	HA .50 MP X 35.0 FSF0/FSF0	
12	9	155-49M51	ADAPTER - QIK CPLR MALE ORB 6- 6	52	1	CMP08-0460-V0V0	HA .50 MP X 46.0 FSF0/FSF0	
13	1	155-49N03	ADAPTER ORFS/MBOR 90 (6-4)	53	1	CMP08-0580-V0V0	HA .50 MP X 58.0 FSF0/FSF0	
14	5	155-49N05	ADAPTER ORFS/MBOR 90 (6-6)	54	1	CMP08-0660-V0V0	HA .50 MP X 66.0 FSF0/FSF0	
15	1	155-49N09	ADAPTER ORFS/MBOR 90 (8-8)	55	1	CMP08-1280-V0V4	HA .50 MP X 128.0 FSF0/FSF4	
16	1	155-49N10	ADAPTER ORFS/MBOR 90 (8-10)	56	1	CMP08-1400-V0V4	HA .50 MP X 140.0 FSF0/FSF4	
17	1	155-49N15	ADAPTER ORFS/MBOR 90 (12-12)	57	1	CMP08-2280-V4Y0	HA .50 MP X 228.0 FSF4/FSM0	
18	9	155-49N27	ADAPTER ORFS/MB OR (6-6 STD)	58	1	CSP32-0160-S0S9	HA 2.00 SUCT X 16.0 SF0/SF9	
19	1	155-49N29	ADAPTER ORFS/MB OR (6-8 STD)	59	9	FW51-067	HOSE CLAMP ASSEMBLY (.375 & .500)	
20	3	155-49N31	ADAPTER ORFS/MB OR (8-8 STD)	60	4	GT10-532	CYLINDER - HYDR, 3.50 X 84.00 IN,24V SM	
21	4	155-49N32	ADAPTER ORFS/MB OR (8-6 STD)					
22	2	155-49N33	ADAPTER ORFS/MB OR (8-10 STD)					
23	2	155-49N34	ADAPTER ORFS/MB OR (8-12 STD)					
24	7	155-49N44	ADAPTER ORFS/MB OR (12-12 STD)					
25	1	155-49P24	ADAPTER - ORFS SWWL/ORFS TEE 12-12					
26	1	155-53L20	ADAPTER - SF FGD/ORFS C61 16-16					
27	1	175-10F63	SF KIT 1.000 (CODE 61) (O-RING 160-10H88)					
28	2	175-46R24	SF KIT 2.000 (CODE 61) (O-RING 160-10K12)					
29	1	700-55J35	GAUGE - OIL PRESSURE 0-3000 PSI -4 ORFS					
30	1	725-54J29	PUMP - HYDR PRESS COMP 60CC SER 45					
31	22	906743-002	FLOW REDUCER .062 ORFS/MB OR 6-8					
32	2	9830-11110	MANIFOLD					
33	1	CHP12-0170-V4W0	HA .75 HP X 17.0 FSF4/FSF0					
34	1	CHP12-0690-V0V9	HA .75 HP X 69.0 FSF0/FSF9					
35	1	CHP12-1320-V0V0	HA .75 HP X 132.0 FSF0/FSF0					
36	1	CHP12-1740-V0V4	HA .75 HP X 174.0 FSF0/FSF4					
37	1	CHP12-2330-V0V4	HA .75 HP X 233.0 FSF0/FSF4					
38	1	CMP04-1280-V4W0	HA .25 MP X 128.0 FSF4/FSF0					
39	1	CMP06-0180-V0V0	HA .38 MP X 18.0 FSF0/FSF0					
40	14	CMP06-0200-B0V9	HA .38 MP X 20.0 MB0/FSF9					

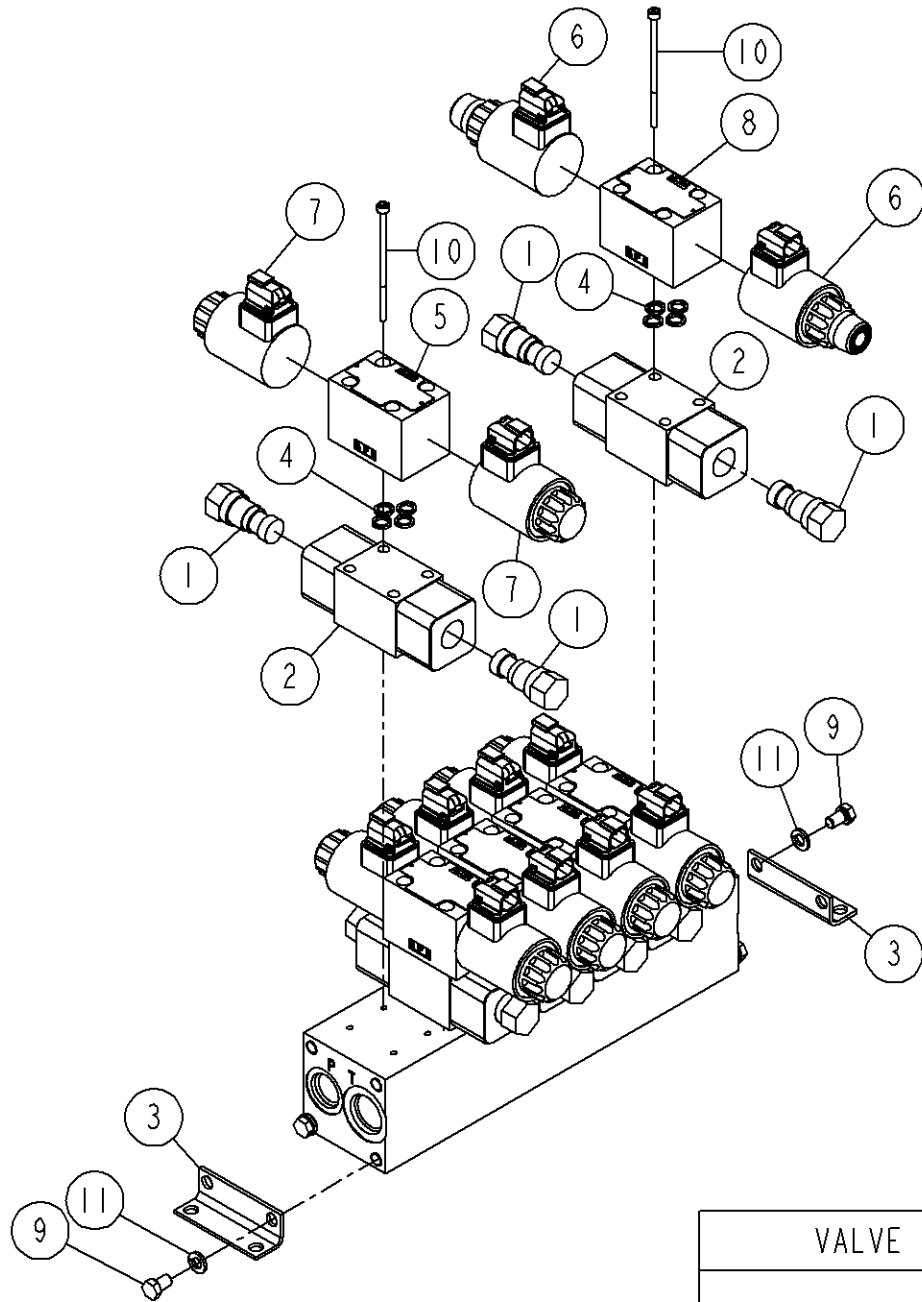


VALVE ASSY - 6 BANK, D03

125-53V01

B

VALVE ASSY - 6 BANK, D03		125-53V01	B
ITEM NO.	QTY	PART NUMBER	DESCRIPTION
1	10	125-10C65	CHECK VALVE CARTRIDGE , PILOT OPERATED
2	1	125-51A91	VALVE - CRTG FLOW CONT 6 GPM TUNING
3	2	125-51R95	MOUNTING FOOT
4	6	125-53E83	SEAL KIT - D03 VALVE MOUNTING
5	1	125-53W10	VALVE - SOLENOID, D03 2P/4W 24VDC
6	5	125-53W11	VALVE - DIRECTIONAL, D03 MTR SPOOL, 24V
7	11	125-53W74	COIL - 24VDC DEUTSCH (HYTOS)
8	4	400-30C36	.3125-18 UNC X .500 HHCS GR5
9	24	400-51F54	#10-24 UNC X 3.500 SKTHCS (BLK)
10	4	420-30A38	LOCK WASHER .312



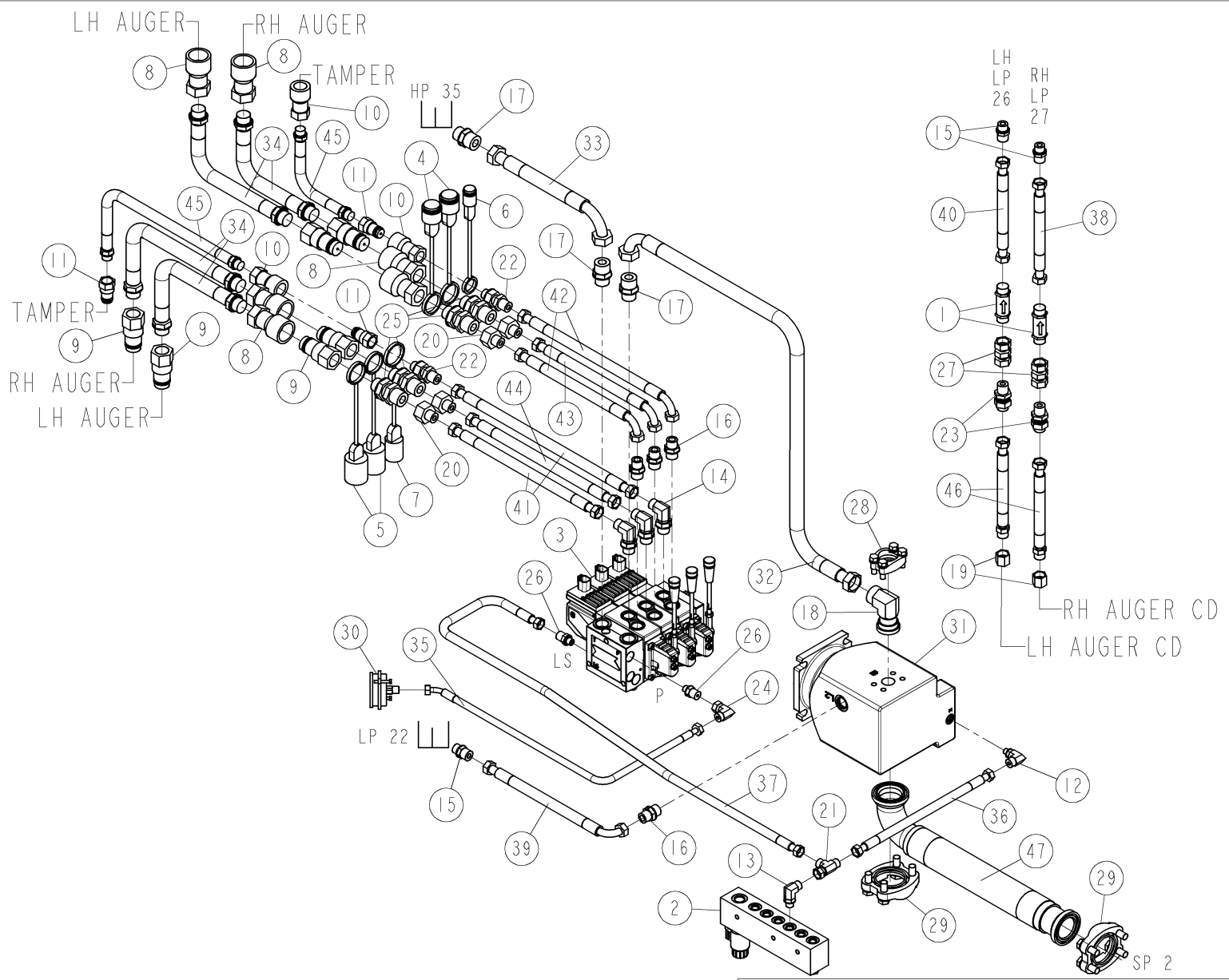
VALVE ASSY - 6 BANK, D03 (24V)

125-54T88

A



VALVE ASSY - 6 BANK, D03 (24V)		125-54T88	A
ITEM NO.	QTY	PART NUMBER	DESCRIPTION
1	12	125-10C65	CHECK VALVE CARTRIDGE , PILOT OPERATED
2	6	125-51E18	VALVE BODY
3	2	125-51R77	MOUNTING KIT
4	6	125-53E83	SEAL KIT - D03 VALVE MOUNTING
5	5	125-53W11	VALVE - DIRECTIONAL, D03 MTR SPOOL, 24V
6	2	125-53W73	COIL - 24VDC DEUTSCH (HYTOS PROP)
7	10	125-53W74	COIL - 24VDC DEUTSCH (HYTOS)
8	1	125-54C46	VALVE - PROPN, DO3 (24V) (MOTOR SPOOL)
9	4	400-30C36	.3125-18 UNC X .500 HHCS GR5
10	24	400-51F54	#10-24 UNC X 3.500 SKTHCS (BLK)
11	4	420-30A38	LOCK WASHER .312

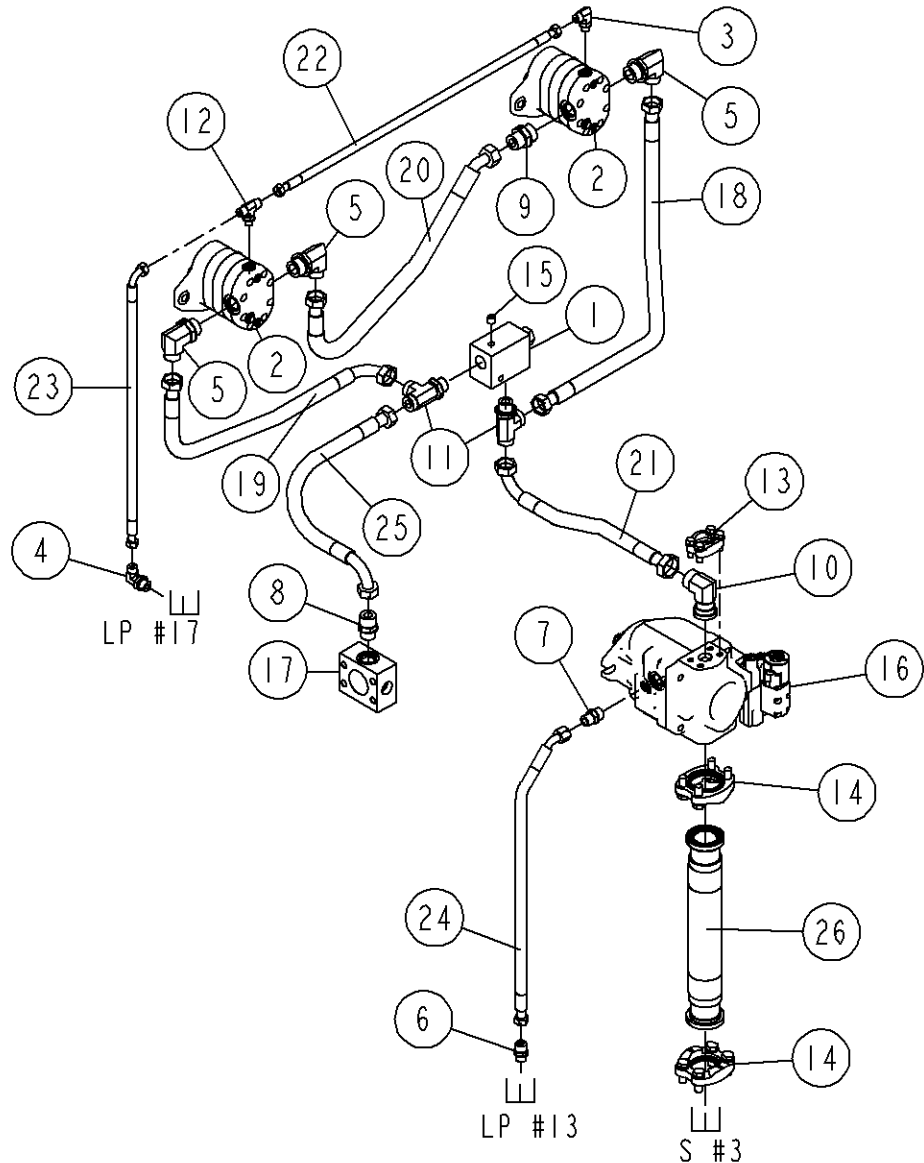


AUGER / TAMPER HYDR - SINGLE TAMPER DR

912619-005

J

AUGER / TAMPER HYDR - SINGLE TAMPER DR			912619-005	J			
ITEM NO.	QTY	PART NUMBER	DESCRIPTION				
1	2	125-51K91	CHECK VALVE 5 PSI	41	2	CMP08-1080-V0V0	HA .50 MP X 108.0 FSF0/FSF0
2	1	125-54C03	MANIFOLD - LOAD SENSE UNLOADING	42	2	CMP08-1080-V0V9	HA .50 MP X 108.0 FSF0/FSF9
3	1	125-54J28	VALVE - PROPN 3 BANK	43	1	CMP08-1300-V0V9	HA .50 MP X 130.0 FSF0/FSF9
4	2	155-10H75	DUST PLUG -12	44	1	CMP08-1320-V0V0	HA .50 MP X 132.0 FSF0/FSF0
5	2	155-10H76	DUST CAP -12	45	2	CMP08-2400-B0B0	HA .50 MP X 240.0 MB0/MB0
6	1	155-10J44	DUST PLUG -10	46	2	CMP08-2400-V0Y0	HA .50 MP X 240.0 FSF0/FSM0
7	1	155-10J45	DUST CAP -10	47	1	CSP32-0160-S0S9	HA 2.00 SUCT X 16.0 SF0/SF9
8	6	155-49M52	ADAPTER - QIK CPLR FEM ORB 12-12	48	3	FW51-067	HOSE CLAMP ASSEMBLY (.375 & .500)
9	6	155-49M53	ADAPTER - QIK CPLR MALE ORB 12-12				
10	3	155-49M54	ADAPTER - QIK CPLR FEM ORB 8-10				
11	3	155-49M55	ADAPTER - QIK CPLR MALE ORB 8-10				
12	1	155-49N03	ADAPTER ORFS/MBOR 90 (6-4)				
13	1	155-49N05	ADAPTER ORFS/MBOR 90 (6-6)				
14	3	155-49N10	ADAPTER ORFS/MBOR 90 (8-10)				
15	3	155-49N31	ADAPTER ORFS/MB OR (8-8 STD)				
16	4	155-49N33	ADAPTER ORFS/MB OR (8-10 STD)				
17	3	155-49N44	ADAPTER ORFS/MB OR (12-12 STD)				
18	1	155-49N64	ADAPTER ORFS/SF9 C61 16-16				
19	2	155-49N70	ADAPTER ORFS CAP NUT -8				
20	4	155-49N91	ADAPTER - ORFS SWWL/ ORFS RDCR 12-8				
21	1	155-49P22	ADAPTER - ORFS SWWL/ORFS TEE 6-6				
22	2	155-49P56	ADAPTER - ORFS BHD/MB OR & LKNT 8-8				
23	2	155-49P59	ADAPTER - ORFS/ORFS BHD UN W/LK 8-8				
24	1	155-49R69	ADAPTER - ORFS SWWL/ORFS 90 6-6				
25	4	155-50G60	ADAPTER - ORFS BHD/MB OR & LKNT 12-12				
26	2	155-51E59	ADAPTER ORFS/MB OR (6-5 STD)				
27	2	155-52N72	ADAPTER - SWIVEL NUT UNION -8				
28	1	175-10F63	SF KIT 1.000 (CODE 61) (O-RING 160-10H88)				
29	2	175-46R24	SF KIT 2.000 (CODE 61) (O-RING 160-10K12)				
30	1	700-55J35	GAUGE - OIL PRESSURE 0-3000 PSI -4 ORFS				
31	1	725-52R27	PUMP - HYDR LD SEN 60CC SER 45				
32	1	CHP12-0420-V9W0	HA .75 HP X 42.0 FSF9&FSF0				
33	1	CHP12-1360-V0V9	HA .75 HP X 136.0 FSF0/FSF9				
34	4	CHP12-2400-B0B0	HA .75 HP X 240.0 MB0/MB0				
35	1	CMP04-0940-V4W0	HA .25 MP X 94.0 FSF4/FSF0				
36	1	CMP06-0250-V0V0	HA .38 MP X 25.0 FSF0/FSF0				
37	1	CMP06-0770-V0V0	HA .38 MP X 77.0 FSF0/FSF0				
38	1	CMP08-0480-V0V0	HA .50 MP X 48.0 FSF0/FSF0				
39	1	CMP08-0500-V0V9	HA .50 MP X 50.0 FSF0/FSF9				
40	1	CMP08-0960-V0V0	HA .50 MP X 96.0 FSF0/FSF0				

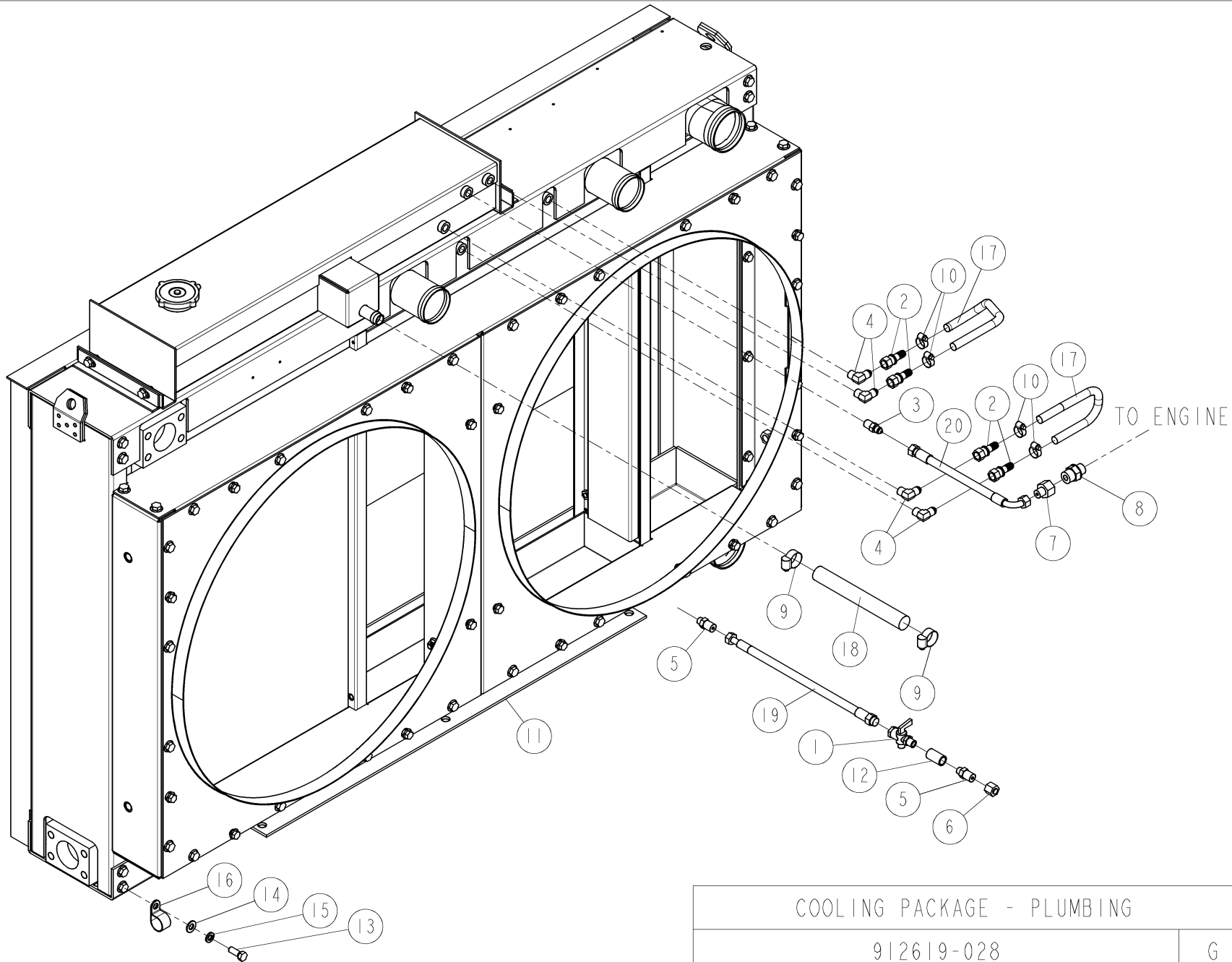


FAN MOTOR HYDRAULICS, COOLING PACKAGE

912619-006

E

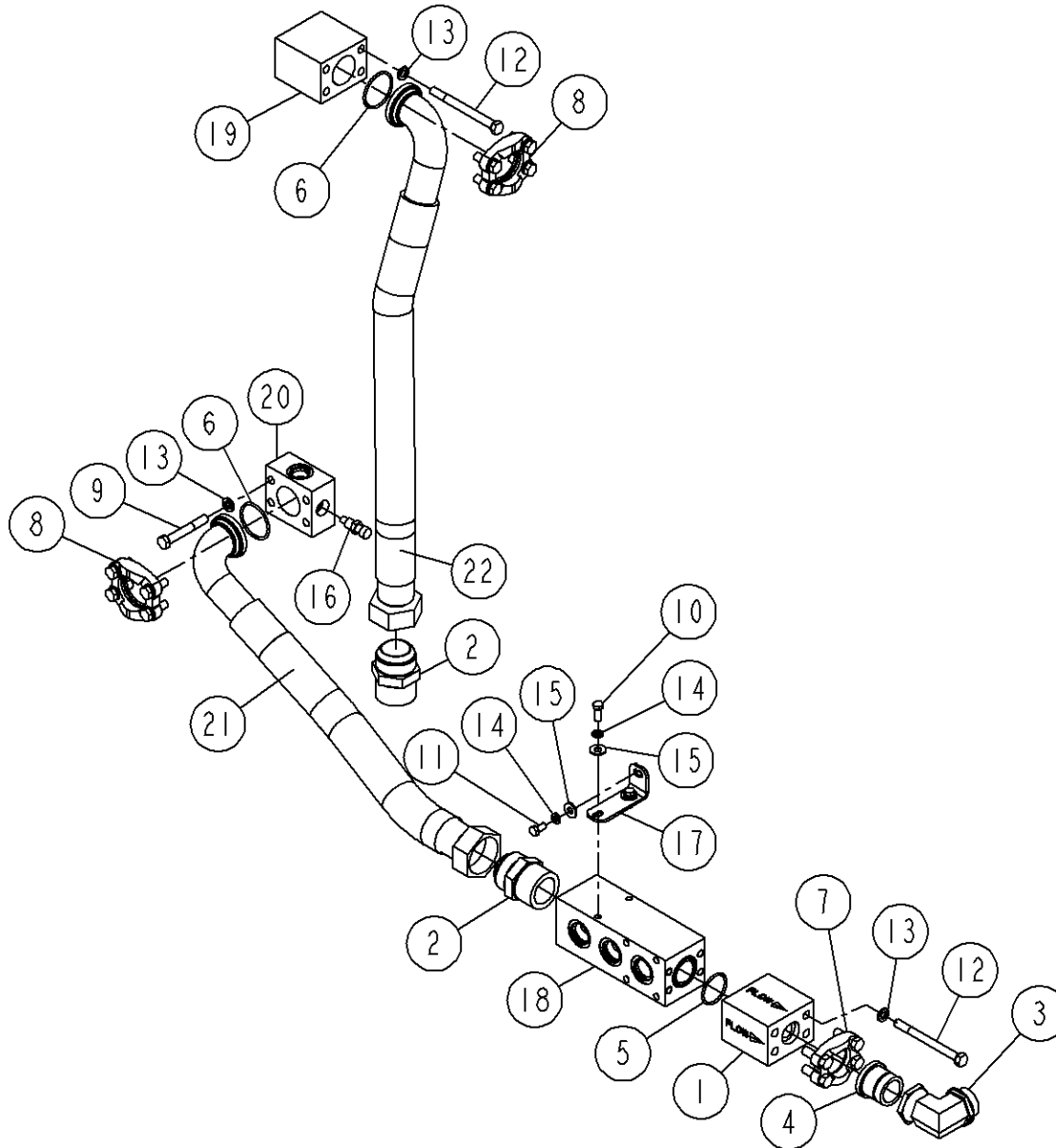
FAN MOTOR HYDRAULICS, COOLING PACKAGE			912619-006	E
ITEM NO.	QTY	PART NUMBER	DESCRIPTION	
1	1	125-51F78	VALVE - CHECK 1 PSI	
2	2	130-53L08	MOTOR - FAN, 38CC	
3	1	155-49N05	ADAPTER ORFS/MBOR 90 (6-6)	
4	1	155-49N06	ADAPTER ORFS/MBOR 90 (6-8)	
5	3	155-49N17	ADAPTER ORFS/MBOR 90 (12-16)	
6	1	155-49N31	ADAPTER ORFS/MB OR (8-8 STD)	
7	1	155-49N33	ADAPTER ORFS/MB OR (8-10 STD)	
8	1	155-49N44	ADAPTER ORFS/MB OR (12-12 STD)	
9	1	155-49N45	ADAPTER ORFS/MB OR (12-16 STD)	
10	1	155-49N64	ADAPTER ORFS/SF9 C61 16-16	
11	2	155-49P74	ADAPTER - ORFS TEE/MB OR 12-12	
12	1	155-49R05	ADAPTER - ORFS/MB OR BR TEE 6-6	
13	1	175-10F63	SF KIT 1.000 (CODE 61) (O-RING 160-10H88)	
14	2	175-46R24	SF KIT 2.000 (CODE 61) (O-RING 160-10K12)	
15	1	305-47B55	PIPE PLUG - .250 NPT FLUSH SKT HD	
16	1	725-53L05	PUMP - HYDR PROPN 51CC SER 45	
17	1	9830-15567	SPLIT FLANGE SPACER - 2.00 THK, 2.00 SF	
18	1	CHP12-0230-V0V0	HA .75 HP X 23.0 FSF0/FSF0	
19	1	CHP12-0260-V0V9	HA .75 HP X 26.0 FSF0/FSF9	
20	1	CHP12-0340-V0V4	HA .75 HP X 34.0 FSF0/FSF4	
21	1	CHP12-1000-V9W0	HA .75 HP X 100.0 FSF9&FSF0	
22	1	CMP06-0270-V0V0	HA .38 MP X 27.0 FSF0/FSF0	
23	1	CMP06-0460-V0V9	HA .38 MP X 46.0 FSF0/FSF9	
24	1	CMP08-0600-V0V4	HA .50 MP X 60.0 FSF0/FSF4	
25	1	CMP12-0370-V0V9	HA .75 MP X 37.0 FSF0/FSF9	
26	1	CSP32-0300-S0S0	HA 2.00 SP X 30.0 SF /SF	



COOLING PACKAGE - PLUMBING

912619-028

COOLING PACKAGE - PLUMBING			912619-028	G
ITEM NO.	QTY	PART NUMBER	DESCRIPTION	
1	1	125-10L64	VALVE - PETCOCK .250 NPT W/SIDE HDL	
2	4	150-49C27	HOSE END - FEM (JIC SWVL BARB 6-6)	
3	1	155-10H01	MALE PIPE/MALE FLARE 4- 4	
4	4	155-10J10	MALE PIPE/MALE FLARE 90 4- 6	
5	2	155-49N40	ADAPTER - ORFS/MP 4-4	
6	1	155-49N68	ADAPTER ORFS CAP NUT -4	
7	1	155-49N85	ADAPTER - ORFS SWVL/ ORFS RDCR 8-4	
8	1	155-50G32	ADAPTER ORFS/MB OR 8-M18-1.5	
9	2	170-10P31	HOSE CLAMP #10 (1.06 DIA)	
10	4	170-48T66	HOSE CLAMP # 3 (.75 DIA)	
11	1	210-54J54	COOLING PKG - HYDR, DUAL 26IN SUCT FANS	
12	1	305-10R26	PIPE COUPLING .250 NPT	
13	1	400-30A19	.375-16 UNC X 1.000 HHCS GR5	
14	1	420-10T99	FLAT WASHER .375 F436	
15	1	420-30A41	LOCK WASHER .375	
16	1	545-49M77	HOSE CLAMP - SUPPORT	
17	2	9145-00259	HOSE, HTR - SILICONE (.375 X 6.00 IN)	
18	1	9145-00447	HOSE (.75 X 16.0 IN)	
19	1	CMP04-0320-P0V0	HA .25 MP X 32.0 MP0/FSF0	
20	1	CMP04-0400-F0V9	HA .25 MP X 40.0 FF0/FSF9	



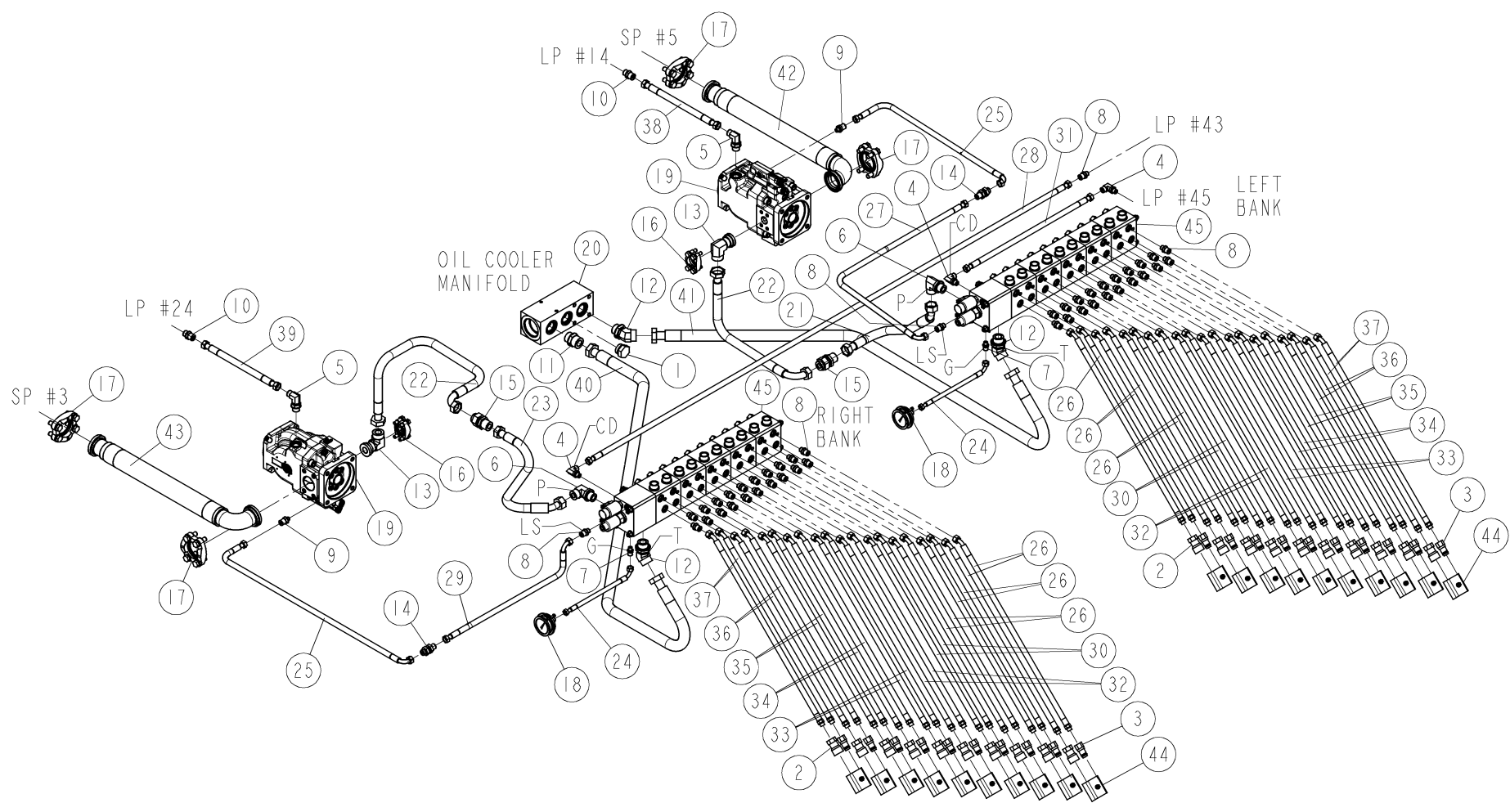
OIL COOLER MANIFOLD ASSEMBLY

912619-002

D

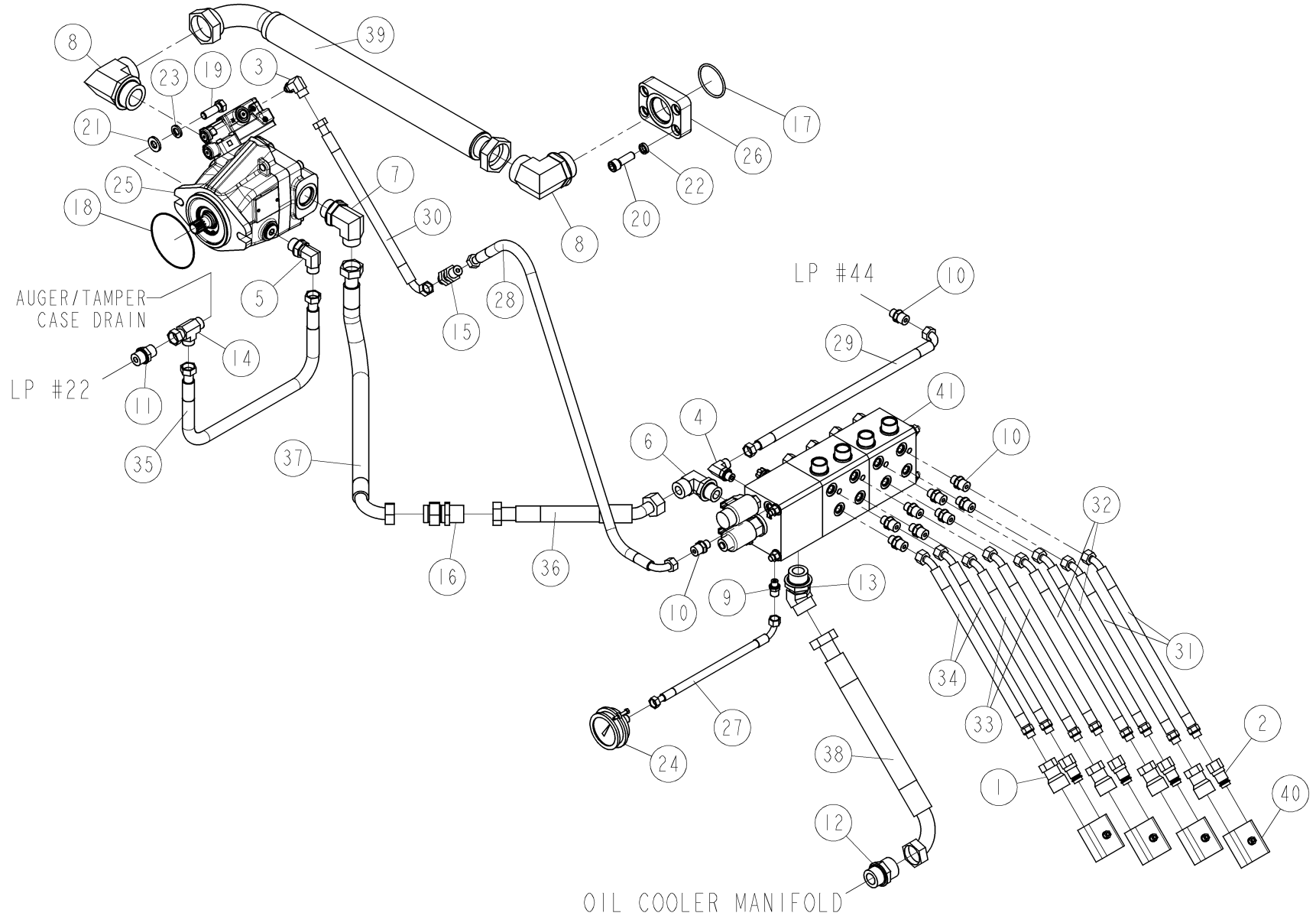


OIL COOLER MANIFOLD ASSEMBLY			912619-002	D
ITEM NO.	QTY	PART NUMBER	DESCRIPTION	
1	1	125-50Y88	VALVE - CHECK IN-LINE SF 25 PSI	
2	2	155-49C35	MALE BOSS/MALE FLARE (32-32)	
3	1	155-49P93	ADPTR - ORFS SWVL/MBOR 90 (24-24)	
4	1	155-50G35	ADAPTER - SF FGD/ORFS C61 24-24	
5	1	160-10H70	O RING 1-225	
6	2	160-10K12	O RING 1-228	
7	1	175-46D59	SF KIT 1.500 (CODE 61) (O-RING 160-10H70)	
8	2	175-46R24	SF KIT 2.000 (CODE 61) (O-RING 160-10K12)	
9	4	400-30A16	.500-13 UNC X 3.500 HHCS GR8	
10	2	400-30A19	.375-16 UNC X 1.000 HHCS GR5	
11	1	400-30A20	.375-16 UNC X .750 HHCS GR5	
12	8	400-30C28	.500-13 UNC X 5.500 HHCS GR8 (BLK)	
13	12	420-30A37	LOCK WASHER .500	
14	3	420-30A41	LOCK WASHER .375	
15	3	420-30A65	FLAT WASHER .375 W	
16	1	700-50T43	SENDER - LIQUID TEMPERATURE	
17	1	9810-19592	MOUNT STRAP - FORMED	
18	1	9830-15507	MANIFOLD	
19	1	9830-15566	SPLIT FLANGE SPACER - 4.00 THK, 2.00 SF	
20	1	9830-15567	SPLIT FLANGE SPACER - 2.00 THK, 2.00 SF	
21	1	CSP32-0210-F0S9	HA 2.00 SP X 21.0 FF/SF9	
22	1	CSP32-0290-F0S9	HA 2.00 SP X 29.0 FF/SF9	



VIBRATOR HYDRAULICS - 20 VIBS	
912619-043	D

VIBRATOR HYDRAULICS - 20 VIBS				912619-043	D			
ITEM NO.	QTY	PART NUMBER	DESCRIPTION					
1	1	155-46R02	MALE BOSS PLUG (-16)	41	1	CMP16-1010-V0V0	HA 1.00 MP X 101.0 FSF0/FSF0	
2	20	155-49M50	ADAPTER - QIK CPLR FEM ORB 6-6	42	1	CSP32-0250-S0S9	HA 2.00 SUCT X 25.0 SF0/SF9	
3	20	155-49M51	ADAPTER - QIK CPLR MALE ORB 6-6	43	1	CSP32-0370-S0S9	HA 2.00 SUCT X 37.0 SFO/SF9	
4	3	155-49N05	ADAPTER ORFS/MBOR 90 (6-6)	44	20	FW51-067	HOSE CLAMP ASSEMBLY (.375 & .500)	
5	2	155-49N10	ADAPTER ORFS/MBOR 90 (8-10)	45	2	VA10-076	MB CTRL ASSY, 10 BANK HIGH CAP LD SENSE	
6	2	155-49N15	ADAPTER ORFS/MBOR 90 (12-12)					
7	2	155-49N23	ADAPTER ORFS/MB OR (4-4 STD)					
8	43	155-49N27	ADAPTER ORFS/MB OR (6-6 STD)					
9	2	155-49N28	ADAPTER ORFS/MB OR (6-4 STD)					
10	2	155-49N31	ADAPTER ORFS/MB OR (8-8 STD)					
11	1	155-49N49	ADAPTER ORFS/MB OR (16-16 STD)					
12	3	155-49N61	ADAPTER ORFS/MBOR 45 (16-16)					
13	2	155-49N64	ADAPTER ORFS/SF9 C61 16-16					
14	2	155-49P58	ADAPTER - ORFS/ORFS BHD UN W/LK 6-6					
15	2	155-49P60	ADAPTER - ORFS/ORFS BHD UN W/LK 12-12					
16	2	175-10F63	SF KIT 1.000 (CODE 61) (O-RING 160-10H88)					
17	4	175-46R24	SF KIT 2.000 (CODE 61) (O-RING 160-10K12)					
18	2	700-55J35	GAUGE - OIL PRESSURE 0-3000 PSI -4 ORFS					
19	2	725-52Y21	PUMP - HYDR LD SEN 74CC SER 45					
20	1	9830-15507	MANIFOLD					
21	1	CHP12-0670-V0V4	HA .75 HP X 67.0 FSF0/FSF4					
22	2	CHP12-0720-V9W0	HA .75 HP X 72.0 FSF9&FSF0					
23	1	CHP12-0740-V0V4	HA .75 HP X 74.0 FSF0/FSF4					
24	2	CMP04-0180-V0V9	HA .25 MP X 18.0 FSF0/FSF9					
25	2	CMP06-0540-V0V9	HA .38 MP X 54.0 FSF0/FSF9					
26	12	CMP06-0600-B0V4	HA .38 MP X 60.0 MB0/FSF4					
27	1	CMP06-0710-V0V9	HA.38 MP X 71.0 FSF0/FSF9					
28	1	CMP06-0750-V0V0	HA .38 MP X 75.0 FSF0/FSF0					
29	1	CMP06-0750-V0V9	HA .38 MP X 75.0 FSF0/FSF9					
30	4	CMP06-0760-B0V4	HA .38 MP X 76.0 MB0/FSF4					
31	1	CMP06-0900-V0V0	HA .38 MP X 90.0 FSF0/FSF0					
32	4	CMP06-0920-B0V4	HA .38 MP X 92.0 MB0/FSF4					
33	4	CMP06-1140-B0V4	HA .38 MP X 114.0 MB0/FSF4					
34	4	CMP06-1320-B0V4	HA .38 MP X 132.0 MB0/FSF4					
35	4	CMP06-1480-B0V4	HA .38 MP X 148.0 MB0/FSF4					
36	4	CMP06-1660-B0V4	HA .38 MP X 166.0 MB0/FSF4					
37	4	CMP06-1800-B0V4	HA .38 MP X 180.0 MB0/FSF4					
38	1	CMP08-0420-V0V0	HA .50 MP X 42.0 FSF0/FSF0					
39	1	CMP08-0530-V0V0	HA .50 MP X 53.0 FSF0/FSF0					
40	1	CMP16-0420-V0V0	HA 1.00 MP X 42.0 FSF0/FSF0					

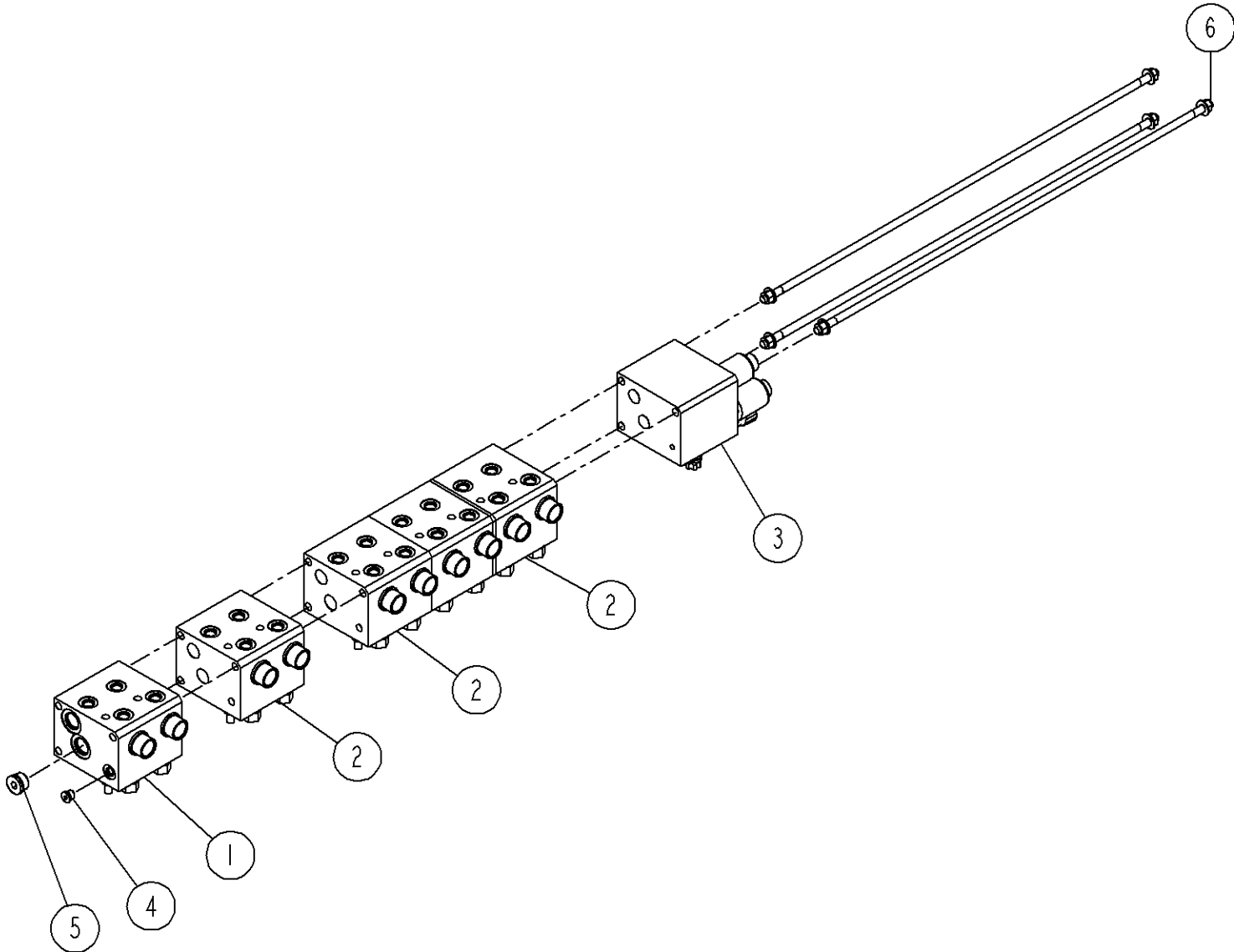


VIBRATOR HYDRAULICS - ADDITIONAL 4 VIBS

912819-020

G

VIBRATOR HYDRAULICS - ADDITIONAL 4 VIBS			912819-020	G				
ITEM NO.	QTY	PART NUMBER	DESCRIPTION					
1	4	155-49M50	ADAPTER - QIK CPLR FEM ORB 6-6	41	1	VA10-065	MB CONTROL ASSY 4 BANK LD SENSE 24 VOLT	
2	4	155-49M51	ADAPTER - QIK CPLR MALE ORB 6-6					
3	1	155-49N03	ADAPTER ORFS/MBOR 90 (6-4)					
4	1	155-49N05	ADAPTER ORFS/MBOR 90 (6-6)					
5	1	155-49N10	ADAPTER ORFS/MBOR 90 (8-10)					
6	1	155-49N15	ADAPTER ORFS/MBOR 90 (12-12)					
7	1	155-49N17	ADAPTER ORFS/MBOR 90 (12-16)					
8	2	155-49N22	ADAPTER ORFS/MBOR 90 (24-24)					
9	1	155-49N23	ADAPTER ORFS/MB OR (4-4 STD)					
10	10	155-49N27	ADAPTER ORFS/MB OR (6-6 STD)					
11	1	155-49N33	ADAPTER ORFS/MB OR (8-10 STD)					
12	1	155-49N49	ADAPTER ORFS/MB OR (16-16 STD)					
13	1	155-49N61	ADAPTER ORFS/MBOR 45 (16-16)					
14	1	155-49P23	ADAPTER - ORFS SWVL/ORFS TEE 8-8					
15	1	155-49P58	ADAPTER - ORFS/ORFS BHD UN W/LK 6-6					
16	1	155-49P60	ADAPTER - ORFS/ORFS BHD UN W/LK 12-12					
17	1	160-10K12	O RING 1-228					
18	1	160-45X64	O RING 1-045					
19	2	400-30B84	.500-13 UNC X 1.500 HHCS GR8					
20	4	400-45Z41	.500-13 UNC X 1.500 SKTHCS (BLK)					
21	2	420-10F69	FLAT WASHER .500 A325					
22	4	420-10R77	LOCK WASHER .500 HI-COLLAR					
23	2	420-30A37	LOCK WASHER .500					
24	1	700-55J35	GAUGE - OIL PRESSURE 0-3000 PSI -4 ORFS					
25	1	725-55H52	PUMP - HYDR LD SEN 45CC SER 45					
26	1	905544-024	PORT ADAPTER (SFC61-32 TO SAE -24)					
27	1	CMP04-0300-V0V9	HA .25 MP X 30.0 FSF0/FSF9					
28	1	CMP06-0940-V0V9	HA .38 MP X 94.0 FSF0/FSF9					
29	1	CMP06-1080-V0V9	HA .38 MP X 108.0 FSF0/FSF9					
30	1	CMP06-1140-V0V9	HA .38 MP X 114.0 FSF0/FSF9					
31	2	CMP06-2580-B0V4	HA .38 MP X 258.0 MB0/FSF4					
32	2	CMP06-2760-B0V4	HA .38 MP X 276.0 MB0/FSF4					
33	2	CMP06-3000-B0V4	HA .38 MP X 300.0 MB0/FSF4					
34	2	CMP06-3120-B0V4	HA .38 MP X 312.0 MB0/FSF4					
35	1	CMP08-0480-V0V0	HA .50 MP X 48.0 FSF0/FSF0					
36	1	CMP12-0900-V0V4	HA .75 MP X 90.0 FSF0/FSF4					
37	1	CMP12-1080-V0V9	HA .75 MP X 108.0 FSF0/FSF9					
38	1	CMP16-0820-V0V9	HA 1.00 MP X 82.0 FSF0/FSF9					
39	1	CSP24-0210-V0V9	HA 1.50 SP X 21.0 FSF0/FSF9					
40	4	FW51-067	HOSE CLAMP ASSEMBLY (.375 & .500)					

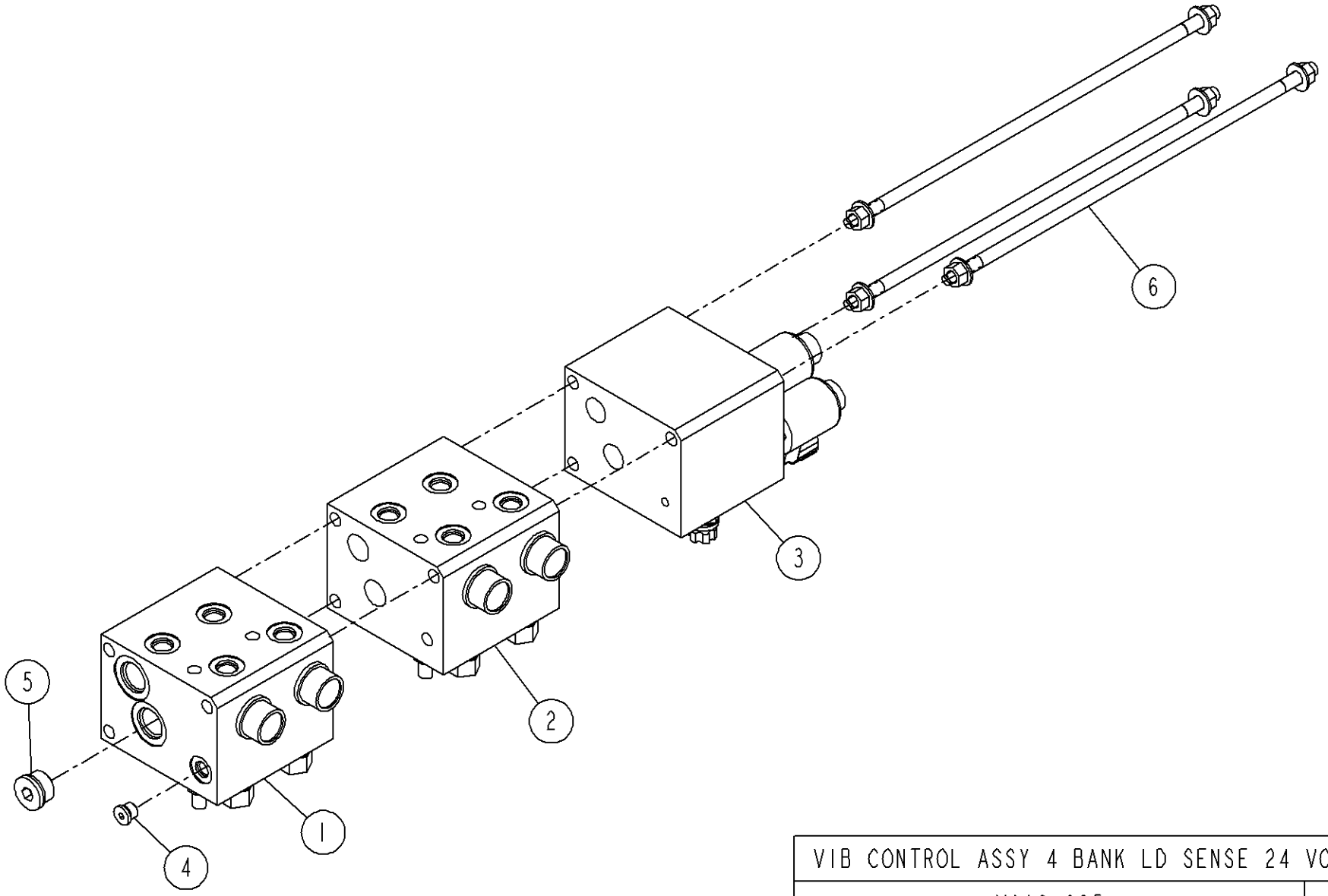


VIB CTRL ASSY, 10 BANK HIGH CAP LD SENSE

VA10-076

A

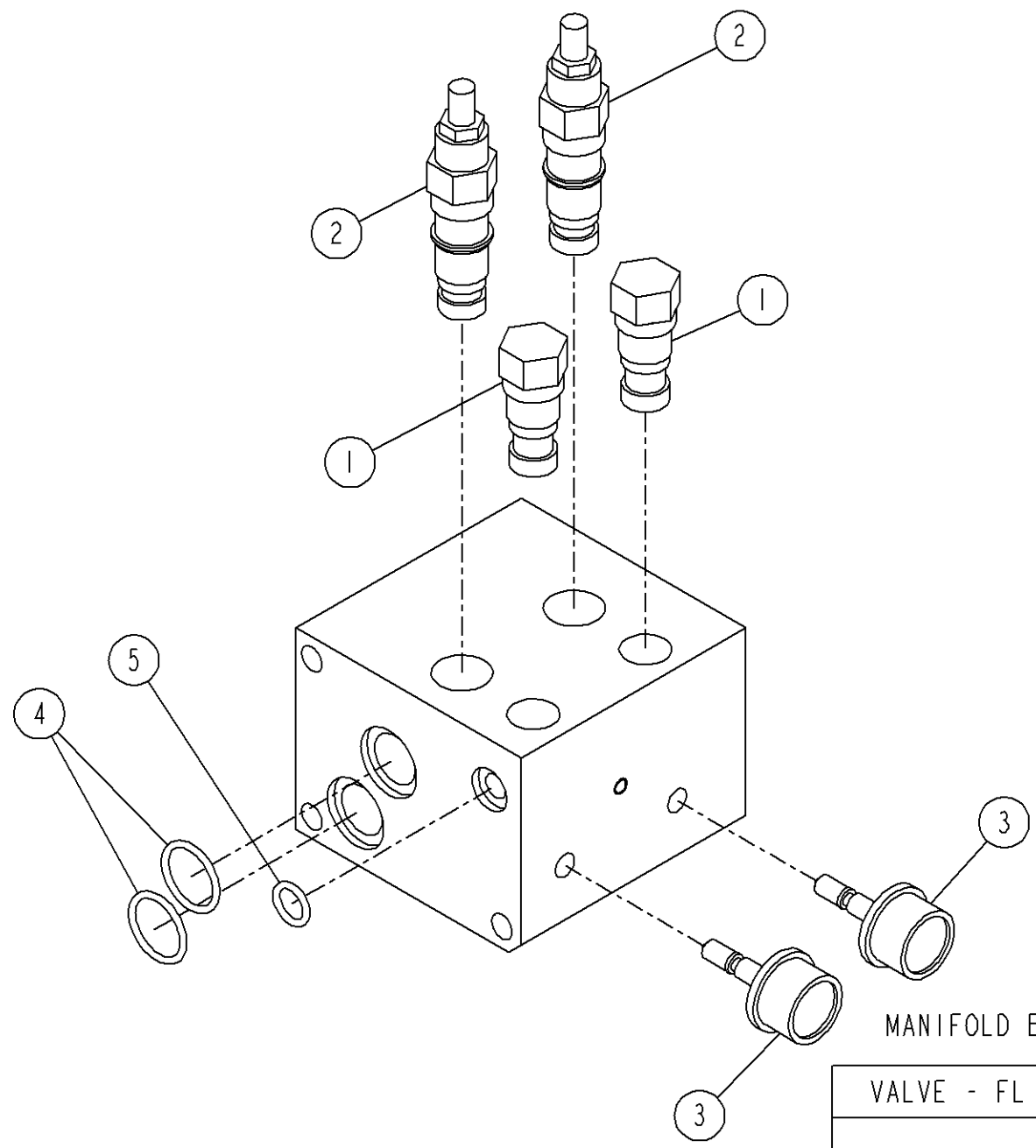
VIB CTRL ASSY, 10 BANK HIGH CAP LD SENSE			VA10-076	A
ITEM NO.	QTY	PART NUMBER	DESCRIPTION	
1	1	125-50H64	VALVE - FL CONT LD SEN 2 STAGE 0-4 GPM	
2	4	125-50R95	VALVE - FL CONT LD SEN 2 STAGE 0-4 GPM	
3	1	125-53R75	MANIFOLD ASSY - LOAD SENSE HIGH CAP, 24V	
4	1	155-50A77	O-RING BOSS PLUG (- 4)	
5	2	155-50A80	O-RING BOSS PLUG (-10)	
6	3	GT10-250	ROD - TIE, .375 IN X 27.75 IN	



VIB CONTROL ASSY 4 BANK LD SENSE 24 VOLT	
VA10-065	A



VIB CONTROL ASSY 4 BANK LD SENSE 24 VOLT			VA10-065	A
ITEM NO.	QTY	PART NUMBER	DESCRIPTION	
1	1	125-50H64	VALVE - FL CONT LD SEN 2 STAGE 0-4 GPM	
2	1	125-50R95	VALVE - FL CONT LD SEN 2 STAGE 0-4 GPM	
3	1	125-53R75	MANIFOLD ASSY - LOAD SENSE HIGH CAP, 24V	
4	1	155-50A77	O-RING BOSS PLUG (- 4)	
5	2	155-50A80	O-RING BOSS PLUG (-10)	
6	3	GT10-190	TIE ROD, .375 IN X 14.25 IN	



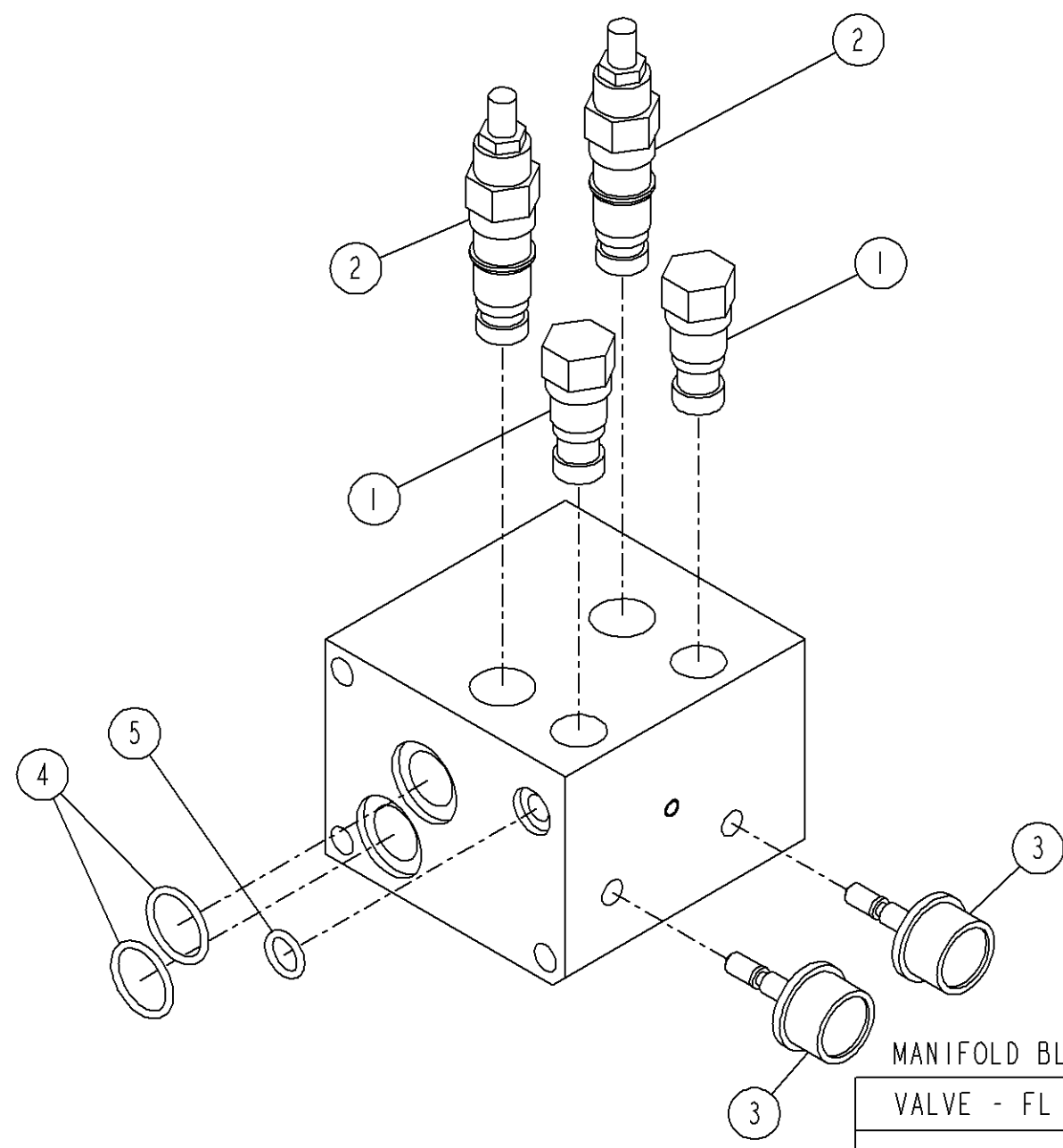
MANIFOLD BLOCK NOT AVAILABLE SEPERATLY

VALVE - FL CONT LD SEN 2 STAGE 0-4 GPM

125-50H64

B.0

VALVE - FL CONT LD SEN 2 STAGE 0-4 GPM			125-50H64	B.0
ITEM NO.	QTY	PART NUMBER	DESCRIPTION	
1	2	125-45Q89	VALVE-CARTRIDGE CHECK	
2	2	125-45Q90	VALVE-CARTRIDGE PRESSURE COMP, 4 GPM	
3	2	125-45Z53	STEM AND SEAL KIT (KNOB 440-45N61)	
4	2	160-10K96	O RING 1-119	
5	1	160-45W78	O RING 1-112	

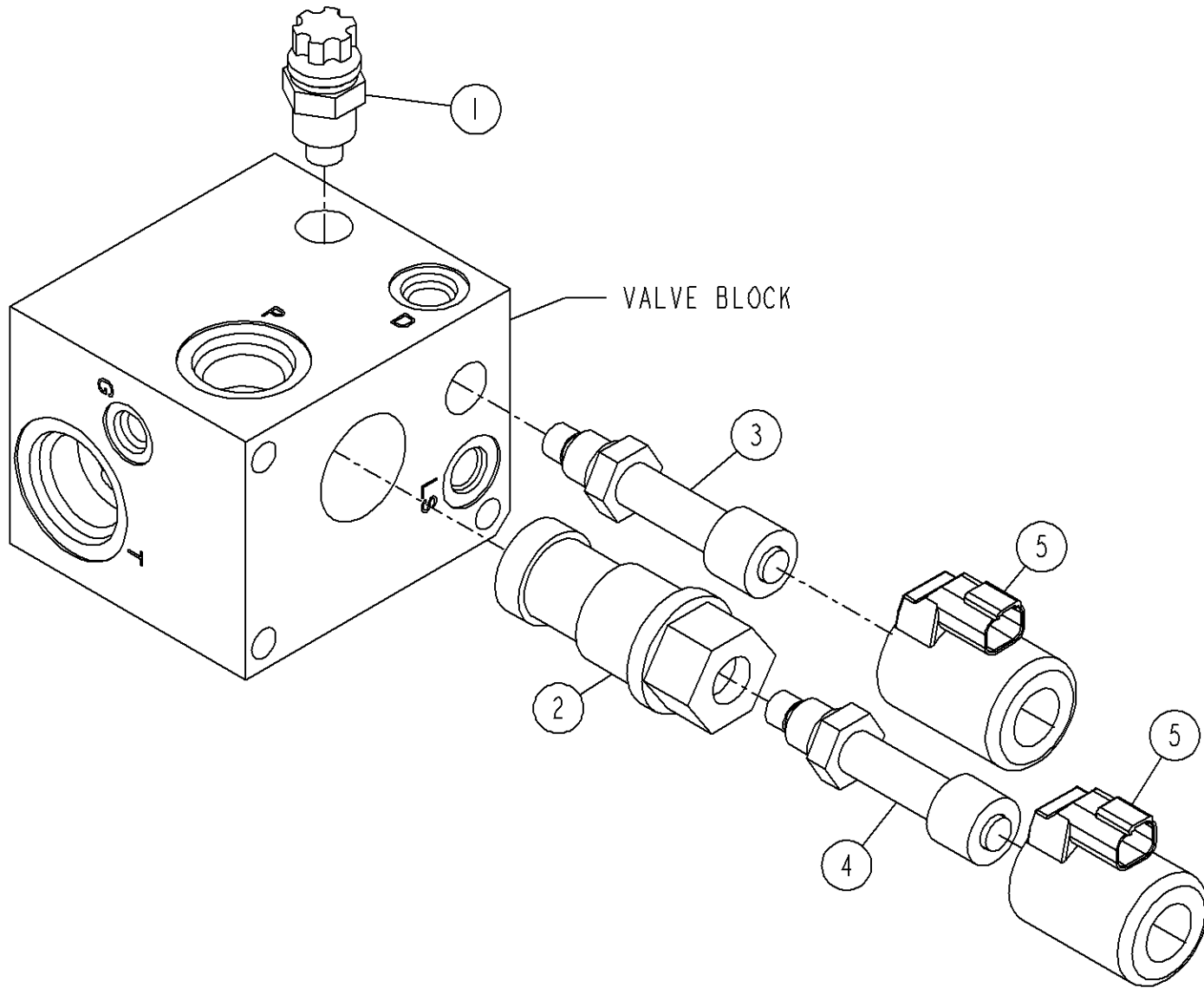


MANIFOLD BLOCK NOT AVAILABLE SEPERATLY  
VALVE - FL CONT LD SEN 2 STAGE 0-4 GPM

125-50R95

B.0

VALVE - FL CONT LD SEN 2 STAGE 0-4 GPM			125-50R95	B.0
ITEM NO.	QTY	PART NUMBER	DESCRIPTION	
1	2	125-45Q89	VALVE-CARTRIDGE CHECK	
2	2	125-45Q90	VALVE-CARTRIDGE PRESSURE COMP, 4 GPM	
3	2	125-45Z53	STEM AND SEAL KIT (KNOB 440-45N61)	
4	2	160-10K96	O RING 1-119	
5	1	160-45W78	O RING 1-112	



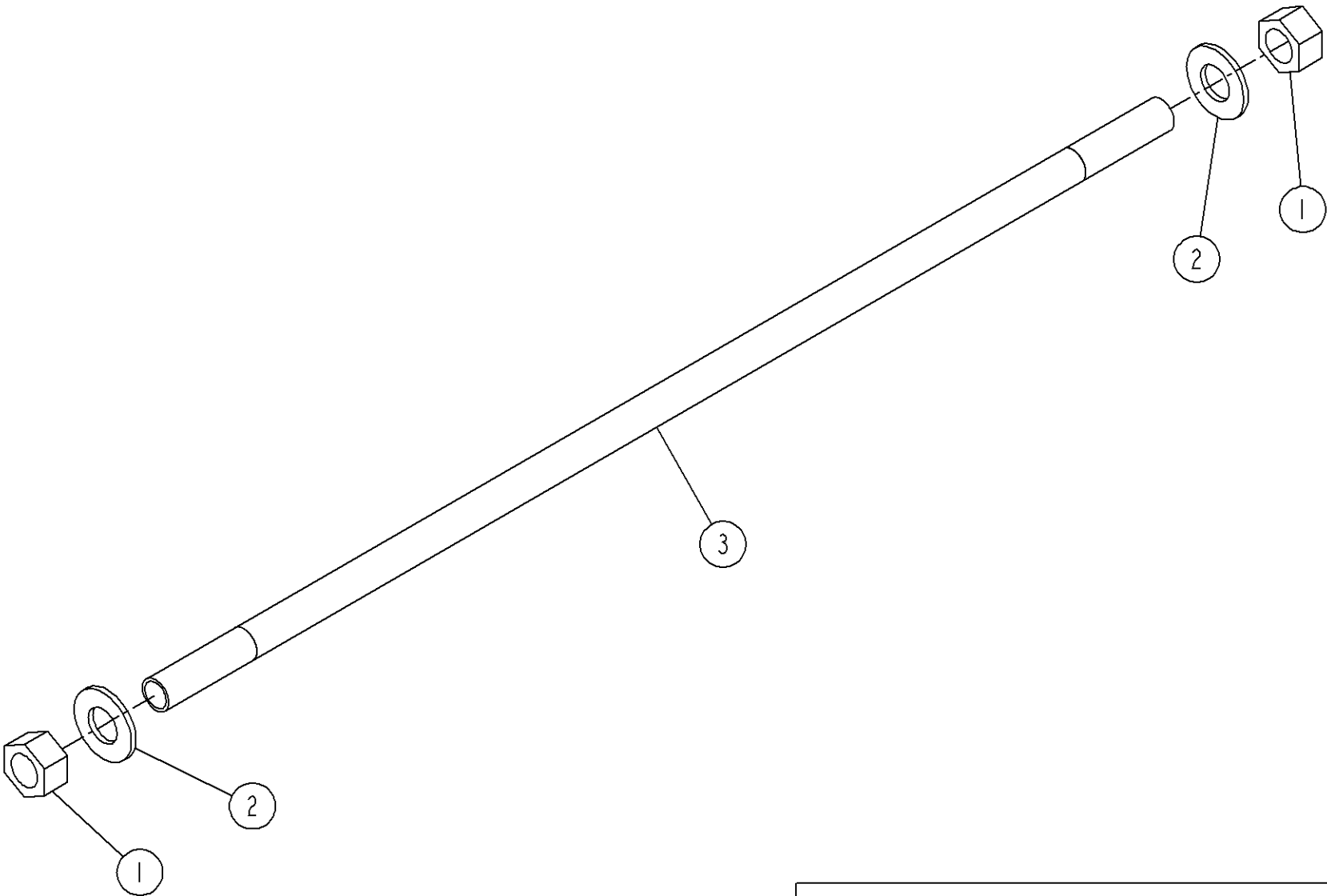
VALVE BLOCK

MANIFOLD ASSY - LOAD SENSE HIGH CAP, 24V

125-53R75

A

MANIFOLD ASSY - LOAD SENSE HIGH CAP, 24V		125-53R75	A
ITEM NO.	QTY	PART NUMBER	DESCRIPTION
1	1	125-48H53	GAUGE SNUBBER
2	1	125-50P45	CARTRIDGE - 2 WAY 2 POSN
3	1	125-52R77	VALVE - 2 WAY 2 POSN SOLENOID
4	1	125-53K71	VALVE - 2 WAY 2 POSN SOLENOID N/C
5	2	125-53V29	COIL - 24VDC DEUTSCH (SUN)



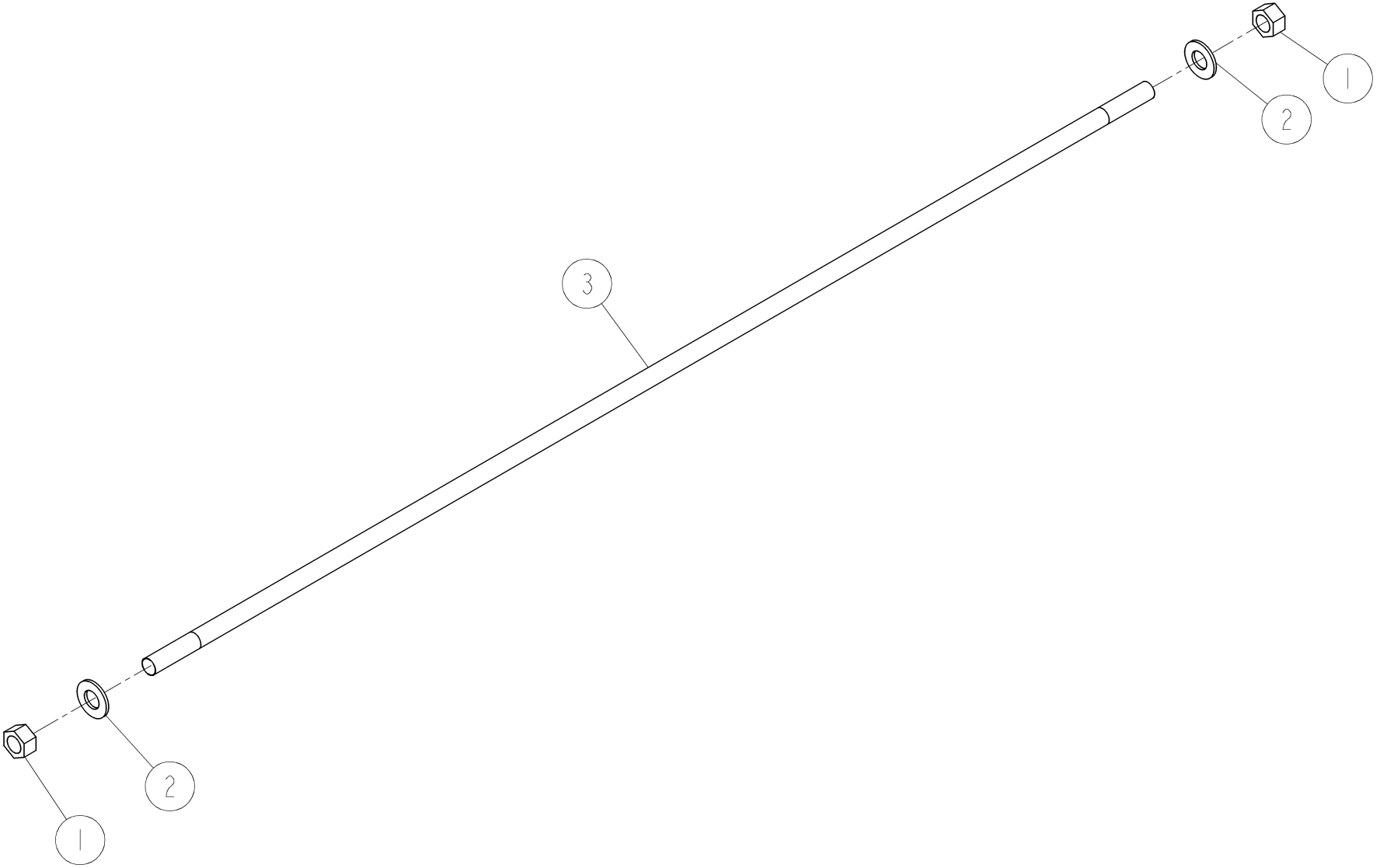
TIE ROD, .375 IN X 14.25 IN

GT10-190

E.0

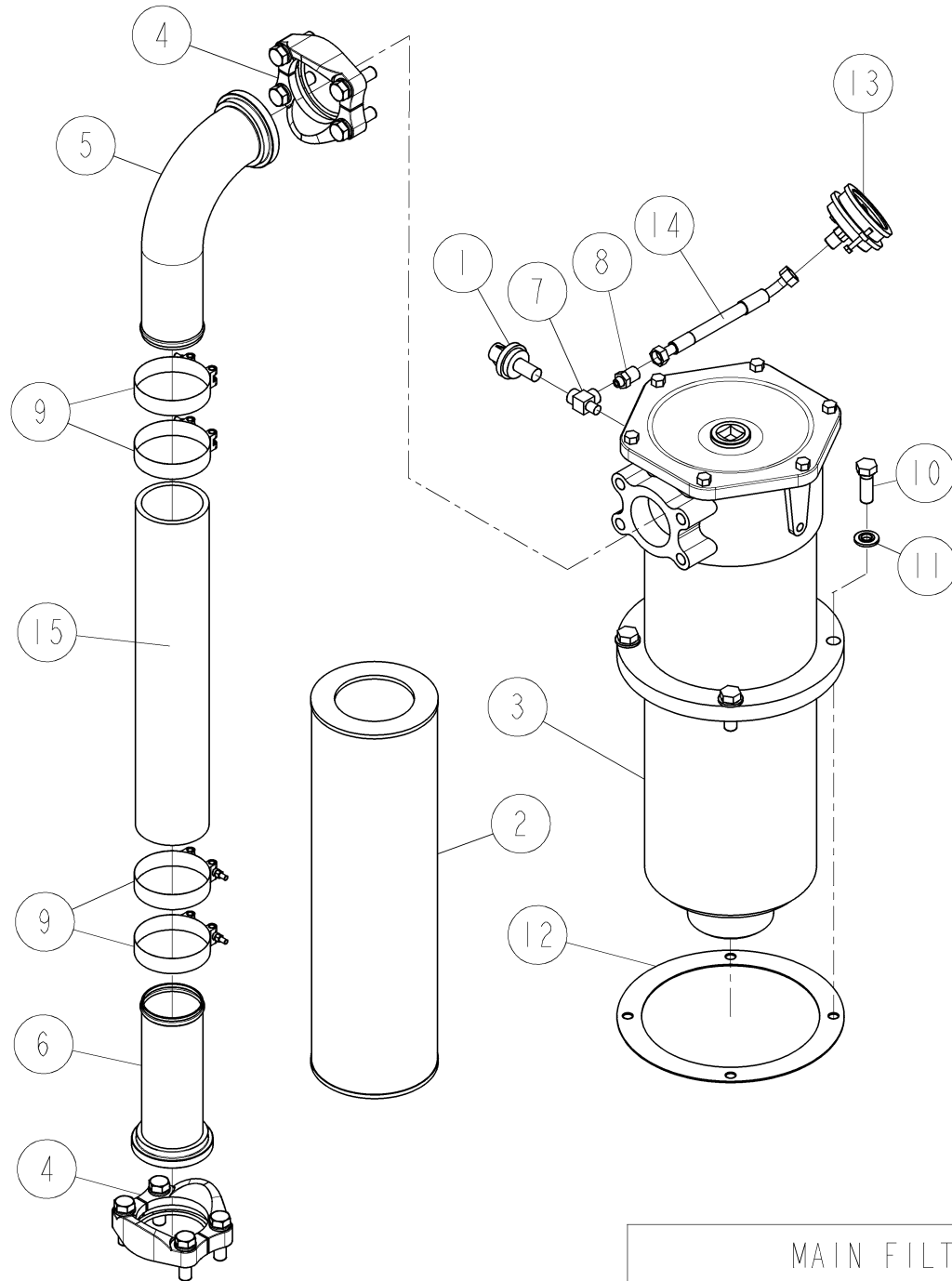


TIE ROD, .375 IN X 14.25 IN			GT10-190	E.0
ITEM NO.	QTY	PART NUMBER	DESCRIPTION	
1	2	415-48J02	.375-24 UNF GR8 HEX NUT	
2	2	420-10T99	FLAT WASHER .375 F436	
3	1	9825-01867	TIE ROD (14.25)	



ROD - TIE, .375 IN X 27.75 IN	
GT10-250	C

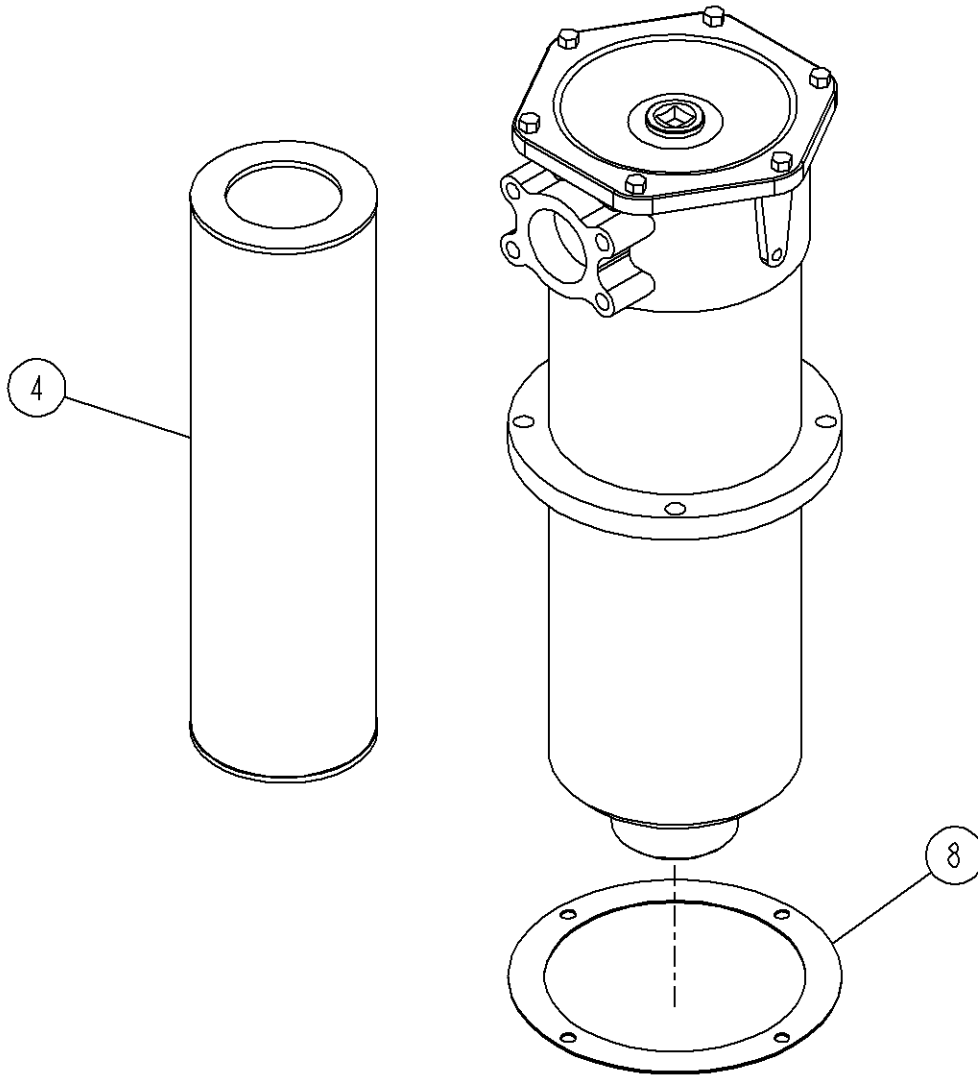
ROD - TIE, .375 IN X 27.75 IN			GT10-250	C
ITEM NO.	QTY	PART NUMBER	DESCRIPTION	
1	2	415-48J02	.375-24 UNF GR8 HEX NUT	
2	2	420-10T99	FLAT WASHER .375 F436	
3	1	9825-01929	TIE ROD (27.25)	



MAIN FILTER HYDR (1 BANK)

912619-001

MAIN FILTER HYDR (1 BANK)			912619-001	G
ITEM NO.	QTY	PART NUMBER	DESCRIPTION	
1	1	110-50R17	FILTER INDICATOR - 25 PSI	
2	1	110-50T66	FILTER ELEMENT (10 MICRON SYNTH)	
3	1	110-50W55	FILTER - RTN, 10 MICRON (ELEM 110-50T66)	
4	2	150-10K09	SF KIT 2.500 (CODE 61)(O-RING 160-10K13)	
5	1	150-45B76	FTG - FLG 90 DEG 2.500 IN -40	
6	1	150-45F76	FTG - CPLG STEM SF C61 3.31 FLG -40	
7	1	155-45J68	MALE PIPE/2 FEMALE PIPE TEE -	
8	1	155-49R67	ADAPTER - ORFS/MP 4-2	
9	4	170-30B78	HOSE CLAMP - T-BOLT (2.375 DIA)	
10	4	400-30B84	.500-13 UNC X 1.500 HHCS GR8	
11	4	420-10D35	WASHER SEAL .500	
12	1	650-46K72	GASKET - MOUNTING FLANGE	
13	1	700-55J33	GAUGE - OIL PRESSURE 0-60 PSI -4 ORFS	
14	1	CMP04-0200-V0V4	HA .25 MP X 20.0 FSF0/FSF4	
15	1	RS40-0180	HA 2.50 SUCT X 18.0 LG	

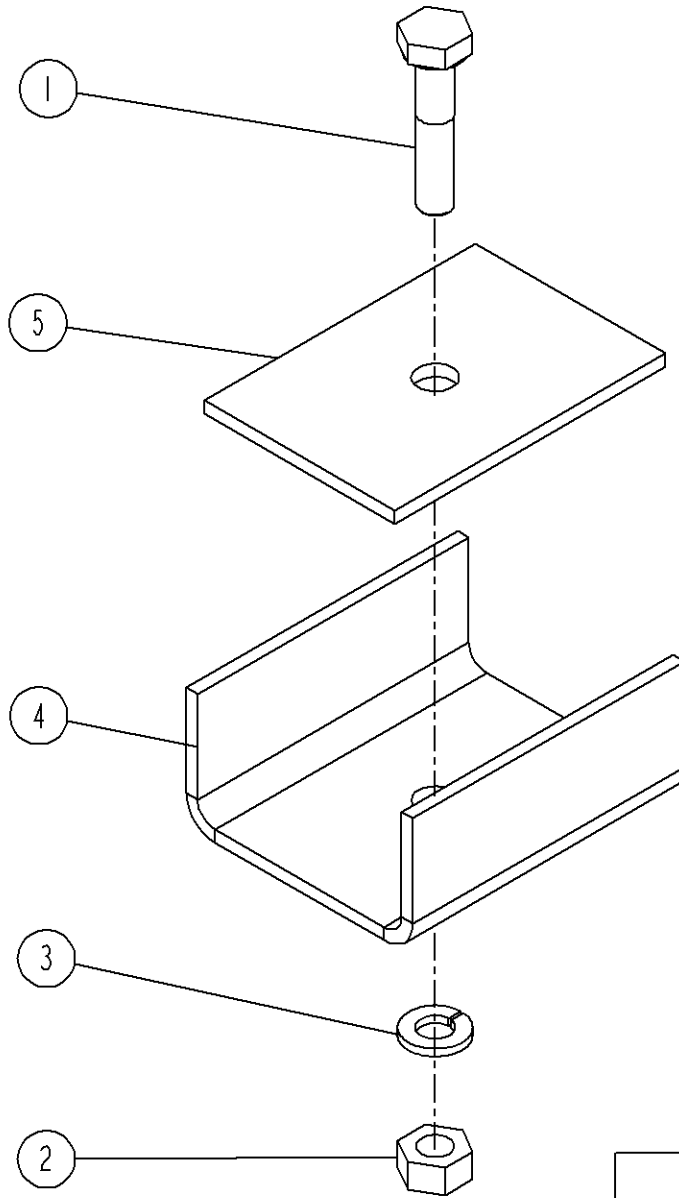


FILTER - RTN, 10 MICRON (ELEM 110-50T66)

110-50W55

B

FILTER - RTN, 10 MICRON (ELEM 110-50T66)			110-50W55	B
ITEM NO.	QTY	PART NUMBER	DESCRIPTION	
1	1	110-48G36	RING - UPPER NS	
2	1	110-48J47	SPRING - BY-PASS 25 PSI NS	
3	1	110-48Y62	FILTER CAP NS	
4	1	110-50T66	FILTER ELEMENT 10 MICRON SYNTHETIC	
5	1	110-51U37	SPRING - HOLD-DOWN NS	
6	1	160-46F81	QUAD RING	
7	1	160-46K71	QUAD RING - HEAD TO PIPE NS	
8	1	650-46K72	GASKET - MOUNTING FLANGE	



HOSE CLAMP ASSEMBLY (.375 & .500)

FW51-067

E.0



HOSE CLAMP ASSEMBLY (.375 & .500)			FW51-067	E.0
ITEM NO.	QTY	PART NUMBER	DESCRIPTION	
1	1	400-30B61	.250-20 UNC X 1.250 HHCS GR5	
2	1	415-30A04	.250-20 UNC GR5 HEX NUT	
3	1	420-30A36	LOCK WASHER .250	
4	1	FW50-116	HOSE CLAMP, .375	
5	1	FW50-117	HOSE CLAMP PLATE, .375	



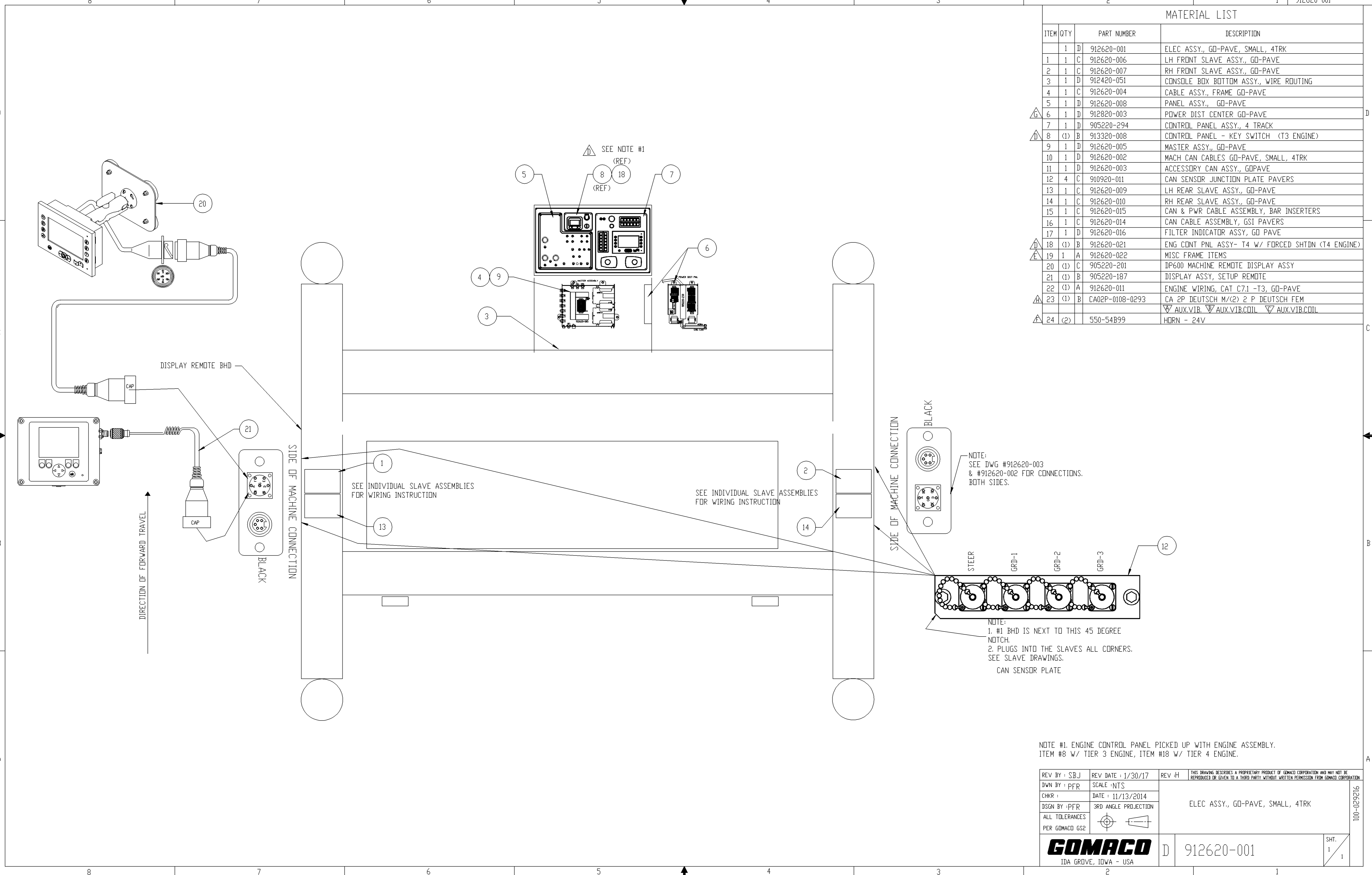
Page #	Part Number	Description
1	912620-001E	ELEC ASSY, GO-PAVE, SMALL, 4 TRK
2	912620-007E	RH FRONT SLAVE ASSY, GO-PAVE
3	912620-006E	LH FRONT SLAVE ASSY, GO-PAVE
4	912620-010E	RH REAR SLAVE ASSY, GO-PAVE
5	912620-009E	LH REAR SLAVE ASSY, GO-PAVE
6	912420-010E	E-STOP ASSY W/4 PIN M EURO CONN
7	912420-061E	WIRING ASSY, HORN SWITCH
8	WH01-0179E	HARNESS - 5P M12 M 90DEG/4P PKD SHR30FT
9	WH03-0160E	WIRE HARNESS, G BOX J15 ACC CAN
10	WH03-0183E	HARNESS - TRACK PRESSURE FWD/RVS
11	912420-051E	CONSOLE BOX BOTTOM ASSY, WIRE ROUTING
12	912620-004E1	CABLE ASSY, FRAME GO-PAVE
13	912620-004E2	CABLE ASSY, FRAME GO-PAVE
14	WH03-0136E	HARNESS - 2 PIN DEUTSCH TEE
15	WH03-0169E	HARNESS - 8 P FEM DEUTSCH/VIBS GO-PAVE
16	WH04-0103E	MASTERBOX B8 CABLE
17	WH04-0104E	MASTER BOX #6 FRAME EXT SIG
18	WH01-0206E	5 PIN F M12/(3-#16)DEUTSCH F PINS X 8IN
19	WH04-0105E	HARNESS - GO-PAVE B9
20	912620-008E1	PANEL ASSEMBLY
21	912620-008E2	PANEL ASSEMBLY
22	WH03-0148E	REPL KIT 1K OHM POT &(1) 47OHM RES W/WIR
23	WH01-0160E	RESISTOR ASSEMBLY - 47 OHM
24	912820-003E1	POWER DIST CENTER GO-PAVE
25	912820-003E2	POWER DIST CENTER GO-PAVE
26	WH02-0180E	WIRE HARNESS, MA SIG 12 P DEUTSCH X 72IN
27	WH04-0083E	WIRE HARNESS, PWR&GND 1/4 TRN PL X 72IN
28	905220-294E	CONTROL PANEL ASSY 4 TRACK
29	904920-043E	WIRING ASSY, HORN SWITCH
30	WH01-0156E	90 DEG M M12/4 PIN F DEUTSCH X 29IN
31	WH01-0157E	90 DEG M M12/4 PIN F DEUTSCH X 11IN
32	WH06-0050E	WIRE HARNESS, DP600 CTRL PANEL G+

Page #	Part Number	Description
33	912620-021E	ENG CONT PNL ASSY- T4 W/ FORCED SHTDN
34	WH01-0159E	HARNESS - 12 P FEM DEUTSCH SEAL PLUG
35	WH03-0180E	HARNESS - ENG PANEL - T4 MURPHY
36	912620-005E1	MASTER ASSY, GO-PAVE
37	912620-005E2	MASTER ASSY, GO-PAVE
38	912620-002E	MACHINE CAN CABLES, GO-PAVE, SMALL, 4TRK
39	WH02-0171E	ADAPTER - 1/4 TURN BHD F-MINIFAST M X 1M
40	912620-003E	ACCESSORY CAN ASSY, GO-PAVE
41	WH02-0161E	ADAPTER - MOBA SLOPE SENSOR ADDRESS 0
42	WH02-0162E	ADAPTER - MOBA SLOPE SENSOR ADDRESS 1
43	910920-011E	CAN SENSOR JUNCTION PLATE PAVERS
44	912620-015E	CAN & PWR CABLE ASSEMBLY, BAR INSERTERS
45	912620-014E	CAN CABLE ASSEMBLY, GSI PAVERS
46	912620-016E	FILTER INDICATOR ASSY, GO PAVE
47	912620-022E	MISC FRAME ITEMS
48	WH01-0161E	HARNESS - 8 PIN F DEUTSCH SEAL PLUG
49	912620-018E	ENGINE WIRING, CAT C7.1 T4 GO-PAVE
50	912620-013E	MISC WIRING, CAT C7.1 LH STARTR GO-PAVE
51	903120-037E	LED ASSY, RED 2 PIN DEUTSCH
52	WH02-0184E	HARNESS - 1.69K OHM RES W/ 5/16 R ASSY
53	WH03-0177E	HARNESS - ADAPTER, CAT 3600 T4
54	912620-028E	NAVIGATOR DISPLAY ASSY, G+
55	905220-187E	DISPLAY ASSY, SETUP REMOTE
56	WH01-0154E	COIL CORD MOD 5 P M12/7 P M 1/4 TRN PL



MATERIAL LIST

ITEM	QTY	PART NUMBER	DESCRIPTION
1	1	D 912620-001	ELEC ASSY., GO-PAVE, SMALL, 4TRK
1	1	C 912620-006	LH FRONT SLAVE ASSY., GO-PAVE
2	1	C 912620-007	RH FRONT SLAVE ASSY., GO-PAVE
3	1	D 912420-051	CONSOLE BDX BOTTM ASSY., WIRE ROUTING
4	1	C 912620-004	CABLE ASSY., FRAME GO-PAVE
5	1	D 912620-008	PANEL ASSY., GO-PAVE
6	1	D 912820-003	POWER DIST CENTER GO-PAVE
7	1	D 905220-294	CONTROL PANEL ASSY., 4 TRACK
8	(1)	B 913320-008	CONTROL PANEL - KEY SWITCH (T3 ENGINE)
9	1	D 912620-005	MASTER ASSY., GO-PAVE
10	1	D 912620-002	MACH CAN CABLES GO-PAVE, SMALL, 4TRK
11	1	D 912620-003	ACCESSORY CAN ASSY., GOPAVE
12	4	C 910920-011	CAN SENSOR JUNCTION PLATE PAVERS
13	1	C 912620-009	LH REAR SLAVE ASSY., GO-PAVE
14	1	C 912620-010	RH REAR SLAVE ASSY., GO-PAVE
15	1	C 912620-015	CAN & PWR CABLE ASSEMBLY, BAR INSERTERS
16	1	C 912620-014	CAN CABLE ASSEMBLY, GSI PAVERS
17	1	D 912620-016	FILTER INDICATOR ASSY, GO PAVE
18	(1)	B 912620-021	ENG CONT PNL ASSY- T4 W/ FORCED SHTDN (T4 ENGINE)
19	1	A 912620-022	MISC FRAME ITEMS
20	(1)	C 905220-201	DP600 MACHINE REMOTE DISPLAY ASSY
21	(1)	B 905220-187	DISPLAY ASSY, SETUP REMOTE
22	(1)	A 912620-011	ENGINE WIRING, CAT C7.1 -T3, GO-PAVE
23	(1)	B CA02P-0108-0293	CA 2P DEUTSCH M/(2) 2 P DEUTSCH FEM ▽ AUX.VIB. ▽ AUX.VIB.COIL ▽ AUX.VIB.COIL
24	(2)	550-54B99	HORN - 24V



NOTE:  
SEE DWG #912620-003  
& #912620-002 FOR CONNECTIONS.  
BOTH SIDES.

NOTE:  
1. #1 BHD IS NEXT TO THIS 45 DEGREE NOTCH.  
2. PLUGS INTO THE SLAVES ALL CORNERS.  
SEE SLAVE DRAWINGS.  
CAN SENSOR PLATE

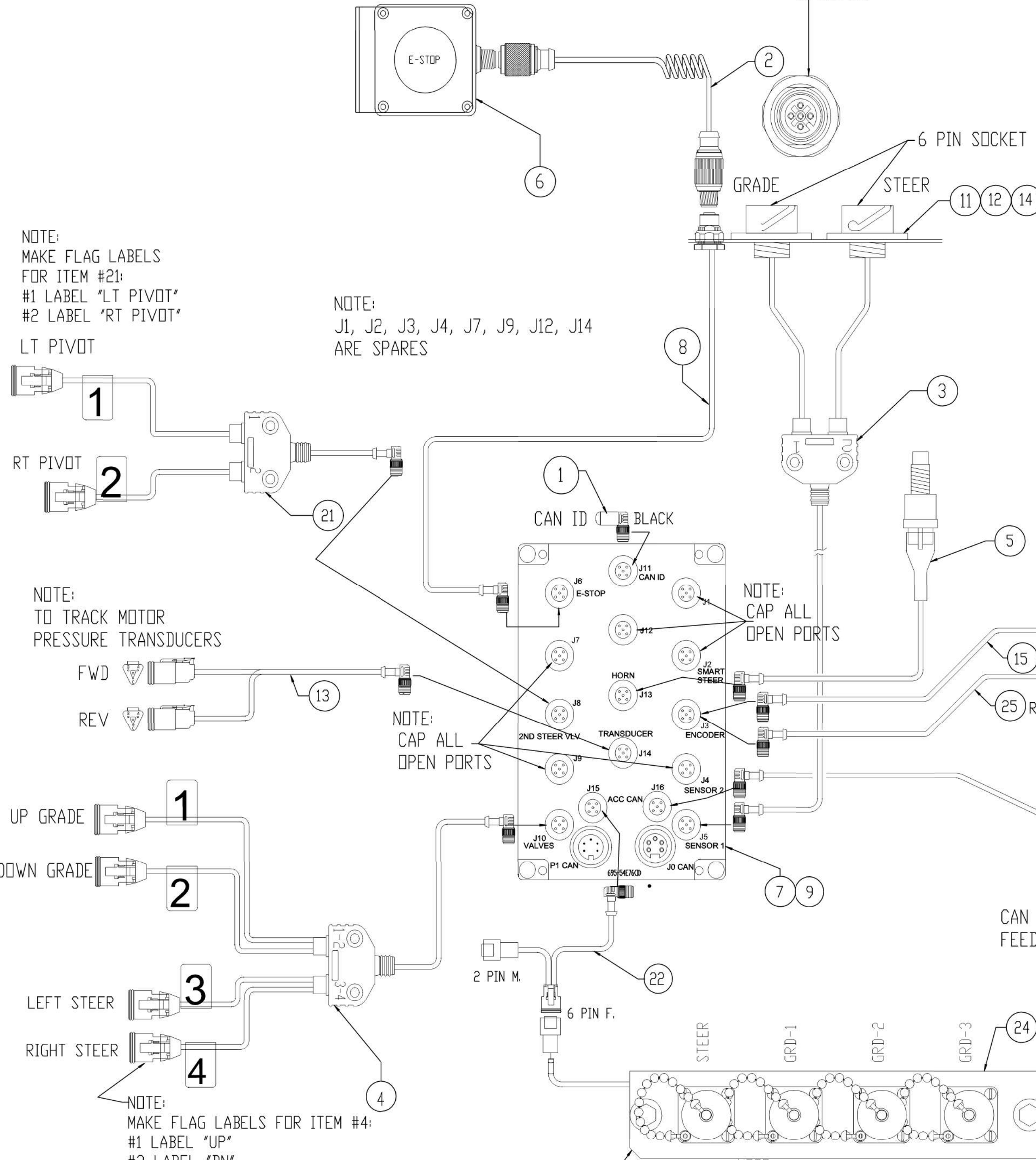
NOTE #1. ENGINE CONTROL PANEL PICKED UP WITH ENGINE ASSEMBLY.  
ITEM #8 W/ TIER 3 ENGINE, ITEM #18 W/ TIER 4 ENGINE.

REV BY : SBJ	REV DATE : 1/30/17	REV : H	THIS DRAWING DESCRIBES A PROPRIETARY PRODUCT OF GOMACO CORPORATION AND MAY NOT BE REPRODUCED OR GIVEN TO A THIRD PARTY WITHOUT WRITTEN PERMISSION FROM GOMACO CORPORATION.
DWN BY : PFR	SCALE : NTS		
CHKR :	DATE : 11/13/2014		
DSGN BY : PFR	3RD ANGLE PROJECTION		
ALL TOLERANCES PER GOMACO GS2			
 IDA GROVE, IOWA - USA			ELEC ASSY., GO-PAVE, SMALL, 4TRK 912620-001 SHT. 1 / 1

### MATERIAL LIST

ITEM	QTY	PART NUMBER	DESCRIPTION
		C 912620-007	RH FRONT SLAVE ASSY., GO-PAVE
1	1	515-54F03	SLAVE ID #1 - 5 PIN 90DEG M M12, BLACK
2	1	520-53M09	CA - SENSOR COIL CORD, 20FT M-FEM M12
3	1	520-54E91	SPLITTER - 5 PIN 90 DEG MALE M12/(2) F 6 PIN BHD
4	1	520-54E19	CABLE - SPLITTER 90DEG M12 MALE/4 CONN
5	1	B 912420-061	WIRING ASSY, HORN SWITCH
6	1	B 912420-010	E-STOP ASSY.
7	1	500-54E53	JUNCTION BOX - SLAVE 6.30 X 9.45 X 3.59
8	1	520-54E80	CABLE - 5P 90 DEG M M12/BHD F M12 X 1M
9	1	695-54E77	DECAL - SLAVE BOX, PAVER 4 TRACK
10	1	520-54V08	CABLE - 5P 90DEG M M12/FEM X 2M CAN
11	2	515-54A15	CAP - DUST, SIZE 14, 1/4 TURN
12	8	405-30D73	SLTD RDH MACH SCR # 6-32X .500
13	1	C WH03-0183	HARNESS - TRACK PRESSURE FWD/RVS
14	8	415-30B49	HEX NUT # 6-32
15	(1)	B WH01-0179	HARNESS - 5P M12 M 90DEG/4P PKD SHR30FT
16	8	545-52K23	SHRINK TUBE, READY PRINT .375 IN YEL
17	8	545-52K25	SHRINK TUBE SLEEVE, UV PROT .375 DIA CLR
18	1	515-54H31	TERMINATOR - M12 MALE, 90 DEG
19	(2)	500-54H20	SENSOR - CONTACTLESS ENCODER CAN-OPEN
20	1	520-54W95	CABLE - 90 DEG M/90 DEG FEM X 6M
21	1	520-54E20	CABLE - SPLITTER 90DEG M12 MALE/2 CONN
22	1	B WH03-0160	WIRE HARNESS, G BOX J15 ACC CAN
23	(1)	500-51L33	PULSE PICKUP - QUAD, SERIES L
24	(1)	C 910920-011	CAN SENSOR JUNCTION PLATE PAVERS
25	(1)	B WH01-0177	HARN-M M12 90DEG/6P F MINI DEUTSCH X30FT
26	(1)	500-54E60	PULSE PICKUP - H1

NOTE: PUT KEYWAY TOWARDS THE TOP WHEN MOUNTING THE CABLES ITEM #8. AS SHOWN.



NOTE:  
MAKE FLAG LABELS  
FOR ITEM #21:  
#1 LABEL "LT PIVOT"  
#2 LABEL "RT PIVOT"

LT PIVOT

RT PIVOT

1

2

21

13

FWD

REV

1

2

UP GRADE

DOWN GRADE

1

2

3

LEFT STEER

RIGHT STEER

3

4

NOTE:  
MAKE FLAG LABELS FOR ITEM #4:  
#1 LABEL "UP"  
#2 LABEL "DN"  
#3 LABEL "LT"  
#4 LABEL "RT"

1

2

3

4

NOTE:  
TO TRACK MOTOR  
PRESSURE TRANSDUCERS

13

1

2

3

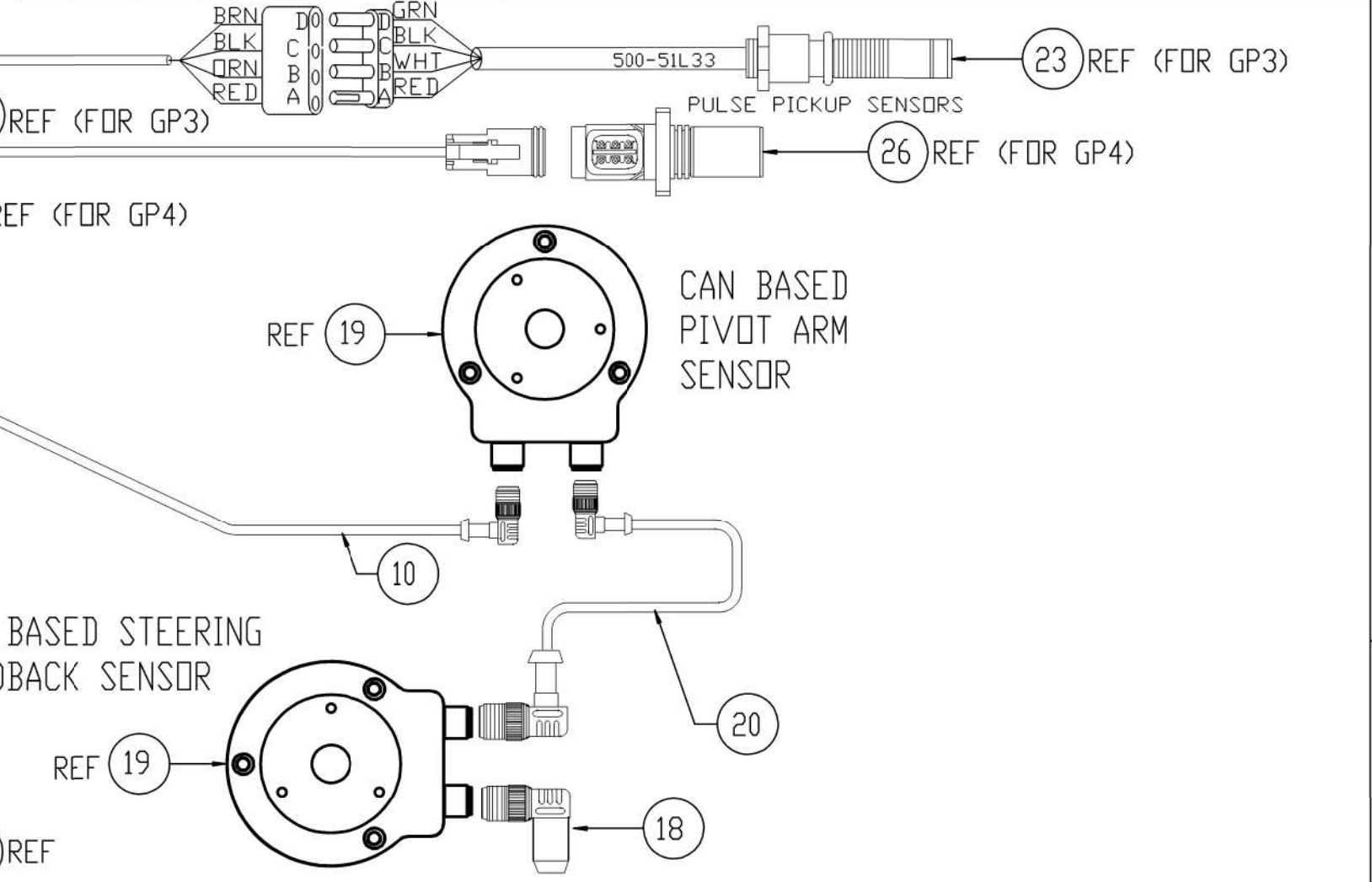
4

NOTE:  
J1, J2, J3, J4, J7, J9, J12, J14  
ARE SPARES

NOTE:  
CAP ALL  
OPEN PORTS

NOTE:  
CAP ALL  
OPEN PORTS

NOTE:  
1. #1 BHD IS NEXT TO THIS 45 DEGREE  
NOTCH.  
2. PLUGS INTO THE SLAVES ALL CORNERS.  
SEE SLAVE DRAWINGS.



REV BY : JGD	REV DATE : 5/29/19	REV : J	THIS DRAWING DESCRIBES A PROPRIETARY PRODUCT OF GOMACO CORPORATION AND MAY NOT BE REPRODUCED OR GIVEN TO A THIRD PARTY WITHOUT WRITTEN PERMISSION FROM GOMACO CORPORATION
DWN BY : PFR	SCALE : NTS		
CHKR : AJL	DATE : 11/17/2014		
DSGN BY : PFR	3RD ANGLE PROJECTION		
ALL TOLERANCES PER GOMACO GS2			

912620-007

RH FRONT SLAVE ASSY., GO-PAVE

C	912620-007	SHT. 1
---	------------	--------

D  
C  
B  
A  
GOMACO Corporation - Ida Grove, IA  
EIEC Page: 2

NOTE: PUT KEYWAY TOWARDS THE TOP WHEN MOUNTING THE CABLES ITEM #8. AS SHOWN.

MATERIAL LIST

ITEM	QTY	PART NUMBER	DESCRIPTION
		C 912620-006	LH FRONT SLAVE ASSY., GO-PAVE
1	1	515-54F01	SLAVE ID #1 - 5 PIN 90DEG M M12, YELLOW
2	1	520-53M09	CA - SENSOR COIL CORD, 20FT M-FEM M12
3	1	520-54E91	SPLITTER - 5 PIN 90 DEG MALE M12/(2) F 6 PIN BHD
4	1	520-54E19	CABLE - SPLITTER 90DEG M12 MALE/4 CONN
5			
6	1	B 912420-010	E-STOP ASSY.
7	1	500-54E53	JUNCTION BOX - SLAVE 6.30 X 9.45 X 3.59
8	1	520-54E80	CABLE - 5P 90 DEG M M12/BHD F M12 X 1M
9	1	695-54E77	DECAL - SLAVE BOX, PAVER 4 TRACK
10	1	520-54V08	CABLE - 5P 90DEG M M12/FEM X 2M CAN
11	2	515-54A15	CAP - DUST, SIZE 14, 1/4 TURN
12	8	405-30D73	SLTD RDH MACH SCR # 6-32X .500
13	1	C WH03-0183	HARNESS - TRACK PRESSURE FWD/RVS
14	8	415-30B49	HEX NUT # 6-32
15	(1)	B WH01-0179	HARNESS - 5P M12 M 90DEG/4P PKD SHR30FT
16	8	545-52K23	SHRINK TUBE, READY PRINT .375 IN YEL
17	8	545-52K25	SHRINK TUBE SLEEVE, UV PROT .375 DIA CLR
18	1	515-54H31	TERMINATOR - M12 MALE, 90 DEG
19	(2)	500-54H20	SENSOR - CONTACTLESS ENCODER CAN-OPEN
20	1	520-54W95	CABLE - 90 DEG M/90 DEG FEM X 6M
21	1	520-54E20	CABLE - SPLITTER 90DEG M12 MALE/2 CONN
22	1	B WH03-0160	WIRE HARNESS, G BOX J15 ACC CAN
23	(1)	500-51L33	PULSE PICKUP - QUAD, SERIES L
24	(1)	C 910920-011	CAN SENSOR JUNCTION PLATE PAVERS
25	(1)	B WH01-0177	HARN-M M12 90DEG/6P F MINI DEUTSCH X30FT
26	(1)	500-54E60	PULSE PICKUP - H1

NOTE: MAKE FLAG LABELS FOR ITEM #21:  
#1 LABEL 'LT PIVOT'  
#2 LABEL 'RT PIVOT'

NOTE: J1, J2, J3, J4, J7, J9, J12, J13, J14 ARE SPARES

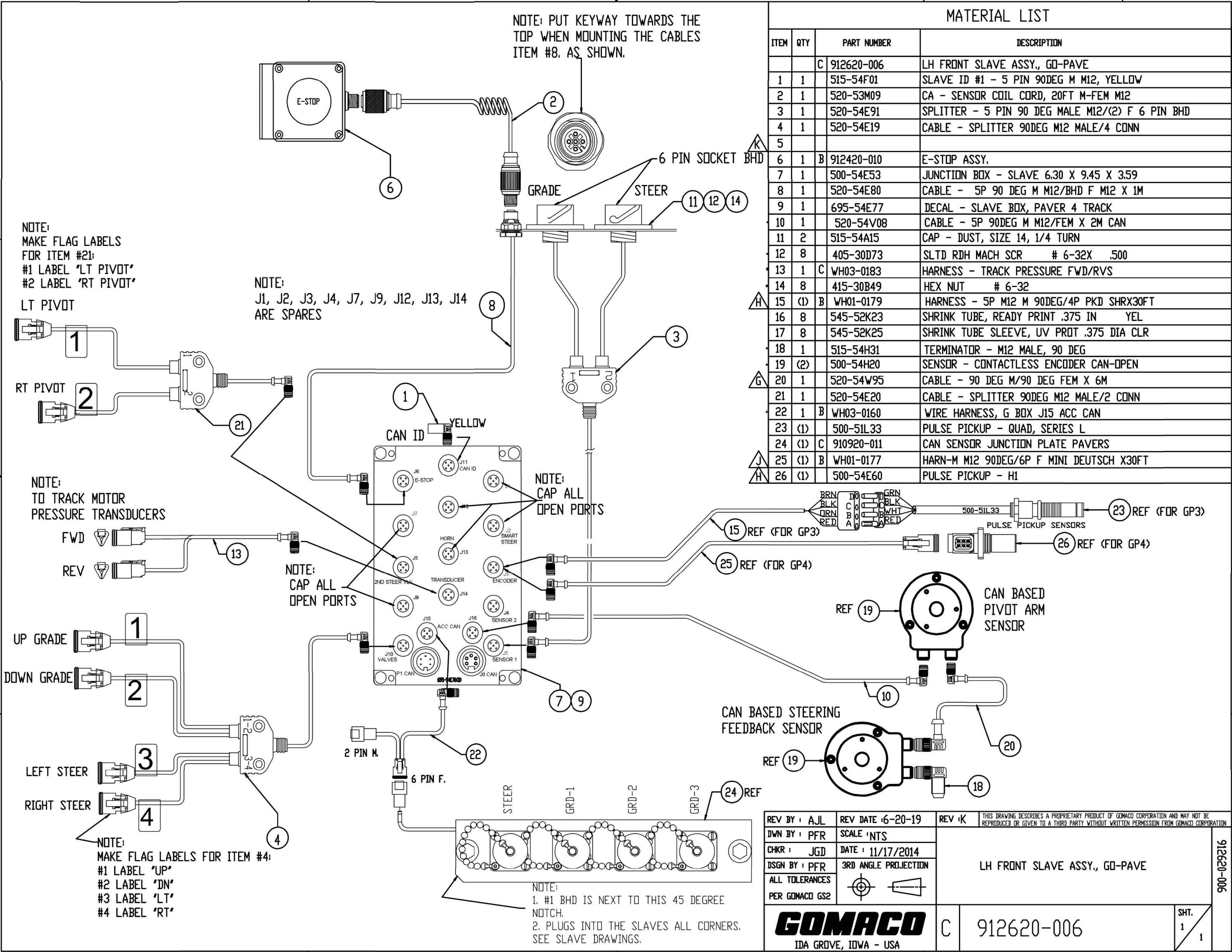
NOTE: TO TRACK MOTOR PRESSURE TRANSDUCERS  
FWD  
REV

NOTE: CAP ALL OPEN PORTS

NOTE: CAP ALL OPEN PORTS

NOTE: MAKE FLAG LABELS FOR ITEM #4:  
#1 LABEL 'UP'  
#2 LABEL 'DN'  
#3 LABEL 'LT'  
#4 LABEL 'RT'

NOTE:  
1. #1 BHD IS NEXT TO THIS 45 DEGREE NOTCH.  
2. PLUGS INTO THE SLAVES ALL CORNERS. SEE SLAVE DRAWINGS.



REV BY: AJL	REV DATE: 6-20-19	REV: K	THIS DRAWING DESCRIBES A PROPRIETARY PRODUCT OF GOMACO CORPORATION AND MAY NOT BE REPRODUCED OR GIVEN TO A THIRD PARTY WITHOUT WRITTEN PERMISSION FROM GOMACO CORPORATION.
DWN BY: PFR	SCALE: NTS		
CHKR: JGD	DATE: 11/17/2014		
DSGN BY: PFR	3RD ANGLE PROJECTION		
ALL TOLERANCES PER GOMACO GS2			
<b>GOMACO</b> IDA GROVE, IOWA - USA			
C 912620-006		SHT. 1 / 1	912620-006



### MATERIAL LIST

ITEM	QTY	PART NUMBER	DESCRIPTION
		C 912620-010	RH REAR SLAVE ASSY., GO-PAVE
1	1	515-54F04	SLAVE ID #2 - 5 PIN 90DEG M M12, RED
2	1	520-53M09	CA - SENSOR COIL CORD, 20FT M-FEM M12
3	1	520-54E91	SPLITTER - 5 PIN 90 DEG MALE M12/(2) F 6 PIN BHD
4	1	520-54E19	CABLE - SPLITTER 90DEG M12 MALE/4 CONN
5			
6	1	B 912420-010	E-STOP ASSY.
7	1	500-54E53	JUNCTION BOX - SLAVE 6.30 X 9.45 X 3.59
8	1	520-54E80	CABLE - 5P 90 DEG M M12/BHD F M12 X 1M
9	1	695-54E77	DECAL - SLAVE BOX, PAVER 4 TRACK
10	8	415-30B49	HEX NUT # 6-32
11	2	515-54A15	CAP - DUST, SIZE 14, 1/4 TURN
12	8	405-30D73	SLTD RDH MACH SCR # 6-32X .500
13	1	520-54V08	CABLE - 5P 90DEG M M12/FEM X 2M CAN
14	1	515-54H31	TERMINATOR - M12 MALE, 90 DEG
15	1	WH03-0183	HARNESS - TRACK PRESSURE FWD/RVS
16	8	545-52K23	SHRINK TUBE, READY PRINT .375 IN YEL
17	8	545-52K25	SHRINK TUBE SLEEVE, UV PROT .375 DIA CLR
18	1	520-54W95	CABLE - 90 DEG M/90 DEG FEM X 6M
19	(2)	500-54H20	SENSOR - CONTACTLESS ENCODER CAN-OPEN
20	(1)	WH01-0179	HARNESS - 5P M12 M 90DEG/4P PKD SHR30FT
21	1	520-54E20	CABLE - SPLITTER 90DEG M12 MALE/2 CONN
22	(1)	500-51L33	PULSE PICKUP - QUAD, SERIES L
23	1	WH03-0160	WIRE HARNESS, G BOX J15 ACC CAN
24	(1)	910920-011	CAN SENSOR JUNCTION PLATE PAVERS
25	(1)	B WH01-0177	HARN-M M12 90DEG/6P F MINI DEUTSCH X30FT
26	(1)	500-54E60	PULSE PICKUP - H1

NOTE: PUT KEYWAY TOWARDS THE TOP WHEN MOUNTING THE CABLES ITEM #8. AS SHOWN.

NOTE: MAKE FLAG LABELS FOR ITEM #21: #1 LABEL 'LT PIVOT' #2 LABEL 'RT PIVOT'

NOTE: J1, J2, J4, J7, J9, J12, J13, J14 ARE SPARES

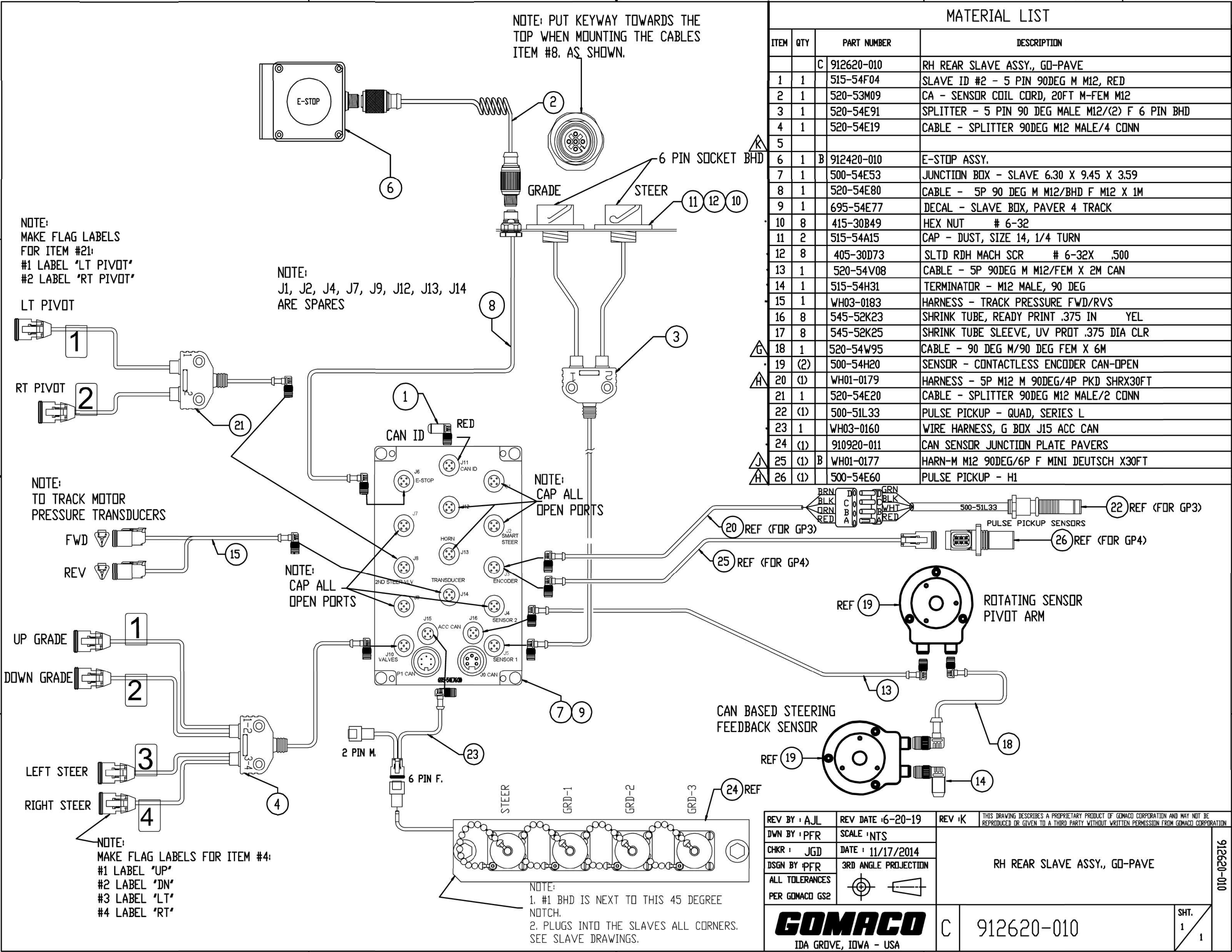
NOTE: TO TRACK MOTOR PRESSURE TRANSDUCERS

NOTE: CAP ALL OPEN PORTS

NOTE: CAP ALL OPEN PORTS

NOTE: MAKE FLAG LABELS FOR ITEM #4: #1 LABEL 'UP' #2 LABEL 'DN' #3 LABEL 'LT' #4 LABEL 'RT'

NOTE: 1. #1 BHD IS NEXT TO THIS 45 DEGREE NOTCH. 2. PLUGS INTO THE SLAVES ALL CORNERS. SEE SLAVE DRAWINGS.



REV BY: AJL	REV DATE: 6-20-19	REV: K	THIS DRAWING DESCRIBES A PROPRIETARY PRODUCT OF GOMACO CORPORATION AND MAY NOT BE REPRODUCED OR GIVEN TO A THIRD PARTY WITHOUT WRITTEN PERMISSION FROM GOMACO CORPORATION.
DWN BY: PFR	SCALE: NTS		
CHKR: JGD	DATE: 11/17/2014		
DSGN BY: PFR	3RD ANGLE PROJECTION		
ALL TOLERANCES PER GOMACO GS2			
<b>GOMACO</b> IDA GROVE, IOWA - USA			RH REAR SLAVE ASSY., GO-PAVE
			912620-010
			SHT. 1/1

### MATERIAL LIST

ITEM	QTY	PART NUMBER	DESCRIPTION
		C 912620-009	LH REAR SLAVE ASSY., GO-PAVE
1	1	515-54F02	SLAVE ID #2 - 5 PIN 90DEG M M12, GRAY
2	1	520-53M09	CA - SENSOR COIL CORD, 20FT M-FEM M12
3	1	520-54E91	SPLITTER - 5 PIN 90 DEG MALE M12/(2) F 6 PIN BHD
4	1	520-54E19	CABLE - SPLITTER 90DEG M12 MALE/4 CONN
5	1	B 912420-061	WIRING ASSY, HORN SWITCH
6	1	B 912420-010	E-STOP ASSY.
7	1	500-54E53	JUNCTION BOX - SLAVE 6.30 X 9.45 X 3.59
8	1	520-54E80	CABLE - 5P 90 DEG M M12/BHD F M12 X 1M
9	1	695-54E77	DECAL - SLAVE BOX, PAVER 4 TRACK
10	8	415-30B49	HEX NUT # 6-32
11	2	515-54A15	CAP - DUST, SIZE 14, 1/4 TURN
12	8	405-30D73	SLTD RDH MACH SCR # 6-32X .500
13	1	520-54V08	CABLE - 5P 90DEG M M12/FEM X 2M CAN
14	1	515-54H31	TERMINATOR - M12 MALE, 90 DEG
15	1	C WH03-0183	HARNESS - TRACK PRESSURE FWD/RVS
16	8	545-52K23	SHRINK TUBE, READY PRINT .375 IN YEL
17	8	545-52K25	SHRINK TUBE SLEEVE, UV PROT .375 DIA CLR
18	1	520-54W95	CABLE - 90 DEG M/90 DEG FEM X 6M
19	(2)	500-54H20	SENSOR - CONTACTLESS ENCODER CAN-OPEN
20	(1)	B WH01-0179	HARNESS - 5P M12 M 90DEG/4P PKD SHR30FT
21	1	520-54E20	CABLE - SPLITTER 90DEG M12 MALE/2 CONN
22	(1)	500-51L33	PULSE PICKUP - QUAD, SERIES L
23	1	B WH03-0160	WIRE HARNESS, G BOX J15 ACC CAN
24	(1)	C 910920-011	CAN SENSOR JUNCTION PLATE PAVERS
25	(1)	B WH01-0177	HARN-M M12 90DEG/6P F MINI DEUTSCH X30FT
26	(1)	500-54E60	PULSE PICKUP - H1

NOTE: PUT KEYWAY TOWARDS THE TOP WHEN MOUNTING THE CABLES ITEM #8. AS SHOWN.

NOTE: J1, J2, J4, J7, J9, J12, J14 ARE SPARES

NOTE: MAKE FLAG LABELS FOR ITEM #21: #1 LABEL "LT PIVOT" #2 LABEL "RT PIVOT"

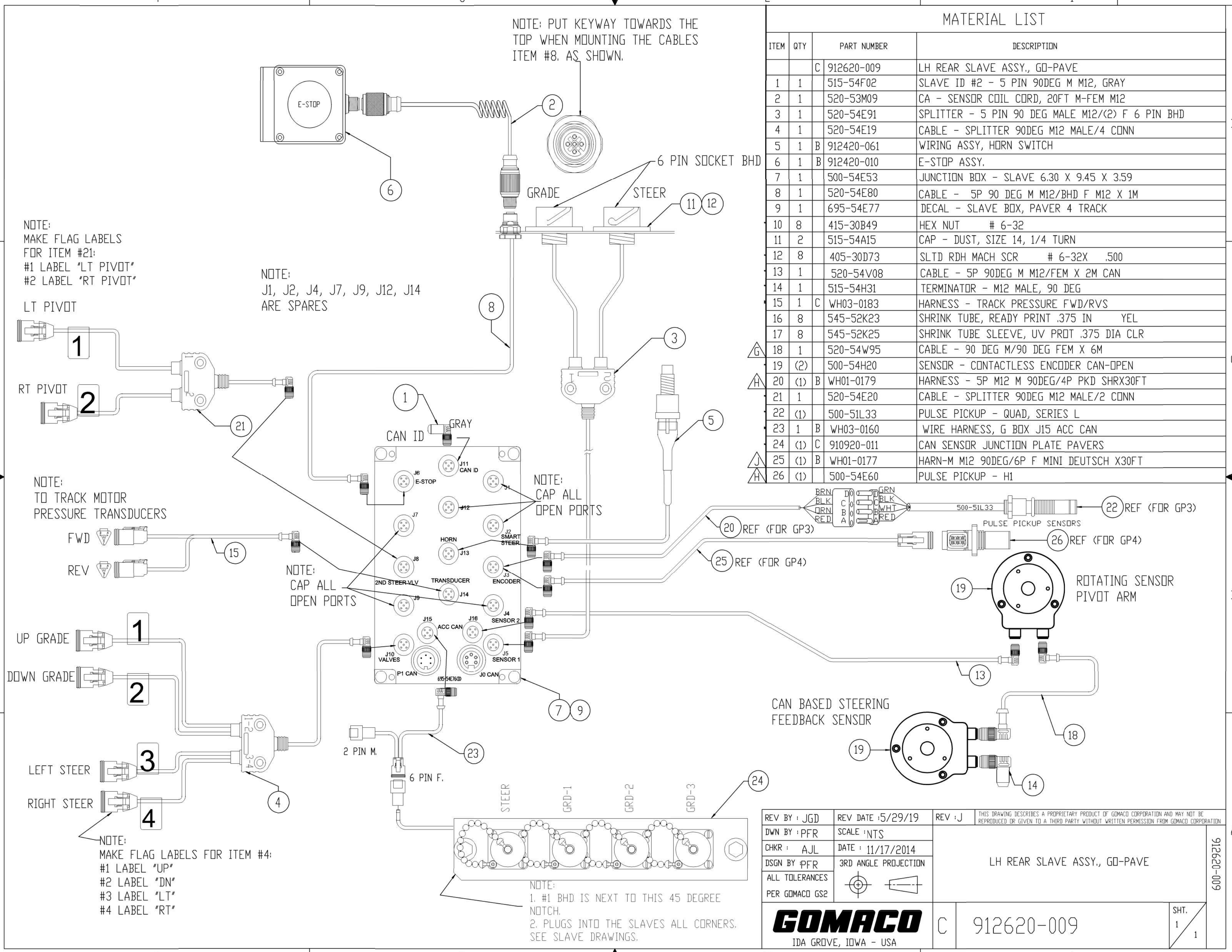
NOTE: TO TRACK MOTOR PRESSURE TRANSDUCERS

NOTE: CAP ALL OPEN PORTS

NOTE: CAP ALL OPEN PORTS

NOTE: MAKE FLAG LABELS FOR ITEM #4: #1 LABEL "UP" #2 LABEL "DN" #3 LABEL "LT" #4 LABEL "RT"

NOTE: 1. #1 BHD IS NEXT TO THIS 45DEGREE NOTCH. 2. PLUGS INTO THE SLAVES ALL CORNERS. SEE SLAVE DRAWINGS.

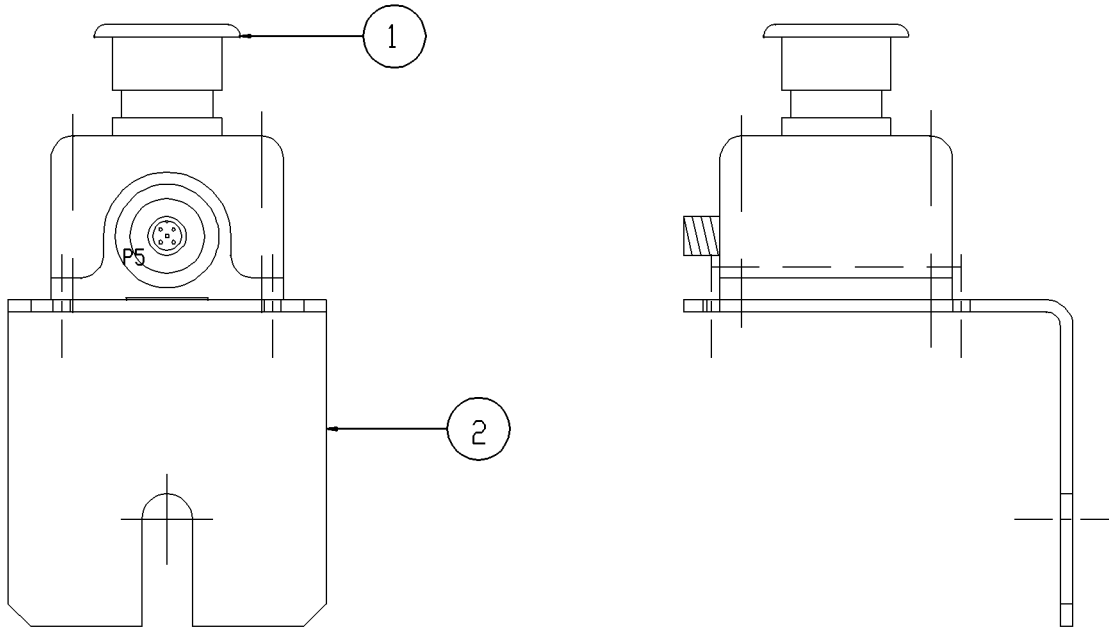
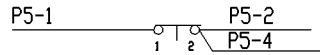


REV BY : JGD	REV DATE : 5/29/19	REV : J	THIS DRAWING DESCRIBES A PROPRIETARY PRODUCT OF GOMACO CORPORATION AND MAY NOT BE REPRODUCED OR GIVEN TO A THIRD PARTY WITHOUT WRITTEN PERMISSION FROM GOMACO CORPORATION.
DWN BY : PFR	SCALE : NTS	LH REAR SLAVE ASSY., GO-PAVE	
CHKR : AJL	DATE : 11/17/2014		
DSGN BY : PFR	3RD ANGLE PROJECTION		
ALL TOLERANCES PER GOMACO GS2		912620-009	
<b>GOMACO</b> IDA GROVE, IOWA - USA			
C		912620-009	SHT. 1/1

# MATERIAL LIST

ITEM	QTY	PART NUMBER	DESCRIPTION
		A 912420-010	E-STOP ASSY. W/4 PIN M EURO CONN.
1	1	A 530-53H81	SWITCH - E-STOP BOX ASSY W/4 PIN M EURO
2	1	B 9810-06525	MOUNT, E-STOP
3			
4			

## WIRE CONNECTION IN E-STOP BOX



REV BY :PFR	REV DATE : 5-17-10	REV :A	THIS DRAWING DESCRIBES A PROPRIETARY PRODUCT OF GOMACO CORPORATION AND MAY NOT BE REPRODUCED OR GIVEN TO A THIRD PARTY WITHOUT WRITTEN PERMISSION FROM GOMACO CORPORATION	912420-010
DWN BY :PFR	SCALE :.50=1	E-STOP ASSY. W/4 PIN M EURO CONN.		
CHKR : SBJ	DATE : 5-17-10			
DSGN BY : PFR	3RD ANGLE PROJECTION			
ALL TOLERANCES PER GOMACO GS2				
<b>GOMACO</b> IDA GROVE, IOWA - USA		A	912420-010	SHT. 1 1

11/23/2020

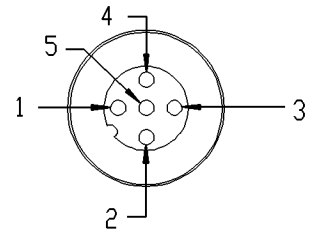
GOMACO Corporation - Ida Grove, IA

ELEC Page: 6

2

1

MALE END VIEW

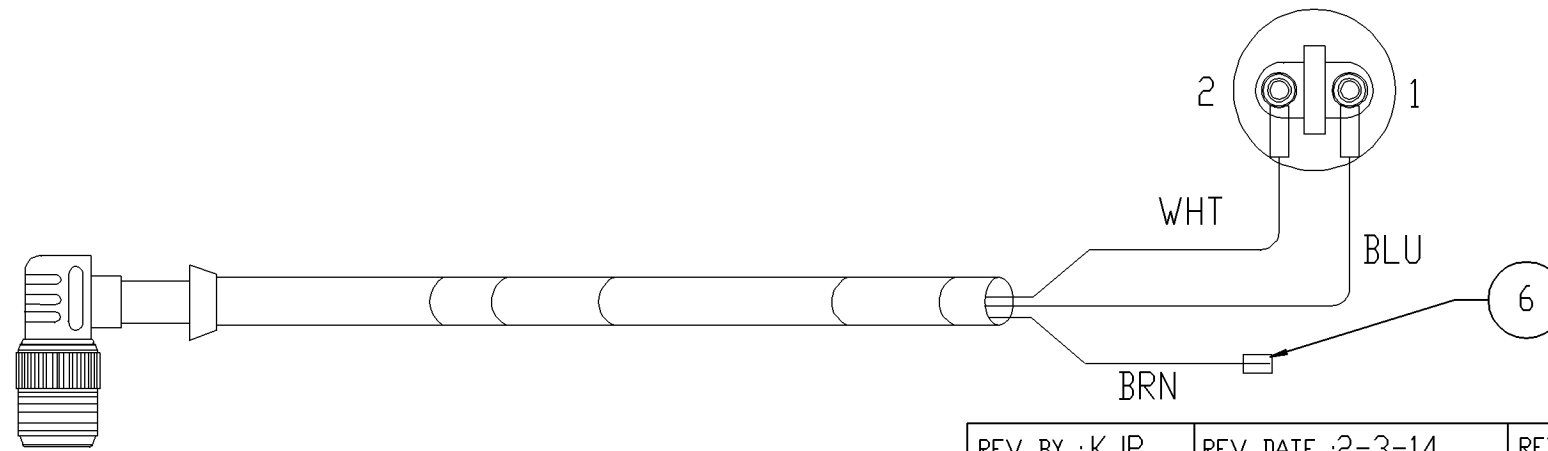
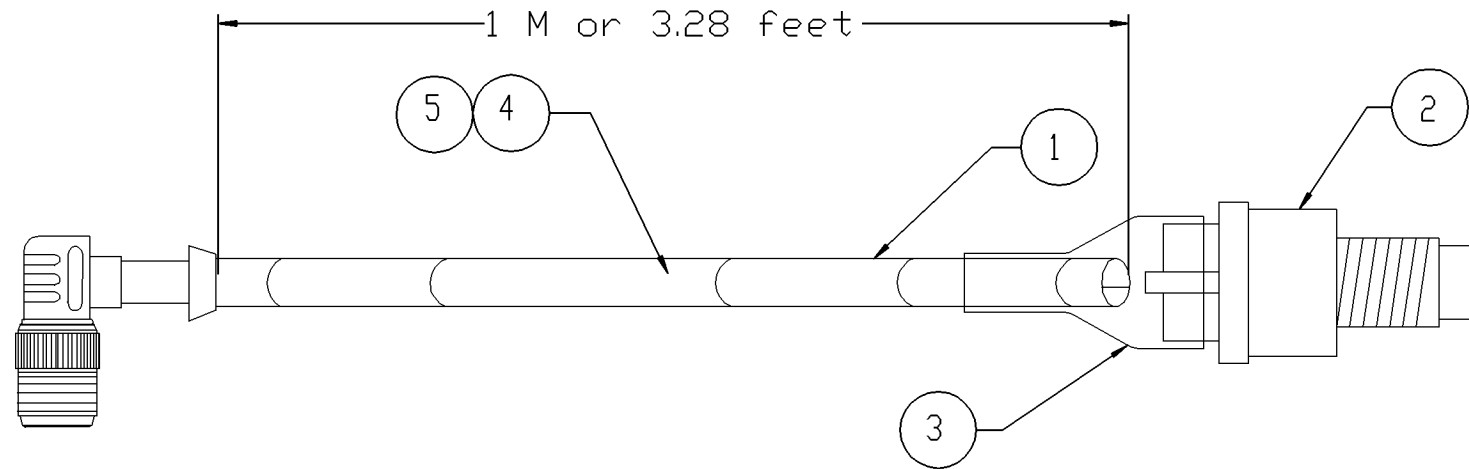


- 1 = BROWN
- 2 = WHITE
- 3 = BLUE
- 4 = BLACK
- 5 = GREY

MISCELLANEOUS WIRES			
90 DEG		SWITCH	
PIN	WIRE COLOR	TERMINAL	PIN
1	BROWN	HT SHRINK	-
2	WHITE	-	2
3	BLUE	-	1
4	BLACK	CUT	-
5	GREY	CUT	-

MATERIAL LIST

ITEM	QTY	PART NUMBER	DESCRIPTION
		B 912420-061	WIRING ASSY., HORN SWITCH
1	1	520-54F12	CABLE - 5P (PVC) M12 90DEG M/WIRES X 1M
2	1	530-15A61	SWITCH - KILL
3	1	545-52H99	HT SHRINK TBG - .94 IN X 4FT DUAL W ADH X 3 IN.
4	1	545-52K23	SHRINK TUBE, READY PRINT .375 IN YEL
5	1	545-52K25	SHRINK TUBE SLEEVE, UV PROT .375 DIA CLR
6	1	545-45Z07	HEAT SHRINK TUBE - .188IN X 0.5 IN.



NOTE:  
 BEND THE #10 RINGS  
 SUCH THAT THE CABLE  
 WILL COME STRAIGHT  
 OUT FROM THE BACK OF  
 THE SWITCH TO PUT  
 SHRINK TUBE ON THE BACK.

REV BY :KJP	REV DATE :2-3-14	REV :A	THIS DRAWING DESCRIBES A PROPRIETARY PRODUCT OF GOMACO CORPORATION AND MAY NOT BE REPRODUCED OR GIVEN TO A THIRD PARTY WITHOUT WRITTEN PERMISSION FROM GOMACO CORPORATION
DWN BY :KJP	SCALE :NTS	WIRING ASSY., HORN SWITCH	
CHKR : PFR	DATE : 2-3-14		
DSGN BY :PFR	3RD ANGLE PROJECTION		
ALL TOLERANCES PER GOMACO GS2			
<b>GOMACO</b> IDA GROVE, IOWA - USA		B	912420-061
			SHT. 1/1

912420-061

2

1

11/23/2020

GOMACO Corporation - Ida Grove, IA

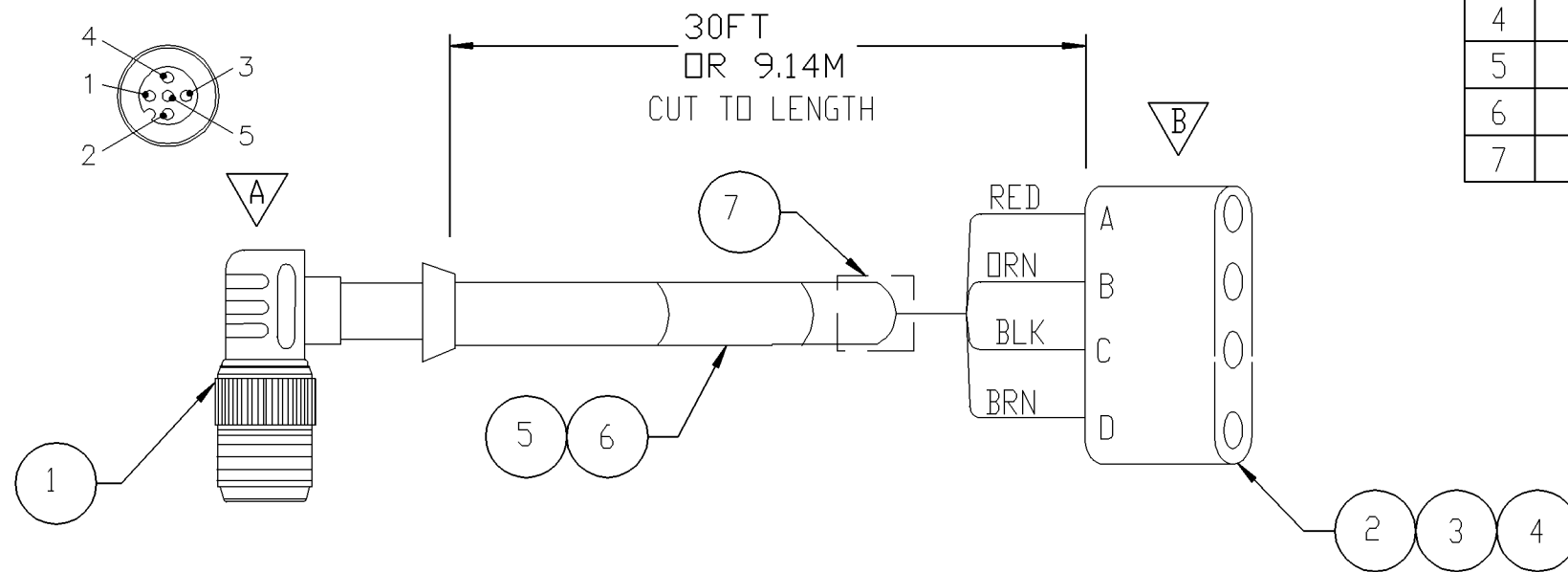
ELEC Page: 7

2

1

MATERIAL LIST

ITEM	QTY	PART NUMBER	DESCRIPTION
	1	B	WH01-0179
	1		5 PIN M12 M.90 DEG/4 P PKD SHROUD X 30FT
1	1		520-54F20
	1		CABLE - 5 PIN MALE M12/WIRES X 12M
2	1		515-46C11
	1		4 PIN PACKARD SHROUD
3	4		515-46F36
	4		PIN - TERMINAL MALE
4	4		515-48K38
	4		PIN SEAL - GREEN
5	1		545-46F77
	1		WHITE VINYL TAPE X 1.5 IN.
6	1		545-45Z08
	1		3/8 CLEAR SHRINK WRAP X 1.5 IN.
7	1		545-54D94
	1		HEAT SHRINK TUBE - .38 IN X 4.00 FT BLK X 1.5 IN.



ASSEMBLY NOTES

LABEL - "SPEED SENSOR"			
△A	COLOR	TERMINAL	△B
1	RED	STRIP ONLY	A
2	ORANGE	STRIP ONLY	B
3	BLACK	STRIP ONLY	C
4	BROWN	STRIP ONLY	D
5	SHIELD	CUT	

REV BY : KJP	REV DATE : 2-5-14	REV : B	THIS DRAWING DESCRIBES A PROPRIETARY PRODUCT OF GOMACO CORPORATION AND MAY NOT BE REPRODUCED OR GIVEN TO A THIRD PARTY WITHOUT WRITTEN PERMISSION FROM GOMACO CORPORATION
DWN BY : PFR	SCALE : NTS		
CHKR : PFR	DATE : 1-03-14		
DSGN BY : PFR	3RD ANGLE PROJECTION		
ALL TOLERANCES PER GOMACO GS2			
<b>GOMACO</b> IDA GROVE, IOWA - USA			
B	WH01-0179		
			SHT. 1/1

2

1

B  
11/23/2020

GOMACO Corporation - Ida Grove, IA

ELEC Page: 8

B

A

WH01-0179

2

1

MATERIAL LIST

MATERIAL LIST

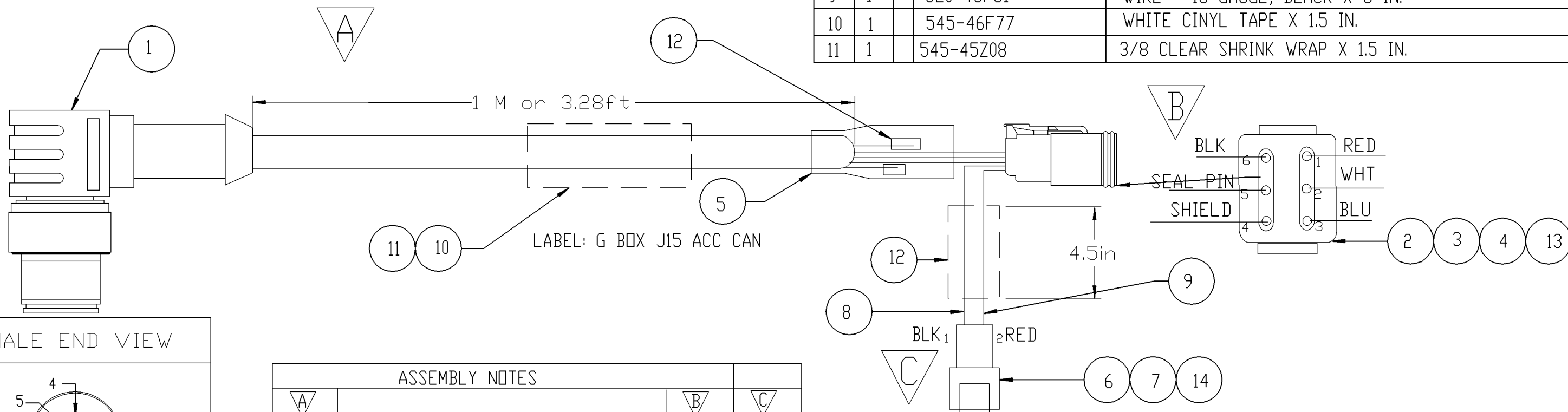
ITEM	QTY	PART NUMBER	DESCRIPTION
12	1	545-45J97	HEAT SHRINK TUBE - .125 IN BLK x 7 IN.
13	1	515-48F70	CONNECTOR - #16/12 SEALING PLUG
14	2	515-48F68	CONNECTOR - #16 PIN CONTACT
15			
16			

ITEM	QTY	PART NUMBER	DESCRIPTION
		B WH03-0160	WIRE HARNESS, G BOX J15 ACC CAN
1	1	520-54D09	CABLE - 5 P M M12 RT ANGLE - WIRES X 1M
2	1	515-51F21	PLUG - CONNECTOR 6 PIN SOCKET
3	1	515-51F22	WEDGE - LOCKING 6 PIN PLUG
4	5	515-48F69	CONNECTOR - #16 SOCKET CONTACT
5	1	545-54D94	HEAT SHRINK TUBE - .38 IN X 4.00 FT BLK 1.5 IN.
6	1	515-52W62	RECEPTACLE - CONNECTOR 2 PIN, PINS
7	1	515-52W63	WEDGE - LOCKING 2 PIN RECEPTACLE
8	1	520-48F80	WIRE - 18 GAUGE, RED X 6 IN.
9	1	520-48F81	WIRE - 18 GAUGE, BLACK X 6 IN.
10	1	545-46F77	WHITE CINYL TAPE X 1.5 IN.
11	1	545-45Z08	3/8 CLEAR SHRINK WRAP X 1.5 IN.

11/23/2020

GOMACO Corporation - Ida Grove, IA

ELEC Page: 9



ASSEMBLY NOTES					
A				B	C
PIN	WIRE COLOR	LENGTH	TERMINAL	PIN	PIN
1	SHIELD	39.3"	HT SHRNK	4	
2	RED	39.3"	HT SHRNK	CUT	
3	BLACK	39.3"	HT SHRNK	CUT	
4	WHITE	39.3"	STRIP ONLY	2	
5	BLUE	39.3"	STRIP ONLY	3	
	RED	6"	STRIP ONLY	1	2
	BLACK	6"	STRIP ONLY	6	1
	NC		SEAL PIN	5	

REV BY : PFR	REV DATE : 1-02-14	REV : B	THIS DRAWING DESCRIBES A PROPRIETARY PRODUCT OF GOMACO CORPORATION AND MAY NOT BE REPRODUCED OR GIVEN TO A THIRD PARTY WITHOUT WRITTEN PERMISSION FROM GOMACO CORPORATION
DWN BY : KJP	SCALE : NTS	WIRE HARNESS, G BOX J15 ACC CAN	
CHKR : SBJ	DATE : 12-19-13		
DSGN BY : KJP	3RD ANGLE PROJECTION		
ALL TOLERANCES PER GOMACO GS2		WH03-0160	
<b>GOMACO</b> IDA GROVE, IOWA - USA			
B WH03-0160		SHT. 1	1

2

1

MATERIAL LIST

ITEM	QTY	PART NUMBER	DESCRIPTION
	1	C WH03-0183	HARNESS - TRACK PRESSURE FWD/RVS
1	1	520-54M67	CABLE - 5 PIN MALE M12 X 3M
2	2	515-50H42	PLUG - CONNECTOR 3 PIN SOCKET
3	2	515-50H43	WEDGE - LOCKING 3 PIN PLUG
4	6	515-48F69	CONNECTOR - #16 SOCKET CONTACT
5	2	545-46F77	WHITE VINYL TAPE X 1.5 IN.
6	2	545-45Z08	3/8 CLEAR SHRINK WRAP X 1.5 IN.
7	1	545-54D94	HEAT SHRINK TUBE - .38 IN X 4.00 FT BLK X 1.5IN.
8	2	515-54B73	BOOT - 3 PIN DEUTSCH PLUG
9	1	SWM0-00120-SOST	18 GA BLACK X 12 IN. W/STRIP ONLY - STRIP & TIN
10	1	SWM2-00120-SOST	18 GA RED X 12 IN. W/STRIP ONLY - STRIP & TIN
11	2	545-45J97	HEAT SHRINK TUBE - .125 IN X .5 IN BLK
12	2	545-10D59	HEAT SHRINK TUBE - .250 IN X 11 IN CLR

ASSEMBLY NOTES

LABEL - "J14 PRESSURE TRANSDUCER"					FWD	RVS
ITEM	A	COLOR	TERMINAL	B	TERMINAL	C
1	1	RED	#16 SOCKET	A		
1	2	ORANGE			#16 SOCKET	B
1	3	BLACK	#16 SOCKET	C		
1	4	BROWN	#16 SOCKET	B		
1	5	SHIELD	CUT ONLY			
9		BLACK	SOLDER (SEE FIG #1)		#16 SOCKET	C
10		RED	SOLDER (SEE FIG #1)		#16 SOCKET	A

NOTE: ITEMS 9 & 10 SOLDERED AND SHRINK-WRAPPED AT "Y" CONNECTION PER FIGURE #1.

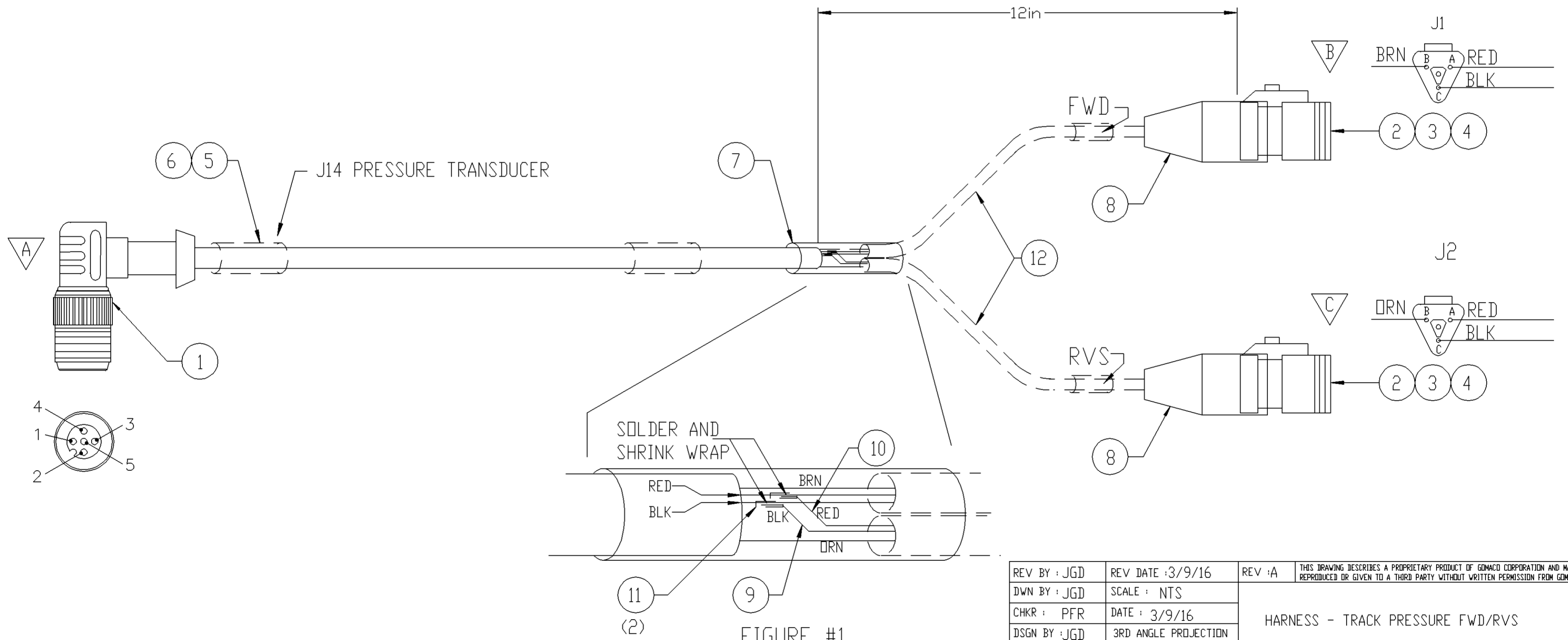


FIGURE #1

REV BY : JGD	REV DATE : 3/9/16	REV : A	THIS DRAWING DESCRIBES A PROPRIETARY PRODUCT OF GOMACO CORPORATION AND MAY NOT BE REPRODUCED OR GIVEN TO A THIRD PARTY WITHOUT WRITTEN PERMISSION FROM GOMACO CORPORATION
DWN BY : JGD	SCALE : NTS	HARNESS - TRACK PRESSURE FWD/RVS	
CHKR : PFR	DATE : 3/9/16		
DSGN BY : JGD	3RD ANGLE PROJECTION		
ALL TOLERANCES PER GOMACO GS2		WH03-0183	
<b>GOMACO</b> IDA GROVE, IOWA - USA			
C		WH03-0183	SHT. 1 / 1

4

3

2

1

### MATERIAL LIST

ITEM	QTY	PART NUMBER	DESCRIPTION
	1	C 912420-051	CONSOLE BOX BOTTOM ASSY, WIRE ROUTING
1	(1)	D 912413-029	CONSOLE DECK COVER ASSEMBLY
2	3	545-54D12	STANDOFF CLAMP MT - CABLE, 1.7IN X 11N
3	3	400-30A77	HEX HD CAP SCR .250-20X 1.000 GR5 YEL
4	3	415-30A04	HEX NUT .250-20 GR5 YEL
5	3	420-30A36	WASHER - LOCK .250 YEL
6	1	145-52F32	SLEEVE - 1.00 ID HOSE WRAP X 16 IN.
7	1	145-52F33	SLEEVE - 2.00 ID HOSE WRAP 30 IN.
8	1	145-52F34	SLEEVE - 3.00 ID HOSE WRAP X 60 IN.
9	10	515-10T77	CABLE TIE - 14.00 IN BLACK
			USE WHERE NEEDED
10			
11			
12			
13			
14			
15			
16			

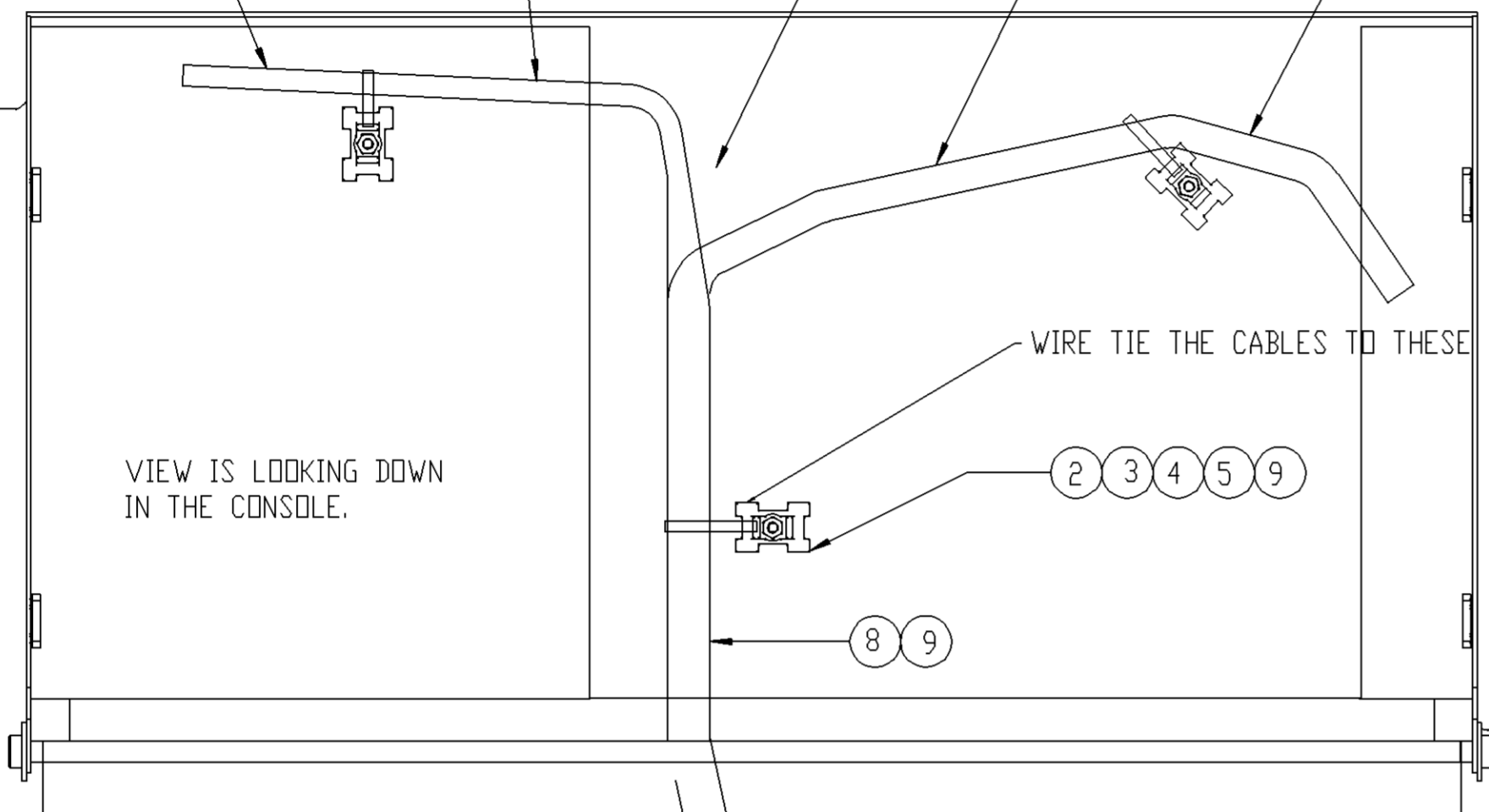
CABLES TO THE LEFT SIDE OF CONSOLE TO THE MASTER BOX & SWITCH PANEL

CAN CABLES EXITING OUT HERE TO GO TO THE CAN TEE BLOCK. THEY ARE NOT COVERED AT THIS JUNCTION.

CABLES TO THE POWER DISTRIBUTION BOX

9 6

7 9



VIEW IS LOOKING DOWN IN THE CONSOLE.

WIRE TIE THE CABLES TO THESE STANDOFFS

2 3 4 5 9

8 9

1

CABLES FROM MACHINE FRAME. COVER CABLES BACK TO THE FRAME.

REV BY : PFR	REV DATE : 8-08-13	REV : A	THIS DRAWING DESCRIBES A PROPRIETARY PRODUCT OF GOMACO CORPORATION AND MAY NOT BE REPRODUCED OR GIVEN TO A THIRD PARTY WITHOUT WRITTEN PERMISSION FROM GOMACO CORPORATION.
DWN BY : PFR	SCALE : .25=1	CONSOLE BOX BOTTOM ASSY, WIRE ROUTING	
CHKR : JGD	DATE : 8-08-13		
DSGN BY : PFR	3RD ANGLE PROJECTION		
ALL TOLERANCES PER GOMACO GS2			
<b>GOMACO</b>		C	912420-051
IDA GROVE, IQWA - USA			SHT. 1 / 1

4

3

2

1

11/23/2020  
GOMACO Corporation - Ida Grove, IA  
ELEC Page 11



MATERIAL LIST

ITEM	QTY	PART NUMBER	DESCRIPTION
14	1	B CA06N-0254-0055	CA 12 P F DEUTSCH/(4) 4 PIN F.DEUTSCH
			LABEL:(A) ITEM #14 CA06N-0254-0055, MASTER BOX #11, TRACK PROPEL PVG VLV
			(B) LT FNT TRACK PVG
			(C) LT RR TRACK PVG
			(D) RT FNT TRACK PVG
			(E) RT RR TRACK PVG
15	1	B CA04M-0236-0156	CA 5 PIN BHD/STRIP ONLY
			LABEL: ITEM #15 CA04M-0236-0156,PWR DIST BOX,AUTO FLOAT,DC
16	1	B WH03-0136	HARNESS - 2 PIN DEUTSCH TEE
			LABEL: ITEM #16 WH03-0136,1M_2F 2P DEUTSCH TEE
17	1	B CA02P-0520-0267	CA 2 PIN PKD TWR/2 PIN M DEUTSCH
			LABEL: ITEM #17 CA02P-0520-0267,PWR DIST HORN OUT,LH HORN,DC
18	1	B CA02P-0520-0267	CA 2 PIN PKD TWR/2 PIN M DEUTSCH
			LABEL: ITEM #18 CA02P-0520-0267,PWR DIST HORN OUT,RH HORN,DC
19	2	B CA02P-0024-0283	CA 5 PIN BHD/STRIP ONLY
			LABEL: ITEM #19 CA02P-0024-0283,12V PWR PLUGS,RT SIDE OF CONSOLE,DC
20	2	B CA02P-0090-0287	CA 5 PIN FEM BHD 1/4 TRN /STRIP ONLY
			LABEL: ITEM #20 CA02P-0090-0287,24V PWR PLUGS,LT SIDE OF CONSOLE,DC
21	1	520-53R29	CABLE - M12 5 P M/5 P FEM X 6M
			LABEL: ITEM #21 520-53R29 , MASTER BOX #6, LT FNT FRAME EXT CA X 6M
22	1	520-53R29	CABLE - M12 5 P M/5 P FEM X 6M
			LABEL: ITEM #22 520-53R29 , MASTER BOX #6, RT FNT FRAME EXT CA X 6M
23	1	520-54T23	CABLE - M12 5 P M/5 P FEM X 12M
			LABEL: ITEM #23 520-54T23 , MASTER BOX #6, LT RR FRAME EXT CA X 12M
24	1	520-54T23	CABLE - M12 5 P M/5 P FEM X 12M
			LABEL: ITEM #24 520-54T23 , MASTER BOX #6, RT RR FRAME EXT CA X 12M
25	2	B CA02P-0012-0100	CA PACKARD SHROUD/FQ CONN
			LABEL: ITEM #25 CA02P-0012-0100 CA PACKARD SHROUD/FQ CONN, HORN EXT.

NOTE:  
 1. THIS DRAWING IS NOW A PURCHASED ITEM.  
 2. IF NECESSARY GOMACO CAN USE THIS DRAWING TO MAKE CABLES HERE.

MATERIAL LIST

ITEM	QTY	PART NUMBER	DESCRIPTION
	1	C 912620-004	CABLE ASSY., FRAME GO-PAVE
1	1	B CA12M-0020-0080	CA 12 P F DEUTSCH/12 P F DEUTSCH
			LABEL: ITEM #1 CA12M-0020-0080, MASTER BOX #14, SWITCH PNL #6, DC
2	1	B CA12M-0020-0080	CA 12 P F DEUTSCH/12 P F DEUTSCH
			LABEL: ITEM #2 CA12M-0020-0080, MASTER BOX #13, SWITCH PNL #5, DC
3	1	B CA02M-0018-0010	CA 8 P F DEUTSCH/2 P F DEUTSCH
			LABEL: ITEM #3 CA02M-0018-0010, MASTER BOX #15, PNL HORN SWITCH,DC
4	2	A 550-54L59	CONNECTOR BOX - 8 BANK + (1) VALVE
5	1	A 550-54L61	CABLE - HOME RUN, 7 BANK VLV BOX 5M
			LABEL: ITEM #5 520-54L61, SWITCH PNL #2, LH SOLINOIDS,DC
			(USE WITH ITEM #4 550-54L59)
6	1	A 550-54L61	CABLE - HOME RUN, 7 BANK VLV BOX 5M
			LABEL: ITEM #6 520-54L61, SWITCH PNL #1, RH SOLINOIDS,DC
			(USE WITH ITEM #4 550-54L59)
7	1	B WH04-0104	MASTER BOX #6 FRAME EXT SIG
			LABEL:(A) ITEM #7 WH04-0104, MASTER BOX #6, LH & RH FRAME EXT
			(B) LT FNT FRAME EXT
			(C) LT RR FRAME EXT
			(D) RT FNT FRAME EXT
			(E) RT RR FRAME EXT
8	1	B WH03-0169	HARNESS-8 PIN F.DEUTSCH/VIB GO PAVE
			LABEL:(A) ITEM #8 WH03-0169, MASTER BOX #7, VIBRATORS
			(B) LT VIB
			(C) RT VIB
			(D) CT. VIB (E) AUX VIB
9			
10	1	B WH04-0103	MASTER BOX #8 CABLE
			LABEL:(A) ITEM #10 WH04-0103, MASTER BOX #8, DUMPS, FAN, TEMP
			(B) DUMP MANIFOLD
			(C) FAN
			(D) HYD TEMP
11	1	B CA02P-0024-0265	CA 2 PIN DEUTSCH M/#10 RINGS
			LABEL: FUEL SENDER
12	1	B WH04-0105	GO PAVE B9
			LABEL:(A) ITEM #12 WH04-0105, MASTER BOX #9, MISC OUTPUTS
			(B) BACK UP ALARM
			(C) 2-SPEED
			(D) TRACK BRAKE
			(E) FUEL SENDER
13	1	B CA06N-0176-0055	CA 12 P F DEUTSCH/(4) 4 PIN F.DEUTSCH
			LABEL:(A) ITEM #13 CA06N-0176-0055, MASTER BOX #10, GB AUGER, TAMP PVG VLV
			(B) LH GROUT BOX AUGER PVG
			(C) RH GROUT BOX AUGER PVG
			(D) LH TAMPER PVG
			(E) RH TAMPER PVG

REV BY: AJL	REV DATE: 6-24-19	REV: P	THIS DRAWING DESCRIBES A PROPRIETARY PRODUCT OF GOMACO CORPORATION AND MAY NOT BE REPRODUCED OR GIVEN TO A THIRD PARTY WITHOUT WRITTEN PERMISSION FROM GOMACO CORPORATION.
DWN BY: SBJ	SCALE: NTS		
CHKR: JGD	DATE: 11-13-14		
DSGN BY: PFR	3RD ANGLE PROJECTION		
ALL TOLERANCES PER GOMACO GS2			
<b>GOMACO</b> IDA GROVE, IOWA - USA			C 912620-004
			SHT. 1/2

11/23/2020 GOMACO Corporation - Ida Grove, IA ELEC Page 12



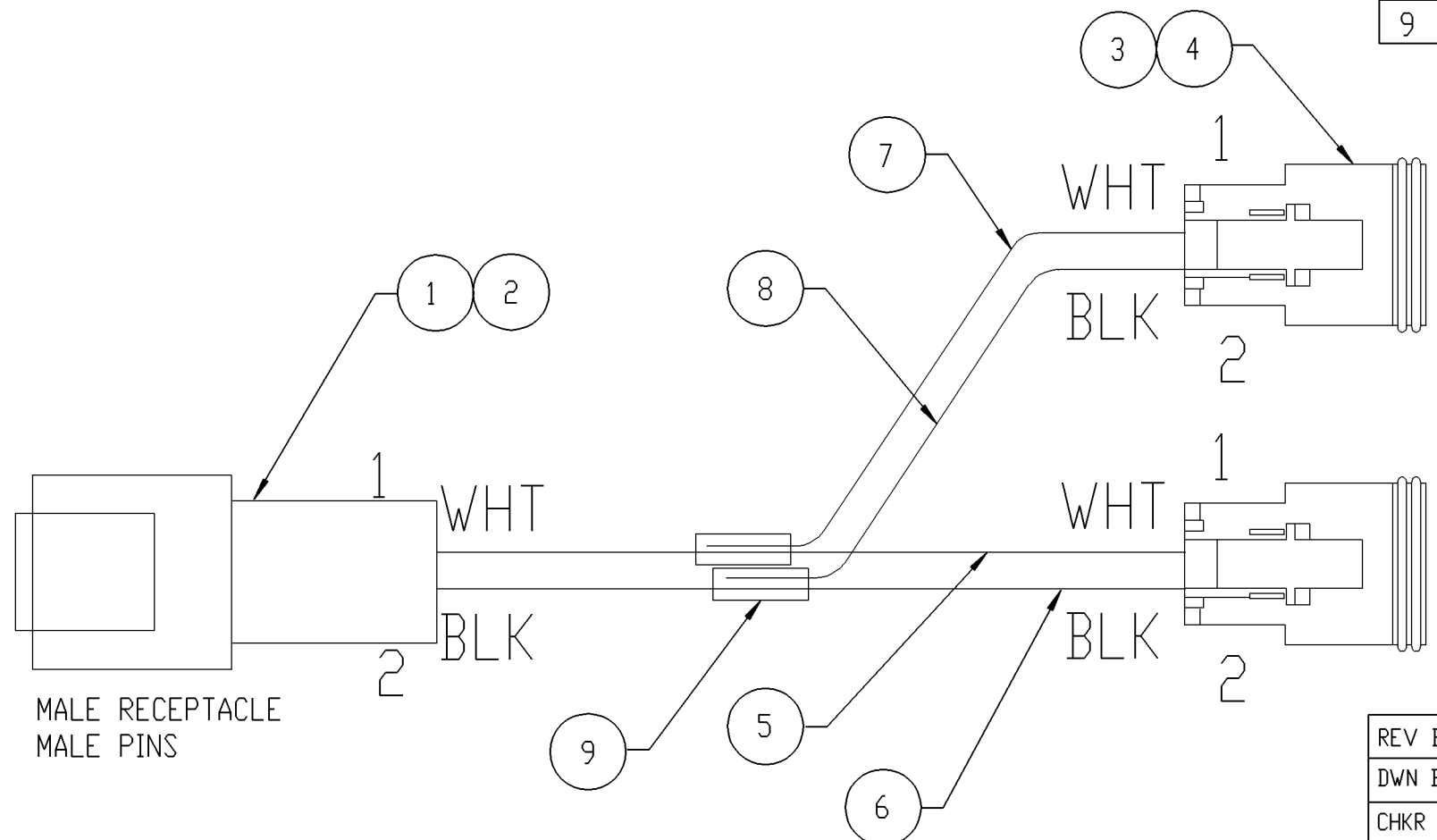
2

1

### IMPORTANT ASSEMBLY NOTE:

REMOVE .5 INCH COATING  
 IN MIDDLE OF ITEMS 5 & 6.  
 SOLDER ITEMS 7 & 8 AS  
 SHOWN. COVER SPLICE WITH  
 SHRINK TUBING (ITEM 9)

MATERIAL LIST			
ITEM	QTY	PART NUMBER	DESCRIPTION
		B WH03-0136	HARNESS, 2 PIN DEUTSCH TEE
1	1	515-52W62	RECEPTACLE - CONNECTOR 2 PIN, PINS
2	1	515-52W63	WEDGE - LOCKING 2 PIN RECEPTACLE
3	2	515-52D55	PLUG - CONNECTOR 2 PIN SOCKET
4	2	515-52D56	WEDGE - LOCKING 2 PIN SOCKET
5	1	SWM9-00050-CICJ	18GA. WHT X 5 IN. W/DEUTSCH M.PIN - DEUTSCH F.PIN
6	1	SWM0-00050-CICJ	18GA. BLK X 5 IN. W/DEUTSCH M.PIN - DEUTSCH F.PIN
7	1	SWM9-00050-CJST	18GA. WHT X 5 IN. W/DEUTSCH F.PIN - STRIP & TIN
8	1	SWM0-00050-CJST	18GA. BLK X 5 IN. W/DEUTSCH F.PIN - STRIP & TIN
9	2	545-45J97	HEAT SHRINK TUBE - .125 IN BLK X 1 IN.



MALE RECEPTACLE  
 MALE PINS

REV BY : SBJ	REV DATE : 2-3-12	REV : A	THIS DRAWING DESCRIBES A PROPRIETARY PRODUCT OF GOMACO CORPORATION AND MAY NOT BE REPRODUCED OR GIVEN TO A THIRD PARTY WITHOUT WRITTEN PERMISSION FROM GOMACO CORPORATION
DWN BY : SBJ	SCALE : NTS	HARNESS, 2 PIN DEUTSCH TEE	
CHKR : PFR	DATE : 2-3-12		
DSGN BY : SBJ	3RD ANGLE PROJECTION		
ALL TOLERANCES PER GOMACO GS2		WH03-0136	
<b>GOMACO</b> IDA GROVE, IOWA - USA			
B	WH03-0136	SHT. 1	1

2

1

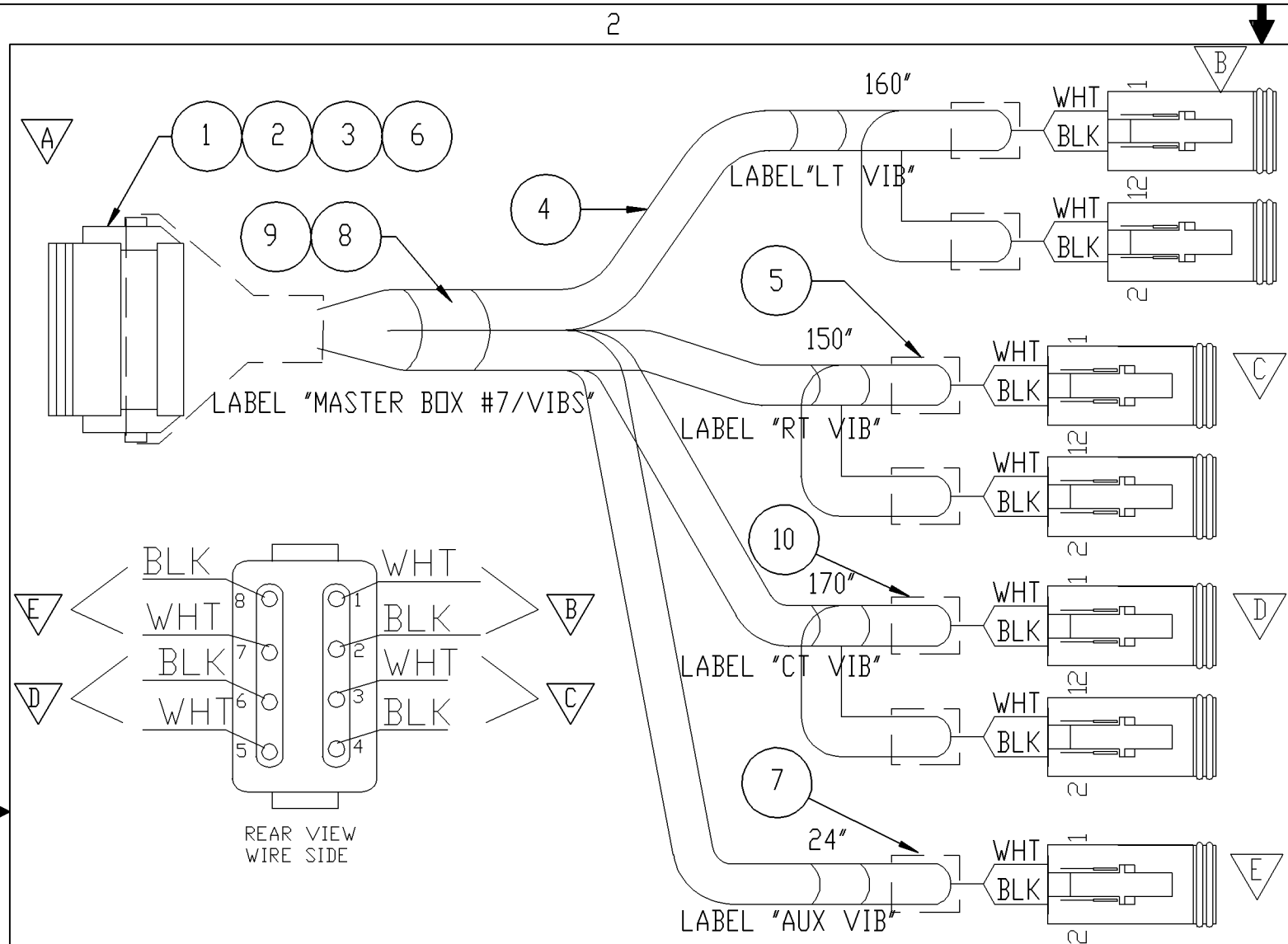
B  
11/23/2020

GOMACO Corporation - Ida Grove, IA

ELEC Page: 14

B

A



### MATERIAL LIST

ITEM	QTY	PART NUMBER	DESCRIPTION
		B WH03-0169	HARNESS - 8 P FEM DEUTSCH/VIBS GO-PAVE
1	1	515-54B65	PLUG - CONNECTOR 8 PIN SOCKET
2	1	515-54B66	WEDGE - LOCKING 8 PIN SOCKET
3	1	515-54B76	BOOT - 8 PIN DEUTSCH PLUG
4	1	B CA02M-0160-0015	CA (2) 2 PIN F. DEUTSCH/(2-#16) DEUTSCH F.PINS
5	1	B CA02M-0150-0015	CA (2) 2 PIN F. DEUTSCH/(2-#16) DEUTSCH F.PINS
6	1	515-48F70	CONNECTOR - #16/12 SEALING PLUG
7	1	B CA02M-0024-0011	CA 2 PIN F. DEUTSCH/(2-#16) DEUTSCH F.PINS
8	5	545-46F77	TAPE - VINYL .75 IN X 60.00 FT WHT X 2 IN.
9	5	545-45Z08	HEAT SHRINK TUBE - .375 IN CLR X 2 IN.
10	1	B CA02M-0170-0015	CA (2) 2 PIN F. DEUTSCH/(2-#16) DEUTSCH F.PINS
11			
12			

### ASSEMBLY NOTES

ITEM	PIN	LENGTH	WIRE COLOR	VIEW			
				A	B	C	E
4	1	160"	WHITE	1			
4	2	160"	BLACK	2			
5	3	150"	WHITE		1		
5	4	150"	BLACK		2		
10	5	170"	WHITE			1	
10	6	170"	BLACK			2	
7	7	24"	WHITE				1
7	8	24"	BLACK				2

REV BY : SBJ	REV DATE : 1/6/17	REV : C	THIS DRAWING DESCRIBES A PROPRIETARY PRODUCT OF GOMACO CORPORATION AND MAY NOT BE REPRODUCED OR GIVEN TO A THIRD PARTY WITHOUT WRITTEN PERMISSION FROM GOMACO CORPORATION
DWN BY : SBJ	SCALE : NTS	HARNESS - 8 P FEM DEUTSCH/VIBS GO-PAVE	
CHKR :	DATE : 7-18-13		
DSGN BY : PFR	3RD ANGLE PROJECTION		
ALL TOLERANCES PER GOMACO GS2		WH03-0169	
<b>GOMACO</b> IDA GROVE, IOWA - USA			
		B	WH03-0169
		SHT. 1/1	

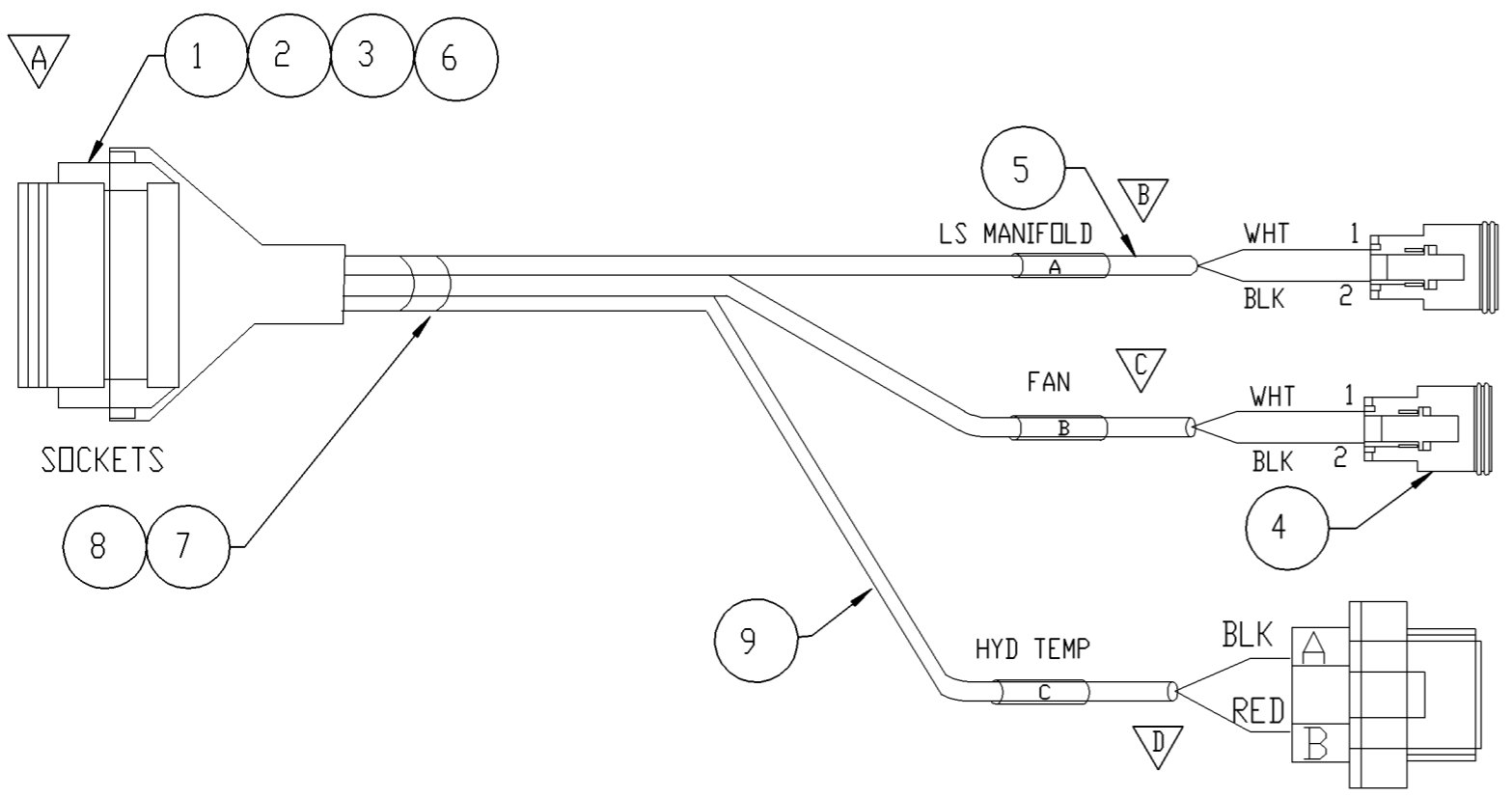
11/23/2020

GOMACO Corporation - Ida Grove, IA

ELEC Page: 15

### MATERIAL LIST

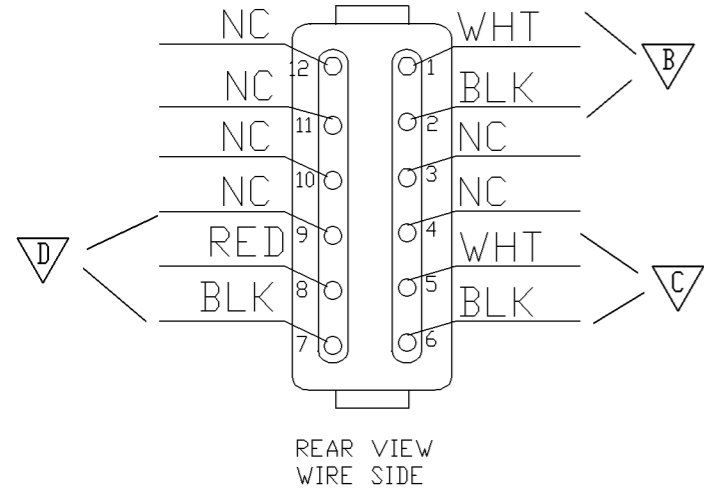
ITEM	QTY	PART NUMBER	DESCRIPTION
	1	B WH04-0103	MASTERBOX B8 CABLE
1	1	515-53A13	PLUG - CONNECTOR 12 PIN SOCKET
2	1	515-53A15	WEDGE - LOCKING 12 PIN PLUG
3	1	515-54B77	BOOT - 12 PIN DEUTSCH PLUG
4	1	CA02M-0066-0009	CA 2 P F DEUTSCH/(2 #16) DEUTSCH M P
5	1	CA02M-0024-0009	CA 2 P F DEUTSCH/(2 #16) DEUTSCH M P
6	6	515-48F70	CONNECTOR - #16/12 SEALING PLUG
7	5	545-46F77	TAPE - VINYL .75 IN X 60 FT WHT X 2 IN.
8	5	545-45Z08	HEAT SHRINK TUBE -.375 IN CLR X 2 IN.
9	1	B CA02L-0104-0086	CA 2 PIN MET-PK F/(2-#16) DEUTSCH M PINS
10			
11			
12			
13			



11/23/2020

GOMACO Corporation - Ida Grove, IA

ELEC Page: 16

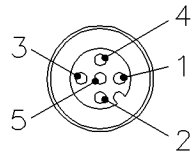
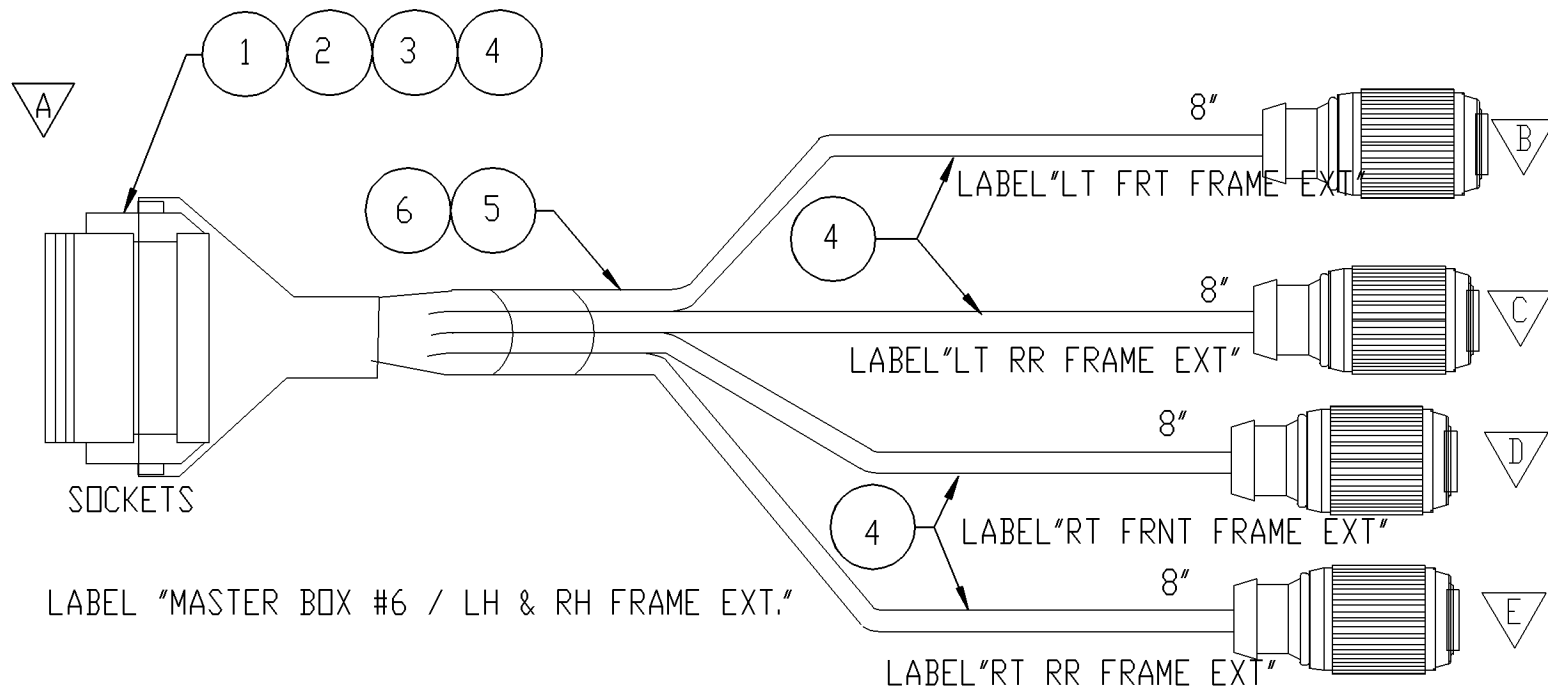


ASSEMBLY NOTES				
A		B	C	D
PIN	WIRE COLOR	PIN	PIN	PIN
1	WHITE	1		
2	BLACK	2		
3	SEAL PLUG			
4	SEAL PLUG			
5	WHITE		1	
6	BLACK		2	
7	BLACK			A
8	RED			B
9	SEAL PLUG			
10	SEAL PLUG			
11	SEAL PLUG			
12	SEAL PLUG			

CUT BRN WIRE BOTH ENDS

NOTE: 1. DESIGNATION ON THE WHITE VINYL TAPE DEPENDS ON WHICH ASSEMBLY IT IS USED FOR.

REV BY : SBJ	REV DATE : 7/18/16	REV : C	THIS DRAWING DESCRIBES A PROPRIETARY PRODUCT OF GOMACO CORPORATION AND MAY NOT BE REPRODUCED OR GIVEN TO A THIRD PARTY WITHOUT WRITTEN PERMISSION FROM GOMACO CORPORATION	
DWN BY : SBJ	SCALE : NTS	MASTERBOX B8 CABLE		
CHKR :	DATE : 11-20-14			
DSGN BY : SBJ	3RD ANGLE PROJECTION			
ALL TOLERANCES PER GOMACO GS2		WH04-0103		
<b>GOMACO</b> IDA GROVE, IOWA - USA				
		B	WH04-0103	SHT. 1 1

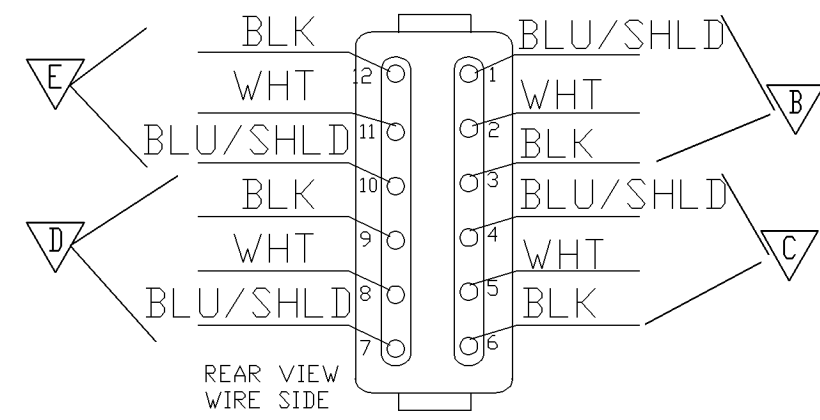


### MATERIAL LIST

ITEM	QTY	PART NUMBER	DESCRIPTION
		B WH04-0104	MASTER BOX #6 FRAME EXT SIG
1	1	515-53A13	PLUG - CONNECTOR 12 PIN SOCKET
2	1	515-53A15	WEDGE - LOCKING 12 PIN PLUG
3	1	515-54B77	BOOT - 12 PIN DEUTSCH PLUG
4	4	B WH01-0206	5 PIN F M12/(3-#16) DEUTSCH F.PINS X 8 IN
5	1	545-46F77	TAPE - VINYL .75 IN X 60.00 FT WHT X 2 IN.
6	1	545-45Z08	HEAT SHRINK TUBE - .375 IN CLR X 2 IN.
7			
8			
9			
10			
11			
12			

### ASSEMBLY NOTES

ITEM	PIN	LENGTH	WIRE COLOR	SECTION			
				A	B	C	E
5	1	8"	BLUE/SHIELD	3			
5	2	8"	WHT	2			
5	3	8"	BLACK	4			
5	4	8"	BLUE/SHIELD		3		
5	5	8"	WHT		2		
5	6	8"	BLACK		4		
5	7	8"	BLUE/SHIELD			3	
5	8	8"	WHT			2	
5	9	8"	BLACK			4	
5	10	8"	BLUE/SHIELD				3
4	11	8"	WHT				2
4	12	8"	BLACK				4

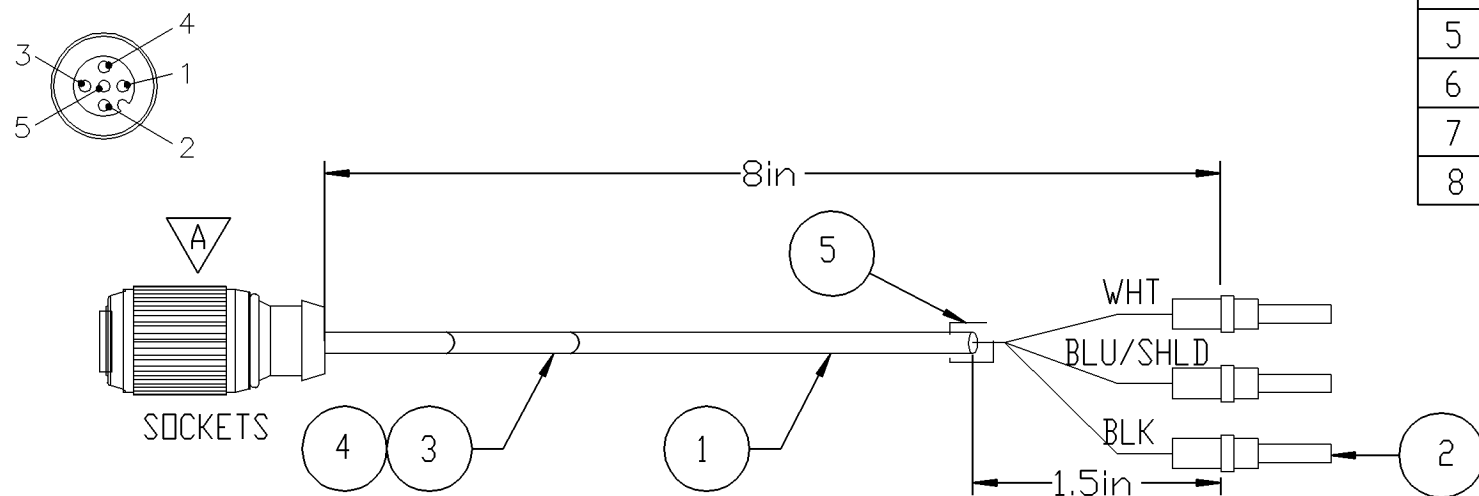
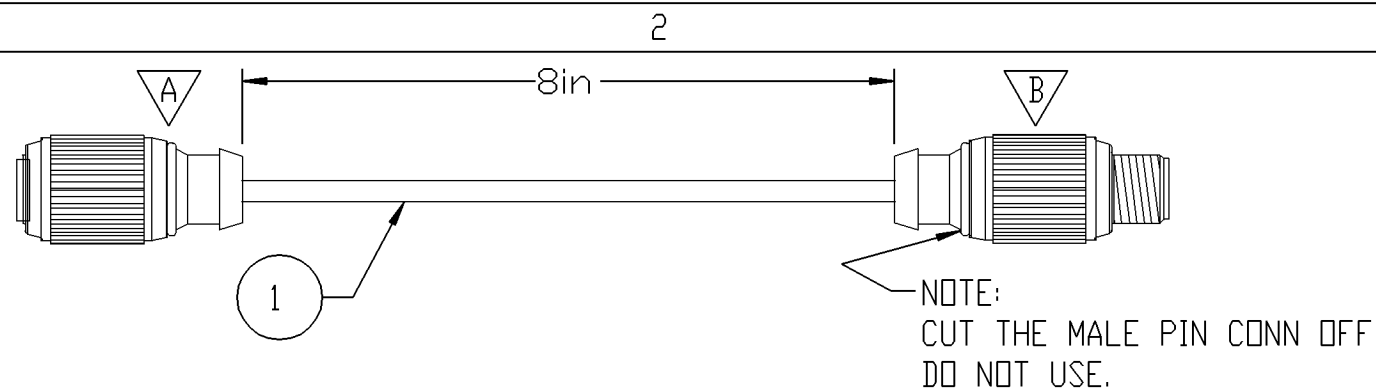


REV BY : KJP	REV DATE : 4-7-15	REV : C	THIS DRAWING DESCRIBES A PROPRIETARY PRODUCT OF GOMACO CORPORATION AND MAY NOT BE REPRODUCED OR GIVEN TO A THIRD PARTY WITHOUT WRITTEN PERMISSION FROM GOMACO CORPORATION
DWN BY : KJP	SCALE : NTS	<b>MASTER BOX #6 FRAME EXT SIG</b> WH04-0104	
CHKR : PFR	DATE : 1/5/15		
DSGN BY : PFR	3RD ANGLE PROJECTION		
ALL TOLERANCES PER GOMACO GS2			
<b>GOMACO</b> IDA GROVE, IOWA - USA		B	WH04-0104
			SHT. 1/1

11/23/2020

GOMACO Corporation - Ida Grove, IA

ELEC Page: 17



### MATERIAL LIST

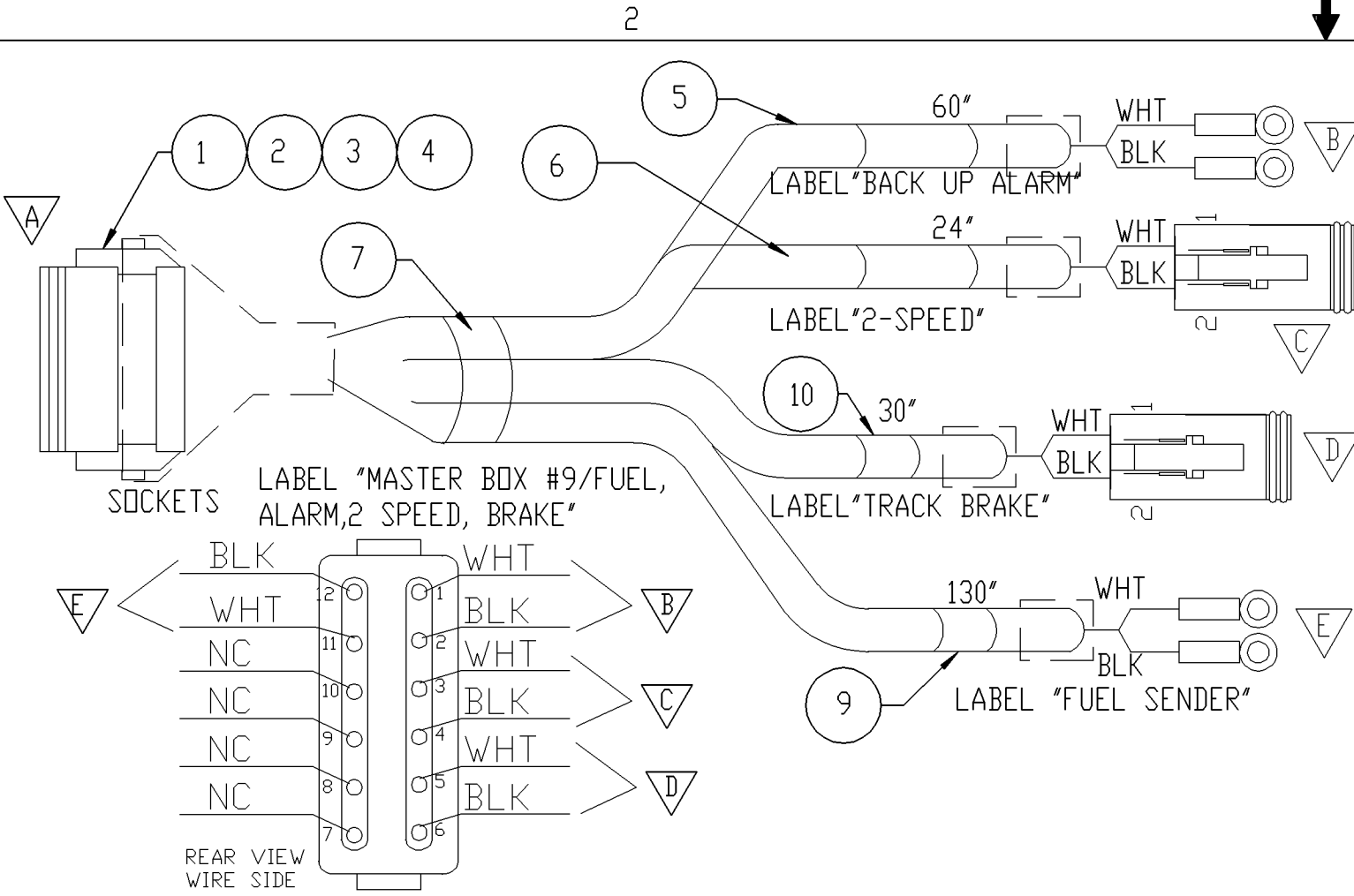
ITEM	QTY	PART NUMBER	DESCRIPTION
	1	B WH01-0206	5 PIN F M12/(3-#16) DEUTSCH F. PINS X 8 IN.
1	1	520-53P06	CABLE - M12 5 P M/5 P FEM X 8 IN
2	3	515-48F69	CONNECTOR - #16 SOCKET CONTACT
3	1	545-46F77	WHITE VINYL TAPE X 1.5 IN.
4	1	545-45Z08	3/8 CLEAR SHRINK WRAP X 1.5 IN.
5	1	545-54D94	HEAT SHRINK TUBE - .38 IN X 4.00 FT BLK X 1.5IN.
6			
7			
8			

### ASSEMBLY NOTES

LABEL - "SPEED SENSOR PIGTAIL"

A	COLOR	TERMINAL	B
1	BROWN	NC	
2	WHITE	STRIP ONLY	#16 SOCKET
3	BLUE	STRIP ONLY	#16 SOCKET
4	BLACK	STRIP ONLY	#16 SOCKET
5	SHIELD	STRIP ONLY	TIE TO 3

REV BY : KJP	REV DATE : 11-20-14	REV : A	THIS DRAWING DESCRIBES A PROPRIETARY PRODUCT OF GOMACO CORPORATION AND MAY NOT BE REPRODUCED OR GIVEN TO A THIRD PARTY WITHOUT WRITTEN PERMISSION FROM GOMACO CORPORATION
DWN BY : KJP	SCALE : NTS	5 PIN F M12/(3-#16) DEUTSCH F. PINS X 8 IN.	
CHKR : PFR	DATE : 11-20-14		
DSGN BY : PFR	3RD ANGLE PROJECTION		
ALL TOLERANCES PER GOMACO GS2		WH01-0206	
<b>GOMACO</b> IDA GROVE, IOWA - USA			
B WH01-0206		SHT. 1 1	



### MATERIAL LIST

ITEM	QTY	PART NUMBER	DESCRIPTION
		B WH04-0105	HARNESS GO-PAVE B9
1	1	515-53A13	PLUG - CONNECTOR 12 PIN SOCKET
2	1	515-53A15	WEDGE - LOCKING 12 PIN PLUG
3	1	515-54B77	BOOT - 12 PIN DEUTSCH PLUG
4	4	515-48F70	CONNECTOR - #16/12 SEALING PLUG
5	1	B CA02M-0060-0012	CA (2) #10 RINGS/(2-#16) DEUTSCH F.PINS
6	1	B CA02M-0024-0011	CA 2 PIN F. DEUTSCH/(2-#16) DEUTSCH F.PINS
7	1	545-52K24	SHRINK TUBE, READY PRINT .750 IN
8			
9	1	B CA02M-0130-0012	CA (2) #10 RINGS/(2-#16) DEUTSCH F.PINS
10	1	B CA02M-0030-0011	CA 2 PIN F. DEUTSCH/(2-#16) DEUTSCH F.PINS
11			
12			

### ASSEMBLY NOTES

ITEM	PIN	LENGTH	WIRE COLOR	PIN	PIN	PIN	PIN
5	1	60"	WHITE	#10 RINGS			
5	2	60"	BLACK	#10 RINGS			
6	3	24"	WHITE		1		
6	4	24"	BLACK		2		
10	5	30"	WHITE			1	
10	6	30"	BLACK			2	
	7		SEAL PLUG				
	8		SEAL PLUG				
	9		SEAL PLUG				
	10		SEAL PLUG				
9	11	130"	WHITE				#10 RINGS
9	12	130"	BLACK				#10 RINGS

REV BY : SBJ	REV DATE : 10/10/17	REV : C	THIS DRAWING DESCRIBES A PROPRIETARY PRODUCT OF GOMACO CORPORATION AND MAY NOT BE REPRODUCED OR GIVEN TO A THIRD PARTY WITHOUT WRITTEN PERMISSION FROM GOMACO CORPORATION
DWN BY : SBJ	SCALE : NTS	HARNESS GO-PAVE B9	
CHKR :	DATE : 11-20-14		
DSGN BY : KJP	3RD ANGLE PROJECTION		
ALL TOLERANCES PER GOMACO GS2			WH04-0105
<b>GOMACO</b> IDA GROVE, IOWA - USA		B WH04-0105	

11/23/2020

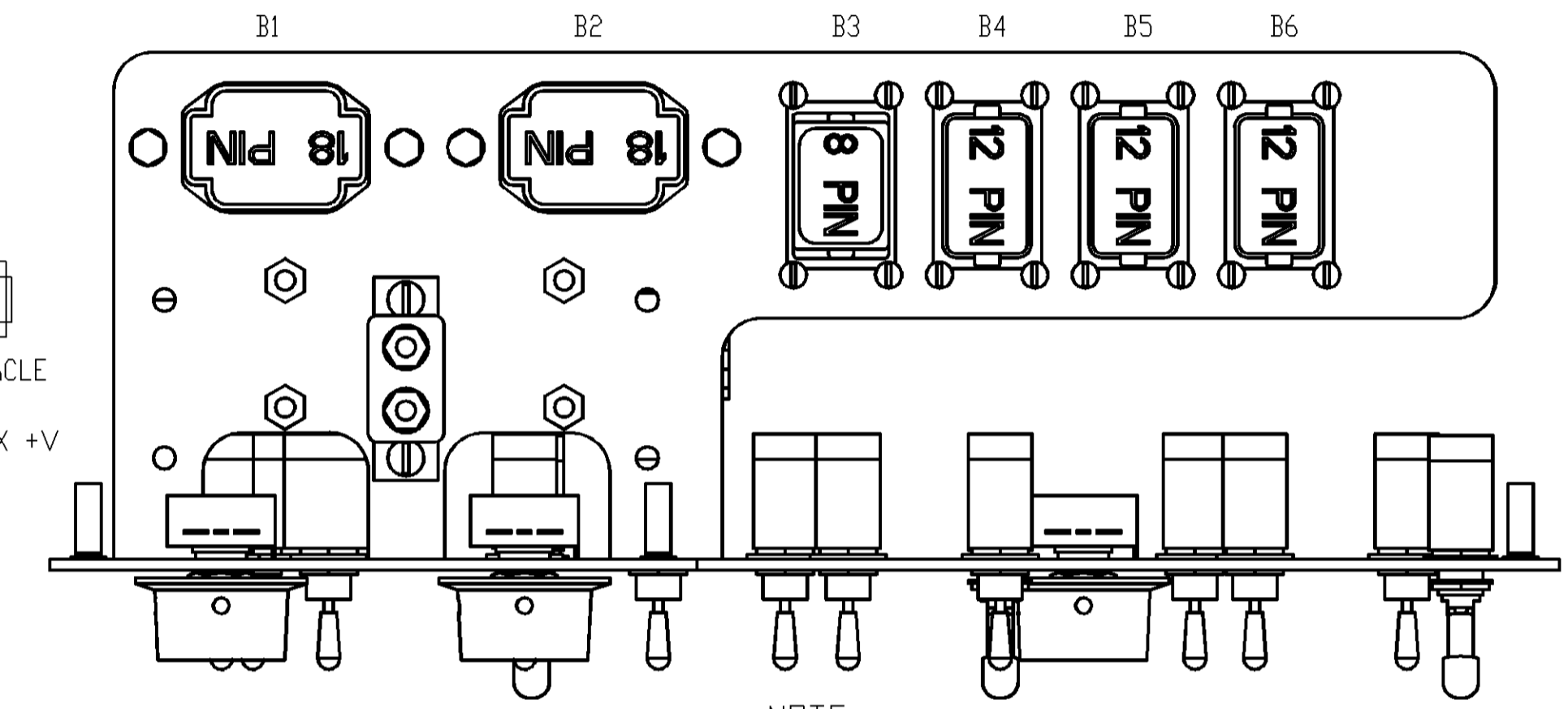
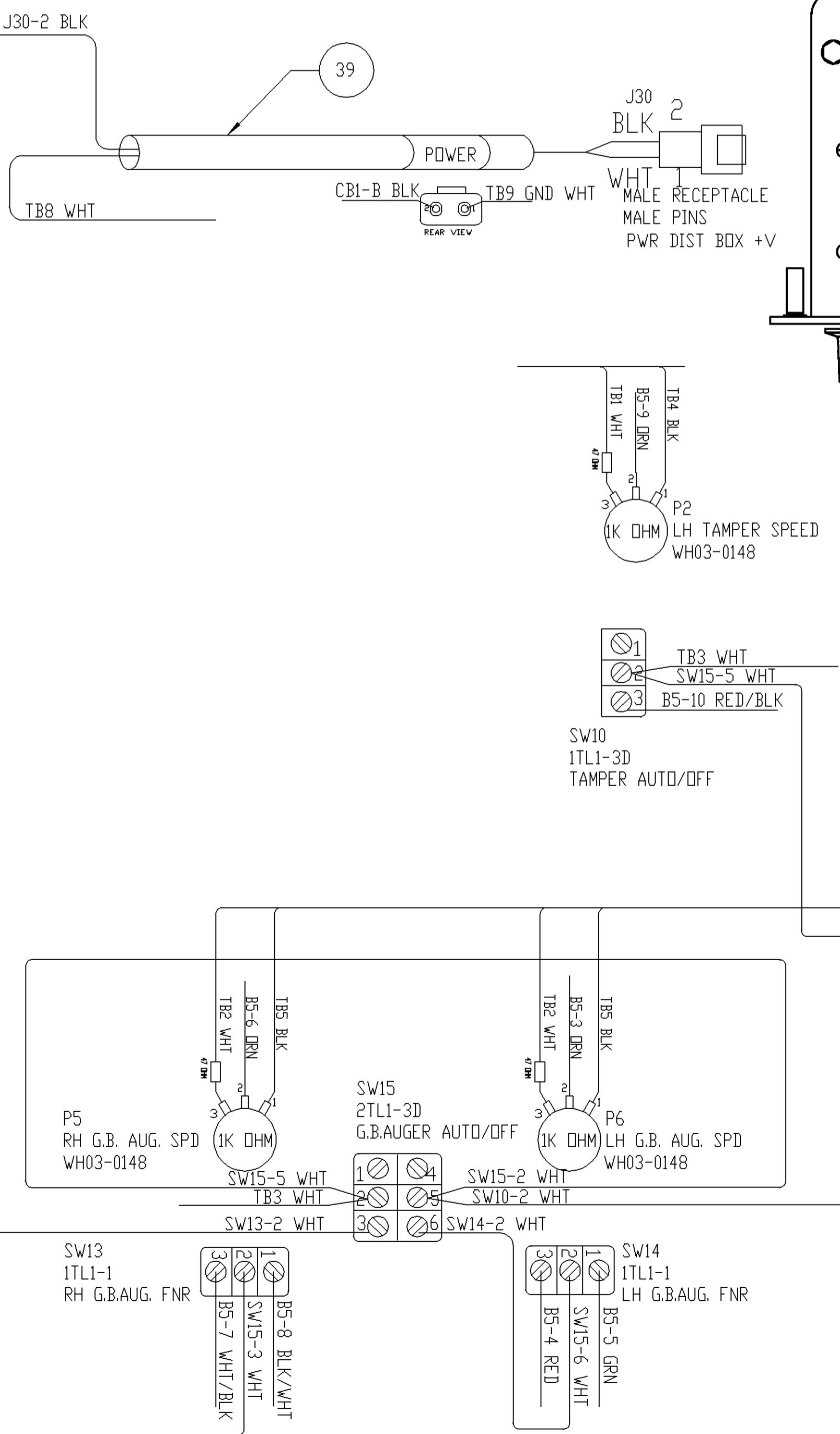
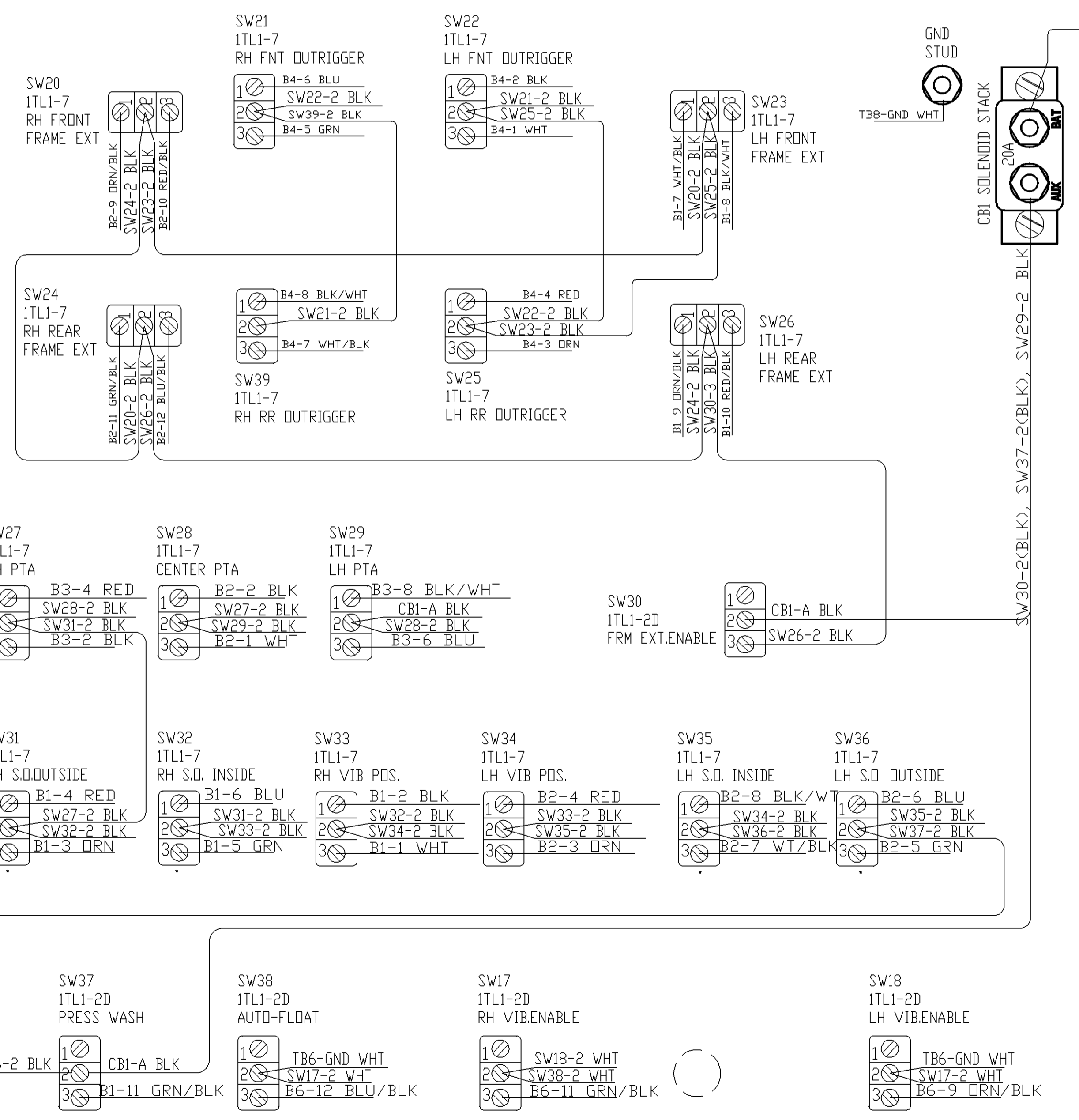
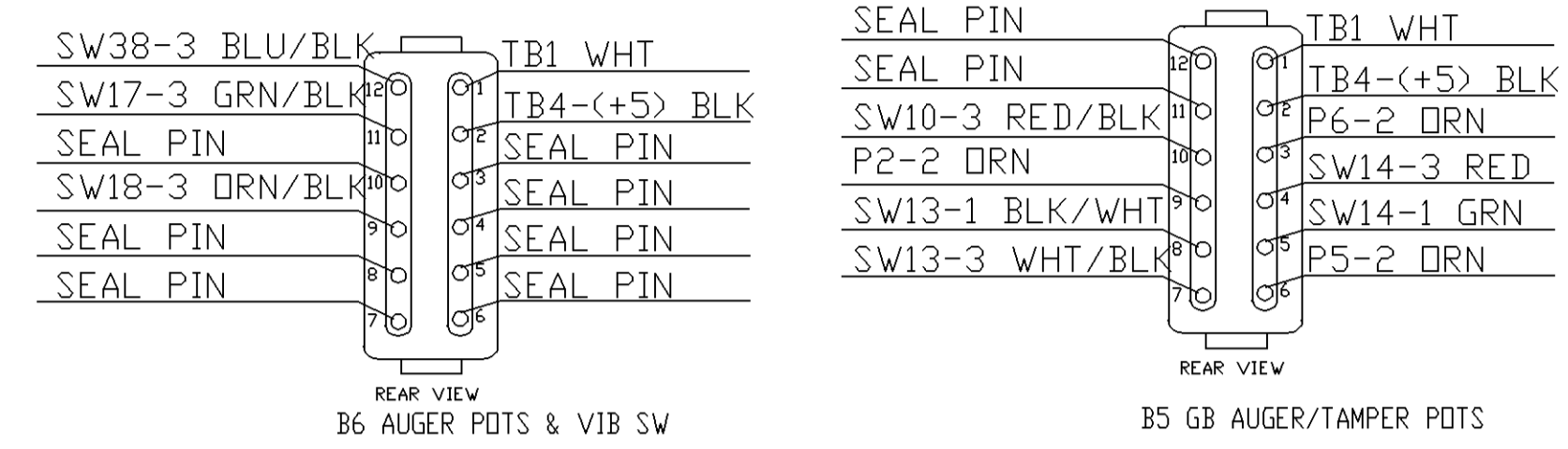
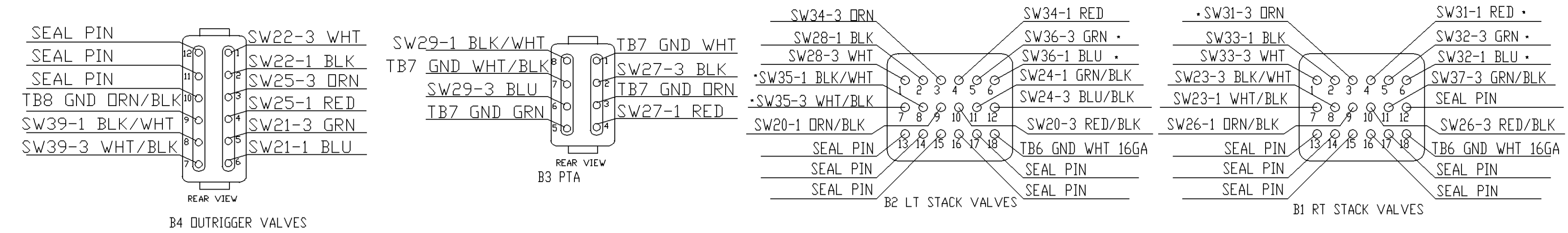
GOMACO Corporation - Ida Grove, IA

ELEC Page: 19

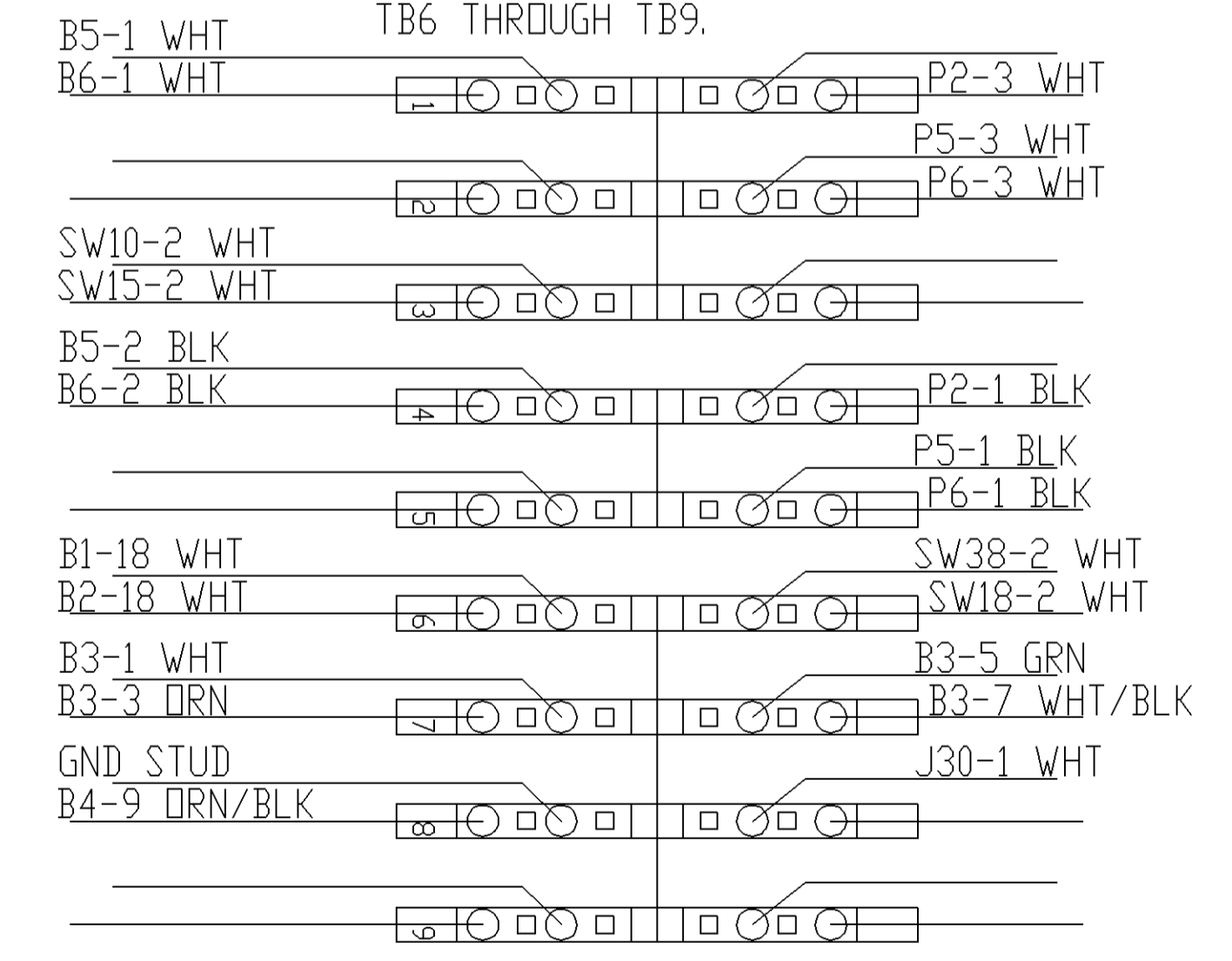


MATERIAL LIST

QTY	UNIT	PART NUMBER	DESCRIPTION
1	D	9012620-008	GO-PAVE PANEL ASSY. SMALL
30	1	520-48F81	WIRE - 18 GAUGE, BLACK X 48 INCHES
31	1	520-45E74	WIRE - 18 GAUGE, WHITE X 24 INCHES
32	80	515-15A22	TERMINAL - #6 RING TONGUE 22-16 GA
33	5	515-10G17	TERMINAL - #10 RING TONGUE 22-18 GA
34	49	515-48F68	CONNECTOR - #16 PIN CONTACT
35	1	520-45A39	CABLE - 18 GAUGE, 15 CONDCT MULTI X 40 IN.
36	1	520-15A08	WIRE - 18 GAUGE, 12 CONDCT X 52 IN.
37	1	T535-51F92	NUMBERS - TERMINAL BLOCK # 1-10 (10X) X QTY(1)
38	53	515-48F70	CONNECTOR - #16/12 SEALING PLUG
39	1	CA02P-0024-0241	CA 2 PIN M DEUTSCH/2 #10 RINGS
40	1	520-15A83	WIRE - 16 GAUGE, WHITE X 30 IN.
41	1	520-15A33	WIRE - 16 GAUGE, BLACK X 30 IN.
42			



NOTE:  
ON TERMINAL BLOCKS SHORTING  
CONNECTOR ON THE FOLLOWING:  
TB1 THROUGH TB3.  
TB4 & TB5.  
TB6 THROUGH TB9.



REV BY :SBJ	REV DATE :10/7/16	REV :D	THIS DRAWING DESCRIBES A PROPRIETARY PRODUCT OF GOMACO CORPORATION AND MAY NOT BE REPRODUCED OR GIVEN TO A THIRD PARTY WITHOUT WRITTEN PERMISSION FROM GOMACO CORPORATION.
DWN BY :KJP	SCALE :NTS		
CHKR :	DATE : 12-18-14		
DSGN BY :KJP	3RD ANGLE PROJECTION		
ALL TOLERANCES PER GOMACO GS2	GOMACO		GO-PAVE PANEL ASSY. SMALL
912620-008		D	912620-008
IDA GROVE, IOWA - USA			SHT. 2/3

11/29/2020 GOMACO Corporation - Ida Grove, IA ELEC Page 20

ITEM	PIN/TERM	GA.	COLOR	LENGTH	PIN/TERM	LOCATION
<b>B1 18 PIN DEUTSCH RECEPTACLE RIGHT SOLENOID VALVES</b>						
	1	18	WHITE	15"	#6 RING	SW33-3
	2	18	BLACK	15"	#6 RING	SW33-1
	3	18	ORANGE	15"	#6 RING	SW31-3
	4	18	RED	15"	#6 RING	SW31-1
	5	18	WHT/BLK	15"	#6 RING	SW32-3
	6	18	BLK/WHT	15"	#6 RING	SW32-1
	7	18	WHT/BLK	15"	#6 RING	SW23-1
	8	18	BLK/WHT	15"	#6 RING	SW23-3
	9	18	DRN/BLK	15"	#6 RING	SW26-1
	10	18	RED/BLK	15"	#6 RING	SW26-3
	11	18	GRN/BLK	15"	#6 RING	SW37-3
	12		SEAL PIN			
	13		SEAL PIN			
	14		SEAL PIN			
	15		SEAL PIN			
	16		SEAL PIN			
	17		SEAL PIN			
39	18	16	WHITE	15"	STRIP ONLY	TB6
<b>B2 18 PIN DEUTSCH RECEPTACLE LEFT SOLENOID VALVES</b>						
	1	18	WHITE	15"	#6 RING	SW28-3
	2	18	BLACK	15"	#6 RING	SW28-1
	3	18	ORANGE	15"	#6 RING	SW34-3
	4	18	RED	15"	#6 RING	SW34-1
	5	18	GREEN	15"	#6 RING	SW36-1
	6	18	BLUE	15"	#6 RING	SW36-3
	7	18	WHT/BLK	15"	#6 RING	SW35-3
	8	18	BLK/WHT	15"	#6 RING	SW35-1
	9	18	DRN/BLK	15"	#6 RING	SW20-1
	10	18	RED/BLK	15"	#6 RING	SW20-3
	11	18	GRN/BLK	15"	#6 RING	SW24-1
	12	18	BLU/BLK	15"	#6 RING	SW24-3
	13		SEAL PIN			
	14		SEAL PIN			
	15		SEAL PIN			
	16		SEAL PIN			
	17		SEAL PIN			
39	18	16	WHITE	15"	STRIP ONLY	TB6
<b>B3 8 PIN DEUTSCH RECEPTACLE PTA VALVES</b>						
	1	18	WHITE	15"	STRIP ONLY	TB7-GND
	2	18	BLACK	15"	#6 RING	SW27-3
	3	18	ORANGE	15"	STRIP ONLY	TB7-GND
	4	18	RED	15"	#6 RING	SW27-1
	5	18	GREEN	15"	STRIP ONLY	TB7-GND
	6	18	BLUE	15"	#6 RING	SW29-3
	7	18	WHT/BLK	15"	STRIP ONLY	TB7-GND
	8	18	BLK/WHT	15"	#6 RING	SW29-1
<b>B4 12 PIN DEUTSCH RECEPTACLE OUTRIGGER VALVES</b>						
	1	18	WHITE	15"	#6 RING	SW22-3
	2	18	BLACK	15"	#6 RING	SW22-1
	3	18	ORANGE	15"	#6 RING	SW25-3
	4	18	RED	15"	#6 RING	SW25-1
	5	18	GREEN	15"	#6 RING	SW21-3
	6	18	BLUE	15"	#6 RING	SW21-1
	7	18	WHT/BLK	15"	#6 RING	SW39-3
	8	18	BLK/WHT	15"	#6 RING	SW39-1
	9	18	DRN/BLK	15"	STRIP ONLY	TB8-GND
	10		SEAL PIN			
	11		SEAL PIN			
	12		SEAL PIN			
ITEM	PIN/TERM	GA.	COLOR	LENGTH	PIN/TERM	LOCATION
J30	2 PIN M. DEUTSCH PLUG. (USE MALE PINS) PWR & GND					
30	1	18	WHITE	24"	STRIP ONLY	TB8 GND
30	2	18	BLACK	24"	#10 RING	CBI-B

ITEM	PIN/TERM	GA.	COLOR	LENGTH	PIN/TERM	LOCATION
<b>B5 12 PIN DEUTSCH RECEPTACLE GB AUGER/TAMPER POTS</b>						
	1	18	WHITE	20"	#6 RING	TB1
	2	18	BLACK	20"	#6 RING	TB4
	3	18	ORANGE	20"	JUMPERED	P6-2
	4	18	RED	20"	#6 RING	SW14-3
	5	18	GREEN	20"	#6 RING	SW14-1
	6	18	ORANGE	20"	JUMPERED	P5-2
	7	18	WHT/BLK	20"	#6 RING	SW13-3
	8	18	BLK/WHT	20"	#6 RING	SW13-1
	9	18	ORANGE	20"	JUMPERED	P2-2
	10	18	RED/BLK	20"	#6 RING	SW10-3
	11		SEAL PIN			
	12		SEAL PIN			
<b>B6 12 PIN DEUTSCH RECEPTACLE AUGER POTS &amp; SWITCHES</b>						
	1	18	WHITE	20"	#6 RING	TB1
	2	18	BLACK	20"	#6 RING	TB4
	3		SEAL PIN			
	4		SEAL PIN			
	5		SEAL PIN			
	6		SEAL PIN			
	7		SEAL PIN			
	8		SEAL PIN			
	9	18	DRN/BLK	20"	JUMPERED	SW18-3
	10		SEAL PIN			
	11	18	GRN/BLK	20"	#6 RING	SW17-3
	12	18	BLU/BLK	20"	#6 RING	SW38-3

ITEM	LOCATION	PIN/TERM	GA.	COLOR	LENGTH	PIN/TERM	LOCATION
<b>P2 WH03-0148 LH TAMPER</b>							
	P2-3	STRIP & TIN	18	WHITE	10"	STRIP & TIN	47 OHM RESISTOR
47 OHM RESISTOR	STRIP & TIN	18	WHITE	10"	STRIP ONLY	TB1 SNS GND	
	P2-2	STRIP & TIN	18	ORANGE	26"	#16 PIN	B5-9
	P2-1	STRIP & TIN	18	BLACK	14"	STRIP ONLY	TB4 SNS PWR
<b>P5 WH03-0148 RH GB AUGER</b>							
	P3-3	STRIP & TIN	18	WHITE	10"	STRIP & TIN	47 OHM RESISTOR
47 OHM RESISTOR	STRIP & TIN	18	WHITE	10"	STRIP ONLY	TB2 SNS GND	
	P3-2	STRIP & TIN	18	ORANGE	26"	#16 PIN	B5-6
	P3-1	STRIP & TIN	18	BLACK	14"	STRIP ONLY	TB5 SNS PWR
<b>P6 WH03-0148 LH GB AUGER</b>							
	P3-3	STRIP & TIN	18	WHITE	10"	STRIP & TIN	47 OHM RESISTOR
47 OHM RESISTOR	STRIP & TIN	18	WHITE	10"	STRIP ONLY	TB2 SNS GND	
	P3-2	STRIP & TIN	18	ORANGE	26"	#16 PIN	B5-3
	P3-1	STRIP & TIN	18	BLACK	14"	STRIP ONLY	TB5 SNS PWR

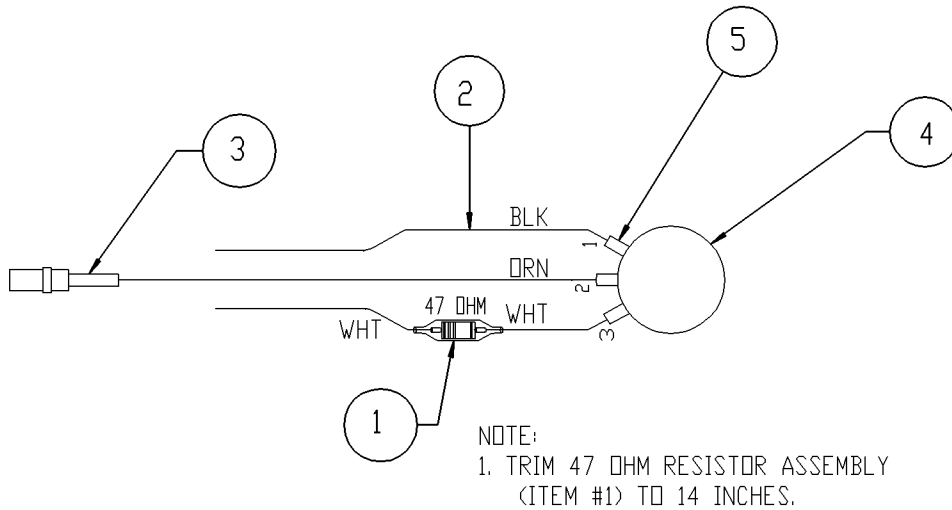
MISCELLANEOUS WIRES							
ITEM	LOCATION	PIN/TERM	GA.	COLOR	LENGTH	PIN/TERM	LOCATION
	CBI-A	#10 RING	16	BLACK	15"	#6 RING	SW30-2
	SW30-3	#6 RING	18	BLACK	6"	#6 RING	SW26-2
	SW26-2	#6 RING	18	BLACK	5"	#6 RING	SW24-2
	SW24-2	#6 RING	18	BLACK	5"	#6 RING	SW20-2
	SW20-2	#6 RING	18	BLACK	5"	#6 RING	SW23-2
	SW23-2	#6 RING	18	BLACK	5"	#6 RING	SW25-2
	SW25-2	#6 RING	18	BLACK	5"	#6 RING	SW22-2
	SW22-2	#6 RING	18	BLACK	5"	#6 RING	SW21-2
	SW21-2	#6 RING	18	BLACK	5"	#6 RING	SW39-2
	CBI-A	#10 RING	18	BLACK	6"	#6 RING	SW29-2
	SW29-2	#6 RING	18	BLACK	5"	#6 RING	SW28-2
	SW28-2	#6 RING	18	BLACK	5"	#6 RING	SW27-2
	SW27-2	#6 RING	18	BLACK	6"	#6 RING	SW31-2
	SW31-2	#6 RING	18	BLACK	5"	#6 RING	SW32-2
	SW32-2	#6 RING	18	BLACK	5"	#6 RING	SW33-2
	SW33-2	#6 RING	18	BLACK	5"	#6 RING	SW34-2
	SW34-2	#6 RING	18	BLACK	5"	#6 RING	SW35-2
	SW35-2	#6 RING	18	BLACK	5"	#6 RING	SW36-2
	SW36-2	#6 RING	18	BLACK	5"	#6 RING	SW37-2
	SW37-2	#6 RING	18	BLACK	15"	#10 RING	CBI-A
	SW38-2	#6 RING	18	WHITE	15"	STRIP ONLY	TB6-GND
	SW17-2	#6 RING	18	WHITE	5"	#6 RING	SW38-2
	SW17-2	#6 RING	18	WHITE	5"	#6 RING	SW18-2
	SW18-2	#6 RING	18	WHITE	15"	STRIP ONLY	TB6-GND
	TB8-GND	STRIP ONLY	18	WHITE	15"	#10 RING	GND STUD
	SW14-2	#6 RING	18	WHITE	5"	#6 RING	SW15-6
	SW13-2	#6 RING	18	WHITE	5"	#6 RING	SW15-3
	TB3	STRIP ONLY	18	WHITE	5"	#6 RING	SW10-2
	SW10-2	#6 RING	18	WHITE	5"	#6 RING	SW15-5
	SW15-5	#6 RING	18	WHITE	5"	#6 RING	SW15-2
	SW15-2	#6 RING	18	WHITE	5"	STRIP ONLY	TB3

REV BY :SBJ	REV DATE :10/11/16	REV :D	THIS DRAWING DESCRIBES A PROPRIETARY PRODUCT OF GOMACO CORPORATION AND MAY NOT BE REPRODUCED OR GIVEN TO A THIRD PARTY WITHOUT WRITTEN PERMISSION FROM GOMACO CORPORATION.
DWN BY :KJP	SCALE :NTS		
CHKR :	DATE : 12-18-14		
DSGN BY :KJP	3RD ANGLE PROJECTION		
ALL TOLERANCES PER GOMACO GS2		GO-PAVE PANEL ASSY. SMALL	
			912620-008
IDA GROVE, IOWA - USA			SHT. 3/3

11/29/2020 GOMACO Corporation - Ida Grove, IA ELEC Page 21

# MATERIAL LIST

ITEM	QTY	PART NUMBER	DESCRIPTION
		A	WH03-0148
		A	REPL KIT 1K OHM POT & (1) 47 OHM RES W/WIRES
1	1	A	WH01-0160
2	1		47 OHM RESISTOR ASSEMBLY
3	1		SWM9-00140-SDST
4	1		18GA BLACK X 14 IN. W/STRIP ONLY-STRIP & TIN
5	1		SWM3-00260-CIST
6	1		18GA ORANGE X 26 IN. W/#16 PIN-STRIP & TIN
7	1		550-48C16
8	1		POTENTIOMETER - 1K OHM, 2 WATT
9	3		545-45Z07
			HEAT SHRINK TUBE - .188 IN CLR X .5 IN.



REV BY : JGD	REV DATE : 7-10-13	REV : B	THIS DRAWING DESCRIBES A PROPRIETARY PRODUCT OF GOMACO CORPORATION AND MAY NOT BE REPRODUCED OR GIVEN TO A THIRD PARTY WITHOUT WRITTEN PERMISSION FROM GOMACO CORPORATION	
DWN BY : PFR	SCALE : NTS	REPL KIT 1K OHM POT & (1) 47 OHM RES W/WIRES		
CHKR : SBJ	DATE : 4-01-13			
DSGN BY : PFR	3RD ANGLE PROJECTION			
ALL TOLERANCES PER GOMACO GS2				
<b>GOMACO</b> IDA GROVE, IOWA - USA		A	WH03-0148	SHT. 1 1

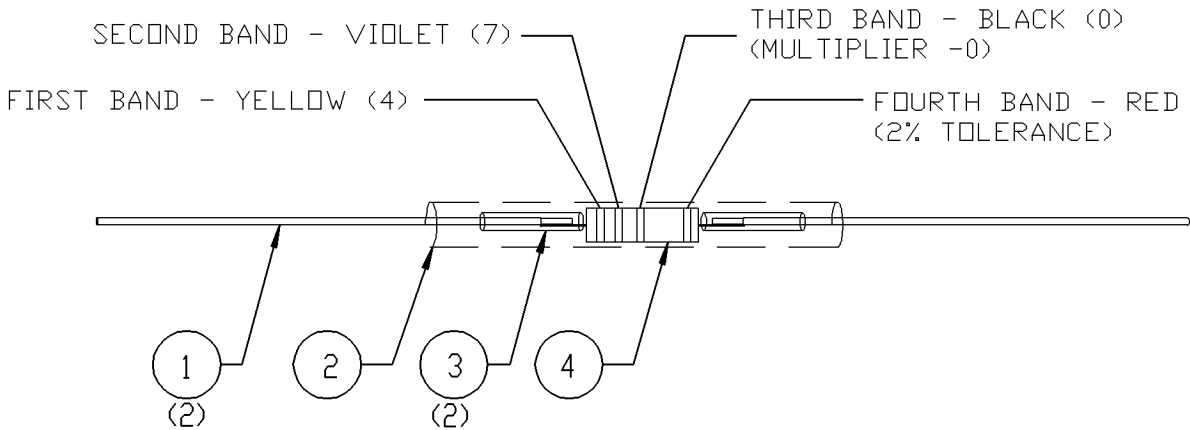
11/23/2020

GOMACO Corporation - Ida Grove, IA

ELEC Page: 22

# MATERIAL LIST

ITEM	QTY	PART NUMBER	DESCRIPTION
		A WH01-0160	47 OHM RESISTOR ASSEMBLY
1	2	SWM0-00100-S0ST	18GA WHITE X 10 IN. W/STRIP ONLY-STRIP & TIN
2	1	545-10D59	HEAT SHRINK TUBE - .250 IN. X 2.0 IN. CLR
3	2	545-45J97	HEAT SHRINK TUBE - .125 IN. xX 0.5 IN. BLK
4	1	550-51D36	RESISTOR - 47 OHM .50W, FLMPRF
5			



**NOTES:**

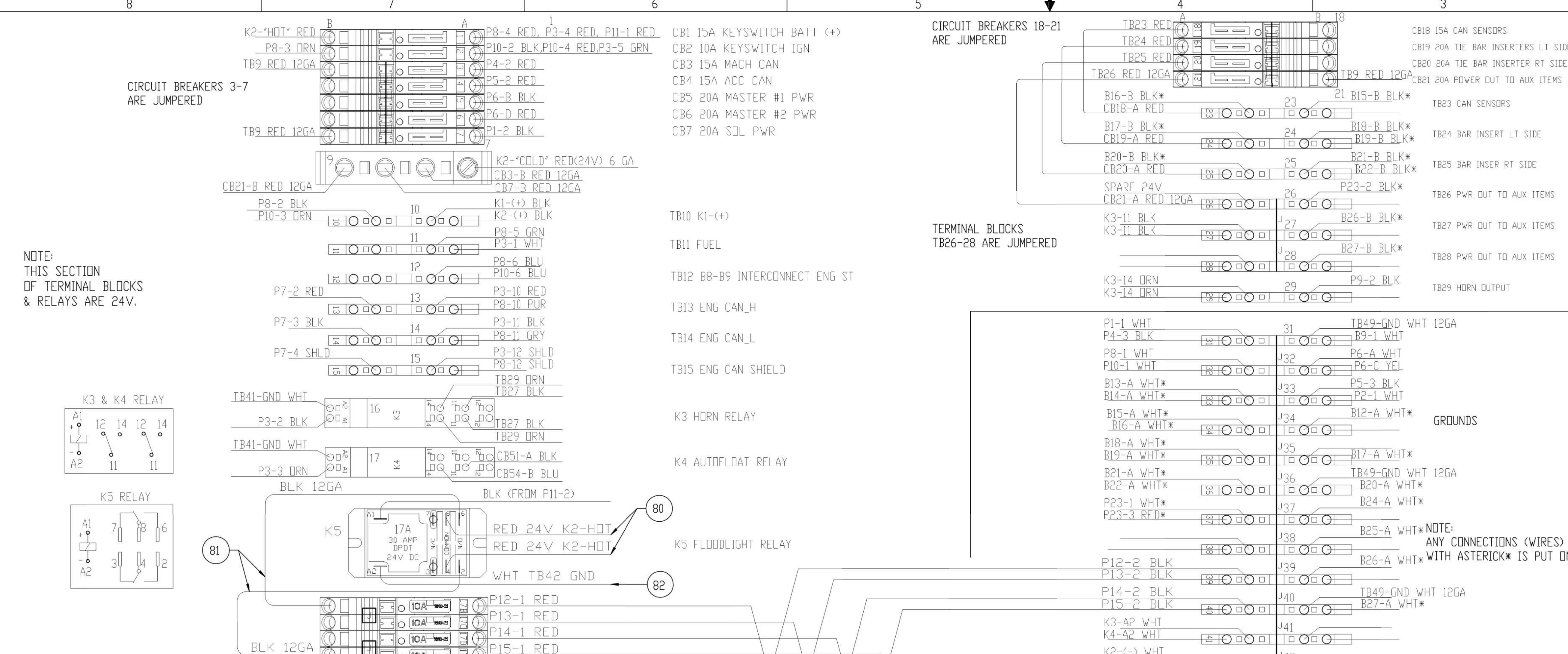
1. COLOR BANDS MAY NOT BE PRESENT.
2. CUT RESISTOR LEADS TO APPROXIMATELY 1/4 INCH.
3. SOLDER WIRE TO EACH RESISTOR LEAD AND COVER SOLDER JOINT WITH BLACK SHRINK TUBE.
4. COVER RESISTOR ASSEMBLY WITH CLEAR SHRINK TUBE AS SHOWN AND SHRINK TO FIT.

REV BY :JGD	REV DATE :7-10-13	REV :A	THIS DRAWING DESCRIBES A PROPRIETARY PRODUCT OF GOMACO CORPORATION AND MAY NOT BE REPRODUCED OR GIVEN TO A THIRD PARTY WITHOUT WRITTEN PERMISSION FROM GOMACO CORPORATION
DWN BY :JGD	SCALE :NTS	47 OHM RESISTOR ASSEMBLY	
CHKR : PFR	DATE : 7-10-13		
DSGN BY :JGD	3RD ANGLE PROJECTION		
ALL TOLERANCES PER GOMACO GS2			
			A - WH01-0160
A	WH01-0160	SHT. 1	1

11/23/2020

GOMACO Corporation - Ida Grove, IA

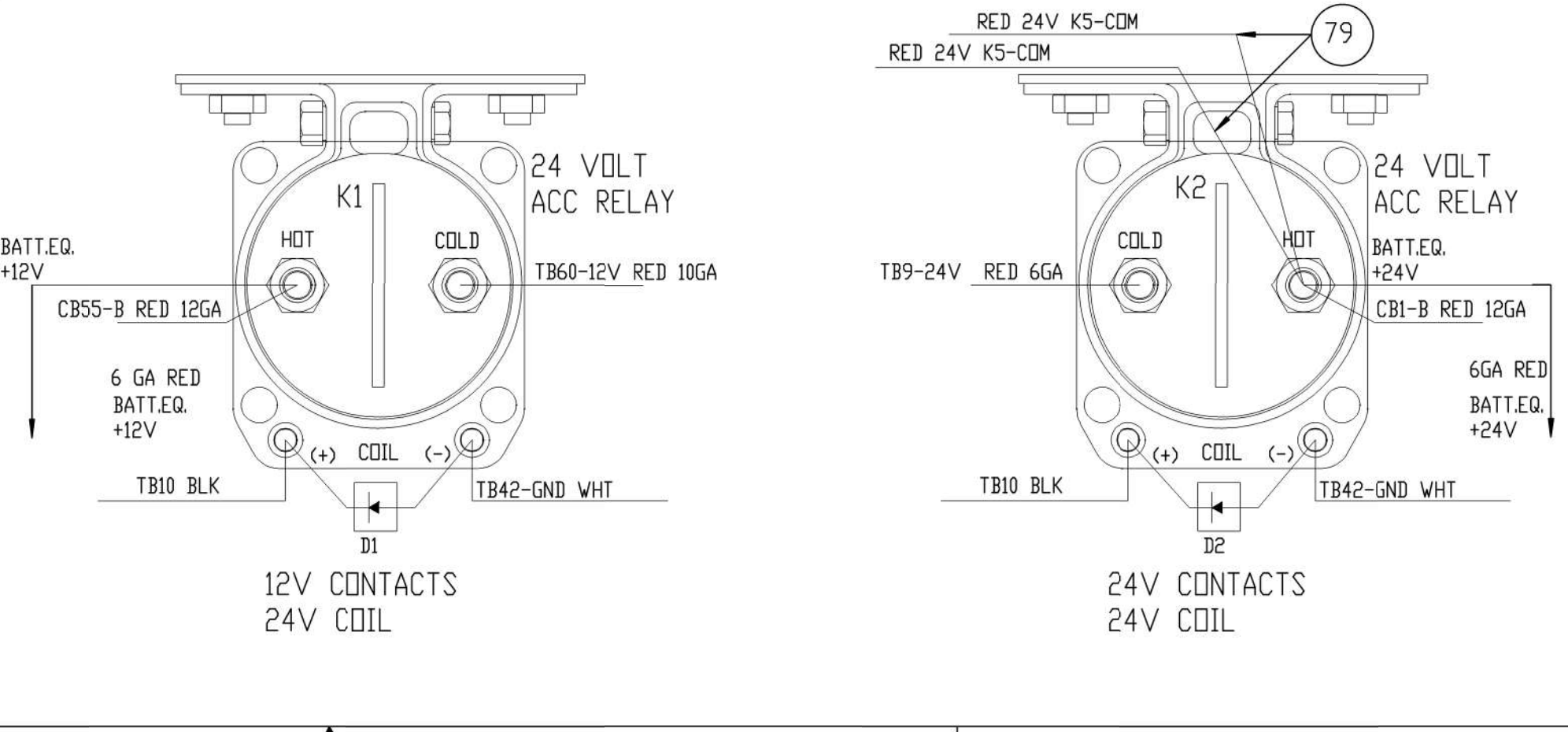
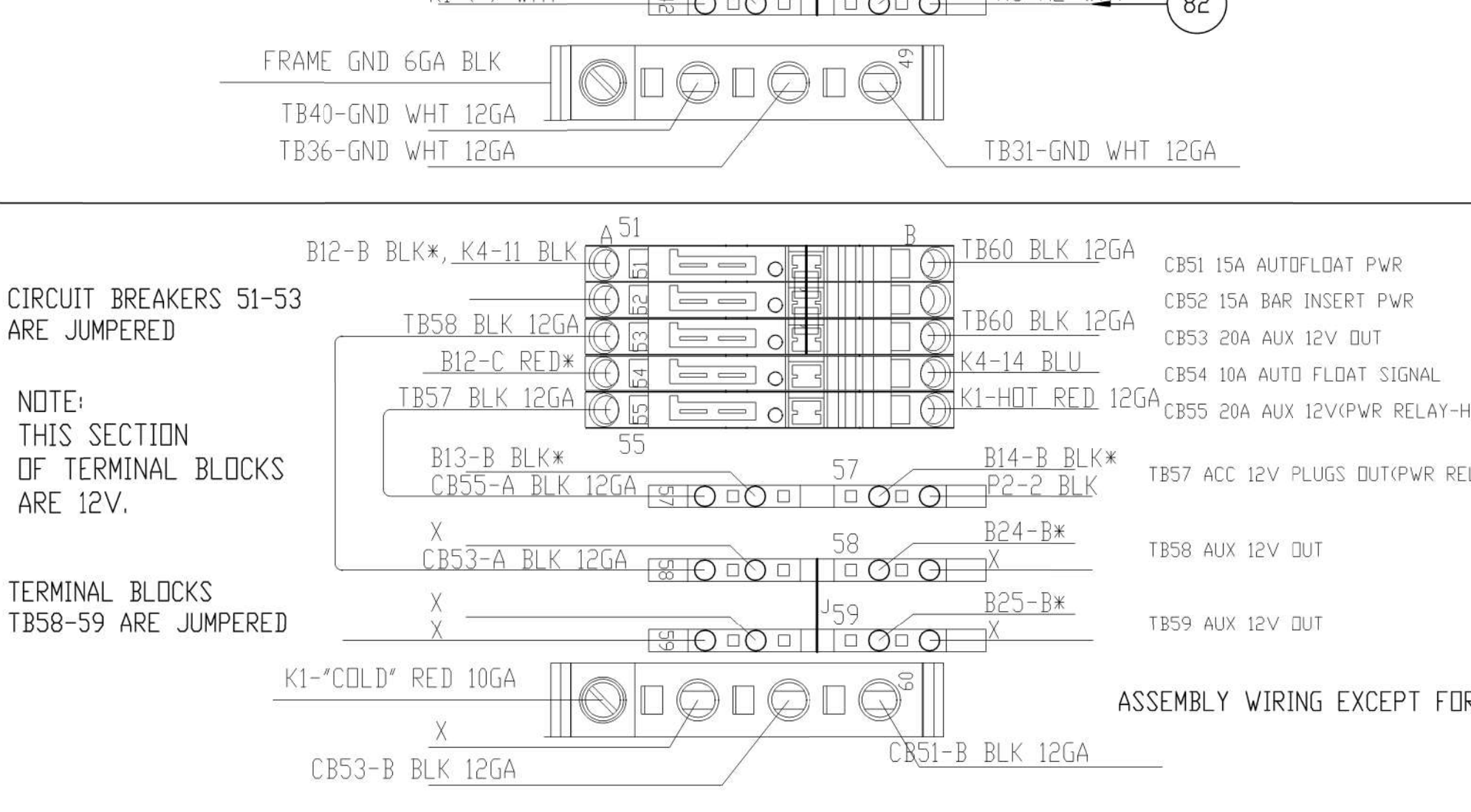
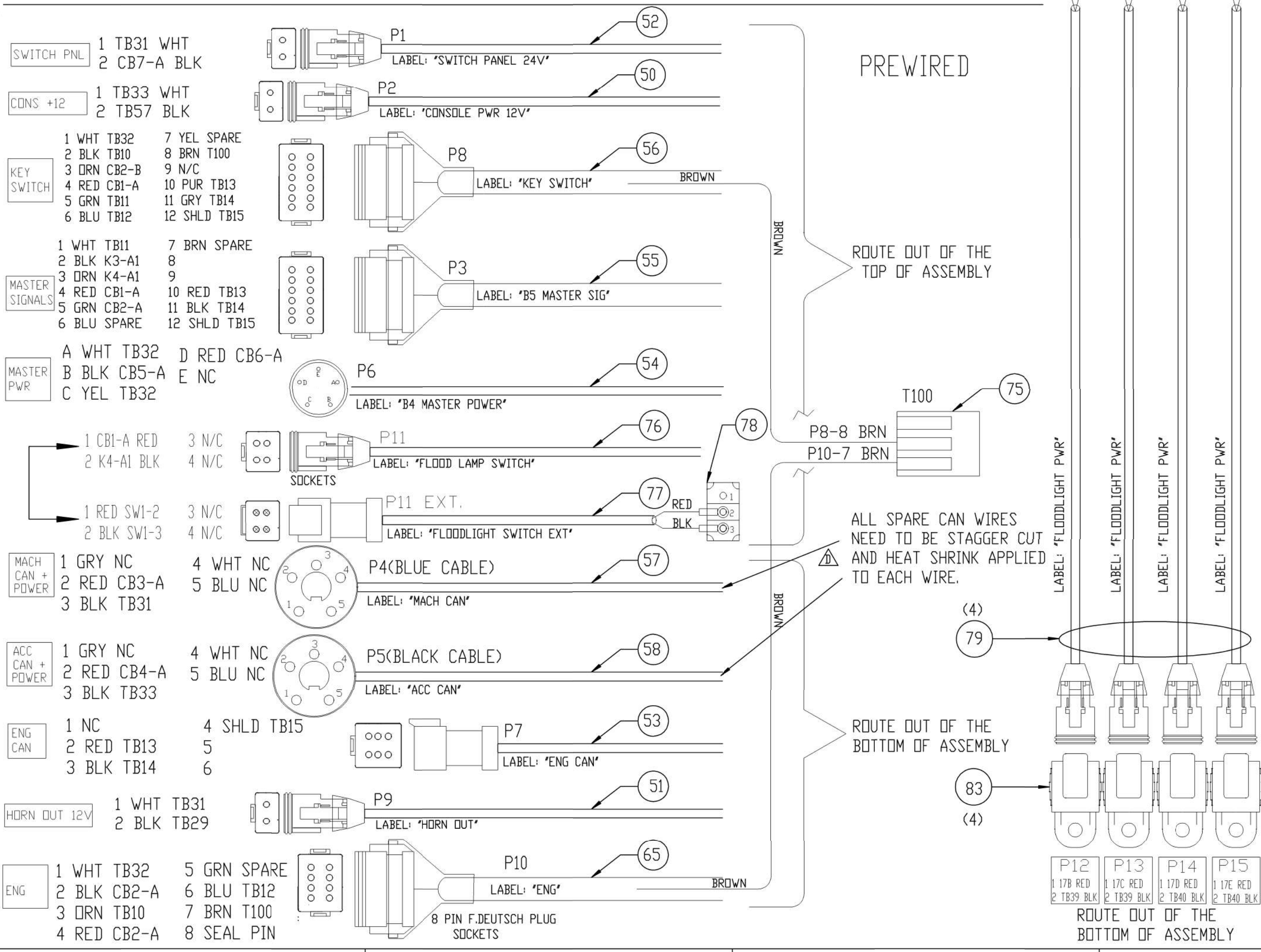
ELEC Page: 23



B17<LT> A WHT TB35 B BLK TB24	B20<RT> A WHT TB36 B BLK TB25	THESE CABLES ASSEMBLY INSTALLS ROUTE ALL CABLES FROM THE BOTTOM.
B18<LT> A WHT TB35 B BLK TB24	B21<RT> A WHT TB36 B BLK TB25	NOTE: ANY CONNECTIONS (WIRES) THAT END WITH ASTERICK* IS PUT ON IN ASSEMBLY.
B19<LT> A WHT TB35 B BLK TB24	B22<RT> A WHT TB36 B BLK TB25	

A WHT TB34 B BLK TB23 C NC	D NC E NC	B17-B22	
A WHT TB34 B BLK TB23 C NC	D NC E NC	B16	
A WHT TB33 B BLK TB57 C NC	D NC E NC	B15	
A WHT TB33 B BLK TB57 C NC	D NC E NC	B14	
A WHT TB33 B BLK TB57 C NC	D NC E NC	B13	
A WHT TB34 B BLK CB51-A C RED CB54-A	D NC E NC	B12	
1 WHT TB37 2 BLK TB26	3 RED TB37 4 GRN N/C	P23	

A WHT TB37 B BLK TB58 C NC	D NC E NC	B24	
A WHT TB38 B BLK TB59 C NC	D NC E NC	B25	
A WHT TB39 B BLK TB27 C NC	D NC E NC	B26	
A WHT TB40 B BLK TB28 C NC	D NC E NC	B27	



REV BY :AJL	REV DATE :3-3-20	REV :D	THIS DRAWING REQUIRES A PROPRIETARY PRODUCT OF GOMACO CORPORATION AND MAY NOT BE REPRODUCED OR GIVEN TO A THIRD PARTY WITHOUT WRITTEN PERMISSION FROM GOMACO CORPORATION.
DWN BY :PFR	SCALE :NTS	POWER DIST. CENTER GO-PAVE	
CHKR : PLS	DATE : 10/13/16		
DSGN BY :PFR	3RD ANGLE PROJECTION		
ALL TOLERANCES PER GOMACO GS2			
<b>GOMACO</b> IDA GROVE, IDWA - USA		912820-003	

11/28/2020

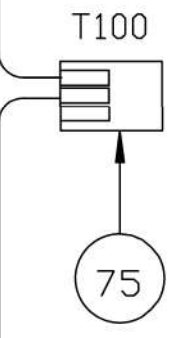
GOMACO Corporation - Idaho, IA ELEC Page 24

ITEM	PIN	GA	WIRE COLOR	LENGTH	TERMINAL	PIN
<b>P1 2 PIN F. DEUTSCH SW PNL 24V</b>						
52	1	16	WHITE	52"	STRIP ONLY	TB31
	2	16	BLACK	52"	STRIP ONLY	CB7-A
<b>P2 2 PIN F. DEUTSCH CONSOLE PWR PLUG</b>						
50	1	16	WHITE	46"	STRIP ONLY	TB33
	2	16	BLACK	46"	STRIP ONLY	TB57
<b>P3 12 PIN F. DEUTSCH MASTER SIGNALS</b>						
55	1	18	WHITE	90"	STRIP ONLY	TB11
	2	18	BLACK	90"	STRIP ONLY	K3-A1
	3	18	DRANGE	90"	STRIP ONLY	K4-A1
	4	18	RED	90"	STRIP ONLY	CB1-A
	5	18	GREEN	90"	STRIP ONLY	CB2-A
	6	18	BLUE	90"	CUT ONLY	SPARE
	7	18	BROWN	90"	CUT ONLY	SPARE
	8		SEAL PIN	-	-	-
	9		SEAL PIN	-	-	-
	10	18	RED	90"	STRIP ONLY	TB13
	11	18	BLACK	90"	STRIP ONLY	TB14
	12	18	SHIELD	90"	STRIP ONLY	TB15
<b>P4 5 PIN MINIFAST PIGTAIL (BLUE) MASTER CAN PWR</b>						
57	1	18	GREY	-	CUT ONLY	NC
	2	18	RED	39"	STRIP ONLY	CB3-A
	3	18	BLACK	39"	STRIP ONLY	TB31
	4	18	WHITE	-	CUT ONLY	NC
	5	18	BLUE	-	CUT ONLY	NC
<b>P5 5 PIN MINIFAST PIGTAIL (BLACK) ACC CAN PWR</b>						
58	1	18	GREY	-	CUT ONLY	NC
	2	18	RED	39"	STRIP ONLY	CB4-A
	3	18	BLACK	39"	STRIP ONLY	TB33
	4	18	WHITE	-	CUT ONLY	NC
	5	18	BLUE	-	CUT ONLY	NC
<b>P6 5 PIN BHD MASTER POWER &amp; GROUND</b>						
54	A	12	WHITE	90"	STRIP ONLY	TB32
	B	12	BLACK	90"	STRIP ONLY	CB5-A
	C	12	YELLOW	90"	STRIP ONLY	TB32
	D	12	RED	90"	STRIP ONLY	CB6-A
	E		NC			
<b>P7 6 PIN DEUTSCH RECEPT ENG CAN IN</b>						
53	1		SEAL PIN			
	2	16	RED	36"	STRIP ONLY	TB13
	3	16	BLACK	36"	STRIP ONLY	TB14
	4	16	SHIELD	36"	STRIP ONLY	TB15
	5		SEAL PIN			
	6		SEAL PIN			
<b>P8 12 PIN DEUTSCHPLUG KEYSWITCH</b>						
56	1	18	WHITE	50"	STRIP ONLY	TB32
	2	18	BLACK	50"	STRIP ONLY	TB10
	3	18	DRANGE	50"	STRIP ONLY	CB2-B
	4	18	RED	50"	STRIP ONLY	CB1-A
	5	18	GREEN	50"	STRIP ONLY	TB11
	6	18	BLUE	50"	STRIP ONLY	TB12
	7	18	YELLOW	50"	CUT ONLY	SPARE
	8	18	BROWN	50"	STRIP ONLY	T100
	9		N/C			
	10	18	PURPLE	50"	STRIP ONLY	TB13
	11	18	GRAY	50"	STRIP ONLY	TB14
	12	18	SHIELD	50"	STRIP ONLY	TB15
<b>P9 2 PIN F. DEUTSCH PLUG HORN OUT</b>						
51	1	16	WHITE	36"	STRIP ONLY	TB31
	2	16	BLACK	36"	STRIP ONLY	TB29
<b>P10 8 PIN F. DEUTSCH PLUG ENGINE</b>						
65	1	18	WHITE	36"	STRIP ONLY	TB32
	2	18	BLACK	36"	STRIP ONLY	CB2-A
	3	18	DRANGE	36"	STRIP ONLY	TB10
	4	18	RED	36"	STRIP ONLY	CB2-A
	5	18	GREEN	36"	CUT ONLY	SPARE
	6	18	BLUE	36"	STRIP ONLY	TB12
	7	18	BROWN	36"	STRIP ONLY	T100
	8		SEAL PIN			

ITEM	PIN	GA	WIRE COLOR	LENGTH	TERMINAL	PIN
<b>P11 4 PIN F. DEUTSCH PLUG FLOODLIGHT SWITCH</b>						
76	1	16	RED	52"	STRIP ONLY	CB1-A
	2	16	BLACK	52"	INS.F.Q.CONN	CB5-A1
	3		N/C			SEAL PIN
	4		N/C			SEAL PIN
<b>P12 2 PIN F. DEUTSCH PLUG HORN OUT</b>						
79	1	16	RED	36"	STRIP ONLY	CB17B-A
	2	16	BLACK	36"	STRIP ONLY	TB39
<b>P13 2 PIN F. DEUTSCH PLUG HORN OUT</b>						
79	1	16	RED	36"	STRIP ONLY	CB17C-A
	2	16	BLACK	36"	STRIP ONLY	TB39
<b>P14 2 PIN F. DEUTSCH PLUG HORN OUT</b>						
79	1	16	RED	36"	STRIP ONLY	CB17D-A
	2	16	BLACK	36"	STRIP ONLY	TB40
<b>P15 2 PIN F. DEUTSCH PLUG HORN OUT</b>						
79	1	16	RED	36"	STRIP ONLY	CB17E-A
	2	16	BLACK	36"	STRIP ONLY	TB40

ALL SPARE CAN WIRES  
NEED TO BE STAGGER CUT  
AND HEAT SHRINK APPLIED  
TO EACH WIRE.

ITEM	LOCATION	PIN/TERM	GA.	COLOR	LENGTH	PIN/TERM	LOCATION
X	CB1-B	STRIP ONLY	12	RED	'	5/16 RING	K2-HOT
X	CB3-B	STRIP ONLY	12	RED	'	STRIP ONLY	TB9
X	CB7-B	STRIP ONLY	12	RED	'	STRIP ONLY	TB9
X	TB9	STRIP ONLY	12	RED	'	STRIP ONLY	CB21-B
X	TB9	STRIP ONLY	6	RED	'	5/16 RING	K2-COLD
X	TB10	STRIP ONLY	16	BLACK	'	#10 RING	K1-(+)
X	TB10	STRIP ONLY	16	BLACK	'	#10 RING	K2-(+)
X	K3-A2	STRIP ONLY	18	WHITE	'	STRIP ONLY	TB41
X	K4-A2	STRIP ONLY	18	WHITE	'	STRIP ONLY	TB41
X	K3-14	STRIP ONLY	16	DRANGE	'	STRIP ONLY	TB29
X	K3-14	STRIP ONLY	16	DRANGE	'	STRIP ONLY	TB29
X	K3-11	STRIP ONLY	16	BLACK	'	STRIP ONLY	TB27
X	K3-11	STRIP ONLY	16	BLACK	'	STRIP ONLY	TB27
X	K4-11	STRIP ONLY	16	BLACK	'	STRIP ONLY	CB51-A
X	K4-14	STRIP ONLY	16	BLUE	'	STRIP ONLY	CB54-B
80	K5-4	INS.F.Q.CONN	12	RED	15'	5/16 RING	K2 "HOT"
80	K5-8	INS.F.Q.CONN	12	RED	15'	5/16 RING	K2 "HOT"
81	K5-2	INS.F.Q.CONN	12	BLACK	8'	STRIP ONLY	CB17B-B
81	K5-6	INS.F.Q.CONN	12	BLACK	8'	STRIP ONLY	CB17D-B
82	K5-A2	INS.F.Q.CONN	16	WHITE	9'	STRIP ONLY	TB42
X	CB18-A	STRIP ONLY	16	RED	'	STRIP ONLY	TB23
X	CB19-A	STRIP ONLY	16	RED	'	STRIP ONLY	TB24
X	CB20-A	STRIP ONLY	16	RED	'	STRIP ONLY	TB25
X	CB21-A	STRIP ONLY	12	RED	'	STRIP ONLY	TB26
X	TB49	STRIP ONLY	12	WHITE	'	STRIP ONLY	TB31
X	TB49	STRIP ONLY	12	WHITE	'	STRIP ONLY	TB36
X	TB49	STRIP ONLY	12	WHITE	'	STRIP ONLY	TB40
X	TB49	STRIP ONLY	6	BLACK	'	3/8 RING	FRAME GND
X	TB42	STRIP ONLY	16	WHITE	'	#10 RING	K1-(+)
X	TB42	STRIP ONLY	16	WHITE	'	#10 RING	K2-(+)
X	TB60	STRIP ONLY	10	RED	'	5/16 RING	K1-COLD
X	TB60	STRIP ONLY	12	BLACK	'	STRIP ONLY	TB51
X	TB60	STRIP ONLY	12	BLACK	'	STRIP ONLY	TB53
X	CB55-A	STRIP ONLY	12	BLACK	'	STRIP ONLY	TB57
X	CB55-B	STRIP ONLY	12	RED	'	5/16 RING	K1-HOT
X	CB53-A	STRIP ONLY	12	BLACK	'	STRIP ONLY	TB58



NOTE:  
CIRCUIT BREAKER JUMPERS:  
USE ITEM 525-54B54:  
QTY-4 BETWEEN CB3 TO CB7.  
QTY-1 BETWEEN CB17B TO 17C  
QTY-1 BETWEEN CB 17D TO CB17E  
QTY-3 BETWEEN CB18 TO CB21.  
QTY-2 BETWEEN CB51 TO CB53.

TERMINAL BLOCK JUMPERS:  
USE ITEM #1535-51F86:  
QTY-2 BETWEEN TB26 TO TB28.  
QTY-11 BETWEEN TB31 TO TB42.  
QTY-1 BETWEEN TB58 TO TB59.

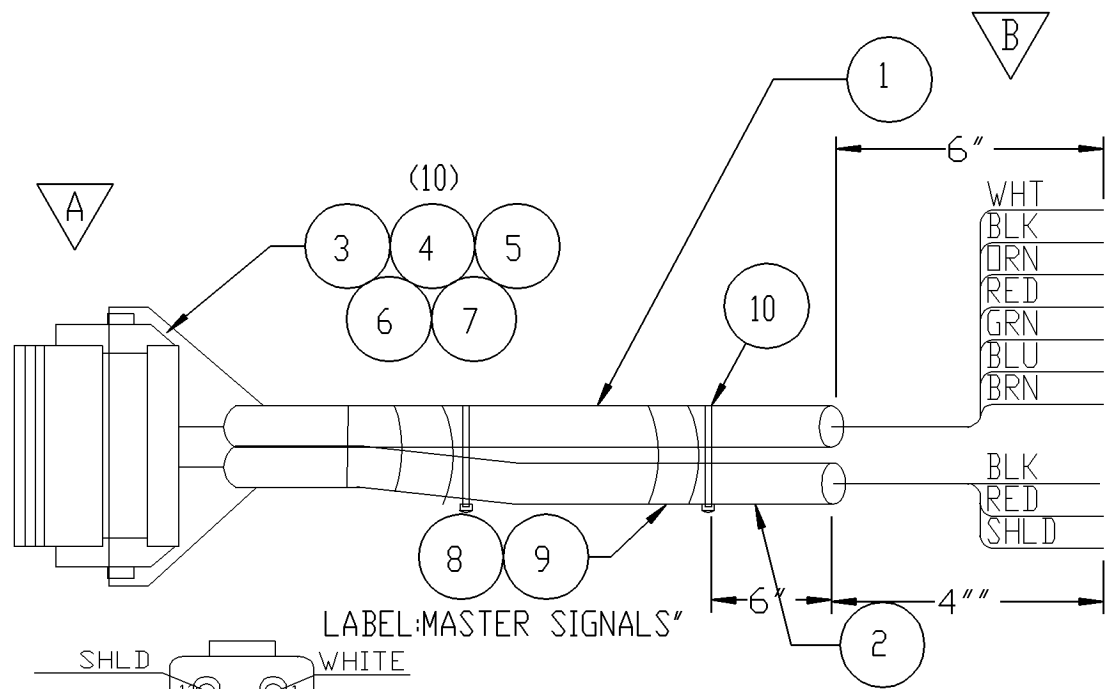
DIODE ASSEMBLY				
LOCATION	TERMINAL	DESIGNATION	TERMINAL	LOCATION
K1-(+)	#10 RING	D-1	#10 RING	K1-(+)
K2-(+)	#10 RING	D-2	#10 RING	K2-(+)

ITEM	PIN	GA	WIRE COLOR	LENGTH	TERMINAL	PIN
<b>B12 5 PIN BHD AUTO FLOAT</b>						
	A	16	WHITE	-	STRIP ONLY	TB34
	B	16	BLACK	-	STRIP ONLY	CB51-A
	C	16	RED	-	STRIP ONLY	CB54-A
	D		NC			
	E		NC			
<b>B13 5 PIN BHD LT ACC 12V</b>						
	A	16	WHITE	-	STRIP ONLY	TB33
	B	16	BLACK	-	STRIP ONLY	TB57
	C		NC			
	D		NC			
	E		NC			
<b>B14 5 PIN BHD RT ACC 12V</b>						
	A	16	WHITE	-	STRIP ONLY	TB33
	B	16	BLACK	-	STRIP ONLY	TB57
	C		NC			
	D		NC			
	E		NC			
<b>B15 5 PIN BHD 1/4 TURN LT SENSOR PWR 24V</b>						
	A	16	WHITE	-	STRIP ONLY	TB34
	B	16	BLACK	-	STRIP ONLY	TB23
	C		NC			
	D		NC			
	E		NC			
<b>B16 5 PIN BHD 1/4 TURN RT SENSOR PWR 24V</b>						
	A	16	WHITE	-	STRIP ONLY	TB34
	B	16	BLACK	-	STRIP ONLY	TB23
	C		NC			
	D		NC			
	E		NC			
<b>B17 5 PIN BHD 1/4 TURN LT BAR INSERTER 24V #1</b>						
	A	16	WHITE	-	STRIP ONLY	TB35
	B	16	BLACK	-	STRIP ONLY	TB24
	C		NC			
	D		NC			
	E		NC			
<b>B18 5 PIN BHD 1/4 TURN LT BAR INSERTER 24V #2</b>						
	A	16	WHITE	-	STRIP ONLY	TB35
	B	16	BLACK	-	STRIP ONLY	TB24
	C		NC			
	D		NC			
	E		NC			
<b>B19 5 PIN BHD 1/4 TURN LT BAR INSERTER 24V #3</b>						
	A	16	WHITE	-	STRIP ONLY	TB35
	B	16	BLACK	-	STRIP ONLY	TB24
	C		NC			
	D		NC			
	E		NC			
<b>B20 5 PIN BHD 1/4 TURN RT BAR INSERTER 24V #1</b>						
	A	16	WHITE	-	STRIP ONLY	TB36
	B	16	BLACK	-	STRIP ONLY	TB25
	C		NC			
	D		NC			
	E		NC			
<b>B21 5 PIN BHD 1/4 TURN RT BAR INSERTER 24V #2</b>						
	A	16	WHITE	-	STRIP ONLY	TB36
	B	16	BLACK	-	STRIP ONLY	TB25
	C		NC			
	D		NC			
	E		NC			
<b>B22 5 PIN BHD 1/4 TURN RT BAR INSERTER 24V #3</b>						
	A	16	WHITE	-	STRIP ONLY	TB36
	B	16	BLACK	-	STRIP ONLY	TB25
	C		NC			
	D		NC			
	E		NC			
<b>B23 4 PIN F. DEUTSCH FILTER LIGHTS</b>						
	1	18	WHITE	-	STRIP ONLY	TB37
	2	18	BLACK	-	STRIP ONLY	TB26
	3	18	RED	-	STRIP ONLY	TB37
	4	18	GREEN	-	N/C	
<b>B24 5 PIN BHD RT PEDESTAL 12V AUX POWER</b>						
	A	16	WHITE	-	STRIP ONLY	TB37
	B	16	BLACK	-	STRIP ONLY	CB58-A
	C		NC			
	D		NC			
	E		NC			

ITEM	QTY	PART NUMBER	DESCRIPTION
50	1	B CA02P-0046-0239	CA 2 PIN DEUTSCH FEM/STRIP ONLY
51	1	B CA02P-0036-0239	CA 2 PIN DEUTSCH FEM/STRIP ONLY
52	1	B CA02P-0052-0239	CA 2 PIN DEUTSCH FEM/STRIP ONLY
53	1	B CA02L-0036-0082	CA 6 PIN M.DEUTSCH/STRIP ONLY
54	1	B WH04-0083	WIRE HARENSS PWR & GND 1/4 TURN PLUG X 90 IN.
55	1	B WH02-0180	WIRE HARNESS MASTER SIG 12 PIN DEUTSCH X 90 IN.
56	1	B CA10N-0050-0021	CA 12P FEM DEUTSCH/STRIP ONLY LABEL: 'PB - KEYSWITCH HARNESS'
57	1	520-49L18	CABLE - MINIFAST MALE (PIGTAIL)
58	1	520-53Y83	CABLE - MALE PIGTAIL BLK 1M MINIFAST
59	1	T535-51F92	NUMBERS - TERMINAL BLOCK # 1-10 (10X) X 0.1
60	1	T535-51F93	NUMBERS - TERMINAL BLOCK #11-20 (10X) X 0.1
61	1	T535-51F94	NUMBERS - TERMINAL BLOCK #21-30 (10X) X 0.1
62	1	T535-51F95	NUMBERS - TERMINAL BLOCK #31-40 (10X) X 0.1
63	1	T535-51F96	NUMBERS - TERMINAL BLOCK #41-50 (10X) X 0.1
64	1	T535-51F97	NUMBERS - TERMINAL BLOCK #51-60 (10X) X 0.1
65	1	CA07M-0036-0089	CA 8 PIN F. DEUTSCH/STRIP ONLY LABEL "ENGINE"
66	6	545-52K23	SHRINK TUBE, READY PRINT .375 IN YEL
67	6	545-47M39	SHRINK TUBE, READY PRINT .50 IN YEL
68	3	545-52K24	SHRINK TUBE, READY PRINT .750 IN YEL
69	4	545-52K25	SHRINK TUBE SLEEVE, UV PROT .375 DIA CLR
70	5	545-52K26	SHRINK TUBE SLEEVE, UV PROT .750 DIA CLR
71	20	515-15B48	CABLE TIE - 4.00 IN BLACK
72	6	515-45G31	CABLE TIE - 6.00 IN BLACK
73	2	DI01-ADAD-YY	DIODE ASSY W/#10 RING-#10 RING
74	1	545-52W73	CONDUIT - .750 IN SPLIT NYLON BLK X 36 IN. USE ON CABLES THAT ROUTE UP & OUT THE TOP
75	1	535-52K88	TERMINAL BLOCK - CONNECTING, 3 TERM 20A
76	1	B CA02L-0052-0089	CA 4P FEM DEUTSCH/INS FQ CONN-STRIP ONLY POWER DISTRIBUTION "FLOODLIGHT SWITCH"
77	1	B CA02L-0024-0088	CA 4 PIN MALE DEUTSCH/#6 RINGS LABEL "FLOODLIGHT SWITCH EXT."
78	1	530-15B39	SWITCH - SGL PULL & THROW 1TL1-2D USE W/ ITEM #76
79	4	B CA02L-0036-0085	CA 2 PIN DEUTSCH FEM/STRIP ONLY POWER DISTRIBUTION "FLOODLIGHT POWER"
80	2	SWJ2-00150-AEBE	12GA RED X 15 IN. W/ 5/16

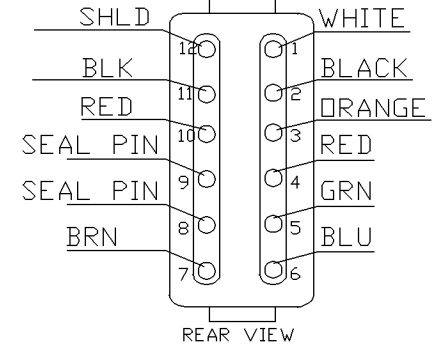
2

1



11/23/2020

REAR VIEW



ASSEMBLY NOTES

ASSEMBLY NOTES				
		A	B	
ITEM	PIN	WIRE COLOR	LENGTH	PIN
1	1	WHITE	90"	STRIP ONLY
1	2	BLACK	90"	STRIP ONLY
1	3	ORANGE	90"	STRIP ONLY
1	4	RED	90"	CUT ONLY
1	5	GREEN	90"	CUT ONLY
1	6	BLUE	90"	CUT ONLY
1	7	BROWN	90"	CUT ONLY
	8	N/C		
	9	N/C		
2	10	RED	90"	STRIP ONLY
2	11	BLACK	90"	STRIP ONLY
2	12	SHIELD	90"	STRIP ONLY

MATERIAL LIST

ITEM	QTY	PART NUMBER	DESCRIPTION
	1	B WH02-0180	WIRE HARNESS MASTER SIG 12 PIN DEUTSCH X 90 IN.
1	1	520-15B38	WIRE - 18 GAUGE, 7 CONDCT X 90 IN.
2	1	520-46B74	WIRE - 16 GAUGE, 2 CONDCT MULTI X 90 IN.
3	1	515-53A13	PLUG - CONNECTOR 12 PIN SOCKET
4	1	515-53A15	WEDGE - LOCKING 12 PIN PLUG
5	10	515-48F69	CONNECTOR - #16 SOCKET CONTACT
6	1	515-54B77	BOOT - 12 PIN DEUTSCH PLUG
7	2	515-48F70	CONNECTOR - #16/12 SEALING PLUG
8	2	545-46F77	TAPE - VINYL .75 IN WHT X 2 IN.
9	2	545-45Z08	HEAT SHRINK TUBE - .375 IN CLR X 2 IN.
10	2	515-15B48	CABLE TIE - 4.00 IN BLACK

NOTE: 1. DESIGNATION ON THE WHITE VINYL TAPE DEPENDS ON WHICH ASSEMBLY IT IS USED FOR.

REV BY : PFR	REV DATE : 11-20-13	REV : D	THIS DRAWING DESCRIBES A PROPRIETARY PRODUCT OF GOMACO CORPORATION AND MAY NOT BE REPRODUCED OR GIVEN TO A THIRD PARTY WITHOUT WRITTEN PERMISSION FROM GOMACO CORPORATION
DWN BY : PFR	SCALE : NTS		
CHKR : SBJ	DATE : 6-10-13		
DSGN BY : PFR	3RD ANGLE PROJECTION		
ALL TOLERANCES PER GOMACO GS2		WIRE HARNESS MASTER SIG 12 PIN DEUTSCH X 90 IN.	

**GOMACO**  
IDA GROVE, IDWA - USA

B WH02-0180

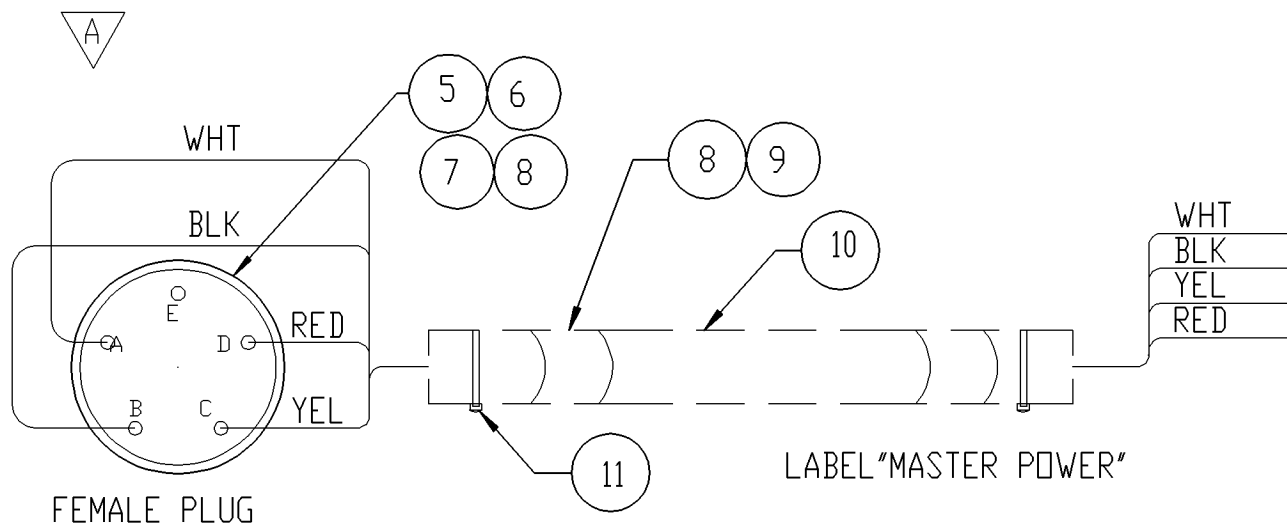
SHT.  
1 / 1

WH02-0180

2

1

ASSEMBLER NOTE:  
THESE PLUGS ARE THE 5 PIN 1/4 TURN  
CONNECTORS. FEMALE PLUG!!!!!!



### MATERIAL LIST

ITEM	QTY	PART NUMBER	DESCRIPTION
	1	B WH04-0083	WIRE HARNESS PWR & GND 1/4 TURN PLUG X 90 IN.
1	1	520-46J15	WIRE - 12 GAUGE, WHITE X 90 IN.
2	1	520-10T69	WIRE - 12 GAUGE, BLACK X 90 IN.
3	1	520-15A48	WIRE - 12 GAUGE, RED X 90 IN.
4	1	520-15B10	WIRE - 12 GAUGE, YELLOW X 90 IN.
5	1	515-53V47	PLUG - CONNECTOR 5 PIN STR 1/4 TURN
6	1	545-52H99	HT SHRINK TBG - .94 IN X 4FT DUAL W ADH X 3 IN.
7	1	550-10E33	DOW 3140 RTV SEALANT X 0.10Z
8	2	545-46F77	2 IN. WHITE VINYL TAPE
9	2	545-45Z09	HEAT SHRINK TUBE - .750 IN CLR X 2 IN.
10	1	545-52W72	CONDUIT - .500 IN SPLIT NYLON BLK X 82 IN.
11	2	515-15B48	CABLE TIE - 4.00 IN BLACK

### ASSEMBLY NOTES

ASSEMBLY NOTES				
A		B		
ITEM	PIN	WIRE COLOR	LENGTH	PIN
1	A	WHITE	90"	STRIP ONLY
2	B	BLACK	90"	STRIP ONLY
3	C	YELLOW	90"	STRIP ONLY
4	D	RED	90"	STRIP ONLY
	E	NC		

NOTE: 1. DESIGNATION ON THE WHITE VINYL TAPE  
DEPENDS ON WHICH ASSEMBLY IT IS USED FOR.

REV BY : PFR	REV DATE : 11-20-13	REV : D	THIS DRAWING DESCRIBES A PROPRIETARY PRODUCT OF GOMACO CORPORATION AND MAY NOT BE REPRODUCED OR GIVEN TO A THIRD PARTY WITHOUT WRITTEN PERMISSION FROM GOMACO CORPORATION
DWN BY : PFR	SCALE : NTS	WIRE HARNESS PWR & GND 1/4 TURN PLUG X 90 IN.	
CHKR : SBJ	DATE : 6-10-13		
DSGN BY : PFR	3RD ANGLE PROJECTION		
ALL TOLERANCES PER GOMACO GS2			
<b>GOMACO</b> IDA GROVE, IOWA - USA		B	WH04-0083
			SHT. 1 / 1

WH04-0083

11/23/2020

GOMACO Corporation - Ida Grove, IA

ELEC Page: 27

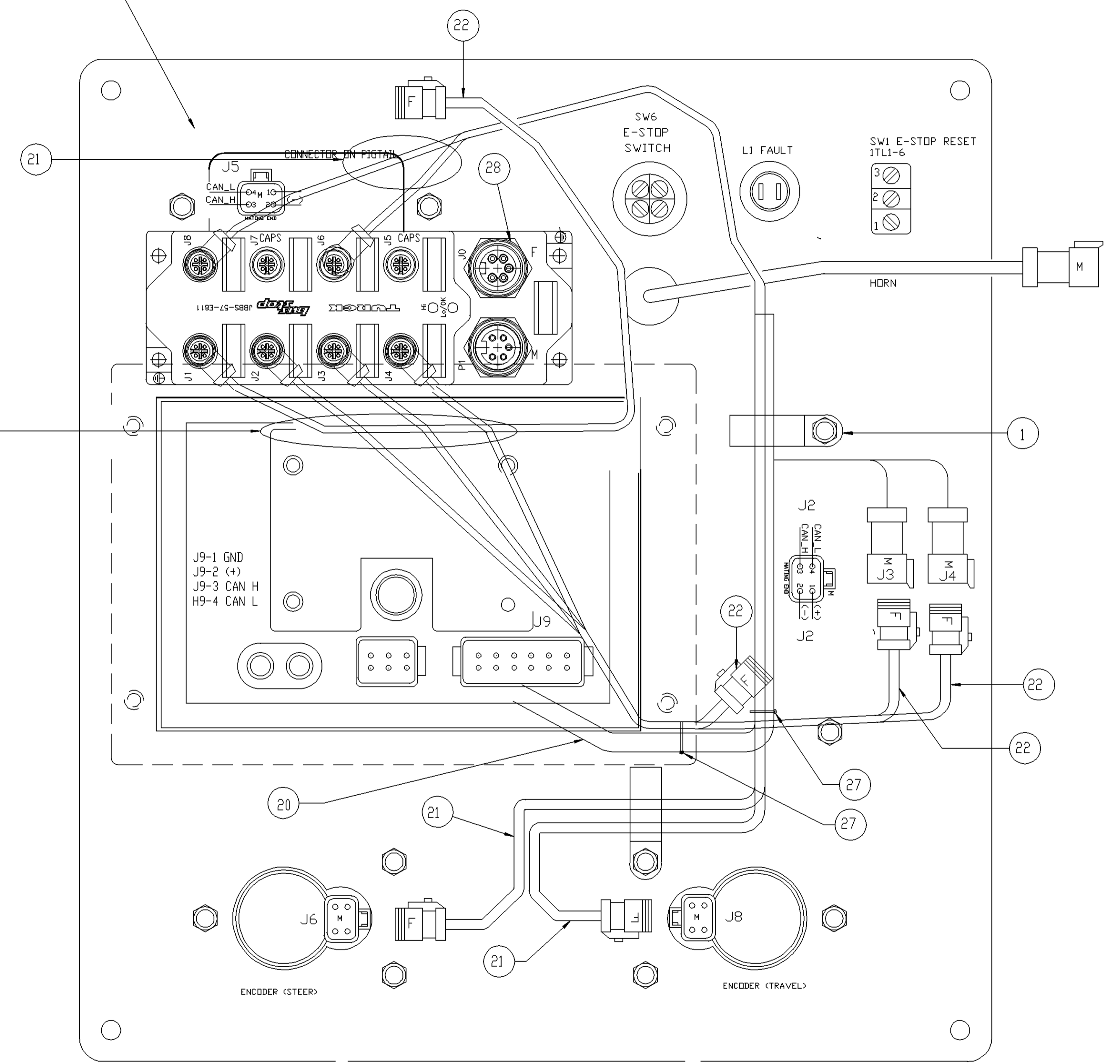
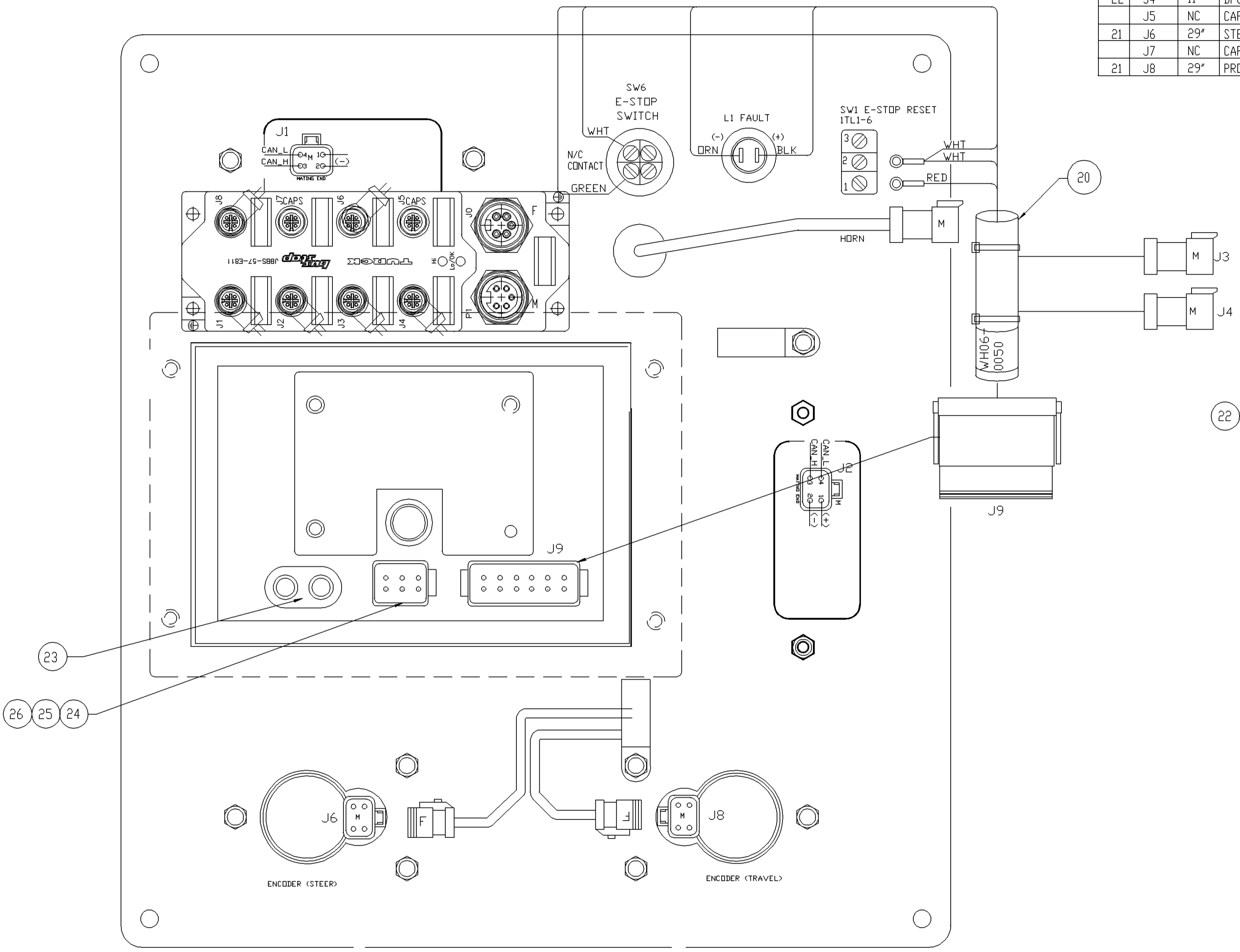


MATERIAL LIST			
ITEM	QTY	PART NUMBER	DESCRIPTION
1	D	905220-294	CONTROL PANEL ASSY 4 TRACK
20	1	WH06-0050	WIRE HARNESS DP600 CTRL PANEL G+
21	2	WH01-0156	90 DEG MM12/4 PIN F.DEUTSCH X 29 IN.
22	4	WH01-0157	90 DEG MM12/4 PIN F.DEUTSCH X 11 IN.
23	2	515-53C95	CAP - PROTECTION, SEAL - DP600
24	6	515-50J12	CONNECTOR - #20 SEALING PLUG
25	1	515-53D08	WEDGELOCK - 6 PLUG, DEUTSCH WM-6S
26	1	515-53D07	PLUG - 6 WAY, MINI DEUTSCH DTM06-6S
27	2	515-45G31	CABLE TIE - 6.00 IN BLACK
28	1	515-53Y49	CAP - DUST PLUG, 5 PIN MINIFAST
29			
30			

ASSEMBLY NOTES			
ITEM	PORT	LENGTH	LOCATION
22	J1	11"	STEER SW
22	J2	11"	ELEV SW
22	J3	11"	DP600
22	J4	11"	DP600
	J5	NC	CAP
21	J6	29"	STEER PUCK
	J7	NC	CAP
21	J8	29"	PROPEL PUCK

ASSEMBLY NOTE:  
CONNECT WH06-0050 AS SHOWN  
SOLDER ON L1 CONNECTIONS

NOTE:  
ROUTE CABLES AS SHOWN



4 PIN DEUTSCH CONNECTOR  
PINDOTS  
1-RED-+12V  
2-BLK-GND  
3-WHT-CAN\_H  
4-BLU-CAN\_L

REV BY :SBJ	REV DATE :11/20/15	REV :A	THIS DRAWING DESCRIBES A PROPRIETARY PRODUCT OF GOMACO CORPORATION AND MAY NOT BE REPRODUCED OR GIVEN TO A THIRD PARTY WITHOUT WRITTEN PERMISSION FROM GOMACO CORPORATION.
DWN BY :SBJ	SCALE :NTS		
CHKR :	DATE : 11/20/15		
DSGN BY :SBJ	3RD ANGLE PROJECTION		
ALL TOLERANCES PER GOMACO GS2			
<b>GOMACO</b> IDA GROVE, IDWA - USA			CONTROL PANEL ASSY 4 TRACK
		D	905220-294
			SHT. 2 / 2

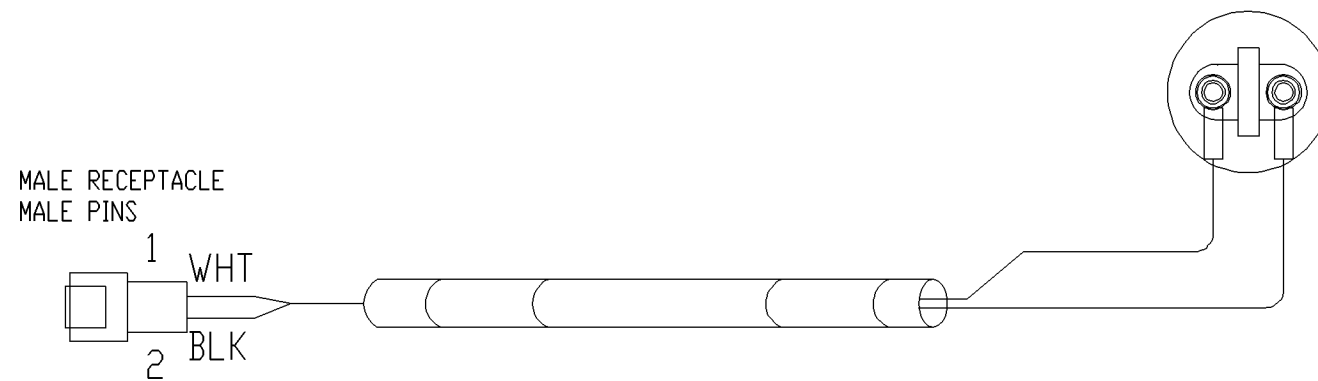
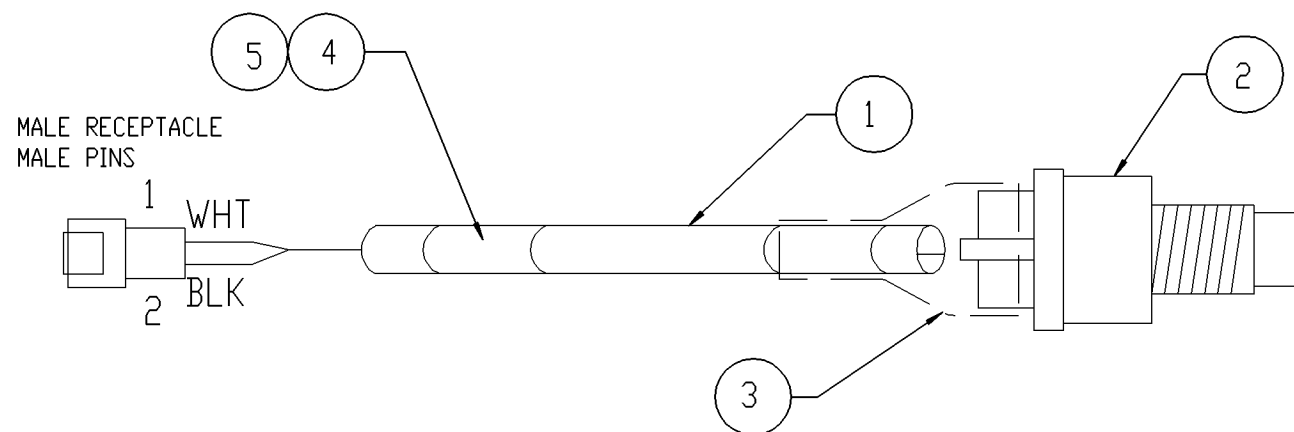
11/23/2020 GOMACO Corporation - Ida Grove, IA ELEC Page 28

2

1

### MATERIAL LIST

ITEM	QTY	PART NUMBER	DESCRIPTION
		B 904920-043	WIRING ASSY., HORN SWITCH
1	1	B CA02P-0024-0241	CA 2 PIN M DEUTSCH/2 #10 RINGS
2	1	530-15A61	SWITCH - KILL
3	1	545-52H99	HT SHRINK TBG - .94 IN X 4FT DUAL W ADH X 3 IN.
4	1	545-52K23	SHRINK TUBE, READY PRINT .375 IN YEL
5	1	545-52K25	SHRINK TUBE SLEEVE, UV PROT .375 DIA CLR



NOTE:  
 BEND THE #10 RINGS  
 SUCH THAT THE CABLE  
 WILL COME STRAIGHT  
 OUT FROM THE BACK OF  
 THE SWITCH TO PUT  
 SHRINK TUBE ON THE BACK.

REV BY : PFR	REV DATE : 3-13-13	REV : A	THIS DRAWING DESCRIBES A PROPRIETARY PRODUCT OF GOMACO CORPORATION AND MAY NOT BE REPRODUCED OR GIVEN TO A THIRD PARTY WITHOUT WRITTEN PERMISSION FROM GOMACO CORPORATION	
DWN BY : PFR	SCALE : NTS	WIRING ASSY., HORN SWITCH		
CHKR : SBJ	DATE : 3-13-13			
DSGN BY : PFR	3RD ANGLE PROJECTION			
ALL TOLERANCES PER GOMACO GS2				
<b>GOMACO</b> IDA GROVE, IDWA - USA		B	904920-043	SHT. 1 1

904920-043

2

1

11/23/2020

GOMACO Corporation - Ida Grove, IA

ELEC Page: 29

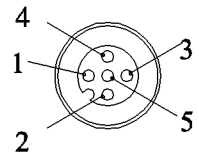
2

1

MATERIAL LIST

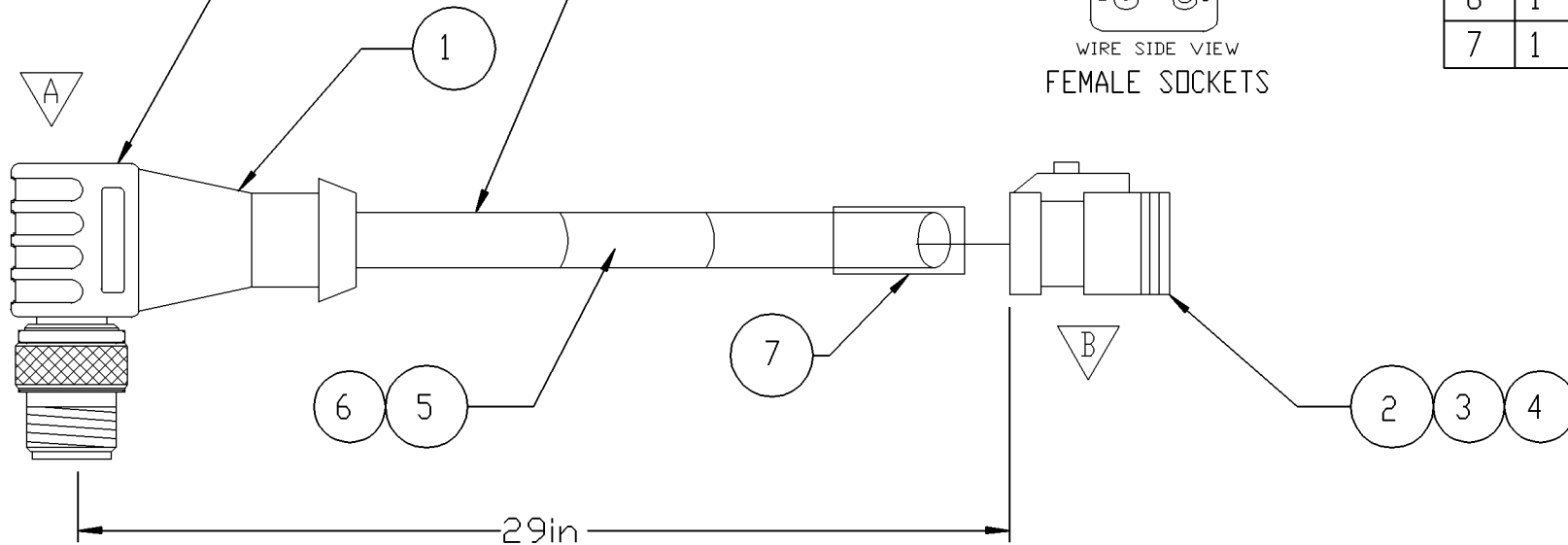
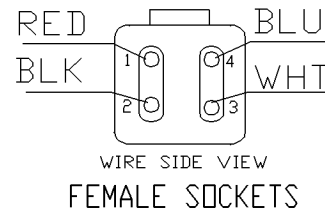
ITEM	QTY	PART NUMBER	DESCRIPTION
		B WH01-0156	90 DEG M.M12/4 PIN F.DEUTSCH X 29 IN.
1	1	520-54D09	CABLE - 5 P M M12 RT ANGLE - WIRES X 1M
2	1	515-53H44	PLUG - CONNECTOR 4 PIN SOCKET
3	1	515-53H45	WEDGE - LOCKING 4 PIN SOCKET
4	4	515-48F69	CONNECTOR - #16 SOCKET CONTACT
5	1	545-46F77	ELECTRICAL TAPE WHITE X 2"
6	1	545-45Z08	HEAT SHRINK TUBE 3/8" X 2"
7	1	545-45P84	HEAT SHRINK TUBE - .500 IN BLK X 1 IN.

EuroFast  
Male Pins,  
Male Threads  
or Coupling Nut



5 Pin

NOTE:  
CUT ITEM #1 CABLE TO THE LENGTH  
AS SHOWN IN DRAWING.



ASSEMBLY NOTES			
PIN	COLOR		PIN
1	SHLD	NC	
2	RED	+V	1
3	BLK	GND	2
4	WHT	CAN_H	3
5	BLU	CAN_L	4

REV BY : PFR	REV DATE : 6-13-13	REV : A	THIS DRAWING DESCRIBES A PROPRIETARY PRODUCT OF GOMACO CORPORATION AND MAY NOT BE REPRODUCED OR GIVEN TO A THIRD PARTY WITHOUT WRITTEN PERMISSION FROM GOMACO CORPORATION
DWN BY : PFR	SCALE : NTS		
CHKR : SBJ	DATE : 6-13-13		
DSGN BY : PFR	3RD ANGLE PROJECTION		
ALL TOLERANCES PER GOMACO GS2			
<b>GOMACO</b> IDA GROVE, IOWA - USA		B	WH01-0156
			SHT. 1 / 1

2

1

B  
11/23/2020

GOMACO Corporation - Ida Grove, IA

ELEC Page: 30

B

A

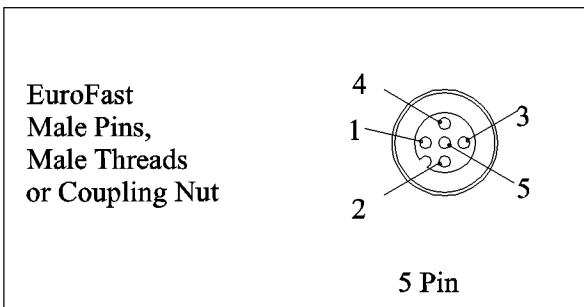
WH01-0156

2

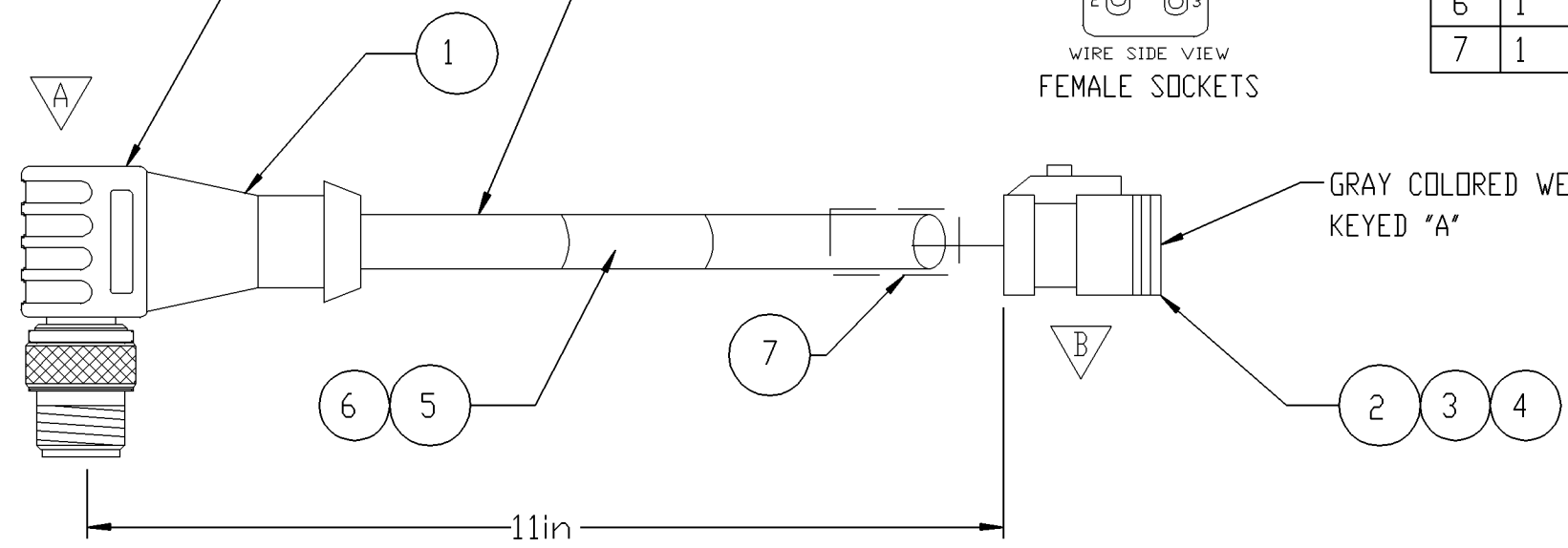
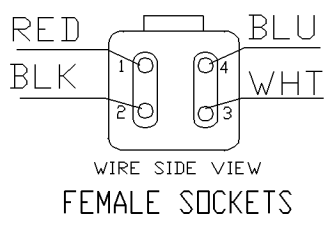
1

MATERIAL LIST

ITEM	QTY	PART NUMBER	DESCRIPTION
		B WH01-0157	90 DEG M.M12/4 PIN F.DEUTSCH X 11 IN.
1	1	520-54D09	CABLE - 5 P M M12 RT ANGLE - WIRES X 1M
2	1	515-53H44	PLUG - CONNECTOR 4 PIN SOCKET
3	1	515-54U37	WEDGE - LOCKING 4 PIN SOCKET KEY "A" GRY
4	4	515-48F69	CONNECTOR - #16 SOCKET CONTACT
5	1	545-46F77	ELECTRICAL TAPE WHITE X 2"
6	1	545-45Z08	HEAT SHRINK TUBE 3/8" X 2"
7	1	545-45P84	HEAT SHRINK TUBE - .500 IN BLK X 1 IN.



NOTE:  
CUT ITEM #1 CABLE TO THE LENGTH AS SHOWN IN DRAWING.



ASSEMBLY NOTES			
A		B	
PIN	COLOR		PIN
1	SHLD	NC	
2	RED	+V	1
3	BLK	GND	2
4	WHT	CAN_H	3
5	BLU	CAN_L	4

REV BY : PFR	REV DATE : 1-12-16	REV : B	THIS DRAWING DESCRIBES A PROPRIETARY PRODUCT OF GOMACO CORPORATION AND MAY NOT BE REPRODUCED OR GIVEN TO A THIRD PARTY WITHOUT WRITTEN PERMISSION FROM GOMACO CORPORATION
DWN BY : PFR	SCALE : NTS		
CHKR : SBJ	DATE : 6-13-13		
DSGN BY : PFR	3RD ANGLE PROJECTION		
ALL TOLERANCES PER GOMACO GS2			
<b>GOMACO</b> IDA GROVE, IOWA - USA		B	WH01-0157
			SHT. 1 / 1

2

1

B  
11/23/2020

GOMACO Corporation - Ida Grove, IA

ELEC Page: 31

B

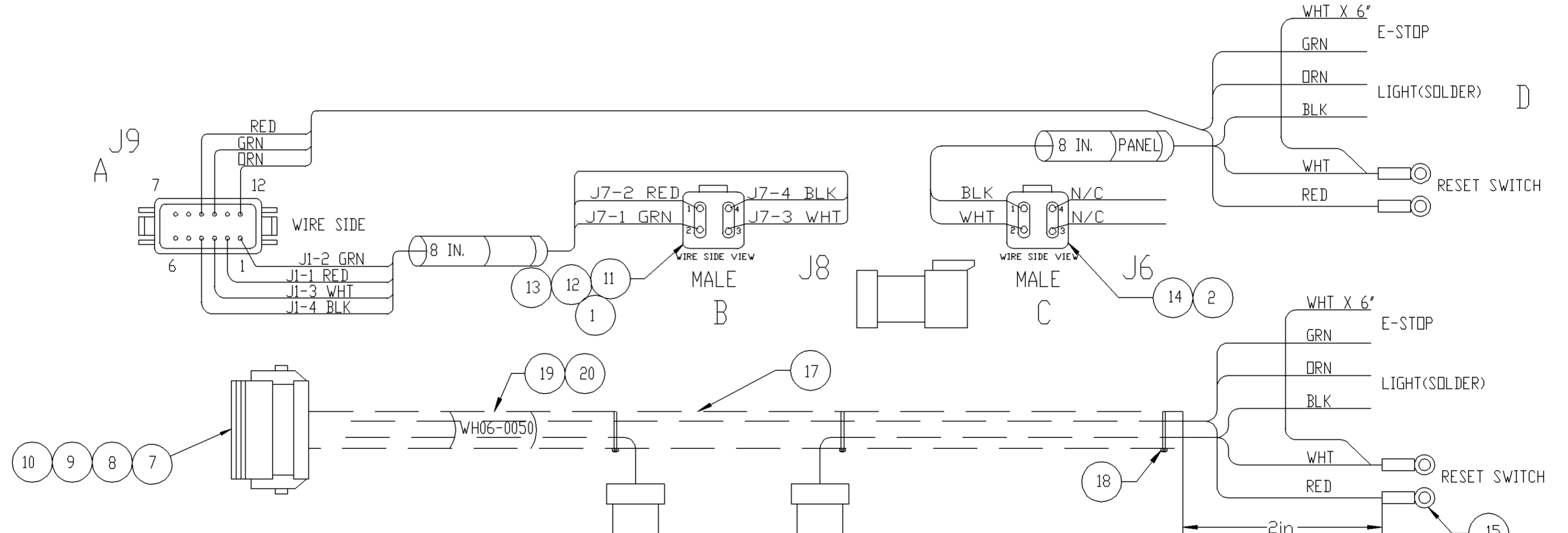
A

WH01-0157

MATERIAL LIST

MATERIAL LIST

ITEM	QTY	PART NUMBER	DESCRIPTION	ITEM	QTY	PART NUMBER	DESCRIPTION
19	1	545-46F77	TAPE - VINYL .75 IN X 60.00 FT WHT X 2 IN.	1	C	WH06-0050	WIRE HARNESS DP600 CTRL PANEL G+
20	1	545-45Z09	HEAT SHRINK TUBE - .750 IN CLR X 2 IN.	1	1	520-15A92	WIRE - 18 GAUGE, 4 CNDCT X 8 IN.
21				2	1	520-53N15	WIRE - 18 GAUGE, 2 CNDCT X 8 IN.
22				3	1	520-45E74	WIRE - 18 GAUGE, WHITE X 6 IN.
23				4	1	520-48F80	WIRE - 18 GAUGE, RED X 14 IN.
				5	1	520-48F82	WIRE - 18 GAUGE, GREEN X 14 IN.
				6	1	520-48F91	WIRE - 18 GAUGE, ORANGE X 14 IN.
				7	2	515-53D05	PLUG - 12 WAY, MINI DEUTSCH DTM06-12SA
				8	2	515-53D06	WEDGELOCK - 12 PLUG, DEUTSCH WM-12S
				9	7	515-50J11	CONNECTOR - #20 SOCKET CONTACT 20/24 GA
				10	5	515-50J12	CONNECTOR - #20 SEALING PLUG
				11	2	515-53H46	RECEPTACLE - CONNECTOR 4 PIN
				12	2	515-53H47	WEDGE - LOCKING 4 PIN RECEPTACLE
				13	6	515-48F68	CONNECTOR - #16 PIN CONTACT
				14	2	515-48F70	CONNECTOR - #16/12 SEALING PLUG
				15	2	515-10E63	TERMINAL - #6 RING TONGUE 16-14 GA BLU
				16			
				17	1	545-52W72	CONDUIT - .500 IN SPLIT NYLON BLK X 12 IN.
				18	3	515-15B48	CABLE TIE - 4.00 IN BLACK

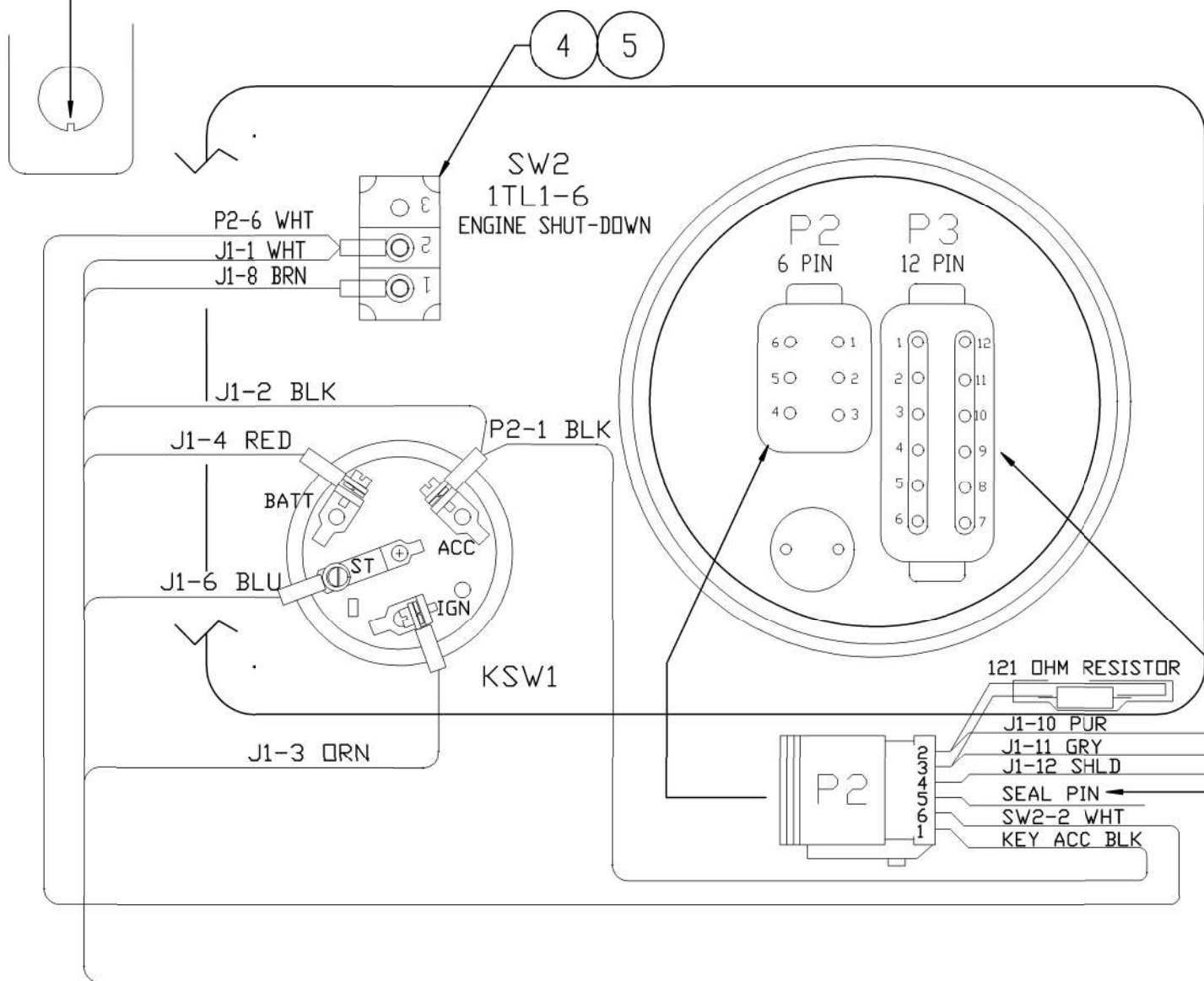


ITEM	DESCRIPTION	TERMINATION	GA	WIRE COLOR	LENGTH	TERMINAL	LOCATION	TERMINAL	LOCATION
		A					B	C	D
1	GND	PIN-1	18	GRN	8"	#16 M.PIN	PIN-2		
1	+12V	PIN-2	18	RED	8"	#16 M.PIN	PIN-1		
1	CANI-H	PIN-3	18	WHT	8"	#16 M.PIN	PIN-3		
1	CANI-L	PIN-4	18	BLK	8"	#16 M.PIN	PIN-4		
	CANI-SHLD	PIN-5		N/C					
	CANO-H	PIN-6		N/C					
	CANO-L	PIN-7		N/C					
		PIN-8		N/C					
4	RESET SW	PIN-9	18	RED	14"				#6 RING
5	E-STOP	PIN-10	18	GRN	14"				STRIP ONLY
		PIN-11		N/C					
6	LIGHT GND	PIN-12	18	DRN	14"				STRIP&TIN
2	GND		18	WHT	8"	#16 M.PIN	PIN-2		#6 RING
2	+V		18	WHT	8"	#16 M.PIN	PIN-1		STRIP&TIN
				N/C		SEAL PIN	PIN-3		
				N/C		SEAL PIN	PIN-4		
3	GND WIRE		18	WHT	6"				STRIP ONLY

REV BY : PFR	REV DATE : 3-18-13	REV : A	THIS DRAWING DESCRIBES A PROPRIETARY PRODUCT OF GOMACO CORPORATION AND MAY NOT BE REPRODUCED OR GIVEN TO A THIRD PARTY WITHOUT WRITTEN PERMISSION FROM GOMACO CORPORATION
DWN BY : PFR	SCALE : NTS	WIRE HARNESS DP600 CTRL PANEL G+	
CHKR : SBJ	DATE : 3-18-13		
DSGN BY : PFR	3RD ANGLE PROJECTION		
ALL TOLERANCES PER GOMACO GS2			WH06-0050
IDA GROVE, IOWA - USA			SHT. 1/1

11/23/2020  
GOMACO Corporation - Ida Grove, IA  
ELEC Page 32

NOTE: ALIGNMENT PIN IN ITEM #5 SWITCH-GUARD MUST BE REMOVED FOR PROPER INSTALLATION.

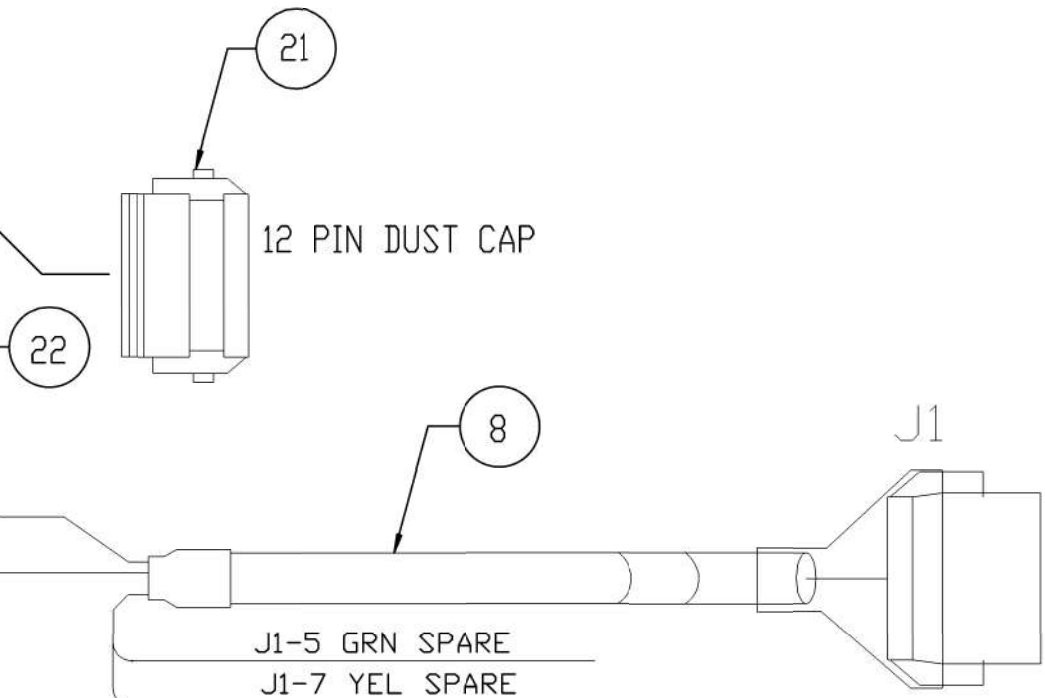


### MATERIAL LIST

ITEM	QTY	PART NUMBER	DESCRIPTION
		B 912620-021	ENGINE CONTROL PANEL ASSY- TIER IV
21	1	A WH01-0159	HARNESS - 12 P FEM DEUTSCH SEAL PLUG
22	1	515-48F70	CONNECTOR - #16/12 SEALING PLUG
23			
24			
25			

J1	WIRE COLOR	FUNCTION	LOC	WIRE COLOR	LOC
1	WHT	GND	SW2-2	WHT	P2-6
2	BLK	ACC	KSW-ACC	BLK	P2-1
3	ORN	IGN	KSW-IGN		
4	RED	BATT	KSW-BAT		
5	GRN	SPARE	N/C		
6	BLU	STARTER	KSW-ST		
7	YEL	SPARE	N/C		
8	BRN	ENG. SHUT-DN	SW2-1	*SEE NOTE	
9	N/C		N/C		
10	PUR	CAN_H	P2-2		
11	GRY	CAN_L	P2-3		
12	SHLD	CAN_SHLD	P2-4		

NOTE \*ENGINE SHUT-DOWN SWITCH.  
(OVERRIDES DELAYED SHUT-DOWN SEQUENCE ON TIER 4 ENGINE)

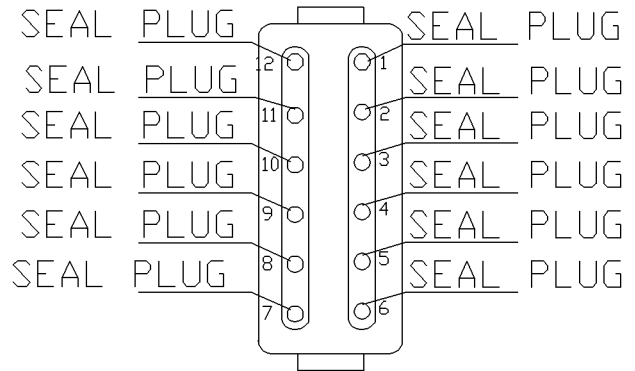
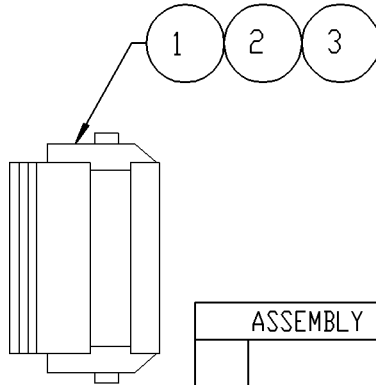


REV BY : JGD	REV DATE : 7-23-18	REV : C	THIS DRAWING DESCRIBES A PROPRIETARY PRODUCT OF GOMACO CORPORATION AND MAY NOT BE REPRODUCED OR GIVEN TO A THIRD PARTY WITHOUT WRITTEN PERMISSION FROM GOMACO CORPORATION
DWN BY : JGD	SCALE : NTS		
CHKR : SBJ	DATE : 09-02-15		
DSGN BY : JGD	3RD ANGLE PROJECTION		
ALL TOLERANCES PER GOMACO GS2			
<b>GOMACO</b> IDA GROVE, IOWA - USA			ENGINE CONTROL PANEL ASSY- TIER IV
B	912620-021		SHT. 2 4

11/23/2020  
GOMACO Corporation - Ida Grove, IA  
ELEC Page: 33

# MATERIAL LIST

ITEM	QTY	PART NUMBER	DESCRIPTION
	1	A	WH01-0159
1	1	515-53A13	PLUG - CONNECTOR 12 PIN SOCKET
2	1	515-53A15	WEDGE - LOCKING 12 PIN PLUG
3	12	515-48F70	CONNECTOR - #16/12 SEALING PLUG
4			



REAR VIEW  
WIRE SIDE

ASSEMBLY NOTES	
PIN	WIRE COLOR
1	SEAL PLUG
2	SEAL PLUG
3	SEAL PLUG
4	SEAL PLUG
5	SEAL PLUG
6	SEAL PLUG
7	SEAL PLUG
8	SEAL PLUG
9	SEAL PLUG
10	SEAL PLUG
11	SEAL PLUG
12	SEAL PLUG

MARK ON THE OUTSIDE  
OF THE PLUG WH01-0159

REV BY :PFR	REV DATE : 6-27-13	REV :A	THIS DRAWING DESCRIBES A PROPRIETARY PRODUCT OF GOMACO CORPORATION AND MAY NOT BE REPRODUCED OR GIVEN TO A THIRD PARTY WITHOUT WRITTEN PERMISSION FROM GOMACO CORPORATION
DWN BY :PFR	SCALE : NTS	HARNESS 12 PIN F.DEUTSCH SEAL PLUG	
CHKR : SBJ	DATE : 6-27-13		
DSGN BY : PFR	3RD ANGLE PROJECTION		
ALL TOLERANCES PER GOMACO GS2			
<b>GOMACO</b>		A	WH01-0159
			SHT. 1 / 1

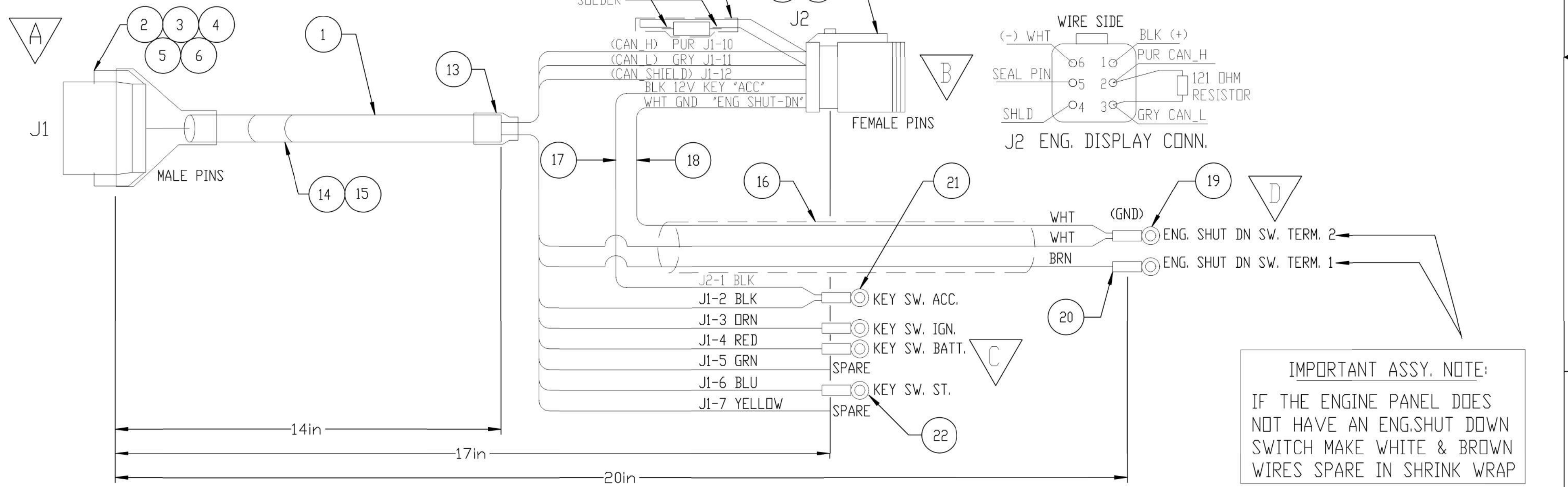
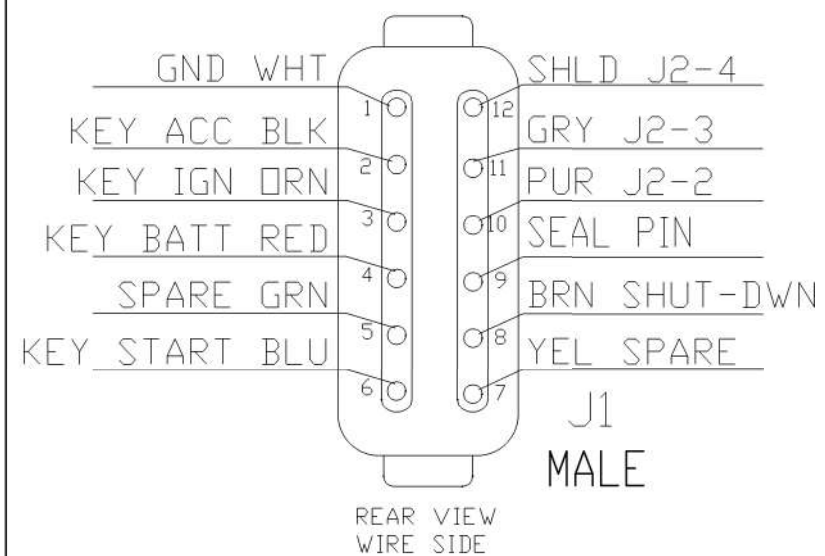
WH01-0159

ITEM	FUNCTION	TERMINAL	GA	WIRE COLOR	LENGTH	LOCATION	TERMINAL	TERMINAL
1	GND	1	18	WHITE	20"	PIN-6		#6 RING
1	KEY ACC	2	18	BLACK	17"	PIN-1	#10 RING	
1	KEY IGN	3	18	ORANGE	17"		#10 RING	
1	KEY BATT	4	18	RED	17"		#10 RING	
1	SPARE	5	18	GREEN	17"		SPARE	
1	KEY START	6	18	BLUE	17"		#10 RING	
1	SPARE	7	18	YELLOW	17"		SPARE	
1	SHUT-DOWN	8	18	BROWN	20"			#6 RING
1	SEAL PIN	9	N/C					
1	CAN_H	10	18	PURPLE	17"	PIN-2		
1	CAN_L	11	18	GREY	17"	PIN-3		
1	CAN SHLD	12	20	SHLD	17"	PIN-4		

SEE NOTE!

### MATERIAL LIST

ITEM	QTY	PART NUMBER	DESCRIPTION
	1	C WH03-0180	HARNESS - ENG PANEL - T4 MURPHY
1	1	520-49E66	CABLE - 18 GA., 10 CNDC SHLD X 20 IN.
2	1	515-53A14	RECEPTACLE - CONNECTOR 12 PIN, PINS
3	1	515-53A16	WEDGE - LOCKING 12 PIN RECEPTACLE
4	1	515-54B83	BOOT - 12 PIN DEUTSCH RECEPTACLE
5	11	515-48F68	CONNECTOR - #16 PIN CONTACT
6	2	515-48F70	CONNECTOR - #16/12 SEALING PLUG
7	1	515-51F21	PLUG - CONNECTOR 6 PIN SOCKET
8	5	515-48F69	CONN. - #16 SOCKET CONTACT
9	1	515-51F22	WEDGE - LOCKING 6 PIN PLUG
10	1	550-48J34	RESISTOR - 121 OHM .25W 1% TOL
11	2	520-47W59	WIRE - 22 GAUGE, RED X 2 IN TFLN
12	1	545-10D59	HEAT SHRINK TUBE - .250 IN X 1.5 IN CLR
13	1	545-45P84	HEAT SHRINK TUBE - .500 IN X 1 IN BLK
14	1	545-46F77	TAPE - VINYL .75 IN X 60.00 FT WHT X 2 IN.
15	1	545-45Z09	HEAT SHRINK TUBE - .750 IN. CLR X 2 IN.
16	1	545-45Z08	HEAT SHRINK TUBE - .375 IN X 6 IN CLR
17	1	SWM0-00100-CJSD	18GA BLK X 10 IN W/DEU SOCKET-STRIP ONLY
18	1	SWM9-00100-CJSD	18GA WHT X 10 IN W/DEU SOCKET-STRIP ONLY
19	1	515-10E63	TERMINAL - RING TONGUE 16-14 GA (#6 BLU)
20	1	515-15A22	TERMINAL - RING TONGUE 22-16 GA (#6 RED)
21	1	515-15A23	TERMINAL - RING TONGUE 16-14 GA (#10 BLU)
22	3	515-10G17	TERMINAL - RING TONGUE 22-18 GA (#10 RED)



REV BY : JGD	REV DATE : 4-10-18	REV : B	THIS DRAWING DESCRIBES A PROPRIETARY PRODUCT OF GOMACO CORPORATION AND MAY NOT BE REPRODUCED OR GIVEN TO A THIRD PARTY WITHOUT WRITTEN PERMISSION FROM GOMACO CORPORATION
DWN BY : JGD	SCALE : NTS		
CHKR : SBJ	DATE : 12-14-15		
DSGN BY : JGD	3RD ANGLE PROJECTION		
ALL TOLERANCES PER GOMACO GS2			
<b>GOMACO</b> IDA GROVE, IOWA - USA			HARNESS - ENG PANEL - T4 MURPHY
C	WH03-0180	SHT. 1/1	WH03-0180



**TERMINAL BLOCKS:**  
 TB1-2 24V POWER TO MASTER #1  
 TB3-4 24V POWER TO MASTER #2  
 TB5 SENSOR 5V MASTER #1  
 TB6 SENSOR GND MASTER #1  
 TB7 SENSOR 5V MASTER #2  
 TB8 SENSOR GND MASTER #2  
 TB9-10 PVG PWR MASTER #1(TRAVEL)  
 TB11-12 PVG POWER MASTER #2(GB AUG/TAMP)  
 TB13-21 GROUNDS.  
 TB22 5A CB SOCKET  
 TB23-24 FRAME EXT SNSR 24V PWR

**JUMPERS:**  
 TB1-2  
 TB3-4  
 TB9-10  
 TB11-12  
 TB13-21  
 TB23-24

**J1 WIRE SIDE (BACK)VIEW OF PLUG**

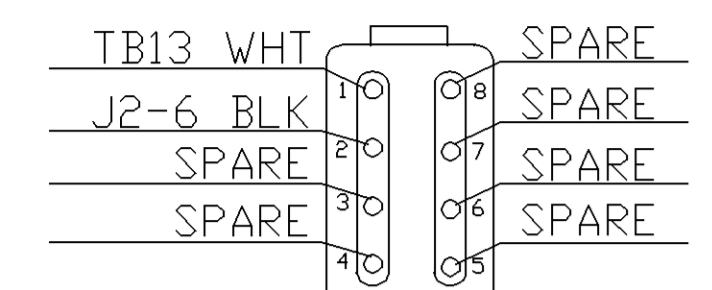
1 • P1-3 BLK	2 • TB2 RED	3 • P1-4 WHT	4 • P1-5 BLU	5 • P1-1 GRN	J1	6 • N/C	7 • N/C	8 • TB5 BLK	9 • TB6 WHT	10 • B14-4 RED
11 • B14-5 GRN	12 • B14-7 WHT/BLK	13 • B14-8 BLK/WHT	14 • B6-3 DRN	15 • B6-6 BLU		16 • B14-9 DRN/BLK	17 • B14-10 RED/BLK	18 • B14-11 GRN/BLK	19 • B14-12 BLU/BLK	20 • P3-4 WHT
21 • P3-5 BLU	22 • P3-1 GRN	23 • B6-9 DRN/BLK	24 • NC	25 • N/C		26 • B6-12 BLU/BLK	27 • B14-3 DRN	28 • B9-12 BLU/BLK	29 • B14-6 BLU	N/C
31 • B9-2 BLK	32 • B9-4 RED	33 • B5-3 DRN	34 • TB9 BLK	35 • B9-6 BLU		36 • B8-4 RED	37 • B11-3 DRN	38 • B11-6 BLU/BLK	39 • B12-2 BLU	40 • B12-3 DRN
41 • NC	42 • B11-9 DRN/BLK	43 • B11-12 BLU/BLK	44 • NC	45 • B12-6 BLU		46 • B12-7 WHT/BLK	47 • TB1 BLK	48 • TB1 BLK	49 • TB1 BLK	50 • TB2 BLK

**CONNECTIONS TO MC050-010 CONTROLLER**

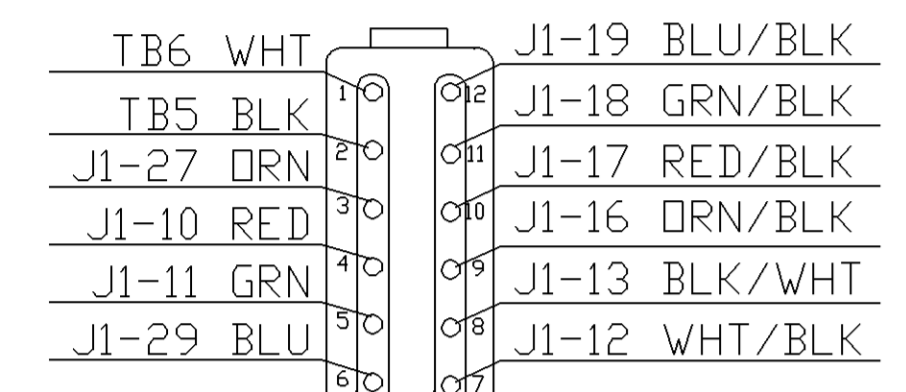
**J2 WIRE SIDE (BACK)VIEW OF PLUG**

1 • P2-3 BLK	2 • TB4 RED	3 • P2-4 WHT	4 • P2-5 BLU	5 • P2-1 GRN	J2	6 • B15-2 BLK	7 • N/C	8 • TB7 BLK	9 • TB8 WHT	10 • B13-4 RED
11 • B13-5 GRN	12 • B13-7 WHT/BLK	13 • B13-8 BLK/WHT	14 • N/C	15 • N/C		16 • B13-10 RED/BLK	17 • B13-12 BLU/BLK	18 • N/C	19 • N/C	20 • B5-10 RED
21 • B5-11 BLK	22 • B5-12 SHLD	23 • B13-3 DRN	24 • B13-6 BLU	25 • B13-9 DRN/BLK		26 • B13-11 GRN/BLK	27 • B8-8 BLK/WHT	28 • N/C	29 • N/C	30 • N/C
31 • B7-2 BLK	32 • B7-4 RED	33 • B7-6 BLU	34 • TB11 BLK	35 • B5-2 BLK		36 • B8-2 BLK	37 • B10-9 DRN/BLK	38 • B10-12 BLU/BLK	39 • B10-3 DRN	40 • B8-6 BLU
41 • B7-8 BLK/WHT	42 • NC	43 • NC	44 • NC	45 • B10-6 BLU		46 • NC	47 • TB3 BLK	48 • TB3 BLK	49 • TB3 BLK	50 • TB4 BLK

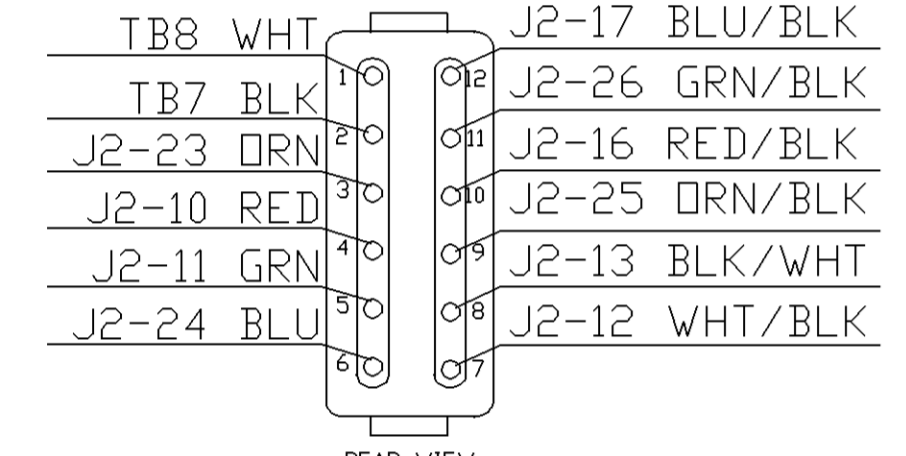
**CONNECTIONS TO MC050-010 CONTROLLER**



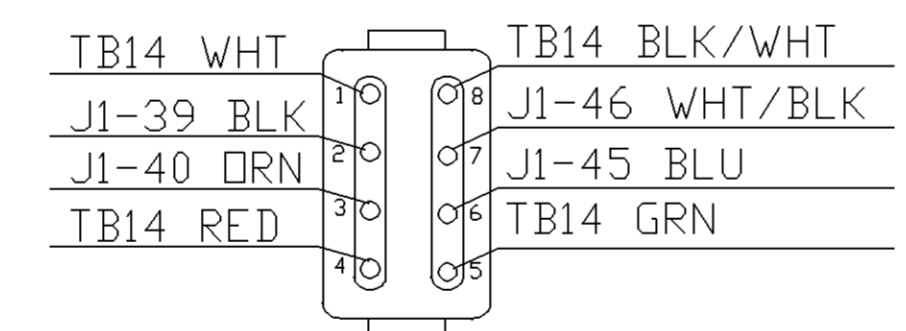
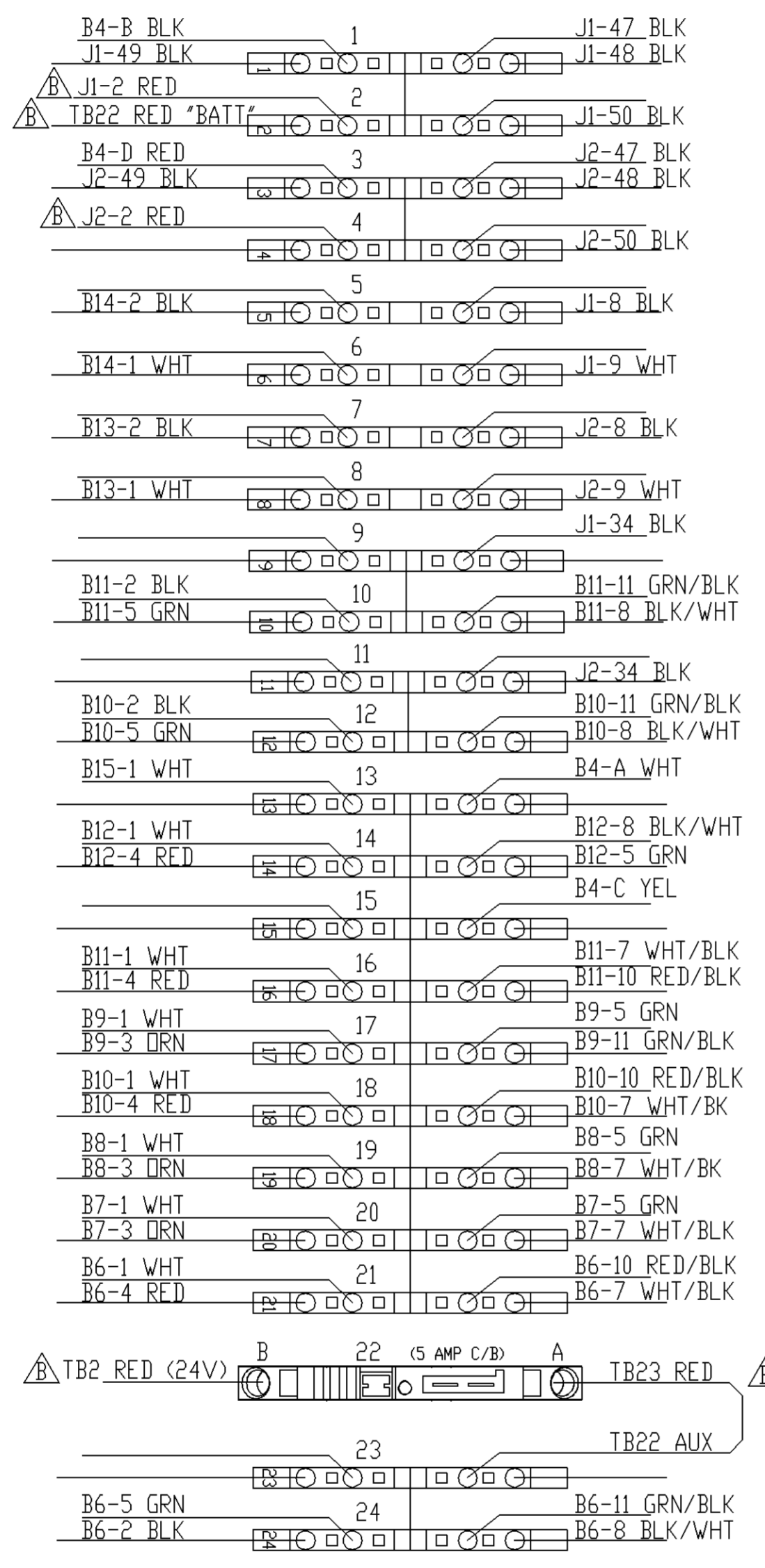
B15 MISC INPUTS  
HORN



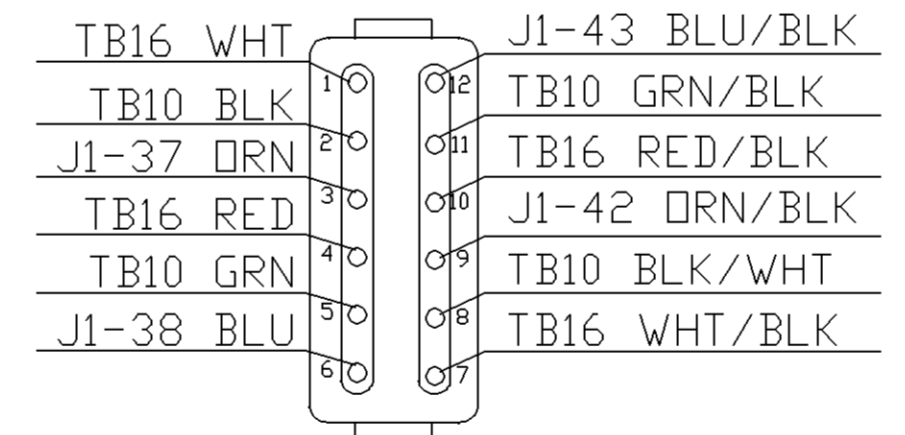
B14 AUGER POTS & VIB SW



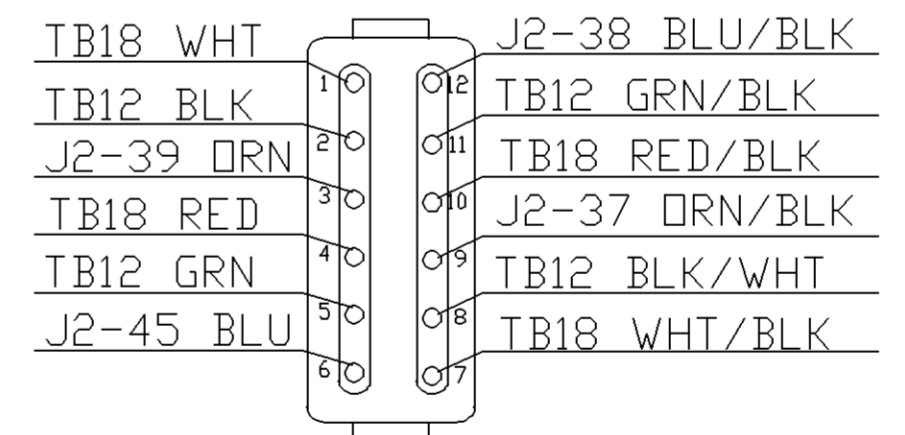
B13 GB AUGER/TAMPER POTS



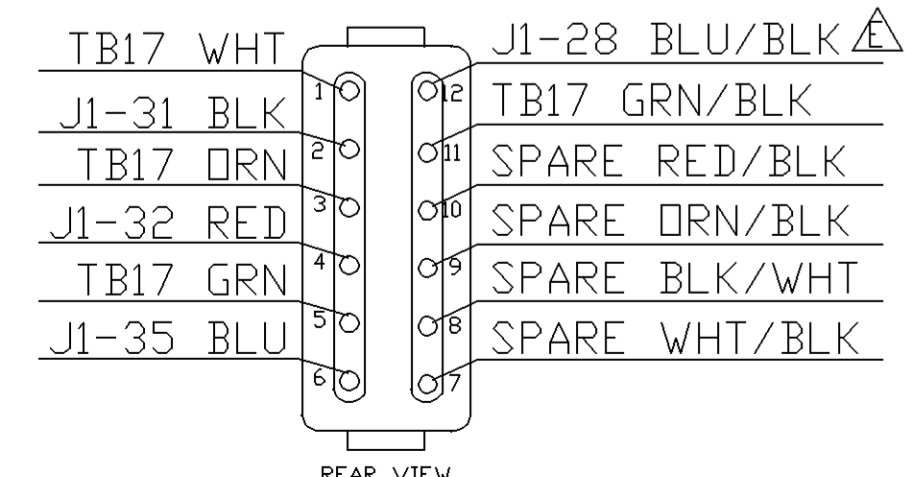
B12 LT & RT AUGER EDC OUTPUTS



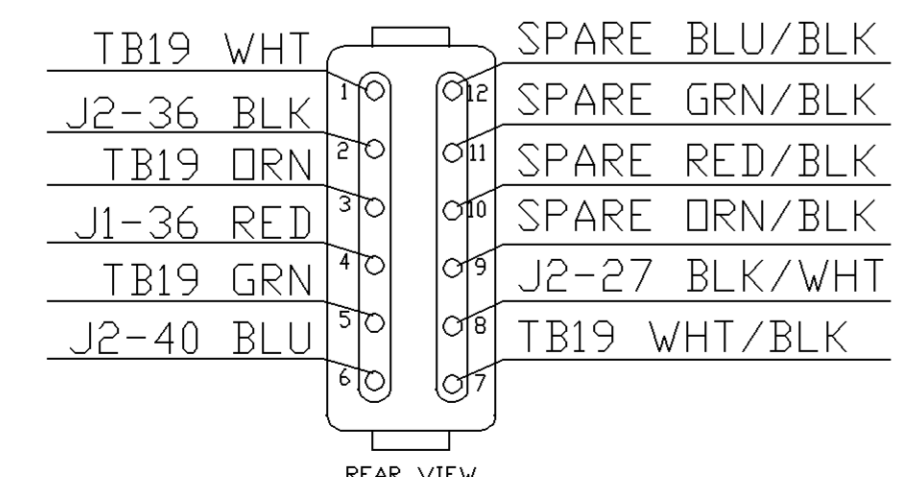
B11 TRAVEL PVG OUTPUTS



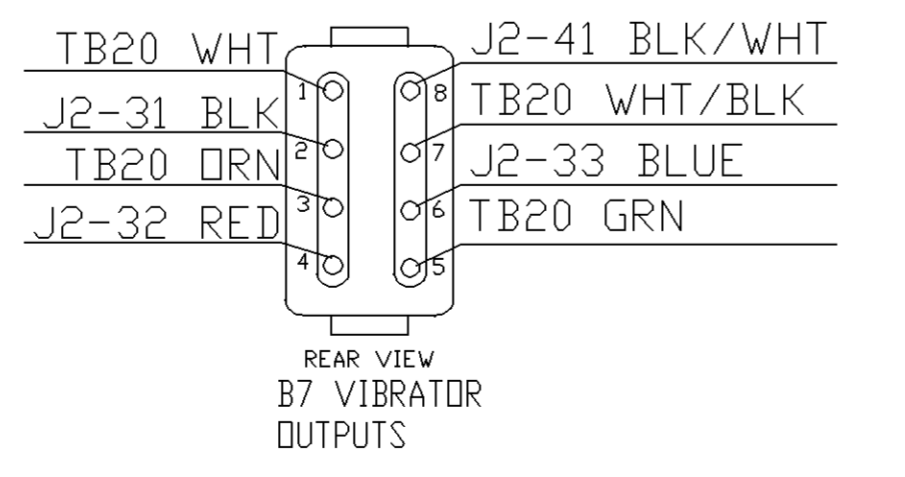
B10 GB AUG/TAMP PVG OUTPUTS



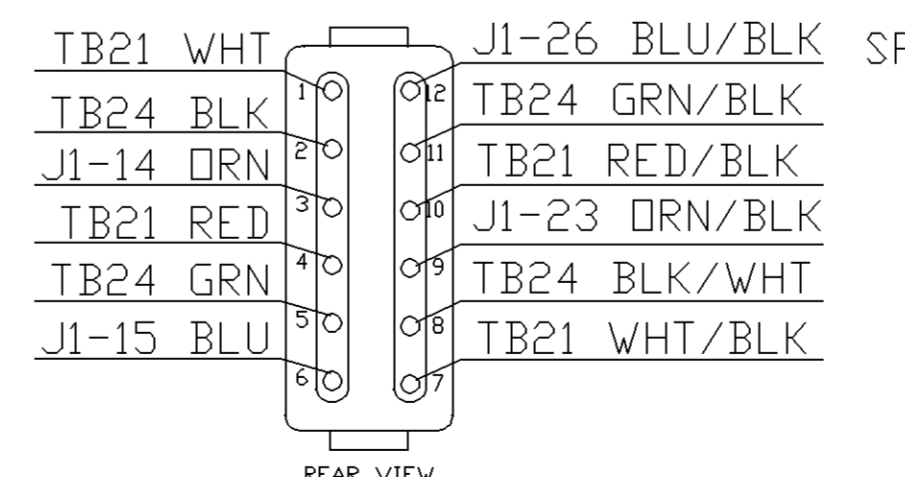
B9 MISC OUTPUTS  
ALARM, 2 SPD, BRAKE, FUEL



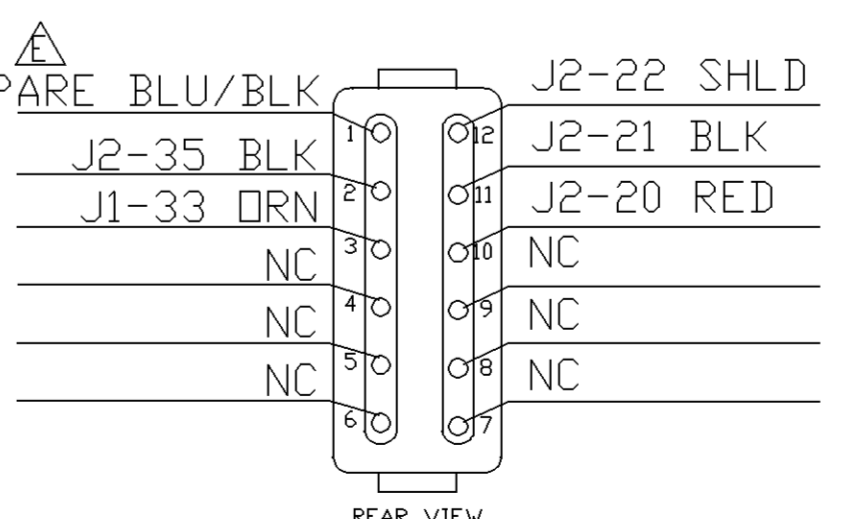
B8 DUMPS, FAN, TEMP SNDR OUTPUTS



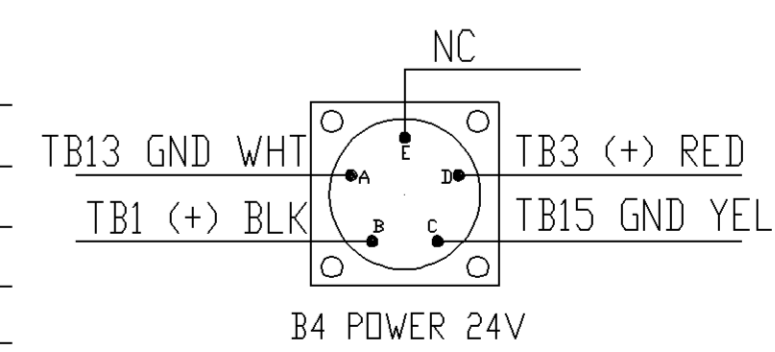
B7 VIBRATOR OUTPUTS



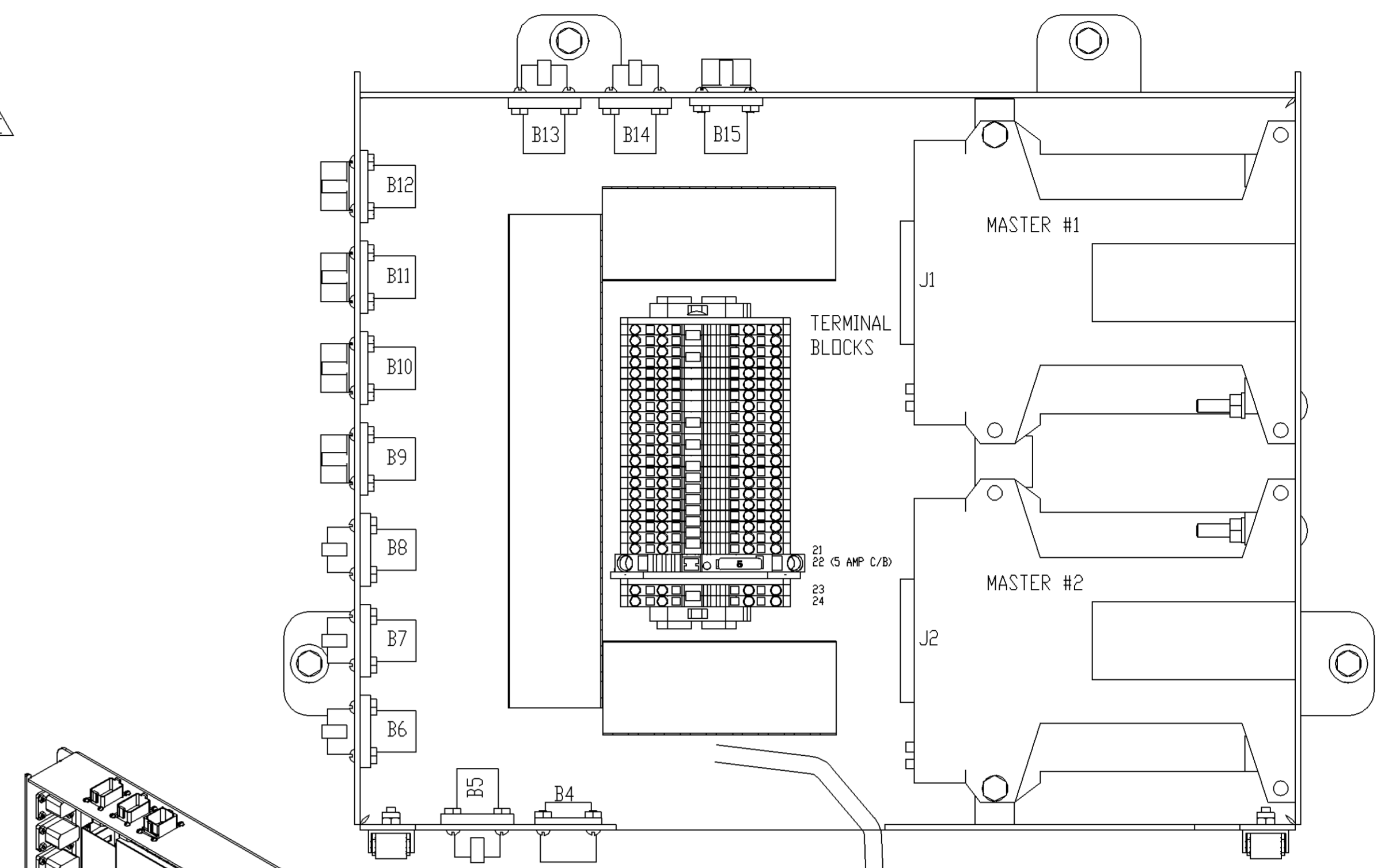
B6 FRAME EXTENDS



B5 PWR DIST SIGNALS



B4 POWER 24V



- P1 MASTER #1**  
 BLU  
 P1-1 - GREY J1-5  
 P1-2 - RED (SEE NOTE #1)  
 P1-3 - BLK J1-1  
 P1-4 - WHT J1-3  
 P1-5 - BLU J1-4
- P2 MASTER #2**  
 BLU  
 P2-1 - GREY J2-5  
 P2-2 - RED (SEE NOTE #1)  
 P2-3 - BLK J2-1  
 P2-4 - WHT J2-3  
 P2-5 - BLU J2-4
- P3 ACC CAN**  
 BLK  
 P3-1 - GREY J1-22  
 P3-2 - RED N/C  
 P3-3 - BLK N/C  
 P3-4 - WHT J1-20  
 P3-5 - BLU J1-21

**NOTES:**  
 1. CUT/INSULATE RED "HOT" WIRE (FROM CAN CABLES P1 & P2) TO PREVENT SHORT CIRCUIT.

REV BY : JGD	REV DATE : 2-15-16	REV E	THIS DRAWING DESCRIBES A PROPRIETARY PRODUCT OF GOMACO CORPORATION AND MAY NOT BE REPRODUCED OR GIVEN TO A THIRD PARTY WITHOUT WRITTEN PERMISSION FROM GOMACO CORPORATION.
DWN BY : JGD	SCALE : NTS		
CHKR : PFR	DATE : 11-21-14		
DSGN BY : PFR	3RD ANGLE PROJECTION		
ALL TOLERANCES PER GOMACO GS2			MASTER ASSY, GO-PAVE
<b>GOMACO</b>			912620-005
IDA GROVE, IOWA - USA			SHT. 2/3

GOMACO Corporation - IAW GOMACO  
 11/23/2020  
 ELEC Page 28

ITEM	PIN	GA	WIRE COLOR	LENGTH	TERMINAL	PIN
<b>P1 5 PIN MINIFAST PIGTAIL (BLUE) MASTER #1 CAN</b>						
30	1	18	GREY	39"	STRIP ONLY	J1-5
	2	16	RED	39"	CUT ONLY	INSULATE
	3	16	BLACK	39"	STRIP ONLY	J1-1
	4	18	WHITE	39"	STRIP ONLY	J1-3
	5	18	BLUE	39"	STRIP ONLY	J1-4
<b>P2 5 PIN MINIFAST PIGTAIL (BLUE) MASTER #2 CAN</b>						
30	1	18	GREY	39"	STRIP ONLY	J2-5
	2	16	RED	39"	CUT ONLY	INSULATE
	3	16	BLACK	39"	STRIP ONLY	J2-1
	4	18	WHITE	39"	STRIP ONLY	J2-3
	5	18	BLUE	39"	STRIP ONLY	J2-4
<b>P3 5 PIN MINIFAST PIGTAIL (BLACK) ACC CAN</b>						
31	1	18	GREY	39"	STRIP ONLY	J1-22
	2	16	RED	39"	CUT & COVER	SPARE
	3	16	BLACK	39"	CUT & COVER	SPARE
	4	18	WHITE	39"	STRIP ONLY	J1-20
	5	18	BLUE	39"	STRIP ONLY	J1-21
<b>B4 5 PIN BHD POWER &amp; GROUND</b>						
28	A	12	WHITE	20"	STRIP ONLY	TB13
21	B	12	BLACK	20"	STRIP ONLY	TB1
25	C	12	YELLOW	20"	STRIP ONLY	TB15
23	D	12	RED	20"	STRIP ONLY	TB3
	E		NC			
<b>B5 12 PIN DEUTSCH RECEP PWR DIST SIGNALS</b>						
22	1	18	BLU/BLK	15"	JUMPER	SPARE
22	2	18	BLACK	15"	STRIP ONLY	J2-35
22	3	18	ORANGE	15"	STRIP ONLY	J1-33
	4		N/C			
	5		N/C			
	6		N/C			
	7		N/C			
	8		N/C			
	9		N/C			
27	10	16	RED	15"	STRIP ONLY	J2-20
27	11	16	BLACK	15"	STRIP ONLY	J2-21
27	12	18	SHIELD	15"	STRIP ONLY	J2-22
<b>B6 12 PIN DEUTSCH RECEP FRAME EXTENDS</b>						
22	1	18	WHITE	15"	STRIP ONLY	TB21
	2	18	BLACK	15"	STRIP ONLY	TB24
	3	18	ORANGE	15"	STRIP ONLY	J1-14
	4	18	RED	15"	STRIP ONLY	TB21
	5	18	GREEN	15"	STRIP ONLY	TB24
	6	18	BLUE	15"	STRIP ONLY	J1-15
	7	18	WHT/BLK	15"	STRIP ONLY	TB21
	8	18	BLK/WHT	15"	STRIP ONLY	TB24
	9	18	DRN/BLK	15"	STRIP ONLY	J1-23
	10	18	RED/BLK	15"	STRIP ONLY	TB21
	11	18	GRN/BLK	15"	STRIP ONLY	TB24
	12	18	BLU/BLK	15"	STRIP ONLY	J1-26
<b>B7 8 PIN DEUTSCH RECEP VIBRATOR OUTPUTS</b>						
22	1	18	WHITE	20"	STRIP ONLY	TB20
	2	18	BLACK	20"	STRIP ONLY	J2-31
	3	18	ORANGE	20"	STRIP ONLY	TB20
	4	18	RED	20"	STRIP ONLY	J2-32
	5	18	GREEN	20"	STRIP ONLY	TB20
	6	18	BLUE	20"	STRIP ONLY	J2-33
	7	18	WHT/BLK	20"	STRIP ONLY	TB20
	8	18	BLK/WHT	20"	STRIP ONLY	J2-41
<b>B8 12 PIN DEUTSCH RECEP DUMPS, FAN, TEMP SNDR OUTPUTS</b>						
22	1	18	WHITE	20"	STRIP ONLY	TB19
	2	18	BLACK	20"	STRIP ONLY	J2-36
	3	18	ORANGE	20"	STRIP ONLY	TB19
	4	18	RED	20"	STRIP ONLY	J1-36
	5	18	GREEN	20"	STRIP ONLY	TB19
	6	18	BLUE	20"	STRIP ONLY	J2-40
	7	18	WHT/BLK	20"	STRIP ONLY	TB19
	8	18	BLK/WHT	20"	STRIP ONLY	J2-27
	9	18	DRN/BLK	20"	STRIP ONLY	SPARE
	10	18	RED/BLK	20"	STRIP ONLY	SPARE
	11	18	GRN/BLK	20"	STRIP ONLY	SPARE
	12	18	BLU/BLK	20"	STRIP ONLY	SPARE

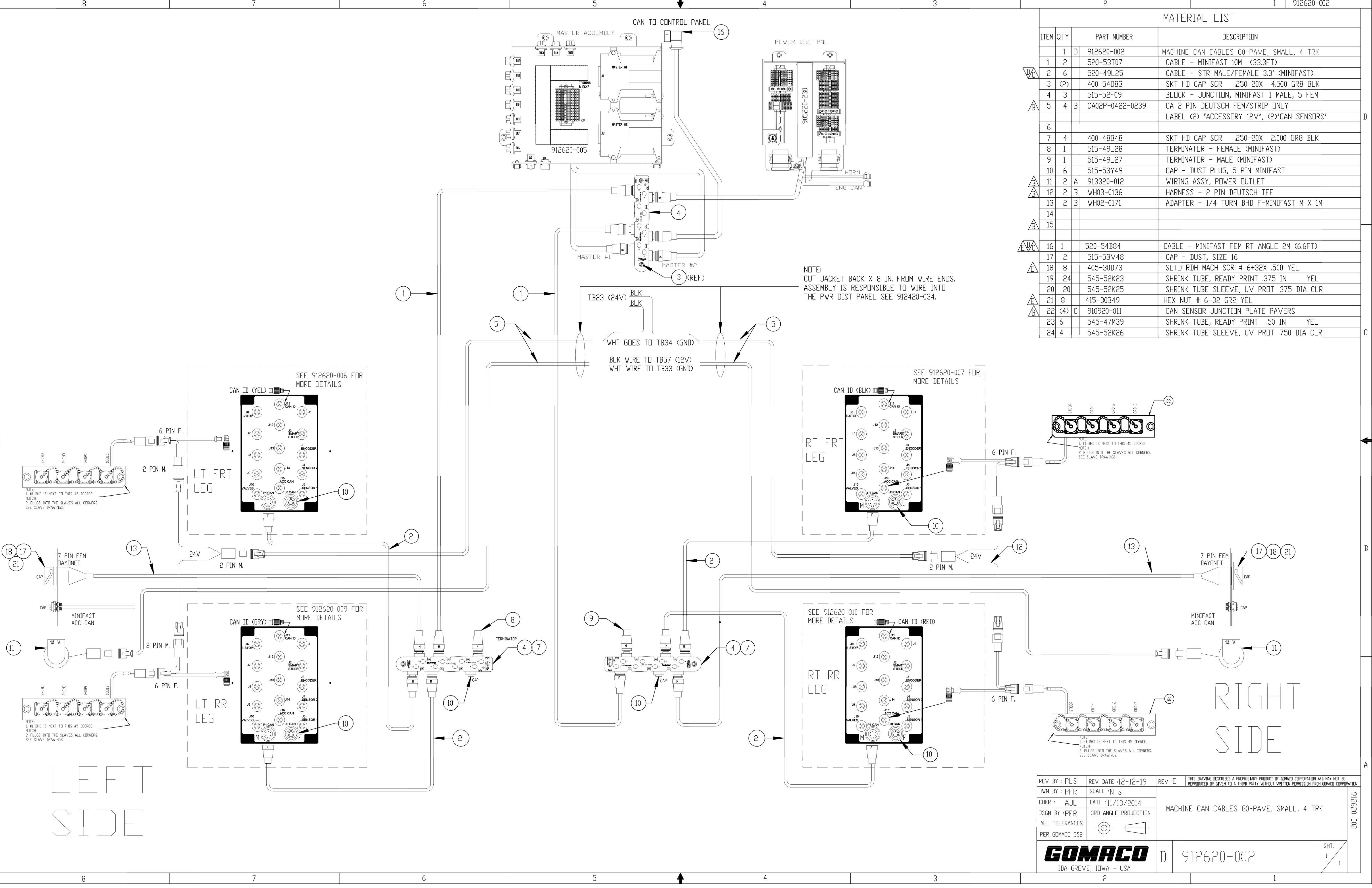
ITEM	PIN	GA	WIRE COLOR	LENGTH	TERMINAL	PIN
<b>B9 12 PIN DEUTSCH RECEP ALARM, 2-SPD, BRAKE, FUEL OUTPUTS</b>						
22	1	18	WHITE	15"	STRIP ONLY	TB17
	2	18	BLACK	15"	STRIP ONLY	J1-31
	3	18	ORANGE	15"	STRIP ONLY	TB17
	4	18	RED	15"	STRIP ONLY	J1-32
	5	18	GREEN	15"	STRIP ONLY	TB17
	6	18	BLUE	15"	STRIP ONLY	J1-35
	7	18	WHT/BLK	15"	STRIP ONLY	SPARE
	8	18	BLK/WHT	15"	STRIP ONLY	SPARE
	9	18	DRN/BLK	15"	STRIP ONLY	SPARE
	10	18	RED/BLK	15"	STRIP ONLY	SPARE
	11	18	GRN/BLK	15"	STRIP ONLY	TB17
	12	18	BLU/BLK	15"	STRIP ONLY	J1-28
<b>B10 12 PIN DEUTSCH RECEP GB AUGER/TAMP PVG</b>						
22	1	18	WHITE	15"	STRIP ONLY	TB18
	2	18	BLACK	15"	STRIP ONLY	TB12
	3	18	ORANGE	15"	STRIP ONLY	J2-39
	4	18	RED	15"	STRIP ONLY	TB18
	5	18	GREEN	15"	STRIP ONLY	TB12
	6	18	BLUE	15"	STRIP ONLY	J2-45
	7	18	WHT/BLK	15"	STRIP ONLY	TB18
	8	18	BLK/WHT	15"	STRIP ONLY	TB12
	9	18	DRN/BLK	15"	STRIP ONLY	J2-37
	10	18	RED/BLK	15"	STRIP ONLY	TB18
	11	18	GRN/BLK	15"	STRIP ONLY	TB12
	12	18	BLU/BLK	15"	STRIP ONLY	J2-38
<b>B11 12 PIN DEUTSCH RECEP TRAVEL PVG OUTPUTS</b>						
22	1	18	WHITE	20"	STRIP ONLY	TB16
	2	18	BLACK	20"	STRIP ONLY	TB10
	3	18	ORANGE	20"	STRIP ONLY	J1-37
	4	18	RED	20"	STRIP ONLY	TB16
	5	18	GREEN	20"	STRIP ONLY	TB10
	6	18	BLUE	20"	STRIP ONLY	J1-38
	7	18	WHT/BLK	20"	STRIP ONLY	TB16
	8	18	BLK/WHT	20"	STRIP ONLY	TB10
	9	18	DRN/BLK	20"	STRIP ONLY	J1-42
	10	18	RED/BLK	20"	STRIP ONLY	TB16
	11	18	GRN/BLK	20"	STRIP ONLY	TB10
	12	18	BLU/BLK	20"	STRIP ONLY	J1-43
<b>B12 8 PIN DEUTSCH RECEP LT &amp; RT AUGER EDC OUTPUTS</b>						
22	1	18	WHITE	10"	STRIP ONLY	TB14
	2	18	BLACK	10"	STRIP ONLY	J1-39
	3	18	ORANGE	10"	STRIP ONLY	J1-40
	4	18	RED	10"	STRIP ONLY	TB14
	5	18	GREEN	10"	STRIP ONLY	TB14
	6	18	BLUE	10"	STRIP ONLY	J1-45
	7	18	WHT/BLK	10"	STRIP ONLY	J1-46
	8	18	BLK/WHT	10"	STRIP ONLY	TB14
<b>B13 12 PIN DEUTSCH RECEP GB AUGER/TAMPER POTS INPUT</b>						
22	1	18	WHITE	20"	STRIP ONLY	TB8
	2	18	BLACK	20"	STRIP ONLY	TB7
	3	18	ORANGE	20"	STRIP ONLY	J2-23
	4	18	RED	20"	STRIP ONLY	J2-10
	5	18	GREEN	20"	STRIP ONLY	J2-11
	6	18	BLUE	20"	STRIP ONLY	J2-24
	7	18	WHT/BLK	20"	STRIP ONLY	J2-12
	8	18	BLK/WHT	20"	STRIP ONLY	J2-13
	9	18	DRN/BLK	20"	STRIP ONLY	J2-25
	10	18	RED/BLK	20"	STRIP ONLY	J2-16
	11	18	GRN/BLK	20"	STRIP ONLY	J2-26
	12	18	BLU/BLK	20"	STRIP ONLY	J2-17
<b>B14 12 PIN DEUTSCH RECEP AUGER POTS &amp; VIB SW</b>						
22	1	18	WHITE	10"	STRIP ONLY	TB6
	2	18	BLACK	10"	STRIP ONLY	TB5
	3	18	ORANGE	10"	STRIP ONLY	J1-27
	4	18	RED	10"	STRIP ONLY	J1-10
	5	18	GREEN	10"	STRIP ONLY	J1-11
	6	18	BLUE	10"	STRIP ONLY	J1-29
	7	18	WHT/BLK	10"	STRIP ONLY	J1-12
	8	18	BLK/WHT	10"	STRIP ONLY	J1-13
	9	18	DRN/BLK	10"	STRIP ONLY	J1-16
	10	18	RED/BLK	10"	STRIP ONLY	J1-17
	11	18	GRN/BLK	10"	STRIP ONLY	J1-18
	12	18	BLU/BLK	10"	STRIP ONLY	J1-19
<b>B15 8 PIN DEUTSCH RECEP MISC INPUTS</b>						
22	1	18	WHITE	20"	STRIP ONLY	TB13
	2	18	BLACK	20"	STRIP ONLY	J2-6
	3	18	ORANGE	20"	STRIP ONLY	SPARE
	4	18	RED	20"	STRIP ONLY	SPARE
	5	18	GREEN	20"	STRIP ONLY	SPARE
	6	18	BLUE	20"	STRIP ONLY	SPARE
	7	18	WHT/BLK	20"	STRIP ONLY	SPARE
	8	18	BLK/WHT	20"	STRIP ONLY	SPARE

MASTER #1 J1		ASSEMBLY NOTES				
FUNCTION	ITEM	PIN	GA	WIRE COLOR	LENGTH	PIN
PWR GND	30	J1-1	16	BLK	JUMPERED	P1-3
PWR(+)	24	J1-2	16	RED	SEE MISC.	TB2
CANO+ SYS	30	J1-3	18	WHT	JUMPERED	P1-4
CANO- SYS	30	J1-4	18	BLU	JUMPERED	P1-5
CANO SHLD SYS	30	J1-5	18	GRY (SHLD)	JUMPERED	P1-1
OPEN		J1-6		SEAL PIN		
OPEN		J1-7		SEAL PIN		
5VDC SENSOR PWR	29	J1-8	18	BLK	16"	TB5
SENSOR GND	26	J1-9	18	WHT	16"	TB6
LH AUGER/CONV FWD		J1-10	18	RED	JUMPERED	B14-4
LH AUGER/CONV REV		J1-11	18	GRN	JUMPERED	B14-5
RH AUGER FWD		J1-12	18	WHT/BLK	JUMPERED	B14-7
RH AUGER REV		J1-13	18	BLK/WHT	JUMPERED	B14-8
LF FRAME EXT FDBK		J1-14	18	DRN	JUMPERED	B6-3
LR FRAME EXT FDBK		J1-15	18	BLU	JUMPERED	B6-6
LH VIB A/M SW.		J1-16	18	DRN/BLK	JUMPERED	B14-9
CENTER VIB A/M SW.		J1-17	18	RED/BLK	JUMPERED	B14-10
RH VIB A/M SW.		J1-18	18	GRN/BLK	JUMPERED	B14-11
AUX A/M SW. (AUTOFLOAT)		J1-19	18	BLU/BLK	JUMPERED	B14-12
CANI+ ACC. G+	31	J1-20	18	WHT	JUMPERED	P3-4
CANI- ACC. G+	31	J1-21	18	BLU	JUMPERED	P3-5
CANI SHLD ACC. G+	31	J1-22	18	GRY (SHLD)	JUMPERED	P3-1
RF FRAME EXT FDBK		J1-23	18	DRN/BLK	JUMPERED	B6-9
OPEN		J1-24		SEAL PIN		
OPEN		J1-25		SEAL PIN		
RR FRAME EXT FDBK		J1-26	18	BLU/BLK	JUMPERED	B6-12
LH AUGER/CONV PDT		J1-27	18	DRN	JUMPERED	B14-3
FUEL QUANTITY SIGNAL		J1-28	18	BLU/BLK	JUMPERED	B9-12
RH AUGER PDT		J1-29	18	BLU	JUMPERED	B14-6
OPEN		J1-30		SEAL PIN		
BACK UP ALARM(+)		J1-31	18	BLK	JUMPERED	B9-2
2 SPEED(+)		J1-32	18	RED	JUMPERED	B9-4
AUX. AUTO FLOAT OUT		J1-33	18	ORANGE	JUMPERED	B5-3
TRAVEL PVG PWR		J1-34	18	BLK	JUMPERED	TB9
TRACK BRAKE		J1-35	18	BLU	JUMPERED	B9-6
LIFT DUMP		J1-36	18	RED	16"	B8-4
LH TRAVEL FWD		J1-37	18	DRN	JUMPERED	B11-3
LH TRAVEL REV		J1-38	18	RED	JUMPERED	B11-6
LH AUGER FWD(+)		J1-39	18	BLK	JUMPERED	B12-2
LH AUGER REV(+)		J1-40	18	DRN	JUMPERED	B12-3
OPEN		J1-41		SEAL PIN		
RH TRAVEL FWD		J1-42	18	DRN/BLK	JUMPERED	B11-9
RH TRAVEL REV		J1-43	18	BLU/BLK	JUMPERED	B11-12
OPEN		J1-44		SEAL PIN		
RH AUGER FWD(+)		J1-45	18	BLU	JUMPERED	B12-6
RH AUGER REV(+)		J1-46	18	WHT/BLK	JUMPERED	B12-7
PWR SUPPLY(+)	29	J1-47	18	BLK	16"	TB1
PWR SUPPLY(+)	29	J1-48	18	BLK	16"	TB1
PWR SUPPLY(+)	29	J1-49	18	BLK	16"	TB1
PWR SUPPLY(+)	29	J1-50	18	BLK	16"	TB2

MISCELLANEOUS WIRING						
FUNCTION	ITEM	PIN	GA	WIRE COLOR	LENGTH	PIN
MASTER #1 PWR(+)	24	J1-2	16	RED	16"	TB2
MASTER #2 PWR(+)	24	J2-2	16	RED	16"	TB4
FRAME EXTEND PWR(+)	24	TB2	16	RED	8"	TB22-BATT
FRAME EXTEND PWR(+)	24	TB22-AUX	16	RED	2"	TB23

MASTER #2 J2		ASSEMBLY NOTES				
FUNCTION	ITEM	PIN	GA	WIRE COLOR	LENGTH	PIN
PWR GND	30	J2-1	16	BLK	JUMPERED	P2-3
PWR(+)	24	J2-2	16	RED	SEE MISC.	TB4
CANO+ SYS	30	J2-3	18	WHT	JUMPERED	P2-4
CANO- SYS	30	J2-4	18	BLU	JUMPERED	P2-5
CANO SHLD SYS	30	J2-5	18	GRY (SHLD)	JUMPERED	P2-1
HORN SW INPUT		J2-6	18	BLK	JUMPERED	B15-2
OPEN		J2-7		SEAL PIN		
5VDC SENSOR PWR	29	J2-8	18	BLK	16"	TB7
SENSOR GND	26	J2-9	18	WHT	JUMPERED	TB8
LH GB AUGER FWD SW		J2-10	18	RED	JUMPERED	B13-4
LH GB AUGER REV SW		J2-11	18	GRN	JUMPERED	B13-5
RH GB AUGER FWD SW		J2-12	18			

MATERIAL LIST				
ITEM	QTY	PART NUMBER	DESCRIPTION	
1	D	912620-002	MACHINE CAN CABLES GO-PAVE, SMALL, 4 TRK	
1	2	520-53T07	CABLE - MINIFAST 10M (33.3FT)	
2	6	520-49L25	CABLE - STR MALE/FEMALE 3.3' (MINIFAST)	
3	(2)	400-54D83	SKT HD CAP SCR .250-20X 4.500 GR8 BLK	
4	3	515-52F09	BLOCK - JUNCTION, MINIFAST 1 MALE, 5 FEM	
5	4	CA02P-0422-0239	CA 2 PIN DEUTSCH FEM/STRIP ONLY	
			LABEL (2) "ACCESSORY 12V", (2)"CAN SENSORS"	
6				
7	4	400-48B48	SKT HD CAP SCR .250-20X 2.000 GR8 BLK	
8	1	515-49L28	TERMINATOR - FEMALE (MINIFAST)	
9	1	515-49L27	TERMINATOR - MALE (MINIFAST)	
10	6	515-53Y49	CAP - DUST PLUG, 5 PIN MINIFAST	
11	2	A	913320-012	WIRING ASSY, POWER OUTLET
12	2	B	WH03-0136	HARNESS - 2 PIN DEUTSCH TEE
13	2	B	WH02-0171	ADAPTER - 1/4 TURN BHD F-MINIFAST M X 1M
14				
15				
16	1	520-54B84	CABLE - MINIFAST FEM RT ANGLE 2M (6.6FT)	
17	2	515-53V48	CAP - DUST, SIZE 16	
18	8	405-30D73	SLTD RDH MACH SCR # 6+32X .500 YEL	
19	24	545-52K23	SHRINK TUBE, READY PRINT .375 IN YEL	
20	20	545-52K25	SHRINK TUBE SLEEVE, UV PROT .375 DIA CLR	
21	8	415-30B49	HEX NUT # 6-32 GR2 YEL	
22	(4)	C	910920-011	CAN SENSOR JUNCTION PLATE PAVERS
23	6	545-47M39	SHRINK TUBE, READY PRINT .50 IN YEL	
24	4	545-52K26	SHRINK TUBE SLEEVE, UV PROT .750 DIA CLR	



REV BY : PLS	REV DATE : 12-12-19	REV : E	THIS DRAWING DESCRIBES A PROPRIETARY PRODUCT OF GOMACO CORPORATION AND MAY NOT BE REPRODUCED OR GIVEN TO A THIRD PARTY WITHOUT WRITTEN PERMISSION FROM GOMACO CORPORATION
DWN BY : PFR	SCALE : NTS		
CHKR : AJL	DATE : 11/13/2014		
DSGN BY : PFR	3RD ANGLE PROJECTION		
ALL TOLERANCES PER GOMACO GS2			
<b>GOMACO</b> IDA GROVE, IOWA - USA		D	912620-002
		SHT.	1/1

11/23/2014  
GOMACO Corporation - Jefferson, IA  
ELEC Page 38

2

1

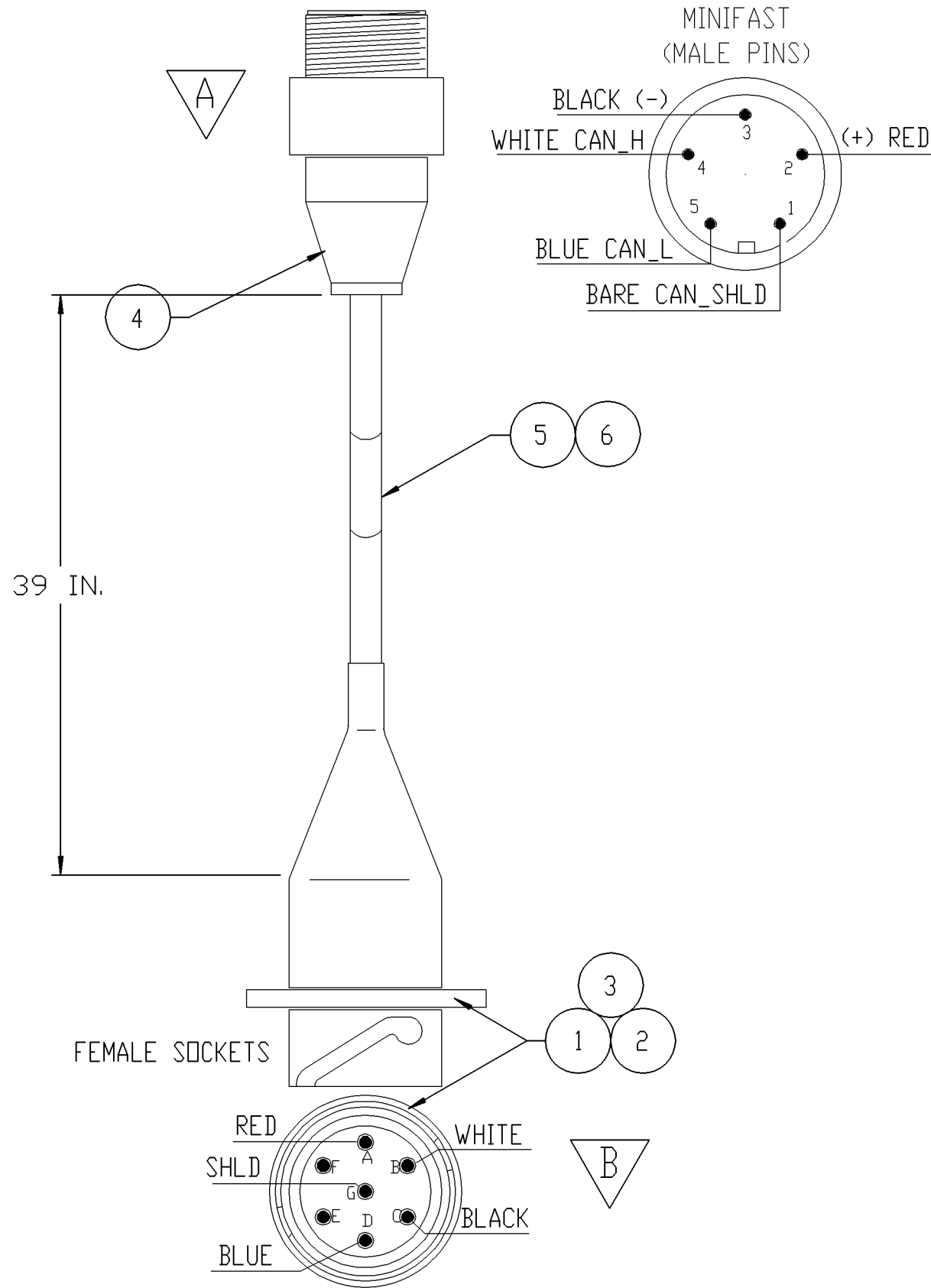
### MATERIAL LIST

ITEM	QTY	PART NUMBER	DESCRIPTION
		B	WH02-0171
1	1	515-53V19	ADAPTER, 1/4 TURN BULKHEAD F - MINIFAST MALE X 1M
2	1	550-48L29	BHD - CONN 7 PIN FEM UNCLP RCPT BAYONET
3	1	545-52H99	SEALANT - HOT MELT PELLETS 40# BOX X .01#
4	1	545-52H99	HT SHRINK TBG - .94 IN X 4FT DUAL W ADH X 3 IN.
			CABLE - MINIFAST MALE (PIGTAIL)
			USE THE ENTIRE CABLE
5	1	545-46F77	TAPE - VINYL .75 IN X 60.00 FT WHT X 2 IN.
6	1	545-45Z08	HEAT SHRINK TUBE - .375 IN CLR X 2 IN.

### ASSEMBLY NOTES

	A		B	
	PIN	COLOR	PIN	
(+)	2	RED	A	(+)
CAN_H	4	WHT	B	CAN_H
(-)	3	BLK	C	(-)
CAN_L	5	BLU	D	CAN_L
		N/C	E	ADD.1
		N/C	F	ADD.2
CAN_SH	1	SHLD	G	CAN_SH

N/C = NO CONNECTION



REV BY : PFR	REV DATE : 11-07-12	REV : A	THIS DRAWING DESCRIBES A PROPRIETARY PRODUCT OF GOMACO CORPORATION AND MAY NOT BE REPRODUCED OR GIVEN TO A THIRD PARTY WITHOUT WRITTEN PERMISSION FROM GOMACO CORPORATION
DWN BY : PFR	SCALE : NTS		
CHKR : SBJ	DATE : 11-07-12		
DSGN BY : PFR	3RD ANGLE PROJECTION	ADAPTER, 1/4 TURN BULKHEAD F - MINIFAST MALE X 1M	
ALL TOLERANCES PER GOMACO GS2			
<b>GOMACO</b> IDA GROVE, IOWA - USA		B	WH02-0171
			SHT. 1/1

2

1

11/23/2020

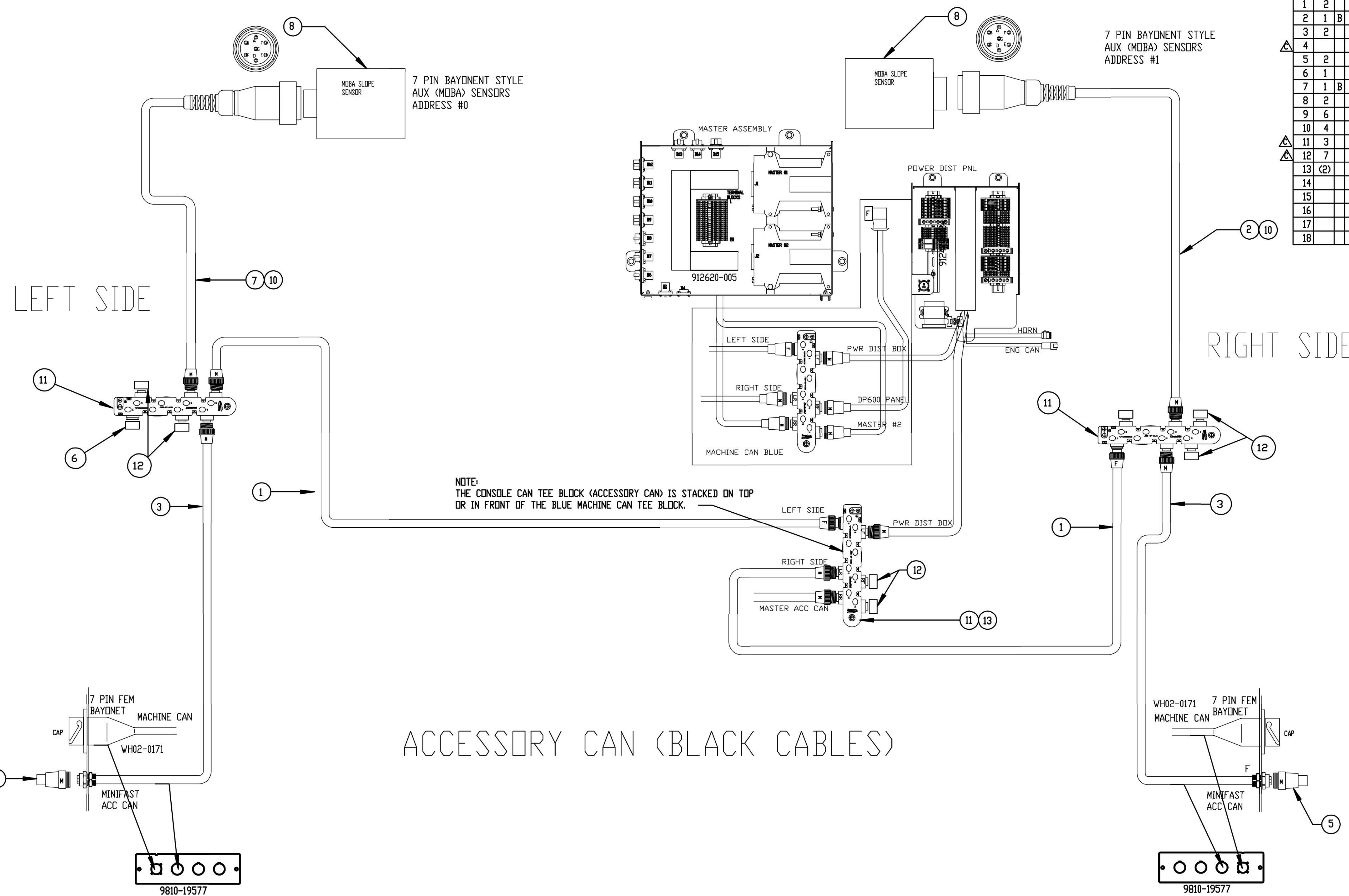
GOMACO Corporation - Ida Grove, IA

ELEC Page: 39

WH02-0171

MATERIAL LIST

ITEM	QTY	PART NUMBER	DESCRIPTION
	1	D 912620-003	ACCESSORY CAN ASSY., GO-PAVE
1	2	520-53W19	CABLE - MINIFAST 33FT, BLACK
2	1	B WH02-0162	ADAPTER - MOBA SLOPE SENSOR ADDRESS 1(RIGHT)
3	2	520-54B09	CABLE - MALE/FEM BHD BLK MINIFAST, 1M
4			
5	2	515-53Y74	TERMINATOR - MALE BLK (MINIFAST)
6	1	515-52G70	CAP - DUST 5 PIN BHD MINIFAST CONN
7	1	B WH02-0161	ADAPTER - MOBA SLOPE SENSOR ADDRESS 0 (LEFT)
8	2	570-50A49	SENSOR - DUAL SLOPE MAST
9	6	545-47M39	SHRINK TUBE, READY PRINT .50 IN YEL
10	4	545-52K26	SHRINK TUBE SLEEVE, UV PROT .750 DIA CLR
11	3	515-52F09	BLOCK - JUNCTION, MINIFAST 1 MALE, 5 FEM
12	7	515-53Y49	CAP - DUST PLUG, 5 PIN MINIFAST
13	(2)	400-54D83	SKT HD CAP SCR .250-20X 4.500 GR8 BLK
14			
15			
16			
17			
18			



ACCESSORY CAN (BLACK CABLES)

REV BY: AJL	REV DATE: 6-24-19	REV C	THIS DRAWING DESCRIBES A PROPRIETARY PRODUCT OF GOMACO CORPORATION AND MAY NOT BE REPRODUCED OR GIVEN TO A THIRD PARTY WITHOUT WRITTEN PERMISSION FROM GOMACO CORPORATION
DWN BY: PFR	SCALE: NTS	ACCESSORY CAN ASSY., GO-PAVE	
CHKR: JGD	DATE: 11/13/2014		
DSGN BY: PFR	3RD ANGLE PROJECTION		
ALL TOLERANCES PER GOMACO GS2			
<b>GOMACO</b>		D	912620-003
IDA GROVE, IDWA - USA			SHT. 1/1

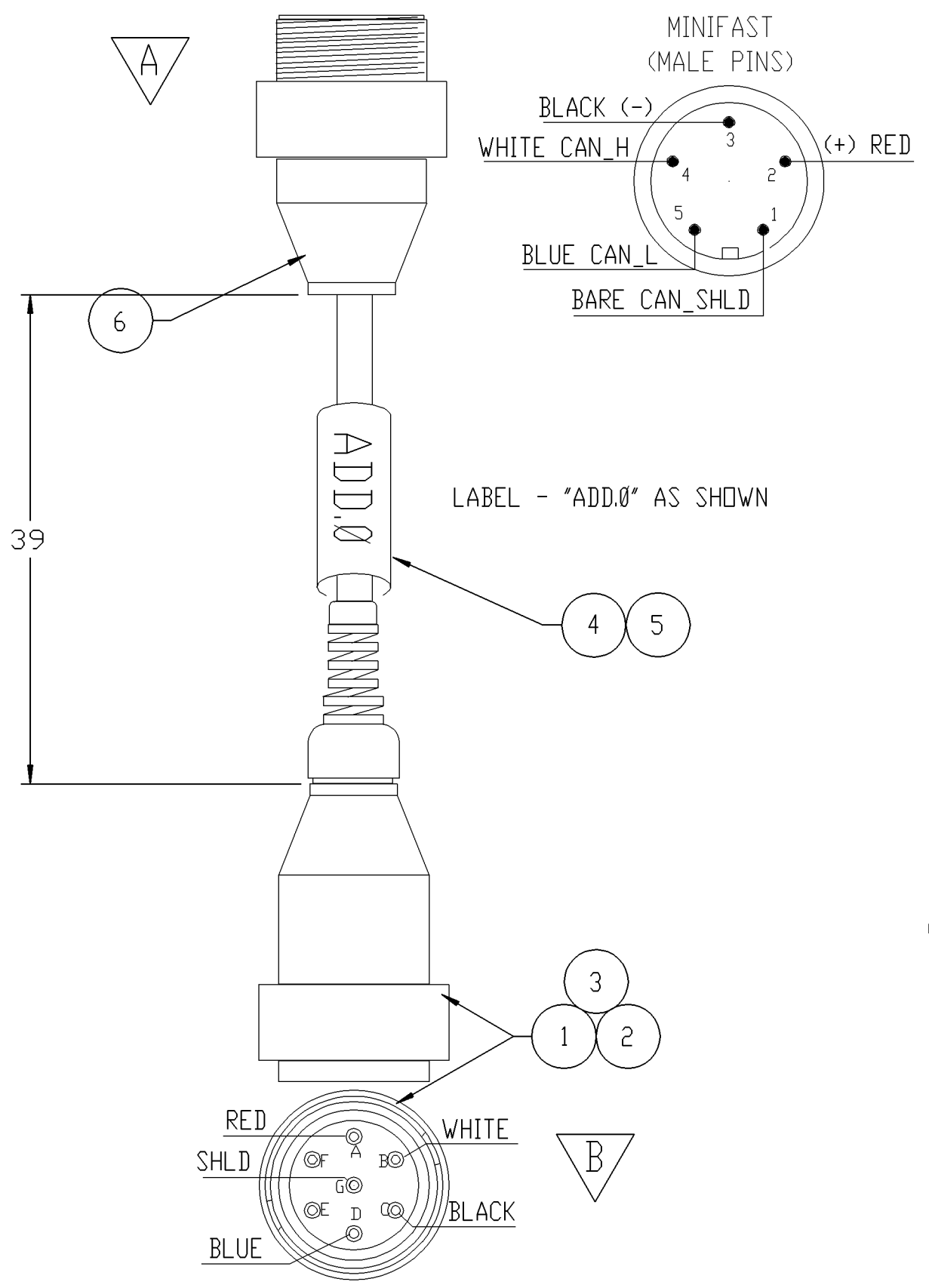
11/29/2020 GOMACO Corporation - Ida Grove, IA ELEC Page 40

2

1

### MATERIAL LIST

ITEM	QTY	PART NUMBER	DESCRIPTION
		B	WH02-0161
1	1	515-53V21	ADAPTER, MOBA SLOPE SENSOR, ADD. Ø
2	1	550-48L29	PLUG - CONN 7 PIN FEM STR BAYONET
3	1	515-53V23	SEALANT - HOT MELT PELLETS 40# BOX X .01#
4	1	545-46F77	STRAIN RELIEF - PG9
5	1	545-45Z08	TAPE - VINYL .75 IN X 60.00 FT WHT X 2.00 IN.
6	1	520-53Y83	HEAT SHRINK TUBE - .375 IN CLR X 1.5 IN.
			CABLE - MALE PIGTAIL BLK 1M MINIFAST



### ASSEMBLY NOTES

	A	B	
	PIN	COLOR	PIN
(+)	2	RED	A
CAN_H	4	WHT	B
(-)	3	BLK	C
CAN_L	5	BLU	D
		N/C	E
		N/C	F
CAN_SH	1	SHLD	G

N/C = NO CONNECTION

REV BY : PFR	REV DATE : 3-13-13	REV : D	THIS DRAWING DESCRIBES A PROPRIETARY PRODUCT OF GOMACO CORPORATION AND MAY NOT BE REPRODUCED OR GIVEN TO A THIRD PARTY WITHOUT WRITTEN PERMISSION FROM GOMACO CORPORATION
DWN BY : SBJ	SCALE : NTS		
CHKR : SBJ	DATE : 6-20-12		
DSGN BY : SBJ	3RD ANGLE PROJECTION		
ALL TOLERANCES PER GOMACO GS2		ADAPTER, MOBA SLOPE SENSOR, ADDRESS. Ø	
<b>GOMACO</b> IDA GROVE, IOWA - USA			
B	WH02-0161	SHT. 1	1

11/23/2020

GOMACO Corporation - Ida Grove, IA

ELEC Page: 41

2

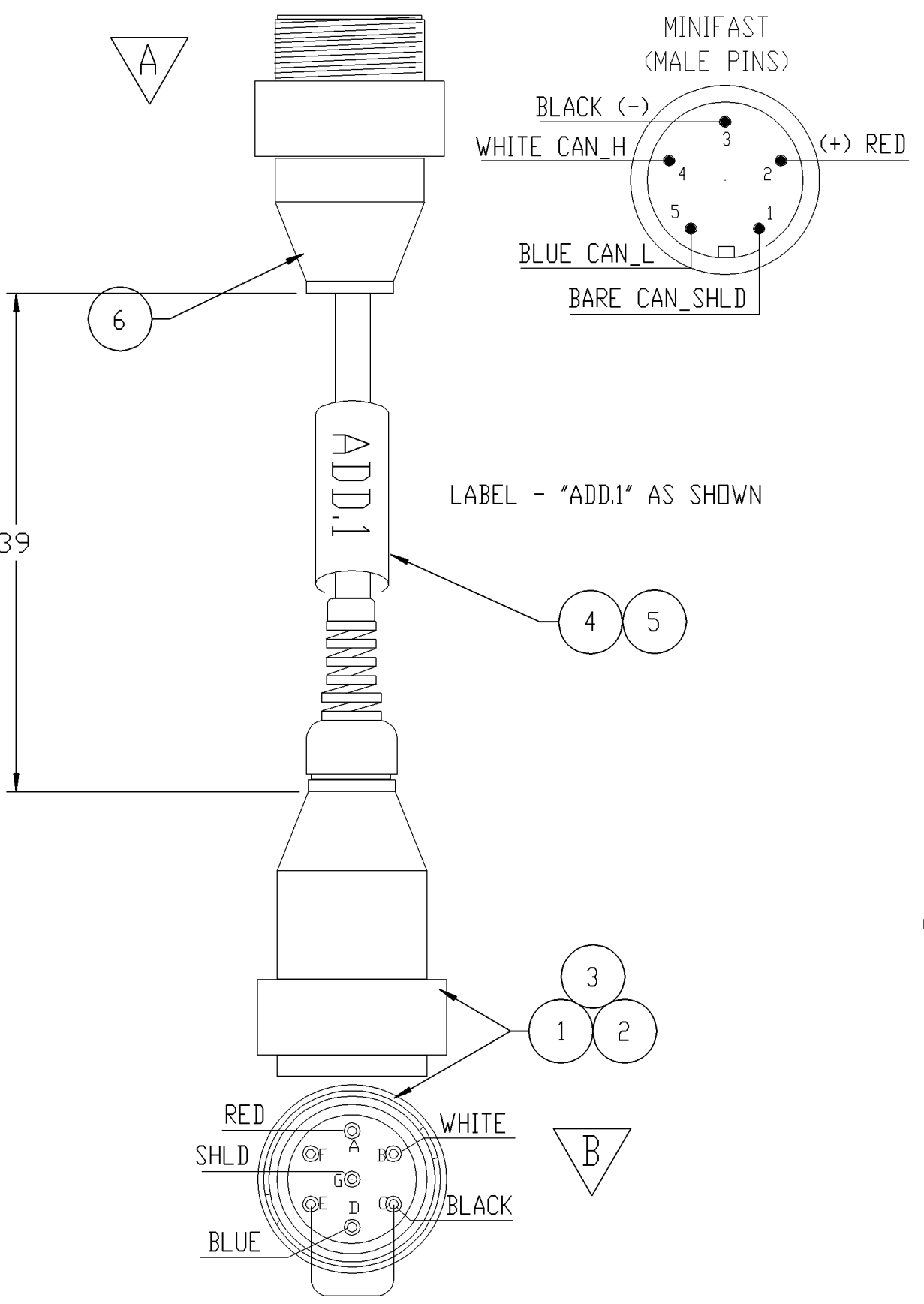
1

2

1

### MATERIAL LIST

ITEM	QTY	PART NUMBER	DESCRIPTION
		B	WH02-0162
1	1	515-53V21	ADAPTER, MOBA SLOPE SENSOR, ADD. 1
2	1	550-48L29	PLUG - CONN 7 PIN FEM STR BAYONET
3	1	515-53V23	SEALANT - HOT MELT PELLETS 40# BOX X .01#
4	1	545-46F77	STRAIN RELIEF - PG9
5	1	545-45Z08	TAPE - VINYL .75 IN X 60.00 FT WHT X 2.00 IN.
6	1	520-53Y83	HEAT SHRINK TUBE - .375 IN CLR X 1.5 IN.
			CABLE - MALE PIGTAIL BLK 1M MINIFAST



ASSEMBLY NOTES		
	A	B
	PIN	COLOR
(+)	2	RED
CAN_H	4	WHT
(-)	3	BLK
CAN_L	5	BLU
		BLK
		N/C
CAN_SH	1	SHLD

N/C = NO CONNECTION

REV BY : PFR	REV DATE : 3-13-13	REV : D	THIS DRAWING DESCRIBES A PROPRIETARY PRODUCT OF GOMACO CORPORATION AND MAY NOT BE REPRODUCED OR GIVEN TO A THIRD PARTY WITHOUT WRITTEN PERMISSION FROM GOMACO CORPORATION
DWN BY : SBJ	SCALE : NTS		
CHKR : SBJ	DATE : 6-20-12		
DSGN BY : SBJ	3RD ANGLE PROJECTION		
ALL TOLERANCES PER GOMACO GS2			
<b>GOMACO</b> IDA GROVE, IOWA - USA			ADAPTER, MOBA SLOPE SENSOR, ADDRESS. 1
B	WH02-0162		SHT. 1/1

11/23/2020

GOMACO Corporation - Ida Grove, IA

ELEC Page: 42

2

1

NOTE:  
PINS "E" & "F" ARE IDENTIFIER PINS  
SUCH THAT:  
B1 STR PIN-E OPEN, PIN-F OPEN.  
B2 GRD1 PIN-E GND, PIN-F OPEN.  
B3 GRD2 PIN-E OPEN, PIN-F GND.  
B4 GRD3 PIN-E GRN, PIN-F GND.

NOTE:  
7 PIN CONNECTOR:  
PIN-A --+V  
PIN-B-CAN(+)  
PIN-C GND  
PIN-D-CAN(-)  
PIN-E IDENTIFIER  
PIN-F IDENTIFIER  
PIN-G SHLD

PL1		6 PIN DEUTSCH PLUG CAN2					
ITEM	PIN	GA.	COLOR	LENGTH	PIN/TERM	LOCATION	
20	1	18	RED	48"	STRIP ONLY	TB1	
20	2	18	WHITE	48"	STRIP ONLY	TB2	
20	3	18	BLUE	48"	STRIP ONLY	TB3	
20	4	18	SHIELD	48"	STRIP ONLY	TB4	
20	5	18	ORANGE	48"	CUT		
20	6	18	BLACK	48"	STRIP ONLY	TB5	

B4		7 PIN BHD GRD3					
ITEM	PIN	GA.	COLOR	LENGTH	PIN/TERM	LOCATION	
23	A	18	RED	6"	STRIP ONLY	TB1	
22	B	22	WHITE	6"	STRIP ONLY	TB2	
29	C	18	BLACK	6"	STRIP ONLY	TB5	
25	D	22	BLUE	6"	STRIP ONLY	TB3	
21	E	22	BLACK	6"	STRIP ONLY	TB5	
21	F	22	BLACK	6"	STRIP ONLY	TB5	
24	G	22	GREEN	6"	STRIP ONLY	TB4	

B3		7 PIN BHD GRD2					
ITEM	PIN	GA.	COLOR	LENGTH	PIN/TERM	LOCATION	
23	A	18	RED	6"	STRIP ONLY	TB1	
22	B	22	WHITE	6"	STRIP ONLY	TB2	
29	C	18	BLACK	6"	STRIP ONLY	TB3	
25	D	22	BLUE	6"	STRIP ONLY	TB4	
	E		NC				
21	F	22	BLACK	6"	STRIP ONLY	TB6	
24	G	22	GREEN	6"	STRIP ONLY	TB4	

B2		7 PIN BHD GRD1					
ITEM	PIN	GA.	COLOR	LENGTH	PIN/TERM	LOCATION	
23	A	18	RED	6"	STRIP ONLY	TB1	
22	B	22	WHITE	6"	STRIP ONLY	TB2	
29	C	18	BLACK	6"	STRIP ONLY	TB3	
25	D	22	BLUE	6"	STRIP ONLY	TB4	
21	E	22	BLACK	6"	STRIP ONLY	TB6	
	F		NC				
24	G	22	GREEN	6"	STRIP ONLY	TB4	

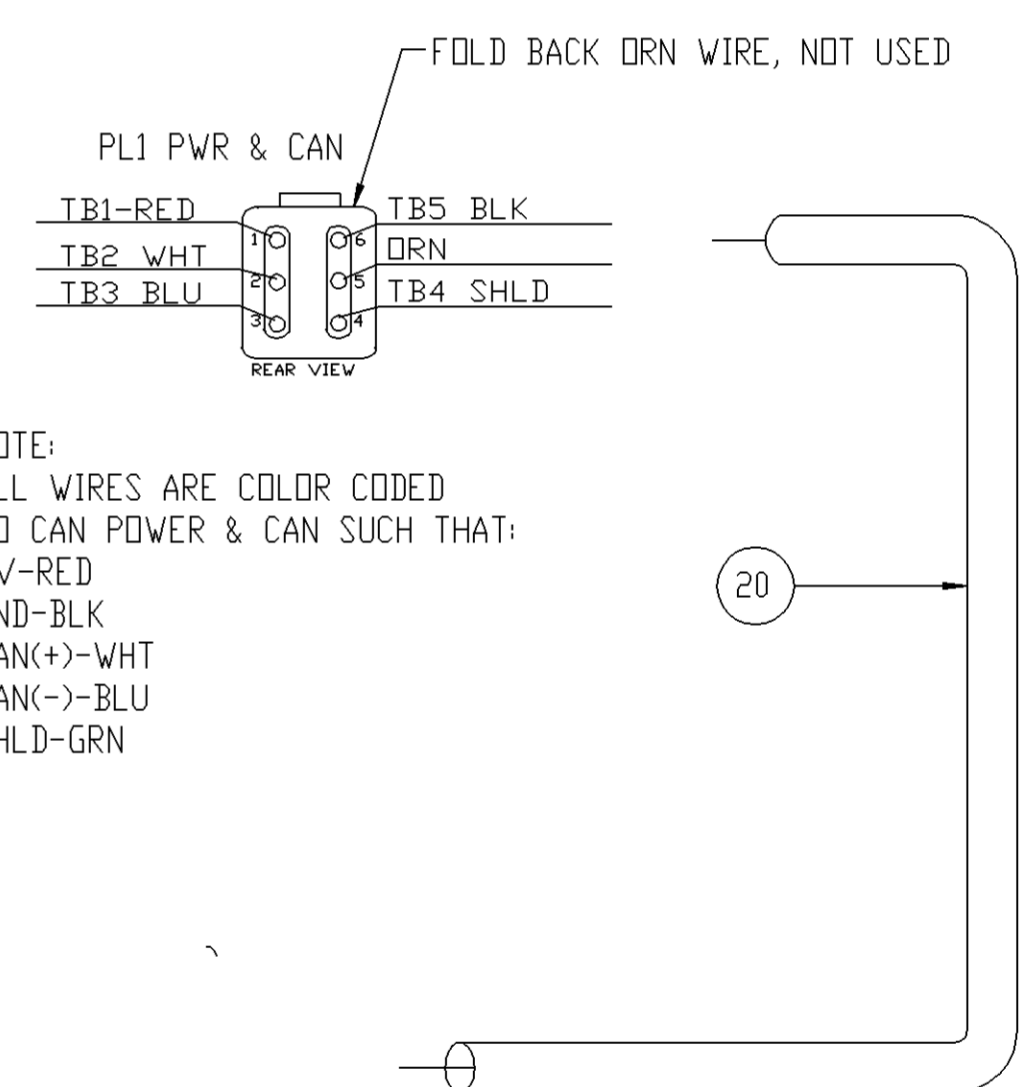
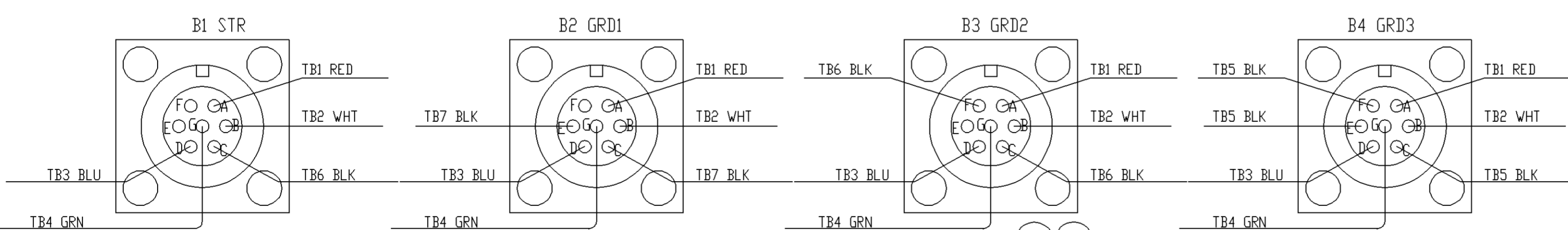
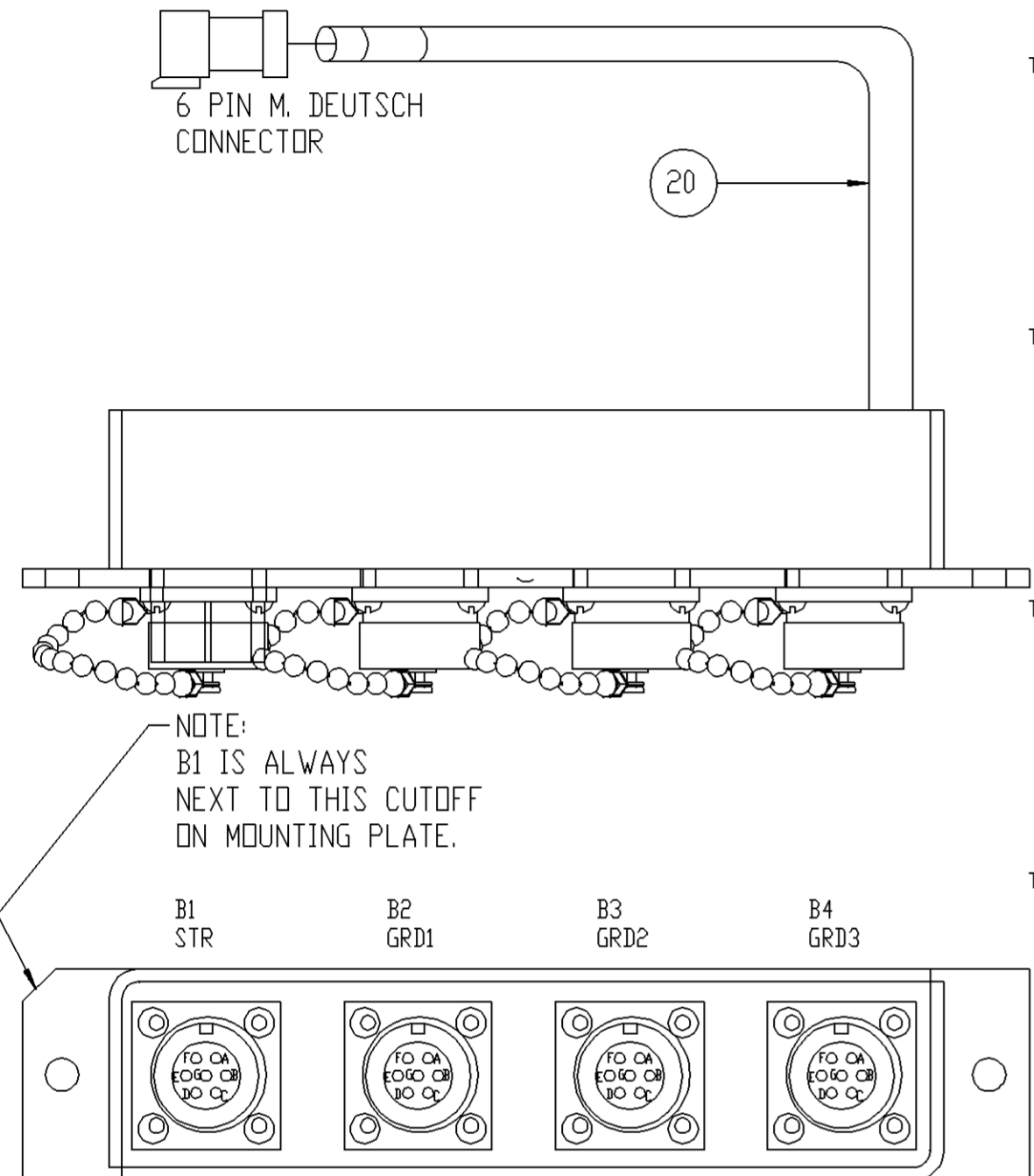
  

B1		7 PIN BHD STR					
ITEM	PIN	GA.	COLOR	LENGTH	PIN/TERM	LOCATION	
23	A	18	RED	6"	STRIP ONLY	TB1	
22	B	22	WHITE	6"	STRIP ONLY	TB2	
29	C	18	BLACK	6"	STRIP ONLY	TB3	
25	D	22	BLUE	6"	STRIP ONLY	TB4	
	E		NC				
	F		NC				
24	G	22	GREEN	6"	STRIP ONLY	TB4	

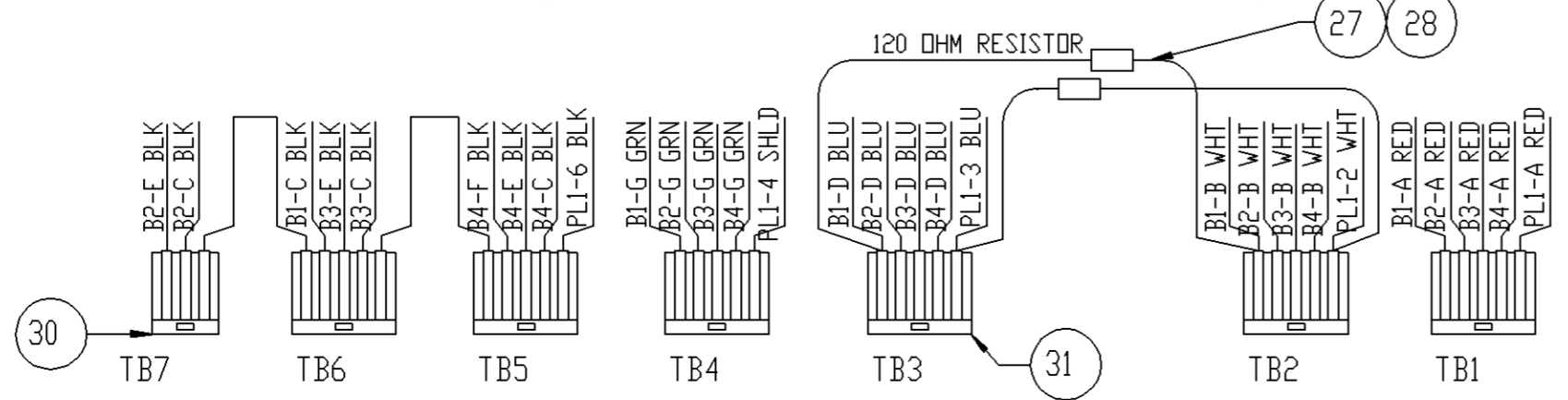
NOTE:  
1. THE WHITE & BLUE WIRES NEED TO BE TWISTED PAIR.

MATERIAL LIST

ITEM	QTY	PART NUMBER	DESCRIPTION
	1	C 910920-011	CAN SENSOR JUNCTION PLATE PAVERS
20	1	CA06N-0048-0046	6 PIN M. DEUTSCH/STRIP & TIN
21	1	520-15A27	WIRE - 22 GAUGE, BLACK X 24 IN.
22	1	520-10T58	WIRE - 22 GAUGE, WHITE X 24 IN.
23	1	520-48F80	WIRE - 18 GAUGE, RED X 24 IN.
24	1	520-15A28	WIRE - 22 GAUGE, GREEN X 24 IN.
25	1	520-15A32	WIRE - 22 GAUGE, BLUE X 24 IN.
26	4	550-48L29	SEALANT - HOT MELT PELLETS 40# BOX X .1 LB
27	2	550-48J34	RESISTOR - 121 OHM .25W 1% TOL
28	2	545-45J98	HEAT SHRINK TUBE - .188 IN BLK X 1 IN.
29	1	520-48F81	WIRE - 18 GAUGE, BLACK X 30 IN.
30	1	535-52K88	TERMINAL BLOCK - CONNECTING, 3 TERM 20A
31	6	535-52K89	TERMINAL BLOCK - CONNECTING, 5 TERM 20A



NOTE:  
ALL WIRES ARE COLOR CODED TO CAN POWER & CAN SUCH THAT:  
+V-RED  
GND-BLK  
CAN(+)-WHT  
CAN(-)-BLU  
SHLD-GRN



REV BY : PFR	REV DATE : 3-15-13	REV : B	THIS DRAWING DESCRIBES A PROPRIETARY PRODUCT OF GOMACO CORPORATION AND MAY NOT BE REPRODUCED OR GIVEN TO A THIRD PARTY WITHOUT WRITTEN PERMISSION FROM GOMACO CORPORATION.
DWN BY : PFR	SCALE : NTS		
CHKR : SBJ	DATE : 11-07-12		
DSGN BY : PFR	3RD ANGLE PROJECTION		
ALL TOLERANCES PER GOMACO GS2			
<b>GOMACO</b> IDA GROVE, IOWA - USA			CAN SENSOR JUNCTION PLATE PAVERS
			910920-011
			SHT. 2 / 2

11/23/2020 GOMACO Corporation - Ida Grove, IA ELEC Page 43



4

3

2

1

NOTE:  
WIRE BAR INSERTER PWR  
CABLES INTO THE TERMINAL  
BLOCKS AS DESCRIBED BELOW.

B17<LT>	B20<RT>
A WHT TB35	A WHT TB36
B BLK TB24	B BLK TB25

B18<LT>	B21<RT>
A WHT TB35	A WHT TB36
B BLK TB24	B BLK TB25

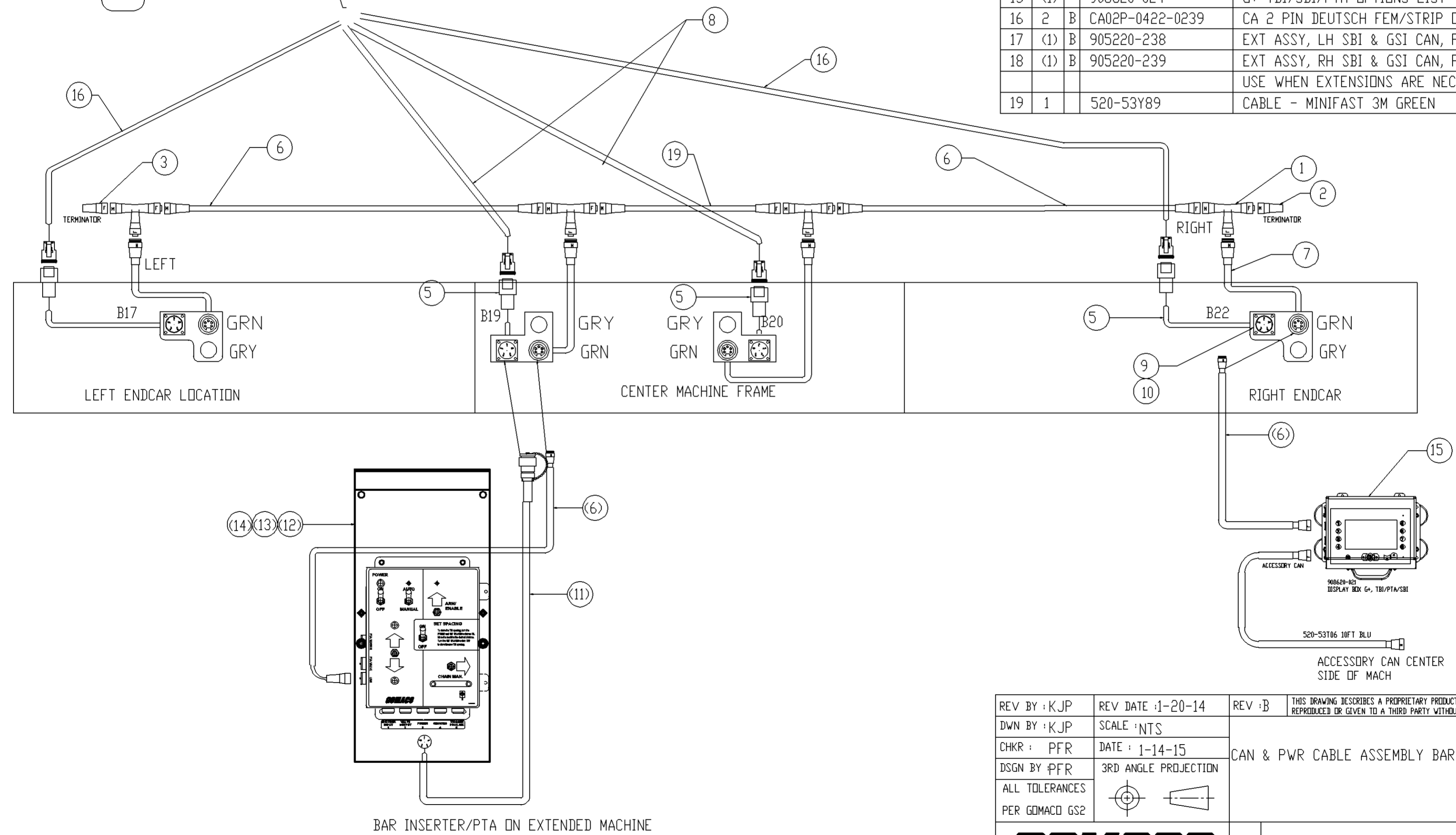
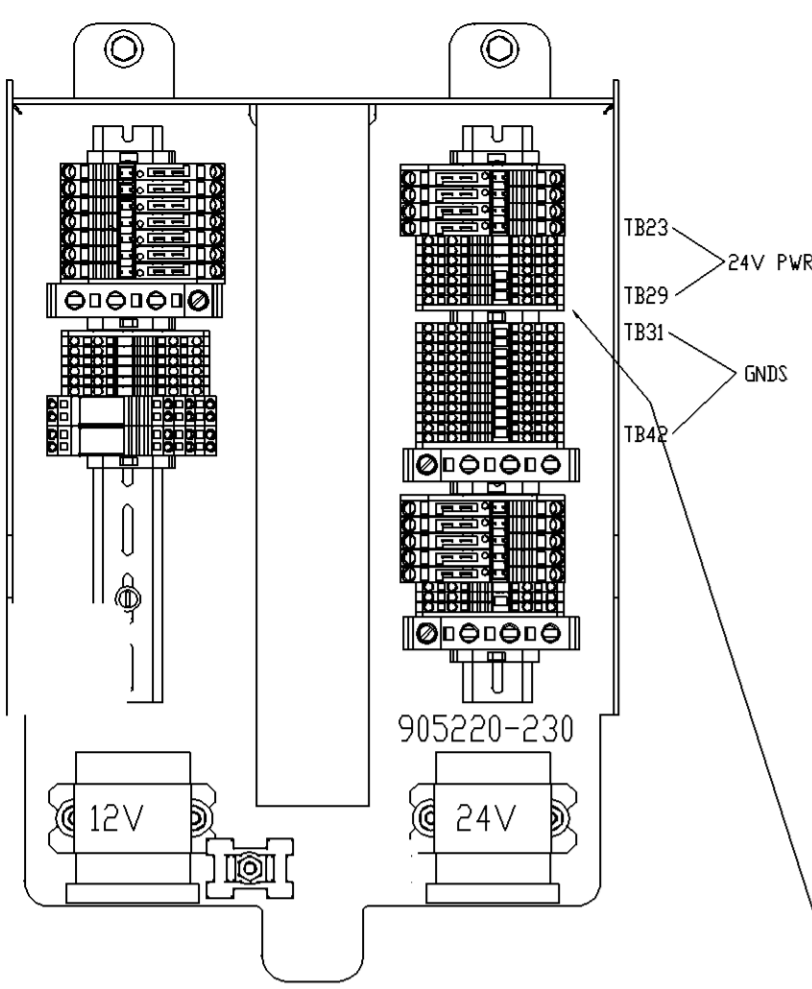
  

B19<LT>	B22<RT>
A WHT TB35	A WHT TB36
B BLK TB24	B BLK TB25

NOTE:  
1. CAN TEES & TERMINATORS ARE GREEN IN COLOR.  
2. CAN CABLES HAVE BLU/GRY CABLE WITH  
THE CONNECTORS ARE GREEN.

### MATERIAL LIST

ITEM	QTY	PART NUMBER	DESCRIPTION
	1	C 912620-015	CAN & PWR CABLE ASSEMBLY BAR INSERTERS
1	4	515-53Y81	TEE - DROP-OFF GRN (MINIFAST)
2	1	515-53Y78	TERMINATOR - MALE GRN (MINIFAST)
3	1	515-53Y79	TERMINATOR - FEMALE GRN (MINIFAST)
4	4	515-53Y49	CAP - DUST PLUG, 5 PIN MINIFAST
5	4	B CA02P-0004-0277	CA 5 P F BHD 1/4 TRN/2 P M DEUTSCH
6	2	520-53Y88	CABLE - MINIFAST 6M GREEN
7	4	520-54B11	CABLE - MALE/FEM BHD GRN MINIFAST, 1M
8	2	B CA02P-0276-0239	CA 2 PIN DEUTSCH FEM/STRIP ONLY
9	4	515-53V48	CAP - DUST, SIZE 16 1/4 TURN
10	24	435-30C56	PDP RIVET BTNHD .125
11	(1)	B CA02P-0120-0270	5 PIN F.PLUG 1/4 TURN/5 PIN M.PLUG 1/4 TURN
12	(1)	D 908620-042	ELEC ASSY, G+ TBI/PTA FRAME MTD 24V
13	(1)	908620-043	ELEC ASSY, G+ TBI/PTA MOLD MTD 24V
14	(1)	908620-046	ELEC ASSY, G+ SBI 24V
15	(1)	908620-024	G+ TBI/SBI/PTA OPTIONS LIST
16	2	B CA02P-0422-0239	CA 2 PIN DEUTSCH FEM/STRIP ONLY
17	(1)	B 905220-238	EXT ASSY, LH SBI & GSI CAN, PWR CA, 10FT
18	(1)	B 905220-239	EXT ASSY, RH SBI & GSI CAN, PWR CA, 10FT
			USE WHEN EXTENSIONS ARE NECESSARY (NS)
19	1	520-53Y89	CABLE - MINIFAST 3M GREEN



REV BY : KJP	REV DATE : 1-20-14	REV : B	THIS DRAWING DESCRIBES A PROPRIETARY PRODUCT OF GOMACO CORPORATION AND MAY NOT BE REPRODUCED OR GIVEN TO A THIRD PARTY WITHOUT WRITTEN PERMISSION FROM GOMACO CORPORATION
DWN BY : KJP	SCALE : NTS		
CHKR : PFR	DATE : 1-14-15		
DSGN BY : PFR	3RD ANGLE PROJECTION		
ALL TOLERANCES PER GOMACO GS2			



C	912620-015	SHT. 1/1
---	------------	----------

11/23/2020  
 GOMACO Corporation - Ida Grove, IA  
 ELEC Page 44

4

3

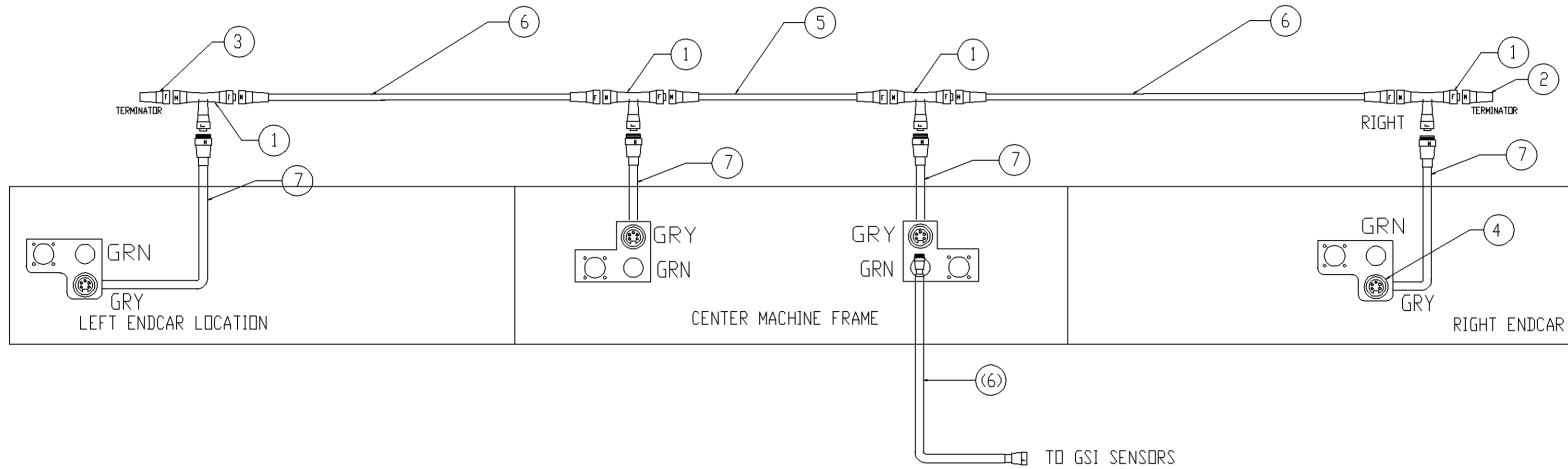
2

1

### MATERIAL LIST

ITEM	QTY	PART NUMBER	DESCRIPTION
	1	C 912620-014	CAN CABLE ASSEMBLY, GSI PAVERS
1	4	515-53Y80	TEE - DROP-OFF GRY (MINIFAST)
2	1	515-53Y76	TERMINATOR - MALE GRY (MINIFAST)
3	1	515-53Y77	TERMINATOR - FEMALE GRY (MINIFAST)
4	4	515-53Y49	CAP - DUST PLUG, 5 PIN MINIFAST
5	1	520-53Y86	CABLE - MINIFAST 3M GREY
6	2	520-53Y85	CABLE - MINIFAST 6M GREY
7	4	520-54B10	CABLE - MALE/FEM BHD GRY MINIFAST, 1M
8			
9			
10			
11			
12			
13			
14			
15			
16			

NOTE:  
 1. CAN TEES & TERMINATORS ARE GREY IN COLOR.  
 2. CAN CABLES HAVE BLU/GRY CABLE WITH THE CONNECTORS ARE GREY.



REV BY : KJP	REV DATE : 1-13-15	REV : A	THIS DRAWING DESCRIBES A PROPRIETARY PRODUCT OF GOMACO CORPORATION AND MAY NOT BE REPRODUCED OR GIVEN TO A THIRD PARTY WITHOUT WRITTEN PERMISSION FROM GOMACO CORPORATION.
DWN BY : KJP	SCALE : NTS	CAN CABLE ASSEMBLY, GSI PAVERS	
CHKR : PFR	DATE : 1-13-15		
DSGN BY : PFR	3RD ANGLE PROJECTION		
ALL TOLERANCES PER GOMACO GS2			
<b>GOMACO</b> IDA GROVE, IQWA - USA		C	912620-014
		SHT.	1 / 1

4

3

2

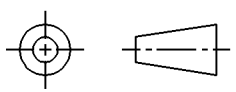

1

11/23/2020  
 GOMACO Corporation - Ida Grove, IA  
 ELEC Page 45



# MATERIAL LIST

ITEM	QTY	PART NUMBER	DESCRIPTION
		A 912620-022	MISC FRAME ITEMS
1	3	515-10T71	CAP - DUST -16 & -16S
2	4	435-30C56	PDP RIVET BTNHD .125
			USE ITEM WITH AUTO FLOAT CABLE
3	1	A WH01-0159	HARNESS 12 PIN F.DEUTSCH SEAL PLUG
			SW PANEL #4 / SEAL PLUG
4	2	A WH01-0161	HARNESS - 8 PIN F DEUTSCH SEAL PLUG
			SW PNL #3 & MASTER #12
5	2	515-53V48	CAP - DUST, SIZE 16 5 PIN 1/4
6	12	515-53Y14	CAP - DUST, 2 PIN (AT AUX VIB. & STACK VALVES)
7	16	405-30D73	SLTD RDH MACH SCR # 6-32X .500 YEL
8	16	415-30B49	HEX NUT # 6-32 GR2 YEL
			USE ITEMS W/POWER BHDS
9	1	515-53Y16	CAP - DUST, 4 PIN (RT HD TAMPER)
10	4	545-52W73	CONDUIT - .750 IN SPLIT NYLON BLK X 120"
			SEND LOOSE
11			
12			
13			
14			
15			
16			

REV BY :PFR	REV DATE : 3-10-16	REV :A	THIS DRAWING DESCRIBES A PROPRIETARY PRODUCT OF GOMACO CORPORATION AND MAY NOT BE REPRODUCED OR GIVEN TO A THIRD PARTY WITHOUT WRITTEN PERMISSION FROM GOMACO CORPORATION
DWN BY :PFR	SCALE : NTS	MISC FRAME ITEMS	
CHKR : JGD	DATE : 3-10-16		
DSGN BY PFR	3RD ANGLE PROJECTION		
ALL TOLERANCES PER GOMACO GS2			
 IDA GROVE, IOWA - USA		A 912620-022	SHT. 1 / 1

912620-022

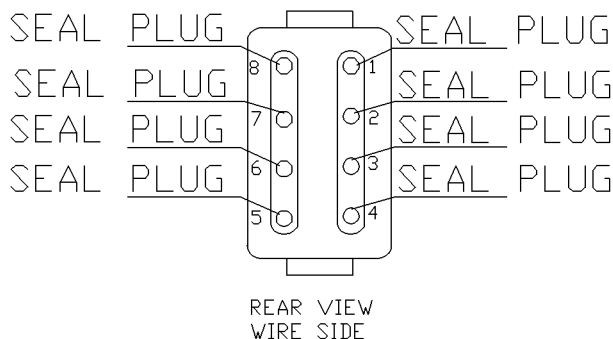
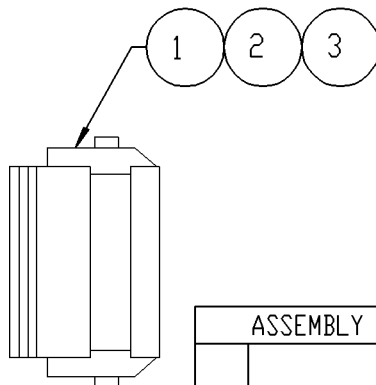
11/23/2020

GOMACO Corporation - Ida Grove, IA

ELEC Page: 47

# MATERIAL LIST

ITEM	QTY	PART NUMBER	DESCRIPTION
	1	A WH01-0161	HARNESS 8 PIN F.DEUTSCH SEAL PLUG
1	1	515-54B65	PLUG - CONNECTOR 8 PIN SOCKET
2	1	515-54B66	WEDGE - LOCKING 8 PIN SOCKET
3	8	515-48F70	CONNECTOR - #16/12 SEALING PLUG
4			



ASSEMBLY NOTES	
PIN	WIRE COLOR
1	SEAL PLUG
2	SEAL PLUG
3	SEAL PLUG
4	SEAL PLUG
5	SEAL PLUG
6	SEAL PLUG
7	SEAL PLUG
8	SEAL PLUG

MARK ON THE OUTSIDE  
OF THE PLUG WH01-0161

REV BY :PFR	REV DATE : 8-26-13	REV :A	THIS DRAWING DESCRIBES A PROPRIETARY PRODUCT OF GOMACO CORPORATION AND MAY NOT BE REPRODUCED OR GIVEN TO A THIRD PARTY WITHOUT WRITTEN PERMISSION FROM GOMACO CORPORATION
DWN BY :PFR	SCALE : NTS	HARNESS 8 PIN F.DEUTSCH SEAL PLUG	
CHKR : JGD	DATE : 8-26-13		
DSGN BY : PFR	3RD ANGLE PROJECTION		
ALL TOLERANCES PER GOMACO GS2			
<b>GOMACO</b> IDA GROVE, IOWA - USA		A WH01-0161	SHT. 1 / 1

WH01-0161

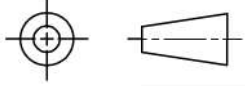

11/23/2020

GOMACO Corporation - Ida Grove, IA

ELEC Page: 48

# MATERIAL LIST

ITEM	QTY	PART NUMBER	DESCRIPTION
		A 912620-018	ENGINE WIRING, CAT C7.1 -T4, GO-PAVE
1	1	C 912620-013	MISC WIRING, CAT C7.1 LH STARTR, GO-PAVE
2	1	C WH03-0177	HARNESS - ADAPTER, CAT 3600 T4
3	1	B CA02P-0080-0264	CA 2 PIN DEUTSCH M/2 PIN DEUTSCH FEM
			AUX FUEL PUMP / FUEL PUMP POWER
4	4	545-52K23	SHRINK TUBE, READY PRINT .375 IN YEL
5	1	545-52K24	SHRINK TUBE, READY PRINT .750 IN YEL
6	1	CA02P-0048-0264	CA 2 PIN DEUTSCH M/2 PIN DEUTSCH FEM
			"WAIT TO DISCONNECT" JUMPER

REV BY :PLS	REV DATE :12-20-19	REV :B	THIS DRAWING DESCRIBES A PROPRIETARY PRODUCT OF GOMACO CORPORATION AND MAY NOT BE REPRODUCED OR GIVEN TO A THIRD PARTY WITHOUT WRITTEN PERMISSION FROM GOMACO CORPORATION
DWN BY :PFR	SCALE :NTS	ENGINE WIRING, CAT C7.1 -T4, GO-PAVE	
CHKR : AJL	DATE : 1-06-16		
DSGN BY : PFR	3RD ANGLE PROJECTION		
ALL TOLERANCES PER GOMACO GS2			
		A 912620-018	SHT. 1 / 1

912620-018

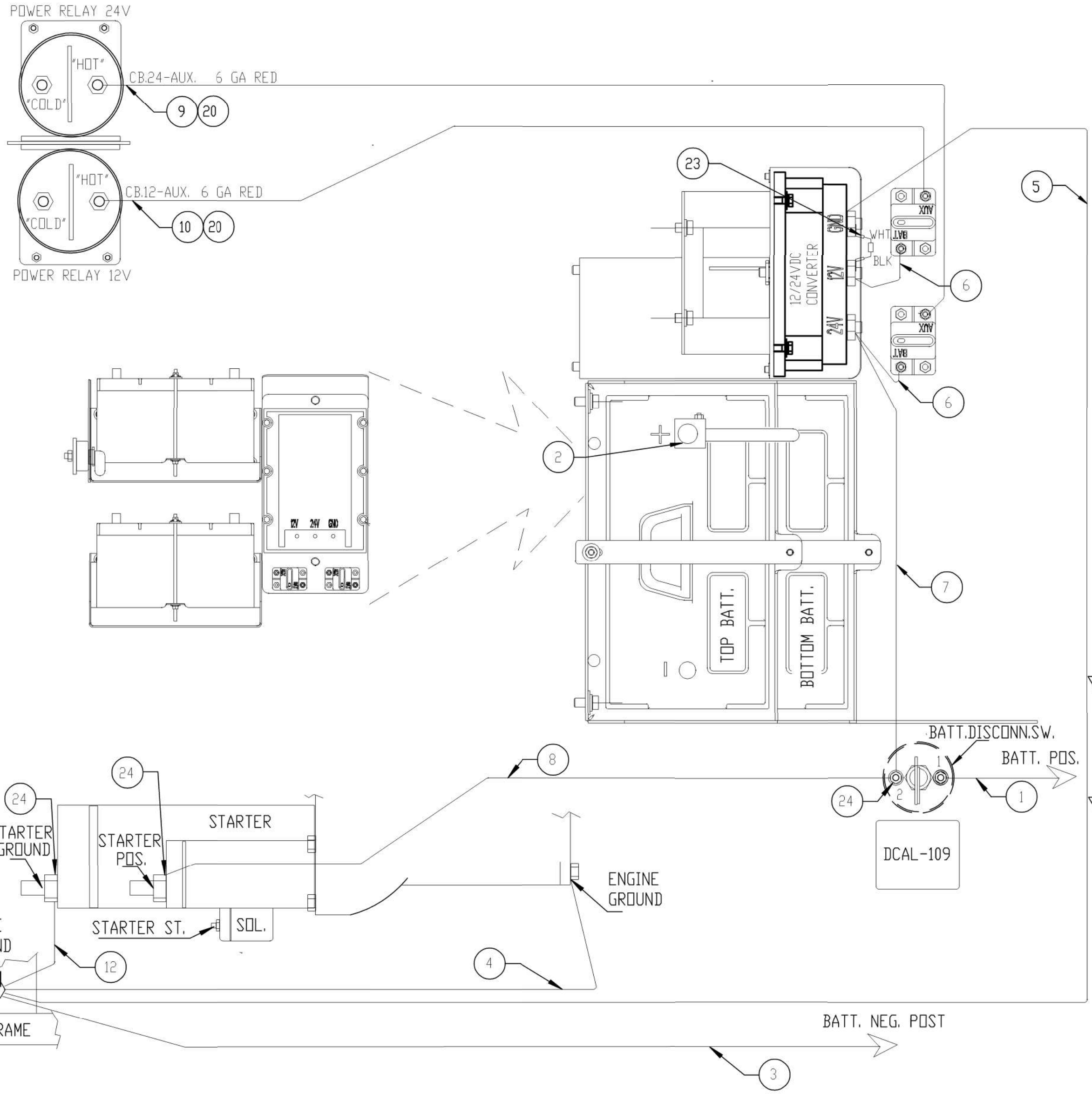
11/23/2020

GOMACO Corporation - Ida Grove, IA

ELEC Page: 49

ASSEMBLY NOTES:

1. USE ITEM #16 ON 2/0 GROUND CABLES AT BOTH ENDS.
2. USE ITEM #17 ON 2/0 POSITIVE CABLES AT BOTH ENDS.
3. USE ITEM #18 ON 6 GA RED CABLES AT BOTH ENDS.
4. USE ITEM #21 ON 6 GA BLK CABLES AT BOTH ENDS.
5. ON ITEM #2 PUT ITEM #17 ON BATT "POS" END AND #22 ON "NEG" END.
6. BAG DECALS AND TIE TO CABLE BUNDLE.



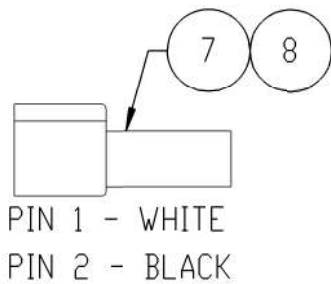
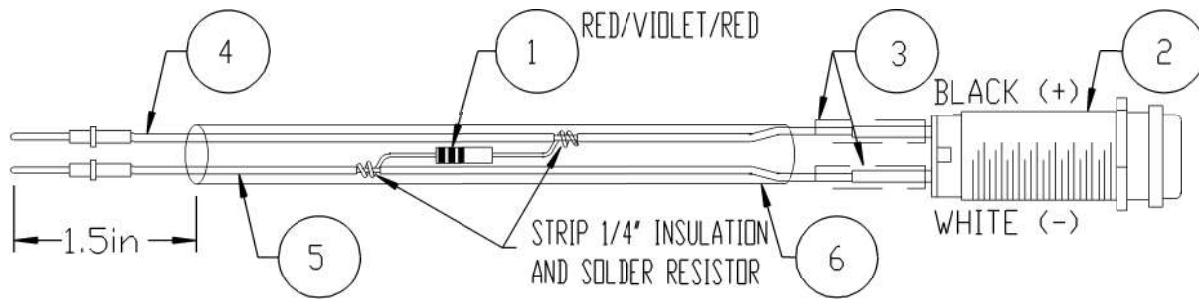
MATERIAL LIST

ITEM	QTY	PART NUMBER	DESCRIPTION
		C 912620-013	MISC WIRING, CAT C7.1 LH STARTR, GO-PAVE
1	1	SWC0-00240-BABT	00 GA BLK X 24 IN. W/3/8" RING - P.BATT TERM
			BATT. DISCONN. SW-1 - BOTTOM BATT. POS. (+)
2	1	SWC0-00270-BSBT	00 GA BLACK X 27 IN. W/N.BATT TERM - P.BATT TERM
			TOP BATT. POS. (+) - BOTTOM BATT. NEG. (-)
3	1	SWC0-00660-AZBS	00 GA BLACK X 66 IN. W/1/2 RING - N.BATT TERM
			FRAME GROUND - NEG. TERM TOP BATT
4	1	SWC0-00600-AZAZ	00 GA BLACK X 60 IN. W/1/2 RING - 1/2 RING
			FRAME GROUND - ENGINE GROUND
5	1	SWG0-00480-BDCN	6 GA BLACK X 48 IN. W/1/2 RING-5/16 RING
			FRAME GND - CONVERTER-GND
6	2	SWG2-00050-ABCN	6 GA RED X 5 IN. W/1/4 RING-5/16 RING
			CB.12V-BAT - CONVERTER +12V CB.24V-BAT - CONVERTER +24V
7	1	SWG2-0360-AHCN	6 GA RED X 36 IN. W/3/8 RING-5/16 RING
			BATT. DISCONN. SW-2- CONVERTER +24V
8	1	SWC0-01200-AZBA	00 GA BLACK X 120 IN. W/1/2 RING - 3/8 RING
			BATT. DISCONN. SW-2 - STARTER POS.
9	1	SWG2-02000-ABCN	6 GA RED X 200 IN. W/ 1/4 RING - 5/16 RING
			C.B.24V-AUX. - 24V PWR RELAY "HOT"
10	1	SWG2-02000-ABCN	6 GA RED X 200 IN. W/ 1/4 RING - 5/16 RING
			C.B.12V-AUX. - 12V PWR RELAY "HOT"
11	1	SWG0-01500-BDSO	6 GA BLACK X 150 IN. W/1/2 RING - STRIP ONLY
			FRAME GROUND - POWER DIST. CENTER GND (NOT SHOWN)
12	1	SWC0-00720-AZAZ	00 GA BLACK X 72 IN. W/1/2 RING - 1/2 RING
			FRAME GROUND - STARTER GROUND
13	(1)	A 550-53W44	CONVERTER - DC TO DC, 24V IN 12V OUT 60A
14	(1)	SWG0-00160-ABAH	6 GA BLACK X 16 IN. W/1/4" RING & 3/8" RING
			ALTERNATOR GROUND
15	(2)	A 525-51H45	CIRCUIT BREAKER - 100 AMP, RESETTABLE
16	4	545-50R71	HEAT SHRINK TUBE - 1.00 IN BLK X 3 IN.
17	6	545-50R72	HEAT SHRINK TUBE - 1.00 IN X 4.00 FT RED X 3 IN.
18	10	545-50R73	HEAT SHRINK TUBE - .75 IN X 4.00 FT RED X 3 IN.
19	2	505-53U53	BTRY TERM INSUL CAP - RED
20	2	550-52A44	TERM PROTECTOR - ALTNTR, 8-2 GA RED
21	4	545-45J99	HEAT SHRINK TUBE - .750 IN BLK X 3 IN.
22	2	505-53U54	BTRY TERM INSUL CAP - BLACK
23	1	A WH02-0184	HARNESS - 1.69K OHM RES W/ 5/16 R ASSY
			VOLTAGE STABILIZATION RESISTOR
G/F	24	3	550-55M44
F	25		
F	26		
F	27		
F/E	28		
	29		
	30		

REV BY : PLS	REV DATE : 01-13-20	REV : G	THIS DRAWING DESCRIBES A PROPRIETARY PRODUCT OF GOMACO CORPORATION AND MAY NOT BE REPRODUCED OR GIVEN TO A THIRD PARTY WITHOUT WRITTEN PERMISSION FROM GOMACO CORPORATION
DWN BY : SBJ	SCALE : NTS	MISC WIRING, CAT C7.1 LH STARTR, GO-PAVE	
CHKR : AJL	DATE : 1/7/15		
DSGN BY : SBJ	3RD ANGLE PROJECTION		
ALL TOLERANCES PER GOMACO GS2			
<b>GOMACO</b>		C	912620-013
IDA GROVE, IDWA - USA			SHT. 1/1

# MATERIAL LIST

ITEM	QTY	PART NUMBER	DESCRIPTION
		A 903120-037	LED ASSY., RED 2 PIN DEUTSCH
1	1	550-10N93	RESISTOR - 2.7K OHM .50W 2% TOL
2	1	T510-52A79	LED - 24V RED, W/.56 IN MTG HOLE
3	2	545-45J97	HEAT SHRINK TUBE - .125 IN BLK X .75 IN.
4	1	SWL0-00080-CIST	16 GA BLACK X 8 IN. W/ M DEUTSCH - STRIP & TIN
5	1	SWL9-00080-CIST	16 GA WHITE X 8 IN. W/ M DEUTSCH - STRIP & TIN
6	1	545-54D94	HEAT SHRINK TUBE - .38 IN X 7 IN. BLK
7	1	515-52W62	RECEPTACLE - CONNECTOR 2 PIN, PINS
8	1	515-52W63	WEDGE - LOCKING 2 PIN RECEPTACLE
9	1	545-15B57	CONDUIT - FLEX GUARD WIRE, .413 ID X 8 IN.
10	2	515-15B48	CABLE TIE - 4.00 IN BLACK



**ASSEMBLY NOTES:**

1. SOLDER RESISTOR TO WIRES AS SHOWN.
2. SLIDE ON HEAT SHRINK AND SOLDER WIRES TO LED LAMP (BLK TO GOLD (+) TERMINAL).
3. COVER WIRE ASSEMBLY AS SHOWN WITH ITEM #6 HEAT SHRINK.
4. SEND RECEPTACLE, WEDGE, FLEXGUARD, AND WIRE TIES ALONG AS LOOSE PARTS.

REV BY :JGD	REV DATE :12/7/18	REV :B	THIS DRAWING DESCRIBES A PROPRIETARY PRODUCT OF GOMACO CORPORATION AND MAY NOT BE REPRODUCED OR GIVEN TO A THIRD PARTY WITHOUT WRITTEN PERMISSION FROM GOMACO CORPORATION	
DWN BY :SBJ	SCALE : NTS	LED ASSY. RED 2 PIN DEUTSCH		
CHKR : AJL	DATE : 9/9/15			
DSGN BY: SBJ	3RD ANGLE PROJECTION			
ALL TOLERANCES PER GOMACO GS2				
<b>GOMACO</b> IDA GROVE, IOWA - USA		A	903120-037	SHT. 1 1

903120-037

11/23/2020

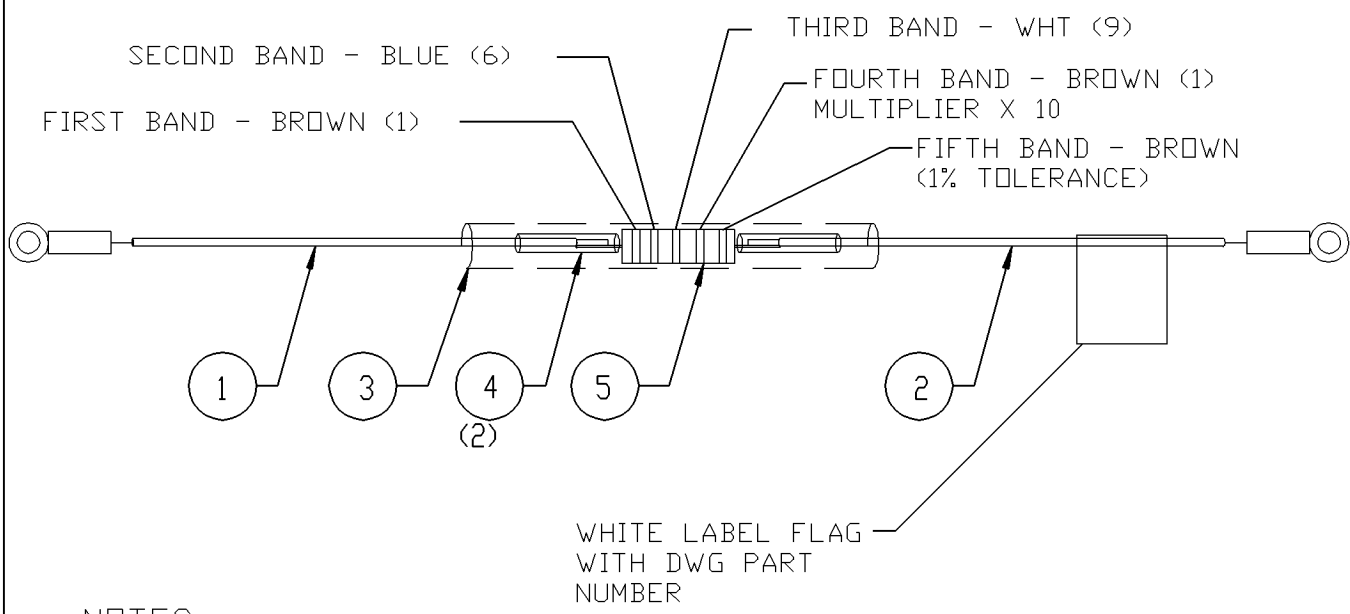
GOMACO Corporation - Ida Grove, IA

ELEC Page: 51



# MATERIAL LIST

ITEM	QTY	PART NUMBER	DESCRIPTION
		A	WH02-0184
		WH02-0184	1.69K OHM RESISTOR W/5/16 RINGS ASSEMBLY
1	1	SWM0-00030-AEST	18GA BLACK X 3 IN. W/5/16 RING-STRIP & TIN
2	1	SWM9-00030-AEST	18GA WHITE X 3 IN. W/5/16 RING-STRIP & TIN
3	1	545-10D59	HEAT SHRINK TUBE - .250 IN. X 2.0 IN. CLR
4	2	545-45J97	HEAT SHRINK TUBE - .125 IN. xX 0.5 IN. BLK
5	1	550-47F72	RESISTOR - 1.69K OHM .60W 1% TOL



**NOTES:**

1. COLOR BANDS MAY NOT BE PRESENT.
2. CUT RESISTOR LEADS TO APPROXIMATELY 1/4 INCH.
3. SOLDER WIRE TO EACH RESISTOR LEAD AND COVER SOLDER JOINT WITH BLACK SHRINK TUBE.
4. COVER RESISTOR ASSEMBLY WITH CLEAR SHRINK TUBE AS SHOWN AND SHRINK TO FIT.

REV BY :PFR	REV DATE : 9-19-13	REV :A	THIS DRAWING DESCRIBES A PROPRIETARY PRODUCT OF GOMACO CORPORATION AND MAY NOT BE REPRODUCED OR GIVEN TO A THIRD PARTY WITHOUT WRITTEN PERMISSION FROM GOMACO CORPORATION
DWN BY :PFR	SCALE :NTS	1.69K OHM RESISTOR W/5/16 RINGS ASSEMBLY	
CHKR : JGD	DATE : 9-19-13		
DSGN BY : PFR	3RD ANGLE PROJECTION		
ALL TOLERANCES PER GOMACO GS2			
		A	WH02-0184
			SHT. 1 / 1

WH02-0184

11/23/2020

GOMACO Corporation - Ida Grove, IA

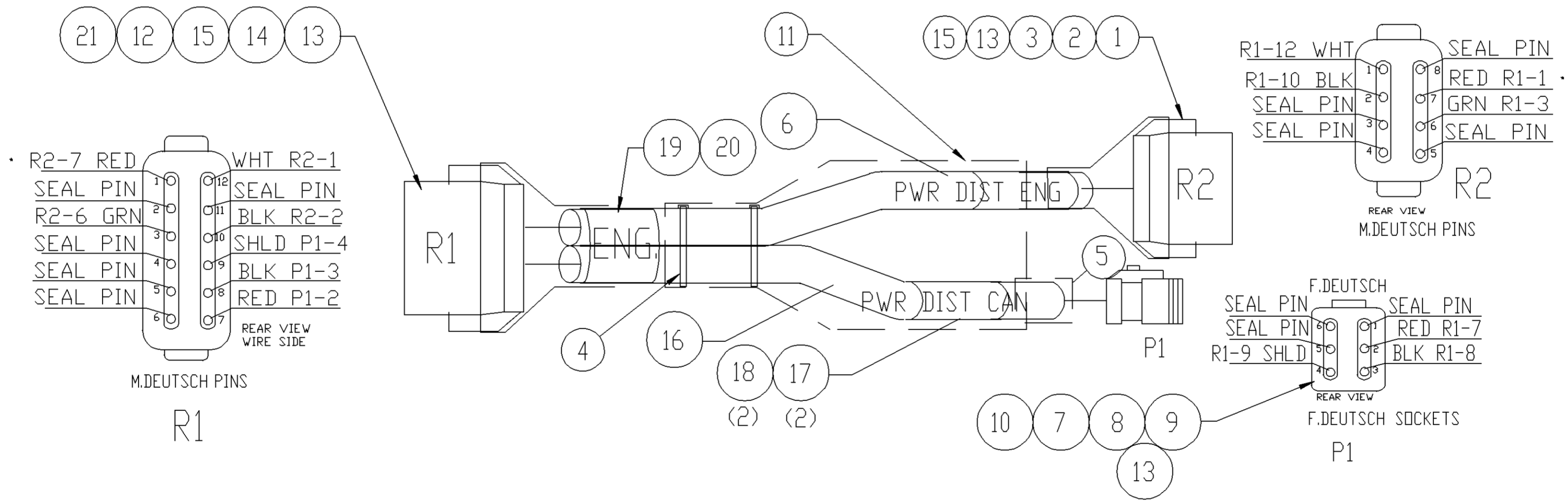
ELEC Page: 52

MATERIAL LIST

ITEM	QTY	PART NUMBER	DESCRIPTION
	1	C	WH03-0177
	1	515-54B67	HARNESS - ADAPTOR CAT 3600 T4
1	1	515-54B67	RECEPTACLE - CONNECTOR 8 PIN, PINS
2	1	515-54B68	WEDGE - LOCKING 8 PIN RECEPTACLE
3	1	515-54B82	BOOT - 8 PIN DEUTSCH RECEPTACLE
4	10	515-15B48	CABLE TIE - 4.00 IN BLACK
5	1	545-54D94	HEAT SHRINK TUBE - .38 IN X 4.00 FT BLK X 1.5 IN.
6	1	520-15A92	WIRE - 18 GAUGE, 4 CONDCT x 156 IN.
7	1	515-51F21	PLUG - CONNECTOR 6 PIN SOCKET
8	1	515-51F22	WEDGE - LOCKING 6 PIN PLUG
9	3	515-48F69	CONNECTOR - #16 SOCKET CONTACT
10	1	515-54B75	BOOT - 6 PIN DEUTSCH PLUG
11	1	545-52W72	CONDUIT - .500 IN SPLIT NYLON BLK X 152 IN.
12	1	515-53A14	RECEPTACLE - CONNECTOR 12 PIN, PINS
13	14	515-48F70	CONNECTOR - #16/12 SEALING PLUG
14	1	515-53A16	WEDGE - LOCKING 12 PIN RECEPTACLE
15	9	515-48F68	CONNECTOR - #16 PIN CONTACT
16	1	520-46B74	WIRE - 16 GAUGE, 2 CONDCT MULTI X 156 IN.
17	4	545-52K23	SHRINK TUBE, READY PRINT .375 IN YEL
18	2	545-52K25	SHRINK TUBE SLEEVE, UV PROT .375 DIA CLR
19	2	545-47M39	SHRINK TUBE, READY PRINT .50 IN YEL
20	1	545-52K26	SHRINK TUBE SLEEVE, UV PROT .750 DIA CLR
21	1	515-54B83	BOOT - 12 PIN DEUTSCH RECEPTACLE

ASSEMBLY NOTES						
	R1			R2		P1
	ITEM	PIN	GA	WIRE COLOR	LENGTH	PIN
SHT DN	6	1	18	RED	156"	7
		2		N/C		
START	6	3	18	GREEN	156"	6
		4		N/C		
		5		N/C		
		6		N/C		
	16	7	16	RED	156"	2
	16	8	16	BLACK	156"	3
	16	9	16	SHIELD	156"	4
IGN	6	10	18	BLACK	156"	2
				N/C		
GND	6	12	18	WHITE	156"	1

NOTE: CLIP RED FLUSH ON BOTH ENDS OF 4 COND. CABLE



LABEL AS SHOWN

REV BY : SBJ	REV DATE : 9/14/15	REV : A	THIS DRAWING DESCRIBES A PROPRIETARY PRODUCT OF GOMACO CORPORATION AND MAY NOT BE REPRODUCED OR GIVEN TO A THIRD PARTY WITHOUT WRITTEN PERMISSION FROM GOMACO CORPORATION
DWN BY : SBJ	SCALE : NTS	HARNESS - ADAPTOR CAT 3600 T4	
CHKR :	DATE : 9/14/15		
DSGN BY : SBJ	3RD ANGLE PROJECTION		
ALL TOLERANCES PER GOMACO GS2		WH03-0177	
<b>GOMACO</b> IDA GROVE, IOWA - USA			
		C	SHT. 1/1

D

D

C

C

B

B

A

A

GOMACO Corporation - Ida Grove, IA  
11/23/2020  
ELEC Page 53

WH03-0177

4

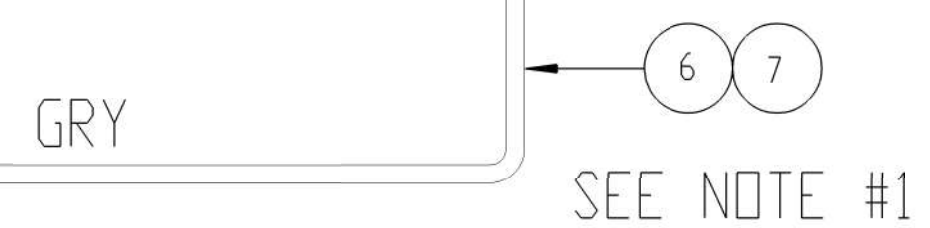
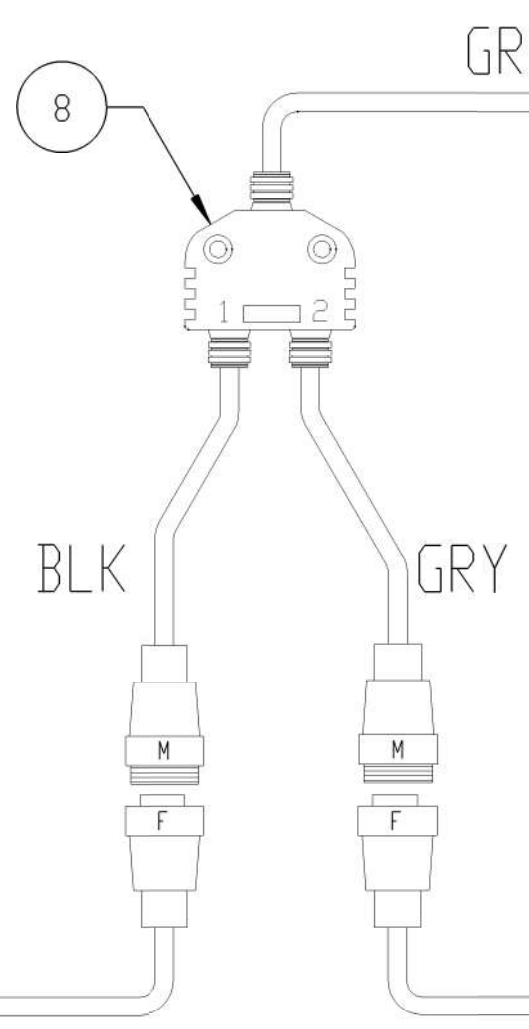
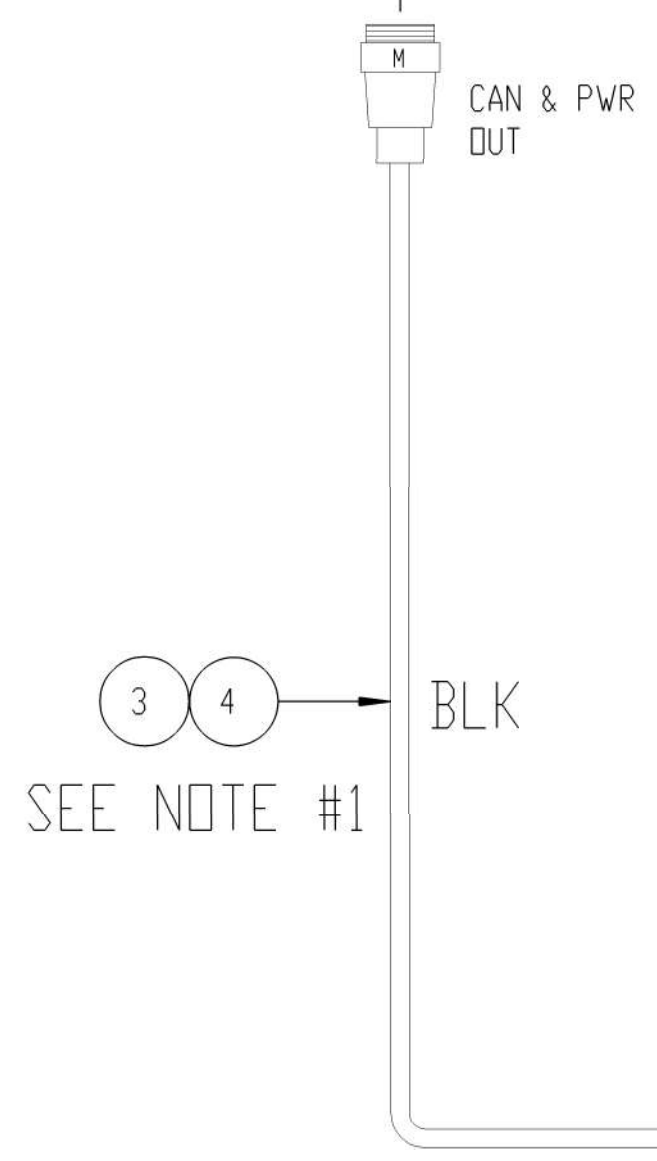
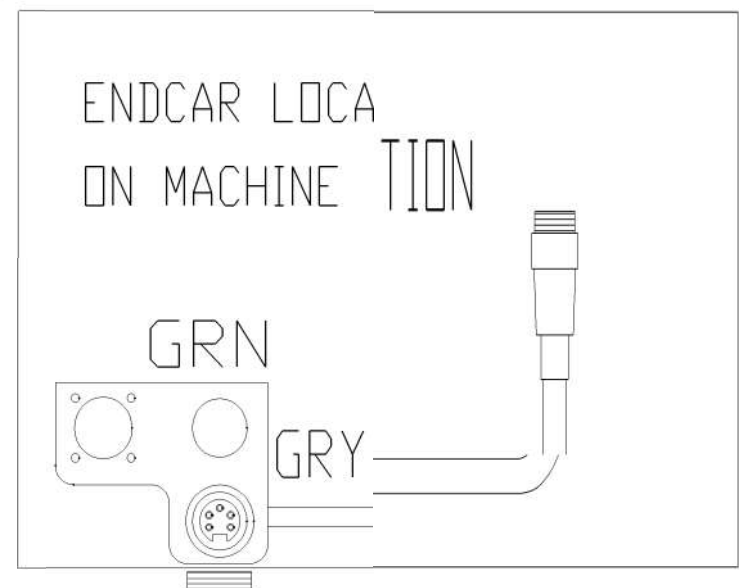
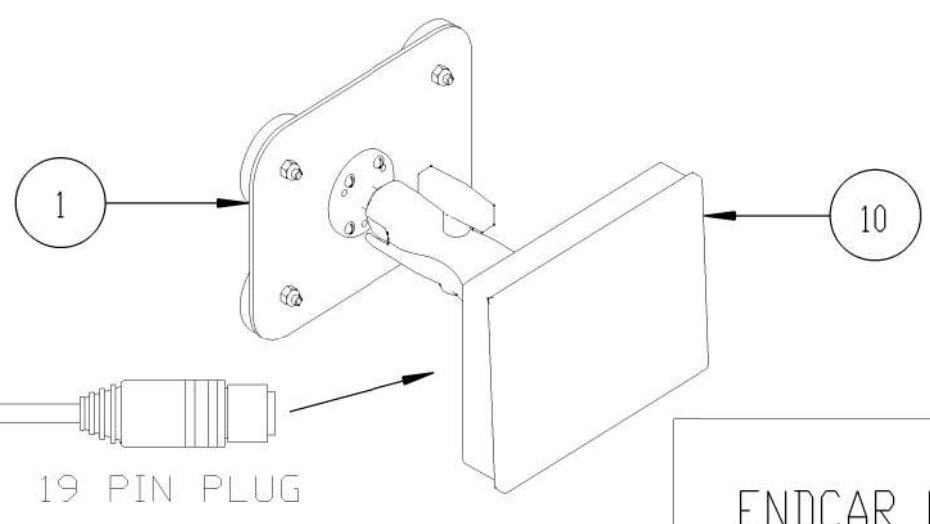
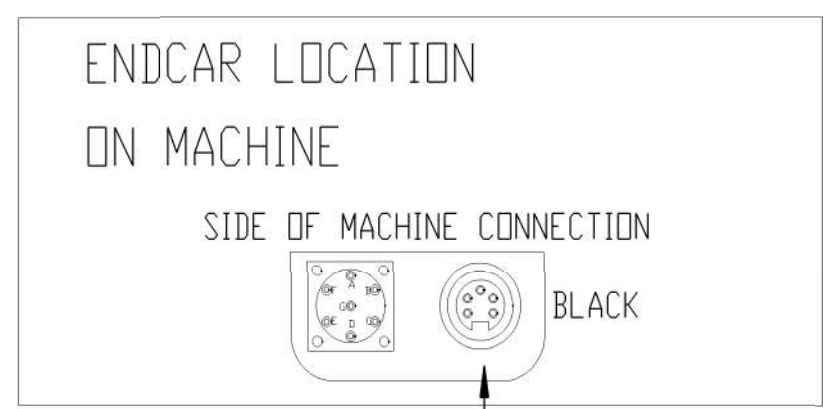
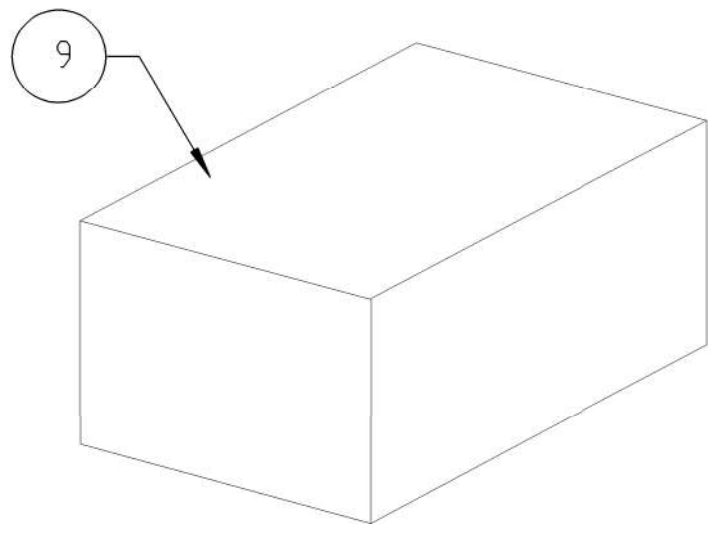
3

2

1

### MATERIAL LIST

ITEM	QTY	PART NUMBER	DESCRIPTION
		C 912620-028	NAVIGATOR DISPLAY ASSY., G+
1	1	C 907040-083	COMPUTER MOUNT ASSEMBLY
2	1	515-53W33	TEE - ACC CAN (MINIFAST BLK) (NOT SHOWN)
3	1	520-53W22	CABLE - MINIFAST 3.3FT, BLACK
4	1	520-53W21	CABLE - MINIFAST 10FT, BLACK
5	1	515-53Y80	TEE - DROP-OFF GRY (MINIFAST) (NOT SHOWN)
6	1	520-49L25	CABLE - STR MALE/FEMALE 3.3' (MINIFAST)
7	1	520-53Y86	CABLE - MINIFAST 3M GREY
8	1	520-55D77	CABLE - MINIFAST 1M, 19 PIN, DUAL CAN
9	1	550-53N65	CASE - CARRYING, 12.15X14.85X6.85 W/FDAM
10	1	585-55G56	COMPUTER ASSY - GX-75 W/BACKPACK
11			
12			



NOTES:  
#1. THIS KIT CONTAINS BOTH 3 FT. AND 10 FT. MINIFAST CABLES AND TEES WHICH MAY BE USED TO CUSTOM FIT THIS ASSEMBLY TO YOUR EQUIPMENT.

REV BY : JGD	REV DATE : 1/09/19	REV : A	THIS DRAWING DESCRIBES A PROPRIETARY PRODUCT OF GOMACO CORPORATION AND MAY NOT BE REPRODUCED OR GIVEN TO A THIRD PARTY WITHOUT WRITTEN PERMISSION FROM GOMACO CORPORATION
DWN BY : JGD	SCALE : NTS	NAVIGATOR DISPLAY ASSY., G+	
CHKR : MWB	DATE : 1/09/19		
DSGN BY : JGD	3RD ANGLE PROJECTION		
ALL TOLERANCES PER GOMACO GS2			



C	912620-028	SHT. 1/1
---	------------	----------

4

3

2

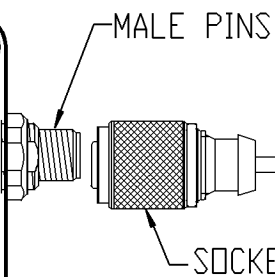
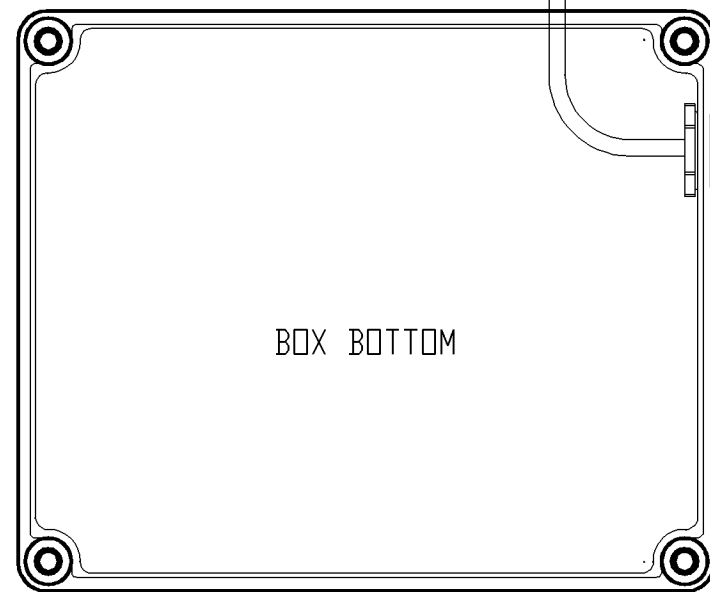
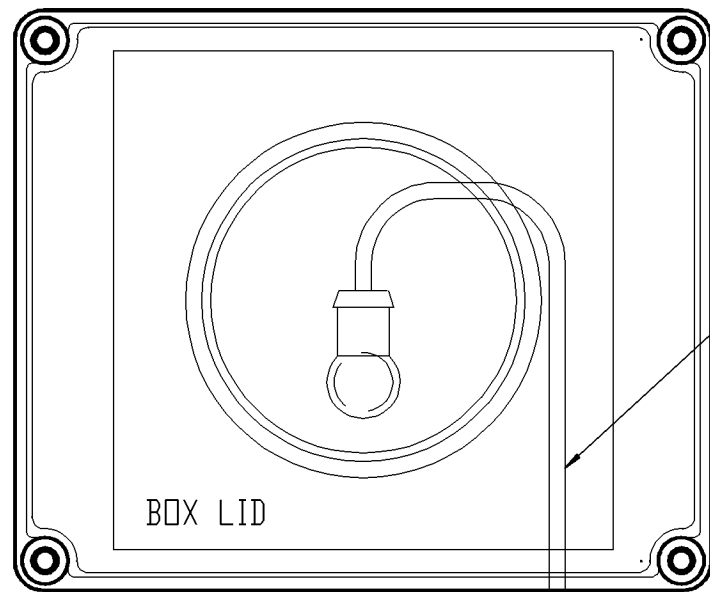
1

11/23/2020  
GOMACO Corporation - Ida Grove, IA  
EFC - Page 54

11/23/2020

GOMACO Corporation - Ida Grove, IA

ELEC Page: 55



14

10

REV BY : PFR	REV DATE : 1-15-13	REV : B	THIS DRAWING DESCRIBES A PROPRIETARY PRODUCT OF GOMACO CORPORATION AND MAY NOT BE REPRODUCED OR GIVEN TO A THIRD PARTY WITHOUT WRITTEN PERMISSION FROM GOMACO CORPORATION
DWN BY : PFR	SCALE : NTS	DISPLAY ASSY., SETUP REMOTE	
CHKR :	DATE : 7-11-12		
DSGN BY : PFR	3RD ANGLE PROJECTION		
ALL TOLERANCES PER GOMACO GS2			905220-187
<b>GOMACO</b> IDA GROVE, IOWA - USA		B	
			SHT. 2 / 2

2

1

2

1

B

A

2

1

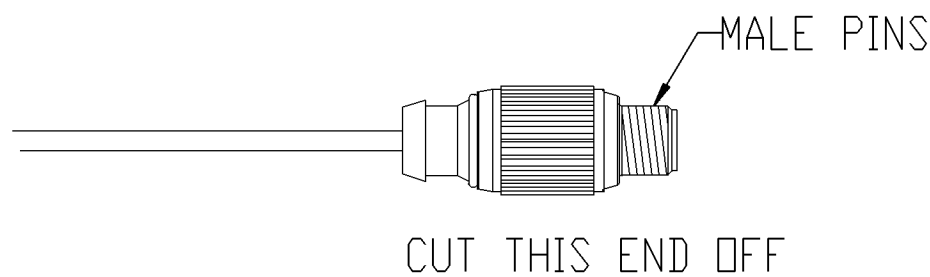
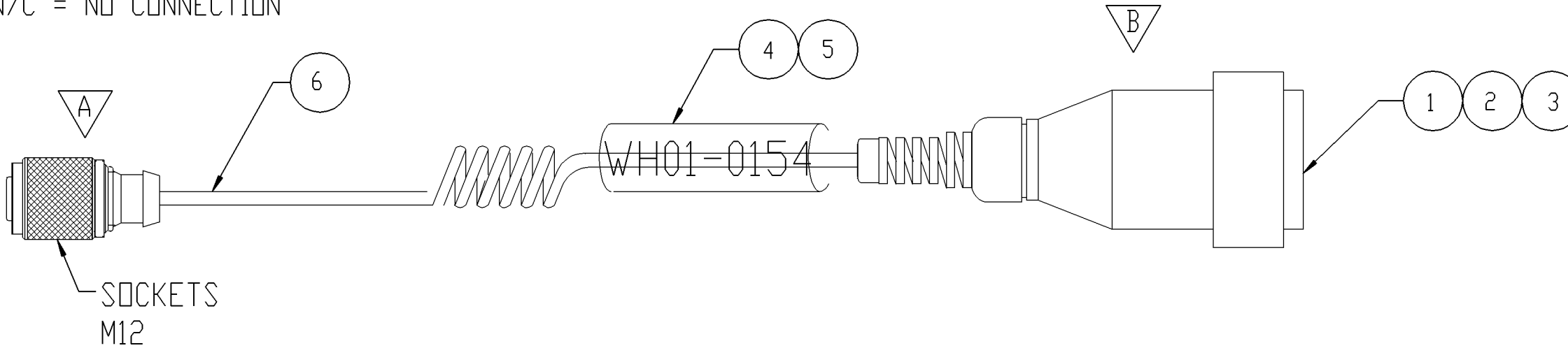
### MATERIAL LIST

ITEM	QTY	PART NUMBER	DESCRIPTION
		B	WH01-0154
1	1	515-53V22	COIL CORD MOD 5 PIN F. M12/7 PIN M.1/4 TURN PLUG
2	1	550-48L29	PLUG - CONN 7 PIN MALE STR BAYONET
3	1	515-53V23	SEALANT - HOT MELT PELLETS 40# BOX X .01#
4	1	545-46F77	STRAIN RELIEF - PG9
5	1	545-45Z08	TAPE - VINYL .75 IN X 60.00 FT WHT X 2.00 IN.
6	1	520-53G95	HEAT SHRINK TUBE - .375 IN CLR X 1.5 IN.
7			COIL CORD - 4 PIN M/4 PIN FEM EURO X 3M
			CUT OFF THE MALE (PINS) END

### ASSEMBLY NOTES

A		B	
PIN	COLOR	PIN	
(+)	2	WHT	A (+)
CAN_H	4	BLK	B CAN_H
(-)	3	BLU	C (-)
CAN_L	5	SHIELD	D CAN_L
		N/C	E ADD.1
		N/C	F ADD.2
		N/C	G CAN_SH
	1	N/C	

N/C = NO CONNECTION



REV BY : PFR	REV DATE : 11-26-12	REV : A	THIS DRAWING DESCRIBES A PROPRIETARY PRODUCT OF GOMACO CORPORATION AND MAY NOT BE REPRODUCED OR GIVEN TO A THIRD PARTY WITHOUT WRITTEN PERMISSION FROM GOMACO CORPORATION	
DWN BY : PFR	SCALE : NTS			
CHKR : SBJ	DATE : 11-26-12			
DSGN BY : PFR	3RD ANGLE PROJECTION			
ALL TOLERANCES PER GOMACO GS2				
<b>GOMACO</b> IDA GROVE, IOWA - USA		B	WH01-0154	SHT. 1 / 1

2

1

B  
11/23/2020

GOMACO Corporation - Ida Grove, IA

ELEC Page: 56

B

A

WH01-0154



---

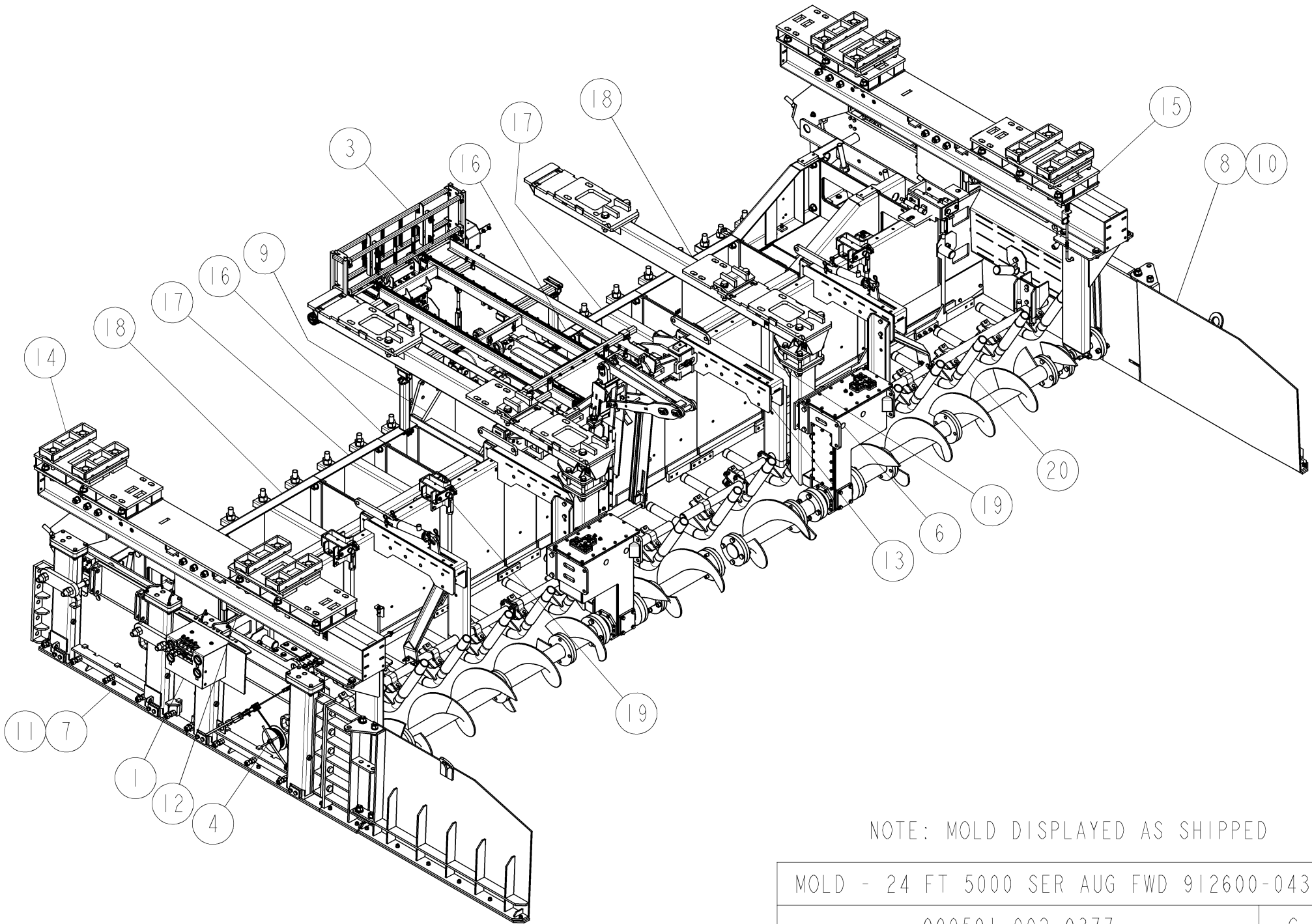
<b>Page #</b>	<b>Part Number</b>	<b>Description</b>
1	909501-002-0377	MOLD - 24 FT 5000 SER AUGFWD 912600-043

---









NOTE: MOLD DISPLAYED AS SHIPPED

MOLD - 24 FT 5000 SER AUG FWD 912600-043

909501-002-0377

C

MOLD - 24 FT 5000 SER AUG FWD 912600-043		909501-002-0377	C
ITEM NO.	QTY	PART NUMBER	DESCRIPTION
1	2	900111-239	PRESS COMP BOX ASSY (4-BANK) (SIDEPLATES)
2	2	900119-225	COMP BOX JUMPER HOSE ASSY-3/8 X 25FT NS
3	1	908650-185	CENTER TIE BAR INSERTER ASSEMBLY - 5000
4	1	909510-048	VIBRATOR SUPPORT ASSY
5	1	909590-716	SHIPPING SUPPORT TUBES
6	1	909590-905	AUGER ASSY - BASIC AUGER FORWARD - OL
7	1	909590-908	END SECT ASSY RH 4 FT AUG FWD SPLIT SIPL
8	1	909590-924	END SECT ASSY LH 4 FT AUG FWD SPLIT SIPL
9	1	909591-160	4FT PTA SLFSPRT (NO HANGERS)
10	1	909595-069	LH 5 FT PLAT PAN W/ SIPL SEAL
11	1	909595-070	RH 5 FT FLAT PAN W/ SIPL SEAL
12	1	909597-098	TAMPER DR ASSY MODULAR END SECT 4 FT DR
13	1	909599-166	VIB SPRT/POSN ASSY - AUGER FWD/NO AUGER
14	1	912616-064	5000 MOLD MT ASSY, AUG FWD W/ AUG DR MT
15	1	912616-085	DEPTH ADJ ASSY - 4 IN DN 5000 AUG FWD
16	2	FW51-029-B	INSERT SECTION ASSEMBLY 12 1N OR .305M
17	2	FW51-029-D	INSERT SECTION ASSEMBLY 24 IN OR .61M
18	2	FW51-029-E	INSERT SECTION ASSEMBLY 36 IN OR .915M
19	2	FW51-190-B	TAMPER BAR IDLER CONVERTER ASSY-5000
20	18	GT11-057	VIBRATOR-HYDRAULIC, MIN (40 IN HOSES)

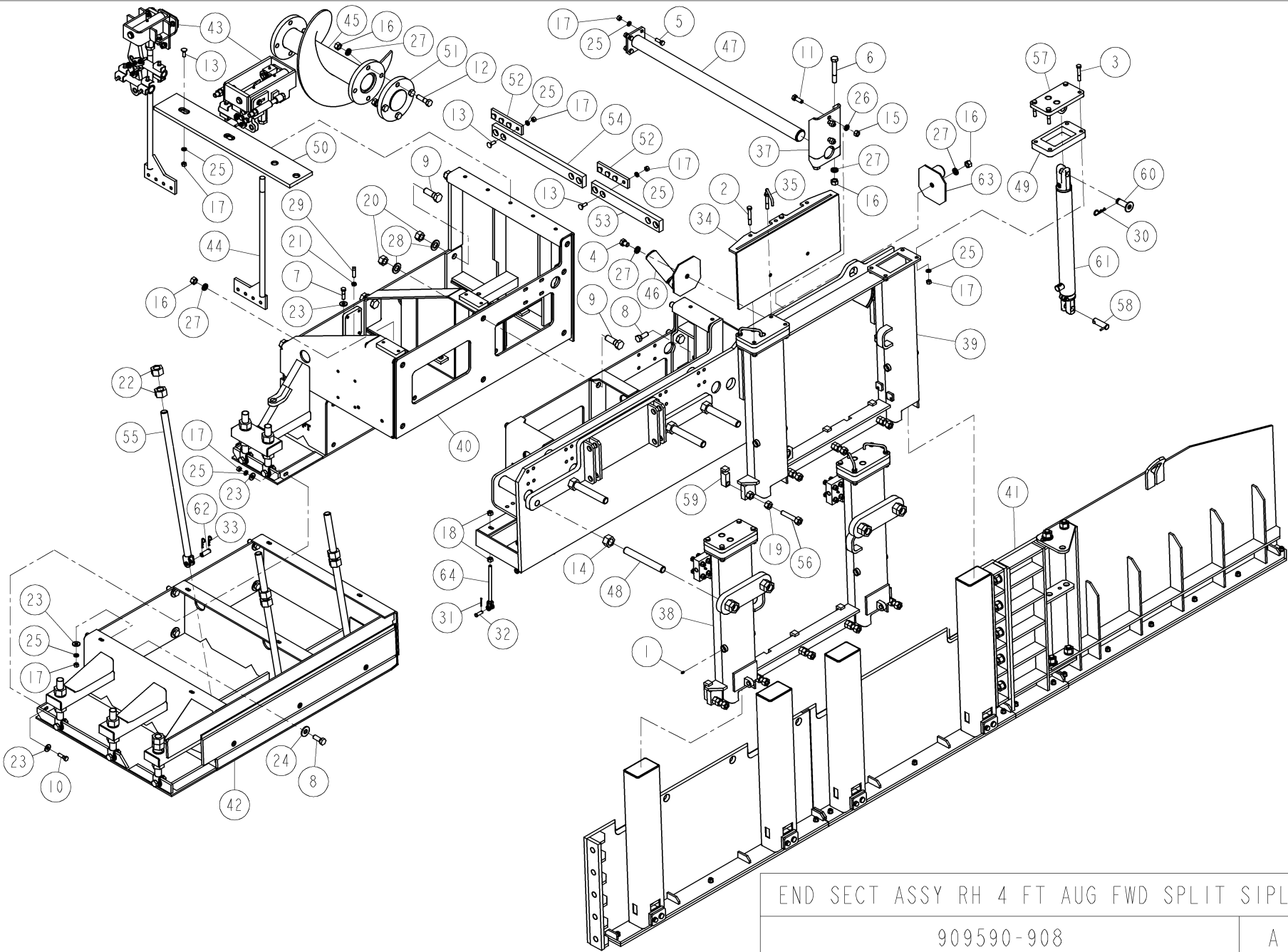


---

<b>Page #</b>	<b>Part Number</b>	<b>Description</b>
1	909590-908	END SECT ASSY RH 4 FT AUG FWD SPLIT SIPL
2	909590-924	END SECT ASSY LH 4 FT AUG FWD SPLIT SIPL
3	909597-098	TAMPER DR ASSY MODULAR END SECT 4 FT DR
4	909597-083	TAMPER CONVERTER - RHS
5	909597-082	TAMPER CONVERTER LHS
6	FW51-190-B	TAMPER BAR IDLER CONVERTER ASSY-5000
7	900111-239	PRESS COMP BOX ASSY (4-BANK) (SIDEPLATES)







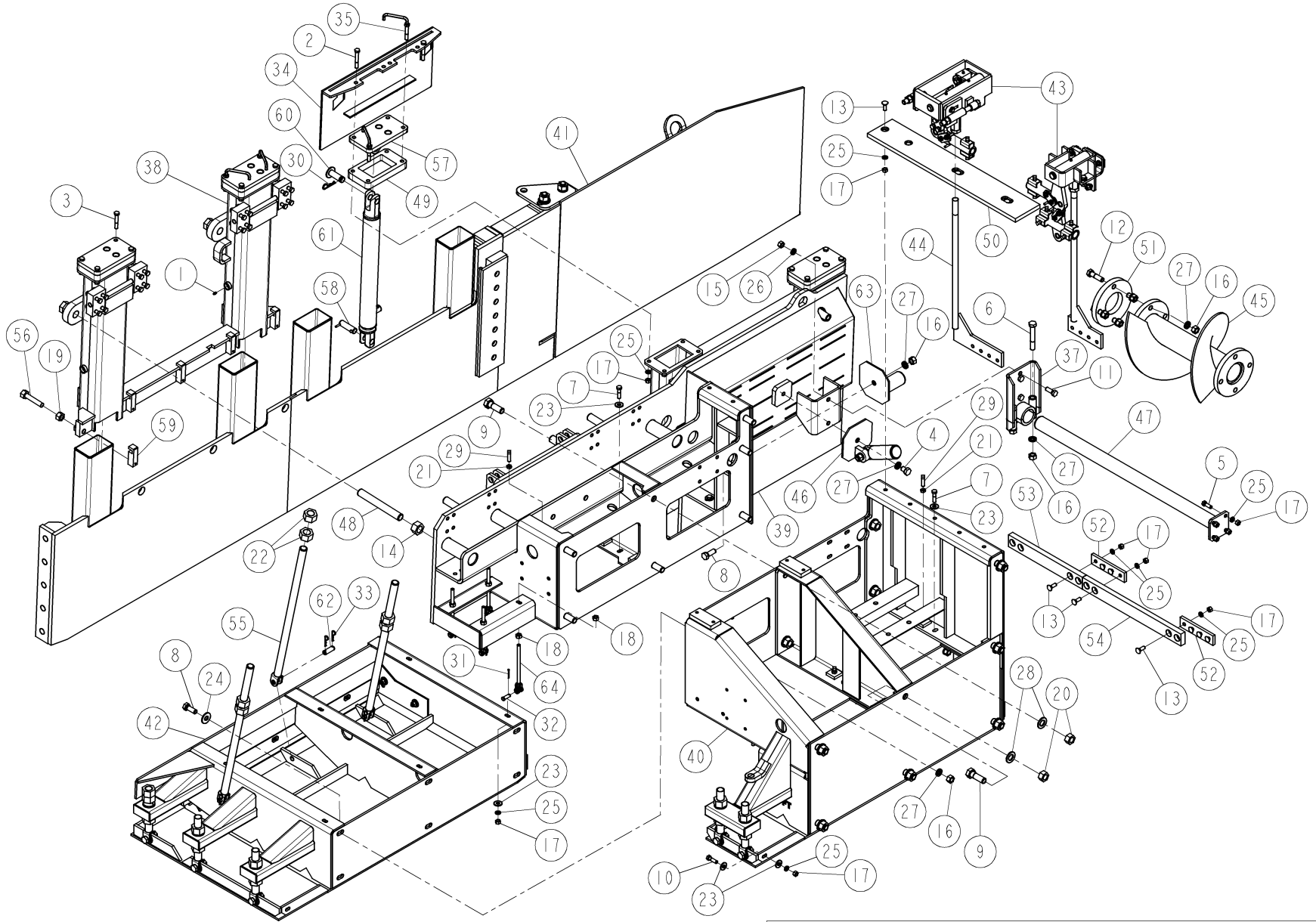
END SECT ASSY RH 4 FT AUG FWD SPLIT SIPL

909590-908

A



END SECT ASSY RH 4 FT AUG FWD SPLIT SIPL				909590-908		A	
ITEM NO.	QTY	PART NUMBER	DESCRIPTION				
1	8	140-10H57	FTG - GREASE .250-28 STR	41	1	909593-734	SIDEPLATE SPLIT RH AUG FWD OVERLAP
2	2	400-30A16	.500-13 UNC X 3.500 HHCS GR8	42	1	909595-070	RH 5 FT FLAT PAN W/ SIPL SEAL
3	10	400-30A95	.500-13 UNC X 3.000 HHCS GR8	43	1	909597-083	TAMPER CONVERTER - RHS
4	1	400-30B63	.750-10 UNC X 1.000 HHCS GR8	44	1	909597-095	TAMPER BAR CONN ROD 30.06IN - LH OFFSET
5	4	400-30B84	.500-13 UNC X 1.500 HHCS GR8	45	1	909598-192	AUGER 21.50 INSERT 16.00 OD
6	2	400-30C49	.750-10 UNC X 5.000 HHCS GR8	46	1	910311-022	VIBRATOR MOUNT
7	6	400-30D36	.500-13 UNC X 2.000 HHCS GR8	47	1	910399-062	DRIVE SECTION VIB 4 FT
8	7	400-30D44	.750-10 UNC X 2.000 HHCS GR8	48	4	9410-00056	THREADED ROD 1.250-7 UNC
9	14	400-30D53	1.000-8 UNC X 3.000 HHCS GR8	49	4	9800-07194	SPACER CYLINDER CAP
10	2	400-30D77	.500-13 UNC X 1.750 HHCS GR8	50	1	9830-15976	T-BAR, 36IN
11	3	400-30D79	.625-11 UNC X 1.750 HHCS GR8	51	1	FW56-092	AUGER END CAP
12	4	400-30D84	.750-10 UNC X 2.750 HHCS GR8	52	2	FW56-108	TAMPER BAR CONNECTOR
13	12	410-30D28	.500-13 UNC X 1.500 CRG BOLT GR5	53	1	FW56-110-B	TAMPER BAR INSERT, 18 IN
14	4	415-30A01	1.250-7 UNC GR8 HEXNUT	54	1	FW56-110-C	TAMPER BAR INSERT, 24 IN
15	3	415-30A02	.625-11 UNC GR8 HEXNUT	55	3	FW56-157	FLAT INSERT ADJUSTMENT ROD
16	13	415-30A03	.750-10 UNC GR8 HEXNUT	56	9	FW56-158	ADJUSTING/ANCHORING BOLT
17	40	415-30A07	.500-13 UNC GR8 HEXNUT	57	4	FW56-162	CAP
18	8	415-30A09	.500-6.0 CONTOUR GR8 HEXNUT	58	4	FW56-164	LOWER CYLINDER PIN
19	9	415-30A68	.750-4.5 CONTOUR GR8 HEXNUT	59	9	FW56-169	GUIDE BAR
20	14	415-30A71	1.000-8 UNC GR8 HEXNUT	60	4	FW56-172	UPPER CYLINDER PIN
21	6	415-30B01	.500-13 UNC GR8 HEXJAM NUT	61	4	GT10-218	HYD CYL 2.50 X 20.00 (RET PIN CTR 30.25)
22	6	415-30E01	1.250-3.5 CONTOUR GR8 HEX NUT	62	3	GT60-210	LOWER CYLINDER PIN
23	16	420-30A32	FLAT WASHER .500 W	63	1	GT60-600	VIBRATOR MOUNT, PARAPET MOLD - 4
24	6	420-30A33	FLAT WASHER .750 W	64	4	HW16-101	ADJUSTMENT FORM BOLT (8 IN)
25	40	420-30A37	LOCK WASHER .500				
26	2	420-30A39	LOCK WASHER .625				
27	14	420-30A40	LOCK WASHER .750				
28	14	420-45T12	FLAT WASHER 1.000 A325				
29	6	425-45H51	.500-13 UNC X 1.750 SQ HD SET SCR				
30	4	430-30A48	HAIR PIN (NO. 9)				
31	4	430-30B12	COTTER PIN .125 X 1.500 EXT PRONG				
32	4	430-30D19	CLEVIS PIN .500 X 1.422				
33	6	430-30D93	HAIR PIN (NO. 7)				
34	1	905310-010	PRESSURE COMP BOX MOUNT				
35	4	909490-176	HOSE GUIDE				
36	1	909519-032	HYDRAULICS - SIPL CYLINDERS, ORB/ORFS NS				
37	1	909590-148	VIBRATOR SUPPORT BRACKET (DRIVE SECTION)				
38	1	909590-317	VERTICAL HINGED SIDEPLATE				
39	1	909590-831	DRIVE FRAME - RH, .750 FR				
40	1	909590-835	DRIVE ADAPTER - 4 FT, RH				

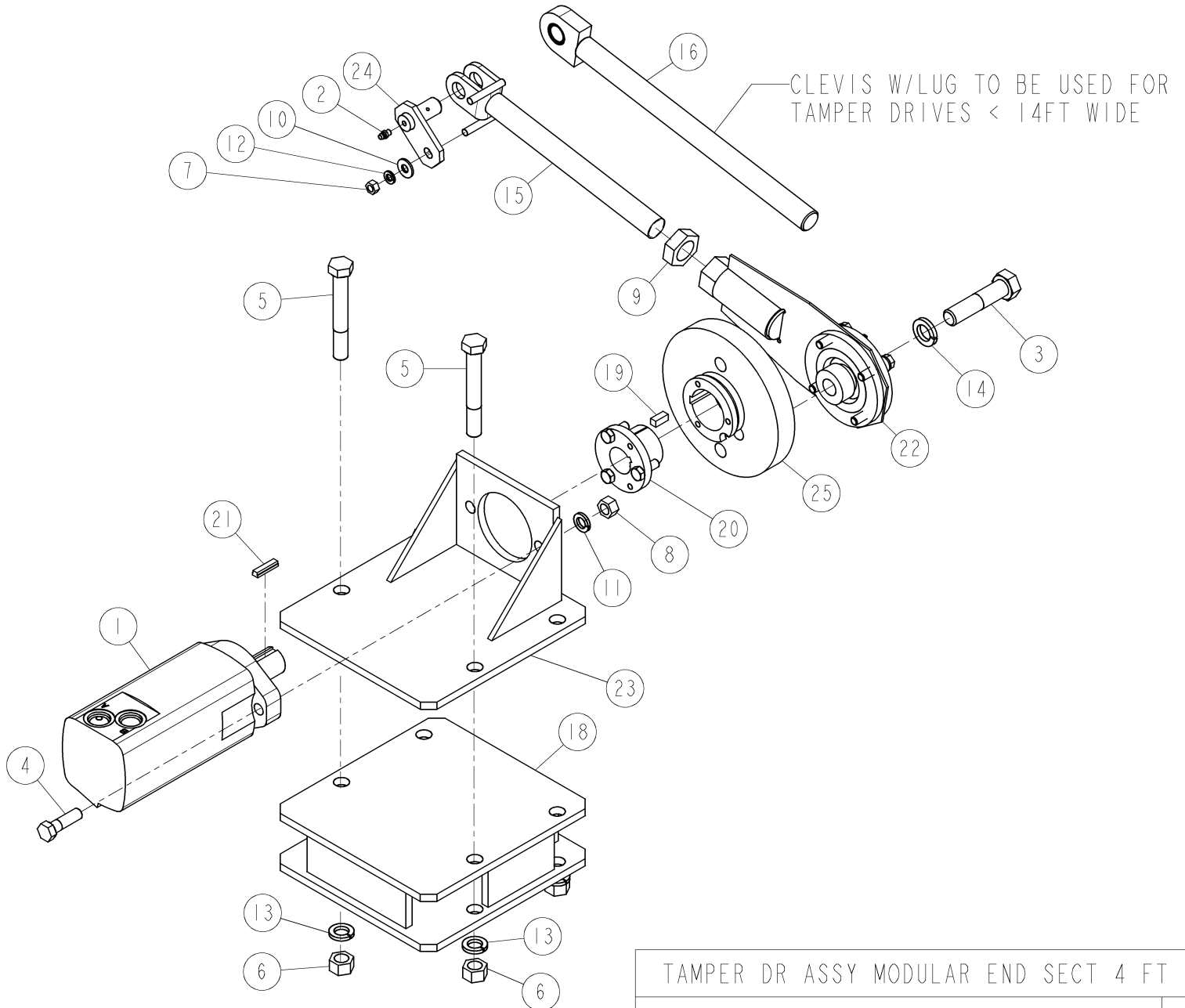


END SECT ASSY LH 4 FT AUG FWD SPLIT SIPL

909590-924

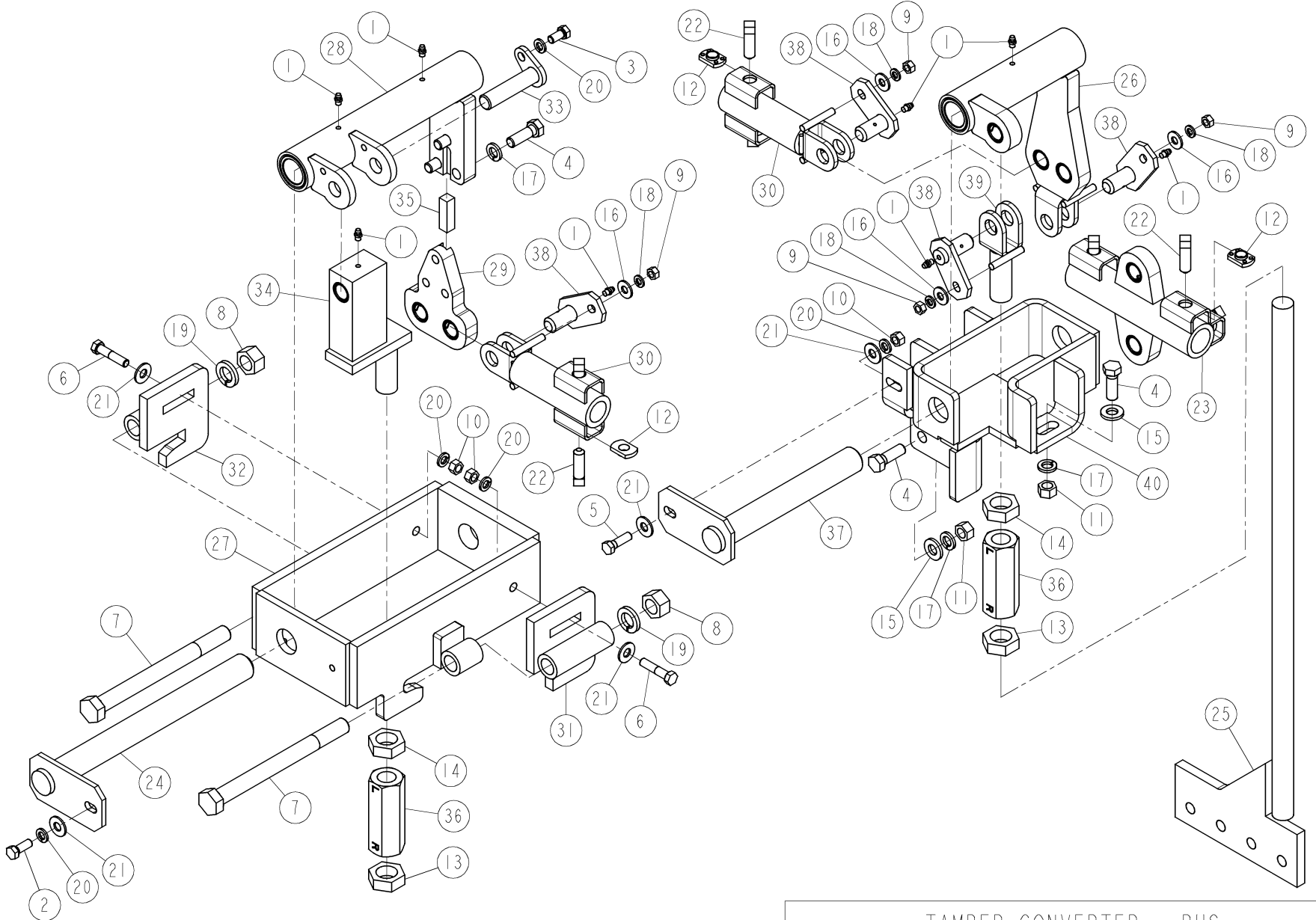
A

END SECT ASSY LH 4 FT AUG FWD SPLIT SIPL				909590-924	A		
ITEM NO.	QTY	PART NUMBER	DESCRIPTION				
1	8	140-10H57	FTG - GREASE .250-28 STR	41	1	909593-733	SIDEPLATE SPLIT LH AUG FWD OVERLAP
2	2	400-30A16	.500-13 UNC X 3.500 HHCS GR8	42	1	909595-069	LH 5 FT PLAT PAN W/ SIPL SEAL
3	10	400-30A95	.500-13 UNC X 3.000 HHCS GR8	43	1	909597-082	TAMPER CONVERTER LHS
4	1	400-30B63	.750-10 UNC X 1.000 HHCS GR8	44	1	909597-093	TAMPER BAR CONN ROD 32.06IN - RH OFFSET
5	4	400-30B84	.500-13 UNC X 1.500 HHCS GR8	45	1	909598-192	AUGER 21.50 INSERT 16.00 OD
6	2	400-30C49	.750-10 UNC X 5.000 HHCS GR8	46	1	910311-022	VIBRATOR MOUNT
7	6	400-30D36	.500-13 UNC X 2.000 HHCS GR8	47	1	910399-062	DRIVE SECTION VIB 4 FT
8	7	400-30D44	.750-10 UNC X 2.000 HHCS GR8	48	4	9410-00056	THREADED ROD 1.250-7 UNC
9	14	400-30D53	1.000-8 UNC X 3.000 HHCS GR8	49	4	9800-07194	SPACER CYLINDER CAP
10	2	400-30D77	.500-13 UNC X 1.750 HHCS GR8	50	1	9830-15976	T-BAR, 36IN
11	3	400-30D79	.625-11 UNC X 1.750 HHCS GR8	51	1	FW56-092	AUGER END CAP
12	4	400-30D84	.750-10 UNC X 2.750 HHCS GR8	52	2	FW56-108	TAMPER BAR CONNECTOR
13	12	410-30D28	.500-13 UNC X 1.500 CRG BOLT GR5	53	1	FW56-110-B	TAMPER BAR INSERT, 18 IN
14	4	415-30A01	1.250-7 UNC GR8 HEXNUT	54	1	FW56-110-C	TAMPER BAR INSERT, 24 IN
15	3	415-30A02	.625-11 UNC GR8 HEXNUT	55	3	FW56-157	FLAT INSERT ADJUSTMENT ROD
16	13	415-30A03	.750-10 UNC GR8 HEXNUT	56	9	FW56-158	ADJUSTING/ANCHORING BOLT
17	40	415-30A07	.500-13 UNC GR8 HEXNUT	57	4	FW56-162	CAP
18	8	415-30A09	.500-6.0 CONTOUR GR8 HEXNUT	58	4	FW56-164	LOWER CYLINDER PIN
19	9	415-30A68	.750-4.5 CONTOUR GR8 HEXNUT	59	9	FW56-169	GUIDE BAR
20	14	415-30A71	1.000-8 UNC GR8 HEXNUT	60	4	FW56-172	UPPER CYLINDER PIN
21	6	415-30B01	.500-13 UNC GR8 HEXJAM NUT	61	4	GT10-218	HYD CYL 2.50 X 20.00 (RET PIN CTR 30.25)
22	6	415-30E01	1.250-3.5 CONTOUR GR8 HEX NUT	62	3	GT60-210	LOWER CYLINDER PIN
23	16	420-30A32	FLAT WASHER .500 W	63	1	GT60-600	VIBRATOR MOUNT, PARAPET MOLD - 4
24	6	420-30A33	FLAT WASHER .750 W	64	4	HW16-101	ADJUSTMENT FORM BOLT (8 IN)
25	40	420-30A37	LOCK WASHER .500				
26	3	420-30A39	LOCK WASHER .625				
27	14	420-30A40	LOCK WASHER .750				
28	14	420-45T12	FLAT WASHER 1.000 A325				
29	6	425-45H51	.500-13 UNC X 1.750 SQ HD SET SCR				
30	4	430-30A48	HAIR PIN (NO. 9)				
31	4	430-30B12	COTTER PIN .125 X 1.500 EXT PRONG				
32	4	430-30D19	CLEVIS PIN .500 X 1.422				
33	6	430-30D93	HAIR PIN (NO. 7)				
34	1	905310-010	PRESSURE COMP BOX MOUNT				
35	4	909490-176	HOSE GUIDE				
36	1	909519-032	HYDRAULICS - SIPL CYLINDERS, ORB/ORFS NS				
37	1	909590-148	VIBRATOR SUPPORT BRACKET (DRIVE SECTION)				
38	1	909590-317	VERTICAL HINGED SIDEPLATE				
39	1	909590-832	DRIVE FRAME - LH, .750 FR				
40	1	909590-836	DRIVE ADAPTER - 4 FT, LH				



TAMPER DR ASSY MODULAR END SECT 4 FT DR	
909597-098	C

TAMPER DR ASSY MODULAR END SECT 4 FT DR			909597-098	C
ITEM NO.	QTY	PART NUMBER	DESCRIPTION	
1	1	130-10F79	HYD MOTOR (18.7 CID)	
2	1	140-10H57	FTG - GREASE .250-28 STR	
3	1	400-30D37	.750-10 UNC X 3.250 HHCS GR8	
4	2	400-30D77	.500-13 UNC X 1.750 HHCS GR8	
5	4	400-47P65	.625-11 UNC X 4.500 HHCS GR8	
6	4	415-30A02	.625-11 UNC GR8 HEX NUT	
7	1	415-30A05	.3125-18 UNC GR5 HEX NUT	
8	2	415-30A07	.500-13 UNC GR8 HEX NUT	
9	1	415-30C21	1.000-8 UNC GR8 HEX JAM NUT	
10	1	420-30A31	FLAT WASHER .312 W	
11	2	420-30A37	LOCK WASHER .500	
12	1	420-30A38	LOCK WASHER .312	
13	4	420-30A39	LOCK WASHER .625	
14	1	420-30A40	LOCK WASHER .750	
15	1	908597-009	TAMPER DRIVE ARM CLEVIS	
16	1	908597-134	CLEVIS W/LUG	
17	1	909519-033	TAMPER MOTOR HYDRAULICS, ORB/ORFS (NS)	
18	1	909597-071	TAMPER DRIVE SPACER	
19	1	9830-13336	KEY - .313 X .313 X .75	
20	1	FW16-336	TAPER LOCK BUSHING	
21	1	FW16-353	KEY, STEPPED .250 x .313 x 1.25	
22	1	FW31-070	PITMAN BEARING ASSEMBLY	
23	1	FW36-043	TAMPER DRIVE MOUNT	
24	1	FW56-534	PITMAN BAR PIN	
25	1	HW16-478	PITMAN ECCENTRIC	

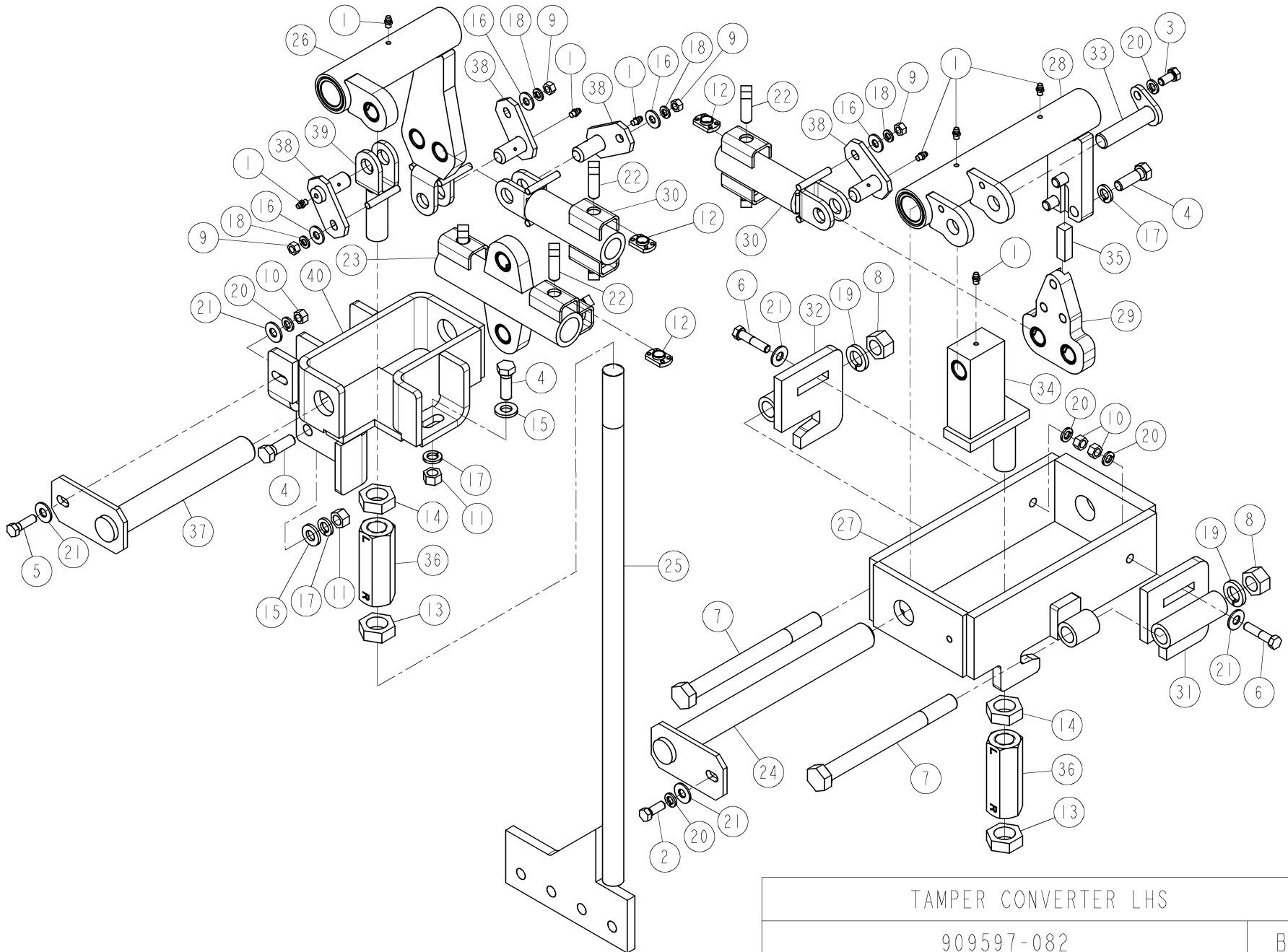


TAMPER CONVERTER - RHS

909597-083

B

		TAMPER CONVERTER - RHS	909597-083	B
ITEM NO.	QTY	PART NUMBER	DESCRIPTION	
1	8	140-10H57	FTG - GREASE .250-28 STR	
2	1	400-30A19	.375-16 UNC X 1.000 HHCS GR5	
3	1	400-30A20	.375-16 UNC X .750 HHCS GR5	
4	6	400-30B84	.500-13 UNC X 1.500 HHCS GR8	
5	1	400-30B85	.375-16 UNC X 1.250 HHCS GR5	
6	2	400-30D06	.375-16 UNC X 1.750 HHCS GR5	
7	2	400-46Q34	.750-10 UNC X 8.500 HHCS GR8	
8	2	415-30A03	.750-10 UNC GR8 HEX NUT	
9	4	415-30A05	.3125-18 UNC GR5 HEX NUT	
10	3	415-30A06	.375-16 UNC GR5 HEX NUT	
11	3	415-30A07	.500-13 UNC GR8 HEX NUT	
12	8	415-30A94	WELDNUT .500-13 UNC	
13	2	415-30C21	1.000-8 UNC GR8 HEX JAM NUT	
14	2	415-46P41	1.000-8 UNC LH GR8 HEX JAM NUT	
15	3	420-10F69	FLAT WASHER .500 A325	
16	4	420-30A31	FLAT WASHER .312 W	
17	6	420-30A37	LOCK WASHER .500	
18	4	420-30A38	LOCK WASHER .312	
19	2	420-30A40	LOCK WASHER .750	
20	5	420-30A41	LOCK WASHER .375	
21	5	420-30A65	FLAT WASHER .375 W	
22	8	425-30B03	.500-13 UNC X 1.500 SQ HD SET SCR	
23	1	908597-082	TAMPER BAR MOUNT - DRIVE, SHORT	
24	1	909529-005	1.25 DIA PIN, 13IN USABLE LENGTH	
25	1	909597-001	TAMPER BAR CONNECTOR ROD 34.75 IN.	
26	1	909597-084	TAMPER BAR DRIVE CONVERTER	
27	1	909597-086	DRIVE CONVERTER FRAME	
28	1	909597-087	TAMPER BAR CONVERTER	
29	1	909597-089	CRANK ARM	
30	2	909597-090	DRIVE ROD END	
31	1	909597-091	LH CLAMP	
32	1	909597-092	RH CLAMP	
33	1	910397-007	PIN, .750 DIA X 3.13 LG	
34	1	910397-010	TAMPER BAR CONNECTOR	
35	1	9830-02039	KEY .500 X 1.75	
36	2	FW56-240	TAMPER BAR CONNECTOR COUPLING	
37	1	FW56-533	DRIVE CONVERTER PIN (TAMPER BAR)	
38	4	FW56-534	PITMAN BAR PIN	
39	1	FW56-535	TAMPER BAR CONNECTOR	
40	1	FW56-540	DRIVE CONVERTER MOUNT (TAMPER BAR)	

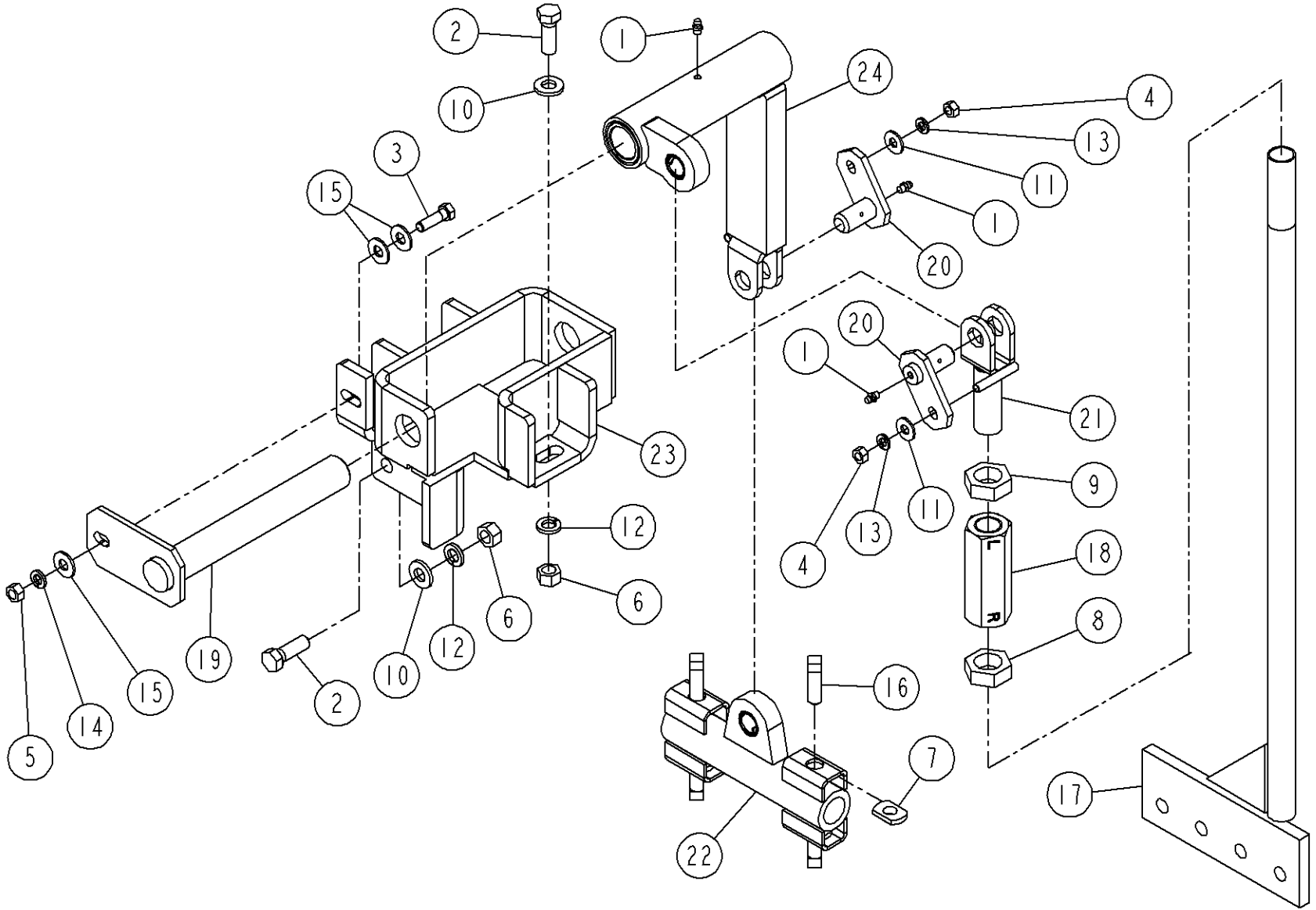


TAMPER CONVERTER LHS

909597-082



TAMPER CONVERTER LHS			909597-082	B
ITEM NO.	QTY	PART NUMBER	DESCRIPTION	
1	8	140-10H57	FTG - GREASE .250-28 STR	
2	1	400-30A19	.375-16 UNC X 1.000 HHCS GR5	
3	1	400-30A20	.375-16 UNC X .750 HHCS GR5	
4	6	400-30B84	.500-13 UNC X 1.500 HHCS GR8	
5	1	400-30B85	.375-16 UNC X 1.250 HHCS GR5	
6	2	400-30D06	.375-16 UNC X 1.750 HHCS GR5	
7	2	400-46Q34	.750-10 UNC X 8.500 HHCS GR8	
8	2	415-30A03	.750-10 UNC GR8 HEX NUT	
9	4	415-30A05	.3125-18 UNC GR5 HEX NUT	
10	3	415-30A06	.375-16 UNC GR5 HEX NUT	
11	3	415-30A07	.500-13 UNC GR8 HEX NUT	
12	8	415-30A94	WELDNUT .500-13 UNC	
13	2	415-30C21	1.000-8 UNC GR8 HEX JAM NUT	
14	2	415-46P41	1.000-8 UNC LH GR8 HEX JAM NUT	
15	3	420-10F69	FLAT WASHER .500 A325	
16	4	420-30A31	FLAT WASHER .312 W	
17	6	420-30A37	LOCK WASHER .500	
18	4	420-30A38	LOCK WASHER .312	
19	2	420-30A40	LOCK WASHER .750	
20	5	420-30A41	LOCK WASHER .375	
21	5	420-30A65	FLAT WASHER .375 W	
22	8	425-30B03	.500-13 UNC X 1.500 SQ HD SET SCR	
23	1	908597-082	TAMPER BAR MOUNT - DRIVE, SHORT	
24	1	909529-005	1.25 DIA PIN, 13IN USABLE LENGTH	
25	1	909597-001	TAMPER BAR CONNECTOR ROD 34.75 IN.	
26	1	909597-084	TAMPER BAR DRIVE CONVERTER	
27	1	909597-086	DRIVE CONVERTER FRAME	
28	1	909597-087	TAMPER BAR CONVERTER	
29	1	909597-089	CRANK ARM	
30	2	909597-090	DRIVE ROD END	
31	1	909597-091	LH CLAMP	
32	1	909597-092	RH CLAMP	
33	1	910397-007	PIN, .750 DIA X 3.13 LG	
34	1	910397-010	TAMPER BAR CONNECTOR	
35	1	9830-02039	KEY .500 X 1.75	
36	2	FW56-240	TAMPER BAR CONNECTOR COUPLING	
37	1	FW56-533	DRIVE CONVERTER PIN (TAMPER BAR)	
38	4	FW56-534	PITMAN BAR PIN	
39	1	FW56-535	TAMPER BAR CONNECTOR	
40	1	FW56-540	DRIVE CONVERTER MOUNT (TAMPER BAR)	

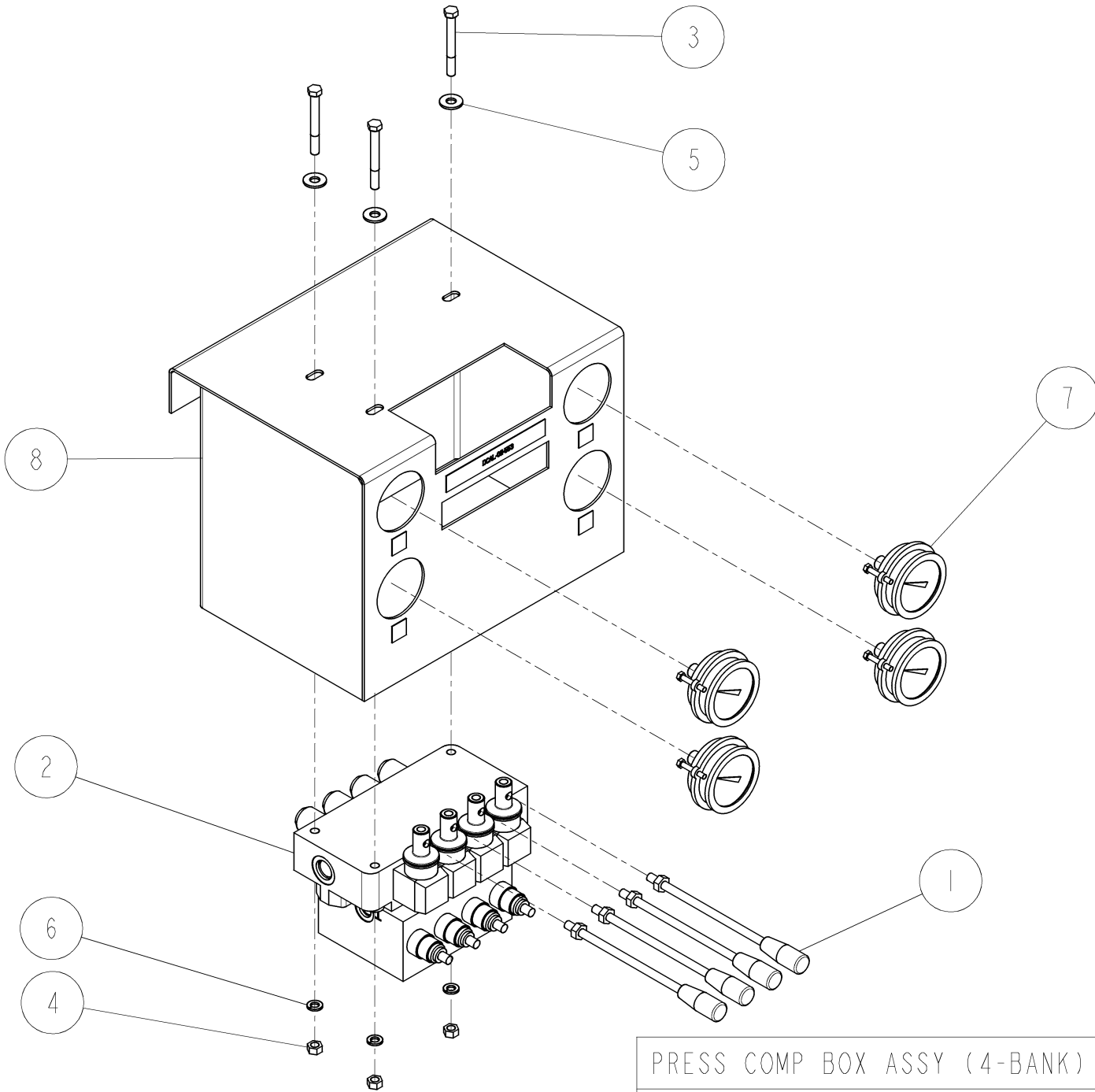


TAMPER BAR IDLER CONVERTER ASSY-5000

FW51-190-B

K

TAMPER BAR IDLER CONVERTER ASSY-5000			FW51-190-B	K
ITEM NO.	QTY	PART NUMBER	DESCRIPTION	
1	3	140-10H57	FTG - GREASE .250-28 STR	
2	3	400-30B84	.500-13 UNC X 1.500 HHCS GR8	
3	1	400-30B85	.375-16 UNC X 1.250 HHCS GR5	
4	2	415-30A05	.3125-18 UNC GR5 HEX NUT	
5	1	415-30A06	.375-16 UNC GR5 HEX NUT	
6	3	415-30A07	.500-13 UNC GR8 HEX NUT	
7	4	415-30A94	WELDNUT .500-13 UNC	
8	1	415-30C21	1.000-8 UNC GR8 HEX JAM NUT	
9	1	415-46P41	1.000-8 UNC LH GR8 HEX JAM NUT	
10	3	420-10F69	FLAT WASHER .500 A325	
11	2	420-30A31	FLAT WASHER .312 W	
12	3	420-30A37	LOCK WASHER .500	
13	2	420-30A38	LOCK WASHER .312	
14	1	420-30A41	LOCK WASHER .375	
15	3	420-30A65	FLAT WASHER .375 W	
16	4	425-30B03	.500-13 UNC X 1.500 SQ HD SET SCR	
17	1	909597-001	TAMPER BAR CONNECTOR ROD 34.75 IN.	
18	1	FW56-240	TAMPER BAR CONNECTOR COUPLING	
19	1	FW56-533	DRIVE CONVERTER PIN (TAMPER BAR)	
20	2	FW56-534	PITMAN BAR PIN	
21	1	FW56-535	TAMPER BAR CONNECTOR	
22	1	FW56-537	TAMPER BAR MOUNT	
23	1	FW56-540	DRIVE CONVERTER MOUNT (TAMPER BAR)	
24	1	FW56-541	TAMPER BAR DRIVE CONVERTER	



PRESS COMP BOX ASSY (4-BANK) (SIDEPLATES)	
900111-239	C

PRESS COMP BOX ASSY (4-BANK) (SIDEPLATES)			900111-239	C
ITEM NO.	QTY	PART NUMBER	DESCRIPTION	
1	4	125-49D39	VALVE HANDLE - WALVOIL	
2	1	125-50T41	VALVE - 4 WAY 4 BANK RLV/RDC 4 PORT	
3	3	400-30C68	.3125-18 UNC X 2.750 HHCS GR5	
4	3	415-30A05	.3125-18 UNC GR5 HEX NUT	
5	3	420-30A31	FLAT WASHER .312 W	
6	3	420-30A38	LOCK WASHER .312	
7	4	700-55J35	GAUGE - OIL PRESSURE 0-3000 PSI -4 ORFS	
8	1	900110-008	PRESSURE COMP BOX (4 BANK)	
9	1	900119-394	CONT BOX HYDR - 4 BANK (SIDEPLATES)	



---

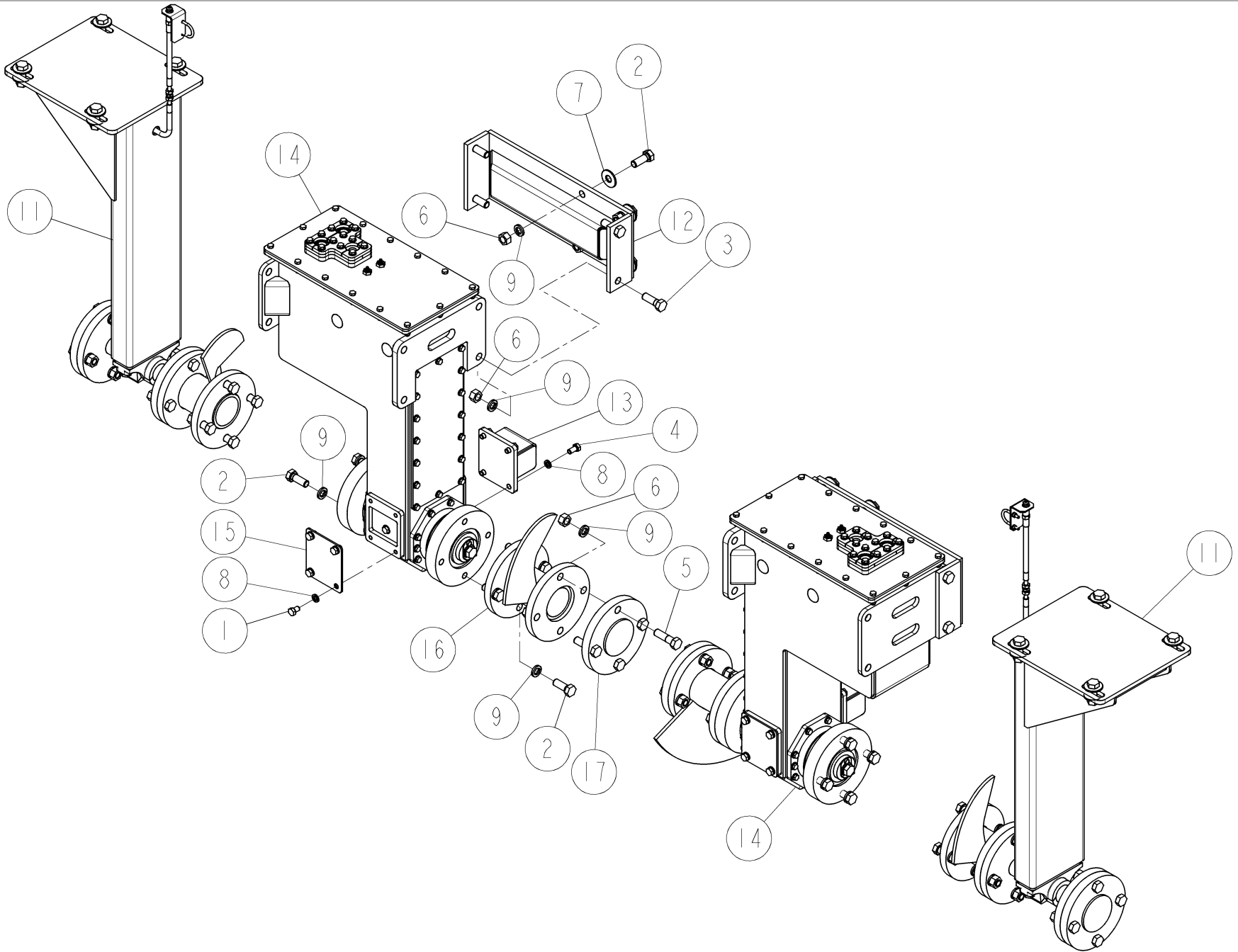
<b>Page #</b>	<b>Part Number</b>	<b>Description</b>
1	909590-905	AUGER ASSY - BASIC AUGER FORWARD - OL
2	910390-310	AUGER DRIVE ASSY - 20 INCH FLIGHTING
3	910390-198	BEARING ASSEMBLY
4	909590-851	IDLER ASSY, AUGER FORWARD

---







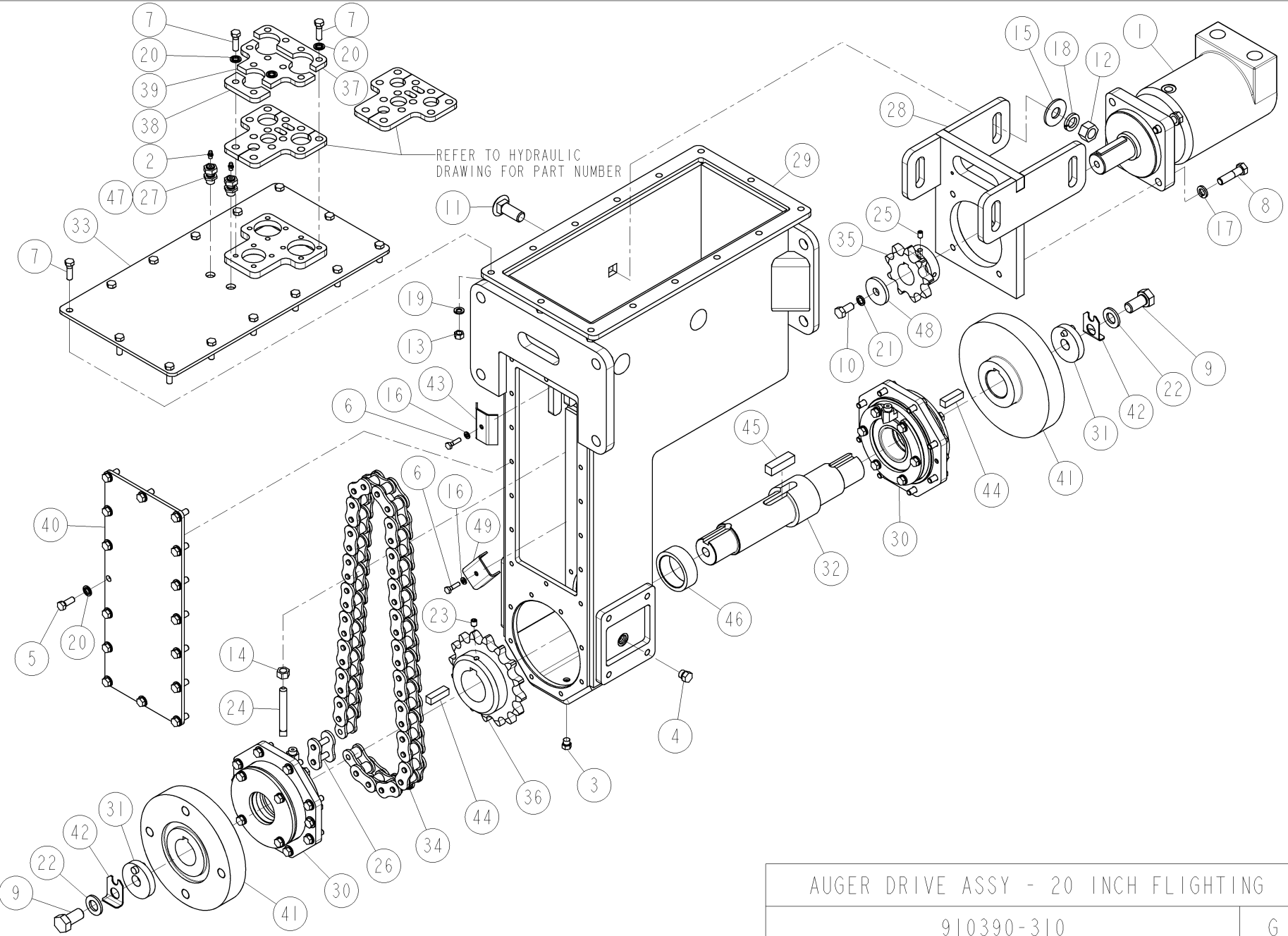


AUGER ASSY - BASIC AUGER FORWARD - OL

909590-905

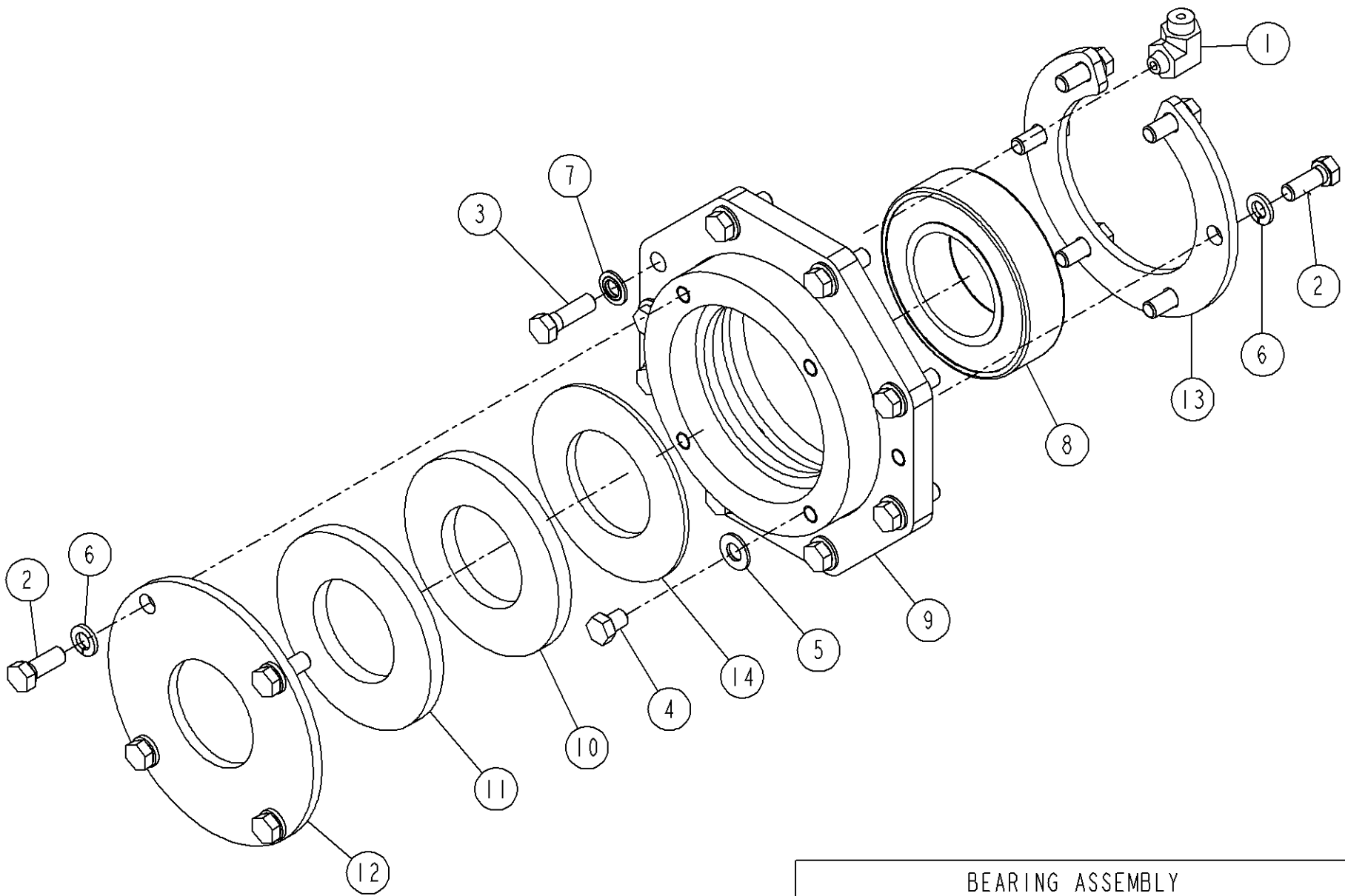
A

AUGER ASSY - BASIC AUGER FORWARD - OL			909590-905	A
ITEM NO.	QTY	PART NUMBER	DESCRIPTION	
1	8	400-30A74	.500-13 UNC X .750 HHCS GR8	
2	24	400-30D44	.750-10 UNC X 2.000 HHCS GR8	
3	8	400-30D50	.750-10 UNC X 2.250 HHCS GR8	
4	8	400-30D75	.500-13 UNC X 1.000 HHCS GR8	
5	8	400-30D84	.750-10 UNC X 2.750 HHCS GR8	
6	24	415-30A03	.750-10 UNC GR8 HEX NUT	
7	8	420-30A33	FLAT WASHER .750 W	
8	16	420-30A37	LOCK WASHER .500	
9	40	420-30A40	LOCK WASHER .750	
10	1	909519-031	AUGER DR HYDR, GROUT BOX - OF OPEN LOOP	
11	2	909590-851	IDLER ASSY, AUGER FORWARD	
12	2	909590-853	BOX MOUNT	
13	2	909590-854	AUGER PUSHER	
14	2	910390-310	AUGER DRIVE ASSY - 20 INCH FLIGHTING	
15	2	9810-15142	COVER, PUSHER MOUNT PAD	
16	2	FW56-055-Z	AUGER 7.00 INSERT	
17	2	FW56-092	AUGER END CAP	



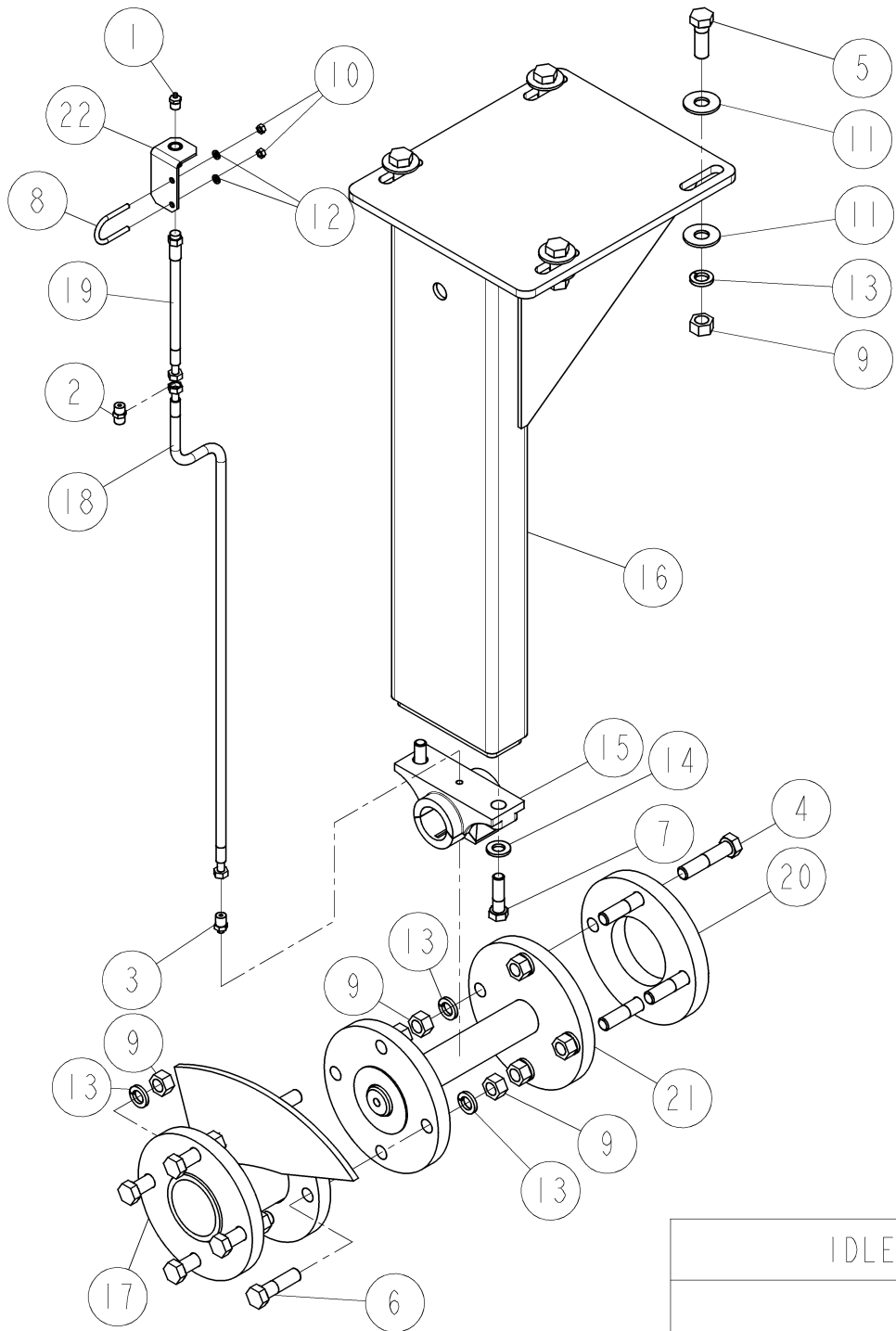
AUGER DRIVE ASSY - 20 INCH FLIGHTING	
910390-310	6

AUGER DRIVE ASSY - 20 INCH FLIGHTING				910390-310	G		
ITEM NO.	QTY	PART NUMBER	DESCRIPTION				
1	1	130-53C32	MOTOR-HYDRAULIC 57.4 CID VIS40	41	2	9800-34767	AUGER DRIVE FLANGE
2	2	140-10H57	FTG - GREASE .250-28 STR	42	2	9810-15529	LOCK WASHER - .750 NOM ID, TABBED
3	1	155-10M30	MALE BOSS PLUG (- 4)	43	1	9810-16611	CLAMP - HOSE
4	2	155-10Y11	MALE BOSS PLUG (- 6)	44	2	9830-02039	KEY .500 X 1.75
5	16	400-30A19	.375-16 UNC X 1.000 HHCS GR5	45	1	9830-06997	KEY
6	2	400-30A77	.250-20 UNC X 1.000 HHCS GR5	46	1	9845-03265	BEARING SPACER
7	26	400-30B85	.375-16 UNC X 1.250 HHCS GR5	47	2	CMP04-0420-V0V0	HA .25 MP X 42.0 FSF0/FSF0
8	4	400-30D36	.500-13 UNC X 2.000 HHCS GR8	48	1	FW10-040	RETAINER WASHER LOADING TRAY GUIDE
9	2	400-30D82	.750-10 UNC X 1.500 HHCS GR8	49	1	FW50-282	HOSE CLAMP, .250
10	1	400-45D30	M12-1.75 X 25 MM HEX HD				
11	4	410-52L10	.750-10 UNC X 2.000 CRG BOLT GR5				
12	4	415-30A03	.750-10 UNC GR8 HEX NUT				
13	14	415-30A06	.375-16 UNC GR5 HEX NUT				
14	1	415-30A07	.500-13 UNC GR8 HEX NUT				
15	4	420-30A33	FLAT WASHER .750 W				
16	2	420-30A36	LOCK WASHER .250				
17	4	420-30A37	LOCK WASHER .500				
18	4	420-30A40	LOCK WASHER .750				
19	14	420-30A41	LOCK WASHER .375				
20	28	420-30A96	THREAD SEAL WASHER .375				
21	1	420-45D31	LOCK WASHER 12 MM				
22	2	420-45T38	FLAT WASHER .750 A325				
23	1	425-30C17	.375-16 UNC X .500 SOC SET SCR				
24	1	425-46R72	.500-13 UNC X 3.500 SQ HD SET SCR				
25	1	425-52C33	.3125-18 UNC SOC SET SCR				
26	1	625-53H99	CONN LINK-COTTER 1.25 P SUPER - H				
27	2	905543-003	GREASE FTG BLKHD (ORFS 4-4)				
28	1	910390-021	MOTOR MOUNT - ADJUSTABLE				
29	1	910390-197	AUGER DRIVE CASE				
30	2	910390-198	BEARING ASSEMBLY				
31	2	910390-201	HUB RETAINER - INDEXED				
32	1	910390-207	DRIVE SHAFT, HEAT TREATED				
33	1	910390-370	COVER - TOP, 20IN OPEN FR DRIVE				
34	1	9625-00274	CHAIN SUPER-H 100 X 53.75 LG (43 LINKS)				
35	1	9635-00057	SPROCKET - AUG DRIVE MOTOR				
36	1	9635-00058	SPROCKET - 100 CH 16T 2.365 BORE .625 KEY				
37	1	9800-28370	SPLIT FLANGE - HOSE SEAL, 2 X 1.00 HP				
38	1	9800-28371	SPLIT FLANGE - HOSE SEAL, .75 MP				
39	1	9800-28372	SPLIT FLANGE - CENTER HOSE SEAL				
40	1	9800-30771	PLATE				



BEARING ASSEMBLY	
910390-198	E

BEARING ASSEMBLY			910390-198	E
ITEM NO.	QTY	PART NUMBER	DESCRIPTION	
1	1	155-50A05	ADAPTER - ORFS/MP 90 DEG (4-2)	
2	10	400-30A19	.375-16 UNC X 1.000 HHCS GR5	
3	8	400-30B85	.375-16 UNC X 1.250 HHCS GR5	
4	2	400-30C37	.375-16 UNC X .500 HHCS GR5	
5	2	420-10T99	FLAT WASHER .375 F436	
6	10	420-30A41	LOCK WASHER .375	
7	8	420-30A96	WASHER - SEAL THD .375	
8	1	615-49Y28	BEARING - SPHERICAL ROLLER 2.36	
9	1	910390-199	AUGER DRIVE HOUSING	
10	1	9610-00931	RUBBER SEAL	
11	1	9610-00932	RUBBER SEAL - POLYURETHANE	
12	1	9800-30768	RUBBER RETAINER	
13	1	9800-30769	BEARING RETAINER	
14	1	9810-16610	RUBBER RETAINER	



IDLER ASSY, AUGER FORWARD

909590-851



IDLER ASSY, AUGER FORWARD			909590-851	B
ITEM NO.	QTY	PART NUMBER	DESCRIPTION	
1	1	140-45E21	FTG - GREASE .250 NPT STR	
2	1	155-49N99	ADAPTER - ORFS/ORFS UNION 4-4	
3	1	155-49R67	ADAPTER - ORFS/MP 4-2	
4	8	400-30C60	.750-10 UNC X 3.500 HHCS GR8	
5	4	400-30D50	.750-10 UNC X 2.250 HHCS GR8	
6	4	400-30D84	.750-10 UNC X 2.750 HHCS GR8	
7	2	400-45B29	.625-11 UNC X 2.250 HHCS GR8	
8	1	410-45A67	.250 X 1.250 X 2.250 U BOLT	
9	16	415-30A03	.750-10 UNC GR8 HEX NUT	
10	2	415-30A04	.250-20 UNC GR5 HEX NUT	
11	8	420-30A33	FLAT WASHER .750 W	
12	2	420-30A36	LOCK WASHER .250	
13	16	420-30A40	LOCK WASHER .750	
14	2	420-46K85	FLAT WASHER .625 A325	
15	1	906410-007	CROSS AUGER BEARING (MODIFICATION)	
16	1	909590-852	IDLER MOUNT, AUGER FORWARD	
17	1	909598-087	AUGER 6.00 INSERT 16.00 IN. DIA	
18	1	CMP04-0480-V0V0	HA .25 MP X 48.0 FSF0/FSF0	
19	1	CMP04-1200-P0V0	HA .25 MP X 120.0 MP0/FSF0	
20	1	FW56-092	AUGER END CAP	
21	1	FW56-096	HANGER BEARING SHAFT 12 INCH	
22	1	FW56-165	GREASE HOSE MOUNT BRACKET	

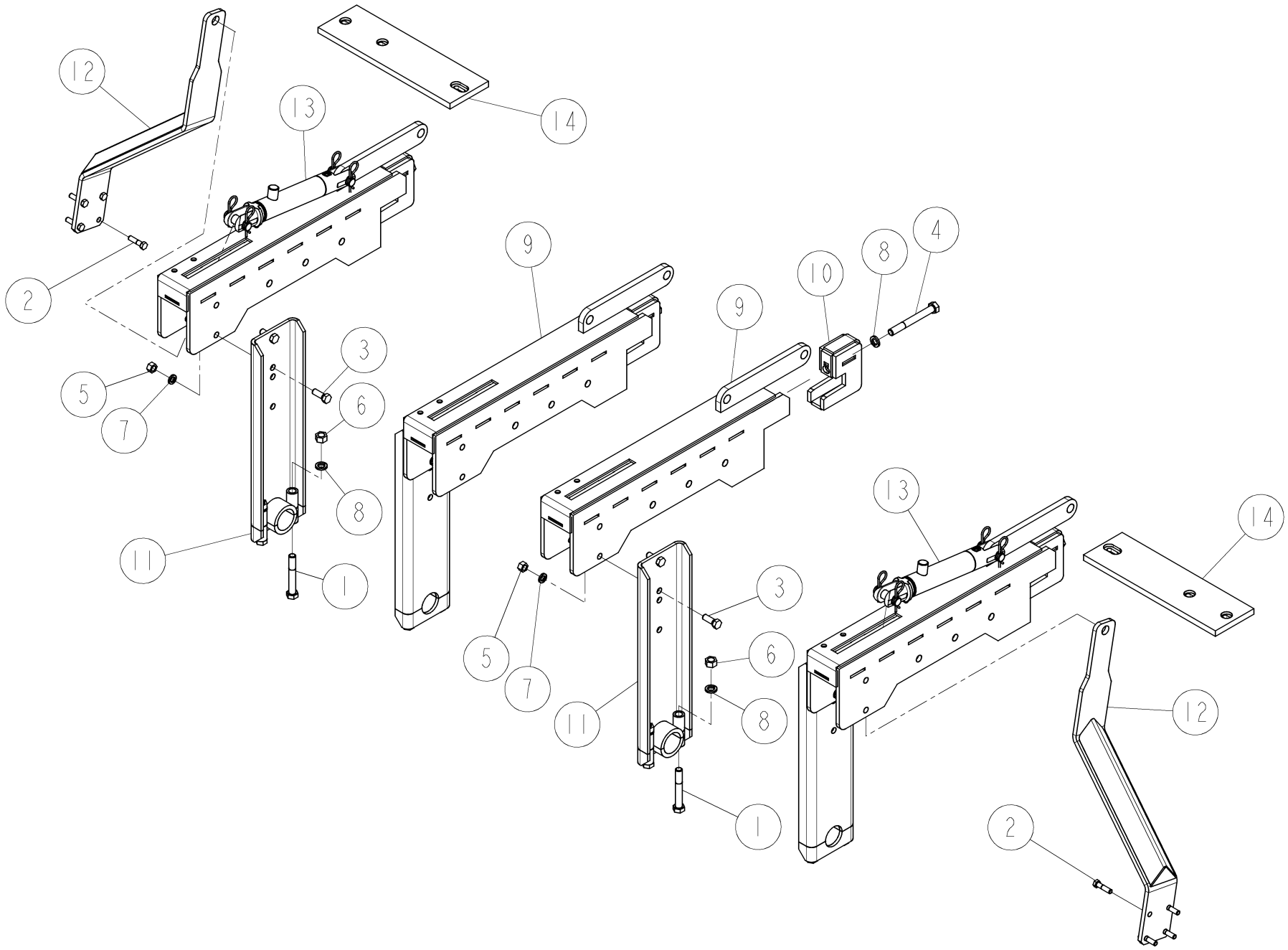


---

<b>Page #</b>	<b>Part Number</b>	<b>Description</b>
1	909599-166	VIB SPRT/POSN ASSY - AUGER FWD/NO AUGER
2	909599-167	VIBRATOR POSITION ASSY - MOLD MTD
3	909510-048	VIBRATOR SUPPORT ASSY
4	909511-011	HANGER - VIBRATOR HOSE
5	910311-022	VIBRATOR MOUNT
6	GT11-057	VIBRATOR-HYDRAULIC, MINNICH (LONG ECC)
7	GT11-070	MOTOR HOUSING ASSEMBLY - ANGLED
8	GT11-074	ECCENTRIC ASSEMBLY - HEAVY DUTY
9	GT11-120	VIBRATOR MOTOR ASSEMBLY





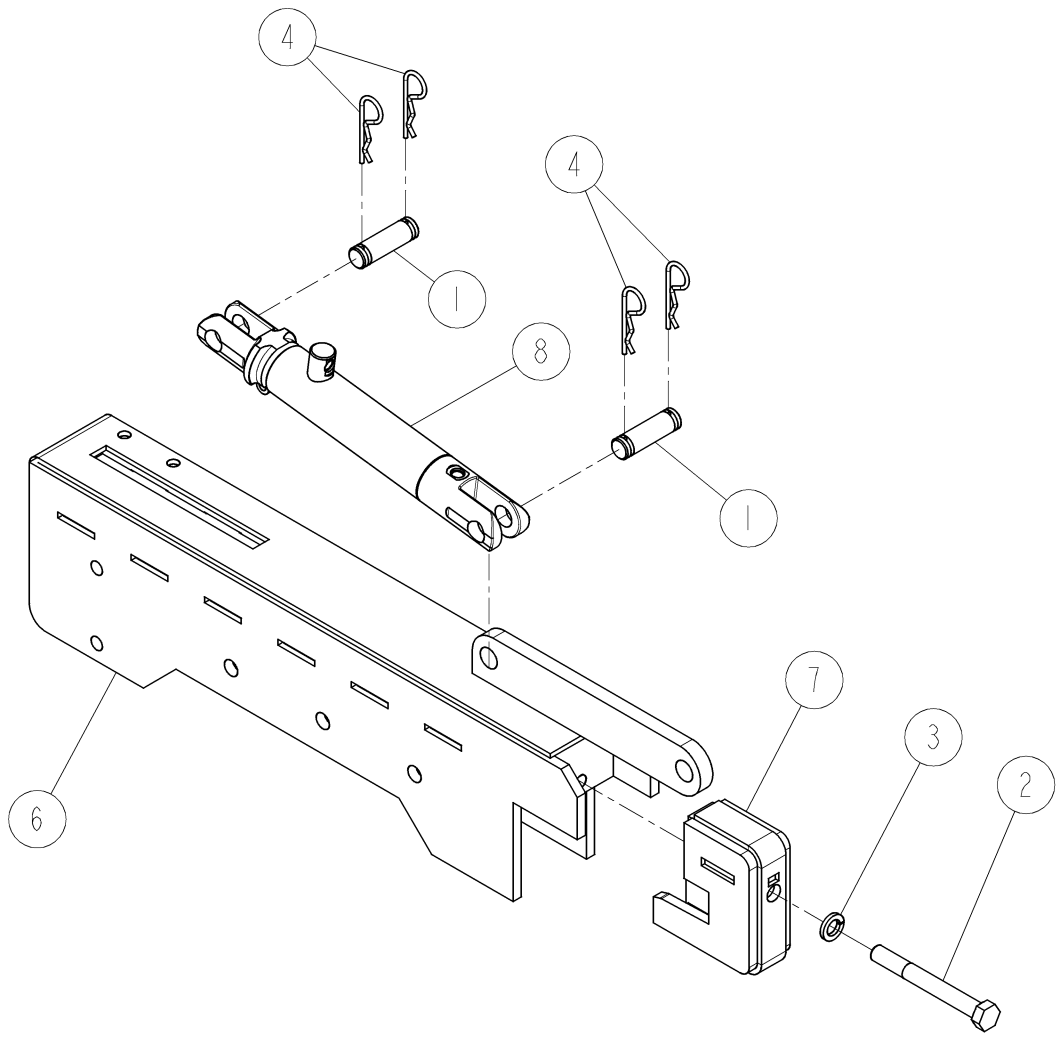


VIB SPRT/POSN ASSY - AUGER FWD/NO AUGER

909599-166

D

VIB SPRT/POSN ASSY - AUGER FWD/NO AUGER			909599-166	D
ITEM NO.	QTY	PART NUMBER	DESCRIPTION	
1	8	400-30C49	.750-10 UNC X 5.000 HHCS GR8	
2	8	400-30D36	.500-13 UNC X 2.000 HHCS GR8	
3	8	400-30D79	.625-11 UNC X 1.750 HHCS GR8	
4	2	400-30D86	.750-10 UNC X 6.500 HHCS GR8	
5	8	415-30A02	.625-11 UNC GR8 HEX NUT	
6	8	415-30A03	.750-10 UNC GR8 HEX NUT	
7	8	420-30A39	LOCK WASHER .625	
8	10	420-30A40	LOCK WASHER .750	
9	2	909590-725	IDLER MOUNT, GROUT BOX AUGER	
10	2	909590-726	CLAMP	
11	4	909590-736	VIBRATOR SUPPORT BRACKET (INSERT SECTION)	
12	2	909590-826	VIBRATOR LIFT	
13	2	909599-167	VIBRATOR POSITION ASSY - MOLD MTD	
14	2	9830-16073	T-BAR, AUGER FWD	



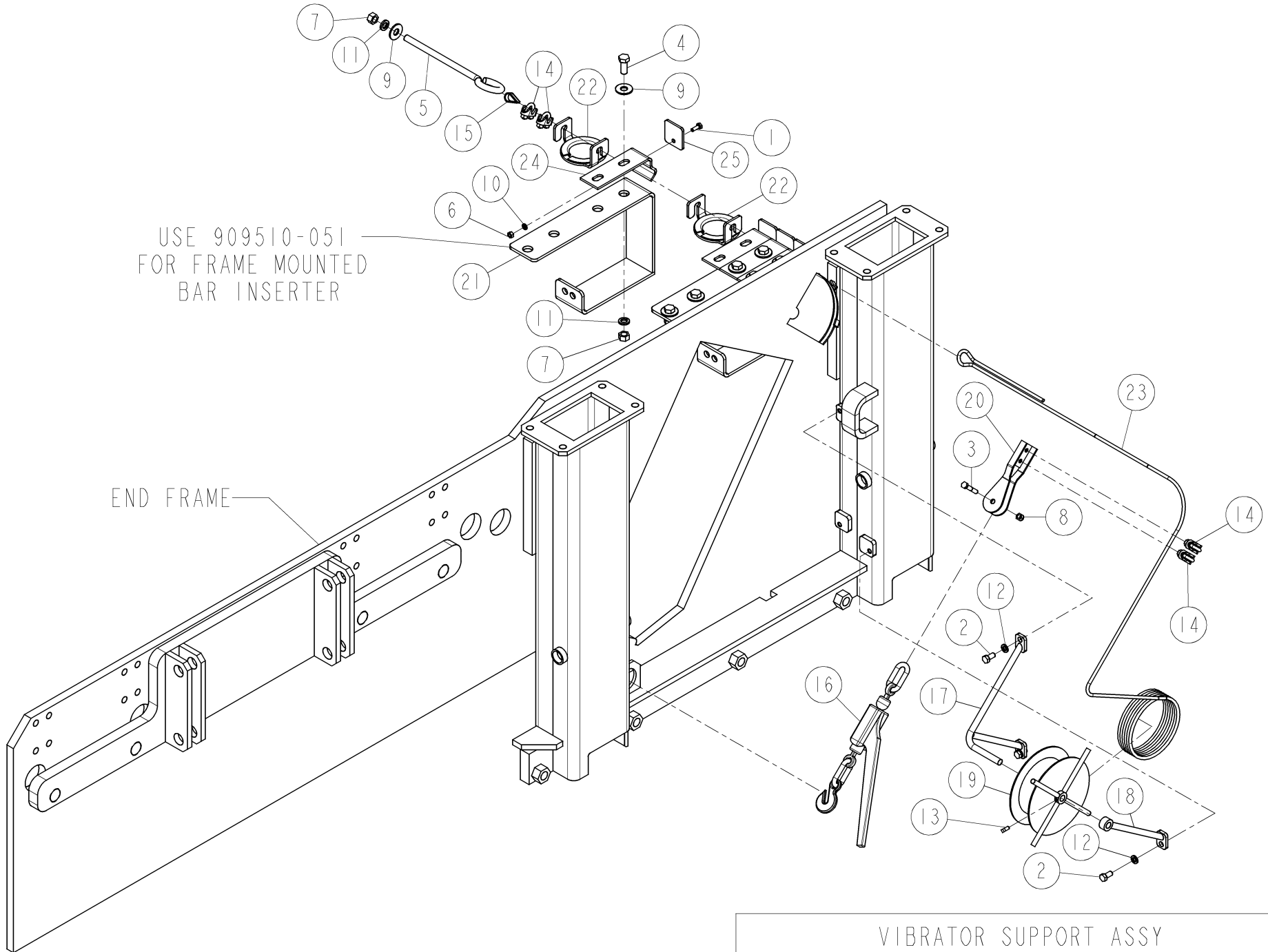
VIBRATOR POSITION ASSY - MOLD MTD

909599-167

B



VIBRATOR POSITION ASSY - MOLD MTD			909599-167	B
ITEM NO.	QTY	PART NUMBER	DESCRIPTION	
1	2	105-45D60	CYLINDER PIN 1.00 X 3.70	
2	1	400-30D86	.750-10 UNC X 6.500 HHCS GR8	
3	1	420-30A40	LOCK WASHER .750	
4	4	430-45G34	HAIR PIN (NO. 8)	
5	1	909519-027	VIBRATOR POSITION HYDRAULICS NS	
6	1	909590-725	IDLER MOUNT, GROUT BOX AUGER	
7	1	909590-726	CLAMP	
8	1	GT10-155	HYD CYL 2.00 X 6.00 (RET PIN CTR 16.25)	

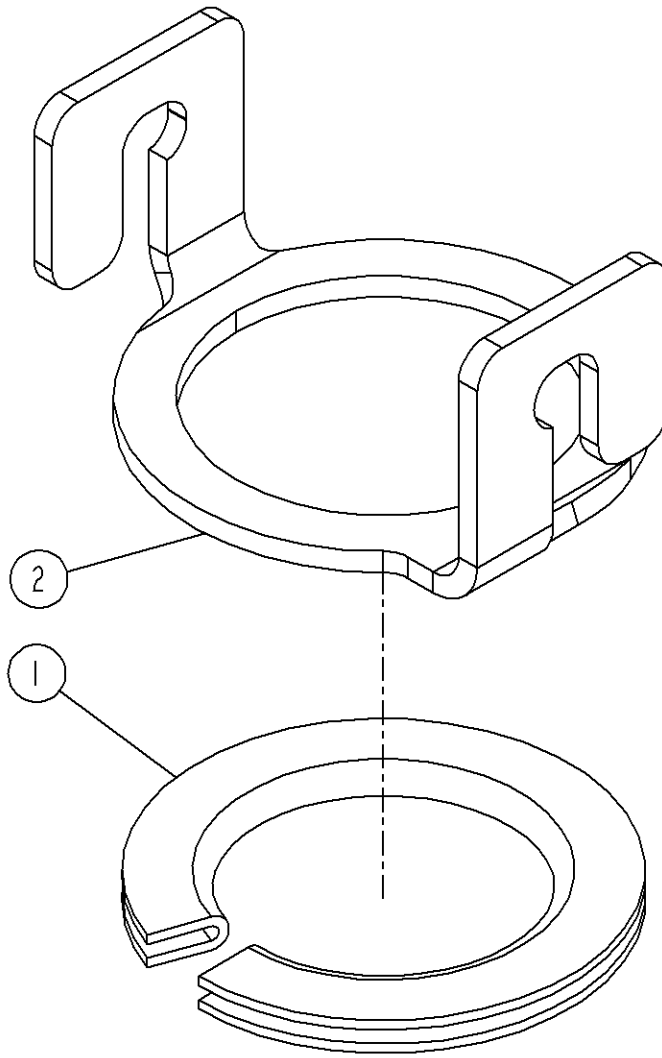


VIBRATOR SUPPORT ASSY

909510-048

L

VIBRATOR SUPPORT ASSY			909510-048	L
ITEM NO.	QTY	PART NUMBER	DESCRIPTION	
1	4	400-30A10	.250-20 UNC X .750 HHCS GR5	
2	3	400-30A20	.375-16 UNC X .750 HHCS GR5	
3	1	400-30A26	.3125-18 UNC X 1.750 HHCS GR5	
4	12	400-30D76	.500-13 UNC X 1.250 HHCS GR8	
5	1	410-45X15	EYE BOLT .500-13 UNC X 8.00	
6	4	415-30A04	.250-20 UNC GR5 HEX NUT	
7	13	415-30A07	.500-13 UNC GR8 HEX NUT	
8	1	415-45G76	.3125-18 UNC GR5 NYLOK HEX NUT	
9	13	420-30A32	FLAT WASHER .500 W	
10	4	420-30A36	LOCK WASHER .250	
11	13	420-30A37	LOCK WASHER .500	
12	3	420-30A41	LOCK WASHER .375	
13	1	425-30C95	.250-20 UNC X .500 SQ HD SET SCR	
14	4	690-45X13	CABLE CLAMP	
15	1	690-46P84	THIMBLE - CABLE .375 IN STD	
16	1	730-53H07	LOAD BINDER - 2600# LIMIT , .250 CHAIN	
17	1	909510-042	CABLE DRUM AXLE	
18	1	909510-043	SUPPORT ARM	
19	1	909510-044	DRUM - CABLE STORAGE	
20	1	909510-046	CABLE LUG - CLAMP ON	
21	2	909510-051	SPACER - 8 INCH VIB SUPPORT	
22	24	909511-011	HANGER - VIBRATOR HOSE	
23	1	9690-00033	CABLE - .25 X 40 FT	
24	4	9810-10455	LATCH - .375 CABLE	
25	4	9810-22537	SHEET - CABLE RETAINER	

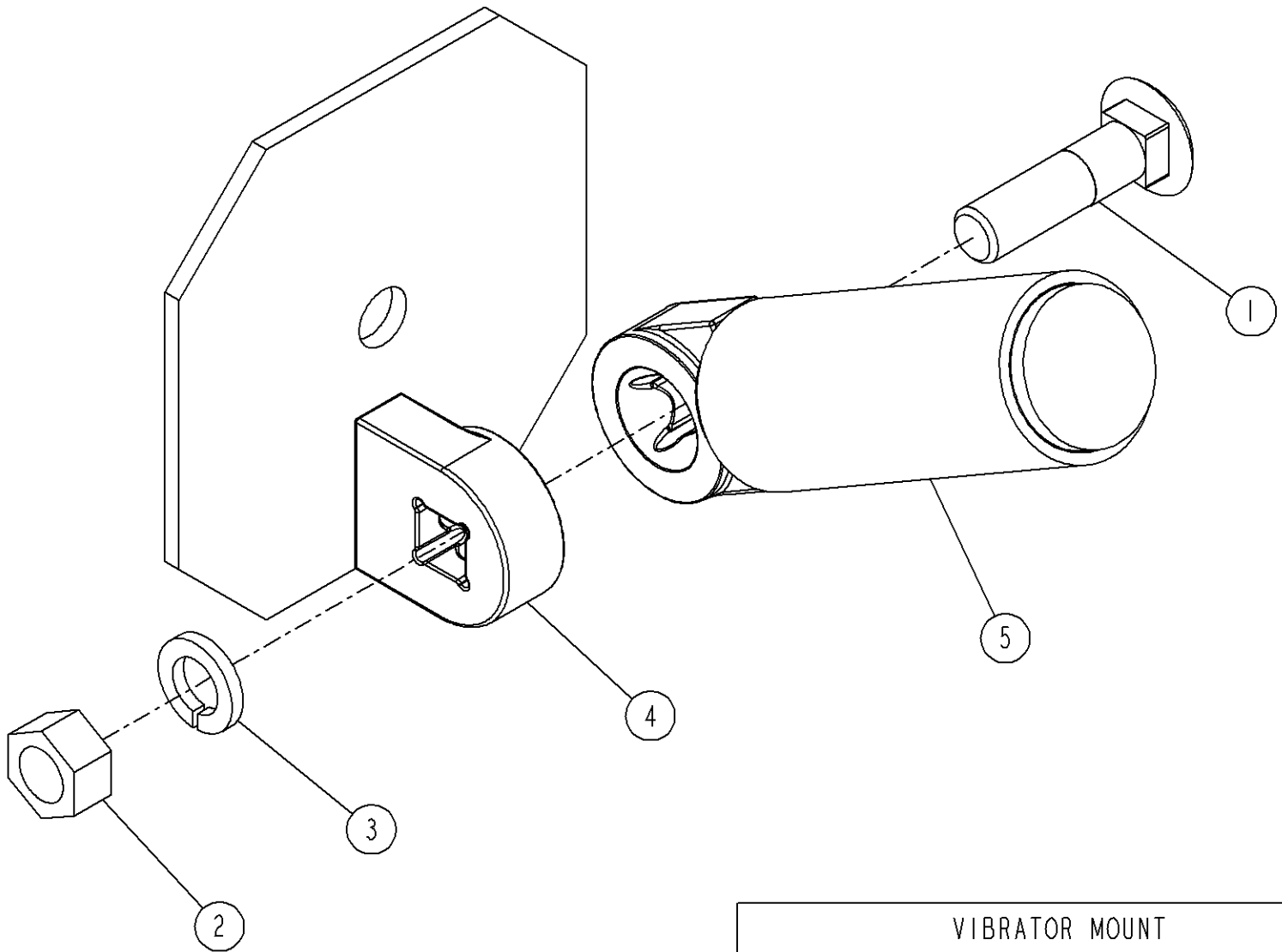


HANGER - VIBRATOR HOSE

909511-011

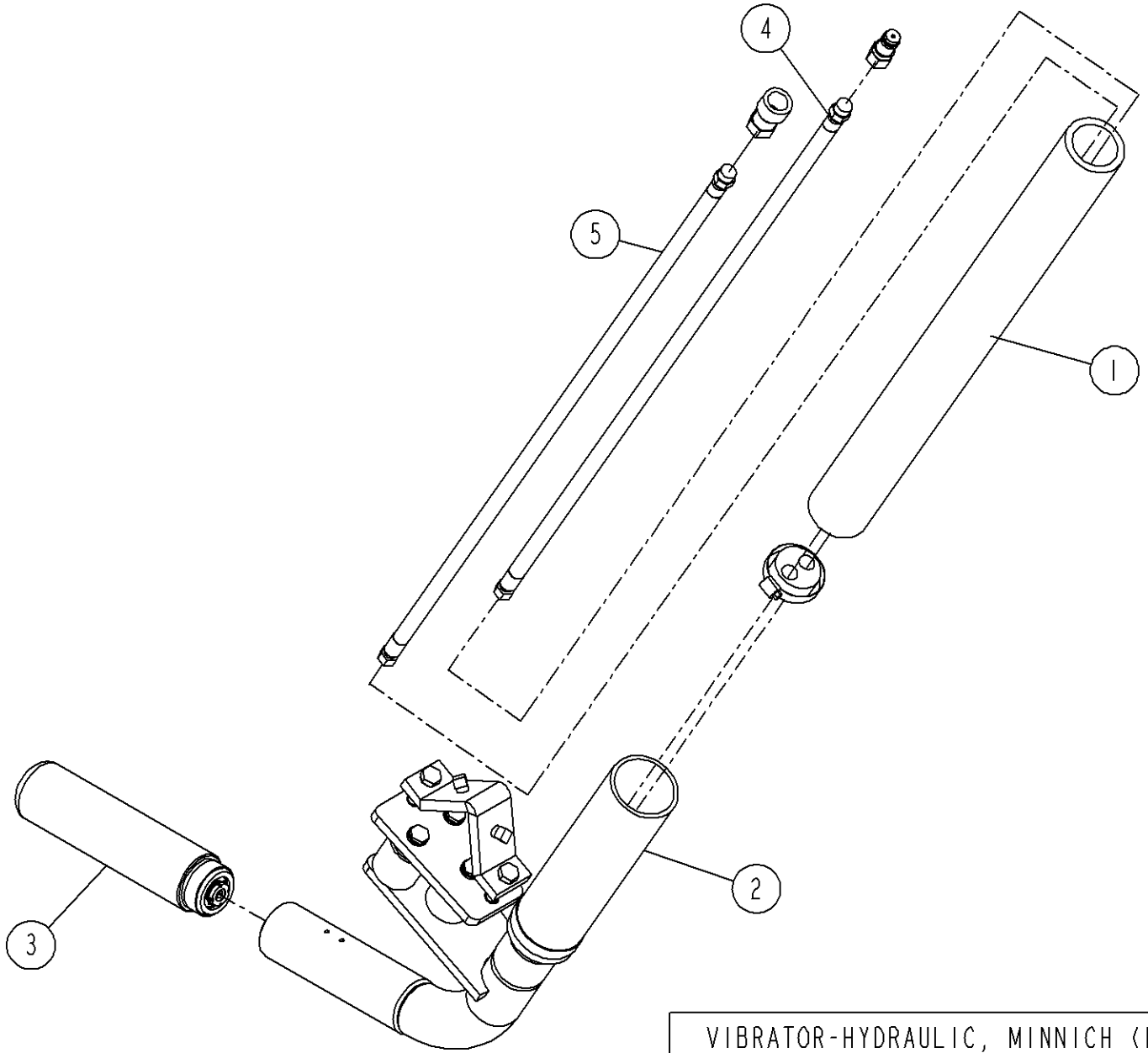
A.0

HANGER - VIBRATOR HOSE		909511-011	A.0
ITEM NO.	QTY	PART NUMBER	DESCRIPTION
1	1	9610-00546	TRIM - EDGE
2	1	9810-10795	HANGER, VIBRATOR HOSE



VIBRATOR MOUNT	
910311-022	A

VIBRATOR MOUNT			910311-022	A
ITEM NO.	QTY	PART NUMBER	DESCRIPTION	
1	1	410-45A23	.750-10 UNC X 3.000 CRG BOLT GR5	
2	1	415-30A03	.750-10 UNC GR8 HEX NUT	
3	1	420-30A40	LOCK WASHER .750	
4	1	HW16-268	ADJUSTABLE MOUNT BRACKET VIB MT TUBE	
5	1	HW16-269	VIBRATOR MOUNT TUBE	



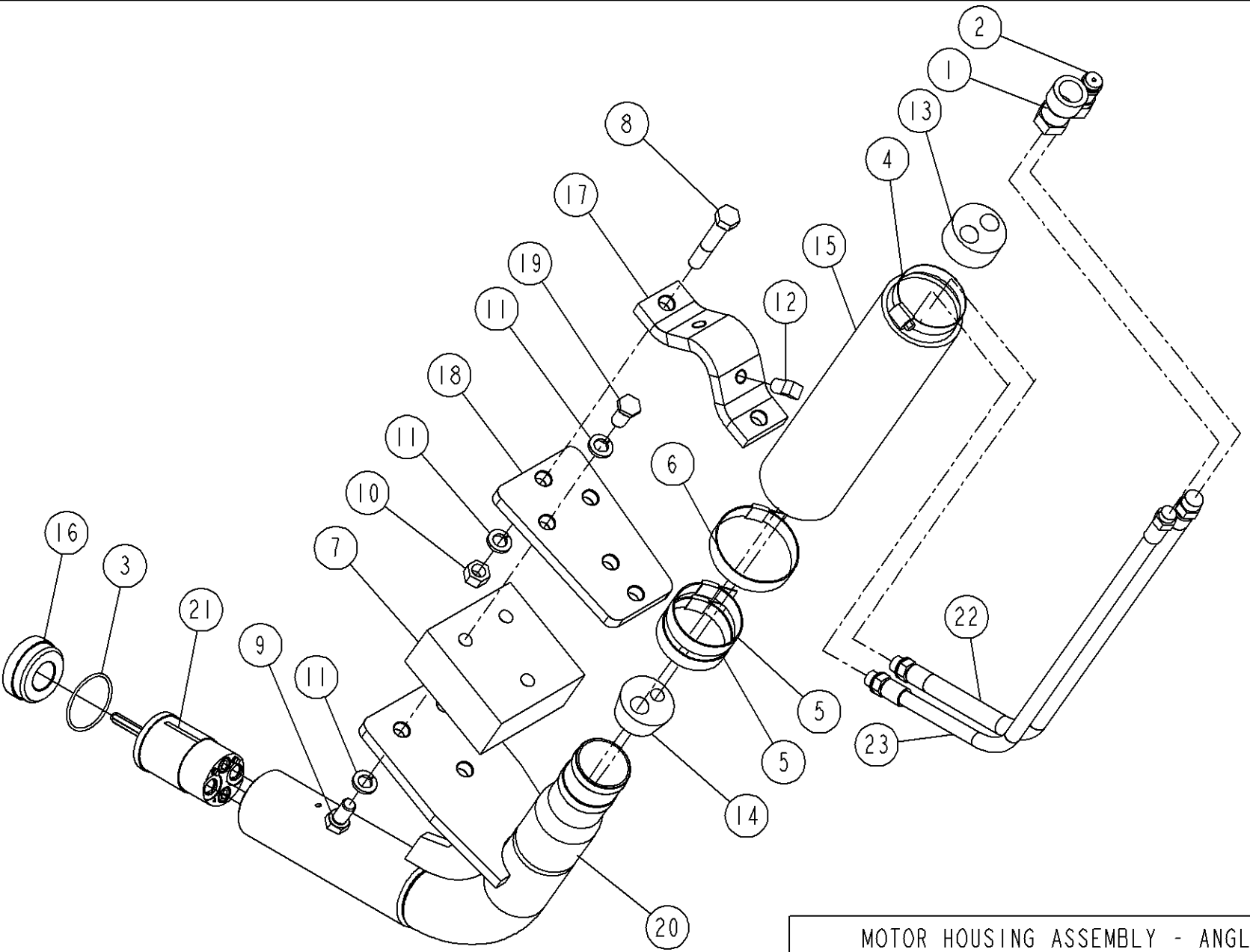
VIBRATOR-HYDRAULIC, MINNICH (LONG ECC)

GT11-057

D.0



VIBRATOR-HYDRAULIC, MINNICH (LONG ECC)		GT11-057	D.0
ITEM NO.	QTY	PART NUMBER	DESCRIPTION
1	1	GT10-240	HOSE PROTECTOR 30.00 IN
2	1	GT11-070	MOTOR HOUSING ASSEMBLY - ANGLED
3	1	GT11-074	ECCENTRIC ASSEMBLY
4	1	GT19-096-003	PRSS LINE-VIB MOTOR GATES 3/8-6CIT-6MP-6FP-40
5	1	GT19-098	PRESSURE LINE - 40IN

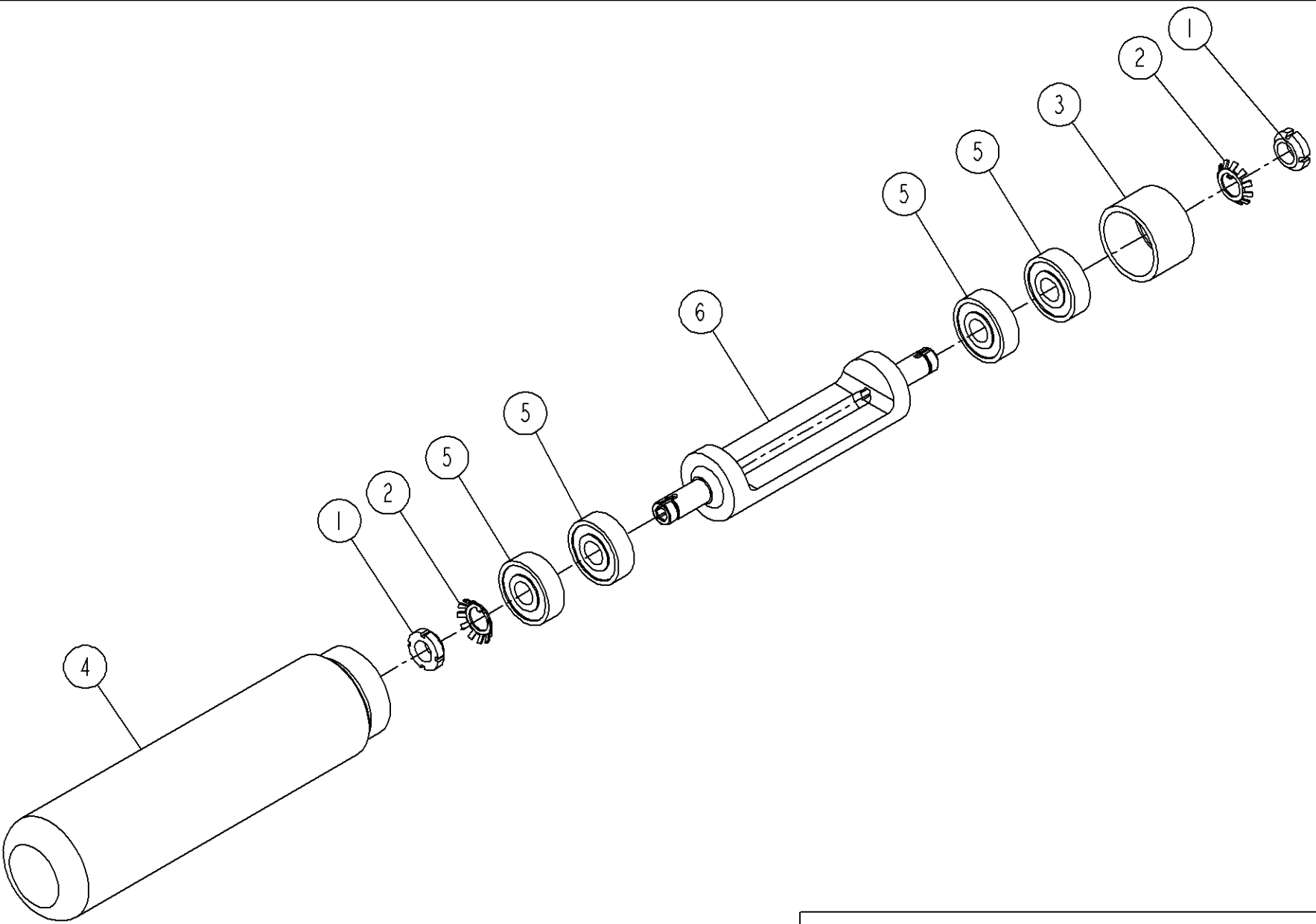


MOTOR HOUSING ASSEMBLY - ANGLED

GT11-070

F

MOTOR HOUSING ASSEMBLY - ANGLED			GT11-070	F
ITEM NO.	QTY	PART NUMBER	DESCRIPTION	
1	1	155-10H77	ADAPTER - QIK CPLR FEM	6- 6
2	1	155-10H78	ADAPTER - QIK CPLR MALE	6- 6
3	1	160-45N71	O RING 1-136	
4	1	170-10Y63	HOSE CLAMP # 5 (2.50 DIA)	
5	2	170-45P27	HOSE CLAMP (2.50 DIA)	
6	1	170-45P30	HOSE CLAMP (3.00 DIA)	
7	1	210-51P13	VIBRATION ISOLATOR - SOLID RUBBER	
8	2	400-30A95	.500-13 UNC X 3.000 HHCS GR8	
9	3	400-30D75	.500-13 UNC X 1.000 HHCS GR8	
10	2	415-30A07	.500-13 UNC GR8 HEX NUT	
11	8	420-30A37	LOCK WASHER .500	
12	2	425-45P39	.500-13 UNC X .750 SQ HD SET SCR	
13	1	540-45L22	STOPPER	
14	1	540-45L24	PLUG	
15	1	GT10-239	HOSE PROTECTOR 12.00 IN	
16	1	GT10-281	VIBRATOR LOCKNUT	
17	1	GT10-285	VIBRATOR CLAMP MOUNT	
18	1	GT10-288	VIBRATOR MOUNTING BRKT	
19	3	GT10-289	ISOLATOR MOUNT BOLT	
20	1	GT10-290	MOTOR TUBE	
21	1	GT11-120	VIBRATOR MOTOR ASSEMBLY	
22	1	GT19-096-002	RTN LINE-VIB MOTOR GATES 3/8-6C1T-6MP-6MB-21	
23	1	GT19-097	PRESSURE LINE - 21IN	

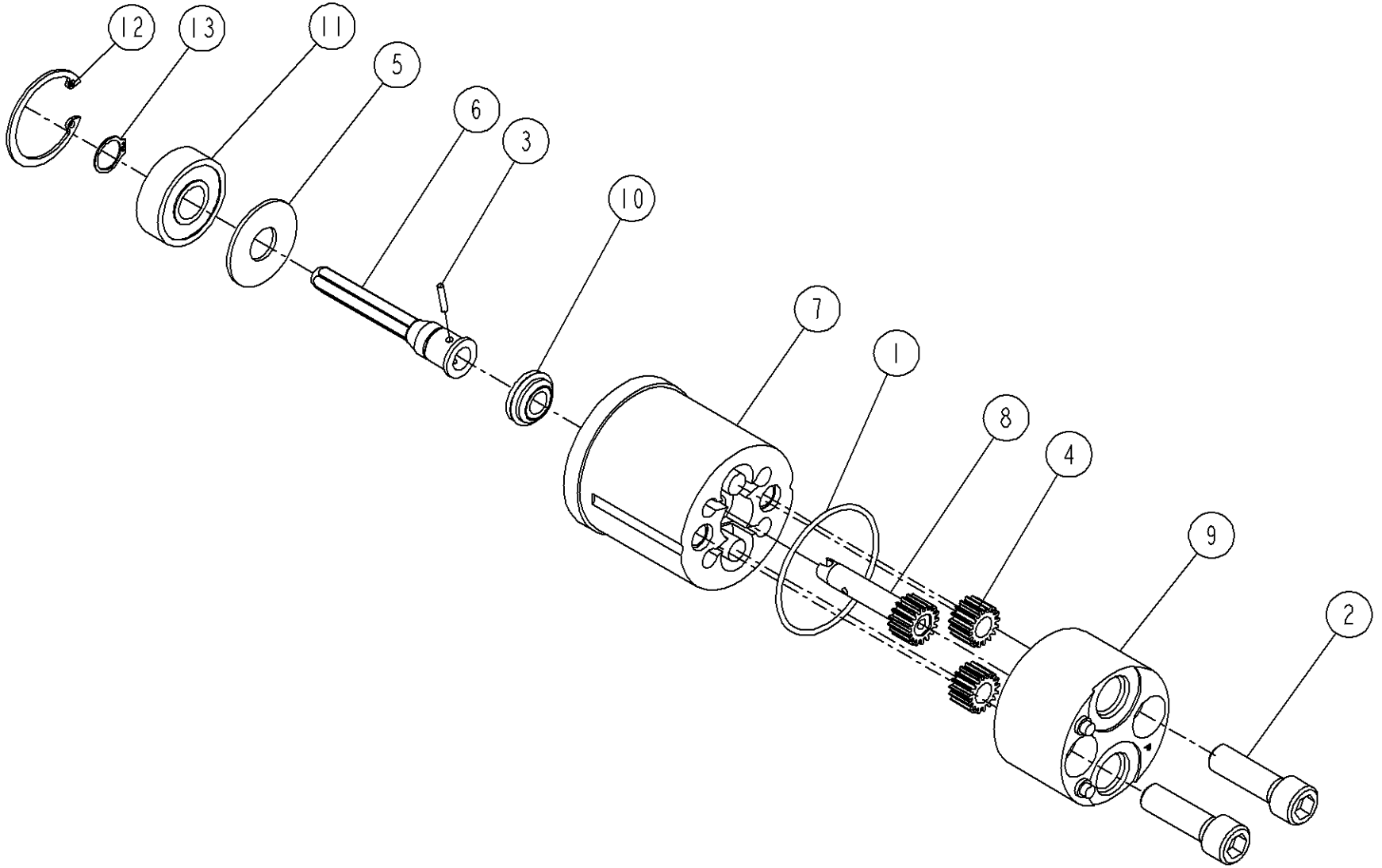


ECCENTRIC ASSEMBLY - HEAVY DUTY

GT11-074

G.0

ECCENTRIC ASSEMBLY - HEAVY DUTY			GT11-074	G.0
ITEM NO.	QTY	PART NUMBER	DESCRIPTION	
1	2	540-45L12	LOCKNUT - BEARING	
2	2	540-45L13	WASHER - BEARING LOCKNUT	
3	1	540-50F76	ECC BRG HSG - 2.62 DIA	
4	1	540-50F77	ECC HSG - 2.62 X 10.62	
5	4	615-47K49	BEARING - ECCENTRIC	
6	1	GT10-339	ECCENTRIC - HEAVY DUTY	



VIBRATOR MOTOR ASSEMBLY

GT11-120

B.0

VIBRATOR MOTOR ASSEMBLY			GT11-120	B.0
ITEM NO.	QTY	PART NUMBER	DESCRIPTION	
1	1	160-45Q20	O RING 1-031	
2	2	400-30C51	.375-16 UNC X 1.250 SKTHCS (BLK)	
3	1	430-45Q14	PIN - DRIVE SHAFT	
4	2	540-45L28	DRIVE GEAR	
5	1	540-45L32	WASHER - SEAL	
6	1	540-45Q15	DRIVE SHAFT	
7	1	540-45Q18	MOTOR HOUSING - UPPER	
8	1	540-45Q19	DRIVE GEAR	
9	1	540-45Q21	END CAP - MOTOR	
10	1	540-45Q22	QUAD RING ASSEMBLY	
11	1	615-45Q13	BEARING - 12mm ID X 32mm OD X 10mm WIDE	
12	1	685-45Q11	RETAINING RING - INTERNAL 1.259	
13	1	685-45Q12	RETAINING RING - EXTERNAL .469 DIA.	



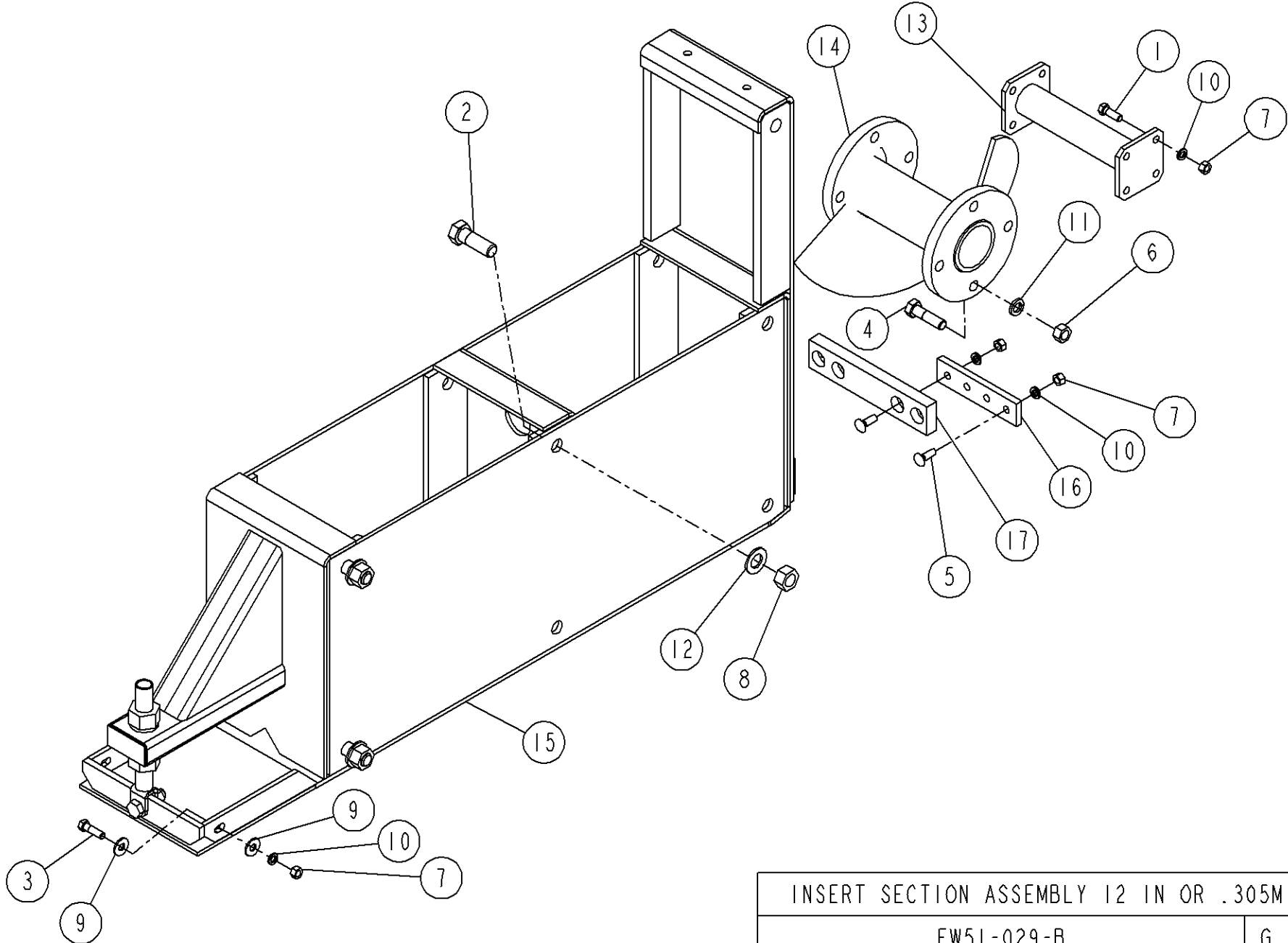


---

<b>Page #</b>	<b>Part Number</b>	<b>Description</b>
1	FW51-029-B	INSERT SECTION ASSEMBLY 12 IN OR .305M
2	FW51-029-C	INSERT SECTION ASSEMBLY 18 IN OR .455M
3	FW51-029-D	INSERT SECTION ASSEMBLY 24 IN OR .61M
4	FW51-029-E	INSERT SECTION ASSEMBLY 36 IN OR .915M
5	909595-069	LH 5 FT PLAT PAN W/ SIPL SEAL
6	909595-070	RH 5 FT FLAT PAN W/ SIPL SEAL





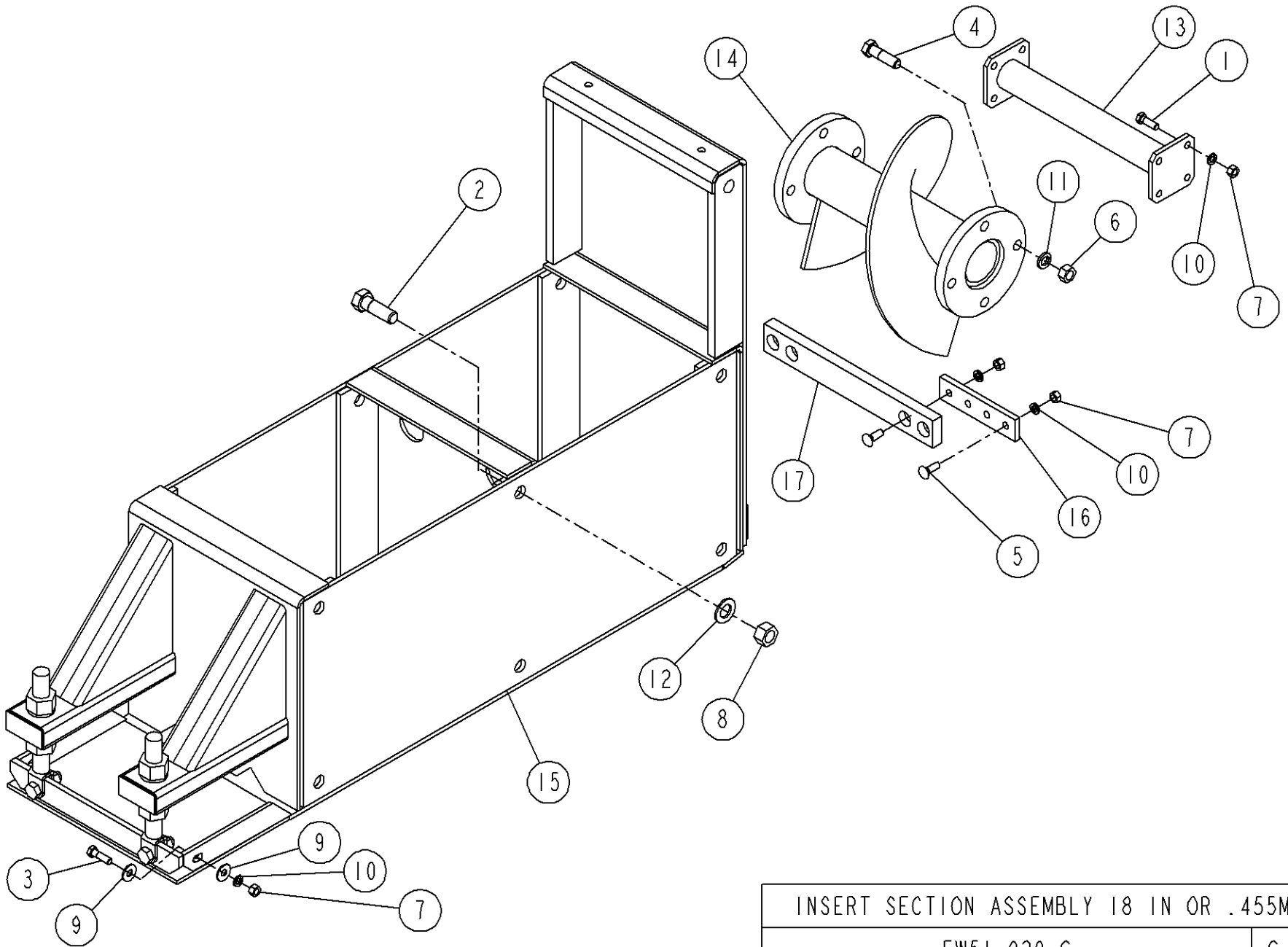


INSERT SECTION ASSEMBLY 12 IN OR .305M

FW51-029-B

G.0

INSERT SECTION ASSEMBLY 12 1N OR .305M			FW51-029-B	G.0
ITEM NO.	QTY	PART NUMBER	DESCRIPTION	
1	4	400-30B84	.500-13 UNC X 1.500 HHCS GR8	
2	7	400-30D53	1.000-8 UNC X 3.000 HHCS GR8	
3	1	400-30D77	.500-13 UNC X 1.750 HHCS GR8	
4	4	400-30D84	.750-10 UNC X 2.750 HHCS GR8	
5	4	410-30D28	.500-13 UNC X 1.500 CRG BOLT GR5	
6	4	415-30A03	.750-10 UNC GR8 HEX NUT	
7	9	415-30A07	.500-13 UNC GR8 HEX NUT	
8	7	415-30A71	1.000-8 UNC GR8 HEX NUT	
9	2	420-30A32	FLAT WASHER .500 W	
10	9	420-30A37	LOCK WASHER .500	
11	4	420-30A40	LOCK WASHER .750	
12	7	420-45T12	FLAT WASHER 1.000 F436	
13	1	909599-043	VIBRATOR MOUNT TUBE 12 IN	
14	1	FW56-055-A	AUGER INSERT 12.00 IN	
15	1	FW56-106	INSERT SECTION ASSY 12 IN. OR .305 M	
16	1	FW56-108	TAMPER BAR CONNECTOR	
17	1	FW56-110-A	TAMPER BAR INSERT, 12 IN	

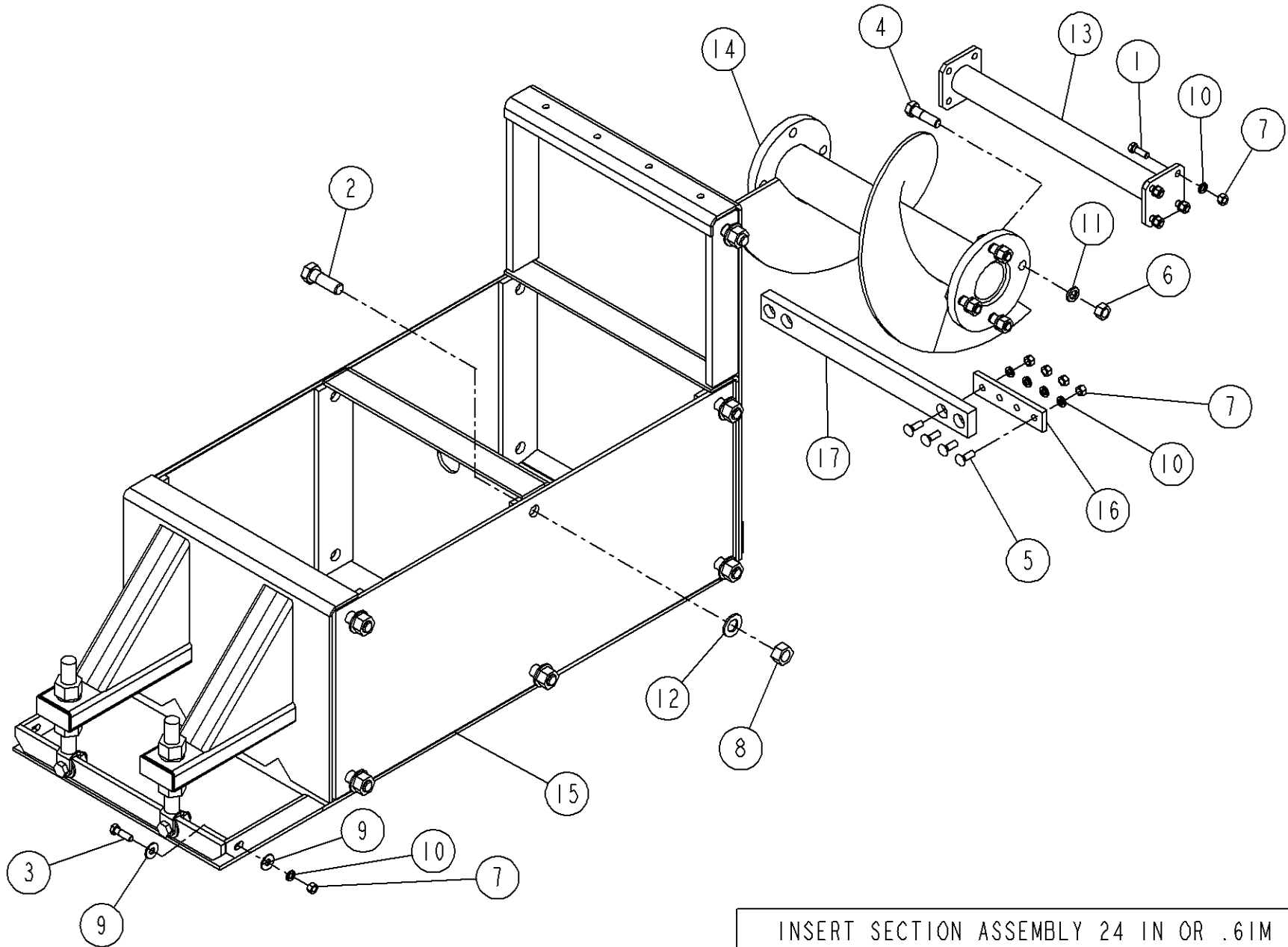


INSERT SECTION ASSEMBLY 18 IN OR .455M

FW51-029-C

G.0

INSERT SECTION ASSEMBLY 18 IN OR .455M			FW51-029-C	G.0
ITEM NO.	QTY	PART NUMBER	DESCRIPTION	
1	4	400-30B84	.500-13 UNC X 1.500 HHCS GR8	
2	7	400-30D53	1.000-8 UNC X 3.000 HHCS GR8	
3	1	400-30D77	.500-13 UNC X 1.750 HHCS GR8	
4	4	400-30D84	.750-10 UNC X 2.750 HHCS GR8	
5	4	410-30D28	.500-13 UNC X 1.500 CRG BOLT GR5	
6	4	415-30A03	.750-10 UNC GR8 HEX NUT	
7	9	415-30A07	.500-13 UNC GR8 HEX NUT	
8	7	415-30A71	1.000-8 UNC GR8 HEX NUT	
9	2	420-30A32	FLAT WASHER .500 W	
10	9	420-30A37	LOCK WASHER .500	
11	4	420-30A40	LOCK WASHER .750	
12	7	420-45T12	FLAT WASHER 1.000 F436	
13	1	909599-026	VIBRATOR MOUNT TUBE 18 IN	
14	1	FW56-055-B	AUGER SECTION, 18 IN	
15	1	FW56-104	INSERT SECTION ASSY 18 IN. OR .455 M	
16	1	FW56-108	TAMPER BAR CONNECTOR	
17	1	FW56-110-B	TAMPER BAR INSERT, 18 IN	



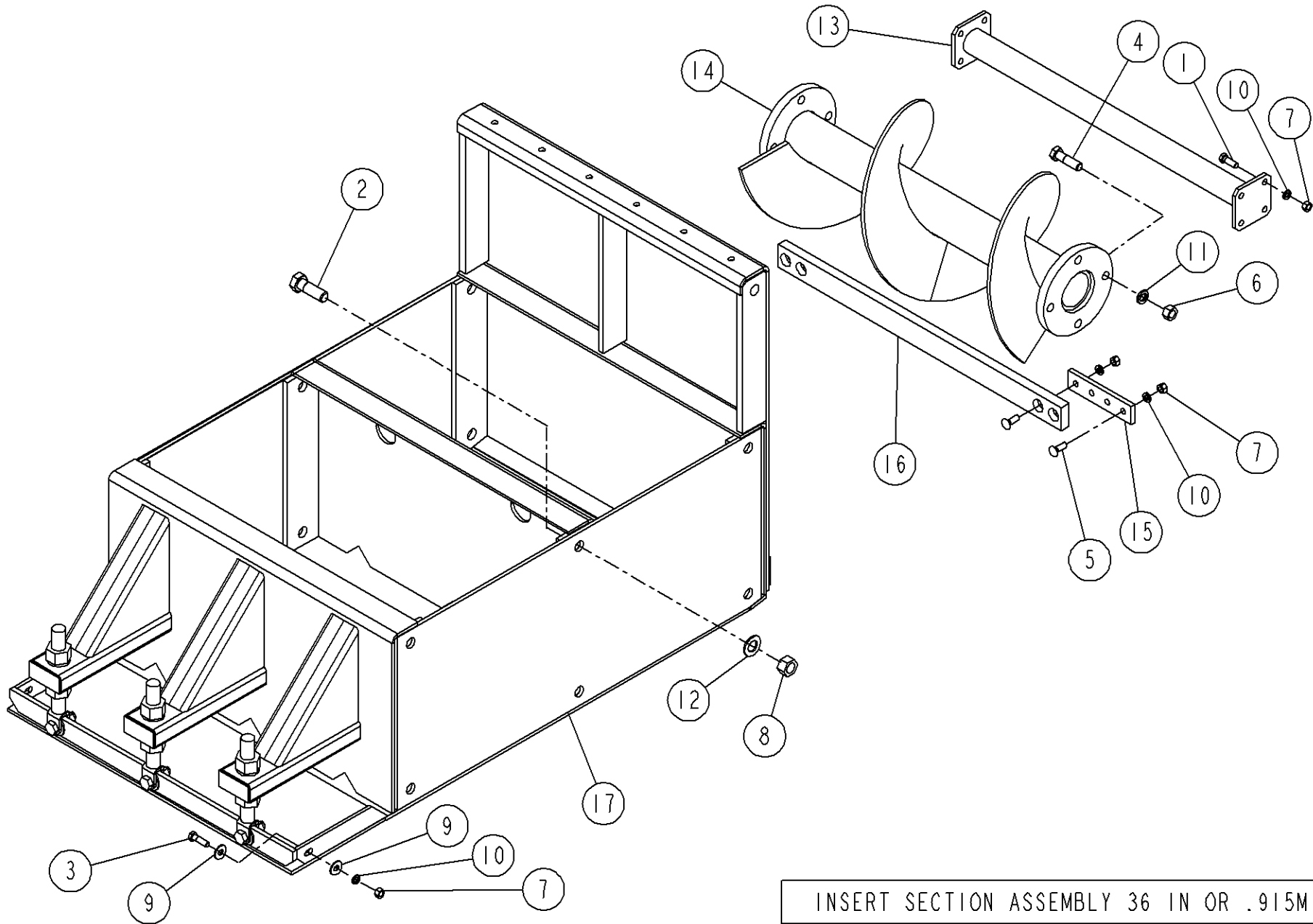
INSERT SECTION ASSEMBLY 24 IN OR .61M

FW51-029-D

G.0



INSERT SECTION ASSEMBLY 24 IN OR .61M			FW51-029-D	G.0
ITEM NO.	QTY	PART NUMBER	DESCRIPTION	
1	4	400-30B84	.500-13 UNC X 1.500 HHCS GR8	
2	7	400-30D53	1.000-8 UNC X 3.000 HHCS GR8	
3	1	400-30D77	.500-13 UNC X 1.750 HHCS GR8	
4	4	400-30D84	.750-10 UNC X 2.750 HHCS GR8	
5	4	410-30D28	.500-13 UNC X 1.500 CRG BOLT GR5	
6	4	415-30A03	.750-10 UNC GR8 HEX NUT	
7	9	415-30A07	.500-13 UNC GR8 HEX NUT	
8	7	415-30A71	1.000-8 UNC GR8 HEX NUT	
9	2	420-30A32	FLAT WASHER .500 W	
10	9	420-30A37	LOCK WASHER .500	
11	4	420-30A40	LOCK WASHER .750	
12	7	420-45T12	FLAT WASHER 1.000 F436	
13	1	909599-027	VIBRATOR MOUNT TUBE 24 IN	
14	1	FW56-055-C	AUGER 24.00 INSERT	
15	1	FW56-099	2 FT INSERT SECTION	
16	1	FW56-108	TAMPER BAR CONNECTOR	
17	1	FW56-110-C	TAMPER BAR INSERT, 24 IN	

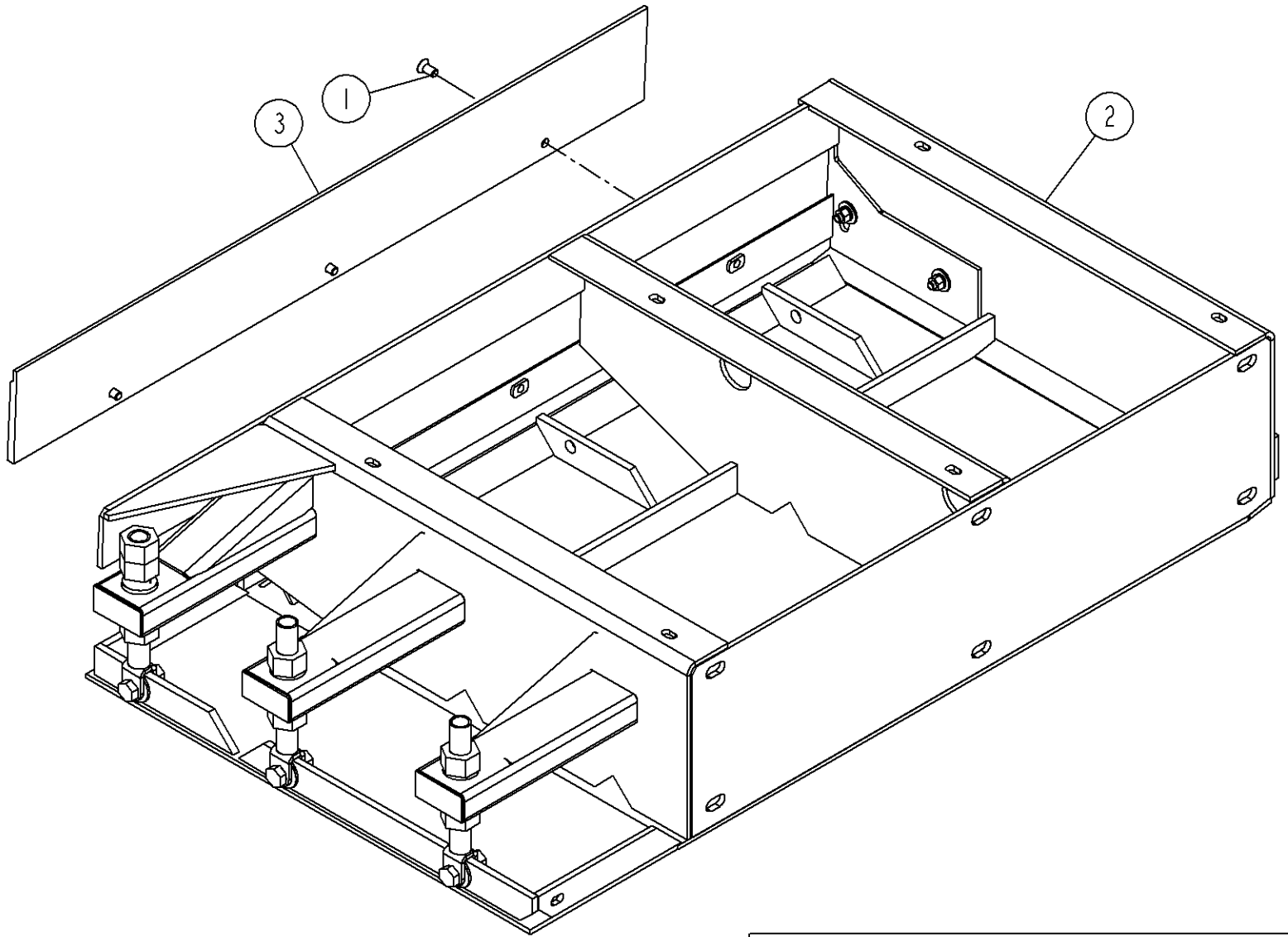


INSERT SECTION ASSEMBLY 36 IN OR .915M

FW51-029-E

G.0

INSERT SECTION ASSEMBLY 36 IN OR .915M			FW51-029-E	G.0
ITEM NO.	QTY	PART NUMBER	DESCRIPTION	
1	4	400-30B84	.500-13 UNC X 1.500 HHCS GR8	
2	7	400-30D53	1.000-8 UNC X 3.000 HHCS GR8	
3	1	400-30D77	.500-13 UNC X 1.750 HHCS GR8	
4	4	400-30D84	.750-10 UNC X 2.750 HHCS GR8	
5	4	410-30D28	.500-13 UNC X 1.500 CRG BOLT GR5	
6	4	415-30A03	.750-10 UNC GR8 HEX NUT	
7	9	415-30A07	.500-13 UNC GR8 HEX NUT	
8	7	415-30A71	1.000-8 UNC GR8 HEX NUT	
9	2	420-30A32	FLAT WASHER .500 W	
10	9	420-30A37	LOCK WASHER .500	
11	4	420-30A40	LOCK WASHER .750	
12	7	420-45T12	FLAT WASHER 1.000 F436	
13	1	909599-028	VIBRATOR MOUNT TUBE 36 IN	
14	1	FW56-055-G	AUGER 36.00 INSERT	
15	1	FW56-108	TAMPER BAR CONNECTOR	
16	1	FW56-110-D	TAMPER BAR INSERT, 36 IN	
17	1	FW56-121	3 FT INSERT SECTION	

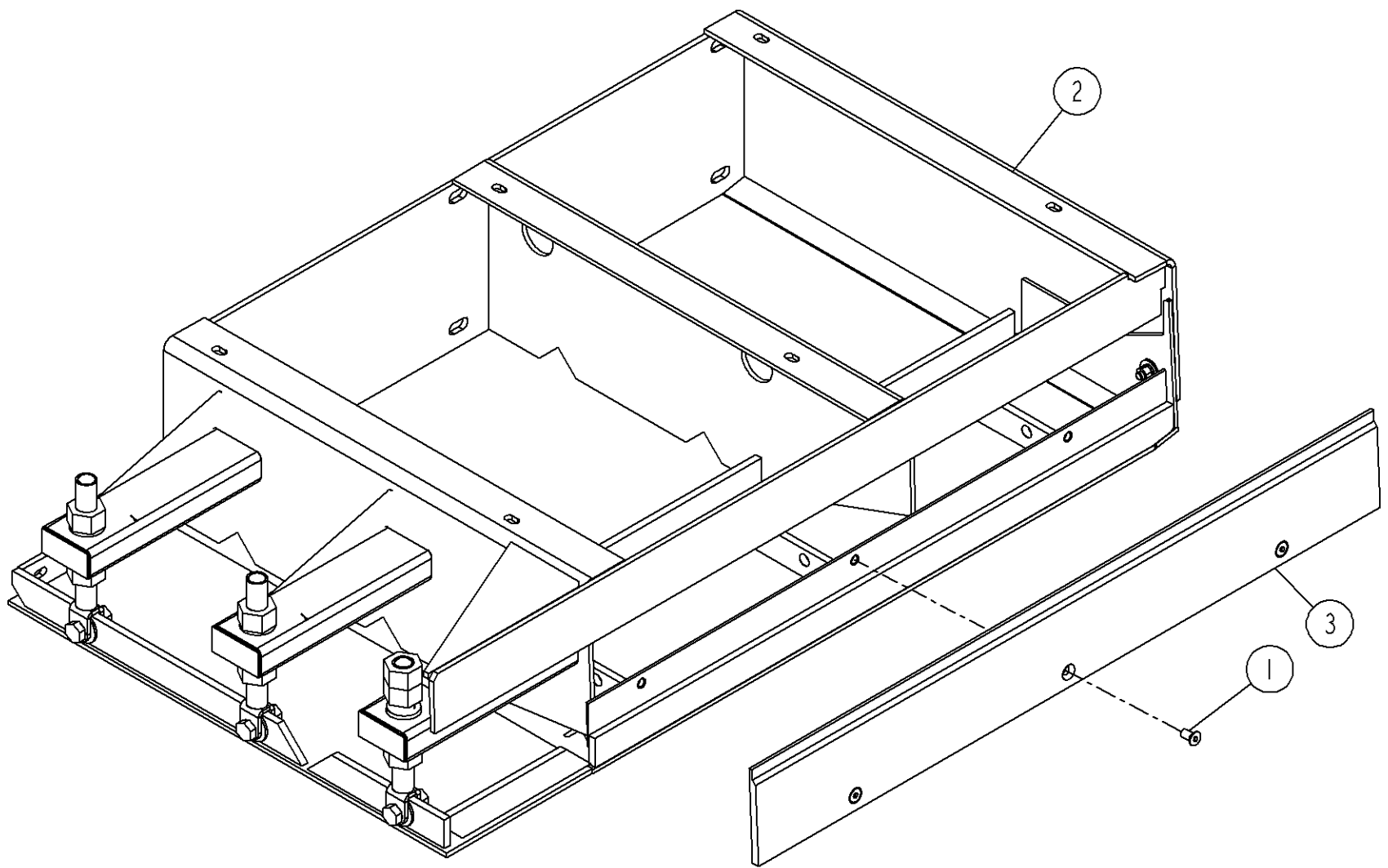


LH 5 FT PLAT PAN W/ SIPL SEAL

909595-069

B

		LH 5 FT PLAT PAN W/ SIPL SEAL	909595-069	B
ITEM NO.	QTY	PART NUMBER	DESCRIPTION	
1	3	405-53D46	.50-13 UNC X 1.00 HEX SOC FLAT HD SCR	
2	1	909595-067	FLAT INSERT, LH W/ SIPL SEAL	
3	1	9800-41449	SEAL PLATE	



RH 5 FT FLAT PAN W/ SIPL SEAL	
909595-070	B

RH 5 FT FLAT PAN W/ SIPL SEAL			909595-070	B
ITEM NO.	QTY	PART NUMBER	DESCRIPTION	
1	3	405-53D46	.50-13 UNC X 1.00 HEX SOC FLAT HD SCR	
2	1	909595-068	FLAT INSERT, RH W SIPL SEAL	
3	1	9800-41449	SEAL PLATE	





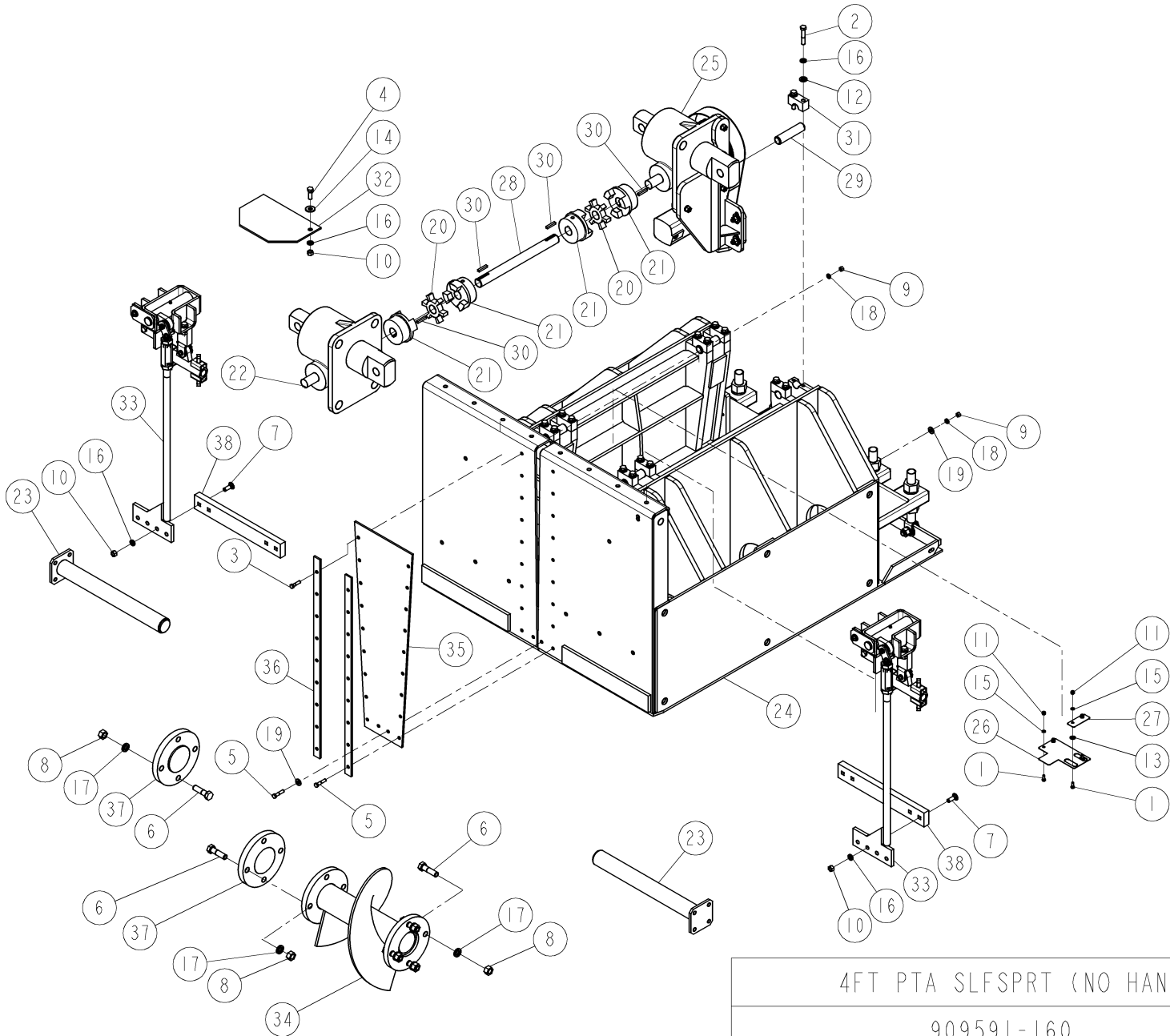
---

Page #	Part Number	Description
1	909591-160	4FT PTA SLFSPRT (NO HANGERS)
2	910391-048	PTA DRIVE ASSY - SLF SPRT
3	909540-015	LINEAR PTA SENSOR ASSY - SELF SPRT PTA

---





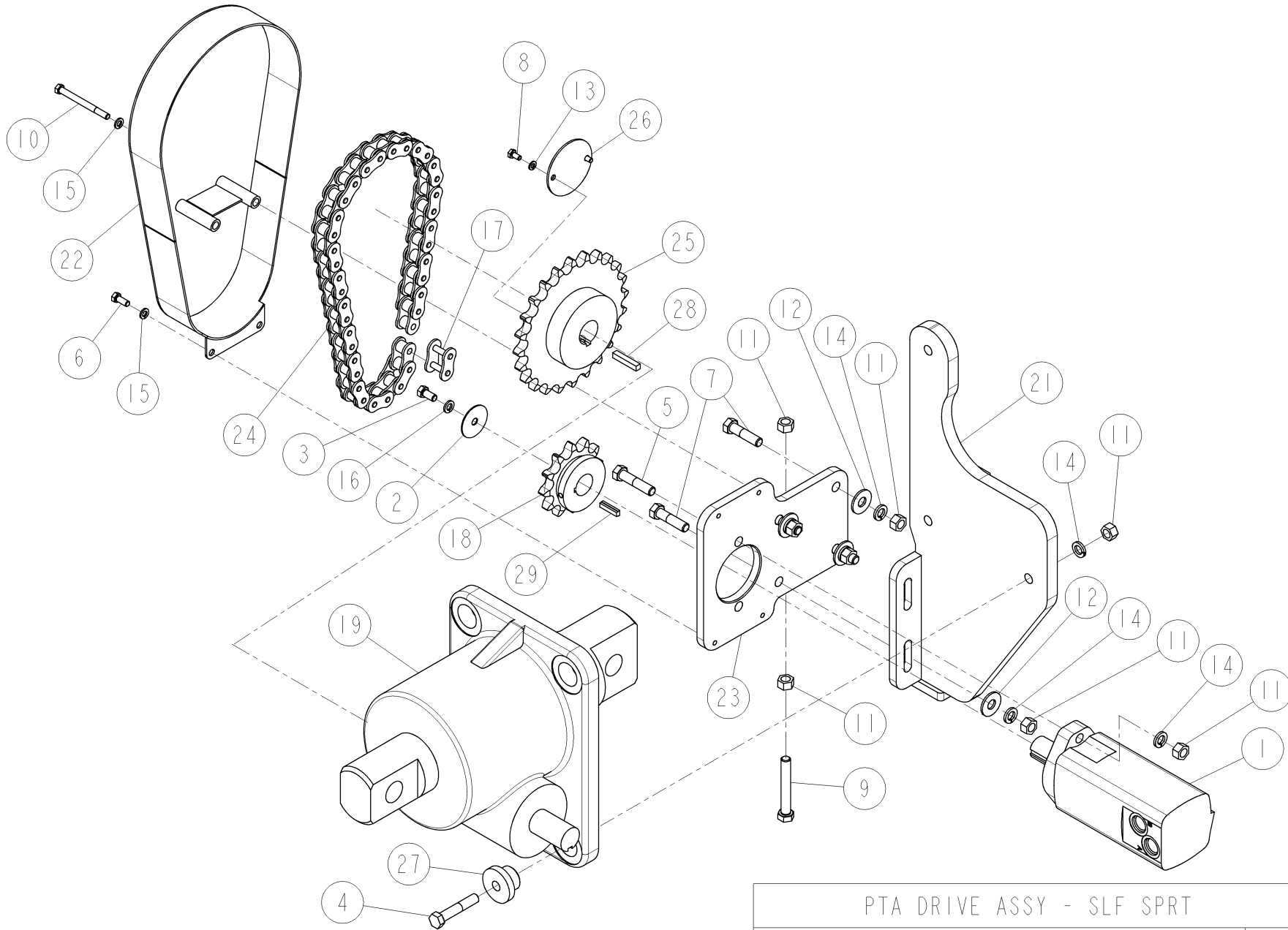


4FT PTA SLFSPRT (NO HANGERS)

909591-160

C

4FT PTA SLFSPRT (NO HANGERS)			909591-160	C
ITEM NO.	QTY	PART NUMBER	DESCRIPTION	
1	4	400-30A10	.250-20 UNC X .750 HHCS GR5	
2	16	400-30A70	.500-13 UNC X 2.750 HHCS GR8	
3	8	400-30B37	.375-16 UNC X 1.500 HHCS GR5	
4	1	400-30B84	.500-13 UNC X 1.500 HHCS GR8	
5	12	400-30D06	.375-16 UNC X 1.750 HHCS GR5	
6	12	400-30D84	.750-10 UNC X 2.750 HHCS GR8	
7	4	410-30D28	.500-13 UNC X 1.500 CRG BOLT GR5	
8	12	415-30A03	.750-10 UNC GR8 HEX NUT	
9	20	415-30A06	.375-16 UNC GR5 HEX NUT	
10	5	415-30A07	.500-13 UNC GR8 HEX NUT	
11	4	415-47R29	.250-20 UNC GR5 NYLOK HEX NUT	
12	16	420-10F69	FLAT WASHER .500 A325	
13	2	420-30A30	FLAT WASHER .250 W	
14	1	420-30A32	FLAT WASHER .500 W	
15	4	420-30A36	LOCK WASHER .250	
16	21	420-30A37	LOCK WASHER .500	
17	12	420-30A40	LOCK WASHER .750	
18	20	420-30A41	LOCK WASHER .375	
19	14	420-30A65	FLAT WASHER .375 W	
20	2	630-46Y58	COUPLING - SPIDER, BRONZE	
21	4	630-46Y59	COUPLING - HALF 1.375 BORE W/KWY & SS	
22	1	675-54U91	SCREW JACK - 25 TON X 4.00 IN	
23	2	909499-021	DRIVE SECTION VIB 2 FT	
24	1	909591-154	INSERT SECT - 48.00IN PTA SLFSPRT	
25	1	910391-048	PTA DRIVE ASSY - SLF SPRT	
26	1	9810-14588	RETAINER - PTA JOINT	
27	1	9810-14589	RETAINER STRAP - PTA JOINT	
28	1	9825-04295	DRIVE SHAFT - SCREW JACK, 5400 MOLD	
29	4	9825-04381	PIN, 1.250 X 5.00 USEABLE LENGTH	
30	4	9830-12157	SQUARE KEY - .3125 X 1.75 LG	
31	8	9830-16049	CAP - JACK PIN, 1.25 BORE	
32	1	FW16-042	RUBBERSEAL FOR HOPPER TOP TRNSN ADJ SECT	
33	2	FW51-190-B	TAMPER BAR IDLER CONVERTER ASSY-5000	
34	1	FW56-055-B	AUGER SECTION, 18 IN	
35	1	FW56-090	RUBBER SEAL	
36	2	FW56-091	BELTING RETAINER STRAP	
37	2	FW56-092	AUGER END CAP	
38	2	FW56-110-B	TAMPER BAR INSERT, 18 IN	

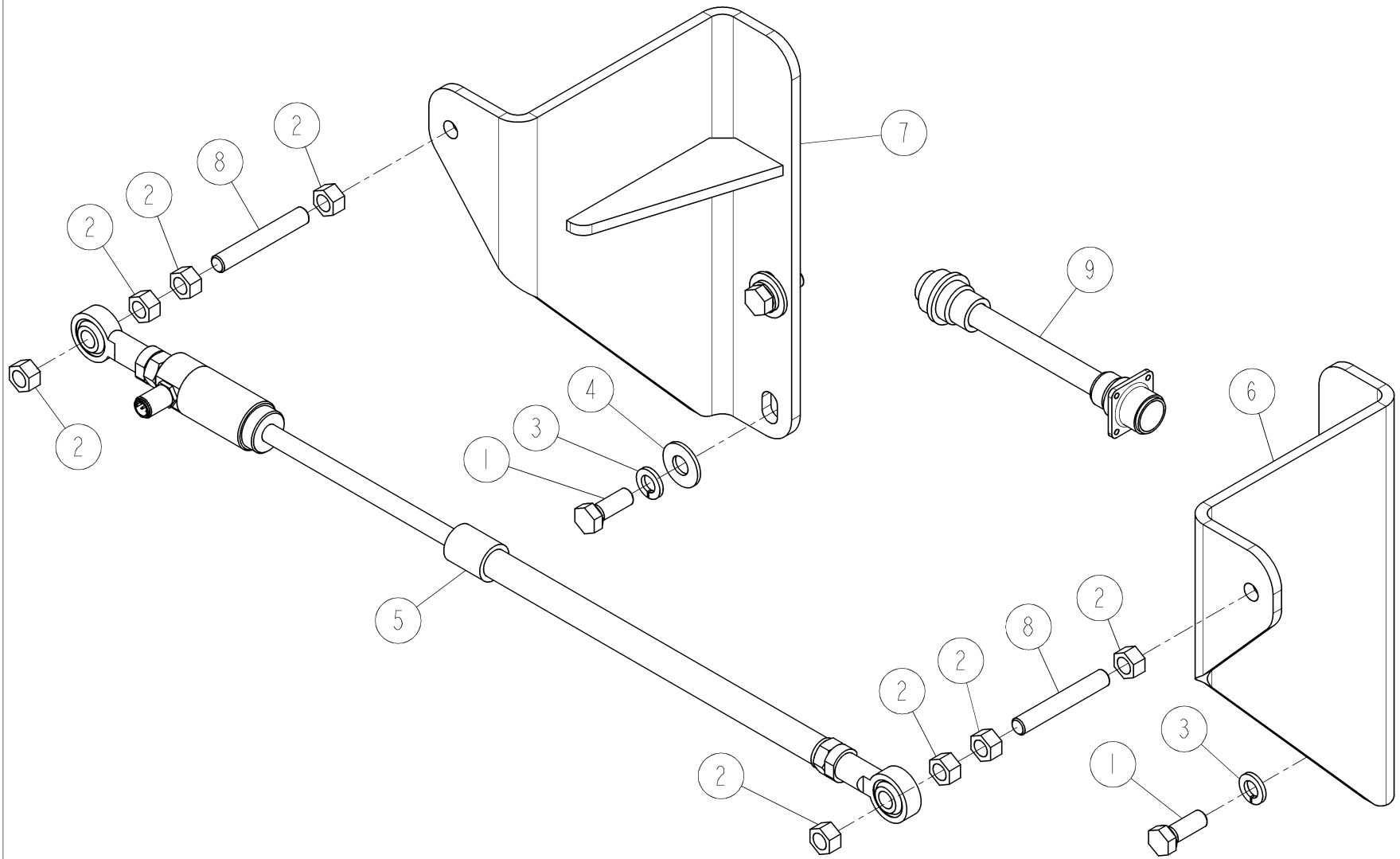


PTA DRIVE ASSY - SLF SPRT

910391-048

A

PTA DRIVE ASSY - SLF SPRT			910391-048	A
ITEM NO.	QTY	PART NUMBER	DESCRIPTION	
1	1	130-10F79	HYD MOTOR (18.7 CID)	
2	1	210-20B27	SNUBBING WASHER .375	
3	1	400-30A20	.375-16 UNC X .750 HHCS GR5	
4	3	400-30A70	.500-13 UNC X 2.750 HHCS GR8	
5	2	400-30B33	.500-13 UNC X 2.250 HHCS GR8	
6	2	400-30B55	.3125-18 UNC X .750 HHCS GR5	
7	4	400-30D36	.500-13 UNC X 2.000 HHCS GR8	
8	2	400-30D64	.250-20 UNC X .500 HHCS GR5	
9	1	400-48D31	.500-13 UNC X 3.500 HHCS GR8 (F/THD)	
10	2	400-52F20	.3125-18 UNC X 3.500 HHCS GR5	
11	11	415-30A07	.500-13 UNC GR8 HEX NUT	
12	4	420-30A32	FLAT WASHER .500 W	
13	2	420-30A36	LOCK WASHER .250	
14	9	420-30A37	LOCK WASHER .500	
15	4	420-30A38	LOCK WASHER .312	
16	1	420-30A41	LOCK WASHER .375	
17	1	625-25A16	LINK-CONNECTING, COTTER, STANDARD ROLLER	
18	1	635-45Q03	SPRKT 80B12F, 1.250 BORE & 3.864 PD	
19	1	675-54U91	SCREW JACK - 25 TON X 4.00 IN	
20	1	910319-010	SELF SUPPORTED PTA HYDRAULICS - N.S.	
21	1	910391-001	MOTOR MOUNT BRACKET - SLF SPRT PTA	
22	1	910391-002	CHAIN GUARD - SLF SPRT PTA	
23	1	910391-010	HYDR MOTOR MOUNT	
24	1	9625-00227	CHAIN - RC80 X 37.00 LG (37 LINKS)	
25	1	9635-00052	SPROCKET W/ RETAINER MOUNT HOLES	
26	1	9810-16746	SHEET - RETAINER	
27	3	9825-03049	BUSHING - BOLT, 1.34 OD X .56 ID	
28	1	9830-12157	SQUARE KEY - .3125 X 1.75 LG	
29	1	FW16-353	KEY, STEPPED .250 x .313 x 1.25	



LINEAR PTA SENSOR ASSY - SELF SPRT PTA

909540-015

D



LINEAR PTA SENSOR ASSY - SELF SPRT PTA		909540-015	D
ITEM NO.	QTY	PART NUMBER	DESCRIPTION
1	4	400-30A19	.375-16 UNC X 1.000 HHCS GR5
2	8	415-30A06	.375-16 UNC GR5 HEX NUT
3	4	420-30A41	LOCK WASHER .375
4	2	420-30A65	FLAT WASHER .375 W
5	1	500-54H07	SENSOR - MXRS, SST 200MM 0.5-4.5V
6	1	909540-017	MOUNT, LINEAR SENSOR PIVOT
7	1	909540-018	MOUNT, SENSOR RING PIVOT
8	2	9410-00687	THREADED ROD - DIA.375-16 UNC
9	1	CA04M-0180-0018	CA 4 PIN PLUG/BHD X 180 IN
10	1	CA04M-0180-0134	CA 4 PIN PLUG/(2) 2 PIN DEUTSCH
11	1	WH01-0230	CA 5P F M12/4P PLUG X 110 IN
12	2	WH03-0137	HARNESS, 2 PIN DEUTSCH TEE - FEMALE



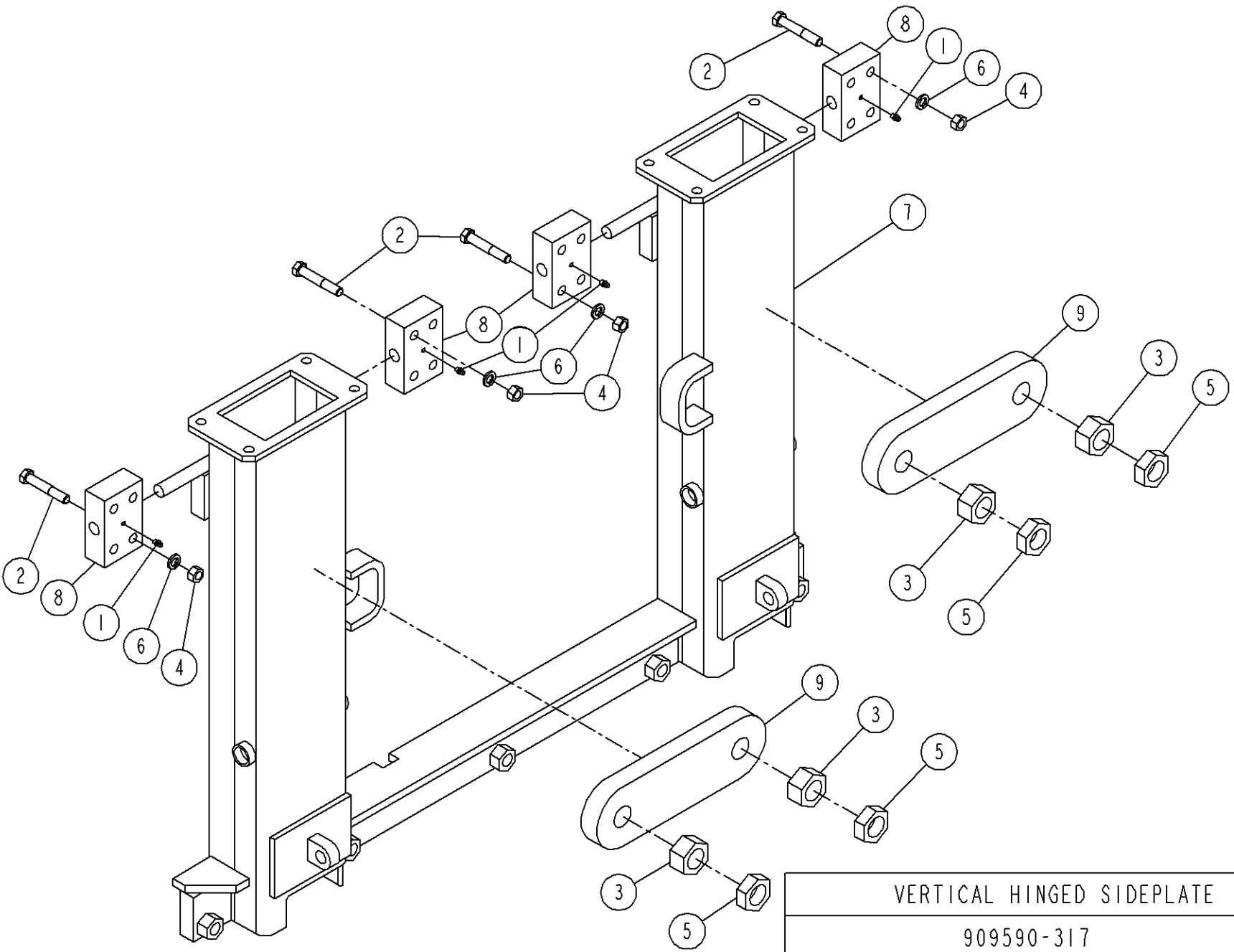
---

<b>Page #</b>	<b>Part Number</b>	<b>Description</b>
1	909590-317	VERTICAL HINGED SIDEPLATE
2	909593-734	SIDEPLATE SPLIT RH AUG FWD OVERLAP
3	909593-733	SIDEPLATE SPLIT LH AUG FWD OVERLAP
4	909593-730	FOLDING WING EXT RH AUGER FORWARD DRIVE
5	909593-729	FOLDING WING EXT LH AUGER FORWARD DRIVE

---





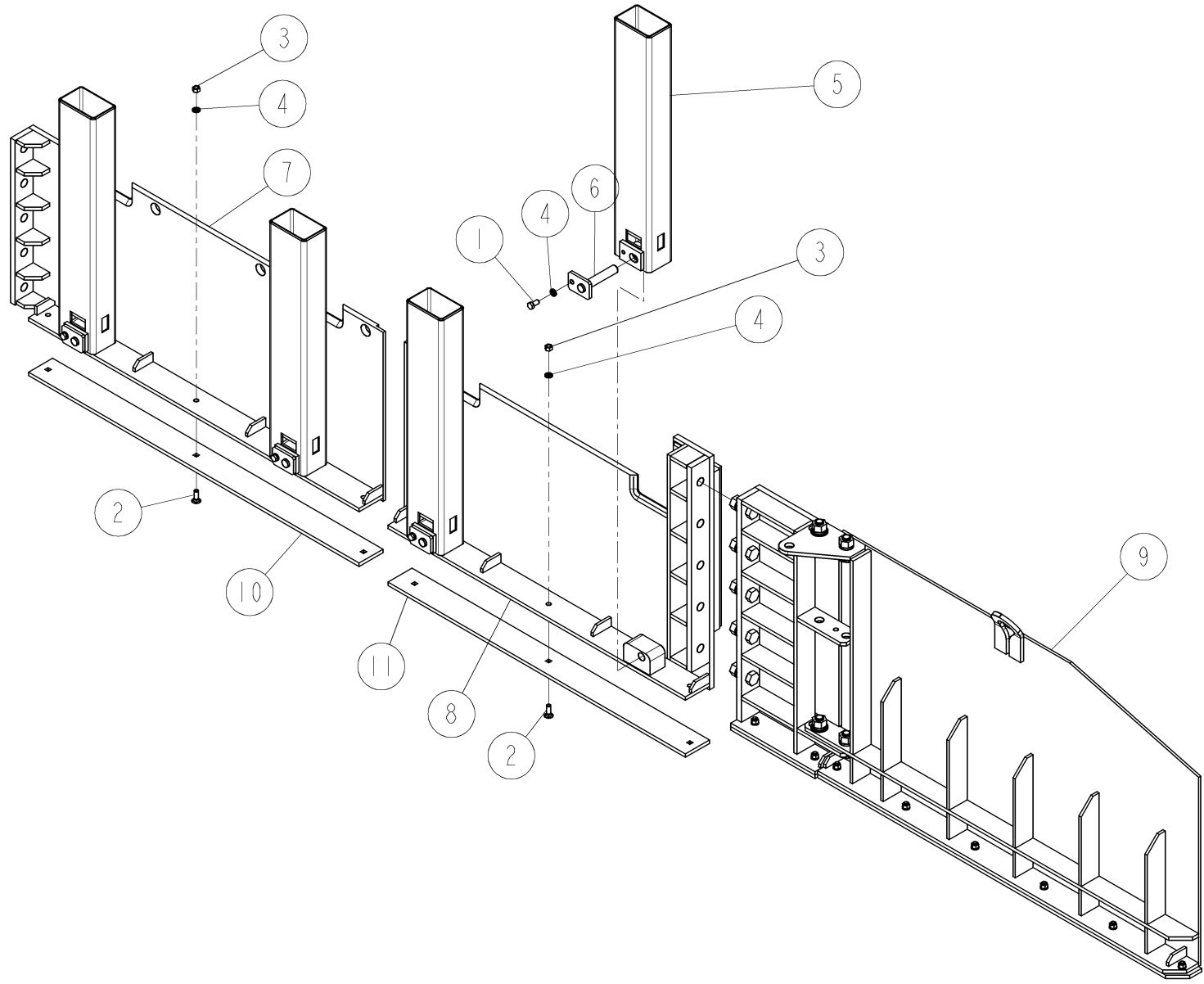


VERTICAL HINGED SIDEPLATE

909590-317

A.1

VERTICAL HINGED SIDEPLATE			909590-317	A.1
ITEM NO.	QTY	PART NUMBER	DESCRIPTION	
1	4	140-10H57	FTG - GREASE .250-28 STR	
2	16	400-30A95	.500-13 UNC X 3.000 HHCS GR8	
3	4	415-30A01	1.250-7 UNC GR8 HEX NUT	
4	16	415-30A07	.500-13 UNC GR8 HEX NUT	
5	4	415-30D89	1.250-7 UNC HEX JAM NUT	
6	16	420-30A37	LOCK WASHER .500	
7	1	909590-316	OUTER SIDE PLATE - REAR	
8	4	9830-08335	HINGE - VHS	
9	2	FW36-179	LOCK BAR	



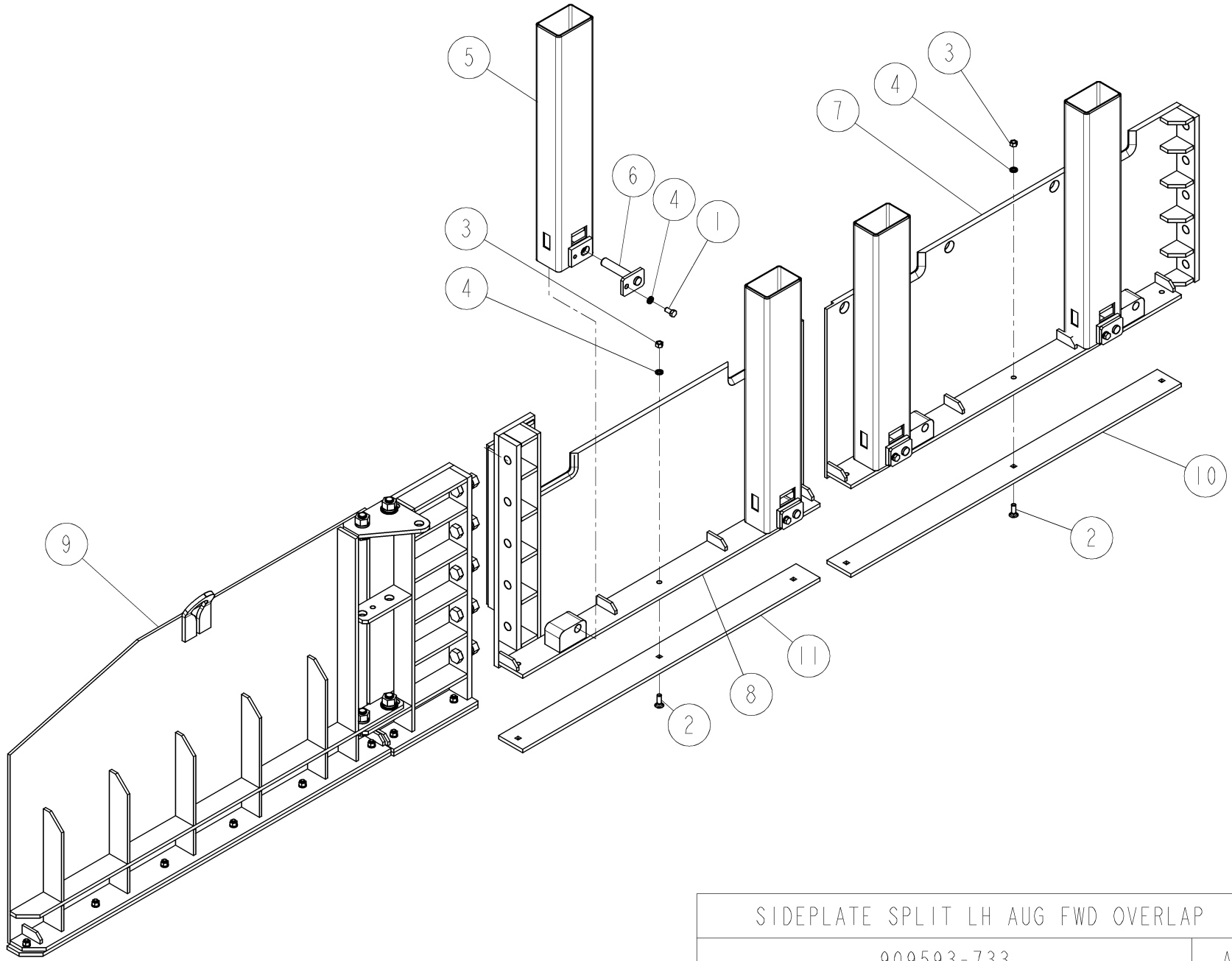
SIDEPLATE SPLIT RH AUG FWD OVERLAP

909593-734

A



SIDEPLATE SPLIT RH AUG FWD OVERLAP			909593-734	A
ITEM NO.	QTY	PART NUMBER	DESCRIPTION	
1	4	400-30D75	.500-13 UNC X 1.000 HHCS GR8	
2	6	410-30D28	.500-13 UNC X 1.500 CRG BOLT GR5	
3	6	415-30A07	.500-13 UNC GR8 HEX NUT	
4	10	420-30A37	LOCK WASHER .500	
5	4	909490-174	INNER GUIDE TUBE	
6	4	909490-175	PIN	
7	1	909593-205	SIDEPLATE, SPLIT, RH REAR, PVT TUBE	
8	1	909593-248	SIDEPLATE, SPLIT RH FRONT, PVT TUBE	
9	1	909593-730	FOLDING WING EXT RH AUGER FORWARD DRIVE	
10	1	9830-08748	REAR SKID BAR	
11	1	9830-08749	FRONT SKID BAR	

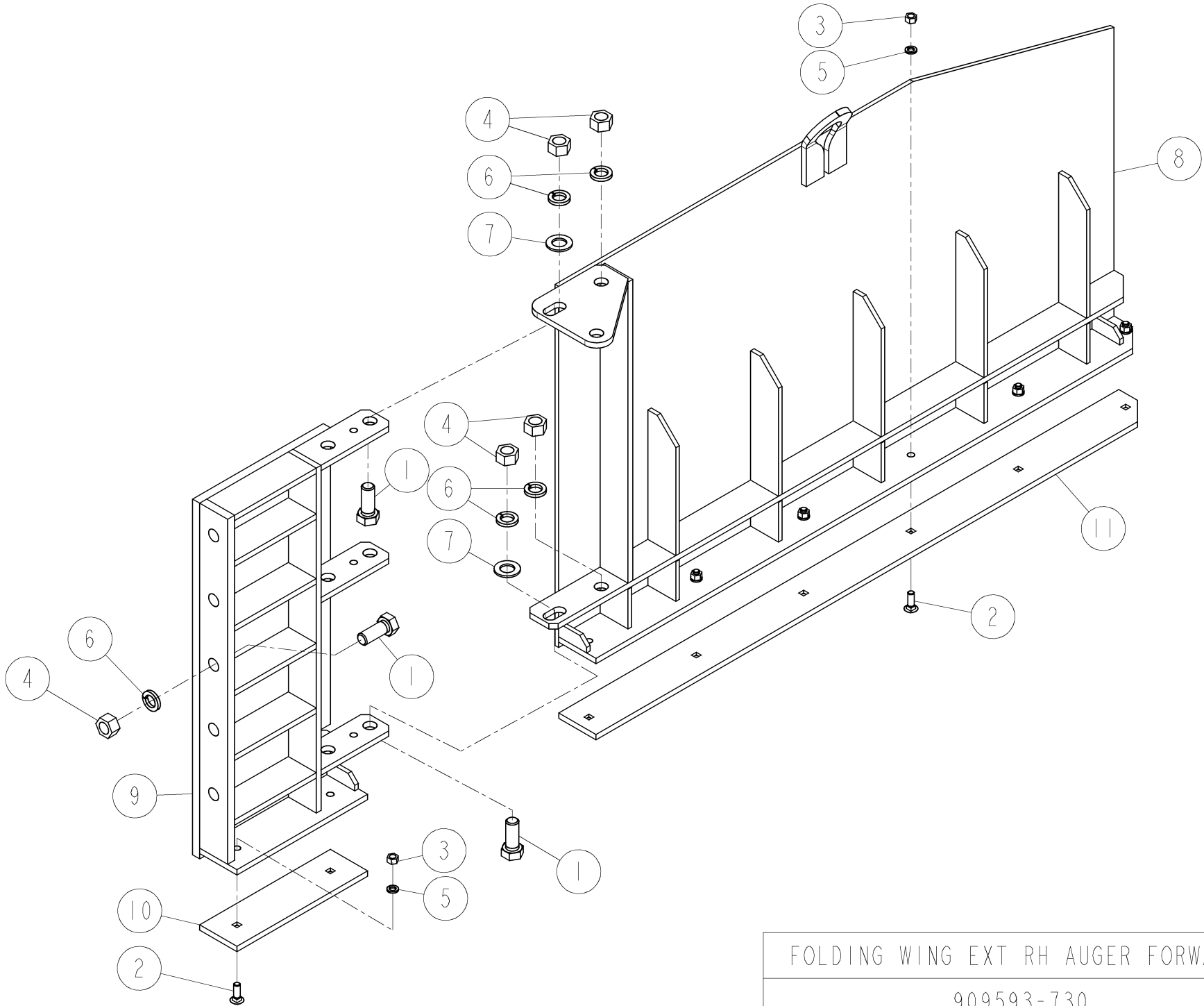


SIDEPLATE SPLIT LH AUG FWD OVERLAP

909593-733

A

SIDEPLATE SPLIT LH AUG FWD OVERLAP			909593-733	A
ITEM NO.	QTY	PART NUMBER	DESCRIPTION	
1	4	400-30D75	.500-13 UNC X 1.000 HHCS GR8	
2	6	410-30D28	.500-13 UNC X 1.500 CRG BOLT GR5	
3	6	415-30A07	.500-13 UNC GR8 HEX NUT	
4	10	420-30A37	LOCK WASHER .500	
5	4	909490-174	INNER GUIDE TUBE	
6	4	909490-175	PIN	
7	1	909593-204	SIDEPLATE, SPLIT, LH REAR, PVT TUBE	
8	1	909593-247	SIDEPLATE, SPLIT LH FRONT, PVT TUBE	
9	1	909593-729	FOLDING WING EXT LH AUGER FORWARD DRIVE	
10	1	9830-08748	REAR SKID BAR	
11	1	9830-08749	FRONT SKID BAR	

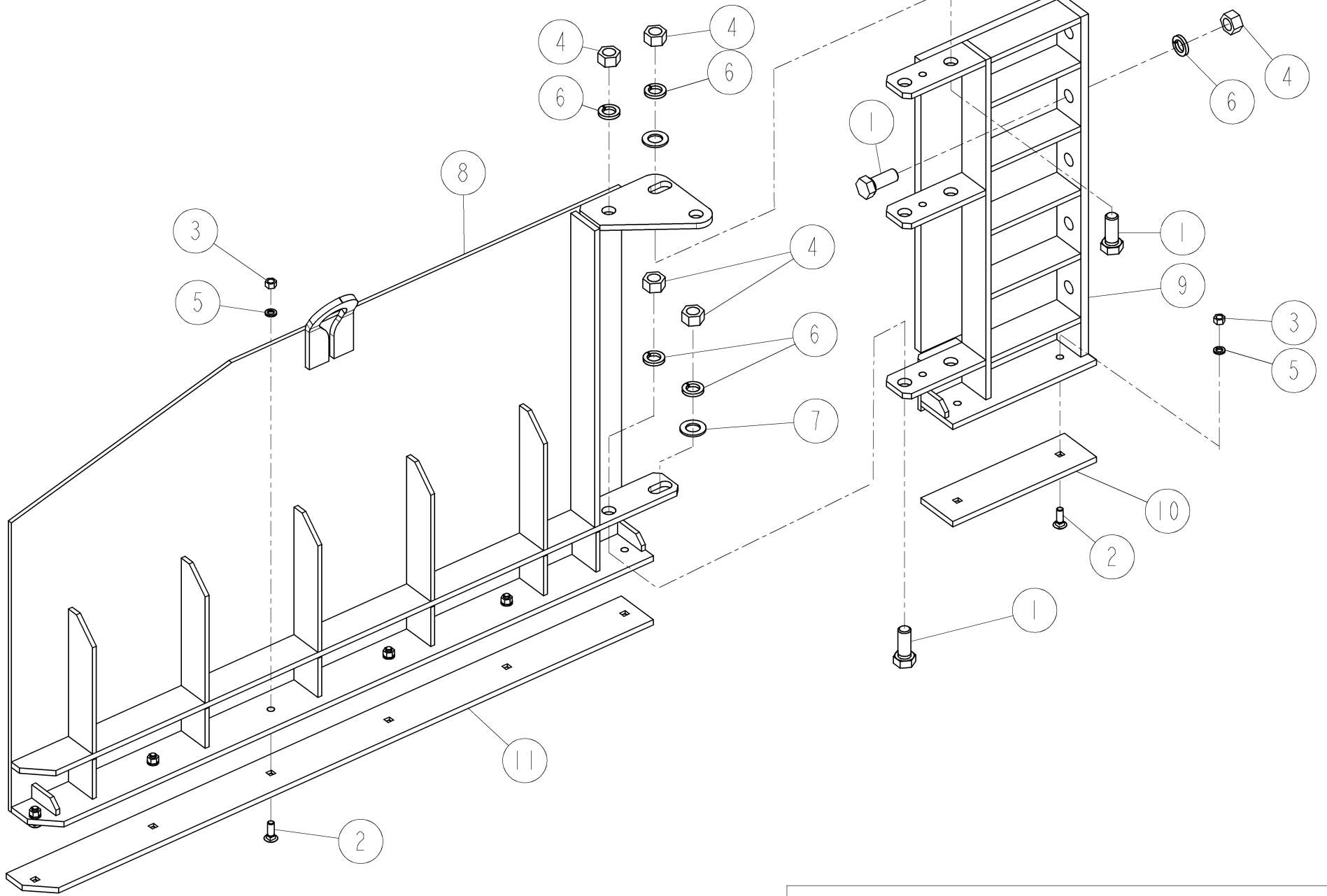


FOLDING WING EXT RH AUGER FORWARD DRIVE

909593-730

B

FOLDING WING EXT RH AUGER FORWARD DRIVE		909593-730	B
ITEM NO.	QTY	PART NUMBER	DESCRIPTION
1	9	400-30C61	1.000-8 UNC X 2.500 HHCS GR8
2	8	410-30D28	.500-13 UNC X 1.500 CRG BOLT GR5
3	8	415-30A07	.500-13 UNC GR8 HEX NUT
4	9	415-30A71	1.000-8 UNC GR8 HEX NUT
5	8	420-30A37	LOCK WASHER .500
6	9	420-30A88	LOCK WASHER 1.000
7	2	420-45T12	FLAT WASHER 1.000 A325
8	1	909493-454	FRONT WING, FOLDING, RH, 5 FT (3100 MOLD)
9	1	909593-728	SIDEPLATE EXT - FOLDING, RH 14.00IN
10	1	9830-16072	SKID BAR - 14.00IN
11	1	FW56-344	SKID BAR, 5 FT RH FRONT WING



FOLDING WING EXT LH AUGER FORWARD DRIVE

909593-729

A

FOLDING WING EXT LH AUGER FORWARD DRIVE			909593-729	A
ITEM NO.	QTY	PART NUMBER	DESCRIPTION	
1	9	400-30C61	1.000-8 UNC X 2.500 HHCS GR8	
2	8	410-30D28	.500-13 UNC X 1.500 CRG BOLT GR5	
3	8	415-30A07	.500-13 UNC GR8 HEX NUT	
4	9	415-30A71	1.000-8 UNC GR8 HEX NUT	
5	8	420-30A37	LOCK WASHER .500	
6	9	420-30A88	LOCK WASHER 1.000	
7	2	420-45T12	FLAT WASHER 1.000 A325	
8	1	909493-455	FRONT WING, FOLDING, LH, 5 FT	
9	1	909593-727	SIDEPLATE EXT - FOLDING, LH 14.00IN	
10	1	9830-16072	SKID BAR - 14.00IN	
11	1	FW56-345	SKID BAR - 5 FT LH FRONT WING	





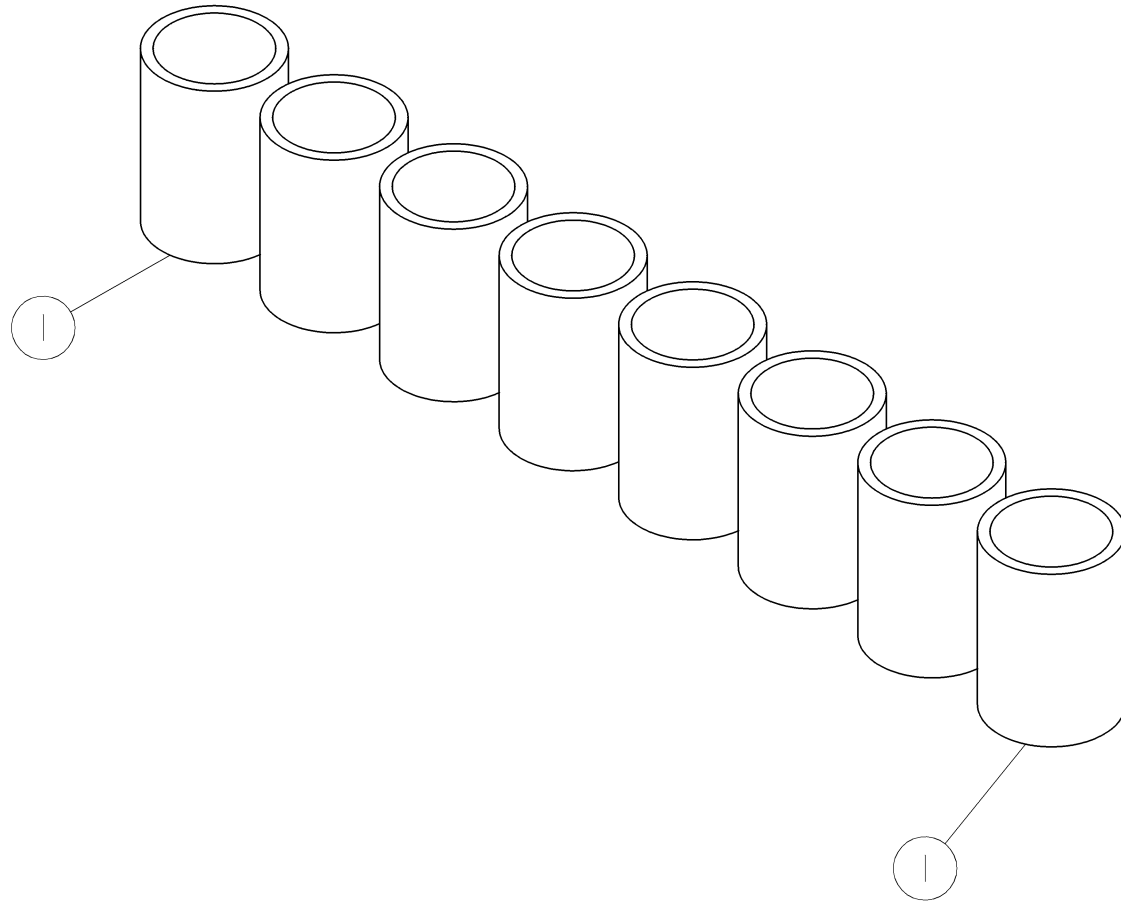
---

<b>Page #</b>	<b>Part Number</b>	<b>Description</b>
1	909590-716	SHIPPING SUPPORT TUBES

---







SHIPPING SUPPORT TUBES

909590-716

B

		<b>SHIPPING SUPPORT TUBES</b>	<b>909590-716</b>	<b>B</b>
<b>ITEM NO.</b>	<b>QTY</b>	<b>PART NUMBER</b>	<b>DESCRIPTION</b>	
1	8	9850-02110	SHIPPING SUPPORT TUBE	



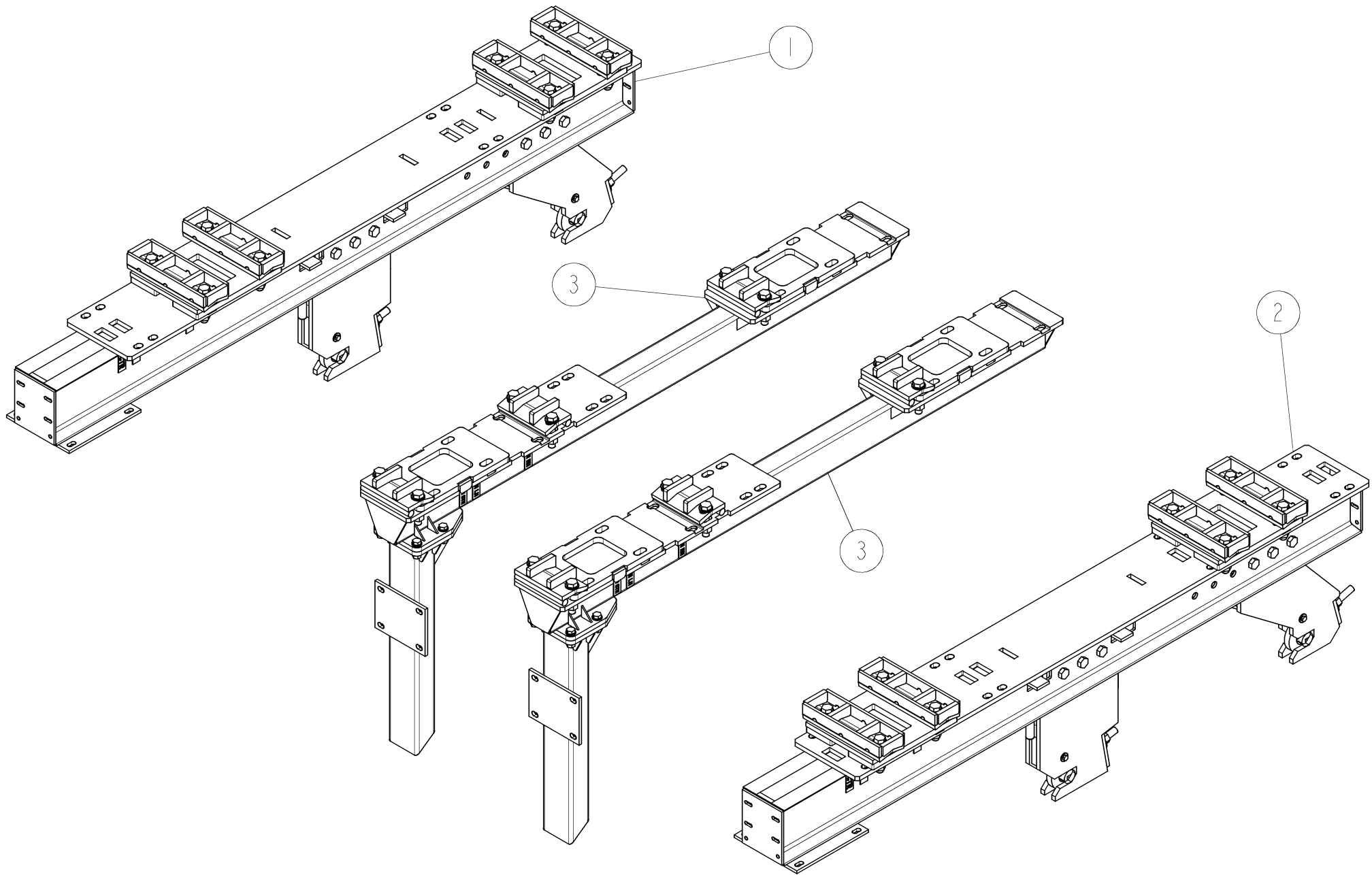
---

<b>Page #</b>	<b>Part Number</b>	<b>Description</b>
1	912616-064	5000 MOLD MT ASSY, AUG FWD W/ AUG DR MT
2	912616-065	MULE MT ASSY - 5000 MOLD - AUGER FWD, RH
3	912616-066	MULE MT ASSY - 5000 MOLD - AUGER FWD, LH
4	912690-005	AUGER DRIVE MT, AUG FWD - 3100/5000 MOLD
5	912616-085	DEPTH ADJ ASSY - 4 IN DN 5000 AUG FWD







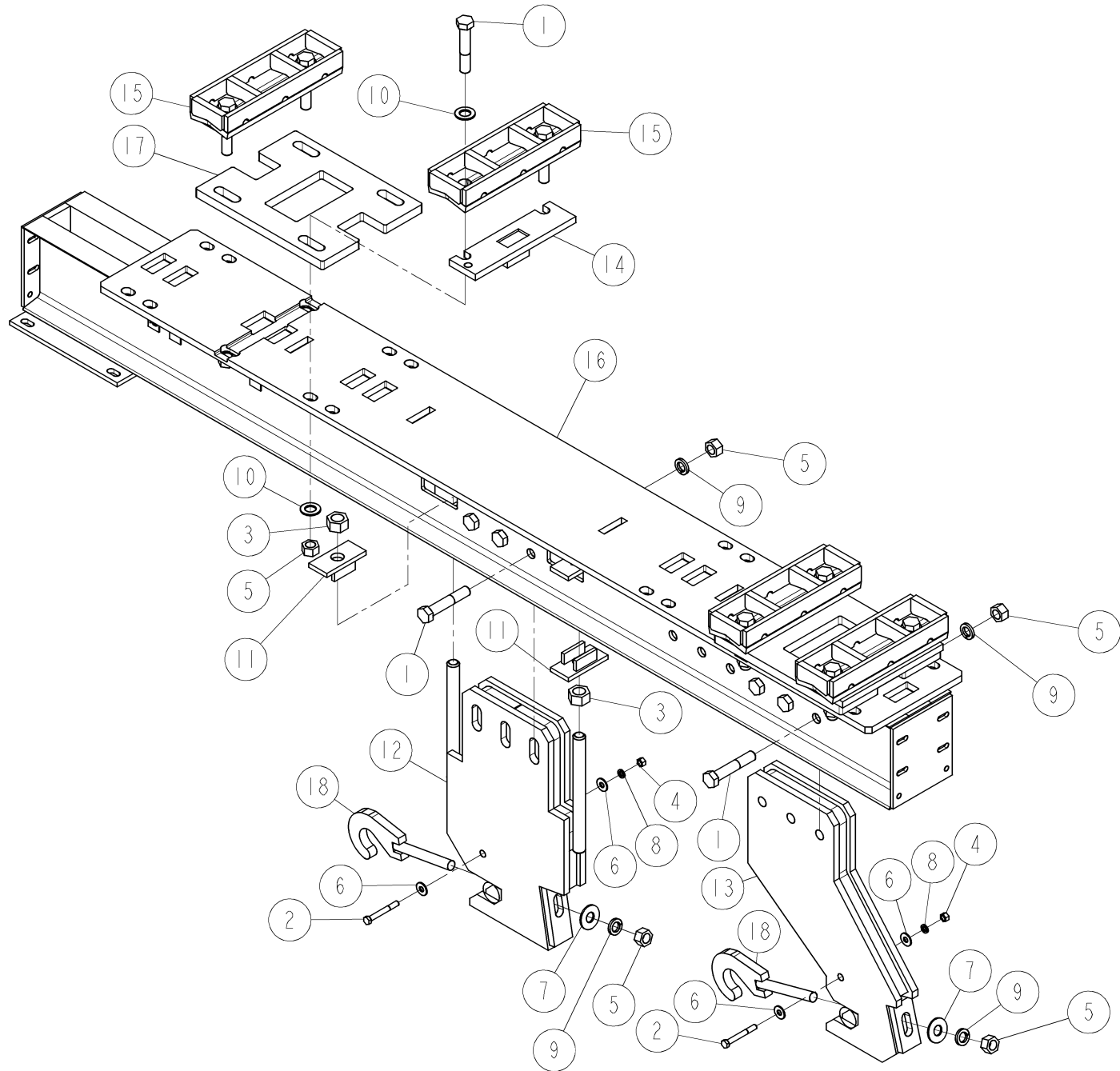


5000 MOLD MT ASSY, AUG FWD W/ AUG DR MT

912616-064

B

5000 MOLD MT ASSY, AUG FWD W/ AUG DR MT		912616-064	B
ITEM NO.	QTY	PART NUMBER	DESCRIPTION
1	1	912616-065	MULE MT ASSY - 5000 MOLD - AUGER FWD, RH
2	1	912616-066	MULE MT ASSY - 5000 MOLD - AUGER FWD, LH
3	2	912690-005	AUGER DRIVE MT, AUG FWD - 3100/5000 MOLD

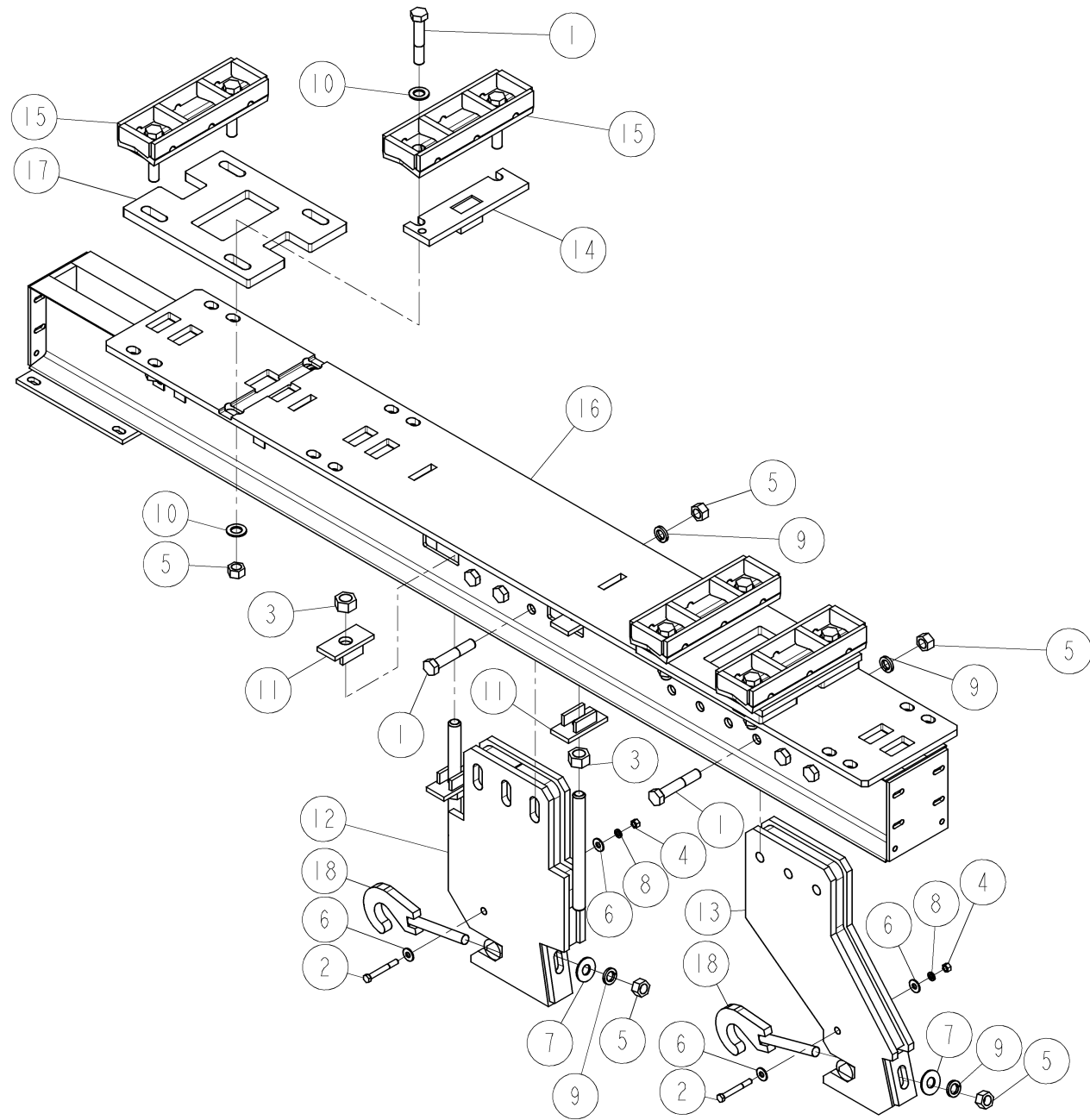


MULE MT ASSY - 5000 MOLD - AUGER FWD, RH

912616-065

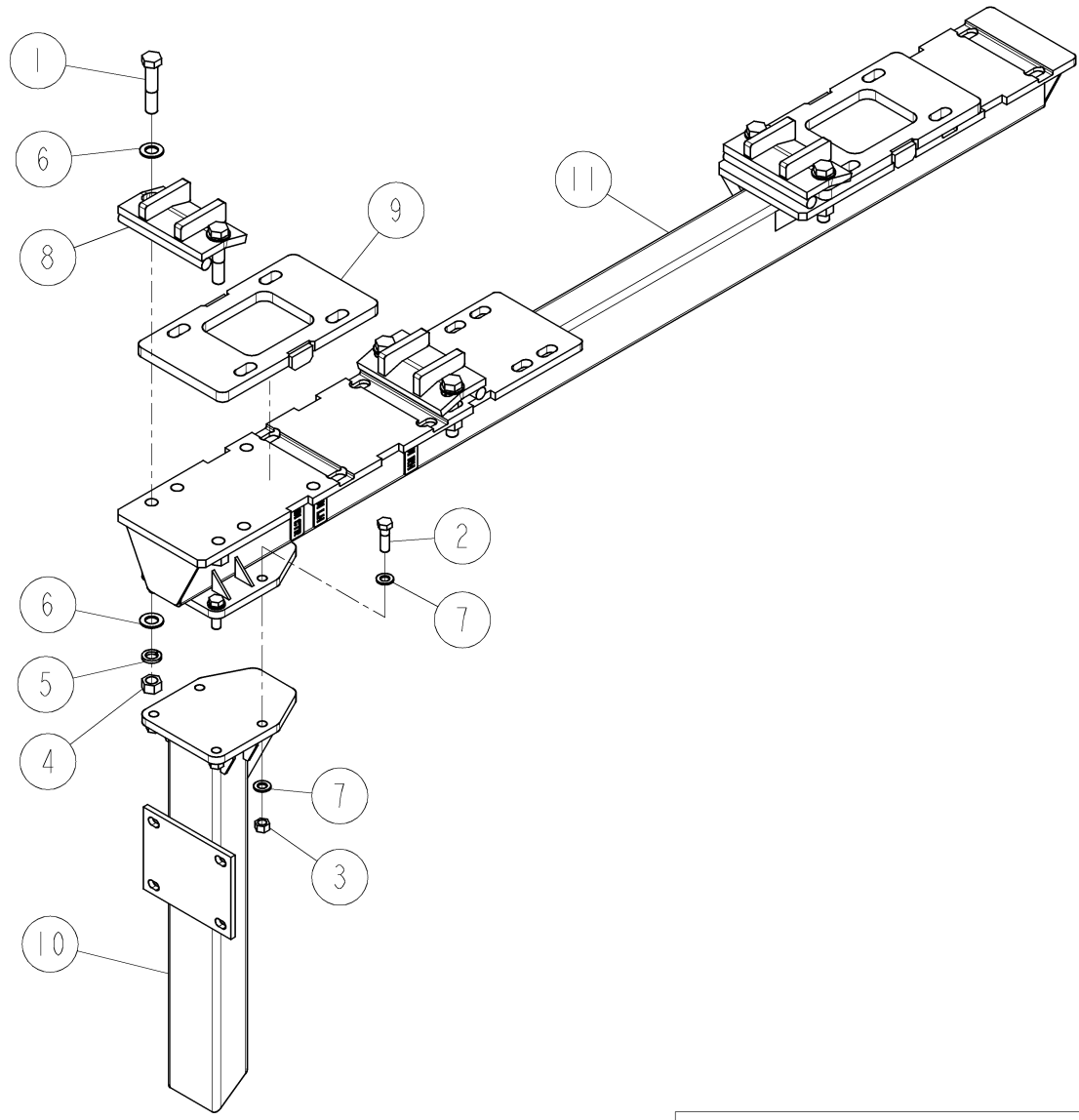
A

MULE MT ASSY - 5000 MOLD - AUGER FWD, RH			912616-065	A
ITEM NO.	QTY	PART NUMBER	DESCRIPTION	
1	14	400-30C41	1.000-8 UNC X 5.500 HHCS GR8	
2	2	400-45X93	.500-13 UNC X 4.000 HHCS GR8	
3	4	415-30A01	1.250-7 UNC GR8 HEX NUT	
4	2	415-30A07	.500-13 UNC GR8 HEX NUT	
5	16	415-30A71	1.000-8 UNC GR8 HEX NUT	
6	4	420-30A32	FLAT WASHER .500 W	
7	2	420-30A34	FLAT WASHER 1.000 W	
8	2	420-30A37	LOCK WASHER .500	
9	8	420-30A88	LOCK WASHER 1.000	
10	16	420-45T12	FLAT WASHER 1.000 A325	
11	4	905216-222	MULE MOUNT WASHER	
12	1	905216-224	MOUNT-MULE, ADJUSTABLE, MIDDLE	
13	1	905216-225	MOUNT-MULE, ADJUSTABLE, REAR	
14	4	912616-013	LOCATOR BAR - MULE MOUNT	
15	4	912616-014	CLAMP	
16	1	912616-067	MULE MT FRAME, AUG FWD - 3100/5000 MOLD	
17	2	9800-37974	SPACER - MULE MOUNT	
18	2	FW56-031	MULE MOUNT LATCH	



MULE MT ASSY - 5000 MOLD - AUGER FWD, LH
912616-066
A

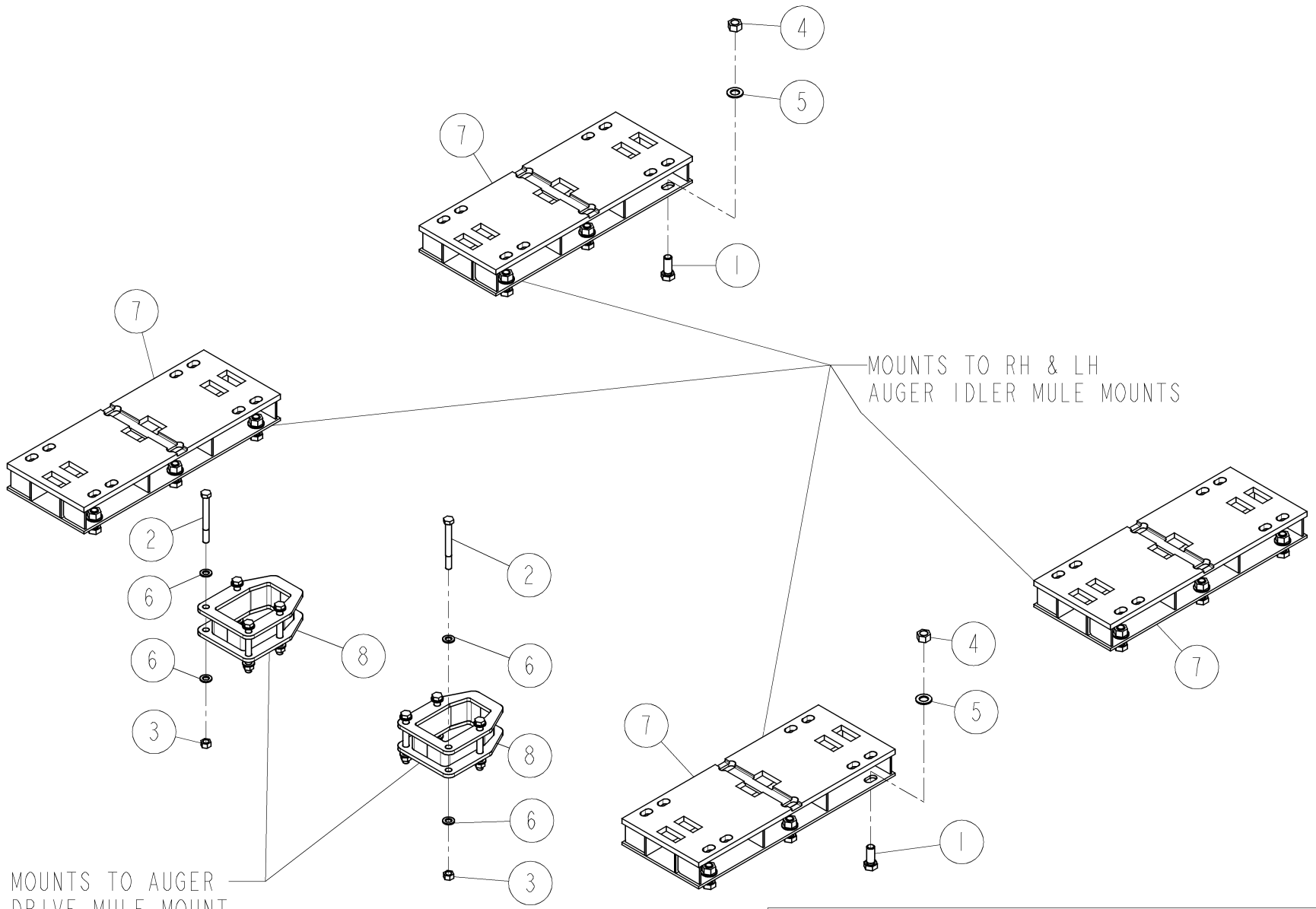
MULE MT ASSY - 5000 MOLD - AUGER FWD, LH		912616-066	A
ITEM NO.	QTY	PART NUMBER	DESCRIPTION
1	14	400-30C41	1.000-8 UNC X 5.500 HHCS GR8
2	2	400-45X93	.500-13 UNC X 4.000 HHCS GR8
3	4	415-30A01	1.250-7 UNC GR8 HEX NUT
4	2	415-30A07	.500-13 UNC GR8 HEX NUT
5	16	415-30A71	1.000-8 UNC GR8 HEX NUT
6	4	420-30A32	FLAT WASHER .500 W
7	2	420-30A34	FLAT WASHER 1.000 W
8	2	420-30A37	LOCK WASHER .500
9	8	420-30A88	LOCK WASHER 1.000
10	16	420-45T12	FLAT WASHER 1.000 A325
11	4	905216-222	MULE MOUNT WASHER
12	1	905216-224	MOUNT-MULE, ADJUSTABLE, MIDDLE
13	1	905216-225	MOUNT-MULE, ADJUSTABLE, REAR
14	4	912616-013	LOCATOR BAR - MULE MOUNT
15	4	912616-014	CLAMP
16	1	912616-067	MULE MT FRAME, AUG FWD - 3100/5000 MOLD
17	2	9800-37974	SPACER - MULE MOUNT
18	2	FW56-031	MULE MOUNT LATCH



AUGER DRIVE MT, AUG FWD - 3100/5000 MOLD	
912690-005	B



AUGER DRIVE MT, AUG FWD - 3100/5000 MOLD			912690-005	B
ITEM NO.	QTY	PART NUMBER	DESCRIPTION	
1	6	400-30A63	1.000-8 UNC X 5.000 HHCS GR8	
2	4	400-30D83	.750-10 UNC X 2.500 HHCS GR8	
3	4	415-30A03	.750-10 UNC GR8 HEX NUT	
4	6	415-30A71	1.000-8 UNC GR8 HEX NUT	
5	6	420-30A88	LOCK WASHER 1.000	
6	12	420-45T12	FLAT WASHER 1.000 A325	
7	8	420-45T38	FLAT WASHER .750 A325	
8	3	905216-199	MOUNT CHANNEL CLAMP, FORMED	
9	2	912690-004	T-RAIL SPACER	
10	1	912690-006	PUSHER ARM	
11	1	912690-007	CENTER PUSHER MOUNT	



DEPTH ADJ ASSY - 4 IN DN 5000 AUG FWD

912616-085

B

DEPTH ADJ ASSY - 4 IN DN 5000 AUG FWD			912616-085	B
ITEM NO.	QTY	PART NUMBER	DESCRIPTION	
1	24	400-30C61	1.000-8 UNC X 2.500 HHCS GR8	
2	8	400-30E03	.750-10 UNC X 7.000 HHCS GR8	
3	8	415-30A03	.750-10 UNC GR8 HEX NUT	
4	24	415-30A71	1.000-8 UNC GR8 HEX NUT	
5	24	420-45T12	FLAT WASHER 1.000 A325	
6	16	420-45T38	FLAT WASHER .750 A325	
7	4	912616-072	DEPTH ADJ - 5000 CENTER, 4IN DN	
8	2	912690-008	SPACER - PUSHER ARM, 4.00IN	

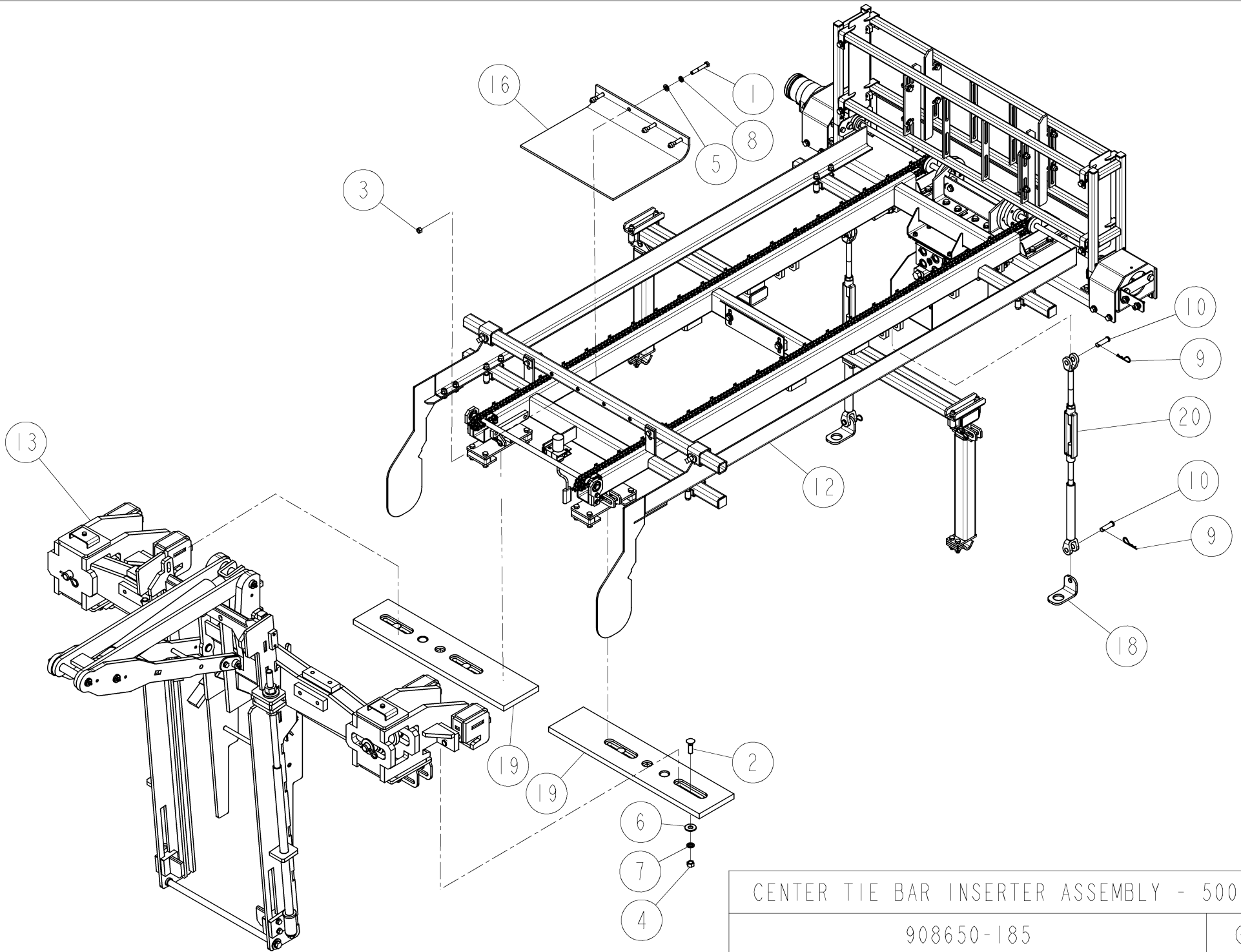


---

<b>Page #</b>	<b>Part Number</b>	<b>Description</b>
1	908650-185	CENTER TIE BAR INSERTER ASSEMBLY - 5000
2	908611-224	BAR INSERTER ASSEMBLY
3	908611-284	BAR INSERTER GUIDE ASSEMBLY
4	908611-195	FORK LINKAGE ASSEMBLY (SMART CYLINDER)
5	908611-231	BAR INSERTER MOUNT ASSY - PINNED
6	908611-232	BAR INSERTER MOUNT ASSY - SLOTTED
7	908611-169	CHAIN DRIVE - CTR TIE BAR INSERTER
8	908611-112	IDLER ASSEMBLY
9	908611-118	CLAMP W/ HOLE, ASSY
10	908611-119	CLAMP W/ SLOT, ASSY
11	908611-150	SIDE PLATE ASSEMBLY
12	908611-170	LEG ASSEMBLY - REAR, PINNED
13	908611-171	LEG ASSEMBLY - REAR, SLOTTED
14	908611-187	TIE BAR HOPPER - CAM STYLE
15	908611-188	DRIVE MOUNT ASSEMBLY - CAM STYLE
16	908611-223	CAM ASSEMBLY - TIE BAR INSERTER
17	908611-262	BAR BOX ASSY (GOPAV)
18	908611-146	BAR BOX ASSEMBLY
19	908611-282	BAR BOX ADAPTER ATTACHMENT
20	908620-041	CONTROL BOX - TBI/PTA, G+
21	908611-136	CONTROL BOX MOUNT ASSEMBLY - TBI







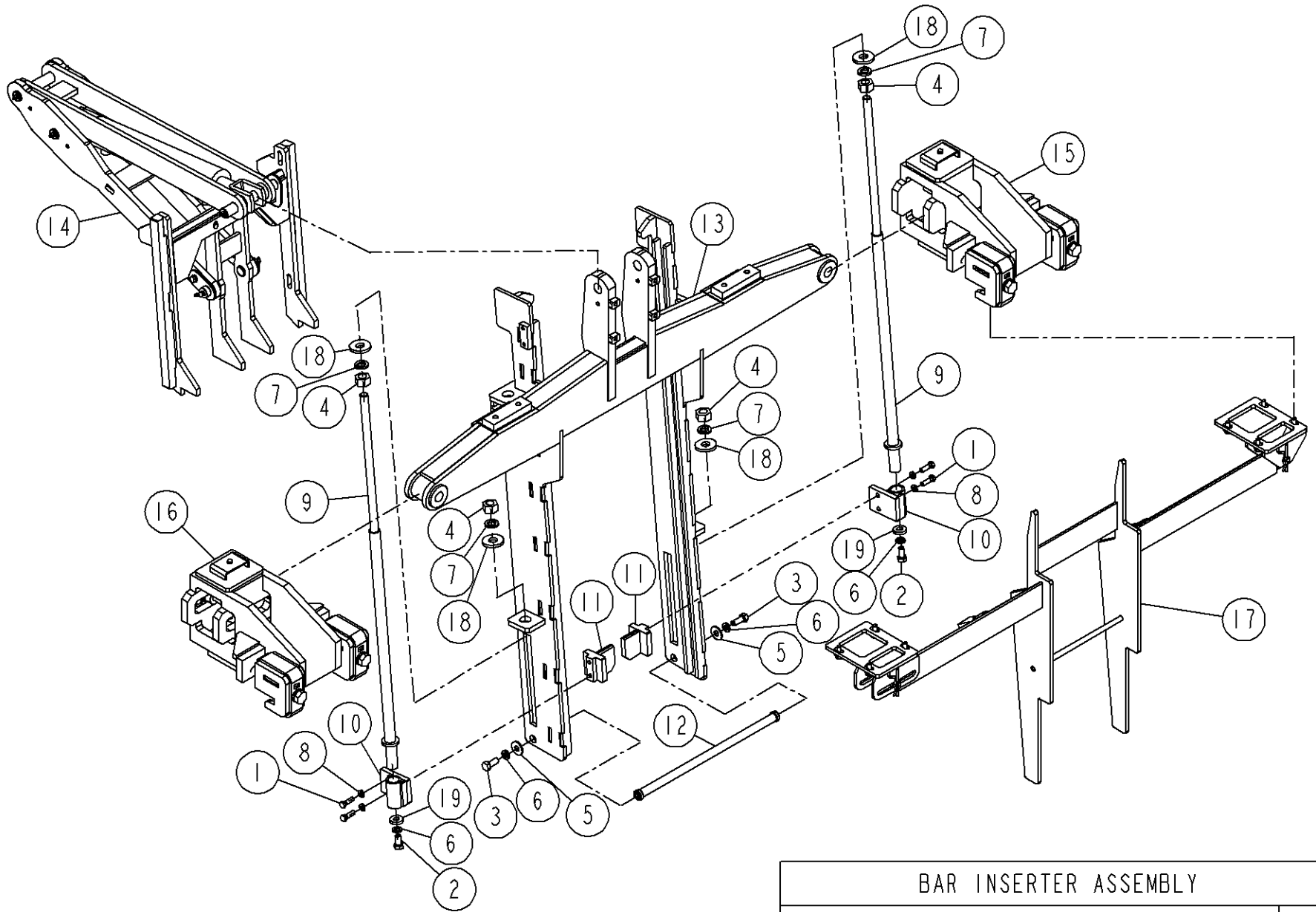
CENTER TIE BAR INSERTER ASSEMBLY - 5000

908650-185

G



CENTER TIE BAR INSERTER ASSEMBLY - 5000			908650-185	G
ITEM NO.	QTY	PART NUMBER	DESCRIPTION	
1	4	400-30A90	.375-16 UNC X 2.500 HHCS GR5	
2	6	410-46A68	.500-13 UNC X 1.750 CRG BOLT GR5	
3	4	415-30A06	.375-16 UNC GR5 HEX NUT	
4	6	415-30A07	.500-13 UNC GR8 HEX NUT	
5	4	420-10T99	FLAT WASHER .375 F436	
6	6	420-30A32	FLAT WASHER .500 W	
7	6	420-30A37	LOCK WASHER .500	
8	4	420-30A41	LOCK WASHER .375	
9	4	430-30D93	HAIR PIN (NO. 7)	
10	4	430-48W62	CLEVIS PIN .500 X 1.750	
11	1	908611-136	CONTROL BOX MOUNT ASSEMBLY - TBI	
12	1	908611-169	CHAIN DRIVE - CTR TIE BAR INSERTER	
13	1	908611-224	BAR INSERTER ASSEMBLY	
14	1	908619-024	TIE BAR INSERTER HYDR, 24V (SMART CYL)	
15	1	908620-043	ELEC ASSY, G+ TBI/PTA MOLD MTD 24V (NS)	
16	1	9610-01525	FLAP - RUBBER (16.00 IN X 15.00 IN)	
17	2	9800-01746	VIBRATOR TUBE OFFSET PLATE	
18	2	9800-39448	MOUNT	
19	2	9830-14482	T-BAR, BOLT ON	
20	2	FW26-064	TURNBUCKLE, .625 X 28.00 (+- 3.00)	

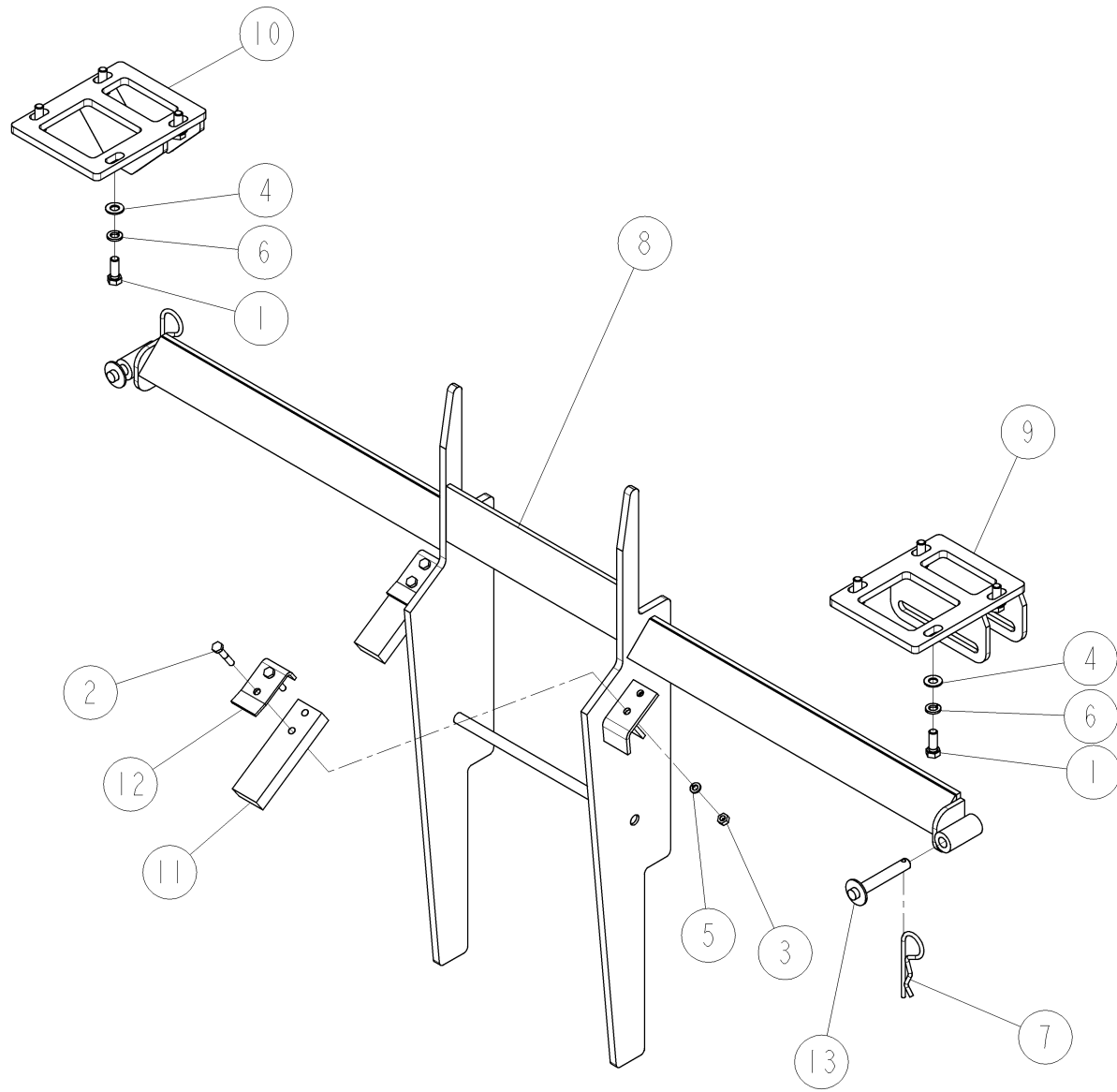


BAR INSERTER ASSEMBLY

908611-224

C

BAR INSERTER ASSEMBLY			908611-224	C
ITEM NO.	QTY	PART NUMBER	DESCRIPTION	
1	4	400-30B85	.375-16 UNC X 1.250 HHCS GR5	
2	2	400-30D75	.500-13 UNC X 1.000 HHCS GR8	
3	2	400-30D76	.500-13 UNC X 1.250 HHCS GR8	
4	4	415-30A68	.750-4.5 CONTOUR GR8 HEX NUT	
5	2	420-30A32	FLAT WASHER .500 W	
6	4	420-30A37	LOCK WASHER .500	
7	4	420-30A40	LOCK WASHER .750	
8	4	420-30A41	LOCK WASHER .375	
9	2	908610-148	DEPTH STOP/ADJUSTMENT ROD	
10	2	908610-149	STOP - OUTER	
11	2	908610-150	STOP - INNER	
12	1	908610-158	WIDTH KEEPER	
13	1	908610-260	BAR INSERTER CROSSBAR/GUIDE RAIL	
14	1	908611-195	FORK LINKAGE ASSEMBLY (SMART CYLINDER)	
15	1	908611-231	BAR INSERTER MOUNT ASSY - PINNED	
16	1	908611-232	BAR INSERTER MOUNT ASSY - SLOTTED	
17	1	908611-284	BAR INSERTER GUIDE ASSEMBLY	
18	4	9800-31148	WASHER	
19	2	9800-31151	WASHER	

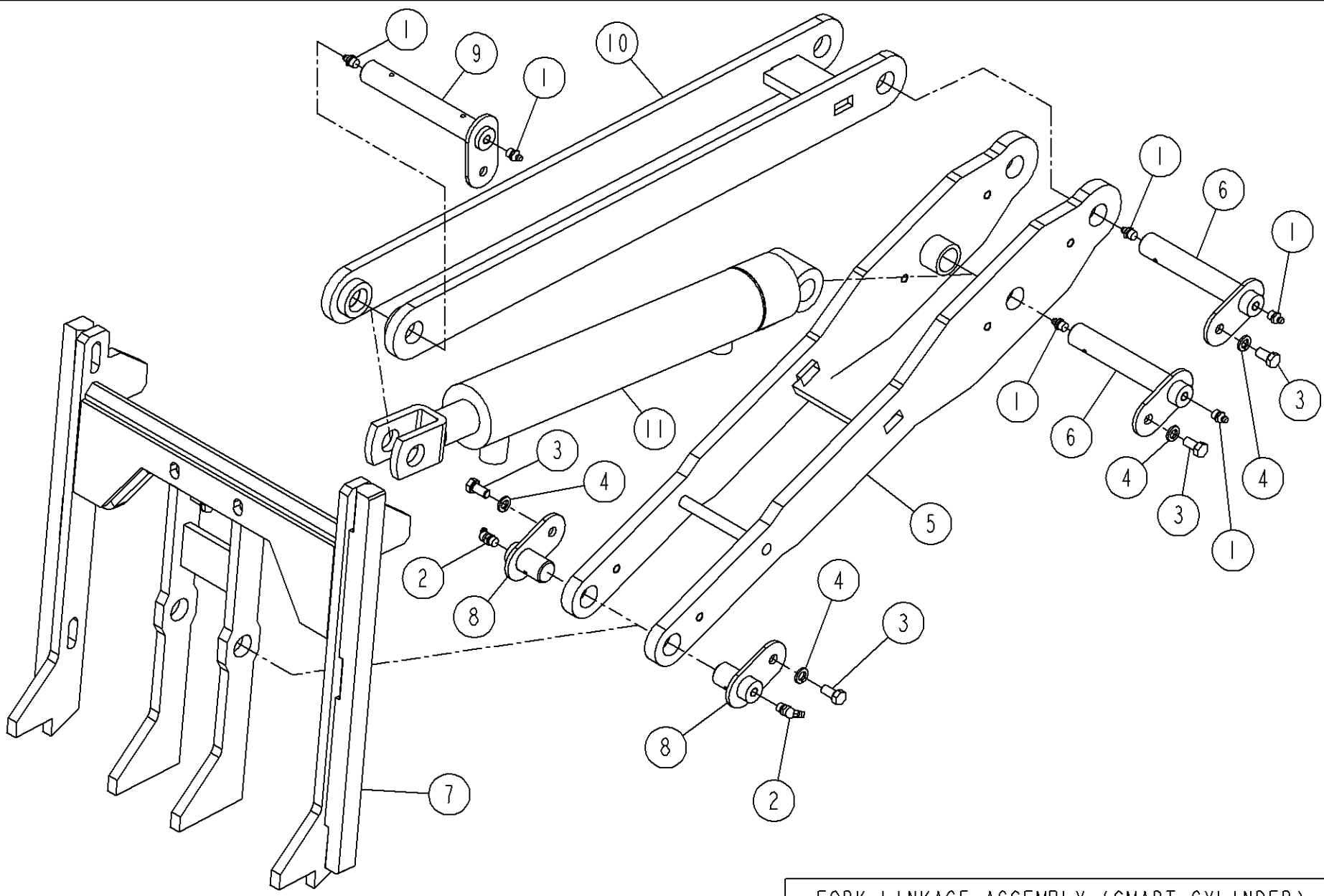


BAR INSERTER GUIDE ASSEMBLY

908611-284

C

BAR INSERTER GUIDE ASSEMBLY			908611-284	C
ITEM NO.	QTY	PART NUMBER	DESCRIPTION	
1	8	400-30A19	.375-16 UNC X 1.000 HHCS GR5	
2	4	400-30A67	.250-20 UNC X 1.500 HHCS GR5	
3	4	415-30A04	.250-20 UNC GR5 HEX NUT	
4	8	420-10T99	FLAT WASHER .375 F436	
5	4	420-30A36	LOCK WASHER .250	
6	8	420-30A41	LOCK WASHER .375	
7	2	430-45G34	HAIR PIN (NO. 8)	
8	1	908610-307	BAR INSERTER GUIDE - HANGING	
9	1	908610-308	SLOTTED MOUNT	
10	1	908610-309	PINNED MOUNT	
11	2	9610-00876	BAR HOLDER	
12	2	9810-15680	RUBBER KEEPER - FORMED	
13	2	CL47-006	PIN	

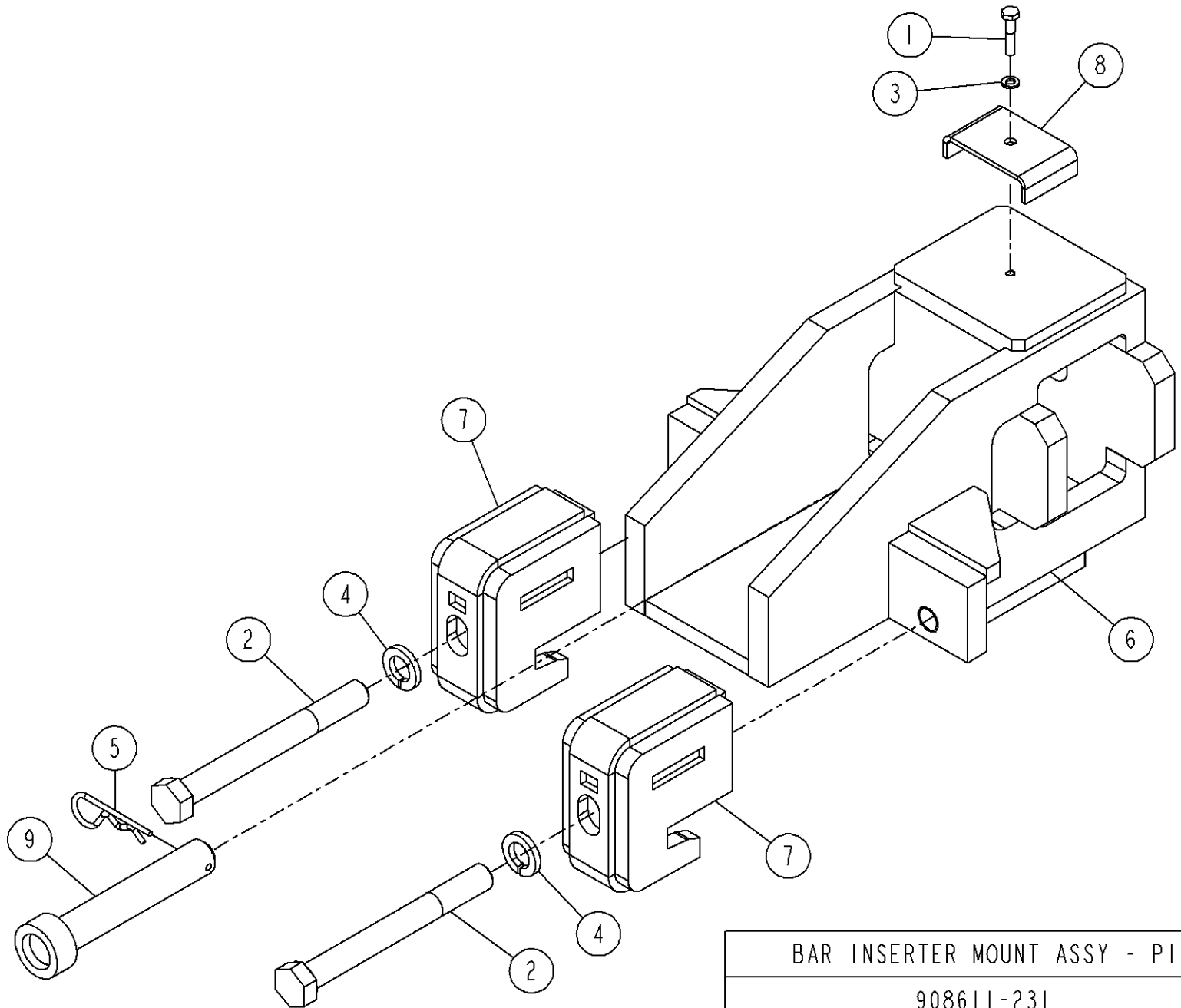


FORK LINKAGE ASSEMBLY (SMART CYLINDER)

908611-195

F

FORK LINKAGE ASSEMBLY (SMART CYLINDER)		908611-195	F
ITEM NO.	QTY	PART NUMBER	DESCRIPTION
1	6	140-10H95	FTG - GREASE .125 NPT STR
2	2	140-10J11	FTG - GREASE .125 NPT X 45
3	5	400-30A20	.375-16 UNC X .750 HHCS GR5
4	5	420-30A41	LOCK WASHER .375
5	1	908610-140	LINK ARM - LOWER
6	2	908610-143	PIN
7	1	908610-144	BAR INSERTER FORKS
8	2	908610-164	PIN
9	1	908610-239	PIN
10	1	908610-270	LINK ARM - UPPER
11	1	GT10-514	CYLINDER - HYDR, 2.50 X 12.00 IN, SMART



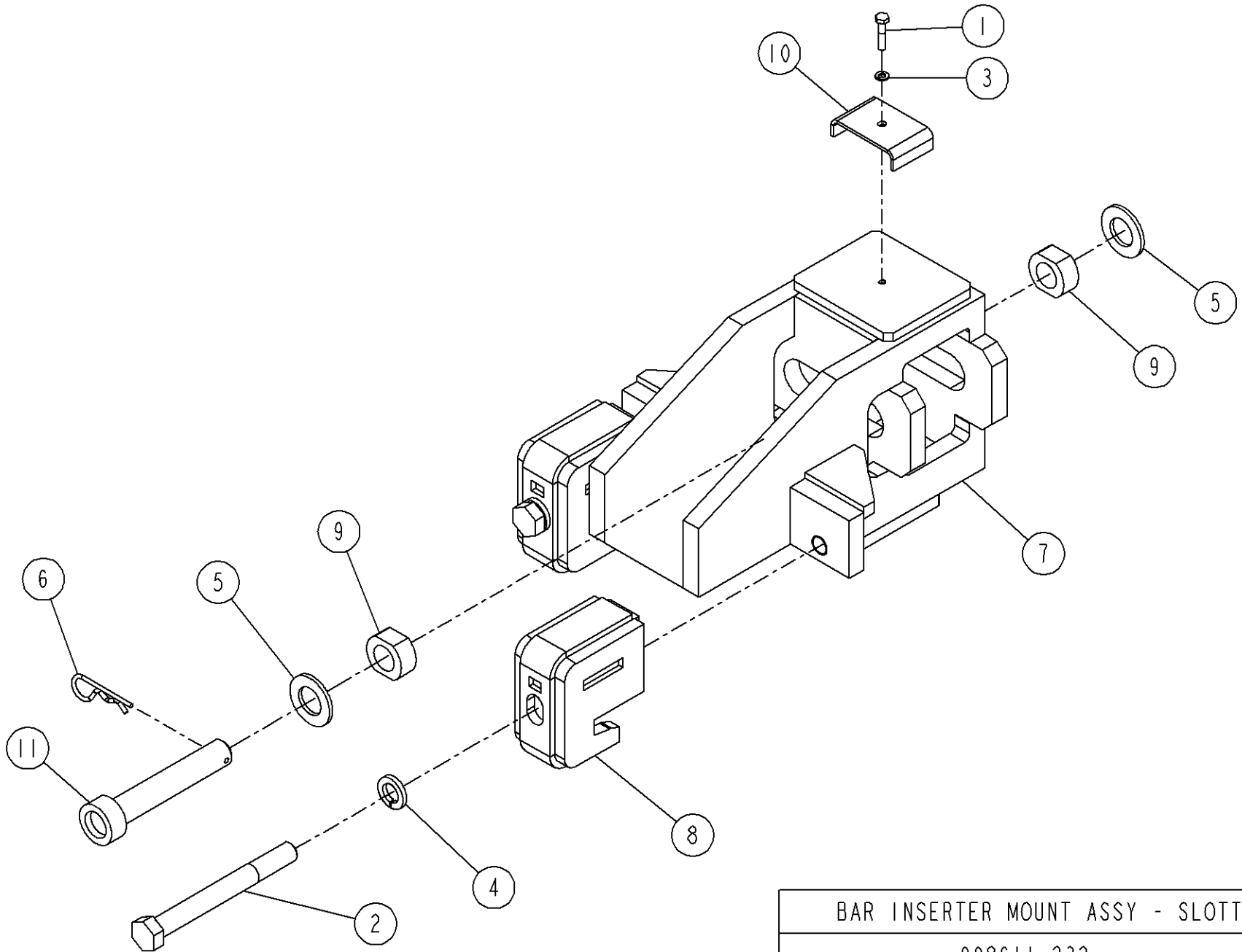
BAR INSERTER MOUNT ASSY - PINNED

908611-231

E

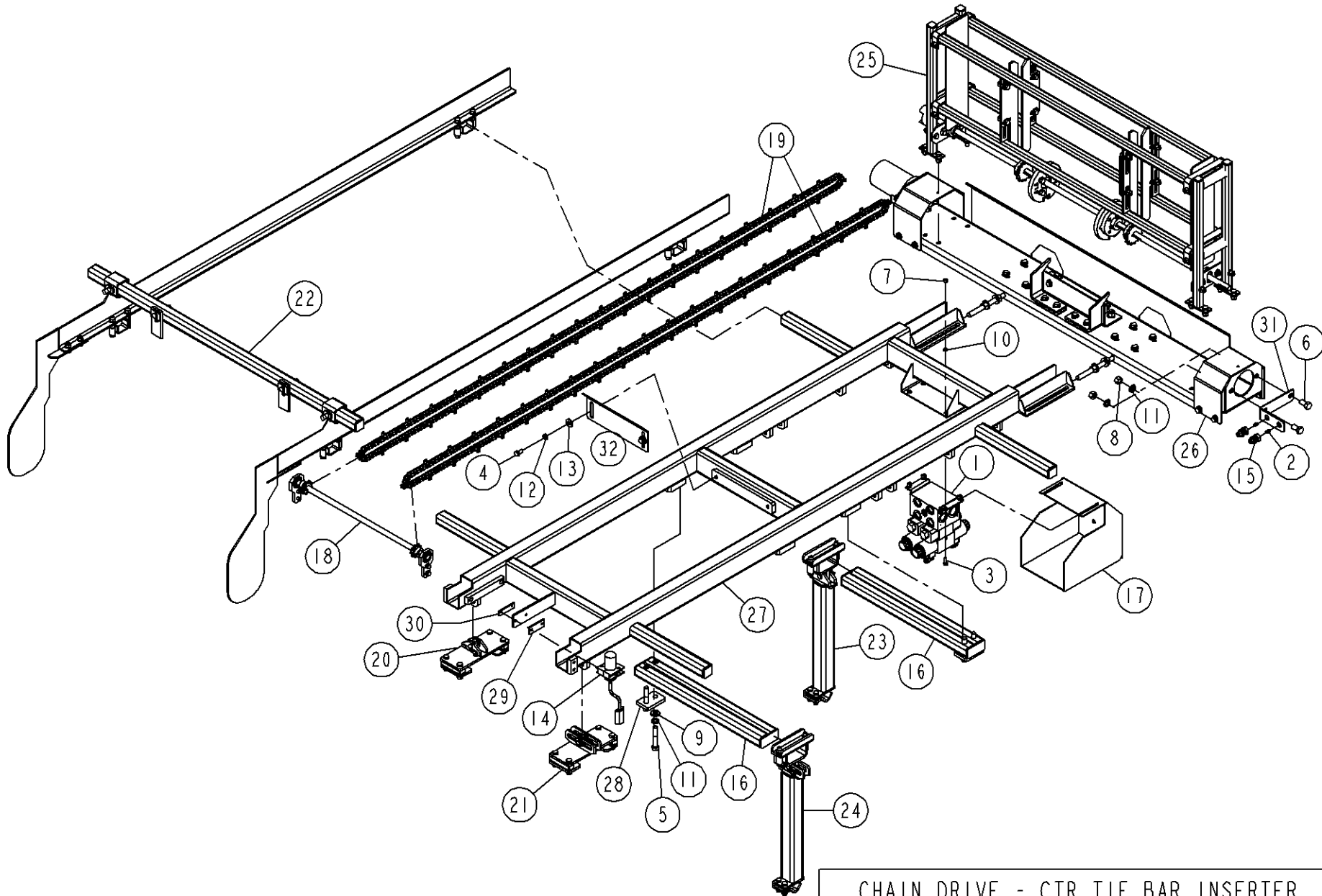


BAR INSERTER MOUNT ASSY - PINNED			908611-231	E
ITEM NO.	QTY	PART NUMBER	DESCRIPTION	
1	1	400-30B61	.250-20 UNC X 1.250 HHCS GR5	
2	2	400-30E03	.750-10 UNC X 7.000 HHCS GR8	
3	1	420-30A36	LOCK WASHER .250	
4	2	420-30A40	LOCK WASHER .750	
5	1	430-30A48	HAIR PIN (NO. 9)	
6	1	908610-268	BAR INSERTER MOUNT - PINNED	
7	2	910310-002	CLAMP	
8	1	9810-16848	SHEET - HOSE HANGER	
9	1	CL40-091	PIN (SUPPORT ARM - SPRAY BOOM)	



BAR INSERTER MOUNT ASSY - SLOTTED	
908611-232	E

BAR INSERTER MOUNT ASSY - SLOTTED			908611-232	E
ITEM NO.	QTY	PART NUMBER	DESCRIPTION	
1	1	400-30B61	.250-20 UNC X 1.250 HHCS GR5	
2	2	400-30E03	.750-10 UNC X 7.000 HHCS GR8	
3	1	420-30A36	LOCK WASHER .250	
4	2	420-30A40	LOCK WASHER .750	
5	2	420-45T12	FLAT WASHER 1.000 A325	
6	1	430-30A48	HAIR PIN (NO. 9)	
7	1	908610-269	BAR INSERTER MOUNT - SLOT	
8	2	910310-002	CLAMP	
9	2	9800-25088	COLLAR	
10	1	9810-16848	SHEET - HOSE HANGER	
11	1	CL40-091	PIN (SUPPORT ARM - SPRAY BOOM)	

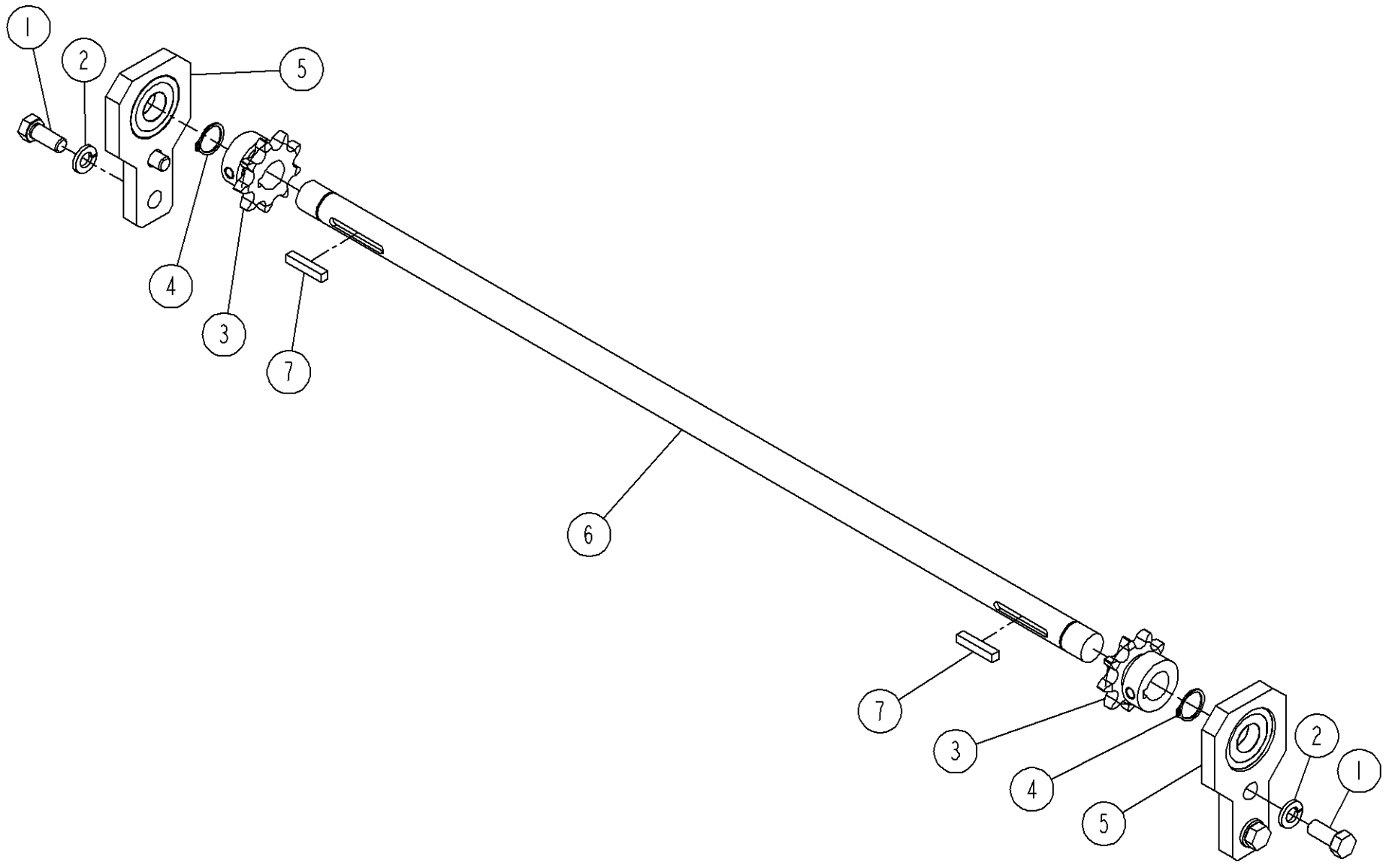


CHAIN DRIVE - CTR TIE BAR INSERTER

908611-169

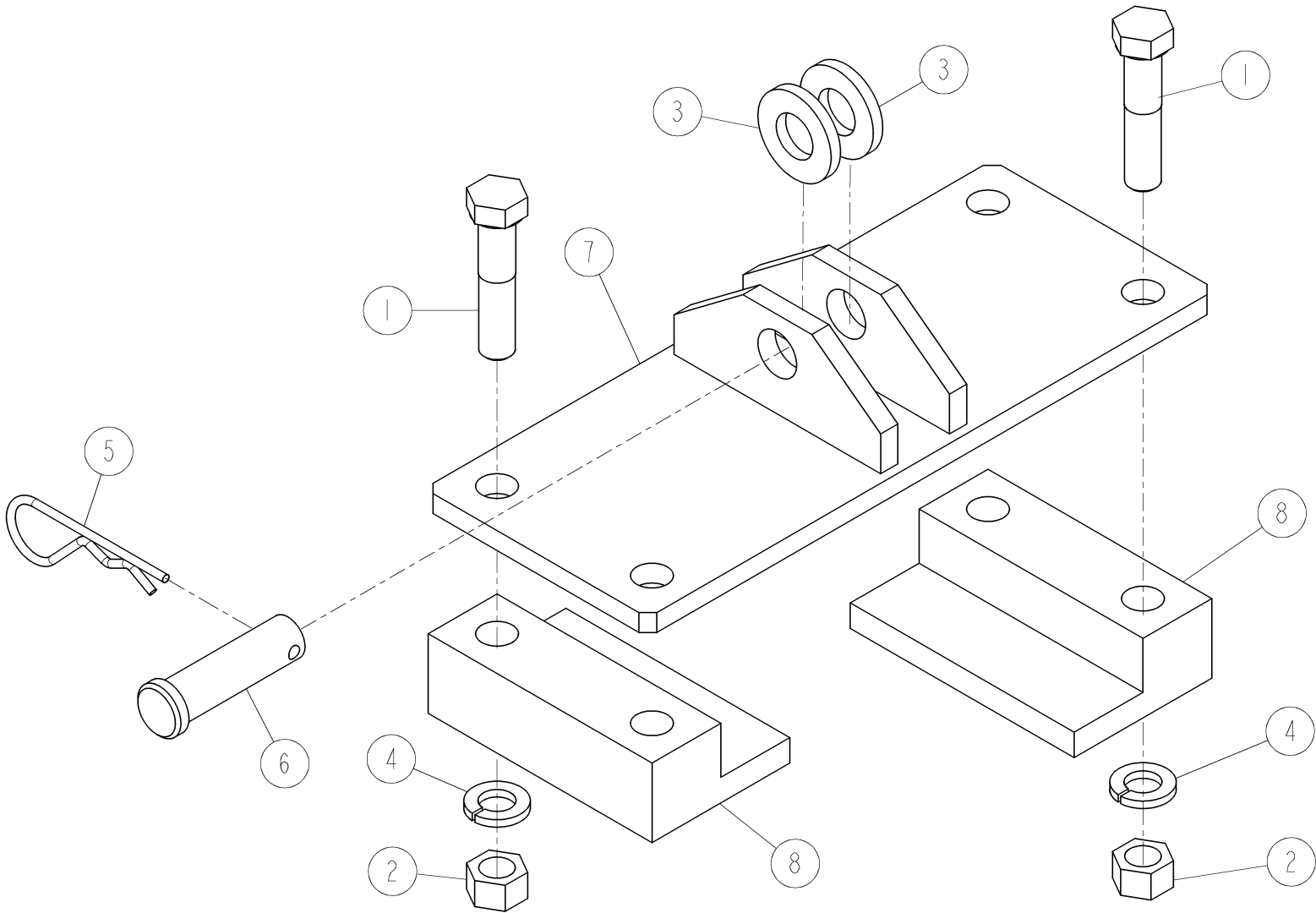
J

CHAIN DRIVE - CTR TIE BAR INSERTER			908611-169	J
ITEM NO.	QTY	PART NUMBER	DESCRIPTION	
1	1	125-54C76	VALVE ASSY - 2 BANK, D03 (24V)	
2	2	140-10H57	FTG - GREASE .250-28 STR	
3	4	400-30A10	.250-20 UNC X .750 HHCS GR5	
4	2	400-30A20	.375-16 UNC X .750 HHCS GR5	
5	4	400-30A70	.500-13 UNC X 2.750 HHCS GR8	
6	2	400-30D75	.500-13 UNC X 1.000 HHCS GR8	
7	4	415-30A04	.250-20 UNC GR5 HEX NUT	
8	2	415-30A07	.500-13 UNC GR8 HEX NUT	
9	4	420-10F69	FLAT WASHER .500 A325	
10	4	420-30A36	LOCK WASHER .250	
11	6	420-30A37	LOCK WASHER .500	
12	2	420-30A41	LOCK WASHER .375	
13	2	420-30A65	FLAT WASHER .375 W	
14	1	900820-001	PROXIMITY SWITCH ASSY	
15	2	905543-003	GREASE FTG BLKHD (ORFS 4-4)	
16	2	908610-200	MOUNT ARM - REAR	
17	1	908610-216	VALVE COVER	
18	1	908611-112	IDLER ASSEMBLY	
19	2	908611-117	CHAIN (TBI)	
20	1	908611-118	CLAMP W/ HOLE, ASSY	
21	1	908611-119	CLAMP W/ SLOT, ASSY	
22	1	908611-150	SIDE PLATE ASSEMBLY	
23	1	908611-170	LEG ASSEMBLY - REAR, PINNED	
24	1	908611-171	LEG ASSEMBLY - REAR, SLOTTED	
25	1	908611-187	TIE BAR HOPPER - CAM STYLE	
26	1	908611-188	DRIVE MOUNT ASSEMBLY - CAM STYLE	
27	1	908612-006	BAR INSERTER FRAME WLDMT	
28	2	9800-27668	FLANGE	
29	1	9810-02334	SPACER - PROXY SWITCH	
30	1	9810-13440	RETAINER - PROXI SWITCH	
31	1	9810-14774	MOUNT - BULKHEAD	
32	1	9810-16830	RAMP - ADJUSTABLE	



IDLER ASSEMBLY	
908611-112	B

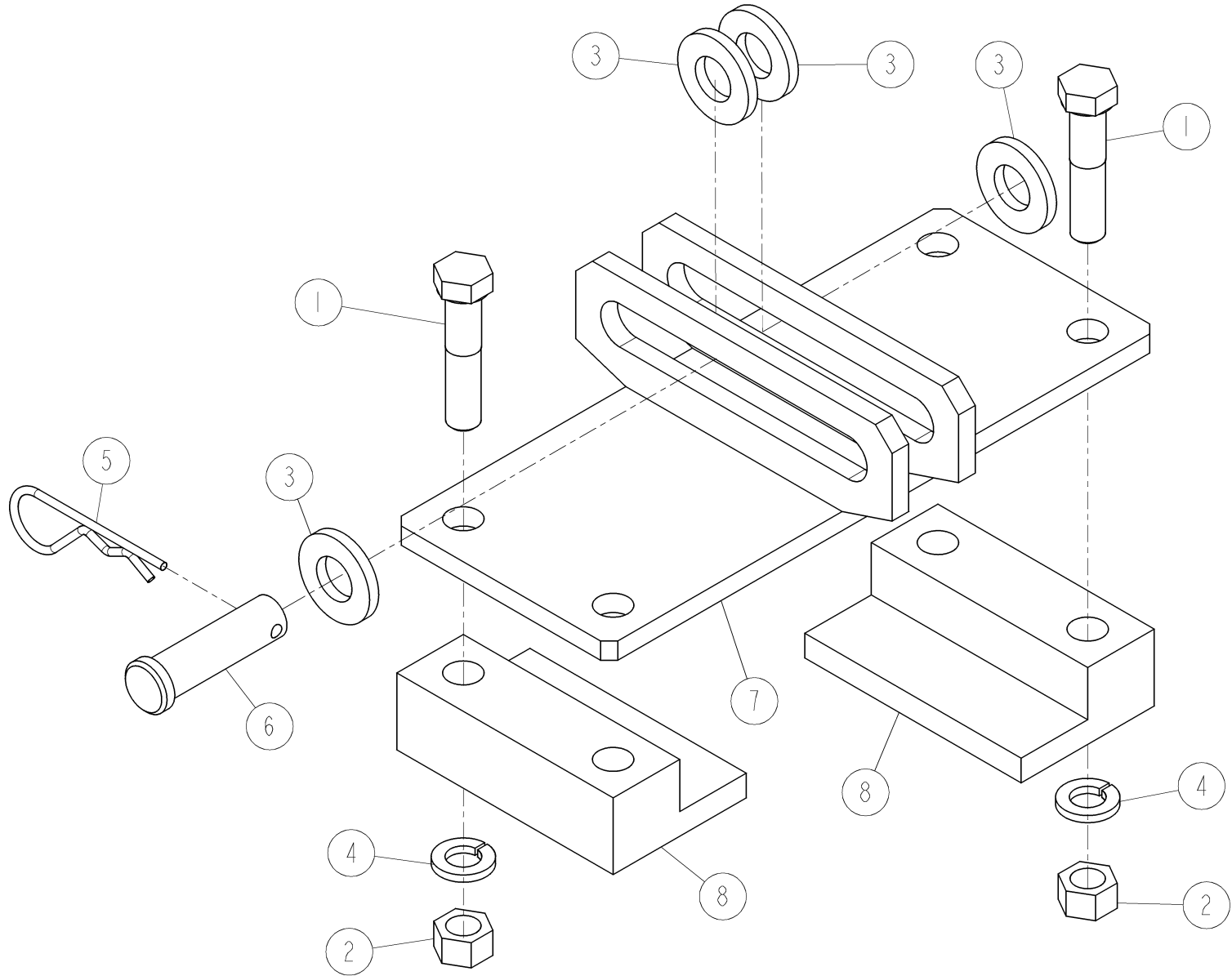
IDLER ASSEMBLY			908611-112	B
ITEM NO.	QTY	PART NUMBER	DESCRIPTION	
1	4	400-30B55	.3125-18 UNC X .750 HHCS GR5	
2	4	420-30A38	LOCK WASHER .312	
3	2	635-53D37	SPRKT 40B9F, 0.625 BORE & 1.462 PD	
4	2	685-48H34	RETAINING RING .625 DIA. SHAFT	
5	2	908611-113	BEARING - PRESSED	
6	1	9825-03030	SHAFT	
7	2	9830-09449	KEYSTOCK	



CLAMP W/ HOLE, ASSY	
908611-118	D



CLAMP W/ HOLE, ASSY			908611-118	D
ITEM NO.	QTY	PART NUMBER	DESCRIPTION	
1	4	400-30D06	.375-16 UNC X 1.750 HHCS GR5	
2	4	415-30A06	.375-16 UNC GR5 HEXNUT	
3	2	420-10F69	FLAT WASHER .500 A325	
4	4	420-30A41	LOCK WASHER .375	
5	1	430-30D93	HAIR PIN (NO. 7)	
6	1	430-48W62	CLEVIS PIN .500 X 1.750	
7	1	908610-091	CLAMP W/ HOLE	
8	2	9830-16148	INSERT CLAMP	

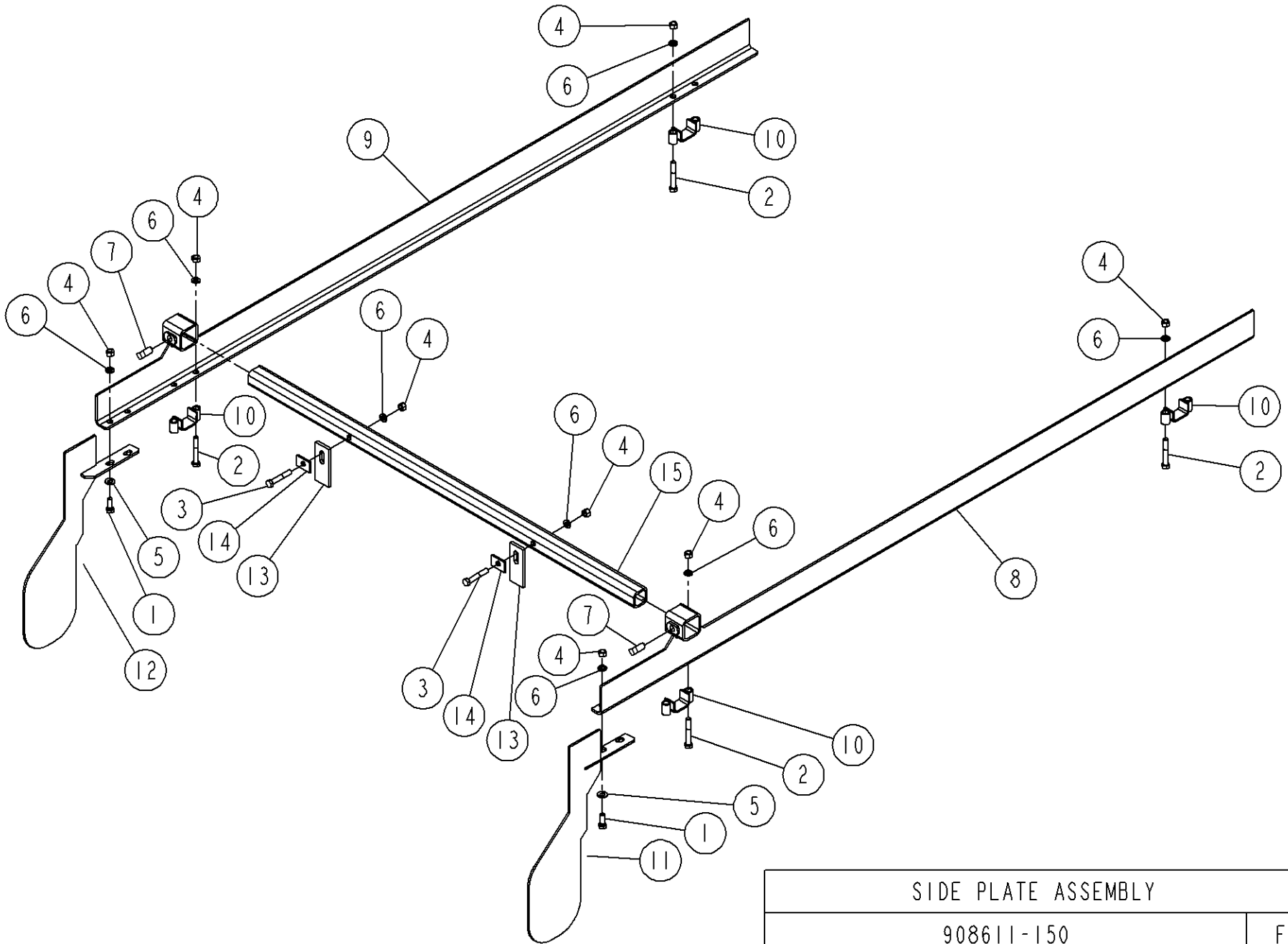


CLAMP W/ SLOT, ASSY

908611-119

D

CLAMP W/ SLOT, ASSY			908611-119	D
ITEM NO.	QTY	PART NUMBER	DESCRIPTION	
1	4	400-30D06	.375-16 UNC X 1.750 HHCS GR5	
2	4	415-30A06	.375-16 UNC GR5 HEXNUT	
3	4	420-10F69	FLAT WASHER .500 A325	
4	4	420-30A41	LOCK WASHER .375	
5	1	430-30D93	HAIR PIN (NO. 7)	
6	1	430-48W62	CLEVIS PIN .500 X 1.750	
7	1	908610-093	CLAMP W/ SLOT	
8	2	9830-16148	INSERT CLAMP	

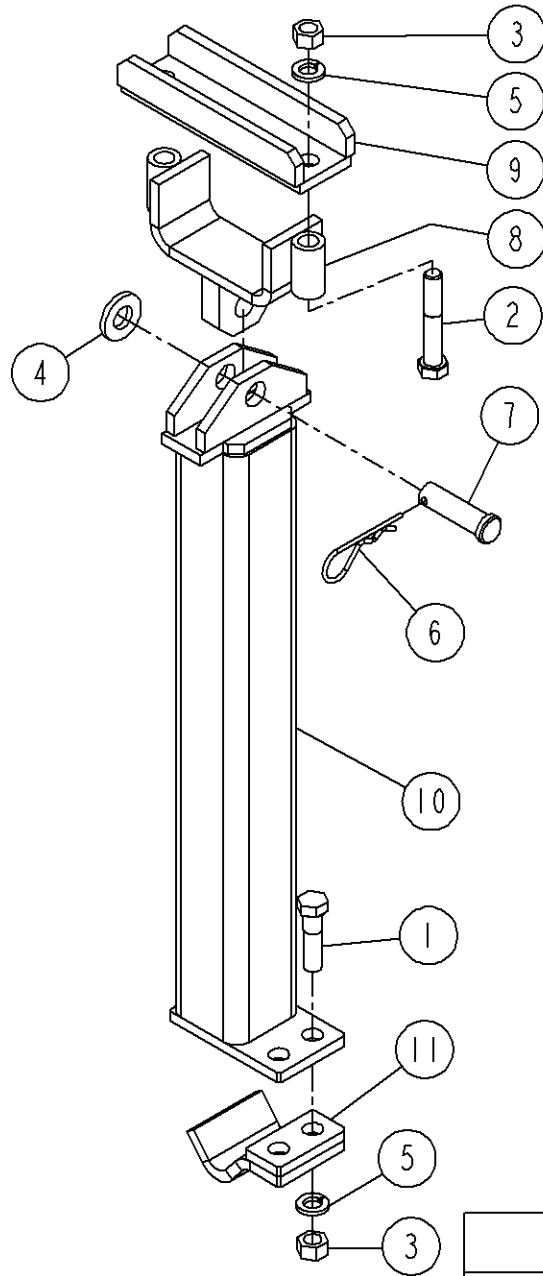


SIDE PLATE ASSEMBLY

908611-150

F

SIDE PLATE ASSEMBLY			908611-150	F
ITEM NO.	QTY	PART NUMBER	DESCRIPTION	
1	4	400-30A19	.375-16 UNC X 1.000 HHCS GR5	
2	8	400-30A90	.375-16 UNC X 2.500 HHCS GR5	
3	2	400-30D38	.375-16 UNC X 2.250 HHCS GR5	
4	14	415-30A06	.375-16 UNC GR5 HEX NUT	
5	4	420-10T99	FLAT WASHER .375 F436	
6	14	420-30A41	LOCK WASHER .375	
7	2	425-30A28	.500-13 UNC X 1.000 SQ HD SET SCR	
8	1	908610-172	SIDE PLATE - LH	
9	1	908610-173	SIDE PLATE - RH	
10	4	908610-174	CLAMP	
11	1	908610-175	FRONT GUIDE, LH	
12	1	908610-176	FRONT GUIDE, RH	
13	2	9610-00831	RUBBER FLAP	
14	2	9810-15718	RETAINER	
15	1	9835-03226	SQUARE TUBING	

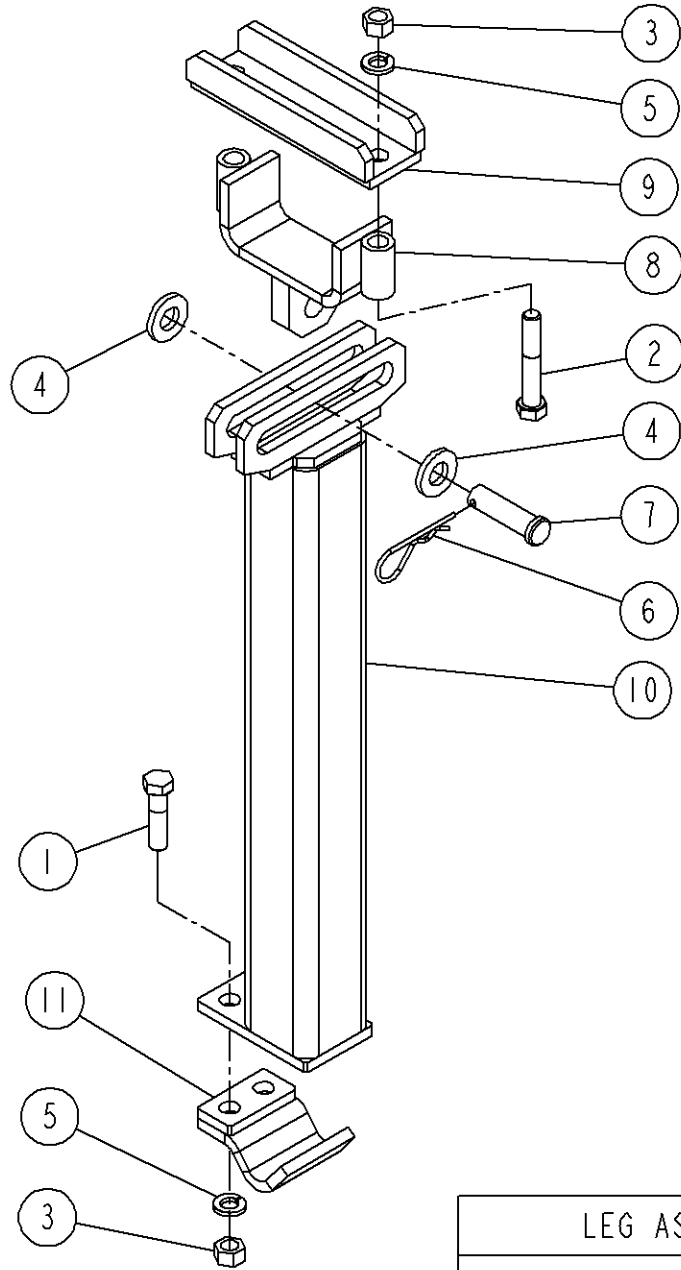


LEG ASSEMBLY - REAR, PINNED

908611-170

C

LEG ASSEMBLY - REAR, PINNED			908611-170	C
ITEM NO.	QTY	PART NUMBER	DESCRIPTION	
1	2	400-30B37	.375-16 UNC X 1.500 HHCS GR5	
2	2	400-30D38	.375-16 UNC X 2.250 HHCS GR5	
3	4	415-30A06	.375-16 UNC GR5 HEX NUT	
4	1	420-10F69	FLAT WASHER .500 A325	
5	4	420-30A41	LOCK WASHER .375	
6	1	430-30D93	HAIR PIN (NO. 7)	
7	1	430-48W62	CLEVIS PIN .500 X 1.750	
8	1	908610-202	CLAMP HALF - REAR	
9	1	908610-203	CLAMP - TOP	
10	1	908610-208	LEG MOUNT - REAR, PINNED	
11	1	908610-215	CLAMP - LOWER, REAR	



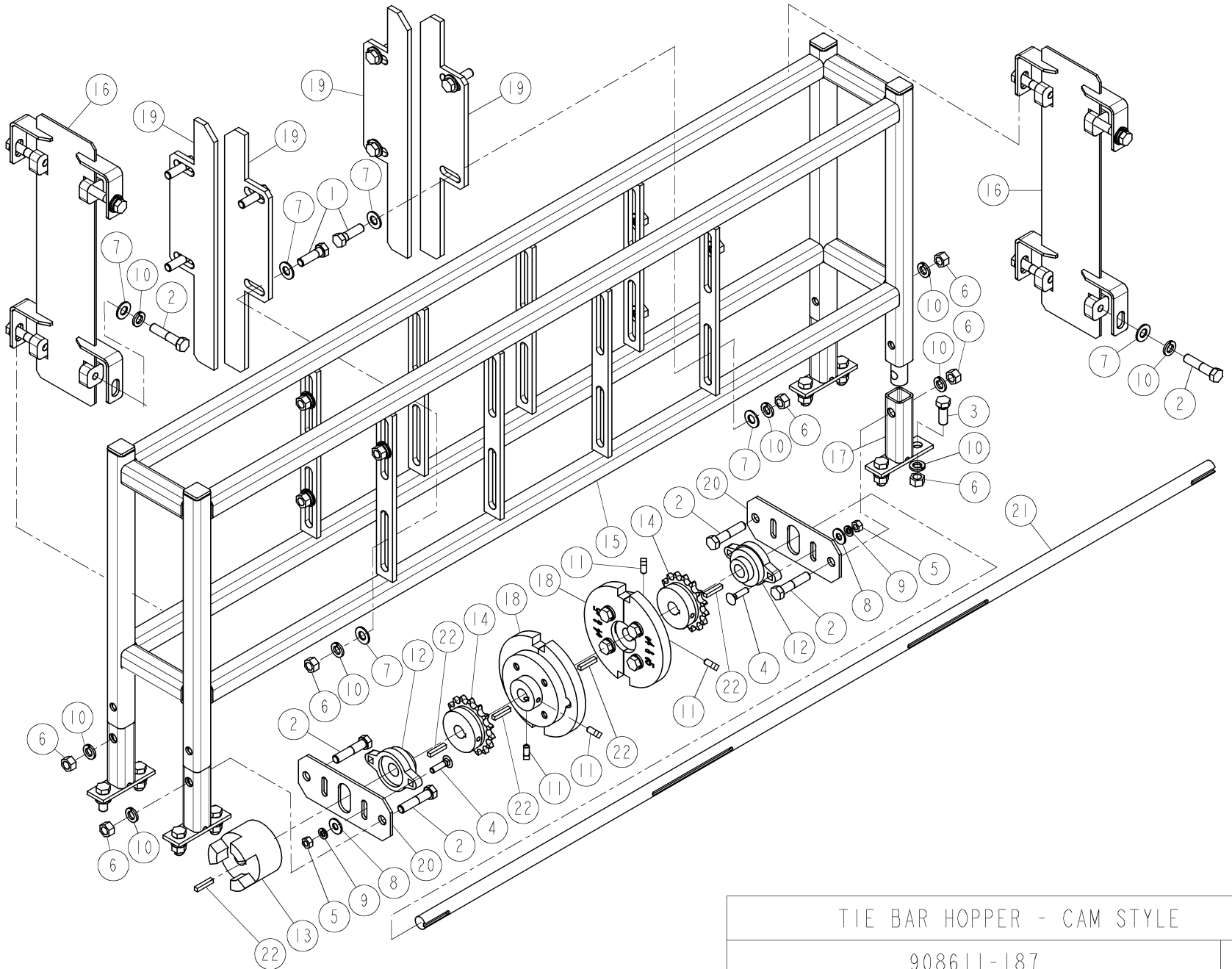
LEG ASSEMBLY - REAR, SLOTTED

908611-171

C



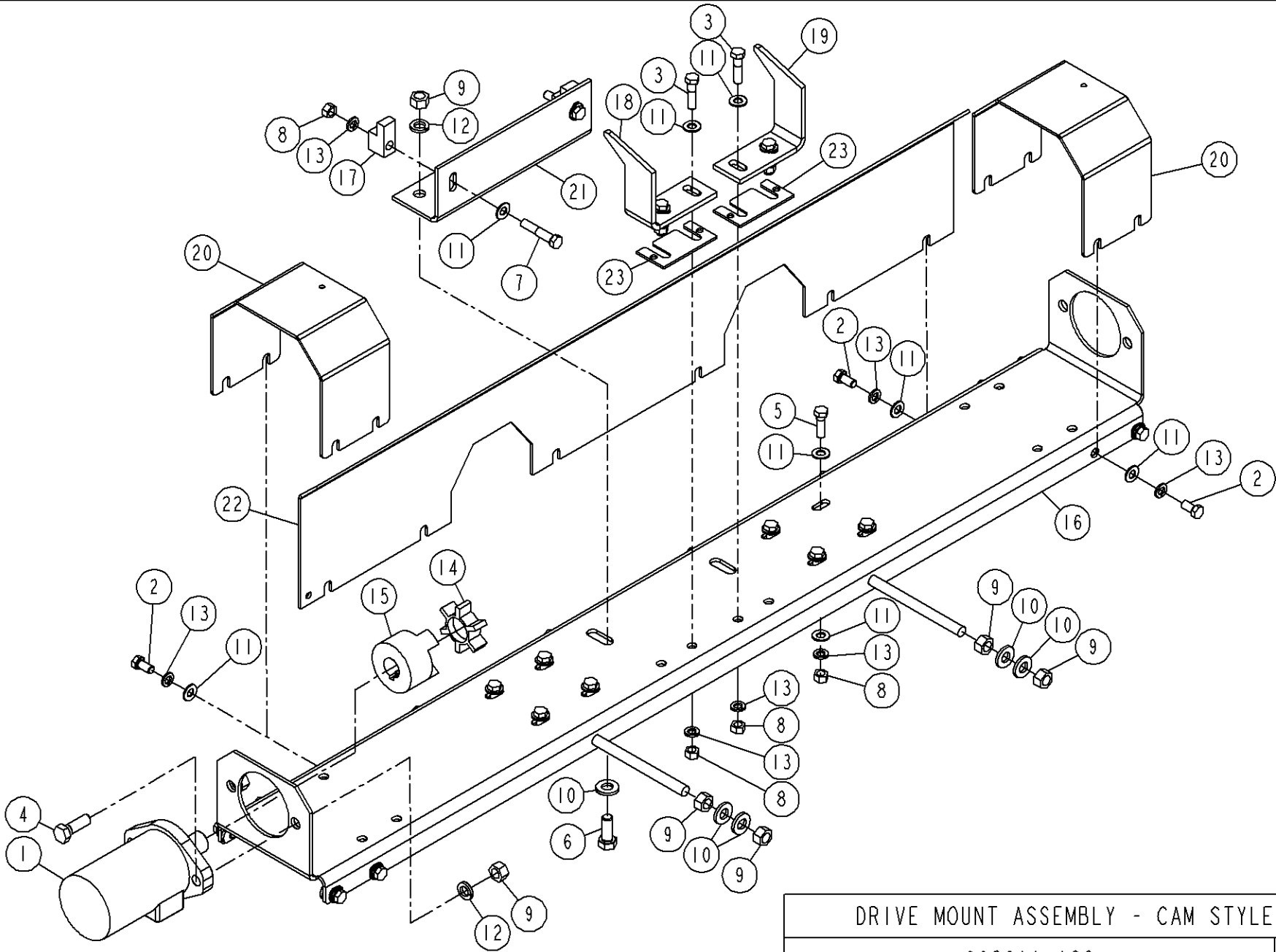
LEG ASSEMBLY - REAR, SLOTTED			908611-171	C
ITEM NO.	QTY	PART NUMBER	DESCRIPTION	
1	2	400-30B37	.375-16 UNC X 1.500 HHCS GR5	
2	2	400-30D38	.375-16 UNC X 2.250 HHCS GR5	
3	4	415-30A06	.375-16 UNC GR5 HEX NUT	
4	2	420-10F69	FLAT WASHER .500 A325	
5	4	420-30A41	LOCK WASHER .375	
6	1	430-30D93	HAIR PIN (NO. 7)	
7	1	430-48W62	CLEVIS PIN .500 X 1.750	
8	1	908610-202	CLAMP HALF - REAR	
9	1	908610-203	CLAMP - TOP	
10	1	908610-210	MOUNT LEG - REAR, SLOTTED	
11	1	908610-215	CLAMP - LOWER, REAR	



TIE BAR HOPPER - CAM STYLE

908611-187

TIE BAR HOPPER - CAM STYLE			908611-187	J
ITEM NO.	QTY	PART NUMBER	DESCRIPTION	
1	8	400-30B85	.375-16 UNC X 1.250 HHCS GR5	
2	12	400-30D06	.375-16 UNC X 1.750 HHCS GR5	
3	8	400-30D97	.375-16 UNC X 1.000 HHCS GR8	
4	4	410-30C67	.250-20 UNC X 1.000 CRG BOLT GR5	
5	4	415-30A04	.250-20 UNC GR5 HEX NUT	
6	20	415-30A06	.375-16 UNC GR5 HEX NUT	
7	24	420-10T99	FLAT WASHER .375 F436	
8	4	420-30A30	FLAT WASHER .250 W	
9	4	420-30A36	LOCK WASHER .250	
10	28	420-30A41	LOCK WASHER .375	
11	4	425-30C95	.250-20 UNC X .500 SQ HD SET SCR	
12	2	615-46Y09	BEARING 0.50 ID	
13	1	630-45D28	COUPLING HALF (.625 ID)	
14	2	635-53T04	SPRKT 40B16F, 0.625 BORE & 2.563 PD	
15	1	908610-225	HOPPER CAGE	
16	2	908610-358	BAR ALIGNMENT SIDEPLATE	
17	4	908610-368	BEARING MOUNT POST	
18	2	908611-223	CAM ASSEMBLY - TIE BAR INSERTER	
19	4	9800-30960	ADJUSTMENT PLATE	
20	2	9810-14104	SHEET	
21	1	9825-03418	SHAFT	
22	5	9830-09449	KEYSTOCK	

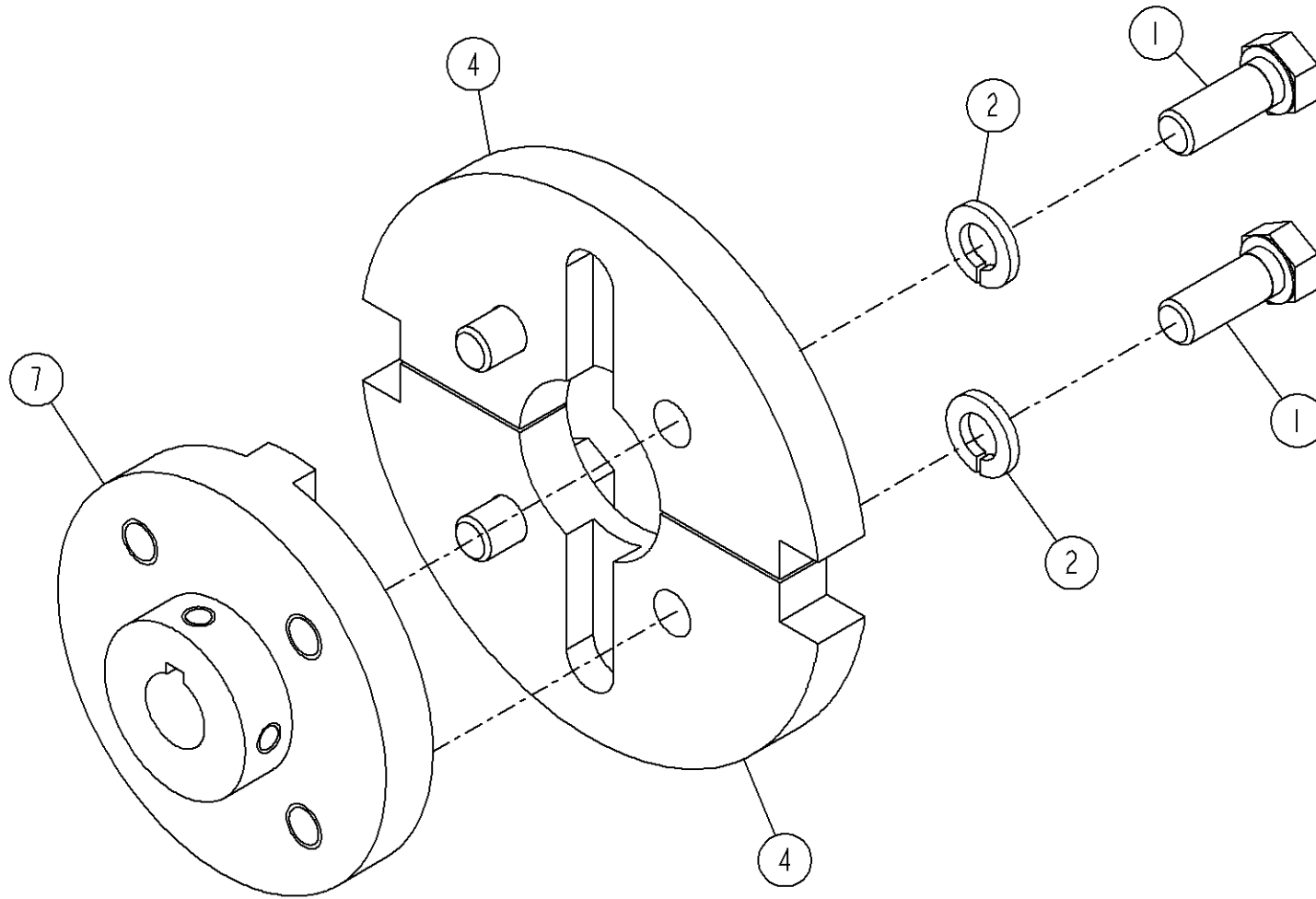


DRIVE MOUNT ASSEMBLY - CAM STYLE

908611-188

F

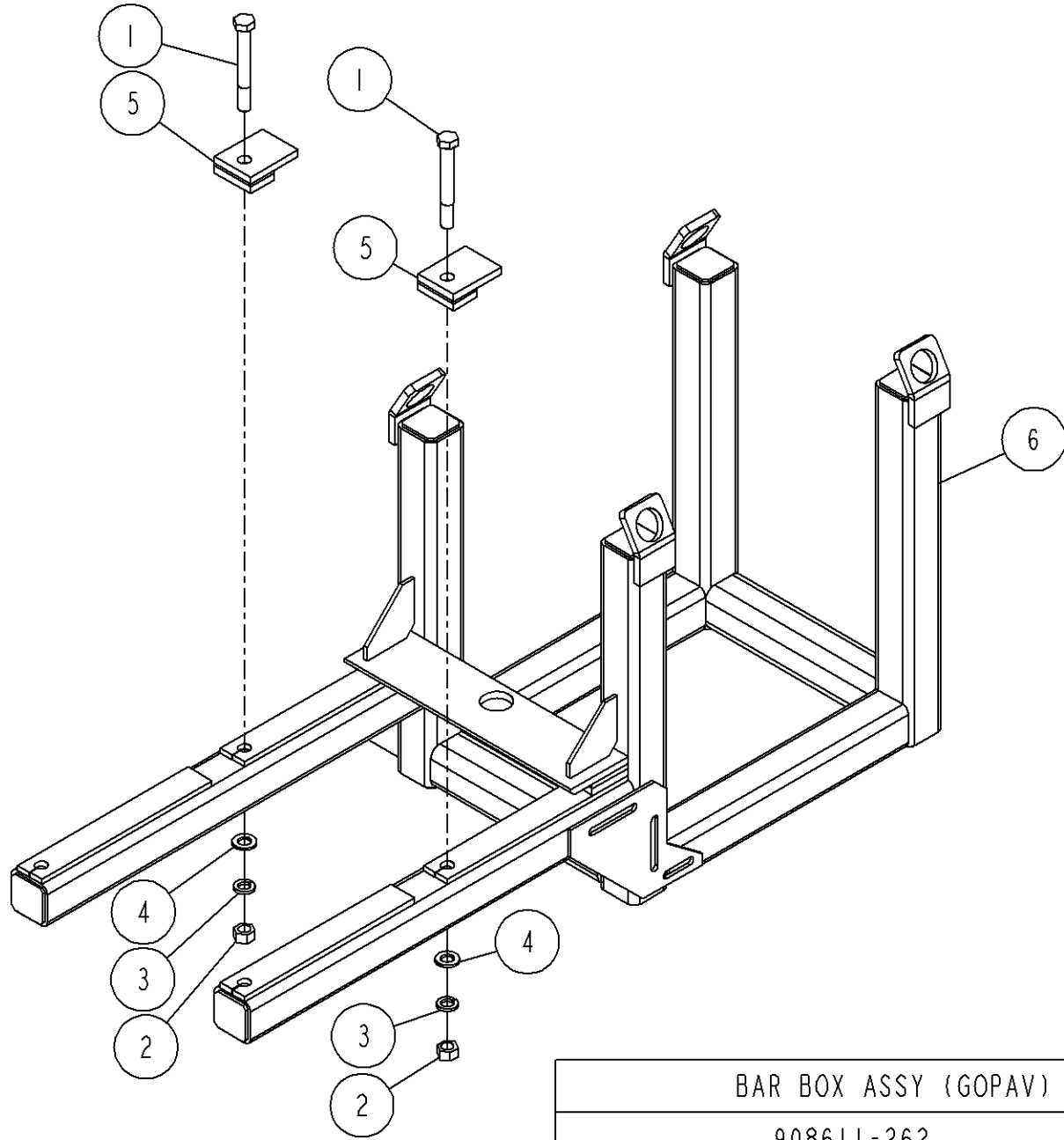
DRIVE MOUNT ASSEMBLY - CAM STYLE			908611-188	F
ITEM NO.	QTY	PART NUMBER	DESCRIPTION	
1	1	130-45L94	MOTOR - HYDRAULIC 3.0 CID H SERIES	
2	14	400-30A20	.375-16 UNC X .750 HHCS GR5	
3	4	400-30B37	.375-16 UNC X 1.500 HHCS GR5	
4	2	400-30B84	.500-13 UNC X 1.500 HHCS GR8	
5	8	400-30B85	.375-16 UNC X 1.250 HHCS GR5	
6	2	400-30D76	.500-13 UNC X 1.250 HHCS GR8	
7	2	400-45W10	.375-16 UNC X 2.000 HHCS GR5	
8	14	415-30A06	.375-16 UNC GR5 HEX NUT	
9	8	415-30A07	.500-13 UNC GR8 HEX NUT	
10	6	420-10F69	FLAT WASHER	
11	36	420-10T99	FLAT WASHER .375 F436	
12	4	420-30A37	LOCK WASHER .500	
13	28	420-30A41	LOCK WASHER .375	
14	1	630-45D29	COUPLING SPIDER (L-100) RUBBER MATL	
15	1	630-53D42	COUPLING - HALF 1.00 IN BORE	
16	1	908610-227	MOTOR MOUNT	
17	2	9610-00825	WEAR PAD	
18	1	9800-30964	RAMP - REBAR, LH	
19	1	9800-30965	RAMP - REBAR, RH	
20	2	9810-15724	COVER, FORMED	
21	1	9810-16706	WEAR PAD MOUNT	
22	1	9810-16711	CHAIN GUARD - REAR	
23	8	9810-16725	SHIM	



NOTE: ITEMS 9800-35714, 9800-35719 AND 9800-35720  
ARE NOT SHOWN, ITEMS ARE INTERCHANGABLE  
DEPENDING ON JOB REQUIREMENTS

CAM ASSEMBLY - TIE BAR INSERTER	
908611-223	B

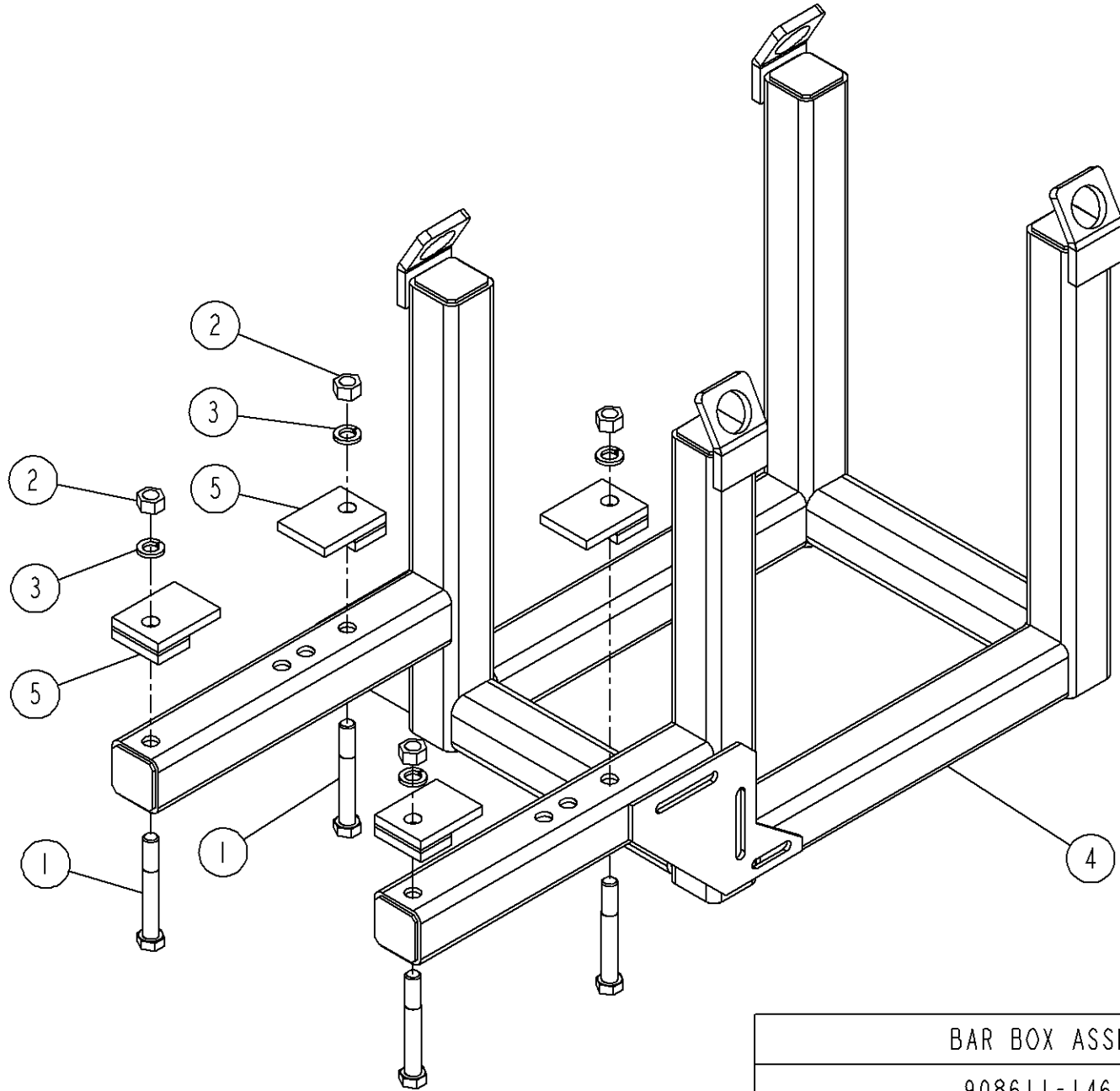
CAM ASSEMBLY - TIE BAR INSERTER			908611-223	B
ITEM NO.	QTY	PART NUMBER	DESCRIPTION	
1	4	400-30A19	.375-16 UNC X 1.000 HHCS GR5 NS	
2	4	420-30A41	LOCK WASHER .375	
3	2	9800-35714	CAM HALF, #5 & #6 REBAR NS	
4	2	9800-35715	CAM HALF, #4 & #5 REBAR	
5	2	9800-35719	CAM HALF, #3 & #4 REBAR	
6	2	9800-35720	CAM HALF, #7 & #8 REBAR NS	
7	1	9825-03741	CAM HUB - TIE BAR INSERTER	



BAR BOX ASSY (GOPAV)	
908611-262	A



BAR BOX ASSY (GOPAV)			908611-262	A
ITEM NO.	QTY	PART NUMBER	DESCRIPTION	
1	2	400-30B28	.750-10 UNC X 6.000 HHCS GR8	
2	2	415-30A03	.750-10 UNC GR8 HEXNUT	
3	2	420-30A40	LOCK WASHER .750	
4	2	420-45T38	FLAT WASHER .750 A325	
5	2	908610-163	CLAMP, T-TAIL	
6	1	908610-294	BAR BOX (GOPAV)	

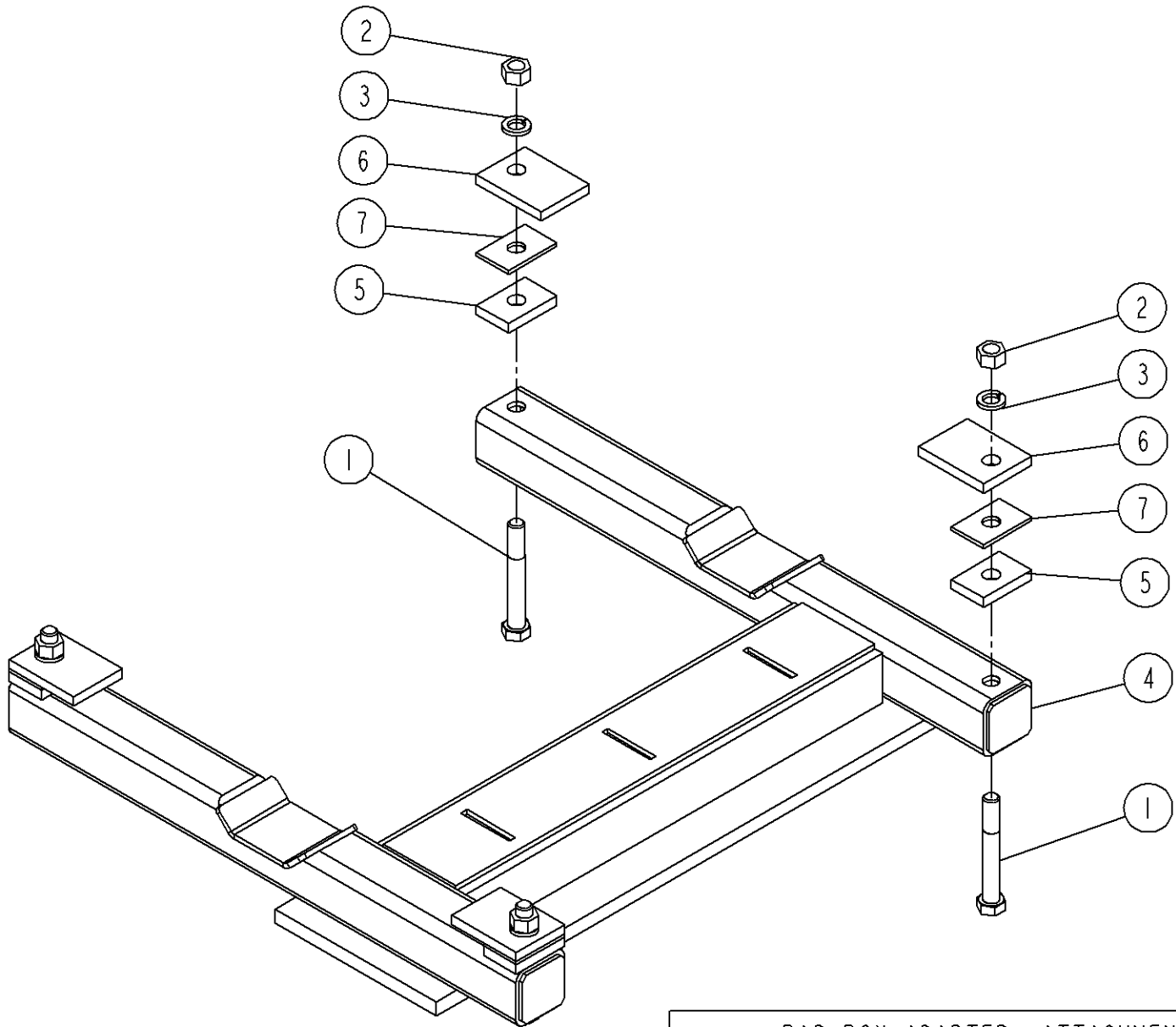


BAR BOX ASSEMBLY

908611-146

E

BAR BOX ASSEMBLY			908611-146	E
ITEM NO.	QTY	PART NUMBER	DESCRIPTION	
1	4	400-30B19	.750-10 UNC X 5.500 HHCS GR8	
2	4	415-30A03	.750-10 UNC GR8 HEX NUT	
3	4	420-30A40	LOCK WASHER .750	
4	1	908610-162	BAR BOX (GP2400, GP2600, AND GHP2800)	
5	4	908610-163	CLAMP, T-TAIL	

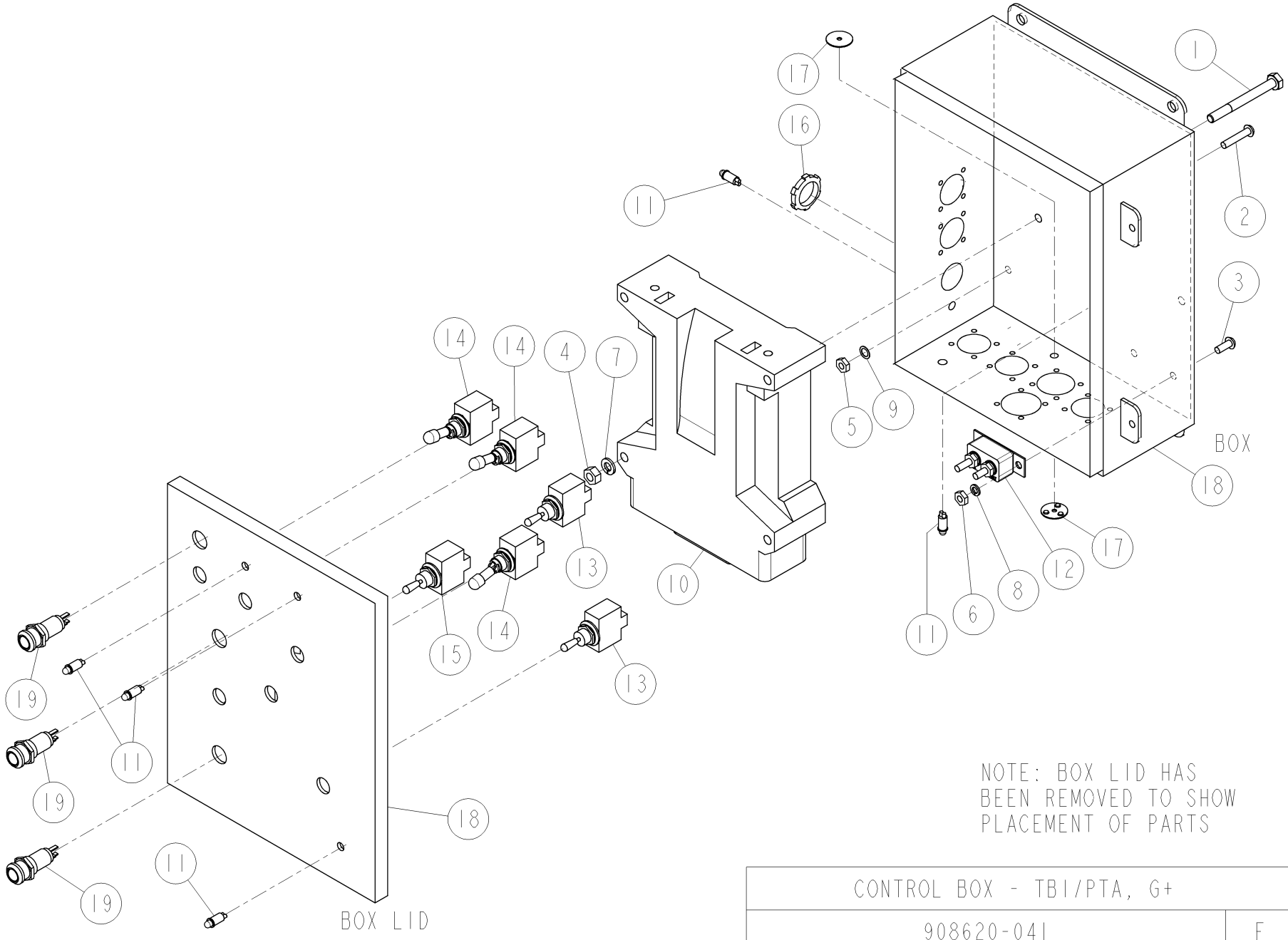


BAR BOX ADAPTER ATTACHMENT

908611-282

B

BAR BOX ADAPTER ATTACHMENT			908611-282	B
ITEM NO.	QTY	PART NUMBER	DESCRIPTION	
1	4	400-30B19	.750-10 UNC X 5.500 HHCS GR8	
2	4	415-30A03	.750-10 UNC GR8 HEX NUT	
3	4	420-30A40	LOCK WASHER .750	
4	1	908611-281	BAR BOX ADAPTER WELDMENT	
5	4	9800-25996	PLATE - CLAMP, T-RAIL	
6	4	9800-26126	PLATE - CLAMP, T-RAIL	
7	4	9810-14624	SHEET - CLAMP, T-RAIL	

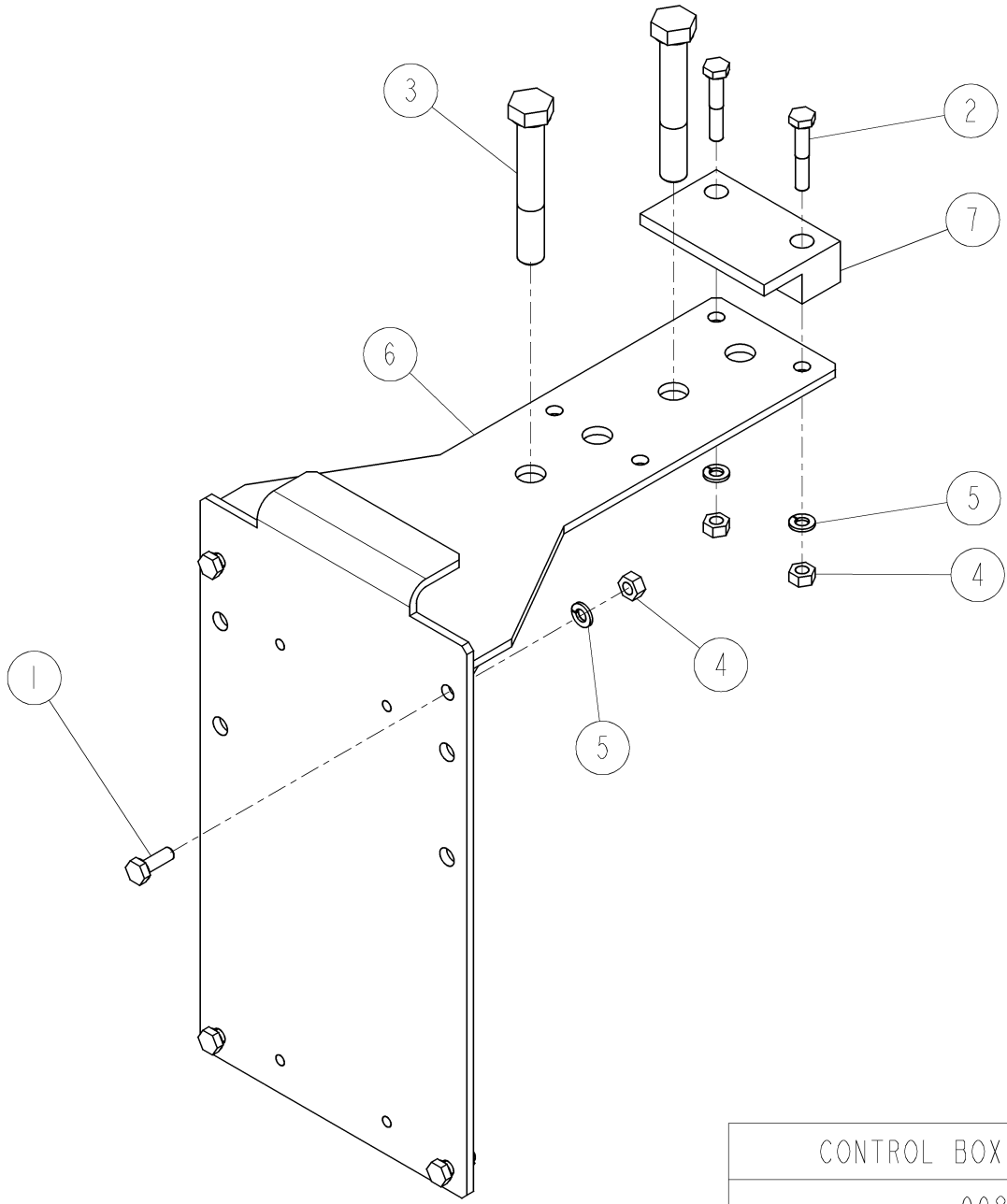


CONTROL BOX - TBI/PTA, G+

908620-041

F

CONTROL BOX - TBI/PTA, G+			908620-041	F
ITEM NO.	QTY	PART NUMBER	DESCRIPTION	
1	2	400-30B30	.250-20 UNC X 2.500 HHCS GR5	
2	1	405-30B81	#10-32 UNF X 1.000 RND HD MACH SCR	
3	2	405-30C75	#10-32 UNF X .500 RND HD MACH SCR	
4	2	415-30A04	.250-20 UNC GR5 HEX NUT	
5	1	415-30B83	#10-32 UNF GR2 HEX MACH SCR NUT	
6	2	415-30C59	#10-24 UNC GR2 HEX MACH SCR NUT	
7	2	420-30A36	LOCK WASHER .250	
8	2	420-30A80	LOCK WASHER #10	
9	1	420-52G59	STAR WASHER #10 EXT T ZINK	
10	1	500-54R83	CONTROLLER - S-D PLUS 1, MC050-110, 50P	
11	5	510-53V78	LED - 24V AMBER, W/.25 IN MTG HOLE	
12	1	525-10S44	CIRCUIT BREAKER - 10 AMP	
13	2	530-10D39	SWITCH - TOGGLE, 1TL1-6	
14	3	530-10N92	SWITCH - TOGGLE, DETENTED 1TL1-3D	
15	1	530-15A54	SWITCH, TOGGLE, MICRO 1TL1-7	
16	1	545-47N82	CONDUIT NUT - .50 IN THDD GALV	
17	2	550-48E90	VENT - WASHER, CONTROL BOX VENT	
18	1	908652-014	BOX MODIFICATION	
19	3	T510-52A80	LED - 24V GREEN	



CONTROL BOX MOUNT ASSEMBLY - TBI

908611-136

F



CONTROL BOX MOUNT ASSEMBLY - TBI			908611-136	F
ITEM NO.	QTY	PART NUMBER	DESCRIPTION	
1	4	400-30A10	.250-20 UNC X .750 HHCS GR5	
2	2	400-30A67	.250-20 UNC X 1.500 HHCS GR5	
3	2	400-30B47	.500-13 UNC X 3.250 HHCS GR8	
4	6	415-30A04	.250-20 UNC GR5 HEX NUT	
5	6	420-30A36	LOCK WASHER .250	
6	1	908610-124	CONTROL BOX MOUNT	
7	1	9830-16148	INSERT CLAMP	

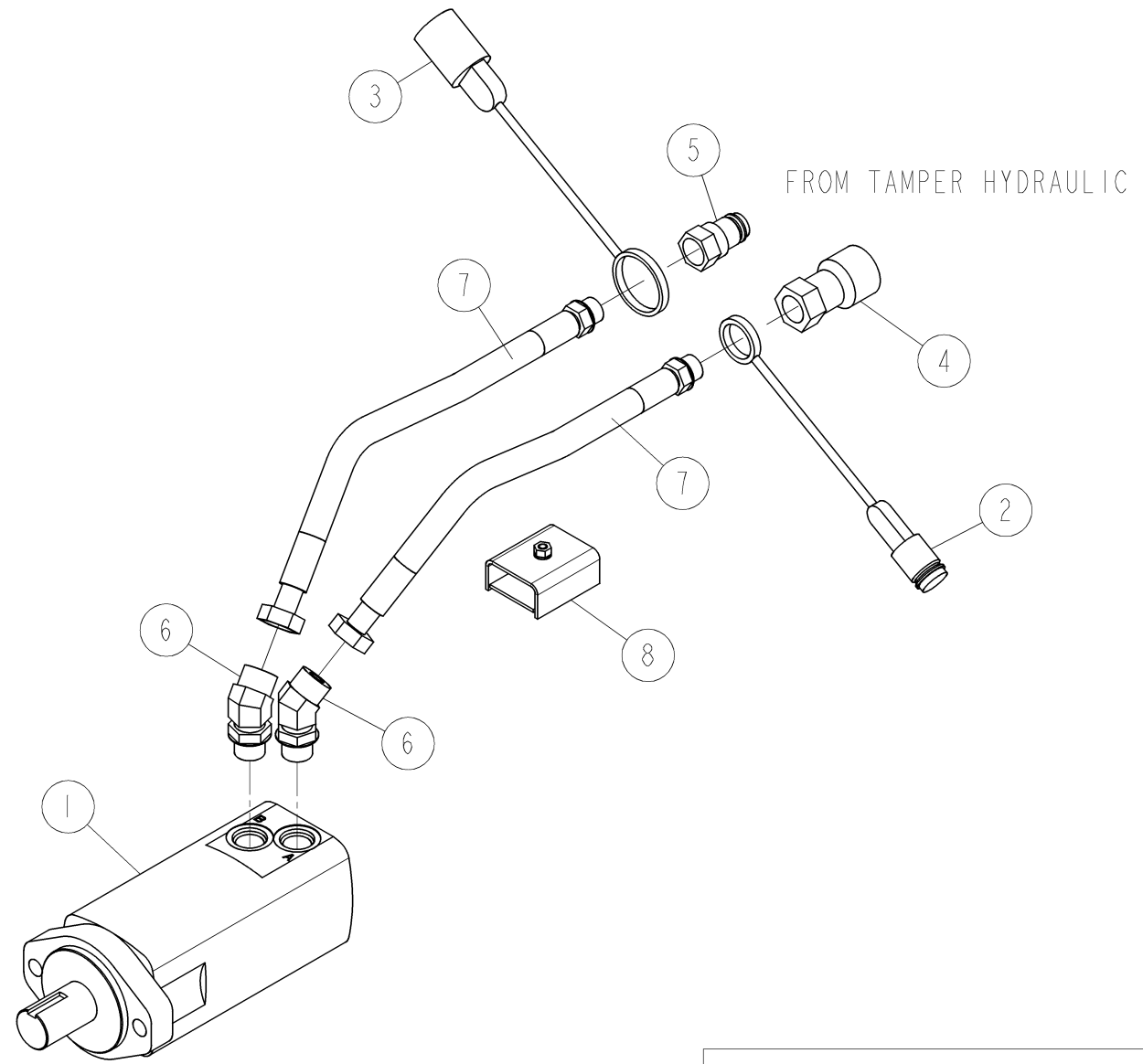


---

<b>Page #</b>	<b>Part Number</b>	<b>Description</b>
1	909519-033	TAMPER MOTOR HYDRAULIC ORB/ORFS
2	909519-031	AUGER DR HYDR, GROUT BOX - OF OPEN LOOP
3	909519-029	AUG DRIVE MOTOR HYDR OPEN FR
4	910319-010	SELF SUPPORTED PTA HYDRAULICS
5	909519-027	VIBRATOR POSITION HYDRAULICS
6	909519-032	HYDRAULICS - SIPL CYLINDERS, ORB/ORFS
7	900119-394	CONT BOX HYDR - 4 BANK (SIDEPLATES)
8	900119-225	COMP BOX JUMPER HOSE ASSY - 3/8 X 25FT
9	908619-024	TIE BAR INSERTER HYDR, 24V (SMART CYL)
10	125-54C76	VALVE ASSY - 2 BANK, D03 (24V)

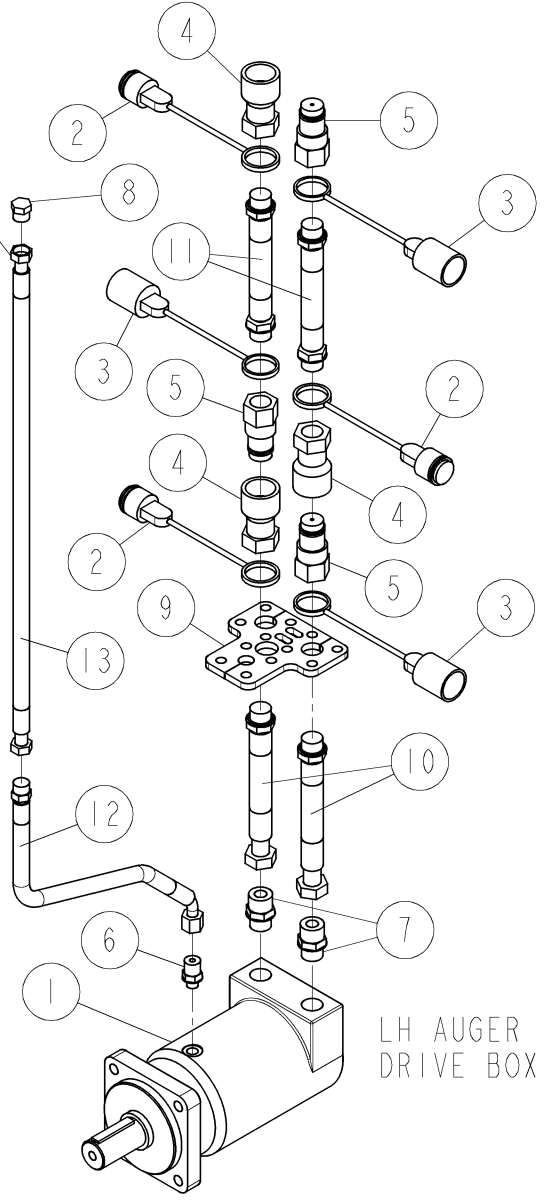
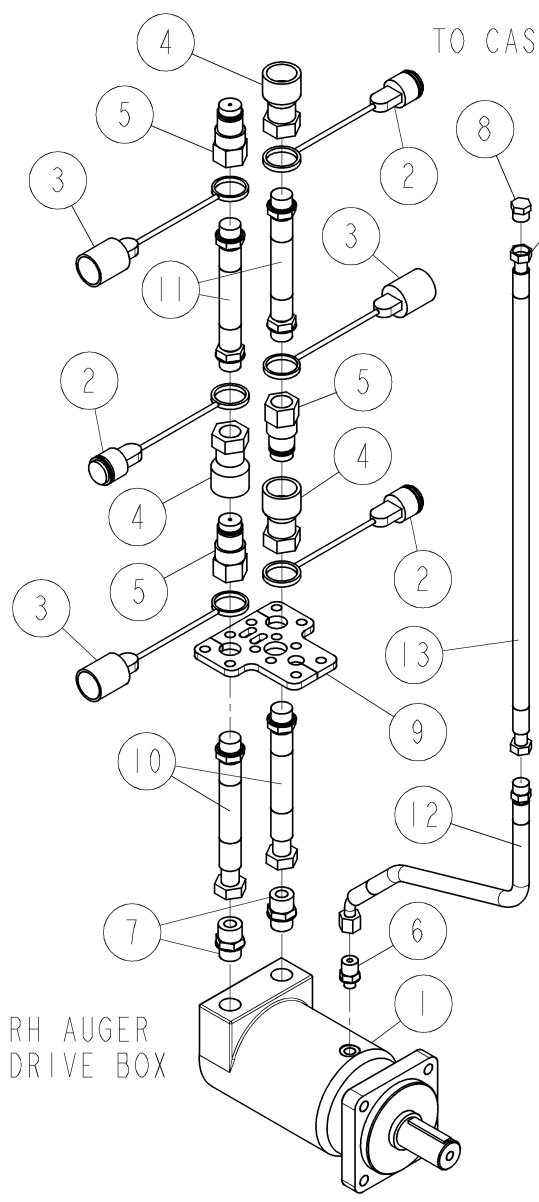






TAMPER MOTOR HYDRAULIC ORB/ORFS	
909519-033	A

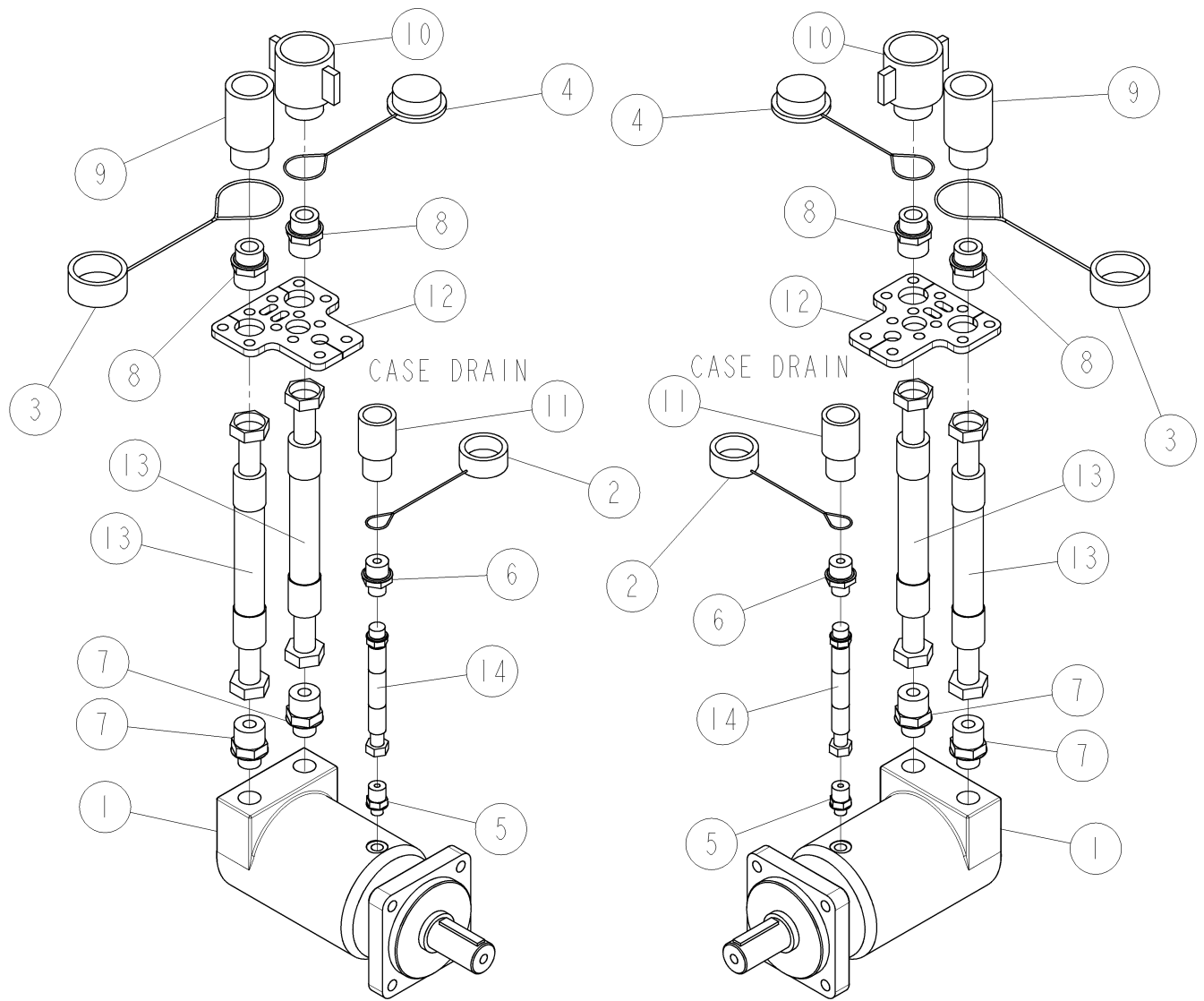
TAMPER MOTOR HYDRAULIC ORB/ORFS			909519-033	A
ITEM NO.	QTY	PART NUMBER	DESCRIPTION	
1	1	130-10F79	HYD MOTOR (18.7 CID)	
2	1	155-10J44	DUST PLUG -10	
3	1	155-10J45	DUST CAP -10	
4	1	155-49M54	ADAPTER - QIK CPLR FEM ORB	8-10
5	1	155-49M55	ADAPTER - QIK CPLR MALE ORB	8-10
6	2	155-49N59	ADAPTER ORFS/MBOR 45 (10-10)	
7	2	CMP08-1920-B0D0	HA .50 MP X 192.0 MB0/FSF0	
8	1	FW51-067	HOSE CLAMP ASSEMBLY (.375 & .500)	



AUGER DR HYDR, GROUT BOX - OF OPEN LOOP	
909519-031	C



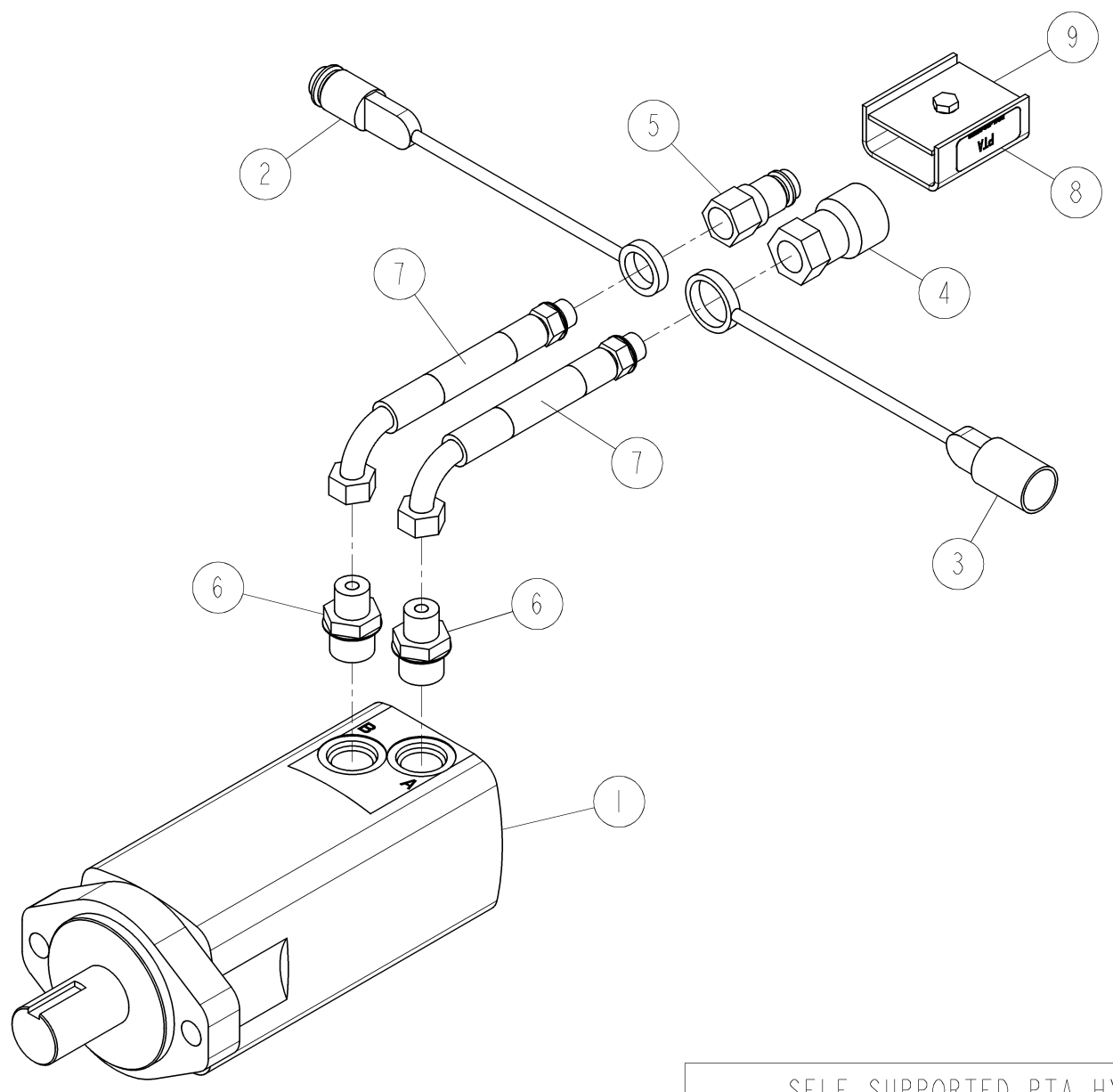
AUGER DR HYDR, GROUT BOX - OF OPEN LOOP			909519-031	C
ITEM NO.	QTY	PART NUMBER	DESCRIPTION	
1	2	130-53C32	MOTOR-HYDRAULIC 57.4 CID VIS40	
2	6	155-10H75	DUST PLUG -12	
3	6	155-10H76	DUST CAP -12	
4	6	155-49M52	ADAPTER - QIK CPLR FEM ORB 12-12	
5	6	155-49M53	ADAPTER - QIK CPLR MALE ORB 12-12	
6	2	155-49N32	ADAPTER ORFS/MB OR (8-6 STD)	
7	4	155-49N44	ADAPTER ORFS/MB OR (12-12 STD)	
8	2	155-49P14	ADAPTER - ORFS PLUG -8	
9	2	9610-01437	HOSE SEAL - AUGER DRIVE HP	
10	4	CHP12-0420-B0V0	HA .75 HP X 42.0 MB0/FSF0	
11	4	CHP12-1200-B0B0	HA .75 HP X 120.0 MB0/MB0	
12	2	CMP08-0420-V4Y0	HA .50 MP X 42.0 FSF4/FSM0	
13	2	CMP08-1200-V0V0	HA .50 MP X 120.0 FSF0/FSF0	



RH AUGER DRIVE BOX      LH AUGER DRIVE BOX

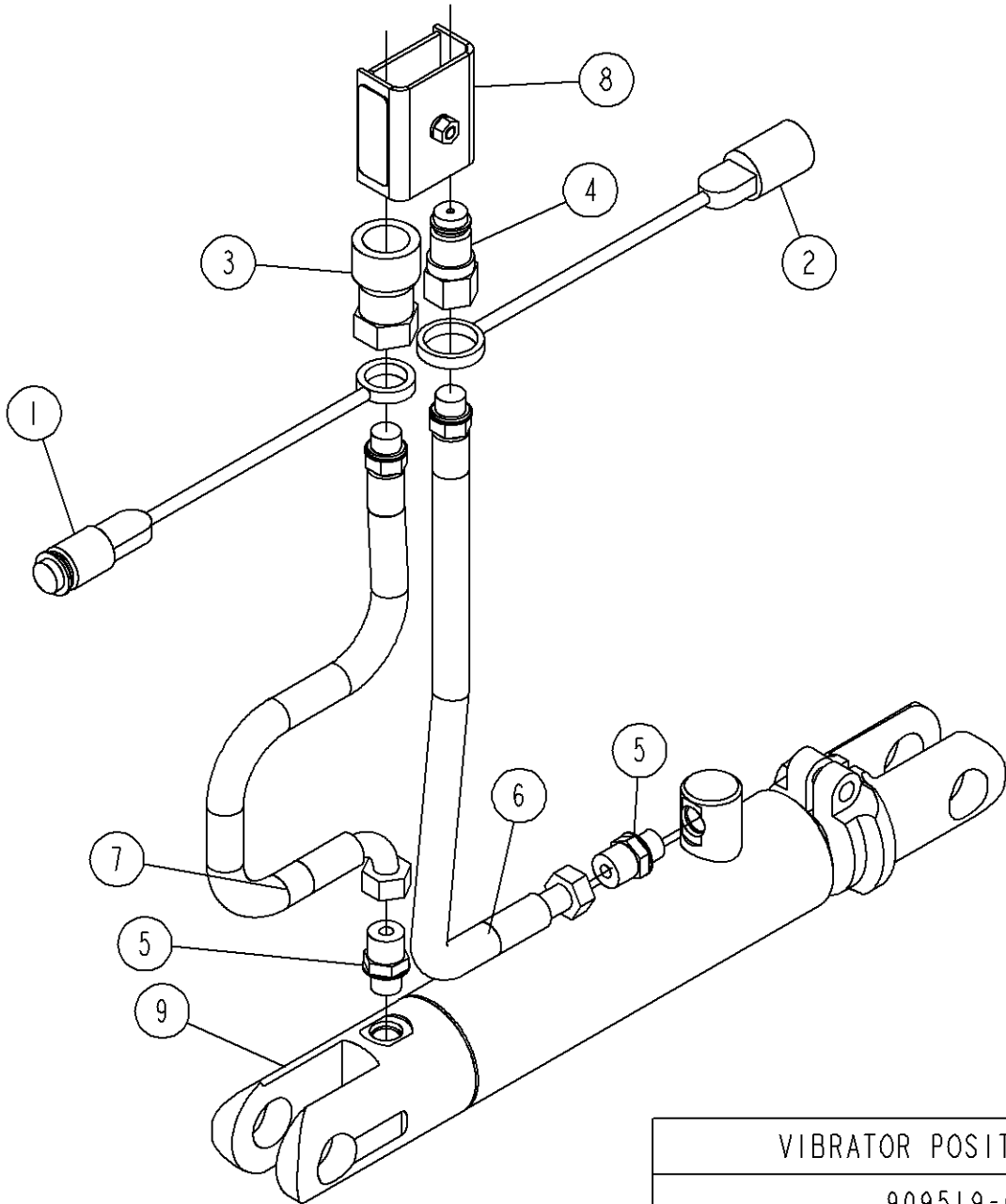
AUG DRIVE MOTOR HYDR OPEN FR	
909519-029	B

AUG DRIVE MOTOR HYDR OPEN FR			909519-029	B
ITEM NO.	QTY	PART NUMBER	DESCRIPTION	
1	2	130-53C32	MOTOR-HYDRAULIC 57.4 CID VIS40	
2	2	155-46A74	ADAPTER - QIK CPLR DUST CAP -12	
3	2	155-47A72	ADAPTER - QIK CPLR DUST CAP -16	
4	2	155-47A73	ADAPTER - QIK CPLR DUST PLUG -16	
5	2	155-49N32	ADAPTER ORFS/MB OR (8-6 STD)	
6	2	155-49N34	ADAPTER ORFS/MB OR (8-12 STD)	
7	4	155-49N48	ADAPTER ORFS/MB OR (16-12 STD)	
8	4	155-49N49	ADAPTER ORFS/MB OR (16-16 STD)	
9	2	155-50G64	ADAPTER - QIK CPLR MALE ORB 16-16	
10	2	155-50G65	ADAPTER - QIK CPLR FEM ORB 16-16	
11	2	155-50G66	ADAPTER - ORB QIK CPLR /MALE 12-12	
12	2	9610-01282	HOSE SEAL - AUGER DRIVE HP	
13	4	CHS16-0420-V0V0	HA 1.00 HS X 42.0 FSF0/FSF0	
14	2	CMP08-0420-V0V0	HA .50 MP X 42.0 FSF0/FSF0	



SELF SUPPORTED PTA HYDRAULICS	
910319-010	D

SELF SUPPORTED PTA HYDRAULICS			910319-010	D
ITEM NO.	QTY	PART NUMBER	DESCRIPTION	
1	1	130-10F79	HYD MOTOR (18.7 CID)	
2	1	155-10H73	DUST PLUG - 6	
3	1	155-10H74	DUST CAP - 6	
4	1	155-49M50	ADAPTER - QIK CPLR FEM ORB	6- 6
5	1	155-49M51	ADAPTER - QIK CPLR MALE ORB	6- 6
6	2	155-49N30	ADAPTER ORFS/MB OR (6-10 STD)	
7	2	CMP06-1200-B0V9	HA .38 MP X 120.0 MB0/FSF9	
8	1	DCAL-120-025	DECAL - PTA	
9	1	FW51-067	HOSE CLAMP ASSEMBLY (.375 & .500)	

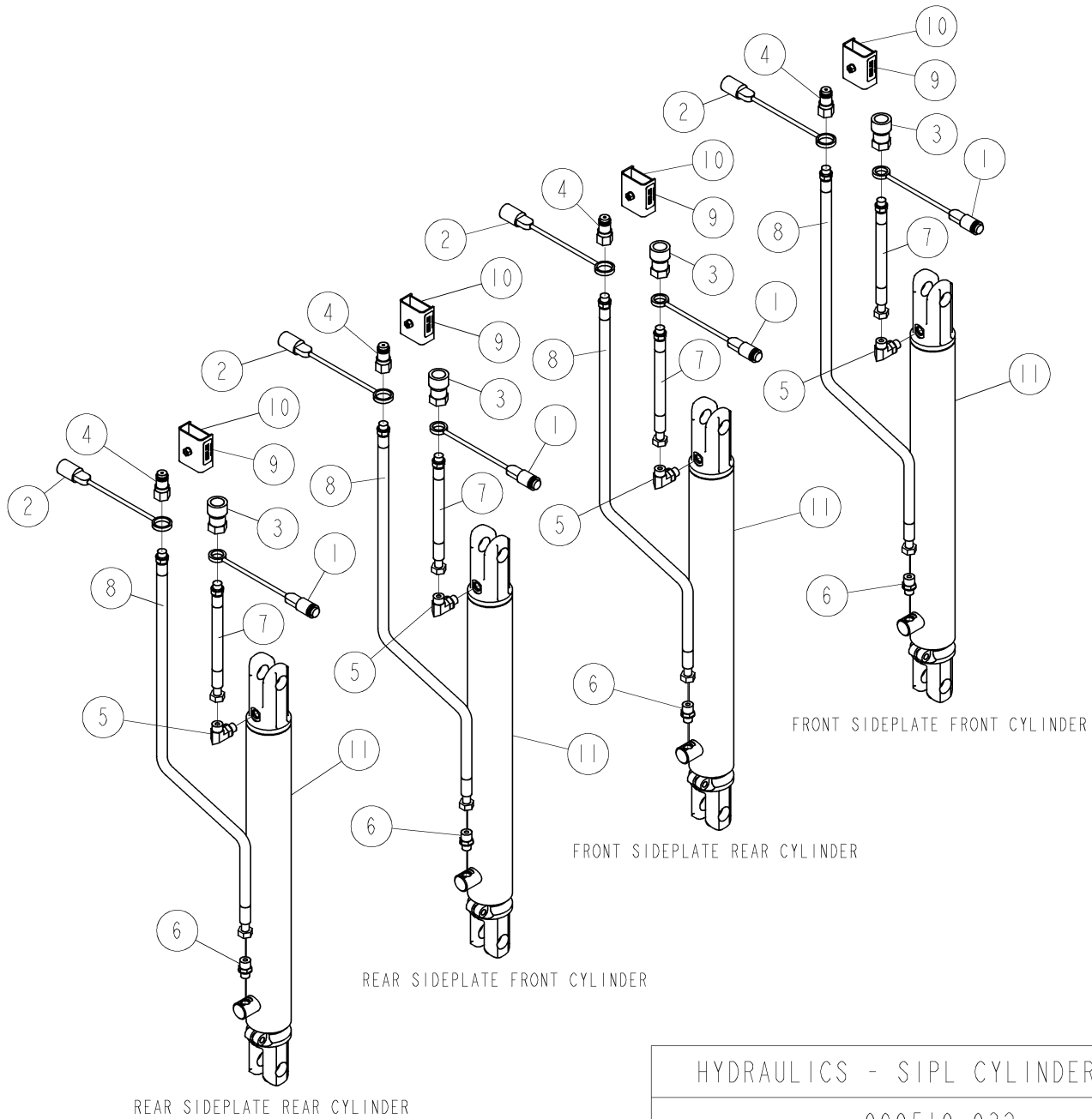


VIBRATOR POSITION HYDRAULICS

909519-027

A

VIBRATOR POSITION HYDRAULICS			909519-027	A
ITEM NO.	QTY	PART NUMBER	DESCRIPTION	
1	1	155-10H73	DUST PLUG - 6	
2	1	155-10H74	DUST CAP - 6	
3	1	155-49M50	ADAPTER - QIK CPLR FEM ORB	6- 6
4	1	155-49M51	ADAPTER - QIK CPLR MALE ORB	6- 6
5	2	155-49N27	ADAPTER ORFS/MB OR (6-6 STD)	
6	1	CMP06-1440-B0V0	HA .38 MP X 144.0 MB0/FSF0	
7	1	CMP06-1440-B0V9	HA .38 MP X 144.0 MB0/FSF9	
8	1	FW51-067	HOSE CLAMP ASSEMBLY (.375 & .500)	
9	1	GT10-155	HYD CYL 2.00 X 6.00 (RET PIN CTR 16.25)	



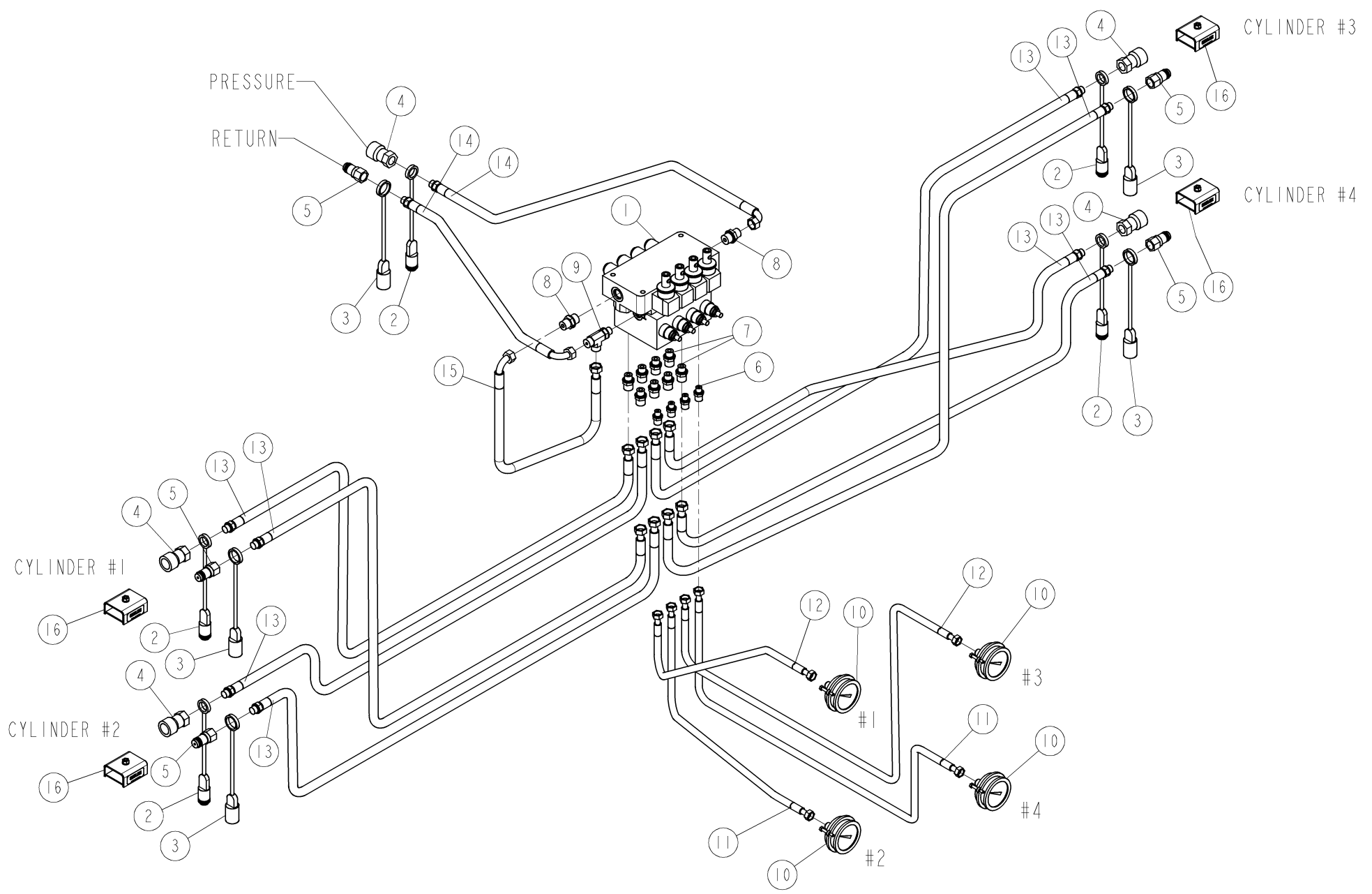
HYDRAULICS - SIPL CYLINDERS, ORB/ORFS

909519-032

B



HYDRAULICS - SIPL CYLINDERS, ORB/ORFS			909519-032	B
ITEM NO.	QTY	PART NUMBER	DESCRIPTION	
1	4	155-10H73	DUST PLUG - 6	
2	4	155-10H74	DUST CAP - 6	
3	4	155-49M50	ADAPTER - QIK CPLR FEM ORB	6- 6
4	4	155-49M51	ADAPTER - QIK CPLR MALE ORB	6- 6
5	4	155-49N05	ADAPTER ORFS/MBOR 90 (6-6)	
6	4	155-49N27	ADAPTER ORFS/MB OR (6-6 STD)	
7	4	CMP06-1740-B0V0	HA .38 MP X 174.0 MBO/FSF0	
8	4	CMP06-1920-B0V0	HA .38 MP X 192.0 MB0/FSF0	
9	4	DCAL-011-337	DECAL - SIDEPLATE	
10	4	FW51-067	HOSE CLAMP ASSEMBLY (.375 & .500)	
11	4	GT10-218	HYD CYL 2.50 X 20.00 (RET PIN CTR 30.25)	

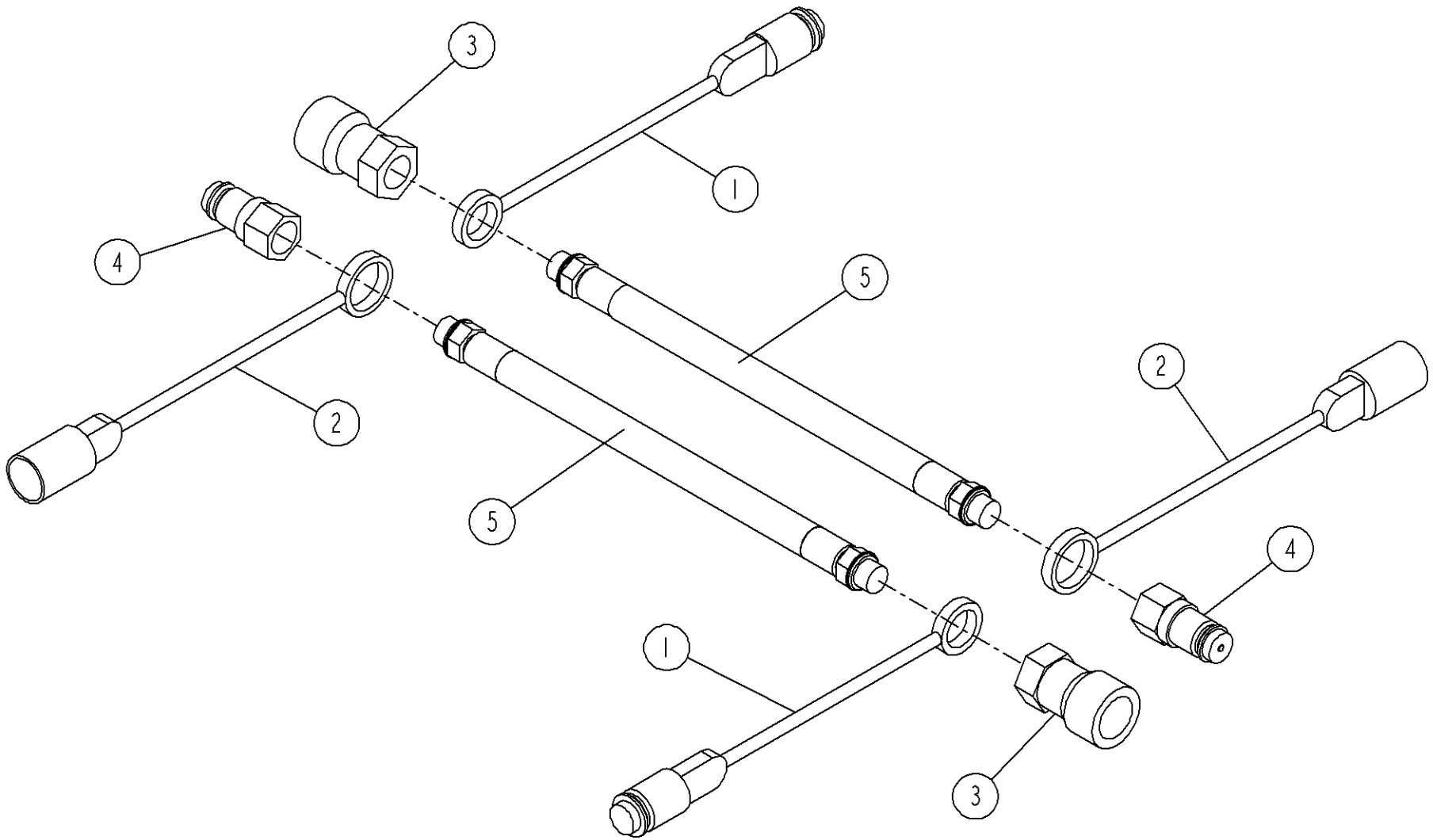


CONT BOX HYDR - 4 BANK (SIDEPLATES)

900119-394

B

CONT BOX HYDR - 4 BANK (SIDEPLATES)			900119-394	B
ITEM NO.	QTY	PART NUMBER	DESCRIPTION	
1	1	125-50T41	VALVE - 4 WAY 4 BANK RLV/RDC 4 PORT	
2	5	155-10H73	DUST PLUG - 6	
3	5	155-10H74	DUST CAP - 6	
4	5	155-49M50	ADAPTER - QIK CPLR FEM ORB 6- 6	
5	5	155-49M51	ADAPTER - QIK CPLR MALE ORB 6- 6	
6	4	155-49N23	ADAPTER ORFS/MB OR (4-4 STD)	
7	8	155-49N27	ADAPTER ORFS/MB OR (6-6 STD)	
8	2	155-49N29	ADAPTER ORFS/MB OR (6-8 STD)	
9	1	155-49P71	ADAPTER - ORFS TEE/MB OR 6-6	
10	4	700-55J35	GAUGE - OIL PRESSURE 0-3000 PSI -4 ORFS	
11	2	CMP04-0160-V0V0	HA .25 MP X 16.0 FSF0/FSF0	
12	2	CMP04-0200-V0V0	HA .25 MP X 20.0 FSF0/FSF0	
13	8	CMP06-0150-B0V0	HA .38 MP X 15.0 MB0/FSF0	
14	2	CMP06-0150-B0V9	HA .38 MP X 15.0 MB0/FSF9	
15	1	CMP06-0180-V0V9	HA .38 MP X 18.0 FSF0/FSF9	
16	4	FW51-067	HOSE CLAMP ASSEMBLY (.375 & .500)	

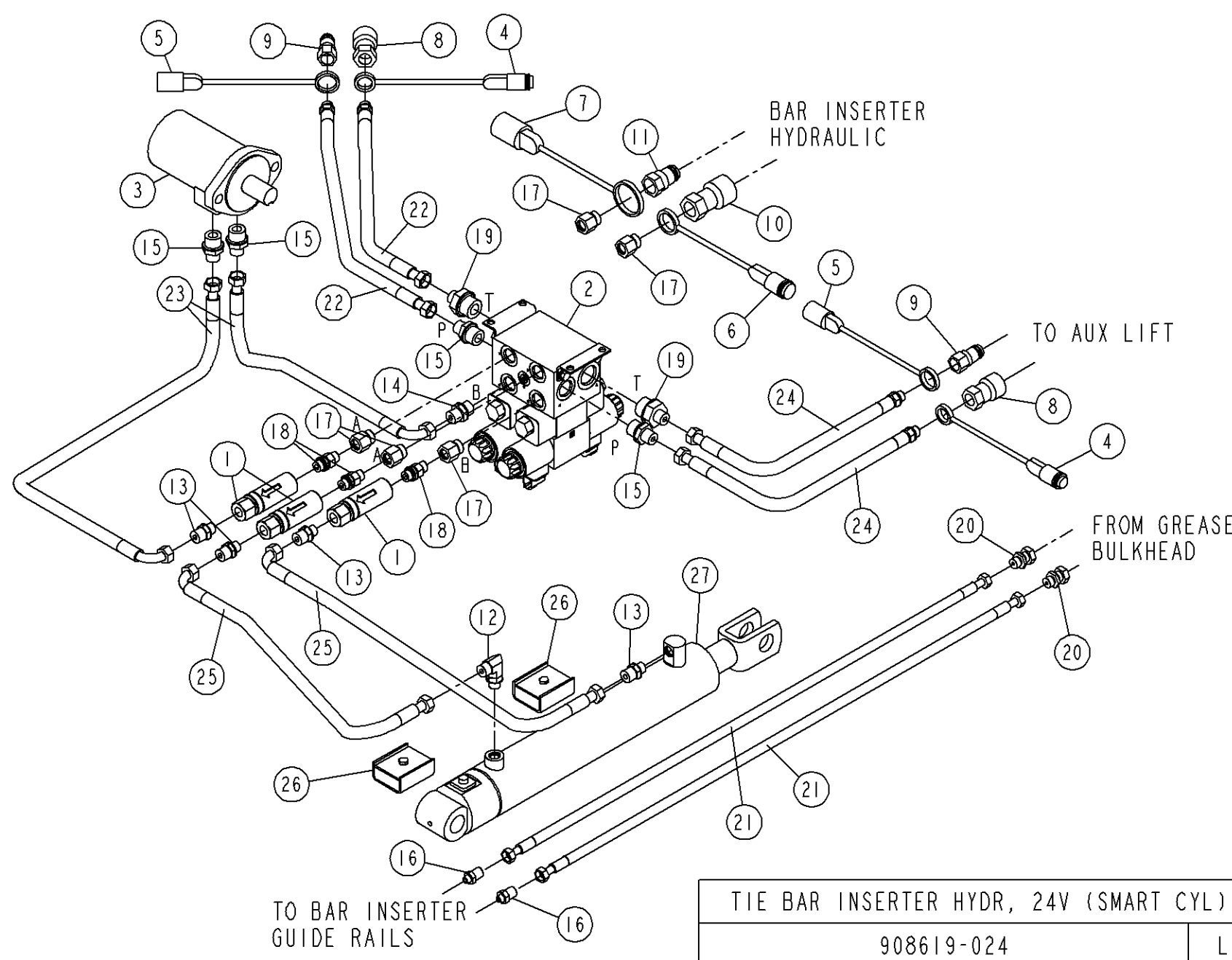


COMP BOX JUMPER HOSE ASSY - 3/8 X 25FT

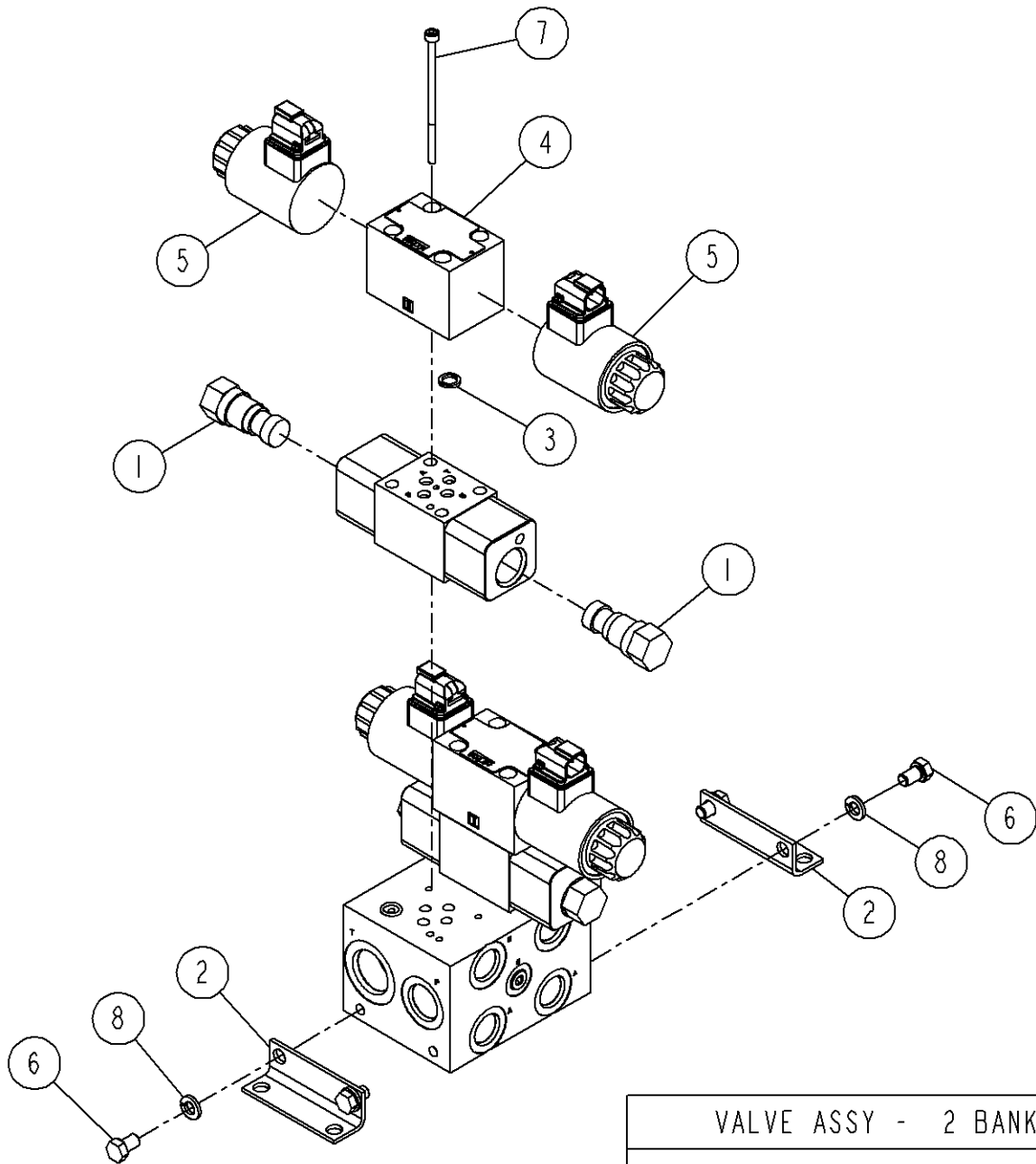
900119-225

A

COMP BOX JUMPER HOSE ASSY - 3/8 X 25FT		900119-225	A
ITEM NO.	QTY	PART NUMBER	DESCRIPTION
1	2	155-10H73	DUST PLUG - 6
2	2	155-10H74	DUST CAP - 6
3	2	155-49M50	ADAPTER - QIK CPLR FEM ORB 6- 6
4	2	155-49M51	ADAPTER - QIK CPLR MALE ORB 6- 6
5	2	CMP06-3000-B0B0	HA.38 MP X 300.0 MB0/MB0



TIE BAR INSERTER HYDR, 24V (SMART CYL)			908619-024	L
ITEM NO.	QTY	PART NUMBER	DESCRIPTION	
1	3	125-10B69	VALVE FLOW CONTROL	
2	1	125-54C76	VALVE ASSY - 2 BANK, D03 (24V)	
3	1	130-45L94	MOTOR - HYDRAULIC 3.0 CID H SERIES	
4	2	155-10H73	DUST PLUG - 6	
5	2	155-10H74	DUST CAP - 6	
6	1	155-10J44	DUST PLUG -10	
7	1	155-10J45	DUST CAP -10	
8	2	155-49M50	ADAPTER - QIK CPLR FEM ORB	6- 6
9	2	155-49M51	ADAPTER - QIK CPLR MALE ORB	6- 6
10	1	155-49M54	ADAPTER - QIK CPLR FEM ORB	8-10
11	1	155-49M55	ADAPTER - QIK CPLR MALE ORB	8-10
12	1	155-49N05	ADAPTER ORFS/MBOR 90 (6-6)	
13	4	155-49N27	ADAPTER ORFS/MB OR (6-6 STD)	
14	1	155-49N29	ADAPTER ORFS/MB OR (6-8 STD)	
15	4	155-49N30	ADAPTER ORFS/MB OR (6-10 STD)	
16	2	155-49R67	ADAPTER - ORFS/MP 4-2	
17	5	155-50D38	MALE BOSS/FEMALE BOSS 8- 6	
18	3	155-50F49	ADAPTER - MB OR/MB OR UNION 6-6	
19	2	155-51T20	ADAPTER ORFS/MB OR (6-12 STD)	
20	2	905543-003	GREASE FTG BLKHD (ORFS 4-4)	
21	2	CMP04-1680-V0V0	HA .25 MP X 168.0 FSF0/FSF0	
22	2	CMP06-0120-B0V0	HA .38 MP X 12.0 MB0/FSF0	
23	2	CMP06-0360-V0V9	HA .38 MP X 36.0 FSF0/FSF9	
24	2	CMP06-1440-B0V0	HA .38 MP X 144.0 MB0/FSF0	
25	2	CMP06-1800-V0V9	HA .38 MP X 180.0 FSF0/FSF9	
26	2	FW51-067	HOSE CLAMP ASSEMBLY (.375 & .500)	
27	1	GT10-514	CYLINDER - HYDR, 2.50 X 12.00 IN, SMART	



VALVE ASSY - 2 BANK, D03 (24V)

125-54C76

C



VALVE ASSY - 2 BANK, D03 (24V)			125-54C76	C
ITEM NO.	QTY	PART NUMBER	DESCRIPTION	
1	4	125-10C65	CHECK VALVE CARTRIDGE , PILOT OPERATED	
2	2	125-51R77	MOUNTING KIT	
3	2	125-53E83	SEAL KIT - D03 VALVE MOUNTING	
4	2	125-53W11	VALVE - DIRECTIONAL, D03 MTR SPOOL, 24V	
5	4	125-53W74	COIL - 24VDC DEUTSCH (HYTOS)	
6	4	400-30C36	.3125-18 UNC X .500 HHCS GR5	
7	8	400-51F54	#10-24 UNC X 3.500 SKTHCS (BLK)	
8	4	420-30A38	LOCK WASHER .312	

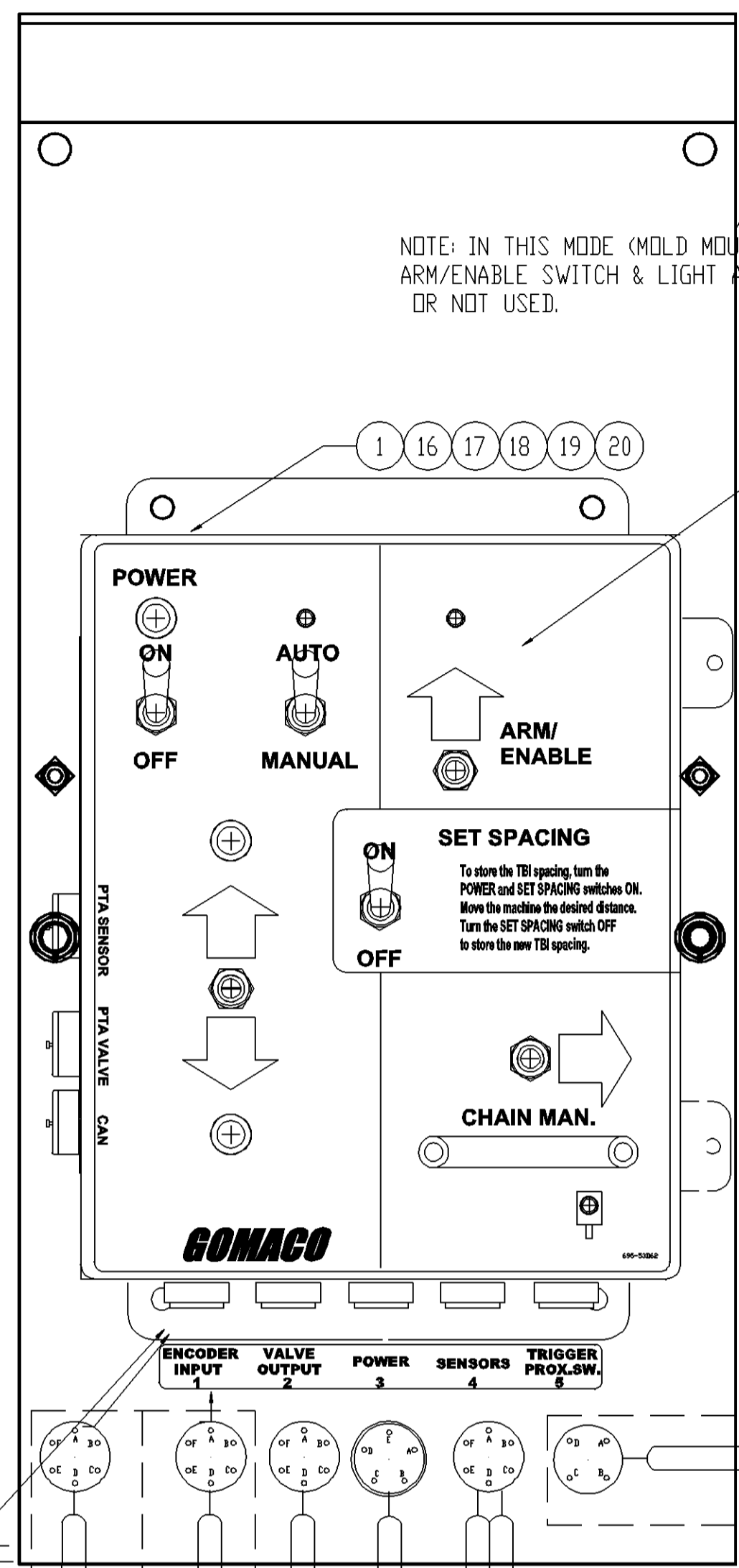


---

<b>Page #</b>	<b>Part Number</b>	<b>Description</b>
1	908620-043E1	ELEC ASSY, G+ TBI/PTA MOLD MTD 24V
2	908620-043E2	ELEC ASSY, G+ TBI/PTA MOLD MTD 24V
3	908620-041E	CONTROL BOX - TBI/PTA, G+
4	900820-001E	PROXIMITY SWITCH ASSY
5	WH01-0230E	CA 5P F M12/4P PLUG X 110 IN
6	WH03-0137E	HARNESS, 2 PIN DEUTSCH TEE - FEMALE
7	WH03-0138E	HARNESS, MOLD MOUNTED TBI/PTA

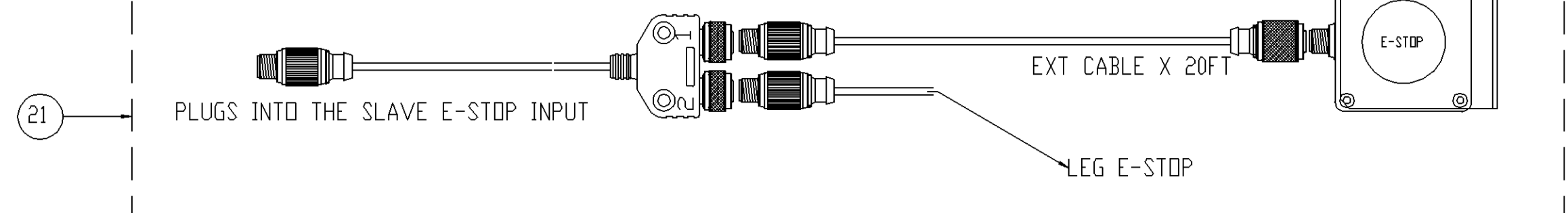




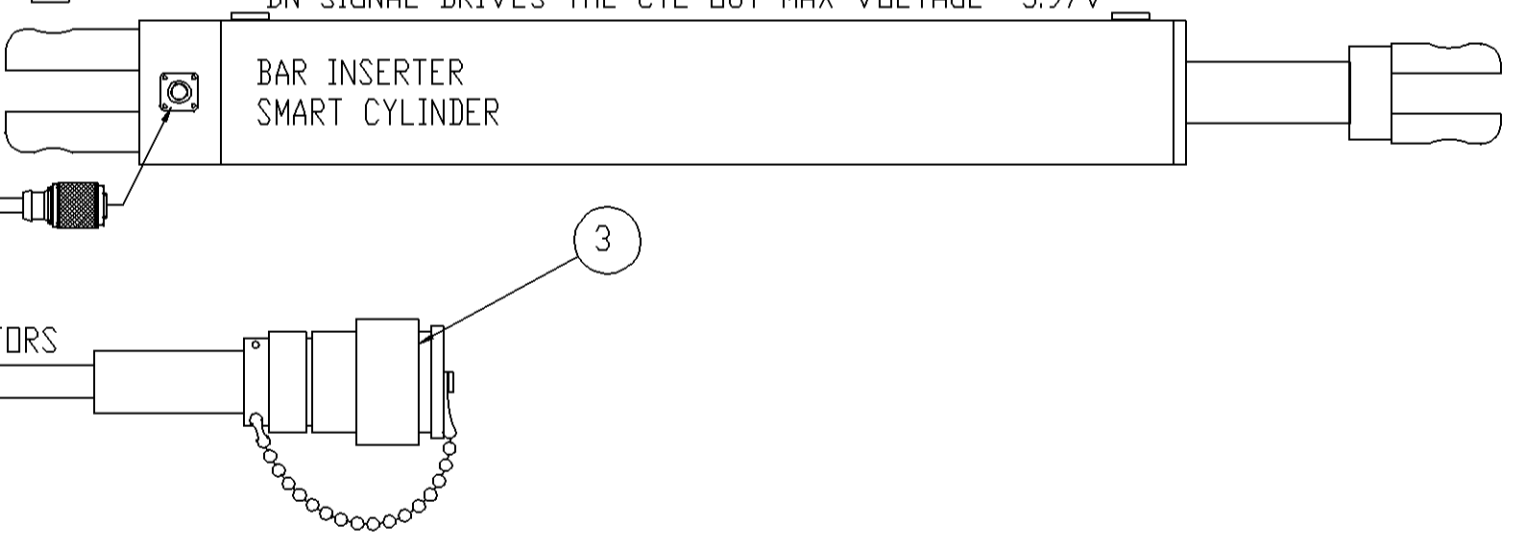
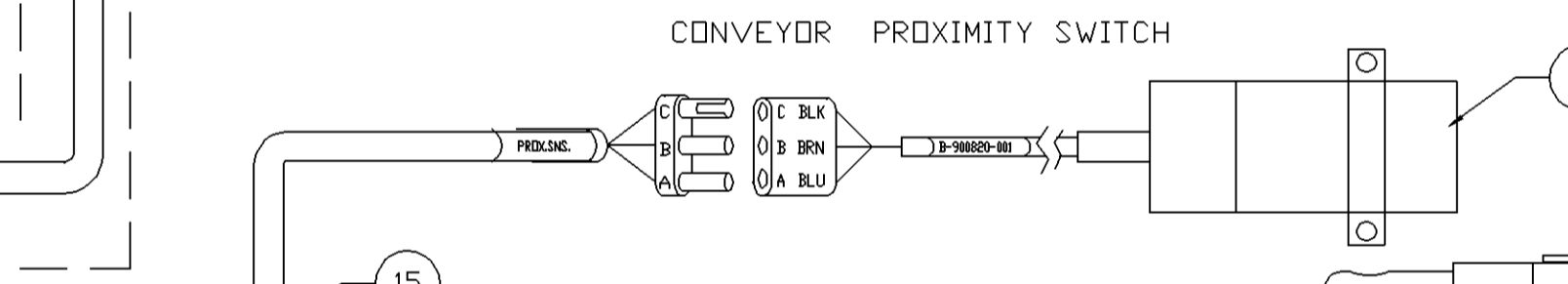
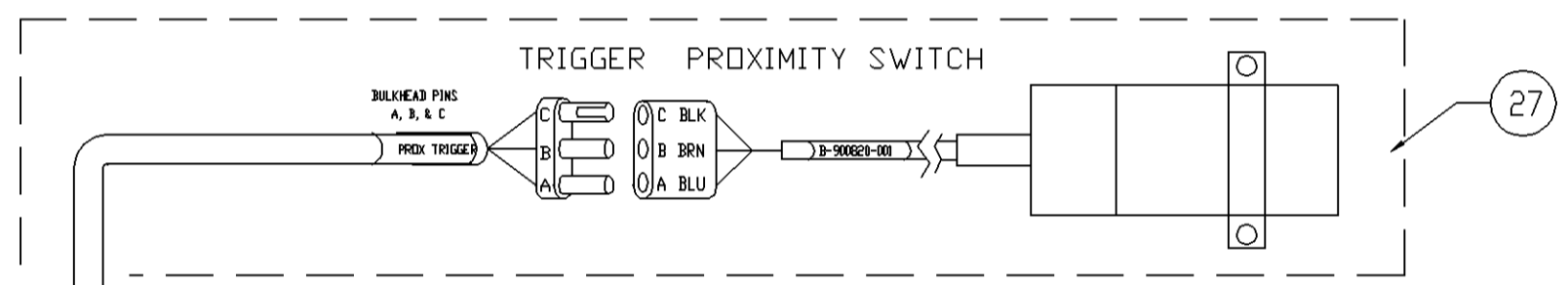
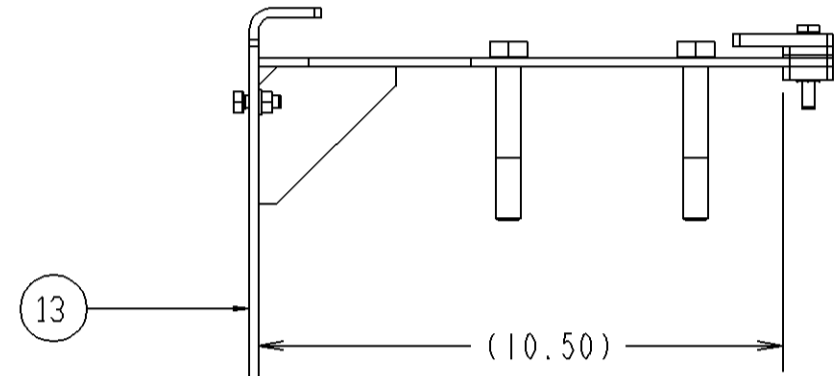
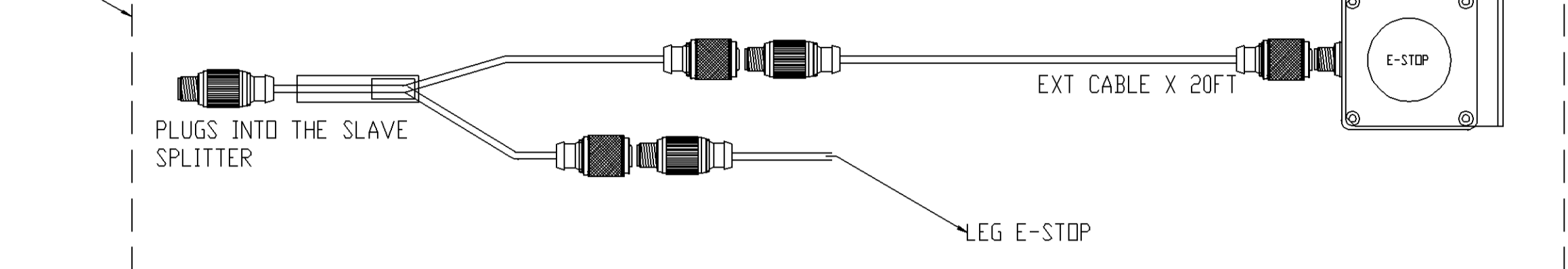


NOTE: IN THIS MODE (MOLD MOUNTED) THE ARM/ENABLE SWITCH & LIGHT ARE DISABLED OR NOT USED.

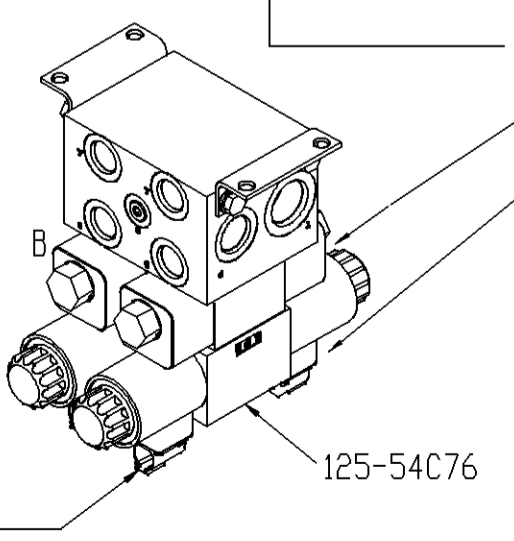
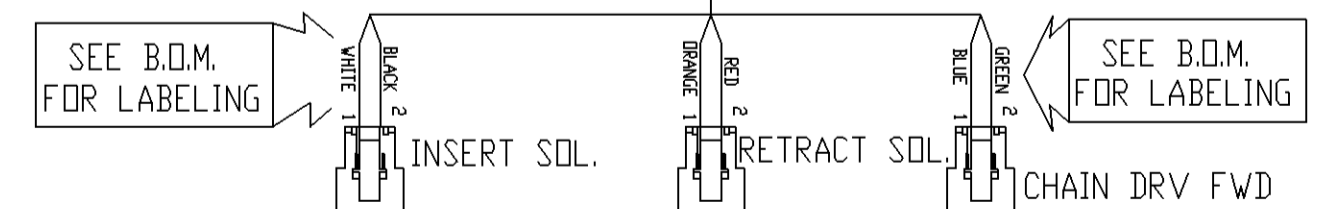
**G+ 4-TRACK**



**G+ 2-TRACK**



NOTE: 5 PIN FEMALE PLUG/MALE PLUG ARE 1/4 TURN CONNECTORS



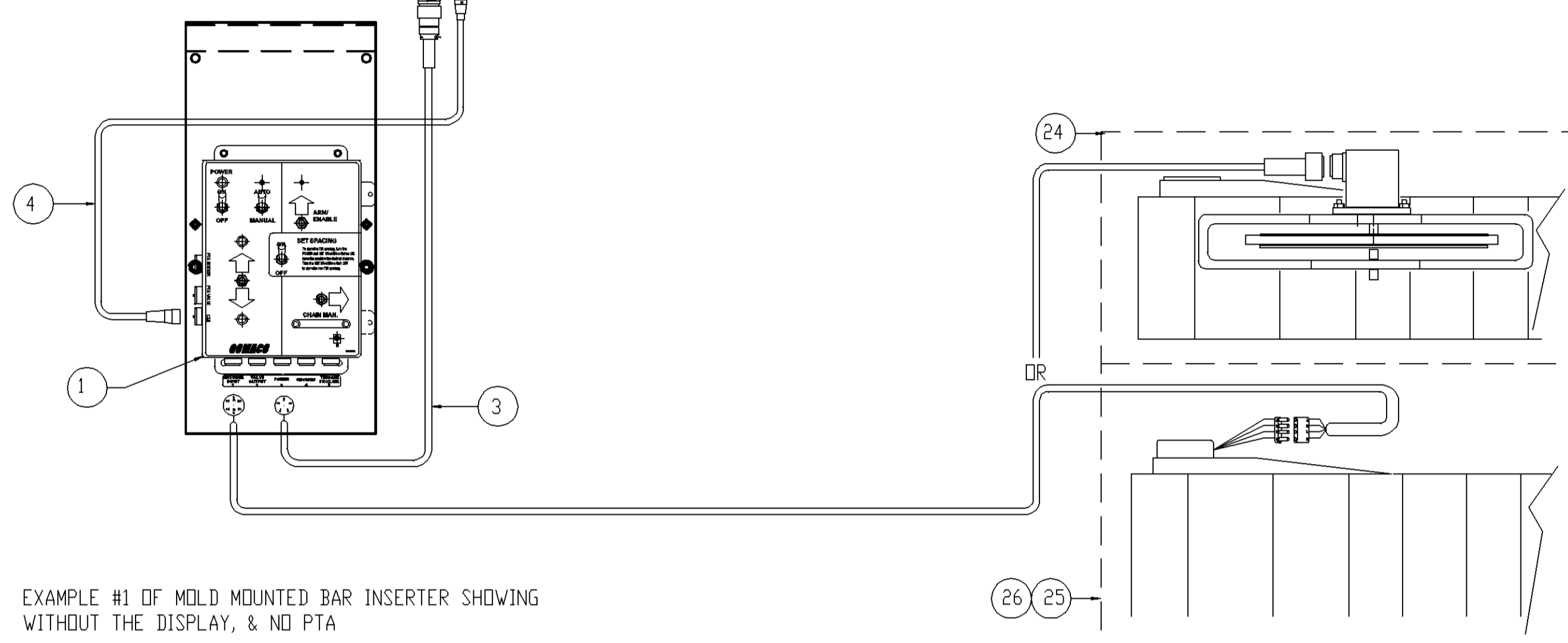
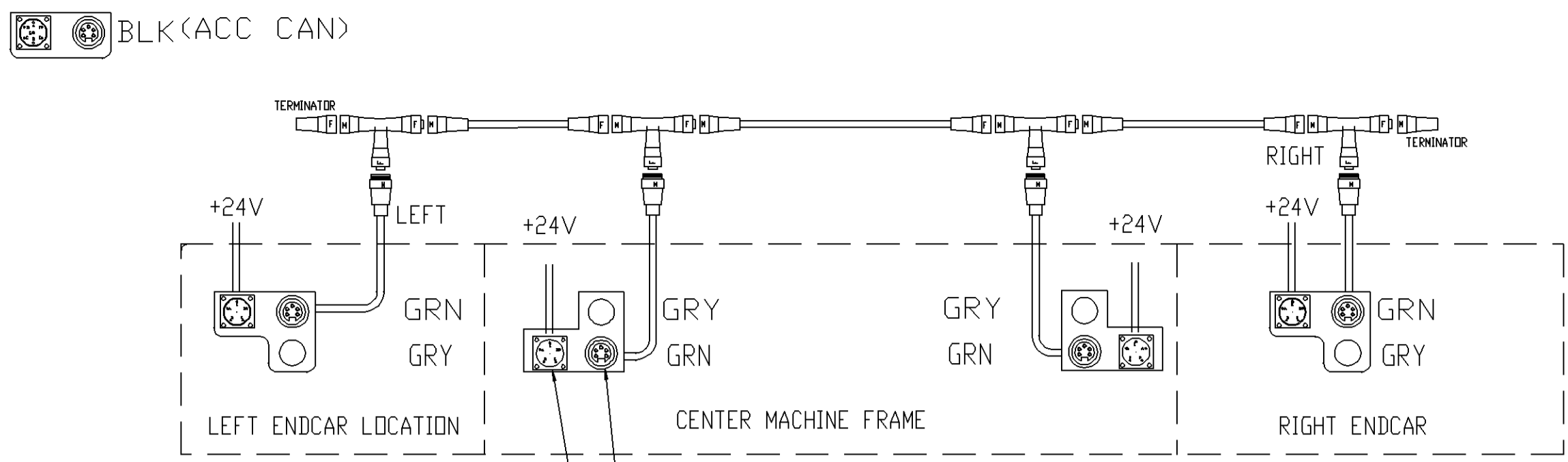
MATERIAL LIST

ITEM	QTY	PART NUMBER	DESCRIPTION
	1	D 908620-043	ELEC. ASSY. G+ TBI/PTA MOLD MOUNTED 24v
1	1	D 908620-041	CONTROL BOX - TBI/PTA, G+DUAL 12/24V
2	1	B CA07M-0240-0081	▽ #2 ▽ INSERT ▽ RETRACT ▽ CHAIN CONVEYDR
3	1	B CA02P-0120-0270	CA 5 P FEM PL 1/4 TRN/5 P M PL 1/4 TRN
4	1	520-53Y89	▽ #3 CABLE - MINIFAST 3M GREEN
5			
6			
7			
8			
9			
10			
11	(1)	B 908620-047	CABLES ASSY., PTA ADD ON MOLD MOUNT G+ MACHINES
12	(1)	B 908620-048	TBI/PTA DISPLAY BOX & CABLES ASSY. G+ PAVERS
13	(1)	B 908611-136	CONTROL BOX MOUNT ASSEMBLY - TBI
14	1	520-53F05	TEE RAIL MOUNT CABLE - SMART CYLINDER 1.8M TO 6.1M BLK
15	1	B WH03-0138	HARNES, MOLD MOUNTED TBI/PTA
16	(1)	C 908945-002	CONTROL BOX MOUNT HANDRIAL MOUNT
17	4	400-30A10	HEX HD CAP SCR .250-20X .750 GR5 YEL
18	4	415-30A04	HEX NUT .250-20 GR5 YEL
19	4	420-30A36	WASHER - LOCK .250 YEL
20	4	420-30A30	WASHER - FLAT .250 YEL
21	(1)	C 912420-025	ADDITIONAL E-STOP EXTENSION 4 TRK PAVERS
22	(1)	C 912420-024	ADDITIONAL E-STOP EXTENSION 2 TRK PAVERS
23	(1)	A 908620-033	ELEC. ASSY., CAN EXTENSION CABLE
24	(1)	A 908620-034	ELEC. ASSY., ENCODER WHEEL FOOTAGE
25	(1)	A 908620-035	ELEC. ASSY., PULSE PICKUP QUAD SERIES 51(CONE)
26	(1)	A 908620-036	ELEC. ASSY., PULSE PICKUP QUAD SERIES L (FLAT)
27	(1)	A 908620-037	ELEC. ASSY., PROXIMITY SWITCH TRIGGER
28			
29			
30	1	B 900820-001	PROXIMITY SWITCH ASSY
31	(1)	B WH03-0142	HARNES, 6 PIN PLUG, (2) 6 PIN BHDS
32	(1)	B CA06N-0240-0008	▽ FTG. CNTR ▽ FTG. CNTR

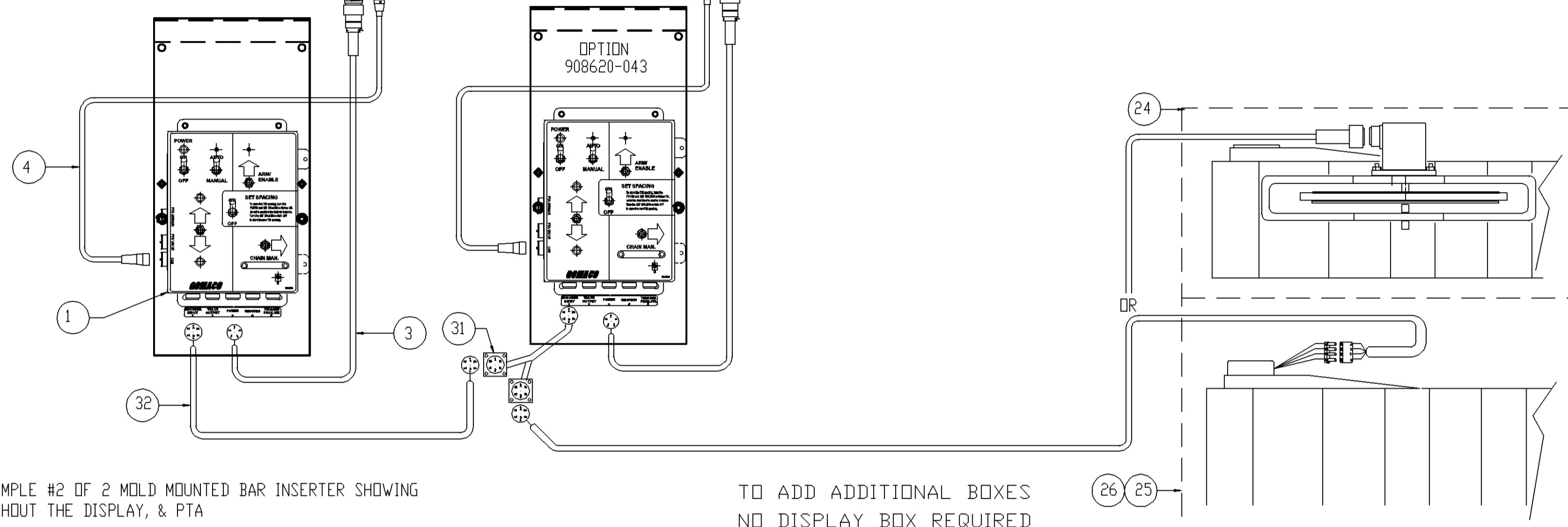
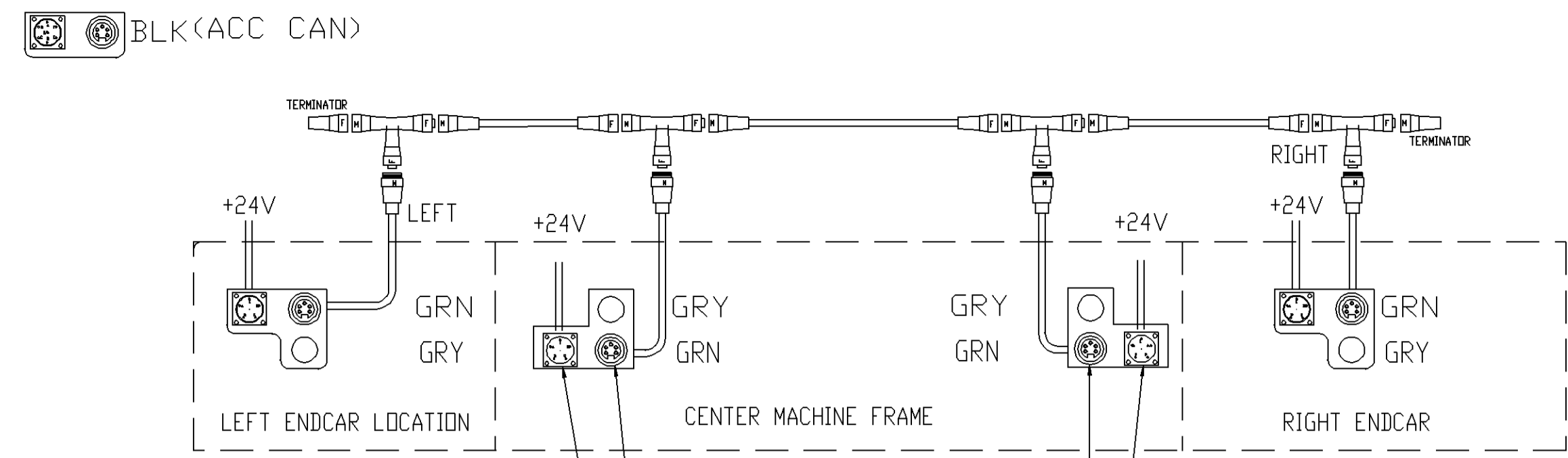
SETUP NOTE ON 1ST START UP OF THIS SYSTEM:

- TO TEACH THE UP & DN PARAMETERS:
  - TURN OFF POWER TO BOX & PUT AUTO/MANUAL SWITCH TO MANUAL.
  - HOLD THE ARM ENABLE SWITCH UP WHEN TURNING THE BOX ON.
  - NOTE: WHEN THE UP/DN LIGHTS AND THE ARM ENABLE LIGHT ARE BLINKING AT THE SAME RATE, YOU ARE IN THE TEACH MODE.
  - WHEN THE LIGHTS ARE BLINKING HOLD THE UP/DN MANUAL SWITCH UP. THIS WILL BRING THE BAR INSERTER UP AND BOTH THE UP AND THE ARM ENABLE LIGHTS SHOULD BE BLINKING, THE DOWN LIGHT WILL BE OFF. HOLD THE UP/DN SWITCH UP FOR 10 SECONDS. AS SOON AS THE UP LIGHT STOPS BLINKING & THE DOWN LIGHT STARTS BLINKING ALONG WITH THE ARM ENABLE LIGHT. HOLD THE UP/DN SWITCH TO THE DOWN POSITION. THIS WILL BRING THE BAR INSERTER TO THE DOWN POSITION, HOLD THE UP/DN SWITCH DOWN FOR 10 SECONDS OR UNTIL THE DOWN LIGHT STOPS BLINKING.
  - THE TEACH MODE IS NOW COMPLETE. ONLY THE ARM ENABLE LIGHT SHOULD BE BLINKING.
- HOLD THE UP/DN MANUAL SWITCH UP TO BRING THE BAR INSERTER ALL THE WAY UP.
- READ BOX FOR INSTRUCTIONS TO SET THE SPACING OF THE BAR PLANTS.
- WHEN POWERING UP THE BOX THE AUTO MANUAL SWITCH MUST BE IN MANUAL POSITION BEFORE THE AUTO LIGHT WILL TURN ON.
- NOTE: IF, AFTER SETTING THE UP/DN LIMITS OF THE BAR INSERTER, ALL THREE LIGHTS, (ARM ENABLE, UP AND DN) CONTINUE TO BLINK, THEN THE BOX IS EITHER NOT READING THE SMART CYLINDER CORRECTLY OR THE SMART CYLINDER VOLTAGE IS OUTSIDE OF THE LIMIT RANGE OR STORED WITH THE OPPOSITE VOLTAGE. RECHECK CONNECTIONS & START THE TEACH PROCEDURES OVER AGAIN AT STEP #1.
- NOTE: IF YOU ARE USING THE PULSE PICKUPS OR ENCODER WHEEL WHEN TRAVELING VERIFY THE LED NEXT TO THE BHD IS BLINKING. IF BLINKING THE CONTROLLER IS READING THE SIGNAL & THE BOX WILL PLANT THE BARS.
- NOTE: IF YOU ARE USING CONTROL BOX "CAN" TO CONNECT INTO THE MACHINE "CAN" FOR THE TRAVEL SIGNAL THE LED NEXT TO THIS BHD WILL BE BLINKING & THE BOX WILL PLANT THE BARS.

REV BY : JGD	REV DATE : 9-06-17	REV : G	THIS DRAWING DESCRIBES A PROPRIETARY PRODUCT OF GOMACO CORPORATION AND MAY NOT BE REPRODUCED OR GIVEN TO A THIRD PARTY WITHOUT WRITTEN PERMISSION FROM GOMACO CORPORATION
DWN BY : PFR	SCALE : NTS		
CHKR : SBJ	DATE : 5-29-12		
DSGN BY : PFR	3RD ANGLE PROJECTION		
ALL TOLERANCES PER GOMACO GS2			
ELEC. ASSY. G+ TBI/PTA MOLD MOUNTED 24v			
<b>GOMACO</b>			
IDA GROVE, IDWA - USA			
D 908620-043			SHT. 1/2



EXAMPLE #1 OF MOLD MOUNTED BAR INSERTER SHOWING WITHOUT THE DISPLAY, & NO PTA



EXAMPLE #2 OF 2 MOLD MOUNTED BAR INSERTER SHOWING WITHOUT THE DISPLAY, & PTA

TO ADD ADDITIONAL BOXES NO DISPLAY BOX REQUIRED

MOLD MOUNTED BAR INSERTER:  
TO PICK THE CORRECT ITEMS:  
1. QTY-1 908620-043 TBI MOLD MOUNTED BOX ASSY.

2. STYLE OF BOX BRACKET  
A. QTY-1 908945-002 HAND RAIL MOUNT  
B. QTY-1 908611-136 TEE RAIL MOUNT

3. ADD E-STOPS  
A. G+ 4TRACK USE QTY-1 912420-025.  
B. G+ 2TRACK USE QTY-1 912420-024.

OR  
4. MULTIPLE TBI/SBI BOX E-STOPS USE QTY-1 912420-024 G+ 2TRK E-STOP ASSY. FOR EACH ADDITIONAL TBI/SBI BOX.

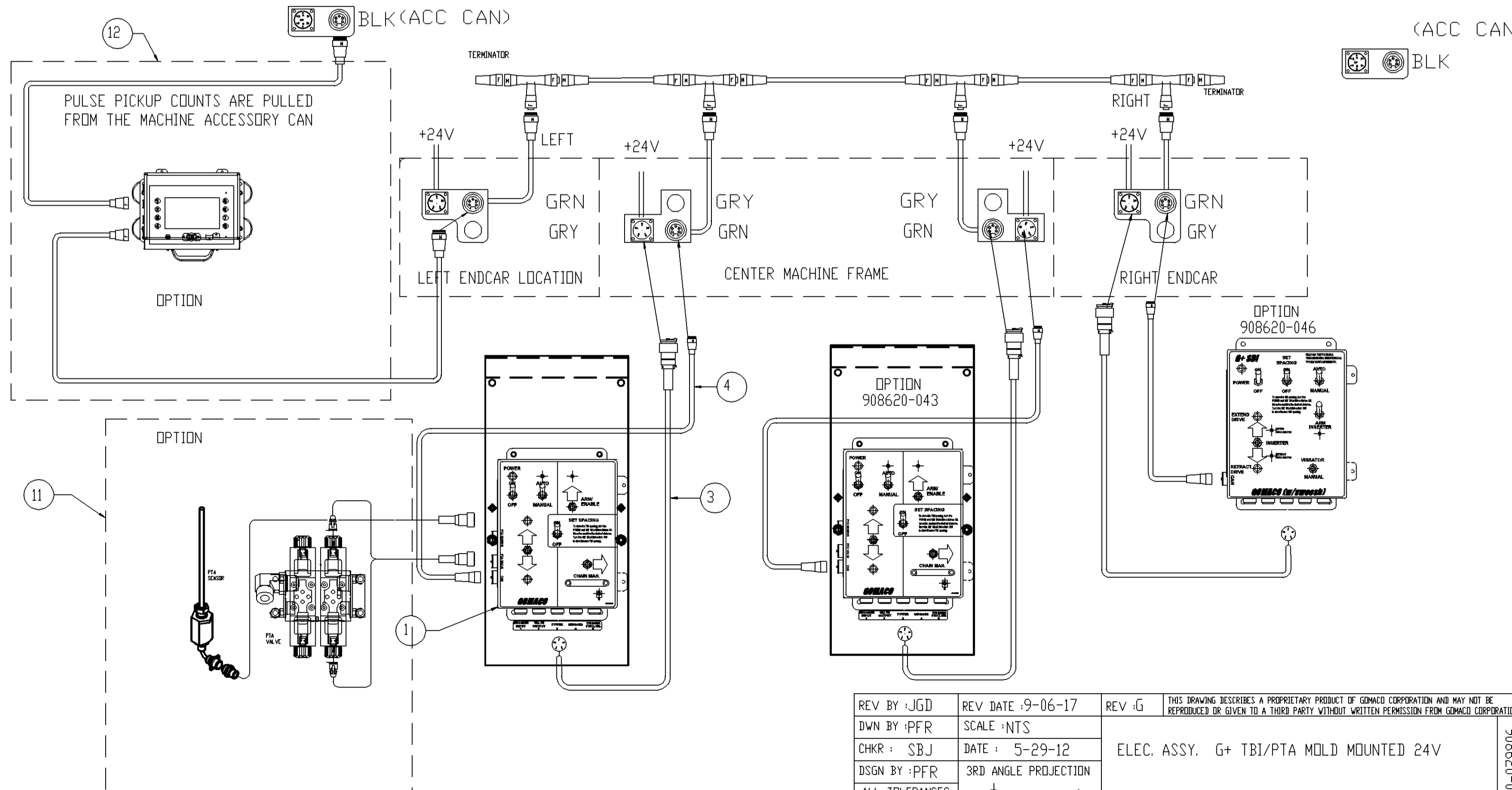
5. WITHOUT A DISPLAY SEE EXAMPLE 1 & 2:  
A. NEED A FOOTAGE COUNTER (PICK ONE) NOTE ON 2 TRK MACHINES BOTH PULSE PICKUPS ARE BEING USED.  
1. QTY-1 908620-034 PULSE PICKUP SERIES 5 (CONE SHAPE)  
2. QTY-1 908620-035 PULSE PICKUP SERIES L (FLAT SHAPE)  
3. QTY-1 908620-034 ENCODER WHEEL FOOTAGE  
4. QTY-1 908620-037 PROX SWITCH EXTERNAL TRIGGER  
B. WITH EACH ADDITIONAL BOXES (SBI/TBI) NEED FOOTAGE COUNTER EXT.  
1. QTY-1 WH03-0142 TEE  
2. QTY-1 CA06N-0240-0008 COUNTER EXT CABLE

6. PROX SWITCH TRIGGER USE QTY-1 908620-037(OPTION)

7. WITH A DISPLAY SKIP #5 OPTION (SEE EXAMPLE #3):  
A. QTY-1 908620-048 DISPLAY BOX W/CABLES

8. ADD A PTA (OPTION)  
A. QTY-1 908620-047 PTA ADD ON(ONLY WITH A DISPLAY)

NOTE:  
IF THE PAVER HAS EXTENSIONS ON BOTH SIDES THEN THE PAVER COULD HAVE UP TO 6 TBI/SBI HOOKUPS ON IT. IN THIS EXAMPLE IT IS ONLY SHOWING 4 HOOKUP POINTS FOR THE TBI/SBI.



EXAMPLE #3 OF MOLD MOUNTED BAR INSERTER SHOWING 1 SIDE BAR INSERTER WITH THE DISPLAY. CAN USE THE MOLD MOUNTED BAR INSERTER WITH PTA.

REV BY :JGD	REV DATE :9-06-17	REV :G	THIS DRAWING DESCRIBES A PROPRIETARY PRODUCT OF GOMACO CORPORATION AND MAY NOT BE REPRODUCED OR GIVEN TO A THIRD PARTY WITHOUT WRITTEN PERMISSION FROM GOMACO CORPORATION.
DWN BY :PFR	SCALE :NTS		
CHKR : SBJ	DATE : 5-29-12	ELEC. ASSY. G+ TBI/PTA MOLD MOUNTED 24V	
DSGN BY :PFR	3RD ANGLE PROJECTION		
ALL TOLERANCES PER GOMACO GS2			
<b>GOMACO</b> IDA GROVE, IOWA - USA			908620-043
			SHT. 2

11/29/2020 GOMACO Corporation - Ida Grove, IA MELEC Page 2

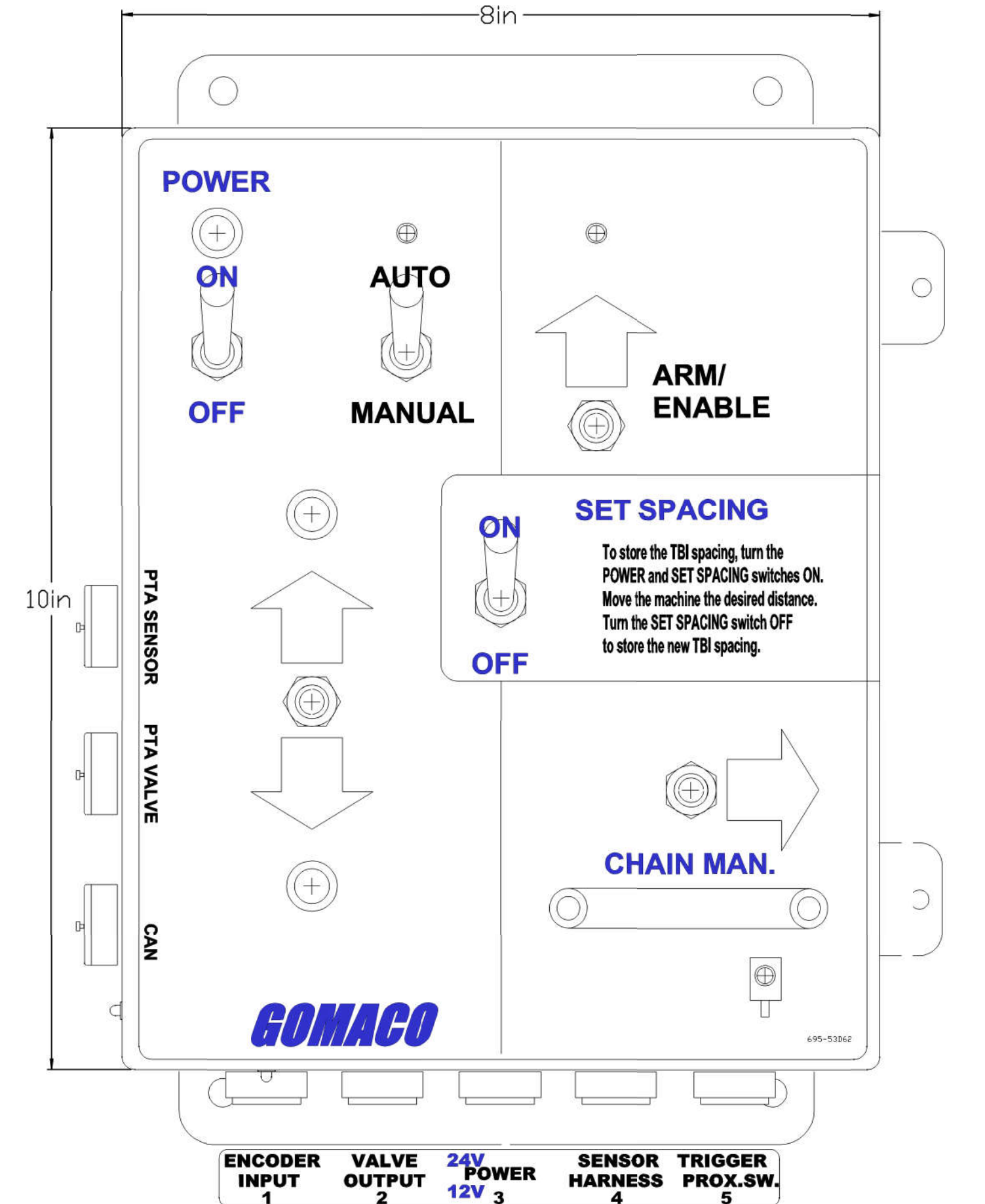
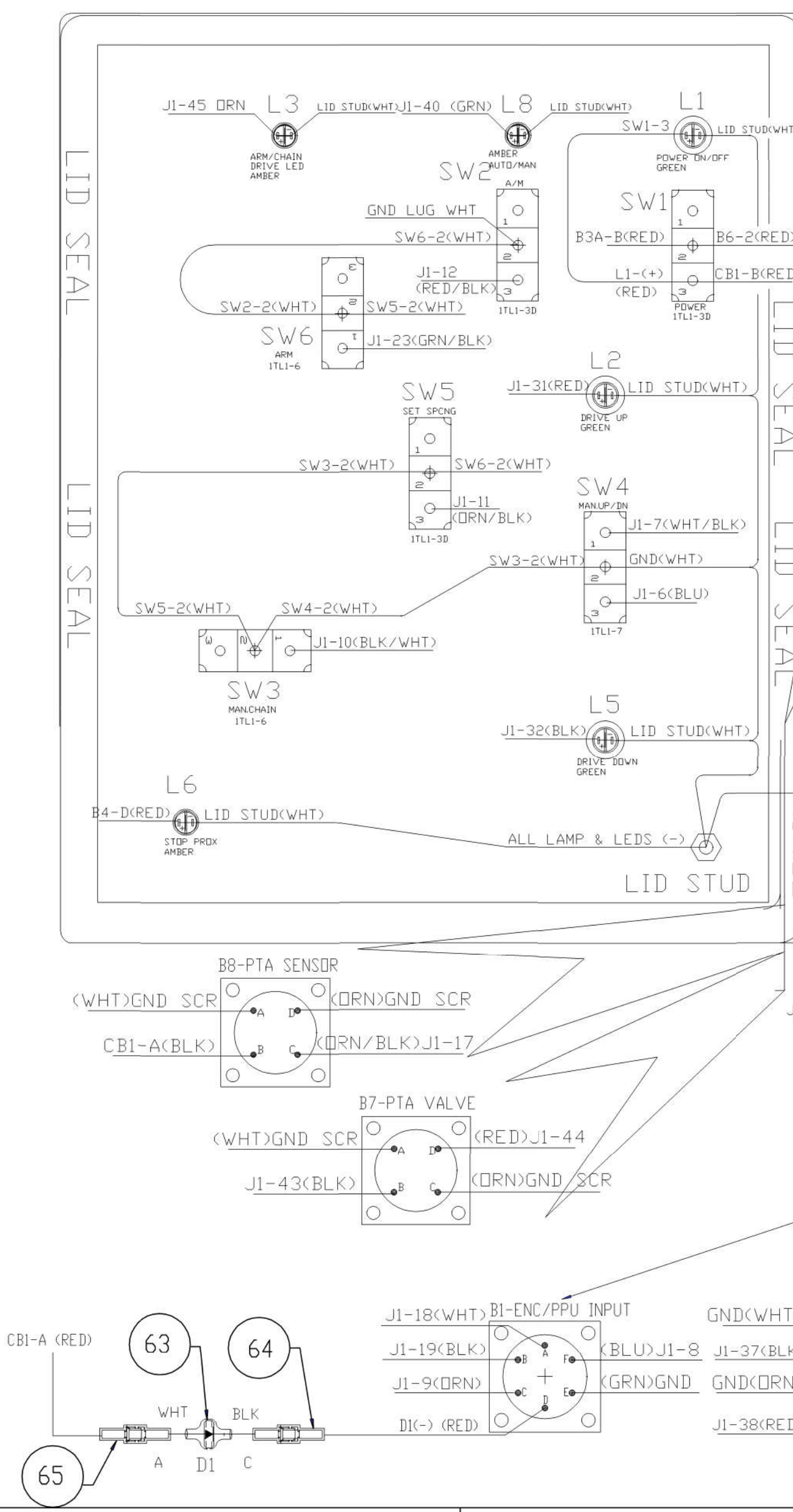
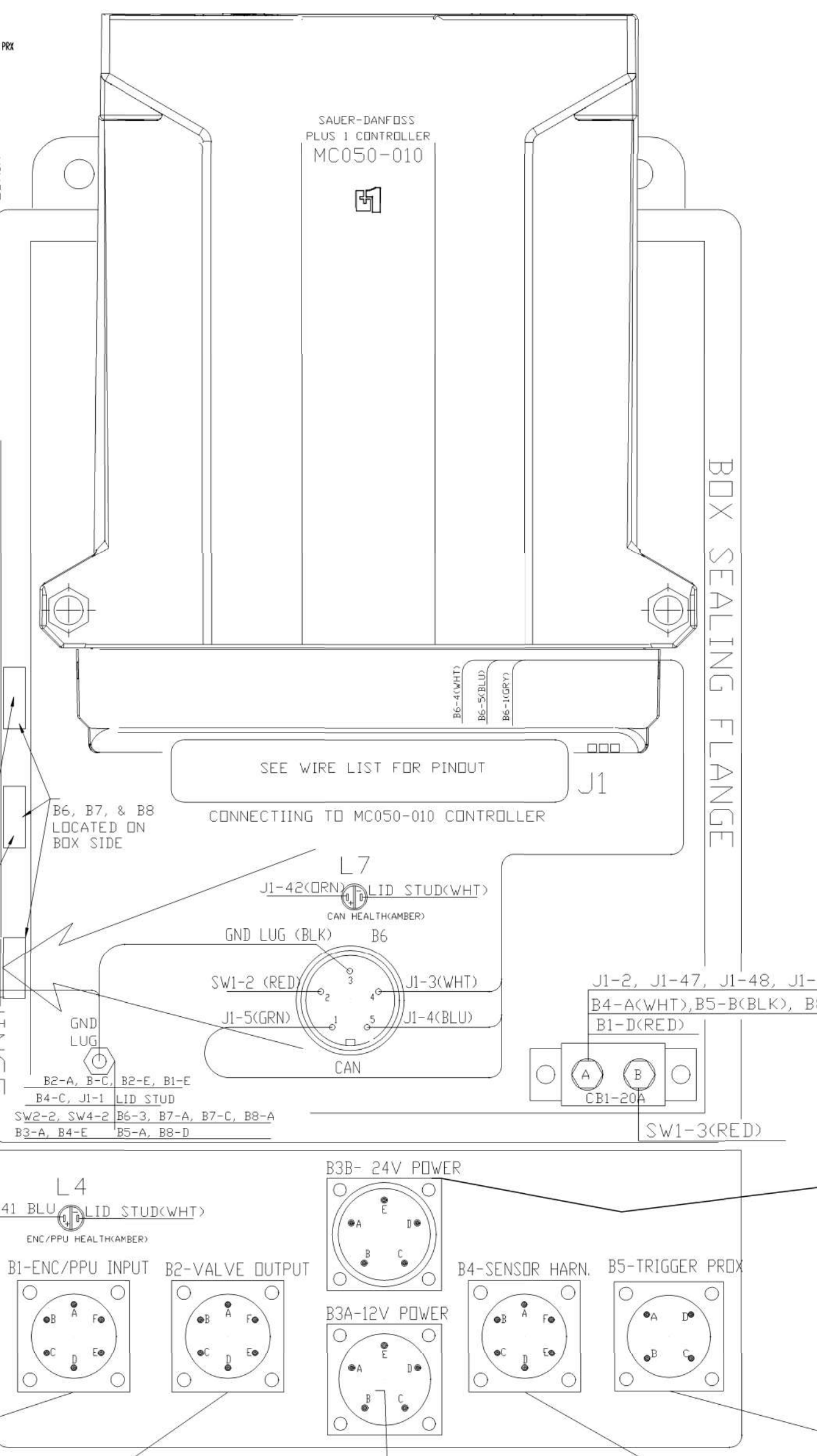
MATERIAL LIST

ITEM	QTY	PART NUMBER	DESCRIPTION
	1	D 908620-041	CONTROL BDX - TBI/PTA, G+DUAL 12/24 VOLT
50	1	520-45E74	WIRE - 18 GAUGE, WHITE X 210 IN.
51	1	520-48F81	WIRE - 18 GAUGE, BLACK X 94 IN.
52	1	520-48F91	WIRE - 18 GAUGE, ORANGE X 84 IN.
53	1	520-48F80	WIRE - 18 GAUGE, RED X 89 IN.
54	1	520-48F82	WIRE - 18 GAUGE, GREEN X 48 IN.
55	1	520-48G12	WIRE - 18 GAUGE, BLUE X 53 IN.
56	1	520-15A83	WIRE - 16 GAUGE, WHITE X 10 IN.
57	1	520-15A85	WIRE - 16 GAUGE, RED X 72 IN.
58	1	520-15B02	WIRE - 16 GAUGE, ORANGE X 20 IN.
59	1	520-15B09	WIRE - 16 GAUGE, GREEN X 20 IN.
60	22	515-10G17	TERMINAL - #10 RING TONGUE 22-18 GA
61	20	515-15A22	TERMINAL - #6 RING TONGUE 22-16 GA
62	6	515-48B52	TERMINAL - PUSH ON FEM INSUL 22-18 GA MINI
63	1	D101-BEBB-YY	DIODE
64	1	515-45Y69	CONNECTOR - SPADE INSUL 16-14 GA, MALE
65	1	515-46B92	CONNECTOR - SPADE INSUL 16-14 GA, FEM
66			
67			
68			

ITEM	PIN/TERM	GA.	COLOR	LENGTH	PIN/TERM	LOCATION
J1						50 PIN PLUG MC050-020
	1	18	WHITE	10"	#10 RING	GND SCR #1
	2	18	BLACK	10"	#10 RING	CB1-A
	3		WHITE JUMPER			B6-4
	4		BLUE JUMPER			B6-5
	5		GRY JUMPER			B6-1
	6	18	BLUE	24"	#6 RING	SW4-3
	7	18	WHT/BLK	24"	#6 RING	SW4-1
	8		BLUE JUMPER			B1-F
	9		ORANGE JUMPER			B1-C
	10	18	BLK/WHT	24"	#6 RING	SW3-1
	11	18	DRN/BLK	24"	#6 RING	SW5-3
	12	18	RED/BLK	24"	#6 RING	SW2-3
	13		ORANGE JUMPER			B5-C
	14		BLACK JUMPER			B4-B
	15		BLUE JUMPER			B4-F
	16		RED JUMPER			B4-D
	17		DRN/BLK JUMPER			B8-C
	18		WHITE JUMPER			B1-A
	19		BLACK JUMPER			B1-B
	20		NC			
	21		NC			
	22		NC			
	23	18	GRN/BLK	24"	#6 RING	SW6-3
	24		NC			
	25		NC			
	26		NC			
	27		NC			
	28		NC			
	29		NC			
	30		NC			
	31	18	RED	24"	MINI.F.Q.CONN.	L2-(+)
	32	18	BLACK	24"	MINI.F.Q.CONN.	L5-(+)
	33		NC			
	34		NC			
	35		NC			
	36		NC			
	37		BLACK JUMPER			B2-B
	38		RED JUMPER			B2-D
	39		BLUE JUMPER			B2-F
	40		GREEN	24"	STRIP & TIN	L8-(+)
	41		BLUE	10"	STRIP & TIN	L4-(+)
	42		ORANGE	10"	STRIP & TIN	L7-(+)
	43		BLACK JUMPER			B7-B
	44		RED JUMPER			B7-D
	45		ORANGE	24"	STRIP & TIN	L3-(+)
	46		NC			
	47	18	BLACK	10"	#10 RING	CB1-A
	48	18	BLACK	10"	#10 RING	CB1-A
	49	18	BLACK	10"	#10 RING	CB1-A
	50	18	BLACK	10"	#10 RING	CB1-A

LOCATION	PIN/TERM	GA.	COLOR	LENGTH	PIN/TERM	LOCATION
L1(-)	MINI F.Q.CONN	18	WHITE	8	STRIP ONLY	L2(-)
L2(-)	MINI F.Q.CONN	18	WHITE	8	STRIP ONLY	L5(-)
L3(-)	STRIP & TIN	18	WHITE	8	STRIP ONLY	L1(-)
L4(-)	STRIP & TIN	18	WHITE	8	#10 RING	GND LUG
L5(-)	MINI F.Q.CONN	18	WHITE	8	#10 RING	LID STUD
L6(-)	STRIP & TIN	18	WHITE	8	#10 RING	LID STUD
GND LUG	#10 RING	18	WHITE	20	#10 RING	LID STUD
SW2-2	#6 RING	18	WHITE	6	#6 RING	SW6-2
SW6-2	#6 RING	18	WHITE	6	#6 RING	SW5-2
SW5-2	#6 RING	18	WHITE	4	#6 RING	SW3-2
SW3-2	#6 RING	18	WHITE	4	#6 RING	SW4-2
SW4-2	#6 RING	18	WHITE	4	#10 RING	LID STUD
L1(+)	MINI.F.Q.CONN.	18	RED	3	#6 RING	SW1-3
SW1-1	#6 RING	16	RED	24	#10 RING	CB1-B
L7(-)	STRIP & TIN	18	WHITE	8	#10 RING	LID STUD
L8(-)	STRIP & TIN	18	WHITE	8	#10 RING	LID STUD
D1-A	INS.F.Q.CONN.	18	RED	12	#10 RING	CB1-A

ITEM	PIN/TERM	GA.	COLOR	LENGTH	PIN/TERM	LOCATION
B1						6 PIN BHD ENCODER INPUT
	A	18	WHITE	12	DEUTSCH	J1-18
	B	18	BLACK	12	DEUTSCH	J1-19
	C	18	ORANGE	12	DEUTSCH	J1-9
	D	18	RED	6	INS.M.Q.CONN.	D1-C
	E	18	GREEN	12	#10 RING	GND LUG
	F	18	BLUE	12	DEUTSCH	J1-8
B2						6 PIN BHD VALVE OUTPUT
	A	18	WHITE	12	#10 RING	GND LUG
	B	18	BLACK	12	DEUTSCH	J1-37
	C	18	ORANGE	12	#10 RING	GND LUG
	D	18	RED	12	DEUTSCH	J1-38
	E	18	GREEN	12	#10 RING	GND LUG
	F	18	BLUE	12	DEUTSCH	J1-39
B3A						5 PIN BHD POWER 12V
	A	16	WHITE	6	#10 RING	GND LUG
	A	16	WHITE	4	STRIP & TIN	B3B-A
	B	16	RED	24	#6 RING	SW1-2
	B	16	RED	4	STRIP & TIN	B3B-B
	C	16	ORANGE	10	CUT	SPARE
	D	16	RED	10	CUT	SPARE
	E	16	GREEN	10	CUT	SPARE
B3B						5 PIN BHD POWER 24V
	A		WHITE		JUMPERED	B3A-A
	B		RED		JUMPERED	B3A-B
	C	16	ORANGE	10	CUT	SPARE
	D	16	RED	10	CUT	SPARE
	E	16	GREEN	10	CUT	SPARE
B4						6 PIN BHD PROX HARNESS
	A	18	WHITE	10	#10 RING	CB1-A
	B	18	BLACK	10	DEUTSCH	J1-14
	C	18	ORANGE	10	#10 RING	GND LUG
	D	18	RED	24/10	STRIP&TIN/DEUTSCH	L6-(+),J1-16
	E	18	GREEN	10	#10 RING	GND LUG
	F	18	BLUE	10	DEUTSCH	J1-15



REV BY : SBJ	REV DATE : 3/8/18	REV #	THIS DRAWING DESCRIBES A PROPRIETARY PRODUCT OF GOMACO CORPORATION AND MAY NOT BE REPRODUCED OR GIVEN TO A THIRD PARTY WITHOUT WRITTEN PERMISSION FROM GOMACO CORPORATION
DWN BY : PFR	SCALE : NTS	CHKR : SBJ	DATE : 5-23-12
DSGN BY : SBJ	3RD ANGLE PROJECTION	ALL TOLERANCES PER GOMACO GS2	CONTROL BOX - TBI/PTA, G+DUAL 12/24 VOLT
GOMACO IDA GROVE, IOWA - USA			D 908620-041

11/23/2020

GOMACO Corporation - Ida Grove, IA

MELEC Page 3

908620-041

SHT. 2

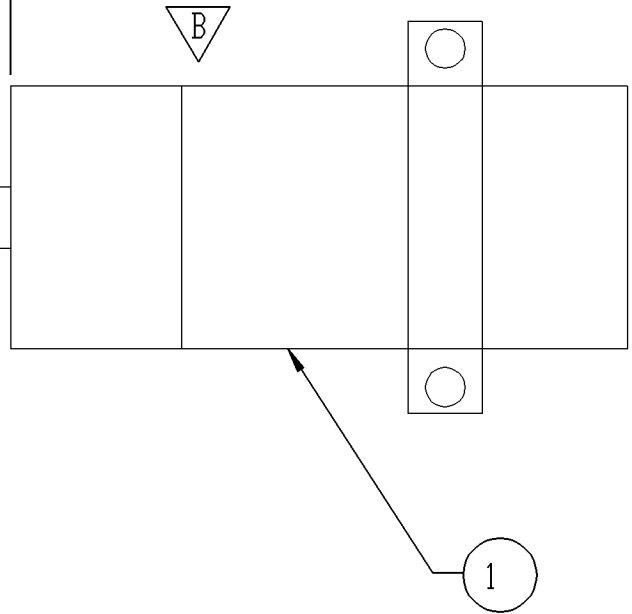
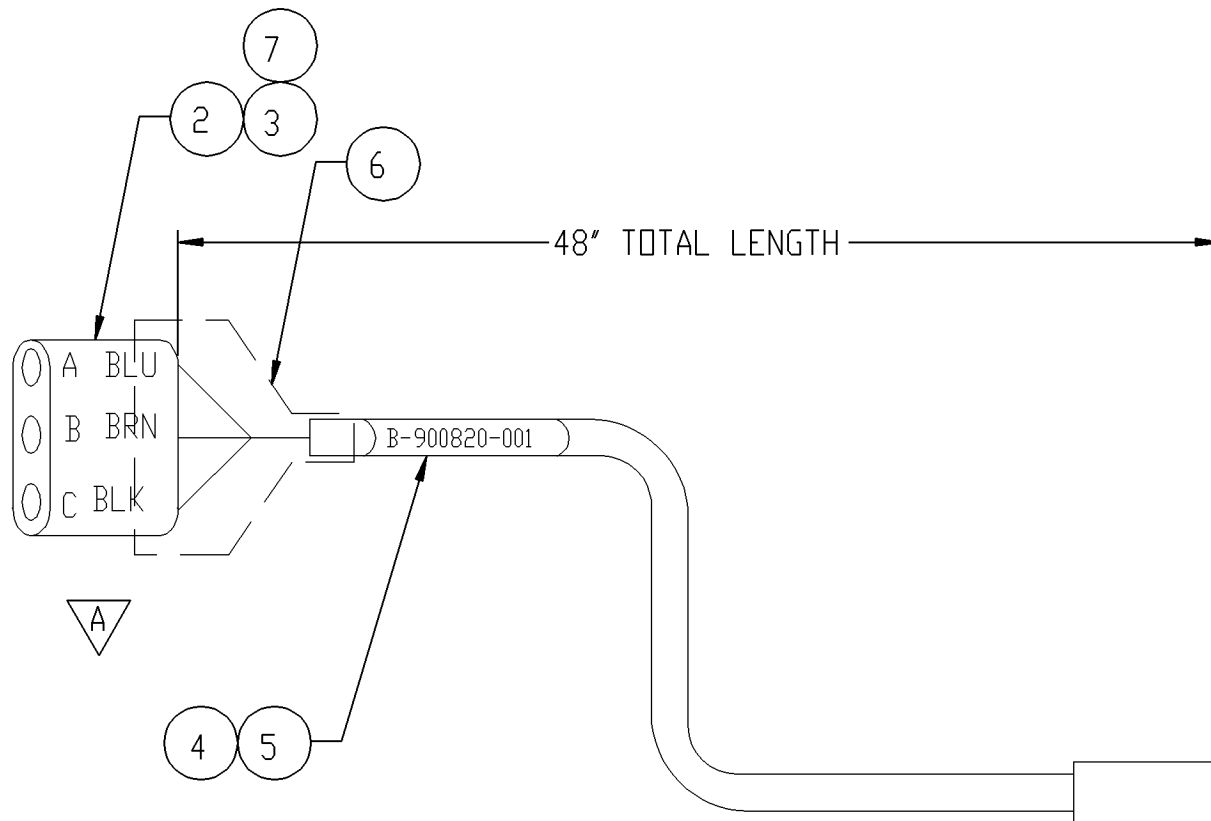


2

1

### MATERIAL LIST

ITEM	QTY	PART NUMBER	DESCRIPTION
	1	B 900820-001	PROXIMITY SWITCH ASSY.
1	1	500-47G57	SENSOR INDUCTIVE PROX NO
2	1	515-48J33	CONNECTOR 3 PIN SHROUD
3	3	515-46F36	TERM PIN MALE 30034
4	1	545-46F77	ELECTRICAL TAPE WHITE X 2 IN.
5	1	545-45Z08	HEAT SHRINK TUBE 3/8" X 1.1/2 IN.
6	1	545-52H99	HT SHRINK TBG - .94 IN X 4FT DUAL W ADH X 3 IN.
7	3	515-48K38	SEAL - CABLE, GREEN



### ASSEMBLY NOTES

A		B
PIN	WIRE COLOR	ITEM #1
A	BLUE	
B	BROWN	
C	BLACK	

NOTE: ITEM #1 COMES WITH 84" OF CABLE USE ONLY 48" OF CABLE DISCARD REST OF CABLE.

NOTE: KEEP ALL MOUNTING HARDWARE THAT CAME WITH ITEM #1 WITH THIS ASSEMBLY.

REV BY : PFR	REV DATE : 6-03-10	REV : D	THIS DRAWING DESCRIBES A PROPRIETARY PRODUCT OF GOMACO CORPORATION AND MAY NOT BE REPRODUCED OR GIVEN TO A THIRD PARTY WITHOUT WRITTEN PERMISSION FROM GOMACO CORPORATION
DWN BY : PFR	SCALE : NTS	PROXIMITY SWITCH ASSY.	
CHKR : SBJ	DATE : 2-02-95		
DSGN BY : PFR	3RD ANGLE PROJECTION		
ALL TOLERANCES PER GOMACO GS2			
<b>GOMACO</b> IDA GROVE, IOWA - USA		B	900820-001
			SHT. 3 / 3

900820-001

2

1

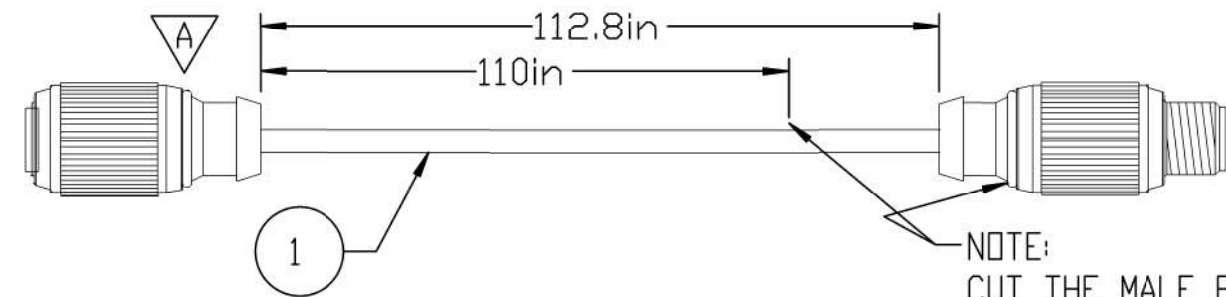
B 11/23/2020

GOMACO Corporation - Ida Grove, IA

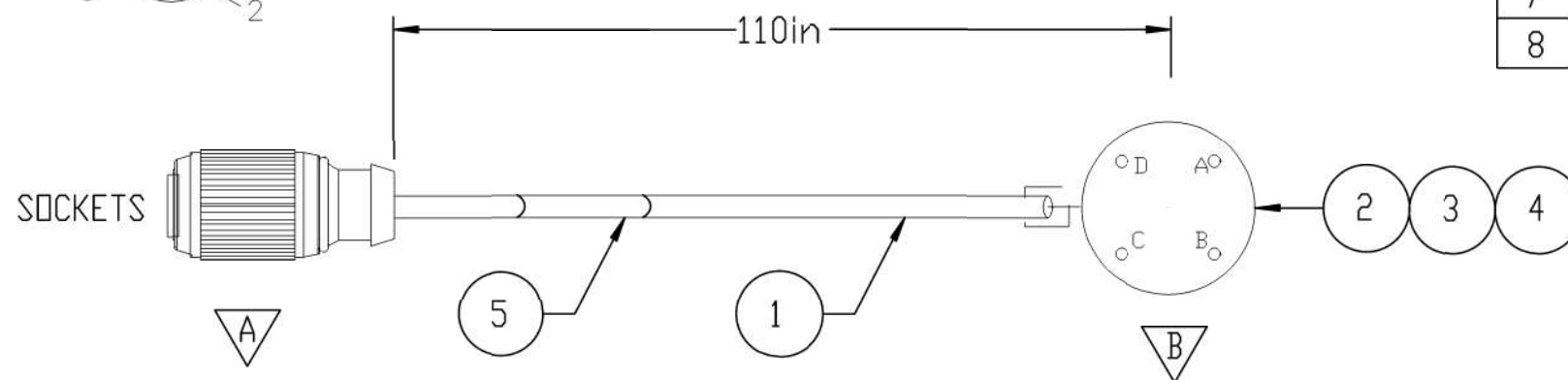
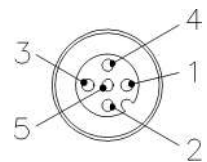
MELEC Page: 4

B

A



NOTE:  
CUT THE MALE PIN CONN OFF  
DO NOT USE.



### MATERIAL LIST

ITEM	QTY		PART NUMBER	DESCRIPTION
	1	B	WH01-0230	CA 5 P F M12 / 4 PIN PLUG X 110 IN.
1	1		520-53P62	CABLE - M12 5 P M/5 P FEM X3M, SMART STR
2	1		515-46J36	PLUG - CONNECTOR 4 PIN STRAIGHT
3	1		550-48L29	SEALANT - HOT MELT X 0.01#
4	1		545-52H99	HT SHRINK TBG - .94 IN X 4FT DUAL W ADH X 3 IN.
5	1		545-52K23	SHRINK TUBE, READY PRINT .375 IN
6				
7				
8				

### ASSEMBLY NOTES

LABEL - "PTA SENSOR"

△A	COLOR	△B
2	WHITE	B
3	BLUE	A
4	BLACK	C
5	GRAY (CUT)	N/C
1	BROWN (CUT)	N/C
	N/C	D

REV BY : SBJ	REV DATE : 9/29/17	REV : B	THIS DRAWING DESCRIBES A PROPRIETARY PRODUCT OF GOMACO CORPORATION AND MAY NOT BE REPRODUCED OR GIVEN TO A THIRD PARTY WITHOUT WRITTEN PERMISSION FROM GOMACO CORPORATION
DWN BY : SBJ	SCALE : NTS		
CHKR : SBJ	DATE : 9/26/17		
DSGN BY : SBJ	3RD ANGLE PROJECTION		
ALL TOLERANCES PER GOMACO GS2			

CA 5 P F M12 / 4 PIN PLUG X 110 IN.

**GOMACO**  
IDA GROVE, IOWA - USA

B WH01-0230

SHT.  
1 / 1

WH01-0230

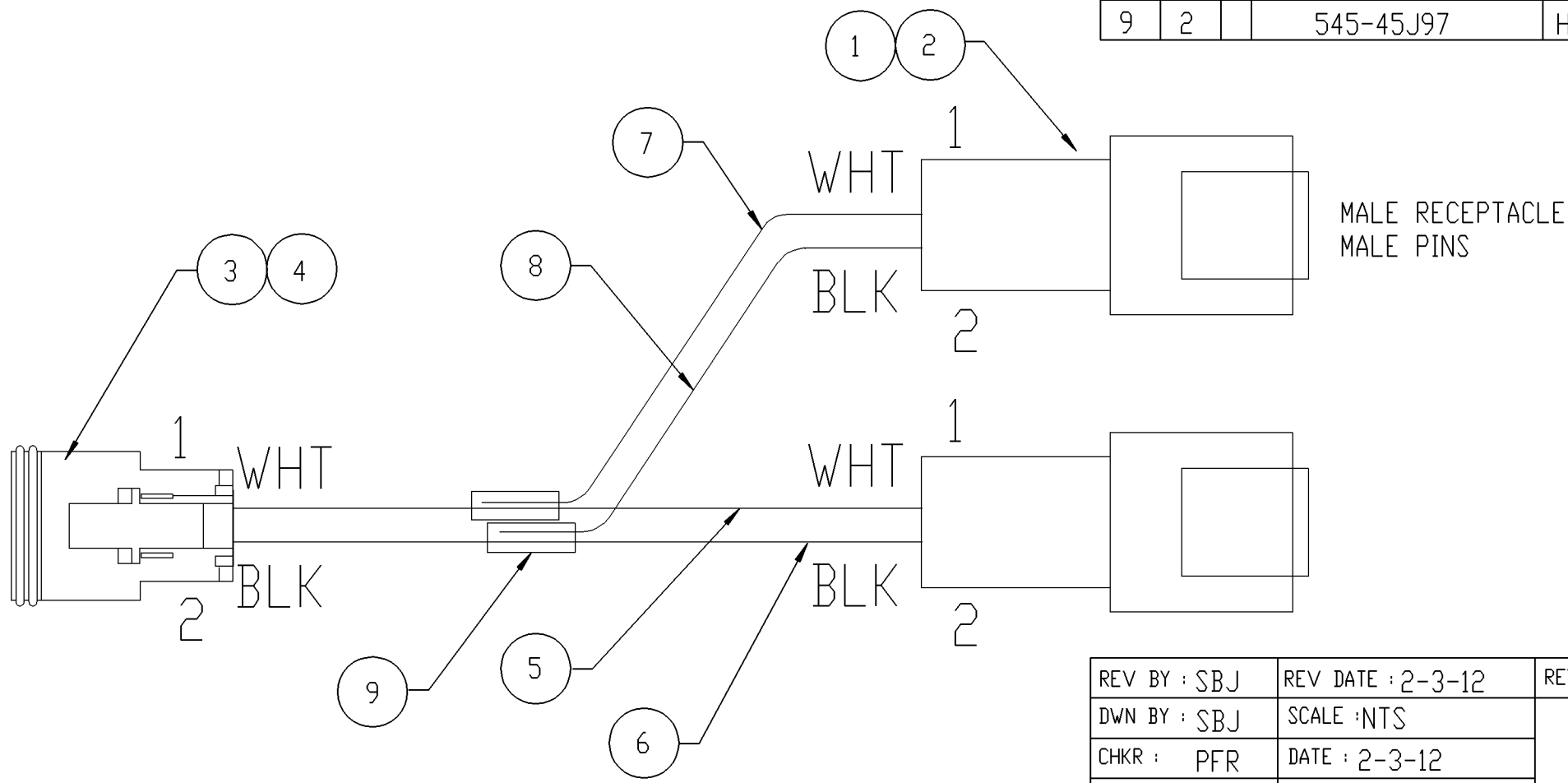
2

1

### IMPORTANT ASSEMBLY NOTE:

REMOVE .5 INCH COATING  
 IN MIDDLE OF ITEMS 5 & 6.  
 SOLDER ITEMS 7 & 8 AS  
 SHOWN. COVER SPLICE WITH  
 SHRINK TUBING (ITEM 9)

MATERIAL LIST			
ITEM	QTY	PART NUMBER	DESCRIPTION
		B WH03-0137	HARNESS, 2 PIN DEUTSCH TEE - FEMALE
1	2	515-52W62	RECEPTACLE - CONNECTOR 2 PIN, PINS
2	2	515-52W63	WEDGE - LOCKING 2 PIN RECEPTACLE
3	1	515-52D55	PLUG - CONNECTOR 2 PIN SOCKET
4	1	515-52D56	WEDGE - LOCKING 2 PIN SOCKET
5	1	SWM9-00050-CICJ	18GA. WHT X 5 IN. W/DEUTSCH M.PIN - DEUTSCH F.PIN
6	1	SWM0-00050-CICJ	18GA. BLK X 5 IN. W/DEUTSCH M.PIN - DEUTSCH F.PIN
7	1	SWM9-00050-CIST	18GA. WHT X 5 IN. W/DEUTSCH M.PIN - STRIP & TIN
8	1	SWM0-00050-CIST	18GA. BLK X 5 IN. W/DEUTSCH M.PIN - STRIP & TIN
9	2	545-45J97	HEAT SHRINK TUBE - .125 IN BLK X 1 IN.



REV BY : SBJ	REV DATE : 2-3-12	REV : A	THIS DRAWING DESCRIBES A PROPRIETARY PRODUCT OF GOMACO CORPORATION AND MAY NOT BE REPRODUCED OR GIVEN TO A THIRD PARTY WITHOUT WRITTEN PERMISSION FROM GOMACO CORPORATION	WH03-0137	
DWN BY : SBJ	SCALE : NTS	HARNESS, 2 PIN DEUTSCH TEE - FEMALE			
CHKR : PFR	DATE : 2-3-12				
DSGN BY : SBJ	3RD ANGLE PROJECTION				
ALL TOLERANCES PER GOMACO GS2					
<b>GOMACO</b> IDA GROVE, IOWA - USA		B	WH03-0137	SHT. 1 / 1	

2

1

B  
11/23/2020

GOMACO Corporation - Ida Grove, IA

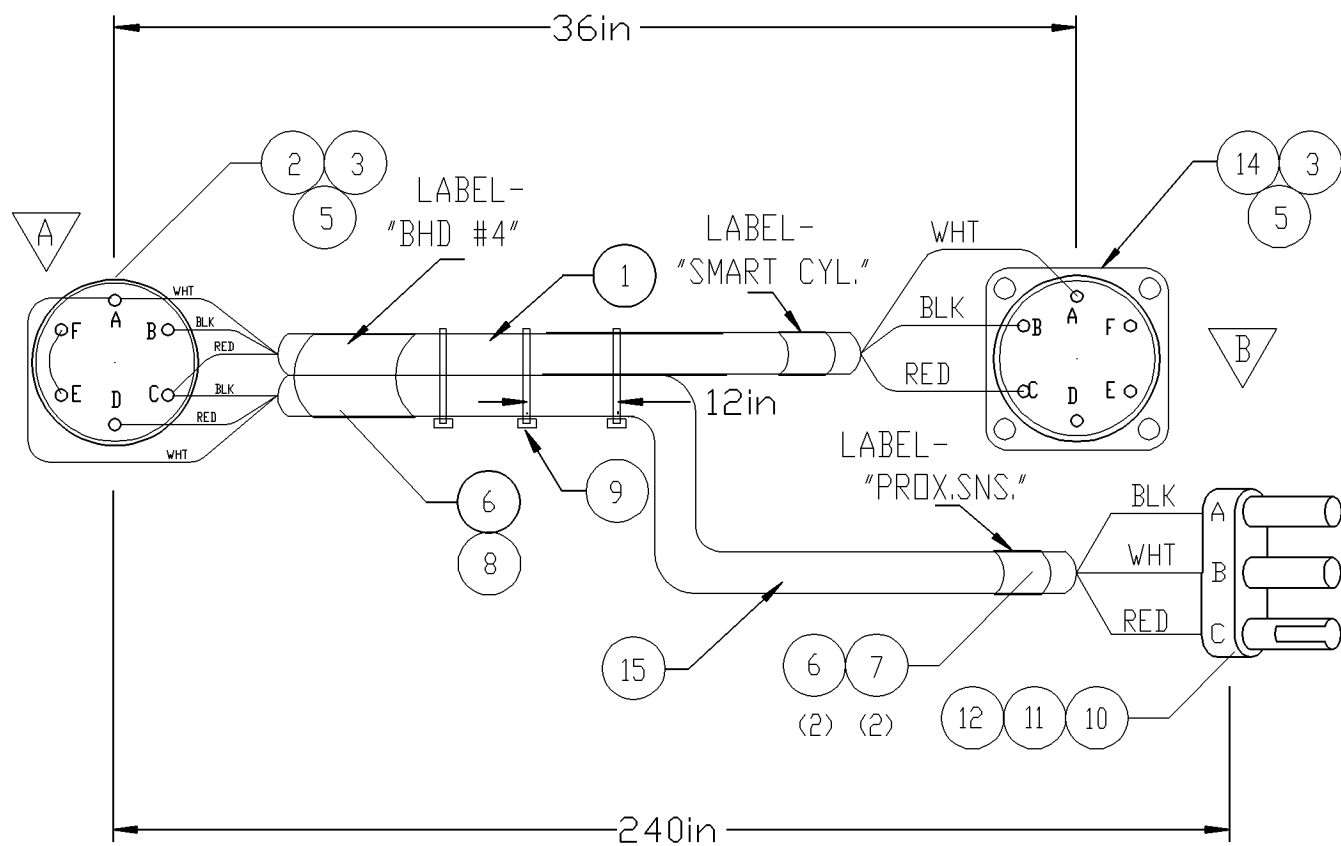
MELEC Page: 6

B

A

ASSEMBLY NOTES			
A		B	
PIN	WIRE COLOR	PIN	PIN
A	WHT/WHT	A	B
B	BLACK	B	
C	RED/BLK	C	A
D	RED		C
E	SOLDER BRIDGE		
F	SOLDER BRIDGE		

ASSEMBLY NOTE:  
ITEM MAY BE NESSESARY TO SOLDER SPLICE  
THE WIRES GOING TO PINS A AND C



# MATERIAL LIST

ASSY	ITEM	QUAN	PART NUMBER	DESCRIPTION
		1	B-WH03-0138	HARNESS, MOLD MOUNTED TBI/PTA
	1	1	520-46B75	WIRE - 16 GAUGE, 3 CNDCT MULTI x 36"
	2	1	515-15A94	PLUG - 6 PIN
	3	2	545-52H99	HT SHRINK TBG - .94 IN X 4FT DUAL W ADH
	4			
	5	2	550-48L29	SEALANT HOT MELT X 0.1#
	6	4	545-46F77	TAPE - WHITE VINYL 3/4 X 2"
	7	3	545-45Z08	SHRINK WRAP - CLEAR 3/8 X 2"
	8	1	545-45Z73	SHRINK WRAP - CLEAR 1/2 X 2"
	9	4	515-15B48	CABLE TIE - 4 IN.
	10	1	515-48J32	CONNECTOR BODY - 3 PIN TOWER, 20-14 GA
	11	3	515-46L73	TERM PIN FEMALE 30035
	12	3	515-48K38	SEAL - CABLE, GREEN
	13			
	14	1	515-15B49	BULKHEAD - CONNECTOR 6 PIN CLP RCPT
	15	1	520-46B75	WIRE - 16 GAUGE, 3 CNDCT MULTI x 240"

NOTE: DESIGNATION ON THE WHITE VINYL TAPE  
DEPENDS ON WHICH ASSEMBLY IT IS USED FOR.

REV BY : SBJ	REV DATE : 5-30-12	REV : B	THIS DRAWING DESCRIBES A PROPRIETARY PRODUCT OF GOMACO CORPORATION AND MAY NOT BE REPRODUCED OR GIVEN TO A THIRD PARTY WITHOUT WRITTEN PERMISSION FROM GOMACO CORPORATION
DWN BY : SBJ	SCALE : NTS	HARNESS, MOLD MOUNTED TBI/PTA	
CHKR : PFR	DATE : 5-2-12		
DSGN BY : SBJ	3RD ANGLE PROJECTION		
ALL TOLERANCES PER GOMACO GS2		WH03-0138	
<b>GOMACO</b> IDA GROVE, IOWA - USA			
B WH03-0138		SHT. 1	1

2

1

2

1

B  
11/23/2020

GOMACO Corporation - Ida Grove, IA

MELEC Page: 7

B

A



Description	Part Number	Section	Page #
4FT PTA SLFSPRT (NO HANGERS)	909591-160	PTA	1
5 PIN F M12/(3-#16)DEUTSCH F PINS X 8IN	WH01-0206E	ELECTRICAL	18
5000 MOLD MT ASSY, AUG FWD W/ AUG DR MT	912616-064	MOLD MT	1
90 DEG M M12/4 PIN F DEUTSCH X 11IN	WH01-0157E	ELECTRICAL	31
90 DEG M M12/4 PIN F DEUTSCH X 29IN	WH01-0156E	ELECTRICAL	30
ACCESSORY CAN ASSY, GO-PA VE	912620-003E	ELECTRICAL	40
ADAPTER - 1/4 TURN BHD F-MINIFAST M X 1M	WH02-0171E	ELECTRICAL	39
ADAPTER - MOBA SLOPE SENSOR ADDRESS 0	WH02-0161E	ELECTRICAL	41
ADAPTER - MOBA SLOPE SENSOR ADDRESS 1	WH02-0162E	ELECTRICAL	42
AIR FILTER INDICATOR CIRCUIT	912819-023	ENGINE	4
AIR RESERVOIR AND PLUMBING	912619-011	WTR/AIR SYS	13
AUG DRIVE MOTOR HYDR OPEN FR	909519-029	MOLD HYD	3
AUGER / TAMPER HYDR - SINGLE TAMPER DR	912619-005	HYDRAULICS	12
AUGER ASSY - BASIC AUGER FORWARD - OL	909590-905	AUGER DRIVE	1
AUGER DR HYDR, GROUT BOX - OF OPEN LOOP	909519-031	MOLD HYD	2
AUGER DRIVE ASSY - 20 INCH FLIGHTING	910390-310	AUGER DRIVE	2
AUGER DRIVE MT, AUG FWD - 3100/5000 MOLD	912690-005	MOLD MT	4
BAR BOX ADAPTER ATTACHMENT	908611-282	TIE BAR INS	19
BAR BOX ASSEMBLY	908611-146	TIE BAR INS	18
BAR BOX ASSY (GOPAV)	908611-262	TIE BAR INS	17
BAR INSERTER ASSEMBLY	908611-224	TIE BAR INS	2
BAR INSERTER GUIDE ASSEMBLY	908611-284	TIE BAR INS	3
BAR INSERTER MOUNT ASSY - PINNED	908611-231	TIE BAR INS	5
BAR INSERTER MOUNT ASSY - SLOTTED	908611-232	TIE BAR INS	6
BATTERY DISCONNECT W/ WAIT TO DISC LIGHT	912620-020	ENGINE	12
BATTERY TRAY/POWER CONVERTER ASSY	912849-001	POWER UNIT	22
BEARING ASSEMBLY	910390-198	AUGER DRIVE	3
CA 5P F M12/4P PLUG X 110 IN	WH01-0230E	MOLD ELEC	5
CABLE ASSY, FRAME GO-PA VE	912620-004E1	ELECTRICAL	12
CABLE ASSY, FRAME GO-PA VE	912620-004E2	ELECTRICAL	13
CAM ASSEMBLY - TIE BAR INSERTER	908611-223	TIE BAR INS	16
CAN & PWR CABLE ASSEMBLY, BAR INSERTERS	912620-015E	ELECTRICAL	44
CAN CABLE ASSEMBLY, GSI PA VERS	912620-014E	ELECTRICAL	45
CAN SENSOR JUNCTION PLATE PA VERS	910920-011E	ELECTRICAL	43
CAN SENSOR JUNCTION PLATE PA VERS	910920-011	MAIN FRAME	13
CENTER TIE BAR INSERTER ASSEMBLY - 5000	908650-185	TIE BAR INS	1
CHAIN DRIVE - CTR TIE BAR INSERTER	908611-169	TIE BAR INS	7
CLAMP ASSY (SENSOR ARM MOUNT)	905240-073	STEER/GRADE	4
CLAMP W/ HOLE, ASSY	908611-118	TIE BAR INS	9
CLAMP W/ SLOT, ASSY	908611-119	TIE BAR INS	10
COIL CORD MOD 5 P M12/7 P M 1/4 TRN PL	WH01-0154E	ELECTRICAL	56

Description	Part Number	Section	Page #
COMP BOX JUMPER HOSE ASSY - 3/8 X 25FT	900119-225	MOLD HYD	8
COMPUTER MOUNT ASSEMBLY	907040-083	OPTIONS	2
CONSOLE BOX BOTTOM ASSY, WIRE ROUTING	912420-051E	ELECTRICAL	11
CONSOLE MOUNT ASSY	912613-002	POWER UNIT	13
CONSOLE SUB ASSY	912613-034	POWER UNIT	14
CONT BOX HYDR - 4 BANK (SIDEPLATES)	900119-394	MOLD HYD	7
CONTROL BOX - TBI/PTA, G+	908620-041	TIE BAR INS	20
CONTROL BOX - TBI/PTA, G+	908620-041E	MOLD ELEC	3
CONTROL BOX MOUNT ASSEMBLY - TBI	908611-136	TIE BAR INS	21
CONTROL CONSOLE ASSY G+/T3/24V	912613-036	POWER UNIT	12
CONTROL PANEL ASSEMBLY G+/T3/24V	912613-035	POWER UNIT	15
CONTROL PANEL ASSY 4 TRACK	905220-294	POWER UNIT	16
CONTROL PANEL ASSY 4 TRACK	905220-294E	ELECTRICAL	28
COOLANT PLUMBING DEF TANK/INJECTOR	912819-014	ENGINE	9
COOLING PACKAGE - PLUMBING	912619-028	HYDRAULICS	14
COOLING PACKAGE ASSEMBLY - 173HP ENGINES	912646-008	ENGINE	5
DEF TANK ASSEMBLY	912611-011	ENGINE	7
DEPTH ADJ ASSY - 4 IN DN 5000 AUG FWD	912616-085	MOLD MT	5
DISPLAY ASSY, SETUP REMOTE	905220-187E	ELECTRICAL	55
DISPLAY ASSY, SETUP REMOTE	905220-187	OPTIONS	3
DRIVE MOUNT ASSEMBLY - CAM STYLE	908611-188	TIE BAR INS	15
ECCENTRIC ASSEMBLY - HEAVY DUTY	GT11-074	MOLD VIB	8
ELEC ASSY, G+ TBI/PTA MOLD MTD 24V	908620-043E1	MOLD ELEC	1
ELEC ASSY, G+ TBI/PTA MOLD MTD 24V	908620-043E2	MOLD ELEC	2
ELEC ASSY, GO-PAVE, SMALL, 4 TRK	912620-001E	ELECTRICAL	1
END FRAME - ELEC/HYDR BOX ASSY (BOLT-ON)	912612-041	MAIN FRAME	12
END FRAME ASSEMBLY 4-TRK LH	912612-023	MAIN FRAME	7
END FRAME ASSEMBLY 4-TRK RH	912612-022	MAIN FRAME	6
END SECT ASSY LH 4 FT AUG FWD SPLIT SIPL	909590-924	END SECTION	2
END SECT ASSY RH 4 FT AUG FWD SPLIT SIPL	909590-908	END SECTION	1
ENDCAR HYDRAULICS, LH - 42IN LEGS	912619-008	HYDRAULICS	7
ENDCAR HYDRAULICS, RH - 42IN LEGS	912619-009	HYDRAULICS	6
ENDCAR WORK PLATFORM - LH	912622-028	MAIN FRAME	28
ENDCAR WORKPLATFORM - RH	912622-029	MAIN FRAME	27
ENG CONT PNL ASSY- T4 W/ FORCED SHTDN	912620-021E	ELECTRICAL	33
ENGINE ASSEMBLY - 173HP T4, CAT	912646-004	ENGINE	1
ENGINE CONT PANEL ASSY- T4 W/ FORCED SHTDN	912620-021	POWER UNIT	18
ENGINE COVER ASSY - FIBERGLASS	912613-045	POWER UNIT	8
ENGINE WIRING, CAT C7.1 T4 GO-PAVE	912620-018E	ELECTRICAL	49
E-STOP ASSY W/4 PIN M EURO CONN	912420-010E	ELECTRICAL	6
EXHAUST SAFETY GUARD	913311-015	ENGINE	3

Description	Part Number	Section	Page #
FAN MOTOR HYDRAULICS, COOLING PACKAGE	912619-006	HYDRAULICS	13
FILL VALVE ASSEMBLY	FW81-142	WTR/AIR SYS	5
FILTER - HP, 10 MICRON (ELEM 110-50M08)	110-50M07	ENGINE	17
FILTER - RTN, 10 MICRON (ELEM 110-50T66)	110-50W55	HYDRAULICS	26
FILTER INDICATOR ASSY, GO PAVE	912620-016E	ELECTRICAL	46
FILTER KIT - ENG (CAT C7.1 173HP T4)	912611-016	ENGINE	18
FOLDING WING EXT LH AUGER FORWARD DRIVE	909593-729	SIDEPLATE	5
FOLDING WING EXT RH AUGER FORWARD DRIVE	909593-730	SIDEPLATE	4
FORK LINKAGE ASSEMBLY (SMART CYLINDER)	908611-195	TIE BAR INS	4
FRAME ROLLER ASSY, 20 IN FRAME	912812-008	MAIN FRAME	3
FUEL HOSE ASSY- T4, DUAL SECONDARY FILTE	912819-024	ENGINE	11
FUEL TANK ASSEMBLY - 160 GALLON	912621-001	POWER UNIT	2
FUEL TRANSFER PUMP ASSEMBLY	912646-009	ENGINE	10
GAUGE PANEL ASSY, HYD - OPEN FRONT	912613-032	POWER UNIT	19
GRADE SENSOR ASSY (G+)	900140-142	STEER/GRADE	2
GREASE FITTING LOWER GUIDE TAKE-UP	912643-002	LEGS	9
GREASE LINES - SLEW DRIVE	903119-029	TRACKS	9
HANDRAIL CLAMP ASSY	912826-015	MAIN FRAME	32
HANGER - VIBRATOR HOSE	909511-011	MOLD VIB	4
HARNESS - 1.69K OHM RES W/ 5/16 R ASSY	WH02-0184E	ELECTRICAL	52
HARNESS - 12 P FEM DEUTSCH SEAL PLUG	WH01-0159E	ELECTRICAL	34
HARNESS - 2 PIN DEUTSCH TEE	WH03-0136E	ELECTRICAL	14
HARNESS - 5P M12 M 90DEG/4P PKD SHR30FT	WH01-0179E	ELECTRICAL	8
HARNESS - 8 P FEM DEUTSCH/VIBS GO-PAVE	WH03-0169E	ELECTRICAL	15
HARNESS - 8 PIN F DEUTSCH SEAL PLUG	WH01-0161E	ELECTRICAL	48
HARNESS - ADAPTER, CAT 3600 T4	WH03-0177E	ELECTRICAL	53
HARNESS - ENG PANEL - T4 MURPHY	WH03-0180E	ELECTRICAL	35
HARNESS - GO-PAVE B9	WH04-0105E	ELECTRICAL	19
HARNESS - TRACK PRESSURE FWD/RVS	WH03-0183E	ELECTRICAL	10
HARNESS, 2 PIN DEUTSCH TEE - FEMALE	WH03-0137E	MOLD ELEC	6
HARNESS, MOLD MOUNTED TBI/PTA	WH03-0138E	MOLD ELEC	7
HIGH PRESSURE FILTER	908545-012	ENGINE	16
HIGH PRESSURE GUN ASSY	FW81-076	WTR/AIR SYS	12
HIGH PRESSURE WATER SYSTEM	912619-045	WTR/AIR SYS	7
HIGH/LOW PRESS WATER OPTION GP3, 4-TRK	912621-024	WTR/AIR SYS	1
HOSE CARRIER ASSY - LH	912611-001	MAIN FRAME	5
HOSE CARRIER ASSY - RH	912611-004	MAIN FRAME	4
HOSE CLAMP ASSEMBLY (.375 & .500)	FW51-067	HYDRAULICS	27
HOSE HANGER	905310-005	MAIN FRAME	33
HYDR FILTER KIT - GP3	912611-018	ENGINE	19
HYDRAULICS - SIPL CYLINDERS, ORB/ORFS	909519-032	MOLD HYD	6



Description	Part Number	Section	Page #
IDLER ASSEMBLY	908611-112	TIE BAR INS	8
IDLER ASSY, AUGER FORWARD	909590-851	AUGER DRIVE	4
INNER FRAME TUBE ASSEMBLY	912612-009	MAIN FRAME	2
INSERT SECTION ASSEMBLY 12 IN OR .305M	FW51-029-B	MOLD INSERT	1
INSERT SECTION ASSEMBLY 18 IN OR .455M	FW51-029-C	MOLD INSERT	2
INSERT SECTION ASSEMBLY 24 IN OR .61M	FW51-029-D	MOLD INSERT	3
INSERT SECTION ASSEMBLY 36 IN OR .915M	FW51-029-E	MOLD INSERT	4
LADDER - ADJUSTABLE SLOPE	912632-001	MAIN FRAME	30
LADDER - ADJUSTABLE SLOPE, REAR	912632-005	MAIN FRAME	31
LED ASSY, RED 2 PIN DEUTSCH	903120-037E	ELECTRICAL	51
LEG ASSEMBLY - REAR, PINNED	908611-170	TIE BAR INS	12
LEG ASSEMBLY - REAR, SLOTTED	908611-171	TIE BAR INS	13
LEG ASSY - 42 IN STROKE LEFT FRONT	912618-040	LEGS	4
LEG ASSY - 42 IN STROKE LEFT REAR	912618-041	LEGS	5
LEG ASSY - 42 IN STROKE RIGHT FRONT	912618-038	LEGS	2
LEG ASSY - 42 IN STROKE RIGHT REAR	912618-039	LEGS	3
LEG ASSY OPTION - 6.00 X 42.00 STROKE	912618-044	LEGS	1
LH 5 FT PLAT PAN W/ SIPL SEAL	909595-069	MOLD INSERT	5
LH FRONT SLAVE ASSY, GO-PAVE	912620-006E	ELECTRICAL	3
LH REAR SLAVE ASSY, GO-PAVE	912620-009E	ELECTRICAL	5
LIFT HYDRAULICS, MAIN FRAME	912619-007	HYDRAULICS	9
LINEAR PTA SENSOR ASSY - SELF SPRT PTA	909540-015	PTA	3
LOWER GUIDE TUBE ASSY - 10 IN LH	912618-043	LEGS	7
LOWER GUIDE TUBE ASSY - 10 IN RH	912618-042	LEGS	6
LOWER GUIDE, RADIAL TAKE-UP ASSY - 10 IN	912618-011	LEGS	8
MACHINE ASSY - BASIC, 4 TRACK	912611-002	MACH ASSY	2
MACHINE ASSY - FINAL, 4 TRACK	912611-003	MACH ASSY	1
MACHINE CAN CABLES, GO-PAVE, SMALL, 4TRK	912620-002E	ELECTRICAL	38
MAIN FILTER HYDR (1 BANK)	912619-001	HYDRAULICS	25
MAIN FRAME ASSEMBLY	912612-010	MAIN FRAME	1
MANIFOLD - LOAD SENSE UNLOADING	125-54C03	HYDRAULICS	4
MANIFOLD - MOTOR SHIFT	125-53R74	HYDRAULICS	3
MANIFOLD ASSY - LOAD SENSE HIGH CAP, 24V	125-53R75	HYDRAULICS	22
MANIFOLD ASSY, DUAL PRESS TRANSDUCER	912644-001	HYDRAULICS	5
MASTER ASSY, GO-PAVE	912620-005	POWER UNIT	20
MASTER ASSY, GO-PAVE	912620-005E1	ELECTRICAL	36
MASTER ASSY, GO-PAVE	912620-005E2	ELECTRICAL	37
MASTER BOX #6 FRAME EXT SIG	WH04-0104E	ELECTRICAL	17
MASTERBOX B8 CABLE	WH04-0103E	ELECTRICAL	16
MISC FRAME ITEMS	912620-022E	ELECTRICAL	47
MISC WIRING, CAT C7.1 LH STARTR GO-PAVE	912620-013E	ELECTRICAL	50

Description	Part Number	Section	Page #
MOLD - 24 FT 5000 SER AUG FWD 912600-043	909501-002-0377	MOLD ASSY	1
MOTOR HOUSING ASSEMBLY - ANGLED	GT11-070	MOLD VIB	7
MULE MT ASSY - 5000 MOLD - AUGER FWD, LH	912616-066	MOLD MT	3
MULE MT ASSY - 5000 MOLD - AUGER FWD, RH	912616-065	MOLD MT	2
NAVIGATOR DISPLAY ASSY, G+	912620-028E	ELECTRICAL	54
OIL COOLER MANIFOLD ASSEMBLY	912619-002	HYDRAULICS	15
OIL TANK - 230 GALLONS	912621-003	HYDRAULICS	1
OIL TANK ASSEMBLY	912621-004	POWER UNIT	1
PANEL ASSEMBLY	912620-008E2	ELECTRICAL	21
PANEL ASSEMBLY	912620-008E1	ELECTRICAL	20
PANEL ASSEMBLY	912620-008	POWER UNIT	17
PIPE ASSEMBLY - 173HP CAT T4	912646-005	ENGINE	2
PIVOT ARM ASSEMBLY	912612-011	MAIN FRAME	8
PIVOT ARM SENSOR ASSY - CAN, .500IN	905212-351	MAIN FRAME	9
POWER DIST CENTER GO-PAVE	912820-003E1	ELECTRICAL	24
POWER DIST CENTER GO-PAVE	912820-003	POWER UNIT	21
POWER DIST CENTER GO-PAVE	912820-003E2	ELECTRICAL	25
POWER UNIT BASE ASSEMBLY	912611-005	MACH ASSY	3
PRESS COMP BOX ASSY (4-BANK) (SIDEPLATES)	900111-239	END SECTION	7
PRESSURIZED WATER ASSY LH, GP3, 4-TRK	912621-026	WTR/AIR SYS	3
PRESSURIZED WATER ASSY RH, GP3, 4-TRK	912621-027	WTR/AIR SYS	2
PRESSURIZED WATER SYSTEM	912619-046	WTR/AIR SYS	8
PROXIMITY SWITCH ASSY	900820-001E	MOLD ELEC	4
PTA DRIVE ASSY - SLF SPRT	910391-048	PTA	2
PUMP - HI-PRESS WASH (W/WAND & HOSE)	725-49C17	WTR/AIR SYS	11
PUMP DRIVE ASSY - 20 VIB 4-TRK O-F	912634-001	ENGINE	13
PUMP IDENTIFICATION	912634-001_ID	ENGINE	14
PUMP MT ASSY 4-TRK	912611-024	WTR/AIR SYS	6
REPL KIT 1K OHM POT &(1) 47OHM RES W/WIR	WH03-0148E	ELECTRICAL	22
RESISTOR ASSEMBLY - 47 OHM	WH01-0160E	ELECTRICAL	23
RH 5 FT FLAT PAN W/ SIPL SEAL	909595-070	MOLD INSERT	6
RH FRONT SLAVE ASSY, GO-PAVE	912620-007E	ELECTRICAL	2
RH REAR SLAVE ASSY, GO-PAVE	912620-010E	ELECTRICAL	4
ROD - TIE, .375 IN X 27.75 IN	GT10-250	HYDRAULICS	24
SAFETY LOCK PIN - PAVER	912811-008	LEGS	14
SELF SUPPORTED PTA HYDRAULICS	910319-010	MOLD HYD	4
SENSOR ASSY (GR & STRG) (G+)	900140-141	STEER/GRADE	1
SENSOR CONTROL UNIT MT ASSY SOOT AND NOX	912611-012	ENGINE	8
SENSOR MOUNT ASSY (END CARS)	905240-074	STEER/GRADE	5
SENSOR MT ASSY, ADJ (GR & STRG SENSOR)	GT13-118-B	STEER/GRADE	3
SENSOR MT HSG ASSY	903118-055	LEGS	13

Description	Part Number	Section	Page #
SENSOR TUBE ASSEMBLY (CLAMP ON)	912640-002	STEER/GRADE	6
SHIPPING SUPPORT TUBES	909590-716	MOLD OPT	1
SHROUD FRONT ASSY - FIBERGLASS	912613-044	POWER UNIT	9
SHROUD PANEL ASSY, FRONT	912613-007	POWER UNIT	4
SHROUD PANEL ASSY, GRILL - 173HP ENGINES	912613-010	ENGINE	6
SHROUD PANEL ASSY, LEFT END (DEF TANK)	912613-050	POWER UNIT	6
SHROUD PANEL ASSY, REAR (DEF TANK)	912613-049	POWER UNIT	5
SHROUD REAR ASSY - FIBERGLASS	912613-043	POWER UNIT	10
SHROUD STAND ADJUSTABLE ASSEMBLY	912611-028	POWER UNIT	11
SHROUD TOP ASSY, FIBERGLASS	912613-022	POWER UNIT	7
SIDE PLATE ASSEMBLY	908611-150	TIE BAR INS	11
SIDEPLATE SPLIT LH AUG FWD OVERLAP	909593-733	SIDEPLATE	3
SIDEPLATE SPLIT RH AUG FWD OVERLAP	909593-734	SIDEPLATE	2
SLEW DRIVE - HOURGLASS WORM, 17IN	220-54D28	MAIN FRAME	11
SLEW DRIVE MT ASSY	912612-068	MAIN FRAME	10
SLEW DRIVE-HOURGLASS WORM, 17IN CLOSED	220-54P01	LEGS	10
STEEL SHROUD ASSY (DEF TANK)	912613-051	POWER UNIT	3
STEER SENSOR STEM ASSY	903118-052	LEGS	12
STEERING SENSOR ASSY	912618-015	LEGS	11
STRAINER - 100 MESH (ELEM 110-49A50)	110-47E98	WTR/AIR SYS	10
TAMPER BAR IDLER CONVERTER ASSY-5000	FW 51-190-B	END SECTION	6
TAMPER CONVERTER - RHS	909597-083	END SECTION	4
TAMPER CONVERTER LHS	909597-082	END SECTION	5
TAMPER DR ASSY MODULAR END SECT 4 FT DR	909597-098	END SECTION	3
TAMPER MOTOR HYDRAULIC ORB/ORFS	909519-033	MOLD HYD	1
TELEMATICS KIT, PAVERS	910952-013	OPTIONS	1
TELESCOPING WALKWAY LEFT HAND	912622-066	MAIN FRAME	26
TELESCOPING WALKWAY RIGHT HAND	912622-067	MAIN FRAME	25
TIE BAR HOPPER - CAM STYLE	908611-187	TIE BAR INS	14
TIE BAR INSERTER HYDR, 24V (SMART CYL)	908619-024	MOLD HYD	9
TIE ROD, .375 IN X 14.25 IN	GT10-190	HYDRAULICS	23
TOOLBOX AND CLAMP ASSY	912611-006	MAIN FRAME	23
TRACK ASSY - LH 400MM S2 5 RLR, POLY	912615-041	TRACKS	5
TRACK ASSY - RH 400MM S2 5 RLR, POLY	912615-042	TRACKS	4
TRACK ASSY OPTION - 4-TRK, 400MM S2 POLY	912615-038	TRACKS	1
TRACK ASSY, 400MM S2 30 PADS, POLY	625-55C14	TRACKS	6
TRACK ASSY, FINAL - LH S2 400 MM POLY	912615-039	TRACKS	3
TRACK ASSY, FINAL - RH S2 400 MM POLY	912615-040	TRACKS	2
TRACK PIN, 400MM TRACK	912615-012	TRACKS	8
TRACK YOKE ASSY S2, 400 MM	912618-033	TRACKS	7
TRACTIVE HYDRAULICS - 4 TRK, 2 SP	912619-004	HYDRAULICS	2

Description	Part Number	Section	Page #
UMBRELLA ASSEMBLY	900111-068	OPTIONS	4
VALVE - FL CONT LD SEN 2 STAGE 0-4 GPM	125-50H64	HYDRAULICS	20
VALVE - FL CONT LD SEN 2 STAGE 0-4 GPM	125-50R95	HYDRAULICS	21
VALVE ASSY - 2 BANK, D03 (24V)	125-54C76	MOLD HYD	10
VALVE ASSY - 3 BANK, D03 PROP (24V)	125-54G68	HYDRAULICS	8
VALVE ASSY - 6 BANK, D03	125-53V01	HYDRAULICS	10
VALVE ASSY - 6 BANK, D03 (24V)	125-54T88	HYDRAULICS	11
VALVE ASSY, 4T TRAVEL AND AUGER/TAMP -OF	912645-004	ENGINE	15
VERTICAL HINGED SIDEPLATE	909590-317	SIDEPLATE	1
VIB CONTROL ASSY 4 BANK LD SENSE 24 VOLT	VA10-065	HYDRAULICS	19
VIB CTRL ASSY, 10 BANK HIGH CAP LD SENSE	VA10-076	HYDRAULICS	18
VIB HOSE COVER ASSY - LH	912811-018	MAIN FRAME	20
VIB HOSE COVER ASSY - RH	912811-002	MAIN FRAME	19
VIB SPRT/POSN ASSY - AUGER FWD/NO AUGER	909599-166	MOLD VIB	1
VIBRATOR ASSY OPTION - 20 VIB, 24V	912611-009	MAIN FRAME	15
VIBRATOR ASSY OPTION - PLUS 4, 24V	912811-022	MAIN FRAME	14
VIBRATOR HYDRAULICS - 20 VIBS	912619-043	HYDRAULICS	16
VIBRATOR HYDRAULICS - ADDITIONAL 4 VIBS	912819-020	HYDRAULICS	17
VIBRATOR MODULE - 10 BANK 24V	912813-021	MAIN FRAME	21
VIBRATOR MODULE - 10 BANK 24V, UPPER	912813-024	MAIN FRAME	16
VIBRATOR MODULE - REAR COVER, BTM	912811-006	MAIN FRAME	22
VIBRATOR MODULE W/ MT, LH - 10 BANK 24V	912813-020	MAIN FRAME	18
VIBRATOR MODULE W/ MT, RH - 10 BANK 24V	912813-026	MAIN FRAME	17
VIBRATOR MOTOR ASSEMBLY	GT11-120	MOLD VIB	9
VIBRATOR MOUNT	910311-022	MOLD VIB	5
VIBRATOR POSITION ASSY - MOLD MTD	909599-167	MOLD VIB	2
VIBRATOR POSITION HYDRAULICS	909519-027	MOLD HYD	5
VIBRATOR SUPPORT ASSY	909510-048	MOLD VIB	3
VIBRATOR-HYDRAULIC, MINNICH (LONG ECC)	GT11-057	MOLD VIB	6
WATER SYSTEM HYDRAULIC	912619-047	WTR/AIR SYS	9
WATER TANK ASSEMBLY STEEL, 150 GAL	912621-019	WTR/AIR SYS	4
WIRE HARNESS, DP600 CTRL PANEL G+	WH06-0050E	ELECTRICAL	32
WIRE HARNESS, G BOX J15 ACC CAN	WH03-0160E	ELECTRICAL	9
WIRE HARNESS, MA SIG 12 P DEUTSCH X 72IN	WH02-0180E	ELECTRICAL	26
WIRE HARNESS, PWR&GND 1/4 TRN PL X 72IN	WH04-0083E	ELECTRICAL	27
WIRING ASSY, HORN SWITCH	904920-043E	ELECTRICAL	29
WIRING ASSY, HORN SWITCH	912420-061E	ELECTRICAL	7
WORK PLATFORM - ALUMINUM, EXPANDING	912622-044	WORK PLATF	2
WORK PLATFORM ASSEMBLY - COMMON, REAR	912622-021	MAIN FRAME	29
WORK PLATFORM ASSY - COMMON, FRONT	912622-065	MAIN FRAME	24
WORK PLATFORM ASSY W/ STEPS (16FT-31FT)	912622-043	WORK PLATF	1

---

<b>Description</b>	<b>Part Number</b>	<b>Section</b>	<b>Page #</b>
WORK PLATFORM MT ASSY - CENTER CAPABLE	912622-015	WORK PLATF	3
WORK PLATFORM STEP ASSY - REMOVABLE	912622-079	WORK PLATF	4