

PTF 200Q replaces PTF 200P

2018 Powertrain Components & Remanufactured Assemblies



FORD PARTS

Six Good Reasons to Choose Ford Parts and Motorcraft® Powertrain Components and Remanufactured Powertrain Assemblies

- 1 Comprehensive warranty** – Ford remanufactured gas engines and transmissions are covered by a 36-month/unlimited-mile warranty. Remanufactured diesel engines are covered by a 24-month/unlimited-mile warranty. Ford and Motorcraft® powertrain components feature a 12-month/12,000-mile limited warranty. There are **no commercial/fleet exceptions** for any of these. All warranties are backed by Ford Motor Company and are supported by over 3,000 Ford and Lincoln Dealerships nationwide. See dealer for limited-warranty details.
- 2 Original equipment quality** – Ford Parts and Motorcraft® powertrain products meet Ford Motor Company quality standards and are designed specifically to fit each individual make, model and year vehicle.
- 3 Extensive application coverage** – Ford Parts and Motorcraft® offer extensive application coverage with timely delivery – same day or next day – for Ford and Lincoln vehicles you service.
- 4 Competitively priced** – Ford Parts and Motorcraft® powertrain components and remanufactured powertrain assemblies are competitively priced. Since they are the only Ford-recommended powertrain products on the market, they have a value that’s hard to match.
- 5 “No-risk” core return policy** – Provides 100 percent core credit regardless of damage or quality of returned core, as long as the proper return guidelines are followed. This policy provides confidence to our customers when quoting repairs with Ford parts.
- 6 Assistance center** – Our Powertrain Assistance Center provides sales, technical assistance and warranty support. Call 1-800-392-7946.

The quality and performance of Ford Parts and Motorcraft® powertrain components and remanufactured powertrain assemblies can reduce potential repeat repairs, which can save you and your customers time and money, and help to increase your customer satisfaction and loyalty.



2018

POWERTRAIN COMPONENTS & REMANUFACTURED ASSEMBLIES

CONTENTS

PRODUCT INFORMATION

Ford Authorized Distributors	P-2 – P-3
“No-Risk” Core Return Policy	P-4
Warranty Information	
Limited Warranty Statement – New & Remanufactured Transmissions & Gas Engines.....	P-5
Limited Warranty Statement – Diesel Engines.....	P-6
Warranty Reimbursement for Diesel Engines Sold Over-the-Counter.....	P-7
Service Parts Warranty – Ford & Motorcraft Parts.....	P-8
Warranty Guides for Engine & Transmission Assemblies.....	P-9 – P-10

Product Information

GAS ENGINES

Remanufactured Gas Engine Assemblies.....	P-11
Gas Engine Buying Guide.....	P-12 – 14
Gas Engine Build Levels.....	P-15 – P-16
Intake Manifolds.....	P-17
Motorcraft Water Pumps.....	P-18

DIESEL ENGINES

Remanufactured Diesel Engines.....	P-19
Power Stroke Diesel Engine Buying Guide.....	P-20 – 22
Diesel Fuel System Components Buying Guide.....	P-23 – P-24

TRANSMISSIONS

Remanufactured Transmission Assemblies.....	P-25
Transmission Buying Guide.....	P-26 – P-28
Automatic Transmission Tips & Checklist.....	P-29
Transmission Cooler Service.....	P-33 – P-35
Remanufactured Torque Converter.....	P-36
Motorcraft Transmission Overhaul Kits.....	P-37 – P-38
Clutch Kits.....	P-39

2018 VIN Guide	P-40 – P-43
Cataloging & Product Line Inquiry/Comment Form	P-44

APPLICATION BY VEHICLE

GAS ENGINES

Longblocks

Passenger Cars.....	1 – 7
Light Trucks.....	7 – 20
Medium Trucks.....	20 – 23

Cylinder Heads

Passenger Cars.....	24
Light / Medium Trucks.....	25

DIESEL ENGINES

Light Trucks.....	26 – 39
Medium Trucks.....	39 – 49

TRANSMISSIONS

Passenger Cars.....	50 – 56
Light Trucks.....	56 – 76
Medium Trucks.....	76 – 80

TORQUE CONVERTERS

Passenger Cars.....	81 – 84
Light Trucks.....	84 – 89
Medium Trucks.....	89 – 91

MANUAL TRANSMISSION CLUTCH KITS

Passenger Cars.....	92 – 93
Light Trucks.....	94 – 96

TRANSMISSION REPAIR KITS

Passenger Cars.....	97 – 98
Light Trucks.....	99 – 102
Medium Trucks.....	103

CROSS REFERENCE	104 – 108
------------------------------	-----------

BUYER'S GUIDES

Gas Engine Assemblies.....	109 – 122
Gas Engine Cylinder Heads.....	123
Diesel Engine Assemblies.....	124 – 129
Transmission Assemblies.....	130 – 154
Torque Converters.....	155 – 159
Manual Transmission Clutch Kits.....	160
Transmission Repair Kits.....	161 – 163

CATALOG LOCATION OF PART NAME AND PREFIX	164 – 175
---	-----------

PRODUCT INFORMATION

GAS ENGINES

Longblocks

Cylinder Heads

DIESEL ENGINES

TRANSMISSIONS

TORQUE CONVERTERS

MANUAL TRANSMISSION CLUTCH KITS

TRANSMISSION REPAIR KITS

CROSS REFERENCE

BUYER'S GUIDES

CATALOG LOCATION OF PART NAME AND PREFIX



"No-Risk" Core Return Policy

Our "No-Risk" Core Return policy provides 100% core credit regardless of damage or quality of returned core. This policy provides our customers confidence when quoting repairs with Ford parts.

When returning core, these guidelines must be followed:

- Returned core is the same part as the assembly purchased
- Core is 100% complete with all parts attached and all fluids drained and is returned in original package



FORD PARTS



LIMITED WARRANTY STATEMENT (FOR RETAIL SALES ON OR AFTER 9/1/2010) Ford New and Remanufactured Transmissions and Gas Engines

Ford Motor Company, The American Road, Dearborn, MI 48121 ("Ford") provides the following Limited Warranty on Ford New and Remanufactured Transmissions and Gas Engines to Ford and Lincoln Dealers (each being a "Dealer") or general Installers (each being an "Installer"). This Limited Warranty provides Ford will credit the Dealer or Installer for repairing or replacing, at Ford's option, any Ford Transmission or Gas Engine sold by Ford in the United States, for installation in the United States, in a Ford or Lincoln vehicle that was sold, registered/licensed, and operated in the United States, that is found to be defective in factory-supplied material or workmanship subject to the following terms, conditions and limitations:

Vehicle Owner: To obtain warranty service, please return your vehicle to any Ford or Lincoln Dealership or return to the Installer who originally installed the Ford Gas Engine or Transmission Assembly in your vehicle. You must have one of the following items:

- Vehicle Owner assembly installation repair order which includes Vehicle Identification Number (VIN), date of installation, assembly part number, and odometer reading
- Dealer Over-the-counter Invoice documenting date of purchase, assembly part number, & VIN
- Your powertrain was registered by a Ford or Lincoln Dealer.

Gas Engine Long Block Assemblies (6006/6007/6V006/6V012) and Transmission Assemblies (7000/7V000/7002/7003)

- For 36 months from warranty start date (unlimited miles), Ford will cover 100% of all parts and labor at approved warranty reimbursement rates
- If installed by a Dealer, reasonable towing charges (up to 35 miles or to the nearest Dealer) are covered only if the vehicle is not covered under another towing insurance coverage
- Excludes gas engine short blocks (6009)

Warranty Start Date for Ford New or Remanufactured Transmissions and Gas Engines

- If Dealer-installed, the Warranty Start Date is the date of installation.
- If sold Over-the-counter to a vehicle owner, the Warranty Start Date is the date of sale.
- If sold Over-the-counter to a fleet, general installer or wholesaler, the Warranty Start Date is the date the assembly is installed (could be later than the date of sale).

Limitations to the Warranty

The following limitation applies to the products covered by this Limited Warranty:

- Towing charges are not reimbursable for Ford Transmissions and Gas Engines sold over-the-counter by a Dealer or Installer

How to obtain Limited Warranty coverage for Ford Transmissions and Gas Engines sold over-the-counter by a Dealer or Installer:

This statement applies to over-the-counter customers of a Dealer, such as a vehicle owner, independent repair facility, wholesaler, or fleet customer.

The Dealer or Installer can claim both parts and labor under the Limited Warranty if the vehicle owner, at his/her option,

- Returns the vehicle to the Installer (from which the assembly was purchased) or to any Dealer for repairs, or
- Returns the Ford New or Remanufactured Transmission or Gas Engine to the Installer (from which the assembly was purchased) or to any Dealer for repairs

NOTES on obtaining Limited Warranty coverage for Ford Transmissions and Gas Engines:

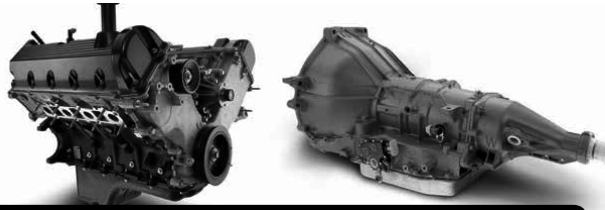
- This Limited Warranty may be honored by the original Installer or any Dealer (even though that particular Dealer was not the original purchaser/seller of the product)
- In order for the Dealer or Installer to claim under the Limited Warranty, the Installer or vehicle owner (whether original vehicle owner or subsequent transferee) must provide the Dealer the following information when repairs are requested:
 - Authorization code from the Powertrain Assistance Center (PAC) @ 800-392-7946
 - A copy of the original vehicle owner's assembly installation repair order
- Only new Ford Original Equipment, Ford Authorized Remanufactured, or other parts or assemblies authorized by Ford may be used to complete covered warranty repairs
- Installer labor reimbursement is calculated using Ford Labor Times Standard hours multiplied by the selling Dealership's warranty labor rate or the Installer's actual labor total, whichever is less
- Diagnostic steps taken to determine cause of warrantied concern with diagnostic results must be clearly documented on Installer repair order. (Warranty parts and labor reimbursement requests must be supported by diagnostic labor steps and test results)
- All parts replaced under warranty must be returned to your selling Dealer

THIS LIMITED WARRANTY DOES NOT COVER FORD REMANUFACTURED TRANSMISSIONS AND GAS ENGINES THAT FAIL DUE TO ABUSE, MISUSE, NEGLIGENCE, ALTERATION, ACCIDENT, RACING, OR PARTS AND ACCESSORIES INSTALLED IN VEHICLES OTHER THAN THOSE LISTED IN FORD AUTHORIZED CATALOGS INCLUDING OTHER FORD MOTOR COMPANY BRANDS, OR THE USE OF NON-FORD PARTS, OR LACK OF PROPER MAINTENANCE. THIS LIMITED WARRANTY DOES NOT COVER PARTS WHICH ARE REPLACED AS PART OF NORMAL MAINTENANCE. THIS LIMITED WARRANTY DOES NOT COVER REPEAT REPAIRS PERFORMED AS A RESULT OF A MISDIAGNOSIS OR IMPROPER PRIOR REPAIR. TO THE EXTENT ALLOWED BY LAW, LOSS OF TIME, INCONVENIENCE, LOSS OF THE USE OF THE VEHICLE, COMMERCIAL LOSS, AND INCIDENTAL AND CONSEQUENTIAL DAMAGES ARE NOT COVERED. **THERE IS NO OTHER EXPRESS OR IMPLIED WARRANTY ON THESE FORD NEW AND REMANUFACTURED TRANSMISSIONS AND GAS ENGINES INCLUDING, BUT NOT LIMITED TO, ANY IMPLIED WARRANTY OF MERCHANTABILITY OR FITNESS FOR A PARTICULAR PURPOSE.** TO THE EXTENT ALLOWED BY LAW, ANY IMPLIED WARRANTY OF MERCHANTABILITY OR FITNESS IS LIMITED TO THE DURATION OF THIS WRITTEN LIMITED WARRANTY.

To retain the safety and dependability built into this product, it is essential that your Ford Remanufactured Transmission or Gas Engine receives the scheduled maintenance at the recommended intervals contained in your vehicle Owner's Manual/Maintenance Schedule.



FORD PARTS



LIMITED WARRANTY STATEMENT

Ford and Motorcraft® Remanufactured Diesel Engines

Ford Motor Company, The American Road, Dearborn, MI 48121 ("Ford") provides the following Limited Warranty on Ford and Motorcraft Remanufactured Diesel Engines to Ford and Lincoln Dealers (each being a "Dealer") or general Installers (each being an "Installer"). This Limited Warranty provides that Ford will credit the Dealer or Installer for repairing or replacing, at Ford's option, any Ford or Motorcraft Remanufactured Diesel Engine sold by Ford that is found to be defective in factory-supplied material or workmanship subject to the following terms, conditions and limitations:

Retail Customers: To obtain warranty service, please return your vehicle to any Ford and Lincoln Dealership or return to the Installer who originally installed the Ford or Motorcraft Diesel Engine Assembly in your vehicle. Please have your original dated receipt for installation date verification.

Complete Diesel Engine (6007/6V007) and Long Block (6006/6V006) Assemblies

- 24 months from warranty start date (unlimited miles). Ford will cover 100% of all parts and labor at approved warranty reimbursement rates
- If installed by a Dealer, reasonable towing charges (up to 35 miles or to the nearest Dealer) are covered only if the vehicle is not covered under another towing insurance coverage

Diesel Engine Stripped Long Blocks (6V012) and Short Blocks (6009/6V009)

- 12 months from warranty start date (unlimited miles). Ford will cover 100% of all parts and labor at approved warranty reimbursement rates
- If installed by a Dealer, reasonable towing charges (up to 35 miles or to the nearest Dealer) are covered only if the vehicle is not covered under another towing insurance coverage

Warranty Start Date

- Ford and Motorcraft Remanufactured Diesel Engines and Components installed by the Dealer or Installer—Warranty begins on the date of installation
- Ford and Motorcraft Remanufactured Diesel Engines and Components sold by Dealer or Installer over-the-counter or to a retail purchaser—on the date of sale

Limitations to the Warranty

- The following limitation applies to the products covered by this Limited Warranty:
- Towing charges are not reimbursable for Ford and Motorcraft Remanufactured Diesel Engines sold over-the-counter by a Dealer or Installer.

How to obtain Limited Warranty coverage for Ford and Motorcraft Remanufactured Diesel Engines sold over-the-counter by a Dealer or Installer:

This statement applies to over-the-counter customers of a Dealer or Installer, such as a retail customer or fleet customer.

The Dealer or Installer can claim both parts and labor under the Limited Warranty if the retail customer, at his/her option:

- Returns the vehicle to the Installer (from which the assembly or component was purchased) or to any Dealer for repairs, or
- Returns the Ford or Motorcraft Remanufactured Diesel Engine to the Installer (from which the assembly or component was purchased) or to any Dealer for repairs

NOTES:

- The original Installer or any Dealer (even though that particular Dealer was not the original purchaser/seller of the product) may claim under this Limited Warranty
- In order for the Dealer or Installer to claim under the Limited Warranty, the Dealer, Installer or customer (whether original customer or subsequent transferee) must provide the original owner's repair order or sales slip when repairs are requested
- Only new Ford Original Equipment or Ford authorized remanufactured parts or assemblies may be used to complete covered warranty repairs
- Installer labor reimbursement is calculated using Ford Labor Times Standard hours multiplied by the selling dealership's warranty labor rate, or the Installer's actual labor total, whichever is less
- Diagnostic steps taken to determine cause of warrantied concern with diagnostic results must be clearly documented on Installer repair order. (Warranty parts and labor reimbursement requests must be supported by diagnostic labor steps and test results)
- All parts replaced under warranty must be returned to your selling Dealer

THIS LIMITED WARRANTY DOES NOT COVER FORD OR MOTORCRAFT REMANUFACTURED DIESEL ENGINES THAT FAIL DUE TO ABUSE, MISUSE, NEGLIGENCE, ALTERATION, ACCIDENT, RACING, OR THE USE OF NON-FORD PARTS, LACK OF PROPER MAINTENANCE OR THAT ARE INSTALLED IN VEHICLES OTHER THAN THOSE LISTED IN FORD AUTHORIZED CATALOGS.

THIS LIMITED WARRANTY DOES NOT COVER PARTS WHICH ARE REPLACED AS PART OF NORMAL MAINTENANCE.

THIS LIMITED WARRANTY DOES NOT COVER REPEAT REPAIRS PERFORMED AS A RESULT OF A MISDIAGNOSIS OR IMPROPER PRIOR REPAIR.

TO THE EXTENT ALLOWED BY LAW, LOSS OF TIME, INCONVENIENCE, LOSS OF THE USE OF THE VEHICLE, COMMERCIAL LOSS, AND INCIDENTAL AND CONSEQUENTIAL DAMAGES ARE NOT COVERED.

THERE IS NO OTHER EXPRESS OR IMPLIED WARRANTY ON THESE FORD AND MOTORCRAFT REMANUFACTURED DIESEL ENGINES INCLUDING, BUT NOT LIMITED TO, ANY IMPLIED WARRANTY OF MERCHANTABILITY OR FITNESS FOR A PARTICULAR PURPOSE.

TO THE EXTENT ALLOWED BY LAW, ANY IMPLIED WARRANTY OF MERCHANTABILITY OR FITNESS IS LIMITED TO THE DURATION OF THIS WRITTEN LIMITED WARRANTY

Warranty Reimbursement for Ford and Motorcraft Remanufactured Diesel Engines Sold Over-the-Counter

Dealership actions required for assemblies that were sold Over-The-Counter and replaced/installed at a dealership

- Effective with repairs dated August 1, 2005, and later when an assembly that was sold OTC is brought to a Ford or Lincoln dealership for assembly replacement, dealers not on Reduced Warranty Requirements must obtain prior approval before replacing Ford and Motorcraft Remanufactured Diesel Engines under OTC Service Part Warranty.
- Dealers can obtain prior approval by completing the Powertrain Approval form via the Professional Technician Society (PTS) website OR by contacting the Technical Hotline at (800) 826-4694 and selecting option #2 "Engine and Transmission Exchange Prior Approval".
- Reduced Warranty Requirement dealers are exempt from this requirement for REPLACEMENTS DONE IN THE DEALERSHIP for one year, but will be subject to review for inclusion in the Prior Approval process at the end of one year.

Dealer Reimbursement

- In order for a Dealer or Installer to claim under the Limited Warranty, the Dealer, Installer or customer (whether original customer or subsequent transferee) must provide the original owners repair order or sales slip that includes the VIN of the service vehicle, the current mileage of the service vehicle, the serial number of the part being replaced, and the labor amount charged for the replacement.
- Engine assemblies and components found defective before installation on the vehicle or before sale over-the-counter are to be returned for credit to your selling Ford Authorized Distributor for Powertrain Products.
- Dealers will be reimbursed for parts and labor (if applicable) at warranty rates.
- Reasonable removal and reinstallation labor is reimbursed when prior authorization is obtained.
- Vehicle towing required as a result of the failure of an assembly or part sold over-the-counter is not covered.

Dealership actions required for replacement of assemblies sold Over-The-Counter but NOT repaired/installed at a dealership.

- Ensure the OTC customer completes the Assembly Replacement Worksheet and calls the Powertrain Assistance Center (800-3927946) for an authorization number when requesting replacement of an assembly.
- DO NOT GIVE REPLACEMENT ASSEMBLIES WITHOUT THE POWERTRAIN ASSISTANCE CENTER AUTHORIZATION NUMBER.
- For over-the-counter sales, the selling dealer is responsible for submitting a warranty claim on behalf of the over-the-counter customer, and reimbursing the customer for the repair.

Customer (retail and/or independent installer) actions required for Warranty Reimbursement for assemblies sold Over-The-Counter

- The over-the-counter customer (retail customer, fleet customer, or general installer) can, at their option:
 - 1) Return the vehicle to the Dealer from which the assembly was purchased for repairs during regular business hours for repair by the Dealer, or
 - 2) Return the defective Ford or Motorcraft remanufactured diesel engine to the Dealer (from which the assembly was purchased) during regular business hours for repair by the Dealer, or
 - 3) Obtain replacement parts or assembly from the Dealer that sold the Ford or Motorcraft remanufactured engine to complete repairs using labor supplied by the over-the-counter customer.

NOTE:

It is recommended that the over-the-counter customer call the dealer to discuss possible diagnostic procedures that should be taken before removal of the assembly.

IMPORTANT:

Effective with repairs dated August 1, 2005 and later, all independent repair facilities (IRF) and customers installing OTC diesel engines must call the Powertrain Assistance Center at 800-392-7946 for prior authorization before removing or replacing Ford and Motorcraft Remanufactured Diesel Engine assemblies under OTC Service Part Warranty.

- The over-the-counter customer (whether original customer or subsequent transferee) must present a copy of the original sales receipt for the Ford or Motorcraft remanufactured diesel engine.
- Labor reimbursed to the over-the-counter customer will be calculated based on the standard hours listed in the Ford Service Labor Time Standards Manual multiplied by the Dealer's (from which the engine assembly or component was purchased) approved warranty labor rate in effect on the date of repair, or the over-the-counter customer's actual labor amount, whichever is less.
- Vehicle towing required as a result of the failure of an assembly or part sold over-the-counter is not covered.
- Except as noted in the prior statements, all provisions and procedures outlined in the Warranty and Policy Manual apply to Ford and Motorcraft remanufactured diesel engines installed or sold over-the-counter by Dealers.



WARRANTY REIMBURSEMENT FOR ENGINES SOLD OVER-THE-COUNTER

WARRANTY REIMBURSEMENT FOR FORD AND MOTORCRAFT REMANUFACTURED DIESEL ENGINES SOLD OVER-THE-COUNTER

Dealership actions required for assemblies that were sold Over-The-Counter and replaced/installed at a dealership

- Effective with repairs dated August 1, 2005, and later when an assembly that was sold OTC is brought to a Ford or Lincoln Mercury dealership for assembly replacement, dealers not on Reduced Warranty Requirements must obtain prior approval before replacing Ford and Motorcraft Remanufactured Diesel Engines under OTC Service Part Warranty.
- Dealers can obtain prior approval by completing the Powertrain Approval form via the Professional Technician Society (PTS) website OR by contacting the Technical Hotline at (800) 826-4694 and selecting option #2 "Engine and Transmission Exchange Prior Approval".
- Reduced Warranty Requirement dealers are exempt from this requirement for REPLACEMENTS DONE IN THE DEALERSHIP for one year, but will be subject to review for inclusion in the Prior Approval process at the end of one year.

Dealer Reimbursement

- In order for a Dealer or Installer to claim under the Limited Warranty, the Dealer, Installer or customer (whether original customer or subsequent transferee) must provide the original owners repair order or sales slip that includes the VIN of the service vehicle, the current mileage of the service vehicle, the serial number of the part being replaced, and the labor amount charged for the replacement.
- Engine assemblies and components found defective before installation on the vehicle or before sale over-the-counter are to be returned for credit to your selling Ford Authorized Distributor for Powertrain Products.
- Dealers will be reimbursed for parts and labor (if applicable) at warranty rates.
- Reasonable removal and reinstallation labor is reimbursed when prior authorization is obtained.
- Vehicle towing required as a result of the failure of an assembly or part sold over-the-counter is not covered.

Dealership actions required for replacement of assemblies sold Over-The-Counter but NOT repaired/installed at a dealership.

- Ensure the OTC customer completes the Assembly Replacement Worksheet and calls the Powertrain Assistance Center (800-392-7946) for an authorization number when requesting replacement of an assembly.

DO NOT GIVE REPLACEMENT ASSEMBLIES WITHOUT THE POWERTRAIN ASSISTANCE CENTER AUTHORIZATION NUMBER.

For over-the-counter sales, the selling dealer is responsible for submitting a warranty claim on behalf of the over-the-counter customer, and reimbursing the customer for the repair.

Customer (retail and/or independent installer) actions required for Warranty Reimbursement for assemblies sold Over-The-Counter

- The over-the-counter customer (retail customer, fleet customer, or general installer) can, at their option:
 - 1) Return the vehicle to the Dealer from which the assembly was purchased for repairs during regular business hours for repair by the Dealer, or
 - 2) Return the defective Ford or Motorcraft remanufactured diesel engine to the Dealer (from which the assembly was purchased) during regular business hours for repair by the Dealer, or
 - 3) Obtain replacement parts or assembly from the Dealer that sold the Ford or Motorcraft remanufactured engine to complete repairs using labor supplied by the over-the-counter customer.

NOTE:

It is recommended that the over-the-counter customer call the dealer to discuss possible diagnostic procedures that should be taken before removal of the assembly.

IMPORTANT :

Effective with repairs dated August 1, 2005 and later, all independent repair facilities (IRF) and customers installing OTC diesel engines must call the Powertrain Assistance Center at 800-392-7946 for prior authorization before removing or replacing Ford and Motorcraft Remanufactured Diesel Engine assemblies under OTC Service Part Warranty.

- The over-the-counter customer (whether original customer or subsequent transferee) must present a copy of the original sales receipt for the Ford or Motorcraft remanufactured diesel engine.
- Labor reimbursed to the over-the-counter customer will be calculated based on the standard hours listed in the Ford Service Labor Time Standards Manual multiplied by the Dealer's (from which the engine assembly or component was purchased) approved warranty labor rate in effect on the date of repair, or the over-the-counter customer's actual labor amount, whichever is less.
- Vehicle towing required as a result of the failure of an assembly or part sold over-the-counter is not covered.
- Except as noted in the prior statements, all provisions and procedures outlined in the Warranty and Policy Manual apply to Ford and Motorcraft remanufactured diesel engines installed or sold over-the-counter by Dealers.

Limited Service Parts Warranty – Ford and Motorcraft Parts

SPW Coverage on Ford & Motorcraft Parts not replaced at Company Expense

Parts not replaced under Company Expense, and installed or sold by dealerships or authorized distributors to retail and wholesale customers qualify for the following warranty coverage:

Dealer Installed

- Parts & labor to replace defective part within 24 months/unlimited miles
- Towing is covered, if required, but only if the vehicle is not covered under the Roadside Assistance Program
- Warranty begins from date of installation, as noted on the repair order

Sold Over-the-Counter to a Retail Purchaser

- Part Warranty is 24 months/unlimited miles
- For a retail purchaser, warranty begins on the date of sale

Sold Over-the-Counter to a Fleet, Installer or Wholesaler

- For a fleet, general installer or wholesaler, warranty begins on the date of installation or resale
- Parts & labor to replace defective part within 24 months/unlimited miles
- Fleets and Installer labor is reimbursable up to \$150/claim. Labor amount is calculated using the installer or fleet cost of labor multiplied by published labor time standard. Total cost is not to exceed the Ford Labor Times standard hours multiplied by the processing dealership's warranty labor rate.
- Diagnostic steps taken to determine cause of warranted concern with diagnostic results must be clearly documented on the installer repair order along with the Vehicle Identification Number (VIN). Warranty parts and labor reimbursement requests must be supported by diagnostic labor steps and test results.
- All parts replaced under warranty by an installer or fleet must be returned to the selling dealer.

SPW Coverage on Parts Replaced at Company Expense

Parts replaced at Company expense (e.g., Customer Satisfaction Programs, Special Service Instructions, Field Service Actions (FSA), or Customer Loyalty Plan) are covered under the applicable Service Parts Warranty stated below or the remaining portion of the New Vehicle Limited Warranty (if any), whichever is greater.

- Ford/ Lincoln Cars & Light Trucks: The parts and accessories warranty is: 12 months / 12,000 miles, whichever occurs first
- 650 and higher series trucks: The parts and accessories warranty is: 12 months / unlimited miles, whichever occurs first

Notes:

- The Limited Warranty may be honored by the original installer or any Ford/Lincoln Dealer, even though that particular dealer was not the original purchaser/seller of the part.
- In order for the Dealer, Fleet or Installer to claim the Limited Warranty, the dealer, fleet, installer or customer must provide the original owner's repair order or sales slip with VIN when repairs are requested.

WARRANTY REGISTRATION GUIDE

Ford Powertrain Assembly Service Part



Warranty Terms

Gas Engine	3 Years/Unlimited Miles on 6007/6006/6V012
Transmission Assemblies	3 Years/Unlimited Miles on automatic transmissions (7000/7V000) and manual transmissions (7002/7003)
Diesel Engine Assemblies	2 Years/Unlimited Miles on complete engines (6007/6V007) and long block (6006/6V006) 1 Year/Unlimited Miles for stripped long blocks (6012/6V012) and short blocks (6009/6V009)

Registration Process:

Fleet- or Independent-Installed

- 1 Purchase assembly from Dealer/Distributor
- 2 Install assembly in vehicle
- 3 Record VIN, Installation Date, Mileage, Serial Number and Part Number on the Vehicle Owner Repair Order
- 4 Send Vehicle Owner Repair Order copy to Dealer/Distributor for registration in OASIS*
- 5 Dealer/Distributor registers assembly in OASIS* and generates warranty registration
- 6 Installer provides vehicle owner:
 - Warranty Policy Statement
 - OASIS* Warranty Registration
 - Vehicle Owner Repair Order

Dealer-Installed

- 1 Purchase assembly from Ford Distribution Network
- 2 Install assembly in vehicle
- 3 Record VIN, Date of Installation, Mileage, Serial Number and Part Number on Vehicle Owner Repair Order
- 4 Dealer registers assembly in OASIS* and generates Warranty Registration
- 5 Dealer provides vehicle owner:
 - Warranty Policy Statement
 - OASIS* Warranty Registration
 - Vehicle Owner Repair Order

FAQs:

*Are vehicles for Model Years 1999 and older eligible for the Powertrain Warranty?

Yes – but they cannot be registered in OASIS. Instead, the vehicle owner must retain the Vehicle Owner Repair Order with VIN, Installation Date, Mileage, Ford Serial Number and Part Number documented.

Which serial number do I use for a new powertrain assembly?

New assemblies carry a tag similar to the illustration on this page. Copy the number from the label for proper registration.

If a powertrain is replaced under the New Vehicle Powertrain Warranty, does it receive the 3-Year/Unlimited Mileage Warranty?

No – those assemblies are covered either by the remainder of New Vehicle Warranty or 12-months/12,000 Miles, whichever is longer.

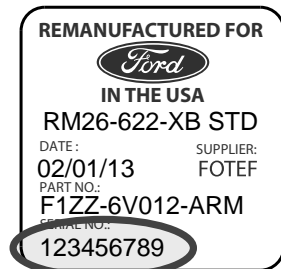
How do I register a powertrain if I do not install it right after purchasing the assembly?

Immediately after the installation, provide the Dealer/Distributor with a Repair Order showing the VIN, Installation Date, Mileage, Serial Number and Part Number documented.

Where is the Serial Number?



NEW



REMAN

What does the customer need?

Warranty Policy Statement

OASIS Warranty Registration

Vehicle Owner Repair Order
Must include:

- VIN
- Date of Installation
- Mileage
- Serial Number
- Part Number



FORD PARTS

FORD WARRANTY COVERAGE AND REGISTRATION

for Retail and Over-the-Counter (OTC) Powertrain Assembly Sales



Warranty Terms

- New/Remanufactured Ford Gas or Propane Engines/Transmissions
- New/Remanufactured Ford Diesel Engines

	Gas/Transmission (All vehicles, SSP/ Retail and OTC)	Diesel (All trucks, retail and OTC, incl. F650/F750 & LCF)	Diesel (All trucks, retail and OTC, incl. F650/F750 & LCF)
Warranty Start Date:	9/1/2010 – Present	6/1/2005 – Present	6/1/2005 - Present
Engine Base Part Numbers:	6006, 6007, 6V006, 6V012	6009, 6012, 6V009, 6V012	6006, 6007, 6V006, 6V007
Transmission Base Part Numbers:	7000, 7002, 7003, 7V000		
Warranty Claim Program Code:	SSP – Installed by Dealer OTC – Installed by Customer	SSP – Installed by Dealer OTC – Installed by Customer	SSP – Installed by Dealer OTC – Installed by Customer
Time/Mileage:	3 Years/Unlimited Miles	1 Year/Unlimited Miles	2 Years/Unlimited Miles

Note: No towing coverage is offered on OTC assemblies.

OTC Warranty Repair Options

Over-the-counter customers of a Dealer (such as a vehicle owner, independent repair facility, wholesaler or fleet customer) can, at their option:

1. Return the vehicle to the installer from which the assembly was purchased.
2. Return the vehicle to the selling dealership for repairs.
3. Return the vehicle to any dealership for repairs.

Warranty Claim Steps when OTC Customer Repairs

OTC Customer Responsibilities

1. Call the **Powertrain Assistance Center (PAC) at 800-392-7946** for prior authorization before removing or replacing a Ford Remanufactured Assembly under OTC Service Part Warranty.
2. Provide the selling Dealer/Distributor a copy of the assembly's OTC Customer Repair Order (whether the original purchasing customer or subsequent transferee) and the PAC authorization number. Arrange for delivery of the replacement assembly.
3. Communicate with the selling Dealer/Distributor regarding your labor amount. Labor reimbursement is based on standard hours listed in the Ford Service Labor Time Standards Manual, multiplied by the dealership's approved warranty labor rate in effect on the date of repair, or the OTC customer's actual labor amount, whichever is less.
4. Return all parts replaced under warranty to the selling Dealer/Distributor.

Selling Dealer/Distributor Responsibilities

1. Ensure that the OTC customer calls the **Powertrain Assistance Center at 800-392-7946** for prior authorization.
2. **DO NOT RELEASE REPLACEMENT ASSEMBLIES WITHOUT THE POWERTRAIN ASSISTANCE CENTER AUTHORIZATION NUMBER.**
3. Repairs made by the OTC customer are not included in the dealership's measured warranty expense. These repairs fall "below" the measured total line and will not have an impact on a dealership's entry or progression in the Warranty Counseling Process.
 - Note that the claim must be submitted with a miscellaneous expense code of "SVCLBR" with the corresponding labor reimbursement amount. Failure to use the miscellaneous expense code of "SVCLBR" will cause the repair to be included in your measured expense.
4. Submit a warranty claim, including the serial number of the assembly, on behalf of the OTC customer, and reimburse the OTC customer for the repair.

Dealers are required to adhere to all provisions and procedures detailed in the Warranty and Policy Manual



FORD PARTS

REMANUFACTURED GAS ENGINE ASSEMBLIES



FORD PARTS

Make Ford Genuine Parts your first choice for Ford and Lincoln replacement parts!

Genuine Ford Remanufactured Gas Engine Assemblies – the Right Fit!

- Each assembly covered by a **36 month/unlimited miles warranty on parts and service***, with no commercial use exceptions
- Designed to deliver quality and value – include the latest engineering enhancements
- No “reverse engineering”
- Same or next day delivery
- No-risk core return policy – 100% core credit

Gasoline Engine Features

- Sealed long blocks (6006 base) include all highly desired components including: oil filter and adapters, thermostats and correct oil pan
- Stepped cylinder bore honing helps optimize oil consumption and minimum break-in time
- Head gaskets, main and rod bearings designed specifically for remanufactured blocks, heads and crankshafts
- O.E. manufacturing processes used in assembling each engine
- Each assembly is checked on a computer-controlled test stand to verify performance criteria



* See dealer for limited-warranty details.

GENUINE FORD Gas Engine



HOW A GAS ENGINE WORKS:

- Gasoline is supplied to the engine under high pressure through a fuel injector nozzle that atomizes fuel in a fine mist in each cylinder
- Air is mixed with fuel in the cylinder
- The mixture is compressed and ignited by a spark plug, resulting in fuel combustion and rotary engine motion

Possible Symptoms:

- The engine uses excessive oil
- The engine does not start or runs erratically
- Excessive bearing clearances result in low oil pressure
- Contamination of oil, coolant or fuel cause performance issues or a no-start condition
- Mechanical pounding, knocking or rattling noises may indicate internal structural problems
- Clicking noises associated with the valvetrain indicate need for component adjustment or replacement

GAS ENGINE ASSEMBLY



3-Year Unlimited Mileage Warranty

- Only Ford-approved parts
- Latest part updates and revisions from Ford engineering
- Built to original specifications
- Commercial-use approved with full warranty
- Make, model-year and calibration-specific replacements mean the right gas engine for your vehicle

	How they work:	What can happen:
AIR	<ul style="list-style-type: none"> • Air is supplied to the engine to enable combustion within each cylinder • Supplied air is filtered to prevent accelerated cylinder wear due to dust and abrasive contaminants 	<ul style="list-style-type: none"> • A dirty air filter can choke off airflow to the engine, resulting in sluggish performance and poor fuel economy • A missing, leaking or clogged air filter can permit dirt and abrasives to enter the engine
FUEL	<ul style="list-style-type: none"> • Gasoline engines use a variety of fuel delivery methods, but all modern ones inject fuel either into an intake manifold, cylinder head port or directly to the cylinder 	<ul style="list-style-type: none"> • Water in the fuel can cause fuel system corrosion and driveability issues • Dirty fuel can clog filters, ruin fuel injectors and accelerate cylinder wear
OIL	<ul style="list-style-type: none"> • Oil is the "lifeflood" of the engine, providing a cooling film on internal engine components to prevent direct metal-to-metal contact, wear and damage • A plentiful supply of clean oil is necessary for long engine life • Motorcraft oil and oil filters are recommended for best protection and performance 	<ul style="list-style-type: none"> • Oil can be drawn past worn piston rings and valve stem seals/guides and burned in the cylinder • Worn gaskets and oil seals can allow oil to drip out of the engine • A clogged oil filter can allow unfiltered oil to circulate and damage components • Excessive bearing clearances can allow oil to escape from critical areas, resulting in low oil pressure • Dirty/low oil can result in engine and camshaft bearing damage
IGNITION	<ul style="list-style-type: none"> • Gas engines use spark plugs to ignite the air/fuel mixture inside the cylinder • The mixture is ignited at a precise moment during the engine's revolution cycle 	<ul style="list-style-type: none"> • The spark plugs can fail or wear and require replacement • Ignition coil(s) or spark plug wires can fail or wear, resulting in misfires or no-start conditions
COOLING	<ul style="list-style-type: none"> • Coolant is pumped through passages inside the engine block and cylinder heads to cool hot components • Coolant is pumped to an external pressurized radiator, where onrushing air flows through a finned core to remove heat • Coolant is returned to the engine and recirculated 	<ul style="list-style-type: none"> • The water pump can fail and coolant cannot reach the radiator – engine overheats • The radiator can corrode or suffer physical damage that allows pressure to escape/coolant to leak, causing boil-over/loss and engine overheating • Coolant can "wear out," resulting in inadequate concentrations of important additives that prevent coolant freezing, boil-out and cooling system corrosion and clogging • Neglected maintenance can result in coolant freezing, system corrosion or component damage
SENSORS	<ul style="list-style-type: none"> • Sensors keep tabs on atmospheric conditions as well as a long list of vital engine functions • The sensors send data to the Engine Control Module, which in turn makes adjustments to various engine components to optimize driveability, fuel economy, performance and emissions 	<ul style="list-style-type: none"> • Sensors can fail for a variety of reasons, from water intrusion into the component, fuel contaminants or electrical issues

GET EVERYTHING YOU'RE PAYING FOR AT A COMPETITIVE PRICE

with a **GENUINE Ford** Remanufactured Gas Engine

We remanufacture only Ford Gas Engines – to our own original engineering specifications

Here's what adds up to a Ford engine that's closer to "new" than many competitors' engines:

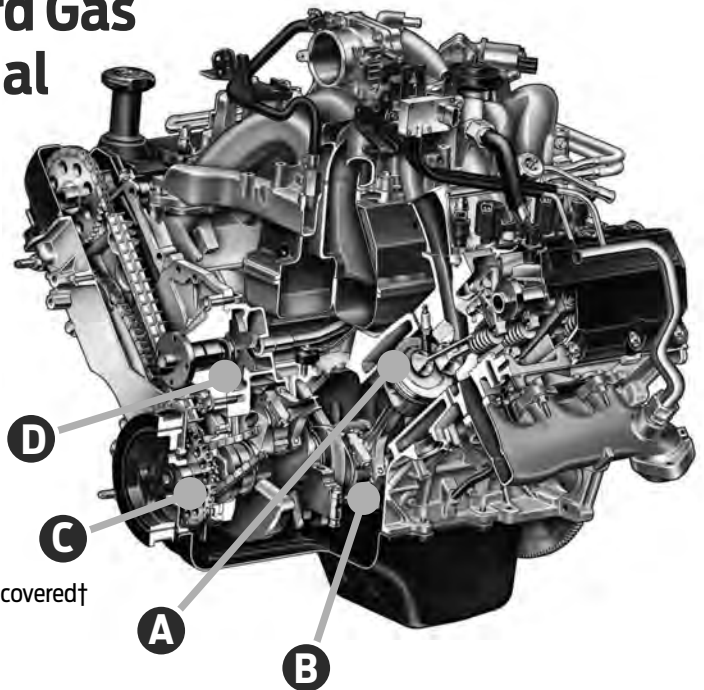
- Ford proprietary blueprint specifications
- Only Ford-approved parts
- High standards in precision machining

Peace of Mind Warranty Coverage

- For 36 months from warranty start date, Ford will cover 100% of all parts and labor*
- Unlimited mileage coverage
- If the engine is installed by a Dealer, standard towing charges are covered†
- More than 3,000 servicing Ford and Lincoln Dealers nationwide

*At approved warranty reimbursement rates.

†If the vehicle is not covered under other towing insurance coverage; reasonable rates up to 35 miles or to the nearest Dealer.



- A** **Pistons and Piston Rings – Ford Engineering-Approved**
- Pistons facilitate ignition by compressing/sealing the air/fuel mixture
 - Over time, can become worn or heavily carbon-coated

- B** **Main, Rod and Camshaft Bearings – Ford Engineering-Approved**
- Provide a soft-metal surface for the oil film to buffer against metal-to-metal contact of the crankshaft journals, connecting rods and camshaft journals
 - Oil film can break down, resulting in damaged or "spun" bearings and severe engine knock
 - Bearings can be damaged by oil contaminants, also causing damage to the components that ride on them

- C** **Oil Pump – Ford Engineering-Approved**
- Delivers oil to internal bearings
 - Can be damaged by wear by-products, water and debris
 - Pump failure can cause catastrophic engine failure

- D** **Water Pump – Ford Engineering-Approved**
- Circulates coolant through passages in the engine block and cylinder heads
 - Bearing or impeller can wear out with use

- E** **Variable Cam Timing Solenoid – Ford Engineering-Approved (not shown)**
- Adjusts camshaft timing to ensure optimum power, economy and emissions at all engine speeds
 - Can wear out over time or become obsolete due to part revisions

All Replaced Components – Ford Engineering-Approved

- Competitors may use any brand or quality – Ford uses only new OE replacements

GENUINE QUALITY MAKES THE DIFFERENCE.

3-YEAR Unlimited Mileage Warranty

Compare Your Gas Engine Repair Options:

Other repair options are available to you, but none offer the quality and peace of mind that Genuine Ford Remanufactured Gas Engines do. Our remanufacturing process uses genuine original equipment Ford and Motorcraft parts that are designed, manufactured and recommended by Ford Motor Company specifically for these engines. Extensive laboratory and road testing, as well as exact fit and function ensures maximum performance and efficiency. It's all backed by Ford's three-year, unlimited-mileage warranty— even for demanding commercial use. Check out what makes us your best choice:



Ask about no-interest financing with approved credit on the Ford Service Credit Card

	MAJOR COMPETITOR	GENUINE FORD REMANUFACTURED
Warranty		
Terms	Only 1-Year coverage on: <ul style="list-style-type: none"> • Electronic fuel injectors • Fuel pumps • Water pumps • Sensors • Sending units 	3-Year/ Unlimited Mileage
Commercial Use	YES	YES
Nationwide Coverage	LIMITED LOCATIONS <ul style="list-style-type: none"> • If approved, "the work will be performed either at (their) factory or by another selected vendor" • "It is the sole responsibility of the buyer to pay for such (warranty) work." 	YES At any of the more than 3,000 Ford and Lincoln Dealers nationwide or at the originating place of service, with no out-of-pocket expenses for warranty repairs.
Parts Replaced		
Meet OE Specifications?	Any brand or quality they specify	YES
Pistons	YES	YES
High Build Levels that Include Key Components	NO	YES – Sealed long blocks include: <ul style="list-style-type: none"> • Spark Plugs • Vibration Damper/ Harmonic Balancer • Water pump • Valve cover & PCV • New VCT Solenoid (3V modulars) • Oil Pan • Oil
Specifications		
Original Equipment	NO Solution: Reverse-engineer a Ford engine.	YES
Final Testing		
OE Requirements	NO	YES
Computer Diagnostics	NO	YES



OEM Parts & Specs at competitive prices

Gas Engine Build Levels			
Engine Build Levels	Base part number	6006	6V012
	Part number description	Reman Sealed Long Block	Reman Unsealed Long Block
Shipping Info	Shipping container	Plastic crate	Plastic crate
	Engine cover	Sealed plastic bag	Sealed plastic bag
Base Engine	Cylinder block	●	●
	Main / rod bearings	●	●
	Crankshaft	●	●
	Rear seal	●	●
	Connecting rods	●	●
	Pistons / rings	●	●
	Timing components	●	●
	Cam bearings	●	●
	Camshaft	●	●
Long Block Unsealed	Cylinder head assembly	●	●
	Valves, springs, keepers & seals	●	●
	Lifters / buckets	●	●
	Pushrods	●	●
	Rocker arms / followers	●	●
	Oil pump	●	●
	Gasket installation kit	●	1990 and later
Long Block Sealed	Front seal	●	
	Front cover	●	
	Oil pan	●	
	Oil pickup	●	
	Vibration damper	●	
	Valve covers and gaskets	●	
	Water pump assembly	●	
	Thermostat	●	
	Spark plugs	●	
	Engine oil	●	
	Oil filter	●	
	Oil filter adapter		If applicable
	Oil cooler assembly		If originally equipped
	Intake manifold		2.0L SPI only
● = Included in build level			

A higher level

Our product lineup has been simplified to provide the best value based on the vehicle's age. Each engine and transmission is built using parts that keep it specific to make, model, year and emissions calibration, which means each assembly is engineered to perform like the one it's replacing when it was new.

Gas Engine Build Level Configuration – Family Specific

	2.0L-2V SPI	2.0L-4V ZETEC	2.0L-4V I4	2.3L-4V I4	2.5L-4V I4	2.5L 4V V-6	3.0L-2V	3.0L-4V RFF	3.0L-4V DAMB	3.5L 4V	3.8L	3.9L-2V	3.9L-4V	4.0L OHV	4.0L SOHC	4.2L	4.6L-2V & 4V	4.6L-3V	4.9L (300 cid)	5.0L OHV	5.4L-2V, 3V & 4V	5.8L OHV	6.8L 2V & 3V	7.0L (429 cid)	7.5L (460 cid)
Base Part #s: Sealed Long Block S = 6006 Unsealed Long Block U = 6V012																									
Cylinder Block, Head(s), Crankshaft, Camshaft(s), Pistons, Rings, Bearings, Timing Gear(s) – Chain(s) or Belt, Oil Pump.	S	US	S	S	S	US	US	US	S	S	S	S	S	US	S	S	US	S	U	U	S	U	S	U	U
Oil and Filter, Spark Plugs	S	S	S	S	S	S	S	S	S	S	S	S	S	S	S	S	S	S			S		S		
Oil Filter Adapter	S	S	S	S	S	S	S	S	S	S			S	S	S		S	S			S		S		
Oil Cooler ¹		S	S	S	S	S		S	S	S	S	S	S		S	S	S	S			S		S		
Oil Pan	S	S	S	S	S	S	S	S	S	S	S	S	S	S	S	S	S	S			S		S		
Installation Gaskets/Seals	S	US	S	S	S	US	US	S	S	S	S	S	S	US	S	S	US	S	U ³	U ³	S	U ³	S	U	U ³
Water Pump	S	S	S	S	S		S	S ⁶		S	S	S	S	S	S	S	S	S			S		S		
Valve Covers	S	S	S	S	S	S		S	S	S	S	S	S	S	S	S	S	S			S		S		
Thermostat	S	S	S	S	S	S	S	S	S	S	S	S	S	S	S	S	S	S			S		S		
Lower Intake Manifold	S													S											
Front Cover	S	S	S	S	S	S	S	S	S	S	S	S	S	S	S	S	S	S			S		S		
Front Seal(s)	S	US	S	S	S	US	US	US	S	S	S	S	S	US	S	S	US	S	U ³	U ³	S	U ³	S	U	U ³
Crank Damper	S	S	S	S	S	S	S	S	S	S	S	S	S	S	S	S	S	S			S		S		
Exhaust Manifold Gasket(s)	S	US	S	S	S	US	U ¹ S	US	S	S	S	S	S	S	S	S	US	S			U ³	S	S		
Exhaust Manifold Fasteners	S	US	S	S	S	US	S	US	S	S	S	S	S	S	S	S	US	S			S		S		
PCV Valve			S	S	S	S				S				S ⁴			S				S ²		S ²		
Cylinder Head Kits Base Part #s: F = 6049 M = 6V049																									
Cylinder Head											M			FM		M	F ⁵				F ⁵		F ⁵		
Camshaft																	F ⁵				F ⁵		F ⁵		
Rocker Arms																	F ⁵				F ⁵		F ⁵		
Valves											M			FM		M	F ⁵				F ⁵		F ⁵		
ValveStemSeal/Retainer Keys											M			FM		M	F ⁵				F ⁵		F ⁵		
Head Gasket																	F ⁵				F ⁵		F ⁵		
Head Bolts																	F ⁵				F ⁵		F ⁵		
Footnotes:												Ford and Lincoln dealers can view the latest version of this chart at:													
1. If originally equipped		3. 1990/up		5. 2 Valve applications only		FMCDealer.com >> Parts Dept >> Parts Product Line Information >> Gas Engine																			
2. 3 Valve only		4. 1997/up		6. Some 2005-06 applications																					
Disclaimer: This chart was produced using the latest information available at the time of printing. While utmost care was used, Ford assumes no responsibility for errors, omissions, or misapplication and may change build levels without notice or obligation.																									

INTAKE MANIFOLD KITS



FORD PARTS

Make Ford Genuine Parts your first choice for Ford and Lincoln replacement parts!

High Quality Designs

- Original equipment manifolds vehicle crash tested to ensure fuel rail integrity
- Runner length and shape designed to minimize NVH and deliver strong performance at all engine speeds
- Injection-molded cases made of virgin nylon resins
- Designed to withstand coolant temperature and pressure spikes at wide-open-throttle
- Key Life durability tested to the equivalent of 10 years/150,000 miles lifetime



Attention To Detail

- Designed to provide an optimal combination of torque, horsepower and fuel mileage
- PCV port location and size is engineered to ensure compliance with emissions specifications
- Hose spigot designs are vehicle-specific and feature retention barb for a firm hose fit
- Structural ribs add rigidity to the case
- The noise shield helps minimize NVH (not available on all models)



24-months/Unlimited Mileage Service Part Warranty

- 24-months / Unlimited Mileage Limited Warranty, which includes parts and labor costs, and is supported nationwide by Ford and Lincoln dealers and Ford Authorized Distributors (See seller for limited warranty details)
- Designed to meet stringent Ford engineering standards for performance and durability
- Recommended for all Ford, Lincoln and Mercury vehicles

High Burst Pressure

- Ford manifolds are engineered to ensure burst pressures high enough to withstand engine backfire
- A non-OEM plenum with a low burst pressure can contribute to backfires and damaged valves and pistons



WATER PUMPS

Right Part, Right Fit, Right Price Every Time!



Motorcraft.

Motorcraft® Water Pumps

Robust Design

- Coolant reservoir keeps normal cold-start weepage out of sight and extends bearing life
- Press tubes coated with nickel zinc for better housing connection and corrosion resistance
- Powdered-metallic hub mating surfaces provide superior alignment for smooth operation and don't need machining
- Robust impeller design engineered to optimize performance for specific vehicle applications
- Key Life durability tested to the equivalent of 10 years/150,000 miles lifetime

High Quality Bearings and Seals

- All pumps contain precision ground bearings to help deliver long life and efficient performance
- Bearing housing meets original equipment load requirements
- Bearings are locked into place to minimize fan-load vibration, and help ensure long-term alignment and reliability
- Latest advances in seal and bearing technology employed

Easy Installation

- Original equipment-designed metal gaskets include an additional sealing bead to help optimize alignment and provide long-term sealing
- Always a new product - no core charges

24-months/Unlimited Mileage Service Part Warranty

- 24-months / Unlimited Mileage Limited Warranty, which includes parts and labor costs, and is supported nationwide by Ford and Lincoln dealers and Ford Authorized Distributors (See seller for limited warranty details)
 - Designed to meet stringent Ford engineering standards for performance and durability
 - Recommended for all Ford, Lincoln and Mercury vehicles

Bearings locked in place



Full-length ribs add stability



High quality impellers

**MOTORCRAFT®
WARRANTY**

**UNLIMITED
MILEAGE
INCLUDES LABOR**

2 YEARS

FORD REMANUFACTURED DIESEL ENGINES



FORD PARTS

Make Ford Genuine Parts your first choice for Ford and Lincoln replacement parts!

Remanufactured to OEM Specifications:

- The only high volume V8 remanufactured diesel engines (6.0L & 6.4L) with state of the art bore spray welding procedure which are subject to bore spray manufacturing capacity
- Cylinder bores are diamond plateau honed
- Cylinder heads are new or remanufactured
- Remanufactured crankcase: Inspected for cavitation
- Crankshaft remanufacturing includes Magnifluxing
- Remanufactured injectors tested with OEM equipment
- Camshaft remanufacturing assures lift, contour, finish and size
- Remanufactured turbocharger and high pressure oil pump



All New:

- | | |
|--|--|
| <ul style="list-style-type: none"> • Bearings • Coolant Heaters • Core Plugs • Gaskets • Lube Oil Coolers: Not Cleaned or Re-Cored • Pistons • Piston Rings | <ul style="list-style-type: none"> • Premium Glow Plugs • Seals • Sensors • Thermostats • Valve Cover Gaskets • Valve Guide Inserts • Water Pumps |
|--|--|

24-months/Unlimited Mileage Service Part Warranty

24-months / unlimited mileage limited warranty, which includes parts and labor costs, and is supported by Ford and Lincoln dealers and Ford Authorized Distributors (See seller for limited warranty details)



GENUINE FORD

Power Stroke® Diesel Engine



HOW A DIESEL ENGINE WORKS:

- Diesel fuel is supplied to the engine under high pressure through a fuel injector nozzle that atomizes fuel in a fine mist in each cylinder
- Air is mixed with fuel in the cylinder
- The mixture is compressed under extreme pressure (as much as 22 times atmospheric pressure), resulting in fuel combustion and rotary engine motion
- Glow plugs are used to promote the combustion process for cold starts

Possible Symptoms:

- The engine uses excessive oil
- The engine does not start or runs erratically
- Excessive bearing clearances result in low oil pressure
- Contamination of oil, coolant or fuel cause performance issues or a no-start condition
- Mechanical pounding, knocking or rattling noises not associated with fuel knock indicate internal structural problems
- Clicking noises associated with the valvetrain indicate need for component adjustment or replacement

DIESEL ENGINE ASSEMBLY



2-Year Unlimited Mileage Warranty

- All OE parts
- Latest part updates and revisions from Ford engineering
- Built to original equipment specifications
- Commercial-use approved with full warranty
- Make, model-year and calibration-specific replacements mean the right diesel engine for your vehicle

	How they work:	What can happen:
AIR	<ul style="list-style-type: none"> • Air is supplied to the engine to enable combustion • Supplied air is filtered to prevent accelerated cylinder and turbocharger wear due to dust and abrasive contaminants 	<ul style="list-style-type: none"> • A dirty air filter can choke off airflow to the engine, resulting in sluggish performance and poor fuel economy • A missing, leaking or clogged air filter can permit dirt and abrasives to enter the engine
FUEL	<ul style="list-style-type: none"> • Diesels use a variety of fuel delivery methods, but all inject fuel either into an intake manifold, cylinder head port or directly to the cylinder • Older Power Stroke® engines used high-pressure oil to drive fuel injectors • Ford 6.4L and 6.7L Power Stroke common rail systems deliver fuel from a main pump to a high-pressure pump, then force it through a common line ("rail") to each fuel injector, and into each cylinder 	<ul style="list-style-type: none"> • Diesel fuel can contain water, which must be prevented from freezing and removed from the fuel system by draining the water separator • Water in the fuel can cause high pressure fuel pump corrosion and failure • High pressure fuel pump problems can result in hard hot starts, a miss at idle or oil supply aeration to the pump due to a leaking o-ring • Cold diesel fuel is subject to "gelling," preventing free flow from the fuel tank to the engine • Dirty fuel can clog filters, ruin fuel injectors and accelerate fuel pump and cylinder wear
OIL	<ul style="list-style-type: none"> • Oil is the "lifblood" of the engine, providing a cooling film on internal engine components to prevent direct metal-to-metal contact, wear and damage • A plentiful supply of clean oil is necessary for long engine life • Special oil formulated for diesel engines is required – Motorcraft diesel oils are recommended for best protection and performance 	<ul style="list-style-type: none"> • Oil can be drawn past worn piston rings and valve stem seals/guides and burned in the cylinder • Worn oil seals can allow oil to drip out of the engine • A clogged oil filter can allow unfiltered oil to circulate and damage components • Excessive bearing clearances can allow oil to escape from critical areas, resulting in low oil pressure • Dirty/low oil can result in turbocharger or injector damage
IGNITION	<ul style="list-style-type: none"> • Diesel engines use no spark plugs – fuel is ignited through extreme compression of the air-fuel mixture • Cold-engine starts are aided by glow plugs 	<ul style="list-style-type: none"> • Glow plugs can fail and require replacement • Diesel fuel can gel in cold weather, becoming difficult to pump and ignite
COOLING	<ul style="list-style-type: none"> • Coolant is pumped through passages inside the engine block and cylinder heads to cool hot components • Coolant is pumped to an external pressurized radiator, where onrushing air flows through a finned core to remove heat • Coolant is returned to the engine and recirculated 	<ul style="list-style-type: none"> • Water pump failure results in engine overheating • The radiator can corrode/suffer physical damage, allowing pressure to escape/coolant to leak, causing boil-over and overheating • Each type of Power Stroke engine has unique coolant and testing requirements. Failure to test may lead to coolant with improper strength/concentration levels – damaging EGR coolers on newer models • Neglected maintenance can result in coolant freezing, corrosion or component damage
EGR	<ul style="list-style-type: none"> • Exhaust gases are reintroduced into the engine to reduce Oxides of Nitrogen (NOx) emissions 	<ul style="list-style-type: none"> • Performing oil/filter and engine coolant scheduled maintenance is required to prevent EGR Cooler/Oil Cooler corrosion/plugging – Failure to perform this maintenance on time can result in overheated/failed components, increased emissions and poor performance

GET EVERYTHING YOU'RE PAYING FOR AT A COMPETITIVE PRICE

with a **GENUINE Ford** Remanufactured Diesel Engine

A Pistons and Piston Rings – NEW OE

- State-of-the-art bore-spray technology on remanufactured Power Stroke® 6.0L and 6.4L engines results in standard-size bores in brand-new condition that allow use of standard-size pistons
- Pistons facilitate ignition by compressing/sealing the air/fuel mixture
- Over time, can become worn or heavily carbon-coated

B Main, Rod and Camshaft Bearings – NEW OE

- Provide a soft-metal surface for the oil film to buffer against metal-to-metal contact of the crankshaft journals, connecting rods and camshaft journals
- Oil film can break down, resulting in damaged or “spun” bearings and severe engine knock
- Bearings can be damaged by oil contaminants, also causing damage to the components that ride on them

C Oil and Fuel Pumps – NEW OE

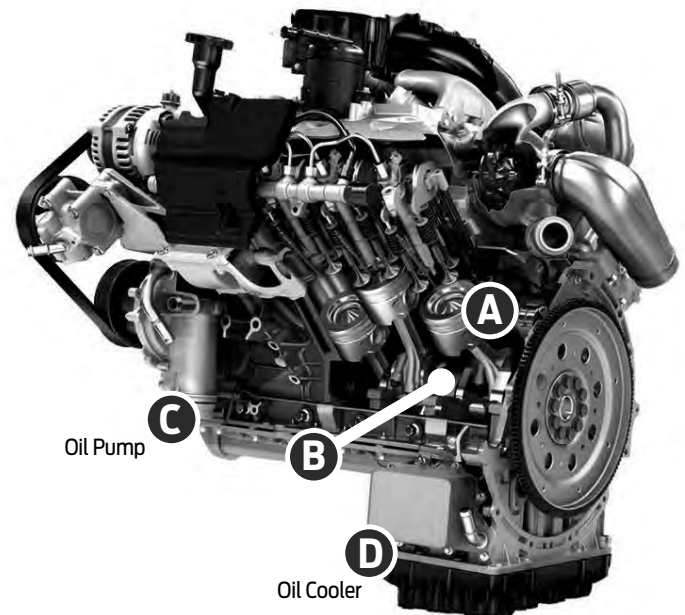
- Deliver oil to internal bearings and fuel to the engine
- Can be damaged by wear by-products, water and debris
- Pump failure can immobilize the vehicle (fuel) or cause catastrophic engine failure (oil)

D EGR and Oil Coolers – NEW OE

- The EGR cooler reduces exhaust gas temperatures before reintroducing gases into the engine for lower emissions
- Oil coolers reduce oil temps to prolong turbo life (when equipped) and to cool pistons/bearings more effectively
- Competitors may clean and reuse old components that can fail and cause other components to fail as well – we don't take chances

All Replaced Components – NEW OE

- Competitors may use any brand or quality – Ford uses only new OE replacements



We remanufacture only Ford Power Stroke Diesel Engines – to our own original engineering specifications

Ford offers twice the warranty coverage of a major competitor on:

- **Electronic fuel injectors**
- **Hydraulic high-pressure pumps**
- **Turbochargers**
- **Water pumps and more**

A major competitor also excludes warranty coverage on oil, antifreeze, fluids and towing charges – but Ford covers them all. And more than 3,000 servicing Ford and Lincoln Dealers nationwide offer peace of mind for over-the-road travel.

GENUINE QUALITY MAKES THE DIFFERENCE.

2-YEAR Unlimited Mileage Warranty

Compare Your Diesel Engine Repair Options:

Other repair options are available to you, but none offer the quality and peace of mind that Genuine Ford Remanufactured Power Stroke® Diesels do. Our remanufacturing process uses genuine original equipment Ford and Motorcraft parts that are designed, manufactured and recommended by Ford Motor Company specifically for these engines. Extensive laboratory and road testing, as well as exact fit and function ensures maximum performance and efficiency. It's all backed by Ford's two-year, unlimited-mileage warranty— even for demanding commercial use. Check out what makes us your best choice:

	MAJOR COMPETITOR	GENUINE FORD REMANUFACTURED POWER STROKE® DIESEL
Warranty		
Terms	Only 1-Year coverage on: <ul style="list-style-type: none"> • Electronic fuel injectors • Hydraulic high pressure pumps • Turbochargers • Water pumps • Sensors • Sending units • Belts and hoses Excludes coverage on: <ul style="list-style-type: none"> • Oil, antifreeze, fluids or other substances • Towing charges 	2-Year/ Unlimited Mileage
Commercial Use	YES	YES
Nationwide Coverage	LIMITED LOCATIONS If approved, "the work will be performed either at (their) factory or by another selected vendor," and "it is the sole responsibility of the buyer to pay for such (warranty) work."	YES , at any of the more than 3,000 Ford and Lincoln Dealers nationwide or at the originating place of service, with no out-of-pocket expenses for warranty repairs.
Parts Replaced		
Meet OE Specifications?	Any brand or quality they specify	YES
Pistons	YES	YES
EGR Cooler	NO	YES
Oil/EGR Coolers Replaced with new OE parts	NO	YES
Specifications		
Original Equipment	NO Solution: Reverse-engineer a Power Stroke® engine.	YES
Final Testing		
OE Requirements	NO	YES
Computer Diagnostics	NO	YES



Ask about no-interest financing with approved credit on the Ford Service Credit Card



OEM Parts & Specs at Competitive Prices

GENUINE FORD

Diesel Fuel System Components



HOW THEY WORK TOGETHER:

- Water separators and fuel filters are your Power Stroke® Diesel engine's first line of defense against unnecessary repairs – keep the water separator drained and the filters changed on schedule
- On Power Stroke Diesels, fuel is supplied to the engine through a fuel conditioning module that combines a water separator and fuel filter
- A fuel pump transports fuel from the tank through the water separator and filter to a secondary filter at the engine (6.0L, 6.4L, 6.7L engines)
- On common rail fuel injection systems, the high pressure fuel pump further pressurizes the fuel and supplies it to a fuel injector nozzle at each cylinder
- The fuel injector atomizes fuel in a fine mist in each cylinder

POSSIBLE SYMPTOMS:

Fuel Filters




- Dirty filters are the “silent killers” – damage occurs when they are neglected
- By the time symptoms such as erratic idling, lack of power or hard starts begin, engine damage is already underway

High Pressure Fuel Pump

- The engine does not start or runs erratically
- Hard hot starts
- A miss at idle

Injectors

- The engine does not start or runs erratically
- Excessive black smoke from the exhaust
- Lack of power/poor economy

	How they work:	What can happen:
FILTERS	<ul style="list-style-type: none"> • The Diesel Fuel Conditioning Module separates water and filters impurities from the fuel • The primary and secondary fuel filters remove dirt, sediment and metal particles from the fuel system, to prevent accelerated wear and damage to the fuel pumps, fuel injectors and internal engine parts 	<ul style="list-style-type: none"> • The water separator can pass water through the fuel system if it is not drained monthly <ul style="list-style-type: none"> – Always drain the system immediately if the “Water in Fuel” light on the instrument panel illuminates • Over time, fuel filters can become waterlogged and collapse if they are not changed on schedule and/or the water separator is not drained • Fuel filters can become clogged with contaminants, impede fuel flow and pass impurities to the engine if they are not changed on schedule
PUMPS	<ul style="list-style-type: none"> • Older Power Stroke engines deliver fuel to the engine at lower pressures than modern versions • Common rail systems like the Ford 6.4L and 6.7L Power Stroke engines deliver fuel from the fuel tank through a main pump <ul style="list-style-type: none"> – From the main pump, fuel is delivered to a high-pressure pump at the engine – The high pressure pump further pressurizes the fuel and forces it through a common line (“rail”) that supplies the fuel injector nozzles 	<ul style="list-style-type: none"> • Diesel fuel can contain water, which must be prevented from entering the pumps and causing corrosion that can result in pump failure <ul style="list-style-type: none"> – In addition, contaminated diesel fuel may introduce metal debris into the high pressure system, requiring the replacement of all parts in the system • High pressure fuel pump problems can result in hard hot starts, a miss at idle, or difficulty building proper fuel pressure
INJECTORS	<ul style="list-style-type: none"> • Injectors atomize pressurized fuel and spray it into the engine cylinders • Older Power Stroke® engines used high-pressure oil to drive fuel injectors • Common rail systems like the Ford 6.4L and 6.7L Power Stroke engines force fuel through a common line (“rail”) to each fuel injector nozzle, and into each cylinder • Clean fuel is critical to long component life and proper operation 	<ul style="list-style-type: none"> • The combination of dirty fuel and neglected fuel filters can damage injectors, resulting in costly repairs • Water in the fuel can attack internal components and cause the injectors to malfunction

MAINTAIN THE SYSTEMS

...and the components will follow

Fuel system maintenance is just the start, when it comes to preventive maintenance. The health of your fuel pumps and fuel injectors depend on it. In addition, regularly-scheduled oil/filter and fuel filter changes – along with coolant testing and maintenance – are key to ensuring long lives for your Power Stroke® Diesel's Exhaust Gas Recirculation (EGR) cooler and engine oil cooler, too.

WHY FILTER CHANGES ARE VITAL

1. Keep water out of your fuel.

- This is the first line of defense against fuel pump corrosion and damage to the fuel filter. Make draining the water separator part of your routine – don't wait for the "Water in Fuel" (WIF) light to illuminate on your instrument panel. If it does illuminate, drain the separator immediately

2. Keep your fuel filters changed on schedule.

- Stop damage to your fuel system before it starts, by ensuring that contaminants and debris never reach your fuel pumps and injectors
- New fuel filters are inexpensive insurance and cost much less than injectors or pumps to replace

3. Use Genuine Ford and Motorcraft Parts

- On 6.0L and 6.4L Power Stroke engines, Motorcraft diesel fuel filters feature Aqua Block® technology to assist in keeping water upstream in the fuel system and away from pumps and injectors
 - The Aqua Block material repels water and drops it into the separator for draining
- Genuine Ford and Motorcraft replacement filters are designed (and in several applications, patented) specifically for your engine – competitive filters aren't

4. Maintain ALL of your Power Stroke Diesel Engine Systems

- Stay on top of all of your Power Stroke Diesel engine's maintenance items to ensure that your EGR cooler and oil cooler operate in peak condition and to avoid preventable repairs. This includes:
 - Regular oil/filter changes
 - Air filter changes
 - Coolant testing and maintenance specified by your Owner Guide

Get More Power and Better Fuel Economy with Motorcraft Diesel Fuel Additives

3 Sizes Available
 Improve your diesel engine's performance with fuel system additives you can rely on:



Motorcraft Cetane Booster & Performance Improver

- Boosts power
- Improves fuel economy
- Improves starting ability
- Smooths engine operation
- Adds lubricity to fuel to reduce engine wear
- Reduces EGR valve soot contamination
- Single shot, medium size and gallon size



Motorcraft Anti-Gel & Performance Improver

- Helps prevent gelling of diesel fuel in lines, filters, and tanks
- Improves fuel economy
- Improves starting ability during cold weather
- Smooths engine operation
- Adds lubricity to fuel to reduce engine wear
- Single shot, medium size and gallon size



REMANUFACTURED TRANSMISSION ASSEMBLIES



FORD PARTS

Make Ford Genuine Parts your first choice for Ford and Lincoln replacement parts!

Genuine Ford Remanufactured Transmission Assemblies – the Right Fit!

- Exceptional quality and value
- Incorporate the latest engineering enhancements
- No “reverse engineering”
- Same or next day delivery
- No-risk core return policy – 100% core credit
- Each assembly covered by a **36-month/Unlimited Miles Limited Warranty** on parts and service (see dealer for details) - no commercial exceptions
- Nationwide warranty coverage
- All critical parts replaced – contributes to excellent performance and durability



Transmission Assembly Features

- Assemblies feature all-new gaskets and seals
- Ford-approved transmission fluid – filled before the assembly leaves the factory to ensure proper fluid is used
- Make, model, year and emission calibration specific
- Include sensors (when applicable)
- Same extensive O.E. production end of line testing for:
 - Hydraulic pressure
 - Proper shift times and points
 - Torque converter stall speed
 - Torque converter lock-up points

GENUINE FORD Transmission



How they work:	What can happen:
A TORQUE CONVERTER	
<ul style="list-style-type: none"> • A hydraulic coupling that transfers engine power to the transmission • Allows the engine to run with the vehicle stopped, by permitting a controlled amount of slip. Provides the engage/disengage function from the drive wheels at red lights • A lockup clutch physically locks the engine output to the transmission at steady cruising speeds to eliminate slip and increase efficiency 	<ul style="list-style-type: none"> • A seal between the torque converter and the transmission can leak fluid • The torque converter can fill with debris from component wear and contaminate fresh fluid or a replacement transmission • Internal components can break or bend • The lockup clutches can slip or stop working entirely • The seam weld can leak
B FLUID AND FILTER	
<ul style="list-style-type: none"> • Fluid is the “lifeblood” of the transmission • Keeps components cool • Lubricates the bearings, bushings and gears • Prevents rust • Optimizes driving “feel” (clutch friction) • An internal filter cleans the fluid • Fluid/filter require periodic changes – see Owner Guide maintenance schedule 	<ul style="list-style-type: none"> • Fluid can overheat (burn) and reduce the life of the transmission • Unchanged, burned fluid eventually results in transmission failure • Filter can eventually clog with debris (metal shavings/friction material) caused by wear • A clogged filter can prevent fluid flow, resulting in failure
C GEARS	
<ul style="list-style-type: none"> • Planetary gearsets offer multiple speed ratios in a compact package • Clutches hold specific gerset components for various gear ranges 	<ul style="list-style-type: none"> • Bushings or bearings can fail • Debris can damage gear teeth
D OIL PUMP	
<ul style="list-style-type: none"> • The oil pump pressurizes fluid to: <ul style="list-style-type: none"> – Activate clutches – Provide lubrication – Move it through the transmission cooler 	<ul style="list-style-type: none"> • The pump can fail due to wear or leakage <ul style="list-style-type: none"> – Causes low or no fluid pressure – Clutches can slip and fail • Bushings, bearings and gears lose lubrication, causing wear or failure • Low pressure reduces or stops fluid flow through the transmission cooler <ul style="list-style-type: none"> – Transmission overheats as a result
E CLUTCHES	
<ul style="list-style-type: none"> • Clutch pistons are actuated by fluid pressure <ul style="list-style-type: none"> – This applies the clutch to engage the friction material 	<ul style="list-style-type: none"> • The friction materials can wear out and lose their grip, resulting in transmission slip • Clutch piston seals can wear or fail, resulting in friction material slip and wear
F MAIN CONTROL / TRANSMISSION CONTROL UNIT	
<ul style="list-style-type: none"> • The Main Control and Transmission Control Unit are the combined brains of the transmission • They direct fluid at the proper time and pressure to the clutch pistons/clutches to provide: <ul style="list-style-type: none"> – Smooth shifts – The optimum gear selection for performance and fuel economy 	<ul style="list-style-type: none"> • Main control valves and solenoids contaminated by debris can stick, causing erratic shifting and clutch failure

HOW AN AUTOMATIC TRANSMISSION WORKS:

- A torque converter harnesses and transmits the engine’s rotary motion
- A hydraulic pump moves transmission fluid to the clutches and main control
- Rotary power is transferred to internal shafts and gearing
- Gearing and clutch application determines the correct combination of speed and power output to the wheels
- Rotary motion is transmitted through the differential to the drive wheels

Possible Symptoms:

- One or more gear ranges do not work (A, B, C, D, E, F)
- The engine must be revved higher than normal to make the vehicle move (A, B, C, D, E, F)
- Vehicle driveability is jerky or erratic (A, B, D, E, F)
- A burnt odor is detected (B, E)
- Excessive noise (A, C, D)

TRANSMISSION ASSEMBLY

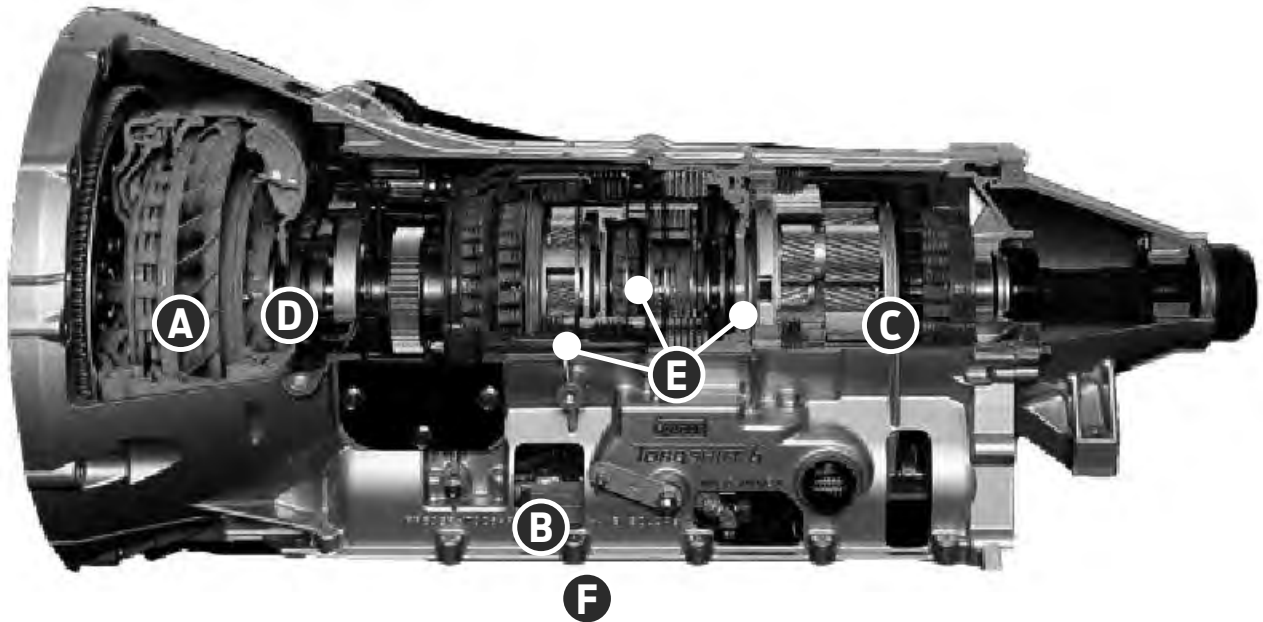


3-Year Unlimited Mileage Warranty

- All Ford-designed and approved parts
- Assembled using precision assembly fixtures
- Latest parts updates and revisions from Ford engineering
- Commercial use-approved with full warranty
- The correct replacement for your vehicle
- Final testing and standards identical to new Ford production transmissions

GET EVERYTHING YOU'RE PAYING FOR AT A COMPETITIVE PRICE

with a **GENUINE Ford Remanufactured Transmission**



- A Torque Converter**
A hydraulic coupling that transmits engine power to the transmission.
- Remanufactured using premium components
 - Disassembled and all parts cleaned and inspected
 - Assembled using only Ford-designed and approved parts and processes
 - Balanced using the same methods as new production units

- B Fluid and Filter**
Provides clean lubrication, cools components, inhibits rust and optimizes “shift feel” across the normal operating temperature range
- Ford-specified, Ford-designed fluid and filter used on every unit

- C Planetary Gearsets**
Transfer power from the torque converter to the wheels at different speeds to provide a full range of gear options
- Cleaned and inspected for wear, damage or noise and replaced when necessary

- D Pump**
Pressurizes fluid to actuate clutches, lubricate parts and move fluid through the cooler
- Cleaned, inspected and reassembled using Ford-designed, Ford-approved parts and processes

- E Clutches and Friction Material**
Activated by fluid pressure to transmit power to the gearset elements and to provide smooth transitions between gear ranges
- Disassembled and parts cleaned and inspected
 - Friction material and seals inspected for wear and replaced as needed with Ford-designed and approved parts
 - Assembled using state of the art equipment to ensure proper clutch clearance

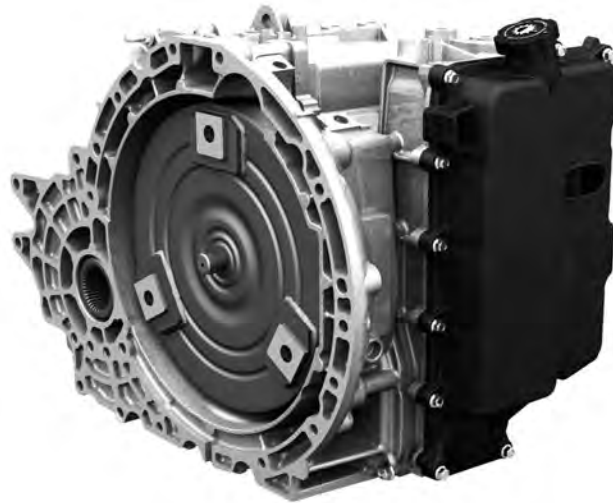
- F Main Control and Transmission Control Unit (“Brains”; not pictured)**
Interacts with vehicle computer to determine correct transmission shift speeds and timing
- Disassembled and parts cleaned and inspected
 - Solenoid valves electronically tested to ensure full-range function
 - Assembled using only Ford-designed, Ford-approved parts and processes

GENUINE QUALITY MAKES THE DIFFERENCE.

3-YEAR Unlimited Mileage Warranty

Compare Your Transmission Repair Options:

There are a number of transmission repair options available to you, but none offer the quality and peace of mind that Ford Remanufactured transmissions do. For starters, we use only the most up-to-date Original Equipment parts and offer an unsurpassed three-year, unlimited-mileage warranty. You can be certain that they're engineered and built tough enough for demanding commercial use. Check out what makes us your best choice.



	USED TRANSMISSION	GENUINE FORD REMANUFACTURED TRANSMISSION
Warranty		
Terms	Varies	3-Year/ Unlimited Mileage
Nationwide Coverage	NO	YES
Parts Replaced		
Meet OE Specifications?	?	YES
Torque Converter	?	YES
Frictions, Steels and Bands	?	YES
Gaskets, Seals & Solenoids	?	YES
Specifications		
Original Equipment	?	YES
Final Testing	NO	YES
OE Requirements	?	YES
Computer Diagnostics	NO	YES



Ask about no-interest financing with approved credit on the Ford Service Credit Card



OEM Parts & Specs at Competitive Prices



AUTOMATIC TRANSMISSION TIPS & CHECKLIST

To perform the task of removing and installing an automatic transmission, you should be certified in automotive transmission replacement.

REMOVAL AND INSTALLATION

- Review all prior warranty history of the vehicle.
- Review all Technical Service Bulletins and Special Service Messages pertaining to the vehicle and transmission being serviced.
- Verify that the replacement unit is the correct unit for the vehicle.
- Use appropriate Workshop Manual for exact procedures and specifications required to remove and replace the transmission assembly.

INSTALLATION TIPS

- Prior to installation, lightly lubricate the torque converter pilot that fits into the engine crankcase bore with multipurpose grease specification ESB-MIC93-B or equivalent.
- Ensure engine to transmission dowel pins are in place.
- Properly flush cooler and cooler lines. Refer to appropriate workshop manual for complete flushing procedures. See page P-10 to identify cooler return line. Flush system using Rotunda tool 222-00007 (or equivalent) with a Ford approved transmission fluid as the flush agent. The Rotunda flushing unit is highly recommended as it has a flow meter, maintains fluid at 140 degrees F, pulsates during cleaning, and air purges before and after flushing, which is crucial for maximum effectiveness. Any substitute flushing tool must have these features to ensure success.
NOTE: Some coolers and/or bypass valves cannot be flushed. These units must be replaced.
- The replacement transmission has some fluid in it. (Rear wheel drive transmissions are full filled. Front wheel drive transmissions are partially filled). For complete fluid checking procedures, refer to the appropriate workshop manual.

NOTE: If required, use fluid type identified on the tag attached to the remanufactured transmission. Do not overfill transmission.

NOTE: Some transmissions require use of a scan tool to verify fluid temperature is in proper range when checking fluid level.

INSTALLATION TIPS (CONT'D)

- Check and adjust transmission shift linkage as outlined in the appropriate Workshop Manual. Adjustment must be done in drive position.
- Inspect transmission wiring harness and connectors for any damaged areas and correct routing. Ensure that the harness connector has no damaged pins or seal also check for cracks or corrosion.
- Most transmissions require that the solenoid strategy be updated in the Powertrain Control Module (PCM). Verify that the PCM is programmed to the latest level. Use appropriate Workshop Manual for proper procedure.
- Follow the workshop manual "Transmission Adaptive Learn and Drive" procedure after installation.
- Correct any drivability concerns and/or codes during course of repair. Engine performance issues can adversely affect transmission operation.

CORE SHIPPING GUIDELINES

- Use the shipping container that the replacement transmission was shipped in to return the failed transmission.
- Fully drain the fluid from the transmission pan and torque converter.
- Ensure that all components to be transferred have been removed from the failed transmission and installed on the replacement transmission.
- Verify that no dowel pins are on the failed transmission.
- Transfer all shipping caps and plugs from the replacement transmission to the failed transmission.
- Ensure the retuned failed transmission is completely reassembled.
- Install the torque converter shipping strap.

TRANSMISSION OIL COOLERS & TUBES



FORD PARTS

Make Ford Genuine Parts your first choice for Ford and Lincoln replacement parts!

Attention To Detail

- Sized to meet Cold Flow requirements - helps prevent overheating in cold conditions
- Aluminum fins meet rigorous Ford corrosion specifications
- Long-life aluminum alloys
- Lightweight aluminum construction

Robust Design

- Optimum cooling capacity and performance for uphill towing
- Tough tested through a wide range of pressure and thermal cycles
- Designed for optimal heat dissipation

Easy Installation

- Vehicle-specific designs
- Robust brackets for secure mounting
- No fabrication required

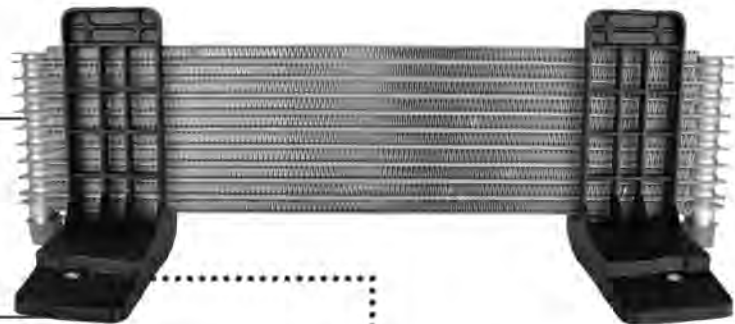
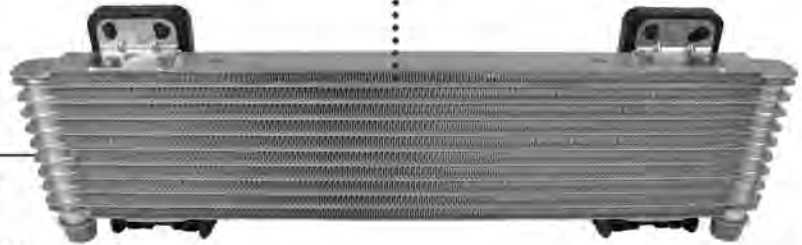
Oil Cooler Tubes

- Vehicle specific designs
- Correct fittings minimize connections and leaks
- Routed correctly to eliminate NVH

24-months/Unlimited Mileage Service Part Warranty

- 24-months / unlimited mileage limited warranty, which includes parts and labor costs, and is supported nationwide by Ford and Lincoln dealers and Ford Authorized Distributors (See seller for limited warranty details)
- Designed to meet stringent Ford engineering standards for performance and durability
- Recommended for all Ford, Lincoln and Mercury vehicles

Lightweight aluminum
construction



Brackets designed for
easy installation and
secure mounting

FORD PARTS
WARRANTY

UNLIMITED
MILEAGE
INCLUDES LABOR

2 YEARS

Transmission Cooler Service Guide

Transmission Family/ Vehicle Line		Front Wheel Drive Transaxles																	
		Transmission Cooler Service Guide																	
		Vehicle Model Year																	
		2000	2001	2002	2003	2004	2005	2006	2007	2008	2009	2010	2011	2012	2013	2014	2015	2016	
4F27E	Focus	F	F	F	F	F	F	F	F	F	F	F	F						
	Transit Connect											F	F	F	F				
4F50N (AX4N)	Freestar					F	F	F	F	F									
	Sable	F	F	F	F	F	F												
	Taurus	F	F	F	F	F	F	F	F										
	Windstar		F	F	F														
6F35	Edge/MKX													F	F	F	F	F	
	Escape										F	F	F	F	F	F	F	F	
	Explorer													F	F	F	F	F	
	Fusion/MKZ											F	F	F	F	F	F	F	
	Mariner										F	F	F						
	Milan											F	F						
	MKC																F	F	
	MKT															F	F	F	
	Police Interceptor-Sedan															F	F	F	
	Police Interceptor-Utility															F	F	F	
	Taurus															F	F	F	
	Transit Connect															F	F	F	
	6F50/55	Edge/MKX								F	F	F	F	F	F	F	F	F	F
		Explorer												F	F	F	F	F	F
Flex											F	F	F	F	F	F	F	F	
MKS											F	F	F	F	F	F	F	F	
MKT												F	F	F	F	F	F	F	
MKZ																F	F	F	
Police Interceptor-Sedan																F	F	F	
Police Interceptor-Utility																F	F	F	
Sable										F	F								
Taurus										F	F	F	F	F	F	F	F	F	
Taurus X										F	F								
AX4S		Sable/Taurus	F	F	F	F													
		Windstar	F																
CD4E		Cougar	F	F	F	F													
	Escape		F*	F*	F*	F*	F*	F*	F*	F*									
	Mariner						F*	F*	F*	F*									
CVT	Five Hundred/ Freestyle/Montego						R	R	R										
Aisin AW21/ F21	Five Hundred/ Freestyle/Montego						R	R	R										
	Fusion							F	F	F	F	F	F	F					
	Milan							F	F	F	F	F	F						
	MKZ								F	F	F	F	F	F					
	Zephyr								F										
FNRS	Fusion							F	F	F	F								
	Milan							F	F	F	F								
	MKZ							F	F	F	F								
	Zephyr							F											
HF35	C-MAX Hybrid/ Energi														F	F	F	F	
	Fusion Hybrid														F	F	F	F	
	MKZ Hybrid														F	F	F	F	
															F	F	F	F	

Legend:	
F	Flush cooler using Transmission Heated Cooler Line Flusher 222-00007, 222-00004 or equivalent during transmission overhaul or replacement. If the Transmission Heated Cooler Line Flusher or equivalent is not available, install a new transmission fluid cooler and/or an auxiliary transmission fluid cooler
F*	The Cold Weather Bypass Valve (if equipped) cannot be flushed and should be replaced during cooler system service. If the valve is not currently installed, it should be retroactively added after cooler system service. Flush the cooling system using the Transmission Heated Cooler Line Flusher 222-00007, 222-00004 or equivalent during transmission overhaul or replacement. If the Transmission Heated Cooler Line Flusher or equivalent is not available, install a new transmission fluid cooler and/or an auxiliary transmission fluid cooler
R	Replace cooler during transmission overhaul or replacement
NOTE:	Some vehicles may be equipped with an optional Towing Package transmission cooler. This optional cooler (if equipped) should be replaced during transmission overhaul or replacement

Transmission Cooler Service Guide

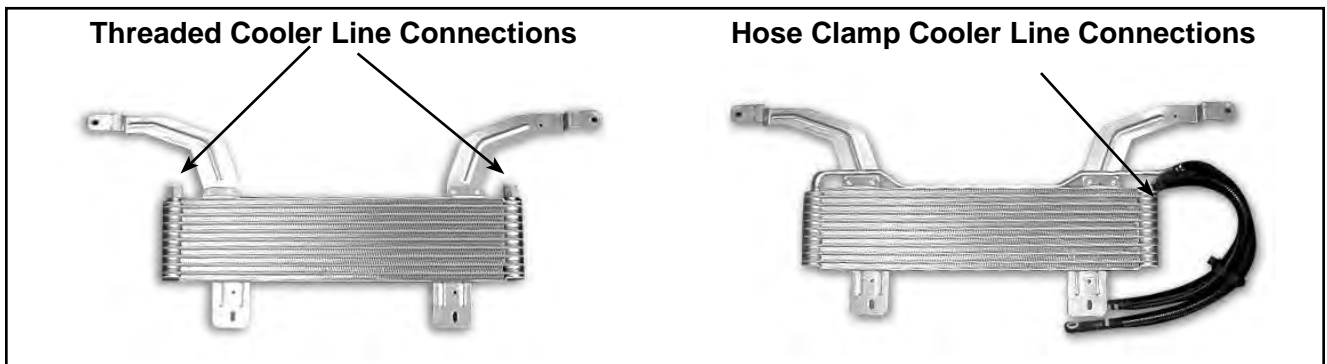
Rear Wheel Drive Transmissions Transmission Cooler Service Guide																	
Transmission Family/ Vehicle Line	Vehicle Model Year																
	2000	2001	2002	2003	2004	2005	2006	2007	2008	2009	2010	2011	2012	2013	2014	2015	2016
4R100	Blackwood			R (OTA)	R (OTA)												
	E-150	F	F	F	F	F											
	E-250/350/450	F	F	F	F	F											
	Excursion	R (OTA)	R (OTA)	R (OTA)	R (OTA)	R (OTA)	R (OTA)										
	Expedition/Navigator	F	F	F	F	F											
	F-150	F	F	F	F	F											
F-250/350/450	R (OTA)	R (OTA)	R (OTA)	R (OTA)	R (OTA)												
4R44/5R44/5R55	Explorer/Mountaineer	R	R														
	Explorer Sport		R	R	R												
	Explorer Sport-Trac		R	R	R	R	R										
	Ranger	R	R	R	R	R	R	R	F	F	F	F	F				
4R70/75	Crown Victoria/Grand Marquis	R	R	R	R	R	R	R	R	R	R	R	R				
	E-150	F	F	F	F	F	F	F	F	F	F	F	F	F	F	F	F
	E-250/350/450	F	F	F	F	F	F	F	F	F	F	F	F	F	F	F	F
	Expedition	F	F	F	F	F	F	F									
	Explorer	F	F														
	F-150	F	F	F	F	F	F	F	F	F							
	Marauder				R	R											
	Mountaineer	F	F														
	Mustang	F	F	F	F	F											
	Navigator	F	F	F	F	F	F	F									
	Town Car	R	R	R	R	R	R	R	R	R	R	R	R				
	5R110	E-150				R (OTA)*	R (OTA)*	R (OTA)*	R (OTA)*	R (OTA)*	R (OTA)*	R (OTA)*	R (OTA)*	R (OTA)*	R (OTA)*	R (OTA)*	R (OTA)*
E-250/350/450					R (OTA)*	R (OTA)*	R (OTA)*	R (OTA)*	R (OTA)*	R (OTA)*	R (OTA)*	R (OTA)*	R (OTA)*	R (OTA)*	R (OTA)*	R (OTA)*	R (OTA)*
Excursion					R (OTA)*	R (OTA)*											
F Series SuperDuty					R (OTA)*	R (OTA)*	R (OTA)*	R (OTA)*	R (OTA)*	R (OTA)*	R (OTA)*	R (OTA)*	R (OTA)*	R (OTA)*	R (OTA)*	R (OTA)*	R (OTA)*
Low Cab Forward					R (OTA)*	R (OTA)*	R (OTA)*	R (OTA)*	R (OTA)*	R (OTA)*	R (OTA)*	R (OTA)*	R (OTA)*	R (OTA)*	R (OTA)*	R (OTA)*	R (OTA)*
5R55N/W/S	Aviator				R	R	R										
	Explorer/Mountaineer			R	R	R	R	F	F	F	F						
	Explorer Sport-Trac							F	F	F	F						
	Mustang					R	R	R	R	R							
	Lincoln LS	F	F	F	R	R	R	R									
	Thunderbird			F	R	R	R										
6HP26	Expedition/Navigator					R	R	R	R								
6R140	F-250/350/450											R (OTAG)	R (OTAG)	R (OTAG)	R (OTAG)	R (OTAG)	R (OTAG)
	E-350/450																F
6R60/75/80	Expedition/Navigator							R	R	F	F	F	F	F	F	F	F
	Explorer/Mountaineer							R	R	F	F						
	Explorer Sport-Trac							R	R	F	F						
	F-150									F	F	F	F	F	F	F	F
	Mustang										F	F	F	F	F	F	F
Transit															F	F	

Legend:	
F	Flush cooler using Transmission Heated Cooler Line Flusher 222-00007, 222-00004 or equivalent during transmission overhaul or replacement. If the Transmission Heated Cooler Line Flusher or equivalent is not available, install a new transmission fluid cooler and/or an auxiliary transmission fluid cooler.
R	Replace cooler during transmission overhaul or replacement
R (OTA)	Replace Oil-To-Air cooler (if equipped) during transmission overhaul or replacement
R (OTA)*	Flush cooling system during transmission overhaul or new unit install. Replace OTA when flushing does not adequately clean
R (OTAG)	Replace Oil-To-Air cooler (if equipped) during transmission overhaul or replacement- Gasoline engine vehicles only
NOTE:	Some vehicles may be equipped with an optional Towing Package transmission cooler. This optional cooler (if equipped) should be replaced during transmission overhaul or replacement



TRANSMISSION COOLER SERVICE

- Most F-Super Duty vehicles have radiator in-tank fluid coolers. This type of cooler will require flushing. If flushing does not adequately clean the cooler, replacement is required. Always refer to the vehicle service publications.
- TorqShift transmission cooling system flushing procedure is unique. Refer to the vehicle workshop manual before performing this procedure.
- Replacement procedures for Oil-To-Air (OTA) and Auxiliary coolers vary based on year and model of the vehicle.



- Different types of OTA coolers are required for gasoline and diesel applications.
 - OTA Cooler with threaded cooler line connections
 - OTA Cooler with crossover tube and hose clamp connections

Note: Cooler application may change due to a mid-year production changeover. Always replace the OTA cooler with a cooler of the same size and cooler line connection type (threaded or hose clamp).

When any of the following vehicles with OTA transmission coolers require major transmission service the OTA cooler must be replaced.

Note: Always verify the correct part numbers before ordering replacement parts.

1999 - 2014 F-Series F-150

- 2009 - 2014 **Part # DL3Z-7A095-A** (4 ch - 1/2" line hose clamp connection)
- 2004 - 2008 **Part # 6L3Z-7A095-A** (4 ch - 1/2" line quick connection)
- 2004 - 2008 **Part # 6L3Z-7A095-B** (9 ch - 1/2" line quick connection)
- 2000 - 2003 **Part # 4L1Z-7A095-BB** (11 ch (trailer tow) - 3/8" line quick connection)
- 2000 - 2003 **Part # 5L3Z-7A095-G** (4R100 7 ch - 3/8" line quick connection)
- 2000 - 2003 **Part # 5L3Z-7A095-H** (4R70W 7 ch - 3/8" line quick connection)
- 1999 **Part # XL3Z-7A095-EA** (4R100 7 ch - inverted nut fittings)

1999 - 2016 F-Series Super Duty 250 - 550

- 2008 - 2010 6.4L Diesel Engine, 5R Transmission **Part # 7C3Z-7A095-B** (hose clamp 1/2" line connection)
- 2003 - 2007 6.0L Diesel Engine, 5R Transmission **Part # 5C3Z-7A095-CA** (hose clamp 1/2" line connection)
- 2001 - 2003 7.3L Diesel Engine, 4R Transmission **Part # 3C3Z-7A095-AA** (hose clamp 3/8" line connection)
- 1999 - 2001 7.3L Diesel Engine, 4R Transmission **Part # XC3Z-7A095-BA** (threaded line connector)
- 2011 - 2016 6.2L Gas Engine, 6R Transmission **Part # 9C3Z-7A095-A** (hose clamp 1/2" line connection)
- 2008 - 2016 6.8L Gas Engine, 5R Transmission **Part # 9C37-7A095-A** (hose clamp 1/2" line connection)
- 2005 - 2007 6.8L Gas Engine, 5R Transmission **Part # 5C3Z-7A095-CA** (hose clamp 1/2" line connection)
- 2017 6.2L Gas Engine, 6R Transmission **Part # HC3Z-7A095-A** (hose clamp 1/2" line connection)



TRANSMISSION COOLER SERVICE — Cont'd

1999 - 2016 F-Series Super Duty 250 - 550 — Cont'd

- 2017 6.8L Gas Engine, 6R Transmission **Part # HC3Z-7A095-A** (hose clamp 1/2" line connection)
- 2017 6.7L Diesel Engine, 6R Transmission **Part # HC3Z-7A095-B** (hose clamp 1/2" line connection)
- 2001 - 2004 6.8L Gas Engine, 4R Transmission **Part # 3C3Z-7A095-AA** (hose clamp 3/8" line connection)
- 1999 - 2001 6.8L Gas Engine, 4R Transmission **Part # XC3Z-7A095-CA** (threaded line connector)
- 2008 - 2010 5.4L Gas Engine, 5R Transmission **Part # 9C3Z-7A095-A** (hose clamp 1/2" line connection)
- 2005 - 2007 5.4L Gas Engine, 5R Transmission **Part # 5C3Z-7A095-AC** (hose clamp 1/2" line connection)
- 2001 - 2004 5.4L Gas Engine, 4R Transmission **Part # 3C3Z-7A095-AA** (hose clamp 3/8" line connection)
- 1999 - 2001 5.4L Gas Engine, 4R Transmission **Part # XC3Z-7A095-CA** (threaded line connector)

1999 - 2017 F-53 Stripped Chassis

- 2011 - 2017 6.8L Commercial Stripped Chassis **Part # BU9Z-7A095-A** (1/2" line quick connection)
- 2005 - 2017 6.8L Recreational Stripped Chassis **Part # 5U9Z-7A095-AA** (1/2" line quick connection)
- 2014 - 2017 6.8L Commercial Stripped Chassis with BT Delivery Van Pack **Part # EU9Z-7A095-A** (1/2" line quick connection)

2004 - 2016 E-Series

- 2008 - 2010 6.0L Diesel Engine, 5R Transmission **Part # 8C2Z-7A095-C** (hose clamp 1/2" line connection)
- 2004 - 2007 6.0L Diesel Engine, 5R Transmission **Part # 5C2Z-7A095-DA** (hose clamp 1/2" line connection)
- 2008 - 2016 6.8L Gas Engine, 5R Transmission **Part # 8C2Z-7A095-B** (hose clamp 1/2" line connection)
- 2005 - 2007 6.8L Gas Engine, 5R Transmission **Part # 5C2Z-7A095-CA** (hose clamp 1/2" line connection)
- 2008 - 2016 5.4L Gas Engine, 5R Transmission **Part # 8C2Z-7A095-B** (hose clamp 1/2" line connection)
- 2005 - 2007 5.4L Gas Engine, 5R Transmission **Part # 5C2Z-7A095-CA** (hose clamp 1/2" line connection)
- 2008 - 2016 5.4L Gas Engine, 4R Transmission **Part # 8C2Z-7A095-A** (hose clamp 1/2" line connection)
- 2005 - 2007 5.4L Gas Engine, 4R Transmission **Part # 5C2Z-7A095-AA** (hose clamp 1/2" line connection)
- 2008 - 2016 4.6L Gas Engine, 4R Transmission **Part # 9C2Z-7A095-A** (hose clamp 3/8" line connection)
- 2005 - 2007 4.6L Gas Engine, 4R Transmission **Part # 4C2Z-7A095-EA** (hose clamp 3/8" line connection)
- 2017 6.8L Gas Engine, 6R Transmission **Part # 8C2Z-7A095-C** (hose clamp 1/2" line connection)
- 2017 6.2L Gas Engine, 6R Transmission **Part # 8C2Z-7A095-C** (hose clamp 1/2" line connection)

2000 - 2005 Excursion

- 2003 - 2005 6.0L Diesel Engine, 5R Transmission **Part # 5C3Z-7A095-B** (hose clamp 1/2" line connection)
- 2001 - 2003 7.3L Diesel Engine, 4R Transmission **Part # 3C3Z-7A095-AA** (hose clamp 3/8" line connection)
- 2000 - 2001 7.3L Diesel Engine, 4R Transmission **Part # XC3Z-7A095-BA** (threaded line connection)
- 2001 - 2005 6.8L Gas Engine, 4R Transmission **Part # 3C3Z-7A095-AA** (hose clamp 3/8" line connection)
- 2000 - 2001 6.8L Gas Engine, 4R Transmission **Part # XC3Z-7A095-CA** (threaded line connection)
- 2001 - 2005 5.4L Gas Engine, 4R Transmission **Part # 3C3Z-7A095-AA** (hose clamp 3/8" line connection)
- 2000 - 2001 5.4L Gas Engine, 4R Transmission **Part # XC3Z-7A095-CA** (threaded line connection)

Other Vehicles

- 2003 - 2005 Crown Victoria / Grand Marquis / Town Car **Part # 5W1Z-3F749-A**
- 2005 Five Hundred / Montego / Freestyle with CVT **Part # 5F9Z-7A095-AC**
- 2005 - 2007 500 / Montego, AWF21, **Part # 5F9Z-7A095-AC** (1/2" line hose clamp connection)



IDENTIFICATION OF THE RETURN TRANSMISSION COOLER LINE

The best way to identify the return cooler line (fluid coming out of the cooler and returning to the transmission) is to locate the return cooler fitting or case inlet. The return cooler fitting can be found in the following locations on the products listed below:

Rear Wheel Drive

- 5R110 TorqShift – The REAR transmission case fitting receives the return line
- 4R100/E4OD – The REAR transmission case fitting receives the return line
- 4R70/75W-E – The TOP transmission case fitting receives the return line
- 4R44/55E, 5R44/55E, 5R55N, 5R55W, 5R55S – The TOP transmission case fitting receives the return line
- 6R60/6R75 – The TOP transmission case fitting receives the return line
- AOD – The BOTTOM transmission case fitting receives the return line
- AODE – The TOP transmission case fitting receives the return line
- C6 – The REAR transmission case fitting receives the return line
- A4LD – The TOP transmission case fitting receives the return line
- 6R140 TorqShift – The TOP transmission case fitting receives the return line
- 6R80 – The TOP transmission case fitting receives the return line
- 6HP26 – The TOP transmission case fitting receives the return line

Front Wheel Drive

- 6F50 – The REAR transaxle case fitting receives the return line
- 6F55 – The REAR transaxle case fitting receives the return line
- CD4E (4F44E) – The REAR or pump end transaxle case fitting receives the return line
- 4F27E – The REAR or cover end transaxle case fitting receives the return line
- AX4S/AX4N (4F50N) – The BOTTOM transaxle cooler line fitting receives the return line
- AWF21 – The BOTTOM transaxle case receives the return line
- 6F35 – The REAR or lowest transaxle case fitting receives the return line
- AXOD – The BOTTOM transaxle case fitting receives the return line
- AXODE – The BOTTOM transaxle case fitting receives the return line
- FNR5 – The REAR or cover end transaxle case fitting receives the return line

Note: Always verify the correct part numbers before ordering replacement parts.

REMANUFACTURED TORQUE CONVERTER



FORD PARTS

Make Ford Genuine Parts your first choice for Ford and Lincoln replacement parts!

Upgraded impeller with stronger SAE 1020 brazed blade in 6.0L diesel applications

Dynamic vector-balanced O.E. design and tolerances, consolidated to the latest design level

Upgraded stator with preloaded thrust washer and two-piece bearing for 5R110 applications

O.E. replacement parts

Hysteresis-tested damper assemblies for assured damping performance

Adherence to the tightest O.E. specs on friction surface and splines



- A wide selection is available to cover most popular Ford Motor Company applications
- Designed to help get the job done right the first time, every time
- **24-months / Unlimited Mileage Limited Warranty**, which includes parts and labor costs, and is supported nationwide by Ford and Lincoln dealers and Ford Authorized Distributors (See seller for limited warranty details)
- O.E. improvements are integrated into the remanufacturing process to meet the highest Ford standards of quality and durability

- All components cleaned and re-qualified in a TS16949 certified factory
- Each Assembly feature:
 - Upgrade stator in 5R110
 - Triple plate damper assemblies
 - Upgraded impeller
 - Diesel applications get stronger impeller blades
 - Original equipment ATF
 - O.E. Replacement Parts
 - Unpainted bodies

FORD PARTS
WARRANTY

UNLIMITED
MILEAGE
INCLUDES LABOR

2 YEARS

TRANSMISSION OVERHAUL KITS

Right Part. Right Fit. Right Price. Every Time!



Three Levels of Overhaul Kits are Available for Flexibility

Each kit contains quality parts that meet stringent Ford Motor Company standards



- Customized for your Ford, Lincoln or Mercury vehicle
- O.E. friction surface is designed for vehicle specific fluid and calibration
- Seals are designed for leak prevention and less corrosion

Motorcraft® Master Overhaul Kit includes everything in the Motorcraft® Overhaul Gasket & Seal Kit plus:

- Steel plates
- Bands (where applicable)
- O.E. friction plates
- Available for the full line of Ford Motor Company vehicles

Motorcraft® Overhaul Gasket & Seal Kit includes:

- Bonded pistons and Valve body gaskets (where applicable)
- Soft and Metal-clad seals
- Ring kit (where applicable)
- Available for the full line of Ford Motor Company vehicles

Motorcraft® Master Overhaul Less Steel Kit contains O.E. friction plates but excludes steel plates

- Not available for all applications

24-months/Unlimited Mileage Service Part Warranty

- 24-months / unlimited mileage limited warranty, which includes parts and labor costs, and is supported nationwide by Ford and Lincoln dealers and Ford Authorized Distributors (See seller for limited warranty details)
- Designed to meet stringent Ford engineering standards for performance and durability
- Recommended for all Ford, Lincoln and Mercury vehicles



Motorcraft® Transmission Overhaul Kits



Motorcraft® Master Overhaul and Master Overhaul Less Steel kits contain 100% original equipment friction material for added strength and durability.

Overhaul Kit

Master Overhaul Less Steel Kit

Master Overhaul Kit

Transmission	Bonded Pistons	Valve Body Gaskets	Soft Seals	Metal Clad Seals	Ring Kit	Friction Plates	Steel Plates	Bands
C6		X	X	X	X	X	X	
AOD		X	X	X	X	X	X	
ATX		X	X	X	X	X	X	
A4LD		X	X	X	X	X	X	
AXOD		X	X	X	X	X	X	
E4OD		X	X	X	X	X	X	
4R100		X	X	X	X	X	X	
AXODE		X	X	X	X	X	X	
AX4S		X	X	X	X	X	X	
4R70E/4R70W			X	X	X	X	X	
4R75E/4R75W			X	X	X	X	X	
CD4E	X	X	X	X	X	X	X	
5R55N			X	X	X	X	X	
5R55W			X	X	X	X	X	X
AX4N	X	X	X	X	X	X	X	
4R44E/4R55E		X	X	X	X	X	X	
5R44E/5R55E		X	X	X	X	X	X	
4F27E	X	X	X	X	X	X	X	
5R110W	X		X	X	X	X	X	
5R55S			X	X	X	X	X	X
4F50N ¹	X	X	X	X	X	X	X	
6R60/6R75/6R80 ²			X	X	X	X	X	
CVT30 ³			X	X	X			
6F35/6F50/6F55 ²	X	X	X	X		X	X	
6R140 ²	X	X	X	X	X	X	X	

Soft Seals: O-Rings, lip and lathe cut seals, D-Rings, plus all paper gaskets except valve body gasket.
Metal Clad Seals: Converter, pump, axle (FWD) and extension housing seals.
Ring Kit: Metal and PTFE rings.

¹ Less Steel Kit also available

² No Less Steel Kit available

³ No Less Steel Kit or Master Overhaul Kit available

CLUTCH KITS



FORD PARTS

Make Ford Genuine Parts your first choice for Ford and Lincoln replacement parts!

High Quality Designs

- Designed specifically for each vehicle

Attention To Detail

- Clutch springs tuned to minimize gear rattle
- Friction surface uses deep-set rivets for long life
- Friction material have optimum copper content for better durability
- Pressure plates have optimum mass to operate cooler and are more durable
- Beefy pressure plate “ears” designed to better transmit engine torque
- Pilot bearings use large needle roller bearings to better transmit radial loads
- High temperature grease used in critical pilot bearings for optimal durability



Less Down Time

- All components designed for long life and improved durability
- Better durability means less down time
- Less down time means less lost revenue for fleets and commercial owners

24-months/Unlimited Mileage Service Part Warranty

- 24-months / unlimited mileage limited warranty, which includes parts and labor costs, and is supported nationwide by Ford and Lincoln dealers and Ford Authorized Distributors (See seller for limited warranty details)
- Designed to meet stringent Ford engineering standards for performance and durability
- Key life durability tested to the equivalent of 10 years/150,000 miles lifetime
- Recommended for all Ford, Lincoln and Mercury vehicles



2018 VIN GUIDE

Your Guide to 2017 Vehicle Identification

How To Use:

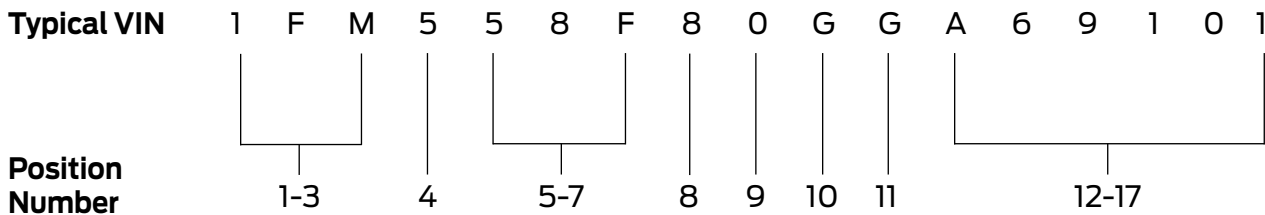
Here is your 2018 guide to interpreting universal Vehicle Identification Numbers (VIN). This vehicle information applies to 2018 models only. For previous model VIN information, check sources at your local dealerships or log onto

www.remarketing.dealerconnection.com

The VIN data provided is preliminary and prepared for the exclusive use of Ford and Lincoln dealers.

Example:

Universal Vehicle Identification Numbers (VIN) have 17 “positions.” There is a number or a letter in each position.



Positions	1-3	World Manufacturer Identifier
Position	4	Restraint System Type Brake Type and GVWR Class (Trucks and Vans Only)
Positions	5-7	Line, Series, Body Type
Position	8	Engine Type
Position	9	Check Digit
Position	10	Model Year
Position	11	Assembly Plant
Positions	12-17	Production Sequence Number

2018 VIN CODES

VIN POSITIONS 1, 2, 3			
VIN CODE	Vehicle Manufacturer	Make	Type
PASSENGER CARS			
1FA	Ford Motor Company, USA	Ford	Passenger Car
1LN	Ford Motor Company, USA	Lincoln	Passenger Car
3FA	Ford Motor Company, Mexico	Ford	Passenger Car
3LN	Ford Motor Company, Mexico	Lincoln	Passenger Car
WFO	Ford Motor Company, Germany	Ford	Passenger Car
GENERIC TRUCK, BUS, MPV FORMAT			
1FB	Ford Motor Company, USA	Ford	Bus
1FM	Ford Motor Company, USA	Ford	Multipurpose Passenger Vehicle
1FT	Ford Motor Company, USA	Ford	Truck - Completed Vehicle
2FM	Ford Motor Company of Canada, Ltd.	Ford	Multipurpose Passenger Vehicle
2LM	Ford Motor Company of Canada, Ltd.	Lincoln	Multipurpose Passenger Vehicle
5LM	Ford Motor Company, USA	Lincoln	Multipurpose Passenger Vehicle
NMD	Ford Motor Company, Europe	Ford	Truck - Completed Vehicle
INCOMPLETE VEHICLES			
1FC	Ford Motor Company, USA	Ford	Basic (Stripped) Chassis
1F6	Detroit Chassis LLC, USA*	Ford	Basic (Stripped) Chassis
2L1	Ford Motor Company of Canada, Ltd.	Lincoln	Incomplete Vehicle - Limousine
2LJ	Ford Motor Company of Canada, Ltd.	Lincoln	Incomplete Vehicle - Hearse
1FD	Ford Motor Company, USA	Ford	Incomplete Vehicle
3FR	Blue Diamond Truck S. De R.L. De C.V.	Ford	Incomplete Vehicle
5LD	Ford Motor Company, USA	Lincoln	Incomplete Vehicle - Limousine

*Detroit Chassis LLC and MSX International

Vehicle Type	Brake System	GVWR Class*	GVWR Range	Restraint Category															
				1	2	3	4	5	6	7	8	9	10	11	12	13	14	15	
Passenger Car	-	-	-	K	F	B	H		6	D	U	5		T		G			
MPV, Truck	Hyd.	Class A:	Less than 3,000 lbs.																
MPV, Truck	Hyd.	Class B:	3,001-4,000 lbs.																
MPV, Truck	Hyd.	Class C:	4,001-5,000 lbs.			Y	K	A							7				
MPV, Truck	Hyd.	Class D:	5,001-6,000 lbs.			Z	L	D	G	P	T	U		8					
MPV, Truck	Hyd.	Class E:	6,001-7,000 lbs.	R	6	M	E	H					5						
MPV, Truck	Hyd.	Class F:	7,001-8,000 lbs.	B	V	R	N	F	J										
MPV, Truck	Hyd.	Class G:	8,001-9,000 lbs.			P	V												
Truck, Bus	Hyd.	Class G:	8,501-9,000 lbs.	H	C	N	Y	Z							K	1			
Truck, Bus	Hyd.	Class H:	9,001-10,000 lbs.	J	D	S	B	7	A						L	2			
Truck, Bus	Hyd.	Class 3:	10,001-14,000 lbs.	K	E	W	R	8	V						M	3			
Truck, Bus	Hyd.	Class 4:	14,001-16,000 lbs.	L	F	X	T	9								4			
Truck, Bus	Hyd.	Class 5:	16,001-19,500 lbs.	M	G	A	U	0								5			
Truck, Bus	Hyd.	Class 6:	19,501-26,000 lbs.	N												6			
Truck, Bus	Hyd.	Class 7:	26,001-33,000 lbs.	P															
Truck, Bus	Air	Class 6:	19,501-26,000 lbs.	W															
Truck, Bus	Air	Class 7:	26,001-33,000 lbs.	X															
Truck, Bus	Air	Class 8:	33,001-55,000 lbs.	Y															

* Brake System (only) for buses and incomplete vehicles - GVWR = Class as shown are not applicable
*Hyd. = Hydraulic

Restraint Category	
Code	Restraint Devices and Location
1	Manual belts WITHOUT air bags
2	Manual belts with driver frontal air bag ONLY
3	Manual belts with driver and passenger frontal air bags
4	Manual belts with driver and passenger frontal air bags and side inflatable restraint (1st row)
5	Manual belts with driver and passenger frontal air bags and side inflatable restraint (1st & 2nd row)
6	Manual belts with driver and passenger frontal air bags and side inflatable restraint (1st, 2nd, 3rd rows & add'l rows)
7	Manual belts with driver and passenger frontal air bags and side inflatable restraint (1st & 2nd row) and driver/passenger knee air bag
8	Manual belts with driver and passenger frontal air bags and side inflatable restraint (1st & 2nd row) and driver knee air bag
9	Manual belts with driver and passenger frontal air bags and side inflatable restraint (1st, 2nd, & 3rd row) and driver knee air bag
10	Manual belts with driver and passenger frontal air bags and side inflatable restraint (1st, 2nd, & 3rd row) and passenger knee air bag
11	Manual belts with driver only frontal air bags and side inflatable restraint (1st row)
12	Manual belts with driver and passenger frontal air bags and driver/passenger knee restraint
13	Manual belts with driver only frontal air bags and driver/passenger side inflatable restraint (1st row)
14	Manual belts with driver only frontal air bags and driver/passenger side inflatable restraint (1st row) and driver & passenger knee air bag
15	No restraints

VIN POSITIONS 5, 6, 7 VIN Code Line, Series, Body Type for Passenger Cars			
VIN CODE	Car Line	Series	Body Type
FORD			
P5A	C-MAX	SE FHEV	5-Dr. Hatch
P5D	C-MAX	Titanium FHEV	5-Dr. Hatch
P5E	C-MAX	SE PHEV	5-Dr. Hatch
P5F	C-MAX	Titanium PHEV	5-Dr. Hatch
POG	Fusion	S	4-Dr. Sedan
POH	Fusion	SE FWD	4-Dr. Sedan
POK	Fusion	Titanium FWD	4-Dr. Sedan
POD	Fusion	Titanium AWD	4-Dr. Sedan
POU	Fusion	S Hybrid	4-Dr. Sedan
POL	Fusion	SE Hybrid	4-Dr. Sedan
POT	Fusion	SE AWD	4-Dr. Sedan
POP	Fusion	SE PHEV	4-Dr. Sedan
POR	Fusion	Titanium HEV	4-Dr. Sedan
POS	Fusion	Titanium PHEV	4-Dr. Sedan
POV	Fusion	Sport AWD	4-Dr. Sedan
P2D	Taurus	SE FWD	4-Dr. Sedan
P2E	Taurus	SEL FWD	4-Dr. Sedan
P2F	Taurus	Limited FWD	4-Dr. Sedan
P2H	Taurus	SEL AWD	4-Dr. Sedan
P2J	Taurus	Limited AWD	4-Dr. Sedan
P2K	Taurus	SHO AWD	4-Dr. Sedan
P2L	Taurus	Police FWD	4-Dr. Sedan
P2M	Taurus	Police AWD	4-Dr. Sedan
P4A	Fiesta	S	4-Dr. Sedan
P4B	Fiesta	SE	4-Dr. Sedan
P4E	Fiesta	SE	5-Dr. Hatch
P4C	Fiesta	Titanium	4-Dr. Sedan
P4F	Fiesta	Titanium	5-Dr. Hatch
P4T	Fiesta	S	5-Dr. Hatch
P4G	Fiesta	ST	5-Dr. Hatch
P3E	Focus	S	4-Dr. Sedan
P3F	Focus	SE	4-Dr. Sedan
P3H	Focus	SEL	4-Dr. Sedan
P3J	Focus	Titanium	4-Dr. Sedan
P3K	Focus	SE	5-Dr. Hatch
P3M	Focus	SEL	5-Dr. Hatch
P3N	Focus	Titanium	5-Dr. Hatch
P3L	Focus	ST	5-Dr. Hatch
P3R	Focus	BEV	5-Dr. Hatch
P3T	Focus	RS	5-Dr. Hatch
P9C	GT	RWD	2-Dr. Sedan
P8A	Mustang	V6 Coupe	2-Dr. Sedan
P8C	Mustang	GT Coupe	2-Dr. Sedan
P8E	Mustang	V6 Convertible	2-Dr. Sedan
P8F	Mustang	GT Convertible	2-Dr. Sedan
P8T	Mustang	I4 Coupe	2-Dr. Sedan
P8U	Mustang	I4 Convertible	2-Dr. Sedan
P8J	Mustang	Shelby Coupe	2-Dr. Sedan
LINCOLN			
L5A	MKZ	FWD Premier	4-Dr. Sedan
L5B	MKZ	AWD Premier	4-Dr. Sedan
L5C	MKZ	FWD Select	4-Dr. Sedan
L5D	MKZ	AWD Select	4-Dr. Sedan
L5E	MKZ	FWD Reserve	4-Dr. Sedan
L5F	MKZ	AWD Reserve	4-Dr. Sedan
L5G	MKZ	FWD Black Label	4-Dr. Sedan
L5H	MKZ	AWD Black Label	4-Dr. Sedan
L5K	MKZ	Premier HEV	4-Dr. Sedan
L5L	MKZ	Select HEV	4-Dr. Sedan
L5M	MKZ	Reserve HEV	4-Dr. Sedan
L5N	MKZ	Black Label HEV	4-Dr. Sedan
L5R	MKZ	China Gas Preferred	4-Dr. Sedan
L5S	MKZ	China HEV	4-Dr. Sedan
L9P	Continental	Premier FWD	4-Dr. Sedan
L9V	Continental	Premier AWD	4-Dr. Sedan
L9S	Continental	Select FWD	4-Dr. Sedan
L9T	Continental	Select AWD	4-Dr. Sedan
L9R	Continental	Reserve FWD	4-Dr. Sedan
L9N	Continental	Reserve AWD	4-Dr. Sedan
L9A	Continental	Black Label FWD	4-Dr. Sedan
L9B	Continental	Black Label AWD	4-Dr. Sedan
L9U	Continental	Livery FWD	4-Dr. Sedan
L9H	Continental	Livery AWD	4-Dr. Sedan

*FWD = Front Wheel Drive *AWD = All Wheel Drive *BEV = Electric *PHEV = Plug-In Hybrid Electric Vehicle
*FHEV = Full Hybrid Electric Vehicle *HEV = Hybrid Electric Vehicle

VIN POSITIONS 5, 6, 7 VIN Code Line, Series, Body Type for Passenger Cars Multipurpose Passenger Vehicles (MPVs), Buses, and Incomplete Vehicles (IVs) with GVW Ratings of 11,000 Pounds (4990 Kilograms) or less:					
VIN CODE	Line	Series	Chassis Type	Cab/Body	Vehicle Type
FORD					
U1F	Expedition	XL	4X2	4-Door	MPV
U1G	Expedition	XL	4X4	4-Door	MPV
U1H	Expedition	XLT / King Ranch	4X2	4-Door	MPV
U1J	Expedition	XLT / King Ranch	4X4	4-Door	MPV
U1K	Expedition	Limited	4X2	4-Door	MPV
U2A	Expedition	Limited	4X4	4-Door	MPV
U1L	Expedition	Platinum	4X2	4-Door	MPV
U1M	Expedition	Platinum	4X4	4-Door	MPV
K1F	Expedition EL	XL	4X2	4-Door	MPV
K1G	Expedition EL	XL	4X4	4-Door	MPV
K1H	Expedition EL	XLT / King Ranch	4X2	4-Door	MPV
K1J	Expedition EL	XLT / King Ranch	4X4	4-Door	MPV
K1K	Expedition EL	Limited	4X2	4-Door	MPV
K2A	Expedition EL	Limited	4X4	4-Door	MPV
K1L	Expedition EL	Platinum	4X2	4-Door	MPV
K1M	Expedition EL	Platinum	4X4	4-Door	MPV
K3A	Edge	Sport	FWD	4-Door	MPV
K3G	Edge	SE	FWD	4-Door	MPV
K3J	Edge	SEL	FWD	4-Door	MPV
K3K	Edge	Titanium	FWD	4-Door	MPV
K4A	Edge	Sport	AWD	4-Door	MPV
K4G	Edge	SE	AWD	4-Door	MPV
K4J	Edge	SEL	AWD	4-Door	MPV
K4K	Edge	Titanium	AWD	4-Door	MPV
K5B	Flex	SE	FWD	4-Door	MPV
K5C	Flex	SEL	FWD	4-Door	MPV

2018 VIN CODES – CONT'D

VIN POSITIONS 5, 6, 7 Line Series Body Type for Passenger Cars, Multipurpose Passenger Vehicles (MPVs), Buses, and Incomplete Vehicles (IVs) with GVW Ratings of 11,000 Pounds (4990 Kilograms) or less:					
VIN CODE	Line	Series	Chassis Type	Cab/Body	Vehicle Type
K5D	Flex	Limited	FWD	4-Door	MPV
K6C	Flex	SEL	AWD	4-Door	MPV
K6D	Flex	Limited	AWD	4-Door	MPV
K7B	Explorer	Base	FWD	4-Door	MPV
K7D	Explorer	XL	FWD	4-Door	MPV
K7F	Explorer	Limited	FWD	4-Door	MPV
K8A	Explorer	Police	4WD	4-Door	MPV
K8B	Explorer	Base	4WD	4-Door	MPV
K8D	Explorer	XL	4WD	4-Door	MPV
K8F	Explorer	Limited	4WD	4-Door	MPV
K8G	Explorer	Sport	4WD	4-Door	MPV
K8H	Explorer	Platinum	4WD	4-Door	MPV
U0F	Escape	S	4X2	4-Door	MPV
U0G	Escape	SE	4X2	4-Door	MPV
U0J	Escape	Titanium	4X2	4-Door	MPV
U9G	Escape	SE	4X4	4-Door	MPV
U9J	Escape	Titanium	4X4	4-Door	MPV
U9F	Escape-CAN	S	4X4	4-Door	MPV
LINCOLN					
J5F	MKT		FWD	4-Door	MPV
J5A	MKT		AWD	4-Door	MPV
J5L	MKT	Limo	AWD	4-Door	MPV / IV
J5M	MKT	Livery	FWD	4-Door	MPV
J5N	MKT	Livery	AWD	4-Door	MPV
J2H	Navigator	Select	4X2	4-Door	MPV
J2J	Navigator	Select	4X4	4-Door	MPV
J3H	Navigator L	Select	4X2	4-Door	MPV
J3J	Navigator L	Select	4X4	4-Door	MPV
J2K	Navigator	Reserve	4X2	4-Door	MPV
J2L	Navigator	Reserve	4X4	4-Door	MPV
J3K	Navigator L	Reserve	4X2	4-Door	MPV
J3L	Navigator L	Reserve	4X4	4-Door	MPV
J6J	MKX	Premier	FWD	4-Door	MPV
J6J	MKX	Premier	AWD	4-Door	MPV
J6K	MKX	Select	FWD	4-Door	MPV
J6K	MKX	Select	AWD	4-Door	MPV
J6L	MKX	Reserve	FWD	4-Door	MPV
J8L	MKX	Reserve	AWD	4-Door	MPV
J7J	MKX	Black Label	FWD	4-Door	MPV
J9J	MKX	Black Label	AWD	4-Door	MPV
J1C	MKC	Premier	4X2	4-Door	MPV
J1D	MKC	Premier	4X4	4-Door	MPV
J2C	MKC	Select	4X2	4-Door	MPV
J2D	MKC	Select	4X4	4-Door	MPV
J3C	MKC	Reserve	4X2	4-Door	MPV
J3D	MKC	Reserve	4X4	4-Door	MPV
J4C	MKC	Black Label	4X2	4-Door	MPV
J4D	MKC	Black Label	4X4	4-Door	MPV

*MPV = Multipurpose Passenger Vehicle *IV = Incomplete Vehicle

VIN POSITIONS 5, 6, 7 Line Series Chassis, Cab Type or Body Type for Trucks, Multipurpose Passenger Vehicles (MPVs), Buses, Light, Medium & Heavy Trucks and Incomplete Vehicles (IVs):					
VIN CODE	Line	Series	Chassis Type	Cab/Body	Vehicle Type
FORD					
F1C	F-Series	F-150	4X2	Regular Cab	Truck
F1E	F-Series	F-150	4X4	Regular Cab	Truck
F2A	F-Series	F-250	4X2	Regular Cab - SRW	Truck / IV
F2B	F-Series	F-250	4X4	Regular Cab - SRW	Truck / IV
F3A	F-Series	F-350	4X2	Regular Cab - SRW	Truck / IV
F3B	F-Series	F-350	4X4	Regular Cab - SRW	Truck / IV
F3C	F-Series	F-350	4X2	Regular Cab - DRW	Truck / IV
F3D	F-Series	F-350	4X4	Regular Cab - DRW	Truck / IV
F3E	F-Series	F-350	4X2	Regular Cab - SRW	IV
F3F	F-Series	F-350	4X4	Regular Cab - SRW	IV
F3G	F-Series	F-350	4X2	Regular Cab - DRW	IV
F3H	F-Series	F-350	4X4	Regular Cab - DRW	IV
F4G	F-Series	F-450	4X2	Regular Cab - DRW	IV
F4H	F-Series	F-450	4X4	Regular Cab - DRW	IV
F5G	F-Series	F-550	4X2	Regular Cab - DRW	IV
F5H	F-Series	F-550	4X4	Regular Cab - DRW	IV
F6A	F-Super Duty* Gas	F-650	DRW 4X2	Regular Cab Straight Frame	IV
F6B	F-Super Duty Gas	F-650	DRW 4X2	Regular Cab Kick-up Frame	IV
F6C	F-Super Duty Gas	F-650	DRW 4X2	Regular Cab Straight Frame	IV
F6D	F-Super Duty Diesel	F-650	DRW 4X2	Regular Cab Straight Frame	IV
F6E	F-Super Duty Diesel	F-650	DRW 4X2	Regular Cab Kick-up Frame	IV
F6T	F-Super Duty Diesel	F-650	DRW 4X2	Regular Cab Tractor	IV
F7A	F-Super Duty Gas	F-750	DRW 4X2	Regular Cab Straight Frame	IV
F7D	F-Super Duty Diesel	F-750	DRW 4X2	Regular Cab Straight Frame	IV
F7T	F-Super Duty Diesel	F-750	DRW 4X2	Regular Cab Tractor	IV
W1C	F-Series	F-150	4X2	SuperCrew*	Truck
W1E	F-Series	F-150	4X4	SuperCrew	Truck
W2A	F-Series	F-250	4X2	Crew Cab - SRW	Truck / IV
W2B	F-Series	F-250	4X4	Crew Cab - SRW	Truck / IV
W3A	F-Series	F-350	4X2	Crew Cab - SRW	Truck / IV
W3B	F-Series	F-350	4X4	Crew Cab - SRW	Truck / IV
W3C	F-Series	F-350	4X2	Crew Cab - DRW	Truck / IV
W3D	F-Series	F-350	4X4	Crew Cab - DRW	Truck / IV
W3E	F-Series	F-350	4X2	Crew Cab - SRW	IV
W3F	F-Series	F-350	4X4	Crew Cab - SRW	IV
W3G	F-Series	F-350	4X2	Crew Cab - DRW	IV
W3H	F-Series	F-350	4X4	Crew Cab - DRW	IV
W4D	F-Series	F-450	4X4	Crew Cab - DRW	Truck / IV
W4G	F-Series	F-450	4X2	Crew Cab - DRW	IV
W4H	F-Series	F-450	4X4	Crew Cab - DRW	IV
W5G	F-Series	F-550	4X2	Crew Cab - DRW	IV
W5H	F-Series	F-550	4X4	Crew Cab - DRW	IV
W6A	F-Super Duty Gas	F-650	DRW 4X2	Crew Cab Straight Frame	IV
W6B	F-Super Duty Gas	F-650	DRW 4X2	Crew Cab Kick-up Frame	IV
W6D	F-Super Duty Diesel	F-650	DRW 4X2	Crew Cab Straight Frame	IV
W6E	F-Super Duty Diesel	F-650	DRW 4X2	Crew Cab Kick-up Frame	IV
W6T	F-Super Duty Diesel	F-650	DRW 4X2	Crew Cab Tractor	IV
W7A	F-Super Duty Gas	F-750	DRW 4X2	Crew Cab Straight Frame	IV

VIN POSITIONS 5, 6, 7 Line Series Chassis, Cab Type or Body Type for Trucks, Multipurpose Passenger Vehicles (MPVs), Buses, Light, Medium & Heavy Trucks and Incomplete Vehicles (IVs):					
VIN CODE	Line	Series	Chassis Type	Cab/Body	Vehicle Type
W7D	F-Super Duty Diesel	F-750	DRW 4X2	Crew Cab Straight Frame	IV
W7T	F-Super Duty Diesel	F-750	DRW 4X2	Crew Cab Tractor	IV
X1C	F-Series	F-150	4X2	Super Cab*	Truck
X1E	F-Series	F-150	4X4	Super Cab	Truck
X1R	F-Series	F-150	4X4	Super Cab - Raptor	Truck
W1R	F-Series	F-150	4X4	Super Cab - Raptor	Truck / IV
X2A	F-Series	F-250	4X2	Super Cab - SRW	Truck / IV
X2B	F-Series	F-250	4X4	Super Cab - SRW	Truck / IV
X3A	F-Series	F-350	4X2	Super Cab - SRW	Truck / IV
X3B	F-Series	F-350	4X4	Super Cab - SRW	Truck / IV
X3C	F-Series	F-350	4X2	Super Cab - DRW	Truck / IV
X3D	F-Series	F-350	4X4	Super Cab - DRW	Truck / IV
X3E	F-Series	F-350	4X2	Super Cab - SRW	IV
X3F	F-Series	F-350	4X4	Super Cab - SRW	IV
X3G	F-Series	F-350	4X2	Super Cab - DRW	IV
X3H	F-Series	F-350	4X4	Super Cab - DRW	IV
X4G	F-Series	F-450	4X2	Super Cab - DRW	IV
X4H	F-Series	F-450	4X4	Super Cab - DRW	IV
X5G	F-Series	F-550	4X2	Super Cab - DRW	IV
X5H	F-Series	F-550	4X4	Super Cab - DRW	IV
X6A	F-Super Duty Gas	F-650	DRW 4X2	Super Cab Straight Frame	IV
X6B	F-Super Duty Gas	F-650	DRW 4X2	Super Cab Kick-up Frame	IV
X6D	F-Super Duty Diesel	F-650	DRW 4X2	Super Cab Straight Frame	IV
X6E	F-Super Duty Diesel	F-650	DRW 4X2	Super Cab Kick-up Frame	IV
X6T	F-Super Duty Diesel	F-650	DRW 4X2	Super Cab Tractor	IV
X7A	F-Super Duty Gas	F-750	DRW 4X2	Super Cab Straight Frame	IV
X7D	F-Super Duty Diesel	F-750	DRW 4X2	Super Cab Straight Frame	IV
X7T	F-Super Duty Diesel	F-750	DRW 4X2	Super Cab Tractor	IV

*SRW = Single Rear Wheels *DRW = Dual Rear Wheels *IV = Incomplete Vehicle

VIN POSITIONS 5, 6, 7 Line Series Chassis, Cab Type or Body Type for Trucks, Multipurpose Passenger Vehicles (MPVs), Buses, Light, Medium & Heavy Trucks and Incomplete Vehicles (IVs):					
VIN CODE	Line	Series	Chassis Type	Cab/Body	Vehicle Type
FORD					
E3F	Econoline	E-350	SRW / DRW	Cutaway	IV
E3K	Econoline	E-350	SRW / DRW	Cutaway	IV
E4F	Econoline	E-450	SRW / DRW	Striped Chassis	IV
E4K	Econoline	E-450	SRW / DRW	Striped Chassis	IV
F5D	Motorhome Chassis		4X2	Striped Chassis	IV
F5K	Commercial Chassis		4X2	Striped Chassis	IV

*SRW = Single Rear Wheels *DRW = Dual Rear Wheels *IV = Incomplete Vehicle

VIN POSITIONS 5, 6, 7 VIN Code Line Series Body Type for Passenger Cars, Multipurpose Vehicles (MPVs), Buses and Incomplete Vehicles (IVs) with GVW Ratings of 11,000 lbs (4990 kg) or less:									
VIN CODE	Line	Series	Chassis Type	Cab/Body	Vehicle Type	GVWR	Roof	Door	Wheel base
FORD									
S6E	Transit Connect	XL	Short Wheelbase	Van					
S7E	Transit Connect	XL	Long Wheelbase	Van					
S6F	Transit Connect	XL	Short Wheelbase	Van					
S7F	Transit Connect	XL	Long Wheelbase	Van					
E6E	Transit Connect	XL	Short Wheelbase	Van					
E7E	Transit Connect	XL	Long Wheelbase	Van					
E6F	Transit Connect	XL	Short Wheelbase	Van					
E7F	Transit Connect	XL	Long Wheelbase	Van					
S9E	Transit Connect	XL	Long Wheelbase	Wagon					
S8F	Transit Connect	XL	Short Wheelbase	Wagon					
S9F	Transit Connect	XL	Long Wheelbase	Wagon					
E9E	Transit Connect	XL	Long Wheelbase	Wagon					
E8F	Transit Connect	XL	Short Wheelbase	Wagon					
E9F	Transit Connect	XL	Long Wheelbase	Wagon					
E8G	Transit Connect	Titanium	Short Wheelbase	Wagon					
E9G	Transit Connect	Titanium	Long Wheelbase	Wagon					
S7P	Transit Connect	XL	Long Wheelbase	Van	Canadian Postal				
S6H	Transit Connect	XL	Short Wheelbase	Van					
S7H	Transit Connect	XL	Long Wheelbase	Van					
S6J	Transit Connect	XL	Short Wheelbase	Van					
S7J	Transit Connect	XL	Long Wheelbase	Van					
E6H	Transit Connect	XL	Short Wheelbase	Van					
E7H	Transit Connect	XL	Long Wheelbase	Van					
E6J	Transit Connect	XL	Short Wheelbase	Van					
E7J	Transit Connect	XL	Long Wheelbase	Van					
E1Z	Transit	150	SRW	Van	Truck/IV	8600#	Low	60/40	130
E1V	Transit	150	SRW	Van	Truck/IV	8600#	Low	Slide	130
E9Z	Transit	150	SRW	Van	Truck/IV	8600#	Low	60/40	148
E2Y	Transit	150	SRW	Van	Truck/IV	8600#	Low	Slide	148
R1Z	Transit	250	SRW	Van	Truck/IV	9000#	Low	60/40	130
R1Y	Transit	250	SRW	Van	Truck/IV	9000#	Low	Slide	130
R2Z	Transit	250	SRW	Van	Truck/IV	9000#	Low	60/40	148
R2Y	Transit	250	SRW	Van	Truck/IV	9000#	Low	Slide	148
W1Z	Transit	350	SRW	Van	Truck/IV	9500#	Low	60/40	130
W1Y	Transit	350	SRW	Van	Truck/IV	9500#	Low	Slide	130
W2Z	Transit	350	SRW	Van	Truck/IV	9500#	Low	60/40	148
W2Y	Transit	350	SRW	Van	Truck/IV	9500#	Low	Slide	148
K1Z	Transit	150	SRW	Wagon	MPV/IV	8550#	Low	60/40	130
K1Y	Transit	150	SRW	Wagon	MPV/IV	8550#	Low	Slide	130
X2Z	Transit	350	SRW	Wagon	Bus/IV	9000#/9250 Di	Low	60/40	148
X2Y	Transit	350	SRW	Wagon	Bus/IV	9000#/9250 Di	Low	Slide	148
E1C	Transit	150	SRW	Van	Truck/IV	8600#	Med	Slide	130
E1D	Transit	150	SRW	Van	Truck/IV	8600#	Med	Dual	130
E2C	Transit	150	SRW	Van	Truck/IV	8600#	Med	Slide	148
E2D	Transit	150	SRW	Van	Truck/IV	8600#	Med	Dual	148

2018 VIN CODES – CONT'D

VIN POSITIONS 5, 6, 7 VIN Code Line Series Body Type for Passenger Cars, Multipurpose Vehicles (MPVs), Buses and Incomplete Vehicles (IVs) with GVW Ratings of 11,000 lbs (4990 kg) or less:									
VIN CODE	Line	Series	Chassis Type	Cab/Body	Vehicle Type	GVWR	Roof	Door	Wheel Base
FORD									
R1C	Transit	250	SRW	Van	Truck/IV	9000#	Med	Slide	130
R1D	Transit	250	SRW	Van	Truck/IV	9000#	Med	Dual	130
R2C	Transit	250	SRW	Van	Truck/IV	9000#	Med	Slide	148
R2D	Transit	250	SRW	Van	Truck/IV	9000#	Med	Dual	148
W9C	Transit	350	SRW	Van	Truck/IV	9500#	Low	Slide	130
W1D	Transit	350	SRW	Van	Truck/IV	9500#	Low	Dual	130
W2C	Transit	350	SRW	Van	Truck/IV	9500#	Med	Slide	148
W2D	Transit	350	SRW	Van	Truck/IV	9500#	Med	Dual	148
K1C	Transit	150	SRW	Wagon	MPV/IV	8550#	Med	Slide	130
X2C	Transit	350	SRW	Wagon	Bus/IV	9000/9150 Gas	Med	Slide	148
R2X	Transit	250	SRW	Van	Truck/IV	9250/9400 Di	High	Slide	148
R2U	Transit	250	SRW	Van	Truck/IV	9000#	High	Dual	148
R3X	Transit	250	SRW	Van EL	Truck/IV	9000#	High	Dual	148
R3U	Transit	250	SRW	Van EL	Truck/IV	9000#	High	Dual	148
W2X	Transit	350	SRW	Van	Truck/IV	9500#	High	Dual	148
W2U	Transit	350	SRW	Van	Truck/IV	9500#	High	Dual	148
W3X	Transit	350	SRW	Van EL	Truck/IV	9500# Gas	High	Slide	148
W3U	Transit	350	SRW	Van EL	Truck/IV	9250# Di	High	Dual	148
X2X	Transit	350	SRW	Wagon	Bus/IV	9000/9150 Gas	High	Slide	148
U4X	Transit	350 HD	DRW	Wagon EL	Bus/IV	9250/9400 Di	High	Slide	148
F4X	Transit	350 HD	DRW	Van EL	Truck/IV	9950#	High	Slide	148
F4U	Transit	350 HD	DRW	Van EL	Truck/IV	9950#	High	Dual	148
S4X	Transit	350 HD	DRW	Van EL	Truck/IV	10,360#	High	Slide	148
S4U	Transit	350 HD	DRW	Van EL	Truck/IV	10,360#	High	Dual	148
R5P	Transit	250	SRW	Cutaway	IV	9000#	N/A	N/A	138
R7P	Transit	250	SRW	Cutaway	IV	9000#	N/A	N/A	156
W5P	Transit	350	SRW	Cutaway	IV	9500#	N/A	N/A	138
W7P	Transit	350	SRW	Cutaway	IV	9500#	N/A	N/A	156
R5Z	Transit	250	SRW	Chassis Cab	IV	9000#	N/A	N/A	138
R7Z	Transit	250	SRW	Chassis Cab	IV	9000#	N/A	N/A	156
W5Z	Transit	350	SRW	Chassis Cab	IV	9500#	N/A	N/A	138
W7Z	Transit	350	SRW	Chassis Cab	IV	9500#	N/A	N/A	156
F6P	Transit	350 HD	DRW	Cutaway	IV	9950#	N/A	N/A	138
F6U	Transit	350 HD	DRW	Cutaway	IV	9950#	N/A	N/A	156
F9P	Transit	350 HD	DRW	Cutaway	IV	9950#	N/A	N/A	178
F6Z	Transit	350 HD	DRW	Chassis Cab	IV	9950#	N/A	N/A	138
F8Z	Transit	350 HD	DRW	Chassis Cab	IV	9950#	N/A	N/A	156
F9Z	Transit	350 HD	DRW	Chassis Cab	IV	9950#	N/A	N/A	178
S6P	Transit	350 HD	DRW	Cutaway	IV	10,360#	N/A	N/A	138
S8P	Transit	350 HD	DRW	Cutaway	IV	10,360#	N/A	N/A	156
S9P	Transit	350 HD	DRW	Cutaway	IV	10,360#	N/A	N/A	178
S6Z	Transit	350 HD	DRW	Chassis Cab	IV	10,360#	N/A	N/A	138
S8Z	Transit	350 HD	DRW	Chassis Cab	IV	10,360#	N/A	N/A	156
S9Z	Transit	350 HD	DRW	Chassis Cab	IV	10,360#	N/A	N/A	178

SRW = Single Rear Wheels *DRW* = Dual Rear Wheels *MPV* = Multipurpose Passenger Vehicle
 IV = Incomplete Vehicle *Di* = Diesel

VIN POSITION 8 Engine Type-Displacement, Cylinders, Fuel Type, Manufacturer and Horsepower (H.P.) Ratings					
CONT'D					
TABLE 2: LIGHT TRUCK/MPV					
VIN CODE	Displacement/Litre	Cylinders	Fuel	Manufacturer	Net Brake H.P.
T	3.5L GTDI	V-6	FFV/Gasoline	Ford	365/320/310
V	3.2L 1.5 Diesel	15	Diesel	Ford	185

GDI = Gasoline Direct Injection *DOHC* = Double Overhead Camshaft
 GTDI = Gas Turbocharged Direct Injection *PFI* = Port Fuel Injection
 I-VCT = Independent-Variable Cam Timing *AIK* = Atkinson (Electric Motor)
 TI-VCT = Twin Independent-Variable Cam Timing

VIN POSITION 8 Engine Type-Displacement, Cylinders, Fuel Type, Manufacturer and Horsepower (H.P.) Ratings					
CONT'D					
TABLE 3: LIGHT/MEDIUM/HEAVY TRUCK (WITH GVW RATINGS OVER 11,000 POUNDS [4990 KG])					
VIN CODE	Displacement/Litre	Cylinders	Fuel	Manufacturer	Net HP / Torque
C	6.7L	V-8	Diesel	Ford	270/675
E	6.7L	V-8	Diesel	Ford	300/700
T	6.8L	V-10	Gasoline	Ford	305
X	6.7L	V-8	Diesel	Ford	440
Y	6.8L	V-10	Gas/Gaseous Prep	Ford	330/725
Y	6.8L 3V	V-10	Gasoline	Ford	330/440
					362@4750rpm/362

VIN POSITION 9 Check Digit	
The check digit must have a value of 0, 1, 2, 3, 4, 5, 6, 7, 8, 9, or X.	

VIN POSITION 10 Vehicle Model Year			
VIN Code	Year		
B	2011	F	2015
C	2012	G	2016
D	2013	H	2017
E	2014	J	2018

VIN POSITION 11 Vehicle Assembly Plant	
VIN Code	Vehicle Assembly Plant Name: Location
B	Oakville: Oakville, Ontario
D	Ohio Assembly: Avon Lake, Ohio
E	Kentucky Truck: Louisville, Kentucky
F	Dearborn: Dearborn, Michigan
G	Chicago: Chicago, Illinois
H	Multimatic: Ontario, Canada
K	Kansas City: Claycomo, Missouri
L	Michigan Assembly: Wayne, Michigan
M	Cuautilán: Cuautilán, Mexico
R	Hermosillo: Hermosillo, Mexico
V	Blue Diamond Truck: Escobedo, Mexico
0	Detroit Empowerment Zone: Detroit, Michigan
5	Flat Rock Assembly Plant (AAI): Flat Rock, Michigan
1	Valencia Assembly Plant: Valencia, Spain
U	Louisville Assembly Plant: Louisville, Kentucky
4	Saarloius Assembly Plant: Saarloius, Germany

VIN POSITION 12-17 Sequential Vehicle Identifiers	
Passenger Cars: A unique six digit numeric sequence code is assigned to each passenger car by the vehicle assembly plant of manufacture. 100001 thru 599999 - Ford Division Vehicles 600001 thru 999999 - Lincoln Division Vehicles	
Trucks, MPVs, Buses and Incomplete Vehicles: A unique six digit alphanumeric sequence code is assigned for trucks, MPVs, buses and related incomplete vehicles. A00001 thru F99999 - Ford Division Vehicles (except Transit Connect) J00001 thru L99999 - Lincoln Division Vehicles 000001 thru 999999 - Ford Built By Blue Diamond 000001 thru 999999 - Ford Transit Connect	

VIN POSITION 8 Engine Type-Displacement, Cylinders, Fuel Type, Manufacturer and Horsepower (H.P.) Ratings					
CONT'D					
TABLE 1: PASSENGER CAR					
VIN CODE	Displacement/Litre	Cylinders	Fuel	Manufacturer	Net Brake H.P.
2	2.0L GDI	I-4	Gasoline	Ford	160
4	Electric	Lithium-Ion	Electric	Ford	107 kW
7	2.5L	I-4	Gasoline	Ford	TBD
8	3.5L Ti-VCT	V-6	Gasoline	Ford	288
9	2.0L GTDI	I-4	Gasoline	Ford	240/252 Prem fuel
9	2.0L GTDI High Output	I-4	Gasoline	Ford	240 Prem fuel
C	2.0L GTDI	I-4	Gasoline	Ford	TBD/240
9	3.0L	V-6	Gasoline	Ford	350
C	3.0L GTDI	V-6	Gasoline	Ford	400
D	1.5L	I-4	Gasoline	Ford	181
E	1.0L Fox GTDI	I-3	Gasoline	Ford	123
E	1.0L GTDI	I-3	Gasoline	Ford	123
F	5.0L 8*84V	V-8	Gasoline	Ford	435 Prem
H	2.3L GTDI	I-4	Gasoline	Ford	350
H	2.3L 4V	I-4	Gasoline	Ford	310 Prem
F9	3.7L Ti-VCT	V-6	Gasoline	Ford	TBD/305
J	1.6L Ti-VCT	I-4	Flex	Ford	197 Prem Fuel
M	3.7L 4V	V-6	Gasoline	Ford	300
N	2.0L GTDI Low output	I-4	Gasoline	Ford	TBD
P	2.7L	V-6	Gasoline	Ford	325
P	2.7L GTDI	V-6	Gasoline	Ford	335
T	2.5L	I-4	Gasoline	Ford	141
T	3.5L GTDI	V-6	Gasoline	Ford	365
U	2.0L ATK iVCT	I-4	Hybrid/Electric	Ford	188
W	3.5L GTDI	V-6	Gasoline	Ford	TBD
X	1.6L GTDI	I-4	Gasoline	Ford	120
Z	5.2L TiVCT	V-8	Gasoline	Ford	526

VIN POSITION 8 Engine Type-Displacement, Cylinders, Fuel Type, Manufacturer and Horsepower (H.P.) Ratings					
CONT'D					
TABLE 2: LIGHT TRUCK/MPV					
VIN CODE	Displacement/Litre	Cylinders	Fuel	Manufacturer	Net Brake H.P.
6	6.2L	V-8	Gasoline	Ford	383
7	2.5L iVCT	I-4	Gasoline	Ford	168
7	2.5L DOHC PFI	I-4	Gasoline	Ford	169
8	3.5L	V-6	Gasoline	Ford	TBD/287
8	3.5L Ti-VCT	V-6	Gasoline	Ford	290/282
9	2.0L GTDI	I-4	Gasoline	Ford	TBD
9	2.0L	I-4	Gasoline	Ford	240 w/ Prem. Fuel
9	2.0L EcoBoost	I-4	Gasoline	Lincoln	237 HP
D	1.5L GTDI Sigma	I-4	Gasoline	Ford	170 w/ Prem. Fuel
F	5.0L 4V	V-8	Gasoline	Ford	386
G	3.5L EcoBoost	V-6	Gasoline	Ford	310
G	3.5L GTDI	V-6	Gasoline	Ford	365
H	2.3L EcoBoost	I-4	Gasoline	Ford	280
H	2.3L EcoBoost	I-4	Gasoline	Lincoln	275 HP
K	3.7L	V-6	Gasoline	Ford	303
M	3.7	V-6	Gasoline	Ford	275
P	2.7L GTDI	V-6	Gasoline	Ford	TBD
P	2.7L 4V	V-6	Gasoline	Ford	325
P	2.7L GTDI	V-6	Gasoline	Ford	335
R	3.7 Ti-VCT	V-6	Gasoline	Ford	304/303



Cataloging & Product Line Inquiry/Comment Form

If you would like to state any concerns or make recommendations about the following:

- Product application omissions
- Cataloging part number recommendations
- Application recommendations

Please fill out the attached Cataloging & Product Line Inquiry/Comment Form.

Send completed form to:

Motorcraft® Publications
 16800 Executive Plaza Drive - Cube 3N222
 Dearborn, MI 48126



CATALOGING & PRODUCT LINE INQUIRY/COMMENT FORM
 PLEASE DO NOT USE THIS CARD TO ORDER ADDITIONAL CATALOGS

Part or Catalog Description & Number: _____

Inquiry/Comment: _____

Submitted by: NAME: _____

 ADDRESS: _____

PHONE NUMBER: _____ Information Only Response Requested

Thank you for your interest in Motorcraft® products and your time in submitting this form.



Ford Contour

Part Type	Years	Engine	Qualifier	Ford #
Reman	1998	2.0L	8G-776-**, 8G-775-**, 7G-775-**, 7G-776-**	F8RZ-6V012-ARM

Country Squire

Part Type	Years	Engine	Qualifier	Ford #
Reman	1991-1987	5.0L		F1AZ-6V012-BRM

Crown Victoria

Part Type	Years	Engine	Qualifier	Ford #
Reman	2011-2009	4.6L	9S-808-AA/AB	9W7Z-6006-ARM
	2011-2010	4.6L FLEX	Police Interceptor; 9S-864-AC	BW7Z-6006-BRM
	2010	4.6L	Police Interceptor; 9S-112-AC	BW7Z-6006-ARM
	2009	4.6L	Police Interceptor; 9S-112-AA/AB/AC	7W7Z-6006-BARM
		4.6L FLEX	Police Interceptor; 9S-864-AA/AB/AC	8W7Z-6006-AARM
		4.6L	9S-802-AA/AB	7W7Z-6006-CARM
	2008	4.6L	7S-808-AA; 8S-112-AA/AB	7W7Z-6006-BARM
		4.6L FLEX	8S-808-AA	9W7Z-6006-ARM
		4.6L FLEX	8S-864-AA/AB	8W7Z-6006-AARM
			8S-802-AA	7W7Z-6006-CARM
	2007	4.6L	7S-112-AA, 7S-808-AA	7W7Z-6006-BARM
			7S-804-AA	7W7Z-6006-AARM
		4.6L FLEX	7S-802-AA/AB	7W7Z-6006-CARM
	2006	4.6L	w/o Oil Cooler; 6S-804-AA/AB	5W7Z-6006-AARM
			6S-112-AA/AB; w/ Oil Cooler; 6S-808-AA/AB	5W7Z-6006-BARM
			6S-802-AA/AB	6W7Z-6006-AARM
	2005	4.6L	5S-804-AA; 5S-800-AA	5W7Z-6006-AARM
		5S-112-AA; 5S-808-AA	5W7Z-6006-BARM	
2004	4.6L GAS	w/Oil Cooler 4S-112-AA, 4S-808-AA	3W7Z-6006-BARM	
		w/o Oil Cooler 4S-800-AA, 4S-804-AA/AB	3W7Z-6006-AARM	
2003	4.6L GAS	w/Oil Cooler 3G-116-**, 3G-808-**	3W7Z-6006-BARM	
		3G-112-AA/AB/AC	3W7Z-6006-BARM	
		w/o Oil Cooler 3G-804-AA/AB/AC	3W7Z-6006-AARM	
2002	4.6L GAS	w/o Oil Cooler 2G-804-AB/AC	2W7Z-6006-BARM	
		w/ Cooler; 2G-808-AC, 2G-808-AB, 2G-116-AC, 2G-116-AB, 2G-112-AC	2W7Z-6006-CARM	
		w/ Oil Cooler 2G-808-AB/AC, 2G-112-AB/AC	2W7Z-6006-CARM	
2001	4.6L	1G-112-AA, 1G-116-AA, 1G-808-AA	1W7Z-6006-GRM	
		1G-804-AA	1W7Z-6006-FRM	
2000	4.6L	0G-112-AA, 0G-116-AA, 0G-808-AA	YW7Z-6006-ERM	
		0G-804-AA	YW7Z-6006-DRM	
1999-1997	4.6L	7G-804-AA, 7G-808-AA, 7G-812-AA, 7G-816-AA, 8G-804-AA, 8G-808-AA, 9G-112-AA, 9G-112-AB, 9G-804-AA/AB, 9G-808-AA/AB	F8AZ-6V012-ARM	
1996	4.6L	6G-808-AA/AB	F8AZ-6V012-ARM	

Escort

Part Type	Years	Engine	Qualifier	Ford #
Reman	1997	2.0L SOHC	w/ Automatic Trans.	F7CZ-6006-ARM

Fiesta

Part Type	Years	Engine	Qualifier	Ford #
New	2018-2011	1.6L	Naturally Aspirated	D2BZ-6006-A
	2018-2014	1.6L EcoBoost		C1BZ-6006-B
	2017-2015	1.0L EcoBoost		C1BZ-6006-C
	2014	1.0L EcoBoost		C1BZ-6006-A

Five Hundred

Part Type	Years	Engine	Qualifier	Ford #
Reman	2007	3.0L	7G-352-AA, 7G-354-AA, 7G-358-AA, 7G-360AA	5G1Z-6006-AARM
	2006	3.0L	5G-352-AB/AC, 5G-354-AB/AC, 5G-358-AB/AC, 5G-360-AB/AC, 6G-352-AA/BA/BB, 6G-354-AA/BA/BB, 6G-358-AA/BA/BB, 6G-360-AA/BA/BB	5G1Z-6006-AARM
	2005	3.0L	5G-352-AB, 5G-354-AB, 5G-358-AB, 5G-360-AB	5G1Z-6006-AARM

Focus

Part Type	Years	Engine	Qualifier	Ford #
New	2018-2015	1.0L EcoBoost	w/ Standard Trans.; w/o Oil Blanking Plug In Oil Pan	F1FZ-6006-C
	2018-2016	1.0L EcoBoost	w/ Automatic Dual Clutch Trans.; 6F15	G1FZ-6006-A
	2018-2015	2.0L	FS170 / 171AB	FM5Z-6006-J



Focus

-Cont'd

Part Type	Years	Engine	Qualifier	Ford #
New	2018-2013	2.0L EcoBoost	Exc. 4 or 6 Groove Crankshaft Pulley; DS-328-CA	DM5Z-6006-A
Reman	2018-2016	2.3L EcoBoost	G1FY-6006-RB	G1FZ-6006-B
New	2017	2.0L EcoBoost	FS-183-AC	HM5Z-6006-ARM
New	2016-2012	ELECTRIC	1 Spd.; FM58-14B280-DA	FM5Z-14B280-A
	2015	2.0L	May Have 4 Or 6 Groove Crankshaft Pulley; Before 12/08/14	FM5Z-6006-A
	2014-2013	2.0L	May Have 4 Or 6 Groove Crankshaft Pulley	FM5Z-6006-A
Reman	2014	2.0L	ES-170-BA, ES-171-BA	GS4Z-6006-ARM
	2013	2.0L EcoBoost		DV6Z-6006-AARM
	2012	2.0L	Tag Number: CS170AA,CS171AA	CS4Z-6006-ARM
			Tag Number: CS-170-AB/CS-171-AB, ES-170-AA	CS4Z-6006-BRM
	2011-2010	2.0L	w/ Standard Trans.; w/ PZEV Evaporation; WG-173-AA	8S4Z-6006-AARM
	2010	2.0L	w/ Automatic Trans.; JG-170-AA	8S4Z-6006-AARM
			w/ Automatic Trans.; w/ PZEV Evaporation; WG-172-AA	8S4Z-6006-AARM
			w/ Standard Trans.; JG-171-AA; Exc. PZEV	8S4Z-6006-AARM
	2009-2008	2.0L	JG-170-AA, JG-171-AA, WG-172-AA, WG-173-AA	8S4Z-6006-AARM
	2007	2.0L	HG-170-AA/AB, HG-171-AA/AB, UG-172-AA/AB, UG-173-AA/AB	7S4Z-6006-AARM
		2.3L	7G-299-AA/AB	7L8Z-6006-FARM
	2006	2.0L	6G-170-AA/BA, 6G-171-AA/BA, 6G-172-AA/BA, 6G-173-AA/BA	6S4Z-6006-AARM
	2006-2005	2.3L	4G-299-AA	5S4Z-6006-BARM
	2006	2.3L	6G-299-BA	6S4Z-6006-BARM
	2005	2.0L	w/ Automatic Trans.; 4G-172-AA; 4G-170-AA	5S4Z-6006-AARM
			w/ Standard Trans.; 4G-173-AA; 4G-171-AA	5S4Z-6006-AARM
	2004	2.0L DOHC	SVT; 2G-787-AB,2G-789-AB	2M5Z-6006-BARM
	2004-2003	2.0L SOHC	3G-452-AA, 3G-453-AA, 3G-454-AA, 3G-455-AA	2M5Z-6006-BRM
	2003	2.0L DOHC	SVT; 2G-787-AA/AB, 2G-789-AA/AB	2M5Z-6006-BARM
	2002	2.0L DOHC	SVT; 2G-787-AA, 2G-789-AA	2M5Z-6006-BARM
			2G-779-AA, 2G-780-AA,AB,BA,DA, 2G-784-AA,AB,BA,DA, 2G-785-AA	2S4Z-6006-AARM
			2G-452-AA, 2G-453-AA, 2G-454-AA, 2G-455-AA	2M5Z-6006-BRM
	2001	2.0L DOHC	1G-779-**, 1G-780-**, 1G-784-**, 1G-785-**	2S4Z-6006-AARM
		2.0L SOHC	1G-452-BA, 1G-453-BA, 1G-454-BA, 1G-455-BA	2M5Z-6006-BRM
	2000	2.0L DOHC	0G-779-AA/BA/CA, 0G-780-AA/BA/CA, 0G-784-AA/BA, 0G-785-AA/BA	YM5Z-6V012-ARM
		2.0L SOHC	0G-452-BA, 0G-453-BA, 0G-454-BA, 0G-455-BA	2M5Z-6006-ARM

Freestyle

Part Type	Years	Engine	Qualifier	Ford #
Reman	2007	3.0L	7G-352-AA,7G-354-AA,7G-358-AA,7G-360-AA	5G1Z-6006-AARM
	2006	3.0L	5G-352-AB/AC,5G-354-AB/AC,5G-358-AB/AC,5G-360-AB/AC,6G-352-AA/BA/BB,6G-354-AA/BA/BB,6G-358-AA/BA/BB,6G-360-AA/BA/BB	5G1Z-6006-AARM
	2005	3.0L	5G-354-AB, 5G-360-AB	5G1Z-6006-AARM

Fusion

Part Type	Years	Engine	Qualifier	Ford #
New	2018-2014	1.5L EcoBoost		DS7Z-6006-E
	2018-2013	2.0L ELECTRIC/GAS		DS7Z-6006-C
	2018-2017	2.0L EcoBoost		HS7Z-6006-B
		2.5L FLEX	125kw/170hp	GS7Z-6006-A
		2.5L GAS	110kw/150hp	GV6Z-6006-AA
		2.7L EcoBoost		FT4Z-6006-B
	2016	2.0L EcoBoost	w/ FE Block	CJ5Z-6006-H
	2016-2013	2.5L GAS		CV6Z-6006-A
	2014-2013	1.6L EcoBoost		CJ5Z-6006-G
	2012	2.5L GAS	From 12/05/11	CE5Z-6006-A
Reman		3.0L	1G-758-BA	9L8Z-6006-BRM
	2012-2011	3.0L	1G-758-AA	9L8Z-6006-BRM
		3.5L	Naturally Aspirated; w/o Trailer Tow	9H6Z-6006-ARM
	2011-2010	2.5L	9G-315-AA/BA; 0G-316-AA; 9G-316-AA/BA	9L8Z-6006-BARM
			Hybrid; 9G-314-AA/AC	9E5Z-6006-FRM
		3.5L	BS-228BA/CA	BP5Z-6006-BARM
	2011	3.5L	BS-228-AA	BP5Z-6006-AARM
	2010	3.0L	0G-758-BA	9L8Z-6006-BRM
	2009-2007	2.3L	7G-287-AA, HG-286-AA, UG-298-AA	7E5Z-6006-AARM
	2009-2006	3.0L	6A-852-AA,7A-852-AA	6E5Z-6006-AARM
	2006	2.3L	6G-287-AA/AB/AC, TG-298-AA/AB/AC, ZG-286-AA/AB/AC	6E5Z-6006-BARM

GT

Part Type	Years	Engine	Qualifier	Ford #
New	2017	3.5L EcoBoost	Engine Assembly (Complete)	HG7Z-6007-A

LTD

Part Type	Years	Engine	Qualifier	Ford #
Reman	1985-1984	5.0L	CARB; w/ 1 Piece Crankshaft Seal	ESAZ-6V012-ARM



LTD

-Cont'd

Part Type	Years	Engine	Qualifier	Ford #
Reman	1983	5.0L	w/1 Piece Crankshaft Seal-From12/1/82	E5AZ-6V012-ARM

LTD Crown Victoria

Part Type	Years	Engine	Qualifier	Ford #
Reman	1991-1987	5.0L		F1AZ-6V012-BRM

Mustang

Part Type	Years	Engine	Qualifier	Ford #
New	2018	2.3L EcoBoost	JR3E-6006-AA; w/o Instrument Guages; JC735AA/JC736AA	JR3Z-6006-A
			w/ Instrument Guages; JC793AA/JC794AA	JR3Z-6006-B
			w/o Instrument Guages	JR3Z-6006-F
	2018-2015	5.0L	w/ High Performance LS Package	FR3Z-6006-J
			w/o Performance Package	FR3Z-6006-K
			JG444AA, JG597AA	JR3Z-6006-D
Reman	2018	5.0L	w/ 10R80 Transmission; JG-397-AA/JG-398-AA	HR3Z-6006-DRM
			w/ MT82 Transmission; JG-397-AA/JG-398-AA	JR3Z-6006-C
New	2017-2016	2.3L EcoBoost	w/o Instrument Guages	GR3Z-6006-D
			w/ Instrument Guages	JR3Z-6006-B
	2017-2011	3.7L		DK4Z-6006-H
	2017-2015	5.0L	w/ 6R80 Transmission; LHD	FR3Z-6006-H
	2016-2015	5.2L	w/ Powertrain Coolers	HR3Z-6006-B
Reman	2016	3.7L	GM-210-BA/CA, GM-211BA/CA/DA	GR3Z-6006-HRM
New	2015	2.3L	w/o Performance Package	FR3Z-6006-E
			w/ Performance Package	FR3Z-6006-F
	2014-2012	5.0L	w/ Standard Trans.; w/ Premium Brakes	ER3Z-6006-B
		5.0L 32 Valves	May Require 4 WPT-1214 Pigtailes For VCT	CR3Z-6006-D
		5.8L	w/o Super Engine Cooling System	DR3Z-6006-A
			w/ Super Engine Cooling System	DR3Z-6006-B
Reman	2014-2011	5.0L	w/o Premium Brakes	BR3Z-6006-BRM
			BG-397-AA/AB, BG-398-AA/AB	BR3Z-6006-BRM
			w/ Premium Turbo Brakes	DR3Z-6006-DARM
		5.0L 32 Valves	w/o Engine Oil Cooler; 1G-372-AA/BA/CA; 1G-373-AA/BA/CA/DA	BR3Z-6006-CARM
New	2013-2011	3.7L	Shelby GT500	AR3Z-6006-A
Reman	2010-2008	5.4L		9R3Z-6006-BRM
	2010	4.0L	w/ Standard Trans.; 0S-975-AA	AR3Z-6006-BRM
		4.6L	w/ Automatic Trans.; AS-836-AA	AR3Z-6006-BRM
			w/ Standard Trans.; AS-837-AA	AR3Z-6006-BRM
	2009	4.0L	w/ Automatic Trans.; 9S-974-AA	7R3Z-6006-CARM
			w/ Standard Trans.; 9S-975-AA	9R3Z-6006-BRM
		4.6L	9S-836-AA, 9S-837-AA	8R3Z-6006-AARM
	2008	4.0L	w/ Automatic Trans.; 8G-974-AA	7R3Z-6006-CARM
			w/ Standard Trans.; 8G-975-AA	7R3Z-6006-DARM
		4.6L	8S-836-AB,8S-837-AB	8R3Z-6006-AARM
			8S-836-AA,8S-837-AA	7R3Z-6006-AARM
			8S-303-AA	8R3Z-6006-BARM
	2007	4.0L	w/ Automatic Trans.; 7G-974-AA	6R3Z-6006-AARM
			w/ Standard Trans.; 7G-975-AA	6R3Z-6006-BARM
			w/ Automatic Trans.; 7G-974-AB	7R3Z-6006-CARM
			w/ Standard Trans.; 7G-975-AB	7R3Z-6006-DARM
		4.6L	w/ Automatic Trans.; 7S-836-AA, 7S-836-BA, 7S-836-BB	7R3Z-6006-AARM
			w/ Standard Trans.; 7S-837-BA, 7S-837-AA, 7S-837-BB	7R3Z-6006-AARM
	2006	4.0L	w/ Automatic Trans.; 6G-974-AA/AB	6R3Z-6006-AARM
			w/ Standard Trans.; 6G-975-AA/AB	6R3Z-6006-BARM
		4.6L	6S-836-AA/AB; 6S-837-AA/AB	5R3Z-6006-BARM
	2005	4.0L	w/ Standard Trans.; 5G-975-BA	5R3Z-6006-CARM
			w/ Automatic Trans.; 5G-974-AA	5R3Z-6006-AARM
		4.6L	5S-690-AA, 5S-691-AA; 5S-836-AA, 5S-837-AA	5R3Z-6006-BARM
	2004	3.9L	3G-530-CA, 3G-531-CA	4R3Z-6006-AARM
		4.6L	3G-836-AA, 3G-837-AA	3R3Z-6006-DARM
	2004-2003	4.6L SOHC	3G-386-AA; 3G-387-AA	3R3Z-6006-DARM
	2003	3.8L	3G-530-BA,3G-531-BA	3R3Z-6006-ABRM
			2G-530-AA,2G-531-AA	2R3Z-6006-DBRM
	2003-2002	4.6L SOHC	2G-836-AA/AB, 2G-837-AA/AB	2R3Z-6006-BARM
	2002	3.8L	1G-530BA, 1G-531-BA, 2G-530-AA, 2G-531-AA	2R3Z-6006-DBRM
	2001	3.8L	1G-530AA/BA, 1G-531-AA/BA	2R3Z-6006-DBRM
		4.6L	1G-837-AA/AB/AC	1R3Z-6006-FRM
			w/ Standard Trans.; 1G-801-AA	1R3Z-6006-BARM
		4.6L SOHC	1G-836-AA	1R3Z-6006-FRM
	2000-1999	3.8L	KK-530-AA, KK-531-AA, XK-530-AA, XK-531-AA, AK-530-AA, AK-531-AA, SK-530-AA, SK-531-AA; w/ Dampener #XR3Z-6B321-AA	XR3Z-6006-CRM
	2000	3.8L	w/ Dampener #1R3Z-6B321-BA; AK-530/531-BA, SK-530/531-BA	2R3Z-6006-DBRM
		4.6L	w/ Standard Trans.; 0A-103-AA	YR3Z-6006-KRM
		4.6L SOHC	w/ Automatic Trans.; 0A-100-AA	YR3Z-6006-JRM
	1999	4.6L	w/ Standard Trans.; 9A-103-AA	XR3Z-6006-HRM
		4.6L DOHC	9G-839-AA	XR3Z-6006-YARM
	1998-1997	3.8L		F7ZZ-6V012-AARM



Mustang

-Cont'd

Part Type	Years	Engine	Qualifier	Ford #
Reman	1998-1996	4.6L SOHC	6A-836-AA, 6A-837-AA, 6B-836-AA, 6B-837-AA, 6D-837-AA, 7A-836-AB, 7A-837-AA/AB/AC, 7B-837-AA/AB/AC, 7D-837-AB, 8A-100-AA, 8A-101-AA, 8A-836-AA, 8A-837-AA, 8B-836-AA, 8B-837-AA	F8AZ-6V012-ARM
	1996	3.8L 4.6L DOHC	6G-839-AA	F6ZZ-6V012-AARM F6ZZ-6006-BRM
	1995-1994	3.8L		F4SZ-6V012-ARM
	1993	5.0L	GT	F4ZZ-6V012-ARM
	1992-1989	5.0L	GT	F1ZZ-6V012-BRM
	1988-1987	5.0L	FI	F1ZZ-6V012-BRM F1ZZ-6V012-BRM

Police Interceptor Sedan

Part Type	Years	Engine	Qualifier	Ford #
New	2018-2013	3.5L 3.7L	Naturally Aspirated; w/ Engine Oil Cooler; Remove Cooler If Not Needed Exc. Banjo Style	DL2Z-6006-D BA5Z-6006-D
	2017-2015	3.5L EcoBoost		FG1Z-6006-B
	2014-2013	3.5L EcoBoost		DG1Z-6006-A
Reman	2013	3.7L	DG-466-AA,FG-466-AA/BA	DF1Z-6006-ERM

Special Service Police Sedan

Part Type	Years	Engine	Qualifier	Ford #
New	2017-2014	2.0L EcoBoost		DA8Z-6006-B

Taurus

Part Type	Years	Engine	Qualifier	Ford #
New	2018-2012	3.5L	Naturally Aspirated; w/ Engine Oil Cooler; Remove Cooler If Not Needed	DL2Z-6006-D
	2018-2015	3.5L EcoBoost		FG1Z-6006-A
Reman	2013	2.0L EcoBoost	DV-202-AA, DX-184-CA	DA8Z-6006-ARM
	2013-2012	3.5L	Naturally Aspirated; w/ Engine Oil Cooler; 1S-342-DA, DS-342-AA, FS-342-AA/BA, FS-906-AA, GS-906-AA	DL2Z-6006-ARM
			Naturally Aspirated; w/o Engine Oil Cooler; 1S-344-DA,DS-344-AA, FS-344-AA/BA, DS/FS/GS-908-AA	DL2Z-6006-BRM
New	2012-2011	3.5L EcoBoost		AA5Z-6006-D
Reman		3.5L	w/ Duratec Engine; w/o Engine Oil Cooler; BG-234-BA; BG-234-CA	BG1Z-6006-BARM
			w/ Duratec Engine; w/o Engine Oil Cooler; BG-234-AA	BG1Z-6006-AARM
		3.5L EcoBoost	w/ Engine Oil Cooler	BA8Z-6006-BARM
	2012	3.5L EcoBoost	1S-490-DA, DS-490-AA/BA, FS/GS-490-AA	DF1Z-6006-DRM
	2011-2009	3.5L	Naturally Aspirated; w/o Trailer Tow	9H6Z-6006-ARM
	2011-2010	3.5L	BS-228BA/CA	BP5Z-6006-BARM
	2011	3.5L	BS-228-AA	BP5Z-6006-AARM
		3.5L EcoBoost	1S-490-BA,CA	BA5Z-6006-AARM
	2010	3.5L	Turbocharged; w/o Oil Cooler; 0S-490-AA	AU7Z-6006-ARM
	2009-2008	3.5L	9G-224-AA	7H6Z-6006-AARM
	2008	3.5L	WG-368-AA/AB/AC	7H6Z-6006-AARM
	2007-2006	3.0L 12 Valves	6A-550-AA, 6A-558-AA	4F1Z-6006-CARM
	2005	3.0L 12 Valves	4G-558-AB, 5A-550-AA, 5A-558-AA	4F1Z-6006-CARM
	2005-2004	3.0L 24 Valves	4G-850-AA, 5S-850-AA	4F1Z-6006-BARM
	2004	3.0L 12 Valves	4S-550-AA/AB, 4G-558-AA/AB	4F1Z-6006-CARM
	2003-2002	3.0L 12 Valves	2G-550-AA, 2G-258-AA, 3S-550-AA, 3S-560-AA	3F1Z-6006-DARM
	2001	3.0L 12 Valves	1G-550-AA, 1G-558-AA	YF1Z-6006-CRM
	2000	3.0L 12 Valves	0G-558-AA, AG-550-BA, SK-550-BA	YF1Z-6006-CRM
	1999	3.0L 12 Valves	9G-558-AA, KG-550-AA/AB, XK-550-AA	XF1Z-6006-CRM
	1993-1988	3.8L		F1DZ-6V012-BRM

Taurus X

Part Type	Years	Engine	Qualifier	Ford #
Reman	2009-2008	3.5L	9G-224-AA	7H6Z-6006-AARM
	2009	3.5L	Naturally Aspirated; w/o Trailer Tow	9H6Z-6006-ARM
	2008	3.5L	WG-368-AA/AB/AC	7H6Z-6006-AARM

Thunderbird

Part Type	Years	Engine	Qualifier	Ford #
Reman	2004	3.9L	w/ Engine Oil Cooler; 4G-208-AA	4W4Z-6006-BARM
	2003	3.9L	w/o Oil Cooler; 3G-204-AA, AB	3W4Z-6006-CARM
	1997	3.8L		F7ZZ-6V012-AARM
	1996	3.8L		F6ZZ-6V012-AARM
	1995-1994	3.8L	VIN 4; Exc. SC	F4SZ-6V012-ARM
	1993-1991	3.8L	Supercharged; VIN R	F3SZ-6V012-ARM



Thunderbird

-Cont'd

Part Type	Years	Engine	Qualifier	Ford #
Reman	1993-1989	3.8L	VIN 4	F1SZ-6V012-ARM
	1992-1991	5.0L		F1ZZ-6V012-BRM
	1990-1989	3.8L	Supercharged; w/ Standard Trans.	F3SZ-6V012-ARM
	1988-1987	5.0L	Supercharged; w/ Automatic Trans.	E9SZ-6V012-BBRM F1AZ-6V012-BRM

Continental

Part Type	Years	Engine	Qualifier	Ford #
New	2018-2017	2.7L EcoBoost		F4TZ-6006-B
		3.0L EcoBoost		GB8Z-6006-A
Reman	2002-2001 1993-1991 1990-1989 1987	3.7L	Exc. Banjo Style	BA5Z-6006-D
		4.6L	1G-822-AA	2F3Z-6006-ABRM
		3.8L		F15Z-6V012-ABRM
		3.8L		F1DZ-6V012-BRM
		5.0L		F1AZ-6V012-BRM

LS

Part Type	Years	Engine	Qualifier	Ford #
Reman	2006	3.9L	w/ Engine Oil Cooler; 6G-208-AA/BA	4W4Z-6006-BARM
	2005	3.9L	w/ Engine Oil Cooler; 5G-208-AA	4W4Z-6006-BARM
	2004	3.9L	w/ Engine Oil Cooler; 4G-208-AA	4W4Z-6006-BARM
	2003	3.9L	w/o Engine Oil Cooler; 3G-204-AA, AB	3W4Z-6006-CARM
	2002-2001	3.0L	1G-230-AA/AB/AC/AD, 2G-230-AA	1W4Z-6006-YBRM
			1G-231-AA/AB/AC/AD, 1G-232-AA/AB/AC/AD, 2G-231-AA, 2G-232-AA	2W4Z-6006-ABRM
	2001	3.9L	1G-204-AA/BA/BB	2W4Z-6006-EARM
	2000	3.0L	1D-206-AA/BA/BB, 1G-208-AA/BA/BB	2W4Z-6006-FARM
			9G-237-AA, 9G-238-AA/AB, XG-231-AA/AB, XG-232-AA/AB; w/ Oil Cooler	XW4Z-6006-BRM
			9G-231-AA, KG-230-AA/AB, XG-230-AA/AB	XW4Z-6006-ARM
	3.9L	9G-204-BA	2W4Z-6006-EARM	
		9D-206-AA, 9G-208-AA	2W4Z-6006-FARM	

MKS

Part Type	Years	Engine	Qualifier	Ford #
New	2016-2015	3.5L EcoBoost		FG1Z-6006-A
	2016-2009	3.7L	1 Bolt Banjo Style	9A5Z-6006-A
	2016-2013	3.7L	Exc. Banjo Style	BA5Z-6006-D
Reman	2014-2011	3.5L EcoBoost		AA5Z-6006-D
	2012	3.5L EcoBoost	1S-490-DA, DS-490-AA/BA, FS/GS-490-AA	DF1Z-6006-DRM
	2012-2009	3.7L	w/o Engine Oil Cooler; BG-496-BA/CA	BA5Z-6006-DDRM
	2012-2010	3.7L	w/ Engine Oil Cooler; BG-498-BA/CA	BE9Z-6006-BARM
	2011	3.5L EcoBoost	1S-490-BA, CA	BA5Z-6006-AARM
	2011-2010	3.7L	w/o Engine Oil Cooler; BG-496-AA	BA5Z-6006-CCRM
			w/ Engine Oil Cooler	BE9Z-6006-AARM
	2010	3.5L	Turbocharged; w/o Oil Cooler; OS-490-AA	AU7Z-6006-ARM
	2010-2009	3.7L	w/o Engine Oil Cooler; 9G-496-BA; 3 Bolt Non-Banjo Style	9G1Z-6006-CRM
	2010	3.7L	w/ Engine Oil Cooler; OG-498-AA	AG1Z-6006-ARM
	2009	3.7L	w/o Engine Oil Cooler; 9G-496-AA; 1 Bolt Banjo Style	9G1Z-6006-ARM

MKZ

Part Type	Years	Engine	Qualifier	Ford #
New	2018-2013	2.0L ELECTRIC/GAS		DS7Z-6006-C
	2018-2017	2.0L EcoBoost		HS7Z-6006-B
	2016	2.0L EcoBoost		CJ5Z-6006-H
	2016-2013	3.7L	Exc. Banjo Style	BA5Z-6006-D
	2015	2.0L EcoBoost	Before 1/26/15	CJ5Z-6006-C
			From 1/26/15	CJ5Z-6006-H
Reman	2014-2013	2.0L EcoBoost		CJ5Z-6006-C
	2012-2009	3.5L	Naturally Aspirated; w/o Trailer Tow	9H6Z-6006-ARM
	2011-2010	3.5L	BS-228BA/CA	BP5Z-6006-BARM
	2011	3.5L	BS-228-AA	BP5Z-6006-AARM
	2009	3.5L	9G-228-AA	7H6Z-6006-AARM
	2008-2007	3.5L	7G-228-AA, 9G-224-AA, 9G-228-AA	7H6Z-6006-AARM

Mark VII

Part Type	Years	Engine	Qualifier	Ford #
Reman	1992-1988	5.0L	LSC	F1ZZ-6V012-BRM
	1987	5.0L	Base	F1AZ-6V012-BRM



Town Car

Part Type	Years	Engine	Qualifier	Ford #
Reman	2011	4.6L FLEX	9S-802-AB	7W7Z-6006-CARM
	2010-2009	4.6L	9S-808-AA/AB	9W7Z-6006-ARM
		4.6L FLEX	9S-802-AA/AB	7W7Z-6006-CARM
	2008	4.6L	7S-808-AA	7W7Z-6006-BARM
		4.6L FLEX	8S-808-AA	9W7Z-6006-ARM
	2007	4.6L	8S-802-AA	7W7Z-6006-CARM
		4.6L	7S-112-AA, 7S-808-AA	7W7Z-6006-BARM
		4.6L FLEX	7S-804-AA	7W7Z-6006-AARM
	2006	4.6L FLEX	7S-802-AA	7W7Z-6006-CARM
		4.6L	6S-808-AA/AB	5W7Z-6006-BARM
	2005	4.6L FLEX	6S-802-AA/AB	6W7Z-6006-AARM
		4.6L	5S-804-AA	5W7Z-6006-AARM
	2004	4.6L	w/Oil Cooler 4S-116-AA	3W7Z-6006-BARM
	2004-2003	4.6L	3G-114-AA/AB/AC, 3G-804-AA/AB/AC, 4S-114-AA, 4S-800-AA, 4S-804-AA/AB	3W7Z-6006-AARM
	2003	4.6L	w/Oil Cooler 3G-116-**	3W7Z-6006-BARM
	2002	4.6L	w/o Oil Cooler; 2G-114-AB/AC	2W7Z-6006-BARM
	2001	4.6L	w/ Oil Cooler 2G-116-AB,AC	2W7Z-6006-CARM
		4.6L	1G-116-AA	1W7Z-6006-GRM
2000	4.6L	1G-114-AA	1W7Z-6006-FRM	
	4.6L	0G-116-AA	YW7Z-6006-ERM	
1990-1987	5.0L	0G-114-AA	YW7Z-6006-DRM	
1983	5.0L	w/ 1 Piece Crankshaft Seal From 12/1/82	F1AZ-6V012-BRM	
			E5AZ-6V012-ARM	

Zephyr

Part Type	Years	Engine	Qualifier	Ford #
Reman	2006	3.0L	6A-852-AA,7A-852-AA	6E5Z-6006-AARM

Mazda

6

Part Type	Years	Engine	Qualifier	Ford #
New	2016-2014, 2010-2009	2.5L	6 Spd.; w/ Standard Trans.	9B4Z-6006-F
	2013-2009	2.5L	5 Spd.; w/ Automatic Trans.	9M8Z-6006-BRM

Colony Park

Part Type	Years	Engine	Qualifier	Ford #
Reman	1991-1987	5.0L		F1AZ-6V012-BRM

Mercury

Cougar

Part Type	Years	Engine	Qualifier	Ford #
Reman	1997	3.8L		F7ZZ-6V012-AARM
	1996	3.8L		F6ZZ-6V012-AARM
	1995-1994	3.8L		F4SZ-6V012-ARM
	1993-1991	3.8L		F1SZ-6V012-ARM
	1992-1991	5.0L		F1ZZ-6V012-BRM
	1990-1989	3.8L	Supercharged; VIN R; w/ Standard Trans.	F3SZ-6V012-ARM
		3.8L	Supercharged; VIN R; w/ Automatic Trans. VIN 4	E9SZ-6V012-BBRM
	1988-1987	5.0L		F1SZ-6V012-ARM
	1984	5.0L	w/ 1 Piece Crankshaft Seal	F1AZ-6V012-BRM
	1983	5.0L	w/ 1 Piece Crankshaft Seal-From 12/1/82	E5AZ-6V012-ARM
			E5AZ-6V012-ARM	

Grand Marquis

Part Type	Years	Engine	Qualifier	Ford #
Reman	2011-2009	4.6L	9S-808-AA/AB	9W7Z-6006-ARM
	2009	4.6L FLEX	9S-802-AA/AB	7W7Z-6006-CARM
	2008-2007	4.6L	7S-808-AA	7W7Z-6006-BARM
	2008	4.6L	8S-808-AA	9W7Z-6006-ARM
		4.6L FLEX	8S-802-AA	7W7Z-6006-CARM
	2007	4.6L	7S-804-AA	7W7Z-6006-AARM
		4.6L FLEX	7S-802-AA/AB	7W7Z-6006-CARM
	2006	4.6L	w/o Oil Cooler; 6S-804-AA/AB	5W7Z-6006-AARM
		4.6L	w/ Oil Cooler; 6S-808-AA/AB	5W7Z-6006-BARM
	2005	4.6L	6S-802-AA/AB	6W7Z-6006-AARM
		4.6L	w/o Oil Cooler; 5S-804-AA	5W7Z-6006-AARM
	2004-2003	4.6L	w/ Oil Cooler; 5S-808-AA	5W7Z-6006-BARM
		4.6L	3G-112-AA/AB/AC, 4S-112-AA, 4S-116-AA, 4S-808-AA	3W7Z-6006-BARM
	2004	4.6L	w/Oil Cooler 4S-112-AA, 4S-808-AA	3W7Z-6006-BARM



Grand Marquis

-Cont'd

Part Type	Years	Engine	Qualifier	Ford #
Reman	2004	4.6L	w/o Oil Cooler 4S-800-AA, 4S-804-AA/AB	3W7Z-6006-AARM
	2003	4.6L	w/Oil Cooler 3G-116-**	3W7Z-6006-BARM
	2002	4.6L	w/o Oil Cooler 3G-804-AA,AB,AC	3W7Z-6006-AARM
			w/o Oil Cooler 2G-804-AB/AC	2W7Z-6006-BARM
			w/ Oil Cooler 2G-808-AB/AC, 2G-112-AB/AC	2W7Z-6006-CARM
	2001	4.6L	1G-808-AA	1W7Z-6006-GRM
			1G-804-AA	1W7Z-6006-FRM
2000	4.6L	0G-808-AA	YW7Z-6006-ERM	
		0G-804-AA	YW7Z-6006-DRM	
1991-1987	5.0L		F1AZ-6V012-BRM	
1983	5.0L		E5AZ-6V012-ARM	
			w/ 1 Piece Crankshaft Seal From 12/1/82	

Milan

Part Type	Years	Engine	Qualifier	Ford #
Reman	2011-2010	2.5L	0G-316-AA	9L8Z-6006-BARM
			Hybrid; 9G-314-AA	9E5Z-6006-FRM
	2009-2006	3.0L	6A-852-AA,7A-852-AA	6E5Z-6006-AARM

Montego

Part Type	Years	Engine	Qualifier	Ford #
Reman	2007	3.0L	7G-352-AA,7G-354-AA,7G-358-AA,7G-360AA	5G1Z-6006-AARM
	2006	3.0L	5G-352-AB/AC,5G-354-AB/AC,5G-358-AB/AC,5G-360-AB/AC,6G-352-AA/BA/BB,6G-354-AA/BA/BB,6G-358-AA/BA/BB,6G-360-AA/BA/BB	5G1Z-6006-AARM
	2005	3.0L	5G-352-AB, 5G-354-AB, 5G-358-AB, 5G-360-AB	5G1Z-6006-AARM

Mystique

Part Type	Years	Engine	Qualifier	Ford #
Reman	1998	2.0L	8G-776-**, 8G-775-**, 7G-775-**, 7G-776-**	F8RZ-6V012-ARM

Sable

Part Type	Years	Engine	Qualifier	Ford #
Reman	2009-2008	3.5L	9G-224-AA	7H6Z-6006-AARM
	2009	3.5L	Naturally Aspirated; w/o Trailer Tow	9H6Z-6006-ARM
	2008	3.5L	WG-368-AA/AB/AC	7H6Z-6006-AARM
	2005	3.0L 12 Valves	4G-558-AB, 5A-550-AA, 5A-558-AA	4F1Z-6006-CARM
	2005-2004	3.0L 24 Valves	4G-850-AA, 5S-850-AA	4F1Z-6006-BARM
	2004	3.0L 12 Valves	4S-550-AA/AB, 4G-558-AA/AB	4F1Z-6006-CARM
	2003	3.0L 12 Valves	3S-550-AA; 3S-560-AA	3F1Z-6006-DARM
	2002	3.0L 12 Valves	2G-550-AA; 2G-258-AA	3F1Z-6006-DARM
	2001	3.0L 12 Valves	1G-550-AA, 1G-558-AA	YF1Z-6006-CRM
	2000	3.0L 12 Valves	0G-558-AA, AG-550-BA, SK-550-BA	YF1Z-6006-CRM
	1999	3.0L 12 Valves	9G-558-AA, KG-550-AA/AB, XK-550-AA	XF1Z-6006-CRM
	1993-1988	3.8L		F1DZ-6V012-BRM

Tracer

Part Type	Years	Engine	Qualifier	Ford #
Reman	1997	2.0L SOHC	w/ Automatic Trans.	F7CZ-6006-ARM

Villager

Part Type	Years	Engine	Qualifier	Ford #
Reman	1996-1993	3.0L		F6XZ-6006-BBRM

Ford

Aerostar

Part Type	Years	Engine	Qualifier	Ford #
Reman	1997-1996	3.0L		F57Z-6V012-DRM
	1997	4.0L OHV		F77Z-6V012-DARM
	1996-1995	4.0L OHV		F5TZ-6V012-AARM
	1994-1991	4.0L OHV	w/ Automatic Trans.	F0TZ-6V012-ABRM
	1990	4.0L OHV	From 5/10/90	F0TZ-6V012-ABRM



Bronco

Part Type	Years	Engine	Qualifier	Ford #
Reman	1996	5.0L	TK-366-AA, ZK-360-AA, ZK-361-AA, ZK-366-AA	F6TZ-6V012-CBRM
	1995-1994	5.8L		F4TZ-6V012-BARM
		5.0L		F4TZ-6V012-CRM
		5.8L		F4TZ-6V012-BRM
	1993-1992	5.0L		F2TZ-6V012-ARM
	1993-1988	5.8L		F1TZ-6V012-BRM
	1992-1987	5.0L		F2TZ-6V012-CRM
		4.9L GAS		F2UZ-6V012-DRM
	1991-1989	5.0L		F1TZ-6V012-ARM
	1988	5.0L		F1TZ-6V012-ARM
1983	5.0L	w/ Dipstick In Block Fl; w/o T/E Holes In Head Fl; w/ TE Holes In Head w/ Knock Sensor w/ Knock Sensor From 9/1/87 w/ 1 Piece Crankshaft Seal From 12/1/82	E5AZ-6V012-ARM	

EcoSport

Part Type	Years	Engine	Qualifier	Ford #
New	2018	1.0L EcoBoost	Naturally Aspirated	G1FZ-6006-A
		2.0L		GN1Z-6006-B

Econoline

Part Type	Years	Engine	Qualifier	Ford #	
New	2018-2017	6.2L	w/ Gaseous Fuel Prep Pack	HC2Z-6006-B	
	2018-2003	6.8L	w/o Gaseous Prep Pack	9C2Z-6006-AA	
Reman	2018-2010	6.8L	w/ Gaseous Fuel Prep Pack	AC2Z-6006-A	
	2016-2008	5.4L	w/o Gaseous Prep Pack	9C2Z-6006-A	
	2016-2010	5.4L	w/ Gaseous Fuel Prep Pack	AC2Z-6006-B	
	2014-2010	5.4L	9E-640-AA	9C2Z-6006-BARM	
	2013-2009	6.8L	9Q-636-AA	9C2Z-6006-CARM	
	2013-2010	6.8L	AQ-638-AA	AC2Z-6006-BRM	
	2011-2009	4.6L FLEX	9S-816-AA/AB	9C2Z-6006-AARM	
	2010	5.4L CNG	AE-616-AA/AE-618-AA	AC2Z-6006-ARM	
		5.4L FLEX	AE-616-AA/AE-618-AA	AC2Z-6006-ARM	
	2009	5.4L	9E-640-AA; 9E-642-AA	9C2Z-6006-BARM	
	2008	4.6L	7S-820-AA	7C2Z-6006-AARM	
		5.4L	8S-816-AA; FFV	8C2Z-6006-AARM	
	2008-2007	5.4L	7E-872-AA, 7E-886-AA, 7E-898-AA	7C2Z-6006-BARM	
	2008	6.8L	7Q-636-AA	7C2Z-6006-CARM	
	2008-2007	6.8L	8E-662-AA, 8E-663-AA	7C3Z-6006-CARM	
	2007	4.6L	w/ Oil Cooler; 7S-820-AA	7C2Z-6006-AARM	
	2006-2005	4.6L	w/ Oil Cooler	5C2Z-6006-CRM	
		5.4L	w/o Oil Cooler	5C2Z-6006-BRM	
	2006	5.4L	6G-872-AA, 6G-890-AA, 6G-898-AA	5C2Z-6006-ARM	
		6.8L	5Q-636-CA, 6Q-636-AA	5C2Z-6006-DRM	
	2005	5.4L	5G-872-AA, 5G-890-AA, 5G-892-AA, 5G-898-AA	5C2Z-6006-ARM	
		6.8L	5Q-636-BA/CA	5C2Z-6006-DRM	
	2004	4.6L	w/ Cooler 4S-820-AA	4C2Z-6006-BARM	
		5.4L	w/o Cooler 4S-818-AA	4C2Z-6006-AARM	
		5.4L	4S-890-AA	4C2Z-6006-CARM	
		5.4L CNG	4Q-872-AA, XE-892-AA	4C2Z-6006-FRM	
		6.8L	4S-616-AA	4C2Z-6006-DARM	
		6.8L	4Q-636-AA/BA	4C2Z-6006-ARM	
		2003-2002	4.2L	w/o Oil Cooler; 2K-706-AA/BA	1L3Z-6006-QARM
			4.2L	w/o Oil Cooler; 3K-706-BA	3L3Z-6006-GARM
		2003	4.6L	w/ Oil Cooler 3K-704-BA	3C2Z-6006-JARM
			5.4L GAS	3G-818-AC	3C2Z-6006-DARM
	2002	6.8L	3G-820-AA/AB	3C2Z-6006-EARM	
		4.2L	3G-818-AA/AB	3C2Z-6006-CARM	
	2001	5.4L GAS	3G-890-AA	3C2Z-6006-GBRM	
		4.2L	3E-872-AA, WE-892-AA	3C2Z-6006-ERM	
	2000-1999	5.4L CNG	3E-636-AA, 3E-638-AA	3C2Z-6006-HBRM	
		5.4L GAS	w/ Oil Cooler; 2K-704-AA/BA	1L3Z-6006-RARM	
	2000	4.6L	2G-616-BA	2C2Z-6006-CBRM	
		5.4L GAS	2G-890-BA	2C2Z-6006-ABRM	
1999	6.8L	2E-872-BA, UE-892-BA	2C2Z-6006-DRM		
	4.6L	2E-636-BA/BB, 2E-638-BA/BB	2C2Z-6006-BBRM		
1999	6.8L	w/o Oil Cooler; 1K-706-AA/BA/CA	1L3Z-6006-QARM		
	4.6L	w/ Oil Cooler; 1K-704-AA/BA/CA	1L3Z-6006-RARM		
1999	5.4L GAS	1G-890-AA/AB	YC2Z-6006-NARM		
	6.8L	1E-872-AA/AB, TE-892-AA/AB	YC2Z-6006-PARM		
1999	6.8L	TE-634-AA, 1E-636-AA/AB	XC2Z-6006-SARM		
	4.6L	9K-704BA, 0K-704-AA/BA/CA	XC2Z-6006-FARM		
1999	6.8L	9K-706BA, 0K-706-AA/BA/CA	XL3Z-6006-GARM		
	4.6L	0G-818-AA	YC2Z-6006-HARM		
1999	5.4L GAS	OG-890-AB	YC2Z-6006-NARM		
	6.8L	0E-872-AB, SE-892-AB	YC2Z-6006-PARM		
1999	6.8L	SE-634-AB, 0E-636-AB	YC2Z-6006-SARM		
	4.6L	9G-818-BA	XC2Z-6006-GARM		



Econoline

-Cont'd

Part Type	Years	Engine	Qualifier	Ford #	
Reman	1999	5.4L	9E-892-AA	F7UZ-6006-MARM	
		5.4L GAS	9G-890-AA	F7UZ-6006-LARM	
		6.8L	9E-634-AA	XC2Z-6006-RARM	
	1998	4.2L		8K-704-AA, 8K-704-CA	F7UZ-6006-DRM
				8K-706-AA, 8K-706-CA	F7TZ-6006-EARM
				8K-706-DA	F8TZ-6006-FARM
				8K-704-DA	F8UZ-6006-BRM
	1998-1997	4.6L	7G-900-AA/AB	F7TZ-6V012-BARM	
		5.4L	U/8500 GVW; 7E-890-AA/AB	F7UZ-6006-LARM	
	1997	4.2L		O/8500 GVW; 7E-892-AA, 7E-892-AB	F7UZ-6006-MARM
				8E-634-AA	XC2Z-6006-RARM
				7K-704-AA, 7K-704-BA, 7K-704-CA	F7UZ-6006-DRM
				7K-706-AA, 7K-706-BA, 7K-706-CA	F7TZ-6006-EARM
	1996-1987	4.9L GAS		7E-890-AA/AB	F7UZ-6006-LARM
				7E-634-AA	XC2Z-6006-RARM
				FI; w/o T/E Holes in Head	F2TZ-6V012-CRM
				FI; w/ T/E Holes In Head	F2UZ-6V012-DRM
	1996	5.0L		F6TZ-6V012-CBRM	
		5.8L		F4TZ-6V012-BARM	
	1996-1993	7.5L		F3TZ-6V012-FRM	
	1995-1994	5.0L		F4TZ-6V012-CRM	
		5.8L		F4TZ-6V012-BRM	
	1993-1992	5.0L		F2TZ-6V012-ARM	
	1993-1988	5.8L	FI; w/ Dipstick Tube In Block	F1TZ-6V012-BRM	
	1992-1989	7.5L		F2TZ-6V012-FRM	
	1991-1989	5.0L	w/ Knock Sensor	F1TZ-6V012-ARM	
		5.0L	w/ Knock Sensor From 9/1/87	F1TZ-6V012-ARM	
1988	7.5L	FI	F2TZ-6V012-FRM		
	7.5L	CARB	E5TZ-6V012-HRM		
1987	7.5L		E5TZ-6V012-HRM		
1986	7.5L		E5TZ-6V012-HRM		
1985	5.0L	CARB; w/ 1 Piece Crankshaft Seal	E5AZ-6V012-ARM		
	7.5L	Before 4/1/85	D9UZ-6V012-DRM		
		From 4/1/85	E5TZ-6V012-HRM		
1984	5.0L	w/ 1 Piece Crankshaft Seal	E5AZ-6V012-ARM		
1984-1979	7.5L		D9UZ-6V012-DRM		
1983	5.0L	w/ 1 Piece Crankshaft Seal From 12/1/82	E5AZ-6V012-ARM		

Edge

Part Type	Years	Engine	Qualifier	Ford #
New	2018-2016	2.0L EcoBoost		F2GZ-6006-A
		2.7L EcoBoost		F2GZ-6006-A
	2018-2012	3.5L	Naturally Aspirated; w/ Engine Oil Cooler; Remove Cooler If Not Needed	DL2Z-6006-D
		3.5L	w/o Engine Oil Cooler	AT4Z-6006-D
2016-2011	2.0L EcoBoost	CT4E-6006-AC; Thru 12/24/14	CT4Z-6006-B	
	2015	From 01/19/15	F2GZ-6006-A	
Reman	2015-2008	3.5L	w/ Class II or III Trailer Towing	9T4Z-6006-FC
	2015-2012	2.0L EcoBoost	DS-328-CA	DT4Z-6006-BRM
New	2014-2012	2.0L EcoBoost	CT4E-6006-AC	CT4Z-6006-B
		3.7L	Exc. Banjo Style	BA5Z-6006-D
Reman	2013	3.7L	DG-494-AA, DG-592-AA	BA5Z-6006-C
		3.5L	Naturally Aspirated; w/ Engine Oil Cooler; 1S-342-DA, DS-342-AA, FS-342-AA/BA, FS-906-AA, GS-906-AA	DL2Z-6006-ARM
New	2013	3.7L	Naturally Aspirated; w/o Engine Oil Cooler; 1S-344-DA, DS-344-AA, FS-344-AA/BA, DS/FS/GS-908-AA	DL2Z-6006-BRM
		3.7L	DG-494-AA, DG-592-AA	DT4Z-6006-ARM
Reman	2012	2.0L EcoBoost	Exc. 4 or 6 Groove Crankshaft Pulley; DS-328-CA	DM5Z-6006-A
			OD-786-AB	AT1Z-6006-ARM
			CX-184-AA/BA	DB5Z-6006-ARM
	2012-2011	3.7L		BT4Z-6006-AARM
		3.5L	w/o Engine Oil Cooler	BB5Z-6006-BARM
	2010-2007	3.5L	Naturally Aspirated; w/o Trailer Tow	9H6Z-6006-ARM
	2009-2008	3.5L	9G-224-AA	7H6Z-6006-AARM
		3.5L	9G-222-AB	9T4Z-6006-AARM
	2009	3.5L	9G-222-BA	9T4Z-6006-BARM
		3.5L	w/ Cooler; 8G-222-AA/AB	7T4Z-6006-AARM
	2008	3.5L	w/o Cooler; 7G-224-AA	7H6Z-6006-AARM
	2007	3.5L	w/ Cooler; 7G-222-AA	7T4Z-6006-AARM

Escape

Part Type	Years	Engine	Qualifier	Ford #
New	2018-2017	2.0L EcoBoost		CJ5Z-6006-H
		2.5L GAS	110kw/150hp	GV6Z-6006-AA
	2016	1.6L EcoBoost		CJ5Z-6006-K
2.0L EcoBoost		Before 11/19/15	CJ5Z-6006-C	
		From 11/19/15	CJ5Z-6006-H	



Escape

-Cont'd

Part Type	Years	Engine	Qualifier	Ford #
New	2016-2013	2.5L GAS		CV6Z-6006-A
	2015-2013	1.6L EcoBoost		CJ5Z-6006-G
	2015	2.0L EcoBoost		CJ5Z-6006-C
	2014	2.0L EcoBoost	Before 12/02/13 From 12/02/13	CJ5Z-6006-B CJ5Z-6006-C
Reman	2013	2.0L EcoBoost	CS-186-AA	CJ5Z-6006-B CL8Z-6006-ARM
New	2012-2010	2.5L ELECTRIC/GAS		9E5Z-6006-C
Reman	2012	2.5L GAS		CE5Z-6006-A
	2012-2011 2011-2010	3.0L 3.0L 2.5L	1G-758-BA 1G-758-AA Hybrid; 9G-314-BA/DA	9L8Z-6006-BRM 9L8Z-6006-BRM 9E5Z-6006-FRM
Reman	2011-2010	2.5L GAS	9G-316-BA; 0G-316-AA	9L8Z-6006-BARM
	2010	3.0L	0G-758-BA	9L8Z-6006-BRM
	2009	2.5L ELECTRIC/GAS	9G-320-AA; 9G-320-BA	9L8Z-6006-CARM
		2.5L GAS	9G-313-AA; 9G-313-BA; 9G-313-CA; 9G-316-AA; 9G-316-BA	9L8Z-6006-BARM
		3.0L	9G-758-AA	9L8Z-6006-BRM
	2008	2.3L	8G-274-AA, 8G-275-AA	8L8Z-6006-BARM
	2008-2007	2.3L ELECTRIC/GAS	Hybrid; 7G-278-AA, 8G-278-AA	7L8Z-6006-GARM
	2008	3.0L	8G-758-AA	8L8Z-6006-AARM
	2007	2.3L	7G-274-BA, 7G-275-BA	7L8Z-6006-FARM
	2007-2006	3.0L	6G-758-AA	6L8Z-6006-AARM
	2006	2.3L	w/ Automatic Trans.; 6S-274-AA w/ Standard Trans.; 6S-275-AA w/ Standard Trans.; 6S-275-BA w/ Automatic Trans.; 6S-274-BA	5L8Z-6006-DRM 5L8Z-6006-DRM 7L8Z-6006-EARM 7L8Z-6006-EARM
	2006-2005	3.0L	5G-758-AC Export 5D-752-AA/AB Export 5D-756-AA/AB	5L8Z-6006-BRM 5L8Z-6006-DARM 5L8Z-6006-CRM
	2006	ELECTRIC/GAS	Hybrid; 6G-278-AA/BA	6L8Z-6006-EARM
	2005	2.3L 3.0L	5G-274-BA, 5G-275-BA w/ Oil Cooler 5G-758-AB	5L8Z-6006-DRM 5L8Z-6006-ARM
		ELECTRIC/GAS	Hybrid; 5G-278-AA/BA/CA/DA/EA/FA	5L8Z-6006-EARM
	2004	2.0L	3G-121-BA	YL8Z-6006-AARM
2004-2001	3.0L	1G-752-AA/AB 1G-754-AA/AB Export 1D-756-AA/AB	1L8Z-6006-ABRM 1L8Z-6006-BBRM 1L8Z-6006-CBRM	
2003	2.0L	3G-121-AA	YL8Z-6006-AARM	
2002-2001	2.0L	0G-121-AA	YL8Z-6006-AARM	

Excursion

Part Type	Years	Engine	Qualifier	Ford #
Reman	2005	5.4L	XE-880-AA	4C3Z-6006-EARM
		6.8L	5Q-666-AA	5C7Z-6006-ARM
	2004	5.4L	EE-874-AA, EE-883-AA, XE-880-AA	4C3Z-6006-EARM
		6.8L	4Q-662-AA/BA; 4Q-663-AA	4C3Z-6006-ARM
	2003	5.4L	CE-874-AA, UE-880-AA	2L3Z-6006-DBRM
	2003-2002	6.8L	2E-666-AA/AB, 2D-670-AB	2L3Z-6006-EBRM
	2002	5.4L	CD-899-AA, CE-874-AA, UE-880-AA	2L3Z-6006-DBRM
	2001	5.4L	BE-874-AA, TE-880-AA	YC3Z-6006-EARM
		6.8L	TE-664-AA, 1E-666-AA	YC3Z-6006-GARM
	2000	5.4L	AE-874-AB, SE-880-AB	YC3Z-6006-EARM
		6.8L	SE-664-AB, OE-666-AB	YC3Z-6006-GARM

Expedition

Part Type	Years	Engine	Qualifier	Ford #
New	2018	3.5L EcoBoost		HL7Z-6006-A
	2017-2015	3.5L EcoBoost		DK4Z-6006-G
Reman	2014-2009	5.4L		9L3Z-6006-A
	2013-2009	5.4L	9S-600-AA/BA; 9S-696-AA	9L1Z-6006-AARM
	2010-2009	5.4L	w/ Automatic Trans.; 9E-874-AA	9C3Z-6006-AARM
	2008-2007	5.4L	7G-696-AA	7L3Z-6006-DARM
		5.4L	7G-696-AB	8L3Z-6006-BARM
	2006	5.4L	5G-696-BA; 5G-698-BA; 6G-694-BA, 6G-694-AA, 6G-692-BA, 6G-692-AA	5L3Z-6006-BRM
	2005	5.4L	5G-696-AA; 5G-698-BA	5L3Z-6006-BRM
	2004	4.6L	4S-308-AA	4L1Z-6006-AARM
		5.4L	3G-610-AB	3L1Z-6006-CBRM
	2003	4.6L	3G-308-BA/BB	3L1Z-6006-BARM
		5.4L	3G-308-AA/AB/AC	3L1Z-6006-AARM
	2002	4.6L	3G-610-AA/A1A/A2A, AB/A1B/A2B	3L1Z-6006-CBRM
		5.4L	2G-846-AA	2L3Z-6006-GARM
	2001	5.4L	2D-896-BA, 2G-626-BA	2L3Z-6006-CBRM
		4.6L	w/ Triton (Romeo) Engine; 1G-846-BA/BB	1L3Z-6006-PRM
	2000	5.4L	1D-896-AA, 1G-626-AA/AB	YL3Z-6006-AFRM
		4.6L	0G-846-AA	XL3Z-6006-NARM



Expedition

-Cont'd

Part Type	Years	Engine	Qualifier	Ford #
Reman	2000	5.4L	0G-622-AA, 0G-626-AA, 0G-876-AA	YL3Z-6006-AFRM
	1999	4.6L	9G-938-AA/BA	XL1Z-6006-CARM
		5.4L	9G-936-AA	XL1Z-6006-BARM
	1998 1998-1997	5.4L	RWD; 9G-624-AA	XL3Z-6006-HRM
		4.6L	9G-626-AA	XL3Z-6006-ADRM
		4.6L	9G-626-BA	XL3Z-6006-AERM
		4.6L	w/ Triton (Windsor) Engine; 7G-936-**	F7TZ-6V012-BARM
		4.6L	w/ Triton (Romeo) Engine; 7G-930-**	F8TZ-6006-JARM
		5.4L	RWD; 7G-932-AA	F8TZ-6006-KARM
		5.4L	RWD; 8G-894-AA, 7G-894-AA/AB	F7TZ-6006-FARM
5.4L		7G-624-AA/AB, 8G-624-AA	F7TZ-6006-YARM	
5.4L		7G-896-AA/AB	F7TZ-6006-GARM	
5.4L		7G-626-AA/AB, 8G-626-AA	F7TZ-6006-ZRM	
1997	4.6L	w/ Triton (Windsor) Engine; 7G-912-**,7G-936-**	F7TZ-6V012-BARM	

Explorer

Part Type	Years	Engine	Qualifier	Ford #
New	2018-2017	2.3L EcoBoost		GB5Z-6006-B
	2018-2013	3.5L	Naturally Aspirated; w/ Engine Oil Cooler; Remove Cooler If Not Needed	DL2Z-6006-D
	2017-2015	3.5L EcoBoost	Transfer Cam And Crank Sensors If OEM Engine Has 2 Wire Sensors	FG1Z-6006-E
	2016	2.3L EcoBoost	Before 11/30/15	GB5Z-6006-A
Reman	2015-2014	2.0L EcoBoost	From 11/30/15	GB5Z-6006-B
	2015-2013	2.0L EcoBoost	DS-328-CA	DA8Z-6006-B
New	2014-2013	3.5L EcoBoost		DT4Z-6006-BRM
	2013	2.0L EcoBoost	Before 09/04/12	AA5Z-6006-D
Reman	2013-2012	3.5L	From 09/04/12	DA8Z-6006-B
	2013-2012	3.5L	DV-202-AA, DX-184-CA	DA8Z-6006-ARM
New	2012	2.0L EcoBoost	Naturally Aspirated; w/o Engine Oil Cooler; 1S-344-DA,DS-344-AA, FS-344-AA/BA, DS/FS/GS-908-AA	DL2Z-6006-BRM
	2012-2011	3.5L	w/o Engine Oil Cooler	BB5Z-6006-A
Reman	2012	3.5L	Naturally Aspirated; w/ Engine Oil Cooler	AT4Z-6006-D
	2012	2.0L EcoBoost	0D-786-AB	AT4Z-6006-B
Reman	2012-2011	3.5L	CX-184-AA/BA	AT1Z-6006-ARM
	2012	3.5L	w/ Engine Oil Cooler	DB5Z-6006-ARM
New	2012	3.5L	w/o Engine Oil Cooler	BB5Z-6006-AARM
	2012	3.5L	Naturally Aspirated; w/ Engine Oil Cooler; 1S-342-DA, DS-342-AA, FS-342-AA/BA, FS-906-AA, GS-906-AA	BB5Z-6006-BARM
New	2011	3.5L	w/ Engine Oil Cooler	DL2Z-6006-ARM
	2010-2009	4.0L	w/o Cooler; 9S-960-AA	AT4Z-6006-B
Reman	2009	4.6L	w/ Cooler; 9S-962-AA	9L2Z-6006-BARM
	2008	4.0L	9S-302-AA	9L2Z-6006-CARM
Reman	2008	4.0L	w/ Cooler; 8S-962-AA/AB	9L2Z-6006-AARM
	2008	4.0L	w/o Cooler; 8S-960-AA/AB	7L2Z-6006-CRM
Reman	2008	4.6L	7S-302-AB	7L2Z-6006-BRM
	2008	4.6L	7S-302-AC	7L2Z-6006-AARM
Reman	2007	4.0L	w/o Cooler; 7S-960-AA	7L2Z-6006-BARM
	2007	4.0L	w/ Cooler; 7S-962-AB	6L2Z-6006-BARM
Reman	2007	4.0L	w/o Cooler; 7S-960-AB	7L2Z-6006-CRM
	2007	4.0L	7S-302-AA	7L2Z-6006-BRM
Reman	2006	4.6L	w/o Cooler; 6G-960-AA/AB	7L2Z-6006-ARM
	2006	4.0L	w/ Cooler; 6G-962-AA/AB	6L2Z-6006-BARM
Reman	2006	4.6L	6S-302-AA/AB/AC	6L2Z-6006-DARM
	2006	4.0L	w/ Oil Cooler 5G-962-AB	6L2Z-6006-AARM
Reman	2005	4.0L	w/o Oil Cooler 5G-960-AB	4L2Z-6006-EARM
	2005	4.6L	4S-306-BA; 4S-302-BA	4L2Z-6006-DARM
Reman	2004	4.0L	w/ Oil Cooler 4G-966-AA/AB/AC	5L2Z-6006-ARM
	2004	4.0L	w/o Oil Cooler 4G-962-AA/AB/AC	4L2Z-6006-EARM
Reman	2004	4.0L	XLT Sport; w/o Balance Shaft; 4G-982-AA/AB	4L2Z-6006-DARM
	2004	4.0L	XLS Sport; w/o Balance Shaft; 4G-982-AA/BB	4L2Z-6006-GARM
Reman	2004	4.0L	XLT Sport; 4G-980-AA/AB; w/ Balance Shaft	4L2Z-6006-FARM
	2004	4.0L	XLS Sport; 4G-980-AA/AB; w/ Balance Shaft	4L2Z-6006-FARM
Reman	2003	4.6L	4S-302-AA, 4S-306-AA	4L2Z-6006-AARM
	2003	4.0L	2G-967-BB/BC; 2G-968-BB	2L2Z-6006-CBRM
Reman	2003-2002	4.6L	2G-962-BB; 2G-966-BB/BC	2L2Z-6006-BBRM
	2003	4.6L	2G-302-AA, 2G-306-AA	2L2Z-6006-FARM
Reman	2003	4.6L	2G-302-BA, 2G-306-BA	3L2Z-6006-BARM
	2002	4.0L	2G-967-AA/BB, 2G-968-AA/BB	2L2Z-6006-CBRM
Reman	2002	4.0L	w/ Balance Shaft 2G-962-AA/BB, 2G-966-AA/BB, 2G-969-AA/BB	2L2Z-6006-BBRM
	2002	4.0L	2G-962-AA/BB, 2G-966-AA/BB, 2G-969-AA/BB	2L2Z-6006-BBRM
Reman	2001	4.6L	1G-302-**, 1G-306-**	2L2Z-6006-AARM
	2001	4.0L	RWD; 0G-960-AB, 0G-961-AB	F7TZ-6006-CRM
Reman	2001	4.0L	AWD; 0G-962-AB, 0G-963-AB, 0G-964-AB	F7TZ-6006-DRM
	2001	4.0L	4WD; 0G-962-AB, 0G-963-AB, 0G-964-AB	F7TZ-6006-DRM
Reman	2000	4.0L	Postal; w/ Balance Shaft 1G-992-AA	4L2Z-6006-CBRM
	2000	4.0L OHV	Postal; 0G-966-AA/AB	4L2Z-6006-BBRM
Reman	2000	4.0L OHV	0G-948-AA, 0G-949-AA	F8TZ-6006-ARM
	2000	4.0L OHV	0G-948-AA, 0G-949-AA	F8TZ-6006-ARM



Explorer

-Cont'd

Part Type	Years	Engine	Qualifier	Ford #
Reman	2000	4.0L SOHC	RWD; 0G-960-AB; 0G-961-AA/AB	F77Z-6006-CRM
			4WD; 0G-962-AB; 0G-964-AA/AB; 0G-963-AA/AB	F77Z-6006-DRM
	1999	4.0L OHV 4.0L SOHC	9G-948-CA, 9G-949-CA	F77Z-6006-DRM
			RWD; 9G-960-AA, 9G-961-AA	F87Z-6006-ARM
	1998	4.0L OHV 4.0L SOHC	AWD; 9G-962-AA, 9G-963-AA	F77Z-6006-CRM
			4WD; 9G-962-AA, 9G-963-AA	F77Z-6006-DRM
			8G-948-AA, 8G-949-AA	F77Z-6006-DRM
			RWD; w/ Automatic Trans.; 8G-960-AA, 8G-961-AA	F87Z-6006-ARM
	1997	5.0L 4.0L OHV 4.0L SOHC	AWD; w/ Automatic Trans.; 8G-962-AA, 8G-963-AA	F77Z-6006-CRM
			4WD; w/ Automatic Trans.; 8G-962-AA, 8G-963-AA	F77Z-6006-DRM
			8G-352-AA/CA, 8G-354-AA/CA	F77Z-6006-DRM
			RWD; w/ Automatic Trans.; 7G-960-AA, 7G-961-AA	F77Z-6V012-CARM
			4WD; w/ Automatic Trans.; 7G-962-AA, 7G-963-AA	F77Z-6V012-AARM
AWD; w/ Automatic Trans.; 7G-962-AA, 7G-963-AA			F77Z-6006-CRM	
1996-1995	4.0L	From 10/25/96	F77Z-6006-DRM	
		Exc. California	F77Z-6V012-CARM	
1994-1993	4.0L	Exc. California	F5TZ-6V012-ACRM	
		California	F3TZ-6V012-BRM	
1992	4.0L	w/ Standard Trans.	F3TZ-6V012-CRM	
1991	4.0L	w/ Automatic Trans.	F1TZ-6V012-CBRM	
		w/ Standard Trans.; From 5/10/90	F0TZ-6V012-ABRM	
		w/ Automatic Trans.; From 5/10/90	F0TZ-6V012-ABRM	

Explorer Sport

Part Type	Years	Engine	Qualifier	Ford #
Reman	2003	4.0L	RWD; XLT; w/o Balance Shaft 1G-982-CA, 1G-989-CB	1L2Z-6006-BBRM
			RWD; XLS; w/o Balance Shaft 1G-982-CA, 1G-989-CB	1L2Z-6006-BBRM
			4WD; XLT; w/ Balance Shaft 1G-983-CB, 1G-984-CB	1L2Z-6006-ABRM
	2002	4.0L	4WD; XLS; w/ Balance Shaft 1G-983-CB, 1G-984-CB	1L2Z-6006-ABRM
			RWD; w/o Balance Shaft 1G-982-BA/CA, 1G-986-BA, 1G-989-BA/CA/CB	1L2Z-6006-BBRM
	2001	4.0L	4WD; w/ Balance Shaft 1G-980-BA, 1G-983-BA/CA/CB, 1G-984-BA/CA	1L2Z-6006-ABRM
			RWD; 0G-960-AA/AB	F77Z-6006-CRM
			RWD; w/o Balance Shaft 1G-982-AA/BA, 1G-986-AA/BA, 1G-989-AA/BA	1L2Z-6006-BBRM
			4WD; w/ Balance Shaft 1G-980-AA/BA, 1G-983-AA/BA, 1G-984-AA/BA	1L2Z-6006-ABRM
			4WD; 0G-962-AA/AB	F77Z-6006-DRM

Explorer Sport Trac

Part Type	Years	Engine	Qualifier	Ford #
Reman	2010-2009	4.0L	w/ Cooler; 9S-962-AA	9L2Z-6006-CARM
			9A-868-AA	9L2Z-6006-AARM
	2009	4.0L	w/o Cooler; 9S-960-AA	9L2Z-6006-BARM
			7S-302-AB	7L2Z-6006-AARM
	2008	4.6L	7S-302-AC	7L2Z-6006-BARM
			7S-302-AA	7L2Z-6006-AARM
	2007	4.6L	5G-982-AA	4L2Z-6006-GARM
	2005	4.0L	5G-980-AA	4L2Z-6006-FARM
			w/o Balance Shaft 4G-982-AA/AB	4L2Z-6006-GARM
	2004	4.0L	w/ Balance Shaft 4G-980-AA/AB	4L2Z-6006-FARM
			RWD; w/o Balance Shaft 1G-982-CA, 1G-989-CB	1L2Z-6006-BBRM
	2003	4.0L	4WD; w/ Balance Shaft 1G-983-CB, 1G-984-CB	1L2Z-6006-ABRM
			RWD; w/o Balance Shaft 1G-982-BA/CA, 1G-986-BA, 1G-989-BA/CA	1L2Z-6006-BBRM
	2002	4.0L	4WD; w/ Balance Shaft 1G-980-BA, 1G-983-BA/CA/CB, 1G-984-BA/CA	1L2Z-6006-ABRM
			RWD; 0G-960-AA/AB	F77Z-6006-CRM
2001	4.0L	RWD; w/o Balance Shaft 1G-982-AA/BA, 1G-986-AA/BA, 1G-989-AA/BA	1L2Z-6006-BBRM	
		4WD; w/ Balance Shaft 1G-980-AA/BA, 1G-983-AA/BA, 1G-984-AA/BA	1L2Z-6006-ABRM	
		4WD; 0G-962-AA/AB	F77Z-6006-DRM	

F-Series

Part Type	Years	Engine	Qualifier	Ford #	
New	2018	3.5L	Platinum; w/ One Piece Oil Pan	HL3Z-6006-D	
			XL; w/ One Piece Oil Pan	HL3Z-6006-D	
			Limited; w/ One Piece Oil Pan	HL3Z-6006-D	
			Lariat; w/ One Piece Oil Pan	HL3Z-6006-D	
			King Ranch; w/ One Piece Oil Pan	HL3Z-6006-D	
			XLT; w/ One Piece Oil Pan	HL3Z-6006-D	
		5.0L	Raptor; w/ One Piece Oil Pan	HL7Z-6006-B	
			w/o Gaseous Fuel Prep Pack	JL3Z-6006-A	
			w/ Gaseous Fuel Prep Pack	JL3Z-6006-B	
		2018-2017	6.2L	w/o Gaseous Fuel Prep Pack	HC3Z-6006-A
				w/ Gaseous Fuel Prep Pack	HC3Z-6006-B
				w/ Gaseous Fuel Prep Pack; JG-240-AA	HL3Z-6006-EARM
Reman	2018	5.0L			



F-Series

-Cont'd

Part Type	Years	Engine	Qualifier	Ford #	
Reman	2018	5.0L	w/o Gaseous Fuel Prep Pack; JA-340-AA	HL3Z-6006-DARM	
New	2017-2015	2.7L EcoBoost		FL3Z-6006-F	
	2017	3.5L EcoBoost	RWD; XLT; Engine Assembly (Complete) RWD; XL; Engine Assembly (Complete) Platinum; RWD; Engine Assembly (Complete) Limited; RWD; Engine Assembly (Complete) Lariat; RWD; Engine Assembly (Complete) King Ranch; RWD; Engine Assembly (Complete) Raptor	HL3Z-6007-A HL3Z-6007-A HL3Z-6007-A HL3Z-6007-A HL3Z-6007-A HL3Z-6007-A HL3Z-6007-A HL7Z-6006-A HL3Z-6006-ARM HL3Z-6006-BRM HL3Z-6006-CRM HL3Z-6006-GRM GL3Z-6006-C GL3Z-6006-B GL3Z-6006-D	
Reman		2.7L EcoBoost	HS-602-AA	HL3Z-6006-ARM	
		3.5L	Naturally Aspirated; w/o Trailer Tow Package; GG-372-BA	HL3Z-6006-BRM	
		3.5L EcoBoost	Limited; HS-364-AA Raptor	HL3Z-6006-CRM HL3Z-6006-GRM	
New	2016	5.0L	w/ 6R80 Transmission; w/ Gaseous Fuel Prep Pack	GL3Z-6006-C	
	2016-2015	5.0L	w/o Gaseous Prep Pack	GL3Z-6006-B	
	2016	5.0L	w/ 6R80 Transmission; w/ Gaseous Fuel Prep Pack; Includes Updated Front Cover and Idler Pulley	GL3Z-6006-D	
Reman		6.2L	w/ Gaseous Fuel Prep Pack 2	HC2Z-6006-B	
		5.0L	w/o Gaseous Fuel Prep Pack	FL3Z-6006-FARM	
		6.2L	w/ Gaseous Fuel Prep Pack w/o Gaseous Fuel Prep Pack w/ Gaseous Fuel Prep Pack	FL3Z-6006-GARM FC3Z-6006-CARM FC3Z-6006-DARM FL3Z-6006-G	
New	2015	3.5L	Naturally Aspirated	FL3Z-6006-G	
	2015-2012	6.2L	w/ Gaseous Fuel Prep Pack	HC2Z-6006-B	
	2014-2013	3.5L EcoBoost		DK4Z-6006-G	
	2014-2011	3.7L	w/ Heavy Duty Trailer Tow	DK4Z-6006-H	
	2014	3.7L	w/ Gaseous Fuel Prep Pack	EL3Z-6006-E	
	2014-2012	6.2L		CL3Z-6006-A	
	2014	5.0L		EL3Z-6006-BARM	
Reman	2014-2012	6.2L	w/ Gaseous Fuel Prep Pack; CG-478-AA, CG-478-BA, DG-478-AA	DC3Z-6006-BRM	
	2013	3.5L EcoBoost	DS-364-AA	DL3Z-6006-ARM	
	2013-2011	3.7L	w/o Engine Oil Cooler; 1G-372-AA/BA/CA; 1G-373-AA/BA/CA/DA	BR3Z-6006-CARM	
	2013	5.0L	DA-340-AA	DL3Z-6006-FRM	
	2013-2010	6.2L	SVT Raptor; 1G-474-AA	AL3Z-6006-DRM	
	2013-2011	6.2L	1G-472-AA/AB, 1G-473-AA/AB	BC3Z-6006-ERM	
	2012-2011	3.5L EcoBoost	1S-364-AA	BL3Z-6006-CARM	
		3.7L	w/ Engine Oil Cooler	BL3Z-6006-DARM	
		5.0L 32 Valves		BL3Z-6006-BARM	
		5.4L		9L3Z-6006-A	
	New	2010-2009	6.8L	O/8500 GVW; w/o Gaseous Prep Pack	8C3Z-6006-D
	Reman	2010-2008	4.6L	0A-860-AA	BL3Z-6006-CRM
		2010	4.6L	9S-600-AA/BA; 9S-696-AA	9L1Z-6006-AARM
2010-2009		5.4L	w/ Automatic Trans.; 9E-874-AA w/ Standard Trans.; 9E-883-AA	9C3Z-6006-AARM 9C3Z-6006-BARM	
	2010-2008	6.8L	8E-662-AB, 8E-663-AB	8C3Z-6006-BARM	
	2009-2008	4.6L	8S-862-AA, 8S-863-AA	5L3Z-6006-ERM	
	2009	4.6L	9S-840-AA/BA 9S-844-AA/BA	9L3Z-6006-CARM 9L3Z-6006-AARM	
	2008-2005	4.2L	5G-702-AA/AB, 5G-703-AA, 6G-702-AA/AB, 6G-703-AA/AB, 7G-702-AA/AB, 7G-703-AA/AB	5L3Z-6006-CRM	
	2008	4.2L	7G-702-AB, 7G-703-AB	5L3Z-6006-CRM	
	2008-2007	4.6L	7S-842-AA	7L3Z-6006-AARM	
	2008	5.4L	8E-874-AA 8E-874-AB 8E-883-AA 8E-883-AB	7C3Z-6006-BARM 8C3Z-6006-AARM 8C3Z-6006-CARM 8C3Z-6006-DARM	
		5.4L FLEX	7G-600-BA	7L3Z-6006-DARM	
	2008-2007	5.4L FLEX	7G-600-BB	8L3Z-6006-BARM	
	2008	5.4L GAS	7G-692-BA	7L3Z-6006-DARM	
	2008-2007	5.4L GAS	7G-692-BB	8L3Z-6006-BARM	
	2008	6.8L	8E-662-AA, 8E-663-AA	7C3Z-6006-CARM	
	2007	4.2L	6G-702-AA/AB, 6G-703-AA/AB; 7G-702-AB, 7G-703-AB	5L3Z-6006-CRM	
		5.4L	7G-600-AA/BA, 7G-692-AA/BA	7L3Z-6006-DARM	
		6.8L	6E-662-AA, 6E-663-AA	5C3Z-6006-BRM	
	2006	4.2L	6G-702-AA/AB, 6G-703-AA/AB	5L3Z-6006-CRM	
		4.6L	6S-842-AA/AB	5L3Z-6006-DRM	
	2006-2005	4.6L	5S-863-AA; 5S-862-AA	5L3Z-6006-ERM	
	2006	5.4L	6E-874-AA, 6E-883-AA	5C3Z-6006-ARM	
			5G-698-BA; 6G-694-BA, 6G-694-AA, 6G-692-BA, 6G-692-AA	5L3Z-6006-BRM	
		5.4L FLEX	6G-600-AA	6L3Z-6006-AARM	
		5.4L GAS	6G-692-AA/BA, 6G-694-AA/BA	5L3Z-6006-BRM	
	2006-2005	6.8L	5E-663-AA; 5E-662-AA, 6E-662-AA, 6E-663-AA	5C3Z-6006-BRM	
	2005	4.2L	5G-702-AA, 5G-703-AA	5L3Z-6006-CRM	
		4.6L	5S-842-AA	5L3Z-6006-DRM	
		5.4L	w/ Standard Trans.; 5E-883-AA; 5E-874-AA 5G-692-AA, 5G-694-AA XE-880-AA	5C3Z-6006-ARM 5L3Z-6006-BRM	
	2005-2004	6.8L	Motorhome 4Q-674-AA/BA	4C3Z-6006-EARM	
	2005	6.8L	Motorhome 5E-674-AA	4U9Z-6006-ARM	
	2004	4.2L	USA Built 3G-702-BA, 3G-703-BA Mexico Built 3D-710-BA, 3D-711-BA	5U9Z-6006-ARM 3L3Z-6006-GARM 3L3Z-6006-GARM	
		4.6L	4S-910-AA	5L3Z-6006-ARM	



F-Series

-Cont'd

Part Type	Years	Engine	Qualifier	Ford #
Reman	2004	4.6L	4S-862-AA,4S-863-AA 4S-842-AA	2L3Z-6006-KARM 4L3Z-6006-AARM
		5.4L	EE-874-AA, EE-883-AA, XE-880-AA 4G-692-AA	4C3Z-6006-EARM 4L3Z-6006-ARM
	6.8L	4D-683-AA; LPG	4C3Z-6006-BRM	
		4Q-662-BA, 4Q-663-AA/BA	4C3Z-6006-ARM	
	2003	4.2L	US Built 2K-702-BA, 2K-703-BA	1L3Z-6006-QARM
	2003-2002	4.2L	Mexico Built 2D-710-AA/BA, 2D-711-AA/BA	1L3Z-6006-QARM
	2003	4.2L	US Built 3G-702BA, 3G-703-BA	3L3Z-6006-GARM
	2003-2002	4.2L	Mexico Built 3D-710-BA, 3D-711-BA	3L3Z-6006-GARM
			South America 2D-721-BA	1L3Z-6006-RARM
	2003	4.2L	South America 3D-721-BA	3C2Z-6006-JARM
			w/ Triton (Romeo) Engine; 2G-842-AB/AC,2G-843-AB/AC	2L3Z-6006-KARM
	5.4L	4.6L	w/ Triton (Windsor) Engine; 2G-912-BA/BB	2L3Z-6006-HARM
			Harley-Davidson Edition; 3G-392-AA	3L3Z-6006-EBRM
	5.4L CNG	5.4L GAS	Lightning; 3G-396-AA	3L3Z-6006-EBRM
			4WD; Export 3D-390-AA	3L3Z-6006-FARM
	5.4L CNG	5.4L GAS	RWD; Export; 3D-388-XB	3L3Z-6006-DBRM
			3G-384-AA	3L3Z-6006-CBRM
	6.8L	6.8L	CE-874-AA, UE-880-AA; CE-883-AA	2L3Z-6006-DBRM
			2G-622-AA, 2G-876-AA	2L3Z-6006-CBRM
	2003-2002	6.8L	2D-683-AA/AB; LPG	2C3Z-6006-ABRM
			2E-662-AB, 2E-663-AB	2L3Z-6006-EBRM
	2002	4.2L	Motorhome; 2E-674-AA/AB	2C2Z-6006-BBRM
			USA Built 2K-702-AA/BA, 2K-703-AA/BA	1L3Z-6006-QARM
	4.6L	4.6L	2G-842-AA, 2G-843-AA	2L3Z-6006-GARM
			w/ Triton (Romeo) Engine; 2G-842-AB, 2G-843-AB	2L3Z-6006-KARM
	5.4L	5.4L CNG	w/ Triton (Windsor) Engine; 2G-912-AA	2L3Z-6006-BARM
			w/ Triton (Windsor) Engine; 2G-912-AB,2G-912-BA/BB	2L3Z-6006-HARM
	5.4L GAS	5.4L GAS	Lightning; 2G-250-AA/AB, 2G-252-AA/AB	2L3Z-6006-ABRM
			Harley-Davidson Edition; 2G-250-AA/AB, 2G-252-AA/AB	2L3Z-6006-ABRM
	6.8L	6.8L	2G-618-AA	2C3Z-6006-BBRM
			CD-899-AA, CE-874-AA, UE-880-AA, CE-883-AA	2L3Z-6006-DBRM
	2001	4.2L	2D-896-BA, 2G-622-AA, 2G-876-AA	2L3Z-6006-CBRM
			2D-683-AA; LPG	2C3Z-6006-ABRM
	4.6L	4.6L	2E-662-AA/AB, 2E-663-AA/AB	2L3Z-6006-EBRM
			US Built 1K-702-AA/BA, 1K-703-AA/BA	1L3Z-6006-QARM
	5.4L	5.4L	Mexico Built 1D-710-AA/BA, 1D-711-AA/BA	1L3Z-6006-QARM
			South America 1D-718-AA, 1D-719-AA, 1D-721-AA/BA	1L3Z-6006-RARM
	5.4L BI-FUEL	5.4L GAS	1G-912-AA	1L3Z-6006-DRM
			1G-842-AA, 1G-843-AA	1L3Z-6006-PRM
	5.4L GAS	5.4L GAS	BE-874-AA, BE-883-AA, TE-880-AA	YC3Z-6006-EARM
			Lightning; 1G-250-AA	1L3Z-6006-HARM
	2000-1999	4.2L	1G-628-AA	1L3Z-6006-MARM
			1G-622-AA, 1G-876-AA	YL3Z-6006-AFRM
	2000	4.6L	TE-660-AA, TE-661-AA, 1E-662-AA, 1E-663-AA	YC3Z-6006-GARM
			0K-702-AA/BA/CA, 0K-703-AA/BA/CA,9K-702-BA,9K-703-BA	XL3Z-6006-GARM
	2000-1999	5.4L	0G-842-AA, 0G-843-AA	XL3Z-6006-NARM
			AE-874-AB, AE-883-AB/AC, SE-880-AB	YC3Z-6006-EARM
	2000	5.4L BI-FUEL	Lightning; 9G-250-AA	1L3Z-6006-GARM
			0G-628-AA	1L3Z-6006-MARM
	1999	6.8L	0G-622-AA, 0G-626-AA, 0G-876-AA	YL3Z-6006-AFRM
SE-660-AB, SE-661-AB, OE-662-AB, 0E-663-AB			YC3Z-6006-GARM	
5.4L	5.4L GAS	9G-840-AA, 9G-841-AA	XL3Z-6006-LARM	
		9G-842-AA, 9G-843-AA	XL3Z-6006-MARM	
5.4L	5.4L	9G-842-BA, 9G-843-BA	XL3Z-6006-NARM	
		9E-880-AA, KE-881-AA	XC3Z-6006-DARM	
5.4L BI-FUEL	5.4L GAS	9G-876-AA, 9G-622-AA	XL3Z-6006-ADRM	
		9G-622-BA, 9G-876,BA	XL3Z-6006-AERM	
1998-1997	4.2L	9G-628-AA/BA	1L3Z-6006-MARM	
		RWD; 9G-620-AA, 9G-632-AA	XL3Z-6006-HRM	
1998	4.6L	9G-876-AA, 9G-622-AA	XL3Z-6006-ADRM	
		9E-672-CA	XC2Z-6006-RARM	
1998-1997	4.2L	RWD; 6K-702-AA/BA,6K-703-AA/BA,7K-702-AA/BA/CA,7K-703-AA/BA/CA, 8K-702-AA,CA, 8K-703-AA,CA	F7TZ-6006-DARM	
		8K-702-DA, 8K-703-DA	F8TZ-6006-FARM	
1998-1997	4.6L	w/ Automatic Trans.; w/ Triton (Windsor) Engine; 7G-912-**	F7TZ-6V012-BARM	
		w/ Triton (Romeo) Engine; 7G-840-AA, 7G-841-AA	F8TZ-6006-JARM	
5.4L	5.4L GAS	RWD; 7G-842-AA	F8TZ-6006-KARM	
		7G-884-AA/AB, 8G-884-AA	F7TZ-6006-GARM	
1997	4.2L	7G-622-AA/AB, 8G-822-AA	F7TZ-6006-ZRM	
		RWD; 7G-882-AA/AB, 8G-882-AA	F7TZ-6006-FARM	
1997-1996	4.6L	RWD; 7G-620-AA/AB, 8G-620-AA	F7TZ-6006-YARM	
		4WD; 6K-714-AA/BA, 6K-715-AA/BA,7K-714-AA/BA/CA,7K-715-AA/BA/CA	F7TZ-6006-EARM	
1997-1993	4.9L GAS	w/ Automatic Trans.; w/ Triton (Windsor) Engine; 6G-870-AA,7G-912-**,7G-936-**	F7TZ-6V012-BARM	
		w/ Triton (Romeo) Engine; 6G-840-**	F8TZ-6006-HARM	
1996	5.0L	Exc. Stripped Chassis	F4TZ-6V012-BARM	
		Fl; w/o TE Holes In Head	F3TZ-6V012-FRM	
		Fl; w/ TE Holes In Head	F2TZ-6V012-CRM	
			F2UZ-6V012-DRM	
			F6TZ-6V012-CBRM	



F-Series

-Cont'd

Part Type	Years	Engine	Qualifier	Ford #
Reman	1995-1987	4.9L GAS	FI; w/o T/E Holes in Head FI; w/ T/E Holes In Head	F2TZ-6V012-CRM F2UZ-6V012-DRM
	1995-1994	5.0L		F4TZ-6V012-CRM
		5.8L	Lightning	F4TZ-6V012-ARM
	1995	5.8L	Non-Lightning	F4TZ-6V012-BRM
	1994	5.8L	XL; Non-Lightning	F4TZ-6V012-BRM
	1993-1992	5.0L	XL	F4TZ-6V012-BRM
	1993-1988	5.8L		F1TZ-6V012-ARM
	1992-1989	7.5L	FI; w/ Dipstick Tube In Block	F2TZ-6V012-BRM
	1991-1989, 1987	5.0L		F2TZ-6V012-FRM
	1988-1987	5.0L	w/ Knock Sensor	F1TZ-6V012-ARM
	1988	5.0L	w/ Knock Sensor From 9/1/87	F1TZ-6V012-ARM
	1987	7.5L	FI	F2TZ-6V012-FRM
	1986	7.5L	CARB	E5TZ-6V012-HRM
	1985	5.0L		E5TZ-6V012-HRM
	1984	5.0L	CARB; w/ 1 Piece Crankshaft Seal	E5AZ-6V012-ARM
		7.5L	Before 4/1/85	D9UZ-6V012-DRM
	1984-1983, 1979	7.5L	From 4/1/85	E5TZ-6V012-HRM
	1983	5.0L	w/ 1 Piece Crankshaft Seal	E5AZ-6V012-ARM
			D9UZ-6V012-DRM	
			E5AZ-6V012-ARM	

Flex

Part Type	Years	Engine	Qualifier	Ford #
New	2018-2012	3.5L	Naturally Aspirated; w/ Engine Oil Cooler; Remove Cooler If Not Needed	DL2Z-6006-D
	2018-2016	3.5L EcoBoost	Transfer Cam And Crank Sensors If OEM Engine Has 2 Wire Sensors	FG1Z-6006-E
	2015-2009	3.5L	Naturally Aspirated; w/ Class II or III Trailer Towing	9T4Z-6006-FC
	2015	3.5L EcoBoost	Before 08/01/15	FG1Z-6006-A
Reman	2014	3.5L EcoBoost	From 08/01/15; Transfer Cam And Crank Sensors If OEM Engine Has 2 Wire Sensors	FG1Z-6006-E
		3.5L		FG1Z-6006-A
	2013-2012	3.5L	Naturally Aspirated; w/ Engine Oil Cooler; 1S-342-DA, DS-342-AA, FS-342-AA/BA, FS-906-AA, GS-906-AA	DL2Z-6006-ARM
New Reman	2012-2010	3.5L EcoBoost	Naturally Aspirated; w/o Engine Oil Cooler; 1S-344-DA, DS-344-AA, FS-344-AA/BA, DS/FS/GS-908-AA	DL2Z-6006-BRM
		3.5L		AA5Z-6006-D
	2012-2011	3.5L EcoBoost	w/ Duratec Engine; w/o Engine Oil Cooler; BG-234-BA; BG-234-CA	BG1Z-6006-BARM
		3.5L	w/ Duratec Engine; w/o Engine Oil Cooler; BG-234-AA	BG1Z-6006-AARM
	2012	3.5L EcoBoost	w/ Engine Oil Cooler	BA8Z-6006-BARM
		3.5L EcoBoost	1S-490-DA, DS-490-AA/BA, FS/GS-490-AA	DF1Z-6006-DRM
	2011	3.5L EcoBoost	1S-490-BA, CA	BA5Z-6006-AARM
		3.5L	Naturally Aspirated; w/ Oil Cooler; XG-368-BA; PZEV	9T4Z-6006-BARM
	2010	3.5L	Turbocharged; w/o Oil Cooler; 0S-490-AA	AU7Z-6006-ARM
		3.5L	Naturally Aspirated; w/o Trailer Tow	9H6Z-6006-ARM
	2010-2009	3.5L	WG-366-AD	7H6Z-6006-AARM
3.5L		XG-368-AA	9T4Z-6006-AARM	
2009	3.5L	XG-368-BA; XG-368-AB	9T4Z-6006-BARM	

Freestar

Part Type	Years	Engine	Qualifier	Ford #
Reman	2007-2006	3.9L	6G-542-AA/AB	6F2Z-6006-AARM
		4.2L	w/ Oil Cooler; 6G-726-AA-AB	6F2Z-6006-CARM
	2005	3.9L	w/o Oil Cooler; 6G-724-AA/AB	6F2Z-6006-BARM
		4.2L	5G-542-AA	5F2Z-6006-ARM
	2004	3.9L	w/o Oil Cooler; 5G-724-AA	5F2Z-6006-BRM
		4.2L	w/ Oil Cooler; 5G-726-AA	5F2Z-6006-CRM
	2004	3.9L	4G-542-BA	4F2Z-6006-BARM
		4.2L	w/ Oil Cooler; 4G-726-AA	4F2Z-6006-DARM
			w/o Oil Cooler; 4G-724-AA	4F2Z-6006-CARM

Police Interceptor Utility

Part Type	Years	Engine	Qualifier	Ford #
New	2018-2013	3.7L	Exc. Banjo Style	BA5Z-6006-D
	2017-2015	3.5L EcoBoost		FG1Z-6006-F
Reman	2013	3.7L	DG-466-AA, FG-466-AA/BA	DF1Z-6006-ERM

Ranger

Part Type	Years	Engine	Qualifier	Ford #
Reman	2011	2.3L	7G-292-CA; 7G-293-CA	7L2Z-6006-DARM
		4.0L	0G-973-AA	8L5Z-6006-AARM
	2010	2.3L	7G-292-BA; 7G-293-BA	7L2Z-6006-DARM



Ranger

-Cont'd

Part Type	Years	Engine	Qualifier	Ford #	
Reman	2010	4.0L	0G-972-AA	8L5Z-6006-AARM	
	2009-2007	2.3L	7G-292-AA/AB,7G-293-AA/AB	7L2Z-6006-DARM	
	2009	4.0L	9G-972-AA, 9G-973-AA	8L5Z-6006-AARM	
	2008-2007	3.0L	7G-590-AA, 7G-591-AA	4L5Z-6006-DARM	
	2008	4.0L	8G-972-AA, 8G-973-AA	8L5Z-6006-AARM	
	2007	4.0L	w/ Automatic Trans.; 7G-972-AA w/ Standard Trans.; 7G-973-AA	7L5Z-6006-AARM	
			w/ Automatic Trans.; 7G-972-AB w/ Standard Trans.; 7G-973-AB	7L5Z-6006-AARM	
			6G-292-AA/AB/AC,6G-293-AA/AB	8L5Z-6006-AARM	
		2006	2.3L	6G-295-AA	5L5Z-6006-ARM
			3.0L	6G-590-AA/AB, 6G-591-AA/AB	4L5Z-6006-DARM
			4.0L	6G-972-AA/AB, 6G-973-AA/AB	6L5Z-6006-AARM
		2005	2.3L	5G-292-AA,5G-293-AB; 5G-292-AB; 5G-293-AA	5L5Z-6006-ARM
			3.0L	5G-590-AA/AB, 5G-591-AA/AB	4L5Z-6006-DARM
			4.0L	w/ Standard Trans.; 5G-973-AA/BA w/ Automatic Trans.; 5G-972-AA/BA	4L2Z-6006-GARM
		2004	2.3L	4G-292-BA, 4G-293-BA	5L5Z-6006-ARM
				4G-295-BA	4L5Z-6006-BARM
			3.0L	4G-590-AA, 4G-591-AA	4L5Z-6006-DARM
			4.0L	4G-972-AA/AB,4G-973-AA/AB	4L2Z-6006-GARM
		2003	2.3L	3G-290-AA, 3G-291-AA	2L5Z-6006-AARM
				3G-273-AA	3L5Z-6006-AARM
			3.0L	2G-578-AA, 3G-590-AA, 3G-591-AA	2L5Z-6006-FARM
			4.0L	1G-972-BA, 1G-973-BA	1L2Z-6006-BBRM
		2002	2.3L	1G-270-AB, 1G-271-AB	2L5Z-6006-AARM
		2002-2001	2.3L	1G-270-AA, 1G-271-AA	2L5Z-6006-BARM
		2002	3.0L	2G-578-AA, 2G-580-AA, 2G-581-AA	2L5Z-6006-FARM
			4.0L	1G-972-AA/BA, 1G-973-AA/BA	1L2Z-6006-BBRM
		2001-2000	2.5L	0G-194-AA, 0G-195-AA	F87Z-6006-CARM
		2001	3.0L	1G-578-AA, 1G-580-AA, 1G-581-AA	YL5Z-6006-CRM
			4.0L	1G-972-AA, 1G-973-AA	1L2Z-6006-BBRM
		2000	3.0L	0G-578-AA, 0G-579-AA,0D-580-AA, 0D-581-AA	YL5Z-6006-CRM
			4.0L OHV	0G-944-AA, 0G-945-AA	F87Z-6006-ARM
		1999	2.5L	9G-194-AA, 9G-195-AA	F87Z-6006-CARM
			3.0L	9G-578-AA, 9G-579-AA, RG-580-BA, RG-581-BA	YL5Z-6006-CRM
		4.0L OHV	9G-944-CA, 9G-945-CA	F87Z-6006-ARM	
	1998	2.5L	8K-194-A*, 8K-195-A*	F87Z-6006-CARM	
		3.0L	Before 7/13/98	F57Z-6V012-DRM	
		4.0L OHV	8G-944-BA 8G-945-BA	F87Z-6006-ARM	
	1997-1995	3.0L		F57Z-6V012-DRM	
	1997	4.0L OHV		F77Z-6V012-AARM	
	1996-1995	4.0L OHV	Exc. California	F5TZ-6V012-ACRM	
	1994-1993	4.0L OHV	Exc. California	F3TZ-6V012-BRM	
			California	F3TZ-6V012-CRM	
	1992-1991	4.0L OHV	w/ Standard Trans.	F1TZ-6V012-CBRM	
			w/ Automatic Trans.	FOTZ-6V012-ABRM	
	1990	4.0L OHV	w/ Automatic Trans.; From 5/10/90	FOTZ-6V012-ABRM	

Transit Connect

Part Type	Years	Engine	Qualifier	Ford #
New	2018-2014	2.5L	w/o Gaseous Fuel Prep Pack	DB3Z-6006-A
	2016	1.6L EcoBoost		CJ5Z-6006-J
Reman	2016-2014	2.5L	w/o Gaseous Fuel Prep Pack	DC1Z-6006-ARM
New	2015-2014	1.6L EcoBoost		CJ5Z-6006-G
	2013-2010	2.0L		AT1Z-6006-B
Reman	2013-2012	2.0L	0D-786-AB; w/ Gas Prep Package	AT1Z-6006-ARM

Transit-150

Part Type	Years	Engine	Qualifier	Ford #
New	2018-2015	3.5L EcoBoost		DK4Z-6006-G
	2018-2016	3.7L CNG		DK4Z-6006-J
	2018-2015	3.7L FLEX		DK4Z-6006-H
		3.7L LPG		DK4Z-6006-H
Reman	2016-2015	3.5L EcoBoost		FK4Z-6006-BRM
New	2015	3.7L CNG		DK4Z-6006-C

Transit-250

Part Type	Years	Engine	Qualifier	Ford #
New	2018-2015	3.5L EcoBoost		DK4Z-6006-G
	2018-2016	3.7L CNG		DK4Z-6006-J
	2018-2015	3.7L FLEX		DK4Z-6006-H
		3.7L LPG		DK4Z-6006-H



Transit-250

-Cont'd

Part Type	Years	Engine	Qualifier	Ford #
Reman	2016-2015	3.5L EcoBoost		FK4Z-6006-BRM
New	2015	3.7L CNG		DK4Z-6006-C

Transit-350

Part Type	Years	Engine	Qualifier	Ford #
New	2018-2015	3.5L EcoBoost		DK4Z-6006-G
	2018-2016	3.7L CNG		DK4Z-6006-J
	2018-2015	3.7L FLEX		DK4Z-6006-H
		3.7L LPG		DK4Z-6006-H
Reman	2016-2015	3.5L EcoBoost		FK4Z-6006-BRM
New	2015	3.7L CNG		DK4Z-6006-C

Transit-350 HD

Part Type	Years	Engine	Qualifier	Ford #
New	2018-2015	3.5L EcoBoost		DK4Z-6006-G
	2018-2016	3.7L CNG		DK4Z-6006-J
	2018-2015	3.7L FLEX		DK4Z-6006-H
		3.7L LPG		DK4Z-6006-H
Reman	2016-2015	3.5L EcoBoost		FK4Z-6006-BRM
New	2015	3.7L CNG		DK4Z-6006-C

Windstar

Part Type	Years	Engine	Qualifier	Ford #	
Reman	2003	3.8L	2K-542-AA 3G-542-BA	1F2Z-6006-CARM 3F2Z-6006-BARM	
	2002	3.8L	1K-542-BA, 2K-542-AA	1F2Z-6006-CARM	
	2001	3.8L	1K-542-AA/BA	1F2Z-6006-CARM	
	2000-1999	3.8L	9K-542-CA, 0K-542-AA	XF2Z-6006-BRM	
	1999	3.0L	9G-582-AA	XF1Z-6006-CRM	
	1998-1997	3.8L			F78Z-6V012-AARM

Lincoln

Aviator

Part Type	Years	Engine	Qualifier	Ford #
Reman	2004	4.6L	4S-934-AA	2C5Z-6006-BARM
	2003	4.6L	2G-934-AA,AB,BA	2C5Z-6006-BARM

Blackwood

Part Type	Years	Engine	Qualifier	Ford #
Reman	2002	5.4L	2G-260-AA	2L7Z-6006-BARM

MKC

Part Type	Years	Engine	Qualifier	Ford #
New	2018-2017	2.0L EcoBoost	FWD; w/ 6F35 Transmission; GJ7P-7000-GA; w/ Stop/Start System	GJ7Z-7000-B
	2018	2.0L EcoBoost		HJ7Z-6006-B
	2018-2017	2.3L EcoBoost	GC-244-AA	HJ7Z-6006-A
	2018	2.3L EcoBoost	New Front Cover	JJ7Z-6006-A
	2017	2.0L EcoBoost	Before 6/01/16	F2GZ-6006-B
			From 6/01/16	HJ7Z-6006-B
	2016	2.0L EcoBoost	Before 09/24/15	CJ5Z-6006-C
			From 09/24/15	CJ5Z-6006-H
	2015	2.0L EcoBoost	Before 08/31/14	CJ5Z-6006-B
			From 08/31/14	CJ5Z-6006-C

MKT

Part Type	Years	Engine	Qualifier	Ford #
New	2018-2016	3.5L EcoBoost		FG1Z-6006-E
	2018-2014	3.7L	w/ Engine Oil Cooler; w/ Gaseous Fuel Prep Pack	EA8Z-6006-C
Reman	2017	3.7L	w/ Gaseous Fuel Prep Pack; GG-482-BA	HE9Z-6006-ARM
New	2016-2013	2.0L EcoBoost		DA8Z-6006-A
	2016-2010	3.7L	w/ Class III Trailer Towing	9A5Z-6006-GC
	2016	3.7L	w/o Engine Oil Cooler; w/o Gaseous Fuel Prep Pack	BA5Z-6006-D
Reman	2016-2010	3.7L	w/o Engine Oil Cooler; BG-496-BA/CA	BA5Z-6006-DDRM



MKT

-Cont'd

Part Type	Years	Engine	Qualifier	Ford #
New	2015	3.5L EcoBoost	Exc. Transfer Cam And Crank Sensors If OEM Engine Has 2 Wire Sensors	FG1Z-6006-A
	2014	3.5L EcoBoost	Transfer Cam And Crank Sensors If OEM Engine Has 2 Wire Sensors	AA5Z-6006-F
Reman	2013	3.7L		FG1Z-6006-A
New	2012-2010	3.5L EcoBoost	DG-466-AA,FG-466-AA/BA	DF1Z-6006-ERM
Reman		3.7L		AA5Z-6006-D
New	2011-2010	3.7L	w/ Engine Oil Cooler; BG-498-BA/CA	BE9Z-6006-BARM
Reman	2011	3.7L	w/ Trailer Tow	9A5Z-6006-G
	2011-2010	3.5L EcoBoost	1S-490-BA,CA	BA5Z-6006-AARM
		3.7L	w/o Engine Oil Cooler; BG-496-AA	BA5Z-6006-CCRM
			w/ Engine Oil Cooler	BE9Z-6006-AARM
	2010	3.5L	Turbocharged; w/o Oil Cooler; 0S-490-AA	AU7Z-6006-ARM
		3.7L	w/o Engine Oil Cooler; 9G-496-BA; 3 Bolt Non-Banjo Style	9G1Z-6006-CRM
			w/ Engine Oil Cooler; 0G-498-AA	AG1Z-6006-ARM

MKX

Part Type	Years	Engine	Qualifier	Ford #
New	2018-2016	2.7L EcoBoost		FT4Z-6006-B
	2018-2011	3.7L	Exc. Banjo Style	BA5Z-6006-D
	2016	3.7L	Engine Assembly (Complete)	G2GZ-6007-A
	2013	3.7L	DG-494-AA, DG-592-AA	BA5Z-6006-C
Reman			DG-494-AA, DG-592-AA	DT4Z-6006-ARM
	2012-2011	3.7L		BT4Z-6006-AARM
New	2010-2008	3.5L	w/ Class II or III Trailer Towing	9T4Z-6006-FC
Reman	2010-2007	3.5L	Naturally Aspirated; w/o Trailer Tow	9H6Z-6006-ARM
	2009-2008	3.5L	9G-224-AA	7H6Z-6006-AARM
	2009	3.5L	9G-222-AB	9T4Z-6006-AARM
			9G-222-BA	9T4Z-6006-BARM
	2008	3.5L	w/ Cooler; 8G-222-AA/AB	7T4Z-6006-AARM
	2007	3.5L	7G-228-AA	7H6Z-6006-AARM

Navigator

Part Type	Years	Engine	Qualifier	Ford #
New	2018	3.5L EcoBoost		HL7Z-6006-A
	2017-2015	3.5L EcoBoost		DK4Z-6006-G
	2014-2009	5.4L		9L3Z-6006-A
Reman	2013-2009	5.4L	9S-600-AA/BA; 9S-696-AA	9L1Z-6006-AARM
	2010-2009	5.4L	w/ Automatic Trans.; 9E-874-AA	9C3Z-6006-AARM
	2008-2007	5.4L	7G-696-AA	7L3Z-6006-DARM
	2006	5.4L	5G-698-BA; 6G-694-BA, 6G-694-AA, 6G-692-BA, 6G-692-AA	5L3Z-6006-BRM
	2005	5.4L	5G-698-AA	5L3Z-6006-BRM
	2003	5.4L	3G-262-AA	3L7Z-6006-BARM
	2002	5.4L DOHC	2G-260-AA	2L7Z-6006-BARM
	2000	5.4L DOHC	0G-888-AA/AB	1L7Z-6006-DARM
	1999	5.4L DOHC	RWD; 9G-886-AA	XL7Z-6006-AARM
		5.4L SOHC	4WD; 9G-626-BA; 9G-626-AA	XL3Z-6006-ADM
	1998	5.4L	4WD; 8G-896-AA, 7G-896-AA/AB	F77Z-6006-GARM

Mazda

B2300

Part Type	Years	Engine	Qualifier	Ford #
Reman	2009-2007	2.3L	7G-292-AA/AB,7G-293-AA/AB	7L2Z-6006-DARM
	2006	2.3L	6G-292-AA/AB/AC,6G-293-AA/AB	5L5Z-6006-ARM
			6G-295-AA	4L5Z-6006-BARM
	2005	2.3L	5G-292-AA,5G-293-AB	5L5Z-6006-ARM
	2004	2.3L	4G-292-BA, 4G-293-BA	5L5Z-6006-ARM
			4G-295-BA	4L5Z-6006-BARM
	2003	2.3L	3G-290-AA, 3G-291-AA	2L5Z-6006-AARM
			3G-273-AA	3L5Z-6006-AARM
	2002	2.3L	1G-270-AB, 1G-271-AB	2L5Z-6006-AARM
	2002-2001	2.3L	1G-270-AA, 1G-271-AA	2L5Z-6006-BARM

B2500

Part Type	Years	Engine	Qualifier	Ford #
Reman	2001-2000	2.5L	0G-194-AA, 0G-195-AA	F87Z-6006-CARM
	1999	2.5L	9G-194-AA, 9G-195-AA	F87Z-6006-CARM
	1998	2.5L	8K-194-A*, 8K-195-A*	F87Z-6006-CARM



B4000

Part Type	Years	Engine	Qualifier	Ford #
Reman	2005	4.0L	w/ Standard Trans.; 5G-973-AA/BA	4L2Z-6006-GARM
	2004	4.0L	4G-972-AA/AB,4G-973-AA/AB	4L2Z-6006-GARM
	2003	4.0L	1G-972-BA, 1G-973-BA	1L2Z-6006-BBRM
	2002	4.0L	1G-972-AA/BA, 1G-973-AA/BA	1L2Z-6006-BBRM
	2001	4.0L	1G-972-AA, 1G-973-AA	1L2Z-6006-BBRM
	2000	4.0L OHV	0G-944-AA, 0G-945-AA	F87Z-6006-ARM
	1999	4.0L OHV	9G-944-CA, 9G-945-CA	F87Z-6006-ARM
	1998	4.0L OHV	8G-944-BA 8G-945-BA	F87Z-6006-ARM

CX-9

Part Type	Years	Engine	Qualifier	Ford #
Reman	2007	3.5L	w/ Cooler; 7D-226-AA	7T4Z-6006-AARM

MPV

Part Type	Years	Engine	Qualifier	Ford #
Reman	2003-2002	3.0L	2G-748-AA/AB	2L8Z-6006-ABRM

Tribute

Part Type	Years	Engine	Qualifier	Ford #
Reman	2011-2010	2.5L GAS	0G-316-AA	9L8Z-6006-BARM
New	2010	2.5L ELECTRIC/GAS		9E5Z-6006-C
Reman		2.5L	Hybrid; 9G-314-BA/DA	9E5Z-6006-FRM
	2009	3.0L	9G-758-AA	9L8Z-6006-BRM
	2008	3.0L	8G-758-AA	8L8Z-6006-AARM
	2006-2005	3.0L	5D-752-AA/AB	5L8Z-6006-DARM
	2006	3.0L	6G-758-AA	6L8Z-6006-AARM
	2006-2005	3.0L	Export 5D-756-AA/AB	5L8Z-6006-CRM
	2006	3.0L	w/o Oil Cooler; 6D-752-AA/BA; Japan	6L8Z-6006-BARM
			w/ Cooler; Japan; 6D-756-BA	6L8Z-6006-CARM
	2005	2.3L	5G-274-BA,5G-275-BA	5L8Z-6006-DRM
	2004	2.0L	3G-121-BA	YL8Z-6006-AARM
	2004-2001	3.0L	1G-752-AA/AB	1L8Z-6006-ABRM
			Export 1D-756-AA/AB	1L8Z-6006-CBRM
	2003	2.0L	3G-121-AA	YL8Z-6006-AARM
	2003-2001	3.0L	1G-754-AA/AB	1L8Z-6006-BBRM
	2002-2001	2.0L	0G-121-AA	YL8Z-6006-AARM

Mercury

Mariner

Part Type	Years	Engine	Qualifier	Ford #
New	2011-2010	2.5L ELECTRIC/GAS		9E5Z-6006-C
Reman		2.5L	Hybrid; 9G-314-BA/DA	9E5Z-6006-FRM
		2.5L GAS	0G-316-AA	9L8Z-6006-BARM
	2009	2.5L ELECTRIC/GAS	9G-320-AA; 9G-320-BA	9L8Z-6006-CARM
		2.5L GAS	9G-313-AA; 9G-313-BA; 9G-313-CA; 9G-316-AA; 9G-316-BA	9L8Z-6006-BARM
		3.0L	9G-758-AA	9L8Z-6006-BRM
	2008	2.3L	8G-274-AA, 8G-275-AA	8L8Z-6006-BARM
		3.0L	8G-758-AA	8L8Z-6006-AARM
	2007-2006	3.0L	6G-758-AA	6L8Z-6006-AARM
	2006-2005	3.0L	5G-758-AC	5L8Z-6006-BRM
	2005	2.3L	5G-274-BA,5G-275-BA	5L8Z-6006-DRM
		3.0L	w/ Oil Cooler 5G-758-AB	5L8Z-6006-ARM

Monterey

Part Type	Years	Engine	Qualifier	Ford #
Reman	2007-2006	4.2L	w/ Oil Cooler; 6G-726-AA-AB	6F2Z-6006-CARM
			w/o Oil Cooler; 6G-724-AA/AB	6F2Z-6006-BARM
	2005	4.2L	w/o Oil Cooler; 5G-724-AA	5F2Z-6006-BRM
			w/ Oil Cooler; 5G-726-AA	5F2Z-6006-CRM
	2004	4.2L	w/ Oil Cooler; 4G-726-AA	4F2Z-6006-DARM
			w/o Oil Cooler; 4G-724-AA	4F2Z-6006-CARM

Mountaineer

Part Type	Years	Engine	Qualifier	Ford #
Reman	2010-2009	4.0L	w/ Cooler; 9S-962-AA	9L2Z-6006-CARM
	2009	4.0L	w/o Cooler; 9S-960-AA	9L2Z-6006-BARM



Mountaineer

-Cont'd

Part Type	Years	Engine	Qualifier	Ford #
Reman	2009	4.6L	9S-302-AA	9L2Z-6006-AARM
	2008	4.0L	w/ Cooler; 8S-962-AA/AB w/o Cooler; 8S-960-AA/AB	7L2Z-6006-CRM 7L2Z-6006-BRM
		4.6L	7S-302-AB 7S-302-AC	7L2Z-6006-AARM 7L2Z-6006-BARM
	2007	4.0L	w/o Cooler; 7S-960-AA w/ Cooler; 7S-962-AA w/ Cooler; 7S-962-AB w/o Cooler; 7S-960-AB	6L2Z-6006-BARM 6L2Z-6006-DARM 7L2Z-6006-CRM 7L2Z-6006-BRM
		4.6L	7S-302-AA	7L2Z-6006-AARM
	2006	4.0L	w/o Cooler; 6G-960-AA/AB w/ Cooler; 6G-962-AA/AB	6L2Z-6006-BARM 6L2Z-6006-DARM
		4.6L	6S-302-AA/AB/AC	6L2Z-6006-AARM
	2005	4.0L	w/ Oil Cooler 5G-962-AB w/o Oil Cooler 5G-960-AB	4L2Z-6006-EARM 4L2Z-6006-DARM
		4.6L	4S-306-BA	5L2Z-6006-ARM
	2004	4.0L	w/ Oil Cooler 4G-966-AA/AB/AC w/o Oil Cooler 4G-962-AA/AB/AC	4L2Z-6006-EARM 4L2Z-6006-DARM
		4.6L	4S-302-AA, 4S-306-AA	4L2Z-6006-AARM
	2003	4.0L	2G-967-BB/BC; 2G-968-BB 2G-962-BB; 2G-966-BB/BC	2L2Z-6006-CBRM 2L2Z-6006-BBRM
		4.6L	2G-302-AA, 2G-306-AA 2G-302-BA, 2G-306-BA	2L2Z-6006-FARM 3L2Z-6006-BARM
	2002	4.0L	2G-967-AA/BB, 2G-968-AA/BB 2G-962-AA/BB, 2G-966-AA/BB, 2G-969-AA/BB	2L2Z-6006-CBRM 2L2Z-6006-BBRM
		4.6L	2G-302-AA, 2G-306-AA 1G-302-**, 1G-306-**	2L2Z-6006-FARM 2L2Z-6006-AARM
	2001	4.0L	RWD; 0G-960-AB, 0G-961-AB 4WD; 0G-962-AB, 0G-963-AB, 0G-964-AB AWD; 0G-962-AB, 0G-963-AB, 0G-964-AB	F77Z-6006-CRM F77Z-6006-DRM F77Z-6006-DRM
		4.0L	RWD; 0G-960-AB; 0G-961-AA/AB 4WD; 0G-962-AB; 0G-964-AA/AB; 0G-963-AA/AB AWD; 0G-962-AB; 0G-964-AA/AB; 0G-963-AA/AB	F77Z-6006-CRM F77Z-6006-DRM F77Z-6006-DRM
	1999	4.0L SOHC	RWD; 9G-960-AA, 9G-961-AA AWD; 9G-962-AA, 9G-963-AA 4WD; 9G-962-AA, 9G-963-AA	F77Z-6006-CRM F77Z-6006-DRM F77Z-6006-DRM
		4.0L SOHC	RWD; w/ Automatic Trans.; 8G-960-AA, 8G-961-AA AWD; w/ Automatic Trans.; 8G-962-AA, 8G-963-AA 4WD; w/ Automatic Trans.; 8G-962-AA, 8G-963-AA	F77Z-6006-CRM F77Z-6006-DRM F77Z-6006-DRM
	1998	4.0L SOHC	8G-352-AA/CA, 8G-354-AA/CA	F77Z-6006-DRM F77Z-6V012-CARM
	1997	5.0L 5.0L	From 10/25/96	F77Z-6V012-CARM

Ford

Econoline

Part Type	Years	Engine	Qualifier	Ford #
New	2017-2003	6.8L	w/o Gaseous Prep Pack	9C2Z-6006-AA
	2017-2010	6.8L	w/ Gaseous Fuel Prep Pack	AC2Z-6006-A
	2016-2008	5.4L	w/o Gaseous Prep Pack	9C2Z-6006-A
	2016-2010	5.4L	w/ Gaseous Fuel Prep Pack	AC2Z-6006-B
	2014-2010	5.4L	9E-640-AA	9C2Z-6006-BARM
Reman	2013-2009	6.8L	9Q-636-AA	9C2Z-6006-CARM
	2013-2010	6.8L	AQ-638-AA	AC2Z-6006-BRM
	2011-2009	4.6L FLEX	9S-816-AA/AB	9C2Z-6006-AARM
	2010	5.4L CNG	AE-616-AA/AE-618-AA	AC2Z-6006-ARM
		5.4L FLEX	AE-616-AA/AE-618-AA	AC2Z-6006-ARM
	2009	5.4L	9E-640-AA; 9E-642-AA	9C2Z-6006-BARM
		4.6L	7S-820-AA 8S-816-AA; FFV	7C2Z-6006-AARM 8C2Z-6006-AARM
	2008-2007	5.4L	7E-872-AA, 7E-886-AA, 7E-898-AA	7C2Z-6006-BARM
		6.8L	7Q-636-AA	7C2Z-6006-CARM
	2008-2007	6.8L	8E-662-AA, 8E-663-AA	7C3Z-6006-CARM
		4.6L	w/ Oil Cooler; 7S-820-AA	7C2Z-6006-AARM
	2006-2005	4.6L	w/ Oil Cooler w/o Oil Cooler	5C2Z-6006-CRM 5C2Z-6006-BRM
		5.4L	6G-872-AA, 6G-890-AA, 6G-898-AA	5C2Z-6006-ARM
	2006	6.8L	5Q-636-CA, 6Q-636-AA	5C2Z-6006-DRM
		5.4L	5G-872-AA, 5G-890-AA, 5G-892-AA, 5G-898-AA	5C2Z-6006-ARM
	2005	6.8L	5Q-636-BA/CA	5C2Z-6006-DRM
		4.6L	w/ Cooler 4S-820-AA w/o Cooler 4S-818-AA	4C2Z-6006-BARM 4C2Z-6006-AARM
	2004	5.4L	4S-890-AA 4Q-872-AA, XE-892-AA	4C2Z-6006-CARM 4C2Z-6006-FRM
		5.4L CNG	4S-616-AA	4C2Z-6006-DARM
			6.8L	4Q-636-AA/BA
			4.2L	w/o Oil Cooler; 2K-706-AA/BA w/o Oil Cooler; 3K-706-BA
	2003	4.6L	w/ Oil Cooler 3K-704-BA 3G-818-AC 3G-820-AA/AB	3C2Z-6006-JARM 3C2Z-6006-DARM 3C2Z-6006-EARM



Econoline

-Cont'd

Part Type	Years	Engine	Qualifier	Ford #
Reman	2003	4.6L	3G-818-AA/AB	3C2Z-6006-CARM
		5.4L GAS	3G-890-AA	3C2Z-6006-GBRM
		6.8L	3E-872-AA,WE-892-AA	3C2Z-6006-ERM
	2002	5.4L CNG	3E-636-AA, 3E-638-AA	3C2Z-6006-HBRM
		5.4L GAS	2G-616-BA	2C2Z-6006-CBRM
			2G-890-BA	2C2Z-6006-ABRM
			2E-872-BA, UE-892-BA	2C2Z-6006-DRM
	2001	6.8L	2E-636-BA/BB, 2E-638-BA/BB	2C2Z-6006-BBRM
		5.4L	1G-890-AA/AB	YC2Z-6006-NARM
		5.4L GAS	1E-872-AA/AB, TE-892-AA/AB	YC2Z-6006-PARM
	2000	6.8L	TE-634-AA, 1E-636-AA/AB	YC2Z-6006-SARM
		5.4L GAS	OG-890-AB	YC2Z-6006-NARM
			0E-872-AB, SE-892-AB	YC2Z-6006-PARM
	1999	6.8L	SE-634-AB, 0E-636-AB	YC2Z-6006-SARM
		5.4L	9E-892-AA	F7UZ-6006-MARM
1996		5.8L		F4TZ-6V012-BARM

F-Series

Part Type	Years	Engine	Qualifier	Ford #
New	2018-2011	6.8L	w/ Gaseous Fuel Prep Pack	BC3Z-6006-C
	2016	6.8L	Engine Assembly (Complete); w/o Gaseous Fuel Prep Pack	GC3Z-6007-E
	2015-2008	6.8L	O/8500 GVW; w/o Gaseous Fuel Prep Pack	8C3Z-6006-D
	2015-2011	6.8L	w/o Gaseous Fuel Prep Pack	GU9Z-6006-A
Reman	2014-2008	6.8L	7E-674-AB	8U9Z-6006-AARM
			8E-662-AB, 8E-663-AB	8C3Z-6006-BARM
	2014-2011	6.8L	BQ-660-AA	DC3Z-6006-ARM
	2008-2007	6.8L	7Q-636-AA	7C2Z-6006-CARM
	2008	6.8L	8E-662-AA, 8E-663-AA	7C3Z-6006-CARM
	2006	6.8L	Motorhome 6E-674-AA, 7E-674-AA	5U9Z-6006-ARM
	2005-2004	6.8L	Motorhome 4Q-674-AA/BA	4U9Z-6006-ARM
	2005	6.8L	Motorhome 5E-674-AA	5U9Z-6006-ARM
	2004	6.8L	4D-683-AA; LPG	4C3Z-6006-BRM
		6.8L GAS	4Q-662-BA, 4Q-663-AA/BA	4C3Z-6006-ARM
	2003	6.8L	4Q-662-AA/BA, 4Q-663-AA/BA	4C3Z-6006-ARM
			2D-683-AA/AB; LPG	2C3Z-6006-ABRM
	2003-2002	6.8L	2E-662-AB, 2E-663-AB	2L3Z-6006-EBRM
		6.8L	Motorhome; 2E-674-AA/AB	2C2Z-6006-BBRM
	2002	6.8L	2D-683-AA; LPG	2C3Z-6006-ABRM
			2E-662-AA/AB, 2E-663-AA/AB	2L3Z-6006-EBRM
	2001-2000	6.8L	OE-674-AB, 1E-674-AA	YC2Z-6006-SARM
	2001	6.8L	TE-660-AA, TE-661-AA, 1E-662-AA, 1E-663-AA	YC3Z-6006-GARM
	2000	6.8L	SE-660-AB, SE-661-AB, OE-662-AB, OE-663-AB	YC3Z-6006-GARM
	1999	6.8L	9E-672-CA	XC2Z-6006-RARM
6.8L		9E-660-AA, 9E-661-AA	XC3Z-6006-FARM	

F53

Part Type	Years	Engine	Qualifier	Ford #
New	2018-2011	6.8L	w/ Gaseous Fuel Prep Pack	BC3Z-6006-C
	2018	6.8L	w/o Gaseous Fuel Prep Pack; HU9E-6006-AA	HU9Z-6006-A
	2017	6.8L	w/o Gaseous Fuel Prep Pack	HU9Z-6007-B
	2015-2011, 2009-2008	6.8L	w/o Gaseous Prep Pack	8C3Z-6006-D
Reman	2015-2011	6.8L	w/o Gaseous Fuel Prep Pack	GU9Z-6006-A
	2014-2011	6.8L CNG	w/ Gaseous Fuel Prep Pack	BC3Z-6006-BARM
	2004	6.8L	Motor Home - Stripped Chassis; 4Q-674-AA/BA	4U9Z-6006-ARM
	2003-2002	6.8L	Motor Home - Stripped Chassis; Motorhome; 2E-674-AA/AB	2C2Z-6006-BBRM
	2001-2000	6.8L	Motor Home - Stripped Chassis; Motorhome; OE-674-AB, 1E-674-AA	YC2Z-6006-SARM
	1999	6.8L	Motor Home - Stripped Chassis; 9E-672-CA; Motorhome	XC2Z-6006-RARM
	1997-1993	7.5L	Motor Home - Stripped Chassis	F3TZ-6V012-FRM

F59

Part Type	Years	Engine	Qualifier	Ford #
New	2018-2011	6.8L	w/ Gaseous Fuel Prep Pack	BC3Z-6006-C
	2018	6.8L	w/o Gaseous Fuel Prep Pack; HU9E-6006-AA	HU9Z-6006-A
	2015-2011	6.8L	w/o Gaseous Fuel Prep Pack	8C3Z-6006-D

F600

Part Type	Years	Engine	Qualifier	Ford #
Reman	1994-1993	7.0L GAS	w/ Forged Crankshaft	F3HZ-6V012-CRM



F650

Part Type	Years	Engine	Qualifier	Ford #
New	2018-2016 2018-2017	6.8L 6.8L	w/ Gaseous Fuel Prep Pack w/o Gaseous Fuel Prep Pack	FC4Z-6006-B HC4Z-6006-C

F700

Part Type	Years	Engine	Qualifier	Ford #
Reman	1998-1997 1996-1993	7.0L GAS 7.0L GAS	w/ Forged Crankshaft w/ Forged Crankshaft	F7HZ-6V012-BARM F3HZ-6V012-CRM

F750

Part Type	Years	Engine	Qualifier	Ford #
New	2018-2017	6.8L	w/o Gaseous Fuel Prep Pack	HC4Z-6006-C

F800

Part Type	Years	Engine	Qualifier	Ford #
Reman	1998-1997	7.0L GAS	w/ Forged Crankshaft	F7HZ-6V012-BARM



YEAR	ENGINE SIZE	QUALIFIER	FORD #
FORD TRUCK			
F Series			
1998-97	7.0L	429 CID w/ Forged Crankshaft	F7HZ-6V012-BARM
1996-92	7.0L	429 CID Gas w/ Forged Crankshaft	F3HZ-6V012-CRM

CYLINDER HEADS
Passenger Cars
Ford / Lincoln / Mercury



FORD PARTS

Ford **Crown Victoria**

Years	Qualifier	Ford #
2000-1997	4.6L GAS; Left	2W7Z-6049-JARM
1996	4.6L GAS; Left; Romeo	2W7Z-6049-JARM

Mustang

Years	Qualifier	Ford #
2000	4.6L Right	XL3Z-6049-CBRM
1999	4.6L Right; w/o Oil Cooler	XL3Z-6049-CBRM
1998-1996	4.6L Left	2W7Z-6049-JARM

Lincoln **Town Car**

Years	Qualifier	Ford #
2000-1996	4.6L GAS; Left	2W7Z-6049-JARM

Mercury **Grand Marquis**

Years	Qualifier	Ford #
2000-1996	4.6L GAS; Left	2W7Z-6049-JARM



Ford Econoline

Years	Qualifier	Ford #
2001-2000	5.4L GAS; Left	XL3Z-6049-DBRM
	GAS; Right	XL3Z-6049-CBRM
2000-1999	4.6L Left	2W7Z-6049-JARM

Excursion

Years	Qualifier	Ford #
2001-2000	5.4L GAS; Left	XL3Z-6049-DBRM
	GAS; Right	XL3Z-6049-CBRM

Expedition

Years	Qualifier	Ford #
2001, 1999	5.4L GAS; Right	XL3Z-6049-CBRM
	Left	XL3Z-6049-DBRM
2000, 1998-1997	4.6L w/ Triton (Romeo) Engine; Left	2W7Z-6049-JARM
1999	4.6L Right	XL3Z-6049-CBRM

Explorer

Years	Qualifier	Ford #
2000-1998	4.0L OHV	F87Z-6049-BARM

F-Series

Years	Qualifier	Ford #
2001-1999	5.4L GAS; Left	XL3Z-6049-DBRM
	GAS; Left; XL	XL3Z-6049-DBRM
	GAS; Right	XL3Z-6049-CBRM
	GAS; Right; XL	XL3Z-6049-CBRM
	Left; Lightning	XL3Z-6049-DBRM
	Right; Lightning	XL3Z-6049-CBRM
2001	4.6L Crew Cab Pickup; Right	XL3Z-6049-CBRM
2000-1997	4.6L Left	2W7Z-6049-JARM

Ranger

Years	Qualifier	Ford #
2000-1998	4.0L OHV	F87Z-6049-BARM

Lincoln Navigator

Years	Qualifier	Ford #
2000-1999	5.4L GAS; Right	XL3Z-6049-CBRM
	Left	XL3Z-6049-DBRM



Ford Econoline

Part Type	Years	Engine	Qualifier	Ford #
Reman	2010	6.0L DIESEL OHV	Diesel Fuel Injector Driver Module; FI; V8 363 CID (P) Engine Short Block; V8 363 CID (P); Assembly Turbocharger; V8 363 CID (P) Turbocharger; V8 363 CID (P); w/o Turbo Spacer, Wire Clip and Bolt Engine Assembly (Complete); V8 363 CID (P); From Engine Serial # 299,093 and Up Engine Assembly (Less Accessories); V8 363 CID (P); From Engine Serial # 299,093 and Up Engine Assembly (Less Accessories); V8 363 CID (P); From Engine Serial # 299,093 and Up; w/ Head Studs	HC3Z-12B599-CRM 6C3Z-6009-ARM 5C3Z-6K682-CCRM TC-17-RM 6C2Z-6007-AARM 6C2Z-6006-AARM 5C3Z-6006-DARM
	2009	6.0L DIESEL OHV	Diesel Fuel Injector Driver Module; FI; V8 363 CID (P) Engine Short Block; V8 363 CID (P); Assembly Turbocharger; V8 363 CID (P) Turbocharger; V8 363 CID (P); w/o Turbo Spacer, Wire Clip and Bolt Engine Assembly (Complete); V8 363 CID (P); From Engine Serial # 299,093 and Up Engine Assembly (Less Accessories); V8 363 CID (P); From Engine Serial # 299,093 and Up Engine Assembly (Less Accessories); V8 363 CID (P); From Engine Serial # 299,093 and Up; w/ Head Studs	HC3Z-12B599-CRM 6C3Z-6009-ARM 5C3Z-6K682-CCRM TC-17-RM 6C2Z-6007-AARM 6C2Z-6006-AARM 5C3Z-6006-DARM
Reman	2008	6.0L DIESEL OHV	Diesel Fuel Injector Driver Module; FI; V8 363 CID (P) Engine Short Block; V8 363 CID (P); Assembly Turbocharger; V8 363 CID (P) Turbocharger; V8 363 CID (P); w/o Turbo Spacer, Wire Clip and Bolt Engine Assembly (Complete); V8 363 CID (P); From Engine Serial # 299,093 and Up Engine Assembly (Less Accessories); V8 363 CID (P); From Engine Serial # 299,093 and Up Engine Assembly (Less Accessories); V8 363 CID (P); From Engine Serial # 299,093 and Up; w/ Head Studs	HC3Z-12B599-CRM 6C3Z-6009-ARM 5C3Z-6K682-CCRM TC-17-RM 6C2Z-6007-AARM 6C2Z-6006-AARM 5C3Z-6006-DARM
	2007	6.0L DIESEL OHV	Diesel Fuel Injector Driver Module; FI; V8 363 CID Diesel Fuel Injector Driver Module; FI; V8 363 CID (P) Diesel High Pressure Oil Pump; V8 363 CID (P); 5C4O-9A543-AA Diesel High Pressure Oil Pump; V8 363 CID (P); 5C4O-9A543-AA Diesel High Pressure Oil Pump; V8 363 CID; 5C4O-9A543-AA Diesel High Pressure Oil Pump; V8 363 CID; 5C4O-9A543-AA Engine Short Block; V8 363 CID (P); Assembly Engine Short Block; V8 363 CID; Assembly Turbocharger; V8 363 CID Turbocharger; V8 363 CID (P) Turbocharger; V8 363 CID (P); w/o Turbo Spacer, Wire Clip and Bolt Turbocharger; V8 363 CID; w/o Turbo Spacer, Wire Clip and Bolt Engine Assembly (Complete); V8 363 CID (P); From Engine Serial # 299,093 and Up Engine Assembly (Complete); V8 363 CID; From Engine Serial # 299,093 and Up Engine Assembly (Less Accessories); V8 363 CID (P); From Engine Serial # 299,093 and Up Engine Assembly (Less Accessories); V8 363 CID (P); From Engine Serial # 299,093 and Up; w/ Head Studs Engine Assembly (Less Accessories); V8 363 CID; From Engine Serial # 299,093 and Up Engine Assembly (Less Accessories); V8 363 CID; From Engine Serial # 299,093 and Up; w/ Head Studs	HC3Z-12B599-CRM HC3Z-12B599-CRM 5C3Z-9A543-ARM HPP-12-RM 5C3Z-9A543-ARM HPP-12-RM 6C3Z-6009-ARM 6C3Z-6009-ARM 5C3Z-6K682-CCRM 5C3Z-6K682-CCRM TC-17-RM TC-17-RM 6C2Z-6007-AARM 6C2Z-6007-AARM 6C2Z-6006-AARM 5C3Z-6006-DARM 6C2Z-6006-AARM 5C3Z-6006-DARM
Reman	2006	6.0L DIESEL OHV	Diesel Fuel Injector Driver Module; FI; V8 363 CID Diesel Fuel Injector Driver Module; FI; V8 363 CID (P) Diesel High Pressure Oil Pump; V8 363 CID (P); 5C4O-9A543-AA Diesel High Pressure Oil Pump; V8 363 CID (P); 5C4O-9A543-AA Diesel High Pressure Oil Pump; V8 363 CID; 5C4O-9A543-AA Diesel High Pressure Oil Pump; V8 363 CID; 5C4O-9A543-AA Engine Short Block; V8 363 CID (P); Assembly Engine Short Block; V8 363 CID; Assembly Turbocharger; V8 363 CID Turbocharger; V8 363 CID (P) Turbocharger; V8 363 CID (P); w/o Turbo Spacer, Wire Clip and Bolt Turbocharger; V8 363 CID; w/o Turbo Spacer, Wire Clip and Bolt Engine Assembly (Complete); V8 363 CID (P); From Engine Serial # 299,093 and Up Engine Assembly (Complete); V8 363 CID (P); S/N 213,261 to 299,095 Engine Assembly (Complete); V8 363 CID; From Engine Serial # 299,093 and Up Engine Assembly (Complete); V8 363 CID; S/N 213,261 to 299,095 Engine Assembly (Less Accessories) S/N 149,761 to 299,092; V8 363 CID Engine Assembly (Less Accessories) S/N 149,761 to 299,092; V8 363 CID (P) Engine Assembly (Less Accessories); V8 363 CID (P); From Engine Serial # 299,093 and Up Engine Assembly (Less Accessories); V8 363 CID (P); From Engine Serial # 299,093 and Up; w/ Head Studs Engine Assembly (Less Accessories); V8 363 CID; From Engine Serial # 299,093 and Up Engine Assembly (Less Accessories); V8 363 CID; From Engine Serial # 299,093 and Up; w/ Head Studs	HC3Z-12B599-CRM HC3Z-12B599-CRM 5C3Z-9A543-ARM HPP-12-RM 5C3Z-9A543-ARM HPP-12-RM 6C3Z-6009-ARM 6C3Z-6009-ARM 5C3Z-6K682-CCRM 5C3Z-6K682-CCRM TC-17-RM TC-17-RM 6C2Z-6007-AARM 5C2Z-6007-BARM 6C2Z-6007-AARM 5C2Z-6007-BARM 5C2Z-6006-AARM 5C2Z-6006-AARM 6C2Z-6006-AARM 5C3Z-6006-DARM 6C2Z-6006-AARM 5C3Z-6006-DARM
	2005	6.0L DIESEL OHV	Diesel Fuel Injector Driver Module; FI; V8 363 CID Diesel Fuel Injector Driver Module; FI; V8 363 CID (P) Diesel High Pressure Oil Pump; V8 363 CID (P); 5C4O-9A543-AA Diesel High Pressure Oil Pump; V8 363 CID (P); 5C4O-9A543-AA Engine Short Block; V8 363 CID (P); Assembly Engine Short Block; V8 363 CID (P); From 4/18/05; Assembly Engine Short Block; V8 363 CID; Assembly Engine Short Block; V8 363 CID; From 4/18/05; Assembly Turbocharger; V8 363 CID Turbocharger; V8 363 CID (P) Turbocharger; V8 363 CID (P); w/o Turbo Spacer, Wire Clip and Bolt Turbocharger; V8 363 CID; w/o Turbo Spacer, Wire Clip and Bolt Engine Assembly (Complete); V8 363 CID (P); Before 11/29/04 S/N 149,761 to 178,947	HC3Z-12B599-CRM HC3Z-12B599-CRM 5C3Z-9A543-ARM HPP-12-RM 5C3Z-6009-AARM 6C3Z-6009-ARM 5C3Z-6009-AARM 6C3Z-6009-ARM 5C3Z-6K682-CCRM 5C3Z-6K682-CCRM TC-17-RM TC-17-RM 5C2Z-6007-AARM



Econoline

-Cont'd

Part Type	Years	Engine	Qualifier	Ford #
Reman	2005	6.0L DIESEL OHV	Engine Assembly (Complete); V8 363 CID (P); From 11/29/04 S/N 178,948 to 213,261 Engine Assembly (Complete); V8 363 CID; Before 11/29/04 S/N 149,761 to 178,947 Engine Assembly (Complete); V8 363 CID; From 11/29/04 S/N 178,948 to 213,261 Engine Assembly (Less Accessories) S/N 149,761 to 299,092; V8 363 CID Engine Assembly (Less Accessories) S/N 149,761 to 299,092; V8 363 CID (P)	5C2Z-6007-BARM 5C2Z-6007-AARM 5C2Z-6007-BARM 5C2Z-6006-AARM 5C2Z-6006-AARM
	2004	6.0L DIESEL OHV	Diesel Fuel Injector Driver Module; FI; V8 363 CID (P); From S/N 6155637 (Indy Built) or 94581 (Huntsville Built) Diesel High Pressure Oil Pump; V8 363 CID (P); 5C4O-9A543-AA Diesel High Pressure Oil Pump; V8 363 CID (P); 5C4O-9A543-AA Diesel High Pressure Oil Pump; V8 363 CID (P); Before S/N 151,888 Diesel High Pressure Oil Pump; V8 363 CID (P); Before S/N 151,888 Engine Short Block; V8 363 CID (P); Assembly; From 9/29/03 Turbocharger; V8 363 CID (P)	HC3Z-12B599-CRM 5C3Z-9A543-ARM HPP-12-RM 4C3Z-9A543-AARM HPP-8-RM 5C3Z-6009-AARM 4C3Z-6K682-CCRM 4C2Z-6007-AARM
Reman	2003	7.3L DIESEL OHV	Engine Assembly (Complete); V8 363 CID (P) Engine Assembly (Complete); V8 363 CID (P); Before 11/29/04 S/N 149,761 to 178,947 Engine Assembly (Complete); V8 363 CID (P); From 11/29/04 S/N 178,948 to 213,261 Engine Assembly (Less Accessories); V8 363 CID (P)	5C2Z-6007-BARM 5C2Z-6007-AARM 4C2Z-6006-EARM
			Diesel High Pressure Oil Pump; V8 445 CID Diesel High Pressure Oil Pump; V8 445 CID Diesel High Pressure Oil Pump; V8 445 CID (F) Diesel High Pressure Oil Pump; V8 445 CID (F) Engine Connecting Rod; V8 445 CID (F); w/ Engine Serial # 1425747 And Up Engine Connecting Rod; V8 445 CID; w/ Engine Serial # 1425747 And Up Engine Crankshaft; Turbocharged; V8 445 CID Engine Crankshaft; Turbocharged; V8 445 CID (F) Fuel Injector Kit; V8 445 CID (F); #1 Thru #7 Fuel Injector Kit; V8 445 CID (F); #1 Thru #7 Fuel Injector Kit; V8 445 CID (F); #8 Fuel Injector Kit; V8 445 CID (F); #8 Fuel Injector Kit; V8 445 CID; #1 Thru #7 Fuel Injector Kit; V8 445 CID; #1 Thru #7 Fuel Injector Kit; V8 445 CID; #8 Fuel Injector Kit; V8 445 CID; #8 Turbocharger Mounting Kit; Turbocharged; V8 445 CID (F); w/ EBP Valve Turbocharger Mounting Kit; Turbocharged; V8 445 CID (F); w/ EBP Valve Turbocharger Mounting Kit; Turbocharged; V8 445 CID; w/ EBP Valve Turbocharger Mounting Kit; Turbocharged; V8 445 CID; w/ EBP Valve Turbocharger; V8 445 CID Turbocharger; V8 445 CID (F)	F81Z-9A543-CRM HPP-9-RM F81Z-9A543-CRM HPP-9-RM 1C3Z-6200-AARM 1C3Z-6200-AARM 3C3Z-6V303-AARM 3C3Z-6V303-AARM 5C3Z-9VE527-BRM CMR-8-RM 5C3Z-9VE527-AARM CMR-7-RM 5C3Z-9VE527-BRM CMR-8-RM 5C3Z-9VE527-AARM CMR-7-RM F81Z-6N639-CARM PTC-6-RM F81Z-6N639-CARM PTC-6-RM TC-10-RM TC-10-RM
Reman	2002	7.3L DIESEL OHV	Engine Assembly (Complete); V8 445 CID Engine Assembly (Complete); V8 445 CID (F) Engine Assembly (Less Accessories); V8 445 CID Engine Assembly (Less Accessories); V8 445 CID (F) Turbocharger; V8 445 CID Turbocharger; V8 445 CID (F)	XC2Z-6007-AARM XC2Z-6007-AARM XC2Z-6006-AARM XC2Z-6006-AARM XC2Z-6K682-AARM XC2Z-6K682-AARM F81Z-9A543-CRM HPP-9-RM
			Diesel High Pressure Oil Pump; V8 445 CID (F) Diesel High Pressure Oil Pump; V8 445 CID (F) Engine Connecting Rod; V8 445 CID (F); w/ Engine Serial # 1425747 And Up Engine Crankshaft; Turbocharged; V8 445 CID (F) Fuel Injector Kit; V8 445 CID (F); #1 Thru #7 Fuel Injector Kit; V8 445 CID (F); #1 Thru #7 Fuel Injector Kit; V8 445 CID (F); #8 Fuel Injector Kit; V8 445 CID (F); #8 Turbocharger Mounting Kit; Turbocharged; V8 445 CID (F); w/ EBP Valve Turbocharger Mounting Kit; Turbocharged; V8 445 CID (F); w/ EBP Valve Turbocharger; V8 445 CID (F)	1C3Z-6200-AARM 3C3Z-6V303-AARM 5C3Z-9VE527-BRM CMR-8-RM 5C3Z-9VE527-AARM CMR-7-RM F81Z-6N639-CARM PTC-6-RM TC-10-RM
Reman	2001	7.3L DIESEL OHV	Engine Assembly (Complete); V8 445 CID (F) Engine Assembly (Less Accessories); V8 445 CID (F) Turbocharger; V8 445 CID (F)	XC2Z-6007-AARM XC2Z-6006-AARM XC2Z-6K682-AARM
			Diesel High Pressure Oil Pump; Turbocharged; V8 445 CID (F) Diesel High Pressure Oil Pump; Turbocharged; V8 445 CID (F) Engine Connecting Rod; Turbocharged; V8 445 CID (F); w/ Engine Serial # 1425747 And Up Engine Crankshaft; Turbocharged; V8 445 CID (F) Fuel Injector Kit; Turbocharged; V8 445 CID (F); #1 Thru #7 Fuel Injector Kit; Turbocharged; V8 445 CID (F); #1 Thru #7 Fuel Injector Kit; Turbocharged; V8 445 CID (F); #2 Fuel Injector Kit; Turbocharged; V8 445 CID (F); #2 Turbocharger Mounting Kit; Turbocharged; V8 445 CID (F); w/ EBP Valve Turbocharger Mounting Kit; Turbocharged; V8 445 CID (F); w/ EBP Valve Turbocharger; V8 445 CID (F)	F81Z-9A543-CRM HPP-9-RM 1C3Z-6200-AARM 3C3Z-6V303-AARM 5C3Z-9VE527-BRM CMR-8-RM 5C3Z-9VE527-AARM CMR-7-RM F81Z-6N639-CARM PTC-6-RM TC-10-RM
Reman	2000	7.3L DIESEL OHV	Engine Assembly (Complete); Turbocharged; V8 445 CID (F) Engine Assembly (Less Accessories); Turbocharged; V8 445 CID (F) Turbocharger; V8 445 CID (F) Diesel High Pressure Oil Pump; Turbocharged; V8 445 CID (F); S/N 896812-Current Diesel High Pressure Oil Pump; Turbocharged; V8 445 CID (F); S/N 896812-Current Engine Crankshaft; Turbocharged; V8 445 CID (F); w/ Engine Serial Number 896812 - Current Fuel Injector Kit; Turbocharged; V8 445 CID (F); #1 Thru #7 Fuel Injector Kit; Turbocharged; V8 445 CID (F); #1 Thru #7 Fuel Injector Kit; Turbocharged; V8 445 CID (F); #8 Fuel Injector Kit; Turbocharged; V8 445 CID (F); #8	XC2Z-6007-AARM XC2Z-6006-AARM XC2Z-6K682-AARM F81Z-9A543-CRM HPP-9-RM 3C3Z-6V303-AARM 5C3Z-9VE527-BRM CMR-8-RM 5C3Z-9VE527-AARM CMR-7-RM



Econoline

-Cont'd

Part Type	Years	Engine	Qualifier	Ford #	
Reman	2000	7.3L DIESEL OHV	Turbocharger Mounting Kit; Turbocharged; V8 445 CID (F); w/ EBP Valve w/ Engine Serial # 896812-Current	F81Z-6N639-CARM	
			Turbocharger Mounting Kit; Turbocharged; V8 445 CID (F); w/ EBP Valve w/ Engine Serial # 896812-Current	PTC-6-RM	
			Turbocharger; V8 445 CID (F); w/ Engine Serial # 896812-Current	TC-10-RM	
			Engine Assembly (Complete); Turbocharged; V8 445 CID (F)	XC2Z-6007-AARM	
			Engine Assembly (Less Accessories); Turbocharged; V8 445 CID (F); For Engine S/N 896812 to current	XC2Z-6006-AARM	
	Reman	1999	7.3L DIESEL OHV	Turbocharger; V8 445 CID (F); w/ Engine Serial # 896812-Current	XC2Z-6K682-AARM
				Diesel High Pressure Oil Pump; Turbocharged; V8 445 CID (F); Kit; S/N 896811 And Below	5C3Z-9VA543-BRM
				Diesel High Pressure Oil Pump; Turbocharged; V8 445 CID (F); Kit; S/N 896811 And Below	HPP-4-RM
				Diesel High Pressure Oil Pump; Turbocharged; V8 445 CID (F); S/N 896812-Current	F81Z-9A543-CRM
				Diesel High Pressure Oil Pump; Turbocharged; V8 445 CID (F); S/N 896812-Current	HPP-9-RM
Engine Crankshaft; Turbocharged; V8 445 CID (F); w/ Engine Serial # 576010-Current				3C3Z-6V303-AARM	
Fuel Injector Kit; Turbocharged; V8 445 CID (F); #1 Thru #7				5C3Z-9VE527-BRM	
Fuel Injector Kit; Turbocharged; V8 445 CID (F); #1 Thru #7				CMR-8-RM	
Fuel Injector Kit; Turbocharged; V8 445 CID (F); Injector Before Engine Serial # 896812				F61Z-9VE527-BRM	
Fuel Injector Kit; Turbocharged; V8 445 CID (F); Injector Before Engine Serial # 896812				CMR-1-RM	
Turbocharger Mounting Kit; Turbocharged; V8 445 CID (F); w/ EBP Valve w/ Engine Serial # 896812-Current				F81Z-6N639-CARM	
Turbocharger Mounting Kit; Turbocharged; V8 445 CID (F); w/ EBP Valve w/ Engine Serial # 896812-Current				PTC-6-RM	
Turbocharger Mounting Kit; Turbocharged; V8 445 CID (F); w/o EBP Valve				F81Z-6N639-DARM	
Turbocharger Mounting Kit; Turbocharged; V8 445 CID (F); w/o EBP Valve				PTC-7-RM	
Turbocharger Mounting Kit; Turbocharged; V8 445 CID (F); w/o EBP Valve Before 12/7/98 w/ Engine Serial # 661974-896811				5C3Z-6V639-BRM	
Reman	1998	7.3L DIESEL OHV	Turbocharger Mounting Kit; Turbocharged; V8 445 CID (F); w/o EBP Valve Before 12/7/98 w/ Engine Serial # 661974-896811	PTC-5-RM	
			Turbocharger; V8 445 CID (F); w/ Engine Serial # 661974-896811	5C3Z-6V682-BRM	
			Turbocharger; V8 445 CID (F); w/ Engine Serial # 661974-896811	TC-4-RM	
			Turbocharger; V8 445 CID (F); w/ Engine Serial # 896812-Current	TC-10-RM	
			Engine Assembly (Complete); Turbocharged; V8 445 CID (F); For Engine S/N 661974 to 896811	5C3Z-6V007-AARM	
			Engine Assembly (Complete); Turbocharged; V8 445 CID (F); For Engine S/N 896812 to current	XC2Z-6007-AARM	
			Engine Assembly (Less Accessories) For Engine S/N 661974 to 896811; Turbocharged; V8 445 CID (F)	5C3Z-6V006-DRM	
			Engine Assembly (Less Accessories); Turbocharged; V8 445 CID (F); For Engine S/N 896812 to current	XC2Z-6006-AARM	
			Turbocharger; V8 445 CID (F); w/ Engine Serial # 896812-Current	XC2Z-6K682-AARM	
			Diesel High Pressure Oil Pump; Turbocharged; V8 445 CID (F); Kit; S/N 187100-201679	F6TZ-9VA543-ARM	
			Diesel High Pressure Oil Pump; Turbocharged; V8 445 CID (F); Kit; S/N 187100-201679	HPP-1-RM	
			Diesel High Pressure Oil Pump; Turbocharged; V8 445 CID (F); Kit; S/N 201680-896811	5C3Z-9VA543-BRM	
			Diesel High Pressure Oil Pump; Turbocharged; V8 445 CID (F); Kit; S/N 201680-896811	HPP-4-RM	
			Engine Crankshaft; Turbocharged; V8 445 CID (F); w/ Bearings and Seal; w/ Engine Serial # 576010-Current	3C3Z-6V303-AARM	
			Fuel Injector Kit; Turbocharged; V8 445 CID (F); Injector w/ Engine Serial # 661496-896811	F61Z-9VE527-BRM	
Fuel Injector Kit; Turbocharged; V8 445 CID (F); Injector w/ Engine Serial # 661496-896811	CMR-1-RM				
Turbocharger Mounting Kit; Turbocharged; V8 445 CID (F); w/ EBP Valve Before 12/7/98 w/ Engine Serial # 661974-896811	5C3Z-6V639-ARM				
Reman	1997	7.3L DIESEL OHV	Turbocharger Mounting Kit; Turbocharged; V8 445 CID (F); w/ EBP Valve Before 12/7/98 w/ Engine Serial # 661974-896811	PTC-3-RM	
			Turbocharger Mounting Kit; Turbocharged; V8 445 CID (F); w/ EBP Valve w/ Engine Serial # 501-661973	F4TZ-6VN639-AARM	
			Turbocharger Mounting Kit; Turbocharged; V8 445 CID (F); w/ EBP Valve w/ Engine Serial # 501-661973	PTC-2-RM	
			Turbocharger Mounting Kit; Turbocharged; V8 445 CID (F); w/ EBP Valve w/ Engine Serial # 661974-896811	5C3Z-6V639-ARM	
			Turbocharger Mounting Kit; Turbocharged; V8 445 CID (F); w/ EBP Valve w/ Engine Serial # 661974-896811	PTC-3-RM	
			Turbocharger Mounting Kit; Turbocharged; V8 445 CID (F); w/o EBP Valve Before 12/7/98 w/ Engine Serial # 661974-896811	5C3Z-6V639-BRM	
			Turbocharger Mounting Kit; Turbocharged; V8 445 CID (F); w/o EBP Valve Before 12/7/98 w/ Engine Serial # 661974-896811	PTC-5-RM	
			Turbocharger Mounting Kit; Turbocharged; V8 445 CID (F); w/o EBP Valve From 12/7/98	F81Z-6N639-DARM	
			Turbocharger Mounting Kit; Turbocharged; V8 445 CID (F); w/o EBP Valve From 12/7/98	PTC-7-RM	
			Turbocharger; V8 445 CID (F); w/ Engine Serial # 501-661973	F4TZ-6VK682-CARM	
			Turbocharger; V8 445 CID (F); w/ Engine Serial # 501-661973	TC-2-RM	
			Turbocharger; V8 445 CID (F); w/ Engine Serial # 661974-896811	5C3Z-6V682-BRM	
			Turbocharger; V8 445 CID (F); w/ Engine Serial # 661974-896811	TC-4-RM	
			Engine Assembly (Complete); Turbocharged; V8 445 CID (F); S/N 375549-661973	F7UZ-6V007-AARM	
			Engine Assembly (Complete); Turbocharged; V8 445 CID (F); S/N 661974-896811	5C3Z-6V007-AARM	
Engine Assembly (Less Accessories) w/ Engine Serial # 375548-661973; Turbocharged; V8 445 CID (F)	F7UZ-6V006-AARM				
Engine Assembly (Less Accessories) w/ Engine Serial No. 661974-896811; Turbocharged; V8 445CID (F)	F7UZ-6V006-DRM				
Reman	1997	7.3L DIESEL OHV	Diesel High Pressure Oil Pump; Turbocharged; V8 445 CID (F); Kit; S/N 187100-201679	F6TZ-9VA543-ARM	
			Diesel High Pressure Oil Pump; Turbocharged; V8 445 CID (F); Kit; S/N 187100-201679	HPP-1-RM	
			Fuel Injector Kit; Turbocharged; V8 445 CID (F); Injector w/ Engine Serial # 661496-896811	F61Z-9VE527-BRM	
			Fuel Injector Kit; Turbocharged; V8 445 CID (F); Injector w/ Engine Serial # 661496-896811	CMR-1-RM	
			Turbocharger Mounting Kit; Turbocharged; V8 445 CID (F)	F4TZ-6VN639-AARM	
			Turbocharger Mounting Kit; Turbocharged; V8 445 CID (F)	PTC-2-RM	
			Turbocharger; V8 445 CID (F); w/o Pedestal w/ Engine Serial # 501-661973	F4TZ-6VK682-CARM	
Turbocharger; V8 445 CID (F); w/o Pedestal w/ Engine Serial # 501-661973	TC-2-RM				
Engine Assembly (Complete); Turbocharged; V8 445 CID (F); S/N 375549-661973	F7UZ-6V007-AARM				



Econoline

-Cont'd

Part Type	Years	Engine	Qualifier	Ford #
Reman	1997	7.3L DIESEL OHV	Engine Assembly (Less Accessories) w/ Engine Serial # 375548-669173; Turbocharged; V8 445 CID (F)	F7UZ-6V006-AARM
	1996	7.3L DIESEL OHV	Diesel High Pressure Oil Pump; Turbocharged; V8 445 CID (F); Kit; S/N 187100-201679	F6TZ-9VA543-ARM
			Diesel High Pressure Oil Pump; Turbocharged; V8 445 CID (F); Kit; S/N 187100-201679	HPP-1-RM
			Fuel Injector Kit; Turbocharged; V8 445 CID (F); Injector Calif Only w/ Engine Serial # 661496-89681 Cyl.1-7	F61Z-9VE527-BRM
			Fuel Injector Kit; Turbocharged; V8 445 CID (F); Injector Calif Only w/ Engine Serial # 661496-89681 Cyl.1-7	CMR-1-RM
			Fuel Injector Kit; Turbocharged; V8 445 CID (F); Injector Calif Only w/ Engine Serial # 661496-89681 Cyl.8	F61Z-9VE527-ERM
			Fuel Injector Kit; Turbocharged; V8 445 CID (F); Injector Calif Only w/ Engine Serial # 661496-89681 Cyl.8	CMR-2-RM
			Fuel Injector Kit; Turbocharged; V8 445 CID (F); Injector Exc. California w/ Engine Serial # 501-661495	F4TZ-9VE527-AARM
			Fuel Injector Kit; Turbocharged; V8 445 CID (F); Injector Exc. California w/ Engine Serial # 501-661495	FI-2RM
			Turbocharger Mounting Kit; Turbocharged; V8 445 CID (F)	F4TZ-6VN639-AARM
			Turbocharger Mounting Kit; Turbocharged; V8 445 CID (F)	PTC-2-RM
			Turbocharger; V8 445 CID (F); w/o Pedestal w/ Engine Serial # 501-661973	F4TZ-6VK682-CARM
			Turbocharger; V8 445 CID (F); w/o Pedestal w/ Engine Serial # 501-661973	TC-2-RM
			Engine Assembly (Complete); Turbocharged; V8 445 CID (F); California w/ Engine Serial #201681-375548	F6UZ-6V007-AARM
Reman	1995	7.3L DIESEL OHV	Engine Assembly (Complete); Turbocharged; V8 445 CID (F); Exc. California w/ Engine Serial # 201681-375548	F6UZ-6V007-BARM
			Engine Assembly (Less Accessories) California Only w/ Engine Serial # 201681-375548; Turbocharged; V8 445 CID (F)	F6UZ-6V006-AARM
			Engine Assembly (Less Accessories) Exc. California w/ Engine Serial # 201681-375548; Turbocharged; V8 445 CID (F)	F6UZ-6V006-BARM
			Diesel High Pressure Oil Pump; Turbocharged; V8 445 CID (F); Kit; S/N 501-187099	F4TZ-9VA543-AARM
			Diesel High Pressure Oil Pump; Turbocharged; V8 445 CID (F); Kit; S/N 501-187099	OP-1-RM
			Engine Crankshaft; V8 445 CID (F)	F4TZ-6V303-BARM
			Fuel Injector Kit; Turbocharged; V8 445 CID (F); Injector w/ Engine Serial # 501-201679	F4TZ-9VE527-AARM
			Fuel Injector Kit; Turbocharged; V8 445 CID (F); Injector w/ Engine Serial # 501-201679	FI-2RM
			Turbocharger Mounting Kit; Turbocharged; V8 445 CID (F)	F4TZ-6VN639-AARM
			Turbocharger Mounting Kit; Turbocharged; V8 445 CID (F)	PTC-2-RM
			Turbocharger; V8 445 CID (F); w/o Pedestal w/ Engine Serial # 501-661973	F4TZ-6VK682-CARM
			Turbocharger; V8 445 CID (F); w/o Pedestal w/ Engine Serial # 501-661973	TC-2-RM
			Engine Assembly (Complete); Turbocharged; V8 445 CID (F); S/N 501-201680	F5UZ-6V007-AARM
	Engine Assembly (Less Accessories) w/ Engine Serial # 501-201680; Turbocharged; V8 445 CID (F)	F5TZ-6V006-AARM		
Reman	1994	7.3L DIESEL OHV	Engine Assembly (Longblock); Turbocharged; V8 445 CID (F)	F5UZ-6V012-AARM
			Engine Connecting Rod; V8 445 CID (M)	XU2Z-6V200-BARM
			Engine Crankshaft; V8 445 CID (M)	F4TZ-6V303-BARM
			Engine Oil Cooler; V8 445 CID (M); Assembly	XU2Z-6VA642-AARM
			Engine Oil Cooler; V8 445 CID (M); Assembly	OC-1-RM
			Fuel Injector Kit; V8 445 CID (M)	2C3Z-9VE527-DRM
			Fuel Injector Kit; V8 445 CID (M)	CMR-4-RM
			Engine Assembly (Complete); V8 445 CID (M)	XU2Z-6V007-EARM
			Engine Assembly (Longblock); V8 445 CID (M)	XU2Z-6V012-DARM
			Engine Connecting Rod; V8 445 CID (M)	XU2Z-6V200-BARM
			Engine Oil Cooler; V8 445 CID (M); Assembly	XU2Z-6VA642-AARM
			Engine Oil Cooler; V8 445 CID (M); Assembly	OC-1-RM
			Fuel Injector Kit; V8 445 CID (M)	2C3Z-9VE527-DRM
	Fuel Injector Kit; V8 445 CID (M)	CMR-4-RM		
1993	7.3L DIESEL OHV	Engine Assembly (Complete); V8 445 CID (M); S/N 500079-1116330	XU2Z-6V007-EARM	
		Engine Assembly (Longblock); V8 445 CID (M); S/N 500079-1116330	XU2Z-6V012-DARM	
		Engine Connecting Rod; V8 445 CID (M)	XU2Z-6V200-BARM	
		Engine Oil Cooler; V8 445 CID (M); Assembly	XU2Z-6VA642-AARM	
		Engine Oil Cooler; V8 445 CID (M); Assembly	OC-1-RM	
		Fuel Injector Kit; V8 445 CID (M)	2C3Z-9VE527-DRM	
		Fuel Injector Kit; V8 445 CID (M)	CMR-4-RM	
		Engine Assembly (Complete); V8 445 CID (M); S/N 500079-1116330	XU2Z-6V007-EARM	
		Engine Assembly (Longblock); V8 445 CID (M); S/N 500079-1116330	XU2Z-6V012-DARM	
		Engine Connecting Rod; V8 445 CID (M)	XU2Z-6V200-BARM	
		Engine Oil Cooler; V8 445 CID (M); Assembly	XU2Z-6VA642-AARM	
		Engine Oil Cooler; V8 445 CID (M); Assembly	OC-1-RM	
		Fuel Injector Kit; V8 445 CID (M)	2C3Z-9VE527-ERM	
Fuel Injector Kit; V8 445 CID (M)	CMR-5-RM			
1992	7.3L DIESEL OHV	Engine Assembly (Complete); V8 445 CID (M); S/N 500079-1116330	XU2Z-6V007-EARM	
		Engine Assembly (Longblock); V8 445 CID (M); S/N 500079-1116330	XU2Z-6V012-DARM	
		Engine Connecting Rod; V8 445 CID (M)	XU2Z-6V200-BARM	
		Engine Oil Cooler; V8 445 CID (M); Assembly	XU2Z-6VA642-AARM	
		Engine Oil Cooler; V8 445 CID (M); Assembly	OC-1-RM	
		Fuel Injector Kit; V8 445 CID (M); Injector Before 3/92	2C3Z-9VE527-ERM	
		Fuel Injector Kit; V8 445 CID (M); Injector Before 3/92	CMR-5-RM	
		Fuel Injector Kit; V8 445 CID (M); Injector From 3/92	2C3Z-9VE527-DRM	
		Fuel Injector Kit; V8 445 CID (M); Injector From 3/92	CMR-4-RM	
		Engine Assembly (Complete); V8 445 CID (M); S/N 500079-1116330	XU2Z-6V007-EARM	
		Engine Assembly (Longblock); V8 445 CID (M); S/N 500079-1116330	XU2Z-6V012-DARM	
		Engine Connecting Rod; V8 445 CID (M)	XU2Z-6V200-BARM	
		Engine Oil Cooler; V8 445 CID (M); Assembly	XU2Z-6VA642-AARM	
Engine Oil Cooler; V8 445 CID (M); Assembly	OC-1-RM			
Fuel Injector Kit; V8 445 CID (M)	2C3Z-9VE527-ERM			
Fuel Injector Kit; V8 445 CID (M)	CMR-5-RM			
1991	7.3L DIESEL OHV	Engine Assembly (Complete); V8 445 CID (M); S/N 500079-1116330	XU2Z-6V007-EARM	
		Engine Assembly (Longblock); V8 445 CID (M); S/N 500079-1116330	XU2Z-6V012-DARM	
		Engine Connecting Rod; V8 445 CID (M)	XU2Z-6V200-BARM	
		Engine Oil Cooler; V8 445 CID (M); Assembly	XU2Z-6VA642-AARM	
		Engine Oil Cooler; V8 445 CID (M); Assembly	OC-1-RM	
		Fuel Injector Kit; V8 445 CID (M)	2C3Z-9VE527-ERM	
		Fuel Injector Kit; V8 445 CID (M)	CMR-5-RM	
		Engine Assembly (Complete); V8 445 CID (M); S/N 500079-1116330	XU2Z-6V007-EARM	
		Engine Assembly (Longblock); V8 445 CID (M); S/N 500079-1116330	XU2Z-6V012-DARM	
		Engine Connecting Rod; V8 445 CID (M)	XU2Z-6V200-BARM	
		Engine Oil Cooler; V8 445 CID (M); Assembly	XU2Z-6VA642-AARM	
		Engine Oil Cooler; V8 445 CID (M); Assembly	OC-1-RM	
		Fuel Injector Kit; V8 445 CID (M)	2C3Z-9VE527-ERM	
Fuel Injector Kit; V8 445 CID (M)	CMR-5-RM			
1990	7.3L DIESEL OHV	Engine Assembly (Complete); V8 445 CID (M); S/N 500079-1116330	XU2Z-6V007-EARM	
		Engine Assembly (Longblock); V8 445 CID (M); S/N 500079-1116330	XU2Z-6V012-DARM	
		Engine Connecting Rod; V8 445 CID (M)	XU2Z-6V200-BARM	
		Engine Oil Cooler; V8 445 CID (M); Assembly	XU2Z-6VA642-AARM	
		Engine Oil Cooler; V8 445 CID (M); Assembly	OC-1-RM	
		Fuel Injector Kit; V8 445 CID (M)	2C3Z-9VE527-ERM	
		Fuel Injector Kit; V8 445 CID (M)	CMR-5-RM	
		Engine Assembly (Complete); V8 445 CID (M); S/N 500079-1116330	XU2Z-6V007-EARM	
		Engine Assembly (Longblock); V8 445 CID (M); S/N 500079-1116330	XU2Z-6V012-DARM	
		Engine Connecting Rod; V8 445 CID (M)	XU2Z-6V200-BARM	
		Engine Oil Cooler; V8 445 CID (M); Assembly	XU2Z-6VA642-AARM	
		Engine Oil Cooler; V8 445 CID (M); Assembly	OC-1-RM	
		Fuel Injector Kit; V8 445 CID (M)	2C3Z-9VE527-ERM	
Fuel Injector Kit; V8 445 CID (M)	CMR-5-RM			
1989	7.3L DIESEL OHV	Engine Assembly (Complete); V8 445 CID (M); S/N 500079-1116330	XU2Z-6V007-EARM	
		Engine Assembly (Longblock); V8 445 CID (M); S/N 500079-1116330	XU2Z-6V012-DARM	
		Engine Connecting Rod; V8 445 CID (M)	XU2Z-6V200-BARM	
		Engine Oil Cooler; V8 445 CID (M); Assembly	XU2Z-6VA642-AARM	
		Engine Oil Cooler; V8 445 CID (M); Assembly	OC-1-RM	



Econoline

-Cont'd

Part Type	Years	Engine	Qualifier	Ford #
Reman	1989	7.3L DIESEL OHV	Fuel Injector Kit; V8 445 CID (M) Fuel Injector Kit; V8 445 CID (M) Engine Assembly (Complete); V8 445 CID (M); S/N 500079-1116330 Engine Assembly (Longblock); V8 445 CID (M); S/N 500079-1116330	2C3Z-9VE527-ERM CMR-5-RM XU2Z-6V007-EARM XU2Z-6V012-DARM XU2Z-6V200-BARM XU2Z-6VA642-AARM OC-1-RM
	1988	7.3L DIESEL OHV	Engine Connecting Rod; V8 445 CID (M) Engine Oil Cooler; V8 445 CID (M); Assembly Engine Oil Cooler; V8 445 CID (M); Assembly Fuel Injector Kit; V8 445 CID (M) Fuel Injector Kit; V8 445 CID (M) Engine Assembly (Complete); V8 445 CID (M); S/N 500079-1116330 Engine Assembly (Longblock); V8 445 CID (M); S/N 500079-1116330	2C3Z-9VE527-ERM CMR-5-RM XU2Z-6V007-EARM XU2Z-6V012-DARM XU2Z-6V200-BARM XU2Z-6VA642-AARM OC-1-RM
Reman	1987	6.9L DIESEL OHV	Engine Connecting Rod; V8 420 CID (1) Engine Oil Cooler; V8 420 CID (1); Assembly Engine Oil Cooler; V8 420 CID (1); Assembly Fuel Injector Kit; V8 420 CID (1) Fuel Injector Kit; V8 420 CID (1) Engine Assembly (Complete); V8 420 CID (1) Engine Assembly (Longblock); V8 420 CID (1)	2C3Z-9VE527-FRM CMR-6-RM XU2Z-6V007-BARM XU2Z-6V012-BARM XU2Z-6V200-BARM XU2Z-6VA642-AARM OC-1-RM
	1986	6.9L DIESEL OHV	Engine Connecting Rod; V8 420 CID (1) Engine Oil Cooler; V8 420 CID (1); Assembly Engine Oil Cooler; V8 420 CID (1); Assembly Fuel Injector Kit; V8 420 CID (1) Fuel Injector Kit; V8 420 CID (1) Engine Assembly (Complete); V8 420 CID (1) Engine Assembly (Longblock); V8 420 CID (1)	2C3Z-9VE527-FRM CMR-6-RM XU2Z-6V007-BARM XU2Z-6V012-BARM XU2Z-6V200-BARM XU2Z-6VA642-AARM OC-1-RM
Reman	1985	6.9L DIESEL OHV	Engine Connecting Rod; V8 420 CID (1) Engine Oil Cooler; V8 420 CID (1); Assembly Engine Oil Cooler; V8 420 CID (1); Assembly Fuel Injector Kit; V8 420 CID (1) Fuel Injector Kit; V8 420 CID (1) Engine Assembly (Complete); V8 420 CID (1) Engine Assembly (Longblock); V8 420 CID (1)	2C3Z-9VE527-FRM CMR-6-RM XU2Z-6V007-BARM XU2Z-6V012-BARM XU2Z-6V200-BARM XU2Z-6VA642-AARM OC-1-RM
	1984	6.9L DIESEL OHV	Engine Connecting Rod; V8 420 CID (1) Engine Oil Cooler; V8 420 CID (1); Assembly Engine Oil Cooler; V8 420 CID (1); Assembly Fuel Injector Kit; V8 420 CID (1) Fuel Injector Kit; V8 420 CID (1) Engine Assembly (Complete); V8 420 CID (1) Engine Assembly (Longblock); V8 420 CID (1)	2C3Z-9VE527-FRM CMR-6-RM XU2Z-6V007-BARM XU2Z-6V012-BARM XU2Z-6V200-BARM XU2Z-6VA642-AARM OC-1-RM
Reman	1983	6.9L DIESEL OHV	Fuel Injector Kit; V8 420 CID (1) Engine Assembly (Complete); V8 420 CID (1) Engine Assembly (Longblock); V8 420 CID (1) Engine Connecting Rod; V8 420 CID (1); Assembly w/ Engine Serial # 1116330 Engine Oil Cooler; V8 420 CID (1); Assembly Engine Oil Cooler; V8 420 CID (1); Assembly Engine Assembly (Complete); V8 420 CID (1)	2C3Z-9VE527-FRM CMR-6-RM XU2Z-6V007-BARM XU2Z-6V012-BARM XU2Z-6V200-BARM XU2Z-6VA642-AARM OC-1-RM XU2Z-6V007-BARM
	Reman		Engine Assembly (Complete); V8 420 CID (1)	XU2Z-6V007-BARM

Excursion

Part Type	Years	Engine	Qualifier	Ford #
Reman	2005	6.0L DIESEL OHV	Diesel Fuel Injector Driver Module; FI; V8 363 CID (P) Diesel High Pressure Oil Pump; V8 363 CID (P); 5C4O-9A543-AA Diesel High Pressure Oil Pump; V8 363 CID (P); 5C4O-9A543-AA Engine Short Block; V8 363 CID (P); S/N 6,155,637 to 6,344,942 or 137,745 to 299,092; Assembly Turbocharger; V8 363 CID (P); Before 1/1/05 and S/N 6439200 or 0174729 Engine Assembly (Complete); V8 363 CID (P); S/N 6,244,943 to 6,429,301 or 131,587 to 181,447 Engine Assembly (Complete); V8 363 CID (P); S/N 6,429,302 to 6,560,520 or 181,448 to 213,260 Engine Assembly (Less Accessories) S/N 6,344,943 to 6,429,301 or 131,587 to 181,447; V8 363 CID (P)	HC3Z-12B599-CRM 5C3Z-9A543-ARM HPP-12-RM 5C3Z-6009-AARM 4C3Z-6K682-CCRM 5C3Z-6007-EARM 5C3Z-6007-FARM 5C3Z-6006-EARM
	2004	6.0L DIESEL OHV	Diesel Fuel Injector Driver Module; FI; V8 363 CID (P) Diesel High Pressure Oil Pump; V8 363 CID (P); 5C4O-9A543-AA Diesel High Pressure Oil Pump; V8 363 CID (P); 5C4O-9A543-AA Diesel High Pressure Oil Pump; V8 363 CID (P); S/N 6000000 to 6155637 Diesel High Pressure Oil Pump; V8 363 CID (P); S/N 6000000 to 6155637 Diesel High Pressure Oil Pump; V8 363 CID (P); S/N 6155638 to 6344942 Diesel High Pressure Oil Pump; V8 363 CID (P); S/N 6155638 to 6344942 Engine Short Block; V8 363 CID (P); Assembly; Before 11/29/03 and S/N 6,155,636 or 137,744 Engine Short Block; V8 363 CID (P); Assembly; From 11/29/03 and S/N 6,155,137 or 137,745 Turbocharger; V8 363 CID (P); From S/N 6155637 or 94580 Turbocharger; V8 363 CID (P); w/ EBP Valve Turbocharger; V8 363 CID (P); w/ EBP Valve Turbocharger; V8 363 CID (P); w/ EBP Valve; Before S/N 6155636 or 94580 Turbocharger; V8 363 CID (P); w/ EBP Valve; Before S/N 6155636 or 94580 Turbocharger; V8 363 CID (P); w/ EBP w/ Engine Serial # 896812-Current Engine Assembly (Complete); V8 363 CID (P); Before S/N 6,155,636 Engine Assembly (Complete); V8 363 CID (P); From S/N 6,155,637 Engine Assembly (Complete); V8 363 CID (P); From S/N 6,155,637; w/ Head Studs Engine Assembly (Less Accessories) w/ Eng Tags DG-042-AE/AG, WG-042-EJ, DG-044-AE Before S/N 6,155,136 or 94,580; w/ Automatic Trans.; V8 363 CID (P) Engine Assembly (Less Accessories) w/ Eng Tags DG-042-AE/AG, WG-042-EJ, DG-044-AE From S/N 6,155,137 or 94,581; w/ Automatic Trans.; V8 363 CID (P)	HC3Z-12B599-CRM 5C3Z-9A543-ARM HPP-12-RM 3C3Z-9A543-AARM HPP-10-RM 4C3Z-9A543-AARM HPP-8-RM 3C3Z-6009-AARM 5C3Z-6009-AARM 4C3Z-6K682-CCRM 3C3Z-6K682-CCRM TC-13-RM 3C3Z-6K682-CCRM TC-13-RM TC-12-RM 3C3Z-6007-AARM 4C3Z-6007-BARM 4C3Z-6007-CARM 4C3Z-6006-AARM 4C3Z-6006-BARM



Excursion

-Cont'd

Part Type	Years	Engine	Qualifier	Ford #
	2003	6.0L DIESEL OHV	Diesel Fuel Injector Driver Module; FI; V8 363 CID (P) Diesel High Pressure Oil Pump; V8 363 CID (P) Diesel High Pressure Oil Pump; V8 363 CID (P) Engine Short Block; V8 363 CID (P); Assembly; Before 11/29/03 and S/N 6,155,636 or 137,744 Engine Short Block; V8 363 CID (P); Assembly; From 11/29/03 and S/N 6,155,137 or 137,745 Turbocharger; V8 363 CID (P); w/ EBP Valve Turbocharger; V8 363 CID (P); w/ EBP Valve Turbocharger; V8 363 CID (P); w/ EBP w/ Engine Serial # 896812-Current	HC3Z-12B599-CRM 3C3Z-9A543-AARM HPP-10-RM 3C3Z-6009-AARM 5C3Z-6009-AARM 3C3Z-6K682-CCRM TC-13-RM TC-12-RM
		7.3L DIESEL OHV	Diesel High Pressure Oil Pump; V8 445 CID (F) Diesel High Pressure Oil Pump; V8 445 CID (F) Engine Connecting Rod; V8 445 CID (F); (Late Style) w/ Engine Serial # 1425747-Current Fuel Injector Kit; V8 445 CID (F); #1 Thru #7 Fuel Injector Kit; V8 445 CID (F); #1 Thru #7 Fuel Injector Kit; V8 445 CID (F); #8 Fuel Injector Kit; V8 445 CID (F); #8 Turbocharger Mounting Kit; Turbocharged; V8 445 CID (F); w/ EBP Valve Turbocharger Mounting Kit; Turbocharged; V8 445 CID (F); w/ EBP Valve Turbocharger; V8 445 CID (F); w/ EBP Valve Turbocharger; V8 445 CID (F); w/ EBP Valve Turbocharger; V8 445 CID (F); w/ EBP w/ Engine Serial # 896812-Current Turbocharger; V8 445 CID (F); w/o EBP Valve	F81Z-9A543-CRM HPP-9-RM 1C3Z-6200-AARM 5C3Z-9VE527-BRM CMR-8-RM 5C3Z-9VE527-ARM CMR-7-RM F81Z-6N639-CARM PTC-6-RM 3C3Z-6K682-CCRM TC-13-RM TC-12-RM F81Z-6K682-CARM
Reman		6.0L DIESEL OHV	Engine Assembly (Complete); V8 363 CID (P) w/ Automatic Trans.; V8 363 CID (P); w/ Eng Tags DG-042-AG,WG-042-EJ,DG-044-AE	3C3Z-6007-AARM 3C3Z-6006-AARM
		7.3L DIESEL OHV	Engine Assembly (Complete); Turbocharged; V8 445 CID (F) Engine Assembly (Less Accessories); Turbocharged; V8 445 CID (F)	XC3Z-6007-CARM XC3Z-6006-AARM
	2002	7.3L DIESEL OHV	Diesel High Pressure Oil Pump; V8 445 CID (F) Diesel High Pressure Oil Pump; V8 445 CID (F) Engine Connecting Rod; V8 445 CID (F); (Late Style) w/ Engine Serial # 1425747-Current Fuel Injector Kit; V8 445 CID (F); #1 Thru #7 Fuel Injector Kit; V8 445 CID (F); #1 Thru #7 Fuel Injector Kit; V8 445 CID (F); #8 Fuel Injector Kit; V8 445 CID (F); #8 Turbocharger Mounting Kit; Turbocharged; V8 445 CID (F); w/ EBP Valve Turbocharger Mounting Kit; Turbocharged; V8 445 CID (F); w/ EBP Valve Turbocharger; V8 445 CID (F); w/ EBP Valve Turbocharger; V8 445 CID (F); w/ EBP w/ Engine Serial # 896812-Current Turbocharger; V8 445 CID (F); w/o EBP Valve Turbocharger; V8 445 CID (F); w/o EBP Valve	F81Z-9A543-CRM HPP-9-RM 1C3Z-6200-AARM 5C3Z-9VE527-BRM CMR-8-RM 5C3Z-9VE527-ARM CMR-7-RM F81Z-6N639-CARM PTC-6-RM F81Z-6K682-BARM TC-12-RM F81Z-6K682-CARM TC-5-RM
Reman			Engine Assembly (Complete); Turbocharged; V8 445 CID (F) Engine Assembly (Less Accessories); Turbocharged; V8 445 CID (F)	XC3Z-6007-CARM XC3Z-6006-AARM
	2001	7.3L DIESEL OHV	Diesel High Pressure Oil Pump; Turbocharged; V8 445 CID (F) Diesel High Pressure Oil Pump; Turbocharged; V8 445 CID (F) Engine Connecting Rod; Turbocharged; V8 445 CID (F); (Late Style) w/ Engine Serial # 1425747-Current Fuel Injector Kit; Turbocharged; V8 445 CID (F); #1 Thru #7 Fuel Injector Kit; Turbocharged; V8 445 CID (F); #1 Thru #7 Fuel Injector Kit; Turbocharged; V8 445 CID (F); #8 Fuel Injector Kit; Turbocharged; V8 445 CID (F); #8 Turbocharger Mounting Kit; Turbocharged; V8 445 CID (F); w/ EBP Valve Turbocharger Mounting Kit; Turbocharged; V8 445 CID (F); w/ EBP Valve Turbocharger; V8 445 CID (F); w/ EBP w/ Engine Serial # 896812-Current Turbocharger; V8 445 CID (F); w/o EBP Valve Turbocharger; V8 445 CID (F); w/o EBP Valve	F81Z-9A543-CRM HPP-9-RM 1C3Z-6200-AARM 5C3Z-9VE527-BRM CMR-8-RM 5C3Z-9VE527-ARM CMR-7-RM F81Z-6N639-CARM PTC-6-RM F81Z-6K682-BARM TC-12-RM F81Z-6K682-CARM TC-5-RM
Reman			Engine Assembly (Complete); Turbocharged; V8 445 CID (F) Engine Assembly (Less Accessories); Turbocharged; V8 445 CID (F)	XC3Z-6007-CARM XC3Z-6006-AARM
	2000	7.3L DIESEL OHV	Diesel High Pressure Oil Pump; Turbocharged; V8 445 CID (F); w/o IPR Diesel High Pressure Oil Pump; Turbocharged; V8 445 CID (F); w/o IPR Engine Connecting Rod; Turbocharged; V8 445 CID (F); (Early Style) w/ Engine Serial # 896812-1425746 Fuel Injector Kit; Turbocharged; V8 445 CID (F); #1 Thru #7 Fuel Injector Kit; Turbocharged; V8 445 CID (F); #1 Thru #7 Fuel Injector Kit; Turbocharged; V8 445 CID (F); #8 Fuel Injector Kit; Turbocharged; V8 445 CID (F); #8 Turbocharger Mounting Kit; Turbocharged; V8 445 CID (F); w/ EBP Valve Turbocharger Mounting Kit; Turbocharged; V8 445 CID (F); w/ EBP Valve Turbocharger; V8 445 CID (F); w/ EBP w/ Engine Serial # 896812-Current Turbocharger; V8 445 CID (F); w/o EBP Valve Turbocharger; V8 445 CID (F); w/o EBP Valve	F81Z-9A543-CRM HPP-9-RM F4TZ-6V200-CARM 5C3Z-9VE527-BRM CMR-8-RM 5C3Z-9VE527-ARM CMR-7-RM F81Z-6N639-CARM PTC-6-RM F81Z-6K682-BARM TC-12-RM F81Z-6K682-CARM TC-5-RM
Reman			Engine Assembly (Complete); Turbocharged; V8 445 CID (F) Engine Assembly (Less Accessories); Turbocharged; V8 445 CID (F)	XC3Z-6007-CARM XC3Z-6006-AARM

F-Series

Part Type	Years	Engine	Qualifier	Ford #
	2018	6.7L DIESEL OHV	Diesel High Pressure Oil Pump; V8 6651cc 406 CID Diesel High Pressure Oil Pump; V8 6651cc 406 CID (T)	BC3Z-9A543-B BC3Z-9A543-B
New		3.0L DIESEL DOHC	V6 2993cc 183 CID (1); Complete Assembly Exc. Intake/Exhaust Manifolds	JL3Z-6006-D



F-Series

-Cont'd

Part Type	Years	Engine	Qualifier	Ford #
New	2018	6.7L DIESEL OHV	V8 6651cc 406 CID (T); w/ High Sulfur Diesel Fuel Content	HC3Z-6007-K
			V8 6651cc 406 CID (T); w/ Low Sulfur Diesel Fuel Content; Narrow Frame; w/ Mid Sulfur Diesel Fuel Content	HC3Z-6007-J
New	2017	6.7L DIESEL OHV	V8 6651cc 406 CID; w/ High Sulfur Diesel Fuel Content	HC3Z-6007-K
			V8 6651cc 406 CID; w/ Low Sulfur Diesel Fuel Content; Narrow Frame; w/ Mid Sulfur Diesel Fuel Content	HC3Z-6007-J
New	2016	6.7L DIESEL OHV	Diesel High Pressure Oil Pump; V8 6651cc 406 CID	BC3Z-9A543-B
			Diesel High Pressure Oil Pump; V8 6651cc 406 CID (T)	BC3Z-9A543-B
New	2015	6.7L DIESEL SOHC 6.7L DIESEL OHV	V8 6651cc 406 CID (T); w/ Dual Wheels; w/ Wide Frame; w/ Low Sulfur Diesel Fuel Content	HC3Z-6007-M
			V8 6651cc 406 CID (T); w/ High Sulfur Diesel Fuel Content	HC3Z-6007-K
New	2015	6.7L DIESEL SOHC 6.7L DIESEL OHV	V8 6651cc 406 CID (T); w/ Low Sulfur Diesel Fuel Content; Narrow Frame; w/ Mid Sulfur Diesel Fuel Content	HC3Z-6007-J
			V8 6651cc 406 CID (T); w/ Single Wheel; w/ Wide Frame; w/ Low Sulfur Diesel Fuel Content	HC3Z-6007-H
New	2014	6.7L DIESEL SOHC 6.7L DIESEL OHV	V8 6651cc 406 CID; w/ Dual Wheels; w/ Wide Frame; w/ Low Sulfur Diesel Fuel Content	HC3Z-6007-M
			V8 6651cc 406 CID; w/ High Sulfur Diesel Fuel Content	HC3Z-6007-K
New	2014	6.7L DIESEL SOHC 6.7L DIESEL OHV	V8 6651cc 406 CID; w/ Low Sulfur Diesel Fuel Content; Narrow Frame; w/ Mid Sulfur Diesel Fuel Content	HC3Z-6007-J
			V8 6651cc 406 CID; w/ Single Wheel; w/ Wide Frame; w/ Low Sulfur Diesel Fuel Content	HC3Z-6007-H
New	2015	6.7L DIESEL SOHC 6.7L DIESEL OHV	Diesel High Pressure Oil Pump; V8 6651cc 406 CID (T)	BC3Z-9A543-B
			Turbocharger; V8 6651cc 406 CID (T); w/ Wide Frame	HC3Z-6K682-A
New	2015	6.7L DIESEL SOHC 6.7L DIESEL OHV	Diesel High Pressure Oil Pump; V8 6700cc 409 CID	BC3Z-9A543-B
			Engine Assembly (Complete); V8 6651cc 406 CID (T); Narrow Frame; w/ Low or Mid Sulfur Engine Assembly (Complete); w/ 6R140 Transmission; V8 6651cc 406 CID (T); w/ Wide Frame Wheelbase; w/ Low Sulfur Diesel Fuel Content	GC3Z-6007-G
New	2014	6.7L DIESEL OHV	V8 6651cc 406 CID (T); High Sulfur	GC3Z-6007-H
			w/ 6R140 Transmission; V8 6651cc 406 CID (T); w/ Wide Frame; Low Sulfur	GC3Z-6007-F
New	2015	6.7L DIESEL SOHC 6.7L DIESEL OHV	Diesel High Pressure Oil Pump; V8 6651cc 406 CID (T)	BC3Z-9A543-B
			Turbocharger; Cab & Chassis; V8 6651cc 406 CID (T); Single Scroll	G2MZ-6K682-BRM
New	2015	6.7L DIESEL SOHC 6.7L DIESEL OHV	Turbocharger; Cab & Chassis; V8 6651cc 406 CID (T); Single Scroll	NTC-6-RM
			Turbocharger; V8 6651cc 406 CID (T); w/ Wide Frame	HC3Z-6K682-A
New	2015	6.7L DIESEL SOHC 6.7L DIESEL OHV	Diesel High Pressure Oil Pump; V8 6700cc 409 CID	BC3Z-9A543-B
			Engine Assembly (Complete); Cab & Chassis; V8 6651cc 406 CID (T); Narrow Frame	FC3Z-6007-B
New	2014	6.7L DIESEL OHV	Engine Assembly (Complete); Crew Cab Pickup; V8 6651cc 406 CID (T); w/ Wide Frame; Low Sulfur	FC3Z-6007-A
			Engine Assembly (Complete); Extended Cab Pickup; V8 6651cc 406 CID (T); w/ Wide Frame; Low Sulfur	FC3Z-6007-A
New	2014	6.7L DIESEL OHV	Engine Assembly (Complete); Standard Cab Pickup; V8 6651cc 406 CID (T); w/ Wide Frame; Low Sulfur	FC3Z-6007-A
			Engine Assembly (Less Accessories); V8 6651cc 406 CID (T)	FC3Z-6006-C
New	2014	6.7L DIESEL OHV	Diesel High Pressure Oil Pump; V8 6651cc 406 CID (T)	BC3Z-9A543-B
			Turbocharger; Cab & Chassis; V8 6651cc 406 CID (T); Single Scroll	G2MZ-6K682-BRM
New	2014	6.7L DIESEL OHV	Turbocharger; Cab & Chassis; V8 6651cc 406 CID (T); Single Scroll	NTC-6-RM
			Turbocharger; Crew Cab Pickup; V8 6651cc 406 CID (T); Dual Scroll	G2MZ-6K682-ARM
New	2014	6.7L DIESEL OHV	Turbocharger; Crew Cab Pickup; V8 6651cc 406 CID (T); Dual Scroll	NTC-5-RM
			Turbocharger; Extended Cab Pickup; V8 6651cc 406 CID (T); Dual Scroll	G2MZ-6K682-ARM
New	2014	6.7L DIESEL OHV	Turbocharger; Extended Cab Pickup; V8 6651cc 406 CID (T); Dual Scroll	NTC-5-RM
			Turbocharger; Standard Cab Pickup; V8 6651cc 406 CID (T); Dual Scroll	G2MZ-6K682-ARM
New	2014	6.7L DIESEL OHV	Turbocharger; Standard Cab Pickup; V8 6651cc 406 CID (T); Dual Scroll	NTC-5-RM
			Turbocharger; V8 6651cc 406 CID (T); w/ Wide Frame	BC3Z-6K682-C
New	2014	6.7L DIESEL SOHC	Diesel High Pressure Oil Pump; V8 6700cc 409 CID	BC3Z-9A543-B
			Turbocharger; Crew Cab Pickup; V8 6700cc 409 CID; Dual Scroll	G2MZ-6K682-ARM
New	2014	6.7L DIESEL OHV	Turbocharger; Crew Cab Pickup; V8 6700cc 409 CID; Dual Scroll	NTC-5-RM
			Engine Assembly (Complete); Cab & Chassis; V8 6651cc 406 CID (T)	DC3Z-6007-BA
New	2014	6.7L DIESEL OHV	Engine Assembly (Complete); Crew Cab Pickup; V8 6651cc 406 CID (T); w/ Wide Frame	DC3Z-6007-E
			Engine Assembly (Complete); Extended Cab Pickup; V8 6651cc 406 CID (T); w/ Wide Frame	DC3Z-6007-E
New	2014	6.7L DIESEL OHV	Engine Assembly (Complete); Standard Cab Pickup; V8 6651cc 406 CID (T); w/ Wide Frame	DC3Z-6007-E
			Engine Assembly (Less Accessories); V8 6651cc 406 CID (T)	FC3Z-6006-C
Reman	2013	6.7L DIESEL OHV	Engine Assembly (Complete); Turbocharged; V8 6651cc 406 CID (T); Narrow Frame	DC3Z-6007-BRM
			Engine Assembly (Complete); Turbocharged; V8 6651cc 406 CID (T); w/ Wide Frame	DC3Z-6007-ARM
Reman	2013	6.7L DIESEL OHV	Diesel High Pressure Oil Pump; V8 6651cc 406 CID (T)	BC3Z-9A543-B
			Turbocharger; Cab & Chassis; V8 6651cc 406 CID (T); Single Scroll	G2MZ-6K682-BRM
Reman	2013	6.7L DIESEL OHV	Turbocharger; Cab & Chassis; V8 6651cc 406 CID (T); Single Scroll	NTC-6-RM
			Turbocharger; Crew Cab Pickup; V8 6651cc 406 CID (T); Dual Scroll	G2MZ-6K682-ARM
Reman	2013	6.7L DIESEL OHV	Turbocharger; Crew Cab Pickup; V8 6651cc 406 CID (T); Dual Scroll	NTC-5-RM
			Turbocharger; Extended Cab Pickup; V8 6651cc 406 CID (T); Dual Scroll	G2MZ-6K682-ARM
Reman	2013	6.7L DIESEL OHV	Turbocharger; Extended Cab Pickup; V8 6651cc 406 CID (T); Dual Scroll	NTC-5-RM
			Turbocharger; Standard Cab Pickup; V8 6651cc 406 CID (T); Dual Scroll	G2MZ-6K682-ARM
Reman	2013	6.7L DIESEL OHV	Turbocharger; Standard Cab Pickup; V8 6651cc 406 CID (T); Dual Scroll	NTC-5-RM
			Turbocharger; V8 6651cc 406 CID (T); w/ Wide Frame	BC3Z-6K682-C
New	2013	6.7L DIESEL SOHC	Diesel High Pressure Oil Pump; V8 6700cc 409 CID	BC3Z-9A543-B
			Turbocharger; Crew Cab Pickup; V8 6700cc 409 CID; Dual Scroll	G2MZ-6K682-ARM
New	2013	6.7L DIESEL OHV	Turbocharger; Crew Cab Pickup; V8 6700cc 409 CID; Dual Scroll	NTC-5-RM
			Engine Assembly (Complete); Cab & Chassis; V8 6651cc 406 CID (T); Narrow Frame	DC3Z-6007-BA
New	2013	6.7L DIESEL OHV	Engine Assembly (Complete); Crew Cab Pickup; V8 6651cc 406 CID (T); w/ Wide Frame	DC3Z-6007-E
			Engine Assembly (Complete); Extended Cab Pickup; V8 6651cc 406 CID (T); w/ Wide Frame	DC3Z-6007-E
New	2013	6.7L DIESEL OHV	Engine Assembly (Complete); Standard Cab Pickup; V8 6651cc 406 CID (T); w/ Wide Frame	DC3Z-6007-E
			Engine Assembly (Less Accessories); V8 6651cc 406 CID (T)	FC3Z-6006-C
Reman	2013	6.7L DIESEL OHV	Engine Assembly (Complete); Turbocharged; V8 6651cc 406 CID (T); Narrow Frame	DC3Z-6007-BRM
			Engine Assembly (Complete); Turbocharged; V8 6651cc 406 CID (T); w/ Wide Frame	DC3Z-6007-ARM
Reman	2012	6.7L DIESEL OHV	Diesel High Pressure Oil Pump; V8 6651cc 406 CID (T)	BC3Z-9A543-B
			Turbocharger; Cab & Chassis; V8 6651cc 406 CID (T); Single Scroll	G2MZ-6K682-BRM
Reman	2012	6.7L DIESEL OHV	Turbocharger; Cab & Chassis; V8 6651cc 406 CID (T); Single Scroll	NTC-6-RM



F-Series

-Cont'd

Part Type	Years	Engine	Qualifier	Ford #	
New	2012	6.7L DIESEL OHV	Turbocharger; Crew Cab Pickup; V8 6651cc 406 CID (T); Dual Scroll	G2MZ-6K682-ARM	
			Turbocharger; Crew Cab Pickup; V8 6651cc 406 CID (T); Dual Scroll	NTC-5-RM	
			Turbocharger; Extended Cab Pickup; V8 6651cc 406 CID (T); Dual Scroll	G2MZ-6K682-ARM	
			Turbocharger; Extended Cab Pickup; V8 6651cc 406 CID (T); Dual Scroll	NTC-5-RM	
			Turbocharger; Standard Cab Pickup; V8 6651cc 406 CID (T); Dual Scroll	G2MZ-6K682-ARM	
			Turbocharger; Standard Cab Pickup; V8 6651cc 406 CID (T); Dual Scroll	NTC-5-RM	
	Reman	2012	6.7L DIESEL SOHC	Turbocharger; V8 6651cc 406 CID (T); w/ Wide Frame	BC3Z-6K682-C
				Diesel High Pressure Oil Pump; V8 6700cc 409 CID	BC3Z-9A543-B
				Turbocharger; Crew Cab Pickup; V8 6700cc 409 CID; Dual Scroll	G2MZ-6K682-ARM
				Turbocharger; Crew Cab Pickup; V8 6700cc 409 CID; Dual Scroll	NTC-5-RM
				Engine Assembly (Complete); Cab & Chassis; V8 6651cc 406 CID (T); Narrow Frame	DC3Z-6007-BA
				Engine Assembly (Complete); Crew Cab Pickup; V8 6651cc 406 CID (T); w/ Wide Frame	DC3Z-6007-E
New	2011	6.7L DIESEL OHV	Engine Assembly (Complete); Extended Cab Pickup; V8 6651cc 406 CID (T); w/ Wide Frame	DC3Z-6007-E	
			Engine Assembly (Complete); Standard Cab Pickup; V8 6651cc 406 CID (T); w/ Wide Frame	DC3Z-6007-E	
			Engine Assembly (Less Accessories); V8 6651cc 406 CID (T)	FC3Z-6006-C	
			Engine Assembly (Complete); Turbocharged; V8 6651cc 406 CID (T); Narrow Frame	DC3Z-6007-BRM	
			Engine Assembly (Complete); Turbocharged; V8 6651cc 406 CID (T); w/ Wide Frame	DC3Z-6007-ARM	
			Diesel High Pressure Oil Pump; V8 6651cc 406 CID (T)	BC3Z-9A543-B	
	Reman	2011	6.7L DIESEL OHV	Turbocharger; Cab & Chassis; V8 6651cc 406 CID (T); Single Scroll	G2MZ-6K682-BRM
				Turbocharger; Cab & Chassis; V8 6651cc 406 CID (T); Single Scroll	NTC-6-RM
				Turbocharger; Crew Cab Pickup; V8 6651cc 406 CID (T); Dual Scroll	G2MZ-6K682-ARM
				Turbocharger; Crew Cab Pickup; V8 6651cc 406 CID (T); Dual Scroll	NTC-5-RM
				Turbocharger; Extended Cab Pickup; V8 6651cc 406 CID (T); Dual Scroll	G2MZ-6K682-ARM
				Turbocharger; Extended Cab Pickup; V8 6651cc 406 CID (T); Dual Scroll	NTC-5-RM
New	2010	6.7L DIESEL SOHC	Turbocharger; Standard Cab Pickup; V8 6651cc 406 CID (T); Dual Scroll	G2MZ-6K682-ARM	
			Turbocharger; Standard Cab Pickup; V8 6651cc 406 CID (T); Dual Scroll	NTC-5-RM	
			Turbocharger; V8 6651cc 406 CID (T); w/ Wide Frame	BC3Z-6K682-C	
			Diesel High Pressure Oil Pump; V8 6700cc 409 CID	BC3Z-9A543-B	
			Turbocharger; Crew Cab Pickup; V8 6700cc 409 CID; Dual Scroll	G2MZ-6K682-ARM	
			Turbocharger; Crew Cab Pickup; V8 6700cc 409 CID; Dual Scroll	NTC-5-RM	
	Reman	2010	6.7L DIESEL OHV	Engine Assembly (Complete); Cab & Chassis; V8 6651cc 406 CID (T); Narrow Frame	DC3Z-6007-BA
				Engine Assembly (Complete); Crew Cab Pickup; V8 6651cc 406 CID (T); w/ Wide Frame	DC3Z-6007-E
				Engine Assembly (Complete); Extended Cab Pickup; V8 6651cc 406 CID (T); w/ Wide Frame	DC3Z-6007-E
				Engine Assembly (Complete); Standard Cab Pickup; V8 6651cc 406 CID (T); w/ Wide Frame	DC3Z-6007-E
				Engine Assembly (Less Accessories); V8 6651cc 406 CID (T)	FC3Z-6006-C
				Engine Assembly (Complete); Turbocharged; V8 6651cc 406 CID (T); Narrow Frame	DC3Z-6007-BRM
New	2009	6.4L DIESEL OHV	Engine Assembly (Complete); Turbocharged; V8 6651cc 406 CID (T); w/ Wide Frame	DC3Z-6007-ARM	
			Clutch Kit; w/ S6-650 Transmission; V8 391 CID (R)	7C3Z-7L596-A	
			Diesel High Pressure Oil Pump; V8 391 CID (R); 6E7O-9G803-AE	8C3Z-9A543-DRM	
			Diesel High Pressure Oil Pump; V8 391 CID (R); 6E7O-9G803-AE	HPP-11-RM	
			Engine Short Block; w/ Automatic Trans.; V8 391 CID (R); Assembly	8C3Z-6009-AARM	
			Engine Short Block; w/ Standard Trans.; V8 391 CID (R); Assembly	8C3Z-6009-BARM	
	Reman	2009	6.4L DIESEL OHV	Turbocharger; V8 391 CID (R); High Pressure	8C3Z-6K682-BARM
				Turbocharger; V8 391 CID (R); High Pressure	TC-14-RM
				Turbocharger; V8 391 CID (R); High and Low Pressure	8C3Z-6K682-CRM
				Turbocharger; V8 391 CID (R); High and Low Pressure	TC-16-RM
				Turbocharger; V8 391 CID (R); Low Pressure	8C3Z-6K682-AARM
				Turbocharger; V8 391 CID (R); Low Pressure	TC-11-RM
New	2008	6.4L DIESEL OHV	Engine Assembly (Complete); w/ Automatic Trans.; V8 391 CID (R); Excludes Vertical EGR Cooler	8C3Z-6007-AARM	
			w/ Standard Trans.; V8 391 CID (R); Excludes Vertical EGR Cooler	8C3Z-6007-BARM	
			Clutch Kit; w/ S6-650 Transmission; V8 391 CID (R)	7C3Z-7L596-A	
			Diesel High Pressure Oil Pump; V8 391 CID (R); 6E7O-9G803-AE	8C3Z-9A543-DRM	
			Diesel High Pressure Oil Pump; V8 391 CID (R); 6E7O-9G803-AE	HPP-11-RM	
			Engine Short Block; w/ Automatic Trans.; V8 391 CID (R); Assembly	8C3Z-6009-AARM	
	Reman	2008	6.4L DIESEL OHV	Engine Short Block; w/ Standard Trans.; V8 391 CID (R); Assembly	8C3Z-6009-BARM
				Turbocharger; V8 391 CID (R); High Pressure	8C3Z-6K682-BARM
				Turbocharger; V8 391 CID (R); High Pressure	TC-14-RM
				Turbocharger; V8 391 CID (R); High and Low Pressure	8C3Z-6K682-CRM
				Turbocharger; V8 391 CID (R); High and Low Pressure	TC-16-RM
				Turbocharger; V8 391 CID (R); Low Pressure	8C3Z-6K682-AARM
New	2007	6.0L DIESEL OHV	Turbocharger; V8 391 CID (R); Low Pressure	TC-11-RM	
			Engine Assembly (Complete); w/ Automatic Trans.; V8 391 CID (R); Excludes Vertical EGR Cooler	8C3Z-6007-AARM	
			w/ Standard Trans.; V8 391 CID (R); Excludes Vertical EGR Cooler	8C3Z-6007-BARM	
			Clutch Kit; w/ S6-650 Transmission; w/ Standard Trans.; V8 363 CID (P); Use with Single Mass	3C3Z-7L596-EA	
			Flywheel Assy Only		
			Diesel Fuel Injector Driver Module; FI; V8 363 CID (P)	HC3Z-12B599-CRM	
	Reman	2007	6.0L DIESEL OHV	Diesel High Pressure Oil Pump; V8 363 CID (P); 5C4O-9A543-AA	5C3Z-9A543-ARM
				Diesel High Pressure Oil Pump; V8 363 CID (P); 5C4O-9A543-AA	HPP-12-RM



F-Series

-Cont'd

Part Type	Years	Engine	Qualifier	Ford #
Reman	2007	6.0L DIESEL OHV	Engine Short Block; V8 363 CID (P); Assembly	6C3Z-6009-ARM
			Turbocharger; V8 363 CID (P)	5C3Z-6K682-CCRM
			Turbocharger; V8 363 CID (P); w/o Turbo Spacer, Wire Clip and Bolt	TC-17-RM
			Engine Assembly (Complete); w/ Automatic Trans.; V8 363 CID (P); S/N 6,723,722 to 6,908,443 or 299,093 to 414,752	6C3Z-6007-BARM
			Engine Assembly (Complete); w/ Standard Trans.; V8 363 CID (P); S/N 6,723,722 to 6,908,443 or 299,093 to 414,752	6C3Z-6007-AARM
	2006	6.0L DIESEL OHV	Engine Assembly (Less Accessories) S/N 6,723,722 to 6,908,443 or 299,093 to 414,752; w/ Automatic Trans.; V8 363 CID (P)	6C3Z-6006-BARM
			Engine Assembly (Less Accessories) S/N 6,723,722 to 6,908,443 or 299,093 to 414,752; w/ Standard Trans.; V8 363 CID (P)	6C3Z-6006-AARM
			Clutch Kit; w/ S6-650 Transmission; w/ Standard Trans.; V8 363 CID (P); Use with Single Mass Flywheel Assy Only	3C3Z-7L596-EA
			Diesel Fuel Injector Driver Module; FI; V8 363 CID (P)	HC3Z-12B599-CRM
			Diesel High Pressure Oil Pump; V8 363 CID (P); 5C4O-9A543-AA	5C3Z-9A543-ARM
Reman	2005	6.0L DIESEL OHV	Diesel High Pressure Oil Pump; V8 363 CID (P); 5C4O-9A543-AA	HPP-12-RM
			Engine Short Block; V8 363 CID (P); Assembly	6C3Z-6009-ARM
			Turbocharger; V8 363 CID (P)	5C3Z-6K682-CCRM
			Turbocharger; V8 363 CID (P); Engine Serial Number 6,155,637 To 6,344,942 Or 1 To 299,092	4C3Z-6K682-CDRM
			Turbocharger; V8 363 CID (P); Engine Serial Number 6,155,637 To 6,344,942 Or 1 To 299,092	TC-15-RM
	2004	6.0L DIESEL OHV	Turbocharger; V8 363 CID (P); w/o Turbo Spacer, Wire Clip and Bolt	TC-17-RM
			Engine Assembly (Complete); w/ Automatic Trans.; V8 363 CID (P); S/N 6,723,722 to 6,908,443 or 299,093 to 414,752	6C3Z-6007-BARM
			Engine Assembly (Complete); w/ Standard Trans.; V8 363 CID (P); S/N 6,723,722 to 6,908,443 or 299,093 to 414,752	6C3Z-6007-AARM
			Engine Assembly (Less Accessories) S/N 6,723,722 to 6,908,443 or 299,093 to 414,752; w/ Automatic Trans.; V8 363 CID (P)	6C3Z-6006-BARM
			Engine Assembly (Less Accessories) S/N 6,723,722 to 6,908,443 or 299,093 to 414,752; w/ Standard Trans.; V8 363 CID (P)	6C3Z-6006-AARM
Reman	2005	6.0L DIESEL OHV	Clutch Kit; w/ S6-650 Transmission; w/ Standard Trans.; V8 363 CID (P); Use with Single Mass Flywheel Assy Only	3C3Z-7L596-EA
			Diesel Fuel Injector Driver Module; FI; V8 363 CID (P)	HC3Z-12B599-CRM
			Diesel High Pressure Oil Pump; V8 363 CID (P); 5C4O-9A543-AA	5C3Z-9A543-ARM
			Diesel High Pressure Oil Pump; V8 363 CID (P); 5C4O-9A543-AA	HPP-12-RM
			Engine Short Block; V8 363 CID (P); Assembly	5C3Z-6009-AARM
	2004	6.0L DIESEL OHV	Turbocharger; V8 363 CID (P); Before 11/04/04	4C3Z-6K682-CCRM
			Turbocharger; V8 363 CID (P); Engine Serial Number 6,155,637 To 6,344,942 Or 1 To 299,092	4C3Z-6K682-CDRM
			Turbocharger; V8 363 CID (P); Engine Serial Number 6,155,637 To 6,344,942 Or 1 To 299,092	TC-15-RM
			Turbocharger; V8 363 CID (P); From 11/04/04	5C3Z-6K682-CCRM
			Turbocharger; V8 363 CID (P); From 11/04/04; w/o Turbo Spacer, Wire Clip and Bolt	TC-17-RM
Reman	2005	6.0L DIESEL OHV	Engine Assembly (Complete); w/ Automatic Trans.; V8 363 CID (P); Before 11/04/04 and S/N 6,429,301 or 181,447	5C3Z-6007-BARM
			Engine Assembly (Complete); w/ Automatic Trans.; V8 363 CID (P); From 11/04/04 and S/N 6,429,302 or 181,448	5C3Z-6007-DARM
			Engine Assembly (Complete); w/ Standard Trans.; V8 363 CID (P); Before 11/04/04 and S/N 6,429,301 or 181,447	5C3Z-6007-AARM
			Engine Assembly (Complete); w/ Standard Trans.; V8 363 CID (P); From 11/04/04 and S/N 6,429,302 or 181,448	5C3Z-6007-CARM
			Engine Assembly (Less Accessories) w/ S/N 6,344,943 to 6,560,520 or 131,587 to 213,260; w/ Automatic Trans.; V8 363 CID (P)	5C3Z-6006-BARM
	2004	6.0L DIESEL OHV	Engine Assembly (Less Accessories); V8 363 CID (P); S/N 6,344,943 to 6,429,301 or 131,587 to 181,447	5C3Z-6006-AARM
			Clutch Kit; w/ S6-650 Transmission; w/ Standard Trans.; V8 363 CID (P); Use with Single Mass Flywheel Assy Only	3C3Z-7L596-EA
			Diesel Fuel Injector Driver Module; FI; V8 363 CID (P)	HC3Z-12B599-CRM
			Diesel High Pressure Oil Pump; V8 363 CID (P); 5C4O-9A543-AA	5C3Z-9A543-ARM
			Diesel High Pressure Oil Pump; V8 363 CID (P); 5C4O-9A543-AA	HPP-12-RM
Reman	2005	6.0L DIESEL OHV	Diesel High Pressure Oil Pump; V8 363 CID (P); Before S/N 6155636 or 94580; OE# 5010106-R91	3C3Z-9A543-AARM
			Diesel High Pressure Oil Pump; V8 363 CID (P); Before S/N 6155636 or 94580; OE# 5010106-R91	HPP-10-RM
			Diesel High Pressure Oil Pump; V8 363 CID (P); From S/N 6155637 or 94581; OE# 5010119-R91	4C3Z-9A543-AARM
			Diesel High Pressure Oil Pump; V8 363 CID (P); From S/N 6155637 or 94581; OE# 5010119-R91	HPP-8-RM
			Engine Short Block; V8 363 CID (P); Assembly; Before 9/29/03 and S/N 6,155,636 or 137,744	3C3Z-6009-AARM
	2004	6.0L DIESEL OHV	Engine Short Block; V8 363 CID (P); Assembly; From 9/29/03 and S/N 6,155,637 or 137,745	5C3Z-6009-AARM
			Turbocharger; V8 363 CID (P); From 9/29/03 and S/N 6155637 or 94580	4C3Z-6K682-CCRM
			Turbocharger; V8 363 CID (P); w/ EBP Valve; Before 9/29/03 and S/N 6155636 or 94580	3C3Z-6K682-CCRM
			Turbocharger; V8 363 CID (P); w/ EBP Valve; Before 9/29/03 and S/N 6155636 or 94580	TC-13-RM
			Engine Assembly (Complete); w/ Automatic Trans.; V8 363 CID (P); Before 11/04/04 and S/N 6,429,301 or 181,447	5C3Z-6007-BARM
2004	6.0L DIESEL OHV	Engine Assembly (Complete); w/ Automatic Trans.; V8 363 CID (P); Before S/N 6,155,636	3C3Z-6007-AARM	
		Engine Assembly (Complete); w/ Automatic Trans.; V8 363 CID (P); From 11/04/04 and S/N 6,429,302 or 181,448	5C3Z-6007-DARM	
		Engine Assembly (Complete); w/ Automatic Trans.; V8 363 CID (P); From S/N 6,155,637	4C3Z-6007-BARM	
		Engine Assembly (Complete); w/ Automatic Trans.; V8 363 CID (P); From S/N 6,155,637; w/ Head4C3Z-6007-CARM Studs	5C3Z-6007-CARM	
		Engine Assembly (Complete); w/ Standard Trans.; V8 363 CID (P); Before 11/04/04 and S/N 6,429,301 or 181,447	5C3Z-6007-AARM	
2004	6.0L DIESEL OHV	Engine Assembly (Complete); w/ Standard Trans.; V8 363 CID (P); From 11/04/04 and S/N 6,429,302 or 181,448	5C3Z-6007-CARM	
		Engine Assembly (Complete); w/ Standard Trans.; V8 363 CID (P); w/ Eng Tags 3G-041-CE,DG-041-BE,WG-041-DD Before S/N 6,155,636	3C3Z-6007-BARM	
		Engine Assembly (Complete); w/ Standard Trans.; V8 363 CID (P); w/ Eng Tags 3G-041-CE,DG-041-BE,WG-041-DD From S/N 6,155,637	4C3Z-6007-AARM	



F-Series

-Cont'd

Part Type	Years	Engine	Qualifier	Ford #
Reman	2004	6.0L DIESEL OHV	Engine Assembly (Less Accessories) From S/N 6,155,637 or 94,581; w/ Automatic Trans.; V8 363 CID (P) Engine Assembly (Less Accessories) From S/N 6,155,637 or 94,581; w/ Standard Trans.; V8 363 CID (P) Engine Assembly (Less Accessories) before S/N 6,155,636 or 94,580; w/ Automatic Trans.; V8 363 CID (P) Engine Assembly (Less Accessories) before S/N 6,155,636 or 94,580; w/ Standard Trans.; V8 363 CID (P)	4C3Z-6006-BARM 4C3Z-6006-AARM 3C3Z-6006-AARM 3C3Z-6006-BARM
	2003	6.0L DIESEL OHV	Diesel Fuel Injector Driver Module; FI; V8 363 CID (P) Engine Short Block; V8 363 CID (P); Assembly; Before 9/29/03 and S/N 6,155,636 or 137,744 Engine Short Block; V8 363 CID (P); Assembly; From 9/29/03 and S/N 6,155,637 or 137,745 Turbocharger; V8 363 CID (P); From 9/29/03 and S/N 6155637 or 94580 Turbocharger; V8 363 CID (P); w/ EBP Valve Turbocharger; V8 363 CID (P); w/ EBP Valve Clutch Kit; w/ Standard Trans.; V8 445 CID (F); M6HD Diesel High Pressure Oil Pump; V8 445 CID (F) Diesel High Pressure Oil Pump; V8 445 CID (F) Engine Connecting Rod; V8 445 CID (F) Fuel Injector Kit; V8 445 CID (F); #1 Thru #7 Fuel Injector Kit; V8 445 CID (F); #1 Thru #7 Fuel Injector Kit; V8 445 CID (F); #8 Fuel Injector Kit; V8 445 CID (F); #8 Turbocharger Mounting Kit; Turbocharged; V8 445 CID (F) Turbocharger Mounting Kit; Turbocharged; V8 445 CID (F) Turbocharger; V8 445 CID (F); w/ EBP Valve Turbocharger; V8 445 CID (F); w/ EBP w/ Engine Serial # 896812-Current Turbocharger; V8 445 CID (F); w/o EBP Valve Turbocharger; V8 445 CID (F); w/o EBP Valve	HC3Z-12B599-CRM 3C3Z-6009-AARM 5C3Z-6009-AARM 4C3Z-6K682-CCRM 3C3Z-6K682-CCRM TC-13-RM YC3Z-7L596-AA F81Z-9A543-CRM HPP-9-RM 1C3Z-6200-AARM 5C3Z-9VE527-BRM CMR-8-RM 5C3Z-9VE527-ARM CMR-7-RM F81Z-6N639-CARM PTC-6-RM F81Z-6K682-BARM TC-12-RM F81Z-6K682-CARM TC-5-RM
Reman		6.0L DIESEL OHV	Engine Assembly (Complete); w/ Automatic Trans.; V8 363 CID (P) Engine Assembly (Complete); w/ Standard Trans.; V8 363 CID (P) Engine Assembly (Less Accessories); w/ Automatic Trans.; V8 363 CID (P) Engine Assembly (Less Accessories); w/ Standard Trans.; V8 363 CID (P) Engine Assembly (Complete); w/ Automatic Trans.; V8 445 CID (F); Exc. California; w/ Eng Tags BE-002-A*	3C3Z-6007-AARM 3C3Z-6007-BARM 3C3Z-6006-AARM 3C3Z-6006-BARM XC3Z-6007-CARM
	2002	7.3L DIESEL OHV	Engine Assembly (Longblock); V8 445 CID (F) Clutch Kit; w/ Standard Trans.; V8 445 CID (F); M6HD Diesel High Pressure Oil Pump; V8 445 CID (F) Diesel High Pressure Oil Pump; V8 445 CID (F) Engine Connecting Rod; V8 445 CID (F) Fuel Injector Kit; V8 445 CID (F); #1 Thru #7 Fuel Injector Kit; V8 445 CID (F); #1 Thru #7 Turbocharger Mounting Kit; Turbocharged; V8 445 CID (F) Turbocharger Mounting Kit; Turbocharged; V8 445 CID (F) Turbocharger; V8 445 CID (F); w/ EBP Valve Turbocharger; V8 445 CID (F); w/ EBP w/ Engine Serial # 896812-Current Turbocharger; V8 445 CID (F); w/o EBP Valve Turbocharger; V8 445 CID (F); w/o EBP Valve	XC3Z-6007-CARM XC3Z-6V012-BARM YC3Z-7L596-AA F81Z-9A543-CRM HPP-9-RM 1C3Z-6200-AARM 5C3Z-9VE527-BRM CMR-8-RM F81Z-6N639-CARM PTC-6-RM F81Z-6K682-BARM TC-12-RM F81Z-6K682-CARM TC-5-RM XC3Z-6007-CARM
Reman		7.3L DIESEL OHV	Engine Assembly (Complete); w/ Automatic Trans.; V8 445 CID (F); Exc. California; w/ Eng Tags BE-002-A*, CE-002-AA/AB Engine Assembly (Complete); w/ Standard Trans.; V8 445 CID (F); w/ Eng Tags BE-001-AB/AC Engine Assembly (Longblock); V8 445 CID (F) Clutch Kit; w/ Standard Trans.; V8 445 CID (F); M6HD Diesel High Pressure Oil Pump; V8 445 CID (F) Diesel High Pressure Oil Pump; V8 445 CID (F) Engine Connecting Rod; V8 445 CID (F) Fuel Injector Kit; V8 445 CID (F); #1 Thru #7 Fuel Injector Kit; V8 445 CID (F); #1 Thru #7 Fuel Injector Kit; V8 445 CID (F); #8 Fuel Injector Kit; V8 445 CID (F); #8 Turbocharger Mounting Kit; Turbocharged; V8 445 CID (F) Turbocharger Mounting Kit; Turbocharged; V8 445 CID (F) Turbocharger; V8 445 CID (F); w/ EBP Valve Turbocharger; V8 445 CID (F); w/ EBP w/ Engine Serial # 896812-Current Turbocharger; V8 445 CID (F); w/o EBP Valve Turbocharger; V8 445 CID (F); w/o EBP Valve	XC3Z-6007-CARM XC3Z-6V012-BARM YC3Z-7L596-AA F81Z-9A543-CRM HPP-9-RM 1C3Z-6200-AARM 5C3Z-9VE527-BRM CMR-8-RM 5C3Z-9VE527-ARM CMR-7-RM F81Z-6N639-CARM PTC-6-RM F81Z-6K682-BARM TC-12-RM F81Z-6K682-CARM TC-5-RM XC3Z-6007-CARM
	2001	7.3L DIESEL OHV	Engine Assembly (Complete); w/ Automatic Trans.; V8 445 CID (F); Exc. California; w/ Eng Tags BE-002-A*, CE-002-AA/AB Engine Assembly (Complete); w/ Standard Trans.; V8 445 CID (F); w/ Eng Tags BE-001-AB/AC Engine Assembly (Longblock); V8 445 CID (F) Clutch Kit; w/ Standard Trans.; V8 445 CID (F); M6HD Diesel High Pressure Oil Pump; V8 445 CID (F) Diesel High Pressure Oil Pump; V8 445 CID (F) Engine Connecting Rod; V8 445 CID (F) Fuel Injector Kit; V8 445 CID (F); #1 Thru #7 Fuel Injector Kit; V8 445 CID (F); #1 Thru #7 Fuel Injector Kit; V8 445 CID (F); #8 Fuel Injector Kit; V8 445 CID (F); #8 Turbocharger Mounting Kit; Turbocharged; V8 445 CID (F) Turbocharger Mounting Kit; Turbocharged; V8 445 CID (F) Turbocharger; V8 445 CID (F); w/ EBP Valve Turbocharger; V8 445 CID (F); w/ EBP w/ Engine Serial # 896812-Current Turbocharger; V8 445 CID (F); w/o EBP Valve Turbocharger; V8 445 CID (F); w/o EBP Valve	XC3Z-6007-CARM XC3Z-6V012-BARM YC3Z-7L596-AA F81Z-9A543-CRM HPP-9-RM 1C3Z-6200-AARM 5C3Z-9VE527-BRM CMR-8-RM 5C3Z-9VE527-ARM CMR-7-RM F81Z-6N639-CARM PTC-6-RM F81Z-6K682-BARM TC-12-RM F81Z-6K682-CARM TC-5-RM XC3Z-6007-CARM
Reman	2000	7.3L DIESEL OHV	Engine Assembly (Complete); V8 445 CID (F) Engine Assembly (Less Accessories); V8 445 CID (F) Engine Assembly (Longblock); V8 445 CID (F) Clutch Kit; w/ Standard Trans.; V8 445 CID (F); M6HD Diesel High Pressure Oil Pump; V8 445 CID (F) Diesel High Pressure Oil Pump; V8 445 CID (F) Fuel Injector Kit; V8 445 CID (F); #1 Thru #7 Fuel Injector Kit; V8 445 CID (F); #1 Thru #7 Fuel Injector Kit; V8 445 CID (F); #8 Fuel Injector Kit; V8 445 CID (F); #8 Turbocharger Mounting Kit; Turbocharged; V8 445 CID (F); w/ EBP Valve w/ Engine Serial # 896812-Current Turbocharger Mounting Kit; Turbocharged; V8 445 CID (F); w/ EBP Valve w/ Engine Serial # 896812-Current Turbocharger; V8 445 CID (F); w/ EBP w/ Engine Serial # 896812-Current Turbocharger; V8 445 CID (F); w/ EBP w/ Engine Serial # 896812-Current	XC3Z-6007-CARM XC3Z-6006-AARM XC3Z-6V012-BARM YC3Z-7L596-AA F81Z-9A543-CRM HPP-9-RM 5C3Z-9VE527-BRM CMR-8-RM 5C3Z-9VE527-ARM CMR-7-RM F81Z-6N639-CARM PTC-6-RM F81Z-6K682-BARM TC-12-RM



F-Series

-Cont'd

Part Type	Years	Engine	Qualifier	Ford #
Reman	2000	7.3L DIESEL OHV	Turbocharger; V8 445 CID (F); w/o EBP w/ Engine Serial # 896812-Current Turbocharger; V8 445 CID (F); w/o EBP w/ Engine Serial # 896812-Current Engine Assembly (Complete); V8 445 CID (F) Engine Assembly (Less Accessories); V8 445 CID (F) Engine Assembly (Longblock); V8 445 CID (F)	F81Z-6K682-CARM TC-5-RM XC3Z-6007-CARM XC3Z-6006-AARM XC3Z-6V012-BARM YC3Z-7L596-AA
	1999	7.3L DIESEL OHV	Clutch Kit; w/ Standard Trans.; V8 445 CID (F); M6HD Diesel High Pressure Oil Pump; V8 445 CID (F); From 12/7/98 S/N 896812-Current Diesel High Pressure Oil Pump; V8 445 CID (F); From 12/7/98 S/N 896812-Current Diesel High Pressure Oil Pump; V8 445 CID (F); Kit; S/N 201680-896811 Diesel High Pressure Oil Pump; V8 445 CID (F); Kit; S/N 201680-896811 Engine Connecting Rod; V8 445 CID (F); w/ Engine Serial # 501-1425746 Fuel Injector Kit; V8 445 CID (F); #1 Thru #7; w/ Engine S/N 896812-Current Fuel Injector Kit; V8 445 CID (F); #1 Thru #7; w/ Engine S/N 896812-Current Fuel Injector Kit; V8 445 CID (F); Injector w/ Engine Serial # 661496-896811 Fuel Injector Kit; V8 445 CID (F); Injector w/ Engine Serial # 661496-896811 Turbocharger Mounting Kit; Turbocharged; V8 445 CID (F); w/ EBP Valve Turbocharger Mounting Kit; Turbocharged; V8 445 CID (F); w/ EBP Valve Turbocharger Mounting Kit; Turbocharged; V8 445 CID (F); w/o EBP Valve w/ Engine Serial # 661974-896811 Turbocharger Mounting Kit; Turbocharged; V8 445 CID (F); w/o EBP Valve w/ Engine Serial # 661974-896811 Turbocharger Mounting Kit; Turbocharged; V8 445 CID (F); w/o EBP Valve w/ Engine Serial # 896812-Current Turbocharger Mounting Kit; Turbocharged; V8 445 CID (F); w/o EBP Valve w/ Engine Serial # 896812-Current Turbocharger; V8 445 CID (F); Engine Build Before 12/6/98 Turbocharger; V8 445 CID (F); Engine Build Before 12/6/98 Turbocharger; V8 445 CID (F); w/ EBP w/ Engine Serial # 896812-Current Turbocharger; V8 445 CID (F); w/ EBP w/ Engine Serial # 896812-Current Turbocharger; V8 445 CID (F); w/o EBP w/ Engine Serial # 896812-Current Turbocharger; V8 445 CID (F); w/o EBP w/ Engine Serial # 896812-Current Engine Assembly (Complete); V8 445 CID (F); Before 12/7/98; w/ EBP Valve; w/ Engine Serial # 661974-896811 Engine Assembly (Complete); V8 445 CID (F); Before 12/7/98; w/ Engine Serial # 661974-896811;5C3Z-6V007-CRM w/o EBP Valve Engine Assembly (Complete); V8 445 CID (F); w/o EBP Valve Engine Assembly (Less Accessories) Before 12/07/98; V8 445 CID (F); w/ Engine Serial No. 661974-896811 Engine Assembly (Less Accessories); V8 445 CID (F) Engine Assembly (Longblock); V8 445 CID (F); From 12/07/98 Clutch Kit; Turbocharged; w/ S5-47 Transmission; w/ Standard Trans.; V8 445 CID (F) Diesel High Pressure Oil Pump; V8 445 CID (F); Kit; S/N 187100-201679 Diesel High Pressure Oil Pump; V8 445 CID (F); Kit; S/N 187100-201679 Engine Connecting Rod; V8 445 CID (F) Fuel Injector Kit; V8 445 CID (F); California; Injector w/ Engine Serial # 661496-896811 Fuel Injector Kit; V8 445 CID (F); California; Injector w/ Engine Serial # 661496-896811 Fuel Injector Kit; V8 445 CID (F); Injector w/ Engine Serial # 501-661495; Exc. California Fuel Injector Kit; V8 445 CID (F); Injector w/ Engine Serial # 501-661495; Exc. California Turbocharger; V8 445 CID (F); w/o Pedestal w/ Engine Serial # 501-661973 Turbocharger; V8 445 CID (F); w/o Pedestal w/ Engine Serial # 501-661973 Engine Assembly (Complete); V8 445 CID (F); S/N 375549-661973; California Engine Assembly (Complete); V8 445 CID (F); S/N 375549-661973; Exc. California Engine Assembly (Less Accessories) w/ Engine Serial # 375548-661973; V8 445 CID (F); Exc. California Engine Assembly (Less Accessories) w/ Engine Serial # 375548-661973; V8 445 CID (F); California Engine Assembly (Longblock); V8 445 CID (F) Clutch Kit; Turbocharged; w/ S5-47 Transmission; w/ Standard Trans.; V8 445 CID (F) Diesel High Pressure Oil Pump; V8 445 CID (F); Kit; S/N 187100-201679 Diesel High Pressure Oil Pump; V8 445 CID (F); Kit; S/N 187100-201679 Engine Connecting Rod; V8 445 CID (F) Fuel Injector Kit; V8 445 CID (F); California; Injector w/ Engine Serial # 661496-896811 For Cyl.# 8 Fuel Injector Kit; V8 445 CID (F); California; Injector w/ Engine Serial # 661496-896811 For Cyl.# 8 Fuel Injector Kit; V8 445 CID (F); California; Injector w/ Engine Serial # 661496-896811 For Cyls. 1-7 Fuel Injector Kit; V8 445 CID (F); California; Injector w/ Engine Serial # 661496-896811 For Cyls. 1-7 Fuel Injector Kit; V8 445 CID (F); Exc. California; Injector w/ Engine Serial #501-661495 Fuel Injector Kit; V8 445 CID (F); Exc. California; Injector w/ Engine Serial #501-661495 Turbocharger; V8 445 CID (F); w/o Pedestal w/ Engine Serial # 501-661973 Turbocharger; V8 445 CID (F); w/o Pedestal w/ Engine Serial # 501-661973 Engine Assembly (Complete); V8 445 CID (F); California; w/ Engine Serial # 201681-375548 Engine Assembly (Complete); V8 445 CID (F); Exc. California; w/ Engine Serial # 201681-375548 Engine Assembly (Less Accessories) w/ Engine Serial # 201681-375548; V8 445 CID (F); California Engine Assembly (Less Accessories) w/ Engine Serial # 201681-375548; V8 445 CID (F); Exc. California	F81Z-6N639-DARM PTC-5-RM F81Z-6N639-DARM PTC-7-RM 5C3Z-6V682-ARM TC-3-RM F81Z-6K682-BARM TC-12-RM F81Z-6K682-CARM TC-5-RM 5C3Z-6V007-BRM XC3Z-6007-BARM 5C3Z-6V006-CRM XC3Z-6006-AARM XC3Z-6V012-BARM F4TZ-7L596-A F6TZ-9VA543-ARM HPP-1-RM F4TZ-6V200-CARM F61Z-9VE527-BRM CMR-1-RM F4TZ-9VE527-AARM F1-2RM F4TZ-6VK682-CARM TC-2-RM F7TZ-6V007-AARM F7TZ-6V007-BARM F7TZ-6V006-BARM F7TZ-6V006-CARM California F7TZ-6V012-ABRM F4TZ-7L596-A F6TZ-9VA543-ARM HPP-1-RM F4TZ-6V200-CARM F61Z-9VE527-ERM CMR-2-RM F61Z-9VE527-BRM CMR-1-RM F4TZ-9VE527-AARM F1-2RM F4TZ-6VK682-CARM TC-2-RM F6TZ-6V007-AARM F6TZ-6V006-AARM F6TZ-6V006-BARM
Reman	1997	7.3L DIESEL OHV	Clutch Kit; Turbocharged; w/ S5-47 Transmission; w/ Standard Trans.; V8 445 CID (F) Diesel High Pressure Oil Pump; V8 445 CID (F); Kit; S/N 187100-201679 Diesel High Pressure Oil Pump; V8 445 CID (F); Kit; S/N 187100-201679 Engine Connecting Rod; V8 445 CID (F) Fuel Injector Kit; V8 445 CID (F); California; Injector w/ Engine Serial # 661496-896811 Fuel Injector Kit; V8 445 CID (F); California; Injector w/ Engine Serial # 661496-896811 Fuel Injector Kit; V8 445 CID (F); Injector w/ Engine Serial # 501-661495; Exc. California Fuel Injector Kit; V8 445 CID (F); Injector w/ Engine Serial # 501-661495; Exc. California Turbocharger; V8 445 CID (F); w/o Pedestal w/ Engine Serial # 501-661973 Turbocharger; V8 445 CID (F); w/o Pedestal w/ Engine Serial # 501-661973 Engine Assembly (Complete); V8 445 CID (F); S/N 375549-661973; California Engine Assembly (Complete); V8 445 CID (F); S/N 375549-661973; Exc. California Engine Assembly (Less Accessories) w/ Engine Serial # 375548-661973; V8 445 CID (F); Exc. California Engine Assembly (Less Accessories) w/ Engine Serial # 375548-661973; V8 445 CID (F); California	F4TZ-7L596-A F6TZ-9VA543-ARM HPP-1-RM F4TZ-6V200-CARM F61Z-9VE527-BRM CMR-1-RM F4TZ-9VE527-AARM F1-2RM F4TZ-6VK682-CARM TC-2-RM F7TZ-6V007-AARM F7TZ-6V007-BARM F7TZ-6V006-BARM
	1996	7.3L DIESEL OHV	Engine Assembly (Less Accessories) w/ Engine Serial # 375548-661973; V8 445 CID (F); California Engine Assembly (Longblock); V8 445 CID (F) Clutch Kit; Turbocharged; w/ S5-47 Transmission; w/ Standard Trans.; V8 445 CID (F) Diesel High Pressure Oil Pump; V8 445 CID (F); Kit; S/N 187100-201679 Diesel High Pressure Oil Pump; V8 445 CID (F); Kit; S/N 187100-201679 Engine Connecting Rod; V8 445 CID (F) Fuel Injector Kit; V8 445 CID (F); California; Injector w/ Engine Serial # 661496-896811 For Cyl.# 8 Fuel Injector Kit; V8 445 CID (F); California; Injector w/ Engine Serial # 661496-896811 For Cyl.# 8 Fuel Injector Kit; V8 445 CID (F); California; Injector w/ Engine Serial # 661496-896811 For Cyls. 1-7 Fuel Injector Kit; V8 445 CID (F); California; Injector w/ Engine Serial # 661496-896811 For Cyls. 1-7 Fuel Injector Kit; V8 445 CID (F); Exc. California; Injector w/ Engine Serial #501-661495 Fuel Injector Kit; V8 445 CID (F); Exc. California; Injector w/ Engine Serial #501-661495 Turbocharger; V8 445 CID (F); w/o Pedestal w/ Engine Serial # 501-661973 Turbocharger; V8 445 CID (F); w/o Pedestal w/ Engine Serial # 501-661973 Engine Assembly (Complete); V8 445 CID (F); California; w/ Engine Serial # 201681-375548 Engine Assembly (Complete); V8 445 CID (F); Exc. California; w/ Engine Serial # 201681-375548 Engine Assembly (Less Accessories) w/ Engine Serial # 201681-375548; V8 445 CID (F); California Engine Assembly (Less Accessories) w/ Engine Serial # 201681-375548; V8 445 CID (F); Exc. California	F7TZ-6V007-AARM F7TZ-6V007-BARM F7TZ-6V006-BARM F7TZ-6V006-CARM California F7TZ-6V012-ABRM F4TZ-7L596-A F6TZ-9VA543-ARM HPP-1-RM F4TZ-6V200-CARM F61Z-9VE527-ERM CMR-2-RM F61Z-9VE527-BRM CMR-1-RM F4TZ-9VE527-AARM F1-2RM F4TZ-6VK682-CARM TC-2-RM F6TZ-6V007-AARM F6TZ-6V006-AARM F6TZ-6V006-BARM
Reman	1995	7.3L DIESEL OHV	Clutch Kit; Turbocharged; w/ S5-42 Transmission; w/ Standard Trans.; V8 445 CID (F) Diesel High Pressure Oil Pump; Turbocharged; V8 445 CID (F); Kit Diesel High Pressure Oil Pump; Turbocharged; V8 445 CID (F); Kit	F4TZ-7L596-A F4TZ-9VA543-AARM OP-1-RM



F-Series

-Cont'd

Part Type	Years	Engine	Qualifier	Ford #
Reman	1995	7.3L DIESEL OHV	Engine Connecting Rod; Turbocharged; V8 445 CID (F)	F4TZ-6V200-CARM
			Fuel Injector Kit; Turbocharged; V8 445 CID (F); Injector w/ Engine Serial # 501-661495	F4TZ-9VE527-AARM
			Fuel Injector Kit; Turbocharged; V8 445 CID (F); Injector w/ Engine Serial # 501-661495	FI-2RM
			Turbocharger; V8 445 CID (F); w/o Pedestal w/ Engine Serial # 501-661973	F4TZ-6VK682-CARM
			Turbocharger; V8 445 CID (F); w/o Pedestal w/ Engine Serial # 501-661973	TC-2-RM
			Engine Assembly (Complete); Turbocharged; V8 445 CID (F); S/N 35652-201680	F5TZ-6V007-AARM
			Engine Assembly (Less Accessories) w/ Engine Serial # 501-201680; Turbocharged; V8 445 CID (F)	F4TZ-6V006-BARM
			Engine Assembly (Longblock); Turbocharged; V8 445 CID (F)	F4TZ-6V012-AARM
			Clutch Kit; FI; Turbocharged; w/ S5-42 Transmission; w/ Standard Trans.; V8 445 CID (F); DFI	F4TZ-7L596-A
			Clutch Kit; FI; Turbocharged; w/ S5-42 Transmission; w/ Standard Trans.; V8 445 CID (K); DFI	F4TZ-7L596-A
Reman	1994	7.3L DIESEL OHV	Diesel High Pressure Oil Pump; FI; Turbocharged; V8 445 CID (F); Kit; DFI	F4TZ-9VA543-AARM
			Diesel High Pressure Oil Pump; FI; Turbocharged; V8 445 CID (F); Kit; DFI	OP-1-RM
			Diesel High Pressure Oil Pump; FI; Turbocharged; V8 445 CID (K); Kit; DFI	F4TZ-9VA543-AARM
			Diesel High Pressure Oil Pump; FI; Turbocharged; V8 445 CID (K); Kit; DFI	OP-1-RM
			Engine Connecting Rod; FI; Naturally Aspirated; V8 445 CID (M); w/ Engine Serial # 500079-1116330; IFI	XU2Z-6V200-BARM
			Engine Connecting Rod; FI; Turbocharged; V8 445 CID (F); DFI	F4TZ-6V200-CARM
			Engine Connecting Rod; FI; Turbocharged; V8 445 CID (K); DFI	F4TZ-6V200-CARM
			Engine Oil Cooler; FI; Naturally Aspirated; V8 445 CID (M); IFI; Assembly	XU2Z-6VA642-AARM
			Engine Oil Cooler; FI; Naturally Aspirated; V8 445 CID (M); IFI; Assembly	OC-1-RM
			Engine Oil Cooler; FI; Turbocharged; V8 445 CID (F); IFI; Assembly	XU2Z-6VA642-AARM
			Engine Oil Cooler; FI; Turbocharged; V8 445 CID (F); IFI; Assembly	OC-1-RM
			Engine Oil Cooler; FI; Turbocharged; V8 445 CID (K); IFI; Assembly	XU2Z-6VA642-AARM
			Engine Oil Cooler; FI; Turbocharged; V8 445 CID (K); IFI; Assembly	OC-1-RM
			Fuel Injector Kit; FI; Naturally Aspirated; V8 445 CID (M); IFI	2C3Z-9VE527-DRM
			Fuel Injector Kit; FI; Naturally Aspirated; V8 445 CID (M); IFI	CMR-4-RM
			Fuel Injector Kit; FI; Turbocharged; V8 445 CID (F); DFI; Injector w/ Engine Serial # 501-661495	F4TZ-9VE527-AARM
			Fuel Injector Kit; FI; Turbocharged; V8 445 CID (F); DFI; Injector w/ Engine Serial # 501-661495	FI-2RM
			Fuel Injector Kit; FI; Turbocharged; V8 445 CID (F); IFI	2C3Z-9VE527-ARM
			Fuel Injector Kit; FI; Turbocharged; V8 445 CID (F); IFI	CMR-3-RM
			Fuel Injector Kit; FI; Turbocharged; V8 445 CID (K); DFI; Injector w/ Engine Serial # 501-661495	F4TZ-9VE527-AARM
			Fuel Injector Kit; FI; Turbocharged; V8 445 CID (K); DFI; Injector w/ Engine Serial # 501-661495	FI-2RM
			Fuel Injector Kit; FI; Turbocharged; V8 445 CID (K); IFI	2C3Z-9VE527-ARM
			Fuel Injector Kit; FI; Turbocharged; V8 445 CID (K); IFI	CMR-3-RM
			Turbocharger Mounting Kit; FI; Turbocharged; V8 445 CID (F); DFI	F4TZ-6VN639-AARM
			Turbocharger Mounting Kit; FI; Turbocharged; V8 445 CID (F); DFI	PTC-2-RM
			Turbocharger Mounting Kit; FI; Turbocharged; V8 445 CID (K); DFI	F4TZ-6VN639-AARM
			Turbocharger Mounting Kit; FI; Turbocharged; V8 445 CID (K); DFI	PTC-2-RM
			Turbocharger; FI; V8 445 CID (F); DFI; w/o Pedestal w/ Engine Serial # 501-661973	F4TZ-6VK682-CARM
			Turbocharger; FI; V8 445 CID (F); DFI; w/o Pedestal w/ Engine Serial # 501-661973	TC-2-RM
			Turbocharger; FI; V8 445 CID (F); IFI	F4TZ-6VK682-BARM
			Turbocharger; FI; V8 445 CID (F); IFI	TC-1-RM
			Turbocharger; FI; V8 445 CID (K); DFI; w/o Pedestal w/ Engine Serial # 501-661973	F4TZ-6VK682-CARM
			Turbocharger; FI; V8 445 CID (K); DFI; w/o Pedestal w/ Engine Serial # 501-661973	TC-2-RM
			Turbocharger; FI; V8 445 CID (K); IFI	F4TZ-6VK682-BARM
			Turbocharger; FI; V8 445 CID (K); IFI	TC-1-RM
			Engine Assembly (Complete); FI; Naturally Aspirated; V8 445 CID (M); IFI; High Altitude w/ Engine Serial # 500079-1116330	XU2Z-6V007-DARM
			Engine Assembly (Complete); FI; Naturally Aspirated; V8 445 CID (M); IFI; S/N 500079-1116330	XU2Z-6V007-CARM
			Engine Assembly (Complete); FI; Turbocharged; V8 445 CID (F); DFI; S/N 501-35651	F4TZ-6V007-FARM
			Engine Assembly (Complete); FI; Turbocharged; V8 445 CID (K); DFI; S/N 501-35651	F4TZ-6V007-FARM
			Engine Assembly (Less Accessories) w/ Engine Serial # 1116331-End; FI; Turbocharged; V8 445 CID (F); IFI	F4TZ-6V006-AARM
			Engine Assembly (Less Accessories) w/ Engine Serial # 1116331-End; FI; Turbocharged; V8 445 CID (K); IFI	F4TZ-6V006-AARM
			Engine Assembly (Less Accessories) w/ Engine Serial # 501-201680; FI; Turbocharged; V8 445 CID (F); DFI	F4TZ-6V006-BARM
			Engine Assembly (Less Accessories) w/ Engine Serial # 501-201680; FI; Turbocharged; V8 445 CID (K); DFI	F4TZ-6V006-BARM
			Engine Assembly (Longblock); FI; Naturally Aspirated; V8 445 CID (M); IFI; S/N 500079-1116330	XU2Z-6V012-CARM
			Engine Assembly (Longblock); FI; Turbocharged; V8 445 CID (F); DFI	F4TZ-6V012-AARM
			Engine Assembly (Longblock); FI; Turbocharged; V8 445 CID (F); IFI; S/N 1116331-End	F3TZ-6V012-AARM
			Engine Assembly (Longblock); FI; Turbocharged; V8 445 CID (K); DFI	F4TZ-6V012-AARM
			Engine Assembly (Longblock); FI; Turbocharged; V8 445 CID (K); IFI; S/N 1116331-End	F3TZ-6V012-AARM
			Engine Connecting Rod; Naturally Aspirated; V8 445 CID (M); Assembly w/ Engine Serial # 1116330	XU2Z-6V200-BARM
			Engine Connecting Rod; Turbocharged; V8 445 CID (C)	F4TZ-6V200-CARM
Engine Connecting Rod; V8 445 CID (C); Assembly w/ Engine Serial # 1116330	XU2Z-6V200-BARM			
Engine Connecting Rod; V8 445 CID (M); Assembly w/ Engine Serial # 1116330	XU2Z-6V200-BARM			
Engine Oil Cooler; Naturally Aspirated; V8 445 CID (M); Assembly	XU2Z-6VA642-AARM			
Engine Oil Cooler; Naturally Aspirated; V8 445 CID (M); Assembly	OC-1-RM			
Fuel Injector Kit; Naturally Aspirated; V8 445 CID (M)	2C3Z-9VE527-DRM			
Fuel Injector Kit; Naturally Aspirated; V8 445 CID (M)	CMR-4-RM			
Fuel Injector Kit; Turbocharged; V8 445 CID (C)	2C3Z-9VE527-ARM			
Fuel Injector Kit; Turbocharged; V8 445 CID (C)	CMR-3-RM			
Engine Assembly (Complete); Naturally Aspirated; V8 445 CID (M); High Altitude w/ Engine Serial # 500079-1116330	XU2Z-6V007-DARM			
Engine Assembly (Complete); Naturally Aspirated; V8 445 CID (M); S/N 500079-1116330	XU2Z-6V007-CARM			
Engine Assembly (Less Accessories) w/ Engine Serial # 1116331-End; Turbocharged; V8 445 CID (F); DFI	F4TZ-6V006-AARM			
Engine Assembly (Less Accessories) w/ Engine Serial # 1116331-End; Turbocharged; V8 445 CID (M); S/N 500079-1116330	XU2Z-6V012-CARM			



F-Series

-Cont'd

Part Type	Years	Engine	Qualifier	Ford #
Reman	1993	7.3L DIESEL OHV	Engine Assembly (Longblock); Turbocharged; V8 445 CID (C)	F3TZ-6V012-AARM
	1992	7.3L DIESEL OHV	Engine Connecting Rod; V8 445 CID (M) Engine Oil Cooler; V8 445 CID (M); Assembly Engine Oil Cooler; V8 445 CID (M); Assembly Fuel Injector Kit; V8 445 CID (M); Injector Before 3/92 Fuel Injector Kit; V8 445 CID (M); Injector Before 3/92 Fuel Injector Kit; V8 445 CID (M); Injector From 3/92 Fuel Injector Kit; V8 445 CID (M); Injector From 3/92	XU2Z-6V200-BARM XU2Z-6VA642-AARM OC-1-RM 2C3Z-9VE527-ERM CMR-5-RM 2C3Z-9VE527-DRM CMR-4-RM
Reman	1991	7.3L DIESEL OHV	Engine Assembly (Complete); V8 445 CID (M) Engine Assembly (Complete); V8 445 CID (M); High Altitude w/ Engine Serial # 500079-1116330 Engine Assembly (Longblock); V8 445 CID (M)	XU2Z-6V007-CARM XU2Z-6V007-DARM XU2Z-6V012-CARM
			Engine Connecting Rod; V8 445 CID (M) Engine Oil Cooler; V8 445 CID (M); Assembly Engine Oil Cooler; V8 445 CID (M); Assembly Fuel Injector Kit; V8 445 CID (M) Fuel Injector Kit; V8 445 CID (M)	XU2Z-6V200-BARM XU2Z-6VA642-AARM OC-1-RM 2C3Z-9VE527-ERM CMR-5-RM
Reman	1990	7.3L DIESEL OHV	Engine Assembly (Complete); V8 445 CID (M) Engine Assembly (Complete); V8 445 CID (M); High Altitude w/ Engine Serial # 500079-1116330 Engine Assembly (Longblock); V8 445 CID (M)	XU2Z-6V007-CARM XU2Z-6V007-DARM XU2Z-6V012-CARM
			Engine Connecting Rod; V8 445 CID (M) Engine Oil Cooler; V8 445 CID (M); Assembly Engine Oil Cooler; V8 445 CID (M); Assembly Fuel Injector Kit; V8 445 CID (M) Fuel Injector Kit; V8 445 CID (M)	XU2Z-6V200-BARM XU2Z-6VA642-AARM OC-1-RM 2C3Z-9VE527-ERM CMR-5-RM
Reman	1989	7.3L DIESEL OHV	Engine Assembly (Complete); V8 445 CID (M) Engine Assembly (Complete); V8 445 CID (M); High Altitude Engine Assembly (Longblock); V8 445 CID (M)	XU2Z-6V007-CARM XU2Z-6V007-DARM XU2Z-6V012-CARM
			Engine Connecting Rod; V8 445 CID (M) Engine Oil Cooler; V8 445 CID (M); Assembly Engine Oil Cooler; V8 445 CID (M); Assembly Fuel Injector Kit; V8 445 CID (M) Fuel Injector Kit; V8 445 CID (M)	XU2Z-6V200-BARM XU2Z-6VA642-AARM OC-1-RM 2C3Z-9VE527-ERM CMR-5-RM
Reman	1988	7.3L DIESEL OHV	Engine Assembly (Complete); V8 445 CID (M) Engine Assembly (Complete); V8 445 CID (M); High Altitude w/ Engine Serial # 500079-1116330 Engine Assembly (Longblock); V8 445 CID (M)	XU2Z-6V007-CARM XU2Z-6V007-DARM XU2Z-6V012-CARM
			Engine Connecting Rod; V8 445 CID (M) Engine Oil Cooler; V8 445 CID (M); Assembly Engine Oil Cooler; V8 445 CID (M); Assembly Fuel Injector Kit; V8 445 CID (M) Fuel Injector Kit; V8 445 CID (M)	XU2Z-6V200-BARM XU2Z-6VA642-AARM OC-1-RM 2C3Z-9VE527-ERM CMR-5-RM
Reman	1987	6.9L DIESEL OHV	Engine Assembly (Complete); V8 445 CID (M) Engine Assembly (Complete); V8 445 CID (M); High Altitude w/ Engine Serial # 500079-1116330 Engine Assembly (Longblock); V8 445 CID (M)	XU2Z-6V007-CARM XU2Z-6V007-DARM XU2Z-6V012-CARM
			Engine Connecting Rod; V8 420 CID (1) Engine Oil Cooler; V8 420 CID (1); Assembly Engine Oil Cooler; V8 420 CID (1); Assembly Fuel Injector Kit; V8 420 CID (1) Fuel Injector Kit; V8 420 CID (1)	XU2Z-6V200-BARM XU2Z-6VA642-AARM OC-1-RM 2C3Z-9VE527-FRM CMR-6-RM
Reman	1986	6.9L DIESEL OHV	Engine Assembly (Complete); V8 420 CID (1) Engine Assembly (Longblock); V8 420 CID (1) Engine Connecting Rod; V8 420 CID (1)	XU2Z-6V007-AARM XU2Z-6V012-AARM XU2Z-6V200-BARM
			Engine Oil Cooler; V8 420 CID (1); Assembly Engine Oil Cooler; V8 420 CID (1); Assembly Fuel Injector Kit; V8 420 CID (1) Fuel Injector Kit; V8 420 CID (1)	XU2Z-6VA642-AARM OC-1-RM 2C3Z-9VE527-FRM CMR-6-RM
Reman	1985	6.9L DIESEL OHV	Engine Assembly (Complete); V8 420 CID (1) Engine Assembly (Longblock); V8 420 CID (1) Engine Connecting Rod; V8 420 CID (1)	XU2Z-6V007-AARM XU2Z-6V012-AARM XU2Z-6V200-BARM
			Engine Oil Cooler; V8 420 CID (1); Assembly Engine Oil Cooler; V8 420 CID (1); Assembly Fuel Injector Kit; V8 420 CID (1) Fuel Injector Kit; V8 420 CID (1)	XU2Z-6VA642-AARM OC-1-RM 2C3Z-9VE527-FRM CMR-6-RM
Reman	1984	6.9L DIESEL OHV	Engine Assembly (Complete); V8 420 CID (1) Engine Assembly (Longblock); V8 420 CID (1) Engine Connecting Rod; V8 420 CID (1); Assembly w/ Engine Serial # 1116330 Engine Oil Cooler; V8 420 CID (1); Assembly	XU2Z-6V007-AARM XU2Z-6V012-AARM XU2Z-6V200-BARM XU2Z-6VA642-AARM
			Engine Oil Cooler; V8 420 CID (1); Assembly Fuel Injector Kit; V8 420 CID (1) Fuel Injector Kit; V8 420 CID (1)	OC-1-RM 2C3Z-9VE527-FRM CMR-6-RM
Reman	1983	6.9L DIESEL OHV	Engine Assembly (Complete); V8 420 CID (1); S/N 500078 Engine Assembly (Longblock); V8 420 CID (1); S/N 500078 Engine Connecting Rod; V8 420 CID (1); w/ Engine Serial # 1116330 Engine Oil Cooler; V8 420 CID (1); Assembly	XU2Z-6V007-AARM XU2Z-6V012-AARM XU2Z-6V200-BARM XU2Z-6VA642-AARM
			Engine Oil Cooler; V8 420 CID (1); Assembly Engine Assembly (Complete); V8 420 CID (1); S/N 500078 Engine Assembly (Longblock); V8 420 CID (1); S/N 500078	OC-1-RM XU2Z-6V007-AARM XU2Z-6V012-AARM



Transit-150

Part Type	Years	Engine	Qualifier	Ford #
New	2018	3.2L DIESEL DOHC	Diesel High Pressure Oil Pump; L5 195 CID (V)	FB3Z-9A543-A
	2017	3.2L DIESEL DOHC	Diesel High Pressure Oil Pump; L5 195 CID (V) Engine Assembly (Less Accessories); L5 195 CID (V)	FB3Z-9A543-A CK4Z-6006-A
New	2016	3.2L DIESEL DOHC	Diesel High Pressure Oil Pump; L5 195 CID (V) Engine Assembly (Less Accessories); L5 195 CID (V)	FB3Z-9A543-A CK4Z-6006-A
	2015	3.2L DIESEL DOHC	Diesel High Pressure Oil Pump; L5 195 CID (V) Engine Assembly (Less Accessories); L5 195 CID (V)	FB3Z-9A543-A CK4Z-6006-A

Transit-250

Part Type	Years	Engine	Qualifier	Ford #
New	2018	3.2L DIESEL DOHC	Diesel High Pressure Oil Pump; L5 195 CID (V)	FB3Z-9A543-A
	2017	3.2L DIESEL DOHC	Diesel High Pressure Oil Pump; L5 195 CID (V) Engine Assembly (Less Accessories); L5 195 CID (V)	FB3Z-9A543-A CK4Z-6006-A
New	2016	3.2L DIESEL DOHC	Diesel High Pressure Oil Pump; L5 195 CID (V) Engine Assembly (Less Accessories); L5 195 CID (V)	FB3Z-9A543-A CK4Z-6006-A
	2015	3.2L DIESEL DOHC	Diesel High Pressure Oil Pump; L5 195 CID (V) Engine Assembly (Less Accessories); L5 195 CID (V)	FB3Z-9A543-A CK4Z-6006-A

Transit-350

Part Type	Years	Engine	Qualifier	Ford #
New	2018	3.2L DIESEL DOHC	Diesel High Pressure Oil Pump; L5 195 CID (V)	FB3Z-9A543-A
	2017	3.2L DIESEL DOHC	Diesel High Pressure Oil Pump; L5 195 CID (V) Engine Assembly (Less Accessories); L5 195 CID (V)	FB3Z-9A543-A CK4Z-6006-A
New	2016	3.2L DIESEL DOHC	Diesel High Pressure Oil Pump; L5 195 CID (V) Engine Assembly (Less Accessories); L5 195 CID (V)	FB3Z-9A543-A CK4Z-6006-A
	2015	3.2L DIESEL DOHC	Diesel High Pressure Oil Pump; L5 195 CID (V) Engine Assembly (Less Accessories); L5 195 CID (V)	FB3Z-9A543-A CK4Z-6006-A

Transit-350 HD

Part Type	Years	Engine	Qualifier	Ford #
New	2018	3.2L DIESEL DOHC	Diesel High Pressure Oil Pump; L5 195 CID (V)	FB3Z-9A543-A
	2017	3.2L DIESEL DOHC	Diesel High Pressure Oil Pump; L5 195 CID (V) Engine Assembly (Less Accessories); L5 195 CID (V)	FB3Z-9A543-A CK4Z-6006-A
New	2016	3.2L DIESEL DOHC	Diesel High Pressure Oil Pump; L5 195 CID (V) Engine Assembly (Less Accessories); L5 195 CID (V)	FB3Z-9A543-A CK4Z-6006-A
	2015	3.2L DIESEL DOHC	Diesel High Pressure Oil Pump; L5 195 CID (V) Engine Assembly (Less Accessories); L5 195 CID (V)	FB3Z-9A543-A CK4Z-6006-A

Econoline

Part Type	Years	Engine	Qualifier	Ford #
Reman	2010	6.0L DIESEL OHV	Engine Assembly (Complete); V8 363 CID (P); From Engine Serial # 299,093 and Up	6C2Z-6007-AARM
			Engine Assembly (Less Accessories); V8 363 CID (P); From Engine Serial # 299,093 and Up	6C2Z-6006-AARM
			Engine Assembly (Less Accessories); V8 363 CID (P); From Engine Serial # 299,093 and Up; w/ Head Studs	5C3Z-6006-DARM
Reman	2009	6.0L DIESEL OHV	Diesel Fuel Injector Driver Module; FI; V8 363 CID (P)	HC3Z-12B599-CRM
			Engine Short Block; V8 363 CID (P); Assembly	6C3Z-6009-ARM
			Turbocharger; V8 363 CID (P)	5C3Z-6K682-CCRM
			Turbocharger; V8 363 CID (P); w/o Turbo Spacer, Wire Clip and Bolt	TC-17-RM
			Engine Assembly (Complete); V8 363 CID (P); From Engine Serial # 299,093 and Up	6C2Z-6007-AARM
Reman	2008	6.0L DIESEL OHV	Engine Assembly (Less Accessories); V8 363 CID (P); From Engine Serial # 299,093 and Up	6C2Z-6006-AARM
			Engine Assembly (Less Accessories); V8 363 CID (P); From Engine Serial # 299,093 and Up; w/ Head Studs	5C3Z-6006-DARM
			Diesel Fuel Injector Driver Module; FI; V8 363 CID (P)	HC3Z-12B599-CRM
			Engine Short Block; V8 363 CID (P); Assembly	6C3Z-6009-ARM
			Turbocharger; V8 363 CID (P)	5C3Z-6K682-CCRM
Reman	2007	6.0L DIESEL OHV	Turbocharger; V8 363 CID (P); w/o Turbo Spacer, Wire Clip and Bolt	TC-17-RM
			Engine Assembly (Complete); V8 363 CID (P); From Engine Serial # 299,093 and Up	6C2Z-6007-AARM
			Engine Assembly (Less Accessories); V8 363 CID (P); From Engine Serial # 299,093 and Up	6C2Z-6006-AARM
			Engine Assembly (Less Accessories); V8 363 CID (P); From Engine Serial # 299,093 and Up; w/ Head Studs	5C3Z-6006-DARM
			Diesel Fuel Injector Driver Module; FI; V8 363 CID (P)	HC3Z-12B599-CRM
Reman	2007	6.0L DIESEL OHV	Diesel High Pressure Oil Pump; V8 363 CID (P); 5C4O-9A543-AA	5C3Z-9A543-ARM
			Diesel High Pressure Oil Pump; V8 363 CID (P); 5C4O-9A543-AA	HPP-12-RM
			Engine Short Block; V8 363 CID (P); Assembly	6C3Z-6009-ARM
			Turbocharger; V8 363 CID (P)	5C3Z-6K682-CCRM
			Turbocharger; V8 363 CID (P); w/o Turbo Spacer, Wire Clip and Bolt	TC-17-RM
Reman	2007	6.0L DIESEL OHV	Engine Assembly (Complete); V8 363 CID (P); From Engine Serial # 299,093 and Up	6C2Z-6007-AARM
			Engine Assembly (Less Accessories); V8 363 CID (P); From Engine Serial # 299,093 and Up	6C2Z-6006-AARM
			Engine Assembly (Less Accessories); V8 363 CID (P); From Engine Serial # 299,093 and Up; w/ Head Studs	5C3Z-6006-DARM



Econoline

-Cont'd

Part Type	Years	Engine	Qualifier	Ford #
Reman	2006	6.0L DIESEL OHV	Diesel Fuel Injector Driver Module; F1; V8 363 CID (P) Diesel High Pressure Oil Pump; V8 363 CID (P); 5C4O-9A543-AA Diesel High Pressure Oil Pump; V8 363 CID (P); 5C4O-9A543-AA Engine Short Block; V8 363 CID (P); Assembly Turbocharger; V8 363 CID (P) Turbocharger; V8 363 CID (P); w/o Turbo Spacer, Wire Clip and Bolt Engine Assembly (Complete); V8 363 CID (P); From Engine Serial # 299,093 and Up Engine Assembly (Complete); V8 363 CID (P); S/N 213,261 to 299,095 Engine Assembly (Less Accessories) S/N 149,761 to 299,092; V8 363 CID (P) Engine Assembly (Less Accessories); V8 363 CID (P); From Engine Serial # 299,093 and Up Engine Assembly (Less Accessories); V8 363 CID (P); From Engine Serial # 299,093 and Up; w/ Head Studs	HC3Z-12B599-CRM 5C3Z-9A543-ARM HPP-12-RM 6C3Z-6009-ARM 5C3Z-6K682-CCRM TC-17-RM 6C2Z-6007-AARM 5C2Z-6007-BARM 5C2Z-6006-AARM 6C2Z-6006-AARM 5C3Z-6006-DARM
	2005	6.0L DIESEL OHV	Diesel Fuel Injector Driver Module; F1; V8 363 CID (P) Diesel High Pressure Oil Pump; V8 363 CID (P); 5C4O-9A543-AA Diesel High Pressure Oil Pump; V8 363 CID (P); 5C4O-9A543-AA Engine Short Block; V8 363 CID (P); Assembly Engine Short Block; V8 363 CID (P); From 4/18/05; Assembly Turbocharger; V8 363 CID (P) Turbocharger; V8 363 CID (P); w/o Turbo Spacer, Wire Clip and Bolt Engine Assembly (Complete); V8 363 CID (P); Before 11/29/04 S/N 149,761 to 178,947 Engine Assembly (Complete); V8 363 CID (P); From 11/29/04 S/N 178,948 to 213,261 Engine Assembly (Less Accessories) S/N 149,761 to 299,092; V8 363 CID (P)	HC3Z-12B599-CRM 5C3Z-9A543-ARM HPP-12-RM 5C3Z-6009-AARM 6C3Z-6009-ARM 5C3Z-6K682-CCRM TC-17-RM 5C2Z-6007-AARM 5C2Z-6007-BARM 5C2Z-6006-AARM
Reman	2004	6.0L DIESEL OHV	Diesel Fuel Injector Driver Module; F1; V8 363 CID (P); From S/N 6155637 (Indy Built) or 94581 (Huntsville Built) Diesel High Pressure Oil Pump; V8 363 CID (P); 5C4O-9A543-AA Diesel High Pressure Oil Pump; V8 363 CID (P); 5C4O-9A543-AA Diesel High Pressure Oil Pump; V8 363 CID (P); Before S/N 151,888 Diesel High Pressure Oil Pump; V8 363 CID (P); Before S/N 151,888 Engine Short Block; V8 363 CID (P); Assembly; From 9/29/03 Turbocharger; V8 363 CID (P) Engine Assembly (Complete); V8 363 CID (P) Engine Assembly (Complete); V8 363 CID (P); Before 11/29/04 S/N 149,761 to 178,947 Engine Assembly (Complete); V8 363 CID (P); From 11/29/04 S/N 178,948 to 213,261 Engine Assembly (Less Accessories); V8 363 CID (P)	HC3Z-12B599-CRM 5C3Z-9A543-ARM HPP-12-RM 4C3Z-9A543-AARM HPP-8-RM 5C3Z-6009-AARM 4C3Z-6K682-CCRM 4C2Z-6007-AARM 5C2Z-6007-AARM 5C2Z-6007-BARM 4C2Z-6006-EARM
	2003	7.3L DIESEL OHV	Diesel High Pressure Oil Pump; V8 445 CID (F) Diesel High Pressure Oil Pump; V8 445 CID (F) Engine Connecting Rod; V8 445 CID (F); w/ Engine Serial # 1425747 And Up Engine Crankshaft; Turbocharged; V8 445 CID (F) Fuel Injector Kit; V8 445 CID (F); #1 Thru #7 Fuel Injector Kit; V8 445 CID (F); #1 Thru #7 Fuel Injector Kit; V8 445 CID (F); #8 Fuel Injector Kit; V8 445 CID (F); #8 Turbocharger Mounting Kit; Turbocharged; V8 445 CID (F); w/ EBP Valve Turbocharger Mounting Kit; Turbocharged; V8 445 CID (F); w/ EBP Valve Turbocharger; V8 445 CID (F) Engine Assembly (Complete); V8 445 CID (F) Engine Assembly (Less Accessories); V8 445 CID (F)	F81Z-9A543-CRM HPP-9-RM 1C3Z-6200-AARM 3C3Z-6V303-AARM 5C3Z-9VE527-BRM CMR-8-RM 5C3Z-9VE527-ARM CMR-7-RM F81Z-6N639-CARM PTC-6-RM TC-10-RM XC2Z-6007-AARM XC2Z-6006-AARM XC2Z-6K682-AARM
Reman	2002	7.3L DIESEL OHV	Diesel High Pressure Oil Pump; V8 445 CID (F) Diesel High Pressure Oil Pump; V8 445 CID (F) Engine Connecting Rod; V8 445 CID (F); w/ Engine Serial # 1425747 And Up Engine Crankshaft; Turbocharged; V8 445 CID (F) Fuel Injector Kit; V8 445 CID (F); #1 Thru #7 Fuel Injector Kit; V8 445 CID (F); #1 Thru #7 Fuel Injector Kit; V8 445 CID (F); #8 Fuel Injector Kit; V8 445 CID (F); #8 Turbocharger Mounting Kit; Turbocharged; V8 445 CID (F); w/ EBP Valve Turbocharger Mounting Kit; Turbocharged; V8 445 CID (F); w/ EBP Valve Turbocharger; V8 445 CID (F) Engine Assembly (Complete); V8 445 CID (F) Engine Assembly (Less Accessories); V8 445 CID (F)	F81Z-9A543-CRM HPP-9-RM 1C3Z-6200-AARM 3C3Z-6V303-AARM 5C3Z-9VE527-BRM CMR-8-RM 5C3Z-9VE527-ARM CMR-7-RM F81Z-6N639-CARM PTC-6-RM TC-10-RM XC2Z-6007-AARM XC2Z-6006-AARM XC2Z-6K682-AARM
	2001	7.3L DIESEL OHV	Diesel High Pressure Oil Pump; Turbocharged; V8 445 CID (F) Diesel High Pressure Oil Pump; Turbocharged; V8 445 CID (F) Engine Connecting Rod; Turbocharged; V8 445 CID (F); w/ Engine Serial # 1425747 And Up Engine Crankshaft; Turbocharged; V8 445 CID (F) Fuel Injector Kit; Turbocharged; V8 445 CID (F); #1 Thru #7 Fuel Injector Kit; Turbocharged; V8 445 CID (F); #1 Thru #7 Fuel Injector Kit; Turbocharged; V8 445 CID (F); #2 Fuel Injector Kit; Turbocharged; V8 445 CID (F); #2 Turbocharger Mounting Kit; Turbocharged; V8 445 CID (F); w/ EBP Valve Turbocharger Mounting Kit; Turbocharged; V8 445 CID (F); w/ EBP Valve Turbocharger; V8 445 CID (F) Engine Assembly (Complete); Turbocharged; V8 445 CID (F) Engine Assembly (Less Accessories); Turbocharged; V8 445 CID (F)	F81Z-9A543-CRM HPP-9-RM 1C3Z-6200-AARM 3C3Z-6V303-AARM 5C3Z-9VE527-BRM CMR-8-RM 5C3Z-9VE527-ARM CMR-7-RM F81Z-6N639-CARM PTC-6-RM TC-10-RM XC2Z-6007-AARM XC2Z-6006-AARM XC2Z-6K682-AARM
Reman	2000	7.3L DIESEL OHV	Diesel High Pressure Oil Pump; Turbocharged; V8 445 CID (F); S/N 896812-Current Diesel High Pressure Oil Pump; Turbocharged; V8 445 CID (F); S/N 896812-Current Engine Crankshaft; Turbocharged; V8 445 CID (F); w/ Engine Serial Number 896812 - Current Fuel Injector Kit; Turbocharged; V8 445 CID (F); #1 Thru #7 Fuel Injector Kit; Turbocharged; V8 445 CID (F); #1 Thru #7	F81Z-9A543-CRM HPP-9-RM 3C3Z-6V303-AARM 5C3Z-9VE527-BRM CMR-8-RM



Econoline

-Cont'd

Part Type	Years	Engine	Qualifier	Ford #
Reman	2000	7.3L DIESEL OHV	Fuel Injector Kit; Turbocharged; V8 445 CID (F); #8	5C3Z-9VE527-ARM
			Fuel Injector Kit; Turbocharged; V8 445 CID (F); #8	CMR-7-RM
			Turbocharger Mounting Kit; Turbocharged; V8 445 CID (F); w/ EBP Valve w/ Engine Serial # 896812-Current	F81Z-6N639-CARM
			Turbocharger Mounting Kit; Turbocharged; V8 445 CID (F); w/ EBP Valve w/ Engine Serial # 896812-Current	PTC-6-RM
			Turbocharger; V8 445 CID (F); w/ Engine Serial # 896812-Current	TC-10-RM
	1999	7.3L DIESEL OHV	Engine Assembly (Complete); Turbocharged; V8 445 CID (F)	XC2Z-6007-AARM
			Engine Assembly (Less Accessories); Turbocharged; V8 445 CID (F); For Engine S/N 896812 to current	XC2Z-6006-AARM
			Turbocharger; V8 445 CID (F); w/ Engine Serial # 896812-Current	XC2Z-6K682-AARM
	1998	7.3L DIESEL OHV	Engine Crankshaft; Turbocharged; V8 445 CID (F); w/ Engine Serial # 576010-Current	3C3Z-6V303-AARM
			Engine Crankshaft; Turbocharged; V8 445 CID (F); w/ Bearings and Seal; w/ Engine Serial # 576010-Current	3C3Z-6V303-AARM

F-Series

Part Type	Years	Engine	Qualifier	Ford #
New	2018	6.7L DIESEL OHV	V8 6651cc 406 CID (T); w/ High Sulfur Diesel Fuel Content	HC3Z-6007-K
			V8 6651cc 406 CID (T); w/ Low Sulfur Diesel Fuel Content; Narrow Frame; w/ Mid Sulfur Diesel Fuel Content	HC3Z-6007-J
			V8 6651cc 406 CID; w/ High Sulfur Diesel Fuel Content	HC3Z-6007-K
New	2017	6.7L DIESEL OHV	V8 6651cc 406 CID; w/ Low Sulfur Diesel Fuel Content; Narrow Frame; w/ Mid Sulfur Diesel Fuel Content	HC3Z-6007-J
			Diesel High Pressure Oil Pump; V8 6651cc 406 CID	BC3Z-9A543-B
			Diesel High Pressure Oil Pump; V8 6651cc 406 CID (T)	BC3Z-9A543-B
			V8 6651cc 406 CID (T); w/ Dual Wheels; w/ Wide Frame; w/ Low Sulfur Diesel Fuel Content	HC3Z-6007-M
			V8 6651cc 406 CID (T); w/ High Sulfur Diesel Fuel Content	HC3Z-6007-K
			V8 6651cc 406 CID (T); w/ Low Sulfur Diesel Fuel Content; Narrow Frame; w/ Mid Sulfur Diesel Fuel Content	HC3Z-6007-J
			V8 6651cc 406 CID (T); w/ Single Wheel; w/ Wide Frame; w/ Low Sulfur Diesel Fuel Content	HC3Z-6007-H
New	2016	6.7L DIESEL OHV	V8 6651cc 406 CID; w/ Dual Wheels; w/ Wide Frame; w/ Low Sulfur Diesel Fuel Content	HC3Z-6007-M
			V8 6651cc 406 CID; w/ High Sulfur Diesel Fuel Content	HC3Z-6007-K
			V8 6651cc 406 CID; w/ Low Sulfur Diesel Fuel Content; Narrow Frame; w/ Mid Sulfur Diesel Fuel Content	HC3Z-6007-J
			V8 6651cc 406 CID; w/ Single Wheel; w/ Wide Frame; w/ Low Sulfur Diesel Fuel Content	HC3Z-6007-H
			Diesel High Pressure Oil Pump; V8 6651cc 406 CID	BC3Z-9A543-B
			Diesel High Pressure Oil Pump; V8 6651cc 406 CID (T)	BC3Z-9A543-B
			Diesel High Pressure Oil Pump; V8 6700cc 409 CID 99T	BC3Z-9A543-B
			Engine Assembly (Complete); V8 6651cc 406 CID (T); Narrow Frame; w/ Low or Mid Sulfur	GC3Z-6007-G
			Engine Assembly (Complete); V8 6651cc 406 CID; Narrow Frame; w/ Low or Mid Sulfur	GC3Z-6007-G
			Engine Assembly (Complete); w/ 6R140 Transmission; V8 6651cc 406 CID (T); w/ Wide Frame Wheelbase; w/ Low Sulfur Diesel Fuel Content	FC3Z-6007-BA
New	2015	6.7L DIESEL OHV	Engine Assembly (Complete); w/ 6R140 Transmission; V8 6651cc 406 CID; w/ Wide Frame Wheelbase; w/ Low Sulfur Diesel Fuel Content	FC3Z-6007-BA
			V8 6651cc 406 CID (T); High Sulfur	GC3Z-6007-H
			V8 6651cc 406 CID; High Sulfur	GC3Z-6007-H
			w/ 6R140 Transmission; V8 6651cc 406 CID (T); w/ Wide Frame; Low Sulfur	GC3Z-6007-F
			Diesel High Pressure Oil Pump; V8 6651cc 406 CID (T)	BC3Z-9A543-B
			Diesel High Pressure Oil Pump; V8 6700cc 409 CID 99T	BC3Z-9A543-B
			Turbocharger; Cab & Chassis - Crew Cab; V8 6651cc 406 CID (T); Single Scroll	G2MZ-6K682-BRM
			Turbocharger; Cab & Chassis - Crew Cab; V8 6651cc 406 CID (T); Single Scroll	NTC-6-RM
			Turbocharger; Cab & Chassis - Extended Cab; V8 6651cc 406 CID (T); Single Scroll	G2MZ-6K682-BRM
			Turbocharger; Cab & Chassis - Extended Cab; V8 6651cc 406 CID (T); Single Scroll	NTC-6-RM
New	2014	6.7L DIESEL OHV	Turbocharger; Cab & Chassis - Long Conventional; V8 6651cc 406 CID (T); Single Scroll	G2MZ-6K682-BRM
			Turbocharger; Cab & Chassis - Long Conventional; V8 6651cc 406 CID (T); Single Scroll	NTC-6-RM
			Turbocharger; Cab & Chassis - Long Conventional; V8 6651cc 406 CID (T); Single Scroll	G2MZ-6K682-BRM
			Turbocharger; Cab & Chassis - Long Conventional; V8 6651cc 406 CID (T); Single Scroll	NTC-6-RM
			Turbocharger; Crew Cab Pickup; V8 6651cc 406 CID (T); Dual Scroll	G2MZ-6K682-ARM
			Turbocharger; Crew Cab Pickup; V8 6651cc 406 CID (T); Dual Scroll	NTC-5-RM
			Turbocharger; V8 6651cc 406 CID (T); w/ Wide Frame	BC3Z-6K682-C
			Engine Assembly (Complete); Cab & Chassis - Crew Cab; V8 6651cc 406 CID (T); Narrow Frame	FC3Z-6007-BA
			Engine Assembly (Complete); Cab & Chassis - Long Conventional; V8 6651cc 406 CID (T); Narrow Frame	FC3Z-6007-B
			Engine Assembly (Less Accessories); V8 6651cc 406 CID (T)	FC3Z-6006-C
Reman	2013	6.7L DIESEL OHV	Diesel High Pressure Oil Pump; V8 6651cc 406 CID (T)	BC3Z-9A543-B
			Diesel High Pressure Oil Pump; V8 6700cc 409 CID 99T	BC3Z-9A543-B
			Turbocharger; Cab & Chassis - Crew Cab; V8 6651cc 406 CID (T); Single Scroll	G2MZ-6K682-BRM
			Turbocharger; Cab & Chassis - Crew Cab; V8 6651cc 406 CID (T); Single Scroll	NTC-6-RM
			Turbocharger; Cab & Chassis - Extended Cab; V8 6651cc 406 CID (T); Single Scroll	G2MZ-6K682-BRM
			Turbocharger; Cab & Chassis - Extended Cab; V8 6651cc 406 CID (T); Single Scroll	NTC-6-RM
			Turbocharger; Cab & Chassis - Long Conventional; V8 6651cc 406 CID (T); Single Scroll	G2MZ-6K682-BRM
			Turbocharger; Cab & Chassis - Long Conventional; V8 6651cc 406 CID (T); Single Scroll	NTC-6-RM
			Turbocharger; Crew Cab Pickup; V8 6651cc 406 CID (T); Dual Scroll	G2MZ-6K682-ARM
			Turbocharger; Crew Cab Pickup; V8 6651cc 406 CID (T); Dual Scroll	NTC-5-RM
Reman			Engine Assembly (Complete); Cab & Chassis - Crew Cab; V8 6651cc 406 CID (T)	DC3Z-6007-BA
			Engine Assembly (Complete); Cab & Chassis - Long Conventional; V8 6651cc 406 CID (T)	DC3Z-6007-BA
			Engine Assembly (Complete); Crew Cab Pickup; V8 6651cc 406 CID (T); w/ Wide Frame	DC3Z-6007-E
			Engine Assembly (Less Accessories); V8 6651cc 406 CID (T)	FC3Z-6006-C
			Engine Assembly (Complete); Turbocharged; V8 6651cc 406 CID (T); Narrow Frame	DC3Z-6007-BRM
			Engine Assembly (Complete); Turbocharged; V8 6651cc 406 CID (T); w/ Wide Frame	DC3Z-6007-ARM
			Diesel High Pressure Oil Pump; V8 6651cc 406 CID (T)	BC3Z-9A543-B



F-Series

-Cont'd

Part Type	Years	Engine	Qualifier	Ford #
New	2013	6.7L DIESEL OHV	Diesel High Pressure Oil Pump; V8 6700cc 409 CID 99T	BC3Z-9A543-B
			Turbocharger; Cab & Chassis - Crew Cab; V8 6651cc 406 CID (T); Single Scroll	G2MZ-6K682-BRM
			Turbocharger; Cab & Chassis - Crew Cab; V8 6651cc 406 CID (T); Single Scroll	NTC-6-RM
			Turbocharger; Cab & Chassis - Extended Cab; V8 6651cc 406 CID (T); Single Scroll	G2MZ-6K682-BRM
			Turbocharger; Cab & Chassis - Extended Cab; V8 6651cc 406 CID (T); Single Scroll	NTC-6-RM
			Turbocharger; Cab & Chassis - Long Conventional; V8 6651cc 406 CID (T); Single Scroll	G2MZ-6K682-BRM
			Turbocharger; Cab & Chassis - Long Conventional; V8 6651cc 406 CID (T); Single Scroll	NTC-6-RM
			Turbocharger; Crew Cab Pickup; V8 6651cc 406 CID (T); Dual Scroll	G2MZ-6K682-ARM
			Turbocharger; Crew Cab Pickup; V8 6651cc 406 CID (T); Dual Scroll	NTC-5-RM
			Turbocharger; V8 6651cc 406 CID (T); w/ Wide Frame	BC3Z-6K682-C
			Engine Assembly (Complete); Cab & Chassis - Crew Cab; V8 6651cc 406 CID (T)	DC3Z-6007-BA
			Engine Assembly (Complete); Cab & Chassis - Long Conventional; V8 6651cc 406 CID (T)	DC3Z-6007-BA
			Engine Assembly (Complete); Crew Cab Pickup; V8 6651cc 406 CID (T); w/ Wide Frame	DC3Z-6007-E
			Engine Assembly (Less Accessories); V8 6651cc 406 CID (T)	FC3Z-6006-C
			Engine Assembly (Complete); Turbocharged; V8 6651cc 406 CID (T); Narrow Frame	DC3Z-6007-BRM
Engine Assembly (Complete); Turbocharged; V8 6651cc 406 CID (T); w/ Wide Frame	DC3Z-6007-ARM			
New	2012	6.7L DIESEL OHV	Diesel High Pressure Oil Pump; V8 6651cc 406 CID (T)	BC3Z-9A543-B
			Diesel High Pressure Oil Pump; V8 6700cc 409 CID	BC3Z-9A543-B
			Turbocharger; Cab & Chassis - Crew Cab; V8 6651cc 406 CID (T); Single Scroll	G2MZ-6K682-BRM
			Turbocharger; Cab & Chassis - Crew Cab; V8 6651cc 406 CID (T); Single Scroll	NTC-6-RM
			Turbocharger; Cab & Chassis - Extended Cab; V8 6651cc 406 CID (T); Single Scroll	G2MZ-6K682-BRM
			Turbocharger; Cab & Chassis - Extended Cab; V8 6651cc 406 CID (T); Single Scroll	NTC-6-RM
			Turbocharger; Cab & Chassis - Long Conventional; V8 6651cc 406 CID (T); Single Scroll	G2MZ-6K682-BRM
			Turbocharger; Cab & Chassis - Long Conventional; V8 6651cc 406 CID (T); Single Scroll	NTC-6-RM
			Turbocharger; Crew Cab Pickup; V8 6651cc 406 CID (T); Dual Scroll	G2MZ-6K682-ARM
			Turbocharger; Crew Cab Pickup; V8 6651cc 406 CID (T); Dual Scroll	NTC-5-RM
			Turbocharger; V8 6651cc 406 CID (T); w/ Wide Frame	BC3Z-6K682-C
			Engine Assembly (Complete); Cab & Chassis - Crew Cab; V8 6651cc 406 CID (T); Narrow Frame	DC3Z-6007-BA
			Engine Assembly (Complete); Cab & Chassis - Long Conventional; V8 6651cc 406 CID (T); Narrow Frame	DC3Z-6007-BA
			Engine Assembly (Complete); Crew Cab Pickup; V8 6651cc 406 CID (T); w/ Wide Frame	DC3Z-6007-E
			Engine Assembly (Less Accessories); V8 6651cc 406 CID (T)	FC3Z-6006-C
Engine Assembly (Complete); Turbocharged; V8 6651cc 406 CID (T); Narrow Frame	DC3Z-6007-BRM			
Engine Assembly (Complete); Turbocharged; V8 6651cc 406 CID (T); w/ Wide Frame	DC3Z-6007-ARM			
New	2011	6.7L DIESEL OHV	Diesel High Pressure Oil Pump; V8 6651cc 406 CID (T)	BC3Z-9A543-B
			Diesel High Pressure Oil Pump; V8 6700cc 409 CID	BC3Z-9A543-B
			Turbocharger; Cab & Chassis - Crew Cab; V8 6651cc 406 CID (T); Single Scroll	G2MZ-6K682-BRM
			Turbocharger; Cab & Chassis - Crew Cab; V8 6651cc 406 CID (T); Single Scroll	NTC-6-RM
			Turbocharger; Cab & Chassis - Extended Cab; V8 6651cc 406 CID (T); Single Scroll	G2MZ-6K682-BRM
			Turbocharger; Cab & Chassis - Extended Cab; V8 6651cc 406 CID (T); Single Scroll	NTC-6-RM
			Turbocharger; Cab & Chassis - Long Conventional; V8 6651cc 406 CID (T); Single Scroll	G2MZ-6K682-BRM
			Turbocharger; Cab & Chassis - Long Conventional; V8 6651cc 406 CID (T); Single Scroll	NTC-6-RM
			Turbocharger; Crew Cab Pickup; V8 6651cc 406 CID (T); Dual Scroll	G2MZ-6K682-ARM
			Turbocharger; Crew Cab Pickup; V8 6651cc 406 CID (T); Dual Scroll	NTC-5-RM
			Turbocharger; V8 6651cc 406 CID (T); w/ Wide Frame	BC3Z-6K682-C
			Engine Assembly (Complete); Cab & Chassis - Crew Cab; V8 6651cc 406 CID (T); Narrow Frame	DC3Z-6007-BA
			Engine Assembly (Complete); Cab & Chassis - Long Conventional; V8 6651cc 406 CID (T)	DC3Z-6007-BA
			Engine Assembly (Complete); Cab & Chassis - Long Conventional; V8 6651cc 406 CID (T); Narrow Frame	DC3Z-6007-BA
			Engine Assembly (Complete); Crew Cab Pickup; V8 6651cc 406 CID (T); w/ Wide Frame	DC3Z-6007-E
Engine Assembly (Less Accessories); V8 6651cc 406 CID (T)	FC3Z-6006-C			
Engine Assembly (Complete); Turbocharged; V8 6651cc 406 CID (T); Narrow Frame	DC3Z-6007-BRM			
Engine Assembly (Complete); Turbocharged; V8 6651cc 406 CID (T); w/ Wide Frame	DC3Z-6007-ARM			
New	2010	6.4L DIESEL OHV	Clutch Kit; w/ S6-650 Transmission; V8 391 CID (R)	7C3Z-7L596-A
			Diesel High Pressure Oil Pump; V8 391 CID (R); 6E7O-9G803-AE	8C3Z-9A543-DRM
			Diesel High Pressure Oil Pump; V8 391 CID (R); 6E7O-9G803-AE	HPP-11-RM
			Diesel High Pressure Oil Pump; V8 391 CID; 6E7O-9G803-AE	8C3Z-9A543-DRM
			Diesel High Pressure Oil Pump; V8 391 CID; 6E7O-9G803-AE	HPP-11-RM
			Engine Short Block; w/ Automatic Trans.; V8 391 CID (R); Assembly	8C3Z-6009-AARM
			Engine Short Block; w/ Standard Trans.; V8 391 CID (R); Assembly	8C3Z-6009-BARM
			Engine Short Block; w/ Standard Trans.; V8 391 CID; Assembly	8C3Z-6009-BARM
			Turbocharger; V8 391 CID (R); High Pressure	8C3Z-6K682-BARM
			Turbocharger; V8 391 CID (R); High Pressure	TC-14-RM
			Turbocharger; V8 391 CID (R); High and Low Pressure	8C3Z-6K682-CRM
			Turbocharger; V8 391 CID (R); High and Low Pressure	TC-16-RM
			Turbocharger; V8 391 CID (R); Low Pressure	8C3Z-6K682-AARM
			Turbocharger; V8 391 CID (R); Low Pressure	TC-11-RM
			Turbocharger; V8 391 CID; High Pressure	8C3Z-6K682-BARM
Turbocharger; V8 391 CID; High Pressure	TC-14-RM			
Turbocharger; V8 391 CID; High and Low Pressure	8C3Z-6K682-CRM			
Turbocharger; V8 391 CID; High and Low Pressure	TC-16-RM			
Turbocharger; V8 391 CID; Low Pressure	8C3Z-6K682-AARM			
Turbocharger; V8 391 CID; Low Pressure	TC-11-RM			
Reman	2009	6.4L DIESEL OHV	Engine Assembly (Complete); w/ Automatic Trans.; V8 391 CID (R); Excludes Vertical EGR Cooler	8C3Z-6007-AARM
			w/ Standard Trans.; V8 391 CID (R); Excludes Vertical EGR Cooler	8C3Z-6007-BARM
			w/ Standard Trans.; V8 391 CID; Excludes Vertical EGR Cooler	8C3Z-6007-BARM
			Clutch Kit; w/ S6-650 Transmission; V8 391 CID (R)	7C3Z-7L596-A
			Diesel High Pressure Oil Pump; V8 391 CID (R); 6E7O-9G803-AE	8C3Z-9A543-DRM
			Diesel High Pressure Oil Pump; V8 391 CID (R); 6E7O-9G803-AE	HPP-11-RM
			Engine Short Block; w/ Automatic Trans.; V8 391 CID (R); Assembly	8C3Z-6009-AARM
			Engine Short Block; w/ Standard Trans.; V8 391 CID (R); Assembly	8C3Z-6009-BARM
			Turbocharger; V8 391 CID (R); High Pressure	8C3Z-6K682-BARM
			Turbocharger; V8 391 CID (R); High Pressure	TC-14-RM
			Turbocharger; V8 391 CID (R); High and Low Pressure	8C3Z-6K682-CRM
			Turbocharger; V8 391 CID (R); High and Low Pressure	TC-16-RM
			Turbocharger; V8 391 CID; High Pressure	8C3Z-6K682-AARM
			Turbocharger; V8 391 CID; High Pressure	TC-11-RM
			Turbocharger; V8 391 CID; High and Low Pressure	8C3Z-6K682-BARM
Turbocharger; V8 391 CID; High and Low Pressure	TC-14-RM			
Turbocharger; V8 391 CID; Low Pressure	8C3Z-6K682-AARM			
Turbocharger; V8 391 CID; Low Pressure	TC-11-RM			



F-Series

-Cont'd

Part Type	Years	Engine	Qualifier	Ford #	
Reman	2009	6.4L DIESEL OHV	Turbocharger; V8 391 CID (R); High Pressure	8C3Z-6K682-BARM	
			Turbocharger; V8 391 CID (R); High Pressure	TC-14-RM	
			Turbocharger; V8 391 CID (R); High and Low Pressure	8C3Z-6K682-CRM	
			Turbocharger; V8 391 CID (R); High and Low Pressure	TC-16-RM	
			Turbocharger; V8 391 CID (R); Low Pressure	8C3Z-6K682-AARM	
	2008	6.4L DIESEL OHV	Turbocharger; V8 391 CID (R); Low Pressure	TC-11-RM	
			Engine Assembly (Complete); w/ Automatic Trans.; V8 391 CID (R); Excludes Vertical EGR Cooler	8C3Z-6007-AARM	
			w/ Standard Trans.; V8 391 CID (R); Excludes Vertical EGR Cooler	8C3Z-6007-BARM	
			Clutch Kit; w/ S6-650 Transmission; V8 391 CID (R)	7C3Z-7L596-A	
			Diesel High Pressure Oil Pump; V8 391 CID (R); 6E7O-9G803-AE	8C3Z-9A543-DRM	
Reman	2007	6.0L DIESEL OHV	Diesel High Pressure Oil Pump; V8 391 CID (R); 6E7O-9G803-AE	HPP-11-RM	
			Engine Short Block; w/ Automatic Trans.; V8 391 CID (R); Assembly	8C3Z-6009-AARM	
			Engine Short Block; w/ Standard Trans.; V8 391 CID (R); Assembly	8C3Z-6009-BARM	
			Turbocharger; V8 391 CID (R); High Pressure	8C3Z-6K682-BARM	
			Turbocharger; V8 391 CID (R); High Pressure	TC-14-RM	
	2006	6.0L DIESEL OHV	Turbocharger; V8 391 CID (R); High and Low Pressure	8C3Z-6K682-CRM	
			Turbocharger; V8 391 CID (R); High and Low Pressure	TC-16-RM	
			Turbocharger; V8 391 CID (R); Low Pressure	8C3Z-6K682-AARM	
			Turbocharger; V8 391 CID (R); Low Pressure	TC-11-RM	
			Engine Assembly (Complete); w/ Automatic Trans.; V8 391 CID (R); Excludes Vertical EGR Cooler	8C3Z-6007-AARM	
Reman	2007	6.0L DIESEL OHV	w/ Standard Trans.; V8 391 CID (R); Excludes Vertical EGR Cooler	8C3Z-6007-BARM	
			Clutch Kit; w/ S6-650 Transmission; w/ Standard Trans.; V8 363 CID (P); Use with Single Mass Flywheel Assy Only	3C3Z-7L596-EA	
			Diesel Fuel Injector Driver Module; FI; V8 363 CID (P)	HC3Z-12B599-CRM	
			Diesel High Pressure Oil Pump; V8 363 CID (P); 5C4O-9A543-AA	5C3Z-9A543-ARM	
			Diesel High Pressure Oil Pump; V8 363 CID (P); 5C4O-9A543-AA	HPP-12-RM	
	2006	6.0L DIESEL OHV	6.0L DIESEL OHV	Engine Short Block; V8 363 CID (P); Assembly	6C3Z-6009-ARM
				Turbocharger; V8 363 CID (P)	5C3Z-6K682-CCRM
				Turbocharger; V8 363 CID (P); w/o Turbo Spacer, Wire Clip and Bolt	TC-17-RM
				Engine Assembly (Complete); w/ Automatic Trans.; V8 363 CID (P); S/N 6,723,722 to 6,908,443 or 299,093 to 414,752	6C3Z-6007-BARM
				Engine Assembly (Complete); w/ Standard Trans.; V8 363 CID (P); S/N 6,723,722 to 6,908,443 or 299,093 to 414,752	6C3Z-6007-AARM
Reman	2006	6.0L DIESEL OHV	Engine Assembly (Less Accessories) S/N 6,723,722 to 6,908,443 or 299,093 to 414,752; w/ Automatic Trans.; V8 363 CID (P)	6C3Z-6006-BARM	
			Engine Assembly (Less Accessories) S/N 6,723,722 to 6,908,443 or 299,093 to 414,752; w/ Standard Trans.; V8 363 CID (P)	6C3Z-6006-AARM	
			Clutch Kit; w/ S6-650 Transmission; w/ Standard Trans.; V8 363 CID (P); Use with Single Mass Flywheel Assy Only	3C3Z-7L596-EA	
			Diesel Fuel Injector Driver Module; FI; V8 363 CID (P)	HC3Z-12B599-CRM	
			Diesel High Pressure Oil Pump; V8 363 CID (P); 5C4O-9A543-AA	5C3Z-9A543-ARM	
	2005	6.0L DIESEL OHV	6.0L DIESEL OHV	Diesel High Pressure Oil Pump; V8 363 CID (P); 5C4O-9A543-AA	HPP-12-RM
				Engine Short Block; V8 363 CID (P); Assembly	6C3Z-6009-ARM
				Turbocharger; V8 363 CID (P)	5C3Z-6K682-CCRM
				Turbocharger; V8 363 CID (P); Engine Serial Number 6,155,637 To 6,344,942 Or 1 To 299,092	4C3Z-6K682-CDRM
				Turbocharger; V8 363 CID (P); Engine Serial Number 6,155,637 To 6,344,942 Or 1 To 299,092	TC-15-RM
Reman	2005	6.0L DIESEL OHV	Turbocharger; V8 363 CID (P); w/o Turbo Spacer, Wire Clip and Bolt	TC-17-RM	
			Engine Assembly (Complete); w/ Automatic Trans.; V8 363 CID (P); S/N 6,723,722 to 6,908,443 or 299,093 to 414,752	6C3Z-6007-BARM	
			Engine Assembly (Complete); w/ Standard Trans.; V8 363 CID (P); S/N 6,723,722 to 6,908,443 or 299,093 to 414,752	6C3Z-6007-AARM	
			Engine Assembly (Less Accessories) S/N 6,723,722 to 6,908,443 or 299,093 to 414,752; w/ Automatic Trans.; V8 363 CID (P)	6C3Z-6006-BARM	
			Engine Assembly (Less Accessories) S/N 6,723,722 to 6,908,443 or 299,093 to 414,752; w/ Standard Trans.; V8 363 CID (P)	6C3Z-6006-AARM	
	2004	6.0L DIESEL OHV	6.0L DIESEL OHV	Clutch Kit; w/ S6-650 Transmission; w/ Standard Trans.; V8 363 CID (P); Use with Single Mass Flywheel Assy Only	3C3Z-7L596-EA
				Diesel Fuel Injector Driver Module; FI; V8 363 CID	HC3Z-12B599-CRM
				Diesel Fuel Injector Driver Module; FI; V8 363 CID (P)	HC3Z-12B599-CRM
				Diesel High Pressure Oil Pump; V8 363 CID (P); 5C4O-9A543-AA	5C3Z-9A543-ARM
				Engine Assembly (Complete); w/ Automatic Trans.; V8 363 CID (P); Before 11/04/04 and S/N 6,429,301 or 181,447	5C3Z-6007-BARM
Reman	2005	6.0L DIESEL OHV	Engine Assembly (Complete); w/ Automatic Trans.; V8 363 CID (P); From 11/04/04 and S/N 6,429,302 or 181,448	5C3Z-6007-DARM	
			Engine Assembly (Complete); w/ Standard Trans.; V8 363 CID (P); Before 11/04/04 and S/N 6,429,301 or 181,447	5C3Z-6007-AARM	
			Engine Assembly (Complete); w/ Standard Trans.; V8 363 CID (P); From 11/04/04 and S/N 6,429,302 or 181,448	5C3Z-6007-CARM	
			Engine Assembly (Less Accessories) w/ S/N 6,344,943 to 6,560,520 or 131,587 to 213,260; w/ Automatic Trans.; V8 363 CID (P)	5C3Z-6006-BARM	
			Engine Assembly (Less Accessories); V8 363 CID (P); S/N 6,344,943 to 6,429,301 or 131,587 to 181,447	5C3Z-6006-AARM	
Reman	2004	6.0L DIESEL OHV	Clutch Kit; w/ S6-650 Transmission; w/ Standard Trans.; V8 363 CID (P); Use with Single Mass Flywheel Assy Only	3C3Z-7L596-EA	
			Diesel Fuel Injector Driver Module; FI; V8 363 CID	HC3Z-12B599-CRM	
			Diesel Fuel Injector Driver Module; FI; V8 363 CID (P)	HC3Z-12B599-CRM	
			Diesel High Pressure Oil Pump; V8 363 CID (P); 5C4O-9A543-AA	5C3Z-9A543-ARM	



F-Series

-Cont'd

Part Type	Years	Engine	Qualifier	Ford #	
Reman	2003	7.3L DIESEL OHV	Turbocharger Mounting Kit; Turbocharged; V8 445 CID (F)	F81Z-6N639-CARM	
			Turbocharger Mounting Kit; Turbocharged; V8 445 CID (F)	PTC-6-RM	
			Turbocharger; V8 445 CID (F); w/ EBP Valve	F81Z-6K682-BARM	
			Turbocharger; V8 445 CID (F); w/ EBP w/ Engine Serial # 896812-Current	TC-12-RM	
			Turbocharger; V8 445 CID (F); w/o EBP Valve	F81Z-6K682-CARM	
			Turbocharger; V8 445 CID (F); w/o EBP Valve	TC-5-RM	
			Turbocharger; V8 445 CID; w/ EBP Valve	F81Z-6K682-BARM	
			Turbocharger; V8 445 CID; w/ EBP w/ Engine Serial # 896812-Current	TC-12-RM	
			Turbocharger; V8 445 CID; w/o EBP Valve	F81Z-6K682-CARM	
			Turbocharger; V8 445 CID; w/o EBP Valve	TC-5-RM	
	2002	7.3L DIESEL OHV	Engine Assembly (Complete); w/ Automatic Trans.; V8 363 CID	3C3Z-6007-AARM	
			Engine Assembly (Complete); w/ Standard Trans.; V8 363 CID	3C3Z-6007-BARM	
			Engine Assembly (Less Accessories); w/ Automatic Trans.; V8 363 CID	3C3Z-6006-AARM	
			Engine Assembly (Less Accessories); w/ Standard Trans.; V8 363 CID	3C3Z-6006-BARM	
			Engine Assembly (Complete); w/ Automatic Trans.; V8 445 CID (F); Exc. California; w/ Eng Tags BE-002-A*	XC3Z-6007-CARM	
			Engine Assembly (Complete); w/ Standard Trans.; V8 445 CID (F); w/ Eng Tags BE-001-AB/AC	XC3Z-6007-CARM	
			Engine Assembly (Longblock); V8 445 CID	XC3Z-6V012-BARM	
			Engine Assembly (Longblock); V8 445 CID (F)	XC3Z-6V012-BARM	
			Clutch Kit; w/ Standard Trans.; V8 445 CID (F); M6HD	YC3Z-7L596-AA	
			Clutch Kit; w/ Standard Trans.; V8 445 CID; M6HD	YC3Z-7L596-AA	
Reman	2001	7.3L DIESEL OHV	Diesel High Pressure Oil Pump; V8 445 CID	F81Z-9A543-CRM	
			Diesel High Pressure Oil Pump; V8 445 CID	HPP-9-RM	
			Diesel High Pressure Oil Pump; V8 445 CID (F)	F81Z-9A543-CRM	
			Diesel High Pressure Oil Pump; V8 445 CID (F)	HPP-9-RM	
			Engine Connecting Rod; V8 445 CID	1C3Z-6200-AARM	
			Engine Connecting Rod; V8 445 CID (F)	1C3Z-6200-AARM	
			Fuel Injector Kit; V8 445 CID (F); #1 Thru #7	5C3Z-9VE527-BRM	
			Fuel Injector Kit; V8 445 CID (F); #1 Thru #7	CMR-8-RM	
			Fuel Injector Kit; V8 445 CID; #1 Thru #7	5C3Z-9VE527-BRM	
			Fuel Injector Kit; V8 445 CID; #1 Thru #7	CMR-8-RM	
	2003	7.3L DIESEL OHV	Turbocharger Mounting Kit; Turbocharged; V8 445 CID	F81Z-6N639-CARM	
			Turbocharger Mounting Kit; Turbocharged; V8 445 CID	PTC-6-RM	
			Turbocharger Mounting Kit; Turbocharged; V8 445 CID (F)	F81Z-6N639-CARM	
			Turbocharger Mounting Kit; Turbocharged; V8 445 CID (F)	PTC-6-RM	
			Turbocharger; V8 445 CID (F); w/ EBP Valve	F81Z-6K682-BARM	
			Turbocharger; V8 445 CID (F); w/ EBP w/ Engine Serial # 896812-Current	TC-12-RM	
			Turbocharger; V8 445 CID (F); w/o EBP Valve	F81Z-6K682-CARM	
			Turbocharger; V8 445 CID (F); w/o EBP Valve	TC-5-RM	
			Turbocharger; V8 445 CID; w/ EBP Valve	F81Z-6K682-BARM	
			Turbocharger; V8 445 CID; w/ EBP w/ Engine Serial # 896812-Current	TC-12-RM	
Reman	2001	7.3L DIESEL OHV	Turbocharger; V8 445 CID; w/o EBP Valve	F81Z-6K682-CARM	
			Turbocharger; V8 445 CID; w/o EBP Valve	TC-5-RM	
			Engine Assembly (Complete); w/ Automatic Trans.; V8 445 CID (F); Exc. California; w/ Eng Tags BE-002-A*, CE-002-AA/AB	XC3Z-6007-CARM	
			Engine Assembly (Complete); w/ Standard Trans.; V8 445 CID (F); w/ Eng Tags BE-001-AB/AC	XC3Z-6007-CARM	
			Engine Assembly (Longblock); V8 445 CID	XC3Z-6V012-BARM	
			Engine Assembly (Longblock); V8 445 CID (F)	XC3Z-6V012-BARM	
			Clutch Kit; w/ Standard Trans.; V8 445 CID (F); M6HD	YC3Z-7L596-AA	
			Clutch Kit; w/ Standard Trans.; V8 445 CID; M6HD	YC3Z-7L596-AA	
			Diesel High Pressure Oil Pump; V8 445 CID	F81Z-9A543-CRM	
			Diesel High Pressure Oil Pump; V8 445 CID (F)	HPP-9-RM	
Reman	2001	7.3L DIESEL OHV	Diesel High Pressure Oil Pump; V8 445 CID (F)	F81Z-9A543-CRM	
			Diesel High Pressure Oil Pump; V8 445 CID (F)	HPP-9-RM	
			Engine Connecting Rod; V8 445 CID	1C3Z-6200-AARM	
			Engine Connecting Rod; V8 445 CID (F)	1C3Z-6200-AARM	
			Fuel Injector Kit; V8 445 CID (F); #1 Thru #7	5C3Z-9VE527-BRM	
			Fuel Injector Kit; V8 445 CID (F); #1 Thru #7	CMR-8-RM	
			Fuel Injector Kit; V8 445 CID (F); #8	5C3Z-9VE527-AARM	
			Fuel Injector Kit; V8 445 CID (F); #8	CMR-7-RM	
			Fuel Injector Kit; V8 445 CID; #1 Thru #7	5C3Z-9VE527-BRM	
			Fuel Injector Kit; V8 445 CID; #1 Thru #7	CMR-8-RM	
	2003	7.3L DIESEL OHV	7.3L DIESEL OHV	Fuel Injector Kit; V8 445 CID; #8	5C3Z-9VE527-AARM
				Fuel Injector Kit; V8 445 CID; #8	CMR-7-RM
				Turbocharger Mounting Kit; Turbocharged; V8 445 CID	F81Z-6N639-CARM
				Turbocharger Mounting Kit; Turbocharged; V8 445 CID	PTC-6-RM
				Turbocharger Mounting Kit; Turbocharged; V8 445 CID (F)	F81Z-6N639-CARM
				Turbocharger Mounting Kit; Turbocharged; V8 445 CID (F)	PTC-6-RM
				Turbocharger; V8 445 CID (F); w/ EBP Valve	F81Z-6K682-BARM
				Turbocharger; V8 445 CID (F); w/ EBP w/ Engine Serial # 896812-Current	TC-12-RM
				Turbocharger; V8 445 CID (F); w/o EBP Valve	F81Z-6K682-CARM
				Turbocharger; V8 445 CID (F); w/o EBP Valve	TC-5-RM
Reman	2001	7.3L DIESEL OHV	Turbocharger; V8 445 CID; w/ EBP Valve	F81Z-6K682-BARM	
			Turbocharger; V8 445 CID; w/ EBP w/ Engine Serial # 896812-Current	TC-12-RM	
			Turbocharger; V8 445 CID; w/o EBP Valve	F81Z-6K682-CARM	
			Turbocharger; V8 445 CID; w/o EBP Valve	TC-5-RM	
			Engine Assembly (Complete); V8 445 CID	XC3Z-6007-CARM	
			Engine Assembly (Complete); V8 445 CID (F)	XC3Z-6007-CARM	
			Engine Assembly (Less Accessories); V8 445 CID	XC3Z-6006-AARM	



F-Series

-Cont'd

Part Type	Years	Engine	Qualifier	Ford #
Reman	2001	7.3L DIESEL OHV	Engine Assembly (Less Accessories); V8 445 CID (F) Engine Assembly (Longblock); V8 445 CID	XC3Z-6006-AARM XC3Z-6V012-BARM
	2000	7.3L DIESEL OHV	Engine Assembly (Longblock); V8 445 CID (F) Clutch Kit; w/ Standard Trans.; V8 445 CID (F); M6HD Clutch Kit; w/ Standard Trans.; V8 445 CID; M6HD Diesel High Pressure Oil Pump; V8 445 CID Diesel High Pressure Oil Pump; V8 445 CID Diesel High Pressure Oil Pump; V8 445 CID (F) Diesel High Pressure Oil Pump; V8 445 CID (F) Fuel Injector Kit; V8 445 CID (F); #1 Thru #7 Fuel Injector Kit; V8 445 CID (F); #1 Thru #7 Fuel Injector Kit; V8 445 CID (F); #8 Fuel Injector Kit; V8 445 CID (F); #8 Fuel Injector Kit; V8 445 CID (F); #1 Thru #7 Fuel Injector Kit; V8 445 CID; #1 Thru #7 Fuel Injector Kit; V8 445 CID; #8 Fuel Injector Kit; V8 445 CID; #8 Turbocharger Mounting Kit; Turbocharged; V8 445 CID (F); w/ EBP Valve w/ Engine Serial # 896812-Current Turbocharger Mounting Kit; Turbocharged; V8 445 CID (F); w/ EBP Valve w/ Engine Serial # 896812-Current Turbocharger Mounting Kit; Turbocharged; V8 445 CID; w/ EBP Valve w/ Engine Serial # 896812-Current Turbocharger Mounting Kit; Turbocharged; V8 445 CID; w/ EBP Valve w/ Engine Serial # 896812-Current Turbocharger; V8 445 CID (F); w/ EBP w/ Engine Serial # 896812-Current Turbocharger; V8 445 CID (F); w/ EBP w/ Engine Serial # 896812-Current Turbocharger; V8 445 CID (F); w/o EBP w/ Engine Serial # 896812-Current Turbocharger; V8 445 CID; w/ EBP w/ Engine Serial # 896812-Current Turbocharger; V8 445 CID; w/ EBP w/ Engine Serial # 896812-Current Turbocharger; V8 445 CID; w/o EBP w/ Engine Serial # 896812-Current Turbocharger; V8 445 CID; w/o EBP w/ Engine Serial # 896812-Current	F81Z-9A543-CRM HPP-9-RM F81Z-9A543-CRM HPP-9-RM 5C3Z-9VE527-BRM CMR-8-RM 5C3Z-9VE527-ARM CMR-7-RM 5C3Z-9VE527-BRM CMR-8-RM 5C3Z-9VE527-ARM CMR-7-RM F81Z-6N639-CARM PTC-6-RM F81Z-6N639-CARM PTC-6-RM F81Z-6K682-BARM TC-12-RM F81Z-6K682-CARM TC-5-RM F81Z-6K682-BARM TC-12-RM F81Z-6K682-CARM TC-5-RM
Reman	1999	7.3L DIESEL OHV	Engine Assembly (Complete); V8 445 CID Engine Assembly (Complete); V8 445 CID (F) Engine Assembly (Less Accessories); V8 445 CID Engine Assembly (Less Accessories); V8 445 CID (F) Engine Assembly (Longblock); V8 445 CID Engine Assembly (Longblock); V8 445 CID (F) Clutch Kit; w/ Standard Trans.; V8 445 CID (F); M6HD Diesel High Pressure Oil Pump; V8 445 CID (F); From 12/7/98 S/N 896812-Current Diesel High Pressure Oil Pump; V8 445 CID (F); From 12/7/98 S/N 896812-Current Diesel High Pressure Oil Pump; V8 445 CID (F); Kit; S/N 201680-896811 Diesel High Pressure Oil Pump; V8 445 CID (F); Kit; S/N 201680-896811 Engine Connecting Rod; V8 445 CID (F); w/ Engine Serial # 501-1425746 Fuel Injector Kit; V8 445 CID (F); #1 Thru #7; w/ Engine S/N 896812-Current Fuel Injector Kit; V8 445 CID (F); #1 Thru #7; w/ Engine S/N 896812-Current Fuel Injector Kit; V8 445 CID (F); Injector w/ Engine Serial # 661496-896811 Fuel Injector Kit; V8 445 CID (F); Injector w/ Engine Serial # 661496-896811 Turbocharger Mounting Kit; Turbocharged; V8 445 CID (F); w/ EBP Valve Turbocharger Mounting Kit; Turbocharged; V8 445 CID (F); w/ EBP Valve Turbocharger Mounting Kit; Turbocharged; V8 445 CID (F); w/o EBP Valve w/ Engine Serial # 661974-896811 Turbocharger Mounting Kit; Turbocharged; V8 445 CID (F); w/o EBP Valve w/ Engine Serial # 661974-896811 Turbocharger Mounting Kit; Turbocharged; V8 445 CID (F); w/o EBP Valve w/ Engine Serial # 896812-Current Turbocharger Mounting Kit; Turbocharged; V8 445 CID (F); w/o EBP Valve w/ Engine Serial # 896812-Current Turbocharger; V8 445 CID (F); Engine Build Before 12/6/98 Turbocharger; V8 445 CID (F); Engine Build Before 12/6/98 Turbocharger; V8 445 CID (F); w/ EBP w/ Engine Serial # 896812-Current Turbocharger; V8 445 CID (F); w/ EBP w/ Engine Serial # 896812-Current Turbocharger; V8 445 CID (F); w/o EBP w/ Engine Serial # 896812-Current Turbocharger; V8 445 CID (F); w/o EBP w/ Engine Serial # 896812-Current	XC3Z-6007-CARM XC3Z-6007-CARM XC3Z-6006-AARM XC3Z-6006-AARM XC3Z-6V012-BARM XC3Z-6V012-BARM YC3Z-7L596-AA F81Z-9A543-CRM HPP-9-RM 5C3Z-9VA543-BRM HPP-4-RM F4T2-6V200-CARM 5C3Z-9VE527-BRM CMR-8-RM F61Z-9VE527-BRM CMR-1-RM F81Z-6N639-CARM PTC-6-RM 5C3Z-6V639-BRM PTC-5-RM F81Z-6N639-DARM PTC-7-RM 5C3Z-6V682-ARM TC-3-RM F81Z-6K682-BARM TC-12-RM F81Z-6K682-CARM TC-5-RM
			Engine Assembly (Complete); V8 445 CID (F); Before 12/7/98; w/ EBP Valve; w/ Engine Serial # 661974-896811 Engine Assembly (Complete); V8 445 CID (F); Before 12/7/98; w/ Engine Serial # 661974-896811; 5C3Z-6V007-CRM w/o EBP Valve Engine Assembly (Complete); V8 445 CID (F); w/o EBP Valve Engine Assembly (Less Accessories) Before 12/07/98; V8 445 CID (F); w/ Engine Serial No. 661974-896811 Engine Assembly (Less Accessories); V8 445 CID (F) Engine Assembly (Longblock); V8 445 CID (F); From 12/07/98	5C3Z-6V007-BRM 5C3Z-6V007-CRM XC3Z-6007-BARM 5C3Z-6V006-CRM XC3Z-6006-AARM XC3Z-6V012-BARM

F650

Part Type	Years	Engine	Qualifier	Ford #
	2009	6.7L DIESEL OHV 7.2L DIESEL	Turbocharger; L6 408 CID (C) ISB 200; Dual Stage Turbocharger; L6 441 CID; Dual Stage	8E7Z-6K682-A 8E7Z-6K682-A



F650

-Cont'd

Part Type	Years	Engine	Qualifier	Ford #
	2008	5.9L DIESEL 6.0L DIESEL	Turbocharger; L6 359 CID; Dual Stage Diesel High Pressure Oil Pump; V8 365 CID; 5C4O-9A543-BA Diesel High Pressure Oil Pump; V8 365 CID; 5C4O-9A543-BA Turbocharger; 4 X 2; V8 365 CID; 4C4O-9T428-DC Turbocharger; 4 X 2; V8 365 CID; 5C4O-9T428-AC Turbocharger; 4 X 2; V8 365 CID; 5C4O-9T428-AC Turbocharger; V8 365 CID; 4C4O-9T428-DC Turbocharger; V8 365 CID; Dual Stage	8E7Z-6K682-A 5C4Z-9A543-ERM HPP-5-RM TC-6-RM 5C4Z-6K682-BRM TC-9-RM 4C4Z-6K682-ARM 8E7Z-6K682-A 8E7Z-6K682-A
		6.7L DIESEL OHV 7.2L DIESEL	Turbocharger; L6 408 CID (C) ISB 200; Dual Stage Turbocharger; L6 441 CID; Dual Stage	8E7Z-6K682-A 8E7Z-6K682-A
	2007	6.0L DIESEL	Diesel High Pressure Oil Pump; V8 365 CID; 5C4O-9A543-BA Diesel High Pressure Oil Pump; V8 365 CID; 5C4O-9A543-BA Engine Short Block; V8 365 CID; Assembly; From Engine Serial # 299,093 and Up Turbocharger; 4 X 2; V8 365 CID; 4C4O-9T428-DC Turbocharger; 4 X 2; V8 365 CID; 5C4O-9T428-AC Turbocharger; 4 X 2; V8 365 CID; 5C4O-9T428-AC Turbocharger; V8 365 CID; 4C4O-9T428-DC	5C4Z-9A543-ERM HPP-5-RM 7C4Z-6009-AARM TC-6-RM 5C4Z-6K682-BRM TC-9-RM 4C4Z-6K682-ARM
Reman		5.9L DIESEL	Engine Assembly (Complete); L6 359 CID; 5C4O-6007-GB Engine Assembly (Less Accessories); L6 359 CID; w/ Air Brakes Engine Assembly (Less Accessories); L6 359 CID; w/ Hydraulic Brakes; S/N 299,093 to 414,752	5C4Z-6007-JRM 5C4Z-6006-ERM 5C4Z-6006-ERM
		6.0L DIESEL	Engine Assembly (Complete); V8 365 CID; 5C4O-6007-GB Engine Assembly (Complete); V8 365 CID; w/ Air Brakes; S/N 299, 093 to 414, 752 Engine Assembly (Complete); V8 365 CID; w/ Hydraulic Brakes; Before Engine Assembly 299,0935C4Z-6007-JRM Engine Assembly (Less Accessories); V8 365 CID; w/ Air Brakes Engine Assembly (Less Accessories); V8 365 CID; w/ Hydraulic Brakes; S/N 299,093 to 414,752	5C4Z-6007-JRM 5C4Z-6007-JRM 5C4Z-6006-ERM 5C4Z-6006-ERM
		7.2L DIESEL	Engine Assembly (Complete); L6 441 CID; 5C4O-6007-GB Engine Assembly (Less Accessories); L6 441 CID; w/ Air Brakes Engine Assembly (Less Accessories); L6 441 CID; w/ Hydraulic Brakes; S/N 299,093 to 414,752	5C4Z-6007-JRM 5C4Z-6006-ERM 5C4Z-6006-ERM
	2006	6.0L DIESEL	Diesel High Pressure Oil Pump; V8 365 CID; 5C4O-9A543-BA Diesel High Pressure Oil Pump; V8 365 CID; 5C4O-9A543-BA Engine Short Block; V8 365 CID; Assembly; From Engine Serial # 299,093 and Up Engine Short Block; V8 365 CID; w/ Engine Serial # 1 to 137,744 Turbocharger; 4 X 2; V8 365 CID; 4C4O-9T428-DC Turbocharger; 4 X 2; V8 365 CID; 5C4O-9T428-AC Turbocharger; 4 X 2; V8 365 CID; 5C4O-9T428-AC Turbocharger; V8 365 CID; 4C4O-9T428-DC	5C4Z-9A543-ERM HPP-5-RM 7C4Z-6009-AARM 4C4Z-6009-AARM TC-6-RM 5C4Z-6K682-BRM TC-9-RM 4C4Z-6K682-ARM 5C4Z-6007-JRM 5C4Z-6006-ERM 5C4Z-6006-ERM
Reman		5.9L DIESEL	Engine Assembly (Complete); L6 359 CID; 5C4O-6007-GB Engine Assembly (Less Accessories); L6 359 CID; w/ Air Brakes Engine Assembly (Less Accessories); L6 359 CID; w/ Hydraulic Brakes; S/N 299,093 to 414,752	5C4Z-6007-JRM 5C4Z-6006-ERM 5C4Z-6006-ERM
		6.0L DIESEL	Engine Assembly (Complete); FI; V8 365 CID; w/ Hydraulic Brakes; w/ Engine Serial # 187,025 To 299,092 Engine Assembly (Complete); V8 365 CID; 5C4O-6007-GB Engine Assembly (Complete); V8 365 CID; w/ Air Brakes; S/N 299, 093 to 414, 752 Engine Assembly (Complete); V8 365 CID; w/ Hydraulic Brakes; Before Engine Assembly 299,0935C4Z-6007-JRM Engine Assembly (Less Accessories); V8 365 CID; w/ Air Brakes Engine Assembly (Less Accessories); V8 365 CID; w/ Hydraulic Brakes; S/N 299,093 to 414,752	5C4Z-6007-JRM 5C4Z-6007-JRM 5C4Z-6006-ERM 5C4Z-6006-ERM 5C4Z-6006-ERM
		7.2L DIESEL	Engine Assembly (Complete); L6 441 CID; 5C4O-6007-GB Engine Assembly (Less Accessories); L6 441 CID; w/ Air Brakes Engine Assembly (Less Accessories); L6 441 CID; w/ Hydraulic Brakes; S/N 299,093 to 414,752	5C4Z-6007-JRM 5C4Z-6006-ERM 5C4Z-6006-ERM
	2005	6.0L DIESEL	Diesel High Pressure Oil Pump; V8 365 CID; 5C4O-9A543-BA Diesel High Pressure Oil Pump; V8 365 CID; 5C4O-9A543-BA Engine Short Block; V8 365 CID; w/ Engine Serial # 1 to 137,744 Turbocharger; 4 X 2; V8 365 CID; 4C4O-9T428-DC Turbocharger; 4 X 2; V8 365 CID; 5C4O-9T428-AC Turbocharger; 4 X 2; V8 365 CID; 5C4O-9T428-AC Turbocharger; V8 365 CID; 4C4O-9T428-DC	5C4Z-9A543-ERM HPP-5-RM 4C4Z-6009-AARM TC-6-RM 5C4Z-6K682-BRM TC-9-RM 4C4Z-6K682-ARM 5C4Z-6007-JRM
Reman		5.9L DIESEL	Engine Assembly (Complete); L6 359 CID; 5C4O-6007-GB Engine Assembly (Complete); FI; V8 365 CID; w/ Hydraulic Brakes; w/ Engine Serial # 187,025 To 299,092	5C4Z-6007-JRM 5C4Z-6007-JRM
		6.0L DIESEL	Engine Assembly (Complete); V8 365 CID; 5C4O-6007-GB Engine Assembly (Complete); L6 441 CID; 5C4O-6007-GB	5C4Z-6007-JRM 5C4Z-6007-JRM
	2004	7.2L DIESEL 6.0L DIESEL	Diesel High Pressure Oil Pump; V8 365 CID; 5C4O-9A543-BA Diesel High Pressure Oil Pump; V8 365 CID; 5C4O-9A543-BA Engine Short Block; V8 365 CID; w/ Engine Serial # 1 to 137,744 Turbocharger; 4 X 2; V8 365 CID; 4C4O-9T428-DC Turbocharger; 4 X 2; V8 365 CID; 5C4O-9T428-AC Turbocharger; 4 X 2; V8 365 CID; 5C4O-9T428-AC Turbocharger; V8 365 CID; 4C4O-9T428-DC Turbocharger; V8 365 CID; w/ EBP Valve Turbocharger; V8 365 CID; w/ EBP Valve Turbocharger; V8 365 CID; w/ EBP w/ Engine Serial # 896812-Current Engine Assembly (Complete); FI; V8 365 CID; w/ Hydraulic Brakes; w/ Engine Serial # 137,745 To 187,024 Engine Assembly (Complete); V8 365 CID; w/ Engine Serial # 1 to 137,744 Engine Assembly (Less Accessories); V8 365 CID; w/ Engine Serial # 1 to 137,744	5C4Z-9A543-ERM HPP-5-RM 4C4Z-6009-AARM TC-6-RM 5C4Z-6K682-BRM TC-9-RM 4C4Z-6K682-ARM 3C3Z-6K682-CCRM TC-13-RM TC-12-RM 5C4Z-6007-JRM 4C4Z-6007-JRM 5C4Z-6007-JRM
Reman		7.3L DIESEL	Turbocharger; V8 444 CID T444E; w/ EBP Valve Turbocharger; V8 444 CID T444E; w/ EBP Valve Turbocharger; V8 444 CID T444E; w/ EBP w/ Engine Serial # 896812-Current Engine Assembly (Complete); FI; V8 444 CID T444E; w/ Engine Serial # 1,026,248 To End V8 444 CID T444E; w/ Engine Serial # 1,026,248 To End	4C4Z-6007-JRM 4C4Z-6007-JRM 4C4Z-6007-JRM 4C4Z-6007-JRM 4C4Z-6007-JRM 4C4Z-6007-JRM 4C4Z-6007-JRM
	2003	7.3L DIESEL	Turbocharger; V8 444 CID T444E; w/ EBP Valve Turbocharger; V8 444 CID T444E; w/ EBP Valve Turbocharger; V8 444 CID T444E; w/ EBP w/ Engine Serial # 896812-Current Engine Assembly (Complete); FI; V8 444 CID T444E; w/ Engine Serial # 1,026,248 To End V8 444 CID T444E; w/ Engine Serial # 1,026,248 To End	3C3Z-6K682-CCRM TC-13-RM TC-12-RM 1C3Z-6007-HARM 1C3Z-6006-DARM 1C3Z-6007-HARM
Reman		7.3L DIESEL	Engine Assembly (Complete); FI; V8 444 CID T444E; w/ Engine Serial # 1,026,248 To End	1C3Z-6007-HARM
	2002	7.3L DIESEL	Engine Assembly (Complete); FI; V8 444 CID T444E; w/ Engine Serial # 1,026,248 To End	1C3Z-6007-HARM



F650

-Cont'd

Part Type	Years	Engine	Qualifier	Ford #
Reman	2002	7.3L DIESEL	V8 444 CID T444E; w/ Engine Serial # 1,026,248 To End	1C3Z-6006-DARM
	2001	7.3L DIESEL	Engine Assembly (Complete); FI; V8 444 CID T444E; w/ Engine Serial # 1,026,248 To End	1C3Z-6007-HARM
	2000	7.3L DIESEL	V8 444 CID T444E; w/ Engine Serial # 1,026,248 To End Engine Assembly (Complete); FI; V8 444 CID T444E; w/ Engine Serial # 1,026,248 To End	1C3Z-6006-DARM 1C3Z-6007-HARM 1C3Z-6006-DARM

F750

Part Type	Years	Engine	Qualifier	Ford #				
Reman	2009	6.7L DIESEL OHV	Turbocharger; L6 408 CID (C) ISB 200; Dual Stage	8E7Z-6K682-A				
	2008	7.2L DIESEL	Turbocharger; L6 441 CID; Dual Stage	8E7Z-6K682-A				
		5.9L DIESEL	Turbocharger; L6 359 CID; Dual Stage	8E7Z-6K682-A				
	Reman	2008	6.0L DIESEL	Diesel High Pressure Oil Pump; V8 365 CID; 5C4O-9A543-BA	5C4Z-9A543-ERM			
			6.0L DIESEL	Diesel High Pressure Oil Pump; V8 365 CID; 5C4O-9A543-BA	HPP-5-RM			
		Reman	2008	6.0L DIESEL	Turbocharger; 4 X 2; V8 365 CID; 4C4O-9T428-DC	TC-6-RM		
				6.0L DIESEL	Turbocharger; 4 X 2; V8 365 CID; 5C4O-9T428-AC	5C4Z-6K682-BRM		
			Reman	2008	6.0L DIESEL	Turbocharger; 4 X 2; V8 365 CID; 5C4O-9T428-AC	TC-9-RM	
					6.0L DIESEL	Turbocharger; V8 365 CID; 4C4O-9T428-DC	4C4Z-6K682-ARM	
				Reman	2007	6.7L DIESEL OHV	Turbocharger; L6 408 CID (C) ISB 200; Dual Stage	8E7Z-6K682-A
7.2L DIESEL						Turbocharger; L6 441 CID; Dual Stage	8E7Z-6K682-A	
Reman					2007	6.0L DIESEL	Diesel High Pressure Oil Pump; V8 365 CID; 5C4O-9A543-BA	5C4Z-9A543-ERM
						6.0L DIESEL	Diesel High Pressure Oil Pump; V8 365 CID; 5C4O-9A543-BA	HPP-5-RM
	Reman				2007	6.0L DIESEL	Engine Short Block; V8 365 CID; Assembly; From Engine Serial # 299,093 and Up	7C4Z-6009-AARM
						6.0L DIESEL	Turbocharger; 4 X 2; V8 365 CID; 4C4O-9T428-DC	TC-6-RM
		Reman			2007	6.0L DIESEL	Turbocharger; 4 X 2; V8 365 CID; 5C4O-9T428-AC	5C4Z-6K682-BRM
						6.0L DIESEL	Turbocharger; 4 X 2; V8 365 CID; 5C4O-9T428-AC	TC-9-RM
			Reman		2007	6.0L DIESEL	Turbocharger; V8 365 CID; 4C4O-9T428-DC	4C4Z-6K682-ARM
						6.0L DIESEL	Engine Assembly (Complete); L6 359 CID; 5C4O-6007-GB	5C4Z-6007-JRM
				Reman	2007	6.0L DIESEL	Engine Assembly (Less Accessories); L6 359 CID; w/ Air Brakes	5C4Z-6006-ERM
						6.0L DIESEL	Engine Assembly (Less Accessories); L6 359 CID; w/ Hydraulic Brakes; S/N 299,093 to 414,752	5C4Z-6006-ERM
Reman					2007	6.0L DIESEL	Engine Assembly (Complete); V8 365 CID; 5C4O-6007-GB	5C4Z-6007-JRM
						6.0L DIESEL	Engine Assembly (Complete); V8 365 CID; w/ Air Brakes; S/N 299, 093 to 414, 752	5C4Z-6007-JRM
	Reman				2007	6.0L DIESEL	Engine Assembly (Complete); V8 365 CID; w/ Hydraulic Brakes; Before Engine Assembly 299,0935	5C4Z-6007-JRM
						6.0L DIESEL	Engine Assembly (Less Accessories); V8 365 CID; w/ Air Brakes	5C4Z-6006-ERM
		Reman			2007	6.0L DIESEL	Engine Assembly (Less Accessories); V8 365 CID; w/ Hydraulic Brakes; S/N 299,093 to 414,752	5C4Z-6006-ERM
						6.0L DIESEL	Engine Assembly (Complete); L6 441 CID; 5C4O-6007-GB	5C4Z-6007-JRM
			Reman		2006	6.0L DIESEL	Engine Assembly (Less Accessories); L6 441 CID; w/ Air Brakes	5C4Z-6006-ERM
						6.0L DIESEL	Engine Assembly (Less Accessories); L6 441 CID; w/ Hydraulic Brakes; S/N 299,093 to 414,752	5C4Z-6006-ERM
				Reman	2006	6.0L DIESEL	Diesel High Pressure Oil Pump; V8 365 CID; 5C4O-9A543-BA	5C4Z-9A543-ERM
						6.0L DIESEL	Diesel High Pressure Oil Pump; V8 365 CID; 5C4O-9A543-BA	HPP-5-RM
Reman					2006	6.0L DIESEL	Engine Short Block; V8 365 CID; Assembly; From Engine Serial # 299,093 and Up	7C4Z-6009-AARM
						6.0L DIESEL	Engine Short Block; V8 365 CID; w/ Engine Serial # 1 to 137,744	4C4Z-6009-AARM
	Reman				2006	6.0L DIESEL	Turbocharger; 4 X 2; V8 365 CID; 4C4O-9T428-DC	TC-6-RM
						6.0L DIESEL	Turbocharger; 4 X 2; V8 365 CID; 5C4O-9T428-AC	5C4Z-6K682-BRM
		Reman			2006	6.0L DIESEL	Turbocharger; 4 X 2; V8 365 CID; 5C4O-9T428-AC	TC-9-RM
						6.0L DIESEL	Turbocharger; V8 365 CID; 4C4O-9T428-DC	4C4Z-6K682-ARM
			Reman		2006	6.0L DIESEL	Engine Assembly (Complete); L6 359 CID; 5C4O-6007-GB	5C4Z-6007-JRM
						6.0L DIESEL	Engine Assembly (Less Accessories); L6 359 CID; w/ Air Brakes	5C4Z-6006-ERM
				Reman	2006	6.0L DIESEL	Engine Assembly (Less Accessories); L6 359 CID; w/ Hydraulic Brakes; S/N 299,093 to 414,752	5C4Z-6006-ERM
						6.0L DIESEL	Engine Assembly (Complete); FI; V8 365 CID; w/ Hydraulic Brakes; w/ Engine Serial # 187,025 To 299,092	5C4Z-6007-JRM
Reman					2006	6.0L DIESEL	Engine Assembly (Complete); V8 365 CID; 5C4O-6007-GB	5C4Z-6007-JRM
						6.0L DIESEL	Engine Assembly (Complete); V8 365 CID; w/ Air Brakes; S/N 299, 093 to 414, 752	5C4Z-6007-JRM
	Reman				2005	6.0L DIESEL	Engine Assembly (Complete); V8 365 CID; w/ Hydraulic Brakes; Before Engine Assembly 299,0935	5C4Z-6007-JRM
						6.0L DIESEL	Engine Assembly (Less Accessories); V8 365 CID; w/ Air Brakes	5C4Z-6006-ERM
		Reman			2005	6.0L DIESEL	Engine Assembly (Less Accessories); V8 365 CID; w/ Hydraulic Brakes; S/N 299,093 to 414,752	5C4Z-6006-ERM
						6.0L DIESEL	Engine Assembly (Complete); L6 441 CID; 5C4O-6007-GB	5C4Z-6007-JRM
			Reman		2005	6.0L DIESEL	Engine Assembly (Less Accessories); L6 441 CID; w/ Air Brakes	5C4Z-6006-ERM
						6.0L DIESEL	Engine Assembly (Less Accessories); L6 441 CID; w/ Hydraulic Brakes; S/N 299,093 to 414,752	5C4Z-6006-ERM
				Reman	2005	6.0L DIESEL	Diesel High Pressure Oil Pump; V8 365 CID; 5C4O-9A543-BA	5C4Z-9A543-ERM
						6.0L DIESEL	Diesel High Pressure Oil Pump; V8 365 CID; 5C4O-9A543-BA	HPP-5-RM
Reman					2005	6.0L DIESEL	Engine Short Block; V8 365 CID; w/ Engine Serial # 1 to 137,744	4C4Z-6009-AARM
						6.0L DIESEL	Turbocharger; 4 X 2; V8 365 CID; 4C4O-9T428-DC	TC-6-RM
	Reman				2005	6.0L DIESEL	Turbocharger; 4 X 2; V8 365 CID; 5C4O-9T428-AC	5C4Z-6K682-BRM
						6.0L DIESEL	Turbocharger; 4 X 2; V8 365 CID; 5C4O-9T428-AC	TC-9-RM
		Reman			2005	6.0L DIESEL	Turbocharger; V8 365 CID; 4C4O-9T428-DC	4C4Z-6K682-ARM
						6.0L DIESEL	Engine Assembly (Complete); L6 359 CID; 5C4O-6007-GB	5C4Z-6007-JRM
			Reman		2004	6.0L DIESEL	Engine Assembly (Complete); FI; V8 365 CID; w/ Hydraulic Brakes; w/ Engine Serial # 187,025 To 299,092	5C4Z-6007-JRM
						6.0L DIESEL	Engine Assembly (Complete); V8 365 CID; 5C4O-6007-GB	5C4Z-6007-JRM
				Reman	2004	6.0L DIESEL	Engine Assembly (Complete); L6 441 CID; 5C4O-6007-GB	5C4Z-6007-JRM
						6.0L DIESEL	Diesel High Pressure Oil Pump; V8 365 CID; 5C4O-9A543-BA	5C4Z-9A543-ERM
Reman					2004	6.0L DIESEL	Diesel High Pressure Oil Pump; V8 365 CID; 5C4O-9A543-BA	HPP-5-RM
						6.0L DIESEL	Engine Short Block; V8 365 CID; w/ Engine Serial # 1 to 137,744	4C4Z-6009-AARM
	Reman				2004	6.0L DIESEL	Turbocharger; 4 X 2; V8 365 CID; 4C4O-9T428-DC	TC-6-RM
						6.0L DIESEL	Turbocharger; 4 X 2; V8 365 CID; 5C4O-9T428-AC	5C4Z-6K682-BRM
		Reman			2004	6.0L DIESEL	Turbocharger; 4 X 2; V8 365 CID; 5C4O-9T428-AC	TC-9-RM
						6.0L DIESEL	Turbocharger; V8 365 CID; 4C4O-9T428-DC	4C4Z-6K682-ARM



F750

-Cont'd

Part Type	Years	Engine	Qualifier	Ford #
Reman	2004	6.0L DIESEL	Turbocharger; V8 365 CID; w/ EBP Valve Turbocharger; V8 365 CID; w/ EBP Valve Turbocharger; V8 365 CID; w/ EBP w/ Engine Serial # 896812-Current Engine Assembly (Complete); FI; V8 365 CID; w/ Hydraulic Brakes; w/ Engine Serial # 137,745 To 187,024	3C3Z-6K682-CCRM TC-13-RM TC-12-RM 5C4Z-6007-JRM
			Engine Assembly (Complete); V8 365 CID; w/ Engine Serial # 1 to 137,744 Engine Assembly (Less Accessories); V8 365 CID; w/ Engine Serial # 1 to 137,744	4C4Z-6007-BRM 4C4Z-6006-DRM
Reman	2003	7.3L DIESEL	Turbocharger; V8 444 CID T444E; w/ EBP Valve Turbocharger; V8 444 CID T444E; w/ EBP Valve Turbocharger; V8 444 CID T444E; w/ EBP w/ Engine Serial # 896812-Current	3C3Z-6K682-CCRM TC-13-RM TC-12-RM
			Engine Assembly (Complete); FI; V8 444 CID T444E; w/ Engine Serial # 1,026,248 To End V8 444 CID T444E; w/ Engine Serial # 1,026,248 To End	1C3Z-6007-HARM 1C3Z-6006-DARM
	2002	7.3L DIESEL	Engine Assembly (Complete); FI; V8 444 CID T444E; w/ Engine Serial # 1,026,248 To End V8 444 CID T444E; w/ Engine Serial # 1,026,248 To End	1C3Z-6007-HARM 1C3Z-6006-DARM
	2001	7.3L DIESEL	Engine Assembly (Complete); FI; V8 444 CID T444E; w/ Engine Serial # 1,026,248 To End V8 444 CID T444E; w/ Engine Serial # 1,026,248 To End	1C3Z-6007-HARM 1C3Z-6006-DARM
	2000	7.3L DIESEL	Engine Assembly (Complete); FI; V8 444 CID T444E; w/ Engine Serial # 1,026,248 To End V8 444 CID T444E; w/ Engine Serial # 1,026,248 To End	1C3Z-6007-HARM 1C3Z-6006-DARM

LCF

Part Type	Years	Engine	Qualifier	Ford #
	2010	4.5L DIESEL	Turbocharger; V6 275 CID (Z)	6E7Z-6K682-A
			Turbocharger; V6 275 CID (Z); 6E7O-6K682-AF	TC-8-RM
			Turbocharger; V6 275 CID (Z); Dual Stage; 8E7O-6K682-AB	TC-7-RM
Reman	2009	4.5L DIESEL	Diesel High Pressure Oil Pump; V6 275 CID (Z); 6E7O-9G803-AE Diesel High Pressure Oil Pump; V6 275 CID (Z); 6E7O-9G803-AE Diesel High Pressure Oil Pump; V6 275 CID (Z); RM8E7O-9G803-AA Diesel High Pressure Oil Pump; V6 275 CID (Z); RM8E7O-9G803-AA	6E7Z-9A543-BRM HPP-7-RM 8E7Z-9A543-CRM HPP-6-RM
			Turbocharger; V6 275 CID (Z)	6E7Z-6K682-A
			Turbocharger; V6 275 CID (Z); 6E7O-6K682-AF	TC-8-RM
			Turbocharger; V6 275 CID (Z); Dual Stage; 8E7O-6K682-AB	TC-7-RM
			Engine Assembly (Complete); V6 275 CID (Z); RM8E7O-6007-AA	8E7Z-6007-ARM
	2008	4.5L DIESEL	Diesel High Pressure Oil Pump; V6 275 CID (Z); 6E7O-9G803-AE Diesel High Pressure Oil Pump; V6 275 CID (Z); 6E7O-9G803-AE Diesel High Pressure Oil Pump; V6 275 CID (Z); RM8E7O-9G803-AA Diesel High Pressure Oil Pump; V6 275 CID (Z); RM8E7O-9G803-AA	6E7Z-9A543-BRM HPP-7-RM 8E7Z-9A543-CRM HPP-6-RM
			Turbocharger; V6 275 CID (Z)	6E7Z-6K682-A
			Turbocharger; V6 275 CID (Z); 6E7O-6K682-AF	TC-8-RM
			Turbocharger; V6 275 CID (Z); Dual Stage; 8E7O-6K682-AB	TC-7-RM
			Engine Assembly (Complete); V6 275 CID (Z); RM8E7O-6007-AA	8E7Z-6007-ARM
	2007	4.5L DIESEL	Diesel High Pressure Oil Pump; V6 275 CID (Z); 6E7O-9G803-AE Diesel High Pressure Oil Pump; V6 275 CID (Z); 6E7O-9G803-AE Turbocharger; V6 275 CID (Z)	6E7Z-9A543-BRM HPP-7-RM 6E7Z-6K682-A
			Turbocharger; V6 275 CID (Z); 6E7O-6K682-AF	TC-8-RM
			Turbocharger; V6 275 CID (Z); Dual Stage; 8E7O-6K682-AB	TC-7-RM
			Engine Assembly (Complete); V6 275 CID (Z); RM6E7O-6007-ARM	6E7Z-6007-FRM
	2006	4.5L DIESEL	Diesel High Pressure Oil Pump; V6 275 CID (Z); 6E7O-9G803-AE Diesel High Pressure Oil Pump; V6 275 CID (Z); 6E7O-9G803-AE Turbocharger; V6 275 CID (Z)	6E7Z-9A543-BRM HPP-7-RM 6E7Z-6K682-A
			Turbocharger; V6 275 CID (Z); 6E7O-6K682-AF	TC-8-RM
			Turbocharger; V6 275 CID (Z); Dual Stage; 8E7O-6K682-AB	TC-7-RM
			Engine Assembly (Complete); V6 275 CID (Z); RM6E7O-6007-ARM	6E7Z-6007-FRM
Reman			Engine Assembly (Complete); V6 275 CID (Z); RM6E7O-6007-ARM	6E7Z-6007-FRM

TRANSMISSIONS

Passenger Cars

Ford



FORD PARTS

Ford C-Max

Part Type	Years	Engine	Trans	Qualifier	Ford #
Automatic - New	2018-2015	2.0L	HF35	Hybrid; FG98-7000-CA; 6 Bolt Converter	FG9Z-7000-C
	2018-2015		HF35	Hybrid; FM58-7000-DA; w/ 2.91 Axle Ratio	FM5Z-7000-D
	2018-2013		HF35	Hybrid; DM58-7000-CD; w/ 2.57 Drive Ratio	DM5Z-7000-L

Crown Victoria

Part Type	Years	Engine	Trans	Qualifier	Ford #
Automatic - Reman	2011-2010	4.6L	4R75E	RWD; AW7P-7000-AA	AW7Z-7000-ARM
	2011-2010		4R75E	Police Interceptor; AW7P-7000-CA	AW7Z-7000-CRM
	2009		4R75E	RWD; 9W7P-7000-AA; PKE-DX	9W7Z-7000-ARM
	2009		4R75E	Police Interceptor; 9W7P-7000-CA; PKE-DY	9W7Z-7000-CRM
	2008-2007		4R75E	7W7P-7000-AA; PKE-DN	7W7Z-7000-AARM
	2008-2007		4R75E	Police Interceptor; 7W7P-7000-CA; PKE-DP	7W7Z-7000-CARM
	2007		4R75E	7W7P-7000-DA; w/ Handling Package; PKE-DR	7W7Z-7000-DARM
	2006		4R75E	6W7P-7000-AA,AB,BA,BB; PKG-BR; PKE-CZ,DU,DW	6W7Z-7000-ARM
	2006		4R75E	Police Interceptor; 6W7P-7000-CA,CB,EA,EB; PKE-CY,DV; PKG-BS, BT	6W7Z-7000-CRM
	2006		4R75E	6W7P-7000-DA, DB; w/ Handling Pkg.; PKE-CZ,DU,DW	6W7Z-7000-DRM
	2005		4R70E	5W7P-7000-AA,BA,GA,KA; PKG-BA,CB; PKE-CN,DH	5W7Z-7000-KRM
	2005		4R70E	Police Interceptor; 5W7P-7000-CA,EA,HA,LA; PKE-CP,DJ; PKG-BL,CC	5W7Z-7000-LRM
	2005		4R70E	5W7P-7000-DA, MA; w/ Handling Pkg.; PKE-CR, DK	5W7Z-7000-MRM
	2004		4R70W	4W7P-7000-AA,BA; PKE-CE; PKG-AY	4W7Z-7000-AARM
	2004		4R70W	Police Interceptor; 4W7P-7000-CA, EA; PKE-CF, PKG-BH	4W7Z-7000-CARM
	2004		4R70W	4W7P-7000-DA,FA; w/ Handling Pkg.; PKG-BJ; PKE-CG	4W7Z-7000-DARM
	2003		4R70W	3W7P-7000-AA,BA; PKG-AW; PKE-BW	3W7Z-7V000-ARM
	2003		4R70W	Police Interceptor; 3W7P-7000-CA,EA; PKE-BX; PKG-BB	3W7Z-7V000-CRM
	2003		4R70W	3W7P-7000-DA; w/ Handling Pkg.; PKE-BY	3W7Z-7V000-DRM
	2002-2001		4R70W	1W7P-7000-AA,BA; PKE-BG; PKG-AR	1W7Z-7V000-ARM
	2002-2001		4R70W	Police Interceptor; 1W7P-7000-CA; PKE-BH	1W7Z-7V000-CRM
	2000-1999		4R70W	Police Interceptor; XW7P-7000-CA; PKE-AY	XW7Z-7V000-CARM
	1998	4R70W	F8AP-7000-AA, CA; PKE-X, PKG-X	F8AZ-7V000-AARM	
1997	4.6L GAS	4R70W	Police Interceptor; F7AP-7000-BA,GA; North American; PKG-AF; PKE-AF	F7AZ-7V000-BRM	

Fiesta

Part Type	Years	Engine	Trans	Qualifier	Ford #
Automatic - New	2018-2016	1.6L		FA6P-7000KC	FA6Z-7000-Q
	2016-2015			FA6P-7000-FA,KB,BB; DPS6 Transmission Code	FA6Z-7000-H
	2015-2011			CA6P-7000-FC; CA6P-7000-FB; DPS6 Transmission Code	CA6Z-7000-L
	2014			CA6P-7000-HK; DPS6 Transmission Code	CA6Z-7000-M
	2014	1.6L		CA6P-7000-HG; DPS6 Transmission Code	CA6Z-7000-H
	2014				

Five Hundred

Part Type	Years	Engine	Trans	Qualifier	Ford #
Automatic - Reman	2007-2005	3.0L	CFT30	AWD; 7G13-7000-EA; 6G13-7000-EA,EB,JB,JC; 5G13-7000-BX,BY,EB,EC	6G1Z-7000-BRM
	2006-2005		CFT30	FWD; 6G13-7000-DA,DB,HB,HC; 5G13-7000-AU,AV,DB,DC	6G1Z-7000-ARM
	2006-2005		F21	FWD; 6G13-7000-CB,CD; 5G13-7000-CT,CU,CV	6G1Z-7000-CDRM

Focus

Part Type	Years	Engine	Trans	Qualifier	Ford #
Automatic - New	2018-2015	2.0L		F1FP-7000-VA; DPS6 Transmission Code	F1FZ-7000-P
	2014			BV6P-7000-FF; DPS6 Transmission Code; w/o Fuel Economy Package	BV6Z-7000-M
	2013-2012			BV6P-7000-DG; DPS6 Transmission Code; w/ Fuel Economy Package	BV6Z-7000-L
Automatic - Reman	2011-2009		4F27E	8M5P-7000-AA	8M5Z-7000-A
	2011-2009		4F27E	8M5P-7000-AA	8M5Z-7000-ARM
	2011-2008		4F27E	8S4P-7000-FA; PVA-E	8S4Z-7000-ARM
	2007-2006		4F27E	6S4P-7000-FA; 5S4P-7000-FA; PVA-F	6S4Z-7000-FRM
	2005		4F27E	4S4P-7000-FA; PVA-F	4S4Z-7000-FARM
	2004	2.3L	4F27E	3S4P-7000-AA; PVA-E	3S4Z-7000-AARM
	2002-2000		4F27E	1S4P-7000-DA; PVA-C	1S4Z-7V000-DRM
	2002-2000	2.0L SOHC	4F27E	1S4P-7000-CA; PVA-B	1S4Z-7V000-CRM

Freestyle

Part Type	Years	Engine	Trans	Qualifier	Ford #
Automatic - Reman	2007-2005	3.0L	CVT (CFT30)	AWD; 5F93-7000-DX,DY,FB,FC; 6F93-7000-BA,BB,GB,GC	6F9Z-7000-BRM
	2007-2005		CVT (CFT30)	FWD; 5F93-7000-CU,CV,GB,GC; 6F93-7000-AA,AB,FB,FC	6F9Z-7000-ARM



Fusion

Part Type	Years	Engine	Trans	Qualifier	Ford #	
Automatic - New	2018-2017		6F55	G3GP-7000-PA	G3GZ-7000-B	
	2018-2017	1.5L EcoBoost	6F35	HS7P-7000-DA; w/ Stop/Start System	HS7Z-7000-B	
	2018-2015	2.0L	HF35	Hybrid; FG98-7000-CA; 6 Bolt Converter	FG9Z-7000-C	
	2018-2017		6F35	FWD; DG9P-7000-ED; w/ Standard Electric Starter Motor	DG9Z-7000-ED	
	2018-2017		6F35	AWD; DG9P-7000-FD; w/ Standard Electric Starter Motor	DG9Z-7000-FD	
	2018-2017	2.0L EcoBoost	6F35	AWD; HS7P-7000-BA; w/ Stop/Start System	HS7Z-7000-A	
	2018-2017		6F35	FWD; FG9P-7000-AD; w/ Stop/Start System	FG9Z-7000-K	
	2018	2.5L	6F35	FWD; HS7P-7000-GB; w/ Standard Electric Starter Motor	HS7Z-7000-F	
	2018-2017	ELECTRIC/GAS		DG98-7000-EC; w/ Power Split	FG9Z-7000-E	
	2018-2017			DG98-7000-EC; w/ Power Split; w/ Plug-In Hybrid	HG9Z-7000-A	
	2017	2.5L	6F35	FWD; HS7P-7000-GB; w/ Standard Electric Starter Motor; From 01-31-17	HS7Z-7000-F	
	2017		6F35	FWD; w/ Standard Electric Starter Motor; Before 01-31-17	HS7Z-7000-C	
	2016	1.5L EcoBoost	6F35	EG9P-7000-AD; w/ Stop/Start System	EG9Z-7000-AD	
	2016		6F35	EG9P-7000-BC; w/ Standard Electric Starter Motor	EG9Z-7000-BC	
	2016	2.0L EcoBoost	6F35	FWD; DG9P-7000-KB	DG9Z-7000-KB	
	2016	2.5L	6F35	DG9P-7000-MC	DG9Z-7000-MC	
	2015-2014	1.5L EcoBoost	6F35	EG9P-7000-AB; w/ Stop/Start System	EG9Z-7000-A	
	2015		6F35	FWD; EG9P-7000-BB; w/ Standard Electric Starter Motor	EG9Z-7000-C	
	2015-2014		6F35	RMFG9J-7000-AA; w/ Stop/Start System	EG9Z-7000-HRM	
	2015	2.0L EcoBoost	6F35	FWD; DG9P-7000-KA	DG9Z-7000-K	
	2015		6F35	AWD; DG9P-7000-LA	DG9Z-7000-L	
	2015-2013	2.5L	6F35	DG9P-7000-MA	DG9Z-7000-M	
	2014	1.5L EcoBoost	6F35	EG9P-7000-BA; w/ Standard Electric Starter Motor	EG9Z-7000-B	
	2014	1.6L	6F35	DG9P-7000-AB; w/ Stop/Start System	DG9Z-7000-C	
	2014-2013	2.0L EcoBoost	6F35	FWD; DG9P-7000-JA	DG9Z-7000-J	
	2014-2013		6F35	AWD; DG9P-7000-SA	DG9Z-7000-S	
	2012-2011	2.5L	HF35	Hybrid; CE58-7000-CA	BE5Z-7000-B	
	2012-2011		6F35	FWD; BE5P-7000-MB	BE5Z-7000-D	
	2012-2011	3.0L	6F35	AWD; BE5P-7000-KB	BE5Z-7000-C	
	2012-2011		6F35	FWD; BE5P-7000-JB	BE5Z-7000-A	
	2012-2011	3.5L	AWF21	FWD; AE5P-7000-CA	AE5Z-7000-C	
	2012-2011		AWF21	AWD; AE5P-7000-DA	AE5Z-7000-D	
	2010	2.5L	HF35	Hybrid; 9E58-7000-DB	9E5Z-7000-N	
	2010	3.0L	6F35	AWD; 9E5P-7000-KA	9E5Z-7000-C	
	2010	3.5L	F21	FWD; 9E5P-7000-CB; Before 8/3/09	9E5Z-7000-D	
	2010		AWF21	AWD; 9E5P-7000-DB; Before 8/3/09	9E5Z-7000-E	
	2010		AWF21	FWD; AE5P-7000-CA; From 8/03/09	AE5Z-7000-C	
	2010		AWF21	AWD; AE5P-7000-DA; From 8/03/09	AE5Z-7000-D	
	Automatic - Reman	2015	1.5L EcoBoost	6F35	FWD; RMFG9J-7000-CA; w/ Standard Electric Starter Motor	EG9Z-7000-KRM
		2015-2013	2.0L EcoBoost	6F35	FWD; RMEG9J-7000-CA	EG9Z-7000-CRM
		2014	1.5L EcoBoost	6F35	w/ Standard Electric Starter Motor	EG9Z-7000-JRM
		2014-2013	2.0L EcoBoost	6F35	AWD; RMEG9J-7000-EA	EG9Z-7000-ERM
		2014-2013	2.5L	6F35	FWD; RMEG9J-7000-DA	EG9Z-7000-DRM
		2013	1.6L EcoBoost	6F35	FWD; RMEG9J-7000-FA	EG9Z-7000-FRM
		2013		6F35	RMEG9J-7000-GA; w/ Stop/Start System	EG9Z-7000-GRM
		2012-2011	3.0L	6F35	AWD; BE5P-7000-KB	BE5Z-7000-CRM
		2012-2010	3.5L	F21	FWD; Sport; AE5P-7000-CA	AE5Z-7000-FRM
2012-2010			F21	AWD; Sport; AE5P-7000-DA	AE5Z-7000-GRM	
2011		2.5L	6F35	FWD; BE5P-7000-MB	BE5Z-7000-DRM	
2011		2.5L DOHC	6F35	FWD; BL8P-7000-GB	BL8Z-7000-GRM	
2011			6F35	AWD; BL8P-7000-HB	BL8Z-7000-HRM	
2011		3.0L	6F35	AWD; BL8P-7000-FB	BL8Z-7000-FRM	
2011		3.0L 24 Valves	6F35	FWD; BL8P-7000-EB	BL8Z-7000-ERM	
2010		2.5L	6F35	FWD; 9E5P-7000-MA	AE5Z-7000-CRM	
2010		3.0L	6F35	9E5P-7000-JA	AE5Z-7000-ARM	
2010			6F35	AWD; 9E5P-7000-KA	AE5Z-7000-BRM	
2009-2008			F21	FWD; 8E5P-7000-AA,AB,AC	8E5Z-7000-ARM	
2009-2008			F21	AWD; 8E5P-7000-BA, BB, BC	8E5Z-7000-BRM	
2008-2006		2.3L	FNR5	FWD; 8E51-7000-AA,AB,AC,AD,AE,AF; 7E51-7000-AA,AB,AC,AF; 6E51-7000-AA,AC	7E5Z-7000-BRM	
2007-2006		3.0L	F21	FWD; 6E53-7000-AA,AB,AC,AD,AE	6E5Z-7000-AERM	
2007			F21	FWD; 7E5P-7000-AE; 7E5P-7000-AD	7E5Z-7000-AERM	
2007			F21	AWD; 7E5P-7000-BE,BF	7E5Z-7000-BFRM	

Mustang

Part Type	Years	Engine	Trans	Qualifier	Ford #
Automatic - New	2018	2.3L	10R80	JR3P-7000-MD	JR3Z-7000-A
	2018	5.0L	10R80	JR3P-7000-ND	JR3Z-7000-B
	2017-2015	2.3L	6R80	FR3P-7000-CB	FR3Z-7000-C
	2017-2015	3.7L	6R80	FR3P-7000-AB	FR3Z-7000-A
	2017-2015	5.0L	6R80	FR3P-7000-BB	FR3Z-7000-B
	2014	3.7L	6R80	BR3P-7000-AB; Before 6/27/14	BR3Z-7000-A
	2014		6R80	BR3P-7000-CC; From 6/27/14	BR3Z-7000-C
	2014-2013	5.0L	6R80	BR3P-7000-BB	BR3Z-7000-B
	2013-2011	3.7L	6R80	BR3P-7000-AB	BR3Z-7000-A
	Automatic - Reman	2014-2011		6R80	BR3P-7000-AA
2014-2011		5.0L	6R80	BR3P-7000-BA	BR3Z-7000-BRM
2012-2011		3.7L	6R80	RWD; BR3P-7000-AB	BR3Z-7000-ABRM



Mustang

-Cont'd

Part Type	Years	Engine	Trans	Qualifier	Ford #
Automatic - Reman	2012-2011	5.0L	6R80	BR3P-7000-BB	BR3Z-7000-BBRM
	2010-2009	4.0L	5R55S	9R3P-7000-BA; RJL-U	9R3Z-7000-BRM
	2010-2009	4.6L	5R55S	9R3P-7000-AA; RJL-T	9R3Z-7000-ARM
	2008	4.0L	5R55S	8R3P-7000-BA; RJL-U	8R3Z-7000-BRM
	2008	4.6L	5R55S	8R3P-7000-AA; RJL-T	8R3Z-7000-ARM
	2007	4.0L	5R55S	7R3P-7000-BC; RJL-U	7R3Z-7000-BRM
	2007	4.6L	5R55S	7R3P-7000-AC; RJL-T	7R3Z-7000-ARM
	2006-2005		5R55S	4R3P-7000-AC; 6R3P-7000-AB,AC; RJL-T	4R3Z-7000-ARM
	2005	4.0L	5R55S	4R3P-7000-BC; RJL-U	4R3Z-7000-BRM
	2004	3.8L	4R70W	3R3P-7000-CA; PKE-CT	3R3Z-7000-CARM
	2004	4.6L 32 Valves	4R70W	GT; 3R3P-7000-BA; PKE-CS	3R3Z-7000-BARM
	2004		4R70W	Mach I; 3R3P-7000-BA; PKE-CS	3R3Z-7000-BARM
	2003	3.8L	4R70W	1R3P-7000-AA; PKE-BC	1R3Z-7000-AARM
	2003	4.6L	4R70W	1R3P-7000-BA; PKE-BD	1R3Z-7000-BARM
	2003	4.6L 32 Valves	4R70W	Mach I; 3R3P-7000-AA; PKE-CC	3R3Z-7V000-ARM
	2002-2001	3.8L	4R70W	1R3P-7000-AA; PKE-BC	1R3Z-7V000-ARM
	2002-2001	4.6L	4R70W	1R3P-7000-BA; PKE-BD	1R3Z-7V000-BRM
	2000-1999	3.8L	4R70W	XR3P-7000-AA; PKE-AJ	XR3Z-7V000-AARM

Police Interceptor Sedan

Part Type	Years	Engine	Trans	Qualifier	Ford #
Automatic - New	2018-2013	3.7L	6F55	DA8P-7000-LB; w/ 3.39 Ratio	DA8Z-7000-L
	2015-2013	3.5L EcoBoost	6F55	AWD; DA8P-7000-MB; 3.16 Final Drive Ratio	DA8Z-7000-MC
	2014-2013	3.7L	6F55	AWD; DA5P-7000-BB; w/ 3.65 Final Drive Ratio	DA5Z-7000-N
Automatic - Reman	2014-2013	3.5L EcoBoost	6F55	AWD; DA8P-7000-MB; w/ 3.16 Ratio	DA8Z-7000-FRM
	2014-2013		6F55	AWD; RMDA5J-7000-BA; w/ 3.16 Ratio	DA5Z-7000-DRM
	2014-2013	3.7L	6F55	DA8P-7000-AB; w/ 3.16 Ratio	DA8Z-7000-CRM
	2014-2013		6F55	DA8P-7000-LB; w/ 3.39 Ratio	DA8Z-7000-ERM
	2014-2013		6F55	AWD; DA5P-7000-EB	DA5Z-7000-ARM

Special Service Police Sedan

Part Type	Years	Engine	Trans	Qualifier	Ford #
Automatic - New	2018-2014	2.0L EcoBoost	6F50	DA8P-7000-UB; w/ 2.77 Axle Ratio	DA8Z-7000-X
	2018-2014		6F55	DA8P-7000-LB; w/ 3.39 Ratio	DA8Z-7000-L
	2018-2014		6F55	DA5P-7000-DB; w/ 3.16 Ratio	DA5Z-7000-M
	2017-2014		6F55	DA5P-7000-BB; w/ 2.77 Axle Ratio	DA5Z-7000-L
	2015-2014		6F55	DA8P-7000-MB; 3.16 Final Drive Ratio	DA8Z-7000-MC
	2015-2014		6F35	DG1P-7000-YA	DG1Z-7000-Y
Automatic - Reman	2014		6F35	RMEG1J-7000-AA	EG1Z-7000-ARM

Taurus

Part Type	Years	Engine	Trans	Qualifier	Ford #
Automatic - New	2018-2014		6F50	DA8P-7000-LB; 3.39 Final Drive Ratio	DA8Z-7000-L
	2018-2014	3.5L	6F55	DA5P-7000-BB; w/ 2.77 Axle Ratio	DA5Z-7000-L
	2016-2014		6F50	DA8P-7000-MB; 3.16 Final Drive Ratio	DA8Z-7000-MC
	2016-2013		6F35	DG1P-7000-YA	DG1Z-7000-Y
	2016-2013		6F50	DA8P-7000-UA	DA8Z-7000-U
	2014-2013		6F50	DA8P-7000-UB; w/ 2.77 Axle Ratio	DA8Z-7000-X
	2014-2013	3.5L EcoBoost SHO	6F55	AWD; DA5P-7000-DB; w/ 3.16 Ratio	DA5Z-7000-M
	2013		6F55	DA5P-7000-BA; w/ 2.77 Axle Ratio	DA5Z-7000-B
	2013		6F50	DA8P-7000-MA; 3.16 Final Drive Ratio	DA8Z-7000-F
	2013		6F50	DA8P-7000-LA; 3.39 Final Drive Ratio	DA8Z-7000-E
	2012-2011		6F55	RMAA5J-7000-CA; w/ 2.77 Axle Ratio; Before 7/28/11	AA5Z-7000-G
	2012		6F50	AA8P-7000-KB; 3.39 Final Drive Ratio; Before 7/20/11	AA8Z-7000-N
	2012-2010	3.5L	6F55	Naturally Aspirated; AA8P-7000-FC; 3.16 Final Drive Ratio	AA8Z-7000-S
	2012-2010		6F55	FWD; AA8P-7000-HC; w/ 2.77 Axle Ratio	AA8Z-7000-T
	2012-2010		6F55	AWD; AA8P-7000-JC; w/ 2.77 Axle Ratio	AA8Z-7000-U
	2012-2010		6F55	AA8P-7000-KC; 3.39 Final Drive Ratio	AA8Z-7000-V
	2012	3.5L EcoBoost	6F55	AA5P-7000-BD; w/ 2.77 Axle Ratio	AA5Z-7000-J
	2012-2010		6F55	AA5P-7000-DD; 3.16 Final Drive Ratio	AA5Z-7000-K
	2010		6F50	AWD; RMAA8J-7000-DA; Before 5/3/10; w/ 2.77 Axle Ratio	AA8Z-7000-J
	Automatic - Reman	2014-2013	2.0L EcoBoost	6F35	FWD; RMEG1J-7000-AA
2014-2013		3.5L	6F50	w/ Duratec Engine; DA8P-7000-LB; w/ 3.39 Ratio	DA8Z-7000-ERM
2014-2013				SEL; w/ Duratec Engine; DA8P-7000-UB; w/ 2.77 Ratio	DA8Z-7000-URM
2014-2013				SE; w/ Duratec Engine; DA8P-7000-UB; w/ 2.77 Ratio	DA8Z-7000-URM
2014-2013		3.5L EcoBoost	6F50	AWD; DA8P-7000-MB; w/ 3.16 Ratio	DA8Z-7000-FRM
2014-2013		3.5L EcoBoost SHO	6F55	AWD; DA5P-7000-BB; w/ 2.77 Ratio	DA5Z-7000-BRM
2014-2013			6F55	AWD; RMDA5J-7000-BA; w/ 3.16 Ratio	DA5Z-7000-DRM
2012-2010		3.5L	6F50	AWD; AA8P-7000-KA,KB,KC	AA8Z-7000-KRM
2012-2010			6F50	FWD; AA8P-7000-HA,HB,HC	AA8Z-7000-HRM
2012-2010			6F50	AWD; AA8P-7000-JA,JB,JC	AA8Z-7000-JRM
2012-2010		6F50	FWD; AA8P-7000-FA,FB,FC	AA8Z-7000-FRM	
2012-2010	3.5L SHO	6F55	AWD; AA5P-7000-BC,BD	AA5Z-7000-GRM	



Taurus

-Cont'd

Part Type	Years	Engine	Trans	Qualifier	Ford #
Automatic - Reman	2012-2010	3.5L SHO	6F55	AWD; AA5P-7000-DC,DD	AA5Z-7000-HRM
	2010		6F55	AWD; AA5P-7000-BA,BB	AA5Z-7000-BRM
	2010		6F55	AWD; AA5P-7000-DA,DB	AA5Z-7000-DRM
	2009-2008	3.5L	6F50	FWD; 7T4P-7000-CC; 2.77 Final Drive Ratio	7T4Z-7000-BRM
	2009-2008		6F50	AWD; 7T4P-7000-DA, DB, DC; 2.77 Final Drive Ratio	8T4Z-7000-BRM
	2004	3.0L 12 Valves	4F50N	5F1B-7000-FA; 4F1P-7000-FA/FB; PNB-KA; Floor Shift	4F1Z-7000-FBRM
	2004	3.0L 24 Valves	4F50N	4F1P-7000-DA/DB; Column Shift; PNB-DA	4F1Z-7000-DBRM
	2004	3.0L 12 Valves	4F50N	4F1P-7000-EA/EB; PNB-HA; Floor Shift	4F1Z-7000-EBRM
	2003-2001		AX4S	1F1P-7000-AA; Column Shift; PNA-EZ	1F1Z-7V000-ARM
	2003-2001	3.0L 12 Valves	4F50N	1F1P-7000-CB; Column Shift; PNB-FA	1F1Z-7V000-CRM
	2003-2001		4F50N	1F1P-7000-FB; PNB-KA; Floor Shift	1F1Z-7V000-FRM
	2003-2001	3.0L 24 Valves	4F50N	1F1P-7000-DB; Column Shift; PNA-DA	1F1Z-7V000-DRM
	2000	3.0L 12 Valves	AX4N	YF1P-7000-FC, FD; PNB-KA; Floor Shift	YF1Z-7V000-FRM
	2000		AX4S	YF1P-7000-HA; PNA-GA; Floor Shift	YF1Z-7V000-HRM
	1999	3.4L SHO	AX4S	XF1P-7000-AA; PNA-EW	XF1Z-7V000-AARM
	1999		AX4N	XF1P-7000-BA; PNB-EA; w/ OD Cancel Button	XF1Z-7V000-BARM
	1997	3.0L 12 Valves	AX4S	F7DP-7000-AA; PNA-EU	F7DZ-7V000-ARM
	1997	3.0L 24 Valves	AX4N	F7DP-7000-DA; Column Shift; PNB-DA	F7DZ-7V000-DRM
	1996		AX4N	F6DP-7000-EA; PNB-HA; Floor Shift	F6DZ-7V000-EARM
	1995-1994	3.0L	AX4S	F4DP-7000-BA, BB; PNA-EP	F4DZ-7V000-BRM

Taurus X

Part Type	Years	Engine	Trans	Qualifier	Ford #
Automatic - Reman	2009	3.5L	6F50	AWD; 7T4P-7000-BA,BB,BC; 3.16 Final Drive Ratio	7T4Z-7000-ARM
	2009-2008		6F50	FWD; 7T4P-7000-AA, AB, AC; 3.16 Final Drive Ratio	8T4Z-7000-ARM

Thunderbird

Part Type	Years	Engine	Trans	Qualifier	Ford #
Automatic - Reman	2005-2004	3.9L	5R55S	4W4P-7000-AB; RJL-U	4W4Z-7000-ABRM
	2003		5R55S	3W4P-7000-AC; RJL-X	3W4Z-7V000-ACRM
	2002		5R55N	2W4P-7000-AA	2W4Z-7V000-AARM
	1991-1989	3.8L	AOD	F1SP-7000-DA; E9SP-7000-FC,FD,GC; 3.08 Final Drive Ratio; PKA-FK1,EL2,EL41,DP	F1SZ-7V000-DARM
	1991		AOD	F1SP-7000-DA; 3.08 Final Drive Ratio; PKA-FK1,EL2,EL41,DP	F1SZ-7V000-DARM

Lincoln

Continental

Part Type	Years	Engine	Trans	Qualifier	Ford #
Automatic - New	2018-2017		6F50	FWD; DA8P-7000-VA	DA8Z-7000-Z
	2018-2017		6F50	AWD; DA8P-7000-VA	DA8Z-7000-TD
	2018-2017	2.7L	6F55	FWD; G3GP-7000-FA	G3GZ-7000-A
	2018-2017		6F55	AWD; G3GP-7000-PA	G3GZ-7000-B
	2018-2017	3.0L	6F55	FWD; G3GP-7000-FA	G3GZ-7000-A
	2018-2017		6F55	FWD; G3GP-7000-FA	G3GZ-7000-A
	Automatic - Reman	2001	4.6L	4F50N	1F3P-7000-BB; Column Shift; PNB-GA
2000		AX4N		XF3P-7000-AB, AC; PNB-CA; Floor Shift	XF3Z-7V000-ARM
1999		AX4N	XF3P-7000-BA; Column Shift; PNB-GA	XF3Z-7V000-BARM	
1995		AX4N	F5OP-7000-BA; PNB-CA; Floor Shift	F5OZ-7V000-BRM	

LS

Part Type	Years	Engine	Trans	Qualifier	Ford #
Automatic - Reman	2006-2004	3.9L	5R55S	6W4P-7000-AB, AC; 4W4P-7000-AB; RJL-U	4W4Z-7000-ABRM
	2005-2004	3.0L	5R55S	4W4P-7000-BB; RJL-T	4W4Z-7000-BBRM
	2003		5R55S	3W4P-7000-BC; RJL-R	3W4Z-7V000-BCRM
	2003	3.9L	5R55S	3W4P-7000-AC; RJL-X	3W4Z-7V000-ACRM
	2002	3.0L	5R55N	2W4P-7000-BA	2W4Z-7V000-BARM
	2002		5R55N	2W4P-7000-AA	2W4Z-7V000-AARM
	2000	3.0L	5R55N	YW4P-7000-BA; XW4P-7000-BA,BC	YW4Z-7V000-BRM
	2000		5R55N	XW4P-7000-AA,AC; YW4P-7000-AA	YW4Z-7V000-ARM

MKS

Part Type	Years	Engine	Trans	Qualifier	Ford #
Automatic - New	2016-2013	3.7L	6F50	DA8P-7000-AB; 3.16 Final Drive Ratio	DA8Z-7000-J
	2016-2013		6F50	DA8P-7000-LB; 3.39 Final Drive Ratio	DA8Z-7000-L
	2014	3.5L	6F55	DA5P-7000-BB; w/ 2.77 Axle Ratio	DA5Z-7000-L
	2012-2011		6F55	AA5P-7000-BD; w/ 2.77 Axle Ratio	AA5Z-7000-J
	2012-2010	3.7L	6F55	AA8P-7000-KC; 3.39 Final Drive Ratio	AA8Z-7000-V
	2012-2009		6F55	Naturally Aspirated; AA8P-7000-FC; 3.16 Final Drive Ratio	AA8Z-7000-S



MKS

-Cont'd

Part Type	Years	Engine	Trans	Qualifier	Ford #
Automatic - New	2012-2009	3.7L	6F50	AA8P-7000-KC; 3.39 Final Drive Ratio	AA8Z-7000-V
Automatic - Reman	2014-2013	3.5L EcoBoost	6F55	AWD; DA5P-7000-BB; w/ 2.77 Ratio	DA5Z-7000-BRM
	2014-2013	3.7L	6F50	DA8P-7000-AB; w/ 3.16 Ratio	DA8Z-7000-CRM
	2014-2013		6F50	DA8P-7000-LB; w/ 3.39 Ratio	DA8Z-7000-ERM
	2012-2010	3.5L	6F50	AWD; AA8P-7000-KA,KB,KC	AA8Z-7000-KRM
	2012-2010	3.5L EcoBoost	6F55	AA5P-7000-BC,BD	AA5Z-7000-GRM
	2012-2010	3.7L	6F50	AWD; AA8P-7000-KA,KB,KC	AA8Z-7000-KRM
	2012-2010		6F50	FWD; AA8P-7000-FA,FB,FC	AA8Z-7000-FRM
	2010	3.5L EcoBoost	6F55	AA5P-7000-BA,BB	AA5Z-7000-BRM

MKZ

Part Type	Years	Engine	Trans	Qualifier	Ford #
Automatic - New	2018-2016	2.0L	6F35	FWD; DG9P-7000-ED; w/ Standard Electric Starter Motor	DG9Z-7000-ED
	2018-2016		6F35	AWD; DG9P-7000-FD; w/ Standard Electric Starter Motor	DG9Z-7000-FD
	2016-2014		6F50	6 Spd.; AWD; DA8P-7000-TC; w/ 2.77 Axle Ratio	DA8Z-7000-TC
	2016-2014		6F50	FWD; DA8P-7000-PC	DA8Z-7000-R
	2016		6F35	FWD; FG9P-7000-AC; w/ Stop/Start System	FG9Z-7000-AC
	2016-2013	2.0L ELECTRIC/GAS		FG98-7000-GA; w/ 2.91 Axle Ratio	FG9Z-7000-G
	2016-2015	2.0L EcoBoost	6F35	FWD; DG9P-7000-KA	DG9Z-7000-K
	2016-2014	3.7L	6F50	FWD; DA8P-7000-PC	DA8Z-7000-R
	2015-2013	2.0L		FWD; DG9P-7000-EB	DG9Z-7000-E
	2015-2013		6F35	AWD; DG9P-7000-FB	DG9Z-7000-F
	2015		6F35	FWD; FG9P-7000-AA; w/ Stop/Start System	FG9Z-7000-A
	2015-2013	3.7L	6F35	FWD; DG9P-7000-EB	DG9Z-7000-E
	2014-2013		CFT30	DG98-7000-EC; w/ 2.56 Axle Ratio	FG9Z-7000-E
	2014-2013	2.0L EcoBoost	6F35	DG9P-7000-JA	DG9Z-7000-J
	2014-2013			AWD; DG9P-7000-SA	DG9Z-7000-S
	2014-2013	3.7L	6F50	AWD; DA8P-7000-TB; w/ 3.65 Ratio	DA8Z-7000-W
	2013		CFT30	DA8P-7000-PB; w/ Power Split; From 2/4/13; w/ 2.91 Axle Ratio	DG9Z-7000-G
	2013		6F50	FWD; DA8P-7000-PB	DA8Z-7000-P
	2013		6F50	AWD; DA8P-7000-TA	DA8Z-7000-T
Automatic - Reman	2015-2013	2.0L EcoBoost	6F35	FWD; RMEG9J-7000-AA	EG9Z-7000-ARM
	2014-2013	2.0L	6F35	AWD; RMEG9J-7000-BA	EG9Z-7000-BRM
	2014-2013	3.7L	6F50	FWD; DA8P-7000-PC; w/ 3.39 Ratio	DA8Z-7000-PRM
	2014-2013		6F50	AWD; DA8P-7000-TB; w/ 3.65 Ratio	DA8Z-7000-TRM
	2012-2010	3.5L	F21	FWD; AE5P-7000-CA	AE5Z-7000-FRM
	2012-2010		F21	AWD; AE5P-7000-DA	AE5Z-7000-GRM
	2011	2.5L	6F35	FWD; BE5P-7000-MB	BE5Z-7000-DRM
	2009-2008	3.5L	F21	FWD; 8E5P-7000-CB,CC,CD	8E5Z-7000-CRM
	2009-2008		F21	AWD; 8E5P-7000-DB,DC,DD	8E5Z-7000-DRM
	2007		F21	FWD; 7E5P-7000-CE,CF	7E5Z-7000-CFRM
	2007		F21	AWD; 7E5P-7000-DF,DG	7E5Z-7000-DGRM

Mark VIII

Part Type	Years	Engine	Trans	Qualifier	Ford #
Automatic - Reman	1997	4.6L	4R70W	F7LP-7000-AA; PKE-N	F7LZ-7000-ARM

Town Car

Part Type	Years	Engine	Trans	Qualifier	Ford #
Automatic - Reman	2011-2010	4.6L	4R75E	AW7P-7000-CA; Limo; PKE-FC	AW7Z-7000-CRM
	2011-2010		4R75E	AW1P-7000-DA; PKE-GA	AW1Z-7000-DRM
	2009		4R75E	Limousine; 9W7P-7000-CA; PKE-DY	9W7Z-7000-CRM
	2009		4R75E	RWD; 9W1P-7000-AA; PKE-DZ	9W1Z-7000-ARM
	2009		4R75E	9W1P-7000-DA; w/ Long Wheelbase; PKE-EA	9W1Z-7000-DRM
	2008-2007		4R70W	7W1P-7000-AA; PKE-DL	7W1Z-7000-AARM
	2008-2007	4.6L	4R75E	Limousine; 7W7P-7000-CA; PKE-DP	7W7Z-7000-CARM
	2008-2007		4R75E	7W1P-7000-DA; w/ Long Wheelbase; PKE-DM	7W1Z-7000-DARM
	2006		4R75E	6W1P-7000-AA,AB,CA,CB; PKG-BN; PKE-CV	6W1Z-7000-ARM
	2006		4R75E	6W1P-7000-DA,DB; w/ Long Wheelbase; PKE-CW	6W1Z-7000-DRM
	2005		4R70E	5W1P-7000-AA,CA,GA,JA; PKE-DF; PKG-BZ	5W1Z-7000-GRM
	2005		4R70E	5W1P-7000-DA,HA; w/ Long Wheelbase; PKE-CK,DG	5W1Z-7000-HRM
	2004	4.6L	4R70W	4W1P-7000-DA,FA; w/ Long Wheelbase; PKE-BG, BU	4W1Z-7000-DARM
	2004		4R70W	4W1P-7000-AA; PKE-BS, PKG-AT	4W1Z-7000-AARM
	2003		4R70W	3W1P-7000-BA; PKE-CA	3W1Z-7V000-BRM
	2000		4R70W	XW1P-7000-CA; PKE-AX	XW1Z-7V000-CARM
	2000		4R70W	YW1P-7000-AA; PKE-BN; w/ Long Wheelbase	YW1Z-7V000-ARM
	2000-1999		4R70W	XW1P-7000-BA; XW1P-7000-DA; PKG-AV; PKE-AV	XW1Z-7V000-BARM
	1999		4R70W	Base; XW1P-7000-CA; PKE-AX	XW1Z-7V000-CARM
	1999		4R70W	Cartier; XW1P-7000-CA; PKE-AX	XW1Z-7V000-CARM
	1999		4R70W	Executive; XW1P-7000-CA; PKE-AX	XW1Z-7V000-CARM
	1999		4R70W	Signature; XW1P-7000-CA; PKE-AX	XW1Z-7V000-CARM
	1997		4R70W	F7AP-7000-BA,GA; PKE-AF	F7AZ-7V000-BRM
	1997		4R70W	F7AP-7000-GA; PKG-AF	F7AZ-7V000-BRM



Zephyr

Part Type	Years	Engine	Trans	Qualifier	Ford #
Automatic - Reman	2006	3.0L	F21	FWD; 6E53-7000-AD,AE	6E5Z-7000-AERM
	2006		F21	FWD; 6E53-7000-AA,AB,AC,AD,AE	6E5Z-7000-AERM

Mercury

Cougar

Part Type	Years	Engine	Trans	Qualifier	Ford #
Automatic - Reman	2002-2001	2.5L	CD4E	1S8P-7000-AA	1S8Z-7V000-ARM
	1991	5.0L	AOD	F1SP-7000-DA; 3.08 Final Drive Ratio; PKA-FK1,EL2,EL41,DP	F1SZ-7V000-DARM
	1989	3.8L	AOD	E9SP-7000-HC,HD; w/ Floor Shift; PKA-DV2,DV31	F1SZ-7V000-DARM
	1989		AOD	E9SP-7000-HD; w/ Floor Shift; PKA-DV31	F1SZ-7V000-DARM
	1989	AOD	E9SP-7000-FD; w/ Floor Shift; PKA-EL41	F1SZ-7V000-DARM	
	1989	AOD	E9SP-7000-FC,FD,GC; PKA-EL2; w/ Floor Shift	F1SZ-7V000-DARM	
	1989	AOD	E9SP-7000-GC; w/ Floor Shift; PKA-DP	F1SZ-7V000-DARM	
	1988	AOD	E8SP-7000-CA; PKA-DK2	F1SZ-7V000-DARM	
	1988	5.0L	AOD	E8SP-7000-AB; w/ Column Shift; PKA-DR2	F1SZ-7V000-DARM
	1988		AOD	E8SP-7000-BB; w/ Floor Shift; PKA-DS2	F1SZ-7V000-DARM
	1987		AOD	E7SP-7000-CA; PKA-CZ5	F1SZ-7V000-DARM

Grand Marquis

Part Type	Years	Engine	Trans	Qualifier	Ford #
Automatic - Reman	2009	4.6L	4R75E	RWD; 9W7P-7000-AA; PKE-DX	9W7Z-7000-ARM
	2008-2007		4R75E	7W7P-7000-DA; w/ Handling Package; PKE-DR	7W7Z-7000-DARM
	2008-2007		4R75E	7W7P-7000-AA; PKE-DN	7W7Z-7000-AARM
	2006		4R75E	6W7P-7000-AA,AB,BA,BB; PKE-CX	6W7Z-7000-ARM
	2006		4R75E	6W7P-7000-BB; PKG-BR	6W7Z-7000-ARM
	2006		4R75E	6W7P-7000-AB; PKE-DU	6W7Z-7000-ARM
	2006		4R75E	6W7P-7000-DA, DB; w/ Handling Pkg.; PKE-CZ,DU,DW	6W7Z-7000-DRM
	2005		4R70E	5W7P-7000-AA,BA,GA,KA; PKE-CN,DH	5W7Z-7000-KRM
	2005		4R70E	5W7P-7000-BA; PKG-BA,CB	5W7Z-7000-KRM
	2005		4R70E	5W7P-7000-KA; PKE-DH	5W7Z-7000-KRM
	2005		4R70E	5W7P-7000-GA; PKG-CB	5W7Z-7000-KRM
	2005		4R70E	5W7P-7000-DA, MA; w/ Handling Pkg.; PKE-CR, DK	5W7Z-7000-MRM
	2004		4R70W	4W7P-7000-AA,BA; PKE-CE; PKG-AY	4W7Z-7000-AARM
	2003		4R70W	3W7P-7000-BA; PKG-AW	3W7Z-7V000-ARM
	2003		4R70W	3W7P-7000-AA,BA; PKE-BW	3W7Z-7V000-ARM
	2003		4R70W	3W7P-7000-DA; w/ Handling Pkg.; PKE-BY	3W7Z-7V000-DRM
	1998		4R70W	F8AP-7000-AA, CA; PKE-X, PKG-X	F8AZ-7V000-AARM

Marauder

Part Type	Years	Engine	Trans	Qualifier	Ford #
Automatic - Reman	2004	4.6L	4R70W	4W7P-7000-CA, EA; PKE-CF, PKG-BH	4W7Z-7000-CARM
	2003		4R70W	2W3P-7000-AA; PKE-BR	2W3Z-7V000-ARM

Milan

Part Type	Years	Engine	Trans	Qualifier	Ford #
Automatic - New	2011	2.5L	6F35	FWD; BE5P-7000-MB	BE5Z-7000-D
	2011-2010	2.5L ELECTRIC/GAS	HF35	CE58-7000-CA	BE5Z-7000-B
Automatic - Reman	2011	3.0L	6F35	AWD; BE5P-7000-KB	BE5Z-7000-C
	2010		6F35	AWD; 9E5P-7000-KA	9E5Z-7000-C
	2011	2.5L	6F35	BE5P-7000-MB	BE5Z-7000-DRM
	2011		6F35	FWD; BL8P-7000-GB	BL8Z-7000-GRM
	2011	3.0L	6F35	AWD; BL8P-7000-HB	BL8Z-7000-HRM
	2011		6F35	AWD; BL8P-7000-FB	BL8Z-7000-FRM
	2011	3.0L 24 Valves	6F35	AWD; BE5P-7000-KB	BE5Z-7000-CRM
	2011		6F35	FWD; BL8P-7000-EB	BL8Z-7000-ERM
	2010	2.5L	6F35	FWD; 9E5P-7000-MA	AE5Z-7000-CRM
	2010	3.0L	6F35	9E5P-7000-JA	AE5Z-7000-ARM
	2010		6F35	AWD; 9E5P-7000-KA	AE5Z-7000-BRM
	2009-2008	2.3L	FNR5	FWD; 8E51-7000-AA,AB,AC,AD,AE,AF	7E5Z-7000-BRM
	2009		3.0L	F21	FWD; 8E5P-7000-AC; 8E5P-7000-AA,AB,AC
	2009	3.0L	F21	AWD; 8E5P-7000-BC	8E5Z-7000-BRM
	2008		F21	FWD; 8E5P-7000-AA	8E5Z-7000-ARM
	2008	3.0L	F21	FWD; 8E5P-7000-AA,AB,AC	8E5Z-7000-ARM
	2008		F21	AWD; 8E5P-7000-BB; 8E5P-7000-BA, BB, BC	8E5Z-7000-BRM
	2007	2.3L	FNR5	FWD; 7E51-7000-AA,AB,AC,AF	7E5Z-7000-BRM
	2007-2006	3.0L	F21	FWD; 6E53-7000-AD,AE	6E5Z-7000-AERM
	2007		F21	FWD; 7E5P-7000-AE; 7E5P-7000-AD	7E5Z-7000-AERM
2007	3.0L	F21	AWD; 7E5P-7000-BE,BF	7E5Z-7000-BFRM	
2006		F21	FWD; 6E53-7000-AA,AB,AC,AD,AE	6E5Z-7000-AERM	
2006		FNR5	FWD; RM6E5J-7000-AC	7E5Z-7000-BRM	

TRANSMISSIONS
Passenger Cars / Light Trucks
Mercury / Ford



FORD PARTS

Montego

Part Type	Years	Engine	Trans	Qualifier	Ford #
Automatic - Reman	2007-2005 2006-2005 2006-2005	3.0L	CFT30 CFT30 F21	AWD; 7G13-7000-EA; 6G13-7000-EA,EB,JB,JC; 5G13-7000-BX,BY,EB,EC FWD; 6G13-7000-DA,DB,HB,HC; 5G13-7000-AU,AV,DB,DC FWD; 6G13-7000-CB,CD; 5G13-7000-CT,CU,CV	6G1Z-7000-BRM 6G1Z-7000-ARM 6G1Z-7000-CDRM

Sable

Part Type	Years	Engine	Trans	Qualifier	Ford #
Automatic - Reman	2009-2008 2009-2008 2005-2004 2005-2004 2004 2004 2003-2001 2003-2001 2003-2001 2003-2001 2000 2000 1999 1997 1997 1996 1995-1994	3.5L 3.0L 12 Valves 3.0L 24 Valves 3.0L 12 Valves 3.0L 12 Valves 3.0L 24 Valves 3.0L 12 Valves 3.0L 24 Valves 3.0L	6F50 6F50 4F50N 4F50N 4F50N 4F50N AX4S 4F50N 4F50N 4F50N AX4N AX4S AX4S AX4S AX4N AX4N AX4S	FWD; 7T4P-7000-CC; 2.77 Final Drive Ratio AWD; 7T4P-7000-DA, DB, DC; 2.77 Final Drive Ratio 4F1P-7000-CA/CB; Column Shift; PNB-FA 4F1P-7000-FA/FB; PNB-KA; Floor Shift 4F1P-7000-DA/DB; Column Shift; PNB-DA 4F1P-7000-EA/EB; PNB-HA; Floor Shift 1F1P-7000-AA; Column Shift; PNA-EZ 1F1P-7000-CB; Column Shift; PNB-FA 1F1P-7000-FB; PNB-KA; Floor Shift 1F1P-7000-DB; Column Shift; PNB-DA YF1P-7000-FC, FD; PNB-KA; Floor Shift YF1P-7000-HA; PNA-GA; Floor Shift XF1P-7000-AA; PNA-EW F7DP-7000-AA; PNA-EU F7DP-7000-DA; Column Shift; PNB-DA F6DP-7000-EA; PNB-HA; Floor Shift F4DP-7000-BA, BB; PNA-EP	7T4Z-7000-BRM 8T4Z-7000-BRM 4F1Z-7000-CBRM 4F1Z-7000-FBRM 4F1Z-7000-DBRM 4F1Z-7000-EBRM 1F1Z-7V000-ARM 1F1Z-7V000-CRM 1F1Z-7V000-FRM 1F1Z-7V000-DRM YF1Z-7V000-FRM YF1Z-7V000-HRM XF1Z-7V000-AARM F7DZ-7V000-ARM F7DZ-7V000-DRM F6DZ-7V000-EARM F4DZ-7V000-BRM

Tracer

Part Type	Years	Engine	Trans	Qualifier	Ford #
Automatic - Reman	1996 1995-1993 1995-1993	1.8L 1.9L	4EAT-F 4EAT-F 4EAT-F	FU6V-19090-R FU6V-19090-N; TH FU6J-19090-W; 3.55 Axle Ratio; TJ	F0CZ-7V000-ARM F0CZ-7V000-ARM F0CZ-7V000-BRM

Ford

Bronco

Part Type	Years	Engine	Trans	Qualifier	Ford #
Automatic - Reman	1996 1995 1994 1993-1992 1992 1991 1990	5.8L 5.0L 5.8L	E4OD E4OD E4OD E4OD E4OD E4OD E4OD	4WD; F6TP-7000-FA; 3.55 Axle Ratio; PRA-JAA10 4WD; F5TP-7000-CB; 3.55 Axle Ratio; PRA-JAA 4WD; F4TP-7000-FA; 3.55 Axle Ratio; PRA-BB4 4WD; F2TP-7000-EA; PRA-BA 4WD; F2TP-7000-HA; 3.55 Axle Ratio; PRA-R14, R 4WD; F1TP-7000-LA, MA; PRA-R; PRA-BA 4WD; F0TP-7000-BA, BB, ZA; PRA-R; PRA-BA	F6TZ-7V000-FARM F5TZ-7V000-CRM F2TZ-7V000-HRM F2TZ-7V000-HRM F2TZ-7V000-HRM F0TZ-7V000-BRM F0TZ-7V000-BRM

EcoSport

Part Type	Years	Engine	Trans	Qualifier	Ford #
Automatic - New	2018 2018 2018	1.0L EcoBoost 2.0L		6F15; Before 02/05/18 6F15; From 02/05/18	GN1Z-7000-A GN1Z-7000-N GN1Z-7000-B

Econoline

Part Type	Years	Engine	Trans	Qualifier	Ford #
Automatic - New	2018 2018 2018 2018 2017 2017 2017 2017 2017 2017 2017 2016-2010 2016-2009 2016-2010 2016-2009 2016 2016 2014-2010 2016-2009 2016-2010	6.2L 6.8L 6.2L 6.2L 6.8L 6.8L 5.4L 6.8L	6R140 6R140 6R140 6R140 6R140 6R140 6R140 6R140 6R140 6R140 6R140 4R75E 5R110W 5R110W 5R110W 6R140 6R140 4R75E 5R110W 5R110W	w/ 158 or 176 Inch Wheelbase; TorqShift6 TorqShift6; w/ 138 Inch Wheelbase w/ 158 or 176 Inch Wheelbase; TorqShift6 TorqShift6; w/ 138 Inch Wheelbase w/ 158 or 176 Inch Wheelbase; TorqShift6; From 7/12/16 TorqShift6; w/ 138 Inch Wheelbase; From 7/20/16 FC3P-7000-CA; w/ 158 or 176 Inch Wheelbase; TorqShift6; Before 7/12/16 FC3P-7000-FA; TorqShift6; Before 7/20/16; w/ 138 Inch Wheelbase w/ 158 or 176 Inch Wheelbase; TorqShift6; From 7/12/16 TorqShift6; w/ 138 Inch Wheelbase; From 7/20/16 AC2P-7000-DA w/ 138.0 In. Wheelbase; AC3P-7000-EA; TorqShift w/ 176.0 In. Wheelbase; AC3P-7000-FA; TorqShift w/ 138.0 In. Wheelbase; AC3P-7000-GA; TorqShift FC3P-7000-CA; w/ 158 or 176 Inch Wheelbase; TorqShift6 FC3P-7000-FA; TorqShift6; w/ 138 Inch Wheelbase AC2P-7000-CA 9C3P-7000-FB; w/ Fixed Yoke; PRB-NT; TorqShift AC3P-7000-FA; w/ Fixed Yoke; PRB-NT; TorqShift	HC3Z-7000-A HC3Z-7000-B HC3Z-7000-A HC3Z-7000-B HC3Z-7000-A HC3Z-7000-B FC3Z-7000-C FC3Z-7000-F HC3Z-7000-A HC3Z-7000-B AC2Z-7000-D AC3Z-7000-E AC3Z-7000-F AC3Z-7000-G FC3Z-7000-C FC3Z-7000-F AC2Z-7000-C 9C2Z-7000-HRM 9C2Z-7000-HRM



Econoline

-Cont'd

Part Type	Years	Engine	Trans	Qualifier	Ford #
Automatic - Reman	2016-2009	6.8L	5R110W	9C3P-7000-HB; PRB-NV; TorqShift	9C3Z-7000-GRM
	2014-2010	4.6L	4R75E	RWD; AC2P-7000-CA; PKF-IL	AC2Z-7000-CRM
	2014-2009	5.4L	5R110W	AC3P-7000-EA; PRB-NS; TorqShift	9C2Z-7000-GRM
	2014-2010		4R75E	RWD; AC2P-7000-DA; PKF-IM	AC2Z-7000-DRM
	2012-2009	6.8L	5R110W	9C2P-7000-EB; PRB-NU; TorqShift	9C3Z-7000-HRM
	2012-2010		5R110W	AC3P-7000-GA; PRB-NU; TorqShift	9C3Z-7000-HRM
	2012-2010		5R110W	AC3P-7000-HA; PRB-NV; TorqShift	9C3Z-7000-GRM
	2010-2009	6.0L DIESEL	5R110W	9C2P-7000-AB; PRB-NH; TorqShift	9C2Z-7000-ARM
	2010		5R110W	AC2P-7000-AA; PRB-NH; TorqShift	9C2Z-7000-ARM
	2010-2009		5R110W	9C2P-7000-BB; PRB-NJ; TorqShift	9C2Z-7000-BRM
	2010		5R110W	AC2P-7000-BA; PRB-NJ; TorqShift	9C2Z-7000-BRM
	2010-2009		5R110W	9C2P-7000-FB; PRB-NL; TorqShift	9C2Z-7000-FRM
	2010		5R110W	AC2P-7000-FA; PRB-NL; TorqShift	9C2Z-7000-FRM
	2010-2009		5R110W	9C2P-7000-EB; PRB-NK; TorqShift	9C2Z-7000-ERM
	2010		5R110W	AC2P-7000-EA; PRB-NK; TorqShift	9C2Z-7000-ERM
	2009	5.4L	5R110W	9C2P-7000-EB; PRB-NS; TorqShift	9C2Z-7000-GRM
	2009		4R75E	RWD; 9C2P-7000-DA,DB; PKF-GB, GM	9C2Z-7000-DRM
	2008-2006		5R110W	6C3P-7000-AB; PRB-LK; w/ Slip Yoke; TorqShift	5C3Z-7000-ARM
	2008		5R110W	6C3P-7000-AA; w/ Slip Yoke; PRB-KC; TorqShift	5C2Z-7000-ARM
	2008-2006		5R110W	6C3P-7000-BB; w/ Fixed Yoke; PRB-LL; TorqShift	5C3Z-7000-BRM
	2008-2006		5R110W	6C3P-7000-BA; w/ Fixed Yoke; PRB-KD; TorqShift	5C3Z-7000-BRM
	2008		5R110W	8C3P-7000-FD; PRB-NT; TorqShift	8C3Z-7000-FRM
	2008-2007		4R75E	7C2P-7000-DA; PKF-FM	7C2Z-7000-DARM
	2008	5.4L GAS	5R110W	8C3P-7000-ED; PRB-NS; TorqShift	8C3Z-7000-ERM
	2008-2007	6.0L	5R110W	6C3P-7000-KC; w/ Fixed Yoke; PRB-MN; TorqShift	5C3Z-7000-KRM
	2008	6.0L DIESEL	5R110W	8C2P-7000-DB; PRB-NL; TorqShift	8C2Z-7000-DRM
	2008		5R110W	8C2P-7000-CB; PRB-NK; TorqShift	8C2Z-7000-CRM
	2008		5R110W	8C2P-7000-AD; PRB-NH; TorqShift	8C2Z-7000-ARM
	2008		5R110W	8C2P-7000-BD; PRB-NJ; TorqShift	8C2Z-7000-BRM
	2008-2007	6.8L	5R110W	6C3P-7000-DC; PRB-MK; w/ Fixed Yoke; TorqShift	5C3Z-7000-DRM
	2008		5R110W	8C3P-7000-HD; PRB-NV; TorqShift	8C3Z-7000-HRM
	2008		5R110W	8C3P-7000-GD; PRB-NU; TorqShift	8C3Z-7000-GRM
	2007	4.6L	4R75E	7C2P-7000-CA; PKF-FL	7C2Z-7000-CARM
	2007-2006	5.4L	5R110W	6C3P-7000-AA; w/ Slip Yoke; PRB-KC; TorqShift	5C3Z-7000-ARM
	2007	6.0L DIESEL	5R110W	7C2P-7000-AB; PRB-ME; TorqShift	7C2Z-7000-ARM
	2007		5R110W	7C2P-7000-BB; PRB-MF; TorqShift	7C2Z-7000-BRM
	2007	6.8L	5R110W	7C3P-7000-GC; PRB-MB; TorqShift	7C3Z-7000-GRM
	2007		5R110W	7C3P-7000-HC; PRB-MC; TorqShift	7C3Z-7000-HRM
	2006	4.6L	4R75E	6C2P-7000-AA; PKF-FA; 150	6C2Z-7000-ARM
	2006	5.4L	4R75E	6C2P-7000-DA; PKF-FD; 350	6C2Z-7000-DRM
	2006		4R75E	6C2P-7000-BA; PKF-FB; 150	6C2Z-7000-BRM
	2006	6.0L	5R110W	6C3P-7000-JB; w/ Slip Yoke; PRB-LR; TorqShift	5C3Z-7000-JRM
	2006		5R110W	6C3P-7000-JA; w/ Slip Yoke; PRB-KJ; TorqShift	5C3Z-7000-JRM
	2006		5R110W	6C3P-7000-KB; w/ Fixed Yoke; PRB-LS; TorqShift	5C3Z-7000-KRM
	2006		5R110W	6C3P-7000-KA; w/ Fixed Yoke; PRB-KK; TorqShift	5C3Z-7000-KRM
	2006	6.8L	5R110W	6C3P-7000-DB; w/ Fixed Yoke; PRB-LN; TorqShift	5C3Z-7000-DRM
	2006		5R110W	6C3P-7000-DA; w/ Fixed Yoke; PRB-KF; TorqShift	5C3Z-7000-DRM
	2005	4.6L	4R70E	5C2P-7000-AA; PKF-ED	5C2Z-7000-ARM
	2005	5.4L	5R110W	5C3P-7000-AB; w/ Slip Yoke; PRB-JN; TorqShift	5C3Z-7000-ARM
	2005		4R75E	5C2P-7000-EA; PKF-FE	5C2Z-7000-ERM
	2005		5R110W	5C3P-7000-BB; w/ Fixed Yoke; PRB-JP; TorqShift	5C3Z-7000-BRM
	2005		4R75E	5C2P-7000-BA; PKF-EE	5C2Z-7000-BRM
	2005	6.0L	5R110W	5C3P-7000-JB; w/ Slip Yoke; PRB-JX; TorqShift	5C3Z-7000-JRM
	2005		5R110W	5C3P-7000-KB; w/ Fixed Yoke; PRB-JXY; TorqShift	5C3Z-7000-KRM
	2005	6.8L	5R110W	5C32P-7000-DB; PRB-JS; TorqShift	5C3Z-7000-DRM
	2005		5R110W	RWD; 5C3P-7000-CB; TorqShift	5C3Z-7000-CRM
	2004	4.6L	4R70W	4C2P-7000-AA; PKF-DK	4C2Z-7000-AARM
	2004	5.4L	4R70W	4C2P-7000-BA; PKF-DL	4C2Z-7000-BARM
	2004		4R100	Cutaway Van; 4C2P-7000-EA; PRB-JG1	4C2Z-7000-HARM
	2004	6.0L	5R110W	w/ 158.0 In. Wheelbase; 4C3P-7000-KB; PRB-JF; TorqShift	4C3Z-7000-KBRM
	2004		5R110W	w/ 176.0 In. Wheelbase; 4C3P-7000-KB; PRB-JF; TorqShift	4C3Z-7000-KBRM
	2004		5R110W	w/ 138.0 In. Wheelbase; 4C3P-7000-JB; PRB-JE; TorqShift	4C2Z-7000-RARM
	2004	6.0L DIESEL	5R110W	w/ 138.0 In. Wheelbase; RM8U2J-7G497-ABA; w/o PTO; TorqShift	4C3Z-7000-JBRM
	2004	6.8L	4R100	4C2P-7000-FA; PRB-JH1	4C2Z-7000-FARM
	2003-2001	4.2L	4R70W	1C2P-7000-FA; PKF-CE	1C2Z-7V000-FRM
	2003-2001	4.6L	4R70W	1C2P-7000-JA; PKF-CG	1C2Z-7V000-JRM
	2003-2001	5.4L	4R100	Stripped Chassis; 1C2P-7000-AC; PRB-FX, FX1	1C2Z-7V000-ARM
	2003		4R100	Cutaway Van; 1C2P-7000-AC; PRB-FX, FX1	1C2Z-7V000-ARM
	2003-2001		4R70W	1C2P-7000-MA; PKF-CJ	1C2Z-7V000-MRM
	2003-2001		4R70W	1C2P-7000-LA; PKF-CH	1C2Z-7V000-LRM
	2003-2001	6.8L	4R100	1C2P-7000-BA,BB,BC; PRB-FY, FY1; 350; w/o Speedo Gear	1C2Z-7V000-BRM
	2003		4R100	1C2P-7000-BA; PRB-DB; 350; w/o Speedo Gear	1C2Z-7V000-BRM
	2003-2001	7.3L	4R100	Normal Service; 1C2P-7000-DB; PRB-GA, GA1	1C2Z-7V000-DRM
	2002-2001	4.2L	4R70W	1C2P-7000-HA; PKF-CF	1C2Z-7V000-HRM
	2002-2001	5.4L	4R100	1C2P-7000-AB; PRB-FB	1C2Z-7V000-ARM
	2002-2001		4R100	DSO Models; 1C2P-7000-TA; PRB-GZ, GZ1	1C2Z-7V000-ARM
	2001		4R100	PRB-AA; 1C2P-7000-AA	1C2Z-7V000-ARM
	2000	4.2L	4R70W	YC2P-7000-SA; DSO; PKF-BV	YC2Z-7V000-SRM
	2000		4R70W	YC2P-7000-BA; PKF-BR	YC2Z-7V000-BRM
	2000	4.6L	4R70W	YC2P-7000-CA; PKF-BS	YC2Z-7V000-CRM



Econoline

-Cont'd

Part Type	Years	Engine	Trans	Qualifier	Ford #	
Automatic - Reman	2000	5.4L	4R70W	YC2P-7000-YA; DSO; PKF-DH	YC2Z-7V000-YRM	
	2000		4R100	YC2P-7000-EA; PRB-BH	YC2Z-7V000-TRM	
	2000		4R100	YC2P-7000-TA; DSO; PRB-CW	YC2Z-7V000-TRM	
	2000		6.8L	4R100	YC2P-7000-JA; PRB-BK	YC2Z-7V000-JRM
	2000		7.3L	4R100	YC2P-7000-KA, KB; Normal Service; PRB-BL, CM	YC2Z-7V000-KRM
	1999	5.4L	4R70W	XC2P-7000-NA; PKF-BJ	XC2Z-7V000-NARM	
	1999	6.8L	4R100	XC2P-7000-FB; 7TSG, 4.10 Axle Ratio; PRB-AF	F8UZ-7V000-CARM	
	1999	7.3L	4R100	XC2P-7000-JB; Normal Service; 7TSG, 4.10/TSS Axle Ratio; PRB-AJ	YC2Z-7V000-KRM	
	1998	6.8L	4R100	F8UP-7000-CA; 7TSG, 4.10 Axle Ratio; PRB-N	F8UZ-7V000-CARM	
	1998		4R100	F8UP-7000-SA; 7TSG, 4.10 Axle Ratio; PRB-AA	F8UZ-7V000-CARM	
	1998		4R100	XC2P-7000-VA; 7TSG, 4.10 Axle Ratio; PRB-AA	F8UZ-7V000-CARM	
	1998		E4OD	F7UP-7000-MA	F7UZ-7V000-MRM	
	1998	7.3L	E4OD	F7UP-7000-JA; PRA-LCA; 7TSG, 4.10 Axle Ratio	YC2Z-7V000-JRM	
	1998		4R100	F8UP-7000-EA; 7TSG, 4.10/TSS Axle Ratio; PRB-R	YC2Z-7V000-KRM	
	1997	5.4L	E4OD	F7UP-7000-EA,EB; 7TSG, 4.10 Axle Ratio; PRA-RAA	F7UZ-7V000-EARM	
	1997		E4OD	F7TP-7000-UA; DSO	F7TZ-7V000-NARM	
	1997	7.3L	E4OD	F7UP-7000-JA; 7TSG, 4.10 Axle Ratio; PRA-LCA	F7UZ-7V000-JRM	
	1997		E4OD	F7UP-7000-TA; DSO; PRA-XHA	F7UZ-7V000-JRM	
	1996	5.8L	E4OD	F6UP-7000-DA; PRA-FB10; 3.54/3.55/3.73/4.09/4.10 Final Drive Ratio	F6UZ-7V000-DARM	
	1996	7.5L	E4OD	F6UP-7000-HA; 3.54/4.09/4.10 Final Drive Ratio; PRA-GC10	F6UZ-7V000-HARM	
	1995	4.9L	E4OD	F5UP-7000-BB; PRA-DB; 3.08/3.31/3.55/3.73 Axle Ratio	F5UZ-7V000-BRM	
	1995	5.8L	E4OD	F5UP-7000-DB; PRA-FB; 3.54/3.55/3.73/4.09/4.10 Final Drive Ratio	F5UZ-7V000-DRM	
	1995	7.3L	E4OD	F5UP-7000-HB; 4.10 Final Drive Ratio; PRA-RC1	F5UZ-7V000-HRM	
	1995	7.5L	E4OD	F5UP-7000-EB; 3.54/4.09/4.10 Final Drive Ratio; PRA-GC	F5UZ-7V000-ERM	
	1994	4.9L	E4OD	F2UP-7000-DC; PRA-DA15; 3.08/3.31/3.55/3.73 Axle Ratio	F2TZ-7V000-BRM	
	1994	5.8L	E4OD	F2UP-7000-EC; PRA-FA15; 3.54/3.55/3.73/4.09/4.10 Final Drive Ratio	F2TZ-7V000-FRM	
	1994		E4OD	F2UP-7000-EC; 3.55 Axle Ratio; 3.54/3.55/3.73/4.09/4.10 Final Drive Ratio	F2TZ-7V000-FRM	
	1994	7.3L	E4OD	F4UP-7000-BA, CA; 4.56 Axle Ratio; PRA-EAA2, FAA2	F4UZ-7V000-CRM	
	1994		E4OD	F3UP-7000-FA; 4.10 Final Drive Ratio; PRA-RB5	F2UZ-7V000-NRM	
	1994	7.5L	E4OD	F3UP-7000-BA; 3.54/4.09/4.10 Final Drive Ratio; PRA-GB4	F2TZ-7V000-JRM	
	1993-1992	4.9L	E4OD	F2UP-7000-DC; PRA-DA	F2TZ-7V000-BRM	
	1993-1992	5.8L	E4OD	F2UP-7000-EC; PRA-FA	F2TZ-7V000-FRM	
	1993-1992	7.3L	E4OD	F2UP-7000-HC; PRA-JA	F2TZ-7V000-NRM	
	1993		E4OD	F3UP-7000-EA; PRA-JB	F2TZ-7V000-NRM	
	1993		E4OD	F2UP-7000-NA; PRA-RA	F2UZ-7V000-NRM	
	1993-1992	7.5L	E4OD	F2UP-7000-GA; PRA-GA	F2TZ-7V000-JRM	
	1993		E4OD	F3UP-7000-BA; PRA-GB	F2TZ-7V000-JRM	
	1992	4.9L	E4OD	F2TP-7000-BA; PRA-Y	F2TZ-7V000-BRM	
	1992		E4OD	F2UP-7000-DA; PRA-DA	F2TZ-7V000-BRM	
	1992	5.8L	E4OD	F2UP-7000-EA; PRA-FA	F2TZ-7V000-FRM	
	1992		E4OD	F2TP-7000-FA; PRA-P	F2TZ-7V000-FRM	
	1992	7.3L	E4OD	F2UP-7000-HA; PRA-JA	F2TZ-7V000-NRM	
	1992		E4OD	F2TP-7000-NA; PRA-L	F2TZ-7V000-NRM	
	1992	7.5L	E4OD	F2TP-7000-JA; PRA-J	F2TZ-7V000-JRM	
	1991-1990	5.8L	E4OD	F0TP-7000-AA; 3.54/3.73 Final Drive Ratio; PRA-P	F0TZ-7V000-ARM	
	1991-1990		E4OD	F0UP-7000-HA; 3.54/3.73 Final Drive Ratio; PRA-FA	F0TZ-7V000-ARM	
	1991-1990		E4OD	F0TP-7000-EA; 3.54 Final Drive Ratio; PRA-V	F0TZ-7V000-ERM	
	1991-1990		E4OD	F0TP-7000-EA; PRA-V; E250 3.54 Final Drive Ratio	F0TZ-7V000-ERM	
	1991-1990		E4OD	F0UP-7000-EA; 3.54 Final Drive Ratio; PRA-CA	F0TZ-7V000-ERM	
	1991-1990		E4OD	F0UP-7000-EA; PRA-CA; E250 3.54 Final Drive Ratio	F0TZ-7V000-ERM	
1991-1990	7.3L	E4OD	F0UP-7000-LA; 4.10 Final Drive Ratio; PRA-JA	F0TZ-7V000-LRM		
1991		E4OD	F0TP-7000-ACA; 4.10 Final Drive Ratio; PRA-L	F0TZ-7V000-LRM		
1990	5.8L	E4OD	F0UP-7000-HA; PRA-FA; 3.54/3.73/4.10 Final Drive Ratio	F0TZ-7V000-ARM		
1990	7.3L	E4OD	F0TP-7000-WA; 4.10 Final Drive Ratio; PRA-L	F0TZ-7V000-LRM		

Edge

Part Type	Years	Engine	Trans	Qualifier	Ford #
Automatic - New	2018-2016	2.0L	6F35	FWD; DG9P-7000-YA; Standard Electric Starter	DG9Z-7000-Y
	2018-2016		6F35	FWD; F2GP-7000-BA; w/ Stop/Start System	F2GZ-7000-B
	2018-2016	3.5L	6F55	6 Spd.; FWD; F2GP-7000-TC	F2GZ-7000-T
	2018-2016		6F55	6 Spd.; AWD; F2GP-7000-YC	F2GZ-7000-Y
	2018-2016	2.0L	6F35	AWD; DG9P-7000-ZA	DG9Z-7000-Z
	2018-2014	3.5L	6F50	FWD; DA8P-7000-MB; 3.16 Final Drive Ratio	DA8Z-7000-MC
	2018-2016	2.0L	6F50	6 Spd.; AWD; DA8P-7000-NC	DA8Z-7000-NC
	2015-2014		6F35	FWD; DT4P-7000-NA; 3.21 Final Drive Ratio	DT4Z-7000-N
	2015-2014	3.5L	6F35	FWD; DE9P-7000-LA; 3.36 Final Drive Ratio	DE9Z-7000-L
	2014-2013		6F50	AWD; DA8P-7000-RB; 3.16 Final Drive Ratio; From 4/18/13	DA8Z-7000-Y
	2014-2013	3.7L	6F50	DA8P-7000-NB; w/ 3.39 Ratio	DA8Z-7000-V
	2014		6F50	FWD; DA8P-7000-AB; 3.16 Final Drive Ratio	DA8Z-7000-J
	2014-2013	2.0L	6F50	DA8P-7000-LB; w/ 3.39 Ratio	DA8Z-7000-L
	2013		6F35	FWD; DT4P-7000-NA; From 7/30/12; 3.21 Final Drive Ratio	DT4Z-7000-N
	2013	3.5L	6F35	FWD; DE9P-7000-LA; From 7/30/12; 3.36 Final Drive Ratio	DE9Z-7000-L
	2013		6F35	BB5P-7000-LC; 3.36 Final Drive Ratio	BB5Z-7000-L
	2013-2011	3.5L	6F35	CT4P-7000-NC; 3.21 Final Drive Ratio	CT4Z-7000-N
	2013		6F50	FWD; DA8P-7000-MB; 3.16 Final Drive Ratio; From 5/6/13	DA8Z-7000-MC
	2013	3.7L	6F50	AWD; DA8P-7000-RA; 3.16 Final Drive Ratio; Before 4/18/13	DA8Z-7000-H
	2013-2011		6F35	CT4P-7000-NC; 3.21 Final Drive Ratio	CT4Z-7000-N
	2013		6F50	FWD; DA8P-7000-AA; 3.16 Final Drive Ratio; Before 5/06/13	DA8Z-7000-C



Edge

-Cont'd

Part Type	Years	Engine	Trans	Qualifier	Ford #	
Automatic - New	2013	3.7L	6F50	FWD; DA8P-7000-AB; 3.16 Final Drive Ratio; From 5/6/13	DA8Z-7000-J	
	2012	2.0L	6F35	BB5P-7000-LC; Before 7/30/12; 3.36 Final Drive Ratio	BB5Z-7000-L	
	2012-2011	3.5L	6F50	AWD; BA8P-7000-GC; 3.16 Final Drive Ratio	BA8Z-7000-N	
	2012-2011		6F50	FWD; BA8P-7000-MC	BA8Z-7000-P	
	2012-2011		6F50	AWD; 3.39 Final Drive Ratio	BA8Z-7000-R	
	2012-2011	3.7L	6F50	FWD; BA8P-7000-AC	BA8Z-7000-L	
	2010		6F50	FWD; AA8P-7000-FC	AA8Z-7000-S	
	Automatic - Reman	2015-2013	2.0L EcoBoost	6F35	FWD; RMET4J-7000-AA; w/ 3.21 Ratio	ET4Z-7000-ARM
		2014-2013		6F35	FWD; DE9P-7000-LA	EE9Z-7000-ARM
		2014-2013	3.5L	6F50	FWD; DA8P-7000-MB; w/ 3.16 Ratio	DA8Z-7000-FRM
2014-2013			6F50	AWD; DA8P-7000-RB; w/ 3.16 Ratio	DA8Z-7000-HRM	
2014-2013			6F50	DA8P-7000-NB; w/ 3.39 Ratio	DA8Z-7000-NRM	
2014-2013		3.7L	6F55	DA8P-7000-AB; w/ 3.16 Ratio	DA8Z-7000-CRM	
2014-2013			6F50	DA8P-7000-LB; w/ 3.39 Ratio	DA8Z-7000-ERM	
2013-2012		2.0L	6F35	FWD; CT4P-7000-NC; 3.21 Final Drive Ratio	CT4Z-7000-NRM	
2012-2011			6F50	AWD; BA8P-7000-GB,GC; 3.16 Final Drive Ratio	BA8Z-7000-GRM	
2012		2.0L EcoBoost	6F35	FWD; BB5P-7000-LC	BB5Z-7000-LRM	
2012-2011		3.5L	6F50	AWD; BA8P-7000-NB,NC; 3.39 Final Drive Ratio	BA8Z-7000-KRM	
2012-2011			6F50	FWD; 8A8P-7000-MB,MC	BA8Z-7000-FRM	
2012-2011		3.7L	6F50	AWD; BA8P-7000-EB,EC	BA8Z-7000-ERM	
2012-2011			6F50	FWD; BA8P-7000-AB,AC	BA8Z-7000-ARM	
2011		3.5L	6F35	FWD; BE5P-7000-JB	BE5Z-7000-ARM	
2011			6F35	FWD; BL8P-7000-EB	BL8Z-7000-ERM	
2011			6F35	AWD; BL8P-7000-FB	BL8Z-7000-FRM	
2011		3.7L	6F35	FWD; BE5P-7000-JB	BE5Z-7000-ARM	
2011			6F35	FWD; BL8P-7000-EB	BL8Z-7000-ERM	
2011			6F35	AWD; BL8P-7000-FB	BL8Z-7000-FRM	
2010-2009		3.5L	6F50	AWD; AA8P-7000-GA; 3.16 Final Drive Ratio	AA8Z-7000-GRM	
2009-2007			6F50	AWD; 7T4P-7000-BA,BB,BC; 3.16 Final Drive Ratio	7T4Z-7000-ARM	
2009			6F50	AWD; 7A1P-7000-BC; 3.39 Final Drive Ratio	7A1Z-7000-ARM	
2009-2008			6F50	FWD; 7T4P-7000-AA, AB, AC; 3.16 Final Drive Ratio	8T4Z-7000-ARM	
2009			6F50	AWD; AA8P-7000-KA,KB,KC; 3.39 Final Drive Ratio	AA8Z-7000-KRM	
2009			6F50	FWD; AA8P-7000-FA,FB,FC	AA8Z-7000-FRM	
2007			6F50	FWD; 7T4P-7000-CA,CB,CC; 2.77 Final Drive Ratio	7T4Z-7000-BRM	

Escape

Part Type	Years	Engine	Trans	Qualifier	Ford #	
Automatic - New	2018-2017	1.5L EcoBoost	6F35	FWD; GV6P-7000-AA	GV6Z-7000-A	
	2018-2017		6F35	4WD; GV6P-7000-RA	GV6Z-7000-B	
	2018-2017	2.0L EcoBoost	6F35	FWD; GV6P-7000-DA	GV6Z-7000-C	
	2018-2017		6F35	4WD; GV6P-7000-EA	GV6Z-7000-D	
	2018-2017	2.5L ELECTRIC/GAS	6F35	FWD; CV6P-7000-VD	CV6Z-7000-VD	
	2016-2015	1.6L EcoBoost	6F35	FWD; CV6P-7000-FA	CV6Z-7000-FA	
	2016-2014		6F35	4WD; CV6P-7000-EA	CV6Z-7000-X	
	2016-2014	2.0L EcoBoost	6F35	4WD; CV6P-7000-HA	CV6Z-7000-HA	
	2016	2.5L	6F35	CV6P-7000-VC	CV6Z-7000-Y	
	2015	1.6L EcoBoost	6F35	FWD; CV6P-7000-CC; Before 10/22/14	CV6Z-7000-E	
	2015-2013		6F35	4WD; CV6P-7000-DB	CV6Z-7000-X	
	2015-2013	2.5L	6F35	FWD; CV6P-7000-VA	CV6Z-7000-V	
	2014-2013	1.6L EcoBoost	6F35	FWD; CV6P-7000-CC	CV6Z-7000-E	
	2014	2.0L EcoBoost	6F35	FWD; CV6P-7000-AA; Before 4/25/14	CV6Z-7000-A	
	2014		6F35	4WD; CV6P-7000-BA; Before 4/20/14	CV6Z-7000-B	
	2014		6F35	FWD; CV6P-7000-AB; From 4/25/14	CV6Z-7000-W	
	2013		6F35	FWD; CV6P-7000-AA	CV6Z-7000-A	
	2013		6F35	4WD; CV6P-7000-BA	CV6Z-7000-B	
	2012-2011	2.5L	6F35	4WD; BL8P-7000-GB	BL8Z-7000-H	
	2012-2011		6F35	FWD; BL8P-7000-GB	BL8Z-7000-G	
	2012-2009	2.5L ELECTRIC/GAS	CVT (CFT30)	CM68-7000-AA; w/ Power Split	AM6Z-7000-A	
	2012-2011	3.0L	6F35	4WD; BL8P-7000-FB	BL8Z-7000-F	
	2012-2011		6F35	FWD; BL8P-7000-EB	BL8Z-7000-E	
	2008	2.3L ELECTRIC/GAS	CVT (CFT30)	8M64-7000-AH; w/ Power Split	8M6Z-7000-D	
	2007-2006		CVT (CFT30)	7M64-7000-AD; w/ Power Split	7M6Z-7000-A	
	2005			5M64-7000-DF	5M6Z-7000-B	
	Automatic - Reman	2016-2015	1.6L EcoBoost		AWD; RMEV6J-7000-DA	CV6Z-7000-XRM
		2015-2013			FWD; RMEV6J-7000-CA	EV6Z-7000-CRM
		2015-2013	2.5L	6F35	FWD; RMEV6J-7000-EA	EV6Z-7000-ERM
		2014-2013	1.6L EcoBoost		AWD; RMEV6J-7000-DA	EV6Z-7000-DRM
2014		2.0L EcoBoost	6F35	FWD; RMEV6J-7000-AA; Before 4/25/14	EV6Z-7000-ARM	
2014			6F35	4WD; RMEV6J-7000-BA; Before 4/20/14	EV6Z-7000-BRM	
2013			6F35	FWD; RMEV6J-7000-AA	EV6Z-7000-ARM	
2013			6F35	4WD; RMEV6J-7000-BA	EV6Z-7000-BRM	
2011		2.5L DOHC	6F35	FWD; BL8P-7000-GB	BL8Z-7000-GRM	
2011			6F35	AWD; BL8P-7000-HB	BL8Z-7000-HRM	
2011		3.0L	6F35	FWD; BE5P-7000-JB	BE5Z-7000-ARM	
2011			6F35	FWD; BL8P-7000-EB	BL8Z-7000-ERM	
2011			6F35	AWD; BL8P-7000-FB	BL8Z-7000-FRM	
2010-2009		2.5L	6F35	FWD; 9L8P-7000-GA	9L8Z-7000-CRM	
2010-2009		3.0L	6F35	4WD; 9L8P-7000-FA	9L8Z-7000-BRM	



Escape

-Cont'd

Part Type	Years	Engine	Trans	Qualifier	Ford #
Automatic - Reman	2009	2.5L	6F35	4WD; 9L8P-7000-HA	9L8Z-7000-DRM
	2009	3.0L	6F35	FWD; 9L8P-7000-EA	9L8Z-7000-ARM
	2008	2.3L	CD4E	FWD; 8L8P-7000-AA	8L8Z-7000-ARM
	2008		CD4E	4WD; 8L8P-7000-BA	8L8Z-7000-BRM
	2008	3.0L	CD4E	FWD; 8L8P-7000-CA	8L8Z-7000-CRM
	2008		CD4E	4WD; 8L8P-7000-DA	8L8Z-7000-DRM
	2007-2006	2.3L	CD4E	FWD; 7L8P-7000-AA; 6L8P-7000-AA	5L8Z-7000-ERM
	2007-2006		CD4E	4WD; 7L8P-7000-BA; 6L8P-7000-BA	5L8Z-7000-FRM
	2007-2006	3.0L	CD4E	4WD; 7L8P-7000-DA; 6L8P-7000-DA	5L8Z-7000-HRM
	2007-2006		CD4E	FWD; 6L8P-7000-CA; 7L8P-7000-CA	5L8Z-7000-GRM
	2005	2.3L	CD4E	FWD; 5L8P-7000-AC,AD,AE; PTA-P	5L8Z-7000-ACRM
	2005		CD4E	FWD; 5L8P-7000-EA,EB; PTA-P	5L8Z-7000-ERM
	2005		CD4E	4WD; 5L8P-7000-FA,FB; PTA-P	5L8Z-7000-FRM
	2005		CD4E	4WD; 5L8P-7000-BC,BD,BE; PTA-P	5L8Z-7000-BCRM
	2005	3.0L	CD4E	4WD; 5L8P-7000-HA,HB; PTA-V	5L8Z-7000-HRM
	2005		CD4E	FWD; 5L8P-7000-GA,GB; PTA-V	5L8Z-7000-GRM
	2005		CD4E	4WD; 5L8P-7000-DB,DC,DD; PTA-V	5L8Z-7000-DBRM
	2005		CD4E	FWD; 5L8P-7000-CB,CC,CD; PTA-V	5L8Z-7000-CBRM
	2004		CD4E	4WD; 3L8P-7000-HD; 5L8P-7000-KA; PTA-V	3L8Z-7000-HDRM
	2004		CD4E	FWD; 5L8P-7000-JA; 3L8P-7000-GD; PTA-V	3L8Z-7000-GDRM
	2003	2.0L	CD4E	4WD; RM8U2J-7G497-AKA	3L8Z-7V000-HCRM
	2003	3.0L	CD4E	4WD; 3L8P-7000-HA; PTA-V	3L8Z-7000-HARM
	2003		CD4E	FWD; 3L8P-7000-GA; PTA-V	3L8Z-7000-GARM
	2003		CD4E	4WD; 3L8P-7000-HB,HC; PTA	3L8Z-7V000-HCRM
	2002		CD4E	4WD; 2L8P-7000-FA, FB; PTA-V	2L8Z-7V000-FBRM
	2001		CD4E	4WD; YL8P-7000-FB	YL8Z-7V000-FRM

Excursion

Part Type	Years	Engine	Trans	Qualifier	Ford #
Automatic - Reman	2005-2001	5.4L	4R100	4WD; 1C3P-7000-BA,BB,BC; PRB-GE, GE1	1C3Z-7V000-BRM
	2005-2001		4R100	RWD; 1C3P-7000-NA,NB,NC; PRB-GR, GR1	1C3Z-7V000-NRM
	2005	6.0L DIESEL	5R110W	RWD; 5C3P-7000-NC; PRB; TorqShift	5C3Z-7000-NRM
	2005-2001	6.8L	4R100	4WD; 1C3P-7000-DA,DB,DC; PRB-GG, GG1	1C3Z-7V000-DRM
	2005-2001		4R100	RWD; 1C3P-7000-PA,PB,PC; PRB-GS, GS1	1C3Z-7V000-PRM
	2004-2003	6.0L DIESEL	5R110W	RWD; RM8U2J-7G497-AFA; Slip Yoke; TorqShift	3C3Z-7V000-KDRM
	2003	6.0L	5R110W	4WD; 3C3P-7000-GB, GH, GK; PRB-JF; PRB-JA; PRB-HV; TorqShift	4C3Z-7000-KBRM
	2003-2001	7.3L	4R100	4WD; 1C3P-7000-FA, FB; Normal Service; PRB-GJ, GJ1	1C3Z-7V000-FRM
	2003-2001		4R100	4WD; 1C3P-7000-FA, FB; Heavy Duty Service; PRB-GJ, GJ1	6U2Z-7V000-FRM
	2003-2001		4R100	RWD; 1C3P-7000-EA, EB; Normal Service; PRB-GH, GH1	1C3Z-7V000-ERM
	2000	5.4L	4R100	RWD; YC3P-7000-NA; PRB-CK	YC3Z-7V000-ARM
	2000		4R100	4WD; YC3P-7000-BA, RA; PRB-BP, CU	YC3Z-7V000-BRM
	2000	6.8L	4R100	4WD; YC3P-7000-DA, SA; PRB-BS, CV	YC3Z-7V000-DRM
	2000		4R100	RWD; YC3P-7000-PA; PRB-CL	YC3Z-7V000-CRM
	2000	7.3L	4R100	4WD; YC3P-7000-FA, FB; PRB-CR; PRB-BU	1C3Z-7V000-FRM
	2000		4R100	RWD; YC3P-7000-EA, EB; PRB-BT; PRB-CP	1C3Z-7V000-ERM

Expedition

Part Type	Years	Engine	Trans	Qualifier	Ford #	
Automatic - New	2018		10R80	RWD; JL1P-7000-EA; w/ Automatic Gearshift	JL1Z-7000-A	
	2018		10R80	4WD; JL1P-7000-FA; w/ Automatic Gearshift	JL1Z-7000-B	
	2018	3.5L EcoBoost	10R80	RWD; JL1P-7000-GC; w/ Electronic Automatic Gearshift	JL1Z-7000-C	
	2018		10R80	4WD; JL1P-7000-HB; w/ Electronic Automatic Gearshift	JL1Z-7000-D	
	2017-2016		6R80	4WD; FL1P-7000-DA	FL1Z-7000-B	
	2017-2016		6R80	RWD; FL1P-7000-CA	FL1Z-7000-A	
	2016-2015	3.5L EcoBoost	6R80	RWD; FL3P-7000-CA	FL3Z-7000-C	
	2014-2012	5.4L	6R80	RWD; CL1P-7000-AC	CL1Z-7000-A	
	2014-2012		6R80	4WD; CL1P-7000-BC	CL1Z-7000-B	
	2011-2009		6R80	RWD; BL1P-7000-AB	BL1Z-7000-A	
	2011		6R80	4WD; BL1P-7000-BB	BL1Z-7000-B	
	Automatic - Reman	2012		6R80	4WD; CL1P-7000-BA	CL1Z-7000-BRM
		2012		6R80	RWD; CL1P-7000-AA	CL1Z-7000-ARM
		2012		6R80	RWD; CL1P-7000-AC	CL1Z-7000-ABRM
		2012		6R80	4WD; CL1P-7000-BC	CL1Z-7000-BBRM
		2012		6R80	4WD; BL1P-7000-BA,BB	BL1Z-7000-BRM
		2011		6R80	RWD; BL1P-7000-AA,AB	BL1Z-7000-ARM
		2010	5.4L SOHC	6R80	RWD; AL3P-7000-AA,AB,AC,AD	AL3Z-7000-ARM
2010			6R80	4WD; AL1P-7000-BA,BB,BC,BD	AL1Z-7000-ARM	
2009		5.4L	6R80	RWD; 9L3P-7000-AF,AG,AH, NA,NB	9L3Z-7000-EARM	
2009			6R80	4WD; 9L3P-7000-BF,BG; 9L1P-7000-DC/DD, EA/EB	9L1Z-7000-BRM	
2008-2007			6R75	RWD; 7L1P-7000-AD,AE,AF,CA,CB	7L1Z-7000-ARM	
2008			6R80	RWD; 8L1P-7000-CB, CC	8L1Z-7000-CRM	
2008		6R80	4WD; 8L1P-7000-DB, DC	8L1Z-7000-DRM		
2007		6R80	4WD; 7L1P-7000-BD,BE,BF,DA,DB	7L1Z-7000-BRM		
2006		4R75W	4WD; 6L1P-7000-BA,BB; PKF-EZ,FZ	6L1Z-7000-BRM		
2006		4R75W	RWD; 6L1P-7000-AA,AB; PKF-EY,FY	6L1Z-7000-ARM		



Expedition

-Cont'd

Part Type	Years	Engine	Trans	Qualifier	Ford #
Automatic - Reman	2005	5.4L	4R75E	RWD; 5L1P-7000-EA; PKF-DX	5L1Z-7000-ERM
	2005		4R75E	4WD; 5L1P-7000-FA; PKY-DZ	5L1Z-7000-FRM
	2004	4.6L	4R70W	4WD; 4L1P-7000-BA; PKF-DT	4L1Z-7000-BARM
	2004		4R70W	RWD; 4L1P-7000-AA; PKF-DS	4L1Z-7000-AARM
	2004	5.4L	4R70W	RWD; 4L1P-7000-CA; PKF-DU	4L1Z-7000-CARM
	2004		4R70W	4WD; 4L1P-7000-DA; PKF-DV	4L1Z-7000-DARM
	2003	4.6L	4R70W	4WD; 2L1P-7000-DA; PKF-CW	2L1Z-7V000-DRM
	2003		4R70W	RWD; 2L1P-7000-CA; PKF-CV	2L1Z-7V000-CRM
	2003	5.4L	4R70W	RWD; 2L1P-7000-EA; PKF-CX	2L1Z-7V000-ERM
	2003		4R70W	4WD; 2L1P-7000-FA; PKF-CY	2L1Z-7V000-FRM
	2002-2001	4.6L	4R70W	4WD; 1L3P-7000-HA; PKF-CP	1L3Z-7V000-HRM
	2002-2001		4R70W	RWD; 1L3P-7000-FA; PKF-CN	1L3Z-7V000-FRM
	2002-2001	5.4L	4R100	4WD; 1L3P-7000-BA,BB,BC; PRB-DY,FT	1C3Z-7V000-BRM
	2002-2001		4R100	RWD; 1L1P-7000-AA,AB,AC; PRB-DW,FR,GT	1C3Z-7V000-NRM
	2000	4.6L	4R70W	RWD; YL3P-7000-HA; PKF-CA	YL3Z-7V000-HRM
	2000-1999	5.4L	4R100	RWD; XL7P-7000-AA,GB; PRB-BC,BF,CF	XL3Z-7V000-GBRM
	2000-1999		4R100	4WD; YL3P-7000-BA,HB; PRB-BD,CD	YC3Z-7V000-BRM
	1999	4.6L	4R70W	RWD; XL1P-7000-AA; PKF-AL	XL3Z-7V000-EARM
	1999		4R70W	RWD; XL3P-7000-EA; PKF-AR	XL3Z-7V000-EARM
	1998		4R70W	RWD; F85P-7000-EA; PKF-BA	F85Z-7V000-EARM
	1998	5.4L	4R100	4WD; F8UP-7000-MB; 3.08/3.31/3.55/3.73 Axle Ratio; PRB-V	F8UZ-7V000-MBRM
	1997	4.6L	4R70W	RWD; F75P-7000-LC, LD; 3.31/3.73 Axle Ratio	F75Z-7V000-LCRM

Explorer

Part Type	Years	Engine	Trans	Qualifier	Ford #	
Automatic - New	2018-2014	3.5L	6F55	4WD; Naturally Aspirated; DA5P-7000-EB; w/ 3.65 Final Drive Ratio	DA5Z-7000-N	
	2018-2013		6F55	FWD; DA5P-7000-JB	DA5Z-7000-P	
	2018-2014	3.5L EcoBoost	6F55	4WD; DA8P-7000-KB	DA8Z-7000-D	
	2018-2013		6F50	DA8P-7000-CB; 3.39 Final Drive Ratio	DA8Z-7000-K	
	2018-2013		6F55	4WD; DA5P-7000-DB; w/ 3.16 Ratio	DA5Z-7000-M	
	2016-2013		6F50	4WD; DA8P-7000-KA	DA8Z-7000-G	
	2016	2.3L	6F35	FB5P-7000-AA; 3.36 Final Drive Ratio	FB5Z-7000-A	
	2016		6F35	FB5P-7000-BA; 3.51 Final Drive Ratio	FB5Z-7000-B	
	2016		6F35	4WD; FB5P-7000-DA	FB5Z-7000-D	
	2015-2013	2.0L	6F35	FWD; DE9P-7000-LA; 3.36 Final Drive Ratio	DE9Z-7000-L	
	2015-2013		6F35	FWD; DB5P-7000-SA; 3.51 Final Drive Ratio	DB5Z-7000-S	
	2013		6F50	FWD; DA8P-7000-CA; 3.39 Final Drive Ratio	DA8Z-7000-A	
	2013	2.0L	6F35	BL1P-7000-AB	BL1Z-7000-A	
	2013-2012	2.0L EcoBoost	6F35	BB5P-7000-SB; 3.51 Final Drive Ratio	BB5Z-7000-S	
	2013		6F35	BB5P-7000-LC; 3.36 Final Drive Ratio	BB5Z-7000-L	
	2013	3.5L	6F55	4WD; DA5P-7000-EB; w/ 3.65 Final Drive Ratio	DA5Z-7000-N	
	2013		6F55	FWD	DA5Z-7000-E	
	2012	2.0L EcoBoost	6F35	BB5P-7000-LC; Before 9/4/12; 3.36 Final Drive Ratio	BB5Z-7000-L	
	2012-2011	3.5L	6F55	FWD	BA5Z-7000-D	
	2012-2011		6F55	AWD	BA5Z-7000-E	
	2012		6F50	FWD; BA8P-7000-MC	BA8Z-7000-P	
	2012		6F50	4WD; 3.39 Final Drive Ratio	BA8Z-7000-R	
	2010	4.0L	5R55S	RWD	AL2Z-7000-C	
	2010-2009	4.6L	6R80	4WD	AL2Z-7000-B	
	Automatic - Reman	2016	2.3L		6 Spd.; FWD; RMGA8J-7000-BA	DA8Z-7000-KRM
		2016	2.3L EcoBoost	6F35	FWD	GB5Z-7000-YRM
		2016-2015	3.5L		6 Spd.; FWD; RMGA8J-7000-BA	DA8Z-7000-KRM
		2015	2.0L		6 Spd.; FWD; RMGA8J-7000-BA	DA8Z-7000-KRM
		2015-2013	2.0L EcoBoost	6F35	FWD; DE9P-7000-LA	EE9Z-7000-ARM
		2014-2013		6F35	FWD; DB5P-7000-SA	EB5Z-7000-ARM
		2014-2013	3.5L	6F50	AWD; Limited; RMDA8J-7000-CA	DA8Z-7000-GRM
		2014-2013		6F55	4WD; Naturally Aspirated; DA5P-7000-EB	DA5Z-7000-ARM
		2014-2013		6F55	FWD; w/ Duratec Engine; DA5P-7000-JB	DA5Z-7000-ERM
2014-2013		3.5L EcoBoost	6F50	FWD; RMDA8J-7000-BA; w/ 3.39 Ratio	DA8Z-7000-ARM	
2014-2013			6F55	4WD; RMDA5J-7000-BA; w/ 3.16 Ratio	DA5Z-7000-DRM	
2012		2.0L EcoBoost	6F35	FWD; BB5P-7000-LC	BB5Z-7000-LRM	
2012-2011			6F50	AWD; BA8P-7000-NB,NC; 3.39 Final Drive Ratio	BA8Z-7000-KRM	
2012-2011		3.5L	6F50	FWD; 8A8P-7000-MB,MC; 3.16 Final Drive Ratio	BA8Z-7000-FRM	
2012-2011			6F55	FWD; BA5P-7000-PC,PD; 3.16 Final Drive Ratio	BA5Z-7000-BRM	
2012-2011			6F55	4WD; BA5P-7000-RC,RD; 3.39 Final Drive Ratio	BA5Z-7000-CRM	
2011			6F35	FWD; BE5P-7000-JB	BE5Z-7000-ARM	
2011			6F35	FWD; BL8P-7000-EB	BL8Z-7000-ERM	
2011			6F35	AWD; BL8P-7000-FB	BL8Z-7000-FRM	
2010-2009		4.0L	5R55S	RWD; 9L2P-7000-CA	9L2Z-7000-CRM	
2010		4.6L	6R80	RWD; AL2P-7000-AA	AL2Z-7000-ARM	
2010			6R80	4WD; AL2P-7000-BA	AL2Z-7000-BRM	
2009		4.0L	6R80	RWD; 9L2P-7000-EB	9L2Z-7000-CARM	
2009		4.6L	6R80	RWD; 9L2P-7000-AB,AE,AG, EA,EB	9L2Z-7000-CARM	
2009			6R80	4WD; 9L2P-7000-BB,BE,BG, FA,FB	9L2Z-7000-DARM	
2009			6R80	AWD; 9L2P-7000-BB,BE,BG, FA,FB	9L2Z-7000-DARM	
2008-2007			6R60	4WD; 8L2P-7000-BA; 7L2P-7000-BC,BD,BE, FB	7L2Z-7000-BRM	
2008		6R60	4WD; 8L2P-7000-HB/GC	8L2Z-7000-FRM		
2008		6R60	RWD; 8L2P-7000-GB/GC	8L2Z-7000-ERM		



Explorer

-Cont'd

Part Type	Years	Engine	Trans	Qualifier	Ford #
Automatic - Reman	2007	4.6L	6R60	RWD; 8L2P-7000-AA; 7L2P-7000-AC,AD,AE,EB	7L2Z-7000-ARM
	2006	4.0L	5R55S	RWD; 6L2P-7000-EB,EC	4L2Z-7000-ABRM
	2006-2005		5R55E	RWD; 5L5P-7000-DB,DC	5L5Z-7000-DRM
	2006		5R55S	4WD; 6L2P-7000-FB, FC	6L2Z-7000-FRM
	2006		5R55S	RWD; RM6L2J-7000-ED	6L2Z-7000-ERM
	2006	4.6L	6R60	RWD; 6L2P-7000-AD,AG,AH,AK,AL,AM,AN,AP	6L2Z-7000-ARM
	2006		6R60	4WD; 6L2P-7000-BG,BH,BK,BL,BM,BN,BP	6L2Z-7000-BRM
	2005	4.0L	5R55S	4WD; 4L2P-7000-BB	4L2Z-7000-BBRM
	2005-2004		5R55S	RWD; 4L2P-7000-AB; RJL	4L2Z-7000-ABRM
	2005-2004	4.6L	5R55S	RWD; 4L2P-7000-CC; RJL	4L2Z-7000-CCRM
	2005-2004		5R55S	AWD; 4L2P-7000-DC; RJL	4L2Z-7000-DCRM
	2005-2004		5R55S	4WD; 4L2P-7000-DC; RJL	4L2Z-7000-DCRM
	2004	4.0L	5R55E	RWD; 4L5P-7000-DA; RJL	4L5Z-7000-DARM
	2004		5R55S	AWD; 4L2P-7000-BB; RJL	4L2Z-7000-BBRM
	2004		5R55S	4WD; 4L2P-7000-BB; RJL	4L2Z-7000-BBRM
	2003-2002		5R55W	RWD; 2L2P-7000-AA	2L2Z-7V000-AARM
	2003-2002		5R55W	4WD; 2L2P-7000-BA	2L2Z-7V000-BARM
	2003-2002	4.6L	5R55S	RWD; 2L2P-7000-CA	2L2Z-7V000-CARM
	2003-2002		5R55S	4WD; 2L2P-7000-DA	2L2Z-7V000-DARM
	2002	4.0L	5R55E	RWD; 2L2P-7000-AA	2L2Z-7V000-AARM
	2002		5R55W	RWD; 1L2P-7000-AE	1L2Z-7V000-ARM
	2002		5R55W	4WD; 1L2P-7000-BE	1L2Z-7V000-BRM
	2002	4.6L	5R55W	RWD; 1L2P-7000-CE	1L2Z-7V000-CRM
	2001	4.0L SOHC	5R55E	4WD; 1L5P-7000-EA	1L5Z-7V000-ERM
	2001-1999	5.0L	4R70W	4WD; XL2P-7000-BA; PKF-BL	XL2Z-7V000-BARM
	2001-1999		4R70W	AWD; XL2P-7000-BA; PKF-BL	XL2Z-7V000-BARM
	2000-1999	4.0L OHV	5R55E	4WD; XL2P-7000-FA	XL2Z-7V000-FARM
	2000-1999		5R55E	AWD; XL2P-7000-FA	XL2Z-7V000-FARM
	2000-1999	4.0L SOHC	5R55E	RWD; XL2P-7000-CA	XL2Z-7V000-CARM
	2000-1999		5R55E	AWD; XL2P-7000-DA	XL2Z-7V000-DARM
	2000-1999		5R55E	4WD; XL2P-7000-DA	XL2Z-7V000-DARM
	1998		5R55E	4WD; 98GT-7000-AAA	F87Z-7V000-CARM
	1998		5R55E	AWD; 98GT-7000-AAA	F87Z-7V000-CARM
1998		5R55E	RWD; 98GT-7000-BAA	F87Z-7V000-DARM	
1997	4.0L	5R55E	AWD; 97GT-7000-ACA,AEA	F77Z-7V000-AARM	
1997		5R55E	4WD; 97GT-7000-ACA,AEA	F77Z-7V000-AARM	
1996-1995		4R55E	4WD; 96GT-7000-EBA,GAA	F68Z-7V000-EBRM	
1996-1995		4R55E	AWD; 96GT-7000-EBA,GAA	F68Z-7V000-EBRM	

Explorer Sport

Part Type	Years	Engine	Trans	Qualifier	Ford #
Automatic - Reman	2003-2001	4.0L	5R55E	RWD; 1L5P-7000-DA,FA	1L5Z-7V000-DRM
	2003-2001		5R55E	4WD; 1L5P-7000-EA	1L5Z-7V000-ERM

Explorer Sport Trac

Part Type	Years	Engine	Trans	Qualifier	Ford #
Automatic - New	2010-2009	4.6L	6R80	4WD	AL2Z-7000-B
Automatic - Reman	2010-2009	4.0L	5R55S	RWD; 9L2P-7000-CA	9L2Z-7000-CRM
	2010-2009		5R55S	4WD; 9L2P-7000-DA	9L2Z-7000-DRM
2010	4.6L	6R80	RWD; AL2P-7000-AA	AL2Z-7000-ARM	
2010		6R80	4WD; AL2P-7000-BA	AL2Z-7000-BRM	
2009		6R80	RWD; 9L2P-7000-AB,AE,AG, EA,EB	9L2Z-7000-CARM	
2009		6R80	AWD; 9L2P-7000-BB,BE,BG, FA,FB	9L2Z-7000-DARM	
2008	4.0L	5R55S	RWD; 8L2P-7000-JA	8L2Z-7000-ARM	
2008		5R55S	4WD; 8L2P-7000-KA	8L2Z-7000-BRM	
2008-2007	4.6L	6R60	4WD; 7L2P-7000-BC,BD,BE, FB	7L2Z-7000-BRM	
2007	4.0L	5R55S	RWD; 7L2P-7000-CA,CB	7L2Z-7000-CRM	
2007		5R55S	4WD; 7L2P-7000-DA,DB	7L2Z-7000-DRM	
2007		5R55S	4WD; 6L2P-7000-FB, FC	6L2Z-7000-FRM	
2007	4.6L	6R60	RWD; 6L2P-7000-AL, AP	7L2Z-7000-ARM	
2007		6R60	RWD; 7L2P-7000-AB,AC,AD,AE,EB	7L2Z-7000-ARM	
2005-2004	4.0L	5R55E	4WD; 4L5P-7000-EA; RJL	4L5Z-7000-EARM	
2005		5R55E	RWD; 5L5P-7000-DB	5L5Z-7000-DRM	
2003-2001		5R55E	RWD; 1L5P-7000-DA,FA	1L5Z-7V000-DRM	
2003-2001		5R55E	4WD; 1L5P-7000-EA	1L5Z-7V000-ERM	

F-Series

Part Type	Years	Engine	Trans	Qualifier	Ford #
Automatic - New	2018	2.7L	10R80	4WD; JL3P-7000-PA	JL3Z-7000-D
	2018	2.7L EcoBoost	10R80	RWD; JL3P-7000-NA	JL3Z-7000-C
	2018	3.3L	6R80	Naturally Aspirated; RWD; FL3P-7000-EA	JL3Z-7000-A
	2018		6R80	4WD; Naturally Aspirated; JL3P-7000-FA	JL3Z-7000-B
	2018-2017	3.5L EcoBoost	10R80	RWD; JL3P-7000-NA	JL3Z-7000-C



F-Series

-Cont'd

Part Type	Years	Engine	Trans	Qualifier	Ford #
Automatic - New	2018	3.5L EcoBoost	10R80	4WD; JL3P-7000-PA	JL3Z-7000-D
	2018		10R80	4WD; Raptor; JL3P-7000-LA	JL3Z-7000-J
	2018	5.0L	10R80	RWD; JL3P-7000-SB	JL3Z-7000-E
	2018		10R80	4WD; JL3P-7000-TB	JL3Z-7000-F
	2017-2015	2.7L EcoBoost	6R80	RWD; FL3P-7000-GA	FL3Z-7000-G
	2017-2015		6R80	4WD; FL3P-7000-HA	FL3Z-7000-H
	2017		10R80	4WD; HL3P-7000-PF	HL3Z-7000-H
	2017-2015	3.5L	6R80	Naturally Aspirated; RWD; FL3P-7000-EA	JL3Z-7000-A
	2017-2015		6R80	4WD; Naturally Aspirated; w/ Ti-VCT Engine; FL3P-7000-FA; w/o Water Wading Equipment	FL3Z-7000-F
	2017	3.5L EcoBoost	10R80	4WD; HL3P-7000-PB	HL3Z-7000-B
	2017		10R80	RWD; HL3P-7000-NF	HL3Z-7000-G
	2017		10R80	4WD; HL3P-7000-PF	HL3Z-7000-H
	2017-2015	5.0L	6R80	RWD; FL3P-7000-AA	FL3Z-7000-A
	2017-2015		6R80	4WD; FL3P-7000-BA; w/o Water Wading Equipment	FL3Z-7000-B
	2017-2015		6R80	4WD; FL3P-7000-JA; w/ Water Wading Equipment	FL3Z-7000-J
	2016		6R140	w/ Manual Temperature Control	AC3Z-7000-E
	2016-2015	3.5L	HF35	4WD; Naturally Aspirated; FL3P-7000-KA; w/ Water Wading Equipment	JL3Z-7000-A
	2016-2015	3.5L EcoBoost	6R80	RWD; FL3P-7000-CA	FL3Z-7000-C
	2016		6R80	4WD; FL3P-7000-DA; w/o Water Wading Equipment; Before 9/10/15	FL3Z-7000-D
	2016-2015	6.2L	6R140	FC3P-7000-CA; Exc. 137 In. Wheelbase; TorqShift6	FC3Z-7000-C
	2016-2015		6R140	RWD; w/ 137.0 In. Wheelbase; FC3P-7000-FA; TorqShift6	FC3Z-7000-F
	2016-2015	6.7L DIESEL	6R140	Cab & Chassis; FC3P-7000-DA; w/o PTO; w/ Narrow Frame; TorqShift6	FC3Z-7000-D
	2016-2015		6R140	Cab & Chassis; FC3P-7000-EA; w/ PTO; w/ Narrow Frame; TorqShift6	FC3Z-7000-E
	2016-2015		6R140	Cab & Chassis; RWD; w/ 137.0 In. Wheelbase; FC3P-7000-GA; w/o PTO; w/ Narrow Frame; TorqShift6	FC3Z-7000-G
	2016-2015		6R140	w/ 141.8 In. Wheelbase; FC3P-7000-PA; w/o PTO; TorqShift6	FC3Z-7000-P
	2016-2015		6R140	w/ 158.0 In. Wheelbase; FC3P-7000-PA; w/o PTO; TorqShift6	FC3Z-7000-P
	2016-2015		6R140	w/ 172.4 In. Wheelbase; FC3P-7000-PA; w/o PTO; TorqShift6	FC3Z-7000-P
	2016-2015		6R140	w/ 156.2 In. Wheelbase; FC3P-7000-PA; w/o PTO; TorqShift6	FC3Z-7000-P
	2016-2015		6R140	w/ 141.8 In. Wheelbase; FC3P-7000-SA; w/ PTO; TorqShift6	FC3Z-7000-S
	2016-2015		6R140	w/ 158.0 In. Wheelbase; FC3P-7000-SA; w/ PTO; TorqShift6	FC3Z-7000-S
	2016-2015		6R140	w/ 172.4 In. Wheelbase; FC3P-7000-SA; w/ PTO; TorqShift6	FC3Z-7000-S
	2016-2015		6R140	w/ 156.2 In. Wheelbase; FC3P-7000-SA; w/ PTO; TorqShift6	FC3Z-7000-S
	2016-2015		6R140	RWD; w/ 141.8 In. Wheelbase; FC3P-7000-ZA; w/ PTO; TorqShift6	FC3Z-7000-Z
	2016-2015		6R140	RWD; w/ 158.0 In. Wheelbase; FC3P-7000-ZA; w/ PTO; TorqShift6	FC3Z-7000-Z
	2016-2015		6R140	RWD; w/ 172.4 In. Wheelbase; FC3P-7000-ZA; w/ PTO; TorqShift6	FC3Z-7000-Z
	2016-2015		6R140	RWD; w/ 156.2 In. Wheelbase; FC3P-7000-ZA; w/ PTO; TorqShift6	FC3Z-7000-Z
	2015	3.5L EcoBoost	6R80	4WD; FL3P-7000-DA; w/o Water Wading Equipment	FL3Z-7000-D
	2014-2011	3.5L	6R80	RWD; RMBL3J-7000-CA	BL3Z-7000-C
	2014-2011	3.5L EcoBoost	6R80	4WD; BL3P-7000-DD	BL3Z-7000-D
	2014-2011	3.7L	6R80	RWD; BL3P-7000-EC	BL3Z-7000-E
	2014-2011		6R80	4WD; BL3P-7000-FC	BL3Z-7000-F
	2014-2011	5.0L	6R80	RWD; BL3P-7000-AC	BL3Z-7000-A
	2014-2011	5.0L FLEX	6R80	4WD; BL3P-7000-BC	BL3Z-7000-B
	2014-2011	6.2L	6R80	RWD; BL3P-7000-BC	BL3Z-7000-G
	2014-2011		6R80	4WD; BL3P-7000-HD	BL3Z-7000-H
	2014-2011		6R140	RWD; CC3P-7000-CC; Exc. 137 In. Wheelbase; TorqShift6	CC3Z-7000-R
	2014-2011		6R140	4WD; CC3P-7000-CC; TorqShift6	CC3Z-7000-R
	2014-2011		6R140	RWD; w/ 137.0 In. Wheelbase; CC3P-7000-FC; TorqShift6	CC3Z-7000-U
	2014-2012	6.7L DIESEL	6R140	4WD; w/ 137.0 In. Wheelbase; CC3P-7000-DC; w/o PTO; TorqShift6	CC3Z-7000-S
	2014-2012		6R140	RWD; CC3P-7000-DC; w/o PTO; Exc. 137 In. Wheelbase; TorqShift6	CC3Z-7000-S
	2014-2012		6R140	RWD; CC3P-7000-EC; w/ PTO; Exc. 137 In. Wheelbase; TorqShift6	CC3Z-7000-T
	2014-2012		6R140	4WD; w/ 137.0 In. Wheelbase; CC3P-7000-EC; w/ PTO; TorqShift6	CC3Z-7000-T
	2014-2013		6R140	RWD; w/ 137.0 In. Wheelbase; CC3P-7000-GC; w/o PTO; TorqShift6	CC3Z-7000-V
	2014-2013		6R140	RWD; w/ 137.0 In. Wheelbase; CC3P-7000-JC; w/ PTO; TorqShift6	CC3Z-7000-W
	2012		6R140	RWD; w/ 137.0 In. Wheelbase; CC3P-7000-GA; w/o PTO; Thru 01/09/12; TorqShift6	CC3Z-7000-G
	2012		6R140	RWD; w/ 137.0 In. Wheelbase; CC3P-7000-JA; w/ PTO; Thru 01/09/12; TorqShift6	CC3Z-7000-J
	2012		6R140	RWD; w/ 137.0 In. Wheelbase; CC3P-7000-GC; w/o PTO; From 06/15/12; TorqShift6	CC3Z-7000-V
	2012		6R140	RWD; w/ 137.0 In. Wheelbase; CC3P-7000-JC; w/ PTO; From 08/06/12; TorqShift6	CC3Z-7000-W
	2011		6R140	RWD; w/ 137.0 In. Wheelbase; BC3P-7000-GA; w/o PTO; TorqShift6	BC3Z-7000-G
	2011		6R140	RWD; w/ 137.0 In. Wheelbase; BC3P-7000-UF; w/ PTO; Before 11/01/10; TorqShift6	BC3Z-7000-U
2011		6R140	RWD; w/ 137.0 In. Wheelbase; RMBC3J-7000-JA; w/ PTO; From 11/01/10; TorqShift6	BC3Z-7000-J	
2011		6R140	4WD; w/ 137.0 In. Wheelbase; RMCC3J-7000-BA; w/o PTO; TorqShift6	CC3Z-7000-D	
2011		6R140	4WD; w/ 137.0 In. Wheelbase; RMCC3J-7000-CA; w/ PTO; TorqShift6	CC3Z-7000-E	
2010	5.4L	5R110W	RWD; w/ 137.0 In. Wheelbase; AC3P-7000-EA; TorqShift	AC3Z-7000-E	
2010		5R110W	RWD; w/ 141.8 In. Wheelbase; AC3P-7000-EA; TorqShift	AC3Z-7000-E	
2010		5R110W	w/ 158.0 In. Wheelbase; AC3P-7000-FA; TorqShift	AC3Z-7000-F	
2010		5R110W	w/ 156.2 In. Wheelbase; AC3P-7000-FA; TorqShift	AC3Z-7000-F	
2010		5R110W	w/ 172.4 In. Wheelbase; AC3P-7000-FA; TorqShift	AC3Z-7000-F	
2010	6.2L	6R80		AL3Z-7000-H	
2010	6.8L	5R110W	RWD; w/ 137.0 In. Wheelbase; AC3P-7000-GA; TorqShift	AC3Z-7000-G	
2010		5R110W	RWD; w/ 141.8 In. Wheelbase; AC3P-7000-GA; TorqShift	AC3Z-7000-G	
Automatic - Reman	2017-2015	6.7L DIESEL	6R140	HC3P-7000-LA; w/ PTO	GC3Z-7000-CRM
	2016-2011	6.7L	5R110W	AC3P-7000-HA; TorqShift	9C3Z-7000-GRM
	2016-2010	6.8L	5R110W	RWD; AC3P-7000-KA; w/ Fixed Yoke; PRB-NW; TorqShift	9C3Z-7000-JRM



F-Series

-Cont'd

Part Type	Years	Engine	Trans	Qualifier	Ford #	
Automatic - Reman	2015	6.2L	6R140	RWD; w/ 158.0 In. Wheelbase; FC3P-7000-CA	GC3Z-7000-ARM	
	2015		6R140	RWD; w/ 172.4 In. Wheelbase; FC3P-7000-CA	GC3Z-7000-ARM	
	2015		6R140	RWD; w/ 156.2 In. Wheelbase; FC3P-7000-CA	GC3Z-7000-ARM	
	2015		6R140	RWD; w/ 141.8 In. Wheelbase; FC3P-7000-CA	GC3Z-7000-ARM	
	2015		6R140	4WD; FC3P-7000-CA	GC3Z-7000-ARM	
	2015		6R140	RWD; w/ 200.2 In. Wheelbase; FC3P-7000-CA	GC3Z-7000-ARM	
	2015		6R140	RWD; w/ 161.8 In. Wheelbase; FC3P-7000-CA	GC3Z-7000-ARM	
	2015		6R140	RWD; w/ 185.8 In. Wheelbase; FC3P-7000-CA	GC3Z-7000-ARM	
	2015		6R140	RWD; w/ 176.2 In. Wheelbase; FC3P-7000-CA	GC3Z-7000-ARM	
	2015		6R140	RWD; w/ 141.0 In. Wheelbase; FC3P-7000-CA	GC3Z-7000-ARM	
	2015		6R140	RWD; w/ 164.8 In. Wheelbase; FC3P-7000-CA	GC3Z-7000-ARM	
	2015	6.7L DIESEL	6R140	FC3P-7000-DA; w/ Narrow Frame; w/o PTO	GC3Z-7000-BRM	
	2015		6R140	RWD; w/ 156.2 In. Wheelbase; HC3P-7000-KA; w/ Wide Frame; w/o PTO	GC3Z-7000-FRM	
	2015		6R140	RWD; w/ 172.4 In. Wheelbase; HC3P-7000-KA; w/ Wide Frame; w/o PTO	GC3Z-7000-FRM	
	2015		6R140	RWD; w/ 158.0 In. Wheelbase; HC3P-7000-KA; w/ Wide Frame; w/o PTO	GC3Z-7000-FRM	
	2015		6R140	RWD; w/ 141.8 In. Wheelbase; HC3P-7000-KA; w/ Wide Frame; w/o PTO	GC3Z-7000-FRM	
	2015		6R140	RWD; w/ 161.8 In. Wheelbase; HC3P-7000-KA; w/ Wide Frame; w/o PTO	GC3Z-7000-FRM	
	2015		6R140	RWD; w/ 176.2 In. Wheelbase; HC3P-7000-KA; w/ Wide Frame; w/o PTO	GC3Z-7000-FRM	
	2015		6R140	RWD; w/ 185.8 In. Wheelbase; HC3P-7000-KA; w/ Wide Frame; w/o PTO	GC3Z-7000-FRM	
	2015		6R140	RWD; w/ 200.2 In. Wheelbase; HC3P-7000-KA; w/ Wide Frame; w/o PTO	GC3Z-7000-FRM	
	2015		6R140	RWD; w/ 141.0 In. Wheelbase; HC3P-7000-KA; w/ Wide Frame; w/o PTO	GC3Z-7000-FRM	
	2015		6R140	RWD; w/ 164.8 In. Wheelbase; HC3P-7000-KA; w/ Wide Frame; w/o PTO	GC3Z-7000-FRM	
	2015		6R140	4WD; HC3P-7000-KA; w/o PTO	GC3Z-7000-FRM	
	2014-2011		3.5L	6R80	4WD; BL3P-7000-DA,DB	BL3Z-7000-HBRM
	2014-2011		3.7L	6R80	4WD; BL3P-7000-FA, FB	BL3Z-7000-DRM
	2014-2011	5.0L	6R80	4WD; BL3P-7000-BA, BB	BL3Z-7000-BRM	
	2014-2013	6.2L	6R140	RMFC3J-7000-AA; w/o PTO	FC3Z-7000-RRM	
	2014-2013	6.7L DIESEL	6R140	RMFC3J-7000-BA; w/o PTO	FC3Z-7000-SRM	
	2014-2013		6R140	RWD; w/ 137.0 In. Wheelbase; RMFC3J-7000-FA; w/ PTO; TorqShift6	FC3Z-7000-WRM	
	2014-2010	6.8L	5R110W	RWD; AC3P-7000-GA; PRB-NU; TorqShift	9C3Z-7000-HRM	
	2013-2011	3.7L	6R80	RWD; BL3P-7000-EA, EB	BL3Z-7000-CRM	
	2013-2011		6R80	4WD; BL3P-7000-FC	BL3Z-7000-DDRM	
	2013-2011	5.0L		RWD; BL3P-7000-AA, AB	BL3Z-7000-ARM	
	2013-2011	6.2L	6R80	4WD; BL3P-7000-HA,HB	BL3Z-7000-FBRM	
	2013-2012		6R140	RWD; w/ 137.0 In. Wheelbase; RMFC3J-7000-DA; w/o PTO	FC3Z-7000-URM	
	2013	6.7L DIESEL	6R140	RWD; w/ 137.0 In. Wheelbase; RMFC3J-7000EA; w/o PTO	FC3Z-7000-VRM	
	2012-2011	3.5L	6R80	RWD; BL3P-7000-CA,CB	BL3Z-7000-GBRM	
	2012-2011	3.7L	6R80	RWD; BL3P-7000-EC	BL3Z-7000-CBRM	
	2012-2011	5.0L	6R80	RWD; BL3P-7000-AC	BL3Z-7000-ABRM	
	2012-2011		6R80	4WD; BL3P-7000-BC	BL3Z-7000-BBRM	
	2012-2010	5.4L	5R110W	4WD; AC3P-7000-FA; PRB-NT; TorqShift	9C3Z-7000-FRM	
	2012-2010		5R110W	RWD; AC3P-7000-FA; w/ Fixed Yoke; PRB-NT; TorqShift	9C3Z-7000-FRM	
	2012-2010		5R110W	RWD; AC3P-7000-EA; PRB-NS; TorqShift	9C3Z-7000-ERM	
	2012-2011	6.2L	6R80	RWD; BL3P-7000-GA,GB	BL3Z-7000-EBRM	
	2012		6R140	RWD; RMCC3J-7000-AA; w/o PTO; Exc. 137 In. Wheelbase	CC3Z-7000-CRM	
	2012		6R140	4WD; RMCC3J-7000-AA	CC3Z-7000-CRM	
	2012		6R140	RWD; RMCC3J-7000-DA; w/o PTO	CC3Z-7000-FRM	
	2012		6R140	RMFC3J-7000-AA; w/o PTO; From 6/13/12	FC3Z-7000-RRM	
	2012	6.7L DIESEL	6R140	CC3Z-7000-DRM; w/o PTO	CC3Z-7000-DRM	
	2012		6R140	RWD; RMCC3J-7000-CA; w/ PTO; Exc. 137 In. Wheelbase	CC3Z-7000-ERM	
	2012		6R140	4WD; w/ 137.0 In. Wheelbase; RMCC3J-7000-CA; w/ PTO	CC3Z-7000-ERM	
	2012		6R140	RMFC3J-7000-CA; w/ PTO	FC3Z-7000-TRM	
	2012		6R140	RWD; w/ 137.0 In. Wheelbase; RMFC3J-7000EA; w/o PTO; From 06/15/2012	FC3Z-7000-VRM	
	2012		6R140	RMFC3J-7000-BA; w/o PTO; Before 6/13/12	FC3Z-7000-SRM	
	2012		6R140	RWD; w/ 137.0 In. Wheelbase; RMFC3J-7000-FA; w/ PTO; From 08/06/12; TorqShift6	FC3Z-7000-WRM	
	2012-2010	6.8L	5R110W	AC3P-7000-HA; PRB-NV; TorqShift	9C3Z-7000-GRM	
	2011	6.2L	6R140	RWD; RMBC3J-7000-GA; w/o PTO; Exc. 137 In. Wheelbase; TorqShift6; Shipped With 7034 Vent Attached	BC3Z-7000-GRM	
	2011		6R140	4WD; RMBC3J-7000-GA; TorqShift6	BC3Z-7000-GRM	
	2011		6R140	RWD; w/ 137.0 In. Wheelbase; RMBC3J-7000-KA; TorqShift6; Shipped With 7034 Vent Attached	BC3Z-7000-KRM	
	2011		6R140	RWD; w/ 137.0 In. Wheelbase; RMBC3J-7000-KA; Shipped With 7034 Vent Attached	BC3Z-7000-KRM	
	2011	6.7L DIESEL	6R140	4WD; w/ 137.0 In. Wheelbase; RMBC3J-7000-HA; w/ PTO; TorqShift6; Shipped With 7034 Vent Attached; Requires Engine Flywheel CC3Z-6375-A Which Must Be Ordered Separately	BC3Z-7000-HRM	
	2011		6R140	RWD; RMBC3J-7000-HA; w/ PTO; Exc. 137 In. Wheelbase; TorqShift6; Shipped With 7034 Vent Attached; Requires Engine Flywheel CC3Z-6375-A Which Must Be Ordered Separately	BC3Z-7000-HRM	
	2011		6R140	4WD; BC3Z-7000-JRM; TorqShift6; Shipped With 7034 Vent Attached; Requires Engine Flywheel CC3Z-6375-A Which Must Be Ordered Separately	BC3Z-7000-JRM	
	2011		6R140	RWD; BC3Z-7000-JRM; w/ PTO; Exc. 137 In. Wheelbase; TorqShift6; Shipped With 7034 Vent Attached; Requires Engine Flywheel CC3Z-6375-A Which Must Be Ordered Separately	BC3Z-7000-JRM	
	2011		6R140	RWD; w/ 137.0 In. Wheelbase; RMBC3J-7000-LA; w/o PTO; TorqShift6; Shipped With 7034 Vent Attached; Requires Engine Flywheel CC3Z-6375-A Which Must Be Ordered Separately	BC3Z-7000-LRM	
	2011		6R140	RWD; w/ 137.0 In. Wheelbase; RMBC3J-7000-MA; w/ PTO; TorqShift6; Shipped With 7034 Vent Attached; Requires Engine Flywheel CC3Z-6375-A Which Must Be Ordered Separately	BC3Z-7000-MRM	



F-Series

-Cont'd

Part Type	Years	Engine	Trans	Qualifier	Ford #		
Automatic - Reman	2010	4.6L	4R75E	4WD; AL3P-7000-CA; PKF-JT	AL3Z-7000-CRM		
	2010		4R75E	RWD; AL3P-7000-DA	AL3Z-7000-DRM		
	2010		6R80	RWD; AL3P-7000-LA, LB, LC	AL3Z-7000-NRM		
	2010	5.4L SOHC	6R80	4WD; AL3P-7000-MA, MB, MC	AL3Z-7000-MRM		
	2010		6R80	RWD; SVT Raptor; AL3P-7000-AA, AB, AC, AD	AL3Z-7000-ARM		
	2010		6R80	4WD; AL3P-7000-BA, BB, BC, BD	AL3Z-7000-BRM		
	2010	6.2L	6R80	4WD; SVT Raptor; AL3P-7000-HA	AL3Z-7000-HRM		
	2010		6.4L DIESEL	5R110W	RWD; AC3P-7000-AA; PRB-NM; TorqShift	9C3Z-7000-ARM	
	2010	5R110W		RWD; AC3P-7000-AA; TorqShift	9C3Z-7000-ARM		
	2010	5R110W		4WD; AC3P-7000-DA; PRB-NR; TorqShift	9C3Z-7000-DRM		
	2010	5R110W		RWD; AC3P-7000-DA; w/ Fixed Yoke; PRB-NR; TorqShift	9C3Z-7000-DRM		
	2010	5R110W		4WD; AC3P-7000-BA; PRB-NN; TorqShift	9C3Z-7000-BRM		
	2010	5R110W		RWD; AC3P-7000-BA; w/ Fixed Yoke; PRB-NN; TorqShift	9C3Z-7000-BRM		
	2010	5R110W		RWD; AC3P-7000-CA; w/ Fixed Yoke; PRB-NP; TorqShift	9C3Z-7000-CRM		
	2010	5R110W		4WD; RM9C3J-7000-CA; PRB-NP; TorqShift	9C3Z-7000-CRM		
	2010	6.8L		5R110W	4WD; AC3P-7000-KA; PRB-NW; TorqShift	9C3Z-7000-JRM	
	2009			4.6L	4R75E	RWD; 9L3P-7000-DB; 9L3P-7000-DA; PKF-FP; PKF-FT	9L3Z-7000-DRM
	2009	4R75E	4WD; 9L3P-7000-CA/CB; PKF-FN/FU		9L3Z-7000-CRM		
	2009	6R80	RWD; 9L3P-7000-LB/LD/LE/LF/LG/RB		9L3Z-7000-CARM		
	2009	6R80	4WD; 9L3P-7000-MD/ME/MF/MG/SB		9L3Z-7000-DARM		
	2009	5.4L	5R110W		RWD; 9C3P-7000-FB; w/ Fixed Yoke; PRB-NT; TorqShift	9C3Z-7000-FRM	
	2009		5R110W		4WD; 9C3P-7000-FB; PRB-NT; TorqShift	9C3Z-7000-FRM	
	2009	6R80	6.4L DIESEL		RWD; 9L3P-7000-AD/AE/AF/AG/AH/NA/NB	9L3Z-7000-EARM	
	2009				6R80	4WD; 9L3P-7000-BD/BE/BF/BG/BH/BJ/PA/PB	9L3Z-7000-FARM
	2009	5R110W			RWD; 9C3P-7000-AC; TorqShift	9C3Z-7000-ARM	
	2009	5R110W			4WD; 9C3P-7000-DC; PRB-NR; TorqShift	9C3Z-7000-DRM	
	2009	5R110W		RWD; 9C3P-7000-DC; PRB-NR; TorqShift	9C3Z-7000-DRM		
	2009	5R110W		4WD; 9C3P-7000-BC; PRB-NN; TorqShift	9C3Z-7000-BRM		
	2009	5R110W		RWD; 9C3P-7000-BC; PRB-NN; TorqShift	9C3Z-7000-BRM		
	2009	5R110W		RWD; 9C3P-7000-CC; PRB-NP; TorqShift	9C3Z-7000-CRM		
	2009	6.8L		5R110W	RWD; 9C2P-7000-EB; PRB-NU; TorqShift	9C3Z-7000-HRM	
	2009			5R110W	RWD; 9C3P-7000-HB; PRB-NV; TorqShift	9C3Z-7000-GRM	
	2009	5R110W	6.8L	4WD; 9C3P-7000-HB; PRB-NV; TorqShift	9C3Z-7000-GRM		
	2009			5R110W	4WD; 9C3P-7000-KB; PRB-NW; TorqShift	9C3Z-7000-JRM	
	2009	5R110W		RWD; 9C3P-7000-KB; PRB-NW; TorqShift	9C3Z-7000-JRM		
	2008-2007	4.2L		4.6L	RWD; 7L3P-7000-AA, AB; PKF-GF, GF1	7L3Z-7000-ABRM	
	2008-2007				4R75E	4WD; 7L3P-7000-CA, CB; PKF-FH, GH	7L3Z-7000-CBRM
	2008-2007	5.4L			4R75E	RWD; 7L3P-7000-BA, BB; PKF-FG, GG	7L3Z-7000-BBRM
	2008				5R110W	7C3P-7000-FC; PRB-MA; TorqShift	7C3Z-7000-FRM
	2008	5R110W			RWD; 7C3P-7000-EC; PRB-LZ; TorqShift	7C3Z-7000-ERM	
	2008-2007	4R75E			4WD; 7L3P-7000-EA, EB; PKF-FK, GK	7L3Z-7000-EBRM	
	2008				5R110W	RWD; 8C3P-7000-FD; PRB-NT; TorqShift	8C3Z-7000-FRM
	2008	5R110W	4WD; 8C3P-7000-FD; PRB-NT; TorqShift		8C3Z-7000-FRM		
	2008-2007	4R75E	RWD; 7L3P-7000-DA, DB; PKF-FJ, GJ		7L3Z-7000-DBRM		
	2008		5.4L GAS		5R110W	RWD; 8C3P-7000-ED; PRB-NS; TorqShift	8C3Z-7000-ERM
	2008	6.4L DIESEL		5R110W	RWD; 7C3P-7000-DC; PRB-LY; TorqShift	7C3Z-7000-DRM	
	2008		5R110W	4WD; 7C3P-7000-DC; PRB-LY; TorqShift	7C3Z-7000-DRM		
	2008	6.8L	5R110W	8C3P-7000-DD; PRB-NR; TorqShift	8C3Z-7000-DRM		
	2008		5R110W	8C3P-7000-BD; PRB-NN; TorqShift	8C3Z-7000-BRM		
	2008		5R110W	RWD; 7C3P-7000-AC; PRB-LV; TorqShift	7C3Z-7000-ARM		
	2008		5R110W	RWD; 8C3P-7000-CD; PRB-NP; TorqShift	8C3Z-7000-CRM		
	2008		5R110W	4WD; 7C3P-7000-BC; PRB-LW; TorqShift	7C3Z-7000-BRM		
	2008		5R110W	RWD; 7C3P-7000-BC; PRB-LW; TorqShift	7C3Z-7000-BRM		
	2008		5R110W	RWD; 7C3P-7000-CC; PRB-LX; TorqShift	7C3Z-7000-CRM		
	2008		5R110W	RWD; 8C3P-7000-AD; PRB-NM; TorqShift	8C3Z-7000-ARM		
	2008		6.8L	5R110W	RWD; 8C3P-7000-KD; PRB-NW; TorqShift	8C3Z-7000-JRM	
	2008			5R110W	4WD; 8C3P-7000-KD; PRB-NW; TorqShift	8C3Z-7000-JRM	
	2008	5R110W	6.8L	RWD; 7C3P-7000-GC; PRB-MB; TorqShift	7C3Z-7000-GRM		
	2008			5R110W	4WD; 7C3P-7000-KC; PRB-MD; TorqShift	7C3Z-7000-JRM	
	2008	5R110W		RWD; 8C3P-7000-HD; PRB-NV; TorqShift	8C3Z-7000-HRM		
	2008	5R110W		4WD; 8C3P-7000-HD; PRB-NV; TorqShift	8C3Z-7000-HRM		
	2008	5R110W		RWD; 8C3P-7000-GD; PRB-NU; TorqShift	8C3Z-7000-GRM		
	2007-2006	5.4L		5R110W	6C3P-7000-AB; PRB-LK; w/ Slip Yoke; TorqShift	5C3Z-7000-ARM	
	2007-2006			5R110W	6C3P-7000-AA; w/ Slip Yoke; PRB-KC; TorqShift	5C3Z-7000-ARM	
	2007	6.0L		5R110W	6C3P-7000-MC; w/ Fixed Yoke; PRB-MR; TorqShift	5C3Z-7000-MRM	
	2007			5R110W	6C3P-7000-KC; w/ Fixed Yoke; PRB-MN; TorqShift	5C3Z-7000-KRM	
	2007	6.8L		5R110W	6C3P-7000-DC; PRB-MK; w/ Fixed Yoke; TorqShift	5C3Z-7000-DRM	
	2007		5R110W	4WD; 7C3P-7000-HC; TorqShift	7C3Z-7000-HRM		
	2006	4.2L	4.6L	RWD; 6L3P-7000-AA, AB; PKF-ET, FT	6L3Z-7000-FRM		
	2006			4.6L	4WD; 6L3P-7000-CA, CB; PKF-EV, FV	6L3Z-7000-HRM	
	2006	4R75W		RWD; 6L3P-7000-BA, BB; PKF-EU, FU	6L3Z-7000-GRM		
	2006			5.4L	5R110W	6C3P-7000-BA; w/ Fixed Yoke; PRB-KD; TorqShift	5C3Z-7000-BRM
	2006	5R110W			6C3P-7000-BB; w/ Fixed Yoke; PRB-LL; TorqShift	5C3Z-7000-BRM	
	2006	4R75E		4WD; 6L3P-7000-EA, EB; PKF-EX, FX	6L3Z-7000-KRM		
	2006			4R75E	RWD; 6L3P-7000-DA, DB; PKF-EW, FW	6L3Z-7000-JRM	
	2006	6.0L		5R110W	6C3P-7000-MB; w/ Fixed Yoke; PRB-LU; TorqShift	5C3Z-7000-MRM	
	2006			5R110W	6C3P-7000-MA; w/ Fixed Yoke; PRB-KM; TorqShift	5C3Z-7000-MRM	
	2006	5R110W		6C3P-7000-JB; w/ Slip Yoke; PRB-LR; TorqShift	5C3Z-7000-JRM		
	2006	5R110W	6C3P-7000-JA; w/ Slip Yoke; PRB-KJ; TorqShift	5C3Z-7000-JRM			
	2006	5R110W	6C3P-7000-KA; w/ Fixed Yoke; PRB-KK; TorqShift	5C3Z-7000-KRM			



F-Series

-Cont'd

Part Type	Years	Engine	Trans	Qualifier	Ford #	
Automatic - Reman	2006	6.0L	5R110W	6C3P-7000-KB; w/ Fixed Yoke; PRB-LS; TorqShift	5C3Z-7000-KRM	
	2006		5R110W	6C3P-7000-LB; w/ Slip Yoke; PRB-LT; TorqShift	5C3Z-7000-LRM	
	2006	6.8L	5R110W	6C3P-7000-LA; w/ Slip Yoke; PRB-KL; TorqShift	5C3Z-7000-LRM	
	2006		5R110W	RWD; 6C3P-7000-DB; w/ Fixed Yoke; PRB-LN; TorqShift	5C3Z-7000-DRM	
	2006		5R110W	4WD; 6C3P-7000-DB; w/ Fixed Yoke; PRB-LN; TorqShift	5C3Z-7000-DRM	
	2006		5R110W	RWD; 6C3P-7000-DA; w/ Fixed Yoke; PRB-KF; TorqShift	5C3Z-7000-DRM	
	2006		5R110W	4WD; 6C3P-7000-DA; w/ Fixed Yoke; PRB-KF; TorqShift	5C3Z-7000-DRM	
	2006		5R110W	4WD; 6C3P-7000-FB; w/ Fixed Yoke; PRB-LP; TorqShift	5C3Z-7000-FRM	
	2006		5R110W	4WD; 6C3P-7000-FA; w/ Fixed Yoke; PRB-KH; TorqShift	5C3Z-7000-FRM	
	2005		4.2L	4R70W	RWD; 5L3P-7000-AA; PKF-EC	5L3Z-7000-ARM
	2005	4.6L	4R70W	RWD; 5L3P-7000-BA; PKF-EN	5L3Z-7000-BRM	
	2005		4R70W	4WD; 5L3P-7000-CA; PKF-EP	5L3Z-7000-CRM	
	2005	5.4L	5R110W	4WD; 5C3P-7000-BB; w/ Fixed Yoke; PRB-JP; TorqShift	5C3Z-7000-BRM	
	2005		5R110W	RWD; 5C3P-7000-BB; w/ Fixed Yoke; PRB-JP; TorqShift	5C3Z-7000-BRM	
	2005		4R75E	4WD; 5L3P-7000-EA; PKF-ES	5L3Z-7000-ERM	
	2005		5R110W	RWD; 5C3P-7000-AB; w/ Slip Yoke; PRB-JN; TorqShift	5C3Z-7000-ARM	
	2005	6.0L	4R70W	RWD; 5L3P-7000-DA; PKF-ER	5L3Z-7000-DRM	
	2005		5R110W	5C3P-7000-MB; w/ Fixed Yoke; PRB-KA; TorqShift	5C3Z-7000-MRM	
	2005	6.8L	5R110W	5C3P-7000-JB; w/ Slip Yoke; PRB-JX; TorqShift	5C3Z-7000-JRM	
	2005		5R110W	5C3P-7000-KB; w/ Fixed Yoke; PRB-JY; TorqShift	5C3Z-7000-KRM	
	2005		5R110W	RWD; 5C3P-7000-LB; w/ PTO; PRB-JZ; TorqShift	5C3Z-7000-LRM	
	2005		5R110W	RWD; 5C3P-7000-DB; w/ Fixed Yoke; PRB-JS; TorqShift	5C3Z-7000-DRM	
	2005	4.2L	5R110W	4WD; 5C3P-7000-DB; w/ Fixed Yoke; PRB-JS; TorqShift	5C3Z-7000-DRM	
	2005		5R110W	4WD; 5C3P-7000-FB; w/ Fixed Yoke; PRB-JU; TorqShift	5C3Z-7000-FRM	
	2005		5R110W	RWD; 5C3P-7000-CB; TorqShift	5C3Z-7000-CRM	
	2004		4R70W	4WD; 4L3P-7000-BA; PKF-EB	4L3Z-7000-BARM	
	2004		4.6L	4R70W	RWD; 4L3P-7000-AA; PKF-EA	4L3Z-7000-AARM
	2004			4R75E	4WD; 3L3P-7000-JA; PKF-DE	3L3Z-7000-JARM
	2004			4R70W	4WD; 4L3P-7000-DA; PKF-EM	4L3Z-7000-DARM
	2004			4R70W	RWD; 4L3P-7000-CA; PKF-EL	4L3Z-7000-CARM
	2004	5.4L	4R75E	RWD; 3L3P-7000-HA; PKF-DC	3L3Z-7000-HARM	
	2004-2001		4R100	4WD; 1C3P-7000-BA, BB, BC; PRB-GE, GE1	1C3Z-7V000-BRM	
	2004		4R100	4WD; 1L3P-7000-BC; Heavy Duty Payload California Emissions; PRB-GV11	1C3Z-7V000-BRM	
	2004		4R100	RWD; 1C3P-7000-AC; PRB-GD1	1C3Z-7V000-ARM	
	2004		4R100	RWD; 1L3P-7000-AC; Heavy Duty Payload California Emissions; PRB-GU11	1C3Z-7V000-ARM	
	2004		4R100	SVT Lightning; 1L3P-7000-CC; PRB-GW1	1L3Z-7V000-CRM	
	2004		4R75E	RWD; 3L3P-7000-MA; PKF-DG	3L3Z-7000-MARM	
	2004		4R75E	4WD; 3L3P-7000-LA; PKF-DF	3L3Z-7000-LARM	
	2004-2003		6.0L	5R110W	RWD; 3C3P-7000-JG; w/ PTO; PRB-JC; TorqShift	3C3Z-7V000-JGRM
	2004-2003			5R110W	4WD; 3C3P-7000-JG; w/ PTO; PRB-JC; TorqShift	3C3Z-7V000-JGRM
	2004	6.0L DIESEL	5R110W	4WD; 4C3P-7000-KB; w/o PTO; PRB-JF; TorqShift	4C3Z-7000-KBRM	
	2004		5R110W	RWD; 4C3P-7000-KB; w/o PTO; PRB-JF; TorqShift	4C3Z-7000-KBRM	
	2004-2003		5R110W	RWD; 3C3P-7000-HG; w/ PTO; PRB-JB; TorqShift	3C3Z-7V000-HGRM	
	2004		5R110W	RWD; 4C3P-7000-JB; w/o PTO; PRB-JE; TorqShift	4C3Z-7000-JBRM	
	2004		6.8L	4R100	4WD; 1C3P-7000-DA, DB, DC; PRB-GG1; w/o PTO	1C3Z-7V000-DRM
	2004			4R100	4WD; 1C3P-7000-JC; w/ PTO; PRB-GL1	1C3Z-7V000-JRM
	2004		4.2L	4R100	RWD; 1C3P-7000-CC; w/o PTO; PRB-GF1	1C3Z-7V000-CRM
	2004			4R100	RWD; 1C3P-7000-HC; w/ PTO; PRB-GK1	1C3Z-7V000-HRM
	2003-2001			4R70W	RWD; 1L3P-7000-DA; PKF-CL	1L3Z-7V000-DRM
	2003-2001			4R70W	4WD; 1L3P-7000-HA; PKF-CP	1L3Z-7V000-HRM
	2003-2002	4.6L	4R70W	RWD; 1L3P-7000-FA; PKF-CN	1L3Z-7V000-FRM	
	2003		4R100	4WD; 1L3P-7000-BC; Heavy Payload, California Emissions; PRB-GV, PRB-GV1	1C3Z-7V000-BRM	
	2003	5.4L	4R100	RWD; 1L3P-7000-AC; Heavy Payload, California Emissions; PRB-GU, PRB-GU1	1C3Z-7V000-ARM	
	2003		4R100	RWD; 1C3P-7000-AC; PRB-GD, PRB-GD1	1C3Z-7V000-ARM	
	2003		4R100	Harley-Davidson Edition; 1L3P-7000-AC; PRB-GU, PRB-GU1	1C3Z-7V000-ARM	
	2003		4R100	Harley-Davidson Edition; 1L3P-7000-CC; PRB-GW, PRB-GW1	1L3Z-7V000-CRM	
	2003		4R100	Lightning; 1L3P-7000-CC; PRB-GW, PRB-GW1	1L3Z-7V000-CRM	
	2003-2001		4R70W	4WD; 1L3P-7000-JA; PKF-CR	1L3Z-7V000-JRM	
	2003-2001		4R70W	RWD; 1L3P-7000-LA; PKF-CS	1L3Z-7V000-LRM	
	2003		6.0L	5R110W	RWD; w/ 137.0 In. Wheelbase; 3C3P-7000-JF; Must Add Companion Flange 3C3P-4K177-BA and Bolt 3C3Z-7N134-CA on 4x2 applications; PRB-HX; Fixed Flange-w/ PTO; TorqShift	3C3Z-7V000-JGRM
	2003			TorqShift	RWD; w/ 137.0 In. Wheelbase; 3C3P-7000-JF; Must Add Companion Flange 3C3P-4K177-BA and Bolt 3C3Z-7N134-CA on 4x2 applications; PRB-HX; Fixed Flange-w/ PTO; TorqShift	3C3Z-7V000-JGRM
	2003			TorqShift	RWD; w/ 137.0 In. Wheelbase; 3C3P-7000-JG; Must Add Companion Flange 3C3P-4K177-BA and Bolt 3C3Z-7N134-CA on 4x2 applications; Fixed Flange-w/ PTO; PRB-JC; TorqShift	3C3Z-7V000-JGRM
	2003	5R110W		RWD; w/ 172.0 In. Wheelbase; 3C3P-7000-JF; Must Add Companion Flange 3C3P-4K177-BA and Bolt 3C3Z-7N134-CA on 4x2 applications; PRB-HX; Fixed Flange-w/ PTO; TorqShift	3C3Z-7V000-JGRM	
	2003	5R110W	5R110W	4WD; 3C3P-7000-JF; w/ PTO; PRB-HX; TorqShift	3C3Z-7V000-JGRM	
	2003		5R110W	RWD; w/ 172.0 In. Wheelbase; 3C3P-7000-JG; Must Add Companion Flange 3C3P-4K177-BA and Bolt 3C3Z-7N134-CA on 4x2 applications; Fixed Flange-w/ PTO; PRB-JC; TorqShift	3C3Z-7V000-JGRM	
	2003	5R110W	5R110W	RWD; w/ 137.0 In. Wheelbase; 3C3P-7000-JG; Must Add Companion Flange 3C3P-4K177-BA and Bolt 3C3Z-7N134-CA on 4x2 applications; Fixed Flange-w/ PTO; PRB-JC; TorqShift	3C3Z-7V000-JGRM	
	2003		5R110W	RWD; w/ 158.0 In. Wheelbase; 3C3P-7000-JG; Must Add Companion Flange 3C3P-4K177-BA and Bolt 3C3Z-7N134-CA on 4x2 applications; Fixed Flange-w/ PTO; PRB-JC; TorqShift	3C3Z-7V000-JGRM	



F-Series

-Cont'd

Part Type	Years	Engine	Trans	Qualifier	Ford #
Automatic - Reman	2003	6.0L	5R110W	RWD; w/ 156.0 In. Wheelbase; 3C3P-7000-JG; Must Add Companion Flange 3C3P-4K177-BA and Bolt 3C3Z-7N134-CA on 4x2 applications; Fixed Flange-w/ PTO; PRB-JC; TorqShift	3C3Z-7V000-JGRM
	2003		5R110W	RWD; w/ 142.0 In. Wheelbase; 3C3P-7000-JG; Must Add Companion Flange 3C3P-4K177-BA and Bolt 3C3Z-7N134-CA on 4x2 applications; Fixed Flange-w/ PTO; PRB-JC; TorqShift	3C3Z-7V000-JGRM
	2003		TorqShift	RWD; w/ 158.0 In. Wheelbase; 3C3P-7000-JG; Must Add Companion Flange 3C3P-4K177-BA and Bolt 3C3Z-7N134-CA on 4x2 applications; Fixed Flange-w/ PTO; PRB-JC; TorqShift	3C3Z-7V000-JGRM
	2003		TorqShift	RWD; w/ 172.0 In. Wheelbase; 3C3P-7000-JG; Must Add Companion Flange 3C3P-4K177-BA and Bolt 3C3Z-7N134-CA on 4x2 applications; Fixed Flange-w/ PTO; PRB-JC; TorqShift	3C3Z-7V000-JGRM
	2003		TorqShift	RWD; w/ 158.0 In. Wheelbase; 3C3P-7000-JF; Must Add Companion Flange 3C3P-4K177-BA and Bolt 3C3Z-7N134-CA on 4x2 applications; PRB-HX; Fixed Flange-w/ PTO; TorqShift	3C3Z-7V000-JGRM
	2003		5R110W	RWD; w/ 156.0 In. Wheelbase; 3C3P-7000-JF; Must Add Companion Flange 3C3P-4K177-BA and Bolt 3C3Z-7N134-CA on 4x2 applications; PRB-HX; Fixed Flange-w/ PTO; TorqShift	3C3Z-7V000-JGRM
	2003		5R110W	RWD; w/ 142.0 In. Wheelbase; 3C3P-7000-JF; Must Add Companion Flange 3C3P-4K177-BA and Bolt 3C3Z-7N134-CA on 4x2 applications; PRB-HX; Fixed Flange-w/ PTO; TorqShift	3C3Z-7V000-JGRM
	2003		TorqShift	RWD; w/ 172.0 In. Wheelbase; 3C3P-7000-JF; Must Add Companion Flange 3C3P-4K177-BA and Bolt 3C3Z-7N134-CA on 4x2 applications; PRB-HX; Fixed Flange-w/ PTO; TorqShift	3C3Z-7V000-JGRM
	2003		TorqShift	RWD; w/ 158.0 In. Wheelbase; 3C3P-7000-EJ; w/o PTO; w/ Slip Yoke; PRB-HZ; TorqShift	3C3Z-7000-EJRM
	2003		5R110W	RWD; w/ 142.0 In. Wheelbase; 3C3P-7000-EH; w/o PTO; w/ Slip Yoke; PRB-HU; TorqShift	3C3Z-7000-EJRM
	2003		TorqShift	RWD; w/ 158.0 In. Wheelbase; 3C3P-7000-EH; w/o PTO; w/ Slip Yoke; PRB-HU; TorqShift	3C3Z-7000-EJRM
	2003		5R110W	RWD; w/ 142.0 In. Wheelbase; 3C3P-7000-EJ; w/o PTO; w/ Slip Yoke; PRB-HZ; TorqShift	3C3Z-7000-EJRM
	2003		TorqShift	RWD; w/ 137.0 In. Wheelbase; 3C3P-7000-EH; w/o PTO; w/ Slip Yoke; PRB-HU; TorqShift	3C3Z-7000-EJRM
	2003		TorqShift	RWD; w/ 137.0 In. Wheelbase; 3C3P-7000-EJ; w/o PTO; w/ Slip Yoke; PRB-HZ; TorqShift	3C3Z-7000-EJRM
	2003		5R110W	RWD; w/ 137.0 In. Wheelbase; 3C3P-7000-EJ; w/o PTO; w/ Slip Yoke; PRB-HZ; TorqShift	3C3Z-7000-EJRM
	2003	6.0L DIESEL	5R110W	4WD; RM8U2J-7G497-ACA; w/o PTO; TorqShift	4C3Z-7000-KBRM
	2003		5R110W	RWD; RM8U2J-7G497-ABA; w/o PTO; TorqShift	4C3Z-7000-JBRM
	2003-2001	6.8L	4R100	4WD; 1C3P-7000-DA,DB,DC; w/o PTO; PRB-GG, GG1	1C3Z-7V000-DRM
	2003		4R100	4WD; 1C3P-7000-JC; w/ PTO Provision; PRB-GL, PRB-GL1	1C3Z-7V000-JRM
	2003-2001	7.3L	4R100	RWD; 1C3P-7000-CC; w/o PTO; PRB-GF, PRB-GF1	1C3Z-7V000-CRM
	2003		4R100	RWD; 1C3P-7000-HC; w/ PTO Provision; PRB-GK, PRB-GK1	1C3Z-7V000-HRM
	2003		4R100	RWD; 1C3P-7000-LB; Heavy Duty Service; w/ PTO; PRB-GN, PRB-GN1	7U2Z-7V000-ARM
	2003		4R100	4WD; 1C3P-7000-MB; Normal Service; w/ PTO; PRB-GP, PRB-GP1	1C3Z-7V000-MRM
	2003		4R100	RWD; 1C3P-7000-LB; Normal Service; w/ PTO; PRB-GN, PRB-GN1	1C3Z-7V000-LRM
	2003-2001		4R100	4WD; 1C3P-7000-FA, FB; Normal Service; w/o PTO; PRB-GJ, GJ1	1C3Z-7V000-FRM
	2003-2001		4R100	4WD; 1C3P-7000-FA, FB; Heavy Duty Service; w/o PTO; PRB-GJ, GJ1	6U2Z-7V000-FRM
	2003-2001		4R100	RWD; 1C3P-7000-EA, EB; Normal Service; w/o PTO; PRB-GH, GH1	1C3Z-7V000-ERM
2003	4R100		4WD; 1C3P-7000-MB; Heavy Duty Service; w/ PTO; PRB-GP, PRB-GP1	7U2Z-7V000-BRM	
2002	5.4L		4R100	4WD; 1L3P-7000-BC; Heavy Payload, California Emissions; PRB-GV	1C3Z-7V000-BRM
2002-2001			4R100	RWD; 1C3P-7000-AC; PRB-GD	1C3Z-7V000-ARM
2002-2001	4R100		Harley-Davidson Edition; RWD; 1L3P-7000-AC; PRB-GU	1C3Z-7V000-ARM	
2002-2001	4R100		RWD; 1L3P-7000-AC; PRB-GU; Heavy Payload, California Emissions	1C3Z-7V000-ARM	
2002-2001	4R100		Harley-Davidson Edition; RWD; 1L3P-7000-CC; PRB-GW	1L3Z-7V000-CRM	
2002	4R100		Lightning; RWD; 1L3P-7000-CC; PRB-GW	1L3Z-7V000-CRM	
2002-2001	6.8L	4R100	4WD; 1C3P-7000-JC; w/ PTO Provision; PRB-GL	1C3Z-7V000-JRM	
2002-2001		4R100	RWD; 1C3P-7000-HC; PRB-GK; w/ PTO Provision	1C3Z-7V000-HRM	
2002-2001	7.3L	4R100	RWD; 1C3P-7000-LA/LB; Heavy Duty Service; PRB-GN; w/ PTO	7U2Z-7V000-ARM	
2002-2001		4R100	4WD; 1C3P-7000-MB; Normal Service; w/ PTO; PRB-GP	1C3Z-7V000-MRM	
2002-2001	4R100	RWD; 1C3P-7000-LB; Normal Service; PRB-GN; w/ PTO	1C3Z-7V000-LRM		
2002-2001	4R100	4WD; 1C3P-7000-MA/MB; Heavy Duty Service; w/ PTO; PRB-GP	7U2Z-7V000-BRM		
2001-2000	4.6L	4R70W	RWD; YL3P-7000-DA; PKF-BY; Before 8/17/00	YL3Z-7V000-DRM	
2001	5.4L	4R100	4WD; 1C3P-7000-BA; PRB-DH	1C3Z-7V000-BRM	
2001		4R100	4WD; 1L3P-7000-BA,BB,BC; Heavy Payload, California Emissions; PRB-DY,FT	1C3Z-7V000-BRM	
2001	4R100	4WD; 1L3P-7000-BC; Heavy Payload, California Emissions; PRB-FT	1C3Z-7V000-BRM		
2001	4R100	4WD; 1L3P-7000-BB; Heavy Payload, California Emissions; PRB-FT	1C3Z-7V000-BRM		
2001	4R100	4WD; 1C3P-7000-BB; PRB-FG	1C3Z-7V000-BRM		
2001	4R100	RWD; 1C3P-7000-AA; PRB-DG	1C3Z-7V000-ARM		
2001	4R100	RWD; 1C3P-7000-AB; PRB-FF	1C3Z-7V000-ARM		
2001	4R100	RWD; 1L3P-7000-AA; Heavy Payload, California Emissions; PRB-DW,FR,GT	1C3Z-7V000-ARM		
2001	4R100	Harley-Davidson Edition; 1L3P-7000-AB; PRB-FS	1C3Z-7V000-ARM		
2001	4R100	RWD; 1L3P-7000-AB; Heavy Payload, California Emissions; PRB-FS	1C3Z-7V000-ARM		
2001	4R100	Lightning; RWD; 1L3P-7000-CA, CB; PRB-DZ, FU	1L3Z-7V000-CRM		
2001	6.8L	4R100	4WD; 1C3P-7000-DB; w/o PTO; PRB-FJ	1C3Z-7V000-DRM	
2001		4R100	4WD; 1C3P-7000-DA; w/o PTO; PRB-DK	1C3Z-7V000-DRM	
2001		4R100	4WD; 1C3P-7000-JB; w/ PTO Provision; PRB-FL	1C3Z-7V000-JRM	
2001		4R100	4WD; 1C3P-7000-JA; w/ PTO Provision; PRB-DP	1C3Z-7V000-JRM	
2001		4R100	RWD; 1C3P-7000-CA; w/o PTO; PRB-DJ	1C3Z-7V000-CRM	
2001		4R100	RWD; 1C3P-7000-CB; w/o PTO; PRB-FH	1C3Z-7V000-CRM	
2001		4R100	RWD; 1C3P-7000-HA; w/ PTO Provision; PRB-DN	1C3Z-7V000-HRM	



F-Series

-Cont'd

Part Type	Years	Engine	Trans	Qualifier	Ford #
Automatic - Reman	2001	6.8L	4R100	RWD; 1C3P-7000-HB; w/ PTO Provision; PRB-FK	1C3Z-7V000-HRM
	2001	7.3L	4R100	RWD; 1C3P-7000-LA; Heavy Duty Service; w/ PTO; PRB-DS	7U2Z-7V000-ARM
	2001		4R100	4WD; 1C3P-7000-MA; Normal Service; w/ PTO; PRB-DT	1C3Z-7V000-MRM
	2001		4R100	RWD; 1C3P-7000-LA; Normal Service; w/ PTO; PRB-DS	1C3Z-7V000-LRM
	2001		4R100	4WD; 1C3P-7000-FA; Normal Service; w/o PTO; PRB-DM	1C3Z-7V000-FRM
	2001		4R100	RWD; 1C3P-7000-EA, EB; Heavy Duty Service; w/o PTO; PRB-GH, GH1	6U2Z-7V000-FRM
	2001		4R100	4WD; 1C3P-7000-FA; Heavy Duty Service; w/o PTO; PRB-DM	6U2Z-7V000-FRM
	2001		4R100	RWD; 1C3P-7000-EA; Normal Service; w/o PTO; PRB-DL	1C3Z-7V000-ERM
	2001		4R100	4WD; 1C3P-7000-MA; Heavy Duty Service; w/ PTO; PRB-DT	7U2Z-7V000-BRM
	2000	4.2L	4R70W	RWD; YL3P-7000-EA; PKF-CC	YL3Z-7V000-ERM
	2000	4.6L	4R70W	4WD; YL3P-7000-FA; PKF-BZ	YL3Z-7V000-FRM
	2000		4R70W	RWD; YL3P-7000-DA; PKF-BY	YL3Z-7V000-DRM
	2000-1999	5.4L	4R100	RWD; XL3P-7000-GB; PRB-BC; TSS/OSS Axle Ratio	XL3Z-7V000-GBRM
	2000		4R100	RWD; YL3P-7000-AA; LD; PRB-CC	XL3Z-7V000-GBRM
	2000		4R100	Lightning; YL3P-7000-CA; PRB-CE	1L3Z-7V000-CRM
	2000		4R100	Lightning; XL3P-7000-KA; TSS/OSS Axle Ratio; PRB-BE	1L3Z-7V000-CRM
	2000		4R70W	RWD; YL3P-7000-MA; LD; PKF-BX	YL3Z-7V000-MRM
	2000		4R70W	RWD; YL3P-7000-MA; PKF-BX; Before 8/17/00	YL3Z-7V000-MRM
	2000		4R100	RWD; YC3P-7000-AA; PRB-BN	YC3Z-7V000-ARM
	2000-1999		4R100	4WD; XL3P-7000-HB; TSS/OSS Axle Ratio; PRB-BD,CD	YC3Z-7V000-BRM
	2000		4R100	4WD; YL3P-7000-BA,HB; LD; PRB-CD	YC3Z-7V000-BRM
	2000		4R100	4WD; YC3P-7000-BA, RA; PRB-BP, CU	YC3Z-7V000-BRM
	2000		4R70W	4WD; YL3P-7000-LA; Before 8/17/00; PKF-BW	YL3Z-7V000-LRM
	2000	6.8L	4R100	4WD; YC3P-7000-DA, SA; w/o PTO; PRB-BS, CV	YC3Z-7V000-DRM
	2000		4R100	RWD; YC3P-7000-CA; w/o PTO; PRB-BR	YC3Z-7V000-CRM
	2000	7.3L	4R100	4WD; YC3P-7000-MA; Normal Service; PTO; PRB-BZ	1C3Z-7V000-MRM
	2000		4R100	4WD; YC3P-7000-FB; Normal Service; PRB-CR	1C3Z-7V000-FRM
	2000		4R100	4WD; YC3P-7000-FA, FB; Normal Service; PRB-BU	1C3Z-7V000-FRM
	2000		4R100	RWD; YC3P-7000-LB; Normal Service; PTO; PRB-CS	F81Z-7V000-KBRM
	2000		4R100	4WD; YC3P-7000-MB; Normal Service; PTO; PRB-CT	F81Z-7V000-KBRM
	2000		4R100	RWD; YC3P-7000-LA; Normal Service; PTO; PRB-BY	F81Z-7V000-KBRM
	2000		4R100	4WD; YC3P-7000-FB; Heavy Duty Service; PRB-CR	6U2Z-7V000-LRM
	2000		4R100	4WD; YC3P-7000-FA, FB; Heavy Duty Service; PRB-BU	6U2Z-7V000-LRM
	2000		4R100	4WD; YC3P-7000-MA; PTO; Heavy Duty Service; PRB-BZ	7U2Z-7V000-DRM
	2000		4R100	4WD; YC3P-7000-MB; PTO; Heavy Duty Service; PRB-CT	7U2Z-7V000-DRM
	2000		4R100	RWD; YC3P-7000-EA, EB; Normal Service; PRB-BT	1C3Z-7V000-ERM
	2000		4R100	RWD; YC3P-7000-EB; Normal Service; PRB-CP	1C3Z-7V000-ERM
	2000		4R100	RWD; YC3P-7000-EA, EB; Heavy Duty Service; PRB-BT	6U2Z-7V000-HRM
	2000		4R100	RWD; YC3P-7000-EB; Heavy Duty Service; PRB-CP	6U2Z-7V000-HRM
	1999		4R100	RWD; Standard Cab Pickup; F81P-7000-TA; PRB-AD	F81Z-7V000-TARM
	1999	4.2L	4R70W	RWD; XL3P-7000-BA; PKF-AP	XL3Z-7V000-BARM
	1999	4.6L	4R70W	RWD; XL3P-7000-EA; PKF-AR	XL3Z-7V000-EARM
	1999		4R70W	4WD; XL3P-7000-CA; PKF-AO	XL3Z-7V000-CARM
	1999	5.4L	4R100	4WD; XC3P-7000-CA; PRB-AP	F81Z-7V000-BBRM
	1999		4R100	4WD; F81P-7000-BB; PRB-B	F81Z-7V000-BBRM
	1999		4R100	RWD; F81P-7000-AB; PRB-A	F81Z-7V000-ABRM
	1999		4R100	RWD; XC3P-7000-BA; PRB-AN	F81Z-7V000-ABRM
	1999		4R100	Lightning; RWD; XL3P-7000-KA; TSS/OSS Axle Ratio; PRB-BE	1L3Z-7V000-CRM
	1999		4R70W	4WD; XL3P-7000-JA; PKF-BG	XL3Z-7V000-JARM
	1999		4R70W	RWD; XL3P-7000-LA; PKF-BF	XL3Z-7V000-LARM
	1999	6.8L	4R100	4WD; F81P-7000-EB; PRB-D	F81Z-7V000-EBRM
	1999		4R100	4WD; XC3P-7000-EA; PRB-AS	F81Z-7V000-EBRM
	1999		4R100	RWD; F81P-7000-FB; PTO; PRB-E	F81Z-7V000-FBRM
	1999		4R100	RWD; XC3P-7000-FA; PTO; PRB-AT	F81Z-7V000-FBRM
	1999		4R100	RWD; XC3P-7000-DA; PRB-AR	F81Z-7V000-DBRM
	1999		4R100	RWD; F81P-7000-DB; PRB-C	F81Z-7V000-DBRM
	1999		4R100	4WD; XC3P-7000-GA; PTO; PRB-AU	F81Z-7V000-GBRM
	1999		4R100	4WD; F81P-7000-GB; PTO; PRB-F	F81Z-7V000-GBRM
	1999	7.3L	4R100	4WD; XC3P-7000-JA; Normal Service; PTO; PRB-AW	1C3Z-7V000-MRM
	1999		4R100	4WD; XC3P-7000-LA; Normal Service; PRB-AY	1C3Z-7V000-FRM
	1999		4R100	RWD; F81P-7000-KB; Normal Service; PTO; PRB-H	F81Z-7V000-KBRM
	1999		4R100	RWD; XC3P-7000-KA; Normal Service; PTO; PRB-AX	F81Z-7V000-KBRM
	1999		4R100	4WD; F81P-7000-LB; Heavy Duty Service; PRB-J	6U2Z-7V000-LRM
	1999		4R100	4WD; XC3P-7000-LA; Heavy Duty Service; PRB-AY	6U2Z-7V000-LRM
	1999		4R100	4WD; F81P-7000-PB; PTO; PRB-K; Heavy Duty Service	7U2Z-7V000-DRM
	1999		4R100	RWD; F81P-7000-HB; Normal Service; PRB-G	1C3Z-7V000-ERM
	1999		4R100	RWD; XC3P-7000-HA; Normal Service; PRB-AV	1C3Z-7V000-ERM
	1999		4R100	RWD; F81P-7000-HB; Heavy Duty Service; PRB-G	6U2Z-7V000-HRM
	1999		4R100	RWD; XC3P-7000-HA; Heavy Duty Service; PRB-AV	6U2Z-7V000-HRM
	1998	4.2L	4R70W	RWD; F85P-7000-GA; PKF-BC	F85Z-7V000-GARM
	1998	4.6L	4R70W	RWD; F85P-7000-BA; PKF-AX	F85Z-7V000-BARM
	1998		4R70W	4WD; F85P-7000-HA; PKF-BD	F85Z-7V000-HARM
	1998		4R70W	RWD; F85P-7000-FA; PKF-BB	F85Z-7V000-FARM
	1998	5.4L	4R100	4WD; F75P-7000-MA, MB; 3.31/3.73 Axle Ratio; PRA-PAB	F75Z-7V000-MRM
	1998		4R100	4WD; F8UP-7000-MB; 3.08/3.31/3.55/3.73 Axle Ratio; PRB-V	F8UZ-7V000-MBRM
	1998		4R100	RWD; F75P-7000-LA, LB; 8TSG, 3.08/3.55 Axle Ratio; PRA-NAB	F75Z-7V000-LCRM
	1997	4.2L	4R70W	RWD; F75P-7000-JA; PKF-X	F75Z-7V000-JRM
	1997	4.6L	4R70W	4WD; F75P-7000-KA; PKF-Y	F75Z-7V000-KRM
	1997		4R70W	4WD; F75P-7000-EA; PKF-T	F75Z-7V000-ERM
	1997		4R70W	RWD; F75P-7000-HA; PKF-W	F75Z-7V000-HRM



F-Series

-Cont'd

Part Type	Years	Engine	Trans	Qualifier	Ford #	
Automatic - Reman	1997	5.4L	E4OD	4WD; F75P-7000-MA; 3.08/3.55 Axle Ratio; PRA-PAA	F75Z-7V000-MRM	
	1997		E4OD	4WD; F75P-7000-MA; PRA-PAA; LD, 3.31/3.73 Axle Ratio	F75Z-7V000-MRM	
	1997		E4OD	RWD; F75P-7000-LB; 8TSG, 3.31/3.73 Axle Ratio; PRA-NAB	F75Z-7V000-LCRM	
	1997		E4OD	RWD; F75P-7000-LC, LD; 8TSG, 3.08/3.31/3.55/3.73 Axle Ratio	F75Z-7V000-LCRM	
	1997		E4OD	RWD; F75P-7000-LB; 8TSG, 3.08/3.55 Axle Ratio; PRA-NAB	F75Z-7V000-LCRM	
	1997		E4OD	RWD; F75P-7000-LA; PRA-NAA; 8TSG, 3.08/3.55 Axle Ratio	F75Z-7V000-LRM	
	1997		E4OD	RWD; F75P-7000-LA; PRA-NAA; 8TSG, 3.31/3.73 Axle Ratio	F75Z-7V000-LRM	
	1997		7.3L	E4OD	4WD; F7TP-7000-JA; HD, 3.55/4.10 Axle Ratio; PRA-BCA	F7TZ-7V000-JRM
	1997			E4OD	RWD; F7TP-7000-NA; HD, 3.55/4.10 Axle Ratio; PRA-JD	F7TZ-7V000-NARM
	1997		7.5L	E4OD	4WD; F7TP-7000-KA; HD, 3.55/4.10 Axle Ratio; PRA-YD	F7TZ-7V000-KRM
	1997	E4OD		RWD; F7TP-7000-RA; Motor Home, 4.63/5.13 Axle Ratio; PRA-CCA	F7TZ-7V000-LRM	
	1997	5.0L	E4OD	RWD; F7TP-7000-PA; HD, 3.55/4.10 Axle Ratio; PRA-GD	F7TZ-7V000-PRM	
	1996		E4OD	RWD; F6TP-7000-DA; 3.55 Axle Ratio; PRA-AC10	F6UZ-7V000-DARM	
	1996	5.8L	E4OD	RWD; F6TP-7000-DA; 4.10 Final Drive Ratio; PRA-AC10	F6UZ-7V000-DARM	
	1996		E4OD	4WD; F6TP-7000-FA; 3.55/4.10 Final Drive Ratio; PRA-JAA10	F6TZ-7V000-FARM	
	1996	7.3L	E4OD	4WD; F6TP-7000-FA; 3.08/3.55 Axle Ratio; PRA-JAA10	F6TZ-7V000-FARM	
	1996		E4OD	RWD; F6UP-7000-DA; 3.08/3.55 Axle Ratio; PRA-FB10	F6UZ-7V000-DARM	
	1996	7.5L	E4OD	RWD; F6UP-7000-DA; 3.55/4.10 Final Drive Ratio; PRA-FB10	F6UZ-7V000-DARM	
	1996		E4OD	RWD; F6UP-7000-FA; 3.55/4.10 Final Drive Ratio; PRA-JC10	F6UZ-7V000-FARM	
	1996	4.9L	E4OD	RWD; F6UP-7000-FA; HD, 3.55/4.10 Axle Ratio; PRA-JC10	F6UZ-7V000-FARM	
	1996		E4OD	4WD; F6TP-7000-GA; HD, 3.55/4.10 Axle Ratio; PRA-BBA10	F6TZ-7V000-GARM	
	1996	7.5L	E4OD	4WD; F6TP-7000-GA; 3.55/4.10 Final Drive Ratio; PRA-BBA10	F6TZ-7V000-GARM	
	1996		E4OD	4WD; F6TP-7000-HA; HD, 3.55/4.10 Axle Ratio; PRA-YC10	F7TZ-7V000-KRM	
	1996	4.9L	E4OD	4WD; F6TP-7000-HA; HD, 3.55/4.10 Axle Ratio; PRA-YC10	F7TZ-7V000-KRM	
	1996		E4OD	RWD; F6UP-7000-HA; 3.55/4.10 Final Drive Ratio; PRA-GC10	F6UZ-7V000-HARM	
	1996	5.0L	E4OD	RWD; F6UP-7000-HA; PRA-GC10; HD, 3.55/4.10 Axle Ratio	F6UZ-7V000-HARM	
	1995		E4OD	RWD; F5UP-7000-BB; 3.08/3.31 Axle Ratio; PRA-DB	F5UZ-7V000-BRM	
	1995-1994	5.0L	4R70W	RWD; F4TP-7000-AA; PKF-B	F4TZ-7V000-ARM	
	1995		E4OD	RWD; F5TP-7000-GB; 4.10 Final Drive Ratio; PRA-AC	F5TZ-7V000-GRM	
	1995	5.8L	E4OD	RWD; F5TP-7000-GB; 3.55 Axle Ratio; PRA-AC	F5TZ-7V000-GRM	
	1995-1994		4R70W	4WD; F4TP-7000-BA; PKF-C	F4TZ-7V000-BRM	
	1995	5.0L	E4OD	Lightning; RWD; F5TP-7000-AB; 4.10 Final Drive Ratio; PRA-SB	F5UZ-7V000-DRM	
	1995		E4OD	RWD; F5UP-7000-DB; PRA-FB; 3.08/3.55/4.10 Axle Ratio	F5UZ-7V000-DRM	
	1995	7.3L	E4OD	4WD; F5TP-7000-CB; 3.55/4.10 Final Drive Ratio; PRA-JAA	F5TZ-7V000-CRM	
	1995		E4OD	4WD; F5TP-7000-CB; 3.08/3.55 Axle Ratio; PRA-JAA	F5TZ-7V000-CRM	
	1995	7.5L	E4OD	4WD; F5TP-7000-CB; HD, 3.55/4.10 Axle Ratio; PRA-JAA	F5TZ-7V000-CRM	
	1995		E4OD	RWD; F5UP-7000-GB; HD, 3.55/4.10 Axle Ratio; PRA-JC1	F5UZ-7V000-GRM	
	1995	4.9L	E4OD	4WD; F5TP-7000-EB; HD, 3.55/4.10 Axle Ratio; PRA-BBA1	F5TZ-7V000-ERM	
	1995		E4OD	RWD; F5UP-7000-EB; PRA-GC; HD, 3.55/4.10 Axle Ratio	F5UZ-7V000-ERM	
	1994	5.0L	E4OD	4WD; F5TP-7000-DB; HD, 3.55/4.10 Axle Ratio; PRA-YC	F5TZ-7V000-DRM	
	1994		E4OD	RWD; F2UP-7000-DC; 3.08/3.31 Axle Ratio; PRA-DA15	F2TZ-7V000-BRM	
	1994	5.8L	E4OD	4WD; F4TP-7000-FA; 3.55 Axle Ratio; PRA-BB4	F2TZ-7V000-HRM	
	1994		E4OD	RWD; F4TP-7000-EA; 3.55/4.10 Final Drive Ratio; PRA-AB4	F4TZ-7V000-ERM	
	1994	7.3L	E4OD	RWD; F2UP-7000-EC; 3.55/4.10 Final Drive Ratio; PRA-FA15	F2TZ-7V000-FRM	
	1994		E4OD	Lightning; RWD; F2TP-7000-AGA; 4.10 Final Drive Ratio; PRA-SA10	F2TZ-7V000-FRM	
	1994	7.5L	E4OD	RWD; F2UP-7000-EC; 3.08/3.55 Axle Ratio; PRA-FA15	F2TZ-7V000-FRM	
	1994		E4OD	4WD; F2TP-7000-HA; PRA-R14, R; HD, 3.08/3.55/4.10 Axle Ratio	F2TZ-7V000-HRM	
	1994	4.9L	E4OD	4WD; F3TP-7000-LA; PRA-BAA6; 3.55/4.10/5.13 Axle Ratio	F3TZ-7V000-LRM	
	1994		E4OD	RWD; F3UP-7000-EA; 3.55/4.10 Final Drive Ratio; PRA-JB6	F2TZ-7V000-NRM	
	1994	5.0L	E4OD	RWD; F3UP-7000-EA; HD, 3.55/4.10 Axle Ratio; PRA-JB6	F2TZ-7V000-NRM	
	1994		E4OD	RWD; F4UP-7000-CA; 4.56 Ratio; PRA-FAA2	F4UZ-7V000-CRM	
	1994	7.5L	E4OD	RWD; F4UP-7000-BA; 4.56 Ratio; PRA-EAA2	F4UZ-7V000-CRM	
	1994		E4OD	4WD; F3TP-7000-EB; HD, 3.55/4.10 Axle Ratio; PRA-YB3	F2TZ-7V000-MRM	
	1994	4.9L	E4OD	4WD; F3TP-7000-EB; HD, 3.55/4.10 Axle Ratio; PRA-YB3	F2TZ-7V000-MRM	
	1994		E4OD	RWD; F3UP-7000-BA; PRA-GB4; HD, 3.55/4.10 Axle Ratio	F2TZ-7V000-JRM	
	1994	5.0L	E4OD	RWD; F3UP-7000-BA; 3.55/4.10 Final Drive Ratio; PRA-GB4	F2TZ-7V000-JRM	
	1993-1992		E4OD	RWD; F2UP-7000-DC; PRA-DA	F2TZ-7V000-BRM	
	1993-1992	5.8L	E4OD	RWD; F2TP-7000-DA; PRA-AA	F2TZ-7V000-FRM	
	1993-1992		E4OD	4WD; F2TP-7000-EA; PRA-BA	F2TZ-7V000-HRM	
	1993-1992	7.3L	E4OD	RWD; F2UP-7000-EC; PRA-FA	F2TZ-7V000-FRM	
	1993-1992		E4OD	RWD; F2TP-7000-AGA; PRA-SA	F2TZ-7V000-FRM	
	1993-1992	7.5L	E4OD	4WD; F2TP-7000-HA; PRA-R	F2TZ-7V000-HRM	
	1993-1992		E4OD	4WD; F2TP-7000-PA; HD; PRA-G	F3TZ-7V000-LRM	
	1993	4.9L	E4OD	4WD; F2TP-7000-PA; PRA-G	F3TZ-7V000-LRM	
	1992		E4OD	RWD; F2UP-7000-HC; PRA-JA	F2TZ-7V000-NRM	
	1992	5.8L	E4OD	RWD; F3TP-7000-GA; PRA-AAA	F2TZ-7V000-MRM	
	1992		E4OD	RWD; F2TP-7000-BA; PRA-Y	F2TZ-7V000-BRM	
	1992	7.3L	E4OD	RWD; F2UP-7000-DA; PRA-DA	F2TZ-7V000-BRM	
	1992		E4OD	RWD; F2UP-7000-EA; PRA-FA	F2TZ-7V000-FRM	
	1992	7.5L	E4OD	RWD; F2TP-7000-FA; PRA-P	F2TZ-7V000-FRM	
	1992		E4OD	RWD; F2TP-7000-NA; PRA-L	F2UZ-7V000-NRM	
	1991-1990	5.0L	E4OD	RWD; F2UP-7000-HA; PRA-JA	F2UZ-7V000-NRM	
	1991		E4OD	RWD; F2TP-7000-JA; PRA-J	F2TZ-7V000-JRM	
	1991	5.8L	E4OD	RWD; F0TP-7000-YA; PRA-AA	F0TZ-7V000-ARM	
	1991		E4OD	4WD; F1TP-7000-MA; PRA-R	F0TZ-7V000-ARM	
	1991-1990	5.0L	E4OD	4WD; F1TP-7000-LA, MA; PRA-BA	F0TZ-7V000-BRM	
	1991-1990		E4OD	RWD; F0TP-7000-AA; 3.54/3.73 Final Drive Ratio; PRA-P	F0TZ-7V000-ARM	
	1991-1990	5.8L	E4OD	RWD; F0UP-7000-HA; 3.54/3.73 Final Drive Ratio; PRA-FA	F0TZ-7V000-ARM	
	1991-1990		E4OD	RWD; F0TP-7000-EA; 3.54 Final Drive Ratio; PRA-V	F0TZ-7V000-ERM	
	1991-1990	5.0L	E4OD	RWD; F0UP-7000-EA; 3.54 Final Drive Ratio; PRA-CA	F0TZ-7V000-ERM	
	1991-1990		E4OD	RWD; F0UP-7000-EA; 3.54 Final Drive Ratio; PRA-CA	F0TZ-7V000-ERM	



F-Series

-Cont'd

Part Type	Years	Engine	Trans	Qualifier	Ford #
Automatic - Reman	1991	7.3L	E4OD	RWD; F0TP-7000-ACA; 4.10 Final Drive Ratio; PRA-L	FOTZ-7V000-LRM
	1991-1990		E4OD	RWD; F0UP-7000-LA; 4.10 Final Drive Ratio; PRA-JA	FOTZ-7V000-LRM
	1991-1990		E4OD	4WD; F0TP-7000-UA; PRA-G	FOTZ-7V000-URM
	1990	5.8L	E4OD	4WD; F0TP-7000-BB; PRA-R	FOTZ-7V000-BRM
	1990		E4OD	4WD; F0TP-7000-BA,BB,ZA; PRA-R	FOTZ-7V000-BRM
	1990	7.3L	E4OD	4WD; F0TP-7000-ZA; PRA-BA	FOTZ-7V000-BRM
	1990		E4OD	RWD; F0TP-7000-WA; 4.10 Final Drive Ratio; PRA-L	FOTZ-7V000-LRM
	1989		E4OD	4WD; E9TP-7000-GA, GB; PRA-G	E9TZ-7V000-CRM

Flex

Part Type	Years	Engine	Trans	Qualifier	Ford #	
Automatic - New	2018-2014	3.5L EcoBoost	6F50	AWD; DA8P-7000-SB; 3.65 Final Drive Ratio	DA8Z-7000-S	
	2018-2013		6F50	FWD; DA8P-7000-CB; 3.39 Final Drive Ratio	DA8Z-7000-K	
	2014-2013		6F50	DA5P-7000-DB; w/ 3.16 Ratio	DA5Z-7000-M	
	2013	3.5L	6F50	FWD; DA8P-7000-CA; 3.39 Final Drive Ratio	DA8Z-7000-A	
	2013		6F50	AWD; DA8P-7000-SA; 3.65 Final Drive Ratio	DA8Z-7000-B	
	2012-2009		6F55	Naturally Aspirated; AA8P-7000-FC; 3.16 Final Drive Ratio	AA8Z-7000-S	
	2012-2009	3.5L EcoBoost	6F50	AA8P-7000-KC; 3.39 Final Drive Ratio	AA8Z-7000-V	
	2012-2010		6F55	AA5P-7000-DD; 3.16 Final Drive Ratio	AA5Z-7000-K	
	2011	3.5L EcoBoost	6F50	AA8P-7000-KB; 3.39 Final Drive Ratio; Before 3/28/11	AA8Z-7000-N	
	Automatic - Reman		2014-2013	6F50	FWD; RMDA8J-7000-BA; w/ 3.39 Ratio	DA8Z-7000-ARM
			2014-2013	6F50	AWD; DA8P-7000-SB; w/ 3.65 Ratio	DA8Z-7000-BRM
			2014-2013	6F50	RMDA5J-7000-BA; w/ 3.16 Ratio	DA5Z-7000-DRM
2012-2009	3.5L		6F50	AWD; AA8P-7000-KA,KB,KC	AA8Z-7000-KRM	
2012-2009			6F50	FWD; AA8P-7000-FA,FB,FC	AA8Z-7000-FRM	
2012-2011			6F55	AWD; AA5P-7000-DC,DD	AA5Z-7000-HRM	
2011-2009	3.5L EcoBoost		6F50	AWD; 9E9P-7000-KA	9E9Z-7000-BRM	
2010			6F55	AWD; AA5P-7000-DA,DB	AA5Z-7000-DRM	
2009		6F50	FWD; 9E9P-7000-FA	9E9Z-7000-ARM		

Freestar

Part Type	Years	Engine	Trans	Qualifier	Ford #
Automatic - Reman	2007-2005	3.9L	AX4N	5F2P-7000-BA,BB,BC; PNB-LA	5F2Z-7000-BRM
	2007-2005	4.2L	AX4N	5F2P-7000-AA,AB,AC; PNB-MA	5F2Z-7000-ARM
	2004	3.9L	AX4N	4F2P-7000-BA; PNB-LA	4F2Z-7000-BARM
	2004	4.2L	AX4N	RM4F2J-7000-AC; 4F2P-7000-AA,AB; PNB-MA	4F2Z-7000-ABRM

Police Interceptor Utility

Part Type	Years	Engine	Trans	Qualifier	Ford #
Automatic - New	2018-2014	3.5L EcoBoost	6F55	AWD; DA5P-7000-DB; w/ 3.16 Ratio	DA5Z-7000-M
	2018-2014	3.7L		AWD; DA5P-7000-BB; w/ 3.65 Final Drive Ratio	DA5Z-7000-N
	2013		6F55	DA5P-7000-GA	DA5Z-7000-K
Automatic - Reman	2014	3.5L EcoBoost		AWD; RMDA5J-7000-BA; w/ 3.16 Ratio	DA5Z-7000-DRM
	2013	3.7L	6F55	AWD; DA5P-7000-GA	DA5Z-7000-KRM

Ranger

Part Type	Years	Engine	Trans	Qualifier	Ford #
Automatic - Reman	2011	2.3L	5R44E	RWD; BL5P-7000-CA	7L5Z-7000-CRM
	2011	4.0L	5R55E	4WD; BL5P-7000-EA	7L5Z-7000-ERM
	2011		5R55E	RWD; BL5P-7000-DA	7L5Z-7000-DRM
	2010-2009	2.3L	5R44E	RWD; 9L5P-7000-CA	7L5Z-7000-CRM
	2010-2009	4.0L	5R55E	4WD; 9L5P-7000-EA	7L5Z-7000-ERM
	2010-2009		5R55E	RWD; 9L5P-7000-DA	7L5Z-7000-DRM
	2008	2.3L	5R44E	RWD; 8L5P-7000-CA	7L5Z-7000-CRM
	2008-2007		5R44E	RWD; 7L5P-7000-CA,CB	7L5Z-7000-CRM
	2008	3.0L	5R44E	RWD; 8L5P-7000-AA	7L5Z-7000-ARM
	2008		5R55E	4WD; 8L5P-7000-BA	7L5Z-7000-BRM
	2008	4.0L	5R55E	4WD; 8L5P-7000-EA	7L5Z-7000-ERM
	2008		5R55E	RWD; 8L5P-7000-DA	7L5Z-7000-DRM
	2007-2006	2.3L	5R44E	RWD; 5L5P-7000-CB; RJL	5L5Z-7000-CRM
	2007	3.0L	5R44E	RWD; 7L5P-7000-AA,AB,BA,BB	7L5Z-7000-ARM
	2007		5R44E	4WD; 7L5P-7000-AA,AB,BA,BB	7L5Z-7000-BRM
	2007	4.0L	5R55E	4WD; 7L5P-7000-EA,EB	7L5Z-7000-ERM
	2007		5R55E	RWD; 7L5P-7000-DA,DB	7L5Z-7000-DRM
	2006-2005	3.0L	5R44E	RWD; 5L5P-7000-AB; RJL	5L5Z-7000-ARM
	2006-2004	4.0L	5R55E	4WD; 4L5P-7000-EA; RJL	4L5Z-7000-EARM
	2006-2005		5R55E	RWD; RM5L5J-7000-DC	5L5Z-7000-DRM
	2005	2.3L	5R55E	RWD; 5L5P-7000-CB; RJL	5L5Z-7000-CRM
	2005-2004	3.0L	5R55E	4WD; 4L5P-7000-BA; RJL	4L5Z-7000-BARM
	2004	2.3L	5R55E	RWD; 4L5P-7000-CA; RJL	4L5Z-7000-CARM



Ranger

-Cont'd

Part Type	Years	Engine	Trans	Qualifier	Ford #
Automatic - Reman	2004	3.0L	5R55E	RWD; 4L5P-7000-AA; RJL	4L5Z-7000-AARM
	2004	4.0L	5R55E	RWD; 4L5P-7000-DA; RJL	4L5Z-7000-DARM
	2003-2002	3.0L	5R44E	RWD; 2L5P-7000-AB	2L5Z-7V000-ABRM
	2003-2001	4.0L	5R55E	RWD; 1L5P-7000-DA,FA	1L5Z-7V000-DRM
	2003-2002		5R55E	4WD; 1L5P-7000-EA	1L5Z-7V000-ERM
	2001-1999	2.5L	4R44E	RWD; XL5P-7000-CA	XL5Z-7V000-CARM
	2001	3.0L	5R44E	RWD; 1L5P-7000-AA	1L5Z-7V000-ARM
	2001	4.0L SOHC	5R55E	4WD; 1L5P-7000-EA	1L5Z-7V000-ERM
	2000-1999	3.0L	5R55E	RWD; XL5P-7000-AA	XL5Z-7V000-AARM
	2000-1999		4R44E	4WD; XL5P-7000-BA	XL5Z-7V000-BARM
	2000-1999	4.0L	5R55E	4WD; XL5P-7000-EA	XL5Z-7V000-EARM
	2000-1999		5R55E	RWD; XL5P-7000-DA	XL5Z-7V000-DARM
	1998		5R55E	4WD; 98GT-7000-LAA,LBA	F87Z-7V000-LARM
	1997		5R55E	4WD; 97GT-7000-ACA,AEA	F77Z-7V000-AARM

Transit Connect

Part Type	Years	Engine	Trans	Qualifier	Ford #	
Automatic - New	2018	2.5L	6F35	DV6P-7000-ZD	DV6Z-7000-P	
	2017		6F35	DV6P-7000-ZB; Before 2/08/17	DV6Z-7000-G	
	2017		6F35	DV6P-7000-ZD; From 2/08/17	DV6Z-7000-P	
	2016	1.6L	6F35	DV6P-7000-UB	DV6Z-7000-E	
	2016-2015	2.5L	6F35	FWD; DV6P-7000-ZA; 3.21 Final Drive Ratio; Before 9/24/15	DV6Z-7000-D	
	2016		6F35	DV6P-7000-ZB	DV6Z-7000-G	
	2015	1.6L	6F35	DV6P-7000-UA; 3.06 Ratio; Before 9/24/15	DV6Z-7000-B	
	2015-2014		6F35	FWD; DV6P-7000-VA; 3.51 Final Drive Ratio	DV6Z-7000-C	
	2015		6F35	DV6P-7000-UB; From 9/24/15	DV6Z-7000-E	
	2015		6F35	RMGV6J-7000-LA; 3.06 Ratio; Before 9/24/15	DV6Z-7000-BRM	
	2015-2014		6F35	FWD; RMGV6J-7000-LA; 3.51 Final Drive Ratio	DV6Z-7000-CRM	
	2015	2.5L	6F35	DV6P-7000-ZB; From 9/24/15	DV6Z-7000-G	
	2015		6F35	RMGV6J-7000-DA; 3.21 Final Drive Ratio; Before 9/24/15	DV6Z-7000-DRM	
	2014	1.6L	6F35	DV6P-7000-UA; 3.06 Ratio	DV6Z-7000-B	
	2014		6F35	RMGV6J-7000-LA; 3.06 Ratio	DV6Z-7000-BRM	
	2014	2.5L	6F35	FWD; DV6P-7000-ZA; 3.21 Final Drive Ratio	DV6Z-7000-D	
	2014		6F35	RMGV6J-7000-DA; 3.21 Final Drive Ratio	DV6Z-7000-DRM	
	2013-2012	2.0L	4F27E	BT1P-7000-DA	BT1Z-7000-A	
	2011		4F27E	8M5P-7000-AA; Before 1/17/11	8M5Z-7000-A	
	2011		4F27E	BT1P-7000-DA; From 1/17/11	BT1Z-7000-A	
	2010		4F27E	8M5P-7000-AA	8M5Z-7000-A	
	Automatic - Reman	2013-2011		4F27E	BT1P-7000-DA; 3.9 Axle	BT1Z-7000-BRM
		2011-2010		4F27E	8M5P-7000-AA; 4.2 Axle	8M5Z-7000-ARM

Transit-150

Part Type	Years	Engine	Trans	Qualifier	Ford #
Automatic - New	2018-2016	3.2L	6R80	w/ 130.0 In. Wheelbase; GK4P-7000-DA	GK4Z-7000-C
	2018-2016		6R80	w/ 148.0 In. Wheelbase; GK4P-7000-DA	GK4Z-7000-C
	2018-2016	3.7L	6R80	w/ 130.0 In. Wheelbase; GK4P-7000-FA	GK4Z-7000-E
	2018-2016		6R80	w/ 148.0 In. Wheelbase; GK4P-7000-FA	GK4Z-7000-E
	2017-2016	3.5L	6R80	GK4P-7000-EA	GK4Z-7000-D
	2015	3.2L	6R80	w/ 148.0 In. Wheelbase; CK4P-7000-DC	CK4Z-7000-F
	2015	3.5L	6R80	CK4P-7000-EB	CK4Z-7000-D
	2015	3.7L	6R80	w/ 148.0 In. Wheelbase; CK4P-7000-FB	CK4Z-7000-E

Transit-250

Part Type	Years	Engine	Trans	Qualifier	Ford #
Automatic - New	2018-2016	3.2L	6R80	w/ 138.0 In. Wheelbase; GK4P-7000-DA	GK4Z-7000-C
	2018-2016		6R80	w/ 148.0 In. Wheelbase; GK4P-7000-DA	GK4Z-7000-C
	2018-2016		6R80	w/ 130.0 In. Wheelbase; GK4P-7000-DA	GK4Z-7000-C
	2018-2016	3.7L	6R80	w/ 148.0 In. Wheelbase; GK4P-7000-FA	GK4Z-7000-E
	2018-2016		6R80	w/ 130.0 In. Wheelbase; GK4P-7000-FA	GK4Z-7000-E
	2018-2016		6R80	w/ 138.0 In. Wheelbase; GK4P-7000-FA	GK4Z-7000-E
	2017-2016	3.5L	6R80	GK4P-7000-EA	GK4Z-7000-D
	2016	3.2L	6R80	w/ 156.0 In. Wheelbase; GK4P-7000-AA	GK4Z-7000-A
	2016	3.7L	6R80	w/ 156.0 In. Wheelbase; GK4P-7000-CA	GK4Z-7000-B
	2015	3.2L	6R80	w/ 156.0 In. Wheelbase; CK4P-7000-AC	CK4Z-7000-A
	2015		6R80	w/ 138.0 In. Wheelbase; CK4P-7000-DC	CK4Z-7000-F
	2015		6R80	w/ 148.0 In. Wheelbase; CK4P-7000-DC	CK4Z-7000-F
	2015	3.5L	6R80	CK4P-7000-EB	CK4Z-7000-D
	2015		6R80	w/ 156.0 In. Wheelbase; CK4P-7000-CB	CK4Z-7000-C
	2015	3.7L	6R80	w/ 138.0 In. Wheelbase; CK4P-7000-FB	CK4Z-7000-E
	2015		6R80	w/ 148.0 In. Wheelbase; CK4P-7000-FB	CK4Z-7000-E



Transit-350

Part Type	Years	Engine	Trans	Qualifier	Ford #
Automatic - New	2018-2016	3.2L	6R80	w/ 148.0 In. Wheelbase; GK4P-7000-DA	GK4Z-7000-C
	2018-2016	3.7L	6R80	w/ 148.0 In. Wheelbase; GK4P-7000-FA	GK4Z-7000-E
	2017-2016	3.5L	6R80	GK4P-7000-EA	GK4Z-7000-D
	2016	3.2L	6R80	w/ 178.0 In. Wheelbase; GK4P-7000-AA	GK4Z-7000-A
	2016		6R80	w/ 156.0 In. Wheelbase; GK4P-7000-AA	GK4Z-7000-A
	2016	3.7L	6R80	w/ 178.0 In. Wheelbase; GK4P-7000-CA	GK4Z-7000-B
	2016		6R80	w/ 156.0 In. Wheelbase; GK4P-7000-CA	GK4Z-7000-B
	2015	3.2L	6R80	w/ 156.0 In. Wheelbase; CK4P-7000-AC	CK4Z-7000-A
	2015		6R80	w/ 178.0 In. Wheelbase; CK4P-7000-AC	CK4Z-7000-A
	2015		6R80	w/ 148.0 In. Wheelbase; CK4P-7000-DC	CK4Z-7000-F
	2015	3.5L	6R80	CK4P-7000-EB	CK4Z-7000-D
	2015	3.7L	6R80	w/ 156.0 In. Wheelbase; CK4P-7000-CB	CK4Z-7000-C
	2015		6R80	w/ 178.0 In. Wheelbase; CK4P-7000-CB	CK4Z-7000-C
	2015		6R80	w/ 148.0 In. Wheelbase; CK4P-7000-FB	CK4Z-7000-E

Transit-350 HD

Part Type	Years	Engine	Trans	Qualifier	Ford #
Automatic - New	2018-2016	3.2L	6R80	w/ 138.0 In. Wheelbase; GK4P-7000-DA	GK4Z-7000-C
	2018-2016		6R80	w/ 148.0 In. Wheelbase; GK4P-7000-DA	GK4Z-7000-C
	2018-2016	3.7L	6R80	w/ 148.0 In. Wheelbase; GK4P-7000-FA	GK4Z-7000-E
	2018-2016		6R80	w/ 138.0 In. Wheelbase; GK4P-7000-FA	GK4Z-7000-E
	2017-2016	3.5L	6R80	GK4P-7000-EA	GK4Z-7000-D
	2016	3.2L	6R80	w/ 178.0 In. Wheelbase; GK4P-7000-AA	GK4Z-7000-A
	2016		6R80	w/ 156.0 In. Wheelbase; GK4P-7000-AA	GK4Z-7000-A
	2016	3.7L	6R80	w/ 156.0 In. Wheelbase; GK4P-7000-CA	GK4Z-7000-B
	2016		6R80	w/ 178.0 In. Wheelbase; GK4P-7000-CA	GK4Z-7000-B
	2015	3.2L	6R80	w/ 156.0 In. Wheelbase; CK4P-7000-AC	CK4Z-7000-A
	2015		6R80	w/ 178.0 In. Wheelbase; CK4P-7000-AC	CK4Z-7000-A
	2015		6R80	w/ 148.0 In. Wheelbase; CK4P-7000-DC	CK4Z-7000-F
	2015		6R80	w/ 138.0 In. Wheelbase; CK4P-7000-DC	CK4Z-7000-F
	2015	3.5L	6R80	CK4P-7000-EB	CK4Z-7000-D
	2015	3.7L	6R80	w/ 156.0 In. Wheelbase; CK4P-7000-CB	CK4Z-7000-C
	2015		6R80	w/ 178.0 In. Wheelbase; CK4P-7000-CB	CK4Z-7000-C
	2015		6R80	w/ 148.0 In. Wheelbase; CK4P-7000-FB	CK4Z-7000-E
	2015		6R80	w/ 138.0 In. Wheelbase; CK4P-7000-FB	CK4Z-7000-E

Windstar

Part Type	Years	Engine	Trans	Qualifier	Ford #
Automatic - Reman	2003-2001	3.8L	4F50N	1F2P-7000-CC; PNB-LA	1F2Z-7V000-CRM
	2000		AX4S	YF2P-7000-BA; PNA-WK	YF2Z-7V000-BRM
	1999		AX4S	XF2P-7000-BA; PNA-WC	XF2Z-7V000-BARM
	1998-1997	3.0L	AX4S	F88P-7000-AA; From 9/9/97; PNA-WE1	F88Z-7V000-AARM
	1998-1997	3.8L	AX4S	F78P-7000-BA; Before 9/9/97; PNA-WC	F78Z-7V000-BRM
	1998-1997		AX4S	F88P-7000-BA; From 9/9/97; PNA-WF1	F88Z-7V000-BARM

Lincoln

Aviator

Part Type	Years	Engine	Trans	Qualifier	Ford #
Automatic - Reman	2005-2004	4.6L	5R55S	AWD; 4L2P-7000-FC; RJL	4L2Z-7000-FCRM
	2005-2004		5R55S	RWD; 4L2P-7000-EC; RJL	4L2Z-7000-ECRM
	2003		5R55S	AWD; 3L2P-7000-FB,FE	3L2Z-7V000-FERM
	2003		5R55S	3L2P-7000-EB,EE	3L2Z-7V000-EERM

Blackwood

Part Type	Years	Engine	Trans	Qualifier	Ford #
Automatic - Reman	2002	5.4L	4R100	1L7P-7000-AA,AB,AC,AD; PRB-GX; PRB-FV	3L7Z-7V000-ARM

MKC

Part Type	Years	Engine	Trans	Qualifier	Ford #
Automatic - New	2018-2016	2.0L EcoBoost	6F35	EJ7P-7000-LA; w/ Standard Electric Starter Motor	EJ7Z-7000-M
	2018-2017		6F35	4WD; GJ7P-7000-BA; w/ Stop/Start System	GJ7Z-7000-A
	2018-2016	2.3L EcoBoost	6F35	EJ7P-7000-JC	EJ7Z-7000-L
	2016	2.0L EcoBoost	6F35	FWD; EJ7P-7000-KB	EJ7Z-7000-N
	2015		6F35	AWD; EJ7P-7000-HA	EJ7Z-7000-H
	2015		6F35	FWD; EJ7P-7000-KA	EJ7Z-7000-K
	2015	2.3L	6F35	AWD; EJ7P-7000-JA	EJ7Z-7000-J



MKT

Part Type	Years	Engine	Trans	Qualifier	Ford #
Automatic - New	2018-2016	3.7L	6F35	EJ7P-7000-JA	DE9Z-7000-M
	2018-2014		6F50	DA8P-7000-AB; 3.16 Final Drive Ratio	DA8Z-7000-J
	2016-2014	3.5L	6F55	DA5P-7000-EB; w/ 3.65 Final Drive Ratio	DA5Z-7000-N
	2015-2013	2.0L	6F35	FWD; DE9P-7000-LA	DE9Z-7000-L
	2014-2013	3.5L EcoBoost	6F55	AWD; DA5P-7000-DB; w/ 3.16 Ratio	DA5Z-7000-M
	2013		6F55	DA5P-7000-EB; w/ 3.65 Final Drive Ratio	DA5Z-7000-N
	2013	3.5L	6F50	DA8P-7000-AA; 3.16 Final Drive Ratio	DA8Z-7000-C
	2012-2010		6F55	AA8P-7000-KC; 3.39 Final Drive Ratio	AA8Z-7000-V
	2012-2010	3.5L EcoBoost	6F55	AA5P-7000-DD; 3.16 Final Drive Ratio	AA5Z-7000-K
	2012-2010	3.7L	6F50	Naturally Aspirated; AA8P-7000-FC; 3.16 Final Drive Ratio	AA8Z-7000-S
	2012-2010		6F50	AA8P-7000-KC; 3.39 Final Drive Ratio	AA8Z-7000-V
	2011	2.0L EcoBoost	6F50	AA8P-7000-KB; 3.39 Final Drive Ratio; Before 3/28/11	AA8Z-7000-N
	2014-2013		6F35	FWD; DE9P-7000-LA	EE9Z-7000-ARM
	2014-2013	3.5L	6F55	AWD; Naturally Aspirated; DA5P-7000-EB	DA5Z-7000-ARM
	2014-2013	3.5L EcoBoost	6F55	AWD; RMDA5J-7000-BA; w/ 3.16 Ratio	DA5Z-7000-DRM
	2014-2013	3.7L	6F50	DA8P-7000-AB; w/ 3.16 Ratio	DA8Z-7000-CRM
	2012-2011		6F55	AWD; AA5P-7000-DC,DD	AA5Z-7000-HRM
2012-2010	3.7L	6F50	AWD; AA8P-7000-KA,KB,KC	AA8Z-7000-KRM	
2012-2010		6F50	FWD; AA8P-7000-FA,FB,FC	AA8Z-7000-FRM	
2010	3.5L EcoBoost	6F55	AWD; AA5P-7000-DA,DB	AA5Z-7000-DRM	

MKX

Part Type	Years	Engine	Trans	Qualifier	Ford #	
Automatic - New	2018-2016	3.7L	6F35	FWD; DG9P-7000-YA; Standard Electric Starter	DG9Z-7000-Y	
	2018-2016		6F55	AWD; F2GP-7000-XC	F2GZ-7000-XC	
	2016	2.7L	6F55	FWD; F2GP-7000-VC	F2GZ-7000-VC	
	2016		6F35	FWD; G2GP-7000-AA	G2GZ-7000-AA	
	2016	3.7L	6F35	AWD; G2GP-7000-BA	G2GZ-7000-BA	
	2016		6F50	AWD; DA8P-7000-TC; w/ 2.77 Axle Ratio	DA8Z-7000-TC	
	2016-2014	3.7L	6F50	FWD; DA8P-7000-AB; 3.16 Final Drive Ratio	DA8Z-7000-J	
	2013-2012		6F35	CT4P-7000-NC; 3.21 Final Drive Ratio	CT4Z-7000-N	
	2013	3.7L	6F50	FWD; DA8P-7000-AA; 3.16 Final Drive Ratio; Before 5/06/13	DA8Z-7000-C	
	2013		6F50	FWD; DA8P-7000-AB; 3.16 Final Drive Ratio; From 5/6/13	DA8Z-7000-J	
	2012-2011	3.7L	6F50	FWD; BA8P-7000-AC	BA8Z-7000-L	
	2010		6F50	FWD; AA8P-7000-FC	AA8Z-7000-S	
	Automatic - Reman	2014-2013	3.7L	6F50	DA8P-7000-LB; w/ 3.39 Ratio	DA8Z-7000-ERM
		2012-2011		6F50	AWD; BA8P-7000-EB,EC	BA8Z-7000-ERM
		2012-2011	3.5L	6F50	FWD; BA8P-7000-AB,AC	BA8Z-7000-ARM
		2009-2007		6F50	AWD; 7A1P-7000-BA,BB,BC; 3.39 Final Drive Ratio	7A1Z-7000-ARM
		2009-2008	3.5L	6F50	FWD; 7T4P-7000-AA, AB, AC; 3.16 Final Drive Ratio	8T4Z-7000-ARM
2009		6F50		AA8P-7000-KA,KB,KC	AA8Z-7000-KRM	
2009		3.5L	6F50	AA8P-7000-FA,FB,FC	AA8Z-7000-FRM	
2007			6F50	FWD; 7T4P-7000-CA,CB,CC; 2.77 Final Drive Ratio	7T4Z-7000-BRM	

Mark LT

Part Type	Years	Engine	Trans	Qualifier	Ford #
Automatic - Reman	2008-2007	5.4L	4R75E	4WD; 7L3P-7000-EA,EB; PKF-FK,GK	7L3Z-7000-EBRM
	2008-2007		4R75E	RWD; 7L3P-7000-DA,DB; PKF-FJ,GJ	7L3Z-7000-DBRM
	2006		4R75W	4WD; 6L3P-7000-EA, EB; PKF-FX	6L3Z-7000-KRM
	2006		4R75W	RWD; 6L3P-7000-DA; PKF-EW, FW	6L3Z-7000-DRM
	2006		4R75W	RWD; 6L3P-7000-DA, DB; PKF-FW	6L3Z-7000-JRM

Navigator

Part Type	Years	Engine	Trans	Qualifier	Ford #	
Automatic - New	2018	3.5L EcoBoost	10R80	RWD; JL1P-7000-GC; w/ Electronic Automatic Gearshift	JL1Z-7000-C	
	2018		10R80	4WD; JL1P-7000-HB; w/ Electronic Automatic Gearshift	JL1Z-7000-D	
	2017-2016	3.5L EcoBoost	6R80	4WD; FL1P-7000-DA	FL1Z-7000-B	
	2017-2016		6R80	RWD; FL1P-7000-CA	FL1Z-7000-A	
	2016-2015	5.4L	6R80	RWD; FL3P-7000-CA	FL3Z-7000-C	
	2014-2012		6R80	RWD; CL1P-7000-AC	CL1Z-7000-A	
	2014-2012	5.4L	6R80	4WD; CL1P-7000-BC	CL1Z-7000-B	
	2011		6R80	4WD; BL1P-7000-BB	BL1Z-7000-B	
	Automatic - Reman	2012	5.4L SOHC	6R80	4WD; CL1P-7000-BA	CL1Z-7000-BRM
		2012		6R80	RWD; CL1P-7000-AA	CL1Z-7000-ARM
2012		5.4L	6R80	RWD; CL1P-7000-AC	CL1Z-7000-ABRM	
2012			6R80	4WD; CL1P-7000-BC	CL1Z-7000-BBRM	
2011		5.4L	6R80	4WD; BL1P-7000-BA,BB	BL1Z-7000-BRM	
2011			6R80	RWD; BL1P-7000-AA,AB	BL1Z-7000-ARM	
2010		5.4L SOHC	6R80	RWD; AL3P-7000-AA,AB,AC,AD	AL3Z-7000-ARM	
2010			6R80	4WD; AL1P-7000-BA,BB,BC,BD	AL1Z-7000-ARM	
2009		5.4L	6R80	RWD; 9L3P-7000-AF,AG,AH, NA,NB	9L3Z-7000-EARM	
2009			6R80	4WD; 9L3P-7000-BF,BG; 9L1P-7000-DC/DD, EA/EB	9L1Z-7000-BRM	
2007	5.4L	6HP26	RWD; 7L7Z-7000-AC	DL7Z-7000-ERM		

TRANSMISSIONS
Light Trucks
Lincoln / Mazda



FORD PARTS

Navigator

-Cont'd

Part Type	Years	Engine	Trans	Qualifier	Ford #
Automatic - Reman	2007	5.4L	6HP26	4WD; 7L7Z-7000-BD	DL7Z-7000-FRM
	2006-2005		6HP26	RWD; 5L74-7000-AE	DL7Z-7000-ARM
	2006-2005		6HP26	4WD; 5L74-7000-BE	DL7Z-7000-BRM
	2004-2003		4R100	RWD; 3L7P-7000-AA; PRB-HE, PRB-HE1	3L7Z-7V000-ARM
	2002-2001		4R100	RWD; 1L7P-7000-AA,AB,AC,AD; PRB-EA	3L7Z-7V000-ARM
	2000	5.4L DOHC	4R100	RWD; XL3P-7000-GB; PRB-BC	XL3Z-7V000-GBRM
	2000		4R100	4WD; YL1P-7000-BA; PRB-CB	XL1Z-7V000-DBRM
	2000		4R100	RWD; YL1P-7000-AA; PRB-CA	XL1Z-7V000-CBRM
	2000	5.4L SOHC	4R100	RWD; YL7P-7000-AA; PRB-CF	XL3Z-7V000-GBRM
	2000		4R100	4WD; YL3P-7000-BA; PRB-BD	YC3Z-7V000-BRM
	1999	5.4L DOHC	4R100	RWD; XL1P-7000-CB; PRB-BA	XL1Z-7V000-CBRM
	1999		4R100	4WD; XL1P-7000-DB; PRB-BB	XL1Z-7V000-DBRM
	1999	5.4L SOHC	4R100	RWD; YL7P-7000-AA,GB; PRB-BC,BF,CF	XL3Z-7V000-GBRM
	1999		4R100	4WD; XL3P-7000-HB; PRB-BD,CD	YC3Z-7V000-BRM
	1998	5.4L	E4OD	4WD; F75P-7000-MB; 3.31/3.73 Axle Ratio; PRA-PAB	F75Z-7V000-MRM
	1998		4R100	4WD; F8UP-7000-MB; 3.08/3.31/3.55/3.73 Axle Ratio; PRB-V	F8UZ-7V000-MBRM

Mazda

B2300

Part Type	Years	Engine	Trans	Qualifier	Ford #
Automatic - Reman	2006-2005	2.3L	5R44E	RWD; 5L5P-7000-CB; RJL	5L5Z-7000-CRM
	2004		5R44E	RWD; 4L5P-7000-CA; RJL	4L5Z-7000-CARM

B2500

Part Type	Years	Engine	Trans	Qualifier	Ford #
Automatic - Reman	2001-1999	2.5L	4R44E	RWD; XL5P-7000-CA	XL5Z-7V000-CARM

B3000

Part Type	Years	Engine	Trans	Qualifier	Ford #
Automatic - Reman	2006-2005	3.0L	5R55E	RWD; 5L5P-7000-AB; RJL	5L5Z-7000-ARM
	2004		5R55E	RWD; 4L5P-7000-AA; RJL	4L5Z-7000-AARM
	2003-2002		5R55E	RWD; 2L5P-7000-AB	2L5Z-7V000-ABRM
	2003		5R55E	4WD; 2L5P-7000-BB	2L5Z-7000-BBRM
	2001		5R55E	RWD; 1L5P-7000-AA	1L5Z-7V000-ARM
	2000-1999		M5R1	RWD; XL5P-7000-AA	XL5Z-7V000-AARM
	2000-1999		4R44E	4WD; XL5P-7000-BA	XL5Z-7V000-BARM

B4000

Part Type	Years	Engine	Trans	Qualifier	Ford #
Automatic - Reman	2005-2004	4.0L	5R55E	4WD; 4L5P-7000-EA; RJL	4L5Z-7000-EARM
	2004		5R55E	RWD; 4L5P-7000-DA; RJL	4L5Z-7000-DARM
	2003		5R55E	4WD; 1L5P-7000-EA	1L5Z-7000-EARM
	2003		5R55E	RWD; 1L5P-7000-DA,FA	1L5Z-7000-DARM
	2002-2001		5R55E	RWD; 1L5P-7000-DA,FA	1L5Z-7V000-DRM
	2002-2001		5R55E	4WD; 1L5P-7000-EA	1L5Z-7V000-ERM
	2000-1999		5R55E	4WD; XL5P-7000-EA	XL5Z-7V000-EARM
	2000-1999		5R55E	RWD; XL5P-7000-DA	XL5Z-7V000-DARM
	1998		5R55E	4WD; 98GT-7000-LAA,LBA	F87Z-7V000-LARM
	1997		5R55E	4WD; 97GT-7000-ACA,AEA	F77Z-7V000-AARM

Tribute

Part Type	Years	Engine	Trans	Qualifier	Ford #
Automatic - New	2011	2.5L	6F35	4WD; BL8P-7000-GB	BL8Z-7000-H
	2011		6F35	FWD; BL8P-7000-GB	BL8Z-7000-G
Automatic - Reman	2011	3.0L	6F35	4WD; BL8P-7000-FB	BL8Z-7000-F
	2011		6F35	FWD; BL8P-7000-EB	BL8Z-7000-E
	2010-2009		6F35	FWD; 9L8P-7000-GA	9L8Z-7000-CRM
	2010-2009	3.0L	6F35	4WD; 9L8P-7000-FA	9L8Z-7000-BRM
	2009	2.5L	6F35	4WD; 9L8P-7000-HA	9L8Z-7000-DRM
	2009	3.0L	6F35	FWD; 9L8P-7000-EA	9L8Z-7000-ARM
	2008	2.3L	CD4E	FWD; 8L8P-7000-AA	8L8Z-7000-ARM
	2008		CD4E	4WD; 8L8P-7000-BA	8L8Z-7000-BRM
	2008	3.0L	CD4E	FWD; 8L8P-7000-CA	8L8Z-7000-CRM
	2008		CD4E	4WD; 8L8P-7000-DA	8L8Z-7000-DRM
	2006	2.3L	CD4E	FWD; 6L8P-7000-AA	5L8Z-7000-ERM
	2006		CD4E	AWD; 6L8P-7000-BA	5L8Z-7000-FRM
	2006	3.0L	CD4E	AWD; 6L8P-7000-DA	5L8Z-7000-HRM
	2006		CD4E	FWD; 6L8P-7000-CA	5L8Z-7000-GRM



Tribute

-Cont'd

Part Type	Years	Engine	Trans	Qualifier	Ford #
Automatic - Reman	2005	2.3L	CD4E	FWD; 5L8P-7000-AC,AD,AE; PTA-P	5L8Z-7000-ACRM
	2005		CD4E	FWD; 5L8P-7000-EA,EB; PTA-P	5L8Z-7000-ERM
	2005		CD4E	AWD; 5L8P-7000-FA,FB; PTA-P	5L8Z-7000-FRM
	2005	3.0L	CD4E	AWD; 5L8P-7000-BC,BD,BE; PTA-P	5L8Z-7000-BCRM
	2005		CD4E	AWD; 5L8P-7000-HA,HB; PTA-V	5L8Z-7000-HRM
	2005		CD4E	FWD; 5L8P-7000-GA,GB; PTA-V	5L8Z-7000-GRM
	2005		CD4E	AWD; 5L8P-7000-DB,DC,DD; PTA-V	5L8Z-7000-DBRM
	2005		CD4E	FWD; 5L8P-7000-CB,CC,CD; PTA-V	5L8Z-7000-CBRM
	2004		CD4E	4WD; 3L8P-7000-HD; PTA-V	3L8Z-7000-HDRM
	2004		CD4E	4WD; 5L8P-7000-KA; PTA-V	3L8Z-7000-HDRM
	2004		CD4E	FWD; 5L8P-7000-JA; PTA-V	3L8Z-7000-GDRM
	2004		CD4E	FWD; 3L8P-7000-GD; PTA-V	3L8Z-7000-GDRM
	2003		CD4E	4WD; 3L8P-7000-HA; PTA-V	3L8Z-7000-HARM
	2003	CD4E	FWD; 3L8P-7000-GA; PTA-V	3L8Z-7000-GARM	
	2003	CD4E	4WD; 3L8P-7000-HB,HC; PTA	3L8Z-7V000-HCRM	
	2002	CD4E	4WD; 2L8P-7000-FA, FB; PTA-V	2L8Z-7V000-FBRM	
	2001	CD4E	4WD; YL8P-7000-FB	YL8Z-7V000-FRM	

Mercury

Mariner

Part Type	Years	Engine	Trans	Qualifier	Ford #
Automatic - New	2011	2.5L	6F35	4WD; BL8P-7000-GB	BL8Z-7000-H
	2011	3.0L	6F35	FWD; BL8P-7000-GB	BL8Z-7000-G
2011	6F35		4WD; BL8P-7000-FB	BL8Z-7000-F	
Automatic - Reman	2011	2.3L ELECTRIC/GAS	6F35	FWD; BL8P-7000-EB	BL8Z-7000-E
	2008		CVT (CFT30)	8M64-7000-AH; w/ Power Split	8M6Z-7000-D
	2007-2006	CVT (CFT30)	7M64-7000-AD; w/ Power Split	7M6Z-7000-A	
	2010-2009	2.5L	6F35	FWD; 9L8P-7000-GA	9L8Z-7000-CRM
	2010-2009	3.0L	6F35	4WD; 9L8P-7000-FA	9L8Z-7000-BRM
	2009	2.5L	6F35	4WD; 9L8P-7000-HA	9L8Z-7000-DRM
	2009	3.0L	6F35	FWD; 9L8P-7000-EA	9L8Z-7000-ARM
	2008	2.3L	CD4E	FWD; 8L8P-7000-AA	8L8Z-7000-ARM
	2008	3.0L	CD4E	4WD; 8L8P-7000-BA	8L8Z-7000-BRM
	2008		CD4E	FWD; 8L8P-7000-CA	8L8Z-7000-CRM
	2008	CD4E	4WD; 8L8P-7000-DA	8L8Z-7000-DRM	
	2007	2.3L	CD4E	FWD; 7L8P-7000-AA	5L8Z-7000-ERM
	2007-2006	CD4E	4WD; 7L8P-7000-BA; 6L8P-7000-BA	5L8Z-7000-FRM	
	2007	3.0L	CD4E	4WD; 7L8P-7000-DA	5L8Z-7000-HRM
	2007	CD4E	FWD; 7L8P-7000-CA	5L8Z-7000-GRM	
	2006	2.3L	CD4E	FWD; 6L8P-7000-AA	5L8Z-7000-ERM
	2006	3.0L	CD4E	4WD; 6L8P-7000-DA	5L8Z-7000-HRM
2006	CD4E	FWD; 6L8P-7000-CA	5L8Z-7000-GRM		
2005	2.3L	CD4E	FWD; 5L8P-7000-AC,AD,AE; PTA-P	5L8Z-7000-ACRM	
2005	CD4E	FWD; 5L8P-7000-EA,EB; PTA-P	5L8Z-7000-ERM		
2005	CD4E	FWD; 5L8P-7000-FA,FB; PTA-P	5L8Z-7000-FRM		
2005	CD4E	FWD; 5L8P-7000-CB,CC,CD; PTA-V	5L8Z-7000-CBRM		
2005	3.0L	CD4E	4WD; 5L8P-7000-HA,HB; PTA-V	5L8Z-7000-HRM	
2005		CD4E	4WD; 5L8P-7000-GA,GB; PTA-V	5L8Z-7000-GRM	
2005		CD4E	4WD; 5L8P-7000-DB,DC,DD; PTA-V	5L8Z-7000-DBRM	

Monterey

Part Type	Years	Engine	Trans	Qualifier	Ford #
Automatic - Reman	2007-2005	4.2L	4F50N	5F2P-7000-AA,AB,AC; PNB-MA	5F2Z-7000-ARM
	2007-2005		AX4N	5F2P-7000-AA,AB,AC; PNB-MA	5F2Z-7000-ARM
	2004		AX4N	4F2P-7000-AA,AB; PNB-MA	4F2Z-7000-ABRM
	2004		AX4N	RM4F2J-7000-AC	4F2Z-7000-ABRM

Mountaineer

Part Type	Years	Engine	Trans	Qualifier	Ford #
Automatic - Reman	2010-2009	4.0L	5R55S	RWD; 9L2P-7000-CA	9L2Z-7000-CRM
	2010	4.6L	6R80	RWD; AL2P-7000-AA	AL2Z-7000-ARM
	2010		6R80	4WD; AL2P-7000-BA	AL2Z-7000-BRM
	2009	6R80	RWD; 9L2P-7000-AB,AE,AG, EA,EB	9L2Z-7000-CARM	
	2009	6R80	AWD; 9L2P-7000-BB,BE,BG, FA,FB	9L2Z-7000-DARM	
	2008-2007	6R60	6R60	AWD; 8L2P-7000-BA; 7L2P-7000-BC,BD,BE, FB	7L2Z-7000-BRM
	2008		6R60	4WD; 8L2P-7000-HB/HC	8L2Z-7000-FRM
	2008-2007	6R60	RWD; 8L2P-7000-GB/GC	8L2Z-7000-ERM	
	2007	6R60	RWD; 8L2P-7000-AA; 7L2P-7000-AC, AD, AE, EB	7L2Z-7000-ARM	
	2006	4.0L	5R55S	RWD; 6L2P-7000-EB,EC	4L2Z-7000-ABRM
	2006		5R55S	AWD; 6L2P-7000-FB, FC	6L2Z-7000-FRM
	2006	5R55S	RWD; RM6L2J-7000-ED	6L2Z-7000-ERM	
	2006	4.6L	6R60	RWD; 6L2P-7000-AD,AG,AH,AK,AL,AM,AN,AP	6L2Z-7000-ARM
	2006		6R60	AWD; 6L2P-7000-BM,BN,BP	6L2Z-7000-BRM
	2006		6R60	AWD; 6L2P-7000-BG,BH,BK,BL	6L2Z-7000-BRM

TRANSMISSIONS
Light / Medium Trucks
Mercury / Ford



FORD PARTS

Mountaineer

-Cont'd

Part Type	Years	Engine	Trans	Qualifier	Ford #
Automatic - Reman	2005-2004	4.0L	5R55S	AWD; 4L2P-7000-BB; RJL	4L2Z-7000-BBRM
	2005-2004	4.0L	5R55S	RWD; 4L2P-7000-AB; RJL	4L2Z-7000-ABRM
	2005-2004	4.6L	5R55S	RWD; 4L2P-7000-CC; RJL	4L2Z-7000-CCRM
	2005-2004	4.0L	5R55S	AWD; 4L2P-7000-DC; RJL	4L2Z-7000-DCRM
	2004	4.0L	5R55E	RWD; 4L5P-7000-DA; RJL	4L5Z-7000-DARM
	2003-2002		5R55W	RWD; 2L2P-7000-AA	2L2Z-7V000-AARM
	2003-2002		5R55W	AWD; 2L2P-7000-BA	2L2Z-7V000-BARM
	2003-2002		5R55W	4WD; 2L2P-7000-BA	2L2Z-7V000-BARM
	2003-2002	4.6L	5R55S	RWD; 2L2P-7000-CA	2L2Z-7V000-CARM
	2003-2002		5R55S	4WD; 2L2P-7000-DA	2L2Z-7V000-DARM
	2002	4.0L	5R55W	RWD; 1L2P-7000-AE	1L2Z-7V000-ARM
	2002		5R55W	4WD; 1L2P-7000-BE	1L2Z-7V000-BRM
	2002		5R55W	AWD; 1L2P-7000-BE	1L2Z-7V000-BRM
	2002	4.6L	5R55W	RWD; 1L2P-7000-CE	1L2Z-7V000-CRM
	2001	4.0L SOHC	5R55E	RWD; 1L5P-7000-DA,FA	1L5Z-7V000-DRM
	2001		5R55E	AWD; 1L5P-7000-EA	1L5Z-7V000-ERM
	2001		5R55E	4WD; 1L5P-7000-EA	1L5Z-7V000-ERM
	2000-1999	4.0L	5R55E	RWD; XL2P-7000-CA	XL2Z-7V000-CARM
	2000-1999		5R55E	AWD; XL2P-7000-DA	XL2Z-7V000-DARM
	2000-1999		5R55E	4WD; XL2P-7000-DA	XL2Z-7V000-DARM
	2000-1999	5.0L	4R70W	4WD; XL2P-7000-BA; PKF-BL	XL2Z-7V000-BARM
	2000-1999		4R70W	AWD; XL2P-7000-BA; PKF-BL	XL2Z-7V000-BARM
	1998	4.0L	5R55E	AWD; 98GT-7000-AAA	F87Z-7V000-CARM
	1998		5R55E	4WD; 98GT-7000-AAA	F87Z-7V000-CARM
	1998		5R55E	RWD; 98GT-7000-BAA	F87Z-7V000-DARM

Ford

Econoline

Part Type	Years	Engine	Trans	Qualifier	Ford #
Automatic - New	2017	6.8L	6R140	FC3P-7000-CA; w/ 158 or 176 Inch Wheelbase; TorqShift6; Before 7/12/16	FC3Z-7000-C
	2017		6R140	FC3P-7000-FA; TorqShift6; Before 7/20/16; w/ 138 Inch Wheelbase	FC3Z-7000-F
	2016-2010	5.4L	4R75E	AC2P-7000-DA	AC2Z-7000-D
	2016-2010		5R110W	w/ 176.0 In. Wheelbase; AC3P-7000-FA; TorqShift	AC3Z-7000-F
	2016	6.8L	6R140	FC3P-7000-CA; w/ 158 or 176 Inch Wheelbase; TorqShift6	FC3Z-7000-C
	2016		6R140	FC3P-7000-FA; TorqShift6; w/ 138 Inch Wheelbase	FC3Z-7000-F
Automatic - Reman	2014-2010	4.6L	4R75E	AC2P-7000-CA	AC2Z-7000-C
	2016-2009	5.4L	5R110W	9C3P-7000-FB; w/ Fixed Yoke; PRB-NT; TorqShift	9C2Z-7000-HRM
	2016-2010		5R110W	AC3P-7000-FA; w/ Fixed Yoke; PRB-NT; TorqShift	9C2Z-7000-HRM
	2016-2009	6.8L	5R110W	9C3P-7000-HB; PRB-NV; TorqShift	9C3Z-7000-GRM
	2014-2010	4.6L	4R75E	RWD; AC2P-7000-CA; PKF-IL	AC2Z-7000-CRM
	2014-2009	5.4L	5R110W	AC3P-7000-EA; PRB-NS; TorqShift	9C2Z-7000-GRM
	2014-2010		4R75E	RWD; AC2P-7000-DA; PKF-IM	AC2Z-7000-DRM
	2014-2010		4R75E	4 X 2; AC2P-7000-DA; PKF-IM	AC2Z-7000-DRM
	2012-2009	6.8L	5R110W	9C2P-7000-EB; PRB-NU; TorqShift	9C3Z-7000-HRM
	2012-2010		5R110W	AC3P-7000-GA; PRB-NU; TorqShift	9C3Z-7000-HRM
	2012-2010		5R110W	AC3P-7000-HA; PRB-NV; TorqShift	9C3Z-7000-GRM
	2009	4.6L	4R75E	RWD; 9C2P-7000-CA,CB; PKF-GA, GL	9C2Z-7000-CRM
	2009	5.4L	5R110W	9C2P-7000-EB; PRB-NS; TorqShift	9C2Z-7000-GRM
	2009		4R75E	RWD; 9C2P-7000-DA,DB; PKF-GB, GM	9C2Z-7000-DRM
	2008-2007	4.6L	4R75E	7C2P-7000-CA; PKF-FL	7C2Z-7000-CARM
	2008	5.4L	5R110W	8C3P-7000-FD; PRB-NT; TorqShift	8C3Z-7000-FRM
	2008-2007		4R75E	7C2P-7000-DA; PKF-FM	7C2Z-7000-DARM
	2008	5.4L GAS	5R110W	8C3P-7000-ED; PRB-NS; TorqShift	8C3Z-7000-ERM
	2008-2007	6.8L	5R110W	6C3P-7000-DC; PRB-MK; w/ Fixed Yoke; TorqShift	5C3Z-7000-DRM
	2008		5R110W	8C3P-7000-HD; PRB-NV; TorqShift	8C3Z-7000-HRM
	2008		5R110W	8C3P-7000-GD; PRB-NU; TorqShift	8C3Z-7000-GRM
	2007	5.4L	5R110W	7C3P-7000-FC; PRB-MA; TorqShift	7C3Z-7000-FRM
	2007		5R110W	7C3P-7000-EC; PRB-LZ; TorqShift	7C3Z-7000-ERM
	2007	6.0L	5R110W	6C3P-7000-KC; w/ Fixed Yoke; PRB-MN; TorqShift	5C3Z-7000-KRM
	2007	6.0L DIESEL	5R110W	7C2P-7000-AB; PRB-ME; TorqShift	7C2Z-7000-ARM
	2007		5R110W	7C2P-7000-BB; PRB-MF; TorqShift	7C2Z-7000-BRM
	2007	6.8L	5R110W	7C3P-7000-GC; PRB-MB; TorqShift	7C3Z-7000-GRM
	2007		5R110W	7C3P-7000-HC; PRB-MC; TorqShift	7C3Z-7000-HRM
	2006	4.6L	4R75E	6C2P-7000-CA; PKF-FC; 250	6C2Z-7000-CRM
	2006	5.4L	5R110W	6C3P-7000-BB; w/ Fixed Yoke; PRB-LL; TorqShift	5C3Z-7000-BRM
	2006		5R110W	6C3P-7000-BA; w/ Fixed Yoke; PRB-KD; TorqShift	5C3Z-7000-BRM
	2006		4R75E	6C2P-7000-DA; PKF-FD; 250	6C2Z-7000-DRM
	2006	6.0L	5R110W	6C3P-7000-JB; w/ Slip Yoke; PRB-LR; TorqShift	5C3Z-7000-JRM
	2006		5R110W	6C3P-7000-JA; w/ Slip Yoke; PRB-KJ; TorqShift	5C3Z-7000-JRM
	2006		5R110W	6C3P-7000-KB; w/ Fixed Yoke; PRB-LS; TorqShift	5C3Z-7000-KRM
	2006	6.8L	5R110W	6C3P-7000-KA; w/ Fixed Yoke; PRB-KK; TorqShift	5C3Z-7000-KRM
	2006		5R110W	6C3P-7000-DA; w/ Fixed Yoke; PRB-KF; TorqShift	5C3Z-7000-DRM
	2006		5R110W	6C3P-7000-DB; w/ Fixed Yoke; PRB-LN; TorqShift	5C3Z-7000-DRM
	2005	4.6L	4R70E	5C2P-7000-CA; PKF-EF	5C2Z-7000-CRM
	2005	5.4L	4R75E	5C2P-7000-DA; PKF-EH	5C2Z-7000-DRM
	2004	4.6L	4R70W	4C2P-7000-CA; PKF-DM	4C2Z-7000-CARM
	2004	5.4L	4R100	4C2P-7000-EA; PRB-JG1; w/ 158 or 176 Inch Wheelbase	4C2Z-7000-EARM
	2004		4R70W	4C2P-7000-DA; PKF-EG	4C2Z-7000-DARM
	2004		4R100	Stripped Chassis - Incomplete; 4C2P-7000-HA; PRB-JK1	4C2Z-7000-HARM



Econoline

-Cont'd

Part Type	Years	Engine	Trans	Qualifier	Ford #
Automatic - Reman	2004	5.4L	4R100	Cutaway; 4C2P-7000-PA	4C2Z-7000-PARM
	2004		4R100	4C2P-7000-JA; DSO Models; PRB-JL1	4C2Z-7000-JARM
	2004	6.0L	5R110W	4C3P-7000-KB; PRB-JF; TorqShift	4C3Z-7000-KBRM
	2004		4R100	4C2P-7000-GA; PRB-JJ1	4C2Z-7000-GARM
	2004	4.2L	4R100	4C2P-7000-LA; DSO Models; PRB-JM1	4C2Z-7000-LARM
	2003		4R70W	1C2P-7000-HA; PKF-CF	1C2Z-7V000-HRM
	2003	4.6L	4R70W	3C2P-7000-AA; PKF-DR	3C2Z-7V000-ARM
	2003, 2001	5.4L	4R100	DSO Models; 1C2P-7000-TA; PRB-GZ, GZ1	1C2Z-7V000-ARM
	2003-2001		4R100	1C2P-7000-NA,NB,NC; PRB-DF,FE,GC	1C2Z-7V000-NRM
	2003-2001	6.8L	4R100	1C2P-7000-CA,CB,CC; PRB-FZ, FZ1, FD, DC	1C2Z-7V000-CRM
	2003-2001		4R100	DSO Models; 1C2P-7000-VB; PRB-HC	1C2Z-7V000-DRM
	2003-2001	7.3L	4R100	Normal Service; 1C2P-7000-EA, EB; PRB-GB, PRB-GB1	1C2Z-7V000-ERM
	2003-2001		4R100	Heavy Duty Service; 1C2P-7000-EA, EB; PRB-GB, PRB-GB1; 450	7U2Z-7V000-FRM
	2001	5.4L	4R100	Stripped Chassis; 1C2P-7000-AC; PRB-FX, FX1	1C2Z-7V000-ARM
	2000		4R100	YC2P-7000-JA; PRB-BK	YC2Z-7V000-JRM
	2000	7.3L	4R100	YC2P-7000-MA, MB; Normal Service; PRB-BM, CN	YC2Z-7V000-MRM
	2000		4R100	YC2P-7000-MA, MB; Heavy Duty Service; PRB-CN	7U2Z-7V000-BRM
	1999	6.8L	4R100	XC2P-7000-HB; PRB-AH	F8UZ-7V000-JARM
	1999		4R100	XC2P-7000-LB; Normal Service; TSS Axle Ratio; PRB-AL	F8UZ-7V000-KARM
	1998	6.8L	4R100	F8UP-7000-KA; DSO, TSS Axle Ratio; PRB-T	F8UZ-7V000-KARM
	1997		E4OD	F7UP-7000-MA	F7UZ-7V000-MRM
	1997		E4OD	4 X 2; F7UP-7000-VA	F7UZ-7V000-VARM

F-Series

Part Type	Years	Engine	Trans	Qualifier	Ford #
Automatic - New	2017	6.8L	6R140	GC4P-7000-AA; w/o PTO	HC4Z-7000-A
	2016-2015	6.7L DIESEL	6R140	Cab & Chassis - Crew Cab; FC3P-7000-DA; w/o PTO; w/ Narrow Frame; TorqShift6	FC3Z-7000-D
			6R140	Cab & Chassis - Long Conventional; FC3P-7000-DA; w/o PTO; w/ Narrow Frame; TorqShift6	FC3Z-7000-D
	2016-2015	6.7L DIESEL	6R140	Cab & Chassis - Crew Cab; FC3P-7000-EA; w/ PTO; w/ Narrow Frame; TorqShift6	FC3Z-7000-E
	2016-2015		6R140	Cab & Chassis - Long Conventional; FC3P-7000-EA; w/ PTO; w/ Narrow Frame; TorqShift6	FC3Z-7000-E
	2016-2015	6.8L	6R140	w/ 172.4 In. Wheelbase; FC3P-7000-PA; w/o PTO; TorqShift6	FC3Z-7000-P
	2016-2015		6R140	w/ 156.2 In. Wheelbase; FC3P-7000-PA; w/o PTO; TorqShift6	FC3Z-7000-P
	2016-2015	6.8L	6R140	w/ 172.4 In. Wheelbase; FC3P-7000-SA; w/ PTO; TorqShift6	FC3Z-7000-S
	2016-2015		6R140	w/ 156.2 In. Wheelbase; FC3P-7000-SA; w/ PTO; TorqShift6	FC3Z-7000-S
	2016-2015	6.8L	6R140	4 X 2; w/ 172.4 In. Wheelbase; FC3P-7000-ZA; w/ PTO; TorqShift6	FC3Z-7000-Z
	2016-2015		6R140	4 X 2; w/ 156.2 In. Wheelbase; FC3P-7000-ZA; w/ PTO; TorqShift6	FC3Z-7000-Z
	2016-2015	6.8L	6R140	4 X 4; w/ 172.4 In. Wheelbase; FC3P-7000-ZA; w/ PTO; w/ Wide Frame; TorqShift6	FC3Z-7000-Z
	2014-2012		6R140	4 X 2; CC3P-7000-DC; w/o PTO; Exc. 137 In. Wheelbase; TorqShift6	CC3Z-7000-S
	2014-2012	6.8L	6R140	4 X 2; CC3P-7000-EC; w/ PTO; Exc. 137 In. Wheelbase; TorqShift6	CC3Z-7000-T
	2017-2015		6R140	HC3P-7000-LA; w/ PTO	GC3Z-7000-CRM
	Automatic - Reman	2016-2011	6.7L	5R110W	AC3P-7000-KA; w/ PTO; TorqShift
2016-2011		5R110W		AC3P-7000-HA; TorqShift	9C3Z-7000-GRM
2016-2011		6.8L	5R110W	AC3P-7000-HA; TorqShift	9C3Z-7000-GRM
2015			6R140	FC3P-7000-DA; w/ Narrow Frame; w/o PTO	GC3Z-7000-BRM
2014-2013		6.8L	6R140	RMFC3J-7000-BA; w/o PTO	FC3Z-7000-SRM
2014-2010			5R110W	4 X 2; AC3P-7000-GA; PRB-NU; TorqShift	9C3Z-7000-HRM
2014-2010		6.7L DIESEL	5R110W	4 X 2; AC3P-7000-KA; w/ Fixed Yoke; PRB-NW; TorqShift	9C3Z-7000-JRM
2013			6R140	4 X 2; w/ 137.0 In. Wheelbase; RMFC3J-7000EA; w/o PTO	FC3Z-7000-VRM
2012		6.8L	6R140	CC3Z-7000-DRM; w/o PTO	CC3Z-7000-DRM
2012			6R140	4 X 2; RMCC3J-7000-CA; w/ PTO; Exc. 137 In. Wheelbase	CC3Z-7000-ERM
2012		6.8L	6R140	RMFC3J-7000-CA; w/ PTO	FC3Z-7000-TRM
2012			6R140	4 X 2; w/ 137.0 In. Wheelbase; RMFC3J-7000EA; w/o PTO; From 06/15/2012	FC3Z-7000-VRM
2012		6.8L	6R140	4 X 2; w/ 137.0 In. Wheelbase; RMCC3J-7000-FA; w/ PTO	CC3Z-7000-JRM
2012			6R140	4 X 2; RMCC3J-7000-EA; w/o PTO; Thru 01/09/2012	CC3Z-7000-GRM
2012		6.8L	6R140	RMFC3J-7000-BA; w/o PTO; Before 6/13/12	FC3Z-7000-SRM
2012-2010			5R110W	AC3P-7000-HA; PRB-NV; TorqShift	9C3Z-7000-GRM
2012-2011		6.7L DIESEL	5R110W	Motor Home - Stripped Chassis; RMBU9J-7000-AA; TorqShift	BU9Z-7000-ARM
2011			6R140	4 X 2; RMBC3J-7000-HA; w/ PTO; Exc. 137 In. Wheelbase; TorqShift6; Shipped With 7034 Vent Attached; Requires Engine Flywheel CC3Z-6375-A Which Must Be Ordered Separately	BC3Z-7000-HRM
2011		6.8L	6R140	4 X 2; BC3Z-7000-JRM; w/ PTO; Exc. 137 In. Wheelbase; TorqShift6; Shipped With 7034 Vent Attached; Requires Engine Flywheel CC3Z-6375-A Which Must Be Ordered Separately	BC3Z-7000-JRM
2011			6R140	4 X 4; BC3Z-7000-JRM; TorqShift6; Shipped With 7034 Vent Attached; Requires Engine Flywheel CC3Z-6375-A Which Must Be Ordered Separately	BC3Z-7000-JRM
2010		6.4L DIESEL	5R110W	4 X 2; AC3P-7000-AA; PRB-NM; TorqShift	9C3Z-7000-ARM
2010			5R110W	4 X 2; AC3P-7000-DA; w/ Fixed Yoke; PRB-NR; TorqShift	9C3Z-7000-DRM
2010			5R110W	4 X 4; AC3P-7000-DA; PRB-NR; TorqShift	9C3Z-7000-DRM
2010			5R110W	4 X 4; AC3P-7000-BA; PRB-NN; TorqShift	9C3Z-7000-BRM
2010			5R110W	4 X 2; AC3P-7000-BA; w/ Fixed Yoke; PRB-NN; TorqShift	9C3Z-7000-BRM
2010			5R110W	4 X 2; AC3P-7000-CA; w/ Fixed Yoke; PRB-NP; TorqShift	9C3Z-7000-CRM
2010	5R110W		4 X 4; RM9C3J-7000-CA; PRB-NP; TorqShift	9C3Z-7000-CRM	
2010	5R110W		5R110W		



F-Series

-Cont'd

Part Type	Years	Engine	Trans	Qualifier	Ford #	
Automatic - Reman	2010	6.8L	5R110W	w/ 165.0 In. Wheelbase; AC3P-7000-HA; w/o PTO; TorqShift	9C3Z-7000-GRM	
	2010		5R110W	w/ 172.4 In. Wheelbase; AC3P-7000-HA; w/o PTO; TorqShift	9C3Z-7000-GRM	
	2010	6.4L DIESEL	5R110W	4 X 4; AC3P-7000-KA; PRB-NW; TorqShift	9C3Z-7000-JRM	
	2010		5R110W	w/ 172.4 In. Wheelbase; AC3P-7000-KA; w/ PTO; TorqShift	9C3Z-7000-JRM	
	2009		5R110W	4 X 2; 9C3P-7000-AC; TorqShift	9C3Z-7000-ARM	
	2009		5R110W	4 X 2; 9C3P-7000-DC; PRB-NR; TorqShift	9C3Z-7000-DRM	
	2009		5R110W	4 X 2; 9C3P-7000-BC; PRB-NN; TorqShift	9C3Z-7000-BRM	
	2009		5R110W	4 X 2; 9C3P-7000-CC; PRB-NP; TorqShift	9C3Z-7000-CRM	
	2008		5R110W	4 X 4; 7C3P-7000-DC; PRB-LY; TorqShift	7C3Z-7000-DRM	
	2008		5R110W	4 X 2; 7C3P-7000-DC; PRB-LY; TorqShift	7C3Z-7000-DRM	
	2008		5R110W	8C3P-7000-DD; PRB-NR; TorqShift	8C3Z-7000-DRM	
	2008		5R110W	8C3P-7000-BD; PRB-NN; TorqShift	8C3Z-7000-BRM	
	2008	5R110W	4 X 2; 7C3P-7000-AC; PRB-LV; TorqShift	7C3Z-7000-ARM		
	2008	5R110W	4 X 2; 8C3P-7000-CD; PRB-NP; TorqShift	8C3Z-7000-CRM		
	2008	5R110W	4 X 4; 7C3P-7000-BC; PRB-LW; TorqShift	7C3Z-7000-BRM		
	2008	5R110W	4 X 2; 7C3P-7000-BC; PRB-LW; TorqShift	7C3Z-7000-BRM		
	2008	5R110W	4 X 2; 7C3P-7000-CC; PRB-LX; TorqShift	7C3Z-7000-CRM		
	2008	5R110W	4 X 2; 8C3P-7000-AD; PRB-NM; TorqShift	8C3Z-7000-ARM		
	2007	6.0L	5R110W	6C3P-7000-MC; w/ Fixed Yoke; PRB-MR; TorqShift	5C3Z-7000-MRM	
	2007	6.8L	5R110W	6C3P-7000-KC; w/ Fixed Yoke; PRB-MN; TorqShift	5C3Z-7000-KRM	
	2007		5R110W	6C3P-7000-DC; PRB-MK; w/ Fixed Yoke; TorqShift	5C3Z-7000-DRM	
	2006	6.0L	5R110W	4 X 4; 7C3P-7000-HC; TorqShift	7C3Z-7000-HRM	
	2006		5R110W	6C3P-7000-MA; w/ Fixed Yoke; PRB-KM; TorqShift	5C3Z-7000-MRM	
	2006	6.8L	5R110W	6C3P-7000-MB; w/ Fixed Yoke; PRB-LU; TorqShift	5C3Z-7000-MRM	
	2006		5R110W	6C3P-7000-JA; w/ Slip Yoke; PRB-KJ; TorqShift	5C3Z-7000-JRM	
	2006		5R110W	6C3P-7000-JB; w/ Slip Yoke; PRB-LR; TorqShift	5C3Z-7000-JRM	
	2006		5R110W	6C3P-7000-KA; w/ Fixed Yoke; PRB-KK; TorqShift	5C3Z-7000-KRM	
	2006		5R110W	6C3P-7000-KB; w/ Fixed Yoke; PRB-LS; TorqShift	5C3Z-7000-KRM	
	2006		5R110W	6C3P-7000-LB; w/ Slip Yoke; PRB-LT; TorqShift	5C3Z-7000-LRM	
	2006		5R110W	6C3P-7000-LA; w/ Slip Yoke; PRB-KL; TorqShift	5C3Z-7000-LRM	
	2006		5R110W	4 X 2; 6C3P-7000-DA; w/ Fixed Yoke; PRB-KF; TorqShift	5C3Z-7000-DRM	
	2006		5R110W	4 X 2; 6C3P-7000-DB; w/ Fixed Yoke; PRB-LN; TorqShift	5C3Z-7000-DRM	
	2006		5R110W	4 X 4; 6C3P-7000-DA; w/ Fixed Yoke; PRB-KF; TorqShift	5C3Z-7000-DRM	
	2006	6.0L	5R110W	4 X 4; 6C3P-7000-DB; w/ Fixed Yoke; PRB-LN; TorqShift	5C3Z-7000-DRM	
	2006		5R110W	4 X 4; 6C3P-7000-FB; w/ Fixed Yoke; PRB-LP; TorqShift	5C3Z-7000-FRM	
	2006		5R110W	4 X 4; 6C3P-7000-FA; w/ Fixed Yoke; PRB-KH; TorqShift	5C3Z-7000-FRM	
	2005		5R110W	5C3P-7000-MB; w/ Fixed Yoke; PRB-KA; TorqShift	5C3Z-7000-MRM	
	2005		5R110W	5C3P-7000-JB; w/ Slip Yoke; PRB-JX; TorqShift	5C3Z-7000-JRM	
	2005		5R110W	5C3P-7000-KB; w/ Fixed Yoke; PRB-JY; TorqShift	5C3Z-7000-KRM	
	2005		5R110W	4 X 2; 5C3P-7000-LB; w/ PTO; PRB-JZ; TorqShift	5C3Z-7000-LRM	
	2005		5R110W	4 X 2; 5C3P-7000-DB; w/ Fixed Yoke; PRB-JS; TorqShift	5C3Z-7000-DRM	
	2005		5R110W	4 X 2; 5C3P-7000-CB; TorqShift	5C3Z-7000-CRM	
	2004-2003		6.0L	5R110W	4 X 2; 3C3P-7000-JG; w/ PTO; PRB-JC; TorqShift	3C3Z-7V000-JGRM
	2004	5R110W		4 X 4; 3C3P-7000-JG; w/ PTO; PRB-JC; TorqShift	3C3Z-7V000-JGRM	
	2004	6.0L DIESEL	5R110W	4 X 4; 4C3P-7000-KB; w/o PTO; PRB-JF; TorqShift	4C3Z-7000-KBRM	
	2004		5R110W	4 X 2; 4C3P-7000-KB; w/o PTO; PRB-JF; TorqShift	4C3Z-7000-KBRM	
	2004		5R110W	4 X 2; 4C3P-7000-JB; w/o PTO; PRB-JE; TorqShift	4C3Z-7000-JBRM	
	2004		6.8L	4R100	4 X 4; 1C3P-7000-DA,DB,DC; PRB-GG1; w/o PTO	1C3Z-7V000-DRM
	2004			4R100	4 X 4; 1C3P-7000-JC; w/ PTO; PRB-GL1	1C3Z-7V000-JRM
	2004		6.0L	4R100	4 X 2; 1C3P-7000-CC; w/o PTO; PRB-GF1	1C3Z-7V000-CRM
	2004			4R100	4 X 2; 1C3P-7000-HC; w/ PTO; PRB-GK1	1C3Z-7V000-HRM
	2003		6.0L	TorqShift	4 X 2; w/ 200.0 In. Wheelbase; 3C3P-7000-JG; Must Add Companion Flange 3C3P-4K177-BA and Bolt 3C3Z-7N134-CA on 4x2 applications; Fixed Flange-w/ PTO; PRB-JC; TorqShift	3C3Z-7V000-JGRM
	2003			TorqShift	4 X 2; w/ 200.0 In. Wheelbase; 3C3P-7000-JF; Must Add Companion Flange 3C3P-4K177-BA and Bolt 3C3Z-7N134-CA on 4x2 applications; PRB-HX; Fixed Flange-w/ PTO; TorqShift	3C3Z-7V000-JGRM
	2003		6.0L DIESEL	TorqShift	4 X 2; w/ 176.0 In. Wheelbase; 3C3P-7000-JF; Must Add Companion Flange 3C3P-4K177-BA and Bolt 3C3Z-7N134-CA on 4x2 applications; PRB-HX; Fixed Flange-w/ PTO; TorqShift	3C3Z-7V000-JGRM
	2003	TorqShift		4 X 2; w/ 176.0 In. Wheelbase; 3C3P-7000-JG; Must Add Companion Flange 3C3P-4K177-BA and Bolt 3C3Z-7N134-CA on 4x2 applications; Fixed Flange-w/ PTO; PRB-JC; TorqShift	3C3Z-7V000-JGRM	
	2003	6.0L DIESEL	5R110W	4 X 4; RM8U2J-7G497-ACA; w/o PTO; TorqShift	4C3Z-7000-KBRM	
	2003		5R110W	4 X 2; RM8U2J-7G497-ABA; w/o PTO; TorqShift	4C3Z-7000-JBRM	
	2003-2001	6.8L	4R100	4 X 4; 1C3P-7000-DA,DB,DC; w/o PTO; PRB-GG, GG1	1C3Z-7V000-DRM	
	2003		4R100	4 X 4; 1C3P-7000-JC; w/ PTO Provision; PRB-GL, PRB-GL1	1C3Z-7V000-JRM	
	2003	7.3L	4R100	Motor Home - Stripped Chassis; 1C3P-7000-KC; PRB-GM, PRB-GM1	1C3Z-7V000-KRM	
	2003-2001		4R100	4 X 2; 1C3P-7000-CC; w/o PTO; PRB-GF, PRB-GF1	1C3Z-7V000-CRM	
	2003		4R100	4 X 2; 1C3P-7000-HC; w/ PTO Provision; PRB-GK, PRB-GK1	1C3Z-7V000-HRM	
	2003		4R100	4 X 2; 1C3P-7000-LB; Heavy Duty Service; w/ PTO; PRB-GN, PRB-GN1	7U2Z-7V000-ARM	
	2003		4R100	4 X 4; 1C3P-7000-MB; Normal Service; w/ PTO; PRB-GP, PRB-GP1	1C3Z-7V000-MRM	
	2003		4R100	4 X 2; 1C3P-7000-LB; Normal Service; w/ PTO; PRB-GN, PRB-GN1	1C3Z-7V000-LRM	
	2003-2001		4R100	4 X 4; 1C3P-7000-FA, FB; Normal Service; w/o PTO; PRB-GJ, GJ1	1C3Z-7V000-FRM	
	2003-2001		4R100	4 X 4; 1C3P-7000-FA, FB; Heavy Duty Service; w/o PTO; PRB-GJ, GJ1	6U2Z-7V000-FRM	
	2003-2001		4R100	4 X 2; 1C3P-7000-EA, EB; Normal Service; w/o PTO; PRB-GH, GH1	1C3Z-7V000-ERM	
	2003		6.8L	4R100	4 X 4; 1C3P-7000-MB; Heavy Duty Service; w/ PTO; PRB-GP, PRB-GP1	7U2Z-7V000-BRM
	2002-2001	4R100		4 X 4; 1C3P-7000-JC; w/ PTO Provision; PRB-GL	1C3Z-7V000-JRM	
	2002-2001	7.3L	4R100	Motor Home - Stripped Chassis; 1C3P-7000-KC; PRB-GM	1C3Z-7V000-KRM	
	2002-2001		4R100	4 X 2; 1C3P-7000-HC; PRB-GK; w/ PTO Provision	1C3Z-7V000-HRM	
	2002-2001		4R100	4 X 2; 1C3P-7000-LA/LB; Heavy Duty Service; PRB-GN; w/ PTO	7U2Z-7V000-ARM	
	2002-2001		4R100	4 X 4; 1C3P-7000-MB; Normal Service; w/ PTO; PRB-GP	1C3Z-7V000-MRM	



F-Series

-Cont'd

Part Type	Years	Engine	Trans	Qualifier	Ford #	
Automatic - Reman	2002-2001	7.3L	4R100	4 X 2; 1C3P-7000-LB; Normal Service; PRB-GN; w/ PTO	1C3Z-7V000-LRM	
	2002-2001		4R100	4 X 4; 1C3P-7000-MA/MB; Heavy Duty Service; w/ PTO; PRB-GP	7U2Z-7V000-BRM	
	2001	6.8L	4R100	4 X 4; 1C3P-7000-DB; w/o PTO; PRB-FJ	1C3Z-7V000-DRM	
	2001		4R100	4 X 4; 1C3P-7000-DA; w/o PTO; PRB-DK	1C3Z-7V000-DRM	
	2001		4R100	4 X 4; 1C3P-7000-JA; w/ PTO Provision; PRB-DP	1C3Z-7V000-JRM	
	2001		4R100	4 X 4; 1C3P-7000-JB; w/ PTO Provision; PRB-FL	1C3Z-7V000-JRM	
	2001		4R100	Motor Home - Stripped Chassis; 1C3P-7000-KA; PRB-DR	1C3Z-7V000-KRM	
	2001		4R100	Motor Home - Stripped Chassis; 1C3P-7000-KB; PRB-FM	1C3Z-7V000-KRM	
	2001		4R100	4 X 2; 1C3P-7000-CA; w/o PTO; PRB-DJ	1C3Z-7V000-CRM	
	2001		4R100	4 X 2; 1C3P-7000-CB; w/o PTO; PRB-FH	1C3Z-7V000-CRM	
	2001		4R100	4 X 2; 1C3P-7000-HB; w/ PTO Provision; PRB-FK	1C3Z-7V000-HRM	
	2001		4R100	4 X 2; 1C3P-7000-HA; w/ PTO Provision; PRB-DN	1C3Z-7V000-HRM	
	2001	7.3L		4R100	4 X 2; 1C3P-7000-LA; Heavy Duty Service; w/ PTO; PRB-DS	7U2Z-7V000-ARM
	2001			4R100	4 X 4; 1C3P-7000-MA; Normal Service; w/ PTO; PRB-DT	1C3Z-7V000-MRM
	2001			4R100	4 X 2; 1C3P-7000-LA; Normal Service; w/ PTO; PRB-DS	1C3Z-7V000-LRM
	2001			4R100	4 X 4; 1C3P-7000-FA; Normal Service; w/o PTO; PRB-DM	1C3Z-7V000-FRM
	2001			4R100	4 X 4; 1C3P-7000-FA; Heavy Duty Service; w/o PTO; PRB-DM	6U2Z-7V000-FRM
	2001			4R100	4 X 2; 1C3P-7000-EA; Normal Service; w/o PTO; PRB-DL	1C3Z-7V000-ERM
	2001			4R100	4 X 4; 1C3P-7000-MA; Heavy Duty Service; w/ PTO; PRB-DT	7U2Z-7V000-BRM
	2000	6.8L		4R100	4 X 4; YC3P-7000-DA, SA; w/o PTO; PRB-BS, CV	YC3Z-7V000-DRM
	2000			4R100	4 X 2; YC3P-7000-CA; w/o PTO; PRB-BR	YC3Z-7V000-CRM
	2000			4R100	4 X 2; Motor Home - Stripped Chassis; YC3P-7000-KA; PRB-BX	YC3Z-7V000-KRM
	2000	7.3L		4R100	4 X 4; YC3P-7000-MA; Normal Service; PTO; PRB-BZ	1C3Z-7V000-MRM
	2000			4R100	4 X 4; YC3P-7000-FB; Normal Service; PRB-CR	1C3Z-7V000-FRM
	2000			4R100	4 X 4; YC3P-7000-FA, FB; Normal Service; PRB-BU	1C3Z-7V000-FRM
	2000			4R100	4 X 2; YC3P-7000-LA; Normal Service; PTO; PRB-BY	F81Z-7V000-KBRM
	2000			4R100	4 X 4; YC3P-7000-MB; Normal Service; PTO; PRB-CT	F81Z-7V000-KBRM
	2000			4R100	4 X 2; YC3P-7000-LB; Normal Service; PTO; PRB-CS	F81Z-7V000-KBRM
	2000			4R100	4 X 4; YC3P-7000-FB; Heavy Duty Service; PRB-CR	6U2Z-7V000-LRM
	2000			4R100	4 X 4; YC3P-7000-FA, FB; Heavy Duty Service; PRB-BU	6U2Z-7V000-LRM
	2000			4R100	4 X 4; YC3P-7000-MB; PTO; Heavy Duty Service; PRB-CT	7U2Z-7V000-DRM
	2000			4R100	4 X 4; YC3P-7000-MA; PTO; Heavy Duty Service; PRB-BZ	7U2Z-7V000-DRM
	2000			4R100	4 X 2; YC3P-7000-EB; Normal Service; PRB-CP	1C3Z-7V000-ERM
	2000			4R100	4 X 2; YC3P-7000-EA, EB; Normal Service; PRB-BT	1C3Z-7V000-ERM
	2000			4R100	4 X 2; YC3P-7000-EB; Heavy Duty Service; PRB-CP	6U2Z-7V000-HRM
	2000			4R100	4 X 2; YC3P-7000-EA, EB; Heavy Duty Service; PRB-BT	6U2Z-7V000-HRM
	1999			4R100	4 X 2; Motor Home - Stripped Chassis; XC3P-7000-MA; F81P-7000-TA; PRB-AD; PRB-AZ	F81Z-7V000-TARM
	1999			4R100	4 X 2; Standard Cab Pickup; F81P-7000-TA; PRB-AD	F81Z-7V000-TARM
	1999	6.8L		4R100	4 X 4; F81P-7000-EB; PRB-D	F81Z-7V000-EBRM
	1999			4R100	4 X 4; XC3P-7000-EA; PRB-AS	F81Z-7V000-EBRM
	1999			4R100	4 X 2; F81P-7000-FB; PTO; PRB-E	F81Z-7V000-FBRM
	1999			4R100	4 X 2; XC3P-7000-FA; PTO; PRB-AT	F81Z-7V000-FBRM
	1999			4R100	4 X 2; XC3P-7000-DA; PRB-AR	F81Z-7V000-DBRM
	1999			4R100	4 X 2; F81P-7000-DB; PRB-C	F81Z-7V000-DBRM
	1999			4R100	4 X 4; XC3P-7000-GA; PTO; PRB-AU	F81Z-7V000-GBRM
	1999			4R100	4 X 4; F81P-7000-GB; PTO; PRB-F	F81Z-7V000-GBRM
	1999	7.3L		4R100	4 X 4; XC3P-7000-JA; Normal Service; PTO; PRB-AW	1C3Z-7V000-MRM
	1999			4R100	4 X 4; XC3P-7000-LA; Normal Service; PRB-AY	1C3Z-7V000-FRM
	1999			4R100	4 X 2; F81P-7000-KB; Normal Service; PTO; PRB-H	F81Z-7V000-KBRM
	1999			4R100	4 X 2; XC3P-7000-KA; Normal Service; PTO; PRB-AX	F81Z-7V000-KBRM
	1999			4R100	4 X 4; XC3P-7000-LA; Heavy Duty Service; PRB-AY	6U2Z-7V000-LRM
	1999			4R100	4 X 4; F81P-7000-LB; Heavy Duty Service; PRB-J	6U2Z-7V000-LRM
	1999			4R100	4 X 4; F81P-7000-PB; PTO; PRB-K; Heavy Duty Service	7U2Z-7V000-DRM
	1999			4R100	4 X 2; XC3P-7000-HA; Normal Service; PRB-AV	1C3Z-7V000-ERM
	1999			4R100	4 X 2; F81P-7000-HB; Normal Service; PRB-G	1C3Z-7V000-ERM
	1999			4R100	4 X 2; F81P-7000-HB; Heavy Duty Service; PRB-G	6U2Z-7V000-HRM
	1999			4R100	4 X 2; XC3P-7000-HA; Heavy Duty Service; PRB-AV	6U2Z-7V000-HRM
1997			E4OD	F7TP-7000-JA; 4.63/5.13 Axle Ratio; PRA-BCA	F7TZ-7V000-JRM	
1997	7.5L		E4OD	4WD; F7TP-7000-LA; 4.63/5.13 Axle Ratio; PRA-GCA	F7TZ-7V000-LRM	
1996	7.3L		E4OD	4 X 2; F6TP-7000-GA; PRA-BBA10; 5.13 Axle Ratio	F6TZ-7V000-GARM	
1996	7.5L		E4OD	4 X 2; F6TP-7000-JA; 4.63/5.13 Axle Ratio; PRA-GBA10	F6TZ-7V000-JARM	
1995	7.3L		E4OD	4 X 2; F5TP-7000-EB; PRA-BBA1; 5.13 Axle Ratio	F5TZ-7V000-ERM	
1995	7.5L		E4OD	4 X 2; F5TP-7000-LB; 4.63/5.13 Axle Ratio; PRA-GBA	F5TZ-7V000-JRM	
1994	7.3L		E4OD	4 X 2; F3TP-7000-LA; PRA-BAA6; 5.13 Axle Ratio	F3TZ-7V000-LRM	
1994	7.5L		E4OD	4 X 2; F3TP-7000-EB; 4.63/5.13 Axle Ratio; PRA-YB3	F2TZ-7V000-MRM	
1993-1992	7.3L		E4OD	4 X 2; F2TP-7000-SA; PRA-C	F3TZ-7V000-LRM	
1993			E4OD	4 X 2; F3TP-7000-LA; PRA-BAA	F3TZ-7V000-LRM	
1993-1992	7.5L		E4OD	4 X 2; F2TP-7000-MA; PRA-A	F2TZ-7V000-MRM	
1993			E4OD	4 X 2; F3TP-7000-GA; PRA-AAA	F2TZ-7V000-MRM	
1993			E4OD	4 X 2; F3TP-7000-EB; PRA-YB	F2TZ-7V000-MRM	
1993			E4OD	4 X 2; F3TP-7000-EA; PRA-YA	F2TZ-7V000-MRM	
1991-1990	7.3L		E4OD	4 X 2; F0TP-7000-SA; PRA-C	F0TZ-7V000-URM	
1991-1990	7.5L		E4OD	4 X 2; F0TP-7000-NA; PRA-A	F0TZ-7V000-NRM	

F53

Part Type	Years	Engine	Trans	Qualifier	Ford #
Automatic - New	2018-2015	6.8L	6R140	GC4P-7000-AA; w/o PTO	HC4Z-7000-A



F53

-Cont'd

Part Type	Years	Engine	Trans	Qualifier	Ford #
Automatic - New	2015-2011	6.8L	5R110W	BU9P-7000-AA; TorqShift; Fixed Flange	BU9Z-7000-A
Automatic - Reman	2008-2007		5R110W	7C3P-7000-HC; PRB-MC; TorqShift	7C3Z-7000-HRM
	2007		5R110W	6C3P-7000-DD; PRB-MC; TorqShift	7C3Z-7000-HRM
	1996	7.5L	E4OD	Motor Home - Stripped Chassis; F6TP-7000-KA; PRA-CBA10	F6TZ-7V000-JARM
	1995		E4OD	Motor Home - Stripped Chassis; F5TP-7000-JB; PRA-CBA	F5TZ-7V000-JRM
	1993		E4OD	4 X 2; Motor Home - Stripped Chassis; F3TP-7000-DB; PRA-WB	F2TZ-7V000-MRM
	1993-1992		E4OD	F2TP-7000-ACA; Motor Home; PRA-N	FOTZ-7V000-NRM
	1991		E4OD	F1TP-7000-NA; Motor Home, RV E30/33; PRA-N	FOTZ-7V000-NRM
	1990		E4OD	F0FP-7000-AA; Motor Home, RV E30/33; PRA-N	FOTZ-7V000-NRM

F650

Part Type	Years	Engine	Trans	Qualifier	Ford #
Automatic - New	2018-2016	6.7L DIESEL	6R140	GC4P-7000-BB; w/ PTO	HC4Z-7000-B
	2018-2016		6R140	JC4P-7000-HA; w/o PTO	HC4Z-7000-C
	2017	6.8L	6R140	JC4P-7000-VA; w/o PTO	HC4Z-7000-D
	2017		6R140	JC4P-7000-XA; w/ PTO	HC4Z-7000-E
	2017-2016	DIESEL	6R140	GC4P-7000-HA; w/o Trans PTO	GC4Z-7000-HA
	2016	GAS	6R140	GC4P-7000-VA; w/o Trans PTO	GC4Z-7000-V
	2016		6R140	GC4P-7000-XA; w/ Trans PTO	GC4Z-7000-XA
	2015	6.8L	6R140	FC4P-7000-VA; w/o PTO; TorqShift6	FC4Z-7000-V
	2015		6R140	FC4P-7000-XA; w/ PTO; TorqShift6	FC4Z-7000-X
	2014-2012		6R140	CC4P-7000-VB; w/o PTO; TorqShift6	CC4Z-7000-A
	2014-2012		6R140	CC4P-7000-XB; w/ PTO; TorqShift6	CC4Z-7000-B
Automatic - Reman	2015-2012		6R140	RMFC4J-7000-AA; w/o PTO	CC4Z-7000-ARM
	2015-2012		6R140	RMFC4J-7000-BA; w/ PTO	CC4Z-7000-BRM
	2015	6.8L	6R140	4 X 2; w/o PTO	GC4Z-7000-XHRM

F750

Part Type	Years	Engine	Trans	Qualifier	Ford #
Automatic - New	2018-2016	6.7L DIESEL	6R140	GC4P-7000-BB; w/ PTO	HC4Z-7000-B
	2018-2016		6R140	JC4P-7000-HA; w/o PTO	HC4Z-7000-C
	2017	6.8L	6R140	JC4P-7000-VA; w/o PTO	HC4Z-7000-D
	2017		6R140	JC4P-7000-XA; w/ PTO	HC4Z-7000-E
	2017-2016	DIESEL	6R140	GC4P-7000-HA; w/o Trans PTO	GC4Z-7000-HA
	2016	GAS	6R140	GC4P-7000-VA; w/o Trans PTO	GC4Z-7000-V
	2016		6R140	GC4P-7000-XA; w/ Trans PTO	GC4Z-7000-XA
	2015	6.7L DIESEL	6R140	FC4P-7000-VA; w/o PTO; TorqShift6	FC4Z-7000-V
	2015		6R140	FC4P-7000-XA; w/ PTO; TorqShift6	FC4Z-7000-X

LCF

Part Type	Years	Engine	Trans	Qualifier	Ford #
Automatic - Reman	2009	4.5L DIESEL	5R110W	w/ PTO; PRB-NX; 9E7P-7000-AA; AE7P-7000-AA; TorqShift	9E7Z-7000-ARM
	2009		5R110W	w/o PTO; PRB-NY; 9E7P-7000-BA; AE7P-7000-BA; TorqShift	9E7Z-7000-BRM
	2009		5R110W	4WD; RM6E7J-7000-BB; w/o PTO; TorqShift	6E7Z-7000-BBRM
	2008			8E7P-7000-BB; w/o PTO; PRB-NY	8E7Z-7000-BARM
	2008			8E7P-7000-AB; w/ PTO; PRB-NX	8E7Z-7000-AARM
	2007		5R110W	7E7P-7000-AA; w/ PTO; PRB-LH; TorqShift	7E7Z-7000-AARM
	2007			7E7P-7000-BA; w/o PTO; PRB-LJ	7E7Z-7000-BARM
	2006		5R110W	4WD; RM6E7J-7000-AB; w/ PTO; TorqShift	6E7Z-7000-ABRM



Ford Crown Victoria

Part Type	Years	Engine	Trans	Qualifier	Ford #
Automatic - New	2011	4.6L	4R70W	11.25 In.; Dark Green; Aluminum Drive Shaft	9W7Z-7902-A
	2011		4R75W	11.25 In.; Dark Green; Aluminum Drive Shaft	9W7Z-7902-A
Automatic - Reman	2010-2009		4R75E	11.25 In.; Dark Green; Aluminum Drive Shaft	9W7Z-7902-A
	2011		4R70W	w/ Steel Drive Shaft	7L3Z-7902-HRM
	2011, 2007		4R75W	w/ Steel Drive Shaft	7L3Z-7902-HRM
	2011, 2007		4R70W	w/ Aluminum Drive Shaft	7W7Z-7902-BRM
	2011, 2007		4R75W	w/ Aluminum Drive Shaft	7W7Z-7902-BRM
	2010		4R75E	w/ Steel Drive Shaft	7L3Z-7902-HRM
	2010		4R75E	w/ Aluminum Drive Shaft	7W7Z-7902-BRM
	2009-2007		4R75E	Base; w/ Steel Drive Shaft	7L3Z-7902-HRM
	2009		4R75E	Police Interceptor; w/ Aluminum Drive Shaft	7W7Z-7902-BRM
	2008-2007		4R75E	Police Interceptor	7W7Z-7902-BRM
	2008		4R75E	Base; w/ Aluminum Drive Shaft	7W7Z-7902-BRM
	2007		4R75W		7L3Z-7902-HRM
	2007		4R70W		7L3Z-7902-HRM
	2007		4R70W	Police Interceptor	7W7Z-7902-BRM
	2003		4R70W	XW7P-7902-A,D; 1W7P-7902-A,B; 3W7P-7902-A,B	F8AZ-7902-AARM
	2002-2000		4R70W	Base; XW7P-7902-A,D; 1W7P-7902-A,B; 3W7P-7902-A,B	F8AZ-7902-AARM
	2002-1999		4R70W	Police Interceptor	F8LZ-7902-BARM
	2001		4R70W	Base; 1W7P-7902-A,B	F8AZ-7902-AARM
	1999		4R70W	LX	F8AZ-7902-AARM
	1999		4R70W	Base	F8AZ-7902-AARM
1998-1996		4R70W		F8AZ-7902-AARM	
1995-1994		AOD-E		F8AZ-7902-AARM	

Five Hundred

Part Type	Years	Engine	Trans	Qualifier	Ford #
Automatic - Reman	2007-2005	3.0L	CFT30		5F9Z-7902-BRM

Focus

Part Type	Years	Engine	Trans	Qualifier	Ford #
Automatic - New	2017-2016	2.0L	4F27E	6F15	FM5Z-7902-C
	2011-2008				8S4Z-7902-A
Automatic - Reman	2011-2008		4F27E		8S4Z-7902-ARM
	2007-2000		4F27E	XS4P-7902-BB,BC,BD; YS4P-7902-BA; 3S4P-7902-BA, XS4P-7902-C2E, D2E,CF,DF; 1S4P-7902-CA, DA;3S4P-7902-CA,DA; 5S4P-7902-BA	XS4Z-7902-BBRM
	2004-2003	2.3L	4F27E	3S4P-7902-A,CA; 3S4P-7902-CB	3S4Z-7902-CARM

Freestyle

Part Type	Years	Engine	Trans	Qualifier	Ford #
Automatic - Reman	2007-2005	3.0L	CFT30		5F9Z-7902-BRM

Fusion

Part Type	Years	Engine	Trans	Qualifier	Ford #
Automatic - New	2017-2014	1.5L EcoBoost	6F35		EG9Z-7902-D
	2017-2013	2.0L EcoBoost	6F35		DG9Z-7902-F
	2017-2011	2.5L	6F35		9L8Z-7902-H
	2014-2013	1.6L	6F35	GTDI	CV6Z-7902-F
	2012-2010	3.5L	F21		7E5Z-7902-A
	2009-2006		FNR5		6E5Z-7902-A
	2009-2006	3.0L	F21		6E5Z-7902-B
	Automatic - Reman	2012-2010	2.5L	6F35	
2012-2010		3.0L	6F35		9L8Z-7902-ARM

Mustang

Part Type	Years	Engine	Trans	Qualifier	Ford #
Automatic - New	2017-2015	2.3L EcoBoost	6R80		FR3Z-7902-A
	2017-2015	3.7L DOHC	6R80		FL3Z-7902-A
	2017-2015	5.0L	6R80		FL3Z-7902-B
	2014	3.7L	6R80		CK4Z-7902-B
	2014	5.0L DOHC	6R80	From 04/15/14	BR3Z-7902-CF
	2014		6R80	Before 04/15/14	BR3Z-7902-GA
	2013-2011	3.7L	6R80		BR3Z-7902-EA
	2013-2011	5.0L DOHC	6R80		BR3Z-7902-GA
	2010-2007	4.0L	5R55S		7L2Z-7902-A
	Automatic - Reman	2010-2007			5 Spd.; w/ Automatic Trans.
2010-2005		4.6L SOHC	5R55S	4L2P-7902-E,F	7R3Z-7902-ARM

TORQUE CONVERTERS
Passenger Cars
Ford / Lincoln



FORD PARTS

Mustang

-Cont'd

Part Type	Years	Engine	Trans	Qualifier	Ford #
Automatic - Reman	2006-2005	4.0L SOHC	5R55S		4R3Z-7902-AARM
	2004-2001	3.8L	4R70W		3R3Z-7902-ABRM
	2004	3.9L	4R70W		3R3Z-7902-ABRM
	2000-1998	3.8L	4R70W	XR3P-7902-A; 1R3P-7902-A	F85Z-7902-AARM
	2000-1998	4.6L	4R70W		F8LZ-7902-BARM
	1997-1996	3.8L	4R70W		F8AZ-7902-AARM
	1995-1994		AOD-E		F8AZ-7902-AARM
	1994	5.0L	AOD-E		F8AZ-7902-AARM

Police Interceptor Sedan

Part Type	Years	Engine	Trans	Qualifier	Ford #
Automatic - New	2017-2013	3.7L	6F50	3 Bolt Converter	DA8Z-7902-E

Probe

Part Type	Years	Engine	Trans	Qualifier	Ford #
Automatic - Reman	1992-1990	3.0L	4EAT-G		FO2Z-7902-ARM

Taurus

Part Type	Years	Engine	Trans	Qualifier	Ford #
Automatic - New	2017-2013	2.0L	6F35		BB5Z-7902-F
	2017-2013	3.5L	6F55	3 Bolt Converter	DA5Z-7902-D
	2017-2013		6F50	3 Bolt Converter	DA8Z-7902-A
	2012-2011		6F55	3 Bolt Converter	AA5Z-7902-B
	2012-2010		6F50		9E9Z-7902-B
Automatic - Reman	2010		6F55	4 Bolt Converter	AA5Z-7902-A
	2012-2011	3.5L EcoBoost	6F55	3 Bolt Converter	AA5Z-7902-BRM
	2010		6F55	4 Bolt Converter	AA5Z-7902-ARM
	2009-2008	3.5L	6F50		7T4Z-7902-ARM
	2007-2004	3.0L	4F50N		3F1Z-7902-ADRM
	2003-2001	3.0L DOHC	4F50N	1F1P-7902-D,E	1F1Z-7902-AARM
	2003-2001	3.0L OHV	AX4S	1F1P-7902-A,G	1F1Z-7902-BARM
	2003-2001		AX4S	1F1P-7902-C,F	1F2Z-7902-AARM
	2000	3.0L DOHC	AX4N	YF1P-7902-D,E	F88Z-7902-AARM
	2000	3.0L OHV	AX4N		F8DZ-7902-CARM
	1999-1997	3.0L DOHC	AX4N		F8DZ-7902-AARM
	1999-1996	3.0L OHV	AX4N		F68Z-7902-ARM

Taurus X

Part Type	Years	Engine	Trans	Qualifier	Ford #
Automatic - Reman	2009-2008	3.5L	6F50		7T4Z-7902-ARM

Thunderbird

Part Type	Years	Engine	Trans	Qualifier	Ford #
Automatic - Reman	2005-2003	3.9L	5R55S	4W4P-7902-A	7R3Z-7902-ARM
	1997	3.8L	4R70W		F8AZ-7902-AARM
	1997-1994	4.6L	4R70W		F8AZ-7902-AARM

Lincoln

Continental

Part Type	Years	Engine	Trans	Qualifier	Ford #
Automatic - New	2018-2017		6F55	6 Bolt	FG9Z-7902-C
	2018-2017	2.7L	6F50	3 Bolt Converter	DA8Z-7902-F
	2018-2017	3.0L	6F50	3 Bolt Converter	DA8Z-7902-F
	2018-2017	3.7L	6F50	3 Bolt Converter	DA8Z-7902-F

LS

Part Type	Years	Engine	Trans	Qualifier	Ford #
Automatic - Reman	2006-2004	3.9L	5R55S	4W4P-7902-A	7R3Z-7902-ARM
	2006-2004			4W4P-7902-B	4W4Z-7902-BARM
	2005-2004	3.0L	5R55S	4W4P-7902-A	7R3Z-7902-ARM
	2005-2004			4W4P-7902-B	4W4Z-7902-BARM



MKS

Part Type	Years	Engine	Trans	Qualifier	Ford #
Automatic - New	2016-2013	3.5L	6F55	3 Bolt Converter	DA5Z-7902-D
	2016-2013	3.7L	6F50	3 Bolt Converter	DA8Z-7902-E
	2012-2011	3.5L	6F55	3 Bolt Converter	AA5Z-7902-B
	2012-2009	3.7L	6F50		9E9Z-7902-B
Automatic - Reman	2010	3.5L	6F55	4 Bolt Converter	AA5Z-7902-A
	2012-2011	3.5L EcoBoost	6F55	3 Bolt Converter	AA5Z-7902-BRM
	2010		6F55	4 Bolt Converter	AA5Z-7902-ARM
	2009	3.7L	6F50	3.16 Final Drive Ratio	9E9Z-7902-BRM

MKZ

Part Type	Years	Engine	Trans	Qualifier	Ford #
Automatic - New	2017-2014		6F50	3 Bolt Converter	DA8Z-7902-F
	2017-2014	2.0L	6F35		DG9Z-7902-F
	2013	2.5L DOHC	6F35		DG9Z-7902-F
	2013	3.7L	6F50	3 Bolt Converter	DA8Z-7902-E
	2012-2007	3.5L	F21		7E5Z-7902-A

Mark VIII

Part Type	Years	Engine	Trans	Qualifier	Ford #
Automatic - Reman	1998-1996	4.6L	4R70W		F8LZ-7902-BARM
	1995-1994		AOD-E		F8LZ-7902-BARM

Town Car

Part Type	Years	Engine	Trans	Qualifier	Ford #
Automatic - Reman	2011-2007	4.6L	4R70W	Exc. Limo	7L3Z-7902-HRM
	2011-2007		4R70W	Limo Conversion Package	7W7Z-7902-BRM
	2006-2004		4R70W	w/ Executive Long Wheelbase Pack	8L3Z-7902-BRM
	2006-2004		4R70W	Limo	8W7Z-7902-ARM
	2003-2000		4R70W	Sedan; XW1P-7902-B,D; YW1P-7902-A; 1W1P-7902-A,C; 3W1P-7902-A,C,D,E,F	F8AZ-7902-AARM
	2003-1998		4R70W	Limousine	F8LZ-7902-BARM
	2001		4R70W	Sedan; 1W1P-7902-A,C,D	F8AZ-7902-AARM
	1999-1998		4R70W	Sedan	F8AZ-7902-AARM
	1997-1993		4R70W		F8AZ-7902-AARM
	1992		AOD-E		F8AZ-7902-AARM
	1992		AOD		F8AZ-7902-AARM

Zephyr

Part Type	Years	Engine	Trans	Qualifier	Ford #
Automatic - New	2006	3.0L	F21		6E5Z-7902-B

Mercury

Cougar

Part Type	Years	Engine	Trans	Qualifier	Ford #
Automatic - Reman	2002-2001	2.5L	CD4E	1S8P-7902-A,B; 2S8P-7902-A	YL8Z-7902-BCRM
	1997	3.8L	4R70W		F8AZ-7902-AARM
	1997-1996	4.6L	4R70W		F8AZ-7902-AARM
	1995-1994		AOD-E		F8AZ-7902-AARM

Grand Marquis

Part Type	Years	Engine	Trans	Qualifier	Ford #
Automatic - Reman	2011, 2008-2007	4.6L	4R70W	w/o Handling Package	7L3Z-7902-HRM
	2011, 2008-2007		4R70W	w/ Sport Equipment Package	7W7Z-7902-BRM
	2010-2009		4R75E	w/o Handling Package	7L3Z-7902-HRM
	2010-2009		4R75E	w/ Sport Equipment Package	7W7Z-7902-BRM
	2006-2004		4R70W	w/o Special Equipment Package	8L3Z-7902-BRM
	2006-2004		4R70W	w/ Sport Equipment Package	8W7Z-7902-ARM
	2003-2000		4R70W	XW7P-7902-A,D; 1W7P-7902-A,B; 3W7P-7902-A,B	F8AZ-7902-AARM
	2002-2000		4R70W	w/ Sport Equipment Package	F8LZ-7902-BARM
	1999-1996		4R70W		F8AZ-7902-AARM
	1995-1992		AOD-E		F8AZ-7902-AARM
	1992		AOD		F8AZ-7902-AARM

TORQUE CONVERTERS
Passenger Cars / Light Trucks
Mercury / Ford



FORD PARTS

Milan

Part Type	Years	Engine	Trans	Qualifier	Ford #
Automatic - New	2009-2006		FNR5		6E5Z-7902-A
	2009-2006	3.0L	F21		6E5Z-7902-B
Automatic - Reman	2011-2010	2.5L	6F35		9L8Z-7902-BRM
	2011-2010	3.0L	6F35		9L8Z-7902-ARM

Montego

Part Type	Years	Engine	Trans	Qualifier	Ford #
Automatic - Reman	2007-2005	3.0L	CFT30		5F9Z-7902-BRM

Sable

Part Type	Years	Engine	Trans	Qualifier	Ford #
Automatic - Reman	2009-2008	3.5L	6F50		7T4Z-7902-ARM
	2005-2004	3.0L	4F50N		3F1Z-7902-ADRM
	2003-2001	3.0L DOHC	4F50N	1F1P-7902-D,E	1F1Z-7902-AARM
	2003-2001	3.0L OHV	AX4S	1F1P-7902-A,G	1F1Z-7902-BARM
	2003-2001		AX4S	1F1P-7902-C,F	1F2Z-7902-AARM
	2000	3.0L DOHC	AX4N	YF1P-7902-D,E	F88Z-7902-AARM
	2000	3.0L OHV	AX4N		F8DZ-7902-CARM
	1999-1997	3.0L DOHC	AX4N		F8DZ-7902-AARM
	1999-1996	3.0L OHV	AX4N		F68Z-7902-ARM

Ford

Bronco

Part Type	Years	Engine	Trans	Qualifier	Ford #
Automatic - Reman	1996-1991	5.0L	E4OD		F7TZ-7902-FARM
	1996-1991	5.8L	E4OD		F7TZ-7902-FARM
	1992-1990	4.9L	E4OD		F7TZ-7902-EARM

Econoline

Part Type	Years	Engine	Trans	Qualifier	Ford #
Automatic - New	2017	6.2L	6R140	4 Bolt Converter	CC4Z-7902-A
	2017-2016	6.8L	6R140	4 Bolt Converter; TorqShift6	CC4Z-7902-A
	2017-2009		5R110W	TorqShift	9C3Z-7902-B
	2016-2009	5.4L	5R110W	TorqShift	9C3Z-7902-C
	2016-2015		4R70W		9C2Z-7902-A
	2014-2009	4.6L	4R75W		9C2Z-7902-B
	2014-2004	5.4L SOHC	4R75W		9C2Z-7902-A
	2010-2009	6.0L DIESEL	5R110W	TorqShift	9C2Z-7902-C
	2007	5.4L SOHC	4R75E		9C2Z-7902-A
Automatic - Reman	2011-2008	4.6L	4R75W		7L3Z-7902-HRM
	2011-2008	5.4L	4R75W		7L3Z-7902-GRM
	2011-2007	6.8L	5R110W	TorqShift	7C3Z-7902-JRM
	2010-2007	5.4L	5R110W	TorqShift	7C3Z-7902-KRM
	2010-2007	6.0L DIESEL	5R110W	TorqShift	7C2Z-7902-BRM
	2007	4.6L	4R75E	RWD; w/ Triton (Romeo) Engine	8L3Z-7902-BRM
	2007	5.4L	4R75E	From 12/04/06	7L3Z-7902-GRM
	2007		4R75W	From 12/04/06	7L3Z-7902-GRM
	2007		4R75W	Before 12/04/06	8L3Z-7902-ARM
	2007		4R75E	Before 12/04/06	8L3Z-7902-ARM
	2007-2004	6.8L	5R110W	5C3P-7902-BB; TorqShift	6C3Z-7902-ERM
	2006-2004	4.6L	4R75W	RWD; w/ Triton (Romeo) Engine	8L3Z-7902-BRM
	2006-2004		4R70W	RWD; w/ Triton (Romeo) Engine	8L3Z-7902-BRM
	2006-2005	5.4L	5R110W	TorqShift	6C3Z-7902-FRM
	2006-2004		4R75W		8L3Z-7902-ARM
	2006-2004	6.0L DIESEL	5R110W	TorqShift	6C3Z-7902-DRM
	2003-2000		4R70W	YC2P-7902-A,B,C,S; 1C2P-7902-F,H,J,S; 3C2P-7902-AA	F8AZ-7902-AARM
	2003-2000	5.4L	4R70W	YC2P-7902-D,N; 1C2P-7902-L,MA,YA; XL3P-7902-AA	XL3Z-7902-AARM
	2003-2001		4R100	4C2P-7902-E,H,J; 1C2P-7902-AC,NC,TA; 1C3P-7902-DB,AC,BC	1C3Z-7902-DBRM
	2003-2000	6.8L	4R100	4C2P-7902-F,L; 4C2P-7902-G,L	1C3Z-7902-BARM
	2003-1998	7.3L DIESEL	4R100		1C3Z-7902-CARM
	1999-1997	4.2L	4R70W		F8AZ-7902-AARM
	1999-1997	4.6L	4R70W		F8AZ-7902-AARM
	1999	6.8L	4R100	XC2P-7902-F,G; XC2P-7902-H; w/ 4 Mounting Studs	XC3Z-7902-AARM
	1998-1997		E4OD	w/ 4 Mounting Studs	XC3Z-7902-AARM
	1996-1991	4.9L	E4OD		F7TZ-7902-EARM
	1996-1991	5.0L	E4OD		F7TZ-7902-EARM
	1996-1994		4R75W		F8AZ-7902-AARM
	1996-1994		4R70W		F8AZ-7902-AARM
	1996-1991	7.5L	E4OD		F7TZ-7902-EARM



Edge

Part Type	Years	Engine	Trans	Qualifier	Ford #
Automatic - New	2017-2016		6F35		DG9Z-7902-F
	2017-2015		6F55	6 Bolt	FG9Z-7902-C
	2017-2016		6F50	3 Bolt Converter	DA8Z-7902-F
	2017-2013	3.5L	6F50	3 Bolt Converter	DA8Z-7902-A
	2015		6F35	From 1-19-15	DG9Z-7902-F
	2015	2.0L	6F35	Thru 12-24-14	BB5Z-7902-F
	2014-2012		6F35		BB5Z-7902-F
	2014-2013	3.7L	6F50	3 Bolt Converter	DA8Z-7902-E
	2012-2011	3.5L	6F50	3 Bolt Converter	BT4Z-7902-C
	2012-2011	3.7L	6F50	w/ Automatic Trans.; 3 Bolt Converter	BT4Z-7902-B
	2010	3.5L	6F50		9E9Z-7902-B
Automatic - Reman	2012-2011				BT4Z-7902-CRM
	2012-2011	3.7L	6F55		BT4Z-7902-BRM
	2008-2007	3.5L	6F50		7T4Z-7902-ARM

Escape

Part Type	Years	Engine	Trans	Qualifier	Ford #
Automatic - New	2017-2013	2.0L EcoBoost	6F35		BB5Z-7902-F
	2017-2011	2.5L	6F35		9L8Z-7902-H
	2016-2013	1.6L EcoBoost	6F35		CV6Z-7902-F
Automatic - Reman	2012-2009	2.5L	6F35		9L8Z-7902-BRM
	2012-2009	3.0L	6F35		9L8Z-7902-ARM
	2008-2005	2.3L	CD4E		5L8Z-7902-DBRM
	2006-2001	3.0L DOHC	CD4E	2L8P-7902-E, 2L8P-7902-F, 3L8P-7902-GA,GB,GC,HA,HB,HC; YL8P-7902-E,F	YL8Z-7902-BCRM
	2006-2001		CD4E	3L8P-7902-GD,HD	3L8Z-7902-BARM

Excursion

Part Type	Years	Engine	Trans	Qualifier	Ford #
Automatic - Reman	2005-2000	5.4L	4R100	1C3P-7902-BC,NC	1C3Z-7902-DBRM
	2005-2000	6.8L	4R100	1C3P-7902-C,D,P	1C3Z-7902-BARM
	2003-2001	7.3L DIESEL	4R100	Turbocharged	1C3Z-7902-CARM
	2000	5.4L	4R100	YC3P-7902-B,N,R	XL3Z-7902-BARM

Expedition

Part Type	Years	Engine	Trans	Qualifier	Ford #
Automatic - New	2017-2015	3.5L EcoBoost	6R80		FL3Z-7902-D
	2014-2009	5.4L	6R80		BR3Z-7902-FA
	2008-2007		6R75		7L1Z-7902-C
Automatic - Reman	2006-2005		4R75W		8L3Z-7902-CRM
	2005		4R70W		8L3Z-7902-CRM
	2004-2003	4.6L	4R70W		F8A2-7902-AARM
	2004-2003	5.4L	4R70W		XL3Z-7902-AARM
	2002-2001		4R70W	1L3P-7902-F,H	F8A2-7902-AARM
	2002-1997	5.4L	4R100		XL3Z-7902-BARM
	2000-1997	4.6L	4R70W		F85Z-7902-AARM

Explorer

Part Type	Years	Engine	Trans	Qualifier	Ford #	
Automatic - New	2017-2015	2.0L EcoBoost	6F35		BB5Z-7902-F	
	2017-2013	3.5L	6F55	Turbocharged; 3 Bolt Converter; 3.16 Final Drive Ratio	DA5Z-7902-D	
	2017-2016			4WD; 3 Bolt Converter	DA8Z-7902-F	
	2017-2013	3.5L EcoBoost	6F55	3 Bolt Converter	DA8Z-7902-A	
	2017-2013		6F50	3 Bolt Converter	DA8Z-7902-A	
	2015	3.5L	6F55	Naturally Aspirated; 3 Bolt Converter; Before 3-20-15	DA8Z-7902-E	
	2015			4WD; 3 Bolt Converter; From 3-20-15	DA8Z-7902-F	
	2014-2013		6F55	Naturally Aspirated; 3 Bolt Converter	DA8Z-7902-E	
	2012	2.0L	6F55	3 Bolt Converter; BT4P-7902-CA	BT4Z-7902-C	
	2012		6F50	3 Bolt Converter; BT4P-7902-CA	BT4Z-7902-C	
	2012-2011	3.5L	6F50	3 Bolt Converter; BT4P-7902-CA	BT4Z-7902-C	
	2012-2011		6F55	3 Bolt Converter; BT4P-7902-CA	BT4Z-7902-C	
	2010-2007	4.0L SOHC	5R55S		7L2Z-7902-A	
	2009-2006	4.6L	6R60		9L3Z-7902-B	
	Automatic - Reman	2012-2011				BT4Z-7902-CRM
		2010-2004	4.0L	5R55S		4L2Z-7902-AARM
		2010-2002	4.0L SOHC	5R55E	5 Spd.	7L2Z-7902-ARM
		2010-2006	4.6L	6R60		8L2Z-7902-ARM
		2009-2004		5R55S		4L2Z-7902-BARM
2001-1998		5.0L	4R70W	XL2P-7902-A,B	F85Z-7902-AARM	
1996-1995		4.0L	4R55E		F5T2-7902-DARM	



F-Series

-Cont'd

Part Type	Years	Engine	Trans	Qualifier	Ford #
Automatic - Reman	1996-1994	5.0L	4R70W		F8A2-7902-AARM
	1996-1991	5.8L	E4OD		F7TZ-7902-FARM
	1990	7.5L	E4OD		F7TZ-7902-EARM

Flex

Part Type	Years	Engine	Trans	Qualifier	Ford #
Automatic - New	2017-2014	3.5L	6F50	6 Spd.; FWD; 3 Bolt Converter	DA8Z-7902-A
	2017-2013		6F55	3 Bolt Converter	DA5Z-7902-D
	2017-2013		6F50	3 Bolt Converter; 3.65 Final Drive Ratio	DA8Z-7902-E
	2017-2014	3.5L	6F50	AWD; 3 Bolt Converter	DA8Z-7902-F
	2013		6F50	6 Spd.; 3 Bolt Converter	DA8Z-7902-A
	2012-2011		6F55	3 Bolt Converter	AA5Z-7902-B
	2012-2009		6F50		9E9Z-7902-B
Automatic - Reman	2010	3.5L EcoBoost	6F55	4 Bolt Converter	AA5Z-7902-A
	2012-2011		6F50	3 Bolt Converter	AA5Z-7902-BRM
	2010-2009	3.5L	6F50	3.16 Final Drive Ratio	9E9Z-7902-BRM
	2010	3.5L EcoBoost	6F50	4 Bolt Converter	AA5Z-7902-ARM

Freestar

Part Type	Years	Engine	Trans	Qualifier	Ford #
Automatic - Reman	2007-2004	3.9L	AX4N		5F2Z-7902-BCRM
	2007-2004	4.2L	AX4N		5F2Z-7902-ACRM

Police Interceptor Utility

Part Type	Years	Engine	Trans	Qualifier	Ford #
Automatic - New	2017-2014	3.5L EcoBoost	6F55	3.16 Final Drive Ratio; 3 Bolt Converter	DA5Z-7902-D
	2017-2013	3.7L	6F50	3 Bolt Converter	DA8Z-7902-A

Ranger

Part Type	Years	Engine	Trans	Qualifier	Ford #
Automatic - New	2011-2007	4.0L	5R55E		7L2Z-7902-A
	2007		5R44E		7L2Z-7902-A
Automatic - Reman	2011-2004	2.3L	5R55E		4L5Z-7902-AARM
	2011-2004	4.0L SOHC		5 Spd.; w/ Automatic Trans.; EAO	7L2Z-7902-ARM
	2008-2004	3.0L OHV	5R55E		4L5Z-7902-BARM
	2007-2005	2.3L	5R44E		4L5Z-7902-AARM
	2007-2005	3.0L OHV	5R44E		4L5Z-7902-BARM
	2006-2005	4.0L	5R44E	NAAO	4L2Z-7902-AARM
	2006-2004		5R55E	NAAO	4L2Z-7902-AARM
	2003-2001	2.3L		5 Spd.; EAO; 2L5P-7902-AB,BB,CB	2L5Z-7902-AARM
	2003-2001	3.0L		5 Spd.; EAO; 2L5P-7902-AB,BB,CB	2L5Z-7902-AARM
	1996-1995	4.0L	4R55E		F5TZ-7902-DARM
	1996-1995		4R44E		F5TZ-7902-DARM
	1995		A4LD		F5TZ-7902-DARM

Transit Connect

Part Type	Years	Engine	Trans	Qualifier	Ford #
Automatic - New	2017-2014	2.5L	4F27E		8S4Z-7902-A
	2017		6F35	Before 02/08/17	9L8Z-7902-H
	2017		6F35	From 02/08/17	9L8Z-7902-L
	2016-2014	1.6L	6F35		CV6Z-7902-F
	2016-2014	2.5L	6F35		9L8Z-7902-H
	2013-2010	2.0L	4F27E		8S4Z-7902-A
Automatic - Reman	2012-2010		4F27E		8S4Z-7902-ARM

Transit-150

Part Type	Years	Engine	Trans	Qualifier	Ford #
Automatic - New	2017-2015	3.2L DIESEL	6R80		CK4Z-7902-A
	2017-2016	3.5L	6R80		FL3Z-7902-D
	2017-2016	3.7L	6R80		FL3Z-7902-A
	2015	3.5L EcoBoost	6R80		FL3Z-7902-C
	2015	3.7L	6R80		CK4Z-7902-B

TORQUE CONVERTERS
Light Trucks
Ford / Lincoln



FORD PARTS

Transit-250

Part Type	Years	Engine	Trans	Qualifier	Ford #
Automatic - New	2017-2015	3.2L DIESEL	6R80		CK4Z-7902-A
	2017-2016	3.5L	6R80		FL3Z-7902-D
	2017-2016	3.7L	6R80		FL3Z-7902-A
	2015	3.5L EcoBoost	6R80		FL3Z-7902-C
	2015	3.7L	6R80		CK4Z-7902-B

Transit-350

Part Type	Years	Engine	Trans	Qualifier	Ford #
Automatic - New	2017-2015	3.2L DIESEL	6R80		CK4Z-7902-A
	2017-2016	3.5L	6R80		FL3Z-7902-D
	2017-2016	3.7L	6R80		FL3Z-7902-A
	2015	3.5L EcoBoost	6R80		FL3Z-7902-C
	2015	3.7L	6R80		CK4Z-7902-B

Transit-350 HD

Part Type	Years	Engine	Trans	Qualifier	Ford #
Automatic - New	2017-2015	3.2L DIESEL	6R80		CK4Z-7902-A
	2017-2016	3.5L	6R80		FL3Z-7902-D
	2017-2016	3.7L	6R80		FL3Z-7902-A
	2015	3.5L EcoBoost	6R80		FL3Z-7902-C
	2015	3.7L	6R80		CK4Z-7902-B

Windstar

Part Type	Years	Engine	Trans	Qualifier	Ford #
Automatic - Reman	2003-2001	3.8L	4F50N	1F2P-7902-C	1F2Z-7902-AARM
	2000	3.0L	AX4S	YF2P-7902-A	F88Z-7902-AARM
	2000	3.8L	AX4S	YF2P-7902-B	F88Z-7902-BARM
	1999	3.0L	AX4S		F88Z-7902-AARM
	1999-1998	3.8L	AX4S		F88Z-7902-BARM
	1998-1996	3.0L	AX4S		F68Z-7902-ARM
	1997-1996	3.8L	AX4S		F68Z-7902-ARM

Lincoln

Aviator

Part Type	Years	Engine	Trans	Qualifier	Ford #
Automatic - Reman	2005-2003	4.6L	5R55S	4L2P-7902-E,F	7R3Z-7902-ARM

Blackwood

Part Type	Years	Engine	Trans	Qualifier	Ford #
Automatic - Reman	2002	5.4L	4R100		1L7Z-7902-BBRM

MKC

Part Type	Years	Engine	Trans	Qualifier	Ford #
Automatic - New	2017-2015		6F35	FWD	BB5Z-7902-F
	2017-2015	2.0L EcoBoost		AWD	BB5Z-7902-F
	2017-2015	2.3L EcoBoost	6F35	AWD	EJ7Z-7902-J

MKT

Part Type	Years	Engine	Trans	Qualifier	Ford #	
Automatic - New	2017-2013	2.0L EcoBoost	6F35		BB5Z-7902-F	
	2017-2013	3.5L	6F55	3 Bolt Converter; 3.16 Final Drive Ratio	DA5Z-7902-D	
	2017-2013	3.7L	6F55	3 Bolt Converter; 3.65 Final Drive Ratio	DA8Z-7902-E	
	2017-2016		6F50	3 Bolt Converter	DA8Z-7902-F	
	2013-2011	3.5L	6F55	3 Bolt Converter	AA5Z-7902-B	
	2012-2010	3.7L	6F50		9E9Z-7902-B	
	2010	3.5L	6F55	4 Bolt Converter	AA5Z-7902-A	
	Automatic - Reman	2012-2011	3.5L EcoBoost	6F55	3 Bolt Converter	AA5Z-7902-BRM
		2010		6F55	4 Bolt Converter	AA5Z-7902-ARM



MKX

Part Type	Years	Engine	Trans	Qualifier	Ford #
Automatic - New	2017-2015	3.7L	6F35	6 Bolt 3 Bolt Converter 3 Bolt Converter w/ Automatic Trans.; 3 Bolt Converter	DG9Z-7902-F
	2017-2015		6F55		FG9Z-7902-C
	2017-2016		6F50		DA8Z-7902-F
	2017-2013		6F50		DA8Z-7902-E
	2012-2011		6F50		BT4Z-7902-B
Automatic - Reman	2010	3.5L	6F50		9E9Z-7902-B
	2012-2011		6F55		BT4Z-7902-BRM
	2012-2011		6F50		BT4Z-7902-CRM
	2009-2007	3.5L	6F50		7T4Z-7902-ARM

Navigator

Part Type	Years	Engine	Trans	Qualifier	Ford #
Automatic - New	2017-2015	3.5L EcoBoost	6R80	6 Spd.; w/ Automatic Trans.	FL3Z-7902-D
	2014-2010	5.4L	6R80		BR3Z-7902-FA
	2006-2005		6HP26		5L7Z-7902-AA
Automatic - Reman	2004-2003		4R100		1L7Z-7902-BBRM
	2002-1999	5.4L DOHC	4R100	YL1P-7902-A,B,C,D	XL7Z-7902-AARM
	2000-1998	5.4L	4R100	F8UP-7902-L; XL3P-7902-G,H; XL7P-7902-A	XL3Z-7902-BARM

Mazda

B2300

Part Type	Years	Engine	Trans	Qualifier	Ford #
Automatic - Reman	2003-2001	2.3L		5 Spd.; EAO; 2L5P-7902-AB,BB,CB	2L5Z-7902-AARM

B3000

Part Type	Years	Engine	Trans	Qualifier	Ford #
Automatic - Reman	2003-2001	3.0L		5 Spd.; EAO; 2L5P-7902-AB,BB,CB	2L5Z-7902-AARM

Tribute

Part Type	Years	Engine	Trans	Qualifier	Ford #
Automatic - Reman	2008-2005	2.3L		CD4E	5L8Z-7902-DBRM

Mercury

Mariner

Part Type	Years	Engine	Trans	Qualifier	Ford #
Automatic - New	2011	2.5L	6F35		9L8Z-7902-H
Automatic - Reman	2011-2009		6F35		9L8Z-7902-BRM
	2011-2009	3.0L	6F35		9L8Z-7902-ARM
	2008-2005	2.3L	CD4E		5L8Z-7902-DBRM
	2006-2005	3.0L	CD4E		5L8Z-7902-DBRM

Monterey

Part Type	Years	Engine	Trans	Qualifier	Ford #
Automatic - Reman	2007-2004	4.2L	AX4N		5F2Z-7902-ACRM
	2005		4F50N		5F2Z-7902-ACRM

Mountaineer

Part Type	Years	Engine	Trans	Qualifier	Ford #
Automatic - New	2010-2007	4.0L SOHC	5R55S		7L2Z-7902-A
	2010-2006	4.6L	6R60		9L3Z-7902-B
Automatic - Reman	2010-2004	4.0L	5R55S	RWD	4L2Z-7902-AARM
	2010-2001	4.0L SOHC		4WD; 5 Spd.; w/ Automatic Trans.	7L2Z-7902-ARM
	2010-2004	4.6L	5R55S		4L2Z-7902-BARM
	2009-2006		6R60		8L2Z-7902-ARM
	2001-1998	5.0L	4R70W	XL2P-7902-A,B	F85Z-7902-AARM

Ford

Econoline

Part Type	Years	Engine	Trans	Qualifier	Ford #
Automatic - New	2017-2016	6.8L	6R140	4 Bolt Converter; TorqShift6	CC4Z-7902-A
	2017-2009		5R110W	TorqShift	9C3Z-7902-B
	2016-2009	5.4L	5R110W	TorqShift	9C3Z-7902-C



Econoline

-Cont'd

Part Type	Years	Engine	Trans	Qualifier	Ford #	
Automatic - New	2016-2015	5.4L	4R70W		9C2Z-7902-A	
	2014-2009	4.6L	4R75E		9C2Z-7902-B	
	2014-2009	5.4L	4R75W		9C2Z-7902-A	
	2014-2008, 2006-2005	5.4L SOHC	4R75E		9C2Z-7902-A	
	2010-2009	6.0L DIESEL	5R110W	TorqShift	9C2Z-7902-C	
	2007	4.6L SOHC	4R75E		9C2Z-7902-A	
	Automatic - Reman	2011-2007	4.6L	4R75E		7L3Z-7902-HRM
		2011-2008	5.4L	4R75E		7L3Z-7902-GRM
		2011-2009		4R75W		7L3Z-7902-GRM
		2011-2007	6.8L	5R110W	TorqShift	7C3Z-7902-JRM
2010-2007		5.4L	5R110W	TorqShift	7C3Z-7902-KRM	
2010-2007		6.0L DIESEL	5R110W	TorqShift	7C2Z-7902-BRM	
2007		5.4L	4R75E	From 12/04/06	7L3Z-7902-GRM	
2007			4R75E	Before 12/04/06	8L3Z-7902-ARM	
2007-2006, 2004		6.8L	5R110W	5C3P-7902-BB; TorqShift	6C3Z-7902-ERM	
2006, 2004		4.6L	4R70W	RWD; w/ Triton (Romeo) Engine	8L3Z-7902-BRM	
2006			4R75E	RWD; w/ Triton (Romeo) Engine	8L3Z-7902-BRM	
2006		5.4L	5R110W	TorqShift	6C3Z-7902-FRM	
2006-2005			4R75E		8L3Z-7902-ARM	
2006, 2004		6.0L DIESEL	5R110W	TorqShift	6C3Z-7902-DRM	
2005-2004			4R100		1C3Z-7902-CARM	
2004		4.6L	4R75W	RWD; w/ Triton (Romeo) Engine	8L3Z-7902-BRM	
2004-2001		5.4L	4R100	4C2P-7902-E,H,J; 1C2P-7902-AC,NC,TA; 1C3P-7902-DB,AC,BC	1C3Z-7902-DBRM	
2004-2000		6.8L	4R100	4C2P-7902-F,L; 4C2P-7902-G,L	1C3Z-7902-BARM	
2003			4R70W	YC2P-7902-A,B,C,S; 1C2P-7902-F,H,J,S; 3C2P-7902-AA	F8AZ-7902-AARM	
2003	5.4L	4R70W	YC2P-7902-D,N; 1C2P-7902-L,MA,YA; XL3P-7902-AA	XL3Z-7902-AARM		
2003-1998	7.3L DIESEL	4R100		1C3Z-7902-CARM		
1999	6.8L	4R100	XC2P-7902-F,G; XC2P-7902-H; w/ 4 Mounting Studs	XC3Z-7902-AARM		
1997		E4OD	w/ 4 Mounting Studs	XC3Z-7902-AARM		
1996	7.5L	E4OD		F7TZ-7902-EARM		

F-Series

Part Type	Years	Engine	Trans	Qualifier	Ford #
Automatic - New	2017-2015	6.7L DIESEL	6R140	TorqShift6	HC3Z-7902-A
	2017	6.8L	6R140	4 Bolt Converter; TorqShift6	CC4Z-7902-A
	2017-2009		5R110W	TorqShift	9C3Z-7902-B
	2014-2013	6.7L DIESEL	6R140	Turbocharged; 6 Bolt; TorqShift6	CC3Z-7902-D
	2013-2011		6R140	6 Spd.; w/ Automatic Trans.; 4 Bolt Converter; Requires flywheel # CC3Z-6375-A.; TorqShift6	CC4Z-7902-A
Automatic - Reman	2010-2009	6.4L DIESEL	5R110W	TorqShift	9C3Z-7902-DRM
	2008	6.4L	5R110W	TorqShift	7C3Z-7902-HRM
	2008	6.8L	5R110W	TorqShift	7C3Z-7902-JRM
	2007-2003	6.0L	5R110W	TorqShift	6C3Z-7902-DRM
	2007-2004	6.8L	5R110W	5C3P-7902-BB; TorqShift	6C3Z-7902-ERM
	2004-2000		4R100	1C3P-7902-C,D,H,J	1C3Z-7902-BARM
	2003-1999	7.3L DIESEL	4R100	Turbocharged	1C3Z-7902-CARM
	1999	6.8L	4R100	F81P-7902-D,E,F,G; XC3P-7902-D,E,F,G; w/ 4 Mounting Studs	XC3Z-7902-AARM
	1997-1990	7.5L	E4OD		F7TZ-7902-EARM

F53

Part Type	Years	Engine	Trans	Qualifier	Ford #
Automatic - New	2017-2011, 2009-2008	6.8L	5R110W	TorqShift	9C3Z-7902-B
Automatic - Reman	2015-2011, 2009-2006, 2004		4R100		1C3Z-7902-BARM
	2007-2006, 2004		5R110W	5C3P-7902-BB; TorqShift	6C3Z-7902-ERM
	1999		4R100	F81P-7902-T; XC3P-7902-M; w/ 4 Mounting Studs	XC3Z-7902-AARM

F59

Part Type	Years	Engine	Trans	Qualifier	Ford #
Automatic - New	2017-2011	6.8L	5R110W	TorqShift	9C3Z-7902-B
Automatic - Reman	2017-2011		5R110W		1C3Z-7902-BARM
	1994-1990	7.3L DIESEL	4R100		F1TZ-7902-CRM

F650

Part Type	Years	Engine	Trans	Qualifier	Ford #
Automatic - New	2017-2016	6.7L DIESEL	6R140	TorqShift6	HC3Z-7902-A
	2016-2012	6.8L	6R140	RWD; 4 Bolt Converter; TorqShift6	CC4Z-7902-A



F750

Part Type	Years	Engine	Trans	Qualifier	Ford #
Automatic - New	2017-2016	6.7L DIESEL	6R140	TorqShift6	HC3Z-7902-A

LCF

Part Type	Years	Engine	Trans	Qualifier	Ford #
Automatic - New	2010-2006	4.5L DIESEL	5R110W	TorqShift	9E7Z-7902-AA
Automatic - Reman	2009-2006		5R110W	TorqShift	7E7Z-7902-ARM

MANUAL TRANSMISSION CLUTCH KITS

Passenger Cars

Ford



FORD PARTS

Ford

Contour

Part Type	Years	Eng	Qualifier	Ford #
Clutch Kit	2000-1997	2.0L	Clutch Kit; w/ MTX75 Transmission; Outer Diameter: 9-7/16 inch; Splines: 1 inch; Teeth: 23	F7RZ-7L596-AA
	1996-1995	2.0L	Clutch Kit; w/ MTX75 Transmission; Outer Diameter: 9-7/16 inch; Splines: 1 inch; Teeth: 23	F5RZ-7L596-CA

Escort

Part Type	Years	Eng	Qualifier	Ford #
Clutch Kit	2003	2.0L	Clutch Kit; w/ G5M Transmission; DOHC	6S4Z-7L596-A
	2002-2001	2.0L	Clutch Kit; w/ MTX Transmission; SOHC	6S4Z-7L596-A
	2000-1997	2.0L	Clutch Kit; w/ G5M Transmission; SOHC	6S4Z-7L596-A

Focus

Part Type	Years	Eng	Qualifier	Ford #
Clutch Kit	2011-2005	2.0L	Clutch Kit; w/ MTX75 Transmission; Outer Diameter: 9 inch; Splines: 15/16 inch; Teeth: 23	7S4Z-7L596-AA
	2007-2004	2.3L	Clutch Kit; w/ MTX75 Transmission; Outer Diameter: 9 inch; Splines: 15/16 inch; Teeth: 23	7S4Z-7L596-AA
	2004	2.0L	Clutch Kit; w/ MTX75 Transmission; DOHC; Outer Diameter: 9 inch; Splines: 15/16 inch; Teeth: 23	YS4Z-7L596-DA
	2004		Clutch Kit; w/ IB5 Transmission; SOHC; Outer Diameter: 8-11/16 inch; Splines: 3/4 inch; Teeth: 17	YS4Z-7L596-EA
	2003-2002	2.0L	Clutch Kit; w/ MTX75 Transmission; DOHC; SE; Outer Diameter: 9 inch; Splines: 15/16 inch; Teeth: 23	YS4Z-7L596-DA
	2003-2002		Clutch Kit; w/ MTX75 Transmission; DOHC; ZTS; Outer Diameter: 9 inch; Splines: 15/16 inch; Teeth: 23	YS4Z-7L596-DA
	2003-2002		Clutch Kit; w/ MTX75 Transmission; DOHC; ZTW; Outer Diameter: 9 inch; Splines: 15/16 inch; Teeth: 23	YS4Z-7L596-DA
	2003-2002		Clutch Kit; w/ MTX75 Transmission; DOHC; ZX3; Outer Diameter: 9 inch; Splines: 15/16 inch; Teeth: 23	YS4Z-7L596-DA
	2003-2002		Clutch Kit; w/ MTX75 Transmission; DOHC; ZX5; Outer Diameter: 9 inch; Splines: 15/16 inch; Teeth: 23	YS4Z-7L596-DA
	2003-2000	2.0L	Clutch Kit; w/ IB5 Transmission; SOHC; Outer Diameter: 8-11/16 inch; Splines: 3/4 inch; Teeth: 17	YS4Z-7L596-EA
	2003	2.0L	Clutch Kit; w/ MTX75 Transmission; DOHC; SE; Outer Diameter: 9 inch; Splines: 15/16 inch; Teeth: 23	YS4Z-7L596-DA
	2003		Clutch Kit; w/ MTX75 Transmission; DOHC; ZTS; Outer Diameter: 9 inch; Splines: 15/16 inch; Teeth: 23	YS4Z-7L596-DA
	2003		Clutch Kit; w/ MTX75 Transmission; DOHC; ZTW; Outer Diameter: 9 inch; Splines: 15/16 inch; Teeth: 23	YS4Z-7L596-DA
	2003		Clutch Kit; w/ MTX75 Transmission; DOHC; ZX3; Outer Diameter: 9 inch; Splines: 15/16 inch; Teeth: 23	YS4Z-7L596-DA
	2003		Clutch Kit; w/ MTX75 Transmission; DOHC; ZX5; Outer Diameter: 9 inch; Splines: 15/16 inch; Teeth: 23	YS4Z-7L596-DA
	2001-2000	2.0L	Clutch Kit; w/ MTX75 Transmission; DOHC; Outer Diameter: 9 inch; Splines: 15/16 inch; Teeth: 23	YS4Z-7L596-DA

Fusion

Part Type	Years	Eng	Qualifier	Ford #
Clutch Kit	2012-2010	2.5L	Clutch Kit; w/ G6M Transmission	AE5Z-7L596-A
	2009-2006	2.3L	Clutch Kit; w/ G5M Transmission	6E5Z-7L596-A

Mustang

Part Type	Years	Eng	Qualifier	Ford #
Clutch Kit	2010-2007	4.0L	Clutch Kit; w/ T5OD Transmission; From 12/04/06; 254mm OD; 10 Teeth; 1-1/16 In. Splines	8R3Z-7L596-A
	2010-2005	4.6L	Clutch Kit; w/ TR3650 Transmission; 24 Valve; Outer Diameter: 280mm	5R3Z-7L596-A
	2007	4.0L	Clutch Kit; w/ T5OD Transmission; Before 12/04/06; Outer Diameter: 254mm; Splines: 1-1/16 inch; Teeth: 10	5R3Z-7L596-B
	2006-2005	4.0L	Clutch Kit; w/ T5OD Transmission; Outer Diameter: 254mm; Splines: 1-1/16 inch; Teeth: 10	5R3Z-7L596-B
	2004-2002	4.6L	Clutch Kit; w/ T56 Transmission; DOHC; Outer Diameter: 280mm	3R3Z-7L596-AA
	2004-2002		Clutch Kit; w/ TR3650 Transmission; SOHC; Outer Diameter: 280mm	1R3Z-7L596-AA



Mustang

— Cont'd

Part Type	Years	Eng	Qualifier	Ford #
Clutch Kit	2004-2001	3.8L	Clutch Kit; w/ T5OD Transmission; Outer Diameter: 11 inch; Splines: 1-1/16 inch; Teeth: 10	F7ZZ-7L596-BA
	2004	3.9L	Clutch Kit; w/ T5OD Transmission; Outer Diameter: 11 inch; Splines: 1-1/16 inch; Teeth: 10	F7ZZ-7L596-BA
	2001	4.6L	Clutch Kit; w/ T-45 Transmission; SOHC; Before 2/05/01; w/ Engine Tag # 1G-837-AA; Outer Diameter: 10-1/2 inch	F6ZZ-7L596-DA
	2001		Clutch Kit; w/ TR3650 Transmission; SOHC; From 2/05/01; w/ Engine Tag # 1G-837-AB/AC; Outer Diameter: 280mm	1R3Z-7L596-AA
	2000-1997	3.8L	Clutch Kit; w/ T5 Transmission; Outer Diameter: 11 inch; Splines: 1-1/16 inch; Teeth: 10	F7ZZ-7L596-BA
	2000-1996	4.6L	Clutch Kit; w/ T-45 Transmission; SOHC; Outer Diameter: 10-1/2 inch	F6ZZ-7L596-DA
	2000-1996		Clutch Kit; w/ T5 Transmission; SOHC; Outer Diameter: 10-1/2 inch	F6ZZ-7L596-DA
	1998-1996	4.6L	Clutch Kit; w/ T-45 Transmission; DOHC; Outer Diameter: 10-1/2 inch	F6ZZ-7L596-GA
	1998-1996		Clutch Kit; w/ T5 Transmission; DOHC; Outer Diameter: 10-1/2 inch	F6ZZ-7L596-GA
	1996	3.8L	Clutch Kit; w/ T5 Transmission; Outer Diameter: 11 inch; Splines: 1-1/16 inch; Teeth: 10	F4ZZ-7L596-AB
	1995-1994	3.8L	Clutch Kit; w/ T5 Transmission	F4ZZ-7L596-CA
	1995	5.0L	Clutch Kit; w/ T5 Transmission; GTS; Outer Diameter: 10-1/2 inch; Splines: 1-1/16 inch; Teeth: 10	F5ZZ-7L596-FA
	1995		Clutch Kit; w/ T5 Transmission; SVT Cobra; Outer Diameter: 280mm	F5ZZ-7L596-JA
	1994	5.0L	Clutch Kit; w/ T5 Transmission; Outer Diameter: 10-1/2 inch; Splines: 1-1/16 inch; Teeth: 10	F5ZZ-7L596-FA
	1993	5.0L	Clutch Kit; w/ T5 Transmission; Exc. High Performance; Outer Diameter: 10-1/2 inch; Splines: 1-1/16 inch; Teeth: 10	F3ZZ-7L596-EA
	1993		Clutch Kit; w/ T5 Transmission; High Performance; Outer Diameter: 10-1/2 inch; Splines: 1-1/16 inch; Teeth: 10	F5ZZ-7L596-FA
	1992-1989	5.0L	Clutch Kit; w/ T5 Transmission; Outer Diameter: 10-1/2 inch; Splines: 1-1/16 inch; Teeth: 10	F3ZZ-7L596-EA
	1988-1987	5.0L	Clutch Kit; 1 Transmission; Outer Diameter: 10-1/2 inch; Splines: 1-1/16 inch; Teeth: 10	F3ZZ-7L596-EA

Mercury

Cougar

Part Type	Years	Eng	Qualifier	Ford #
Clutch Kit	2002-1999	2.0L	Clutch Kit; w/ MTX75 Transmission; Outer Diameter: 9-7/16 inch; Splines: 1 inch; Teeth: 23	F7RZ-7L596-AA

Mystique

Part Type	Years	Eng	Qualifier	Ford #
Clutch Kit	2000-1997	2.0L	Clutch Kit; w/ MTX75 Transmission; Outer Diameter: 9-7/16 inch; Splines: 1 inch; Teeth: 23	F7RZ-7L596-AA
	1996-1995	2.0L	Clutch Kit; w/ MTX75 Transmission; Outer Diameter: 9-7/16 inch; Splines: 1 inch; Teeth: 23	F5RZ-7L596-CA

MANUAL TRANSMISSION CLUTCH KITS

Light Trucks

Ford



FORD PARTS

Ford

Aerostar

Part Type	Years	Eng	Qualifier	Ford #
Clutch Kit	1994-1993	3.0L	Clutch Kit; M50DR1; Outer Diameter: 8-7/8 inch; Splines: 1 inch; Teeth: 23	F37Z-7L596-LA

Escape

Part Type	Years	Eng	Qualifier	Ford #
Clutch Kit	2012-2009	2.5L	Clutch Kit; w/ AK Transmission; GAS	5L8Z-7L596-A
	2008-2005	2.3L	Clutch Kit; w/ AK Transmission; GAS	5L8Z-7L596-A
	2004-2001	2.0L	Clutch Kit; w/ G5M Transmission; Outer Diameter: 225mm	3L8Z-7L596-AA

Explorer

Part Type	Years	Eng	Qualifier	Ford #
Clutch Kit	2001	4.0L	Clutch Kit; XL Fleet; M50DR1; Outer Diameter: 10 Inch; Splines: 1 inch; Teeth: 23	F87Z-7L596-CA
	2000-1998	4.0L	Clutch Kit; M50DR1; Outer Diameter: 10 Inch; Splines: 1 inch; Teeth: 23	F87Z-7L596-CA
	1992-1991	4.0L	Clutch Kit; M50DR1; Outer Diameter: 10 Inch; Splines: 1 inch; Teeth: 23	F27Z-7L596-GA

Explorer Sport

Part Type	Years	Eng	Qualifier	Ford #
Clutch Kit	2001	4.0L	Clutch Kit; M50DR1; Outer Diameter: 10 Inch; Splines: 1 inch; Teeth: 23	1L2Z-7L596-EB

Explorer Sport Trac

Part Type	Years	Eng	Qualifier	Ford #
Clutch Kit	2003-2001	4.0L	Clutch Kit; M50DR1; Outer Diameter: 10 Inch; Splines: 1 inch; Teeth: 23	1L2Z-7L596-EB

F-Series

Part Type	Years	Eng	Qualifier	Ford #
Clutch Kit	2010-2008	6.4L	Clutch Kit; w/ S6-650 Transmission	7C3Z-7L596-A
	2010-2004	5.4L	Clutch Kit; w/ S6-650 Transmission; Outer Diameter: 11-15/16 inch; Splines: 1-1/4 inch; Teeth: 10	8C3Z-7L596-GA
	2010-2004	6.8L	Clutch Kit; w/ S6-650 Transmission; Outer Diameter: 11-15/16 inch; Splines: 1-1/4 inch; Teeth: 10	8C3Z-7L596-DA
	2008-1997	4.2L	Clutch Kit; M50DR2; Outer Diameter: 11-7/16 inch; Splines: 1-1/16 inch; Teeth: 10	6L3Z-7L596-K
	2007-2004	6.0L	Clutch Kit; w/ S6-650 Transmission; Use with Single Mass Flywheel Assy Only	3C3Z-7L596-EA
	2004-1997	4.6L	Clutch Kit; M50DR2; Outer Diameter: 11-7/16 inch; Splines: 1-1/16 inch; Teeth: 10	6L3Z-7L596-J
	2003-2002	5.4L	Clutch Kit; M6HD; Outer Diameter: 11-15/16 inch; Splines: 1-1/4 inch; Teeth: 10	8C3Z-7L596-GA
	2003-1999	6.8L	Clutch Kit; w/ S5-47 Transmission; Outer Diameter: 11-15/16 inch; Splines: 1-1/4 inch; Teeth: 10	8C3Z-7L596-DA
	2003-1999	7.3L	Clutch Kit; M6HD; Outer Diameter: 13 inch; Splines: 1-3/8 inch; Teeth: 10	YC3Z-7L596-AA
	2001-1999	5.4L	Clutch Kit; w/ S5-47 Transmission; Outer Diameter: 11-15/16 inch; Splines: 1-1/4 inch; Teeth: 10	8C3Z-7L596-GA
	1997-1996	7.3L	Clutch Kit; w/ S5-47 Transmission; Turbocharged; Outer Diameter: 12-3/16 inch; Splines: 1-1/4 inch; Teeth: 10	F4TZ-7L596-A
	1995	7.3L	Clutch Kit; w/ S5-42 Transmission; Turbocharged; Outer Diameter: 12-3/16 inch; Splines: 1-1/4 inch; Teeth: 10	F4TZ-7L596-A
	1994	7.3L	Clutch Kit; w/ S5-42 Transmission; Turbocharged; FI; DFI; Outer Diameter: 12-3/16 inch; Splines: 1-1/4 inch; Teeth: 10	F4TZ-7L596-A

Ranger

Part Type	Years	Eng	Qualifier	Ford #
Clutch Kit	2011-2009	3.0L	Clutch Kit; w/ M5R1HD Transmission; Outer Diameter: 9-1/4 inch; Splines: 1 inch; Teeth: 23	7L5Z-7L596-JA
	2011-2006	2.3L	Clutch Kit; w/ M5R1HD Transmission; Outer Diameter: 8-7/8 inch; Splines: 1 inch; Teeth: 23	7L5Z-7L596-GA



Ranger

— Cont'd

Part Type	Years	Eng	Qualifier	Ford #
Clutch Kit	2011-2006	4.0L	Clutch Kit; w/ M5R1HD Transmission; Outer Diameter: 10 inch; Splines: 1 inch; Teeth: 23	7L5Z-7L596-CA
	2008-2006	3.0L	Clutch Kit; w/ M5R1HD Transmission; Outer Diameter: 9-1/4 inch; Splines: 1 inch; Teeth: 23	7L5Z-7L596-JA
	2005-2004	2.3L	Clutch Kit; w/ R1 Transmission; Outer Diameter: 8-7/8 inch; Splines: 1 inch; Teeth: 23	7L5Z-7L596-GA
	2005-2004		Clutch Kit; w/ R1HD Transmission; Outer Diameter: 8-7/8 inch; Splines: 1 inch; Teeth: 23	7L5Z-7L596-GA
	2005-2004	3.0L	Clutch Kit; w/ R1HD Transmission; Outer Diameter: 9-1/4 inch; Splines: 1 inch; Teeth: 23	7L5Z-7L596-JA
	2005-2004	4.0L	Clutch Kit; w/ R1HD Transmission; Outer Diameter: 10 inch; Splines: 1 inch; Teeth: 23	7L5Z-7L596-CA
	2003-2001	4.0L	Clutch Kit; M50DR1; Outer Diameter: 10 inch; Splines: 1 inch; Teeth: 23	7L5Z-7L596-CA
	2003-1998	3.0L	Clutch Kit; M50DR1; Outer Diameter: 9-1/4 inch; Splines: 1 inch; Teeth: 23	7L5Z-7L596-JA
	2003-1995	2.3L	Clutch Kit; M50DR1; Outer Diameter: 8-7/8 inch; Splines: 1 inch; Teeth: 23	7L5Z-7L596-GA
	2001-1998	2.5L	Clutch Kit; M50DR1; Outer Diameter: 8-7/8 inch; Splines: 1 inch; Teeth: 23	7L5Z-7L596-GA
	2000-1998	4.0L	Clutch Kit; M50DR1; Outer Diameter: 10 Inch; Splines: 1 inch; Teeth: 23	F87Z-7L596-CA
	1994-1993	2.3L	Clutch Kit; M50DR1; Outer Diameter: 8-7/8 inch; Splines: 1 inch; Teeth: 23	F37Z-7L596-FA
	1994-1993	3.0L	Clutch Kit; M50DR1; Outer Diameter: 8-7/8 inch; Splines: 1 inch; Teeth: 23	F37Z-7L596-LA
	1992-1988	2.3L	Clutch Kit; M50DR1; Outer Diameter: 8-7/8 inch; Splines: 1 inch; Teeth: 23	F27Z-7L596-DA
	1988	2.0L	Clutch Kit; M50DR1; Outer Diameter: 8-7/8 inch; Splines: 1 inch; Teeth: 23	F27Z-7L596-DA

Mazda

B2300

Part Type	Years	Eng	Qualifier	Ford #
Clutch Kit	2008-2006	2.3L	Clutch Kit; w/ M5R1HD Transmission; Outer Diameter: 8-7/8 inch; Splines: 1 inch; Teeth: 23	7L5Z-7L596-GA
	2005-2004	2.3L	Clutch Kit; Outer Diameter: 8-7/8 inch; Splines: 1 inch; Teeth: 23	7L5Z-7L596-GA
	2003-2002	2.3L	Clutch Kit; w/ M5R1 Transmission; Outer Diameter: 8-7/8 inch; Splines: 1 inch; Teeth: 23	7L5Z-7L596-GA
	2001	2.3L	Clutch Kit; w/ M5R1 Transmission; Outer Diameter: 8-7/8 inch; Splines: 1 inch; Teeth: 23	7L5Z-7L596-GA
	1994	2.3L	Clutch Kit; M50DR1; Outer Diameter: 8-7/8 inch; Splines: 1 inch; Teeth: 23	F37Z-7L596-FA

B2500

Part Type	Years	Eng	Qualifier	Ford #
Clutch Kit	2000-1998	2.5L	Clutch Kit; M50DR1; Outer Diameter: 8-7/8 inch; Splines: 1 inch; Teeth: 23	7L5Z-7L596-GA

B3000

Part Type	Years	Eng	Qualifier	Ford #
Clutch Kit	2007-2006	3.0L	Clutch Kit; w/ M5R1HD Transmission; Outer Diameter: 9-1/4 inch; Splines: 1 inch; Teeth: 23	7L5Z-7L596-JA
	2005-2004	3.0L	Clutch Kit; Outer Diameter: 9-1/4 inch; Splines: 1 inch; Teeth: 23	7L5Z-7L596-JA
	2003-2001	3.0L	Clutch Kit; w/ M5R1 Transmission; Outer Diameter: 9-1/4 inch; Splines: 1 inch; Teeth: 23	7L5Z-7L596-JA
	2000-1998	3.0L	Clutch Kit; M50DR1; Outer Diameter: 9-1/4 inch; Splines: 1 inch; Teeth: 23	7L5Z-7L596-JA
	1994	3.0L	Clutch Kit; M50DR1; Outer Diameter: 8-7/8 inch; Splines: 1 inch; Teeth: 23	F37Z-7L596-LA

B4000

Part Type	Years	Eng	Qualifier	Ford #
Clutch Kit	2008-2003	4.0L	Clutch Kit; w/ M5R1HD Transmission; Outer Diameter: 10 inch; Splines: 1 inch; Teeth: 23	7L5Z-7L596-CA
	2002-2001	4.0L	Clutch Kit; w/ M5R1 Transmission; Outer Diameter: 10 inch; Splines: 1 inch; Teeth: 23	7L5Z-7L596-CA
	2000-1998	4.0L	Clutch Kit; M50DR1; Outer Diameter: 10 Inch; Splines: 1 inch; Teeth: 23	F87Z-7L596-CA

MANUAL TRANSMISSION CLUTCH KITS
Light Trucks
Mazda



FORD PARTS

Tribute

Part Type	Years	Eng	Qualifier	Ford #
Clutch Kit	2004	2.0L	Clutch Kit; Outer Diameter: 225mm	3L8Z-7L596-AA
	2003-2001	2.0L	Clutch Kit; w/ G5M Transmission; Outer Diameter: 225mm	3L8Z-7L596-AA



Year	Eng. Size	Qualifer	Master Overhaul Kit With Steel	Overhaul Gasket & Seal Kit
Ford				
Contour				
2000-1995		w/ CD4E Transmission		MTK-132932
Crown Victoria				
2010-1998	4.6L V8	w/ 4R70W Transmission	MTKV-K5300-K	MTK-132940
1997-1996	4.6L V8	w/ 4R70W Transmission		MTK-132940
1995-1992	4.6L V8	w/ AOD-E Transmission		MTK-132940
Fiesta				
2018-2014		KTEV6P-7153-AA,BA; DPS6		MTK-132936
2013-2011	1.6L L4	DPS6		MTK-132918
Focus				
2018-2014		KTEV6P-7153-AA,BA; DPS6		MTK-132936
2018-2016		MMT6		MTK-132934
2014-2012	2.0L L4	DPS6		MTK-132918
2011-2008	2.0L L4	w/ 4F27E Transmission; w/o Clutch Pistons	MTKV-K4600-D	MTK-132907
2008-2000	2.0L L4	w/ 4F27E Transmission; w/ Clutch Pistons		MTK-46900-C
2007-2004	2.0L L4	w/ 4F27E Transmission; w/o Clutch Pistons		MTK-132907
Fusion				
2018-2013		w/ 6F35 Transmission		MTK-132944
2012-2009		w/ 6F35 Transmission		MTK-132946
Mustang				
2018-2011		w/ 6R80 Transmission		MTK-132922
2018	2.3L L4	w/ 10R80 Transmission		MTK-132947
2018	5.0L V8	w/ 10R80 Transmission		MTK-132947
2013-2011	3.7L V6	w/ 6R80 Transmission	MTKV-1-C	
2013-2011	5.0L V8	w/ 6R80 Transmission	MTKV-1-D	
2010-2005		w/ 5R55S Transmission	MTKV-K2701-G	MTK-27900-H
2004-2001		w/ 4R70W Transmission	MTKV-K5300-K	MTK-132940
2000-1999	3.8L V6	w/ 4R70W Transmission	MTKV-K5300-K	MTK-132940
2000-1998	4.6L V8	w/ 4R70W Transmission	MTKV-K5300-K	MTK-132940
1998-1996	3.8L V6	w/ 4R70W Transmission		MTK-132940
1997-1996	4.6L V8	w/ 4R70W Transmission		MTK-132940
1995-1994	5.0L V8	w/ AOD-E Transmission		MTK-132940
Police Interceptor Sedan				
2018-2013		w/ 6F35 Transmission		MTK-132946
2018-2014		w/ 6F55 Transmission		MTK-132914
Special Service Police Sedan				
2018-2014	2.0L L4	w/ 6F35 Transmission; w/ EcoBoost Engine		MTK-132946
2018-2014	2.0L L4	w/ 6F55 Transmission		MTK-132914
Taurus				
2018-2014		w/ 6F35 Transmission		MTK-132946
2018-2013	3.5L V6	w/ 6F55 Transmission		MTK-132914
2012-2010	3.5L V6	w/ 6F50 Transmission	MTKV-K5601-A	MTK-132914
2009-2008	3.5L V6	w/ 6F50 Transmission	MTKV-K11701-A	MTK-132908
2007-2004	3.0L V6	w/ 4F50N Transmission	MTKV-K6700-T	MTK-67900-F
Taurus X				
2009-2008	3.5L V6	w/ 6F50 Transmission	MTKV-K11701-A	MTK-132908
Thunderbird				
2005-2003		w/ 5R55S Transmission	MTKV-K2701-G	MTK-27900-H
1997-1994		w/ 4R70W Transmission		MTK-132940
Lincoln				
LS				
2006-2003	3.9L V8	w/ 5R55S Transmission	MTKV-K2701-G	MTK-27900-H
2005-2003	3.0L V6	w/ 5R55S Transmission	MTKV-K2701-G	MTK-27900-H

TRANSMISSION REPAIR KITS
Passenger Cars
Lincoln / Mercury



FORD PARTS

Year	Eng. Size	Qualifer	Master Overhaul Kit With Steel	Overhaul Gasket & Seal Kit
Lincoln -Cont'd				
MKS				
2016-2013	3.5L V6	w/ 6F55 Transmission		MTK-132914
2016-2013	3.7L V6	w/ 6F50 Transmission		MTK-132914
2012-2010		w/ 6F50 Transmission	MTKV-K5601-A	MTK-132914
2009		w/ 6F50 Transmission	MTKV-K11701-A	MTK-132908
MKZ				
2018-2013		w/ 6F50 Transmission		MTK-132914
2018-2015		w/ 6F35 Transmission		MTK-132944
2014-2009		w/ 6F35 Transmission		MTK-132946
Mark VIII				
1998-1997	4.6L V8	w/ 4R70W Transmission	MTKV-K5300-K	MTK-132940
1996	4.6L V8	w/ 4R70W Transmission		MTK-132940
1995-1993	4.6L V8	w/ AOD-E Transmission		MTK-132940
Town Car				
2010-1998	4.6L V8	w/ 4R70W Transmission	MTKV-K5300-K	MTK-132940
1997-1993	4.6L V8	w/ 4R70W Transmission		MTK-132940
1992	4.6L V8	w/ AOD-E Transmission		MTK-132940
Mercury				
Cougar				
2002-1999		w/ CD4E Transmission		MTK-132932
1997-1994		w/ 4R70W Transmission		MTK-132940
Grand Marquis				
2010-1998	4.6L V8	w/ 4R70W Transmission	MTKV-K5300-K	MTK-132940
1997-1996	4.6L V8	w/ 4R70W Transmission		MTK-132940
1995-1992	4.6L V8	w/ AOD-E Transmission		MTK-132940
Marauder				
2004-2003	4.6L V8	w/ 4R70W Transmission	MTKV-K5300-K	MTK-132940
Milan				
2011-2010		w/ 6F35 Transmission		MTK-132946
2009		w/ 6F35 Transmission		MTK-132938
Mystique				
2000-1995		w/ CD4E Transmission		MTK-132932
Sable				
2009-2008	3.5L V6	w/ 6F50 Transmission	MTKV-K11701-A	MTK-132908
2005-2004	3.0L V6	w/ 4F50N Transmission	MTKV-K6700-T	MTK-67900-F



Year	Eng. Size	Qualifer	Master Overhaul Kit With Steel	Overhaul Gasket & Seal Kit
Ford				
Aerostar				
1997		w/ 5R55E Transmission	MTKV-K2801-C	MTK-28900-D
1997		w/ 4R44E Transmission	MTKV-K2801-C	MTK-28900-D
1997-1990		w/ A4LD Transmission		MTK-132931
Bronco				
1996		w/ 4R100 Transmission		MTK-73900-B
1996-1990		w/ E4OD Transmission		MTK-132933
EcoSport				
2018		w/ 6F35 Transmission; KTBB5P-7153-BH		MTK-132944
2018		6F15; KTF1FP-7153-AD		MTK-132942
Econoline				
2018-2005		w/ 4R75W Transmission	MTKV-K5300-K	MTK-132940
2018-2005		w/ 5R110W Transmission	MTKV-K3602-C	MTK-36900-B
2018-2016		w/ 6R140 Transmission		MTK-132939
2010-2007		w/ 4R75E Transmission	MTKV-K5300-K	MTK-132940
2005-1999		w/ 4R70W Transmission	MTKV-K5300-K	MTK-132940
2005-1999		w/ 4R100 Transmission		MTK-73900-B
2004		w/ 5R110W Transmission	MTKV-K3601-D	MTK-36900-B
2000-1999	5.4L V8	w/ 4R100 Transmission	MTKV-K7300-D	
2000-1999	7.3L V8	w/ 4R100 Transmission	MTKV-K7300-D	
1998	5.4L V8	w/ E4OD Transmission	MTKV-K7300-D	MTK-73900-B
1998	5.4L V8	w/ 4R100 Transmission; w/ 4.10 Axle	MTKV-K7300-D	MTK-73900-B
1998	5.4L V8	w/ 4R100 Transmission; w/ 3.55 or 3.73 axle	MTKV-K7300-D	MTK-73900-B
1998	5.4L V8	w/ 4R100 Transmission; w/ 3.55 Axle	MTKV-K7300-D	
1998	6.8L V10	w/ E4OD Transmission	MTKV-K7300-D	MTK-73900-B
1998	6.8L V10	w/ 4R100 Transmission; w/ 4.10 Axle	MTKV-K7300-D	MTK-73900-B
1998	6.8L V10	w/ 4R100 Transmission; w/ 3.73 Axle	MTKV-K7300-D	MTK-73900-B
1998	7.3L V8	w/ 4R100 Transmission; w/ 4.10 Axle	MTKV-K7300-D	MTK-73900-B
1998	7.3L V8	w/ E4OD Transmission	MTKV-K7300-D	MTK-73900-B
1998	7.3L V8	w/ 4R100 Transmission; w/ 3.55 Axle	MTKV-K7300-D	MTK-73900-B
1998	7.3L V8	w/ 4R100 Transmission; w/ 3.55 Axle; ESD	MTKV-K7300-D	MTK-73900-B
1997-1994		w/ 4R70W Transmission	MTKV-K5300-K	MTK-132940
1997-1996		w/ E4OD Transmission		MTK-73900-B
1996-1994		w/ 4R75W Transmission	MTKV-K5300-K	MTK-132940
Edge				
2018-2013		w/ 6F50 Transmission		MTK-132914
2018-2013		w/ 6F35 Transmission		MTK-132944
2012-2010	3.5L V6	w/ 6F50 Transmission	MTKV-K5601-A	MTK-132914
2009-2007		w/ 6F50 Transmission	MTKV-K11701-A	MTK-132908
Escape				
2018-2013		w/ 6F35 Transmission		MTK-132944
2012-2009		w/ 6F35 Transmission		MTK-132946
2008-2001		w/ CD4E Transmission	MTKV-K5800-H	
2008-2001		w/ CD4E Transmission; 3U2J-7153-AC		MTK-85900-D
2008-2001		w/ CD4E Transmission; F7RZ-7153-AA		MTK-132932
Excursion				
2005		w/ 5R110W Transmission	MTKV-K3602-C	MTK-36900-B
2005-2000		w/ 4R100 Transmission; FOTZ-7153-A		MTK-132933
2005-2000	5.4L V8	RWD; w/ 4R100 Transmission; 1U2J-7153-HE		MTK-73900-B
2004-2003		w/ 5R110W Transmission	MTKV-K3601-D	MTK-36900-B
2000	6.8L V10	w/ 4R100 Transmission	MTKV-K7300-D	
Expedition				
2018-2015	3.5L V6	w/ 6R80 Transmission		MTK-132922

TRANSMISSION REPAIR KITS
Light Trucks
Ford



FORD PARTS

Year	Eng. Size	Qualifer	Master Overhaul Kit With Steel	Overhaul Gasket & Seal Kit
Ford -Cont'd				
Expedition -Cont'd				
2018	3.5L V6	w/ 10R80 Transmission; w/ EcoBoost Engine		MTK-132947
2014	5.4L V8	w/ 6R80 Transmission		MTK-132922
2013-2009	5.4L V8	w/ 6R80 Transmission	MTKV-K13201-D	MTK-132922
2008-2007	5.4L V8	w/ 6R75 Transmission	MTKV-K13200-D	MTK-132922
2006-1999		w/ 4R70W Transmission	MTKV-K5300-K	MTK-132940
2006-1999		w/ 4R75W Transmission	MTKV-K5300-K	MTK-132940
2003-1998		w/ 4R100 Transmission		MTK-73900-B
1998-1997		w/ 4R70W Transmission		MTK-132940
Explorer				
2018-2016		w/ 6F50 Transmission		MTK-132914
2018-2012		w/ 6F35 Transmission		MTK-132944
2015-2012	2.0L L4	w/ 6F50 Transmission		MTK-132914
2013	3.5L V6	w/ 6F55 Transmission	MTKV-4	MTK-132914
2012	3.5L V6	w/ 6F55 Transmission	MTKV-7	MTK-132914
2011	3.5L V6	w/ 6F55 Transmission	MTKV-3	MTK-132914
2010-2009		w/ 5R55S Transmission		MTK-27900-H
2010-2009	4.6L V8	w/ 6R80 Transmission	MTKV-K13201-D	MTK-132922
2008-2004		w/ 5R55S Transmission	MTK-K2701-F	MTK-27900-H
2008-2006	4.6L V8	w/ 6R60 Transmission	MTKV-K13200-D	MTK-132922
2005-2001	4.0L V6	RWD; w/ 5R55E Transmission		MTK-132931
2003-2002		w/ 5R55W Transmission	MTK-K2701-F	MTK-27900-H
2003-2001	4.0L V6	4WD; w/ 5R55E Transmission		MTK-28900-D
2003-2001	4.0L V6	w/ 5R55E Transmission	MTKV-K2801-C	
2001-1999	5.0L V8	w/ 4R70W Transmission	MTKV-K5300-K	MTK-132940
2000-1997	4.0L V6	w/ 5R55E Transmission	MTKV-K2801-C	MTK-28900-D
1998-1996	5.0L V8	w/ 4R70W Transmission		MTK-132940
Explorer Sport Trac				
2010-2009		w/ 5R55S Transmission		MTK-27900-H
2010-2007		w/ 6R80 Transmission	MTKV-K13201-D	MTK-132922
2008-2007		w/ 5R55S Transmission	MTK-K2701-F	MTK-27900-H
2008-2007		w/ 6R60 Transmission	MTKV-K13200-D	MTK-132922
2005-2001		w/ 5R55E Transmission	MTKV-K2801-C	MTK-28900-D
F-Series				
2018-2017		w/ 6R100 Transmission		MTK-132922
2018-2014		w/ 6R80 Transmission		MTK-132922
2018-2017		w/ 5R110W Transmission		MTK-36900-B
2018-2017		w/ 10R80 Transmission		MTK-132947
2018-2014	6.2L V8	FLEX; w/ 6R140 Transmission		MTK-132939
2018-2014	6.7L V8	DIESEL; w/ 6R140 Transmission		MTK-132939
2016-2005		w/ 5R110W Transmission	MTKV-K3602-C	MTK-36900-B
2013-2009		w/ 6R80 Transmission	MTKV-K13201-D	MTK-132922
2013-2011	6.2L V8	FLEX; w/ 6R140 Transmission	MTKV-K5900-C	MTK-132939
2013-2011	6.7L V8	DIESEL; w/ 6R140 Transmission	MTKV-K5900-A	MTK-132939
2010-2005		w/ 4R75W Transmission	MTKV-K5300-K	MTK-132940
2010-1999		w/ 4R70W Transmission	MTKV-K5300-K	MTK-132940
2004		w/ 4R100 Transmission; 1U2J-7153-HF		MTK-73900-B
2004-2003		GAS; w/ 5R110W Transmission	MTKV-K3601-D	MTK-36900-B
2004-1999		w/ 4R100 Transmission; FOTZ-7153-A		MTK-132933
2004-2000	5.4L V8	w/ 4R100 Transmission; 1U2J-7153-HE		MTK-73900-B
2004-2003	6.0L V8	DIESEL; w/ 5R110W Transmission	MTKV-K3601-D	MTK-36900-B
2003-2001	5.4L V8	w/ 4R100 Transmission		MTK-73900-B
2000	5.4L V8	w/ 4R100 Transmission	MTKV-K7300-D	MTK-73900-B
1999	5.4L V8	w/ 4R100 Transmission; 1U2J-7153-HF		MTK-73900-B
1999	5.4L V8	RWD; w/ 4R100 Transmission	MTKV-K7300-D	MTK-73900-B



Year	Eng. Size	Qualifer	Master Overhaul Kit With Steel	Overhaul Gasket & Seal Kit
Ford -Cont'd				
F-Series -Cont'd				
1999	7.3L V8	w/ 4R100 Transmission; 1U2J-7153-HF		MTK-73900-B
1999	7.3L V8	w/ 4R100 Transmission; 1U2J-7153-HE		MTK-73900-B
1998-1997		w/ 4R70W Transmission		MTK-132940
1998	5.4L V8	4WD; w/ 4R100 Transmission		MTK-73900-B
1998	5.4L V8	RWD; w/ 4R100 Transmission		MTK-73900-B
1997	5.4L V8	RWD; w/ E4OD Transmission		MTK-73900-B
1997	5.4L V8	4WD; w/ E4OD Transmission		MTK-73900-B
1997-1996	5.8L V8	w/ E4OD Transmission		MTK-73900-B
1997-1996	7.3L V8	w/ E4OD Transmission		MTK-73900-B
1997-1996	7.5L V8	w/ E4OD Transmission		MTK-73900-B
1996	4.9L L6	w/ E4OD Transmission		MTK-73900-B
1996-1994	5.0L V8	w/ 4R70W Transmission		MTK-132940
1996	5.0L V8	w/ E4OD Transmission		MTK-73900-B
Flex				
2018-2013	3.5L V6	w/ 6F50 Transmission		MTK-132914
2012-2010	3.5L V6	w/ 6F50 Transmission	MTKV-K5601-A	MTK-132914
2009	3.5L V6	w/ 6F50 Transmission	MTKV-K11701-A	MTK-132908
Freestar				
2007-2004		w/ AX4N Transmission	MTKV-K6700-T	MTK-67900-F
Police Interceptor Utility				
2018-2014		w/ 6F50 Transmission		MTK-132914
2013		w/ 6F35 Transmission		MTK-132946
Ranger				
2011-1997		5R44E	MTKV-K2801-C	MTK-28900-D
1995-1990		w/ A4LD Transmission		MTK-132931
Transit Connect				
2018-2014	2.5L L4	w/ 6F35 Transmission		MTK-132946
2016-2014	1.6L L4	w/ EcoBoost Engine		MTK-132944
2013-2010	2.0L L4	w/ 4F27E Transmission; w/ Clutch Pistons		MTK-46900-C
2013-2010	2.0L L4	w/ 4F27E Transmission; w/o Clutch Pistons	MTKV-K4600-D	MTK-132907
Transit-150				
2018-2015		w/ 6R80 Transmission		MTK-132922
Transit-250				
2018-2015		w/ 6R80 Transmission		MTK-132922
Transit-350				
2018-2015		w/ 6R80 Transmission		MTK-132922
Transit-350 HD				
2018-2015		w/ 6R80 Transmission		MTK-132922
Lincoln				
Aviator				
2005-2003		w/ 5R55S Transmission	MTK-K2701-F	MTK-27900-H
Blackwood				
2003-2002		w/ 4R100 Transmission; FOTZ-7153-A		MTK-132933
2003-2002	5.4L V8	w/ 4R100 Transmission; 1U2J-7153-HE		MTK-73900-B
MKC				
2018-2015		w/ 6F35 Transmission		MTK-132944
MKT				
2018-2014		w/ 6F35 Transmission		MTK-132946
2018-2013		w/ 6F55 Transmission		MTK-132914
2013		w/ 6F35 Transmission		MTK-132944
2012-2010		w/ 6F50 Transmission	MTKV-K5601-A	MTK-132914
MKX				
2018-2016		w/ 6F35 Transmission		MTK-132944

TRANSMISSION REPAIR KITS
Light Trucks
Lincoln / Mazda / Mercury



FORD PARTS

Year	Eng. Size	Qualifer	Master Overhaul Kit With Steel	Overhaul Gasket & Seal Kit	
Lincoln -Cont'd					
MKX -Cont'd					
2018-2013	3.7L V6	w/ 6F50 Transmission		MTK-132914	
2015-2014		w/ 6F35 Transmission		MTK-132946	
2013-2012		w/ 6F35 Transmission		MTK-132944	
2012-2010		w/ 6F50 Transmission		MTKV-K5601-A	MTK-132914
2009-2007		w/ 6F50 Transmission		MTKV-K11701-A	MTK-132908
Mark LT					
2008-2006		w/ 4R75W Transmission	MTKV-K5300-K	MTK-132940	
Navigator					
2018-2015	3.5L V6	w/ 6R80 Transmission	MTKV-K13201-D	MTK-132922	
2018	3.5L V6	w/ 10R80 Transmission; w/ EcoBoost Engine		MTK-132947	
2014	5.4L V8	w/ 6R80 Transmission		MTK-132922	
2013-2009	5.4L V8	w/ 6R80 Transmission		MTK-132922	
2004-1998		w/ 4R100 Transmission; 1U2J-7153-HE		MTK-73900-B	
2004-2003		w/ 4R100 Transmission; FOTZ-7153-A		MTK-132933	
1998		w/ E4OD Transmission; 1U2J-7153-HE		MTK-73900-B	
Mazda					
B2300					
2008-2004		w/ 5R55E Transmission	MTKV-K2801-C	MTK-28900-D	
2003-2001		w/ 5R44E Transmission	MTKV-K2801-C	MTK-28900-D	
1997		w/ 4R44E Transmission	MTKV-K2801-C	MTK-28900-D	
B2500					
2000-1998		w/ 4R44E Transmission	MTKV-K2801-C	MTK-28900-D	
B3000					
2007-2001		w/ 5R55E Transmission	MTKV-K2801-C	MTK-28900-D	
2000-1997		w/ 4R44E Transmission	MTKV-K2801-C	MTK-28900-D	
B4000					
2008-1997		w/ 5R55E Transmission	MTKV-K2801-C	MTK-28900-D	
Tribute					
2008		w/ CD4E Transmission	MTKV-K5800-H	MTK-85900-D	
2006-2001		w/ CD4E Transmission	MTKV-K5800-H	MTK-85900-D	
Mercury					
Mariner					
2011-2009		w/ 6F35 Transmission	MTKV-K5800-H	MTK-132946	
2008-2005		w/ CD4E Transmission		MTK-85900-D	
2008-2005		w/ CD4E Transmission; 3U2J-7153-AC		MTK-132932	
2008-2005		w/ CD4E Transmission; F7RZ-7153-AA			
Monterey					
2007-2004		w/ AX4N Transmission	MTKV-K6700-T	MTK-67900-F	
Mountaineer					
2010-2008		w/ 5R55S Transmission	MTKV-K13201-D	MTK-27900-H	
2010-2009		w/ 6R80 Transmission		MTK-132922	
2008-2006	4.6L V8	w/ 6R60 Transmission	MTKV-K13200-D	MTK-132922	
2007-2005		w/ 5R55S Transmission	MTK-K2701-F	MTK-27900-H	
2004	4.0L V6	w/ 5R55S Transmission	MTK-K2701-F	MTK-27900-H	
2004	4.6L V8	w/ 5R55S Transmission	MTK-K2701-F	MTK-27900-H	
2003-2002		w/ 5R55W Transmission	MTK-K2701-F	MTK-27900-H	
2001-1998	4.0L V6	w/ 5R55E Transmission	MTKV-K2801-C	MTK-28900-D	
2001-1999	5.0L V8	w/ 4R70W Transmission	MTKV-K5300-K	MTK-132940	
1998-1997	5.0L V8	w/ 4R70W Transmission		MTK-132940	



Year	Eng. Size	Qualifer	Master Overhaul Kit With Steel	Overhaul Gasket & Seal Kit
Ford				
Econoline				
2018-2005		w/ 5R110W Transmission	MTKV-K3602-C	MTK-36900-B
2016		w/ 4R75W Transmission	MTKV-K5300-K	
2015-2005		w/ 4R70W Transmission	MTKV-K5300-K	
2014		w/ 4R75W Transmission		MTK-132940
2006		w/ 4R75E Transmission		MTK-132940
2005-2000		w/ 4R100 Transmission		MTK-73900-B
2004-2003		w/ 4R70W Transmission	MTKV-K5300-K	MTK-132940
2004		w/ 5R110W Transmission	MTKV-K3601-D	MTK-36900-B
1998	5.4L V8	w/ 4R100 Transmission; w/ 4.10 Axle; ESD	MTKV-K7300-D	
1998	6.8L V10	w/ 4R100 Transmission; w/o 4.10 Axle		MTK-73900-B
1998	6.8L V10	w/ 4R100 Transmission; w/o 4.10 Axle; ESD	MTKV-K7300-D	
1998	7.3L V8	w/ 4R100 Transmission; w/ 4.10 Axle		MTK-73900-B
1998	7.3L V8	w/ 4R100 Transmission; w/ 3.55 Axle		MTK-73900-B
1997		w/ 4R70W Transmission	MTKV-K5300-K	
F-Series				
2018-2017		w/ 5R110W Transmission		MTK-36900-B
2018-2014	6.7L V8	DIESEL; w/ 6R140 Transmission		MTK-132939
2016-2005		w/ 5R110W Transmission	MTKV-K3602-C	MTK-36900-B
2013-2011	6.7L V8	DIESEL; w/ 6R140 Transmission	MTKV-K5900-A	MTK-132939
2004		w/ 4R100 Transmission; 1U2J-7153-HF		MTK-73900-B
2004-2003		GAS; w/ 5R110W Transmission	MTKV-K3601-D	MTK-36900-B
2004-1999		w/ 4R100 Transmission; FOTZ-7153-A		MTK-132933
2004-2003	6.0L V8	DIESEL; w/ 5R110W Transmission	MTKV-K3601-D	MTK-36900-B
1999	7.3L V8	w/ 4R100 Transmission; 1U2J-7153-HF		MTK-73900-B
F53				
2018-2011	6.8L V10	w/ 5R110W Transmission		MTK-36900-B
2018-2016	6.8L V10	w/ 6R140 Transmission		MTK-132939
2009-2006	6.8L V10	w/ 5R110W Transmission		MTK-36900-B
2004-2000		Motor Home - Stripped Chassis; w/ 4R100 Transmission		MTK-132933
F59				
2018-2011	6.8L V10	w/ 5R110W Transmission		MTK-36900-B
F650				
2018-2016	6.8L V10	w/ 6R140 Transmission		MTK-132939
2012-2004		4C4O-7153-FA		MTK-132903
2012-2004		4C4O-7153-CA		MTK-85903
F750				
2018-2004		4 X 2		MTK-85901
2018-2002		0HQ5X; 0HQ26		MTK-85902
2012-2004		4C4O-7153-FA		MTK-132903
2012-2004		4C4O-7153-CA		MTK-85903

CROSS REFERENCE Transmissions



FORD PARTS

Engineering Number	Service Number	Engineering Number	Service Number	Engineering Number	Service Number	Engineering Number	Service Number
1C3P-7000-BA, BB, BC	1C3Z-7V000-BRIM	1L5P-7000-DA, FA	1L5Z-7V000-DRM	4C2P-7000-EA	4C2Z-7000-EARM	5F1B-7000-FA	4F1Z-7000-FBRM
1C3P-7000-BB	1C3Z-7V000-BRIM	1L5P-7000-EA	1L5Z-7000-EARM	4C2P-7000-EA	4C2Z-7000-HARM	5F2P-7000-AA, AB, AC	5F2Z-7000-ARM
1C3P-7000-CA	1C3Z-7V000-CRIM	1L5P-7000-EA	1L5Z-7V000-ERM	4C2P-7000-FA	4C2Z-7000-FARM	5F2P-7000-BA, BB, BC	5F2Z-7000-BRM
1C3P-7000-CB	1C3Z-7V000-CRIM	1L7P-7000-AA, AB, AC, AD	3L7Z-7V000-ARM	4C2P-7000-GA	4C2Z-7000-GARM	5F93-7000-CU, CV, GB, GC	6F9Z-7000-ARM
1C3P-7000-CC	1C3Z-7V000-CRIM	1R3P-7000-AA	1R3Z-7000-AARM	4C2P-7000-HA	4C2Z-7000-HARM	5F93-7000-DX, DY, FB, FC	6F9Z-7000-BRM
1C3P-7000-DA	1C3Z-7V000-DRM	1R3P-7000-AA	1R3Z-7V000-ARM	4C2P-7000-JA	4C2Z-7000-JARM	5G13-7000-	6G1Z-7000-ARM
1C3P-7000-DA, DB, DC	1C3Z-7V000-DRM	1R3P-7000-BA	1R3Z-7000-BARM	4C2P-7000-PA	4C2Z-7000-PARM	5G13-7000-BX, BY, EB, EC	6G1Z-7000-BRM
1C3P-7000-DB	1C3Z-7V000-DRM	1R3P-7000-BA	1R3Z-7V000-BRM	4C3P-7000-JB	4C3Z-7000-RARM	5G13-7000-CT, CU, CV	6G1Z-7000-CDRM
1C3P-7000-EA	1C3Z-7V000-ERM	1S4P-7000-CA	1S4Z-7V000-CRIM	4C3P-7000-JB	4C3Z-7000-JBRM	5L1P-7000-EA	5L1Z-7000-ERM
1C3P-7000-EA, EB	1C3Z-7V000-ERM	1S4P-7000-DA	1S4Z-7V000-DRM	4C3P-7000-KB	4C3Z-7000-KBRM	5L1P-7000-FA	5L1Z-7000-FRM
1C3P-7000-EA, EB	6U2Z-7V000-FRIM	1S8P-7000-AA	1S8Z-7V000-ARM	4F1P-7000-CA/CB	4F1Z-7000-CBRM	5L3P-7000-AA	5L3Z-7000-ARM
1C3P-7000-FA	1C3Z-7V000-FRIM	1W7P-7000-AA, BA	1W7Z-7V000-ARM	4F1P-7000-DA/DB	4F1Z-7000-DBRM	5L3P-7000-BA	5L3Z-7000-BRM
1C3P-7000-FA	6U2Z-7V000-FRIM	1W7P-7000-CA	1W7Z-7V000-CRIM	4F1P-7000-EA/EB	4F1Z-7000-EBRM	5L3P-7000-CA	5L3Z-7000-CRIM
1C3P-7000-FA, FB	1C3Z-7V000-FRIM	2L1P-7000-CA	2L1Z-7V000-CRIM	4F1P-7000-FA/FB	4F1Z-7000-FBRM	5L3P-7000-DA	5L3Z-7000-DRM
1C3P-7000-FA, FB	6U2Z-7V000-FRIM	2L1P-7000-DA	2L1Z-7V000-DRM	4F2P-7000-AA, AB	4F2Z-7000-ABRM	5L3P-7000-EA	5L3Z-7000-ERM
1C3P-7000-HA	1C3Z-7V000-HRIM	2L1P-7000-EA	2L1Z-7V000-ERM	4F2P-7000-BA	4F2Z-7000-BARM	5L5P-7000-AB	5L5Z-7000-ARM
1C3P-7000-HB	1C3Z-7V000-HRIM	2L1P-7000-FA	2L1Z-7V000-FRIM	4L1P-7000-AA	4L1Z-7000-AARM	5L5P-7000-CB	5L5Z-7000-CRIM
1C3P-7000-HC	1C3Z-7V000-HRIM	2L2P-7000-AA	2L2Z-7V000-AARM	4L1P-7000-BA	4L1Z-7000-BARM	5L5P-7000-DB	5L5Z-7000-DRM
1C3P-7000-JA	1C3Z-7V000-JRIM	2L2P-7000-BA	2L2Z-7V000-BARM	4L1P-7000-CA	4L1Z-7000-CARM	5L5P-7000-DB, DC	5L5Z-7000-DRM
1C3P-7000-JB	1C3Z-7V000-JRIM	2L2P-7000-CA	2L2Z-7V000-CARM	4L1P-7000-DA	4L1Z-7000-DARM	5L74-7000-AE	DL7Z-7000-ARM
1C3P-7000-JC	1C3Z-7V000-JRIM	2L2P-7000-DA	2L2Z-7V000-DARM	4L2P-7000-AB	4L2Z-7000-ABRM	5L74-7000-BE	DL7Z-7000-BRM
1C3P-7000-KA	1C3Z-7V000-KRIM	2L5P-7000-AB	2L5Z-7V000-ABRM	4L2P-7000-BB	4L2Z-7000-BBRM	5L8P-7000-AC, AD, AE	5L8Z-7000-ACRIM
1C3P-7000-KB	1C3Z-7V000-KRIM	2L5P-7000-BB	2L5Z-7000-BBRM	4L2P-7000-CC	4L2Z-7000-CCRM	5L8P-7000-BC, BD, BE	5L8Z-7000-BCRIM
1C3P-7000-KC	1C3Z-7V000-KRIM	2L8P-7000-FA, FB	2L8Z-7V000-FBRM	4L2P-7000-DC	4L2Z-7000-DCRM	5L8P-7000-CB, CC, CD	5L8Z-7000-CBRM
1C3P-7000-LA	1C3Z-7V000-LRIM	2W3P-7000-AA	2W3Z-7V000-ARM	4L2P-7000-EC	4L2Z-7000-ECRM	5L8P-7000-DB, DC, DD	5L8Z-7000-DBRM
1C3P-7000-LA	7U2Z-7V000-ARM	2W4P-7000-AA	2W4Z-7V000-AARM	4L2P-7000-FC	4L2Z-7000-FCRM	5L8P-7000-EA, EB	5L8Z-7000-ERM
1C3P-7000-LA/LB	7U2Z-7V000-ARM	2W4P-7000-BA	2W4Z-7V000-BARM	4L3P-7000-AA	4L3Z-7000-AARM	5L8P-7000-FA, FB	5L8Z-7000-FRM
1C3P-7000-LB	1C3Z-7V000-LRIM	3C2P-7000-AA	3C2Z-7V000-ARM	4L3P-7000-BA	4L3Z-7000-BARM	5L8P-7000-GA, GB	5L8Z-7000-GRIM
1C3P-7000-LB	7U2Z-7V000-ARM	3C3P-7000-EH	3C3Z-7000-EJRM	4L3P-7000-CA	4L3Z-7000-CARM	5L8P-7000-HA, HB	5L8Z-7000-HRIM
1C3P-7000-MA	1C3Z-7V000-MRIM	3C3P-7000-EJ	3C3Z-7000-EJRM	4L3P-7000-DA	4L3Z-7000-DARM	5L8P-7000-JA	3L8Z-7000-GDRM
1C3P-7000-MA	7U2Z-7V000-ARM	3C3P-7000-GB, GH, GK	4C3Z-7000-KBRM	4L5P-7000-AA	4L5Z-7000-AARM	5L8P-7000-KA	3L8Z-7000-HDRM
1C3P-7000-MA/MB	7U2Z-7V000-BRIM	3C3P-7000-HG	3C3Z-7V000-HGRM	4L5P-7000-BA	4L5Z-7000-BARM	5M64-7000-DF	5M6Z-7000-B
1C3P-7000-MB	1C3Z-7V000-MRIM	3C3P-7000-JF	3C3Z-7V000-JGRM	4L5P-7000-CA	4L5Z-7000-CARM	5S4P-7000-FA	6S4Z-7000-FRIM
1C3P-7000-MB	7U2Z-7V000-ARM	3C3P-7000-JG	3C3Z-7V000-JGRM	4L5P-7000-DA	4L5Z-7000-DARM	5W1P-7000-AA, CA, GA, JA	5W1Z-7000-GRM
1C3P-7000-NA, NB, NC	1C3Z-7V000-NRIM	3L2P-7000-EB, EE	3L2Z-7V000-EERM	4L5P-7000-EA	4L5Z-7000-EARM	5W1P-7000-DA, HA	5W1Z-7000-HRIM
1C3P-7000-PA, PB, PC	1C3Z-7V000-PRIM	3L2P-7000-FB, FE	3L2Z-7V000-FERM	4R3P-7000-AC	4R3Z-7000-ARM	5W7P-7000-AA, BA, GA, KA	5W7Z-7000-KRIM
1F1P-7000-AA	1F1Z-7V000-ARM	3L3P-7000-HA	3L3Z-7000-HARM	4R3P-7000-BC	4R3Z-7000-BRM	5W7P-7000-BA	5W7Z-7000-KRIM
1F1P-7000-CB	1F1Z-7V000-CRIM	3L3P-7000-JA	3L3Z-7000-JARM	4S4P-7000-FA	4S4Z-7000-FARM	5W7P-7000-CA, EA, HA, LA	5W7Z-7000-LRIM
1F1P-7000-DB	1F1Z-7V000-DRM	3L3P-7000-LA	3L3Z-7000-LARM	4W1P-7000-AA	4W1Z-7000-AARM	5W7P-7000-DA, MA	5W7Z-7000-MRIM
1F1P-7000-FB	1F1Z-7V000-FRIM	3L3P-7000-MA	3L3Z-7000-MARM	4W1P-7000-DA, FA	4W1Z-7000-DARM	5W7P-7000-GA	5W7Z-7000-KRIM
1F2P-7000-CC	1F2Z-7V000-CRIM	3L7P-7000-AA	3L7Z-7V000-ARM	4W4P-7000-AB	4W4Z-7000-ABRM	5W7P-7000-KA	5W7Z-7000-KRIM
1F3P-7000-BB	1F3Z-7V000-BRIM	3L8P-7000-GA	3L8Z-7000-GARM	4W4P-7000-BB	4W4Z-7000-BBRM	6C2P-7000-AA	6C2Z-7000-ARM
1L1P-7000-AA, AB, AC	1C3Z-7V000-NRIM	3L8P-7000-GD	3L8Z-7000-GDRM	4W7P-7000-AA, BA	4W7Z-7000-AARM	6C2P-7000-BA	6C2Z-7000-BRM
1L2P-7000-AE	1L2Z-7V000-ARM	3L8P-7000-HA	3L8Z-7000-HARM	4W7P-7000-CA, EA	4W7Z-7000-CARM	6C2P-7000-CA	6C2Z-7000-CRIM
1L2P-7000-BE	1L2Z-7V000-BRIM	3L8P-7000-HB, HC	3L8Z-7V000-HCRM	4W7P-7000-DA, FA	4W7Z-7000-DARM	6C2P-7000-DA	6C2Z-7000-DRM
1L2P-7000-CE	1L2Z-7V000-CRIM	3L8P-7000-HD	3L8Z-7000-HDRM	5C2P-7000-AA	5C2Z-7000-ARM	6C3P-7000-AA	5C3Z-7000-ARM
1L3P-7000-AA	1C3Z-7V000-ARM	3R3P-7000-AA	3R3Z-7V000-ARM	5C2P-7000-BA	5C2Z-7000-BRM	6C3P-7000-AB	5C3Z-7000-ARM
1L3P-7000-AB	1C3Z-7V000-ARM	3R3P-7000-BA	3R3Z-7000-BARM	5C2P-7000-CA	5C2Z-7000-CRIM	6C3P-7000-BA	5C3Z-7000-ARM
1L3P-7000-AC	1C3Z-7V000-ARM	3R3P-7000-CA	3R3Z-7000-CARM	5C2P-7000-DA	5C2Z-7000-DRM	6C3P-7000-BB	5C3Z-7000-ARM
1L3P-7000-BA, BB, BC	1C3Z-7V000-BRIM	3S4P-7000-AA	3S4Z-7000-AARM	5C2P-7000-EA	5C2Z-7000-ERM	6C3P-7000-DB	5C3Z-7000-ARM
1L3P-7000-BB	1C3Z-7V000-BRIM	3W1P-7000-BA	3W1Z-7V000-BRIM	5C32P-7000-DB	5C3Z-7000-DRM	6C3P-7000-DC	5C3Z-7000-ARM
1L3P-7000-BC	1C3Z-7V000-BRIM	3W4P-7000-AC	3W4Z-7V000-ACRIM	5C3P-7000-AB	5C3Z-7000-ARM	6C3P-7000-DA	5C3Z-7000-DRM
1L3P-7000-CA, CB	1L3Z-7V000-CRIM	3W4P-7000-BC	3W4Z-7V000-BCRIM	5C3P-7000-BB	5C3Z-7000-BRM	6C3P-7000-DB	5C3Z-7000-DRM
1L3P-7000-CC	1L3Z-7V000-CRIM	3W7P-7000-AA, BA	3W7Z-7V000-ARM	5C3P-7000-CB	5C3Z-7000-CRIM	6C3P-7000-DC	5C3Z-7000-DRM
1L3P-7000-DA	1L3Z-7V000-DRM	3W7P-7000-BA	3W7Z-7V000-ARM	5C3P-7000-DB	5C3Z-7000-DRM	6C3P-7000-DD	7C3Z-7000-HRIM
1L3P-7000-FA	1L3Z-7V000-FRIM	3W7P-7000-CA, EA	3W7Z-7V000-CRIM	5C3P-7000-FB	5C3Z-7000-FRIM	6C3P-7000-FA	5C3Z-7000-FRIM
1L3P-7000-HA	1L3Z-7V000-HRIM	3W7P-7000-DA	3W7Z-7V000-DRM	5C3P-7000-JB	5C3Z-7000-JRIM	6C3P-7000-FB	5C3Z-7000-FRIM
1L3P-7000-JA	1L3Z-7V000-JRIM	4C2P-7000-AA	4C2Z-7000-AARM	5C3P-7000-KB	5C3Z-7000-KRIM	6C3P-7000-JA	5C3Z-7000-JRIM
1L3P-7000-LA	1L3Z-7V000-LRIM	4C2P-7000-BA	4C2Z-7000-BARM	5C3P-7000-LB	5C3Z-7000-LRIM	6C3P-7000-JB	5C3Z-7000-JRIM
1L5P-7000-AA	1L5Z-7V000-ARM	4C2P-7000-CA	4C2Z-7000-CARM	5C3P-7000-MB	5C3Z-7000-MRIM	6C3P-7000-KA	5C3Z-7000-KRIM
1L5P-7000-DA, FA	1L5Z-7000-DARM	4C2P-7000-DA	4C2Z-7000-DARM	5C3P-7000-NC	5C3Z-7000-NRIM	6C3P-7000-KB	5C3Z-7000-KRIM



Engineering Number	Service Number	Engineering Number	Service Number	Engineering Number	Service Number	Engineering Number	Service Number
6C3P-7000-KC	5C3Z-7000-KRM	7E5P-7000-AD	7E5Z-7000-AERM	8E5P-7000-AA,AB,AC	8E5Z-7000-ARM	9L2P-7000-BB,BE,BG,FA,FB	9L2Z-7000-DARM
6C3P-7000-LA	5C3Z-7000-LRM	7E5P-7000-AE	7E5Z-7000-AERM	8E5P-7000-AC	8E5Z-7000-ARM	9L2P-7000-CA	9L2Z-7000-CRM
6C3P-7000-LB	5C3Z-7000-LRM	7E5P-7000-BE,BF	7E5Z-7000-BFRM	8E5P-7000-BA, BB, BC	8E5Z-7000-BRM	9L2P-7000-DA	9L2Z-7000-DRM
6C3P-7000-MA	5C3Z-7000-MRM	7E5P-7000-CE,CF	7E5Z-7000-CFRM	8E5P-7000-BB	8E5Z-7000-BRM	9L2P-7000-EB	9L2Z-7000-CARM
6C3P-7000-MB	5C3Z-7000-MRM	7E5P-7000-DF,DG	7E5Z-7000-DGRM	8E5P-7000-BC	8E5Z-7000-BRM	9L3P-7000-DB	9L3Z-7000-DRM
6C3P-7000-MC	5C3Z-7000-MRM	7E7P-7000-AA	7E7Z-7000-AARM	8E5P-7000-CB,CC,CD	8E5Z-7000-CRM	9L3P-7000-EB	9L3Z-7000-EARM
6E51-7000-AA,AC	7E5Z-7000-BRM	7E7P-7000-BA	7E7Z-7000-BARM	8E5P-7000-DB,DC,DD	8E5Z-7000-DRM	9L3P-7000-FA,FB,FC	9L3Z-7000-EARM
6E53-7000-AA,AB,AC,AD,AE	6E5Z-7000-AERM	7G13-7000-EA	6G1Z-7000-BRM	8E7P-7000-AB	8E7Z-7000-AARM	9L3P-7000-GA,GB,GC	9L3Z-7000-FARM
6E53-7000-AD,AE	6E5Z-7000-AERM	7L1P-7000-AD,AE,AF,CA,CB	7L1Z-7000-ARM	8E7P-7000-BB	8E7Z-7000-BARM	9L3P-7000-HA,HB,HC	9L3Z-7000-FARM
6F93-7000-AA,AB,FB,FC	6F9Z-7000-ARM	7L1P-7000-BD,BE,BF,DA,DB	7L1Z-7000-BRM	8L1P-7000-CB, CC	8L1Z-7000-CRM	9L3P-7000-IA,IB,IC	9L3Z-7000-FARM
6F93-7000-BA,BB,GB,GC	6F9Z-7000-BRM	7L2P-7000-AB,AC,AD,AE,EB	7L2Z-7000-ARM	8L1P-7000-DB, DC	8L1Z-7000-DRM	9L3P-7000-JA,JB,JC	9L3Z-7000-FARM
6G13-7000-CB,CD	6G1Z-7000-CDRM	7L2P-7000-AC,AD,AE,EB	7L2Z-7000-ARM	8L2P-7000-AA	7L2Z-7000-ARM	9L3P-7000-KA,KB, KC	9L3Z-7000-FARM
6G13-7000-DA,DB,HB,HC	6G1Z-7000-ARM	7L2P-7000-AC,AD,AE,EB	7L2Z-7000-ARM	8L2P-7000-BA	7L2Z-7000-BRM	9L3P-7000-LA,LB,LC	9L3Z-7000-FARM
6G13-7000-EA,EB,JB,JC	6G1Z-7000-BRM	7L2P-7000-BC,BD,BE,	7L2Z-7000-BRM	8L2P-7000-GB/GC	8L2Z-7000-ERM	9L3P-7000-MA,MB,MC	9L3Z-7000-FARM
6L1P-7000-AA,AB	6L1Z-7000-ARM	7L2P-7000-CA,CB	7L2Z-7000-CRM	8L2P-7000-HB/HC	8L2Z-7000-FRM	9L3P-7000-NA,NB,NC	9L3Z-7000-FARM
6L1P-7000-BA,BB	6L1Z-7000-BRM	7L2P-7000-CA,CB	7L2Z-7000-CRM	8L2P-7000-JA	8L2Z-7000-ARM	9L3P-7000-OB,OC,OD	9L3Z-7000-FARM
6L2P-7000-AD,AG,AH,AK,AL,AM,AN,	6L2Z-7000-ARM	7L2P-7000-DA,DB	7L2Z-7000-DRM	8L2P-7000-KA	8L2Z-7000-BRM	9L3P-7000-PA,PB,PC	9L3Z-7000-FARM
6L2P-7000-AL, AP	6L2Z-7000-ARM	7L3P-7000-AA,AB	7L3Z-7000-ABRM	8L2P-7000-LA	8L2Z-7000-ERM	9L3P-7000-QA,QB,QC	9L3Z-7000-FARM
6L2P-7000-BG,BH,BK,BL	6L2Z-7000-BRM	7L3P-7000-BA,BB	7L3Z-7000-BBRM	8L2P-7000-MA	8L2Z-7000-CRM	9L3P-7000-RA,RB,RC	9L3Z-7000-FARM
6L2P-7000-EG,BH,BK,BL,BM,BN, BP	6L2Z-7000-BRM	7L3P-7000-CA,CB	7L3Z-7000-CBRM	8L2P-7000-NA	8L2Z-7000-DRM	9L3P-7000-SA,SB,SC	9L3Z-7000-FARM
6L2P-7000-BM,BN, BP	6L2Z-7000-BRM	7L3P-7000-DA,DB	7L3Z-7000-DBRM	8L2P-7000-OB	8L2Z-7000-ERM	9L3P-7000-TA, TB,TC	9L3Z-7000-FARM
6L2P-7000-EB,EC	4L2Z-7000-ABRM	7L3P-7000-EA,EB	7L3Z-7000-EBRM	8L2P-7000-OC	8L2Z-7000-FRM	9L3P-7000-UA,UB,UC	9L3Z-7000-FARM
6L2P-7000-FB, FC	6L2Z-7000-FRM	7L5P-7000-AA,AB,BA, BB	7L5Z-7000-ARM	8L2P-7000-PA	8L2Z-7000-ARM	9L3P-7000-VA,VB,VC	9L3Z-7000-FARM
6L3P-7000-AA,AB	6L3Z-7000-FRM	7L5P-7000-AA,AB,BA, BB	7L5Z-7000-BRM	8L2P-7000-QA	8L2Z-7000-BRM	9L3P-7000-WA,WB,WC	9L3Z-7000-FARM
6L3P-7000-BA, BB	6L3Z-7000-GRM	7L5P-7000-CA,CB	7L5Z-7000-CRM	8L2P-7000-RB	8L2Z-7000-CRM	9L3P-7000-XA, XB,XC	9L3Z-7000-FARM
6L3P-7000-CA, CB	6L3Z-7000-HRM	7L5P-7000-DA,DB	7L5Z-7000-DRM	8L2P-7000-SC	8L2Z-7000-ERM	9L3P-7000-YA, YB,YC	9L3Z-7000-FARM
6L3P-7000-DA	6L3Z-7000-DRM	7L5P-7000-EA,EB	7L5Z-7000-ERM	8L2P-7000-TA	8L2Z-7000-DRM	9L3P-7000-ZA,ZB,ZC	9L3Z-7000-FARM
6L3P-7000-DA, DB	6L3Z-7000-JRM	7L7Z-7000-AC	DL7Z-7000-ERM	8M5P-7000-AA	8M5Z-7000-ARM	9L3P-7000-AA,AB,AB	9L3Z-7000-FARM
6L3P-7000-EA, EB	6L3Z-7000-KRM	7L7Z-7000-BD	DL7Z-7000-FRM	8M5P-7000-AA	8M5Z-7000-ARM	9L3P-7000-BA,BB	9L3Z-7000-FARM
6L8P-7000-AA	5L8Z-7000-ERM	7L8P-7000-AA	5L8Z-7000-ERM	8M64-7000-AH	8M6Z-7000-D	9L3P-7000-CA, CB	9L3Z-7000-FARM
6L8P-7000-BA	5L8Z-7000-FRM	7L8P-7000-BA	5L8Z-7000-FRM	8R3P-7000-AA	8R3Z-7000-ARM	9L3P-7000-DA, DB	9L3Z-7000-FARM
6L8P-7000-CA	5L8Z-7000-GRM	7L8P-7000-CA	5L8Z-7000-GRM	8S4P-7000-AA	8S4Z-7000-ARM	9L3P-7000-EA, EB	9L3Z-7000-FARM
6L8P-7000-DA	5L8Z-7000-HRM	7L8P-7000-DA	5L8Z-7000-HRM	8S4P-7000-AA	8S4Z-7000-ARM	9L3P-7000-FA,FB,FC	9L3Z-7000-FARM
6R3P-7000-AB,AC	4R3Z-7000-ARM	7M64-7000-AD	7M6Z-7000-A	96GT-7000-EBA,GAA	F68Z-7V000-EBRM	9L3P-7000-GA,GB,GC	9L3Z-7000-FARM
6S4P-7000-FA	6S4Z-7000-ARM	7R3P-7000-BC	7R3Z-7000-BRM	97GT-7000-ACA,AEA	F77Z-7V000-AARM	9L3P-7000-HA,HB,HC	9L3Z-7000-FARM
6W1P-7000-AA,AB,CA,CB	6W1Z-7000-ARM	7T4P-7000-AA, AB, AC	7T4Z-7000-ARM	98GT-7000-AAA	F87Z-7V000-CARM	9L3P-7000-IA,IB,IC	9L3Z-7000-FARM
6W1P-7000-DA,DB	6W1Z-7000-DRM	7T4P-7000-BA,BB,BC	7T4Z-7000-ARM	98GT-7000-BAA	F87Z-7V000-DARM	9L3P-7000-JA,JB,JC	9L3Z-7000-FARM
6W4P-7000-AB, AC	4W4Z-7000-ABRM	7T4P-7000-CA,CB,CC	7T4Z-7000-ARM	98GT-7000-LAA,LBA	F87Z-7V000-LARM	9L3P-7000-KA,KB, KC	9L3Z-7000-FARM
6W7P-7000-AA,AB,BA, BB	6W7Z-7000-ARM	7T4P-7000-CC	7T4Z-7000-ARM	9C2P-7000-AB	9C2Z-7000-ARM	9L3P-7000-LA,LB,LC	9L3Z-7000-FARM
6W7P-7000-AB	6W7Z-7000-ARM	7T4P-7000-DA, DB, DC	7T4Z-7000-ARM	9C2P-7000-BB	9C2Z-7000-BRM	9L3P-7000-MA,MB,MC	9L3Z-7000-FARM
6W7P-7000-BB	6W7Z-7000-ARM	7W1P-7000-AA	7W1Z-7000-AARM	9C2P-7000-CA,CB	9C2Z-7000-CRM	9L3P-7000-NA,NB,NC	9L3Z-7000-FARM
6W7P-7000-CA,CB,EA,EB	6W7Z-7000-ARM	7W1P-7000-DA	7W1Z-7000-DARM	9C2P-7000-DA, DB	9C2Z-7000-DRM	9L3P-7000-OB,OC,OD	9L3Z-7000-FARM
6W7P-7000-DA, DB	6W7Z-7000-DRM	7W1P-7000-AA	7W1Z-7000-AARM	9C2P-7000-EB	9C2Z-7000-ERM	9L3P-7000-PA,PB,PC	9L3Z-7000-FARM
7A1P-7000-BA,BB,BC	7A1Z-7000-ARM	7W7P-7000-AA	7W7Z-7000-AARM	9C2P-7000-FB	9C2Z-7000-FRM	9L3P-7000-QA,QB,QC	9L3Z-7000-FARM
7A1P-7000-BC	7A1Z-7000-ARM	7W7P-7000-CA	7W7Z-7000-CARM	9C2P-7000-EB	9C2Z-7000-ERM	9L3P-7000-RA,RB,RC	9L3Z-7000-FARM
7C2P-7000-AB	7C2Z-7000-ARM	7W7P-7000-DA	7W7Z-7000-DARM	9C2P-7000-EB	9C2Z-7000-ERM	9L3P-7000-SA,SB,SC	9L3Z-7000-FARM
7C2P-7000-BB	7C2Z-7000-BRM	8A8P-7000-MB,MC	8A8Z-7000-FRM	9C2P-7000-EB	9C2Z-7000-ERM	9L3P-7000-TA, TB,TC	9L3Z-7000-FARM
7C2P-7000-CA	7C2Z-7000-CARM	8C2P-7000-AD	8C2Z-7000-ARM	9C2P-7000-EB	9C2Z-7000-ERM	9L3P-7000-UA,UB,UC	9L3Z-7000-FARM
7C2P-7000-DA	7C2Z-7000-DARM	8C2P-7000-BD	8C2Z-7000-BRM	9C2P-7000-EB	9C2Z-7000-ERM	9L3P-7000-VA,VB,VC	9L3Z-7000-FARM
7C3P-7000-AC	7C3Z-7000-ARM	8C2P-7000-CB	8C2Z-7000-CRM	9C2P-7000-EB	9C2Z-7000-ERM	9L3P-7000-WA,WB,WC	9L3Z-7000-FARM
7C3P-7000-BC	7C3Z-7000-BRM	8C2P-7000-DB	8C2Z-7000-DRM	9C2P-7000-EB	9C2Z-7000-ERM	9L3P-7000-XA, XB,XC	9L3Z-7000-FARM
7C3P-7000-CC	7C3Z-7000-CRM	8C2P-7000-DB	8C2Z-7000-DRM	9C2P-7000-EB	9C2Z-7000-ERM	9L3P-7000-YA, YB,YC	9L3Z-7000-FARM
7C3P-7000-DC	7C3Z-7000-DRM	8C2P-7000-DB	8C2Z-7000-DRM	9C2P-7000-EB	9C2Z-7000-ERM	9L3P-7000-ZA,ZB,ZC	9L3Z-7000-FARM
7C3P-7000-EC	7C3Z-7000-ERM	8C3P-7000-AD	8C3Z-7000-ARM	9C2P-7000-EB	9C2Z-7000-ERM	9L3P-7000-AA,AB,AB	9L3Z-7000-FARM
7C3P-7000-FC	7C3Z-7000-FRM	8C3P-7000-BD	8C3Z-7000-BRM	9C2P-7000-EB	9C2Z-7000-ERM	9L3P-7000-BA,BB	9L3Z-7000-FARM
7C3P-7000-GC	7C3Z-7000-GRM	8C3P-7000-CD	8C3Z-7000-CRM	9C2P-7000-EB	9C2Z-7000-ERM	9L3P-7000-CA, CB	9L3Z-7000-FARM
7C3P-7000-HC	7C3Z-7000-HRM	8C3P-7000-DD	8C3Z-7000-DRM	9C2P-7000-EB	9C2Z-7000-ERM	9L3P-7000-DA, DB	9L3Z-7000-FARM
7C3P-7000-KC	7C3Z-7000-JRM	8C3P-7000-ED	8C3Z-7000-ERM	9C2P-7000-EB	9C2Z-7000-ERM	9L3P-7000-EA, EB	9L3Z-7000-FARM
7E51-7000-AA,AB,AC,AF	7E5Z-7000-BRM	8C3P-7000-ED	8C3Z-7000-ERM	9C2P-7000-EB	9C2Z-7000-ERM	9L3P-7000-FA,FB,FC	9L3Z-7000-FARM
7E51-7000-AA,AB,AC,AF	7E5Z-7000-BRM	8C3P-7000-FD	8C3Z-7000-FRM	9C2P-7000-EB	9C2Z-7000-ERM	9L3P-7000-GA,GB,GC	9L3Z-7000-FARM
7E51-7000-AA,AB,AC,AF	7E5Z-7000-BRM	8C3P-7000-GD	8C3Z-7000-GRM	9C2P-7000-EB	9C2Z-7000-ERM	9L3P-7000-HA,HB,HC	9L3Z-7000-FARM
7E51-7000-AA,AB,AC,AF	7E5Z-7000-BRM	8C3P-7000-HD	8C3Z-7000-HRM	9C2P-7000-EB	9C2Z-7000-ERM	9L3P-7000-IA,IB,IC	9L3Z-7000-FARM
7E51-7000-AA,AB,AC,AF	7E5Z-7000-BRM	8C3P-7000-KD	8C3Z-7000-JRM	9C2P-7000-EB	9C2Z-7000-ERM	9L3P-7000-JA,JB,JC	9L3Z-7000-FARM
7E51-7000-AA,AB,AC,AF	7E5Z-7000-BRM	8E51-7000-AA,AB,AC,AD,AE,AF	8E5Z-7000-ARM	9C2P-7000-EB	9C2Z-7000-ERM	9L3P-7000-KA,KB, KC	9L3Z-7000-FARM
7E51-7000-AA,AB,AC,AF	7E5Z-7000-BRM	8E5P-7000-AA	8E5Z-7000-ARM	9C2P-7000-EB	9C2Z-7000-ERM	9L3P-7000-LA,LB,LC	9L3Z-7000-FARM
7E51-7000-AA,AB,AC,AF	7E5Z-7000-BRM	8E5P-7000-AA	8E5Z-7000-ARM	9C2P-7000-EB	9C2Z-7000-ERM	9L3P-7000-MA,MB,MC	9L3Z-7000-FARM
7E51-7000-AA,AB,AC,AF	7E5Z-7000-BRM	8E5P-7000-AA	8E5Z-7000-ARM	9C2P-7000-EB	9C2Z-7000-ERM	9L3P-7000-NA,NB,NC	9L3Z-7000-FARM
7E51-7000-AA,AB,AC,AF	7E5Z-7000-BRM	8E5P-7000-AA	8E5Z-7000-ARM	9C2P-7000-EB	9C2Z-7000-ERM	9L3P-7000-OB,OC,OD	9L3Z-7000-FARM
7E51-7000-AA,AB,AC,AF	7E5Z-7000-BRM	8E5P-7000-AA	8E5Z-7000-ARM	9C2P-7000-EB	9C2Z-7000-ERM	9L3P-7000-PA,PB,PC	9L3Z-7000-FARM
7E51-7000-AA,AB,AC,AF	7E5Z-7000-BRM	8E5P-7000-AA	8E5Z-7000-ARM	9C2P-7000-EB	9C2Z-7000-ERM	9L3P-7000-QA,QB,QC	9L3Z-7000-FARM
7E51-7000-AA,AB,AC,AF	7E5Z-7000-BRM	8E5P-7000-AA	8E5Z-7000-ARM	9C2P-7000-EB	9C2Z-7000-ERM	9L3P-7000-RA,RB,RC	9L3Z-7000-FARM
7E51-7000-AA,AB,AC,AF	7E5Z-7000-BRM	8E5P-7000-AA	8E5Z-7000-ARM	9C2P-7000-EB	9C2Z-7000-ERM	9L3P-7000-SA,SB,SC	9L3Z-7000-FARM
7E51-7000-AA,AB,AC,AF	7E5Z-7000-BRM	8E5P-7000-AA	8E5Z-7000-ARM	9C2P-7000-EB	9C2Z-7000-ERM	9L3P-7000-TA, TB,TC	9L3Z-7000-FARM
7E51-7000-AA,AB,AC,AF	7E5Z-7000-BRM	8E5P-7000-AA	8E5Z-7000-ARM	9C2P-7000-EB	9C2Z-7000-ERM	9L3P-7000-UA,UB,UC	9L3Z-7000-FARM
7E51-7000-AA,AB,AC,AF	7E5Z-7000-BRM	8E5P-7000-AA	8E5Z-7000-ARM	9C2P-7000-EB	9C2Z-7000-ERM	9L3P-7000-VA,VB,VC	9L3Z-7000-FARM
7E51-7000-AA,AB,AC,AF	7E5Z-7000-BRM	8E5P-7000-AA	8E5Z-7000-ARM	9C2P-7000-EB	9C2Z-7000-ERM	9L3P-7000-WA,WB,WC	9L3Z-7000-FARM
7E51-7000-AA,AB,AC,AF	7E5Z-7000-BRM	8E5P-7000-AA	8E5Z-7000-ARM	9C2P-7000-EB	9C2Z-7000-ERM	9L3P-7000-XA, XB,XC	9L3Z-7000-FARM
7E51-7000-AA,AB,AC,AF	7E5Z-7000-BRM	8E5P-7000-AA	8E5Z-7000-ARM	9C2P-7000-EB	9C2Z-7000-ERM	9L3P-7000-YA, YB,YC	9L3Z-7000-FARM
7E51-7000-AA,AB,AC,AF	7E5Z-7000-BRM	8E5P-7000-AA	8E5Z-7000-ARM	9C2P-7000-EB	9C2Z-7000-ERM	9L3P-7000-ZA,ZB,ZC	9L3Z-7000-FARM
7E51-7000-AA,AB,AC,AF	7E5Z-7000-BRM	8E5P-7000-AA	8E5Z-7000-ARM	9C2P-7000-EB	9C2Z-7000-ERM	9L3P-7000-AA,AB,AB	9L3Z-7000-FARM
7E51-7000-AA,AB,AC,AF	7E5Z-7000-BRM	8E5P-7000-AA	8E5Z-7000-ARM				



Engineering Number	Service Number	Engineering Number	Service Number	Engineering Number	Service Number	Engineering Number	Service Number
F2GP-7000-BA	F2GZ-7000-B	F6TP-7000-JA	F6TZ-7V000-JARM	FA6P-7000-FA,KB,BB	FA6Z-7000-H	HC3P-7000-KA	GC3Z-7000-FRM
F2GP-7000-TC	F2GZ-7000-T	F6TP-7000-JA	F6TZ-7V000-KARM	FA6P-7000KC	FA6Z-7000-Q	HC3P-7000-LA	GC3Z-7000-CRM
F2GP-7000-VC	F2GZ-7000-VC	F6TP-7000-KA	F6TZ-7V000-JARM	FB5P-7000-AA	FB5Z-7000-A	HS7P-7000-BA	HS7Z-7000-A
F2GP-7000-XC	F2GZ-7000-XC	F6TP-7000-KA	F6TZ-7V000-KARM	FB5P-7000-BA	FB5Z-7000-B	HS7P-7000-DA	HS7Z-7000-B
F2GP-7000-YC	F2GZ-7000-Y	F6UP-7000-DA	F6UZ-7V000-DARM	FB5P-7000-DA	FB5Z-7000-D	HS7P-7000-GB	HS7Z-7000-F
F2TP-7000-ACA	FOTZ-7V000-NRM	F6UP-7000-FA	F6UZ-7V000-FARM	FC3P-7000-CA	FC3Z-7000-C	JC4P-7000-HA	HC4Z-7000-C
F2TP-7000-AGA	F2TZ-7V000-FRM	F6UP-7000-HA	F6UZ-7V000-HARM	FC3P-7000-CA	GC3Z-7000-ARM	JC4P-7000-VA	HC4Z-7000-D
F2TP-7000-BA	F2TZ-7V000-BRM	F75P-7000-EA	F75Z-7V000-ERM	FC3P-7000-DA	FC3Z-7000-D	JC4P-7000-XA	HC4Z-7000-E
F2TP-7000-DA	F2TZ-7V000-FRM	F75P-7000-HA	F75Z-7V000-HRM	FC3P-7000-DA	GC3Z-7000-BRM	JL1P-7000-EA	JL1Z-7000-A
F2TP-7000-EA	F2TZ-7V000-HRM	F75P-7000-JA	F75Z-7V000-JRM	FC3P-7000-EA	FC3Z-7000-E	JL1P-7000-FA	JL1Z-7000-B
F2TP-7000-FA	F2TZ-7V000-FRM	F75P-7000-KA	F75Z-7V000-KRM	FC3P-7000-FA	FC3Z-7000-F	JL1P-7000-GC	JL1Z-7000-C
F2TP-7000-HA	F2TZ-7V000-HRM	F75P-7000-LA	F75Z-7V000-LRM	FC3P-7000-GA	FC3Z-7000-G	JL1P-7000-HB	JL1Z-7000-D
F2TP-7000-JA	F2TZ-7V000-JRM	F75P-7000-LA, LB	F75Z-7V000-LCRM	FC3P-7000-PA	FC3Z-7000-P	JL3P-7000-FA	JL3Z-7000-B
F2TP-7000-MA	F2TZ-7V000-LRM	F75P-7000-LB	F75Z-7V000-LCRM	FC3P-7000-SA	FC3Z-7000-S	JL3P-7000-LA	JL3Z-7000-J
F2TP-7000-NA	F2TZ-7V000-NRM	F75P-7000-LC, LD	F75Z-7V000-LCRM	FC3P-7000-ZA	FC3Z-7000-Z	JL3P-7000-NA	JL3Z-7000-C
F2TP-7000-NA	F2UZ-7V000-NRM	F75P-7000-MA	F75Z-7V000-MRM	FC4P-7000-VA	FC4Z-7000-V	JL3P-7000-SB	JL3Z-7000-E
F2TP-7000-PA	F3TZ-7V000-LRM	F75P-7000-MA, MB	F75Z-7V000-MRM	FC4P-7000-XA	FC4Z-7000-X	JL3P-7000-TB	JL3Z-7000-F
F2TP-7000-SA	F3TZ-7V000-LRM	F75P-7000-MB	F75Z-7V000-MRM	FG9P-7000-CA	FG9Z-7000-C	JR3P-7000-MD	JR3Z-7000-A
F2UP-7000-DA	F2TZ-7V000-BRM	F78P-7000-BA	F78Z-7V000-BRM	FG9P-7000-GA	FG9Z-7000-G	JR3P-7000-ND	JR3Z-7000-B
F2UP-7000-DC	F2TZ-7V000-BRM	F7AP-7000-BA,GA	F7AZ-7V000-BRM	FG9P-7000-AA	FG9Z-7000-A	RM4F2J-7000-AC	4F2Z-7000-ABRM
F2UP-7000-EA	F2TZ-7V000-FRM	F7AP-7000-GA	F7AZ-7V000-BRM	FG9P-7000-AC	FG9Z-7000-AC	RM5L5J-7000-DC	5L5Z-7000-DRM
F2UP-7000-EC	F2TZ-7V000-FRM	F7DP-7000-AA	F7DZ-7V000-ARM	FG9P-7000-AD	FG9Z-7000-K	RM6E5J-7000-AC	7E5Z-7000-BRM
F2UP-7000-GA	F2TZ-7V000-JRM	F7DP-7000-DA	F7DZ-7V000-DRM	FL1P-7000-CA	FL1Z-7000-A	RM6E7J-7000-AB	6E7Z-7000-ABRM
F2UP-7000-HA	F2TZ-7V000-NRM	F7LP-7000-AA	F7LZ-7000-ARM	FL1P-7000-DA	FL1Z-7000-B	RM6E7J-7000-BB	6E7Z-7000-BBRM
F2UP-7000-HA	F2UZ-7V000-NRM	F7TP-7000-JA	F7TZ-7V000-JRM	FL3P-7000-AA	FL3Z-7000-A	RM6L2J-7000-ED	6L2Z-7000-ERM
F2UP-7000-HC	F2TZ-7V000-NRM	F7TP-7000-KA	F7TZ-7V000-KRM	FL3P-7000-BA	FL3Z-7000-B	RM8U2J-7G497-ABA	4C3Z-7000-JBRM
F2UP-7000-NA	F2TZ-7V000-NRM	F7TP-7000-LA	F7TZ-7V000-LRM	FL3P-7000-CA	FL3Z-7000-C	RM8U2J-7G497-ACA	4C3Z-7000-KBRM
F3TP-7000-DB	F2TZ-7V000-MRM	F7TP-7000-NA	F7TZ-7V000-NARM	FL3P-7000-DA	FL3Z-7000-D	RM8U2J-7G497-AFA	3C3Z-7V000-KDRM
F3TP-7000-EA	F2TZ-7V000-MRM	F7TP-7000-PA	F7TZ-7V000-PRM	FL3P-7000-EA	JL3Z-7000-A	RM8U2J-7G497-AKA	3L8Z-7V000-HCRM
F3TP-7000-EB	F2TZ-7V000-MRM	F7TP-7000-RA	F7TZ-7V000-LRM	FL3P-7000-FA	FL3Z-7000-F	RM9C3J-7000-CA	9C3Z-7000-CRM
F3TP-7000-GA	F2TZ-7V000-NARM	F7TP-7000-UA	F7TZ-7V000-NARM	FL3P-7000-GA	FL3Z-7000-G	RM6E5J-7000-CA	AA5Z-7000-G
F3TP-7000-LA	F3TZ-7V000-LRM	F7UP-7000-EA,EB	F7UZ-7V000-EARM	FL3P-7000-HA	FL3Z-7000-H	RMAA8J-7000-DA	AA8Z-7000-J
F3UP-7000-BA	F2TZ-7V000-JRM	F7UP-7000-JA	F7UZ-7V000-JRM	FL3P-7000-JA	FL3Z-7000-J	RMBC3J-7000-GA	BC3Z-7000-GRM
F3UP-7000-EA	F2TZ-7V000-NRM	F7UP-7000-MA	F7UZ-7V000-MRM	FL3P-7000-KA	FL3Z-7000-K	RMBC3J-7000-HA	BC3Z-7000-HRM
F3UP-7000-FA	F2UZ-7V000-FRM	F7UP-7000-TA	F7UZ-7V000-JRM	FL3P-7000-DA	FM5Z-7000-D	RMAA5J-7000-JA	BC3Z-7000-J
F4DP-7000-BA, BB	F4DZ-7V000-BRM	F7UP-7000-VA	F7UZ-7V000-VARM	FOUP-7000-HA	FOTZ-7V000-ARM	RMBC3J-7000-KA	BC3Z-7000-KRM
F4TP-7000-AA	F4TZ-7V000-ARM	F81P-7000-AB	F81Z-7V000-ABRM	FR3P-7000-AB	FR3Z-7000-A	RMBC3J-7000-LA	BC3Z-7000-LRM
F4TP-7000-BA	F4TZ-7V000-BRM	F81P-7000-BB	F81Z-7V000-BBRM	FR3P-7000-BB	FR3Z-7000-B	RMBC3J-7000-MA	BC3Z-7000-MRM
F4TP-7000-EA	F4TZ-7V000-ERM	F81P-7000-DB	F81Z-7V000-DBRM	FR3P-7000-CB	FR3Z-7000-C	RMBL3J-7000-CA	BL3Z-7000-C
F4TP-7000-FA	F2TZ-7V000-HRM	F81P-7000-EB	F81Z-7V000-EBRM	FU6J-19090-W	FOCZ-7V000-BRM	RMBU9J-7000-AA	BU9Z-7000-ARM
F4UP-7000-BA	F4UZ-7V000-CRM	F81P-7000-FB	F81Z-7V000-FBRM	FU6V-19090-N	FOCZ-7V000-ARM	RMCC3J-7000-AA	CC3Z-7000-CRM
F4UP-7000-BA, CA	F4UZ-7V000-CRM	F81P-7000-GB	F81Z-7V000-GBRM	FU6V-19090-R	FOCZ-7V000-ARM	RMCC3J-7000-BA	CC3Z-7000-D
F4UP-7000-CA	F4UZ-7V000-CRM	F81P-7000-HB	1C3Z-7V000-ERM	G2GP-7000-AA	G2GZ-7000-AA	RMCC3J-7000-CA	CC3Z-7000-E
F5OP-7000-BA	F5OZ-7V000-BRM	F81P-7000-HB	6U2Z-7V000-HRM	G2GP-7000-BA	G2GZ-7000-BA	RMCC3J-7000-CA	CC3Z-7000-ERM
F5TP-7000-AB	F5UZ-7V000-DRM	F81P-7000-KB	F81Z-7V000-KBRM	G3GP-7000-FA	G3GZ-7000-A	RMCC3J-7000-DA	CC3Z-7000-FRM
F5TP-7000-CB	F5TZ-7V000-CRM	F81P-7000-LB	6U2Z-7V000-LRM	G3GP-7000-PA	G3GZ-7000-B	RMCC3J-7000-EA	CC3Z-7000-GRM
F5TP-7000-DB	F5TZ-7V000-DRM	F81P-7000-PB	7U2Z-7V000-DRM	GC4P-7000-AA	HC4Z-7000-A	RMCC3J-7000-FA	CC3Z-7000-JRM
F5TP-7000-EB	F5TZ-7V000-ERM	F81P-7000-TA	F81Z-7V000-TARM	GC4P-7000-BB	HC4Z-7000-B	RMDA5J-7000-BA	DA5Z-7000-DRM
F5TP-7000-GB	F5TZ-7V000-GRM	F85P-7000-BA	F85Z-7V000-BARM	GC4P-7000-HA	GC4Z-7000-HA	RMDA8J-7000-BA	DA8Z-7000-ARM
F5TP-7000-JB	F5TZ-7V000-JRM	F85P-7000-EA	F85Z-7V000-EARM	GC4P-7000-VA	GC4Z-7000-V	RMDA8J-7000-CA	DA8Z-7000-GRM
F5TP-7000-LB	F5TZ-7V000-JRM	F85P-7000-FA	F85Z-7V000-FARM	GC4P-7000-XA	GC4Z-7000-XA	RMEG1J-7000-AA	EG1Z-7000-ARM
F5UP-7000-BB	F5UZ-7V000-BRM	F85P-7000-GA	F85Z-7V000-GARM	GJ7P-7000-BA	GJ7Z-7000-A	RMEG9J-7000-AA	EG9Z-7000-ARM
F5UP-7000-DB	F5UZ-7V000-DRM	F85P-7000-HA	F85Z-7V000-HARM	GK4P-7000-AA	GK4Z-7000-A	RMEG9J-7000-BA	EG9Z-7000-BRM
F5UP-7000-EB	F5UZ-7V000-ERM	F88P-7000-AA	F88Z-7V000-AARM	GK4P-7000-CA	GK4Z-7000-B	RMEG9J-7000-CA	EG9Z-7000-CRM
F5UP-7000-GB	F5UZ-7V000-GRM	F88P-7000-BA	F88Z-7V000-BARM	GK4P-7000-DA	GK4Z-7000-C	RMEG9J-7000-DA	EG9Z-7000-DRM
F5UP-7000-HB	F5UZ-7V000-HRM	F8AP-7000-AA, CA	F8AZ-7V000-AARM	GK4P-7000-EA	GK4Z-7000-D	RMEG9J-7000-EA	EG9Z-7000-ERM
F6DP-7000-EA	F6DZ-7V000-EARM	F8UP-7000-CA	F8UZ-7V000-CARM	GK4P-7000-FA	GK4Z-7000-E	RMEG9J-7000-FA	EG9Z-7000-FRM
F6TP-7000-DA	F6UZ-7V000-DARM	F8UP-7000-EA	YC2Z-7V000-KRM	GV6P-7000-AA	GV6Z-7000-A	RMEG9J-7000-GA	EG9Z-7000-GRM
F6TP-7000-FA	F6TZ-7V000-FARM	F8UP-7000-KA	F8UZ-7V000-KARM	GV6P-7000-DA	GV6Z-7000-C	RMET4J-7000-AA	ET4Z-7000-ARM
F6TP-7000-GA	F6TZ-7V000-GARM	F8UP-7000-MB	F8UZ-7V000-MBRM	GV6P-7000-EA	GV6Z-7000-D	RMEV6J-7000-AA	EV6Z-7000-ARM
F6TP-7000-HA	F7TZ-7V000-KRM	F8UP-7000-SA	F8UZ-7V000-CARM	GV6P-7000-RA	GV6Z-7000-B	RMEV6J-7000-BA	EV6Z-7000-BRM

CROSS REFERENCE

Transmissions



FORD PARTS

Engineering Number	Service Number	Engineering Number	Service Number	Engineering Number	Service Number	Engineering Number	Service Number
RMEV6J-7000-CA	EV6Z-7000-CRM	XL5P-7000-EA	XL5Z-7V000-EARM				
RMEV6J-7000-DA	CV6Z-7000-XRM	XL7P-7000-AA,GB	XL3Z-7V000-GBRM				
RMEV6J-7000-DA	EV6Z-7000-DRM	XR3P-7000-AA	XR3Z-7V000-AARM				
RMEV6J-7000-EA	EV6Z-7000-ERM	XW1P-7000-BA	XW1Z-7V000-BARM				
RMFC3J-7000-AA	FC3Z-7000-RRM	XW1P-7000-CA	XW1Z-7V000-CARM				
RMFC3J-7000-BA	FC3Z-7000-SRM	XW1P-7000-DA	XW1Z-7V000-BARM				
RMFC3J-7000-CA	FC3Z-7000-TRM	XW4P-7000-AA,AC	YW4Z-7V000-ARM				
RMFC3J-7000-DA	FC3Z-7000-URM	XW4P-7000-BA,BC	YW4Z-7V000-BRM				
RMFC3J-7000-FA	FC3Z-7000-WRM	XW7P-7000-CA	XW7Z-7V000-CARM				
RMFC3J-7000EA	FC3Z-7000-VRM	YC2P-7000-BA	YC2Z-7V000-BRM				
RMFC4J-7000-AA	CC4Z-7000-ARM	YC2P-7000-CA	YC2Z-7V000-CRM				
RMFC4J-7000-BA	CC4Z-7000-BRM	YC2P-7000-EA	YC2Z-7V000-TRM				
RMFG9J-7000-AA	EG9Z-7000-HRM	YC2P-7000-JA	YC2Z-7V000-JRM				
RMFG9J-7000-CA	EG9Z-7000-KRM	YC2P-7000-KA, KB	YC2Z-7V000-KRM				
RMGA8J-7000-BA	DA8Z-7000-KRM	YC2P-7000-MA, MB	7U2Z-7V000-BRM				
RMGV6J-7000-DA	DV6Z-7000-DRM	YC2P-7000-MA, MB	YC2Z-7V000-MRM				
RMGV6J-7000-LA	DV6Z-7000-BRM	YC2P-7000-SA	YC2Z-7V000-SRM				
RMGV6J-7000-LA	DV6Z-7000-CRM	YC2P-7000-TA	YC2Z-7V000-TRM				
XC2P-7000-FB	F8UZ-7V000-CARM	YC2P-7000-YA	YC2Z-7V000-YRM				
XC2P-7000-HB	F8UZ-7V000-JARM	YC3P-7000-AA	YC3Z-7V000-ARM				
XC2P-7000-JB	YC2Z-7V000-KRM	YC3P-7000-BA, RA	YC3Z-7V000-BRM				
XC2P-7000-LB	F8UZ-7V000-KARM	YC3P-7000-CA	YC3Z-7V000-CRM				
XC2P-7000-NA	XC2Z-7V000-NARM	YC3P-7000-DA, SA	YC3Z-7V000-DRM				
XC2P-7000-VA	F8UZ-7V000-CARM	YC3P-7000-EA, EB	1C3Z-7V000-ERM				
XC3P-7000-BA	F81Z-7V000-ABRM	YC3P-7000-EA, EB	6U2Z-7V000-HRM				
XC3P-7000-CA	F81Z-7V000-BBRM	YC3P-7000-EB	1C3Z-7V000-ERM				
XC3P-7000-DA	F81Z-7V000-DBRM	YC3P-7000-EB	6U2Z-7V000-HRM				
XC3P-7000-EA	F81Z-7V000-EBRM	YC3P-7000-FA, FB	1C3Z-7V000-FRM				
XC3P-7000-FA	F81Z-7V000-FBRM	YC3P-7000-FA, FB	6U2Z-7V000-LRM				
XC3P-7000-GA	F81Z-7V000-GBRM	YC3P-7000-FB	1C3Z-7V000-FRM				
XC3P-7000-HA	1C3Z-7V000-ERM	YC3P-7000-FB	6U2Z-7V000-LRM				
XC3P-7000-HA	6U2Z-7V000-HRM	YC3P-7000-KA	YC3Z-7V000-KRM				
XC3P-7000-JA	1C3Z-7V000-MRM	YC3P-7000-LA	F81Z-7V000-KBRM				
XC3P-7000-KA	F81Z-7V000-KBRM	YC3P-7000-LB	F81Z-7V000-KBRM				
XC3P-7000-LA	1C3Z-7V000-FRM	YC3P-7000-MA	1C3Z-7V000-MRM				
XC3P-7000-LA	6U2Z-7V000-LRM	YC3P-7000-MA	7U2Z-7V000-DRM				
XC3P-7000-MA	F81Z-7V000-TARM	YC3P-7000-MB	7U2Z-7V000-DRM				
XF1P-7000-AA	XF1Z-7V000-AARM	YC3P-7000-MB	F81Z-7V000-KBRM				
XF1P-7000-BA	XF1Z-7V000-BARM	YC3P-7000-NA	YC3Z-7V000-ARM				
XF2P-7000-BA	XF2Z-7V000-BARM	YC3P-7000-PA	YC3Z-7V000-CRM				
XF3P-7000-AB, AC	XF3Z-7V000-ARM	YF1P-7000-FC, FD	YF1Z-7V000-FRM				
XF3P-7000-BA	XF3Z-7V000-BARM	YF1P-7000-HA	YF1Z-7V000-HRM				
XL1P-7000-AA	XL3Z-7V000-EARM	YF2P-7000-BA	YF2Z-7V000-BRM				
XL1P-7000-CB	XL1Z-7V000-CBRM	YL1P-7000-AA	XL1Z-7V000-CBRM				
XL1P-7000-DB	XL1Z-7V000-DBRM	YL1P-7000-BA	XL1Z-7V000-DBRM				
XL2P-7000-BA	XL2Z-7V000-BARM	YL3P-7000-AA	XL3Z-7V000-GBRM				
XL2P-7000-CA	XL2Z-7V000-CARM	YL3P-7000-BA	YC3Z-7V000-BRM				
XL2P-7000-DA	XL2Z-7V000-DARM	YL3P-7000-BA,HB	YC3Z-7V000-BRM				
XL2P-7000-FA	XL2Z-7V000-FARM	YL3P-7000-CA	1L3Z-7V000-CRM				
XL3P-7000-BA	XL3Z-7V000-BARM	YL3P-7000-DA	YL3Z-7V000-DRM				
XL3P-7000-CA	XL3Z-7V000-CARM	YL3P-7000-EA	YL3Z-7V000-ERM				
XL3P-7000-EA	XL3Z-7V000-EARM	YL3P-7000-FA	YL3Z-7V000-FRM				
XL3P-7000-GB	XL3Z-7V000-GBRM	YL3P-7000-HA	YL3Z-7V000-HRM				
XL3P-7000-HB	YC3Z-7V000-BRM	YL3P-7000-LA	YL3Z-7V000-LRM				
XL3P-7000-JA	XL3Z-7V000-JARM	YL3P-7000-MA	YL3Z-7V000-MRM				
XL3P-7000-KA	1L3Z-7V000-CRM	YL7P-7000-AA	XL3Z-7V000-GBRM				
XL3P-7000-LA	XL3Z-7V000-LARM	YL8P-7000-FB	YL8Z-7V000-FRM				
XL5P-7000-AA	XL5Z-7V000-AARM	YW1P-7000-AA	YW1Z-7V000-ARM				
XL5P-7000-BA	XL5Z-7V000-BARM	YW4P-7000-AA	YW4Z-7V000-ARM				
XL5P-7000-CA	XL5Z-7V000-CARM	YW4P-7000-BA	YW4Z-7V000-BRM				
XL5P-7000-DA	XL5Z-7V000-DARM						



Make	Year	Make	Year	Make	Year	Make	Year
1C2Z-6006-EARM		1L3Z-6006-QARM		1W7Z-6006-FRM cont'd		2F3Z-6006-ABRM	
ENGINE LONG BLOCK		ENGINE LONG BLOCK		Lincoln		ENGINE LONG BLOCK	
Ford		Ford		Town Car 2001		Lincoln	
Econoline	2001-2000	Econoline	2003-2001	Mercury		Continental 2002-2001	
F-Series		F-Series		Grand Marquis 2001			
1F1Z-6006-ABRM		1L3Z-6006-RARM		1W7Z-6006-GRM		2L2Z-6006-AARM	
ENGINE LONG BLOCK		ENGINE LONG BLOCK		ENGINE LONG BLOCK		ENGINE LONG BLOCK	
Ford		Ford		Ford		Ford	
Taurus	2002-2001	Econoline	2002-2001	Crown Victoria 2001		Explorer 2002	
Mercury		F-Series		Lincoln		Mercury	
Sable	2002-2001	F-Series		Town Car 2001		Mountaineer 2002	
1F2Z-6006-CARM		1L7Z-6006-DARM		1W7Z-6006-GRM		2L2Z-6006-BBRM	
ENGINE LONG BLOCK		ENGINE LONG BLOCK		ENGINE LONG BLOCK		ENGINE LONG BLOCK	
Ford		Lincoln		Mercury		Ford	
Windstar	2003-2001	Navigator 2000		Grand Marquis 2001		Explorer 2003-2002	
1L2Z-6006-ABRM		1L8Z-6006-ABRM		2C2Z-6006-ABRM		2L2Z-6006-CBRM	
ENGINE LONG BLOCK		ENGINE LONG BLOCK		ENGINE LONG BLOCK		ENGINE LONG BLOCK	
Ford		Ford		Ford		Mercury	
Explorer	2003-2001	Escape 2004-2001		Econoline 2002		Mountaineer 2003-2002	
Explorer Sport Trac 2003-2001		Mazda		2C2Z-6006-BBRM		ENGINE LONG BLOCK	
1L2Z-6006-BBRM		1L8Z-6006-BBRM		ENGINE LONG BLOCK		ENGINE LONG BLOCK	
ENGINE LONG BLOCK		ENGINE LONG BLOCK		Ford		Ford	
Ford		Ford		Econoline 2002		Explorer 2003-2002	
Explorer	2003-2001	Escape 2004-2001		F-Series 2003-2002		Mercury	
Explorer Sport Trac 2003-2001		Mazda		F53 2003-2002		Mountaineer 2003-2002	
Ranger 2003-2001		Tribute 2004-2001		2C2Z-6006-CBRM		2L2Z-6006-FARM	
Mazda		1L8Z-6006-CBRM		ENGINE LONG BLOCK		ENGINE LONG BLOCK	
B4000 2003-2001		Tribute 2003-2001		Ford		Ford	
1L3Z-6006-DRM		ENGINE LONG BLOCK		Econoline 2002		Explorer 2003-2002	
ENGINE LONG BLOCK		Ford		F-Series 2003-2002		Mercury	
Ford		Escape 2004-2001		F53 2003-2002		Mountaineer 2003-2002	
F-Series 2001		Mazda		2C2Z-6006-DRM		2L3Z-6006-ABRM	
1L3Z-6006-GARM		1R3Z-6006-BARM		ENGINE LONG BLOCK		ENGINE LONG BLOCK	
ENGINE LONG BLOCK		ENGINE LONG BLOCK		Ford		Ford	
Ford		Mustang 2001		Econoline 2002		F-Series 2002	
F-Series 2001		1R3Z-6006-FRM		2C3Z-6006-ABRM		2L3Z-6006-BARM	
1L3Z-6006-HARM		ENGINE LONG BLOCK		ENGINE LONG BLOCK		ENGINE LONG BLOCK	
ENGINE LONG BLOCK		Ford		Ford		Ford	
Ford		Mustang 2001		F-Series 2003-2002		Expedition 2002	
F-Series 2001		1W4Z-6006-YBRM		ENGINE LONG BLOCK		F-Series 2003-2002	
1L3Z-6006-MARM		ENGINE LONG BLOCK		Ford		2L3Z-6006-CBRM	
ENGINE LONG BLOCK		Lincoln		F-Series 2002		ENGINE LONG BLOCK	
Ford		LS 2002-2001		2C5Z-6006-BARM		ENGINE LONG BLOCK	
F-Series 2001-1999		1W7Z-6006-FRM		ENGINE LONG BLOCK		Ford	
1L3Z-6006-PRM		ENGINE LONG BLOCK		Lincoln		Excursion 2003-2002	
ENGINE LONG BLOCK		Ford		Aviator 2004-2003		F-Series 2003-2002	
Ford		Crown Victoria 2001					
Expedition	2001						
F-Series 2001							

BUYER'S GUIDE

Gas Engine Assemblies



FORD PARTS

Make	Year	Make	Year	Make	Year	Make	Year
2L3Z-6006-EBRM		2M5Z-6006-BARM		2W7Z-6006-CARM		3F1Z-6006-DARM	
ENGINE LONG BLOCK		ENGINE LONG BLOCK		ENGINE LONG BLOCK		ENGINE LONG BLOCK	
Ford		Ford		Ford		Ford	
Excursion	2003-2002	Focus	2004-2002	Crown Victoria	2002	Taurus	2003-2002
F-Series	2003-2002	2M5Z-6006-BRM		Lincoln		Mercury	
2L3Z-6006-GARM		ENGINE LONG BLOCK		Town Car		Sable	
ENGINE LONG BLOCK		Ford		2002		2003-2002	
Ford		Focus		2004-2001		3F2Z-6006-BARM	
Expedition	2002	2R3Z-6006-BARM		3C2Z-6006-BBRM		ENGINE LONG BLOCK	
F-Series	2002	ENGINE LONG BLOCK		ENGINE LONG BLOCK		Ford	
2L3Z-6006-HARM		Ford		Econoline		Windstar	
ENGINE LONG BLOCK		Mustang		2003		2003	
Ford		2003-2002		3C2Z-6006-CARM		3L1Z-6006-AARM	
F-Series	2003-2002	2R3Z-6006-DBRM		ENGINE LONG BLOCK		ENGINE LONG BLOCK	
2L3Z-6006-KARM		ENGINE LONG BLOCK		Econoline		2003	
ENGINE LONG BLOCK		Ford		2003		Ford	
Ford		Mustang		2003-2000		Expedition	
F-Series	2004-2002	2S4Z-6006-AARM		3C2Z-6006-DARM		3L1Z-6006-CBRM	
2L5Z-6006-AARM		ENGINE LONG BLOCK		ENGINE LONG BLOCK		ENGINE LONG BLOCK	
ENGINE LONG BLOCK		Ford		Econoline		2003	
Ford		Focus		2002-2001		Ford	
Ranger	2003-2002	2W4Z-6006-AARM		3C2Z-6006-EARM		Expedition	
Mazda		ENGINE LONG BLOCK		ENGINE LONG BLOCK		2004-2003	
B2300	2003-2002	Ford		Econoline		3L2Z-6006-BARM	
2L5Z-6006-BARM		Lincoln		2003		ENGINE LONG BLOCK	
ENGINE LONG BLOCK		LS		2002-2001		Ford	
Ford		2W4Z-6006-ABRM		3C2Z-6006-ERM		Explorer	
Ranger	2002-2001	ENGINE LONG BLOCK		ENGINE LONG BLOCK		2003	
Mazda		Lincoln		Econoline		2003	
B2300	2002-2001	LS		2002-2001		Mountaineer	
2L5Z-6006-FARM		2W4Z-6006-EARM		3C2Z-6006-GBRM		3L3Z-6006-CBRM	
ENGINE LONG BLOCK		ENGINE LONG BLOCK		ENGINE LONG BLOCK		ENGINE LONG BLOCK	
Ford		Lincoln		Ford		Ford	
Ranger	2003-2002	LS		Econoline		F-Series	
2L7Z-6006-BARM		2W4Z-6006-FARM		2003		2003	
ENGINE LONG BLOCK		ENGINE LONG BLOCK		3C2Z-6006-HBRM		3L3Z-6006-DBRM	
Lincoln		Lincoln		ENGINE LONG BLOCK		ENGINE LONG BLOCK	
Blackwood	2002	LS		2001-2000		Ford	
Navigator	2002	2W7Z-6006-BARM		Econoline		F-Series	
2L8Z-6006-ABRM		ENGINE LONG BLOCK		2003		2003	
ENGINE LONG BLOCK		Ford		F-Series		2003	
Mazda		Crown Victoria		2002		3L3Z-6006-EBRM	
MPV	2003-2002	Lincoln		3F1Z-6006-CBRM		ENGINE LONG BLOCK	
2M5Z-6006-ARM		Town Car		ENGINE LONG BLOCK		Ford	
ENGINE LONG BLOCK		2002		Ford		F-Series	
Ford		Mercury		Taurus		2003	
Focus	2000	Grand Marquis		2002		3L3Z-6006-GARM	
ENGINE LONG BLOCK		Mercury		Sable		ENGINE LONG BLOCK	
Ford		Grand Marquis		2002		Ford	
Econoline		2003		3L3Z-6006-FARM		ENGINE LONG BLOCK	
2003		3L3Z-6006-FARM		ENGINE LONG BLOCK		Ford	
Econoline		2003		Ford		F-Series	
2003		Econoline		2003		2003	



Make	Year	Make	Year	Make	Year	Make	Year
3L3Z-6006-GARM cont'd		3W7Z-6006-AARM		4C3Z-6006-EARM		4L2Z-6006-CBRM	
F-Series	2004-2003	ENGINE LONG BLOCK		ENGINE LONG BLOCK		ENGINE LONG BLOCK	
3L5Z-6006-AARM		Ford		Ford		Ford	
ENGINE LONG BLOCK		Crown Victoria	2004-2003	Excursion	2005-2004	Explorer	2001
Ford		Lincoln		F-Series	2005-2004	4L2Z-6006-DARM	
Ranger	2003	Town Car	2004-2003	4F1Z-6006-BARM		ENGINE LONG BLOCK	
Mazda		Mercury		ENGINE LONG BLOCK		Ford	
B2300	2003	Grand Marquis	2004-2003	Taurus	2005-2004	Explorer	2005-2004
3L7Z-6006-BARM		3W7Z-6006-BARM		Mercury		Mercury	
ENGINE LONG BLOCK		ENGINE LONG BLOCK		Sable	2005-2004	Mountaineer	2005-2004
Lincoln		Ford		4F1Z-6006-CARM		4L2Z-6006-EARM	
Navigator	2003	Crown Victoria	2004-2003	ENGINE LONG BLOCK		ENGINE LONG BLOCK	
3M5Z-6006-BARM		Lincoln		Ford		Ford	
ENGINE LONG BLOCK		Town Car	2004-2003	Taurus	2007-2004	Explorer	2005-2004
Ford		Mercury		Mercury		Mercury	
Focus	2004-2003	Grand Marquis	2004-2003	Sable	2005-2004	Mountaineer	2005-2004
3M5Z-6006-CARM		4C2Z-6006-AARM		4F2Z-6006-BARM		4L2Z-6006-FARM	
ENGINE LONG BLOCK		ENGINE LONG BLOCK		ENGINE LONG BLOCK		ENGINE LONG BLOCK	
Ford		Ford		Ford		Ford	
Focus	2004-2003	Econoline	2004	Freestar	2004	Explorer	2004
3R3Z-6006-ABRM		4C2Z-6006-ARM		4F2Z-6006-CARM		4L2Z-6006-GARM	
ENGINE LONG BLOCK		ENGINE LONG BLOCK		ENGINE LONG BLOCK		ENGINE LONG BLOCK	
Ford		Ford		Ford		Ford	
Mustang	2003	Econoline	2004	Freestar	2004	Explorer	2004
3R3Z-6006-BBRM		4C2Z-6006-BARM		Mercury		Explorer Sport Trac	2005-2004
ENGINE LONG BLOCK		ENGINE LONG BLOCK		Monterey		Ranger	2005-2004
Ford		Ford		4F2Z-6006-DARM		Mazda	
Mustang	2004-2003	Econoline	2004	ENGINE LONG BLOCK		B4000	
3R3Z-6006-DARM		4C2Z-6006-CARM		Ford		4L3Z-6006-AARM	
ENGINE LONG BLOCK		ENGINE LONG BLOCK		Freestar		ENGINE LONG BLOCK	
Ford		Ford		Mercury		Ford	
Mustang	2004-2003	Econoline	2004	Monterey	2004	F-Series	2004
3W4Z-6006-ABRM		4C2Z-6006-DARM		4L1Z-6006-AARM		4L3Z-6006-ARM	
ENGINE LONG BLOCK		ENGINE LONG BLOCK		ENGINE LONG BLOCK		ENGINE LONG BLOCK	
Lincoln		Ford		Ford		Ford	
LS	2005-2003	Econoline	2004	Expedition	2004	F-Series	2004
3W4Z-6006-CARM		4C2Z-6006-FRM		4L2Z-6006-AARM		4L3Z-6006-FARM	
ENGINE LONG BLOCK		ENGINE LONG BLOCK		ENGINE LONG BLOCK		ENGINE LONG BLOCK	
Ford		Ford		Ford		Ford	
Thunderbird	2003	Econoline	2004	Explorer	2004	F-Series	2004
Lincoln		4C3Z-6006-ARM		Mercury		4L5Z-6006-AARM	
LS	2003	ENGINE LONG BLOCK		Mountaineer		ENGINE LONG BLOCK	
3W4Z-6006-DARM		Ford		4L2Z-6006-BBRM		Ford	
ENGINE LONG BLOCK		Excursion		ENGINE LONG BLOCK		Ranger	
Ford		F-Series		Ford		Mazda	
Thunderbird	2003	2004		Explorer		B2300	
Lincoln		4C3Z-6006-BRM		2000		2004	
LS	2003	ENGINE LONG BLOCK					
Ford		F-Series					
		2004					

BUYER'S GUIDE

Gas Engine Assemblies



FORD PARTS

Make	Year	Make	Year	Make	Year	Make	Year
4L5Z-6006-BARM		5C2Z-6006-CRM		5L3Z-6006-ARM		5L8Z-6006-DARM	
ENGINE LONG BLOCK		ENGINE LONG BLOCK		ENGINE LONG BLOCK		ENGINE LONG BLOCK	
Ford		Ford		Ford		Ford	
Ranger	2006, 2004	Econoline	2006-2005	F-Series	2004	Escape	2006-2005
Mazda		5C2Z-6006-DRM		5L3Z-6006-BRM		Mazda	
B2300	2006, 2004	ENGINE LONG BLOCK		ENGINE LONG BLOCK		Tribute	2006-2005
4L5Z-6006-DARM		Ford		Ford		5L8Z-6006-DRM	
ENGINE LONG BLOCK		Econoline	2006-2005	Expedition	2006-2005	ENGINE LONG BLOCK	
Ford		5C3Z-6006-ARM		F-Series	2006-2005	Ford	
Ranger	2008-2004	ENGINE LONG BLOCK		Lincoln		Escape	2006-2005
4L7Z-6006-AARM		Ford		Navigator	2006-2005	Mazda	
ENGINE LONG BLOCK		F-Series	2006-2005	5L3Z-6006-CRM		Tribute	2005
Lincoln		5C3Z-6006-BRM		ENGINE LONG BLOCK		Mercury	
Navigator	2004	ENGINE LONG BLOCK		Ford		Mariner	2005
4L8Z-6006-ARM		Ford		F-Series	2008-2005	5L8Z-6006-EARM	
ENGINE LONG BLOCK		F-Series	2007-2005	5L3Z-6006-DRM		ENGINE LONG BLOCK	
Mazda		5C7Z-6006-ARM		ENGINE LONG BLOCK		Ford	
MPV	2006-2004	ENGINE LONG BLOCK		Ford		Escape	2005
4L8Z-6006-BRM		Ford		F-Series	2006-2005	5R3Z-6006-AARM	
ENGINE LONG BLOCK		Excursion	2005	5L3Z-6006-ERM		ENGINE LONG BLOCK	
Ford		5F2Z-6006-ARM		ENGINE LONG BLOCK		Ford	
Escape	2005	ENGINE LONG BLOCK		Ford		Mustang	2005
Mazda		Ford		F-Series	2009-2008, 2006-2005	5R3Z-6006-BARM	
Tribute	2005	Freestar	2005	5L5Z-6006-ARM		ENGINE LONG BLOCK	
Mercury		5F2Z-6006-BRM		ENGINE LONG BLOCK		Ford	
Mariner	2005	ENGINE LONG BLOCK		Ford		Mustang	2006-2005
4R3Z-6006-AARM		Ford		Ranger	2006-2004	5R3Z-6006-CARM	
ENGINE LONG BLOCK		Freestar	2005	Mazda		ENGINE LONG BLOCK	
Ford		Mercury		B2300	2006-2004	Ford	
Mustang	2004	Monterey	2005	5L8Z-6006-ARM		Mustang	2005
4U9Z-6006-ARM		5F2Z-6006-CRM		ENGINE LONG BLOCK		5S4Z-6006-AARM	
ENGINE LONG BLOCK		ENGINE LONG BLOCK		Ford		ENGINE LONG BLOCK	
Ford		Ford		Escape	2005	Ford	
F-Series	2005-2004	Freestar	2005	Mercury		Focus	2005
F53	2004	Mercury		Mariner	2005	5S4Z-6006-BARM	
4W4Z-6006-BARM		Monterey	2005	5L8Z-6006-BRM		ENGINE LONG BLOCK	
ENGINE LONG BLOCK		5G1Z-6006-AARM		ENGINE LONG BLOCK		Ford	
Ford		ENGINE LONG BLOCK		Ford		Focus	2006-2005
Thunderbird	2004	Ford		Escape	2006-2005	5U9Z-6006-ARM	
Lincoln		Five Hundred	2007-2005	Mercury		ENGINE LONG BLOCK	
LS	2006-2004	Freestyle	2007-2005	Mariner	2006-2005	Ford	
5C2Z-6006-ARM		Mercury		5L8Z-6006-CRM		F-Series	2006-2005
ENGINE LONG BLOCK		Montego	2007-2005	ENGINE LONG BLOCK		5W7Z-6006-AARM	
Ford		5L2Z-6006-ARM		Ford		ENGINE LONG BLOCK	
Econoline	2006-2005	ENGINE LONG BLOCK		Escape	2006-2005	Ford	
5C2Z-6006-BRM		Ford		Mazda		Crown Victoria	2006-2005
ENGINE LONG BLOCK		Explorer	2005	Tribute	2006-2005	Lincoln	
Ford		Mercury				Town Car	2005
Econoline	2006-2005	Mountaineer	2005				



Make	Year	Make	Year	Make	Year	Make	Year
5W7Z-6006-AARM cont'd		6L2Z-6006-BARM cont'd		6S4Z-6006-BARM		7H6Z-6006-AARM cont'd	
Mercury		Mercury		ENGINE LONG BLOCK		Mercury	
Grand Marquis	2006-2005	Mountaineer	2007-2006	Ford		Sable	2009-2008
5W7Z-6006-BARM		6L2Z-6006-DARM		Focus	2006	7L2Z-6006-AARM	
ENGINE LONG BLOCK		ENGINE LONG BLOCK		6W7Z-6006-AARM		ENGINE LONG BLOCK	
Ford		Ford		ENGINE LONG BLOCK		Ford	
Crown Victoria	2006-2005	Explorer	2006	Ford		Explorer	2008-2007
Lincoln		Mercury		Crown Victoria	2006	Explorer Sport Trac	2008-2007
Town Car	2006	Mountaineer	2007-2006	Lincoln		Mercury	
Mercury		6L3Z-6006-AARM		Town Car	2006	Mountaineer	2008-2007
Grand Marquis	2006-2005	ENGINE LONG BLOCK		Mercury		7L2Z-6006-BARM	
6E5Z-6006-AARM		Ford		Grand Marquis	2006	ENGINE LONG BLOCK	
ENGINE LONG BLOCK		F-Series	2006	7C2Z-6006-AARM		Ford	
Ford		6L5Z-6006-AARM		ENGINE LONG BLOCK		Explorer	2008
Fusion	2009-2006	ENGINE LONG BLOCK		Ford		Explorer Sport Trac	2008
Lincoln		Ford		Econoline	2008-2007	Mercury	
Zephyr	2006	Ranger	2006	7C2Z-6006-BARM		Mountaineer	2008
Mercury		6L8Z-6006-AARM		ENGINE LONG BLOCK		7L2Z-6006-BRM	
Milan	2009-2006	ENGINE LONG BLOCK		Ford		ENGINE LONG BLOCK	
6E5Z-6006-BARM		Ford		Econoline	2008-2007	Ford	
ENGINE LONG BLOCK		Escape	2007-2006	7C2Z-6006-CARM		Explorer	2008-2007
Ford		Mazda		ENGINE LONG BLOCK		Mercury	
Fusion	2006	Tribute	2006	Ford		Mountaineer	2008-2007
6F2Z-6006-AARM		Mercury		Econoline	2008	7L2Z-6006-CRM	
ENGINE LONG BLOCK		Mariner	2007-2006	F-Series	2008-2007	ENGINE LONG BLOCK	
Ford		6L8Z-6006-BARM		7C3Z-6006-BARM		Ford	
Freestar	2007-2006	ENGINE LONG BLOCK		ENGINE LONG BLOCK		Explorer	2008-2007
6F2Z-6006-BARM		Mazda		Ford		Mercury	
ENGINE LONG BLOCK		Tribute	2006	F-Series	2008	Mountaineer	2008-2007
Ford		6L8Z-6006-CARM		7C3Z-6006-CARM		7L2Z-6006-DARM	
Freestar	2007-2006	ENGINE LONG BLOCK		ENGINE LONG BLOCK		ENGINE LONG BLOCK	
Mercury		Mazda		Ford		Ford	
Monterey	2007-2006	Tribute	2006	Econoline	2008-2007	Ranger	2011-2007
6F2Z-6006-CARM		6L8Z-6006-EARM		F-Series	2008	Mazda	
ENGINE LONG BLOCK		ENGINE LONG BLOCK		7E5Z-6006-AARM		B2300	2009-2007
Ford		Ford		ENGINE LONG BLOCK		7L3Z-6006-AARM	
Freestar	2007-2006	Escape	2006	Ford		ENGINE LONG BLOCK	
Mercury		6R3Z-6006-AARM		Fusion	2009-2007	Ford	
Monterey	2007-2006	ENGINE LONG BLOCK		7H6Z-6006-AARM		F-Series	2008-2007
6L2Z-6006-AARM		Ford		ENGINE LONG BLOCK		7L3Z-6006-DARM	
ENGINE LONG BLOCK		Mustang	2007-2006	Ford		ENGINE LONG BLOCK	
Ford		6R3Z-6006-BARM		Edge	2009-2007	Ford	
Explorer	2006	ENGINE LONG BLOCK		Flex	2009	Expedition	2008-2007
Mercury		Ford		Taurus	2009-2008	F-Series	2008-2007
Mountaineer	2006	Mustang	2007-2006	Taurus X	2009-2008	Lincoln	
6L2Z-6006-BARM		6S4Z-6006-AARM		Lincoln		Navigator	2008-2007
ENGINE LONG BLOCK		ENGINE LONG BLOCK		MKX	2009-2007		
Ford		Ford		MKZ	2009-2007		
Explorer	2007-2006	Focus	2006				

BUYER'S GUIDE

Gas Engine Assemblies



FORD PARTS

Make	Year	Make	Year	Make	Year	Make	Year
7L5Z-6006-AARM		7W7Z-6006-BARM		8L5Z-6006-AARM		9A5Z-6006-G	
ENGINE LONG BLOCK		ENGINE LONG BLOCK		ENGINE LONG BLOCK		ENGINE LONG BLOCK	
Ford		Ford		Ford		Lincoln	
Ranger	2007	Crown Victoria	2009-2007	Ranger	2011-2007	MKT	2011
7L8Z-6006-EARM		Lincoln		8L8Z-6006-AARM		9A5Z-6006-GC	
ENGINE LONG BLOCK		Town Car	2008-2007	ENGINE LONG BLOCK		ENGINE LONG BLOCK	
Ford		Mercury		Ford		Lincoln	
Escape	2006	Grand Marquis	2008-2007	Escape	2008	MKT	2016-2010
7L8Z-6006-FARM		7W7Z-6006-CARM		Mazda		9A5Z-6006-J	
ENGINE LONG BLOCK		ENGINE LONG BLOCK		Tribute	2008	ENGINE LONG BLOCK	
Ford		Ford		Mercury		Lincoln	
Escape	2007	Crown Victoria	2009-2007	Mariner	2008	MKS	2010-2009
Focus	2007	Lincoln		8L8Z-6006-BARM		MKT	2016-2010
7L8Z-6006-GARM		Town Car	2011-2007	ENGINE LONG BLOCK		9B4Z-6006-F	
ENGINE LONG BLOCK		Mercury		Ford		ENGINE LONG BLOCK	
Ford		Grand Marquis	2009-2007	Escape	2008	Mazda	
Escape	2008-2007	8C2Z-6006-AARM		Mercury		6	2016-2014, 2010-2009
7R3Z-6006-AARM		ENGINE LONG BLOCK		Mariner	2008	9B4Z-6006-H	
ENGINE LONG BLOCK		Ford		8R3Z-6006-AARM		ENGINE LONG BLOCK	
Ford		Econoline	2008	ENGINE LONG BLOCK		Mazda	
Mustang	2008-2007	8C3Z-6006-AARM		Ford		6	2016-2014, 2010-2009
7R3Z-6006-CARM		ENGINE LONG BLOCK		Mustang	2009-2008	9C2Z-6006-A	
ENGINE LONG BLOCK		Ford		8R3Z-6006-BARM		ENGINE LONG BLOCK	
Ford		F-Series	2008	ENGINE LONG BLOCK		Ford	
Mustang	2009-2007	8C3Z-6006-BARM		Ford		Econoline	2016-2008
7R3Z-6006-DARM		ENGINE LONG BLOCK		Mustang	2008	9C2Z-6006-AA	
ENGINE LONG BLOCK		Ford		8S4Z-6006-AARM		ENGINE LONG BLOCK	
Ford		F-Series	2011-2008	ENGINE LONG BLOCK		Ford	
Mustang	2008-2007	8C3Z-6006-CARM		Ford		Econoline	2016-2003
7S4Z-6006-AARM		ENGINE LONG BLOCK		Focus	2011-2008	9C2Z-6006-AARM	
ENGINE LONG BLOCK		Ford		8U9Z-6006-AARM		ENGINE LONG BLOCK	
Ford		F-Series	2008	ENGINE LONG BLOCK		Ford	
Focus	2007	8C3Z-6006-D		Ford		Econoline	2011-2009
7T4Z-6006-AARM		ENGINE LONG BLOCK		F-Series	2011-2008	9C2Z-6006-BARM	
ENGINE LONG BLOCK		Ford		8W7Z-6006-AARM		ENGINE LONG BLOCK	
Ford		F-Series	2016-2008	ENGINE LONG BLOCK		Ford	
Edge	2008-2007	F53	2016-2011, 2009-2008	Crown Victoria	2009-2008	Econoline	2013-2009
Lincoln		F59	2015-2011	9A5Z-6006-A		9C2Z-6006-CARM	
MKX	2008	8C3Z-6006-DARM		ENGINE LONG BLOCK		ENGINE LONG BLOCK	
Mazda		ENGINE LONG BLOCK		Lincoln		Ford	
CX-9	2007	Ford		MKS	2016-2009	Econoline	2013-2009
7W7Z-6006-AARM		F-Series	2008	9A5Z-6006-C		9C3Z-6006-AARM	
ENGINE LONG BLOCK		8L3Z-6006-BARM		ENGINE LONG BLOCK		ENGINE LONG BLOCK	
Ford		ENGINE LONG BLOCK		Lincoln		Ford	
Crown Victoria	2007	Ford		MKT	2010	Expedition	2010-2009
Lincoln		Expedition	2008-2007			F-Series	2010-2009
Town Car	2007	F-Series	2008-2007			Lincoln	
Mercury						Navigator	2010-2009
Grand Marquis	2007						



Make	Year	Make	Year	Make	Year	Make	Year
9C3Z-6006-BARM		9L1Z-6006-AARM cont'd		9L8Z-6006-BARM cont'd		9T4Z-6006-GB	
ENGINE LONG BLOCK		F-Series	2010-2009	Milan	2011-2010	ENGINE LONG BLOCK	
Ford		Lincoln		9L8Z-6006-BRM		Ford	
F-Series	2010-2009	Navigator	2012-2009	ENGINE LONG BLOCK		Flex	
9E5Z-6006-C		9L2Z-6006-AARM		Ford		9W7Z-6006-ARM	
ENGINE LONG BLOCK		ENGINE LONG BLOCK		Escape	2012-2009	ENGINE LONG BLOCK	
Ford		Ford		Fusion	2012-2010	Ford	
Escape	2012-2010	Explorer	2009	Mazda		Crown Victoria	
Mazda		Explorer Sport Trac	2010-2009	Tribute		2011-2008	
Tribute	2010	Mercury		Mercury		Lincoln	
Mercury		Mountaineer	2009	Mariner		Town Car	
Mariner	2011-2010	9L2Z-6006-BARM		9L8Z-6006-CARM		Mercury	
9E5Z-6006-FRM		ENGINE LONG BLOCK		ENGINE LONG BLOCK		Grand Marquis	
ENGINE LONG BLOCK		Ford		Ford		AA5Z-6006-D	
Ford		Explorer	2010-2009	Escape		ENGINE LONG BLOCK	
Escape	2011-2010	Explorer Sport Trac	2009	Mercury		Ford	
Fusion	2011-2010	Mercury		Mariner		Explorer	
Mazda		Mountaineer	2009	9M8Z-6006-BRM		Flex	
Tribute	2010	9L2Z-6006-CARM		ENGINE LONG BLOCK		Taurus	
Mercury		ENGINE LONG BLOCK		Mazda		Lincoln	
Mariner	2011-2010	Ford		6		MKS	
Milan	2011-2010	Explorer		2013-2009		MKT	
9G1Z-6006-ARM		Explorer Sport Trac		9R3Z-6006-BRM		AA5Z-6006-F	
ENGINE LONG BLOCK		Mercury		ENGINE LONG BLOCK		ENGINE LONG BLOCK	
Lincoln		Mountaineer		Ford		Lincoln	
MKS	2009	9L3Z-6006-A		Mustang		MKT	
9G1Z-6006-CRM		ENGINE LONG BLOCK		2010-2009		2017-2015	
ENGINE LONG BLOCK		Ford		9T4Z-6006-AARM		AC2Z-6006-A	
Lincoln		Expedition		ENGINE LONG BLOCK		ENGINE LONG BLOCK	
MKS	2010-2009	F-Series		Ford		Ford	
MKT	2010	Lincoln		Edge		Econoline	
9H6Z-6006-ARM		Navigator		2009		2016-2010	
ENGINE LONG BLOCK		9L3Z-6006-AARM		9T4Z-6006-BARM		AC2Z-6006-ARM	
Ford		ENGINE LONG BLOCK		ENGINE LONG BLOCK		ENGINE LONG BLOCK	
Edge		Ford		Ford		Ford	
Flex	2010-2009	F-Series		Edge		Econoline	
Fusion	2012-2011	2009		Flex		2016-2010	
Taurus	2011-2009	9L3Z-6006-CARM		Lincoln		AC2Z-6006-BRM	
Taurus X	2009	ENGINE LONG BLOCK		MKX		ENGINE LONG BLOCK	
Lincoln		Ford		2009		Ford	
MKX	2010-2007	F-Series		9T4Z-6006-FC		Econoline	
MKZ	2012-2009	2009		ENGINE LONG BLOCK		2013-2010	
Mercury		9L8Z-6006-BARM		ENGINE LONG BLOCK		AG1Z-6006-ARM	
Sable	2009	ENGINE LONG BLOCK		Ford		ENGINE LONG BLOCK	
9L1Z-6006-AARM		Ford		Edge		Lincoln	
ENGINE LONG BLOCK		Escape		Flex		MKS	
Ford		Fusion		2015-2009		MKT	
Expedition	2012-2009	Mazda		2010-2008		2010	
		Tribute				2010	
		Mercury					
		Mariner					
		2011-2009					

BUYER'S GUIDE

Gas Engine Assemblies



FORD PARTS

Make	Year	Make	Year	Make	Year	Make	Year
AL3Z-6006-DRM		BA5Z-6006-AARM cont'd		BC3Z-6006-C cont'd		BP5Z-6006-AARM cont'd	
ENGINE LONG BLOCK		MKT 2011		F53 2016-2011		Lincoln	
Ford		BA5Z-6006-CCRM		F59 2016-2011		MKZ 2012-2011	
F-Series 2013-2010		ENGINE LONG BLOCK		BC3Z-6006-ERM		BP5Z-6006-BARM	
AR3Z-6006-A		Lincoln		ENGINE LONG BLOCK		ENGINE LONG BLOCK	
ENGINE LONG BLOCK		MKS 2011-2010		Ford		Ford	
Ford		MKT 2011-2010		F-Series 2013-2011		Fusion 2012-2010	
Mustang 2010-2008		BA5Z-6006-D		BE9Z-6006-AARM		Taurus 2012-2010	
AR3Z-6006-BRM		ENGINE LONG BLOCK		ENGINE LONG BLOCK		Lincoln	
ENGINE LONG BLOCK		Ford		Lincoln		MKZ 2012-2010	
Ford		Edge 2014-2011		MKS 2011-2010		BR3Z-6006-BRM	
Mustang 2010		Police Interceptor Sedan 2016-2013		MKT 2011-2010		ENGINE LONG BLOCK	
AT1Z-6006-A		Police Interceptor Utility 2017-2013		BE9Z-6006-BARM		Ford	
ENGINE LONG BLOCK		Lincoln		ENGINE LONG BLOCK		Mustang 2013-2011	
Ford		MKS 2016-2013		Lincoln		BR3Z-6006-CARM	
Transit Connect 2013-2010		MKX 2016-2011		MKS 2012-2010		ENGINE LONG BLOCK	
AT1Z-6006-ARM		MKZ 2016-2013		MKT 2012-2010		Ford	
ENGINE LONG BLOCK		BA5Z-6006-DDRM		BG1Z-6006-AARM		F-Series 2013-2011	
Ford		ENGINE LONG BLOCK		ENGINE LONG BLOCK		Mustang 2013-2011	
Edge 2012		Lincoln		Ford		BR3Z-6006-M	
Explorer 2012		MKS 2012-2010		Flex 2012-2011		ENGINE LONG BLOCK	
AT1Z-6006-B		MKT 2012-2010		Taurus 2012-2011		Ford	
ENGINE LONG BLOCK		BA8Z-6006-BARM		BG1Z-6006-BARM		F-Series 2014-2011	
Ford		ENGINE LONG BLOCK		ENGINE LONG BLOCK		Mustang 2016-2011	
Transit Connect 2013-2011		Ford		Ford		BT4Z-6006-AARM	
AT4Z-6006-B		Flex 2012-2011		Flex 2012-2011		ENGINE LONG BLOCK	
ENGINE LONG BLOCK		Taurus 2012-2011		Taurus 2012-2011		Ford	
Ford		BB5Z-6006-A		BL3Z-6006-BARM		Edge 2012-2011	
Explorer 2012-2011		ENGINE LONG BLOCK		ENGINE LONG BLOCK		Lincoln	
AT4Z-6006-D		Ford		Ford		MKX 2012-2011	
ENGINE LONG BLOCK		Explorer 2013-2012		F-Series 2012-2011		BW7Z-6006-ARM	
Ford		BB5Z-6006-AARM		BL3Z-6006-CARM		ENGINE LONG BLOCK	
Edge 2016-2011		ENGINE LONG BLOCK		Ford		Ford	
Explorer 2012-2011		Ford		F-Series 2012-2011		Crown Victoria 2010	
AU7Z-6006-ARM		BB5Z-6006-BARM		BL3Z-6006-CRM		BW7Z-6006-BRM	
ENGINE LONG BLOCK		ENGINE LONG BLOCK		ENGINE LONG BLOCK		ENGINE LONG BLOCK	
Ford		Ford		Ford		Ford	
Flex 2010		Edge 2011		F-Series 2010		Crown Victoria 2011-2010	
Taurus 2010		Explorer 2012-2011		BL3Z-6006-DARM		C1BZ-6006-A	
Lincoln		BC3Z-6006-BARM		ENGINE LONG BLOCK		ENGINE LONG BLOCK	
MKS 2010		ENGINE LONG BLOCK		Ford		Ford	
MKT 2010		Ford		F-Series 2012-2011		Fiesta 2014	
BA5Z-6006-AARM		BC3Z-6006-C		BP5Z-6006-AARM		C1BZ-6006-B	
ENGINE LONG BLOCK		ENGINE LONG BLOCK		ENGINE LONG BLOCK		ENGINE LONG BLOCK	
Ford		Ford		Ford		Ford	
Flex 2011		F53 2011		Fusion 2012-2011		Fiesta 2016-2014	
Taurus 2011		BC3Z-6006-C		Taurus 2012-2011			
Lincoln		ENGINE LONG BLOCK					
MKS 2011		Ford					
		F-Series 2016-2011					



Make	Year	Make	Year	Make	Year	Make	Year
C1BZ-6006-C		CS4Z-6006-ARM		DB5Z-6006-ARM cont'd		DL2Z-6006-ARM	
ENGINE LONG BLOCK		ENGINE LONG BLOCK		Explorer	2012	ENGINE LONG BLOCK	
Ford		Ford		DC1Z-6006-ARM		Ford	
Fiesta	2016-2015	Focus	2012	ENGINE LONG BLOCK		Edge	2013-2012
CE5Z-6006-A		CS4Z-6006-BRM		Ford		Explorer	2012
ENGINE LONG BLOCK		ENGINE LONG BLOCK		Transit Connect	2016-2014	Flex	2013-2012
Ford		Ford		DC3Z-6006-ARM		Taurus	2013-2012
Escape	2012	Focus	2012	ENGINE LONG BLOCK		DL2Z-6006-BRM	
Fusion	2012	CT4Z-6006-B		Ford		ENGINE LONG BLOCK	
CJ5Z-6006-B		ENGINE LONG BLOCK		F-Series	2011	Ford	
ENGINE LONG BLOCK		Ford		DC3Z-6006-BRM		Edge	2013-2012
Ford		Edge	2015-2012	ENGINE LONG BLOCK		Explorer	2013-2012
Escape	2014-2013	CV6Z-6006-A		Ford		Flex	2013-2012
Lincoln		ENGINE LONG BLOCK		F-Series	2013-2012	Taurus	2013-2012
MKC	2015	Ford		DF1Z-6006-DRM		DL2Z-6006-D	
CJ5Z-6006-C		Escape	2016-2013	ENGINE LONG BLOCK		ENGINE LONG BLOCK	
ENGINE LONG BLOCK		Fusion	2016-2013	Ford		Ford	
Ford		D2BZ-6006-A		Flex	2012	Edge	2016-2012
Escape	2016-2014	ENGINE LONG BLOCK		Taurus	2012	Explorer	2016-2013
Lincoln		Ford		Lincoln		Flex	2016-2012
MKC	2016-2015	Fiesta	2016-2011	MKS	2012	Taurus	2016-2012
MKZ	2015-2013	D9UZ-6V012-DRM		DG1Z-6006-A		DL3Z-6006-ARM	
CJ5Z-6006-G		ENGINE LONG BLOCK		ENGINE LONG BLOCK		ENGINE LONG BLOCK	
ENGINE LONG BLOCK		Ford		Ford		Ford	
Ford		Econoline	1985-1979	Police Interceptor	2014-2013	F-Series	2013
Escape	2015-2013	F-Series	1985-1983, 1979	Sedan		DL3Z-6006-ERM	
Fusion	2014-2013	DA8Z-6006-A		DK4Z-6006-C		ENGINE LONG BLOCK	
Transit Connect	2016-2014	ENGINE LONG BLOCK		ENGINE LONG BLOCK		Ford	
CJ5Z-6006-H		Lincoln		Ford		F-Series	2012
ENGINE LONG BLOCK		MKT	2016-2013	Transit-150	2016-2015	DL3Z-6006-F	
Lincoln		DA8Z-6006-ARM		Transit-250	2016-2015	ENGINE LONG BLOCK	
MKZ	2016-2015	ENGINE LONG BLOCK		Transit-350	2016-2015	Ford	
CJ5Z-6006-K		Ford		Transit-350 HD	2016-2015	Expedition	2016-2015
ENGINE LONG BLOCK		Explorer	2013	DK4Z-6006-G		F-Series	2016-2013
Ford		Taurus	2013	ENGINE LONG BLOCK		Lincoln	
Escape	2016	DA8Z-6006-B		Transit-150	2016-2015	Navigator	2016-2015
CL3Z-6006-A		ENGINE LONG BLOCK		Transit-250	2016-2015	DL3Z-6006-FRM	
ENGINE LONG BLOCK		Ford		Transit-350	2016-2015	ENGINE LONG BLOCK	
Ford		Explorer	2015-2013	Transit-350 HD	2016-2015	Ford	
F-Series	2014-2012	Taurus	2016-2013	DK4Z-6006-H		F-Series	2013
CL8Z-6006-ARM		DB3Z-6006-A		ENGINE LONG BLOCK		DM5Z-6006-A	
ENGINE LONG BLOCK		ENGINE LONG BLOCK		Ford		ENGINE LONG BLOCK	
Ford		Ford		Transit-150	2016-2015	Ford	
Escape	2013	Transit Connect	2016-2014	Transit-250	2016-2015	Edge	2012
CR3Z-6006-D		DB5Z-6006-ARM		Transit-350	2016-2015	Focus	2016-2013
ENGINE LONG BLOCK		ENGINE LONG BLOCK		Transit-350 HD	2016-2015	DR3Z-6006-A	
Ford		Ford		ENGINE LONG BLOCK		ENGINE LONG BLOCK	
Mustang	2014-2012	Edge	2012	Ford		Ford	
				Transit-150	2016-2015	Mustang	2014-2013
				Transit-250	2016-2015		
				Transit-350	2016-2015		
				Transit-350 HD	2016-2015		

BUYER'S GUIDE

Gas Engine Assemblies



FORD PARTS

Make	Year	Make	Year	Make	Year	Make	Year
DR3Z-6006-B		E5TZ-6V012-HRM cont'd		F15Z-6V012-ABRM		F1TZ-6V012-CBRM	
ENGINE LONG BLOCK		F-Series	1987-1985	ENGINE LONG BLOCK		ENGINE LONG BLOCK	
Ford		E6AZ-6V012-ARM		Lincoln		Ford	
Mustang	2014-2013	ENGINE LONG BLOCK		Continental	1993-1991	Explorer	1992-1991
DR3Z-6006-DARM		Ford		F1AZ-6V012-BRM		Ranger	
ENGINE LONG BLOCK		LTD	1986	ENGINE LONG BLOCK		F1ZZ-6V012-BRM	
Ford		Thunderbird	1986	Ford		ENGINE LONG BLOCK	
Mustang	2014-2011	Lincoln		Country Squire	1991-1987	Ford	
DS7Z-6006-C		Continental	1986	LTD Crown Victoria	1991-1987	Mustang	1993-1987
ENGINE LONG BLOCK		Mark VII	1986	Thunderbird	1988-1987	Thunderbird	1992-1991
Ford		Town Car	1986	Lincoln		Lincoln	
Fusion	2016-2013	Mercury		Continental	1987	Mark VII	1992-1988
Lincoln		Cougar	1986	Mark VII	1987	Mercury	
MKZ	2016-2013	Grand Marquis	1986	Town Car	1990-1987	Cougar	1992-1991
DS7Z-6006-E		E9SZ-6V012-BBRM		Mercury		F2GZ-6006-A	
ENGINE LONG BLOCK		ENGINE LONG BLOCK		Colony Park	1991-1987	ENGINE LONG BLOCK	
Ford		Ford		Cougar	1988-1987	Ford	
Fusion	2016-2014	Thunderbird	1990-1989	Grand Marquis	1991-1987	Edge	2016-2015
DT4Z-6006-BRM		Mercury		F1DZ-6V012-BRM		F2TZ-6V012-ARM	
ENGINE LONG BLOCK		Cougar		ENGINE LONG BLOCK		ENGINE LONG BLOCK	
Ford		1990-1989		Ford		Ford	
Edge	2015-2012	EA8Z-6006-A		Taurus	1993-1988	Bronco	1993-1992
Explorer	2015-2013	ENGINE LONG BLOCK		Lincoln		Econoline	1993-1992
DV6Z-6006-AARM		MKT	2016-2014	Continental	1990-1989	F-Series	1993-1992
ENGINE LONG BLOCK		EJ7Z-6006-A		Mercury		F2TZ-6V012-CRM	
Ford		ENGINE LONG BLOCK		Sable	1993-1988	ENGINE LONG BLOCK	
Focus	2013	Lincoln		F1FZ-6006-C		Ford	
E4TZ-6V012-ARM		MKC	2016-2015	ENGINE LONG BLOCK		Bronco	1992-1987
ENGINE LONG BLOCK		EJ7Z-6006-B		Ford		Econoline	1996-1987
Ford		ENGINE LONG BLOCK		Focus	2016-2015	F-Series	1996-1987
Bronco	1987-1984	Lincoln		F1SZ-6V012-ARM		F2TZ-6V012-FRM	
Econoline	1987-1984	MKC	2016	ENGINE LONG BLOCK		ENGINE LONG BLOCK	
F-Series	1988-1984	EL3Z-6006-C		Ford		Ford	
E5AZ-6V012-ARM		ENGINE LONG BLOCK		Thunderbird	1993-1989	Econoline	1992-1988
ENGINE LONG BLOCK		Ford		Mercury		F-Series	1992-1988
Ford		F-Series	2014-2011	Cougar	1993-1989	F2UZ-6V012-DRM	
Bronco	1983	Mustang	2012	F1TZ-6V012-ARM		ENGINE LONG BLOCK	
Econoline	1985-1983	EL3Z-6006-D		ENGINE LONG BLOCK		Ford	
F-Series	1985-1983	ENGINE LONG BLOCK		Ford		Bronco	1992-1987
LTD	1985-1983	Ford		Bronco	1991-1988	Econoline	1996-1987
Lincoln		F-Series	2014	Econoline	1991-1988	F-Series	1996-1987
Town Car	1983	ER3Z-6006-A		F-Series	1991-1987	F3HZ-6V012-CRM	
Mercury		ENGINE LONG BLOCK		F1TZ-6V012-BRM		ENGINE LONG BLOCK	
Cougar	1984-1983	Ford		ENGINE LONG BLOCK		Ford	
Grand Marquis	1983	Mustang	2014-2011	Ford		F600	1994-1993
E5TZ-6V012-HRM		ER3Z-6006-B		Bronco		F700	1996-1993
ENGINE LONG BLOCK		ENGINE LONG BLOCK		Econoline		1993-1988	
Ford		Ford		F-Series		1993-1988	
Econoline	1987-1985	Mustang	2014-2012	F-Series		1993-1988	



Make	Year	Make	Year	Make	Year	Make	Year
F3SZ-6V012-ARM		F4TZ-6V012-CRM cont'd		F77Z-6006-CRM		F7TZ-6006-EARM	
ENGINE LONG BLOCK		Econoline	1995-1994	ENGINE LONG BLOCK		ENGINE LONG BLOCK	
Ford		F-Series	1995-1994	Ford		Ford	
Thunderbird	1993-1989	F4ZZ-6V012-ARM		Explorer	2001-1997	Econoline	1998-1997
Mercury		ENGINE LONG BLOCK		Explorer Sport Trac	2001	F-Series	1997
Cougar	1990-1989	Ford		Mercury		F7TZ-6006-FARM	
F3TZ-6V012-BRM		Mustang	1995-1994	Mountaineer	2001-1998	ENGINE LONG BLOCK	
ENGINE LONG BLOCK		F57Z-6V012-DRM		F77Z-6006-DRM		Ford	
Ford		ENGINE LONG BLOCK		ENGINE LONG BLOCK		Expedition	
Explorer	1994-1993	Ford		Explorer	2001-1997	1998-1997	
Ranger	1994-1993	Aerostar	1997-1996	Explorer Sport Trac	2001	F-Series	
F3TZ-6V012-CRM		Ranger	1998-1995	Mercury		1998-1997	
ENGINE LONG BLOCK		F5TZ-6V012-AARM		Mountaineer	2001-1998	F7TZ-6006-GARM	
Ford		ENGINE LONG BLOCK		F77Z-6V012-AARM		ENGINE LONG BLOCK	
Explorer	1994-1993	Ford		ENGINE LONG BLOCK		Ford	
Ranger	1994-1993	Aerostar	1996-1995	Explorer	1997	Expedition	
F3TZ-6V012-FRM		F5TZ-6V012-ACRM		Ranger	1997	1998-1997	
ENGINE LONG BLOCK		ENGINE LONG BLOCK		F77Z-6V012-CARM		F-Series	
Ford		Ford		ENGINE LONG BLOCK		1998-1997	
Econoline	1996-1993	Explorer	1996-1995	Explorer	1997	Lincoln	
F-Series	1997-1993	Ranger	1996-1995	Ranger	1997	Navigator	
F53	1997-1993	F68Z-6V012-ABRM		Ford		1998	
F4SZ-6V012-ARM		ENGINE LONG BLOCK		Explorer	1998-1997	F7TZ-6006-YARM	
ENGINE LONG BLOCK		Ford		Mercury		ENGINE LONG BLOCK	
Ford		Windstar	1996	Mountaineer	1998-1997	Ford	
Mustang	1995-1994	F6TZ-6V012-CBRM		F77Z-6V012-DARM		Expedition	
Thunderbird	1995-1994	ENGINE LONG BLOCK		ENGINE LONG BLOCK		1998-1997	
Mercury		Ford		Ford		F-Series	
Cougar	1995-1994	Bronco	1996	Aerostar	1997	1998-1997	
F4TZ-6V012-ARM		Econoline	1996	F78Z-6V012-AARM		F7TZ-6V012-ARM	
ENGINE LONG BLOCK		F-Series	1996	ENGINE LONG BLOCK		ENGINE LONG BLOCK	
Ford		F6XZ-6006-BBRM		Ford		Ford	
F-Series	1995-1994	ENGINE LONG BLOCK		Windstar	1998-1997	F-Series	
F4TZ-6V012-BARM		Mercury		F7CZ-6006-ARM		1998-1997	
ENGINE LONG BLOCK		Villager	1996-1993	ENGINE LONG BLOCK		Econoline	
Ford		F6ZZ-6006-BRM		Ford		1998-1997	
Bronco	1996	ENGINE LONG BLOCK		Escort	1997	Expedition	
Econoline	1996	Ford		Mercury		1998-1997	
F-Series	1997-1996	Mustang	1996	Tracer	1997	F-Series	
F4TZ-6V012-BRM		F6ZZ-6V012-AARM		F7HZ-6V012-BARM		F7UZ-6006-DRM	
ENGINE LONG BLOCK		ENGINE LONG BLOCK		ENGINE LONG BLOCK		ENGINE LONG BLOCK	
Ford		Ford		Ford		Ford	
Bronco	1995-1994	Mustang	1996	F700	1998-1997	Econoline	
Econoline	1995-1994	Thunderbird	1996	F800	1998-1997	1998-1997	
F-Series	1995-1994	Mercury		F7TZ-6006-DARM		Expedition	
F4TZ-6V012-CRM		Cougar	1996	ENGINE LONG BLOCK		1998-1997	
ENGINE LONG BLOCK		Ford		Ford		F7UZ-6006-MARM	
Ford		Ford		F-Series		ENGINE LONG BLOCK	
Bronco	1995-1994	Mustang		1998-1997		Ford	
		Thunderbird				Econoline	
		Cougar				1999-1997	
						F7UZ-6006-MARM	
						ENGINE LONG BLOCK	
						Ford	
						Econoline	
						1999-1998	



Make	Year	Make	Year	Make	Year	Make	Year
F7ZZ-6V012-AARM		F8TZ-6006-JARM		FG1Z-6006-F		FR3Z-6006-G	
ENGINE LONG BLOCK		ENGINE LONG BLOCK		ENGINE LONG BLOCK		ENGINE LONG BLOCK	
Ford		Ford		Ford		Ford	
Mustang	1998-1997	Expedition	1998-1997	Police Interceptor Utility	2017-2015	Mustang	2016-2015
Thunderbird	1997	F-Series	1998-1997	FK4Z-6006-BRM		FR3Z-6006-H	
Mercury		F8TZ-6006-KARM		ENGINE LONG BLOCK		ENGINE LONG BLOCK	
Cougar	1997	ENGINE LONG BLOCK		Ford		Ford	
F87Z-6006-ARM		Ford		Transit-150		Mustang	
ENGINE LONG BLOCK		Expedition		2016-2015		2016-2015	
Ford		F-Series		2016-2015		G1FZ-6006-A	
Explorer	2000-1998	F8UZ-6006-BRM		Transit-250		ENGINE LONG BLOCK	
Ranger	2000-1998	ENGINE LONG BLOCK		Transit-350		Ford	
Mazda		Ford		Transit-350 HD		Focus	
B4000	2000-1998	Econoline		2016-2015		2016	
F87Z-6006-CARM		FC3Z-6006-CARM		FL3Z-6006-B		G1FZ-6006-B	
ENGINE LONG BLOCK		ENGINE LONG BLOCK		ENGINE LONG BLOCK		ENGINE LONG BLOCK	
Ford		Ford		Ford		Ford	
Ranger	2001-1998	F-Series		F-Series		Focus	
Mazda		2016		2016-2015		2016	
B2500	2001-1998	FC3Z-6006-DARM		FL3Z-6006-E		G2GZ-6007-A	
F87Z-6V012-ARM		ENGINE LONG BLOCK		ENGINE LONG BLOCK		ENGINE LONG BLOCK	
ENGINE LONG BLOCK		Ford		Ford		Lincoln	
Ford		F-Series		F-Series		MKX	
Explorer	2001-1998	2016		2016-2015		2016	
Mercury		FC4Z-6006-A		FL3Z-6006-FARM		GB5Z-6006-A	
Mountaineer	2001-1998	ENGINE LONG BLOCK		ENGINE LONG BLOCK		ENGINE LONG BLOCK	
F8AZ-6V012-ARM		Ford		Ford		Ford	
ENGINE LONG BLOCK		F-Series		F-Series		Explorer	
Ford		2016		2016		2016	
Explorer	2001-1998	FC4Z-6006-B		FL3Z-6006-G		GC3Z-6006-B	
Mercury		ENGINE LONG BLOCK		ENGINE LONG BLOCK		ENGINE LONG BLOCK	
Mountaineer	2001-1998	Ford		Ford		Ford	
F8AZ-6V012-ARM		F650		F-Series		F-Series	
ENGINE LONG BLOCK		2016		2015		2016-2012	
Ford		FC4Z-6006-B		FL3Z-6006-GARM		GC3Z-6007-E	
Crown Victoria	1999-1996	ENGINE LONG BLOCK		ENGINE LONG BLOCK		ENGINE LONG BLOCK	
Mustang	1998-1996	Ford		Ford		Ford	
F8RZ-6V012-ARM		F650		F-Series		F-Series	
ENGINE LONG BLOCK		2016		2016		2016	
Ford		FG1Z-6006-A		FM5Z-14B280-A		GL3Z-6006-B	
Ford		ENGINE LONG BLOCK		DRIVE MOTOR		ENGINE LONG BLOCK	
Contour	1998	Ford		Focus		Ford	
Mercury		Explorer		2016-2012		F-Series	
Mystique	1998	Flex		2016-2012		2016	
F8TZ-6006-FARM		Taurus		FM5Z-6006-A		GL3Z-6006-C	
ENGINE LONG BLOCK		Lincoln		ENGINE LONG BLOCK		ENGINE LONG BLOCK	
Ford		MKS		Ford		Ford	
Econoline	1998	2016-2015		Focus		F-Series	
F-Series	1998	MKT		2015-2013		2016	
F8TZ-6006-HARM		FG1Z-6006-B		FOTZ-6V012-ABRM		GL3Z-6006-D	
ENGINE LONG BLOCK		ENGINE LONG BLOCK		ENGINE LONG BLOCK		ENGINE LONG BLOCK	
Ford		Ford		Ford		Ford	
F-Series	1997	Police Interceptor Sedan		Aerostar		F-Series	
F8TZ-6006-HARM		2016-2015		1994-1990		2016	
ENGINE LONG BLOCK		FG1Z-6006-E		Explorer		GR3Z-6006-B	
Ford		ENGINE LONG BLOCK		Ranger		ENGINE LONG BLOCK	
Ford		Ford		1992-1991		Ford	
Explorer	2016	Explorer		1992-1990		Mustang	
F8TZ-6006-HARM		2016		FR3Z-6006-B		2016-2015	
ENGINE LONG BLOCK		ENGINE LONG BLOCK		ENGINE LONG BLOCK			
Ford		Ford		Ford			
Mustang	2016-2015	Explorer		Mustang			
2016-2015		2016		2016-2015			



Make	Year	Make	Year	Make	Year	Make	Year
GR3Z-6006-C		HG7Z-6007-A		JT4Z-6006-A		XL3Z-6006-ADRM	cont'd
ENGINE LONG BLOCK		ENGINE LONG BLOCK		ENGINE LONG BLOCK		F-Series	1999
Ford		Ford		Ford		Lincoln	
Mustang	2016	GT	2017	F-Series	2017	Navigator	1999
GR3Z-6006-D		HJ7Z-6006-A		XC2Z-6006-FARM		XL3Z-6006-AERM	
ENGINE LONG BLOCK		ENGINE LONG BLOCK		ENGINE LONG BLOCK		ENGINE LONG BLOCK	
Ford		Lincoln		Ford		Ford	
Mustang	2016	MKC	2017	Econoline	2000-1999	Expedition	1999
GR3Z-6006-E		HL3Z-6006-A		XC2Z-6006-GARM		F-Series	1999
ENGINE LONG BLOCK		ENGINE LONG BLOCK		ENGINE LONG BLOCK		XL3Z-6006-GARM	
Ford		Ford		Ford		ENGINE LONG BLOCK	
Mustang	2016	F-Series	2017	Econoline	1999	Ford	
GR3Z-6006-HRM		HL3Z-6006-ARM		XC2Z-6006-RARM		Econoline	2000-1999
ENGINE LONG BLOCK		ENGINE LONG BLOCK		ENGINE LONG BLOCK		F-Series	2000-1999
Ford		Ford		Ford		XL3Z-6006-HRM	
Mustang	2016	F-Series	2017	Econoline	1999-1997	ENGINE LONG BLOCK	
GU9Z-6006-A		HL3Z-6006-BRM		F-Series	1999	Ford	
ENGINE LONG BLOCK		ENGINE LONG BLOCK		F53	1999	Expedition	1999
Ford		Ford		XC3Z-6006-DARM		F-Series	1999
F-Series	2016-2011	F-Series	2017	ENGINE LONG BLOCK		XL3Z-6006-LARM	
F53	2016-2011	HL3Z-6006-CRM		Ford		ENGINE LONG BLOCK	
F59	2016	ENGINE LONG BLOCK		F-Series	1999	Ford	
GV6Z-6006-AA		Ford		XC3Z-6006-FARM		F-Series	1999
ENGINE LONG BLOCK		F-Series	2017	ENGINE LONG BLOCK		XL3Z-6006-MARM	
Ford		HL3Z-6007-A		Ford		ENGINE LONG BLOCK	
Escape	2017	ENGINE LONG BLOCK		F-Series	1999	Ford	
Fusion	2017	Ford		XF1Z-6006-CRM		F-Series	1999
HC2Z-6006-A		F-Series	2017	ENGINE LONG BLOCK		XL3Z-6006-NARM	
ENGINE SHORT BLOCK		HL3Z-6007-B		Ford		ENGINE LONG BLOCK	
Ford		ENGINE LONG BLOCK		Taurus	1999	Ford	
F-Series	2016-2012	Ford		Windstar	1999	Expedition	2000
HC2Z-6006-B		F-Series	2017	Mercury		F-Series	2000-1999
ENGINE SHORT BLOCK		HM5Z-6006-ARM		Sable	1999	XL7Z-6006-AARM	
Ford		ENGINE LONG BLOCK		XF2Z-6006-BRM		ENGINE LONG BLOCK	
Econoline	2017	Ford		ENGINE LONG BLOCK		Lincoln	
HC2Z-6006-C		Focus	2017	Ford		Navigator	1999
ENGINE SHORT BLOCK		HS7Z-6006-B		Windstar	2000-1999	XR3Z-6006-CRM	
Ford		ENGINE LONG BLOCK		XL1Z-6006-BARM		ENGINE LONG BLOCK	
Econoline	2017	Ford		ENGINE LONG BLOCK		Ford	
HC4Z-6006-C		Fusion	2017	Ford		Mustang	2000-1999
ENGINE LONG BLOCK		Lincoln		Expedition	1999	XR3Z-6006-HRM	
Ford		MKZ	2017	XL1Z-6006-CARM		ENGINE LONG BLOCK	
F650	2017	HU9Z-6007-B		ENGINE LONG BLOCK		Ford	
F750	2017	ENGINE LONG BLOCK		Ford		Mustang	1999
HE9Z-6006-ARM		Ford		Expedition	1999	XR3Z-6006-YARM	
ENGINE LONG BLOCK		F53	2017	XL3Z-6006-ADRM		ENGINE LONG BLOCK	
Lincoln				ENGINE LONG BLOCK		Ford	
MKT	2017			Ford		Mustang	1999
				Expedition	1999		

BUYER'S GUIDE

Gas Engine Assemblies



FORD PARTS

Make	Year	Make	Year
XW4Z-6006-ARM		YL5Z-6006-CRM	
ENGINE LONG BLOCK		ENGINE LONG BLOCK	
Lincoln		Ford	
LS	2000	Ranger	2001-1999
XW4Z-6006-BRM		YL8Z-6006-AARM	
ENGINE LONG BLOCK		ENGINE LONG BLOCK	
Lincoln		Ford	
LS	2000	Escape	2004-2001
YC2Z-6006-HARM		Mazda	
ENGINE LONG BLOCK		Tribute	
Ford			2004-2001
Econoline	2000	YM5Z-6V012-ARM	
YC2Z-6006-NARM		ENGINE LONG BLOCK	
ENGINE LONG BLOCK		Ford	
Ford		Focus	2000
Econoline	2001-2000	YR3Z-6006-JRM	
YC2Z-6006-PARM		ENGINE LONG BLOCK	
ENGINE LONG BLOCK		Ford	
Ford		Mustang	2000
Econoline	2001-2000	YR3Z-6006-KRM	
YC2Z-6006-SARM		ENGINE LONG BLOCK	
ENGINE LONG BLOCK		Ford	
Ford		Mustang	2000
Econoline	2001-2000	YW7Z-6006-DRM	
F-Series	2001-2000	ENGINE LONG BLOCK	
F53	2001-2000	Ford	
YC3Z-6006-EARM		Crown Victoria	
ENGINE LONG BLOCK		2000	
Ford		Lincoln	
Excursion	2001-2000	Town Car	2000
F-Series	2001-2000	Mercury	
YC3Z-6006-GARM		Grand Marquis	
ENGINE LONG BLOCK		2000	
Ford		YW7Z-6006-ERM	
Excursion	2001-2000	ENGINE LONG BLOCK	
F-Series	2001-2000	Ford	
YF1Z-6006-CRM		Crown Victoria	
ENGINE LONG BLOCK		2000	
Ford		Lincoln	
Taurus	2001-2000	Town Car	2000
Mercury		Mercury	
Sable	2001-2000	Grand Marquis	2000
YL3Z-6006-AFRM			
ENGINE LONG BLOCK			
Ford			
Expedition	2001-2000		
F-Series	2001-2000		



Make	Year	Make	Year
2W7Z-6049-JARM		XL3Z-6049-DBRM cont'd	
ENGINE CYLINDER HEAD		Expedition	2001, 1999
Ford		F-Series	2001-1999
Crown Victoria	2000-1996	Lincoln	
Econoline	2000-1999	Navigator	2000-1999
Expedition	2000, 1998-1997	XU2Z-6V049-AARM	
F-Series	2000-1997	ENGINE CYLINDER HEAD	
Mustang	1998-1996	Ford	
Lincoln		Econoline	1983
Town Car	2000-1996	XU2Z-6V049-CARM	
Mercury		ENGINE CYLINDER HEAD	
Grand Marquis	2000-1996	Ford	
F4TZ-6V049-AARM		Econoline	1987-1984
ENGINE CYLINDER HEAD		F-Series	1987-1984
Ford		XU2Z-6V049-DARM	
F-Series	1994-1993	ENGINE CYLINDER HEAD	
F4TZ-6V049-BARM		Ford	
ENGINE CYLINDER HEAD		Econoline	1994-1988
Ford		F-Series	1994-1988
Econoline	1995		
F-Series	1995-1994		
F5TZ-6V049-AARM			
ENGINE CYLINDER HEAD			
Ford			
Econoline	2003-1995		
Excursion	2003-2000		
F-250 HD	1997		
F-Series	2003-1999, 1997-1995		
F87Z-6049-BARM			
ENGINE CYLINDER HEAD			
Ford			
Explorer	2000-1998		
Ranger	2000-1998		
XL3Z-6049-CBRM			
ENGINE CYLINDER HEAD			
Ford			
Econoline	2001-2000		
Excursion	2001-2000		
Expedition	2001, 1999		
F-Series	2001-1999		
Mustang	2000-1999		
Lincoln			
Navigator	2000-1999		
XL3Z-6049-DBRM			
ENGINE CYLINDER HEAD			
Ford			
Econoline	2001-2000		
Excursion	2001-2000		

BUYER'S GUIDE

Diesel Engine Assemblies



FORD PARTS

Make	Year	Make	Year	Make	Year	Make	Year
1C3Z-6006-DARM		3C3Z-6007-AARM cont'd		4C3Z-6007-BARM		5C2Z-6006-AARM	
ENGINE LONG BLOCK		F-Series 2004-2003		ENGINE LONG BLOCK		ENGINE LONG BLOCK	
Ford		3C3Z-6007-BARM		Ford		Ford	
F650 2003-2000		ENGINE LONG BLOCK		Excursion 2004		Econoline 2006-2005	
F750 2003-2000		Ford		F-Series 2004		5C2Z-6007-AARM	
1C3Z-6007-HARM		F-Series 2004-2003		4C3Z-6007-CARM		ENGINE LONG BLOCK	
ENGINE LONG BLOCK		3C3Z-6009-AARM		ENGINE LONG BLOCK		Ford	
Ford		ENGINE SHORT BLOCK		Ford		Econoline 2005-2004	
F650 2003-2000		Ford		Excursion 2004		5C2Z-6007-BARM	
F750 2003-2000		Excursion 2004-2003		F-Series 2004		ENGINE LONG BLOCK	
1C3Z-6200-AARM		F-Series 2004-2003		4C3Z-6K682-CCRM		Ford	
ENGINE CONNECTING ROD		3C3Z-6K682-CCRM		TURBOCHARGER		Econoline 2006-2004	
Ford		TURBOCHARGER		Ford		5C3Z-6006-AARM	
Econoline 2003-2001		Ford		Econoline 2004		ENGINE LONG BLOCK	
Excursion 2003-2001		Excursion 2004-2003		Excursion 2005-2004		Ford	
F-Series 2003-2001		F-Series 2004-2003		F-Series 2005-2003		F-Series 2005	
2C3Z-9VE527-ARM		F650 2004-2003		4C3Z-6K682-CDRM		5C3Z-6006-BARM	
FUEL INJECTOR KIT		F750 2004-2003		TURBOCHARGER		ENGINE LONG BLOCK	
Ford		3C3Z-6V303-AARM		Ford		Ford	
F-Series 1994-1993		ENGINE CRANKSHAFT		F-Series 2006-2005		F-Series 2005	
2C3Z-9VE527-DRM		Ford		4C3Z-9A543-AARM		5C3Z-6006-DARM	
FUEL INJECTOR KIT		Econoline 2003-1998		DIESEL HIGH PRESSURE OIL PUMP		ENGINE LONG BLOCK	
Ford		3C3Z-9A543-AARM		Ford		Ford	
Econoline 1994-1992		DIESEL HIGH PRESSURE OIL PUMP		Econoline 2004		Econoline 2010-2006	
F-Series 1994-1992		Ford		Excursion 2004		5C3Z-6006-EARM	
2C3Z-9VE527-ERM		Excursion 2004-2003		F-Series 2004		ENGINE LONG BLOCK	
FUEL INJECTOR KIT		F-Series 2004		4C4Z-6006-DRM		Ford	
Ford		4C2Z-6006-EARM		ENGINE LONG BLOCK		Excursion 2005	
Econoline 1992-1988		ENGINE LONG BLOCK		Ford		5C3Z-6007-AARM	
F-Series 1992-1988		Ford		F650 2004		ENGINE LONG BLOCK	
2C3Z-9VE527-FRM		Econoline 2004		F750 2004		Ford	
FUEL INJECTOR KIT		4C2Z-6007-AARM		4C4Z-6007-BRM		F-Series 2005-2004	
Ford		ENGINE LONG BLOCK		ENGINE LONG BLOCK		5C3Z-6007-BARM	
Econoline 1987-1984		Ford		Ford		ENGINE LONG BLOCK	
F-Series 1987-1984		Econoline 2004		F650 2004		Ford	
3C3Z-6006-AARM		4C3Z-6006-AARM		F750 2004		F-Series 2005-2004	
ENGINE LONG BLOCK		ENGINE LONG BLOCK		4C4Z-6009-AARM		5C3Z-6007-CARM	
Ford		Ford		ENGINE SHORT BLOCK		ENGINE LONG BLOCK	
Excursion 2004-2003		F-Series 2004		Ford		Ford	
F-Series 2004-2003		4C3Z-6006-BARM		F650 2006-2004		F-Series 2005-2004	
3C3Z-6006-BARM		ENGINE LONG BLOCK		F750 2006-2004		5C3Z-6007-DARM	
ENGINE LONG BLOCK		Ford		4C4Z-6K682-ARM		ENGINE LONG BLOCK	
Ford		Excursion 2004		TURBOCHARGER		Ford	
F-Series 2004-2003		F-Series 2004		Ford		F-Series 2005-2004	
3C3Z-6007-AARM		4C3Z-6007-AARM		F650 2008-2004		5C3Z-6007-EARM	
ENGINE LONG BLOCK		ENGINE LONG BLOCK		F750 2008-2004		ENGINE LONG BLOCK	
Ford		Ford				Ford	
Excursion 2004-2003		F-Series 2004				Excursion 2005	



Make	Year	Make	Year	Make	Year	Make	Year
5C3Z-6007-FARM		5C3Z-6V682-BRM		6C2Z-6006-AARM		8C3Z-6007-AARM	
ENGINE LONG BLOCK		TURBOCHARGER		ENGINE LONG BLOCK		ENGINE LONG BLOCK	
Ford		Ford		Ford		Ford	
Excursion	2005	Econoline	1999-1998	Econoline	2010-2006	F-Series	2010-2008
5C3Z-6009-AARM		5C3Z-9A543-ARM		6C2Z-6007-AARM		8C3Z-6007-BARM	
ENGINE SHORT BLOCK		DIESEL HIGH PRESSURE OIL PUMP		ENGINE LONG BLOCK		ENGINE LONG BLOCK	
Ford		Ford		Ford		Ford	
Econoline	2005-2004	Econoline	2007-2004	Econoline	2010-2006	F-Series	2010-2008
Excursion	2005-2003	Excursion	2005-2004				
F-Series	2005-2003	F-Series	2007-2004				
5C3Z-6K682-CCRM		5C3Z-9VA543-BRM		6C3Z-6006-AARM		8C3Z-6009-AARM	
TURBOCHARGER		DIESEL HIGH PRESSURE OIL PUMP		ENGINE LONG BLOCK		ENGINE SHORT BLOCK	
Ford		Ford		Ford		Ford	
Econoline	2010-2005	Econoline	1999-1998	F-Series	2007-2006	F-Series	2010-2008
F-Series	2007-2005	F-Series	1999				
5C3Z-6V006-CRM		5C3Z-9VE527-ARM		6C3Z-6006-BARM		8C3Z-6009-BARM	
ENGINE LONG BLOCK		FUEL INJECTOR KIT		ENGINE LONG BLOCK		ENGINE SHORT BLOCK	
Ford		Ford		Ford		Ford	
F-Series	1999	Econoline	2003-2000	F-Series	2007-2006	F-Series	2010-2008
5C3Z-6V006-DRM		Excursion	2003-2000				
ENGINE LONG BLOCK		F-Series	2003, 2001-2000	6C3Z-6007-AARM		8C3Z-6K682-AARM	
Ford				ENGINE LONG BLOCK		TURBOCHARGER	
Econoline	1999-1998			Ford		Ford	
5C3Z-6V007-ARM		5C3Z-9VE527-BRM		F-Series	2007-2006	F-Series	2010-2008
ENGINE LONG BLOCK		FUEL INJECTOR KIT		6C3Z-6007-BARM		8C3Z-6K682-BARM	
Ford		Ford		ENGINE LONG BLOCK		TURBOCHARGER	
Econoline	1999-1998	Econoline	2003-1999	Ford		Ford	
5C3Z-6V007-BRM		Excursion	2003-2000	F-Series	2007-2006	F-Series	2010-2008
ENGINE LONG BLOCK		F-Series	2003-1999	6C3Z-6009-ARM		8C3Z-6K682-CRM	
Ford				ENGINE SHORT BLOCK		TURBOCHARGER	
F-Series	1999			Ford		Ford	
5C3Z-6V007-CRM		5C4Z-6006-ERM		Econoline	2010-2005	F-Series	2010-2008
ENGINE LONG BLOCK		ENGINE LONG BLOCK		F-Series	2007-2006	8C3Z-9A543-DRM	
Ford		Ford				DIESEL HIGH PRESSURE OIL PUMP	
F-Series	1999	F650	2007-2006	6E7Z-6007-FRM		Ford	
5C3Z-6V007-DRM		F750	2007-2006	ENGINE LONG BLOCK		F-Series	2010-2008
ENGINE LONG BLOCK				Ford		8E7Z-6007-ARM	
Ford				LCF	2007-2006	ENGINE LONG BLOCK	
F-Series	1999			6E7Z-6K682-A		Ford	
5C3Z-6V639-ARM		5C4Z-6007-JRM		TURBOCHARGER		LCF	2009-2008
TURBOCHARGER MOUNTING KIT		ENGINE LONG BLOCK		Ford		8E7Z-6K682-A	
Ford		Ford		LCF	2010-2006	TURBOCHARGER	
Econoline	1998	F650	2007-2004	6E7Z-9A543-BRM		Ford	
5C3Z-6V639-BRM		F750	2007-2004	DIESEL HIGH PRESSURE OIL PUMP		F650	2009-2008
TURBOCHARGER MOUNTING KIT				Ford		F750	2009-2008
Ford		5C4Z-6K682-BRM		LCF	2009-2006		
Econoline	1999-1998	TURBOCHARGER		7C4Z-6009-AARM		8E7Z-9A543-CRM	
F-Series	1999	Ford		ENGINE SHORT BLOCK		DIESEL HIGH PRESSURE OIL PUMP	
5C3Z-6V682-ARM		F650	2008-2004	Ford		Ford	
TURBOCHARGER		F750	2008-2004	F650	2007-2006	LCF	2009-2008
Ford				F750	2007-2006		
F-Series	1999	5C4Z-9A543-ERM					
		DIESEL HIGH PRESSURE OIL PUMP					
		Ford					
		F650	2008-2004				
		F750	2008-2004				

BUYER'S GUIDE

Diesel Engine Assemblies



FORD PARTS

Make	Year	Make	Year	Make	Year	Make	Year
BC3Z-6K682-C		CMR-7-RM cont'd		F4TZ-6V200-CARM cont'd		F61Z-9VE527-BRM	
TURBOCHARGER		Excursion 2003-2000		F-Series 1999, 1997-1993		FUEL INJECTOR KIT	
Ford		F-Series 2003, 2001-2000		F4TZ-6V303-BARM		Ford	
F-Series 2015-2011		CMR-8-RM		ENGINE CRANKSHAFT		Econoline 1999-1996	
BC3Z-9A543-B		FUEL INJECTOR KIT		Ford		F-Series 1999, 1997-1996	
DIESEL HIGH PRESSURE OIL PUMP		Ford		Econoline 1995-1994		F61Z-9VE527-ERM	
Ford		Econoline 2003-1999		F4TZ-6VK682-BARM		FUEL INJECTOR KIT	
F-Series 2018-2011		Excursion 2003-2000		TURBOCHARGER		Ford	
CK4Z-6006-A		F-Series 2003-1999		Ford		Econoline 1996	
ENGINE LONG BLOCK		DC3Z-6007-ARM		F-Series 1994		F-Series 1996	
Ford		ENGINE LONG BLOCK		F4TZ-6VK682-CARM		F6TZ-6V006-AARM	
Transit-150 2017-2015		Ford		TURBOCHARGER		ENGINE LONG BLOCK	
Transit-250 2017-2015		F-Series 2014-2011		Ford		Ford	
Transit-350 2017-2015		DC3Z-6007-BA		Econoline 1998-1995		F-Series 1996	
Transit-350 HD 2017-2015		ENGINE LONG BLOCK		F-Series 1997-1994		F6TZ-6V006-BARM	
CMR-1-RM		Ford		F4TZ-6VN639-AARM		ENGINE LONG BLOCK	
FUEL INJECTOR KIT		F-Series 2014-2011		TURBOCHARGER MOUNTING KIT		Ford	
Ford		DC3Z-6007-BRM		Ford		F-Series 1996	
Econoline 1999-1996		ENGINE LONG BLOCK		Econoline 1998-1995		F6TZ-6V007-AARM	
F-Series 1999, 1997-1996		Ford		F-Series 1994		ENGINE LONG BLOCK	
CMR-2-RM		F-Series 2014-2011		F4TZ-6V9A543-AARM		Ford	
FUEL INJECTOR KIT		DC3Z-6007-E		DIESEL HIGH PRESSURE OIL PUMP		F-Series 1996	
Ford		ENGINE LONG BLOCK		Ford		F6TZ-6V007-BARM	
Econoline 1996		Ford		Econoline 1995		ENGINE LONG BLOCK	
F-Series 1996		F-Series 2014-2011		F-Series 1995-1994		Ford	
CMR-3-RM		F3TZ-6V012-AARM		F4TZ-9VE527-AARM		F-Series 1996	
FUEL INJECTOR KIT		ENGINE LONG BLOCK		FUEL INJECTOR KIT		F6TZ-9VA543-ARM	
Ford		Ford		Ford		DIESEL HIGH PRESSURE OIL PUMP	
F-Series 1994-1993		F-Series 1994-1993		Econoline 1996-1995		Ford	
CMR-4-RM		F4TZ-6V006-AARM		F-Series 1997-1994		Econoline 1998-1996	
FUEL INJECTOR KIT		ENGINE LONG BLOCK		F5TZ-6V006-AARM		F-Series 1997-1996	
Ford		Ford		ENGINE LONG BLOCK		F6UZ-6V006-AARM	
Econoline 1994-1992		F-Series 1994-1993		Ford		ENGINE LONG BLOCK	
F-Series 1994-1992		F4TZ-6V006-BARM		Econoline 1995		Ford	
CMR-5-RM		ENGINE LONG BLOCK		F5TZ-6V007-AARM		Econoline 1996	
FUEL INJECTOR KIT		Ford		ENGINE LONG BLOCK		F6UZ-6V006-BARM	
Ford		F-Series 1995-1994		Ford		ENGINE LONG BLOCK	
Econoline 1992-1988		F4TZ-6V007-FARM		F-Series 1995		Ford	
F-Series 1992-1988		ENGINE LONG BLOCK		F5UZ-6V007-AARM		Econoline 1996	
CMR-6-RM		Ford		ENGINE LONG BLOCK		F6UZ-6V007-AARM	
FUEL INJECTOR KIT		F-Series 1994		Ford		ENGINE LONG BLOCK	
Ford		F4TZ-6V012-AARM		Econoline 1995		Ford	
Econoline 1987-1984		ENGINE LONG BLOCK		F5UZ-6V012-AARM		Econoline 1996	
F-Series 1987-1984		Ford		ENGINE LONG BLOCK		F6UZ-6V007-BARM	
CMR-7-RM		F-Series 1995-1994		Ford		ENGINE LONG BLOCK	
FUEL INJECTOR KIT		F4TZ-6V200-CARM		Econoline 1995		Ford	
Ford		ENGINE CONNECTING ROD		F6UZ-6V007-BARM		Econoline 1996	
Econoline 2003-2000		Ford		Ford			
		Excursion 2000					



Make	Year	Make	Year	Make	Year	Make	Year
F7TZ-6V006-BARM		F81Z-6N639-DARM cont'd		GC3Z-6007-G		HPP-11-RM	
ENGINE LONG BLOCK		F-Series	1999	ENGINE LONG BLOCK		DIESEL HIGH PRESSURE OIL PUMP	
Ford		F81Z-9A543-CRM		Ford		Ford	
F-Series	1997	DIESEL HIGH PRESSURE OIL PUMP		F-Series	2016	F-Series	2010-2008
F7TZ-6V006-CARM		Ford		GC3Z-6007-H		HPP-12-RM	
ENGINE LONG BLOCK		Econoline	2003-1999	ENGINE LONG BLOCK		DIESEL HIGH PRESSURE OIL PUMP	
Ford		Excursion	2003-2000	Ford		Ford	
F-Series	1997	F-Series	2003-1999	F-Series	2016	Ford	
F7TZ-6V007-AARM		FB3Z-9A543-A		HC3Z-12B599-CRM		Econoline	2007-2004
ENGINE LONG BLOCK		DIESEL HIGH PRESSURE OIL PUMP		DIESEL FUEL INJECTOR DRIVER MODULE		Excursion	2005-2004
Ford		Ford		Ford		F-Series	2007-2004
F-Series	1997	Transit-150	2018-2015	Econoline	2010-2004	HPP-4-RM	
F7TZ-6V007-BARM		Transit-250	2018-2015	Excursion	2005-2003	DIESEL HIGH PRESSURE OIL PUMP	
ENGINE LONG BLOCK		Transit-350	2018-2015	F-Series	2007-2003	Ford	
Ford		Transit-350 HD	2018-2015	HC3Z-6007-H		Econoline	1999-1998
F-Series	1997	FC3Z-6006-C		ENGINE LONG BLOCK		F-Series	1999
F7TZ-6V012-ABRM		ENGINE LONG BLOCK		Ford		HPP-5-RM	
ENGINE LONG BLOCK		Ford		F-Series	2017	DIESEL HIGH PRESSURE OIL PUMP	
Ford		F-Series	2015-2011	HC3Z-6007-J		Ford	
F-Series	1997	FC3Z-6007-A		ENGINE LONG BLOCK		F650	2008-2004
F7UZ-6V006-AARM		ENGINE LONG BLOCK		Ford		F750	2008-2004
ENGINE LONG BLOCK		Ford		F-Series	2018-2017	HPP-6-RM	
Ford		F-Series	2015	HC3Z-6007-K		DIESEL HIGH PRESSURE OIL PUMP	
Econoline	1998-1997	FC3Z-6007-B		ENGINE LONG BLOCK		Ford	
F7UZ-6V007-AARM		ENGINE LONG BLOCK		Ford		LCF	2009-2008
ENGINE LONG BLOCK		Ford		F-Series	2018-2017	HPP-7-RM	
Ford		F-Series	2015	HC3Z-6007-M		DIESEL HIGH PRESSURE OIL PUMP	
Econoline	1998-1997	FC3Z-6007-BA		ENGINE LONG BLOCK		Ford	
F81Z-6K682-BARM		ENGINE LONG BLOCK		Ford		LCF	2009-2006
TURBOCHARGER		Ford		F-Series	2017	HPP-8-RM	
Ford		F-Series	2016	HC3Z-6K682-A		DIESEL HIGH PRESSURE OIL PUMP	
Excursion	2002-2000	FI-2RM		TURBOCHARGER		Ford	
F-Series	2003-1999	FUEL INJECTOR KIT		Ford		Econoline	2004
F81Z-6K682-CARM		Ford		F-Series	2016-2015	Excursion	2004
TURBOCHARGER		Econoline	1996-1995	HPP-1-RM		F-Series	2004
Ford		F-Series	1997-1994	DIESEL HIGH PRESSURE OIL PUMP		HPP-9-RM	
Excursion	2003-2000	G2MZ-6K682-ARM		Ford		DIESEL HIGH PRESSURE OIL PUMP	
F-Series	2003-1999	TURBOCHARGER		Econoline	1998-1996	Ford	
F81Z-6N639-CARM		Ford		F-Series	1997-1996	HPP-10-RM	
TURBOCHARGER MOUNTING KIT		F-Series	2014-2011	DIESEL HIGH PRESSURE OIL PUMP		ENGINE LONG BLOCK	
Ford		G2MZ-6K682-BRM		Ford		Ford	
Econoline	2003-1999	TURBOCHARGER		Excursion	2004-2003	Econoline	2003-1999
Excursion	2003-2000	Ford		F-Series	2004	Excursion	2003-2000
F-Series	2003-1999	F-Series	2015-2011	HPP-10-RM		F-Series	2003-1999
F81Z-6N639-DARM		GC3Z-6007-F		DIESEL HIGH PRESSURE OIL PUMP		JL3Z-6006-D	
TURBOCHARGER MOUNTING KIT		ENGINE LONG BLOCK		Ford		ENGINE LONG BLOCK	
Ford		Ford		Excursion	2004-2003	Ford	
Econoline	1999-1998	F-Series	2016	F-Series	2004	F-Series	2018

BUYER'S GUIDE

Diesel Engine Assemblies



FORD PARTS

Make	Year	Make	Year	Make	Year	Make	Year
NTC-5-RM		TC-1-RM		TC-3-RM		XC3Z-6007-BARM	
TURBOCHARGER		TURBOCHARGER		TURBOCHARGER		ENGINE LONG BLOCK	
Ford		Ford		Ford		Ford	
F-Series	2014-2011	F-Series	1994	F-Series	1999	F-Series	1999
NTC-6-RM		TC-10-RM		TC-4-RM		XC3Z-6007-CARM	
TURBOCHARGER		TURBOCHARGER		TURBOCHARGER		ENGINE LONG BLOCK	
Ford		Ford		Ford		Ford	
F-Series	2015-2011	Econoline	2003-1999	Econoline	1999-1998	Excursion	2003-2000
						F-Series	2003-2000
OC-1-RM		TC-11-RM		TC-5-RM		XC3Z-6V012-BARM	
ENGINE OIL COOLER		TURBOCHARGER		TURBOCHARGER		ENGINE LONG BLOCK	
Ford		Ford		Ford		Ford	
Econoline	1994-1983	F-Series	2010-2008	Excursion	2002-2000	F-Series	2003-1999
F-Series	1994-1983			F-Series	2003-1999		
OP-1-RM		TC-12-RM		TC-6-RM		XU2Z-6V007-AARM	
DIESEL HIGH PRESSURE OIL PUMP		TURBOCHARGER		TURBOCHARGER		ENGINE LONG BLOCK	
Ford		Ford		Ford		Ford	
Econoline	1995	Excursion	2004-2000	F650	2008-2004	F-Series	1987-1983
F-Series	1995-1994	F-Series	2003-1999	F750	2008-2004		
		F650	2004-2003			XU2Z-6V007-BARM	
		F750	2004-2003			ENGINE LONG BLOCK	
PTC-2-RM		TC-13-RM		TC-7-RM		Ford	
TURBOCHARGER MOUNTING KIT		TURBOCHARGER		TURBOCHARGER		Econoline	1987-1983
Ford		Ford		Ford			
Econoline	1998-1995	Excursion	2004-2003	LCF	2010-2006	XU2Z-6V007-CARM	
F-Series	1994	F-Series	2004-2003			ENGINE LONG BLOCK	
		F650	2004-2003	TC-8-RM		Ford	
		F750	2004-2003	TURBOCHARGER		F-Series	1994-1988
PTC-3-RM		TC-14-RM		TC-9-RM		XU2Z-6V007-DARM	
TURBOCHARGER MOUNTING KIT		TURBOCHARGER		TURBOCHARGER		ENGINE LONG BLOCK	
Ford		Ford		Ford		Ford	
Econoline	1998	F-Series	2010-2008	F650	2008-2004	F-Series	1994-1988
				F750	2008-2004		
PTC-5-RM		TC-15-RM		XC2Z-6006-AARM		XU2Z-6V007-EARM	
TURBOCHARGER MOUNTING KIT		TURBOCHARGER		ENGINE LONG BLOCK		ENGINE LONG BLOCK	
Ford		Ford		Ford		Ford	
Econoline	1999-1998	F-Series	2006-2005	Econoline	2003-1999	Econoline	1994-1988
F-Series	1999					XU2Z-6V012-AARM	
		TC-16-RM		XC2Z-6007-AARM		ENGINE LONG BLOCK	
PTC-6-RM		TURBOCHARGER		ENGINE LONG BLOCK		Ford	
TURBOCHARGER MOUNTING KIT		Ford		Ford		F-Series	1987-1983
Ford		F-Series	2010-2008	Econoline	2003-1999		
Econoline	2003-1999					XU2Z-6V012-BARM	
Excursion	2003-2000	TC-17-RM		XC2Z-6K682-AARM		ENGINE LONG BLOCK	
F-Series	2003-1999	TURBOCHARGER		TURBOCHARGER		Ford	
		Ford		Ford		Econoline	1987-1984
		Econoline	2010-2005	Econoline	2003-1999		
		F-Series	2007-2005			XU2Z-6V012-CARM	
PTC-7-RM		TC-2-RM		XC3Z-6006-AARM		ENGINE LONG BLOCK	
TURBOCHARGER MOUNTING KIT		TURBOCHARGER		ENGINE LONG BLOCK		Ford	
Ford		Ford		Ford		F-Series	1994-1988
Econoline	1999-1998	Econoline	1998-1995	Excursion	2003-2000		
F-Series	1999	F-Series	1997-1994	F-Series	2001-1999	XU2Z-6V012-DARM	
						ENGINE LONG BLOCK	
						Ford	
						Econoline	1994-1988



Make	Year
XU2Z-6V200-BARM	
ENGINE CONNECTING ROD	
Ford	
Econoline	1994-1983
F-Series	1994-1983
XU2Z-6VA642-AARM	
ENGINE OIL COOLER	
Ford	
Econoline	1994-1983
F-Series	1994-1983

BUYER'S GUIDE

Transmission Assemblies



FORD PARTS

Make	Year	Make	Year	Make	Year	Make	Year
1C2Z-7V000-ARM		1C2Z-7V000-NRM		1C3Z-7V000-KRM		1F1Z-7V000-FRM cont'd	
AUTOMATIC TRANSMISSION ASSEMBLY Ford		AUTOMATIC TRANSMISSION ASSEMBLY Ford		AUTOMATIC TRANSMISSION ASSEMBLY Ford		Mercury	
Econoline	2003-2001	Econoline	2003-2001	F-Series	2003-2001	Sable	2003-2001
1C2Z-7V000-BRM		1C3Z-7V000-ARM		1C3Z-7V000-LRM		1F2Z-7V000-CRM	
AUTOMATIC TRANSMISSION ASSEMBLY Ford		AUTOMATIC TRANSMISSION ASSEMBLY Ford		AUTOMATIC TRANSMISSION ASSEMBLY Ford		AUTOMATIC TRANSMISSION ASSEMBLY Ford	
Econoline	2003-2001	F-Series	2004-2001	F-Series	2003-2001	Windstar	2003-2001
1C2Z-7V000-CRM		1C3Z-7V000-BRM		1C3Z-7V000-MRM		1F3Z-7V000-BRM	
AUTOMATIC TRANSMISSION ASSEMBLY Ford		AUTOMATIC TRANSMISSION ASSEMBLY Ford		AUTOMATIC TRANSMISSION ASSEMBLY Ford		AUTOMATIC TRANSMISSION ASSEMBLY Lincoln	
Econoline	2003-2001	Excursion	2005-2001	F-Series	2003-1999	Continental	2001
1C2Z-7V000-DRM		Expedition	2002-2001	1C3Z-7V000-NRM		1L2Z-7V000-ARM	
AUTOMATIC TRANSMISSION ASSEMBLY Ford		F-Series	2004-2001	AUTOMATIC TRANSMISSION ASSEMBLY Ford		AUTOMATIC TRANSMISSION ASSEMBLY Ford	
Econoline	2003-2001	1C3Z-7V000-CRM		Excursion	2005-2001	Explorer	2002
1C2Z-7V000-ERM		AUTOMATIC TRANSMISSION ASSEMBLY Ford		Expedition	2002-2001	Mercury	
AUTOMATIC TRANSMISSION ASSEMBLY Ford		F-Series	2004-2001	1C3Z-7V000-PRM		Mountaineer	2002
Econoline	2003-2001	1C3Z-7V000-DRM		AUTOMATIC TRANSMISSION ASSEMBLY Ford		1L2Z-7V000-BRM	
1C2Z-7V000-FRM		AUTOMATIC TRANSMISSION ASSEMBLY Ford		Excursion	2005-2001	AUTOMATIC TRANSMISSION ASSEMBLY Ford	
AUTOMATIC TRANSMISSION ASSEMBLY Ford		Excursion	2005-2001	1F1Z-7V000-ARM		Explorer	2002
Econoline	2003-2001	F-Series	2004-2001	AUTOMATIC TRANSMISSION ASSEMBLY Ford		Mercury	
1C2Z-7V000-HRM		1C3Z-7V000-ERM		Taurus	2003-2001	Mountaineer	2002
AUTOMATIC TRANSMISSION ASSEMBLY Ford		AUTOMATIC TRANSMISSION ASSEMBLY Ford		Mercury		1L2Z-7V000-CRM	
Econoline	2003-2001	Excursion	2003-2000	Sable	2003-2001	AUTOMATIC TRANSMISSION ASSEMBLY Ford	
1C2Z-7V000-JRM		F-Series	2003-1999	1F1Z-7V000-CRM		Explorer	2002
AUTOMATIC TRANSMISSION ASSEMBLY Ford		1C3Z-7V000-FRM		AUTOMATIC TRANSMISSION ASSEMBLY Ford		Mercury	
Econoline	2003-2001	AUTOMATIC TRANSMISSION ASSEMBLY Ford		Taurus	2003-2001	Mountaineer	2002
1C2Z-7V000-LRM		Excursion	2003-2000	Mercury		1L3Z-7V000-CRM	
AUTOMATIC TRANSMISSION ASSEMBLY Ford		F-Series	2003-1999	Sable	2003-2001	AUTOMATIC TRANSMISSION ASSEMBLY Ford	
Econoline	2003-2001	1C3Z-7V000-HRM		1F1Z-7V000-DRM		F-Series	2004-1999
1C2Z-7V000-MRM		AUTOMATIC TRANSMISSION ASSEMBLY Ford		AUTOMATIC TRANSMISSION ASSEMBLY Ford		1L3Z-7V000-DRM	
AUTOMATIC TRANSMISSION ASSEMBLY Ford		F-Series	2004-2001	Taurus	2003-2001	AUTOMATIC TRANSMISSION ASSEMBLY Ford	
Econoline	2003-2001	1C3Z-7V000-JRM		Mercury		F-Series	2003-2001
AUTOMATIC TRANSMISSION ASSEMBLY Ford		AUTOMATIC TRANSMISSION ASSEMBLY Ford		Sable	2003-2001	1L3Z-7V000-FRM	
Econoline	2003-2001	F-Series	2004-2001	1F1Z-7V000-FRM		AUTOMATIC TRANSMISSION ASSEMBLY Ford	
				AUTOMATIC TRANSMISSION ASSEMBLY Ford		Expedition	2002-2001
				Taurus	2003-2001	F-Series	2003-2002



Make	Year	Make	Year	Make	Year	Make	Year
1L3Z-7V000-HRM		1L5Z-7V000-ERM cont'd		2L1Z-7V000-CRM		2L5Z-7V000-ABRM	
AUTOMATIC TRANSMISSION ASSEMBLY Ford		Mazda		AUTOMATIC TRANSMISSION ASSEMBLY Ford		AUTOMATIC TRANSMISSION ASSEMBLY Ford	
Expedition	2002-2001	B4000	2002-2001	Expedition	2003	Ranger	2003-2002
F-Series	2003-2001	Mercury		2L1Z-7V000-DRM		Mazda	
		Mountaineer	2001	AUTOMATIC TRANSMISSION ASSEMBLY Ford		B3000	2003-2002
1L3Z-7V000-JRM		1R3Z-7000-AARM		2L1Z-7V000-ERM		2L8Z-7V000-FBRM	
AUTOMATIC TRANSMISSION ASSEMBLY Ford		AUTOMATIC TRANSMISSION ASSEMBLY Ford		Expedition	2003	AUTOMATIC TRANSMISSION ASSEMBLY Ford	
F-Series	2003-2001	Mustang	2003	2L1Z-7V000-FRM		Escape	2002
1L3Z-7V000-LRM		1R3Z-7000-BARM		AUTOMATIC TRANSMISSION ASSEMBLY Ford		Mazda	
AUTOMATIC TRANSMISSION ASSEMBLY Ford		AUTOMATIC TRANSMISSION ASSEMBLY Ford		Expedition	2003	Tribute	2002
F-Series	2003-2001	Mustang	2003	2L1Z-7V000-ERM		2W3Z-7V000-ARM	
1L5Z-7000-DARM		1R3Z-7V000-ARM		AUTOMATIC TRANSMISSION ASSEMBLY Ford		AUTOMATIC TRANSMISSION ASSEMBLY Mercury	
AUTOMATIC TRANSMISSION ASSEMBLY Mazda		AUTOMATIC TRANSMISSION ASSEMBLY Ford		Expedition	2003	Marauder	2003
B4000	2003	Mustang	2002-2001	2L2Z-7V000-AARM		2W4Z-7V000-AARM	
1L5Z-7000-EARM		1R3Z-7V000-BRM		AUTOMATIC TRANSMISSION ASSEMBLY Ford		AUTOMATIC TRANSMISSION ASSEMBLY Ford	
AUTOMATIC TRANSMISSION ASSEMBLY Mazda		AUTOMATIC TRANSMISSION ASSEMBLY Ford		Explorer	2003-2002	Thunderbird	2002
B4000	2003	Mustang	2002-2001	Mercury		Lincoln	
1L5Z-7V000-ARM		1S4Z-7V000-CRM		Mountaineer	2003-2002	LS	2002
AUTOMATIC TRANSMISSION ASSEMBLY Ford		AUTOMATIC TRANSMISSION ASSEMBLY Ford		2L2Z-7V000-BARM		2W4Z-7V000-BARM	
Ranger	2001	Focus	2002-2000	AUTOMATIC TRANSMISSION ASSEMBLY Ford		AUTOMATIC TRANSMISSION ASSEMBLY Lincoln	
Mazda		1S4Z-7V000-DRM		Explorer	2003-2002	LS	2002
B3000	2001	AUTOMATIC TRANSMISSION ASSEMBLY Ford		Mercury		3C2Z-7V000-ARM	
1L5Z-7V000-DRM		Focus	2002-2000	Mountaineer	2003-2002	AUTOMATIC TRANSMISSION ASSEMBLY Ford	
AUTOMATIC TRANSMISSION ASSEMBLY Ford		1S8Z-7V000-ARM		2L2Z-7V000-CARM		Econoline	2003
Explorer Sport	2003-2001	AUTOMATIC TRANSMISSION ASSEMBLY Mercury		AUTOMATIC TRANSMISSION ASSEMBLY Ford		3C3Z-7000-EJRM	
Explorer Sport Trac	2003-2001	Cougar	2002-2001	Explorer	2003-2002	AUTOMATIC TRANSMISSION ASSEMBLY Ford	
Ranger	2003-2001	1W7Z-7V000-ARM		Mercury		F-Series	2003
Mazda		AUTOMATIC TRANSMISSION ASSEMBLY Ford		Mountaineer	2003-2002	3C3Z-7V000-HGRM	
B4000	2002-2001	Crown Victoria	2002-2001	2L2Z-7V000-DARM		AUTOMATIC TRANSMISSION ASSEMBLY Ford	
Mercury		1W7Z-7V000-CRM		AUTOMATIC TRANSMISSION ASSEMBLY Ford		F-Series	2004-2003
Mountaineer	2001	AUTOMATIC TRANSMISSION ASSEMBLY Ford		Explorer	2003-2002	3C3Z-7V000-JGRM	
1L5Z-7V000-ERM		AUTOMATIC TRANSMISSION ASSEMBLY Ford		Mercury		AUTOMATIC TRANSMISSION ASSEMBLY Ford	
AUTOMATIC TRANSMISSION ASSEMBLY Ford		Crown Victoria	2002-2001	Mountaineer	2003-2002	F-Series	2004-2003
Explorer	2001	2L5Z-7000-BBRM		2L5Z-7000-BBRM		AUTOMATIC TRANSMISSION ASSEMBLY Ford	
Explorer Sport	2003-2001	AUTOMATIC TRANSMISSION ASSEMBLY Mazda		Expedition	2003	F-Series	2004-2003
Explorer Sport Trac	2003-2001	B3000	2003				
Ranger	2003-2001						

BUYER'S GUIDE

Transmission Assemblies



FORD PARTS

Make	Year	Make	Year	Make	Year	Make	Year
3C3Z-7V000-KDRM		3L8Z-7000-GDRM cont'd		3W4Z-7V000-ACRM		4C2Z-7000-EARM	
AUTOMATIC TRANSMISSION ASSEMBLY		Mazda		AUTOMATIC TRANSMISSION ASSEMBLY		AUTOMATIC TRANSMISSION ASSEMBLY	
Ford		Tribute	2004	Ford		Ford	
Excursion	2004-2003	3L8Z-7000-HARM		Thunderbird	2003	Econoline	2004
3L2Z-7V000-EERM		AUTOMATIC TRANSMISSION ASSEMBLY		Lincoln		4C2Z-7000-FARM	
AUTOMATIC TRANSMISSION ASSEMBLY		Ford		LS	2003	AUTOMATIC TRANSMISSION ASSEMBLY	
Lincoln		Escape	2003	3W4Z-7V000-BCRM		Ford	
Aviator	2003	Mazda		AUTOMATIC TRANSMISSION ASSEMBLY		Econoline	2004
3L2Z-7V000-FERM		Tribute	2003	Lincoln		4C2Z-7000-GARM	
AUTOMATIC TRANSMISSION ASSEMBLY		3L8Z-7000-HDRM		LS	2003	AUTOMATIC TRANSMISSION ASSEMBLY	
Lincoln		AUTOMATIC TRANSMISSION ASSEMBLY		3W7Z-7V000-ARM		Ford	
Aviator	2003	Ford		AUTOMATIC TRANSMISSION ASSEMBLY		Econoline	2004
3L3Z-7000-HARM		Escape	2004	Ford		4C2Z-7000-HARM	
AUTOMATIC TRANSMISSION ASSEMBLY		Mazda		Crown Victoria	2003	AUTOMATIC TRANSMISSION ASSEMBLY	
Ford		Tribute	2004	Mercury		Ford	
F-Series	2004	3L8Z-7V000-HCRM		Grand Marquis	2003	Econoline	2004
3L3Z-7000-JARM		AUTOMATIC TRANSMISSION ASSEMBLY		3W7Z-7V000-CRM		4C2Z-7000-JARM	
AUTOMATIC TRANSMISSION ASSEMBLY		Ford		AUTOMATIC TRANSMISSION ASSEMBLY		AUTOMATIC TRANSMISSION ASSEMBLY	
Ford		Escape	2003	Ford		Ford	
F-Series	2004	Mazda		Crown Victoria	2003	Econoline	2004
3L3Z-7000-LARM		Tribute	2003	3W7Z-7V000-DRM		4C2Z-7000-LARM	
AUTOMATIC TRANSMISSION ASSEMBLY		3R3Z-7000-BARM		AUTOMATIC TRANSMISSION ASSEMBLY		AUTOMATIC TRANSMISSION ASSEMBLY	
Ford		AUTOMATIC TRANSMISSION ASSEMBLY		Ford		Ford	
F-Series	2004	Ford		Crown Victoria	2003	Econoline	2004
3L3Z-7000-MARM		Mustang	2004	Mercury		4C2Z-7000-PARM	
AUTOMATIC TRANSMISSION ASSEMBLY		3R3Z-7000-CARM		Grand Marquis	2003	AUTOMATIC TRANSMISSION ASSEMBLY	
Ford		AUTOMATIC TRANSMISSION ASSEMBLY		4C2Z-7000-AARM		Ford	
F-Series	2004	Ford		AUTOMATIC TRANSMISSION ASSEMBLY		Econoline	2004
3L7Z-7V000-ARM		Mustang	2004	Ford		4C2Z-7000-RARM	
AUTOMATIC TRANSMISSION ASSEMBLY		3R3Z-7V000-ARM		Econoline	2004	AUTOMATIC TRANSMISSION ASSEMBLY	
Lincoln		AUTOMATIC TRANSMISSION ASSEMBLY		4C2Z-7000-BARM		Ford	
Blackwood	2002	Ford		AUTOMATIC TRANSMISSION ASSEMBLY		Econoline	2004
Navigator	2004-2001	Mustang	2003	Ford		4C3Z-7000-JBRM	
3L8Z-7000-GARM		3S4Z-7000-AARM		Econoline	2004	AUTOMATIC TRANSMISSION ASSEMBLY	
AUTOMATIC TRANSMISSION ASSEMBLY		AUTOMATIC TRANSMISSION ASSEMBLY		4C2Z-7000-CARM		Ford	
Ford		Ford		AUTOMATIC TRANSMISSION ASSEMBLY		Econoline	2004
Escape	2003	Focus	2004	Ford		F-Series	2004-2003
Mazda		3W1Z-7V000-BRM		Econoline	2004	4C3Z-7000-KBRM	
Tribute	2003	AUTOMATIC TRANSMISSION ASSEMBLY		4C2Z-7000-DARM		AUTOMATIC TRANSMISSION ASSEMBLY	
3L8Z-7000-GDRM		Lincoln		AUTOMATIC TRANSMISSION ASSEMBLY		Ford	
AUTOMATIC TRANSMISSION ASSEMBLY		Town Car	2003	Ford		Econoline	2004
Ford				Econoline	2004	Excursion	2003
Escape	2004					F-Series	2004-2003



Make	Year	Make	Year	Make	Year	Make	Year
4F1Z-7000-CBRM		4L1Z-7000-DARM		4L3Z-7000-CARM		4R3Z-7000-BRM	
AUTOMATIC TRANSMISSION ASSEMBLY Mercury		AUTOMATIC TRANSMISSION ASSEMBLY Ford		AUTOMATIC TRANSMISSION ASSEMBLY Ford		AUTOMATIC TRANSMISSION ASSEMBLY Ford	
Sable	2005-2004	Expedition	2004	F-Series	2004	Mustang	2005
4F1Z-7000-DBRM		4L2Z-7000-ABRM		4L3Z-7000-DARM		4S4Z-7000-FARM	
AUTOMATIC TRANSMISSION ASSEMBLY Ford		AUTOMATIC TRANSMISSION ASSEMBLY Ford		AUTOMATIC TRANSMISSION ASSEMBLY Ford		AUTOMATIC TRANSMISSION ASSEMBLY Ford	
Taurus	2004	Explorer	2006-2004	F-Series	2004	Focus	2005
Mercury		Mercury		4L5Z-7000-AARM		4W1Z-7000-AARM	
Sable	2004	Mountaineer	2006-2004	AUTOMATIC TRANSMISSION ASSEMBLY Ford		AUTOMATIC TRANSMISSION ASSEMBLY Lincoln	
4F1Z-7000-EBRM		4L2Z-7000-BBRM		Ranger	2004	Town Car	2004
AUTOMATIC TRANSMISSION ASSEMBLY Ford		AUTOMATIC TRANSMISSION ASSEMBLY Ford		Mazda		4W1Z-7000-DARM	
Taurus	2004	Explorer	2005-2004	B3000	2004	AUTOMATIC TRANSMISSION ASSEMBLY Lincoln	
Mercury		Mercury		4L5Z-7000-BARM		Town Car	2004
Sable	2004	Mountaineer	2005-2004	AUTOMATIC TRANSMISSION ASSEMBLY Ford		4W4Z-7000-ABRM	
4F1Z-7000-FBRM		4L2Z-7000-CCRM		Ranger	2005-2004	AUTOMATIC TRANSMISSION ASSEMBLY Ford	
AUTOMATIC TRANSMISSION ASSEMBLY Ford		AUTOMATIC TRANSMISSION ASSEMBLY Ford		4L5Z-7000-CARM		Thunderbird	2005-2004
Taurus	2004	Explorer	2005-2004	AUTOMATIC TRANSMISSION ASSEMBLY Ford		Lincoln	
Mercury		Mercury		Ranger	2004	LS	2006-2004
Sable	2005-2004	Mountaineer	2005-2004	Mazda		4W4Z-7000-BBRM	
4F2Z-7000-ABRM		4L2Z-7000-DCRM		B2300	2004	AUTOMATIC TRANSMISSION ASSEMBLY Lincoln	
AUTOMATIC TRANSMISSION ASSEMBLY Ford		AUTOMATIC TRANSMISSION ASSEMBLY Ford		4L5Z-7000-DARM		LS	2005-2004
Freestar	2004	Explorer	2005-2004	AUTOMATIC TRANSMISSION ASSEMBLY Ford		4W7Z-7000-AARM	
Mercury		Mercury		Explorer	2004	AUTOMATIC TRANSMISSION ASSEMBLY Ford	
Monterey	2004	Mountaineer	2005-2004	Ranger	2004	Crown Victoria	2004
4F2Z-7000-BARM		4L2Z-7000-ECRM		Mazda		Mercury	
AUTOMATIC TRANSMISSION ASSEMBLY Ford		AUTOMATIC TRANSMISSION ASSEMBLY Lincoln		B4000	2004	Grand Marquis	2004
Freestar	2004	Aviator	2005-2004	Mercury		4W7Z-7000-CARM	
4L1Z-7000-AARM		4L2Z-7000-FCRM		Mountaineer	2004	AUTOMATIC TRANSMISSION ASSEMBLY Ford	
AUTOMATIC TRANSMISSION ASSEMBLY Ford		AUTOMATIC TRANSMISSION ASSEMBLY Lincoln		4L5Z-7000-EARM		Crown Victoria	2004
Expedition	2004	Aviator	2005-2004	AUTOMATIC TRANSMISSION ASSEMBLY Ford		Mercury	
4L1Z-7000-BARM		4L3Z-7000-AARM		Explorer Sport Trac	2005-2004	Marauder	2004
AUTOMATIC TRANSMISSION ASSEMBLY Ford		AUTOMATIC TRANSMISSION ASSEMBLY Ford		Ranger	2006-2004	4W7Z-7000-DARM	
Expedition	2004	F-Series	2004	Mazda		AUTOMATIC TRANSMISSION ASSEMBLY Ford	
4L1Z-7000-CARM		4L3Z-7000-BARM		B4000	2005-2004	Crown Victoria	2004
AUTOMATIC TRANSMISSION ASSEMBLY Ford		AUTOMATIC TRANSMISSION ASSEMBLY Ford		4R3Z-7000-ARM		AUTOMATIC TRANSMISSION ASSEMBLY Ford	
Expedition	2004	F-Series	2004	AUTOMATIC TRANSMISSION ASSEMBLY Ford		Crown Victoria	2004
				Mustang	2006-2005		

BUYER'S GUIDE

Transmission Assemblies



FORD PARTS

Make	Year	Make	Year	Make	Year	Make	Year
5C2Z-7000-ARM		5C3Z-7000-DRM cont'd		5L1Z-7000-FRM		5L8Z-7000-ACRM	
AUTOMATIC TRANSMISSION ASSEMBLY		F-Series	2007-2005	AUTOMATIC TRANSMISSION ASSEMBLY		AUTOMATIC TRANSMISSION ASSEMBLY	
Ford		5C3Z-7000-FRM		Ford		Ford	
Econoline	2008, 2005	AUTOMATIC TRANSMISSION ASSEMBLY		Expedition	2005	Escape	2005
5C2Z-7000-BRM		Ford		5L3Z-7000-ARM		Mazda	
AUTOMATIC TRANSMISSION ASSEMBLY		F-Series	2006-2005	AUTOMATIC TRANSMISSION ASSEMBLY		Tribute	2005
Ford		5C3Z-7000-JRM		Ford		Mercury	
Econoline	2005	AUTOMATIC TRANSMISSION ASSEMBLY		F-Series	2005	Mariner	2005
5C2Z-7000-CRM		Ford		5L3Z-7000-BRM		5L8Z-7000-BCRM	
AUTOMATIC TRANSMISSION ASSEMBLY		Econoline	2006-2005	AUTOMATIC TRANSMISSION ASSEMBLY		AUTOMATIC TRANSMISSION ASSEMBLY	
Ford		F-Series	2006-2005	Ford		Ford	
Econoline	2005	5C3Z-7000-KRM		F-Series	2005	Escape	2005
5C2Z-7000-DRM		AUTOMATIC TRANSMISSION ASSEMBLY		5L3Z-7000-CRM		Mazda	
AUTOMATIC TRANSMISSION ASSEMBLY		Ford		AUTOMATIC TRANSMISSION ASSEMBLY		Tribute	2005
Ford		Econoline	2008-2005	Ford		5L8Z-7000-CBRM	
Econoline	2005	F-Series	2007-2005	F-Series	2005	AUTOMATIC TRANSMISSION ASSEMBLY	
5C2Z-7000-ERM		5C3Z-7000-LRM		5L3Z-7000-DRM		Ford	
AUTOMATIC TRANSMISSION ASSEMBLY		AUTOMATIC TRANSMISSION ASSEMBLY		AUTOMATIC TRANSMISSION ASSEMBLY		Escape	2005
Ford		Ford		Ford		Mazda	
Econoline	2005	F-Series	2006-2005	F-Series	2005	Tribute	2005
5C3Z-7000-ARM		5C3Z-7000-MRM		5L3Z-7000-ERM		Mercury	
AUTOMATIC TRANSMISSION ASSEMBLY		AUTOMATIC TRANSMISSION ASSEMBLY		AUTOMATIC TRANSMISSION ASSEMBLY		Mariner	2005
Ford		Ford		Ford		5L8Z-7000-DBRM	
Econoline	2008-2005	F-Series	2007-2005	F-Series	2005	AUTOMATIC TRANSMISSION ASSEMBLY	
F-Series	2007-2005	5C3Z-7000-NRM		5L5Z-7000-ARM		Ford	
5C3Z-7000-BRM		AUTOMATIC TRANSMISSION ASSEMBLY		AUTOMATIC TRANSMISSION ASSEMBLY		Escape	2005
AUTOMATIC TRANSMISSION ASSEMBLY		Ford		Ford		Mazda	
Ford		Excursion	2005	Ranger	2006-2005	Tribute	2005
Econoline	2008-2005	5F2Z-7000-ARM		Mazda		Mercury	
F-Series	2006-2005	AUTOMATIC TRANSMISSION ASSEMBLY		B3000	2006-2005	Mariner	2005
5C3Z-7000-BRM		Ford		5L5Z-7000-CRM		5L8Z-7000-ERM	
AUTOMATIC TRANSMISSION ASSEMBLY		Freestar	2007-2005	AUTOMATIC TRANSMISSION ASSEMBLY		AUTOMATIC TRANSMISSION ASSEMBLY	
Ford		Mercury		Ford		Ford	
Econoline	2008-2005	Monterey	2007-2005	Ranger	2007-2005	Escape	2007-2005
F-Series	2006-2005	5F2Z-7000-BRM		Mazda		Mazda	
5C3Z-7000-CRM		AUTOMATIC TRANSMISSION ASSEMBLY		B2300	2006-2005	Tribute	2006-2005
AUTOMATIC TRANSMISSION ASSEMBLY		Ford		5L5Z-7000-DRM		Mercury	
Ford		Freestar	2007-2005	AUTOMATIC TRANSMISSION ASSEMBLY		Mariner	2007-2005
Econoline	2005	5L1Z-7000-ERM		Ford		5L8Z-7000-FRM	
F-Series	2005	AUTOMATIC TRANSMISSION ASSEMBLY		Explorer	2006-2005	AUTOMATIC TRANSMISSION ASSEMBLY	
5C3Z-7000-DRM		Ford		Explorer Sport Trac	2005	Ford	
AUTOMATIC TRANSMISSION ASSEMBLY		Expedition	2005	Ranger	2006-2005	Escape	2007-2005
Ford						Mazda	
Econoline	2008-2005					Tribute	2006-2005
						Mercury	
						Mariner	2007-2005



Make	Year	Make	Year	Make	Year	Make	Year
5L8Z-7000-GRM		6C2Z-7000-ARM		6G1Z-7000-ARM cont'd		6L2Z-7000-FRM cont'd	
AUTOMATIC TRANSMISSION ASSEMBLY Ford		AUTOMATIC TRANSMISSION ASSEMBLY Ford		Mercury Montego 2006-2005		Explorer Sport Trac 2007	
Escape	2007-2005	Econoline	2006	6G1Z-7000-BRM		Mercury Mountaineer 2006	
Mazda		6C2Z-7000-BRM		AUTOMATIC TRANSMISSION ASSEMBLY Ford		6L3Z-7000-DRM	
Tribute	2006-2005	AUTOMATIC TRANSMISSION ASSEMBLY Ford		Five Hundred 2007-2005		AUTOMATIC TRANSMISSION ASSEMBLY Lincoln	
Mercury		Econoline 2006		Mercury		Mark LT 2006	
Mariner	2007-2005	6C2Z-7000-CRM		Montego 2007-2005		6L3Z-7000-FRM	
5L8Z-7000-HRM		AUTOMATIC TRANSMISSION ASSEMBLY Ford		6G1Z-7000-CDRM		AUTOMATIC TRANSMISSION ASSEMBLY Ford	
AUTOMATIC TRANSMISSION ASSEMBLY Ford		Econoline 2006		AUTOMATIC TRANSMISSION ASSEMBLY Ford		F-Series 2006	
Escape	2007-2005	6C2Z-7000-DRM		Five Hundred 2006-2005		6L3Z-7000-GRM	
Mazda		AUTOMATIC TRANSMISSION ASSEMBLY Ford		Mercury		AUTOMATIC TRANSMISSION ASSEMBLY Ford	
Tribute	2006-2005	Econoline 2006		Montego 2006-2005		F-Series 2006	
Mercury		5M6Z-7000-B		6L1Z-7000-ARM		6L3Z-7000-HRM	
Mariner	2007-2005	AUTOMATIC TRANSMISSION ASSEMBLY Ford		AUTOMATIC TRANSMISSION ASSEMBLY Ford		AUTOMATIC TRANSMISSION ASSEMBLY Ford	
5M6Z-7000-B		6E5Z-7000-AERM		Expedition 2006		F-Series 2006	
AUTOMATIC TRANSMISSION ASSEMBLY Ford		AUTOMATIC TRANSMISSION ASSEMBLY Ford		6L1Z-7000-BRM		6L3Z-7000-JRM	
Escape	2005	Fusion 2007-2006		AUTOMATIC TRANSMISSION ASSEMBLY Ford		AUTOMATIC TRANSMISSION ASSEMBLY Ford	
5W1Z-7000-GRM		Lincoln Zephyr 2006		Expedition 2006		F-Series 2006	
AUTOMATIC TRANSMISSION ASSEMBLY Lincoln		Mercury Milan 2007-2006		6L2Z-7000-ARM		Lincoln Mark LT 2006	
Town Car	2005	6E7Z-7000-ABRM		AUTOMATIC TRANSMISSION ASSEMBLY Ford		6L3Z-7000-KRM	
5W1Z-7000-HRM		AUTOMATIC TRANSMISSION ASSEMBLY Ford		Explorer 2006		AUTOMATIC TRANSMISSION ASSEMBLY Ford	
AUTOMATIC TRANSMISSION ASSEMBLY Lincoln		LCF 2006		Mercury		F-Series 2006	
Town Car	2005	6E7Z-7000-BBRM		Mountaineer 2006		Lincoln Mark LT 2006	
5W7Z-7000-KRM		AUTOMATIC TRANSMISSION ASSEMBLY Ford		6L2Z-7000-BRM		6S4Z-7000-FRM	
AUTOMATIC TRANSMISSION ASSEMBLY Ford		LCF 2009		AUTOMATIC TRANSMISSION ASSEMBLY Ford		AUTOMATIC TRANSMISSION ASSEMBLY Ford	
Crown Victoria	2005	6F9Z-7000-ARM		Explorer 2006		6S4Z-7000-FRM	
Mercury		AUTOMATIC TRANSMISSION ASSEMBLY Ford		Mercury		AUTOMATIC TRANSMISSION ASSEMBLY Ford	
Grand Marquis	2005	Freestyle 2007-2005		Mountaineer 2006		Focus 2007-2006	
5W7Z-7000-LRM		6F9Z-7000-BRM		6L2Z-7000-ERM		6U2Z-7V000-FRM	
AUTOMATIC TRANSMISSION ASSEMBLY Ford		AUTOMATIC TRANSMISSION ASSEMBLY Ford		AUTOMATIC TRANSMISSION ASSEMBLY Ford		AUTOMATIC TRANSMISSION ASSEMBLY Ford	
Crown Victoria	2005	Freestyle 2007-2005		Explorer 2006		Excursion 2003-2001	
5W7Z-7000-MRM		6G1Z-7000-ARM		Mercury		F-Series 2003-2001	
AUTOMATIC TRANSMISSION ASSEMBLY Ford		AUTOMATIC TRANSMISSION ASSEMBLY Ford		Mountaineer 2006			
Crown Victoria	2005	Five Hundred 2006-2005		6L2Z-7000-FRM			
Mercury		AUTOMATIC TRANSMISSION ASSEMBLY Ford		AUTOMATIC TRANSMISSION ASSEMBLY Ford			
Grand Marquis	2005	Five Hundred 2006-2005		Explorer 2006			

BUYER'S GUIDE

Transmission Assemblies



FORD PARTS

Make	Year	Make	Year	Make	Year	Make	Year
6U2Z-7V000-HRM		7C2Z-7000-BRM		7C3Z-7000-HRM		7L1Z-7000-ARM	
AUTOMATIC TRANSMISSION ASSEMBLY		AUTOMATIC TRANSMISSION ASSEMBLY		AUTOMATIC TRANSMISSION ASSEMBLY		AUTOMATIC TRANSMISSION ASSEMBLY	
Ford		Ford		Ford		Ford	
F-Series	2000-1999	Econoline	2007	Econoline	2007	Expedition	2008-2007
6U2Z-7V000-LRM		7C2Z-7000-CARM		F-Series	2007	7L1Z-7000-BRM	
AUTOMATIC TRANSMISSION ASSEMBLY		AUTOMATIC TRANSMISSION ASSEMBLY		F53	2008-2007	AUTOMATIC TRANSMISSION ASSEMBLY	
Ford		Ford				Ford	
F-Series	2000-1999	Econoline	2008-2007	7C3Z-7000-JRM		Expedition	2007
6W1Z-7000-ARM		7C2Z-7000-DARM		AUTOMATIC TRANSMISSION ASSEMBLY		7L2Z-7000-ARM	
AUTOMATIC TRANSMISSION ASSEMBLY		AUTOMATIC TRANSMISSION ASSEMBLY		Ford		AUTOMATIC TRANSMISSION ASSEMBLY	
Lincoln		Ford		F-Series	2008	Ford	
Town Car	2006	Econoline	2008-2007	7E5Z-7000-AERM		Explorer	2007
6W1Z-7000-DRM		7C3Z-7000-ARM		AUTOMATIC TRANSMISSION ASSEMBLY		Explorer Sport Trac	2007
AUTOMATIC TRANSMISSION ASSEMBLY		AUTOMATIC TRANSMISSION ASSEMBLY		Ford		Mercury	
Lincoln		Ford		Fusion	2007	Mountaineer	2007
Town Car	2006	F-Series	2008	Mercury		7L2Z-7000-BRM	
6W7Z-7000-ARM		7C3Z-7000-BRM		Milan	2007	AUTOMATIC TRANSMISSION ASSEMBLY	
AUTOMATIC TRANSMISSION ASSEMBLY		AUTOMATIC TRANSMISSION ASSEMBLY		7E5Z-7000-BFRM		Ford	
Ford		Ford		AUTOMATIC TRANSMISSION ASSEMBLY		Explorer	2008-2007
Crown Victoria	2006	F-Series	2008	Ford		Explorer Sport Trac	2008-2007
Mercury		7C3Z-7000-CRM		Fusion	2007	Mercury	
Grand Marquis	2006	AUTOMATIC TRANSMISSION ASSEMBLY		Mercury		Mountaineer	2008-2007
6W7Z-7000-CRM		Ford		Milan	2007	7L2Z-7000-CRM	
AUTOMATIC TRANSMISSION ASSEMBLY		F-Series	2008	7E5Z-7000-BRM		AUTOMATIC TRANSMISSION ASSEMBLY	
Ford		7C3Z-7000-DRM		AUTOMATIC TRANSMISSION ASSEMBLY		Ford	
Crown Victoria	2006	AUTOMATIC TRANSMISSION ASSEMBLY		Ford		Explorer Sport Trac	2007
6W7Z-7000-DRM		Ford		Fusion	2008-2006	7L2Z-7000-DRM	
AUTOMATIC TRANSMISSION ASSEMBLY		F-Series	2008	Mercury		AUTOMATIC TRANSMISSION ASSEMBLY	
Ford		7C3Z-7000-ERM		Milan	2009-2006	Ford	
Crown Victoria	2006	AUTOMATIC TRANSMISSION ASSEMBLY		7E5Z-7000-CFRM		Explorer Sport Trac	2007
Mercury		Ford		AUTOMATIC TRANSMISSION ASSEMBLY		7L3Z-7000-ABRM	
Grand Marquis	2006	Econoline	2007	Lincoln		AUTOMATIC TRANSMISSION ASSEMBLY	
7A1Z-7000-ARM		F-Series	2008	MKZ	2007	Ford	
AUTOMATIC TRANSMISSION ASSEMBLY		7C3Z-7000-FRM		7E5Z-7000-DGRM		F-Series	2008-2007
Ford		AUTOMATIC TRANSMISSION ASSEMBLY		AUTOMATIC TRANSMISSION ASSEMBLY		7L3Z-7000-BBRM	
Edge	2009	Ford		Lincoln		AUTOMATIC TRANSMISSION ASSEMBLY	
Lincoln		Econoline	2007	MKZ	2007	Ford	
MKX	2009-2007	F-Series	2008	7E7Z-7000-AARM		F-Series	2008-2007
7C2Z-7000-ARM		7C3Z-7000-GRM		AUTOMATIC TRANSMISSION ASSEMBLY		7L3Z-7000-CBRM	
AUTOMATIC TRANSMISSION ASSEMBLY		AUTOMATIC TRANSMISSION ASSEMBLY		Ford		AUTOMATIC TRANSMISSION ASSEMBLY	
Ford		Ford		LCF	2007	Ford	
Econoline	2007	Econoline	2007	7E7Z-7000-BARM		F-Series	2008-2007
		F-Series	2008	AUTOMATIC TRANSMISSION ASSEMBLY			
				Ford			
				LCF	2007		



Make	Year	Make	Year	Make	Year	Make	Year
7L3Z-7000-DBRM		7R3Z-7000-BRM		7W7Z-7000-AARM		8C3Z-7000-CRM	
AUTOMATIC TRANSMISSION ASSEMBLY		AUTOMATIC TRANSMISSION ASSEMBLY		AUTOMATIC TRANSMISSION ASSEMBLY		AUTOMATIC TRANSMISSION ASSEMBLY	
Ford		Ford		Ford		Ford	
F-Series	2008-2007	Mustang	2007	Crown Victoria	2008-2007	F-Series	2008
Lincoln		7T4Z-7000-ARM		Mercury		8C3Z-7000-DRM	
Mark LT	2008-2007	AUTOMATIC TRANSMISSION ASSEMBLY		Grand Marquis	2008-2007	AUTOMATIC TRANSMISSION ASSEMBLY	
7L3Z-7000-EBRM		Ford		7W7Z-7000-CARM		Ford	
AUTOMATIC TRANSMISSION ASSEMBLY		Edge	2009-2007	AUTOMATIC TRANSMISSION ASSEMBLY		F-Series	2008
Ford		Taurus X	2009	Ford		8C3Z-7000-ERM	
F-Series	2008-2007	7T4Z-7000-BRM		Crown Victoria	2008-2007	AUTOMATIC TRANSMISSION ASSEMBLY	
Lincoln		AUTOMATIC TRANSMISSION ASSEMBLY		Lincoln		Ford	
Mark LT	2008-2007	Ford		Town Car	2008-2007	Econoline	2008
7L5Z-7000-ARM		Edge	2007	7W7Z-7000-DARM		F-Series	2008
AUTOMATIC TRANSMISSION ASSEMBLY		Taurus	2009-2008	AUTOMATIC TRANSMISSION ASSEMBLY		8C3Z-7000-FRM	
Ford		Lincoln		Ford		AUTOMATIC TRANSMISSION ASSEMBLY	
Ranger	2008-2007	MKX	2007	Crown Victoria	2007	Ford	
7L5Z-7000-BRM		Mercury		Mercury		Econoline	2008
AUTOMATIC TRANSMISSION ASSEMBLY		Sable	2009-2008	Grand Marquis	2008-2007	F-Series	2008
Ford		7U2Z-7V000-ARM		8C2Z-7000-ARM		8C3Z-7000-GRM	
Ranger	2008-2007	AUTOMATIC TRANSMISSION ASSEMBLY		AUTOMATIC TRANSMISSION ASSEMBLY		AUTOMATIC TRANSMISSION ASSEMBLY	
7L5Z-7000-CRM		Ford		Ford		Ford	
AUTOMATIC TRANSMISSION ASSEMBLY		F-Series	2003-2001	Econoline	2008	Econoline	2008
Ford		7U2Z-7V000-BRM		8C2Z-7000-BRM		F-Series	2008
Ranger	2011-2007	AUTOMATIC TRANSMISSION ASSEMBLY		AUTOMATIC TRANSMISSION ASSEMBLY		8C3Z-7000-HRM	
7L5Z-7000-DRM		Ford		Ford		AUTOMATIC TRANSMISSION ASSEMBLY	
AUTOMATIC TRANSMISSION ASSEMBLY		Econoline	2000	Econoline	2008	Ford	
Ford		F-Series	2003-2001	8C2Z-7000-CRM		Econoline	2008
Ranger	2011-2007	7U2Z-7V000-DRM		AUTOMATIC TRANSMISSION ASSEMBLY		F-Series	2008
7L5Z-7000-ERM		AUTOMATIC TRANSMISSION ASSEMBLY		Ford		8C3Z-7000-JRM	
AUTOMATIC TRANSMISSION ASSEMBLY		Ford		Econoline	2008	AUTOMATIC TRANSMISSION ASSEMBLY	
Ford		F-Series	2000-1999	8C2Z-7000-DRM		Ford	
Ranger	2011-2007	7U2Z-7V000-FRM		AUTOMATIC TRANSMISSION ASSEMBLY		F-Series	2008
7M6Z-7000-A		AUTOMATIC TRANSMISSION ASSEMBLY		Ford		8E5Z-7000-ARM	
AUTOMATIC TRANSMISSION ASSEMBLY		Ford		Econoline	2008	AUTOMATIC TRANSMISSION ASSEMBLY	
Ford		Econoline	2003-2001	8C3Z-7000-ARM		Ford	
Escape	2007-2006	7W1Z-7000-AARM		AUTOMATIC TRANSMISSION ASSEMBLY		Fusion	2009-2008
Mercury		AUTOMATIC TRANSMISSION ASSEMBLY		Ford		Mercury	
Mariner	2007-2006	Lincoln		F-Series	2008	Milan	2009-2008
7R3Z-7000-ARM		Town Car	2008-2007	8C3Z-7000-BRM		8E5Z-7000-BRM	
AUTOMATIC TRANSMISSION ASSEMBLY		7W1Z-7000-DARM		AUTOMATIC TRANSMISSION ASSEMBLY		AUTOMATIC TRANSMISSION ASSEMBLY	
Ford		AUTOMATIC TRANSMISSION ASSEMBLY		Ford		Ford	
Mustang	2007	Lincoln		F-Series	2008	Fusion	2009-2008
		Town Car	2008-2007			Mercury	
						Milan	2009-2008

BUYER'S GUIDE

Transmission Assemblies



FORD PARTS

Make	Year	Make	Year	Make	Year	Make	Year
8E5Z-7000-CRM		8L8Z-7000-ARM		8M6Z-7000-D		9C2Z-7000-DRM	
AUTOMATIC TRANSMISSION ASSEMBLY		AUTOMATIC TRANSMISSION ASSEMBLY		AUTOMATIC TRANSMISSION ASSEMBLY		AUTOMATIC TRANSMISSION ASSEMBLY	
Lincoln		Ford		Ford		Ford	
MKZ	2009-2008	Escape	2008	Escape	2008	Econoline	2009
8E5Z-7000-DRM		Mazda		Mercury		9C2Z-7000-ERM	
AUTOMATIC TRANSMISSION ASSEMBLY		Tribute	2008	Mariner	2008	AUTOMATIC TRANSMISSION ASSEMBLY	
Lincoln		Mercury		8R3Z-7000-ARM		Ford	
MKZ	2009-2008	Mariner	2008	AUTOMATIC TRANSMISSION ASSEMBLY		Econoline	2010-2009
8E7Z-7000-AARM		8L8Z-7000-BRM		Ford		9C2Z-7000-FRM	
AUTOMATIC TRANSMISSION ASSEMBLY		AUTOMATIC TRANSMISSION ASSEMBLY		Mustang	2008	AUTOMATIC TRANSMISSION ASSEMBLY	
Ford		Ford		8R3Z-7000-BRM		Ford	
LCF	2008	Escape	2008	AUTOMATIC TRANSMISSION ASSEMBLY		Econoline	2010-2009
8E7Z-7000-BARM		Mazda		Ford		9C2Z-7000-GRM	
AUTOMATIC TRANSMISSION ASSEMBLY		Tribute	2008	Mustang	2008	AUTOMATIC TRANSMISSION ASSEMBLY	
Ford		Mercury		8S4Z-7000-ARM		Ford	
LCF	2008	Mariner	2008	AUTOMATIC TRANSMISSION ASSEMBLY		Econoline	2014-2009
8L1Z-7000-CRM		8L8Z-7000-CRM		Ford		9C2Z-7000-HRM	
AUTOMATIC TRANSMISSION ASSEMBLY		AUTOMATIC TRANSMISSION ASSEMBLY		Focus	2011-2008	AUTOMATIC TRANSMISSION ASSEMBLY	
Ford		Ford		8T4Z-7000-ARM		Ford	
Expedition	2008	Escape	2008	AUTOMATIC TRANSMISSION ASSEMBLY		Econoline	2016-2009
8L1Z-7000-DRM		Mazda		Ford		9C3Z-7000-ARM	
AUTOMATIC TRANSMISSION ASSEMBLY		Tribute	2008	Edge	2009-2008	AUTOMATIC TRANSMISSION ASSEMBLY	
Ford		Mercury		Taurus X	2009-2008	Ford	
Expedition	2008	Mariner	2008	Lincoln		F-Series	2010-2009
8L2Z-7000-ARM		8L8Z-7000-DRM		MKX	2009-2008	9C3Z-7000-BRM	
AUTOMATIC TRANSMISSION ASSEMBLY		AUTOMATIC TRANSMISSION ASSEMBLY		8T4Z-7000-BRM		AUTOMATIC TRANSMISSION ASSEMBLY	
Ford		Ford		AUTOMATIC TRANSMISSION ASSEMBLY		Ford	
Explorer Sport Trac	2008	Escape	2008	Ford		F-Series	2010-2009
8L2Z-7000-BRM		Mazda		Taurus	2009-2008	9C3Z-7000-CRM	
AUTOMATIC TRANSMISSION ASSEMBLY		Tribute	2008	Mercury		AUTOMATIC TRANSMISSION ASSEMBLY	
Ford		Mercury		Sable	2009-2008	Ford	
Explorer Sport Trac	2008	Mariner	2008	9C2Z-7000-ARM		F-Series	2010-2009
8L2Z-7000-ERM		8M5Z-7000-A		AUTOMATIC TRANSMISSION ASSEMBLY		9C3Z-7000-DRM	
AUTOMATIC TRANSMISSION ASSEMBLY		AUTOMATIC TRANSMISSION ASSEMBLY		Ford		AUTOMATIC TRANSMISSION ASSEMBLY	
Ford		Ford		Econoline	2010-2009	Ford	
Explorer	2008	Focus	2011-2009	9C2Z-7000-BRM		F-Series	2010-2009
Mercury		Transit Connect	2011-2010	AUTOMATIC TRANSMISSION ASSEMBLY		9C3Z-7000-ERM	
Mountaineer	2008-2007	8M5Z-7000-ARM		Ford		AUTOMATIC TRANSMISSION ASSEMBLY	
8L2Z-7000-FRM		AUTOMATIC TRANSMISSION ASSEMBLY		Econoline	2010-2009	Ford	
AUTOMATIC TRANSMISSION ASSEMBLY		Ford		9C2Z-7000-CRM		F-Series	2012-2010
Ford		Focus	2011-2009	AUTOMATIC TRANSMISSION ASSEMBLY			
Explorer	2008	Transit Connect	2011-2010	Ford			
Mercury				Econoline	2009		
Mountaineer	2008						



Make	Year	Make	Year	Make	Year	Make	Year
9C3Z-7000-FRM		9E9Z-7000-ARM		9L3Z-7000-CRM		9L8Z-7000-CRM cont'd	
AUTOMATIC TRANSMISSION ASSEMBLY Ford		AUTOMATIC TRANSMISSION ASSEMBLY Ford		AUTOMATIC TRANSMISSION ASSEMBLY Ford		Mercury	
F-Series	2012-2009	Flex	2009	F-Series	2009	Mariner	2010-2009
9C3Z-7000-GRM		9E9Z-7000-BRM		9L3Z-7000-DARM		9L8Z-7000-DRM	
AUTOMATIC TRANSMISSION ASSEMBLY Ford		AUTOMATIC TRANSMISSION ASSEMBLY Ford		AUTOMATIC TRANSMISSION ASSEMBLY Ford		AUTOMATIC TRANSMISSION ASSEMBLY Ford	
Econoline	2016-2009	Flex	2011-2009	F-Series	2009	Escape	2009
F-Series	2016-2009	9L1Z-7000-BRM		9L3Z-7000-DRM		Mazda	
9C3Z-7000-HRM		AUTOMATIC TRANSMISSION ASSEMBLY Ford		AUTOMATIC TRANSMISSION ASSEMBLY Ford		Tribute	2009
AUTOMATIC TRANSMISSION ASSEMBLY Ford		Expedition	2009	F-Series	2009	Mercury	
Econoline	2012-2009	Lincoln		9L3Z-7000-EARM		Mariner	2009
F-Series	2014-2009	Navigator	2009	AUTOMATIC TRANSMISSION ASSEMBLY Ford		9R3Z-7000-ARM	
9C3Z-7000-JRM		9L2Z-7000-CARM		Expedition	2009	AUTOMATIC TRANSMISSION ASSEMBLY Ford	
AUTOMATIC TRANSMISSION ASSEMBLY Ford		AUTOMATIC TRANSMISSION ASSEMBLY Ford		F-Series	2009	Mustang	2010-2009
F-Series	2016-2009	Explorer	2009	Lincoln		9R3Z-7000-BRM	
9E5Z-7000-C		Explorer Sport Trac	2009	Navigator	2009	AUTOMATIC TRANSMISSION ASSEMBLY Ford	
AUTOMATIC TRANSMISSION ASSEMBLY Ford		Mercury		9L3Z-7000-FARM		Mustang	2010-2009
Fusion	2010	Mountaineer	2009	AUTOMATIC TRANSMISSION ASSEMBLY Ford		9W1Z-7000-ARM	
Mercury		9L2Z-7000-CRM		F-Series	2009	AUTOMATIC TRANSMISSION ASSEMBLY Lincoln	
Milan	2010	AUTOMATIC TRANSMISSION ASSEMBLY Ford		9L8Z-7000-ARM		Town Car	2009
9E5Z-7000-D		Explorer	2010-2009	AUTOMATIC TRANSMISSION ASSEMBLY Ford		9W1Z-7000-DRM	
AUTOMATIC TRANSMISSION ASSEMBLY Ford		Explorer Sport Trac	2010-2009	Escape	2009	AUTOMATIC TRANSMISSION ASSEMBLY Lincoln	
Fusion	2010	Mercury		Mazda		Town Car	2009
9E5Z-7000-E		Mountaineer	2010-2009	Tribute	2009	9W7Z-7000-ARM	
AUTOMATIC TRANSMISSION ASSEMBLY Ford		9L2Z-7000-DARM		Mercury		AUTOMATIC TRANSMISSION ASSEMBLY Ford	
Fusion	2010	AUTOMATIC TRANSMISSION ASSEMBLY Ford		Mariner	2009	Crown Victoria	2009
9E5Z-7000-N		Explorer	2009	9L8Z-7000-BRM		Mercury	
AUTOMATIC TRANSMISSION ASSEMBLY Ford		Explorer Sport Trac	2009	AUTOMATIC TRANSMISSION ASSEMBLY Ford		Grand Marquis	2009
Fusion	2010	Mercury		Escape	2010-2009	9W7Z-7000-CRM	
9E7Z-7000-ARM		Mountaineer	2009	Mazda		AUTOMATIC TRANSMISSION ASSEMBLY Ford	
AUTOMATIC TRANSMISSION ASSEMBLY Ford		9L2Z-7000-DRM		Tribute	2010-2009	Crown Victoria	2009
LCF	2009	AUTOMATIC TRANSMISSION ASSEMBLY Ford		Mercury		Lincoln	
9E7Z-7000-BRM		Explorer Sport Trac	2010-2009	Mariner	2010-2009	Town Car	2009
AUTOMATIC TRANSMISSION ASSEMBLY Ford		9L3Z-7000-CARM		9L8Z-7000-CRM		AA5Z-7000-BRM	
LCF	2009	AUTOMATIC TRANSMISSION ASSEMBLY Ford		AUTOMATIC TRANSMISSION ASSEMBLY Ford		AUTOMATIC TRANSMISSION ASSEMBLY Ford	
9E7Z-7000-BRM		F-Series	2009	Escape	2010-2009	Taurus	2010
AUTOMATIC TRANSMISSION ASSEMBLY Ford				Mazda		Lincoln	
LCF	2009			Tribute	2010-2009	MKS	2010

BUYER'S GUIDE

Transmission Assemblies



FORD PARTS

Make	Year	Make	Year	Make	Year	Make	Year
AA5Z-7000-DRM		AA8Z-7000-FRM cont'd		AA8Z-7000-S cont'd		AC3Z-7000-G	
AUTOMATIC TRANSMISSION ASSEMBLY		MKT	2012-2010	MKX	2010	AUTOMATIC TRANSMISSION ASSEMBLY	
Ford		MKX	2009	AA8Z-7000-T		Ford	
Flex	2010	AA8Z-7000-GRM		AUTOMATIC TRANSMISSION ASSEMBLY		Econoline	2016-2009
Taurus	2010	AUTOMATIC TRANSMISSION ASSEMBLY		Ford		F-Series	2010
Lincoln		Edge	2010-2009	Taurus	2012-2010	AE5Z-7000-ARM	
MKT	2010	AA8Z-7000-HRM		AA8Z-7000-U		AUTOMATIC TRANSMISSION ASSEMBLY	
AA5Z-7000-G		AUTOMATIC TRANSMISSION ASSEMBLY		AUTOMATIC TRANSMISSION ASSEMBLY		Ford	
AUTOMATIC TRANSMISSION ASSEMBLY		Ford		Ford		Fusion	2010
Taurus	2012-2011	Taurus	2012-2010	Taurus	2012-2010	Mercury	
AA5Z-7000-GRM		AA8Z-7000-J		AA8Z-7000-V		Milan	
AUTOMATIC TRANSMISSION ASSEMBLY		AUTOMATIC TRANSMISSION ASSEMBLY		AUTOMATIC TRANSMISSION ASSEMBLY		AE5Z-7000-BRM	
Ford		Ford		Ford		AUTOMATIC TRANSMISSION ASSEMBLY	
Taurus	2012-2010	Taurus	2010	Flex	2012-2009	Ford	
Lincoln		AA8Z-7000-JRM		Taurus	2012-2010	Fusion	
MKS	2012-2010	AUTOMATIC TRANSMISSION ASSEMBLY		Lincoln		Mercury	
AA5Z-7000-HRM		Ford		MKS	2012-2009	Milan	
AUTOMATIC TRANSMISSION ASSEMBLY		Taurus		MKT	2012-2010	2010	
Ford		2012-2010		AC2Z-7000-C		AE5Z-7000-C	
Flex	2012-2011	AA8Z-7000-KRM		AUTOMATIC TRANSMISSION ASSEMBLY		AUTOMATIC TRANSMISSION ASSEMBLY	
Taurus	2012-2010	AUTOMATIC TRANSMISSION ASSEMBLY		Ford		Ford	
Lincoln		Edge	2009	Econoline	2014-2010	Fusion	
MKT	2012-2011	Flex	2012-2009	AC2Z-7000-CRM		2012-2010	
AA5Z-7000-J		Taurus	2012-2010	AUTOMATIC TRANSMISSION ASSEMBLY		AE5Z-7000-CRM	
AUTOMATIC TRANSMISSION ASSEMBLY		Lincoln		Ford		AUTOMATIC TRANSMISSION ASSEMBLY	
Taurus	2012	MKS	2012-2010	Econoline	2014-2010	Ford	
Lincoln		MKT	2012-2010	AC2Z-7000-D		AUTOMATIC TRANSMISSION ASSEMBLY	
MKS	2012-2011	MKX	2009	AUTOMATIC TRANSMISSION ASSEMBLY		Ford	
AA5Z-7000-K		AA8Z-7000-N		Ford		AE5Z-7000-D	
AUTOMATIC TRANSMISSION ASSEMBLY		AUTOMATIC TRANSMISSION ASSEMBLY		Econoline		AUTOMATIC TRANSMISSION ASSEMBLY	
Ford		Ford		2016-2010		Ford	
Flex	2012-2010	Flex	2011	AC2Z-7000-DRM		Fusion	
Taurus	2012-2010	Taurus	2012	AUTOMATIC TRANSMISSION ASSEMBLY		2012-2010	
Lincoln		Lincoln		Ford		AE5Z-7000-FRM	
MKT	2012-2010	MKT	2011	Econoline	2014-2010	AUTOMATIC TRANSMISSION ASSEMBLY	
AA8Z-7000-FRM		AA8Z-7000-S		AC3Z-7000-E		Ford	
AUTOMATIC TRANSMISSION ASSEMBLY		AUTOMATIC TRANSMISSION ASSEMBLY		AUTOMATIC TRANSMISSION ASSEMBLY		Fusion	
Ford		Ford		Ford		2012-2010	
Edge	2009	Edge	2010	Econoline	2016-2009	Lincoln	
Flex	2012-2009	Flex	2012-2009	F-Series	2016, 2010	MKZ	2012-2010
Taurus	2012-2010	Taurus	2012-2010	AC3Z-7000-F		AE5Z-7000-GRM	
Lincoln		Lincoln		AUTOMATIC TRANSMISSION ASSEMBLY		AUTOMATIC TRANSMISSION ASSEMBLY	
MKS	2012-2010	MKS	2012-2009	Ford		Ford	
		MKT	2012-2010	Econoline	2016-2010	Fusion	
				F-Series		2012-2010	
				2010		Lincoln	
						MKZ	
						2012-2010	



Make	Year	Make	Year	Make	Year	Make	Year
AL1Z-7000-ARM		AL3Z-7000-DRM		BA5Z-7000-CRM		BA8Z-7000-N	
AUTOMATIC TRANSMISSION ASSEMBLY Ford		AUTOMATIC TRANSMISSION ASSEMBLY Ford		AUTOMATIC TRANSMISSION ASSEMBLY Ford		AUTOMATIC TRANSMISSION ASSEMBLY Ford	
Expedition	2010	F-Series	2010	Explorer	2012-2011	Edge	2012-2011
Lincoln		AL3Z-7000-H		BA5Z-7000-D		BA8Z-7000-P	
Navigator	2010	AUTOMATIC TRANSMISSION ASSEMBLY Ford		AUTOMATIC TRANSMISSION ASSEMBLY Ford		AUTOMATIC TRANSMISSION ASSEMBLY Ford	
AL2Z-7000-ARM		F-Series	2010	Explorer	2012-2011	Edge	2012-2011
AUTOMATIC TRANSMISSION ASSEMBLY Ford		AL3Z-7000-HRM		BA5Z-7000-E		Explorer	2012
Explorer	2010	AUTOMATIC TRANSMISSION ASSEMBLY Ford		AUTOMATIC TRANSMISSION ASSEMBLY Ford		BA8Z-7000-R	
Explorer Sport Trac	2010	F-Series	2010	Explorer	2012-2011	AUTOMATIC TRANSMISSION ASSEMBLY Ford	
Mercury		AL3Z-7000-MRM		BA8Z-7000-ARM		Edge	2012-2011
Mountaineer	2010	AUTOMATIC TRANSMISSION ASSEMBLY Ford		AUTOMATIC TRANSMISSION ASSEMBLY Ford		Explorer	2012
AL2Z-7000-B		F-Series	2010	Edge	2012-2011	BB5Z-7000-L	
AUTOMATIC TRANSMISSION ASSEMBLY Ford		AL3Z-7000-NRM		Lincoln		AUTOMATIC TRANSMISSION ASSEMBLY Ford	
Explorer	2010-2009	AUTOMATIC TRANSMISSION ASSEMBLY Ford		MKX	2012-2011	Edge	2013-2012
Explorer Sport Trac	2010-2009	F-Series	2010	BA8Z-7000-ERM		Explorer	2013-2012
AL2Z-7000-BRM		AM6Z-7000-A		AUTOMATIC TRANSMISSION ASSEMBLY Ford		BB5Z-7000-LRM	
AUTOMATIC TRANSMISSION ASSEMBLY Ford		AUTOMATIC TRANSMISSION ASSEMBLY Ford		Edge	2012-2011	AUTOMATIC TRANSMISSION ASSEMBLY Ford	
Explorer	2010	Escape	2012-2009	Lincoln		Edge	2012
Explorer Sport Trac	2010	AW1Z-7000-DRM		MKX	2012-2011	Explorer	2012
Mercury		AUTOMATIC TRANSMISSION ASSEMBLY Lincoln		BA8Z-7000-FRM		BB5Z-7000-S	
Mountaineer	2010	Town Car	2011-2010	AUTOMATIC TRANSMISSION ASSEMBLY Ford		AUTOMATIC TRANSMISSION ASSEMBLY Ford	
AL2Z-7000-C		AW7Z-7000-ARM		Edge	2012-2011	Explorer	2013-2012
AUTOMATIC TRANSMISSION ASSEMBLY Ford		AUTOMATIC TRANSMISSION ASSEMBLY Ford		Explorer	2012-2011	BC3Z-7000-G	
Explorer	2010	Crown Victoria	2011-2010	BA8Z-7000-GRM		AUTOMATIC TRANSMISSION ASSEMBLY Ford	
AL3Z-7000-ARM		AW7Z-7000-CRM		AUTOMATIC TRANSMISSION ASSEMBLY Ford		F-Series	2011
AUTOMATIC TRANSMISSION ASSEMBLY Ford		AUTOMATIC TRANSMISSION ASSEMBLY Ford		Edge	2012-2011	BC3Z-7000-GRM	
Expedition	2010	Crown Victoria	2011-2010	BA8Z-7000-KRM		AUTOMATIC TRANSMISSION ASSEMBLY Ford	
F-Series	2010	Lincoln		AUTOMATIC TRANSMISSION ASSEMBLY Ford		F-Series	2011
Lincoln		Town Car	2011-2010	Edge	2012-2011	BC3Z-7000-HRM	
Navigator	2010	BA5Z-7000-BRM		Explorer	2012-2011	AUTOMATIC TRANSMISSION ASSEMBLY Ford	
AL3Z-7000-BRM		AUTOMATIC TRANSMISSION ASSEMBLY Ford		BA8Z-7000-L		F-Series	2011
AUTOMATIC TRANSMISSION ASSEMBLY Ford		Explorer	2012-2011	AUTOMATIC TRANSMISSION ASSEMBLY Ford		BC3Z-7000-J	
F-Series	2010			Edge	2012-2011	AUTOMATIC TRANSMISSION ASSEMBLY Ford	
AL3Z-7000-CRM				Lincoln		F-Series	2011
AUTOMATIC TRANSMISSION ASSEMBLY Ford				MKX	2012-2011	AUTOMATIC TRANSMISSION ASSEMBLY Ford	
F-Series	2010					F-Series	2011

BUYER'S GUIDE

Transmission Assemblies



FORD PARTS

Make	Year	Make	Year	Make	Year	Make	Year
BC3Z-7000-JRM		BE5Z-7000-CRM		BL3Z-7000-A		BL3Z-7000-DDRM	
AUTOMATIC TRANSMISSION ASSEMBLY		AUTOMATIC TRANSMISSION ASSEMBLY		AUTOMATIC TRANSMISSION ASSEMBLY		AUTOMATIC TRANSMISSION ASSEMBLY	
Ford		Ford		Ford		Ford	
F-Series	2011	Fusion	2012-2011	F-Series	2014-2011	F-Series	2013-2011
BC3Z-7000-KRM		Mercury		BL3Z-7000-ABRM		BL3Z-7000-DRM	
AUTOMATIC TRANSMISSION ASSEMBLY		Milan	2011	AUTOMATIC TRANSMISSION ASSEMBLY		AUTOMATIC TRANSMISSION ASSEMBLY	
Ford		BE5Z-7000-D		Ford		Ford	
F-Series	2011	AUTOMATIC TRANSMISSION ASSEMBLY		F-Series	2012-2011	F-Series	2014-2011
BC3Z-7000-LRM		Ford		BL3Z-7000-ARM		BL3Z-7000-E	
AUTOMATIC TRANSMISSION ASSEMBLY		Fusion	2012-2011	AUTOMATIC TRANSMISSION ASSEMBLY		AUTOMATIC TRANSMISSION ASSEMBLY	
Ford		Mercury		Ford		Ford	
F-Series	2011	Milan	2011	F-Series	2013-2011	F-Series	2014-2011
BC3Z-7000-MRM		BE5Z-7000-DRM		BL3Z-7000-B		BL3Z-7000-EBRM	
AUTOMATIC TRANSMISSION ASSEMBLY		AUTOMATIC TRANSMISSION ASSEMBLY		AUTOMATIC TRANSMISSION ASSEMBLY		AUTOMATIC TRANSMISSION ASSEMBLY	
Ford		Ford		Ford		Ford	
F-Series	2011	Fusion	2011	F-Series	2014-2011	F-Series	2012-2011
BC3Z-7000-U		Lincoln		BL3Z-7000-BBRM		BL3Z-7000-F	
AUTOMATIC TRANSMISSION ASSEMBLY		MKZ	2011	AUTOMATIC TRANSMISSION ASSEMBLY		AUTOMATIC TRANSMISSION ASSEMBLY	
Ford		Mercury		Ford		Ford	
F-Series	2011	Milan	2011	F-Series	2012-2011	F-Series	2014-2011
BE5Z-7000-A		BL1Z-7000-A		BL3Z-7000-BRM		BL3Z-7000-FBRM	
AUTOMATIC TRANSMISSION ASSEMBLY		AUTOMATIC TRANSMISSION ASSEMBLY		AUTOMATIC TRANSMISSION ASSEMBLY		AUTOMATIC TRANSMISSION ASSEMBLY	
Ford		Ford		Ford		Ford	
Fusion	2012-2011	Expedition	2011-2009	F-Series	2014-2011	F-Series	2013-2011
BE5Z-7000-ARM		BL1Z-7000-ARM		BL3Z-7000-C		BL3Z-7000-G	
AUTOMATIC TRANSMISSION ASSEMBLY		AUTOMATIC TRANSMISSION ASSEMBLY		AUTOMATIC TRANSMISSION ASSEMBLY		AUTOMATIC TRANSMISSION ASSEMBLY	
Ford		Ford		Ford		Ford	
Edge	2011	Expedition	2011	F-Series	2014-2011	F-Series	2014-2011
Escape	2011	Lincoln		BL3Z-7000-CBRM		BL3Z-7000-GBRM	
Explorer	2011	Navigator	2011	AUTOMATIC TRANSMISSION ASSEMBLY		AUTOMATIC TRANSMISSION ASSEMBLY	
BE5Z-7000-B		BL1Z-7000-B		Ford		Ford	
AUTOMATIC TRANSMISSION ASSEMBLY		AUTOMATIC TRANSMISSION ASSEMBLY		F-Series	2012-2011	F-Series	2012-2011
Ford		Ford		BL3Z-7000-CRM		BL3Z-7000-H	
Fusion	2012-2011	Expedition	2011	AUTOMATIC TRANSMISSION ASSEMBLY		AUTOMATIC TRANSMISSION ASSEMBLY	
Mercury		Lincoln		Ford		Ford	
Milan	2011-2010	Navigator	2011	F-Series	2013-2011	F-Series	2014-2011
BE5Z-7000-C		BL1Z-7000-BRM		BL3Z-7000-D		BL3Z-7000-HBRM	
AUTOMATIC TRANSMISSION ASSEMBLY		AUTOMATIC TRANSMISSION ASSEMBLY		AUTOMATIC TRANSMISSION ASSEMBLY		AUTOMATIC TRANSMISSION ASSEMBLY	
Ford		Ford		Ford		Ford	
Fusion	2012-2011	Expedition	2011	F-Series	2014-2011	F-Series	2014-2011
Mercury		Lincoln					
Milan	2011	Navigator	2011				



Make	Year	Make	Year	Make	Year	Make	Year
BL8Z-7000-E		BL8Z-7000-GRM cont'd		BR3Z-7000-C		CC3Z-7000-CRM	
AUTOMATIC TRANSMISSION ASSEMBLY		Fusion	2011	AUTOMATIC TRANSMISSION ASSEMBLY		AUTOMATIC TRANSMISSION ASSEMBLY	
Ford		Mercury		Ford		Ford	
Escape	2012-2011	Milan	2011	Mustang	2014	F-Series	2012
Mazda		BL8Z-7000-H		BT1Z-7000-A		CC3Z-7000-D	
Tribute		AUTOMATIC TRANSMISSION ASSEMBLY		AUTOMATIC TRANSMISSION ASSEMBLY		AUTOMATIC TRANSMISSION ASSEMBLY	
2011		Ford		Ford		Ford	
Mercury		Escape	2012-2011	Transit Connect	2013-2011	F-Series	2011
Mariner		2011		BT1Z-7000-BRM		CC3Z-7000-DRM	
2011		Mazda		AUTOMATIC TRANSMISSION ASSEMBLY		AUTOMATIC TRANSMISSION ASSEMBLY	
BL8Z-7000-ERM		Tribute		Ford		Ford	
AUTOMATIC TRANSMISSION ASSEMBLY		2011		Transit Connect		2013-2011	
Ford		Mercury		2013-2011		2012	
Edge	2011	Mariner		2011		F-Series	
Escape	2011	2011		BU9Z-7000-A		CC3Z-7000-E	
Explorer	2011	BL8Z-7000-HRM		AUTOMATIC TRANSMISSION ASSEMBLY		AUTOMATIC TRANSMISSION ASSEMBLY	
Fusion	2011	AUTOMATIC TRANSMISSION ASSEMBLY		Ford		Ford	
Mercury		Escape	2011	F53		2015-2011	
Milan		Fusion	2011	2015-2011		F-Series	
2011		Mercury		BU9Z-7000-ARM		CC3Z-7000-ERM	
BL8Z-7000-F		Milan		AUTOMATIC TRANSMISSION ASSEMBLY		AUTOMATIC TRANSMISSION ASSEMBLY	
AUTOMATIC TRANSMISSION ASSEMBLY		2011		Ford		Ford	
Ford		BR3Z-7000-A		F-Series		2012-2011	
Escape	2012-2011	AUTOMATIC TRANSMISSION ASSEMBLY		2012-2011		F-Series	
Mazda		Ford		2012-2011		2012	
Tribute		Mustang		2014-2011		CC3Z-7000-FRM	
2011		BR3Z-7000-ABRM		AUTOMATIC TRANSMISSION ASSEMBLY		AUTOMATIC TRANSMISSION ASSEMBLY	
Mercury		AUTOMATIC TRANSMISSION ASSEMBLY		Ford		Ford	
Mariner		Ford		Focus		2013-2012	
2011		Mustang		2013-2012		F-Series	
BL8Z-7000-FRM		2012-2011		CA6Z-7000-H		CC3Z-7000-GRM	
AUTOMATIC TRANSMISSION ASSEMBLY		BR3Z-7000-ARM		AUTOMATIC TRANSMISSION ASSEMBLY		AUTOMATIC TRANSMISSION ASSEMBLY	
Ford		AUTOMATIC TRANSMISSION ASSEMBLY		Ford		Ford	
Edge	2011	Ford		Fiesta		2014	
Escape	2011	Mustang		2014		F-Series	
Explorer	2011	2014-2011		CA6Z-7000-L		CC3Z-7000-J	
Fusion	2011	BR3Z-7000-B		AUTOMATIC TRANSMISSION ASSEMBLY		AUTOMATIC TRANSMISSION ASSEMBLY	
Mercury		AUTOMATIC TRANSMISSION ASSEMBLY		Ford		Ford	
Milan		Ford		Fiesta		2015-2011	
2011		Mustang		2015-2011		F-Series	
BL8Z-7000-G		2014-2013		CA6Z-7000-M		CC3Z-7000-JRM	
AUTOMATIC TRANSMISSION ASSEMBLY		BR3Z-7000-BBRM		AUTOMATIC TRANSMISSION ASSEMBLY		AUTOMATIC TRANSMISSION ASSEMBLY	
Ford		AUTOMATIC TRANSMISSION ASSEMBLY		Ford		Ford	
Escape	2012-2011	Ford		Fiesta		2012	
Mazda		Mustang		2014		F-Series	
Tribute		2012-2011		CA6Z-7000-M		CC3Z-7000-JRM	
2011		BR3Z-7000-BRM		AUTOMATIC TRANSMISSION ASSEMBLY		AUTOMATIC TRANSMISSION ASSEMBLY	
Mercury		AUTOMATIC TRANSMISSION ASSEMBLY		Ford		Ford	
Mariner		Ford		Fiesta		2012	
2011		Mustang		2014		F-Series	
BL8Z-7000-GRM		2014-2011		2014		2012	
AUTOMATIC TRANSMISSION ASSEMBLY		2014-2011		2014		2012	
Ford		2014-2011		2014		2012	
Escape	2011	2014-2011		2014		2012	

BUYER'S GUIDE

Transmission Assemblies



FORD PARTS

Make	Year	Make	Year	Make	Year	Make	Year
CC3Z-7000-R		CK4Z-7000-A		CL1Z-7000-ARM		CV6Z-7000-B	
AUTOMATIC TRANSMISSION ASSEMBLY Ford		AUTOMATIC TRANSMISSION ASSEMBLY Ford		AUTOMATIC TRANSMISSION ASSEMBLY Ford		AUTOMATIC TRANSMISSION ASSEMBLY Ford	
F-Series	2014-2011	Transit-250	2015	Expedition	2012	Escape	2014-2013
CC3Z-7000-S		Transit-350	2015	Lincoln		CV6Z-7000-E	
AUTOMATIC TRANSMISSION ASSEMBLY Ford		Transit-350 HD	2015	Navigator	2012	AUTOMATIC TRANSMISSION ASSEMBLY Ford	
F-Series	2014-2012	CK4Z-7000-C		CL1Z-7000-B		Escape	2015-2013
CC3Z-7000-T		AUTOMATIC TRANSMISSION ASSEMBLY Ford		AUTOMATIC TRANSMISSION ASSEMBLY Ford		CV6Z-7000-FA	
AUTOMATIC TRANSMISSION ASSEMBLY Ford		Transit-250	2015	Expedition	2014-2012	AUTOMATIC TRANSMISSION ASSEMBLY Ford	
F-Series	2014-2012	Transit-350	2015	Lincoln		Escape	2016-2015
CC3Z-7000-U		Transit-350 HD	2015	Navigator	2014-2012	CV6Z-7000-HA	
AUTOMATIC TRANSMISSION ASSEMBLY Ford		CK4Z-7000-D		CL1Z-7000-BBRM		AUTOMATIC TRANSMISSION ASSEMBLY Ford	
F-Series	2014-2011	AUTOMATIC TRANSMISSION ASSEMBLY Ford		Expedition	2012	Escape	2016-2014
CC3Z-7000-V		Transit-150	2015	Lincoln		CV6Z-7000-V	
AUTOMATIC TRANSMISSION ASSEMBLY Ford		Transit-250	2015	Navigator	2012	AUTOMATIC TRANSMISSION ASSEMBLY Ford	
F-Series	2014-2012	Transit-350	2015	CL1Z-7000-BBRM		Escape	2015-2013
CC3Z-7000-W		Transit-350 HD	2015	AUTOMATIC TRANSMISSION ASSEMBLY Ford		CV6Z-7000-VD	
AUTOMATIC TRANSMISSION ASSEMBLY Ford		CK4Z-7000-E		Expedition	2012	AUTOMATIC TRANSMISSION ASSEMBLY Ford	
F-Series	2014-2012	AUTOMATIC TRANSMISSION ASSEMBLY Ford		Lincoln		Escape	2018-2017
CC4Z-7000-A		Transit-150	2015	Navigator	2012	CV6Z-7000-W	
AUTOMATIC TRANSMISSION ASSEMBLY Ford		Transit-250	2015	CL1Z-7000-BRM		AUTOMATIC TRANSMISSION ASSEMBLY Ford	
F650	2014-2012	Transit-350	2015	AUTOMATIC TRANSMISSION ASSEMBLY Ford		Escape	2014
CC4Z-7000-ARM		Transit-350 HD	2015	Expedition	2012	CV6Z-7000-X	
AUTOMATIC TRANSMISSION ASSEMBLY Ford		CK4Z-7000-F		Lincoln		AUTOMATIC TRANSMISSION ASSEMBLY Ford	
F650	2015-2012	AUTOMATIC TRANSMISSION ASSEMBLY Ford		Navigator	2012	Escape	2015-2013
CC4Z-7000-B		Transit-150	2015	CT4Z-7000-N		Escape	2016-2014
AUTOMATIC TRANSMISSION ASSEMBLY Ford		Transit-250	2015	AUTOMATIC TRANSMISSION ASSEMBLY Ford		CV6Z-7000-X	
F650	2014-2012	Transit-350	2015	Edge	2013-2011	AUTOMATIC TRANSMISSION ASSEMBLY Ford	
CC4Z-7000-BRM		Transit-350 HD	2015	Lincoln		Escape	2015-2013
AUTOMATIC TRANSMISSION ASSEMBLY Ford		CL1Z-7000-A		MKX	2013-2012	Escape	2016-2014
F650	2015-2012	AUTOMATIC TRANSMISSION ASSEMBLY Ford		CT4Z-7000-NRM		CV6Z-7000-XRM	
CL1Z-7000-ABRM		Expedition	2014-2012	AUTOMATIC TRANSMISSION ASSEMBLY Ford		AUTOMATIC TRANSMISSION ASSEMBLY Ford	
AUTOMATIC TRANSMISSION ASSEMBLY Ford		Lincoln		Edge	2013-2012	Escape	2016-2015
Expedition	2012	Navigator	2014-2012	CV6Z-7000-A			
Lincoln		CL1Z-7000-ABRM		AUTOMATIC TRANSMISSION ASSEMBLY Ford			
Navigator	2012	AUTOMATIC TRANSMISSION ASSEMBLY Ford		Escape	2014-2013		
		Expedition	2012				
		Lincoln					
		Navigator	2012				



Make	Year	Make	Year	Make	Year	Make	Year
CV6Z-7000-Y		DA5Z-7000-KRM		DA8Z-7000-B		DA8Z-7000-FRM	
AUTOMATIC TRANSMISSION ASSEMBLY		AUTOMATIC TRANSMISSION ASSEMBLY		AUTOMATIC TRANSMISSION ASSEMBLY		AUTOMATIC TRANSMISSION ASSEMBLY	
Ford		Ford		Ford		Ford	
Escape	2016	Police Interceptor Utility	2013	Flex	2013	Edge	2014-2013
DA5Z-7000-ARM		DA5Z-7000-L		DA8Z-7000-BRM		Police Interceptor Sedan	2014-2013
AUTOMATIC TRANSMISSION ASSEMBLY		AUTOMATIC TRANSMISSION ASSEMBLY		AUTOMATIC TRANSMISSION ASSEMBLY		Taurus	2014-2013
Ford		Ford		Ford		DA8Z-7000-G	
Explorer	2014-2013	Special Service	2017-2014	Flex	2014-2013	AUTOMATIC TRANSMISSION ASSEMBLY	
Police Interceptor Sedan	2014-2013	Police Sedan		DA8Z-7000-C		Ford	
Lincoln		Taurus	2018-2014	AUTOMATIC TRANSMISSION ASSEMBLY		Explorer	2016-2013
MKT	2014-2013	Lincoln		Ford		DA8Z-7000-GRM	
DA5Z-7000-B		MKS	2014	Edge	2013	AUTOMATIC TRANSMISSION ASSEMBLY	
AUTOMATIC TRANSMISSION ASSEMBLY		DA5Z-7000-M		Lincoln		Ford	
Ford		AUTOMATIC TRANSMISSION ASSEMBLY		MKT	2013	Explorer	2014-2013
Taurus	2013	Ford		MKT	2013	DA8Z-7000-H	
DA5Z-7000-BRM		Explorer	2018-2013	DA8Z-7000-CRM		AUTOMATIC TRANSMISSION ASSEMBLY	
AUTOMATIC TRANSMISSION ASSEMBLY		Flex	2014-2013	AUTOMATIC TRANSMISSION ASSEMBLY		Ford	
Ford		Police Interceptor Utility	2018-2014	Ford		Edge	2013
Taurus	2014-2013	Special Service	2018-2014	Edge	2014-2013	DA8Z-7000-HRM	
Lincoln		Police Sedan	2014-2013	Police Interceptor Sedan	2014-2013	AUTOMATIC TRANSMISSION ASSEMBLY	
MKS	2014-2013	Taurus	2014-2013	Lincoln		Ford	
DA5Z-7000-DRM		Lincoln		MKS	2014-2013	Edge	2014-2013
AUTOMATIC TRANSMISSION ASSEMBLY		MKT	2014-2013	MKT	2014-2013	DA8Z-7000-J	
Ford		DA5Z-7000-N		DA8Z-7000-D		AUTOMATIC TRANSMISSION ASSEMBLY	
Explorer	2014-2013	AUTOMATIC TRANSMISSION ASSEMBLY		AUTOMATIC TRANSMISSION ASSEMBLY		Ford	
Flex	2014-2013	Ford		Ford		Edge	2014-2013
Police Interceptor Sedan	2014-2013	Explorer	2018-2013	Explorer	2018-2014	Lincoln	
Police Interceptor Utility	2014	Police Interceptor Sedan	2014-2013	DA8Z-7000-E		MKS	2016-2013
Taurus	2014-2013	Police Interceptor Utility	2018-2014	AUTOMATIC TRANSMISSION ASSEMBLY		MKT	2018-2014
Lincoln		Lincoln		Ford		MKT	2018-2014
MKT	2014-2013	MKT	2016-2013	Taurus	2013	MKS	2016-2013
DA5Z-7000-E		DA5Z-7000-P		DA8Z-7000-ERM		DA8Z-7000-K	
AUTOMATIC TRANSMISSION ASSEMBLY		AUTOMATIC TRANSMISSION ASSEMBLY		AUTOMATIC TRANSMISSION ASSEMBLY		AUTOMATIC TRANSMISSION ASSEMBLY	
Ford		Ford		Ford		Ford	
Explorer	2013	Explorer	2018-2013	Edge	2014-2013	Explorer	2018-2013
DA5Z-7000-ERM		DA8Z-7000-A		Police Interceptor Sedan	2014-2013	Flex	2018-2013
AUTOMATIC TRANSMISSION ASSEMBLY		AUTOMATIC TRANSMISSION ASSEMBLY		Taurus	2014-2013	DA8Z-7000-KRM	
Ford		Ford		Lincoln		AUTOMATIC TRANSMISSION ASSEMBLY	
Explorer	2014-2013	Explorer	2013	MKS	2014-2013	Ford	
DA5Z-7000-K		Flex	2013	MKT	2014-2013	Explorer	2016-2015
AUTOMATIC TRANSMISSION ASSEMBLY		DA8Z-7000-ARM		MKT	2014-2013	DA8Z-7000-L	
Ford		AUTOMATIC TRANSMISSION ASSEMBLY		DA8Z-7000-F		AUTOMATIC TRANSMISSION ASSEMBLY	
Police Interceptor Utility	2013	Ford		AUTOMATIC TRANSMISSION ASSEMBLY		Ford	
		Explorer	2014-2013	Ford		Edge	2014-2013
		Flex	2014-2013	Taurus	2013		

BUYER'S GUIDE

Transmission Assemblies



FORD PARTS

Make	Year	Make	Year	Make	Year	Make	Year
DA8Z-7000-L cont'd		DA8Z-7000-TC		DB5Z-7000-S		DG9Z-7000-G	
Police Interceptor Sedan	2018-2013	AUTOMATIC TRANSMISSION ASSEMBLY Lincoln		AUTOMATIC TRANSMISSION ASSEMBLY Ford		AUTOMATIC TRANSMISSION ASSEMBLY Lincoln	
Special Service Police Sedan	2018-2014	MKX	2016	Explorer	2015-2013	MKZ	2013
Taurus	2018-2014	MKZ	2016-2014	DE9Z-7000-L		DG9Z-7000-J	
Lincoln		DA8Z-7000-TD		AUTOMATIC TRANSMISSION ASSEMBLY Ford		AUTOMATIC TRANSMISSION ASSEMBLY Ford	
MKS	2016-2013	AUTOMATIC TRANSMISSION ASSEMBLY Lincoln		Edge	2015-2013	Fusion	2014-2013
DA8Z-7000-MC		AUTOMATIC TRANSMISSION ASSEMBLY Lincoln		Explorer	2015-2013	Lincoln	
AUTOMATIC TRANSMISSION ASSEMBLY Ford		Continental	2018-2017	Lincoln		MKZ	2014-2013
Edge	2018-2013	DA8Z-7000-TRM		MKT	2015-2013	DG9Z-7000-K	
Police Interceptor Sedan	2015-2013	AUTOMATIC TRANSMISSION ASSEMBLY Lincoln		DE9Z-7000-M		AUTOMATIC TRANSMISSION ASSEMBLY Ford	
Special Service Police Sedan	2015-2014	MKZ	2014-2013	AUTOMATIC TRANSMISSION ASSEMBLY Lincoln		Fusion	2015
Taurus	2016-2014	DA8Z-7000-U		MKT	2018-2016	Lincoln	
DA8Z-7000-NC		AUTOMATIC TRANSMISSION ASSEMBLY Ford		DG1Z-7000-Y		DG9Z-7000-KB	
AUTOMATIC TRANSMISSION ASSEMBLY Ford		Taurus	2016-2013	AUTOMATIC TRANSMISSION ASSEMBLY Ford		AUTOMATIC TRANSMISSION ASSEMBLY Ford	
Edge	2018-2016	DA8Z-7000-URM		Special Service Police Sedan	2015-2014	Fusion	2016
DA8Z-7000-NRM		AUTOMATIC TRANSMISSION ASSEMBLY Ford		Taurus	2016-2013	DG9Z-7000-L	
AUTOMATIC TRANSMISSION ASSEMBLY Ford		Taurus	2014-2013	DG9Z-7000-C		AUTOMATIC TRANSMISSION ASSEMBLY Ford	
Edge	2014-2013	DA8Z-7000-V		AUTOMATIC TRANSMISSION ASSEMBLY Ford		AUTOMATIC TRANSMISSION ASSEMBLY Ford	
DA8Z-7000-P		AUTOMATIC TRANSMISSION ASSEMBLY Ford		Fusion	2014	Fusion	2015
AUTOMATIC TRANSMISSION ASSEMBLY Lincoln		Edge	2014-2013	DG9Z-7000-E		DG9Z-7000-M	
MKZ	2013	DA8Z-7000-W		AUTOMATIC TRANSMISSION ASSEMBLY Lincoln		AUTOMATIC TRANSMISSION ASSEMBLY Ford	
DA8Z-7000-PRM		AUTOMATIC TRANSMISSION ASSEMBLY Lincoln		MKZ	2015-2013	Fusion	2015-2013
AUTOMATIC TRANSMISSION ASSEMBLY Lincoln		MKZ	2014-2013	DG9Z-7000-ED		DG9Z-7000-MC	
MKZ	2014-2013	DA8Z-7000-X		AUTOMATIC TRANSMISSION ASSEMBLY Ford		AUTOMATIC TRANSMISSION ASSEMBLY Ford	
DA8Z-7000-R		AUTOMATIC TRANSMISSION ASSEMBLY Ford		Fusion	2018-2017	Fusion	2016
AUTOMATIC TRANSMISSION ASSEMBLY Lincoln		Special Service Police Sedan	2018-2014	Lincoln		DG9Z-7000-S	
MKZ	2016-2014	Taurus	2014-2013	MKZ	2018-2016	AUTOMATIC TRANSMISSION ASSEMBLY Ford	
DA8Z-7000-S		DA8Z-7000-Y		DG9Z-7000-F		Fusion	2014-2013
AUTOMATIC TRANSMISSION ASSEMBLY Ford		AUTOMATIC TRANSMISSION ASSEMBLY Ford		AUTOMATIC TRANSMISSION ASSEMBLY Lincoln		Lincoln	
Flex	2018-2014	Edge	2014-2013	MKZ	2015-2013	MKZ	2014-2013
DA8Z-7000-T		DA8Z-7000-Z		DG9Z-7000-FD		DG9Z-7000-Y	
AUTOMATIC TRANSMISSION ASSEMBLY Lincoln		AUTOMATIC TRANSMISSION ASSEMBLY Lincoln		AUTOMATIC TRANSMISSION ASSEMBLY Ford		AUTOMATIC TRANSMISSION ASSEMBLY Ford	
MKZ	2013	Continental	2018-2017	Fusion	2018-2017	Edge	2018-2016
				Lincoln		Lincoln	
				MKZ	2018-2016	MKX	2018-2016



Make	Year	Make	Year	Make	Year	Make	Year
DG9Z-7000-Z		DV6Z-7000-CRM		EG1Z-7000-ARM cont'd		EG9Z-7000-FRM	
AUTOMATIC TRANSMISSION ASSEMBLY Ford		AUTOMATIC TRANSMISSION ASSEMBLY Ford		Taurus	2014-2013	AUTOMATIC TRANSMISSION ASSEMBLY Ford	
Edge	2018-2016	Transit Connect	2015-2014	EG9Z-7000-A		Fusion	2013
DL7Z-7000-ARM		DV6Z-7000-D		AUTOMATIC TRANSMISSION ASSEMBLY Ford		EG9Z-7000-GRM	
AUTOMATIC TRANSMISSION ASSEMBLY Lincoln		AUTOMATIC TRANSMISSION ASSEMBLY Ford		Fusion	2015-2014	AUTOMATIC TRANSMISSION ASSEMBLY Ford	
Navigator	2006-2005	Transit Connect	2016-2014	EG9Z-7000-AD		Fusion	2013
DL7Z-7000-BRM		DV6Z-7000-DRM		AUTOMATIC TRANSMISSION ASSEMBLY Ford		EG9Z-7000-HRM	
AUTOMATIC TRANSMISSION ASSEMBLY Lincoln		AUTOMATIC TRANSMISSION ASSEMBLY Ford		Fusion	2016	AUTOMATIC TRANSMISSION ASSEMBLY Ford	
Navigator	2006-2005	Transit Connect	2015-2014	EG9Z-7000-ARM		Fusion	2015-2014
DL7Z-7000-ERM		DV6Z-7000-E		AUTOMATIC TRANSMISSION ASSEMBLY Lincoln		EG9Z-7000-JRM	
AUTOMATIC TRANSMISSION ASSEMBLY Lincoln		AUTOMATIC TRANSMISSION ASSEMBLY Ford		MKZ	2015-2013	AUTOMATIC TRANSMISSION ASSEMBLY Ford	
Navigator	2007	Transit Connect	2016-2015	EG9Z-7000-B		Fusion	2014
DL7Z-7000-FRM		DV6Z-7000-G		AUTOMATIC TRANSMISSION ASSEMBLY Ford		EG9Z-7000-KRM	
AUTOMATIC TRANSMISSION ASSEMBLY Lincoln		AUTOMATIC TRANSMISSION ASSEMBLY Ford		Fusion	2014	AUTOMATIC TRANSMISSION ASSEMBLY Ford	
Navigator	2007	Transit Connect	2017-2015	EG9Z-7000-BC		Fusion	2015
DM5Z-7000-L		DV6Z-7000-P		AUTOMATIC TRANSMISSION ASSEMBLY Ford		EJ7Z-7000-H	
AUTOMATIC TRANSMISSION ASSEMBLY Ford		AUTOMATIC TRANSMISSION ASSEMBLY Ford		Fusion	2016	AUTOMATIC TRANSMISSION ASSEMBLY Lincoln	
C-Max	2018-2013	Transit Connect	2018-2017	EG9Z-7000-BRM		MKC	2015
DT4Z-7000-N		E9TZ-7V000-CRM		AUTOMATIC TRANSMISSION ASSEMBLY Lincoln		EJ7Z-7000-J	
AUTOMATIC TRANSMISSION ASSEMBLY Ford		AUTOMATIC TRANSMISSION ASSEMBLY Ford		MKZ	2014-2013	AUTOMATIC TRANSMISSION ASSEMBLY Lincoln	
Edge	2015-2013	F-Series	1989	EG9Z-7000-C		MKC	2015
DV6Z-7000-B		EB5Z-7000-ARM		AUTOMATIC TRANSMISSION ASSEMBLY Ford		EJ7Z-7000-K	
AUTOMATIC TRANSMISSION ASSEMBLY Ford		AUTOMATIC TRANSMISSION ASSEMBLY Ford		Fusion	2015	AUTOMATIC TRANSMISSION ASSEMBLY Lincoln	
Transit Connect	2015-2014	Explorer	2014-2013	EG9Z-7000-CRM		MKC	2015
DV6Z-7000-BRM		EE9Z-7000-ARM		AUTOMATIC TRANSMISSION ASSEMBLY Ford		EJ7Z-7000-L	
AUTOMATIC TRANSMISSION ASSEMBLY Ford		AUTOMATIC TRANSMISSION ASSEMBLY Ford		Fusion	2015-2013	AUTOMATIC TRANSMISSION ASSEMBLY Lincoln	
Transit Connect	2015-2014	Edge	2014-2013	EG9Z-7000-DRM		MKC	2018-2016
DV6Z-7000-C		Explorer	2015-2013	AUTOMATIC TRANSMISSION ASSEMBLY Ford		EJ7Z-7000-M	
AUTOMATIC TRANSMISSION ASSEMBLY Ford		Lincoln		Fusion	2014-2013	AUTOMATIC TRANSMISSION ASSEMBLY Lincoln	
Transit Connect	2015-2014	MKT	2014-2013	EG9Z-7000-ERM		MKC	2018-2016
		EG1Z-7000-ARM		AUTOMATIC TRANSMISSION ASSEMBLY Ford			
		AUTOMATIC TRANSMISSION ASSEMBLY Ford		Fusion	2014-2013		
		Special Service Police Sedan	2014				

BUYER'S GUIDE

Transmission Assemblies



FORD PARTS

Make	Year	Make	Year	Make	Year	Make	Year
EJ7Z-7000-N		F1SZ-7V000-DARM		F2TZ-7V000-JRM		F4UZ-7V000-CRM	
AUTOMATIC TRANSMISSION ASSEMBLY		AUTOMATIC TRANSMISSION ASSEMBLY		AUTOMATIC TRANSMISSION ASSEMBLY		AUTOMATIC TRANSMISSION ASSEMBLY	
Lincoln		Ford		Ford		Ford	
MKC	2016	Thunderbird	1991-1989	Econoline	1994-1992	Econoline	1994
ET4Z-7000-ARM		Mercury		F-Series	1994, 1992	F-Series	1994
AUTOMATIC TRANSMISSION ASSEMBLY		Cougar	1991, 1989-1987	F2TZ-7V000-MRM		F50Z-7V000-BRM	
Ford		F2GZ-7000-B		AUTOMATIC TRANSMISSION ASSEMBLY		AUTOMATIC TRANSMISSION ASSEMBLY	
Edge	2015-2013	AUTOMATIC TRANSMISSION ASSEMBLY		Ford		Lincoln	
EV6Z-7000-ARM		Ford		F-Series	1994-1992	Continental	1995
AUTOMATIC TRANSMISSION ASSEMBLY		Edge	2018-2016	F53	1993	F5TZ-7V000-CRM	
Ford		F2GZ-7000-T		F2TZ-7V000-NRM		AUTOMATIC TRANSMISSION ASSEMBLY	
Escape	2014-2013	AUTOMATIC TRANSMISSION ASSEMBLY		Ford		Ford	
EV6Z-7000-BRM		Ford		Econoline	1993-1992	Bronco	1995
AUTOMATIC TRANSMISSION ASSEMBLY		Edge	2018-2016	F-Series	1994-1992	F-Series	1995
Ford		F2GZ-7000-VC		F2UZ-7V000-NRM		F5TZ-7V000-DRM	
Escape	2014-2013	AUTOMATIC TRANSMISSION ASSEMBLY		Ford		Ford	
EV6Z-7000-CRM		Lincoln		Econoline	1994-1993	F-Series	1995
AUTOMATIC TRANSMISSION ASSEMBLY		MKX	2016	F-Series	1992	F5TZ-7V000-ERM	
Ford		F2GZ-7000-XC		F3TZ-7V000-LRM		AUTOMATIC TRANSMISSION ASSEMBLY	
Escape	2015-2013	AUTOMATIC TRANSMISSION ASSEMBLY		Ford		Ford	
EV6Z-7000-DRM		Lincoln		AUTOMATIC TRANSMISSION ASSEMBLY		F-Series	1995
AUTOMATIC TRANSMISSION ASSEMBLY		MKX	2018-2016	Ford		F5TZ-7V000-GRM	
Ford		F2GZ-7000-Y		F-Series	1994-1992	AUTOMATIC TRANSMISSION ASSEMBLY	
Escape	2014-2013	AUTOMATIC TRANSMISSION ASSEMBLY		F4DZ-7V000-BRM		Ford	
EV6Z-7000-ERM		Ford		AUTOMATIC TRANSMISSION ASSEMBLY		F-Series	1995
AUTOMATIC TRANSMISSION ASSEMBLY		Edge	2018-2016	Ford		F5TZ-7V000-JRM	
Ford		F2TZ-7V000-BRM		Taurus	1995-1994	AUTOMATIC TRANSMISSION ASSEMBLY	
Escape	2015-2013	AUTOMATIC TRANSMISSION ASSEMBLY		Mercury		Ford	
F0CZ-7V000-ARM		Ford		Sable	1995-1994	F-Series	1995
AUTOMATIC TRANSMISSION ASSEMBLY		Econoline	1994-1992	F4TZ-7V000-ARM		F53	1995
Mercury		F-Series	1994-1992	AUTOMATIC TRANSMISSION ASSEMBLY		F5UZ-7V000-BRM	
Tracer	1996-1993	F2TZ-7V000-FRM		Ford		AUTOMATIC TRANSMISSION ASSEMBLY	
F0CZ-7V000-BRM		AUTOMATIC TRANSMISSION ASSEMBLY		F-Series	1995-1994	Ford	
AUTOMATIC TRANSMISSION ASSEMBLY		Ford		F4TZ-7V000-BRM		Econoline	1995
Mercury		Econoline	1994-1992	AUTOMATIC TRANSMISSION ASSEMBLY		F-Series	1995
Tracer	1995-1993	F-Series	1994-1992	Ford		F5UZ-7V000-DRM	
F1FZ-7000-P		F2TZ-7V000-HRM		F-Series	1995-1994	AUTOMATIC TRANSMISSION ASSEMBLY	
AUTOMATIC TRANSMISSION ASSEMBLY		AUTOMATIC TRANSMISSION ASSEMBLY		F4TZ-7V000-ERM		Ford	
Ford		Ford		AUTOMATIC TRANSMISSION ASSEMBLY		Econoline	1995
Focus	2018-2015	Bronco	1994-1992	Ford		F-Series	1995
		F-Series	1994-1992	F-Series	1994		



Make	Year	Make	Year	Make	Year	Make	Year
F5UZ-7V000-ERM		F6UZ-7V000-FARM		F77Z-7V000-AARM cont'd		F7TZ-7V000-NARM	
AUTOMATIC TRANSMISSION ASSEMBLY Ford		AUTOMATIC TRANSMISSION ASSEMBLY Ford		Ranger	1997	AUTOMATIC TRANSMISSION ASSEMBLY Ford	
Econoline	1995	F-Series	1996	Mazda		Econoline	1997
F-Series	1995	F6UZ-7V000-HARM		B4000	1997	F-Series	1997
F5UZ-7V000-GRM		AUTOMATIC TRANSMISSION ASSEMBLY Ford		F78Z-7V000-BRM		F7TZ-7V000-PRM	
AUTOMATIC TRANSMISSION ASSEMBLY Ford		Econoline	1996	AUTOMATIC TRANSMISSION ASSEMBLY Ford		AUTOMATIC TRANSMISSION ASSEMBLY Ford	
F-Series	1995	F-Series	1996	Windstar	1998-1997	F-Series	
F5UZ-7V000-HRM		F75Z-7V000-ERM		F7AZ-7V000-BRM		F7UZ-7V000-EARM	
AUTOMATIC TRANSMISSION ASSEMBLY Ford		AUTOMATIC TRANSMISSION ASSEMBLY Ford		AUTOMATIC TRANSMISSION ASSEMBLY Ford		AUTOMATIC TRANSMISSION ASSEMBLY Ford	
Econoline	1995	F-Series	1997	Crown Victoria	1997	Econoline	1997
F68Z-7V000-EBRM		F75Z-7V000-HRM		F7DZ-7V000-ARM		F7UZ-7V000-JRM	
AUTOMATIC TRANSMISSION ASSEMBLY Ford		AUTOMATIC TRANSMISSION ASSEMBLY Ford		AUTOMATIC TRANSMISSION ASSEMBLY Ford		AUTOMATIC TRANSMISSION ASSEMBLY Ford	
Explorer	1996-1995	F-Series	1997	Taurus	1997	Econoline	1998-1997
F6DZ-7V000-EARM		F75Z-7V000-JRM		F7DZ-7V000-DRM		F7UZ-7V000-MRM	
AUTOMATIC TRANSMISSION ASSEMBLY Ford		AUTOMATIC TRANSMISSION ASSEMBLY Ford		AUTOMATIC TRANSMISSION ASSEMBLY Ford		AUTOMATIC TRANSMISSION ASSEMBLY Ford	
Taurus	1996	F-Series	1997	Taurus	1997	Econoline	1998-1997
Mercury		F75Z-7V000-KRM		Mercury		F7UZ-7V000-VARM	
Sable	1996	AUTOMATIC TRANSMISSION ASSEMBLY Ford		Sable	1997	AUTOMATIC TRANSMISSION ASSEMBLY Ford	
F6TZ-7V000-FARM		AUTOMATIC TRANSMISSION ASSEMBLY Ford		F7LZ-7000-ARM		F81Z-7V000-ABRM	
AUTOMATIC TRANSMISSION ASSEMBLY Ford		F-Series	1997	Taurus	1997	AUTOMATIC TRANSMISSION ASSEMBLY Ford	
Bronco	1996	F75Z-7V000-LCRM		Mercury		AUTOMATIC TRANSMISSION ASSEMBLY Ford	
F-Series	1996	AUTOMATIC TRANSMISSION ASSEMBLY Ford		Sable	1997	F-Series	
F6TZ-7V000-GARM		AUTOMATIC TRANSMISSION ASSEMBLY Ford		F7LZ-7000-ARM		F81Z-7V000-BBRM	
AUTOMATIC TRANSMISSION ASSEMBLY Ford		Expedition	1997	Lincoln		AUTOMATIC TRANSMISSION ASSEMBLY Ford	
F-Series	1996	F-Series	1998-1997	Mark VIII	1997	F-Series	
F6TZ-7V000-JARM		F75Z-7V000-LRM		F7TZ-7V000-JRM		F81Z-7V000-BBRM	
AUTOMATIC TRANSMISSION ASSEMBLY Ford		AUTOMATIC TRANSMISSION ASSEMBLY Ford		AUTOMATIC TRANSMISSION ASSEMBLY Ford		AUTOMATIC TRANSMISSION ASSEMBLY Ford	
F-Series	1996	AUTOMATIC TRANSMISSION ASSEMBLY Ford		F-Series	1997	F-Series	
F53	1996	AUTOMATIC TRANSMISSION ASSEMBLY Ford		F7TZ-7V000-KRM		F81Z-7V000-DBRM	
F6UZ-7V000-DARM		F75Z-7V000-MRM		AUTOMATIC TRANSMISSION ASSEMBLY Ford		AUTOMATIC TRANSMISSION ASSEMBLY Ford	
AUTOMATIC TRANSMISSION ASSEMBLY Ford		AUTOMATIC TRANSMISSION ASSEMBLY Ford		F-Series	1997-1996	F-Series	
Econoline	1996	F-Series	1998-1997	AUTOMATIC TRANSMISSION ASSEMBLY Ford		AUTOMATIC TRANSMISSION ASSEMBLY Ford	
F-Series	1996	Lincoln		F7TZ-7V000-LRM		F81Z-7V000-EBRM	
		Navigator	1998	AUTOMATIC TRANSMISSION ASSEMBLY Ford		AUTOMATIC TRANSMISSION ASSEMBLY Ford	
		F77Z-7V000-AARM		F-Series		F-Series	
		AUTOMATIC TRANSMISSION ASSEMBLY Ford		1997		1999	
		Explorer	1997				

BUYER'S GUIDE

Transmission Assemblies



FORD PARTS

Make	Year	Make	Year	Make	Year	Make	Year
F81Z-7V000-FBRM		F87Z-7V000-DARM		F8UZ-7V000-MBRM		FC3Z-7000-G	
AUTOMATIC TRANSMISSION ASSEMBLY		AUTOMATIC TRANSMISSION ASSEMBLY		cont'd		AUTOMATIC TRANSMISSION ASSEMBLY	
Ford		Ford		Lincoln		Ford	
F-Series	1999	Explorer	1998	Navigator	1998	F-Series	2016-2015
F81Z-7V000-GBRM		Mercury		FA6Z-7000-H		FC3Z-7000-P	
AUTOMATIC TRANSMISSION ASSEMBLY		Mountaineer	1998	AUTOMATIC TRANSMISSION ASSEMBLY		AUTOMATIC TRANSMISSION ASSEMBLY	
Ford		F87Z-7V000-LARM		Ford		Ford	
F-Series	1999	AUTOMATIC TRANSMISSION ASSEMBLY		Fiesta	2016-2015	F-Series	2016-2015
F81Z-7V000-KBRM		Ford		FA6Z-7000-Q		FC3Z-7000-RRM	
AUTOMATIC TRANSMISSION ASSEMBLY		Ranger	1998	AUTOMATIC TRANSMISSION ASSEMBLY		AUTOMATIC TRANSMISSION ASSEMBLY	
Ford		Mazda		Ford		Ford	
F-Series	2000-1999	B4000	1998	Fiesta	2018-2016	F-Series	2014-2012
F81Z-7V000-TARM		F88Z-7V000-AARM		FB5Z-7000-A		FC3Z-7000-S	
AUTOMATIC TRANSMISSION ASSEMBLY		AUTOMATIC TRANSMISSION ASSEMBLY		AUTOMATIC TRANSMISSION ASSEMBLY		AUTOMATIC TRANSMISSION ASSEMBLY	
Ford		Ford		Ford		Ford	
F-Series	1999	Windstar	1998-1997	Explorer	2016	F-Series	2016-2015
F85Z-7V000-BARM		F88Z-7V000-BARM		FB5Z-7000-B		FC3Z-7000-SRM	
AUTOMATIC TRANSMISSION ASSEMBLY		AUTOMATIC TRANSMISSION ASSEMBLY		AUTOMATIC TRANSMISSION ASSEMBLY		AUTOMATIC TRANSMISSION ASSEMBLY	
Ford		Ford		Ford		Ford	
F-Series	1998	Windstar	1998-1997	Explorer	2016	F-Series	2014-2012
F85Z-7V000-EARM		F8AZ-7V000-AARM		FB5Z-7000-D		FC3Z-7000-TRM	
AUTOMATIC TRANSMISSION ASSEMBLY		AUTOMATIC TRANSMISSION ASSEMBLY		AUTOMATIC TRANSMISSION ASSEMBLY		AUTOMATIC TRANSMISSION ASSEMBLY	
Ford		Ford		Ford		Ford	
Expedition	1998	Crown Victoria	1998	Explorer	2016	F-Series	2012
F85Z-7V000-FARM		Mercury		FC3Z-7000-C		FC3Z-7000-URM	
AUTOMATIC TRANSMISSION ASSEMBLY		Grand Marquis	1998	AUTOMATIC TRANSMISSION ASSEMBLY		AUTOMATIC TRANSMISSION ASSEMBLY	
Ford		F8UZ-7V000-CARM		Ford		Ford	
F-Series	1998	AUTOMATIC TRANSMISSION ASSEMBLY		Econoline	2017-2016	F-Series	2013-2012
F85Z-7V000-GARM		Ford		F-Series	2016-2015	FC3Z-7000-D	
AUTOMATIC TRANSMISSION ASSEMBLY		Econoline	1999-1998	FC3Z-7000-D		AUTOMATIC TRANSMISSION ASSEMBLY	
Ford		F8UZ-7V000-JARM		AUTOMATIC TRANSMISSION ASSEMBLY		Ford	
F-Series	1998	AUTOMATIC TRANSMISSION ASSEMBLY		Ford		F-Series	2013-2012
F85Z-7V000-HARM		Ford		FC3Z-7000-E		FC3Z-7000-WRM	
AUTOMATIC TRANSMISSION ASSEMBLY		Econoline	1999	AUTOMATIC TRANSMISSION ASSEMBLY		AUTOMATIC TRANSMISSION ASSEMBLY	
Ford		F8UZ-7V000-KARM		Ford		Ford	
F-Series	1998	AUTOMATIC TRANSMISSION ASSEMBLY		F-Series	2016-2015	F-Series	2014-2012
F87Z-7V000-CARM		Ford		FC3Z-7000-F		FC3Z-7000-Z	
AUTOMATIC TRANSMISSION ASSEMBLY		Econoline	1999-1998	AUTOMATIC TRANSMISSION ASSEMBLY		AUTOMATIC TRANSMISSION ASSEMBLY	
Ford		F8UZ-7V000-MBRM		Ford		Ford	
Explorer	1998	AUTOMATIC TRANSMISSION ASSEMBLY		Econoline	2017-2016	F-Series	2016-2015
Mercury		Ford		F-Series	2016-2015		
Mountaineer	1998	Expedition	1998				
		F-Series	1998				



Make	Year	Make	Year	Make	Year	Make	Year
FC4Z-7000-V		FL1Z-7000-B		FL3Z-7000-K		FR3Z-7000-B	
AUTOMATIC TRANSMISSION ASSEMBLY Ford		AUTOMATIC TRANSMISSION ASSEMBLY Ford		AUTOMATIC TRANSMISSION ASSEMBLY Ford		AUTOMATIC TRANSMISSION ASSEMBLY Ford	
F650	2015	Expedition	2017-2016	F-Series	2016-2015	Mustang	2017-2015
F750	2015	Lincoln		FM5Z-7000-D		FR3Z-7000-C	
FC4Z-7000-X		Navigator	2017-2016	AUTOMATIC TRANSMISSION ASSEMBLY Ford		AUTOMATIC TRANSMISSION ASSEMBLY Ford	
AUTOMATIC TRANSMISSION ASSEMBLY Ford		FL3Z-7000-A		C-Max	2018-2015	Mustang	2017-2015
F650	2015	AUTOMATIC TRANSMISSION ASSEMBLY Ford		FOTZ-7V000-ARM		G2GZ-7000-AA	
F750	2015	F-Series	2017-2015	AUTOMATIC TRANSMISSION ASSEMBLY Ford		AUTOMATIC TRANSMISSION ASSEMBLY Lincoln	
FG9Z-7000-A		FL3Z-7000-B		Econoline	1991-1990	MKX	2016
AUTOMATIC TRANSMISSION ASSEMBLY Lincoln		AUTOMATIC TRANSMISSION ASSEMBLY Ford		F-Series	1991-1990	G2GZ-7000-BA	
MKZ	2015	F-Series	2017-2015	FOTZ-7V000-BRM		AUTOMATIC TRANSMISSION ASSEMBLY Lincoln	
FG9Z-7000-AC		FL3Z-7000-C		AUTOMATIC TRANSMISSION ASSEMBLY Ford		MKX	2016
AUTOMATIC TRANSMISSION ASSEMBLY Lincoln		AUTOMATIC TRANSMISSION ASSEMBLY Ford		Bronco	1991-1990	G3GZ-7000-A	
MKZ	2016	Expedition	2016-2015	F-Series	1991-1990	AUTOMATIC TRANSMISSION ASSEMBLY Lincoln	
FG9Z-7000-C		F-Series	2016-2015	FOTZ-7V000-ERM		AUTOMATIC TRANSMISSION ASSEMBLY Lincoln	
AUTOMATIC TRANSMISSION ASSEMBLY Ford		Lincoln		AUTOMATIC TRANSMISSION ASSEMBLY Ford		Continental	2018-2017
C-Max	2018-2015	Navigator	2016-2015	Econoline	1991-1990	G3GZ-7000-B	
Fusion	2018-2015	FL3Z-7000-D		F-Series	1991-1990	AUTOMATIC TRANSMISSION ASSEMBLY Ford	
FG9Z-7000-E		AUTOMATIC TRANSMISSION ASSEMBLY Ford		FOTZ-7V000-LRM		Fusion	2018-2017
AUTOMATIC TRANSMISSION ASSEMBLY Ford		F-Series	2016-2015	AUTOMATIC TRANSMISSION ASSEMBLY Ford		Lincoln	
Fusion	2018-2017	FL3Z-7000-F		Econoline	1991-1990	Continental	2018-2017
Lincoln		AUTOMATIC TRANSMISSION ASSEMBLY Ford		F-Series	1991-1990	GB5Z-7000-YRM	
MKZ	2014-2013	F-Series	2017-2015	FOTZ-7V000-NRM		AUTOMATIC TRANSMISSION ASSEMBLY Ford	
FG9Z-7000-G		FL3Z-7000-G		AUTOMATIC TRANSMISSION ASSEMBLY Ford		Explorer	2016
AUTOMATIC TRANSMISSION ASSEMBLY Lincoln		AUTOMATIC TRANSMISSION ASSEMBLY Ford		F-Series	1991-1990	GC3Z-7000-ARM	
MKZ	2016-2013	F-Series	2017-2015	F53	1993-1990	AUTOMATIC TRANSMISSION ASSEMBLY Ford	
FG9Z-7000-K		FL3Z-7000-H		FOTZ-7V000-URM		F-Series	2015
AUTOMATIC TRANSMISSION ASSEMBLY Ford		AUTOMATIC TRANSMISSION ASSEMBLY Ford		AUTOMATIC TRANSMISSION ASSEMBLY Ford		GC3Z-7000-BRM	
Fusion	2018-2017	F-Series	2017-2015	F-Series	1991-1990	AUTOMATIC TRANSMISSION ASSEMBLY Ford	
FL1Z-7000-A		FL3Z-7000-J		FR3Z-7000-A		F-Series	2015
AUTOMATIC TRANSMISSION ASSEMBLY Ford		AUTOMATIC TRANSMISSION ASSEMBLY Ford		AUTOMATIC TRANSMISSION ASSEMBLY Ford		GC3Z-7000-CRM	
Expedition	2017-2016	F-Series	2017-2015	Mustang	2017-2015	AUTOMATIC TRANSMISSION ASSEMBLY Ford	
Lincoln						F-Series	2017-2015
Navigator	2017-2016						

BUYER'S GUIDE

Transmission Assemblies



FORD PARTS

Make	Year	Make	Year	Make	Year	Make	Year
GC3Z-7000-FRM		GK4Z-7000-C cont'd		GV6Z-7000-D		HL3Z-7000-B	
AUTOMATIC TRANSMISSION ASSEMBLY		Transit-350 2018-2016		AUTOMATIC TRANSMISSION ASSEMBLY		AUTOMATIC TRANSMISSION ASSEMBLY	
Ford		Transit-350 HD 2018-2016		Ford		Ford	
F-Series 2015		GK4Z-7000-D		Escape 2018-2017		F-Series 2017	
GC4Z-7000-HA		AUTOMATIC TRANSMISSION ASSEMBLY		HC3Z-7000-A		HL3Z-7000-G	
AUTOMATIC TRANSMISSION ASSEMBLY		Ford		AUTOMATIC TRANSMISSION ASSEMBLY		AUTOMATIC TRANSMISSION ASSEMBLY	
Ford		Transit-150 2017-2016		Ford		Ford	
F650 2017-2016		Transit-250 2017-2016		Econoline 2018-2017		F-Series 2017	
F750 2017-2016		Transit-350 2017-2016		HC3Z-7000-B		HL3Z-7000-H	
GC4Z-7000-V		Transit-350 HD 2017-2016		AUTOMATIC TRANSMISSION ASSEMBLY		AUTOMATIC TRANSMISSION ASSEMBLY	
AUTOMATIC TRANSMISSION ASSEMBLY		GK4Z-7000-E		Ford		Ford	
Ford		AUTOMATIC TRANSMISSION ASSEMBLY		Econoline 2018-2017		F-Series 2017	
F650 2016		Ford		HC4Z-7000-A		HS7Z-7000-A	
F750 2016		Transit-150 2018-2016		AUTOMATIC TRANSMISSION ASSEMBLY		AUTOMATIC TRANSMISSION ASSEMBLY	
GC4Z-7000-XA		Transit-250 2018-2016		Ford		Ford	
AUTOMATIC TRANSMISSION ASSEMBLY		Transit-350 2018-2016		F-Series 2017		Fusion 2018-2017	
Ford		Transit-350 HD 2018-2016		F53 2018-2015		HS7Z-7000-B	
F650 2016		GN1Z-7000-A		HC4Z-7000-B		AUTOMATIC TRANSMISSION ASSEMBLY	
F750 2016		AUTOMATIC TRANSMISSION ASSEMBLY		AUTOMATIC TRANSMISSION ASSEMBLY		Ford	
GC4Z-7000-XHRM		Ford		Ford		Fusion 2018-2017	
AUTOMATIC TRANSMISSION ASSEMBLY		EcoSport 2018		F650 2018-2016		HS7Z-7000-C	
Ford		GN1Z-7000-B		F750 2018-2016		AUTOMATIC TRANSMISSION ASSEMBLY	
F650 2015		AUTOMATIC TRANSMISSION ASSEMBLY		HC4Z-7000-C		Ford	
GJ7Z-7000-A		Ford		AUTOMATIC TRANSMISSION ASSEMBLY		Fusion 2017	
AUTOMATIC TRANSMISSION ASSEMBLY		EcoSport 2018		Ford		HS7Z-7000-F	
Lincoln		GN1Z-7000-N		F650 2018-2016		AUTOMATIC TRANSMISSION ASSEMBLY	
MKC 2018-2017		AUTOMATIC TRANSMISSION ASSEMBLY		F750 2018-2016		Ford	
GK4Z-7000-A		Ford		HC4Z-7000-D		Fusion 2018-2017	
AUTOMATIC TRANSMISSION ASSEMBLY		EcoSport 2018		AUTOMATIC TRANSMISSION ASSEMBLY		JL1Z-7000-A	
Ford		GV6Z-7000-A		Ford		AUTOMATIC TRANSMISSION ASSEMBLY	
Transit-250 2016		AUTOMATIC TRANSMISSION ASSEMBLY		F650 2017		Ford	
Transit-350 2016		Ford		F750 2017		Expedition 2018	
Transit-350 HD 2016		Escape 2018-2017		HC4Z-7000-E		JL1Z-7000-B	
GK4Z-7000-B		GV6Z-7000-B		AUTOMATIC TRANSMISSION ASSEMBLY		AUTOMATIC TRANSMISSION ASSEMBLY	
AUTOMATIC TRANSMISSION ASSEMBLY		AUTOMATIC TRANSMISSION ASSEMBLY		Ford		Ford	
Ford		Ford		F650 2017		Expedition 2018	
Transit-250 2016		Escape 2018-2017		F750 2017		JL1Z-7000-C	
Transit-350 2016		GV6Z-7000-C		HG9Z-7000-A		AUTOMATIC TRANSMISSION ASSEMBLY	
Transit-350 HD 2016		AUTOMATIC TRANSMISSION ASSEMBLY		AUTOMATIC TRANSMISSION ASSEMBLY		Ford	
GK4Z-7000-C		Ford		Ford		Expedition 2018	
AUTOMATIC TRANSMISSION ASSEMBLY		Escape 2018-2017		Fusion 2018-2017		Lincoln	
Ford						Navigator 2018	
Transit-150 2018-2016							
Transit-250 2018-2016							



Make	Year	Make	Year	Make	Year	Make	Year
JL1Z-7000-D		XC2Z-7V000-NARM		XL2Z-7V000-CARM cont'd		XL5Z-7V000-AARM	
AUTOMATIC TRANSMISSION ASSEMBLY		AUTOMATIC TRANSMISSION ASSEMBLY		Mercury		AUTOMATIC TRANSMISSION ASSEMBLY	
Ford		Ford		Mountaineer	2000-1999	Ford	
Expedition	2018	Econoline	1999	XL2Z-7V000-DARM		Ranger	2000-1999
Lincoln		XF1Z-7V000-AARM		AUTOMATIC TRANSMISSION ASSEMBLY		Mazda	
Navigator	2018	AUTOMATIC TRANSMISSION ASSEMBLY		Ford		B3000	2000-1999
JL3Z-7000-A		Ford		Explorer	2000-1999	XL5Z-7V000-BARM	
AUTOMATIC TRANSMISSION ASSEMBLY		Taurus	1999	Mercury		AUTOMATIC TRANSMISSION ASSEMBLY	
Ford		Mercury		Mountaineer	2000-1999	Ford	
F-Series	2018-2015	Sable	1999	XL2Z-7V000-FARM		Ranger	2000-1999
JL3Z-7000-B		XF1Z-7V000-BARM		AUTOMATIC TRANSMISSION ASSEMBLY		Mazda	
AUTOMATIC TRANSMISSION ASSEMBLY		AUTOMATIC TRANSMISSION ASSEMBLY		Ford		B3000	2000-1999
Ford		Ford		Explorer	2000-1999	XL5Z-7V000-CARM	
F-Series	2018	Taurus	1999	XL3Z-7V000-BARM		AUTOMATIC TRANSMISSION ASSEMBLY	
JL3Z-7000-C		XF2Z-7V000-BARM		AUTOMATIC TRANSMISSION ASSEMBLY		Ford	
AUTOMATIC TRANSMISSION ASSEMBLY		AUTOMATIC TRANSMISSION ASSEMBLY		Ford		Ranger	2001-1999
Ford		Ford		F-Series	1999	Mazda	
F-Series	2018-2017	Windstar	1999	XL3Z-7V000-CARM		B2500	2001-1999
JL3Z-7000-D		XF3Z-7V000-ARM		AUTOMATIC TRANSMISSION ASSEMBLY		XL5Z-7V000-DARM	
AUTOMATIC TRANSMISSION ASSEMBLY		AUTOMATIC TRANSMISSION ASSEMBLY		Ford		AUTOMATIC TRANSMISSION ASSEMBLY	
Ford		Lincoln		F-Series	1999	Ford	
F-Series	2018	Continental	2000	XL3Z-7V000-EARM		Ranger	2000-1999
JL3Z-7000-E		XF3Z-7V000-BARM		AUTOMATIC TRANSMISSION ASSEMBLY		Mazda	
AUTOMATIC TRANSMISSION ASSEMBLY		AUTOMATIC TRANSMISSION ASSEMBLY		Ford		B4000	2000-1999
Ford		Lincoln		Expedition	1999	XL5Z-7V000-EARM	
F-Series	2018	Continental	1999	F-Series	1999	AUTOMATIC TRANSMISSION ASSEMBLY	
JL3Z-7000-F		XL1Z-7V000-CBRM		XL3Z-7V000-GBRM		Ford	
AUTOMATIC TRANSMISSION ASSEMBLY		AUTOMATIC TRANSMISSION ASSEMBLY		AUTOMATIC TRANSMISSION ASSEMBLY		Ranger	2000-1999
Ford		Lincoln		Ford		Mazda	
F-Series	2018	Navigator	2000-1999	Expedition	2000-1999	B4000	2000-1999
JL3Z-7000-J		XL1Z-7V000-DBRM		F-Series	2000-1999	XR3Z-7V000-AARM	
AUTOMATIC TRANSMISSION ASSEMBLY		AUTOMATIC TRANSMISSION ASSEMBLY		Lincoln		AUTOMATIC TRANSMISSION ASSEMBLY	
Ford		Lincoln		Navigator	2000-1999	Ford	
F-Series	2018	Navigator	2000-1999	XL3Z-7V000-JARM		Mustang	2000-1999
JR3Z-7000-A		XL2Z-7V000-BARM		AUTOMATIC TRANSMISSION ASSEMBLY		XW1Z-7V000-BARM	
AUTOMATIC TRANSMISSION ASSEMBLY		AUTOMATIC TRANSMISSION ASSEMBLY		Ford		AUTOMATIC TRANSMISSION ASSEMBLY	
Ford		Ford		F-Series	1999	Lincoln	
Mustang	2018	Explorer	2001-1999	XL3Z-7V000-LARM		Town Car	2000-1999
JR3Z-7000-B		Mercury		AUTOMATIC TRANSMISSION ASSEMBLY		AUTOMATIC TRANSMISSION ASSEMBLY	
AUTOMATIC TRANSMISSION ASSEMBLY		Mountaineer	2000-1999	Ford		Lincoln	
Ford		XL2Z-7V000-CARM		F-Series	1999	Town Car	2000-1999
Mustang	2018	AUTOMATIC TRANSMISSION ASSEMBLY					
		Ford					
		Explorer	2000-1999				

BUYER'S GUIDE

Transmission Assemblies



FORD PARTS

Make	Year	Make	Year	Make	Year
XW7Z-7V000-CARM		YC3Z-7V000-BRM		YL3Z-7V000-ERM	
AUTOMATIC TRANSMISSION ASSEMBLY		AUTOMATIC TRANSMISSION ASSEMBLY		AUTOMATIC TRANSMISSION ASSEMBLY	
Ford		Ford		Ford	
Crown Victoria	2000-1999	Excursion	2000	F-Series	2000
YC2Z-7V000-BRM		Expedition	2000-1999	YL3Z-7V000-FRM	
AUTOMATIC TRANSMISSION ASSEMBLY		F-Series	2000-1999	AUTOMATIC TRANSMISSION ASSEMBLY	
Ford		Lincoln		Ford	
Econoline	2000	Navigator	2000-1999	F-Series	2000
YC2Z-7V000-CRM		YC3Z-7V000-CRM		YL3Z-7V000-HRM	
AUTOMATIC TRANSMISSION ASSEMBLY		AUTOMATIC TRANSMISSION ASSEMBLY		AUTOMATIC TRANSMISSION ASSEMBLY	
Ford		Ford		Ford	
Econoline	2000	Excursion	2000	Expedition	2000
YC2Z-7V000-JRM		F-Series	2000	YL3Z-7V000-LRM	
AUTOMATIC TRANSMISSION ASSEMBLY		YC3Z-7V000-DRM		AUTOMATIC TRANSMISSION ASSEMBLY	
Ford		AUTOMATIC TRANSMISSION ASSEMBLY		Ford	
Econoline	2000	Ford		F-Series	2000
YC2Z-7V000-KRM		Excursion	2000	YL3Z-7V000-MRM	
AUTOMATIC TRANSMISSION ASSEMBLY		F-Series	2000	AUTOMATIC TRANSMISSION ASSEMBLY	
Ford		YC3Z-7V000-KRM		Ford	
Econoline	2000-1998	AUTOMATIC TRANSMISSION ASSEMBLY		F-Series	2000
YC2Z-7V000-MRM		Ford		YL8Z-7V000-FRM	
AUTOMATIC TRANSMISSION ASSEMBLY		F-Series	2000	AUTOMATIC TRANSMISSION ASSEMBLY	
Ford		YF1Z-7V000-FRM		Ford	
Econoline	2000	AUTOMATIC TRANSMISSION ASSEMBLY		Escape	2001
YC2Z-7V000-SRM		Ford		Mazda	
AUTOMATIC TRANSMISSION ASSEMBLY		Taurus	2000	Tribute	2001
Ford		Mercury		YW1Z-7V000-ARM	
Econoline	2000	Sable	2000	AUTOMATIC TRANSMISSION ASSEMBLY	
YC2Z-7V000-TRM		YF1Z-7V000-HRM		Lincoln	
AUTOMATIC TRANSMISSION ASSEMBLY		AUTOMATIC TRANSMISSION ASSEMBLY		Town Car	2000
Ford		Ford		YW4Z-7V000-ARM	
Econoline	2000	Taurus	2000	AUTOMATIC TRANSMISSION ASSEMBLY	
YC2Z-7V000-YRM		Mercury		Lincoln	
AUTOMATIC TRANSMISSION ASSEMBLY		Sable	2000	LS	2000
Ford		YF2Z-7V000-BRM		YW4Z-7V000-BRM	
Econoline	2000	AUTOMATIC TRANSMISSION ASSEMBLY		AUTOMATIC TRANSMISSION ASSEMBLY	
YC3Z-7V000-ARM		Ford		Lincoln	
AUTOMATIC TRANSMISSION ASSEMBLY		Windstar	2000	LS	2000
Ford		YL3Z-7V000-DRM			
Excursion	2000	AUTOMATIC TRANSMISSION ASSEMBLY			
F-Series	2000	Ford			
		F-Series	2001-2000		



Make	Year	Make	Year	Make	Year	Make	Year
1C3Z-7902-BARM		3F1Z-7902-ADRM		5F2Z-7902-ACRM cont'd		6E5Z-7902-A	
AUTOMATIC TRANSMISSION TORQUE CONVERTER		AUTOMATIC TRANSMISSION TORQUE CONVERTER		Mercury Monterey 2007-2004		AUTOMATIC TRANSMISSION TORQUE CONVERTER	
Ford		Ford		5F2Z-7902-BCRM		Ford	
Econoline	2004-2000	Taurus	2007-2004	AUTOMATIC TRANSMISSION TORQUE CONVERTER		Fusion	2009-2006
Excursion	2005-2000	Mercury		Ford		Mercury	
F-Series	2004-1999	Sable	2005-2004	Freestar 2007-2004		Milan	2009-2006
F53	2015-2011, 2009-2006, 2004	3L8Z-7902-BARM		5F9Z-7902-BRM		6E5Z-7902-B	
F59	2017-2011	AUTOMATIC TRANSMISSION TORQUE CONVERTER		AUTOMATIC TRANSMISSION TORQUE CONVERTER		AUTOMATIC TRANSMISSION TORQUE CONVERTER	
1C3Z-7902-CARM		Ford		Ford		Ford	
AUTOMATIC TRANSMISSION TORQUE CONVERTER		Escape 2006-2001		Five Hundred 2007-2005		Fusion 2009-2006	
Ford		3S4Z-7902-CARM		Freestyle 2007-2005		Lincoln	
Econoline	2005-1998	AUTOMATIC TRANSMISSION TORQUE CONVERTER		Mercury		Zephyr 2006	
Excursion	2003-2001	Ford		Montego 2007-2005		Mercury	
F-Series	2003-1999	Focus 2004-2003		5L7Z-7902-AA		Milan 2009-2006	
1C3Z-7902-DBRM		4L2Z-7902-AARM		AUTOMATIC TRANSMISSION TORQUE CONVERTER		7C2Z-7902-BRM	
AUTOMATIC TRANSMISSION TORQUE CONVERTER		AUTOMATIC TRANSMISSION TORQUE CONVERTER		Lincoln		AUTOMATIC TRANSMISSION TORQUE CONVERTER	
Ford		Ford		Navigator 2006-2005		Ford	
Econoline	2004-2001	Explorer	2010-2004	5L8Z-7902-DBRM		Econoline 2010-2007	
Excursion	2005-2000	Explorer Sport Trac	2005-2001	AUTOMATIC TRANSMISSION TORQUE CONVERTER		7C3Z-7902-HRM	
F-Series	2004-2001	Ranger	2006-2004	Ford		AUTOMATIC TRANSMISSION TORQUE CONVERTER	
1F1Z-7902-AARM		Mercury		Escape 2008-2005		Ford	
AUTOMATIC TRANSMISSION TORQUE CONVERTER		Mountaineer 2010-2004		Mazda		F-Series 2008	
Ford		4L2Z-7902-BARM		Tribute 2008, 2006-2005		7C3Z-7902-JRM	
Taurus	2003-2001	AUTOMATIC TRANSMISSION TORQUE CONVERTER		Mercury		AUTOMATIC TRANSMISSION TORQUE CONVERTER	
Mercury		Ford		Mariner 2008-2005		Ford	
Sable	2003-2001	Explorer	2009-2004	6C3Z-7902-DRM		Econoline 2014-2007	
1F1Z-7902-BARM		Mercury		AUTOMATIC TRANSMISSION TORQUE CONVERTER		F-Series 2014-2008	
AUTOMATIC TRANSMISSION TORQUE CONVERTER		Mountaineer 2010-2004		Ford		F53 2014-2011, 2009-2008	
Ford		4L5Z-7902-AARM		Econoline 2006-2004		7C3Z-7902-KRM	
Taurus	2003-2001	AUTOMATIC TRANSMISSION TORQUE CONVERTER		F-Series 2007-2003		AUTOMATIC TRANSMISSION TORQUE CONVERTER	
Mercury		Ford		6C3Z-7902-ERM		Ford	
Sable	2003-2001	Ranger	2011-2004	AUTOMATIC TRANSMISSION TORQUE CONVERTER		Econoline 2014-2007	
1F2Z-7902-AARM		4L5Z-7902-BARM		Ford		F-Series 2008	
AUTOMATIC TRANSMISSION TORQUE CONVERTER		AUTOMATIC TRANSMISSION TORQUE CONVERTER		Econoline 2007-2004		7E5Z-7902-A	
Ford		Ford		F-Series 2007-2004		AUTOMATIC TRANSMISSION TORQUE CONVERTER	
Taurus	2003-2001	Ranger	2008-2004	F53 2007-2006, 2004		Ford	
Windstar	2003-2001	4R3Z-7902-AARM		6C3Z-7902-FRM		Fusion 2012-2010	
Mercury		AUTOMATIC TRANSMISSION TORQUE CONVERTER		AUTOMATIC TRANSMISSION TORQUE CONVERTER		Lincoln	
Sable	2003-2001	Ford		Ford		MKZ 2012-2007	
1L7Z-7902-BBRM		Mustang 2006-2005		AUTOMATIC TRANSMISSION TORQUE CONVERTER		7E7Z-7902-ARM	
AUTOMATIC TRANSMISSION TORQUE CONVERTER		5F2Z-7902-ACRM		Ford		AUTOMATIC TRANSMISSION TORQUE CONVERTER	
Lincoln		AUTOMATIC TRANSMISSION TORQUE CONVERTER		Econoline 2006-2005		Ford	
Blackwood	2002	Ford		F-Series 2007-2005		LCF 2009-2006	
Navigator	2004-2003	Freestar 2007-2004					



Make	Year	Make	Year	Make	Year	Make	Year
7L1Z-7902-C		7R3Z-7902-ARM cont'd		8L3Z-7902-CRM		9E9Z-7902-B	
AUTOMATIC TRANSMISSION TORQUE CONVERTER		Thunderbird	2005-2003	AUTOMATIC TRANSMISSION TORQUE CONVERTER		AUTOMATIC TRANSMISSION TORQUE CONVERTER	
Ford		Lincoln		Ford		Ford	
Expedition	2008-2007	Aviator	2005-2003	Expedition	2006-2005	Edge	2010
7L2Z-7902-A		LS	2006-2004	F-Series	2007-2004	Flex	2012-2009
AUTOMATIC TRANSMISSION TORQUE CONVERTER		7T4Z-7902-ARM		8S4Z-7902-ARM		Taurus	
Ford		AUTOMATIC TRANSMISSION TORQUE CONVERTER		Ford		Lincoln	
Explorer	2010-2007	Edge	2008-2007	Focus	2011-2008	MKS	2012-2009
Explorer Sport Trac	2010-2007	Taurus	2009-2008	Transit Connect	2017-2010	MKT	2012-2010
Mustang	2010-2007	Taurus X	2009-2008	8W7Z-7902-ARM		9E9Z-7902-BRM	
Ranger	2011-2007	Lincoln		AUTOMATIC TRANSMISSION TORQUE CONVERTER		AUTOMATIC TRANSMISSION TORQUE CONVERTER	
Mercury		MKX	2009-2007	Lincoln		Ford	
Mountaineer	2010-2007	Mercury		Town Car	2006-2004	Flex	2010-2009
7L2Z-7902-ARM		Sable	2009-2008	Mercury		Lincoln	
AUTOMATIC TRANSMISSION TORQUE CONVERTER		7W7Z-7902-BRM		Grand Marquis	2006-2004	MKS	2009
Ford		AUTOMATIC TRANSMISSION TORQUE CONVERTER		9C2Z-7902-A		9L3Z-7902-B	
Explorer	2010-2002	Crown Victoria	2010-2007	AUTOMATIC TRANSMISSION TORQUE CONVERTER		AUTOMATIC TRANSMISSION TORQUE CONVERTER	
Explorer Sport Trac	2010-2007	Lincoln		Ford		Ford	
Mustang	2010-2007	Town Car	2011-2007	Econoline	2016-2004	Explorer	2009-2006
Ranger	2011-2004	Mercury		9C2Z-7902-B		Explorer Sport Trac	2010-2007
Mercury		Grand Marquis	2011-2007	AUTOMATIC TRANSMISSION TORQUE CONVERTER		F-Series	2010-2009
Mountaineer	2010-2001	8L2Z-7902-ARM		Ford		Mercury	
7L3Z-7902-GRM		AUTOMATIC TRANSMISSION TORQUE CONVERTER		Econoline		Mountaineer	2010-2006
AUTOMATIC TRANSMISSION TORQUE CONVERTER		Ford		2014-2009		9L8Z-7902-ARM	
Econoline	2011-2007	Explorer	2010-2006	9C3Z-7902-B		AUTOMATIC TRANSMISSION TORQUE CONVERTER	
F-Series	2010-2007	Explorer Sport Trac	2010-2007	AUTOMATIC TRANSMISSION TORQUE CONVERTER		Ford	
7L3Z-7902-HRM		Mercury		Ford		Escape	
AUTOMATIC TRANSMISSION TORQUE CONVERTER		Mountaineer		Econoline		2012-2009	
Ford		2009-2006		F-Series		2012-2010	
Crown Victoria	2011-2007	8L3Z-7902-ARM		F53		Mercury	
Econoline	2011-2007	AUTOMATIC TRANSMISSION TORQUE CONVERTER		2018-2011, 2009-2008		Mariner	
F-Series	2008-2007	Ford		2018-2011		2011-2009	
Lincoln		Econoline	2007-2004	9C3Z-7902-C		Milan	
Town Car	2011-2007	F-Series	2006-2004	AUTOMATIC TRANSMISSION TORQUE CONVERTER		2011-2010	
Mercury		8L3Z-7902-BRM		Ford		9L8Z-7902-BRM	
Grand Marquis	2011-2007	AUTOMATIC TRANSMISSION TORQUE CONVERTER		Econoline		AUTOMATIC TRANSMISSION TORQUE CONVERTER	
7L3Z-7902-JRM		Ford		2016-2009		Ford	
AUTOMATIC TRANSMISSION TORQUE CONVERTER		Econoline	2007-2004	F-Series		Escape	
Ford		F-Series	2006-2004	2010-2009		2015-2009	
F-Series	2008-2007	Lincoln		9C3Z-7902-DRM		Fusion	
7R3Z-7902-ARM		Town Car		AUTOMATIC TRANSMISSION TORQUE CONVERTER		2015-2010	
AUTOMATIC TRANSMISSION TORQUE CONVERTER		2006-2004		Ford		Transit Connect	
Ford		Mercury		Econoline		2015-2014	
Mustang	2010-2005	Grand Marquis		2010-2009		Mercury	
7R3Z-7902-ARM		2006-2004		F-Series		Mariner	
AUTOMATIC TRANSMISSION TORQUE CONVERTER		Ford		2010-2009		2011-2009	
Ford		9E7Z-7902-AA		AUTOMATIC TRANSMISSION TORQUE CONVERTER		Milan	
Mustang		AUTOMATIC TRANSMISSION TORQUE CONVERTER		Ford		2011-2010	
2010-2005		Ford		LCF		9L8Z-7902-H	
7R3Z-7902-ARM		Grand Marquis		2010-2006		AUTOMATIC TRANSMISSION TORQUE CONVERTER	
AUTOMATIC TRANSMISSION TORQUE CONVERTER		2006-2004		9E7Z-7902-AA		AUTOMATIC TRANSMISSION TORQUE CONVERTER	
Ford		9E7Z-7902-AA		AUTOMATIC TRANSMISSION TORQUE CONVERTER		Ford	
Mustang		Grand Marquis		LCF		Escape	
2010-2005		2006-2004		2010-2006		2018-2011	



Make	Year	Make	Year	Make	Year	Make	Year
9L8Z-7902-H cont'd		BB5Z-7902-F		BT4Z-7902-BRM cont'd		CV6Z-7902-FRM	
Fusion	2018-2011	AUTOMATIC TRANSMISSION TORQUE CONVERTER		Lincoln		AUTOMATIC TRANSMISSION TORQUE CONVERTER	
Transit Connect	2017-2014	Ford		MKX	2012-2011	Ford	
Mercury		Edge	2015-2012	BT4Z-7902-C		Escape	2016-2013
Mariner	2011	Escape	2018-2013	AUTOMATIC TRANSMISSION TORQUE CONVERTER		Fusion	2014-2013
9L8Z-7902-L		Explorer	2017-2015	Ford		Transit Connect	2016-2014
AUTOMATIC TRANSMISSION TORQUE CONVERTER		Special Service Police Sedan	2018-2014	Edge	2012-2011	DA5Z-7902-D	
Ford		Taurus	2017-2013	Explorer	2012-2011	AUTOMATIC TRANSMISSION TORQUE CONVERTER	
Transit Connect	2018-2017	Lincoln		BT4Z-7902-CRM		Ford	
9W7Z-7902-A		MKC	2018-2015	AUTOMATIC TRANSMISSION TORQUE CONVERTER		Explorer	2018-2013
AUTOMATIC TRANSMISSION TORQUE CONVERTER		MKT	2016-2013	Ford		Flex	2018-2013
Ford		BL3Z-7902-BA		Edge	2012-2011	Police Interceptor Sedan	2018-2015
Crown Victoria	2011-2009	AUTOMATIC TRANSMISSION TORQUE CONVERTER		Explorer	2012-2011	Police Interceptor Utility	2018-2014
AA5Z-7902-A		Ford		Lincoln		Special Service Police Sedan	2014
AUTOMATIC TRANSMISSION TORQUE CONVERTER		F-Series	2013-2011	MKX	2012-2011	Taurus	2018-2013
Ford		BR3Z-7902-CF		CC3Z-7902-D		Lincoln	
Flex	2010	AUTOMATIC TRANSMISSION TORQUE CONVERTER		AUTOMATIC TRANSMISSION TORQUE CONVERTER		MKS	2016-2013
Taurus	2010	Ford		Ford		MKT	2018-2013
Lincoln		Mustang	2014	F-Series	2014-2013	DA8Z-7902-E	
MKS	2010	BR3Z-7902-EA		CC4Z-7902-A		AUTOMATIC TRANSMISSION TORQUE CONVERTER	
MKT	2010	AUTOMATIC TRANSMISSION TORQUE CONVERTER		AUTOMATIC TRANSMISSION TORQUE CONVERTER		Ford	
AA5Z-7902-ARM		Ford		Econoline	2018-2016	Edge	2014-2013
AUTOMATIC TRANSMISSION TORQUE CONVERTER		F-Series	2013-2011	F-Series	2018-2011	Explorer	2015-2013
Ford		Mustang	2013-2011	F650	2018-2012	Flex	2017-2013
Flex	2010	BR3Z-7902-FA		F750	2018-2016	Police Interceptor Sedan	2018-2013
Taurus	2010	AUTOMATIC TRANSMISSION TORQUE CONVERTER		CK4Z-7902-A		Lincoln	
Lincoln		Ford		AUTOMATIC TRANSMISSION TORQUE CONVERTER		MKS	2016-2013
MKS	2010	Expedition	2014-2009	Ford		MKT	2017-2013
MKT	2010	F-Series	2014-2009	Transit-150	2018-2015	MKX	2017-2013
AA5Z-7902-B		Lincoln		Transit-250	2018-2015	MKZ	2013
AUTOMATIC TRANSMISSION TORQUE CONVERTER		Navigator	2014-2010	Transit-350	2018-2015	DA8Z-7902-F	
Ford		BR3Z-7902-GA		Transit-350 HD	2018-2015	AUTOMATIC TRANSMISSION TORQUE CONVERTER	
Flex	2012-2011	AUTOMATIC TRANSMISSION TORQUE CONVERTER		CK4Z-7902-B		Ford	
Taurus	2012-2011	Ford		AUTOMATIC TRANSMISSION TORQUE CONVERTER		Edge	2017-2016
Lincoln		Mustang	2014-2011	Ford		Explorer	2018-2015
MKS	2012-2011	BT4Z-7902-B		F-Series	2014	Flex	2018-2014
MKT	2013-2011	AUTOMATIC TRANSMISSION TORQUE CONVERTER		Mustang	2014	Police Interceptor Sedan	2018-2014
AA5Z-7902-BRM		Ford		Transit-150	2015	Lincoln	
AUTOMATIC TRANSMISSION TORQUE CONVERTER		Edge	2012-2011	Transit-250	2015	Continental	2018-2017
Ford		Lincoln		Transit-350	2015	MKT	2018-2016
Flex	2012-2011	MKX	2012-2011	Transit-350 HD	2015	MKX	2018-2016
Taurus	2012-2011	BT4Z-7902-BRM		AUTOMATIC TRANSMISSION TORQUE CONVERTER		MKZ	2018-2014
Lincoln		Ford		Ford			
MKS	2012-2011	Edge	2012-2011				
MKT	2012-2011						



Make	Year	Make	Year	Make	Year	Make	Year
DA8Z-7902-G		F7TZ-7902-EARM		F8DZ-7902-AARM		FL3Z-7902-C	
AUTOMATIC TRANSMISSION TORQUE CONVERTER		AUTOMATIC TRANSMISSION TORQUE CONVERTER		AUTOMATIC TRANSMISSION TORQUE CONVERTER		AUTOMATIC TRANSMISSION TORQUE CONVERTER	
Ford		Ford		Ford		Ford	
Edge	2018-2013	Bronco	1992-1990	Taurus	1999-1997	F-Series	2018-2014
Explorer	2018-2013	Econoline	1996-1991	Mercury		Transit-150	2015
Flex	2017-2013	F-Series	1997-1990	Sable	1999-1997	Transit-250	2015
Police Interceptor Utility	2018-2013	F7TZ-7902-FARM		F8DZ-7902-CARM		Transit-350	2015
Special Service Police Sedan	2018-2014	AUTOMATIC TRANSMISSION TORQUE CONVERTER		AUTOMATIC TRANSMISSION TORQUE CONVERTER		Transit-350 HD	2015
Taurus	2018-2013	Ford		Ford		FL3Z-7902-D	
DG9Z-7902-F		Bronco	1996-1991	Taurus	2000	AUTOMATIC TRANSMISSION TORQUE CONVERTER	
AUTOMATIC TRANSMISSION TORQUE CONVERTER		F-Series	1997-1991	Mercury		Ford	
Ford		F85Z-7902-AARM		Sable	2000	Expedition	2017-2015
Edge	2018-2015	AUTOMATIC TRANSMISSION TORQUE CONVERTER		F8LZ-7902-BARM		F-Series	2018-2015
Fusion	2018-2013	Ford		AUTOMATIC TRANSMISSION TORQUE CONVERTER		Transit-150	2018-2016
Lincoln		Expedition	2000-1997	Ford		Transit-250	2018-2016
MKX	2018-2015	Explorer	2001-1998	Crown Victoria	2002-1999	Transit-350	2018-2016
MKZ	2018-2013	F-Series	1999-1998	Mustang	2000-1998	Transit-350 HD	2018-2016
EG9Z-7902-D		Mustang	2000-1998	Lincoln		Navigator	2017-2015
AUTOMATIC TRANSMISSION TORQUE CONVERTER		Mercury		Mark VIII	1998-1994	FM5Z-7902-D	
Ford		Mountaineer	2001-1998	Town Car	2003-1998	AUTOMATIC TRANSMISSION TORQUE CONVERTER	
Escape	2018-2017	F88Z-7902-AARM		Mercury		Ford	
Fusion	2018-2014	AUTOMATIC TRANSMISSION TORQUE CONVERTER		Grand Marquis	2002-2000	EcoSport	2018
EJ7Z-7902-J		Ford		FG9Z-7902-C		Focus	2018-2016
AUTOMATIC TRANSMISSION TORQUE CONVERTER		Taurus	2000	AUTOMATIC TRANSMISSION TORQUE CONVERTER		FO2Z-7902-ARM	
Ford		Windstar	2000-1999	Ford		AUTOMATIC TRANSMISSION TORQUE CONVERTER	
Explorer	2018-2016	Mercury		Edge	2018-2015	Ford	
Lincoln		Sable	2000	Fusion	2018-2017	Probe	
MKC	2018-2015	F88Z-7902-BARM		Lincoln		1992-1990	
F1TZ-7902-CRM		AUTOMATIC TRANSMISSION TORQUE CONVERTER		Continental	2018-2017	FR3Z-7902-A	
AUTOMATIC TRANSMISSION TORQUE CONVERTER		Ford		MKX	2018-2015	AUTOMATIC TRANSMISSION TORQUE CONVERTER	
F-Series	1997-1990	Windstar	2000-1998	MKZ	2018-2017	Ford	
F59	1994-1990	F8AZ-7902-AARM		FL3Z-7902-A		Mustang	
F5TZ-7902-DARM		AUTOMATIC TRANSMISSION TORQUE CONVERTER		AUTOMATIC TRANSMISSION TORQUE CONVERTER		2018-2015	
AUTOMATIC TRANSMISSION TORQUE CONVERTER		Ford		Ford		GN1Z-7902-A	
Explorer	1996-1995	Crown Victoria	2003-1994	F-Series	2018-2015	AUTOMATIC TRANSMISSION TORQUE CONVERTER	
Ranger	1996-1995	Econoline	2003-1994	Mustang	2017-2015	Ford	
F68Z-7902-ARM		Expedition	2004-2001	Transit-150	2018-2016	EcoSport	
AUTOMATIC TRANSMISSION TORQUE CONVERTER		F-Series	2003-1994	Transit-250	2018-2016	2018	
Ford		Mustang	1997-1994	Transit-350	2018-2016	HC3Z-7902-A	
Taurus	1999-1996	Thunderbird	1997-1994	Transit-350 HD	2018-2016	AUTOMATIC TRANSMISSION TORQUE CONVERTER	
Windstar	1998-1996	Lincoln		FL3Z-7902-B		Ford	
Mercury		Town Car	2003-1992	AUTOMATIC TRANSMISSION TORQUE CONVERTER		F-Series	
Sable	1999-1996	Mercury		Ford		2018-2015	
		Cougar	1997-1994	Mustang	2017-2015	F650	2018-2016
		Grand Marquis	2003-1992			F750	2018-2016



Make	Year	Make	Year
HC3Z-7902-B		XL7Z-7902-AARM	
AUTOMATIC TRANSMISSION TORQUE CONVERTER		AUTOMATIC TRANSMISSION TORQUE CONVERTER	
Ford		Lincoln	
F-Series	2018-2017	Navigator	2002-1999
HL3Z-7902-A		XS4Z-7902-BBRM	
AUTOMATIC TRANSMISSION TORQUE CONVERTER		AUTOMATIC TRANSMISSION TORQUE CONVERTER	
Ford		Ford	
Expedition	2018	Focus	2007-2000
Lincoln		YL8Z-7902-BCRM	
Navigator	2018	AUTOMATIC TRANSMISSION TORQUE CONVERTER	
JL3Z-7902-A		Ford	
AUTOMATIC TRANSMISSION TORQUE CONVERTER		Escape	
Ford		2006-2001	
F-Series	2018	Mercury	
JR3Z-7902-A		Cougar	
AUTOMATIC TRANSMISSION TORQUE CONVERTER		2002-2001	
Ford			
Mustang	2018		
JR3Z-7902-B			
AUTOMATIC TRANSMISSION TORQUE CONVERTER			
Ford			
Mustang	2018		
XC3Z-7902-AARM			
AUTOMATIC TRANSMISSION TORQUE CONVERTER			
Ford			
Econoline	1999-1997		
F-Series	1999		
F53	1999		
XL3Z-7902-AARM			
AUTOMATIC TRANSMISSION TORQUE CONVERTER			
Ford			
Econoline	2003-2000		
Expedition	2004-2003		
F-Series	2003-1999		
XL3Z-7902-BARM			
AUTOMATIC TRANSMISSION TORQUE CONVERTER			
Ford			
Excursion	2000		
Expedition	2002-1997		
F-Series	2000-1999		
Lincoln			
Navigator	2000-1998		



Make	Year	Make	Year	Make	Year	Make	Year
MTK-27900-H OVERHAUL KIT PASSENGER CARS Ford Mustang 2010-2005 Thunderbird 2005-2003 Lincoln LS 2006-2003 LIGHT TRUCKS Ford Explorer 2010-2002 Explorer Sport Trac 2010-2007 Lincoln Aviator 2005-2003 Mercury Mountaineer 2010-2002		MTK-73900-B OVERHAUL KIT LIGHT TRUCKS Ford Bronco 1996 Econoline 2005-1996 Excursion 2005-2000 Expedition 2003-1998 F-Series 2004-1996 Lincoln Blackwood 2003-2002 Navigator 2004-1998		MTK-132914 OVERHAUL KIT Explorer 2018-2011 Flex 2018-2010 Police Interceptor Utility 2018-2014 Lincoln MKT 2018-2010 MKX 2018-2010		MTK-132933 OVERHAUL KIT Excursion 2005-2000 F-Series 2004-1999 Lincoln Blackwood 2003-2002 Navigator 2004-2003	
MTK-28900-D OVERHAUL KIT LIGHT TRUCKS Ford Aerostar 1997 Explorer 2003-1997 Explorer Sport Trac 2005-2001 Ranger 2011-1997 Mazda B2300 2008-2001, 1997 B2500 2000-1998 B3000 2007-1997 B4000 2008-1997 Mercury Mountaineer 2001-1998		MTK-85900-D OVERHAUL KIT LIGHT TRUCKS Ford Escape 2008-2001 Mazda Tribute 2008, 2006-2001 Mercury Mariner 2008-2005		MTK-132918 OVERHAUL KIT PASSENGER CARS Ford Fiesta 2013-2011 Focus 2014-2012		MTK-132934 OVERHAUL KIT PASSENGER CARS Ford Focus 2018-2016	
MTK-36900-B OVERHAUL KIT LIGHT TRUCKS Ford Econoline 2018-2004 Excursion 2005-2003 F-Series 2018-2003		MTK-132907 OVERHAUL KIT PASSENGER CARS Ford Focus 2011-2004 LIGHT TRUCKS Transit Connect 2013-2010		MTK-132922 OVERHAUL KIT PASSENGER CARS Ford Mustang 2018-2011 LIGHT TRUCKS Expedition 2018-2007 Explorer 2010-2006 Explorer Sport Trac 2010-2007 F-Series 2018-2009 Transit-150 2018-2015 Transit-250 2018-2015 Transit-350 2018-2015 Transit-350 HD 2018-2015 Lincoln Navigator 2018-2009 Mercury Mountaineer 2010-2006		MTK-132936 OVERHAUL KIT PASSENGER CARS Ford Fiesta 2018-2014 Focus 2018-2014	
MTK-46900-C OVERHAUL KIT PASSENGER CARS Ford Focus 2008-2000 LIGHT TRUCKS Transit Connect 2013-2010		MTK-132908 OVERHAUL KIT PASSENGER CARS Ford Taurus 2009-2008 Taurus X 2009-2008 Lincoln MKS 2009 Mercury Sable 2009-2008 LIGHT TRUCKS Ford Edge 2009-2007 Flex 2009 Lincoln MKX 2009-2007		MTK-132931 OVERHAUL KIT LIGHT TRUCKS Ford Aerostar 1997-1990 Explorer 2005-2001 Ranger 1995-1990		MTK-132938 OVERHAUL KIT PASSENGER CARS Mercury Milan 2009	
MTK-67900-F OVERHAUL KIT PASSENGER CARS Ford Taurus 2007-2004 Mercury Sable 2005-2004 LIGHT TRUCKS Ford Freestar 2007-2004 Mercury Monterey 2007-2004		MTK-132914 OVERHAUL KIT PASSENGER CARS Ford Police Interceptor Sedan 2018-2014 Special Service Police Sedan 2018-2014 Taurus 2018-2010 Lincoln MKS 2016-2010 MKZ 2018-2013 LIGHT TRUCKS Ford Edge 2018-2010		MTK-132932 OVERHAUL KIT PASSENGER CARS Ford Contour 2000-1995 Mercury Cougar 2002-1999 Mystique 2000-1995 LIGHT TRUCKS Ford Escape 2008-2001 Mercury Mariner 2008-2005		MTK-132939 OVERHAUL KIT PASSENGER CARS Ford Crown Victoria 2010-1992 Mustang 2004-1994 Thunderbird 1997-1994 Lincoln Mark VIII 1998-1993 Town Car 2010-1992 Mercury Cougar 1997-1994 Grand Marquis 2010-1992 Marauder 2004-2003 LIGHT TRUCKS Ford Econoline 2018-1999, 1997-1994 Expedition 2006-1997 Explorer 2001-1996 F-Series 2010-1994 Lincoln Mark LT 2008-2006 Mercury Mountaineer 2001-1997	
				MTK-132933 OVERHAUL KIT LIGHT TRUCKS Ford Bronco 1996-1990		MTK-132940 OVERHAUL KIT PASSENGER CARS Ford EcoSport 2018	

BUYER'S GUIDE

Transmission Repair Kits



FORD PARTS

Make	Year	Make	Year	Make	Year	Make	Year
MTK-132944 OVERHAUL KIT PASSENGER CARS Ford Fusion Lincoln MKZ LIGHT TRUCKS Ford EcoSport Edge Escape Explorer Transit Connect Lincoln MKC MKT MKX	2018-2013 2018-2015 2018 2018-2013 2018-2012 2016-2014 2018-2015 2013 2018-2016, 2013-2012	MTK-K2701-F MASTER OVERHAUL KIT Lincoln Aviator Mercury Mountaineer	2005-2003 2007-2002	MTKV-K3601-D MASTER OVERHAUL KIT LIGHT TRUCKS Ford Econoline Excursion F-Series	2004 2004-2003 2004-2003	MTKV-K5800-H MASTER OVERHAUL KIT LIGHT TRUCKS Ford Escape Mazda Tribute Mercury Mariner	2008-2001 2008, 2006- 2001 2008-2005
MTK-132946 OVERHAUL KIT PASSENGER CARS Ford Fusion Police Interceptor Sedan Special Service Police Sedan Taurus Lincoln MKZ Mercury Milan LIGHT TRUCKS Ford Escape Police Interceptor Utility Transit Connect Lincoln MKT MKX Mercury Mariner	2012-2009 2018-2013 2018-2014 2018-2014 2014-2009 2011-2010 2012-2009 2013 2018-2014 2018-2014 2015-2014 2011-2009	MTKV-1-C MASTER OVERHAUL KIT PASSENGER CARS Ford Mustang	2013-2011	MTKV-K3602-C MASTER OVERHAUL KIT LIGHT TRUCKS Ford Econoline Excursion F-Series	2018-2005 2005 2016-2005	MTKV-K5900-A MASTER OVERHAUL KIT LIGHT TRUCKS Ford F-Series	2013-2011
MTK-132947 OVERHAUL KIT PASSENGER CARS Ford Mustang LIGHT TRUCKS Expedition F-Series Lincoln Navigator	2018 2018 2018-2017 2018	MTKV-1-D MASTER OVERHAUL KIT PASSENGER CARS Ford Mustang	2013-2011	MTKV-K4600-D MASTER OVERHAUL KIT PASSENGER CARS Ford Focus LIGHT TRUCKS Transit Connect	2011-2008 2013-2010	MTKV-K5900-C MASTER OVERHAUL KIT LIGHT TRUCKS Ford F-Series	2013-2011
MTK-K2701-F MASTER OVERHAUL KIT LIGHT TRUCKS Ford Explorer Explorer Sport Trac	2008-2002 2008-2007	MTKV-3 MASTER OVERHAUL KIT LIGHT TRUCKS Ford Explorer	2011	MTKV-K5300-K MASTER OVERHAUL KIT PASSENGER CARS Ford Crown Victoria Mustang Lincoln Mark VIII Town Car Mercury Grand Marquis Marauder	2010-1998 2004-1998 1998-1997 2010-1998 2004-2003	MTKV-K6700-T MASTER OVERHAUL KIT PASSENGER CARS Ford Taurus Mercury Sable LIGHT TRUCKS Ford Freestar Mercury Monterey	2007-2004 2005-2004 2007-2004 2007-2004
MTK-132947 OVERHAUL KIT PASSENGER CARS Ford Mustang LIGHT TRUCKS Expedition F-Series Lincoln Navigator	2018 2018-2017 2018	MTKV-4 MASTER OVERHAUL KIT LIGHT TRUCKS Ford Explorer	2013	MTKV-K5601-A MASTER OVERHAUL KIT PASSENGER CARS Ford Taurus Lincoln MKS LIGHT TRUCKS Ford Edge Flex Lincoln MKT MKX	2018-1999, 1997-1994 2006-1999 2001-1999 2010-1999 2008-2006 2001-1999	MTKV-K7300-D MASTER OVERHAUL KIT LIGHT TRUCKS Ford Econoline Excursion F-Series	2000-1998 2000 2000-1999
MTK-132947 OVERHAUL KIT PASSENGER CARS Ford Mustang LIGHT TRUCKS Expedition F-Series Lincoln Navigator	2018 2018-2017 2018	MTKV-7 MASTER OVERHAUL KIT LIGHT TRUCKS Ford Explorer	2012	MTKV-K2701-G MASTER OVERHAUL KIT PASSENGER CARS Ford Mustang Thunderbird Lincoln LS	2010-2005 2005-2003 2006-2003	MTKV-K11701-A MASTER OVERHAUL KIT PASSENGER CARS Ford Taurus Taurus X Lincoln MKS Mercury Sable LIGHT TRUCKS Ford Edge Flex Lincoln MKX	2009-2008 2009-2008 2009 2009-2008 2009-2007 2009 2009-2007
MTK-K2701-F MASTER OVERHAUL KIT LIGHT TRUCKS Ford Explorer Explorer Sport Trac	2008-2002 2008-2007	MTKV-K2801-C MASTER OVERHAUL KIT LIGHT TRUCKS Ford Aerostar Explorer Explorer Sport Trac Ranger Mazda B2300 B2500 B3000 B4000 Mercury Mountaineer	1997 2003-1997 2005-2001 2011-1997 2008-2001, 1997 2000-1998 2007-1997 2008-1997 2001-1998			MTKV-K13200-D MASTER OVERHAUL KIT	

FOR REFERENCE PURPOSES ONLY - CHECK VEHICLE APPLICATION LISTING FOR SPECIFIC MOTORCRAFT PART NUMBER



Make	Year	Make	Year	Make	Year	Make	Year
MTKV-K13200-D							
MASTER OVERHAUL KIT							
LIGHT TRUCKS							
Ford							
Expedition	2008-2007						
Explorer	2008-2006						
Explorer Sport	2008-2007						
Trac							
Mercury							
Mountaineer	2008-2006						
MTKV-K13201-D							
MASTER OVERHAUL KIT							
LIGHT TRUCKS							
Ford							
Expedition	2013-2009						
Explorer	2010-2009						
Explorer Sport	2010-2007						
Trac							
F-Series	2013-2009						
Lincoln							
Navigator	2013-2009						
Mercury							
Mountaineer	2010-2009						



CATALOG LOCATION OF PART NAME AND PREFIX

Arranged by Catalog

PART NAME	PREFIX
Air Conditioner Parts	
A/C Accumulator.....	YF, YL
A/C Accumulator with Hose Assembly.....	YF, YL
A/C Clutch Cycle Switch.....	YH
A/C Compressor – New.....	YC
A/C Compressor and Clutch Assy.....	YCC
A/C Compressor Clutch.....	YB
A/C Compressor Clutch Coil.....	YB
A/C Compressor Clutch Coil Lead Wiring Harness....	YH
A/C Compressor Clutch Hub.....	YB
A/C Compressor Clutch Pulley.....	YB
A/C Compressor Relief Valve.....	YF
A/C Compressor Shaft Seal Kit.....	YE
A/C Condenser.....	YJ
A/C Condenser Seal Kit.....	YJ
A/C Control Switch.....	YH
A/C Evaporator Core.....	YK
A/C Evaporator Core Case.....	MM
A/C Evaporator Core Kit.....	YK
A/C Evaporator Inlet and Outlet Tube Assembly.....	YF
A/C Evaporator Temperature Sensor.....	YH
A/C Expansion Valve.....	YG
A/C In-Line Filter.....	YF
A/C Line O-Ring/Kit.....	YF
A/C Manifold Hose Assembly.....	YF
A/C Orifice Tube.....	YG
A/C Receiver Drier.....	YL
A/C Receiver Drier / Dessicant Element Filter.....	YL
A/C Refrigerant Hose Fitting.....	YF
A/C Refrigerant Discharge Hose.....	YF
A/C Refrigerant Discharge/Suction Hose Assembly...	YF
A/C Refrigerant Hose.....	YF
A/C Refrigerant Liquid Hose.....	YF
A/C Refrigerant Suction Hose.....	YF
A/C Service Valve.....	YF
A/C System O-Ring and Gasket Set.....	YF
A/C Temperature Control Sensor and Bracket Assembly.....	YH
A/C Vacuum Control Valve.....	YG
A/C Vacuum Hose.....	YF
Alternator Pulley.....	GP
Auto Transmission Oil Cooler.....	YO
Cabin Air Temperature Sensor.....	YH
Drive Belt Idler Pulley.....	YS
Engine Cooling Fan Blade.....	YA
Engine Cooling Fan Clutch.....	YB

PART NAME	PREFIX
Air Conditioner Parts – cont'd	
Engine Cooling Fan Controller.....	RR
Heater Coolant Heater Control.....	YG
Hose Clamp.....	YF
HVAC Blower Control Module.....	YH
HVAC Blower Control Motor Resistor.....	YH
HVAC Blower Control Switch.....	YH
HVAC Blower Motor.....	MM
HVAC Blower Motor Housing.....	MM
HVAC Blower Motor Resistor.....	MM
HVAC Blower Wheel.....	MM
HVAC Control Panel Resistor.....	YH
HVAC Cut-Off Switch.....	YH
HVAC Defrost Mode Door Actuator.....	YH
HVAC Floor Mode Door Actuator.....	YH
HVAC Heater Blend Door Actuator.....	YH
HVAC Heater Control Switch.....	YH
HVAC Heater Control Valve.....	YG
HVAC Heater Core.....	HC
HVAC Heater Plenum Chamber Assembly.....	YH
HVAC Mode Door Motor.....	YH
HVAC Recirculation Door Actuator.....	YH
HVAC Temperature Sensor.....	YH
Instrument Panel Air Duct Air Temp Sensor.....	YH
Motor and Fan Assy. – Engine Cooling.....	RF
Remanufactured A/C Compressor Clutch.....	YBR
Voltage Regulator.....	GR
Alternator, Distributor, Starter, Major Components	
Armature.....	GM, SM
Bearing C.E. Head.....	GE, SH
Bearing D.E.	MC
Bearing D.E. Head.....	GE
Brush.....	SB
Drive.....	SD
Field Coil.....	SC
Housing D.E.	SE
Rectifier Assembly.....	GY
Rotor.....	GM
Starters.....	SA, SZ
Batteries	
Batteries.....	BH, BXL, BXT

Arranged by Catalog

PART NAME	PREFIX
Belts, Hoses and Tensioners	
Accessory Drive Belt.....	JC
Auto Trans Oil Cooler Hose.....	KM
Belt Tensioner.....	BT
Brake Hydraulic Bulkline.....	KK
EGR Vacuum Hose.....	KX
Engine Auxiliary Water Pump Hose.....	KM
Engine Coolant By-Pass Hose.....	KM
Engine Coolant Hose.....	KM
Engine Coolant Overflow Hose.....	KM
Engine Coolant Recovery Tank Hose.....	KM
Engine Coolant Water Outlet.....	KM
Fuel Hose.....	KFL
HVAC Heater Hose.....	KH, KHM, KM
HVAC Heater Hose Assy.....	KH
HVAC Heater Pipe.....	KT
PCV Valve Hose.....	KCV
Radiator.....	RAD
Radiator Assembly.....	RAD
Radiator Coolant By-Pass Hose.....	KM
Radiator Coolant Hose.....	KB, KM, KMS, KS
Serpentine Belt.....	JK
Transfer Case Vent Hose.....	KK
Vacuum Hose.....	KDV
V-Belt.....	JC
Windshield Washer Hose.....	KW
Brake and Wheel Hub Products	
ABS Wheel Speed Sensor.....	BRAB
Axle Output Shaft Seal.....	BRS
Battery.....	BXL, BXT
Battery Spacer.....	BS
Brake Bleed Screw – OE.....	BKBOE
Brake Bleeder Screw.....	BKBF
Brake Caliper – Loaded w/Super Duty Pads.....	BRCLS
Brake Drums.....	BRD
Brake Drums – OE.....	BRDF
Brake Hydraulic Hose.....	BRHF, BRHR
Brake Hydraulic Line. BRT, BRTA, BRTAF, BRTAR, BRTF, BRTH, BRTR	
Brake Master Cylinder.....	BRMC
Brake Master Cylinder Cap.....	BRFC
Brake Rotors – OE.....	BRRF
Brake Spring Kit.....	BRSK
Brake Wheel Cylinder.....	BRWC
Brake Wheel Seal.....	BRS
Disc Brake Caliper.....	BRC
Disc Brake Caliper – Loaded.....	BRCL
Disc Brake Caliper – Unloaded – OE.....	BRCF
Disc Brake Caliper Bracket.....	BRBC, BRBCF, BRBCR, BRBF, BRBPB, BRBR
Disc Brake Caliper Repair Kit.....	BKCF, BKCOE

PART NAME	PREFIX
Brake and Wheel Hub Products – cont'd	
Disc Brake Caliper Repair Kit.....	BRCK
Disc Brake Hardware Kit.....	BRPK
Disc Brake Hub – OE.....	HUB
Disc Brake Loaded Caliper – OE.....	BRCLF
Disc Brake Pad.....	BR
Disc Brake Pads – OE.....	BRF
Disc Brake Rotor.....	BRR
Drum Brake Adjusting Spring Kit.....	BKSOE
Drum Brake Self Adjuster Repair Kit.....	BRAK
Drum Brake Shoe.....	BR, BRF
Drum Brake Shoe Hold Down Kit.....	BRVP
Hardware Spring Kit.....	BKSF
Hub and Rotor Assy.....	BRRF
Pads – Super Duty.....	BRSD
Parking Brake Adjuster.....	BKAF, BKAOE
Parking Brake Cable.....	BRCA
Parking Brake Hardware Kit.....	BKSF, BKSOE
Parking Brake Shoe.....	BRP
Parking Brake Shoe – OE.....	BRPF
Power Brake Booster.....	BRB
Power Brake Booster Vacuum Pump.....	BRPV
Wheel Bearing – Cone and Roller.....	BRG
Wheel Bearing and Hub Assembly.....	HUB
Wheel Bearing Assy Kit.....	HUB
Wheel Bearing Retainer.....	BRS
Caps, Thermostats and Water Pumps	
Auto Trans – Seals and O-Rings Kit.....	MTK
Engine Coolant Outlet Gasket.....	RG
Engine Coolant Outlet Gasket.....	RTS
Engine Coolant Outlet O-Ring.....	RG
Engine Coolant Pipe O-Ring.....	RG
Engine Coolant Recovery Tank Cap.....	RL, RS
Engine Coolant Recovery Tank Seal.....	RTS
Engine Coolant Thermostat Gasket.....	RG
Engine Coolant Thermostat Gasket.....	RTS
Engine Coolant Thermostat Housing.....	RH
Engine Coolant Thermostat Housing and Gasket.....	RG
Engine Coolant Thermostat Housing Cover.....	RH
Engine Coolant Thermostat/Water Outlet Assy.....	RT
Engine Coolant Water Inlet Gasket.....	RG
Engine Coolant Water Outlet.....	RH
Engine Oil Filler Cap.....	EC
Engine Oil Filter Cover.....	EC
Engine Water Pump.....	PWR
Fuel Cap.....	FC
Pulley Bolt Cover.....	PWR
Radiator Cap.....	RL, RS
Water Pump.....	PW

**CATALOG LOCATION OF
PART NAME AND PREFIX**

Arranged by Catalog

PART NAME	PREFIX
Electrical Switches	
Airbag Deactivation Indicator – Passenger.....	SW
Auxiliary Light.....	SW
Axle Shift Control Switch.....	SW
Back Up Light Switch.....	SW
Bearing C.E. Head – Generator.....	SH
Brake Light Switch.....	SW
Brake Pressure Relay.....	SW
Buzzer – Low Air Pressure.....	SW
Circuit Breaker Switch.....	SW
Clamp–On Bracket Switch.....	SW
Courtesy Lamp Switch.....	SW
Cruise Control Circuit Switch.....	SW
Cruise Control Switch.....	SW
Diesel Glow Plug Switch.....	SW
Dimmer Switch.....	SW
Distributor Modulator Ambient Switch.....	SW
Distributor Modulator Valve.....	SW
Distributor Modulator Valve Switch.....	SW
Door Jamb Switch.....	SW
Door Lock Actuator Switch.....	SW
Door Open Warning Switch.....	SW
Door Window Switch.....	SW
Drive – Starter.....	SD
Emergency Warning Switch.....	SW
Engine Air, Oil Pressure Switch.....	SW
Engine Coolant Temperature Switch.....	SW
Engine Start Switch.....	SW
Flasher – Emergency Warning.....	SW
Flasher – Turn Indicator.....	SW
Fog Lamp Switch.....	SW
Fuse Holder Switch.....	SW
Glow Plug Control Module.....	SW
Hazard Warning Flasher.....	SF
Hazard Warning Flasher.....	SW
Headlight/Headlamp Switch.....	SW
Heater Switch.....	SW
Horn Button Switch.....	SW
HVAC Climate Control Module.....	CCM
Ignition Key Warning Switch.....	SW
Ignition Lock Cylinder Switch.....	SW
Ignition Starter Switch.....	SW
Ignition Switch.....	SW
Instrument Cluster – Voltage Regulator Switch.....	SW
Jack Plug Cover.....	SW
Lighting Control Module.....	LCM
Multi Function Module.....	MFM
Multi Purpose Switch.....	SW
Neutral Safety Switch.....	SW
Overhead Console Switch.....	SW
Push Pull Switch.....	SW

PART NAME	PREFIX
Electrical Switches – cont'd	
Regulator – Instrument Cluster.....	SW
Relay – Glow Plug.....	SW
Remote Tire Pressure Monitor Sensor Valve Assembly.....	TPMS
Resistor.....	DY
Seat Belt Switch.....	SW
Seat Switch.....	SW
Solenoid Switch.....	SW
Spare Accessory Switch.....	SW
Spark Control Switch.....	SW
Speed Control Actuator Switch.....	SW
Speed Control Deactivator Switch.....	SW
Speed Control Wiring Assy.....	SW
Starter.....	SA
Starter Button Switch.....	SW
Starter Relay Switch.....	SW
Starter Solenoid Relay.....	SW
Starter Solenoid Switch.....	SW
Starter/Clutch Switch.....	SW
Stoplight Switch.....	SW
Sunroof Switch.....	SW
Temperature Control Relay.....	SW
Temperature Lamp Switch.....	SW
Temperature Sending Switch.....	SW
Tire Pressure Monitoring System Control Unit.....	TPMS
Tire Pressure Monitoring System Sensor.....	TPMS
Tire Pressure Monitoring System Sensor Grommet.....	TPMS
Tire Pressure Monitoring System Sensor Mounting Band.....	TPMS
Tire Pressure Monitoring System Sensor Nut.....	TPMS
Tire Pressure Monitoring System Valve Stem Cap.....	TPMS
Toggle Switch.....	SW
Transfer Case Manual Lever Position Sensor.....	SW
Transmission Oil Pressure Switch.....	SW
Transmission Ranger Sensor Switch.....	SW
Truck Lock Switch.....	SW
Turn Indicator Switch.....	SW
Turn Signal Flasher.....	SF
Turn Signal Flasher.....	SW
Turn Signal/Windshield Wiper Assy.....	SW
Two–Speed Axle Shift.....	SW
Voltage Regulator.....	GR
Windshield Washer Switch.....	SW
Windshield Wiper Switch.....	SW
Windshield Wiper/Washer.....	SW

Arranged by Catalog

**CATALOG LOCATION OF
PART NAME AND PREFIX**

PART NAME	PREFIX
Filters and PCV Valves	
Air Filter	FA
Auto Trans Filter Kit	FT
Cabin Air Filter	FP
Engine Crankcase Breather Element.....	FA
Fuel (Diesel) Filter	FD
Fuel (Gas) Filter.....	FG
Fuel Water Separator Filter	FW
HVAC Seat Filter	FS
Hydraulic Fuel Filter.....	FH
Oil Filter	FL
PCV Valve	EV
Pollen Filter	FP
Fuel and Emission Systems	
4WD Actuator Valve	CX
Absolute Pressure (MAP) Sensor	CX
Absolute Pressure Sensor	DY
Air Charge Temperature Sensor	DY
Air Check Valve	CX
Ambient Air Temp Sensor	DY
Auto Trans Oil Temperature Sensor	DY
Auto Trans Output Shaft Speed Sensor	DY
Barometric Pressure Sensor	DY
Carburetor Bowl Vent Solenoid	CX
Carburetor Repair Kit	CT
Choke Pull-Off.....	CK
Choke Thermostat.....	CM
Coolant Temperature Sensor	DY
Diesel Glow Plug Switch	DY
Distributor Modulator Ambient Switch.....	SW
Distributor Modulator Valve.....	SW
Distributor Modulator Valve Switch	SW
Distributor Vacuum and Vent Control Valve.....	DY
Distributor Vacuum Control Check Valve	DY
EGR Pressure Sensor	DPFE
EGR Valve	CX
EGR Valve Gasket.....	CG
EGR Valve Sensor.....	CX
Emission System Vacuum Reservoir.....	CX
Engine Coolant Temp Sensor	DY
Engine Coolant Temperature Sensor.....	DY
Engine Crankshaft Position Sensor	DY
Feedback (DPFE) Sensor	DPFE
Fuel Charging Wiring System	CM
Fuel Inj. Idle Air Control Valve Gasket	CG
Fuel Injection Nozzle	CN
Fuel Injector	CN
Fuel Injector Control Module	FICM
Fuel Injector Kit.....	CN
Fuel Injector O-Ring.....	CM
Fuel Injectors	CM

PART NAME	PREFIX
Fuel and Emission Systems – cont'd	
Fuel Pressure Regulator	CM
Fuel Pressure Relief Valve Cap.....	CM
Fuel Pump	PF
Fuel Pump and Bracket Assy.....	PFB
Fuel Pump and Sender	PFS
Fuel Pump and Sender Assembly.....	PS
Fuel Pump Gasket.....	CG
Fuel Pump Tank Seal	CG
Fuel Sender and Hanger Assembly	PS
Fuel Tank Pressure Sensor	CX
Fuel Tank Sender.....	PS
Fuel Tank Sending Unit Lock Ring.....	FPR
Fuel Vapor Storage Canister Valve	CX
Fuse Block	DY
Fuse Connector.....	DY
Heated Oxygen Sensor.....	DY
Idle Air Control Valve.....	CX
Ignition Barometric Pressure Switch.....	DY
Ignition Coil	DG
Ignition Control Module.....	DY
Ignition Timing Vacuum Switch.....	DY
Intake Air Temperature Sensor	DY
Intake Manifold Runner Control Valve.....	CM
Intake Manifold Temp Sensor	CX
Intake Manifold Temperature Sensor	DY
Manifold Absolute Pressure Sensor	DY
Manifold Secondary Air Injection Bypass Valve	CX
Mass Air Flow Sensor.....	AFLS
Multi Purpose Relay.....	DY
Oxygen Sensor	DY
PCV Valve	EV
Secondary Air Injection Control Valve	CX
Secondary Air Injection Pump.....	CX
Secondary Air Injection Supply Valve	CX
Sensor-Fuel Injector Pressure	CM
Speed Control Sensor.....	DY
Throttle Body Spacer.....	CM
Throttle Position Sensor	CX
Throttle Position Sensor	DY
Transfer Case Fluid Temperature Sensor	DY
Universal Relay	DY
Vacuum Breaker Control and Bracket Assy	CK
Vacuum Breaker Control and Bracket.....	CX
Vacuum Control Valve	DY
Vacuum Regulator Valve.....	CX
Vapor Canister Purge Valve.....	CX
Vapor Canister Purge Valve Hose.....	CX
Vehicle Speed Sensor	DY

**CATALOG LOCATION OF
PART NAME AND PREFIX**

Arranged by Catalog

PART NAME	PREFIX
Popular Parts	
Air Filter	FA
Batteries.....	BH, BXL, BXT
Diesel Glow Plug.....	ZD
Distributor Adapter Ring	DJ
Distributor Armature	DT
Distributor Cap.....	DH
Distributor Rotor	DR
Engine Coolant Recovery Tank Cap.....	RL, RS
Engine Coolant Thermostat.....	RT
Engine Crankcase Breather Element.....	FA
Engine Oil Filler Cap	EC
Fuel (Diesel) Filter	FD
Fuel (Gas) Filter.....	FG
Fuel Cap	FC
Ignition Capacitor.....	DC
Ignition Coil	DG
Ignition Contact Set.....	DP
Oil Filter	FL
PCV Valve	EV
Radiator Cap.....	RL, RS
Single Lead Spark Plug Wire.....	WR
Spark Plug	SP
Spark Plug Wire Set.....	WR
Starter Solenoid Switch	SW
Voltage Regulator.....	GR
Windshield Wiper Blade.....	WW
Powertrain Components and Remanufactured Assemblies	
Auto Trans Master Repair Kit.....	MTKV
Rotating Electrical, Ignition Components, Wire and Cable	
Alternator.....	GL, GLV
Auto Trans Modulator Valve	TM
Ballast Resistor	DY
Battery Ground Strap.....	WC
Camshaft Position Sensor.....	DU
Distributor.....	DA
Distributor Adapter Ring	DJ
Distributor Armature	DT
Distributor Cap.....	DH
Distributor Ignition Pickup.....	DU
Distributor Rotor	DR
Distributor Vacuum Advance.....	DD
Drive – Starter	SD
Engine Crankshaft Synchronizer.....	DA
Fuel Pump Jumper Harness Kit.....	WT
HVAC Blower Motor.....	MM
HVAC Blower Motor Resistor	MM

PART NAME	PREFIX
Rotating Electrical, Ignition Components, Wire and Cable – cont'd	
Ignition Capacitor.....	DC
Ignition Coil	DG
Ignition Contact	DP
Junction Block Assy	DY
Modulators	TM
Resistor.....	DY
Seat Regulator Motor	MM
Single Lead Spark Plug Wire.....	WR
Solenoid Switch.....	SW
Spark Plug Boot.....	WR
Spark Plug Wire Set.....	WR
Starter.....	SA
Starter Cable.....	WC
Starter Solenoid Switch	SW
Sunroof Motor	MM
Tailgate Window Motor	MM
Window Lift Regulator	WLR
Window Lift Regulator and Motor Assy.....	WLRA
Windshield Washer Pump.....	WG
Windshield Wiper Motor	WM
Windshield Wiper Switch.....	SW
Wiring Pigtails	WPT
Spark Plugs	
Diesel Glow Plug.....	ZD
Spark Plug	SP
Steering, Suspension and CV Products	
Axle Shaft Assy	TX
Ball Joint.....	MCS
CV Joint Boot.....	TS
CV Joint Boot Kit.....	TS
Drive Shaft CV Joint Kit.....	TX
Power Steering Gear – Reman.....	STRV
Power Steering Hose.....	PSH
Power Steering Pump.....	STP, STPV
Power Steering Pump and Gear Assy	STE
Remanufactured Steering Gears.....	STG
Shock Absorber	AA
Shock Absorber	AD
Shock Absorber	AM
Shock Absorber	AS
Shock Absorber	ASH, AST
Shock Absorber	ASHV
Shock Absorber Bushing.....	AD
Shock Mount.....	AD
Shock Mount Insulator	AD
Shock Mounting Kit	AD
Shocks and Struts.....	AS, AT, ASH, AST

Arranged by Catalog

PART NAME	PREFIX
Steering, Suspension and CV Products – cont'd	
Starter Solenoid Switch	SW
Steering Damper	ASH
Steering Damper Kit	ASHV
Steering Drag Link	MDF, MDOE
Steering Drag Link	MDS
Steering Drag Link	MEOE, MEF, MES
Steering Gear	STE
Steering Idler Arm	MCS, MCSOE, MCF, HEF
Steering Idler Arm	MEOE, MEF, MES
Steering Knuckle.....	MEOE, MEF, MES
Steering Pitman Arm.....	MCS, MCSOE, MCF, HEF
Steering Pumps	STP, STPV
Steering Swivel Pin Kit.....	MEOE, MEF, MES
Steering Tie Rod End.....	MEF, MDF, MDS
Steering Tie Rod End.....	MEOE, MEF, MES
Steering Tie Rod End Adjusting Sleeve	MEOE, MEF, MES
Steering Tie Rod End Adjusting Sleeve	MES, MEF
Steering Tie Rod End Assembly.....	MEF
Steering Tie Rod End Kit	MEF
Suspension Ball Joint.....	MCF
Suspension Ball Joint.....	MCS, MCSOE, MCF, HEF
Suspension Ball Joint Kit	MCF
Suspension Bearing Bracket.....	AD
Suspension Control Arm.....	MCS, MCSOE, MCF, HEF
Suspension Control Arm and Ball Joint Assy	MCS, MCSOE, MCF, HEF
Suspension Control Arm Bumper	AD
Suspension Shock Mount Bracket.....	AD
Suspension Shock Mounting Kit	AD
Suspension Stabilizer Bar Link Kit ..	MCS, MCSOE, MCF, HEF
Suspension Stabilizer Bar Link Nut	AD
Suspension Strut Assembly	AM
Suspension Strut Assy.....	ASH, AST
Suspension Strut Bearing.....	AD
Suspension Strut Mount	AD
Suspension Strut Mount Bushing	AD
Suspension Strut Rod Bushing	AD
Suspension Strut Rod Lock Nut.....	AD
Suspension Track Bar	MCF
Windshield Wiper Blades	
Windshield Wiper Blade.....	WW
Remanufactured Power	STP, STPV
Wiper and Window Lift Motors	
Power Window Lift Motor	WLM
Remanufactured Wiper Motor	WMV



CATALOG LOCATION OF PART NAME AND PREFIX

Arranged by Prefix

PART PREFIX	PART TYPE	CATALOG REFERENCE NUMBER
AA	Shock Absorber	SSD 200
AD	Shock Absorber	SSD 200
	Shock Absorber Bushing	SSD 200
	Shock Mount	SSD 200
	Shock Mount Insulator	SSD 200
	Shock Mounting Kit	SSD 200
	Suspension Bearing Bracket	SSD 200
	Suspension Control Arm Bumper	SSD 200
	Suspension Shock Mount Bracket	SSD 200
	Suspension Shock Mounting Kit	SSD 200
	Suspension Stabilizer Bar Link Nut	SSD 200
	Suspension Strut Bearing	SSD 200
	Suspension Strut Mount	SSD 200
	Suspension Strut Mount Bushing	SSD 200
	Suspension Strut Rod Bushing	SSD 200
	Suspension Strut Rod Lock Nut	SSD 200
AFLS	Mass Air Flow Sensor	FES 200
AM	Shock Absorber	SSD 200
	Suspension Strut Assembly	SSD 200
AS	Shock Absorber	SSD 200
AS, AT, ASH, AST	Shocks and Struts	SSD 200
ASH	Steering Damper	SSD 200
ASH, AST	Suspension Strut Assy	SSD 200
	Shock Absorber	SSD 200
ASHV	Shock Absorber	SSD 200
	Steering Damper Kit	SSD 200
BH, BXL, BXT	Batteries	BD 200 APF 200
	BKAF, BKAOE	Parking Brake Adjuster
BKBF	Brake Bleeder Screw	PV 200
BKBOE	Brake Bleed Screw – OE	PV 200
BKCF, BKCOE	Disc Brake Caliper Repair Kit	PV 200
BKSF	Hardware Spring Kit	PV 200
	Parking Brake Hardware Kit	PV 200
BKSOE	Drum Brake Adjusting Spring Kit	PV 200
	Parking Brake Hardware Kit	PV 200
BR	Disc Brake Pad	PV 200
	Drum Brake Shoe	PV 200
BRAB	ABS Wheel Speed Sensor	PV 200

PART PREFIX	PART TYPE	CATALOG REFERENCE NUMBER
BRAB	Drum Brake Self Adjuster Repair Kit	PV 200
BRB	Power Brake Booster	PV 200
BRBC, BRBCF, BRBCR, BRBF, BRBPB, BRBR	Disc Brake Caliper Bracket	PV 200
	Disc Brake Caliper	PV 200
BRCA	Parking Brake Cable	PV 200
BRCF	Disc Brake Caliper – Unloaded – OE	PV 200
BRCK	Disc Brake Caliper Repair Kit	PV 200
BRCL	Disc Brake Caliper – Loaded	PV 200
BRCLF	Disc Brake Loaded Caliper – OE	PV 200
BRCLS	Brake Caliper – Loaded w/Super Duty Pads	PV 200
BRD	Brake Drums	PV 200
BRDF	Brake Drums – OE	PV 200
BRF	Drum Brake Shoe	PV 200
	Disc Brake Pads – OE	PV 200
BRFC	Brake Master Cylinder Cap	PV 200
BRG	Wheel Bearing – Cone and Roller	PV 200
BRHF, BRHR	Brake Hydraulic Hose	PV 200
BRMC	Brake Master Cylinder	PV 200
BRP	Parking Brake Shoe	PV 200
BRPF	Parking Brake Shoe – OE	PV 200
BRPK	Disc Brake Hardware Kit	PV 200
BRPV	Power Brake Booster Vacuum Pump	PV 200
BRR	Disc Brake Rotor	PV 200
BRRF	Brake Rotors – OE	PV 200
	Hub and Rotor Assy	PV 200
BRS	Axle Output Shaft Seal	PV 200
	Brake Wheel Seal	PV 200
	Wheel Bearing Retainer	PV 200
BRSD	Pads – Super Duty	PV 200
BRSK	Brake Spring Kit	PV 200
BRT, BRTA, BRTAF, BRTAR, BRTF, BRTR	Brake Hydraulic Line	PV 200
	Drum Brake Shoe Hold Down Kit	PV 200
BRVP	Drum Brake Shoe Hold Down Kit	PV 200
BRWC	Brake Wheel Cylinder	PV 200

CATALOG NAME AND REFERENCE NUMBER

AC 200	Air Conditioner Parts	FES 200	Fuel and Emission Systems	PV 200	Brake and Wheel Hub Products
APF 200	Popular Parts	FI 200	Filters and PCV Valves	SP 251	Electrical Switches
BD 200	Batteries	GSR 200	Belts, Hoses and Tensioners	SSD 200	Steering, Suspension and CV Products
CW 200	Caps, Thermostats and Water Pumps	M 200	Spark Plugs	WW 200	Windshield Wiper Blades
EWC 200	Rotating Electrical, Ignition Components, Wire and Cable	PTF 200	Powertrain Components and Remanufactured Assemblies		

**CATALOG LOCATION OF
PART NAME AND PREFIX**

Arranged by Prefix

PART PREFIX	PART TYPE	CATALOG REFERENCE NUMBER
BS	Battery Spacer	PV 200
BT	Belt Tensioner	GSR 200
BXL, BXT	Battery	PV 200
CG	EGR Valve Gasket	FES 200
CG	Fuel Inj. Idle Air Control Valve Gasket	FES 200
	Fuel Pump Gasket	FES 200
	Fuel Pump Tank Seal	FES 200
CK	Choke Pull-Off	FES 200
	Vacuum Breaker Control and Bracket Assy	FES 200
CCM	HVAC Climate Control Module	SP 251
CM	Choke Thermostat	FES 200
	Fuel Charging Wiring System	FES 200
	Fuel Injector O-Ring	FES 200
	Fuel Injectors	FES 200
	Fuel Pressure Regulator	FES 200
	Fuel Pressure Relief Valve Cap	FES 200
	Intake Manifold Runner Control Valve	FES 200
	Sensor-Fuel Injector Pressure	FES 200
	Throttle Body Spacer	FES 200
CN	Fuel Injector	FES 200
	Fuel Injector Kit	FES 200
	Fuel Injection Nozzle	FES 200
CT	Carburetor Repair Kit	FES 200
CX	4WD Actuator Valve	FES 200
	Absolute Pressure (MAP) Sensor	FES 200
	Air Check Valve	FES 200
	Carburetor Bowl Vent Solenoid	FES 200
	EGR Valve	FES 200
	EGR Valve Sensor	FES 200
	Emission System Vacuum Reservoir	FES 200
	Fuel Tank Pressure Sensor	FES 200
	Fuel Vapor Storage Canister Valve	FES 200
	Idle Air Control Valve	FES 200
	Intake Manifold Temp Sensor	FES 200
	Manifold Secondary Air Injection Bypass Valve	FES 200
	Secondary Air Injection Control Valve	FES 200
	Secondary Air Injection Pump	FES 200
	Secondary Air Injection Supply Valve	FES 200
	Throttle Position Sensor	FES 200
	Vacuum Breaker Control and Bracket	FES 200
	Vacuum Regulator Valve	FES 200
	Vapor Canister Purge Valve	FES 200
	Vapor Canister Purge Valve Hose	FES 200
DA	Engine Crankshaft Synchronizer	EWC 200
DA	Distributor	EWC 200
DC	Ignition Capacitor	EWC 200 APF 200

PART PREFIX	PART TYPE	CATALOG REFERENCE NUMBER
DD	Distributor Vacuum Advance	EWC 200
DG	Ignition Coil	EWC 200 APF 200
DH	Distributor Cap	EWC 200 APF 200
DJ	Distributor Adapter Ring	EWC 200 APF 200
DP	Ignition Contact Set	EWC 200 APF 200
DPFE	EGR Pressure Sensor Feedback (DPFE) Sensor	FES 200 FES 200
DR	Distributor Rotor	EWC 200 APF 200
DT	Distributor Armature	EWC 200 APF 200
DU	Camshaft Position Sensor Distributor Ignition Pickup	EWC 200 EWC 200
DY	Absolute Pressure Sensor	FES 200
	Air Charge Temperature Sensor	FES 200
	Ambient Air Temp Sensor	FES 200
	Auto Trans Oil Temperature Sensor	FES 200
	Auto Trans Output Shaft Speed Sensor	FES 200
	Ballast Resistor	EWC 200
	Barometric Pressure Sensor	FES 200
	Coolant Temperature Sensor	FES 200
	Engine Coolant Temp Sensor	FES 200
	Engine Crankshaft Position Sensor	FES 200
	Diesel Glow Plug Switch	FES 200
	Distributor Vacuum and Vent Control Valve	FES 200
	Distributor Vacuum Control Check Valve	FES 200
	Engine Coolant Temperature Sensor	FES 200
	Fuse Block	FES 200
	Fuse Connector	FES 200
	Heated Oxygen Sensor	FES 200
	Ignition Barometric Pressure Switch	FES 200
	Ignition Control Module	FES 200
	Ignition Timing Vacuum Switch	FES 200
	Intake Air Temperature Sensor	FES 200
	Intake Manifold Temperature Sensor	FES 200
	Junction Block Assy	EWC 200
	Manifold Absolute Pressure Sensor	FES 200
	Multi Purpose Relay	FES 200
	Oxygen Sensor	FES 200
	Resistor	EWC 200 SP 251
	Speed Control Sensor	FES 200
	Throttle Position Sensor	FES 200

CATALOG NAME AND REFERENCE NUMBER

AC 200	Air Conditioner Parts	FES 200	Fuel and Emission Systems	PV 200	Brake and Wheel Hub Products
APF 200	Popular Parts	FI 200	Filters and PCV Valves	SP 251	Electrical Switches
BD 200	Batteries	GSR 200	Belts, Hoses and Tensioners	SSD 200	Steering, Suspension and CV Products
CW 200	Caps, Thermostats and Water Pumps	M 200	Spark Plugs	WW 200	Windshield Wiper Blades
EWC 200	Rotating Electrical, Ignition Components, Wire and Cable	PTF 200	Powertrain Components and Remanufactured Assemblies		

CATALOG LOCATION OF PART NAME AND PREFIX

Arranged by Prefix

PART PREFIX	PART TYPE	CATALOG REFERENCE NUMBER
DY – cont'd	Transfer Case Fluid Temperature Sensor	FES 200
	Universal Relay	FES 200
	Vacuum Control Valve	FES 200
	Vehicle Speed Sensor	FES 200
EC	Engine Oil Filler Cap	APF 200 CW 200
	Engine Oil Filter Cover	CW 200
EV	PCV Valve	FI 200
		FES 200
		APF 200
FA	Air Filter	FI 200
		APF 200
	Engine Crankcase Breather Element	FI 200 APF 200
FC	Fuel Cap	APF 200
		CW 200
FD	Fuel (Diesel) Filter	FI 200
		APF 200
FG	Fuel (Gas) Filter	FI 200
		APF 200
FH	Hydraulic Fuel Filter	FI 200
FICM	Fuel Injector Control Module	FI 200
FL	Oil Filter	FI 200
		APF 200
FP	Cabin Air Filter	FI 200
	Pollen Filter	FI 200
FPR	Fuel Tank Sending Unit Lock Ring	FES 200
FS	HVAC Seat Filter	FI 200
FT	Auto Trans Filter Kit	FI 200
FW	Fuel Water Separator Filter	FI 200
GL, GLV	Alternator	EWC 200
GP	Alternator Pulley	AC 200
GR	Voltage Regulator	AC 200
		SP 251
		APF 200
HC	HVAC Heater Core	AC 200
HUB	Disc Brake Hub – OE	PV 200
	Wheel Bearing and Hub Assembly	PV 200
	Wheel Bearing Assy Kit	PV 200
JC	Accessory Drive Belt	GSR 200
	V-Belt	GSR 200
JK	Serpentine Belt	GSR 200
KB	Radiator Coolant Hose	GSR 200
KCV	PCV Valve Hose	GSR 200

PART PREFIX	PART TYPE	CATALOG REFERENCE NUMBER
KDV	Vacuum Hose	GSR 200
KFL	Fuel Hose	GSR 200
KH	HVAC Heater Hose	GSR 200
	HVAC Heater Hose Assy	GSR 200
KHM	HVAC Heater Hose	GSR 200
KK	Brake Hydraulic Bulkline	GSR 200
	Transfer Case Vent Hose	GSR 200
KM	Auto Trans Oil Cooler Hose	GSR 200
	Engine Auxiliary Water Pump Hose	GSR 200
	Engine Coolant By-Pass Hose	GSR 200
	Engine Coolant Hose	GSR 200
	Engine Coolant Overflow Hose	GSR 200
	Engine Coolant Recovery Tank Hose	GSR 200
	Engine Coolant Water Outlet	GSR 200
	HVAC Heater Hose	GSR 200
	Radiator Coolant By-Pass Hose	GSR 200
KM, KMS, KS	Radiator Coolant Hose	GSR 200
KT	HVAC Heater Pipe	GSR 200
KW	Windshield Washer Hose	GSR 200
KX	EGR Vacuum Hose	GSR 200
LCM	Lighting Control Module	SP 251
MCF	Suspension Ball Joint	SSD 200
	Suspension Ball Joint Kit	SSD 200
	Suspension Control Arm and Ball Joint Assembly	SSD 200
	Suspension Track Bar	SSD 200
MCS	Ball Joint	SSD200
MCS, MCSOE, MCF, HEF	Steering Idler Arm	SSD 200
	Steering Pitman Arm	SSD 200
	Suspension Ball Joint	SSD 200
	Suspension Control Arm	SSD 200
	Suspension Control Arm and Ball Joint Assy	SSD 200
	Suspension Stabilizer Bar Link Kit	SSD 200
MDF, MDOE	Steering Drag Link	SSD 200
MDS	Steering Drag Link	SSD 200
MEF	Steering Tie Rod End Assembly	SSD 200
	Steering Tie Rod End Kit	SSD 200
MEF, MDF, MDS	Steering Tie Rod End	SSD 200
MEOE, MEF, MES	Steering Drag Link	SSD 200
	Steering Idler Arm	SSD 200
	Steering Knuckle	SSD 200
	Steering Swivel Pin Kit	SSD 200
	Steering Tie Rod End	SSD 200
	Steering Tie Rod End Adjusting Sleeve	SSD 200
MES, MEF	Steering Tie Rod End	SSD 200
	Adjusting Sleeve	SSD 200
MFM	Multi Function Module	SP 251

CATALOG NAME AND REFERENCE NUMBER

AC 200	Air Conditioner Parts	FES 200	Fuel and Emission Systems	PV 200	Brake and Wheel Hub Products
APF 200	Popular Parts	FI 200	Filters and PCV Valves	SP 251	Electrical Switches
BD 200	Batteries	GSR 200	Belts, Hoses and Tensioners	SSD 200	Steering, Suspension and CV Products
CW 200	Caps, Thermostats and Water Pumps	M 200	Spark Plugs	WW 200	Windshield Wiper Blades
EWC 200	Rotating Electrical, Ignition Components, Wire and Cable	PTF 200	Powertrain Components and Remanufactured Assemblies		

Arranged by Prefix

PART PREFIX	PART TYPE	CATALOG REFERENCE NUMBER
MM	A/C Evaporator Core Case	AC 200
	HVAC Blower Motor	AC 200
		EWC 200
	HVAC Blower Motor Housing	AC 200
	HVAC Blower Motor Resistor	AC 200
		EWC 200
	HVAC Blower Wheel	AC 200
	Seat Regulator Motor	EWC 200
	Sunroof Motor	EWC 200
	Tailgate Window Motor	EWC 200
MTK	Auto Trans – Seals and O-Rings Kit	CW 200
MTKV	Auto Trans Master Repair Kit	PTF 200
PF	Fuel Pump	FES 200
PFB	Fuel Pump and Bracket Assy	FES 200
PFS	Fuel Pump and Sender	FES 200
PS	Fuel Pump and Sender Assembly	FES 200
	Fuel Sender and Hanger Assembly	FES 200
	Fuel Tank Sender	FES 200
PSH	Power Steering Hose	ST 200
PW	Water Pump	CW 200
PWR	Engine Water Pump	CW 200
	Pulley Bolt Cover	CW 200
RAD	Radiator	GSR 200
RAD	Radiator Assembly	GSR 200
RF	Motor and Fan Assy. – Engine Cooling	AC 200
RG	Engine Coolant Outlet Gasket	CW 200
	Engine Coolant Outlet O-Ring	CW 200
	Engine Coolant Pipe O-Ring	CW 200
	Engine Coolant Thermostat Gasket	CW 200
	Engine Coolant Thermostat Housing and Gasket	CW 200
	Engine Coolant Water Inlet Gasket	CW 200
RH	Engine Coolant Thermostat Housing	CW 200
	Engine Coolant Thermostat Housing Cover	CW 200
	Engine Coolant Water Outlet	CW 200
RL, RS	Radiator Cap	APF 200
		CW 200
	Engine Coolant Recovery Tank Cap	APF 200
		CW 200
RR	Engine Cooling Fan Controller	AC 200
RT	Engine Coolant Thermostat	APF 200
	Engine Coolant Thermostat/Water Outlet Assy	CW 200
RTS	Engine Coolant Outlet Gasket	CW 200
	Engine Coolant Thermostat Gasket	CW 200
	Engine Coolant Recovery Tank Seal	CW 200
SA	Starter	EWC 200
		SP 200
SD	Drive – Starter	SP 200
		EWC 200

CATALOG LOCATION OF PART NAME AND PREFIX

PART PREFIX	PART TYPE	CATALOG REFERENCE NUMBER
SF	Turn Signal Flasher	SP 251
	Hazard Warning Flasher	SP 251
SH	Bearing C.E. Head – Generator	SP 200
SP	Spark Plug	M 200
		APF 200
STE	Power Steering Pump and Gear Assy	SSD 200
	Steering Gear	SSD 200
STG	Remanufactured Steering Gears	SSD 200
STP, STPV	Remanufactured Power Steering Pumps	SSD 200
	Power Steering Pump	SSD 200
STRV	Power Steering Gear – Reman	SSD 200
SW	Airbag Deactivation Indicator – Passenger	SP 251
	Axle Shift Control Switch	SP 251
	Brake Light Switch	SP 251
	Brake Pressure Relay	SP 251
	Buzzer – Low Air Pressure	SP 251
	Clamp–On Bracket Switch	SP 251
	Courtesy Lamp Switch	SP 251
	Diesel Glow Plug Switch	SP 251
	Distributor Modulator Ambient Switch	SP 251
		FES 200
	Distributor Modulator Valve	SP 251
		FES 200
	Distributor Modulator Valve Switch	SP 251
		FES 200
	Door Lock Actuator Switch	SP 251
	Door Open Warning Switch	SP 251
	Emergency Warning Switch	SP 251
	Engine Start Switch	SP 251
	Flasher – Emergency Warning	SP 251
	Flasher – Turn Indicator	SP 251
	Fog Lamp Switch	SP 251
	Glow Plug Control Module	SP 251
	Ignition Key Warning Switch	SP 251
	Ignition Starter Switch	SP 251
	Ignition Switch	SP 251
	Instrument Cluster – Voltage Regulator Switch	SP 251
	Jack Plug Cover	SP 251
	Overhead Console Switch	SP 251
	Regulator – Instrument Cluster	SP 251
	Relay – Glow Plug	SP 251
Seat Belt Switch	SP 251	
Spare Accessory Switch	SP 251	
Spark Control Switch	SP 251	
Speed Control Actuator Switch	SP 251	
Speed Control Deactivator Switch	SP 251	
Speed Control Wiring Assy	SP 251	
Starter Solenoid Relay	SP 251	
Starter/Clutch Switch	SP 251	
Sunroof Switch	SP 251	

CATALOG NAME AND REFERENCE NUMBER

AC 200	Air Conditioner Parts	FES 200	Fuel and Emission Systems	PV 200	Brake and Wheel Hub Products
APF 200	Popular Parts	FI 200	Filters and PCV Valves	SP 251	Electrical Switches
BD 200	Batteries	GSR 200	Belts, Hoses and Tensioners	SSD 200	Steering, Suspension and CV Products
CW 200	Caps, Thermostats and Water Pumps	M 200	Spark Plugs	WW 200	Windshield Wiper Blades
EWC 200	Rotating Electrical, Ignition Components, Wire and Cable	PTF 200	Powertrain Components and Remanufactured Assemblies		

CATALOG LOCATION OF PART NAME AND PREFIX

Arranged by Prefix

PART PREFIX	PART TYPE	CATALOG REFERENCE NUMBER	
SW – cont'd	Temperature Lamp Switch	SP 251	
	Transmission Oil Pressure Switch	SP 251	
	Transmission Ranger Sensor Switch	SP 251	
	Turn Signal/Windshield Wiper Assy	SP 251	
	Two-Speed Axle Shift	SP 251	
	Windshield Wiper/Washer	SP 251	
SW	Auxiliary Light	SP 251	
	Back Up Light Switch	SP 251	
	Circuit Breaker Switch	SP 251	
	Cruise Control Switch	SP 251	
	Cruise Control Circuit Switch	SP 251	
	Dimmer Switch	SP 251	
	Door Jamb Switch	SP 251	
	Door Window Switch	SP 251	
	Engine Air, Oil Pressure Switch	SP 251	
	Engine Coolant Temperature Switch	SP 251	
	Fuse Holder Switch	SP 251	
	Hazard Warning Flasher	SP 251	
	Headlight/Headlamp Switch	SP 251	
	Heater Switch	SP 251	
	Horn Button Switch	SP 251	
	Ignition Lock Cylinder Switch	SP 251	
	Multi Purpose Switch	SP 251	
	Neutral Safety Switch	SP 251	
	Push Pull Switch	SP 251	
	Seat Switch	SP 251	
	Starter Solenoid Switch	EWC 200	
		SP 251	
		APF 200	
		SSD 200	
		Starter Button Switch	SP 251
		Starter Relay Switch	SP 251
		Stoplight Switch	SP 251
		Solenoid Switch	EWC 200
			SP 251
		Temperature Control Relay	SP 251
		Temperature Sending Switch	SP 251
		Toggle Switch	SP 251
		Transfer Case Manual Lever Position Sensor	SP 251
		Truck Lock Switch	SP 251
		Turn Indicator Switch	SP 251
		Turn Signal Flasher	SP 251
		Windshield Washer Switch	SP 251
		Windshield Wiper Switch	EWC 200
			SP 251
	TM	Auto Trans Modulator Valve	EWC 200
Modulators		EWC 200	
TPMS	Remote Tire Pressure Monitor		
	Sensor Valve Assembly	SP 251	
	Tire Pressure Monitoring System Control Unit	SP 251	
	Tire Pressure Monitoring System Sensor	SP 251	

PART PREFIX	PART TYPE	CATALOG REFERENCE NUMBER
TPMS – cont'd	Tire Pressure Monitoring System Sensor Grommet	SP 251
	Tire Pressure Monitoring System Sensor Mounting Band	SP 251
	Tire Pressure Monitoring System Sensor Nut	SP 251
	Tire Pressure Monitoring System Valve Stem Cap	SP 251
TS	CV Joint Boot	SSD 200
	CV Joint Boot Kit	SSD 200
TX	Axle Shaft Assy	SSD 200
	Drive Shaft CV Joint Kit	SSD 200
WC	Battery Ground Strap	EWC 200
	Starter Cable	EWC 200
WG	Windshield Washer Pump	EWC 200
WLM	Power Window Lift Motor	WL 200
WLR	Window Lift Regulator	EWC 200
WLRA	Window Lift Regulator and Motor Assy	EWC 200
WM	Windshield Wiper Motor	EWC 200
WMV	Remanufactured Wiper Motor	WL 200
WPT	Wiring Pigtails	EWC 200
WR	Spark Plug Boot	EWC 200
WR	Single Lead Spark Plug Wire	EWC 200
		APF 200
	Spark Plug Wire Set	EWC 200
		APF 200
WT	Fuel Pump Jumper Harness Kit	EWC 200
WW	Windshield Wiper Blade	APF 200
		WW 200
YA	Engine Cooling Fan Blade	AC 200
YB	A/C Compressor Clutch	AC 200
	A/C Compressor Clutch Coil	AC 200
	A/C Compressor Clutch Hub	AC 200
	A/C Compressor Clutch Pulley	AC 200
	Engine Cooling Fan Clutch	AC 200
YBR	Remanufactured A/C Compressor Clutch	AC 200
YC	A/C Compressor – New	AC 200
YCC	A/C Compressor and Clutch Assy	AC 200
YE	A/C Compressor Shaft Seal Kit	AC 200
YF	A/C Accumulator	AC 200
	A/C Accumulator with Hose Assembly	AC 200
	A/C Compressor Relief Valve	AC 200
	A/C Evaporator Inlet and Outlet Tube Assembly	AC 200
	A/C In-Line Filter	AC 200
	A/C Line O-Ring/Kit	AC 200
	A/C Manifold Hose Assembly	AC 200
	A/C Refrigerant Discharge Hose	AC 200
	A/C Refrigerant Discharge/Suction Hose Assembly	AC 200

CATALOG NAME AND REFERENCE NUMBER

AC 200	Air Conditioner Parts	FES 200	Fuel and Emission Systems	PV 200	Brake and Wheel Hub Products
APF 200	Popular Parts	FI 200	Filters and PCV Valves	SP 251	Electrical Switches
BD 200	Batteries	GSR 200	Belts, Hoses and Tensioners	SSD 200	Steering, Suspension and CV Products
CW 200	Caps, Thermostats and Water Pumps	M 200	Spark Plugs	WW 200	Windshield Wiper Blades
EWC 200	Rotating Electrical, Ignition Components, Wire and Cable	PTF 200	Powertrain Components and Remanufactured Assemblies		

**CATALOG LOCATION OF
PART NAME AND PREFIX**

Arranged by Prefix

PART PREFIX	PART TYPE	CATALOG REFERENCE NUMBER
YF – cont'd	A/C Refrigerant Hose	AC 200
	A/C Refrigerant Hose Fitting	AC 200
	A/C Refrigerant Liquid Hose	AC 200
	A/C Refrigerant Suction Hose	AC 200
	A/C Service Valve	AC 200
	A/C System O-Ring and Gasket Set	AC 200
	A/C Vacuum Hose	AC 200
	Hose Clamp	AC 200
YG	A/C Expansion Valve	AC 200
	A/C Orifice Tube	AC 200
	A/C Vacuum Control Valve	AC 200
	Heater Coolant Heater Control	AC 200
	HVAC Heater Control Valve	AC 200
YH	A/C Clutch Cycle Switch	AC 200
	A/C Compressor Clutch Coil Lead	
	Wiring Harness	AC 200
	A/C Control Switch	AC 200
	A/C Evaporator Temperature Sensor	AC 200
	A/C Temperature Control Sensor and Bracket Assembly	AC 200
	Cabin Air Temperature Sensor	AC 200
	HVAC Blower Control Module	AC 200
	HVAC Blower Control Switch	AC 200
	HVAC Blower Control Motor Resistor	AC 200
	HVAC Control Panel Resistor	AC 200
	HVAC Cut-Off Switch	AC 200
	HVAC Defrost Mode Door Actuator	AC 200
	HVAC Floor Mode Door Actuator	AC 200
	HVAC Heater Blend Door Actuator	AC 200
	HVAC Heater Control Switch	AC 200
	HVAC Heater Plenum Chamber Assembly	AC 200
	HVAC Mode Door Motor	AC 200
	HVAC Recirculation Door Actuator	AC 200
	HVAC Temperature Sensor	AC 200
Instrument Panel Air Duct Air Temp Sensor	AC 200	
YJ	A/C Condenser	AC 200
	A/C Condenser Seal Kit	AC 200
YK	A/C Evaporator Core	AC 200
	A/C Evaporator Core Kit	AC 200
YL	A/C Accumulator	AC 200
	A/C Accumulator with Hose Assembly	AC 200
	A/C Receiver Drier	AC 200
	A/C Receiver Drier / Dessiccant Element Filter	AC 200
YO	Auto Transmission Oil Cooler	AC 200
YS	Drive Belt Idler Pulley	AC 200
ZD	Diesel Glow Plug	M 200
		APF 200

CATALOG NAME AND REFERENCE NUMBER					
AC 200	Air Conditioner Parts	FES 200	Fuel and Emission Systems	PV 200	Brake and Wheel Hub Products
APF 200	Popular Parts	FI 200	Filters and PCV Valves	SP 251	Electrical Switches
BD 200	Batteries	GSR 200	Belts, Hoses and Tensioners	SSD 200	Steering, Suspension and CV Products
CW 200	Caps, Thermostats and Water Pumps	M 200	Spark Plugs	WW 200	Windshield Wiper Blades
EWC 200	Rotating Electrical, Ignition Components, Wire and Cable	PTF 200	Powertrain Components and Remanufactured Assemblies		

Motorcraft® Catalogs

The catalogs listed here have been designed and produced to assist you in identifying Motorcraft® parts by individual product line.

- Air Conditioner Parts-AC 200
- Batteries-BD 200
- Belts, Hoses & Tensioners-GSR 200
- Brake & Wheel Hub Products-PV 200
- Caps, Thermostats & Water Pumps-CW 200
- Rotating Electrical, Ignition Components, Wire & Cable-EWC 200
- Electrical Switches-SP 251
- Filters-FI 200
- Fuel & Emission Systems-FES 200
- Lubricants & Chemicals-OIL 3051
- Popular Parts-APF 200
- Powertrain Components & Remanufactured Assemblies-PTF 200
- Spark Plugs-M 200
- Steering, Suspension & CV Products-SSD 200
- Windshield Wiper Blades-WW 200
- Wiring Pigtail Kits-WPT 200

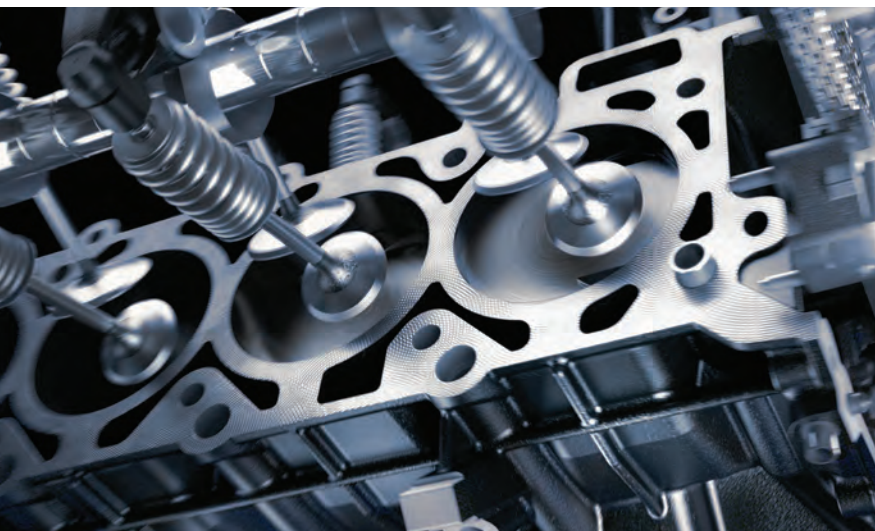


Motorcraft®



3-year/unlimited-mile warranty* on long block gas engines and all transmissions.

For purchase location, part number applications, technical assistance and warranty information, please call 1-800-392-7946 or visit FordParts.com.



*See dealer for limited-warranty details.
Motorcraft® is a registered trademark of Ford Motor Company.