



**YOUR QUALITY
LOW-COST ALTERNATIVE**

Hensley offers the Dura[®] line as a quality low-cost alternative to our existing product line. With Direct Replacement Parts available for Cat[®], H&L[®] Komatsu[®] and Hensley Parabolic[®] style products, you'll find the part you need to keep you on the job. You can rely on Hensley's ever expanding Dura[®] line to help you fulfill your need for quality low-cost G.E.T.



**Hensley Parabolic[®]
style**



The latest designs needed in today's tough applications are now available in the Dura[®] line. Hensley offers new U-shaped Twin Tiger and Tiger teeth for better penetration and new Abrasion style teeth for improved wear resistance. Along with our already wide selection of teeth and adapter styles available, Hensley has the right design for your tough application.

H&L® style



Hensley proudly stands behind the strength and quality of the Dura® brand. Hensley offers the same dependable

warranty protection

on our Dura® product against defects as we do for our Genuine

"Blue" products. With the addition of the Dura® line, Hensley is your "One Stop Shop" for all your wear parts needs across a wide range of price points.

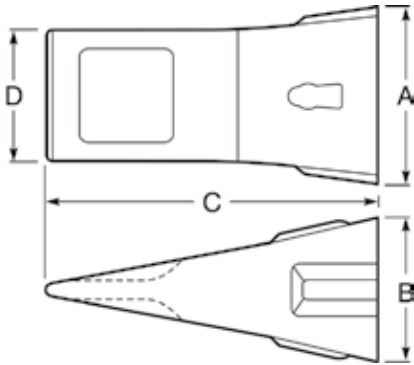
Cat® style



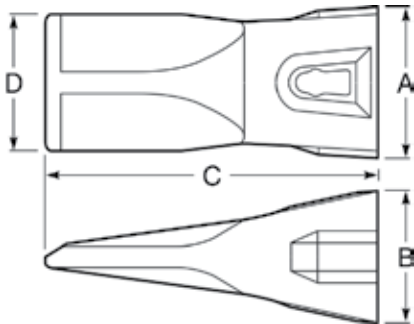
Dura® Benefits

- Offering covers popular DRP's for Cat®, H&L®, Komatsu and Hensley Parabolic® style teeth and adapters
- Product offering includes the latest design shapes
- Abundant inventory in stock
- Competitive pricing
- Same warranty coverage as all Hensley Genuine Products

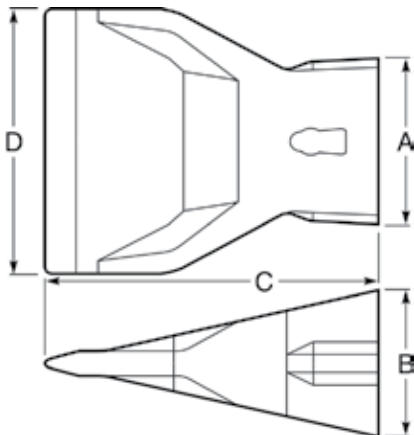
Hensley Parabolic Style Parts



Part No.	SERIES	DIMENSIONS- inches (mm)				Weight
		A	B	C	D	
STANDARD						
DX156	156	2.125 (54)	2.125 (54)	4.5 (114)	1.813 (46)	1.4 lbs. 0.6 kgs.
DX156H	156	2.215 (54)	2.250 (57)	5.5 (140)	2 (51)	2.6 lbs. 1.1 kgs.
DX156L	156	2.188 (55)	2.250 (57)	5.125 (130)	1.937 (49)	1.7 lbs. 0.8 kgs.
DX290	290	4 (102)	3.406 (86)	8 (203)	3.25 (83)	8.1 lbs. 3.7 kgs.
DX330	330	4.75 (121)	4.063 (103)	9.125 (232)	3.625 (92)	12.2 lbs. 5.5 kgs.

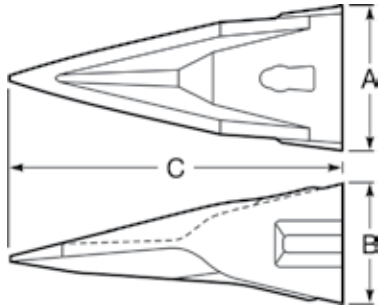


Part No.	SERIES	DIMENSIONS- inches (mm)				Weight
		A	B	C	D	
SYL						
DX290SYL	290	4.13 (105)	3.5 (89)	8.75 (222)	3.69 (94)	8.5 lbs. 3.8 kgs.
DX330SYL	330	4.75 (121)	4.125 (105)	10 (254)	4.25 (108)	13.3 lbs. 6.0 kgs.
DX370SYL	370	5.125 (130)	4.5 (114)	11.25 (286)	4.625 (117)	18.2 lbs. 8.3 kgs.
DX400SYL	400	5.250 (133)	4.125 (105)	10.75 (273)	4.875 (124)	18.3 lbs. 8.3 kgs.
DX410SYL	410	5.687 (144)	5 (127)	12.5 (317)	5.125 (130)	26.3 lbs. 11.9 kgs.
DX450SYL	450	6.125 (156)	5.688 (144)	13.750 (349)	5.625 (143)	34.3 lbs. 15.6 kgs.
DX500SYL	500	6.938 (1756)	6.125 (156)	15.5 (394)	6 (152)	50.0 lbs. 22.7 kgs.

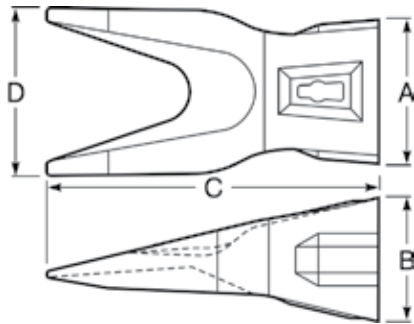


Part No.	SERIES	DIMENSIONS- inches (mm)				Weight
		A	B	C	D	
FLARE						
DX220F	220	3.375 (86)	3 (76)	7 (178)	4.5 (114)	7.5 lbs. 3.4 kgs.
DX290F	290	4.063 (103)	3.5 (89)	8 (203)	6.250 (159)	10.9 lbs. 4.9 kgs.
DX330F	330	4.75 (121)	4.125 (105)	9.625 (244)	7.25 (184)	17.8 lbs. 8.1 kgs.
DX400F	400	5.25 (133)	4.125 (105)	10.25 (260)	8 (203)	22.6 lbs. 10.3 kgs.
DX410F	410	5.688 (144)	5.062 (129)	11.375 (289)	9 (229)	34.5 lbs. 15.7 kgs.

Hensley Parabolic Style Parts

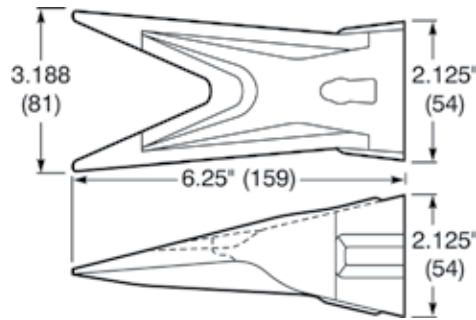


Part No.	SERIES	DIMENSIONS- inches (mm)				Weight
		A	B	C	D	
TIGER						
DT156	156	2.094 (53)	2.218 (56)	5.875 (149)	N/A	1.9 lbs. 0.9 kgs.
DT156L	156	2.125 (54)	2.218 (56)	6.250 (159)	N/A	1.8 lbs. 0.8 kgs.
DT220L	220	3.375 (86)	3 (76)	8.375 (213)	N/A	6.0 lbs. 2.7 kgs.
DT290	290	4.125 (105)	3.469 (88)	9.625 (244)	N/A	8.1 lbs. 3.7 kgs.
DT330	330	4.75 (121)	4.125 (105)	11 (279)	N/A	12.2 lbs. 5.5 kgs.
DT370	370	5.125 (130)	4.5 (114)	12 (305)	N/A	15.9 lbs. 7.2 kgs.
DT400L	400	5.25 (133)	4.125 (105)	12.25 (311)	N/A	17.4 lbs. 7.9 kgs.
DT410	410	5.688 (144)	5 (127)	13.375 (340)	N/A	23.5 lbs. 10.7 kgs.
DT450	450	6.125 (155)	5.688 (144)	15 (381)	N/A	31.3 lbs. 14.2 kgs.
DT500	500	6.938 (176)	6.125 (155)	16.375 (416)	N/A	39.4 lbs. 17.9 kgs.

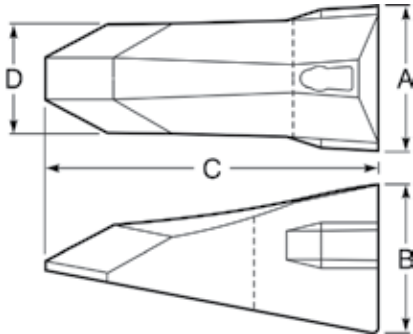


Part No.	SERIES	DIMENSIONS- inches (mm)				Weight
		A	B	C	D	
UT TIGER						
DX156UT	156	2.094 (53)	2.188 (56)	6.250 (159)	3.313 (84)	2.5 lbs. 1.1 kgs.
DX220UT	220	3.375 (86)	3 (76)	8.375 (213)	4.313 (109)	7.5 lbs. 3.4 kgs.
DX290UT	290	4.125 (105)	3.469 (88)	9.625 (244)	4.875 (124)	10.1 lbs. 4.6 kgs.
DX330UT	330	4.750 (121)	4.125 (105)	11 (279)	5.563 (141)	14.4 lbs. 6.5 kgs.
DX370UT	370	5.125 (130)	4.5 (114)	12 (305)	6.313 (160)	21.5 lbs. 9.8 kgs.
DX400UT	400	5.25 (133)	4.125 (105)	12.250 (311)	6.5 (165)	21.9 lbs. 9.9 kgs.
DX410UT	410	5.688 (144)	5 (127)	13.375 (340)	7 (178)	30.3 lbs. 13.7 kgs.
DX450UT	450	6.125 (156)	5.688 (144)	15 (381)	7.438 (189)	36.6 lbs. 16.6 kgs.
DX500UT	500	6.938 (176)	6.125 (156)	16.375 (416)	8.313 (211)	50.0 lbs. 22.7 kgs.

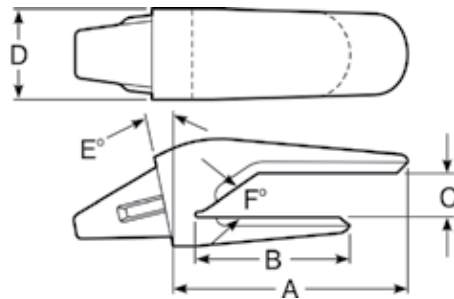
Hensley Parabolic Style Parts



DX156WTL
2.1 lbs. / 0.9 kgs.

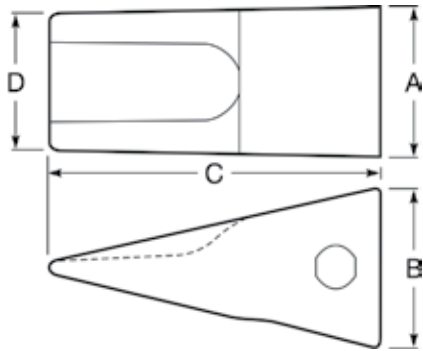


Part No.	SERIES	DIMENSIONS- inches (mm)				Weight
		A	B	C	D	
LOADER PENETRATOR						
DX410RP3	410	5.375 (146)	6.063 (154)	13.125 (333)	4.3125 (109)	42.2 lbs. 19.15 kgs.
DX450RP2	450	6.125 (156)	6.25 (159)	13.25 (336)	4.75 (121)	43.7 lbs. 19.83 kgs.
DX500RP3	500	6.938 (176)	7.438 (189)	16.125 (410)	5.250 (133)	80.0 lbs. 36.3 kgs.



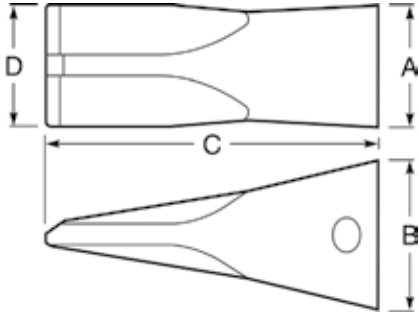
Lip Thickness	Part No.	SERIES	DIMENSIONS- inches (mm)						Weight
			A	B	C	D	E	F	
WRAP-AROUND ADAPTERS									
.625 (17)	D230X156	156	4.875 (124)	1.75 (44)	.6875 (17)	2.063 (52)	15°	30°	3.4 lbs. 1.5 kgs.
.75 (21)	D552X156	156	5.5 (140)	3.5 (89)	.813 (21)	2.25 (57)	15°	30°	5.4 lbs. 2.4 kgs.
1 (25)	D550X156	156	6.25 (159)	2.75 (70)	1.125 (29)	2.125 (56)	13°	26°	4.7 lbs. 2.1 kgs.
1.25 (32)	D109X220	220	8.25 (210)	5.25 (133)	1.313 (33)	3 (76)	15°	30°	15.5 lbs. 7. kgs.
1.25 (32)	D127X290	290	10.0 (254)	4.75 (121)	1.313 (33)	3.625 (92)	12°	30°	21.5 lbs. 9.8 kgs.
1.5 (38)	D158X290	290	9.5 (241)	6.438 (163)	1.531 (39)	3.625 (92)	12°	30°	21.5 lbs. 9.8 kgs.
1.5 (38)	D158X330	330	10.25 (260)	6.75 (171)	1.578 (40)	4.25 (108)	15°	30°	34.3 lbs. 15.6 kgs.
2 (50)	D802X400	400	12.219 (310)	6 (152)	2.094 (53)	5.125 (130)	15°	30°	50.3 lbs. 22.8 kgs.
2 (50)	D940X410	410	12 (305)	5.250 (133)	2.125 (54)	5.125 (130)	12°	30°	45.4 lbs. 20.6 kgs.

Caterpillar® Style Parts

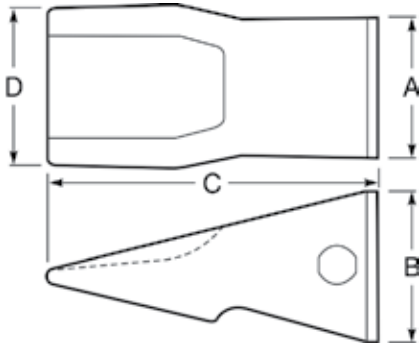


Part No.	Family	DIMENSIONS- inches (mm)				Weight
		A	B	C	D	
STANDARD						
D1U3202	J200	2.5 (57)	2.375 (60)	5.75 (146)	2 (51)	2.8 lbs. 1.3 kgs.
D6Y3222	J225	2.594 (66)	3.187 (81)	6.625 (168)	2.25 (57)	4.6 lbs. 2.1 kgs.
D1U3252	J250	2.875 (73)	3.75 (82)	7.5 (191)	2.562 (65)	6.4 lbs. 2.9 kgs.
D9N4252	J250	3 (76)	3.5 (89)	7.875 (200)	2.437 (61)	8.4 lbs. 3.8 kgs.
D1U3302	J300	3.313 (84)	4 (102)	8.563 (217)	3 (76)	9.8 lbs. 4.4 kgs.
DN94302	J300	3.437 (87)	4.187 (106)	8.75 (222)	2.75 (70)	12.3 lbs. 5.58
D1U3351	J350	4.375 (111)	4 (102)	8.125 (206)	3.5 (89)	12.3 lbs. 5.58
D1U3352	J350	4 (102)	4.375 (111)	9.5 (241)	3.625 (92)	13.5 lbs. 6.1 kgs.
D9N4352	J350	4 (102)	4.4.7 (113)	9.875 (251)	3.5 (89)	18.0 lbs. 8.2 kgs.
D7T3402	J400	4.687 (119)	5 (127)	10.5 (267)	4.25 (108)	22.9 lbs. 10.4 kgs.
D8E4402	J400	4.687 (119)	5 (127)	11 (279)	4 (102)	24.8 lbs. 11.3 kgs.
D9W8452	J450	5 (127)	4.813 (122)	11.375 (289)	4.5 (114)	25.5 lbs. 11.6 kgs.
D9N4452	J450	5.187 (132)	5.375 (137)	12.5 (317)	4.5 (114)	37.6 lbs. 17.1 kgs.
D9W8552	J550	6.062 (154)	5.75 (146)	13.187 (335)	5.625 (143)	37.9 lbs. 17.2 kgs.
D9N4552	J550	6.25 (159)	6.125 (156)	13.75 (394)	5.75 (146)	61.0 lbs. 27.7 kgs.
D6I6602	J600	7.75 (197)	7.25 (184)	15 (381)	6.5 (165)	72.0 lbs. 32.7 kgs.
D4T4702	J700	7.875 (200)	8.375 (213)	16.5 (419)	7.125 (181)	95.0 lbs. 43.1 kgs.

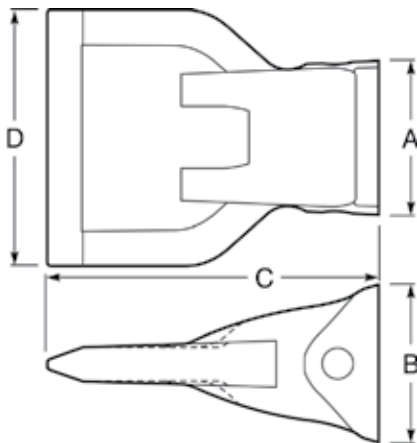
Caterpillar® Style Parts



Part No.	Family	DIMENSIONS- inches (mm)				Weight
		A	B	C	D	
SYL						
D1U3302SYL	J300	3.44 (87.33)	4.19 (106.37)	9.25 (234.95)	3.44 (87.32)	11.8 lb. 5.4 kg.
D1U3352SYL	J350	4 (101.6)	4.44 (112.72)	10.5 (266.7)	4 (101.6)	16.1 lb. 7.3 kg.
D7T3402SYL	J400	4.69 (119.08)	5.09 (129.39)	11.75 (298.45)	4.69 (119.08)	30.1 lb. 13.7 kg.
D9W8452SYL	J460	5.19 (131.77)	5.37 (136.52)	12.75 (323.85)	5.12 (384.17)	31.9 lb. 14.5 kg.
D9W8552SYL	J550	6.25 (158.75)	6.12 (155.57)	14.5 (368.30)	6 (152.40)	47.3 lb. 21.5 kg.

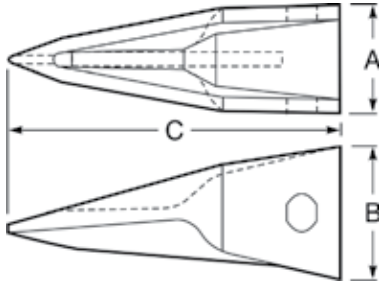


Part No.	Family	DIMENSIONS- inches (mm)				Weight
		A	B	C	D	
ABRASION						
D4T2203	J200	2.25 (57)	2.563 (65)	5.75 (146)	2.375 (60)	2.9 lbs. 1.3 kgs.
D9N4453	J450	5.25 (133)	5.656 (144)	12.25 (311)	6.375 (162)	48.8 lbs. 22.1
D6Y2553	J550	6.25 (159)	6.219 (158)	14 (356)	7.5 (191)	63.8 lbs. 28.9 kgs.
D4T4703	J700	7.875 (200)	8 (203)	16.375 (416)	9.375 (238)	104.0 lbs. 47.2 kgs.

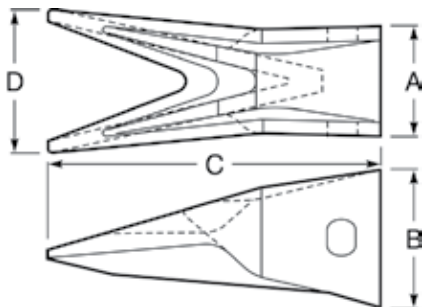


Part No.	Family	DIMENSIONS- inches (mm)				Weight
		A	B	C	D	
HEAVY FLARE						
D1U3202FH (109-9200)	J200	2.37 (30)	2.69 (68)	5.75 (146)	3.75 (95)	3.6 lb. 1.6 kg.
D6Y3222FH (186-3010)	J220	2.69 (68)	3.281 (83)	6.75 (171)	4.5 (114)	6.0 lb. 2.7 kg.
D3G8250FH (208-5254)	J250	3.19 (81)	3.75 (95)	7.87 (200)	5 (127)	9.5 lb. 4.3 kg.
D4T1300FH (107-3300)	J300	3.69 (94)	4.25 (108)	8.75 (222)	6 (152)	14.3 lb. 6.5 kg.
D8J3350FH (107-3350)	J350	4.31 (110)	4.62 (117)	9.75 (248)	7 (178)	20.0 lb. 9.1 kg.
D7T3402FH (107-3400)	J400	4.72 (120)	5.25 (133)	11 (279)	8.25 (209)	21.0 lb. 9.5 kg.
D8J1450FH (107-3450)	J450	5.344 (136)	5.56 (141)	11.75 (298)	9 (229)	36.5 lb. 16.6 kg.
D7J9550FH (107-3550)	J550	6.5 (165)	6.37 (162)	13.5 (343)	11 (279)	58.0 lb. 26.3 kg.

Caterpillar® Style Parts

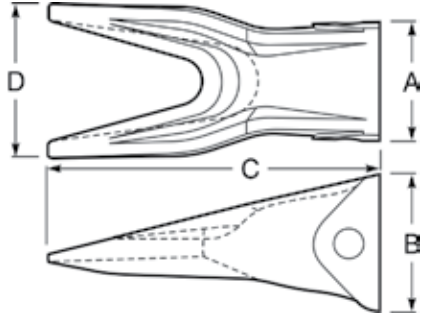


Part No.	Family	DIMENSIONS- inches (mm)				Weight
		A	B	C	D	
TIGER						
DT1U3202	J200	2.25 (57)	2.375 (60)	6.5 (165)	N/A	2.4 lbs. 1.1 kgs.
DT6Y3222L	J225	2.719 (69)	3.188 (81)	7.875 (200)	N/A	4.7 lbs. 2.13kgs.
DT6Y3222L	J250	3.188 (81)	3.75 (95)	8.5 (216)	N/A	5.7 lbs. 2.6 kgs.
DT1U3252	J250	2.875 (73)	3.313 (84)	8 (203)	N/A	6.2 lbs. 2.8 kgs.
DT1U3302L	J300	3.25 (83)	3.75 (95)	9.5 (241)	N/A	9.3 lbs. 4.2 kgs.
DT1U3352L	J350	4 (102)	4.313 (110)	11.25 (286)	N/A	13.2 lbs. 6.0 kgs.
DT7T3402	J400	4.687 (119)	5.094 (129)	12.5 (318)	N/A	21.2 lbs. 9.6 kgs.
DT1U3452L	J450	5.25 (133)	5.375 (137)	14.063 (357)	N/A	28.7 lbs. 13.0 kgs.
DT1U3552L	J550	6.125 (156)	5.75 (146)	15 (381)	N/A	35.9 lbs. 16.3 kgs.
DT6I6602	J600	7.75 (197)	7.25 (184)	18 (457)	N/A	68.0 lbs. 30.8 kgs.

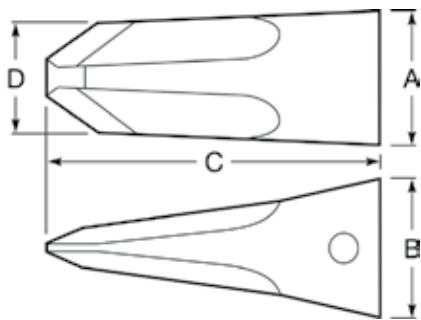


Part No.	Family	DIMENSIONS- inches (mm)				Weight
		A	B	C	D	
REGULAR TWIN TIGER						
D1U3202WT	J200	2.25 (57)	2.375 (60)	6.5 (165)	3 (76)	3 lbs. 1.4 kgs.
D1U3252WT	J250	2.875 (73)	3.313 (84)	8 (203)	3.5 (89)	7.5 lbs. 3.4 kgs.
D1U3302WTL	J300	4.437 (113)	1.187 (106)	9.5 (241)	4.156 (106)	10.7 lbs. 4.8 kgs.
D1U3352WTL	J350	4 (102)	4.375 (111)	10.5 (267)	4.75 (121)	15.7 lbs. 7.1 kgs.
D1U3352WTL	J350	4 (102)	4.313 (110)	11.25 (286)	4.75 (121)	14.2 lbs. 6.4 kgs.
D7T3402WT	J400	4.687 (119)	5.094 (129)	12.5 (318)	5.563 (141)	23.8 lbs. 10.8 kgs.
D1U3452WTL	J450	5.25 (133)	5.375 (137)	14.063 (357)	6.219 (158)	31.7 lbs. 14.4 kgs.
D1U3552WTL	J550	6.125 (156)	5.75 (146)	15 (381)	7.25 (184)	40.1 lbs. 18.2 kgs.

Caterpillar® Style Parts

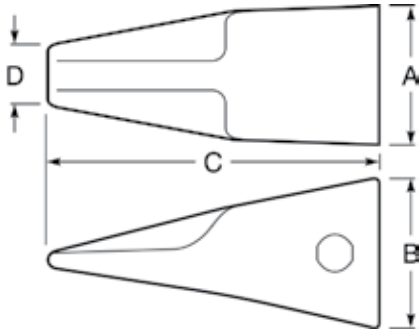


Part No.	Family	DIMENSIONS- inches (mm)				Weight
		A	B	C	D	
UT TWIN TIGER						
D6Y3222UT	J225	2.972 (71)	3.375 (86)	7.875 (200)	3.706 (94)	5.7 lbs. 2.6 kgs.
D1U3252UT	J250	3.25 (82)	3.75 (95)	8.5 (216)	4.19 (106)	8.5 lb. 3.8 kg.
D1U3302UT	J300	6.69 (94)	4.25 (108)	10.12 (257)	4.75 (121)	12.0 lb. 5.4 kg.
D1U3352UT	J350	4.31 (109)	4.62 (117)	11.25 (286)	5.56 (141)	16.8 lb. 7.6 kg.
D7T3402UT	J400	4.72 (120)	5.25 (133)	12.5 (317)	6.12 (156)	23.0 lb. 10.4 kg.
D1U3452UT	J450	5.34 (136)	5.56 (141)	14.06 (357)	6.87 (175)	32.5 lb. 14.7 kg.
D1U3552UT	J550	6.5 (165)	6.37 (162)	15 (381)	8.25 (209)	50.0 lb. 22.7 kg.
D6I6602UT	J600	7.781 (198)	7.62 (194)	18 (457)	9.87 (251)	85.0 lb. 38.6 kg.

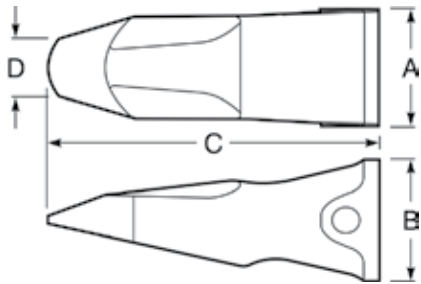


Part No.	Family	DIMENSIONS- inches (mm)				Weight
		A	B	C	D	
ROCK CHISEL						
D1U3302RC	J300	3.44 (341)	4.19 (106)	9.75 (248)	2.87 (73)	11.9 lb. 5.4 kg.
D1U3352RC	J350	4 (102)	4.44 (113)	11 (279)	3.62 (92)	20.6 lb. 9.3 kg.
D7T3402RC	J400	4.69 (119)	5.09 (129)	12.12 (308)	3.87 (98)	26.4 lb. 12.0 kg.
D1U3452RC	J460	5.19 (132)	5.37 (136)	13 (330)	4.25 (108)	31.2 lb. 14.2 kg.
D1U3552RC	J550	6.25 (159)	6.12 (156)	15 (381)	5.125 (130)	55.9 lb. 25.4 kg.
D6I6602RC	J600	7.81 (199)	7.06 (180)	17.44 (443)	6.91 (176)	83.0 lbs. 37.7 kgs.
D4T4702RC	J700	7.87 (200)	8.13 (206)	19 (483)	7.47 (190)	110 lbs. 49.9 kgs.

Caterpillar® Style Parts

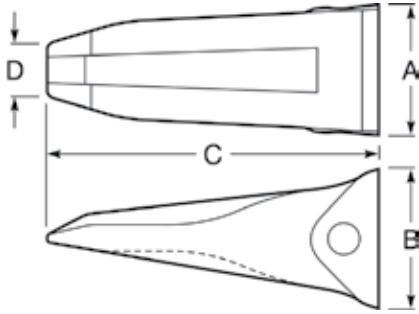


Part No.	Family	DIMENSIONS- inches (mm)				Weight
		A	B	C	D	
PENETRATOR						
D9J4309T	J300	3.563 (90)	3.813 (97)	8.5 (216)	1.5 (38)	8.6 lbs. 3.9 kgs.
D9J4359T	J350	3.875 (98)	4.25 (108)	9.875 (251)	8 (51)	12.3 lbs. 5.58 kgs.
D9W8459	J450	8 (127)	5.125 (130)	11.625 (295)	8 (51)	22.0 lbs. 9.98 kgs.

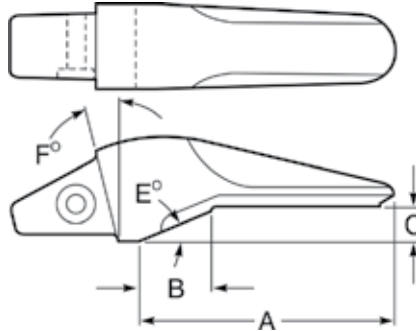


Part No.	Family	DIMENSIONS- inches (mm)				Weight
		A	B	C	D	
LOADER PENETRATOR						
D1U3252PT2	J250	3.25 (79)	3.87 (98)	9.5 (241)	1.47 (37)	11.8 lb. 5.3 kg.
D1U3302PT2	J300	3.68 (93)	4.27 (108)	10.28 (261)	1.81 (46)	16.2 lb. 7.3 kg.
D1U3352PT2	J350	4.25 (108)	4.66 (118)	11.81 (300)	2.04 (52)	24.2 lb. 11.0 kg.
D7T3402PT2	J400	4.80 (122)	5.12 (130)	13.15 (334)	2.36 (60)	31.5 lb. 14.3 kg.
D9W8452PT2	J460	5.27 (134)	5.47 (139)	14 (356)	2.60 (66)	41.2 lb. 18.7 kg.
D9W8552PT2	J550	6.48 (164)	6.48 (164)	15.20 (386)	2.83 (72)	58.0 lb. 26.3 kg.
D1359600	J600	7.75 (197)	7.250 (184)	17.61 (447)	6.69 (170)	119 lbs. 54.0 kgs.
D6I6602PT2	J600	7.44 (189)	7.06 (180)	17.75 (451)	3.69 (94)	99.0 lb. 44.9 kg
D4T4703PT2	J700	7.63 (193)	7.72 (196)	19.5 (495)	3.56 (90)	134.2 lb. 60.9 kg.
D4T4703PT3	J700	7.63 (193)	7.72 (196)	20.0 (508)	3.56 (90)	150.0 lb 68.1 kg.

Caterpillar® Style Parts

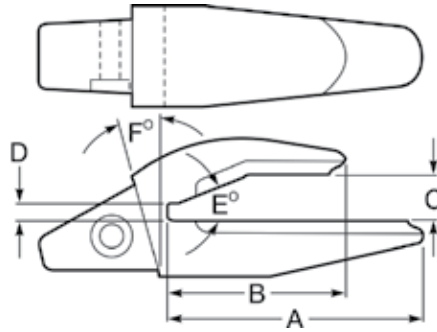


Part No.	Family	DIMENSIONS- inches (mm)				Weight
		A	B	C	D	
HEAVY EXCAVATOR PENETRATOR						
D6Y3222HP	J225	2.78 (71)	3.375 (86)	7.625 (194)	1.182 (30)	5.4 lbs. 2.4 kgs.
D1U3252HP	J250	3.19 (81)	3.75 (95)	8.5 (216)	1.31 (33)	7.4 lb. 3.4 kg.
D1U3302HP	J300	3.69 (94)	4.25 (108)	9.75 (248)	1.5 (38)	10.8 lb. 4.9 kg.
D1U3352HP	J350	4.31 (109)	4.62 (117)	11 (279)	1.75 (44)	15.7 lb. 7.1 kg.
D7T3402HP	J400	4.72 (120)	5.25 (133)	12.12 (308)	1.94 (49)	21.0 lb. 9.5 kg.
D1U3452HP	J450	5.34 (135)	5.56 (141)	13 (330)	2.19 (56)	28.0 lb. 12.7 kg.
D1U3552HP	J550	6.5 (165)	6.37 (162)	15 (381)	2.75 (70)	46.0 lb. 20.9 kg.
D6I6602HP	J600	7.78 (198)	7.62 (194)	18 (457)	3.31 (84)	81.0 lb. 36.8 kg.
D4T4702HP	J700	8 (203)	8 (203)	19.625 (498)	3.438 (87)	100.0 lbs. 45.0 kgs.

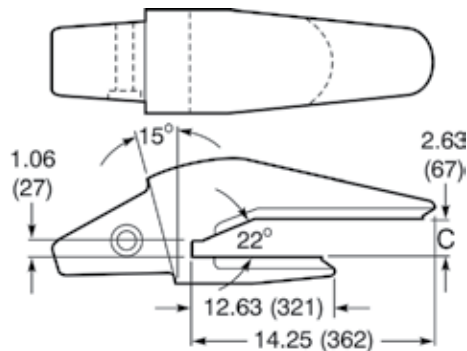


Lip Thickness	Part No.	Family	DIMENSIONS- inches (mm)						Weight
			A	B	C	D	E	F	
FLUSH MOUNT ADAPTERS FOR LOADERS									
1 (25)	D1U1254	J250	9.25 (235)	2 (51)	1 (25)	N/A	22°	13°	11.5 lbs. 5.2 kgs.
1 (25)	D1U1304	J300	9.375 (238)	2.313 (59)	1.063 (27)	N/A	22°	14°	17.0 lbs. 7.7 kgs.
1.5 (38)	D1U1354	J350	11.25 (286)	3.187 (81)	1.5 (38)	N/A	22°	14°	30.6 lbs. 13.9 kgs.
1.75 - 2 (45 - 51)	D8E0464	J460	12.5 (318)	4.125 (105)	2.187 (56)	N/A	23°	13°	50.5 lbs. 22.9 kgs.

Caterpillar® Style Parts

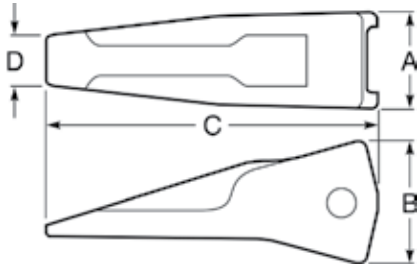


Lip Thickness	Part No.	Family	DIMENSIONS- inches (mm)						Weight
			A	B	C	D	E	F	
WRAP-AROUND ADAPTERS FOR EXCAVATORS									
0.75 (19)	D8J7525	J200	3.94 (100)	1 (25)	.63 (16)	.25 (6)	23°	14°	3.1 lbs. 1.4 kgs.
1 (25)	D1193204	J200	4.25 (108)	3.25 (83)	1.125 (29)	.5 (13)	22°	9°	4.6 lbs. 2.1 kgs.
1 (25)	D6Y3224	J225	5.563 (141)	3.687 (94)	1.063 (27)	.4375 (11)	22°	8°	5.5 lbs. 2.5 kgs.
1.25 (32)	D6Y3254	J250	6 (152)	4.688 (119)	1.313 (33)	.375 (9)	22°	9°	9.9 lbs. 4.5 kgs.
1.25 (32)	D3G6304	J300	8 (203)	4.563 (116)	1.313 (33)	.563 (14)	22°	8°	15.2 lbs. 6.9 kgs.
1.5 (38)	D8E9490	J300	8.25 (210)	5.875 (149)	1.563 (40)	.5 (13)	23°	12°	14.9 lbs. 6.8 kgs.
1.5 (38)	D3G8354	J350	8.25 (210)	4.75 (121)	1.687 (43)	.625 (16)	35°	8°	20.5 lbs. 9.3 kgs.
1.57 (40)	D6I6354	J350	9 (229)	7.25 (184)	1.625 (41)	.563 (14)	22°	12°	20.9 lbs. 9.5 kgs.
1.75 (45)	D6I6404	J400	9 (229)	7 (178)	1.813 (46)	.563 (15)	22°	9°	29.7 lbs. 13.5 kgs.
2 (50)	D8E6464	J460	11.125 (283)	7.375 (187)	2 (51)	.437 (11)	24°	9°	41.2 lbs. 18.7 ks.
2.36 (60)	D6I6554	J550	13.25 (337)	11 (279)	2.563 (65)	1.063 (27)	22°	9°	66.0 lbs. 30.0 kgs.

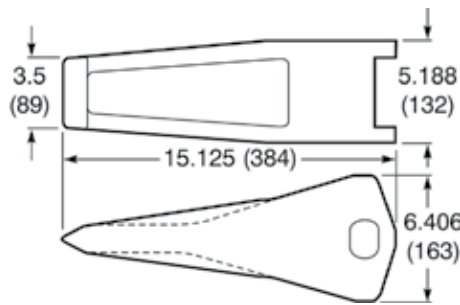


D3G9494
(J550) 2.5" / 64mm lip
64.0 lbs. / 29.0 kgs.

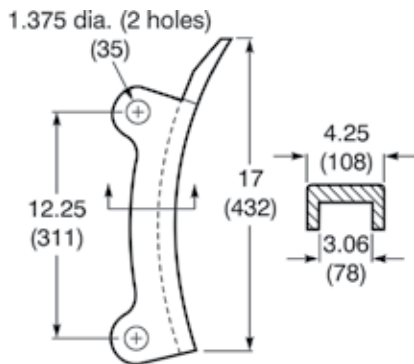
Caterpillar® Style Parts



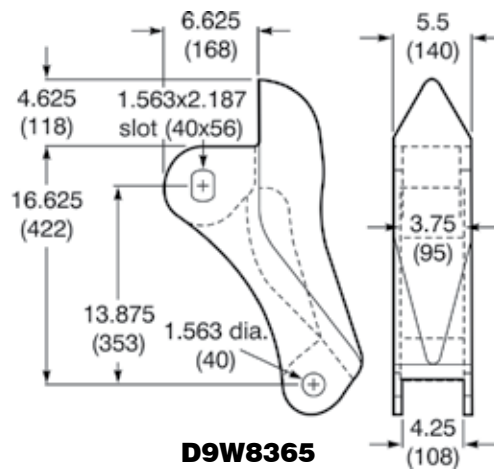
Part No.	Tooth Series	DIMENSIONS- inches (mm)				Weight
		A	B	C	D	
RIPPER TEETH (non-centerline)						
D6Y0309	R300	3.25 (83)	4.25 (108)	11.375 (289)	1.75 (44)	11.4 lbs. 5.2 kgs.
D6Y0359	R350	4.313 (109)	5.438 (138)	14 (356)	2.062 (52)	25.1 lbs. 11.4 kgs.
D4T5452	R450	5 (127)	6.875 (175)	15.625 (397)	2 (51)	40.0 lbs. 18.1 kgs.
D4T5502	R500	6.125 (155)	8.5 (216)	17.125 (435)	2.75 (70)	61.8 lbs. 28.0 kgs.
D4T5503	R500	6.125 (155)	8.5 (216)	19 (483)	2.75 (70)	72.0 lbs. 32.7 kgs.



D9W2452
(D8, D9 ripper tooth)
36.0 lbs. / 16.3 kgs.

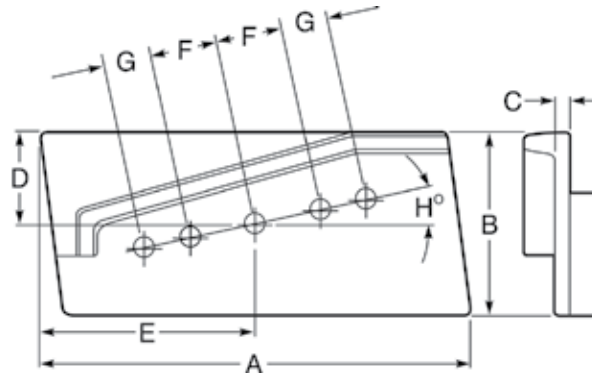


D6J8814
(D8, D9 ripper guard)
31.4 lbs. / 14.2 kgs.

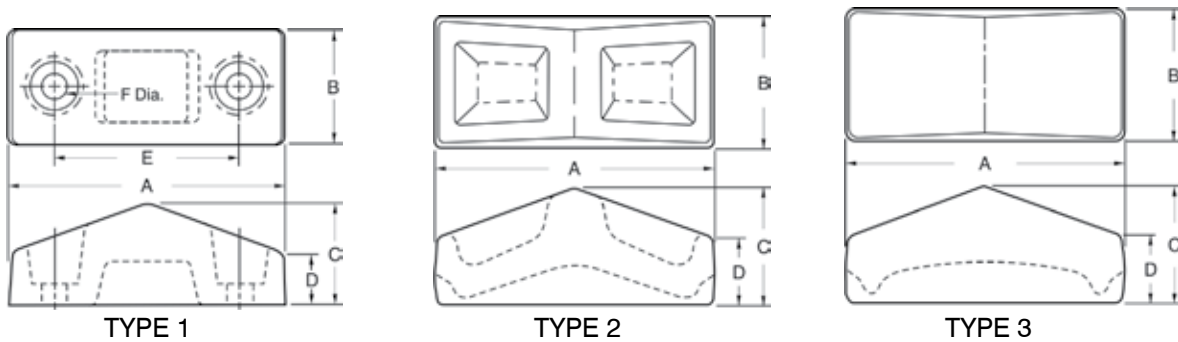


D9W8365
(D10, D11 ripper guard)
87.0 lbs. / 39.5 kgs.

Caterpillar® Style Parts



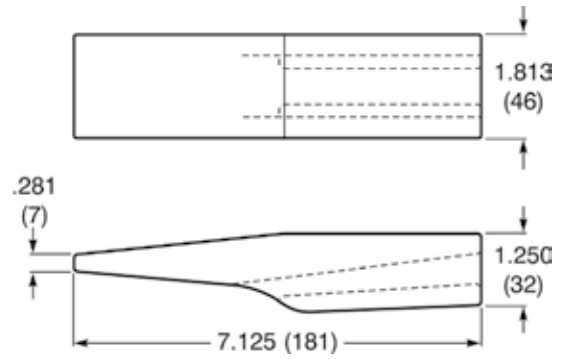
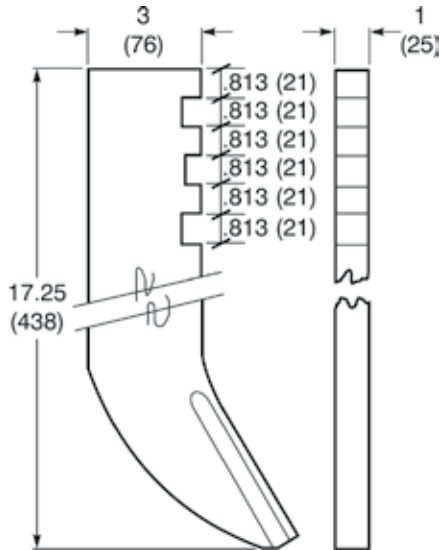
Part No.	DIMENSIONS- inches (mm)								Weight
	A	B	C	D	E	F	G	H	
ROUTER BITS									
D4J8665	21.125 (537)	8.625 (219)	.75 (19)	4.25 (108)	10.5 (267)	3.5 (89)	2.5 (64)	8°	52.5 lbs. 23.8 kgs.
D7J3203	22.75 (578)	9.625 (244)	.875 (22)	4.813 (122)	11.375 (289)	3.5 (89)	2.5 (64)	12°	78.3 lbs. 35.5 kgs.



Part No.	Type	DIMENSIONS- inches (mm)						Weight
		A	B	C	D	E	F	
COMPACTOR FEET								
D8K9189	1	6.687 (170)	2.75 (70)	2.5 (64)	1.281 (33)	4.5 (114)	.656 (17)	8.2 lbs. 3.7 kgs.
D2V7053	3	6.625 (168)	3.187 (81)	2.813 (71)	1.625 (41)	N/A	N/A	8.0 lbs. 3.6 kgs.
D8K9171	1	9.062 (230)	3.062 (78)	3.187 (81)	1.562 (40)	5.75 (146)	0.937 (24)	13.6 lbs. 6.2 kgs.
D2V6628	3	9 (229)	3.625 (92)	3.5 (89)	2 (51)	N/A	N/A	16.5 lbs. 7.5 kgs.
D4V0668	4	8.437 (214)	3.437 (87)	3.5 (89)	1.937 (49)	N/A	N/A	16.2 lbs. 7.3 kgs.
D4V3851	4	6.687 (170)	3.187 (81)	2.812 (71)	1.625 (41)	N/A	N/A	10.0 lbs. 4.5 kgs.

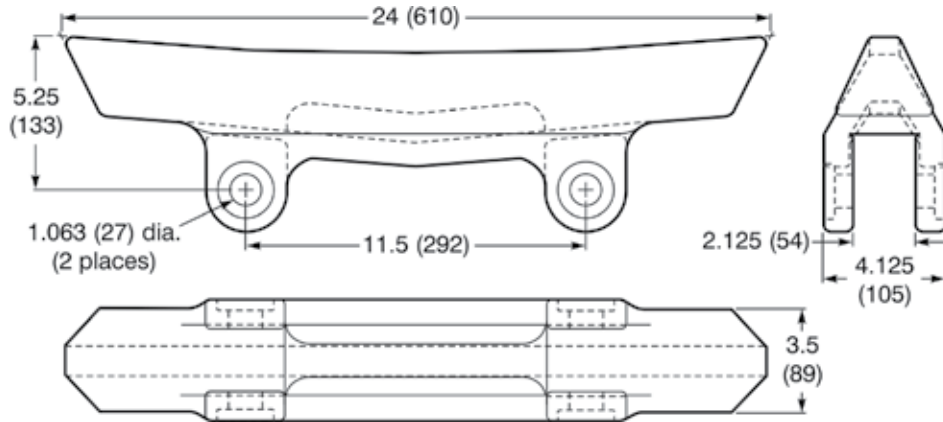
Caterpillar® Style Parts

D9F5124
(M/G scarifier shank)
11.5 lbs. / 5.2 kgs.

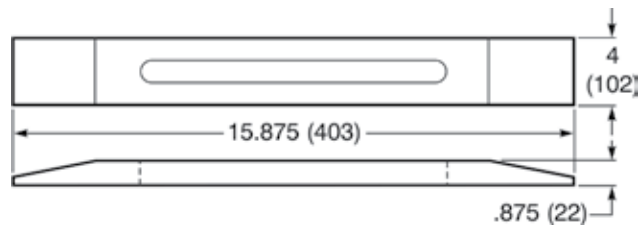


D2D5572
(H.D. scarifier tooth)
3.0 lbs. / 1.4 kgs.

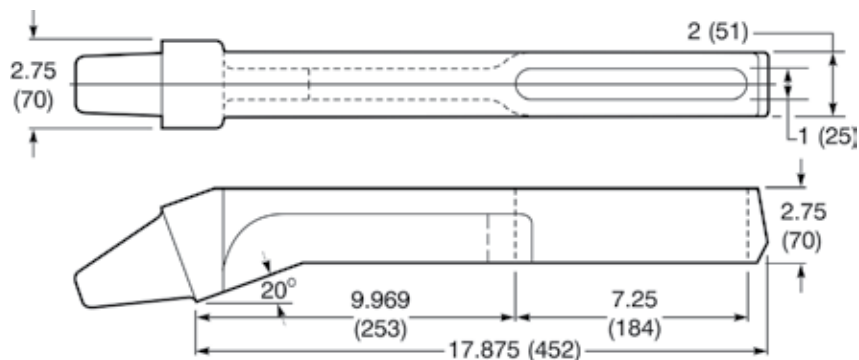
D1U0740
(vertical protector)
49.5 lbs. / 22.5 kgs.



D4S7928
(cleaner bar)
12.4 lbs. / 5.6 kgs.

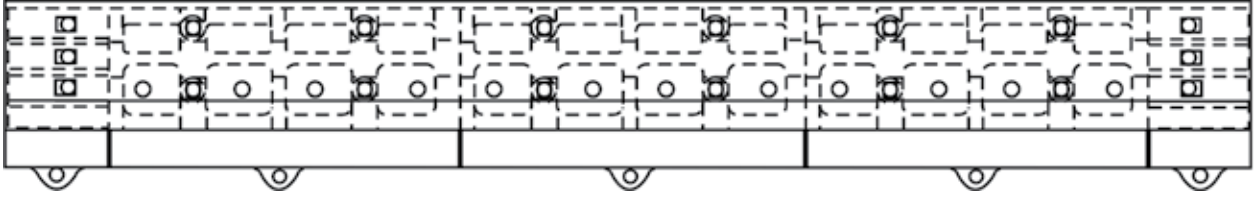


D5V4311
(cleaner bar shank)
19.8 lbs. / 8.9 kgs.



Caterpillar® Style Parts

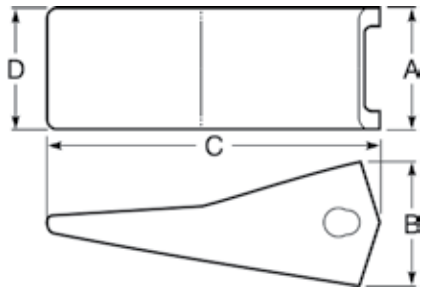
Half Arrow Edges



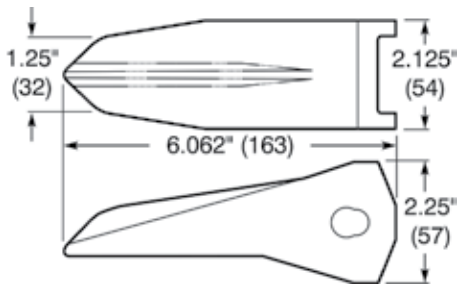
Loader Model	Bucket Width inches (mm)	Part Number	Plow-Bolt Assembly (no. req'd.)	Number of Segments Required
Center Bolt-On Half Arrow Edges				
980F, G	134 (3,406)	D109-9212NRHX	A114-412 (4)	3
980F, G	134 (3,406)	D109-9212NRLT	A114-412 (2)	3
980C, D, E, F	130.75 (3,222)	D1U0762NRHX	A114-412 (4)	3
970, 970F	126 (3,200)	D100-6668NRHX	A114-412 (4)	3
970, 970F	119.5 (3,035)	D1U0593NRHX	A114-412 (4)	3
966D, E, F	119.5 (3,035)	D1U0593NRHX	A114-412 (4)	3

Loader Model	Bucket Width inches (mm)	Part Number	Plow-Bolt Assembly (no. req'd.)	Number of Segments Required
End Bolt-On Half Arrow Edges				
980F, G	134 (3,406)	D1U0761NRHX	A114-412 (3)	2
980C, D, E, F	130.75 (3,222)	D1U071NRHX	A114-412 (3)	2
970, 970F	126 (3,200)	D3G6395RNRHX D3G6395LNRHX	A114-412 (3) A114-412 (3)	1 1
970, 970F	119.5 (3,035)	D3G6395RNRHX D3G6395LNRHX	A114-412 (3) A114-412 (3)	1 1
966D, E, F	119.5 (3,035)	D3G6395RNRHX D3G6395LNRHX	A114-412 (3) A114-412 (3)	1 1

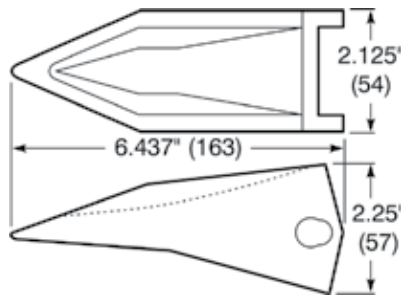
H&L Style Parts



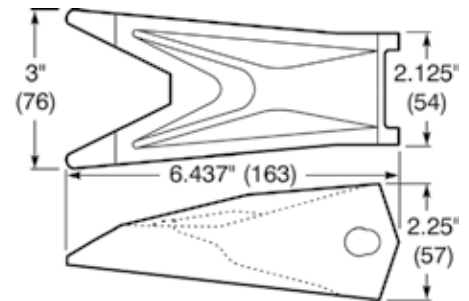
Part No.	DIMENSIONS- inches (mm)				Weight
	A	B	C	D	
STANDARD					
D230	2.125 (54)	2.25 (57)	6.125 (156)	2.125 (54)	2.7 lbs. 1.2 kgs.
D23HXL	2.125 (54)	2.437 (63)	5.625 (143)	2.125 (54)	2.4 lbs. 1.1 kgs.
D23HXS	2.125 (54)	2.125 (54)	5.313 (134)	2.125 (54)	2.1 lbs. 1.0 kgs.
D24	2.438 (62)	3 (76)	6.75 (171)	2.125 (54)	3.6 lbs. 1.6 kgs.
D250S	2.625 (67)	3 (76)	7.313 (186)	2.875 (73)	7.3 lbs. 3.3 kgs.
D270S	4 (103)	3.562 (90)	9 (229)	3.75 (95)	9.2 lbs. 4.2 kgs.



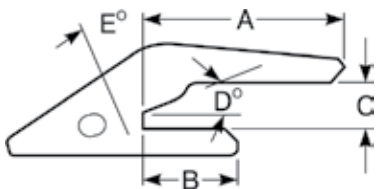
D23ST
2.6 lbs. / 1.2 kgs.



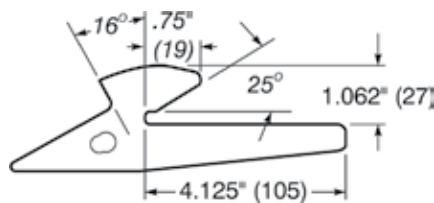
DT23L
2.2 lbs. / 1.0 kgs.



D23WTL
2.6 lbs. / 1.2 kgs.

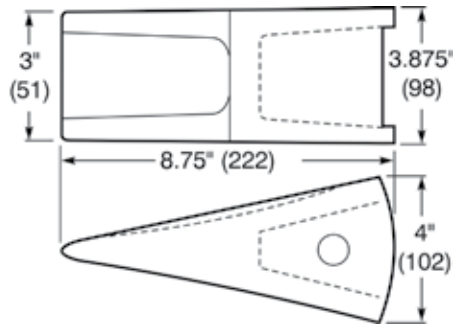


Part No.	Lip Thickness	DIMENSIONS- inches (mm)					Weight
		A	B	C	D	E	
WRAP-AROUND ADAPTERS							
D2740MW23	.75 / 19	6.063 (154)	2.875 (73)	.813 (21)	24°	16°	4.3 lbs. 1.9 kgs.
D2740W23	1.00 / 25	4.50 (114)	2.125 (54)	1.094 (28)	24°	16°	3.5 lbs. 1.6 kgs.
D2740-23	1.00 / 25	5.375 (137)	2.875 (73)	1.094 (28)	24°	16°	4.4 lbs. 2.0 kgs.



D834-23
2.9 lbs. / 1.3 kgs.

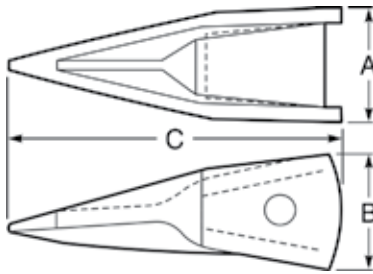
Komatsu Style Parts



D205-70-19570

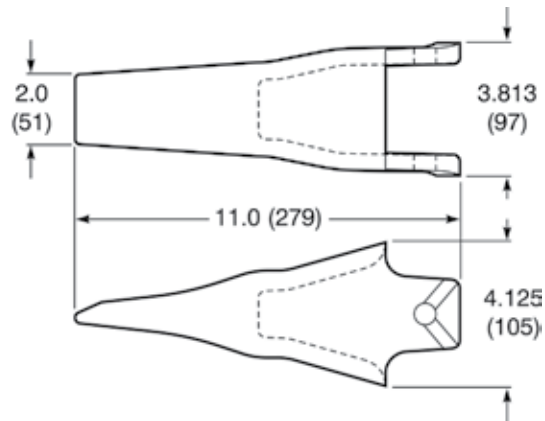
(PC200)

9.7 lbs. / 4.4 kgs.



Part No.	Machine	DIMENSIONS- inches (mm)				Weight
		A	B	C	D	
TIGER						
D2057019570TL	PC100 PC120 PC150 PC200	3.875 (98)	4 (102)	10.625 (270)	N/A	13.2 lbs. 6.0 kgs.
DT2077014151	PC220 PC280 PC300 PC360	4.75 (121)	4.4375 (113)	11.5 (292)	N/A	16.9 lbs. 7.7 kgs.
DT2087014152	PC400	5.625 (143)	4.75 (121)	14 (357)	N/A	27.7 lbs. 12.6 kgs.

Esco Style Parts



D25R112

10.5 lbs. / 4.8 kgs.

All manufacturer's names, numbers, symbols & descriptions are used for reference purposes only & it is not implied that any part listed is the product of these manufacturers.

SAFETY FIRST: Hensley recommends that you use a soft-faced hammer and ANSI-approved (Z87.1) eye protection while using our products.

Hensley Industries, Inc.

2108 Joe Field Road • Dallas, Texas 75229 U.S.A.

Customer Service

(888) 406 - 6262 U.S./Canada

(972) 406 - 6262 all other locations

Hensley Attachments

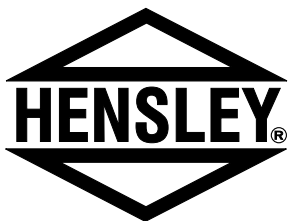
A Division of Hensley Industries, Inc.

800 South Fifth • Mansfield, Texas 76063 U.S.A

(800) 433 - 3144

(817) 477 - 3167

www.hensleyind.com



Copyright © 2009 Hensley Industries, Inc.

This publication is protected under the copyright laws of the United States. Unauthorized duplication and distribution is prohibited.