



**LABEL PLATE KIT**

**P/N LP002-10**  
**P/N LP002-10 PT**









**INSTALLATION INSTRUCTIONS**

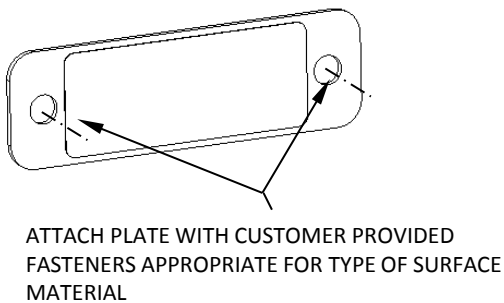
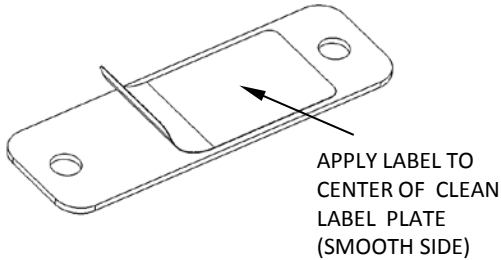
For additional assistance call 888-514-0083 between 8AM-5PM EST or email: info@pactoolmounts.com

**NOTES**

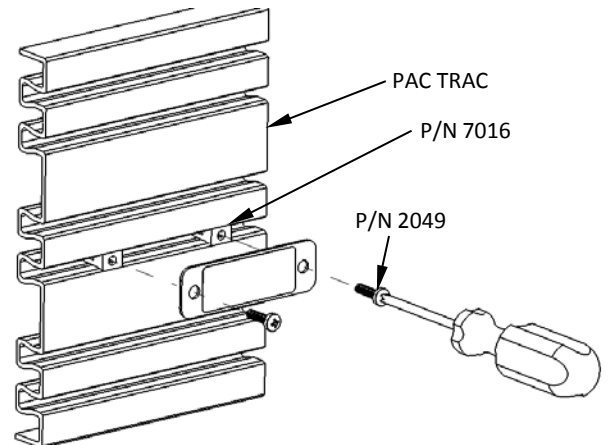
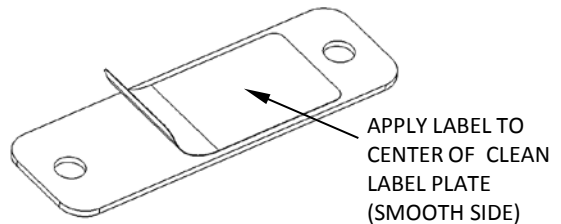
- \* The Label Plate must be clean before applying adhesive label.
- \* Label plates are compatible with PAC TRAC aluminum products **P/N 7000**, **P/N 7020**, **P/N 7040**, **P/N 7050** when using Trac Lok inserts **P/N 7016**.
- \* Torque the screws to a maximum 15 in-lbs. Do not over tighten.

LP002-10			QTY
	P/N LP002P	Label Plate	10
	P/N LP002-401	Blank Adhesive Label	10

LP002-10 PT			QTY
	P/N LP002P	Label Plate	10
	P/N LP002-401	Blank Adhesive Label	10
	P/N 2049	#10-24 x 3/4 S.S. S.S. Pan Head Screw	20
	P/N 7016	Trac Lok Insert	20



**FIGURE 1**  
(affix label)



**FIGURE 2**  
(PAC TRAC Mounting)