

Closed-coupled Pump

Etabloc

Type Series Booklet



Legal information/Copyright

Type Series Booklet Etabloc

All rights reserved. The contents provided herein must neither be distributed, copied, reproduced, edited or processed for any other purpose, nor otherwise transmitted, published or made available to a third party without the manufacturer's express written consent.

Subject to technical modification without prior notice.

© KSB Aktiengesellschaft, Frankenthal 20.05.2015

Contents

Centrifugal Pumps with Shaft Seal	5
Close-coupled Pump	5
Etabloc	5
Main applications	5
Fluids handled	5
Operating data	5
Materials per country	5
Designation	5
Further information on the designation	6
Design details	6
Installation types	7
Automation	8
Coating and preservation	8
Product benefits	9
Product information as per Regulation No. 547/2012 (for water pumps with a maximum shaft power of 150 kW) implementing "Ecodesign" Directive 2009/125/EC	9
Acceptance tests/warranty	9
Overview of fluids handled	10
Pressure and temperature limits	11
Materials	12
Availability of pump sizes per material variant	14
Overview of pump size / motor combinations	15
Technical data	18
Selection charts	19
Etabloc, n = 2900 rpm	19
Etabloc, n = 1450 rpm	20
Etabloc, n = 960 rpm	21
Etabloc, n = 3500 rpm	22
Etabloc, n = 1750 rpm	23
Etabloc, n = 1160 rpm	24
Dimensions	25
n = 2900 rpm, n = 3500 rpm - regions A, C	25
n = 1450 rpm, n = 1750 rpm - regions A, C	37
n = 960 rpm, n = 1160 rpm - region A	50
n = 2900 rpm; n = 3500 rpm - region D	59
n = 1450 rpm; n = 1750 rpm - region D	65
Connections	72
Flange design	73
Flange dimensions	74
Scope of supply	75
General assembly drawings	76
Pump set with single mechanical seal and bolted casing cover	76
Pump set with single mechanical seal and clamped casing cover	78
Pump set with double mechanical seal in back-to-back arrangement	80
Pump set with double mechanical seal in tandem arrangement	81

Detailed designation	82
----------------------------	----

Centrifugal Pumps with Shaft Seal

Close-coupled Pump

Etabloc



Main applications

Pump for handling clean or aggressive fluids which are neither chemically nor mechanically aggressive to the pump materials.

- Water supply systems
- Cooling circuits
- Swimming pools
- Fire-fighting systems
- General irrigation systems
- Drainage systems
- Heating systems
- Air-conditioning systems
- Spray irrigation systems

Fluids handled

- Seawater
- Brackish water
- Drinking water
- Hot water
- Service water
- Fire-fighting water
- Brine
- Cleaning agents
- Condensate
- Oils

Operating data

Operating properties

Characteristic		Value	
		50 Hz	60 Hz
Flow rate	Q [m ³ /h]	≤ 660	≤ 740
Head	H [m]	≤ 140	≤ 144
Fluid temperature	T [°C]	-30 – +140	
Operating pressure	p [bar]	≤ 16	

Materials per country

- A = Europe, Middle East, North Africa
 - A1 = Default material variant
 - A2 = Optional material variant
- C = South Africa
 - C1 = Default material variant
 - C2 = Optional material variant
- D = China
 - D1 = Default material variant
 - D2 = Optional material variant

Designation

Example: ETB 050-032-160 GBXA 10D2

Designation key

Code	Description
ETB	Etabloc type series
050	Nominal suction nozzle diameter [mm]
032	Nominal discharge nozzle diameter [mm]
160	Nominal impeller diameter [mm]
G	Casing material
G	Cast iron
B	Bronze
S	Nodular cast iron
C	Stainless steel
B	Impeller material if different from casing material
G	Cast iron
C	Stainless steel
B	Bronze
A	Type of seal
A	Conical cover
C	Cylindrical cover
A	Seal variants
B	Dead-end arrangement
I	Internal circulation (conical cover only)
E	External circulation
F	External flushing
D	Back-to-back arrangement
T	Tandem arrangement with internal circulation
A	Con. seal chamber without circulation
10	Seal code, e.g. Q1 Q1 X4GG
01	1 (ZN1181) Q1Q1VGG
06	RMG13G606 U3BEGG (WE25, 35)
07	1A (ZN1181) Q1Q1EGG
08	M32N69 (SYT) AQ1VGG
09	MG13G60 U3U3VGG
10	1 (ZN1181) Q1Q1X4GG
11	1 (ZN1181) BQ1EGG-WA

Code	Description
	12 M37GN83 Q12Q1M1GG
	13 1 (ZN1181) BQ1VGG
	14 KMB13S2G9 Q1Q1KY7G
	15 M7G49 Q1Q1K9GG/G
	16 MG1S20 BVPPG
	17 M7N Q1BVGG
	18 MG12G6-E1 Q1Q1EGG/G
	19 HN400N Q1Q1M1GG
	20 M37GN85 Q12Q1M1GG1
	23 M37GN92 Q12Q1M1GG1
	21 M7G49 Q1Q1K9GG/G
	24 M7G49 Q1Q1K9GG/G
	22 M32N69 AQ1EGG (WE55)
	25 M32N67 (SYT) AQ1VGG
	-- BT3
	99 Shaft seal ring variant Gohl
D	Scope of supply
	A Pump only (Fig. 0)
	D Pump, motor
2	Shaft unit
	2 Shaft unit 25
	3 Shaft unit 35
	5 Shaft unit 55

Further information on the designation

(⇒ Page 82)

Design details

Design

- Volute casing pump
- Single-stage
- Ratings to EN 733
- Requirements to 2009/125/EC Directive

Pump casing

- Radially split volute casing
- Volute casing of some pumps with integrally cast pump feet
- Replaceable casing wear rings (optional for casing material C)

Impeller type

- Closed radial impeller with multiply curved vanes

Shaft seal

Shaft seal

Shaft seal design	Region
Single mechanical seals to EN 12756	A, C, D
Double mechanical seals to EN 12756	A
Shaft equipped with replaceable shaft protecting sleeve in the shaft seal area	A, C, D

Drive

KSB SuPremE motor:

- Surface-cooled KSB SuPremE motor, IEC-compatible, magnetless synchronous reluctance motor (PumpDrive required)

- Motor mounting points in accordance with EN 50347
- Envelope dimensions in accordance with DIN V 42673 (07-2011)
- Frequency 50/60 Hz (PumpDrive input)
- Voltage 380/480 V (PumpDrive input)
- Type of construction IM V15
- IP55 enclosure
- Mode of operation: continuous operation S1
- Thermal class F with temperature sensor; 3 PTC thermistors
- Efficiency class IE4 in compliance with IEC/CD 60034-30 Ed. 2
- Shaft centreline height 71 mm - 225 mm
- Rated power 0.55 kW - 45 kW
- Rated speed 1500 rpm or 3000 rpm

KSB SuPremE B1:

- With terminal box for connecting to PumpDrive 2 or PumpDrive R for mounting on walls and in control cabinets

KSB SuPremE B2:

- Equipped for being fitted with a motor-mounted PumpDrive 2

Types of construction

Type of construction		Shaft centreline height [mm]	Mounting arrangement IM ...
Flange type ¹⁾	With foot		
None	X	71 - 225	B3 ²⁾ , B6, B7, B8, V5, V6
Flange with clearance holes (FF)	X	71 - 225	V15 ²⁾ , V35, B35
	-	71 - 160	V1 ²⁾ , V3, B5
Flange with tapped holes (FT)	X	-	-
	-	≤ 132	V18 ²⁾ , B14, V19

Asynchronous motor:

- KSB/Siemens surface-cooled IEC frame three-phase squirrel-cage motor
- Winding 220-240 V / 380-420 V ≤ 2.20 kW
- Winding 380-420 V / 660-725 V ≥ 3.00 kW
- Type of construction IM V1 ≤ 4.00 kW
- Type of construction IM V1 ≥ 5.50 kW
- IP55 enclosure
- Mode of operation: continuous operation S1
- Thermal class F with temperature sensor; 3 PTC thermistors
- Efficiency class IE2 or IE3

¹⁾ Designations to EN 50347

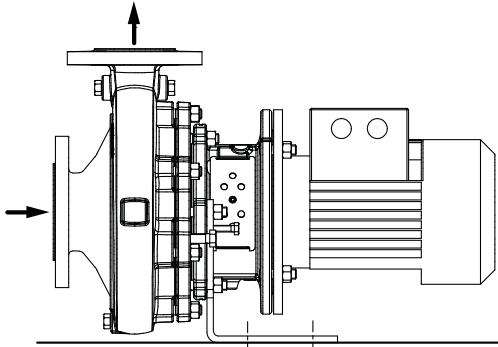
²⁾ Standard mounting arrangement

Installation types

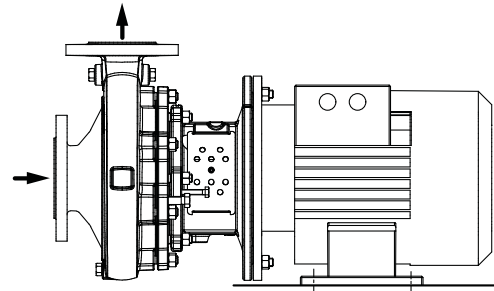
Installation types

Installation type	Region	Comment
Horizontal	A, C, D	
Vertical	A, C	A vent valve must be fitted to avoid dry running of the mechanical seal.

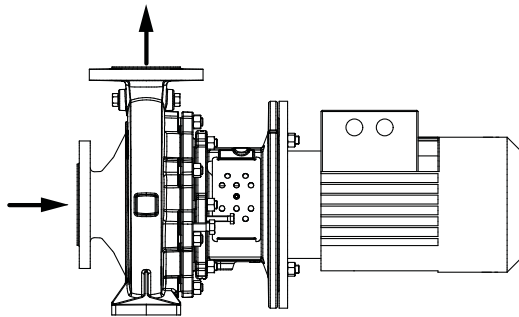
Horizontal installation, fastened below



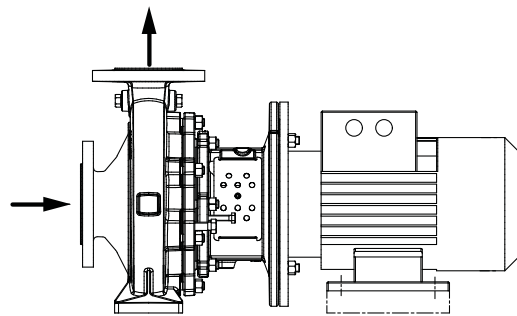
Pump sets with support foot, motor size ≤ 112



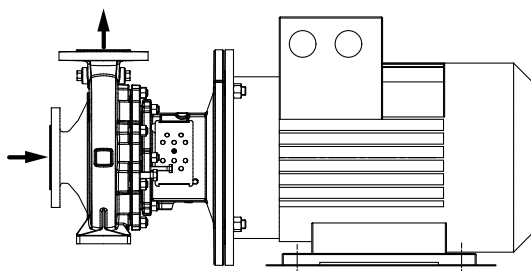
Pump sets, motor sizes 132 - 180



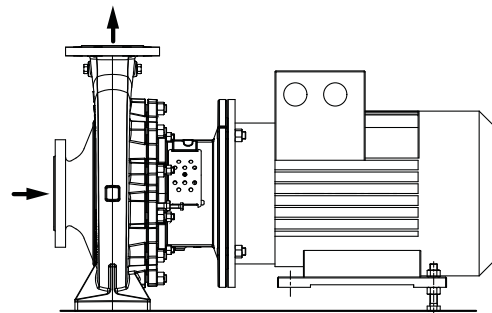
Pump sets with volute casing foot, motor size ≤ 112



Pump sets with volute casing foot, motor sizes 132 - 180

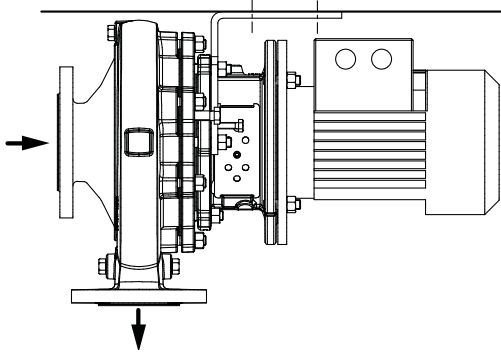


Pump sets, motor sizes 200 - 315, 2-pole

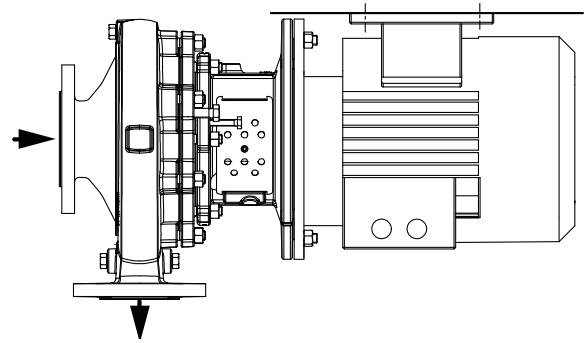


Pump sets, motor sizes 200 - 315, 4-pole

Horizontal installation, fastened above

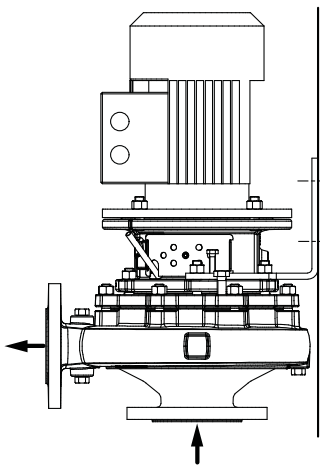


Pump sets, motor size ≤ 112

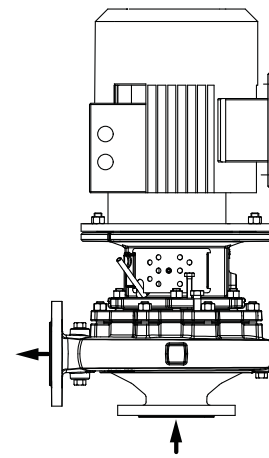


Pump sets, motor sizes 132 - 180

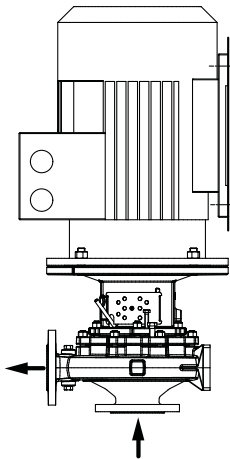
Vertical installation



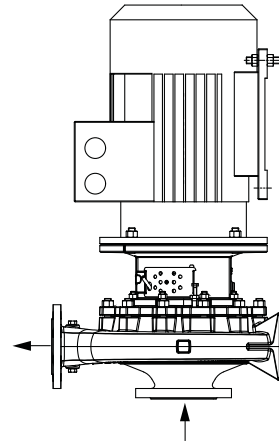
Pump sets, motor size ≤ 112



Pump sets, motor sizes 132 - 180



Pump sets, motor sizes 200 - 315, 2-pole



Pump sets, motor sizes 200 - 315, 4-pole

Automation

Automation options:

Automation systems	Region
PumpMeter	A, C
PumpDrive	A

Coating and preservation

Coating and preservation

Description	Region
Coating and preservation to KSB standard	A, C, D

Product benefits

- Improved efficiency and $NPSH_{req}$ by experimentally verified hydraulic design of impellers (vanes)
- Low energy costs through compliance with future requirements of Commission Regulation 547/2012 (minimum efficiency index $MEI \geq 0.4$)
- Operating costs reduced by trimming the impeller diameter to match the specified duty point
- Little wear, low vibration levels and excellent smooth running characteristics thanks to good suction performance and virtually cavitation-free operation across a wide operating range
- Casing sealed reliably – even in varying operating conditions – by confined casing gasket
- Large variety of materials for perfectly matching the pump to the fluid handled. Large range of materials for many applications available as standard.
- Extended selection chart with additional pump sizes for small flow rates
- Easy to dismantle with forcing screws provided at the interface of casing cover and lantern

Product information as per Regulation No. 547/2012 (for water pumps with a maximum shaft power of 150 kW) implementing "Ecodesign" Directive 2009/125/EC

- Minimum efficiency index: see data sheet
- The benchmark for the most efficient water pumps is $MEI \geq 0.70$.
- Year of construction: see data sheet
- Manufacturer's name or trade mark, commercial registration number and place of manufacture: see data sheet or order documentation
- Product's type and size identifier: see data sheet
- Hydraulic pump efficiency (%) with trimmed impeller: see data sheet
- Pump performance curves, including efficiency characteristics: see documented characteristic curve
- The efficiency of a pump with a trimmed impeller is usually lower than that of a pump with full impeller diameter. Trimming of the impeller will adapt the pump to a fixed duty point, leading to reduced energy consumption. The minimum efficiency index (MEI) is based on the full impeller diameter.
- Operation of this water pump with variable duty points may be more efficient and economic when controlled, for example, by the use of a variable speed drive that matches the pump duty to the system.
- Information relevant for disassembly, recycling or disposal at end of life: see installation/operating manual
- Information on benchmark efficiency or benchmark efficiency graph for $MEI = 0.7$ (0.4) for the pump based on the model shown in the Figure are available at: <http://www.europump.org/efficiencycharts>

Acceptance tests/warranty

Overview of acceptance tests / warranty

Acceptance tests / warranty	Region
Materials testing	
▪ Test report 2.2 on request	A, C, D
Final inspection	
▪ Inspection certificate 3.1 to EN 10204 on request	A, C, D

Acceptance tests / warranty	Region
Hydraulic test against surcharge	
▪ To ISO 9906/2B	A, C
▪ To ISO 9906/3B	C, D
▪ NPSH test	A, C, D
Other inspections/tests on request	A, C
Warranty	
▪ Warranties are given within the scope of the valid delivery conditions.	A, C, D

Overview of fluids handled

Table of fluids handled and associated material combinations

X = standard

Fluid handled	Application limit temperature [°C]	Casing/impeller materials					Shaft seal Mechanical seal						Comments
		Grey cast iron/ grey cast iron	Grey cast iron/ tin bronze	Nodular cast iron/ grey cast iron	Tin bronze/ tin bronze	CrNiMo cast steel/ CrNiMo cast steel	U3BEGG	Q1Q1EGG	U3U3VGG	Q1Q1X4GG	BQ1EGG	Q12Q1M1GG	
		G	GB	S	B	C	6	7	9	10	11	12	
Water													
Brackish water ³⁾	≤ 25	-	-	-	X	-	-	-	-	X	-	-	CrNiMo cast steel can be used.
Fire-fighting water ⁴⁾	≤ 60	-	X	-	-	-	-	-	-	X	-	-	Contact KSB for supply to VdS guideline.
Heating water ⁵⁾	≤ 120	X	-	-	-	-	-	-	-	-	X	-	If used as circulating pump to DIN 4752: p _{max} ≤ 10 bar. If ductile material has been specified: "S"
Heating water	≤ 140	X	-	-	-	-	X	-	-	-	-	-	
Heating water	≥ 110	X	-	-	-	-	-	-	-	X	-	-	
Condensate	≤ 120	X	-	-	-	-	-	-	-	-	X	-	
Condensate, not conditioned	≤ 120	-	-	-	-	X	-	-	-	-	X	-	
Cooling water (without antifreeze)	≤ 60	X	-	-	-	-	-	-	-	X	-	-	Open circuit: GB 10 required
Cooling water pH ≥ 7.5 (with antifreeze ⁶⁾)	≥ -30 ≤ 60	X	-	-	-	-	-	-	-	-	X	-	Open loop: use GB
Cooling water pH ≥ 7.5 (with antifreeze ⁶⁾)	≥ 60 ≤ 110	X	-	-	-	-	-	X	-	-	-	-	Open loop: use GB
Slightly contaminated water	≤ 60	X	-	-	-	-	-	-	-	X	-	-	
Seawater	≤ 25	-	-	-	X	-	-	-	-	X	-	-	CrNiMo cast steel can be used.
Pure water ⁷⁾	≤ 60	X	-	-	-	-	-	-	-	-	X	-	
Untreated water	≤ 60	X	-	-	-	-	-	-	-	X	-	-	
Swimming pool water (fresh water)	≤ 60	X	-	-	-	-	-	-	-	X	-	-	Also applies to requirements as per DIN 19643
Swimming pool water ⁸⁾ : filtration	≤ 40	-	X	-	-	-	-	-	-	X	-	-	Variant GB Shaft C45+N, shaft sleeve CrNiMo steel, nut A4/AISI 316, key A2, casing wear ring (suction and discharge side) grey cast iron JL 1040/ CI
Swimming pool water ⁸⁾ : water features; without turbulences and/or air content	≤ 40	-	X	-	-	-	-	-	-	X	-	-	Variant GB Shaft C45+N, shaft sleeve CrNiMo steel, nut A4/AISI 316, key A2, casing wear ring (suction and discharge side) CC495K-GS
Swimming pool water ⁸⁾ : water features; with turbulences and/or air content	≤ 40	-	-	-	X	-	-	-	-	X	-	-	Variant B Shaft 1.4571, shaft sleeve CrNiMo steel, nut A4/ AISI 316, key A2, casing wear ring (suction and discharge side) CC495K-GS
Swimming pool water (seawater)	≤ 40	-	-	-	X	-	-	-	-	X	-	-	CrNiMo cast steel for t ≤ 25 °C
Dam water	≤ 60	-	X	-	-	-	-	-	-	X	-	-	If solids are contained, contact KSB.
Drinking water ⁹⁾	≤ 60	-	X	-	-	-	-	-	-	-	X	-	
Partly desalinated water	≤ 120	X	-	-	-	-	-	-	-	-	X	-	
Fully desalinated water	≤ 120	-	-	-	-	X	-	-	-	-	X	-	Purity requirements cannot be met.

- 3) For components made of bronze: ammonia (NH₃) ≤ 5 mg/kg, free from hydrogen sulphide (H₂S); no limitation of Cl content required in this case. Please contact KSB if limits are exceeded.
- 4) General evaluation criteria for results of water analysis: pH value ≥ 7; chlorides content (Cl) ≤ 250 mg/kg. Chlorine (Cl₂) ≤ 0.6 mg/kg.
- 5) Treatment to VdTUV 1466; additional requirement: O₂ < 0.02 mg/l
- 6) Antifreeze on ethylene glycol basis with inhibitors. Content: > 20 % to 50 % (e.g. Antifrogen N)
- 7) No ultra-pure water! Conductivity at 25 °C: ≤ 800 µS/cm, neutral with regard to chemical corrosion
- 8) For France, observe the applicable rules as per ministerial order dated 18 January 2002.
- 9) For France, ACS approval is required.

Fluid handled	Application limit temperature [°C]	Casing/impeller materials					Shaft seal Mechanical seal						Comments
		Grey cast iron/ grey cast iron	Grey cast iron/ tin bronze	Nodular cast iron/ grey cast iron	Tin bronze/ tin bronze	CrNiMo cast steel/ CrNiMo cast steel	U3BEGG	Q1Q1EGG	U3U3VGG	Q1Q1X4GG	BQ1EGG	Q12Q1M1GG	
		G	GB	S	B	C	6	7	9	10	11	12	
Fully desalinated water as boiler feed water	≤ 120	X	-	-	-	-	-	-	-	-	X	-	-
Refrigerants, cooling brines													
Cooling brine, inorganic, pH value > 7.5, inhibited	≥ -30 ≤ 25	X	-	-	-	-	-	-	-	-	X	-	-
Water with antifreeze, pH value ≥ 7.5	≥ -30 ≤ 60	X	-	-	-	-	-	-	-	-	X	-	-
Water with antifreeze, pH value ≥ 7.5	≥ 60 ≤ 110	X	-	-	-	-	-	X	-	-	-	-	-
Oils/emulsions													
Diesel oil, extra light fuel oil	≤ 60	-	-	X	-	-	-	-	-	X	-	-	G possible, unless specific standards have to be observed
Lubricating oil, turbine oil, does not apply to SF-D oils (hardly flammable)	≤ 80	-	-	X	-	-	-	-	-	X	-	-	If specified "without internal primer" contact KSB. G possible, unless specific standards have to be observed
Drilling/grinding emulsion	≤ 60	X	-	-	-	-	-	-	X	-	-	-	-
Oil-water emulsion	≤ 60	X	-	-	-	-	-	-	X	-	-	-	-
Brewery applications													
Beer mash	≤ 100	X	-	-	-	-	-	-	-	-	-	X	If there is a risk of the pump running dry due to excessive emptying of the tank, an Etanorm with double seal in tandem arrangement must be used.
Beer wort	≤ 100	X	-	-	-	-	-	-	-	-	-	X	

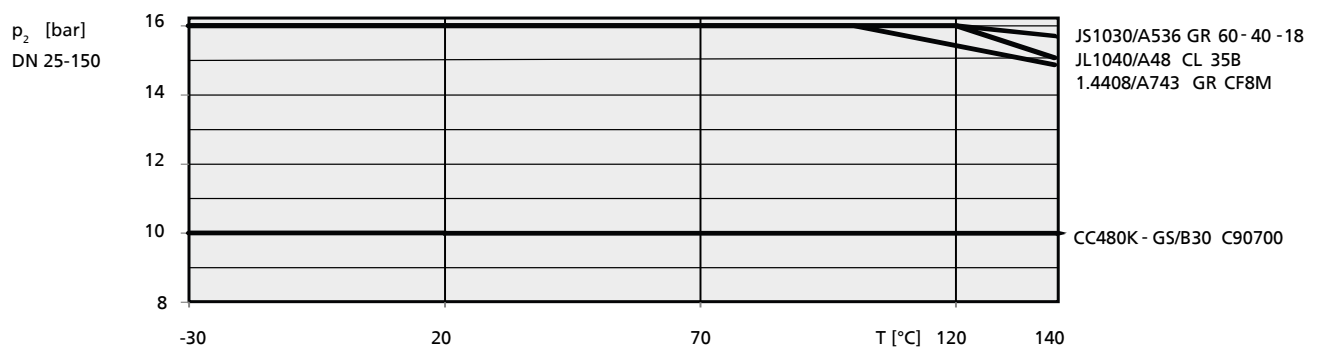
Pressure and temperature limits

Pressure and temperature limits of the pump

Pressure and temperature limits of the pump

Material variant	Fluid temperature ¹⁰⁾¹¹⁾	Test pressure ¹²⁾	Region
G, GC	-30 °C to +140 °C	21 bar	A, C, D
GB	-30 °C to +140 °C	21 bar	A, C, D
S, SB, SC	-30 °C to +140 °C	25 bar	A
B	-30 °C to +140 °C	13 bar	A
C	-30 °C to +140 °C	21 bar	A, D

Pressure and temperature limits of pumps with flanges to EN 1092-1, 1092-2 and 1092-3 and drilled to ASME

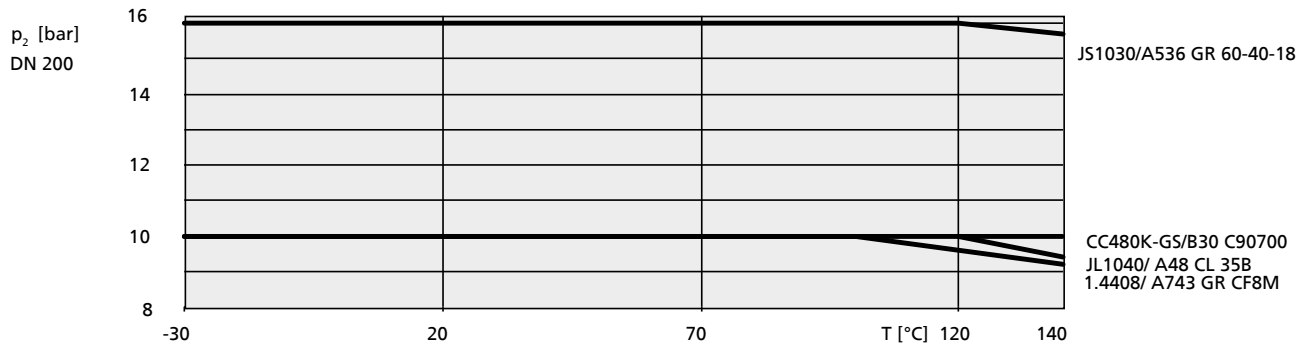


Pump pressure and temperature limits DN 25 - DN 150

10) For hot water heating systems to DIN 4752, Section 4.5, application limits must be observed.

11) For fluid temperatures >140 °C use Etanorm SYT.

12) The casing components are checked for leakage by means of internal pressure tests to AN 1897/75-03D00 with water.



Pump pressure and temperature limits DN 200

Materials

Overview of available materials for Europe

Part No.	Description		Material variant							
			G	GB	GC	B	S	SB	SC	C
102	Volute casing	Grey cast iron EN-GJL-250/ A 48 CL 35B	A1	A1	A1	-	-	-	-	-
		Bronze CC480K-GS/ B30 C90700	-	-	-	A1	-	-	-	-
		Nodular cast iron EN-GJS-400-15/ A536 GR 60-40-18	-	-	-	-	A1	A1	A1	-
		Stainless steel 1.4408/ A743 Gr CF8 M	-	-	-	-	-	-	-	A1
161	Casing cover, conical	Grey cast iron EN-GJL-250/ A 48 CL 35B	A1	A1	A1	-	-	-	-	-
		Bronze CC480K-GS/ B30 C90700	-	-	-	A1	-	-	-	-
		Nodular cast iron EN-GJS-400-15/ A536 GR 60-40-18	-	-	-	-	A1	A1	A1	-
		Stainless steel 1.4408/ A743 Gr CF8 M	-	-	-	-	-	-	-	A1
161	Casing cover, cylindrical	Grey cast iron EN-GJL-250/ A 48 CL 35B	A2	A2	A2	-	-	-	-	-
		Stainless steel 1.4408/ A743 Gr CF8 M	-	-	-	-	-	-	-	A2
		Bronze CC480K-GS/ B30 C90700	-	-	-	A2	-	-	-	-
210	Shaft	Tempered steel C45+N	A1	A1	A1	-	A1	A1	A1	-
		Stainless steel 1.4571	A2	A2	A2	A1	A2	A2	A2	A1
230	Impeller	Grey cast iron EN-GJL-250/ A 48 CL 35B	A1	-	-	-	A1	-	-	-
		Bronze CC480K-GS/ B30 C90700	-	A1	-	A1	-	A1	-	-
		Stainless steel 1.4408/ A743 Gr CF8 M	-	-	A1	-	-	-	A1	A1
341	Drive lantern	Grey cast iron EN-GJL-250/ A 48 CL 35B	A1	A1	A1	A1	A1	A1	A1	A1
400	Sealing elements	DPAF, asbestos-free	A1	A1	A1	A1	A1	A1	A1	A1
502.01	Casing wear ring, suction side	Grey cast iron EN-GJL-250/ CI	A1	A1	A1	-	A1	A1	A1	-
		Stainless steel (CrNiMo steel)	A2	A2	A2	-	-	-	-	A2
		Bronze CC495K-GS	-	A2	-	A1	-	A2	-	-
502.02	Casing wear ring, discharge side	Grey cast iron EN-GJL-250/ CI	A1	A1	A1	-	A1	A1	A1	-
		Stainless steel (CrNiMo steel)	A2	A2	A2	-	-	-	-	A2
		Bronze CC495K-GS	-	A2	-	A1	-	A2	-	-
523	Shaft sleeve ¹³⁾	Stainless steel (CrNiMo steel)	A1	A1	A1	A1	A1	A1	A1	A1
902	Studs	Steel 8.8	A1	A1	A1	-	A1	A1	A1	-
		A4-70/ A193 Gr B8M CL2	A2	A2	A2	A1	A2	A2	A2	A1
903	Plug	Steel	A1	A1	A1	-	A1	A1	A1	-
		A4/ AISI 316	A2	A2	A2	A1	A2	A2	A2	A1
920	Nut	8+A2A/ 8+B633 SC1 TP3	A1	A1	A1	-	A1	A1	A1	-
		A4/ AISI 316	A2	A2	A2	A1	A2	A2	A2	A1
920.95	Impeller nut	A4/ AISI 316	A2	A2	A1	A1	A2	A1	A1	A1
		Steel 8	A1	A1	-	-	A1	-	-	-

¹³⁾ For pump sets with mechanical seal

Overview of materials available for South Africa

Part No.	Description		Material variant							
			G	GB	GC	B	S	SB	SC	C
102	Volute casing	Grey cast iron EN-GJL-250/ A 48 CL 35B	C1	C1	C1	-	-	-	-	-
161	Casing cover, conical	Grey cast iron EN-GJL-250/ A 48 CL 35B	C1	C1	C1	-	-	-	-	-
210	Shaft	Tempered steel C45+N	C1	C1	C1	-	-	-	-	-
		Stainless steel 1.4571	C2	C2	C2	-	-	-	-	-
230	Impeller	Grey cast iron EN-GJL-250/ A 48 CL 35B	C1	-	-	-	-	-	-	-
		Bronze CC480K-GS/ B30 C90700	-	C1	-	-	-	-	-	-
		Stainless steel 1.4408/ A743 Gr CF8 M	-	-	C1	-	-	-	-	-
341	Drive lantern	Grey cast iron EN-GJL-250/ A 48 CL 35B	C1	C1	C1	-	-	-	-	-
400	Sealing elements	DPAF, asbestos-free	C1	C1	C1	-	-	-	-	-
502.01	Casing wear ring, suction side	Grey cast iron EN-GJL-250/CI	C1	C1	C1	-	-	-	-	-
		Stainless steel (CrNiMo steel)	C2	C2	C2	-	-	-	-	-
		Bronze CC495K-GS	-	C2	-	-	-	-	-	-
502.02	Casing wear ring, discharge side	Grey cast iron EN-GJL-250/CI	C1	C1	C1	-	-	-	-	-
		Stainless steel (CrNiMo steel)	C2	C2	C2	-	-	-	-	-
		Bronze CC495K-GS	-	C2	-	-	-	-	-	-
523	Shaft sleeve ¹⁴⁾	Stainless steel (CrNiMo steel)	C1	C1	C1	-	-	-	-	-
902	Studs	Steel 8.8	C1	C1	C1	-	-	-	-	-
		A4-70/ A193 Gr B8M CL2	C2	C2	C2	-	-	-	-	-
903	Plug	Steel	C1	C1	C1	-	-	-	-	-
		A4/ AISI 316	C2	C2	C2	-	-	-	-	-
920	Nut	8+A2A/ 8+B633 SC1 TP3	C1	C1	C1	-	-	-	-	-
		A4/ AISI 316	C2	C2	C2	-	-	-	-	-
920.95	Impeller nut	A4/ AISI 316	C2	C2	C1	-	-	-	-	-
		Steel 8	C1	C1	-	-	-	-	-	-

Overview of materials available for China

Part No.	Description		Material variant							
			G	GB	GC	B	S	SB	SC	C
102	Volute casing	Grey cast iron EN-GJL-250/ A 48 CL 35B	D1	D1	D1	-	-	-	-	-
		Stainless steel 1.4408/A743 Gr CF8 M	-	-	-	-	-	-	-	D1
161	Casing cover, conical	Grey cast iron EN-GJL-250/ A 48 CL 35B	D1	D1	D1	-	-	-	-	-
		Stainless steel 1.4408/ A743 Gr CF8 M	-	-	-	-	-	-	-	D1
210	Shaft	Tempered steel C45+N	D1	D1	D1	-	-	-	-	-
		Stainless steel 1.4571	D2	D2	D2	-	-	-	-	D1
230	Impeller	Grey cast iron EN-GJL-250/ A 48 CL 35B	D1	-	-	-	-	-	-	-
		Bronze CC480K-GS/ B30 C90700	-	D1	-	-	-	-	-	-
		Stainless steel 1.4408/ A743 Gr CF8 M	-	-	D1	-	-	-	-	D1
341	Drive lantern	Grey cast iron EN-GJL-250/ A 48 CL 35B	D1	D1	D1	-	-	-	-	D1
400	Sealing elements	DPAF, asbestos-free	D1	D1	D1	-	-	-	-	D1
502.01	Casing wear ring, suction side	Grey cast iron EN-GJL-250/CI	D1	D1	D1	-	-	-	-	-
		Stainless steel (CrNiMo steel)	D2	D2	D2	-	-	-	-	D2
502.02	Casing wear ring, discharge side	Grey cast iron EN-GJL-250/CI	D1	D1	D1	-	-	-	-	-
		Stainless steel (CrNiMo steel)	D2	D2	D2	-	-	-	-	D2
523	Shaft sleeve ¹⁵⁾	Stainless steel (CrNiMo steel)	D1	D1	D1	-	-	-	-	D1
902	Studs	Steel 8.8	D1	D1	D1	-	-	-	-	-
		A4-70/ A193 Gr B8M CL2	D2	D2	D2	-	-	-	-	D1
903	Plug	Steel	D1	D1	D1	-	-	-	-	-
		A4/ AISI 316	D2	D2	D2	-	-	-	-	D1
920	Nut	8+A2A/ 8+B633 SC1 TP3	D1	D1	D1	-	-	-	-	-

14) For pump sets with mechanical seal

15) For pump sets with mechanical seal

Part No.	Description		Material variant							
			G	GB	GC	B	S	SB	SC	C
920.95	Impeller nut	A4/ AISI 316	D2	D2	D2	-	-	-	-	D1
		A4/ AISI 316	D2	D2	D1	-	-	-	-	D1
		Steel 8	D1	D1	-	-	-	-	-	-

Availability of pump sizes per material variant

Available material variants

Size	G	GB	GC	B	S	SB	SC	C
040-025-160	X	X	X	-	X	X	X	X
040-025-200	X	X	X	-	X	X	X	X
050-032-125.1	X	X	X	X	X	X	X	X
050-032-160.1	X	X	X	X	X	X	X	X
050-032-200.1	X	X	X	X	X	X	X	X
050-032-250.1	X	X	X	-	-	-	-	X
050-032-125	X	X	X	-	-	-	-	X
050-032-160	X	X	X	X	X	X	X	X
050-032-200	X	X	X	X	X	X	X	X
050-032-250	X	X	X	-	X	X	X	X
065-040-125	X	X	X	-	-	-	-	X
065-040-160	X	X	X	X	X	X	X	X
065-040-200	X	X	X	X	X	X	X	X
065-040-250	X	X	X	X	X	X	X	X
065-040-315	X	X	X	-	X	X	X	X
065-050-125	X	X	X	-	-	-	-	X
065-050-160	X	X	X	X	X	X	X	X
065-050-200	X	X	X	X	X	X	X	X
065-050-250	X	X	X	X	X	X	X	X
065-050-315	X	X	X	-	X	X	X	X
080-065-125	X	X	X	-	-	-	-	X
080-065-160	X	X	X	X	X	X	X	X
080-065-200	X	X	X	X	X	X	X	X
080-065-250	X	X	X	X	X	X	X	X
080-065-315	X	X	X	-	X	X	X	X
100-080-160	X	X	X	X	X	X	X	X
100-080-200	X	X	X	X	X	X	X	X
100-080-250	X	X	X	X	X	X	X	X
100-080-315	X	X	X	-	X	X	X	X
100-080-400	X	X	X	-	-	-	-	X
125-100-160	X	X	X	X	X	X	X	X
125-100-200	X	X	X	X	X	X	X	X
125-100-250	X	X	X	X	X	X	X	X
125-100-315	X	X	X	X	X	X	X	X
125-100-400	X	X	X	-	-	-	-	X
150-125-200	X	X	X	X	X	X	X	X
150-125-250	X	X	X	X	X	X	X	X
150-125-315	X	X	X	X	X	X	X	X
150-125-400	X	X	X	-	X	X	X	X
200-150-200	X	X	X	-	-	-	-	X
200-150-250	X	X	X	X	-	-	-	X
200-150-315	X	X	X	X	X	X	X	X
200-150-400	X	X	X	X	X	X	X	X

Overview of pump size / motor combinations

Available pump size / motor combinations for Europe

Size	Number of poles			IEC 71	IEC 80	IEC 90	IEC 100	IEC 112	IEC 132	IEC 160	IEC 180	IEC 200	IEC 225	IEC 250	IEC 280	IEC 315
	2	4	6													
040-025-160	✓	-	-	-	X	X	X	X	-	-	-	-	-	-	-	-
	-	✓	-	X	X	-	-	-	-	-	-	-	-	-	-	-
	-	-	✓	-	X	X	-	-	-	-	-	-	-	-	-	-
040-025-200	✓	-	-	-	-	X	X	X	X	-	-	-	-	-	-	-
	-	✓	-	X	X	X	-	-	-	-	-	-	-	-	-	-
	-	-	✓	-	X	X	-	-	-	-	-	-	-	-	-	-
050-032-125.1	✓	-	-	X	X	X	X	X	X	-	-	-	-	-	-	-
	-	✓	-	-	X	X	-	-	-	-	-	-	-	-	-	-
	-	-	✓	-	X	X	-	-	-	-	-	-	-	-	-	-
050-032-160.1	✓	-	-	-	-	X	X	X	X	X	-	-	-	-	-	-
	-	✓	-	X	X	X	-	-	-	-	-	-	-	-	-	-
	-	-	✓	-	X	X	-	-	-	-	-	-	-	-	-	-
050-032-200.1	✓	-	-	-	-	-	X	X	X	X	-	-	-	-	-	-
	-	✓	-	X	X	X	-	-	-	-	-	-	-	-	-	-
	-	-	✓	-	X	X	-	-	-	-	-	-	-	-	-	-
050-032-250.1	✓	-	-	-	-	-	-	-	X	X	-	-	-	-	-	-
	-	✓	-	-	X	X	X	-	-	-	-	-	-	-	-	-
	-	-	✓	-	X	X	-	-	-	-	-	-	-	-	-	-
050-032-125	✓	-	-	-	X	X	X	X	X	-	-	-	-	-	-	-
	-	✓	-	X	X	X	-	-	-	-	-	-	-	-	-	-
	-	-	✓	-	X	X	-	-	-	-	-	-	-	-	-	-
050-032-160	✓	-	-	-	-	-	X	X	X	-	-	-	-	-	-	-
	-	✓	-	X	X	X	-	-	-	-	-	-	-	-	-	-
	-	-	✓	-	X	X	-	-	-	-	-	-	-	-	-	-
050-032-200	✓	-	-	-	-	-	-	X	X	X	-	-	-	-	-	-
	-	✓	-	-	X	X	X	-	-	-	-	-	-	-	-	-
	-	-	✓	-	X	X	-	-	-	-	-	-	-	-	-	-
050-032-250	✓	-	-	-	-	-	-	-	X	X	X	X	-	-	-	-
	-	✓	-	-	-	X	X	X	X	-	-	-	-	-	-	-
	-	-	✓	-	X	X	X	-	-	-	-	-	-	-	-	-
065-040-125	✓	-	-	-	-	-	X	X	X	X	-	-	-	-	-	-
	-	✓	-	X	X	X	-	-	-	-	-	-	-	-	-	-
	-	-	✓	-	X	X	-	-	-	-	-	-	-	-	-	-
065-040-160	✓	-	-	-	-	-	X	X	X	X	-	-	-	-	-	-
	-	✓	-	-	X	X	X	-	-	-	-	-	-	-	-	-
	-	-	✓	-	X	X	-	-	-	-	-	-	-	-	-	-
065-040-200	✓	-	-	-	-	-	-	-	X	X	X	-	-	-	-	-
	-	✓	-	-	X	X	X	-	-	-	-	-	-	-	-	-
	-	-	✓	-	X	X	-	-	-	-	-	-	-	-	-	-
065-040-250	✓	-	-	-	-	-	-	-	-	X	X	X	-	-	-	-
	-	✓	-	-	-	X	X	X	X	-	-	-	-	-	-	-
	-	-	✓	-	X	X	X	-	-	-	-	-	-	-	-	-
065-040-315	✓	-	-	-	-	-	-	-	-	X	X	X	X	-	-	-
	-	✓	-	-	-	-	X	X	X	X	-	-	-	-	-	-
	-	-	✓	-	-	-	X	X	X	-	-	-	-	-	-	-
065-050-125	✓	-	-	-	-	-	-	X	X	X	X	-	-	-	-	-
	-	✓	-	-	X	X	-	-	-	-	-	-	-	-	-	-
	-	-	✓	-	X	X	-	-	-	-	-	-	-	-	-	-
065-050-160	✓	-	-	-	-	-	-	-	X	X	X	-	-	-	-	-
	-	✓	-	-	X	X	X	-	-	-	-	-	-	-	-	-
	-	-	✓	-	X	X	-	-	-	-	-	-	-	-	-	-
065-050-200	✓	-	-	-	-	-	-	-	-	X	X	X	-	-	-	-
	-	✓	-	-	-	X	X	X	X	-	-	-	-	-	-	-
	-	-	✓	-	X	X	X	-	-	-	-	-	-	-	-	-
065-050-250	✓	-	-	-	-	-	-	-	-	X	X	X	-	-	-	-
	-	✓	-	-	-	X	X	X	X	-	-	-	-	-	-	-
	-	-	✓	-	X	X	X	-	-	-	-	-	-	-	-	-
065-050-315	✓	-	-	-	-	-	-	-	-	-	-	X	X	X	X	-
	-	✓	-	-	-	-	X	X	X	X	-	-	-	-	-	-
	-	-	✓	-	-	-	X	X	X	-	-	-	-	-	-	-

Size	Number of poles			IEC 71	IEC 80	IEC 90	IEC 100	IEC 112	IEC 132	IEC 160	IEC 180	IEC 200	IEC 225	IEC 250	IEC 280	IEC 315
	2	4	6													
080-065-125	✓	-	-	-	-	-	-	×	×	×	-	-	-	-	-	-
	-	✓	-	-	×	×	×	-	-	-	-	-	-	-	-	-
	-	-	✓	-	-	×	×	-	-	-	-	-	-	-	-	-
080-065-160	✓	-	-	-	-	-	-	-	×	×	×	×	-	-	-	-
	-	✓	-	-	-	×	×	×	-	-	-	-	-	-	-	-
	-	-	✓	-	-	×	×	-	-	-	-	-	-	-	-	-
080-065-200	✓	-	-	-	-	-	-	-	-	×	×	×	-	-	-	-
	-	✓	-	-	-	-	×	×	×	-	-	-	-	-	-	-
	-	-	✓	-	-	×	×	×	-	-	-	-	-	-	-	-
080-065-250	✓	-	-	-	-	-	-	-	-	-	×	×	×	×	×	-
	-	✓	-	-	-	-	×	×	×	×	-	-	-	-	-	-
	-	-	✓	-	-	-	×	×	×	-	-	-	-	-	-	-
080-065-315	✓	-	-	-	-	-	-	-	-	-	-	-	×	×	×	-
	-	✓	-	-	-	-	-	-	×	×	×	-	-	-	-	-
	-	-	✓	-	-	-	-	×	×	-	-	-	-	-	-	-
100-080-160	✓	-	-	-	-	-	-	-	-	×	×	×	-	-	-	-
	-	✓	-	-	-	×	×	×	×	-	-	-	-	-	-	-
	-	-	✓	-	-	×	×	×	-	-	-	-	-	-	-	-
100-080-200	✓	-	-	-	-	-	-	-	-	×	×	×	×	×	×	-
	-	✓	-	-	-	-	×	×	×	×	-	-	-	-	-	-
	-	-	✓	-	-	-	×	×	×	-	-	-	-	-	-	-
100-080-250	✓	-	-	-	-	-	-	-	-	-	×	×	×	×	×	×
	-	✓	-	-	-	-	-	×	×	×	×	-	-	-	-	-
	-	-	✓	-	-	-	×	×	×	-	-	-	-	-	-	-
100-080-315	✓	-	-	-	-	-	-	-	-	-	-	-	-	-	×	×
	-	✓	-	-	-	-	-	-	×	×	×	×	×	-	-	-
	-	-	✓	-	-	-	-	-	×	×	-	-	-	-	-	-
100-080-400	-	✓	-	-	-	-	-	-	-	-	×	×	×	-	-	
125-100-160	✓	-	-	-	-	-	-	-	-	-	×	×	×	-	-	-
	-	✓	-	-	-	-	×	×	×	-	-	-	-	-	-	-
	-	-	✓	-	-	-	×	×	-	-	-	-	-	-	-	-
125-100-200	✓	-	-	-	-	-	-	-	-	-	×	×	×	×	×	-
	-	✓	-	-	-	-	-	×	×	×	-	-	-	-	-	-
	-	-	✓	-	-	-	×	×	×	-	-	-	-	-	-	-
125-100-250	✓	-	-	-	-	-	-	-	-	-	-	×	×	×	×	×
	-	✓	-	-	-	-	-	-	×	×	×	-	-	-	-	-
	-	-	✓	-	-	-	-	×	×	×	-	-	-	-	-	-
125-100-315	-	✓	-	-	-	-	-	-	-	×	×	×	×	-	-	-
	-	-	✓	-	-	-	-	-	×	×	-	-	-	-	-	-
	-	-	-	✓	-	-	-	-	×	×	-	-	-	-	-	-
125-100-400	-	✓	-	-	-	-	-	-	-	-	×	×	×	×	-	
150-125-200	✓	-	-	-	-	-	-	-	-	-	-	-	-	×	×	×
	-	✓	-	-	-	-	-	-	×	×	×	-	-	-	-	-
	-	-	✓	-	-	-	-	×	×	-	-	-	-	-	-	-
150-125-250	-	✓	-	-	-	-	-	-	-	×	×	×	-	-	-	-
	-	-	✓	-	-	-	-	-	×	×	-	-	-	-	-	-
	-	-	-	✓	-	-	-	-	×	×	-	-	-	-	-	-
150-125-315	-	✓	-	-	-	-	-	-	-	-	×	×	×	-	-	
150-125-400	-	✓	-	-	-	-	-	-	-	-	×	×	×	×	×	
200-150-200	-	✓	-	-	-	-	-	-	×	×	×	×	-	-	-	-
	-	-	✓	-	-	-	-	-	×	×	-	-	-	-	-	-
	-	✓	-	-	-	-	-	-	-	×	×	×	×	-	-	-
200-150-250	-	✓	-	-	-	-	-	-	-	×	×	×	×	-	-	-
	-	-	✓	-	-	-	-	-	-	×	×	-	-	-	-	-
	-	✓	-	-	-	-	-	-	-	-	×	×	×	×	-	-
200-150-315	-	✓	-	-	-	-	-	-	-	-	×	×	×	×	-	
200-150-400	-	✓	-	-	-	-	-	-	-	-	-	×	×	×	×	

Available pump size / motor combinations for South Africa / China

Size	Number of poles		IEC 71	IEC 80	IEC 90	IEC 100	IEC 112	IEC 132	IEC 160	IEC 180	IEC 200	IEC 225	IEC 250	IEC 280	IEC 315	
	2	4														
040-025-160	✓	-	-	×	×	×	×	-	-	-	-	-	-	-	-	
	-	✓	-	×	-	-	-	-	-	-	-	-	-	-	-	-
040-025-200	✓	-	-	-	×	×	×	×	-	-	-	-	-	-	-	-
	-	✓	-	×	×	-	-	-	-	-	-	-	-	-	-	-

Size	Number of poles		IEC 71	IEC 80	IEC 90	IEC 100	IEC 112	IEC 132	IEC 160	IEC 180	IEC 200	IEC 225	IEC 250	IEC 280	IEC 315
	2	4													
050-032-125.1	✓	-	-	X	X	X	X	X	-	-	-	-	-	-	-
	-	✓	-	X	-	-	-	-	-	-	-	-	-	-	-
050-032-160.1	✓	-	-	-	X	X	X	X	X	-	-	-	-	-	-
	-	✓	-	X	-	-	-	-	-	-	-	-	-	-	-
050-032-200.1	✓	-	-	-	-	X	X	X	X	-	-	-	-	-	-
	-	✓	-	X	X	-	-	-	-	-	-	-	-	-	-
050-032-250.1	✓	-	-	-	-	-	-	X	X	-	-	-	-	-	-
	-	✓	-	X	X	X	-	-	-	-	-	-	-	-	-
050-032-125	✓	-	-	X	X	X	X	X	-	-	-	-	-	-	-
	-	✓	-	X	-	-	-	-	-	-	-	-	-	-	-
050-032-160	✓	-	-	-	X	X	X	X	-	-	-	-	-	-	-
	-	✓	-	X	X	-	-	-	-	-	-	-	-	-	-
050-032-200	✓	-	-	-	-	-	X	X	X	-	-	-	-	-	-
	-	✓	-	X	X	X	-	-	-	-	-	-	-	-	-
050-032-250	✓	-	-	-	-	-	-	X	X	-	-	-	-	-	-
	-	✓	-	-	X	X	X	-	-	-	-	-	-	-	-
065-040-125	✓	-	-	-	X	X	X	X	X	-	-	-	-	-	-
	-	✓	-	X	X	-	-	-	-	-	-	-	-	-	-
065-040-160	✓	-	-	-	-	X	X	X	X	-	-	-	-	-	-
	-	✓	-	X	X	X	-	-	-	-	-	-	-	-	-
065-040-200	✓	-	-	-	-	-	-	X	X	X	-	-	-	-	-
	-	✓	-	X	X	X	-	-	-	-	-	-	-	-	-
065-040-250	✓	-	-	-	-	-	-	-	X	X	X	-	-	-	-
	-	✓	-	-	X	X	X	X	-	-	-	-	-	-	-
065-040-315	✓	-	-	-	-	-	-	-	X	X	X	X	-	-	-
	-	✓	-	-	-	X	X	X	X	-	-	-	-	-	-
065-050-125	✓	-	-	-	-	X	X	X	X	-	-	-	-	-	-
	-	✓	-	X	X	-	-	-	-	-	-	-	-	-	-
065-050-160	✓	-	-	-	-	-	-	X	X	X	-	-	-	-	-
	-	✓	-	X	X	X	-	-	-	-	-	-	-	-	-
065-050-200	✓	-	-	-	-	-	-	-	X	X	X	-	-	-	-
	-	✓	-	-	X	X	X	X	-	-	-	-	-	-	-
065-050-250	✓	-	-	-	-	-	-	-	X	X	X	-	-	-	-
	-	✓	-	-	-	X	X	X	-	-	-	-	-	-	-
065-050-315	✓	-	-	-	-	-	-	-	-	-	X	X	X	-	-
	-	✓	-	-	-	X	X	X	X	-	-	-	-	-	-
080-065-125	✓	-	-	-	-	-	-	X	X	X	-	-	-	-	-
	-	✓	-	X	X	X	-	-	-	-	-	-	-	-	-
080-065-160	✓	-	-	-	-	-	-	X	X	X	X	-	-	-	-
	-	✓	-	-	X	X	X	-	-	-	-	-	-	-	-
080-065-200	✓	-	-	-	-	-	-	-	X	X	X	-	-	-	-
	-	✓	-	-	-	X	X	X	-	-	-	-	-	-	-
080-065-250	✓	-	-	-	-	-	-	-	-	X	X	X	X	-	-
	-	✓	-	-	-	X	X	X	X	-	-	-	-	-	-
080-065-315	✓	-	-	-	-	-	-	-	-	-	-	X	X	-	-
	-	✓	-	-	-	-	-	X	X	X	-	-	-	-	-
100-080-160	✓	-	-	-	-	-	-	-	X	X	X	-	-	-	-
	-	✓	-	-	X	X	X	X	-	-	-	-	-	-	-
100-080-200	✓	-	-	-	-	-	-	-	X	X	X	X	X	-	-
	-	✓	-	-	-	X	X	X	X	-	-	-	-	-	-
100-080-250	✓	-	-	-	-	-	-	-	-	-	X	X	X	-	-
	-	✓	-	-	-	-	X	X	X	X	-	-	-	-	-
100-080-315	✓	-	-	-	-	-	-	-	-	-	-	-	-	-	-
	-	✓	-	-	-	-	-	X	X	X	X	X	-	-	-
100-080-400	-	✓	-	-	-	-	-	-	-	-	X	X	X	-	-
	✓	-	-	-	-	-	-	-	-	X	X	X	X	-	-
125-100-160	✓	-	-	-	-	-	-	-	-	X	X	X	X	-	-
	-	✓	-	-	-	X	X	X	-	-	-	-	-	-	-
125-100-200	✓	-	-	-	-	-	-	-	-	-	X	X	X	-	-
	-	✓	-	-	-	-	X	X	X	-	-	-	-	-	-
125-100-250	✓	-	-	-	-	-	-	-	-	-	-	X	X	-	-
	-	✓	-	-	-	-	-	X	X	X	-	-	-	-	-
125-100-315	-	✓	-	-	-	-	-	-	X	X	X	X	-	-	-
	✓	-	-	-	-	-	-	-	-	-	X	X	X	-	-
125-100-400	-	✓	-	-	-	-	-	-	-	-	X	X	X	-	-

Size	Number of poles		IEC 71	IEC 80	IEC 90	IEC 100	IEC 112	IEC 132	IEC 160	IEC 180	IEC 200	IEC 225	IEC 250	IEC 280	IEC 315
	2	4													
150-125-200	✓	-	-	-	-	-	-	-	-	-	-	-	✗	-	-
150-125-250	-	✓	-	-	-	-	-	✗	✗	✗	-	-	-	-	-
150-125-315	-	✓	-	-	-	-	-	-	-	-	✗	✗	✗	-	-
150-125-400	-	✓	-	-	-	-	-	-	-	-	✗	✗	✗	-	-
200-150-200	-	✓	-	-	-	-	-	✗	✗	✗	✗	-	-	-	-
200-150-250	-	✓	-	-	-	-	-	-	✗	✗	✗	✗	-	-	-
200-150-315	-	✓	-	-	-	-	-	-	-	-	✗	✗	✗	-	-
200-150-400	-	✓	-	-	-	-	-	-	-	-	-	✗	✗	-	-

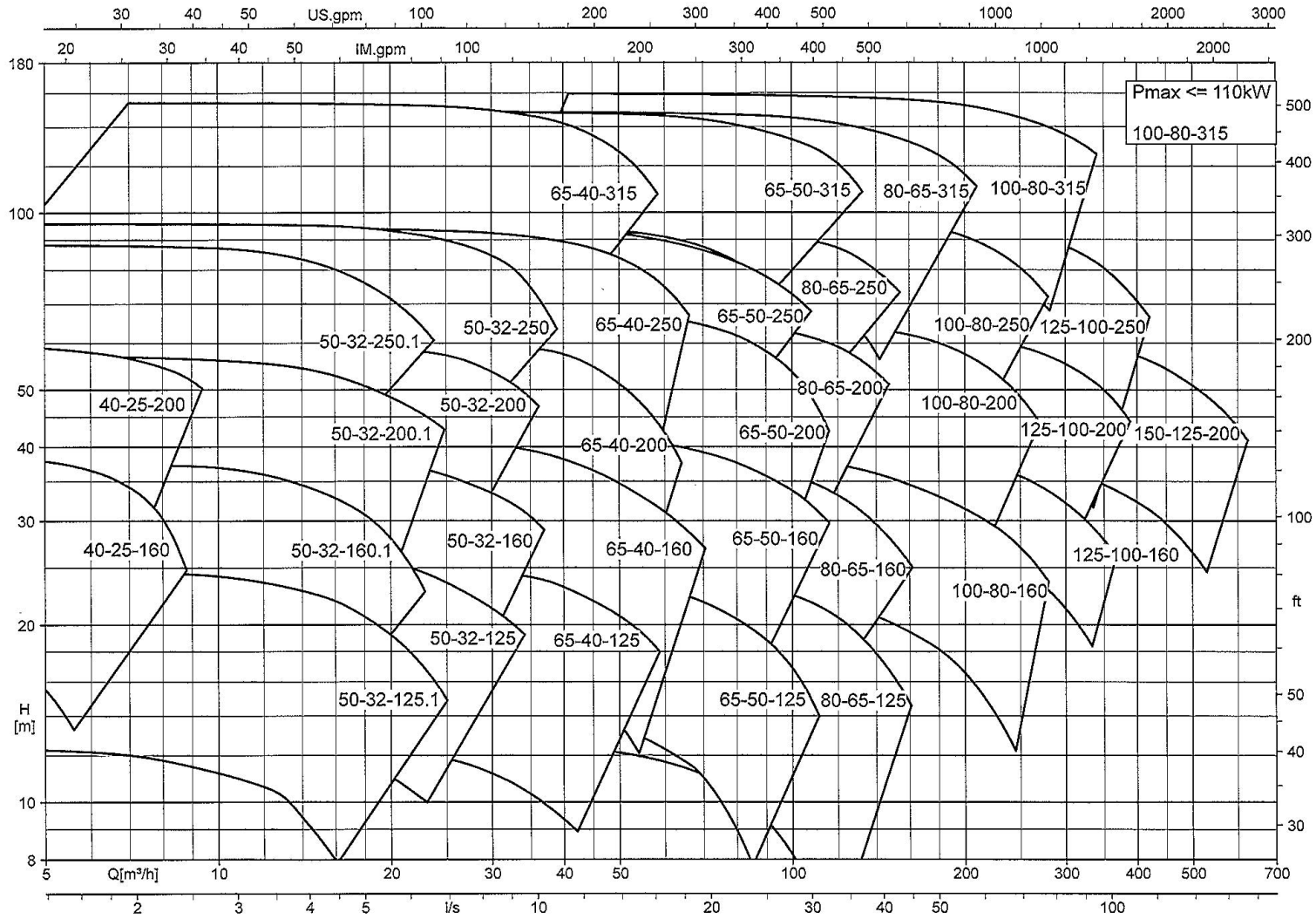
Technical data

Technical data

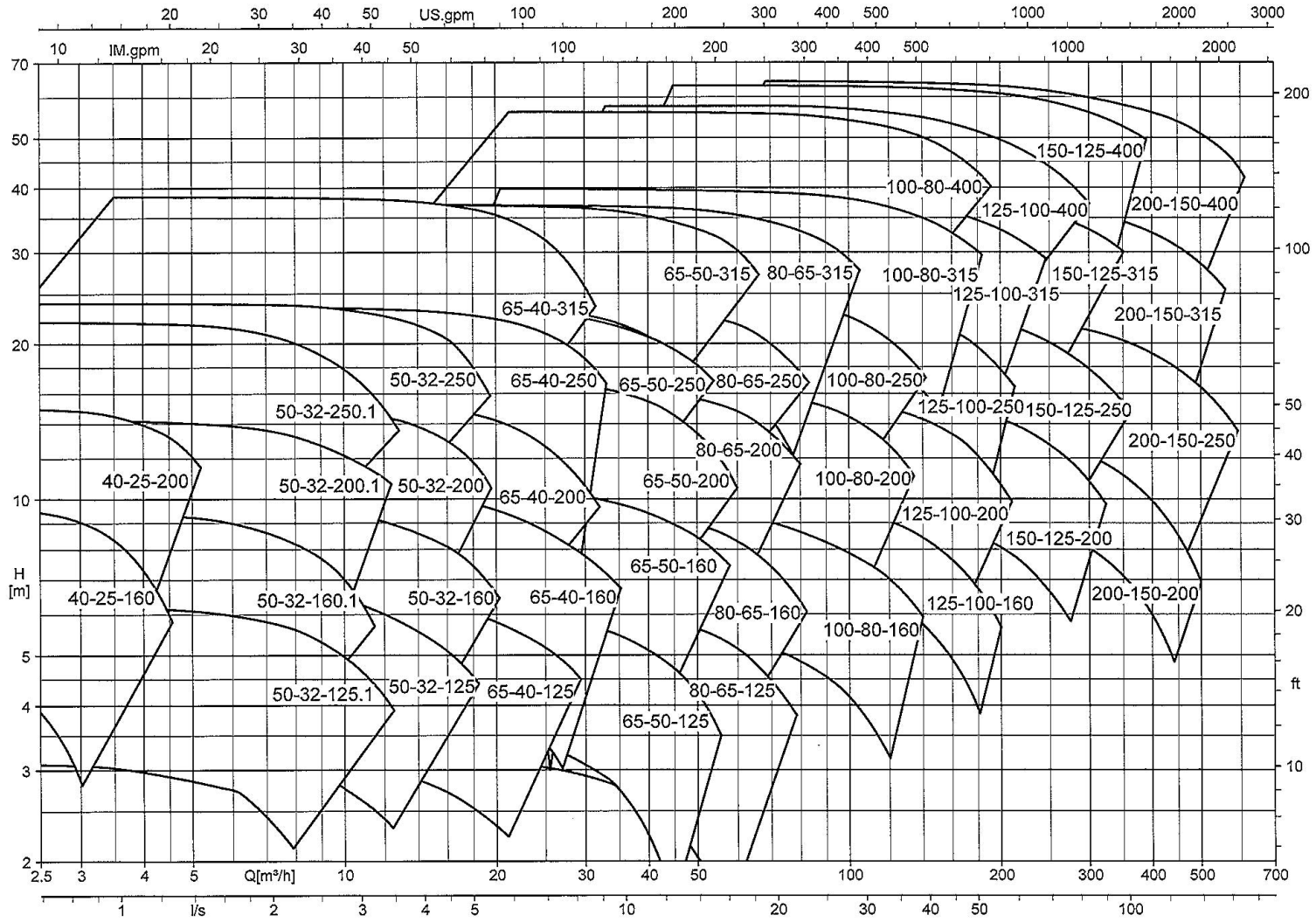
Size	Shaft unit	Impeller					Speed limit	
		Impeller outlet width	Free passage	Impeller inlet diameter	Impeller diameter		Maximum	Minimum
					Maximum	Minimum		
[mm]	[mm]	[mm]	[mm]	[mm]	[mm]	[rpm]	[rpm]	
040-025-160	WS_25	6,0	5,7	45,2	169	130	3500	500
040-025-200	WS_25	6,0	5,7	45,2	209	160	3500	500
050-032-125.1	WS_25	6,6	6,0	52,4	139	104	4300	500
050-032-160.1	WS_25	5,7	5,4	52,7	170	136	4400	500
050-032-200.1	WS_25	5,6	5,3	54,0	204	170	3800	500
050-032-250.1	WS_25	5,5	5,2	58,3	254	200	3000	500
050-032-125	WS_25	9,8	5,7	63,4	139	104	4200	500
050-032-160	WS_25	8,5	5,8	60,6	174	136	3500	500
050-032-200	WS_25	7,0	6,7	62,9	209	170	3700	500
050-032-250	WS_25	7,5	7,1	62,6	261	209	3000	500
065-040-125	WS_25	14,0	9,6	73,9	139	104	4000	500
065-040-160	WS_25	13,0	11,5	70,0	174	128	4400	500
065-040-200	WS_25	9,4	8,9	69,4	209	165	3700	500
065-040-250	WS_25	8,4	8,0	74,1	260	200	3000	500
065-040-315	WS_35	7,5	7,1	75,3	326	260	2300	500
065-050-125	WS_25	19,9	11,6	87,9	142	112	4500	500
065-050-160	WS_25	16,9	11,6	86,9	174	128	4400	500
065-050-200	WS_25	13,8	11,9	83,1	219	170	3400	500
065-050-250	WS_25	10,5	10,0	84,0	260	215	3000	500
065-050-315	WS_35	10,0	9,5	87,0	323	265	2400	500
080-065-125	WS_25	25,8	12,9	99,0	141	109	4000	500
080-065-160	WS_25	21,0	12,2	92,0	174	132	3900	500
080-065-200	WS_25	17,0	13,3	99,7	219	175	3000	500
080-065-250	WS_35	15,1	14,3	101,0	260	215	3000	500
080-065-315	WS_35	13,7	14,0	108,2	320	260	2400	500
100-080-160	WS_25	31,6	15,1	124,0	174	138	3500	500
100-080-200	WS_35	24,5	15,2	115,0	219	180	3500	500
100-080-250	WS_35	19,0	15,8	115,0	269	215	2900	500
100-080-315	WS_35	18,7	17,8	115,6	334	269	1900	500
100-080-400	WS_55	15,0	14,3	130,0	398	330	1900	500
125-100-160	WS_35	37,6	16,4	135,0	185	162	3600	500
125-100-200	WS_35	32,5	17,9	142,0	219	179	3300	500
125-100-250	WS_35	27,0	18,8	145,0	269	210	2500	500
125-100-315	WS_35	23,0	19,9	142,0	334	270	1800	500
125-100-400	WS_55	18,0	17,1	142,8	401	329	1900	500
150-125-200	WS_35	40,7	21,1	159,0	224	182	2600	500
150-125-250	WS_35	37,0	22,4	162,4	269	218	2000	500
150-125-315	WS_55	30,9	22,6	162,0	334	270	2300	500
150-125-400	WS_55	25,9	20,9	162,4	419	330	1800	500
200-150-200	WS_35	59,5	25,2	180,0	224	188	2300	500
200-150-250	WS_35	48,8	23,0	191,0	269	220	1800	500
200-150-315	WS_55	39,7	26,9	191,5	334	264	2100	500
200-150-400	WS_55	33,0	23,8	191,4	419	330	1800	500

Selection charts

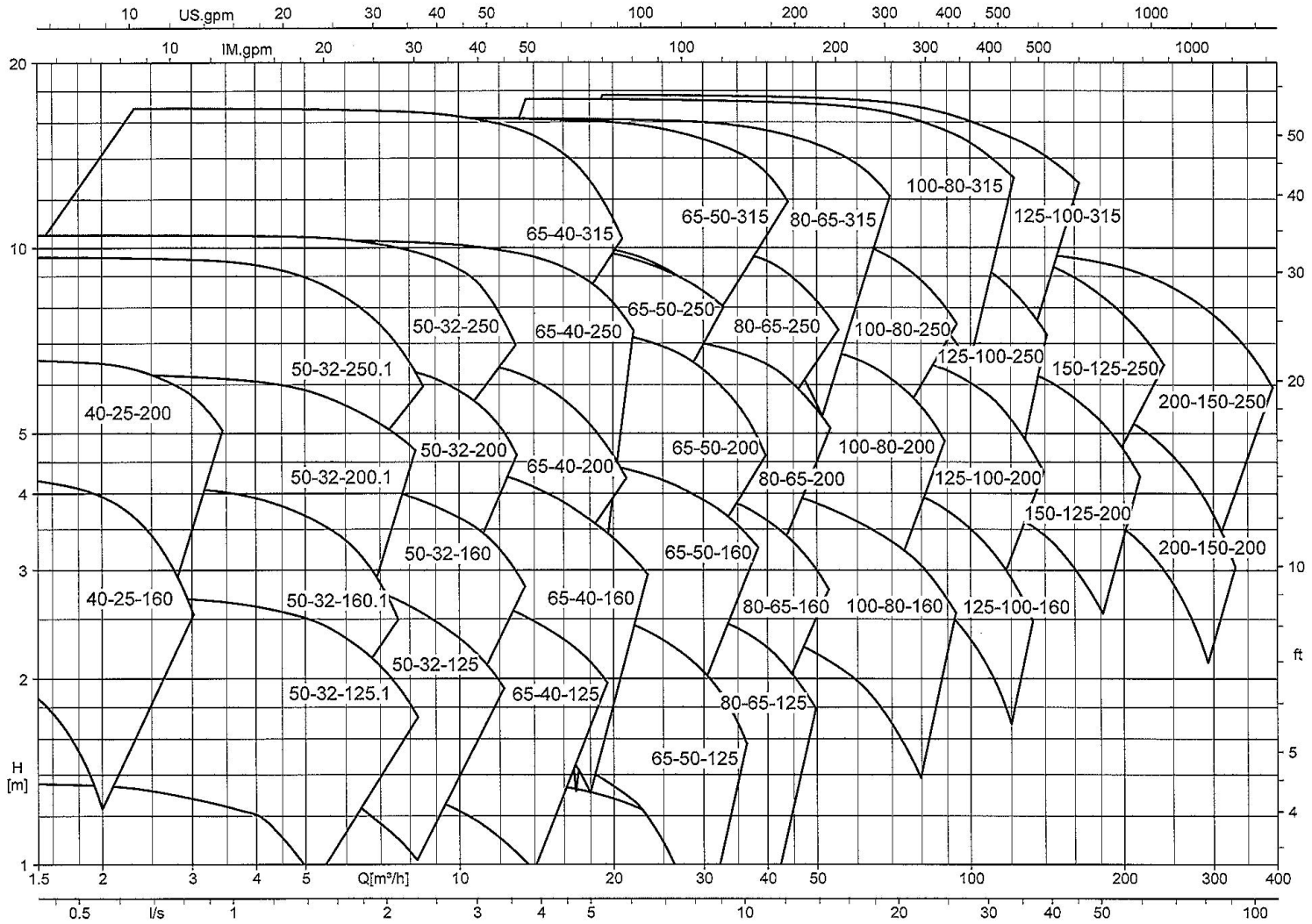
Etabloc, n = 2900 rpm



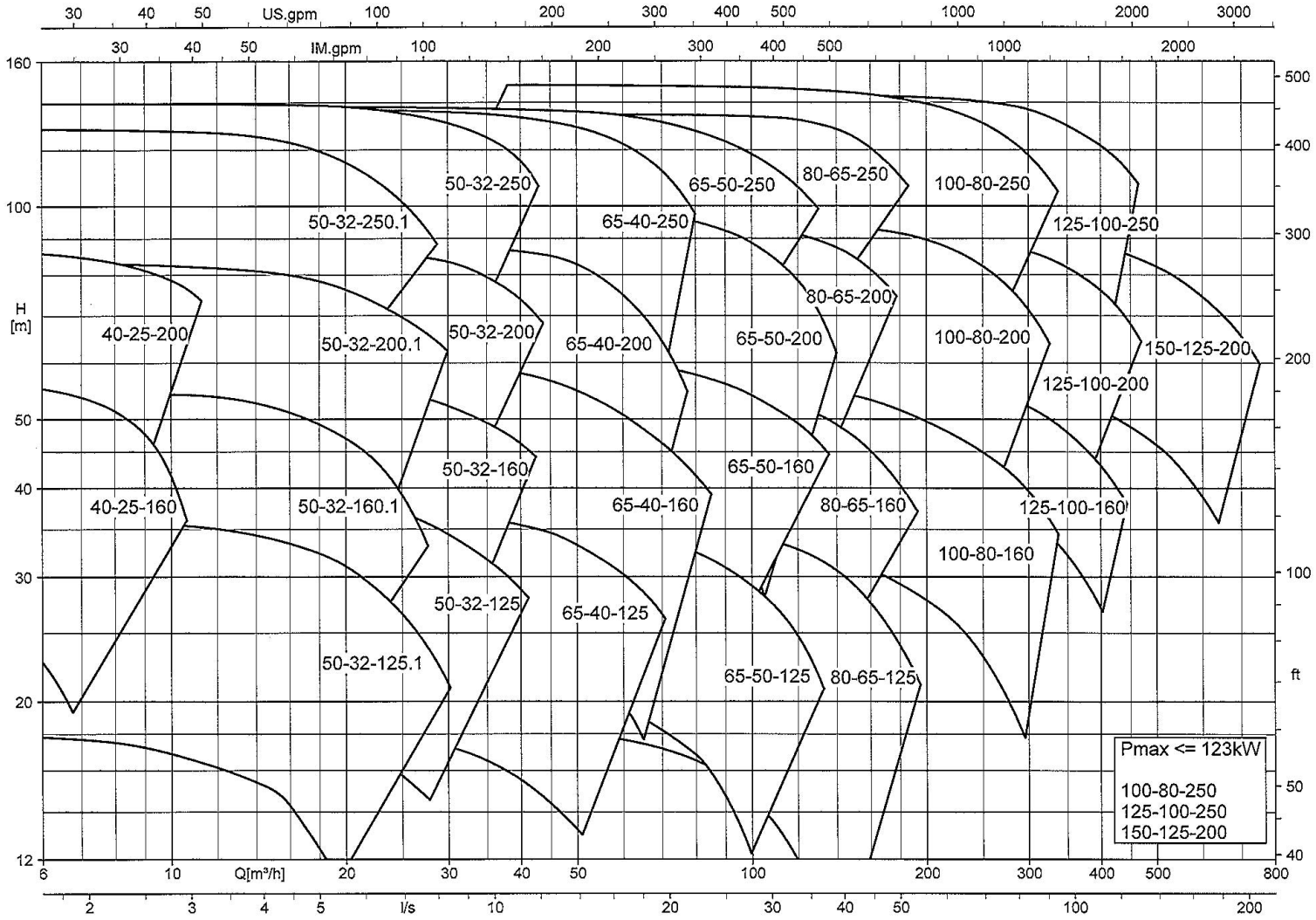
Etabloc, n = 1450 rpm



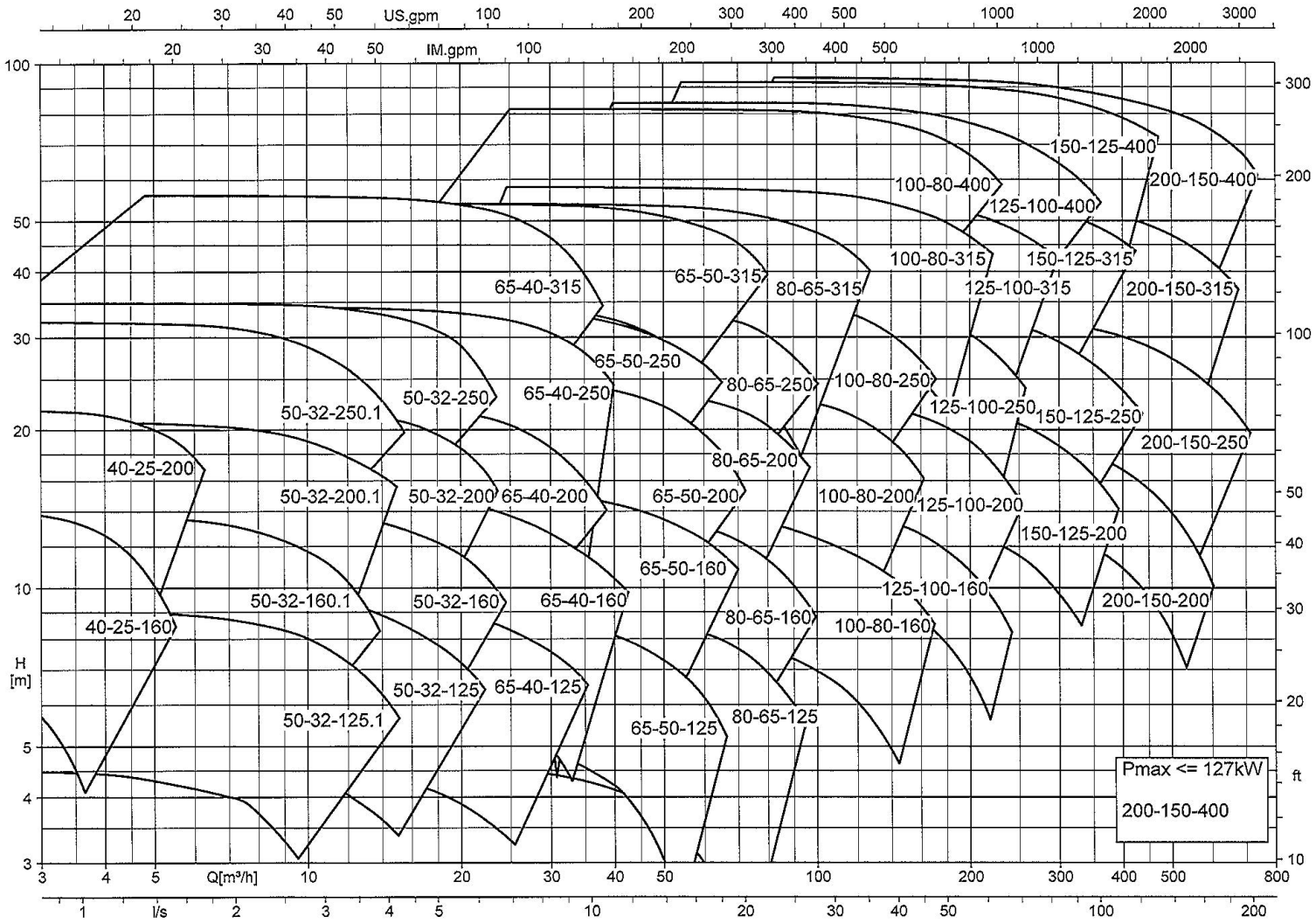
Etabloc, n = 960 rpm



Etabloc, n = 3500 rpm



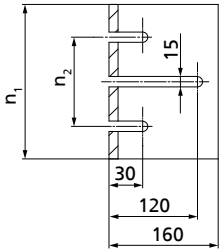
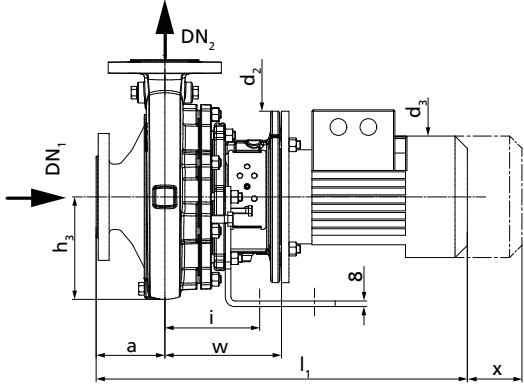
Etabloc, n = 1750 rpm



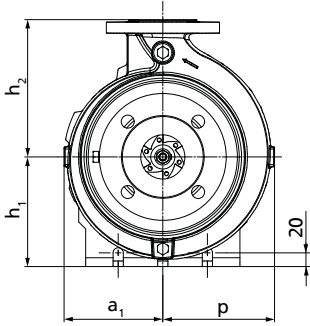
Dimensions

$n = 2900 \text{ rpm}$, $n = 3500 \text{ rpm}$ - regions A, C

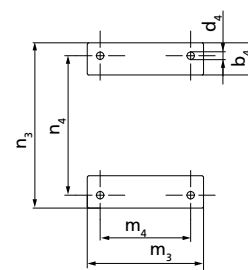
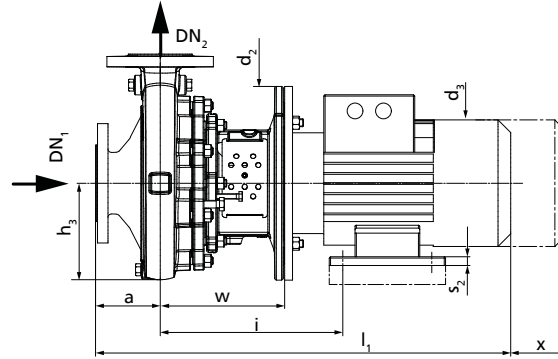
Etabloc G/ GB/ GC; $\leq 22 \text{ kW}$



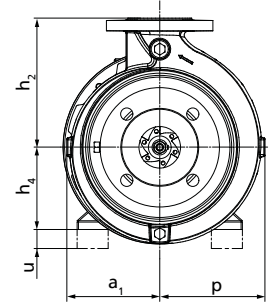
Pump set with support foot (up to motor size 112)



Dimensions [mm]



Pump set with motor foot (motor sizes 132 to 180)



Dimensions Etabloc G/GB/GC, ≤ 22 kW, n = 2900 rpm, n = 3500 rpm (regions A, C) ¹⁶⁾
 Values a₁, b₄, d₃, l₁, m₃, n₃ and p may vary slightly for production-related reasons.

Pump	Size	Motor (IEC)	Speed ₂		DN ₁ 17)	DN ₂ 17)	a 17)	a ₁	b ₄	d ₂	d ₃	d ₄	h ₁	h ₂ 17)	h ₃	h ₄	i 18)	i 19)	l ₁ 18)	l ₁ 19)	m ₃	m ₄	n ₁	n ₂	n ₃	n ₄	p	s ₂	u 20)	w 18)	W 19)	x 17)	
			2900	3500																													[mm]
			[rpm]																														
40-25-160/ 00072	80M	X	-	40	25	80	118	-	200	162	-	160	160	107	-	118	-	501	-	-	-	225	130	-	-	118	-	-	156	-	100		
40-25-160/ 00112	80M	X	X	40	25	80	118	-	200	162	-	160	160	107	-	118	-	537	-	-	-	225	130	-	-	118	-	-	156	-	100		
40-25-160/ 00152	90S	X	X	40	25	80	118	-	200	190	-	160	160	107	-	118	118	590	634	-	-	225	130	-	-	118	-	-	156	200	100		
40-25-160/ 00222	90L	X	X	40	25	80	118	-	200	190	-	160	160	107	-	118	118	590	634	-	-	225	130	-	-	118	-	-	156	200	100		
40-25-160/ 00302	100L	-	X	40	25	80	118	-	250	213	-	160	160	107	-	118	118	640	684	-	-	225	130	-	-	118	-	-	170	214	100		
40-25-160/ 00402	112M	-	X	40	25	80	118	-	250	235	-	160	160	107	-	118	118	622	666	-	-	225	130	-	-	118	-	-	170	214	100		
40-25-200/ 00152	90S	X	-	40	25	80	142	-	200	190	-	160	180	137	-	118	118	590	634	-	-	225	130	-	-	142	-	-	156	200	100		
40-25-200/ 00222	90L	X	-	40	25	80	142	-	200	190	-	160	180	137	-	118	118	590	634	-	-	225	130	-	-	142	-	-	156	200	100		
40-25-200/ 00302	100L	X	X	40	25	80	142	-	250	213	-	160	180	137	-	118	118	640	684	-	-	225	130	-	-	142	-	-	170	214	100		
40-25-200/ 00402	112M	X	X	40	25	80	142	-	250	235	-	160	180	137	-	118	118	622	666	-	-	225	130	-	-	142	-	-	170	214	100		
40-25-200/ 00552	132S	X	X	40	25	80	142	55	300	274	12	-	180	137	132	282	326	686	730	220	140	-	-	270	216	142	15	20	193	237	100		
40-25-200/ 00752	132S	-	X	40	25	80	142	55	300	274	12	-	180	137	132	282	326	730	774	220	140	-	-	270	216	142	15	20	193	237	100		
50-32-125.1/ 00052	71	X	-	50	32	80	116	-	160	145	-	160	140	100	-	118	-	453	-	-	-	225	130	-	-	116	-	-	136	-	100		
50-32-125.1/ 00072	80M	X	-	50	32	80	116	-	200	162	-	160	140	100	-	118	-	501	-	-	-	225	130	-	-	116	-	-	156	-	100		
50-32-125.1/ 00112	80M	X	-	50	32	80	116	-	200	162	-	160	140	100	-	118	-	537	-	-	-	225	130	-	-	116	-	-	156	-	100		
50-32-125.1/ 00152	90S	X	-	50	32	80	116	-	200	190	-	160	140	100	-	118	118	590	634	-	-	225	130	-	-	116	-	-	156	200	100		
50-32-125.1/ 00222	90L	X	-	50	32	80	116	-	200	190	-	160	140	100	-	118	118	590	634	-	-	225	130	-	-	116	-	-	156	200	100		
50-32-125.1/ 00302	100L	-	X	50	32	80	116	-	250	213	-	160	140	100	-	118	118	640	684	-	-	225	130	-	-	116	-	-	170	214	100		
50-32-125.1/ 00402	112M	-	X	50	32	80	116	-	250	235	-	160	140	100	-	118	118	622	666	-	-	225	130	-	-	116	-	-	170	214	100		
50-32-125.1/ 00552	132S	-	X	50	32	80	116	55	300	274	12	-	140	100	132	282	326	686	730	220	140	-	-	270	216	116	15	20	193	237	100		
50-32-160.1/ 00152	90S	X	-	50	32	80	116	-	200	190	-	160	160	111	-	118	118	590	634	-	-	225	130	-	-	121	-	-	156	200	100		
50-32-160.1/ 00222	90L	X	X	50	32	80	116	-	200	190	-	160	160	111	-	118	118	590	634	-	-	225	130	-	-	121	-	-	156	200	100		
50-32-160.1/ 00302	100L	X	X	50	32	80	116	-	250	213	-	160	160	111	-	118	118	640	684	-	-	225	130	-	-	121	-	-	170	214	100		
50-32-160.1/ 00402	112M	X	X	50	32	80	116	-	250	235	-	160	160	111	-	118	118	622	666	-	-	225	130	-	-	121	-	-	170	214	100		
50-32-160.1/ 00552	132S	-	X	50	32	80	116	55	300	274	12	-	160	111	132	282	326	686	730	220	140	-	-	270	216	121	15	20	193	237	100		
50-32-160.1/ 00752	132S	-	X	50	32	80	116	55	300	274	12	-	160	111	132	282	326	730	774	220	140	-	-	270	216	121	15	20	193	237	100		
50-32-160.1/ 01102	160M	-	X	50	32	80	116	70	350	325	15	-	160	111	160	334	378	852	896	310	210	-	-	323	254	121	21	20	226	270	100		
50-32-200.1/ 00302	100L	X	-	50	32	80	142	-	250	213	-	160	180	136	-	118	118	640	684	-	-	225	130	-	-	142	-	-	170	214	100		
50-32-200.1/ 00402	112M	X	-	50	32	80	142	-	250	235	-	160	180	136	-	118	118	622	666	-	-	225	130	-	-	142	-	-	170	214	100		
50-32-200.1/ 00552	132S	X	X	50	32	80	142	55	300	274	12	-	180	136	132	282	326	686	730	220	140	-	-	270	216	142	15	20	193	237	100		
50-32-200.1/ 00752	132S	X	X	50	32	80	142	55	300	274	12	-	180	136	132	282	326	730	774	220	140	-	-	270	216	142	15	20	193	237	100		
50-32-200.1/ 01102	160M	-	X	50	32	80	142	70	350	325	15	-	180	136	160	334	378	852	896	310	210	-	-	323	254	142	21	20	226	270	100		
50-32-200.1/ 01502	160M	-	X	50	32	80	142	70	350	325	15	-	180	136	160	334	378	852	896	310	210	-	-	323	254	142	21	20	226	270	100		
50-32-250.1/ 00552	132S	X	-	50	32	100	168	55	300	274	12	-	225	166	132	282	326	706	750	220	140	-	-	270	216	168	15	20	193	237	100		
50-32-250.1/ 00752	132S	X	X	50	32	100	168	55	300	274	12	-	225	166	132	282	326	750	794	220	140	-	-	270	216	168	15	20	193	237	100		
50-32-250.1/ 01102	160M	X	X	50	32	100	168	70	350	325	15	-	225	166	160	334	378	872	916	310	210	-	-	323	254	168	21	20	226	270	100		
50-32-250.1/ 01502	160M	X	X	50	32	100	168	70	350	325	15	-	225	166	160	334	378	872	916	310	210	-	-	323	254	168	21	20	226	270	100		
50-32-250.1/ 01852	160L	-	X	50	32	100	168	70	350	325	15	-	225	166	160	334	378	908	952	314	254	-	-	323	254	168	21	20	226	270	100		
50-32-125/ 00112	80M	X	-	50	32	80	115	-	200	162	-	160	140	100	-	118	-	537	-	-	-	225	130	-	-	115	-	-	156	-	100		
50-32-125/ 00152	90S	X	X	50	32	80	115	-	200	190	-	160	140	100	-	118	118	590	634	-	-	225	130	-	-	115	-	-	156	200	100		

¹⁶⁾ Tolerances of mating dimensions to EN 735
¹⁷⁾ Dimensions to EN 733

Size		Speed		DN ₁	DN ₂	a	a ₁	b ₄	d ₂	d ₃	d ₄	h ₁	h ₂	h ₃	h ₄	i	i	l ₁	l ₁	m ₃	m ₄	n ₁	n ₂	n ₃	n ₄	p	s ₂	u	w	w	x		
Pump	Motor (IEC)	2900	3500	17)	17)	17)							17)			18)	19)	18)	19)														
		[rpm]	[mm]																														
50-32-125/ 00222	90L	X	X	50	32	80	115	-	200	190	-	160	140	100	-	118	118	590	634	-	-	225	130	-	-	115	-	-	156	200	100		
50-32-125/ 00302	100L	X	X	50	32	80	115	-	250	213	-	160	140	100	-	118	118	640	684	-	-	225	130	-	-	115	-	-	170	214	100		
50-32-125/ 00402	112M	-	X	50	32	80	115	-	250	235	-	160	140	100	-	118	118	622	666	-	-	225	130	-	-	115	-	-	170	214	100		
50-32-125/ 00552	132S	-	X	50	32	80	115	55	300	274	12	-	140	100	132	282	326	686	730	220	140	-	-	270	216	115	15	20	193	237	100		
50-32-160/ 00222	90L	X	-	50	32	80	118	-	200	190	-	160	160	115	-	118	118	590	634	-	-	225	130	-	-	128	-	-	156	200	100		
50-32-160/ 00302	100L	X	X	50	32	80	118	-	250	213	-	160	160	115	-	118	118	640	684	-	-	225	130	-	-	128	-	-	170	214	100		
50-32-160/ 00402	112M	X	X	50	32	80	118	-	250	235	-	160	160	115	-	118	118	622	666	-	-	225	130	-	-	128	-	-	170	214	100		
50-32-160/ 00552	132S	-	X	50	32	80	118	55	300	274	12	-	160	115	132	282	326	686	730	220	140	-	-	270	216	128	15	20	193	237	100		
50-32-160/ 00752	132S	-	X	50	32	80	118	55	300	274	12	-	160	115	132	282	326	730	774	220	140	-	-	270	216	128	15	20	193	237	100		
50-32-200/ 00402	112M	X	-	50	32	80	142	-	250	235	-	160	180	137	-	118	118	622	666	-	-	225	130	-	-	143	-	-	170	214	100		
50-32-200/ 00552	132S	X	-	50	32	80	142	55	300	274	12	-	180	137	132	282	326	686	730	220	140	-	-	270	216	143	15	20	193	237	100		
50-32-200/ 00752	132S	X	X	50	32	80	142	55	300	274	12	-	180	137	132	282	326	730	774	220	140	-	-	270	216	143	15	20	193	237	100		
50-32-200/ 01102	160M	X	X	50	32	80	142	70	350	325	15	-	180	137	160	334	378	852	896	310	210	-	-	323	254	143	21	20	226	270	100		
50-32-200/ 01502	160M	-	X	50	32	80	142	70	350	325	15	-	180	137	160	334	378	852	896	310	210	-	-	323	254	143	21	20	226	270	100		
50-32-250/ 00752	132S	X	-	50	32	100	169	55	300	274	12	-	225	166	132	282	326	750	794	220	140	-	-	270	216	178	15	20	193	237	100		
50-32-250/ 01102	160M	X	X	50	32	100	169	70	350	325	15	-	225	166	160	334	378	872	916	310	210	-	-	323	254	178	21	20	226	270	100		
50-32-250/ 01502	160M	X	X	50	32	100	169	70	350	325	15	-	225	166	160	334	378	872	916	310	210	-	-	323	254	178	21	20	226	270	100		
50-32-250/ 01852	160L	-	X	50	32	100	169	70	350	325	15	-	225	166	160	334	378	908	952	314	254	-	-	323	254	178	21	20	226	270	100		
50-32-250/ 02202	180M	-	X	50	32	100	169	80	350	370	15	-	225	166	180	347	391	943	987	343	241	-	-	368	279	178	23	-	226	270	100		
65-40-125/ 00152	90S	X	-	65	40	80	117	-	200	190	-	160	140	107	-	118	118	590	634	-	-	225	130	-	-	117	-	-	156	200	100		
65-40-125/ 00222	90L	X	-	65	40	80	117	-	200	190	-	160	140	107	-	118	118	590	634	-	-	225	130	-	-	117	-	-	156	200	100		
65-40-125/ 00302	100L	X	-	65	40	80	117	-	250	213	-	160	140	107	-	118	118	640	684	-	-	225	130	-	-	117	-	-	170	214	100		
65-40-125/ 00402	112M	X	X	65	40	80	117	-	250	235	-	160	140	107	-	118	118	622	666	-	-	225	130	-	-	117	-	-	170	214	100		
65-40-125/ 00552	132S	-	X	65	40	80	117	55	300	274	12	-	140	107	132	282	326	686	730	220	140	-	-	270	216	117	15	20	193	237	100		
65-40-125/ 00752	132S	-	X	65	40	80	117	55	300	274	12	-	140	107	132	282	326	730	774	220	140	-	-	270	216	117	15	20	193	237	100		
65-40-125/ 01102	160M	-	X	65	40	80	117	70	350	325	15	-	140	107	160	334	378	852	896	310	210	-	-	323	254	117	21	20	226	270	100		
65-40-160/ 00302	100L	X	-	65	40	80	119	-	250	213	-	160	160	119	-	118	118	640	684	-	-	225	130	-	-	134	-	-	170	214	100		
65-40-160/ 00402	112M	X	-	65	40	80	119	-	250	235	-	160	160	119	-	118	118	622	666	-	-	225	130	-	-	134	-	-	170	214	100		
65-40-160/ 00552	132S	X	X	65	40	80	119	55	300	274	12	-	160	119	132	282	326	686	730	220	140	-	-	270	216	134	15	20	193	237	100		
65-40-160/ 00752	132S	X	X	65	40	80	119	55	300	274	12	-	160	119	132	282	326	730	774	220	140	-	-	270	216	134	15	20	193	237	100		
65-40-160/ 01102	160M	-	X	65	40	80	119	70	350	325	15	-	160	119	160	334	378	852	896	310	210	-	-	323	254	134	21	20	226	270	100		
65-40-160/ 01502	160M	-	X	65	40	80	119	70	350	325	15	-	160	119	160	334	378	852	896	310	210	-	-	323	254	134	21	20	226	270	100		
65-40-200/ 00552	132S	X	-	65	40	100	142	55	300	274	12	-	180	141	132	282	326	706	750	220	140	-	-	270	216	155	15	20	193	237	100		
65-40-200/ 00752	132S	X	-	65	40	100	142	55	300	274	12	-	180	141	132	282	326	750	794	220	140	-	-	270	216	155	15	20	193	237	100		
65-40-200/ 01102	160M	X	X	65	40	100	142	70	350	325	15	-	180	141	160	334	378	872	916	310	210	-	-	323	254	155	21	20	226	270	100		
65-40-200/ 01502	160M	X	X	65	40	100	142	70	350	325	15	-	180	141	160	334	378	872	916	310	210	-	-	323	254	155	21	20	226	270	100		
65-40-200/ 01852	160L	X	X	65	40	100	142	70	350	325	15	-	180	141	160	334	378	908	952	314	254	-	-	323	254	155	21	20	226	270	100		
65-40-200/ 02202	180M	X	X	65	40	100	142	80	350	370	15	-	180	141	180	347	391	943	987	343	241	-	-	368	279	155	23	-	226	270	100		
65-40-250/ 01102	160M	X	-	65	40	100	169	70	350	325	15	-	225	166	160	334	378	872	916	310	210	-	-	323	254	179	21	20	226	270	100		

17) Dimensions to EN 733
 18) Dimension with single mechanical seal (A, IA, EA, FA)
 19) Dimension with double mechanical seal (DB, TI)
 20) Motor feet must be shimmed.

Size		Speed		DN ₁	DN ₂	a	a ₁	b ₄	d ₂	d ₃	d ₄	h ₁	h ₂	h ₃	h ₄	i	i	l ₁	l ₁	m ₃	m ₄	n ₁	n ₂	n ₃	n ₄	p	s ₂	u	w	w	x		
Pump	Motor (IEC)	2900	3500	17)	17)	17)							17)			18)	19)	18)	19)														
		[rpm]	[mm]																														
65-40-250/ 01502	160M	X	X	65	40	100	169	70	350	325	15	-	225	166	160	334	378	872	916	310	210	-	-	323	254	179	21	20	226	270	100		
65-40-250/ 01852	160L	X	X	65	40	100	169	70	350	325	15	-	225	166	160	334	378	908	952	314	254	-	-	323	254	179	21	20	226	270	100		
65-40-250/ 02202	180M	X	X	65	40	100	169	80	350	370	15	-	225	166	180	347	391	943	987	343	241	-	-	368	279	179	23	-	226	270	100		
65-40-315/ 01852	160L	X	-	65	40	125	207	70	350	325	15	-	250	204	160	354	408	953	1007	314	254	-	-	323	254	207	21	20	246	300	100		
65-40-315/ 02202	180M	X	-	65	40	125	207	80	350	370	15	-	250	204	180	367	421	988	1042	343	241	-	-	368	279	207	23	-	246	300	100		
65-50-125/ 00302	100L	X	-	65	50	100	117	-	250	213	-	160	160	112	-	118	118	660	704	-	-	225	130	-	-	130	-	-	170	214	100		
65-50-125/ 00402	112M	X	-	65	50	100	117	-	250	235	-	160	160	112	-	118	118	642	686	-	-	225	130	-	-	130	-	-	170	214	100		
65-50-125/ 00552	132S	X	X	65	50	100	117	55	300	274	12	-	160	112	132	282	326	706	750	220	140	-	-	270	216	130	15	20	193	237	100		
65-50-125/ 00752	132S	X	X	65	50	100	117	55	300	274	12	-	160	112	132	282	326	750	794	220	140	-	-	270	216	130	15	20	193	237	100		
65-50-125/ 01102	160M	-	X	65	50	100	117	70	350	325	15	-	160	112	160	334	378	872	916	310	210	-	-	323	254	130	21	20	226	270	100		
65-50-125/ 01502	160M	-	X	65	50	100	117	70	350	325	15	-	160	112	160	334	378	872	916	310	210	-	-	323	254	130	21	20	226	270	100		
65-50-160/ 00552	132S	X	-	65	50	100	128	55	300	274	12	-	180	133	132	282	326	706	750	220	140	-	-	270	216	149	15	20	193	237	100		
65-50-160/ 00752	132S	X	-	65	50	100	128	55	300	274	12	-	180	133	132	282	326	750	794	220	140	-	-	270	216	149	15	20	193	237	100		
65-50-160/ 01102	160M	X	X	65	50	100	128	70	350	325	15	-	180	133	160	334	378	872	916	310	210	-	-	323	254	149	21	20	226	270	100		
65-50-160/ 01502	160M	-	X	65	50	100	128	70	350	325	15	-	180	133	160	334	378	872	916	310	210	-	-	323	254	149	21	20	226	270	100		
65-50-160/ 01852	160L	-	X	65	50	100	128	70	350	325	15	-	180	133	160	334	378	908	952	314	254	-	-	323	254	149	21	20	226	270	100		
65-50-160/ 02202	180M	-	X	65	50	100	128	80	350	370	15	-	180	133	180	347	391	943	987	343	241	-	-	368	279	149	23	-	226	270	100		
65-50-200/ 01102	160M	X	-	65	50	100	144	70	350	325	15	-	200	150	160	334	378	872	916	310	210	-	-	323	254	163	21	20	226	270	100		
65-50-200/ 01502	160M	X	-	65	50	100	144	70	350	325	15	-	200	150	160	334	378	872	916	310	210	-	-	323	254	163	21	20	226	270	100		
65-50-200/ 01852	160L	X	-	65	50	100	144	70	350	325	15	-	200	150	160	334	378	908	952	314	254	-	-	323	254	163	21	20	226	270	100		
65-50-200/ 02202	180M	X	X	65	50	100	144	80	350	370	15	-	200	150	180	347	391	943	987	343	241	-	-	368	279	163	23	-	226	270	100		
65-50-250/ 01502	160M	X	-	65	50	100	170	70	350	325	15	-	225	172	160	334	378	872	916	310	210	-	-	323	254	186	21	20	226	270	100		
65-50-250/ 01852	160L	X	-	65	50	100	170	70	350	325	15	-	225	172	160	334	378	908	952	314	254	-	-	323	254	186	21	20	226	270	100		
65-50-250/ 02202	180M	X	X	65	50	100	170	80	350	370	15	-	225	172	180	347	391	943	987	343	241	-	-	368	279	186	23	-	226	270	100		
80-65-125/ 00402	112M	X	-	80	65	100	117	-	250	235	-	160	180	127	-	118	118	642	686	-	-	225	130	-	-	150	-	-	170	214	100		
80-65-125/ 00552	132S	X	-	80	65	100	117	55	300	274	12	-	180	127	132	282	326	706	750	220	140	-	-	270	216	150	15	20	193	237	100		
80-65-125/ 00752	132S	X	X	80	65	100	117	55	300	274	12	-	180	127	132	282	326	750	794	220	140	-	-	270	216	150	15	20	193	237	100		
80-65-125/ 01102	160M	X	X	80	65	100	117	70	350	325	15	-	180	127	160	334	378	872	916	310	210	-	-	323	254	150	21	20	226	270	100		
80-65-125/ 01502	160M	-	X	80	65	100	117	70	350	325	15	-	180	127	160	334	378	872	916	310	210	-	-	323	254	150	21	20	226	270	100		
80-65-125/ 01852	160L	-	X	80	65	100	117	70	350	325	15	-	180	127	160	334	378	908	952	314	254	-	-	323	254	150	21	20	226	270	100		
80-65-160/ 00752	132S	X	-	80	65	100	132	55	300	274	12	-	200	140	132	282	326	750	794	220	140	-	-	270	216	160	15	20	193	237	100		
80-65-160/ 01102	160M	X	-	80	65	100	132	70	350	325	15	-	200	140	160	334	378	872	916	310	210	-	-	323	254	160	21	20	226	270	100		
80-65-160/ 01502	160M	X	X	80	65	100	132	70	350	325	15	-	200	140	160	334	378	872	916	310	210	-	-	323	254	160	21	20	226	270	100		
80-65-160/ 01852	160L	-	X	80	65	100	132	70	350	325	15	-	200	140	160	334	378	908	952	314	254	-	-	323	254	160	21	20	226	270	100		
80-65-160/ 02202	180M	-	X	80	65	100	132	80	350	370	15	-	200	140	180	347	391	943	987	343	241	-	-	368	279	160	23	-	226	270	100		
80-65-200/ 01502	160M	X	-	80	65	100	155	70	350	325	15	-	225	161	160	334	378	872	916	310	210	-	-	323	254	178	21	20	226	270	140		
80-65-200/ 01852	160L	X	-	80	65	100	155	70	350	325	15	-	225	161	160	334	378	908	952	314	254	-	-	323	254	178	21	20	226	270	140		
80-65-200/ 02202	180M	X	X	80	65	100	155	80	350	370	15	-	225	161	180	347	391	943	987	343	241	-	-	368	279	178	23	-	226	270	140		
80-65-250/ 02202	180M	X	-	80	65	100	179	80	350	370	15	-	250	185	180	367	421	963	1017	343	241	-	-	368	279	199	23	-	246	300	140		

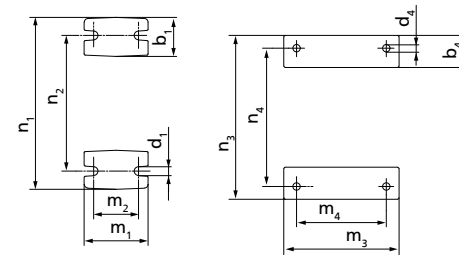
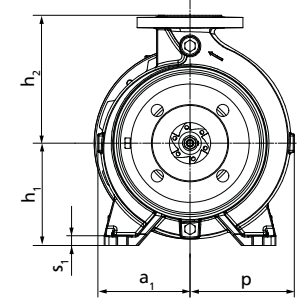
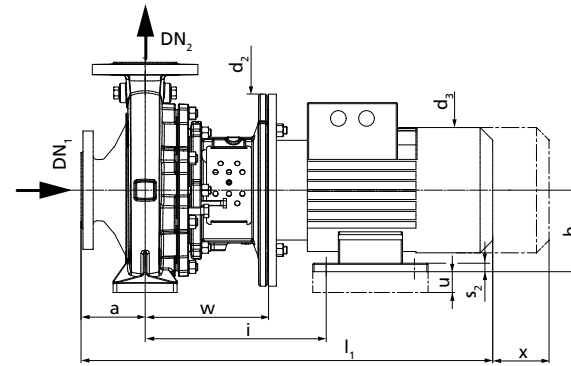
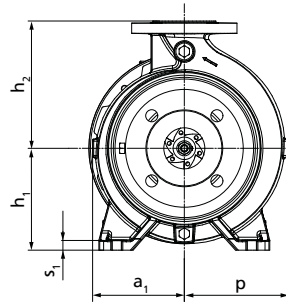
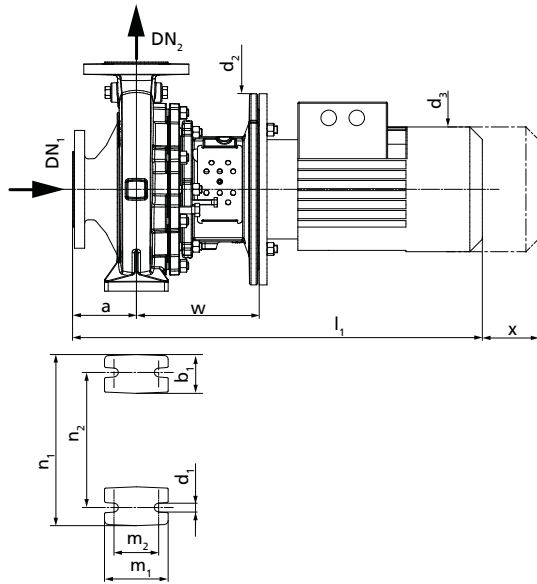
17) Dimensions to EN 733
 18) Dimension with single mechanical seal (A, IA, EA, FA)
 19) Dimension with double mechanical seal (DB, TI)
 20) Motor feet must be shimmed.



Size		Speed		DN ₁ 17)	DN ₂ 17)	a 17)	a ₁	b ₄	d ₂	d ₃	d ₄	h ₁	h ₂ 17)	h ₃	h ₄	i 18)	i 19)	l ₁ 18)	l ₁ 19)	m ₃	m ₄	n ₁	n ₂	n ₃	n ₄	p	s ₂	u 20)	w 18)	w 19)	x 17)
Pump	Motor (IEC)	2900	3500	[mm]																											
		[rpm]																													
100-80-160/ 01502	160M	✗	-	100	80	125	138	70	350	325	15	-	225	153	160	334	378	897	941	310	210	-	-	323	254	174	21	20	226	270	140
100-80-160/ 01852	160L	✗	-	100	80	125	138	70	350	325	15	-	225	153	160	334	378	933	977	314	254	-	-	323	254	174	21	20	226	270	140
100-80-160/ 02202	180M	✗	✗	100	80	125	138	80	350	370	15	-	225	153	180	347	391	968	1012	343	241	-	-	368	279	174	23	-	226	270	140
100-80-200/ 01852	160L	✗	-	100	80	125	159	70	350	325	15	-	250	170	160	354	408	953	1007	314	254	-	-	323	254	188	21	20	246	300	140
100-80-200/ 02202	180M	✗	-	100	80	125	159	80	350	370	15	-	250	170	180	367	421	988	1042	343	241	-	-	368	279	188	23	-	246	300	140
125-100-160/ 02202	180M	✗	-	125	100	125	178	80	350	370	15	-	280	199	180	367	421	988	1042	343	241	-	-	368	279	225	23	-	246	300	140

-
- 17) Dimensions to EN 733
 - 18) Dimension with single mechanical seal (A, IA, EA, FA)
 - 19) Dimension with double mechanical seal (DB, TI)
 - 20) Motor feet must be shimmed.
 - 18) Dimension with single mechanical seal (A, IA, EA, FA)
 - 19) Dimension with double mechanical seal (DB, TI)
 - 20) Motor feet must be shimmed.

Etabloc B/ C/ S/ SB/ SC; ≤ 22 kW



Pump set with volute casing foot (up to motor size 112)

Pump set with volute casing foot and motor foot (motor sizes 132 to 180)

Dimensions Etabloc B/C/S/SB/SC, ≤ 22 kW, n = 2900 rpm, n = 3500 rpm (regions A, C)²¹⁾
 Values a₁, b₁, b₄, d₃, l₁, m₁, m₃, n₃ and p may vary slightly for production-related reasons.

Pump	Size	Motor (IEC)	Speed		DN ₁ 22)	DN ₂ 22)	a 22)	a ₁ 22)	b ₁ 22)	b ₄ 22)	d ₁ 22)	d ₂	d ₃	d ₄	h ₁ 22)	h ₂ 22)	h ₄	i 23)	i 24)	l ₁ 23)	l ₁ 24)	m ₁ 22)	m ₂ 22)	m ₃	m ₄	n ₁ 22)	n ₂ 22)	n ₃	n ₄	p	s ₁ 22)	s ₂	u 25)	w 23)	w 24)	x 22)
			2900	3500																																
40-25-160/ 00072	80M	X	-	40	25	80	118	50	-	14	200	162	-	132	160	-	-	-	501	-	100	70	-	-	240	190	-	-	118	15	-	-	156	-	100	
40-25-160/ 00112	80M	X	X	40	25	80	118	50	-	14	200	162	-	132	160	-	-	-	537	-	100	70	-	-	240	190	-	-	118	15	-	-	156	-	100	
40-25-160/ 00152	90S	X	X	40	25	80	118	50	-	14	200	190	-	132	160	-	-	-	590	634	100	70	-	-	240	190	-	-	118	15	-	-	156	200	100	
40-25-160/ 00222	90L	X	X	40	25	80	118	50	-	14	200	190	-	132	160	-	-	-	590	634	100	70	-	-	240	190	-	-	118	15	-	-	156	200	100	
40-25-160/ 00302	100L	-	X	40	25	80	118	50	-	14	250	213	-	132	160	-	-	-	640	684	100	70	-	-	240	190	-	-	118	15	-	-	170	214	100	

21) Tolerances of mating dimensions to EN 735
 22) Dimensions to EN 733
 23) Dimension with single mechanical seal (A, IA, EA, FA)
 24) Dimension with double mechanical seal (DB, TI)
 25) Motor feet must be shimmed.

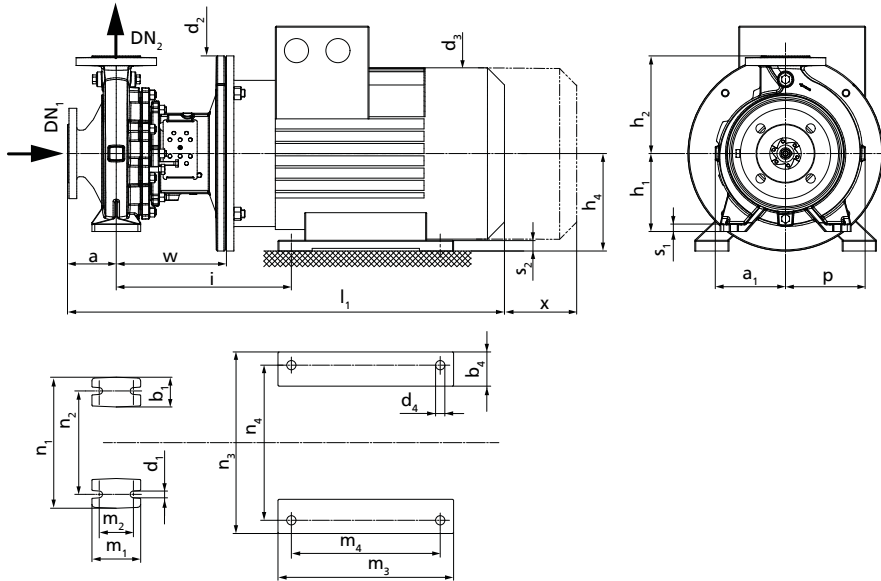
Pump	Size		Speed		DN ₁ (22)	DN ₂ (22)	a (22)	a ₁	b ₁ (22)	b ₄	d ₁ (22)	d ₂	d ₃	d ₄	h ₁ (22)	h ₂ (22)	h ₄	i (23)	i (24)	l ₁ (23)	l ₁ (24)	m ₁ (22)	m ₂ (22)	m ₃	m ₄	n ₁ (22)	n ₂ (22)	n ₃	n ₄	p	s ₁ (22)	s ₂	u (25)	w (23)	w (24)	x (22)																											
	Motor (IEC)	[rpm]		[mm]																																																											
		2900	3500																																																												
40-25-160/ 00402	112M	-	X	40	25	80	118	50	-	14	250	235	-	132	160	-	-	-	622	666	100	70	-	-	240	190	-	-	118	15	-	-	170	214	100																												
40-25-200/ 00152	90S	X	-	40	25	80	142	50	-	14	200	190	-	160	180	-	-	-	590	634	100	70	-	-	240	190	-	-	142	15	-	-	156	200	100																												
40-25-200/ 00222	90L	X	-	40	25	80	142	50	-	14	200	190	-	160	180	-	-	-	590	634	100	70	-	-	240	190	-	-	142	15	-	-	156	200	100																												
40-25-200/ 00302	100L	X	X	40	25	80	142	50	-	14	250	213	-	160	180	-	-	-	640	684	100	70	-	-	240	190	-	-	142	15	-	-	170	214	100																												
40-25-200/ 00402	112M	X	X	40	25	80	142	50	-	14	250	235	-	160	180	-	-	-	622	666	100	70	-	-	240	190	-	-	142	15	-	-	170	214	100																												
40-25-200/ 00552	132S	X	X	40	25	80	142	50	55	14	300	274	12	160	180	132	282	326	686	730	100	70	220	140	240	190	270	216	142	15	15	20	193	237	100																												
40-25-200/ 00752	132S	-	X	40	25	80	142	50	55	14	300	274	12	160	180	132	282	326	730	774	100	70	220	140	240	190	270	216	142	15	15	20	193	237	100																												
50-32-125.1/ 00052	71	X	-	50	32	80	116	50	-	14	160	145	-	112	140	-	-	-	453	-	100	70	-	-	190	140	-	-	116	15	-	-	136	-	100																												
50-32-125.1/ 00072	80M	X	-	50	32	80	116	50	-	14	200	162	-	112	140	-	-	-	501	-	100	70	-	-	190	140	-	-	116	15	-	-	156	-	100																												
50-32-125.1/ 00112	80M	X	-	50	32	80	116	50	-	14	200	162	-	112	140	-	-	-	537	-	100	70	-	-	190	140	-	-	116	15	-	-	156	-	100																												
50-32-125.1/ 00152	90S	X	-	50	32	80	116	50	-	14	200	190	-	112	140	-	-	-	590	634	100	70	-	-	190	140	-	-	116	15	-	-	156	200	100																												
50-32-125.1/ 00222	90L	X	-	50	32	80	116	50	-	14	200	190	-	112	140	-	-	-	590	634	100	70	-	-	190	140	-	-	116	15	-	-	156	200	100																												
50-32-125.1/ 00302	100L	-	X	50	32	80	116	50	-	14	250	213	-	112	140	-	-	-	640	684	100	70	-	-	190	140	-	-	116	15	-	-	170	214	100																												
50-32-125.1/ 00402	112M	-	X	50	32	80	116	50	-	14	250	235	-	112	140	-	-	-	622	666	100	70	-	-	190	140	-	-	116	15	-	-	170	214	100																												
50-32-125.1/ 00552	132S	-	X	50	32	80	116	50	55	14	300	274	12	112	140	132	282	326	686	730	100	70	220	140	190	140	270	216	116	15	15	20	193	237	100																												
50-32-160.1/ 00152	90S	X	-	50	32	80	116	50	-	14	200	190	-	132	160	-	-	-	590	634	100	70	-	-	240	190	-	-	121	15	-	-	156	200	100																												
50-32-160.1/ 00222	90L	X	X	50	32	80	116	50	-	14	200	190	-	132	160	-	-	-	590	634	100	70	-	-	240	190	-	-	121	15	-	-	156	200	100																												
50-32-160.1/ 00302	100L	X	X	50	32	80	116	50	-	14	250	213	-	132	160	-	-	-	640	684	100	70	-	-	240	190	-	-	121	15	-	-	170	214	100																												
50-32-160.1/ 00402	112M	X	X	50	32	80	116	50	-	14	250	236	-	132	160	-	-	-	622	666	100	70	-	-	240	190	-	-	121	15	-	-	170	214	100																												
50-32-160.1/ 00552	132S	-	X	50	32	80	116	50	55	14	300	274	12	132	160	132	282	326	686	730	100	70	220	140	240	190	270	216	121	15	15	20	193	237	100																												
50-32-160.1/ 00752	132S	-	X	50	32	80	116	50	55	14	300	274	12	132	160	132	282	326	730	774	100	70	220	140	240	190	270	216	121	15	15	20	193	237	100																												
50-32-160.1/ 01102	160M	-	X	50	32	80	116	50	70	14	350	325	15	132	160	160	334	378	853	896	100	70	310	210	240	190	323	254	121	15	21	20	226	270	100																												
50-32-200.1/ 00302	100L	X	-	50	32	80	142	50	-	14	250	213	-	160	180	-	-	-	640	684	100	70	-	-	240	190	-	-	142	18	-	-	170	214	100																												
50-32-200.1/ 00402	112M	X	-	50	32	80	142	50	-	14	250	235	-	160	180	-	-	-	622	666	100	70	-	-	240	190	-	-	142	18	-	-	170	214	100																												
50-32-200.1/ 00552	132S	X	X	50	32	80	142	50	55	14	300	274	12	160	180	132	282	326	686	730	100	70	220	140	240	190	270	216	142	18	15	20	193	237	100																												
50-32-200.1/ 00752	132S	X	X	50	32	80	142	50	55	14	300	274	12	160	180	132	282	326	730	774	100	70	220	140	240	190	270	216	142	18	15	20	193	237	100																												
50-32-200.1/ 01102	160M	-	X	50	32	80	142	50	70	14	350	325	15	160	180	160	334	378	852	896	100	70	310	210	240	190	323	254	142	18	21	20	226	270	100																												
50-32-200.1/ 01502	160M	-	X	50	32	80	142	50	70	14	350	325	15	160	180	160	334	378	852	896	100	70	310	210	240	190	323	254	142	18	21	20	226	270	100																												
50-32-250.1/ 00552	132S	X	-	50	32	100	168	65	55	14	300	274	12	180	225	132	282	326	706	750	125	95	220	140	320	250	270	216	168	18	15	20	193	237	100																												
50-32-250.1/ 00752	132S	X	X	50	32	100	168	65	55	14	300	274	12	180	225	132	282	326	750	794	125	95	220	140	320	250	270	216	168	18	15	20	193	237	100																												
50-32-250.1/ 01102	160M	X	X	50	32	100	168	65	70	14	350	325	15	180	225	160	334	378	872	916	125	95	310	210	320	250	323	254	168	18	21	20	226	270	100																												
50-32-250.1/ 01502	160M	X	X	50	32	100	168	65	70	14	350	325	15	180	225	160	334	378	872	916	125	95	310	210	320	250	323	254	168	18	21	20	226	270	100																												
50-32-250.1/ 01852	160L	-	X	50	32	100	168	65	70	14	350	325	15	180	225	160	334	378	908	952	125	95	314	254	320	250	323	254	168	18	21	20	226	270	100																												
50-32-125/ 00112	80M	X	-	50	32	80	115	50	-	14	200	162	-	112	140	-	-	-	537	-	100	70	-	-	190	140	-	-	115	15	-	-	156	-	100																												
50-32-125/ 00152	90S	X	X	50	32	80	115	50	-	14	200	190	-	112	140	-	-	-	590	634	100	70	-	-	190	140	-	-	115	15	-	-	156	200	100																												
50-32-125/ 00222	90L	X	X	50	32	80	115	50	-	14	200	190	-	112	140	-	-	-	590	634	100	70	-	-	190	140	-	-	115	15	-	-	156	200	100																												
50-32-125/ 00302	100L	X	X	50	32	80	115	50	-	14	250	213	-	112	140	-	-	-	640	684	100	70	-	-	190	140	-	-	115	15	-	-	170	214	100																												
50-32-125/ 00402	112M	-	X	50	32	80	115	50	-	14	250	235	-	112	140	-	-	-	622	666	100	70	-	-	190	140	-	-	115	15	-	-	170	214	100																												
50-32-125/ 00552	132S	-	X	50	32	80	115	50	55	14	300	274	12	112	140	132	282	326	686	730	100	70	220	140	190	140	270	216	115	15	15	20	193	237	100																												
50-32-160/ 00222	90L	X	-	50	32	80	118	50	-	14	200	190	-	132	160	-	-	-	590	634	100	70	-	-	240	190	-	-	128	15	-	-	156	200	100																												
50-32-160/ 00302	100L	X	X	50	32	80	118	50	-	14	250	213	-	132	160	-	-	-	640	684	100	70	-	-	240	190	-	-	128	15	-	-	170	214	100																												
50-32-160/ 00402	112M	X	X	50	32	80	118	50	-	14	250	235	-	132	160	-	-	-	622	666	100	70	-	-	240	190	-	-	128	15	-	-	170	214	100																												
50-32-160/ 00552	132S	-	X	50	32	80	118	50	55	14	300	274</																																																			

Pump	Size		Speed		DN ₁ (22)	DN ₂ (22)	a (22)	a ₁ (22)	b ₁ (22)	b ₄	d ₁ (22)	d ₂	d ₃	d ₄	h ₁ (22)	h ₂ (22)	h ₄	i (23)	i (24)	l ₁ (23)	l ₁ (24)	m ₁ (22)	m ₂ (22)	m ₃	m ₄	n ₁ (22)	n ₂ (22)	n ₃	n ₄	p	s ₁ (22)	s ₂	u (25)	w (23)	w (24)	x (22)																											
	Motor (IEC)	[rpm]		[mm]																																																											
		2900	3500																																																												
50-32-160/ 00752	132S	-	X	50	32	80	118	50	55	14	300	274	12	132	160	132	282	326	730	774	100	70	220	140	240	190	270	216	128	15	15	20	193	237	100																												
50-32-200/ 00402	112M	X	-	50	32	80	142	50	-	14	250	235	-	160	180	-	-	-	622	666	100	70	-	-	240	190	-	-	143	18	-	-	170	214	100																												
50-32-200/ 00552	132S	X	-	50	32	80	142	50	55	14	300	274	12	160	180	132	282	326	686	730	100	70	220	140	240	190	270	216	143	18	15	20	193	237	100																												
50-32-200/ 00752	132S	X	X	50	32	80	142	50	55	14	300	274	12	160	180	132	282	326	730	774	100	70	220	140	240	190	270	216	143	18	15	20	193	237	100																												
50-32-200/ 01102	160M	X	X	50	32	80	142	50	70	14	350	325	15	160	180	160	334	378	852	896	100	70	310	210	240	190	323	254	143	18	21	20	226	270	100																												
50-32-200/ 01502	160M	-	X	50	32	80	142	50	70	14	350	325	15	160	180	160	334	378	852	896	100	70	310	210	240	190	323	254	143	18	21	20	226	270	100																												
50-32-250/ 00752	132S	X	-	50	32	100	169	65	55	14	300	274	12	180	225	132	282	326	750	794	125	95	220	140	320	250	270	216	178	18	15	20	193	237	100																												
50-32-250/ 01102	160M	X	X	50	32	100	169	65	70	14	350	325	15	180	225	160	334	378	872	916	125	95	310	210	320	250	323	254	178	18	21	20	226	270	100																												
50-32-250/ 01502	160M	X	X	50	32	100	169	65	70	14	350	325	15	180	225	160	334	378	872	916	125	95	310	210	320	250	323	254	178	18	21	20	226	270	100																												
50-32-250/ 01852	160L	-	X	50	32	100	169	65	70	14	350	325	15	180	225	160	334	378	908	952	125	95	314	254	320	250	323	254	178	18	21	20	226	270	100																												
50-32-250/ 02202	180M	-	X	50	32	100	169	65	80	14	350	370	15	180	225	180	347	391	943	987	125	95	343	241	320	250	368	279	178	18	23	-	226	270	100																												
65-40-125/ 00152	90S	X	-	65	40	80	117	50	-	14	200	190	-	112	140	-	-	-	590	634	100	70	-	-	210	160	-	-	117	15	-	-	156	200	100																												
65-40-125/ 00222	90L	X	-	65	40	80	117	50	-	14	200	190	-	112	140	-	-	-	590	634	100	70	-	-	210	160	-	-	117	15	-	-	156	200	100																												
65-40-125/ 00302	100L	X	-	65	40	80	117	50	-	14	250	213	-	112	140	-	-	-	640	684	100	70	-	-	210	160	-	-	117	15	-	-	170	214	100																												
65-40-125/ 00402	112M	X	X	65	40	80	117	50	-	14	250	235	-	112	140	-	-	-	622	666	100	70	-	-	210	160	-	-	117	15	-	-	170	214	100																												
65-40-125/ 00552	132S	-	X	65	40	80	117	50	55	14	300	274	12	112	140	132	282	326	686	730	100	70	220	140	210	160	270	216	117	15	15	20	193	237	100																												
65-40-125/ 00752	132S	-	X	65	40	80	117	50	55	14	300	274	12	112	140	132	282	326	730	774	100	70	220	140	210	160	270	216	117	15	15	20	193	237	100																												
65-40-125/ 01102	160M	-	X	65	40	80	117	50	70	14	350	325	15	112	140	160	334	378	852	896	100	70	310	210	210	160	323	254	117	15	21	20	226	270	100																												
65-40-160/ 02302	100L	X	-	65	40	80	119	50	-	14	250	213	-	132	160	-	-	-	640	684	100	70	-	-	240	190	-	-	134	15	-	-	170	214	100																												
65-40-160/ 00402	112M	X	-	65	40	80	119	50	-	14	250	235	-	132	160	-	-	-	622	666	100	70	-	-	240	190	-	-	134	15	-	-	170	214	100																												
65-40-160/ 00552	132S	X	X	65	40	80	119	50	55	14	300	274	12	132	160	132	282	326	686	730	100	70	220	140	240	190	270	216	134	15	15	20	193	237	100																												
65-40-160/ 00752	132S	X	X	65	40	80	119	50	55	14	300	274	12	132	160	132	282	326	730	774	100	70	220	140	240	190	270	216	134	15	15	20	193	237	100																												
65-40-160/ 01102	160M	-	X	65	40	80	119	50	70	14	350	325	15	132	160	160	334	378	852	896	100	70	310	210	240	190	323	254	134	15	21	20	226	270	100																												
65-40-160/ 01502	160M	-	X	65	40	80	119	50	70	14	350	325	15	132	160	160	334	378	852	896	100	70	310	210	240	190	323	254	134	15	21	20	226	270	100																												
65-40-200/ 00552	132S	X	-	65	40	100	142	50	55	14	300	274	12	160	180	132	282	326	706	750	100	70	220	140	265	212	270	216	155	18	15	20	193	237	100																												
65-40-200/ 00752	132S	X	-	65	40	100	142	50	55	14	300	274	12	160	180	132	282	326	750	794	100	70	220	140	265	212	270	216	155	18	15	20	193	237	100																												
65-40-200/ 01102	160M	X	X	65	40	100	142	50	70	14	350	325	15	160	180	160	334	378	872	916	100	70	310	210	265	212	323	254	155	18	21	20	226	270	100																												
65-40-200/ 01502	160M	X	X	65	40	100	142	50	70	14	350	325	15	160	180	160	334	378	872	916	100	70	310	210	265	212	323	254	155	18	21	20	226	270	100																												
65-40-200/ 01852	160L	X	X	65	40	100	142	50	70	14	350	325	15	160	180	160	334	378	908	952	100	70	314	254	265	212	323	254	155	18	21	20	226	270	100																												
65-40-200/ 02202	180M	X	X	65	40	100	142	50	80	14	350	370	15	160	180	180	347	391	943	987	100	70	343	241	265	212	368	279	155	18	23	-	226	270	100																												
65-40-250/ 01102	160M	X	-	65	40	100	169	65	70	14	350	325	15	180	225	160	334	378	872	916	125	95	310	210	320	250	323	254	179	18	21	20	226	270	100																												
65-40-250/ 01502	160M	X	X	65	40	100	169	65	70	14	350	325	15	180	225	160	334	378	872	916	125	95	310	210	320	250	323	254	179	18	21	20	226	270	100																												
65-40-250/ 01852	160L	X	X	65	40	100	169	65	70	14	350	325	15	180	225	160	334	378	908	952	125	95	314	254	320	250	323	254	179	18	21	20	226	270	100																												
65-40-250/ 02202	180M	X	X	65	40	100	169	65	80	14	350	370	15	180	225	180	347	391	943	987	125	95	343	241	320	250	368	279	179	18	23	-	226	270	100																												
65-40-315/ 01852	160L	X	-	65	40	125	207	65	70	14	350	325	15	225	250	160	354	408	953	1007	125	95	314	254	345	280	323	254	207	18	21	20	246	300	100																												
65-40-315/ 02202	180M	X	-	65	40	125	207	65	80	14	350	370	15	225	250	180	367	421	988	1042	125	95	343	241	345	280	368	279	207	18	23	-	246	300	100																												
65-50-125/ 00302	100L	X	-	65	50	100	117	50	-	14	250	213	-	132	160	-	-	-	660	704	100	70	-	-	240	190	-	-	130	18	-	-	170	214	100																												
65-50-125/ 00402	112M	X	-	65	50	100	117	50	-	14	250	235	-	132	160	-	-	-	642	686	100	70	-	-	240	190	-	-	130	18	-	-	170	214	100																												
65-50-125/ 00552	132S	X	X	65	50	100	117	50	55	14	300	274	12	132	160	132	282	326	706	750	100	70	220	140	240	190	270	216	130	18	15	20	193	237	100																												
65-50-125/ 00752	132S	X	X	65	50	100	117	50	55	14	300	274	12	132	160	132	282	326	750	794	100	70	220	140	240	190	270	216	130	18	15	20	193	237	100																												
65-50-125/ 01102	160M	-	X	65	50	100	117	50	70	14	350	325	15	132	160	160	334	378	872	916	100	70	310	210	240	190	323	254	130																																		

Pump	Size	Motor (IEC)	Speed		DN ₁ (22)	DN ₂ (22)	a (22)	a ₁	b ₁ (22)	b ₄	d ₁ (22)	d ₂	d ₃	d ₄	h ₁ (22)	h ₂ (22)	h ₄	i (23)	i (24)	l ₁ (23)	l ₁ (24)	m ₁ (22)	m ₂ (22)	m ₃	m ₄	n ₁ (22)	n ₂ (22)	n ₃	n ₄	p	s ₁ (22)	s ₂	u (25)	w (23)	w (24)	x (22)
			2900	3500																																
			[rpm]																																	
65-50-160/ 00752	132S	X	-	65	50	100	128	50	55	14	300	274	12	160	180	132	282	326	750	794	100	70	220	140	265	212	270	216	149	18	15	20	193	237	100	
65-50-160/ 01102	160M	X	X	65	50	100	128	50	70	14	350	325	15	160	180	160	334	378	872	916	100	70	310	210	265	212	323	254	149	18	21	20	226	270	100	
65-50-160/ 01502	160M	-	X	65	50	100	128	50	70	14	350	325	15	160	180	160	334	378	872	916	100	70	310	210	265	212	323	254	149	18	21	20	226	270	100	
65-50-160/ 01852	160L	-	X	65	50	100	128	50	70	14	350	325	15	160	180	160	334	378	908	952	100	70	314	254	265	212	323	254	149	18	21	20	226	270	100	
65-50-160/ 02202	180M	-	X	65	50	100	128	50	80	14	350	370	15	160	180	180	347	391	943	987	100	70	343	241	265	212	368	279	149	18	23	-	226	270	100	
65-50-200/ 01102	160M	X	-	65	50	100	144	50	70	14	350	325	15	160	200	160	334	378	872	916	100	70	310	210	265	212	323	254	163	18	21	20	226	270	100	
65-50-200/ 01502	160M	X	-	65	50	100	144	50	70	14	350	325	15	160	200	160	334	378	872	916	100	70	310	210	265	212	323	254	163	18	21	20	226	270	100	
65-50-200/ 01852	160L	X	-	65	50	100	144	50	70	14	350	325	15	160	200	160	334	378	908	952	100	70	314	254	265	212	323	254	163	18	21	20	226	270	100	
65-50-200/ 02202	180M	X	X	65	50	100	144	50	80	14	350	370	15	160	200	180	347	391	943	987	100	70	343	241	265	212	368	279	163	18	23	-	226	270	100	
65-50-250/ 01502	160M	X	-	65	50	100	170	65	70	14	350	325	15	180	225	160	334	378	872	916	125	95	310	210	320	250	323	254	186	18	21	20	226	270	100	
65-50-250/ 01852	160L	X	-	65	50	100	170	65	70	14	350	325	15	180	225	160	334	378	908	952	125	95	314	254	320	250	323	254	186	18	21	20	226	270	100	
65-50-250/ 02202	180M	X	X	65	50	100	170	65	80	14	350	370	15	180	225	180	347	391	943	987	125	95	343	241	320	250	368	279	186	18	23	-	226	270	100	
80-65-125/ 00402	112M	X	-	80	65	100	117	65	-	14	250	235	-	160	180	-	-	-	642	686	125	95	-	-	280	212	-	-	150	18	-	-	170	214	100	
80-65-125/ 00552	132S	X	-	80	65	100	117	65	55	14	300	274	12	160	180	132	282	326	706	750	125	95	220	140	280	212	270	216	150	18	15	20	193	237	100	
80-65-125/ 00752	132S	X	X	80	65	100	117	65	55	14	300	274	12	160	180	132	282	326	750	794	125	95	220	140	280	212	270	216	150	18	15	20	193	237	100	
80-65-125/ 01102	160M	X	X	80	65	100	117	65	70	14	350	325	15	160	180	160	334	378	872	916	125	95	310	210	280	212	323	254	150	18	21	20	226	270	100	
80-65-125/ 01502	160M	-	X	80	65	100	117	65	70	14	350	325	15	160	180	160	334	378	872	916	125	95	310	210	280	212	323	254	150	18	21	20	226	270	100	
80-65-125/ 01852	160L	-	X	80	65	100	117	65	70	14	350	325	15	160	180	160	334	378	908	952	125	95	314	254	280	212	323	254	150	18	21	20	226	270	100	
80-65-160/ 00752	132S	X	-	80	65	100	132	65	55	14	300	274	12	160	200	132	282	326	750	794	125	95	220	140	280	212	270	216	160	18	15	20	193	237	100	
80-65-160/ 01102	160M	X	-	80	65	100	132	65	70	14	350	325	15	160	200	160	334	378	872	916	125	95	310	210	280	212	323	254	160	18	21	20	226	270	100	
80-65-160/ 01502	160M	X	X	80	65	100	132	65	70	14	350	325	15	160	200	160	334	378	872	916	125	95	310	210	280	212	323	254	160	18	21	20	226	270	100	
80-65-160/ 01852	160L	-	X	80	65	100	132	65	70	14	350	325	15	160	200	160	334	378	908	952	125	95	314	254	280	212	323	254	160	18	21	20	226	270	100	
80-65-160/ 02202	180M	-	X	80	65	100	132	65	80	14	350	370	15	160	200	180	347	391	943	987	125	95	343	241	280	212	368	279	160	18	23	-	226	270	100	
80-65-200/ 01502	160M	X	-	80	65	100	155	65	70	14	350	325	15	180	225	160	334	378	872	916	125	95	310	210	320	250	323	254	178	18	21	20	226	270	140	
80-65-200/ 01852	160L	X	-	80	65	100	155	65	70	14	350	325	15	180	225	160	334	378	908	952	125	95	314	254	320	250	323	254	178	18	21	20	226	270	140	
80-65-200/ 02202	180M	X	X	80	65	100	155	65	80	14	350	370	15	180	225	180	347	391	943	987	125	95	343	241	320	250	368	279	178	18	23	-	226	270	140	
80-65-250/ 02202	180M	X	-	80	65	100	179	80	80	19	350	370	15	200	250	180	367	421	963	1017	160	120	343	241	360	280	368	279	199	20	23	-	246	300	140	
100-80-160/ 01502	160M	X	-	100	80	125	138	65	70	14	350	325	15	180	225	160	334	378	897	941	125	95	310	210	320	250	323	254	174	18	21	20	226	270	140	
100-80-160/ 01852	160L	X	-	100	80	125	138	65	70	14	350	325	15	180	225	160	334	378	933	977	125	95	314	254	320	250	323	254	174	18	21	20	226	270	140	
100-80-160/ 02202	180M	X	X	100	80	125	138	65	80	14	350	370	15	180	225	180	347	391	968	1012	125	95	343	241	320	250	368	279	174	18	23	-	226	270	140	
100-80-200/ 01852	160L	X	-	100	80	125	159	65	70	19	350	325	15	180	250	160	354	408	953	1007	125	95	314	254	345	280	323	254	188	18	21	20	246	300	140	
100-80-200/ 02202	180M	X	-	100	80	125	159	65	80	19	350	370	15	180	250	180	367	421	988	1042	125	95	343	241	345	280	368	279	188	18	23	-	246	300	140	
125-100-160/ 02202	180M	X	-	125	100	125	178	80	80	19	350	370	15	200	280	180	367	421	988	1042	160	120	343	241	360	280	368	279	225	18	23	-	246	300	140	

22) Dimensions to EN 733
 23) Dimension with single mechanical seal (A, IA, EA, FA)
 24) Dimension with double mechanical seal (DB, TI)
 25) Motor feet must be shimmed.

Etabloc G/GB/GC/B/C/S/SB/SC, 30 kW to 110 kW



Pump set with volute casing foot and motor foot (motor sizes 200 to 250, 2-pole)

Dimensions Etabloc G/GB/GC/B/C/S/SB/SC, 30 kW to 110 kW, n = 2900 rpm, n = 3500 rpm (regions A, C)²⁶⁾
 Values a_1 , b_1 , b_4 , d_3 , l_1 , m_1 , m_3 , n_3 and p may vary slightly for production-related reasons.

Pump	Size	Motor (IEC)	Speed		DN ₁ ²⁷⁾	DN ₂ ²⁷⁾	a ²⁷⁾	a ₁	b ₁ ²⁷⁾	b ₄	d ₁ ²⁷⁾	d ₂	d ₃	d ₄	h ₁ ²⁷⁾	h ₂ ²⁷⁾	h ₄	i ²⁸⁾	i ²⁹⁾	l ₁ ²⁸⁾	l ₁ ²⁹⁾	m ₁ ²⁷⁾	m ₂ ²⁷⁾	m ₃	m ₄	n ₁ ²⁷⁾	n ₂ ²⁷⁾	n ₃	n ₄	p	s ₁ ²⁷⁾	s ₂	w ²⁸⁾	w ²⁹⁾	x ²⁷⁾
			2900	3500																															
			[rpm]																																
50-32-250/ 03002	200L	-	✗	50	32	100	169	65	85	14	400	422	19	180	225	200	359	397	995	1033	125	95	388	305	320	250	404	318	178	18	30	226	264	100	
65-40-250/ 03002	200L	✗	✗	65	40	100	169	65	85	14	400	422	19	180	225	200	359	397	995	1033	125	95	388	305	320	250	404	318	179	18	30	226	264	100	
65-40-250/ 03702	200L	-	✗	65	40	100	169	65	85	14	400	422	19	180	225	200	359	397	995	1033	125	95	388	305	320	250	404	318	179	18	30	226	264	100	
65-40-315/ 03002	200L	✗	-	65	40	125	207	65	85	14	400	422	19	225	250	200	379	437	1040	1098	125	95	388	305	345	280	404	318	207	18	30	246	304	100	
65-40-315/ 03702	200L	✗	-	65	40	125	207	65	85	14	400	422	19	225	250	200	379	437	1040	1098	125	95	388	305	345	280	404	318	207	18	30	246	304	100	
65-40-315/ 04502	225M	✗	-	65	40	125	207	65	100	14	450	468	19	225	250	225	426	483	1157	1214	125	95	412	311	345	280	458	356	207	18	35	277	334	100	
65-50-200/ 03002	200L	✗	✗	65	50	100	144	50	85	14	400	422	19	160	200	200	359	397	995	1033	100	70	388	305	265	212	404	318	163	18	30	226	264	100	
65-50-200/ 03702	200L	-	✗	65	50	100	144	50	85	14	400	422	19	160	200	200	359	397	995	1033	100	70	388	305	265	212	404	318	163	18	30	226	264	100	
65-50-250/ 03002	200L	✗	✗	65	50	100	170	65	85	14	400	422	19	180	225	200	359	397	995	1033	125	95	388	305	320	250	404	318	186	18	30	226	264	100	
65-50-250/ 03702	200L	✗	✗	65	50	100	170	65	85	14	400	422	19	180	225	200	359	397	995	1033	125	95	388	305	320	250	404	318	186	18	30	226	264	100	

26) Tolerances of mating dimensions to EN 735
 27) Dimensions to EN 733
 28) Dimension with single mechanical seal (A, IA, EA, FA)
 29) Dimension with double mechanical seal (DB, TI)

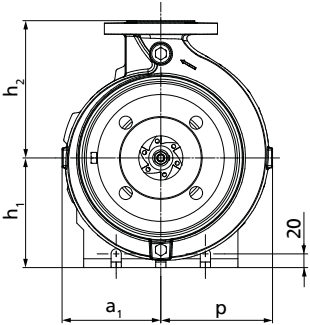
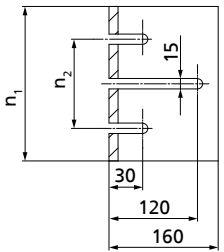
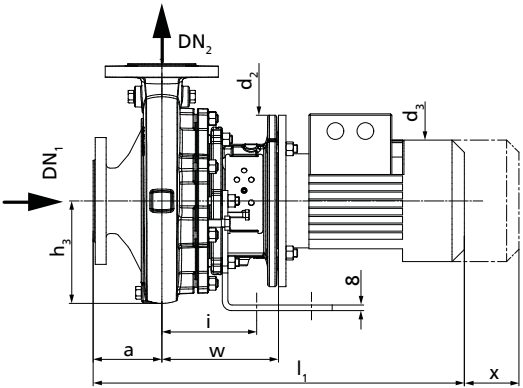
Pump	Size		Speed		DN ₁ 27)	DN ₂ 27)	a 27)	a ₁	b ₁ 27)	b ₄	d ₁ 27)	d ₂	d ₃	d ₄	h ₁ 27)	h ₂ 27)	h ₄	i 28)	i 29)	l ₁ 28)	l ₁ 29)	m ₁ 27)	m ₂ 27)	m ₃	m ₄	n ₁ 27)	n ₂ 27)	n ₃	n ₄	p	s ₁ 27)	s ₂	w 28)	w 29)	x 27)
	Motor (IEC)	2900	3500																																
				[rpm]																															
65-50-315/ 03702	200L	X	-	65	50	125	207	65	85	14	400	422	19	225	280	200	379	437	1040	1098	125	95	388	305	345	280	404	318	215	18	30	246	304	100	
65-50-315/ 04502	225M	X	-	65	50	125	207	65	100	14	450	468	19	225	280	225	426	483	1157	1214	125	95	412	311	345	280	458	356	215	18	35	277	334	100	
65-50-315/ 05502	250M	X	-	65	50	125	207	65	100	14	550	520	24	225	280	250	457	502	1231	1276	125	95	467	349	345	280	531	406	215	18	40	289	334	100	
65-50-315/ 07502 ³⁰⁾	280S	X	-	65	50	125	207	65	100	14	550	580	24	225	280	280	479	524	1339	1384	125	95	517	368	345	280	585	457	215	18	40	289	334	100	
80-65-160/ 03002	200L	-	X	80	65	100	132	65	85	14	400	422	19	160	200	200	359	397	995	1033	125	95	388	305	280	212	404	318	160	18	30	226	264	100	
80-65-200/ 03002	200L	X	X	80	65	100	155	65	85	14	400	422	19	180	225	200	359	397	995	1033	125	95	388	305	320	250	404	318	178	18	30	226	264	140	
80-65-200/ 03702	200L	X	X	80	65	100	155	65	85	14	400	422	19	180	225	200	359	397	995	1033	125	95	388	305	320	250	404	318	178	18	30	226	264	140	
80-65-250/ 03002	200L	X	-	80	65	100	179	80	85	19	400	422	19	200	250	200	379	437	1015	1073	160	120	388	305	360	280	404	318	199	20	30	246	304	140	
80-65-250/ 03702	200L	X	X	80	65	100	179	80	85	19	400	422	19	200	250	200	379	437	1015	1073	160	120	388	305	360	280	404	318	199	20	30	246	304	140	
80-65-250/ 04502	225M	X	X	80	65	100	179	80	100	19	450	468	19	200	250	225	426	483	1132	1189	160	120	412	311	360	280	458	356	199	20	35	277	334	140	
80-65-250/ 05502	250M	-	X	80	65	100	179	80	100	19	550	520	24	200	250	250	457	502	1206	1251	160	120	467	349	360	280	531	406	199	20	40	289	334	140	
80-65-250/ 07502 ³⁰⁾	280S	-	X	80	65	100	179	80	100	19	550	580	24	200	250	280	479	524	1314	1359	160	120	517	368	360	280	585	457	199	20	40	289	334	140	
80-65-315/ 04502	225M	X	-	80	65	100	179	80	100	19	450	468	19	200	250	225	426	483	1132	1189	160	120	412	311	360	280	458	356	199	20	35	277	334	140	
80-65-315/ 05502	250M	X	-	80	65	100	179	80	100	19	550	520	24	200	250	250	457	502	1206	1251	160	120	467	349	360	280	531	406	199	20	40	289	334	140	
80-65-315/ 07502 ³⁰⁾	280S	X	-	80	65	100	179	80	100	19	550	580	24	200	250	280	479	524	1314	1359	160	120	517	368	360	280	585	457	199	20	40	289	334	140	
80-65-315/ 09002 ³⁰⁾	280M	X	-	80	65	100	179	80	100	19	550	580	24	200	250	280	479	524	1369	1414	160	120	530	419	360	280	585	457	199	20	40	289	334	140	
100-80-160/ 03002	200L	X	X	100	80	125	138	65	85	14	400	422	19	180	225	200	359	397	1020	1058	125	95	388	305	320	250	404	318	174	18	30	226	264	140	
100-80-160/ 03702	200L	-	X	100	80	125	138	65	85	14	400	422	19	180	225	200	359	397	1020	1058	125	95	388	305	320	250	404	318	174	18	30	226	264	140	
100-80-200/ 03002	200L	X	-	100	80	125	159	65	85	19	400	422	19	180	250	200	379	437	1040	1098	125	95	388	305	345	280	404	318	188	18	30	246	304	140	
100-80-200/ 03702	200L	X	-	100	80	125	159	65	85	19	400	422	19	180	250	200	379	437	1040	1098	125	95	388	305	345	280	404	318	188	18	30	246	304	140	
100-80-200/ 04502	225M	X	-	100	80	125	159	65	100	19	450	468	19	180	250	225	426	483	1157	1214	125	95	412	311	345	280	458	356	188	18	35	277	334	140	
100-80-200/ 05502	250M	-	X	100	80	125	159	65	100	19	550	520	24	180	250	250	457	502	1231	1276	125	95	467	349	345	280	531	406	188	18	40	289	334	140	
100-80-200/ 07502 ³⁰⁾	280S	-	X	100	80	125	159	65	100	19	550	580	24	180	250	280	479	524	1339	1384	125	95	517	368	345	280	585	457	188	18	40	289	334	140	
100-80-250/ 03002	200L	X	-	100	80	125	183	80	85	19	400	422	19	200	280	200	379	437	1040	1098	160	120	388	305	400	315	404	318	209	18	30	246	304	140	
100-80-250/ 03702	200L	X	-	100	80	125	183	80	85	19	400	422	19	200	280	200	379	437	1040	1098	160	120	388	305	400	315	404	318	209	18	30	246	304	140	
100-80-250/ 04502	225M	X	-	100	80	125	183	80	100	19	450	468	19	200	280	225	426	483	1157	1214	160	120	412	311	400	315	458	356	209	18	35	277	334	140	
100-80-250/ 05502	250M	X	X	100	80	125	183	80	100	19	550	520	24	200	280	250	457	502	1231	1276	160	120	467	349	400	315	531	406	209	18	40	289	334	140	
100-80-250/ 07502 ³⁰⁾	280S	X	X	100	80	125	183	80	100	19	550	580	24	200	280	280	479	524	1339	1384	160	120	517	368	400	315	585	457	209	18	40	289	334	140	
100-80-250/ 09002 ³⁰⁾	280M	-	X	100	80	125	183	80	100	19	550	580	24	200	280	280	479	524	1369	1439	160	120	530	419	400	315	585	457	209	18	40	289	334	140	
100-80-250/ 11002 ³⁰⁾	315S	-	X	100	80	125	183	80	132	19	650	664	28	200	280	315	595	595	1584	1584	160	120	621	406	400	315	662	508	209	18	50	379	379	140	
100-80-315/ 07502 ³⁰⁾	280S	X	-	100	80	125	218	80	100	19	550	580	24	250	315	280	479	524	1339	1384	160	120	517	368	400	315	585	457	242	20	40	289	334	140	
100-80-315/ 09002 ³⁰⁾	280M	X	-	100	80	125	218	80	100	19	550	580	24	250	315	280	479	524	1394	1439	160	120	530	419	400	315	585	457	242	20	40	289	334	140	
100-80-315/ 11002 ³⁰⁾	315S	X	-	100	80	125	218	80	132	19	650	664	28	250	315	315	595	595	1584	1584	160	120	621	406	400	315	662	508	242	20	50	379	379	140	
125-100-160/ 03002	200L	X	-	125	100	125	178	80	85	19	400	422	19	200	280	200	379	437	1040	1098	160	120	388	305	360	280	404	318	225	18	30	246	304	140	
125-100-160/ 03702	200L	X	X	125	100	125	178	80	85	19	400	422	19	200	280	200	379	437	1040	1098	160	120	388	305	360	280	404	318	225	18	30	246	304	140	
125-100-160/ 04502	225M	-	X	125	100	125	178	80	100	19	450	468	19	200	280	225	426	483	1157	1214	160	120	412	311	360	280	458	356	225	18	35	277	334	140	
125-100-160/ 05502	250M	-	X	125	100	125	178	80	100	19	550	520	24	200	280	250	457	502	1231	1276	160	120	467	349	360	280	531	406	225	18	40	289	334	140	
125-100-200/ 03002	200L	X	-	125	100	125	173	80	85	19	400	422	19	200	280	200	379	437	1040	1098	160	120	388	305	360	280	404	318	212	18	30	246	304	140	
125-100-200/ 03702	200L	X	-	125	100	125	173	80	85	19	400	422	19	200	280	200	379	437	1040	1098	160	120	388	305	360	280	404	318	212	18	30	246	304	140	
125-100-200/ 04502	225M	X	-	125	100	125	173	80	100	19	450	468	19	200	280	225	426	483	1157	1214	160	120	412	311	360	280	458	356	212	18					

Pump	Size Motor (IEC)	Speed		DN ₁ 27)	DN ₂ 27)	a 27)	a ₁	b ₁ 27)	b ₄	d ₁ 27)	d ₂	d ₃	d ₄	h ₁ 27)	h ₂ 27)	h ₄	i 28)	i 29)	l ₁ 28)	l ₁ 29)	m ₁ 27)	m ₂ 27)	m ₃	m ₄	n ₁ 27)	n ₂ 27)	n ₃	n ₄	p	s ₁ 27)	s ₂	w 28)	w 29)	x 27)
		2900	3500																															
		[rpm]																																
125-100-200/ 09002 ³⁰⁾	280M	X	-	125	100	125	173	80	100	19	550	580	24	200	280	280	479	524	1394	1439	160	120	530	419	360	280	585	457	212	18	40	289	334	140
125-100-250/ 04502	225M	X	-	125	100	140	188	80	100	19	450	468	19	225	280	225	426	483	1172	1229	160	120	412	311	400	315	458	356	219	18	35	277	334	140
125-100-250/ 05502	250M	X	-	125	100	140	188	80	100	19	550	520	24	225	280	250	457	502	1246	1291	160	120	467	349	400	315	531	406	219	18	40	289	334	140
125-100-250/ 07502 ³⁰⁾	280S	X	X	125	100	140	188	80	100	19	550	580	24	225	280	280	479	524	1354	1399	160	120	517	368	400	315	585	457	242	18	40	289	334	140
125-100-250/ 09002 ³⁰⁾	280M	X	X	125	100	140	188	80	100	19	550	580	24	225	280	280	479	524	1409	1454	160	120	530	419	400	315	585	457	242	18	40	289	334	140
125-100-250/ 11002 ³⁰⁾	315S	X	X	125	100	140	188	80	132	19	650	664	28	225	280	315	595	595	1599	1599	160	120	621	406	400	315	662	508	242	18	50	379	379	140
150-125-200/ 05502	250M	X	-	150	125	140	189	80	100	19	550	520	24	250	315	250	457	502	1246	1291	160	120	467	349	400	315	531	406	242	20	40	289	334	140
150-125-200/ 07502 ³⁰⁾	280S	X	X	150	125	140	189	80	100	19	550	580	24	250	315	280	479	524	1354	1399	160	120	517	368	400	315	585	457	242	20	40	289	334	140
150-125-200/ 09002 ³⁰⁾	280M	X	X	150	125	140	189	80	100	19	550	580	24	250	315	280	479	524	1409	1454	160	120	530	419	400	315	585	457	242	20	40	289	334	140
150-125-200/ 11002 ³⁰⁾	315S	-	X	150	125	140	189	80	132	19	650	664	28	250	315	315	595	595	1599	1599	160	120	621	406	400	315	662	508	242	20	50	379	379	140

27) Dimensions to EN 733
 28) Dimension with single mechanical seal (A, IA, EA, FA)
 29) Dimension with double mechanical seal (DB, TI)

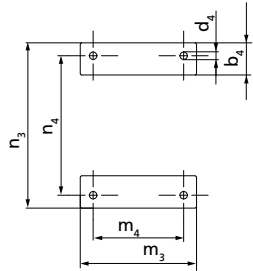
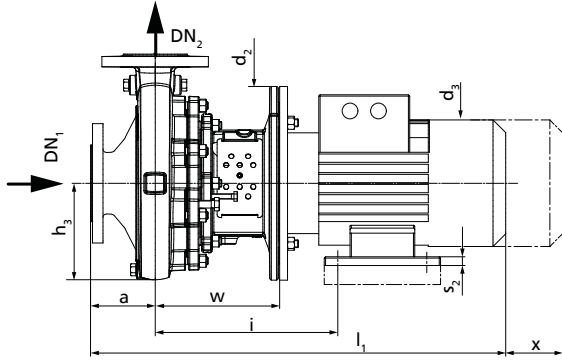
$n = 1450 \text{ rpm}, n = 1750 \text{ rpm} - \text{regions A, C}$

Etabloc G/GB/GC $\leq 22 \text{ kW}$



Dimensions [mm]

Pump set with support foot (up to motor size 112)



Pump set with motor foot (motor sizes 132 to 180)

Dimensions Etabloc G/GB/GC, ≤ 22 kW, $n = 1450$ rpm, $n = 1750$ rpm (regions A, C)³¹⁾
 Values a_1 , b_4 , d_3 , l_1 , m_3 , n_3 and p may vary slightly for production-related reasons.

Pump	Size		Speed		DN ₁ (32)	DN ₂ (32)	a (32)	a ₁	b ₄	d ₂	d ₃	d ₄	h ₁	h ₂ (32)	h ₃	h ₄	i (33)	i (34)	l ₁ (33)	l ₁ (34)	m ₃	m ₄	n ₁	n ₂	n ₃	n ₄	p	s ₂	u (35)	w (33)	w (34)	x (32)																												
	Motor (IEC)	[rpm]	1450	1750																													[mm]																											
			✓	✗																																																								
40-25-160/00024	71	✓	✓	40	25	80	118	-	160	145	-	160	160	107	-	118	-	453	-	-	-	225	130	-	-	118	-	-	136	-	100																													
40-25-160/00034	71	✗	✗	40	25	80	118	-	160	145	-	160	160	107	-	118	-	453	-	-	-	225	130	-	-	118	-	-	136	-	100																													
40-25-160/00054	80M	-	✗	40	25	80	118	-	200	162	-	160	160	107	-	118	-	491	-	-	-	225	130	-	-	118	-	-	156	-	100																													
40-25-160/00114	90S	✓	✓	40	25	80	118	-	200	190	-	160	160	107	-	118	118	590	634	-	-	225	130	-	-	118	-	-	156	200	100																													
40-25-200/00034	71	✓	-	40	25	80	142	-	160	145	-	160	180	137	-	118	-	453	-	-	-	225	130	-	-	142	-	-	136	-	100																													
40-25-200/00054	80M	✓	✓	40	25	80	142	-	200	162	-	160	180	137	-	118	-	491	-	-	-	225	130	-	-	142	-	-	156	-	100																													
40-25-200/00074	80M	-	✗	40	25	80	142	-	200	162	-	160	180	137	-	118	-	537	-	-	-	225	130	-	-	142	-	-	156	-	100																													
40-25-200/00114	90S	-	✗	40	25	80	142	-	200	190	-	160	180	137	-	118	118	590	634	-	-	225	130	-	-	142	-	-	156	200	100																													
50-32-125.1/00024	71	✓	✓	50	32	80	116	-	160	145	-	160	140	100	-	118	-	453	-	-	-	225	130	-	-	116	-	-	136	-	100																													
50-32-125.1/00034	71	✓	✓	50	32	80	116	-	160	145	-	160	140	100	-	118	-	453	-	-	-	225	130	-	-	116	-	-	136	-	100																													
50-32-125.1/00054	80M	✓	✓	50	32	80	116	-	200	162	-	160	140	100	-	118	-	491	-	-	-	225	130	-	-	116	-	-	156	-	100																													
50-32-125.1/00114	90S	✓	✓	50	32	80	116	-	200	190	-	160	140	100	-	118	118	590	634	-	-	225	130	-	-	116	-	-	156	200	100																													
50-32-160.1/00024	71	✓	-	50	32	80	116	-	160	145	-	160	160	111	-	118	-	453	-	-	-	225	130	-	-	121	-	-	136	-	100																													
50-32-160.1/00034	71	✓	✓	50	32	80	116	-	160	145	-	160	160	111	-	118	-	453	-	-	-	225	130	-	-	121	-	-	136	-	100																													
50-32-160.1/00054	80M	✓	✓	50	32	80	116	-	200	162	-	160	160	111	-	118	-	491	-	-	-	225	130	-	-	121	-	-	156	-	100																													
50-32-160.1/00074	80M	-	✗	50	32	80	116	-	200	162	-	160	160	111	-	118	-	537	-	-	-	225	130	-	-	121	-	-	156	-	100																													
50-32-200.1/00034	71	✓	-	50	32	80	142	-	160	145	-	160	180	136	-	118	-	453	-	-	-	225	130	-	-	142	-	-	136	-	100																													
50-32-200.1/00054	80M	✓	✓	50	32	80	142	-	200	162	-	160	180	136	-	118	-	491	-	-	-	225	130	-	-	142	-	-	156	-	100																													
50-32-200.1/00074	80M	✓	✓	50	32	80	142	-	200	162	-	160	180	136	-	118	-	537	-	-	-	225	130	-	-	142	-	-	156	-	100																													
50-32-200.1/00114	90S	-	✗	50	32	80	142	-	200	190	-	160	180	136	-	118	118	590	634	-	-	225	130	-	-	142	-	-	156	200	100																													
50-32-200.1/00154	90L	-	✗	50	32	80	142	-	200	190	-	160	180	136	-	118	118	590	634	-	-	225	130	-	-	142	-	-	156	200	100																													
50-32-250.1/00074	80M	✓	-	50	32	100	168	-	200	162	-	160	225	166	-	118	-	557	-	-	-	225	130	-	-	168	-	-	156	-	100																													
50-32-250.1/00114	90S	✓	✓	50	32	100	168	-	200	190	-	160	225	166	-	118	118	610	654	-	-	225	130	-	-	168	-	-	156	200	100																													
50-32-250.1/00154	90L	✓	✓	50	32	100	168	-	200	190	-	160	225	166	-	118	118	610	654	-	-	225	130	-	-	168	-	-	156	200	100																													
50-32-250.1/00224	100L	-	✗	50	32	100	168	-	250	213	-	160	225	166	-	118	118	660	704	-	-	225	130	-	-	168	-	-	170	214	100																													
50-32-250.1/00304	100L	-	✗	50	32	100	168	-	250	213	-	160	225	166	-	118	118	660	704	-	-	225	130	-	-	168	-	-	170	214	100																													
50-32-125/00024	71	✓	-	50	32	80	115	-	160	145	-	160	140	100	-	118	-	453	-	-	-	225	130	-	-	115	-	-	136	-	100																													
50-32-125/00034	71	✓	✓	50	32	80	115	-	160	145	-	160	140	100	-	118	-	453	-	-	-	225	130	-	-	115	-	-	136	-	100																													
50-32-125/00054	80M	✓	✓	50	32	80	115	-	200	162	-	160	140	100	-	118	-	491	-	-	-	225	130	-	-	115	-	-	156	-	100																													
50-32-125/00074	80M	-	✗	50	32	80	115	-	200	162	-	160	140	100	-	118	-	537	-	-	-	225	130	-	-	115	-	-	156	-	100																													
50-32-125/00114	90S	✓	✓	50	32	80	115	-	200	190	-	160	140	100	-	118	118	590	634	-	-	225	130	-	-	115	-	-	156	200	100																													
50-32-160/00034	71	✓	-	50	32	80	118	-	160	145	-	160	160	115	-	118	-	453	-	-	-	225	130	-	-	128	-	-	136	-	100																													
50-32-160/00054	80M	✓	✓	50	32	80	118	-	200	162	-	160	160	115	-	118	-	491	-	-	-	225	130	-	-	128	-	-	156	-	100																													
50-32-160/00074	80M	✓	✓	50	32	80	118	-	200	162	-	160	160	115	-	118	-	537	-	-	-	225	130	-	-	128	-	-	156	-	100																													
50-32-160/00114	90S	-	✗	50	32	80	118	-	200	190	-	160	160	115	-	118	118	590	634	-	-	225	130	-	-	128	-	-	156	200	100																													
50-32-200/00054	80M	✓	-	50	32	80	142	-	200	162	-	160	180	137	-	118	-	491	-	-	-	225	130	-	-	143	-	-	156	-	100																													
50-32-200/00074	80M	✓	-	50	32	80	142	-	200	162	-	160	180	137	-	118	-	537	-	-	-	225	130	-	-	143	-	-	156	-	100																													
50-32-200/00114	90S	✓	✓	50	32	80	142	-	200	190	-	160	180	137	-	118	118	590	634	-	-	225	130	-	-	143	-	-	156	200	100																													
50-32-200/00154	90L	-	✗	50	32	80	142	-	200	190	-	160	180	137	-	118	118	590	634	-	-	225	130	-	-	143	-	-	156	200	100																													

31) Tolerances of mating dimensions to EN 735

32) Dimensions to EN 733

Size		Speed		DN ₁	DN ₂	a	a ₁	b ₄	d ₂	d ₃	d ₄	h ₁	h ₂	h ₃	h ₄	i	i	l ₁	l ₁	m ₃	m ₄	n ₁	n ₂	n ₃	n ₄	p	s ₂	u	w	w	x		
Pump	Motor (IEC)	1450	1750	32)	32)	32)							32)			33)	34)	33)	34)														
		[rpm]	[mm]																														
50-32-200/ 00224	100L	-	X	50	32	80	142	-	250	213	-	160	180	137	-	118	118	640	684	-	-	225	130	-	-	143	-	-	170	214	100		
50-32-250/ 00114	90S	X	-	50	32	100	169	-	200	190	-	160	225	166	-	118	118	610	654	-	-	225	130	-	-	178	-	-	156	200	100		
50-32-250/ 00154	90L	X	X	50	32	100	169	-	200	190	-	160	225	166	-	118	118	610	654	-	-	225	130	-	-	178	-	-	156	200	100		
50-32-250/ 00224	100L	X	X	50	32	100	169	-	250	213	-	160	225	166	-	118	118	660	704	-	-	225	130	-	-	178	-	-	170	214	100		
50-32-250/ 00304	100L	-	X	50	32	100	169	-	250	213	-	160	225	166	-	118	118	660	704	-	-	225	130	-	-	178	-	-	170	214	100		
50-32-250/ 00404	112M	-	X	50	32	100	169	-	250	235	-	160	225	166	-	118	118	642	686	-	-	225	130	-	-	178	-	-	170	214	100		
65-40-125/ 00024	71	X	-	65	40	80	117	-	160	145	-	160	140	107	-	118	-	453	-	-	-	225	130	-	-	117	-	-	136	-	100		
65-40-125/ 00034	71	X	-	65	40	80	117	-	160	145	-	160	140	107	-	118	-	453	-	-	-	225	130	-	-	117	-	-	136	-	100		
65-40-125/ 00054	80M	X	X	65	40	80	117	-	200	162	-	160	140	107	-	118	-	491	-	-	-	225	130	-	-	117	-	-	156	-	100		
65-40-125/ 00074	80M	-	X	65	40	80	117	-	200	162	-	160	140	107	-	118	-	537	-	-	-	225	130	-	-	117	-	-	156	-	100		
65-40-125/ 00114	90S	-	X	65	40	80	117	-	200	190	-	160	140	107	-	118	118	590	634	-	-	225	130	-	-	117	-	-	156	200	100		
65-40-160/ 00054	80M	X	-	65	40	80	119	-	200	162	-	160	160	119	-	118	-	491	-	-	-	225	130	-	-	134	-	-	156	-	100		
65-40-160/ 00074	80M	X	X	65	40	80	119	-	200	162	-	160	160	119	-	118	-	537	-	-	-	225	130	-	-	134	-	-	156	-	100		
65-40-160/ 00114	90S	X	X	65	40	80	119	-	200	190	-	160	160	119	-	118	118	590	634	-	-	225	130	-	-	134	-	-	156	200	100		
65-40-160/ 00154	90L	-	X	65	40	80	119	-	200	190	-	160	160	119	-	118	118	590	634	-	-	225	130	-	-	134	-	-	156	200	100		
65-40-160/ 00224	100L	-	X	65	40	80	119	-	250	213	-	160	160	119	-	118	118	640	684	-	-	225	130	-	-	134	-	-	170	214	100		
65-40-200/ 00074	80M	X	-	65	40	100	142	-	200	162	-	160	180	141	-	118	-	557	-	-	-	225	130	-	-	155	-	-	156	-	100		
65-40-200/ 00114	90S	X	-	65	40	100	142	-	200	190	-	160	180	141	-	118	118	610	654	-	-	225	130	-	-	155	-	-	156	200	100		
65-40-200/ 00154	90L	X	X	65	40	100	142	-	200	190	-	160	180	141	-	118	118	610	654	-	-	225	130	-	-	155	-	-	156	200	100		
65-40-200/ 00224	100L	-	X	65	40	100	142	-	250	213	-	160	180	141	-	118	118	660	704	-	-	225	130	-	-	155	-	-	170	214	100		
65-40-200/ 00304	100L	-	X	65	40	100	142	-	250	213	-	160	180	141	-	118	118	660	704	-	-	225	130	-	-	155	-	-	170	214	100		
65-40-250/ 00114	90S	X	-	65	40	100	169	-	200	190	-	160	225	166	-	118	118	610	654	-	-	225	130	-	-	179	-	-	156	200	100		
65-40-250/ 00154	90L	X	-	65	40	100	169	-	200	190	-	160	225	166	-	118	118	610	654	-	-	225	130	-	-	179	-	-	156	200	100		
65-40-250/ 00224	100L	X	X	65	40	100	169	-	250	213	-	160	225	166	-	118	118	660	704	-	-	225	130	-	-	179	-	20	170	214	100		
65-40-250/ 00304	100L	X	X	65	40	100	169	-	250	213	-	160	225	166	-	118	118	660	704	-	-	225	130	-	-	179	-	-	170	214	100		
65-40-250/ 00404	112M	-	X	65	40	100	169	-	250	235	-	160	225	166	-	118	118	642	686	-	-	225	130	-	-	179	-	-	170	214	100		
65-40-250/ 00554	132S	-	X	65	40	100	169	55	300	274	12	-	225	166	132	282	326	750	794	220	140	-	-	270	216	179	15	-	193	237	100		
65-40-315/ 00224	100L	X	-	65	40	125	207	-	250	213	-	180	250	204	-	142	142	705	753	-	-	260	180	-	-	207	-	20	190	238	100		
65-40-315/ 00304	100L	X	-	65	40	125	207	-	250	213	-	180	250	204	-	142	142	705	753	-	-	260	180	-	-	207	-	20	190	238	100		
65-40-315/ 00404	112M	X	X	65	40	125	207	-	250	235	-	180	250	204	-	142	142	687	735	-	-	260	180	-	-	207	-	20	190	238	100		
65-40-315/ 00554	132S	X	X	65	40	125	207	55	300	274	12	-	250	204	132	302	350	795	843	220	140	-	-	270	216	207	15	-	213	261	100		
65-40-315/ 00754	132M	-	X	65	40	125	207	59	300	298	12	-	250	204	132	302	350	795	843	240	178	-	-	270	216	207	15	-	213	261	100		
65-40-315/ 01104	160M	-	X	65	40	125	207	70	350	325	15	-	250	204	160	354	408	917	971	310	210	-	-	323	254	207	21	-	246	300	100		
65-50-125/ 00054	80M	X	-	65	50	100	117	-	200	162	-	160	160	112	-	118	-	511	-	-	-	225	130	-	-	130	-	-	156	-	100		
65-50-125/ 00074	80M	X	X	65	50	100	117	-	200	162	-	160	160	112	-	118	-	557	-	-	-	225	130	-	-	130	-	-	156	-	100		
65-50-125/ 00114	90S	X	X	65	50	100	117	-	200	190	-	160	160	112	-	118	118	610	654	-	-	225	130	-	-	130	-	-	156	200	100		
65-50-125/ 00154	90L	-	X	65	50	100	117	-	200	190	-	160	160	112	-	118	118	610	654	-	-	225	130	-	-	130	-	-	156	200	100		
65-50-160/ 00074	80M	X	-	65	50	100	128	-	200	162	-	160	180	133	-	118	-	557	-	-	-	225	130	-	-	149	-	-	156	-	100		
65-50-160/ 00114	90S	X	X	65	50	100	128	-	200	190	-	160	180	133	-	118	118	610	654	-	-	225	130	-	-	149	-	-	156	200	100		

32) Dimensions to EN 733
 33) Dimension with single mechanical seal (A, IA, EA, FA)
 34) Dimension with double mechanical seal (DB, TI)
 35) Motor feet must be shimmed.

Pump	Size		Speed		DN ₁ (32)	DN ₂ (32)	a (32)	a ₁	b ₄	d ₂	d ₃	d ₄	h ₁	h ₂ (32)	h ₃	h ₄	i (33)	i (34)	l ₁ (33)	l ₁ (34)	m ₃	m ₄	n ₁	n ₂	n ₃	n ₄	p	s ₂	u (35)	w (33)	w (34)	x (32)	
	Motor (IEC)		1450	1750																													
			[rpm]																														[mm]
65-50-160/ 00154	90L	X	X	65	50	100	128	-	200	190	-	160	180	133	-	118	118	610	654	-	-	225	130	-	-	149	-	-	156	200	100		
65-50-160/ 00224	100L	-	X	65	50	100	128	-	250	213	-	160	180	133	-	118	118	660	704	-	-	225	130	-	-	149	-	-	170	214	100		
65-50-160/ 00304	100L	-	X	65	50	100	128	-	250	213	-	160	180	133	-	118	118	660	704	-	-	225	130	-	-	149	-	-	170	214	100		
65-50-200/ 00154	90L	X	-	65	50	100	144	-	200	190	-	160	200	150	-	118	118	610	654	-	-	225	130	-	-	163	-	-	156	200	100		
65-50-200/ 00224	100L	X	X	65	50	100	144	-	250	213	-	160	200	150	-	118	118	660	704	-	-	225	130	-	-	163	-	20	170	214	100		
65-50-200/ 00304	100L	X	X	65	50	100	144	-	250	213	-	160	200	150	-	118	118	660	704	-	-	225	130	-	-	163	-	-	170	214	100		
65-50-200/ 00404	112M	-	X	65	50	100	144	-	250	235	-	160	200	150	-	118	118	642	686	-	-	225	130	-	-	163	-	-	170	214	100		
65-50-200/ 00554	132S	-	X	65	50	100	144	55	300	274	12	-	200	150	132	282	326	750	794	220	140	-	-	270	216	163	15	-	193	237	100		
65-50-250/ 00224	100L	X	-	65	50	100	170	-	250	213	-	160	225	172	-	118	118	660	704	-	-	225	130	-	-	186	-	20	170	214	100		
65-50-250/ 00304	100L	X	-	65	50	100	170	-	250	213	-	160	225	172	-	118	118	660	704	-	-	225	130	-	-	186	-	20	170	214	100		
65-50-250/ 00404	112M	X	X	65	50	100	170	-	250	235	-	160	225	172	-	118	118	642	686	-	-	225	130	-	-	186	-	-	170	214	100		
65-50-250/ 00554	132S	-	X	65	50	100	170	55	300	274	12	-	225	172	132	282	326	750	794	220	140	-	-	270	216	186	15	-	193	237	100		
65-50-250/ 00754	132M	-	X	65	50	100	170	59	300	298	12	-	225	172	132	282	326	750	794	240	178	-	-	270	216	186	15	20	193	237	100		
65-50-315/ 00304	100L	X	-	65	50	125	207	-	250	213	-	180	280	203	-	142	142	705	753	-	-	260	180	-	-	215	-	20	190	238	100		
65-50-315/ 00404	112M	X	-	65	50	125	207	-	250	235	-	180	280	203	-	142	142	687	735	-	-	260	180	-	-	215	-	20	190	238	100		
65-50-315/ 00554	132S	X	-	65	50	125	207	55	300	274	12	-	280	203	132	302	350	795	843	220	140	-	-	270	216	215	15	20	213	261	100		
65-50-315/ 00754	132M	X	X	65	50	125	207	59	300	298	12	-	280	203	132	302	350	795	843	240	178	-	-	270	216	215	15	-	213	261	100		
65-50-315/ 01104	160M	-	X	65	50	125	207	70	350	325	15	-	280	203	160	354	408	917	971	310	210	-	-	323	254	215	21	-	246	300	100		
65-50-315/ 01504	160L	-	X	65	50	125	207	70	350	325	15	-	280	203	160	354	408	953	1007	314	254	-	-	323	254	215	21	-	246	300	100		
80-65-125/ 00054	80M	X	-	80	65	100	117	-	200	162	-	160	180	127	-	118	-	511	-	-	-	225	130	-	-	150	-	-	156	-	100		
80-65-125/ 00074	80M	X	-	80	65	100	117	-	200	162	-	160	180	127	-	118	-	557	-	-	-	225	130	-	-	150	-	-	156	-	100		
80-65-125/ 00114	90S	X	X	80	65	100	117	-	200	190	-	160	180	127	-	118	118	610	654	-	-	225	130	-	-	150	-	-	156	200	100		
80-65-125/ 00154	90L	-	X	80	65	100	117	-	200	190	-	160	180	127	-	118	118	610	654	-	-	225	130	-	-	150	-	-	156	200	100		
80-65-125/ 00224	100L	-	X	80	65	100	117	-	250	213	-	160	180	127	-	118	118	660	704	-	-	225	130	-	-	150	-	-	170	214	100		
80-65-160/ 00114	90S	X	-	80	65	100	132	-	200	190	-	160	200	140	-	118	118	610	654	-	-	225	130	-	-	160	-	-	156	200	100		
80-65-160/ 00154	90L	X	X	80	65	100	132	-	200	190	-	160	200	140	-	118	118	610	654	-	-	225	130	-	-	160	-	-	156	200	100		
80-65-160/ 00224	100L	X	X	80	65	100	132	-	250	213	-	160	200	140	-	118	118	660	704	-	-	225	130	-	-	160	-	-	170	214	100		
80-65-160/ 00304	100L	-	X	80	65	100	132	-	250	213	-	160	200	140	-	118	118	660	704	-	-	225	130	-	-	160	-	-	170	214	100		
80-65-160/ 00404	112M	-	X	80	65	100	132	-	250	235	-	160	200	140	-	118	118	642	686	-	-	225	130	-	-	160	-	-	170	214	100		
80-65-200/ 00224	100L	X	-	80	65	100	155	-	250	213	-	160	225	161	-	118	118	660	704	-	-	225	130	-	-	178	-	20	170	214	140		
80-65-200/ 00304	100L	X	X	80	65	100	155	-	250	213	-	160	225	161	-	118	118	660	704	-	-	225	130	-	-	178	-	20	170	214	140		
80-65-200/ 00404	112M	X	X	80	65	100	155	-	250	235	-	160	225	161	-	118	118	642	686	-	-	225	130	-	-	178	-	-	170	214	140		
80-65-200/ 00554	132S	-	X	80	65	100	155	55	300	274	12	-	225	161	132	282	326	750	794	220	140	-	-	270	216	178	15	-	193	237	140		
80-65-200/ 00754	132M	-	X	80	65	100	155	59	300	298	12	-	225	161	132	282	326	750	794	240	178	-	-	270	216	178	15	20	193	237	140		
80-65-250/ 00304	100L	X	-	80	65	100	179	-	250	213	-	180	250	185	-	142	142	680	728	-	-	260	180	-	-	199	-	20	190	238	140		
80-65-250/ 00404	112M	X	-	80	65	100	179	-	250	235	-	180	250	185	-	142	142	662	710	-	-	260	180	-	-	199	-	20	190	238	140		
80-65-250/ 00554	132S	X	X	80	65	100	179	55	300	274	12	-	250	185	132	302	350	770	818	220	140	-	-	270	216	199	15	20	213	261	140		
80-65-250/ 00754	132M	-	X	80	65	100	179	59	300	298	12	-	250	185	132	302	350	770	818	240	178	-	-	270	216	199	15	20	213	261	140		
80-65-250/ 01104	160M	-	X	80	65	100	179	70	350	325	15	-	250	185	160	354	408	892	946	310	210	-	-	323	254	199	21	20	246	300	140		

32) Dimensions to EN 733
 33) Dimension with single mechanical seal (A, IA, EA, FA)
 34) Dimension with double mechanical seal (DB, TI)
 35) Motor feet must be shimmed.

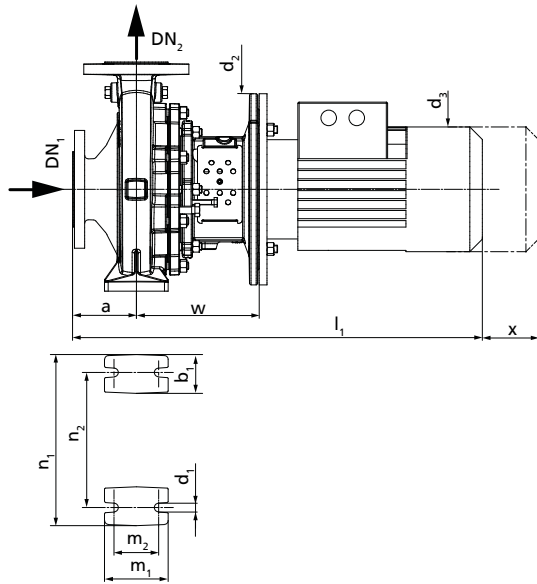
Size		Speed		DN ₁	DN ₂	a	a ₁	b ₄	d ₂	d ₃	d ₄	h ₁	h ₂	h ₃	h ₄	i	i	l ₁	l ₁	m ₃	m ₄	n ₁	n ₂	n ₃	n ₄	p	s ₂	u	w	w	x	
Pump	Motor (IEC)	1450	1750	32)	32)	32)							32)			33)	34)	33)	34)													
		[rpm]	[mm]																													
80-65-315/ 00554	132S	X	-	80	65	125	209	55	300	274	12	-	280	213	132	302	350	795	843	220	140	-	-	270	216	229	15	20	213	261	140	
80-65-315/ 00754	132M	X	-	80	65	125	209	59	300	298	12	-	280	213	132	302	350	795	843	240	178	-	-	270	216	229	15	-	213	261	140	
80-65-315/ 01104	160M	X	X	80	65	125	209	70	350	325	15	-	280	213	160	354	408	917	971	310	210	-	-	323	254	229	21	-	246	300	140	
80-65-315/ 01504	160L	X	X	80	65	125	209	70	350	325	15	-	280	213	160	354	408	953	1007	314	254	-	-	323	254	229	21	-	246	300	140	
80-65-315/ 01854	180M	-	X	80	65	125	209	80	350	370	15	-	280	213	180	367	421	988	1042	343	241	-	-	368	279	229	23	-	246	300	140	
80-65-315/ 02204	180L	-	X	80	65	125	209	80	350	370	15	-	280	213	180	367	421	988	1042	358	279	-	-	368	279	229	23	-	246	300	140	
100-80-160/ 00154	90L	X	-	100	80	125	138	-	200	190	-	160	225	153	-	118	118	635	679	-	-	225	130	-	-	174	-	-	156	200	140	
100-80-160/ 00224	100L	X	-	100	80	125	138	-	250	213	-	160	225	153	-	118	118	685	729	-	-	225	130	-	-	174	-	20	170	214	140	
100-80-160/ 00304	100L	X	X	100	80	125	138	-	250	213	-	160	225	153	-	118	118	685	729	-	-	225	130	-	-	174	-	-	170	214	140	
100-80-160/ 00404	112M	-	X	100	80	125	138	-	250	235	-	160	225	153	-	118	118	667	711	-	-	225	130	-	-	174	-	-	170	214	140	
100-80-160/ 00554	132S	-	X	100	80	125	138	55	300	274	12	-	225	153	132	282	326	775	819	220	140	-	-	270	216	174	15	-	193	237	140	
100-80-200/ 00224	100L	X	-	100	80	125	159	-	250	213	-	180	250	170	-	142	142	705	753	-	-	260	180	-	-	188	-	20	190	238	140	
100-80-200/ 00304	100L	X	-	100	80	125	159	-	250	213	-	180	250	170	-	142	142	705	753	-	-	260	180	-	-	188	-	20	190	238	140	
100-80-200/ 00404	112M	X	-	100	80	125	159	-	250	235	-	180	250	170	-	142	142	687	735	-	-	260	180	-	-	188	-	20	190	238	140	
100-80-200/ 00554	132S	X	X	100	80	125	159	55	300	274	12	-	250	170	132	302	350	795	843	220	140	-	-	270	216	188	15	-	213	261	140	
100-80-200/ 00754	132M	-	X	100	80	125	159	59	300	298	12	-	250	170	132	302	350	795	843	240	178	-	-	270	216	188	15	20	213	261	140	
100-80-200/ 01104	160M	-	X	100	80	125	159	70	350	325	15	-	250	170	160	354	408	917	971	310	210	-	-	323	254	188	21	20	246	300	140	
100-80-250/ 00404	112M	X	-	100	80	125	183	-	250	235	-	180	280	192	-	142	142	687	735	-	-	260	180	-	-	209	-	20	190	238	140	
100-80-250/ 00554	132S	X	-	100	80	125	183	55	300	274	12	-	280	192	132	302	350	795	843	220	140	-	-	270	216	209	15	20	213	261	140	
100-80-250/ 00754	132M	X	X	100	80	125	183	59	300	298	12	-	280	192	132	302	350	795	843	240	178	-	-	270	216	209	15	-	213	261	140	
100-80-250/ 01104	160M	X	X	100	80	125	183	70	350	325	15	-	280	192	160	354	408	917	971	310	210	-	-	323	254	209	21	20	246	300	140	
100-80-250/ 01504	160L	-	X	100	80	125	183	70	350	325	15	-	280	192	160	354	408	953	1007	314	254	-	-	323	254	209	21	20	246	300	140	
100-80-250/ 01854	180M	-	X	100	80	125	183	80	350	370	15	-	280	192	180	367	421	988	1042	343	241	-	-	368	279	209	23	20	246	300	140	
100-80-315/ 00754	132M	X	-	100	80	125	218	59	300	298	12	-	315	227	132	302	350	795	843	240	178	-	-	270	216	242	15	-	213	261	140	
100-80-315/ 01104	160M	X	-	100	80	125	218	70	350	325	15	-	315	227	160	354	408	917	971	310	210	-	-	323	254	242	21	-	246	300	140	
100-80-315/ 01504	160L	X	X	100	80	125	218	70	350	325	15	-	315	227	160	354	408	953	1007	314	254	-	-	323	254	242	21	-	246	300	140	
100-80-315/ 01854	180M	X	X	100	80	125	218	80	350	370	15	-	315	227	180	367	421	988	1042	343	241	-	-	368	279	242	23	-	246	300	140	
100-80-315/ 02204	180L	X	X	100	80	125	218	80	350	370	15	-	315	227	180	367	421	988	1042	358	279	-	-	368	279	242	23	20	246	300	140	
125-100-160/ 00304	100L	X	-	125	100	125	178	-	250	213	-	180	280	199	-	142	142	705	753	-	-	260	180	-	-	225	-	20	190	238	140	
125-100-160/ 00404	112M	X	-	125	100	125	178	-	250	235	-	180	280	199	-	142	142	687	735	-	-	260	180	-	-	225	-	-	190	238	140	
125-100-160/ 00554	132S	X	X	125	100	125	178	55	300	274	12	-	280	199	132	302	350	795	843	220	140	-	-	270	216	225	15	20	213	261	140	
125-100-160/ 00754	132M	-	X	125	100	125	178	59	300	298	12	-	280	199	132	302	350	795	843	240	178	-	-	270	216	225	15	20	213	261	140	
125-100-200/ 00404	112M	X	-	125	100	125	173	-	250	235	-	180	280	189	-	142	142	687	735	-	-	260	180	-	-	212	-	20	190	238	140	
125-100-200/ 00554	132S	X	-	125	100	125	173	55	300	274	12	-	280	189	132	302	350	795	843	220	140	-	-	270	216	212	15	20	213	261	140	
125-100-200/ 00754	132M	X	X	125	100	125	173	59	300	298	12	-	280	189	132	302	350	795	843	240	178	-	-	270	216	212	15	20	213	261	140	
125-100-200/ 01104	160M	X	X	125	100	125	173	70	350	325	15	-	280	189	160	354	408	917	971	310	210	-	-	323	254	212	21	20	246	300	140	
125-100-200/ 01504	160L	-	X	125	100	125	173	70	350	325	15	-	280	189	160	354	408	953	1007	314	254	-	-	323	254	212	21	20	246	300	140	
125-100-250/ 00754	132M	X	-	125	100	140	188	59	300	298	12	-	280	200	132	302	350	810	858	240	178	-	-	270	216	219	15	-	213	261	140	
125-100-250/ 01104	160M	X	X	125	100	140	188	70	350	325	15	-	280	200	160	354	408	932	986	310	210	-	-	323	254	219	21	-	246	300	140	

32) Dimensions to EN 733
 33) Dimension with single mechanical seal (A, IA, EA, FA)
 34) Dimension with double mechanical seal (DB, TI)
 35) Motor feet must be shimmed.

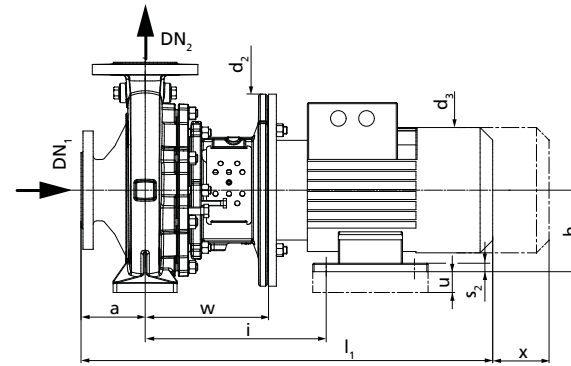
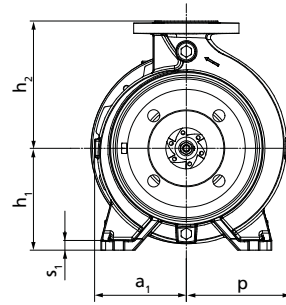
Size		Speed		DN ₁ 32)	DN ₂ 32)	a 32)	a ₁	b ₄	d ₂	d ₃	d ₄	h ₁	h ₂ 32)	h ₃	h ₄	i 33)	i 34)	l ₁ 33)	l ₁ 34)	m ₃	m ₄	n ₁	n ₂	n ₃	n ₄	p	s ₂	u 35)	w 33)	w 34)	x 32)
Pump	Motor (IEC)	1450	1750	[mm]																											
		[rpm]																													
125-100-250/ 01504	160L	✗	✗	125	100	140	188	70	350	325	15	-	280	200	160	354	408	968	1022	314	254	-	-	323	254	219	21	20	246	300	140
125-100-250/ 01854	180M	-	✗	125	100	140	188	80	350	370	15	-	280	200	180	367	421	1003	1057	343	241	-	-	368	279	219	23	-	246	300	140
125-100-250/ 02204	180L	-	✗	125	100	140	188	80	350	370	15	-	280	200	180	367	421	1003	1057	358	279	-	-	368	279	219	23	-	246	300	140
125-100-315/ 01504	160L	✗	-	125	100	140	225	70	350	325	15	-	315	237	160	354	408	968	1022	314	254	-	-	323	254	255	21	20	246	300	140
125-100-315/ 01854	180M	✗	-	125	100	140	225	80	350	370	15	-	315	237	180	367	421	1003	1057	343	241	-	-	368	279	255	23	20	246	300	140
125-100-315/ 02204	180L	✗	-	125	100	140	225	80	350	370	15	-	315	237	180	367	421	1003	1057	358	279	-	-	368	279	255	23	20	246	300	140
150-125-200/ 00754	132M	✗	-	150	125	140	189	59	300	298	12	-	315	212	132	302	350	810	858	240	178	-	-	270	216	242	15	-	213	261	140
150-125-200/ 01104	160M	✗	✗	150	125	140	189	70	350	325	15	-	315	212	160	354	408	932	986	310	210	-	-	323	254	242	21	-	246	300	140
150-125-200/ 01504	160L	✗	✗	150	125	140	189	70	350	325	15	-	315	212	160	354	408	968	1022	314	254	-	-	323	254	242	21	20	246	300	140
150-125-200/ 01854	180M	-	✗	150	125	140	189	80	350	370	15	-	315	212	180	367	421	1003	1057	343	241	-	-	368	279	242	23	20	246	300	140
150-125-200/ 02204	180L	-	✗	150	125	140	189	80	350	370	15	-	315	212	180	367	421	1003	1057	358	279	-	-	368	279	242	23	-	246	300	140
150-125-250/ 01104	160M	✗	-	150	125	140	226	70	350	325	15	-	355	248	160	354	408	932	986	310	210	-	-	323	254	275	21	-	246	300	140
150-125-250/ 01504	160L	✗	✗	150	125	140	226	70	350	325	15	-	355	248	160	354	408	968	1022	314	254	-	-	323	254	275	21	20	246	300	140
150-125-250/ 01854	180M	✗	✗	150	125	140	226	80	350	370	15	-	355	248	180	367	421	1003	1057	343	241	-	-	368	279	275	23	20	246	300	140
150-125-250/ 02204	180L	-	✗	150	125	140	226	80	350	370	15	-	355	248	180	367	421	1003	1057	358	279	-	-	368	279	275	23	-	246	300	140
200-150-200/ 00754	132M	✗	-	200	150	160	240	59	300	298	12	-	400	277	132	302	350	830	878	240	178	-	-	270	216	316	15	20	213	261	140
200-150-200/ 01104	160M	✗	-	200	150	160	240	70	350	325	15	-	400	277	160	354	408	952	1006	310	210	-	-	323	254	316	21	-	246	300	140
200-150-200/ 01504	160L	✗	✗	200	150	160	240	70	350	325	15	-	400	277	160	354	408	988	1042	314	254	-	-	323	254	316	21	20	246	300	140
200-150-200/ 01854	180M	-	✗	200	150	160	240	80	350	370	15	-	400	277	180	367	421	1023	1077	343	241	-	-	368	279	316	23	-	246	300	140
200-150-200/ 02204	180L	-	✗	200	150	160	240	80	350	370	15	-	400	277	180	367	421	1023	1077	358	279	-	-	368	279	316	23	-	246	300	140
200-150-250/ 01504	160L	✗	-	200	150	160	230	70	350	325	15	-	400	262	160	354	408	988	1042	314	254	-	-	323	254	300	21	-	246	300	140
200-150-250/ 01854	180M	✗	-	200	150	160	230	80	350	370	15	-	400	262	180	367	421	1023	1077	343	241	-	-	368	279	300	23	-	246	300	140
200-150-250/02204	180L	✗	✗	200	150	160	230	80	350	370	15	-	400	262	180	367	421	1023	1077	358	279	-	-	368	279	300	23	-	246	300	140

- 32) Dimensions to EN 733
33) Dimension with single mechanical seal (A, IA, EA, FA)
34) Dimension with double mechanical seal (DB, TI)
35) Motor feet must be shimmed.
33) Dimension with single mechanical seal (A, IA, EA, FA)
34) Dimension with double mechanical seal (DB, TI)
35) Motor feet must be shimmed.

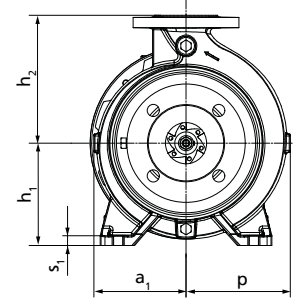
Etabloc B/C/S/SB/SC; ≤ 22 kW



Pump set with volute casing foot (up to motor size 112)



Pump set with volute casing foot and motor foot (motor sizes 132 to 180)



Dimensions Etabloc B/C/S/SB/SC, ≤ 22 kW, n = 1450 rpm, n = 1750 rpm (regions A, C)³⁶⁾
 Values a₁, b₁, b₄, d₃, l₁, m₁, m₃, n₃ and p may vary slightly for production-related reasons.

Pump	Size	Motor (IEC)	Speed		DN ₁ 37)	DN ₂ 37)	a 37)	a ₁	b ₁ 37)	b ₄	d ₁ 37)	d ₂	d ₃	d ₄	h ₁ 37)	h ₂ 37)	h ₄	i 38)	i 39)	l ₁ 38)	l ₁ 39)	m ₁ 37)	m ₂ 37)	m ₃	m ₄	n ₁ 37)	n ₂ 37)	n ₃	n ₄	p	s ₁ 37)	s ₂	u 40)	w 38)	w 39)	x 37)
			1450	1750																																
			[rpm]		[mm]																															
40-25-160/ 00024	71	X	X	40	25	80	118	50	-	14	160	145	-	132	160	-	-	-	-	453	-	100	70	-	-	240	190	-	-	118	15	-	-	136	-	100
40-25-160/ 00034	71	X	X	40	25	80	118	50	-	14	160	145	-	132	160	-	-	-	-	453	-	100	70	-	-	240	190	-	-	118	15	-	-	136	-	100
40-25-160/ 00054	80M	-	X	40	25	80	118	50	-	14	200	162	-	132	160	-	-	-	-	491	-	100	70	-	-	240	190	-	-	118	15	-	-	156	-	100
40-25-160/ 00114	90S	X	X	40	25	80	118	50	-	14	200	190	-	132	160	-	-	-	-	590	634	100	70	-	-	240	190	-	-	118	15	-	-	156	200	100
40-25-200/ 00034	71	X	-	40	25	80	142	50	-	14	160	145	-	160	180	-	-	-	-	453	-	100	70	-	-	240	190	-	-	142	15	-	-	136	-	100

36) Tolerances of mating dimensions to EN 735
 37) Dimensions to EN 733
 38) Dimension with single mechanical seal (A, IA, EA, FA)
 39) Dimension with double mechanical seal (DB, TI)
 40) Motor feet must be shimmed.

Pump	Size		Speed		DN ₁ 37)	DN ₂ 37)	a 37)	a1	b ₁ 37)	b ₄	d ₁ 37)	d ₂	d ₃	d ₄	h ₁ 37)	h ₂ 37)	h ₄	i 38)	i 39)	l ₁ 38)	l ₁ 39)	m ₁ 37)	m ₂ 37)	m ₃	m ₄	n ₁ 37)	n ₂ 37)	n ₃	n ₄	p	s ₁ 37)	s ₂	u 40)	w 38)	w 39)	x 37)
	Motor (IEC)	1450	1750																																	
	[rpm]	[mm]																																		
40-25-200/ 00054	80M	X	X	40	25	80	142	50	-	14	200	162	-	160	180	-	-	-	491	-	100	70	-	-	240	190	-	-	142	15	-	-	156	-	100	
40-25-200/ 00074	80M	-	X	40	25	80	142	50	-	14	200	162	-	160	180	-	-	-	537	-	100	70	-	-	240	190	-	-	142	15	-	-	156	-	100	
40-25-200/ 00114	90S	-	X	40	25	80	142	50	-	14	200	190	-	160	180	-	-	-	590	634	100	70	-	-	240	190	-	-	142	15	-	-	156	200	100	
50-32-125.1/ 00024	71	X	X	50	32	80	116	50	-	14	160	145	-	112	140	-	-	-	453	-	100	70	-	-	190	140	-	-	116	15	-	-	136	-	100	
50-32-125.1/ 00034	71	X	X	50	32	80	116	50	-	14	160	145	-	112	140	-	-	-	453	-	100	70	-	-	190	140	-	-	116	15	-	-	136	-	100	
50-32-125.1/ 00054	80M	X	X	50	32	80	116	50	-	14	200	162	-	112	140	-	-	-	491	-	100	70	-	-	190	140	-	-	116	15	-	-	156	-	100	
50-32-125.1/ 00114	90S	X	X	50	32	80	116	50	-	14	200	190	-	112	140	-	-	-	590	634	100	70	-	-	190	140	-	-	116	15	-	-	156	200	100	
50-32-160.1/ 00024	71	X	-	50	32	80	116	50	-	14	160	145	-	132	160	-	-	-	453	-	100	70	-	-	240	190	-	-	121	15	-	-	136	-	100	
50-32-160.1/ 00034	71	X	X	50	32	80	116	50	-	14	160	145	-	132	160	-	-	-	453	-	100	70	-	-	240	190	-	-	121	15	-	-	136	-	100	
50-32-160.1/ 00054	80M	X	X	50	32	80	116	50	-	14	200	162	-	132	160	-	-	-	491	-	100	70	-	-	240	190	-	-	121	15	-	-	156	-	100	
50-32-160.1/ 00074	80M	-	X	50	32	80	116	50	-	14	200	162	-	132	160	-	-	-	537	-	100	70	-	-	240	190	-	-	121	15	-	-	156	-	100	
50-32-200.1/ 00034	71	X	-	50	32	80	142	50	-	14	160	145	-	160	180	-	-	-	453	-	100	70	-	-	240	190	-	-	142	18	-	-	136	-	100	
50-32-200.1/ 00054	80M	X	X	50	32	80	142	50	-	14	200	162	-	160	180	-	-	-	491	-	100	70	-	-	240	190	-	-	142	18	-	-	156	-	100	
50-32-200.1/ 00074	80M	X	X	50	32	80	142	50	-	14	200	162	-	160	180	-	-	-	537	-	100	70	-	-	240	190	-	-	142	18	-	-	156	-	100	
50-32-200.1/ 00114	90S	-	X	50	32	80	142	50	-	14	200	190	-	160	180	-	-	-	590	634	100	70	-	-	240	190	-	-	142	18	-	-	156	200	100	
50-32-200.1/ 00154	90L	-	X	50	32	80	142	50	-	14	200	190	-	160	180	-	-	-	590	634	100	70	-	-	240	190	-	-	142	18	-	-	156	200	100	
50-32-250.1/ 00074	80M	X	-	50	32	100	168	65	-	14	200	162	-	180	225	-	-	-	557	-	125	95	-	-	320	250	-	-	168	18	-	-	156	-	100	
50-32-250.1/ 00114	90S	X	X	50	32	100	168	65	-	14	200	190	-	180	225	-	-	-	610	654	125	95	-	-	320	250	-	-	168	18	-	-	156	200	100	
50-32-250.1/ 00154	90L	X	X	50	32	100	168	65	-	14	200	190	-	180	225	-	-	-	610	654	125	95	-	-	320	250	-	-	168	18	-	-	156	200	100	
50-32-250.1/ 00224	100L	-	X	50	32	100	168	65	-	14	250	213	-	180	225	-	-	-	660	704	125	95	-	-	320	250	-	-	168	18	-	-	170	214	100	
50-32-250.1/ 00304	100L	-	X	50	32	100	168	65	-	14	250	213	-	180	225	-	-	-	660	704	125	95	-	-	320	250	-	-	168	18	-	-	170	214	100	
50-32-125/ 00024	71	X	-	50	32	80	115	50	-	14	160	145	-	112	140	-	-	-	453	-	100	70	-	-	190	140	-	-	115	15	-	-	136	-	100	
50-32-125/ 00034	71	X	X	50	32	80	115	50	-	14	160	145	-	112	140	-	-	-	453	-	100	70	-	-	190	140	-	-	115	15	-	-	136	-	100	
50-32-125/ 00054	80M	X	X	50	32	80	115	50	-	14	200	162	-	112	140	-	-	-	491	-	100	70	-	-	190	140	-	-	115	15	-	-	156	-	100	
50-32-125/ 00074	80M	-	X	50	32	80	115	50	-	14	200	162	-	112	140	-	-	-	537	-	100	70	-	-	190	140	-	-	115	15	-	-	156	-	100	
50-32-125/ 00114	90S	X	X	50	32	80	115	50	-	14	200	190	-	112	140	-	-	-	590	634	100	70	-	-	190	140	-	-	115	15	-	-	156	200	100	
50-32-160/ 00034	71	X	-	50	32	80	118	50	-	14	160	145	-	132	160	-	-	-	453	-	100	70	-	-	240	190	-	-	128	15	-	-	136	-	100	
50-32-160/ 00054	80M	X	X	50	32	80	118	50	-	14	200	162	-	132	160	-	-	-	491	-	100	70	-	-	240	190	-	-	128	15	-	-	156	-	100	
50-32-160/ 00074	80M	X	X	50	32	80	118	50	-	14	200	162	-	132	160	-	-	-	537	-	100	70	-	-	240	190	-	-	128	15	-	-	156	-	100	
50-32-160/ 00114	90S	-	X	50	32	80	118	50	-	14	200	190	-	132	160	-	-	-	590	634	100	70	-	-	240	190	-	-	128	15	-	-	156	200	100	
50-32-200/ 00054	80M	X	-	50	32	80	142	50	-	14	200	162	-	160	180	-	-	-	491	-	100	70	-	-	240	190	-	-	143	18	-	-	156	-	100	
50-32-200/ 00074	80M	X	-	50	32	80	142	50	-	14	200	162	-	160	180	-	-	-	537	-	100	70	-	-	240	190	-	-	143	18	-	-	156	-	100	
50-32-200/ 00114	90S	X	X	50	32	80	142	50	-	14	200	190	-	160	180	-	-	-	590	634	100	70	-	-	240	190	-	-	143	18	-	-	156	200	100	
50-32-200/ 00154	90L	-	X	50	32	80	142	50	-	14	200	190	-	160	180	-	-	-	590	634	100	70	-	-	240	190	-	-	143	18	-	-	156	200	100	
50-32-200/ 00224	100L	-	X	50	32	80	142	50	-	14	250	213	-	160	180	-	-	-	640	684	100	70	-	-	240	190	-	-	143	18	-	-	170	214	100	
50-32-250/ 00114	90S	X	-	50	32	100	169	65	-	14	200	190	-	180	225	-	-	-	610	654	125	95	-	-	320	250	-	-	178	18	-	-	156	200	100	
50-32-250/ 00154	90L	X	X	50	32	100	169	65	-	14	200	190	-	180	225	-	-	-	610	654	125	95	-	-	320	250	-	-	178	18	-	-	156	200	100	
50-32-250/ 00224	100L	X	X	50	32	100	169	65	-	14	250	213	-	180	225	-	-	-	660	704	125	95	-	-	320	250	-	-	178	18	-	-	170	214	100	
50-32-250/ 00304	100L	-	X	50	32	100	169	65	-	14	250	213	-	180	225	-	-	-	660	704	125	95	-	-	320	250	-	-	178	18	-	-	170	214	100	
50-32-250/ 00404	112M	-	X	50	32	100	169	65	-	14	250	235	-	180	225	-	-	-	642	686	125	95	-	-	320	250	-	-	178	18	-	-	170	214	100	
65-40-125/ 00024	71	X	-	65	40	80	117	50	-	14	160	145	-	112	140	-	-	-	453	-	100	70	-	-	210	160	-	-	117	15	-	-	136	-	100	
65-40-125/ 00034	71	X	-	65	40	80	117	50	-	14	160	145	-	112	140	-	-	-	453	-	100	70	-	-	210	160	-	-	117	15	-	-	136	-	100	
65-40-125/ 00054	80M	X	X	65	40	80	117	50	-	14	200	162	-	112	140	-	-	-	491	-	100	70	-	-	210	160	-	-	117	15	-	-	156	-	100	

37) Dimensions to EN 733
 38) Dimension with single mechanical seal (A, IA, EA, FA)
 39) Dimension with double mechanical seal (DB, TI)
 40) Motor feet must be shimmed.



Pump	Size		Speed		DN ₁ 37)	DN ₂ 37)	a 37)	a1	b ₁ 37)	b ₄	d ₁ 37)	d ₂	d ₃	d ₄	h ₁ 37)	h ₂ 37)	h ₄	i 38)	i 39)	l ₁ 38)	l ₁ 39)	m ₁ 37)	m ₂ 37)	m ₃	m ₄	n ₁ 37)	n ₂ 37)	n ₃	n ₄	p	s ₁ 37)	s ₂	u 40)	w 38)	w 39)	x 37)
	Motor (IEC)		1450	1750																																
			[rpm]	[mm]																																
65-40-125/ 00074	80M	-	X	65	40	80	117	50	-	14	200	162	-	112	140	-	-	-	537	-	100	70	-	-	210	160	-	-	117	15	-	-	156	-	100	
65-40-125/ 00114	90S	-	X	65	40	80	117	50	-	14	200	190	-	112	140	-	-	-	590	634	100	70	-	-	210	160	-	-	117	15	-	-	156	200	100	
65-40-160/ 00054	80M	X	-	65	40	80	119	50	-	14	200	162	-	132	160	-	-	-	491	-	100	70	-	-	240	190	-	-	134	15	-	-	156	-	100	
65-40-160/ 00074	80M	X	X	65	40	80	119	50	-	14	200	162	-	132	160	-	-	-	537	-	100	70	-	-	240	190	-	-	134	15	-	-	156	-	100	
65-40-160/ 00114	90S	X	X	65	40	80	119	50	-	14	200	190	-	132	160	-	-	-	590	634	100	70	-	-	240	190	-	-	134	15	-	-	156	200	100	
65-40-160/ 00154	90L	-	X	65	40	80	119	50	-	14	200	190	-	132	160	-	-	-	590	634	100	70	-	-	240	190	-	-	134	15	-	-	156	200	100	
65-40-160/ 00224	100L	-	X	65	40	80	119	50	-	14	250	213	-	132	160	-	-	-	640	684	100	70	-	-	240	190	-	-	134	15	-	-	170	214	100	
65-40-200/ 00074	80M	X	-	65	40	100	142	50	-	14	200	162	-	160	180	-	-	-	557	-	100	70	-	-	265	212	-	-	155	18	-	-	156	-	100	
65-40-200/ 00114	90S	X	-	65	40	100	142	50	-	14	200	190	-	160	180	-	-	-	610	654	100	70	-	-	265	212	-	-	155	18	-	-	156	200	100	
65-40-200/ 00154	90L	X	X	65	40	100	142	50	-	14	200	190	-	160	180	-	-	-	610	654	100	70	-	-	265	212	-	-	155	18	-	-	156	200	100	
65-40-200/ 00224	100L	-	X	65	40	100	142	50	-	14	250	213	-	160	180	-	-	-	660	704	100	70	-	-	265	212	-	-	155	18	-	-	170	214	100	
65-40-200/ 00304	100L	-	X	65	40	100	142	50	-	14	250	213	-	160	180	-	-	-	660	704	100	70	-	-	265	212	-	-	155	18	-	-	170	214	100	
65-40-250/ 00114	90S	X	-	65	40	100	169	65	-	14	200	190	-	180	225	-	-	-	610	654	125	95	-	-	320	250	-	-	179	18	-	-	156	200	100	
65-40-250/ 00154	90L	X	-	65	40	100	169	65	-	14	200	190	-	180	225	-	-	-	610	654	125	95	-	-	320	250	-	-	179	18	-	-	156	200	100	
65-40-250/ 00224	100L	X	X	65	40	100	169	65	-	14	250	213	-	180	225	-	-	-	660	704	125	95	-	-	320	250	-	-	179	18	-	-	170	214	100	
65-40-250/ 00304	100L	X	X	65	40	100	169	65	-	14	250	213	-	180	225	-	-	-	660	704	125	95	-	-	320	250	-	-	179	18	-	-	170	214	100	
65-40-250/ 00404	112M	-	X	65	40	100	169	65	-	14	250	235	-	180	225	-	-	-	642	686	125	95	-	-	320	250	-	-	179	18	-	-	170	214	100	
65-40-250/ 00554	132S	-	X	65	40	100	169	65	55	14	300	274	12	180	225	132	282	326	750	794	125	95	220	140	320	250	270	216	179	18	15	20	193	237	100	
65-40-315/ 00224	100L	X	-	65	40	125	207	65	-	14	250	213	-	225	250	-	-	-	705	752,5	125	95	-	-	345	280	-	-	207	18	-	-	190	238	100	
65-40-315/ 00304	100L	X	-	65	40	125	207	65	-	14	250	213	-	225	250	-	-	-	705	752,5	125	95	-	-	345	280	-	-	207	18	-	-	190	238	100	
65-40-315/ 00404	112M	X	X	65	40	125	207	65	-	14	250	235	-	225	250	-	-	-	687	734,5	125	95	-	-	345	280	-	-	207	18	-	-	190	238	100	
65-40-315/ 00554	132S	X	X	65	40	125	207	65	55	14	300	274	12	225	250	132	302	350	795	842,5	125	95	220	140	345	280	270	216	207	18	15	20	213	261	100	
65-40-315/ 00754	132M	-	X	65	40	125	207	65	59	14	300	298	12	225	250	132	302	350	795	842,5	125	95	240	178	345	280	270	216	207	18	15	20	213	261	100	
65-40-315/ 01104	160M	-	X	65	40	125	207	65	70	14	350	325	15	225	250	160	354	408	917	971	125	95	310	210	345	280	323	254	207	18	21	20	246	300	100	
65-50-125/ 00054	80M	X	-	65	50	100	117	50	-	14	200	162	-	132	160	-	-	-	511	-	100	70	-	-	240	190	-	-	130	18	-	-	156	-	100	
65-50-125/ 00074	80M	X	X	65	50	100	117	50	-	14	200	162	-	132	160	-	-	-	557	-	100	70	-	-	240	190	-	-	130	18	-	-	156	-	100	
65-50-125/ 00114	90S	X	X	65	50	100	117	50	-	14	200	190	-	132	160	-	-	-	610	654	100	70	-	-	240	190	-	-	130	18	-	-	156	200	100	
65-50-125/ 00154	90L	-	X	65	50	100	117	50	-	14	200	190	-	132	160	-	-	-	610	654	100	70	-	-	240	190	-	-	130	18	-	-	156	200	100	
65-50-160/ 00074	80M	X	-	65	50	100	128	50	-	14	200	162	-	160	180	-	-	-	557	-	100	70	-	-	265	212	-	-	149	18	-	-	156	-	100	
65-50-160/ 00114	90S	X	X	65	50	100	128	50	-	14	200	190	-	160	180	-	-	-	610	654	100	70	-	-	265	212	-	-	149	18	-	-	156	200	100	
65-50-160/ 00154	90L	X	X	65	50	100	128	50	-	14	200	190	-	160	180	-	-	-	610	654	100	70	-	-	265	212	-	-	149	18	-	-	156	200	100	
65-50-160/ 00224	100L	-	X	65	50	100	128	50	-	14	250	213	-	160	180	-	-	-	660	704	100	70	-	-	265	212	-	-	149	18	-	-	170	214	100	
65-50-160/ 00304	100L	-	X	65	50	100	128	50	-	14	250	213	-	160	180	-	-	-	660	704	100	70	-	-	265	212	-	-	149	18	-	-	170	214	100	
65-50-200/ 00154	90L	X	-	65	50	100	144	50	-	14	200	190	-	160	200	-	-	-	610	654	100	70	-	-	265	212	-	-	163	18	-	-	156	200	100	
65-50-200/ 00224	100L	X	X	65	50	100	144	50	-	14	250	213	-	160	200	-	-	-	660	704	100	70	-	-	265	212	-	-	163	18	-	-	170	214	100	
65-50-200/ 00304	100L	X	X	65	50	100	144	50	-	14	250	213	-	160	200	-	-	-	660	704	100	70	-	-	265	212	-	-	163	18	-	-	170	214	100	
65-50-200/ 00404	112M	-	X	65	50	100	144	50	-	14	250	235	-	160	200	-	-	-	642	686	100	70	-	-	265	212	-	-	163	18	-	-	170	214	100	
65-50-200/ 00554	132S	-	X	65	50	100	144	50	55	14	300	274	12	160	200	132	282	326	750	794	100	70	220	140	265	212	270	216	163	18	15	20	193	237	100	
65-50-250/ 00224	100L	X	-	65	50	100	170	65	-	14	250	213	-	180	225	-	-	-	660	704	125	95	-	-	320	250	-	-	186	18	-	-	170	214	100	
65-50-250/ 00304	100L	X	-	65	50	100	170	65	-	14	250	213	-	180	225	-	-	-	660	704	125	95	-	-	320	250	-	-	186	18	-	-	170	214	100	
65-50-250/ 00404	112M	X	X	65	50	100	170	65	-	14	250	235	-	180	225	-	-	-	642	686	125	95	-	-	320	250	-	-	186	18	-	-	170	214	100	
65-50-250/ 00554	132S	-	X	65	50	100	170	65	55	14	300	274	12	180	225	132	282	326	750	794	125	95	220	140	320	250	270	216	186	18	15	20	193	237	100	
65-50-250/ 00754	132M	-	X	65	50	100	170	65	59	14	300	298	12	180	225	132	282	326	750	794	125	95	240	178	320	250	270	216	186	18	15	20	193	237	100	

37) Dimensions to EN 733
38) Dimension with single mechanical seal (A, IA, EA, FA)
39) Dimension with double mechanical seal (DB, TI)
40) Motor feet must be shimmed.

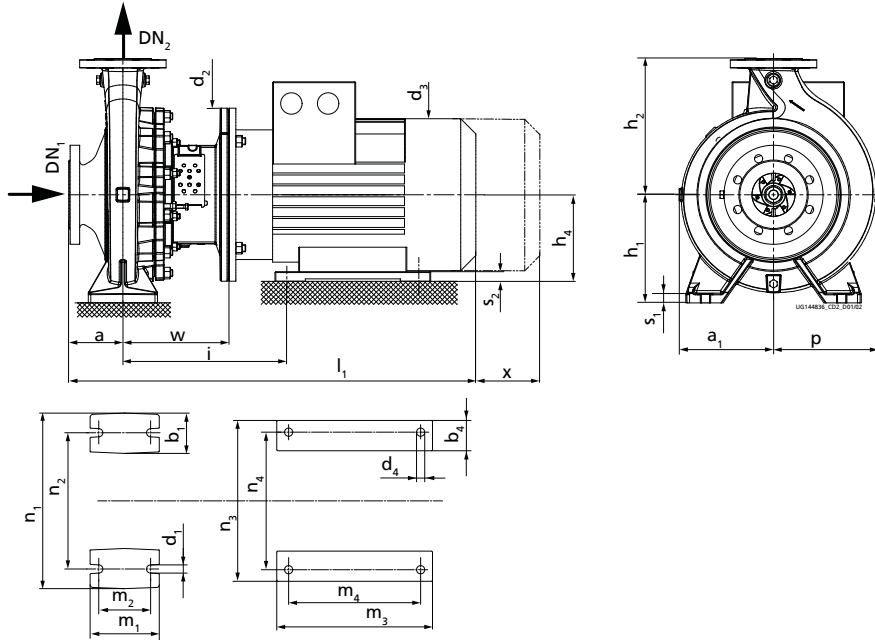
Pump	Size		Speed		DN ₁ 37)	DN ₂ 37)	a 37)	a1	b ₁ 37)	b ₄	d ₁ 37)	d ₂	d ₃	d ₄	h ₁ 37)	h ₂ 37)	h ₄	i 38)	i 39)	l ₁ 38)	l ₁ 39)	m ₁ 37)	m ₂ 37)	m ₃	m ₄	n ₁ 37)	n ₂ 37)	n ₃	n ₄	p	s ₁ 37)	s ₂	u 40)	w 38)	w 39)	x 37)
	Motor (IEC)		1450	1750																																
			[rpm]																																	
65-50-315/ 00304	100L	X	-	65	50	125	207	65	-	14	250	213	-	225	280	-	-	-	705	752,5	125	95	-	-	345	280	-	-	215	18	-	-	190	238	100	
65-50-315/ 00404	112M	X	-	65	50	125	207	65	-	14	250	235	-	225	280	-	-	-	687	734,5	125	95	-	-	345	280	-	-	215	18	-	-	190	238	100	
65-50-315/ 00554	132S	X	-	65	50	125	207	65	55	14	300	274	12	225	280	132	302	350	795	842,5	125	95	220	140	345	280	270	216	215	18	15	20	213	261	100	
65-50-315/ 00754	132M	X	X	65	50	125	207	65	59	14	300	298	12	225	280	132	302	350	795	842,5	125	95	240	178	345	280	270	216	215	18	15	20	213	261	100	
65-50-315/ 01104	160M	-	X	65	50	125	207	65	70	14	350	325	15	225	280	160	354	408	917	971	125	95	310	210	345	280	323	254	215	18	21	20	246	300	100	
65-50-315/ 01504	160L	-	X	65	50	125	207	65	70	14	350	325	15	225	280	160	354	408	953	1007	125	95	314	254	345	280	323	254	215	18	21	20	246	300	100	
80-65-125/ 00054	80M	X	-	80	65	100	117	65	-	14	200	162	-	160	180	-	-	-	511	-	125	95	-	-	280	212	-	-	150	18	-	-	156	-	100	
80-65-125/ 00074	80M	X	-	80	65	100	117	65	-	14	200	162	-	160	180	-	-	-	557	-	125	95	-	-	280	212	-	-	150	18	-	-	156	-	100	
80-65-125/ 00114	90S	X	X	80	65	100	117	65	-	14	200	190	-	160	180	-	-	-	610	654	125	95	-	-	280	212	-	-	150	18	-	-	156	200	100	
80-65-125/ 00154	90L	-	X	80	65	100	117	65	-	14	200	190	-	160	180	-	-	-	610	654	125	95	-	-	280	212	-	-	150	18	-	-	156	200	100	
80-65-125/ 00224	100L	-	X	80	65	100	117	65	-	14	250	213	-	160	180	-	-	-	660	704	125	95	-	-	280	212	-	-	150	18	-	-	170	214	100	
80-65-160/ 00114	90S	X	-	80	65	100	132	65	-	14	200	190	-	160	200	-	-	-	610	654	125	95	-	-	280	212	-	-	160	18	-	-	156	200	100	
80-65-160/ 00154	90L	X	X	80	65	100	132	65	-	14	200	190	-	160	200	-	-	-	610	654	125	95	-	-	280	212	-	-	160	18	-	-	156	200	100	
80-65-160/ 00224	100L	X	X	80	65	100	132	65	-	14	250	213	-	160	200	-	-	-	660	704	125	95	-	-	280	212	-	-	160	18	-	-	170	214	100	
80-65-160/ 00304	100L	-	X	80	65	100	132	65	-	14	250	213	-	160	200	-	-	-	660	704	125	95	-	-	280	212	-	-	160	18	-	-	170	214	100	
80-65-160/ 00404	112M	-	X	80	65	100	132	65	-	14	250	235	-	160	200	-	-	-	642	686	125	95	-	-	280	212	-	-	160	18	-	-	170	214	100	
80-65-200/ 00224	100L	X	-	80	65	100	155	65	-	14	250	213	-	180	225	-	-	-	660	704	125	95	-	-	320	250	-	-	178	18	-	-	170	214	140	
80-65-200/ 00304	100L	X	X	80	65	100	155	65	-	14	250	213	-	180	225	-	-	-	660	704	125	95	-	-	320	250	-	-	178	18	-	-	170	214	140	
80-65-200/ 00404	112M	X	X	80	65	100	155	65	-	14	250	235	-	180	225	-	-	-	642	686	125	95	-	-	320	250	-	-	178	18	-	-	170	214	140	
80-65-200/ 00554	132S	-	X	80	65	100	155	65	55	14	300	274	12	180	225	132	282	326	750	794	125	95	220	140	320	250	270	216	178	18	15	20	193	237	140	
80-65-200/ 00754	132M	-	X	80	65	100	155	65	59	14	300	298	12	180	225	132	282	326	750	794	125	95	240	178	320	250	270	216	178	18	15	20	193	237	140	
80-65-250/ 00304	100L	X	-	80	65	100	179	80	-	19	250	213	-	200	250	-	-	-	680	727,5	160	120	-	-	360	280	-	-	199	20	-	-	190	238	140	
80-65-250/ 00404	112M	X	-	80	65	100	179	80	-	19	250	235	-	200	250	-	-	-	662	709,5	160	120	-	-	360	280	-	-	199	20	-	-	190	238	140	
80-65-250/ 00554	132S	X	X	80	65	100	179	80	55	19	300	274	12	200	250	132	302	350	770	817,5	160	120	220	140	360	280	270	216	199	20	15	20	213	261	140	
80-65-250/ 00754	132M	-	X	80	65	100	179	80	59	19	300	298	12	200	250	132	302	350	770	817,5	160	120	240	178	360	280	270	216	199	20	15	20	213	261	140	
80-65-250/ 01104	160M	-	X	80	65	100	179	80	70	19	350	325	15	200	250	160	354	408	892	946	160	120	310	210	360	280	323	254	199	20	21	20	246	300	140	
80-65-315/ 00554	132S	X	-	80	65	125	209	80	55	19	300	274	12	225	280	132	302	350	795	842,5	160	120	220	140	400	315	270	216	229	20	15	20	213	261	140	
80-65-315/ 00754	132M	X	-	80	65	125	209	80	59	19	300	298	12	225	280	132	302	350	795	842,5	160	120	240	178	400	315	270	216	229	20	15	20	213	261	140	
80-65-315/ 01104	160M	X	X	80	65	125	209	80	70	19	350	325	15	225	280	160	354	408	917	971	160	120	310	210	400	315	323	254	229	20	21	20	246	300	140	
80-65-315/ 01504	160L	X	X	80	65	125	209	80	70	19	350	325	15	225	280	160	354	408	953	1007	160	120	314	254	400	315	323	254	229	20	21	20	246	300	140	
80-65-315/ 01854	180M	-	X	80	65	125	209	80	80	19	350	370	15	225	280	180	367	421	988	1042	160	120	343	241	400	315	368	279	229	20	23	-	246	300	140	
80-65-315/ 02204	180L	-	X	80	65	125	209	80	80	19	350	370	15	225	280	180	367	421	988	1042	160	120	358	279	400	315	368	279	229	20	23	-	246	300	140	
100-80-160/ 00154	90L	X	-	100	80	125	138	65	-	14	200	190	-	180	225	-	-	-	635	679	125	95	-	-	320	250	-	-	174	18	-	-	156	200	140	
100-80-160/ 00224	100L	X	-	100	80	125	138	65	-	14	250	213	-	180	225	-	-	-	685	729	125	95	-	-	320	250	-	-	174	18	-	-	170	214	140	
100-80-160/ 00304	100L	X	X	100	80	125	138	65	-	14	250	213	-	180	225	-	-	-	685	729	125	95	-	-	320	250	-	-	174	18	-	-	170	214	140	
100-80-160/ 00404	112M	-	X	100	80	125	138	65	-	14	250	235	-	180	225	-	-	-	667	711	125	95	-	-	320	250	-	-	174	18	-	-	170	214	140	
100-80-160/ 00554	132S	-	X	100	80	125	138	65	55	14	300	274	12	180	225	132	282	326	775	819	125	95	220	140	320	250	270	216	174	18	15	20	193	237	140	
100-80-200/ 00224	100L	X	-																																	

Pump	Size		Speed		DN ₁ 37)	DN ₂ 37)	a 37)	a1 37)	b ₁ 37)	b ₄ 37)	d ₁ 37)	d ₂	d ₃	d ₄	h ₁ 37)	h ₂ 37)	h ₄	i 38)	i 39)	l ₁ 38)	l ₁ 39)	m ₁ 37)	m ₂ 37)	m ₃	m ₄	n ₁ 37)	n ₂ 37)	n ₃	n ₄	p	s ₁ 37)	s ₂	u 40)	w 38)	w 39)	x 37)
	Motor (IEC)	1450	1750																																	
		[rpm]		[mm]																																
100-80-250/00404	112M	X	-	100	80	125	183	80	-	19	250	235	-	200	280	-	-	-	687	734,5	160	120	-	-	400	315	-	-	209	18	-	-	190	238	140	
100-80-250/00554	132S	X	-	100	80	125	183	80	55	19	300	274	12	200	280	132	302	350	795	842,5	160	120	220	140	400	315	270	216	209	18	15	20	213	261	140	
100-80-250/00754	132M	X	X	100	80	125	183	80	59	19	300	298	12	200	280	132	302	350	795	842,5	160	120	240	178	400	315	270	216	209	18	15	20	213	261	140	
100-80-250/01104	160M	X	X	100	80	125	183	80	70	19	350	325	15	200	280	160	354	408	917	971	160	120	310	210	400	315	323	254	209	18	21	20	246	300	140	
100-80-250/01504	160L	-	X	100	80	125	183	80	70	19	350	325	15	200	280	160	354	408	953	1007	160	120	314	254	400	315	323	254	209	18	21	20	246	300	140	
100-80-250/01854	180M	-	X	100	80	125	183	80	80	19	350	370	15	200	280	180	367	421	988	1042	160	120	343	241	400	315	368	279	209	18	23	-	246	300	140	
100-80-315/00754	132M	X	-	100	80	125	218	80	59	19	300	298	12	250	315	132	302	350	795	842,5	160	120	240	178	400	315	270	216	242	20	15	20	213	261	140	
100-80-315/01104	160M	X	-	100	80	125	218	80	70	19	350	325	15	250	315	160	354	408	917	971	160	120	310	210	400	315	323	254	242	20	21	20	246	300	140	
100-80-315/01504	160L	X	X	100	80	125	218	80	70	19	350	325	15	250	315	160	354	408	953	1007	160	120	314	254	400	315	323	254	242	20	21	20	246	300	140	
100-80-315/01854	180M	X	X	100	80	125	218	80	80	19	350	370	15	250	315	180	367	421	988	1042	160	120	343	241	400	315	368	279	242	20	23	-	246	300	140	
100-80-315/02204	180L	X	X	100	80	125	218	80	80	19	350	370	15	250	315	180	367	421	988	1042	160	120	358	279	400	315	368	279	242	20	23	-	246	300	140	
125-100-160/00304	100L	X	-	125	100	125	178	80	-	19	250	235	-	200	280	-	-	-	705	752,5	160	120	-	-	360	280	-	-	225	18	-	-	190	238	140	
125-100-160/00404	112M	X	-	125	100	125	178	80	-	19	250	235	-	200	280	-	-	-	687	734,5	160	120	-	-	360	280	-	-	225	18	-	-	190	238	140	
125-100-160/00554	132S	X	X	125	100	125	178	80	55	19	300	274	12	200	280	132	302	350	795	842,5	160	120	220	140	360	280	270	216	225	18	15	20	213	261	140	
125-100-160/00754	132M	-	X	125	100	125	178	80	59	19	300	298	12	200	280	132	302	350	795	842,5	160	120	240	178	360	280	270	216	225	18	15	20	213	261	140	
125-100-200/00404	112M	X	-	125	100	125	173	80	-	19	250	235	-	200	280	-	-	-	687	734,5	160	120	-	-	360	280	-	-	212	18	-	-	190	238	140	
125-100-200/00554	132S	X	-	125	100	125	173	80	55	19	300	274	12	200	280	132	302	350	795	842,5	160	120	220	140	360	280	270	216	212	18	15	20	213	261	140	
125-100-200/00754	132M	X	X	125	100	125	173	80	59	19	300	298	12	200	280	132	302	350	795	842,5	160	120	240	178	360	280	270	216	212	18	15	20	213	261	140	
125-100-200/01104	160M	X	X	125	100	125	173	80	70	19	350	325	15	200	280	160	354	408	917	971	160	120	310	210	360	280	323	254	212	18	21	20	246	300	140	
125-100-200/01504	160L	-	X	125	100	125	173	80	70	19	350	325	15	200	280	160	354	408	953	1007	160	120	314	254	360	280	323	254	212	18	21	20	246	300	140	
125-100-250/00754	132M	X	-	125	100	140	188	80	59	19	300	298	12	225	280	132	302	350	810	857,5	160	120	240	178	400	315	270	216	219	18	15	20	213	261	140	
125-100-250/01104	160M	X	X	125	100	140	188	80	70	19	350	325	15	225	280	160	354	408	932	986	160	120	310	210	400	315	323	254	219	18	21	20	246	300	140	
125-100-250/01504	160L	X	X	125	100	140	188	80	70	19	350	325	15	225	280	160	354	408	968	1022	160	120	314	254	400	315	323	254	219	18	21	20	246	300	140	
125-100-250/01854	180M	-	X	125	100	140	188	80	80	19	350	370	15	225	280	180	367	421	1003	1057	160	120	343	241	400	315	368	279	219	18	23	-	246	300	140	
125-100-250/02204	180L	-	X	125	100	140	188	80	80	19	350	370	15	225	280	180	367	421	1003	1057	160	120	358	279	400	315	368	279	219	18	23	-	246	300	140	
125-100-315/01504	160L	X	-	125	100	140	225	80	70	19	350	325	15	250	315	160	354	408	968	1022	160	120	314	254	400	315	323	254	255	18	21	20	246	300	140	
125-100-315/01854	180M	X	-	125	100	140	225	80	80	19	350	370	15	250	315	180	367	421	1003	1057	160	120	343	241	400	315	368	279	255	18	23	-	246	300	140	
125-100-315/02204	180L	X	-	125	100	140	225	80	80	19	350	370	15	250	315	180	367	421	1003	1057	160	120	358	279	400	315	368	279	255	18	23	-	246	300	140	
150-125-200/00754	132M	X	-	150	125	140	189	80	59	19	300	298	12	250	315	132	302	350	810	857,5	160	120	240	178	400	315	270	216	242	20	15	20	213	261	140	
150-125-200/01104	160M	X	X	150	125	140	189	80	70	19	350	325	15	250	315	160	354	408	932	986	160	120	310	210	400	315	323	254	242	20	21	20	246	300	140	
150-125-200/01504	160L	X	X	150	125	140	189	80	70	19	350	325	15	250	315	160	354	408	968	1022	160	120	314	254	400	315	323	254	242	20	21	20	246	300	140	
150-125-200/01854	180M	-	X	150	125	140	189	80	80	19	350	370	15	250	315	180	367	421	1003	1057	160	120	343	241	400	315	368	279	242	20	23	-	246	300	140	
150-125-200/02204	180L	-	X	150	125	140	189	80	80	19	350	370	15	250	315	180	367	421	1003	1057	160	120	358	279	400	315	368	279	242	20	23	-	246	300	140	
150-125-250/01104	160M	X	-	150	125	140	226	80	70	19	350	325	15	250	355	160	354	408	932	986	160	120	310	210	400	315	323	254	275	20	21	20	246	300	140	
150-125-250/01854	180M	X	X	150	125	140	226	80	80	19	350	370	15	250	355	180	367	421	1003	1057	160	120	343	241	400	315	368	279	275	20	23	-	246	300	140	
150-125-250/02204	180L	-	X	150	125	140	226	80	80	19	350	370	15	250	355	180	367	421	1003	1057	160	120	358	279	400	315	368	279	275	20	23	-	246	300	140	
200-150-200/00754	132M	X	-	200	150	160	240	100	59	24	300	298	12	280	400	132	302	350	830	877,5	200	150	240	178	550	450	270	216	316	20	15	20	213	261	140	
200-150-200/01104	160M	X	-	200	150	160	240	100	70	24	350	325	15	280	400	160	354	408	952	1006	200	150	310	210	550	450	323	254	316	20	21	20	246	300	140	
200-150-200/01504	160L	X	X	200	150	160	240	100	70	24	350	325	15	280	400	160	354	408	988	1042	200	150	314	254	550	450	323	254	316	20	21	20	246	300	140	
200-150-200/01854	180M	-	X	200	150	160	240	100	80	24	350	370	15	280	400	180	367	421	1023																	

Size		Speed		DN ₁	DN ₂	a	a1	b ₁	b ₄	d ₁	d ₂	d ₃	d ₄	h ₁	h ₂	h ₄	i	i	l ₁	l ₁	m ₁	m ₂	m ₃	m ₄	n ₁	n ₂	n ₃	n ₄	p	s ₁	s ₂	u	w	w	x		
Pump	Motor (IEC)	1450	1750	37)	37)	37)	37)	37)	37)	37)	37)	37)	37)	37)	37)	37)	38)	39)	38)	39)	37)	37)	37)	37)	37)	37)	37)	37)	37)	37)	37)	37)	37)	37)	37)	37)	
		[rpm]		[mm]																																	
200-150-250/ 01854	180M	x	-	200	150	160	230	100	80	24	350	370	15	280	400	180	367	421	1023	1077	200	150	343	241	500	400	368	279	300	20	23	-	246	300	140		
200-150-250/ 02204	180L	x	x	200	150	160	230	100	80	24	350	370	15	280	400	180	367	421	1023	1077	200	150	358	279	500	400	368	279	300	20	23	-	246	300	140		

37) Dimensions to EN 733
 38) Dimension with single mechanical seal (A, IA, EA, FA)
 39) Dimension with double mechanical seal (DB, TI)
 40) Motor feet must be shimmed.



Etabloc G/GB/GC/B/C/S/SB/SC, 30 kW to 110 kW


Pump set with volute casing foot and motor foot (motor sizes 200 to 250, 4-pole)

 Dimensions Etabloc G/GB/GC/B/C/S/SB/SC, 30 kW to 110 kW, n = 1450 rpm, n = 1750 rpm (regions A, C)⁴¹⁾
 Values a₁, b₁, b₄, d₃, l₁, m₁, m₃, n₃ and p may vary slightly for production-related reasons.

Size		Speed		DN ₁ 42)	DN ₂ 42)	a 42)	a ₁	b ₁ 42)	b ₄	d ₁ 42)	d ₂	d ₃	d ₄	h ₁ 42)	h ₂ 42)	h ₄	i 43)	i 44)	l ₁ 43)	l ₁ 44)	m ₁ 42)	m ₂ 42)	m ₃	m ₄	n ₁ 42)	n ₂ 42)	n ₃	n ₄	p	s ₁ 42)	s ₂	w 43)	w 44)	x 42)			
		1450	1750																																		
Pump	Motor (IEC)	[rpm]		[mm]																																	
100-80-315/ 03004	200L	-	×	100	80	125	218	80	85	19	400	422	19	250	315	200	379	437	1040	1098	160	120	388	305	400	315	404	318	242	20	30	246	304	140			
100-80-315/ 03704	225S	-	×	100	80	125	218	80	100	19	450	460	19	250	315	225	426	483	1097	1154	160	120	412	286	400	315	458	356	242	20	35	277	334	140			
100-80-400/ 03004	200L	×	×	100	80	125	257	80	85	19	400	422	19	280	355	200	379	437	1040	1098	160	120	388	305	435	355	404	318	280	20	30	246	304	140			
100-80-400/ 03704	225S	×	×	100	80	125	257	80	100	19	450	460	19	280	355	225	426	483	1097	1154	160	120	412	286	435	355	458	356	280	20	35	277	334	140			
100-80-400/ 04504	225M	-	×	100	80	125	257	80	100	19	450	468	19	280	355	225	426	483	1145	1202	160	120	412	311	435	355	458	356	280	20	35	277	334	140			
100-80-400/ 05504	250M	-	×	100	80	125	257	80	100	19	550	520	24	280	355	250	457	502	1231	1276	160	120	467	349	435	355	531	406	280	20	40	289	334	140			

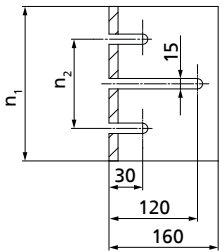
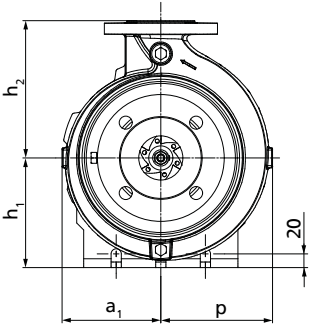
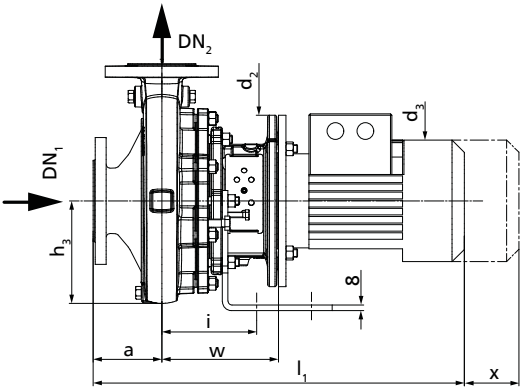
41) Tolerances of mating dimensions to EN 735
 42) Dimensions to EN 733
 43) Dimension with single mechanical seal (A, IA, EA, FA)
 44) Dimension with double mechanical seal (DB, TI)

Size		Speed		DN ₁ 42)	DN ₂ 42)	a 42)	a ₁	b ₁ 42)	b ₄	d ₁ 42)	d ₂	d ₃	d ₄	h ₁ 42)	h ₂ 42)	h ₄	i 43)	i 44)	l ₁ 43)	l ₁ 44)	m ₁ 42)	m ₂ 42)	m ₃	m ₄	n ₁ 42)	n ₂ 42)	n ₃	n ₄	p	s ₁ 42)	s ₂	W 43)	W 44)	x 42)			
		1450	1750																																		
Pump	Motor (IEC)	[rpm]		[mm]																																	
125-100-315/ 03004	200L	X	X	125	100	140	225	80	85	19	400	422	19	250	315	200	379	437	1055	1113	160	120	388	305	400	315	404	318	255	18	30	246	304	140			
125-100-315/ 03704	225S	-	X	125	100	140	225	80	100	19	450	460	19	250	315	225	426	483	1112	1169	160	120	412	286	400	315	458	356	255	18	35	277	334	140			
125-100-315/ 04504	225M	-	X	125	100	140	225	80	100	19	450	468	19	250	315	225	426	483	1160	1217	160	120	412	311	400	315	458	356	255	18	35	277	334	140			
125-100-400/ 03004	200L	X	-	125	100	140	255	100	85	24	400	422	19	280	355	200	379	437	1055	1113	200	150	388	305	500	400	404	318	283	20	30	246	304	140			
125-100-400/ 03704	225S	X	X	125	100	140	255	100	100	24	450	460	19	280	355	225	426	483	1112	1169	200	150	412	286	500	400	458	356	283	20	35	277	334	140			
125-100-400/ 04504	225M	X	X	125	100	140	255	100	100	24	450	468	19	280	355	225	426	483	1160	1217	200	150	412	311	500	400	458	356	283	20	35	277	334	140			
125-100-400/ 05504	250M	-	X	125	100	140	255	100	100	24	550	520	24	280	355	250	457	502	1246	1291	200	150	467	349	500	400	531	406	283	20	40	289	334	140			
125-100-400/ 07504 ⁴⁵⁾	280S	-	X	125	100	140	255	100	100	24	550	580	24	280	355	280	479	524	1354	1399	200	150	517	368	500	400	585	457	283	20	40	289	334	140			
150-125-250/ 03004	200L	-	X	150	125	140	226	80	85	19	400	422	19	250	355	200	379	437	1055	1113	160	120	388	305	400	315	404	318	275	20	30	246	304	140			
150-125-315/ 03004	200L	X	X	150	125	140	243	100	85	24	400	422	19	280	355	200	379	437	1055	1113	200	150	388	305	500	400	404	318	280	20	30	246	304	140			
150-125-315/ 03704	225S	X	X	150	125	140	243	100	100	24	450	460	19	280	355	225	426	483	1112	1169	200	150	412	286	500	400	458	356	280	20	35	277	334	140			
150-125-315/ 04504	225M	-	X	150	125	140	243	100	100	24	450	468	19	280	355	225	426	483	1160	1217	200	150	412	311	500	400	458	356	280	20	35	277	334	140			
150-125-315/ 05504	250M	-	X	150	125	140	243	100	100	24	550	520	24	280	355	250	457	502	1246	1291	200	150	467	349	500	400	531	406	280	20	40	289	334	140			
150-125-400/ 03004	200L	X	-	150	125	140	277	100	85	24	400	422	19	315	400	200	379	437	1055	1113	200	150	388	305	500	400	404	318	309	20	30	246	304	140			
150-125-400/ 03704	225S	X	-	150	125	140	277	100	100	24	450	460	19	315	400	225	426	483	1112	1169	200	150	412	286	500	400	458	356	309	20	35	277	334	140			
150-125-400/ 04504	225M	X	-	150	125	140	277	100	100	24	450	468	19	315	400	225	426	483	1160	1217	200	150	412	311	500	400	458	356	309	20	35	277	334	140			
150-125-400/ 05504	250M	X	-	150	125	140	277	100	100	24	550	520	24	315	400	250	457	502	1246	1291	200	150	467	349	500	400	531	406	309	20	40	289	334	140			
150-125-400/ 07504 ⁴⁵⁾	280S	X	X	150	125	140	277	100	100	24	550	580	24	315	400	280	479	524	1354	1399	200	150	517	368	500	400	585	457	309	20	40	289	334	140			
150-125-400/ 09004 ⁴⁵⁾	280M	-	X	150	125	140	277	100	100	24	550	580	24	315	400	280	479	524	1409	1454	200	150	530	419	500	400	585	457	309	20	40	289	334	140			
150-125-400/ 11004 ⁴⁵⁾	315S	-	X	150	125	140	277	100	132	24	650	664	28	315	400	315	595	595	1569	1569	200	150	621	406	500	400	662	508	309	20	50	379	379	140			
200-150-200/ 03004	200L	-	X	200	150	160	240	100	85	24	400	422	19	280	400	200	379	437	1075	1133	200	150	388	305	550	450	404	318	316	20	30	246	304	140			
200-150-250/ 03004	200L	X	X	200	150	160	230	100	85	24	400	422	19	280	400	200	379	437	1075	1133	200	150	388	305	500	400	404	318	300	20	30	246	304	140			
200-150-250/ 03704	225S	-	X	200	150	160	230	100	100	24	450	460	19	280	400	225	426	483	1132	1189	200	150	412	286	500	400	458	356	300	20	35	277	334	140			
200-150-250/ 04504	225M	-	X	200	150	160	230	100	100	24	450	468	19	280	400	225	426	483	1180	1237	200	150	412	311	500	400	458	356	300	20	35	277	334	140			
200-150-315/ 03004	200L	X	-	200	150	160	255	100	85	24	400	422	19	280	400	200	379	437	1075	1133	200	150	388	305	550	450	404	318	304	20	30	246	304	140			
200-150-315/ 03704	225S	X	X	200	150	160	255	100	100	24	450	460	19	280	400	225	426	483	1132	1189	200	150	412	286	550	450	458	356	304	20	35	277	334	140			
200-150-315/ 04504	225M	X	X	200	150	160	255	100	100	24	450	468	19	280	400	225	426	483	1180	1237	200	150	412	311	550	450	458	356	304	20	35	277	334	140			
200-150-315/ 05504	250M	X	X	200	150	160	255	100	100	24	550	520	24	280	400	250	457	502	1266	1311	200	150	467	349	550	450	531	406	304	20	40	289	334	140			
200-150-315/ 07504 ⁴⁵⁾	280S	-	X	200	150	160	255	100	100	24	550	580	24	280	400	280	479	524	1374	1419	200	150	517	368	550	450	585	457	304	20	40	289	334	140			
200-150-400/ 04504	225M	X	-	200	150	160	289	100	100	24	450	468	19	315	450	225	426	483	1180	1237	200	150	412	311	550	450	458	356	331	20	35	277	334	140			
200-150-400/ 05504	250M	X	-	200	150	160	289	100	100	24	550	520	24	315	450	250	457	502	1266	1311	200	150	467	349	550	450	531	406	331	20	40	289	334	140			
200-150-400/ 07504 ⁴⁵⁾	280S	X	X	200	150	160	289	100	100	24	550	580	24	315	450	280	479	524	1374	1419	200	150	517	368	550	450	585	457	331	20	40	289	334	140			
200-150-400/ 09004 ⁴⁵⁾	280M	X	X	200	150	160	289	100	100	24	550	580	24	315	450	280	479	524	1429	1474	200	150	530	419	550	450	585	457	331	20	40	289	334	140			
200-150-400/ 11004 ⁴⁵⁾	315S	-	X	200	150	160	289	100	132	24	650	664	28	315	450	315	595	595	1589	1589	200	150	621	406	550	450	662	508	331	20	50	379	379	140			

42) Dimensions to EN 733
 43) Dimension with single mechanical seal (A, IA, EA, FA)
 44) Dimension with double mechanical seal (DB, TI)
 45) Available for region A only

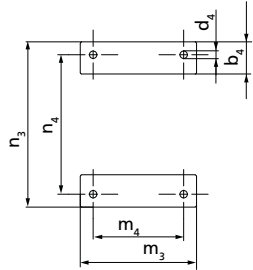
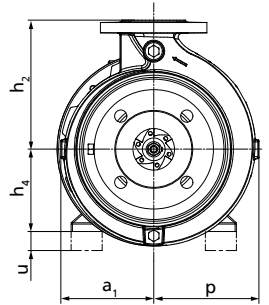
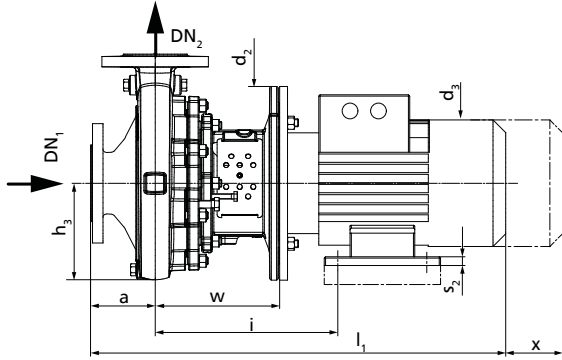
$n = 960 \text{ rpm}, n = 1160 \text{ rpm} - \text{region A}$

Etabloc G/ GB/ GC, $\leq 22 \text{ kW}$



Dimensions [mm]

Pump set with support foot (up to motor size 112)



Pump set with motor foot (motor sizes 132 to 180)

Dimensions Etabloc G/GB/GC, ≤ 22 kW, n = 960 rpm, n = 1160 rpm (region A) ⁴⁶⁾
 Values a₁, b₄, d₃, l₁, m₃, n₃ and p may vary slightly for production-related reasons.

Pump	Size		Speed		DN ₁ 47)	DN ₂ 17)	a 17)	a ₁	b ₄	d ₂	d ₃	d ₄	h ₁	h ₂ 17)	h ₃	h ₄	i 48)	i 19)	l ₁ 18)	l ₁ 49)	m ₃	m ₄	n ₁	n ₂	n ₃	n ₄	p	s ₂	u 50)	w 18)	w 19)	x 17)																											
	Motor (IEC)	960	1160	[mm]																																																							
				[rpm]																																																							
40-25-160/ 00036	80M	X	X	40	25	80	118	-	200	162	-	160	160	107	-	118	-	491	-	-	-	225	130	-	-	118	-	-	156	-	100																												
40-25-160/ 00076	90S	X	X	40	25	80	118	-	200	190	-	160	160	107	-	118	118	518	562	-	-	225	130	-	-	118	-	-	156	200	100																												
40-25-200/ 00036	80M	X	X	40	25	80	142	-	200	162	-	160	180	137	-	118	-	491	-	-	-	225	130	-	-	142	-	-	156	-	100																												
40-25-200/ 00076	90S	X	X	40	25	80	142	-	200	190	-	160	180	137	-	118	118	518	562	-	-	225	130	-	-	142	-	-	156	200	100																												
50-32-125.1/ 00036	80M	X	X	50	32	80	116	-	200	162	-	160	140	100	-	118	-	491	-	-	-	225	130	-	-	116	-	-	156	-	100																												
50-32-125.1/ 00076	90S	X	X	50	32	80	116	-	200	190	-	160	140	100	-	118	118	518	562	-	-	225	130	-	-	116	-	-	156	200	100																												
50-32-160.1/ 00036	80M	X	X	50	32	80	116	-	200	162	-	160	160	111	-	118	-	491	-	-	-	225	130	-	-	121	-	-	156	-	100																												
50-32-160.1/ 00076	90S	X	X	50	32	80	116	-	200	190	-	160	160	111	-	118	118	518	562	-	-	225	130	-	-	121	-	-	156	200	100																												
50-32-200.1/ 00036	80M	X	X	50	32	80	142	-	200	162	-	160	180	136	-	118	-	491	-	-	-	225	130	-	-	142	-	-	156	-	100																												
50-32-200.1/ 00076	90S	X	X	50	32	80	142	-	200	190	-	160	180	136	-	118	118	518	562	-	-	225	130	-	-	142	-	-	156	200	100																												
50-32-250.1/ 00036	80M	X	X	50	32	100	168	-	200	162	-	160	225	166	-	118	-	511	-	-	-	225	130	-	-	168	-	-	156	-	100																												
50-32-250.1/ 00056	80M	X	X	50	32	100	168	-	200	162	-	160	225	166	-	118	-	511	-	-	-	225	130	-	-	168	-	-	156	-	100																												
50-32-250.1/ 00076	90S	X	X	50	32	100	168	-	200	190	-	160	225	166	-	118	118	538	562	-	-	225	130	-	-	168	-	-	156	200	100																												
50-32-125/ 00036	80M	X	X	50	32	80	115	-	200	162	-	160	140	100	-	118	-	491	-	-	-	225	130	-	-	115	-	-	156	-	100																												
50-32-125/ 00076	90S	X	X	50	32	80	115	-	200	190	-	160	140	100	-	118	118	518	562	-	-	225	130	-	-	115	-	-	156	200	100																												
50-32-160/ 00036	80M	X	X	50	32	80	118	-	200	162	-	160	160	115	-	118	-	491	-	-	-	225	130	-	-	128	-	-	156	-	100																												
50-32-160/ 00076	90S	X	X	50	32	80	118	-	200	190	-	160	160	115	-	118	118	518	562	-	-	225	130	-	-	128	-	-	156	200	100																												
50-32-200/ 00036	80M	X	X	50	32	80	142	-	200	162	-	160	180	137	-	118	-	491	-	-	-	225	130	-	-	143	-	-	156	-	100																												
50-32-200/ 00056	80M	X	X	50	32	80	142	-	200	162	-	160	180	137	-	118	-	491	-	-	-	225	130	-	-	143	-	-	156	-	100																												
50-32-200/ 00076	90S	X	X	50	32	80	142	-	200	190	-	160	180	137	-	118	118	518	562	-	-	225	130	-	-	143	-	-	156	200	100																												
50-32-250/ 00036	80M	X	X	50	32	100	169	-	200	162	-	160	225	166	-	118	-	511	-	-	-	225	130	-	-	178	-	-	156	-	100																												
50-32-250/ 00056	80M	X	X	50	32	100	169	-	200	162	-	160	225	166	-	118	-	511	-	-	-	225	130	-	-	178	-	-	156	-	100																												
50-32-250/ 00076	90S	X	X	50	32	100	169	-	200	190	-	160	225	166	-	118	118	538	562	-	-	225	130	-	-	178	-	-	156	200	100																												
50-32-250/ 00076	90L	-	X	50	32	100	169	-	200	190	-	160	225	166	-	118	118	564	562	-	-	225	130	-	-	178	-	-	156	200	100																												
65-40-125/ 00036	80M	X	X	65	40	80	117	-	200	162	-	160	140	107	-	118	-	491	-	-	-	225	130	-	-	117	-	-	156	-	100																												
65-40-125/ 00076	90S	X	X	65	40	80	117	-	200	190	-	160	140	107	-	118	118	518	562	-	-	225	130	-	-	117	-	-	156	200	100																												
65-40-160/ 00036	80M	X	X	65	40	80	119	-	200	162	-	160	160	119	-	118	-	491	-	-	-	225	130	-	-	134	-	-	156	-	100																												
65-40-160/ 00056	80M	X	X	65	40	80	119	-	200	162	-	160	160	119	-	118	-	491	-	-	-	225	130	-	-	134	-	-	156	-	100																												
65-40-160/ 00076	90S	X	X	65	40	80	119	-	200	190	-	160	160	119	-	118	118	518	562	-	-	225	130	-	-	134	-	-	156	200	100																												
65-40-200/ 00036	80M	X	X	65	40	100	142	-	200	162	-	160	180	141	-	118	-	511	-	-	-	225	130	-	-	155	-	-	156	-	100																												
65-40-200/ 00056	80M	X	X	65	40	100	142	-	200	162	-	160	180	141	-	118	-	511	-	-	-	225	130	-	-	155	-	-	156	-	100																												
65-40-200/ 00076	90S	X	X	65	40	100	142	-	200	190	-	160	180	141	-	118	118	538	582	-	-	225	130	-	-	155	-	-	156	200	100																												
65-40-250/ 00036	80M	X	-	65	40	100	169	-	200	162	-	160	225	166	-	118	-	511	-	-	-	225	130	-	-	179	-	-	156	-	100																												
65-40-250/ 00056	80M	X	X	65	40	100	169	-	200	162	-	160	225	166	-	118	-	511	-	-	-	225	130	-	-	179	-	-	156	-	100																												
65-40-250/ 00076	90S	X	X	65	40	100	169	-	200	190	-	160	225	166	-	118	118	538	582	-	-	225	130	-	-	179	-	-	156	200	100																												
65-40-250/ 00116	90L	X	X	65	40	100	169	-	200	190	-	160	225	166	-	118	118	564	608	-	-	225	130	-	-	179	-	-	156	200	100																												
65-40-250/ 00156	100L	-	X	65	40	100	169	-	250	213	-	160	225	166	-	118	118	652	696	-	-	225	130	-	-	179	-	-	170	214	100																												
65-40-315/ 00156	100L	X	X	65	40	125	207	-	250	213	-	180	250	204	-	142	142	697	745	-	-	260	180	-	-	207	-	-	190	238	100																												
65-40-315/ 00226	112M	X	X	65	40	125	207	-	250	234	-	180	250	204	-	142	142	686	734	-	-	260	180	-	-	207	-	-	190	238	100																												

⁴⁶⁾ Tolerances of mating dimensions to EN 735
⁴⁷⁾ Dimensions to EN 733

Pump	Size		Speed		DN ₁ 47)	DN ₂ 17)	a 17)	a ₁	b ₄	d ₂	d ₃	d ₄	h ₁	h ₂ 17)	h ₃	h ₄	i 48)	i 19)	l ₁ 18)	l ₁ 49)	m ₃	m ₄	n ₁	n ₂	n ₃	n ₄	p	s ₂	u 50)	w 18)	w 19)	x 17)																											
	Motor (IEC)	960	1160	[mm]																																																							
				[rpm]																																																							
65-40-315/ 00306	132S	-	X	65	40	125	207	55	300	266	12	-	250	204	132	302	350	751	799	220	140	-	-	270	216	207	15	20	213	261	100																												
65-50-125/ 00036	80M	X	X	65	50	100	117	-	200	162	-	160	160	112	-	118	-	511	-	-	-	225	130	-	-	130	-	-	156	-	100																												
65-50-125/ 00076	90S	X	X	65	50	100	117	-	200	190	-	160	160	112	-	118	118	538	582	-	-	225	130	-	-	130	-	-	156	200	100																												
65-50-160/ 00036	80M	X	X	65	50	100	128	-	200	162	-	160	180	133	-	118	-	511	-	-	-	225	130	-	-	149	-	-	156	-	100																												
65-50-160/ 00056	80M	X	X	65	50	100	128	-	200	162	-	160	180	133	-	118	-	511	-	-	-	225	130	-	-	149	-	-	156	-	100																												
65-50-160/ 00076	90S	X	X	65	50	100	128	-	200	190	-	160	180	133	-	118	118	538	582	-	-	225	130	-	-	149	-	-	156	200	100																												
65-50-200/ 00036	80M	X	-	65	50	100	144	-	200	162	-	160	200	150	-	118	-	511	-	-	-	225	130	-	-	163	-	-	156	-	100																												
65-50-200/ 00056	80M	X	X	65	50	100	144	-	200	162	-	160	200	150	-	118	-	511	-	-	-	225	130	-	-	163	-	-	156	-	100																												
65-50-200/ 00076	90S	X	X	65	50	100	144	-	200	190	-	160	200	150	-	118	118	538	582	-	-	225	130	-	-	163	-	-	156	200	100																												
65-50-200/ 00116	90L	X	X	65	50	100	144	-	200	190	-	160	200	150	-	118	118	564	608	-	-	225	130	-	-	163	-	-	156	200	100																												
65-50-200/ 00156	100L	-	X	65	50	100	144	-	250	213	-	160	200	150	-	118	118	652	696	-	-	225	130	-	-	163	-	-	170	214	100																												
65-50-250/ 00056	80M	X	-	65	50	100	170	-	200	162	-	160	225	172	-	118	-	511	-	-	-	225	130	-	-	186	-	-	156	-	100																												
65-50-250/ 00076	90S	X	-	65	50	100	170	-	200	190	-	160	225	172	-	118	118	538	582	-	-	225	130	-	-	186	-	-	156	200	100																												
65-50-250/ 00116	90L	X	X	65	50	100	170	-	200	190	-	160	225	172	-	118	118	564	608	-	-	225	130	-	-	186	-	-	156	200	100																												
65-50-250/ 00156	100L	-	X	65	50	100	170	-	250	213	-	160	225	172	-	118	118	652	696	-	-	225	130	-	-	186	-	-	170	214	100																												
65-50-250/ 00226	112M	-	X	65	50	100	170	-	250	234	-	160	225	172	-	118	118	641	685	-	-	225	130	-	-	186	-	-	170	214	100																												
65-50-315/ 00156	100L	X	-	65	50	125	207	-	250	213	-	180	280	203	-	142	142	697	745	-	-	260	180	-	-	215	-	-	190	238	100																												
65-50-315/ 00226	112M	X	X	65	50	125	207	-	250	234	-	180	280	203	-	142	142	686	734	-	-	260	180	-	-	215	-	-	190	238	100																												
65-50-315/ 00306	132S	X	X	65	50	125	207	55	300	266	12	-	280	203	132	302	350	751	799	220	140	-	-	270	216	215	15	20	213	261	100																												
65-50-315/ 00406	132M	-	X	65	50	125	207	59	300	298	12	-	280	203	132	302	350	779	827	240	178	-	-	270	216	215	15	20	213	261	100																												
80-65-125/ 00036	80M	X	X	80	65	100	117	-	200	162	-	160	180	127	-	118	-	511	-	-	-	225	130	-	-	150	-	-	156	-	100																												
80-65-125/ 00056	80M	X	X	80	65	100	117	-	200	162	-	160	180	127	-	118	-	511	-	-	-	225	130	-	-	150	-	-	156	-	100																												
80-65-125/ 00076	90S	X	X	80	65	100	117	-	200	190	-	160	180	127	-	118	118	538	582	-	-	225	130	-	-	150	-	-	156	200	100																												
80-65-160/ 00036	80M	X	X	80	65	100	132	-	200	162	-	160	200	140	-	118	-	511	-	-	-	225	130	-	-	160	-	-	156	-	100																												
80-65-160/ 00056	80M	X	X	80	65	100	132	-	200	162	-	160	200	140	-	118	-	511	-	-	-	225	130	-	-	160	-	-	156	-	100																												
80-65-160/ 00076	90S	X	X	80	65	100	132	-	200	190	-	160	200	140	-	118	118	538	582	-	-	225	130	-	-	160	-	-	156	200	100																												
80-65-160/ 00116	90L	-	X	80	65	100	132	-	200	190	-	160	200	140	-	118	118	564	608	-	-	225	130	-	-	160	-	-	156	200	100																												
80-65-200/ 00056	80M	X	-	80	65	100	155	-	200	162	-	160	225	161	-	118	-	511	-	-	-	225	130	-	-	178	-	-	156	-	140																												
80-65-200/ 00076	90S	X	-	80	65	100	155	-	200	190	-	160	225	161	-	118	118	538	582	-	-	225	130	-	-	178	-	-	156	200	140																												
80-65-200/ 00116	90L	X	X	80	65	100	155	-	200	190	-	160	225	161	-	118	118	564	608	-	-	225	130	-	-	178	-	-	156	200	140																												
80-65-200/ 00156	100L	-	X	80	65	100	155	-	250	213	-	160	225	161	-	118	118	652	696	-	-	225	130	-	-	178	-	-	170	214	140																												
80-65-200/ 00226	112M	-	X	80	65	100	155	-	250	234	-	160	225	161	-	118	118	641	685	-	-	225	130	-	-	178	-	-	170	214	140																												
80-65-250/ 00156	100L	X	X	80	65	100	179	-	250	213	-	180	250	185	-	142	142	672	720	-	-	260	180	-	-	199	-	-	190	238	140																												
80-65-250/ 00226	112M	X	X	80	65	100	179	-	250	234	-	180	250	185	-	142	142	661	709	-	-	260	180	-	-	199	-	-	190	238	140																												
80-65-250/ 00306	132S	-	X	80	65	100	179	55	300	266	12	-	250	185	132	302	350	726	774	220	140	-	-	270	216	199	15	20	213	261	140																												
80-65-315/ 00226	112M	X	X	80	65	125	209	-	250	234	-	180	280	213	-	142	142	686	734	-	-	260	180	-	-	229	-	-	190	238	140																												
80-65-315/ 00306	132S	X	X	80	65	125	209	55	300	266	12	-	280	213	132	302	350	751	799	220	140	-	-	270	216	229	15	20	213	261	140																												
80-65-315/ 00406	132M	X	X	80	65	125	209	59	300	298	12	-	280	213	132	302	350	779	827	240	178	-	-	270	216	229	15	20	213	261	140																												
80-65-315/ 00556	132M	-	X	80	65	125	209	59	300	298	12	-	280	213	132	302	350	779	827	240	178	-	-	270	216	229	15	20	213	261	140																												

47) Dimensions to EN 733
 48) Dimension with single mechanical seal (A, IA, EA, FA)
 49) Dimension with double mechanical seal (DB, TI)
 50) Motor feet must be shimmed.

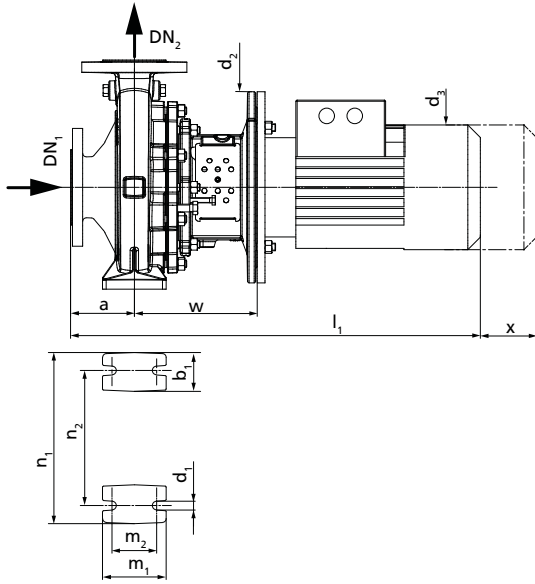
Pump	Size		Speed		DN ₁ 47)	DN ₂ 17)	a 17)	a ₁	b ₄	d ₂	d ₃	d ₄	h ₁	h ₂ 17)	h ₃	h ₄	i 48)	i 19)	l ₁ 18)	l ₁ 49)	m ₃	m ₄	n ₁	n ₂	n ₃	n ₄	p	s ₂	u 50)	w 18)	w 19)	x 17)																											
	Motor (IEC)	960	1160	[mm]																																																							
				[rpm]																																																							
100-80-160/ 00056	160M	X	-	100	80	125	138	-	200	162	-	160	225	153	-	118	-	536	-	-	-	225	130	-	-	174	-	-	156	-	140																												
100-80-160/ 00076	160L	X	X	100	80	125	138	-	200	190	-	160	225	153	-	118	118	563	607	-	-	225	130	-	-	174	-	-	156	200	140																												
100-80-160/ 00116	180M	X	X	100	80	125	138	-	200	190	-	160	225	153	-	118	118	589	633	-	-	225	130	-	-	174	-	-	156	200	140																												
100-80-160/ 00156	180M	-	X	100	80	125	138	-	250	213	-	160	225	153	-	118	118	677	721	-	-	225	130	-	-	174	-	-	170	214	140																												
100-80-200/ 00156	100L	X	X	100	80	125	159	-	250	213	-	180	250	170	-	142	142	697	745	-	-	260	180	-	-	188	-	-	190	238	140																												
100-80-200/ 00226	112M	X	X	100	80	125	159	-	250	234	-	180	250	170	-	142	142	686	734	-	-	260	180	-	-	188	-	-	190	238	140																												
100-80-200/ 00306	132S	X	X	100	80	125	159	55	300	266	12	-	250	170	132	302	350	751	799	220	140	-	-	270	216	188	15	20	213	261	140																												
100-80-250/ 00156	100L	X	-	100	80	125	183	-	250	213	-	180	280	192	-	142	142	697	745	-	-	260	180	-	-	209	-	-	190	238	140																												
100-80-250/ 00226	112M	X	-	100	80	125	183	-	250	234	-	180	280	192	-	142	142	686	734	-	-	260	180	-	-	209	-	-	190	238	140																												
100-80-250/ 00306	132S	X	X	100	80	125	183	55	300	266	12	-	280	192	132	302	350	751	799	220	140	-	-	270	216	209	15	20	213	261	140																												
100-80-250/ 00406	132M	X	X	100	80	125	183	59	300	298	12	-	280	192	132	302	350	779	827	240	178	-	-	270	216	209	15	20	213	261	140																												
100-80-250/ 00556	132M	-	X	100	80	125	183	59	300	298	12	-	280	192	132	302	350	779	827	240	178	-	-	270	216	209	15	20	213	261	140																												
100-80-315/ 00306	132S	X	-	100	80	125	218	55	300	266	12	-	315	227	132	302	350	751	799	220	140	-	-	270	216	242	15	20	213	261	140																												
100-80-315/ 00406	132M	X	X	100	80	125	218	59	300	298	12	-	315	227	132	302	350	779	827	240	178	-	-	270	216	242	15	20	213	261	140																												
100-80-315/ 00556	132M	X	X	100	80	125	218	59	300	298	12	-	315	227	132	302	350	779	827	240	178	-	-	270	216	242	15	20	213	261	140																												
100-80-315/ 00756	160M	X	X	100	80	125	218	70	350	325	15	-	315	227	160	354	408	917	971	300	210	-	-	320	254	242	21	20	246	300	140																												
100-80-315/ 01106	160L	-	X	100	80	125	218	70	350	325	15	-	315	227	160	354	408	923	977	314	254	-	-	320	254	242	21	20	246	300	140																												
125-100-160/ 00156	100L	X	X	125	100	125	178	-	250	213	-	180	280	199	-	142	142	697	745	-	-	260	180	-	-	225	-	-	190	238	140																												
125-100-160/ 00226	112M	-	X	125	100	125	178	-	250	234	-	180	280	199	-	142	142	686	734	-	-	260	180	-	-	225	-	-	190	238	140																												
125-100-200/ 00156	100L	X	X	125	100	125	173	-	250	213	-	180	280	189	-	142	142	697	745	-	-	260	180	-	-	212	-	-	190	238	140																												
125-100-200/ 00226	112M	X	X	125	100	125	173	-	250	234	-	180	280	189	-	142	142	686	734	-	-	260	180	-	-	212	-	-	190	238	140																												
125-100-200/ 00306	132S	-	X	125	100	125	173	55	300	266	12	-	280	189	132	302	350	751	799	220	140	-	-	270	216	212	15	20	213	261	140																												
125-100-200/ 00406	132M	-	X	125	100	125	173	59	300	298	12	-	280	189	132	302	350	779	827	240	178	-	-	270	216	212	15	20	213	261	140																												
125-100-250/ 00226	112M	X	-	125	100	140	188	-	250	234	-	180	280	200	-	142	142	701	749	-	-	260	180	-	-	219	-	-	190	238	140																												
125-100-250/ 00306	132S	X	X	125	100	140	188	55	300	266	12	-	280	200	132	302	350	766	814	220	140	-	-	270	216	219	15	20	213	261	140																												
125-100-250/ 00406	132M	X	X	125	100	140	188	59	300	298	12	-	280	200	132	302	350	794	842	240	178	-	-	270	216	219	15	20	213	261	140																												
125-100-250/ 00556	132M	-	X	125	100	140	188	59	300	298	12	-	280	200	132	302	350	794	842	240	178	-	-	270	216	219	15	20	213	261	140																												
125-100-250/ 00756	160M	-	X	125	100	140	188	70	350	325	15	-	280	200	160	354	408	932	966	300	210	-	-	320	254	219	21	20	246	300	140																												
125-100-315/ 00406	132M	X	-	125	100	140	225	59	300	298	12	-	315	237	132	302	350	794	842	240	178	-	-	270	216	255	15	20	213	261	140																												
125-100-315/ 00556	132M	X	-	125	100	140	225	59	300	298	12	-	315	237	132	302	350	794	842	240	178	-	-	270	216	255	15	20	213	261	140																												
125-100-315/ 00756	160M	X	X	125	100	140	225	70	350	325	15	-	315	237	160	354	408	932	986	300	210	-	-	320	254	255	21	20	246	300	140																												
125-100-315/ 01106	160L	X	X	125	100	140	225	70	350	325	15	-	315	237	160	354	408	938	992	314	254	-	-	320	254	255	21	20	246	300	140																												
150-125-200/ 00226	112M	X	-	150	125	140	189	-	250	234	-	180	315	212	-	142	142	701	749	-	-	260	180	-	-	242	-	-	190	238	140																												
150-125-200/ 00306	132S	X	X	150	125	140	189	55	300	266	12	-	315	212	132	302	350	766	814	220	140	-	-	270	216	242	15	20	213	261	140																												
150-125-200/ 00406	132M	-	X	150	125	140	189	59	300	298	12	-	315	212	132	302	350	794	842	240	178	-	-	270	216	242	15	20	213	261	140																												
150-125-200/ 00556	132M	-	X	150	125	140	189	59	300	298	12	-	315	212	132	302	350	794	842	240	178	-	-	270	216	242	15	20	213	261	140																												
150-125-250/ 00306	132S	X	-	150	125	140	226	55	300	266	12	-	355	248	132	302	350	766	814	220	140	-	-	270	216	275	15	20	213	261	140																												
150-125-250/ 00406	132M	X	X	150	125	140	226	59	300	298	12	-	355	248	132	302	350	794	842	240	178	-	-	270	216	275	15	20	213	261	140																												
150-125-250/ 00556	132M	X	X	150	125	140	226	59	300	298	12	-	355	248	132	302	350	794	842	240	178	-	-	270	216	275	15	20	213	261	140																												

47) Dimensions to EN 733
 48) Dimension with single mechanical seal (A, IA, EA, FA)
 49) Dimension with double mechanical seal (DB, TI)
 50) Motor feet must be shimmed.

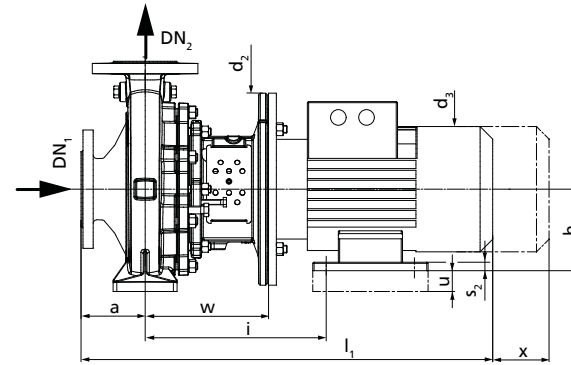
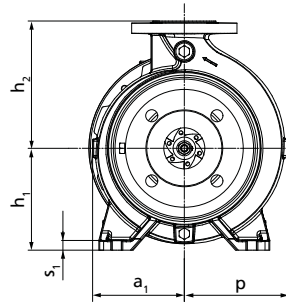
Size		Speed		DN ₁ 47)	DN ₂ 17)	a 17)	a ₁	b ₄	d ₂	d ₃	d ₄	h ₁	h ₂ 17)	h ₃	h ₄	i 48)	i 19)	l ₁ 18)	l ₁ 49)	m ₃	m ₄	n ₁	n ₂	n ₃	n ₄	p	s ₂	u 50)	w 18)	w 19)	x 17)
Pump	Motor (IEC)	960	1160	[mm]																											
		[rpm]																													
150-125-250/ 00756	160M	-	✗	150	125	140	226	70	350	325	15	-	355	248	160	354	408	932	986	300	210	-	-	320	254	275	21	20	246	300	140
200-150-200/ 00306	132S	✗	-	200	150	160	240	55	300	266	12	-	400	277	132	302	350	786	834	220	140	-	-	270	216	316	15	20	213	261	140
200-150-200/ 00406	132M	✗	✗	200	150	160	240	59	300	298	12	-	400	277	132	302	350	814	862	240	178	-	-	270	216	316	15	20	213	261	140
200-150-200/ 00556	132M	-	✗	200	150	160	240	59	300	298	12	-	400	277	132	302	350	814	862	240	178	-	-	270	216	316	15	20	213	261	140
200-150-200/ 00756	160M	-	✗	200	150	160	240	70	350	325	15	-	400	277	160	354	408	952	1006	300	210	-	-	320	254	316	21	20	246	300	140
200-150-250/ 00406	132M	✗	-	200	150	160	230	59	300	298	12	-	400	262	132	302	350	814	862	240	178	-	-	270	216	300	15	20	213	261	140
200-150-250/ 00556	132M	✗	✗	200	150	160	230	59	300	298	12	-	400	262	132	302	350	814	862	240	178	-	-	270	216	300	15	20	213	261	140
200-150-250/ 00756	160M	✗	✗	200	150	160	230	70	350	325	15	-	400	262	160	354	408	952	1006	300	210	-	-	320	254	300	21	20	246	300	140
200-150-250/ 01106	160L	✗	✗	200	150	160	230	70	350	325	15	-	400	262	160	354	408	958	1012	314	254	-	-	320	254	300	21	20	246	300	140
200-150-250/ 01506	180L	-	✗	200	150	160	230	80	350	370	15	-	400	262	160	367	421	1016	1070	358	279	-	-	360	279	300	23	-	246	300	140

47) Dimensions to EN 733
 48) Dimension with single mechanical seal (A, IA, EA, FA)
 49) Dimension with double mechanical seal (DB, TI)
 50) Motor feet must be shimmed.
 48) Dimension with single mechanical seal (A, IA, EA, FA)
 49) Dimension with double mechanical seal (DB, TI)
 50) Motor feet must be shimmed.

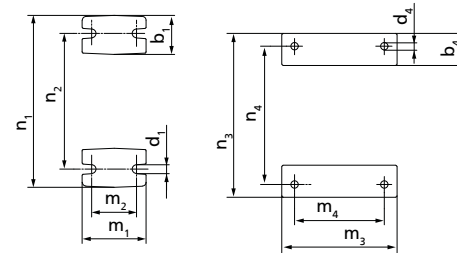
Etabloc B/C/SB/SC/SG, ≤ 22 kW



Pump set with volute casing foot (up to motor size 112)



Pump set with volute casing foot and motor foot (motor sizes 132 to 180)



Dimensions Etabloc B/C/SB/SC/SG, ≤ 22 kW, n = 960 rpm, n = 1160 rpm (region A) ⁵¹⁾
 Values a₁, b₄, d₃, l₁, m₃, n₃ and p may vary slightly for production-related reasons.

Pump	Size	Motor (IEC)	Speed		DN ₁ <small>52)</small>	DN ₂ <small>37)</small>	a <small>37)</small>	a ₁	b ₁ <small>37)</small>	b ₄	d ₁ <small>37)</small>	d ₂	d ₃	d ₄	h ₁ <small>37)</small>	h ₂ <small>37)</small>	h ₄	i <small>53)</small>	i <small>54)</small>	l ₁ <small>38)</small>	l ₁ <small>39)</small>	m ₁ <small>37)</small>	m ₂ <small>37)</small>	m ₃	m ₄	n ₁ <small>37)</small>	n ₂ <small>37)</small>	n ₃	n ₄	p	s ₁ <small>37)</small>	s ₂	u <small>55)</small>	w <small>38)</small>	w <small>39)</small>	x <small>37)</small>
			1450	1750																																
	40-25-160/ 00036	80M	X	X	40	25	80	118	50	-	14	200	162	-	132	160	-	-	-	491	-	100	70	-	-	240	190	-	-	118	15	-	-	156	-	100
	40-25-160/ 00076	90S	X	X	40	25	80	118	50	-	14	200	190	-	132	160	-	-	118	518	562	100	70	-	-	240	190	-	-	118	15	-	-	156	200	100
	40-25-200/ 00036	80M	X	X	40	25	80	142	50	-	14	200	162	-	160	180	-	-	-	491	-	100	70	-	-	240	190	-	-	142	15	-	-	156	-	100
	40-25-200/ 00076	90S	X	X	40	25	80	142	50	-	14	200	190	-	160	180	-	-	118	518	562	100	70	-	-	240	190	-	-	142	15	-	-	156	200	100
	50-32-125.1/ 00036	80M	X	X	50	32	80	116	50	-	14	200	162	-	112	140	-	-	-	491	-	100	70	-	-	190	140	-	-	116	15	-	-	156	-	100

51) Tolerances of mating dimensions to EN 735
 52) Dimensions to EN 733
 53) Dimension with single mechanical seal (A, IA, EA, FA)
 54) Dimension with double mechanical seal (DB, TI)
 55) Motor feet must be shimmed.

Pump	Size		Speed		DN ₁ 52)	DN ₂ 37)	a 37)	a1	b ₁ 37)	b ₄	d ₁ 37)	d ₂	d ₃	d ₄	h ₁ 37)	h ₂ 37)	h ₄	i 53)	i 54)	l ₁ 38)	l ₁ 39)	m ₁ 37)	m ₂ 37)	m ₃	m ₄	n ₁ 37)	n ₂ 37)	n ₃	n ₄	p	s ₁ 37)	s ₂	u 55)	w 38)	w 39)	x 37)																												
	Motor (IEC)	[rpm]	[rpm]																																		[mm]																											
			1450	1750																																																												
50-32-125.1/00076	90S	X	X	50	32	80	116	50	-	14	200	190	-	112	140	-	-	118	518	562	100	70	-	-	190	140	-	-	116	15	-	-	156	200	100																													
50-32-160.1/00036	80M	X	X	50	32	80	116	50	-	14	200	162	-	132	160	-	-	-	491	-	100	70	-	-	240	190	-	-	121	15	-	-	156	-	100																													
50-32-160.1/00076	90S	X	X	50	32	80	116	50	-	14	200	190	-	132	160	-	-	118	518	562	100	70	-	-	240	190	-	-	121	15	-	-	156	200	100																													
50-32-200.1/00036	80M	X	X	50	32	80	142	50	-	14	200	162	-	160	180	-	-	-	491	-	100	70	-	-	240	190	-	-	142	18	-	-	156	-	100																													
50-32-200.1/00076	90S	X	X	50	32	80	142	50	-	14	200	190	-	160	180	-	-	118	518	562	100	70	-	-	240	190	-	-	142	18	-	-	156	200	100																													
50-32-250.1/00036	80M	X	X	50	32	100	168	65	-	14	200	162	-	180	225	-	-	-	511	-	125	95	-	-	320	250	-	-	168	18	-	-	156	-	100																													
50-32-250.1/00056	80M	X	X	50	32	100	168	65	-	14	200	162	-	180	225	-	-	-	511	-	125	95	-	-	320	250	-	-	168	18	-	-	156	-	100																													
50-32-250.1/00076	90S	X	X	50	32	100	168	65	-	14	200	190	-	180	225	-	-	118	538	582	125	95	-	-	320	250	-	-	168	18	-	-	156	200	100																													
50-32-125/00036	80M	X	X	50	32	80	115	50	-	14	200	162	-	112	140	-	-	-	491	-	100	70	-	-	190	140	-	-	115	15	-	-	156	-	100																													
50-32-125/00076	90S	X	X	50	32	80	115	50	-	14	200	190	-	112	140	-	-	118	518	562	100	70	-	-	190	140	-	-	115	15	-	-	156	200	100																													
50-32-160/00036	80M	X	X	50	32	80	118	50	-	14	200	162	-	132	160	-	-	-	491	-	100	70	-	-	240	190	-	-	128	15	-	-	156	-	100																													
50-32-160/00076	90S	X	X	50	32	80	118	50	-	14	200	190	-	132	160	-	-	118	518	562	100	70	-	-	240	190	-	-	128	15	-	-	156	200	100																													
50-32-200/00036	80M	X	X	50	32	80	142	50	-	14	200	162	-	160	180	-	-	-	491	-	100	70	-	-	240	190	-	-	143	18	-	-	156	-	100																													
50-32-200/00056	80M	X	X	50	32	80	142	50	-	14	200	162	-	160	180	-	-	-	491	-	100	70	-	-	240	190	-	-	143	18	-	-	156	-	100																													
50-32-200/00076	90S	X	X	50	32	80	142	50	-	14	200	190	-	160	180	-	-	118	518	562	100	70	-	-	240	190	-	-	143	18	-	-	156	200	100																													
50-32-250/00036	80M	X	X	50	32	100	169	65	-	14	200	162	-	180	225	-	-	-	511	-	125	95	-	-	320	250	-	-	178	18	-	-	156	-	100																													
50-32-250/00056	80M	X	X	50	32	100	169	65	-	14	200	162	-	180	225	-	-	-	511	-	125	95	-	-	320	250	-	-	178	18	-	-	156	-	100																													
50-32-250/00076	90S	X	X	50	32	100	169	65	-	14	200	190	-	180	225	-	-	118	538	582	125	95	-	-	320	250	-	-	178	18	-	-	156	200	100																													
50-32-250/00076	90L	-	X	50	32	100	169	65	-	14	200	190	-	180	225	-	-	118	564	608	125	95	-	-	320	250	-	-	178	18	-	-	156	200	100																													
65-40-125/00036	80M	X	X	65	40	80	117	50	-	14	200	162	-	112	140	-	-	-	491	-	100	70	-	-	210	160	-	-	117	15	-	-	156	-	100																													
65-40-125/00076	90S	X	X	65	40	80	117	50	-	14	200	190	-	112	140	-	-	118	518	562	100	70	-	-	210	160	-	-	117	15	-	-	156	200	100																													
65-40-160/00036	80M	X	X	65	40	80	119	50	-	14	200	162	-	132	160	-	-	-	491	-	100	70	-	-	240	190	-	-	134	15	-	-	156	-	100																													
65-40-160/00056	80M	X	X	65	40	80	119	50	-	14	200	162	-	132	160	-	-	-	491	-	100	70	-	-	240	190	-	-	134	15	-	-	156	-	100																													
65-40-160/00076	90S	X	X	65	40	80	119	50	-	14	200	190	-	132	160	-	-	118	518	562	100	70	-	-	240	190	-	-	134	15	-	-	156	200	100																													
65-40-200/00036	80M	X	X	65	40	100	142	50	-	14	200	162	-	160	180	-	-	-	511	-	100	70	-	-	265	212	-	-	155	18	-	-	156	-	100																													
65-40-200/00056	80M	X	X	65	40	100	142	50	-	14	200	162	-	160	180	-	-	-	511	-	100	70	-	-	265	212	-	-	155	18	-	-	156	-	100																													
65-40-200/00076	90S	X	X	65	40	100	142	50	-	14	200	190	-	160	180	-	-	118	538	582	100	70	-	-	265	212	-	-	155	18	-	-	156	200	100																													
65-40-250/00036	80M	X	-	65	40	100	169	65	-	14	200	162	-	180	225	-	-	-	511	-	125	95	-	-	320	250	-	-	179	18	-	-	156	-	100																													
65-40-250/00056	80M	X	X	65	40	100	169	65	-	14	200	162	-	180	225	-	-	-	511	-	125	95	-	-	320	250	-	-	179	18	-	-	156	-	100																													
65-40-250/00076	90S	X	X	65	40	100	169	65	-	14	200	190	-	180	225	-	-	118	538	582	125	95	-	-	320	250	-	-	179	18	-	-	156	200	100																													
65-40-250/00116	90L	X	X	65	40	100	169	65	-	14	200	190	-	180	225	-	-	118	564	608	125	95	-	-	320	250	-	-	179	18	-	-	156	200	100																													
65-40-250/00156	100L	-	X	65	40	100	169	65	-	14	250	213	-	180	225	-	-	118	652	696	125	95	-	-	320	250	-	-	179	18	-	-	170	214	100																													
65-40-315/00156	100L	X	X	65	40	125	207	65	-	14	250	213	-	225	250	-	-	142	697	745	125	95	-	-	345	280	-	-	207	18	-	-	190	238	100																													
65-40-315/00226	112M	X	X	65	40	125	207	65	-	14	250	234	-	225	250	-	-	142	686	734	125	95	-	-	345	280	-	-	207	18	-	-	190	238	100																													
65-40-315/00306	132S	-	X	65	40	125	207	65	55	14	300	266	12	225	250	132	302	350	751	799	125	95	220	140	345	280	270	216	207	18	15	20	213	261	100																													
65-50-125/00036	80M	X	X	65	50	100	117	50	-	14	200	162	-	132	160	-	-	-	511	-	100	70	-	-	240	190	-	-	130	18	-	-	156	-	100																													
65-50-125/00076	90S	X	X	65	50	100	117	50	-	14	200	190	-	132	160	-	-	118	538	582	100	70	-	-	240	190	-	-	130	18	-	-	156	200	100																													
65-50-160/00036	80M	X	X	65	50	100	128	50	-	14	200	162	-	160	180	-	-	-	511	-	100	70	-	-	265	212	-	-	149	18	-	-	156	-	100																													
65-50-160/00056	80M	X	X	65	50	100	128	50	-	14	200	162	-	160	180	-	-	-	511	-	100	70	-	-	265	212	-	-	149	18	-	-	156	-	100																													
65-50-160/00076	90S	X	X	65	50	100	128	50	-	14	200	190	-	160	180	-	-	118	538	582	100	70	-	-	265	212	-	-	149	18	-	-	156	200	100																													
65-50-200/00036	80M	X	-	65	50	100	144	50	-	14	200	162	-	160	200	-	-	-	511	-	100	70	-	-	265	212	-	-	163	18	-	-	156	-	100																													
65-50-200/00056	80M	X	X	65	50	100	144	50	-	14	200	162	-	160	200	-	-	-	511	-	100	70	-	-	265	212	-	-	163	18	-	-	156	-	100																													
65-50-200/00076	90S	X	X	65	50	100	144	50	-	14	200	190	-	160	200	-	-	118	538	582	100	70	-	-	265	212	-	-	163	18	-	-	156	200	100																													

52) Dimensions to EN 733
 53) Dimension with single mechanical seal (A, IA, EA, FA)
 54) Dimension with double mechanical seal (DB, TI)
 55) Motor feet must be shimmed.

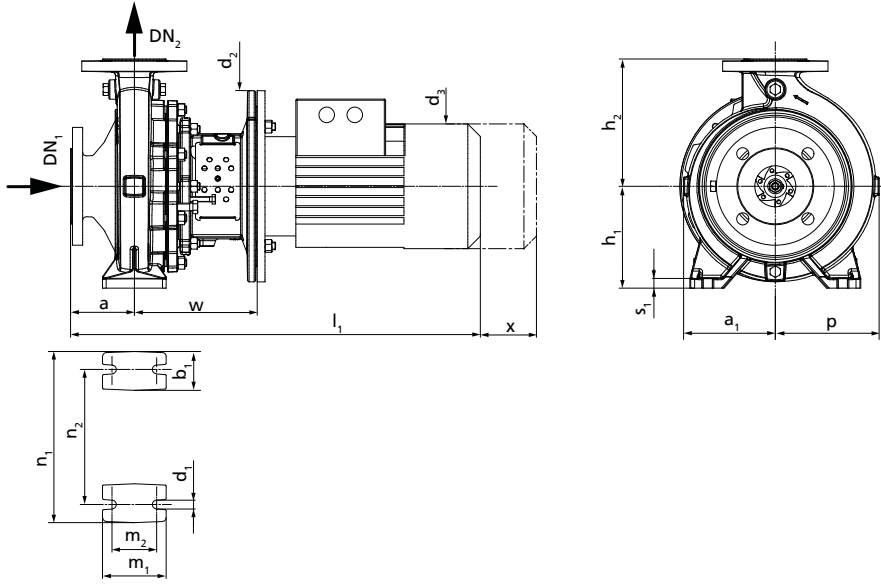
Pump	Size		Speed		DN ₁ 52)	DN ₂ 37)	a 37)	a1	b ₁ 37)	b ₄	d ₁ 37)	d ₂	d ₃	d ₄	h ₁ 37)	h ₂ 37)	h ₄	i 53)	i 54)	l ₁ 38)	l ₁ 39)	m ₁ 37)	m ₂ 37)	m ₃	m ₄	n ₁ 37)	n ₂ 37)	n ₃	n ₄	p	s ₁ 37)	s ₂	u 55)	w 38)	w 39)	x 37)	
	Motor (IEC)		1450	1750																																	
			[rpm]																																		[mm]
65-50-200/ 00116	90L	X	X	65	50	100	144	50	-	14	200	190	-	160	200	-	-	118	564	608	100	70	-	-	265	212	-	-	163	18	-	-	156	200	100		
65-50-200/ 00156	100L	-	X	65	50	100	144	50	-	14	250	213	-	160	200	-	-	118	652	696	100	70	-	-	265	212	-	-	163	18	-	-	170	214	100		
65-50-250/ 00056	80M	X	-	65	50	100	170	65	-	14	200	162	-	180	225	-	-	-	511	-	125	95	-	-	320	250	-	-	186	18	-	-	156	-	100		
65-50-250/ 00076	90S	X	-	65	50	100	170	65	-	14	200	190	-	180	225	-	-	118	538	582	125	95	-	-	320	250	-	-	186	18	-	-	156	200	100		
65-50-250/ 00116	90L	X	X	65	50	100	170	65	-	14	200	190	-	180	225	-	-	118	564	608	125	95	-	-	320	250	-	-	186	18	-	-	156	200	100		
65-50-250/ 00156	100L	-	X	65	50	100	170	65	-	14	250	213	-	180	225	-	-	118	652	696	125	95	-	-	320	250	-	-	186	18	-	-	170	214	100		
65-50-250/ 00226	112M	-	X	65	50	100	170	65	-	14	250	234	-	180	225	-	-	118	641	685	125	95	-	-	320	250	-	-	186	18	-	-	170	214	100		
65-50-315/ 00156	100L	X	-	65	50	125	207	65	-	14	250	213	-	225	280	-	-	142	697	745	125	95	-	-	345	280	-	-	215	18	-	-	190	238	100		
65-50-315/ 00226	112M	X	X	65	50	125	207	65	-	14	250	234	-	225	280	-	-	142	686	734	125	95	-	-	345	280	-	-	215	18	-	-	190	238	100		
65-50-315/ 00306	132S	X	X	65	50	125	207	65	55	14	300	266	12	225	280	132	302	350	751	799	125	95	220	140	345	280	270	216	215	18	15	20	213	261	100		
65-50-315/ 00406	132M	-	X	65	50	125	207	65	59	14	300	298	12	225	280	132	302	350	779	827	125	95	240	178	345	280	270	216	215	18	15	20	213	261	100		
80-65-125/ 00036	80M	X	X	80	65	100	117	65	-	14	200	162	-	160	180	-	-	-	511	-	125	95	-	-	280	212	-	-	150	18	-	-	156	-	100		
80-65-125/ 00056	80M	X	X	80	65	100	117	65	-	14	200	162	-	160	180	-	-	-	511	-	125	95	-	-	280	212	-	-	150	18	-	-	156	-	100		
80-65-125/ 00076	90S	X	X	80	65	100	117	65	-	14	200	190	-	160	180	-	-	118	538	582	125	95	-	-	280	212	-	-	150	18	-	-	156	200	100		
80-65-160/ 00036	80M	X	X	80	65	100	132	65	-	14	200	162	-	160	200	-	-	-	511	-	125	95	-	-	280	212	-	-	160	18	-	-	156	-	100		
80-65-160/ 00056	80M	X	X	80	65	100	132	65	-	14	200	162	-	160	200	-	-	-	511	-	125	95	-	-	280	212	-	-	160	18	-	-	156	-	100		
80-65-160/ 00076	90S	X	X	80	65	100	132	65	-	14	200	190	-	160	200	-	-	118	538	582	125	95	-	-	280	212	-	-	160	18	-	-	156	200	100		
80-65-160/ 00116	90L	-	X	80	65	100	132	65	-	14	200	190	-	160	200	-	-	118	564	608	125	95	-	-	280	212	-	-	160	18	-	-	156	200	100		
80-65-200/ 00056	80M	X	-	80	65	100	155	65	-	14	200	162	-	180	225	-	-	-	511	-	125	95	-	-	320	250	-	-	178	18	-	-	156	-	140		
80-65-200/ 00076	90S	X	-	80	65	100	155	65	-	14	200	190	-	180	225	-	-	118	538	582	125	95	-	-	320	250	-	-	178	18	-	-	156	200	140		
80-65-200/ 00116	90L	X	X	80	65	100	155	65	-	14	200	190	-	180	225	-	-	118	564	608	125	95	-	-	320	250	-	-	178	18	-	-	156	200	140		
65-50-200/ 00156	100L	-	X	80	65	100	155	65	-	14	250	213	-	180	225	-	-	118	652	696	125	95	-	-	320	250	-	-	178	18	-	-	170	214	140		
65-50-200/ 00226	112M	-	X	80	65	100	155	65	-	14	250	234	-	180	225	-	-	118	641	685	125	95	-	-	320	250	-	-	178	18	-	-	170	214	140		
80-65-250/ 00156	100L	X	X	80	65	100	179	80	-	19	250	213	-	200	250	-	-	142	672	720	160	120	-	-	360	280	-	-	199	20	-	-	190	238	140		
80-65-250/ 00226	112M	X	X	80	65	100	179	80	-	19	250	234	-	200	250	-	-	142	661	709	160	120	-	-	360	280	-	-	199	20	-	-	190	238	140		
80-65-250/ 00306	132S	-	X	80	65	100	179	80	55	19	300	266	12	200	250	132	302	350	726	774	160	120	220	140	360	280	270	216	199	20	15	20	213	261	140		
80-65-315/ 00226	112M	X	X	80	65	125	209	80	-	19	250	234	-	225	280	-	-	142	686	734	160	120	-	-	400	315	-	-	229	20	-	-	190	238	140		
80-65-315/ 00306	132S	X	X	80	65	125	209	80	55	19	300	266	12	225	280	132	302	350	751	799	160	120	220	140	400	315	270	216	229	20	15	20	213	261	140		
80-65-315/ 00406	132M	X	X	80	65	125	209	80	59	19	300	298	12	225	280	132	302	350	779	827	160	120	240	178	400	315	270	216	229	20	15	20	213	261	140		
80-65-315/ 00556	132M	-	X	80	65	125	209	80	59	19	300	298	12	225	280	132	302	350	779	827	160	120	240	178	400	315	270	216	229	20	15	20	213	261	140		
100-80-160/ 00056	80M	X	-	100	80	125	138	65	-	14	200	162	-	180	225	-	-	-	536	-	125	95	-	-	320	250	-	-	174	18	-	-	156	-	140		
100-80-160/ 00076	90S	X	X	100	80	125	138	65	-	14	200	190	-	180	225	-	-	118	563	607	125	95	-	-	320	250	-	-	174	18	-	-	156	200	140		
100-80-160/ 00116	90L	X	X	100	80	125	138	65	-	14	200	190	-	180	225	-	-	118	589	633	125	95	-	-	320	250	-	-	174	18	-	-	156	200	140		
100-80-160/ 00156	100L	-	X	100	80	125	138	65	-	14	250	213	-	180	225	-	-	118	677	721	125	95	-	-	320	250	-	-	174	18	-	-	170	214	140		
100-80-200/ 00156	100L	X	X	100	80	125	159	65	-	19	250	213	-	180	250	-	-	142	697	745	125	95	-	-	345	280	-	-	188	18	-	-	190	238	140		
100-80-200/ 00226	112M	X	X	100	80	125	159	65	-	19	250	234	-	180	250	-	-	142	686	734	125	95	-	-	345	280	-	-	188	18	-	-	190	238	140		
100-80-200/ 00306	132S	X	X	100	80	125	159	65	55	19	300	266	12	180	250	132	302	350	751	799	125	95	220	140	345	280	270	216	188	18	15	20	213	261	140		
100-80-250/ 00156	100L	X	-	100	80	125	183	80	-	19	250	213	-	200	280	-	-	142	697	745	160	120	-	-	400	315	-	-	209	18	-	-	190	238	140		
100-80-250/ 00226	112M	X	-	100	80	125	183	80	-	19	250	234	-	200	280	-	-	142	686	734	160	120	-	-	400	315	-	-	209	18	-	-	190	238	140		
100-80-250/ 00306	132S	X	X	100	80	125	183	80	55	19	300	266	12	200	280	132	302	350	751	799	160	120	220	140	400	315	270	216	209	18	15	20	213	261	140		
100-80-250/ 00406	132M	X	X	100	80	125	183	80	59	19	300	298	12	200	280	132	302	350	779	827	160	120	240	178	400	315	270	216	209	18	15	20	213	261	140		
100-80-250/ 00556	132M	-	X	100	80	125	183	80	59	19	300	298	12	200	280	132	302	350	779	827	160	120	240	178	400	315	270	216	209	18	15	20	213	261	140		
100-80-315/ 00306	132S	X	-	100	80	125	218	80	55	19	300	266	12	250	315	132	302	350	751	799	160	120	220	140	400	315	270	216	242	20	15	20	213	2			

Pump	Size		Speed		DN ₁ 52)	DN ₂ 37)	a 37)	a1	b ₁ 37)	b ₄	d ₁ 37)	d ₂	d ₃	d ₄	h ₁ 37)	h ₂ 37)	h ₄	i 53)	i 54)	l ₁ 38)	l ₁ 39)	m ₁ 37)	m ₂ 37)	m ₃	m ₄	n ₁ 37)	n ₂ 37)	n ₃	n ₄	p	s ₁ 37)	s ₂	u 55)	w 38)	w 39)	x 37)																												
	Motor (IEC)		1450	1750																																	[mm]																											
			[rpm]																																																													
100-80-315/ 00406	132M	X	X	100	80	125	218	80	59	19	300	298	12	250	315	132	302	350	779	827	160	120	240	178	400	315	270	216	242	20	15	20	213	261	140																													
100-80-315/ 00556	132M	X	X	100	80	125	218	80	59	19	300	298	12	250	315	132	302	350	779	827	160	120	240	178	400	315	270	216	242	20	15	20	213	261	140																													
100-80-315/ 00756	160M	X	X	100	80	125	218	80	70	19	350	325	15	250	315	160	354	408	917	971	160	120	300	210	400	315	320	254	242	20	21	20	246	300	140																													
100-80-315/ 01106	160L	-	X	100	80	125	218	80	70	19	350	325	15	250	315	160	354	408	923	977	160	120	314	254	400	315	320	254	242	20	21	20	246	300	140																													
125-100-160/ 00156	100L	X	X	125	100	125	178	80	-	19	250	213	-	200	280	-	-	142	697	745	160	120	-	-	360	280	-	-	225	18	-	-	190	238	140																													
125-100-160/ 00226	112M	-	X	125	100	125	178	80	-	19	250	234	-	200	280	-	-	142	686	734	160	120	-	-	360	280	-	-	225	18	-	-	190	238	140																													
125-100-200/ 00156	100L	X	X	125	100	125	173	80	-	19	250	213	-	200	280	-	-	142	697	745	160	120	-	-	360	280	-	-	212	18	-	-	190	238	140																													
125-100-200/ 00226	112M	X	X	125	100	125	173	80	-	19	250	234	-	200	280	-	-	142	686	734	160	120	-	-	360	280	-	-	212	18	-	-	190	238	140																													
125-100-200/ 00306	132S	-	X	125	100	125	173	80	55	19	300	266	12	200	280	132	302	350	751	799	160	120	220	140	360	280	270	216	212	18	15	20	213	261	140																													
125-100-200/ 00406	132M	-	X	125	100	125	173	80	59	19	300	298	12	200	280	132	302	350	779	827	160	120	240	178	360	280	270	216	212	18	15	20	213	261	140																													
125-100-250/ 00226	112M	X	-	125	100	140	188	80	-	19	250	234	-	225	280	-	-	142	701	749	160	120	-	-	400	315	-	-	219	18	-	-	190	238	140																													
125-100-250/ 00306	132S	X	X	125	100	140	188	80	55	19	300	266	12	225	280	132	302	350	766	814	160	120	220	140	400	315	270	216	219	18	15	20	213	261	140																													
125-100-250/ 00406	132M	X	X	125	100	140	188	80	59	19	300	298	12	225	280	132	302	350	794	842	160	120	240	178	400	315	270	216	219	18	15	20	213	261	140																													
125-100-250/ 00556	132M	-	X	125	100	140	188	80	59	19	300	298	12	225	280	132	302	350	794	842	160	120	240	178	400	315	270	216	219	18	15	20	213	261	140																													
125-100-250/ 00756	160M	-	X	125	100	140	188	80	70	19	350	325	15	225	280	160	354	408	932	986	160	120	300	210	400	315	320	254	219	18	21	20	246	300	140																													
125-100-315/ 00406	132M	X	-	125	100	140	225	80	59	19	300	298	12	250	315	132	302	350	794	842	160	120	240	178	400	315	270	216	255	18	15	20	213	261	140																													
125-100-315/ 00556	132M	X	-	125	100	140	225	80	59	19	300	298	12	250	315	132	302	350	794	842	160	120	240	178	400	315	270	216	255	18	15	20	213	261	140																													
125-100-315/ 00756	160M	X	X	125	100	140	225	80	70	19	350	325	15	250	315	160	354	408	932	986	160	120	300	210	400	315	320	254	255	18	21	20	246	300	140																													
125-100-315/ 01106	160L	X	X	125	100	140	225	80	70	19	350	325	15	250	315	160	354	408	938	992	160	120	314	254	400	315	320	254	255	18	21	20	246	300	140																													
150-125-200/ 00226	112M	X	-	150	125	140	189	80	-	19	250	234	-	250	315	-	-	142	701	749	160	120	-	-	400	315	-	-	242	20	-	-	190	238	140																													
150-125-200/ 00306	132S	X	X	150	125	140	189	80	55	19	300	266	12	250	315	132	302	350	766	814	160	120	220	140	400	315	270	216	242	20	15	20	213	261	140																													
150-125-200/ 00406	132M	-	X	150	125	140	189	80	59	19	300	298	12	250	315	132	302	350	794	842	160	120	240	178	400	315	270	216	242	20	15	20	213	261	140																													
150-125-200/ 00556	132M	-	X	150	125	140	189	80	59	19	300	298	12	250	315	132	302	350	794	842	160	120	240	178	400	315	270	216	242	20	15	20	213	261	140																													
150-125-250/ 00306	132S	X	-	150	125	140	226	80	55	19	300	266	12	250	355	132	302	350	766	814	160	120	220	140	400	315	270	216	275	20	15	20	213	261	140																													
150-125-250/ 00406	132M	X	X	150	125	140	226	80	59	19	300	298	12	250	355	132	302	350	794	842	160	120	240	178	400	315	270	216	275	20	15	20	213	261	140																													
150-125-250/ 00556	132M	X	X	150	125	140	226	80	59	19	300	298	12	250	355	132	302	350	794	842	160	120	240	178	400	315	270	216	275	20	15	20	213	261	140																													
150-125-250/ 00756	160M	-	X	150	125	140	226	80	70	19	350	325	15	250	355	160	354	408	932	986	160	120	300	210	400	315	320	254	275	20	21	20	246	300	140																													
200-150-200/ 00306	132S	X	-	200	150	160	240	100	55	24	300	266	12	280	400	132	302	350	786	834	200	150	220	140	550	450	270	216	316	20	15	20	213	261	140																													
200-150-200/ 00406	132M	X	X	200	150	160	240	100	59	24	300	298	12	280	400	132	302	350	814	862	200	150	240	178	550	450	270	216	316	20	15	20	213	261	140																													
200-150-200/ 00556	132M	-	X	200	150	160	240	100	59	24	300	298	12	280	400	132	302	350	814	862	200	150	240	178	550	450	270	216	316	20	15	20	213	261	140																													
200-150-200/ 00756	160M	-	X	200	150	160	240	100	70	24	350	325	15	280	400	160	354	408	952	1006	200	150	300	210	550	450	320	254	316	20	21	20	246	300	140																													
200-150-250/ 00406	132M	X	-	200	150	160	230	100	59	24	300	298	12	280	400	132	302	350	814	862	200	150	240	178	500	400	270	216	300	20	15	20	213	261	140																													
200-150-250/ 00556	132M	X	X	200	150	160	230	100	59	24	300	298	12	280	400	132	302	350	814	862	200	150	240	178	500	400	270	216	300	20	15	20	213	261	140																													
200-150-250/ 00756	160M	X	X	200	150	160	230	100	70	24	350	325	15	280	400	160	354	408	952	1006	200	150	300	210	500	400	320	254	300	20	21	20	246	300	140																													
200-150-250/ 01106	160L	X	X	200	150	160	230	100	70	24	350	325	15	280	400	160	354	408	958	1012	200	150	314	254	500	400	320	254	300	20	21	20	246	300	140																													
200-150-250/ 01506	180L	-	X	200	150	160	230	100	80	24	350	370	15	280	400	180	367	421	1016	1070	200	150	358	279	500	400	360	279	300	20	23		246	300	140																													

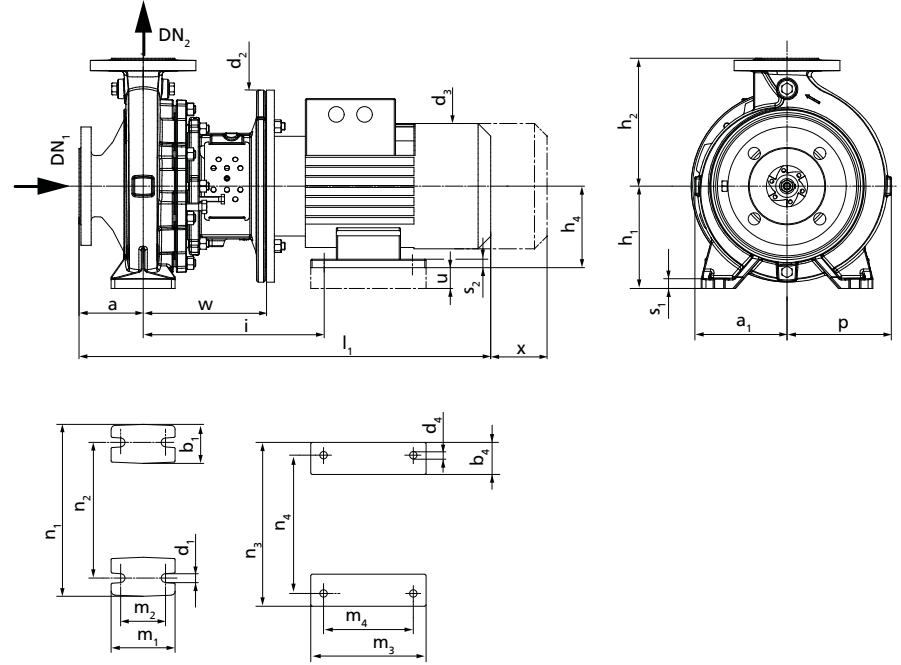
52) Dimensions to EN 733
 53) Dimension with single mechanical seal (A, IA, EA, FA)
 54) Dimension with double mechanical seal (DB, TI)
 55) Motor feet must be shimmed.

n = 2900 rpm; n = 3500 rpm - region D

Etabloc G/GC; ≤ 22 kW



Pump set with volute casing foot (up to motor size 112)



Pump set with volute casing foot and motor foot (motor sizes 132 to 180)

Dimensions Etabloc G/ GC; ≤ 22 kW; n = 2900 rpm; n = 3500 rpm (Region D)⁵⁶⁾
 Values a₁, b₁, b₄, d₃, l₁, m₁, m₃, n₃ and p may vary slightly for production-related reasons.

Pump	Size	Motor (IEC)	Speed		DN ₁ 57)	DN ₂ 57)	a 57)	a ₁	b ₁ 57)	b ₄	d ₁ 57)	d ₂	d ₃	d ₄	h ₁ 57)	h ₂ 57)	h ₄	i	l ₁	m ₁ 57)	m ₂ 57)	m ₃	m ₄	n ₁ 57)	n ₂ 57)	n ₃	n ₄	p	s ₁ 57)	s ₂	u 58)	w	x 57)
			2900	3500																													
			[rpm]																														
40-25-160/ 00072	80M	X	-	40	25	80	118	50	-	14	200	177	-	132	160	-	-	489	100	70	-	-	240	190	-	-	118	15	-	-	156	100	
40-25-160/ 00112	80M	X	X	40	25	80	118	50	-	14	200	177	-	132	160	-	-	489	100	70	-	-	240	190	-	-	118	15	-	-	156	100	
40-25-160/ 00152	90S	X	X	40	25	80	118	50	-	14	200	271	-	132	160	-	-	531	100	70	-	-	240	190	-	-	118	15	-	-	156	100	
40-25-160/ 00222	90L	X	X	40	25	80	118	50	-	14	200	271	-	132	160	-	-	556	100	70	-	-	240	190	-	-	118	15	-	-	156	100	
40-25-160/ 00302	100L	-	X	40	25	80	118	50	-	14	250	289	-	132	160	-	-	582	100	70	-	-	240	190	-	-	118	15	-	-	170	100	
40-25-160/ 00402	112M	-	X	40	25	80	118	50	-	14	250	307	-	132	160	-	-	603	100	70	-	-	240	190	-	-	118	15	-	-	170	100	
40-25-200/ 00152	90S	X	-	40	25	80	142	50	-	14	200	271	-	160	180	-	-	531	100	70	-	-	240	190	-	-	142	15	-	-	156	100	
40-25-200/ 00222	90L	X	-	40	25	80	142	50	-	14	200	271	-	160	180	-	-	556	100	70	-	-	240	190	-	-	142	15	-	-	156	100	
40-25-200/ 00302	100L	X	X	40	25	80	142	50	-	14	250	289	-	160	180	-	-	582	100	70	-	-	240	190	-	-	142	15	-	-	170	100	
40-25-200/ 00402	112M	X	X	40	25	80	142	50	-	14	250	307	-	160	180	-	-	603	100	70	-	-	240	190	-	-	142	15	-	-	170	100	
40-25-200/ 00552	132S	X	X	40	25	80	142	50	57	14	300	273	12	160	180	132	282	659	100	70	184	140	240	190	263	216	142	15	16	20	193	100	
40-25-200/ 00752	132S	-	X	40	25	80	142	50	57	14	300	273	12	160	180	132	282	659	100	70	184	140	240	190	263	216	142	15	16	20	193	100	
50-32-125.1/ 00072	80M	X	-	50	32	80	116	50	-	14	200	177	-	112	140	-	-	489	100	70	-	-	190	140	-	-	116	15	-	-	156	100	
50-32-125.1/ 00112	80M	X	-	50	32	80	116	50	-	14	200	177	-	112	140	-	-	489	100	70	-	-	190	140	-	-	116	15	-	-	156	100	
50-32-125.1/ 00152	90S	X	-	50	32	80	116	50	-	14	200	271	-	112	140	-	-	531	100	70	-	-	190	140	-	-	116	15	-	-	156	100	
50-32-125.1/ 00222	90L	X	-	50	32	80	116	50	-	14	200	271	-	112	140	-	-	556	100	70	-	-	190	140	-	-	116	15	-	-	156	100	
50-32-125.1/ 00302	100L	-	X	50	32	80	116	50	-	14	250	289	-	112	140	-	-	582	100	70	-	-	190	140	-	-	116	15	-	-	170	100	
50-32-125.1/ 00402	112M	-	X	50	32	80	116	50	-	14	250	307	-	112	140	-	-	603	100	70	-	-	190	140	-	-	116	15	-	-	170	100	
50-32-125.1/ 00552	132S	-	X	50	32	80	116	50	57	14	300	273	12	112	140	132	282	659	100	70	184	140	190	140	263	216	116	15	16	20	193	100	
50-32-160.1/ 00152	90S	X	-	50	32	80	116	50	-	14	200	271	-	132	160	-	-	531	100	70	-	-	240	190	-	-	121	15	-	-	156	100	
50-32-160.1/ 00222	90L	X	X	50	32	80	116	50	-	14	200	271	-	132	160	-	-	556	100	70	-	-	240	190	-	-	121	15	-	-	156	100	
50-32-160.1/ 00302	100L	X	X	50	32	80	116	50	-	14	250	289	-	132	160	-	-	582	100	70	-	-	240	190	-	-	121	15	-	-	170	100	
50-32-160.1/ 00402	112M	X	X	50	32	80	116	50	-	14	250	307	-	132	160	-	-	603	100	70	-	-	240	190	-	-	121	15	-	-	170	100	
50-32-160.1/ 00552	132S	-	X	50	32	80	116	50	57	14	300	273	12	132	160	132	282	659	100	70	184	140	240	190	263	216	121	15	16	20	193	100	
50-32-160.1/ 00752	132S	-	X	50	32	80	116	50	57	14	300	273	12	132	160	132	282	659	100	70	184	140	240	190	263	216	121	15	16	20	193	100	
50-32-160.1/ 01102	160M	-	X	50	32	80	116	50	60	14	350	317	15	132	160	160	334	804	100	70	256	210	240	190	300	254	121	15	18	20	226	100	
50-32-200.1/ 00302	100L	X	-	50	32	80	142	50	-	14	250	289	-	160	180	-	-	582	100	70	-	-	240	190	-	-	142	18	-	-	170	100	
50-32-200.1/ 00402	112M	X	-	50	32	80	142	50	-	14	250	307	-	160	180	-	-	603	100	70	-	-	240	190	-	-	142	18	-	-	170	100	
50-32-200.1/ 00552	132S	X	X	50	32	80	142	50	57	14	300	273	12	160	180	132	282	659	100	70	184	140	240	190	263	216	142	18	16	20	193	100	
50-32-200.1/ 00752	132S	X	X	50	32	80	142	50	57	14	300	273	12	160	180	132	282	659	100	70	184	140	240	190	263	216	142	18	16	20	193	100	
50-32-200.1/ 01102	160M	-	X	50	32	80	142	50	60	14	350	317	15	160	180	160	334	804	100	70	256	210	240	190	300	254	142	18	18	20	226	100	
50-32-200.1/ 01502	160M	-	X	50	32	80	142	50	60	14	350	317	15	160	180	160	334	804	100	70	256	210	240	190	300	254	142	18	18	20	226	100	
50-32-250.1/ 00552	132S	X	-	50	32	100	168	65	57	14	300	273	12	180	225	132	282	679	125	95	184	140	320	250	263	216	168	18	16	20	193	100	
50-32-250.1/ 00752	132S	X	X	50	32	100	168	65	57	14	300	273	12	180	225	132	282	679	125	95	184	140	320	250	263	216	168	18	16	20	193	100	
50-32-250.1/ 01102	160M	X	X	50	32	100	168	65	60	14	350	317	15	180	225	160	334	824	125	95	256	210	320	250	300	254	168	18	18	20	226	100	
50-32-250.1/ 01502	160M	X	X	50	32	100	168	65	60	14	350	317	15	180	225	160	334	824	125	95	256	210	320	250	300	254	168	18	18	20	226	100	
50-32-250.1/ 01852	160L	-	X	50	32	100	168	65	60	14	350	317	15	180	225	160	334	868	125	95	300	254	320	250	300	254	168	18	18	20	226	100	
50-32-125/ 00112	80M	X	-	50	32	80	115	50	-	14	200	177	-	112	140	-	-	489	100	70	-	-	190	140	-	-	115	15	-	-	156	100	
50-32-125/ 00152	90S	X	X	50	32	80	115	50	-	14	200	271	-	112	140	-	-	531	100	70	-	-	190	140	-	-	115	15	-	-	156	100	
50-32-125/ 00222	90L	X	X	50	32	80	115	50	-	14	200	271	-	112	140	-	-	556	100	70	-	-	190	140	-	-	115	15	-	-	156	100	
50-32-125/ 00302	100L	X	X	50	32	80	115	50	-	14	250	289	-	112	140	-	-	582	100	70	-	-	190	140	-	-	115	15	-	-	170	100	

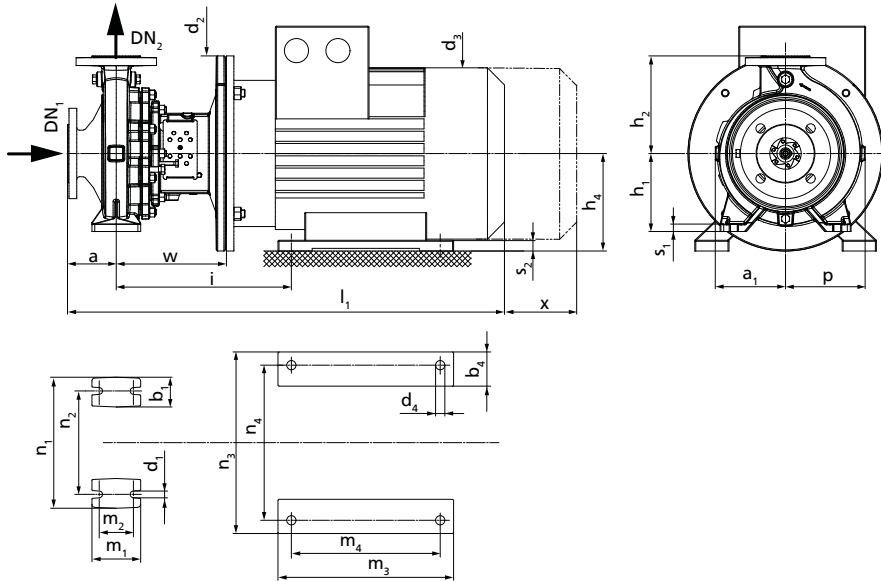
56) Tolerances of mating dimensions to DIN EN 735
 57) Dimensions to EN 733
 58) Motor feet must be shimmed.

Pump	Size	Motor (IEC)	Speed		DN ₁ 57)	DN ₂ 57)	a 57)	a ₁	b ₁ 57)	b ₄	d ₁ 57)	d ₂	d ₃	d ₄	h ₁ 57)	h ₂ 57)	h ₄	i	l ₁	m ₁ 57)	m ₂ 57)	m ₃	m ₄	n ₁ 57)	n ₂ 57)	n ₃	n ₄	p	s ₁ 57)	s ₂	u 58)	w	x 57)
			2900	3500																													
			[rpm]																														
50-32-125/ 00402	112M	-	X	50	32	80	115	50	-	14	250	307	-	112	140	-	-	603	100	70	-	-	190	140	-	-	115	15	-	-	170	100	
50-32-125/ 00552	132S	-	X	50	32	80	115	50	57	14	300	273	12	112	140	132	282	659	100	70	184	140	190	140	263	216	115	15	16	20	193	100	
50-32-160/ 00222	90L	X	-	50	32	80	118	50	-	14	200	271	-	132	160	-	-	556	100	70	-	-	240	190	-	-	128	15	-	-	156	100	
50-32-160/ 00302	100L	X	X	50	32	80	118	50	-	14	250	289	-	132	160	-	-	582	100	70	-	-	240	190	-	-	128	15	-	-	170	100	
50-32-160/ 00402	112M	X	X	50	32	80	118	50	-	14	250	307	-	132	160	-	-	603	100	70	-	-	240	190	-	-	128	15	-	-	170	100	
50-32-160/ 00552	132S	-	X	50	32	80	118	50	57	14	300	273	12	132	160	132	282	659	100	70	184	140	240	190	263	216	128	15	16	20	193	100	
50-32-160/ 00752	132S	-	X	50	32	80	118	50	57	14	300	273	12	132	160	132	282	659	100	70	184	140	240	190	263	216	128	15	16	20	193	100	
50-32-200/ 00402	112M	X	-	50	32	80	142	50	-	14	250	307	-	160	180	-	-	603	100	70	-	-	240	190	-	-	143	18	-	-	170	100	
50-32-200/ 00552	132S	X	-	50	32	80	142	50	57	14	300	273	12	160	180	132	282	659	100	70	184	140	240	190	263	216	143	18	16	20	193	100	
50-32-200/ 00752	132S	X	X	50	32	80	142	50	57	14	300	273	12	160	180	132	282	659	100	70	184	140	240	190	263	216	143	18	16	20	193	100	
50-32-200/ 01102	160M	X	X	50	32	80	142	50	60	14	350	317	15	160	180	160	334	804	100	70	256	210	240	190	300	254	143	18	18	20	226	100	
50-32-200/ 01502	160M	-	X	50	32	80	142	50	60	14	350	317	15	160	180	160	334	804	100	70	256	210	240	190	300	254	143	18	18	20	226	100	
50-32-250/ 00752	132S	X	-	50	32	100	169	65	57	14	300	273	12	180	225	132	282	679	125	95	184	140	320	250	263	216	178	18	16	20	193	100	
50-32-250/ 01102	160M	X	X	50	32	100	169	65	60	14	350	317	15	180	225	160	334	824	125	95	256	210	320	250	300	254	178	18	18	20	226	100	
50-32-250/ 01502	160M	X	X	50	32	100	169	65	60	14	350	317	15	180	225	160	334	824	125	95	256	210	320	250	300	254	178	18	18	20	226	100	
50-32-250/ 01852	160L	-	X	50	32	100	169	65	60	14	350	317	15	180	225	160	334	868	125	95	300	254	320	250	300	254	178	18	18	20	226	100	
50-32-250/ 02202	180M	-	X	50	32	100	169	65	65	14	350	354	15	180	225	180	347	888	125	95	292	241	320	250	330	279	178	18	20	-	226	100	
65-40-125/ 00152	90S	X	-	65	40	80	117	50	-	14	200	271	-	112	140	-	-	531	100	70	-	-	210	160	-	-	117	15	-	-	156	100	
65-40-125/ 00222	90L	X	-	65	40	80	117	50	-	14	200	271	-	112	140	-	-	556	100	70	-	-	210	160	-	-	117	15	-	-	156	100	
65-40-125/ 00302	100L	X	-	65	40	80	117	50	-	14	250	289	-	112	140	-	-	582	100	70	-	-	210	160	-	-	117	15	-	-	170	100	
65-40-125/ 00402	112M	X	X	65	40	80	117	50	-	14	250	307	-	112	140	-	-	603	100	70	-	-	210	160	-	-	117	15	-	-	170	100	
65-40-125/ 00552	132S	-	X	65	40	80	117	50	57	14	300	273	12	112	140	132	282	659	100	70	184	140	210	160	263	216	117	15	16	20	193	100	
65-40-125/ 00752	132S	-	X	65	40	80	117	50	57	14	300	273	12	112	140	132	282	659	100	70	184	140	210	160	263	216	117	15	16	20	193	100	
65-40-125/ 01102	160M	-	X	65	40	80	117	50	60	14	350	317	15	112	140	160	334	804	100	70	256	210	210	160	300	254	117	15	18	20	226	100	
65-40-160/ 00302	100L	X	-	65	40	80	119	50	-	14	250	289	-	132	160	-	-	582	100	70	-	-	240	190	-	-	134	15	-	-	170	100	
65-40-160/ 00402	112M	X	-	65	40	80	119	50	-	14	250	307	-	132	160	-	-	603	100	70	-	-	240	190	-	-	134	15	-	-	170	100	
65-40-160/ 00552	132S	X	X	65	40	80	119	50	57	14	300	273	12	132	160	132	282	659	100	70	184	140	240	190	263	216	134	15	16	20	193	100	
65-40-160/ 00752	132S	X	X	65	40	80	119	50	57	14	300	273	12	132	160	132	282	659	100	70	184	140	240	190	263	216	134	15	16	20	193	100	
65-40-160/ 01102	160M	-	X	65	40	80	119	50	60	14	350	317	15	132	160	160	334	804	100	70	256	210	240	190	300	254	134	15	18	20	226	100	
65-40-160/ 01502	160M	-	X	65	40	80	119	50	60	14	350	317	15	132	160	160	334	804	100	70	256	210	240	190	300	254	134	15	18	20	226	100	
65-40-200/ 00552	132S	X	-	65	40	100	142	50	57	14	300	273	12	160	180	132	282	679	100	70	184	140	265	212	263	216	155	18	16	20	193	100	
65-40-200/ 00752	132S	X	-	65	40	100	142	50	57	14	300	273	12	160	180	132	282	679	100	70	184	140	265	212	263	216	155	18	16	20	193	100	
65-40-200/ 01102	160M	X	X	65	40	100	142	50	60	14	350	317	15	160	180	160	334	824	100	70	256	210	265	212	300	254	155	18	18	20	226	100	
65-40-200/ 01502	160M	X	X	65	40	100	142	50	60	14	350	317	15	160	180	160	334	824	100	70	256	210	265	212	300	254	155	18	18	20	226	100	
65-40-200/ 01852	160L	X	X	65	40	100	142	50	60	14	350	317	15	160	180	160	334	868	100	70	300	254	265	212	300	254	155	18	18	20	226	100	
65-40-200/ 02202	180M	X	X	65	40	100	142	50	65	14	350	354	15	160	180	180	347	888	100	70	292	241	265	212	330	279	155	18	20	-	226	100	
65-40-250/ 01102	160M	X	-	65	40	100	169	65	60	14	350	317	15	180	225	160	334	824	125	95	256	210	320	250	300	254	179	18	18	20	226	100	
65-40-250/ 01502	160M	X	X	65	40	100	169	65	60	14	350	317	15	180	225	160	334	824	125	95	256	210	320	250	300	254	179	18	18	20	226	100	
65-40-250/ 01852	160L	X	X	65	40	100	169	65	60	14	350	317	15	180	225	160	334	868	125	95	300	254	320	250	300	254	179	18	18	20	226	100	
65-40-250/ 02202	180M	X	X	65	40	100	169	65	65	14	350	354	15	180	225	180	347	888	125	95	292	241	320	250	330	279	179	18	20	-	226	100	
65-50-125/ 00302	100L	X	-	65	50	100	117	50	-	14	250	289	-	132	160	-	-	602	100	70	-	-	240	190	-	-	130	18	-	-	170	100	
65-50-125/ 00402	112M	X	-	65	50	100	117	50	-	14	250	307	-	132	160	-	-	623	100	70	-	-	240	190	-	-	130	18	-	-	170	100	
65-50-125/ 00552	132S	X	X	65	50	100	117	50	57	14	300	273	12	132	160	132	282	679	100	70	184	140	240	190	263	216	130	18	16	20	193	100	
65-50-125/ 00752	132S	X	X	65	50	100	117	50	57	14	300	273	12	132	160	132	282	679	100	70	184	140	240	190	263	216	130	18	16	20	193	100	
65-50-125/ 01102	160M	-	X	65	50	100	117	50	60	14	350	317	15	132	160	160	334	824	100	70	256	210	240	190	300	254	130</						

Pump	Size	Motor (IEC)	Speed		DN ₁ 57)	DN ₂ 57)	a 57)	a ₁	b ₁ 57)	b ₄	d ₁ 57)	d ₂	d ₃	d ₄	h ₁ 57)	h ₂ 57)	h ₄	i	l ₁	m ₁ 57)	m ₂ 57)	m ₃	m ₄	n ₁ 57)	n ₂ 57)	n ₃	n ₄	p	s ₁ 57)	s ₂	u 58)	w	x 57)
			2900	3500																													
			[rpm]																														
65-50-125/ 01502	160M	-	X	65	50	100	117	50	60	14	350	317	15	132	160	160	334	824	100	70	256	210	240	190	300	254	130	18	18	20	226	100	
65-50-160/ 00552	132S	X	-	65	50	100	128	50	57	14	300	273	12	160	180	132	282	679	100	70	184	140	265	212	263	216	149	18	16	20	193	100	
65-50-160/ 00752	132S	X	-	65	50	100	128	50	57	14	300	273	12	160	180	132	282	679	100	70	184	140	265	212	263	216	149	18	16	20	193	100	
65-50-160/ 01102	160M	X	X	65	50	100	128	50	60	14	350	317	15	160	180	160	334	824	100	70	256	210	265	212	300	254	149	18	18	20	226	100	
65-50-160/ 01502	160M	-	X	65	50	100	128	50	60	14	350	317	15	160	180	160	334	824	100	70	256	210	265	212	300	254	149	18	18	20	226	100	
65-50-160/ 01852	160L	-	X	65	50	100	128	50	60	14	350	317	15	160	180	160	334	868	100	70	300	254	265	212	300	254	149	18	18	20	226	100	
65-50-160/ 02202	180M	-	X	65	50	100	128	50	65	14	350	354	15	160	180	180	347	888	100	70	292	241	265	212	330	279	149	18	20	-	226	100	
65-50-200/ 01102	160M	X	-	65	50	100	144	50	60	14	350	317	15	160	200	160	334	824	100	70	256	210	265	212	300	254	163	18	18	20	226	100	
65-50-200/ 01502	160M	X	-	65	50	100	144	50	60	14	350	317	15	160	200	160	334	824	100	70	256	210	265	212	300	254	163	18	18	20	226	100	
65-50-200/ 01852	160L	X	-	65	50	100	144	50	60	14	350	317	15	160	200	160	334	868	100	70	300	254	265	212	300	254	163	18	18	20	226	100	
65-50-200/ 02202	180M	X	X	65	50	100	144	50	65	14	350	354	15	160	200	180	347	888	100	70	292	241	265	212	330	279	163	18	20	-	226	100	
65-50-250/ 01502	160M	X	-	65	50	100	170	65	60	14	350	317	15	180	225	160	334	824	125	95	256	210	320	250	300	254	186	18	18	20	226	100	
65-50-250/ 01852	160L	X	-	65	50	100	170	65	60	14	350	317	15	180	225	160	334	868	125	95	300	254	320	250	300	254	186	18	18	20	226	100	
65-50-250/ 02202	180M	X	X	65	50	100	170	65	65	14	350	354	15	180	225	180	347	888	125	95	292	241	320	250	330	279	186	18	20	-	226	100	
80-65-125/ 00402	112M	X	-	80	65	100	117	65	-	14	250	307	-	160	180	-	-	623	125	95	-	-	280	212	-	-	150	18	-	-	170	100	
80-65-125/ 00552	132S	X	-	80	65	100	117	65	57	14	300	273	12	160	180	132	282	679	125	95	184	140	280	212	263	216	150	18	16	20	193	100	
80-65-125/ 00752	132S	X	X	80	65	100	117	65	57	14	300	273	12	160	180	132	282	679	125	95	184	140	280	212	263	216	150	18	16	20	193	100	
80-65-125/ 01102	160M	X	X	80	65	100	117	65	60	14	350	317	15	160	180	160	334	824	125	95	256	210	280	212	300	254	150	18	18	20	226	100	
80-65-125/ 01502	160M	-	X	80	65	100	117	65	60	14	350	317	15	160	180	160	334	824	125	95	256	210	280	212	300	254	150	18	18	20	226	100	
80-65-125/ 01852	160L	-	X	80	65	100	117	65	60	14	350	317	15	160	180	160	334	868	125	95	300	254	280	212	300	254	150	18	18	20	226	100	
80-65-160/ 00752	132S	X	-	80	65	100	132	65	57	14	300	273	12	160	200	132	282	679	125	95	184	140	280	212	263	216	160	18	16	20	193	100	
80-65-160/ 01102	160M	X	-	80	65	100	132	65	60	14	350	317	15	160	200	160	334	824	125	95	256	210	280	212	300	254	160	18	18	20	226	100	
80-65-160/ 01502	160M	X	X	80	65	100	132	65	60	14	350	317	15	160	200	160	334	824	125	95	256	210	280	212	300	254	160	18	18	20	226	100	
80-65-160/ 01852	160L	-	X	80	65	100	132	65	60	14	350	317	15	160	200	160	334	868	125	95	300	254	280	212	300	254	160	18	18	20	226	100	
80-65-160/ 02202	180M	-	X	80	65	100	132	65	65	14	350	354	15	160	200	180	347	888	125	95	292	241	280	212	330	279	160	18	20	-	226	100	
80-65-200/ 01502	160M	X	-	80	65	100	155	65	60	14	350	317	15	180	225	160	334	824	125	95	256	210	320	250	300	254	178	18	18	20	226	140	
80-65-200/ 01852	160L	X	-	80	65	100	155	65	60	14	350	317	15	180	225	160	334	868	125	95	300	254	320	250	300	254	178	18	18	20	226	140	
80-65-200/ 02202	180M	X	X	80	65	100	155	65	65	14	350	354	15	180	225	180	347	888	125	95	292	241	320	250	330	279	178	18	20	-	226	140	
80-65-250/ 02202	180M	X	-	80	65	100	179	80	65	19	350	354	15	200	250	180	367	908	160	120	292	241	360	280	330	279	199	20	20	-	246	140	
100-80-160/ 01502	160M	X	-	100	80	125	138	65	60	14	350	317	15	180	225	160	334	849	125	95	256	210	320	250	300	254	174	18	18	20	226	140	
100-80-160/ 01852	160L	X	-	100	80	125	138	65	60	14	350	317	15	180	225	160	334	893	125	95	300	254	320	250	300	254	174	18	18	20	226	140	
100-80-160/ 02202	180M	X	X	100	80	125	138	65	65	14	350	354	15	180	225	180	347	913	125	95	292	241	320	250	330	279	174	18	20	-	226	140	
100-80-200/ 01852	160L	X	-	100	80	125	159	65	60	19	350	317	15	180	250	160	354	913	125	95	300	254	345	280	300	254	188	18	18	20	246	140	
100-80-200/ 02202	180M	X	-	100	80	125	159	65	65	19	350	354	15	180	250	180	367	933	125	95	292	241	345	280	330	279	188	18	20	-	246	140	
125-100-160/ 02202	180M	X	-	125	100	125	178	80	65	19	350	354	15	200	280	180	367	933	160	120	292	241	360	280	330	279	225	18	20	-	246	140	

57) Dimensions to EN 733
 58) Motor feet must be shimmed.

Etabloc G/GC; 30 kW to 55 kW



Pump set with volute casing foot and motor foot (motor sizes 200 to 250, 2-pole)

Dimensions Etabloc G/GC; 30 kW to 55 kW; n = 2900 rpm; n = 3500 rpm (region D)⁵⁹⁾
 Values a₁, b₁, b₄, d₃, l₁, m₁, m₃, n₃ and p may vary slightly for production-related reasons.

Pump	Size	Motor (IEC)	Speed		DN ₁ 60)	DN ₂ 60)	a 60)	a ₁	b ₁ 60)	b ₄	d ₁ 60)	d ₂	d ₃	d ₄	h ₁ 60)	h ₂ 60)	h ₄	i	l ₁	m ₁ 60)	m ₂ 60)	m ₃	m ₄	n ₁ 60)	n ₂ 60)	n ₃	n ₄	p	s ₁ 60)	s ₂	w	x 60)
			2900	3500																												
			[rpm]		[mm]																											
50-32-250/ 03002		200L	-	✗	50	32	100	169	65	70	14	400	398	19	180	225	200	359	986	125	95	365	305	320	250	378	318	178	18	24	226	100
65-40-250/ 03002		200L	✗	✗	65	40	100	169	65	70	14	400	398	19	180	225	200	359	986	125	95	365	305	320	250	378	318	179	18	24	226	100
65-40-250/ 03702		200L	-	✗	65	40	100	169	65	70	14	400	398	19	180	225	200	359	986	125	95	365	305	320	250	378	318	179	18	24	226	100
65-40-315/ 03002		200L	✗	-	65	40	125	207	65	70	14	400	398	19	225	250	200	379	1031	125	95	365	305	345	280	378	318	207	18	24	246	100
65-40-315/ 03702		200L	✗	-	65	40	125	207	65	70	14	400	398	19	225	250	200	379	1031	125	95	365	305	345	280	378	318	207	18	24	246	100
65-40-315/ 04502		225M	✗	-	65	40	125	207	65	75	14	450	449	19	225	250	225	426	1103	125	95	375	311	345	280	431	356	207	18	28	277	100
65-50-200/ 03002		200L	✗	✗	65	50	100	144	50	70	14	400	398	19	160	200	200	359	986	100	70	365	305	265	212	378	318	163	18	24	226	100
65-50-200/ 03702		200L	-	✗	65	50	100	144	50	70	14	400	398	19	160	200	200	359	986	100	70	365	305	265	212	378	318	163	18	24	226	100
65-50-250/ 03002		200L	✗	✗	65	50	100	170	65	70	14	400	398	19	180	225	200	359	986	125	95	365	305	320	250	378	318	186	18	24	226	100
65-50-250/ 03702		200L	✗	✗	65	50	100	170	65	70	14	400	398	19	180	225	200	359	986	125	95	365	305	320	250	378	318	186	18	24	226	100
65-50-345/ 03702		200L	✗	-	65	50	125	207	65	70	14	400	398	19	225	280	200	379	1031	125	95	365	305	345	280	378	318	215	18	24	246	100
65-50-315/ 04502		225M	✗	-	65	50	125	207	65	75	14	450	449	19	225	280	225	426	1103	125	95	375	311	345	280	431	356	215	18	28	277	100

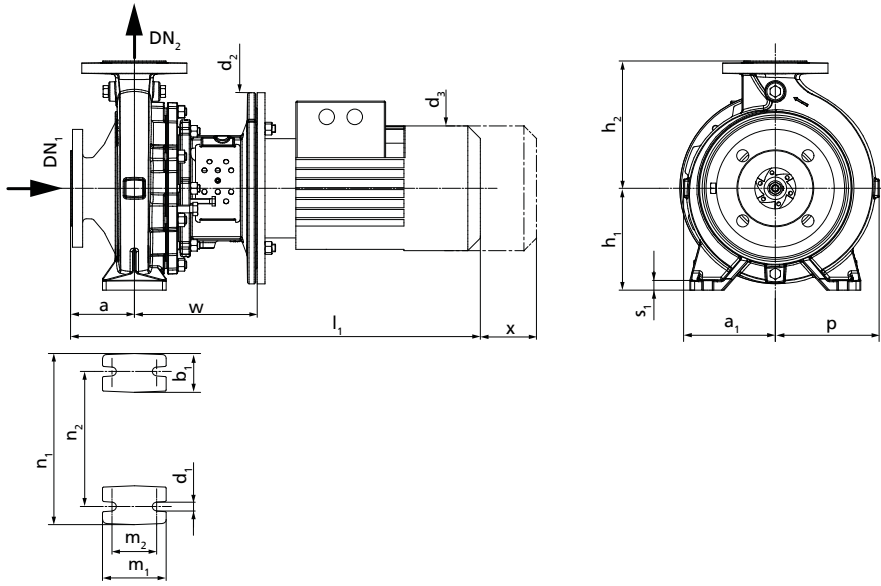
⁵⁹⁾ Tolerances of mating dimensions to EN 735
⁶⁰⁾ Dimensions to EN 733

Size		Speed		DN ₁ 60)	DN ₂ 60)	a 60)	a ₁	b ₁ 60)	b ₄	d ₁ 60)	d ₂	d ₃	d ₄	h ₁ 60)	h ₂ 60)	h ₄	i	l ₁	m ₁ 60)	m ₂ 60)	m ₃	m ₄	n ₁ 60)	n ₂ 60)	n ₃	n ₄	p	s ₁ 60)	s ₂	w	x 60)
Pump	Motor (IEC)	2900	3500																												
		[rpm]		[mm]																											
65-50-315/ 05502	250M	X	-	65	50	125	207	65	85	14	550	499	24	225	280	250	457	1195	125	95	425	349	345	280	480	406	215	18	30	289	100
80-65-160/ 03002	200L	-	X	80	65	100	132	65	70	14	400	398	19	160	200	200	359	986	125	95	365	305	320	212	378	318	160	18	24	226	100
80-65-200/ 03002	200L	X	X	80	65	100	155	65	70	14	400	398	19	180	225	200	359	986	125	95	365	305	320	250	378	318	178	18	24	226	140
80-65-200/ 03702	200L	X	X	80	65	100	155	65	70	14	400	398	19	180	225	200	359	986	125	95	365	305	320	250	378	318	178	18	24	226	140
80-65-250/ 03002	200L	X	-	80	65	100	179	80	70	19	400	398	19	200	250	200	379	1006	160	120	365	305	360	280	378	318	199	20	24	246	140
80-65-250/ 03702	200L	X	X	80	65	100	179	80	70	19	400	398	19	200	250	200	379	1006	160	120	365	305	360	280	378	318	199	20	24	246	140
80-65-250/ 04502	225M	X	X	80	65	100	179	80	75	19	450	449	19	200	250	225	426	1078	160	120	375	311	360	280	431	356	199	20	28	277	140
80-65-250/ 05502	250M	-	X	80	65	100	179	80	85	19	550	499	24	200	250	250	457	1170	160	120	425	349	360	280	480	406	199	20	30	289	140
80-65-315/ 04502	225M	X	-	80	65	100	179	80	75	19	450	449	19	200	250	225	426	1078	160	120	375	311	360	280	431	356	199	20	28	277	140
80-65-315/ 05502	250M	X	-	80	65	100	179	80	85	19	550	499	24	200	250	250	457	1170	160	120	425	349	360	280	480	406	199	20	30	289	140
100-80-160/ 03002	200L	X	X	100	80	125	138	65	70	14	400	398	19	180	225	200	359	1011	125	95	365	305	320	250	378	318	174	18	24	226	140
100-80-160/ 03702	200L	-	X	100	80	125	138	65	70	14	400	398	19	180	225	200	359	1011	125	95	365	305	320	250	378	318	174	18	24	226	140
100-80-200/ 03002	200L	X	-	100	80	125	159	65	70	19	400	398	19	180	250	200	379	1031	125	95	365	305	345	280	378	318	188	18	24	246	140
100-80-200/ 03702	200L	X	-	100	80	125	159	65	70	19	400	398	19	180	250	200	379	1031	125	95	365	305	345	280	378	318	188	18	24	246	140
100-80-200/ 04502	225M	X	-	100	80	125	159	65	75	19	450	449	19	180	250	225	426	1103	125	95	375	311	345	280	431	356	188	18	28	277	140
100-80-200/ 05502	250M	-	X	100	80	125	159	65	85	19	550	499	24	180	250	250	457	1195	125	95	425	349	345	280	480	406	188	18	30	289	140
100-80-250/ 03002	200L	X	-	100	80	125	183	80	70	19	400	398	19	200	280	200	379	1031	160	120	365	305	400	315	378	318	209	18	24	246	140
100-80-250/ 03702	200L	X	-	100	80	125	183	80	70	19	400	398	19	200	280	200	379	1031	160	120	365	305	400	315	378	318	209	18	24	246	140
100-80-250/ 04502	225M	X	-	100	80	125	183	80	75	19	450	449	19	200	280	225	426	1103	160	120	375	311	400	315	431	356	209	18	28	277	140
100-80-250/ 05502	250M	X	X	100	80	125	183	80	85	19	550	499	24	200	280	250	457	1195	160	120	425	349	400	315	480	406	209	18	30	289	140
125-100-160/ 03002	200L	X	-	125	100	125	178	80	70	19	400	398	19	200	280	200	379	1031	160	120	365	305	360	280	378	318	225	18	24	246	140
125-100-160/ 03702	200L	X	X	125	100	125	178	80	70	19	400	398	19	200	280	200	379	1031	160	120	365	305	360	280	378	318	225	18	24	246	140
125-100-160/ 04502	225M	-	X	125	100	125	178	80	75	19	450	449	19	200	280	225	426	1103	160	120	375	311	360	280	431	356	225	18	28	277	140
125-100-160/ 05502	250M	-	X	125	100	125	178	80	85	19	550	499	24	200	280	250	457	1195	160	120	425	349	360	280	480	406	225	18	30	289	140
125-100-200/ 03002	200L	X	-	125	100	125	173	80	70	19	400	398	19	200	280	200	379	1031	160	120	365	305	360	280	378	318	212	18	24	246	140
125-100-200/ 03702	200L	X	-	125	100	125	173	80	70	19	400	398	19	200	280	200	379	1031	160	120	365	305	360	280	378	318	212	18	24	246	140
125-100-200/ 04502	225M	X	-	125	100	125	173	80	75	19	450	449	19	200	280	225	426	1103	160	120	375	311	360	280	431	356	212	18	28	277	140
125-100-200/ 05502	250M	X	-	125	100	125	173	80	85	19	550	499	24	200	280	250	457	1195	160	120	425	349	360	280	480	406	212	18	30	289	140
125-100-250/ 04502	225M	X	-	125	100	140	188	80	75	19	450	449	19	225	280	225	426	1118	160	120	375	311	400	315	431	356	219	18	28	277	140
125-100-250/ 05502	250M	X	-	125	100	140	188	80	85	19	550	499	24	225	280	250	457	1210	160	120	425	349	400	315	480	406	219	18	30	289	140
150-125-200/ 05502	250M	X	-	150	125	140	189	80	85	19	550	499	24	250	315	250	457	1210	160	120	435	349	400	315	480	406	242	20	30	289	140

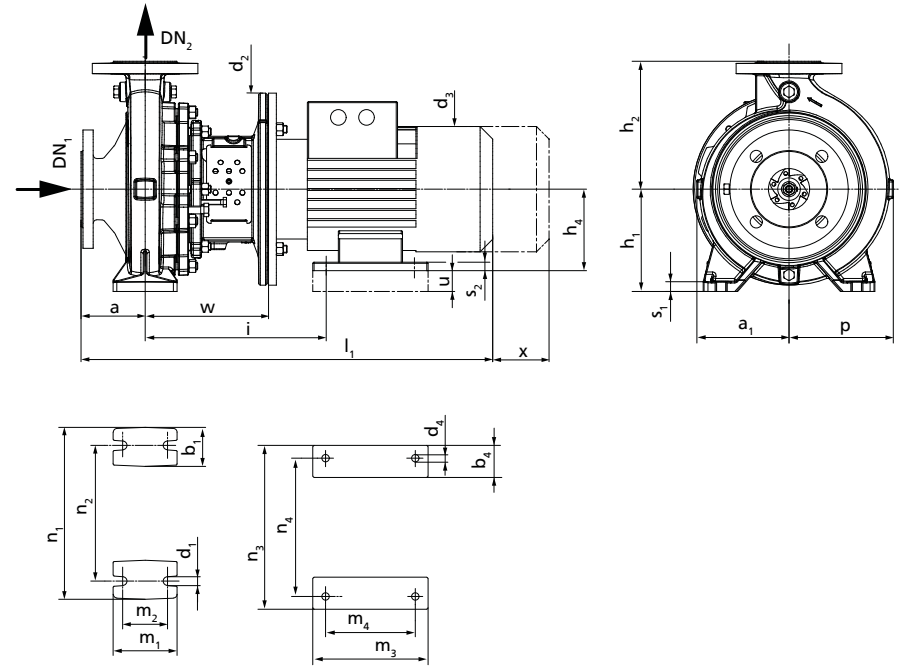
60) Dimensions to EN 733

$n = 1450 \text{ rpm}; n = 1750 \text{ rpm} - \text{region D}$

Etabloc G/GC; $\leq 22 \text{ kW}$



Pump set with volute casing foot (up to motor size 112)



Pump set with volute casing foot and motor foot (motor sizes 132 to 180)

Dimensions Etablo G/ GC; ≤ 22 kW; n = 1450 rpm; n = 1750 rpm (Region D)⁶¹⁾
 Values a₁, b₁, b₄, d₃, l₁, m₁, m₃, n₃ and p may vary slightly for production-related reasons.

Pump	Size	Motor (IEC)	Speed		DN ₁ (62)	DN ₂ (62)	a (62)	a ₁	b ₁ (62)	b ₄	d ₁ (62)	d ₂	d ₃	d ₄	h ₁ (62)	h ₂ (62)	h ₄	i	l ₁	m ₁ (62)	m ₂ (62)	m ₃	m ₄	n ₁ (62)	n ₂ (62)	n ₃	n ₄	p	s ₁ (62)	s ₂	u (63)	w	x (62)
			1450	1750																													
			[rpm]																														
40-25-160/00054	80M	-	X	40	25	80	118	50	-	14	200	177	-	132	160	-	-	489	100	70	-	-	240	190	-	-	118	15	-	-	156	100	
40-25-160/00114	90S	X	X	40	25	80	118	50	-	14	200	271	-	132	160	-	-	531	100	70	-	-	240	190	-	-	118	15	-	-	156	100	
40-25-200/00054	80M	X	X	40	25	80	142	50	-	14	200	177	-	160	180	-	-	489	100	70	-	-	240	190	-	-	142	15	-	-	156	100	
40-25-200/00074	80M	-	X	40	25	80	142	50	-	14	200	177	-	160	180	-	-	489	100	70	-	-	240	190	-	-	142	15	-	-	156	100	
40-25-200/00114	90S	-	X	40	25	80	142	50	-	14	200	271	-	160	180	-	-	531	100	70	-	-	240	190	-	-	142	15	-	-	156	100	
50-32-125.1/00054	80M	X	X	50	32	80	116	50	-	14	200	177	-	112	140	-	-	489	100	70	-	-	190	140	-	-	116	15	-	-	156	100	
50-32-125.1/00114	90S	X	X	50	32	80	116	50	-	14	200	271	-	112	140	-	-	531	100	70	-	-	190	140	-	-	116	15	-	-	156	100	
50-32-160.1/00054	80M	X	X	50	32	80	116	50	-	14	200	177	-	132	160	-	-	489	100	70	-	-	240	190	-	-	121	15	-	-	156	100	
50-32-160.1/00074	80M	-	X	50	32	80	116	50	-	14	200	177	-	132	160	-	-	489	100	70	-	-	240	190	-	-	121	15	-	-	156	100	
50-32-200.1/00054	80M	X	X	50	32	80	142	50	-	14	200	177	-	160	180	-	-	489	100	70	-	-	240	190	-	-	142	18	-	-	156	100	
50-32-200.1/00074	80M	X	X	50	32	80	142	50	-	14	200	177	-	160	180	-	-	489	100	70	-	-	240	190	-	-	142	18	-	-	156	100	
50-32-200.1/00114	90S	-	X	50	32	80	142	50	-	14	200	271	-	160	180	-	-	531	100	70	-	-	240	190	-	-	142	18	-	-	156	100	
50-32-200.1/00154	90L	-	X	50	32	80	142	50	-	14	200	271	-	160	180	-	-	556	100	70	-	-	240	190	-	-	142	18	-	-	156	100	
50-32-250.1/00074	80M	X	-	50	32	100	168	65	-	14	200	177	-	180	225	-	-	509	125	95	-	-	320	250	-	-	168	18	-	-	156	100	
50-32-250.1/00114	90S	X	X	50	32	100	168	65	-	14	200	271	-	180	225	-	-	551	125	95	-	-	320	250	-	-	168	18	-	-	156	100	
50-32-250.1/00154	90L	X	X	50	32	100	168	65	-	14	200	271	-	180	225	-	-	576	125	95	-	-	320	250	-	-	168	18	-	-	156	100	
50-32-250.1/00224	100L	-	X	50	32	100	168	65	-	14	250	289	-	180	225	-	-	602	125	95	-	-	320	250	-	-	168	18	-	-	170	100	
50-32-250.1/00304	100L	-	X	50	32	100	168	65	-	14	250	289	-	180	225	-	-	602	125	95	-	-	320	250	-	-	168	18	-	-	170	100	
50-32-125/00054	80M	X	X	50	32	80	115	50	-	14	200	177	-	112	140	-	-	489	100	70	-	-	190	140	-	-	115	15	-	-	156	100	
50-32-125/00074	80M	-	X	50	32	80	115	50	-	14	200	177	-	112	140	-	-	489	100	70	-	-	190	140	-	-	115	15	-	-	156	100	
50-32-125/00114	90S	X	X	50	32	80	115	50	-	14	200	271	-	112	140	-	-	531	100	70	-	-	190	140	-	-	115	15	-	-	156	100	
50-32-160/00054	80M	X	X	50	32	80	118	50	-	14	200	177	-	132	160	-	-	489	100	70	-	-	240	190	-	-	128	15	-	-	156	100	
50-32-160/00074	80M	X	X	50	32	80	118	50	-	14	200	177	-	132	160	-	-	489	100	70	-	-	240	190	-	-	128	15	-	-	156	100	
50-32-160/00114	90S	-	X	50	32	80	118	50	-	14	200	271	-	132	160	-	-	531	100	70	-	-	240	190	-	-	128	15	-	-	156	100	
50-32-200/00054	80M	X	-	50	32	80	142	50	-	14	200	177	-	160	180	-	-	489	100	70	-	-	240	190	-	-	143	18	-	-	156	100	
50-32-200/00074	80M	X	-	50	32	80	142	50	-	14	200	177	-	160	180	-	-	489	100	70	-	-	240	190	-	-	143	18	-	-	156	100	
50-32-200/00114	90S	X	X	50	32	80	142	50	-	14	200	271	-	160	180	-	-	531	100	70	-	-	240	190	-	-	143	18	-	-	156	100	
50-32-200/00154	90L	-	X	50	32	80	142	50	-	14	200	271	-	160	180	-	-	556	100	70	-	-	240	190	-	-	143	18	-	-	156	100	
50-32-200/00224	100L	-	X	50	32	80	142	50	-	14	250	289	-	160	180	-	-	582	100	70	-	-	240	190	-	-	143	18	-	-	170	100	
50-32-250/00114	90S	X	-	50	32	100	169	65	-	14	200	271	-	180	225	-	-	551	125	95	-	-	320	250	-	-	178	18	-	-	156	100	
50-32-250/00154	90L	X	X	50	32	100	169	65	-	14	200	271	-	180	225	-	-	576	125	95	-	-	320	250	-	-	178	18	-	-	156	100	
50-32-250/00224	100L	X	X	50	32	100	169	65	-	14	250	289	-	180	225	-	-	602	125	95	-	-	320	250	-	-	178	18	-	-	170	100	
50-32-250/00304	100L	-	X	50	32	100	169	65	-	14	250	289	-	180	225	-	-	602	125	95	-	-	320	250	-	-	178	18	-	-	170	100	
50-32-250/00404	112M	-	X	50	32	100	169	65	-	14	250	307	-	180	225	-	-	623	125	95	-	-	320	250	-	-	178	18	-	-	170	100	
65-40-125/00054	80M	X	X	65	40	80	117	50	-	14	200	177	-	112	140	-	-	489	100	70	-	-	210	160	-	-	117	15	-	-	156	100	
65-40-125/00074	80M	-	X	65	40	80	117	50	-	14	200	177	-	112	140	-	-	489	100	70	-	-	210	160	-	-	117	15	-	-	156	100	
65-40-125/00114	90S	-	X	65	40	80	117	50	-	14	200	271	-	112	140	-	-	531	100	70	-	-	210	160	-	-	117	15	-	-	156	100	
65-40-160/00054	80M	X	-	65	40	80	119	50	-	14	200	177	-	132	160	-	-	489	100	70	-	-	240	190	-	-	134	15	-	-	156	100	
65-40-160/00074	80M	X	X	65	40	80	119	50	-	14	200	177	-	132	160	-	-	489	100	70	-	-	240	190	-	-	134	15	-	-	156	100	
65-40-160/00114	90S	X	X	65	40	80	119	50	-	14	200	271	-	132	160	-	-	531	100	70	-	-	240	190	-	-	134	15	-	-	156	100	
65-40-160/00154	90L	-	X	65	40	80	119	50	-	14	200	271	-	132	160	-	-	556	100	70	-	-	240	190	-	-	134	15	-	-	156	100	

61) Tolerances of mating dimensions to DIN EN 735
 62) Dimensions to EN 733
 63) Motor feet must be shimmed.

Pump	Size	Motor (IEC)	Speed		DN ₁ 62)	DN ₂ 62)	a 62)	a ₁	b ₁ 62)	b ₄	d ₁ 62)	d ₂	d ₃	d ₄	h ₁ 62)	h ₂ 62)	h ₄	i	l ₁	m ₁ 62)	m ₂ 62)	m ₃	m ₄	n ₁ 62)	n ₂ 62)	n ₃	n ₄	p	s ₁ 62)	s ₂	u 63)	w	x 62)
			1450	1750																													
			[rpm]																														
65-40-160/ 00224	100L	-	X	65	40	80	119	50	-	14	250	289	-	132	160	-	-	582	100	70	-	-	240	190	-	-	134	15	-	-	170	100	
65-40-200/ 00074	80M	X	-	65	40	100	142	50	-	14	200	177	-	160	180	-	-	509	100	70	-	-	265	212	-	-	155	18	-	-	156	100	
65-40-200/ 00114	90S	X	-	65	40	100	142	50	-	14	200	271	-	160	180	-	-	551	100	70	-	-	265	212	-	-	155	18	-	-	156	100	
65-40-200/ 00154	90L	X	X	65	40	100	142	50	-	14	200	271	-	160	180	-	-	576	100	70	-	-	265	212	-	-	155	18	-	-	156	100	
65-40-200/ 00224	100L	-	X	65	40	100	142	50	-	14	250	289	-	160	180	-	-	602	100	70	-	-	265	212	-	-	155	18	-	-	170	100	
65-40-200/ 00304	100L	-	X	65	40	100	142	50	-	14	250	289	-	160	180	-	-	602	100	70	-	-	265	212	-	-	155	18	-	-	170	100	
65-40-250/ 00114	90S	X	-	65	40	100	169	65	-	14	200	271	-	180	225	-	-	551	125	95	-	-	320	250	-	-	179	18	-	-	156	100	
65-40-250/ 00154	90L	X	-	65	40	100	169	65	-	14	200	271	-	180	225	-	-	576	125	95	-	-	320	250	-	-	179	18	-	-	156	100	
65-40-250/ 00224	100L	X	X	65	40	100	169	65	-	14	250	289	-	180	225	-	-	602	125	95	-	-	320	250	-	-	179	18	-	-	170	100	
65-40-250/ 00304	100L	X	X	65	40	100	169	65	-	14	250	289	-	180	225	-	-	602	125	95	-	-	320	250	-	-	179	18	-	-	170	100	
65-40-250/ 00404	112M	-	X	65	40	100	169	65	-	14	250	307	-	180	225	-	-	623	125	95	-	-	320	250	-	-	179	18	-	-	170	100	
65-40-250/ 00554	132S	-	X	65	40	100	169	65	57	14	300	273	12	180	225	132	282	679	125	95	184	140	320	250	263	216	179	18	16	20	193	100	
65-40-315/ 00224	100L	X	-	65	40	125	207	65	-	14	250	289	-	225	250	-	-	647	125	95	-	-	345	280	-	-	207	18	-	-	190	100	
65-40-315/ 00304	100L	X	-	65	40	125	207	65	-	14	250	289	-	225	250	-	-	647	125	95	-	-	345	280	-	-	207	18	-	-	190	100	
65-40-315/ 00404	112M	X	X	65	40	125	207	65	-	14	250	307	-	225	250	-	-	668	125	95	-	-	345	280	-	-	207	18	-	-	190	100	
65-40-315/ 00554	132S	X	X	65	40	125	207	65	57	14	300	273	12	225	250	132	302	724	125	95	184	140	345	280	263	216	207	18	16	20	213	100	
65-40-315/ 00754	132M	-	X	65	40	125	207	65	57	14	300	273	12	225	250	132	302	762	125	95	222	178	345	280	263	216	207	18	16	20	213	100	
65-40-315/ 01104	160M	-	X	65	40	125	207	65	60	14	350	317	15	225	250	160	354	869	125	95	256	210	345	280	300	254	207	18	18	20	246	100	
65-50-125/ 00054	80M	X	-	65	50	100	117	50	-	14	200	177	-	132	160	-	-	509	100	70	-	-	240	190	-	-	130	18	-	-	156	100	
65-50-125/ 00074	80M	X	X	65	50	100	117	50	-	14	200	177	-	132	160	-	-	509	100	70	-	-	240	190	-	-	130	18	-	-	156	100	
65-50-125/ 00114	90S	X	X	65	50	100	117	50	-	14	200	271	-	132	160	-	-	551	100	70	-	-	240	190	-	-	130	18	-	-	156	100	
65-50-125/ 00154	90L	-	X	65	50	100	117	50	-	14	200	271	-	132	160	-	-	576	100	70	-	-	240	190	-	-	130	18	-	-	156	100	
65-50-160/ 00074	80M	X	-	65	50	100	128	50	-	14	200	177	-	160	180	-	-	509	100	70	-	-	265	212	-	-	149	18	-	-	156	100	
65-50-160/ 00114	90S	X	X	65	50	100	128	50	-	14	200	271	-	160	180	-	-	551	100	70	-	-	265	212	-	-	149	18	-	-	156	100	
65-50-160/ 00154	90L	X	X	65	50	100	128	50	-	14	200	271	-	160	180	-	-	576	100	70	-	-	265	212	-	-	149	18	-	-	156	100	
65-50-160/ 00224	100L	-	X	65	50	100	128	50	-	14	250	289	-	160	180	-	-	602	100	70	-	-	265	212	-	-	149	18	-	-	170	100	
65-50-160/ 00304	100L	-	X	65	50	100	128	50	-	14	250	289	-	160	180	-	-	602	100	70	-	-	265	212	-	-	149	18	-	-	170	100	
65-50-200/ 00154	90L	X	-	65	50	100	144	50	-	14	200	271	-	160	200	-	-	576	100	70	-	-	265	212	-	-	163	18	-	-	156	100	
65-50-200/ 00224	100L	X	X	65	50	100	144	50	-	14	250	289	-	160	200	-	-	602	100	70	-	-	265	212	-	-	163	18	-	-	170	100	
65-50-200/ 00304	100L	X	X	65	50	100	144	50	-	14	250	289	-	160	200	-	-	602	100	70	-	-	265	212	-	-	163	18	-	-	170	100	
65-50-200/ 00404	112M	-	X	65	50	100	144	50	-	14	250	307	-	160	200	-	-	623	100	70	-	-	265	212	-	-	163	18	-	-	170	100	
65-50-200/ 00554	132S	-	X	65	50	100	144	50	57	14	300	273	12	160	200	132	282	679	100	70	184	140	265	212	263	216	163	18	16	20	193	100	
65-50-250/ 00224	100L	X	-	65	50	100	170	65	-	14	250	289	-	180	225	-	-	602	125	95	-	-	320	250	-	-	186	18	-	-	170	100	
65-50-250/ 00304	100L	X	-	65	50	100	170	65	-	14	250	289	-	180	225	-	-	602	125	95	-	-	320	250	-	-	186	18	-	-	170	100	
65-50-250/ 00404	112M	X	X	65	50	100	170	65	-	14	250	307	-	180	225	-	-	623	125	95	-	-	320	250	-	-	186	18	-	-	170	100	
65-50-250/ 00554	132S	-	X	65	50	100	170	65	57	14	300	273	12	180	225	132	282	679	125	95	184	140	320	250	263	216	186	18	16	20	193	100	
65-50-250/ 00754	132M	-	X	65	50	100	170	65	57	14	300	273	12	180	225	132	282	717	125	95	222	178	320	250	263	216	186	18	16	20	193	100	
65-50-315/ 00304	100L	X	-	65	50	125	207	65	-	14	250	289	-	225	280	-	-	647	125	95	-	-	345	280	-	-	215	18	-	-	190	100	
65-50-315/ 00404	112M	X	-	65	50	125	207	65	-	14	250	307	-	225	280	-	-	668	125	95	-	-	345	280	-	-	215	18	-	-	190	100	
65-50-315/ 00554	132S	X	-	65	50	125	207	65	57	14	300	273	12	225	280	132	302	724	125	95	184	140	345	280	263	216	215	18	16	20	213	100	
65-50-315/ 00754	132M	X	X	65	50	125	207	65	57	14	300	273	12	225	280	132	302	762	125	95	222	178	345	280	263	216	215	18	16	20	213	100	
65-50-315/ 01104	160M	-	X	65	50	125	207	65	60	14	350	317	15	225	280	160	354	869	125	95	256	210	345	280	300	254	215	18	18	20	246	100	
65-50-315/ 01504	160L	-	X	65	50	125	207	65	60	14	350	317	15	225	280	160	354	913	125	95	300	254	345	280	300	254	215	18	18	20	246	100	
80-65-125/ 00054	80M	X	-	80	65	100	117	65	-	14	200	177	-	160	180	-	-	509	125	95	-	-	280	212	-	-	150	18	-	-	156	100	
80-65-125/ 00074	80M	X	-	80	65	100	117	65	-	14	200	177	-	160	180	-	-	509	125	95	-	-	280	212	-	-	150	18	-	-	156	100	

62) Dimensions to EN 733
 63) Motor feet must be shimmed.



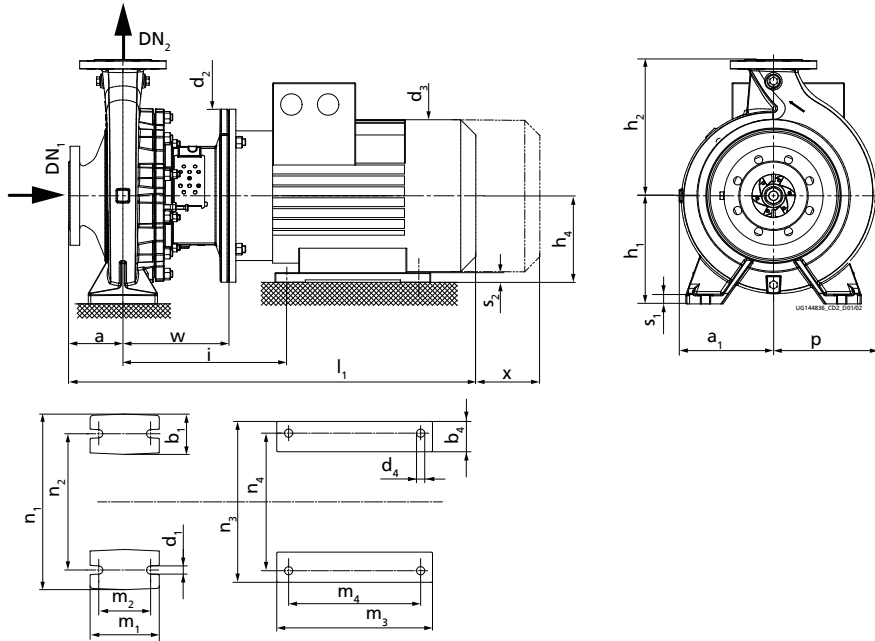
Pump	Size	Motor (IEC)	Speed		DN ₁ 62)	DN ₂ 62)	a 62)	a ₁	b ₁ 62)	b ₄	d ₁ 62)	d ₂	d ₃	d ₄	h ₁ 62)	h ₂ 62)	h ₄	i	l ₁	m ₁ 62)	m ₂ 62)	m ₃	m ₄	n ₁ 62)	n ₂ 62)	n ₃	n ₄	p	s ₁ 62)	s ₂	u 63)	w	x 62)
			1450	1750																													
			[rpm]																														
80-65-125/ 00114	90S	X	X	80	65	100	117	65	-	14	200	271	-	160	180	-	-	551	125	95	-	-	280	212	-	-	150	18	-	-	156	100	
80-65-125/ 00154	90L	-	X	80	65	100	117	65	-	14	200	271	-	160	180	-	-	576	125	95	-	-	280	212	-	-	150	18	-	-	156	100	
80-65-125/ 00224	100L	-	X	80	65	100	117	65	-	14	250	289	-	160	180	-	-	602	125	95	-	-	280	212	-	-	150	18	-	-	170	100	
80-65-160/ 00114	90S	X	-	80	65	100	132	65	-	14	200	271	-	160	200	-	-	551	125	95	-	-	280	212	-	-	160	18	-	-	156	100	
80-65-160/ 00154	90L	X	X	80	65	100	132	65	-	14	200	271	-	160	200	-	-	576	125	95	-	-	280	212	-	-	160	18	-	-	156	100	
80-65-160/ 00224	100L	X	X	80	65	100	132	65	-	14	250	289	-	160	200	-	-	602	125	95	-	-	280	212	-	-	160	18	-	-	170	100	
80-65-160/ 00304	100L	-	X	80	65	100	132	65	-	14	250	289	-	160	200	-	-	602	125	95	-	-	280	212	-	-	160	18	-	-	170	100	
80-65-160/ 00404	112M	-	X	80	65	100	132	65	-	14	250	307	-	160	200	-	-	623	125	95	-	-	280	212	-	-	160	18	-	-	170	100	
80-65-200/ 00224	100L	X	-	80	65	100	155	65	-	14	250	289	-	180	225	-	-	602	125	95	-	-	320	250	-	-	178	18	-	-	170	140	
80-65-200/ 00304	100L	X	X	80	65	100	155	65	-	14	250	289	-	180	225	-	-	602	125	95	-	-	320	250	-	-	178	18	-	-	170	140	
80-65-200/ 00404	112M	X	X	80	65	100	155	65	-	14	250	307	-	180	225	-	-	623	125	95	-	-	320	250	-	-	178	18	-	-	170	140	
80-65-200/ 00554	132S	-	X	80	65	100	155	65	57	14	300	273	12	180	225	132	282	679	125	95	184	140	320	250	263	216	178	18	16	20	193	140	
80-65-200/ 00754	132M	-	X	80	65	100	155	65	57	14	300	273	12	180	225	132	282	717	125	95	222	178	320	250	263	216	178	18	16	20	193	140	
80-65-250/ 00304	100L	X	-	80	65	100	179	80	-	19	250	289	-	200	250	-	-	622	160	120	-	-	360	280	-	-	199	20	-	-	190	140	
80-65-250/ 00404	112M	X	-	80	65	100	179	80	-	19	250	307	-	200	250	-	-	643	160	120	-	-	360	280	-	-	199	20	-	-	190	140	
80-65-250/ 00554	132S	X	X	80	65	100	179	80	57	19	300	273	12	200	250	132	302	699	160	120	184	140	360	280	263	216	199	20	16	20	213	140	
80-65-250/ 00754	132M	-	X	80	65	100	179	80	57	19	300	273	12	200	250	132	302	737	160	120	222	178	360	280	263	216	199	20	16	20	213	140	
80-65-315/ 01104	160M	-	X	80	65	100	179	80	60	19	350	317	15	200	250	160	354	844	160	120	256	210	360	280	300	254	199	20	18	20	246	140	
80-65-315/ 00554	132S	X	-	80	65	125	209	80	57	19	300	273	12	225	280	132	302	724	160	120	184	140	400	315	263	216	229	20	16	20	213	140	
80-65-315/ 00754	132M	X	-	80	65	125	209	80	57	19	300	273	12	225	280	132	302	762	160	120	222	178	400	315	263	216	229	20	16	20	213	140	
80-65-315/ 01104	160M	X	X	80	65	125	209	80	60	19	350	317	15	225	280	160	354	869	160	120	256	210	400	315	300	254	229	20	18	20	246	140	
80-65-315/ 01504	160L	X	X	80	65	125	209	80	60	19	350	317	15	225	280	160	354	913	160	120	300	254	400	315	300	254	229	20	18	20	246	140	
80-65-315/ 01854	180M	-	X	80	65	125	209	80	65	19	350	354	15	225	280	180	367	933	160	120	292	241	400	315	330	279	229	20	20	-	246	140	
80-65-315/ 02204	180L	-	X	80	65	125	209	80	65	19	350	354	15	225	280	180	367	971	160	120	330	279	400	315	330	279	229	20	20	-	246	140	
100-80-160/ 00154	90L	X	-	100	80	125	138	65	-	14	200	271	-	180	225	-	-	601	125	95	-	-	320	250	-	-	174	18	-	-	156	140	
100-80-160/ 00224	100L	X	-	100	80	125	138	65	-	14	250	289	-	180	225	-	-	627	125	95	-	-	320	250	-	-	174	18	-	-	170	140	
100-80-160/ 00304	100L	X	X	100	80	125	138	65	-	14	250	289	-	180	225	-	-	627	125	95	-	-	320	250	-	-	174	18	-	-	170	140	
100-80-160/ 00404	112M	-	X	100	80	125	138	65	-	14	250	307	-	180	225	-	-	648	125	95	-	-	320	250	-	-	174	18	-	-	170	140	
100-80-160/ 00554	132S	-	X	100	80	125	138	65	57	14	300	273	12	180	225	132	282	704	125	95	184	140	320	250	263	216	174	18	16	20	193	140	
100-80-200/ 00224	100L	X	-	100	80	125	159	65	-	19	250	289	-	180	250	-	-	647	125	95	-	-	345	280	-	-	188	18	-	-	190	140	
100-80-200/ 00304	100L	X	-	100	80	125	159	65	-	19	250	289	-	180	250	-	-	647	125	95	-	-	345	280	-	-	188	18	-	-	190	140	
100-80-200/ 00404	112M	X	-	100	80	125	159	65	-	19	250	307	-	180	250	-	-	668	125	95	-	-	345	280	-	-	188	18	-	-	190	140	
100-80-200/ 00554	132S	X	X	100	80	125	159	65	57	19	300	273	12	180	250	132	302	724	125	95	184	140	345	280	263	216	188	18	16	20	213	140	
100-80-200/ 00754	132M	-	X	100	80	125	159	65	57	19	300	273	12	180	250	132	302	762	125	95	222	178	345	280	263	216	188	18	16	20	213	140	
100-80-200/ 01104	160M	-	X	100	80	125	159	65	60	19	350	317	15	180	250	160	354	869	125	95	256	210	310	345	280	300	254	188	18	18	20	246	140
100-80-250/ 00404	112M	X	-	100	80	125	183	80	-	19	250	307	-	200	280	-	-	668	160	120	-	-	400	315	-	-	209	18	-	-	190	140	
100-80-250/ 00554	132S	X	-	100	80	125	183	80	57	19	300	273	12	200	280	132	302	724	160	120	184	140	400	315	263	216	209	18	16	20	213	140	
100-80-250/ 00754	132M	X	X	100	80	125	183	80	57	19	300	273	12	200	280	132	302	762	160	120	222	178	400	315	263	216	209	18	16	20	213	140	
100-80-250/ 01104	160M	X	X	100	80	125	183	80	60	19	350	317	15	200	280	160	354	869	160	120	256	210	400	315	300	254	209	18	18	20	246	140	
100-80-250/ 01504	160L	-	X	100	80	125	183	80	60	19	350	317	15	200	280	160	354	913	160	120	300	254	400	315	300	254	209	18	18	20	246	140	
100-80-250/ 01854	180M	-	X	100	80	125	183	80	65	19	350	354	15	200	280	180	367	933	160	120	292	241	400	315	330	279	209	18	20	-	246	140	
100-80-315/ 00754	132M	X	-	100	80	125	218	80	57	19	300	273	12	250	315	132	302	762	160	120	222	178	400	315	263	216	242	20	16	20	213	140	
100-80-315/ 01104	160M	X	-	100	80	125	218	80	60	19	350	317	15	250	315	160	354	869	160	120	256	210	400	315	300	254	242	20	18	20	246	140	
100-80-315/ 01504	160L	X	X	100	80	125	218	80	60	19	350	317	15	250	315	160	354	913	160	120	300	254	400	315	300	254	242	20	18	20	246	140	
100-80-315/ 01854	180M	X	X	100	80	125	218	80	65	19	350	354	15	250	315	180	367	933	160	120	292	241	400	315	330	279	242	20	20	-	246	140	

62) Dimensions to EN 733
 63) Motor feet must be shimmed.

Pump	Size		Speed		DN ₁ 62)	DN ₂ 62)	a 62)	a ₁	b ₁ 62)	b ₄	d ₁ 62)	d ₂	d ₃	d ₄	h ₁ 62)	h ₂ 62)	h ₄	i	l ₁	m ₁ 62)	m ₂ 62)	m ₃	m ₄	n ₁ 62)	n ₂ 62)	n ₃	n ₄	p	s ₁ 62)	s ₂	u 63)	w	x 62)
	Motor (IEC)	[rpm]	1450	1750																													
			[mm]																														
100-80-315/ 02204	180L	X	X	100	80	125	218	80	65	19	350	354	15	250	315	180	367	971	160	120	330	279	400	315	330	279	242	20	20	-	246	140	
125-100-160/ 00304	100L	X	-	125	100	125	178	80	-	19	250	289	-	200	280	-	-	647	160	120	-	-	360	280	-	-	225	18	-	-	190	140	
125-100-160/ 00404	112M	X	-	125	100	125	178	80	-	19	250	307	-	200	280	-	-	668	160	120	-	-	360	280	-	-	225	18	-	-	190	140	
125-100-160/ 00554	132S	X	X	125	100	125	178	80	57	19	300	273	12	200	280	132	302	724	160	120	184	140	360	280	263	216	225	18	16	20	213	140	
125-100-160/ 00754	132M	-	X	125	100	125	178	80	57	19	300	273	12	200	280	132	302	762	160	120	222	178	360	280	263	216	225	18	16	20	213	140	
125-100-200/ 00404	112M	X	-	125	100	125	173	80	-	19	250	307	-	200	280	-	-	668	160	120	-	-	360	280	-	-	212	18	-	-	190	140	
125-100-200/ 00554	132S	X	-	125	100	125	173	80	57	19	300	273	12	200	280	132	302	724	160	120	184	140	360	280	263	216	212	18	16	20	213	140	
125-100-200/ 00754	132M	X	X	125	100	125	173	80	57	19	300	273	12	200	280	132	302	762	160	120	222	178	360	280	263	216	212	18	16	20	213	140	
125-100-200/ 01104	160M	X	X	125	100	125	173	80	60	19	350	317	15	200	280	160	354	869	160	120	256	210	360	280	300	254	212	18	18	20	246	140	
125-100-200/ 01504	160L	-	X	125	100	125	173	80	60	19	350	317	15	200	280	160	354	913	160	120	300	254	360	280	300	254	212	18	18	20	246	140	
125-100-250/ 00754	132M	X	-	125	100	140	188	80	57	19	300	273	12	225	280	132	302	777	160	120	222	178	400	315	263	216	219	18	16	20	213	140	
125-100-250/ 01104	160M	X	X	125	100	140	188	80	60	19	350	317	15	225	280	160	354	884	160	120	256	210	400	315	300	254	219	18	18	20	246	140	
125-100-250/ 01504	160L	X	X	125	100	140	188	80	60	19	350	317	15	225	280	160	354	928	160	120	300	254	400	315	300	254	219	18	18	20	246	140	
125-100-250/ 01854	180M	-	X	125	100	140	188	80	65	19	350	354	15	225	280	180	367	948	160	120	292	241	400	315	330	279	219	18	20	-	246	140	
125-100-250/ 02204	180L	-	X	125	100	140	188	80	65	19	350	354	15	225	280	180	367	986	160	120	330	279	400	315	330	279	219	18	20	-	246	140	
125-100-315/ 01504	160L	X	-	125	100	140	225	80	60	19	350	317	15	250	315	160	354	928	160	120	300	254	400	315	300	254	255	18	18	20	246	140	
125-100-315/ 01854	180M	X	-	125	100	140	225	80	65	19	350	354	15	250	315	180	367	948	160	120	292	241	400	315	330	279	255	18	20	-	246	140	
125-100-315/ 02204	180L	X	-	125	100	140	225	80	65	19	350	354	15	250	315	180	367	986	160	120	330	279	400	315	330	279	255	18	20	-	246	140	
150-125-200/ 00754	132M	X	-	150	125	140	189	80	57	19	300	273	12	250	315	132	302	777	160	120	222	178	400	315	263	216	242	20	16	20	213	140	
150-125-200/ 01104	160M	X	X	150	125	140	189	80	60	19	350	317	15	250	315	160	354	884	160	120	256	210	400	315	300	254	242	20	18	20	246	140	
150-125-200/ 01504	160L	X	X	150	125	140	189	80	60	19	350	317	15	250	315	160	354	928	160	120	300	254	400	315	300	254	242	20	18	20	246	140	
150-125-200/ 01854	180M	-	X	150	125	140	189	80	65	19	350	354	15	250	315	180	367	948	160	120	292	241	400	315	330	279	242	20	20	-	246	140	
150-125-200/ 02204	180L	-	X	150	125	140	189	80	65	19	350	354	15	250	315	180	367	986	160	120	330	279	400	315	330	279	242	20	20	-	246	140	
150-125-250/ 01104	160M	X	-	150	125	140	226	80	60	19	350	317	15	250	355	160	354	884	160	120	256	210	400	315	300	254	275	20	18	20	246	140	
150-125-250/ 01504	160L	X	X	150	125	140	226	80	60	19	350	317	15	250	355	160	354	928	160	120	300	254	400	315	300	254	275	20	18	20	246	140	
150-125-250/ 01854	180M	X	X	150	125	140	226	80	65	19	350	354	15	250	355	180	367	948	160	120	292	241	400	315	330	279	275	20	20	-	246	140	
150-125-250/ 02204	180L	-	X	150	125	140	226	80	65	19	350	354	15	250	355	180	367	986	160	120	330	279	400	315	330	279	275	20	20	-	246	140	
200-150-200/ 01104	160M	X	-	200	150	160	240	100	60	24	350	317	15	280	400	160	354	904	200	150	256	210	550	450	300	254	316	20	18	20	246	140	
200-150-200/ 01504	160L	X	X	200	150	160	240	100	60	24	350	317	15	280	400	160	354	948	200	150	300	254	550	450	300	254	316	20	18	20	246	140	
200-150-200/ 01854	180M	-	X	200	150	160	240	100	65	24	350	354	15	280	400	180	367	968	200	150	292	241	550	450	330	279	316	20	20	-	246	140	
200-150-200/ 02204	180L	-	X	200	150	160	240	100	65	24	350	354	15	280	400	180	367	1006	200	150	330	279	550	450	330	279	316	20	20	-	246	140	
200-150-250/ 01504	160L	X	-	200	150	160	230	100	60	24	350	317	15	280	400	160	354	948	200	150	300	254	500	400	300	254	300	20	18	20	246	140	
200-150-250/ 01854	180M	X	-	200	150	160	230	100	65	24	350	354	15	280	400	180	367	968	200	150	292	241	500	400	330	279	300	20	20	-	246	140	
200-150-250/ 02204	180L	X	X	200	150	160	230	100	65	24	350	354	15	280	400	180	367	1006	200	150	330	279	500	400	330	279	300	20	20	-	246	140	

62) Dimensions to EN 733
 63) Motor feet must be shimmed.



Etabloc G/GC; 30 kW to 55 kW


Pump set with volute casing foot and motor foot (motor sizes 200 to 250, 4-pole)

 Dimensions Etabloc G/GC; 30 kW to 55 kW; n = 1450 rpm; n = 1750 rpm (region D)⁶⁴⁾
 Values a₁, b₁, b₄, d₃, l₁, m₁, m₃, n₃ and p may vary slightly for production-related reasons.

Size		Speed		DN ₁	DN ₂	a	a ₁	b ₁	b ₄	d ₁	d ₂	d ₃	d ₄	h ₁	h ₂	h ₄	i	l ₁	m ₁	m ₂	m ₃	m ₄	n ₁	n ₂	n ₃	n ₄	p	s ₁	s ₂	w	x
Pump	Motor (IEC)	1450	1750	65)	65)	65)	65)	65)	65)	65)	65)	65)	65)	65)	65)	65)	65)	65)	65)	65)	65)	65)	65)	65)	65)	65)	65)	65)	65)	65)	65)
		[rpm]																													
100-80-315/ 03004	200L	-	X	100	80	125	218	80	70	19	400	398	19	250	315	200	379	1031	160	120	365	305	400	315	378	318	242	20	24	246	140
100-80-315/ 03704	225S	-	X	100	80	125	218	80	75	19	450	449	19	250	315	225	426	1078	160	120	350	286	400	315	431	356	242	20	28	277	140
100-80-400/ 03004	200L	X	X	100	80	125	257	80	70	19	400	398	19	280	355	200	379	1031	160	120	365	305	435	355	378	318	280	20	24	246	140
100-80-400/ 03704	225S	X	X	100	80	125	257	80	75	19	450	449	19	280	355	225	426	1078	160	120	350	286	435	355	431	356	280	20	28	277	140
100-80-400/ 04504	225M	-	X	100	80	125	257	80	75	19	450	449	19	280	355	225	426	1103	160	120	375	311	435	355	431	356	280	20	28	277	140
100-80-400/ 05504	250M	-	X	100	80	125	257	80	85	19	550	499	24	280	355	250	457	1195	160	120	425	349	435	355	480	406	280	20	30	289	140
125-100-315/ 03004	200L	X	X	125	100	140	225	80	70	19	400	398	19	250	315	200	379	1046	160	120	365	305	400	315	378	318	255	18	24	246	140
125-100-315/ 03704	225S	-	X	125	100	140	225	80	75	19	450	449	19	250	315	225	426	1093	160	120	350	286	400	315	431	356	255	18	28	277	140
125-100-315/ 04504	225M	-	X	125	100	140	225	80	75	19	450	449	19	250	315	225	426	1118	160	120	375	311	400	315	431	356	255	18	28	277	140

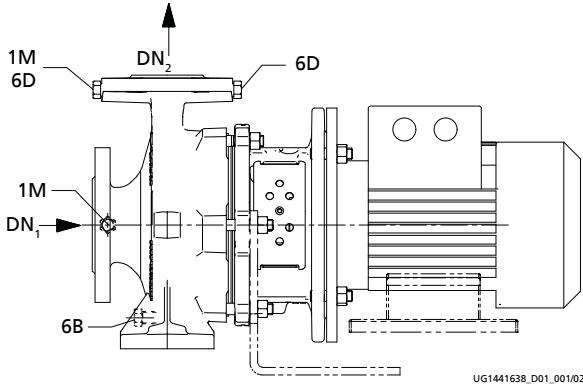
⁶⁴⁾ Tolerances of mating dimensions to EN 735

⁶⁵⁾ Dimensions to EN 733

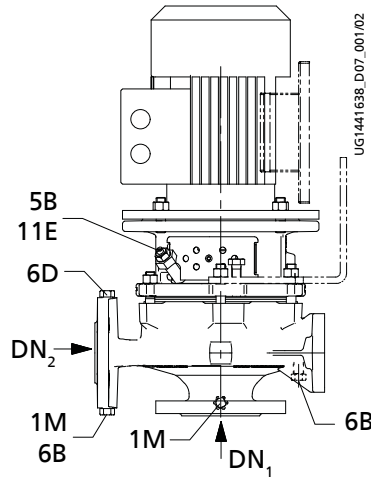
Size		Speed		DN ₁ 65)	DN ₂ 65)	a 65)	a ₁	b ₁ 65)	b ₄	d ₁ 65)	d ₂	d ₃	d ₄	h ₁ 65)	h ₂ 65)	h ₄	i	l ₁	m ₁ 65)	m ₂ 65)	m ₃	m ₄	n ₁ 65)	n ₂ 65)	n ₃	n ₄	p	s ₁ 65)	s ₂	w	x 65)
Pump	Motor (IEC)	1450	1750	[mm]																											
		[rpm]																													
125-100-400/ 03004	200L	✗	-	125	100	140	255	100	70	24	400	398	19	280	355	200	379	1046	200	150	365	305	500	400	378	318	283	20	24	246	140
125-100-400/ 03704	225S	✗	✗	125	100	140	255	100	75	24	450	449	19	280	355	225	426	1093	200	150	350	286	500	400	431	356	283	20	28	277	140
125-100-400/ 04504	225M	✗	✗	125	100	140	255	100	75	24	450	449	19	280	355	225	426	1118	200	150	375	311	500	400	431	356	283	20	28	277	140
125-100-400/ 05504	250M	-	✗	125	100	140	255	100	85	24	550	499	24	280	355	250	457	1210	200	150	425	349	500	400	480	406	283	20	30	289	140
150-125-250/ 03004	200L	-	✗	150	125	140	226	80	70	19	400	398	19	250	355	200	379	1046	160	120	365	305	400	315	378	318	275	20	24	246	140
150-125-315/ 03004	200L	✗	✗	150	125	140	243	100	70	24	400	398	19	280	355	200	379	1046	200	150	365	305	500	400	378	318	280	20	24	246	140
150-125-315/ 03704	225S	✗	✗	150	125	140	243	100	75	24	450	449	19	280	355	225	426	1093	200	150	350	286	500	400	431	356	280	20	28	277	140
150-125-315/ 04504	225M	-	✗	150	125	140	243	100	75	24	450	449	19	280	355	225	426	1118	200	150	375	311	500	400	431	356	280	20	28	277	140
150-125-315/ 05504	250M	-	✗	150	125	140	243	100	85	24	550	499	24	280	355	250	457	1210	200	150	425	349	500	400	480	406	280	20	30	289	140
150-125-400/ 03004	200L	✗	-	150	125	140	277	100	70	24	400	398	19	315	400	200	379	1046	200	150	365	305	500	400	378	318	309	20	24	246	140
150-125-400/ 03704	225S	✗	-	150	125	140	277	100	75	24	450	449	19	315	400	225	426	1093	200	150	350	286	500	400	431	356	309	20	28	277	140
150-125-400/ 04504	225M	✗	-	150	125	140	277	100	75	24	450	449	19	315	400	225	426	1118	200	150	375	311	500	400	431	356	309	20	28	277	140
150-125-400/ 05504	250M	✗	-	150	125	140	277	100	85	24	550	499	24	315	400	250	457	1210	200	150	425	349	500	400	480	406	309	20	30	289	140
200-150-200/ 03004	200L	-	✗	200	150	160	240	100	70	24	400	398	19	280	400	200	379	1066	200	150	365	305	550	450	378	318	316	20	24	246	140
200-150-250/ 03004	200L	✗	✗	200	150	160	230	100	70	24	400	398	19	280	400	200	379	1066	200	150	365	305	500	400	378	318	300	20	24	246	140
200-150-250/ 03704	225S	-	✗	200	150	160	230	100	75	24	450	449	19	280	400	225	426	1113	200	150	350	286	500	400	431	356	300	20	28	277	140
200-150-250/ 04504	225M	-	✗	200	150	160	230	100	75	24	450	449	19	280	400	225	426	1138	200	150	375	311	500	400	431	356	300	20	28	277	140
200-150-315/ 03004	200L	✗	-	200	150	160	255	100	70	24	400	398	19	280	400	200	379	1066	200	150	365	305	550	450	378	318	304	20	24	246	140
200-150-315/ 03704	225S	✗	✗	200	150	160	255	100	75	24	450	449	19	280	400	225	426	1113	200	150	350	286	550	450	431	356	304	20	28	277	140
200-150-315/ 04504	225M	✗	✗	200	150	160	255	100	75	24	450	449	19	280	400	225	426	1138	200	150	375	311	550	450	431	356	304	20	28	277	140
200-150-315/ 05504	250M	✗	✗	200	150	160	255	100	85	24	550	499	24	280	400	250	457	1230	200	150	425	349	550	450	480	406	304	20	30	289	140
200-150-400/ 04504	225M	✗	-	200	150	160	289	100	75	24	450	449	19	315	450	225	426	1138	200	150	375	311	550	450	431	356	331	20	28	277	140
200-150-400/ 05504	250M	✗	-	200	150	160	289	100	85	24	550	499	24	315	450	250	457	1230	200	150	425	349	550	450	480	406	331	20	30	289	140

65) Dimensions to EN 733

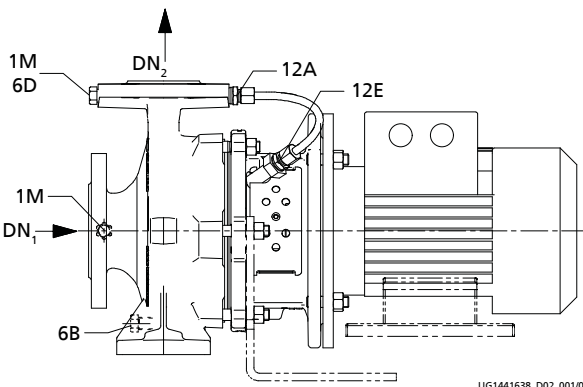
Connections



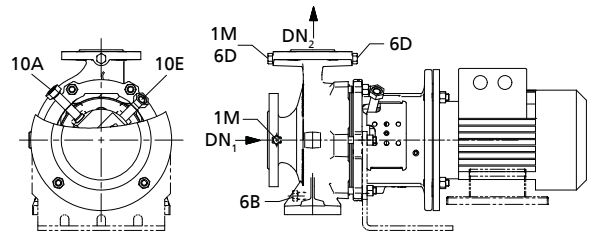
Single mechanical seal in A-type cover (A) and single mechanical seal in A-type cover with internal circulation (IA)



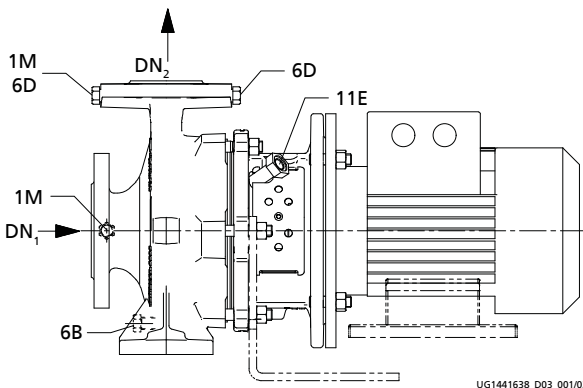
Single mechanical seal in A-type cover with external flushing (FA) and venting if vertically installed



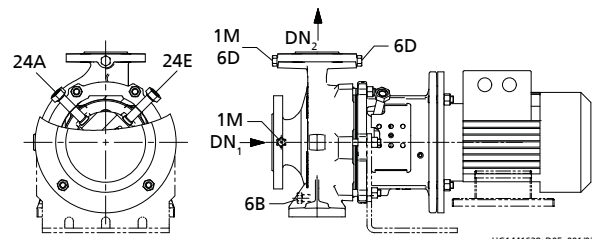
Single mechanical seal in A-type cover with external circulation (EA)



Double mechanical seal in back-to-back arrangement (DB)



Single mechanical seal in A-type cover with external flushing (FA)



Double mechanical seal in tandem arrangement (TI)

Connection types

Connection	Description	Configuration	Position	Region
1M	Pressure gauge connection	On pump set with pressure sensor	DN ₂	A, C, D
1M optional	Pressure gauge connection	Drilled and closed or with pressure sensor	DN ₁	A, C, D
5B	Venting	Connection of G 1/4 fitting	-	A, C
6B	Fluid drain	Drilled and closed	-	A, C, D
6D	Fluid priming and venting	Drilled and closed	DN ₂ , suction side	A, C, D
6D optional	Fluid priming	Drilled and closed	DN ₂ , drive end	A, C, D

Connection	Description	Configuration	Position	Region
	and venting	-	-	-
10A optional	External barrier fluid outlet	Connection of G 1/4 fitting	-	A
10E optional	External barrier fluid inlet	Connection of G 1/4 fitting	-	A
11E optional	Flushing liquid inlet	Connection of G 1/4 fitting	-	A
12A optional	Circulation liquid outlet	Drilled and connected	DN ₂ , drive end	A
12E optional	Circulation liquid inlet	Drilled and connected	-	A
24A optional	Quench liquid outlet	Connection of G 1/4 fitting	-	A
24E optional	Quench liquid inlet	Connection of G 1/4 fitting	-	A

Flange design

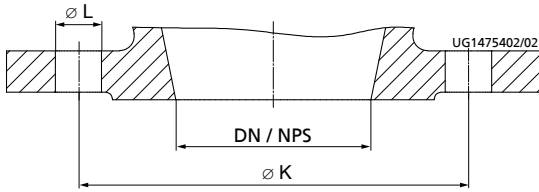
Flange material variants

Material variant	Standard	Nominal size	Pressure class	Region
G, GB ⁶⁶⁾ , GC	EN 1092-2	DN 25 - DN 150	PN 16	A, C, D
		DN 200	PN 10	
	Drilled to ASME B16.1 ⁶⁷⁾	DN 25 - DN 200	Class 125	A, D
S, SB, SC	EN 1092-2	DN 25 - DN 200	PN 16	A
	Drilled to ASME B16.1 ⁶⁷⁾	DN 25 - DN 200	Class 125	A
B	EN 1092-3	DN 25 - DN 200	PN 10	A
	Drilled to ASME B16.1 ⁶⁷⁾	DN 25 - DN 200	Class 125	A
C	EN 1092-1	DN 25 - DN 150	PN 16	A
		DN 200	PN 10	A
	Drilled to ASME B16.5 ⁶⁷⁾	DN 25 - DN 200	Class 150	

⁶⁶⁾ Only in region A

⁶⁷⁾ Suction-side DN 80 machined like DN 100

Flange dimensions



Flange dimensions

Flange dimensions to EN 1092-1, EN 1092-2, EN 1092-3

Flange dimensions [mm]

Nominal size	Standard											
	EN 1092-3			EN 1092-1				EN 1092-2				
	Material											
	B		C				G				S	
	PN 10		PN 10		PN 16		PN 10		PN 16		PN 16	
	Ø K	Number and Ø of holes (Ø L)	Ø K	Number and Ø of holes (Ø L)	Ø K	Number and Ø of holes (Ø L)	Ø K	Number and Ø of holes (Ø L)	Ø K	Number and Ø of holes (Ø L)	Ø K	Number and Ø of holes (Ø L)
25	85	4 × Ø14	-	-	85	4 × Ø14	-	-	85	4 × Ø14	85	4 × Ø14
32	100	4 × Ø18	-	-	100	4 × Ø18	-	-	100	4 × Ø19	100	4 × Ø19
40	110	4 × Ø18	-	-	110	4 × Ø18	-	-	110	4 × Ø19	110	4 × Ø19
50	125	4 × Ø18	-	-	125	4 × Ø18	-	-	125	4 × Ø19	125	4 × Ø19
65	145	4 × Ø18	-	-	145	4 × Ø18	-	-	145	4 × Ø19	145	4 × Ø19
80	160	8 × Ø18	-	-	160	8 × Ø18	-	-	160	8 × Ø19	160	8 × Ø19
100	180	8 × Ø18	-	-	180	8 × Ø18	-	-	180	8 × Ø19	180	8 × Ø19
125	210	8 × Ø18	-	-	210	8 × Ø18	-	-	210	8 × Ø19	210	8 × Ø19
150	240	8 × Ø22	-	-	240	8 × Ø22	-	-	240	8 × Ø23	240	8 × Ø23
200	295	8 × Ø22	295	8 × Ø22	-	-	295	8 × Ø23	-	-	295	12 × Ø23

Flange drilled to: ASME B 16.1, Class 125 or ASME B 16.5, Class 150

Flange dimensions [mm]

Nominal size	Standard	
	ASME B 16.1 or ASME B 16.5	
	Material	
	B, C, G, S	
	Class 125 or Class 150	
	Ø K	Number and Ø of holes (Ø L)
25/ NPS 1	79,2	4 × Ø15,7
32/ NPS 1 1/4	88,9	4 × Ø15,7
40/ NPS 1 1/2	98,6	4 × Ø15,7
50/ NPS 2	120,7	4 × Ø19,1
65/ NPS 2 1/2	139,7	4 × Ø19,1
80 ⁶⁸⁾ / NPS 3	152,4	4 × Ø19,1
100/ NPS 4	190,5	8 × Ø19,1
125/ NPS 5	215,9	8 × Ø22,4
150/ NPS 6	241,3	8 × Ø22,4
200/ NPS 8	298,5	8 × Ø22,4

⁶⁸⁾ On sizes 080-065-125, 080-065-160, 080-065-200, 080-065-250, 080-065-315 flanges DN 80 (NPS 3) are drilled to NPS 4. Also see the table on NPS for DN 80.

NPS for DN 80 flange drilled to ASME

Size	Bearing bracket	Material variant							
		G, GB, GC		B		S, SB, SC		C	
		DN 1 ASME 125	DN 2 ASME 125	DN 1 ASME 125	DN 2 ASME 125	DN 1 ASME 125	DN 2 ASME 125	DN 1 ASME 125	DN 2 ASME 125
080-065-125	25	NPS 4	NPS 2 1/2	-	-	-	-	NPS 4	NPS 2 1/2
080-065-160	25	NPS 4	NPS 2 1/2	NPS 4	NPS 2 1/2	NPS 4	NPS 2 1/2	NPS 4	NPS 2 1/2
080-065-200	25	NPS 4	NPS 2 1/2	NPS 4	NPS 2 1/2	NPS 4	NPS 2 1/2	NPS 4	NPS 2 1/2
080-065-250	35	NPS 4	NPS 2 1/2	NPS 4	NPS 2 1/2	NPS 4	NPS 2 1/2	NPS 4	NPS 2 1/2
080-065-315	35	NPS 4	NPS 2 1/2	-	-	NPS 4	NPS 2 1/2	NPS 4	NPS 2 1/2

Scope of supply

Depending on the model, the following items are included in the scope of supply:

Scope of supply

Scope of supply	Region
Pump	A, C, D
Motor	A, C, D

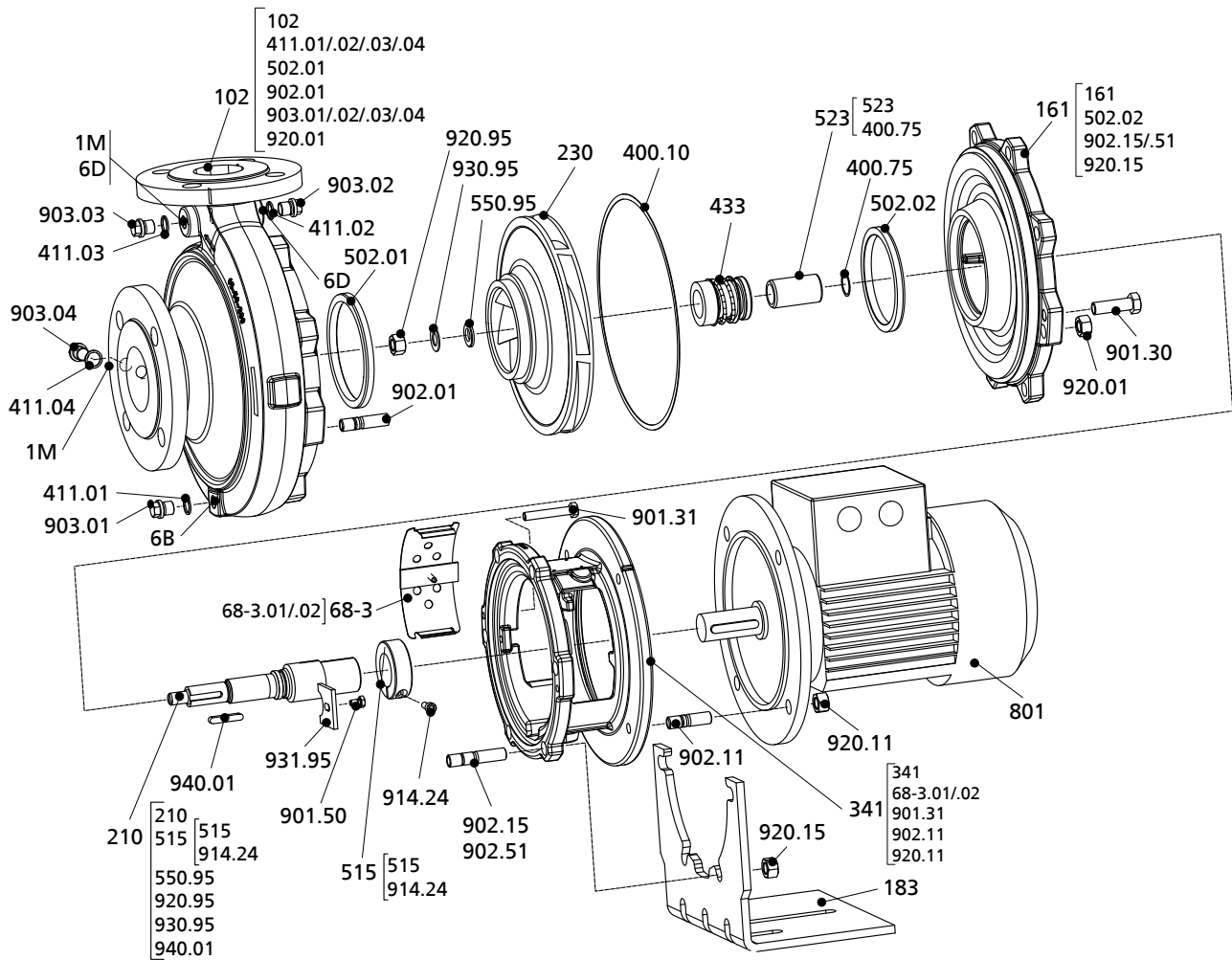
General assembly drawings

Pump set with single mechanical seal and bolted casing cover

This view applies to the following pump sizes:

40-25-200	50-32-200.1	65-40-200	65-50-200	80-65-200	100-80-250	125-100-250	150-125-250	200-150-250
	50-32-250.1	65-40-250	65-50-250	80-65-250	100-80-315	125-100-315	150-125-315	200-150-315
	50-32-200	65-40-315	65-50-315	80-65-315	100-80-400	125-100-400	150-125-400	200-150-400
	50-32-250							

[Supplied in packaging units only



Pump set with single mechanical seal and bolted casing cover

List of components⁶⁹⁾

Part No.	Description	Part No.	Description
102	Volute casing	68-3.01/.02	Cover plate
146	Intermediate lantern	801	Flanged motor
161	Casing cover	901.30/.31/.50	Hexagon head bolt
183 ⁷⁰⁾	Support foot	902.01/.06/.11/.15/.50/.51	Stud
210	Shaft	903.01/.02/.03/.04/.08	Screw plug
230	Impeller	914.24	Hexagon socket head cap screw
341	Drive lantern	920.01/.06/.11/.15/.95	Nut

⁶⁹⁾ Some individual components might not be applicable, depending on the pump size and material.

⁷⁰⁾ For region A, C only

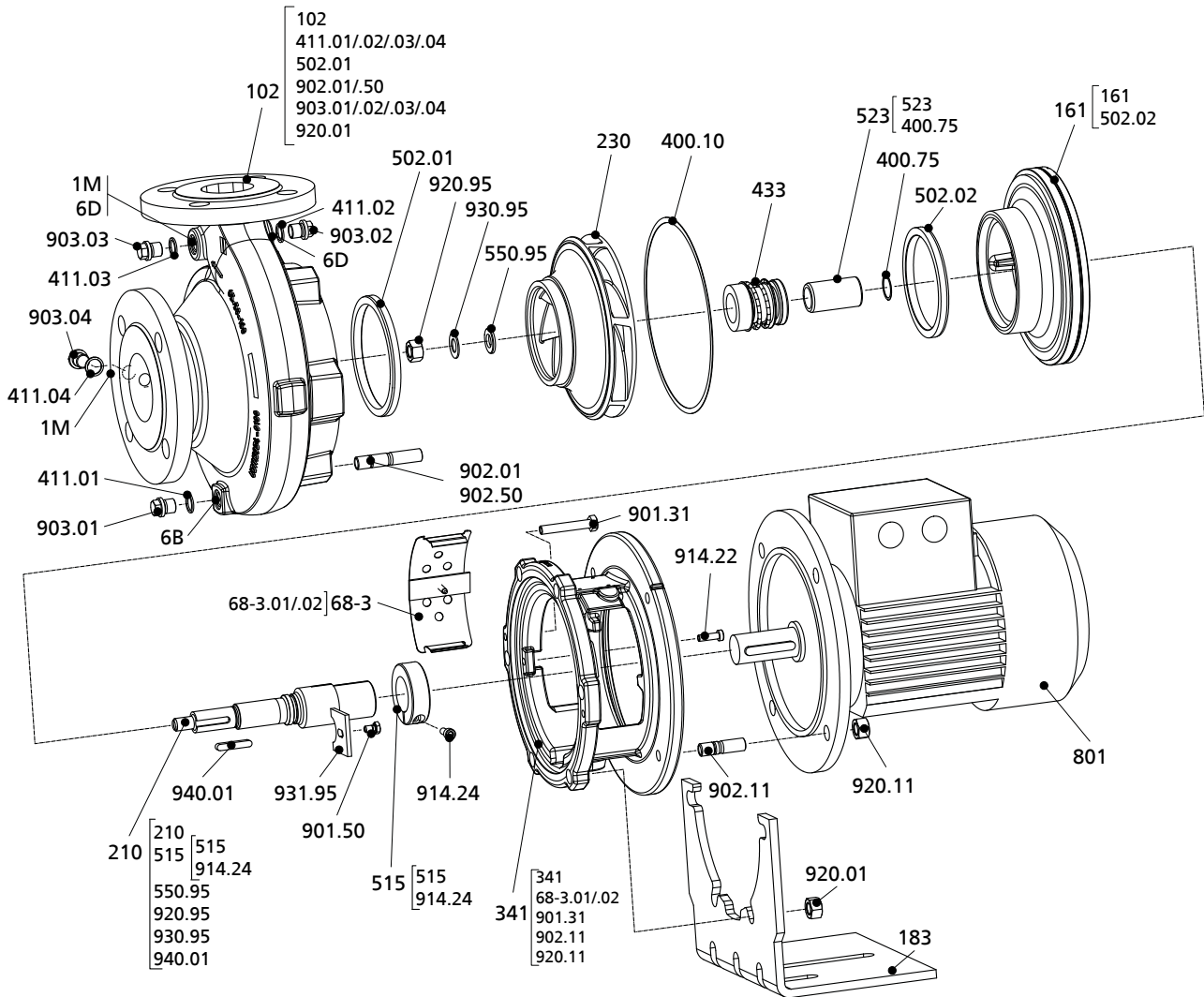
Part No.	Description	Part No.	Description
400.10/.75	Gasket	930.95	Spring washer
411.01/.02/.03/.04/.08	Joint ring	931.95	Lock washer
433	Mechanical seal	940.01	Key
502.01/.02	Casing wear ring	Connections:	
515	Locking ring	1M	Pressure gauge connection
523	Shaft sleeve	6B	Fluid drain
550.95	Disc	6D	Fluid priming and venting

Pump set with single mechanical seal and clamped casing cover

This view applies to the following pump sizes:

- | | | | | | | | | |
|-----------|-------------|-----------|-----------|-----------|------------|-------------|-------------|-------------|
| 40-25-160 | 50-32-125.1 | 65-40-125 | 65-50-125 | 80-65-125 | 100-80-160 | 125-100-160 | 150-125-200 | 200-150-200 |
| | 50-32-160.1 | 65-40-160 | 65-50-160 | 80-65-160 | 100-80-200 | 125-100-200 | | |
| | 50-32-125 | | | | | | | |
| | 50-32-160 | | | | | | | |

[Supplied in packaging units only



Pump set with single mechanical seal and clamped casing cover

List of components⁷¹⁾

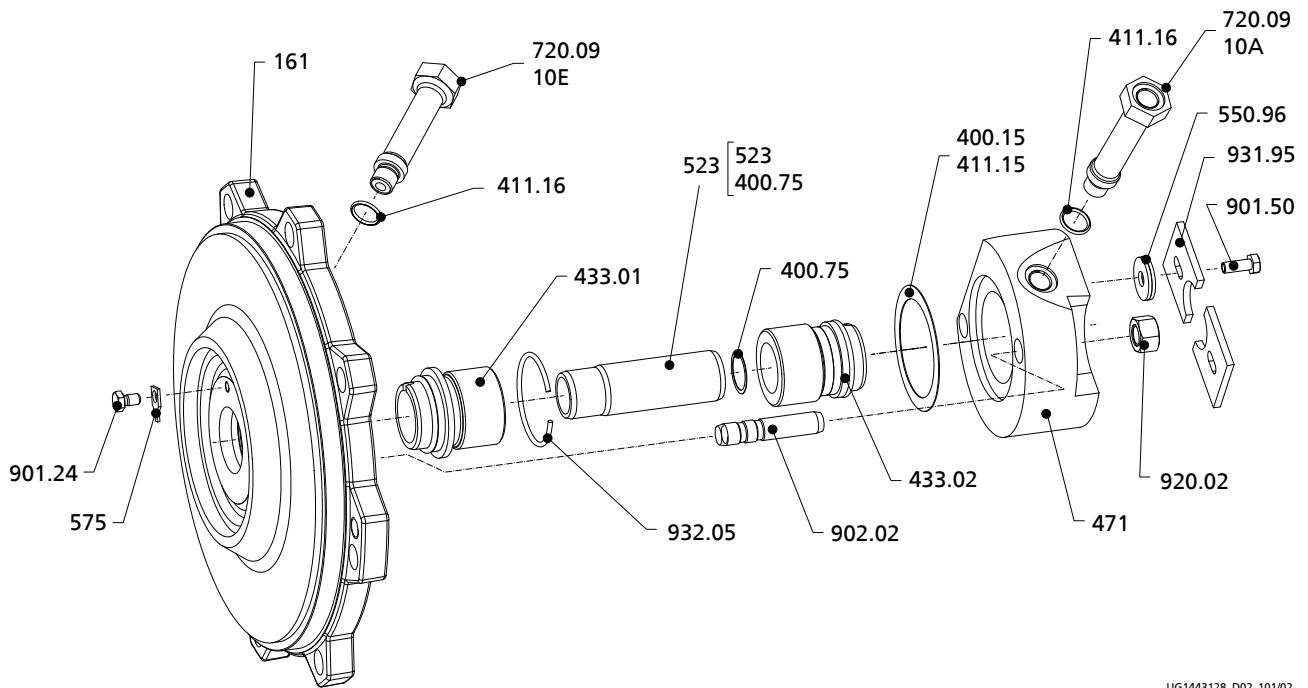
Part No.	Description	Part No.	Description
102	Volute casing	68-3.01/.02	Cover plate
146	Intermediate lantern	801	Flanged motor
161	Casing cover	901.30/.31/.50	Hexagon head bolt
183	Support foot	902.01/.06/.11/.15/.50/.51	Stud
210	Shaft	903.01/.02/.03/.04/.08	Screw plug
230	Shaft	914.22/.24	Socket head cap screw
341	Drive lantern	920.01/.06/.11/.15/.95	Hexagon nut
400.10/.75	Gasket	930.95	Spring washer
411.01/.02/.03/.04/.08	Joint ring	931.95	Lock washer

71) Some individual components might not be applicable, depending on the size and material.

Part No.	Description	Part No.	Description
433	Mechanical seal	940.01	Key
502.01/.02	Casing wear ring	Connections:	
515	Casing wear ring	1M	Pressure gauge connection
523	Shaft sleeve	6B	Fluid drain
550.95	Disc	6D	Fluid priming and venting

Pump set with double mechanical seal in back-to-back arrangement

[Supplied in packaging units only



UG1443128_D02_101/02

Pump set with double mechanical seal in back-to-back arrangement

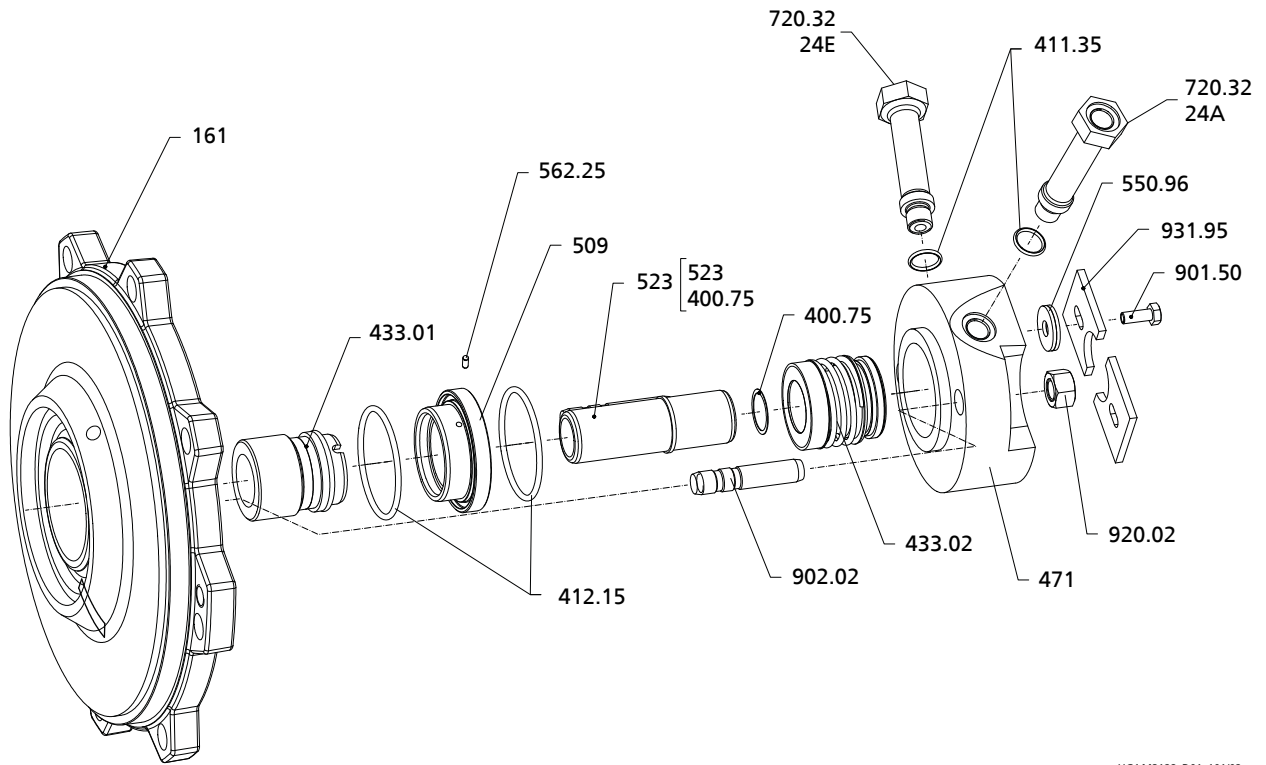
List of components⁷²⁾

Part No.	Description	Part No.	Description
161	Casing cover	720.09	Fitting
400.15/.75	Gasket	901.24/.50	Hexagon head bolt
411.15/.16	Joint ring	902.02	Stud
433.01/.02	Mechanical seal	920.02	Hexagon nut
471	Seal cover	931.95	Lock washer
523	Shaft sleeve	932.05	Circlip
550.96	Disc	Auxiliary connections	
562.02	Parallel pin	10A	External barrier fluid outlet
575	Strip	10E	External barrier fluid inlet

⁷²⁾ Some individual components might not be applicable, depending on the size and material.

Pump set with double mechanical seal in tandem arrangement

[Supplied in packaging units only



UG1443128_D01_101/02

Pump set with double mechanical seal in tandem arrangement

List of components⁷³⁾

Part No.	Description	Part No.	Description
161	Casing cover	562.25	Parallel pin
400.75	Gasket	720.32	Fitting
411.35	Joint ring	901.50	Hexagon head bolt
412.15	O-ring	902.02	Stud
433.01/.02	Mechanical seal	920.02	Hexagon nut
471	Seal cover	931.95	Lock washer
509	Intermediate ring	Auxiliary connections	
523	Shaft sleeve	24A	Quench liquid outlet
550.96	Disc	24E	Quench liquid inlet

⁷³⁾ Some individual components might not be applicable, depending on the size and material.

Detailed designation

Designation example

																			Position																			
1	2	3	4	5	6	7	8	9	10	11	12	13	14	15	16	17	18	19	20	21	22	23	24	25	26	27	28	29	30	31	32	33	34	35	36	37		
E	T	B	-	0	4	0	-	0	2	5	-	1	6	0	-	G	G	-	A	I	0	1	D	2	1	1	0	0	2	-	-	B	P	D	2	-		
See name plate and data sheet																							See data sheet															

Key to the designation

Position	Code	Description
1-4	Pump type	
	ETB	Etabloc
	ETBF	Etabloc design for bottle rinsing
	ETBY	Etabloc SYT
5-16	Size	
	040	Nominal suction nozzle diameter [mm]
	025	Nominal discharge nozzle diameter [mm]
	160	Nominal impeller diameter [mm]
17	Pump casing material	
	G	JL 1040/A48CL35
	S	JS 1030
	C	1.4408/A743CF8M
18	Impeller material	
	G	JL 1040/A48CL35
	C	1.4408/A743CF8M
	B	CC480K-GS/B30 C90700
19	Design	
	.74)	Standard
	X	Special design BT3D, BT3
	F	Design for bottle rinsing
20	Casing cover	
	A	Conical seal chamber
	C	Cylindrical seal chamber
	D	Casing cover for SYT (dead-end arrangement)
21	Seal variants	
	B	Dead-end arrangement (for Etabloc SYT only)
	I	Internal circulation (conical cover only)
	E	External circulation
	F	External flushing
	D	Back-to-back arrangement
	T	Tandem arrangement with internal circulation
	A	Conical seal chamber without circulation
22-23	Seal code	
	01	1 (ZN1181) Q1Q1VGG
	06	RMG13G606 U3BEGG (WE25, 35)
	07	1A (ZN1181) Q1Q1EGG
	08	M32N69 (SYT) AQ1VGG
	09	MG13G60 U3U3VGG
	10	1 (ZN1181) Q1Q1X4GG
	11	1 (ZN1181) BQ1EGG-WA
	12	M37GN83 Q12Q1M1GG
	13	1 (ZN1181) BQ1VGG
	14	KMB13S2G9 Q1Q1KY7G
	15	M7G49 Q1Q1K9GG/G
	16	MG1520 BVPGG
	17	M7N Q1BVGG
	18	MG12G6-E1 Q1Q1EGG/G
	19	HN400N Q1Q1M1GG
	20	M37GN85 Q12Q1M1GG1
23	M37GN92 Q12Q1M1GG1	
21	M7G49 Q1Q1K9GG/G	

74) Blank

Position	Code	Description
	24	M7G49 Q1Q1K9GG/G
	22	M32N69 AQ1EGG (WE55)
	25	M32N67 (SYT) AQ1VGG
	--	BT3
	99	Shaft seal ring Gohl version
24	Scope of supply	
	A	Pump only (Fig. 0)
	D	Etanorm: pump, baseplate, coupling, coupling guard, motor Etabloc: pump, motor
25	Shaft unit	
	2	Shaft unit 25
	3	Shaft unit 35
	5	Shaft unit 55
26-29	Motor rating	
	8750	
	6300	
	1100	
30	Number of poles	
	2	2 poles
31-32	Explosion protection	
	ex	Explosion-proof motor
	--	Without explosion-proof motor
33	Product generation	
	B	Product generation Etabloc/ Etabloc SYT GP
34-37	PumpDrive	
	PDB	PumpDrive 1st generation, Basic
	PDA	PumpDrive 1st generation, Advanced
	PD2	PumpDrive 2nd generation
	PD2E	PumpDrive 2nd generation, Eco



KSB Aktiengesellschaft

67225 Frankenthal • Johann-Klein-Str. 9 • 67227 Frankenthal (Deutschland)
Tel. +49 6233 86-0 • Fax +49 6233 86-3401
www.ksb.de

KSB Pumps Limited

Plot no. E3 & E4, MIDC, Sinnar, (Malegaon) • Nashik 422 113
Tel. +91 2551 230252
Tel. +91 2551 230253
Tel. +91 2551 229700
Fax +91 2551 230254
www.ksbindia.co.in

KSB Shanghai Pump Co. Ltd

No. 1400 Jiangchuang Road, Minhang 200240 • Shanghai CHINA PR
Tel. +86 (21) 6430 2888, ext. 1003
Fax +86 (21) 6430 1504, ext. 10

KSB Pumps and Valves (Pty.) Ltd

Cor. North Reef & Activia Roads, Activia Park: 1401 Germiston (Johannesburg)
Republic of South Africa
Tel. +27 (11) 876 5600
Fax +27 (11) 822 2013
E-Mail: sales@ksbpumps.co.za