



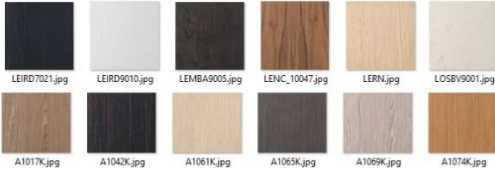
Discover the Art of Display...

Project Name: _____

Item #: _____ Quantity: _____



Photos shown with standard glass sides and optional solid sides. Cases shown with standard polished stainless steel interior and exterior



Visit our website for more finishing options and RAL colors www.oscartek.com

MURO H78 Self-Serve Air Screen Wall Refrigeration Showcase

MODELS: MURO H78 600, MURO H78 1000, MURO H78 1200, MURO H78 1500, MURO H78 1800, MURO H78 2000, MURO H78 2400

STANDARD FEATURES

- Double pane glass ends
- Dixell digital control
- Diffused 3000°K LED lighting on each shelf and canopy
- Straight or inclined shelves
- Roll down curtain
- Bottom evaporator ventilation cooling
- Self-contained air cooled condensing unit
- Stainless steel foam in place bottom and top
- Adjustable feet
- Cases ship standard polished stainless steel interior and exterior

OPTIONS

- Top mount condensing unit
- Remote/water cooled condensing unit
- Solid sides: add 13/16" each side
- Roll down locking shutter with solid sides required: add 1 3/4" each side
- Sliding doors with solid sides required: add 13/16" each side
- Swing doors: available in glass sides and solid sides (add 13/16" each side)
- Joint Kit for multiplexing continuous line up
- Shelf fence for inclined position
- Tempered Glass shelves in lieu of stainless steel
- Epoxy RAL color interior and exterior over stainless steel
- RAL color/custom plastic wood laminate exterior front and sides
- Unfinished panels to accept millwork by others
- Cold or Dry Storage on Remote application
- Condensate evaporator pan with fan
- Casters
- Custom height Chassis modification
- Able to match to Provino wine, charcuterie, and Freezer

*Oscartek reserves the right to change, modify, discontinue, or change any features, sizes, or capacity on any model without prior notice.

OSCARTEK®
512 South Airport Blvd., South San Francisco, CA 94080
Tel: 650.342.2400 | Fax: 650.342.7400
www.oscartek.com





Discover the Art of Display...

Project Name: _____

Item #: _____ Quantity: _____

MURO H78

MODELS: MURO H78 600, MURO H78 1000, MURO H78 1200, MURO H78 1500, MURO H78 1800, MURO H78 2000, MURO H78 2400



H78 Shown with optional Custom laminate and locking shutter



H78 Shown with optional Matching Provino Freezer Remote



H78 shown with optional Dry storage on Remote application

*Oscartek reserves the right to change, modify, discontinue, or change any features, sizes, or capacity on any model without prior notice.

OSCARTEK®
512 South Airport Blvd., South San Francisco, CA 94080
Tel: 650.342.2400 | Fax: 650.342.7400
www.oscartek.com





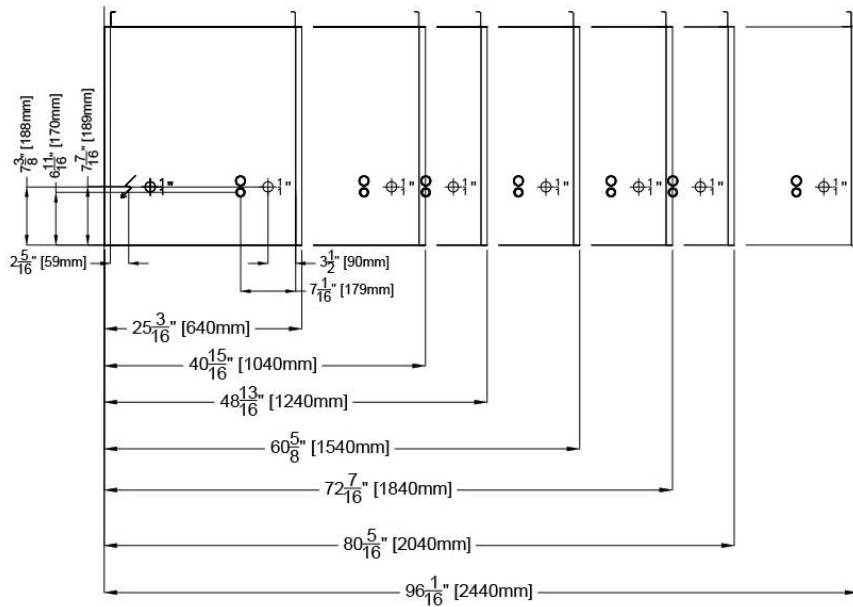
Project Name: _____
 Item #: _____ Quantity: _____

MURO H78

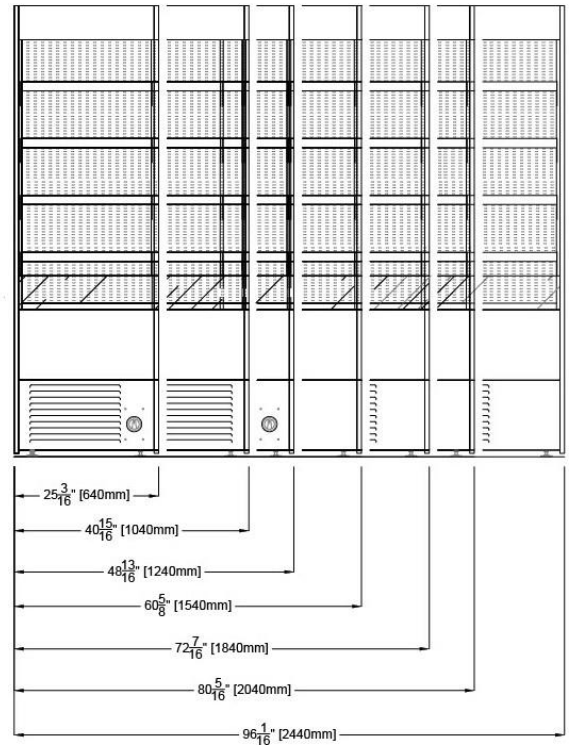
MODELS: MURO H78 600, MURO H78 1000, MURO H78 1200, MURO H78 1500, MURO H78 1800, MURO H78 2000, MURO H78 2400

STANDARD: MURO H78 SELF SERVE – SELF CONTAINED

PLAN VIEWS



FRONT ELEVATIONS



ELECTRICAL LEGEND	
	REFRIGERATION LINES
	DRAIN
	POWER

*Oscartek reserves the right to change, modify, discontinue, or change any features, sizes, or capacity on any model without prior notice.

OSCARTEK®
 512 South Airport Blvd., South San Francisco, CA 94080
 Tel: 650.342.2400 | Fax: 650.342.7400
 www.oscartek.com

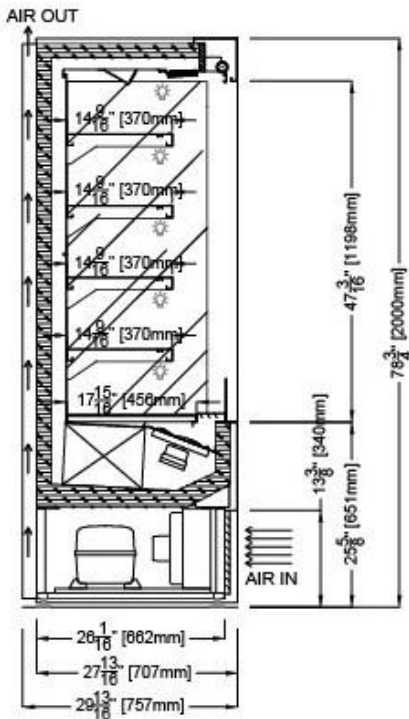


MURO H78

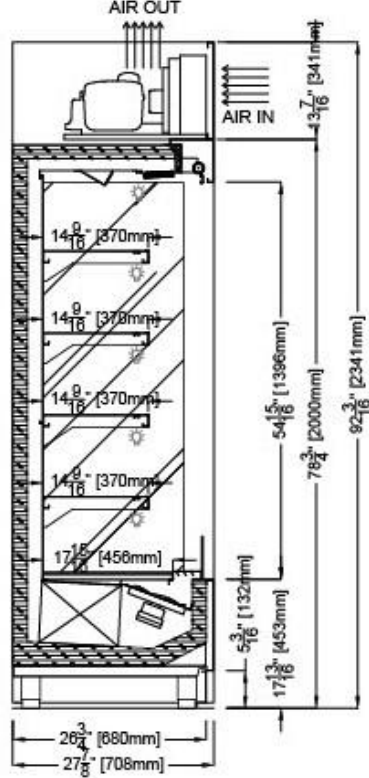
MODELS: MURO H78 600, MURO H78 1000, MURO H78 1200, MURO H78 1500, MURO H78 1800, MURO H78 2000, MURO H78 2400

STANDARD: MURO H78 WITH GLASS SIDES SECTION VIEWS

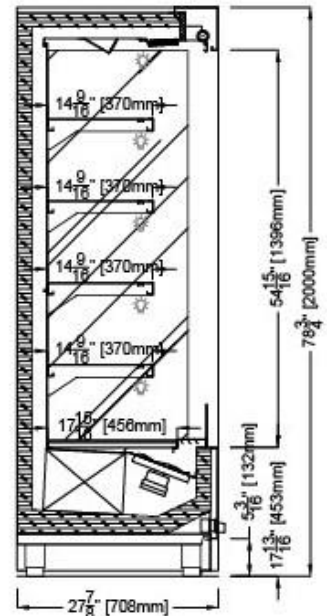
**STANDARD:
SELF CONTAINED BOTTOM
MOUNT CONDENSING UNIT**



**OPTIONAL:
SELF CONTAINED TOP MOUNT
CONDENSING UNIT**



**OPTIONAL:
REMOTE CONDENSING UNIT**



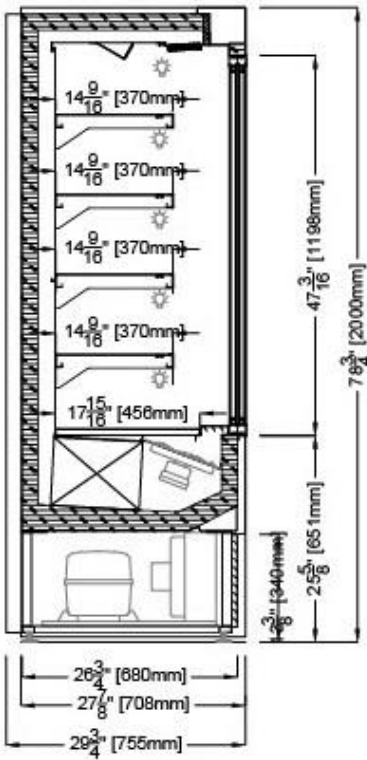
*Oscartek reserves the right to change, modify, discontinue, or change any features, sizes, or capacity on any model without prior notice.

MURO H78

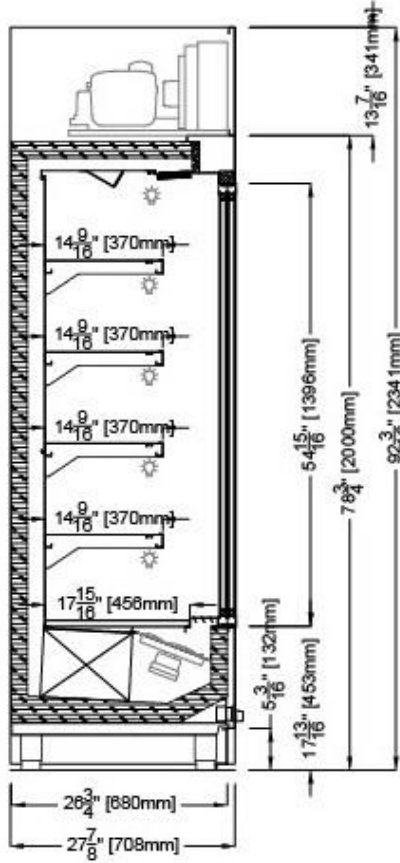
MODELS: MURO H78 600, MURO H78 1000, MURO H78 1200, MURO H78 1500, MURO H78 1800, MURO H78 2000, MURO H78 2400

OPTIONALS: MURO H78 WITH SLIDING GLASS DOORS SECTION VIEWS

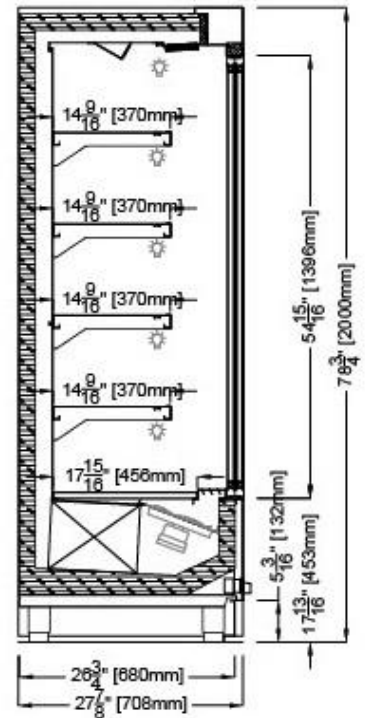
**OPTIONAL:
SELF CONTAINED BOTTOM
MOUNT CONDENSING UNIT**



**OPTIONAL:
SELF CONTAINED TOP MOUNT
CONDENSING UNIT**



**OPTIONAL:
REMOTE CONDENSING UNIT**



*Oscartek reserves the right to change, modify, discontinue, or change any features, sizes, or capacity on any model without prior notice.

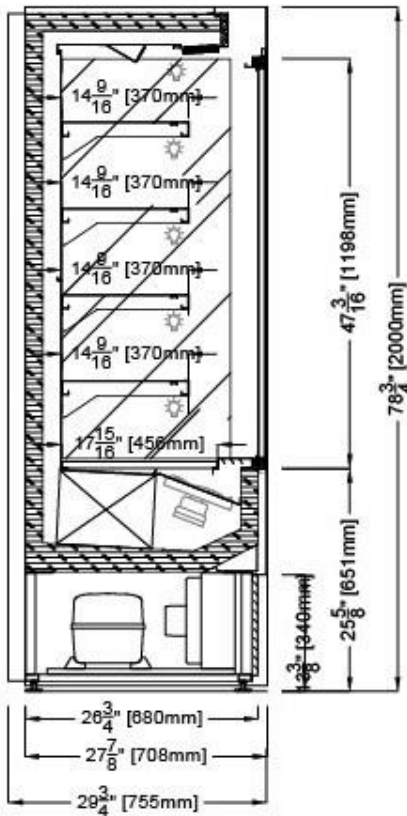
MURO H78

MODELS: MURO H78 600, MURO H78 1000, MURO H78 1200, MURO H78 1500, MURO H78 1800, MURO H78 2000, MURO H78 2400

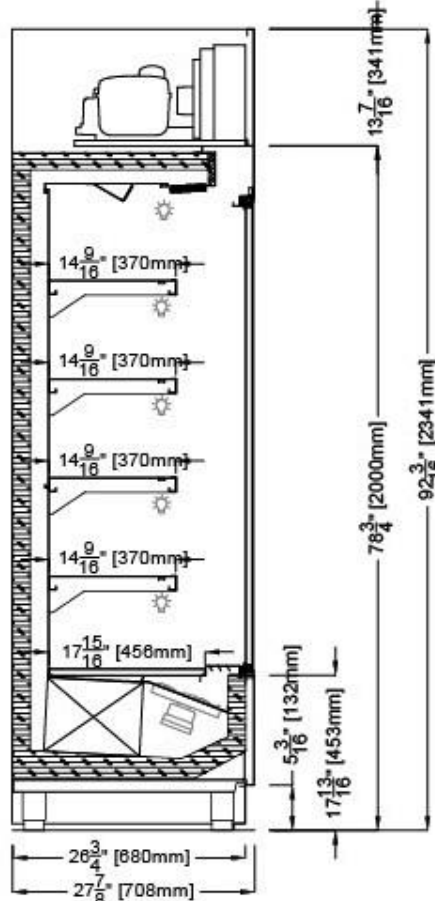
OPTIONALS: MURO H78 WITH SWING GLASS DOORS

SECTION VIEWS

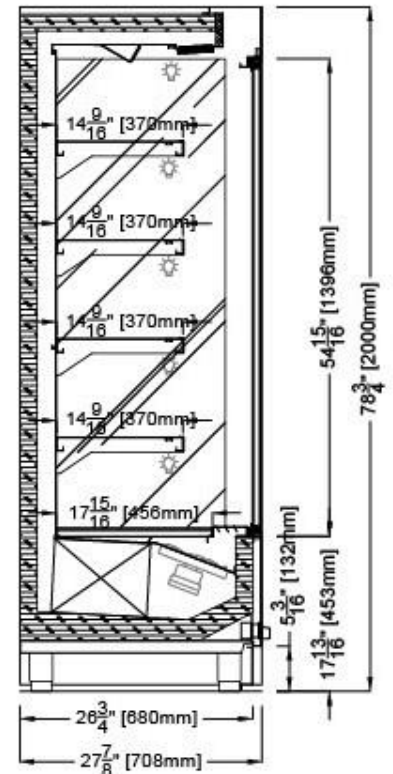
**OPTIONAL:
SELF CONTAINED BOTTOM
MOUNT CONDENSING UNIT**



**OPTIONAL:
SELF CONTAINED TOP MOUNT
CONDENSING UNIT**



**OPTIONAL:
REMOTE CONDENSING UNIT**



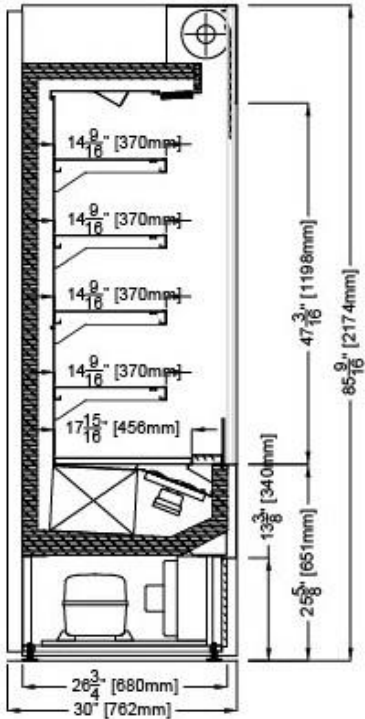
*Oscartek reserves the right to change, modify, discontinue, or change any features, sizes, or capacity on any model without prior notice.

MURO H78

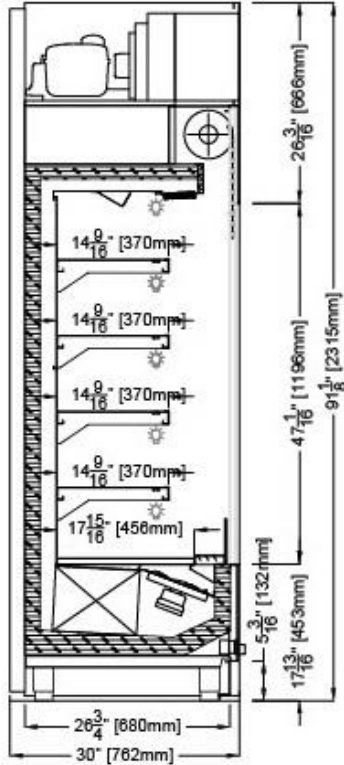
MODELS: MURO H78 600, MURO H78 1000, MURO H78 1200, MURO H78 1500, MURO H78 1800, MURO H78 2000, MURO H78 2400

OPTIONALS: MURO H78 WITH ROLL DOWN SHUTTER SECTION VIEWS

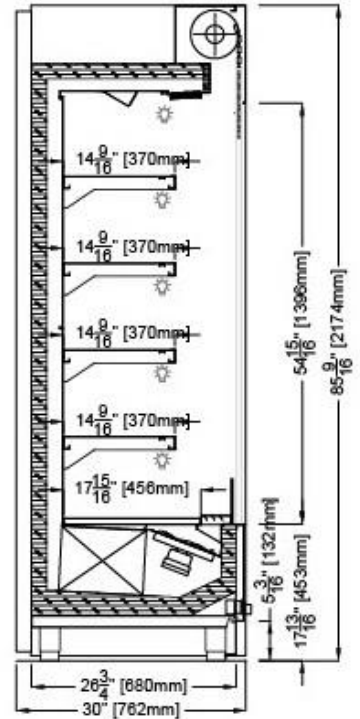
**OPTIONAL:
SELF CONTAINED BOTTOM
MOUNT CONDENSING UNIT**



**OPTIONAL:
SELF CONTAINED TOP MOUNT
CONDENSING UNIT**



**OPTIONAL:
REMOTE CONDENSING UNIT**



*Oscartek reserves the right to change, modify, discontinue, or change any features, sizes, or capacity on any model without prior notice.



Discover the Art of Display...

Project Name: _____

Item #: _____ Quantity: _____

MURO H78

MODELS: MURO H78 600, MURO H78 1000, MURO H78 1200, MURO H78 1500, MURO H78 1800, MURO H78 2000, MURO H78 2400

MURO H78 SELF SERVE AIR SCREEN REFRIGERATION					
TECHNICAL FEATURES		MODELS			
		MURO H78 600 (MUROH78GS25)	MURO H78 1000 (MUROH78GS41)	MURO H78 1200 (MUROH78GS49)	MURO H78 1500 (MUROH78GS61)
External Dimensions (L-D-H) Inches-MM	Inches MM	*25 3/16" - 29 13/16" - 78 3/4" *640 - 757 - 2000	*40 15/16" - 29 13/16" - 78 3/4" *1040 - 757 - 2000	*48 13/16" - 29 13/16" - 78 3/4" *1240 - 757 - 2000	*60 5/8" - 29 13/16" - 78 3/4" *1540 - 757 - 2000
Crated Dimensions (L-D-H) Inches-MM	Inches MM	31" - 36" - 85" 787 - 914 - 2160	46" - 36" - 85" 1168 - 914 - 2160	56" - 36" - 85" 1422 - 914 - 2160	67" - 36" - 85" 1701 - 914 - 2160
Operating Temperature	°F	40°F	40°F	40°F	40°F
Air Cooled Condensing Unit	---	1	1	1	1
BTU'S @ +10°F Expansion Temperature	**BTU'S	**6500	**7850	**8900	**10,200
Electric Supply	(V/Ph/Hz)	208-220/1/60	208-220/1/60	208-220/1/60	208-220/1/60
Power Consumption	(W/A)	1450/6.9	1750/8.8	2100/11.5	2300/12.5
Climatic Class	°F/H.R.	75°F-55%RH	75°F-55%RH	75°F-55%RH	75°F-55%RH
Refrigerant Gas	Type	R404A / R452A	R404A / R452A	R404A / R452A	R404A / R452A
Pipe Size (Inches)	Suction, Liquid	5/8" Suction, 5/16" Liquid	5/8" Suction, 3/8" Liquid	5/8" Suction, 3/8" Liquid	3/4" Suction, 3/8" Liquid
Net Weights	Kg/Lb	350	510	595	730
Crated Weights	Kg/Lb	410	570	655	790
*DIMENSIONS ARE WITH STANDARD GLASS SIDES					
**ACTUAL BTU'S WILL VARY. YOU MUST RELY ON PRODUCTION DRAWINGS SUBMITTED PER EACH PROJECT.					
NOTES:					
1) 85°F AMBIENT AND 55% RELATIVE HUMIDITY 2) FLOOR SINK RECOMMENDED ON THESE MODELS					

*Oscartek reserves the right to change, modify, discontinue, or change any features, sizes, or capacity on any model without prior notice.

OSCARTEK®
512 South Airport Blvd., South San Francisco, CA 94080
Tel: 650.342.2400 | Fax: 650.342.7400
www.oscartek.com





Project Name: _____
 Item #: _____ Quantity: _____

MURO H78

MODELS: MURO H78 600, MURO H78 1000, MURO H78 1200, MURO H78 1500, MURO H78 1800, MURO H78 2000, MURO H78 2400

MURO H78 SELF SERVE AIR SCREEN REFRIGERATION				
TECHNICAL FEATURES		MODELS		
		MURO H78 1800 (MUROH78GS72)	MURO H78 2000 (MUROH78GS80)	MURO H78 2400 (MUROH78GS96)
External Dimensions (L-D-H) Inches-MM	Inches MM	*72 7/16" - 29 13/16" - 78 3/4" *1840 - 757 - 2000	*80 5/16" - 29 13/16" - 78 3/4" *2040 - 757 - 2000	*96 1/16" - 29 13/16" - 78 3/4" *2440 - 757 - 2000
Crated Dimensions (L-D-H) Inches-MM	Inches MM	79" - 36" - 85" 2006 - 914 - 2160	87" - 36" - 85" 2209 - 914 - 2160	103" - 36" - 85" 2616 - 914 - 2160
Operating Temperature	°F	40°F	40°F	40°F
Air Cooled Condensing Unit	—	1	1	1
BTU'S @ +10°F Expansion Temperature	**BTU'S	**11,500	**13,600	**17,000
Electric Supply	(V/Ph/Hz)	208-220/1/60	208-220/1/60	208-220/1/60
Power Consumption	(W/A)	2500/14.5	(2) 1750/8.8	(2) 2100/11.5
Climatic Class	°F/H.R.	75°F-55%RH	75°F-55%RH	75°F-55%RH
Refrigerant Gas	Type	R404A / R452A	R404A / R452A	R404A / R452A
Pipe Size (Inches)	Suction, Liquid	3/4" Suction, 3/8" Liquid	(2) 5/8" Suction, 3/8" Liquid	(2) 5/8" Suction, 3/8" Liquid
Net Weights	Kg/Lb	840	950	1080
Crated Weights	Kg/Lb	900	1010	1140
*DIMENSIONS ARE WITH STANDARD GLASS SIDES				
**ACTUAL BTU'S WILL VARY. YOU MUST RELY ON PRODUCTION DRAWINGS SUBMITTED PER EACH PROJECT.				
NOTES:				
1) 85°F AMBIENT AND 55% RELATIVE HUMIDITY 2) FLOOR SINK RECOMMENDED ON THESE MODELS				

*Oscartek reserves the right to change, modify, discontinue, or change any features, sizes, or capacity on any model without prior notice.

OSCARTEK®
 512 South Airport Blvd., South San Francisco, CA 94080
 Tel: 650.342.2400 | Fax: 650.342.7400
 www.oscartek.com

