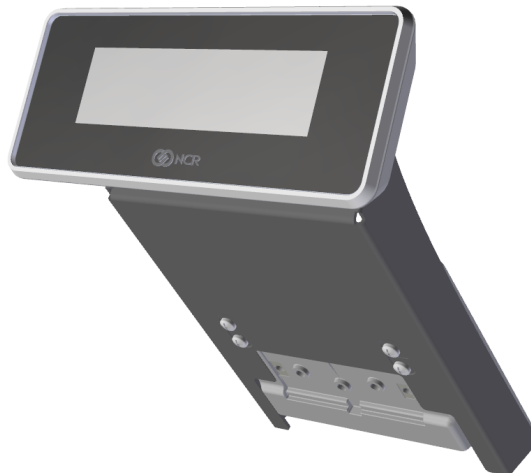


# Kit Instructions

## High Mount 2x20 Customer Display



7702-K460  
Issue C



---

The product described in this book is a licensed product of NCR Corporation.

NCR is a registered trademark of NCR Corporation. NCR RealPOS is a trademark of NCR Corporation in the United States and/or other countries. Other product names mentioned in this publication may be trademarks or registered trademarks of their respective companies and are hereby acknowledged.

The terms HDMI and HDMI High-Definition Multimedia Interface, and the HDMI Logo are trademarks or registered trademarks of HDMI Licensing LLC in the United States and other countries.

Where creation of derivative works, modifications or copies of this NCR copyrighted documentation is permitted under the terms and conditions of an agreement you have with NCR, NCR's copyright notice must be included.

It is the policy of NCR Corporation (NCR) to improve products as new technology, components, software, and firmware become available. NCR, therefore, reserves the right to change specifications without prior notice.

All features, functions, and operations described herein may not be marketed by NCR in all parts of the world. In some instances, photographs are of equipment prototypes. Therefore, before using this document, consult with your NCR representative or NCR office for information that is applicable and current.

To maintain the quality of our publications, we need your comments on the accuracy, clarity, organization, and value of this book. Please use the link below to send your comments.

*EMail:* [FD230036@ncr.com](mailto:FD230036@ncr.com)

Copyright © 2017–2019  
By NCR Corporation  
Global Headquarters  
864 Spring St NW  
Atlanta, GA 30308  
U.S.A.  
All Rights Reserved

## Revision Record

Issue	Date	Remarks
A	Aug 2017	First Issue
B	Sept 2017	V002 - Added serial expansion housing
C	Apr 2019	Added 006-8622686

---

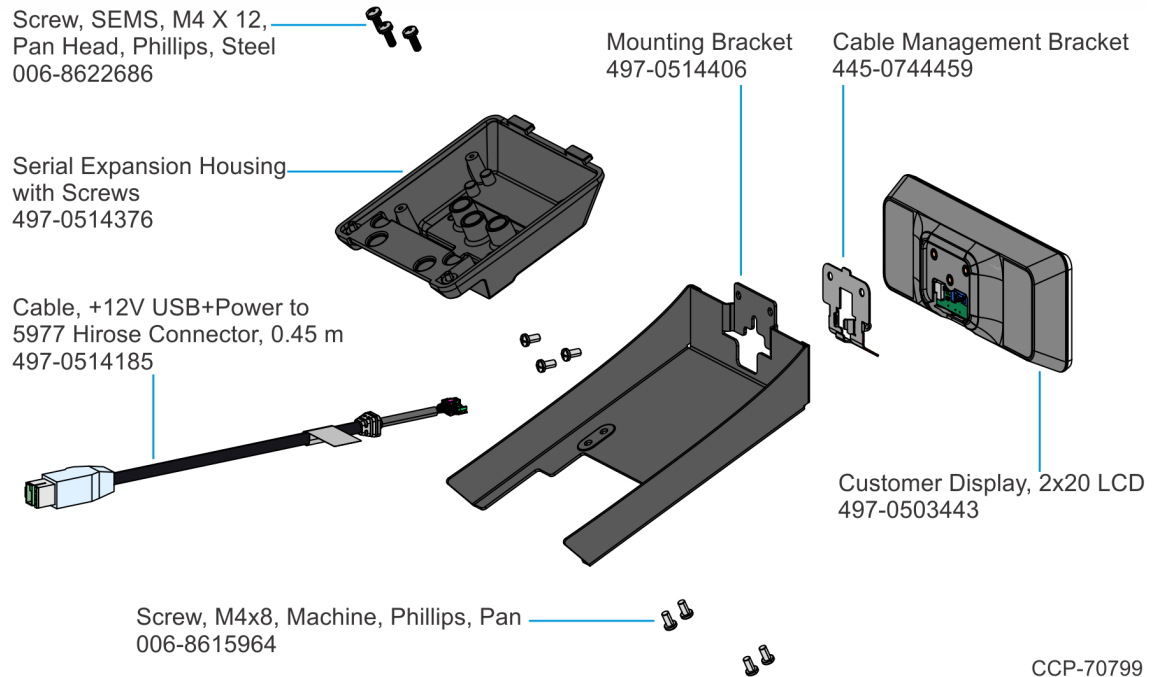
# High Mount 2x20 Customer Display

---

This kit contains the components to add a High Mount 2x20 Customer Display to any of the following terminals:

- NCR XR5 POS (7701)
- NCR XR7 POS (7702)
- NCR XR7 Plus POS (7703)

## Kit Contents



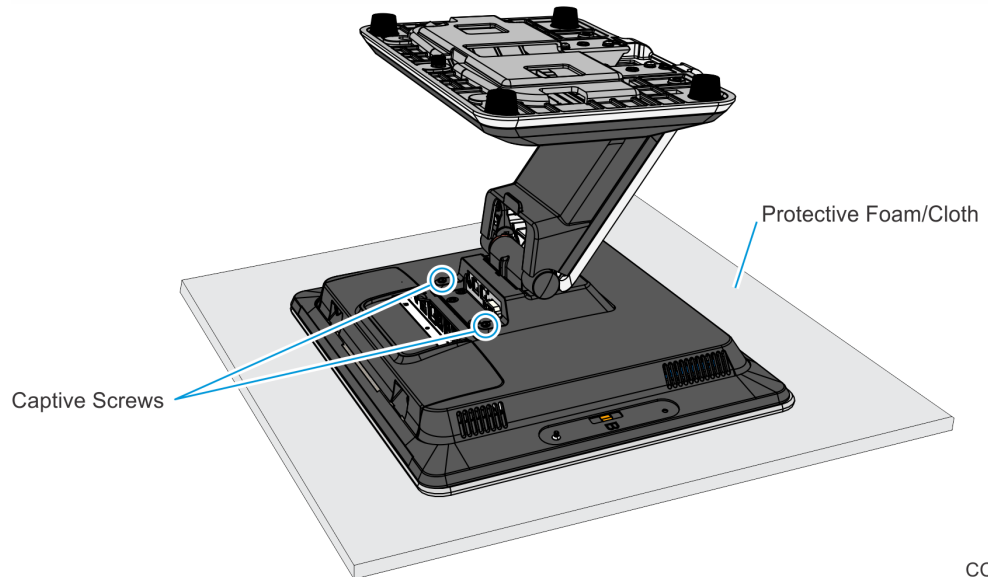
# Installation Procedure

1. Remove the Stand.
  - a. Lay the terminal face down on a flat surface.



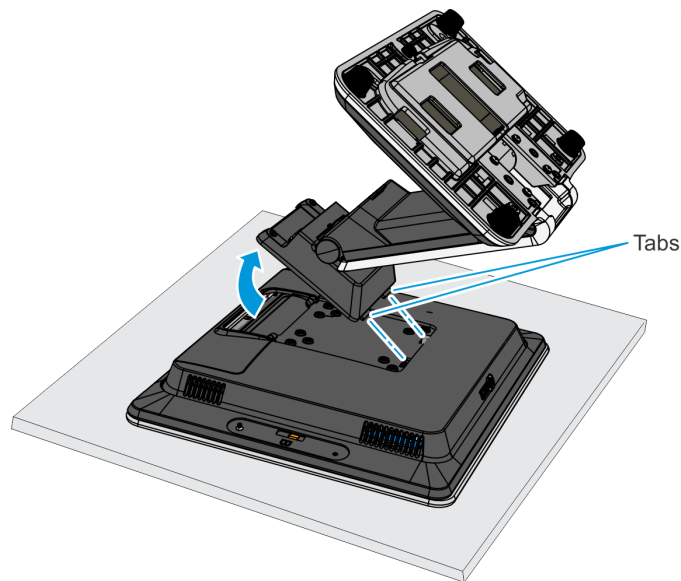
**Caution:** Always use a soft material (cloth, foam) to protect the display screen when placing the terminal face down.

- b. Remove the two (2) captive screws that secure the Stand to the terminal.



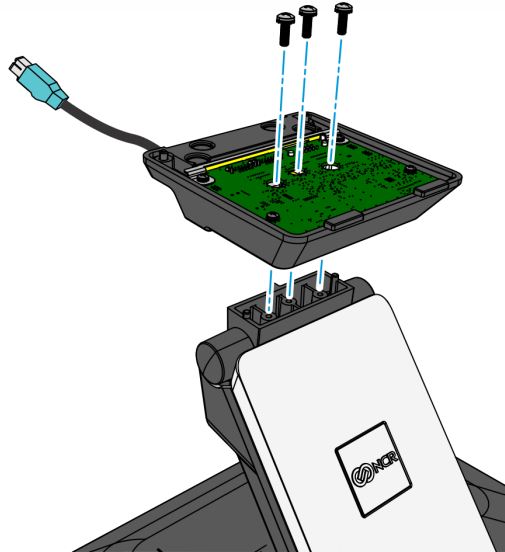
CCP-72352

- c. Rotate the Stand away from the Back Housing as shown below to unhook the tabs..



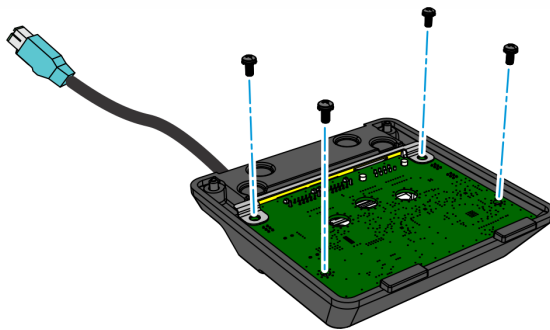
CCP-72353

2. Remove the existing Serial Expansion Housing.
  - a. Remove the Serial Expansion Module from the Stand (3 screws).



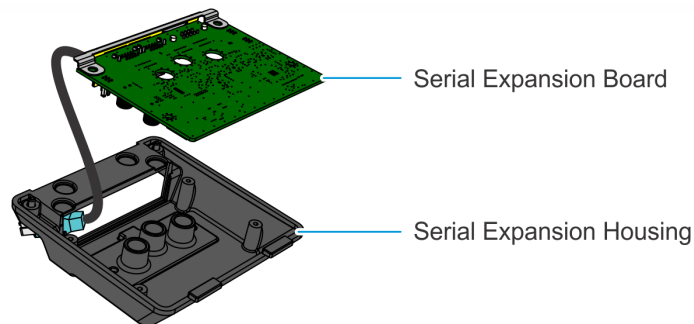
CCP-72355

- b. Remove the four (4) screws securing the Serial Expansion Board to the Serial Expansion Housing.



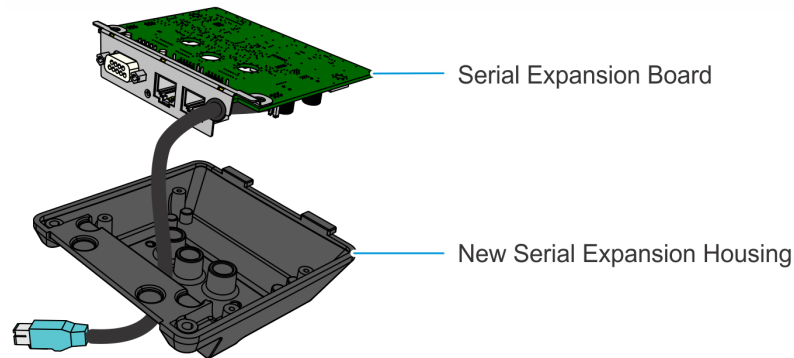
CCP-72359

- c. Remove the Serial Expansion Board from the Serial Expansion Housing.

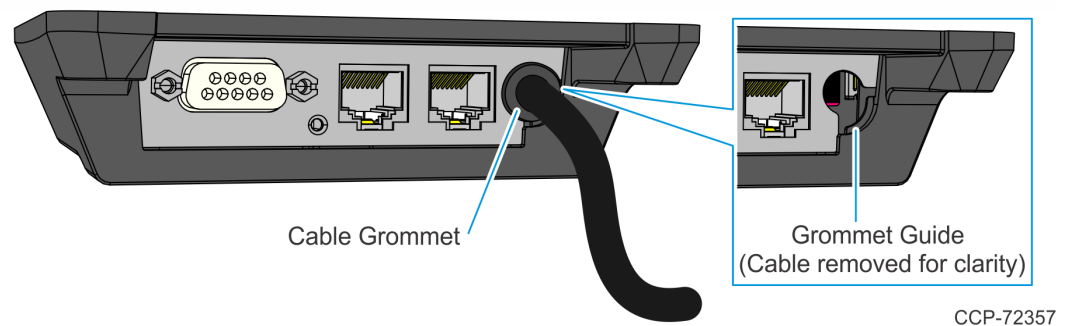


CCP-72356

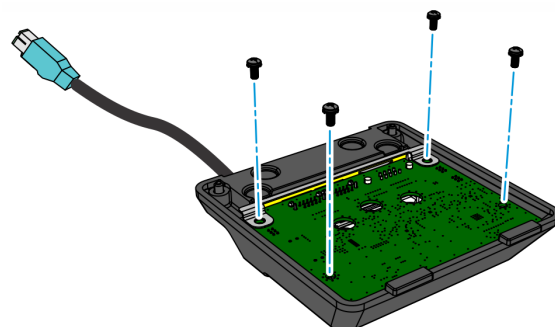
3. Install the new Serial Expansion Housing included in the kit.
  - a. Route the cable through the opening of the new Serial Expansion Housing (497-0514376).



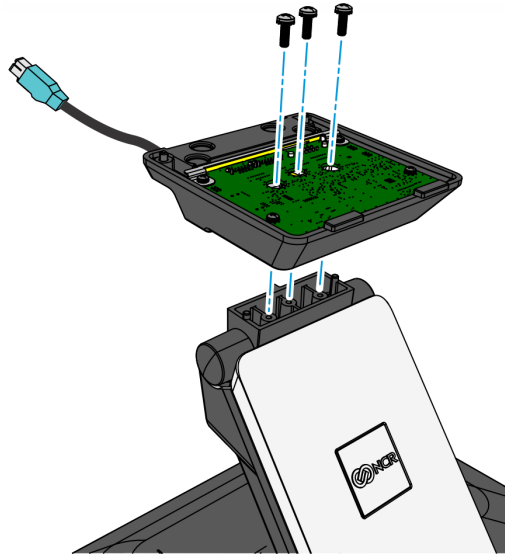
- b. Mount the Serial Expansion Board on the Serial Expansion Housing. Ensure the Cable Grommet is mounted on the grommet guide of the Serial Expansion Housing.



- c. Secure the Serial Expansion Board to the new Serial Expansion Housing (4 screws).

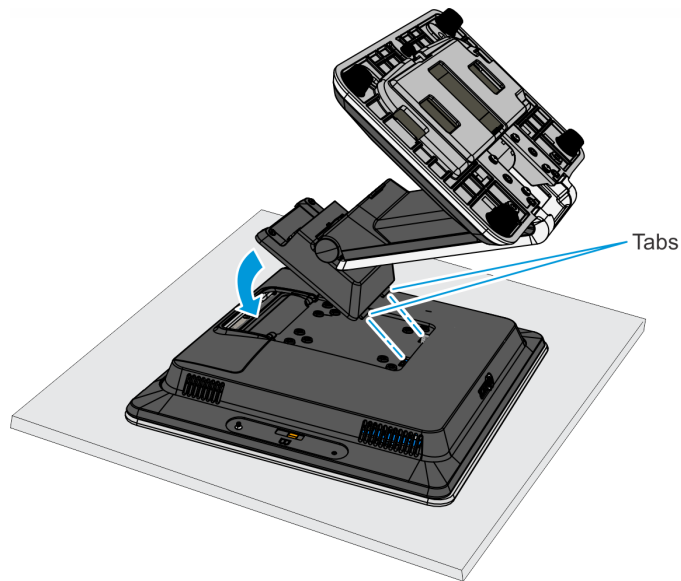


- d. Install the Serial Expansion Module to the Stand (3 screws).



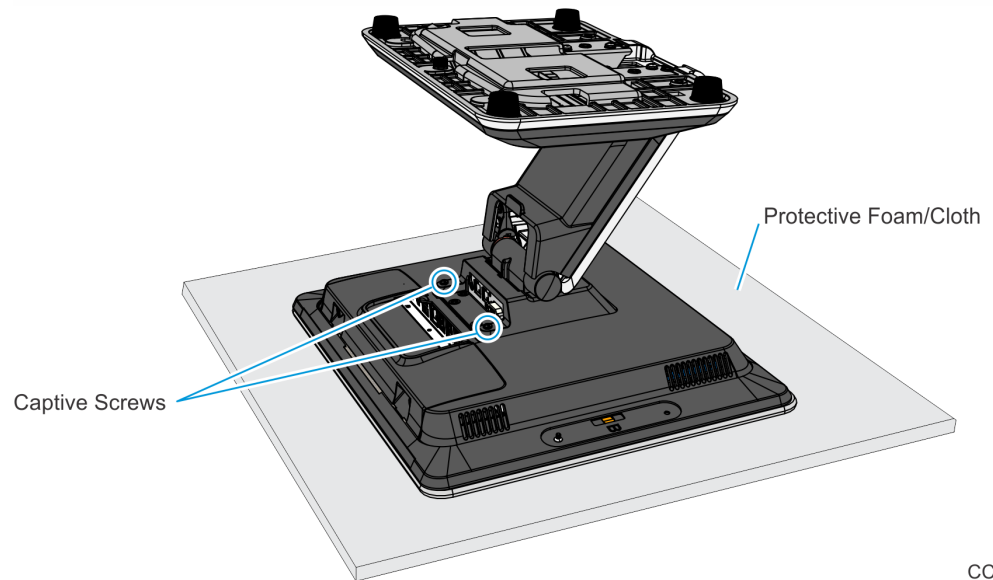
CCP-72355

- 4. Reinstall the Stand.
  - a. Insert the Serial Expansion Housing Tabs into the openings in the Back Housing and rotate the Stand downward.



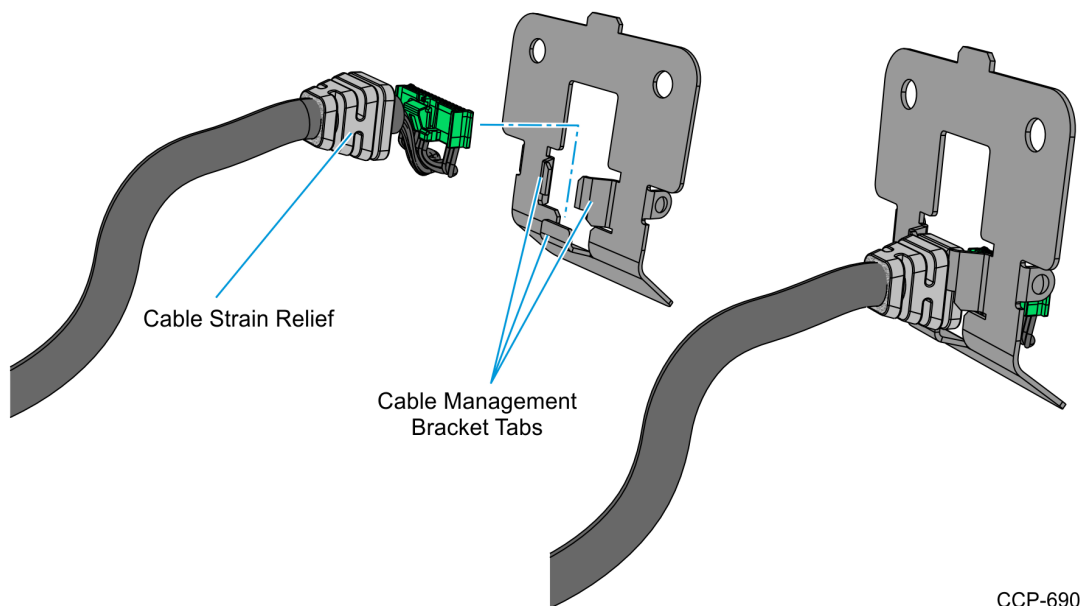
CCP-72354

- b. Secure the stand to the terminal using two (2) captive screws.



CCP-72352

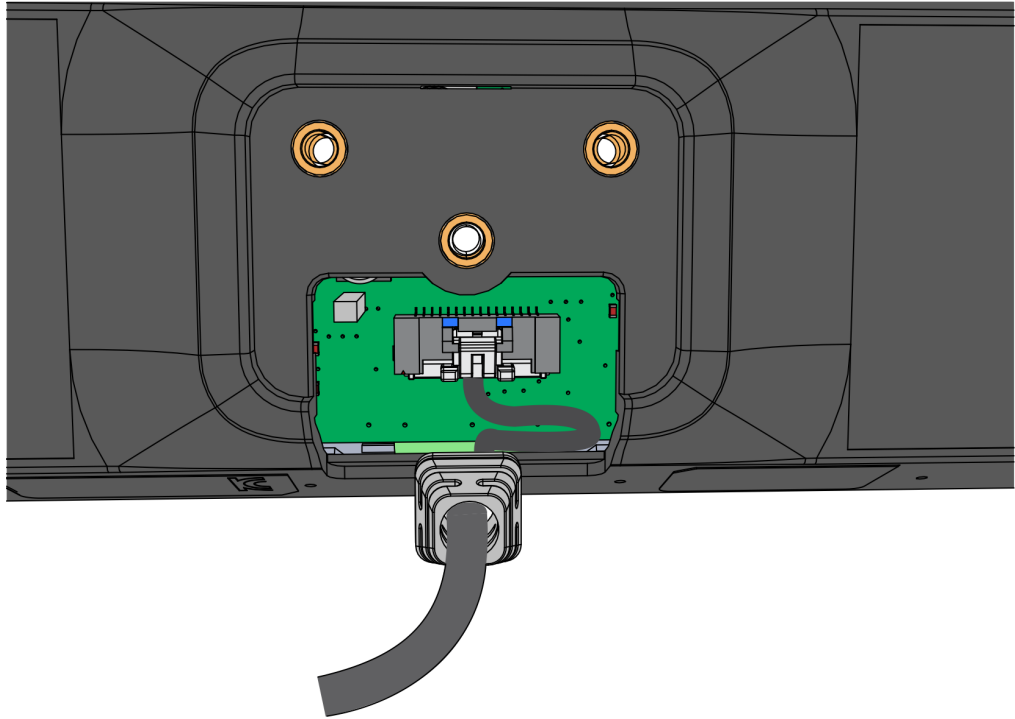
5. Install the High Mount 2x20 Customer Display.
  - a. Mount the Cable Strain Relief to the Cable Management Bracket.



CCP-69090

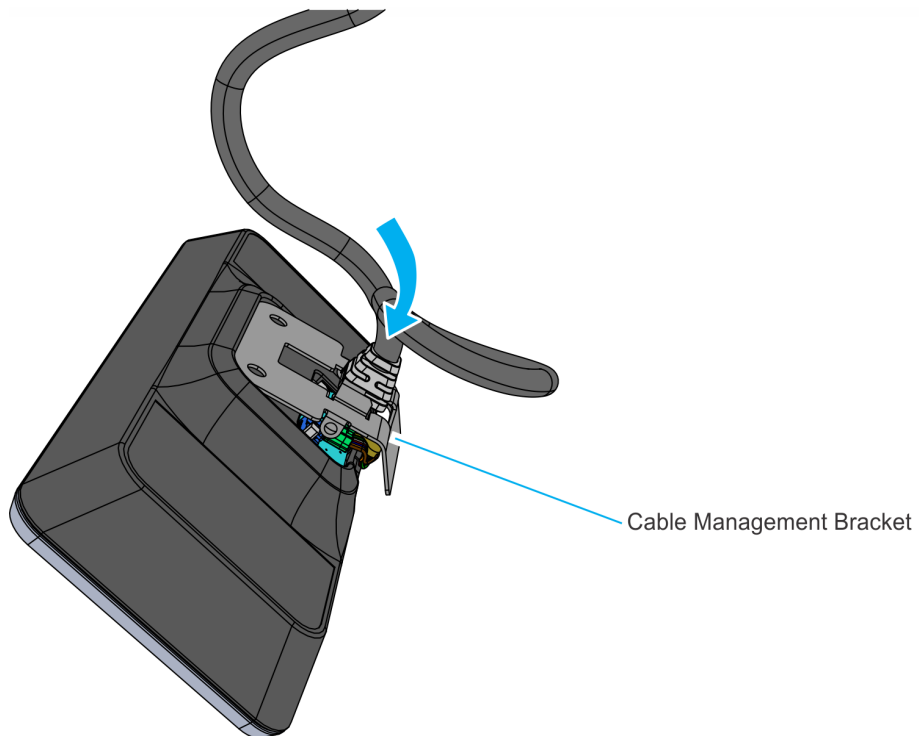


- b. Connect the USB Cable to the Customer Display. Note the cable routing (Cable Management Bracket removed for clarity).



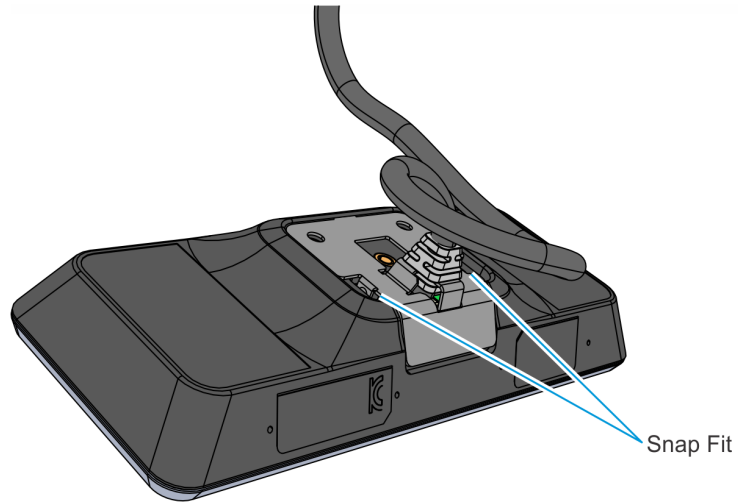
32892

- c. Insert the tab on the edge of the Cable Management Bracket into the slot in the Rear Cover of the Customer Display.



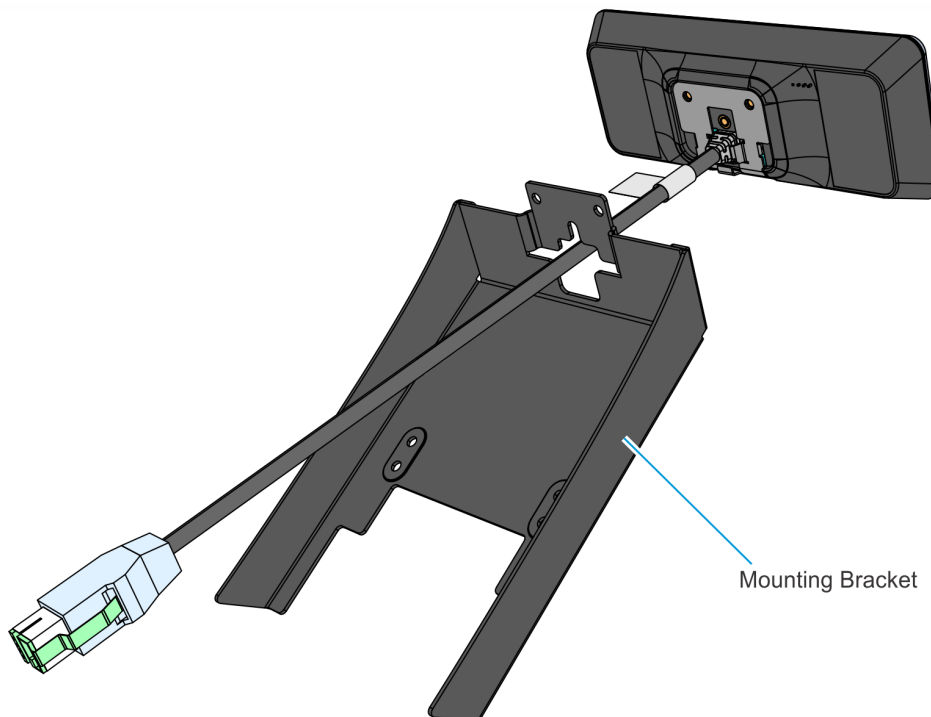
32893

- d. Pivot the Cable Management Bracket until it snaps into position.



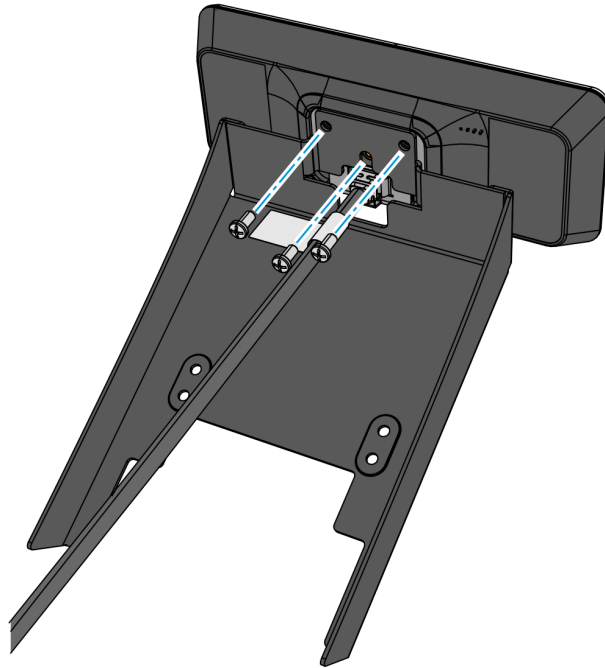
33337

- e. Route the Cable through the top opening of the Mounting Bracket.



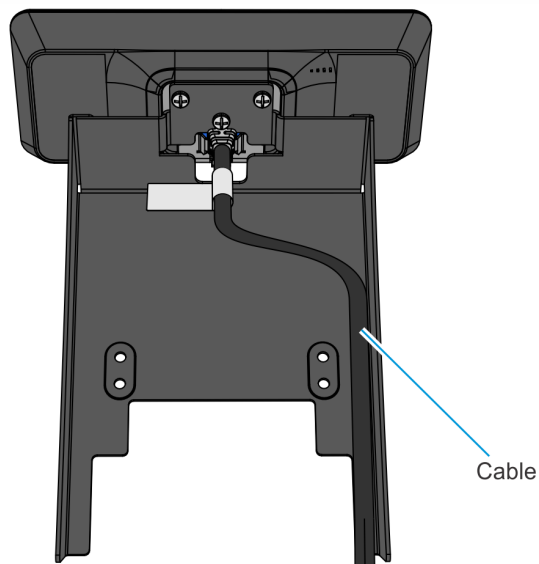
CCP-70793

- f. Attach the Mounting Bracket to the Customer Display using three (3) screws.



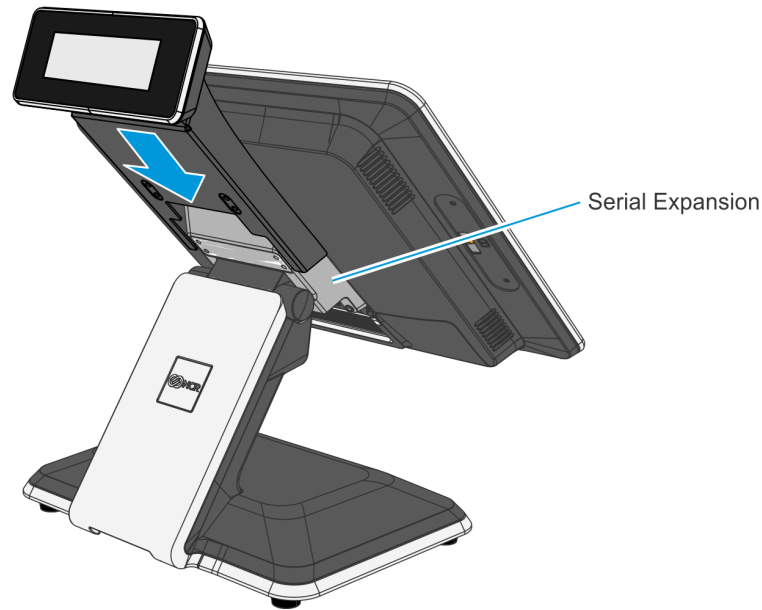
CCP-70794

- g. Route the Cable as shown.



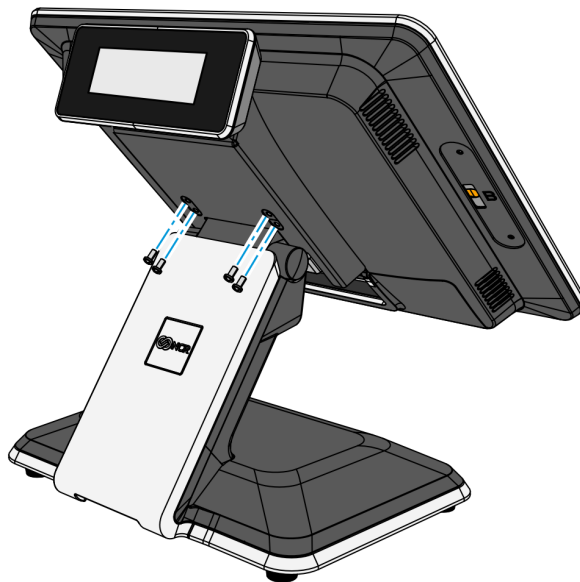
CCP-70795

- h. Slide the Customer Display and Mounting Bracket Assembly over the Serial Expansion Housing of the terminal.



CCP-70796

- i. Secure the Assembly to the terminal using four (4) screws.



CCP-70797

- j. Pivot the terminal and open the cable cover.

- k. Connect the USB Cable to any available +12V USB Port on the terminal.

