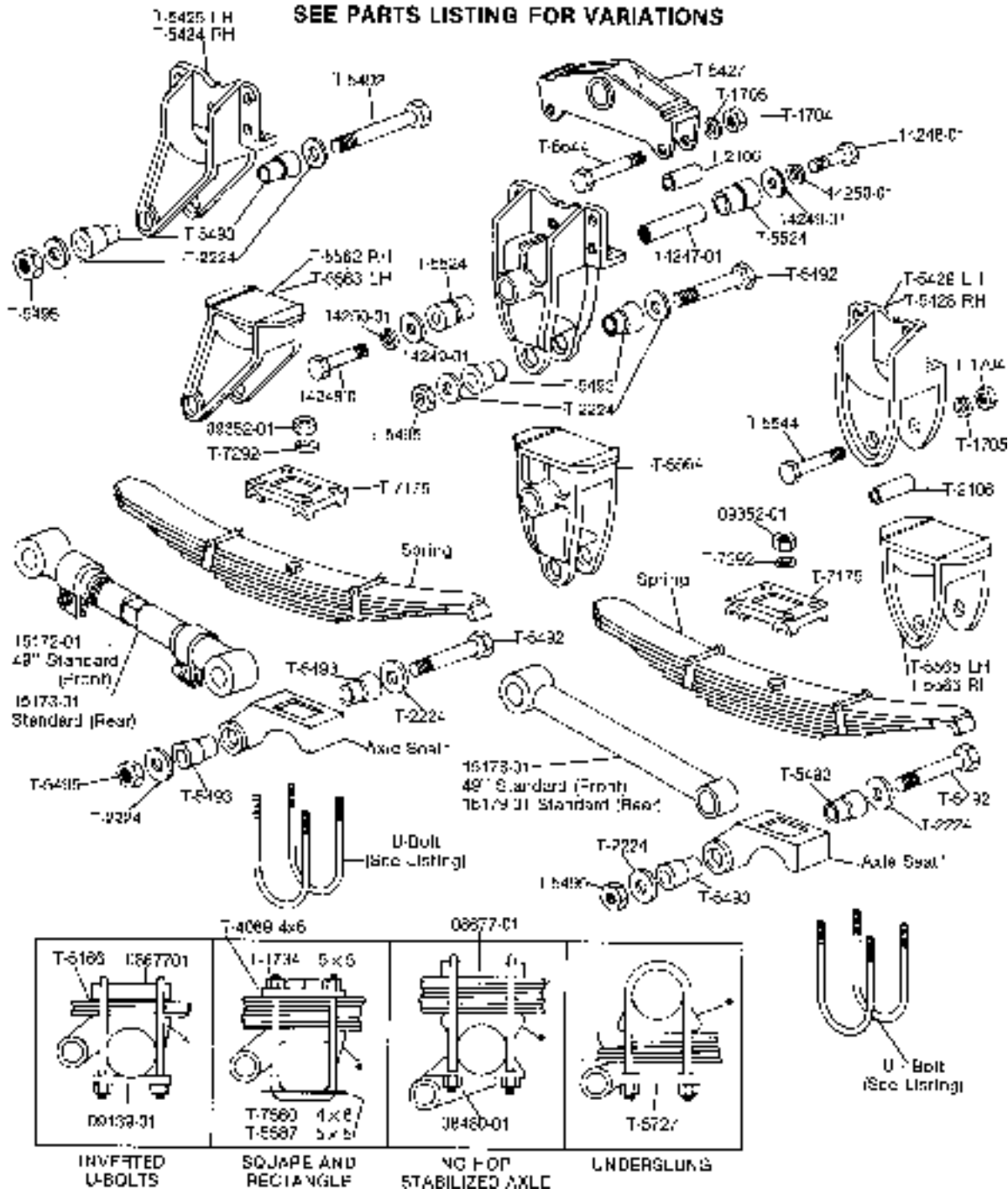




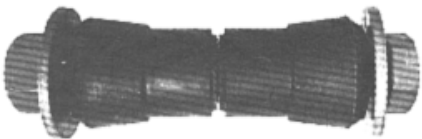
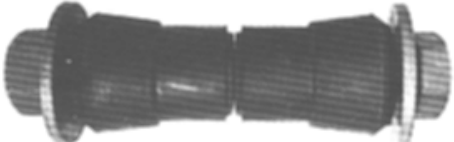
MODEL 21-B & 21½-B TRAILER SUSPENSION

STANDARD 49" AXLE CENTERS SHOWN
5" AXLE SEATS SHOWN
SEE PARTS LISTING FOR VARIATIONS



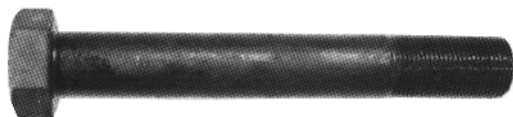
SECTION EIGHT - SUSPENSION - REYCO 21B

REYCO 21-B & 21½-B TRAILER SUSPENSION PARTS

| | | |
|----------------------------------------------------------------------------------------------------------------------------------|--------------------------------------------------------------------------------------------------------------------------------------------------------------------------|---------------|
| Adjustable Torque Arms  | 15171-01 42"-44" Axle Center Crossover: 9-2800 | Front |
| | 15172-01 42"-44" Axle Center 15172-01 49" Axle Center Crossover: 9-2801, E-3283A, SB1685, 345-101, R101 | Rear Front |
| | 15173-01 49" Axle Center Crossover: 9-2802, E-3284A, SB1686, 345-105, R102 | Rear |
| Rigid Torque Arms  | T7626 42" Axle Center Crossover: | Front |
| | 08092-01 42" Axle Center Crossover: | Rear |
| | 08567-01 44" Axle Center Crossover: | Front |
| | 15178-01 44" Axle Center 15178-01 49" Axle Center Crossover: 9-2390, E-2855, SB1688, 345-110 | Rear Front |
| | 15179-01 49" Axle Center Crossover: 9-2392, E-2856, SB1689, 345-112 | Rear |
| Torque Arm Bushing Assembly  | TK18997 Crossover: 9-2350, E-1312, SA1680, M-1765, 334-252, R003 Includes: (2) T2224 Washer (1) T5495 Locknut (1) T5492 Bolt (2) T5493 Bushing | |
| Torque Arm Rebush Kit (Tandem)  | TK7319 Crossover: Includes: (16) T2224 Washer (8) T5495 Locknut (8) T5492 Bolt (16) T5493 Bushing | |

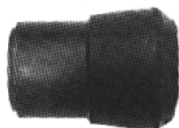
REYCO 21-B & 21 1/2-B TRAILER SUSPENSION PARTS

Torque Arm Bolt



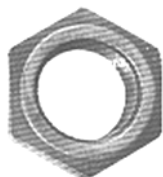
T5492
Crossover: 9-2289, E-1166, SA1681
M-1766, 334-203

Torque Arm Bushing



T5493
Crossover: 9-2290, E1160, SA1882
M-1718, 321-145, R130

Locknut



T5495
Crossover: 9-2250, F-937, SA1215,
M-1767, 334-153

Compression Washer



T2224
Crossover: 9-2291, E-307, SA1011,
M-1764, 334-205

Equalizer



Contact Factory for Widespread Applications.

T5127 (Standard 48" Axle Center)

Crossover: 9-2458, E-2816, SC1701,
M-1670, 338-198, P103

Heavy Duty Equalizers:

| | | |
|----------|-----------------|---------------|
| 12045-01 | 42" Axle Center | Front Axle |
| 11799-01 | 42" Axle Center | 2nd/Rear Axle |
| 11799-01 | 44" Axle Center | All Axles |
| 12045-01 | 48" Axle Center | Front Axle |
| 17819-01 | 48" Axle Center | 2nd/Rear Axle |

Equalizer Bushing Assembly

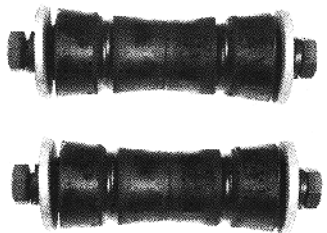
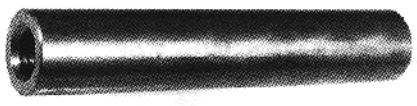

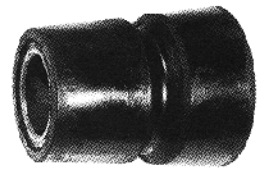
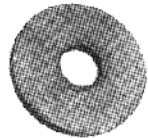
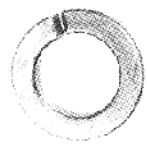


TK16898
Crossover: 9-2319, E-3976, SB1704,
M-2838, 334-211

Includes: (2) 14249-01 Cap Screw
(2) 14250-01 Lockwasher
(2) 14249-01 Comp. Washer
(2) T5524 Bushing
(1) 14247-01 Shaft

SECTION EIGHT - SUSPENSION - REYCO 21B

REYCO 21-B & 21½-B TRAILER SUSPENSION PARTS

| | | |
|-----------------------------------------------------------------------------------------------------------------------------------------------------------------------------------------------------------------------------------------------------------------------------------------------------------------------------------------------------------------------------------------------------------------|-----------------------------------------------------------------------------------------------------------------------------------------------------------------------------------------------------------------------------------------------------------------------------------------------------------------------------------------------------------------------------------------------|------------------------------------------------------------------------------------------------------------------------------------------------------------------------------------------------------------------------------------------------------|
| <p>Equalizer Rebush Kit (Tandem)</p>  | | <p>TK12506</p> <p>Crossover:</p> <p>Includes: (4) 14248-01 Cap Screw (4) 14250-01 Lockwasher (4) 14249-01 Comp. Washer (4) T5524 Bushing (2) 14247-01 Shaft</p> |
| <p>Equalizer Shaft</p>  | | <p>14247-01 1" OD (new) Crossover: 9-2355, E-3972, 334-207</p> <p>T5888 3/4" OD (old) Crossover: E-1161, SA1709, M-1721, R104, 9-2316</p> |
| <p>Equalizer Shaft Cap Screw</p>  <p>14248-01 1" OD (new) Crossover: E-1987, Part of 9-3385, 334-209</p> <p>T5886 3/4" OD (old) Crossover: E-1162, SA1705, M-1770, Part of 9-2318</p> | <p>Equalizer Bushing</p>  <p>T5524 Crossover: 9-2317, E-1159, SA1708, M-1719, 321-146, R110</p> | |
| <p>Compression Washer</p>  <p>14249-01 1" ID (new) Crossover: 9-2356, E-1986A, 334-208</p> <p>T5887 3/4" ID (old) Crossover: 9-2320, E-1164, SA1707, M-1720, R109</p> | <p>Equalizer Shaft Lock Washer</p>  <p>14250-01 1" ID (new) Crossover: E-3975, Part of 9-3385</p> <p>T3164 3/4" ID (old) Crossover: E-1163, SA1706, M-1771, Part of 9-2318, SLW-100</p> | |

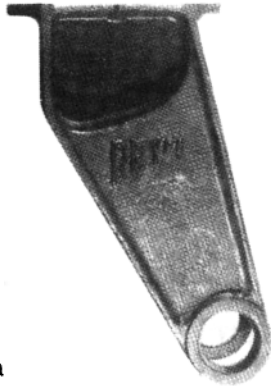
REYCO 21-B & 21½-B TRAILER SUSPENSION PARTS

| | |
|-------------------------------------------------------------------------------------------------------------------------------------------------------------------------------------------------------------------------------------------------------------------------------------------------------------------------------------------------------------------------------------------------------------------------------------------------------------|---------------------------------------------------------------------------------------------------------------------------------------------------------------------------------------------------------------------------------------------------------------------------------------------------------------------|
| <p>Equalizer Bump Stop</p>  <p>18111-01 Crossover: Contact Factory for Correct Placement on Equalizer.</p> | <p>Equalizer Stiffener Plate</p>  <p>11851-01 Crossover: Contact Factory for Correct Placement on Equalizer.</p> |
| <p>Equalizer Wear Pad</p>  <p>11852-01 Crossover: Contact Factory for Correct Placement in Equalizer.</p> | <p>Spring Roller Assembly</p>  <p>For 3" wide springs. All models. TK19011 Crossover: 9-2370, E-1975, SA1018, M-2819, 334-201 Includes: (1) T2106 Roller (1) T1705 Washer (1) T5544 Bolt (1) T1704 Nut</p> |
| <p>Spring Roller</p>  <p>T2106 Crossover: E-1971, SA1017, R139</p> | <p>Spring Roller Bolt</p>  <p>T5544 Crossover: E-1972, SA1015</p> |
| <p>Spring Roller Nut</p>  <p>T1704 Crossover: E-5032, SA1016</p> | <p>Spring Roller Lockwasher</p>  <p>T1705 Crossover: SA1265, E-1974</p> |
| <p>Equalizer Capscrew & Washer Assembly</p>  <p>TK19154 New Style 1" OD Crossover: 9-3385 Includes: (1) 14248-01 Capscrew (1) 14249-01 Washer</p> <p>TK19153 Old Style 3/4" OD Crossover: M-1770 & M-1720, 9-2318, E-1162 & E-1163, SA1705 & SA1706 Includes: (1) T5886 Capscrew (1) T5887 Washer</p> | |

SECTION EIGHT - SUSPENSION - REYCO 21B

REYCO 21-B & 21½-B TRAILER SUSPENSION PARTS

Front Undermount Hanger



T5563 Left Front
Crossover: 9-2851,
E-5275, SC1750, 338-190

T5562 Right Front
Crossover: 9-2850,
E-5258, SC1749, 338-191

12037-01 Heavy Duty
Left Front

12038-01 Heavy Duty
Right Front

Right Ha

Front Flangemount Hanger



T5425 Left Front
Crossover: 9-2853, E2880
SC1697, 338-188

T5424 Right Front
Crossover: 9-2852, E-2879
SC1696, 338-189

12041-01 Heavy Duty
Left Front

12042-01 Heavy Duty
Right Front

09489-01 Undrilled Std
Left Front

09488-01 Undrilled Std
Right Front

18363-01 Undrilled
Heavy Duty
Left Front

18364-01 Undrilled
Heavy Duty
Right Front

Left Hand SHOWN

Equalizer Undermount Hanger



T5564
Crossover: E-5259, 9-2854, SC1751
338-193

Equalizer Flangemount Hanger



T5426
Crossover: E-2881, 9-2855, SC1698
338-192
09490-01 Undrilled

REYCO 21-B & 21½-B TRAILER SUSPENSION PARTS

Rear Undermount Hanger



Left Hand Shown

T5565 Left Hand
Crossover: E-5260,
SC1753, 338-196, 9-2857

T5566 Right Hand
Crossover: E-5261,
SC1752, 338-197, 9-2856

12039-01 Heavy Duty
Left Hand

12040-01 Heavy Duty
Right Hand

Rear Flangemount Hanger



Left Hand Shown

T5429 Left Hand
Crossover: E-2883,
SC1700, 338-194, 9-2859

T5428 Right Hand
Crossover: E-2882,
SC1699, 338-195, 9-2858

12043-01 Heavy Duty
Left Rear

12044-01 Heavy Duty
Right Rear

09491-01 Undrilled Std
Left Rear

09492-01 Undrilled Std
Right Rear

18365-01 Undrilled Heavy
Duty Left Rear

18366-01 Undrilled Heavy
Duty Right Rear

Hanger Weld-On Wear Pad



11853-01

Crossover:

Contact Factory For Correct
Placement In Hanger.

Hanger Weld-On Wear Plate (For Worn Hanger)



15630-01

Crossover:

Contact Factory For Correct
Placement In Hanger.

SECTION EIGHT - SUSPENSION - REYCO 21B

REYCO 21B - SUSPENSION - SECTION EIGHT

REYCO 21-B & 21½-B TRAILER SUSPENSION PARTS

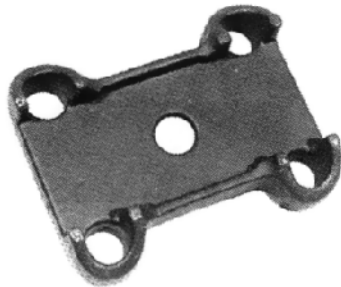
Top Plate Conventional, U-Bolts Up, 5" Round Axle, 7/8" U-Bolts, 3" Wide Spring



T7175

Crossover: E-2875, SB1684, M-2953,
338-203, R122, 9-3490

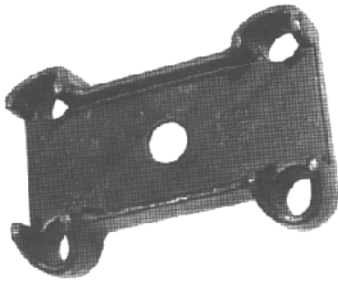
Top Plate Conventional, U-Bolts Up, 4" x 6" Axle, 7/8" U-Bolts, 3" Wide Spring



T4069

Crossover: SB1755, 338-202, 9-3491

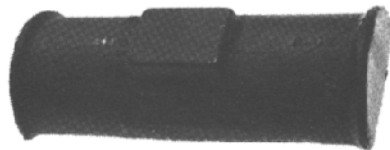
Top Plate Conventional, U-Bolts Up, 5" x 5" Square Axle, 7/8" U-Bolts, 3" Wide Spring



T1734

Crossover: SB1754, 338-204, 9-3492


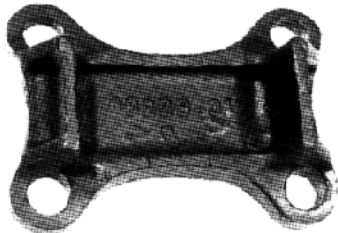
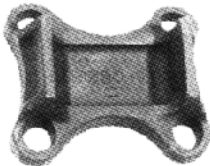
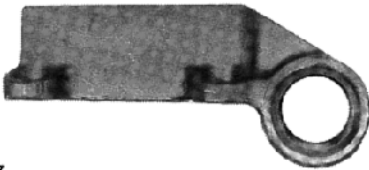



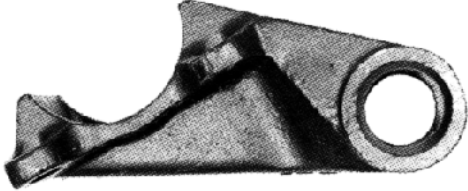
Top Plate U-Bolts Down, 3" Springs



08677-01

Crossover: SB1702, E-2873, M-2952,
338-200, R117, 9-2579

REYCO 21-B & 21½-B TRAILER SUSPENSION PARTS

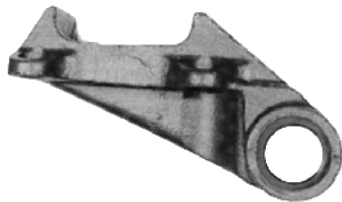
| | |
|------------------------------------------------------------------------------------------------------------------------------------------------------------------------------------------------------------------------------------------------------------|-----------------------------------------------------------------------------------------------------------------------------------------------------------------------------------------------------------------|
| <p>Bottom Plate 5" Round, Inverted U-Bolts</p>  <p>09139-01 Crossover: E-2874, SB1768, M1684, 338-214, 9-3283</p> | <p>Bottom Plate 5" x 5" Square, Inverted U-Bolts</p>  <p>09229-01 Crossover: SB1769, 338-216, R216, 9-3284</p> |
| <p>Bottom Plate 4" x 6" Rectangular Axle Inverted U-Bolts</p>  <p>09230-01 Crossover: SB1770, 338-215, 9-3285</p> | <p>Bottom Plate for 5" Round & 5" Square "Underslung" Axles</p>  <p>T5727 Crossover: SB1759, 9-2896</p> |
| <p>Delrin Spring Liner (2) Required per Single Leaf Spring (1) Required per 3 Leaf Spring</p>  <p>T5166 Crossover: M-2872, 334-213, H114, 9-2894</p> | <p>Bottom Clip for U-Bolts Up, 4" x 6" Axle</p>  <p>T7560 Crossover: 338-219, 9-2890, SB1757</p> |
| <p>Bottom Clip for U-Bolts Up, 5" x 5" Square Axle (Pro-Par)</p>  <p>T5587 Crossover: SB1758, 338-220, 9-2891</p> | <p>Stabilizer 5" Round Axle</p>  <p>08480-01 Crossover: 9-2910, 338-217, SB1766, R107</p> |

SECTION EIGHT - SUSPENSION - REYCO 21B

REYCO 21B - SUSPENSION - SECTION EIGHT

REYCO 21-B & 21½-B TRAILER SUSPENSION PARTS

Stabilizer 5" x 5" Square Axle



08061-01
Crossover: 338-218, 9-2911, SB1767

Axle Seat 5" Round Axle



09730-01 3/4" Hi
Crossover: SB1760, 338-205, R106, 9-2900

11336-01 1-3/4" Hi
Crossover: SB1761, 338-206, 9-2901

Axle Seat 5" x 5" Square Axle



07980-01 3/4" Hi
Crossover: SB1762, 338-209, 9-2904

11351-01 1-3/4" Hi
Crossover: SB1763, 9-2905

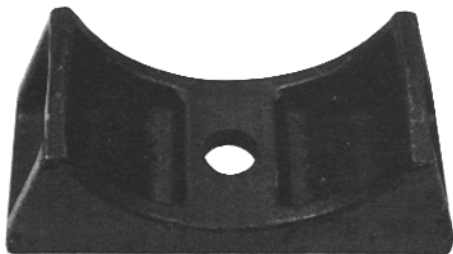
Axle Seat 4" x 6" Axle



T7650 3/4" Hi
Crossover: SB1764, 338-207, R105, 9-2902

11352-01 1-3/4" Hi
Crossover: SB1765, 9-2903

Spring Seat 5" Round Axle,
Stabilized or Underslung



10114-01
Crossover: SB1771, R123, 338-739, 9-2919

Spring Seat 5" x 5" Square Axle,
Stabilized or Underslung



09103-01
Crossover: SB1772, 9-2920

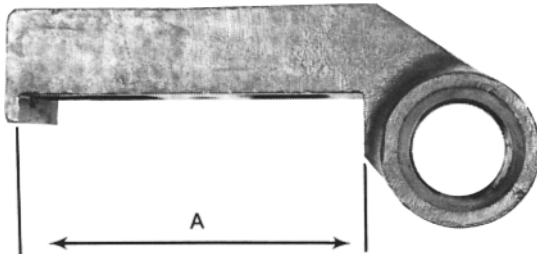
REYCO 21-B & 21½-B TRAILER SUSPENSION PARTS

Spring Seat 4" x 6" Rectangular Axle, Stabilized or Underclung



T7715
Crossover: SB1773

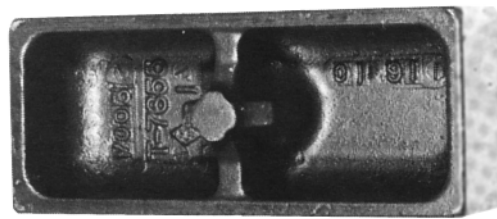
Axle Seat "T" Beam Axle



| | A | Height |
|----------|--------|---------|
| | Width | |
| 10918-01 | 6-1/4" | 1-1/2" |
| 08144-01 | 6-1/2" | 1 1/4" |
| 11137-01 | 6-3/8" | 1-3/8" |
| 09151-01 | 6-3/4" | 1-0/16" |
| 10161-01 | 7-1/2" | 1-5/16" |

Crossover:

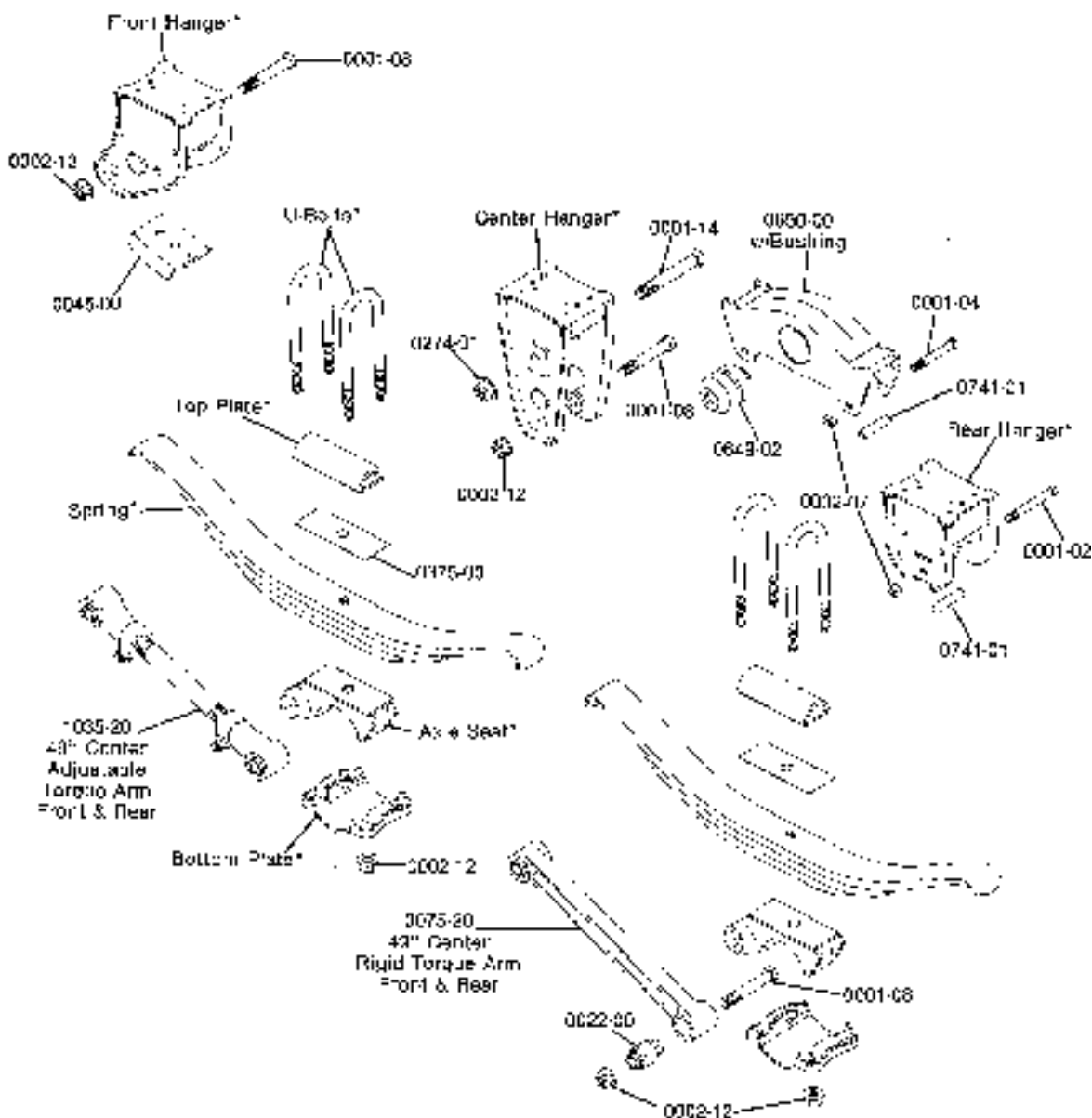
Spacer Block



| | Type | Height | Crossover |
|----------|------------|--------|-------------------------------|
| 10599-01 | Fabricated | 1/4" | SA1092, 9-2790 |
| T7555 | Fabricated | 1/2" | SA1693, 338-396, 9-2751 |
| T7850 | Fabricated | 3/4" | 336-507, 9-2782 |
| T7716 | Cast | 1" | 335-221, SA1694, 9-2753 |
| T7654 | Cast | 1-1/2" | 335-222, SA1695, 9-2761 |
| T7655 | Cast | 2" | 338-223, E-2878, R165, 9-2765 |
| T7674 | Cast | 2-1/2" | |

SECTION EIGHT - SUSPENSION - REYCO 21B

TRANSPRO MODEL 86 & 88 TRAILER SUSPENSION



TRANSPRO 86 & 88 TRAILER SUSPENSION PARTS

Front Hanger Undermount



| Standard | Abrasion Resistant | Model | Axle Center |
|-------------------------------------------------------------------|--------------------|-------|-------------|
| 0049-00 LH/RH Crossover: | 1220-00 LH/RH | 86 | ALL |
| 0084-00 LH/RH Crossover: SC1952, 338-373, E-4804, 9-2589 | 1225-00 LH/RH | 88 | ALL |

(Standard Includes
0045-00 Pad)

Center Hanger Undermount



| Standard | Abrasion Resistant | Model | Axle Center |
|-------------------------------------------------------------------|--------------------|-------|--------------|
| 0065-00 LH/RH Crossover: | N/A | 86 | 11, 19, & 54 |
| 0088-00 LH/RH Crossover: SC1953, 338-074, 9-2877, E-4805 | N/A | 88 | 44, 48, & 54 |
| 1464-00 LH/RH | N/A | 86 | 60 & 72 |
| 1555-00 LH/RH | N/A | 88 | 108 & 120 |

Rear Hanger Undermount



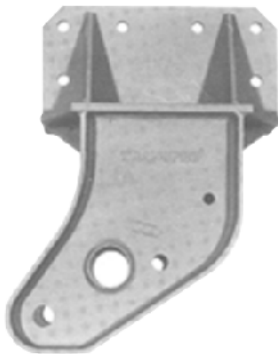
| Standard | Abrasion Resistant | Model | Axle Center |
|-------------------------------------------------------------------|--------------------|-------|-------------|
| 0053-00 LH/RH Crossover: | 1221-00 LH/RH | 86 | ALL |
| 0086-00 LH/RH Crossover: SC-954, 338-375, E-4806, 9-2661 | 1226-00 LH/RH | 88 | ALL |

(Standard Includes
0045-00 Pad)

SECTION EIGHT - SUSPENSION - TRANSPRO

TRANSPRO 86 & 88 TRAILER SUSPENSION PARTS

Front Hanger Flange



(Standard Includes)
0045-00 Pad

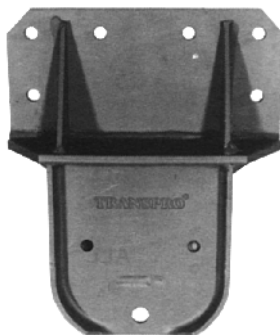
| Standard | Abrasion Resistant | Dia. Holes | Model | Axle Center |
|--------------------------------------|--------------------|------------|-------|-------------|
| 0311-01 LH | 1222-01 LH | 1/2" | 86 | ALL |
| 0311-02 RH | 1222-02 RH | 1/2" | 86 | ALL |
| 0400-01 LH | 1227-01 LH | 1/2" | 88 | ALL |
| Crossover: SC1844, E-4807, 9-2874 | | | | |
| 0400-02 RH | 1227-02 RH | 1/2" | 88 | ALL |
| Crossover: SC1845, E-4808, 9-2875 | | | | |
| 1235-01 LH | N/A | 5/8" | 86 | ALL |
| 1235-02 RH | N/A | 5/8" | 86 | ALL |
| 1240-01 LH | 1395-01 LH | 5/8" | 88 | ALL |
| 1240-02 RH | 1395-02 RH | 5/8" | 88 | ALL |

Center Hanger Flange



| Standard | Abrasion Resistant | Dia. Holes | Model | Axle Center |
|--------------------------------------|--------------------|------------|-------|--------------|
| 0312-00 LH/RH | N/A | 1/2" | 86 | 44, 49, & 54 |
| 0401-00 LH/RH | N/A | 1/2" | 88 | 44, 49, & 54 |
| Crossover: SC1846, E-4809, 9-2878 | | | | |
| 1465-05 LH/RH | N/A | 1/2" | 88 | 60 & 72 |
| 1237-00 LH/RH | N/A | 5/8" | 88 | 44, 49, & 54 |
| 1237-20 LH/RH | N/A | 5/8" | 88 | 44, 49, & 54 |
| 1465-08 LH/RH | N/A | 5/8" | 88 | 60 & 72 |

Rear Hanger Flange

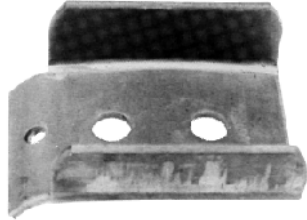


(Standard Includes)
0045-00 Pad

| Standard | Abrasion Resistant | Dia. Holes | Model | Axle Center |
|--------------------------------------|--------------------|------------|-------|-------------|
| 0313-01 LH | 1223-01 LH | 3/8" | 86 | ALL |
| 0313-02 RH | 1223-02 RH | 3/8" | 86 | ALL |
| 0402-01 LH | 1228-01 LH | 3/8" | 88 | ALL |
| Crossover: SC1843, E-4810, 9-2863 | | | | |
| 0402-02 RH | 1228-02 RH | 3/8" | 88 | ALL |
| Crossover: SC1847, E-4811, 9-2862 | | | | |
| 1238-01 LH | N/A | 5/8" | 86 | ALL |
| 1238-02 RH | N/A | 5/8" | 86 | ALL |
| 1241-01 LH | 1396-01 LH | 5/8" | 88 | ALL |
| 1241-02 RH | 1396-02 RH | 5/8" | 88 | ALL |
| <u>Short Flange</u> | | | | |
| 0313-91 LH | 1223-91 LH | 1/2" | 86 | ALL |
| 0313-92 RH | 1223-92 RH | 1/2" | 86 | ALL |
| 0402-91 LH | 1228-91 LH | 1/2" | 88 | ALL |
| 0402-92 RH | 1228-92 RH | 1/2" | 88 | ALL |

TRANSPRO 86 & 88 TRAILER SUSPENSION PARTS

Hanger Wear Pad



Replaces:
D045-00
Crossover:
9-2376, 332-376,
E-4320, M1648

Abraasion Resistant:
1218-00 Top Pad
1217-20 Side Pad

Consult Factory for
Proper Location

Use 1217 20K to Hinged (1) Hanger
Includes: (1) 1218-00 Top Pad
(2) 1217-20 Side Pad

Rear Hanger Spring Roller Assembly

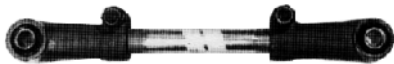


0741-05K
Crossover: 9-2374, 8A1977, M1647, 394-630,
F-4R37

Includes: (1) 0741-01 Roller (1) 0001-02 Bolt
(1) 0002-07 Nut

Adjustable Torque Arm

(Ships with 0022-00 Bushing)



| P/N | Model | Length | Axle Center |
|------------------------------------------------------|-------|---------|-----------------------------|
| 1035-20 | 86 | 19-7/8" | 49 & 54 |
| 1035-23 | 86 | 22-3/4" | 54 |
| 1035-20 | 86 | 19-7/8" | 49, 54, 60, 72, 109, 121 |
| <u>Crossover:</u> 8-2385, SB1000, M-1695, 345-157 | | | |
| 1035-28 | 86 | 22-3/4" | 54 |
| 1035-25 | 88 | 25-1/2" | 60 |
| 1035-31 | 88 | 31" | 72" |

Rigid Torque Arm









| P/N | Model | Length | Axle Center |
|--------------------------------------------------------------|-------|---------|-----------------------------|
| 0075-20 | 86 | 19 7/8" | 49, 54 |
| <u>Crossover:</u> 9-2396, SB1961, M-1696, 345-158, F-4325 | | | |
| 0675-00 | 88 | 22-3/4" | 54 |
| 0075-20 | 88 | 19-7/8" | 49, 54, 60, 72, 109, 121 |

(Ships with 0022-00 Bushing)

SECTION EIGHT - SUSPENSION - TRANSPRO

TRANSPRO - SUSPENSION - SECTION EIGHT

TRANSPRO 86 & 88 TRAILER SUSPENSION PARTS

| | |
|-------------------------------------------------------------------------------------------------------------------------------------------------------------------------------------------------------------------------------------------------------------------------------------------------------------------|-----------------------------------------------------------------------------------------------------------------------------------------------------------------------------------------------------------------------------------------------------------------------------------------------------------------------|
| <p>Torque Arm Bolt 7/8" 14x5 1/4"</p>  <p>0001-08 Crossover: 9-2471, SA-1962, M-1698, M-2894, E-4833, 334-315</p> | <p>Flanged Lock Nut - Torque Arm and U-Bolt 7/8" LD</p>  <p>0002-12 Crossover:</p> |
| <p>Torque Arm Bushing</p>  <p>0022-00 Crossover: 9-2234, T-1960, SA-010, M-1449, 921-163</p> | <p>Torque Arm Bolt/Bushing Assy.</p>  <p>0022-01K Crossover: 9-2470, SA-1975, M-1697, 334-315, E-834 Includes: (1) 0002-12 Nut (1) 0001-08 Bolt (1) 0022-00 Bushing Use 0022-02K In Refresh Complete Tandem</p> |
| <p>Equalizer/Bushing Assy. Fabricated</p>  <p>(Includes 0649-02 Bushing)</p> <p>0650-00 49" Crossover: E-45-3, M-1690, 330-378, 9-2467, 9C1855 1570-00 54" (Contact Transpro For Widespread Variations)</p> | <p>Equalizer/Bushing Assy. Cast</p>  <p>(Includes 0649-02 Bushing)</p> <p>0650-00 Crossover: 335-871 0801-00 54" (Contact Transpro For Widespread Variations)</p> |

TRANSPRO 86 & 88 TRAILER SUSPENSION PARTS

Equalizer Bushing New Style



0649-02
Crossover: 321-194, 9-2485, M-1894, SA1990, E-4827

Spring Roller Assembly Equalizer



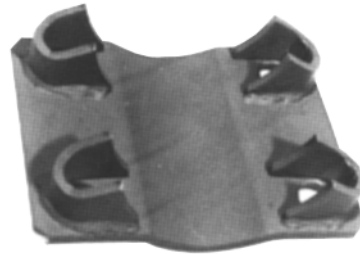
0741-00K
Crossover: F 4835, 334-343
Includes: (1) 0741-01 Roller
(1) 0001-C4 Bolt (1) 0002-C7 Nut

Equalizer Bolt/Bushing Assy. New Style



0640-04...
Crossover: 9-2481, 334-328, SA1974, E-4832, M-1893
Includes: (1) 0001-14 Bolt (1) 0274-01 Nut
(1) 0649-02 Bushing
Use 0649-06K to Retush (2) Equalizers

Bottom Plate 5" Round Axle Inverted U-Bolts



0880-00
Crossover:
0538-00 (Premium)
Crossover: 3-8260, E-2909, SB1146, M-2149, 338-355, H115

Nut 1" I.D. - Equalizer Bolt



0274-01
Crossover: E-2592, 9-2253, SA1268, M-1787, 334-319

Equalizer Bolt 1" - 14x6 1/2"



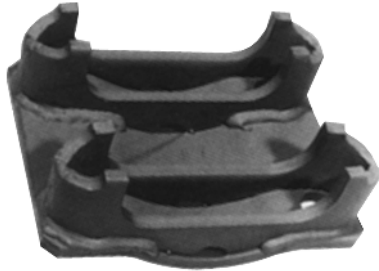
0001-14
Crossover: SA1990, 9-2177, E-4830, M-1681, 334-317

SECTION EIGHT - SUSPENSION - TRANSPRO

TRANSPRO - SUSPENSION - SECTION EIGHT

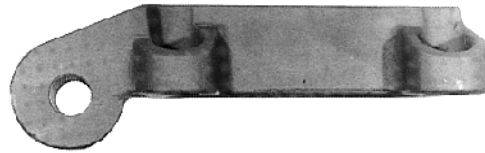
TRANSPRO 86 & 88 TRAILER SUSPENSION PARTS

Bottom Plate 5" Square Axle



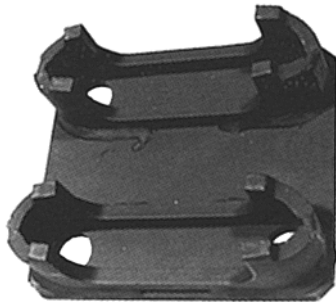
U119-00
Crossover: 9-3281, E-4823, SB1971, M-1849, 330-369

Bottom Plate Underlung



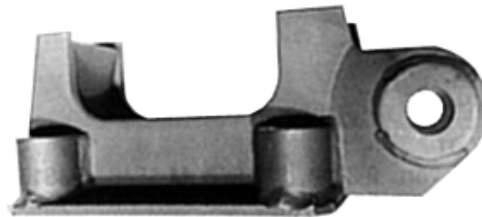
U882-00 5" Rc/5" x 5" Axle, 3 & 2 Leaf Sp
Crossover: 9-2898
Q506-00 5" Rc/5" x 5" Axle, 1 Leaf Spring
Crossover:

Bottom Plate 4" x 6" Axle



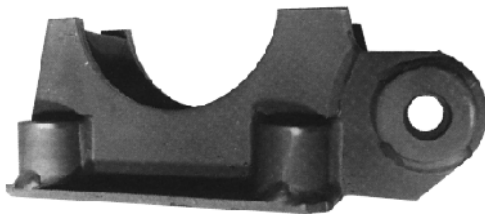
Q-50-00
Crossover: SB1972, 9-3282

Bottom Plate No Hop



Q416-00 5" x 5" Square Axle
Crossover: E-4840, 338-394
Q417-00 4" x 6" Rectangle Axle
Crossover:

Bottom Plate 5" Round, No Hop









Q-15-00
Crossover: E-4822, SB1970, 9-2899, 338-393

Axle Seat 5" Round



| | |
|------------|----------------------------------------|
| | Height |
| Q636-01 | 1" |
| Crossover: | 9-2812, E4319, SA1966, M-1092, 338-393 |
| Q636-015 | 1 1/2" |
| Q636-02 | 2" |
| Crossover: | 9-2812, E-4815 |
| Q636-025 | 2 1/2" |
| Q636-0275 | 2 3/4" |
| Q636-03 | 3" |
| Q636-035 | 3 1/2" |
| Q636-04 | 4" |

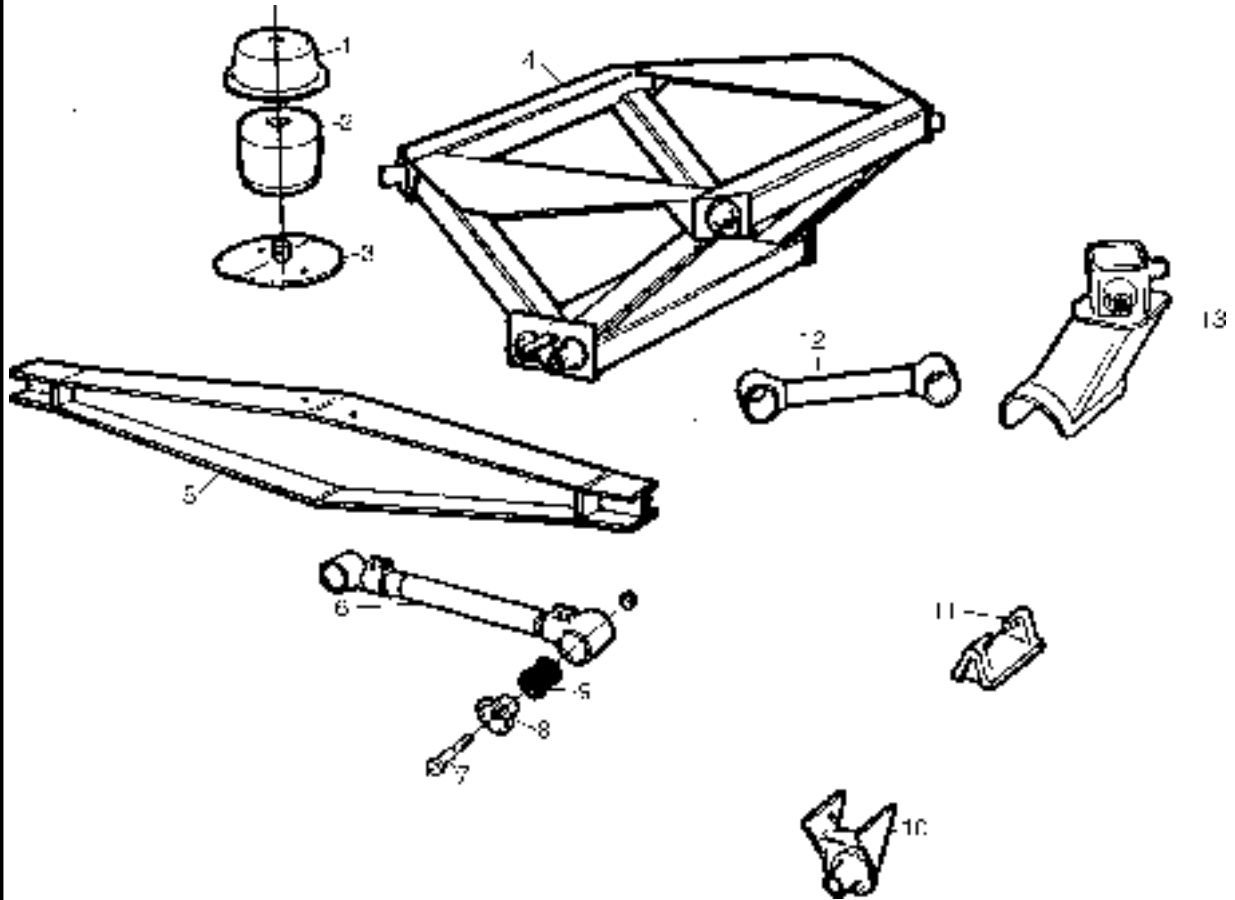
TRANSPRO 86 & 88 TRAILER SUSPENSION PARTS

| | |
|---------------------------------------------------------------------------------------------------------------------------------------------------------------------------------------------------------------------------------------------------------------------------------------------------------------------------------------------------------------------|-----------------------------------------------------------------------------------------------------------------------------------------------------------------------------------------------------------------------------------------------------------------------------------------------------------------------------------------------|
| <p>Axle Seat 5" Square Axle</p>  <p><u>Height</u></p> <p>0632-01 1" Crossover: 9-2906, SB1968, 332-354, E-4817</p> <p>0632-015 1 1/2" 0632-02 2" Crossover: 9-2907, E-4818</p> <p>0632-025 2 1/8" 0632-03 3" 0632-035 3 1/2" 0632-04 4"</p> | <p>Axle Seat 4" x 0" Rectangular</p>  <p><u>Height</u></p> <p>0638-01 1" Crossover: 9-2906, SB1968</p> <p>0638-02 2" Crossover: 9-2909</p> <p>0638-03 3" 0638-04 4"</p> |
| <p>Axle Seat 5" Round, US & NH</p>  <p><u>Height</u></p> <p>0637-01 1" Crossover: 9-2914, SB1967, M-1848, T-4818, 338 383</p> <p>0637-015 1 1/2" 0637-02 2" Crossover: E-1830</p> <p>0637-025 2 1/8" 0637-03 3" 0637-035 3 1/2" 0637-04 4"</p> | <p>Axle Seat 5" Square, US & NH</p>  <p><u>Height</u></p> <p>0635-01 1" Crossover: E-4819, 335-385</p> <p>0635-015 1 1/2" 0635-02 2" Crossover: E-1838</p> <p>0635-025 2 1/8" 0635-03 3" 0635-035 3 1/2" 0635-04 4"</p> |
| <p>Delrin Spring Liner</p>  <p>SPR-DL3000</p> <p>(Use with I & S Leaf Springs)</p> <p>Crossover: B-2884, E-2842, SA1227, M 2872</p> | <p>U-Bolt Clip Convert into U-Rolls</p>  <p>0125-00 5" x 5" Square Axle 0127-00 4" x 5" Rectangle Axle</p> |

SECTION EIGHT - SUSPENSION - TRANSPRO

CHALMERS - SUSPENSION - SECTION EIGHT

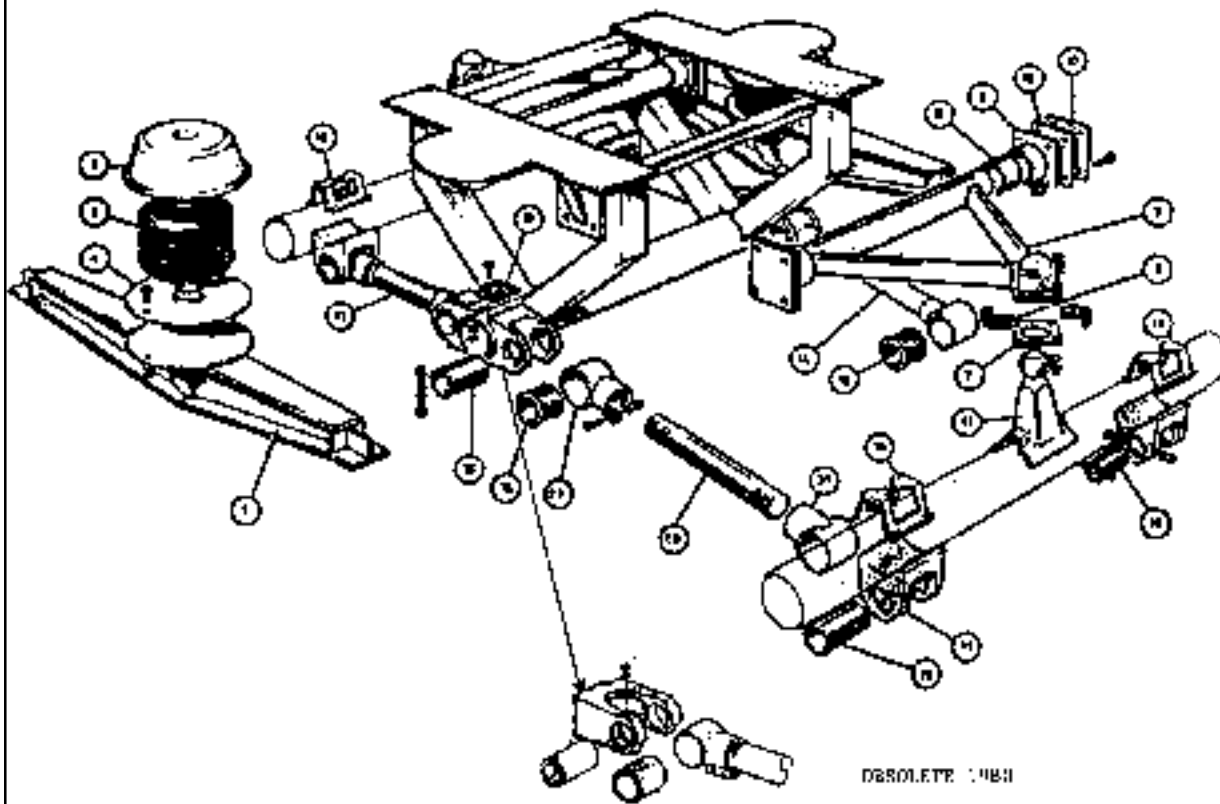
CHALMERS 700 SERIES SUSPENSION



| KEY PART NUMBER | DESCRIPTION |
|-----------------|----------------------------------------|
| 1 CHA-878028 | SCA RESTRICTOR CAN |
| 2 CHA-15002 | SCA LOAD GUARD SPRING |
| 3 CHA-70020 | SPRING PLATE, 54" X 82", QTY 1 R 01/69 |
| 4 CHA-700520 | SPRING PLATE, 54" X 82", FLOOR 01/66 |
| 5 CHA-700093 | WALKING BEAM, 64" AXLE SPACING |
| 6 CHA-700094 | WALKING BEAM, 62" AXLE SPACING |
| 7 CHA-215240 | ADJUSTABLE TORQUE ROD |

| KEY PART NUMBER | DESCRIPTION |
|-----------------|--------------------------------|
| 7 CHA-220000 | TORQUE ROD ROD T |
| 8 CHA-280002 | SPACOT GAP |
| 9 CHA-22128 | TORQUE ROD PUSHING |
| 10 CHA-700335 | TORQUE ROD AXLE BRACKET |
| 11 CHA-222005 | AXLE SADDLE |
| 12 CHA-223240 | FIXED TORQUE ROD |
| 13 CHA-223330 | FIXED TORQUE ROD |
| 14 CHA-700336 | TOWER INBOARD FOR 5' RND AXLE |
| 15 CHA-700337 | TOWER OUTBOARD FOR 5' RND AXLE |

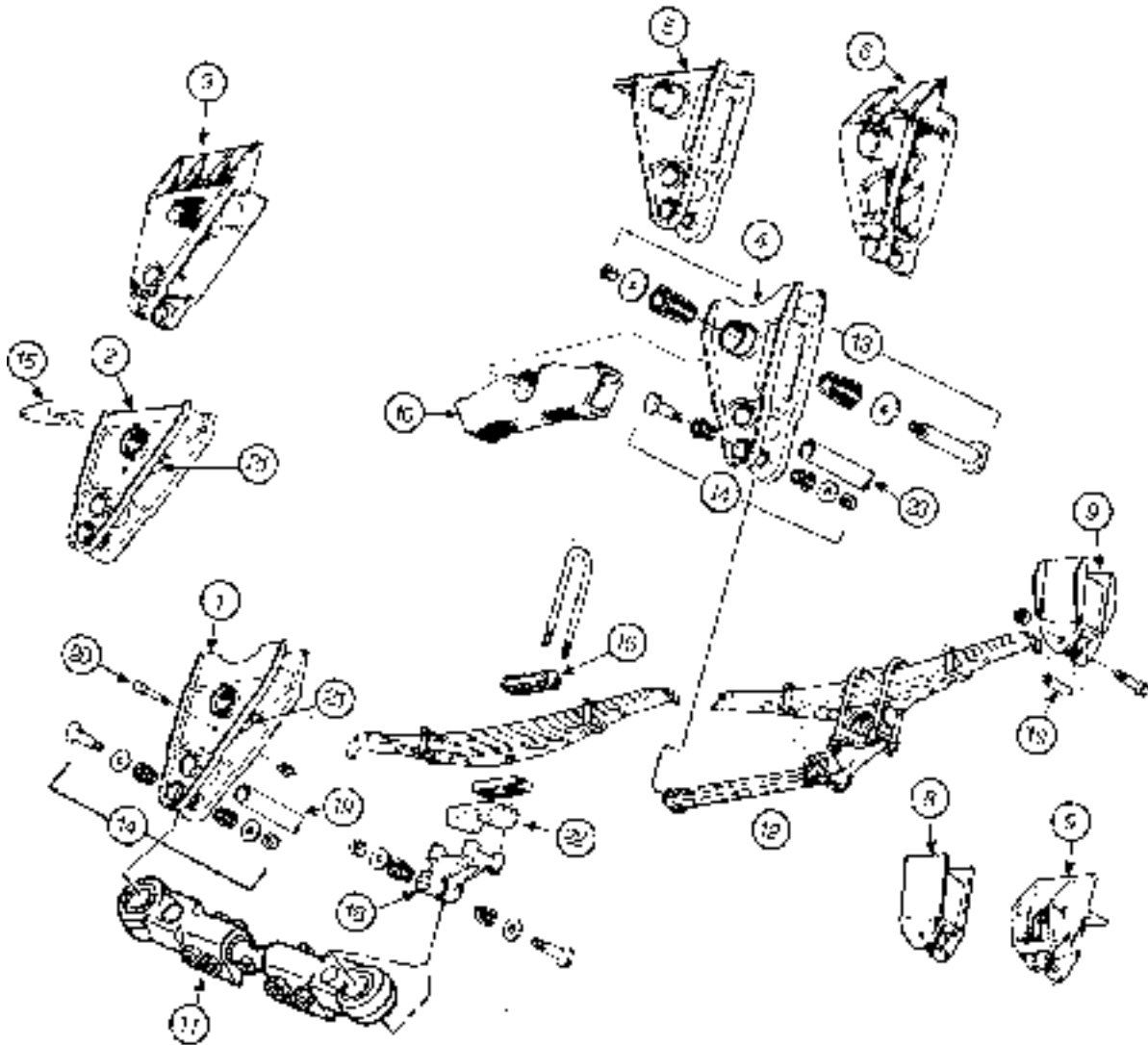
CHALMERS 300 SERIES SUSPENSION



SECTION EIGHT - SUSPENSION - CHALMERS

FRUEHAUF STYLE F2 SUSPENSION

FRUEHAUF - SUSPENSION - SECTION EIGHT



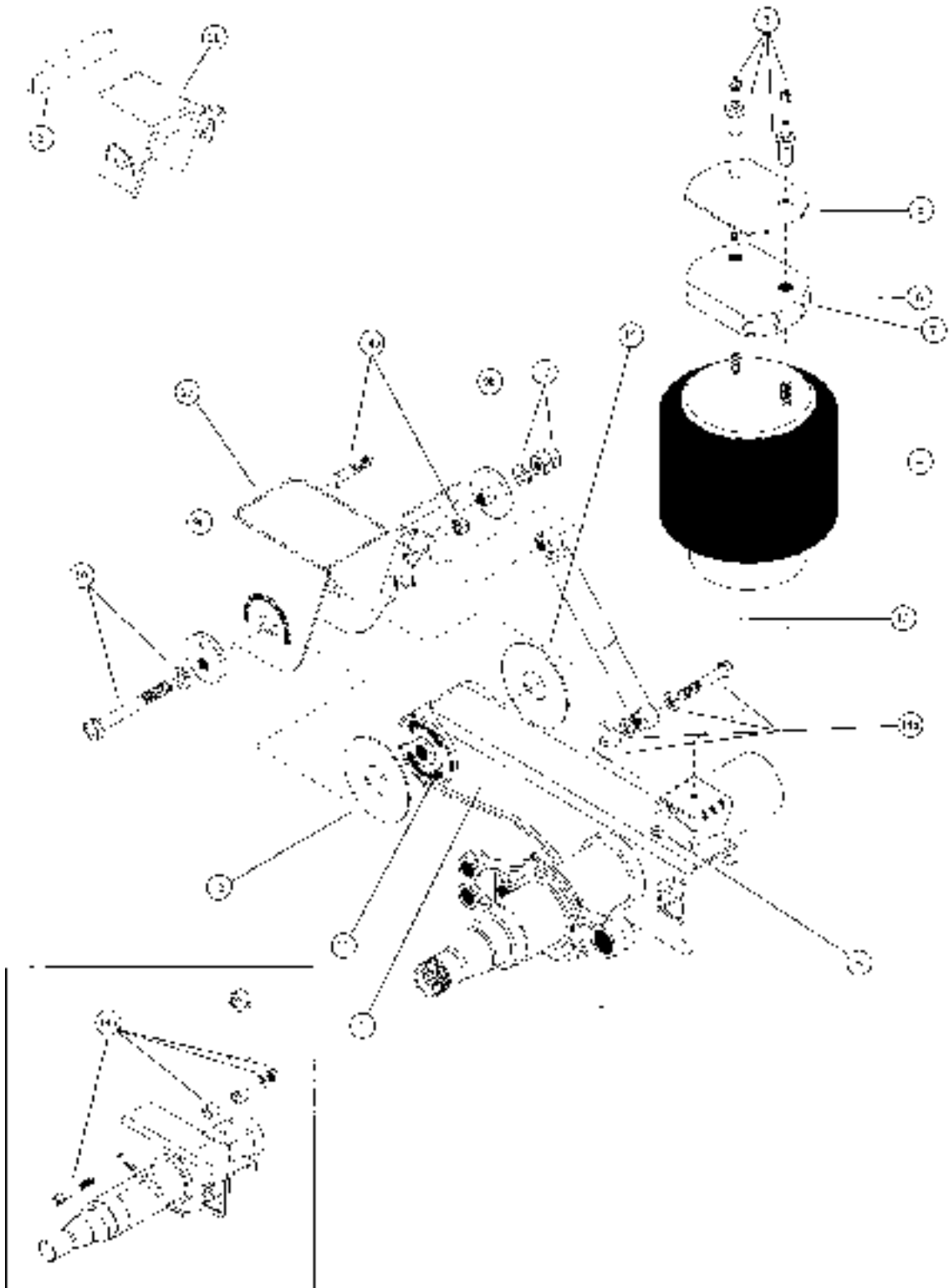
FRUEHAUF STYLE F2 SUSPENSION

| KEY | PART NUMBER | DESCRIPTION |
|-----|-----------------|---------------------------------------------------------|
| 1 | FRU-UCF2473001 | FRONT HANGER, STRADDLEMOUNT |
| 2 | FRU-UCF2467001 | FRONT HANGER, UNDERMOUNT |
| 3 | FRU-UCF000066 | CAST FRONT HANGER, L/H |
| | FRU-UCF000066-1 | CAST FRONT HANGER, R/H |
| 4 | FRU-UXA0021 | CENTER HANGER STRADDLEMOUNT |
| 5 | FRU-UXA0034 | CENTER HANGER UNDERMOUNT |
| 6 | FRU-UXA000067 | CAST CENTER HANGER, L/H |
| | FRU-UXA000067-1 | CAST CENTER HANGER, R/H |
| 7 | FRU-UCF2470001 | REAR HANGER, UNDERMOUNT |
| 8 | FRU-UCF2471001 | REAR HANGER, STRADDLEMOUNT |
| 9 | FRU-UXA000065 | CAST REAR HANGER, L/H |
| | FRU-UXA000065-1 | CAST REAR HANGER, R/H |
| 10 | FRU-UXA0017 | CAST EQUALIZER |
| 11 | FRU-UCF2040001 | ADJUSTABLE TORQUE ARM |
| 12 | FRU-UXA0026 | RIGID TORQUE ARM |
| 13 | FRU-UXA0004900 | EQUALIZER BUSHING KIT |
| 14 | FRU-UXA001900 | TORQUE ARM BUSHING KIT (FOR ONE COMPLETE TORQUE ARM) |
| 15 | FRU-UXA000063 | HANGER REINFORCEMENT |
| 16 | FRU-UCC5998001 | CAST SPRING SADDLE |
| 17 | FRU-UXA000048 | CHAIR SPACER |
| 18 | FRU-AXA0495001 | AXLE BRACKET |
| 19 | FRU-UCU9015001 | SPACER |
| 20 | FRU-FSP0053012 | SPRING ROLLER BOLT |
| 21 | FRU-BCB0041900 | WEAR PLATE |
| 22 | FRU-AXA0512001 | SPRING CHAIR |
| 23 | FRU-FCAD759001 | CROSS BRACE |

SECTION EIGHT - SUSPENSION - FRUEHAUF

INTRAAAX - SUSPENSION - SECTION EIGHT

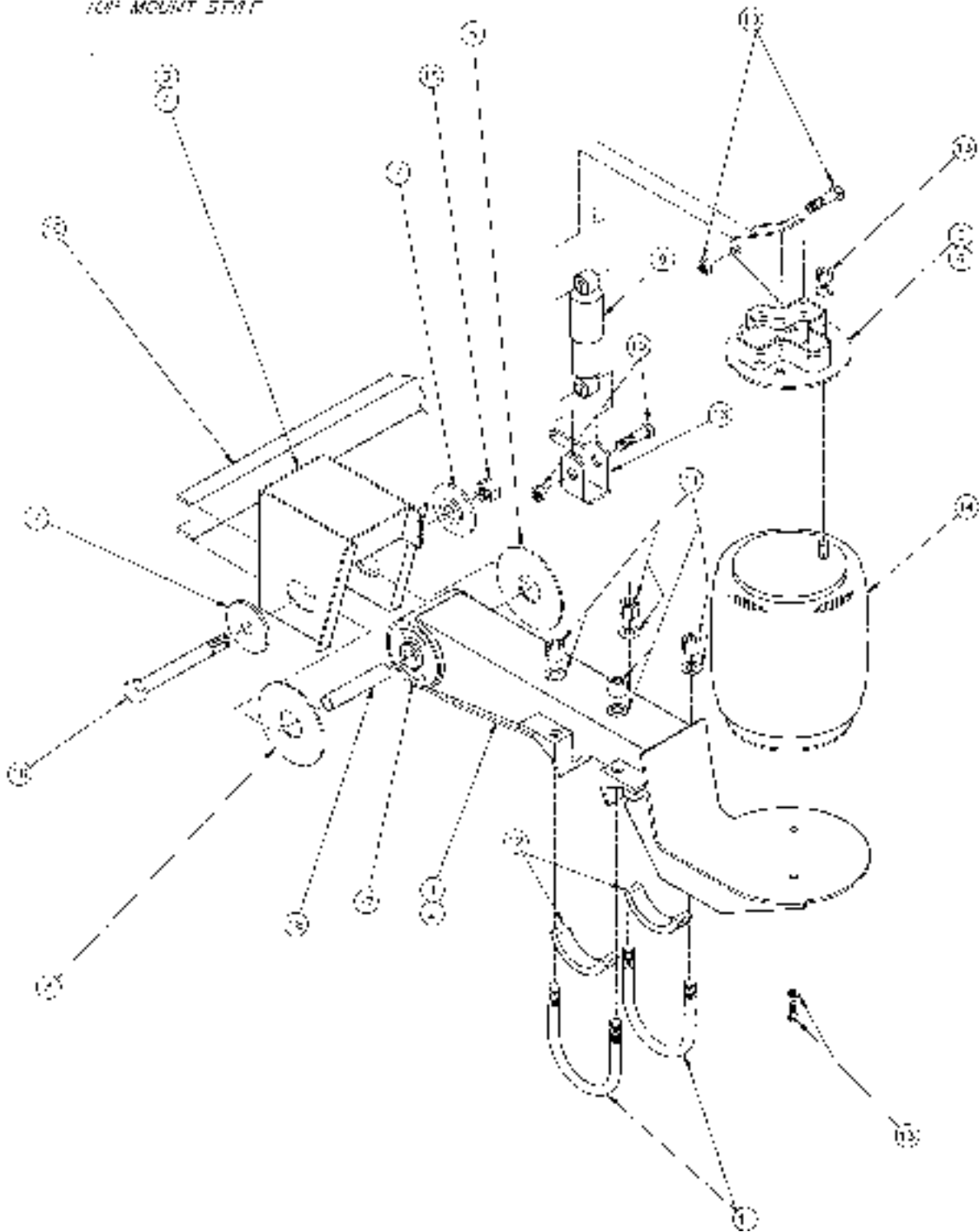
AA230/AA250 SUSPENSION AND AXLE COMPONENTS



HENDRICKSON HT250T SUSPENSION

HT250T SERIES PAIR'S DRAWING

10" MOUNT STRUT



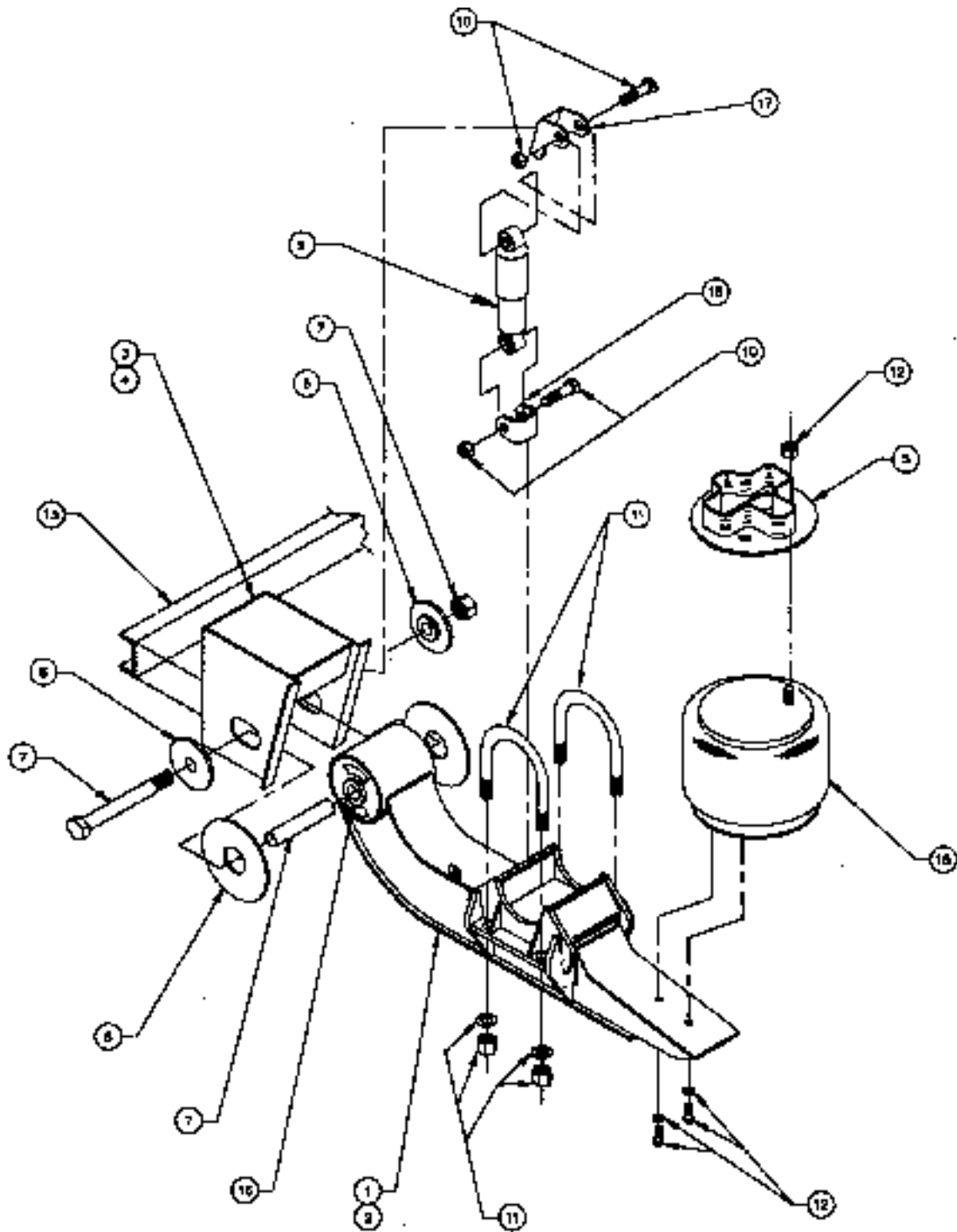
HT250T - SUSPENSION - SECTION EIGHT

HENDRICKSON HT250T SUSPENSION

| ITEM | DESCRIPTION | PART # | QTY | MODEL NO (HT250T-) |
|------------------------|---------------------------------|-----------|-----|-----------------------|
| 1 | BEAM ASSY-ROADSIDE | D-20002-1 | 1 | ALL |
| 2 | BEAM ASSY-CURBSIDE | D-20002-2 | 1 | ALL |
| 3 | FRAME BRACKET-ROADSIDE | C-20064-1 | 1 | 12-001,14-001,15-001 |
| | FRAME BRACKET-ROADSIDE | C-20065-1 | 1 | 16-001,17-001 |
| 4 | FRAME BRACKET-CURBSIDE | C-20064-2 | 1 | 12-001,14-001,15-001 |
| | FRAME BRACKET-CURBSIDE | C-20065-2 | 1 | 16-001,17-001 |
| 5 | AIR SPRING SHOCK MOUNT-ROADSIDE | | | |
| | ASSEMBLY | C-20011-1 | 1 | 12-001,14-001 |
| | SHOCK BRACKET, UPPER | C-20023 | 1 | |
| | AIR SPRING PLATE | C-20035 | 1 | |
| | ASSEMBLY | C-20012-1 | 1 | 15-001 |
| | SHOCK BRACKET, UPPER | C-20023 | 1 | |
| | AIR SPRING SPACER ASSY | C-20015-1 | 1 | |
| | ASSEMBLY | C-20013-1 | 1 | 16-001 |
| | SHOCK BRACKET, UPPER | C-20023 | 1 | |
| | AIR SPRING SPACER ASSY | C-20015-2 | 1 | |
| | ASSEMBLY | C-20014-1 | 1 | 17-001 |
| | SHOCK BRACKET, UPPER | C-20023 | 1 | |
| AIR SPRING SPACER ASSY | C-20015-3 | 1 | | |
| 6 | AIR SPRING SHOCK MOUNT-CURBSIDE | | | |
| | ASSEMBLY | C-20011-2 | 1 | 12-001,14-001 |
| | SHOCK BRACKET, UPPER | C-20023 | 1 | |
| | AIR SPRING PLATE | B-20035 | 1 | |
| | ASSEMBLY | C-20012-2 | 1 | 15-001 |
| | SHOCK BRACKET, UPPER | C-20023 | 1 | |
| | AIR SPRING SPACER ASSY | C-20015-1 | 1 | |
| | ASSEMBLY | C-20013-2 | 1 | 16-001 |
| | SHOCK BRACKET, UPPER | C-20023 | 1 | |
| | AIR SPRING SPACER ASSY | C-20015-2 | 1 | |
| | ASSEMBLY | C-20014-2 | 1 | 17-001 |
| | SHOCK BRACKET, UPPER | C-20023 | 1 | |
| AIR SPRING SPACER ASSY | C-20015-3 | 1 | | |
| 7 | ALIGNMENT COLLARS | B-2770 | 4 | ALL |
| 8 | BUSHING WEAR PADS | B-11613 | 4 | ALL |
| 9 | SHOCK ASSEMBLERS | S-2212 | 2 | ALL |
| 10 | SHOCK BOLT KIT | S-20031 | 1 | ALL |
| 11 | U-BOLT KIT | S-20032 | 1 | ALL |
| 12 | AXLE SPACER | B-20701 | 4 | ALL |
| 13 | AIR SPRING BOLT KIT | S-20033 | 1 | ALL |
| 14 | AIR SPRING | S-20124 | 2 | ALL |
| 15 | FRAME BRACKET CHANNEL | A-1631-10 | 1 | ALL |
| 16 | SHOCK CLEVIS | S-20059 | 2 | ALL |
| 17 | TRI-FUNCTIONAL BUSHING KIT | A-6914 | 2 | ALL |
| 18 | FRONT BOLT KIT | S-3348/2 | 2 | ALL |

HENRICKSON HT250U SUSPENSION

HT250U - SUSPENSION - SECTION EIGHT

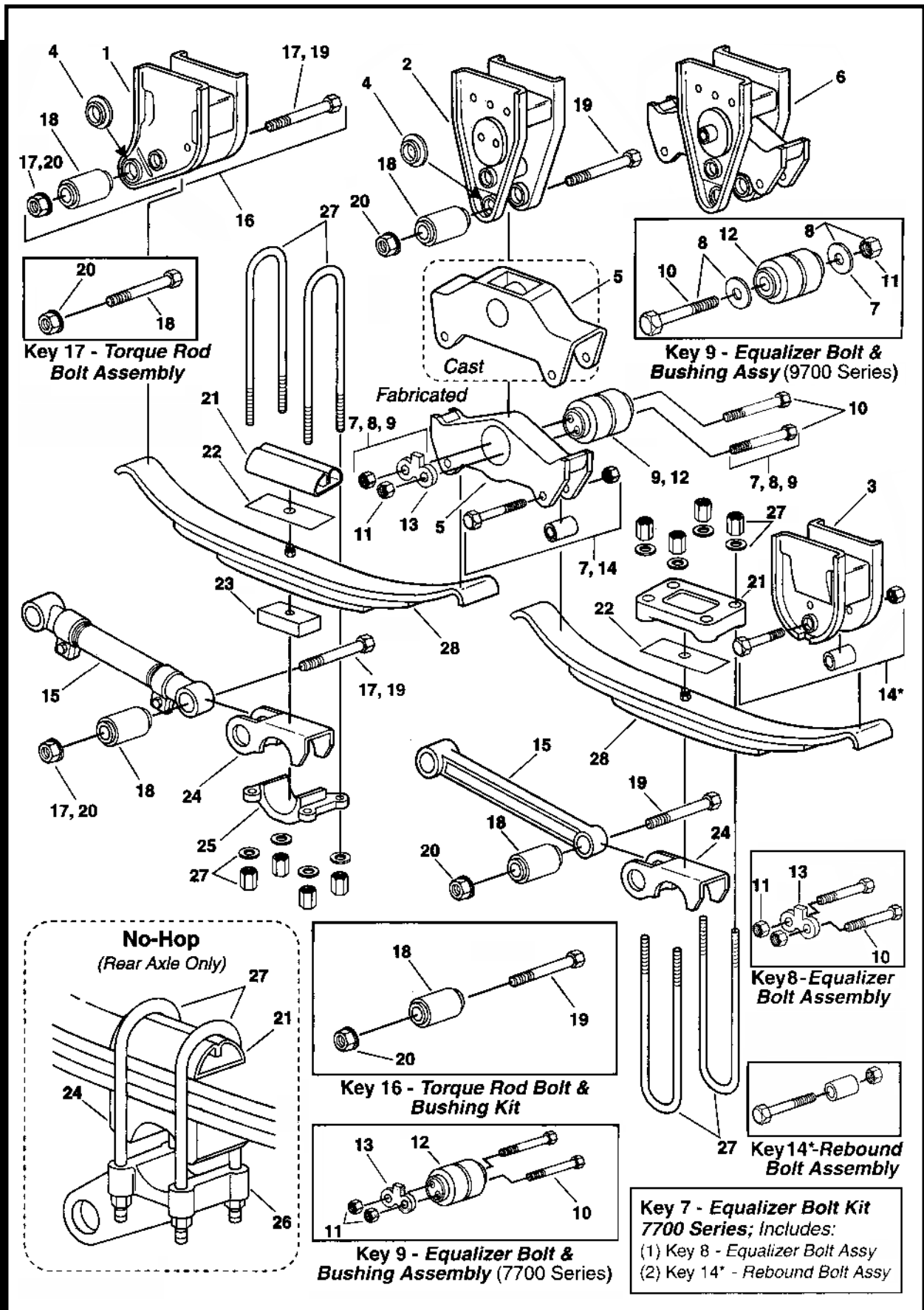


HENRICKSON HT250U SUSPENSION

| KEY NO | DESCRIPTION | PART NO | QTY | MODEL NO (HT250U-) |
|----------------|-----------------------------------------------|----------------|------|-----------------------------------------------------------------------------------------------------------------|
| 1 & 2 | BEAM ASSEMBLY (ROADSIDE -1) (CURBSIDE -2) | C-20268-1 & -2 | 1 EA | 9-009 |
| | | C-20338-1 & -2 | 1 EA | 7.5-321, 9-020, 9-021 |
| | | C-20335-1 & -2 | 1 EA | 6.5-201/2/7/8/20, 7.5-001 7.5-302, 006, 007, 008 8.5-201, 3-001/2/3/4/5/7/8/22 7-2-001/2/3/4, 14-001/2 |
| 3 & 4 | FRAME BRACKET (ROADSIDE -1) (CURBSIDE -2) | D-20321-1 & -2 | 1 CA | 6.5-201/8/20, 7.5-005 |
| | | D-20322-1 & -2 | 1 EA | 7.5-301, 7-008, 8.5-007 9-001/2/3/4/3/8/9/22 |
| | | D-20323-1 & -2 | 1 EA | 7-2-001, 12-008 |
| | | D-20324-1 & -2 | 1 EA | 7-2-002, 14-001, 14-008 |
| | | D-20325-1 & -2 | 1 EA | 9-020, 9-021 |
| | | D-20326-1 & -2 | 1 CA | 8.5-307 |
| | | D-20327-1 & -2 | 1 EA | 7.5-307, 9-007 |
| | | D-20327-1 & -2 | 1 EA | 7-2-007 |
| | | D-20327-1 & -2 | 1 EA | 7.5-321 |
| D-20717-1 & -2 | 1 CA | 8.5-302 | | |
| 5 | AIR SPRING MOUNTING AIR SPRING SPACER ASSY | C-20016-3 | 2 | 9-002, 12-001, 12-008 |
| | | C-20016-1 | 2 | 7-2-002, 14-001, 14-008 |
| | | C-20043-3 | 2 | 7-2-007 |
| | | C-11154 | 2 | 7.5-321 |
| | | C-20226-1 & -2 | 1 EA | 8.5-201 |
| | | B-22037 | 2 | 6.5-207, 7.5-007, 9-007 |
| 6 | AIR SPRING MOUNTING AIR SPRING PLATE | B-22037 | 2 | ALL OTHERS |
| | | | | |
| 6 | ALIGNMENT COLLAR | S-2770 | 4 | ALL |
| 7 | PIVOT BOLT KIT | S-1646 | 2 | ALL |
| 8 | BUSHING-WEAR PAD | S-11618 | 4 | ALL |
| 9 | SHOCK ABSORBER | S-1867 | 2 | 7.5-321 |
| | | S-2212 | 2 | 9-020, 9-021 |
| | | S-22022 | 2 | ALL OTHERS |
| 10 | SHOCK BULB KIT | S-2197 | 1 | ALL |
| 11 | U-BOLT KIT | S-3550 | 1 | ALL |
| 12 | AIR SPRING BOLT KIT | S-1681 | 1 | 7.5-321 |
| | | S-4503 | 1 | 9-020, 9-021 |
| | | S-20033 | 1 | ALL OTHERS |
| 13 | FRAME BRACKET CHANNEL | A-1531-19 | 1 | ALL |
| 14 | SHOCK STRAP | C-11591-1 | 2 | 7.5-321 |
| | | C-11591-3 | 2 | 9-020, 9-021 |
| 15 | AIR SPRING | S-20710 | 2 | 6.5-002 |
| | | S-14249 | 2 | 7.5-021 |
| | | S-20127 | 2 | 9-010 |
| | | S-13122 | 2 | 9-020, 9-021 |
| | | S-20124 | 2 | ALL OTHERS |
| 16 | TRI-FUNCTIONAL BUSHING KIT | A-6814 | 2 | ALL |
| 17 | UPPER SHOCK CLEVIS | C-20113 | 2 | 6.5-001/2-7/8/20, 7.5-005 |
| | | C-2552 | 2 | ALL OTHERS |
| 18 | LOWER SHOCK CLEVIS | C-2552 | 2 | ALL |

SECTION EIGHT - SUSPENSION - HT250U

HUTCH 9700 - SUSPENSION - SECTION EIGHT



| Key | Description | Req'd | CH7700 | CH9700 |
|-----|-------------------------------------------------------------|-------|--------------|--------------|
| 1 | FRONT HANGER, FLANGE MOUNT, BOLT ON, LH | 2 | HUT-702-11 | HUT-702-11 |
| | FRONT HANGER, FLANGE MOUNT, BOLT ON, RH | | HUT-702-12 | HUT-702-12 |
| | FRONT HANGER, SIDE/UNDER MOUNT, LH | | HUT-702-05 | HUT-16291-03 |
| | FRONT HANGER, SIDE/UNDER MOUNT, RH | | HUT-702-06 | HUT-16291-04 |
| | FRONT HANGER, STRADDLE MOUNT | | HUT-702-01 | HUT-702-01 |
| 2 | CENTER HANGER, FLANGE MOUNT, BOLT ON, LH | 2 | HUT-703-06 | HUT-16199-03 |
| | CENTER HANGER, SIDE/UNDER MOUNT | | - | HUT-16197-03 |
| | CENTER HANGER, STRADDLE MOUNT | | HUT-703-01 | HUT-16196-03 |
| 3 | REAR HANGER, FLANGE MOUNT, BOLT ON, LH | 2 | HUT-712-11 | HUT-712-11 |
| | REAR HANGER, SIDE/UNDER MOUNT, LH | | HUT-712-05 | HUT-712-05 |
| | REAR HANGER, SIDE/UNDER MOUNT, RH | | HUT-712-06 | HUT-712-06 |
| | REAR HANGER, STRADDLE MOUNT | | HUT-712-01 | HUT-712-01 |
| 4 | STEEL SIDEPLATE WASHER REPL FOR FRONT/CENTER HANGERS | AR | HUT-7717-01 | HUT-7717-01 |
| 5 | EQUALIZER ASSEMBLY W/BUSHING, FABRICATED | 2 | HUT-750-03 | - |
| | EQUALIZER ASSEMBLY W/BUSHING, FABRICATED | | - | HUT-16158-01 |
| | EQUALIZER ASSEMBLY W/BUSHING, CAST | | - | HUT-17784-01 |
| 6 | EQUALIZER & CENTER HANGER ASSEMBLY | 2 | PLEASE CALL | |
| 7 | EQUALIZER BOLT KIT (INCLUDES REBOUND BOLT ASS'Y) | 2 | DPI-334-639 | - |
| 8 | EQUALIZER BOLT KIT | 2 | HUT-77ABW | HUT-16353-01 |
| 9 | EQUALIZER BOLT & BUSHING ASSEMBLY | 2 | DPI-334-341 | DPI-334-1272 |
| 10 | EQUALIZER BOLT | - | HUT-7016-01 | HUT-16150-01 |
| 11 | LOCK NUT | - | DPI-SLN-107 | DPI-334-375 |
| 12 | EQUALIZER BUSHING | 2 | HUT-7010-00 | HUT-16146-01 |
| 13 | LOCK TAB | 2 | HUT-729-00 | - |
| 14 | REBOUND BOLT ASSEMBLY, 5/8"-18 X 4.5" | 2 | TPO-0741-00 | TPO-0741-00 |
| 15 | ADJUSTABLE TORQUE ARM, 13" - 15.5" | 2 | - | HUT-16398-01 |
| | ADJUSTABLE TORQUE ARM, 14.75" - 17.25" | 2 | - | HUT-713-02 |
| | ADJUSTABLE TORQUE ARM, 18.5" - 21" | 1 | HUT-16398-04 | HUT-16398-04 |
| | ADJUSTABLE TORQUE ARM, 20.25" - 22.75" | 2 | HUT-16398-06 | HUT-16398-06 |
| | RIGID TORQUE ARM, 19.25" | 1 | HUT-715-00 | HUT-715-00 |
| 16 | TORQUE ARM BOLT & BUSHING KIT | 8 | DPI-334-344 | DPI-334-344 |
| 17 | TORQUE ARM BOLT ASSEMBLY, 1"-14 X 5"LG, GRADE 5 | 8 | DPI-334-345 | DPI-334-345 |
| 18 | TORQUE ARM BUSHING | 8 | HUT-722-00 | HUT-722-00 |
| 19 | TORQUE ARM BOLT, 1"-14 X 5"LG, GRADE 5 | 8 | DPI-334-359 | DPI-334-359 |
| 20 | FLANGED LOCK NUT, 1"-14 | 8 | TPO-0274-01 | TPO-0274-01 |
| 21 | TOP PLATE; 3"W X 7-9/16"L X 1.75"T: ALL AXLES, U-BOLTS DOWN | 4 | HUT-16868-01 | HUT-16868-01 |
| | TOP PLATE, FABRICATED, 3"W X 7.5" LONG | | HUT-7029-00 | - |
| | TOP PLATE, 4" X 6" AXLE ONLY, UNDERSLUNG | | HUT-6786-00 | - |
| | TOP PLATE, 5"RND & SQ AXLES, U-BOLTS UP | | HUT-9202-00 | - |
| 22 | DELFIN SPRING LINER | 4 | SPR-DL3000 | SPR-DL3000 |
| 23 | SPACER BLOCK, 1" | AR | REY-T7716 | - |
| 24 | SPRING SEAT - VARIOUS SIZES & CONFIGURATIONS | - | PLEASE CALL | |
| 25 | BOTTOM PLATE, FABRICATED, 5" ROUND AXLE, 7/8" U-BOLTS | 4 | HUT-710-00 | HUT-710-00 |
| | BOTTOM PLATE, 5" SQUARE AXLE, 3/4" U-BOLTS | 4 | HUT-7747-00 | HUT-7747-00 |
| | BOTTOM PLATE, 4" X 6" AXLE | 4 | HUT-7746-00 | HUT-7746-00 |
| | BOTTOM PLATE, FABRICATED, 5" ROUND AXLE, 3/4" U-BOLTS | 2 | - | HUT-16297-01 |
| | BOTTOM PLATE, UNDERSLUNG AXLES | 2 | HUT-706-01 | HUT-706-01 |
| 26 | TORQUE ARM/AXLE BRACKET, 5"ROUND, REAR AXLE-NO HOP | 2 | HUT-7025-00 | - |
| 27 | 7/8" X 3"RND X 14"LONG U-BOLT ASSEMBLY | 8 | SPR-E8-3114R | SPR-E8-3114R |
| | FOR SIZES NOT LISTED, PLEASE CALL | - | PLEASE CALL | |
| 28 | LEAF SPRING | 4 | PLEASE CALL | |

