



January 17, 2003

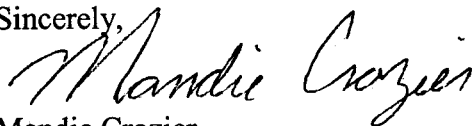
State of Utah
Division of Oil, Gas & Mining
Attn: Diana Mason
1594 West North Temple - Suite 1210
P.O. Box 145801
Salt Lake City, Utah 84114-5801

RE: Applications for Permit to Drill: Ashley Federal 1-15, 2-15, 6-15, 7-15, and
8-15-9-15.

Dear Diana:

Enclosed find APD's on the above referenced wells. If you have any questions, feel free
to give either Brad or myself a call.

Sincerely,



Mandie Crozier
Permit Clerk

mc
enclosures

RECEIVED
JAN 21 2003
DIV. OF OIL, GAS & MINING

001

UNITED STATES
DEPARTMENT OF THE INTERIOR
BUREAU OF LAND MANAGEMENT

5. LEASE DESIGNATION AND SERIAL NO. UTU-66184
6. IF INDIAN, ALLOTTEE OR TRIBE NAME N/A
7. UNIT AGREEMENT NAME Ashley
8. FARM OR LEASE NAME WELL NO Ashley Federal 8-15-9-15
9. API WELL NO. 43-013-32406
10. FIELD AND POOL OR WILDCAT Monument Butte
11. SEC., T., R., M., OR BLK. AND SURVEY OR AREA SE/NE Sec. 15, T9S, R15E
12. County Duchesne
13. STATE UT

APPLICATION FOR PERMIT TO DRILL, DEEPEN, OR PLUG BACK

1a. TYPE OF WORK **DRILL** **DEEPEN**

1b. TYPE OF WELL
OIL **GAS** **SINGLE** **MULTIPLE**
WELL **WELL** **OTHER** **ZONE** **ZONE**

2. NAME OF OPERATOR
Inland Production Company

3. ADDRESS OF OPERATOR
Route #3 Box 3630, Myton, UT 84052 Phone: (435) 646-3721

4. LOCATION OF WELL (Report location clearly and in accordance with any State requirements.)*
 At Surface **SE/NE 1755' FNL 767' FEL 44315749 Y 40.03337**
 At proposed Prod. Zone **547321X -110.21097**

14. DISTANCE IN MILES AND DIRECTION FROM NEAREST TOWN OR POST OFFICE*
Approximately 14.2 miles southwest of Myton, Utah

15. DISTANCE FROM PROPOSED* LOCATION TO NEAREST PROPERTY OR LEASE LINE, FT. (Also to Approx. 1755' f/lse line & 2778' f/unit line	16. NO. OF ACRES IN LEASE 1,360.57	17. NO. OF ACRES ASSIGNED TO THIS WELL 40
---	--	---

18. DISTANCE FROM PROPOSED LOCATION* TO NEAREST WELL, DRILLING, COMPLETED, OR APPLIED FOR ON THIS LEASE, FT. Approx. 1303'	19. PROPOSED DEPTH 6500'	20. ROTARY OR CABLE TOOLS Rotary
--	------------------------------------	--

21. ELEVATIONS (Show whether DF, RT, GR, etc.) 6251' GR	22. APPROX. DATE WORK WILL START* 3rd Quarter 2003
---	--

23. PROPOSED CASING AND CEMENTING PROGRAM

SIZE OF HOLE	SIZE OF CASING	WEIGHT/FOOT	SETTING DEPTH	QUANTITY OF CEMENT
Refer to Monument Butte Field SOP's Drilling Program/Casing Design				

Inland Production Company proposes to drill this well in accordance with the attached exhibits.
The Conditions of Approval are also attached.

IN ABOVE SPACE DESCRIBE PROPOSED PROGRAM : If proposal is to deepen or plug back, give data on present productive zone and proposed new productive zone.
If proposal is to drill or deepen directionally, give pertinent data on subsurface locations and measured and true vertical depths. Give blowout preventer program, if any.

24. SIGNED *Monika Crozier* TITLE **Permit Clerk** DATE **1/17/03**

(This space for Federal or State office use)

PERMIT NO. **43-013-32406** APPROVAL DATE _____

Application approval does not warrant or certify that the applicant holds legal or equitable title to the lands in the proposed lease which would entitle the applicant to conduct operations thereon.

CONDITIONS OF APPROVAL, IF ANY:
Federal Approval of this Action is Necessary

APPROVED BY *Bradley G Hill* TITLE **BRADLEY G. HILL ENVIRONMENTAL SCIENTIST III** DATE **01-29-03**

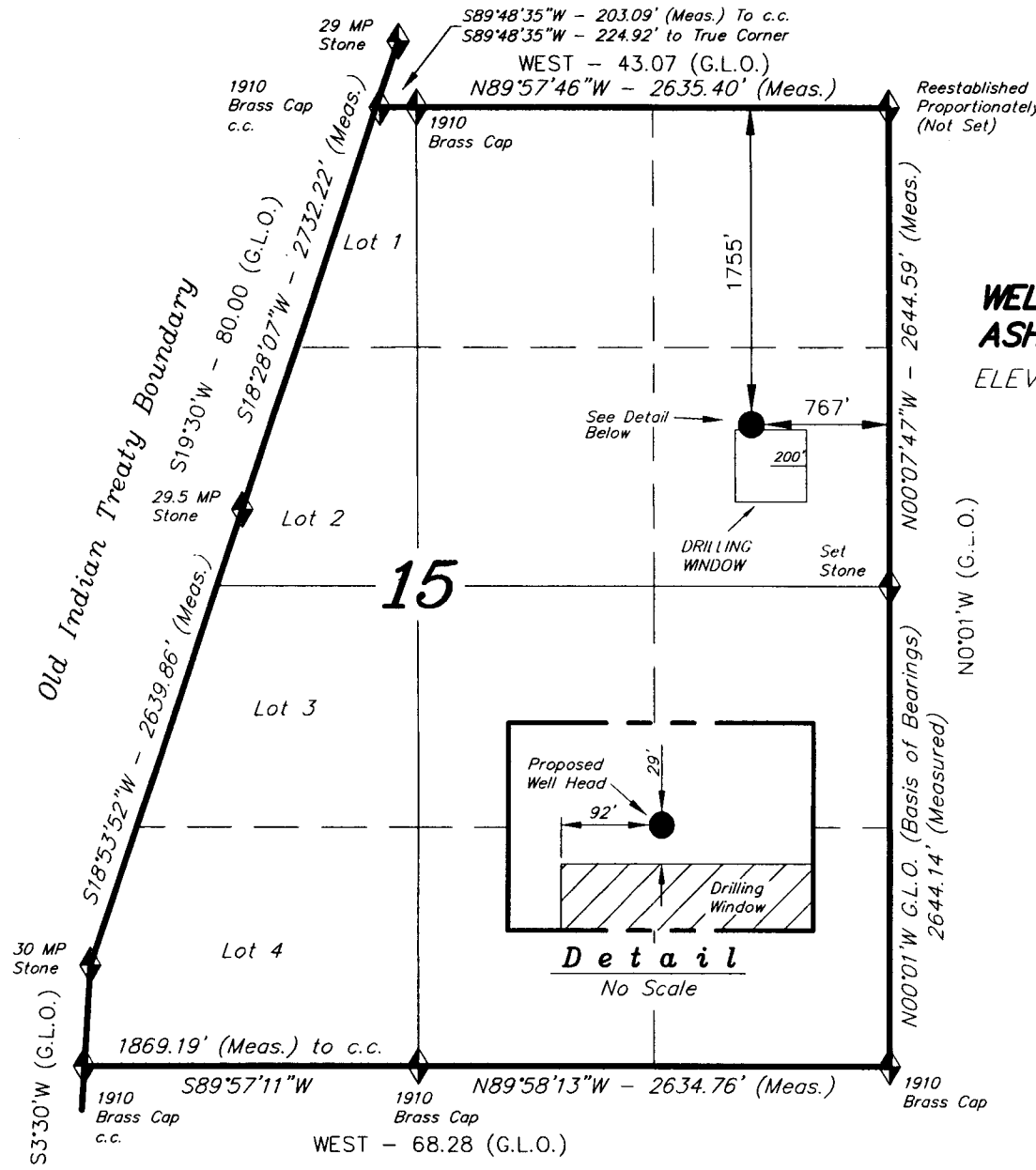
*See Instructions On Reverse Side
Title 18 U.S.C. Section 1001, makes it a crime for any person knowingly and willfully to make to any department or agency of the United States any false, fictitious or fraudulent statements or representations as to any matter within its jurisdiction.

RECEIVED
JAN 21 2003
DIV OF OIL, GAS & MINING

T9S, R15E, S.L.B.&M.

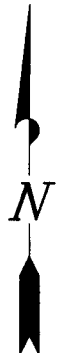
INLAND PRODUCTION COMPANY

WELL LOCATION, ASHLEY UNIT #8-15,
 LOCATED AS SHOWN IN THE SE 1/4 NE
 1/4 OF SECTION 15, T9S, R15E,
 S.L.B.&M. DUCHESNE COUNTY, UTAH.

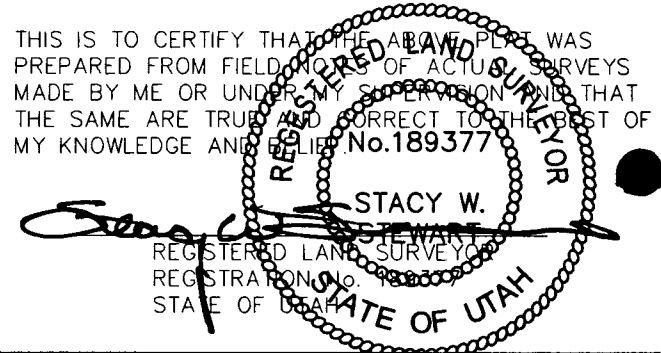


WELL LOCATION: ASHLEY UNIT #8-15

ELEV. UNGRADED GROUND = 6250.6'



THIS IS TO CERTIFY THAT THE ABOVE PLAT WAS
 PREPARED FROM FIELD NOTES OF ACTUAL SURVEYS
 MADE BY ME OR UNDER MY SUPERVISION AND THAT
 THE SAME ARE TRUE AND CORRECT TO THE BEST OF
 MY KNOWLEDGE AND BELIEF. No.189377



◆ = SECTION CORNERS LOCATED

BASIS OF ELEV; U.S.G.S. 7-1/2 min QUAD (MYTON SW)

TRI STATE LAND SURVEYING & CONSULTING
 180 NORTH VERNAL AVE. - VERNAL, UTAH 84078
 (435) 781-2501

SCALE: 1" = 1000'	SURVEYED BY: K.G.S.
DATE: 8-21-02	DRAWN BY: J.R.S.
NOTES:	FILE #

INLAND PRODUCTION COMPANY
ASHLEY FEDERAL #8-15-9-15
SE/NE SECTION 15, T9S, R15E
DUCHESNE COUNTY, UTAH

ONSHORE ORDER NO. 1

DRILLING PROGRAM

1. GEOLOGIC SURFACE FORMATION:

Uinta formation of Upper Eocene Age

2. ESTIMATED TOPS OF IMPORTANT GEOLOGIC MARKERS:

Uinta	0' - 1640'
Green River	1640'
Wasatch	6500'

3. ESTIMATED DEPTHS OF ANTICIPATED WATER, OIL, GAS OR MINERALS:

Green River Formation 1640' - 6500' - Oil

4. PROPOSED CASING PROGRAM

Please refer to the Monument Butte Field Standard Operation Procedure (SOP).

5. MINIMUM SPECIFICATIONS FOR PRESSURE CONTROL:

Please refer to the Monument Butte Field SOP. See Exhibit "C".

6. TYPE AND CHARACTERISTICS OF THE PROPOSED CIRCULATION MUDS:

Please refer to the Monument Butte Field SOP.

7. AUXILIARY SAFETY EQUIPMENT TO BE USED:

Please refer to the Monument Butte Field SOP.

8. TESTING, LOGGING AND CORING PROGRAMS:

Please refer to the Monument Butte Field SOP.

9. ANTICIPATED ABNORMAL PRESSURE OR TEMPERATURE:

The anticipated maximum bottom hole pressure is 2000 psi. It is not anticipated that abnormal temperatures will be encountered.

10. ANTICIPATED STARTING DATE AND DURATION OF THE OPERATIONS:

Please refer to the Monument Butte Field SOP.

INLAND PRODUCTION COMPANY
ASHLEY FEDERAL #8-15-9-15
SE/NE SECTION 15, T9S, R15E
DUCHESNE COUNTY, UTAH

ONSHORE ORDER NO. 1

MULTI-POINT SURFACE USE & OPERATIONS PLAN

1. EXISTING ROADS

See attached Topographic Map "A"

To reach Inland Production Company well location site Ashley Federal #8-15-9-15 located in the SE 1/4 NE 1/4 Section 15, T9S, R15E, Duchesne County, Utah:

Proceed southwesterly out of Myton, Utah along Highway 40 - 1.6 miles ± to the junction of this highway and UT State Hwy 53; proceed southeasterly along Hwy 53 - 1.8 miles ± to its junction with UT State Hwy 216; proceed along Hwy 216 - 6.3 miles ± to its junction with an existing road to the southwest; proceed southwesterly - 2.9 miles ± to its junction with an existing road to the northwest; proceed northwesterly - 0.4 mile ± to its junction with the beginning of the proposed access road; proceed southwesterly along the proposed access road - 6220'± to the proposed well location.

2. PLANNED ACCESS ROAD

See Topographic Map "B" for the location of the proposed access road.

3. LOCATION OF EXISTING WELLS

Refer to Exhibit "B".

4. LOCATION OF EXISTING AND/OR PROPOSED FACILITIES

Please refer to the Monument Butte Field Standard Operating Procedure (SOP).

5. LOCATION AND TYPE OF WATER SUPPLY

Please refer to the Monument Butte Field SOP. See Exhibit "A".

6. SOURCE OF CONSTRUCTION MATERIALS

Please refer to the Monument Butte Field SOP.

7. METHODS FOR HANDLING WASTE DISPOSAL

Please refer to the Monument Butte Field SOP.

8. ANCILLARY FACILITIES

Please refer to the Monument Butte Field SOP.

9. WELL SITE LAYOUT

The attached Location Layout Diagram describes drill pad cross-sections, cuts and fills, and locations of the mud tanks, reserve pit, pipe racks, trailer parking, spoil dirt stockpile(s), and surface material stockpile(s).

10. PLANS FOR RESTORATION OF SURFACE

Please refer to the Monument Butte Field SOP.

11. SURFACE OWNERSHIP - Bureau Of Land Management

12. OTHER ADDITIONAL INFORMATION

Archaeological Resource Survey for this area is attached.

The Paleontological Resource Survey will be forthcoming.

Inland Production Company requests a 60' ROW for the Ashley Federal #8-15-9-15 to allow for construction of a 6" gas gathering line, and a 3" poly fuel gas line. Both lines will tie in to the existing pipeline infrastructure. Refer to Topographic Map "C."

Water Disposal

Formation water is produced to a steel storage tank. If the production water meets quality guidelines, it is transported to the Ashley, Monument Butte, Jonah, and Beluga water injection facilities by company or contract trucks. Subsequently, the produced water is injected into approved Class II wells to enhance Inland's secondary recovery project.

Water not meeting quality criteria, is disposed at Inland's Pariette #4 disposal well (Sec. 7, T9S R19E) or at State of Utah approved surface disposal facilities.

13. LESSEE'S OR OPERATORS REPRESENTATIVE AND CERTIFICATION

Representative

Name: Brad Mecham
Address: Route #3 Box 3630
Myton, UT 84052
Telephone: (435) 646-3721

Certification

Please be advised that INLAND PRODUCTION COMPANY is considered to be the operator of well #8-15-9-15 SE/NE Section 15, Township 9S, Range 15E: Lease UTU-66184 Duchesne County, Utah: and is responsible under the terms and conditions of the lease for the operations conducted upon the leased lands. Bond coverage is provided by Hartford Accident #4488944.

I hereby certify that the proposed drillsite and access route have been inspected, and I am familiar with the conditions which currently exist; that the statements made in this plan are true and correct to the best of my knowledge; and that the work associated with the operations proposed here will be performed by Inland Production Company and its contractors and subcontractors in conformity with this plan and the terms and conditions under which it is approved. This statement is subject to the provisions of 18 U.S.C. 1001 for the filing of a false statement.

1/17/03
Date

Mandie Crozier
Mandie Crozier
Permit Clerk

Well No.: Ashley Federal 8-15-9-15

CONDITIONS OF APPROVAL
APPLICATION FOR PERMIT TO DRILL

Company/Operator: Inland Production Company

Well Name & Number: Ashley Federal 8-15-9-15

API Number:

Lease Number: UTU-66184

Location: SE/NE Sec. 15, T9S, R15E

SURFACE USE PROGRAM
CONDITIONS OF APPROVAL

CULTURAL RESOURCES

See *DIAMOND MOUNTAIN RESOURCE AREA RESOURCE MANAGEMENT PLAN AND RECORD OF DECISION* (Fall 1994).

PALEONTOLOGICAL RESOURCES

See *DIAMOND MOUNTAIN RESOURCE AREA RESOURCE MANAGEMENT PLAN AND RECORD OF DECISION* (Fall 1994).

SOILS, WATERSHEDS, AND FLOODPLAINS

See *DIAMOND MOUNTAIN RESOURCE AREA RESOURCE MANAGEMENT PLAN AND RECORD OF DECISION* (Fall 1994).

WILDLIFE AND FISHERIES

See *DIAMOND MOUNTAIN RESOURCE AREA RESOURCE MANAGEMENT PLAN AND RECORD OF DECISION* (Fall 1994).

THREATENED, ENDANGERED, AND OTHER SENSITIVE SPECIES

SAGE GROUSE: No new construction or surface disturbing activities will be allowed between March 1 and June 30 due to the location's proximity (2 mile radius) to Sage Grouse strutting grounds.

FERRUGINOUS HAWK: In the event that this well becomes a producing well, it must be equipped with a multi-cylinder engine or hospital muffler to reduce noise levels.

BURROWING OWL: Due to the proximity of the location to active prairie dog towns, there is the potential to encounter nesting burrowing owls between April 1 and July 15. If new construction or surface disturbing activities are scheduled between April 1 and July 15, pre-construction surveys will be conducted to detect the presence of nesting burrowing owls within 0.5 mile of any new construction or surface disturbing activity (see Vernal BLM Field Office Protocol). No new construction or

surface disturbing activities will be allowed between April 1 and July 15 within a 0.5 mile radius of any active burrowing owl nest.

LOCATION AND RESERVE PIT RECLAMATION

During construction of the reserve pit, a small amount of topsoil shall be stockpiled nearby, to be spread over the reserve pit area at the time the reserve pit is reclaimed.

The topsoil stockpile shall be reseeded immediately after site construction by broadcasting the seed, then walking the topsoil stockpile with the dozer to plant the seed.

The following seed mixture will be used on the topsoil stockpile, the recontoured surface of the reserve pit, and for final reclamation: (All poundages are in pure live seed)

Shadscale	<i>Atriplex confertifolia</i>	3 lbs/acre
Black Sage	<i>Artemisia nova</i>	3 lbs/acre
Galleta grass	<i>Hilaria jamesii</i>	3 lbs/acre
Bluebunch wheatgrass	<i>Agropyron spicatum</i>	3 lbs/acre

The reserve pit shall be reclaimed immediately after drilling operations have ceased. The pit shall be reclaimed by: 1) removing all liquids and any oily debris according to Utah Division of Oil, Gas, & Mining pit closure rules; 2) perforating and folding the liner in place; 3) recontouring the surface; 4) broadcasting the seed over the recontoured surface; and 5) walking the surface of the pit with a dozer to plant the seed.

At the time of final abandonment, the location and access will be recontoured to natural topography and topsoil spread over the area and the surface seeded immediately.

PIPELINES

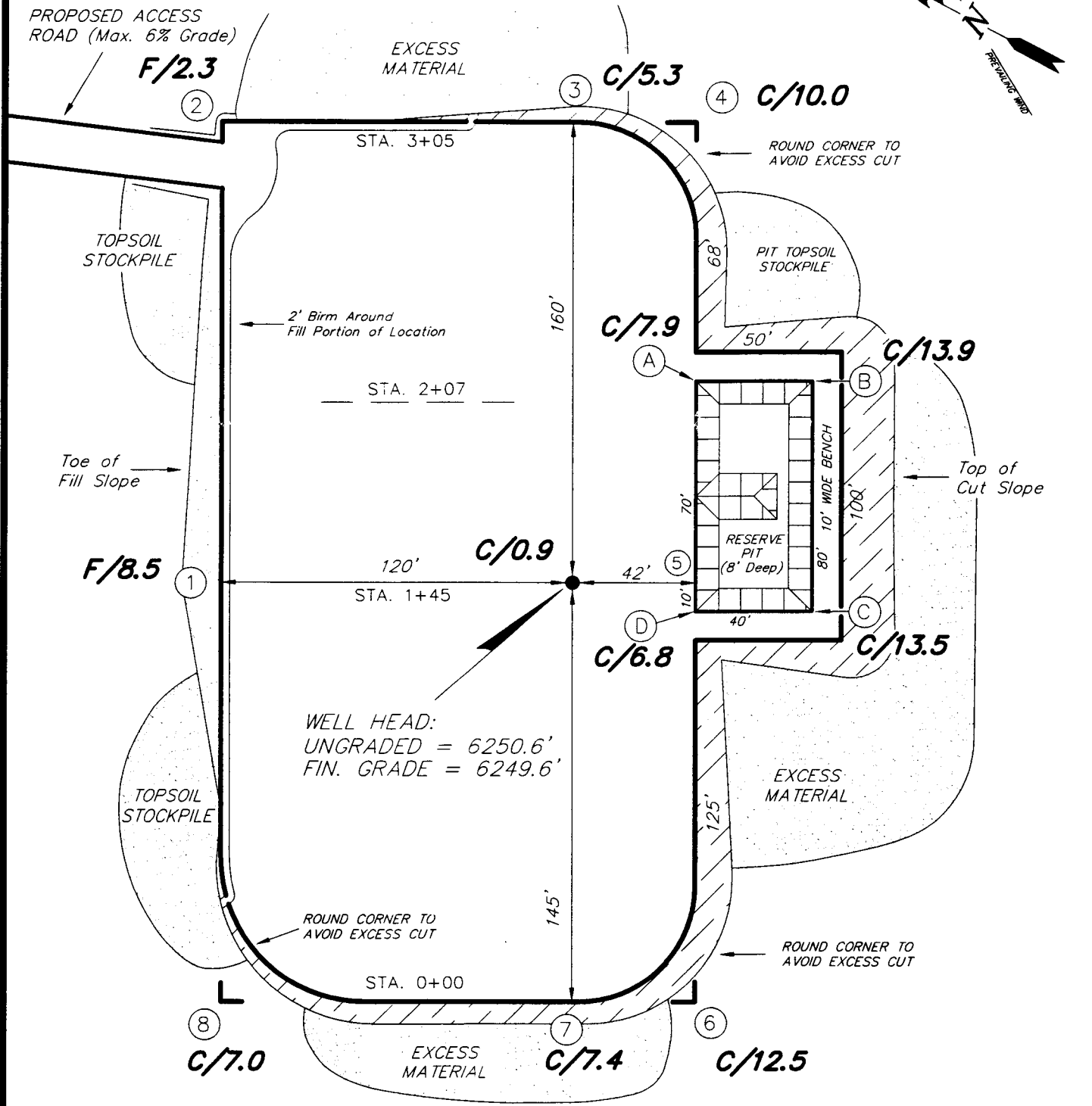
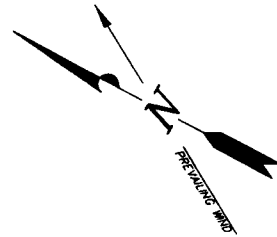
Installation of a surface gas pipeline and/or any subsequent buried gas or water pipelines will follow the conditions of approval outlined above.

Except as specified in the APD, the installation of the surface gas line and any subsequent buried pipelines will follow the edge of the existing roadways without interfering with the normal travel and maintenance of the roadway.

The installation of any buried pipelines will disturb as little surface as possible and will not exceed 60 feet in width. Reclamation of the disturbance area associated with buried pipelines will be completed within 10 days after installation. The surface will be recontoured to natural or near natural contours. Reseeding will be with the same seed mixture specified for reclamation of the reserve pit and well site. The interface of the buried line disturbance area and the edge of any adjacent access roads will be constructed with a borrow ditch and road berm to minimize vehicular travel along the water line route.

INLAND PRODUCTION COMPANY

ASHLEY UNIT #8-15
SEC. 15, T9S, R15E, S.L.B.&M.



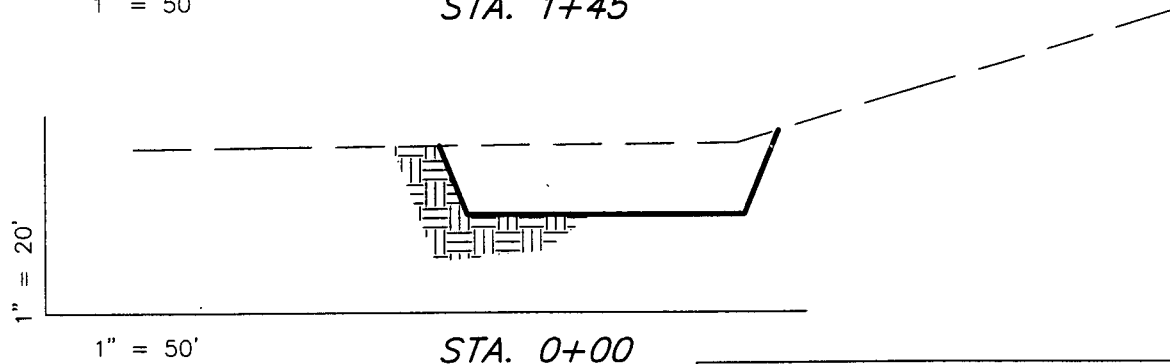
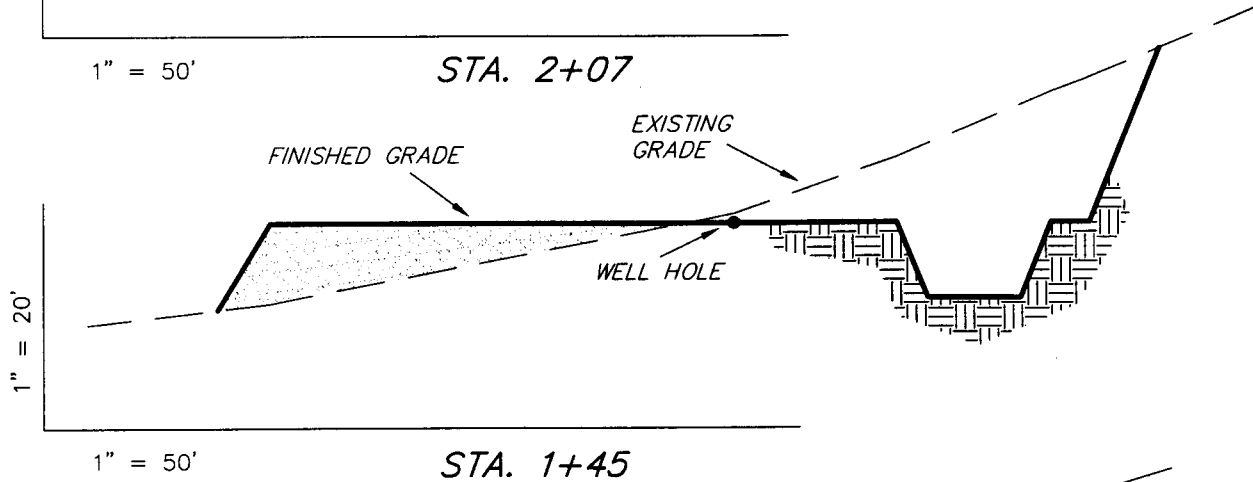
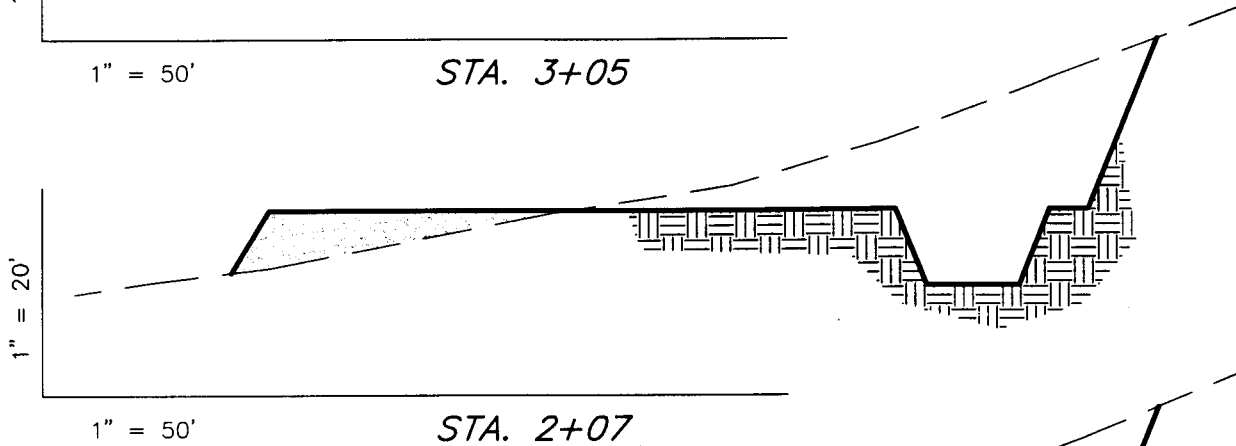
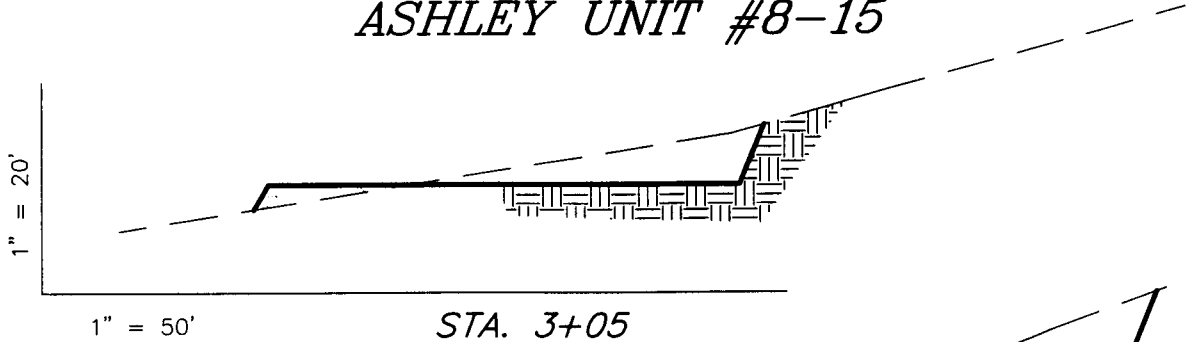
WELL HEAD:
UNGRADED = 6250.6'
FIN. GRADE = 6249.6'

REFERENCE POINTS	
170' NORTHWEST	= 6238.8'
220' NORTHWEST	= 6235.8'
195' SOUTHWEST	= 6259.0'
245' SOUTHWEST	= 6265.4'

SURVEYED BY: K.G.S.	SCALE: 1" = 50'	<p>Tri State Land Surveying, Inc. 38 WEST 100 NORTH VERNAL, UTAH 84078</p>
DRAWN BY: J.R.S.	DATE: 8-21-02	

(435) 781-2501

INLAND PRODUCTION COMPANY
CROSS SECTIONS
ASHLEY UNIT #8-15



ESTIMATED EARTHWORK QUANTITIES				
(Expressed in Cubic Yards)				
ITEM	CUT	FILL	6" TOPSOIL	EXCESS
PAD	7,890	2,250	Topsoil is not included in Pad Cut	5,640
PIT	640	0		640
TOTALS	8,530	2,250	1,010	6,280

NOTE:
 UNLESS OTHERWISE NOTED
 FILL SLOPES ARE AT 1.5:1
 CUT SLOPES ARE AT 1:1

SURVEYED BY: K.G.S.	SCALE: 1" = 50'
DRAWN BY: J.R.S.	DATE: 8-21-02

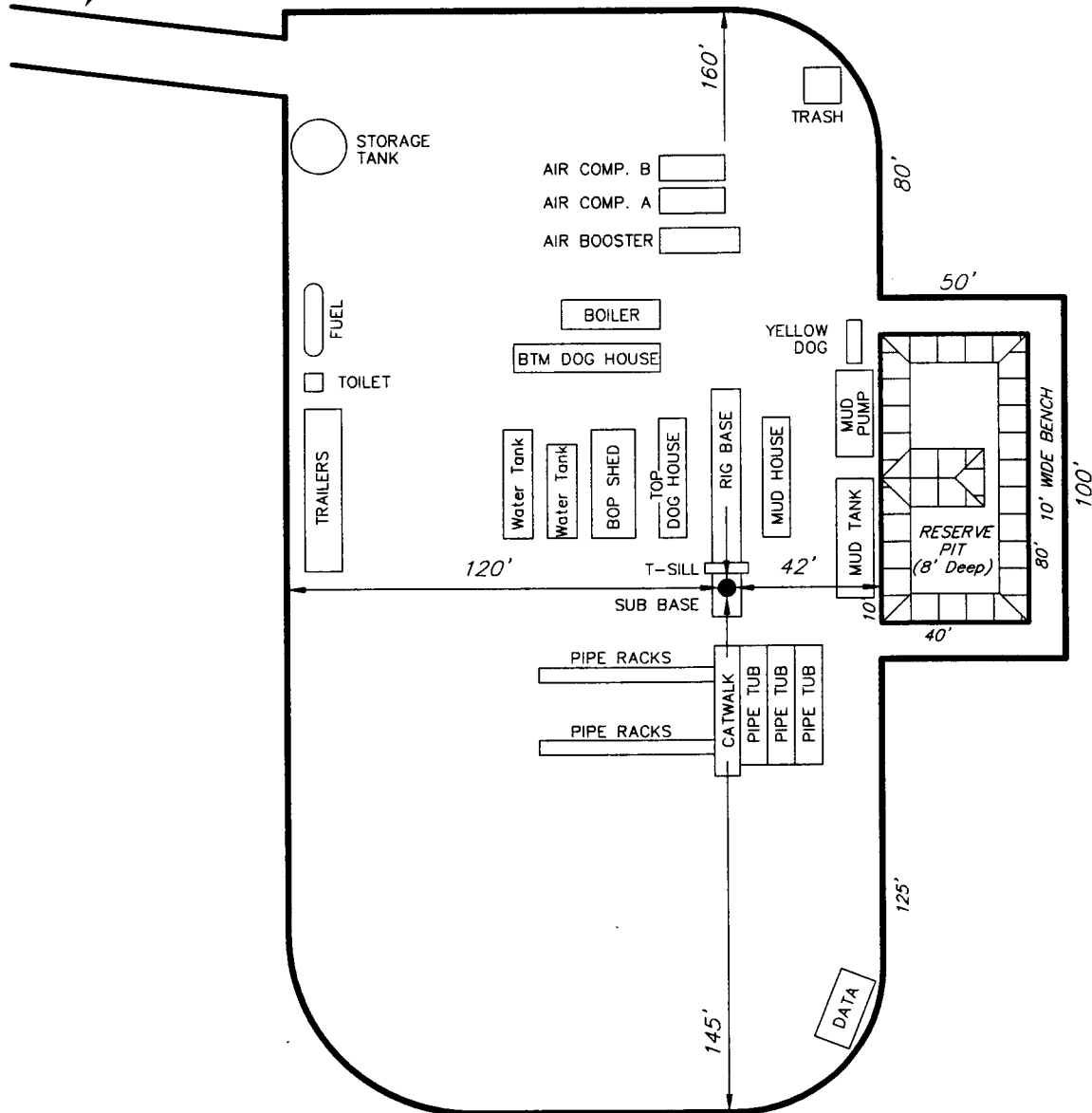
Tri State
 Land Surveying, Inc.
 38 WEST 100 NORTH VERNAL, UTAH 84078
 (435) 781-2501

INLAND PRODUCTION COMPANY

TYPICAL RIG LAYOUT

ASHLEY UNIT #8-15

PROPOSED ACCESS ROAD (Max. 6% Grade)



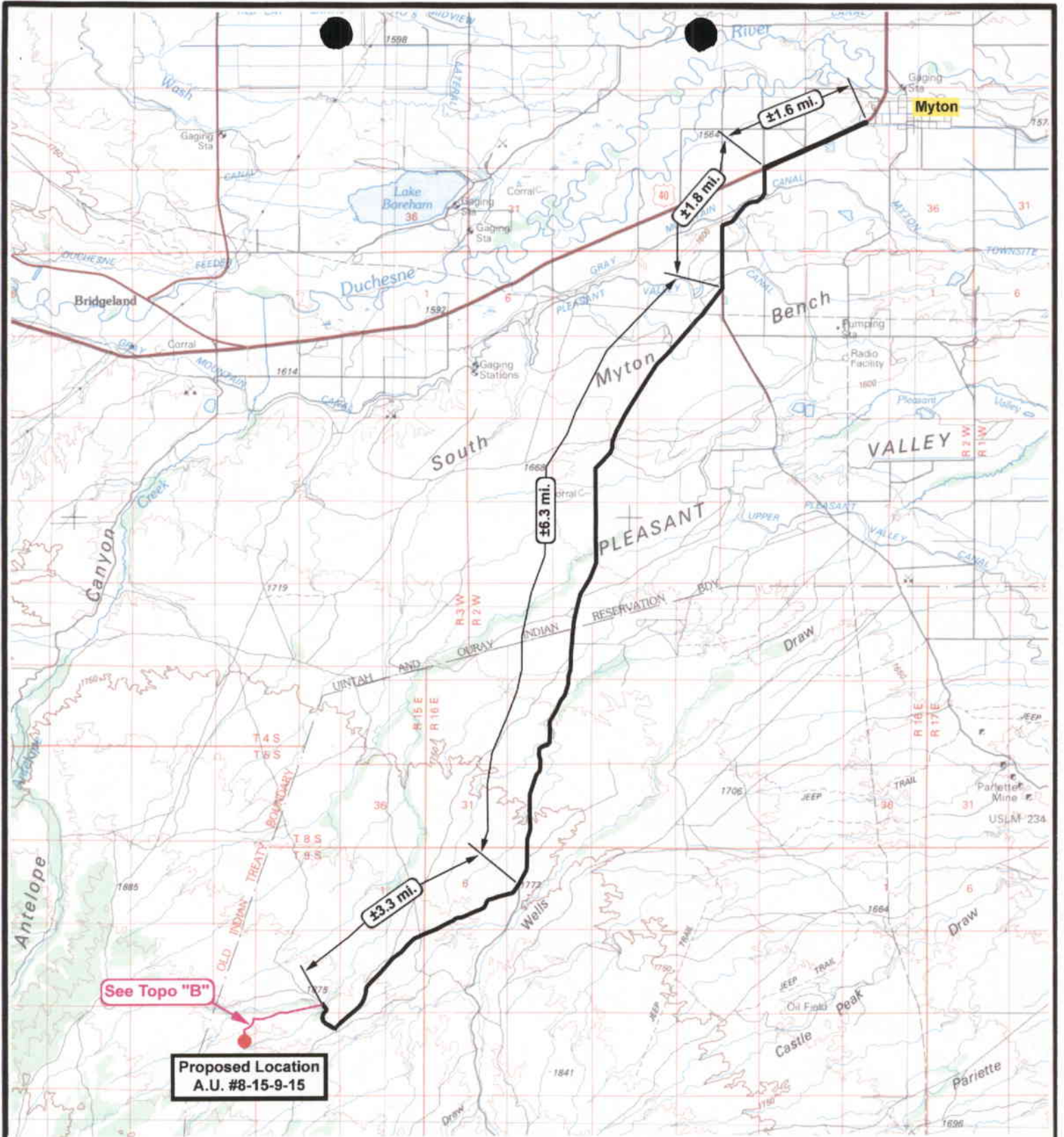
SURVEYED BY: K.G.S.

SCALE: 1" = 50'

DRAWN BY: J.R.S.

DATE: 8-21-02

Tri State
Land Surveying, Inc.
38 WEST 100 NORTH VERNAL, UTAH 84078
(435) 781-2501



See Topo "B"

**Proposed Location
A.U. #8-15-9-15**



**Ashley Unit #8-15
SEC. 15, T9S, R15E, S.L.B.&M.**



**Tri-State
Land Surveying Inc.**
(435) 781-2501
180 North Vernal Ave. Vernal, Utah 84078

SCALE: 1 = 100,000

DRAWN BY: R.A.B.

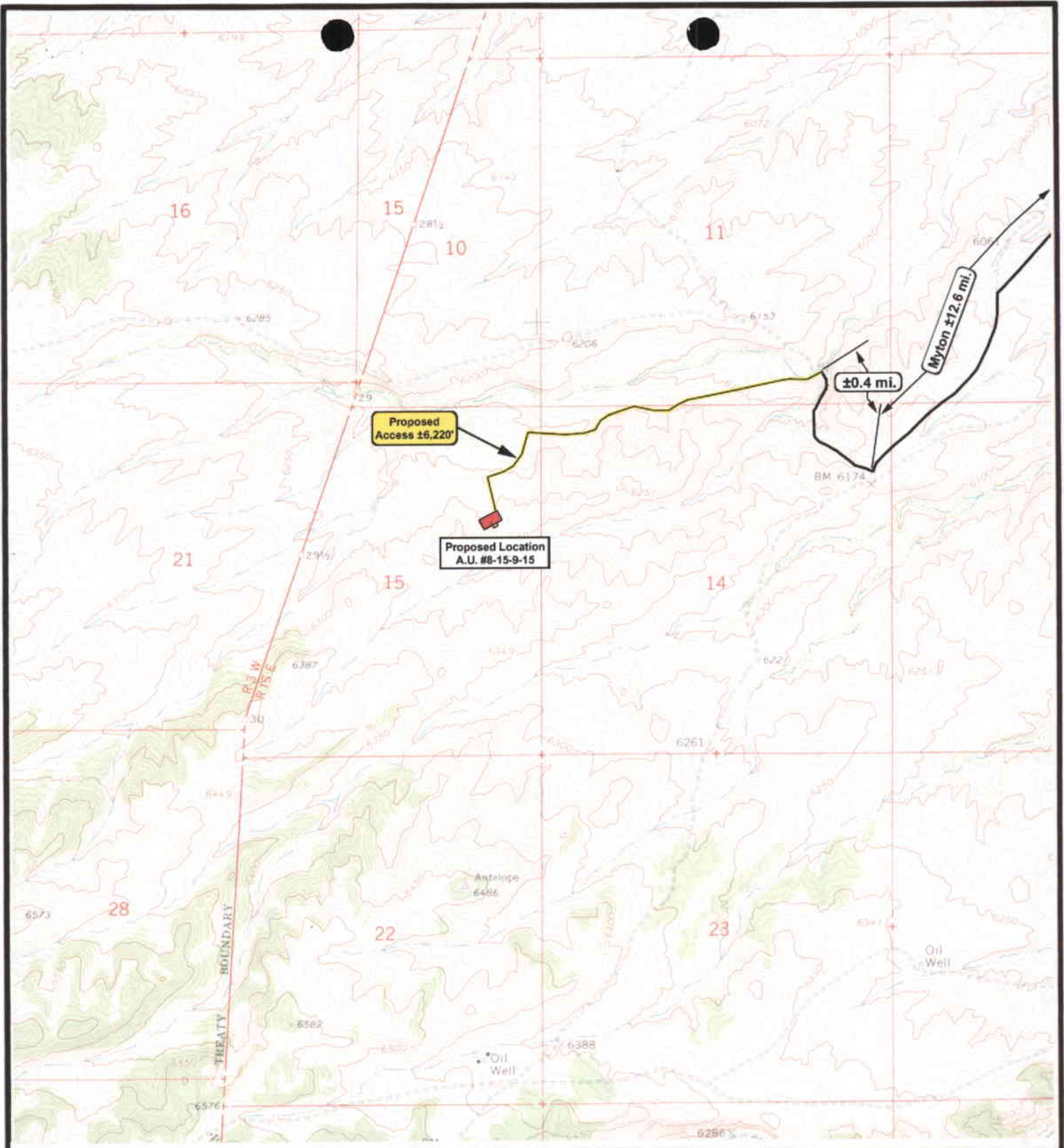
DATE: 08-28-2002

Legend

- Existing Road
- Proposed Access

TOPOGRAPHIC MAP

"A"



Ashley Unit #8-15
SEC. 15, T9S, R15E, S.L.B.&M.



Tri-State
Land Surveying Inc.
 (435) 781-2501
 180 North Vernal Ave. Vernal, Utah 84078

SCALE: 1" = 2,000'

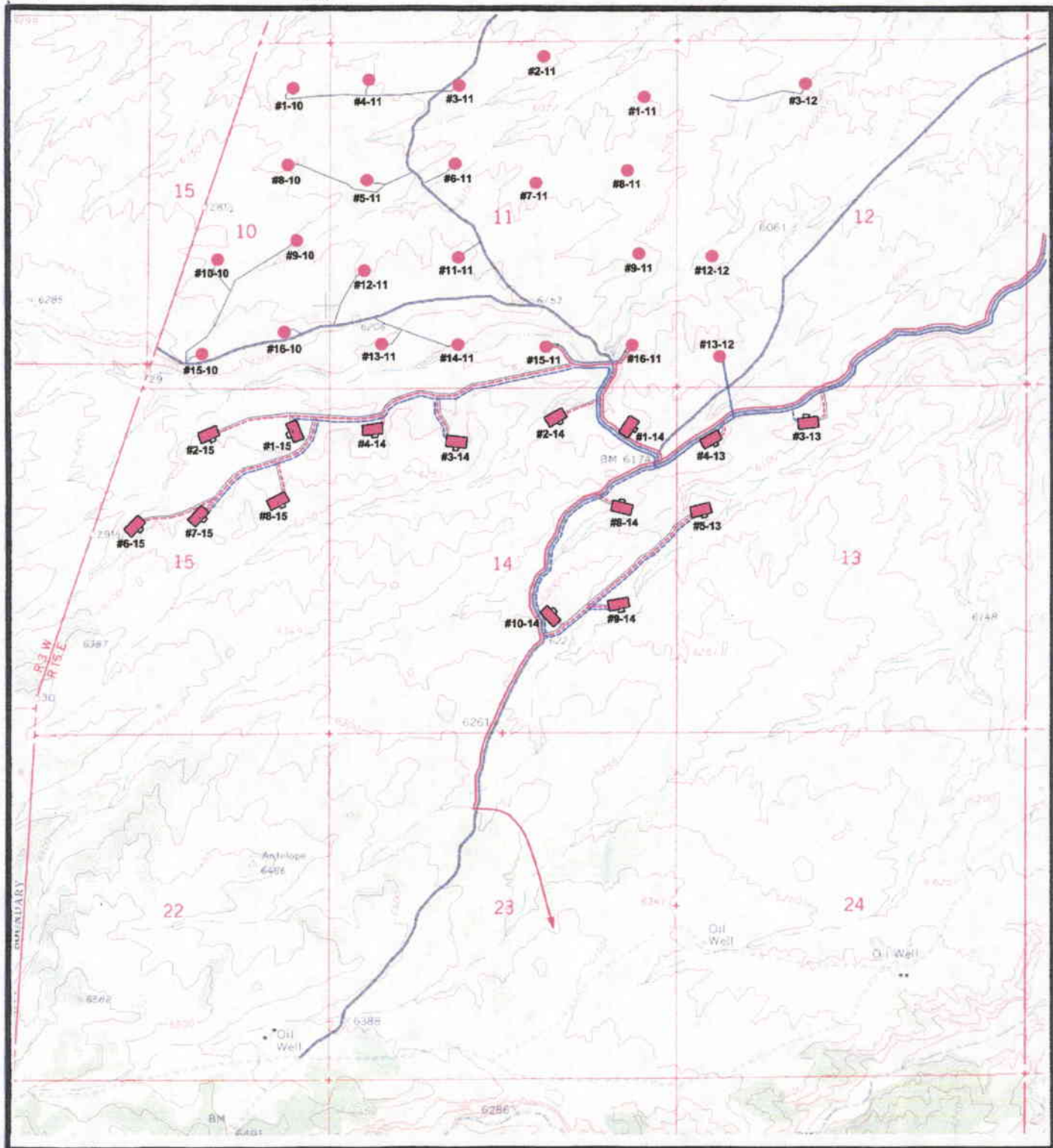
DRAWN BY: R.A.B.

DATE: 08-28-2002

Legend	
	Existing Road
	Proposed Access

TOPOGRAPHIC MAP

"B"



**Gas & Water Pipelines
SEC. 13-15, T9S, R15E, S.L.B.&M.**

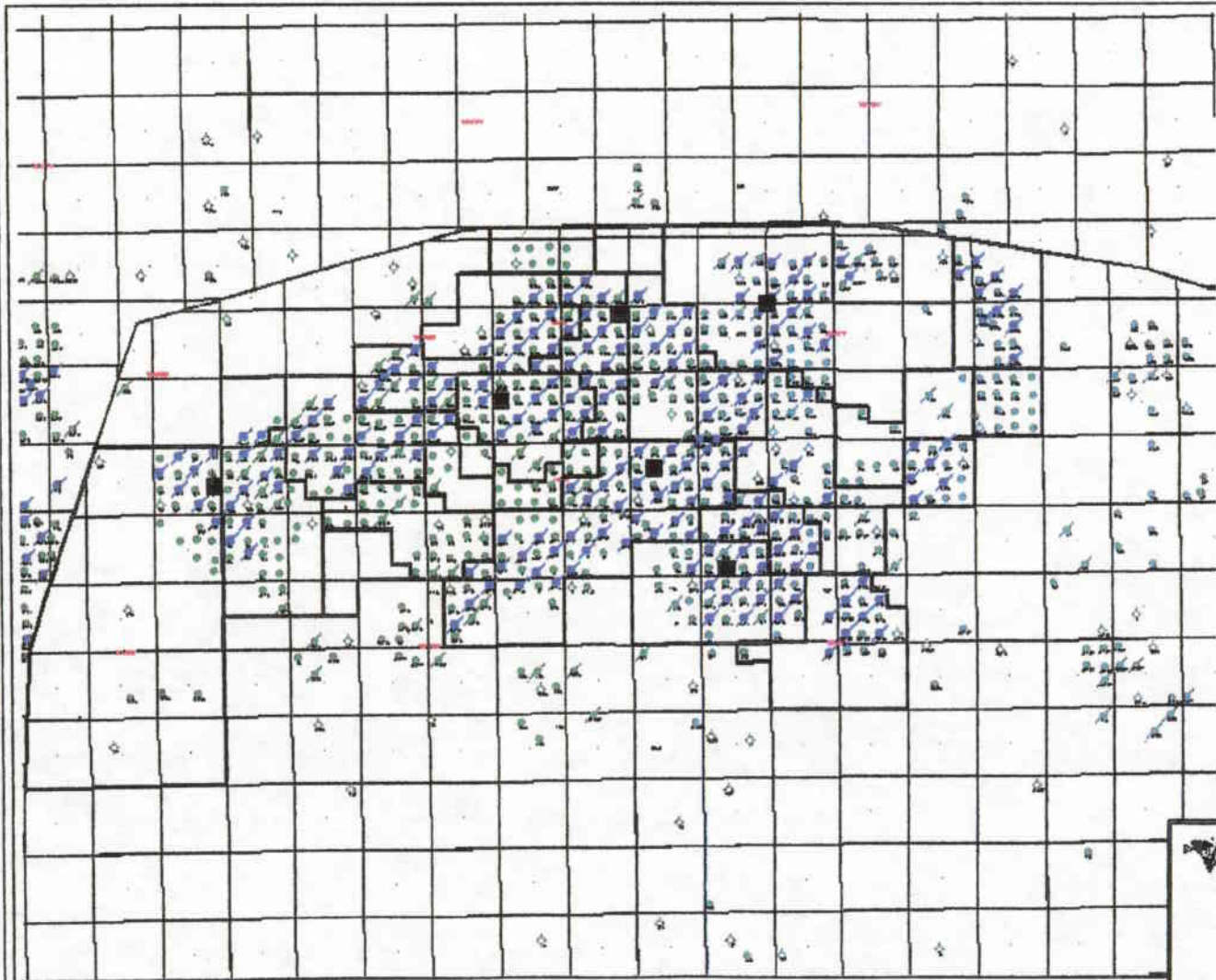


**Tri-State
Land Surveying Inc.**
(435) 781-2501
38 West 100 North Vernal, Utah 84078

SCALE: 1" = 2,000'
DRAWN BY: R.A.B.
DATE: 09-06-2002

Legend	
	Roads
	Existing Gas Line
	Proposed Gas Line
	Existing Injection Line
	Proposed Injection Line

TOPOGRAPHIC MAP
"C"



- Production Well
- Oil
- ◇ Dry
- ▲ Water
- Well Outcrop



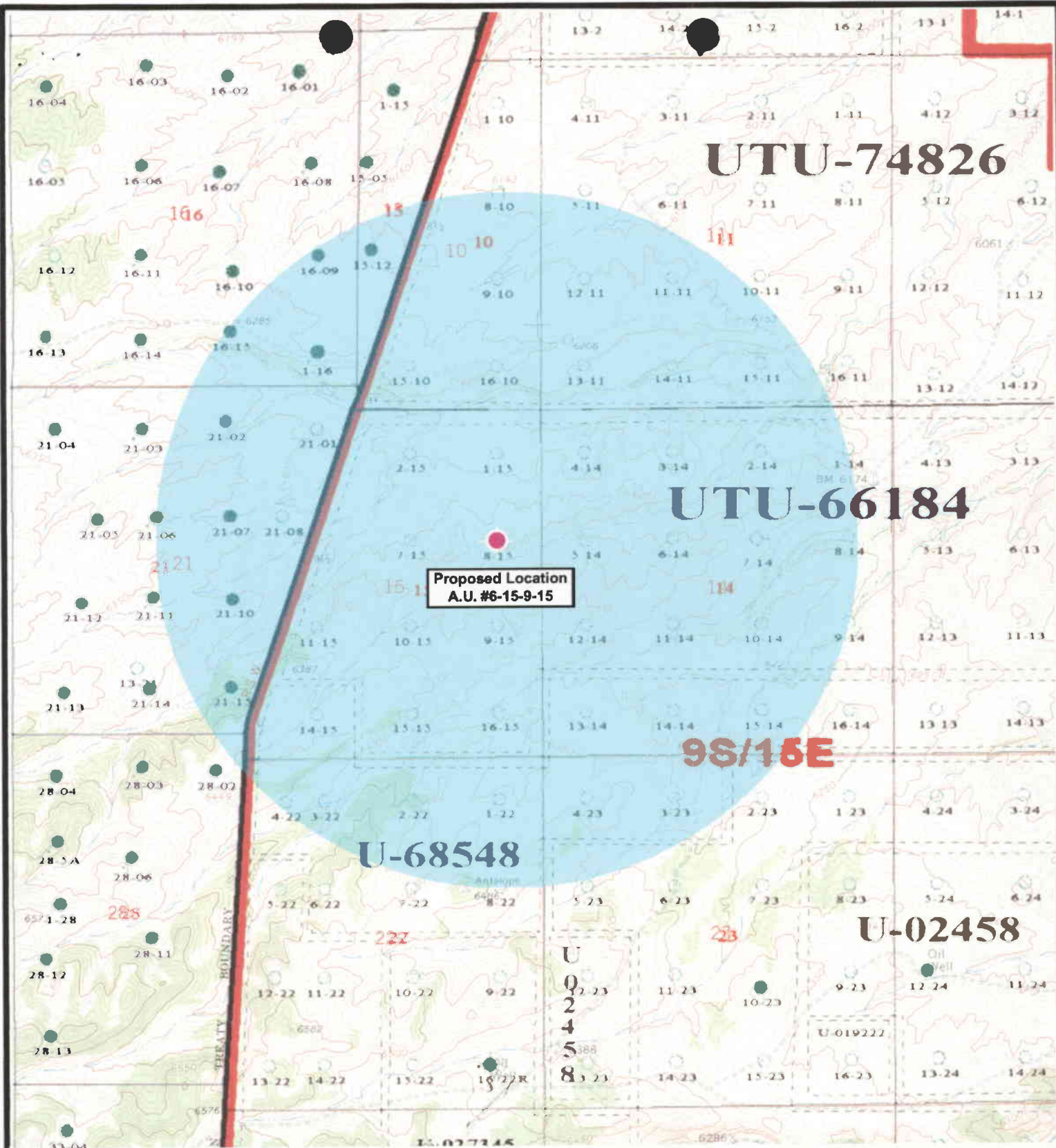
Exhibit "A"



Landmark
 2200 West 10th Street
 Denver, Colorado 80202
 Phone: 303.733.1100

United States
 LINN COUNTY, IOWA
 Bureau & Check County, IA

11/14/99 1. J. O'Neil



**Proposed Location
A.U. #6-15-9-15**

UTU-74826

UTU-66184

9S/15E

U-68548

U-02458



**Ashley Unit #8-15
SEC. 15, T9S, R15E, S.L.B.&M.**



**Tri-State
Land Surveying Inc.**
(435) 781-2501
180 North Vernal Ave. Vernal, Utah 84078

SCALE: 1" = 2,000'
DRAWN BY: R.A.B.
DATE: 08-30-2002

Legend

- Proposed Location
- One-Mile Radius

Exhibit "B"

2-M SYSTEM

Blowout Prevention Equipment Systems

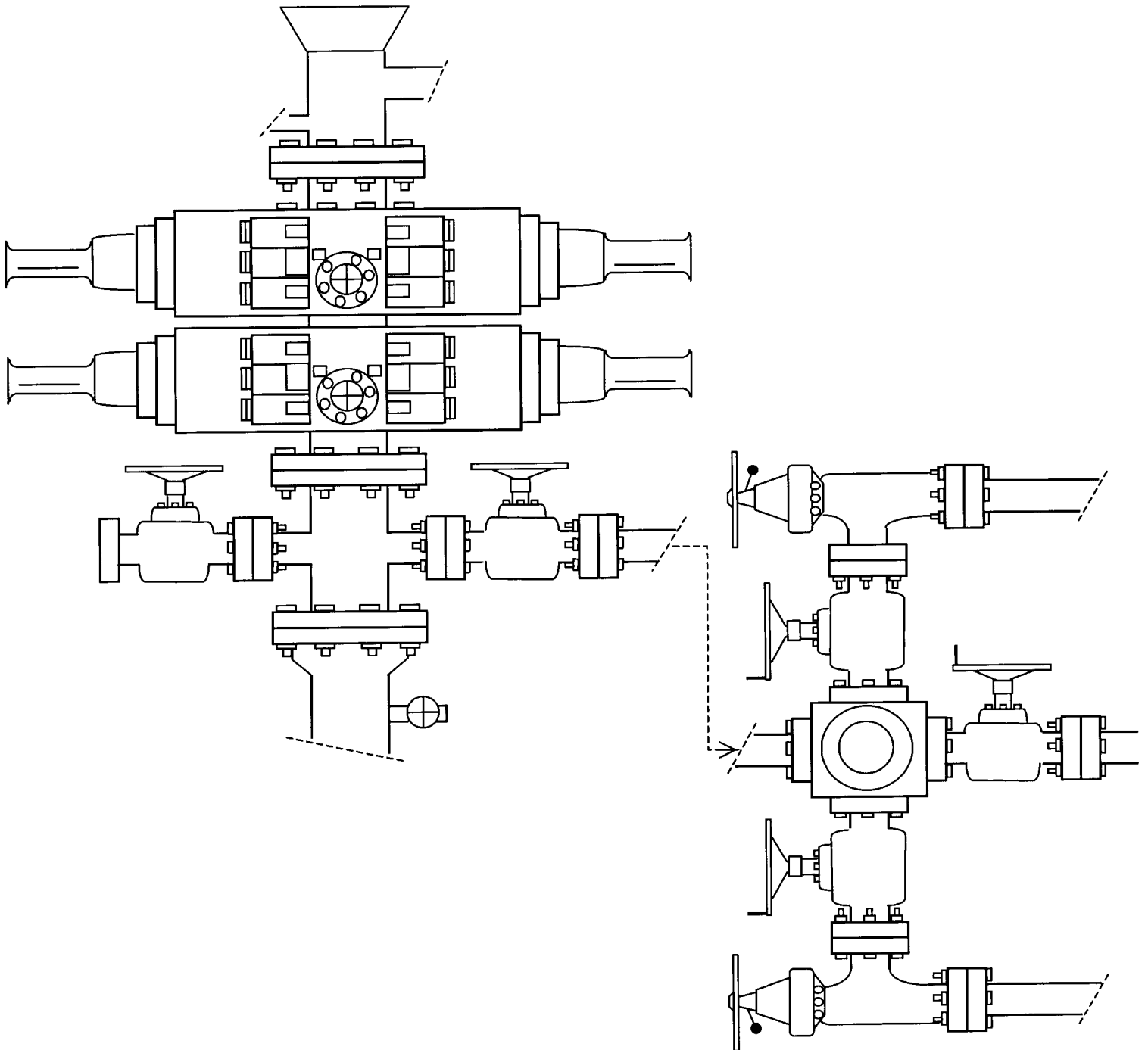


EXHIBIT C

WORKSHEET
APPLICATION FOR PERMIT TO DRILL

APD RECEIVED: 01/21/2003

API NO. ASSIGNED: 43-013-32406

WELL NAME: ASHLEY FED 8-15-9-15
OPERATOR: INLAND PRODUCTION (N5160)
CONTACT: MANDIE CROZIER

PHONE NUMBER: 435-646-3721

PROPOSED LOCATION:

SENE 15 090S 150E
SURFACE: 1755 FNL 0767 FEL
BOTTOM: 1755 FNL 0767 FEL
DUCHESNE
MONUMENT BUTTE (105)

INSPECT LOCATN BY: / /		
Tech Review	Initials	Date
Engineering		
Geology		
Surface		

LEASE TYPE: 1 - Federal
LEASE NUMBER: UTU-66184
SURFACE OWNER: 1 - Federal
PROPOSED FORMATION: GRRV

LATITUDE: 40.03337
LONGITUDE: 110.21097

RECEIVED AND/OR REVIEWED:

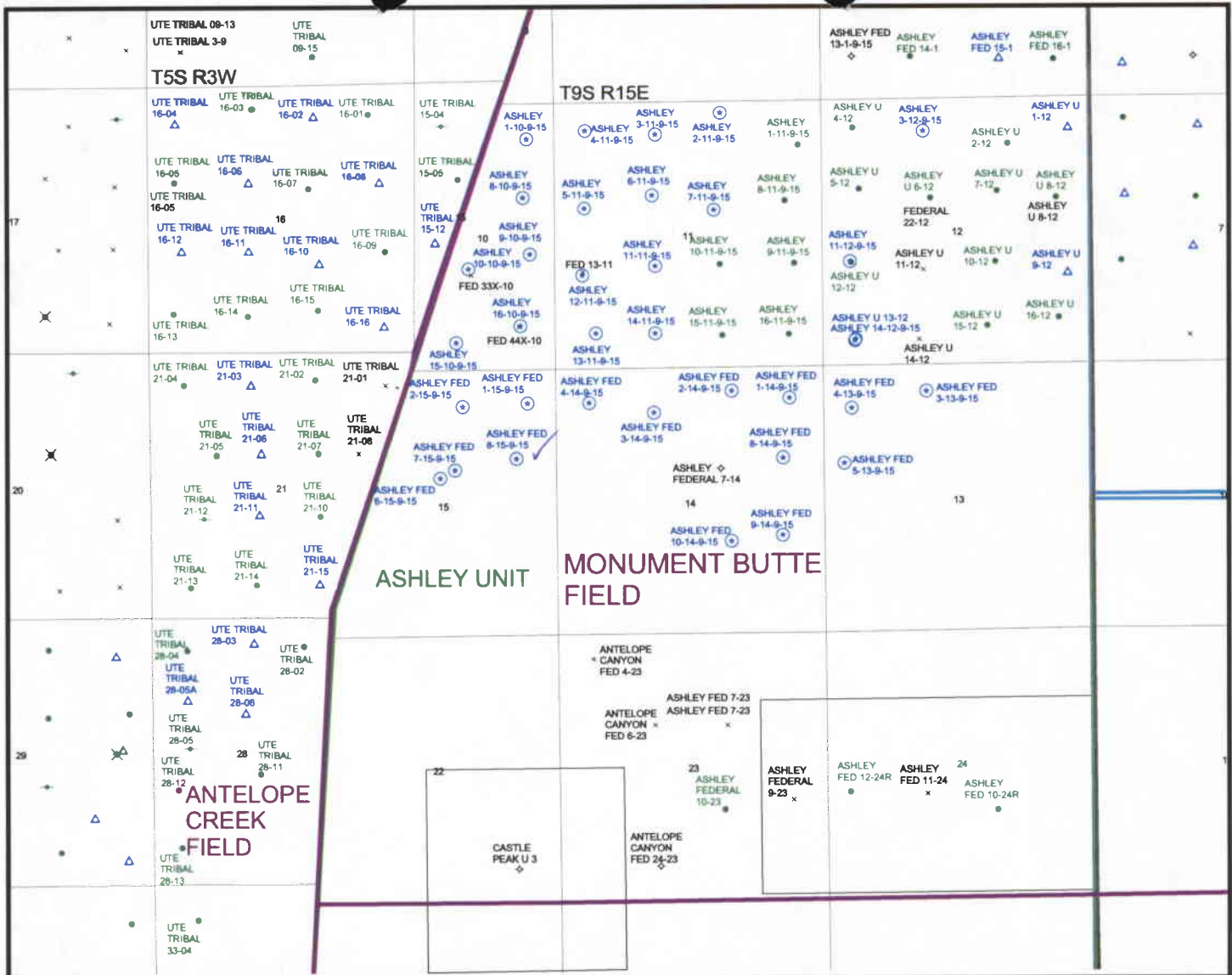
- Plat
- Bond: Fed[1] Ind[] Sta[] Fee[]
(No. 4488944)
- Potash (Y/N)
- Oil Shale 190-5 (B) or 190-3 or 190-13
- Water Permit
(No. MUNICIPAL)
- RDCC Review (Y/N)
(Date: _____)
- Fee Surf Agreement (Y/N)

LOCATION AND SITING:

- R649-2-3.
- Unit ASHLEY
- R649-3-2. General
Siting: 460 From Qtr/Qtr & 920' Between Wells
- R649-3-3. **Exception**
- Drilling Unit
Board Cause No: _____
Eff Date: _____
Siting: _____
- R649-3-11. Directional Drill

COMMENTS: Sop, Separate file

STIPULATIONS: 1 - Federal Approval
2 - Spacing Ord



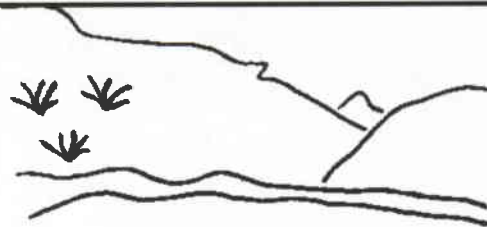
OPERATOR: INLAND PRODUCTION (N5160)

SEC. 15 T9S, R15E

FIELD: MONUMENT BUTTE (105)

COUNTY: DUCHESNE

SPACING: R649-3-1 / EX LOCATION



Utah Oil Gas and Mining

WELLS

- ✂ GAS INJECTION
- GAS STORAGE
- LOCATION ABANDONED
- ⊙ NEW LOCATION
- ◊ PLUGGED & ABANDONED
- PRODUCING GAS
- PRODUCING OIL
- SHUT-IN GAS
- SHUT-IN OIL
- ✕ TEMP. ABANDONED
- TEST WELL
- △ WATER INJECTION
- ◆ WATER SUPPLY
- ♠ WATER DISPOSAL

UNIT STATUS

- EXPLORATORY
- GAS STORAGE
- NF PP OIL
- NF SECONDARY
- PENDING
- PI OIL
- PP GAS
- PP GEOTHERML
- PP OIL
- SECONDARY
- TERMINATED

FIELD STATUS

- ABANDONED
- ACTIVE
- COMBINED
- INACTIVE
- PROPOSED
- STORAGE
- TERMINATED
- COUNTY BOUNDARY
- SECTION LINES
- TOWNSHIP LINES



PREPARED BY: DIANA MASON
DATE: 23-JANUARY-2003



State of Utah
DEPARTMENT OF NATURAL RESOURCES
DIVISION OF OIL, GAS AND MINING

1594 West North Temple, Suite 1210
PO Box 145801
Salt Lake City, Utah 84114-5801
(801) 538-5340 telephone
(801) 359-3940 fax
(801) 538-7223 TTY
www.nr.utah.gov

Michael O. Leavitt
Governor
Robert L. Morgan
Executive Director
Lowell P. Braxton
Division Director

January 29, 2003

Inland Production Company
Rt. #3, Box 3630
Myton, UT 84052

Re: Ashley Federal 8-15-9-15 Well, 1755' FNL, 767' FEL, SE NE, Sec. 15, T. 9 South,
R. 15 East, Duchesne County, Utah

Gentlemen:

Pursuant to the provisions and requirements of Utah Code Ann. § 40-6-1 *et seq.*, Utah Administrative Code R649-3-1 *et seq.*, and the attached Conditions of Approval, approval to drill the referenced well is granted.

Appropriate information has been submitted to DOGM and administrative approval of the requested exception location is hereby granted.

This approval shall expire one year from the above date unless substantial and continuous operation is underway, or a request for extension is made prior to the expiration date. The API identification number assigned to this well is 43-013-32406.

Sincerely,

A handwritten signature in black ink that reads "John R. Baza".

John R. Baza
Associate Director

pb

Enclosures

cc: Duchesne County Assessor
Bureau of Land Management, Vernal District Office

Operator: Inland Production Company
Well Name & Number Ashley Federal 8-15-9-15
API Number: 43-013-32406
Lease: UTU-66184

Location: SE NE **Sec.** 15 **T.** 9 South **R.** 15 East

Conditions of Approval

1. General
Compliance with the requirements of Utah Admin. R. 649-1 *et seq.*, the Oil and Gas Conservation General Rules, and the applicable terms and provisions of the approved Application for permit to drill.

2. Notification Requirements
Notify the Division within 24 hours of spudding the well.
 - Contact Carol Daniels at (801) 538-5284.
Notify the Division prior to commencing operations to plug and abandon the well.
 - Contact Dan Jarvis at (801) 538-5338

3. Reporting Requirements
All required reports, forms and submittals will be promptly filed with the Division, including but not limited to the Entity Action Form (Form 6), Report of Water Encountered During Drilling (Form 7), Weekly Progress Reports for drilling and completion operations, and Sundry Notices and Reports on Wells requesting approval of change of plans or other operational actions.

4. State approval of this well does not supersede the required federal approval, which must be obtained prior to drilling.

5. This proposed well is located in an area for which drilling units (well spacing patterns) have not been established through an order of the Board of Oil, Gas and Mining (the "Board"). In order to avoid the possibility of waste or injury to correlative rights, the operator is requested, once the well has been drilled, completed, and has produced, to analyze geological and engineering data generated therefrom, as well as any similar data from surrounding areas if available. As soon as is practicable after completion of its analysis, and if the analysis suggests an area larger than the quarter-quarter section upon which the well is located is being drained, the operator is requested to seek an appropriate order from the Board establishing drilling and spacing units in conformance with such analysis by filing a Request for Agency Action with the Board.



January 28, 2003

Ms. Diana Mason
State of Utah
Division of Oil, Gas and Mining
1594 West North Temple, Suite 1210
Salt Lake City, Utah 84114-5801

RE: Exceptional Spacing for the Proposed Ashley 8-15-9-15 Well

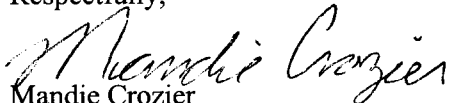
Dear Diana:

Please find attached a copy of the well location survey plat for the above-referenced well. Inland Production Company (Inland) requests administrative approval for a location exception to Rule R649-3-2, which governs the location of wells in the State of Utah.

Due to topographic constraints on access and siting of the proposed well, it is necessary to move the location of the well in a northwesterly direction. This moves the well closer to the exterior of the Ashley Unit (Unit Agreement # UTU73520X). There are no non-unitized lease interest owners within a 460-foot radius of the new proposed location.

Please contact me if you need additional information regarding this well.

Respectfully,


Mandie Crozier
Permit Clerk

Enclosures

RECEIVED

JAN 29 2003

DIV. OF OIL, GAS & MINING

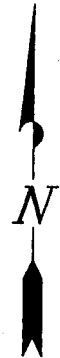
T9S, R15E, S.L.B.&M.

INLAND PRODUCTION COMPANY

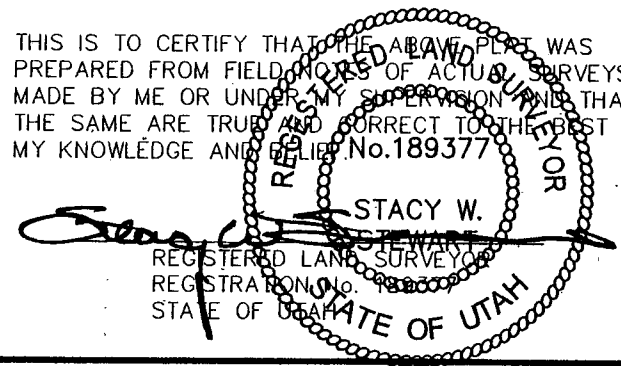
WELL LOCATION, ASHLEY UNIT #8-15,
 LOCATED AS SHOWN IN THE SE 1/4 NE
 1/4 OF SECTION 15, T9S, R15E,
 S.L.B.&M. DUCHESNE COUNTY, UTAH.

WELL LOCATION: ASHLEY UNIT #8-15

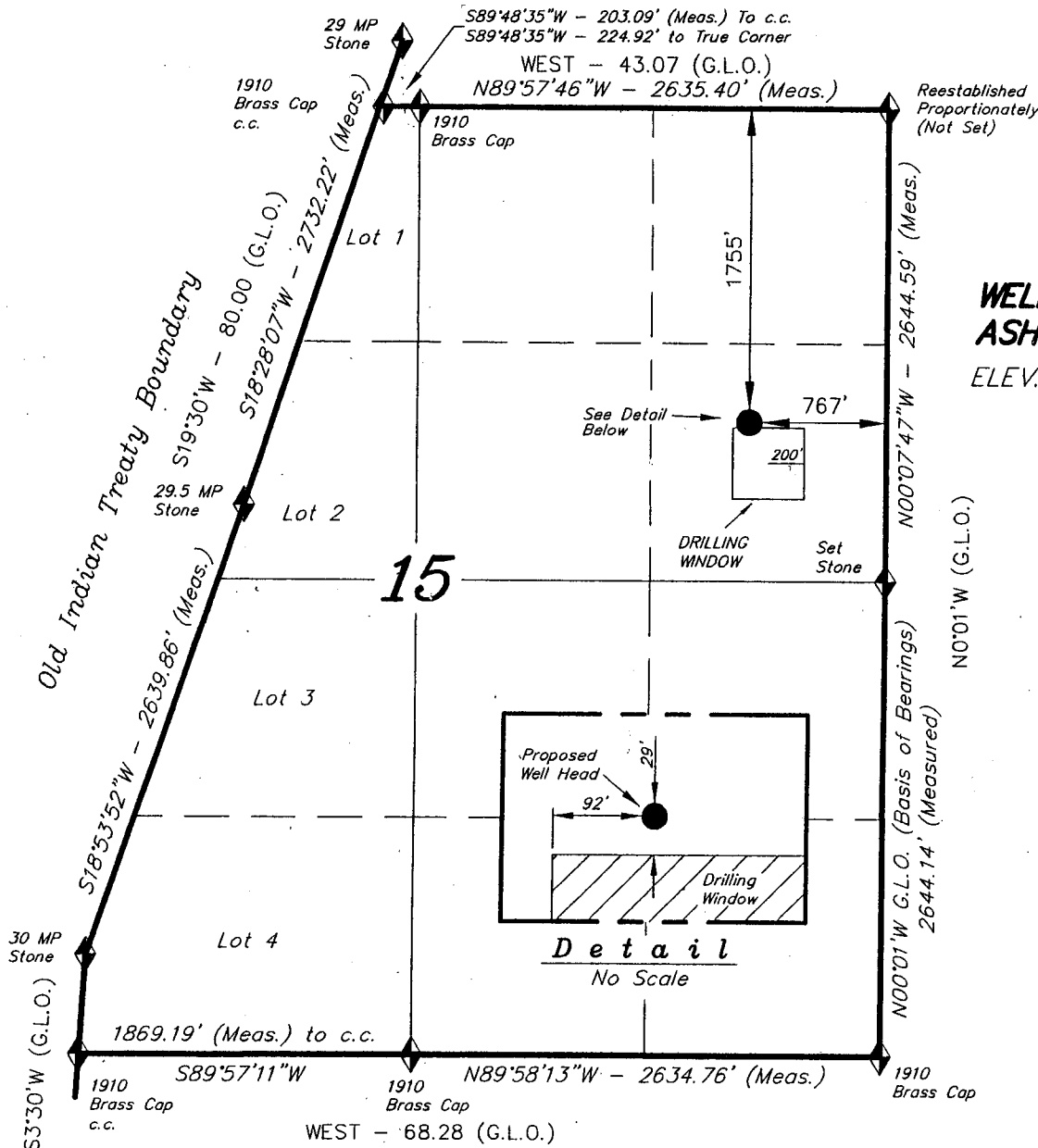
ELEV. UNGRADED GROUND = 6250.6'



THIS IS TO CERTIFY THAT THE ABOVE PLAN WAS
 PREPARED FROM FIELD NOTES OF ACTUAL SURVEYS
 MADE BY ME OR UNDER MY SUPERVISION AND THAT
 THE SAME ARE TRUE AND CORRECT TO THE BEST OF
 MY KNOWLEDGE AND BELIEF. No. 189377



TRI STATE LAND SURVEYING & CONSULTING
 180 NORTH VERNAL AVE. - VERNAL, UTAH 84078
 (435) 781-2501



◆ = SECTION CORNERS LOCATED

BASIS OF ELEV; U.S.G.S. 7-1/2 min QUAD (MYTON SW)

SCALE: 1" = 1000'	SURVEYED BY: K.G.S.
DATE: 8-21-02	DRAWN BY: J.R.S.
NOTES:	FILE #

006

UNITED STATES
DEPARTMENT OF THE INTERIOR
BUREAU OF LAND MANAGEMENT

APPLICATION FOR PERMIT TO DRILL, DEEPEN, OR PLUG BACK

1a. TYPE OF WORK DRILL DEEPEN

1b. TYPE OF WELL
OIL WELL GAS WELL OTHER SINGLE ZONE MULTIPLE ZONE

5. LEASE DESIGNATION AND SERIAL NO.
UTU-66184

6. IF INDIAN, ALLOTTEE OR TRIBE NAME
N/A

7. UNIT AGREEMENT NAME
Ashley

8. FARM OR LEASE NAME WELL NO
Ashley Federal 8-15-9-15

9. API WELL NO.

10. FIELD AND POOL OR WILDCAT
Monument Butte

11. SEC., T., R., M., OR BLK.
AND SURVEY OR AREA
SE/NE
Sec. 15, T9S, R15E

12. County
Duchesne

13. STATE
UT

2. NAME OF OPERATOR
Inland Production Company

3. ADDRESS OF OPERATOR
Route #3 Box 3630, Myton, UT 84052 Phone: (435) 646-3721

4. LOCATION OF WELL (Report location clearly and in accordance with any State requirements.)
At Surface SE/NE 1755' FNL 767' FEL
At proposed Prod. Zone

14. DISTANCE IN MILES AND DIRECTION FROM NEAREST TOWN OR POST OFFICE*
Approximately 14.2 miles southwest of Myton, Utah

15. DISTANCE FROM PROPOSED* LOCATION TO NEAREST PROPERTY OR LEASE LINE, FT. (Also to
Approx. 1755' f/lse line & 2778' f/unit line

16. NO. OF ACRES IN LEASE
1,360.57

17. NO. OF ACRES ASSIGNED TO THIS WELL
40

18. DISTANCE FROM PROPOSED LOCATION* TO NEAREST WELL, DRILLING, COMPLETED, OR APPLIED FOR ON THIS LEASE, FT.
Approx. 1303'

19. PROPOSED DEPTH
6500'

20. ROTARY OR CABLE TOOLS
Rotary

21. ELEVATIONS (Show whether DF, RT, GR, etc.)
6251' GR

22. APPROX. DATE WORK WILL START*
3rd Quarter 2003

23. PROPOSED CASING AND CEMENTING PROGRAM

SIZE OF HOLE	SIZE OF CASING	WEIGHT/FOOT	SETTING DEPTH	QUANTITY OF CEMENT
Refer to Monument Butte Field SOP's Drilling Program/Casing Design				

Inland Production Company proposes to drill this well in accordance with the attached exhibits.

The Conditions of Approval are also attached.

IN ABOVE SPACE DESCRIBE PROPOSED PROGRAM : If proposal is to deepen or plug back, give data on present productive zone and proposed new productive zone. If proposal is to drill or deepen directionally, give pertinent data on subsurface locations and measured and true vertical depths. Give blowout preventer program, if any.

24. SIGNED Manche Crozier TITLE Permit Clerk DATE 1/17/03

NOTICE OF APPROVAL APPROVAL DATE **CONDITIONS OF APPROVAL ATTACHED**

Application approval does not warrant or certify that the applicant holds legal or equitable title to those rights in the subject lease which would entitle the applicant to conduct operations thereon.

CONDITIONS OF APPROVAL, IF ANY:

APPROVED Howard R. Cleary TITLE Assistant Field Manager Mineral Resources DATE 08/15/2003

*See Instructions On Reverse Side

Title 18 U.S.C. Section 1001, makes it a crime for any person knowingly and willfully to make to any department or agency of the United States any false, fictitious or fraudulent statements or representations as to any matter within its jurisdiction.

RECEIVED
AUG 28 2003
DIV. OF OIL, GAS & MINING

UD006M

CONDITIONS OF APPROVAL
APPLICATION FOR PERMIT TO DRILL

Company/Operator: Inland Production Company.
Well Name & Number: Ashley Federal 8-15-9-15
API Number: 43-013-32406
Lease Number: U-66184
Location: SENE Sec. 15 T. 9S R. 15E
Agreement: N/A

For more specific details on notification requirements, please check the Conditions of Approval for Notice to Drill and Surface Use Program.

CONDITIONS OF APPROVAL

Approval of this application does not warrant or certify that the applicant holds legal or equitable title to those rights in the subject lease which would entitle the applicant to conduct operations thereon.

Be aware fire restrictions may be in effect when location is being constructed and/or when well is being drilled. Contact the appropriate Surface Management Agency for information.

Please submit to this office, in LAS format, an electronic copy of all logs run on this well. This submission will replace the requirement for submittal of paper logs to the BLM.

In the event after-hours approvals are necessary, you must contact one of the following individuals:

Ed Forsman (435) 828-7874
Petroleum Engineer

Kirk Fleetwood (435) 828-7875
Petroleum Engineer

BLM FAX Machine (435) 781-4410

THERE ARE NO ADDITIONAL CONDITIONS FOR THE SURFACE USE PROGRAM.

UNITED STATES
DEPARTMENT OF THE INTERIOR
BUREAU OF LAND MANAGEMENT

FORM APPROVED
Budget Bureau No. 1004-0135
Expires: March 31, 1993

007

SUNDRY NOTICES AND REPORTS ON WELLS

Do not use this form for proposals to drill or to deepen or reentry a different reservoir.
Use "APPLICATION FOR PERMIT -" for such proposals

5. Lease Designation and Serial No.
UTU-66184

6. If Indian, Allottee or Tribe Name
NA

7. If Unit or CA, Agreement Designation
ASHLEY (GR RVR)

8. Well Name and No.
ASHLEY FEDERAL 8-15-9-15

9. API Well No.
43-013-32406

10. Field and Pool, or Exploratory Area
MONUMENT BUTTE

11. County or Parish, State
DUCHESNE COUNTY, UT.

SUBMIT IN TRIPLICATE

1. Type of Well
 Oil Well Gas Well Other

2. Name of Operator
INLAND PRODUCTION COMPANY

3. Address and Telephone No.
Rt. 3 Box 3630, Myton Utah, 84052 435-646-3721

4. Location of Well (Footage, Sec., T., R., m., or Survey Description)
1755 FNL 767 FEL SE/NE Section 15, T9S R15E

12. CHECK APPROPRIATE BOX(S) TO INDICATE NATURE OF NOTICE, REPORT, OR OTHER DATA

TYPE OF SUBMISSION	TYPE OF ACTION
<input checked="" type="checkbox"/> Notice of Intent	<input type="checkbox"/> Abandonment
<input type="checkbox"/> Subsequent Report	<input type="checkbox"/> Recompletion
<input type="checkbox"/> Final Abandonment Notice	<input type="checkbox"/> Plugging Back
	<input type="checkbox"/> Casing Repair
	<input type="checkbox"/> Altering Casing
	<input checked="" type="checkbox"/> Other Permit Extension
	<input type="checkbox"/> Change of Plans
	<input type="checkbox"/> New Construction
	<input type="checkbox"/> Non-Routine Fracturing
	<input type="checkbox"/> Water Shut-Off
	<input type="checkbox"/> Conversion to Injection
	<input type="checkbox"/> Dispose Water

(Note: Report results of multiple completion on Well Completion or Recompletion Report and Log form.)

13. Describe Proposed or Completed Operations (Clearly state all pertinent details, and give pertinent dates, including estimated date of starting any proposed work. If well is directionally drilled, give subsurface locations and measured and true vertical depths for all markers and zones pertinent to this work.)*

Inland Production Company requests to extend the Permit to Drill this well for one year. The original approval date was 1/29/03 (expiration 1/29/04).

Approved by the
Utah Division of
Oil, Gas and Mining

Date: 01-26-04
By: [Signature]

RECEIVED

JAN 28 2004

DIV. OF OIL, GAS & MINING

COPY SENT TO OPERATOR
Date: 1-28-04
Initials: CHD

14. I hereby certify that the foregoing is true and correct
Signed Mandie Crozier Title Regulatory Specialist Date 1/2/2004
Mandie Crozier

CC: UTAH DOGM

(This space for Federal or State office use)

Approved by _____ Title _____ Date _____

Conditions of approval, if any:

CC: Utah DOGM

**Application for Permit to Drill
Request for Permit Extension
Validation**

(this form should accompany the Sundry Notice requesting permit extension)

API: 43-013-32406
Well Name: Ashley Federal 8-15-9-15
Location: SE/NE Section 15, T9S R15E
Company Permit Issued to: Inland Production Company
Date Original Permit Issued: 1/29/2003

The undersigned as owner with legal rights to drill on the property as permitted above, hereby verifies that the information as submitted in the previously approved application to drill, remains valid and does not require revision.

Following is a checklist of some items related to the application, which should be verified.

If located on private land, has the ownership changed, if so, has the surface agreement been updated? Yes No NA

Have any wells been drilled in the vicinity of the proposed well which would affect the spacing or siting requirements for this location? Yes No

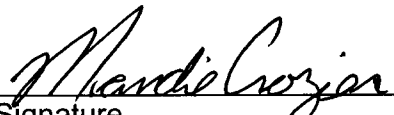
Has there been any unit or other agreements put in place that could affect the permitting or operation of this proposed well? Yes No

Have there been any changes to the access route including ownership, or right-of-way, which could affect the proposed location? Yes No

Has the approved source of water for drilling changed? Yes No

Have there been any physical changes to the surface location or access route which will require a change in plans from what was discussed at the onsite evaluation? Yes No

Is bonding still in place, which covers this proposed well? Yes No



Signature

1/19/2004

Date

Title: Regulatory Specialist

Representing: Inland Production Company

DIVISION OF OIL, GAS AND MINING**SPUDDING INFORMATION**Name of Company: INLAND PRODUCTION COMPANYWell Name: ASHLEY FED 8-15-9-15Api No: 43-013-32406 Lease Type: FEDERALSection 15 Township 09S Range 15E County DUCHESNEDrilling Contractor LEON ROSS RIG # 21**SPUDDED:**Date 01/27/04Time 9:00 AMHow DRY**Drilling will commence:** _____Reported by FLOYD MITCHELLTelephone # 1-435-823-3610Date 01/28/2004 Signed CHD

JAN 30 2004

DIV. OF OIL, GAS & MINING

STATE OF UTAH
DIVISION OF OIL, GAS AND MINING
ENTITY ACTION FORM - FORM 6

OPERATOR: INLAND PRODUCTION COMPANY
ADDRESS: RT. 3 BOX 3630
MYTON, UT 84052

OPERATOR ACCT. NO. N5160

ACTION CODE	CURRENT ENTITY NO.	NEW ENTITY NO.	API NUMBER	WELL NAME	WELL LOCATION					SPUD DATE	EFFECTIVE DATE
					QQ	SC	TP	RG	COUNTY		
A	99999	14028	43-047-34468	Sundance State 16-32-8-18	SE/SE	32	8S	18E	Uintah	January 18, 2004	2/9/04
WELL 1 COMMENTS: <i>GRRV</i>											
ACTION CODE	CURRENT ENTITY NO.	NEW ENTITY NO.	API NUMBER	WELL NAME	WELL LOCATION					SPUD DATE	EFFECTIVE DATE
					QQ	SC	TP	RG	COUNTY		
A	99999	14029	43-013-32403	Ashley Federal 2-15-8-15	NW/NE	15	9S	15E	Duchesne	January 20, 2004	2/9/04
WELL 2 COMMENTS: <i>GRRV</i>											
ACTION CODE	CURRENT ENTITY NO.	NEW ENTITY NO.	API NUMBER	WELL NAME	WELL LOCATION					SPUD DATE	EFFECTIVE DATE
					QQ	SC	TP	RG	COUNTY		
A	99999	14030	43-013-32404	Ashley Federal 6-15-8-15	SE/NW	15	9S	16E	Duchesne	January 22, 2004	2/9/04
WELL 3 COMMENTS: <i>GRRV</i>											
ACTION CODE	CURRENT ENTITY NO.	NEW ENTITY NO.	API NUMBER	WELL NAME	WELL LOCATION					SPUD DATE	EFFECTIVE DATE
					QQ	SC	TP	RG	COUNTY		
A	99999	14031	43-047-34462	Sundance State 12-32-8-18	NW/SW	32	8S	18E	Uintah	January 23, 2004	2/9/04
WELL 4 COMMENTS: <i>GRRV</i>											
ACTION CODE	CURRENT ENTITY NO.	NEW ENTITY NO.	API NUMBER	WELL NAME	WELL LOCATION					SPUD DATE	EFFECTIVE DATE
					QQ	SC	TP	RG	COUNTY		
A	99999	14032	43-013-32406	Ashley Federal 8-15-8-15	SE/NE	15	9S	16E	Duchesne	January 27, 2004	2/9/04
WELL 5 COMMENTS: <i>GRRV</i>											

ACTION CODES (See instructions on back of form)

- A - Establish new entity for new well (single well only)
- B - Add new well to existing entity (group or unit well)
- C - Re-assign well from one existing entity to another existing entity
- D - Re-assign well from one existing entity to a new entity
- E - Other (explain in comments section)

NOTE: Use COMMENT section to explain why each Action Code was selected.

Kebbie S. Jones
Signature
Kebbie S. Jones
Production Clerk
January 30, 2004
Date

UNITED STATES
DEPARTMENT OF THE INTERIOR
BUREAU OF LAND MANAGEMENT

FORM APPROVED
Budget Bureau No. 1004-0135
Expires: March 31, 1993

010

SUNDRY NOTICES AND REPORTS ON WELLS

Do not use this form for proposals to drill or to deepen or reentry a different reservoir.
Use "APPLICATION FOR PERMIT -" for such proposals

5. Lease Designation and Serial No.
UTU-66184

6. If Indian, Allottee or Tribe Name
NA

7. If Unit or CA, Agreement Designation
ASHLEY (GR RVR)

8. Well Name and No.
ASHLEY FEDERAL 8-15-9-15

9. API Well No.
43-013-32406

10. Field and Pool, or Exploratory Area
MONUMENT BUTTE

11. County or Parish, State
DUCHESNE COUNTY, UT

SUBMIT IN TRIPLICATE

1. Type of Well
 Oil Well Gas Well Other

2. Name of Operator
INLAND PRODUCTION COMPANY

3. Address and Telephone No.
Rt. 3 Box 3630, Myton Utah, 84052 435-646-3721

4. Location of Well (Footage, Sec., T., R., m., or Survey Description)
1755 FNL 767 FEL SE/NE Section 15, T9S R15E

12. CHECK APPROPRIATE BOX(es) TO INDICATE NATURE OF NOTICE, REPORT, OR OTHER DATA

TYPE OF SUBMISSION	TYPE OF ACTION
<input type="checkbox"/> Notice of Intent <input checked="" type="checkbox"/> Subsequent Report <input type="checkbox"/> Final Abandonment Notice	<input type="checkbox"/> Abandonment <input type="checkbox"/> Recompletion <input type="checkbox"/> Plugging Back <input type="checkbox"/> Casing Repair <input type="checkbox"/> Altering Casing <input checked="" type="checkbox"/> Other Spud Notice
	<input type="checkbox"/> Change of Plans <input type="checkbox"/> New Construction <input type="checkbox"/> Non-Routine Fracturing <input type="checkbox"/> Water Shut-Off <input type="checkbox"/> Conversion to Injection <input type="checkbox"/> Dispose Water

(Note: Report results of multiple completion on Well Completion or Recompletion Report and Log form.)

13. Describe Proposed or Completed Operations (Clearly state all pertinent details, and give pertinent dates, including estimated date of starting any proposed work. If well is directionally drilled, give subsurface locations and measured and true vertical depths for all markers and zones pertinent to this work.)*

On 01/27/04 MIRU Ross # 21. Spud well @ 9:00 am, Drill 305' of 12 1/4 hole with air mist, TIH w/7 Jts 8 5/8 J55 24# csqn. Set @ 316.02'/KB. On 01/29/04. Cement with 150 sks of Class "G" w/ 2% CaCL2 + 1/4# sk Cello-Flake Mixed @ 15.8 ppg > 1.17 cf/sk yeild. 4 bbls cement returned to surface. WOC.

FEB 02 2004

14. I hereby certify that the foregoing is true and correct

Signed Floyd Mitchell Title Drilling Foreman Date 01/30/04

CC: UTAH DOGM

(This space for Federal or State office use)

Approved by _____ Title _____ Date _____

Conditions of approval, if any:

CC: Utah DOGM

Title 18 U.S.C. Section 1001, makes it a crime for any person knowingly and willfully to make to any department or agency of the United States any false, fictitious or fraudulent statements or representations as to any matter within its jurisdiction.

INLAND PRODUCTION COMPANY - CASING & CEMENT REPORT

_____ **8 5/8** _____ CASING SET AT _____ **316.02** _____

LAST CASING 8 5/8" SET AT 316.02'
 DATUM 12.5 KB
 DATUM TO CUT OFF CASING _____
 DATUM TO BRADENHEAD FLANGE _____
 TD DRILLER 305 LOGGER _____
 HOLE SIZE 12 1/4

OPERATOR Inland Production Company
 WELL Ashley Fed 8-15-9-15
 FIELD/PROSPECT Monument Butte
 CONTRACTOR & RIG # Ross # 21

LOG OF CASING STRING:

PIECES	OD	ITEM - MAKE - DESCRIPTION	WT / FT	GRD	THREAD	CONDT	LENGTH
		43.03' sh jt' shjt					
		WHI - 92 csg head			8rd	A	0.95
7	8 5/8"	Maverick ST&C csg	24#	J-55	8rd	A	303.67
		GUIDE shoe			8rd	A	0.9

CASING INVENTORY BAL.	FEET	JTS	TOTAL LENGTH OF STRING	305.52
TOTAL LENGTH OF STRING	305.52	7	LESS CUT OFF PIECE	2
LESS NON CSG. ITEMS	1.85		PLUS DATUM TO T/CUT OFF CSG	12.5
PLUS FULL JTS. LEFT OUT	0		CASING SET DEPTH	316.02
TOTAL	303.67	7		

TOTAL CSG. DEL. (W/O THRDS)	303.67	7	} COMPARE
TIMING	1ST STAGE		
BEGIN RUN CSG.	SPUD	1/27/2004	GOOD CIRC THRU JOB <u>yes</u>
CSG. IN HOLE	1/28/2004	9:00 AM	Bbls CMT CIRC TO SURFACE <u>4 BBLs</u>
BEGIN CIRC	1/29/2004	9:33AM	RECIPROCATED PIPE FOR _____ THRU _____ FT STROKE
BEGIN PUMP CMT	1/29/2004	9:42AM	DID BACK PRES. VALVE HOLD ? <u>N/A</u>
BEGIN DSPL. CMT	1/29/2004	9:55AM	BUMPED PLUG TO _____ 780 _____ PSI
PLUG DOWN	Cemented	1/29/2004	10:02AM

CEMENT USED	CEMENT COMPANY- B. J.
STAGE	# SX
1	150
Class "G" w/ 2% CaCL2 + 1/4#/sk Cello-Flake mixed @ 15.8 ppg 1.17 cf/sk yield	

CENTRALIZER & SCRATCHER PLACEMENT	SHOW MAKE & SPACING
Centralizers - Middle first, top second & third for 3	

COMPANY REPRESENTATIVE Floyd Mitchell DATE 1/30/2004

UNITED STATES
DEPARTMENT OF THE INTERIOR
BUREAU OF LAND MANAGEMENT

FORM APPROVED
Budget Bureau No. 1004-0135
Expires: March 31, 1993

013 SUNDRY NOTICES AND REPORTS ON WELLS

Do not use this form for proposals to drill or to deepen or reentry a different reservoir.
Use "APPLICATION FOR PERMIT -" for such proposals

5. Lease Designation and Serial No.
UTU-66184

6. If Indian, Allottee or Tribe Name
NA

7. If Unit or CA, Agreement Designation
ASHLEY (GR RVR)

8. Well Name and No.
ASHLEY FEDERAL 8-15-9-15

9. API Well No. ⁶
43-013-32402

10. Field and Pool, or Exploratory Area
MONUMENT BUTTE

11. County or Parish, State
DUCHESNE COUNTY, UT

SUBMIT IN TRIPLICATE

1. Type of Well
 Oil Well Gas Well Other

2. Name of Operator
INLAND PRODUCTION COMPANY

3. Address and Telephone No.
Rt. 3 Box 3630, Myton Utah, 84052 435-646-3721

4. Location of Well (Footage, Sec., T., R., m., or Survey Description)
1755 FNL 767 FEL SE/NE Section 15, T9S R15E

12. CHECK APPROPRIATE BOX(S) TO INDICATE NATURE OF NOTICE, REPORT, OR OTHER DATA

TYPE OF SUBMISSION	TYPE OF ACTION
<input type="checkbox"/> Notice of Intent	<input type="checkbox"/> Abandonment
<input checked="" type="checkbox"/> Subsequent Report	<input type="checkbox"/> Recompletion
<input type="checkbox"/> Final Abandonment Notice	<input type="checkbox"/> Plugging Back
	<input type="checkbox"/> Casing Repair
	<input type="checkbox"/> Altering Casing
	<input checked="" type="checkbox"/> Other Weekly Status Report
	<input type="checkbox"/> Change of Plans
	<input type="checkbox"/> New Construction
	<input type="checkbox"/> Non-Routine Fracturing
	<input type="checkbox"/> Water Shut-Off
	<input type="checkbox"/> Conversion to Injection
	<input type="checkbox"/> Dispose Water

(Note: Report results of multiple completion on Well Completion or Recompletion Report and Log form.)

13. Describe Proposed or Completed Operations (Clearly state all pertinent details, and give pertinent dates, including estimated date of starting any proposed work. If well is directionally drilled, give subsurface locations and measured and true vertical depths for all markers and zones pertinent to this work.)*

On 08/08/04. MIRU Eagle Rig #1. Set equipment. Pressure test Bop's, Kelly, & TIW to 2,000 psi. Test 85/8" csgn to 1,500 psi. Vernal BLM office was notified of test. PU BHA and tag cement @ 260'. Drill out cement & shoe. Continue to drill a 77/8" hole with fresh water to a depth of 5992'. Lay down drill string, BHA. Open hole log from TD to surface. PU & MU guide shoe, 1 jt 51/2" J-55 15.5 # csgn. Float collar, & 141 Jt's 51/2" J-55 15.5# csgn. Set @ 5982' KB. Cement with 285 sks Prem Lite II w/ 3% KCL, 10% Gel, 3#"s sk CSE, 2#"s sk Kolseal, 5% Sms, 1/2# sks Celloflake. Mixed @ 11.0 ppg, >3.43 yld. Followed by 400 sks 50/50 Poz w/ 3% KCL, 2% Gel, .05% Static free, 1/4# sk Celloflake .3%SM. Mixed @ 14.4 ppg, > 1.24 yld. Good returns with 7 bbls cement return to pit. Nipple down BOP's. Drop slips @ 80,000 # 's tension. Clean pit's & release rig @ 6:00 am on 08-14-04.

14. I hereby certify that the foregoing is true and correct

Signed Floyd Mitchell Title Drilling Foreman Date August 11, 2004
Floyd Mitchell

CC: UTAH DOGM

(This space for Federal or State office use)

Approved by _____ Title _____ Date RECEIVED
Conditions of approval, if any: _____
CC: Utah DOGM AUG 17 2004

Title 18 U.S.C. Section 1001, makes it a crime for any person knowingly and willfully to make to any department or agency of the United States any false, fictitious or fraudulent statements or representations as to any matter within its jurisdiction.

DIV. OF OIL, GAS & MINING

INLAND PRODUCTION COMPANY - CASING & CEMENT REPORT

5 1/2" CASING SET AT 5982.1

Flt cllr @ 5971'

LAST CASING 8 5/8" SET AT 316'

OPERATOR Inland Production Company

DATUM 12' KB

WELL Ashley Fed 8-15-9-15

DATUM TO CUT OFF CASING 12

FIELD/PROSPECT Monument Butte

DATUM TO BRADENHEAD FLANGE _____

CONTRACTOR & RIG # Eagle # 1

TD DRILLER 5992' LOGGER 5990'

HOLE SIZE 7 7/8"

LOG OF CASING STRING:							
PIECES	OD	ITEM - MAKE - DESCRIPTION	WT / FT	GRD	THREAD	CONDT	LENGTH
		Landing Jt					
		36' @ 3898'					
141	5 1/2"	MAV LT & C casing	15.5#	J-55	8rd	A	5975.25
		Float collar					0.6
1	5 1/2"	MAV LT & C casing	15.5#	J-55	8rd	A	10
		GUIDE shoe			8rd	A	0.65
CASING INVENTORY BAL.			FEET	JTS	TOTAL LENGTH OF STRING		5986.5
TOTAL LENGTH OF STRING			5986.5	142	LESS CUT OFF PIECE		16.4
LESS NON CSG. ITEMS			15.25		PLUS DATUM TO T/CUT OFF CSG		12
PLUS FULL JTS. LEFT OUT			85.62	2	CASING SET DEPTH		5982.1
TOTAL			6056.87	144	} COMPARE		
TOTAL CSG. DEL. (W/O THRDS)			6070.87	144			
TIMING			1st STAGE	2nd STAGE			
BEGIN RUN CSG.			8/14/2004	12:30 AM	GOOD CIRC THRU JOB <u>Yes</u>		
CSG. IN HOLE			8/14/2004	3:30 AM	Bbls CMT CIRC TO SURFACE <u>7 BBLs</u>		
BEGIN CIRC			8/14/2004	3:30 AM	RECIPROCATED PIPE I N/A <u>THRUSTROKE</u>		
BEGIN PUMP CMT			8/14/2004	4:55 AM	DID BACK PRES. VALVE HOLD ? <u>Yes</u>		
BEGIN DSPL. CMT			8/14/2004	5:43 AM	BUMPED PLUG TO <u>2041</u> PSI		
PLUG DOWN			8/14/2004	6:06 AM			
CEMENT USED		CEMENT COMPANY- B. J.					
STAGE	# SX	CEMENT TYPE & ADDITIVES					
1	285	Premlite II w/ 10% gel + 3% KCL, 3#s /sk CSE + 2# sk/kolseal + 1/2#s/sk Cello Flake					
		mixed @ 11.0 ppg W / 3.43 cf/sk yield					
2	400	50/50 poz W/ 2% Gel + 3% KCL, .5%EC1, 1/4# sk C.F. 2% gel. 3% SM mixed @ 14.4 ppg W/ 1.24 YLD					
CENTRALIZER & SCRATCHER PLACEMENT				SHOW MAKE & SPACING			
Centralizers - Middle first, top second & third. Then every third collar for a total of 20.							

COMPANY REPRESENTATIVE Floyd Mitchell

DATE 8/14/2004

UNITED STATES
DEPARTMENT OF THE INTERIOR
BUREAU OF LAND MANAGEMENT

011

SUNDRY NOTICES AND REPORTS ON WELLS
Do not use this form for proposals to drill or to re-enter an abandoned well. Use Form 3160-3 (APD) for such proposals.

SUBMIT IN TRIPLICATE - Other Instructions on reverse side

1. Type of Well
 Oil Well Gas Well Other

2. Name of Operator
Inland Production Company

3a. Address Route 3 Box 3630
Myton, UT 84052

3b. Phone No. (include are code)
435.646.3721

4. Location of Well (Footage, Sec., T., R., M., or Survey Description)
1755 FNL 767 FEL
SE/NE Section 15 T9S R15E

5. Lease Serial No.

UTU66184

6. If Indian, Allottee or Tribe Name.

7. If Unit or CA/Agreement, Name and/or No.

ASHLEY PA A

8. Well Name and No.

ASHLEY FEDERAL 8-15-9-15

9. API Well No.

4301332406

10. Field and Pool, or Exploratory Area
Monument Butte

11. County or Parish, State

Duchesne, UT

12. CHECK APPROPRIATE BOX(ES) TO INDICATE NATURE OF NOTICE. OR OTHER DATA

TYPE OF SUBMISSION	TYPE OF ACTION			
<input type="checkbox"/> Notice of Intent	<input type="checkbox"/> Acidize	<input type="checkbox"/> Deepen	<input type="checkbox"/> Production(Start/Resume)	<input type="checkbox"/> Water Shut-Off
<input checked="" type="checkbox"/> Subsequent Report	<input type="checkbox"/> Alter Casing	<input type="checkbox"/> Fracture Treat	<input type="checkbox"/> Reclamation	<input type="checkbox"/> Well Integrity
<input type="checkbox"/> Final Abandonment Notice	<input type="checkbox"/> Casing Repair	<input type="checkbox"/> New Construction	<input type="checkbox"/> Recomplete	<input checked="" type="checkbox"/> Other
	<input type="checkbox"/> Change Plans	<input type="checkbox"/> Plug & Abandon	<input type="checkbox"/> Temporarily Abandon	Weekly Status Report
	<input type="checkbox"/> Convert to Injector	<input type="checkbox"/> Plug Back	<input type="checkbox"/> Water Disposal	

13. Describe Proposed or Completed Operation (clearly state all pertinent details, including estimated starting date of any proposed work and approximate duration thereof. If the proposal is to deepen directionally or recomplete horizontally, give subsurface locations and measured and true vertical depths of all pertinent markers and zones. Attach the Bond under which the work will be performed or provide the Bond No. on file with BLM/BIA. Required subsequent reports shall be filed within 30 days following completion of the involved operations. If the operation results in a multiple completion or recompletion in a new interval, a Form 3160-4 shall be filed once testing has been completed. Final Abandonment Notices shall be filed only after all requirements, including reclamation, have been completed, and the operator has determined that the site is ready for final inspection.)

Status report for time period 08/24/04 - 09/02/04

Subject well had completion procedures initiated in the Green River formation on 8/24/04 without the use of a service rig over the well. A cement bond log was run and a total of four Green River intervals were perforated and hydraulically fracture treated w/ 20/40 mesh sand. Perf intervals were #1 (5793-5800'), (5776-5780') (ALL 4 JSPF); #2 (5660-5670') (4 JSPF); #3 (4858-4866') (4 JSPF); #4 (4244-4254'), (4196-4202'), (4186-4190') (ALL 4 JSPF). Composite flow-through frac plugs were used between stages. Fracs were flowed back through chokes. A service rig was moved on well on 08/31/04. Bridge plugs were drilled out. Well was cleaned out to PBTD @ 5970'. Zones were swab tested for sand cleanup. A BHA & production tbg string were run in and anchored in well. End of tubing string @ 5852.03'. A new 1 1/2" bore rod pump was run in well on sucker rods. Well was placed on production via rod pump on 9/2/2004.

I hereby certify that the foregoing is true and correct

Name (Printed/ Typed)
Marnie Bryson

Title

Production Clerk

Signature

Marnie Bryson

Date

9/8/2004

THIS SPACE FOR FEDERAL OR STATE OFFICE USE

Approved by

Conditions of approval, if any, are attached. Approval of this notice does not warrant or certify that the applicant holds legal or equitable title to those rights in the subject lease which would entitle the applicant to conduct operations thereon.

Title

Date

Office

Title 18 U.S.C. Section 1001 and Title 43 U.S.C. Section 1212, make it a crime for any person knowingly and willfully to make to any department or agency of the United States any false, fictitious and fraudulent statements or representations as to any matter within its jurisdiction

(Instructions on reverse)

RECEIVED

SEP 09 2004

DIV. OF OIL, GAS & MINING

012

PAGE 05

STATE OF UTAH
DIVISION OF OIL, GAS AND MINING
ENTITY ACTION FORM - FORM 6

OPERATOR: INLAND PRODUCTION COMPANY
ADDRESS: RT. 3 BOX 3630
MYTON, UT 84052

OPERATOR ACCT. NO. N5160

ACTION CODE	CURRENT ENTITY NO.	NEW ENTITY NO.	API NUMBER	WELL NAME	WELL LOCATION					SPUD DATE	EFFECTIVE DATE
					QQ	SC	TP	RG	COUNTY		
C	14032	12419	43-013-32406	Ashley Federal 8-15-9-15	SE/NE	15	9S	15E	Duchesne		7/1/2004
WELL 1 COMMENTS: <i>GRRU</i> 9/15/04 K											
C	14283	12419	43-013-32440	Ashley Federal 14-15-9-15	SE/SW	15	9S	15E	Duchesne		7/1/2004
WELL 2 COMMENTS: <i>GRRU</i> 9/15/04 K											
C	14227	12419	43-013-32441	Ashley Federal 13-15-9-15	SW/SW	15	9S	15E	Duchesne		7/1/2004
WELL 3 COMMENTS: <i>GRRU</i> 9/15/04 K											
C	14239	12419	43-013-32472	Ashley Federal 11-15-9-15	NE/SW	15	9S	15E	Duchesne		7/1/2004
WELL 4 COMMENTS: <i>GRRU</i> 9/15/04 K											
C	14274	12419	43-013-32428	Ashley Federal 4-22-9-15	NW/NW	22	9S	15E	Duchesne		7/1/2004
WELL 5 COMMENTS: <i>GRRU</i> 9/15/04 K											

RECEIVED

SEP 15 2004

DIV. OF OIL, GAS & MINING

- ACTION CODES (See instructions on back of form)
- A - Establish new entity for new well (single well only)
 - B - Add new well to existing entity (group or unit well)
 - C - Re-assign well from one existing entity to another existing entity
 - D - Re-assign well from one existing entity to a new entity
 - E - Other: (explain in comments section)

NOTE: Use a COMMENT section to explain why each Action Code was selected.

Kebbie S. Jones
Signature Kebbie S. Jones

Production Clerk September 14, 2004

Title Date

INLAND

4356463031

08:53

09/15/2004

(388)

NEWFIELD



October 5, 2004

State of Utah, Division of Oil, Gas and Mining
Attn: Ms. Carol Daniels
P.O. Box 145801
Salt Lake City, Utah 84114-5801

Attn: Ms. Carol Daniels

Blackjack Federal 2-10-9-17 (43-013-32508)
Duchesne County, Utah

Ashley Fed. 8-15-9-15 (43-013-32406)
Duchesne County, Utah

Dear Ms. Carol Daniels

Enclosed is a Well Completion or Recompletion Report and Log form (Form 3160-4). We are no longer sending Log copies since Pat Grissom of Phoenix Surveys is already doing so.

If you should have any questions, please contact me at (303) 382-4449.

Sincerely,

Brian Harris
Engineering Tech

Enclosures

cc: Bureau of Land Management
Vernal District Office, Division of Minerals
Attn: Edwin I. Forsman
170 South 500 East
Vernal, Utah 84078

Well File - Denver
Well File - Roosevelt
Patsy Barreau/Denver
Bob Jewett/Denver
Marnie Bryson/Roosevelt

RECEIVED

OCT 0 / 2004

DIV. OF OIL, GAS & MINING

RECEIVED

14 01

SUBMIT IN DUPLICATE*
(See other instructions on reverse side)

FORM APPROVED
OMB NO. 1004-0137
Expires: February 28, 1995

**UNITED STATES
DEPARTMENT OF THE INTERIOR
BUREAU OF LAND MANAGEMENT**

WELL COMPLETION OR RECOMPLETION REPORT AND LOG*

1a. TYPE OF WORK
 OIL WELL GAS WELL DRY Other _____
 1b. TYPE OF WELL
 NEW WELL WORK OVER DEEPEN PLUG BACK DIFF RESVR. Other _____

5. LEASE DESIGNATION AND SERIAL NO.
UTU-66184
 6. IF INDIAN, ALLOTTEE OR TRIBE NAME
NA
 7. UNIT AGREEMENT NAME
Ashley Unit
 8. FARM OR LEASE NAME, WELL NO.
Ashley Federal 8-15-9-15

2. NAME OF OPERATOR
Newfield Exploration
 9. WELL NO.
43-013-32406

3. ADDRESS AND TELEPHONE NO.
1401 17th St. Suite 1000 Denver, CO 80202
 10. FIELD AND POOL OR WILDCAT
Monument Butte

4. LOCATION OF WELL (Report locations clearly and in accordance with any State requirements.)*
 At Surface 1755' FNL & 767' FEL (SE NE) Sec. 15, T9S, R15E
 At top prod. Interval reported below
 11. SEC., T., R., M. OR BLOCK AND SURVEY OR AREA
Sec. 15, T9S, R15E

14. API NO. 43-013-32406 DATE ISSUED 1/29/2003
 12. COUNTY OR PARISH Duchesne 13. STATE UT

15. DATE SPURRED 1/27/2004 16. DATE T.D. REACHED 8/14/2004 17. DATE COMPL. (Ready to prod.) 9/2/2004
 18. ELEVATIONS (DF, RKB, RT, GR, ETC.)* 6250' GL 6262' KB 19. ELEV. CASINGHEAD

20. TOTAL DEPTH, MD & TVD 5992' 21. PLUG BACK T.D., MD & TVD 5970'
 22. IF MULTIPLE COMPL., HOW MANY* 23. INTERVALS DRILLED BY -----> 23. ROTARY TOOLS X 23. CABLE TOOLS

24. PRODUCING INTERVAL(S), OF THIS COMPLETION--TOP, BOTTOM, NAME (MD AND TVD)*
Green River 4186'-5800'
 25. WAS DIRECTIONAL SURVEY MADE No

26. TYPE ELECTRIC AND OTHER LOGS RUN
Dual Induction Guard, SP, Compensated Density, Compensated Neutron, GR, Caliper, Cement Bond Log
 27. WAS WELL CORED No

23. CASING RECORD (Report all strings set in well)

CASING SIZE/GRADE	WEIGHT, LB/FT	DEPTH SET (MD)	HOLE SIZE	TOP OF CEMENT, CEMENTING RECORD	AMOUNT PULLED
8-5/8" - J-55	24#	316'	12-1/4"	To surface with 150 sx Class "G" cmt	
5-1/2" - J-55	15.5#	5982'	7-7/8"	285 sx Premiite II and 400 sx 50/50 Poz	

29. LINER RECORD 30. TUBING RECORD

SIZE	TOP (MD)	BOTTOM (MD)	SACKS CEMENT*	SCREEN (MD)	SIZE	DEPTH SET (MD)	PACKER SET (MD)
					2-7/8"	EOT @ 5852'	TA @ 5717'

31. PERFORATION RECORD (Interval, size and number) 32. ACID, SHOT, FRACTURE, CEMENT SQUEEZE, ETC.

INTERVAL	SIZE	SPF/NUMBER	DEPTH INTERVAL (MD)	AMOUNT AND KIND OF MATERIAL USED
(CP3) 5776-80', 5793-5800'	.041"	4/44	5776'-5800'	Frac w/ 19,306# 20/40 sand in 268 bbls fluid.
(CP1) 5660'-5670'	.041"	4/40	5660'-5670'	Frac w/ 59,588# 20/40 sand in 495 bbls fluid.
(C-sd) 4858-66'	.041"	4/32	4858'-4866'	Frac w/ 15,525# 20/40 sand in 217 bbls fluid.
(GB4,6) 4186-90', 4196-4202', 4244-54'	.041"	4/88	4186'-4254'	Frac w/ 66,213# 20/40 sand in 477 bbls fluid.

33.* PRODUCTION

DATE FIRST PRODUCTION 9/2/2004 PRODUCTION METHOD (Flowing, gas lift, pumping--size and type of pump) 2-1/2" x 1-1/2" x 15.5' RHAC Pump WELL STATUS (Producing or shut-in) PRODUCING

DATE OF TEST	HOURS TESTED	CHOKE SIZE	PROD'N. FOR TEST PERIOD	OIL--BBL.	GAS--MCF.	WATER--BBL.	GAS-OIL RATIO
10 day ave			---	12	38	7	3167

FLOW. TUBING PRESS.	CASING PRESSURE	CALCULATED 24-HOUR RATE	OIL--BBL.	GAS--MCF.	WATER--BBL.	OIL GRAVITY-API (CORR.)

34. DISPOSITION OF GAS (Sold, used for fuel, vented, etc.) Sold & Used for Fuel TEST WITNESSED BY

35. LIST OF ATTACHMENTS

36. I hereby certify that the foregoing and attached information is complete and correct as determined from all available records
 SIGNED Brian Harris TITLE Engineering Technician DATE 10/5/2004
 Brian Harris

RECEIVED

OCT 0 / 2004

DIV. OF OIL, GAS & MINING

37. SUMMARY OF POROUS ZONES: (Show all important zones of porosity and contents thereof; cored intervals, and all drill-stem, tests, including depth interval tested, cushion used, time tool open, flowing and shut-in pressures, and recoveries);

FORMATION	TOP	BOTTOM	DESCRIPTION, CONTENTS, ETC.	GEOLOGIC MARKERS		
				NAME	MEAS. DEPTH	TRUE VERT. DEPTH
			Well Name Ashley 8-15-9-15	Garden Gulch Mkr	3680'	
				Garden Gulch 1	3992'	
				Garden Gulch 2	3994'	
				Point 3 Mkr	4260'	
				X Mkr	4526'	
				Y-Mkr	4562'	
				Douglas Creek Mkr	4668'	
				BiCarbonate Mkr	4911'	
				B Limestone Mkr	5010'	
				Castle Peak	5590'	
				Basal Carbonate		
				Total Depth (LOGGERS)	5992'	

UNITED STATES
DEPARTMENT OF THE INTERIOR
BUREAU OF LAND MANAGEMENT

COPY

015

SUNDRY NOTICES AND REPORTS ON WELLS
Do not use this form for proposals to drill or to re-enter an abandoned well. Use Form 3160-3 (APD) for such proposals.

SUBMIT IN TRIPlicate - Other Instructions on reverse side		5. Lease Serial No. UTU66184
1. Type of Well <input checked="" type="checkbox"/> Oil Well <input type="checkbox"/> Gas Well <input type="checkbox"/> Other		6. If Indian, Allottee or Tribe Name.
2. Name of Operator Newfield Production Company		7. If Unit or CA/Agreement, Name and/or No. ASHLEY PA A
3a. Address Route 3 Box 3630 Myton, UT 84052	3b. Phone No. (include are code) 435.646.3721	8. Well Name and No. ASHLEY FEDERAL 8-15-9-15
4. Location of Well (Footage, Sec., T., R., M., or Survey Description) 1755 FNL 767 FEL SE/NE Section 15 T9S R15E		9. API Well No. 4301332406
		10. Field and Pool, or Exploratory Area Monument Butte
		11. County or Parish, State Duchesne, UT

12. CHECK APPROPRIATE BOX(ES) TO INDICATE NATURE OF NOTICE. OR OTHER DATA

TYPE OF SUBMISSION	TYPE OF ACTION			
<input type="checkbox"/> Notice of Intent	<input type="checkbox"/> Acidize	<input type="checkbox"/> Deepen	<input type="checkbox"/> Production(Start/Resume)	<input type="checkbox"/> Water Shut-Off
<input checked="" type="checkbox"/> Subsequent Report	<input type="checkbox"/> Alter Casing	<input type="checkbox"/> Fracture Treat	<input type="checkbox"/> Reclamation	<input type="checkbox"/> Well Integrity
<input type="checkbox"/> Final Abandonment Notice	<input type="checkbox"/> Casing Repair	<input type="checkbox"/> New Construction	<input type="checkbox"/> Recomplete	<input checked="" type="checkbox"/> Other Weekly Status Report
	<input type="checkbox"/> Change Plans	<input type="checkbox"/> Plug & Abandon	<input type="checkbox"/> Temporarily Abandon	
	<input type="checkbox"/> Convert to Injector	<input type="checkbox"/> Plug Back	<input type="checkbox"/> Water Disposal	

13. Describe Proposed or Completed Operation (clearly state all pertinent details, including estimated starting date of any proposed work and approximate duration thereof. If the proposal is to deepen directionally or recomplate horizontally, give subsurface locations and measured and true vertical depths of all pertinent markers and zones. Attach the Bond under which the work will be performed or provide the Bond No. on file with BLM/BIA. Required subsequent reports shall be filed within 30 days following completion of the involved operations. If the operation results in a multiple completion or recomplate in a new interval, a Form 3160-4 shall be filed once testing has been completed. Final Abandonment Notices shall be filed only after all requirements, including reclamation, have been completed, and the operator has determined that the site is ready for final inspection.)

Subject well had recomplate procedures initiated in the Green River formation on 10/26/04. Existing production equipment was pulled from well. A bit and scraper were run in well. One new Green River interval was perforated and hydraulically fracture treated as follows: Stage #1: A1 sands @ 5108-5114 and A3 sands @ 5122-5139'(ALL 4 JSPF) fraced w/79,678# 20/40 white sand in 629 bbls Lightning 17 fluid. Fracs were flowed back through chokes. Sand was cleaned from wellbore. New intervals were swab tested for sand cleanup. BHA & production tbg were run and anchored in well w/tubing anchor @ 5717', pump seating nipple @ 5785', and end of tubing string @ 5852'. A new 1 1/2" bore rod pump was run in well on sucker rods. Well returned to production via rod pump on 10-29-04.

RECEIVED

NOV 02 2004

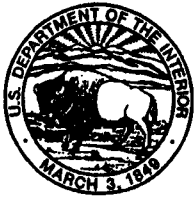
DIV. OF OIL, GAS & MINING

I hereby certify that the foregoing is true and correct Name (Printed/Typed) Renee Palmer	Title Production Clerk
Signature <i>Renee Palmer</i>	Date 11/1/2004

Approved by	Title	Date
Conditions of approval, if any, are attached. Approval of this notice does not warrant or certify that the applicant holds legal or equitable title to those rights in the subject lease which would entitle the applicant to conduct operations thereon.	Office	

Title 18 U.S.C. Section 1001 and Title 43 U.S.C. Section 1212, make it a crime for any person knowingly and willfully to make to any department or agency of the United States any false, fictitious and fraudulent statements or representations as to any matter within its jurisdiction

(Instructions on reverse)



United States Department of the Interior



BUREAU OF LAND MANAGEMENT

Utah State Office

P.O. Box 45155

Salt Lake City, UT 84145-0155

<http://www.blm.gov>

IN REPLY REFER TO:
3106
(UT-924)

September 16, 2004

Memorandum

To: Vernal Field Office

From: Acting Chief, Branch of Fluid Minerals

Subject: Merger Approval

Attached is an approved copy of the name change recognized by the Utah State Office. We have updated our records to reflect the merger from Inland Production Company into Newfield Production Company on September 2, 2004.

Michael Coulthard
Acting Chief, Branch of
Fluid Minerals

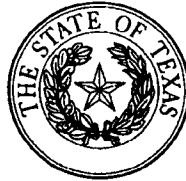
Enclosure

1. State of Texas Certificate of Registration

cc: MMS, Reference Data Branch, James Sykes, PO Box 25165, Denver CO 80225
State of Utah, DOGM, Attn: Earlene Russell, PO Box 145801, SLC UT 84114
Teresa Thompson
Joe Incardine
Connie Seare

UTSL-	15855	61052	73088	76561	
071572A	16535	62848	73089	76787	
065914	16539	63073B	73520A	76808	
	16544	63073D	74108	76813	
	17036	63073E	74805	76954	63073X
	17424	63073O	74806	76956	63098A
	18048	64917	74807	77233	68528A
UTU-	18399	64379	74808	77234	72086A
	19267	64380	74389	77235	72613A
02458	26026A	64381	74390	77337	73520X
03563	30096	64805	74391	77338	74477X
03563A	30103	64806	74392	77339	75023X
04493	31260	64917	74393	77357	76189X
05843	33992	65207	74398	77359	76331X
07978	34173	65210	74399	77365	76788X
09803	34346	65635	74400	77369	77098X
017439B	36442	65967	74404	77370	77107X
017985	36846	65969	74405	77546	77236X
017991	38411	65970	74406	77553	77376X
017992	38428	66184	74411	77554	78560X
018073	38429	66185	74805	78022	79485X
019222	38431	66191	74806	79013	79641X
020252	39713	67168	74826	79014	80207X
020252A	39714	67170	74827	79015	81307X
020254	40026	67208	74835	79016	
020255	40652	67549	74868	79017	
020309D	40894	67586	74869	79831	
022684A	41377	67845	74870	79832	
027345	44210	68105	74872	79833	
034217A	44426	68548	74970	79831	
035521	44430	68618	75036	79834	
035521A	45431	69060	75037	80450	
038797	47171	69061	75038	80915	
058149	49092	69744	75039	81000	
063597A	49430	70821	75075		
075174	49950	72103	75078		
096547	50376	72104	75089		
096550	50385	72105	75090		
	50376	72106	75234		
	50750	72107	75238		
10760	51081	72108	76239		
11385	52013	73086	76240		
13905	52018	73087	76241		
15392	58546	73807	76560		

Corporations Section
P.O.Box 13697
Austin, Texas 78711-3697



Geoffrey S. Connor
Secretary of State

Office of the Secretary of State

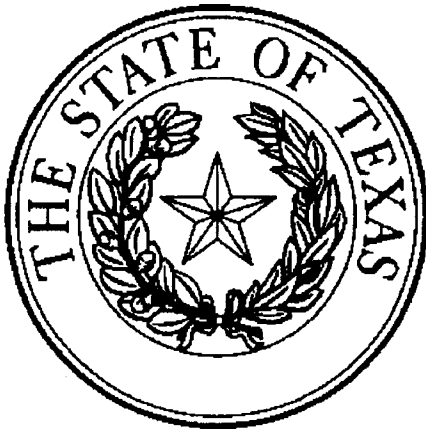
The undersigned, as Secretary of State of Texas, does hereby certify that the attached is a true and correct copy of each document on file in this office as described below:

Newfield Production Company
Filing Number: 41530400

Articles of Amendment

September 02, 2004

In testimony whereof, I have hereunto signed my name officially and caused to be impressed hereon the Seal of State at my office in Austin, Texas on September 10, 2004.



A handwritten signature in black ink, appearing to read "G. Connor".

Secretary of State

Come visit us on the internet at <http://www.sos.state.tx.us/>

PHONE(512) 463-5555
Prepared by: SOS-WEB

FAX(512) 463-5709

TTY7-1-1

ARTICLES OF AMENDMENT
TO THE
ARTICLES OF INCORPORATION
OF
INLAND PRODUCTION COMPANY

FILED
In the Office of the
Secretary of State of Texas
SEP 02 2004
Corporations Section

Pursuant to the provisions of Article 4.04 of the Texas Business Corporation Act (the "TBCA"), the undersigned corporation adopts the following articles of amendment to the articles of incorporation:

ARTICLE 1 – Name

The name of the corporation is Inland Production Company.

ARTICLE 2 – Amended Name

The following amendment to the Articles of Incorporation was approved by the Board of Directors and adopted by the shareholders of the corporation on August 27, 2004.

The amendment alters or changes Article One of the Articles of Incorporation to change the name of the corporation so that, as amended, Article One shall read in its entirety as follows:

“ARTICLE ONE – The name of the corporation is Newfield Production Company.”

ARTICLE 3 – Effective Date of Filing

This document will become effective upon filing.

The holder of all of the shares outstanding and entitled to vote on said amendment has signed a consent in writing pursuant to Article 9.10 of the TBCA, adopting said amendment, and any written notice required has been given.

IN WITNESS WHEREOF, the undersigned corporation has executed these Articles of Amendment as of the 1st day of September, 2004.

INLAND RESOURCES INC.

By: Susan G. Riggs
Susan G. Riggs, Treasurer

OPERATOR CHANGE WORKSHEET

016

Change of Operator (Well Sold)

Designation of Agent/Operator

X Operator Name Change

Merger

ROUTING

1. GLH
2. CDW
3. FILE

The operator of the well(s) listed below has changed, effective: **9/1/2004**

FROM: (Old Operator): N5160-Inland Production Company Route 3 Box 3630 Myton, UT 84052 Phone: 1-(435) 646-3721	TO: (New Operator): N2695-Newfield Production Company Route 3 Box 3630 Myton, UT 84052 Phone: 1-(435) 646-3721
---	--

CA No. Unit: ASHLEY

WELL(S)

NAME	SEC	TWN	RNG	API NO	ENTITY NO	LEASE TYPE	WELL TYPE	WELL STATUS	
ASHLEY ST 9-2-9-15	02	090S	150E	4301332438	12419	State	OW	P	K
ASHLEY ST 16-2-9-15	02	090S	150E	4301332439	12419	State	OW	P	K
ASHLEY FED 15-13-9-15	13	090S	150E	4301332454		Federal	OW	APD	K
ASHLEY FED 13-13-9-15	13	090S	150E	4301332455	14456	Federal	OW	DRL	K
ASHLEY FED 4-14-9-15	14	090S	150E	4301332398	12419	Federal	OW	P	K
ASHLEY FED 8-14-9-15	14	090S	150E	4301332399	12419	Federal	OW	P	K
ASHLEY FED 9-14-9-15	14	090S	150E	4301332400	12419	Federal	OW	P	K
ASHLEY FED 10-14-9-15	14	090S	150E	4301332401	12419	Federal	OW	P	K
ASHLEY FED 1-15-9-15	15	090S	150E	4301332402	12419	Federal	OW	P	K
ASHLEY FED 2-15-9-15	15	090S	150E	4301332403	12419	Federal	OW	P	K
ASHLEY FED 6-15-9-15	15	090S	150E	4301332404	12419	Federal	OW	P	K
ASHLEY FED 7-15-9-15	15	090S	150E	4301332405	12419	Federal	OW	P	K
ASHLEY FED 8-15-9-15	15	090S	150E	4301332406	12419	Federal	OW	P	K
ASHLEY FED 13-15-9-15	15	090S	150E	4301332441	12419	Federal	OW	P	K
ASHLEY FED 9-22-9-15	22	090S	150E	4301332427		Federal	OW	DRL	K
ASHLEY FED 4-22-9-15	22	090S	150E	4301332428	12419	Federal	OW	P	K
ASHLEY FED 3-22-9-15	22	090S	150E	4301332429	12419	Federal	OW	P	K
ASHLEY FED 16-23-9-15	23	090S	150E	4301332425	14567	Federal	OW	DRL	K
ASHLEY FED 9-23-9-15	23	090S	150E	4301332426		Federal	OW	DRL	K
ASHLEY FED 11-24-9-15	24	090S	150E	4301332424		Federal	OW	APD	K

OPERATOR CHANGES DOCUMENTATION

Enter date after each listed item is completed

- (R649-8-10) Sundry or legal documentation was received from the **FORMER** operator on: 9/15/2004
- (R649-8-10) Sundry or legal documentation was received from the **NEW** operator on: 9/15/2004
- The new company was checked on the **Department of Commerce, Division of Corporations Database** on: 2/23/2005
- Is the new operator registered in the State of Utah: YES Business Number: 755627-0143
- If **NO**, the operator was contacted contacted on:

6a. (R649-9-2)Waste Management Plan has been received on: IN PLACE
6b. Inspections of LA PA state/fee well sites complete on: waived

7. **Federal and Indian Lease Wells:** The BLM and or the BIA has approved the merger, name change, or operator change for all wells listed on Federal or Indian leases on: BLM BIA

8. **Federal and Indian Units:**
The BLM or BIA has approved the successor of unit operator for wells listed on: n/a

9. **Federal and Indian Communization Agreements ("CA"):**
The BLM or BIA has approved the operator for all wells listed within a CA on: na/

10. **Underground Injection Control ("UIC")** The Division has approved UIC Form 5, **Transfer of Authority to Inject**, for the enhanced/secondary recovery unit/project for the water disposal well(s) listed on: 2/23/2005

DATA ENTRY:

1. Changes entered in the **Oil and Gas Database** on: 2/28/2005
2. Changes have been entered on the **Monthly Operator Change Spread Sheet** on: 2/28/2005
3. Bond information entered in RBDMS on: 2/28/2005
4. Fee/State wells attached to bond in RBDMS on: 2/28/2005
5. Injection Projects to new operator in RBDMS on: 2/28/2005
6. Receipt of Acceptance of Drilling Procedures for APD/New on: waived

FEDERAL WELL(S) BOND VERIFICATION:

1. Federal well(s) covered by Bond Number: UT 0056

INDIAN WELL(S) BOND VERIFICATION:

1. Indian well(s) covered by Bond Number: 61BSBDH2912

FEE & STATE WELL(S) BOND VERIFICATION:

1. (R649-3-1) The **NEW** operator of any fee well(s) listed covered by Bond Number 61BSBDH2919
2. The **FORMER** operator has requested a release of liability from their bond on: n/a*
The Division sent response by letter on: n/a

LEASE INTEREST OWNER NOTIFICATION:

3. (R649-2-10) The **FORMER** operator of the fee wells has been contacted and informed by a letter from the Division of their responsibility to notify all interest owners of this change on: n/a

COMMENTS:

*Bond rider changed operator name from Inland Production Company to Newfield Production Company - received 2/23/05

STATE OF UTAH DEPARTMENT OF NATURAL RESOURCES DIVISION OF OIL, GAS, AND MINING		FORM 9
SUNDRY NOTICES AND REPORTS ON WELLS Do not use this form for proposals to drill new wells, significantly deepen existing wells below current bottom-hole depth, reenter plugged wells, or to drill horizontal laterals. Use APPLICATION FOR PERMIT TO DRILL form for such proposals.		5. LEASE DESIGNATION AND SERIAL NUMBER: UTU-66184
		6. IF INDIAN, ALLOTTEE OR TRIBE NAME:
1. TYPE OF WELL Oil Well		7. UNIT or CA AGREEMENT NAME: GMBU (GRRV)
2. NAME OF OPERATOR: NEWFIELD PRODUCTION COMPANY		8. WELL NAME and NUMBER: ASHLEY FED 8-15-9-15
3. ADDRESS OF OPERATOR: Rt 3 Box 3630 , Myton, UT, 84052		9. API NUMBER: 4301332406000
PHONE NUMBER: 435 646-4825 Ext		9. FIELD and POOL or WILDCAT: MONUMENT BUTTE
4. LOCATION OF WELL FOOTAGES AT SURFACE: 1755 FNL 0767 FEL QTR/QTR, SECTION, TOWNSHIP, RANGE, MERIDIAN: Qtr/Qtr: SENE Section: 15 Township: 09.0S Range: 15.0E Meridian: S		COUNTY: DUCHESNE
		STATE: UTAH

11.

CHECK APPROPRIATE BOXES TO INDICATE NATURE OF NOTICE, REPORT, OR OTHER DATA

TYPE OF SUBMISSION	TYPE OF ACTION		
<input type="checkbox"/> NOTICE OF INTENT Approximate date work will start:	<input type="checkbox"/> ACIDIZE	<input type="checkbox"/> ALTER CASING	<input type="checkbox"/> CASING REPAIR
<input checked="" type="checkbox"/> SUBSEQUENT REPORT Date of Work Completion: 11/8/2013	<input type="checkbox"/> CHANGE TO PREVIOUS PLANS	<input type="checkbox"/> CHANGE TUBING	<input type="checkbox"/> CHANGE WELL NAME
<input type="checkbox"/> SPUD REPORT Date of Spud:	<input checked="" type="checkbox"/> CHANGE WELL STATUS	<input type="checkbox"/> COMMINGLE PRODUCING FORMATIONS	<input checked="" type="checkbox"/> CONVERT WELL TYPE
<input type="checkbox"/> DRILLING REPORT Report Date:	<input type="checkbox"/> DEEPEN	<input type="checkbox"/> FRACTURE TREAT	<input type="checkbox"/> NEW CONSTRUCTION
	<input type="checkbox"/> OPERATOR CHANGE	<input type="checkbox"/> PLUG AND ABANDON	<input type="checkbox"/> PLUG BACK
	<input type="checkbox"/> PRODUCTION START OR RESUME	<input type="checkbox"/> RECLAMATION OF WELL SITE	<input type="checkbox"/> RECOMPLETE DIFFERENT FORMATION
	<input type="checkbox"/> REPERFORATE CURRENT FORMATION	<input type="checkbox"/> SIDETRACK TO REPAIR WELL	<input type="checkbox"/> TEMPORARY ABANDON
	<input type="checkbox"/> TUBING REPAIR	<input type="checkbox"/> VENT OR FLARE	<input type="checkbox"/> WATER DISPOSAL
	<input type="checkbox"/> WATER SHUTOFF	<input type="checkbox"/> SI TA STATUS EXTENSION	<input type="checkbox"/> APD EXTENSION
	<input type="checkbox"/> WILDCAT WELL DETERMINATION	<input type="checkbox"/> OTHER	OTHER: <input type="text"/>

12. DESCRIBE PROPOSED OR COMPLETED OPERATIONS. Clearly show all pertinent details including dates, depths, volumes, etc.

The subject well has been converted from a producing oil well to an injection well on 11/06/2011. On 11/07/2013 Chris Jensen with the State of Utah DOGM was contacted concerning the initial MIT on the above listed well. On 11/08/2013 the casing was pressured up to 1641 psig and charted for 30 minutes with no pressure loss. The well was not injecting during the test. The tubing pressure was 200 psig during the test. There was not a State representative available to witness the test.

**Accepted by the
Utah Division of
Oil, Gas and Mining**

Date: December 17, 2013

By: 

NAME (PLEASE PRINT) Lucy Chavez-Naupoto	PHONE NUMBER 435 646-4874	TITLE Water Services Technician
SIGNATURE N/A	DATE 11/11/2013	

Mechanical Integrity Test Casing or Annulus Pressure Test

Newfield Production Company
Rt 3 Box 3630
Myton, UT 84052
435-646-3721

Witness: _____ Date 11/8/13 Time 11:23 am pm
Test Conducted by: Kevin Powell
Others Present: Mike Jensen

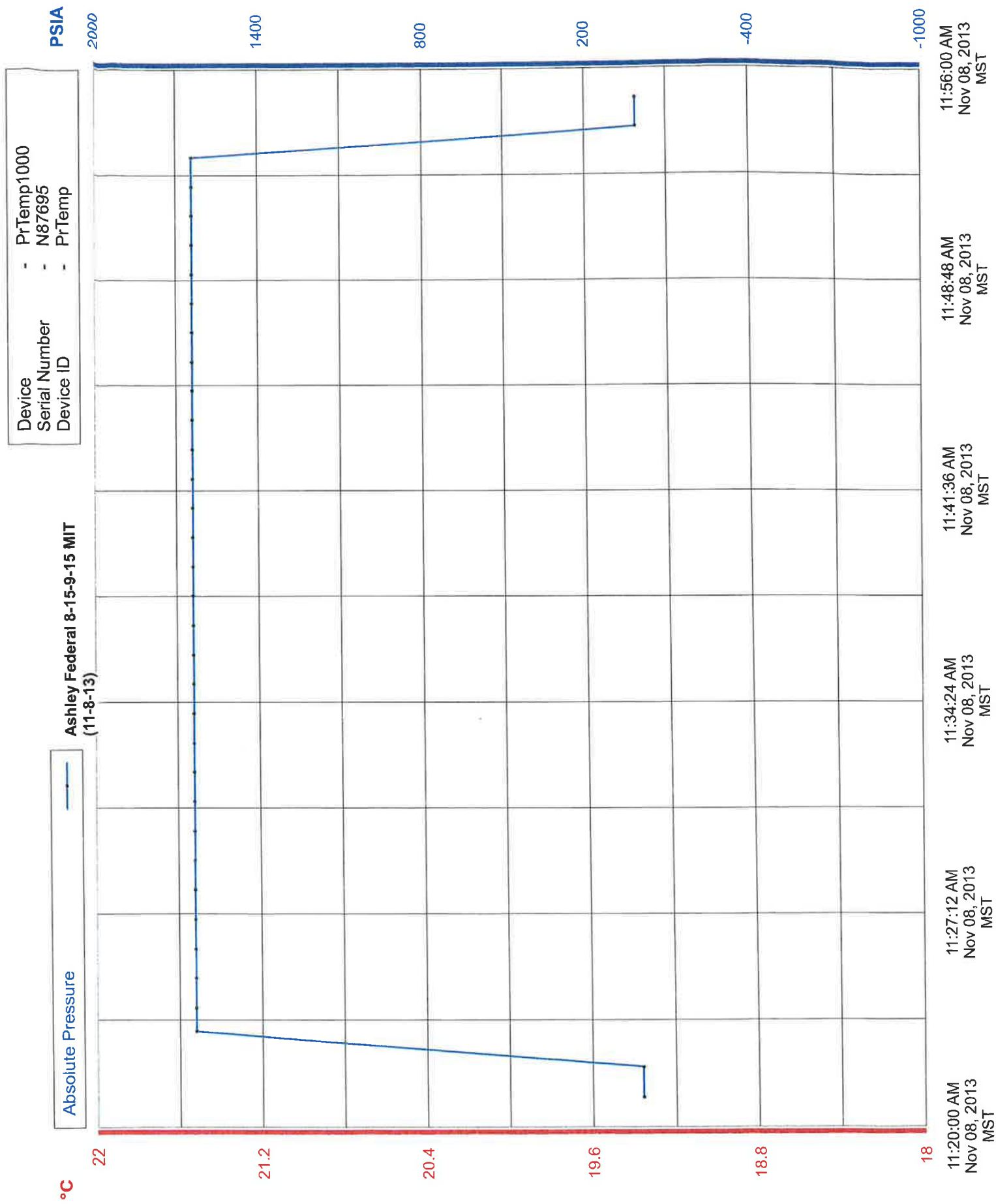
Well: <u>Ashley Federal 815-9-15</u>	Field: <u>Monument Butte</u>
Well Location: <u>SE/NE Sec. 15, T4S, R15E</u> <u>Duchesne County, Utah</u>	API No: <u>43-013-32406</u>

<u>Time</u>	<u>Casing Pressure</u>	
0 min	<u>1641</u>	psig
5	<u>1641</u>	psig
10	<u>1641</u>	psig
15	<u>1641</u>	psig
20	<u>1641</u>	psig
25	<u>1641</u>	psig
30 min	<u>1641</u>	psig
35		psig
40		psig
45		psig
50		psig
55		psig
60 min		psig

Tubing pressure: 200 psig

Result: Pass Fail

Signature of Witness: _____
Signature of Person Conducting Test: Kevin Powell



Daily Activity Report

Format For Sundry

ASHLEY 8-15-9-15**9/1/2013 To 1/30/2014****11/5/2013 Day: 1****Conversion**

WWS #3 on 11/5/2013 - UNSEAT PUMP W/ 6000 OVER STRING WT FLUSH RODS W/ 30 BBLS RESEAT PUMP SOFT SEAT & TEST TO 3000 PSI W/ 2 BBLS TOOHD LD RODS AS FOLLOWS 99 3/4 GUIDED, - 8-15-9-15 WAIT FOR CRUED HAULLER TO FILL & LEAVE LOC MIRU RD PUMPING UNIT PUMP 60 BBLS DOWN CSG UNSEAT PUMP W/ 6000 OVER STRING WT FLUSH RODS W/ 30 BBLS RESEAT PUMP SOFT SEAT & TEST TO 3000 PSI W/ 2 BBLS TOOHD LD RODS AS FOLLOWS 99 3/4 GUIDED, 55 3/4 SLICK RODS FLUSH W/ 25 BBLS ON TOOHD W/ RODS. SWIFN @ 6:00 6:00-7:00 CREW TRAVEL - 8-15-9-15 WAIT FOR CRUED HAULLER TO FILL & LEAVE LOC MIRU RD PUMPING UNIT PUMP 60 BBLS DOWN CSG UNSEAT PUMP W/ 6000 OVER STRING WT FLUSH RODS W/ 30 BBLS RESEAT PUMP SOFT SEAT & TEST TO 3000 PSI W/ 2 BBLS TOOHD LD RODS AS FOLLOWS 99 3/4 GUIDED, 55 3/4 SLICK RODS FLUSH W/ 25 BBLS ON TOOHD W/ RODS. SWIFN @ 6:00 6:00-7:00 CREW TRAVEL - 8-15-9-15 WAIT FOR CRUED HAULLER TO FILL & LEAVE LOC MIRU RD PUMPING UNIT PUMP 60 BBLS DOWN CSG UNSEAT PUMP W/ 6000 OVER STRING WT FLUSH RODS W/ 30 BBLS RESEAT PUMP SOFT SEAT & TEST TO 3000 PSI W/ 2 BBLS TOOHD LD RODS AS FOLLOWS 99 3/4 GUIDED, 55 3/4 SLICK RODS FLUSH W/ 25 BBLS ON TOOHD W/ RODS. SWIFN @ 6:00 6:00-7:00 CREW TRAVEL **Finalized**

Daily Cost: \$0**Cumulative Cost:** \$17,599**11/6/2013 Day: 2****Conversion**

WWS #3 on 11/6/2013 - 7:00 FLUSH RODS W/ 20 BBLS, CONT TOOHD LD RODS AS FOLLOWS,1 1/2 X 22' POLISH ROD, 99 3/4 GUIDED, 55 3/4 SLICK RODS, 70 3/4 GUIDED RODS, 6- 1 1/2 WT BARS & PUMP.9:00 - 6:00-7:00 CREW TRAVEL & SAFETY MTG 7:00 FLUSH RODS W/ 20 BBLS, CONT TOOHD LD RODS AS FOLLOWS,1 1/2 X 22' POLISH ROD, 99 3/4 GUIDED, 55 3/4 SLICK RODS, 70 3/4 GUIDED RODS, 6- 1 1/2 WT BARS & PUMP.9:00 9:00 X-OVER TO TBG EQUIP, RELEASE TAC RU FLOOR & TBG WORKS, TOOHD BERAKING & REDOPING & TALLEYING TOTAL OF 127 JTS LD 54 JTS & BHA 3:30 PU & TIH W/WL RE-ENTRY TOOL,XN-NIPPLE, 2 3/8 PUP JT, X-OVER, AS-1 PKR, ON OFF TOOL, PSN, 127 JTS PUMP 30 BBL PAD DROP SV PRESS TBG TO 3000 PSI W/ 20 BBLS CHK PRESS IN AM 5:30-6:30 CREW TRAVEL - 6:00-7:00 CREW TRAVEL & SAFETY MTG 7:00 FLUSH RODS W/ 20 BBLS, CONT TOOHD LD RODS AS FOLLOWS,1 1/2 X 22' POLISH ROD, 99 3/4 GUIDED, 55 3/4 SLICK RODS, 70 3/4 GUIDED RODS, 6- 1 1/2 WT BARS & PUMP.9:00 9:00 X-OVER TO TBG EQUIP, RELEASE TAC RU FLOOR & TBG WORKS, TOOHD BERAKING & REDOPING & TALLEYING TOTAL OF 127 JTS LD 54 JTS & BHA 3:30 PU & TIH W/WL RE-ENTRY TOOL,XN-NIPPLE, 2 3/8 PUP JT, X-OVER, AS-1 PKR, ON OFF TOOL, PSN, 127 JTS PUMP 30 BBL PAD DROP SV PRESS TBG TO 3000 PSI W/ 20 BBLS CHK PRESS IN AM 5:30-6:30 CREW TRAVEL - 6:00-7:00 CREW TRAVEL & SAFETY MTG 7:00 FLUSH RODS W/ 20 BBLS, CONT TOOHD LD RODS AS FOLLOWS,1 1/2 X 22' POLISH ROD, 99 3/4 GUIDED, 55 3/4 SLICK RODS, 70 3/4 GUIDED RODS, 6- 1 1/2 WT BARS & PUMP.9:00 9:00 X-OVER TO TBG EQUIP, RELEASE TAC RU FLOOR & TBG WORKS, TOOHD BERAKING & REDOPING & TALLEYING TOTAL OF 127 JTS LD 54 JTS & BHA 3:30 PU & TIH W/WL RE-ENTRY TOOL,XN-NIPPLE, 2 3/8 PUP JT, X-OVER, AS-1 PKR, ON OFF TOOL, PSN, 127 JTS PUMP 30 BBL PAD DROP SV PRESS TBG TO 3000 PSI W/ 20 BBLS CHK PRESS IN AM 5:30-6:30 CREW TRAVEL **Finalized**

Daily Cost: \$0**Cumulative Cost:** \$24,762

11/7/2013 Day: 3**Conversion**

WWS #3 on 11/7/2013 - CREW TRAVEL & SAFETY MTG 7:00 THAW OUT WELL HEAD, CHK PRESS ON WELL 2700 PRESS UP TBG TO 3000 PSI GET GOOD TEST - 6:00-7:00 CREW TRAVEL & SAFETY MTG 7:00 THAW OUT WELL HEAD, CHK PRESS ON WELL 2700 PRESS UP TBG TO 3000 PSI GET GOOD TEST @9:00 9:00 FISH SV RD RIG FLOOR LAND TBG W/ B-1 ADAPTOR FLANGE PUMP 70 BBLS FRESH WATER & PKR FLUID, SET PKR W/ 1500 TENSION, LAND TBG W/ 3K INJ TREE NU WELL HEAD W/ PSN @ 4129.03, PKR CE @ 4136.25, EOT @ 4145.27 PRESS UP CSG TO 1500 PSI GET GOOD TEST @ 12:30 RDMO @ 1:00 - 6:00-7:00 CREW TRAVEL & SAFETY MTG 7:00 THAW OUT WELL HEAD, CHK PRESS ON WELL 2700 PRESS UP TBG TO 3000 PSI GET GOOD TEST @9:00 9:00 FISH SV RD RIG FLOOR LAND TBG W/ B-1 ADAPTOR FLANGE PUMP 70 BBLS FRESH WATER & PKR FLUID, SET PKR W/ 1500 TENSION, LAND TBG W/ 3K INJ TREE NU WELL HEAD W/ PSN @ 4129.03, PKR CE @ 4136.25, EOT @ 4145.27 PRESS UP CSG TO 1500 PSI GET GOOD TEST @ 12:30 RDMO @ 1:00 - 6:00-7:00 CREW TRAVEL & SAFETY MTG 7:00 THAW OUT WELL HEAD, CHK PRESS ON WELL 2700 PRESS UP TBG TO 3000 PSI GET GOOD TEST @9:00 9:00 FISH SV RD RIG FLOOR LAND TBG W/ B-1 ADAPTOR FLANGE PUMP 70 BBLS FRESH WATER & PKR FLUID, SET PKR W/ 1500 TENSION, LAND TBG W/ 3K INJ TREE NU WELL HEAD W/ PSN @ 4129.03, PKR CE @ 4136.25, EOT @ 4145.27 PRESS UP CSG TO 1500 PSI GET GOOD TEST @ 12:30 RDMO @ 1:00

Finalized**Daily Cost:** \$0**Cumulative Cost:** \$28,768

11/11/2013 Day: 4**Conversion**

Rigless on 11/11/2013 - Conduct initial MIT - On 11/07/2013 Chris Jensen with the State of Utah DOGM was contacted concerning the initial MIT on the above listed well. On 11/08/2013 the casing was pressured up to 1641 psig and charted for 30 minutes with no pressure loss. The well was not injecting during the test. The tubing pressure was 200 psig during the test. There was not a State representative available to witness the test. - On 11/07/2013 Chris Jensen with the State of Utah DOGM was contacted concerning the initial MIT on the above listed well. On 11/08/2013 the casing was pressured up to 1641 psig and charted for 30 minutes with no pressure loss. The well was not injecting during the test. The tubing pressure was 200 psig during the test. There was not a State representative available to witness the test. - On 11/07/2013 Chris Jensen with the State of Utah DOGM was contacted concerning the initial MIT on the above listed well. On 11/08/2013 the casing was pressured up to 1641 psig and charted for 30 minutes with no pressure loss. The well was not injecting during the test. The tubing pressure was 200 psig during the test. There was not a State representative available to witness the test. **Finalized**

Daily Cost: \$0**Cumulative Cost:** \$54,480

Pertinent Files: Go to File List

Ashley Federal 8-15-9-15

Spud Date: 1/27/04
 Put on Production: 9/2/04
 GL: 6251' KB: 6283'

Injection Wellbore Diagram

SURFACE CASING

CSG SIZE: 8-5/8"
 GRADE: J-55
 WEIGHT: 24#
 LENGTH: 7 jts. (295.17')
 DEPTH LANDED: 316.02' KB
 HOLE SIZE: 12-1/4"
 CEMENT DATA: 150 sxs Class "G" cmt, est 7 bbls cmt to surf.

PRODUCTION CASING

CSG SIZE: 5-1/2"
 GRADE: J-55
 WEIGHT: 15.5#
 LENGTH: 142 jts. (5986.5')
 DEPTH LANDED: 5982.1' KB
 HOLE SIZE: 7-7/8"
 CEMENT DATA: 285 sxs Prem, Lite II mixed & 400 sxs 50/50 POZ.
 CEMENT TOP AT: 0'

TUBING

SIZE/GRADE/WT.: 2-7/8" / J-55 / 6.5#
 NO. OF JOINTS: 127 jts (4117')
 SEATING NIPPLE: 2-7/8" (1.10')
 SN LANDED AT: 4129' KB
 ON/OFF TOOL AT: 4130.1'
 ARROW #1 PACKER CE AT: 4135.4'
 XO 2-3/8 x 2-7/8 J-55 AT: 4139.1'
 TBG PUP 2-3/8 J-55 AT: 4139.6'
 X/N NIPPLE AT: 4143.8'
 TOTAL STRING LENGTH: EOT @ 4145.27'

FRAC JOB

8/25/04 5776'-5800' **Frac CP3 sands as follows:**
 19,306# 20/40 sand in 268 bbls Lightning
 Frac 17 fluid. Treated @ avg press of 2225 psi
 w/avg rate of 24.7 BPM. ISIP 2275 psi. Calc
 flush: 5774 gal, Actual flush: 5775 gal.

8/25/04 5660'-5670' **Frac CP 1 sands as follows:**
 59,588# 20/40 sand in 495 bbls Lightning
 Frac 17 fluid. Treated @ avg press of 1890 psi
 w/avg rate of 24.9 BPM. ISIP 2125 psi. Calc
 flush: 5658 gal, Actual flush: 5657 gal.

8/31/04 4858'-4866' **Frac C sands as follows:**
 15,525# 20/40 sand in 217 bbls Lightning
 Frac 17 fluid. Treated @ avg press of 2370 psi
 w/avg rate of 24.7 BPM. ISIP 2200 psi. Calc
 flush: 4856 gal, Actual flush: 4855 gal.

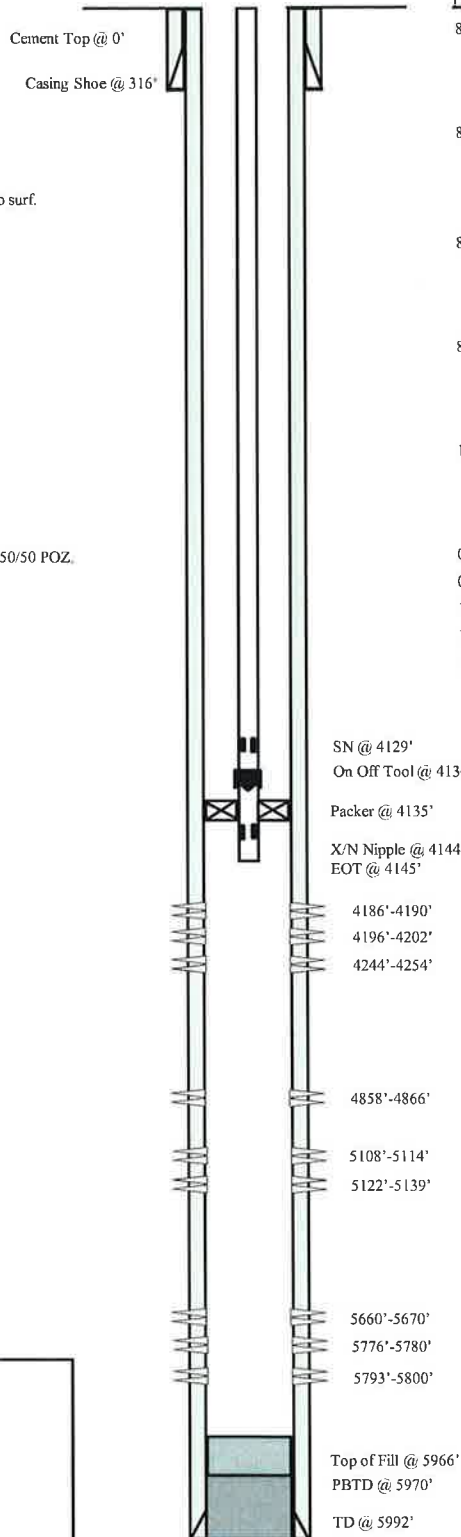
8/31/04 4186'-4254' **Frac GB4 and 6 sands as follows:**
 66,213# 20/40 sand in 477 bbls Lightning
 Frac 17 fluid. Treated @ avg press of 2095 psi
 w/avg rate of 24.8 BPM. ISIP 2200 psi. Calc
 flush: 4184 gal, Actual flush: 3360 gal.

10/27/04 5108'-5139' **Frac A1 and 3 sands as follows:**
 79,678# 20/40 sand in 629 bbls Lightning
 Frac 17 fluid. Treated @ avg press of 3709 psi
 w/avg rate of 14.8 BPM. ISIP 2370 psi. Calc
 flush: 1384 gal, Actual flush: 1176 gal.

01/28/05 **Tubing Leak.**
 06/29/05 **Pump Change**
 10/07/05 **Tubing Leak.** Detailed tubing and rod update.
 11/06/13 **Convert to Injection Well**
 11/08/13 **Conversion MIT Finalized** - update tbg detail

PERFORATION RECORD

Date	Interval	Holes	Notes
8/25/04	5793'-5800'	4 JSPF	28 holes
8/25/04	5776'-5780'	4 JSPF	16 holes
8/31/04	5660'-5670'	4 JSPF	40 holes
8/31/04	4858'-4866'	4 JSPF	32 holes
8/31/04	4244'-4254'	4 JSPF	40 holes
8/31/04	4196'-4202'	4 JSPF	32 holes
8/31/04	4186'-4190'	4 JSPF	16 holes
10/27/04	5122'-5139'	4 JSPF	68 holes
10/27/04	5108'-5114'	4 JSPF	24 holes





Ashley Federal 8-15-9-15
 1755 FNL & 767 FEL
 SE/NE Sec. 15, T9S R17E
 Duchesne, County
 API# 43-013-32406; Lease# UTU-66184

STATE OF UTAH DEPARTMENT OF NATURAL RESOURCES DIVISION OF OIL, GAS, AND MINING		FORM 9
SUNDRY NOTICES AND REPORTS ON WELLS Do not use this form for proposals to drill new wells, significantly deepen existing wells below current bottom-hole depth, reenter plugged wells, or to drill horizontal laterals. Use APPLICATION FOR PERMIT TO DRILL form for such proposals.		5. LEASE DESIGNATION AND SERIAL NUMBER: UTU-66184
		6. IF INDIAN, ALLOTTEE OR TRIBE NAME:
1. TYPE OF WELL Water Injection Well		7. UNIT or CA AGREEMENT NAME: GMBU (GRRV)
2. NAME OF OPERATOR: NEWFIELD PRODUCTION COMPANY		8. WELL NAME and NUMBER: ASHLEY FED 8-15-9-15
3. ADDRESS OF OPERATOR: Rt 3 Box 3630 , Myton, UT, 84052		9. API NUMBER: 43013324060000
PHONE NUMBER: 435 646-4825 Ext		9. FIELD and POOL or WILDCAT: MONUMENT BUTTE
4. LOCATION OF WELL FOOTAGES AT SURFACE: 1755 FNL 0767 FEL QTR/QTR, SECTION, TOWNSHIP, RANGE, MERIDIAN: Qtr/Qtr: SENE Section: 15 Township: 09.0S Range: 15.0E Meridian: S		COUNTY: DUCHESNE
		STATE: UTAH

11.

CHECK APPROPRIATE BOXES TO INDICATE NATURE OF NOTICE, REPORT, OR OTHER DATA

TYPE OF SUBMISSION	TYPE OF ACTION		
<input type="checkbox"/> NOTICE OF INTENT Approximate date work will start:	<input type="checkbox"/> ACIDIZE	<input type="checkbox"/> ALTER CASING	<input type="checkbox"/> CASING REPAIR
<input checked="" type="checkbox"/> SUBSEQUENT REPORT Date of Work Completion: 1/8/2014	<input type="checkbox"/> CHANGE TO PREVIOUS PLANS	<input type="checkbox"/> CHANGE TUBING	<input type="checkbox"/> CHANGE WELL NAME
<input type="checkbox"/> SPUD REPORT Date of Spud:	<input checked="" type="checkbox"/> CHANGE WELL STATUS	<input type="checkbox"/> COMMINGLE PRODUCING FORMATIONS	<input checked="" type="checkbox"/> CONVERT WELL TYPE
<input type="checkbox"/> DRILLING REPORT Report Date:	<input type="checkbox"/> DEEPEN	<input type="checkbox"/> FRACTURE TREAT	<input type="checkbox"/> NEW CONSTRUCTION
	<input type="checkbox"/> OPERATOR CHANGE	<input type="checkbox"/> PLUG AND ABANDON	<input type="checkbox"/> PLUG BACK
	<input type="checkbox"/> PRODUCTION START OR RESUME	<input type="checkbox"/> RECLAMATION OF WELL SITE	<input type="checkbox"/> RECOMPLETE DIFFERENT FORMATION
	<input type="checkbox"/> REPERFORATE CURRENT FORMATION	<input type="checkbox"/> SIDETRACK TO REPAIR WELL	<input type="checkbox"/> TEMPORARY ABANDON
	<input type="checkbox"/> TUBING REPAIR	<input type="checkbox"/> VENT OR FLARE	<input type="checkbox"/> WATER DISPOSAL
	<input type="checkbox"/> WATER SHUTOFF	<input type="checkbox"/> SI TA STATUS EXTENSION	<input type="checkbox"/> APD EXTENSION
	<input type="checkbox"/> WILDCAT WELL DETERMINATION	<input type="checkbox"/> OTHER	OTHER: <input style="width: 100px;" type="text"/>

12. DESCRIBE PROPOSED OR COMPLETED OPERATIONS. Clearly show all pertinent details including dates, depths, volumes, etc.

The above reference well was put on injection at 3:15 PM on
01/08/2014.

**Accepted by the
Utah Division of
Oil, Gas and Mining
FOR RECORD ONLY
January 09, 2014**

NAME (PLEASE PRINT) Lucy Chavez-Naupoto	PHONE NUMBER 435 646-4874	TITLE Water Services Technician
SIGNATURE N/A	DATE 1/9/2014	



GARY R. HERBERT
Governor

SPENCER J. COX
Lieutenant Governor

State of Utah

DEPARTMENT OF NATURAL RESOURCES

MICHAEL R. STYLER
Executive Director

Division of Oil, Gas and Mining

JOHN R. BAZA
Division Director

UNDERGROUND INJECTION CONTROL PERMIT


Cause No. UIC-370

Operator: Newfield Production Company
Well: Ashley Federal 8-15-9-15
Location: Section 15, Township 9 South, Range 15 East
County: Duchesne
API No.: 43-013-32406
Well Type: Enhanced Recovery (waterflood)

Stipulations of Permit Approval

1. Approval for conversion to Injection Well issued on February 24, 2011.
2. Maximum Allowable Injection Pressure: 2,000 psig
3. Maximum Allowable Injection Rate: (restricted by pressure limitation)
4. Injection Interval: Green River Formation (3,993' – 5,970')
5. Any subsequent wells drilled within a ½ mile radius of this well shall have production casing cement brought up to or above the top of the unitized interval for the Greater Monument Butte Unit.

Approved by: _____


John Rogers
Associate Director

1/6/2011
Date

JR/MLR/js

cc: Bruce Suchomel, Environmental Protection Agency
Bureau of Land Management, Vernal
Ute Tribe
Jill Loyle, Newfield Production Company, Denver
Newfield Production Company, Myton
Duchesne County
Well File

N:\O&G Reviewed Docs\ChronFile\UIC





GARY R. HERBERT
Governor

GREGORY S. BELL
Lieutenant Governor

State of Utah

DEPARTMENT OF NATURAL RESOURCES

MICHAEL R. STYLER
Executive Director

Division of Oil, Gas and Mining

JOHN R. BAZA
Division Director

February 24, 2011

Newfield Production Company
1001 Seventeenth Street, Suite 2000
Denver, CO 80202

Subject: Greater Monument Butte Unit Well: Ashley Federal 8-15-9-15, Section 15, Township 9 South, Range 15 East, SLBM, Duchesne County, Utah, API Well # 43-013-32406

Gentlemen:

Pursuant to Utah Admin. Code R649-5-3-3, the Division of Oil, Gas and Mining (the "Division") issues its administrative approval for conversion of the referenced well to a Class II injection well. Accordingly, the following stipulations shall apply for full compliance with this approval:

1. Compliance with all applicable requirements for the operation, maintenance and reporting for Underground Injection Control ("UIC") Class II injection wells pursuant to Utah Admin. Code R649-1 et seq.
2. Conformance with all conditions and requirements of the complete application submitted by Newfield Production Company.
3. A casing\tubing pressure test shall be conducted prior to commencing injection.
4. Pressure shall be monitored between the surface casing and the production casing on a regular basis. Any pressure changes observed shall be reported to the Division immediately.

A final approval to commence injection will be issued upon satisfactory completion of the listed stipulations. If you have any questions regarding this approval or the necessary requirements, please contact Mark Reinbold at 801-538-5333 or Brad Hill at 801-538-5315.

Sincerely,

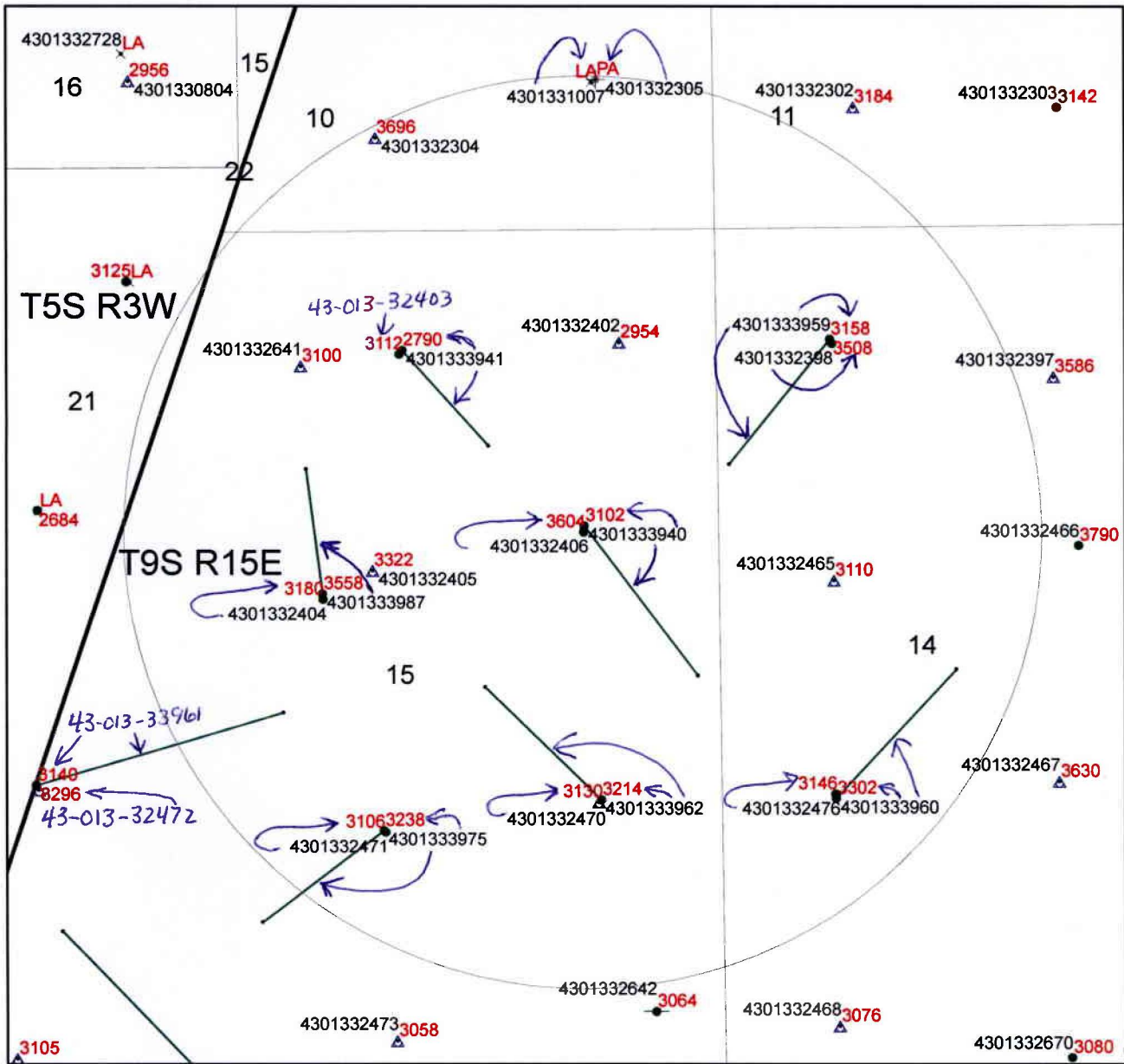
John Rogers
Associate Director

JR/MLR/js

cc: Bruce Suchomel, Environmental Protection Agency
Bureau of Land Management, Vernal
Duchesne County
Ute Tribe
Newfield Production Company, Myton
Well File

N:\O&G Reviewed Docs\ChronFile\UIC





Cement Bond Tops

ASHLEY FEDERAL 8-15-9-15

API #43-013-32406

UIC-370.6

Legend

- | | |
|---|-------------------------------------|
| Buffer_of_SGID93_ENERGY_DNROIiGasWells_29 | PRODUCING OIL |
| GAS INJECTION | SHUT-IN GAS |
| TW | SHUT-IN OIL |
| TA | TEMP. ABANDONED |
| OPS | TEST WELL |
| GS | WATER INJECTION |
| APD | WATER SUPPLY |
| PA | WATER DISPOSAL |
| LA | DRILLING |
| GAS STORAGE | RETURNED GAS |
| LOCATION ABANDONED | RETURNED OIL |
| NEW LOCATION | GAS INJECTION SI |
| PLUGGED & ABANDONED | WATER DISP. SUSP. |
| PRODUCING GAS | WATER INJ. SUSP. |
| Townships | |
| Sections | |
| | Wells-CbitopsMaster2_23_11 |
| | SGID93 ENERGY.DNROIiGasWells_HDPATH |



1870calc = approx cement top calculated from well completion report



**DIVISION OF OIL, GAS AND MINING
UNDERGROUND INJECTION CONTROL PROGRAM
PERMIT
STATEMENT OF BASIS**

Applicant: Newfield Production Company **Well:** Ashley Federal 8-15-9-15

Location: 15/9S/15E **API:** 43-013-32406

Ownership Issues: The proposed well is located on BLM land. The well is located in the Greater Monument Butte Unit. Lands in the one-half mile radius of the well are administered by the BLM and the Bureau of Indian Affairs (BIA). The Federal Government (BLM) and BIA are the mineral owners within the area of review (AOR). Newfield and other various individuals hold the leases in the unit. Newfield has provided a list of all surface, mineral and leaseholders in the half-mile radius. Newfield is the operator of the Greater Monument Butte Unit. Newfield has submitted an affidavit stating that all owners and interest owners have been notified of their intent.

Well Integrity: The proposed well has surface casing set at 316 feet and has a cement top at the surface. A 5½ inch production casing is set at 5,982 feet. A cement bond log demonstrates adequate bond in this well up to 3,604 feet. A 2 7/8 inch tubing with a packer will be set at 4,136 feet. Higher perforations will be opened at a later date. A mechanical integrity test will be run on the well prior to injection. Based on surface locations, there are 13 producing wells, 6 injection wells, and 1 P/A well in the AOR. One of the producing wells is directionally drilled, with a surface location inside the AOR and a bottom hole location outside the AOR. There is also 1 directionally drilled producing well with a surface location outside the AOR and a bottom hole location inside the AOR. All of the wells have evidence of adequate casing and cement.

Ground Water Protection: As interpreted from Technical Publication No. 92, the base of moderately saline water is at a depth of approximately 900 feet. Injection shall be limited to the interval between 3,993 feet and 5,970 feet in the Green River Formation. Information submitted by Newfield indicates that the fracture gradient for the 8-15-9-16 well is 0.81 psi/ft., which was the lowest reported fracture gradient for the injection zone. The resulting minimum fracture pressure for the proposed injection interval is 2,088 psig. The requested maximum pressure is 2,088 psig. We intend to permit this well at a maximum pressure of 2,000 psig. The anticipated average injection pressure is 1100 psig. Injection at this pressure should not initiate any new fractures or propagate existing fractures in the adjacent confining intervals. Any groundwater present should be adequately protected.

Ashley Federal 8-15-9-15
page 2

Oil/Gas& Other Mineral Resources Protection: The Board of Oil, Gas & Mining approved the Greater Monument Butte Unit on December 1, 2009. Correlative rights issues were addressed at this time. Previous reviews in this area indicate that other mineral resources in the area have been protected or are not at issue.

Bonding: Bonded with the BLM

Actions Taken and Further Approvals Needed: A notice of agency action has been sent to the Salt Lake Tribune and the Uinta Basin Standard. A casing/tubing pressure test will be required prior to injection. It is recommended that approval of this application be granted.

Note: Applicable technical publications concerning water resources in the general vicinity of this project have been reviewed and taken into consideration during the permit review process.

Reviewer(s): Mark Reinbold

Date: 2/23/2011

AFFIDAVIT OF PUBLICATION

County of Duchesne,
STATE OF UTAH

I, Geoff Liesik on oath, say that I am the EDITOR of the Uintah Basin Standard, a weekly newspaper of general circulation, published at Roosevelt, State and County aforesaid, and that a certain notice, a true copy of which is hereto attached, was published in the full issue such newspaper for 1 consecutive issues, and that the first publication was on the 21 day of December, 2010, and that the last publication of such notice was in the issue of such newspaper dated the 21 day of December, 2010, and that said notice was published on Utahlegals.com on the same day as the first newspaper publication and the notice remained on Utahlegals.com until the end of the scheduled run.

Geoff Liesik
Editor

Subscribed and sworn to before me this

22 day of December, 2010

Bonnie Parrish
Notary Public



BEFORE THE DIVISION OF OIL, GAS AND MINING DEPARTMENT OF NATURAL RESOURCES STATE OF UTAH NOTICE OF AGENCY ACTION CAUSE NO. UIC-370

IN THE MATTER OF
THE APPLICATION OF
NEWFIELD PRODUCTION
COMPANY FOR
ADMINISTRATIVE APPROVAL OF CERTAIN
WELLS LOCATED IN
SECTIONS 33 AND 34,
TOWNSHIP 8 SOUTH,
RANGE 16 EAST, SECTION
15, TOWNSHIP
9 SOUTH, RANGE 15
EAST, AND SECTIONS
1, 3, AND 14, TOWNSHIP
9 SOUTH, RANGE
16 EAST, DUCHESNE
COUNTY, UTAH, AS
CLASS II INJECTION
WELLS.

THE STATE OF UTAH
TO ALL PERSONS INTERESTED IN THE
ABOVE ENTITLED
MATTER.

Notice is hereby given that the Division of Oil, Gas and Mining (the "Division") is commencing an informal adjudicative proceeding to consider the application of Newfield Production Company for administrative approval of the following wells located in Duchesne County, Utah, for conversion to Class II injection wells:

Greater Monument Butte Unit:

Federal 6-33 well located in SE/4 NW/4, Section 33, Township 8 South, Range 16 East

Travis Federal 7-33-8-16 well located in SE/4 NW/4, Section 33, Town-

ship 8 South, Range 16 East
Monument Butte Federal 4-34(1) well located in NW/4 NW/4, Section 34, Township 8 South, Range 16 East
Ashley Federal 8-15-9-15 well located in SE/4 NE/4, Section 15, Township 9 South, Range 15 East

Monument Butte 1-43 well located in NE/4 SE/4, Section 1, Township 9 South, Range 16 East
Monument Butte 1-34 well located in SW/4 SE/4, Section 1, Township 9 South, Range 16 East

South Wells Draw 6-3-9-16 well located in SE/4 NW/4, Section 3, Township 9 South, Range 16 East

South Wells Draw Federal 10-3-9-16 well located in NW/4 SE/4, Section 3, Township 9 South, Range 16 East

Jonah Federal 10-14-9-16 well located in NW/4 SE/4, Section 14, Township 9 South, Range 16 East

The proceeding will be conducted in accordance with Utah Admin. R649-10, Administrative Procedures.

Selected zones in the Green River Formation will be used for water

for 41 not
and Jorda
Suzy V
Free-thre
and Uno
Free-thre
are: Alta
half time
a 13-7 ru
had led
and won
ter to go
team use
The C
59-55.
Green Ri
Riverton
Union bo
close shar
Gillette,
to remain

PROOF OF PUBLICATION

CUSTOMER'S COPY

CUSTOMER NAME AND ADDRESS	ACCOUNT NUMBER	DATE
DIV OF OIL-GAS & MINING, 1594 W NORTH TEMP #1210 P.O. BOX 145801 SALT LAKE CITY, UT 84114	9001402352	12/20/2010

ACCOUNT NAME	
DIV OF OIL-GAS & MINING,	
TELEPHONE	ADORDER# / INVOICE NUMBER
8015385340	0000647204 /
SCHEDULE	
Start 12/18/2010	End 12/18/2010
CUST. REF. NO.	
Newfield	
CAPTION	
ARTMENT OF NATURAL RESOURCES STATE OF UTAH NOTICE OF A	
SIZE	
73 Lines	2.00 COLUMN
TIMES	RATE
4	
MISC. CHARGES	AD CHARGES
TOTAL COST	
250.28	

BEFORE THE DIVISION OF OIL, GAS AND MINING
 DEPARTMENT OF NATURAL RESOURCES
 STATE OF UTAH
 NOTICE OF AGENCY ACTION
 CAUSE NO. UIC-370

IN THE MATTER OF THE APPLICATION OF NEWFIELD PRODUCTION COMPANY FOR ADMINISTRATIVE APPROVAL OF CERTAIN WELLS LOCATED IN SECTIONS 33 AND 34, TOWNSHIP 9 SOUTH, RANGE 16 EAST, SECTION 15, TOWNSHIP 9 SOUTH, RANGE 15 EAST, AND SECTIONS 1, 3, AND 14, TOWNSHIP 9 SOUTH, RANGE 16 EAST, DUCHESNE COUNTY, UTAH, AS CLASS II INJECTION WELLS.

THE STATE OF UTAH TO ALL PERSONS INTERESTED IN ABOVE ENTITLED MATTER.

Notice is hereby given that the Division of Oil, Gas and Mining (the "Division") is commencing an informal adjudication proceeding to consider the application of Newfield Production Company for administrative approval of the following wells located in Duchesne County, Utah, for conversion Class II injection wells:

- Greater Monument Butte Unit:
- Federal 6-33 well located in SE/4 NW/4, Section 33, Township 8 South, Range 16 East
- Travis Federal 7-33-2-16 well located in SE/4 NW/4, Section 33, Township 8 South, Range 16 East
- Monument Butte Federal 4-34(1) well located in NW/4 NW Section 34, Township 8 South, Range 16 East
- Ashley Federal 8-15-9-15 well located in SE/4 NE/4, Section 15, Township 9 South, Range 15 East
- Monument Butte 1-43 well located in NE/4 SE/4, Section Township 9 South, Range 16 East
- Monument Butte 1-34 well located in SW/4 SE/4, Section Township 9 South, Range 16 East
- South Wells Draw 6-3-9-16 well located in SE/4 NW/4, Section 3, Township 9 South, Range 16 East
- South Wells Draw Federal 10-3-9-16 well located in NW SE/4, Section 3, Township 9 South, Range 16 East
- Jonah Federal 10-14-9-16 well located in NW/4 SE/4, Section 14, Township 9 South, Range 16 East

The proceeding will be conducted in accordance with Utah Admin. Rule 649-10, Administrative Procedures.

Selected zones in the Green River Formation will be used for water injection. The maximum requested injection pressure and rates will be determined based on fracture gradient information submitted by Newfield Production Company.

Any person desiring to object to the application or otherwise intervene in the proceeding, must file a written protest or notice of intervention with the Division within fifteen days following publication of this notice. The Division's Presiding Officer for the proceeding is Brad Hill, Permitting Manager, P.O. Box 145801, Salt Lake City, UT 84114-5801, phone number (801) 538-5340. If such a protest or notice of intervention is received, a hearing will be scheduled in accordance with the aforementioned administrative procedure rules. Protestants and/or interveners should be prepared to demonstrate at the hearing how this matter affects their interests.

Dated this 13th day of December, 2010.

STATE OF UTAH
 DIVISION OF OIL, GAS & MINING
 Brad Hill
 Permitting Manager

647204

UPA

AFFIDAVIT OF PUBLICATION

AS NEWSPAPER AGENCY CORPORATION LEGAL BOOKER, I CERTIFY THAT THE ATTACHED ADVERTISEMENT OF **BEFORE THE DIVISION OF OIL, GAS AND MINING DEPARTMENT OF NATURAL RESOURCES STATE OF UTAH NOTICE OF AGENCY ACTION CAUSE NO. UIC-370 IN THE MATTER OF THE APPLICATION FOR DIV OF OIL-GAS & MINING**, WAS PUBLISHED BY THE NEWSPAPER AGENCY CORPORATION, AGENT FOR THE SALT LAKE TRIBUNE AND DESERET NEWS, DAILY NEWSPAPERS PRINTED IN THE ENGLISH LANGUAGE WITH GENERAL CIRCULATION IN UTAH, AND PUBLISHED IN SALT LAKE CITY, SALT LAKE COUNTY IN THE STATE OF UTAH. NOTICE IS ALSO POSTED ON UTAHLEGALS.COM ON THE SAME DAY AS THE FIRST NEWSPAPER PUBLICATION DATE AND REMAINS ON UTAHLEGALS.COM INDEFINITELY.

Start 12/18/2010

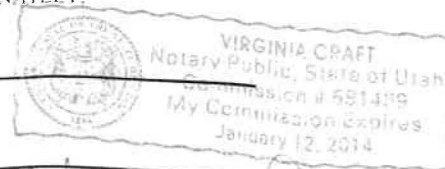
End 12/18/2010

PUBLISHED ON

SIGNATURE

Sandy Taylor

12/20/2010



Virginia Craft

**THIS IS NOT A STATEMENT BUT A "PROOF OF PUBLICATION"
 PLEASE PAY FROM BILLING STATEMENT**

BEFORE THE DIVISION OF OIL, GAS AND MINING
DEPARTMENT OF NATURAL RESOURCES
STATE OF UTAH
NOTICE OF AGENCY ACTION
CAUSE NO. UIC-370

IN THE MATTER OF THE APPLICATION OF NEWFIELD PRODUCTION COMPANY FOR ADMINISTRATIVE APPROVAL OF CERTAIN WELLS LOCATED IN SECTIONS 33 AND 34, TOWNSHIP 8 SOUTH, RANGE 16 EAST, SECTION 15, TOWNSHIP 9 SOUTH, RANGE 15 EAST, AND SECTIONS 1, 3, AND 14, TOWNSHIP 9 SOUTH, RANGE 16 EAST, DUCHESNE COUNTY, UTAH, AS CLASS II INJECTION WELLS.

THE STATE OF UTAH TO ALL PERSONS INTERESTED IN THE ABOVE ENTITLED MATTER.

Notice is hereby given that the Division of Oil, Gas and Mining (the "Division") is commencing an informal adjudicative proceeding to consider the application of Newfield Production Company for administrative approval of the following wells located in Duchesne County, Utah, for conversion to Class II injection wells:

Greater Monument Butte Unit:

Federal 6-33 well located in SE/4 NW/4, Section 33, Township 8 South, Range 16 East
Travis Federal 7-33-8-16 well located in SE/4 NW/4, Section 33, Township 8 South, Range 16 East
Monument Butte Federal 4-34(I) well located in NW/4 NW/4, Section 34, Township 8 South, Range 16 East
Ashley Federal 8-15-9-15 well located in SE/4 NE/4, Section 15, Township 9 South, Range 15 East
Monument Butte 1-43 well located in NE/4 SE/4, Section 1, Township 9 South, Range 16 East
Monument Butte 1-34 well located in SW/4 SE/4, Section 1, Township 9 South, Range 16 East
South Wells Draw 6-3-9-16 well located in SE/4 NW/4, Section 3, Township 9 South, Range 16 East
South Wells Draw Federal 10-3-9-16 well located in NW/4 SE/4, Section 3, Township 9 South, Range 16 East
Jonah Federal 10-14-9-16 well located in NW/4 SE/4, Section 14, Township 9 South, Range 16 East

The proceeding will be conducted in accordance with Utah Admin. R649-10, Administrative Procedures.

Selected zones in the Green River Formation will be used for water injection. The maximum requested injection pressures and rates will be determined based on fracture gradient information submitted by Newfield Production Company.

Any person desiring to object to the application or otherwise intervene in the proceeding, must file a written protest or notice of intervention with the Division within fifteen days following publication of this notice. The Division's Presiding Officer for the proceeding is Brad Hill, Permitting Manager, at P.O. Box 145801, Salt Lake City, UT 84114-5801, phone number (801) 538-5340. If such a protest or notice of intervention is received, a hearing will be scheduled in accordance with the aforementioned administrative procedural rules. Protestants and/or interveners should be prepared to demonstrate at the hearing how this matter affects their interests.

Dated this 13th day of December, 2010.

STATE OF UTAH
DIVISION OF OIL, GAS & MINING



Brad Hill
Permitting Manager

Newfield Production Company

**FEDERAL 6-33, TRAVIS FEDERAL 7-33-8-16,
MONUMENT BUTTE FEDERAL 4-34(I), ASHLEY FEDERAL 8-15-9-15,
MONUMENT BUTTE 1-43, MONUMENT BUTTE 1-34,
SOUTH WELLS DRAW 6-3-9-16, SOUTH WELLS DRAW FEDERAL 10-3-9-16,
JONAH FEDERAL 10-14-9-16.**

Cause No. UIC-370

Publication Notices were sent to the following:

Newfield Production Company
1001 17th Street, Suite 2000
Denver, CO 80202

Uintah Basin Standard
268 South 200 East
Roosevelt, UT 84066
via e-mail ubs@ubstandard.com

Salt Lake Tribune
P O Box 45838
Salt Lake City, UT 84145
via e-mail naclegal@mediaoneutah.com

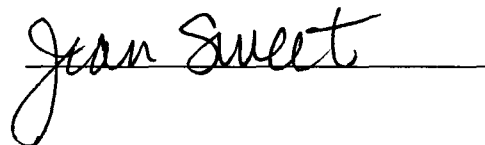
Vernal Office
Bureau of Land Management
170 South 500 East
Vernal, UT 84078

Duchesne County Planning
P O Box 317
Duchesne, UT 84021-0317

Bruce Suchomel
US EPA Region 8
MS 8P-W-GW
1595 Wynkoop Street
Denver, CO 80202-1129

SITLA
675 East 500 South
Salt Lake City, UT 84102-2818

Newfield Production Company
Rt 3 Box 3630
Myton, UT 84052

A handwritten signature in cursive script that reads "Jean Sweet". The signature is written in black ink and is positioned above a solid horizontal line.

Jean Sweet - Re: Notice of Agency Action Newfield Cause UIC-370

From: Cindy Kleinfelter <classifieds@ubstandard.com>
To: Jean Sweet <jsweet@utah.gov>
Date: 12/15/2010 1:44 PM
Subject: Re: Notice of Agency Action Newfield Cause UIC-370

On 12/14/2010 12:43 PM, Jean Sweet wrote:

To Whom It May Concern:

Enclosed is a copy of the referenced Notice of Agency Action. Please publish the Notice, once only, as soon as possible. Please notify me via e-mail of the date it will be published. My e-mail address is: jsweet@utah.gov.

Please send proof of publication and billing to:

Division of Oil, Gas and Mining
PO Box 145801
Salt Lake City, UT 84114-5801

Sincerely,

Jean Sweet, Executive Secretary
Utah Div. of Oil, Gas & Mining
1594 West Temple, Suite 1210
Salt Lake City, UT
801-538-5329
jsweet@utah.gov

This notice will be published Dec. 21. Thank you.
Cindy



GARY R. HERBERT
Governor

GREGORY S. BELL
Lieutenant Governor

State of Utah

DEPARTMENT OF NATURAL RESOURCES

MICHAEL R. STYLER
Executive Director

Division of Oil, Gas and Mining

JOHN R. BAZA
Division Director

December 14, 2010

Via e-mail: ubs@ubstandard.com

Uintah Basin Standard
268 South 200 East
Roosevelt, UT 84066

Subject: Notice of Agency Action – Newfield Production Company Cause No. UIC-370

To Whom It May Concern:

Enclosed is a copy of the referenced Notice of Agency Action. Please publish the Notice, once only, as soon as possible. Please notify me via e-mail of the date it will be published. My e-mail address is: jsweet@utah.gov.

Please send proof of publication and billing to:

Division of Oil, Gas and Mining
PO Box 145801
Salt Lake City, UT 84114-5801

Sincerely,

Jean Sweet
Executive Secretary

Enclosure

Jean Sweet - RE: Notice of Agency Action Newfield Cause UIC-370

From: "NAC Legal" <naclegal@mediaoneutah.com>
To: "Jean Sweet" <jsweet@utah.gov>
Date: 12/14/2010 2:43 PM
Subject: RE: Notice of Agency Action Newfield Cause UIC-370

Ad #647204 is scheduled to run December 18 in Salt Lake Tribune, Deseret News and Online utahlegals.com .

Total charge is \$250.28. Please check the ad in the papers.

Thank you,

Lynn Valdez

MediaOne of Utah,

a Newspaper Agency Company

4770 South 5600 West

West Valley City, Utah 84118

Ph.: 801-204-6245

Email: naclegal@mediaoneutah.com

From: Jean Sweet [mailto:jsweet@utah.gov]
Sent: Tuesday, December 14, 2010 12:46 PM
To: naclegal@mediaoneutah.com
Subject: Notice of Agency Action Newfield Cause UIC-370



GARY R. HERBERT
Governor

GREGORY S. BELL
Lieutenant Governor

State of Utah

DEPARTMENT OF NATURAL RESOURCES

MICHAEL R. STYLER
Executive Director

Division of Oil, Gas and Mining

JOHN R. BAZA
Division Director

December 14, 2010

VIA E-MAIL naclegal@mediaoneutah.com

Salt Lake Tribune
P. O. Box 45838
Salt Lake City, UT 84145

Subject: Notice of Agency Action – Newfield Production Company Cause No. UIC-370

To Whom It May Concern:

Enclosed is a copy of the referenced Notice of Agency Action. Please publish the Notice, once only, as soon as possible. Please notify me via e-mail of the date it will be published. My e-mail address is: jsweet@utah.gov.

Please send proof of publication and billing for **account #9001402352** to:

Division of Oil, Gas and Mining
PO Box 145801
Salt Lake City, UT 84114-5801

Sincerely,

Jean Sweet
Executive Secretary

Enclosure



December 7, 2010

Mr. Dan Jarvis
State of Utah
Division of Oil, Gas and Mining
Post Office Box 145801
Salt Lake City, Utah 84114-5801

RE: Permit Application for Water Injection Well
Ashley Federal #8-15-9-15
Monument Butte Field, Lease #UTU-66184
Section 15-Township 9S-Range 15E
Duchesne County, Utah

Dear Mr. Jarvis:

Newfield Production Company herein requests approval to convert the Ashley Federal #8-15-9-15 from a producing oil well to a water injection well in the Monument Butte (Green River) Field.

I hope you find this application complete; however, if you have any questions or require additional information, please contact me at (303) 893-0102.

Sincerely,

A handwritten signature in black ink, appearing to read "Eric Sundberg", with a long horizontal line extending to the right.

Eric Sundberg
Regulatory Lead

RECEIVED
DEC 08 2010
DIV. OF OIL, GAS & MINING

NEWFIELD PRODUCTION COMPANY
APPLICATION FOR APPROVAL OF CLASS II INJECTION WELL
ASHLEY FEDERAL #8-15-9-15
MONUMENT BUTTE FIELD (GREEN RIVER) FIELD
LEASE #UTU-66184
DECEMBER 7, 2010

TABLE OF CONTENTS

LETTER OF INTENT	
COVER PAGE	
TABLE OF CONTENTS	
UIC FORM 1 – APPLICATION FOR INJECTION WELL	
WELLBORE DIAGRAM OF PROPOSED INJECTION	
WORK PROCEDURE FOR INJECTION CONVERSION	
COMPLETED RULE R615-5-1 QUESTIONNAIRE	
COMPLETED RULE R615-5-2 QUESTIONNAIRE	
ATTACHMENT A	ONE-HALF MILE RADIUS MAP
ATTACHMENT A-1	WELL LOCATION PLAT
ATTACHMENT B	LIST OF SURFACE OWNERS WITHIN ONE-HALF MILE RADIUS
ATTACHMENT C	CERTIFICATION FOR SURFACE OWNER NOTIFICATION
ATTACHMENT E	WELLBORE DIAGRAM – ASHLEY FEDERAL #8-15-9-15
ATTACHMENT E-1	WELLBORE DIAGRAM – ASHLEY #16-10-9-15
ATTACHMENT E-2	WELLBORE DIAGRAM – ASHLEY FEDERAL #4-14-9-15
ATTACHMENT E-3	WELLBORE DIAGRAM – ASHLEY FEDERAL #F-14-9-15
ATTACHMENT E-4	WELLBORE DIAGRAM – ASHLEY #N-14-9-15
ATTACHMENT E-5	WELLBORE DIAGRAM – ASHLEY FEDERAL #12-14-9-15
ATTACHMENT E-6	WELLBORE DIAGRAM – ASHLEY FEDERAL #5-14-9-15
ATTACHMENT E-7	WELLBORE DIAGRAM – ASHLEY #K-15-9-15
ATTACHMENT E-8	WELLBORE DIAGRAM – ASHLEY FEDERAL #9-15-9-15
ATTACHMENT E-9	WELLBORE DIAGRAM – ASHLEY #L-15-9-15
ATTACHMENT E-10	WELLBORE DIAGRAM – ASHLEY FEDERAL #10-15-9-15
ATTACHMENT E-11	WELLBORE DIAGRAM – ASHLEY #M-15-9-15
ATTACHMENT E-12	WELLBORE DIAGRAM – ASHLEY FEDERAL #7-15-9-15
ATTACHMENT E-13	WELLBORE DIAGRAM – ASHLEY FEDERAL #I-15-9-15
ATTACHMENT E-14	WELLBORE DIAGRAM – ASHLEY FEDERAL #2-15-9-15
ATTACHMENT E-15	WELLBORE DIAGRAM – ASHLEY FEDERAL #1-15-9-15
ATTACHMENT E-16	WELLBORE DIAGRAM – ASHLEY FEDERAL #6-15-9-15
ATTACHMENT E-17	WELLBORE DIAGRAM – ASHLEY FEDERAL #3-15-9-15
ATTACHMENT E-18	WELLBORE DIAGRAM – ASHLEY FEDERAL #15-10-9-15
ATTACHMENT F	WATER ANALYSIS
ATTACHMENT G	FRACTURE GRADIENT CALCULATIONS
ATTACHMENT G-1	FRACTURE REPORTS DATED 8/25/04 – 9/3/04 & 10/27/04 - 10/30/04
ATTACHMENT H	WORK PROCEDURE FOR PROPOSED PLUG AND ABANDON
ATTACHMENT H-1	WELLBORE DIAGRAM OF PROPOSED PLUGGED WELL

STATE OF UTAH
DIVISION OF OIL, GAS AND MINING

APPLICATION FOR INJECTION WELL - UIC FORM 1

OPERATOR Newfield Production Company
ADDRESS 1001 17th Street, Suite 2000
Denver, Colorado 80202

Well Name and number: Ashley Federal 8-15-9-15
Field or Unit name: Monument Butte (Green River) Lease No. UTU-66184
Well Location: QQ SENE section 15 township 9S range 15E county Duchesne

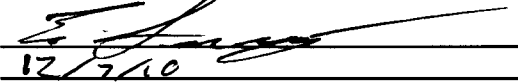
Is this application for expansion of an existing project? Yes [X] No []
Will the proposed well be used for: Enhanced Recovery? Yes [X] No []
Disposal? Yes [] No [X]
Storage? Yes [] No [X]
Is this application for a new well to be drilled? Yes [] No [X]
If this application is for an existing well,
has a casing test been performed on the well? Yes [] No [X]
Date of test: _____
API number: 43-013-32406

Proposed injection interval: from 3993 to 5970
Proposed maximum injection: rate 500 bpd pressure 2088 psig
Proposed injection zone contains [x] oil, [] gas, and/or [] fresh water within 1/2
mile of the well.

IMPORTANT: Additional information as required by R615-5-2 should accompany this form.

List of Attachments: Attachments "A" through "H-1"

I certify that this report is true and complete to the best of my knowledge.

Name: Eric Sundberg Signature 
Title: Regulatory Lead Date: 12/2/10
Phone No. (303) 893-0102

(State use only)
Application approved by _____ Title _____
Approval Date _____

Comments:

Ashley Federal 8-15-9-15

Spud Date: 1/27/04
 Put on Production: 9/2/04
 GL: 6251' KB: 6283'

Initial Production: BOPD,
 MCFD, BWPD

Proposed Injection Wellbore Diagram

SURFACE CASING

CSG SIZE: 8-5/8"
 GRADE: J-55
 WEIGHT: 24#
 LENGTH: 7 jts. (295.17')
 DEPTH LANDED: 316.02' KB
 HOLE SIZE: 12-1/4"
 CEMENT DATA: 150 sxs Class "G" cmt, est 7 bbls cmt to surf.

PRODUCTION CASING

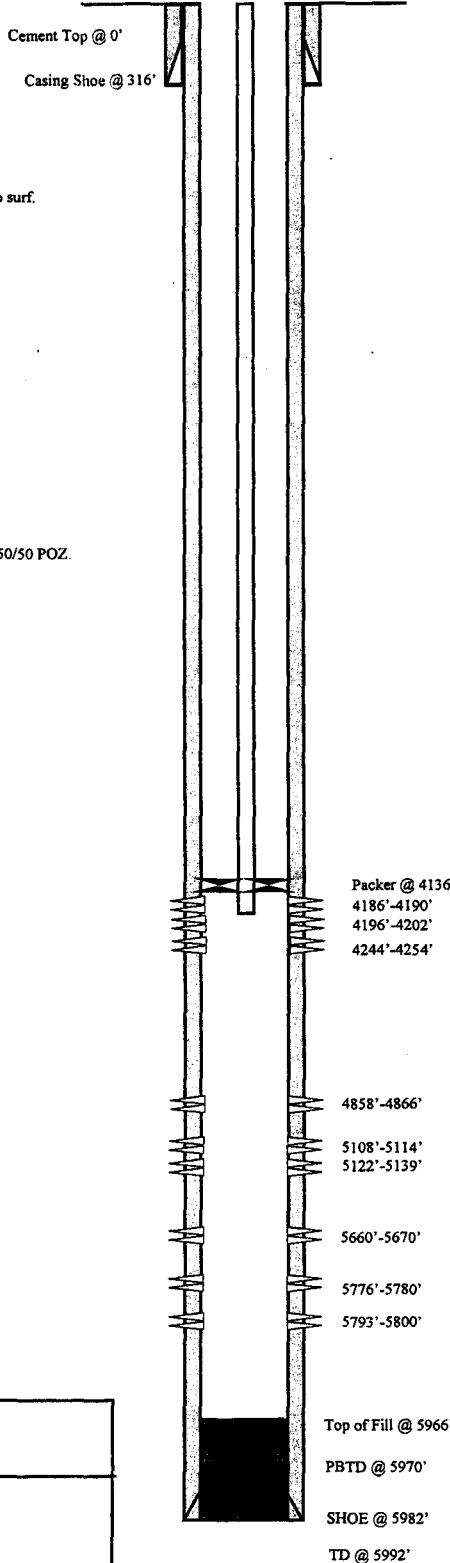
CSG SIZE: 5-1/2"
 GRADE: J-55
 WEIGHT: 15.5#
 LENGTH: 142 jts. (5986.5')
 DEPTH LANDED: 5982.1' KB
 HOLE SIZE: 7-7/8"
 CEMENT DATA: 285 sxs Prem. Lite II mixed & 400 sxs 50/50 POZ.
 CEMENT TOP AT: 0'

TUBING

SIZE/GRADE/WT: 2-7/8" / J-55 / 6.5#
 NO. OF JOINTS: 177 jts (5705.26')
 TUBING ANCHOR: 5717.26' KB
 NO. OF JOINTS: 2 jts (65.14')
 SEATING NIPPLE: 2-7/8" (1.10')
 SN LANDED AT: 5785.20' KB
 NO. OF JOINTS: 2 jts (65.14')
 TOTAL STRING LENGTH: EOT @ 5851.89' W/12 'KB

FRAC JOB

8/25/04	5776'-5800'	Frac CP3 sands as follows: 19,306# 20/40 sand in 268 bbls Lightning Frac 17 fluid. Treated @ avg press of 2225 psi w/avg rate of 24.7 BPM. ISIP 2275 psi. Calc flush: 5774 gal. Actual flush: 5775 gal.
8/25/04	5660'-5670'	Frac CP 1 sands as follows: 59,588# 20/40 sand in 495 bbls Lightning Frac 17 fluid. Treated @ avg press of 1890 psi w/avg rate of 24.9 BPM. ISIP 2125 psi. Calc flush: 5658 gal. Actual flush: 5657 gal.
8/31/04	4858'-4866'	Frac C sands as follows: 15,525# 20/40 sand in 217 bbls Lightning Frac 17 fluid. Treated @ avg press of 2370 psi w/avg rate of 24.7 BPM. ISIP 2200 psi. Calc flush: 4856 gal. Actual flush: 4855 gal.
8/31/04	4186'-4254'	Frac GB4 and 6 sands as follows: 66,213# 20/40 sand in 477 bbls Lightning Frac 17 fluid. Treated @ avg press of 2095 psi w/avg rate of 24.8 BPM. ISIP 2200 psi. Calc flush: 4184 gal. Actual flush: 3360 gal.
10/27/04	5108'-5139'	Frac A1 and 3 sands as follows: 79,678# 20/40 sand in 629 bbls Lightning Frac 17 fluid. Treated @ avg press of 3709 psi w/avg rate of 14.8 BPM. ISIP 2370 psi. Calc flush: 1384 gal. Actual flush: 1176 gal.
01/28/05		Tubing Leak.
06/29/05		Pump Change
10/07/05		Tubing Leak. Detailed tubing and rod update.



PERFORATION RECORD

8/25/04	5793'-5800'	4 JSPF	28 holes
8/25/04	5776'-5780'	4 JSPF	16 holes
8/31/04	5660'-5670'	4 JSPF	40 holes
8/31/04	4858'-4866'	4 JSPF	32 holes
8/31/04	4244'-4254'	4 JSPF	40 holes
8/31/04	4196'-4202'	4 JSPF	32 holes
8/31/04	4186'-4190'	4 JSPF	16 holes
10/27/04	5122'-5139'	4 JSPF	68 holes
10/27/04	5108'-5114'	4 JSPF	24 holes

NEWFIELD

Ashley Federal 8-15-9-15
 1755 FNL & 767 FEL
 SE/NE Sec. 15, T9S R17E
 Duchesne, County
 API# 43-013-32406; Lease# UTU-66184

WORK PROCEDURE FOR INJECTION CONVERSION

1. Rig up hot oil truck to casing. Pump water. Unseat pump. Flush rods. Trip out of hole with rods and pump.
2. Trip out of hole with tubing, breaking and doping every connection. Trip in hole with packer and tubing. Rig up water truck to casing. Pump packer fluid. Set packer.
3. Test casing and packer.
4. Rig down and move out.

**REQUIREMENTS FOR INJECTION OF FLUIDS INTO RESERVOIRS
RULE R615-5-1**

- 1. Operations to increase ultimate recovery, such as cycling of gas, the maintenance of pressure, the introduction of gas, water or other substances into a reservoir for the purpose of secondary or other enhanced recovery or for storage and the injection of water into any formation for the purpose of water disposal shall be permitted only by order of the Board after notice and hearing.**
- 2. A request for agency action for authority for the injection of gas, liquified petroleum gas, air, water or any other medium into any formation for any reason, including but not necessarily limited to the establishment of or the expansion of waterflood projects, enhanced recovery projects, and pressure maintenance projects shall contain:**

2.1 The name and address of the operator of the project.

Newfield Production Company
1001 17th Street, Suite 2000
Denver, Colorado 80202

2.2 A plat showing the area involved and identifying all wells, including all proposed injection wells, in the project area and within one-half mile of the project area.

See Attachment A.

2.3 A full description of the particular operation for approval is requested.

Approval is requested to convert the Ashley Federal #8-15-9-15 from a producing oil well to a water injection well in Monument Butte (Green River) Field.

2.4 A description of the pools from which the identified wells are producing or have produced.

The proposed injection well will inject into the Green River Formation.

2.5 The names, description and depth of the pool or pools to be affected.

The injection zone is in the Green River Formation. For the Ashley Federal #8-15-9-15 well, the proposed injection zone is from Garden Gulch to Castle Peak (3993' -5970'). The confining strata directly above and below the injection zones are the Garden Gulch and the top of the Wasatch Formation or TD, which ever is shallower. The Garden Gulch Marker top is at 3651' and the TD is at 5992'.

2.6 A copy of a log of a representative well completed in the pool.

The referenced log for the Ashley Federal #8-15-9-15 is on file with the Utah Division of Oil, Gas and Mining.

2.7 A statement as to the type of fluid to be used for injection, its source and the estimated amounts to be injected daily.

The primary type and source of fluid to be used for injection will be culinary water commingled with produced water. The average estimated injection of fluids will be at a rate of 300 BPD, and the estimated maximum injection will be at a rate of 500 BPD.

2.8 A list of all operators and surface owners within one-half mile radius of the proposed project.

See Attachment B.

2.9 An affidavit certifying that said operators or owners and surface owners within a one-half mile radius have been provided a copy of the petition for injection.

See Attachment C.

2.10 Any additional information the Board may determine is necessary to adequately review the petition.

Newfield Production Company will supply any additional information requested by the Utah Division of Oil, Gas and Mining.

4.0 Establish recovery projects may be expanded and additional wells placed on injection only upon authority from the Board after notice and hearing or by administrative approval.

This proposed injection well is on a Federal lease (Lease #UTU-66184) in the Monument Butte Federal (Green River) Field, and this request is for administrative approval.

**REQUIREMENTS FOR CLASS II INJECTION WELLS INCLUDING WATER DISPOSAL,
STORAGE AND ENHANCED RECOVERY WELLS
SECTION V – RULE R615-5-2**

- 1. Injection well shall be completed, equipped, operated, and maintained in a manner that will prevent pollution and damage to any USDW, or other resources and will confine injected fluids to the interval approved.**

- 2. The application for an injection well shall include a properly completed Form DOGM-UIC-1 and the following:**
 - 2.1 A plat showing the location of the injection well, all abandoned or active wells within a one-half mile radius of the proposed wells, and the surface owner and the operator of any lands or producing leases, respectively, within a one-half mile radius of the proposed injection well.**

See Attachments A and B.

 - 2.2 Copies of electrical or radioactive logs, including gamma ray logs, for the proposed well run prior to the installation of casing and indicating resistivity, spontaneous potential, caliper and porosity.**

All logs are on file with the Utah Division of Oil, Gas and Mining.

 - 2.3 A copy of a cement bond or comparable log run for the proposed injection well after casing was set and cemented.**

A copy of the cement bond log is on file with the Utah Division of Oil, Gas and Mining.

 - 2.4 Copies of logs already on file with the Division should be referenced, but need not be refiled.**

All copies of logs are on file with the Utah Division of Oil, Gas and Mining.

 - 2.5 A description of the casing or proposed casing program of the injection well and of the proposed method for testing the casing before use of the well.**

The casing program is 8-5/8", 24# surface casing run to 316' KB, and 5-1/2", 15.5# casing run from surface to 5982' KB. A casing integrity test will be conducted at the time of conversion. See Attachment E.

 - 2.6 A statement as to the type of fluid to be used for injection, its source and estimated amounts to be injected daily.**

The primary type and source of fluid to be used for injection will be culinary water commingled with produced water. The estimated average rate of injection will be 300 BPD, and the estimated maximum rate of injection will be 500 BPD.

 - 2.7 Standard laboratory analysis of the fluid to be injected, the fluid in the formation into which the fluid is being injected, and the compatibility of the fluids.**

See Attachment F.

The proposed average and maximum injection pressures.

The proposed average injection pressure will be approximately 1100 psig and the maximum injection pressure will not exceed 2088 psig.

- 2.8 Evidence and data to support a finding that the proposed injection well will not initiate fractures through the overlying strata or a confining interval that could enable the injected fluid or formation fluid to enter the fresh water strata.**

The minimum fracture gradient for the Ashley Federal #8-15-9-15, for existing perforations (4186' - 5800') calculates at 0.81 psig/ft. The maximum injection pressures will be limited so as not to exceed this gradient. A step rate test will be performed periodically to ensure we are below parting pressure. The proposed maximum injection pressure is 2088 psig. We may add additional perforations between 3651' and 5992'. See Attachments G and G-1.

- 2.9 Appropriate geological data on the injection interval and confining beds, including the geologic name, lithologic description, thickness, depth, and lateral extent.**

In the Ashley Federal #8-15-9-15, the proposed injection zone (3993' - 5970') is in the Garden Gulch to the Castle Peak of the Green River Formation. The reservoir is a very fine-grained sandstone with minor imbedded shale streaks. The estimated porosity is 13%. The members are composed of porous and permeable lenticular calcareous sandstone and low porosity carbonates and calcareous shale. The porous and lenticular sandstone varies in thickness from 0-31' and is confined to the Monument Butte Federal Field. Outside the Monument Butte Federal Field, the sandstone is composed of tight, very fine, silty, calcareous sandstone, less than 3' thick. The stratum confining the injection zone is composed of tight, moderately calcareous, sandy lacustrine shale. All of the confining strata are impermeable, and will effectively seal off the oil, gas, and water of the injection zone from any strata directly above or below it.

- 2.10 A review of the mechanical condition of each well within a one-half mile radius of the proposed injection well to assure that no conduit exists that could enable fluids to migrate up or down the wellbore and enter the improper intervals.**

See Attachments E through E-18.

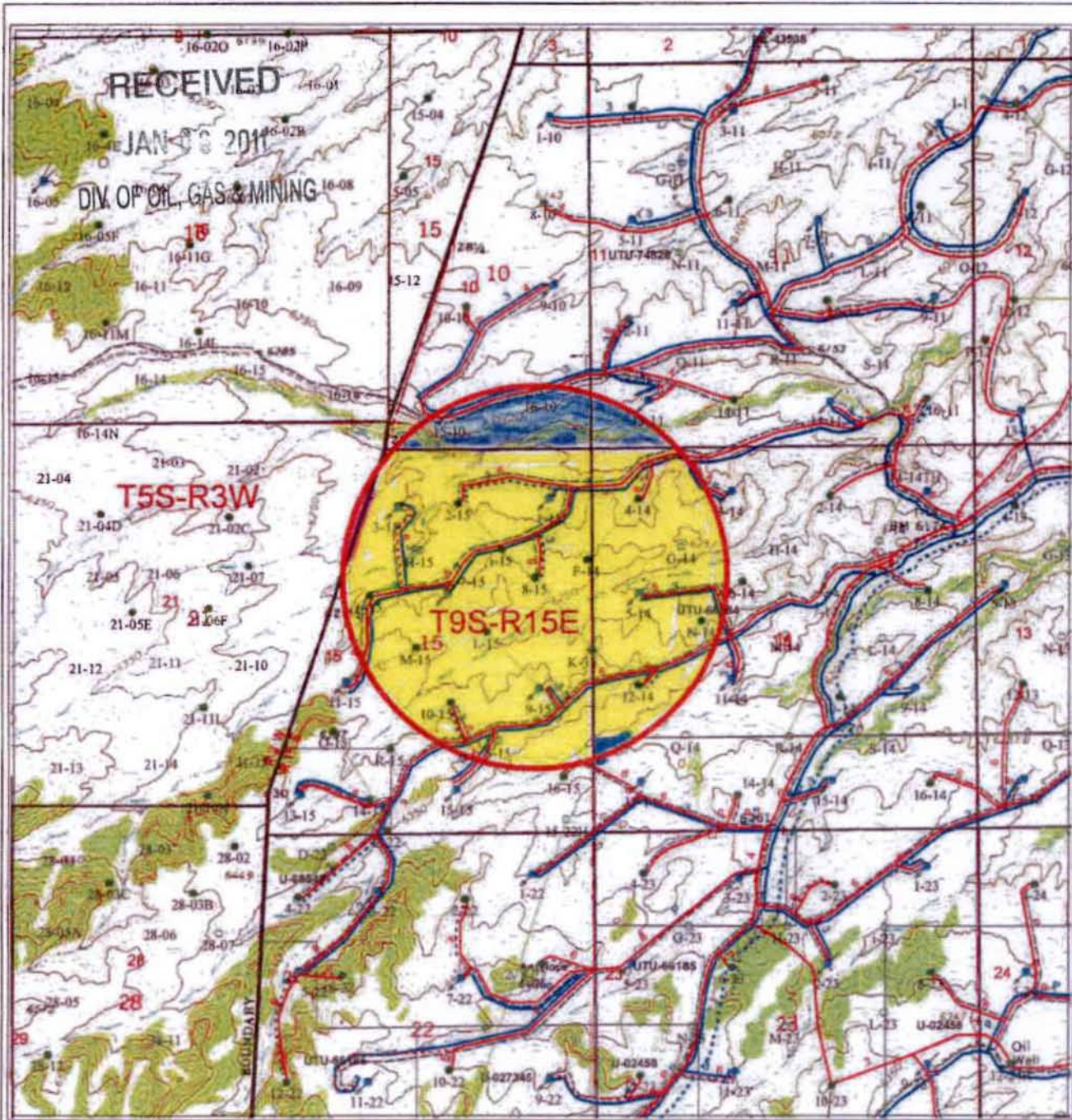
Additionally, the injection system will be equipped with high and low pressure shut down devices that will automatically shut in injection waters if a system blockage or leakage occurs. One way check valves will also ensure proper flow management. Relief valves will also be utilized for high-pressure relief.

- 2.11 An affidavit certifying that a copy of the application has been provided to all operators or owners, and surface owners within a one-half mile radius of the proposed injection well.**

See Attachment C.

- 2.12 Any other information that the Board or Division may determine is necessary to adequately review the application.**

Newfield Production Company will supply any requested information to the Board or Division.



8-15-9-15 1/2mile radius

Well Status

- Location
- CTI
- Surface Spud
- Drilling
- Waiting on Completion
- Producing Oil Well
- Producing Gas Well
- Water Injection Well
- Dry Hole
- Temporarily Abandoned
- Plugged & Abandoned
- Shut In
- Countyline

Injection system

- high pressure
- low pressure
- proposed
- return
- return proposed

Leases

- Leases
- Mining tracts

Gas Pipelines

- Gathering lines
- Proposed lines

UTU-66184

UTU-68548

UTU-74826

UTE

14-26-H62-3516

Ashley Federal 8-15-9-15
Section 15, T9S-R15E

NEWFIELD

ROCKY MOUNTAINS 1" = 2000'

1/2 Mile Radius Map
Duchesne & Uintah Counties

1001 17th Street Suite 2000
Denver, Colorado 80202
Phone: (303) 663-0102

June 21, 2010

T9S, R15E, S.L.B.&M.

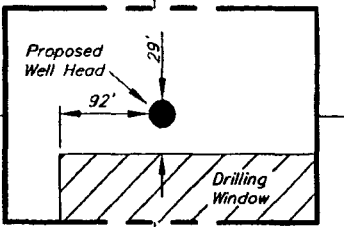
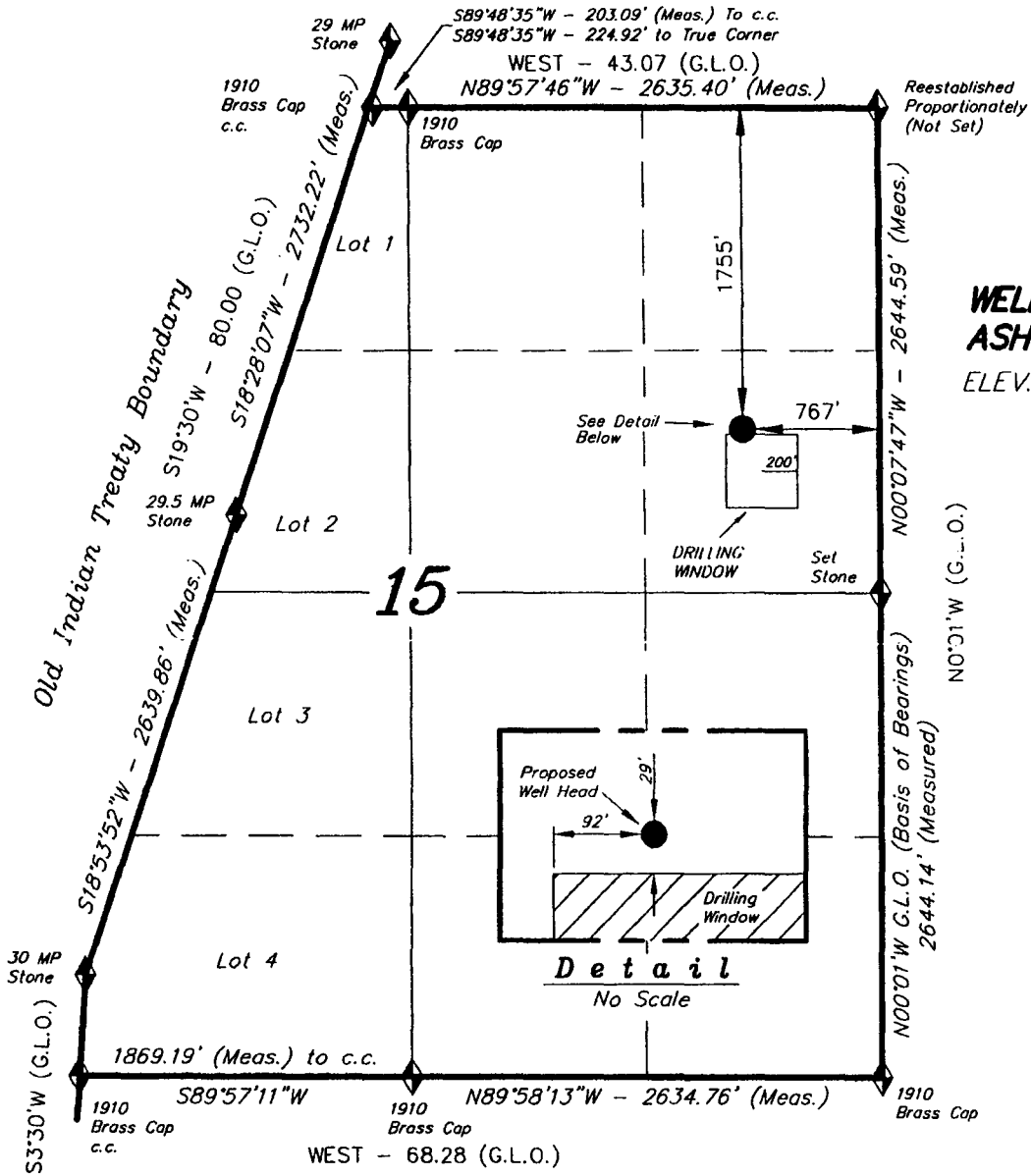
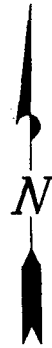
INLAND PRODUCTION COMPANY

WELL LOCATION, ASHLEY UNIT #8-15,
 LOCATED AS SHOWN IN THE SE 1/4 NE
 1/4 OF SECTION 15, T9S, R15E,
 S.L.B.&M. DUCHESNE COUNTY, UTAH.

ATTACHMENT A-1

**WELL LOCATION:
 ASHLEY UNIT #8-15**

ELEV. UNGRADED GROUND = 6250.6'



THIS IS TO CERTIFY THAT THE ABOVE PLAT WAS
 PREPARED FROM FIELD NOTES OF ACTUAL SURVEYS
 MADE BY ME OR UNDER MY SUPERVISION AND THAT
 THE SAME ARE TRUE AND CORRECT TO THE BEST OF
 MY KNOWLEDGE AND BELIEF. No. 189377

Stacy W. Stewart
STACY W. STEWART
 REGISTERED LAND SURVEYOR
 REGISTRATION No. 189377
 STATE OF UTAH

TRI STATE LAND SURVEYING & CONSULTING
 180 NORTH VERNAL AVE. - VERNAL, UTAH 84078
 (435) 781-2501

SCALE: 1" = 1000'	SURVEYED BY: K.G.S.
DATE: 8-21-02	DRAWN BY: J.R.S.
NOTES:	FILE #

◆ = SECTION CORNERS LOCATED

BASIS OF ELEV; U.S.G.S. 7-1/2 min QUAD (MYTON SW)

EXHIBIT B

#	Legal Description	Lessor & Expiration	Lessee & Operating Rights	Surface Owner
1	<u>Township 9 South, Range 15 East SLM</u> Section 13: N2, N2S2 Section 14: N2, N2S2 Section 15: Lots 1-3, E2	USA UTU-66184 HBP	Newfield Production Company Newfield RMI LLC	USA
2	<u>Township 9 South, Range 15 East SLM</u> Section 13: S2S2 Section 14: S2S2 Section 15: Lot 4 Section 22: Lot 1, NE, E2NW Section 23: N2NW	USA UTU-68548 HBP	Newfield Production Company Newfield RMI LLC	USA
3	<u>Township 9 South, Range 15 East SLM</u> Section 1: All Section 3: All Section 10: All Section 11: All Section 12: All	USA UTU-74826 HBP	Newfield Production Company Newfield RMI LLC	USA
4	<u>Township 5 South, Range 3 West USM</u> Section 21: Lots 1, 2, 3, 4, W2NE, W2 Section 22: Lot 1	UTE 14-20-H62-3516 HBP	Petroglyph Gas PTN., L.P.	USA

RECEIVED

JAN 03 2011


DIV OF OIL, GAS & MINING

ATTACHMENT C

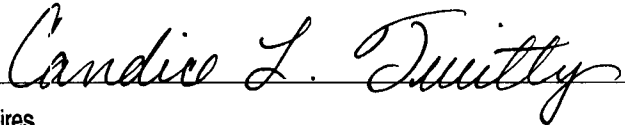
CERTIFICATION FOR SURFACE OWNER NOTIFICATION

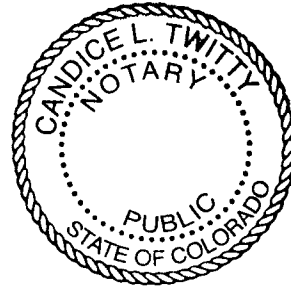
RE: Application for Approval of Class II Injection Well
Ashley Federal #8-15-9-15

I hereby certify that a copy of the injection application has been provided to all surface owners within a one-half mile radius of the proposed injection well.

Signed: 
Newfield Production Company
Eric Sundberg
Regulatory Lead

Sworn to and subscribed before me this 7th day of December, 2010.

Notary Public in and for the State of Colorado: 
My Commission Expires 02/10/2013
My Commission Expires: _____



Ashley Federal 8-15-9-15

Spud Date: 1/27/04
 Put on Production: 9/2/04
 GL: 6251' KB: 6283'

Initial Production: BOPD,
 MCFD, BWPD

Wellbore Diagram

SURFACE CASING

CSG SIZE: 8-5/8"
 GRADE: J-55
 WEIGHT: 24#
 LENGTH: 7 jts. (295.17')
 DEPTH LANDED: 316.02' KB
 HOLE SIZE: 12-1/4"
 CEMENT DATA: 150 sxs Class "G" cmt, est 7 bbls cmt to surf.

PRODUCTION CASING

CSG SIZE: 5-1/2"
 GRADE: J-55
 WEIGHT: 15.5#
 LENGTH: 142 jts. (5986.5')
 DEPTH LANDED: 5982.1' KB
 HOLE SIZE: 7-7/8"
 CEMENT DATA: 285 sxs Prem. Lite II mixed & 400 sxs 50/50 POZ.
 CEMENT TOP AT: 0'

TUBING

SIZE/GRADE/WT: 2-7/8" / J-55 / 6.5#
 NO. OF JOINTS: 177 jts (5705.26')
 TUBING ANCHOR: 5717.26' KB
 NO. OF JOINTS: 2 jts (65.14')
 SEATING NIPPLE: 2-7/8" (1.10')
 SN LANDED AT: 5785.20' KB
 NO. OF JOINTS: 2 jts (65.14')
 TOTAL STRING LENGTH: EOT @ 5851.89' W/12 'KB

SUCKER RODS

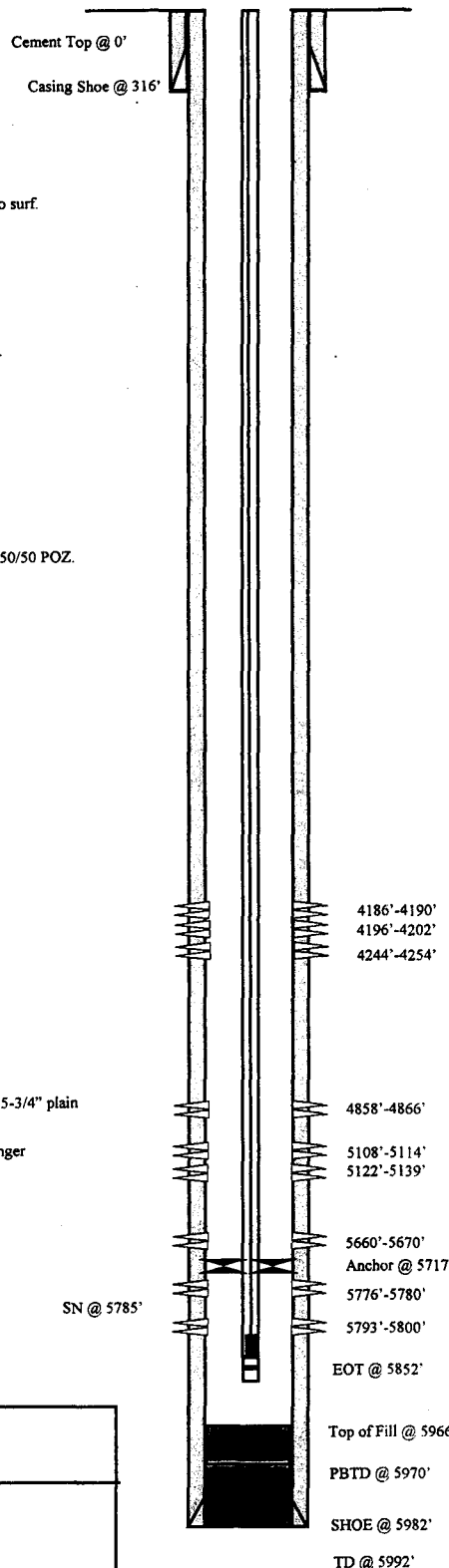
POLISHED ROD: 1-1/2" x 22'
 SUCKER RODS: 6-1 1/2" weight bars; 70-3/4" scraped rods; 55-3/4" plain rods, 99-3/4" scraped rods, 6", 2-2", 2-4 x 3/4" pony rods.
 PUMP SIZE: 2-1/2" x 1-1/2" x 15 1/2" RHAC pump w/ SM Plunger
 STROKE LENGTH: 86"
 PUMP SPEED, SPM: 5 SPM

FRAC JOB

8/25/04	5776'-5800'	Frac CP3 sands as follows: 19,306# 20/40 sand in 268 bbls Lightning Frac 17 fluid. Treated @ avg press of 2225 psi w/avg rate of 24.7 BPM. ISIP 2275 psi. Calc flush: 5774 gal. Actual flush: 5775 gal.
8/25/04	5660'-5670'	Frac CP 1 sands as follows: 59,588# 20/40 sand in 495 bbls Lightning Frac 17 fluid. Treated @ avg press of 1890 psi w/avg rate of 24.9 BPM. ISIP 2125 psi. Calc flush: 5658 gal. Actual flush: 5657 gal.
8/31/04	4858'-4866'	Frac C sands as follows: 15,525# 20/40 sand in 217 bbls Lightning Frac 17 fluid. Treated @ avg press of 2370 psi w/avg rate of 24.7 BPM. ISIP 2200 psi. Calc flush: 4856 gal. Actual flush: 4855 gal.
8/31/04	4186'-4254'	Frac GB4 and 6 sands as follows: 66,213# 20/40 sand in 477 bbls Lightning Frac 17 fluid. Treated @ avg press of 2095 psi w/avg rate of 24.8 BPM. ISIP 2200 psi. Calc flush: 4184 gal. Actual flush: 3360 gal.
10/27/04	5108'-5139'	Frac A1 and 3 sands as follows: 79,678# 20/40 sand in 629 bbls Lightning Frac 17 fluid. Treated @ avg press of 3709 psi w/avg rate of 14.8 BPM. ISIP 2370 psi. Calc flush: 1384 gal. Actual flush: 1176 gal.
01/28/05		Tubing Leak.
06/29/05		Pump Change
10/07/05		Tubing Leak. Detailed tubing and rod update.

PERFORATION RECORD

8/25/04	5793'-5800'	4 JSPF	28 holes
8/25/04	5776'-5780'	4 JSPF	16 holes
8/31/04	5660'-5670'	4 JSPF	40 holes
8/31/04	4858'-4866'	4 JSPF	32 holes
8/31/04	4244'-4254'	4 JSPF	40 holes
8/31/04	4196'-4202'	4 JSPF	32 holes
8/31/04	4186'-4190'	4 JSPF	16 holes
10/27/04	5122'-5139'	4 JSPF	68 holes
10/27/04	5108'-5114'	4 JSPF	24 holes



NEWFIELD

Ashley Federal 8-15-9-15
 1755 FNL & 767 FEL
 SE/NE Sec. 15, T9S R17E
 Duchesne, County
 API# 43-013-32406; Lease# UTU-66184

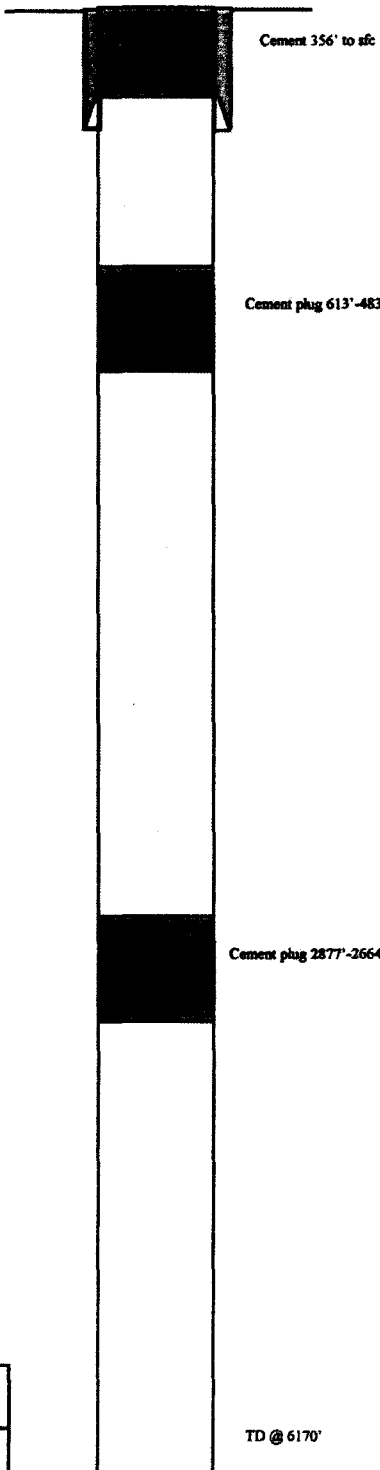
Ashley 16-10-9-15

Spud Date: 0
Put on Production:
Plug and Abandon 5-21-07
GL: 6224' KB: 6236'


P&A Wellbore Diagram

SURFACE CASING

CSG SIZE: 8-5/8"
GRADE: J-55
WEIGHT: 24#
LENGTH: 7 jts (292.56')
DEPTH LANDED: 304.41' KB
HOLE SIZE: 12-1/4"
CEMENT DATA: 150 sacs Class "G" cmt, est 5 bbls cmt to surf.



Plug and Abandon 5-21-07
Cement down 3' in 5 1/2" x 8 5/8" and
47' down inside 5 1/2" casing.

NEWFIELD 
ASHLEY 16-10-9-15 866' FSL & 673' FEL SE/SE Section 10-T9S-R15E Duchesne Co, Utah API #43-013-32305; Lease #UTU-74826

Ashley Federal 4-14-9-15

Spud Date: 12/17/03
 Put on Production: 02/20/04
 GL: 6168' KB: 6180'

Initial Production: 110 BOPD,
 215 MCFD, 8 BWPD

Wellbore Diagram

SURFACE CASING

CSG SIZE: 8 5/8"
 GRADE: J-55
 WEIGHT: 24#
 LENGTH: 7 jts. (304.3')
 DEPTH LANDED: 314.3' KB
 HOLE SIZE: 12 1/4"
 CEMENT DATA: 150 sxs Class "G" cmt, est 3 bbls cmt to surf.

PRODUCTION CASING

CSG SIZE: 5 1/2"
 GRADE: J-55
 WEIGHT: 15.5#
 LENGTH: 141 jts. (6074.14')
 DEPTH LANDED: 6072.64' KB
 HOLE SIZE: 7 7/8"
 CEMENT DATA: 350 sxs Prem. Lite II mixed & 420 sxs 50/50 POZ.
 CEMENT TOP AT: 185'

TUBING

SIZE/GRADE/WT: 2 7/8" / J-55
 NO. OF JOINTS: 177 jts (5717.21')
 TUBING ANCHOR: 5729.71'
 NO. OF JOINTS: 2 jts (64.71')
 SEATING NIPPLE: 2 7/8" (1.10')
 SN LANDED AT: 5797.17'
 NO. OF JOINTS: 2 jts (64.57')
 TOTAL STRING LENGTH: EOT @ 5863.24'

SUCKER RODS

POLISHED ROD: 1 1/2" x 22' SM
 SUCKER RODS: 6-1 1/2" K bars rods, 99- 3/4" guided rods, 77- 3/4" sucker rods, 48- 3/4" guided rods, 2', 2', 4- 6' 6' x 3/4" pony rods.
 PUMP SIZE: 2 1/2" x 1 1/2" x 14' x 16' RHAC
 STROKE LENGTH: 86"
 PUMP SPEED, SPM: 5 SPM

FRAC JOB

2/16/04 5559'-5776' **Frac CP and stray sands as follows:**
 80,000# 20/40 sand in 615 bbls
 Lightning 17 fluid. Treated @ avg. press of 1740 psi w/ avg. rate of 24.5 BPM. ISIP: 1880 psi. Calc flush: 5557 gal. Actual flush: 5599 gal.

2/16/04 5203'-5238' **Frac LODC sands as follows:**
 40,362# 20/40 sand in 383 bbls
 Lightning 17 fluid. Treated @ avg. press of 2465 psi w/ avg. rate of 24.7 BPM. ISIP: 2460 psi. Calc flush: 5201 gal. Actual flush: 5616 gal. (5 bbls 15% HCL acid in flush)

2/16/04 4794'-4850' **Frac C and D3 sands as follows:**
 68,968# 20/40 sand in 542 bbls
 Lightning 17 fluid. Treated @ avg. press of 2200 psi w/ avg. rate of 24.8 BPM. ISIP: 2440 psi. Calc flush: 4792 gal. Actual flush: 4830 gal. (5 bbls 15% HCL acid in flush)

2/16/04 4681'-4804' **Frac D sands as follows:**
 73,422# 20/40 sand in 546 bbls
 Lightning 17 fluid. Treated @ avg. press of 2685 psi w/ avg. rate of 24.7 BPM. ISIP: 2100 psi. Calc flush: 4679 gal. Actual flush: 4595 gal.

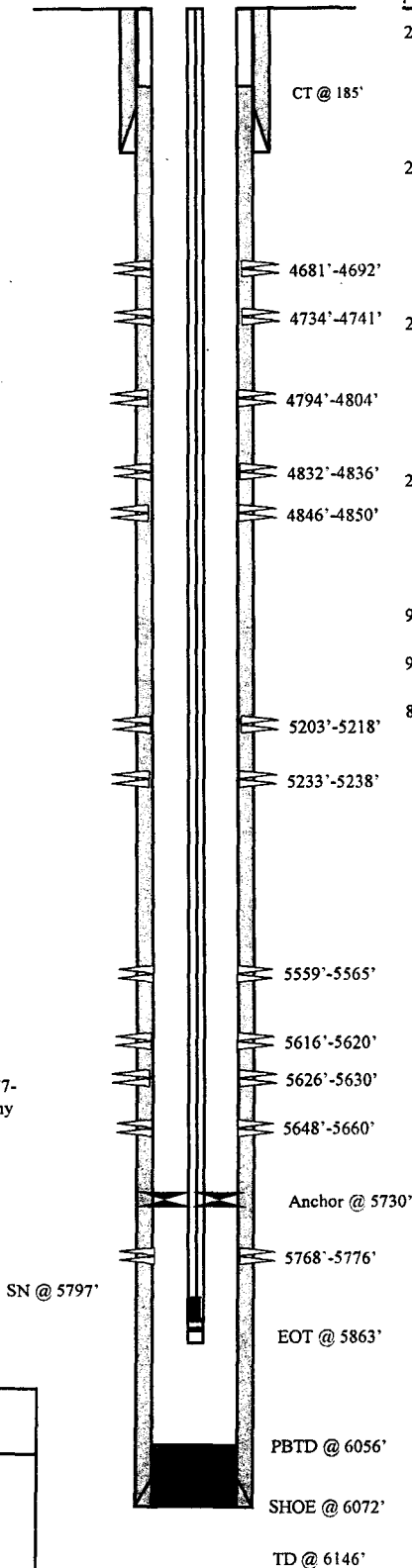
9/15/04 Rods came unscrewed. Update rod detail.

9/11/07 Parted rods. Updated rod & tubing details.

8/19/09 Pump Change. Updated rod & tubing detail.

PERFORATION RECORD

2/12/04	5768'-5776'	4 JSPF	32 holes
2/12/04	5648'-5660'	4 JSPF	48 holes
2/12/04	5626'-5630'	4 JSPF	16 holes
2/12/04	5616'-5620'	4 JSPF	16 holes
2/12/04	5559'-5565'	4 JSPF	24 holes
2/16/04	5233'-5238'	4 JSPF	20 holes
2/16/04	5203'-5218'	4 JSPF	60 holes
2/16/04	4846'-4850'	4 JSPF	16 holes
2/16/04	4832'-4836'	4 JSPF	16 holes
2/16/04	4794'-4804'	4 JSPF	40 holes
2/16/04	4734'-4741'	4 JSPF	28 holes
2/16/04	4681'-4692'	4 JSPF	44 holes



NEWFIELD

Ashley Federal 4-14-9-15

665 FNL & 666 FWL
 NWNW Section 14-T9S-R15E
 Duchesne Co, Utah
 API #43-013-32398 ; Lease #UTU-66184

Ashley Federal F-14-9-15

Spud Date: 11/17/09
 Put on Production: 12/30/09
 GL: 6171' KB: 6183'

Wellbore Diagram

SURFACE CASING

CSG SIZE: 8-5/8"
 GRADE: J-55
 WEIGHT: 24#
 LENGTH: 7 jts. (307.75')
 DEPTH LANDED: 319.60'
 HOLE SIZE: 12-1/4"
 CEMENT DATA: 160 sxs Class "G" cmt

PRODUCTION CASING

CSG SIZE: 5-1/2"
 GRADE: J-55
 WEIGHT: 15.5#
 LENGTH: 146 jts. (6114.93')
 HOLE SIZE: 7-7/8"
 TOTAL DEPTH: 6170.30'
 CEMENT DATA: 300 sxs Prem. Lite II mixed & 400 sxs 50/50 POZ.
 CEMENT TOP AT: 54'

TUBING

SIZE/GRADE/WT.: 2-7/8" / J-55 / 6.5#
 NO. OF JOINTS: 183 jts (5940.6')
 TUBING ANCHOR: 5952.6'
 NO. OF JOINTS: 1 jts (32.5')
 SEATING NIPPLE: 2-7/8" (1.1')
 SN LANDED AT: 5987.9' KB
 NO. OF JOINTS: 2 jts (65.0')
 TOTAL STRING LENGTH: EOT @ 6054'

SUCKER RODS

POLISHED ROD: 1-1/2" x 30'
 SUCKER RODS: 1-2' x 7/8" pony rod, 1-6' x 7/8" pony rod, 234- 7/8" guided rods (8 per), 4- 1 1/2" weight bars
 PUMP SIZE: 2 1/2 x 1 1/4 x 20' x 24' RHAC
 STROKE LENGTH: 168"
 PUMP SPEED, SPM: 5

Cement Top @ 54'

SN @ 5988'

Anchor @ 5953'

5966-5968'

5994-5996'

EOT @ 6054'

PBTD @ 6127'

TD @ 6175'

FRAC JOB

12/30/09	5885-5996'	Frac CP4 & CP5 sands as follows: Frac with 19950# 20/40 sand in 170 bbls Lightning 17 fluid.
12/30/09	5519-5706'	Frac CP stray, CP1 & LODC sands as follows: Frac with 66038# 20/40 sand in 398 bbls Lightning 17 fluid.
12/30/09	5247-5253'	Frac LODC sands as follows: Frac with 14943# 20/40 sand in 123 bbls Lightning 17 fluid.
12/30/09	4716-4882'	Frac C1, D1 & D2 sands as follows: Frac with 89265# 20/40 sand in 540 bbls Lightning 17 fluid.
12/30/09	4242-4245'	Frac GB6 sands as follows: Frac with 13296# 20/40 sand in 104 bbls Lightning 17 fluid.

PERFORATION RECORD

5994-5996'	3 JSFP	6 holes
5966-5968'	3 JSFP	6 holes
5885-5888'	3 JSFP	9 holes
5703-5706'	3 JSFP	9 holes
5615-5618'	3 JSFP	9 holes
5519-5522'	3 JSFP	9 holes
5247-5253'	3 JSFP	18 holes
4878-4882'	3 JSFP	12 holes
4779-4783'	3 JSFP	12 holes
4716-4720'	3 JSFP	12 holes
4242-4245'	3 JSFP	9 holes

NEWFIELD

Ashley Federal F-14-9-15
 646' FNL & 656' FWL
 NW/NW Section 14-T9S-R15E
 Duchesne Co, Utah
 API # 43-013-33959; Lease # UTU-66184

Ashley N-14-9-15

Spud Date: 5/13/2009
 Put on Production: 6/19/2009
 GL: 6288' KB: 6300'

Wellbore Diagram

SURFACE CASING

CSG SIZE: 8-5/8"
 GRADE: J-55
 WEIGHT: 24#
 LENGTH: 8 jts (313')
 DEPTH LANDED: 325' KB
 HOLE SIZE: 12-1/4"
 CEMENT DATA: 160 sx class 'G' cmt

PRODUCTION CASING

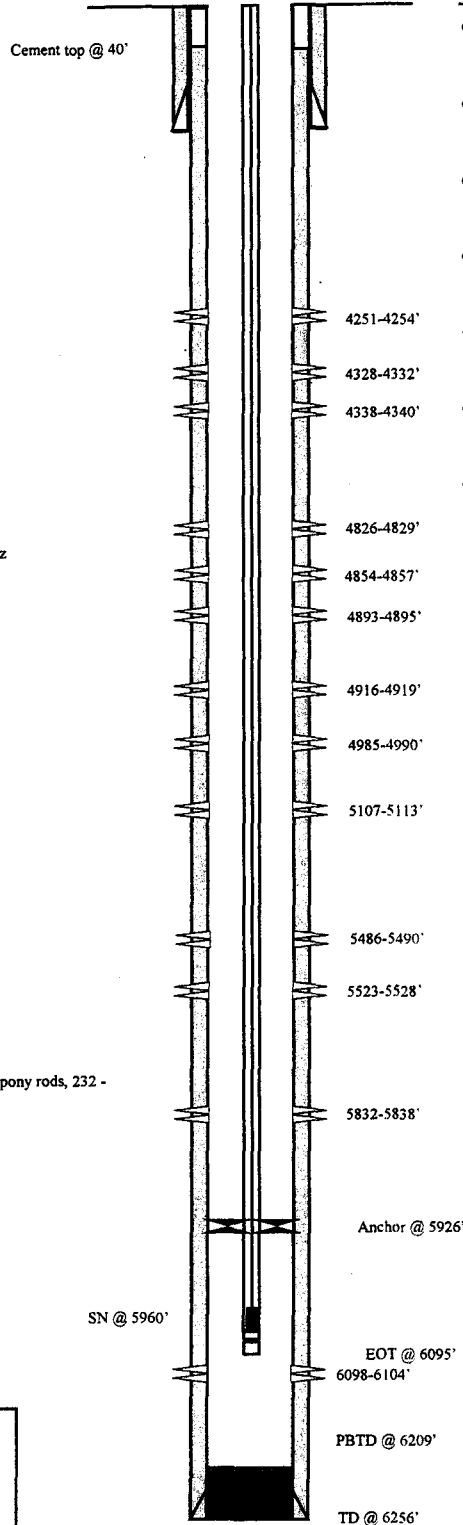
CSG SIZE: 5-1/2"
 GRADE: J-55
 WEIGHT: 15.5#
 LENGTH: 159 jts (6240')
 HOLE SIZE: 7-7/8"
 TOTAL DEPTH: 6253.01'
 CEMENT DATA: 300 sx Prem. Lite and 425 sx 50/50 poz
 CEMENT TOP AT: 40'

TUBING

SIZE/GRADE/WT.: 2-7/8" / J-55 / 6.5#
 NO. OF JOINTS: 187 jts (5914')
 TUBING ANCHOR: 5926' KB
 NO. OF JOINTS: 1 jts (31.7')
 SEATING NIPPLE: 2-7/8" (1.1')
 SN LANDED AT: 5960' KB
 NO. OF JOINTS: 1 jt (31.8'); 3 jts (95.5')
 TOTAL STRING LENGTH: EOT @ 6095'

SUCKER RODS

POLISHED ROD: 1 1/2" x 30'
 SUCKER RODS: 2 - 4' x 7/8", 1 - 4' x 7/8", 1 - 6' x 7/8" pony rods, 232 - 7/8" 8per guided rods, 4 - 1 1/2" weight bars.
 PUMP SIZE: 2 1/2" x 1 3/4" x 20' RHAC
 STROKE LENGTH: 144"
 PUMP SPEED, SPM: 5



FRAC JOB

6-22-09	6098-6104'	Frac CP5 sands as follows: Frac with 15097 #s of 20/40 sand in 127 bbls Lightning 17 fluid.
6-22-09	5832-5838'	Frac CP1 sands as follows: Frac with 12060 #s of 20/40 sand in 126 bbls Lightning 17 fluid.
6-22-09	5486-5528'	Frac LODC sands as follows: Frac with 50326#s 20/40 sand in 383 bbls Lightning 17 fluid.
6-22-09	5107-5113'	Frac B1 sands as follows: Frac with 20213 #s 20/40 sand in 183 bbls Lightning 17 fluid.
6-22-09	4985-4990'	Frac C sands as follows: Frac with 15804 #s 20/40 sand in 131 bbls Lightning 17 fluid..
6-22-09	4826-4919'	Frac D1, D2, & D3 sands as follows: Frac with 61219 #s 20/40 sand in 365 bbls Lightning 17 fluid.
6-22-09	4251-4340'	Frac GB6 & GB4 sands as follows: Frac with 38149 #s 20/40 sand in 302 bbls Lightning 17 fluid.

PERFORATION RECORD

6098-6104'	4 JSPF	24 holes
5832-5838'	3 JSPF	18 holes
5523-5528'	3 JSPF	15 holes
5486-5490'	3 JSPF	12 holes
5107-5113'	3 JSPF	18 holes
4985-4990'	3 JSPF	15 holes
4916-4919'	3 JSPF	9 holes
4893-4895'	3 JSPF	6 holes
4854-4857'	3 JSPF	9 holes
4826-4829'	3 JSPF	9 holes
4338-4340'	3 JSPF	6 holes
4328-4332'	3 JSPF	12 holes
4251-4254'	3 JSPF	9 holes

NEWFIELD

Ashley N-14-9-15

1986' FSL & 656' FWL

NW/SW Section 14-T9S-R15E

Duchesne Co, Utah

API # 43-013-33960; Lease # UTU-66184

Ashley Federal #12-14-9-15

Spud Date: 9/16/04
 Put on Production: 11/09/04
 GL: 6285' KB: 6297'

Initial Production: BOPD,
 MCFD, BWPD

Wellbore Diagram

SURFACE CASING

CSG SIZE: 8 5/8"
 GRADE: J-55
 WEIGHT: 24#
 LENGTH: 7 jts. (297.77')
 DEPTH LANDED: 307.77' KB
 HOLE SIZE: 12 1/4"
 CEMENT DATA: 150sxs Class "G" mixed cmt, est 5 bbls cmt to surf.
 Cement Top @ 193'

PRODUCTION CASING

CSG SIZE: 5 1/2"
 GRADE: J-55
 WEIGHT: 15.5#
 LENGTH: 136 jts. (6087.11')
 DEPTH LANDED: 6085.11' KB
 HOLE SIZE: 7 7/8"
 CEMENT DATA: 285 sxs Prem. Lite II mixed & 400 sxs 50/50 POZ mix.
 CEMENT TOP AT: 193'

TUBING

SIZE/GRADE/WT.: 2 7/8" / J-55
 NO. OF JOINTS: 152 jts (4889.59')
 TUBING ANCHOR: 4901.59'
 NO. OF JOINTS: 3 jts (94.38')
 SEATING NIPPLE: 2 7/8" (1.10')
 SN LANDED AT: 4998.77
 NO. OF JOINTS: 2 jts (63.93')
 TOTAL STRING LENGTH: EOT @ 5064.25'

SUCKER RODS

POLISHED ROD: 1 1/2" x 22'
 SUCKER RODS: 1-2', 2-4', 2-6' x 3/4" pony rods, 120-3/4" guided rods, 43-3/4" plain rods, 30-3/4" guided rods, 6-1 1/2" weight rods.
 PUMP SIZE: 2 1/2" x 1 1/2" x 12' x 15.5' RHAC pump.
 STROKE LENGTH: 85"
 PUMP SPEED, SPM: 5 SPM
 SN @ 4999'

FRAC JOB

11/03/04 4916-4989' **Frac B.5 & 1 & 2 sands as follows:**
 128,138#'s 20/40 sand in 887 bbls Lightning
 Frac 17 fluid. Treated @ avg press of 1602 psi
 w/avg rate of 24.9 BPM. ISIP 2150. Calc
 flush 4914 gal. Actual flush: 4725 gal.

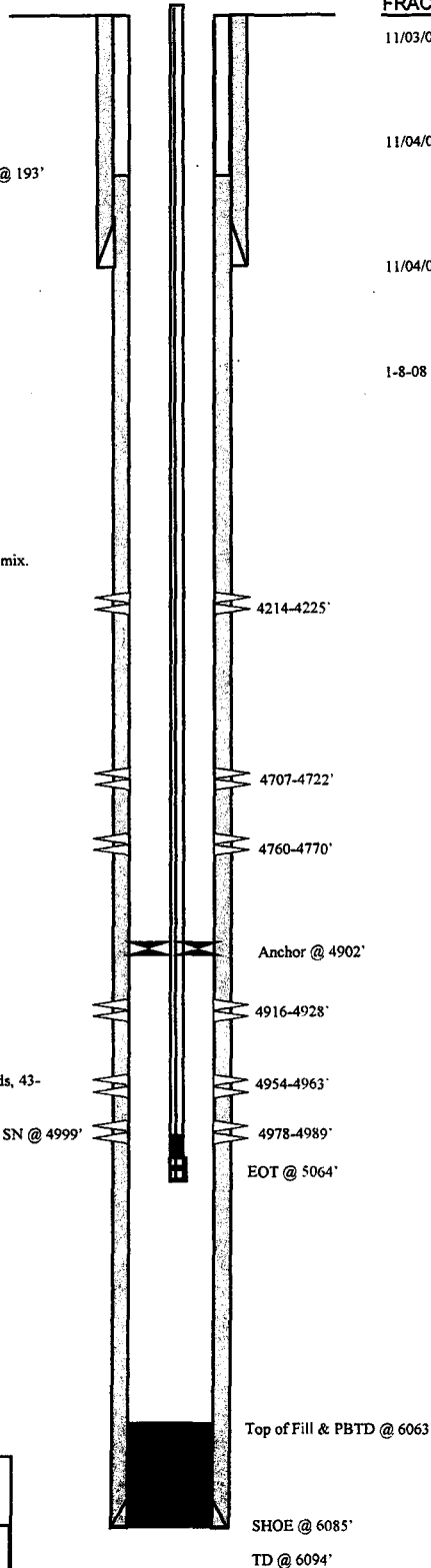
11/04/04 4707-4770' **Frac D1 & 2 sands as follows:**
 109,362# 20/40 sand in 781 bbls Lightning
 Frac 17 fluid. Treated @ avg press of 1607 psi
 w/avg rate of 24.9 BPM. ISIP 2180 psi. Calc
 flush: 4705 gal. Actual flush: 4704 gal.

11/04/04 4214-4225' **Frac GB6 sands as follows:**
 58,492# 20/40 sand in 480 bbls Lightning
 Frac 17 fluid. Treated @ avg press of 1894 psi
 w/avg rate of 24.9 BPM. ISIP 2200 psi. Calc
 flush: 4212 gal. Actual flush: 4116 gal.

1-8-08 Tubing Leak. Updated rod & tubing details

PERFORATION RECORD

Date	Interval	Tool	Holes
10/28/04	4978-4989'	4 JSPF	44 holes
10/28/04	4954-4963'	4 JSPF	36 holes
10/28/04	4916-4928'	4 JSPF	48 holes
11/03/04	4760-4770'	4 JSPF	40 holes
11/03/04	4707-4722'	4 JSPF	60 holes
11/04/04	4214-4225'	4 JSPF	44 holes



NEWFIELD

Ashley Federal 12-14-9-15
 2003' FSL & 636' FWL
 NW/SW Section 14-T9S-R15E
 Duchesne Co, Utah
 API #43-013-32476; Lease #UTU-66184

ASHLEY FEDERAL 5-14-9-15

Spud Date: 9/9/04
 Put on Production: 11/02/04
 GL: 6205' KB: 6217'

Initial Production: BOPD,
 MCFD, BWPD

Injection Wellbore
 Diagram

SURFACE CASING

CSG SIZE: 8 5/8"
 GRADE: J-55
 WEIGHT: 24#
 LENGTH: 8 jts. (325.65')
 DEPTH LANDED: 335.65' KB
 HOLE SIZE: 12 1/4"
 CEMENT DATA: 150sxs Class "G" mixed cmt, est 3 bbls cmt to surf.

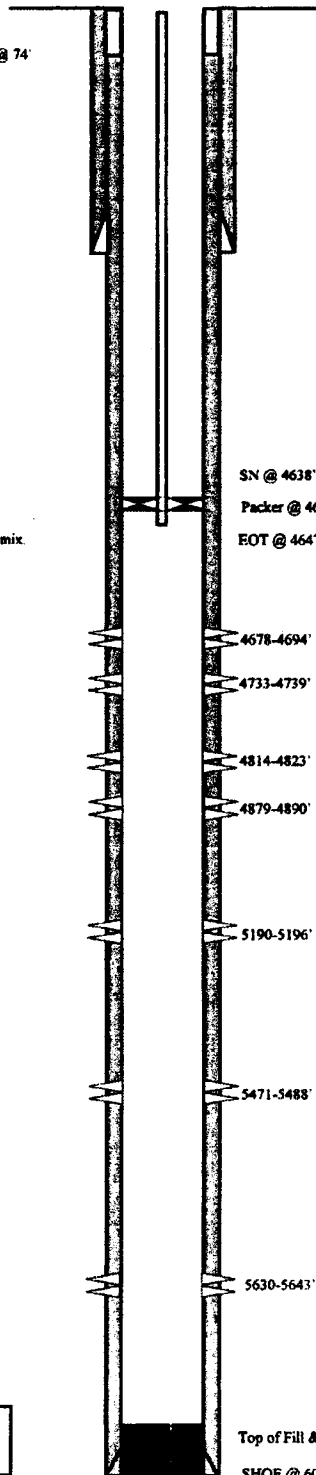
PRODUCTION CASING

CSG SIZE: 5 1/2"
 GRADE: J-55
 WEIGHT: 15.5#
 LENGTH: 140 jts. (6034.19')
 DEPTH LANDED: 6030.19' KB
 HOLE SIZE: 7 7/8"
 CEMENT DATA: 285 sxs Prem. Lite II mixed & 400 sxs 50/50 POZ mix.
 CEMENT TOP AT: 74'

TUBING

SIZE/GRADE/WT: 2 7/8" / J-55 / 6.5#
 NO. OF JOINTS: 143 jts. (4626.11')
 PACKER: 4642.51' KB
 SEATING NIPPLE: 2 7/8" (1.10')
 SN LANDED AT: 4638.11' KB
 TOTAL STRING LENGTH: EOT @ 4646.61' w/ 12' KB

Cement Top @ 74'



FRAC JOB

10/27/04	5471-5643'	Frac CP1 & LODC sands as follows: 39,600# 20/40 sand in 414 bbls Lightning Frac 17 fluid. Treated @ avg press of 1611 psi w/avg rate of 24.9 BPM. ISIP 1840 psi. Calc flush: 5469 gals Actual flush: 5460 gals.
10/27/04	5190-5196'	Frac LODC sands as follows: 13,765# 20/40 sand in 233 bbls Lightning Frac 17 fluid. Treated @ avg press of 2157 psi w/avg rate of 14.7 BPM. ISIP 2260 psi. Calc flush: 5188 gal Actual flush: 5208 gal
10/27/04	4814-4890'	Frac C & B.S sands as follows: 69,915# 20/40 sand in 538 bbls Lightning Frac 17 fluid. Treated @ avg press of 1875 psi w/avg rate of 24.8 BPM. ISIP 2265 psi. Calc flush: 4812 gal Actual flush: 4830 gal
10/27/04	4678-4739'	Frac D2 & D3 sands as follows: 89,456# 20/40 sand in 633 bbls Lightning Frac 17 fluid. Treated @ avg press of 1940 psi w/avg rate of 24.8 BPM. ISIP 2420 psi. Calc flush: 4676 gal Actual flush: 4578 gal
11/15/05		Well converted to Injection well.
12/06/05		MIT completed.

PERFORATION RECORD

10/25/04	5471-5488'	4 JSPF 68holes
10/25/04	5630-5643'	4 JSPF 52holes
10/27/04	4678-4694'	4 JSPF 64holes
10/27/04	4733-4739'	4 JSPF 24holes
10/27/04	4814-4823'	4 JSPF 36holes
10/27/04	4879-4890'	4 JSPF 44holes
10/27/04	5190-5196'	4 JSPF 24holes

Top of Fill & PBTD @ 5985'

SHOE @ 6030'

TD @ 6042'

NEWFIELD

Ashley Federal 5-14-9-15
 2033' FNL & 676' FWL
 SW/NW Section 14-T9S-R15E
 Duchesne Co, Utah
 API #43-013-32465; Lease #UTU-66184

Ashley K-15-9-15

Spud Date: 11/6/09
 Put on Production: 12/23/09
 GL: 6256' KB: 6268'

Wellbore Diagram

SURFACE CASING

CSG SIZE: 8-5/8"
 GRADE: J-55
 WEIGHT: 24#
 LENGTH: 7 jts. (308.38')
 DEPTH LANDED: 320.23'
 HOLE SIZE: 12-1/4"
 CEMENT DATA: 160 sxs Class "G" cmt

PRODUCTION CASING

CSG SIZE: 5-1/2"
 GRADE: J-55
 WEIGHT: 15.5#
 LENGTH: 152 jts. (6355.94')
 HOLE SIZE: 7-7/8"
 TOTAL DEPTH: 6389.19'
 CEMENT DATA: 300 sxs Prem. Lite II mixed & 425 sxs 50/50 POZ.
 CEMENT TOP AT: 58'

TUBING

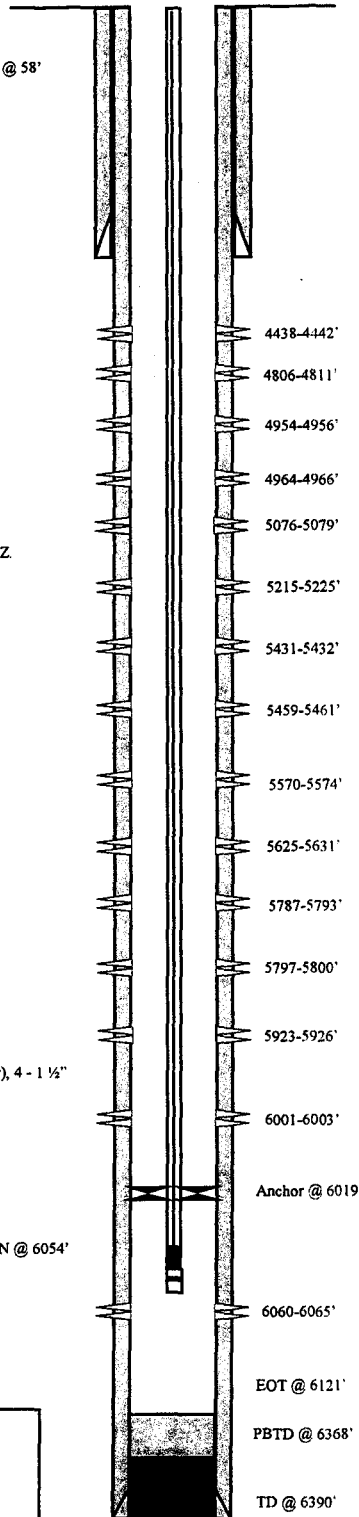
SIZE/GRADE/WT.: 2-7/8" / J-55 / 6.5#
 NO. OF JOINTS: 185 jts (6007.2')
 TUBING ANCHOR: 6019.2'
 NO. OF JOINTS: 1 jts (32.4')
 SEATING NIPPLE: 2-7/8" (1.1')
 SN LANDED AT: 6054.4' KB
 NO. OF JOINTS: 2 jts (6055.5')
 TOTAL STRING LENGTH: EOT @ 6121'

SUCKER RODS

POLISHED ROD: 1-1/2" x 30'
 SUCKER RODS: 2 - 2' x 7/8" pony rod, 237 - 7/8" guided rods (8 per), 4 - 1 1/2" weight bars
 PUMP SIZE: 2 1/2 x 1 3/4 x 20' x 24' RHAC
 STROKE LENGTH: 144
 PUMP SPEED, SPM: 5

Cement Top @ 58'

SN @ 6054'




FRAC JOB

Date	Interval	Description
12/23/09	5923-6065'	Frac CP3, CP4 & CP5 sands as follows: Frac with 24,815# 20/40 sand in 219 bbbs Lightning 17 fluid.
12/23/09	5793-5800'	Frac CP1 sands as follows: Frac with 25,489# 20/40 sand in 215 bbbs Lightning 17 fluid.
12/23/09	5641-5631'	Frac LODC sands as follows: Frac with 151,364# 20/40 sand in 974 bbbs Lightning 17 fluid.
12/23/09	5215-5225'	Frac A1 sands as follows: Frac with 85,395# 20/40 sand in 525 bbbs Lightning 17 fluid.
12/23/09	4654-5079'	Frac B2 & C sands as follows: Frac 35,464# 20/40 sand in 235 bbbs Lightning 17 fluid.
12/23/09	4806-4811'	Frac D1 sands as follows: Frac 14,512# 20/40 sand in 125 bbbs Lightning 17 fluid.
12/23/09	4438-4442'	Frac PB8 sands as follows: Frac 11,180# 20/40 sand in 95 bbbs Lightning 17 fluid.

PERFORATION RECORD

Interval	Tool Joint	Holes
6060'-6065'	3 JSPF	15 holes
6001'-6003'	3 JSPF	6 holes
5923'-5926'	3 JSPF	9 holes
5797'-5800'	3 JSPF	9 holes
5787'-5793'	3 JSPF	18 holes
5625'-5631'	3 JSPF	18 holes
5570'-5574'	3 JSPF	12 holes
5459'-5461'	3 JSPF	6 holes
5431'-5432'	3 JSPF	3 holes
5215'-5225'	3 JSPF	30 holes
5076'-5079'	3 JSPF	9 holes
4964'-4966'	3 JSPF	6 holes
4954'-4956'	3 JSPF	6 holes
4806'-4811'	3 JSPF	15 holes
4438'-4442'	3 JSPF	12 holes



Ashley K-15-9-15
 1720' FNL & 762' FWL
 SE/NE Section 15-T9S-R15E
 Duchesne Co, Utah
 API # 43-013-33940; Lease # UTU-66184

Ashley Federal 9-15-9-15

Spud Date: 9/1/04
 Put on Production: 10/21/04
 GL: 6333' KB: 6345'

Initial Production: BOPD,
 MCFD, BWPD

SURFACE CASING

CSG SIZE: 8-5/8"
 GRADE: J-55
 WEIGHT: 24#
 LENGTH: 7 jts. (291.45')
 DEPTH LANDED: 301.45' KB
 HOLE SIZE: 12-1/4"
 CEMENT DATA: 150 sxs Class "G" cmt, est 4 bbls cmt to surf.

Cement Top @ 204'

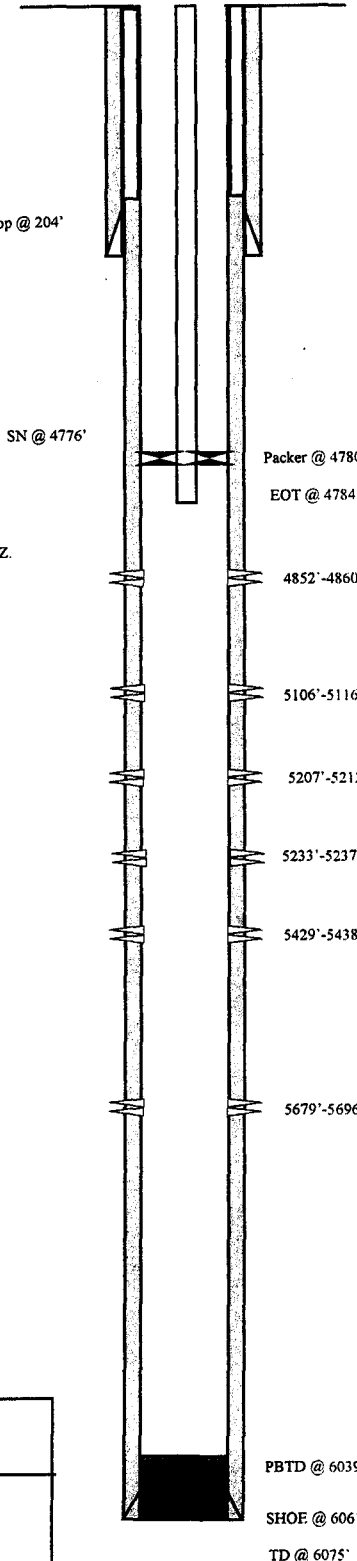
PRODUCTION CASING

CSG SIZE: 5-1/2"
 GRADE: J-55
 WEIGHT: 15.5#
 LENGTH: 142 jts. (6062.66')
 DEPTH LANDED: 6060.66' KB
 HOLE SIZE: 7-7/8"
 CEMENT DATA: 285 sxs Prem. Lite II mixed & 375 sxs 50/50 POZ.
 CEMENT TOP AT: 204'

TUBING

SIZE/GRADE/WT: 2-7/8" / J-55 / 6.5#
 NO. OF JOINTS: 147 jts (4763.87')
 SEATING NIPPLE: 2-7/8" (1.10')
 SN LANDED AT: 4775.87' KB
 TOTAL STRING LENGTH: EOT @ 4783.84' w/12' KB

Injection Wellbore
 Diagram



FRAC JOB

10/15/04	5679'-5696'	Frac CP1 sands as follows: 49,476# 20/40 sand in 439 bbls Lightning Frac 17 fluid. Treated @ avg press of 1610 psi w/avg rate of 24.3 BPM. ISIP 1900 psi. Calc flush: 5677 gal. Actual flush: 5678 gal.
10/15/04	5429'-5438'	Frac LODC sands as follows: 24,868# 20/40 sand in 289 bbls Lightning Frac 17 fluid. Treated @ avg press of 2100 psi w/avg rate of 24.3 BPM. ISIP 2200 psi. Calc flush: 5427 gal. Actual flush: 5426 gal.
10/15/04	5207'-5237'	Frac LODC sands as follows: 24,608# 20/40 sand in 286 bbls Lightning Frac 17 fluid. Treated @ avg press of 2210 psi w/avg rate of 24.3 BPM. ISIP 2600 psi. Calc flush: 5205 gal. Actual flush: 5246 gal.
10/15/04	5106'-5116'	Frac A1 sands as follows: 59,423# 20/40 sand in 479 bbls Lightning Frac 17 fluid. Treated @ avg press of 1935 psi w/avg rate of 24.3 BPM. ISIP 2250 psi. Calc flush: 5104 gal. Actual flush: 5103 gal.
10/15/04	4852'-4860'	Frac C sands as follows: 27,330# 20/40 sand in 286 bbls Lightning Frac 17 fluid. Treated @ avg press of 1900 psi w/avg rate of 24.3 BPM. ISIP 2000 psi. Calc flush: 4850 gal. Actual flush: 4851 gal.
4/28/06		Well converted to an injection well.
5/12/06		MIT completed and submitted.

PERFORATION RECORD

10/12/04	5679'-5696'	4 JSPF	68 holes
10/12/04	5429'-5438'	4 JSPF	36 holes
10/12/04	5233'-5237'	4 JSPF	16 holes
10/12/04	5207'-5212'	4 JSPF	20 holes
10/12/04	5106'-5116'	4 JSPF	40 holes
10/12/04	4852'-4860'	4 JSPF	32 holes

NEWFIELD

Ashley Federal 9-15-9-15
 1958 FSL & 728 FEL
 NE/SE Sec. 15, T9S R15E
 Duchesne, County
 API# 43-013-32470; Lease# UTU-66184

Ashley L-15-9-15

Spud Date: 5/15/2009
Put on Production: 7/2/2009

GL: 6331' KB: 6343'

SURFACE CASING

CSG SIZE: 8-5/8"
GRADE: J-55
WEIGHT: 24#
LENGTH: 8 jts (312')
DEPTH LANDED: 324' KB
HOLE SIZE: 12-1/4"
CEMENT DATA: 160 sx class "G" cmt

PRODUCTION CASING

CSG SIZE: 5-1/2"
GRADE: J-55
WEIGHT: 15.5#
LENGTH: 163 jts (6210')
HOLE SIZE: 7-7/8"
TOTAL DEPTH: 6223.30'
CEMENT DATA: 277 sx Prem. Lite and 401 sx 50/50 poz
CEMENT TOP AT: 120'

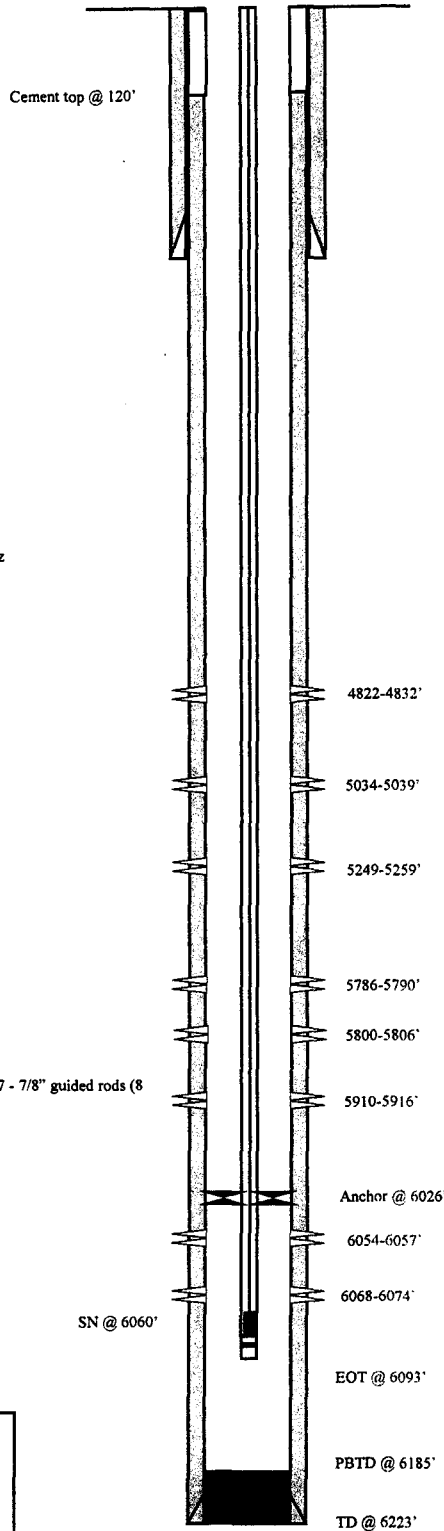
TUBING

SIZE/GRADE/WT.: 2-7/8" / J-55 / 6.5#
NO. OF JOINTS: 195 jts (6014')
TUBING ANCHOR: 6026' KB
NO. OF JOINTS: 1 jts (31.4')
SEATING NIPPLE: 2-7/8" (1.1')
SN LANDED AT: 6060' KB
NO. OF JOINTS: 1 jts (30.8')
TOTAL STRING LENGTH: EOT @ 6093'

SUCKER RODS

POLISHED ROD: 1 1/2" x 30'
SUCKER RODS: 1 - 2' x 7/8"; 1 - 8' x 7/8" pony rods, 237 - 7/8" guided rods (8 per), 4 - 1 1/2" weight rods.
PUMP SIZE: 2 1/4 x 1 1/4 x 17' x 24' RHAC
STROKE LENGTH: 144"
PUMP SPEED, SPM: 45 ?????

Wellbore Diagram



FRAC JOB

07-02-09	6054-6074'	Frac CP5 sands as follows: Frac with 55,729# 20/40 sand in 347 bbls of Lightning 17 fluid.
07-02-09	5910-5916'	Frac CP3 sands as follows: Frac with 14,780# 20/40 sand in 127 bbls of Lightning 17 fluid.
07-02-09	5786-5806'	Frac CP1 sands as follows: Frac with 75,614# 20/40 sand in 466 bbls of Lightning 17 fluid.
07-02-09	5249-5259'	Frac A3 sands as follows: Frac with 80,634# 20/40 sand in 484 bbls of Lightning 17 fluid.
07-02-09	5034-5039'	Frac B.5 sands as follows: Frac with 15,215# 20/40 sand in 126 bbls of Lightning 17 fluid.
07-02-09	4822-4832'	Frac D1 sands as follows: Frac with 91,098# 20/40 sand in 551 bbls of Lightning 17 fluid.

PERFORATION RECORD

6068-6074'	3 JSPF	18 holes
6054-6057'	3 JSPF	9 holes
5910-5916'	3 JSPF	18 holes
5800-5806'	3 JSPF	18 holes
5786-5790'	3 JSPF	12 holes
5249-5259'	3 JSPF	30 holes
5034-5039'	3 JSPF	15 holes
4822-4832'	3 JSPF	30 holes

NEWFIELD



Ashley L-15-9-15

1973' FSL & 717' FEL

NE/SE Section 15-T9S-R15E

Duchesne Co, Utah

API # 43-013-33962; Lease # UTU-66184

ASHLEY FEDERAL 10-15-9-15

Spud Date: 8-25-2004
 Put on Production: 10/18/04
 GL: 6320' KB: 6332'

Initial Production: BOPD,
 MCFD, BWPD

Wellbore Diagram

SURFACE CASING

CSG SIZE: 8 5/8"
 GRADE: J-55
 WEIGHT: 24#
 LENGTH: 7 jts. (294.91')
 DEPTH LANDED: 304.91' KB
 HOLE SIZE: 12 1/4"
 CEMENT DATA: 150sxs Class "G" mixed cmt, est 4 bbls cmt to surf.

PRODUCTION CASING

CSG SIZE: 5 1/2"
 GRADE: J-55
 WEIGHT: 15.5#
 LENGTH: 142 jts. (6030.64')
 DEPTH LANDED: 6028.64' KB
 HOLE SIZE: 7 7/8"
 CEMENT DATA: 285 sxs Prem. Lite II mixed & 375 sxs 50/50 POZ mix.
 CEMENT TOP AT: 130'

TUBING

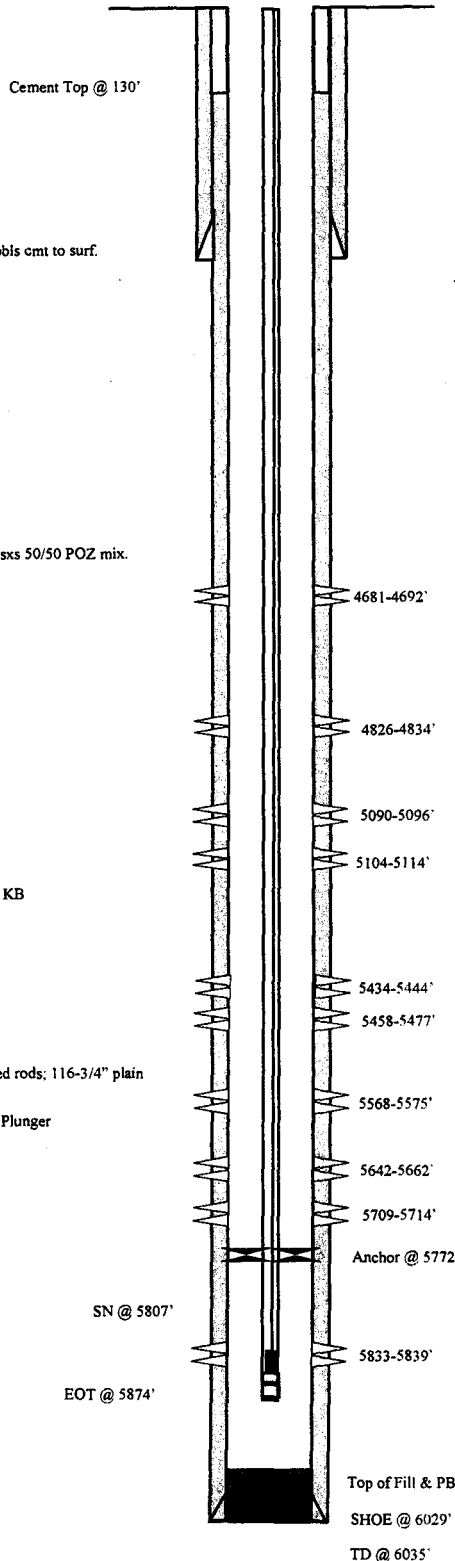
SIZE/GRADE/WT. 2 7/8" / J-55 / 6.5#
 NO. OF JOINTS: 176 jts (5759.57')
 TUBING ANCHOR: 5771.57' KB
 NO. OF JOINTS: 1 jts (32.62')
 SEATING NIPPLE: 2 7/8" (1.10')
 SN LANDED AT: 5806.99' KB
 NO. OF JOINTS: 2 jts (65.20')
 TOTAL STRING LENGTH: EOT @ 5873.74' w/ 12' KB

SUCKER RODS

POLISHED ROD: 1 1/2" x 22'
 SUCKER RODS: 1-6' x 3/4" pony rod, 100-3/4" scraped rods; 116-3/4" plain rods, 10-3/4" scraped rods, 6-1 1/2" weight rods.
 PUMP SIZE: 2 1/2" x 1 1/2" x 16" RHAC pump w/ SM Plunger
 STROKE LENGTH: 74"
 PUMP SPEED, SPM: 5 SPM
 LOGS: DIGL/SP/GR/CAL

FRAC JOB

10/11/04	5833-5839'	Frac CP4 sands as follows: 11,595# 20/40 sand in 219 bbls Lightning Frac 17 fluid. Treated @ avg press of 2607 psi w/avg rate of 24.5 BPM. Screened out.
10/12/04	5642-5714'	Frac CP3 & 2 sands as follows: 47,085# 20/40 sand in 449 bbls Lightning Frac 17 fluid. Treated @ avg press of 1509 psi w/avg rate of 24.6 BPM. ISIP 1800 psi. Calc flush: 5640 gal. Actual flush: 5683 gal.
10/13/04	5568-5575'	Frac CP stray sands as follows: 14,202# 20/40 sand in 246 bbls lightning Frac 17 fluid. Treated @ avg press of 2185 psi w/avg rate of 24.7 BPM. ISIP 2050 psi. Calc flush: 5566 gal. Actual flush: 5607 gal.
10/13/04	5434-5477'	Frac LODC sands as follows: 175,819# 20/40 sand in 1160 bbls Lightning Frac 17 fluid. Treated @ avg press of 2281 psi w/avg rate of 24.7 BPM. ISIP 2800 psi. Calc flush: 5432 gal. Actual flush: 5431 gal.
10/13/04	5090-5114'	Frac A1 & A3 sands as follows: 58,742# 20/40 sand in 481 bbls Lightning Frac 17 fluid. Treated @ avg press of 1449 psi w/avg rate of 24.7 BPM. ISIP 1950 psi. Calc flush: 5088 gal. Actual flush: 5099 gal.
10/13/04	4826-4834'	Frac C sands as follows: 18,639# 20/40 sand in 263 bbls Lightning Frac 17 fluid. Treated @ avg press of 2281 psi w/avg rate of 24.7 BPM. ISIP 2100 psi. Calc flush: 4824 gal. Actual flush: 4864 gal.
10/13/04	4681-4692'	Frac D1 sands as follows: 61,420# 20/40 sand in 465 bbls Lightning Frac 17 fluid. Treated @ avg press of 2004 psi w/avg rate of 24.7 BPM. ISIP 2100 psi. Calc flush: 4679 gal. Actual flush: 4595 gal.



PERFORATION RECORD

10/07/04	5833-5839'	4 JSPF 24holes
10/12/04	5709-5714'	4 JSPF 20holes
10/12/04	5642-5662'	4 JSPF 80holes
10/12/04	5568-5575'	4 JSPF 28holes
10/13/04	5458-5477'	4 JSPF 76holes
10/13/04	5434-5444'	4 JSPF 40holes
10/13/04	5104-5114'	4 JSPF 40holes
10/13/04	5090-5096'	4 JSPF 24holes
10/13/04	4826-4834'	4 JSPF 32holes
10/13/04	4861-4692'	4 JSPF 44holes



Ashley Federal 10-15-9-15
 1785' FSL & 1957' FEL
 NW/SE Section 15-T9S-R15E
 Duchesne Co, Utah
 API #43-013-32471; Lease #UTU-66184

Ashley M-15-9-15

Spud Date: 5/9/2009
 Put on Production: 6/17/2009
 GL: 6288' KB: 6300'

Wellbore Diagram

SURFACE CASING

CSG SIZE: 8-5/8"
 GRADE: J-55
 WEIGHT: 24#
 LENGTH: 8 jts (313.41')
 DEPTH LANDED: 325.26' KB
 HOLE SIZE: 12-1/4"
 CEMENT DATA: 160 sx class 'G' cmt

PRODUCTION CASING

CSG SIZE: 5-1/2"
 GRADE: J-55
 WEIGHT: 15.5#
 LENGTH: 167 jts (6142.24')
 DEPTH LANDED: 6155.49
 HOLE SIZE: 7-7/8"
 CEMENT DATA: 325 sx Prem Lite II and 450 sx 50/50 poz
 CEMENT TOP AT: 78'

TUBING

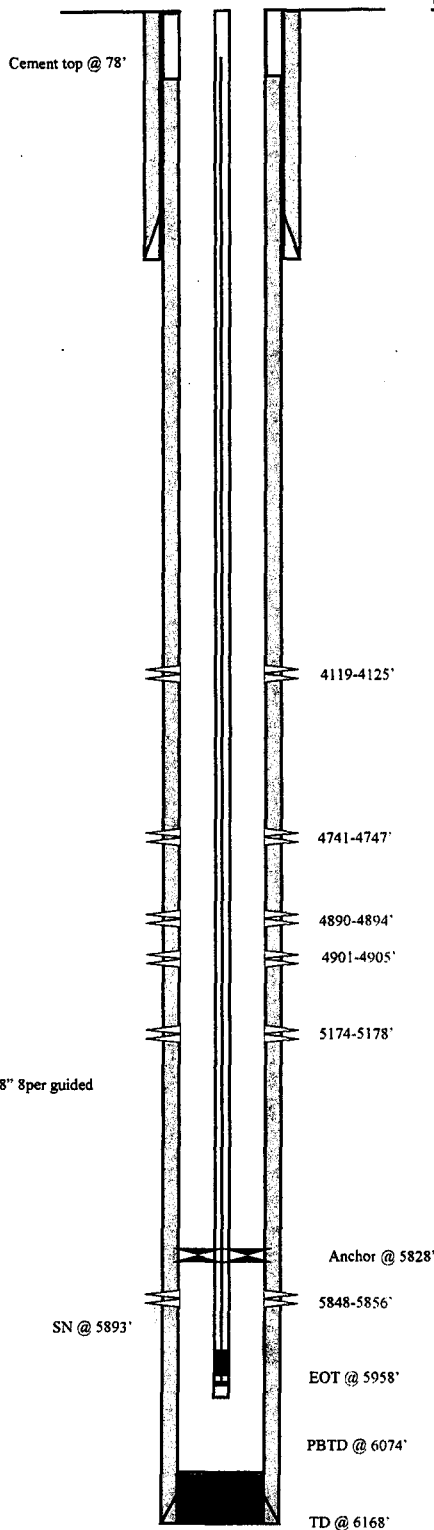
SIZE/GRADE/WT.: 2-7/8" / J-55 / 6.5#
 NO. OF JOINTS: 185 jts (5815.7')
 TUBING ANCHOR: 5827.7' KB
 NO. OF JOINTS: 2 jts (62.8')
 SEATING NIPPLE: 2-7/8" (1.1')
 SN LANDED AT: 5893.3' KB
 NO. OF JOINTS: 2 jts (62.8')
 TOTAL STRING LENGTH: EOT @ 5958'

SUCKER RODS

POLISHED ROD: 1 1/2" x 30'
 SUCKER RODS: 1 - 4' x 7/8", 1 - 8' x 7/8" pony rods, 230 - 7/8" 8per guided rods, 4 - 1 1/2" weight bars
 PUMP SIZE: 2 1/2" x 1 3/4" x 20' RHAC
 STROKE LENGTH: 144
 PUMP SPEED, SPM: 5

FRAC JOB

6-18-2009 5848-5856' Frac CP3 sands as follows:
 Frac with 15,101# 20/40 sand in 128 bbls of
 Lightning 17 fluid.
 6-18-2009 5174-5178' Frac A1 sands as follows:
 Frac with 14,733# 20/40 sand in 125 bbls of
 Lightning 17 fluid.
 6-18-2009 4890-4905' Frac C sands as follows:
 Frac with 65,656# 20/40 sand in 400 bbls of
 Lightning 17 fluid.
 6-18-2009 4741-4747' Frac D1 sands as follows:
 Frac with 35,806# 20/40 sand in 230 bbls of
 Lightning 17 fluid.
 6-18-2009 4119-4125' Frac GB2 sands as follows:
 Frac with 14,044# 20/40 sand in 122 bbls of
 Lightning 17 fluid.



PERFORATION RECORD

5848-5856' 4 JSPF 32 holes
 5174-5178' 3 JSPF 12 holes
 4901-4905' 3 JSPF 12 holes
 4890-4894' 3 JSPF 12 holes
 4741-4747' 3 JSPF 18 holes
 4119-4125' 3 JSPF 18 holes

NEWFIELD

Ashley M-15-9-15

2107' FSL & 552' FWL

NE/SW Section 15-T9S-R15E

Duchesne Co, Utah

API # 43-013-33961; Lease # UTU-66184

Ashley Federal #7-15-9-15

Spud Date: 10/20/03
 Put on Production: 12/12/03
 GL: 6245' KB: 6257'

Initial Production: 74 BOPD,
 75 MCFD, 25 BWPD

Injection Wellbore
 Diagram

SURFACE CASING

CSG SIZE: 8-5/8"
 GRADE: J-55
 WEIGHT: 24#
 LENGTH: 7 jts. (303.63')
 DEPTH LANDED: 313.63'
 HOLE SIZE: 12-1/4"
 CEMENT DATA: 150 sxs Class "G" cmt, est 5 bbls cmt to surf.

PRODUCTION CASING

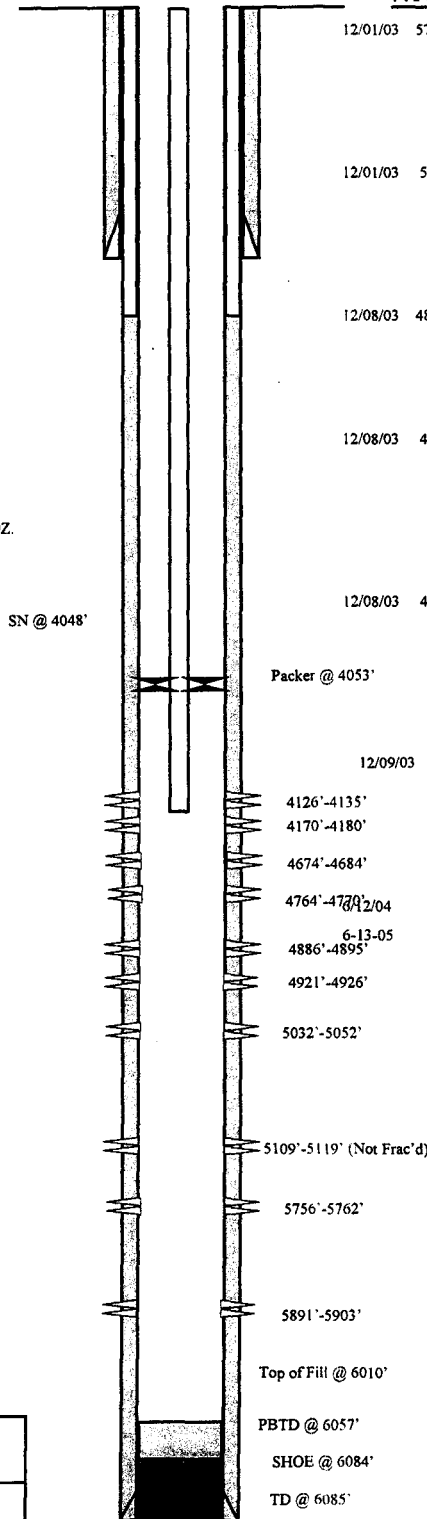
CSG SIZE: 5-1/2"
 GRADE: J-55
 WEIGHT: 15.5#
 LENGTH: 136 jts. (6085.91') KB
 DEPTH LANDED: 6083.91'
 HOLE SIZE: 7-7/8"
 CEMENT DATA: 300 sxs Prem. Lite II mixed & 400 sxs 50/50 POZ.
 CEMENT TOP AT: 460'

TUBING

SIZE/GRADE/WT.: 2-7/8" / J-55
 NO. OF JOINTS: 125 jts (4036.44')
 SEATING NIPPLE: 2-7/8" (1.10')
 SN LANDED AT: 4048.44'
 TOTAL STRING LENGTH: EOT @ 4056.94'

FRAC JOB

12/01/03	5756'-5903'	Frac CP sands as follows: 40,231#s sand in 394 bbls Viking I-25 fluid. Treated @ avg press of 1750 psi w/avg rate of 24.5 BPM. ISIP 1900 psi. Calc. Flush: 5754 gals. Actual Flush: 5754 gals. **Flush called @ blender—incl. 2 bbls pump/line volume**
12/01/03	5032'-5052'	Frac A .5 sands as follows: 29,162# 20/40 sand in 312 bbls Viking I-25 fluid. Treated @ avg press of 1570 psi w/avg rate of 14.4 BPM. Screened out w/ 7.8 ppg sd on formation. psi. **Flush called @ blender—incl. 2 bbls pump & line volume**
12/08/03	4886'-4926'	Frac B .5 & B1 sands as follows: 40,069# 20/40 sand in 333 bbls Viking I-25 fluid. Treated @ avg press of 3270 psi w/avg rate of 14.1 BPM. ISIP 2200 psi. Calc. Flush: 1273 gals. Actual Flush: 1176 gals.
12/08/03	4764'-4770'	Frac D2 sands as follows: 20,668# 20/40 sand in 266 bbls Viking I-25 fluid. Treated @ avg press of 3225 psi w/avg rate of 17.5 BPM. ISIP 2100 psi. Calc. Flush: 4762 gals. Actual Flush: 4788 gals. **Flush called @ blender—incl. 2 bbls pump & line volume**
12/08/03	4674'-4684'	Frac D1 sands as follows: 59,765# 20/40 sand in 482 bbls Viking I-25 fluid. Treated @ avg press of 2770 psi w/avg rate of 23.8 BPM. ISIP 2320 psi. Calc. Flush: 4672 gals. Actual Flush: 4662 gals. **Flush called @ blender—incl. 2 bbls pump/line volume**
12/09/03	4126'-4180'	Frac GB4 & GB6 sands as follows: 68,247# 20/40 sand in 498 bbls Viking I-25 fluid. Treated @ avg press of 2590 psi w/avg rate of 23.6 BPM. ISIP 2440 psi. Calc. Flush: 4124 gals. Actual Flush: 3528 gals. SD early due to suction problems.



PERFORATION RECORD

Date	Depth Range	Perforation Type	Number of Holes
11/26/03	5861'-5903'	4 JSPF	48 holes
11/26/03	5756'-5762'	4 JSPF	24 holes
12/01/03	5109'-5119'	4 JSPF	40 holes (Misfire)
12/01/03	5032'-5052'	4 JSPF	80 holes
12/01/03	4921'-4926'	4 JSPF	20 holes
12/01/03	4886'-4895'	4 JSPF	36 holes
12/01/03	4764'-4770'	4 JSPF	24 holes
12/08/03	4674'-4684'	4 JSPF	40 holes
12/09/03	4170'-4180'	2 JSPF	20 holes
12/09/03	4126'-4135'	2 JSPF	18 holes

NEWFIELD

Ashley Federal #7-15-9-15

1980' FNL & 1980' FEL
 SW/NE Section 15-T9S-R15E
 Duchesne Co, Utah
 API #43-013-32405; Lease #UTU-66184

Ashley Federal I-15-9-15

Spud Date: 11/14/09
 Put on Production: 12/29/09
 GL: 6201' KB: 6213'

Wellbore Diagram

SURFACE CASING

CSG SIZE: 8-5/8"
 GRADE: J-55
 WEIGHT: 24#
 LENGTH: 7 jts. (307.74')
 DEPTH LANDED: 319.59'
 HOLE SIZE: 12-1/4"
 CEMENT DATA: 160 sxs Class "G" cmt

PRODUCTION CASING

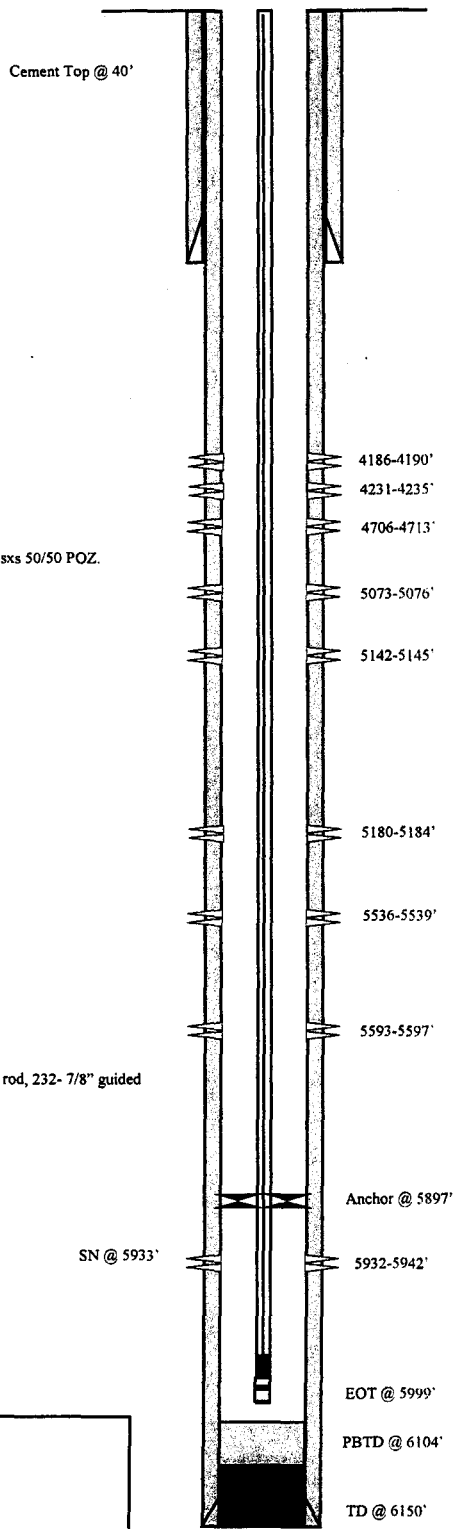
CSG SIZE: 5-1/2"
 GRADE: J-55
 WEIGHT: 15.5#
 LENGTH: 146 jts. (6092.17')
 HOLE SIZE: 7-7/8"
 TOTAL DEPTH: 6147.11'
 CEMENT DATA: 300 sxs Prem. Lite II mixed & 400 sxs 50/50 POZ.
 CEMENT TOP AT: 40'

TUBING

SIZE/GRADE/WT.: 2-7/8" / J-55 / 6.5#
 NO. OF JOINTS: 181 jts (5885.4')
 TUBING ANCHOR: 5897.4'
 NO. OF JOINTS: 1 jts (32.4')
 SEATING NIPPLE: 2-7/8" (1.1')
 SN LANDED AT: 5932.6' KB
 NO. OF JOINTS: 2 jts (64.9')
 TOTAL STRING LENGTH: EOT @ 5999'

SUCKER RODS

POLISHED ROD: 1-1/2" x 30'
 SUCKER RODS: 1-2" x 7/8" pony rod, 1-8" x 7/8" pony rod, 232- 7/8" guided rods (8 per), 4- 1 1/2" sinker bars
 PUMP SIZE: 2 1/2 x 1 3/4 x 20' x 24' RHAC
 STROKE LENGTH: 144
 PUMP SPEED, SPM: 5




FRAC JOB

12/30/09	5932-5942'	Frac CP5 sands as follows: Frac with 70212# 20/40 sand in 428 bbls Lightning 17 fluid.
12/30/09	5530-5597'	Frac CP stray & LODC sands as follows:Frac with 74284# 20/40 sand in 606 bbls Lightning 17 fluid.
12/30/09	5073-5184'	Frac A1 & A.5 sands as follows: Frac with 99347# 20/40 sand in 603 bbls Lightning 17 fluid.
12/30/09	4706-4713'	Frac D1 sands as follows: Frac with 30181# 20/40 sand in 244 bbls Lightning 17 fluid.
12/30/09	4186-4190'	Frac GB4 & GB6 sands as follows: Frac with 29271# 20/40 sand in 209 bbls Lightning 17 fluid.

PERFORATION RECORD

5932-5942'	3 JSPF	30 holes
5593-5597'	3 JSPF	12 holes
5536-5539'	3 JSPF	9 holes
5180-5184'	3 JSPF	12 holes
5142-5145'	3 JSPF	9 holes
5073-5076'	3 JSPF	9 holes
4706-4713'	3 JSPF	21 holes
4231-4235'	3 JSPF	12 holes
4186-4190'	3 JSPF	12 holes



NEWFIELD

Ashley Federal I-15-9-15
 704' FNL & 1809' FEL
 NW/NW Section 15-T9S-R15E
 Duchesne Co, Utah
 API # 43-013-33941; Lease # UTU-66184

Ashley Federal 2-15-9-15

Spud Date: 1/20/04
 Put on Production: 2/21/04
 GL: 6202' KB: 6214'

Initial Production: 33 BOPD,
 61 MCFD, 10 BWPD

Wellbore Diagram

SURFACE CASING

CSG SIZE: 8-5/8"
 GRADE: J-55
 WEIGHT: 24#
 LENGTH: 7 jts (299.7')
 DEPTH LANDED: 310.2'
 HOLE SIZE: 12-1/4"
 CEMENT DATA: 150 sxs class G cmt, est 4 bbls cmt to pit.

PRODUCTION CASING

CSG SIZE: 5-1/2"
 GRADE: J-55
 WEIGHT: 15.5#
 LENGTH: 144 jts. (6075.58')
 DEPTH LANDED: 6074.08'
 HOLE SIZE: 7-7/8"
 CEMENT DATA: 320 sxs Premilite II and 420 sxs 50/50 POZ
 CEMENT TOP AT: 570'

TUBING

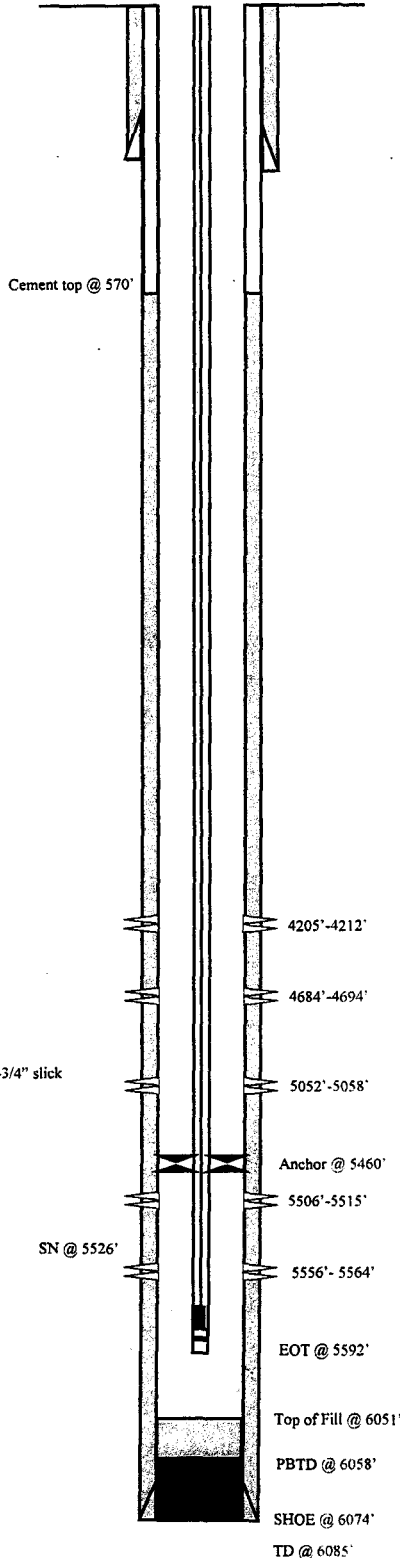
SIZE/GRADE/WT.: 2-7/8" / J-55 / 6.5#
 NO. OF JOINTS: 170 jts (5447.65')
 TUBING ANCHOR: 5460.15' KB
 NO. OF JOINTS: 2 jts (62.20')
 SN LANDED AT: 5525.55' KB
 NO. OF JOINTS: 2 jts (64.57')
 TOTAL STRING LENGTH: 5591.67'

SUCKER RODS

POLISHED ROD: 1-1/2" x 26' SM
 SUCKER RODS: 3/4 x 2' -4" Pony rods, 98-3/4" guided rods, 63-3/4" slick rod, 53-3/4" guided rods btm 23, 6-1 1/2 wt bars.
 PUMP SIZE: 2-1/2" x 1-1/2" x 16 x 20' RHAC
 STROKE LENGTH: 84"
 PUMP SPEED, SPM: 5'

FRAC JOB

02/17/04	5506'-5564'	Frac CP stray and LODC sands as follows: 49,573# 20/40 sand in 431 bbls Lightning 17 frac fluid. Treated @ avg pressure of 2460 psi w/avg rate of 24.4 BPM. ISIP-2950. Calc. flush: 5504 gals. Actual flush: 5544 gals.
02/17/04	5052'-5058'	Frac A.5 sands as follows: 19,731# 20/40 sand in 245 bbls Lightning 17 frac fluid. Treated @ avg pressure of 2450 psi w/avg rate of 14.4 BPM. ISIP-2430. Calc. flush: 5050 gals. Actual flush: 5090 gals.
02/17/04	4684'-4694'	Frac D1 sands as follows: 60,347# 20/40 sand in 475 bbls Lightning 17 frac fluid. Treated @ avg pressure of 2040 psi w/avg rate of 24.7 BPM. ISIP-2380. Calc. flush: 4682 gals. Actual flush: 4725 gals.
02/17/04	4205'-4212'	Frac GB6 sands as follows: 32,862# 20/40 sand in 338 bbls Lightning 17 frac fluid. Treated @ avg pressure of 2160 psi w/avg rate of 24.6 BPM. ISIP-2200. Calc. flush: 4203 gals. Actual flush: 4242 gals.
12/3/05		Tubing leak. Update rod and tubing details.
08/01/08		Hole in tubing. Tubing & Rod details updated.



PERFORATION RECORD

02/16/04	5556'-5564'	4 JSPF	32 holes
02/16/04	5506'-5515'	4 JSPF	36 holes
02/17/04	5052'-5058'	4 JSPF	24 holes
02/17/04	4684'-4694'	4 JSPF	40 holes
02/17/04	4205'-4212'	4 JSPF	28 holes

NEWFIELD

Ashley Federal 2-15-9-15

729' FNL & 1828' FEL

NWNE Section 15-T9S-R15E

Duchesne County, Utah

API #43-013-32403; Lease #UTU-66184

Ashley Federal 1-15-9-15

Spud Date: 9/29/03
 Put on Production: 12/3/03
 GL: 6177' KB: 6189'

Initial Production: 73 BOPD,
 118 MCFD, 23 BWPD

SURFACE CASING

CSG SIZE: 8-5/8"
 GRADE: J-55
 WEIGHT: 24#
 LENGTH: 7 jts. (303.61')
 DEPTH LANDED: 313.61' KB
 HOLE SIZE: 12-1/4"
 CEMENT DATA: 150 sxs Class "G" cmt mixed, est 5.5 bbls cmt to surf.

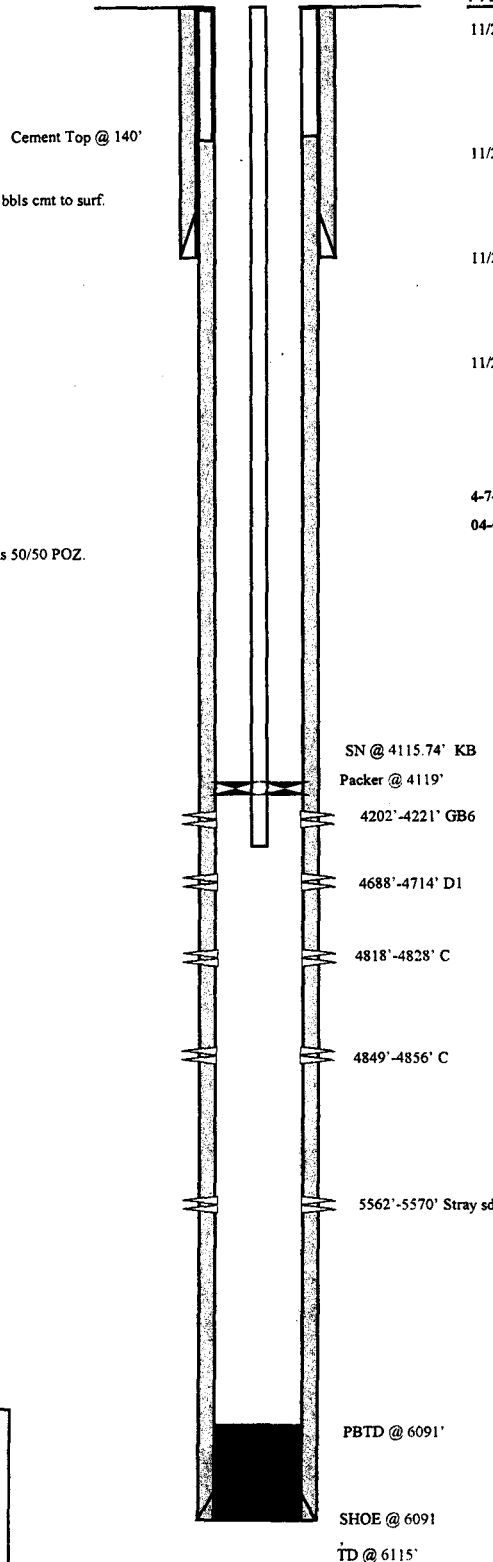
PRODUCTION CASING

CSG SIZE: 5-1/2"
 GRADE: J-55
 WEIGHT: 15.5#
 LENGTH: 143 jts. (6116.11')
 DEPTH LANDED: 6114.11' KB
 HOLE SIZE: 7-7/8"
 CEMENT DATA: 300 sxs Prem. Lite II mixed & 400 sxs 50/50 POZ.
 CEMENT TOP AT: 140'

TUBING

SIZE/GRADE/WT.: 2-7/8" / J-55 / 6.5#
 NO. OF JOINTS: 127 jts (5525.45')
 SEATING NIPPLE: 2-7/8" (1.10')
 SN LANDED AT: 4115.74 KB
 ARROWSET PACKER: 4119.09' KB
 TOTAL STRING LENGTH: EOT @ 4123' KB

Injection Wellbore
 Diagram



FRAC JOB

11/21/03	5562'-5570'	Frac Stray sd sands as follows: 25,338# 20/40 sand in 293 bbls Lightning Frac 17 fluid. Treated @ avg press of 2100 psi w/avg rate of 22.4 BPM. ISIP 2280 psi. Calc flush: 5560 gal. Actual flush: 5560 gal.
11/21/03	4818'-4856'	Frac C sands as follows: 50,455# 20/40 sand in 419 bbls Lightning Frac 17 fluid. Treated @ avg press of 2000 psi w/avg rate of 22.5 BPM. ISIP 2200 psi. Calc flush: 4816 gal. Actual flush: 4851 gal.
11/21/03	4688'-4714'	Frac D1 sands as follows: 118,978# 20/40 sand in 812 bbls Lightning Frac 17 fluid. Treated @ avg press of 1785 psi w/avg rate of 22.4 BPM. ISIP 2050 psi. Calc flush: 4686 gal. Actual flush: 4683 gal.
11/21/03	4202'-4221'	Frac GB6 sands as follows: 70,031# 20/40 sand in 517 bbls Lightning Frac 17 fluid. Treated @ avg press of 2100 psi w/avg rate of 24.6 BPM. ISIP 2350 psi. Calc flush: 4200 gal. Actual flush: 4116 gal.
4-7-2005		Injection Conversion complete
04-08-10		5 YR MIT

PERFORATION RECORD

11/19/03	5562'-5570'	4 JSPF	32 holes
11/21/03	4849'-4856'	4 JSPF	28 holes
11/21/03	4818'-4828'	4 JSPF	40 holes
11/21/03	4688'-4714'	2 JSPF	52 holes
11/21/03	4202'-4221'	4 JSPF	76 holes

NEWFIELD

Ashley Federal 1-15-9-15

659' FNL & 560' FEL

NE/NE Section 15-T9S-R15E

Duchesne Co, Utah

API #43-013-32402; Lease #UTU73520X

Ashley Federal 6-15-9-15

Spud Date: 1/22/04
 Put on Production: 2/27/04
 GL: 6229' KB: 6241'

Initial Production: 111 BOPD,
 160 MCFD, 29 BWPD

Wellbore Diagram

SURFACE CASING

CSG SIZE: 8-5/8"
 GRADE: J-55
 WEIGHT: 24#
 LENGTH: 7 jts (306.03')
 DEPTH LANDED: 316.03'
 HOLE SIZE: 12-1/4"
 CEMENT DATA: 150 sxs class G cmt, est 3 bbls cmt to pit.

PRODUCTION CASING

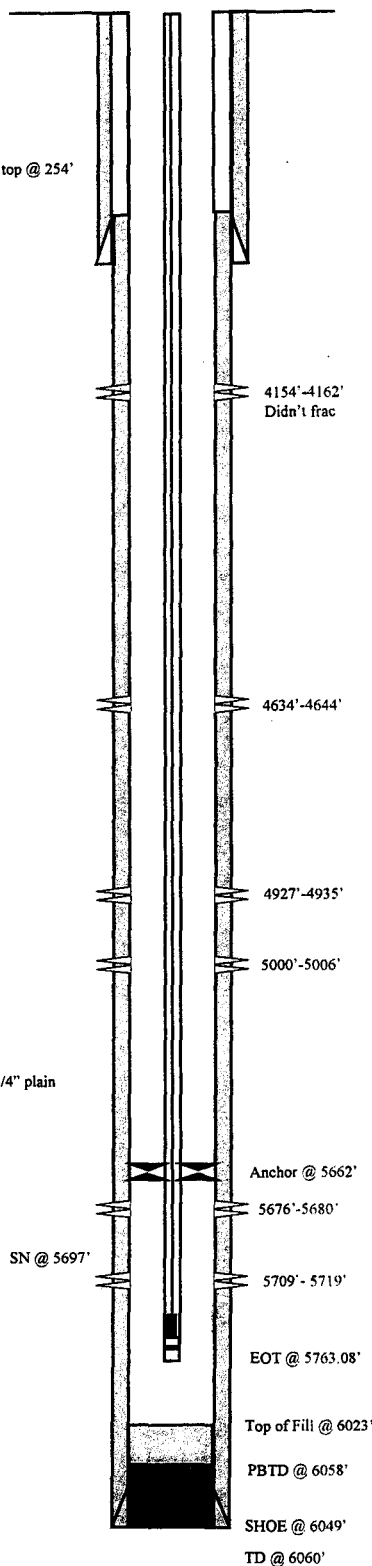
CSG SIZE: 5-1/2"
 GRADE: J-55
 WEIGHT: 15.5#
 LENGTH: 143 jts. (6050.73')
 DEPTH LANDED: 6049.23'
 HOLE SIZE: 7-7/8"
 CEMENT DATA: 425 sxs Premlite II and 450 sxs 50/50 POZ
 CEMENT TOP AT: 254'

TUBING

SIZE/GRADE/WT.: 2-7/8" / J-55 / 6.5#
 NO. OF JOINTS: 159 jts (5649.54')
 TUBING ANCHOR: 5662.04' KB
 NO. OF JOINTS: 1 jt (32.28')
 SN LANDED AT: 5697.07' KB
 NO. OF JOINTS: 2 jts (64.51')
 TOTAL STRING LENGTH: 5763.08'

SUCKER RODS

POLISHED ROD: 1-1/2" x 22' SM
 SUCKER RODS: 6-1 1/2" weight bars, 10-3/4" scraped rods, 113-3/4" plain rods, 99-3/4" scraped rods, 2-2', 1-4', 1-6', 1-8' x 3/4" pony rods.
 PUMP SIZE: 2-1/2" x 1-1/2" x 12 x 15.5' RHAC
 STROKE LENGTH: 72"
 PUMP SPEED, SPM: 6 SPM



FRAC JOB

02/23/04 5676'-5719' **Frac CP2 sands as follows:**
 48,618# 20/40 sand in 440 bbls Lightning 17 frac fluid. Treated @ avg pressure of 1870 psi w/avg rate of 24.7 BPM. ISIP-2080. Calc. flush: 5674 gals. Actual flush: 5712 gals.

02/23/04 5000'-5006' **Frac A.5 sands as follows:**
 18,281# 20/40 sand in 238 bbls Lightning 17 frac fluid. Treated @ avg pressure of 2440 psi w/avg rate of 14.4 BPM. ISIP-3120. Calc. flush: 4998 gals. Actual flush: 5040 gals.

02/23/04 4927'-4935' **Frac B2 sands as follows:**
 38,392# 20/40 sand in 369 bbls Lightning 17 frac fluid. Treated @ avg pressure of 3588 psi w/avg rate of 24.4 BPM. ISIP-2040. Calc. flush: 4925 gals. Actual flush: 4956 gals.

02/23/04 4634'-4644' **Frac D1 sands as follows:**
 141,163# 20/40 sand in 946 bbls Lightning 17 frac fluid. Treated @ avg pressure of 1900 psi w/avg rate of 24.6 BPM. ISIP-2280. Calc. flush: 4632 gals. Actual flush: 4662 gals.

PERFORATION RECORD

Date	Interval	Tool	Holes
02/20/04	5709'-5719'	4 JSPF	40 holes
02/20/04	5676'-5680'	4 JSPF	16 holes
02/23/04	5000'-5006'	4 JSPF	24 holes
02/23/04	4927'-4935'	4 JSPF	32 holes
02/23/04	4634'-4644'	4 JSPF	40 holes
02/23/04	4154'-4162'	4 JSPF	32 holes

NEWFIELD

Ashley Federal 6-15-9-15
 2130' FNL & 586' FWL
 SENW Section 15-T9S-R15E
 Duchesne County, Utah
 API #43-013-32404; Lease #UTU-73520X/UTU-66184

Ashley Federal 3-15-9-15

Spud Date: 09/20/05
 Put on Production: 11/01/05
 GL: 6213' KB: 6225'

Initial Production: BOPD,
 MCFD, BWPD

Injection Wellbore Diagram

SURFACE CASING

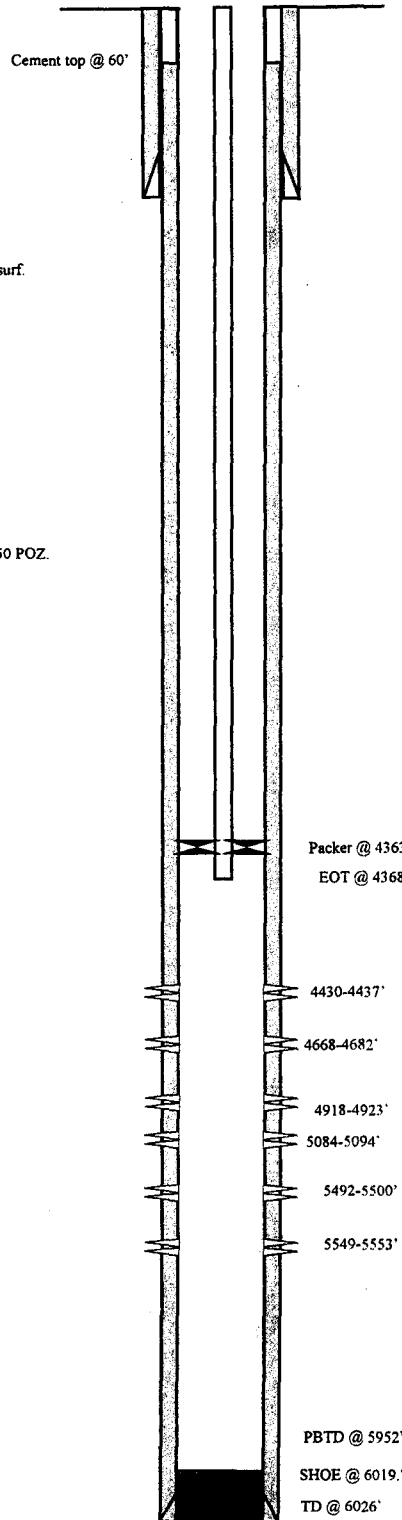
CSG SIZE: 8-5/8"
 GRADE: J-55
 WEIGHT: 24#
 LENGTH: 7 jts. (296.51')
 DEPTH LANDED: 307.41' KB
 HOLE SIZE: 12-1/4"
 CEMENT DATA: 160 sxs Class "G" cmt, est 4.5 bbls cmt to surf.

PRODUCTION CASING

CSG SIZE: 5-1/2"
 GRADE: J-55
 WEIGHT: 15.5#
 LENGTH: 137 jts. (6006.53')
 DEPTH LANDED: 6019.78' KB
 HOLE SIZE: 7-7/8"
 CEMENT DATA: 300 sxs Prem. Lite II mixed & 450 sxs 50/50 POZ.
 CEMENT TOP AT: 60'

TUBING

SIZE/GRADE/WT.: 2-7/8" / J-55 / 6.5#
 NO. OF JOINTS: 139 jts (4347.05')
 TUBING ANCHOR: 4363.25' KB
 SEATING NIPPLE: 2-7/8" (1.10')
 SN LANDED AT: 4359.05' KB
 TOTAL STRING LENGTH: EOT @ 4367.65' KB



FRAC JOB

10/28/05	5492-5553'	Frac LOCD sands as follows: 40100# 20/40 sand in 440 bbls Lightning 17 frac fluid. Treated @ avg press of 2165 psi w/avg rate of 24.8 BPM. ISIP 2450 psi. Calc flush: 5490 gal. Actual flush: 5460 gal.
10/27/05	5084-5094'	Frac A1 sands as follows: 29669# 20/40 sand in 357 bbls Lightning 17 frac fluid. Treated @ avg press of 2435 psi w/avg rate of 25.1 BPM. ISIP 2480 psi. Calc flush: 5082 gal. Actual flush: 5124 gal.
10/27/05	4918-4923'	Frac B1 sands as follows: 29755# 20/40 sand in 356 bbls Lightning 17 frac fluid. Treated @ avg press of 2180 psi w/avg rate of 25.1 BPM. ISIP 2050 psi. Calc flush: 4916 gal. Actual flush: 4914 gal.
10/27/05	4668-4682'	Frac D1 sands as follows: 75228# 20/40 sand in 571 bbls Lightning 17 frac fluid. Treated @ avg press of 1880 psi w/avg rate of 25.2 BPM. ISIP 2260 psi. Calc flush: 4666 gal. Actual flush: 4662 gal.
10/27/05	4430-4437'	Frac PB11 sands as follows: 24363# 20/40 sand in 318 bbls Lightning 17 frac fluid. Treated @ avg press of 2008 psi w/avg rate of 14.4 BPM. ISIP 2300 psi. Calc flush: 4428 gal. Actual flush: 4326 gal.
03/04/06		Pump Change. Update rod and tubing details.
08/03/06		Pump Change. Update rod and tubing details.
10/26/06		Pump Change. Update rod & Tubing details.
2/21/08		Well converted to an Injection well.
2/29/08		MIT completed and submitted.

PERFORATION RECORD

10/21/05	5549-5553'	4 JSPF	16 holes
10/21/05	5492-5500'	4 JSPF	32 holes
10/27/05	5084-5094'	4 JSPF	40 holes
10/27/05	4918-4923'	4 JSPF	20 holes
10/27/05	4668-4682'	4 JSPF	56 holes
10/27/05	4430-4437'	4 JSPF	28 holes

NEWFIELD

Ashley Federal #3-15-9-15

780' FNL & 459' FWL

NE/NW Section 15-T9S-R15E

Duchesne Co, Utah

API #43-013-32641; Lease #UTU-66184

Ashley 15-10-9-15

Spud Date: 8/26/03
 Put on Production: 9/22/03
 GL: 6225' KB: 6237'

Initial Production: BOPD,
 MCFD, BWPD

SURFACE CASING

CSG SIZE: 8-5/8"
 GRADE: J-55
 WEIGHT: 24#
 LENGTH: 7 jts. (299.56')
 DEPTH LANDED: 309.56' KB
 HOLE SIZE: 12-1/4"
 CEMENT DATA: 150 sxs Class "G" cmt, est 3 bbls cmt to surf.

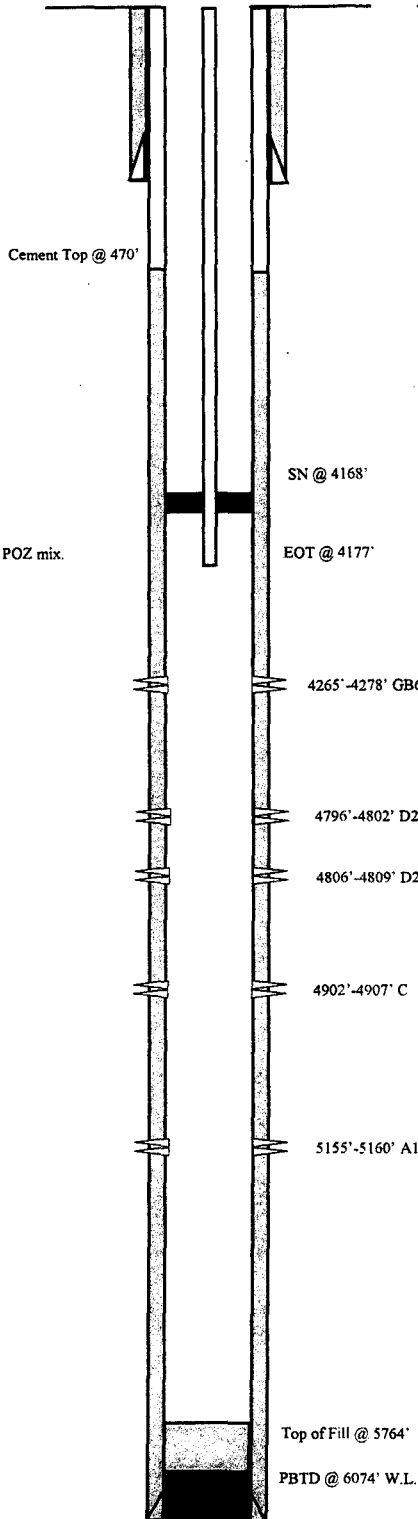
PRODUCTION CASING

CSG SIZE: 5-1/2"
 GRADE: J-55
 WEIGHT: 15.5#
 LENGTH: 144 jts. (6127.5')
 DEPTH LANDED: 6125.5' KB
 HOLE SIZE: 7-7/8"
 CEMENT DATA: 300 sxs Prem. Lite II mixed & 400 sxs 50/50 POZ mix.
 CEMENT TOP AT: 470'

TUBING

SIZE/GRADE/WT.: 2-7/8" / J-55 / 6.5#
 NO. OF JOINTS: 128 jts (4156.45')
 SEATING NIPPLE: 2-7/8" (1.10')
 SN LANDED AT: 4168.45' KB
 PACKER AT: 4169.55'
 TOTAL STRING LENGTH: EOT @ 4176.95'

Injection Wellbore Diagram



FRAC JOB

9/17/03	5155'-5160'	Frac A1 sands as follows: 19,733# 20/40 sand in 250 bbls Viking I-25 fluid. Treated @ avg press of 2750 psi w/avg rate of 24.5 BPM. ISIP 2630 psi. Calc flush: 5153 gal. Actual flush: 4830 gal.
9/17/03	4902'-4907'	Frac CP sands as follows: 19,645# 20/40 sand in 231 bbls Viking I-25 fluid. Treated @ avg press of 2534 psi w/avg rate of 24.4 BPM. ISIP 2160 psi. Calc flush: 4900 gal. Actual flush: 4641 gal.
9/17/03	4796'-4809'	Frac D2 sands as follows: 29,839# 20/40 sand in 311 bbls Viking I-25 fluid. Treated @ avg press of 2000 psi w/avg rate of 24.8 BPM. ISIP 1950 psi. Calc flush: 4794 gal. Actual flush: 4116 gal.
9/17/03	4265'-4278'	Frac GB6 sands as follows: 48,964# 20/40 sand in 384 bbls Viking I-25 fluid. Treated @ avg press of 2140 psi w/avg rate of 24.5 BPM. ISIP 2160 psi. Calc flush: 4263 gal. Actual flush: 4158 gal.
12/9/03		Parted Rods. Update rod and tubing details.
9/8/04		Injection Conversion
08/05/09		5 year MIT

PERFORATION RECORD

9/16/03	5155'-5160'	4 JSPF	20 holes
9/17/03	4902'-4907'	4 JSPF	20 holes
9/17/03	4806'-4809'	4 JSPF	12 holes
9/17/03	4796'-4802'	4 JSPF	24 holes
9/17/03	4265'-4278'	4 JSPF	52 holes



Ashley 15-10-9-15
 531' FSL & 1941' FEL
 SWSE Section 10-T9S-R15E
 Duchesne Co, Utah
 API #43-013-32304; Lease #UTU-74826

Ashley Federal R-15-9-15

Spud Date: 12/15/2009
 Put on Production: 01/20/2010
 GL: 6326' KB: 6338'

Wellbore Diagram

SURFACE CASING

CSG SIZE: 8-5/8"
 GRADE: J-55
 WEIGHT: 24#
 LENGTH: 7 jts. (370.88')
 DEPTH LANDED: 319.73'
 HOLE SIZE: 12-1/4"
 CEMENT DATA: 160 sxs Class "G" cmt

PRODUCTION CASING

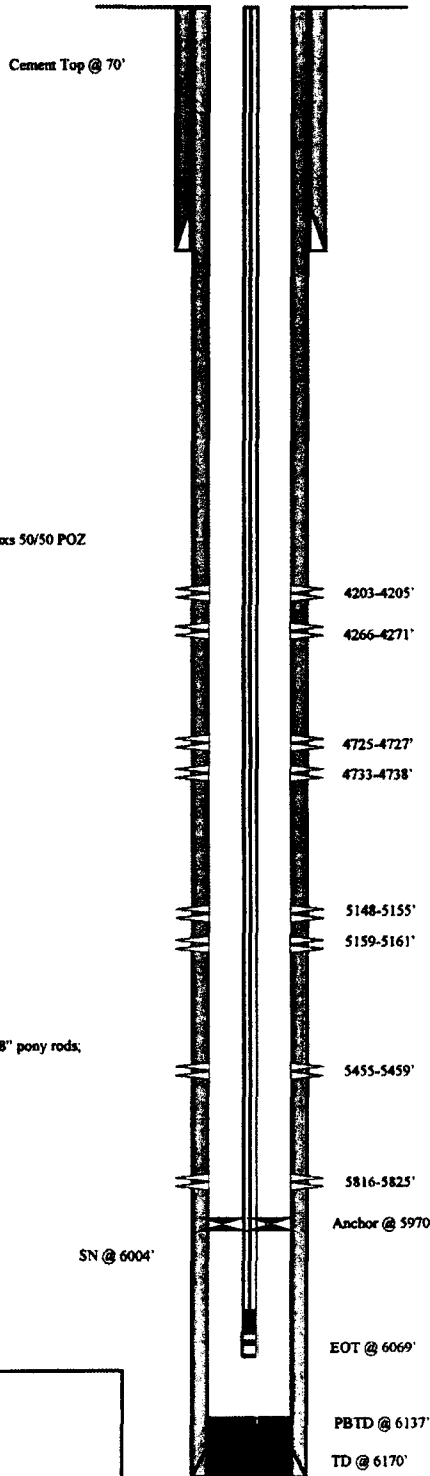
CSG SIZE: 5-1/2"
 GRADE: J-55
 WEIGHT: 15.5#
 LENGTH: 151 jts. (6150.37')
 HOLE SIZE: 7-7/8"
 TOTAL DEPTH: 6163.62'
 CEMENT DATA: 250 sxs Prem. Lite II mixed & 400 sxs 50/50 POZ
 CEMENT TOP AT: 70'

TUBING

SIZE/GRADE/WT.: 2-7/8" / J-55 / 6.5#
 NO. OF JOINTS: 183 jts (5957.8')
 TUBING ANCHOR: 5969.8'
 NO. OF JOINTS: 1 jts (31.5')
 SEATING NIPPLE: 2-7/8" (1.1')
 SN LANDED AT: 6004.1' KB
 NO. OF JOINTS: 2 jts (63')
 TOTAL STRING LENGTH: EOT @ 6069'

SUCKER RODS

POLISHED ROD: 1-1/2" x 30'
 SUCKER RODS: 1 - 2' x 7/8", 1 - 4' x 7/8", 1 - 6' x 7/8" pony rods;
 227 - 7/8" 8per guided rods; 4 - 1 1/2" weight bars
 PUMP SIZE: 2 1/4 x 1 3/4 x 20' x 24' RHAC
 STROKE LENGTH: 230
 PUMP SPEED: SPM 5



FRAC JOB

01-20-10 5816-5825' Frac CP3 sands as follows: Frac with 10545# 20/40 sand in 63 bbls Lightning 17 fluid.
 01-20-10 5455-5459' Frac LOHC sands as follows: Frac with 10390# 20/40 sand in 63 bbls Lightning 17 fluid.
 01-20-10 5148-5161' Frac A1 sands as follows: Frac with 41085# 20/40 sand in 188 bbls Lightning 17 fluid.
 01-20-10 4725-4738' Frac D1 sands as follows: Frac with 35236# 20/40 sand in 161 bbls Lightning 17 fluid.
 01-20-10 4203-4271' Frac GB4 & GB6 sands as follows: Frac with 44402# 20/40 sand in 195 bbls Lightning 17 fluid.

PERFORATION RECORD

5816-5825'	3 JSPP	27 holes
5455-5459'	3 JSPP	12 holes
5159-5161'	3 JSPP	6 holes
5148-5155'	3 JSPP	21 holes
4733-4738'	3 JSPP	15 holes
4725-4727'	3 JSPP	6 holes
4266-4271'	3 JSPP	15 holes
4203-4205'	3 JSPP	6 holes

NEWFIELD



Ashley Federal R-15-9-15
 1794' FSL & 1965' FEL (NW/SE)
 Section 15, T9S, R15E
 Duchesne Co, Utah
 API # 43-013-33975; Lease # UTU-68248

Ashley Fed H-15-9-15

Spud Date: 7-28-10
 Put on Production: 8-30-10
 GL: 5732' KB: 5744'

Wellbore Diagram

SURFACE CASING

CSG SIZE: 8-5/8"
 GRADE: J-55
 WEIGHT: 24#
 LENGTH: 8jts 343.7'
 DEPTH LANDED: 356.55'
 HOLE SIZE: 12-1/4"
 CEMENT DATA: 160 sxs Class "G" cmt

PRODUCTION CASING

CSG SIZE: 5-1/2"
 GRADE: J-55
 WEIGHT: 15.5#
 LENGTH: 142jts (6183.13')
 HOLE SIZE: 7-7/8"
 TOTAL DEPTH: 6199.13'
 CEMENT DATA: 250sxs Prem. Lite II mixed & 400sxs 50/50 POZ
 CEMENT TOP AT: 247'

TUBING

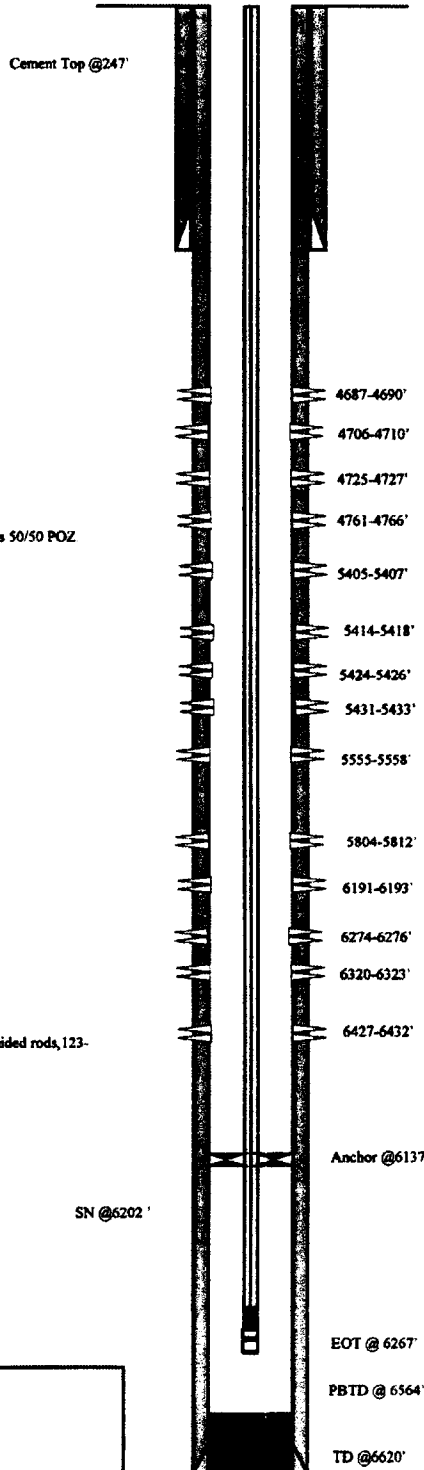
SIZE/GRADE/WT: 2-7/8" / J-55 / 6.5#
 NO. OF JOINTS: 195jts (6124.51')
 TUBING ANCHOR: 6136.5'
 NO. OF JOINTS: 2jts (62.8')
 SEATING NIPPLE: 2-7/8" (1.1')
 SN LANDED AT: 6202.2' KB
 NO. OF JOINTS: 2jts (62.9')
 TOTAL STRING LENGTH: EOT @ 6267'

SUCKER RODS

POLISHED ROD: 1-1/2" x 26'
 SUCKER RODS: 1-8 x 7/8 pony rods, 98- 7/8" 4 per guided rods, 123- sucker rods, 20-4 per guided rods, 6- 1 1/2" weight bars
 PUMP SIZE: 2 1/2 x 1 1/2 x 17" x 20" RHAC
 STROKE LENGTH: 100
 PUMP SPEED: SPM 5

FRAC JOB

8-30-10 6008-6193' Frac CP4 & CP5 sands as follows: Frac with 46000# 20/40 sand in 213 bbls Lightning 17 fluid.
 8-30-10 5526-5723' Frac LODC sands as follows: Frac with 151046# 20/40 sand in 645 bbls Slick Water fluid.
 8-30-10 5409-5434' Frac A3 sands as follows: Frac with 73785# 20/40 sand in 452 bbls Lightning 17 fluid.
 8-30-10 5098-5257' Frac C & B2 sands as follows: Frac with 73785# 20/40 sand in 312 bbls Lightning 17 fluid.
 8-30-10 5931-5936' Frac A3 sands as follows: Frac with 9424# 20/40 sand in 86 bbls Lightning 17 fluid.
 8-30-10 5079-5083' Frac PB8 sands as follows: Frac with 10729# 20/40 sand in 93 bbls Lightning 17 fluid.



PERFORATION RECORD

Depth Range	Perforation Type	Number of Holes
6427-6432'	3 JSPF	15 holes
6320-6323'	3 JSPF	9 holes
6274-6276'	3 JSPF	6 holes
6191-6193'	3 JSPF	6 holes
5804-5812'	3 JSPF	24 holes
5555-5558'	3 JSPF	9 holes
5431-5433'	3 JSPF	6 holes
5424-5426'	3 JSPF	6 holes
5414-5418'	3 JSPF	12 holes
5405-5407'	3 JSPF	6 holes
4437-4446'	3 JSPF	36 holes
4761-4766'	3 JSPF	15 holes
4725-4727'	3 JSPF	6 holes
4706-4710'	3 JSPF	12 holes
4687-4690'	3 JSPF	9 holes

NEWFIELD

Ashley Fed H-15-9-15
 SL: 2098 'FNL & 583 FWL (SE/SW)
 Section 15, T9S, R15E
 Duchesne Co, Utah
 API # 43-013-33987; Lease # UTU-66184

Multi-Chem Group, LLC

Multi-Chem Analytical Laboratory
1553 East Highway 40
Vernal, UT 84078

Water Analysis Report

Production Company: **NEWFIELD PRODUCTION (158)**

Sample ID: **WA-48660**

Well Name: **Ashley 8-15-9-15**

Sample Point: **Tank**

Sample Date: **10/28/2010**

Sales Rep: **Monty Frost**

Lab Tech: **John Keel**

Sample Specifics	
Test Date:	10/28/2010
Temperature (°F):	100
Sample Pressure (psig):	-
Specific Gravity (g/cm³):	1.0090
pH:	7.3
Turbidity (NTU):	-
Calculated T.D.S. (mg/L):	15602
Molar Conductivity (µS/cm):	23639
Resistivity (Mohm):	0.4230

Analysis @ Properties in Sample Specifics			
Cations	mg/L	Anions	mg/L
Calcium (Ca):	16.00	Chloride (Cl):	8000.00
Magnesium (Mg):	9.60	Sulfate (SO ₄):	15.00
Barium (Ba):	5.40	Dissolved CO ₂ :	-
Strontium (Sr):	-	Bicarbonate (HCO ₃):	1781.00
Sodium (Na):	5775.00	Carbonate (CO ₃):	-
Potassium (K):	-	H ₂ S:	-
Iron (Fe):	0.03	Phosphate (PO ₄):	-
Manganese (Mn):	0.03	Silica (SiO ₂):	-
Lithium (Li):	-	Fluoride (F):	-
Aluminum (Al):	-	Nitrate (NO ₃):	-
Ammonia (NH ₃):	-	Lead (Pb):	-
		Zinc (Zn):	-
		Bromine (Br):	-
		Boron (B):	-

Test Conditions		Scale Values @ Test Conditions - Potential Amount of Scale in lb/1000bbl										
		Calcium Carbonate CaCO ₃		Gypsum CaSO ₄ · 2H ₂ O		Calcium Sulfate CaSO ₄		Strontium Sulfate SrSO ₄		Barium Sulfate BaSO ₄		Calculated CO ₂
Temp °F	Gauge Press. psi	Sat Index	Scale	Sat Index	Scale	Sat Index	Scale	Sat Index	Scale	Sat Index	Scale	psi
100		0.60	-3.75	0.00	-2778.80	0.00	-2913.60	-	-	1.47	2.44	2.20
80	0	0.44	-5.70	0.00	-11.00	0.00	-3089.80	-	-	2.26	4.46	1.03
100	0	0.60	-3.75	0.00	-7.15	0.00	-2913.70	-	-	1.47	2.44	1.28
120	0	0.75	-2.15	0.00	-4.31	0.00	-2650.90	-	-	0.98	-0.12	1.44
140	0	0.91	-0.75	0.00	-2.16	0.00	-2339.30	-	-	0.67	-3.24	1.61
160	0	1.06	0.45	0.00	-0.61	0.00	-2011.00	-	-	0.46	-6.96	1.82
180	0	1.19	1.43	0.00	0.42	0.00	-1690.60	-	-	0.33	-11.33	2.00
200	0	1.30	2.18	0.00	0.99	0.00	-1394.30	-	-	0.23	-16.39	2.03
220	2.51	1.38	2.65	0.00	1.18	0.00	-1145.00	-	-	0.16	-22.66	2.05
240	10.3	1.43	2.95	0.00	1.16	0.00	-917.22	-	-	0.12	-29.46	2.08
260	20.76	1.45	3.06	0.00	1.01	0.00	-725.59	-	-	0.09	-37.22	2.12
280	34.54	1.45	3.01	0.00	0.81	0.00	-567.66	-	-	0.07	-46.05	2.16
300	52.34	1.42	2.83	0.00	0.60	0.00	-439.70	-	-	0.05	-56.11	2.20

Conclusions:

Calcium Carbonate scale is indicated. See graph for appropriate temperature ranges.
Gypsum Scaling Index is negative from 80°F to 300°F
Calcium Sulfate Scaling Index is negative from 80°F to 300°F
Strontium Sulfate scaling was not evaluated
Barium Sulfate NO CONCLUSION

Notes:



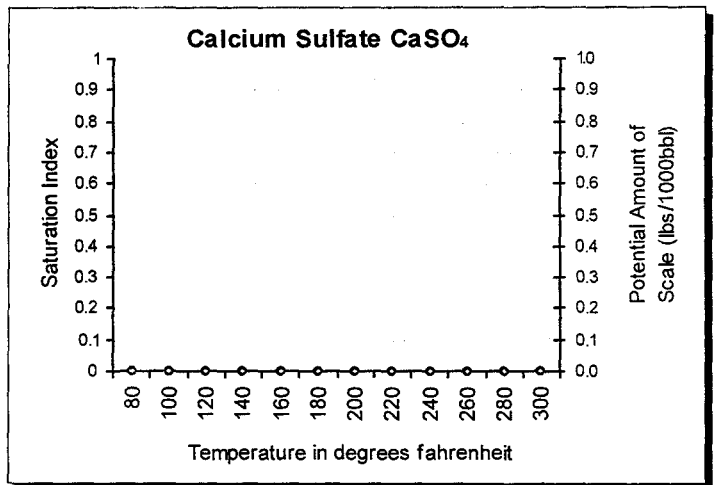
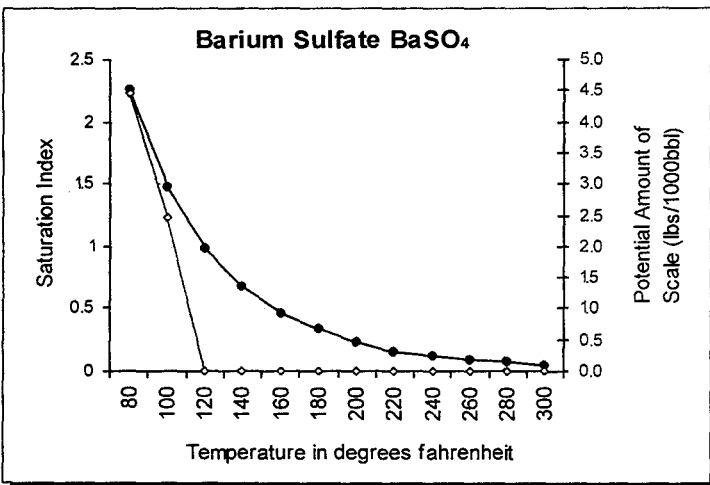
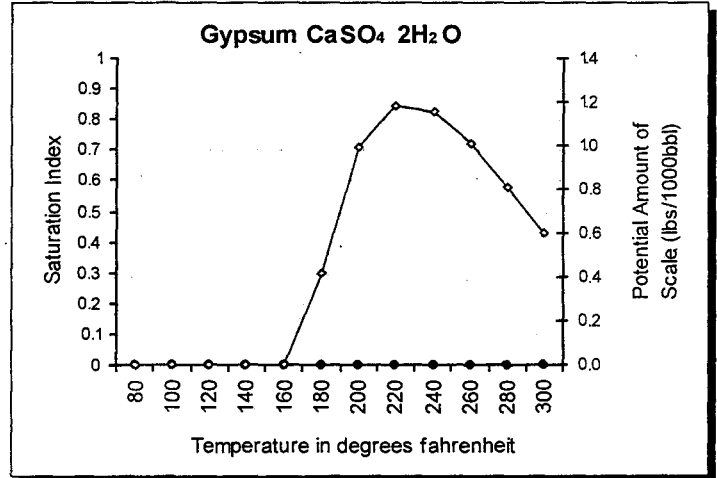
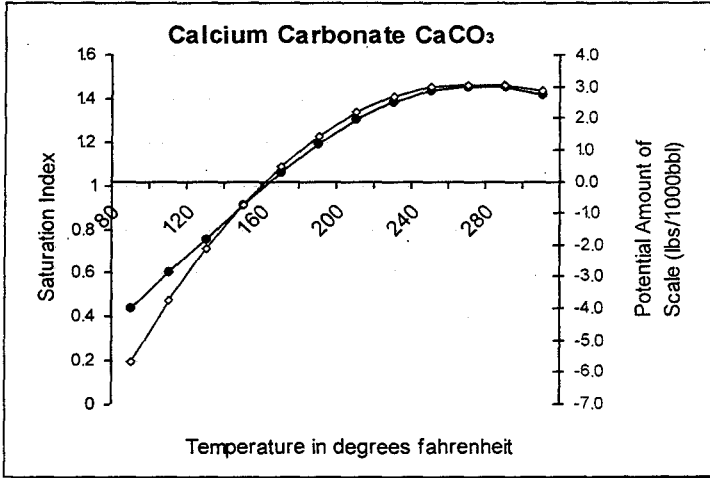
Multi-Chem Group, LLC
 Multi-Chem Analytical Laboratory
 1553 East Highway 40
 Vernal, UT 84078

multi-chem

Scale Prediction Graphs

Well Name: Ashley 8-15-9-15

Sample ID: WA-48660





Multi-Chem Group, LLC
 Multi-Chem Analytical Laborator
 1553 East Highway 40
 Vernal, UT 84078

Water Analysis Report

Production Company: **NEWFIELD PRODUCTION (158)**
 Well Name: **ASHLEY INJECTION**
 Sample Point: **Tri-plex Suction**
 Sample Date: **1 /5 /2010**
 Sales Rep: **Randy Huber**
 Lab Tech: **John Keel**

Sample ID: **WA-35264**

Sample Specifics	
Test Date:	1/5/2009
Temperature (°F):	100
Sample Pressure (psig):	0
Specific Gravity (g/cm³):	1.0060
pH:	8.5
Turbidity (NTU):	-
Calculated T.D.S. (mg/L):	10759
Molar Conductivity (µS/cm):	16302
Resitivity (Mohm):	0.6134

Analysis @ Properties in Sample Specifics			
Cations	mg/L	Anions	mg/L
Calcium (Ca):	40.00	Chloride (Cl):	5000.00
Magnesium (Mg):	73.20	Sulfate (SO ₄):	81.00
Barium (Ba):	5.00	Dissolved CO ₂ :	-
Strontium (Sr):	-	Bicarbonate (HCO ₃):	1805.00
Sodium (Na):	3751.00	Carbonate (CO ₃):	-
Potassium (K):	-	H ₂ S:	2.00
Iron (Fe):	1.88	Phosphate (PO ₄):	-
Manganese (Mn):	0.06	Silica (SiO ₂):	-
Lithium (Li):	-	Fluoride (F):	-
Aluminum (Al):	-	Nitrate (NO ₃):	-
Ammonia NH ₃ :	-	Lead (Pb):	-
		Zinc (Zn):	-
		Bromine (Br):	-
		Boron (B):	-

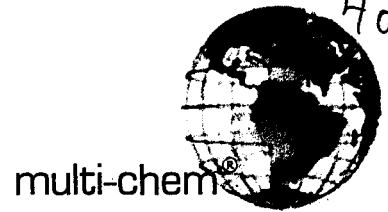
Test Conditions		Scale Values @ Test Conditions - Potential Amount of Scale in lb/1000bbl										
		Calcium Carbonate CaCO ₃		Gypsum CaSO ₄ · 2H ₂ O		Calcium Sulfate CaSO ₄		Strontium Sulfate SrSO ₄		Barium Sulfate BaSO ₄		Calculated CO ₂
		Temp °F	Gauge Press. psi	Sat Index	Scale	Sat Index	Scale	Sat Index	Scale	Sat Index	Scale	Sat Index
100	0	20.90	61.31	0.00	-2372.60	0.00	-2508.60	-	-	9.51	7.56	0.12
80	0	16.64	59.85	0.00	65.59	0.00	-2669.60	-	-	14.52	7.88	0.07
100	0	20.90	61.31	0.00	77.65	0.00	-2508.60	-	-	9.51	7.56	0.08
120	0	24.42	59.29	0.00	86.01	0.00	-2270.20	-	-	6.38	7.10	0.09
140	0	27.22	56.49	0.00	91.06	0.00	-1988.40	-	-	4.37	6.47	0.10
160	0	29.04	54.10	0.00	91.80	0.00	-1692.40	-	-	3.05	5.61	0.11
180	0	29.81	52.59	0.00	88.20	0.00	-1404.50	-	-	2.17	4.46	0.12
200	0	29.57	51.99	0.00	81.11	0.00	-1139.60	-	-	1.56	2.94	0.12
220	2.51	28.27	52.20	0.00	72.54	0.01	-916.23	-	-	1.11	0.81	0.12
240	10.3	26.50	51.96	0.00	62.54	0.01	-715.06	-	-	0.81	-1.81	0.12
260	20.76	24.31	50.03	0.00	52.87	0.02	-546.76	-	-	0.60	-5.13	0.12
280	34.54	21.88	45.44	0.00	44.23	0.03	-408.79	-	-	0.45	-9.29	0.12
300	52.34	19.36	39.39	0.00	36.84	0.05	-297.49	-	-	0.34	-14.40	0.12

Conclusions:
 Calcium Carbonate scale is indicated at all temperatures from 80°F to 300°F
 Gypsum Scaling Index is negative from 80°F to 300°F
 Calcium Sulfate Scaling Index is negative from 80°F to 300°F
 Strontium Sulfate scaling was not evaluated
 Barium Sulfate NO CONCLUSION

Notes:

Hof4

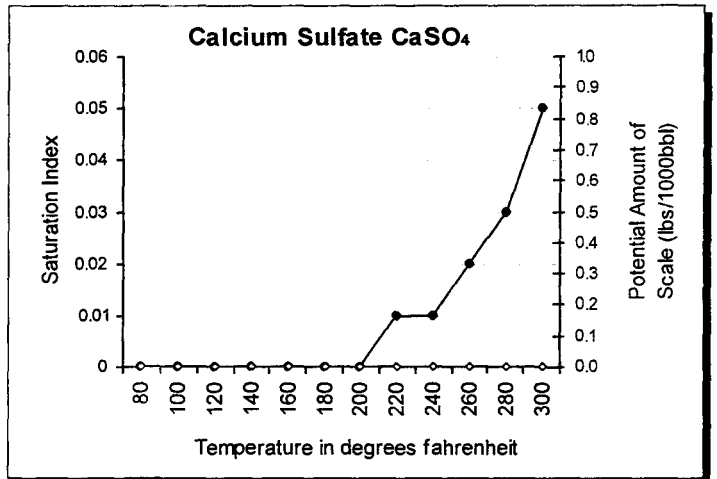
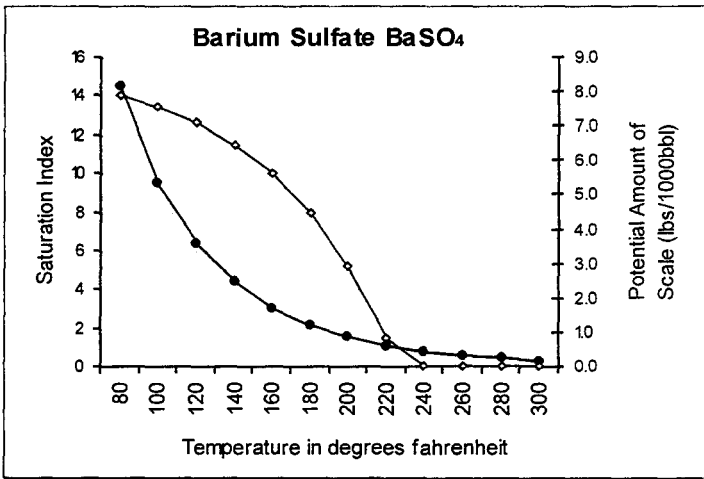
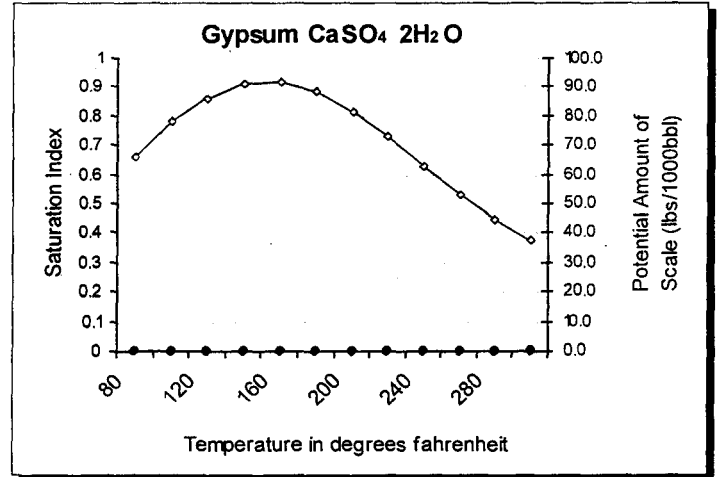
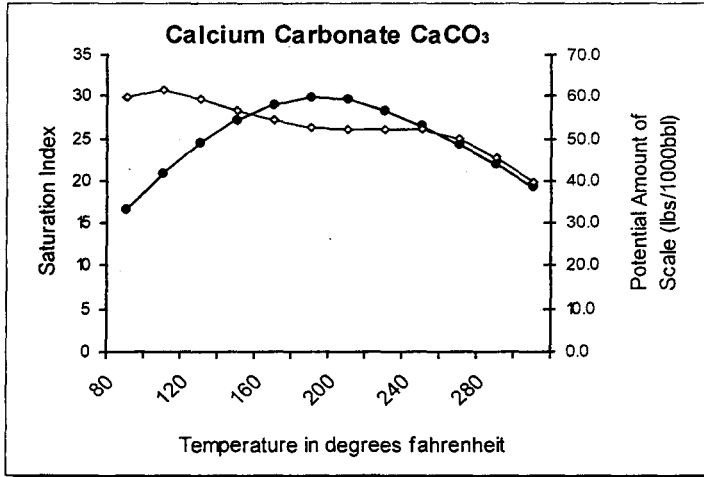
Multi-Chem Group, LLC
 Multi-Chem Analytical Laborator
 1553 East Highway 40
 Vernal, UT 84078



Scale Prediction Graphs

Well Name: **ASHLEY INJECTION**

Sample ID: **WA-35264**



Attachment "G"

**Ashley Federal 8-15-9-15
Proposed Maximum Injection Pressure**

Frac Interval (feet)		Avg. Depth (feet)	ISIP (psi)	Calculated Frac Gradient (psi/ft)	Pmax
Top	Bottom				
5776	5800	5788	2275	0.83	2237
5660	5670	5665	2125	0.81	2088 ←
4858	4866	4862	2200	0.89	2168
4186	4254	4220	2200	0.96	2173
5108	5139	5124	2370	0.90	2337
				Minimum	<u><u>2088</u></u>

Calculation of Maximum Surface Injection Pressure
 $P_{max} = (Frac\ Grad - (0.433 * 1.015)) \times Depth\ of\ Top\ Perf$
 where pressure gradient for the fresh water is .433 psi/ft and
 specific gravity of the injected water is 1.015.

$Frac\ Gradient = (ISIP + (0.433 * Top\ Perf.)) / Top\ Perf.$

Please note: These are existing perforations; additional perforations may be added during the actual conversion procedure.



ATTACHMENT G-1

1 of 12

DAILY COMPLETION REPORT

WELL NAME: Ashley Fed. 8-15-9-15 Report Date: Aug. 25, 2004 Completion Day: 01
 Present Operation: Completion Rig: Rigless

WELL STATUS

Surf Csg: 8 5/8 @ 316' Prod Csg: 5 1/2 Wt: 15.5# @ 5982' Csg PBTD: 5938' WL
 Tbg: Size: Wt: Grd: Pkr/EOT @: BP/Sand PBTD:

PERFORATION RECORD

Zone	Perfs	SPF/#shots	Zone	Perfs	SPF/#shots
CP3 sds	5776-5780'	4/16			
CP3 sds	5793-5800'	4/28			

CHRONOLOGICAL OPERATIONS

Date Work Performed: Aug. 24, 2004 SITP: SICP: 0

Install 5M frac head. NU 6" 5M Cameron BOP. RU HO trk & pressure test casing, blind rams, frac head & casing valves to 4500 psi. RU Patterson WLT & run CBL under pressure. WL TD @ 5938' & cmt top @ surface (0'). Perf stage #1 W/ 4" Port gun as follows: CP3 sds @ 5793-5800' & 5776-5780' W/ 4 JSPF total of 48 shots. SIFN W/ est 142 BWTR.

Starting fluid load to be recovered: 142 Starting oil rec to date: 0
 Fluid lost/recovered today: 0 Oil lost/recovered today:
 Ending fluid to be recovered: 142 Cum oil recovered: 0
 IFL: FFL: FTP: Choke: Final Fluid Rate: Final oil cut:

STIMULATION DETAIL

Base Fluid used: Job Type:
 Company:
 Procedure or Equipment detail:

COSTS

Weatherford BOP	\$130
IPC NU crew	\$300
IPC trucking	\$1,300
Patterson CP3 sd	\$4,720
Drilling cost	\$233,520
Rebel Hot Oil	\$400
Location preparation	\$300
IPC wellhead	\$1,500
Benco - anchors	\$950
Admin. Overhead	\$3,000
IPC supervision	\$300

Max TP: Max Rate: Total fluid pmpd:
 Avg TP: Avg Rate: Total Prop pmpd:
 ISIP: 5 min: 10 min: FG:
 Completion Supervisor: Ron Shuck

DAILY COST: \$246,420
 TOTAL WELL COST: \$246,420



ATTACHMENT G-1
2 of 12

DAILY COMPLETION REPORT

WELL NAME: Ashley Fed. 8-15-9-15 **Report Date:** Aug. 31, 2004 **Completion Day:** 02a
Present Operation: Completion **Rig:** Rigless

WELL STATUS

Surf Csg: 8 5/8 @ 316' **Prod Csg:** 5 1/2 **Wt:** 15.5# @ 5982' **Csg PBTD:** 5938' WL
Tbg: **Size:** _____ **Wt:** _____ **Grd:** _____ **Pkr/EOT @:** _____ **BP/Sand PBTD:** _____

PERFORATION RECORD

Zone	Perfs	SPF/#shots	Zone	Perfs	SPF/#shots
CP3 sds	5776-5780'	4/16			
CP3 sds	5793-5800'	4/28			

CHRONOLOGICAL OPERATIONS

Date Work Performed: Aug. 30, 2004 **SITP:** _____ **SICP:** 0

Day2a.

RU BJ Services "Ram Head" frac flange. RU BJ & frac CP3 sds, stage #1 down casing w/19,306#'s of 20/40 sand in 268 bbls of Lightning 17 frac fluid. Open well w/ 0 psi on casing. Perfs broke down @ 2607, back to 1820 psi. Treated @ ave pressure of 2225, w/ ave rate of 24.7 bpm, w/ up to 8 ppg of sand. Spot 5 bbls 15% HCL in flush for next stage. ISIP was 2275. 410 bbls EWTR. Leave pressure on well.

See day2b.

Starting fluid load to be recovered: 142 **Starting oil rec to date:** 0
Fluid lost/recovered today: 268 **Oil lost/recovered today:** _____
Ending fluid to be recovered: 410 **Cum oil recovered:** 0
IFL: _____ **FFL:** _____ **FTP:** _____ **Choke:** _____ **Final Fluid Rate:** _____ **Final oil cut:** _____

STIMULATION DETAIL

Base Fluid used: Lightning 17 **Job Type:** sand frac
Company: BJ Services

Procedure or Equipment detail: CP3 sds down casing

- _____
- 1596 gals of pad
- _____
- 1250 gals w/ 1-5 ppg of 20/40 sand
- _____
- 2635 gals w/ 5-8 ppg of 20/40 sand
- _____
- Flush w/ 5775 gals of slick water
- _____
- _____

COSTS

Weatherford BOP	\$30
Weatherford Services	\$650
Betts frac water	\$230
IPC fuel gas	\$50
BJ Services CP3 sds	\$7,800
IPC Supervision	\$80

****Flush called @ blender to include 2 bbls pump/line volume****

Max TP: 2490 **Max Rate:** 24.7 **Total fluid pmpd:** 268 bbls
Avg TP: 2225 **Avg Rate:** 24.7 **Total Prop pmpd:** 19,306#'s
ISIP: 2275 **5 min:** _____ **10 min:** _____ **FG:** .83
Completion Supervisor: Ron Shuck

DAILY COST: \$8,840
TOTAL WELL COST: \$255,260



ATTACHMENT G-1
3 of 12

DAILY COMPLETION REPORT

WELL NAME: Ashley Fed. 8-15-9-15 Report Date: Aug. 31, 2004 Completion Day: 02b
Present Operation: Completion Rig: Rigless

WELL STATUS

Surf Csg: 8 5/8 @ 316' Prod Csg: 5 1/2 Wt: 15.5# @ 5982' Csg PBTD: 5938' WL
Tbg: Size: Wt: Grd: Pkr/EOT @: BP/Sand PBTD: 5730'

PERFORATION RECORD

Zone	Perfs	SPF/#shots	Zone	Perfs	SPF/#shots
			CP3 sds	5776-5780'	4/16
			CP3 sds	5793-5800'	4/28
CP1 sds	5660-5670'	4/40			

CHRONOLOGICAL OPERATIONS

Date Work Performed: Aug. 30, 2004 SITP: SICIP: 1720

Day2b.

RU Patterson WLT, mast & lubricator. RIH w/ Weatherford 5-1/2" composite flow-through frac plug & 10' perf gun. Set plug @ 5730'. Perforate CP1 sds @ 5660-5670' w/ 4" Port guns (19 gram, .41"HE), w/ 4 spf for total of 40 shots. RU BJ & perfs won't break down. RU dump bailer & spot 8 gals 15% HCL on perfs. RU BJ & frac stage #2 down casing w/ 59,588#'s of 20/40 sand in 495 bbls of Lightning 17 frac fluid. Open well w/ 1720 psi on casing. Perfs broke down @ 3858, back to 1920 psi. Treated @ ave pressure of 1890, w/ ave rate of 24.9 bpm, w/ 8 ppg of sand. Spot 5 bbls 15% HCL in flush for next stage. ISIP was 2125. 905 bbls EWTR. Leave pressure on well.

See day2c.

Starting fluid load to be recovered: 410 Starting oil rec to date: 0
Fluid lost/recovered today: 495 Oil lost/recovered today:
Ending fluid to be recovered: 905 Cum oil recovered: 0
IFL: FFL: FTP: Choke: Final Fluid Rate: Final oil cut:

STIMULATION DETAIL

Base Fluid used: Lightning 17 Job Type: sand frac
Company: BJ Services
Procedure or Equipment detail: CP1 sds down casing

COSTS

Weatherford BOP	\$40
Weatherford Services	\$2,200
Betts frac water	\$730
IPC fuel gas	\$150
BJ Services CP1 sds	\$13,180
IPC Supervision	\$100
Patterson CP1 sds	\$3,000

4620 gals of pad
3000 gals w/ 1-5 ppg of 20/40 sand
6000 gals w/ 5-8 ppg of 20/40 sand
1513 gals w/ 8 ppg of 20/40 sand
Flush w/ 5657 gals of slick water

Flush called @ blender to include 2 bbls pump/line volume

Max TP: 2180 Max Rate: 25.1 Total fluid pmpd: 495 bbls
Avg TP: 1890 Avg Rate: 24.9 Total Prop pmpd: 59,588#'s
ISIP: 2125 5 min: 10 min: FG: .81
Completion Supervisor: Ron Shuck

DAILY COST: \$19,400
TOTAL WELL COST: \$274,660



DAILY COMPLETION REPORT

WELL NAME: Ashley Fed. 8-15-9-15 Report Date: Aug. 31, 2004 Completion Day: 02c
 Present Operation: Completion Rig: Rigless

WELL STATUS

Surf Csg: 8 5/8 @ 316' Prod Csg: 5 1/2 Wt: 15.5# @ 5982' Csg PBTD: 5938' WL
 Tbg: Size: _____ Wt: _____ Grd: _____ Pkr/EOT @: _____ BP/Sand PBTD: 4970'
 KB @ 12' _____ Plugs 5730'

PERFORATION RECORD

Zone	Perfs	SPF/#shots	Zone	Perfs	SPF/#shots
			CP3 sds	<u>5776-5780'</u>	<u>4/16</u>
			CP3 sds	<u>5793-5800'</u>	<u>4/28</u>
C sds	<u>4858-4866'</u>	<u>4/32</u>			
CP1 sds	<u>5660-5670'</u>	<u>4/40</u>			

CHRONOLOGICAL OPERATIONS

Date Work Performed: Aug. 30, 2004 SITP: _____ SICP: 1930

Day2c.

RU Patterson WLT. RIH w/ frac plug & 10' perf gun. Set plug @ 4970'. Perforate C sds @ 4858-4866' w/ 4 spf for total of 32 shots. RU BJ & frac stage #3 w/ 15,525#'s of 20/40 sand in 217 bbls of Lightning 17 frac fluid. Open well w/ 1930 psi on casing. Perfs broke down @ 3737, back to 3190 psi. Treated @ ave pressure of 2370, w/ ave rate of 24.7 bpm, w/ up to 8 ppg of sand. Spot 5 bbls 15% HCL in flush for next stage. ISIP was 2200. 1122 bbls EWTR. Leave pressure on well.

See day2d.

Starting fluid load to be recovered: 905 Starting oil rec to date: 0
 Fluid lost/recovered today: 217 Oil lost/recovered today: _____
 Ending fluid to be recovered: 1122 Cum oil recovered: 0
 IFL: _____ FFL: _____ FTP: _____ Choke: _____ Final Fluid Rate: _____ Final oil cut: _____

STIMULATION DETAIL

Base Fluid used: Lightning 17 Job Type: sand frac
 Company: BJ Services
 Procedure or Equipment detail: C sds down casing

COSTS

Weatherford BOP	\$30
Weatherford Services	\$2,200
Betts frac water	\$200
IPC fuel gas	\$40
BJ Services C sds	\$6,490
IPC Supervision	\$20
Patterson C sds	\$2,700

1218 gals of pad
970 gals w/ 1-5 ppg of 20/40 sand
2071 gals w/ 5-8 ppg of 20/40 sand
Flush w/ 4855 gals of slick water

Flush called @ blender to include 2 bbls pump/line volume

Max TP: 2540 Max Rate: 24.7 Total fluid pmpd: 217 bbls
 Avg TP: 2370 Avg Rate: 24.7 Total Prop pmpd: 15,525#'s
 ISIP: 2200 5 min: _____ 10 min: _____ FG: .89
 Completion Supervisor: Ron Shuck

DAILY COST: \$11,680
 TOTAL WELL COST: \$286,340



DAILY COMPLETION REPORT

WELL NAME: Ashley Fed. 8-15-9-15 Report Date: Aug. 31, 2004 Completion Day: 02d
 Present Operation: Completion Rig: Rigless

WELL STATUS

Surf Csg: 8 5/8 @ 316' Prod Csg: 5 1/2 Wt: 15.5# @ 5982' Csg PBTD: 5938' WL
 Tbg: Size: _____ Wt: _____ Grd: _____ Pkr/EOT @: _____ BP/Sand PBTD: 4350'
 KB @ 12' _____ Plugs 5730' 4970'

PERFORATION RECORD

Zone	Perfs	SPF/#shots	Zone	Perfs	SPF/#shots
GB4 sds	<u>4186-4190'</u>	<u>4/16</u>	CP3 sds	<u>5776-5780'</u>	<u>4/16</u>
GB4 sds	<u>4196-4202'</u>	<u>4/32</u>	CP3 sds	<u>5793-5800'</u>	<u>4/28</u>
GB6 sds	<u>4244-4254'</u>	<u>4/40</u>			
C sds	<u>4858-4866'</u>	<u>4/32</u>			
CP1 sds	<u>5660-5670'</u>	<u>4/40</u>			

CHRONOLOGICAL OPERATIONS

Date Work Performed: Aug. 30, 2004 SITP: _____ SICP: 1965

Day2d.

RU Patterson WLT. RIH w/ frac plug & 10' perf gun. Set plug @ 4350'. Perforate GB6 sds @ 4244-4254' & GB4 sds @ 4196-4202', 4186-4190' w/ 4 spf for total of 88 shots. RU BJ & frac stage #4 w/ 66,213#'s of 20/40 sand in 477 bbls of Lightning 17 frac fluid. Open well w/ 1965 psi on casing. Perfs broke down @ 3676, back to 2226 psi. Treated @ ave pressure of 2095, w/ ave rate of 24.8 bpm, w/ 8 ppg of sand. BJ lost pump pressure w/ 17 bbls left in flush. ISIP was 2220. 1599 bbls EWTR. RD BJ & WLT. Begin immediate flow back on well w/ 12/64 choke @ 2100 psi. Well flowed for 6 hours & died w/ 330 bbls rec'd (21% of frac). SIFN.

Starting fluid load to be recovered: 1599 Starting oil rec to date: 0
 Fluid lost/recovered today: 330 Oil lost/recovered today: _____
 Ending fluid to be recovered: 1269 Cum oil recovered: 0
 IFL: _____ FFL: _____ FTP: _____ Choke: _____ Final Fluid Rate: _____ Final oil cut: _____

STIMULATION DETAIL

Base Fluid used: Lightning 17 Job Type: sand frac
 Company: BJ Services
 Procedure or Equipment detail: GB sds down casing

COSTS

Weatherford BOP	<u>\$30</u>
Weatherford Services	<u>\$2,200</u>
Betts frac water	<u>\$790</u>
IPC fuel gas	<u>\$160</u>
BJ Services GB sds	<u>\$13,550</u>
IPC Supervision	<u>\$100</u>
Patterson GB sds	<u>\$3,000</u>

4998 gals of pad
3319 gals w/ 1-5 ppg of 20/40 sand
6622 gals w/ 5-8 ppg of 20/40 sand
1735 gals w/ 8 ppg of 20/40 sand
Flush w/ 3360 gals of slick water

Max TP: 2300 Max Rate: 25.2 Total fluid pmpd: 477 bbls
 Avg TP: 2095 Avg Rate: 24.8 Total Prop pmpd: 66,213#'s
 ISIP: 2200 5 min: _____ 10 min: _____ FG: .96
 Completion Supervisor: Ron Shuck

DAILY COST: \$19,830
 TOTAL WELL COST: \$306,170



ATTACHMENT G-1
6 of 12

DAILY COMPLETION REPORT

WELL NAME: Ashley Fed. 8-15-9-15 Report Date: Sept. 1, 2004 Completion Day: 03
 Present Operation: Completion Rig: Western #1

WELL STATUS

Surf Csg: 8 5/8 @ 316' Prod Csg: 5 1/2 Wt: 15.5# @ 5982' Csg PBTD: 5970'
 Tbg: Size: 2 7/8 Wt: 6.5# Grd: J-55 Pkr/EOT @: 5905' BP/Sand PBTD: 5970'
 KB @ 12'

PERFORATION RECORD

Zone	Perfs	SPF/#shots	Zone	Perfs	SPF/#shots
GB4 sds	<u>4186-4190'</u>	<u>4/16</u>	CP3 sds	<u>5776-5780'</u>	<u>4/16</u>
GB4 sds	<u>4196-4202'</u>	<u>4/32</u>	CP3 sds	<u>5793-5800'</u>	<u>4/28</u>
GB6 sds	<u>4244-4254'</u>	<u>4/40</u>			
C sds	<u>4858-4866'</u>	<u>4/32</u>			
CP1 sds	<u>5660-5670'</u>	<u>4/40</u>			

CHRONOLOGICAL OPERATIONS

Date Work Performed: Aug. 31, 2004 SITP: _____ SICP: 50

MIRU Western #1. Bleed pressure off well. Rec est 5 BTF. ND Cameron BOP & 5M frac head. Install 3M production head & NU Graco Schaeffer BOP. Talley, drift, PU & TIH W/ used Varel ETD4 tooth bit, bit sub & new Husteel 2 7/8 8rd 6.5# J-55 tbg. Tag fill @ 4344'. Tbg displaced 10 BW on TIH. RU power swivel. C/O sd & drill out composite bridge plugs as follows: sd @ 4344', plug @ 4350' in 12 minutes; sd @ 4856', plug @ 4970' in 17 minutes; no sd, plug @ 5730' in 14 minutes. Well flowed back 110 BTF after through this plug. Hang back swivel. Con't PU & TIH W/ bit & tbg. Tag fill @ 5828'. RU swivel. Drill sd & plug remains to PBTD @ 5970'. Circ hole clean. Lost no fluid today. RD swivel. Pull EOT to 5905'. SIFN W/ est 1144 BWTR.

Starting fluid load to be recovered: 1269 Starting oil rec to date: 0
 Fluid lost/recovered today: 125 Oil lost/recovered today: _____
 Ending fluid to be recovered: 1144 Cum oil recovered: 0
 IFL: _____ FFL: _____ FTP: _____ Choke: _____ Final Fluid Rate: _____ Final oil cut: _____

STIMULATION DETAIL

Base Fluid used: _____ Job Type: _____
 Company: _____
 Procedure or Equipment detail:

COSTS

Western rig	\$3,346
Weatherford BOP	\$130
Graco BOP	\$145
Betts wtr transfer	\$400
IPC wtr & truck	\$400
Aztec - new J55 tbg	\$30,455
NDSI trucking	\$1,000
Four star swivel	\$450
IPC trucking	\$300
IPC sfc equipment	\$120,000
R & T labor/welding	\$12,000
Monks pit reclaim	\$1,200
IPC supervision	\$300
DAILY COST:	\$170,126
TOTAL WELL COST:	\$476,296

Max TP: _____ Max Rate: _____ Total fluid pmpd: _____
 Avg TP: _____ Avg Rate: _____ Total Prop pmpd: _____
 ISIP: _____ 5 min: _____ 10 min: _____ FG: _____
 Completion Supervisor: Gary Dietz



ATTACHMENT G-1
8 of 12

DAILY COMPLETION REPORT

WELL NAME: Ashley Fed. 8-15-9-15 Report Date: Sept. 3, 2004 Completion Day: 05
 Present Operation: Completion Rig: Western #1

WELL STATUS

Surf Csg: 8 5/8 @ 316' Prod Csg: 5 1/2 Wt: 15.5# @ 5982' Csg PBTD: 5970'
 Tbg: Size: 2 7/8 Wt: 6.5# Grd: J-55 Anchor @: 5717' BP/Sand PBTD: 5970'
 KB @ 12'

PERFORATION RECORD

Zone	Perfs	SPF/#shots	Zone	Perfs	SPF/#shots
GB4 sds	4186-4190'	4/16	CP3 sds	5776-5780'	4/16
GB4 sds	4196-4202'	4/32	CP3 sds	5793-5800'	4/28
GB6 sds	4244-4254'	4/40			
C sds	4858-4866'	4/32			
CP1 sds	5660-5670'	4/40			

CHRONOLOGICAL OPERATIONS

Date Work Performed: Sept. 2, 2004 SITP: 0 SICP: 0

PU & TIH W/ pump and rod string as follows: new CDI 2 1/2" X 1 1/2" X 15.5' RHAC pump, 6-1 1/2" weight rods, 10-3/4" scraped rods, 115-3/4" plain rods, 99-3/4" scraped rods, 1-6' & 1-2' X 3/4" pony rods and 1 1/2" X 22' polished rod. All rods "B" grade except btm 10 scraped. Seat pump & RU pumping unit. Fill tbg W/ 1 BW. Pressure test tbg & pump to 200 psi. Stroke pump up W/ unit to 800 psi. Good pump action. RD MOSU. Est 1005 BWTR.
 Place well on production @ 12:00 PM 9/2/2004 W/ 86" SL @ 6 SPM.

FINAL REPORT!!

Starting fluid load to be recovered: 1004 Starting oil rec to date: 16
 Fluid lost/recovered today: 1 Oil lost/recovered today: 0
 Ending fluid to be recovered: 1005 Cum oil recovered: 16
 IFL: _____ FFL: _____ FTP: _____ Choke: _____ Final Fluid Rate: _____ Final oil cut: _____

TUBING DETAIL		ROD DETAIL		COSTS	
				Western rig	\$1,455
KB	12.00'		1 1/2" X 22' polished rod	Rebel HO trk	\$550
176	2 7/8 J-55 tbg (5705.40')		1-6' & 1-2' X 3/4" pony rods	CDI rod pump	\$1,300
	TA (2.80' @ 5717.40' KB)		99-3/4" scraped rods	"A" grade rod string	\$8,166
2	2 7/8 J-55 tbg (65.14')		115-3/4" plain rods	NPC trucking	\$300
	SN (1.10' @ 5785.34' KB)		10-3/4" scraped rods	NPC frac tks (4X6 days)	\$960
2	2 7/8 J-55 tbg (65.14')		6-1 1/2" weight rods	NPC swb tk (3 days)	\$120
	2 7/8 NC (.45')		CDI 2 1/2" X 1 1/2" X 15.5'	NPC frac head	\$500
EOT	5852.03' W/ 12' KB		RHAC pump W/ SM plunger	NDSI pump rental	\$980
				NPC supervision	\$300
				DAILY COST:	\$14,631
				TOTAL WELL COST:	\$498,993

Completion supervisor: Gary Dietz



DAILY COMPLETION REPORT

WELL NAME: Ashley Fed. 8-15-9-15 Report Date: 10-29-04 Re-completion Day: 3
 Present Operation: Re-completion Rig: NC#1

WELL STATUS

Surf Csg: 8 5/8 @ 316' Prod Csg: 5 1/2 Wt: 15.5# @ 5982' Csg PBTD: 5970'
 Tbg: Size: 2 7/8 Wt: 6.5# Grd: J-55 EOT @: 5062' BP/Sand PBTD: 5966'
 KB @ 12'

PERFORATION RECORD

Zone	Perfs	SPF/#shots	Zone	Perfs	SPF/#shots
GB4 sds	<u>4186-4190'</u>	<u>4/16</u>	C sds	<u>4858-4866'</u>	<u>4/40</u>
GB4 sds	<u>4196-4202'</u>	<u>4/32</u>	CP1 sds	<u>5660-5670'</u>	<u>4/40</u>
GB6 sds	<u>4244-4254'</u>	<u>4/40</u>	CP3 sds	<u>5776-5780'</u>	<u>4/16</u>
A 1 NEW	<u>5108- 14'</u>	<u>4/24</u>	CP3 sds	<u>5793-5800'</u>	<u>4/28</u>
A 3 NEW	<u>5122- 39'</u>	<u>4/68</u>			

CHRONOLOGICAL OPERATIONS

Date Work Performed: 10-27-04 SITP: 200 SICP: 200

Set pkr @ 5052. RU pump to cog. Fill cog. W/ 55 bw RU frac crew. Frac A1 & 3 zones w/ 79,678# 20/40 white sand w/ 629 bbls lightning 17 fluid. Max rt. 15. Avg. rt 14.8. Max press. 3938. Avg. press. 3709. F.G. .90. Isip @ 2370 psi. RD frac crew. open well to flat tank on 16/64" choke. flow well back for 3 hrs. recovered 210 bbls water. rih w/ tbg. tag sand @ 5180'. clean out to rbp @ 5240'. pull up to 5052'. ru swab. sfl @ surface. made 8 runs. recovered 72 bbls. trace of oil. small show of sand. efl @ 1500'. rd swab. rih w/ tbg. to rbp. circulate well clean. release rbp. pull up to 5052'. sdfn.

Starting fluid load to be recovered: 203 Starting oil rec to date: _____
 Fluid lost/recovered today: 402 Oil lost/recovered today: _____
 Ending fluid to be recovered: 605 Cum oil recovered: _____
 IFL: surf FFL: 1500' FTP: _____ Choke: _____ Final Fluid Rate: _____ Final oil cut: _____

STIMULATION DETAIL

Base Fluid used: Lightning 17 Job Type: Sand frac
 Company: BJ Services
 Procedure or Equipment detail: A1 & 3
pumped down tbg. Eot @ 5062'
7812 gals pad
5166 gals w/ 1-4 ppg 20/40 sand
10248 gals w/ 4-6.5 ppg 20/40 sand
2016 gals w/ 8 ppg 20/40 sand.
1176 gals of flush.
 Max TP: 3938 Max Rate: 15 Total fluid pmpd: 629 bbls
 Avg TP: 3709 Avg Rate: 14.8 Total Prop pmpd: 79,678#
 ISIP: 2370 5 min: _____ 10 min: _____ FG: .90
 Completion supervisor: Orson Barney

COSTS

	NC#1
	<u>\$3,558</u>
Graco BOP	<u>\$145</u>
NPC supervision	<u>\$300</u>
Weatherford	<u>\$3,570</u>
Betts frac water	<u>\$1,200</u>
Zubiate hot oil	<u>\$560</u>
R & R propane	<u>\$150</u>
Hagman	<u>\$250</u>
BJ frac crew	<u>\$26,311</u>
DAILY COST:	<u>\$36,044</u>
TOTAL WELL COST:	<u>\$54,794</u>

NEWFIELD



ATTACHMENT G-1
12 of 12

DAILY COMPLETION REPORT

WELL NAME: Ashley Fed. 8-15-9-15 **Report Date:** 10-30-04 **Re-completion Day:** 4
Present Operation: Re-completion **Rig:** NC#1

WELL STATUS

Surf Csg: 8 5/8 @ 316' **Prod Csg:** 5 1/2 **Wt:** 15.5# @ 5982' **Csg PBD:** 5970'
Tbg: Size: 2 7/8 **Wt:** 6.5# **Grd:** J-55 **EOT @:** 5062' **BP/Sand PBD:** 5966'
KB @ 12'

PERFORATION RECORD

Zone	Perfs	SPF/#shots	Zone	Perfs	SPF/#shots
GB4 sds	4186-4190'	4/16	C sds	4858-4866'	4/40
GB4 sds	4196-4202'	4/32	CP1 sds	5660-5670'	4/40
GB6 sds	4244-4254'	4/40	CP3 sds	5776-5780'	4/16
A 1	NEW 5108- 14'	4/24	CP3 sds	5793-5800'	4/28
A 3	NEW 5122- 39'	4/68			

CHRONOLOGICAL OPERATIONS

Date Work Performed: 10-29-04 **SITP:** 50 **SICP:** 0

sip: tbg. 50 psi. Cg. On vaccum. Bleed off tbg. Cont. pooh w/ tbg. Laying down on float. Ld plug & pkr. Rih w/ 2 7/8" notched collar, 2 jts 2 7/8" tbg., psn, 2 jts 2 7/8" tbg., 5 1/2" tac, 176 jts 2 7/8" tbg. Rd workfloor. Nd bops. Set tac @ 5717' w/ 14000# tension. nu wellhead. x-over for rods. rih w/ cdi 2 1/2" x 1 1/2" x 12' x 16' rhac pump, 6- 1 1/2" weight bars, 10- 3/4" guided rods, 115- 3/4" slick rods, 99- 3/4" guided rods, 1- 6', 2' x 3/4" pony subs, 1 1/2" x 22' polished rod. seat pump. fill tbg. w/ 5 bbls water. stroke test to 800 psi. ru pumping unit. hang off rods. adjust tag. return well to production @ 3:00 pm.

Starting fluid load to be recovered: 605 **Starting oil rec to date:** _____
Fluid lost/recovered today: 5 **Oil lost/recovered today:** _____
Ending fluid to be recovered: 610 **Cum oil recovered:** _____
IFL: _____ **FFL:** _____ **FTP:** _____ **Choke:** _____ **Final Fluid Rate:** _____ **Final oil cut:** _____

COSTS

	NC#1	\$3,005
	Graco BOP	\$145
	NPC supervision	\$300
	npc frac valve (x1)	\$170
	npc frac tanks(2x5 dys)	\$400
	npc swab tank	\$160
	n-80 tbg(5290' x 3 dys).	\$1,100
	rni water disposal	\$1,500
	DAILY COST:	\$6,780
	TOTAL WELL COST:	\$61,574

TUBING DETAIL

KB 12.00'
 176 2 7/8 J-55 tbg (5705.40')
TA (2.80' @ 5717.40' KB)
 2 2 7/8 J-55 tbg (65.14')
SN (1.10' @ 5785.34' KB)
 2 2 7/8 J-55 tbg (65.14')
2 7/8 NC (.45')
 EOT 5852.03' W/ 12' KB

ROD DETAIL

1 1/2" X 22' polished rod
1-6' & 1-2' X 3/4" pony rods
99-3/4" scraped rods
115-3/4" plain rods
10-3/4" scraped rods
6-1 1/2" weight rods
CDI 2 1/2" X 1 1/2" X 15.5'
RHAC pump W/ SM plunger

Orson Barney

ATTACHMENT H

WORK PROCEDURE FOR PLUGGING AND ABANDONMENT

1. Set CIBP @ 4136'
2. Plug #1 Set 100' plug on top of CIBP using 12 sx Class "G" cement
3. Plug #2 189' balance plug using 22 sx Class "G" cement 50' above Trona-Bird's Nest extending 50' below base of Mahogany Oil Shale
4. Plug #3 120' balance plug using 14 sx Class "G" cement 60' above Uinta/Green River and extending 60' below
5. Plug #4 Pump 43 sx Class "G" Cement down 5-1/2" casing to 366'

The approximate cost to plug and abandon this well is \$42,000.

Ashley Federal 8-15-9-15

Spud Date: 1/27/04
 Put on Production: 9/2/04
 GL: 6251' KB: 6283'

Initial Production: BOPD,
 MCFD, BWPD

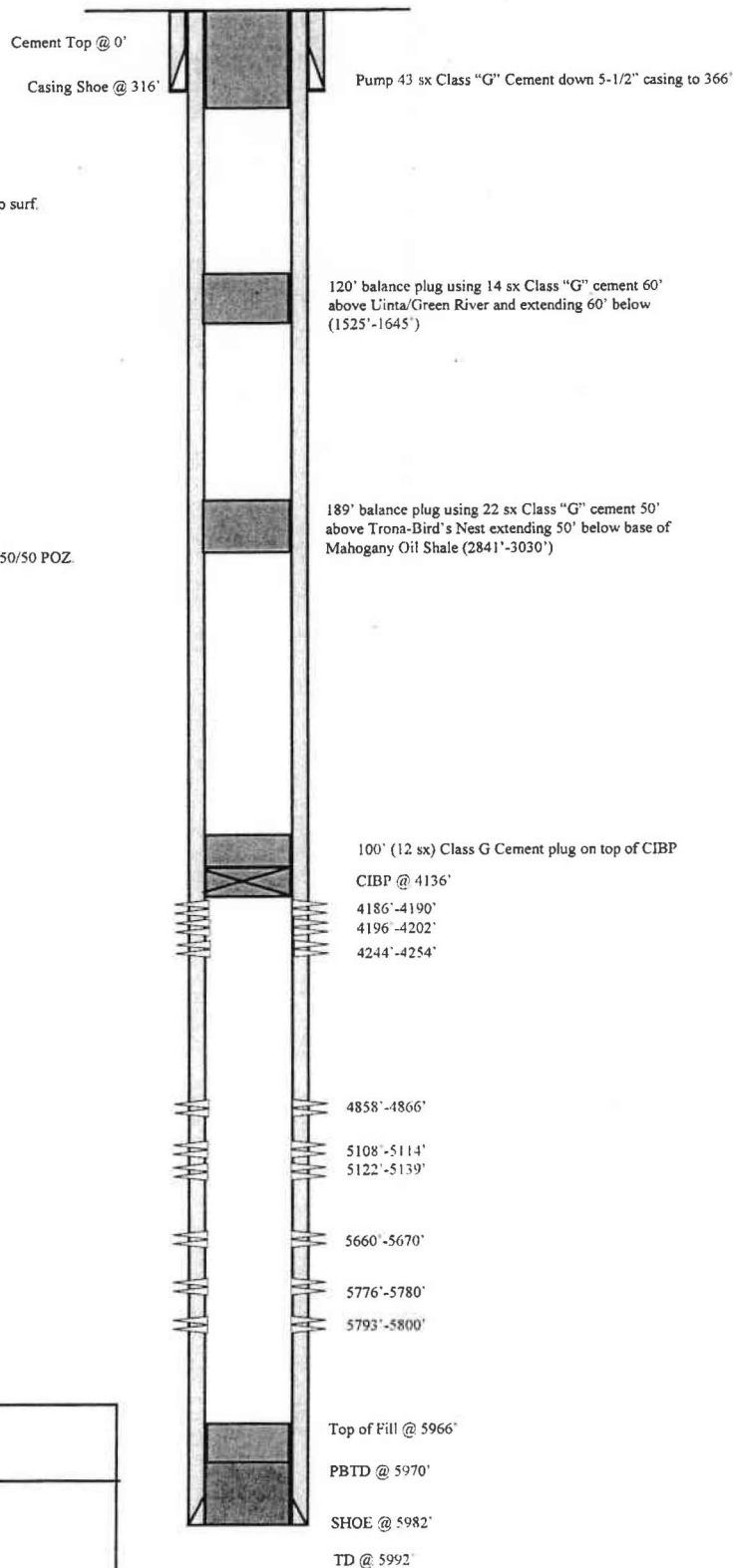
Proposed P & A Wellbore Diagram

SURFACE CASING

CSG SIZE: 8-5/8"
 GRADE: J-55
 WEIGHT: 24#
 LENGTH: 7 jts (295.17')
 DEPTH LANDED: 316.02' KB
 HOLE SIZE: 12-1/4"
 CEMENT DATA: 150 sxs Class "G" cmt, est 7 bbls cmt to surf.

PRODUCTION CASING

CSG SIZE: 5-1/2"
 GRADE: J-55
 WEIGHT: 15.5#
 LENGTH: 142 jts (5986.5')
 DEPTH LANDED: 5982.1' KB
 HOLE SIZE: 7-7/8"
 CEMENT DATA: 285 sxs Prem. Lite II mixed & 400 sxs 50/50 POZ.
 CEMENT TOP AT: 0'



NEWFIELD

Ashley Federal 8-15-9-15
 1755 FNL & 767 FEL
 SE/NE Sec. 15, T9S R17E
 Duchesne, County
 API# 43-013-32406; Lease# UTU-66184

UNITED STATES
DEPARTMENT OF THE INTERIOR
BUREAU OF LAND MANAGEMENT

SUNDRY NOTICES AND REPORTS ON WELLS
Do not use this form for proposals to drill or to re-enter an abandoned well. Use Form 3160-3 (APD) for such proposals.

FORM APPROVED
OMB No. 1004-0137
Expires: July 31, 2010

SUBMIT IN TRIPLICATE - Other Instructions on page 2

1. Type of Well
 Oil Well Gas Well Other

2. Name of Operator
 NEWFIELD PRODUCTION COMPANY

3a. Address Route 3 Box 3630
 Myton, UT 84052

3b. Phone (include are code)
 435.646.3721

4. Location of Well (Footage, Sec., T., R., M., or Survey Description)
 1755 FNL 767 FEL
 SENE Section 15 T9S R15E

5. Lease Serial No.
 USA UTU-66184

6. If Indian, Allottee or Tribe Name.

7. If Unit or CA/Agreement, Name and/or
 GMBU

8. Well Name and No.
 ASHLEY FEDERAL 8-15-9-15

9. API Well No.
 4301332406

10. Field and Pool, or Exploratory Area
 GREATER MB UNIT

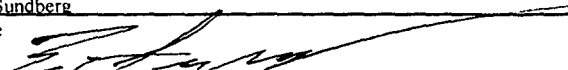
11. County or Parish, State
 DUCHESNE, UT

12. CHECK APPROPRIATE BOX(ES) TO INDICATE NATURE OF NOTICE, OR OTHER DATA

TYPE OF SUBMISSION	TYPE OF ACTION			
<input checked="" type="checkbox"/> Notice of Intent	<input type="checkbox"/> Acidize	<input type="checkbox"/> Deepen	<input type="checkbox"/> Production (Start/Resume)	<input type="checkbox"/> Water Shut-Off
<input type="checkbox"/> Subsequent Report	<input type="checkbox"/> Alter Casing	<input type="checkbox"/> Fracture Treat	<input type="checkbox"/> Reclamation	<input type="checkbox"/> Well Integrity
<input type="checkbox"/> Final Abandonment	<input type="checkbox"/> Casing Repair	<input type="checkbox"/> New Construction	<input type="checkbox"/> Recomplete	<input type="checkbox"/> Other _____
	<input type="checkbox"/> Change Plans	<input type="checkbox"/> Plug & Abandon	<input type="checkbox"/> Temporarily Abandon	
	<input checked="" type="checkbox"/> Convert to Injector	<input type="checkbox"/> Plug Back	<input type="checkbox"/> Water Disposal	

13. Describe Proposed or Completed Operation: (Clearly state all pertinent details, including estimated starting date of any proposed work and approximate duration thereof. If the proposal is to deepen directionally or recomplete horizontally, give subsurface locations and measured and true vertical depths of all pertinent markers and zones. Attach the Bond under which the work will be performed or provide the Bond No. on file with BLM/BIA. Required subsequent reports shall be filed within 30 days following completion of the involved operations. If the operation results in a multiple completion or recompletion in a new interval, a Form 3160-4 shall be filed once testing has been completed. Final Abandonment Notices shall be filed only after all requirements, including reclamation, have been completed, and the operator has determined that the site is ready for final inspection.)

Newfield Production proposes to convert the above mentioned well from a producing oil well to an injection well.

I hereby certify that the foregoing is true and correct (Printed/ Typed) Eric Sundberg	Title Regulatory Lead
Signature 	Date 11/05/2010

THIS SPACE FOR FEDERAL OR STATE OFFICE USE

Approved by	Title	Date
Conditions of approval, if any, are attached. Approval of this notice does not warrant or certify that the applicant holds legal or equitable title to those rights in the subject lease which would entitle the applicant to conduct operations thereon.	Office	

Title 18 U.S.C. Section 1001 and Title 43 U.S.C. Section 1212, make it a crime for any person knowingly and willfully to make to any department or agency of the United States any false, fictitious and fraudulent statements or representations as to any matter within its jurisdiction

(Instructions on page 2)

STATE OF UTAH DEPARTMENT OF NATURAL RESOURCES DIVISION OF OIL, GAS, AND MINING		FORM 9	
SUNDRY NOTICES AND REPORTS ON WELLS		5. LEASE DESIGNATION AND SERIAL NUMBER: UTU-66184	
Do not use this form for proposals to drill new wells, significantly deepen existing wells below current bottom-hole depth, reenter plugged wells, or to drill horizontal laterals. Use APPLICATION FOR PERMIT TO DRILL form for such proposals.		6. IF INDIAN, ALLOTTEE OR TRIBE NAME:	
		7. UNIT or CA AGREEMENT NAME: GMBU (GRRV)	
1. TYPE OF WELL Water Injection Well	8. WELL NAME and NUMBER: ASHLEY FED 8-15-9-15		
2. NAME OF OPERATOR: NEWFIELD PRODUCTION COMPANY	9. API NUMBER: 4301332406000		
3. ADDRESS OF OPERATOR: 4 WATERWAY SQUARE PL STE 100 , THE WOODLANDS, TX, 77380	PHONE NUMBER: 435-646-4802	9. FIELD and POOL or WILDCAT: MONUMENT BUTTE	
4. LOCATION OF WELL FOOTAGES AT SURFACE: 1755 FNL 767 FEL QTR/QTR, SECTION, TOWNSHIP, RANGE, MERIDIAN: Qtr/Qtr: SENE Section: 15 Township: 9S Range: 15E Meridian: S	COUNTY: DUCHESNE		
	STATE: UTAH		
11. CHECK APPROPRIATE BOXES TO INDICATE NATURE OF NOTICE, REPORT, OR OTHER DATA			
TYPE OF SUBMISSION	TYPE OF ACTION		
<input type="checkbox"/> NOTICE OF INTENT Approximate date work will start:	<input type="checkbox"/> ACIDIZE <input type="checkbox"/> CHANGE TO PREVIOUS PLANS <input type="checkbox"/> CHANGE WELL STATUS <input type="checkbox"/> DEEPEN <input type="checkbox"/> OPERATOR CHANGE <input type="checkbox"/> PRODUCTION START OR RESUME <input type="checkbox"/> REPERFORATE CURRENT FORMATION <input type="checkbox"/> TUBING REPAIR <input type="checkbox"/> WATER SHUTOFF <input type="checkbox"/> WILDCAT WELL DETERMINATION	<input type="checkbox"/> ALTER CASING <input type="checkbox"/> CHANGE TUBING <input type="checkbox"/> COMMINGLE PRODUCING FORMATIONS <input type="checkbox"/> FRACTURE TREAT <input type="checkbox"/> PLUG AND ABANDON <input type="checkbox"/> RECLAMATION OF WELL SITE <input type="checkbox"/> SIDETRACK TO REPAIR WELL <input type="checkbox"/> VENT OR FLARE <input type="checkbox"/> SI TA STATUS EXTENSION <input checked="" type="checkbox"/> OTHER	<input type="checkbox"/> CASING REPAIR <input type="checkbox"/> CHANGE WELL NAME <input type="checkbox"/> CONVERT WELL TYPE <input type="checkbox"/> NEW CONSTRUCTION <input type="checkbox"/> PLUG BACK <input type="checkbox"/> RECOMPLETE DIFFERENT FORMATION <input type="checkbox"/> TEMPORARY ABANDON <input type="checkbox"/> WATER DISPOSAL <input type="checkbox"/> APD EXTENSION OTHER: <input style="width: 50px;" type="text" value="5 YR MIT"/>
<input checked="" type="checkbox"/> SUBSEQUENT REPORT Date of Work Completion: 10/12/2018			
<input type="checkbox"/> SPUD REPORT Date of Spud:			
<input type="checkbox"/> DRILLING REPORT Report Date:			
12. DESCRIBE PROPOSED OR COMPLETED OPERATIONS. Clearly show all pertinent details including dates, depths, volumes, etc.			
<p>On 10/05/2018 Mark Reinbold with the State of Utah DOGM was contacted concerning the 5 Year MIT on the above listed well. On 10/12/2018 the casing was pressured up to 1100 psig and charted for 15 minutes with no pressure loss. The well was injecting during the test. The tubing pressure was 1747 psig during the test. There was a State representative available to witness the test - Mark Reinbold.</p>			
<p>Accepted by the Utah Division of Oil, Gas and Mining FOR RECORD ONLY</p> <p>October 17, 2018</p>			
NAME (PLEASE PRINT) Lucy Chavez-Naupoto	PHONE NUMBER 435 646-4874	TITLE Field Production Assistant	
SIGNATURE N/A		DATE 10/16/2018	

Casing or Annulus Pressure Mechanical Integrity Test

Newfield Production Company

Rt 3 Box 3630

Myton, UT 84052

435.646.3721

UDOGM Witness: MARK Reinbold Date: 10-12-18 Time: 7:40 (am) pm

Test Conducted By: EVERETT UNRUH

Others Present: _____

Well Name: <u>ASHLEY FEDERAL 8-15-9-15</u>			
Field: <u>MONUMENT Butte</u>	County: <u>Duchesne</u>	State: <u>UT</u>	
Location: <u>SENE</u> Sec: <u>15</u>	T <u>9</u>	N <u>⑤</u>	R <u>15</u> <u>①</u> W
Operator: <u>Newfield</u>		API # <u>43-013-32406</u>	
Last MIT: <u>11 / 8 / 2013</u>		Maximum Allowable Pressure: <u>2000</u> psig	

Is this a regulary scheduled test? Yes No
 Initial Test for Permit? Yes No
 Test after well rework? Yes No
 Well injection during test? Yes No If Yes, rate: 50 bpd

Pre-test casing / tubing annulus pressure: 0 / 1744 psig

MIT DATA TABLE	Test #1	Test #2
TUBING PRESSURE		
Initial Pressure	<u>1744</u> psig	psig
End of test pressure	<u>1747</u> psig	psig
CASING / TUBING ANNULUS PRESSURE		
0 minutes	<u>1100</u> psig	psig
5 minutes	<u>1100</u> psig	psig
10 minutes	<u>1100</u> psig	psig
15 minutes	<u>1100</u> psig	psig
20 minutes	psig	psig
25 minutes	psig	psig
30 minutes	psig	psig
_____ minutes	psig	psig
_____ minutes	psig	psig
RESULT	<input checked="" type="checkbox"/> Pass <input type="checkbox"/> Fail	<input type="checkbox"/> Pass <input type="checkbox"/> Fail

Does the annulus pressure build back up after test? Yes No

Additional comments for mechanical integrity pressure test, such as volume of fluid added to annulus and bled back at end of test, reason for failing test (casing head leak, tubing leak, other), etc.:

Signature of Witness: Mark L Reinbold

Signature of Person Conducting Test: Everett Unruh

Division of Oil, Gas and Mining
 Operator Change/Name Change Worksheet-for State use only

Effective Date: 1/24/2020

FORMER OPERATOR: Newfield Production Company	NEW OPERATOR: Ovintiv Production, Inc.
Groups: Greater Monument Butte	

WELL INFORMATION:

Well Name	API Number	Town	Dir	Range	Dir	Sec	Entity Number	Type	Status
See Attached List									

Total Well Count: 4704

OPERATOR CHANGES DOCUMENTATION:

- Sundry or legal documentation was received from the **FORMER** operator on: 3/16/2020
- Sundry or legal documentation was received from the **NEW** operator on: 3/16/2020
- New operator Division of Corporations Business Number: 755627-0143

REVIEW:

- Receipt of Acceptance of Drilling Procedures for APD on: 9/2/2020
- Reports current for Production/Disposition & Sundries: 1/14/2021
- OPS/SI/TA well(s) reviewed for full cost bonding: Approved by Dustin 12/21/2020
- UIC5 on all disposal/injection/storage well(s) Approved on: Approved by Dayne 3/25/2020

- Surface Facility(s) included in operator change:
- State 11-32 Pipeline
 - Monument Butte St 10-36
 - GB Fed 13-20-8-17
 - Canvasback Fed 1-22-8-17
 - Ashley Fed 8-14-9-15 Pipeline
 - West Lateral 4C Slug Catcher (2-5-3-3)
 - West Lateral Phase 5 Slug Catcher
 - Bar F Slug Catcher
 - Dart Slug Catcher
 - Mullins Slug Catcher
 - Temporary Produced Water Conditioning Site
 - Dart Temporary Produced Water Facility
 - Earl Temporary Water Treatment Facility

NEW OPERATOR BOND VERIFICATION:

- State/fee well(s) covered by Bond Number(s):
- B001834.A
 - 107238142-Shut-In Bond

DATA ENTRY:

- Well(s) update in the RBDMS on: 1/14/2021
- Group(s) update in RDBMS on: 1/14/2021
- Surface Facilities update in RBDMS on: 1/14/2021
- Entities Updated in RBDMS on:

COMMENTS:

STATE OF UTAH
DEPARTMENT OF NATURAL RESOURCES
DIVISION OF OIL, GAS AND MINING

FORM 9

5. LEASE DESIGNATION AND SERIAL NUMBER:
see attached list

SUNDRY NOTICES AND REPORTS ON WELLS

6. IF INDIAN, ALLOTTEE OR TRIBE NAME:
see attached

Do not use this form for proposals to drill new wells, significantly deepen existing wells below current bottom-hole depth, reenter plugged wells, or to drill horizontal laterals. Use APPLICATION FOR PERMIT TO DRILL form for such proposals.

7. UNIT or CA AGREEMENT NAME:

1. TYPE OF WELL: OIL WELL GAS WELL OTHER _____

8. WELL NAME and NUMBER:
see attached

2. NAME OF OPERATOR:
Newfield Production Company

9. API NUMBER:
attached

3. ADDRESS OF OPERATOR:
4 Waterway Square Place St. CITY The Woodlands STATE TX ZIP 77380

PHONE NUMBER:
(435) 646-4936

10. FIELD AND POOL, OR WILDCAT:
attached

4. LOCATION OF WELL
FOOTAGES AT SURFACE: _____ COUNTY: _____
QTR/QTR, SECTION, TOWNSHIP, RANGE, MERIDIAN: _____ STATE: **UTAH**

11. CHECK APPROPRIATE BOXES TO INDICATE NATURE OF NOTICE, REPORT, OR OTHER DATA

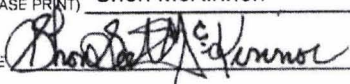
TYPE OF SUBMISSION	TYPE OF ACTION		
<input checked="" type="checkbox"/> NOTICE OF INTENT (Submit in Duplicate) Approximate date work will start: _____	<input type="checkbox"/> ACIDIZE	<input type="checkbox"/> DEEPEN	<input type="checkbox"/> REPERFORATE CURRENT FORMATION
	<input type="checkbox"/> ALTER CASING	<input type="checkbox"/> FRACTURE TREAT	<input type="checkbox"/> SIDETRACK TO REPAIR WELL
	<input type="checkbox"/> CASING REPAIR	<input type="checkbox"/> NEW CONSTRUCTION	<input type="checkbox"/> TEMPORARILY ABANDON
	<input type="checkbox"/> CHANGE TO PREVIOUS PLANS	<input checked="" type="checkbox"/> OPERATOR CHANGE	<input type="checkbox"/> TUBING REPAIR
	<input type="checkbox"/> CHANGE TUBING	<input type="checkbox"/> PLUG AND ABANDON	<input type="checkbox"/> VENT OR FLARE
<input type="checkbox"/> SUBSEQUENT REPORT (Submit Original Form Only) Date of work completion: _____	<input type="checkbox"/> CHANGE WELL NAME	<input type="checkbox"/> PLUG BACK	<input type="checkbox"/> WATER DISPOSAL
	<input type="checkbox"/> CHANGE WELL STATUS	<input type="checkbox"/> PRODUCTION (START/RESUME)	<input type="checkbox"/> WATER SHUT-OFF
	<input type="checkbox"/> COMMINGLE PRODUCING FORMATIONS	<input type="checkbox"/> RECLAMATION OF WELL SITE	<input type="checkbox"/> OTHER: _____
	<input type="checkbox"/> CONVERT WELL TYPE	<input type="checkbox"/> RECOMPLETE - DIFFERENT FORMATION	

12. DESCRIBE PROPOSED OR COMPLETED OPERATIONS. Clearly show all pertinent details including dates, depths, volumes, etc.

This sundry is serve as notification of the formal corporate name change of Newfield Production Company to Ovintiv Production Inc. Attached is a list of all wells wells that will be operated under Ovintiv Production Inc effective January 24, 2020.

PREVIOUS NAME:
Newfield Production Company
4 Waterway Square Place Suite 100
The Woodlands, TX 77380
(435)646-4825

NEW NAME:
Ovintiv Production Inc.
4 Waterway Square Place Suite 100
The Woodlands, TX 77380
(435)646-4825

NAME (PLEASE PRINT) Shon McKinnon TITLE Regulatory Manager, Rockies
SIGNATURE  DATE 3/16/2020

(This space for State use only)

STATE OF UTAH
DEPARTMENT OF NATURAL RESOURCES
DIVISION OF OIL, GAS AND MINING

FORM 9

SUNDRY NOTICES AND REPORTS ON WELLS		5. LEASE DESIGNATION AND SERIAL NUMBER: see attached list
Do not use this form for proposals to drill new wells, significantly deepen existing wells below current bottom-hole depth, reenter plugged wells, or to drill horizontal laterals. Use APPLICATION FOR PERMIT TO DRILL form for such proposals.		6. IF INDIAN, ALLOTTEE OR TRIBE NAME: see attached
1. TYPE OF WELL: OIL WELL <input type="checkbox"/> GAS WELL <input type="checkbox"/> OTHER _____		7. UNIT or CA AGREEMENT NAME:
2. NAME OF OPERATOR: Newfield Production Company		8. WELL NAME and NUMBER: see attached
3. ADDRESS OF OPERATOR: 4. Waterway Square Place SU CITY The Woodlands STATE TX ZIP 77380		9. API NUMBER: attached
PHONE NUMBER: (435) 646-4936		10. FIELD AND POOL, OR WILDCAT: attached
4. LOCATION OF WELL		
FOOTAGES AT SURFACE: _____ COUNTY: _____		
QTR/QTR, SECTION, TOWNSHIP, RANGE, MERIDIAN: _____ STATE: UTAH		

11. CHECK APPROPRIATE BOXES TO INDICATE NATURE OF NOTICE, REPORT, OR OTHER DATA

TYPE OF SUBMISSION	TYPE OF ACTION		
<input checked="" type="checkbox"/> NOTICE OF INTENT (Submit in Duplicate) Approximate date work will start: _____ <input type="checkbox"/> SUBSEQUENT REPORT (Submit Original Form Only) Date of work completion: _____	<input type="checkbox"/> ACIDIZE	<input type="checkbox"/> DEEPEN	<input type="checkbox"/> REPERFORATE CURRENT FORMATION
	<input type="checkbox"/> ALTER CASING	<input type="checkbox"/> FRACTURE TREAT	<input type="checkbox"/> SIDETRACK TO REPAIR WELL
	<input type="checkbox"/> CASING REPAIR	<input type="checkbox"/> NEW CONSTRUCTION	<input type="checkbox"/> TEMPORARILY ABANDON
	<input type="checkbox"/> CHANGE TO PREVIOUS PLANS	<input checked="" type="checkbox"/> OPERATOR CHANGE	<input type="checkbox"/> TUBING REPAIR
	<input type="checkbox"/> CHANGE TUBING	<input type="checkbox"/> PLUG AND ABANDON	<input type="checkbox"/> VENT OR FLARE
	<input type="checkbox"/> CHANGE WELL NAME	<input type="checkbox"/> PLUG BACK	<input type="checkbox"/> WATER DISPOSAL
	<input type="checkbox"/> CHANGE WELL STATUS	<input type="checkbox"/> PRODUCTION (START/RESUME)	<input type="checkbox"/> WATER SHUT-OFF
	<input type="checkbox"/> COMMINGLE PRODUCING FORMATIONS	<input type="checkbox"/> RECLAMATION OF WELL SITE	<input type="checkbox"/> OTHER: _____
	<input type="checkbox"/> CONVERT WELL TYPE	<input type="checkbox"/> RECOMPLETE - DIFFERENT FORMATION	

12. DESCRIBE PROPOSED OR COMPLETED OPERATIONS. Clearly show all pertinent details including dates, depths, volumes, etc.

This sundry is serve as notification of the formal corporate name change of Newfield Production Company to Ovintiv Production Inc. Attached is a list of all wells wells that will be operated under Ovintiv Production Inc effective January 24, 2020.

PREVIOUS NAME:
Newfield Production Company
4 Waterway Square Place Suite 100
The Woodlands, TX 77380
(435)646-4825

NEW NAME:
Ovintiv Production Inc.
4 Waterway Square Place Suite 100
The Woodlands, TX 77380
(435)646-4825

NAME (PLEASE PRINT) <u>Shon McKinnon</u>	TITLE <u>Regulatory Manager, Rockies</u>
SIGNATURE	DATE <u>3/16/2020</u>

(This space for State use only)



TRANSFER OF AUTHORITY TO INJECT

Well Name and Number See attached list	API Number Attached
Location of Well	Field or Unit Name See Attached
Footage : County :	Lease Designation and Number See Attached
QQ, Section, Township, Range: State : UTAH	

EFFECTIVE DATE OF TRANSFER: 1/24/2020

CURRENT OPERATOR

Company: <u>Newfield Production Company</u>	Name: <u>Shon McKinnon</u>
Address: <u>4 Waterway Square Place, Suite 100</u>	Signature:
<u>city The Woodlands state TX zip 77380</u>	Title: <u>Regulatory Manager, Rockies</u>
Phone: <u>(435) 646-4825</u>	Date: <u>3/18/2020</u>
Comments:	

NEW OPERATOR

Company: <u>Ovintiv Production, Inc</u>	Name: <u>Shon McKinnon</u>
Address: <u>4 Waterway Square Place, Suite 100</u>	Signature:
<u>city The Woodlands state TX zip 77380</u>	Title: <u>Regulatory Manager, Rockies</u>
Phone: <u>(435) 646-4825</u>	Date: <u>3/18/2020</u>
Comments:	

(This space for State use only)

Approved by the
Utah Division of
Oil, Gas and Mining

Mar 25, 2020

EPA approval required

Max Inj. Press.
Max Inj. Rate
Perm. Inj. Interval
Packer Depth
Next MIT Due

Effective Date: 7/1/2021

FORMER OPERATOR: Ovintiv Production, Inc.	NEW OPERATOR: Ovintiv USA, Inc.
Groups: Greater Monument Butte	

WELL INFORMATION:

Well Name	API Number	Town	Dir	Range	Dir	Sec	Entity Number	Type	Status
See Attached List									

Total Well Count: 4689
 Pre-Notice Completed: 9/22/2021

OPERATOR CHANGES DOCUMENTATION:

- Sundry or legal documentation was received from the **FORMER** operator on: 9/15/2021
- Sundry or legal documentation was received from the **NEW** operator on: 9/15/2021
- New operator Division of Corporations Business Number: 5053175-0143

REVIEW:

- Receipt of Acceptance of Drilling Procedures for APD on: 9/15/2021
- Reports current for Production/Disposition & Sundries: 9/22/2021
- OPS/SI/TA well(s) reviewed for full cost bonding: Approved by Dustin 10/25/2021
- UIC5 on all disposal/injection/storage well(s) Approved on: Approved by Dayne 10/4/2021
- Surface Facility(s) included in operator change:

- Monument Butte Liq. Cond.
- Pleasant Valley (New)
- West Lateral 4C Slug Catcher (2-5-3-3)
- West Lateral Phase 5 Slug Catcher
- Bar F Slug Catcher
- Dart Slug Catcher
- Mullins Slug Catcher
- Ashley
- Sundance
- Ranch
- Pleasant Valley
- Monument Butte
- Ashley Fed 8-14-9-15 Pipeline
- Ute Tribal 4-13-4-2W Pipeline
- State 11-32 Pipeline
- Monument Butte St 10-36
- GB Fed 13-20-8-17
- Canvasback Fed 1-22-8-17

NEW OPERATOR BOND VERIFICATION:

State/fee well(s) covered by Bond Number(s): B001834-B
 107238142A

DATA ENTRY:

Well(s) update in the RBDMS on: 11/24/2021

Group(s) update in RDBMS on: 11/21/2021

Surface Facilities update in RBDMS on: 11/24/2021

Entities Updated in RBDMS on: 11/24/2021

COMMENTS:

9/22/2021, Since the Newfield to Ovintiv operator change was processed at the beginning of 2021, Name change will only need to match the existing bonds in place under Ovintiv Production, Inc; no additional bond will be required at this time.

STATE OF UTAH
DEPARTMENT OF NATURAL RESOURCES
DIVISION OF OIL, GAS AND MINING

FORM 9

5. LEASE DESIGNATION AND SERIAL NUMBER:

See attached list

SUNDRY NOTICES AND REPORTS ON WELLS

Do not use this form for proposals to drill new wells, significantly deepen existing wells below current bottom-hole depth, reenter plugged wells, or to drill horizontal laterals. Use APPLICATION FOR PERMIT TO DRILL form for such proposals.

6. IF INDIAN, ALLOTTEE OR TRIBE NAME:

7. UNIT or CA AGREEMENT NAME:

1. TYPE OF WELL OIL WELL GAS WELL OTHER _____

8. WELL NAME and NUMBER:

2. NAME OF OPERATOR:
Ovintiv Production, Inc.

9. API NUMBER:

3. ADDRESS OF OPERATOR:
4 Waterway SQ PL STE 100 CITY The Woodlands STATE TX ZIP 77380

PHONE NUMBER:
(281) 210-5100

10. FIELD AND POOL, OR WILDCAT:

4. LOCATION OF WELL

FOOTAGES AT SURFACE:

COUNTY:

QTR/QTR, SECTION, TOWNSHIP, RANGE, MERIDIAN:

STATE:

UTAH

11. CHECK APPROPRIATE BOXES TO INDICATE NATURE OF NOTICE, REPORT, OR OTHER DATA

TYPE OF SUBMISSION	TYPE OF ACTION		
<input checked="" type="checkbox"/> NOTICE OF INTENT (Submit in Duplicate) Approximate date work will start: <u>7/1/2021</u>	<input type="checkbox"/> ACIDIZE	<input type="checkbox"/> DEEPEN	<input type="checkbox"/> REPERFORATE CURRENT FORMATION
	<input type="checkbox"/> ALTER CASING	<input type="checkbox"/> FRACTURE TREAT	<input type="checkbox"/> SIDETRACK TO REPAIR WELL
<input type="checkbox"/> SUBSEQUENT REPORT (Submit Original Form Only) Date of work completion: _____	<input type="checkbox"/> CASING REPAIR	<input type="checkbox"/> NEW CONSTRUCTION	<input type="checkbox"/> TEMPORARILY ABANDON
	<input type="checkbox"/> CHANGE TO PREVIOUS PLANS	<input checked="" type="checkbox"/> OPERATOR CHANGE	<input type="checkbox"/> TUBING REPAIR
	<input type="checkbox"/> CHANGE TUBING	<input type="checkbox"/> PLUG AND ABANDON	<input type="checkbox"/> VENT OR FLARE
	<input type="checkbox"/> CHANGE WELL NAME	<input type="checkbox"/> PLUG BACK	<input type="checkbox"/> WATER DISPOSAL
	<input type="checkbox"/> CHANGE WELL STATUS	<input type="checkbox"/> PRODUCTION (START/RESUME)	<input type="checkbox"/> WATER SHUT-OFF
	<input type="checkbox"/> COMMINGLE PRODUCING FORMATIONS	<input type="checkbox"/> RECLAMATION OF WELL SITE	<input type="checkbox"/> OTHER: _____
	<input type="checkbox"/> CONVERT WELL TYPE	<input type="checkbox"/> RECOMPLETE - DIFFERENT FORMATION	

12. DESCRIBE PROPOSED OR COMPLETED OPERATIONS. Clearly show all pertinent details including dates, depths, volumes, etc.

This sundry is to serve as notification that Ovintiv Production Inc. merged into Ovintiv USA Inc. Attached is a list of all wells that will be operated under Ovintiv USA Inc. effect July 1, 2021.

PREVIOUS NAME:
Ovintiv Production Inc.
4 Waterway Square Place Suite 100
The Woodlands, TX 77380
(281) 210-5100

NEW NAME:
Ovintiv USA Inc.
4 Waterway Square Place Suite 100
The Woodlands, TX 77380
(281) 210-5100

NAME (PLEASE PRINT) Julia Carter

TITLE Manager, US Regulatory Operations

SIGNATURE *Julia M. Carter*

DATE 9/8/2021

(This space for State use only)

APPROVED

By Utah Division of
Oil, Gas, and Mining

Rachel Medina



TRANSFER OF AUTHORITY TO INJECT

Well Name and Number See attached list	API Number Attached
Location of Well	Field or Unit Name See Attached
Footage : County :	Lease Designation and Number See Attached
QQ, Section, Township, Range: State : UTAH	

EFFECTIVE DATE OF TRANSFER: 7/1/2021

CURRENT OPERATOR

Company: <u>Ovintiv Production, Inc.</u>	Name: <u>Julia Carter</u>
Address: <u>4 Waterway Square Place, Suite 100</u>	Signature: <u><i>Julia M. Carter</i></u>
<u>city The Woodlands state TX zip 77380</u>	Title: <u>Manager, US Regulatory Operations</u>
Phone: <u>(281) 210-5100</u>	Date: <u>9/8/2021</u>
Comments:	

NEW OPERATOR

Company: <u>Ovintiv USA Inc.</u>	Name: <u>Julia Carter</u>
Address: <u>4 Waterway Square Place Suite 100</u>	Signature: <u><i>Julia M. Carter</i></u>
<u>city The Woodlands state TX zip 77380</u>	Title: <u>Manager, US Regulatory Operations</u>
Phone: <u>(281) 210-5100</u>	Date: <u>9/8/2021</u>
Comments:	

(This space for State use only) Approved by the
Utah Division of
Oil, Gas and Mining
[Signature]
Oct 04, 2021

EPA approval required
Max Inj. Press.
Max Inj. Rate
Perm. Inj. Interval
Packer Depth
Next MIT Due

Effective Date: 9/1/2022

FORMER OPERATOR:	NEW OPERATOR:
Ovintiv USA, Inc.	Scout Energy Management, LLC
Groups:	

WELL INFORMATION:

Well Name	API Number	Town	Dir	Range	Dir	Sec	Entity Number	Type	Status
See Attached List									

Total Well Count: 2888

Pre-Notice Completed: 10/19/2022

OPERATOR CHANGES DOCUMENTATION:

- Sundry or legal documentation was received from the **FORMER** operator on: 9/26/2022
- Sundry or legal documentation was received from the **NEW** operator on: 9/26/2022
- New operator Division of Corporations Business Number: 12607016-0161

REVIEW:

- Receipt of Acceptance of Drilling Procedures for APD on: 11/15/2022
- Reports current for Production/Disposition & Sundries: 10/19/2022
- OPS/SI/TA well(s) reviewed for full cost bonding: Approved by Dustin 10/11/2022
- UIC5 on all disposal/injection/storage well(s) Approved on: Approved by Orlan 12/15/2022
- Surface Facility(s) included in operator change: 10/19/2022

NEW OPERATOR BOND VERIFICATION:

State/fee well(s) covered by Bond Number(s):
 612402641-Blanket Bond
 612402460-Full-Cost Shut-In Bond

DATA ENTRY:

Well(s) update in the RBDMS on: 12/20/2022 and 1/25/2023

Group(s) update in RDBMS on: 12/20/2022

Surface Facilities update in RBDMS on: NA

Entities Updated in RBDMS on: 1/25/2023

COMMENTS:

STATE OF UTAH
DEPARTMENT OF NATURAL RESOURCES
DIVISION OF OIL, GAS AND MINING

FORM 9

SUNDRY NOTICES AND REPORTS ON WELLS		5. LEASE DESIGNATION AND SERIAL NUMBER: See attached Exhibit A
Do not use this form for proposals to drill new wells, significantly deepen existing wells below current bottom-hole depth, reenter plugged wells, or to drill horizontal laterals. Use APPLICATION FOR PERMIT TO DRILL form for such proposals.		6. IF INDIAN, ALLOTTEE OR TRIBE NAME: None - N/A
		7. UNIT or CA AGREEMENT NAME: Greater Monument Butte Unit
1. TYPE OF WELL OIL WELL <input checked="" type="checkbox"/> GAS WELL <input type="checkbox"/> OTHER _____	8. WELL NAME and NUMBER: See attached Exhibit A	
2. NAME OF OPERATOR: Scout Energy Management, LLC		9. API NUMBER: Attached
3. ADDRESS OF OPERATOR: 13800 Montfort Road, Suite 1 <small>CITY</small> Dallas <small>STATE</small> TX <small>ZIP</small> 75240	PHONE NUMBER: (972) 325-1096	10. FIELD AND POOL, OR WILDCAT: See attached Exhibit A
4. LOCATION OF WELL FOOTAGES AT SURFACE: See attached Exhibit A		COUNTY: _____
QTR/QTR, SECTION, TOWNSHIP, RANGE, MERIDIAN: _____		STATE: UTAH

11. CHECK APPROPRIATE BOXES TO INDICATE NATURE OF NOTICE, REPORT, OR OTHER DATA

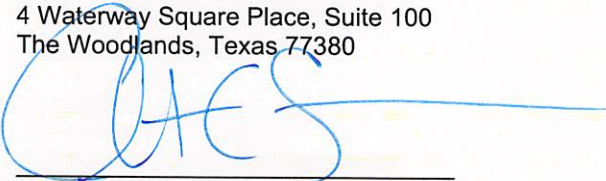
TYPE OF SUBMISSION	TYPE OF ACTION		
<input checked="" type="checkbox"/> NOTICE OF INTENT (Submit in Duplicate) Approximate date work will start: <u>9/1/2022</u>	<input type="checkbox"/> ACIDIZE	<input type="checkbox"/> DEEPEN	<input type="checkbox"/> REPERFORATE CURRENT FORMATION
	<input type="checkbox"/> ALTER CASING	<input type="checkbox"/> FRACTURE TREAT	<input type="checkbox"/> SIDETRACK TO REPAIR WELL
<input type="checkbox"/> SUBSEQUENT REPORT (Submit Original Form Only) Date of work completion: _____	<input type="checkbox"/> CASING REPAIR	<input type="checkbox"/> NEW CONSTRUCTION	<input type="checkbox"/> TEMPORARILY ABANDON
	<input type="checkbox"/> CHANGE TO PREVIOUS PLANS	<input checked="" type="checkbox"/> OPERATOR CHANGE	<input type="checkbox"/> TUBING REPAIR
	<input type="checkbox"/> CHANGE TUBING	<input type="checkbox"/> PLUG AND ABANDON	<input type="checkbox"/> VENT OR FLARE
	<input type="checkbox"/> CHANGE WELL NAME	<input type="checkbox"/> PLUG BACK	<input type="checkbox"/> WATER DISPOSAL
	<input type="checkbox"/> CHANGE WELL STATUS	<input type="checkbox"/> PRODUCTION (START/RESUME)	<input type="checkbox"/> WATER SHUT-OFF
	<input type="checkbox"/> COMMINGLE PRODUCING FORMATIONS	<input type="checkbox"/> RECLAMATION OF WELL SITE	<input type="checkbox"/> OTHER: _____
	<input type="checkbox"/> CONVERT WELL TYPE	<input type="checkbox"/> RECOMPLETE - DIFFERENT FORMATION	

12. DESCRIBE PROPOSED OR COMPLETED OPERATIONS. Clearly show all pertinent details including dates, depths, volumes, etc.

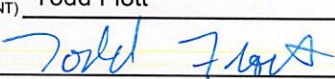
Please consider this sundry as notification of the transfer of operatorship of the wells listed on the attached exhibit from Ovintiv USA Inc. to Scout Energy Management, LLC effective September 1, 2022.

PREVIOUS OPERATOR:
Ovintiv USA Inc.
4 Waterway Square Place, Suite 100
The Woodlands, Texas 77380

NEW OPERATOR:
Scout Energy Management, LLC
13800 Montfort Road, Suite 100
Dallas, TX 75240


Signature - Christian C. Sizemore
Director, Rockies and Land Innovation
State/Fee Bond #105189977
BLM Bond #105073466


Signature - Todd Flott
Managing Director
State/Fee Bond #612402460 / #61242461
BLM Bond #612402462

NAME (PLEASE PRINT) <u>Todd Flott</u>	TITLE <u>Managing Director</u>
SIGNATURE 	DATE <u>8/31/2022</u>

(This space for State use only)

APPROVED
By Rachel Medina at 10:58 am, Dec 21, 2022



TRANSFER OF AUTHORITY TO INJECT

Well Name and Number see attached list		API Number attached
Location of Well		Field or Unit Name see attached Exhibit A
Footage :	County : see attached	Lease Designation and Number see attached Exhibit A
QQ, Section, Township, Range:	State : UTAH	

EFFECTIVE DATE OF TRANSFER: 9/1/2022

CURRENT OPERATOR

Company: <u>Ovintiv USA Inc.</u>	Name: <u>Christian C. Sizemore</u>
Address: <u>4 Waterway Square Place, Suite 100</u>	Signature:
<u>city The Woodlands state TX zip 77380</u>	Title: <u>Director, Rockies and Land Innovation</u>
Phone: <u>281-210-5100</u>	Date: <u>11/16/2022</u>
Comments: UIC wells under UDOGM Jurisdiction	

NEW OPERATOR

Company: <u>Scout Energy Management LLC</u>	Name: <u>Jon Piot</u>
Address: <u>13800 Montford Road, Suite 100</u>	Signature:
<u>city Dallas state TX zip 75240</u>	Title: <u>Managing Director</u>
Phone: <u>972-325-1027</u>	Date: <u>11/15/2022</u>
Comments: Change of operator effective 9/1/2022	

(This space for State use only)

EPA approval required

Max Inj. Press.
Max Inj. Rate
Perm. Inj. Interval
Packer Depth
Next MIT Due

STATE OF UTAH DEPARTMENT OF NATURAL RESOURCES DIVISION OF OIL, GAS, AND MINING		FORM 9
		5. LEASE DESIGNATION AND SERIAL NUMBER: UTU-66184
SUNDRY NOTICES AND REPORTS ON WELLS		6. IF TRIBAL, ALLOTTEE OR TRIBE NAME:
Do not use this form for proposals to drill new wells, significantly deepen existing wells below current bottom-hole depth, reenter plugged wells, or to drill horizontal laterals. Use APPLICATION FOR PERMIT TO DRILL form for such proposals.		7. UNIT or CA AGREEMENT NAME: Greater Monument Butte
1. TYPE OF WELL Water Injection Well		8. WELL NAME and NUMBER: Ashley Fed 8-15-9-15
2. NAME OF OPERATOR: Scout Energy Management, LLC		9. API NUMBER: 43013324060000
3. ADDRESS OF OPERATOR: 13800 Montfort Drive, Suite 100 , Dallas , TX, 75240	PHONE NUMBER: 972-277-1397	9. FIELD and POOL or WILDCAT: MONUMENT BUTTE
4. LOCATION OF WELL FOOTAGES AT SURFACE: 1755 FNL 767 FEL QTR/QTR, SECTION, TOWNSHIP, RANGE, MERIDIAN: Qtr/Qtr: SENE Section: 15 Township: 9S Range: 15E Meridian: S		COUNTY: DUCHESNE
		STATE: UTAH
11. CHECK APPROPRIATE BOXES TO INDICATE NATURE OF NOTICE, REPORT, OR OTHER DATA		
TYPE OF SUBMISSION	TYPE OF ACTION	
<input type="checkbox"/> NOTICE OF INTENT Approximate date work will start: <input checked="" type="checkbox"/> SUBSEQUENT REPORT Date of Work Completion: 9/20/2023 <input type="checkbox"/> SPUD REPORT Date of Spud: <input type="checkbox"/> DRILLING REPORT Report Date:	<input type="checkbox"/> ACIDIZE <input type="checkbox"/> ALTER CASING <input type="checkbox"/> CASING REPAIR <input type="checkbox"/> CHANGE TO PREVIOUS PLANS <input type="checkbox"/> CHANGE TUBING <input type="checkbox"/> CHANGE WELL NAME <input type="checkbox"/> CHANGE WELL STATUS <input type="checkbox"/> COMMINGLE PRODUCING FORMATIONS <input type="checkbox"/> CONVERT WELL TYPE <input type="checkbox"/> DEEPEN <input type="checkbox"/> FRACTURE TREAT <input type="checkbox"/> NEW CONSTRUCTION <input type="checkbox"/> OPERATOR CHANGE <input type="checkbox"/> PLUG AND ABANDON <input type="checkbox"/> PLUG BACK <input type="checkbox"/> PRODUCTION START OR RESUME <input type="checkbox"/> RECLAMATION OF WELL SITE <input type="checkbox"/> RECOMPLETE DIFFERENT FORMATION <input type="checkbox"/> REPERFORATE CURRENT FORMATION <input type="checkbox"/> SIDETRACK TO REPAIR WELL <input type="checkbox"/> TEMPORARY ABANDON <input type="checkbox"/> TUBING REPAIR <input type="checkbox"/> VENT OR FLARE <input type="checkbox"/> WATER DISPOSAL <input type="checkbox"/> WATER SHUTOFF <input type="checkbox"/> SI TA STATUS EXTENSION <input type="checkbox"/> WILDCAT WELL DETERMINATION <input checked="" type="checkbox"/> OTHER	
12. DESCRIBE PROPOSED OR COMPLETED OPERATIONS. Clearly show all pertinent details including dates, depths, volumes, etc. A 5 YR MIT was performed on the above listed well. On 9/20/23 the casing was pressured up to 1358 PSIG and charted for 30 minutes with no pressure loss. The tubing was 900 PSIG during the test. State representative, Stephen McKee was present to witness the test.		
Accepted by the Utah Division of Oil, Gas and Mining FOR RECORD ONLY (This is not an approval) January 09, 2024		
NAME (PLEASE PRINT) Danene Harvey	PHONE NUMBER 972-325-1114	TITLE Sr. Regulatory Analyst
SIGNATURE N/A		DATE 9/25/2023

Mechanical Integrity Test Casing or Annulus Pressure Mechanical Integrity Test

Scout EP
1820 W Highway 40
Roosevelt, UT 84066
435.352.6282

Witness: Stephen McKee Date: 9/20/2023 Time: 9:56 am pm
 Test Conducted By: Kane Stevenson
 Others Present: _____ 43-013-32406

Well Name: <u>Ashley Fedetal 8-15-9-15</u>			
Field: <u>Monument Butte</u>	County: <u>Duchesne</u>		State: <u>UT</u>
Location: <u>8</u> Sec: <u>15</u> T: <u>9</u> N: <u>(S)</u> R: <u>15</u> <u>(E)</u> / W			
Operator: <u>Scout</u>			
Last MI: <u>/ /</u>		Maximum Allowable Pressure: <u>2000</u> psig	

Is this a regulary scheduled test? Yes No
 Initial Test for Permit? Yes No
 Test after well rework? Yes No
 Well injection during test? Yes No If Yes, rate: _____ bpd

SI 4-20-20

Pre-test casing / tubing annulus pressure: 0 / 900 psig

MIT DATA TABLE		Test #1	Test #2
TUBING PRESSURE			
Initial Pressure	<u>900</u>	psig	psig
End of test pressure	<u>900</u>	psig	psig
CASING / TUBING ANNULUS PRESSURE			
0 minutes	<u>1358.2</u>	psig	psig
5 minutes	<u>1357.0</u>	psig	psig
10 minutes	<u>1356.0</u>	psig	psig
15 minutes	<u>1355.4</u>	psig	psig
20 minutes	<u>1354.2</u>	psig	psig
25 minutes	<u>1353.6</u>	psig	psig
30 minutes	<u>1353.2</u>	psig	psig
_____ minutes		psig	psig
_____ minutes		psig	psig
RESULT	<input checked="" type="checkbox"/> Pass	<input type="checkbox"/> Fail	<input type="checkbox"/> Pass <input type="checkbox"/> Fail

Does the annulus pressure build back up after test? Yes No

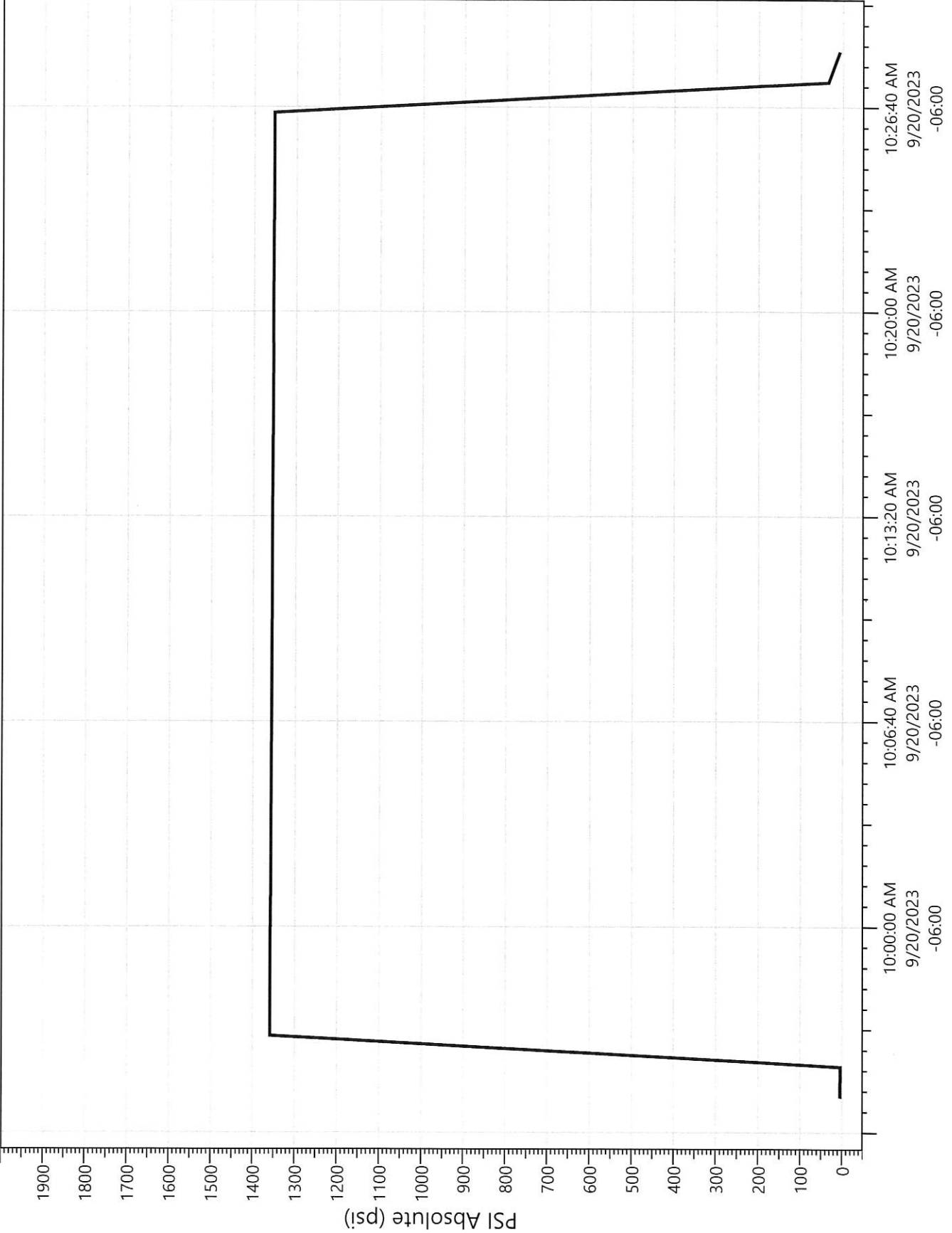
Additional comments for mechanical integrity pressure test, such as volume of fluid added to annulus and bled back at end of test, reason for failing test (casing head leak, tubing leak, other), etc.:

Signature of Witness: [Signature]

Signature of Person Conducting Test: A. Vae [Signature]

Ashley Federal 8-15-9-15
9/20/2023 9:54:26 AM

Legend
P23432
Pressure



STATE OF UTAH DEPARTMENT OF NATURAL RESOURCES DIVISION OF OIL, GAS, AND MINING		FORM 9 5.LEASE DESIGNATION AND SERIAL NUMBER: UTU-66184
SUNDRY NOTICES AND REPORTS ON WELLS Do not use this form for proposals to drill new wells, significantly deepen existing wells below current bottom-hole depth, reenter plugged wells, or to drill horizontal laterals. Use APPLICATION FOR PERMIT TO DRILL form for such proposals.		6. IF TRIBAL, ALLOTTEE OR TRIBE NAME: 7.UNIT or CA AGREEMENT NAME: Greater Monument Butte
1. TYPE OF WELL Water Injection Well	8. WELL NAME and NUMBER: Ashley Fed 8-15-9-15	
2. NAME OF OPERATOR: Scout Energy Management, LLC	9. API NUMBER: 43013324060000	
3. ADDRESS OF OPERATOR: 13800 Montfort Drive, Suite 100 , Dallas , TX, 75240	PHONE NUMBER: 972-277-1397	9. FIELD and POOL or WILDCAT: MONUMENT BUTTE
4. LOCATION OF WELL FOOTAGES AT SURFACE: 1755 FNL 767 FEL QTR/QTR, SECTION, TOWNSHIP, RANGE, MERIDIAN: Qtr/Qtr: SENE Section: 15 Township: 9S Range: 15E Meridian: S	COUNTY: DUCHESNE STATE: UTAH	
11. CHECK APPROPRIATE BOXES TO INDICATE NATURE OF NOTICE, REPORT, OR OTHER DATA		
TYPE OF SUBMISSION	TYPE OF ACTION	
<input type="checkbox"/> NOTICE OF INTENT Approximate date work will start: <input checked="" type="checkbox"/> SUBSEQUENT REPORT Date of Work Completion: 12/26/2023 <input type="checkbox"/> SPUD REPORT Date of Spud: <input type="checkbox"/> DRILLING REPORT Report Date:	<input type="checkbox"/> ACIDIZE <input type="checkbox"/> CHANGE TO PREVIOUS PLANS <input type="checkbox"/> CHANGE WELL STATUS <input type="checkbox"/> DEEPEN <input type="checkbox"/> OPERATOR CHANGE <input checked="" type="checkbox"/> PRODUCTION START OR RESUME <input type="checkbox"/> REPERFORATE CURRENT FORMATION <input type="checkbox"/> TUBING REPAIR <input type="checkbox"/> WATER SHUTOFF <input type="checkbox"/> WILDCAT WELL DETERMINATION <input type="checkbox"/> ALTER CASING <input type="checkbox"/> CHANGE TUBING <input type="checkbox"/> COMMINGLE PRODUCING FORMATIONS <input type="checkbox"/> FRACTURE TREAT <input type="checkbox"/> PLUG AND ABANDON <input type="checkbox"/> RECLAMATION OF WELL SITE <input type="checkbox"/> SIDETRACK TO REPAIR WELL <input type="checkbox"/> VENT OR FLARE <input type="checkbox"/> SI TA STATUS EXTENSION <input type="checkbox"/> OTHER <input type="checkbox"/> CASING REPAIR <input type="checkbox"/> CHANGE WELL NAME <input type="checkbox"/> CONVERT WELL TYPE <input type="checkbox"/> NEW CONSTRUCTION <input type="checkbox"/> PLUG BACK <input type="checkbox"/> RECOMPLETE DIFFERENT FORMATION <input type="checkbox"/> TEMPORARY ABANDON <input type="checkbox"/> WATER DISPOSAL <input type="checkbox"/> APD EXTENSION OTHER: <input style="width: 100px;" type="text"/>	
12. DESCRIBE PROPOSED OR COMPLETED OPERATIONS. Clearly show all pertinent details including dates, depths, volumes, etc. Scout Energy Management, LLC has successfully returned this well to active injection on 12/26/2023.		
<p style="margin: 0;">Accepted by the</p> <p style="margin: 0;">Utah Division of</p> <p style="margin: 0;">Oil, Gas and Mining</p> <p style="margin: 0;">FOR RECORD ONLY</p> <p style="margin: 0;">(This is not an approval)</p> <p style="margin: 0;">January 24, 2024</p>		
NAME (PLEASE PRINT) Danene Harvey	PHONE NUMBER 972-325-1114	TITLE Sr. Regulatory Analyst
SIGNATURE N/A	DATE 12/29/2023	