

# ZYXEL



## ZyWALL SBG5500/SBG3310 Series

### Multi-WAN Gigabit VPN Router

The ZyWALL SBG5500/3310 Series has been designed for small business and start-up company networks. It provides Internet connections of high reliability, performance and security for remote offices and telecommuters; it also meets performance and security need of your employees for the business to maintain high efficiency and productivity.

### Benefits

#### Flexible, optimized and uninterrupted Internet connectivity

The ZyWALL SBG5500/3310 Series offers high speed and four simultaneous WAN operations from one VDSL2/ADSL2+ port, two Gigabit Ethernet/SFP ports and a 3G/4G (USB Dongle) for flexible Internet access. The four WAN interfaces are capable of advanced Multi-WAN load balancing with failover algorithms that allow network operations of high performance and non-stop Internet connection.

#### Secure, reliable connection for your networks

ZyXel's ZyWALL SBG5500/3310 Series offers high-capacity virtual private network (VPN) capabilities that allow multiple offices and tens of employees to access the information they need anywhere as secure as if they were in the headquarters; and it offers secure connections for a number of remote workers depending on your needs.

The ZyWALL SBG5500/3310 Series supports L2TP/IPSec VPN on a wide variety of mobile Internet devices running iOS or Android. In addition, the ZyWALL SBG5500/3310 Series can also act as an L2TP VPN client for home workers to connect the office network without complex configuration.

Datasheet [ZyWALL SBG5500/SBG3310 Series](#)



Multi-WAN advanced load balancing and failover



High-throughput and hardware VPN encryption engine



Business SPI firewall



VLAN for multiple subnets



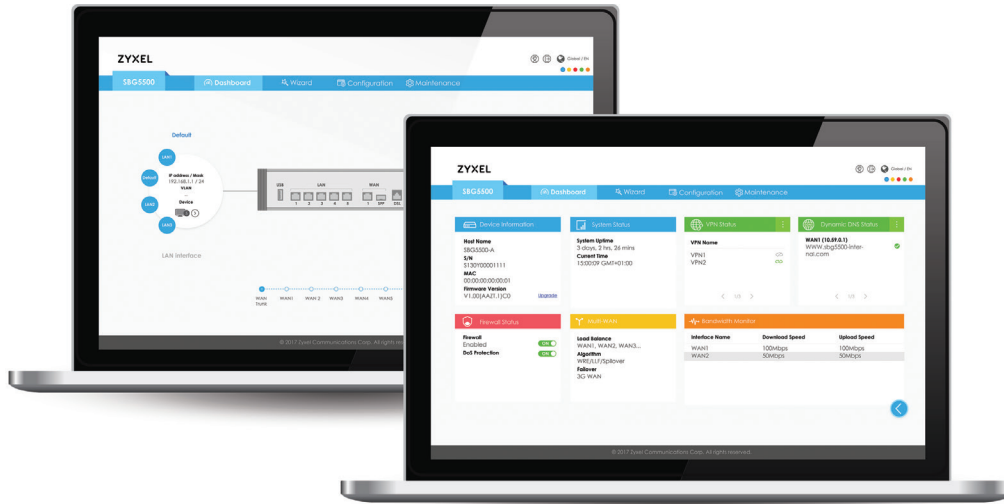
Remote Management (HTTP/HTTPS, SSH, Telnet, SNMP and TR-069)

## Powerful, robust network security

Network security is always the most important issue to avoid Internet threats. The ZyWALL SBG5500/3310 Series offers SPI Firewall functions that work against attacks including DoS (Denial of Service), IP-based attacks, unauthorized remote system access, anomaly traffics and illegal packets for highly secure, managed network environments.

## Easy-to-use GUI and swift management

Zyxel's Wizard and GUI will have you connected quickly and they all provide a multi-lingual Web GUI. For efficient managements, the ZyWALL SBG5500/3310 Series offers completely remote management tools that empower administrators to configure and monitor SBG easily.



## ZyWALL SBG VPN Router Quick Finder

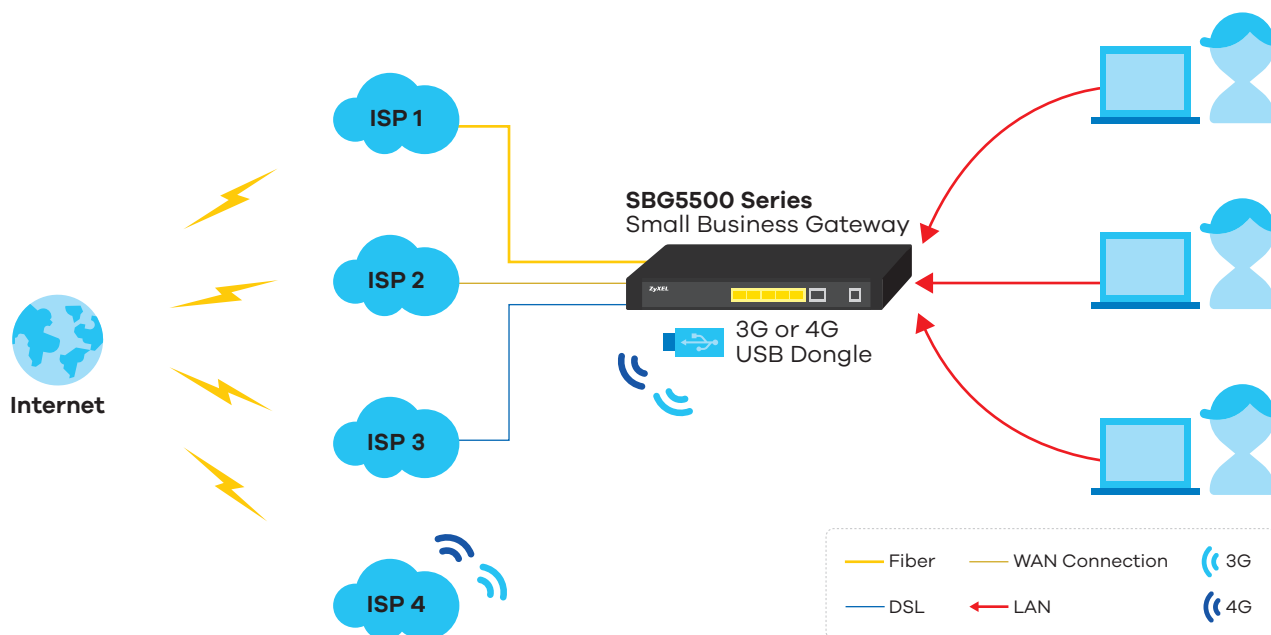


Model	SBG3310-A	SBG5500-A/B
ADSL2+	Yes	Yes
VDSL2 (17a)	Yes	Yes
VDSL2 (30a/35b)	-	Yes
GbE WAN	Yes	Yes
SFP dual personality	-	Yes
LAN port can be configured as WAN port	Yes	Yes
USB	2.0	3.0

# Application Diagram

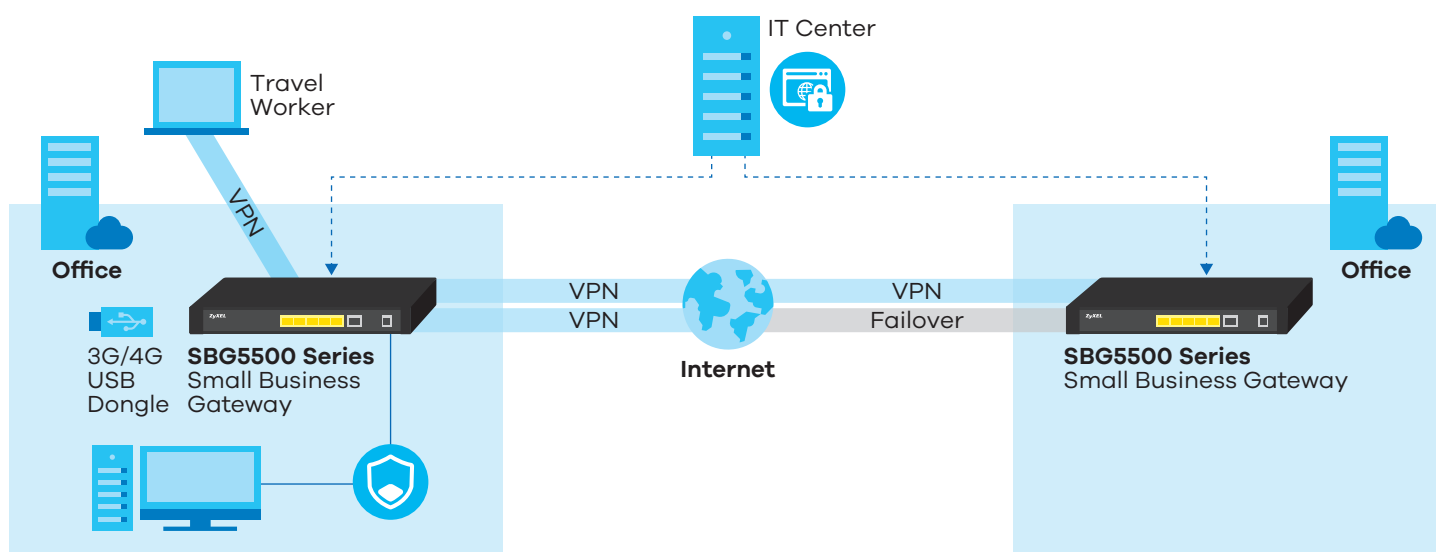
## Multi-WAN applications

- The ZyWALL SBG5500/3310 Series can adapt to a variety of network environments and enable offices or service providers to perform flexible installation for VDSL, Ether/Fiber or mobile WAN access.
- Multi-WAN load balancing ensures seamless Internet connectivity for heavy traffics.
- The offices can optionally deploy non-stop Internet access with Multi-WAN failover.



## VPN applications

- Organizations, branch offices, partners and home users can deploy Zyxel ZyWALL SBG5500/3310 Series for Site-to-Site IPSec VPN and L2TP over IPSec VPN clients.
- VPN is a solution to establishing secured network connections and reducing long-distance telephone charges.
- Users can establish wireless VPN connections to protect sensitive information being transmitted.
- Remote users can securely access company resources with their computers or smartphones via Zyxel's SBG VPN.
- The ZyWALL SBG5500/3310 Series can establish a L2TP VPN connections to service providers for secured Internet access.



# Specifications

Model	SBG3310-A	SBG5500-A/B	
<b>Hardware Specifications</b>			
<b>10/100/1000 Mbps RJ-45 ports</b>	3 x LAN, 1 x WAN/LAN, 1 x WAN	4 x LAN, 1 x WAN/LAN, 1 x WAN, 1 x SFP	
<b>DSL ports</b>	1 x VDSL2/ADSL2+ (RJ-11)	1 x VDSL2/ADSL2+ (RJ-11/RJ-45) <sup>*1</sup>	
<b>USB ports</b>	2 x USB 2.0	1 x USB 3.0	
<b>Console port</b>	-	Yes (DB9)	
<b>Rack-mountable<sup>*2</sup></b>	Yes	Yes	
<b>Fanless</b>	Yes	Yes	
<b>System Capacity &amp; Performance<sup>*3</sup></b>			
<b>SPI firewall throughput (Mbps)<sup>*4</sup></b>	850	1,300	
<b>VPN throughput (Mbps)<sup>*5</sup></b>	40	150	
<b>Max. TCP concurrent sessions<sup>*6</sup></b>	50,000	100,000	
<b>Max. concurrent IPsec VPN tunnels<sup>*7</sup></b>	20	50	
<b>Customizable zones</b>	Yes	Yes	
<b>IPv6 support</b>	Yes	Yes	
<b>VLANs</b>	16	16	
<b>Key Software Features</b>			
<b>Multi-WAN Load Balance/Failover</b>	Yes	Yes	
<b>Virtual Private Network (VPN)</b>	Yes (IPSec, L2TP over IPSec, PPTP, L2TP)	Yes (IPSec, L2TP over IPSec, PPTP, L2TP)	
<b>VPN client</b>	IPSec/L2TP	IPSec/L2TP	
<b>Firewall</b>	Yes	Yes	
<b>VLAN/interface group</b>	Yes	Yes	
<b>Bandwidth management</b>	Yes	Yes	
<b>Logging and monitoring</b>	Yes	Yes	
<b>Cloud Helper</b>	Yes	Yes	
<b>Remote Management</b>	Yes	Yes	
<b>Power Requirements</b>			
<b>Power input</b>	110 to 240V AC, 50/60 Hz, 1.5A max.	110 to 240V AC, 50/60 Hz, 2A max.	
<b>Max. power consumption (watt)</b>	-	10.95	
<b>Heat dissipation (BTU/hr)</b>	-	37.36	
<b>Physical Specifications</b>			
<b>Item</b>	<b>Dimensions (WxDxH)(mm/in.)</b>	210 x 115 x 33/8.27 x 6.06 x 1.57	272 x 180.74 x 39.5/10.7 x 7.11 x 1.55
	<b>Weight (Kg/lb.)</b>	0.495/1.09	1.5/3.3
<b>Packing</b>	<b>Dimensions (WxDxH)(mm/in.)</b>	288 x 189 x 83/11.34 x 7.44 x 3.27	468 x 250 x 72/18.42 x 9.84 x 2.83
	<b>Weight (Kg/lb.)</b>	1.13/2.49	2.4/5.29
<b>Included accessories</b>	Power adapter	Power adapter	
<b>Environmental Specifications</b>			
<b>Operating environment</b>	<b>Temperature</b>	0°C to 40°C/32°F to 104°F	0°C to 50°C/32°F to 122°F
	<b>Humidity</b>	20% to 95% (non-condensing)	10% to 90% (non-condensing)
<b>Storage environment</b>	<b>Temperature</b>	-30°C to 60°C/-22°F to 140°F	-40°C to 70°C/-40°F to 158°F
	<b>Humidity</b>	20% to 95% (non-condensing)	10% to 90% (non-condensing)
<b>MTBF (hr)</b>	44,000	44,000	
<b>Certifications</b>			
<b>EMC</b>	FCC Part 15B (Class B), FCC Part 68 CE EMC (Class B)	FCC Part 15B (Class B), FCC Part 68 CE EMC (Class B), BSMI	
<b>Safety</b>	CE LVD	CE LVD, BSMI	

Note:

\*: This matrix with firmware OPAL BE 110 or later.

\*1: RJ-11 is for Annex A, while RJ-45 is for Annex B.

\*2: Rack-mount kit is optional.

\*3: Actual performance may vary depending on network conditions and activated applications.

\*4: Maximum throughput based on RFC 2544 (1,518-byte UDP packets).

\*5: VPN throughput measurement based on RFC 2544 (1,424-byte UDP packets).

\*6: Maximum sessions measured using the industry-standard IXIA IxLoad testing tool.

\*7: Including Gateway-to-Gateway and Client-to-Gateway.

## Feature Sets

### VDSL2/ADSL2+

- IPoE/IPoA/PPPoE/PPPoA
- Packet Transfer Mode (PTM)
- Asynchronous Transfer Mode (ATM)
- ITU-T G.993.1/2 (VDSL1/2)
- ITU-T G.992.1/2/3/5 (ADSL1/2/2+) Annex A & Annex B
- ITU-T G.994.1 (G.hs), G.997.1 (G.ploam)
- VDSL2 profile:
  - up to 30a & 35b (SBG5500-A/SBG5500-B), up to 17a (SBG3310-A)
- G.INP, G.Vector

### Ethernet WAN

- IPoE/PPPoE
- DHCP Client/Static IP
- Routing mode/Bridge mode
- IGMP proxy
- DHCP option 43, 60, 61, 120, 121, 125
- Outgoing VLAN tagging (802.1Q)
- Configurable MTU
- Port setting (LAN port can be configured as WAN port)
- MAC clone
- SFP dual personality and Digital Diagnostic Monitoring Information (DDMI)(SBG5500-A/SBG5500-B)

### Mobile WAN

- WAN connection via 3G/4G USB Dongle\*
- Authentication type (PPP/CHAP)
- Budget control (Time budget/Data budget)

### Multi-WAN

- Load balance/failover
- Load balance algorithm (Weight round robin/Least load first/Spillover)
- Connectivity check (Auto fallback when primary WAN recovers)
- Dynamic DNS and default server for multiple interfaces

### Firewall/Security

- Stateful Packet Inspection (SPI)
- DoS/DDoS protection (Protocol anomaly, traffic anomaly, flooding detection)
- Firewall flow chart
- Up to 500 firewall rules
- MAC filter
- Firewall rule schedules
- Device service access control
- Zone control

### VPN

- IPSec, L2TP over IPSec (Server/Client), L2TP (Server/Client), PPTP
- Key management: manual key, IKEv1 and IKEv2 with EAP
- Encryption: AES (128/192/256 bits), 3DES
- Support generating SHA-1 & SHA-2 certificate
- Perfect forward secrecy (DH groups 2/5/14)
- Up to 50 concurrent VPN tunnels (SBG5500-A/SBG5500-B)/20 concurrent VPN tunnels (SBG3310-A)
- Hardware VPN engine
- IPSec NAT traversal
- VPN dead peer detection, relay detection, and auto-reconnection
- PKI (X.509) certificate support
- VPN wizard for easy setup
- VPN failover

### VLAN/Interface Group

- VLAN tagging (802.1Q)
- 802.1P
- Multiple subnets
- DHCP option 60, 61, 125
- WAN/LAN bridge for triple play
- Port-Based VLAN

### Routing and NAT

- Port forwarding
- Port triggering
- Address mapping (One-to-One, Many-to-One, Many-to-Many)
- Policy route
- Static route
- Dynamic route (RIPv1/v2)
- Up to max. 100,000 concurrent NAT sessions (SBG5500-A/SBG5500-B)/50,000 concurrent NAT sessions (SBG3310-A)

### Ethernet LAN

- DHCP server/relay
- Static DHCP
- Additional subnet (IP alias)
- Wake on LAN
- DHCP option 66, 67, 150
- DNS entry
- IGMP snooping
- DNS proxy and query forwarding by domain name

### Bandwidth Management

- Bandwidth limitation (upstream/downstream)
- Class-based bandwidth management
- QoS policer for guaranteed bandwidth
- QoS shaper for rate limit by outgoing interface
- 8-Level queue priority

### System Management

- Multi-lingual Web GUI
- Firmware upgrade via Web GUI, FTP, TR-069, and Cloud Helper
- USB file sharing
- AAA server
- Certificate management
- HTTP/HTTPS
- SSH
- Telnet
- TR-069
- SNMP v1, v2c

### IPv6

- IPv4/IPv6 dual stack
- DS-Lite
- 6RD
- SLAAC
- DHCPv6 client/server
- Static IP
- DNS
- MLD proxy

\*: For specific models supporting the 3G and 4G dongles on the list, please refer to the Zyxel product page at 3G dongle document.

# ZYXEL

Your Networking Ally

For more product information, visit us on the web at [www.zyxel.com](http://www.zyxel.com)

Copyright © 2017 Zyxel Communications Corp. All rights reserved. Zyxel, Zyxel logo are registered trademarks of Zyxel Communications Corp. All other brands, product names, or trademarks mentioned are the property of their respective owners. All specifications are subject to change without notice.

Datasheet [ZyWALL SBG5500/SBG3310 Series](#)



5-100-00817017 12/17