



**THE BEST SUPPORT
FOR YOUR AV & IT HARDWARE**
T: +31(0)23-5478888 | E: info@newstar.eu | W: www.newstar.eu

FPMA-HAW200

NEWSTAR MEDICAL FLAT SCREEN WALL

Newstar Medical Monitor Wall Mount (Full Motion gas spring) for 10"-27" Screen - White



SPECIFICATIONS

Color	White
Depth	0 - 149 cm
Height	0 - 149 cm
Height adjustment	Gaspring
Max. screen size	27
Max. weight	7
Min. screen size	10
Min. weight	0
Screens	1
Swivel (degrees)	370°
Tilt (degrees)	55°
Type	Tilt
	Turn
	Full motion
VESA maximum	100x100 mm
VESA minimum	75x75 mm
Warranty	5 year
EAN code	8717371444310

The NewStar wall mount, model FPMA-HAW200 is a tilt- and swivel wall mount for medical flat screens up to 27". This mount is a great choice for space saving placement or when ceiling mounting and floor placement is not an option.

NewStar's versatile tilt (55°) and swivel (370°) technology allows the mount to change to any viewing angle to fully benefit from the capabilities of the flat screen. The support is easily height adjustable from 0 to 149 centimetres using a gas spring. Depth adjustable from 0 to 149 centimetres. An innovative cable management conceals and routes cables from mount to flat screen. Hide your cables to keep the workplace nice and tidy.

NewStar FPMA-HAW200 has two pivot points and is suitable for screens up to 24" (69 cm). The weight capacity of this product is 7 kg each screen. The ceiling mount is suitable for screens that meet VESA hole pattern 75x75 or 100x100mm. Different hole patterns can be covered using NewStar VESA adapter plates.

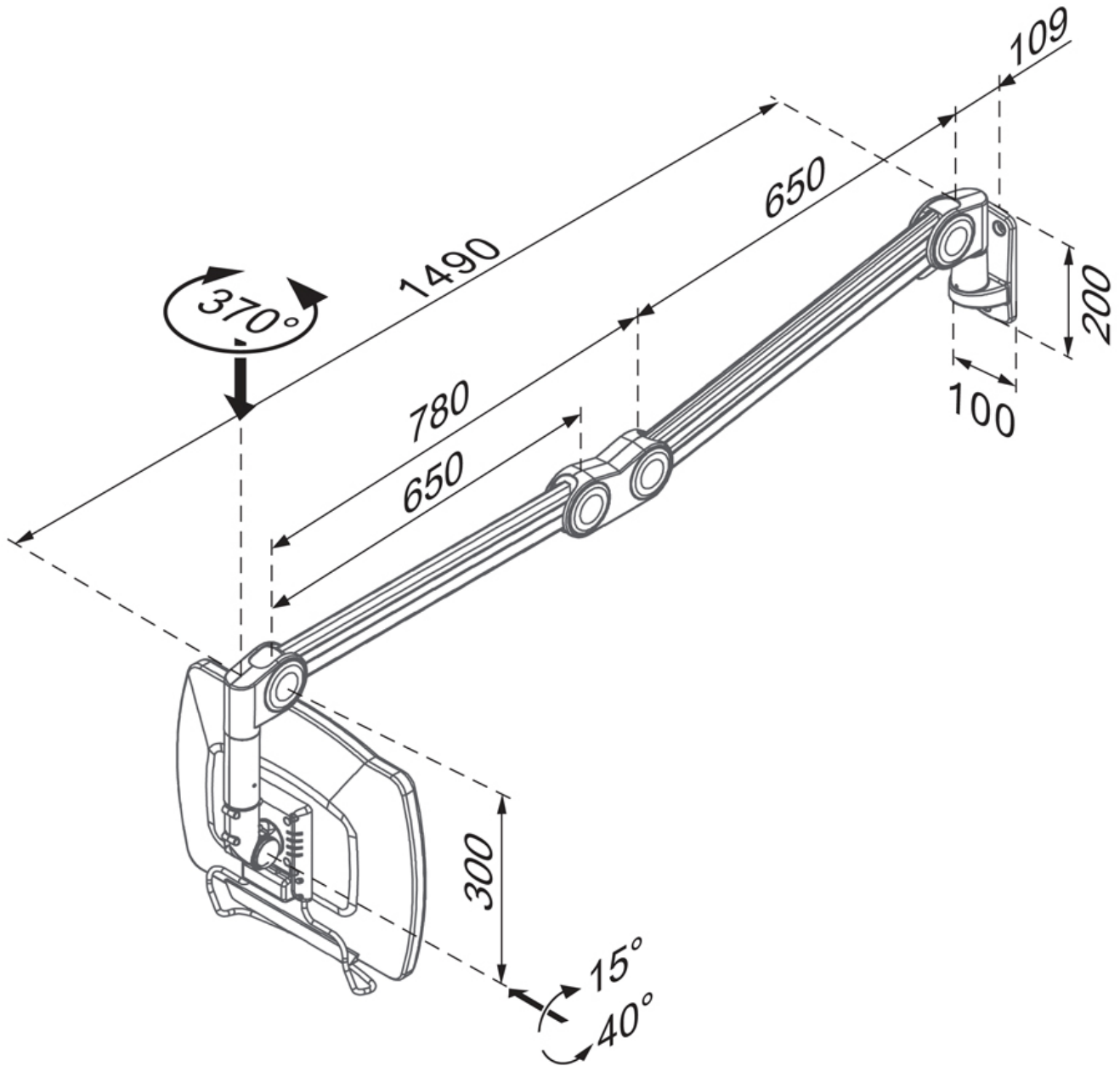
All installation material is included with the product.



**THE BEST SUPPORT
FOR YOUR AV & IT HARDWARE**
T: +31(0)23-5478888 | E: info@newstar.eu | W: www.newstar.eu

FPMA-HAW200

NEWSTAR MEDICAL FLAT SCREEN WALL



NewStar Products Europe B.V.
Wateringweg 62/B
2031 EJ HAARLEM
THE NETHERLANDS

Phone : +31(0)23-5478888
Fax : +31(0)23-5478889
Email : info@newstar.nl
Website : www.newstar.eu

NewStar cannot be held liable for any inaccuracies and copyrights.
No part of this publication may be reproduced and/or published by print, photocopy, microfilm or in any other way, without prior written permission of NewStar Computer Products Europe BV.