



Type:	Project:	Qty:
	Date:	
Catalog #:		

Description:

The Regolo RF6 LED series is a recessed, nominal 6" wide profile, slot unit designed for inaccessible ceilings. The product is ideal for illuminating corridors, open and private offices, classrooms, lobbies and general purpose rooms.

Specifications:

Construction: The housing consists of visible extruded aluminum trim rails with formed cold rolled steel back channel and heavy gauge end caps. Steel alignment tabs and white snap-in joiner clips are used for continuous row applications. Luminaire is finished textured white. Optional flange colors available.

Reflector / Driver: Reflector / driver cover is finished with high reflectance white paint. Optional asymmetric semi-specular aluminum reflector. Standard constant current electronic driver with 0-10V dimming input; dimming range from 100% down to 1%. Universal (UNV) voltage is from 120 - 277V, 50/60 Hz.

Shielding: Extruded frosted or satin white acrylic snap-in lens with DR.

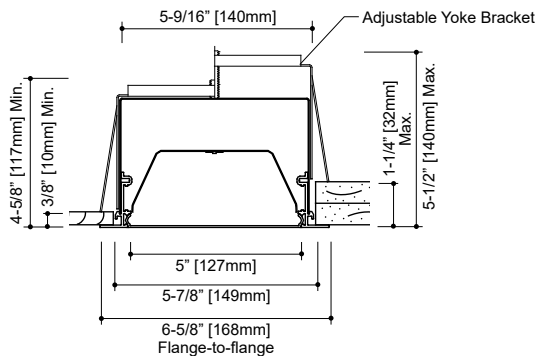
LED Module: Distributed LED array in a variety of lumen output packages. LED color is available in 3000K, 3500K or 4000K and in 80CRI or 90CRI. Module is replaceable. L90 ≥ 100,000 hrs.

Mounting: Inaccessible ceiling types. IC rated. Individual mount or continuous runs.

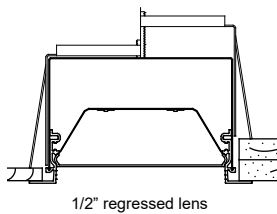
Labels: ETL listed, conforms to UL Standard 1598 / 8750 and CSA Standard C22.2, Damp location.

Warranty: 5-year limited warranty on LED and Driver.

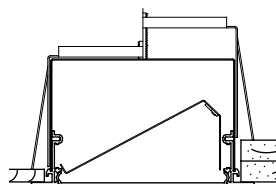
Flush Lens



Regressed Lens



ASYM Option



Ordering Information

Sample: RF6-10L35-UNV-D-11-STR-SV-4'

Series	Lumen Package ² / Color	Voltage	Driver	Circuit	Shielding/Position	Color	Length	Options
RF6 ¹								
RF6 (Flange - Nom. 6")	05 (~571 lm/ft, 4.85W/ft)	80CRI	UNV	Dimming (0-10V)	FR (Frosted) ST (Satin White)	F (Flush lens)	2' 3' 4' 5' 6' 7' 8' Continuous Runs ⁷ XX' Specify run length in 1 foot increments. Consult factory for custom lengths.	CP Chicago Plenum DSOS Combined Daylight & Occupancy Sensor FLEX 6' of Flex ASYM ⁸ Asymmetric Reflector GLR Fusing See Accessories for Corners and Downlight Modules
	06 (~728 lm/ft, 6.38W/ft)	L30	120	D ³ (Dim to 1%)		R ⁶ (Regressed lens)		
	09 (~882 lm/ft, 7.79W/ft)	L35	277	D0 ⁴ (Dim to 1%, fade to off)				
	10 (~1035 lm/ft, 9.39W/ft)	L40		D02 ⁴ (Dim to 0%)				
	13 (~1269 lm/ft, 11.6W/ft)	90CRI		Lutron Dimming				
	17 (~1576 lm/ft, 14.6W/ft)	H30		See Page 2 for Ordering Codes				
		H35		CEC CEC Compliant (10W Battery Pack)				
		H40		DALI Dimming				
			eldoLED ECOdrive ELE (Dim to 1%) eldoLED SOLOdrive ELS (Dim to 0%)					

Notes:

- Some products are DesignLights Consortium™ Qualified, refer to www.designlights.org Qualified Products List.
- Nominal lumen output per foot for frosted lens and 3500K.
- Standard driver, don't connect low-voltage wires for non-dimming applications. Consult factory for specifications and manufacturer.
- Consult factory for specifications and manufacturer.
- Battery pack not available in fixtures 3' or less.
- We recommend our Satin White lens for the Regressed position.
- 6" increments are common custom lengths. We can provide custom run length down to the nearest (+/- 1/8").
- Only available with Frosted Flush lens.



Lens Options

Shielding



Frosted Lens
This diffuser is designed for a balance between efficiency and lens uniformity. (Transmission ~ 89%)

Satin White Lens
This diffuser is designed for visible lens uniformity. It's recommended for regressed lens configuration in our shallow housing. (Transmission ~ 69%)

Position

Regressed Lens - "R"



1/2" Regressed Lens - Satin White lens is recommended for Shallow Housing (shown in Mud Ring)

Lutron Driver Ordering Codes

Nulite Code	Lutron Prefix	Lutron Series	Dim Level	Quantity of Wires	Dim to Dark (Smooth)
L11*	PEQ	Hi-Lume™ Premiere	0.1%	2	X
L12	LTEA	Hi-Lume™ 2-Wire 120V forward phase	1%	No Control Wires - Uses Hot	
L15	LDE1	Hi-Lume™ H-Series	1%	2	X
L16	LDE5	Hi-Lume™ 5-Series	5%	2	

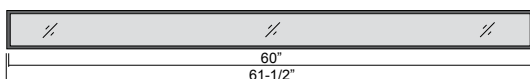
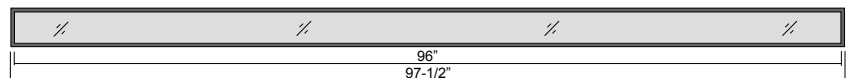
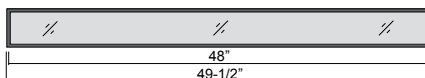
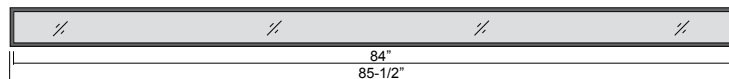
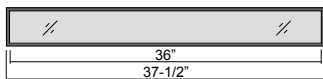
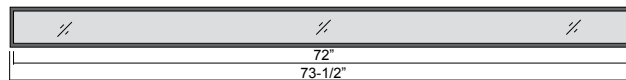
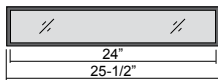
*Maximum lumen package with L11 is 05

Sensor Option

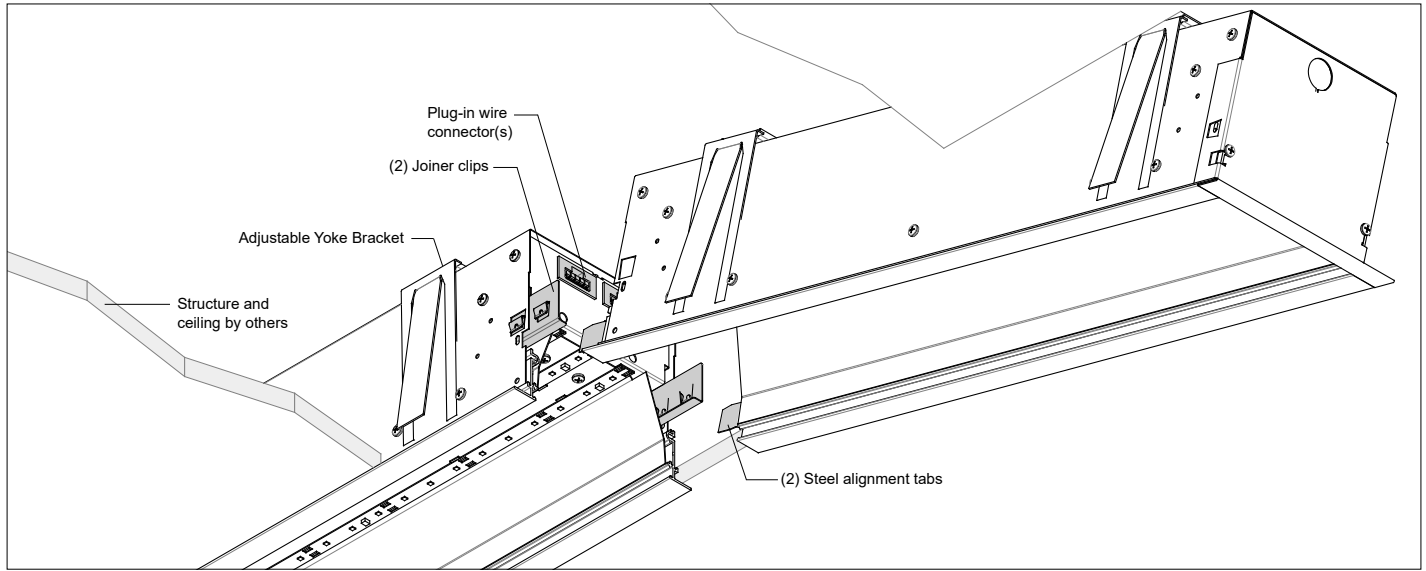


Occupancy and/or Daylight Sensor (Surface Mount Shown)

Individual Lengths



Continuous Row Joiner Detail



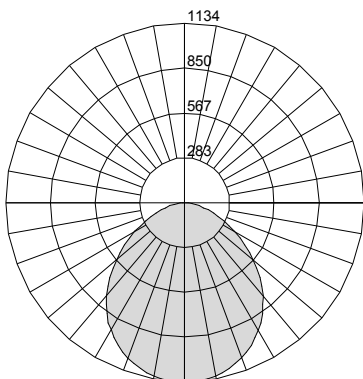
Continuous Run Lengths

Run Length		2'	3'	4'	5'	6'	7'	8'	9'	10'	11'	12'	13'	14'	15'	16'	17'	18'	19'	20'	21'	22'	23'	24'	25'	26'	27'	28'	29'	30'	31'	32'	33'	34'	35'	36'	37'	38'	39'	40'	41'	42'	43'	44'						
Number of Housings	2'	1																																																
	3'		1																																															
	4'			1						1	1	1	1					1	1	1	1					1	1	1	1					1	1	1	1						1	1	1	1				
	5'				1						1			1					1			1					1	1	1						1			1												
	6'					1						1			1					1			1				1								1			1												
	7'						1						1			1					1			1				1							1			1												
	8'							1					1	1	1	1	1	2	1	1	1	1	2	2	2	2	3	2	2	2	3	3	3	3	3	4	3	3	3	4	4	4	4	4	5	4	4	4	4	5

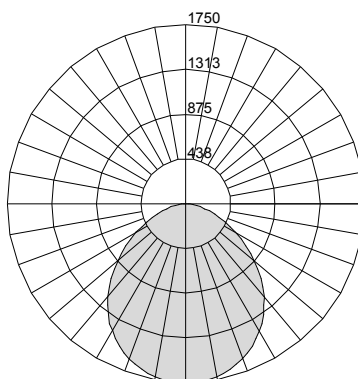
Run length doesn't include overlapping flange.

Photometric Curves

Cat. # RF6-05L35-...-FRF-...-4'
Wattage/ft - 4.85
Lumens/Watt - 118



Cat. # RF6-09L35-...-FRF-...-4'
Wattage/ft - 7.79
Lumens/Watt - 113



Cat. # RF6-05L35-...-FRF-...-4'-ASYM
Wattage/ft - 5.25
Lumens/Watt - 109

