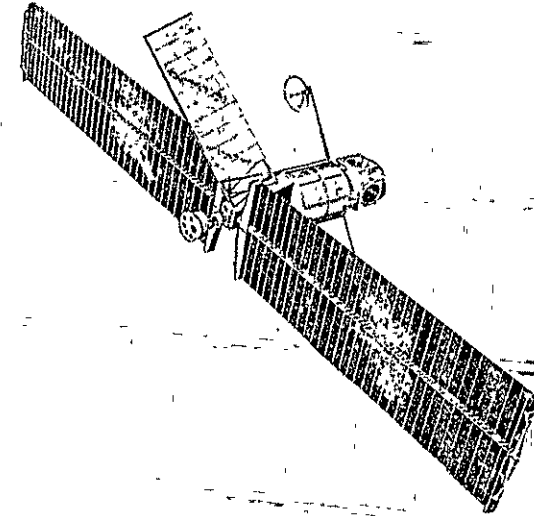


LMSC D614944 — 1
27 JANUARY 1979



(NASA-CR-161145) THE 25 kW POWER MODULE
EVOLUTION STUDY. PART 3: CONCEPTUAL
DESIGNS FOR POWER MODULE EVOLUTION. VOLUME
1: POWER MODULE EVOLUTION Final Report
(Lockheed Missiles and Space Co.) 228 p HC

N79-17889

Unclas
14335

NASA

George C. Marshall
Space Flight Center

25 kW POWER MODULE EVOLUTION STUDY

VOLUME 1 POWER MODULE EVOLUTION
PART III : CONCEPTUAL DESIGNS FOR POWER MODULE EVOLUTION • FINAL REPORT

LOCKHEED MISSILES & SPACE COMPANY, INC.

FINAL REPORT
25 kW POWER MODULE EVOLUTION STUDY
PART III: CONCEPTUAL DESIGNS FOR POWER MODULE EVOLUTION

VOLUME 1: POWER MODULE EVOLUTION
27 January 1979

Submitted to the
NATIONAL AERONAUTICS AND SPACE ADMINISTRATION
MARSHALL SPACE FLIGHT CENTER
HUNTSVILLE, ALABAMA 35812

CONTRACT NAS8-32928

DPD 555

DR NO. MA-04

LOCKHEED MISSILES & SPACE COMPANY, INC.
SUNNYVALE, CALIFORNIA

FOREWORD

This volume of the Part III Final Report for the 25 kW Power Module Evolution Study was prepared by Lockheed Missiles and Space Company, Inc. for the George C. Marshall Space Flight Center (MSFC), National Aeronautics and Space Administration (NASA), under Contract No. NAS8-32928.

The objective of the study was to define how the 25 kW Power Module can be evolved by the addition of system elements in evolutionary steps to meet the future mission requirements. For each step, conceptual designs were prepared. The level of capability at each step was commensurate with the mission and payload requirements. Emphasis was placed on the near-term steps beyond the 25 kW Power Module.

The study activity comprised the following parts/tasks:

- Part I – Payload Requirements and Growth Scenarios (LMSC, TRW, and Bendix)
This analytical effort was conducted to develop payload application summaries and time-phased requirements that will drive the concepts for the 25 kW Power Module and the supporting systems definitions (for the period 1983-1990). The Part I effort was documented in Final Report LMSC-D641921A dated 1 August 1978.
- Part II – Payload Support System Evolution (LMSC, IBM, and Bendix)
This effort was devoted to establishing baseline program support elements and candidate evolutionary growth capabilities for final candidate definition (element data, cost, mods, development sequence, and precursor missions). The Part II effort was documented in Final Report LMSC-D614928A, dated 30 September 1978.

- Part III – Conceptual Designs for Power Module Evolution (LMSC, Bendix)

This effort was conducted to establish design approaches for the evolutionary systems, to develop associated programmatic data, and to assess the evolution scenario and capabilities of the 25 kW Power Module for representative missions.

This report constitutes Volume 1, Power Module Evolution, of the Part III Final Report. It meets the requirements of Contract No. NAS8-32928 Data Procurement Document, Data Requirement MA-04, Final Study Report.

The volumes comprising the Part III Final Report are:

- Volume 1 – Power Module Evolution
- Volume 2 – Program Plans
- Volume 3 – Cost Estimates
- Volume 4 – Design Analyses
- Volume 5 – Mission Accommodations
- Volume 6 – WBS and Dictionary

ACKNOWLEDGEMENTS

This report is the product of the efforts of an integrated team of specialists representing various technical disciplines. Their contributions are hereby gratefully acknowledged.

Structures	R. W. Goldin, E. J. Loss S. R. Nichols and A. W. Steele
Power Subsystem	M. G. Gandel and R. W. Given
Thermal Control Subsystem	A. L. Lee, R. Horn and P. E. Schroeder
Attitude Control Subsystem	R. A. Barsocchi (Bendix)
C&DH Subsystem	L. R. Phegley
Oribit Reboost Analysis	J. Reitman and C. J. Rudey
Development of User Requirements	T. Luck
Mass Properties	G. J. Strom
Power Module Operations	H. Burkleo and E. W. Waller

This Power Module Evolution documentation was integrated by E. W. Waller, with guidance and direction from J. W. Overall and R. J. Watson.

PART III FINAL REPORT
 VOLUME I: POWER MODULE EVOLUTION

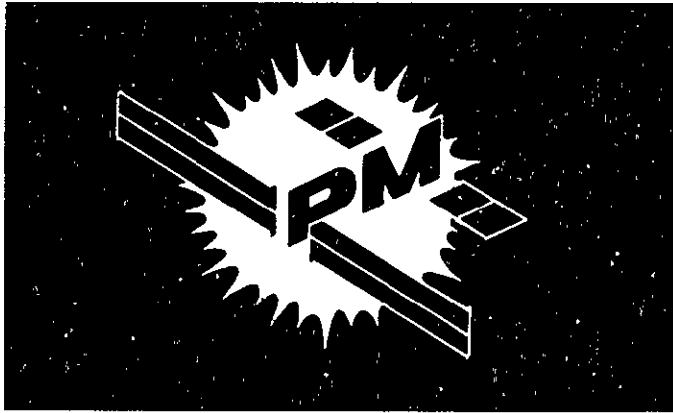
CONTENTS

Section		Page
1	INTRODUCTION	1-1
	1.1 Purpose/Scope	1-2
	1.2 Objective	1-2
	1.3 Background	1-2
2	REQUIREMENTS EVOLUTION	2-1
	2.1 Composite Payload Requirements	2-2
	2.2 System Requirements	2-40
3	RECOMMENDED POWER MODULE EVOLUTION	3-1
	3.1 System Description	3-2
	3.1.1 PM System Operation	3-4
	3.1.2 Power Module System Interfaces	3-14
	3.1.3 PM System Performance	3-16
	3.2 PM Growth Options	3-46
	3.3 PM Recommended Growth Steps	3-50
	3.4 PM GEO Derivative Configurations	3-82
4	25 kW POWER MODULE	4-1
	4.1 Outboard and Inboard Profiles	4-10
	4.1.1 Outboard Profile	4-10
	4.1.2 Inboard Profile	4-12

PRECEDING PAGES BLANK NOT REPRODUCED

Section		Page	
	4.2	Weights	4-18
	4.3	Subsystem Design Description	4-20
	4.3.1	Structures	4-20
	4.3.2	Electrical Power Subsystem	4-38
	4.3.3	Thermal Control Subsystem	4-50
	4.3.4	Attitude Control Subsystem	4-62
	4.3.5	Communications and Data Handling Subsystem	4-88
5		50 kW POWER MODULE	5-1
	5.1	Outboard and Inboard Profiles	5-10
	5.1.1	Outboard Profile	5-10
	5.1.2	Inboard Profile	5-12
	5.2	Weights	5-18
	5.3	Subsystem Design Descriptions	5-20
	5.3.1	Structures	5-20
	5.3.2	Electrical Power Subsystem	5-24
	5.3.3	Thermal Control Subsystem	5-28
	5.3.4	Attitude Control Subsystem	5-34
	5.3.5	Communications and Data Handling Subsystem	5-36
6		100 kW POWER MODULE	6-1
	6.1	Outboard and Inboard Profiles	6-16
	6.1.1	Outboard Profile	6-16
	6.1.2	Inboard Profile	6-18
	6.2	Weights	6-24

Section		Page
	6.3 Subsystem Design Descriptions	6-26
	6.3.1 Structures	6-26
	6.3.2 Electrical Power Subsystem	6-30
	6.3.3 Thermal Control Subsystem	6-36
	6.3.4 Attitude Control Subsystem	6-40
	6.3.5 Communications and Data Handling Subsystem	6-42
7	LARGER POWER MODULE CONSIDERATIONS	7-1
8	REFERENCES	8-1
	8.1 Bibliography For Part III	8-2
	8.2 References	8-6
	8.3 25 kW Power Module Study Documents	8-8



SECTION 1 INTRODUCTION

- 1.1 PURPOSE/SCOPE
- 1.2 OBJECTIVE
- 1.3 BACKGROUND

1.1 PURPOSE/SCOPE

This Power Module Evolution Document describes requirements and recommendations for evolving a Power Module vehicle from 25 kW through 50 kW to 100 kW capability. Design, performance, and interface descriptions of recommended 25, 50, and 100 kW configurations are provided. Considerations for larger Power Modules up to 250 kW are described conceptually.

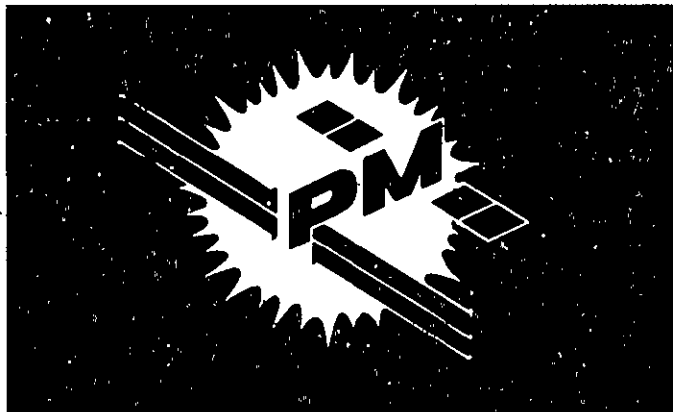
1.2 OBJECTIVE

The objective of this document is to present a description of candidate Power Module configurations which will directly support an evolutionary scenario allowing growth from 25 to 100 kW. This growth rationale is structured to support a nominal scenario for sortie mission support to the Orbiter and to free-flying payloads during the 1983-1990 era.

1.3 BACKGROUND

The Power Module is conceived as a significant support element to the NASA Space Transportation System. It is designed to be compatible with the STS concepts, Shuttle vehicle, and operational regime for the 1983-1990 era. The Power Module is being proposed by NASA MSFC as a first step to provide increased capability for on-orbit power, attitude control, and thermal heat rejection to the Orbiter and other docked payloads. Its major purpose is to provide supporting services for both a Shuttle-tended mode (sortie) and a Shuttle non-tended mode (free flying). In this dual role it will augment the baseline Shuttle Orbiter capability and will provide a basis for development of larger, more capable orbiting systems.

The 25 kW Power Module Evolution Study was instituted by NASA MSFC to define how a 25 kW Power Module can be evolved in evolutionary steps to meet future mission requirements. Growth evolution scenarios for a Power Module were developed to satisfy payload support mission requirements from 1983 through 1990. The scenarios ranged from minimum through maximum support in terms of fulfilling payload requirements. To effect a concept design, the study focused on a "so-called" nominal scenario to establish the support requirements. This scenario is described in detail in section 2.1 of this document. From this nominal support scenario, a candidate 25 kW Power Module was defined and subsequent 50 kW and 100 kW configurations were developed using modular growth concepts.



SECTION 2 REQUIREMENTS EVOLUTION

2.1 COMPOSITE PAYLOAD REQUIREMENTS

2.2 SYSTEM REQUIREMENTS

The chief objective of this analysis was to derive candidate evolutionary systems based on logical growth stages that will support integrated (mixed discipline) payloads at optional levels of capabilities.

2.1 COMPOSITE PAYLOAD REQUIREMENTS

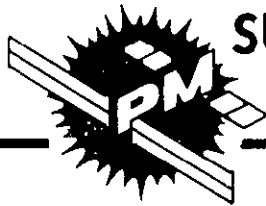
It was obvious from the mission requirements studies that all mission requirements could not be met simultaneously within reasonable budget. Therefore, sharing resources and program stretchout are inevitable for most disciplines. All subsequent charts in this section present the derivation and details of this analysis.

This page has been intentionally left blank.

SUMMARY PAYLOAD POWER REQUIREMENTS

- The next two charts represent desired payload power requirements by orbit and time. These requirements were coordinated with LMSC scientists and MSFC personnel. The results shown (from Part 1 of this study) have been updated and modified. The power needs for any given year are shown in the last two charts. These power needs are met by PEP/sortie and/or 1 to 4 Power Modules of four different sizes (see capabilities chart on adjacent page). Where power requirements exceeded reasonable evolutionary Power Module development (size and quantity), time sharing, where practical, was used as a restraint to permit highest mission potential. NOTE: Cumulative totals include orbiter if attached to PM.
- Early year utilization of the PEP/sortie, either single or in parallel with the PM, provides a capability to build experience and confidence in new payloads and checkout payloads requiring simultaneity of operation prior to operational readiness. This approach also minimizes interruptions of ongoing payload operations. Later use of the PEP/sortie is not readily identifiable.

Alphabets P, A, B, C, and D adjacent to discipline powers are used to identify potential power source assignments (PM numbers A, B, C, and D). See the bottom (capability) chart for any given orbit or year. Power sources identified as PM numbers A, B, C, and D are a means of record keeping. These letters correspond to letters identifying PMs shown on the PM Growth Scenario (Desired Capabilities Case chart).



SUMMARY PAYLOAD POWER REQUIREMENTS AND CAPABILITIES PROVIDED

PAYLOAD
POWER
REQUIRE-
MENTS

DISCIPLINE	28.5° ORBIT								50° TO 57° ORBIT							
	83	84	85	86	87	88	89	90	83	84	85	86	87	88	89	90
MATERIAL PROCESSING	25A	25A	25A	25A	25A	33A	33A	33A 93C								
SOLAR TERRESTRIAL OBSERVATORY									10A 10P	15A 15P	*20A 15P	*20A	*23A	*28A	*28A	*28A
PUBLIC SERVICE				*15B		*20B										
SPACE SCIENCE	2P	2P	5P	*10B	*10B	*10B	*10B	*10B	2A 2P	2A 2P	*2A 2P	*15A	*15A	*15A	*15A	*15A
LIFE SCIENCE	5P	5P	5P	7B	7B	7B	7B	25- *40B								
EARTH OBSERVATION									5A	5A	*10A	*10A	*10A	*10A	*10A	*10A
SPACE CONSTRUCTION DEMO	5P	5P	5P													
CONSTRUCTION BASE				*15B	*15B	*15B	*15B	*15B								
HABITAT				10B	10B	10A 10B	10A 10B	10A				10A	10A	10A	10A	10A
DEPOT								20B *50B								
SPACECRAFT MAINTENANCE					*10B	*10B	*10B	*10B								
WORKSHOP				7B	7B	7A 7B	7A 7B	7A 7B 7C				7A	7A	7A	7A	7A
ORBITER**	14	14	14	14	14	14	14	14	14	14	14	14	14	14	14	14
TOTAL	51	51	54	103	98	143	123	301-316	43	53	63	76	79	84	84	84

CAPABILI-
TIES
PROVIDED
(DESIRED
CAPABILI-
TIES
SCENARIO)

PEP/SORTIE	15	15	15	TBD	TBD	TBD	TBD	TBD	15	15	15	TBD	TBD	TBD	TBD	TBD
PM #A	25	25	25	25	25	50	50	50	25	25	25	50	50	50	50	50
PM #B				50	50	100	100	150								
PM #C								100								

SYMBOLS. P = TIME SHARED PEP/SORTIE
 * = TIME SHARED TO CORRESPOND TO PM OUTPUT
 ** = SORTIE MODE; SHARES PM OR PEP WITH PAYLOADS

NOTE: REVISED FROM PART II FINAL REPORT

This page has been intentionally left blank.



SUMMARY PAYLOAD POWER REQUIREMENTS AND CAPABILITIES PROVIDED (CONT'D)

PAYLOAD
POWER
REQUIRE-
MENTS

DISCIPLINE	90° ORBIT									GEO						
	83	84	85	86	87	88	89	90	83	84	85	86	87	88	89	90
MATERIAL PROCESSING																
SOLAR TERRESTRIAL OBSERVATORY						47A	47A	47A								*50D
PUBLIC SERVICE												40A	40A 50B	40A 50B	40A 50B 210C	40A 50B 210C
SPACE SCIENCE	2P	2P	2P	2A	3A	3A	3A	5A				10	10A	10A	10A	10A
LIFE SCIENCE																
EARTH OBSERVATION	10P	10P	20A 10P	20A	20A	20A	20A	20A				10A	10A	10A	10A	10A
SPACE CONSTRUCTION																
CONSTRUCTION BASE																
HABITAT						10A	10A	10A								10D
DEPOT																*50D
SPACECRAFT MAINTENANCE																
WORKSHOP							7A	7A	7A							7D
ORBITER **	14	14	14	14	14	14	14	14								
TOTAL	26	26	46	36	37	101	101	103				60	110	110	320	437

CAPABILI-
TIES
PROVIDED
(DESIRED
CAPABILI-
TIES
SCENARIO)

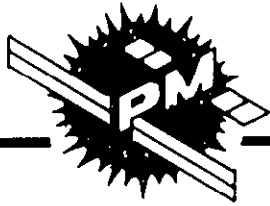
PEP/SORTIE	15	15	15	TBD	TBD	TBD	TBD	TBD								
PM #A			25	25	25	100	100	100				Δ60	Δ60	Δ60	Δ60	Δ60
PM #B												Δ50	Δ50	Δ50	Δ50	
PM #C														Δ210	Δ210	
PM #D																Δ100

SYMBOLS: P = TIME SHARED PEP/SORTIE
 * = TIME SHARED TO CORRESPOND TO PM OUTPUT
 ** = SORTIE MODE; SHARES PM OR PEP WITH PAYLOADS
 Δ = 25 kW DERIVATIVE HARDWARE

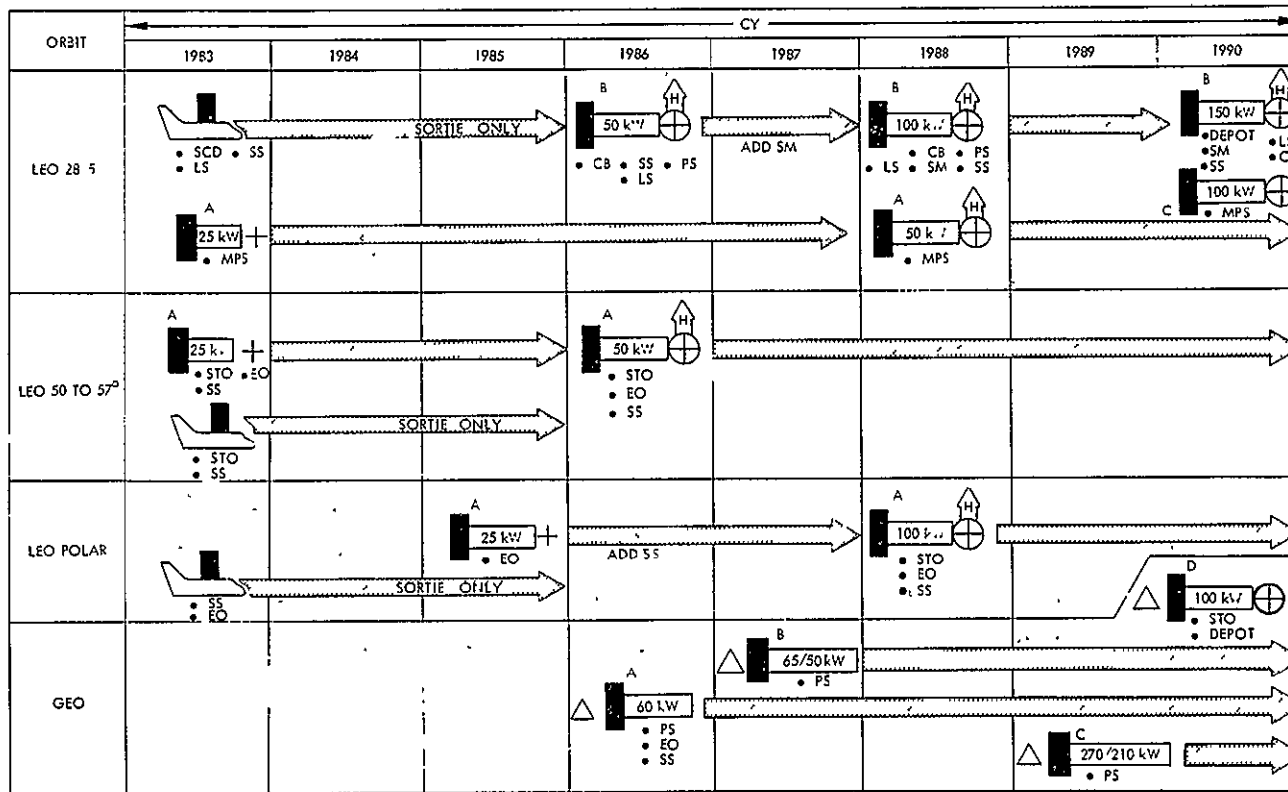
NOTE: REVISED FROM PART II FINAL REPORT

POWER MODULE GROWTH SCENARIO
(DESIRED CAPABILITIES CASE)

- This scenario was a direct evolvement from the payload power requirements summary and represents desired Power Module capabilities for each orbit location and time period between 1983 and 1990.
- The requirements for the different sizes and quantities of Power Modules are based on assumed payload availability (without technology development encumbrances or cost) and on work from Part 1 of this study.
- The chart further shows the following:
 - 1983 start date; first 25 kW PM available
 - PMs added, replaced, or grown on-orbit
 - Material processing at 28.5⁰ (min. launch/retrieval cost)
 - 1982-1991 shuttle sorties augmented by PEP for LEOs
 - Manned OTV not available until 1990
 - Solar Power Satellite missions are additive to the results of this study
 - Space construction demo/base supports public service/science
 - GEO PMs derived from basic LEO PM designs



POWER MODULE GROWTH SCENARIO (DESIRED CAPABILITIES CASE)



	POWER MODULE
	DOCKING MODULE - UNPRESS
	DOCKING WORKSHOP MODULE - PRESS
	SORTIE ONLY - PEP AVAILABLE ALL YEARS
	MANNED HABITAT - FREE-FLYER MODE
	REQUIRES PAYLOAD STABILIZATION KIT
	25 kW DERIVATIVE HARDWARE
	SKYLAB
	SKYLAB INTERFACE MODULE

- MP - MATERIAL PROCESSING
- STO - SOLAR TERRESTRIAL OBSER
- PS - PUBLIC SERVICE
- SS - SPACE SCIENCE
- EO - EARTH OBSERVATION
- CB - CONSTRUCTION BASE FOR
 - SPS - SPACE POWER SYSTEM
 - GEO PLATFORM
 - OTHERS
- SM - SPACECRAFT MAINTENANCE ASSEMBLY
- A, B, C, D - DESIGNATES FM'S AND CORRELATES WITH DESIGNATIONS ON SUMMARY POWER REQUIREMENTS

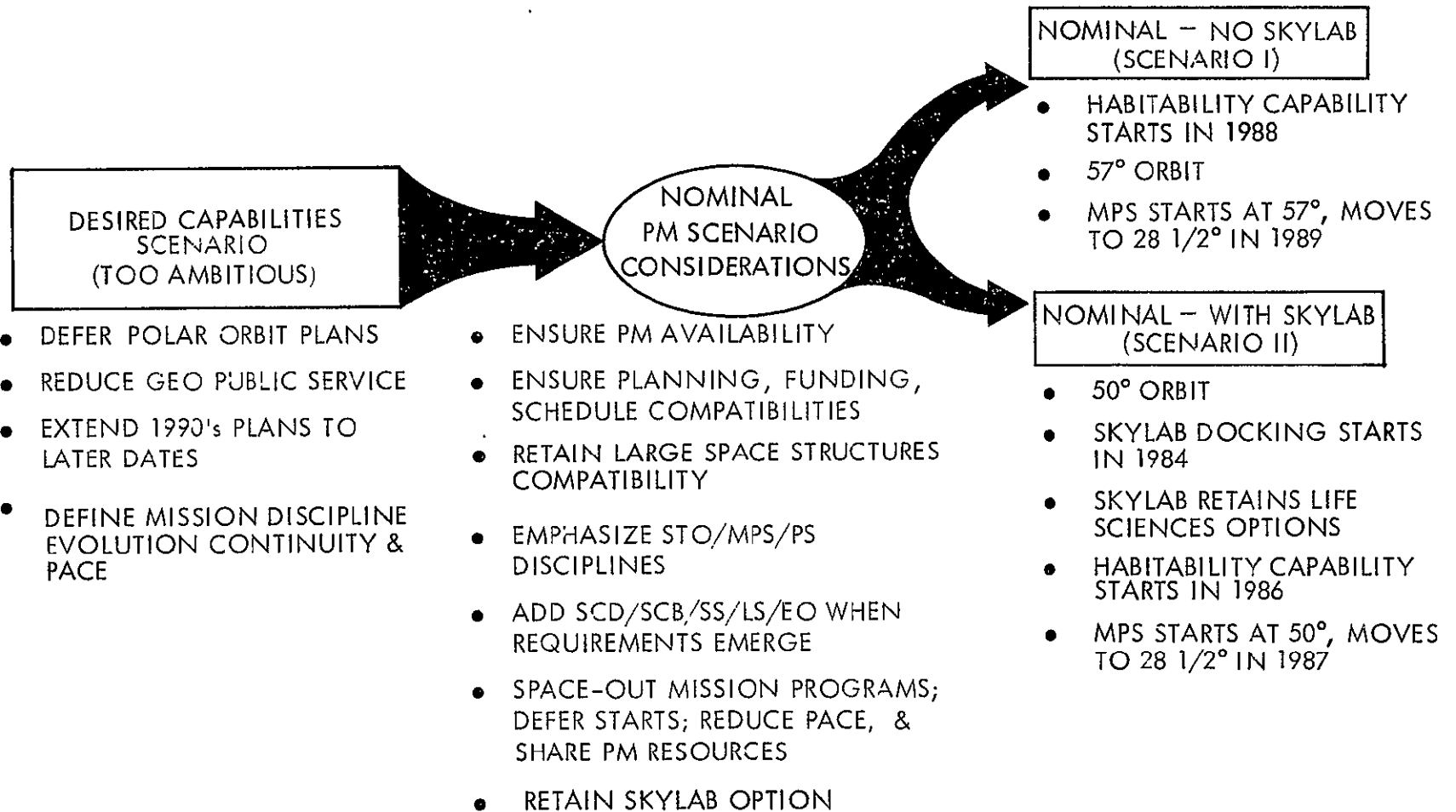
ORIGINAL PAGE IS
OF POOR QUALITY

NOMINAL PM SCENARIO DEVELOPMENT

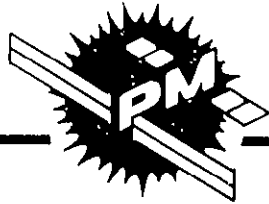
The adjacent chart presents an overview of key considerations and restraints in the evolution of the nominal PM scenarios. The two subsequent charts show the resulting nominal scenarios, i.e., no SKYLAB and with SKYLAB.



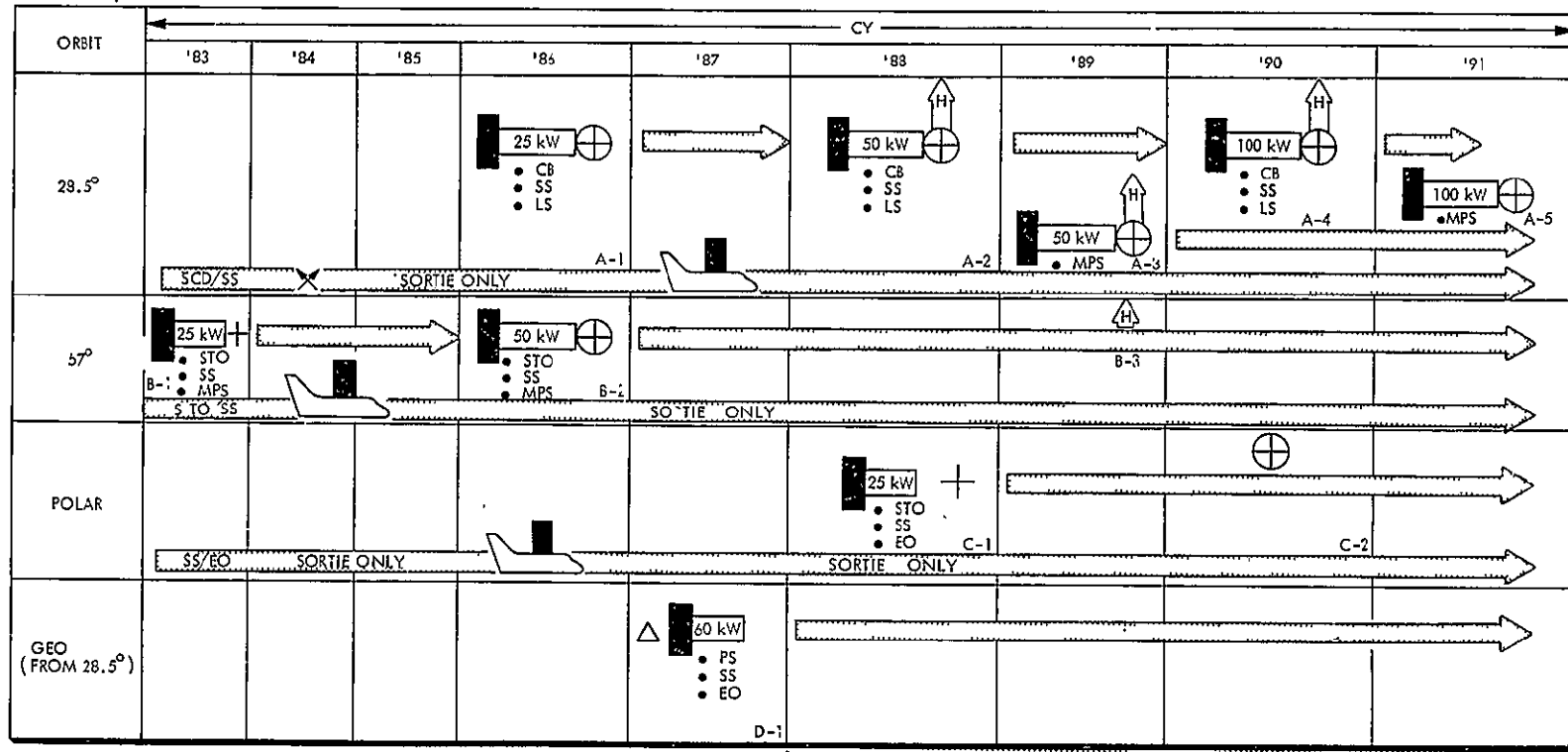
NOMINAL PM SCENARIO DEVELOPMENT



- This page has been intentionally left blank.



PROGRAM SCENARIO I (NOMINAL – NO SKYLAB)



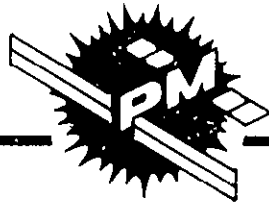
ORIGINAL PAGE IS OF POOR QUALITY

	POWER MODULE
	DOCKING MODULE – UNPRESS
	DOCKING/WORKSHOP MODULE – PRESS
	SORTIE ONLY – PEP AVAILABLE ALL YEARS
	MANNED HABITAT – FREE-FLYER MODE
	REQUIRES PAYLOAD STABILIZATION KIT
	25 kW DERIVATIVE HARDWARE
	SKYLAB

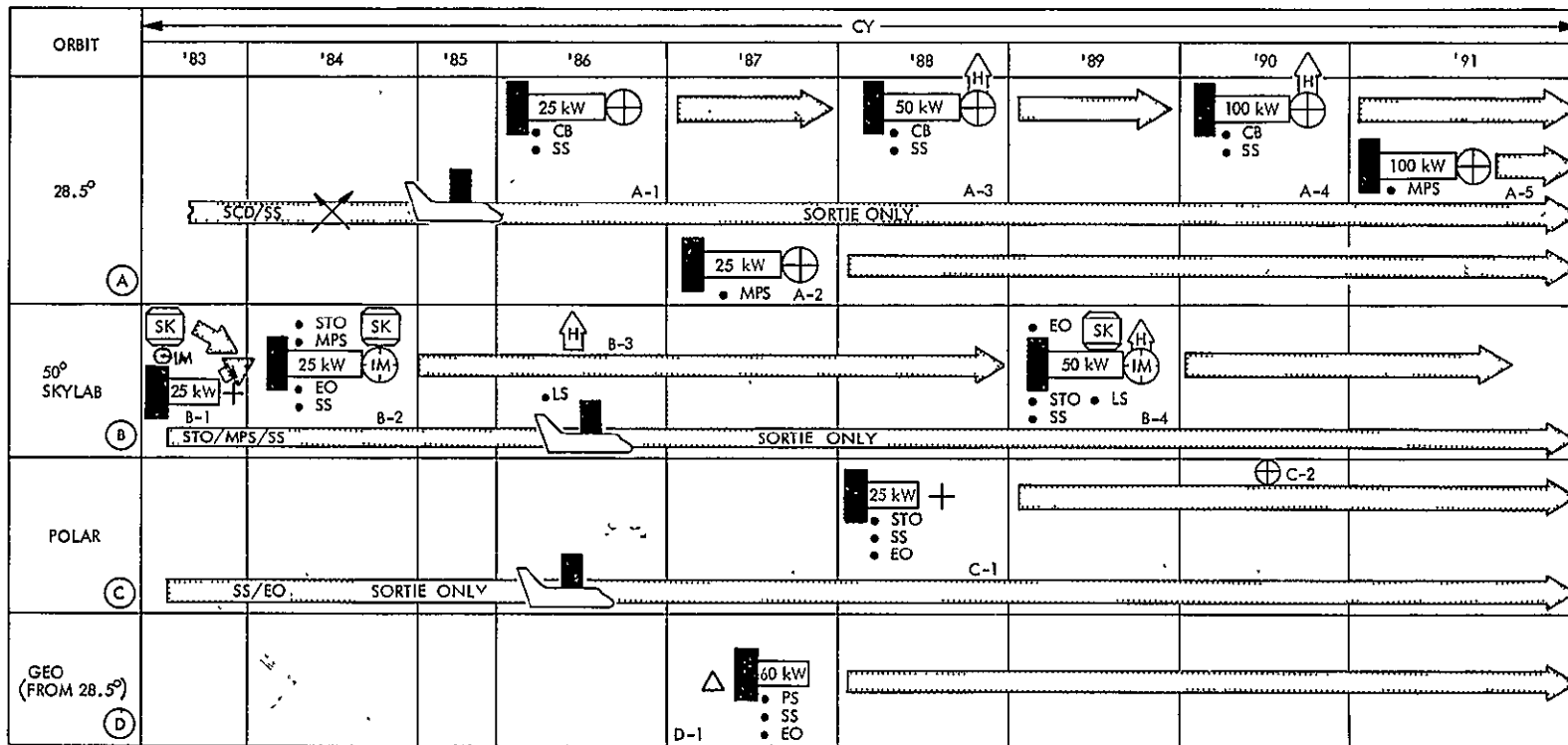
- MP – MATERIAL PROCESSING
- STO – SOLAR TERRESTRIAL OBSER
- PS – PUBLIC SERVICE
- SS – SPACE SCIENCE
- EO – EARTH OBSERVATION
- CB – CONSTRUCTION BASE FOR:
 - SPS – SPACE POWER SYSTEM
 - GEO PLATFORM
 - OTHERS
- SCD – SPACE CONSTRUCTION DEMO
- LS – LIFE SCIENCE

IMPROVED PM EFFICIENCY WITH ADVANCED TECHNOLOGY POSSIBLE

- This page has been intentionally left blank.



PROGRAM SCENARIO II (NOMINAL – WITH SKYLAB)



	POWER MODULE
	DOCKING MODULE – UNPRESS
	DOCKING/WORKSHOP MODULE – PRESS
	15 kW SORTIE ONLY – PEP AVAILABLE ALL YEARS
	MANNED HABITAT – FREE-FLYER MODE
	REQUIRES PAYLOAD STABILIZATION KIT
	25 kW DERIVATIVE HARDWARE
	SKYLAB
	SKYLAB INTERFACE MODULE

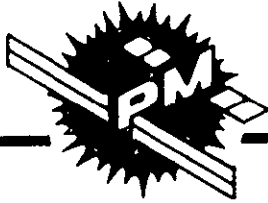
- MP – MATERIAL PROCESSING
- STO – SOLAR TERRESTRIAL OBSER.
- PS – PUBLIC SERVICE
- SS – SPACE SCIENCE
- EO – EARTH OBSERVATION
- CB – CONSTRUCTION BASE FOR-
 - SPS – SPACE POWER SYSTEM
 - GEO PLATFORM
 - OTHERS
- SCD – SPACE CONSTRUCTION DEMO
- LS – LIFE SCIENCE

IMPROVED PM EFFICIENCY WITH ADVANCED TECHNOLOGY POSSIBLE

ORIGINAL PAGE IS OF POOR QUALITY

MINIMUM AND AMBITIOUS SCENARIO DEVELOPMENT

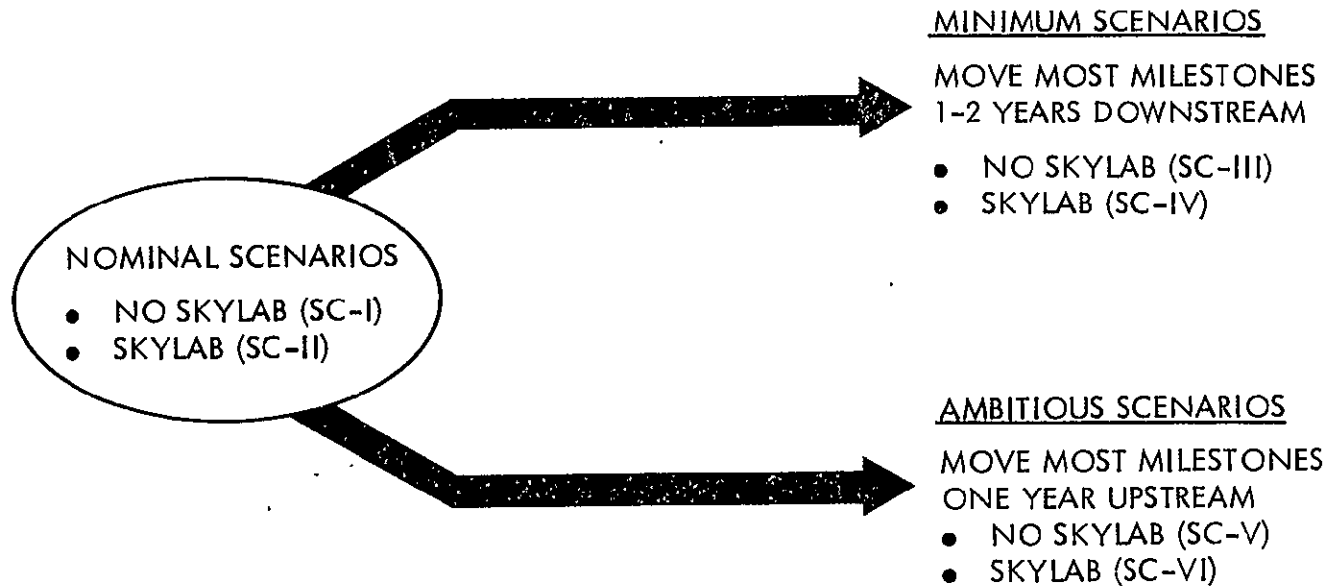
Essentially there are three categories of program scenarios viz., nominal, minimum and ambitious. The nominal was previously discussed. The diagram on the adjacent page depicts the approach for development of the minimum and ambitious scenarios. The subsequent four charts (Scenarios III thru VI) represent key system considerations for two cases viz., (a) minimum, and (b) ambitious, both with and without SKYLAB.



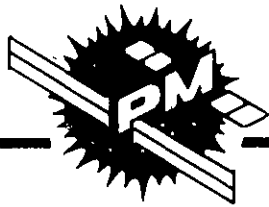
PM GROWTH SCENARIO DEVELOPMENT

LMSC-D614944-1

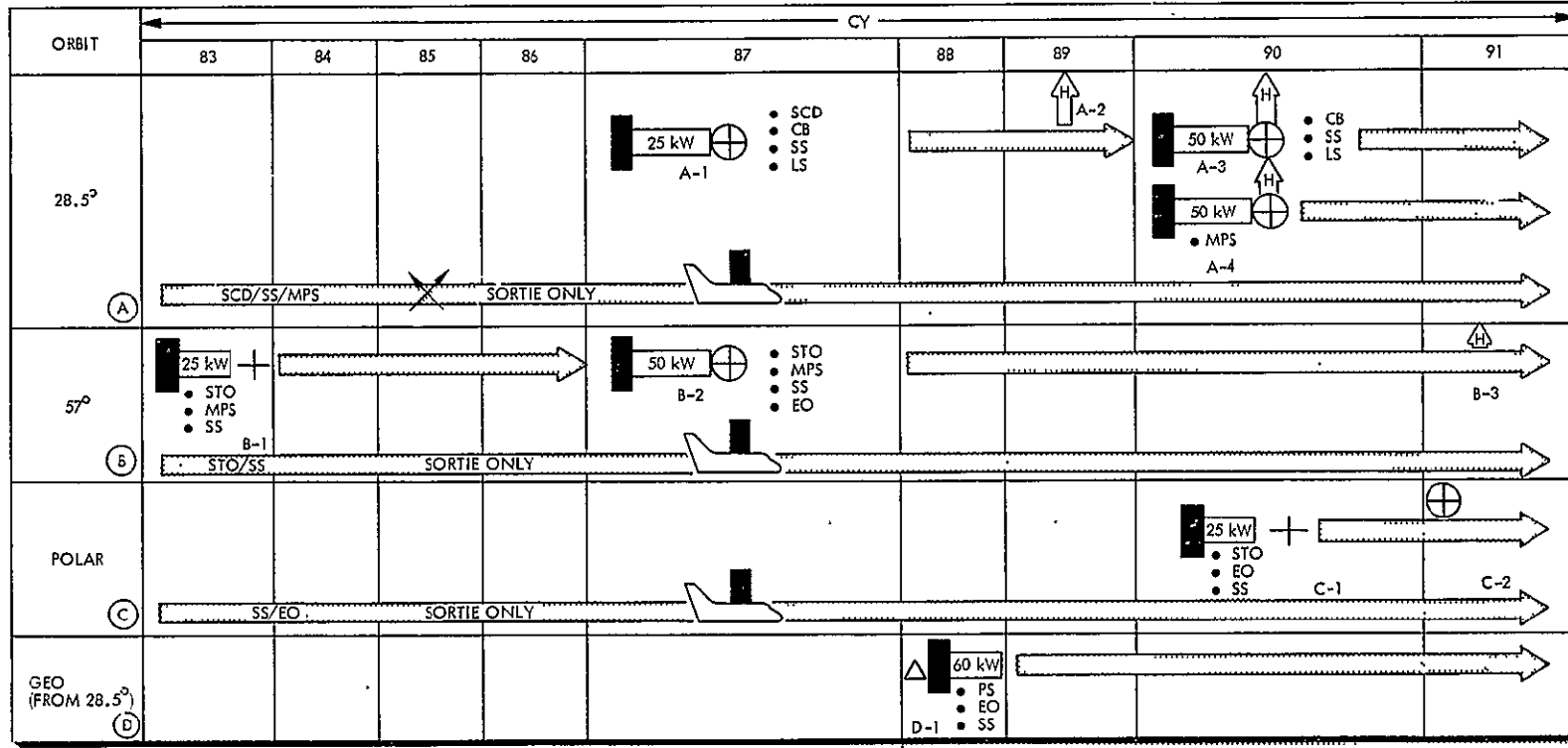
(NOMINAL/MINIMUM/AMBITIOUS)



- This page has been intentionally left blank.



PROGRAM SCENARIO III (MINIMUM – NO SKYLAB)



ORIGINAL PAGE IS
OF POOR QUALITY

	POWER MODULE
	DOCKING MODULE – UNPRESS
	DOCKING/WORKSHOP MODULE – PRESS
	SORTIE ONLY – PEP AVAILABLE ALL YEARS
	MANNED HABITAT – FREE-FLYER MODE
	REQUIRES PAYLOAD STABILIZATION KIT
	25 kW DERIVATIVE HARDWARE
	SKYLAB

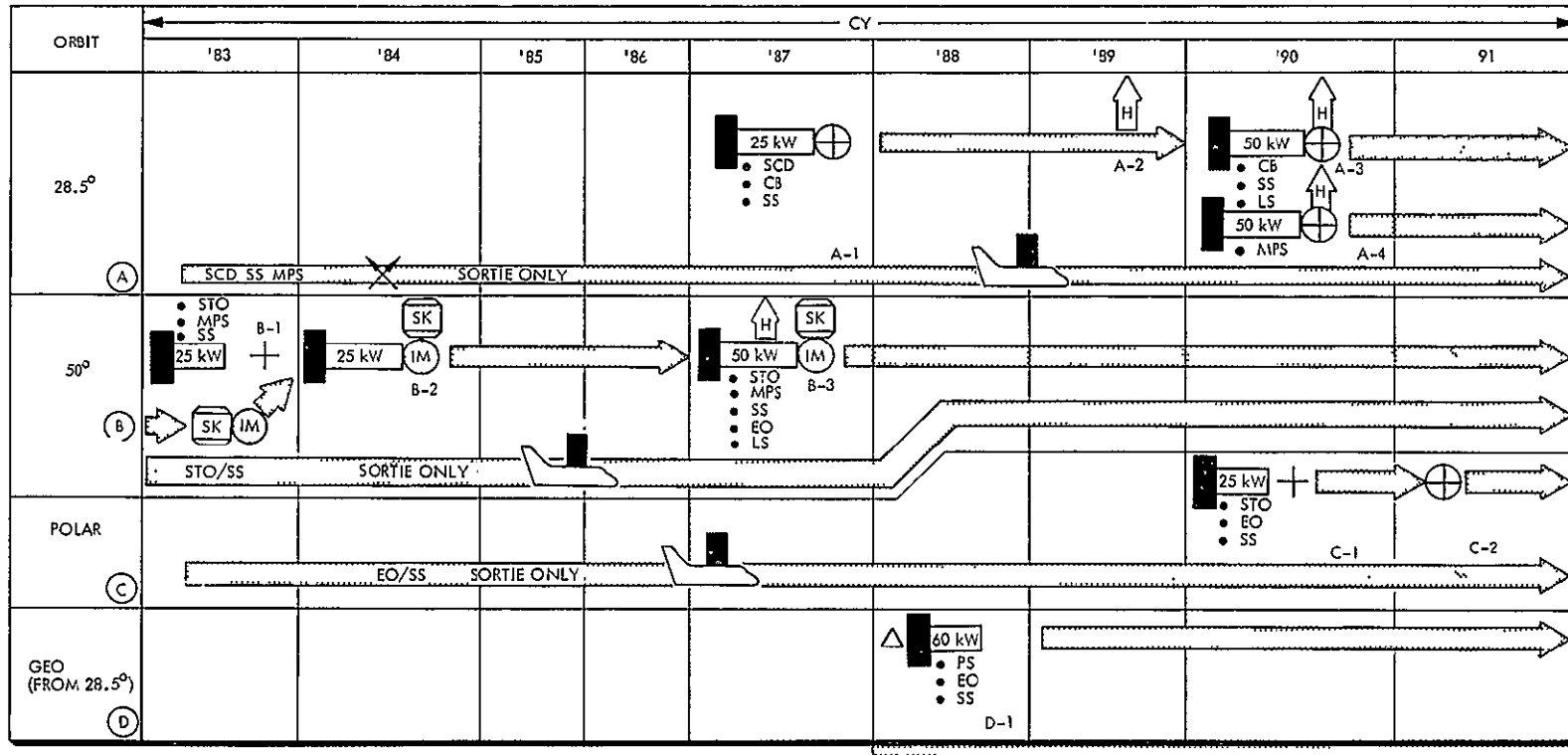
- MP – MATERIAL PROCESSING
- STO – SOLAR TERRESTRIAL OBSER.
- PS – PUBLIC SERVICE
- SS – SPACE SCIENCE
- EO – EARTH OBSERVATION
- CB – CONSTRUCTION BASE FOR:
 - SPS – SPACE POWER SYSTEM
 - GEO PLATFORM
 - OTHERS
- SCD – SPACE CONSTRUCTION DEMO
- LS – LIFE SCIENCE

IMPROVED PM EFFICIENCY WITH ADVANCED TECHNOLOGY POSSIBLE

- This page has been intentionally left blank.



PROGRAM SCENARIO IV (MINIMUM – WITH SKYLAB)



ORIGINAL PAGE IS OF POOR QUALITY

	POWER MODULE
	DOCKING MODULE - UNPRESS
	DOCKING/WORKSHOP MODULE - PRESS
	SORTIE ONLY - PEP AVAILABLE ALL YEARS
	MANNED HABITAT - FREE-FLYER MODE
	REQUIRES PAYLOAD STABILIZATION KIT
	25 kW DERIVATIVE HARDWARE
	SKYLAB
	SKYLAB INTERFACE MODULE

- MP - MATERIAL PROCESSING
- STO - SOLAR TERRESTRIAL OBSER.
- PS - PUBLIC SERVICE
- SS - SPACE SCIENCE
- EO - EARTH OBSERVATION
- CB - CONSTRUCTION BASE FOR
 - SPS - SPACE POWER SYSTEM
 - GEO PLATFORM
 - OTHERS
- SCD - SPACE CONSTRUCTION DEMO
- LS - LIFE SCIENCE

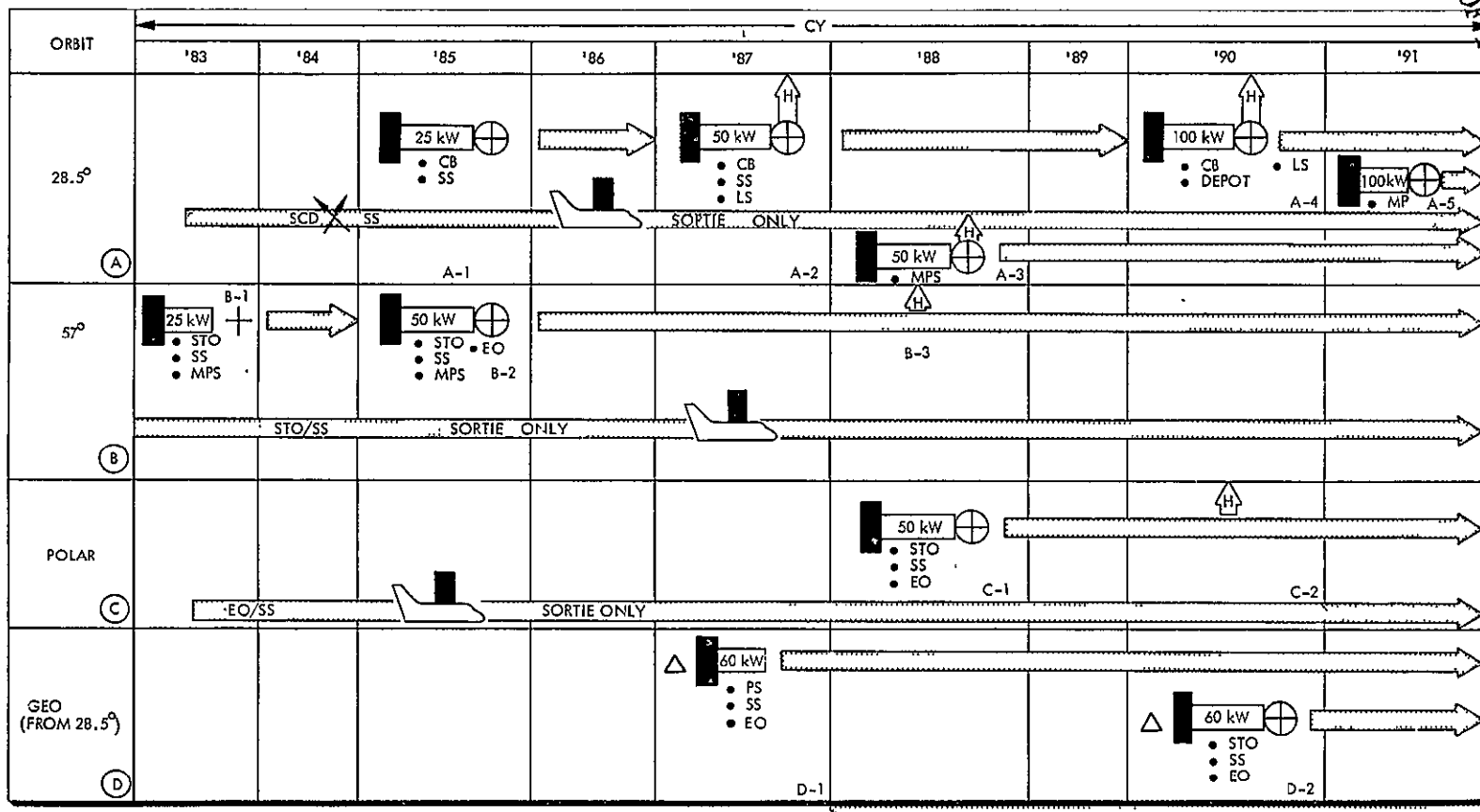
IMPROVED PM EFFICIENCY WITH ADVANCED TECHNOLOGY POSSIBLE

- This page has been intentionally left blank.



PROGRAM SCENARIO V (AMBITIOUS WITHOUT SKYLAB)

LMSC-D614944-1



ORIGINAL PAGE IS OFF-FLOOR QUALITY

	POWER MODULE
	DOCKING MODULE - UNPRESS
	DOCKING/WORKSHOP MODULE - PRESS
	SORTIE ONLY - PEP AVAILABLE ALL YEARS
	MANNED HABITAT - FREE-FLYER MODE
	REQUIRES PAYLOAD STABILIZATION KIT
	25 kW DERIVATIVE HARDWARE
	SKYLAB

- MP - MATERIAL PROCESSING
- STO - SOLAR TERRESTRIAL OBSER.
- PS - PUBLIC SERVICE
- SS - SPACE SCIENCE
- EO - EARTH OBSERVATION
- CB - CONSTRUCTION BASE FOR-
 - SPS - SPACE POWER SYSTEM
 - GEO PLATFORM
 - OTHERS
- SCD - SPACE CONSTRUCTION DEMO
- LS - LIFE SCIENCE

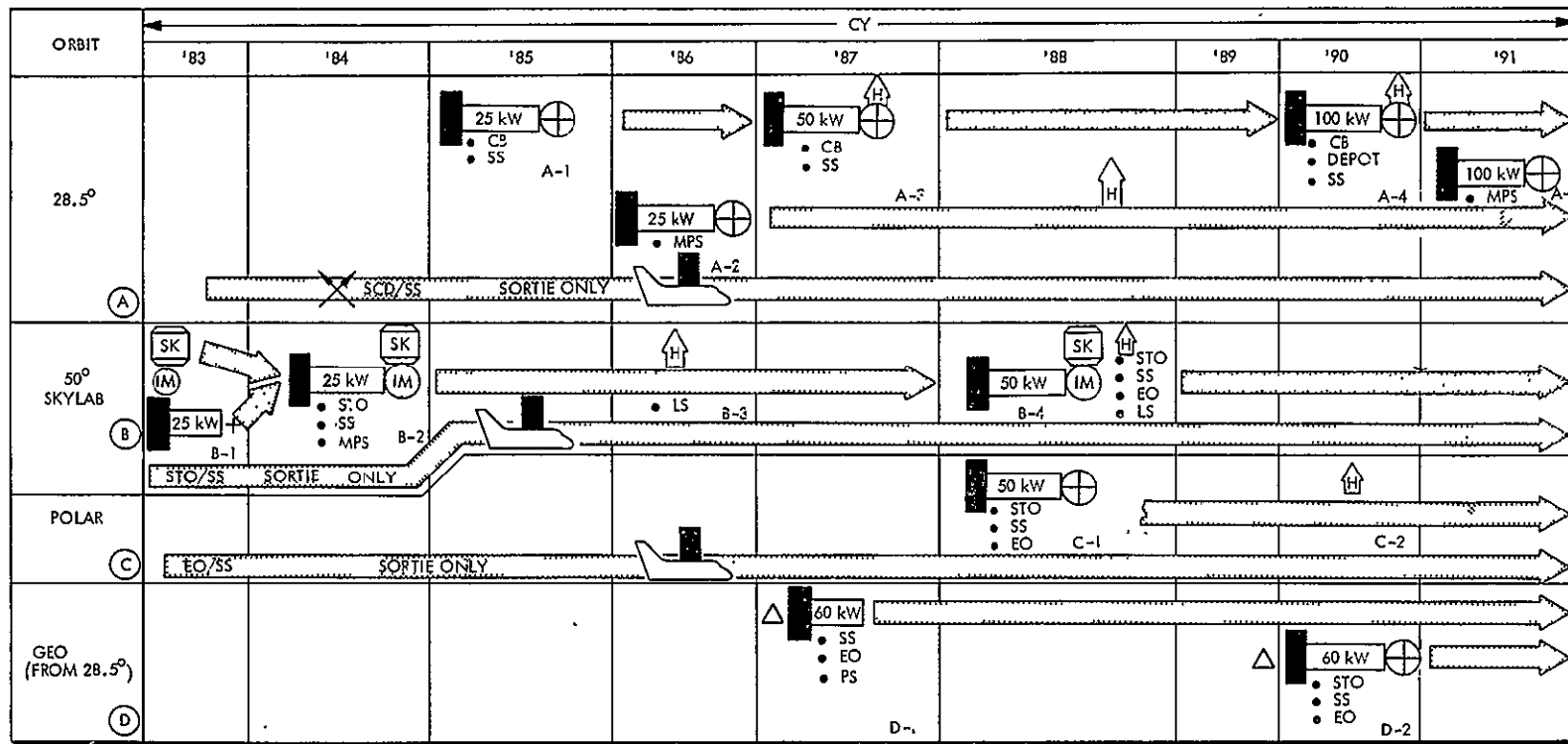
IMPROVED PM EFFICIENCY WITH ADVANCED TECHNOLOGY POSSIBLE

- This page has been intentionally left blank.



PROGRAM SCENARIO VI (AMBITIOUS – WITH SKYLAB)

ORIGINAL PAGE IS
OF POOR QUALITY



	POWER MODULE
	DOCKING MODULE - UNPRESS
	DOCKING/WORKSHOP MODULE - PRESS
	SORTIE ONLY - PEP AVAILABLE ALL YEARS
	MANNED HABITAT - FREE-FLYER MODE
	REQUIRES PAYLOAD STABILIZATION KIT
	25 kW DERIVATIVE HARDWARE
	SKYLAB
	SKYLAB INTERFACE MODULE

- MP - MATERIAL PROCESSING
- STO - SOLAR TERRESTRIAL OBSER.
- PS - PUBLIC SERVICE
- SS - SPACE SCIENCE
- EO - EARTH OBSERVATION
- CB - CONSTRUCTION BASE FOR:
 - SPS - SPACF POWER SYSTEM
 - GEO PLATFORM
 - OTHERS
- SCD - SPACE CONSTRUCTION DEMO
- LS - LIFE SCIENCE

IMPROVED PM EFFICIENCY WITH ADVANCED TECHNOLOGY POSSIBLE

COMPOSITE PAYLOAD REQUIREMENTS

- The next two charts, "Composite Payload Requirements Data", reflect PM growth (by year) and support elements if all demands (needs) are provided.
- Sortie missions shown in the scenario were not considered in this analysis.
- In cases where the payload power requirements in the scenario exceed the Power Module configuration output, available power will be time-shared.
- Each configuration change, i.e., Power Module size or other, is represented by a letter designation as an aid in following the activities from the scenarios.

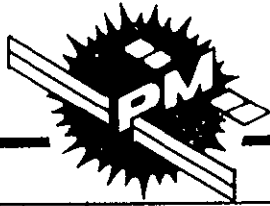


COMPOSITE PAYLOAD REQUIREMENTS

DESIRED

	POWER MODULE							SUPPORT ELEMENTS													
	PM DESIGNATION	POWER (kW)	HEAT REJECTION (kW)	STABILIZATION	MISSION DURATION	DATA		POWER MODULE QTY	PAYLOAD DOCKING MODULE (U)	PAYLOAD DOCKING MODULE (P)	PALLETS	WORKSHOP	MANNED HABITAT	EXTERNAL TANK (MODIF)	PLATFORM	REMOTE MANIPULATORS (ON PLATFORM)	TANK FARM	TELEOPERATOR	PAYLOAD STABILIZATION KIT	THERMAL CONTROL MODULE	
						ANALOG (MHz)	DIGITAL (MBPS)														
28.5° ORBIT																					
1983-1985	A	25	TBD	±0.5°	365	4	0.01	1	X	-	X	-	-	-	-	-	-	-	-	-	TBD
1986-1987	A	25	TBD	±0.5°	365	4	0.01	1	X	-	X	-	-	-	-	-	-	-	-	-	TBD
	B	50	TBD	±0.5°	365	20	0.52	1	-	X	X	X	X	-	X	X	-	X	X	X	-
1988-1989	A	50	TBD	±0.5°	365	12	0.013	1	-	X	-	X	X	-	-	-	-	-	-	-	TBD
	B	100	TBD	±0.5°	365	28	0.52	1	-	X	X	X	X	-	X	X	-	X	X	X	TBD
1990	A	50	TBD	±0.5°	365	12	0.013	1	-	X	-	X	X	-	-	-	-	-	-	-	TBD
	B	150	TBD	±0.5°	365	28	0.031	1	-	X	X	X	X	-	X	X	X	X	X	X	TBD
	C	100	TBD	±0.5°	365	8	0.011	1	-	X	-	X	-	-	-	-	-	-	-	-	TBD
50-57° ORBIT																					
1983-1985	A	25	9	±0.5°	365	22	25.0	1	X	-	X	-	-	-	-	-	-	-	-	-	-
1986-1990	A	50	18	±0.5°	365	36	25.0	1	-	X	X	X	X	-	-	-	-	-	-	-	TBD

- This page has been intentionally left blank.



COMPOSITE PAYLOAD REQUIREMENTS (CONT'D)

DESIRED

	POWER MODULE							SUPPORT ELEMENTS													
	PM DESIGNATION	POWER (kW)	HEAT REJECTION (kW)	STABILIZATION	MISSION DURATION	DATA		POWER MODULE QTY	PAYLOAD DOCKING MODULE (U)	PAYLOAD DOCKING MODULE (P)	PALLETS	WORKSHOP	MANNED HABITAT	EXTERNAL TANK (MODIF)	PLATFORM	REMOTE MANIPULATORS (ON PLATFORM)	TANK FARM	TELEOPERATOR	PAYLOAD STABILIZATION KIT	THERMAL CONTROL MODULE	
						ANALOG (MHz)	DIGITAL (MBPS)														
90° ORBIT																					
1985-1987	A	25	10	±0.5°	365	8	10	1	X	-	X	-	-	-	-	-	-	-	-	-	-
1988-1990	A	100	40	±0.5°	365	40	35	1	-	X	X	X	X	-	-	-	-	-	-	-	TBD
GEO ORBIT																					
1986	A	60	TBD	±0.5°	365	12	5	1	-	-	-	-	-	-	-	-	-	-	-	X	TBD
1987-1988	B	50	TBD	±0.5°	365	NR*	NR*	1	-	-	-	-	-	-	-	-	-	-	-	X	TBD
	A	60	TBD	±0.5°	365	12	5	1	-	-	-	-	-	-	-	-	-	-	-	X	TBD
1989	B	50	TBD	±0.5°	365	NR*	NR*	1	-	-	-	-	-	-	-	-	-	-	-	X	TBD
	A	60	TBD	±0.5°	365	12	5	1	-	-	-	-	-	-	-	-	-	-	-	X	TBD
	C	210	TBD	±0.5°	365	NR*	NR*	1	-	-	-	-	-	-	-	-	-	-	-	X	TBD
1990	B	50	TBD	±0.5°	365	NR*	NR*	1	-	-	-	-	-	-	-	-	-	-	-	X	TBD
	A	60	TBD	±0.5°	365	12	5	1	-	-	-	-	-	-	-	-	-	-	-	X	TBD
	D	100	TBD	±0.5°	365	37	25	1	-	X	-	X	X	-	X	X	-	X	X	X	TBD
	C	210	TBD	±0.5°	365	NR*	NR*	1	-	-	-	-	-	-	-	-	-	-	-	X	TBD

NR - NOT REQUIRED; *USES PAYLOAD CHANNELS

GROWTH SYSTEM CAPABILITIES ANALYSIS
28.5° ORBIT

- The analyses data shown is centered around Program Scenario I (Nominal -- No SKYLAB), 1983-1991. It covers PM and support elements for which payload development and testing originates in preparation for launch and GEO operations. The element requirements are used for system and subsystem designs and trade analysis to derive the evolutionary growth options.
- Each configuration change, i. e., PM size or other, is represented by a letter and dash number designation as an aid in following the activities from the scenario.



GROWTH SYSTEM CAPABILITIES ANALYSIS

28.5° ORBIT

COMPOSITE (DESIRED)	POWER MODULE							SUPPORT ELEMENTS												
	PM DESIGNATION	POWER (kW)	HEAT REJECTION (kW)	STABILIZATION	MISSION DURATION	DATA		POWER MODULE QTY	PAYLOAD DOCKING MODULE (U)	PAYLOAD DOCKING MODULE (P)	PALLETS	WORKSHOP	MANNED HABITAT	EXTERNAL TANK (MODIF)	PLATFORM	REMOTE MANIPULATORS (ON PLATFORM)	TANK FARM	TELEOPERATOR	PAYLOAD STABILIZATION KIT	THERMAL CONTROL MODULE
						ANALOG (MHz)	DIGITAL (MBPS)													
1983-1987	A	25	TBD	±0.5°	365	4	0.01	1	X	-	X	-	-	-	-	-	-	-	X	TBD
	B	50	TBD	±0.5°	365	20	0.52	1	-	X	-	X	X	X	X	X	-	X	X	TBD
1988-1989	A	50	TBD	±0.5°	365	12	0.013	1	-	X	-	X	X	-	X	-	-	-	X	TBD
	B	100	TBD	±0.5°	365	28	0.52	1	-	X	-	X	X	X	X	X	-	-	X	TBD
SCENARIO I (NOMINAL - NO SKYLAB) NOMINAL SYSTEM CAPABILITIES																				
1986-1987	A-1	25	TBD	±0.5°	365	12	0.015	1	-	X	X	-	-	X	X	-	-	X	X	-
1988	A-2	50	TBD	±0.5°	365	20	0.017	1	-	X	X	X	X	-	X	X	-	X	X	TBD
1989	A-2	50	TBD	±0.5°	365	20	0.017	1	-	X	X	X	X	X	X	X	-	X	X	TBD
	A-3	50	TBD	±0.5°	365	12	0.013	1	-	X	-	X	X	-	-	-	-	-	X	TBD

- This page has been intentionally left blank.



GROWTH SYSTEM CAPABILITIES ANALYSIS (CONT'D)

28.5° ORBIT

COMPOSITE (DESIRED)	POWER MODULE							SUPPORT ELEMENTS													
	PM DESIGNATION	POWER (kW)	HEAT REJECTION (kW)	STABILIZATION	MISSION DURATION	DATA		POWER MODULE QTY	PAYLOAD DOCKING MODULE (U)	PAYLOAD DOCKING MODULE (P)	PALLETS	WORKSHOP	MANNED HABITAT	EXTERNAL TANK (MODIF)	PLATFORM	REMOTE MANIPULATORS (ON PLATFORM)	TANK FARM	TELEOPERATOR	PAYLOAD STABILIZATION KIT	THERMAL CONTROL MODULE	
						ANALOG (MHz)	DIGITAL (Mbps)														
1990	A	50	TBD	±0.5°	365	12	0.013	1	-	X	-	X	X	-	X	-	-	-	X	TBD	
	B	150	TBD	±0.5°	365	28	0.031	1	-	X	-	X	X	X	X	X	X	X	X	TBD	
	C	100	TBD	±0.5°	365	8	0.011	1	-	X	-	X	-	-	X	-	-	-	X	TBD	
SCENARIO I (NOMINAL - NO SKYLAB) NOMINAL SYSTEM CAPABILITIES																					
1990	A-4	100	TBD	±0.5°	365	20	0.017	1	-	X	X	X	X	X	X	X	-	X	X	TBD	
	A-3	50	TBD	±0.5°	365	12	0.013	1	-	X	-	X	X	-	-	-	-	-	X	TBD	
1991	A-4	100	TBD	±0.5°	365	20	0.017	1	-	X	X	X	X	-	X	-	-	X	X	TBD	
	A-3	50	TBD	±0.5°	365	12	0.013	1	-	X	-	X	X	-	-	-	-	-	X	TBD	
	A-5	100	TBD	±0.5°	365	8	0.011	1	-	X	-	X	-	-	-	-	-	-	X	TBD	

GROWTH SYSTEM CAPABILITIES ANALYSIS

57° ORBIT

The analysis points to the availability of higher power (greater than 25 kW) for key disciplines in 1986 and introduction of manned habitation in 1989. The element requirements are used for system and subsystem designs and trade analysis to derive the evolutionary growth options.



GROWTH SYSTEM CAPABILITIES ANALYSIS

57° ORBIT

COMPOSITE (DESIRED)	POWER MODULE							SUPPORT ELEMENTS													
	PM DESIGNATION	POWER (kW)	HEAT REJECTION (kW)	STABILIZATION	MISSION DURATION	DATA		POWER MODULE QTY	PAYLOAD DOCKING MODULE (U)	PAYLOAD DOCKING MODULE (P)	PALLETS	WORKSHOP	MANNED HABITAT	EXTERNAL TANK (MODIF)	PLATFORM	REMOTE MANIPULATORS (ON PLATFORM)	TANK FARM	TELEOPERATOR	PAYLOAD STABILIZATION KIT	THERMAL CONTROL MODULE	
						ANALOG (MHz)	DIGITAL (Mbps)														
1983-1985	A	25	9	±0.5°	365	22	25	1	X	-	X	-	-	-	-	-	-	-	-	-	TBD
1986-1990	A	50	18	±0.5°	365	36	25	1	-	X	X	X	X	-	-	-	-	-	-	-	TBD
SCENARIO I (NOMINAL - NO SKYLAB) NOMINAL SYSTEM CAPABILITIES																					
1983-1985	B-1	25	10	±0.5°	365	12	20	1	X	-	X	-	-	-	-	-	-	-	-	-	-
1986-1988	B-2	50	19	±0.5°	365	20	20	1	-	X	X	X	-	-	-	-	-	-	-	-	TBD
1989-1991	B-3	50	19	±0.5°	365	24	20	1	-	X	X	X	X	-	-	-	-	-	-	-	TBD

GROWTH SYSTEM CAPABILITIES ANALYSIS
POLAR ORBIT

- This analysis reflects considerable delay (1988) in Power Module utilization. However, utilization appears to be early enough to study the scientific phenomena associated with the approaching solar cycle of 1990-91.



GROWTH SYSTEM CAPABILITIES ANALYSIS

POLAR ORBIT

COMPOSITE (DESIRED)	POWER MODULE							SUPPORT ELEMENTS												
	PM DESIGNATION	POWER (kW)	HEAT REJECTION (kW)	STABILIZATION	MISSION DURATION	DATA		POWER MODULE QTY	PAYLOAD DOCKING MODULE (U)	PAYLOAD DOCKING MODULE (P)	PALLETS	WORKSHOP	MANNED HABITAT	EXTERNAL TANK (MODIF)	PLATFORM	REMOTE MANIPULATORS (ON PLATFORM)	TANK FARM	TELEOPERATOR	PAYLOAD STABILIZATION KIT	THERMAL CONTROL MODULE
						ANALOG (MHz)	DIGITAL (Mbps)													
1985-1987	A	25	10	±0.5°	365	8	10	1	X	-	X	-	-	-	-	-	-	-	-	-
1988-1990	A	100	40	±0.5°	365	40	35	1	-	X	X	X	X	-	-	-	-	-	-	TBD
SCENARIO I (NOMINAL - NO SKYLAB) NOMINAL SYSTEM CAPABILITIES																				
1988-1989	C-1	25	10	±0.5°	365	20	23	1	X	-	X	-	-	-	-	-	-	-	-	-
1990-1991	C-2	25	10	±0.5°	365	24	23	1	-	X	X	X	-	-	-	-	-	-	-	-

GROWTH SYSTEM CAPABILITIES ANALYSIS
GEO ORBIT

- With the demand for 25-40 kW by Public Services in 1987, time sharing of power will be required among all payloads. This orbit uses a 25 kW PM derivative which incorporates advanced technology.



GROWTH SYSTEM CAPABILITIES ANALYSIS

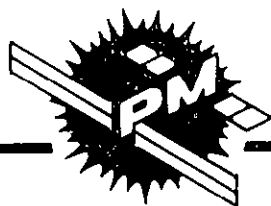
GEO ORBIT

COMPOSITE (DESIRED)	POWER MODULE							SUPPORT ELEMENTS												
	PM DESIGNATION	POWER (kW)	HEAT REJECTION (kW)	STABILIZATION	MISSION DURATION	DATA		POWER MODULE QTY	PAYLOAD DOCKING MODULE (U)	PAYLOAD DOCKING MODULE (P)	PALLETS	WORKSHOP	MANNED HABITAT	EXTERNAL TANK (MODIF)	PLATFORM	REMOTE MANIPULATORS (ON PLATFORM)	TANK FARM	TELEOPERATOR	PAYLOAD STABILIZATION KIT	THERMAL CONTROL MODULE
						ANALOG (MHz)	DIGITAL (Mbps)													
1986	A	60	TBD	±0.5°	365	12	5	1	-	-	-	-	-	-	X	-	-	X	X	TBD
1987-1988	B	50	TBD	±0.5°	365	NR*	NR*	1	-	-	-	-	-	-	-	-	-	-	X	TBD
	A	60	TBD	±0.5°	365	12	5	1	-	-	-	-	-	-	X	-	-	X	X	TBD
1989	B	50	TBD	±0.5°	365	NR*	NR*	1	-	-	-	-	-	-	-	-	-	-	X	TBD
	A	60	TBD	±0.5°	365	12	5	1	-	-	-	-	-	-	X	-	-	X	X	TBD
	C	210	TBD	±0.5°	365	NR*	NR*	1	-	-	-	-	-	-	-	-	-	-	X	TBD
1990	B	50	TBD	±0.5°	365	NR*	NR*	1	-	-	-	-	-	-	-	-	-	-	X	TBD
	A	60	TBD	±0.5°	365	12	5	1	-	-	-	-	-	-	X	-	-	X	X	TBD
	D	100	TBD	±0.5°	365	37	25	1	-	X	-	X	-	-	X	X	-	X	X	TBD
	C	210	TBD	±0.5°	365	NR*	NR*	1	-	-	-	-	-	-	-	-	-	-	X	TBD
SCENARIO I (NOMINAL)	NOMINAL SYSTEM CAPABILITIES																			
1987-1990	D-1	60	8	±0.5°	365	12	5	1	-	-	-	-	-	-	X	-	-	X	X	TBD

NR - NOT REQUIRED
 *USES PAYLOAD CHANNELS

2.2 SYSTEM REQUIREMENTS

- Power Module system requirements are specified by NASA in three documents as follows:
 - Project Requirements
 - 25 kW Power Module Project Requirements NASA,
MSFC, March 1978
 - Design Requirements
 - Power Module System Design Requirements Document
NASA, MSFC-SPEC-582 Rev. A, May 1, 1978
 - Interface Requirements
 - 25 kW Power Module — Shuttle/Payloads
Interface Requirements/Definition Document
NASA, MSFC — October 11, 1977
- Power Module System Requirements taken from these documents are summarized in the next two charts.



SYSTEM INTERFACE/OPERATIONS REQUIREMENTS SUMMARY

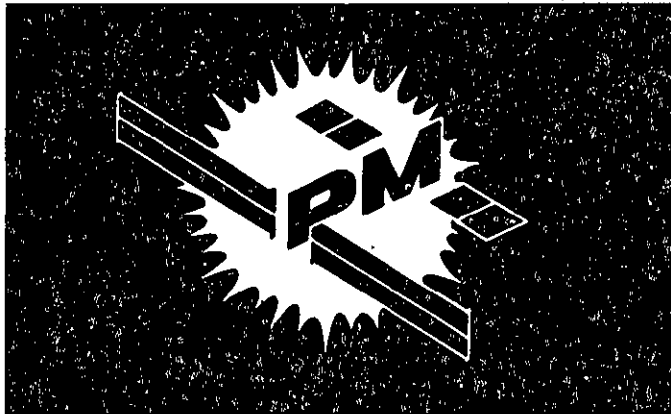
	ITEM	REQUIREMENT
OPERATIONS	LIFE	5-YR, 50 PERCENT DUTY CYCLE
	IOC	DEMONSTRATE CAPABILITY FOR INITIAL FLIGHT
	FLIGHT MODES (3)	ORBITER/PAYLOAD SORTIE SUPPORT; FREE-FLYER SUPPORT; PM ORBIT STORAGE
	RENDEZVOUS/ BERTHING	<ul style="list-style-type: none"> • CREW SUPPORT • OPERATE RMS; PERFORM MAINTENANCE, INSPECTION, EQUIPMENT CHANGE, AND UMBILICAL HOOK-UPS • ACTIVATE, ENABLE, MONITOR STATUS, CHECKOUT PM SYSTEMS
INTERFACES	ORBITER	COMPATIBLE WITH ORBITER PHYSICAL CONSTRAINTS (INCLUDING STA 660 LIMITATION)
	THERMAL	ORBITER PAYLOAD-FREE FLYING PAYLOAD VIA FLUID INTERFACE
	ELECTRICAL	<ul style="list-style-type: none"> • ORBITER BUS COMPATIBLE: ORBITER-CONTROLLED, ORBITER AND POWER MODULE NOT PARALLELED ON SAME ORBITER BUS • FAIL-SAFE AGAINST BUS OVER-LOAD; SINGLE POINT GROUND
	COMMUNICATION & DATA HANDLING	<ul style="list-style-type: none"> • HARDWIRE BETWEEN PM AND ORBITER-BERTHED CONFIGURATION • SEPARATE FROM POWER CABLES • TDRS
	UMBILICAL MATING	<ul style="list-style-type: none"> • AUTOMATED, EVA, OR RMS
	GROUND OPERATIONS	<ul style="list-style-type: none"> • KENNEDY SPACE CENTER SPACE TRANSPORTATION SYSTEM • GSE

- This page has been intentionally left blank.



PERFORMANCE/DESIGN REQUIREMENTS SUMMARY

ITEM	REQUIREMENT
ON-ORBIT REPAIR/MAINTENANCE	EVA IN BERTHED MODE
EVA	DOCKED TO ORBITER FOR PM REPAIR/MAINTENANCE
POWER (25 kW)	ORBITER/PAYLOAD: SORTIE ORBITER BUS, 14 kW; PAYLOAD BUS, 11 kW; FREE FLYER PAYLOAD BUS, 25 kW
SOLAR ARRAY	1-DEG GIMBAL FREEDOM: FULL/PARTIAL EXTENSION/RETRACTION
CONTROL MOMENT GYROS (CMGs)	<ul style="list-style-type: none"> • STABILIZATION TO ORBITER/PAYLOAD IN SORTIE MODE: PM STABILIZATION FOR BERTHING • ATTITUDE CONTROL FOR PAYLOAD IN FREE-FLYER MODE • CMG DESATURATION
COMMUNICATION	TDRS /ORBITER COMPATIBLE
THERMAL REJECTION	ALL POWER MODULE HEAT AND UP TO 40 PERCENT OF PAYLOAD HEAT
POWER MODULE STATUS	COMMAND AND CONTROL STATUS: (1) TO ORBITER FOR RENDEZVOUS, (2) TO ORBITER WHEN DOCKED IN SORTIE MODE, AND (3) TO GROUND IN FREE-FLYER MODE
REFURBISHMENT	ON-ORBIT RECOVERY, RETURN TO EARTH FOR GROUND REFURBISHMENT, AND RELAUNCH
ORBIT ALTITUDE MAINTENANCE	ORBITER REBOOST FOR DRAG MAKE-UP
DEPLOYMENT, BERTHING, AND RECOVERY OPERATIONS	ORBITER REMOTE MANIPULATOR SYSTEM: STABILIZE POWER MODULE: RETRACT SOLAR ARRAYS AND RADIATORS
SAFETY	FAIL-SAFE DESIGN
TRANSPORTATION (GROUND) STORAGE	GOVERNMENT, CONTRACTOR, AND COMMERCIAL CARRIERS CONTROLLED ENVIRONMENT, EXTENDED PERIODS



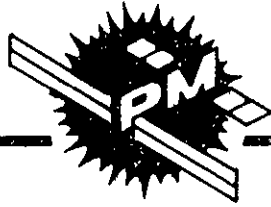
SECTION 3 RECOMMENDED POWER MODULE EVOLUTION

- 3.1 SYSTEM DESCRIPTION
- 3.2 PM GROWTH OPTIONS
- 3.3 PM RECOMMENDED GROWTH STEPS
- 3.4 GEO DERIVATIVE CONFIGURATIONS

3.1 SYSTEM DESCRIPTION

POWER MODULE EVOLUTIONARY SYSTEM

- The Power Module Evolutionary System consists of four basic elements: the Power Module programs, the STS services element, the payloads to be supported, and the support elements as required for various payload users. Of these four elements, the most significant one from the growth aspect is the Power Module program. The Power Module contains the hardware and services as described in the Work Breakdown Structure definition contained in Volume 6 of this Part III Final Report.
- The STS services element, including ground and flight operations and logistics, is well documented and described in the NASA 07700 series of documents issued by Johnson Space Center, references 1, 2, 3, 4, 5, 6, 7. Launch services, including facilities and operations, is described in the KSC Launch Site Accommodations Handbook for STS payload, reference 8. Support elements are described in specific documentation relating to each element. Payload descriptions will be provided in payload description documents (TBD). General capabilities of payload disciplines are given in the 25 kW Final Report Part 1 Payload Requirements and Growth Scenarios, 1 August 1978. (LMSC report number D-614921 A).
- The evolutionary approach begins with the 25 kW Power Module Program to support initial program requirements at minimum funding early in the scenario. As user needs build up, a 50 kW Power Module Program is implemented to augment on-orbit user support while retaining the initial 25 kW capability. Later in the scenario a 100 kW Power Module capability is implemented as a program, adding to previously established on-orbit support capabilities for 25 and 50 kW.
- The Power Module spacecraft are launched and deployed by the Space Transportation System Orbiter vehicle with support by the Johnson and Kennedy Space Centers for mission control and launch support respectively.



POWER MODULE EVOLUTIONARY SYSTEM

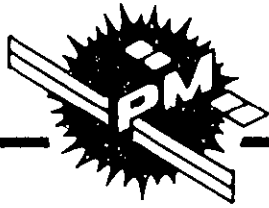
LMSC-D614944-1

- POWER MODULE PROGRAMS
 - 25 kW PROGRAM
 - 50 kW PROGRAM
 - 100 kW PROGRAM
- STS SERVICES
 - ORBITER (DEPLOY, REVISIT, RETRIEVE)
 - JSC (MISSION CONTROL)
 - KSC (LAUNCH, LOGISTICS SUPPORT)
- PAYLOADS (SHARED WHEN COMPATIBLE)
 - MATERIAL PROCESSING (MPS)
 - SOLAR TERRESTRIAL OBSERVATION (STO)
 - PUBLIC SERVICE (PS)
 - SPACE SCIENCE (SS)
 - EARTH OBSERVATION (EO)
 - OTHERS
- SUPPORT ELEMENTS (AS REQUIRED BY USER)
 - DOCKING MODULE
 - PRESSURIZED MODULE (WORKSHOP)
 - MANNED HABITAT
 - SKYLAB
 - TRS
 - PALLETS

3.1.1 Power Module System Operation

POWER MODULE SYSTEM OPERATIONS – MISSION PHASES

- The scope of the Power Module System Operations is shown on the next two charts. Seven different flight operating modes are depicted indicating the major flight performance functions and operating interfaces. Operational elements of the Space Transportation System, communications links with the TDRS network, and Orbiter, Power Module, and payload ground control centers will be required to support these mission phases as shown. During those flights when the Orbiter is involved (PM placement and verification; Orbiter sortie, PM maintenance/growth and PM recovery), primary mission control is under Shuttle authority. Communications and command control shall be exercised by the Shuttle Mission Control Center (MCC) at the Johnson Space Center. For PM ground control it is assumed that a Power Module Operations Control Center (PMOCC) will be operating and supportive to MCC. A Payload Operations Control Center (POCC) may be supporting MCC depending on the complement of the flight payloads.
- When the PM is operating in the free-flyer orbit storage (inactive) mode, it is assumed that command and control functions will be directed through a PMOCC. General status and flight performance/planning data for the PM will be furnished to Shuttle MCC and the Goddard Space Flight Center POCC as required.
- In the active free-flyer mode, the PM provides support to attached payloads. For this case it is assumed that direct PM operations are controlled by the PMOCC. Control of attached payloads will be the responsibility of the POCC working through the PMOCC.



25kW POWER MODULE SYSTEM OPERATIONS—MISSION PHASES

LMSC-D614944-1

PLACEMENT AND PM VERIFICATION

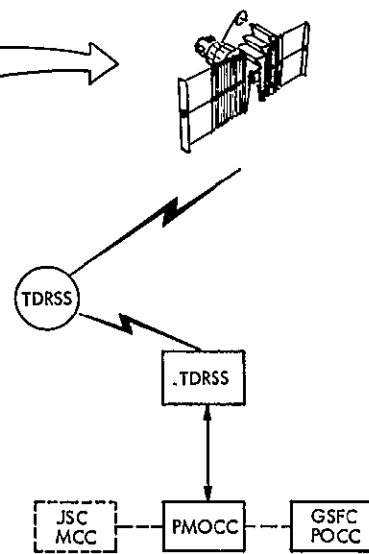
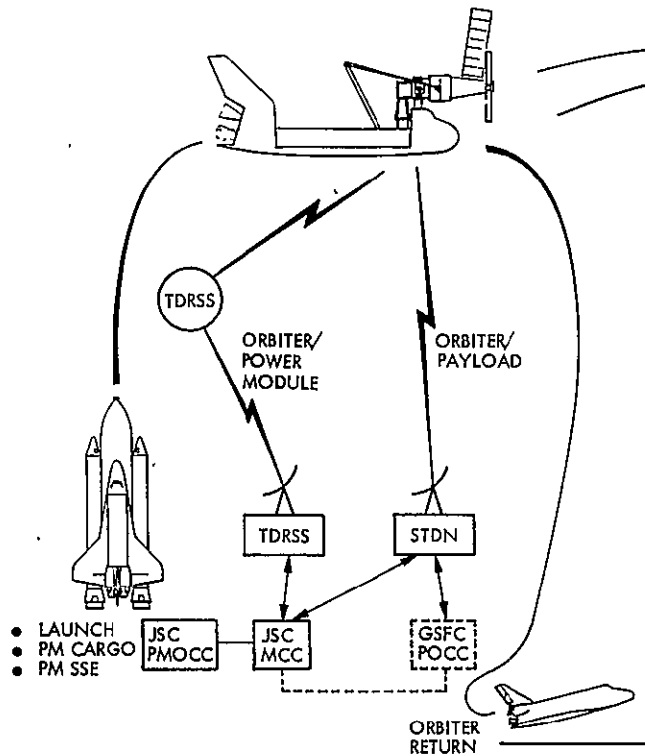
- DEPLOY
- BERTH
- CHECKOUT
- RELEASE
- PM STATUS AND CONTROL

FREE FLYER STANDBY ORBIT STORAGE

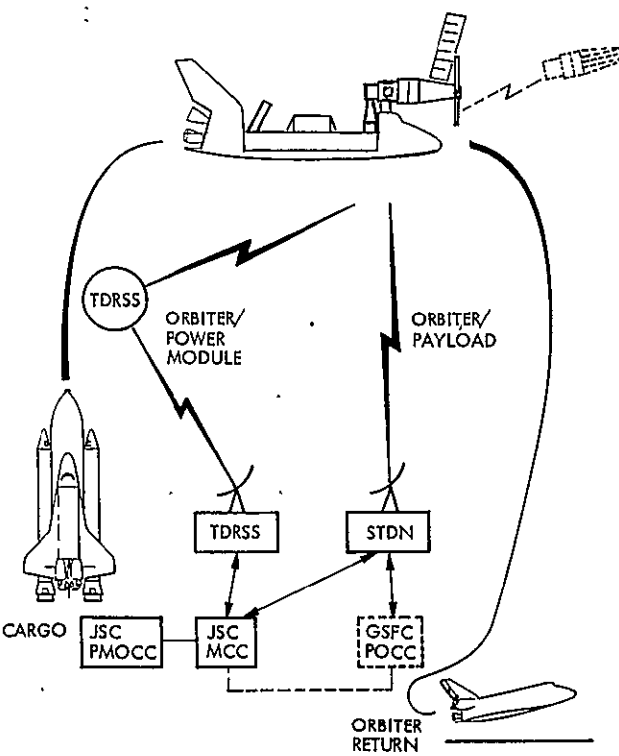
- POWER DOWN (HOUSEKEEPING)
- S/A RETRACT (PARTIAL)
- RADIATORS RETRACT (PARTIAL)
- PM STATUS AND CONTROL

ORBITER SORTIE SUPPORT

- RENDEZVOUS
- BERTH
- ORBITER SUPPORT (ACS, POWER, THERMAL)
- P/L ATTACH/REMOVAL



- LAUNCH
- PAYLOAD CARGO
- PM SSE



POWER MODULE SYSTEM OPERATIONS-MISSION PHASES

- Sortie Mode Support

Where the payloads remain in the Orbiter bay, payload tending and support in the sortie mode has long-term, almost-continuous operational implications i.e., early planning, preflight, flight and post flight with the orbiter. It is necessary that the payloads be compatible with the Orbiter berthing with the PM. Direct real-time support will be maintained by the POCC.

- Delivery/Revisit

During this mode of Orbiter flight rapid on-orbit service of payloads delivered to free-flyers or changeout of experiments or products are essential. It is necessary that the payloads be compatible with the Orbiter and Orbiter berthing with the PM.

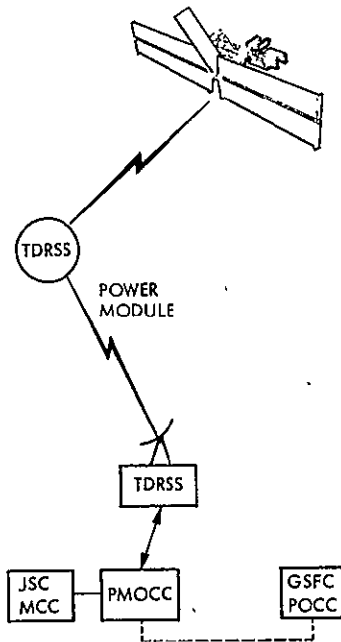


25kW POWER MODULE SYSTEM OPERATIONS—MISSION PHASES

LMSC-D614944-1

FREE FLYER PAYLOAD SUPPORT

- ATTITUDE CONTROL
- POWER
- THERMAL
- PAYLOAD DATA THROUGHPUT
- PM STATUS & CONTROL



ON ORBIT MAINTENANCE

- RENDEZVOUS
- BERTH
- EVA ORU CHANGEOUT
- CHECKOUT
- PM STATUS & CONTROL

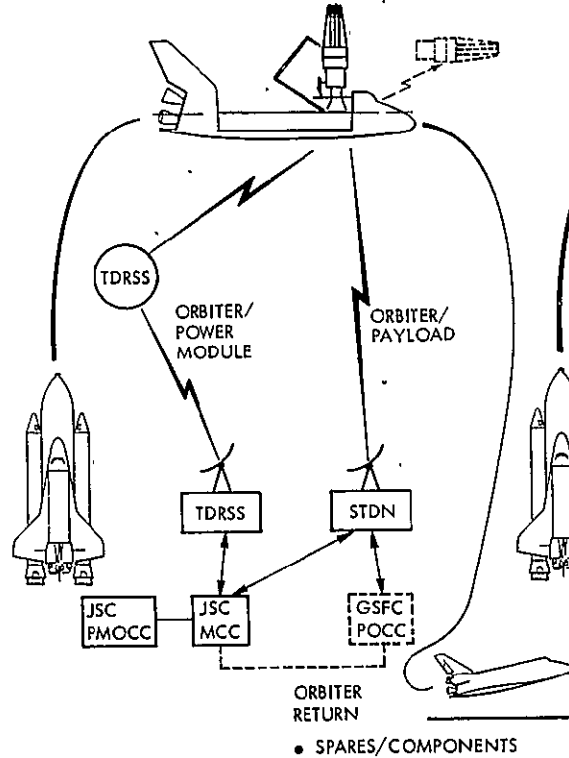
ON ORBIT GROWTH

- RENDEZVOUS
- BERTH
- EVA ORU CHANGEOUT
- CHECKOUT
- PM STATUS & CONTROL

PM RECOVERY RETURN

- RENDEZVOUS
- RECOVER
- STOW/SECURE IN CARGO BAY

- LAUNCH
- PM SPARES/GROWTH KIT
- PM SSE



ORBITER RETURN

- SPARES/COMPONENTS

- LAUNCH
- PM SSE

JSC PMOCC

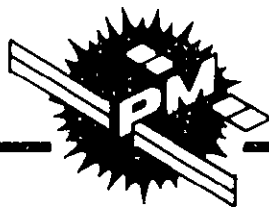
JSC MCC

GSFC POCC

- POWER MODULE
- PM SSE

ORBITER FLIGHT UTILIZATION ANALYSIS

- There are two key systems required in the conduct of on-orbit space power operations—class Orbiter and PM.
- Each system will require long-range, near-term, and on-line mission flight planning. The next three charts delineate the Orbiter utilization based on Scenario I (1983-1991) in 3 orbits (28.5^o, 57^o and Polar). All mission planning for the Orbiter-PM must include flight utilization analyses similar to these presented here.
- Assuming two types of Orbiter missions (sorties and delivery/revisit), the analysis indicates a modest schedule frequency. The Orbiter utilization rate (synonymous with PM hookups/berthings) ranges from 9 to 29 flights/year. This number is within the STS model capability of 60 flights/year. The utilization rate stated above is not NASA approved and no attempt was made to redesignate or modify numbers of planned flights/year appearing in the model.



ORBITER FLIGHT UTILIZATION ANALYSIS

ORIGINAL FILE OF POOR QUALITY

SCENARIO 1 28.5° ORBIT

LMSC-D614944-1

	DAYS				DAYS				DAYS				DAYS				DAYS				DAYS				DAYS											
	91	91	91	91	91	91	91	91	91	91	91	91	91	91	91	91	91	91	91	91	91	91	91	91	91	91	91	91	91	91	91	91				
CB																																				
SORTIE FLIGHT (7-DAYS)									X		X		X		X		X		X						X		X		X		X					
DELIVERY/REVISIT FLIGHT (7-DAYS)									X		X	X	X		X	X	X		X	X					X		X		X		X	X	X		X	X
MISSION DURATION													30-180																							
SS																																				
SORTIE FLIGHT (7-14 DAYS)											X	X			X				X	X					X		X						X		X	
DELIVERY/REVISIT FLIGHT (7 DAY)									X		X	X			X		X		X						X		X						X		X	
MISSION DURATION									30 - 90 DAYS								2 - 5 YRS																			
MPS																																				
SORTIE FLIGHT (7 DAY)																			X	X	X		X	X	X		X	X	X		X	X				
DELIVERY/REVISIT FLIGHT (7 DAY)																			X	X	X	X	X	X	X	X	X	X	X	X	X	X				
MISSION DURATION (DAYS)																	280				280				280											
LS																																				
SORTIE FLIGHT (7 DAY)											X		X		X				X		X	X	X		X		X		X		X		X		X	
DELIVERY/REVISIT FLIGHT (7 DAY)									X		X	X	X		X		X		X	X	X	X	X	X	X		X		X	X	X	X	X		X	
MISSION DURATION																	60 - 90																			
POWER MODULE CAPABILITY (KW)																																				
									25				50				50				100															
POTENTIALLY SHARED SORTIE FLT TOTALS/YR Δ									1	0	1	1	1	0	1	0	1	0	0	1	1	0	1	2	1	2	1	0	1	1	1	1				
POTENTIALLY SHARED D/R FLT TOTALS/YR Δ									2	1	1	2	2	0	1	1	2	1	0	1	2	2	2	2	3	1	1	3	3	1	3	1				

= \approx 91 DAY SPAN YEAR NO. OF HOOKUPS/YR

= 1 FLIGHT

= 1 FLT IN MPS ONLY

Δ ASSUMES PAYLOAD FLIGHT SHARING

- This page intentionally left blank



ORBITER FLIGHT UTILIZATION ANALYSIS (CONT'D)

SCENARIO 1 57% ORBIT

LMSC-D614944-1

	DAYS		DAYS		DAYS		DAYS		DAYS		DAYS		DAYS		DAYS		DAYS																			
	91	91	91	91	91	91	91	91	91	91	91	91	91	91	91	91	91	91	91																	
STO SORTIE FLIGHT (14-30 DAY)	X		X	X		X	X		X	X	X	X		X	X	X	X		X	X		X	X		X	X										
STO DELIVERY/REVISIT FLIGHT (7-14 DAYS)	X		X	X		X		X	X	X		X	X	X	X		X		X		X	X		X	X											
MISSION DURATION	← 1-3 YRS →										← 3-5 YRS →																									
MPS SORTIE FLIGHT (7 DAY)	X		X	X	X	X		X	X		X	X		X	X		X	X		X	X	X		X	X	X										
MPS DELIVERY/REVISIT FLIGHT (7 DAYS)	X	X	X	X	X	X	X	X	X	X	X	X	X	X	X	X	X	X	X	X	X	X	X	X	X	X	X									
MISSION DURATION (DAYS)	280				280				280				280				280				280															
S/S SORTIE FLIGHT (7-14 DAY)	X		X	X		X	X		X	X		X	X		X	X		X	X		X	X		X	X											
S/S DELIVERY/REVISIT FLIGHT (7 DAY)		X		X		X		X		X		X		X		X		X		X		X		X		X										
MISSION DURATION	← 30-90 DAYS →										← 2-5 YRS →																									
POWER MODULE CAPABILITY (KW)	25										50																									
POTENTIALLY SHARED SORTIE FLT TOTALS/YR Δ	1	0	0	1	1	1	1	1	2	0	2	2	2	2	1	1	1	1	2	0	1	1	1	1	1	0	1	1	1	1	1	0	1			
POTENTIALLY SHARED D/R FLT TOTALS/YR Δ	2	2	2	1	1	1	3	3	1	2	1	2	1	3	1	3	2	1	1	2	1	3	1	2	1	1	2	2	3	1	0	3	1	3	3	0
	YEAR	83		84		85		86		87		88		89		90		91																		
	NO. OF HOOKUPS/YR	9		12		12		14		10		11		9		10		10																		
	\square = 1 FLT IN MPS ONLY	Δ ASSUMES PAYLOAD FLIGHT SHARING																																		

ORIGINAL PAGE IS OF POOR QUALITY

- This page intentionally left blank



ORBITER FLIGHT UTILIZATION ANALYSIS (CONT'D)

SCENARIO 1 POLAR ORBIT

LMSC-D614944-1

	DAYS				DAYS				DAYS				DAYS				DAYS				DAYS															
	91	91	91	91	91	91	91	91	91	91	91	91	91	91	91	91	91	91	91	91	91	91	91	91	91	91	91	91								
STO SORTIE FLIGHT (14-30 DAY)													X				X	X			X				X				X	X			X			
STO DELIVERY/REVISIT FLIGHT													X		X			X	X		X					X			X		X		X			
MISSION DURATION	← 1 - 3 YRS →																																			
SS SORTIE FLIGHT (7 DAY)													X		X			X			X					X				X						
SS DELIVERY/REVISIT FLIGHT													X		X			X			X					X				X						
MISSION DURATION	← 30 - 90 DAYS →														← 2-5 YRS →																					
EO SORTIE FLIGHT (7-14 DAY)													X		X			X	X	X						X				X						
EO DELIVERY/REVISIT FLIGHT (7 DAY)													X					X				X				X				X						
MISSION DURATION	← 3 - 5 YRS →																																			
POWER MODULE CAPABILITY (KW)	25																																			
POTENTIALLY SHARED SORTIE FLT TOTALS/YR Δ													1	1	0	1	1	1	1	2	1	1	0	1	1	2	1	0								
POTENTIALLY SHARED D/R FLT TOTALS/YR Δ													1	1	1	1	0	2	1	0	1	1	0	2	1	1	0	1								
YEAR	83				84				85				86				87				88				89				90				91			
NO. OF HOOKUPS/YR																																				

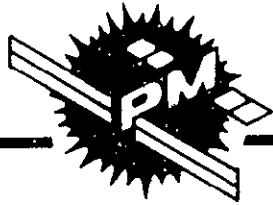
ORIGINAL TABLE IS OF POOR QUALITY

Δ ASSUMES PAYLOAD FLIGHT SHARING

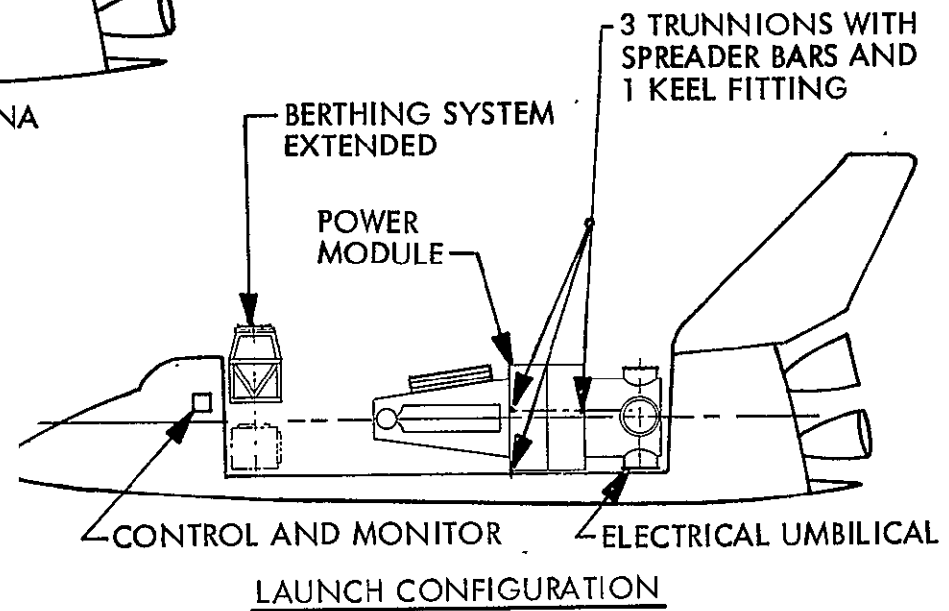
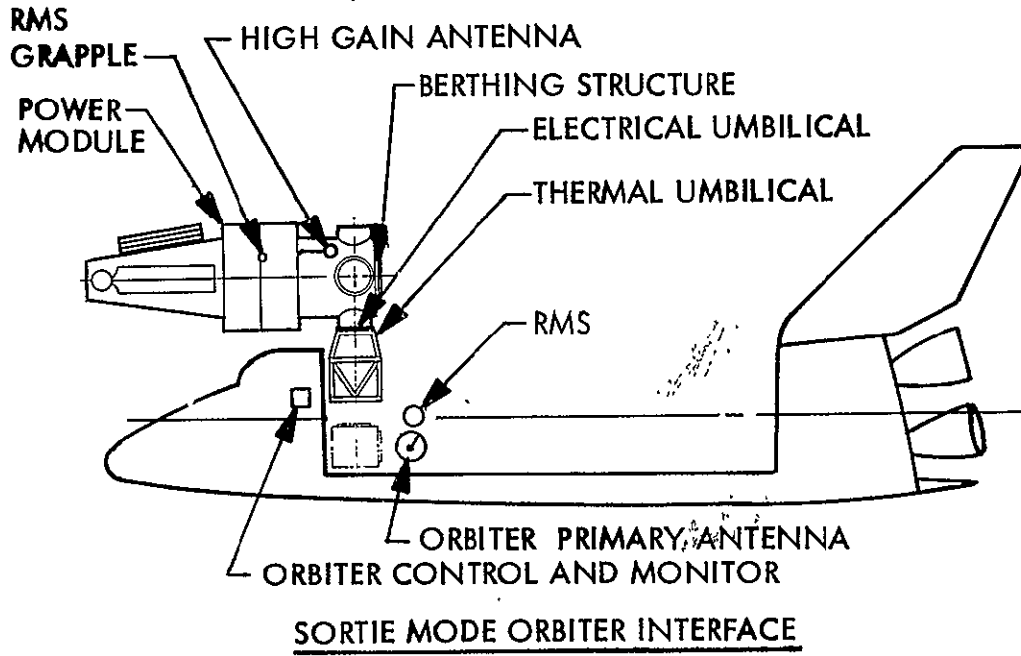
3.1.2 Power Module System Interfaces

POWER MODULE INTERFACES

- The Orbiter/Power Module major interfaces are identified in both the launch and sortie mode configurations. The launch interfaces will be identical to those of the Space Telescope in the cargo bay and will be monitored on the Orbiter payload monitor console. The RMS standard end effector and grapple to the PM is also identical to the ST Program.
- In the sortie mode, the communications, power, and thermal fluid loops are direct-coupled to the Orbiter and automated/manual override interface connections.



POWER MODULE INTERFACES

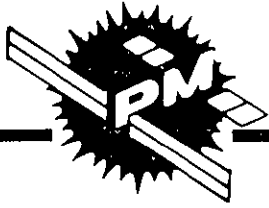


3.1.3 Power Module System Performance

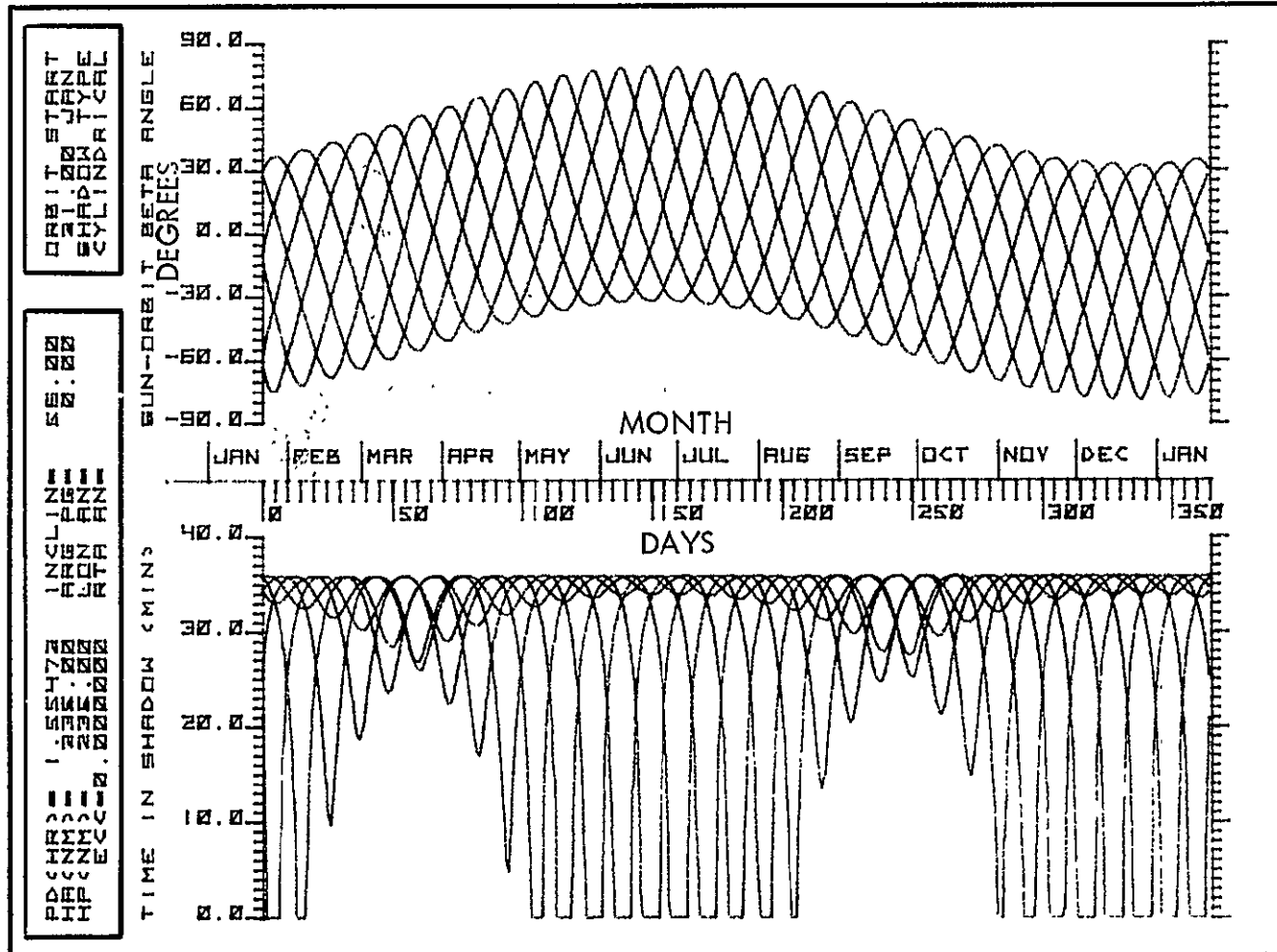
The information presented in this section relates to systems performance of the PM in inertial and earth oriented modes with general applicability to solar, stellar, and low-g missions.

ELECTRICAL PERFORMANCE FOR ORBIT-SUN RELATIONSHIPS

The variation of solar beta angle is a major element affecting performance. The chart shows the variation in beta angle and eclipse time for a year of on-orbit operation. Launch date is taken to be 21 January to a 235 nmi circular orbit at 55° inclination. Six curves are shown, reflecting varying launch hours. It is seen that the beta angle represents the sum of two fluctuations. One of these results from the annual movement of the earth about the sun and, superimposed on it, is a cycle with a period of approximately 67 days due to orbit precession.



ORBIT-SUN RELATIONSHIPS



CAPABILITIES FOR INERTIAL AND ORIENTED MISSIONS

The next two charts (inertial and earth oriented missions) present data on the capability of the Power Module to supply power to an external payload. In a single-degree-of-freedom system in an inertial attitude, this is determined by the angle between the sun and the array axis of rotation (vehicle Y-axis) and the solar beta angle. Data are presented for the system in which the output is restricted to 25 kW and for a potential modification to the power control apparatus to permit the load to receive all of the power generated.

These data take into account Power Module housekeeping requirements, transmission losses, and battery losses, but do not reflect the effects of solar cell temperature or refraction at low angles of incidence nor limitations due to allowable battery depth of discharge.

Electrical Performance For Stellar Observation Missions

System capability in stellar observation missions will depend both on the location of the star being examined and on the solar Beta angle. For analytic convenience, star locations are specified in terms of latitude (angle between the satellite-star line and the orbit plane) and star longitude (angle between the projections of the satellite-sun and satellite-star lines onto the orbit plane),

Power available from the Power Module varies widely over the stellar sphere. Large sky areas can be viewed at full power. In view of the variations through the year of the viewing parameters, it is reasonable to expect that, by appropriate scheduling of observations, any star could be viewed with full power available.



CAPABILITIES FOR INERTIALLY ORIENTED MISSIONS

POWER TO ORBITER/PAYLOAD (kW) – MINIMUM VEHICLE *

OUTPUT RESTRICTED TO 25 kW MAX

SUN – Y AXIS ANGLE (DEG)	BETA ANGLE (DEG)								
	0	10	20	30	40	50	60	70	80
0	0	0	0	0	0	0	0	0	0
10	3	3	3	3	3	3	4	6	6
20	7	7	7	8	8	9	10	15	15
30	12	12	12	12	13	13	15	22	22
40	15	16	16	16	17	18	20	25	25
50	19	19	19	19	20	21	24	25	25
60	21	22	22	22	23	24	25	25	25
70	23	24	24	24	25	25	25	25	25
80	25	25	25	25	25	25	25	25	25
90	25	25	25	25	25	25	25	25	25

OUTPUT NOT RESTRICTED

ANGLE DEG	BETA ANGLE (DEG)								
	0	10	20	30	40	50	60	70	80
0	0	0	0	0	0	0	0	0	0
10	3	3	3	3	3	3	4	6	6
20	7	7	7	8	8	9	10	15	15
30	12	12	12	12	13	13	15	22	22
40	15	16	16	16	17	18	20	29	29
50	19	19	19	19	20	21	24	35	35
60	21	22	22	22	23	24	28	40	40
70	23	24	24	24	25	27	30	43	43
80	25	25	25	26	27	28	32	46	46
90	25	26	26	26	27	29	32	46	46

*FOR PURPOSES OF THE ANALYSIS THE MINIMUM VEHICLE IS ESSENTIALLY EQUIVALENT TO THE MSFC PHASE A BASELINE, AND FURTHER DEFINED IN VOLUME 5 OF THIS PART III FINAL REPORT, PAGE 3-25.

- This page intentionally left blank



CAPABILITIES FOR EARTH ORIENTED MISSIONS

LMSC-D614944-1

POWER TO ORBITER/PAYLOAD (kW) – MINIMUM VEHICLE

XPOP, ZLV $\pm 90^\circ$ ROLL

VIEW ANGLE FROM VERTICAL (DEG)	BETA ANGLE (DEG)				
	0	20	40	60	80
0	12	16	21	25	25
30	14	17	22	25	25
60	16	19	23	25	25
90	16	19	23	25	25

XVV, ZLV $\pm 90^\circ$ PITCH

0	25	24	20	15	6
30	25	24	20	15	6
60	25	24	20	15	6
90	25	24	20	15	6

ZLV, YPSL

0	25	25	25	25	25
---	----	----	----	----	----

XLV, ZPOP

90	12	16	21	25	25
----	----	----	----	----	----

25 kW LIMIT IMPOSED BY POWER CONTROL CIRCUITRY

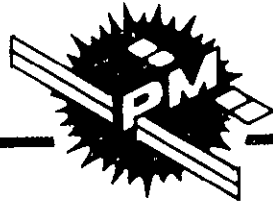
Thermal Subsystem Performance

In both solar and stellar observation missions the thermal system is seen to have adequate capability to reject all of the heat generated. Therefore heat rejection will not limit mission performance while in inertial or earth oriented modes.

HEAT REJECTION PERFORMANCE

THE NEXT 3 CHARTS SHOW HEAT REJECTION PERFORMANCE FOR THE TCS

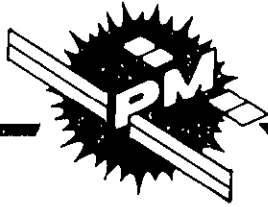
The following three charts show the total orbit average heat rejection capability of the Power Module and the orbiter radiators in inertial and earth-oriented missions. A maximum 21.5 kW heat rejection capability is required by the orbiter and the Power Module for internally generated heat (12.5 kW for the orbiter without fuel cell operation and from 9 kW to 5 kW for the Power Module at low and high beta angles respectively). These host requirements must be subtracted from the listed totals to determine the heat rejection available for payloads.



HEAT REJECTION CAPABILITY INERTIAL POINTING MODES

MODES	CONDITIONS	HEAT REJECTION (kW)	
		PM	PM + ORB
<p><u>XPOP, YPSL</u></p>	<p>ZSI $\beta = 0^\circ$ MXSI $\beta = 70^\circ$</p>	<p>18.7 22.4</p>	<p>42.5 54.1</p>
<p><u>ZPOP, YPSL</u></p>	<p>MXSI, YPOP $\beta = 0^\circ$</p>	<p>22.4</p>	<p>54.1</p>
<p><u>XIOP, ZSL $\pm 30^\circ$ PITCH</u></p>	<p>ZSI $\beta = 0^\circ$, 0 PITCH</p>	<p>18.7</p>	<p>42.5</p>
<p><u>ZSI, XIOP</u></p>	<p>ZSI, YPOP, $\beta = 0^\circ$ YLV, ZPOP (90° ROLL) $\beta = 0^\circ$ ZSI, ZPOP $\beta = 70-90^\circ$</p>	<p>18.7 20.6 16.3</p>	<p>42.5 51.6 34.5</p>

- This page intentionally left blank



CAPABILITIES FOR EARTH ORIENTED SORTIE MISSIONS

TOTAL HEAT REJECTION

(XPOP, ZLV $\pm 90^\circ$ ROLL)

0° ROLL – LOW BETA: 41.5 kW
 0° ROLL – HIGH BETA: 39.1 kW
 90° ROLL – LOW BETA: 37.5 kW
 90° ROLL – HIGH BETA: 34.0 kW

(XVV, ZLV $\pm 90^\circ$ PITCH)

0° PITCH – LOW BETA: 41.5 kW
 0° PITCH – HIGH BETA: 30.9 kW
 90° PITCH – LOW BETA: 51.6 kW
 90° PITCH – HIGH BETA: 51.6 kW

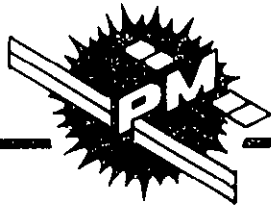
(ZLV, YPSL)

LOW BETA: 41.5 kW
 HIGH BETA: 30.9 kW

XLV, ZPOP

LOW BETA: 50.5 kW
 HIGH BETA: 47.8 kW

This page intentionally left blank.



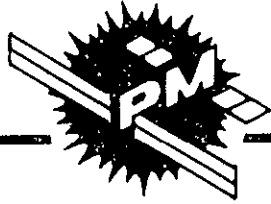
CAPABILITIES FOR EARTH ORIENTED FREE FLYER MISSIONS

TOTAL HEAT REJECTION

<u>XPOP, ZLV $\pm 90^\circ$ ROLL</u>	0° ROLL – LOW BETA:	20.6 kW
	0° ROLL – HIGH BETA:	19.5 kW
	90° ROLL – LOW BETA:	16.6 kW
	90° ROLL – HIGH BETA:	15.9 kW
<u>XVV, ZLV $\pm 90^\circ$ PITCH</u>	0° PITCH – LOW BETA:	20.6 kW
	0° PITCH – HIGH BETA:	15.9 kW
	90° PITCH – LOW BETA:	20.6 kW
	90° PITCH – HIGH BETA:	20.6 kW
<u>ZLV, YPSL</u>	LOW BETA:	20.6 kW
	HIGH BETA:	15.9 kW
<u>XLV, ZPOP</u>	LOW BETA:	16.6 kW
	HIGH BETA:	20.6 kW

THERMAL CONTROL SUBSYSTEM PERFORMANCE CHARACTERISTICS

- The table shows the nominal performance for the Power Module thermal control subsystem. The heat rejection levels correspond to the spacecraft attitudes resulting in a solar incidence angle of 30° on the radiator panels.
- When the panels are edge-lit by the sun, the total heat rejection can be increased 27% which results in an approximate 50% increase in Payload cooling capacity.



THERMAL CONTROL SUBSYSTEM CHARACTERISTICS

LAUNCH DATE	1983	1986	1987	1988/89	1990/91
FLIGHT VEHICLE	FV-1	FV-2	FV-3	FV-4/-5	FV-6
POWER (kW)	25	25	60	50	100
RADIATOR AREA (FT ²)	675	675	675	1,350	1,350
RADIATOR PANELS	10	10	10	20	20
FREON-21 FLOW RATE (LB/HR)	5,000	5,000	5,000	10,000	10,000
HEAT REJECTION CAP. ⁽¹⁾ (kW)	22.1 ±4	22.1 ±4	27.0 ±2	40.8 ±5	48.4 ±6
PM REQUIREMENTS (kW)	9	9	5	18	36
AVAIL. FOR PAYLOADS (kW)	13.1	13.1	22.0	22.8 ⁽²⁾	12.4 ⁽²⁾
WEIGHTS – (LB) ⁽⁴⁾					
RADIATOR PANELS	945	945	945	1,890	1,620 ⁽⁵⁾
P/L HEAT EXCHANGER AND CONTROL	120	120	240	240	120
REMAINING COOLANT LOOP COMPONENTS	949	949	949	989	1,139 ⁽³⁾
TOTAL	2,014	2,014	2,134	3,119	2,879

- NOTES: 1) HEAT REJECTION INCLUDES EFFECTS OF BETA ANGLE, SUN INCIDENT AT 30° AND EARTHSHINE VARIATIONS.
- 2) 10 kW COOLING REQUIRED TO SUPPORT 3-MAN HABITAT MODULE.
- 3) RADIATOR DEPLOYMENT MECHANISM INCLUDES RADIATOR EXTENSION HARDWARE.
- 4) ESTIMATED WEIGHTS, CONTINGENCY VALUES NOT INCLUDED.
- 5) 1990 RADIATOR PANEL TECHNOLOGY WEIGHT REDUCTION FROM 1.4 LB/FT² TO 1.2 LB/FT²

Attitude Control Subsystem Performance

The ability to hold attitude is limited by the ability of the CMGs to absorb the momentum generated in countering gravity gradient torques. These latter may be cyclical, averaging zero over the full orbit, or bias, representing forces tending to rotate the vehicle in a constant direction. These torques depend on the vehicle attitude and its attitude mode (i.e., inertial or earth oriented).

ATTITUDE CONTROL PERFORMANCE

The next four charts relate to earth oriented and inertial modes (both sortie and free flyer) and depict the magnitude of torques, number of CMGs required, and holding times.

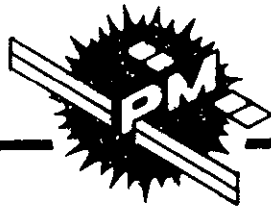


CAPABILITIES FOR EARTH ORIENTED SORTIE MISSIONS

ATTITUDE HOLDING – MINIMUM VEHICLE

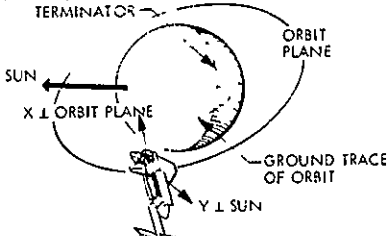
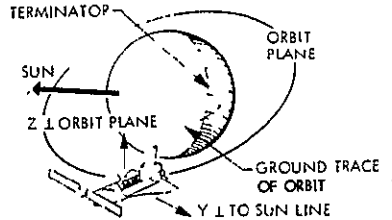
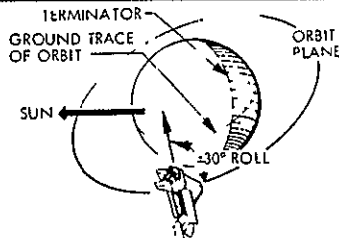
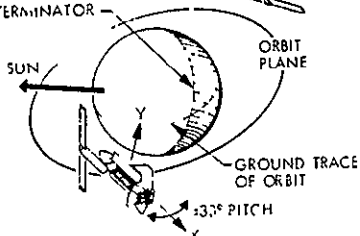
X POP, ZLV $\pm 90^\circ$ ROLL	SMALL BIAS TORQUE ABOUT X AXIS IF ROLLED. TWO ORBITS TO SATURATION AT 45° ROLL (3CMG ACS)
XVV, ZLV $\pm 90^\circ$ PITCH	NO GRAVITY GRADIENT TORQUES AT 0° PITCH OR 90° PITCH. LARGE GRAVITY GRADIENT TORQUES IF PITCHED, FIVE MINUTES TO CMG SATURATION AT 45° PITCH (3 CMG ACS)
ZLV, YPSL	APPARENT LARGE TORQUES – CROSS COUPLING OF YAW AND ROTATION AT ORBITAL RATE
XLV, ZPOP	NO GRAVITY GRADIENT TORQUES

- This page intentionally left blank

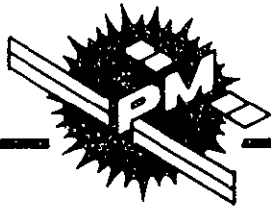


ATTITUDE HOLDING CAPABILITY INERTIAL SORTIE POINTING MODES

LMSC-D614944-1

MODES	CONDITIONS
<p><u>XPOP, YPSL</u></p> 	<p>NO BIAS TORQUES, SMALL CYCLIC TORQUES. 3 CMG'S ADEQUATE FOR LONG TERM HOLDING</p>
<p><u>ZPOP, YPSL</u></p> 	<p>NO BIAS TORQUES, CYCLIC TORQUES LIMIT HOLD TIME TO 8.5 MIN. (3 CMG ACS) 4 CMG ACS ADEQUATE FOR LONG TERM HOLDING</p>
<p><u>XPOP, YPSL ± 30° ROLL</u></p> 	<p>IF NOT PITCHED, 4 CMG ACS ADEQUATE FOR LONG TERM HOLD. 30° PITCH CAUSES BIAS TORQUES THAT SATURATE CMG'S IN A FEW MINUTES.</p>
<p><u>XIOP, ZSL ± 30° PITCH</u></p> 	<p>4 CMG ACS REQUIRED TO HANDLE CYCLICAL TORQUES. +1 CMG FOR BIAS TORQUES + DESATURATION ONCE/ORBIT</p>

- This page intentionally left blank



CAPABILITIES FOR EARTH ORIENTED FREE FLYER MISSIONS

LMSC-D614944-1

ATTITUDE HOLDING – MINIMUM VEHICLE

XPOP, ZLV $\pm 90^\circ$ ROLL

SMALL BIAS TORQUE ABOUT X AXIS IF ROLLED. EIGHTY MINUTES TO SATURATION AT 45° ROLL (3CMG ACS)

XVV, ZLV $\pm 90^\circ$ PITCH

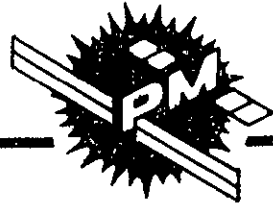
NO GRAVITY GRADIENT DISTURBING TORQUES AT 0° PITCH OR 90° PITCH. GRAVITY GRADIENT TORQUES IF PITCHED. 58 MINUTES TO CMG SATURATION AT 45° PITCH (3CMG ACS)

ZLV, YPSL

APPARENT LARGE TORQUES FOR $\beta < 30^\circ$ DUE TO CROSS COUPLING OF YAW AND ROTATION AT ORBITAL RATE

NO GRAVITY GRADIENT DISTURBING TORQUES

- This page intentionally left blank



ATTITUDE HOLDING CAPABILITY INERTIAL FREE FLYER POINTING MODES

MODES	CONDITIONS																																
<p>XPOP, YPSL</p>	<p>3 CMG ACS ADEQUATE FOR LONG TERM HOLD</p>																																
<p>ZPOP, YPSL</p>	<p>3 CMG ACS ADEQUATE FOR LONG TERM HOLD</p>																																
<p>XIOP, ZSL ± 30° PITCH</p>	<table border="1"> <thead> <tr> <th colspan="4">HOLD TIMES WITH 3 CMG ACS:</th> </tr> <tr> <th></th> <th>β (DEG)</th> <th>PITCH (DEG)</th> <th>TIME (MIN)</th> </tr> </thead> <tbody> <tr> <td></td> <td>0</td> <td>0</td> <td>∞</td> </tr> <tr> <td></td> <td>0</td> <td>30</td> <td>∞</td> </tr> <tr> <td></td> <td>30</td> <td>0</td> <td>187</td> </tr> <tr> <td></td> <td>30</td> <td>30</td> <td>195</td> </tr> <tr> <td></td> <td>45</td> <td>0</td> <td>161</td> </tr> <tr> <td></td> <td>45</td> <td>30</td> <td>150</td> </tr> </tbody> </table>	HOLD TIMES WITH 3 CMG ACS:					β (DEG)	PITCH (DEG)	TIME (MIN)		0	0	∞		0	30	∞		30	0	187		30	30	195		45	0	161		45	30	150
HOLD TIMES WITH 3 CMG ACS:																																	
	β (DEG)	PITCH (DEG)	TIME (MIN)																														
	0	0	∞																														
	0	30	∞																														
	30	0	187																														
	30	30	195																														
	45	0	161																														
	45	30	150																														
<p>ZSI, XIOP</p>	<table border="1"> <thead> <tr> <th colspan="2">HOLD TIME (3 CMG ACS)</th> </tr> <tr> <th>ANGLE BETWEEN Z AXIS & ORBIT PLANE (DEG)</th> <th>HOLD TIME (MIN)</th> </tr> </thead> <tbody> <tr> <td>0</td> <td>∞</td> </tr> <tr> <td>30</td> <td>187</td> </tr> <tr> <td>45</td> <td>161</td> </tr> </tbody> </table>	HOLD TIME (3 CMG ACS)		ANGLE BETWEEN Z AXIS & ORBIT PLANE (DEG)	HOLD TIME (MIN)	0	∞	30	187	45	161																						
HOLD TIME (3 CMG ACS)																																	
ANGLE BETWEEN Z AXIS & ORBIT PLANE (DEG)	HOLD TIME (MIN)																																
0	∞																																
30	187																																
45	161																																

ROLL AXIS RESPONSE TO CMG UNBALANCE TORQUES

As shown on the chart, the magnitude of the displacement (θ) and displacement rate ($\dot{\theta}$) in the roll response to the CMG unbalance disturbance was so small for both bandwidths that this response did not aid in the discrimination of bandwidths.



ROLL AXIS RESPONSE TO CMG UNBALANCE TORQUES

- AT 150 Hz (CMG WHEEL FREQUENCY)
- 22 LB FORCE, 2 CMG, EACH AT 1.4 FT ARM
- VIBRATION MOMENT = 61.6 FT-LB

$f_{BW}^{(1)}$	Hz	0.01	0.001	0.01	0.001
CONFIGURATION	—	PM	PM	PM.+ ORBITER	PM + ORBITER
I	SLUG-FT ²	286,445	→	1.5×10^6	→
$\theta(S)/T_D(S)$	DEG FT-LB	2.03×10^{-9}	2.03×10^{-9}	3.87×10^{-10}	3.87×10^{-10}
$\dot{\theta}(S)/T_D(S)$	DEG/SEC FT-LB	1.91×10^{-6}	1.91×10^{-6}	3.65×10^{-7}	3.65×10^{-7}
θ	DEG	1.25×10^{-7}	1.25×10^{-7}	2.38×10^{-8}	2.38×10^{-8}
$\dot{\theta}$	DEG/SEC	1.18×10^{-4}	1.18×10^{-4}	2.25×10^{-5}	2.25×10^{-5}

1. f_{BW} - CONTROL SYSTEM BANDWIDTH

TRANSIENT RESPONSES OF POWER MODULE CONFIGURATIONS

- The long-term response to the crew motion disturbance clearly indicates that the 0.001 Hertz bandwidth is unacceptable.
- A structural natural frequency of 0.04 Hz is considered compatible with the $f_{BW} = 0.01$ Hz control system bandwidth.



TRANSIENT RESPONSES OF POWER MODULE CONFIGURATIONS

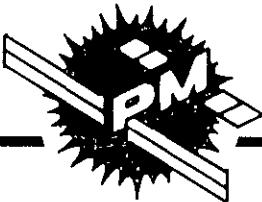
- CREW MOTION STEP TORQUE DISTURBANCE INPUT = 22.5 LB X 50 FT = 1125 FT-LB IN PITCH (SORTIE MODE)
- SOLAR ARRAY STEP TORQUE DISTURBANCE INPUT = 5 FT-LB IN PITCH.

		f_{BW} (Hz)					
		0.01	0.001	0.01	0.001	0.01	0.001
CONFIGURATION	---	PM	PM	PM	PM	PM + ORBITER	PM + ORBITER
AXIS	---	ROLL	ROLL	PITCH	PITCH	PITCH	PITCH
I (SLUG-FT ²)		286,445 →		96,628 →		10 ⁷ →	
θ/T_D	SHORT TERM	NOT APPLICABLE	± 0.0023 $\dot{\alpha}_t = 20$ SEC	NOT APPLICABLE	± 0.014 $\dot{\alpha}_t = 20$ SEC	NOT APPLICABLE	± 0.00013 $\dot{\alpha}_t = 20$ SEC
$\left(\frac{DEG}{FT-LB}\right)$	LONG TERM	0.191 $\dot{\alpha}_t = 110$ SEC	18.8 $\dot{\alpha}_t = 1100$ SEC	0.567 $\dot{\alpha}_t = 110$ SEC	55.8 $\dot{\alpha}_t = 1100$ SEC	0.0055 $\dot{\alpha}_t = 110$ SEC	0.54 $\dot{\alpha}_t = 1100$ SEC
θ	SHORT TERM	NOT APPLICABLE	NOT APPLICABLE	NOT APPLICABLE	± 0.07	NOT APPLICABLE	± 0.00065 ± 0.146
(DEG)	LONG TERM	NOT APPLICABLE	NOT APPLICABLE	2.84	279	0.0275 6.2	2.7 607

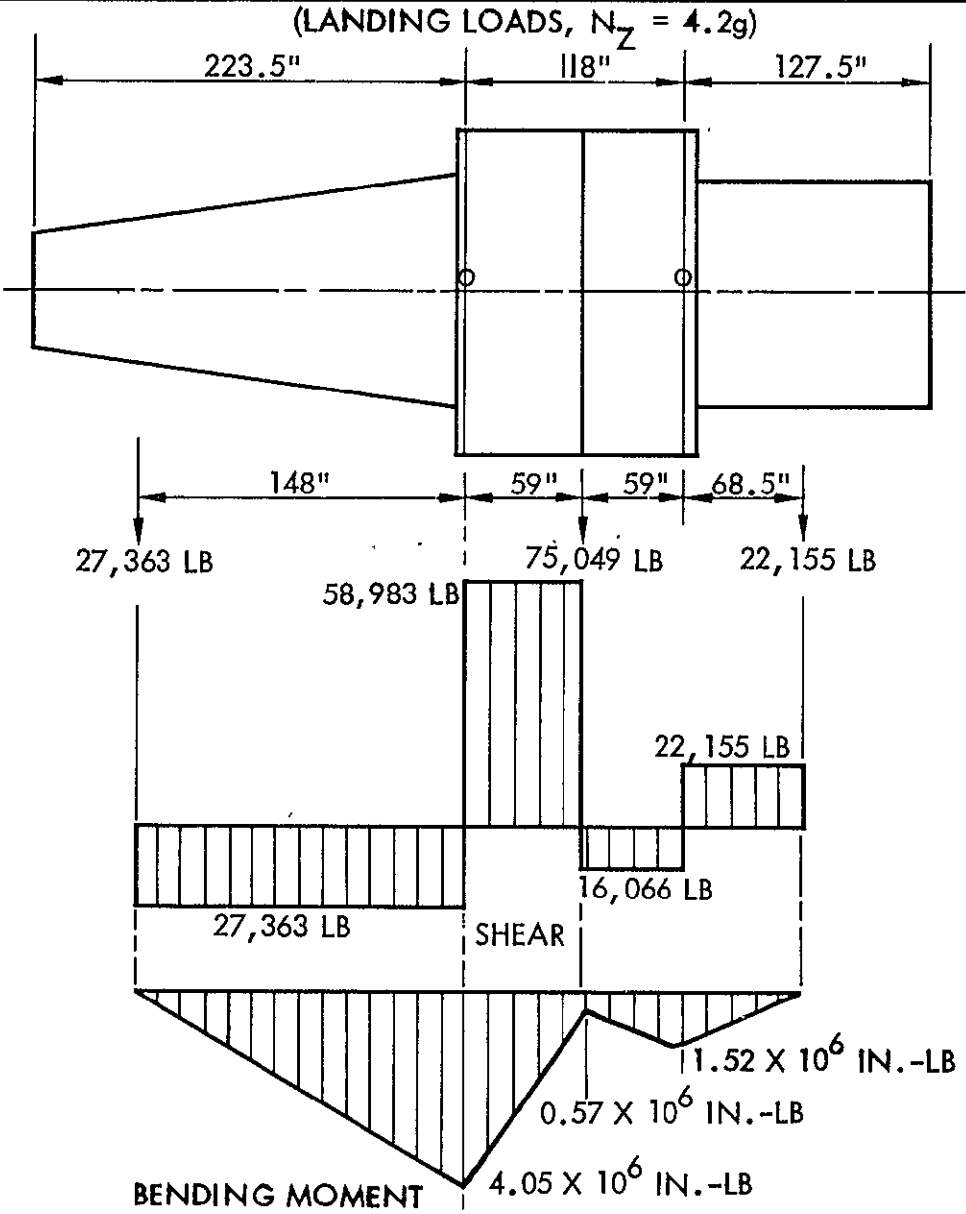
f_{RW} - CONTROL SYSTEM BANDWIDTH

CONFIGURATION 25-1 STRUCTURAL PERFORMANCE

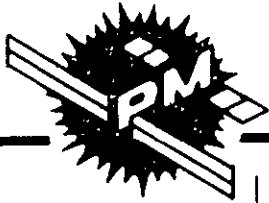
- The evaluation of the Space Shuttle attachment structure for both the 25 kW Power Module and the 50 kW Power Module was accomplished utilizing computerized techniques.
- The most severe design conditions involving eight mission phases were investigated. These are: lift-off, high-q boost, maximum boost, orbit alone, entry and descent, pitch maneuvers, yaw maneuvers, and landing.
- The critical shear and bending moment diagrams, shown in the next two charts for the 25 kW Power Module and 50 kW Power Module, are for N_z loading associated with the 4.2 g landing loading and are intended to depict the load distribution to the primary trunnion system and the stabilizing trunnion system for this loading condition.



CONFIGURATION 25-1 SHEARS AND BENDING MOMENTS

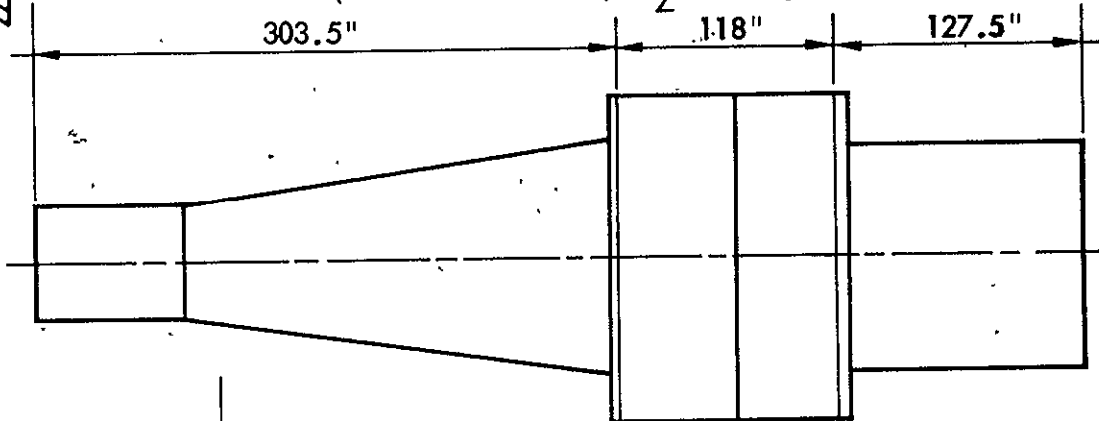


- This page intentionally left blank

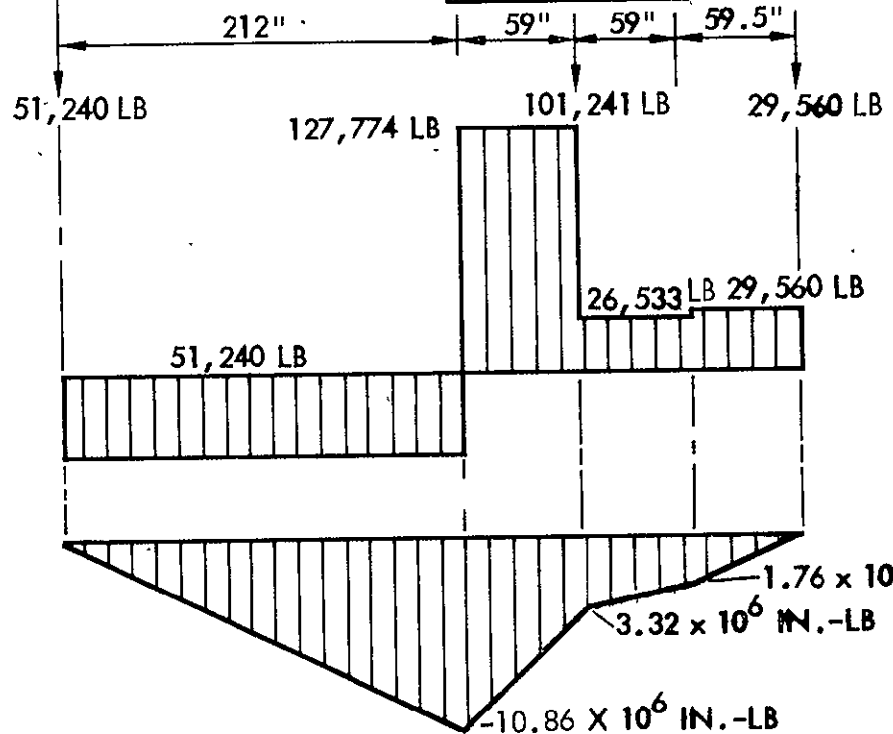


CONFIGURATION 50-1 SHEARS AND BENDING MOMENTS

(LANDING LOADS, $N_z = 4.2 g$)



ed



SHEAR

BENDING MOMENT

3.2 POWER MODULE GROWTH OPTIONS

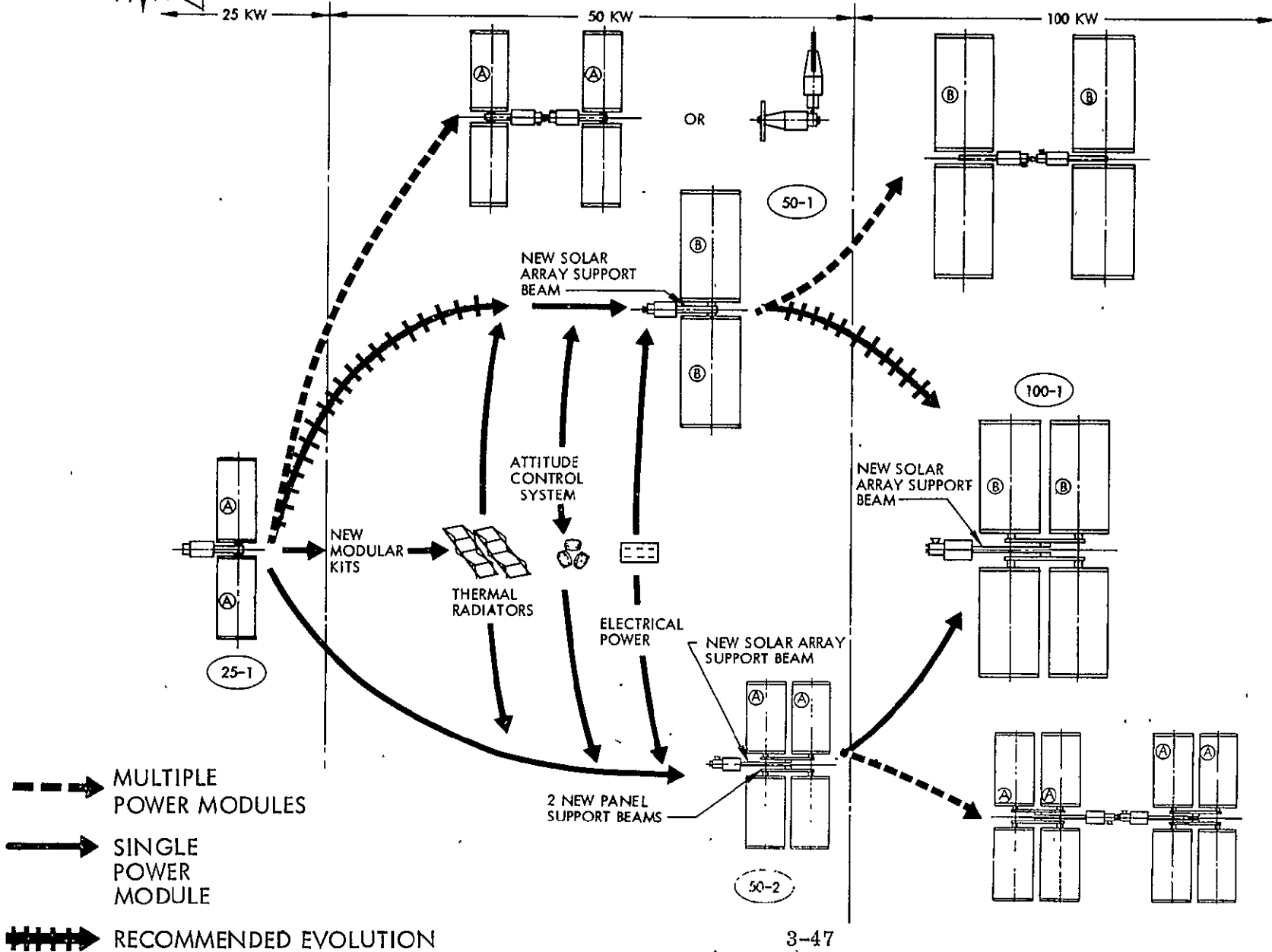
POWER MODULE GROWTH CONCEPTS

25 kW TO 100 kW

- Viable candidate configurations for Power Module evolutionary growth, from 25 kW to 100 kW, are illustrated on the chart. The single-vehicle growth paths are identified by the solid line arrows, while growth simply by use of two Power Modules is shown with the dashed line arrows. The configuration growth path recommended to satisfy Program Scenario I is identified by the crosshatched solid line arrows.
- The recommended evolution utilizes two sizes of solar array blankets, the "A" type (4 meter) at 13.2 x 130 feet and the "B" type (6 meter) at 19.8 x 130 feet. The "B" type, which is required in 1986 or later, utilizes technology which provides twice the power-generation output with only 1.5 times the area. The 50-2 configuration, using existing technology with the smaller blanket, is usable to meet initial 50 kW requirements, if facilities for fabrication of the "B" type blanket are not yet available. However, the use of more mechanical elements and more difficult stowage in the Orbiter, makes this option technically less desirable. The blankets are used in either two or four pairs, with a single deployment mast per pair. Optional growth configuration trade off considerations are discussed in Volume I of this Part III Final Report, page 2-51.



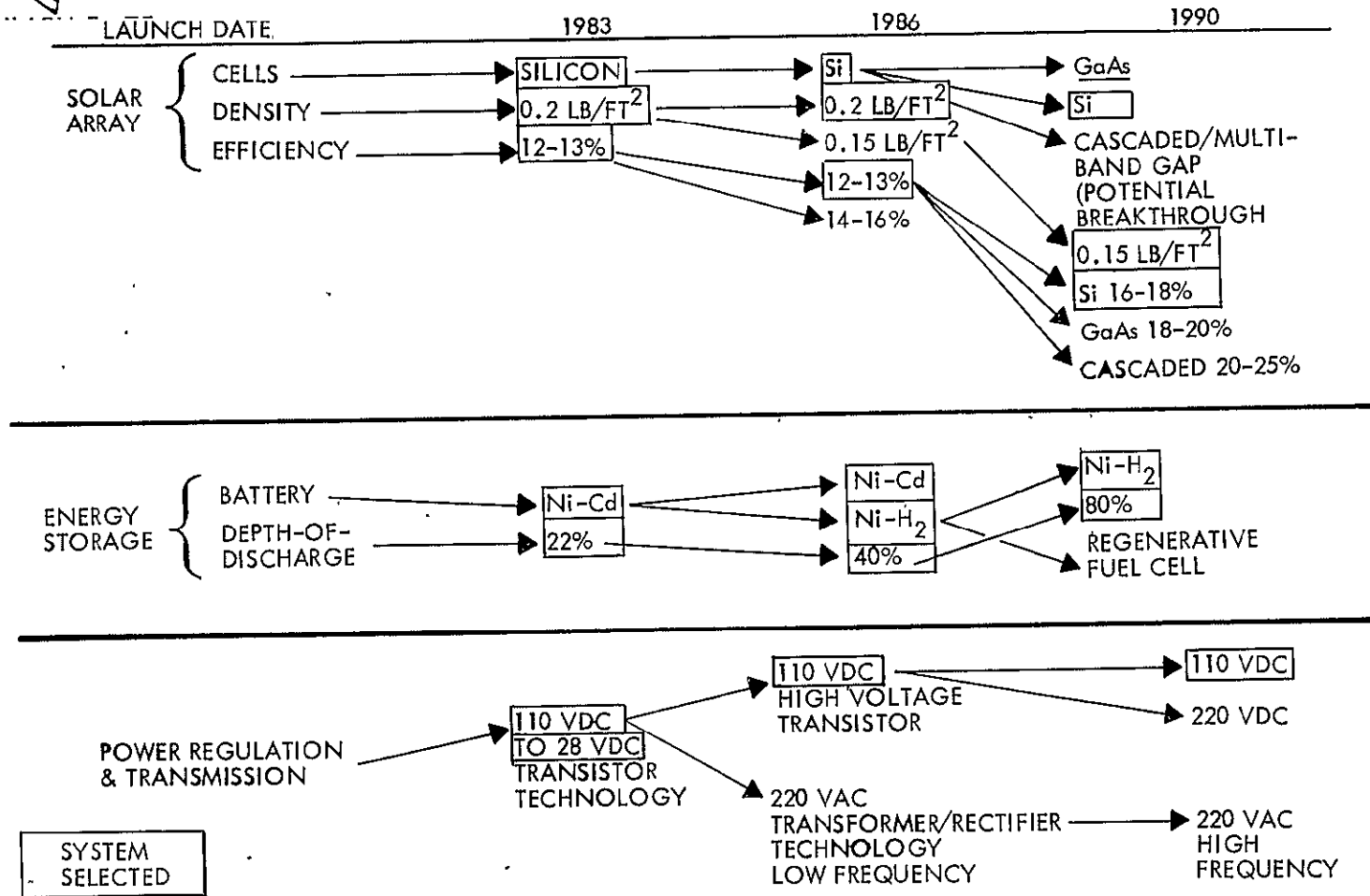
POWER MODULE GROWTH CONCEPTS 25kW TO 100kW



- The utilization of space will require low cost, reliable energy generation and storage methods. The accompanying chart indicates the projection of power system technology expected to be available for Power Module use. The component technology advancements represented will require astute scheduling into the Power Module Evolution.
- The advanced components are expected to save substantial dollars by two methods: (1) Substantially increasing the life, thus lowering \$/KWH delivered; and (2) weight, volume, and/or efficiency improvements will lower component cost and/or STS charges. These two areas are not mutually independent. For example, replacement of nickel - cadmium batteries every two to three years on each Power Module is an alternative to using high energy density nickel - hydrogen batteries. The weight for this replacement for Scenario I would require an additional $\approx 100,000$ lb of batteries to be launched for replacement throughout the 1980's (72,000 lb every 2.5 years thereafter, even with no additional Power Module Vehicles being built). This amounts to more than \$50M dollars of additional STS charges. Thus, the use of Ni-H₂ batteries capable of long life at high depths of discharge will result in substantial savings of millions of dollars.
- Also, the cost of the solar array is dictated mainly by the array area. If, as we project, the cell efficiency goes up and the power system efficiency improves, a 50 percent decrease in array area would result for the later power modules.
- Accordingly, a planned method of incorporating these changes is needed essentially at the start of the program. The method proposed here is to provide nearly identical mechanical elements. Thus, a 50 AH Ni-H₂ battery should be designed to replace a 60 AH Ni-Cd battery. Also, a mechanical solar array building block should be able to incorporate higher efficiency solar cells or stronger deployment masts to accommodate increases in solar array area and stiffness.
- Power Module component design ideally would interchange (fit, form, and function) within a common Power Module System. Added elements will be necessary to meet placement and/or orientation constraints. EPS elements of this nature include scale up as necessary for orientation drive and power transfer assemblies (ODAPT) and positioning booms which provide spacecraft separation.



LEO POWER SYSTEM EVOLUTIONARY PATHS



3.3 POWER MODULE RECOMMENDED GROWTH STEPS

PM SYSTEM LEVEL GROWTH CONSIDERATIONS

The major driver in the concept for growth of the PM system is to maintain a commonality of hardware elements which can be used through the life cycle of the programs. Other system-level considerations for evolutionary growth are shown on the next two charts.



SYSTEM LEVEL CONSIDERATIONS

CONSIDERATION	DESIGN APPROACH	RECOMMENDED DESIGN	ADVANTAGES
CONFIGURATION	MINIMIZE LENGTH	<ul style="list-style-type: none"> ● FOLDED SOLAR ARRAYS ● SHORT EQUIPMENT STRUCTURE 	<ul style="list-style-type: none"> ● PROVIDES SPACE FOR PAYLOADS
	CLOSELY COUPLED MODULES	<ul style="list-style-type: none"> ● 4 POINT BERTHING ATTACH ● NO BOOM EXTENDED MASS ● NO ARTICULATED BOOMS (EXCEPT SOLAR BLANKETS) 	<ul style="list-style-type: none"> ● DETERMINATE SYSTEM ● HIGH STABILITY ● STATE-OF-ART CONTROL SYSTEM ● EASIEST MAINTENANCE
	GOOD SYSTEM FIELD OF VIEW	<ul style="list-style-type: none"> ● SOLAR ARRAYS & THERMAL RADIATORS ON ONE END WITH SOLAR PAYLOAD; STELLAR, EARTH, & 0-G PAYLOADS ON OPPOSITE END 	<ul style="list-style-type: none"> ● SATISFIES MULTIPLE PAYLOAD SENSOR VIEWING NEEDS
ORIENTATION VERSATILITY	ATTITUDE SENSING	STAR TRACKER (ADD) WIDE ANGLE SUN SENSOR	<ul style="list-style-type: none"> ● ACCOMMODATES ALL CONCEPTUALIZED CONFIGURATIONS IN REQUIRED OPERATING MODES & ORIENTATIONS
	DESATURATIONS	DESATURATIONS MAGNETS (ADD)	
	ABILITY FOR MORE CMGs	PROVIDE ACCOMMODATIONS FOR 6 CMGs	
MAINTENANCE AND RETURN TO EARTH	<ul style="list-style-type: none"> ● MODULAR DESIGNS ● DEVELOPED CONCEPTS ● SIMPLICITY ● ORBITER COMPATIBILITY 	<ul style="list-style-type: none"> ● INCORPORATE CONCEPTS, DESIGNS & PROCEDURES BEING DEVELOPED ON SPACE TELESCOPE ● USE DEVELOPED ORBITER INTERFACES ● MINIMIZE COMPLEX BOOMS & MECHANISMS 	<ul style="list-style-type: none"> ● USES DEVELOPED TECHNIQUES AND PROVIDES COMMONALITY IN PROCEDURES FOR EVA ● EXTENDS ACTIVE LIFE OF EACH PM ● PM CAN BE REUSED IN MULTIPLE ORBITS

- This page intentionally left blank



SYSTEM LEVEL CONSIDERATIONS (CONT'D)

CONSIDERATION	DESIGN APPROACH	RECOMMENDED DESIGN	ADVANTAGES
MINIMIZE COSTS	MAXIMUM USE OF DEVELOPED HARDWARE	<ul style="list-style-type: none"> EXISTING EQUIPMENTS 	<ul style="list-style-type: none"> MINIMIZES RD & T COSTS PROVIDES EARLIEST FLIGHT TO USERS
	SIMPLIFIED INTERFACES	<ul style="list-style-type: none"> BERTHING 	<ul style="list-style-type: none"> DEFERS DEVELOPMENT OF ORBITER DOCKING MODULE AND ASSOCIATED SSE
GROWTH	COMMONALITY OF MAJOR PM ELEMENTS	<ul style="list-style-type: none"> MAJOR STRUCTURES IDENTICAL FOR 25 TO 100 kW PM WITH PLANNED TECHNOLOGY AVAILABILITY 	<ul style="list-style-type: none"> SIGNIFICANT SAVINGS IN TRANSPORTATION PROVIDES IMPROVED SYSTEM CONFIGURATIONS TO THE USERS
REBOOST	MINIMIZE REQUIREMENT	<ul style="list-style-type: none"> OPERATING ALTITUDES DEFINED TO MINIMIZE REQUIREMENTS AND SATISFY USERS PROVIDE BERTHING PORT FOR TRS USE ORBITER FOR BACKUP OPTION 	<ul style="list-style-type: none"> USER REQUIREMENTS SATISFIED MINIMUM PROGRAM COSTS

MODULAR GROWTH

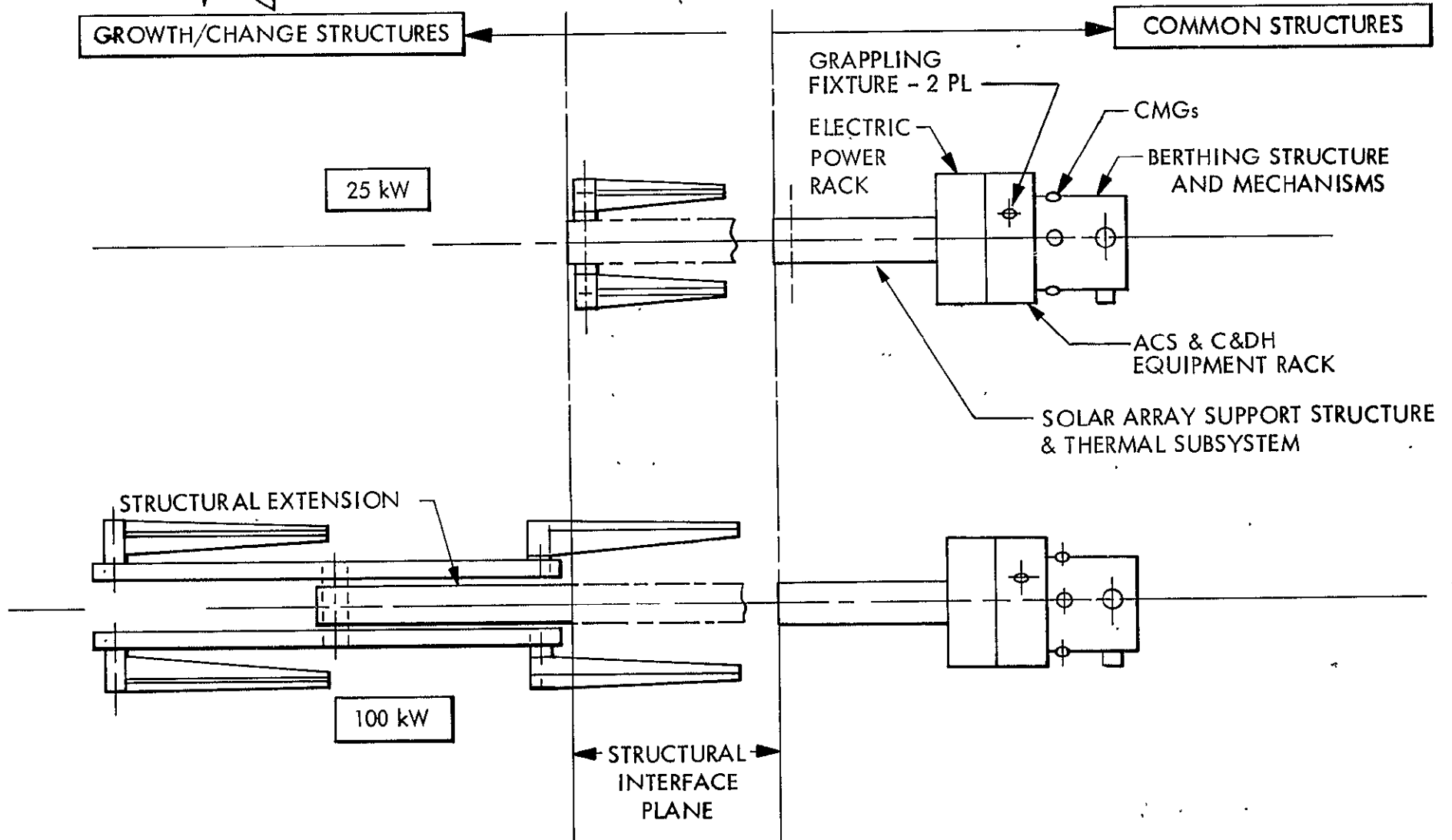
- The right side of the chart displays the structural assemblies which are recommended to be "common" for the 25, 50 and 100 kW Power Modules. Add-on solar array/structural extensions are illustrated on the left side.
- The key factor which supports the feasibility of the "common-structure" growth concept is the utilization of battery technology advances, compatible with growth scenario requirements, which dictates use of the same-size battery installations for all three power module sizes.
- By designing the common structure for the most adverse load conditions for the three power modules, a relatively small weight penalty is incurred in the smallest vehicle. Total vehicle weight changes +16 percent between the 25 and 50 kW Power Modules, and +20 percent between the 50 and 100 kW vehicles.



MODULAR GROWTH

LMSC-D614944-1

COMMON ELEMENTS THROUGH 100 kW SIZE



POWER MODULE BASIC DIMENSIONS

- Basic dimensions for the 25, 50, and 100 kW Power Module family of vehicles is shown here.

DATE	12-2-78	REVISIONS	
DESCRIPTION	REVISIONS	DATE	BY
ADDED 100KW	78.11/B		
100KW	78.11/B		
360 WAS 280	78.11/B		
909 WAS 829	78.11/B		

REV	DATE	DESCRIPTION	BY
1			

3-57/3-58 BLANK

FOLDOUT FRAME

FOLDOUT FRAME

FOLDOUT FRAME

FOLDOUT FRAME

FOLDOUT FRAME

FOLDOUT FRAME

FOLDOUT FRAME

FOLDOUT FRAME

FOLDOUT FRAME

FOLDOUT FRAME

FOLDOUT FRAME

FOLDOUT FRAME

FOLDOUT FRAME

FOLDOUT FRAME

FOLDOUT FRAME

FOLDOUT FRAME

FOLDOUT FRAME

FOLDOUT FRAME

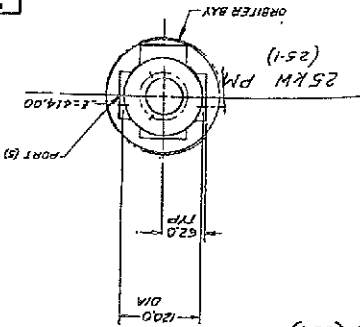
FOLDOUT FRAME

FOLDOUT FRAME

FOLDOUT FRAME

FOLDOUT FRAME

FOLDOUT FRAME

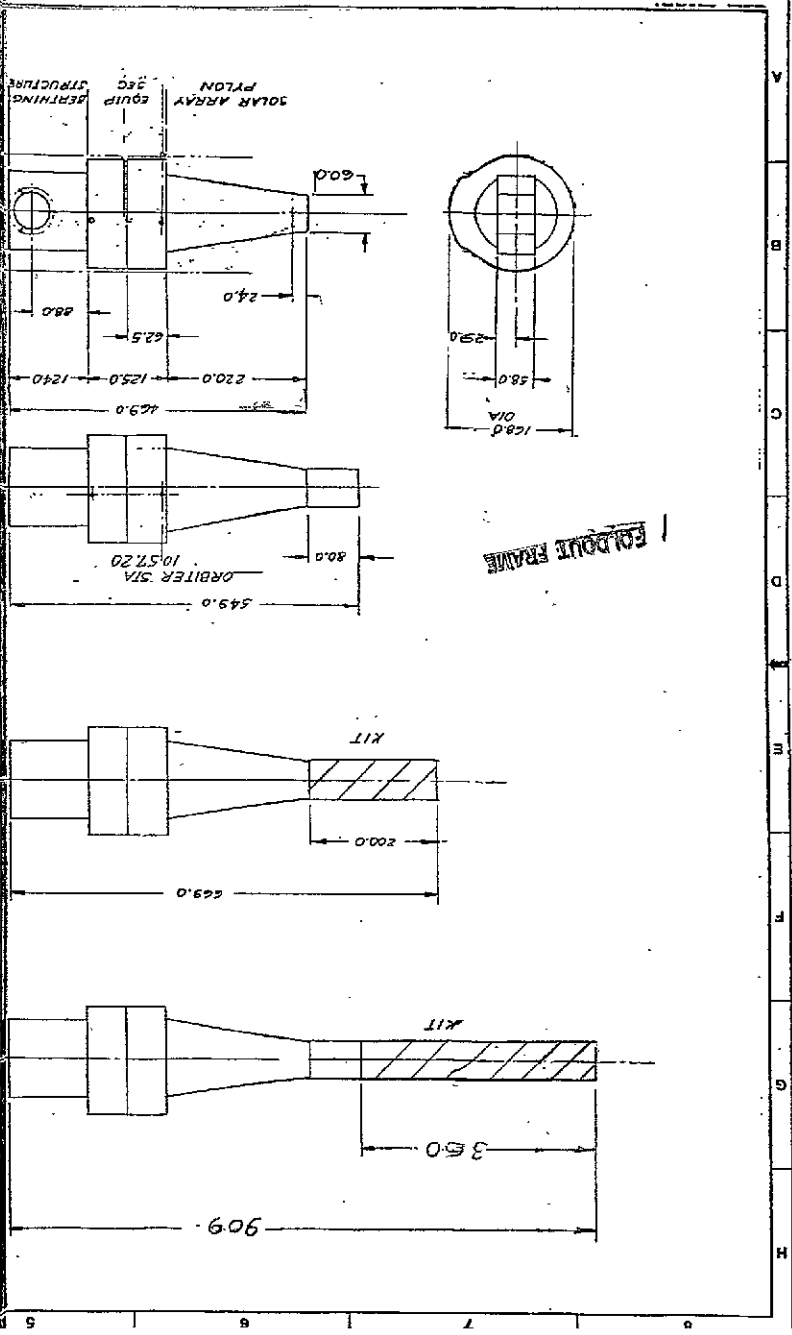


50KW PM (50-1)

25KW PM -> 50KW PM (50-2)

50KW PM -> 100KW PM (100-1)

LMSC-D614944-1



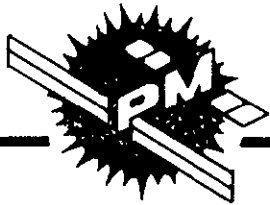
FOLDOUT FRAME

REV	DATE	DESCRIPTION	BY
A	78.11/B	ADDED 100KW	
B	78.11/B	100KW	
		360 WAS 280	
		909 WAS 829	

This page intentionally left blank.

POWER MODULE GROWTH SUMMARY

A summary of the subsystem configuration for the 25, 50, and 100 kW Power Modules is shown on the chart.



POWER MODULE GROWTH SUMMARY

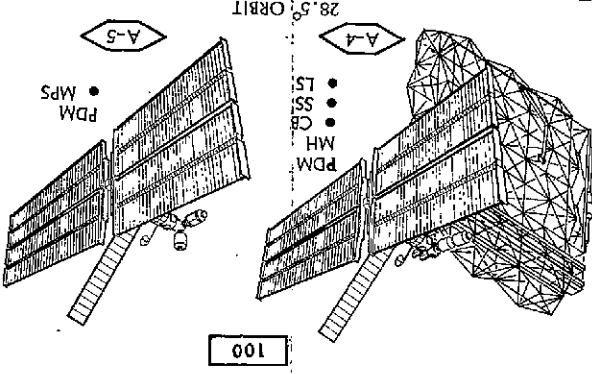
VEHICLE	STRUCTURES			ELECTRICAL POWER			THERMAL CONTROL SYSTEM	ATTITUDE CONTROL SYSTEM					COMM & DATA HANDLING
	SOLAR ARRAY SUPPORT STRUCTURE	EQUIPMENT RACK ELEMENT	BERTHING STRUCTURE	SOLAR ARRAY	BATTERIES	ELECTRONICS		NUMBER REQUIRED					
								CMG	GYRO	HORIZON SENSORS	SUN SENSORS	MAGNETIC TORQUERS	
<p>25 kW</p>	SEMI-MONOCOQUE (SHEET METAL EXTRUSION) 220.0 IN LONG	AN ASSEMBLY OF TWO SIMILAR RACKS EACH RACK 168.0 IN DIA X 62.5 IN LONG	TUBULAR SHEET METAL STRUCTURE 120.0 IN DIA	2 WINGS (4 BLANKETS) EACH WING 9.04M WIDE (29.66 FT)	60AH TYPE 4D BATTERIES NiCd SEASAT PACKAGED/ INTO 12 REPLACEABLE MODULES 20% DOD	DEVELOP HIGH POWER BUILDING BLOCK TYPE μ P REGULATOR AND BATTERY CHARGE CONTROLLER (DESIGN FOR 100 AMPERE CAPABILITY)	INSTALLED ON SOLAR ARRAY SUPPORT STRUCTURE RADIATOR PANELS 68M ² (731.6 FT ²)	3	5*	4	5	4	<p>TWO-HI-GAIN ANTENNAS INSTALLED ON BERTHING STRUCTURE OTHER EQUIPMENT IN AFT RACK</p> <p>DATA SYSTEM DUAL REDUNDANT, DATA BUS WITH REMOTE UNITS, NSSC-II COMPUTER - 256Kbps.</p>
<p>50 kW</p>	SAME AS 25 kW PLUS 80.0 IN LONG BOOM	SAME AS 25 kW	SAME AS 25 kW	2 WINGS (4 BLANKETS) EACH WING 39.6M LONG (130 FT) X 13.44M WIDE (44.10 FT)	50AH Ni-H ₂ BATTERIES PACKAGED INTO 12 SIMILAR REPLACEABLE UNITS, INSTALLATION SAME AS 25 kW. 40% DOD	INTERCHANGEABLE DIMENSIONALLY AND WITH RESPECT TO WEIGHT WITH 25 kW	INSTALLATION SIMILAR TO 25 kW RADIATOR PANELS 131M ² (1439 FT ²) OTHER EQUIPMENT SAME AS 25 kW EXCEPT FOR MODIFIED PAYLOAD HEAT EXCHANGER	3-6	3-AXIS	4	5	4	<p>SAME AS 25 kW EXCEPT PROVIDE ADDITIONAL REMOTE TLM AND COMMAND UNITS</p>
<p>100 kW</p>	SAME AS 50 kW PLUS 360.0 IN LONG BOOM PLUS TWO SOLAR ARRAY SUPPORT BEAMS	SAME AS 25 kW	SAME AS 25 kW	4 WINGS (8 BLANKETS) EACH WING 39.6M LONG (130 FT) X 13.44M WIDE (44.10 FT)	SAME AS 50 kW 80% DOD	NEW TECHNOLOGY COMPONENTS FOR HIGH CURRENT WILL BE REQUIRED	SAME AS 50 kW	6	3-AXIS	4	5	4	<p>SAME AS 50 kW</p>

DERIVED SYSTEM CONFIGURATIONS

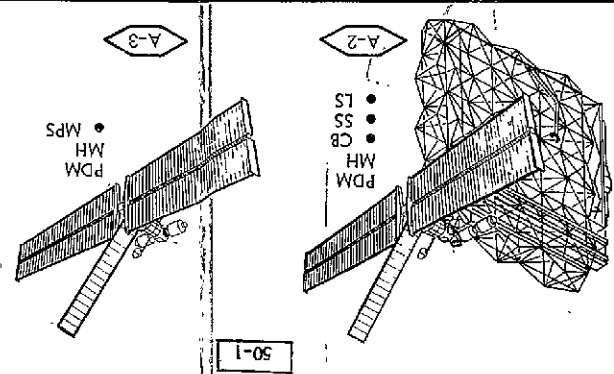
- The chart illustrates, at equivalent scale, each of the Power Module/Payload satellite configurations analyzed in Part III. Both Power Module and satellite designations are identified.
- The configurations are grouped by orbit: 28.5° , 57.0° , polar, and geosynchronous. Payload disciplines supported by each satellite configuration are also identified.

Note: No time relationship is implied by the grouping shown on the chart.

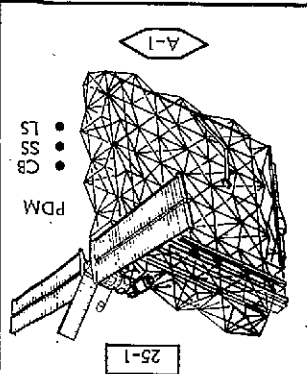
CLASSIFICATION CHASSIS II - 878 RWG



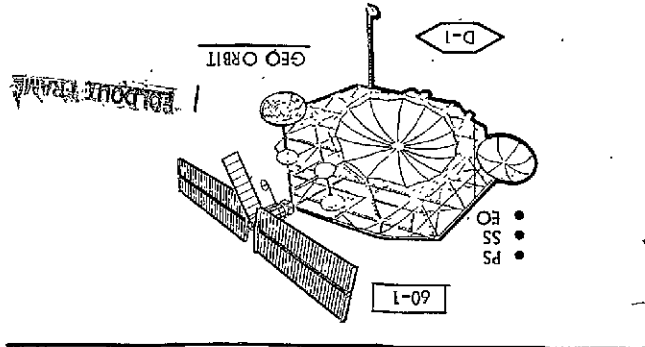
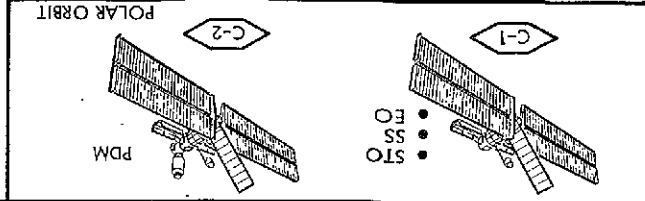
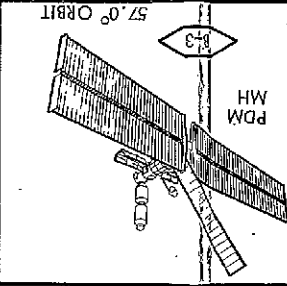
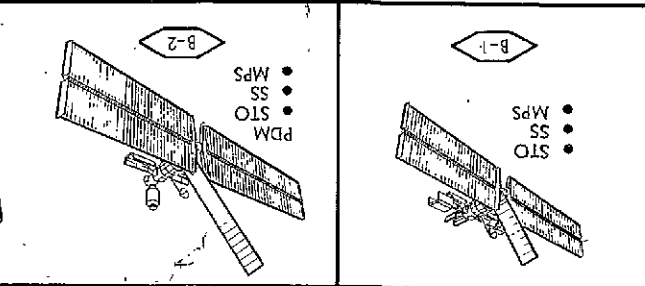
100



50-1



25-1



60-1

LEGEND:

○ POWER MODULE CONFIGURATION

□ SATELLITE CONFIGURATION

- PDM - PRESSURIZED DOCKING MODULE
- MH - MANNED HABITAT
- MPS - MATERIAL PROCESSING
- STO - SOLAR TERRESTRIAL OBSER.
- PS - PUBLIC SERVICE
- SS - SPACE SCIENCE
- EO - EARTH OBSERVATION
- CB - CONSTRUCTION BASE FOR:
- SPS - SPACE POWER SYSTEM
- GEO PLATFORM
- LEO PLATFORM
- OTHERS

NOT RELEASED

ENDPOINT FRAME

NO. 10-87-28	DATE	BY	REVISION
1			
2			
3			
4			
5			
6			
7			
8			
9			
10			
11			
12			
13			
14			
15			
16			
17			
18			
19			
20			
21			
22			
23			
24			
25			
26			
27			
28			
29			
30			
31			
32			
33			
34			
35			
36			
37			
38			
39			
40			
41			
42			
43			
44			
45			
46			
47			
48			
49			
50			
51			
52			
53			
54			
55			
56			
57			
58			
59			
60			
61			
62			
63			
64			
65			
66			
67			
68			
69			
70			
71			
72			
73			
74			
75			
76			
77			
78			
79			
80			
81			
82			
83			
84			
85			
86			
87			
88			
89			
90			
91			
92			
93			
94			
95			
96			
97			
98			
99			
100			

This page intentionally left blank.

ELECTRICAL POWER SUBSYSTEM GROWTH

- Power systems have been conceptualized for each of the Scenario I vehicles, utilizing the expected technology available in the applicable time periods. The results of this effort are summarized in the chart.
- As can be seen from the estimated weights of the power system components, power system specific performance is projected to improve to over 4 watts/pound, from the 1.5 watts/pound produced by the initial power module.
- The main emphasis was placed on power systems for low earth orbit (LEO). However, it can be seen that for a geosynchronous (GEO) vehicle the power system specific performance is greatly improved, to a level of approximately 8 watts/pound.
- One of the evolutionary features of the Power Module is the concept of recovery from orbit, refurbishment on the ground, and subsequent reuse as a flight vehicle. The initial flight vehicle (FV-1) to be launched in 1983, can be recovered, refurbished, and launched again in 1986. This is shown in Volume 2, page 2-13 of the Part III Final Report. Details of the Electrical Power Subsystem refurbishment are discussed in Volume 4, pages 3-18 and 3-19 of the Part III Final Report.
- Another evolutionary feature of the PM is the concept of growth on orbit (increasing capability), accomplished by the addition of a growth kit. The 50 kW PM launched in 1988 (FV-4) can be increased to a 100 kW capability in 1990 by the use of an on-orbit installed 50-100 kW growth kit as shown in Volume 2, page 2-13 of the Final Report. The 50-100 kW growth kit is described on pages 6-4 and 6-5 of this Volume 1. The on-orbit growth sequence, which is supported by EVA operations, is described in Volume 4, pages 6-48 and 6-49 of the Part III Final Report.



ELECTRICAL POWER SUBSYSTEM GROWTH

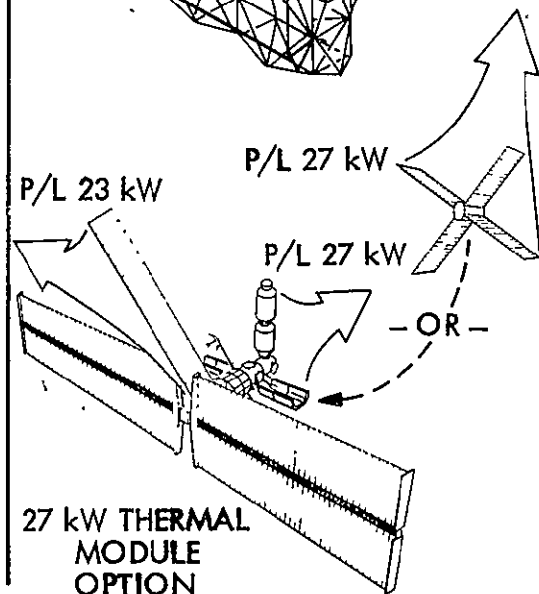
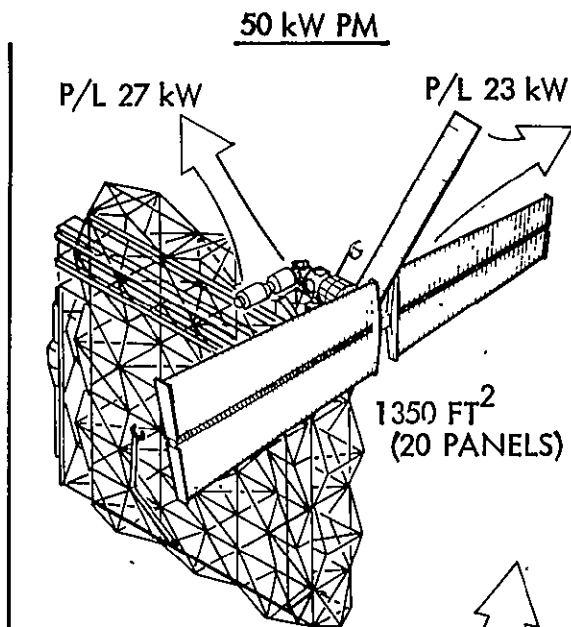
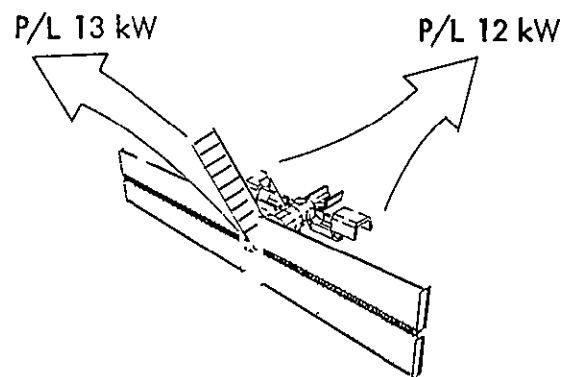
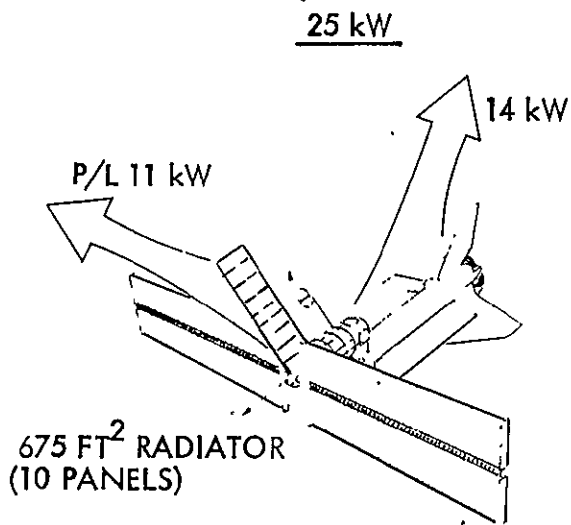
ORBIT	LEO						GEO	
	1983	1986	1986/88/89	1988	1990	1990 ⁽⁵⁾		
LAUNCH DATE	1983	1986	1986/88/89	1988	1990	1990 ⁽⁵⁾	1991	1987
POWER - kW	25	25	50	25	50-100(KIT) ⁽¹⁾	100-1 ⁽⁵⁾	100-1 ⁽⁶⁾	60
CELL TYPE, #/FT ²	Si, 0.2	Si, 0.2	Si, 0.2	Si, 0.15	Si, 0.15	Si, 0.15	Si, 0.15	Si, 0.15
CELL EFF - %	12-13	12-13	14-16	16-18	16-18	16-18	16-18	12-13
BATTERY	Ni-Cd	Ni-H ₂	Ni-H ₂	Ni-H ₂	Ni-H ₂	Ni-H ₂	Ni-H ₂	H ₂ -O ₂ RFC ⁽³⁾
DoD - %	20	20	40	20	80	80	80	50
VOLTAGE, DC REG	110/28	110/28	110	110	110	110	110	110
WEIGHTS - #								
SOLAR ARRAY	2,400	2,400	4,800	1,800	3,600	8,400	7,200	1,800
ADAPT ⁽²⁾	200	200	250	200	300	550	300	200
BATTERIES	7,440	6,400	6,400	6,400	6,400	12,800	6,400	3,200 ⁽³⁾
ELECTRONICS	1,395	1,395	1,395	1,395	2,055	3,450	2,055	660
PWR DISTRIBUTION	630	630	880	630	1,145	2,025	1,145	200
CABLING	500	500	500	500	500	1,000	500	300
CONTINGENCY - 25%	3,141	2,881	3,556	2,731	3,500	7,056	4,400	1,590
TOTAL	15,706	14,406	17,781	13,656	17,500	35,281	22,000	7,950
VEHICLE ⁽⁴⁾	FV-1/	FV-1R1	FV-2/B-2	FV-1R2	FLIGHT	FV-4/	FV-6/	FV-3/
CONFIGURATION	B-1	A-1	FV-4/A-2 FV-5/A-3	C-1/C-2	KIT	A-4	A-5	D-1

1. THE 50-100 kW KIT ALLOWS ON-ORBIT BUILDUP TO 100 kW (WEIGHTS SHOWN ARE FOR KIT COMPONENTS ONLY).
2. ORIENTATION DRIVE AND POWER TRANSFER ASSY.
3. REGENERATIVE FUEL CELL (WEIGHT INCLUDES FUEL CELLS, ELECTROLYZER, TANKAGE, REGULATORS, REACTANTS)
4. VEHICLE DESIGNATORS CORRESPOND TO FLIGHT VEHICLES AS SHOWN IN VOLUME 2 OF THIS PART III FINAL REPORT, PAGES 2 - 13. CONFIGURATION DESIGNATORS REPRESENT CONFIGURATIONS SHOWN ON PAGES 3 - 62 IN VOLUME 1 OF THIS PART III FINAL REPORT.
5. VEHICLE WEIGHT ON-ORBIT AFTER 50-100 kW KIT INSTALLATION.
6. THE 100 kW GROUND LAUNCHED CONFIGURATION.

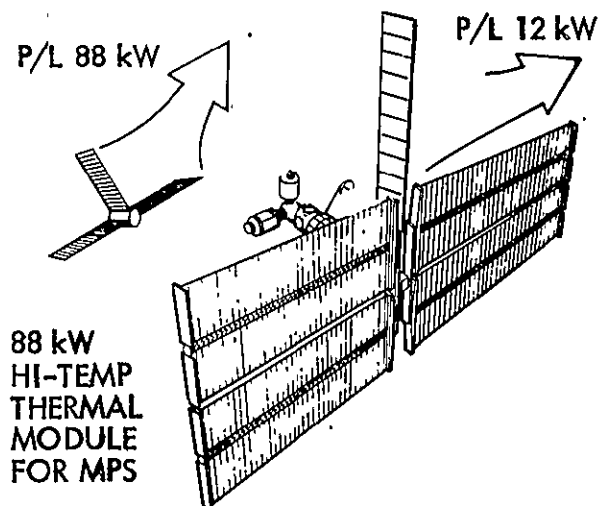
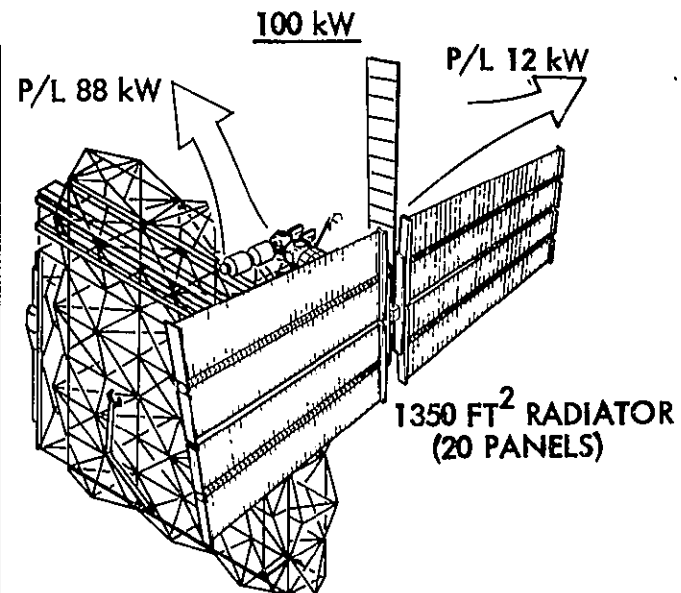
This page intentionally left blank.



POWER MODULE HEAT REJECTION GROWTH



1080 FT² RADIATOR
REQ'D FOR 70 ±30°F CONTROL



1640 FT² RADIATOR
AREA REQ'D FOR
170 ±50°F CONTROL

ATTITUDE CONTROL SUBSYSTEM GROWTH ACTUATOR SIZING

- The driving condition for the number of CMGs required is the control of the gravity gradient cyclic torques in the Perpendicular to Orbit Plane (POP) orientation.
One CMG is required for redundancy.
One CMG is adequate for control of disturbances (other than gravity gradient).
- The analysis showed that with three CMGs on the 25 kW and 50 kW Power Modules, and 6 CMGs on the 100 kW Power Module inertial orientations were possible for the configurations in Scenario 1. Configurations A-1, A-2, and A-4, reference page 3-63, cannot be flown inertially because of their size.



ATTITUDE CONTROL SUBSYSTEM ACTUATOR SIZING

LMSC-D614944-1

- POSSIBLE INERTIAL ORIENTATIONS

CONFIGURATION	POWER LEVEL kW	NUMBER OF CMGs REQUIRED	INERTIAL ORIENTATIONS POSSIBLE						
			FREE-FLYING			SORTIE			
			X POP	Y POP	Z POP	X POP	Y POP	Z POP	
A-1	25	3							
A-2	50	3							
A-3	50	3	X	X	X	X			
A-4	100	6			X				
A-5	100	6		X		X			X
B-1	25	3	X	X	X	X			
B-2	50	3	X	X	X	X			
B-3	50	3	X	X	X	X			
C-1	25	3	X	X	X	X			
C-2	25	3	X	X	X	X			

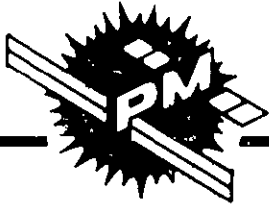
- ANY PRINCIPAL AXIS ALONG THE LOCAL VERTICAL

- RESULTS: VEHICLE SIZE NUMBER OF CMGs

25 kW	3
50 kW	3
100 kW	6

RECOMMENDED ATTITUDE CONTROL SUBSYSTEM GROWTH

- A wide angle 4π steradian sun sensing system is used to provide a line of position to the sun for attitude determination. These sensors also provide the ability to reacquire the sun in a contingency mode.
- A magnetic torquing system, identical to that used on Space Telescope, provides contingency stabilization for retrieval. This system will also provide additional desaturation capability.
- Horizon sensors provide the additional data required to compute three-axis attitude.
- To accommodate stabilization of the larger sortie-mission configurations, and at the same time augment feasibility of growth on-orbit, provision for 6 CMGs is recommended.
- If attitude determination capability on the order of arc minutes is required, star sensors can be added to future Power Modules.



RECOMMENDED ATTITUDE CONTROL SUBSYSTEM GROWTH

LMSC-D614944-1

RECOMMENDATION	RATIONALE	
	FOR FIRST MISSION	FOR GROWTH
WIDE ANGLE SUN SENSOR	FOR ATTITUDE DETERMINATION	FOR ATTITUDE DETERMINATION
MAGNETIC TORQUING SYSTEM	<ul style="list-style-type: none"> • PROVIDE CONTINGENCY RETRIEVAL STABILIZATION • PROVIDE ADDITIONAL DESATURATION CAPABILITY 	<ul style="list-style-type: none"> • PROVIDE CONTINGENCY RETRIEVAL STABILIZATION • PROVIDE ADDITIONAL DESATURATION CAPABILITY
HORIZON SENSOR	PROVIDE ATTITUDE DETERMINATION CAPABILITY	PROVIDE ATTITUDE DETERMINATION CAPABILITY
CMGs (PROVISION FOR SIX)	PROVIDE ADDITIONAL MISSION ORIENTATION CAPABILITY	FOR GROWTH CONFIGURATIONS
STAR SENSORS	NOT APPLICABLE	PROVIDE IMPROVED ATTITUDE DETERMINATION CAPABILITY

RECOMMENDED C&DH SUBSYSTEM GROWTH

- The high gain antennas will provide RF link closure for data rates above approximately 4 KBS to 256 KBS. For data rate transmission above 256 KBS, a Ku band kit can be added. Provision for growth can be accommodated by incorporating a dual S and Ku band antenna feed on the first Power Module.
- The recommended 256 KBS data rate capability will support payload housekeeping and scientific rates (below approximately 192 KBS) plus PM housekeeping data rates for 25 kW, 50 kW, and 100 kW PM systems.
- The NSSC-II recommendation for the on-board computer is based on an IBM study which compared the NSSC-1 and NSSC-II computers. Special emphasis was given to the key drivers of memory growth, speed, and general performance.



RECOMMENDED C&DH SUBSYSTEM GROWTH

RECOMMENDATION	RATIONALE	
	FOR FIRST MISSION	FOR GROWTH
HIGH GAIN ANTENNAS, S-BAND (STEERABLE)	REQUIRED FOR SOLAR TERRESTRIAL DATA AND PM DATA > 4 KBS	Ku BAND KIT ALLOWS DATA RATE GROWTH TO 300 MBS
NSSC II COMPUTER	IMPROVED SPEED FOR EARLY PAYLOAD SYSTEM REQUIREMENTS	FOR HANDLING MORE ACS AND MEMORY REQUIREMENTS
256 KBS DATA RATE CAPABILITY	TO SUPPORT EARLY PAYLOAD SYSTEM RQMTS	Ku BAND KIT TO MEET EXPANDED PAYLOAD & PM DATA RATE RQMTS
DISTRIBUTED DATA BUS SYSTEM (REMOTE TELEMETRY & COMMAND UNITS)	MINIMIZES WIRES CROSSING DOCKING INTERFACES	MINIMIZE WIRES CROSSING PAYLOAD/POWER MODULE INTERFACES. GROWTH BY ADDING REMOTE UNITS

STRUCTURAL SUBSYSTEM/EQUIPMENT INSTALLATION GROWTH

- The following two drawings show the equipment installation growth for the 25, 50, and 100 kW configuration Power Modules. Additional details of these installations are shown in paragraphs 4.1.2, 5.1.2, and 6.1.2 respectively of this Volume I of the Part III Final Report.

This page intentionally left blank.

3.4 POWER MODULE GEO DERIVATIVE CONFIGURATIONS

POWER MODULE DERIVED GEO CONCEPT

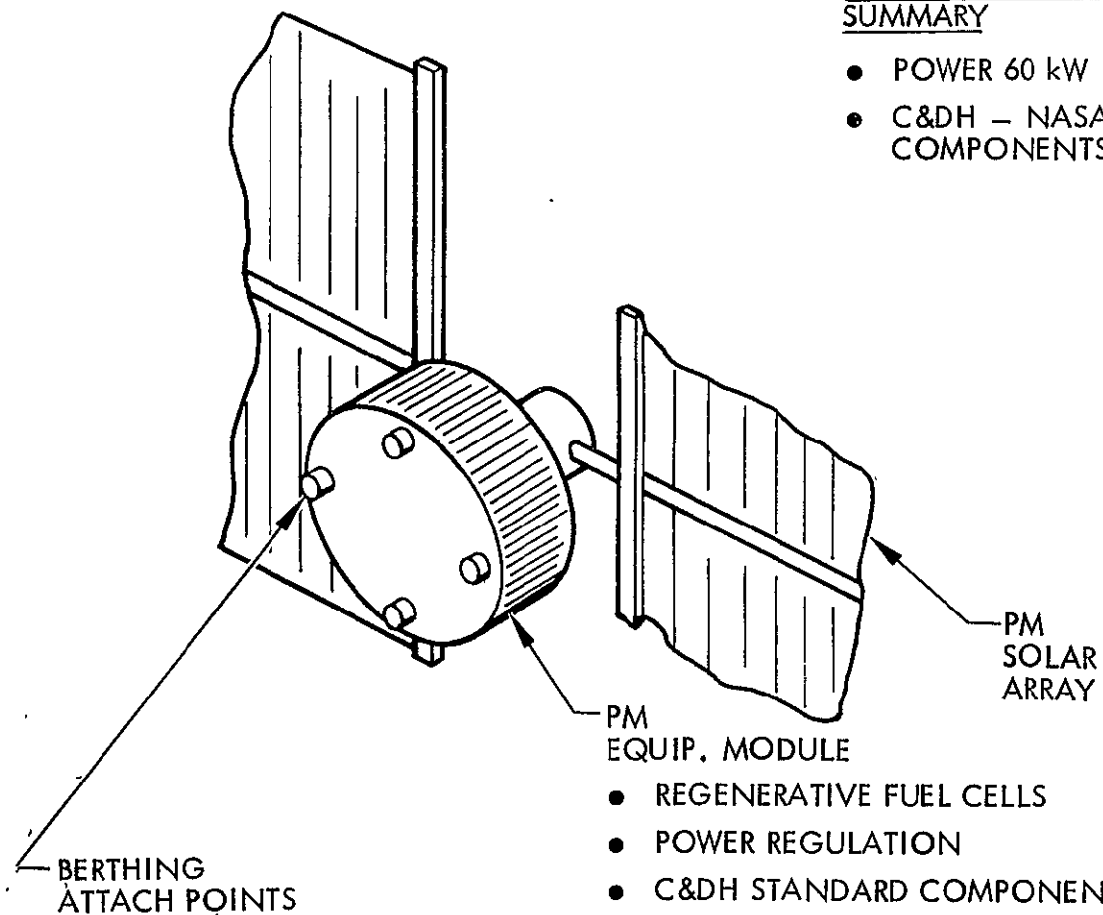
- The 25 kW Power Module Evolutionary Study examined the many desires for the Geostationary Platform. Users include Communications, Space Science, Navigation, and Solar Terrestrial Observations. These System configurations require further conceptual definitions. However, it is suggested that the 25 kW Power Module Program will provide a significant contribution to the Geostationary Program by having many directly applicable components to be incorporated into the GEO System concepts.
- This figure shows a PM concept for use in GEO. It is assumed that cooling will be provided by attached payloads, since heat sources will probably be widely distributed. A Regenerative Fuel Cell (RFC) energy storage system will probably be optimum for GEO, and has the advantage of reducing system weights by factors of 2 and 3 respectively over Ni-H₂ and Ni-Cd battery systems.
- At GEO the eclipse is near the equinox and is a maximum of 72 minutes. Eclipse will be at local midnight at a time when traffic is near the lowest level and therefore full power capability will not be needed. Low cycle life is required with long recharge times available, thus allowing the reduction in electrolyzer amount. Weight characteristics of the electrical power subsystem of the GEO PM are given on page 3-65 of this Volume I, Part III Final Report.



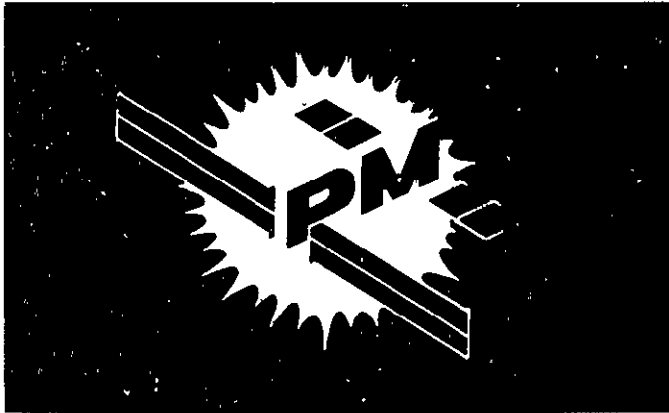
POWER MODULE DERIVED GEO CONCEPT

GEO POWER MODULE CHARACTERISTICS SUMMARY

- POWER 60 kW
- C&DH – NASA STANDARD COMPONENTS



- REGENERATIVE FUEL CELLS
- POWER REGULATION
- C&DH STANDARD COMPONENTS
- SINGLE DEGREE OF FREEDOM TRACKING SYSTEM
- ACS COMPONENTS
- COMPUTER



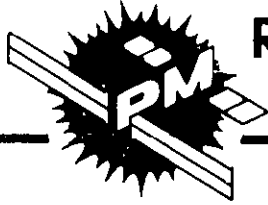
SECTION 4 25kW POWER MODULE

- 4.1 OUTBOARD AND INBOARD PROFILES
- 4.2 WEIGHTS
- 4.3 SUBSYSTEM DESIGN DESCRIPTION

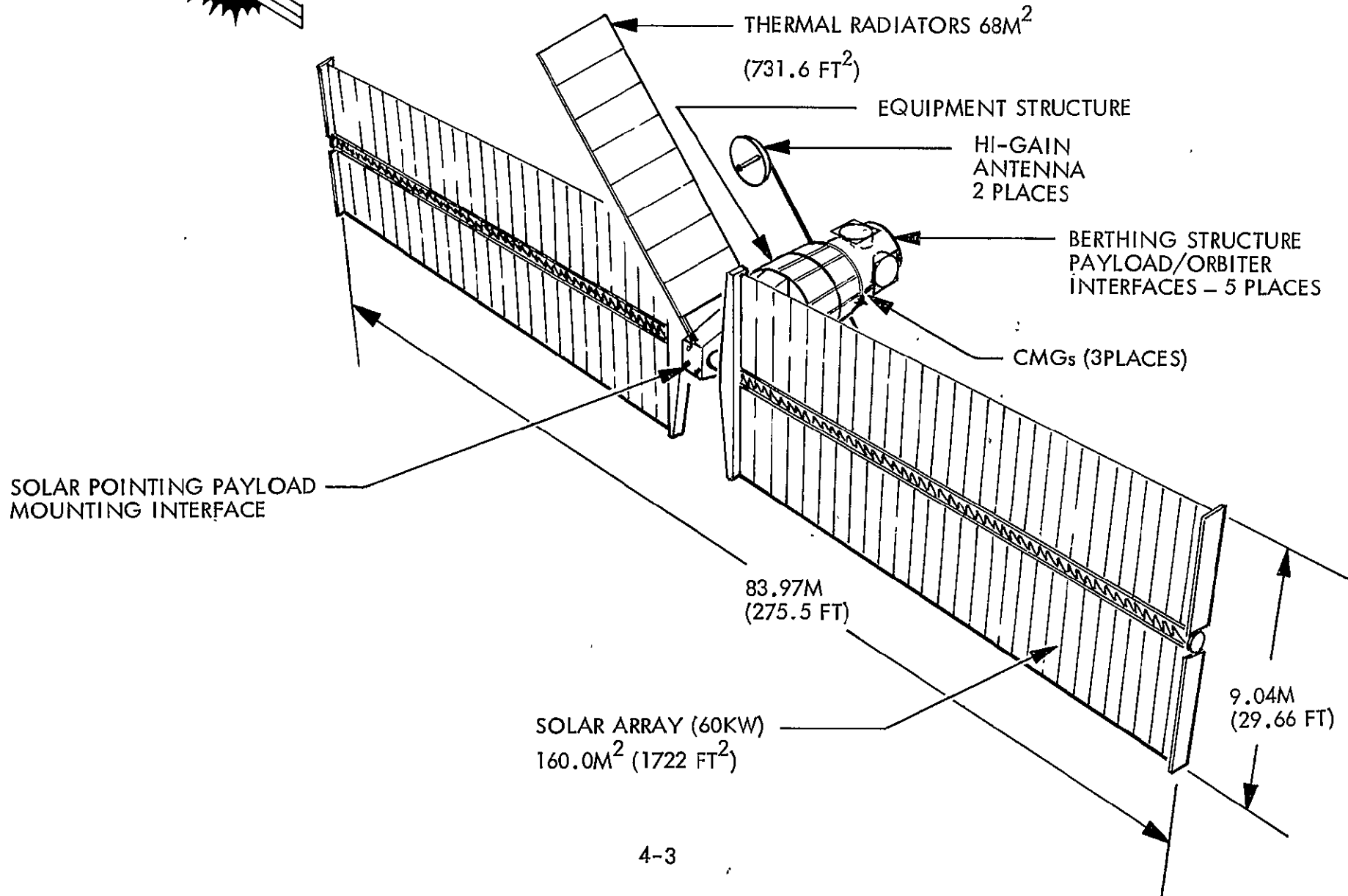
RECOMMENDED 25 kW POWER MODULE
CONFIGURATION – DEPLOYED

- The 25 kW Power Module configuration is shown here. This vehicle includes five basic subsystems as follows:
 - Structures
 - Electrical Power
 - Thermal
 - Attitude Control
 - Communication and Data Handling

- Subsystem design guidelines have emphasized compatibility with Shuttle Orbiter interfaces and operations, replicability of equipment, flexibility for growth and maintenance on orbit, and low cost design.

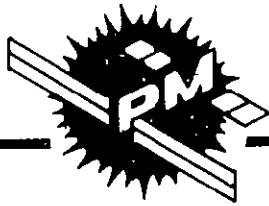


RECOMMENDED 25 kW POWER MODULE CONFIGURATION – DEPLOYED

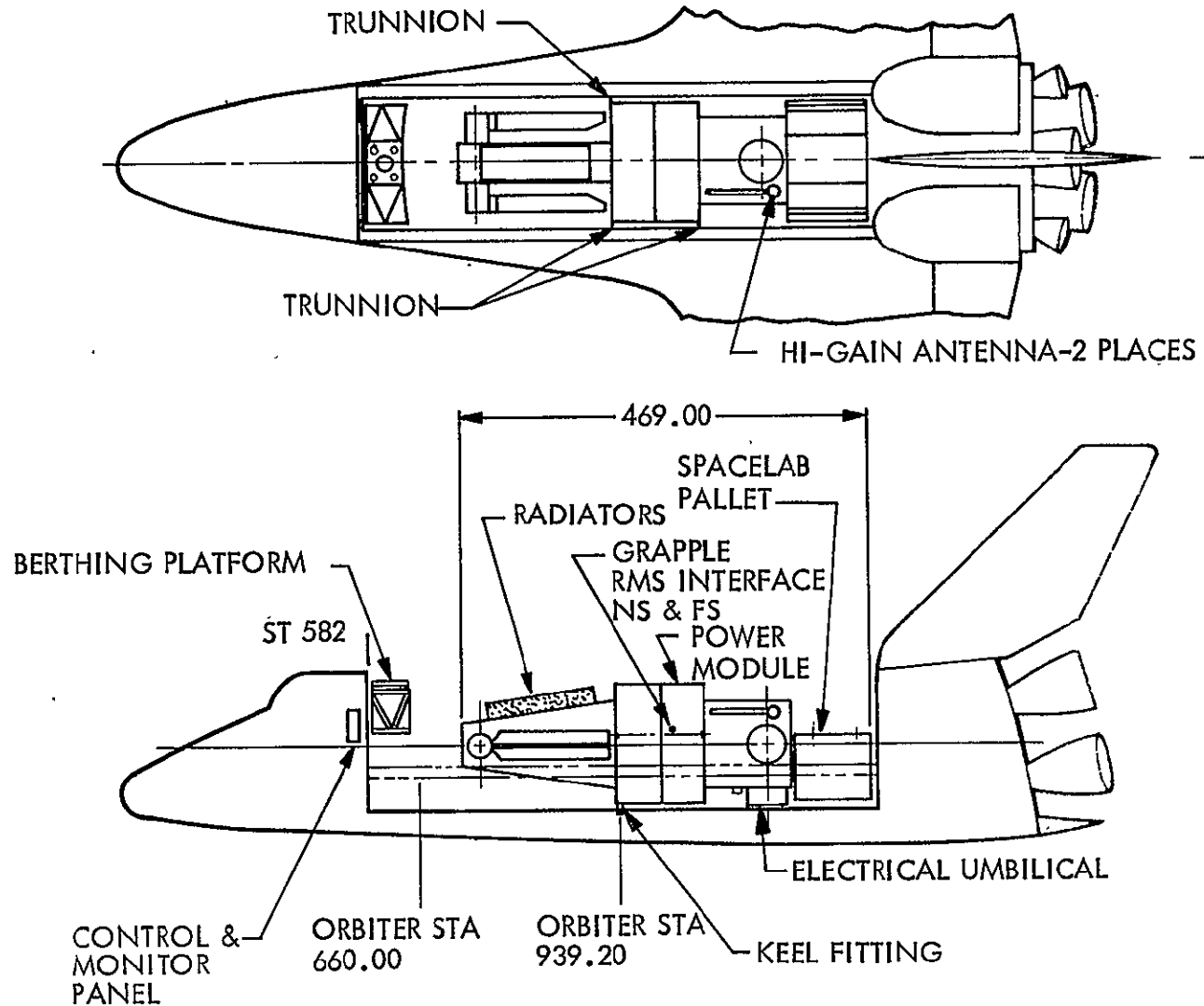


25 kW POWER MODULE – ORBITER PAYLOAD
BAY INSTALLATION

Configuration sizing compatibility in the Orbiter cargo bay is shown in the chart and the Orbiter payload installation drawing. This PM configuration can be carried on one Orbiter flight; while still allowing space in the Orbiter for an additional Spacelab-type pallet. Space forward of Orbiter station 660 is reserved for Orbiter use.



25kW POWER MODULE— ORBITER PAYLOAD BAY INSTALLATION



This page left intentionally blank.

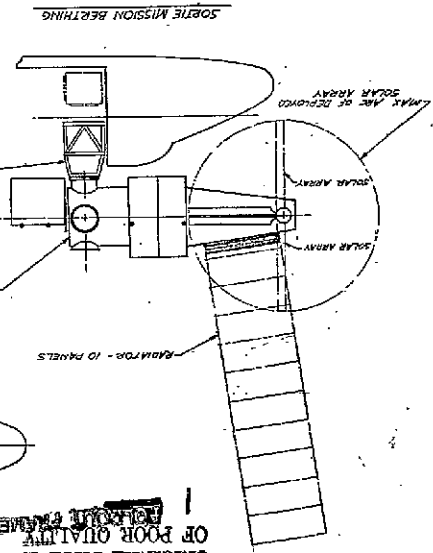
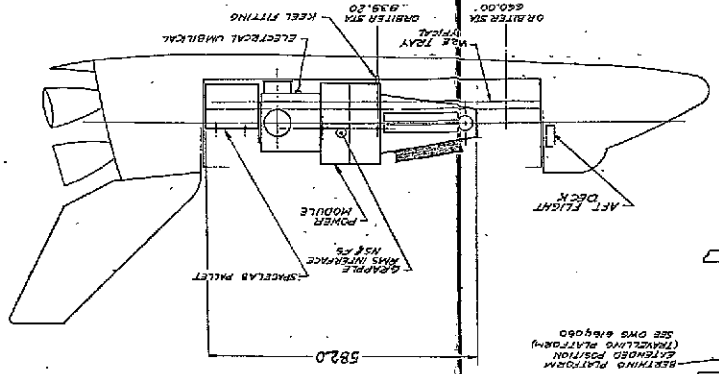
REVISIONS		REVISIONS	
NO.	DATE	BY	DESCRIPTION
1			ISSUED
2			REVISIONS

REV	DATE	BY	DESCRIPTION
1			ISSUED
2			REVISIONS

REV	DATE	BY	DESCRIPTION
1			ISSUED
2			REVISIONS

NOT RELEASABLE

NOTES:
 1. ATTACH TRANSMISSION FITTING (FROM DEPLOYABLE PAYLOAD) PER SHUTTLE ORBITER (CARD SHOWN INTERFACES BY NASA - JOHNSON SPACE CENTRE.
 2. TRANSMISSIONS REQUIRE SPECIAL STRAPUPS TO DISTRIBUTE LOAD TO CARGO BAY SILL FITTING.



ORIGINAL PAGE IS OF POOR QUALITY

POOR QUALITY FRAME

ORIGINAL PAGE IS OF POOR QUALITY

LMSC-D614944-1

REV	DATE	BY	DESCRIPTION
1			ISSUED
2			REVISIONS

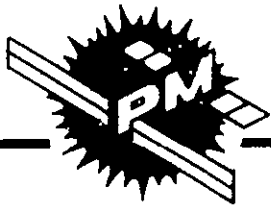
This page left intentionally blank.

4.1 OUTBOARD AND INBOARD PROFILES

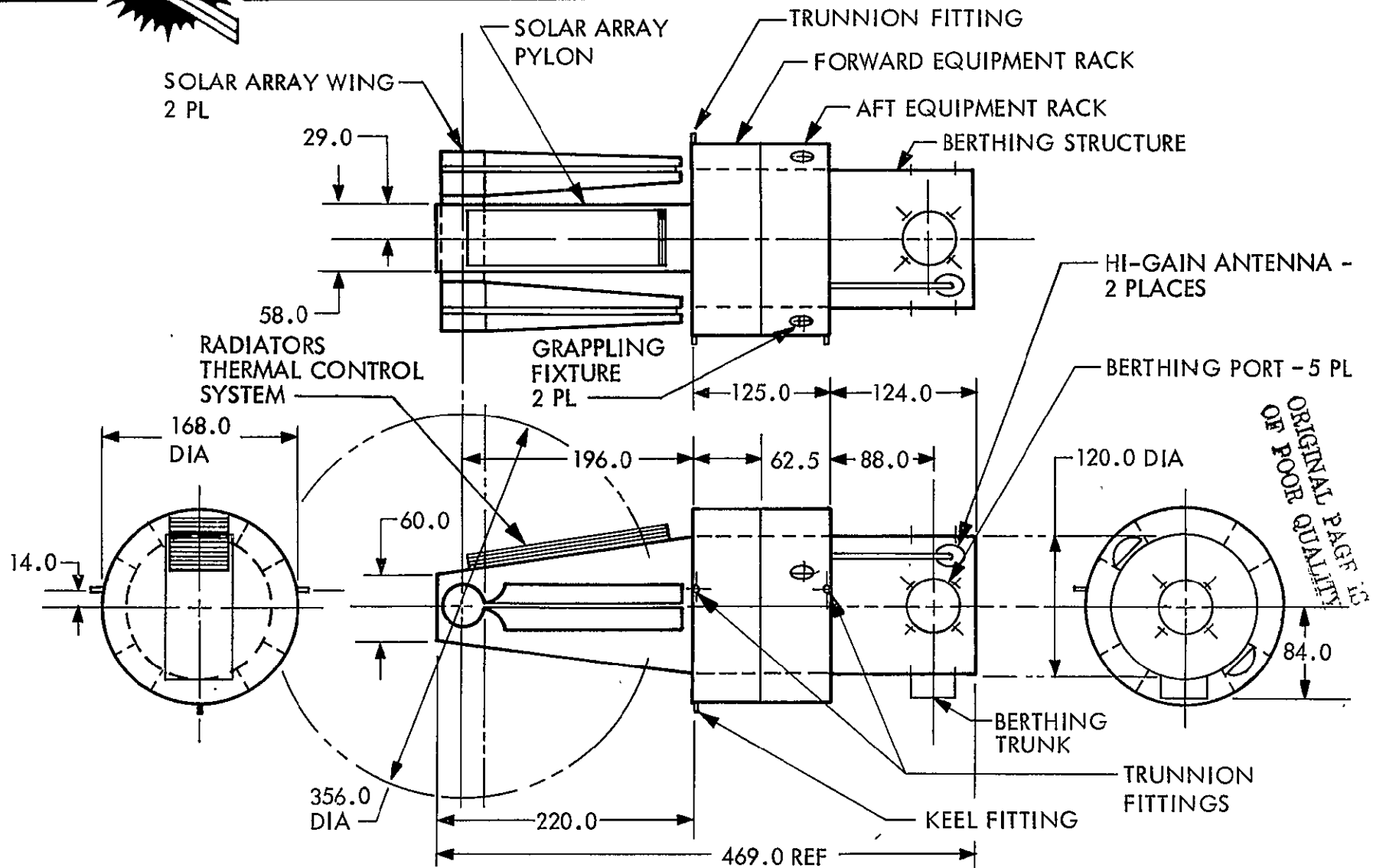
4.1.1 Outboard Profile

25 kW POWER MODULE – OUTBOARD PROFILE

- The 25 kW Power Module outboard profile is shown in the chart. The vehicle is composed of four major structural components:
 - Solar array support structure
 - Forward equipment rack
 - Aft equipment rack
 - Berthing support structure
- The solar array support structure is of closed shear box or semi-monocoque construction. It also supports and contains the thermal radiator system.
- Both forward and aft equipment racks are constructed from ring frame assemblies, radial webs, and longerons attached to an inner tubular structure. Built into the equipment rack structure are the trunnion fittings and keel fitting that support the Power Module in the Orbiter payload compartment.
- The berthing support structure is of semi-monocoque construction and is of the same diameter as the inner tubular structure in the equipment racks. Five berthing ports are built into this structure – four at equal spaces around the diameter and one on the aft face.



25kW POWER MODULE OUTBOARD PROFILE



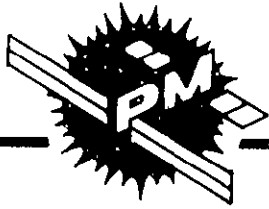
ORIGINAL PAGE IS
OF POOR
QUALITY

ALL DIMENSIONS IN INCHES

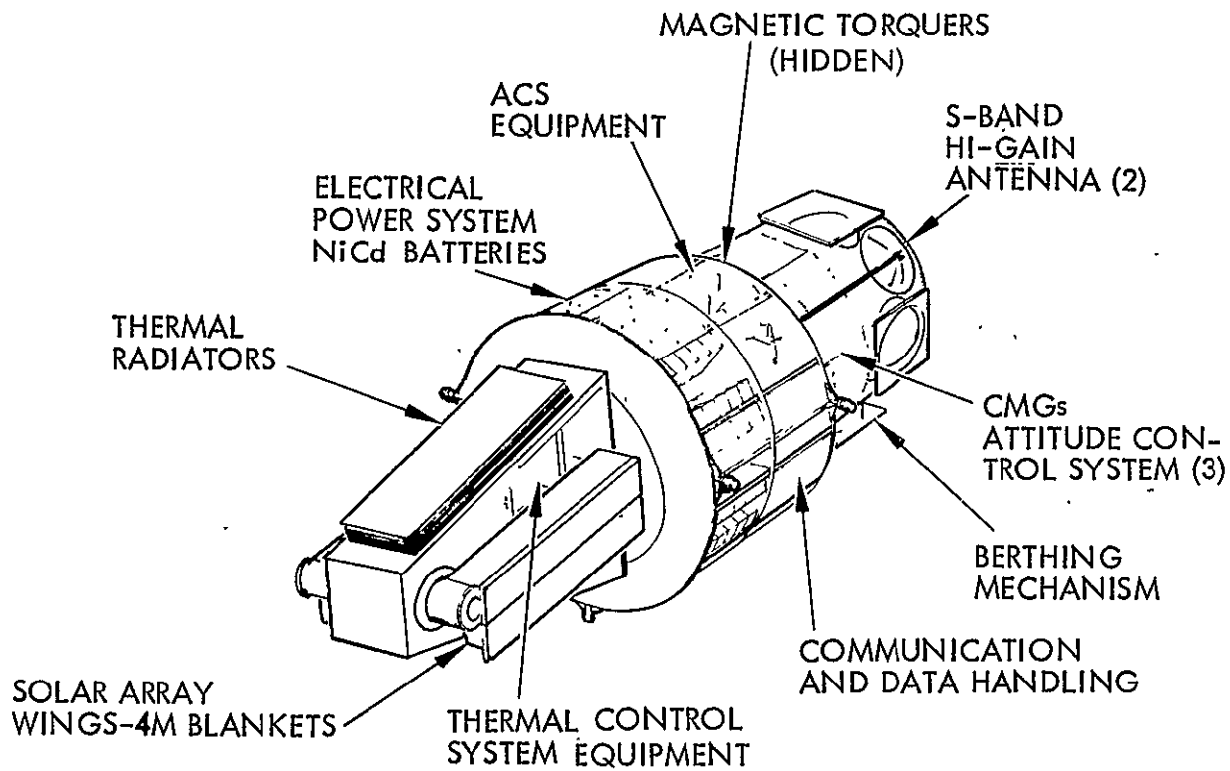
4.1.2 Inboard Profile

25 kW POWER MODULE INBOARD PROFILE

- The inboard profile is shown in the next chart. For equipment installation the concept of subsystem modularity is maintained. The electrical power subsystem equipment is located in the forward equipment rack. Communications and data handling subsystem equipment including magnetic torquers and electronics, rate gyros, horizon sensors, and electronics are located in the aft equipment rack. The control moment gyros (3) are located in the berthing module.
- This subsystem compartment allocation provides enhancement for growth and maintenance on orbit.



25kW POWER MODULE INBOARD PROFILE



25 kW POWER MODULE EQUIPMENT INSTALLATION

- Equipment installation details for the 25 kW Power Module are shown in the drawing.

This page intentionally left blank.

4.2 WEIGHTS

Detailed weights data for the 25 kW Power Module subsystems are included in the following subsystem descriptions. A summary weight statement of the Power Module is shown below. Detail mass properties data is given in Volume 4, paragraph 2.2 of the Part III Final Report.

25 kW POWER MODULE WEIGHT SUMMARY

<u>ITEM</u>	<u>WEIGHT (LB)</u>
Structure and Mechanical	7430
Electrical Power	12565
Thermal Control	2014
Attitude Control	2138
C & DH	<u>428</u>
Subtotal	24575
Contingency - 25%	<u>6144</u>
TOTAL	<u>30719</u>

This page intentionally left blank.

4.3 SUBSYSTEM DESIGN DESCRIPTION

4.3.1 Structures

Functions/Requirements

The major functional elements of the structure assembly are:

- Solar array support structure
- Equipment racks (two)
- Berthing structure

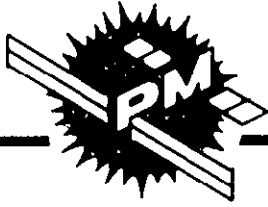
This structure assembly will provide for the optimum structural arrangement to satisfy the installation and support of power module peculiar equipment, the orbiter installation and berthing attachment and release requirements, and payload berthing and attachment.

Structural configuration trade-off studies are described in Volume 4, page 3-10, of Part III Final Report and Reference 10, pages 20-6 through 2C-21.

Subsystem Description

25 kW POWER MODULE STRUCTURE

The chart illustrates the major structural elements.



25 kW POWER MODULE STRUCTURE

SOLAR ARRAY SUPPORT STRUCTURE

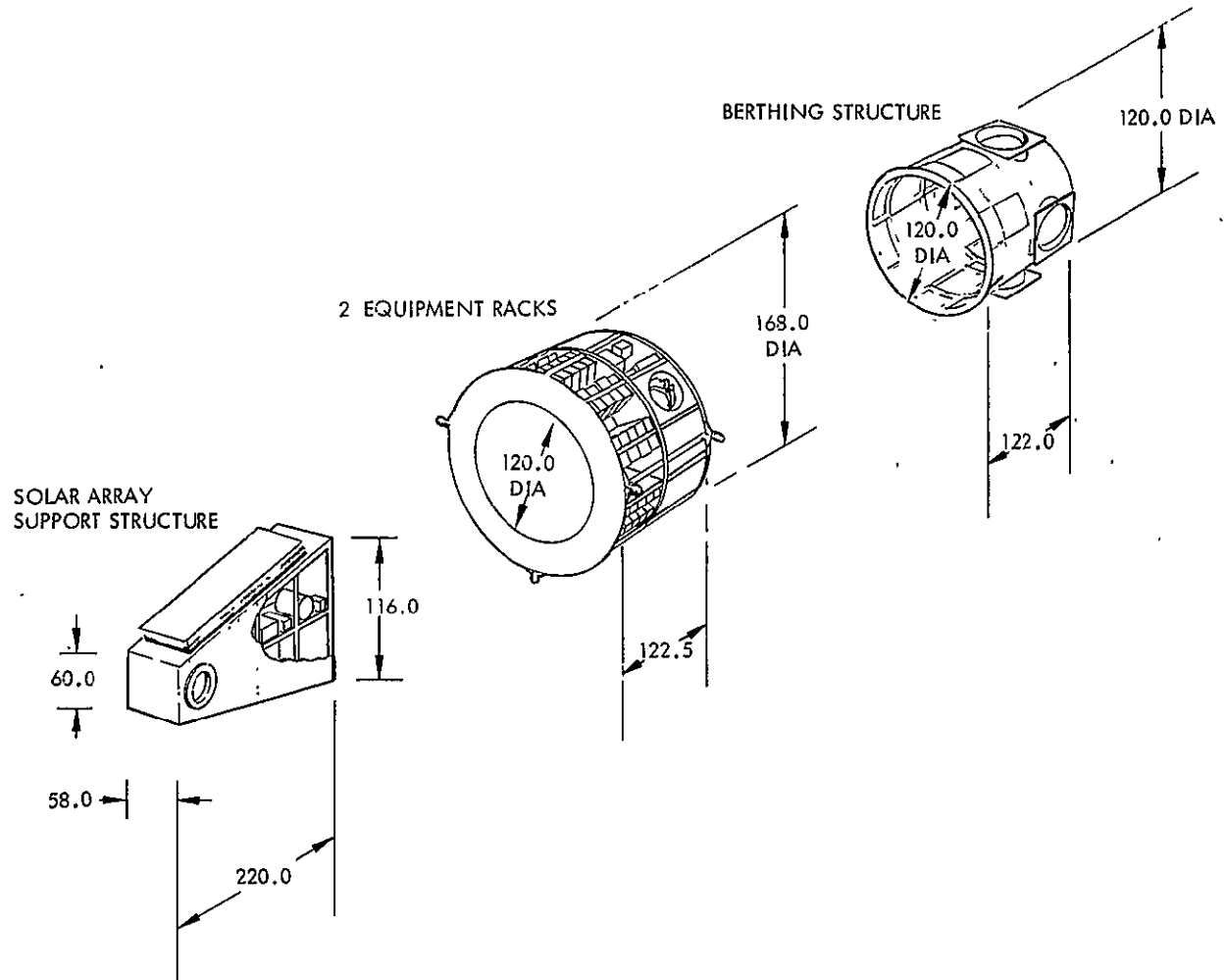
- SHEAR BOX STRUCTURE
- PROVIDES FOR GROWTH
- READILY ACCOMMODATES EQUIPMENT
- APPLICABLE TO 25, 50, AND 100 kW STRUCTURE

EQUIPMENT RACK

- DESIGN AND TOOLING AVAILABLE
- ORBITER ENVIRONMENT QUALIFIED
- SOME REDESIGN REQUIRED
- PROVIDES FOR GROWTH
- SPACE FOR GROWTH EQUIPMENT
- APPLICABLE TO 25, 50, AND 100kW STRUCTURE

BERTHING STRUCTURE

- MONOCOQUE STRUCTURE
- PROVIDES FOR EQUIPMENT GROWTH
- PROVIDES BERTHING AND SORTIE INTERFACE
- APPLICABLE TO 25, 50, AND 100 kW STRUCTURE



DIMENSIONS IN INCHES

SOLAR ARRAY SUPPORT STRUCTURE

- The Solar Array Support Structure is a semi-monocoque configuration of light alloy shear panels and structural members; design details are shown in this drawing. At its forward end are housed the drive assemblies of the two solar array wing assemblies. On its forward face are mounted the support brackets and tilt mechanism for the solar pointing package, and on its upper surface are attached the extendable radiators of the thermal protection system. The remainder of the TPS equipment and items associated with the electrical power system and solar pointing package are installed within the structure-access doors being provided for servicing, at its aft end the structure is attached to the forward face at the equipment rack section. At this interface are situated electrical and fluid connections.

REV	DATE	DESCRIPTION	BY	CHKD
1	01/16/05	POWER B MODULE		
2		SOLAR ARRAY SUPPORT STRUCTURES		

REV	DATE	DESCRIPTION	BY	CHKD
1		POWER B MODULE		
2		SOLAR ARRAY SUPPORT STRUCTURES		

REV	DATE	DESCRIPTION	BY	CHKD
1		POWER B MODULE		
2		SOLAR ARRAY SUPPORT STRUCTURES		

REV	DATE	DESCRIPTION	BY	CHKD
1		POWER B MODULE		
2		SOLAR ARRAY SUPPORT STRUCTURES		

REV	DATE	DESCRIPTION	BY	CHKD
1		POWER B MODULE		
2		SOLAR ARRAY SUPPORT STRUCTURES		

REV	DATE	DESCRIPTION	BY	CHKD
1		POWER B MODULE		
2		SOLAR ARRAY SUPPORT STRUCTURES		

REV	DATE	DESCRIPTION	BY	CHKD
1		POWER B MODULE		
2		SOLAR ARRAY SUPPORT STRUCTURES		

REV	DATE	DESCRIPTION	BY	CHKD
1		POWER B MODULE		
2		SOLAR ARRAY SUPPORT STRUCTURES		

REV	DATE	DESCRIPTION	BY	CHKD
1		POWER B MODULE		
2		SOLAR ARRAY SUPPORT STRUCTURES		

REV	DATE	DESCRIPTION	BY	CHKD
1		POWER B MODULE		
2		SOLAR ARRAY SUPPORT STRUCTURES		

REV	DATE	DESCRIPTION	BY	CHKD
1		POWER B MODULE		
2		SOLAR ARRAY SUPPORT STRUCTURES		

REV	DATE	DESCRIPTION	BY	CHKD
1		POWER B MODULE		
2		SOLAR ARRAY SUPPORT STRUCTURES		

REV	DATE	DESCRIPTION	BY	CHKD
1		POWER B MODULE		
2		SOLAR ARRAY SUPPORT STRUCTURES		

REV	DATE	DESCRIPTION	BY	CHKD
1		POWER B MODULE		
2		SOLAR ARRAY SUPPORT STRUCTURES		

REV	DATE	DESCRIPTION	BY	CHKD
1		POWER B MODULE		
2		SOLAR ARRAY SUPPORT STRUCTURES		

REV	DATE	DESCRIPTION	BY	CHKD
1		POWER B MODULE		
2		SOLAR ARRAY SUPPORT STRUCTURES		

REV	DATE	DESCRIPTION	BY	CHKD
1		POWER B MODULE		
2		SOLAR ARRAY SUPPORT STRUCTURES		

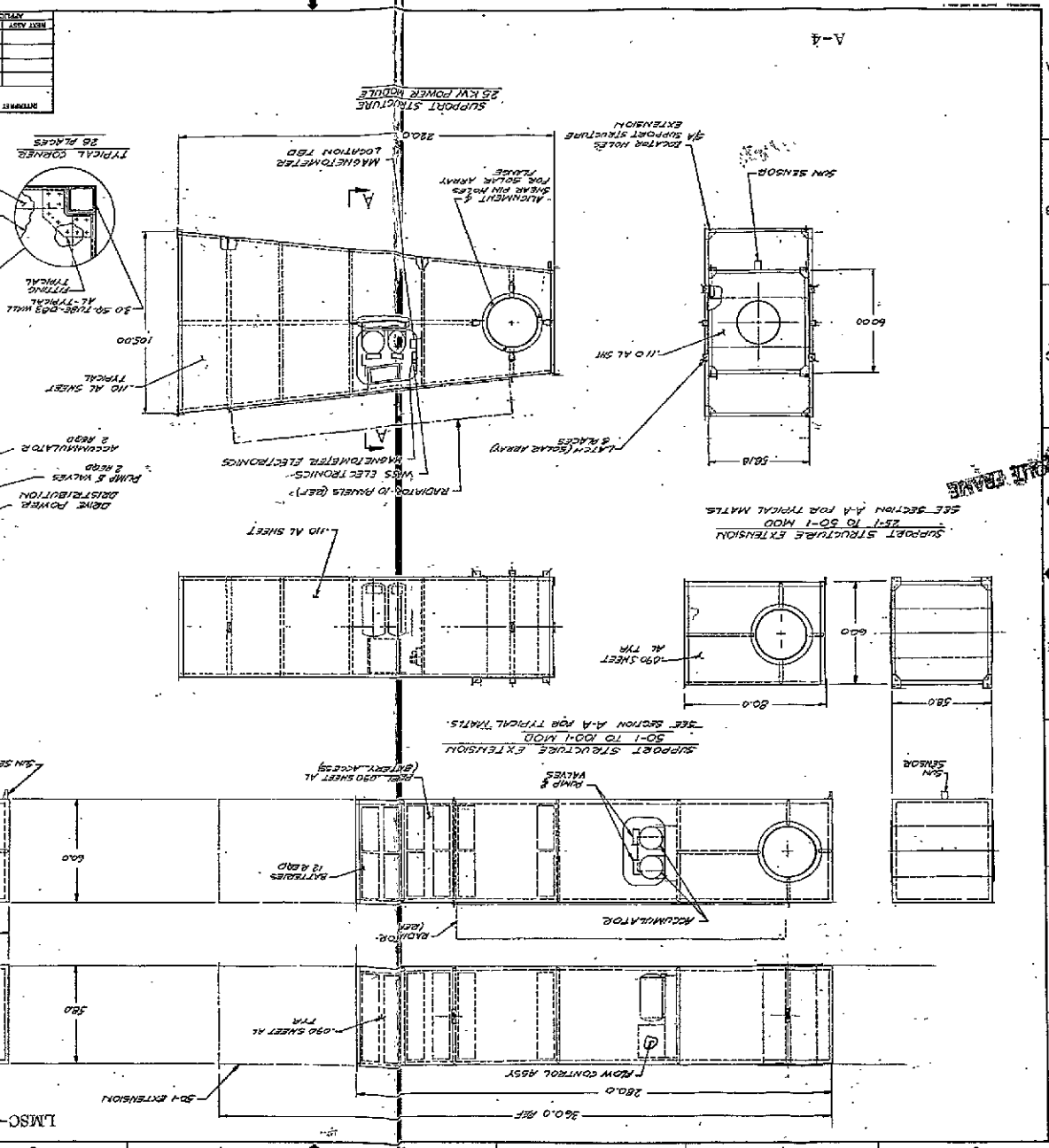
REV	DATE	DESCRIPTION	BY	CHKD
1		POWER B MODULE		
2		SOLAR ARRAY SUPPORT STRUCTURES		

REV	DATE	DESCRIPTION	BY	CHKD
1		POWER B MODULE		
2		SOLAR ARRAY SUPPORT STRUCTURES		

REV	DATE	DESCRIPTION	BY	CHKD
1		POWER B MODULE		
2		SOLAR ARRAY SUPPORT STRUCTURES		

REV	DATE	DESCRIPTION	BY	CHKD
1		POWER B MODULE		
2		SOLAR ARRAY SUPPORT STRUCTURES		

REV	DATE	DESCRIPTION	BY	CHKD
1		POWER B MODULE		
2		SOLAR ARRAY SUPPORT STRUCTURES		



ORIGINAL PAGE IS OF POOR QUALITY

ORIGINAL PAGE IS OF POOR QUALITY

LMSC-D614944-1

This page intentionally left blank.

EQUIPMENT RACK

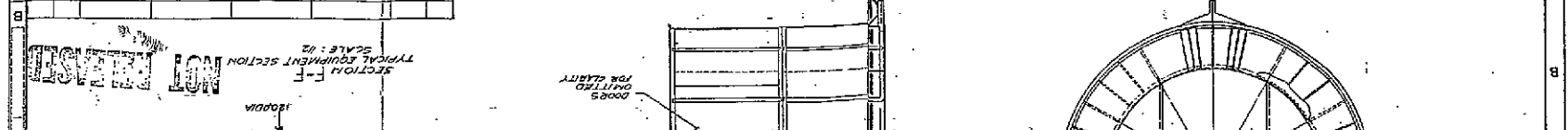
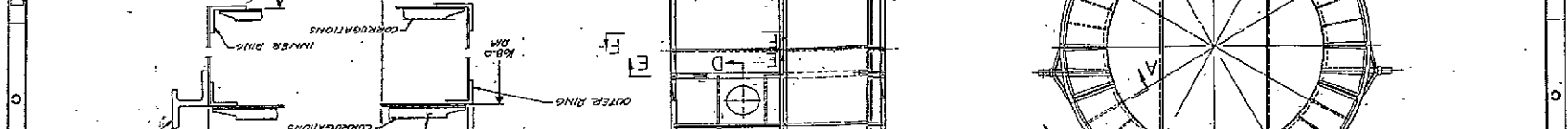
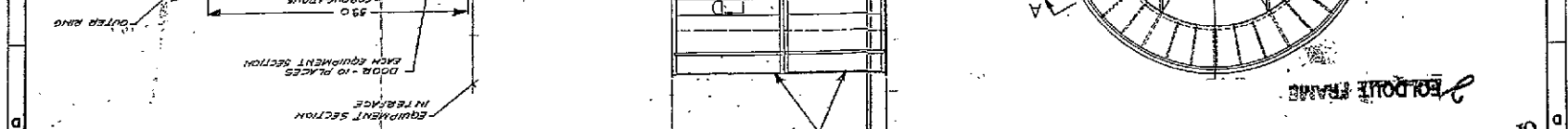
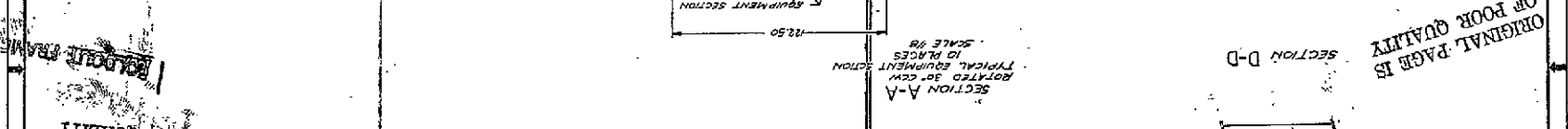
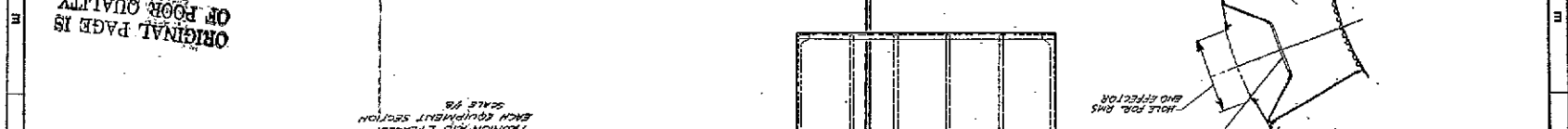
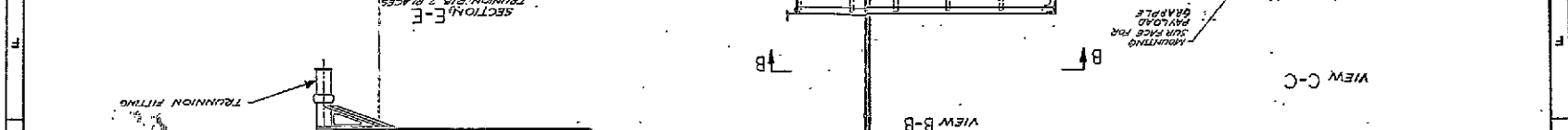
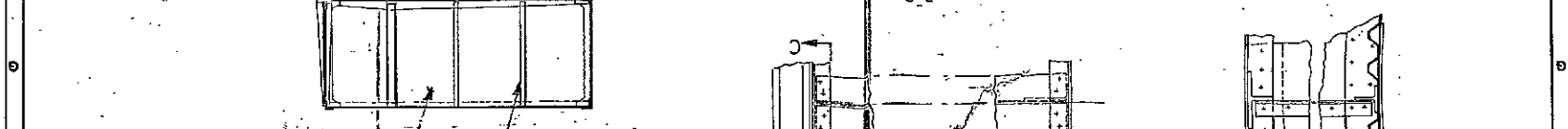
- The equipment rack consists of two equipment sections presently used in the space systems module (space telescope program) spliced into one unit. Equipment rack structural details are shown in this drawing. This section of the SSM is composed of radial web assemblies on either end of a 120.0 inch diameter inner shell; the web assemblies are interconnected by longitudinal diaphragms situated at 30° spacing. Keel and trunnion fittings for installation on the power module into the orbiter payload bay are attached to this rack structure. Minor modifications will be required to adapt the structure for the 25 kW power module.

Battery modules, control assemblies, bus regulators and other items of the electrical power system are installed in the forward section of the rack and the aft section houses the communication and data handling module and items associated with the attitude control system. Hinged access doors offer environmental protection, and facilitate maintenance to items on this aft section.

ZONE	DATE	DESCRIPTION	APP'D

1 2 3 4 5 6 7 8 9 10

A B C D E F G H



REV	DATE	DESCRIPTION	APP'D
1			
2			
3			
4			
5			
6			
7			
8			
9			
10			

4-27/4-28 Blank

This page intentionally left blank.

BERTHING STRUCTURE

- The berthing structure is a frame and rib stiffened shell of 120.0 inch diameter which attaches at its forward face to the aft face of the equipment rack. Structural details of the berthing structure and the berthing concept are shown on these two drawings. Built into its bottom surface is an extended collar supporting the orbiter sortie interface. Four other berthing interfaces are supplied at 0° , 90° , and 270° around the shell, and on the aft face of the structure.

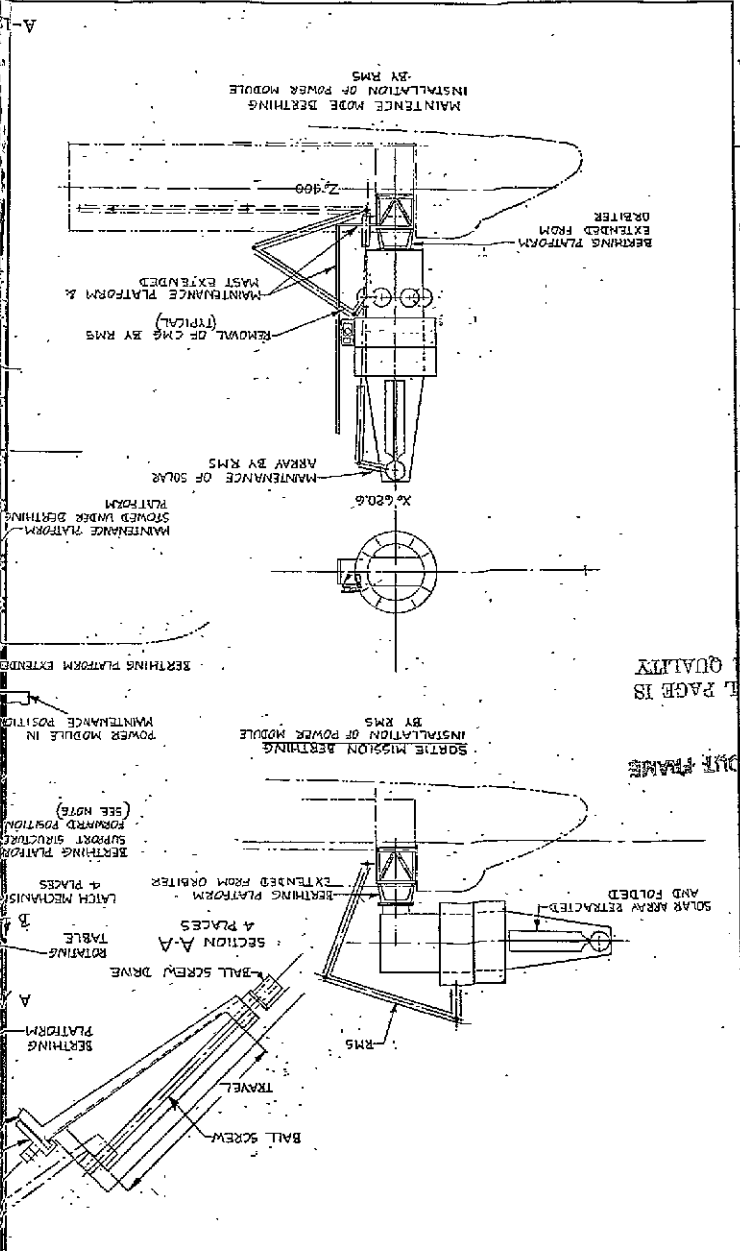
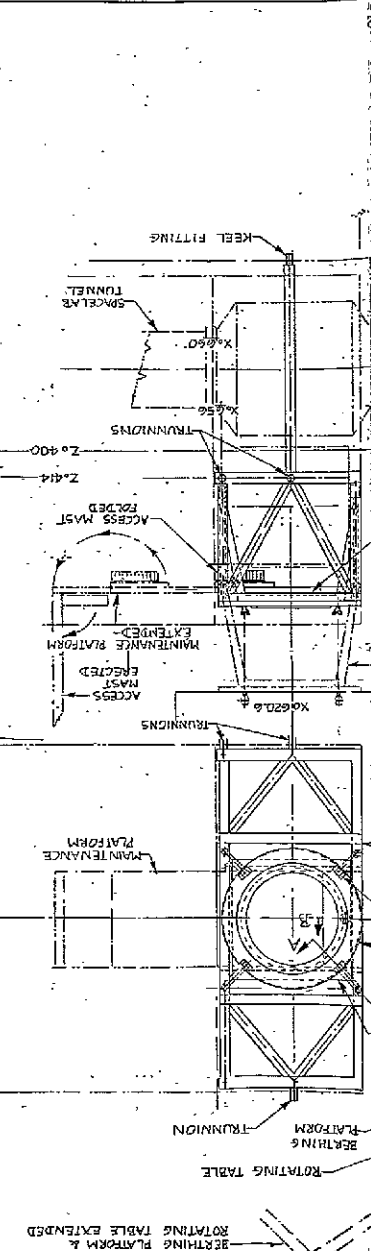
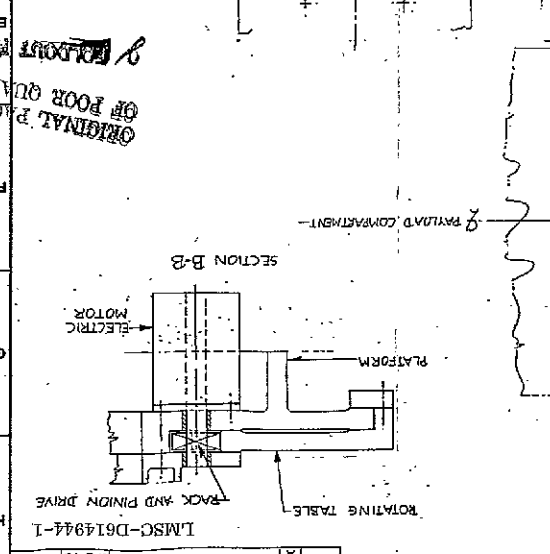
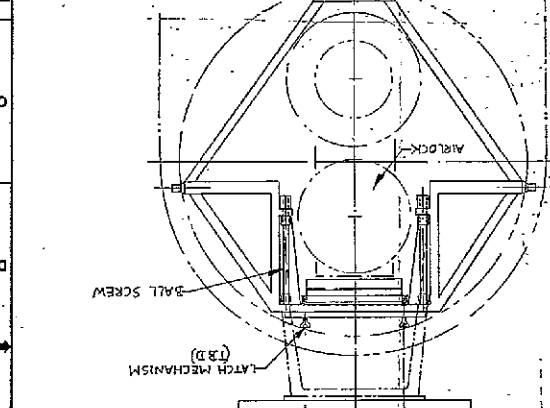
Cutouts and supporting beams for six control moment gyros are 60° spacing around the shell diameter. Support brackets and fold-out mechanisms for two hi-gain antennas are installed diametrically opposite each other on the outside of the shell.

REVISIONS	DATE	BY	DESCRIPTION
1	11-2-78	AVB	
2			
3			
4			
5			
6			
7			
8			
9			
10			

ITEM NO.	DESCRIPTION	QTY	UNIT
1	MAINTENANCE PLATFORM	1	
2	ACCESS MAST	1	
3	TRUNNIONS	2	
4	MAINTENANCE PLATFORM	1	
5	ACCESS MAST	1	
6	TRUNNIONS	2	
7	MAINTENANCE PLATFORM	1	
8	ACCESS MAST	1	
9	TRUNNIONS	2	
10	MAINTENANCE PLATFORM	1	

NOTE-BERTHING SYSTEM CAN BE INSTALLED WHERE REQUIRED ALONG THE LENGTH OF THE ORBITER PAYLOAD COMPARTMENT

VIEW LOOKING FORWARD



ORIGINAL PAGE IS OF POOR QUALITY

ORIGINAL PAGE IS OF POOR QUALITY

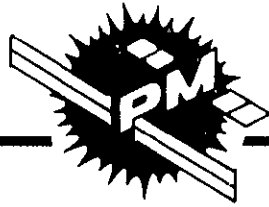
DATE	BY	DESCRIPTION
11-2-78	AVB	

I MSC-D614944-1

This page intentionally left blank.

COMPONENT CHARACTERISTICS

- A summary of structure subsystem weights and characteristics of the structures components are given in the table.



STRUCTURES AND MECHANICAL SUBSYSTEM COMPONENT CHARACTERISTICS

STRUCTURES AND MECHANICAL SUBSYSTEM COMPONENT CHARACTERISTICS

ITEM NO.	COMPONENT	NO. REQ'D	PWR (WATTS)	SIZE (L X W X H) IN.	UNIT WT (LBS)	TOTAL WT (LBS)
1	STRUCTURE ASSEMBLY SOLAR ARRAY SUPPORT BOOM	1	N/A	220 X 58 X 60/116	880	880
2	STRUCTURAL ASSEMBLY, FWD SECTION EQUIPMENT RACK	1		62.5 X 168 DIAM.	1435	1435
3	STRUCTURAL ASSEMBLY, AFT SECTION EQUIPMENT RACK	1		62.5 X 168 DIAM.	1465	1465
4	STRUCTURAL ASSEMBLY, BERTHING MODULE	1		12.4 X 168 DIAM.	3200	3200
5	MECHANISMS	TBD	↓	TBD	450	450

Functions/Requirements

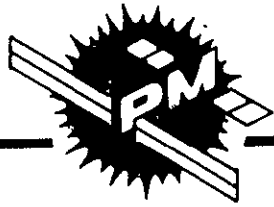
The major functional elements of the electrical power subsystem (EPS) are: solar array assembly, power control, and energy storage (battery system). These elements are integrated so that the PM is capable of operating in LEO for 5 years. The EPS furnishes power required for the PM subsystems in sortie, free-flyer, and orbit storage modes. In addition, 25 kW power is provided at the payload interface for either sortie or free-flyer modes of flight.

Subsystem Description

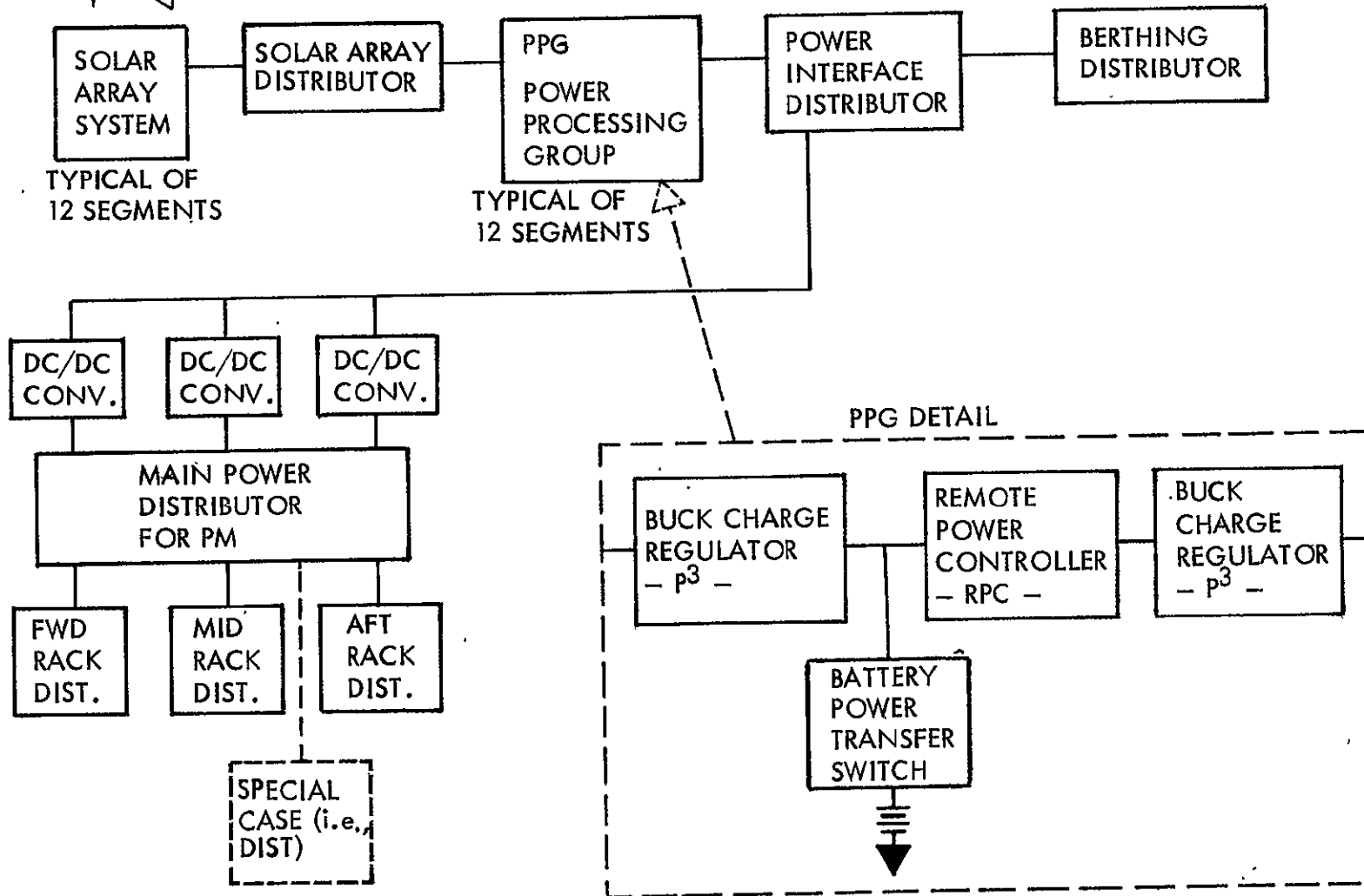
ELECTRICAL POWER SUBSYSTEM BLOCK DIAGRAM

The figure is a simplified block diagram of the EPS, identifying its major elements and functional interfaces.

- The basic power producing, processing, and storage is divided into twelve equal elements. These elements are monitored and controlled by the Power Interface Distributor.
- The Power Interface Distributor (PID) provides the central management point of the entire distribution system and provides all system management functions. Currents, voltages, and energy are monitored from this point.
- Power for the Power Module is distributed from the PID to DC/DC transformer regulators such that all PM power is isolated from the power distributed to users. A main distribution box provides monitoring and management of the PM power. Auxiliary distribution boxes are used as required throughout the PM spacecraft.



ELECTRICAL POWER SUBSYSTEM BLOCK DIAGRAM



Solar Arrays

The solar array element is comprised of the solar array wings, drive assembly and deployment/retraction boom and mechanisms. Design details of the solar arrays are described in Reference 9.

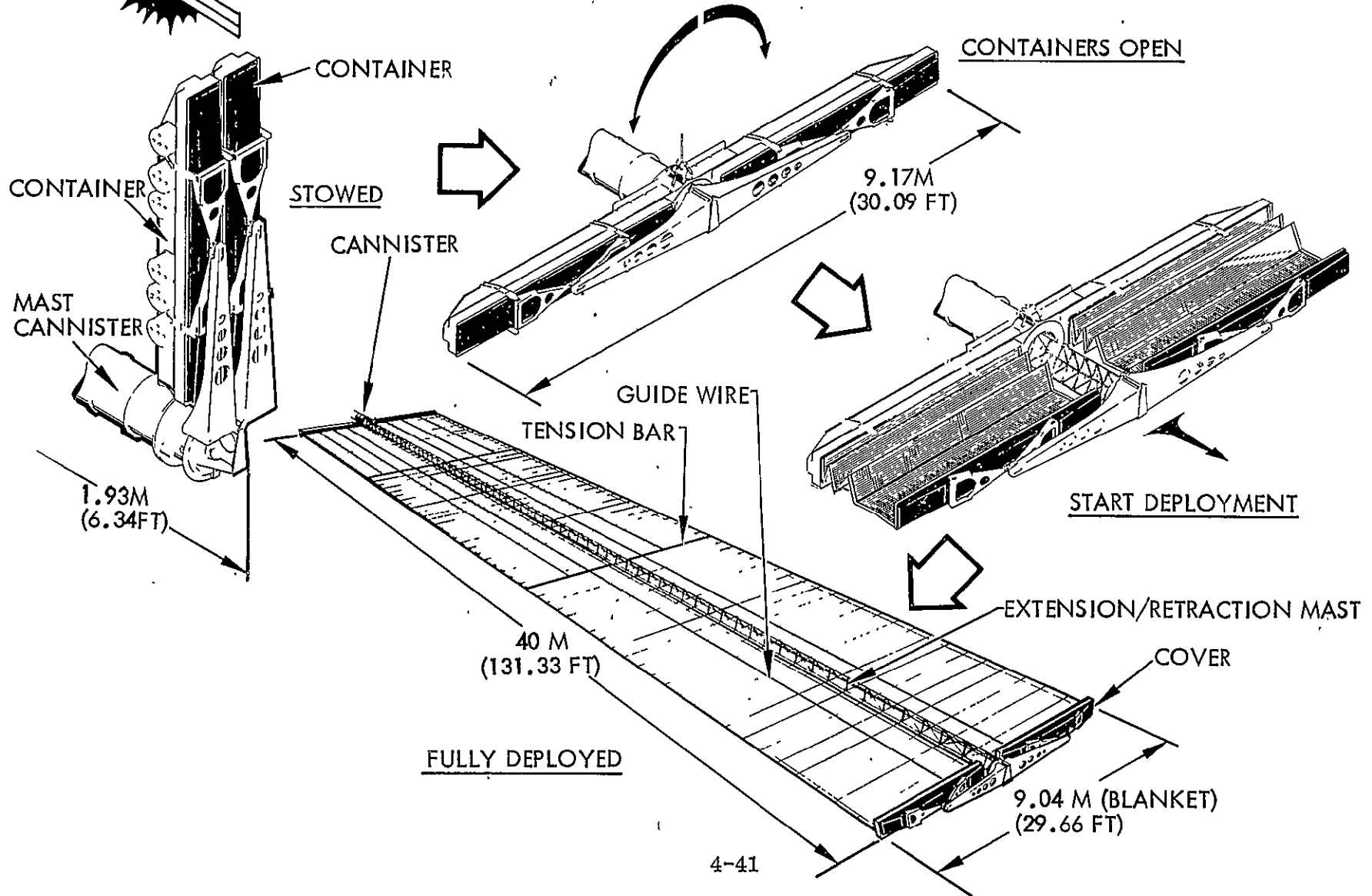
The solar array drive assembly and solar array wings are attached to the Power Module forward support structure. The solar array panels are extendable/retractable and form an extended wing array 9 meters (30 feet) wide by 83.5 meters (271 feet) long. The SA has a single degree of rotation about the longitude axis for solar pointing and provides 60 kW peak output with 25 kW continuously to the user.

25 kW S/A EXTENSION SEQUENCE

The figure shows the sequencing of the array panels as they are extended or retracted by the extension/retraction mast.



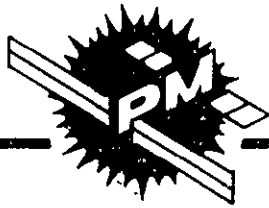
25kW S/A EXTENSION SEQUENCE



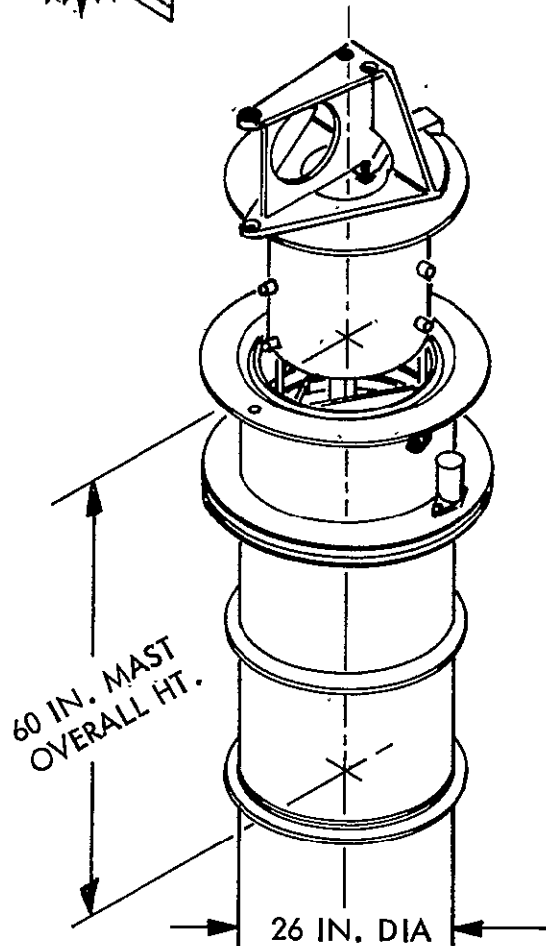
Solar Array Mast Capabilities

Analysis has shown it is feasible to use a common mast envelope for growth from 25 kW to 100 kW using a modular building block solar array system.

Characteristics of the mast are shown. The SEP-type-technology deployment mast, capable of providing sufficient blanket tension to meet a greater-than 0.04 Hz natural frequency requirement as discussed in Volume 4, section 2, page 2-34 of this Part III Final Report, is the baseline design.



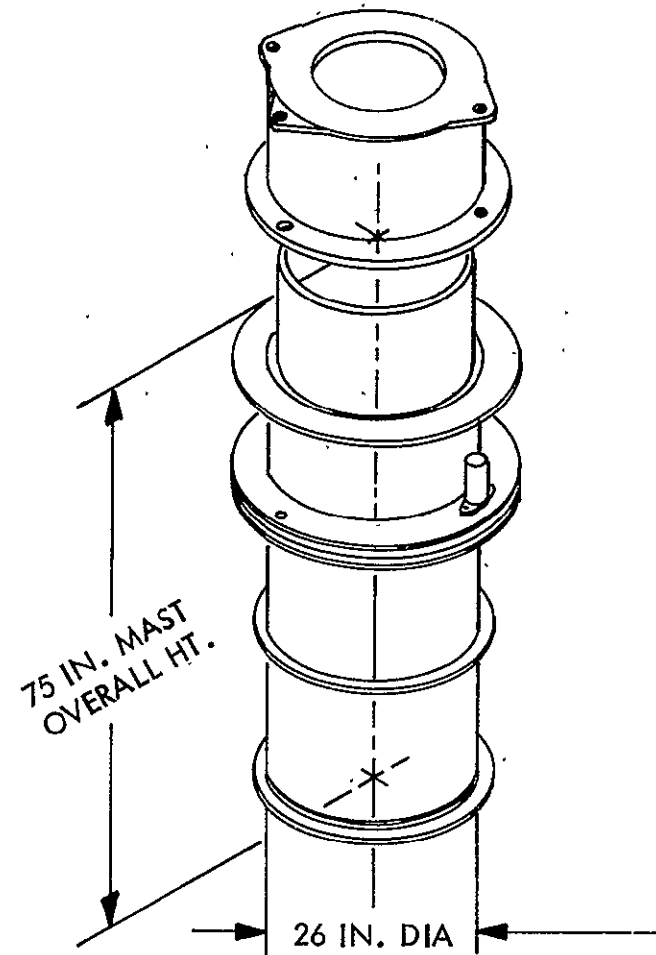
SOLAR ARRAY MAST CAPABILITIES



CONTINUOUS FIBERGLASS LONGERON

R = 11.0 IN.
 WT = 180 LB.
 G LEVEL = .004

EI = 100×10^6 LB-IN²
 M_{cr} = 330 LB-FT



ARTICULATED STEEL LONGERON

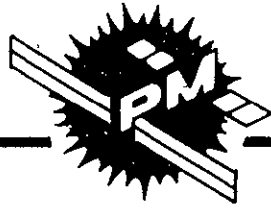
R = 11.0 IN.
 WT = 590 LB.
 G LEVEL = .04

EI = 300×10^6 LB-IN²
 M_{cr} = 3300 LB-FT

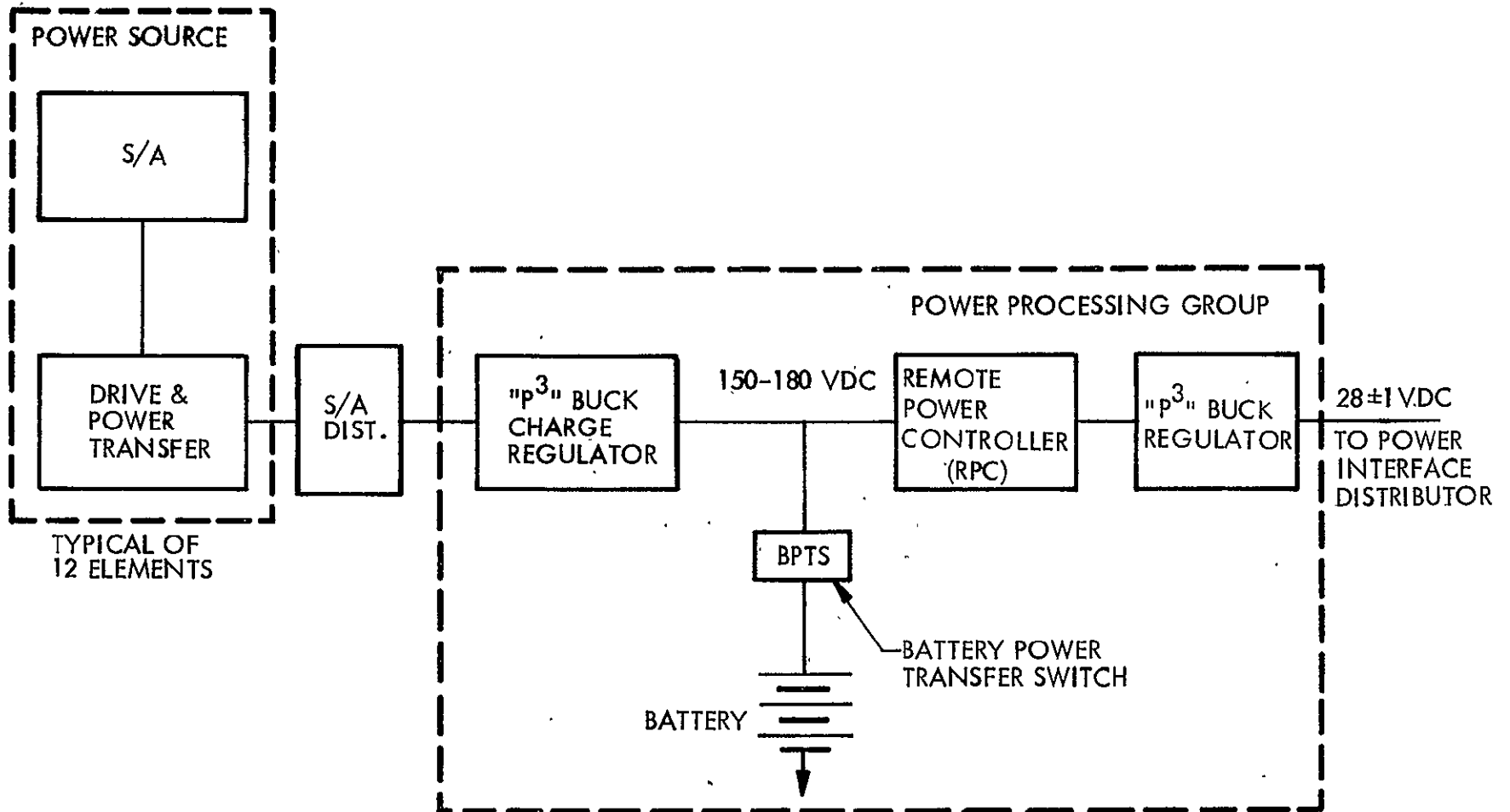
Power Control

EPS POWER CONTROL DIAGRAM

- Power from the solar array is partitioned into twelve segments. Control of this power is effected in the power processing group (PPG) shown in the chart. The PPG provides input regulation, charge control for energy storage, and output regulation to the power distribution system. The dedication of each of 12 solar array segments to one of 12 power processing groups follows from the application of 60 Ah nickel-cadmium batteries at approximately 20 percent depth-of-discharge (DOD). The use of 12 power source-energy storage elements can remain constant with evolutionary system growth, since battery DOD is conveniently programmed to increase with growth to 50 and 100 kW.
- The PPG will deliver regulated 28 VDC power to the power interface distributor (PID). Power to each docking berth will be provided by the berthing distributor. Power Module power requirements will be provided through PID and transformer coupled dc/dc converters, for isolation and conversion, to a main power distributor (MPD). From the MPD, power will be provided to a distributor box in the Power Module equipment rack.
- The buck regulator (P^3) provides three basic functions: (1) tracks the peak power point of the solar array, (2) converts solar array excess voltage into storable ampere-hours, (3) and controls the battery charge. This regulator both maximizes solar array energy and controls battery energy throughout the daylight portion of the orbit.
- The second major element of the PPG is the bus regulator. Here the choice of most efficient regulator is a function of the input-to-output voltage ratio. For this study LMSC has chosen to deliver regulated 28 volt power to the power interface distributor and then to the berthing distributor. This concept presumes that power is transferred to users through our berthing ports at only one voltage level. For example, the Orbiter (PEP electronics) would then provide any additional voltage conversion for Orbiter use while attached to the PM.



EPS POWER CONTROL



RPC - REMOTE POWER CONTROLLER

TYPICAL OF 12 ELEMENTS

EPS Component Characteristics

EPS weight for the first 25 kW system, based on 12-13 percent efficiency solar cells and 20 percent DOD Ni-Cd batteries, is shown below.

25 kW EPS CHARACTERISTICS/WEIGHT SUMMARY

Power (kW)	25
Cell Type (Lb/Ft ²)	Si, 0.2
Cell Efficiency (%)	12-13
Battery Type	Ni-Cd
DOD (%)	20
Voltage, DC Reg.	110/28
Weights (Lb):	
Solar Array	2,400
Solar Array Drive	200
Batteries	7,440
Electronics	1,395
Power Distribution	630
Wire Harness	500
Subtotal	12,565
Contingency-25%	3,141
TOTAL	15,706

25 kW POWER MODULE ELECTRICAL POWER
SUBSYSTEM COMPONENTS LIST

EPS component characteristics are shown in the table. Components are selected to meet the performance requirements for the 25 kW PM in 1983 and subsequent evolutionary growth to 50 and 100 kW.



25kW POWER MODULE ELECTRICAL POWER SUBSYSTEM COMPONENTS CHARACTERISTICS LIST

ITEM NO.	COMPONENT	NO. REQ'D	PWR (WATTS)	SIZE (L X W X H) (IN.)	UNIT WT (LB)	TOTAL WT (LB)
1	BATTERY MODULE (TYPE 40) (Ni-Cd)	60	**	25 X 9 X 10	124	7440
2	BATTERY CONTROL ASSY	12		12 X 24 X 12	55	660
3	BUS REGULATOR	12		12 X 24 X 12	55	660
4	SOLAR ARRAY WING	2		130 FT X 30 FT	1200	2400
5	SOLAR ARRAY DRIVE ASSY	2		TBD	100	200
6	POWER TRANSFER ASSY	2		TBD	100	200
7	DRIVE ELECTRONICS	1		12 X 12 X 12	30	30
8	DC/DC CONVERTERS	3		12 X 12 X 9	15	45
9	POWER INTERFACE DISTRIBUTOR	1		40 X 17 X 10	150	150
10	MAIN POWER DISTRIBUTOR	1		17 X 17 X 8	50	50
11	SOLAR ARRAY DISTRIBUTOR	1		17 X 17 X 8	30	30
12	BERTHING DISTRIBUTOR	1		30 X 17 X 10	100	100
13	RACK DISTRIBUTORS	3		17 X 17 X 8	30	90
14	REMOTE POWER CONTROLLERS	30		4 X 7 X 5	< 0.5	10
15	POWER CABLES				500	500

Subsystem Performance Characteristics

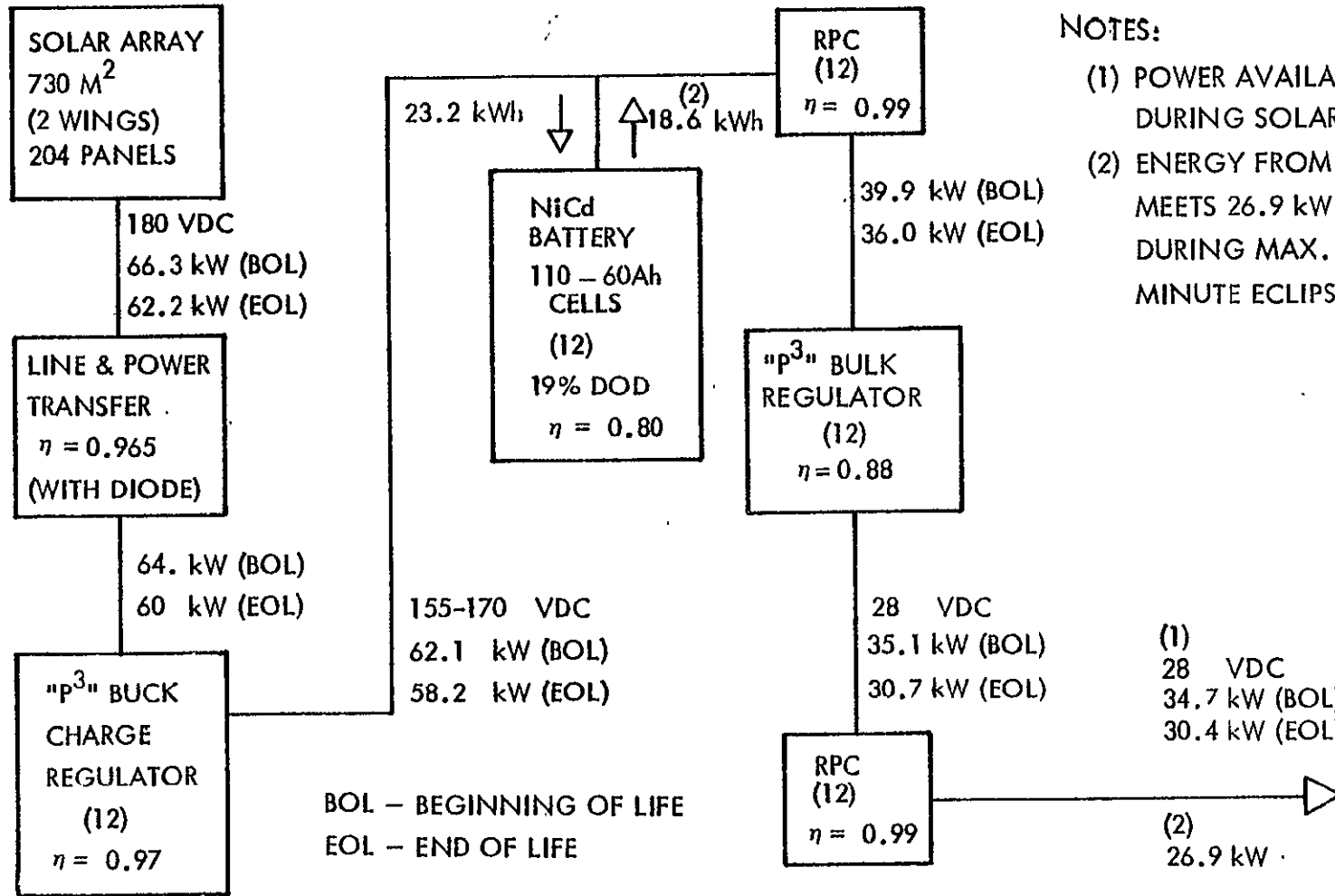
EPS system power requirements are based on delivering 25 kW of power to external loads and 1.9 kW to meet PM demands. This 26.9 kW requirement will be met for a 5 year mission by the subject EPS.

25 kW EPS PERFORMANCE CHARACTERISTICS

- Performance characteristics for the major EPS components are shown in the figure.
- The basic 25 kW solar array size (29 ft x 275 ft) provides a 13 percent margin in power at end of life (EOL), based on the power conversion efficiency and line loss assumption made. This margin may be treated as a measure of overall reliability, since up to 3 of 12 S/A-battery strings could fail so long as the power interface distributor can redistribute the power to the loads.
- "p³" regulator efficiency is assumed to be 97 percent in regulation of S/A output and 88 percent in the conversion to 28 volts.
- The Eagle-Picher RSN-55-3 Ni-Cd battery cell (which was developed for and is used by Lockheed in other programs) is a measured 60 Ah cell. Based on measured values from flight experience, the DODs can be treated as actual performance capability.



25kW EPS PERFORMANCE CHARACTERISTICS



NOTES:

- (1) POWER AVAILABLE DURING SOLAR ILLUMINATION
- (2) ENERGY FROM BATTERIES MEETS 26.9 kW DEMAND DURING MAX. 35.7 MINUTE ECLIPSE

BOL – BEGINNING OF LIFE
EOL – END OF LIFE

4.3.3 25 kW Thermal Control Subsystem

The Power Module thermal control subsystem (TCS) is based on a Freon-21 pumped coolant loop and deployable radiators for rejecting heat. This approach provides the necessary control flexibility to handle the wide range of equipment tasking and component locations and substitutions. Extensive use has been made of coolant-loop components and technology developed for the Shuttle Orbiter. A hybrid heat pipe/fluid loop header radiator design has been selected to replace the existing Orbiter all fluid radiators. This substitution was chosen to provide reliability for radiators exposed to the potentially hazardous micro-meteoroid environment.

Functions/Requirements

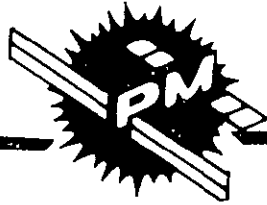
The thermal control subsystem is designed to maintain Power Module temperature within limits while simultaneously providing some heat rejection capability for the attached payloads. The major functional elements of the TCS are: (1) deployable heat rejection radiators, (2) pumped Freon-21 coolant-loop and flow control, (3) battery and equipment mounting cold plates, (4) payload heat exchange and flow control. The functions are similar to those of the Shuttle Orbiter thermal control and the technology developments for the Orbiter have been incorporated into the Power Module system where possible.

Early definition of the Power Module battery, power conversion, and spacecraft guidance and communications component requirements provided the minimum heat rejection design requirements. Existing electrical component design and anticipated battery charge and discharge cycles result in a total of 9 kW internally generated heat load in the Power Module. The batteries are to be controlled to approximately 50°F for efficient operation and the remaining equipments can typically be operated at a room temperature level of 70 ±50°F.

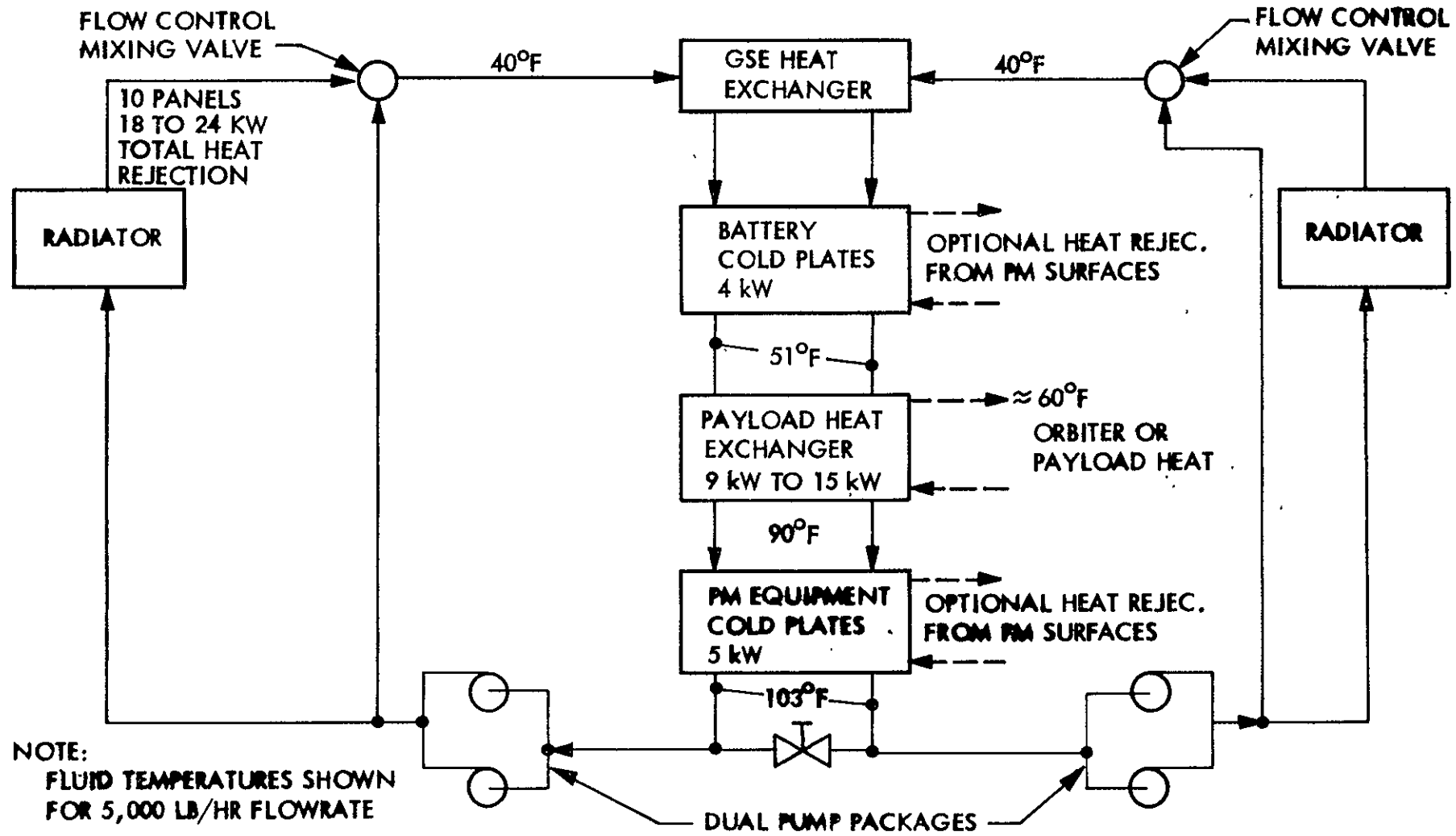
This page left intentionally blank.

POWER MODULE THERMAL CONTROL SYSTEM

- The figure is a block diagram showing the major elements of the TCS Freon-21 coolant loop for the Power Module. It is a dual-loop system designed to maintain the batteries and electrical components at 50 to 110°F temperatures in all attitudes and operational environments. A payload heat exchanger is included in the system to provide payload cooling for up to 40 percent of the supplied electrical power. Minor check valves, filters, etc. are not included in the diagram.
- The primary components in the coolant loop include the cold plates which provide a structural tray for the batteries and heat dissipating components and through their sandwich type construction function as a heat exchanger. The hot Freon-21 is then pumped through the deployed radiators using one of the two pumps shown in each loop's pump package. These pumps are identical to the 2500 pound/hour pumps developed for the Shuttle Orbiter. The pumps have an expected life of 23,000 hours, which is less than the five-year requirement for the Power Module. Therefore, it is expected that it will be necessary to switch to the redundant pump in each loop prior to completing a five-year mission.
- The hot Freon-21 then enters the deployed radiator panels where the heat can be rejected to space. These panels include a Freon-21 manifold which transfers heat to the evaporator section of the attached heat pipes. The heat pipes distribute the heat over the extended radiator panels. The temperature of the liquids returning to the spacecraft equipment sections will be 40°F or less. The temperature is dependent on the system heat load and the external environment. The PM equipment section inlet temperature of 40°F is maintained by an automatic mixing valve which senses the radiator outlet temperature and subsequently allows some of the coolant to bypass the radiators.
- The coolant pumps will operate continuously, with the mixing valve controlling the equipment section inlet temperature to 40°F regardless of equipment tasking levels or spacecraft attitude. With each pump package pumping 2500 pound/hour flow, the dual-loop cold plates are provided 5000 pounds of Freon per hour. In the event of a failure of either coolant loop, sufficient flow will be maintained to provide cooling for the PM equipment. In the event the pump package in one loop and the radiator elements of the other simultaneously fail, a normally closed cross-over valve will function to maintain operation.



POWER MODULE THERMAL CONTROL SYSTEM



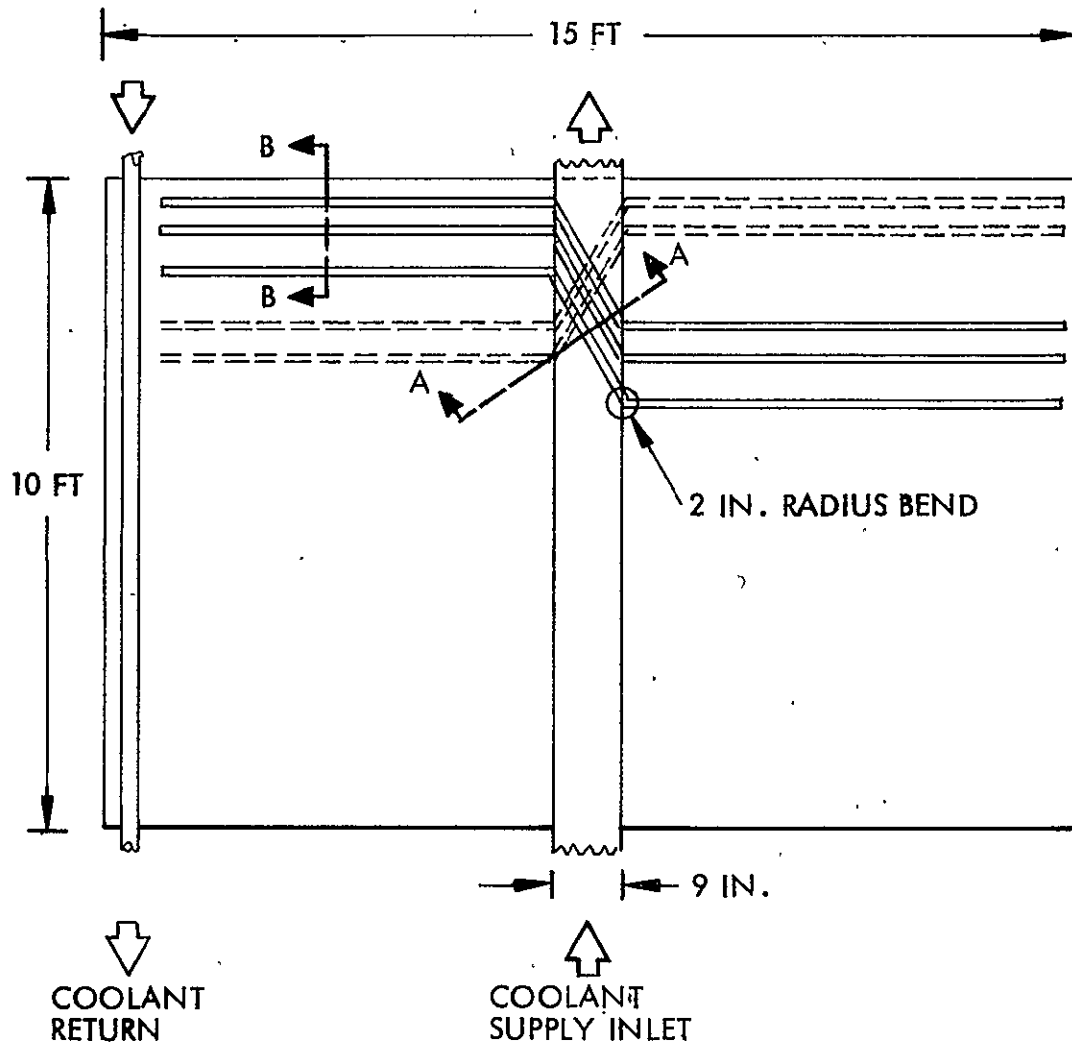
HEAT PIPE RADIATOR DESIGN CONCEPT

A heat pipe radiator design concept is shown in the figure. This concept is recommended for the 1/4 inch diameter heat pipes. The heat pipes distribute the heat over the extended radiator panels. The liquid temperatures returning to the spacecraft equipment sections will be 40°F or less. This temperature is dependent on the system heat load and the external environment. The PM equipment section inlet temperature of 40°F is maintained by an automatic mixing valve which senses the radiator outlet temperature and subsequently allows some of the coolant to bypass the radiators.

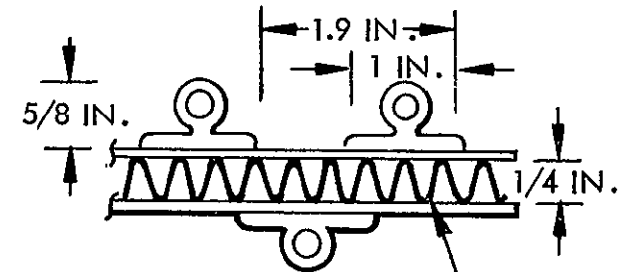
The Freon manifold is located in the center of the panel to reduce the condenser length of the heat pipes thereby preventing boilout in the condenser at the design heat rejection levels. The radiator panel shown is designed for a 6 kW load whereas the 5 ft by 13.5 ft panels selected for the final design will be capable of approximately 3 kW heat rejection. The heat pipe evaporator sections are angled across the manifold to increase the contact length while minimizing the width of the manifold exposed to the meteoroid environment.



HEAT PIPE RADIATOR DESIGN CONCEPTS

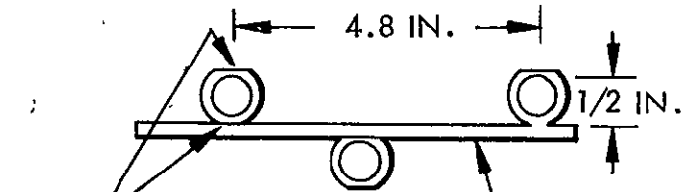


EVAPORATOR SECTION



SECTION A-A

CONDENSER SECTION



SECTION B-B

Component Characteristics

A summary of TCS weights is given below.

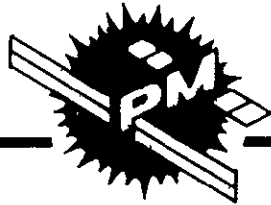
25 kW TCS WEIGHT SUMMARY

<u>ITEM</u>	<u>WEIGHT (LBS)</u>
Radiator, Structure, Motors	1035
Cold Plates, Lines	565
Pumps, Controls	177
Insulation, Paint	100
Heat Exchangers	137
Subtotal	2014
Contingency - 25%	504
TOTAL	2518

8-D

25 kW POWER MODULE THERMAL CONTROL SUBSYSTEM COMPONENTS LIST

Characteristics of the TCS components are given in the table.



25kW POWER MODULE THERMAL SUBSYSTEM PHYSICAL CHARACTERISTICS

ITEM NO.	COMPONENTS	NO. REQ'D	PWR (WATTS)	SIZE (L X W X H) (IN.)	UNIT WT (LB)	TOTAL WT (LB)
1	RADIATOR	10		162.0 X 60.0 X 0.925	94.5	945
2	COLD PLATES	24		TBD	21.7	520
3	PUMP, ACCUMULATOR, CHECK VALVE, INVERTER	2	500(AC)	7.9 X 3.5 X 3.5 13.1 (D) X 27.2	58.0	116
4	PRESSURE TRANSDUCERS	2		TBD	5.0	10
5	FLOW CONTROL ASSEMBLY (MIXER VALVE)	2	57.5	24 X 20 X 9	25.5	51
6	PAYLOAD H _X	1		TBD	120.0	120.0
7	GSE H _X	1		TBD	17	17.0
8	LINES FASTENERS, CONNECTORS, FILTERS, SOLENOID VALVES	TBD			45	45
9	INSULATION	N/A			100	100
10	HEATERS	1	TBD		TBD	TBD
11	MOTOR AND MECHANISM TO DEPLOY THE RADIATORS	20	TBD		2.0 (EST)	40.0
12	FREON 21	N/A			TBD	
13	RADIATOR SUPPORT STRUCTURE	1			50	50

Subsystem Performance

The coolant loop schematic in the TCS block diagram (Page 4-53) shows the location of the cold plates and the payload heat exchanger. The batteries are most efficient at approximately 50°F and are "first in line" in the coolant loop. At maximum charge/discharge operation the batteries are expected to generate 4 kW of waste heat. This will result in a Freon temperature rise of 11°F at 5000 lb/hr. The payload heat exchanger which is downstream from the batteries, will have an inlet temperature of 51°F. It will return 60°F coolant to the payloads. A maximum PM coolant temperature rise of 39°F will occur in the heat exchanger, resulting in 93°F coolant available to the remaining Power Module equipment. The temperature rise in the payload heat exchanger is directly proportional to the payload heat load.

The thermal analysis of the heat rejection levels of the radiator panels was based on calculating the absorbed solar, albedo, and earthshine energy on the panel surfaces. The solar and earthshine heat input to the radiators significantly influenced the radiator rejection performance. The direct radiant energy exchange between the 80°F (orbit-average) to 120°F solar arrays and the radiators was shown to significantly affect radiator performance. Based on this analysis, the radiators are deployed away from the solar arrays and oriented to minimize the solar heat load. Optimum radiator locations included a tradeoff between thermal, fields-of-view, and mechanical design considerations.

The ten-panel radiator system of 5 x 13.5 ft panels (total area of 675 ft) will reject from 18 to 24 kW. The variation in heat rejection is the result of variations in solar incidence angles and spacecraft orientation as it affects incident earthshine. With the Power Module dissipating a maximum of 9 kW, a surplus capability of 9 to 15 kW is available for payload cooling. The 9 to 15 kW is reduced approximately 1 kW in the sortie mode because of orbiter surface influences.

POWER MODULE HEAT REJECTION PERFORMANCE

A summary of the radiator performance is shown in the figure for the 25 kW configuration. The heat rejection values correspond to maximum Power Module dissipation and the average minimum radiator capability. The total radiator capability of 19.5 kW will be increased approximately 25 percent if the radiators are edge-lit by the sun, with a resulting 50 percent increase in payload cooling.

POWER MODULE HEAT REJECTION PERFORMANCE

CONFIGURATION	FREON-21 MASS FLOW RATE (LB/HR)	HEAT REJECTION (kW)			FREON TEMP (°F)		RADIATOR AREA (FT ²)	NO. OF PANELS/ CONFIGURATION (3)
		PM	P/L ⁽¹⁾	TOTAL ⁽²⁾				
25 kW	5,000	9	13.1	22.1	58	40/98	675	10

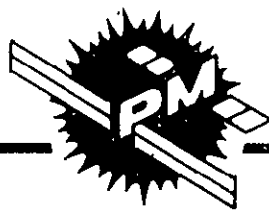
- NOTES:
- (1) HEAT REJECTION AVAILABLE TO PAYLOAD MAY BE USED FOR MANNED HABITAT CONTROL. 10 kW ESTIMATED FOR 3-MAN OCCUPANCY.
 - (2) TOTAL HEAT REJECTION INCLUDES EFFECTS OF BETA ANGLE, SUN INCIDENT UP TO 30°, AND EARTHSHINE.
 - (3) WITH THE 10 PANEL RADIATOR CONFIGURATION THERE IS VERY LITTLE HEAT REJECTION DIFFERENCES BETWEEN THE PM IN SORTIE AND FREE-FLYING MODES.

Thermal Interface

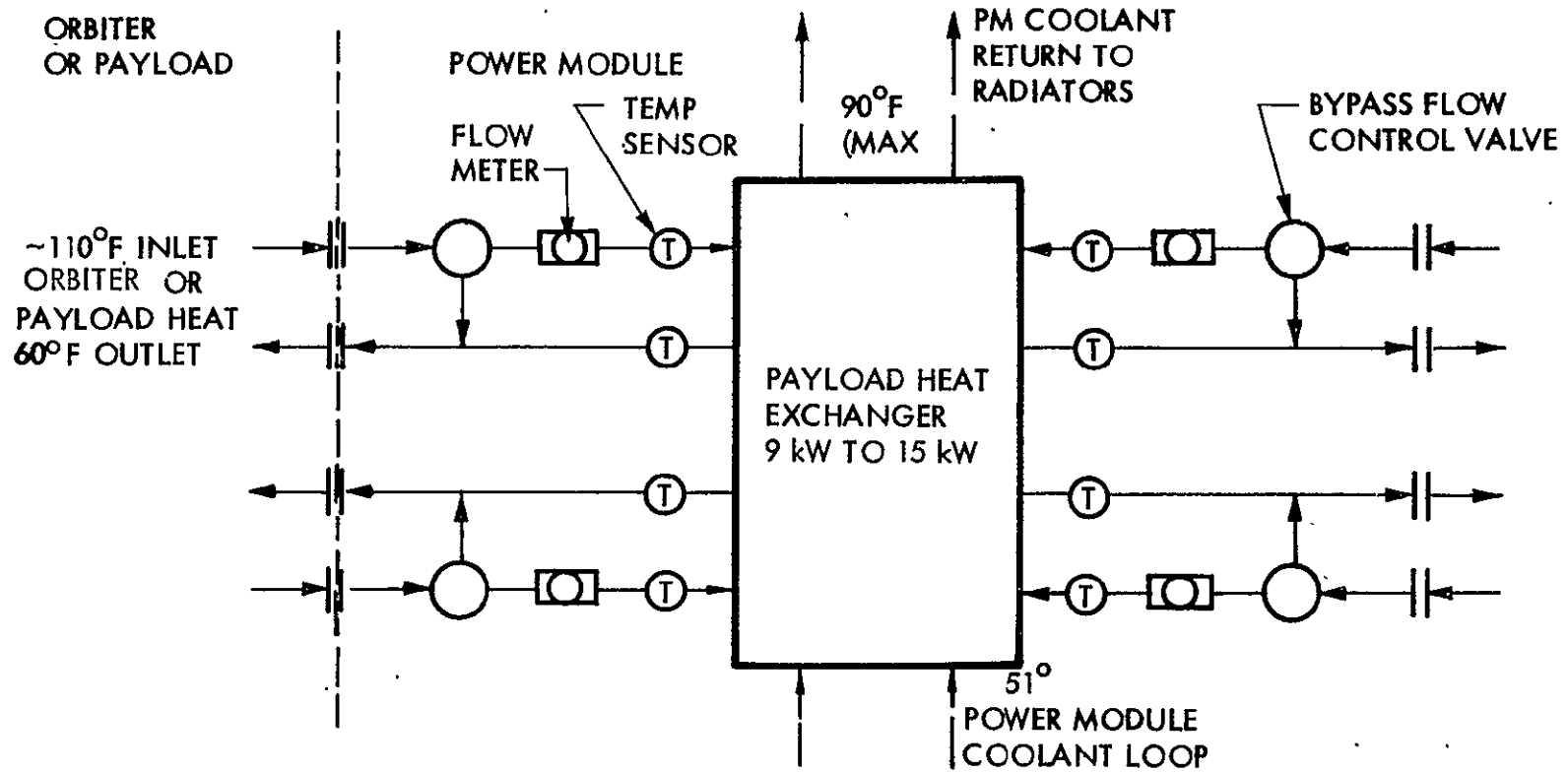
The payloads will reject heat from the Power Module radiators through the payload heat exchanger in the PM coolant loop. This heat exchanger is designed to extract 15 kW from the payload coolant loop. This level of payload cooling applies with a 110°F payload inlet temperature and 60°F return temperature. The payload heat exchanger design is based on the fuel cell heat exchanger developed by Hamilton Standard for the Orbiter. This unit is modified to accept up to four separate payloads, with each payload varying in cooling requirements and priority. It is anticipated that the individual payloads will provide their own coolant loop control to match available cooling. However, the Power Module interface will assume ultimate payload cooling availability through a flow control module.

PAYLOAD HEAT EXCHANGER INTERFACE

The functions of this control module shown in the figure include monitoring payload loop temperatures and flow rates and bypassing the heat exchanger to protect against payload overload. Alternate control concepts have been provided by Hamilton Standard; however, the one shown results in the highest flexibility and hardware simplicity.



PAYLOAD HEAT EXCHANGER INTERFACE



4.3.4 Attitude Control Subsystem

Function/Requirements

The Attitude Control Subsystem (ACS) provides for three-axis attitude determination and vehicle pointing for solar array, experiment, and antenna pointing, and three-axis stability for vehicle control and experiment performance for both the free-flying and sortie modes. In addition, stabilization of the free-flying Power Module for retrieval by the Orbiter Remote Manipulator System is provided. An ancillary stability capability permits retrieval under contingency conditions.

Subsystem Description

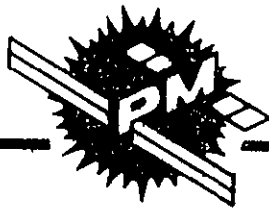
25 kW POWER MODULE ATTITUDE CONTROL SUBSYSTEM BLOCK DIAGRAM

The ACS functional block diagram is shown in the chart. The ACS is comprised of elements for three functions:

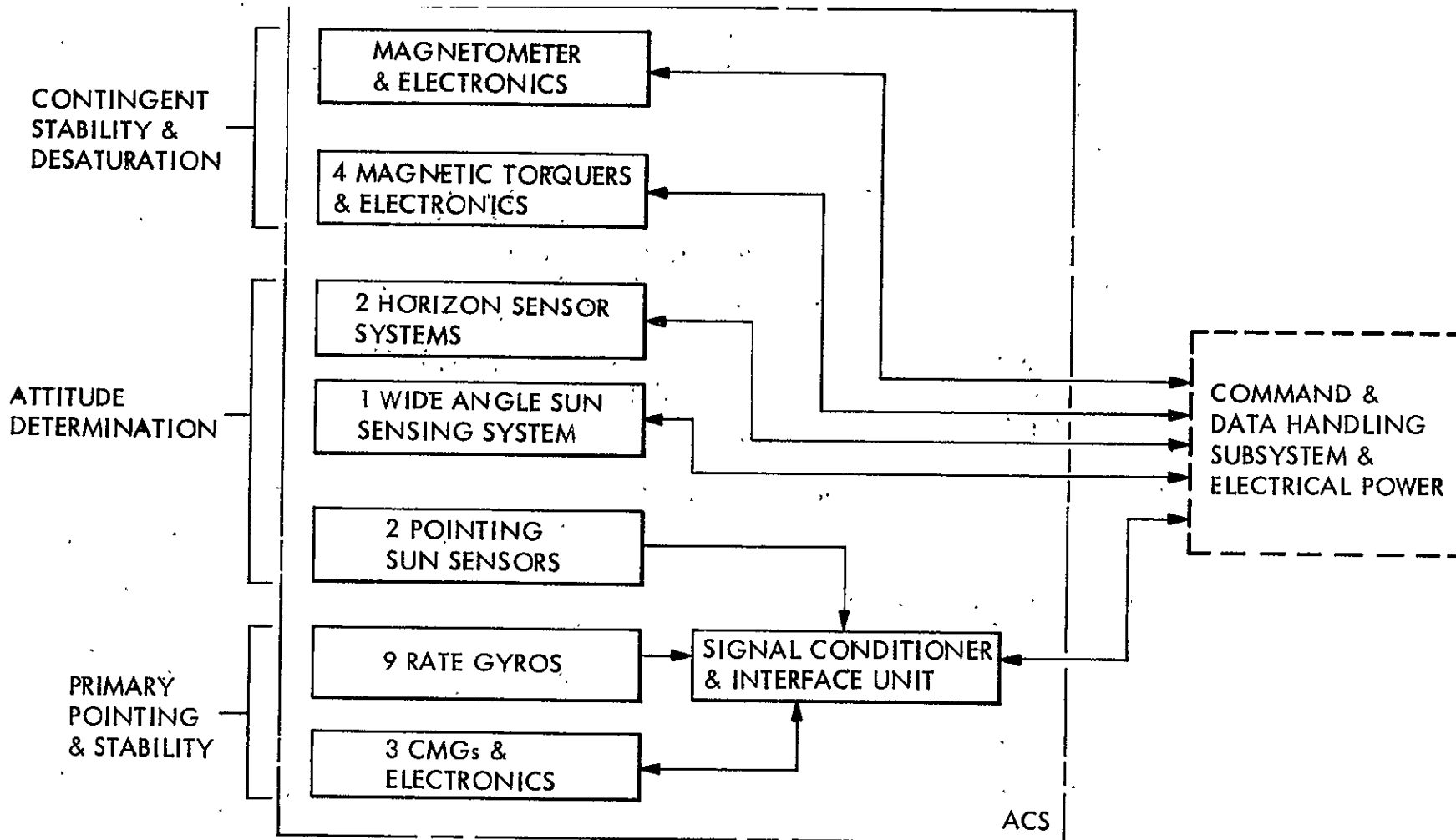
- Primary pointing and stability
- Attitude determination
- Contingent stability and desaturation

The primary pointing and stability system utilizes gyros to sense vehicle rates, a double gimbal CMG momentum exchange system for vehicle actuation, and information from the attitude determination element for vehicle pointing. Desaturation is provided by the Orbiter in the sortie mode, and primarily by gravity gradient torques in the free-flying mode.

The attitude determination element employs both sun and earth sensors. Contingent stability is provided by a magnetic torquing system, which also can be used to assist in the desaturation of the momentum exchange system. Critical to the ACS is the Command and Data Handling Subsystem which provides real time and stored commands, vehicle pointing and stability computations, CMG steering logic, desaturation logic, and redundancy management.



ATTITUDE CONTROL SUBSYSTEM FUNCTIONAL BLOCK DIAGRAM



Component Characteristics

The components were principally selected as flight-proven hardware which will minimize mission risk, or provide commonality with existing programs. The pointing sun sensors, rate gyros, and CMGs were components of the Skylab ATM attitude and pointing control subsystem. It is currently planned to refurbish the CMGs by replacing the rotors, providing unlimited gimbal freedom, and improving the rotor lubrication system.

The wide-angle sun sensing system has flown on the Naval Research Laboratory NTS-1. The horizon sensors are currently being developed for an early Spacelab mission. The magnetic torquing system uses components of the Space Telescope pointing control system. The signal conditioner and interface unit is a new component required to make the existing ATM hardware compatible with the command and data handling subsystem.

ACS weights for the 25 kW System are given below:

25 kW ACS WEIGHT SUMMARY

<u>ITEM</u>	<u>WEIGHT (LB)</u>
CMGs and Inverters	1416
Rate Gyros	104
Signal Conditioner and Interface Units	90
Horizon Sensors/Electrical	54
Magnetic Torquers/Electrical	456
Miscellaneous	18
Subtotal	<u>2138</u>
Contingency-25%	<u>535</u>
TOTAL	<u><u>2673</u></u>

25 kW POWER MODULE ATTITUDE CONTROL
SUBSYSTEM COMPONENT CHARACTERISTICS LIST

The physical characteristics of the ACS components are summarized in the table.

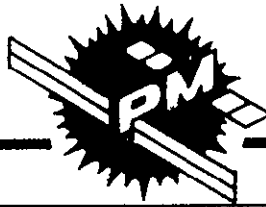


25kW POWER MODULE ATTITUDE CONTROL SUBSYSTEM COMPONENT CHARACTERISTICS LIST

ITEM NO.	COMPONENT	MANUFACTURER	REQ'D	POWER (WATTS)	SIZE (L X W X H) IN.	UNIT WT (LB)	MTBF (HR)
1	SUN SENSOR #1	BALL	1	N/A	6.9 X 6.5 X 3	3.7	0.20×10^6
2	SUN SENSOR #2	BALL	1	N/A	6.9 X 6.5 X 3	3.7	0.20×10^6
3	SS ELECTRONICS ASSY #1	BALL	1	1.2	5 X 5 X 2	1.33	0.58×10^6
4	SS ELECTRONICS ASSY #2	BALL	1	1.2	5 X 5 X 2	1.33	0.58×10^6
5	ATM RATE GYRO #1 X-1	MARTIN/KEARFOTT	1	19-45	12 X 8.76 X 5.5	11.5	19,000
6	ATM RATE GYRO #2 X-2	MARTIN/KEARFOTT	1	19-45	12 X 8.76 X 5.5	11.5	19,000
7	ATM RATE GYRO #3 X-3	MARTIN/KEARFOTT	1	19-45	12 X 8.76 X 5.5	11.5	19,000
8	ATM RATE GYRO #4 Y-1	MARTIN/KEARFOTT	1	19-45	12 X 8.76 X 5.5	11.5	19,000
9	ATM RATE GYRO #5 Y-2	MARTIN/KEARFOTT	1	19-45	12 X 8.76 X 5.5	11.5	19,000
10	ATM RATE GYRO #6 Y-3	MARTIN/KEARFOTT	1	19-45	12 X 8.76 X 5.5	11.5	19,000
11	ATM RATE GYRO #7 Z-1	MARTIN/KEARFOTT	1	19-45	12 X 8.76 X 5.5	11.5	19,000
12	ATM RATE GYRO #8 Z-2	MARTIN/KEARFOTT	1	19-45	12 X 8.76 X 5.5	11.5	19,000
13	ATM RATE GYRO #9 Z-3	MARTIN/KEARFOTT	1	19-45	12 X 8.76 X 5.5	11.5	19,000
14	CMG #1	BENDIX	1	Note 1	39" SPHERE	420.0	28,000
15	CMG #2	BENDIX	1	Note 1	39" SPHERE	420.0	28,000
16	CMG #3	BENDIX	1	Note 1	39" SPHERE	420.0	28,000

- NOTES:
1. EACH CMG RECEIVES ITS POWER FROM A CMG INVERTER ASSEMBLY ONLY.
 2. IF CMG WHEEL IS AT OPERATING SPEED, NO TORQUE IS BEING EXERTED ON VEHICLE, BEARING HEATERS OFF, EACH CMG INVERTER ASSEMBLY DRAWS APPROX 160 WATTS, 28 VDC. HEATERS REQUIRE 52 WATTS PER CMG. VEHICLE TORQUING REQUIRES 0-160 WATTS, ADDITIONAL.

This page left intentionally blank.



25kW POWER MODULE ATTITUDE CONTROL SUBSYSTEM COMPONENT CHARACTERISTICS LIST (CONT.)

ITEM NO.	COMPONENT	MANUFACTURER	REQ'D	POWER (WATTS)	(L X W X H)(IN.)	UNIT WT (LB)	MTBF (HR)
17	CMG INVERTER ASSEMBLY (CMG #1)	BENDIX	1	NOTE 2	25 X 22.5 X 3.5	52.0	58,000
18	CMG INVERTER ASSEMBLY (CMG #2)	BENDIX	1	NOTE2	25 X 22.5 X 3.5	52.0	58,000
19	CMG INVERTER ASSEMBLY (CMG #3)	BENDIX	1	NOTE 2	25 X 22.5 X 3.5	52.0	58,000
20	X AXIS HORIZON SENSOR #1	ITHACO	1	N/A	3.6 DIA X 5 L	} 2.0	
21	Z AXIS HORIZON SENSOR #1	ITHACO	1	N/A	3.6 DIA X 5 L		2.0
22	ELECTRONICS PACKAGE #1	ITHACO	1	6.0	6.4 X 6.4 X 5.6	} 5.0	
23	X AXIS HORIZON SENSOR #2	ITHACO	1	N/A	3.6 DIA X 5 L		2.0
24	Z AXIS HORIZON SENSOR #2	ITHACO	1	N/A	3.6 DIA X 5 L	} 2.0	58,000
25	ELECTRONICS PACKAGE #2	ITHACO	1	10.0	6.4 X 6.4 X 5.6		5.0
26	MAGNETOMETER	SCHONSTED	1	N/A	2.75 X 2.75 X 4.69	} 1.5	
27	MAGNETOMETER ELECTRONICS	SCHONSTED	1	2.0	5.37 X 6.5 X 3		2.5
28	MAGNETIC TORQUER ELECTRONICS	PRIME	1	122.0	9 X 9 X 12	16.0	316,000
29	MAGNETIC TORQUERS	ITHACO	4	N/A	4 X 4 X 92	109.0	14.3 X 10 ⁶
30	WIDE ANGLE SUN SENSOR	ADCOLE	5	5.0	3.18 X 3.18 X 0.8	} 0.56	
31	WIDE ANGLE SUN SENSOR ELECTRONICS	ADCOLE	1	0.12	3.5 X 4.5 X 1.16		0.65
32	SIGNAL CONDITIONING AND INTERFACE UNIT (CHARACTERISTICS ESTIMATED)	PRIME	2	20.0	12 X 18 X 8	45.0	6,000

1. EACH CMG RECEIVES ITS POWER FROM A CMG INVERTER ASSEMBLY ONLY.
2. IF CMG WHEEL IS AT OPERATING SPEED, NO TORQUE IS BEING EXERTED ON VEHICLE, BEARING HEATERS OFF, EACH CMG INVERTER ASSEMBLY DRAWS APPROX 160 WATTS, 28 VDC. HEATERS REQUIRE 52 WATTS PER CMG. VEHICLE TORQUING REQUIRES 0-160 WATTS, ADDITIONAL.

Subsystem Performance Characteristics

ATTITUDE CONTROL SYSTEM REQUIREMENTS

The Attitude Control Subsystem (ACS) conforms to the requirements of the Power Module System Design Requirements Document, MSFC-SPEC-582, Revision A, May 1, 1978. In addition, Orbiter pointing accuracy and stability performance requirements, as described in reference 6, were used as guidelines. The ACS requirements are summarized in the chart.



ATTITUDE CONTROL SUBSYSTEM REQUIREMENTS

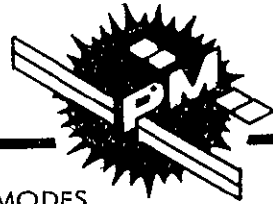
- SHUTTLE EQUIVALENT POINTING ACCURACY AND STABILITY FOR STO AND SPACE SCIENCE EXPERIMENTS, FOR A 25 kW POWER MODULE IN BOTH FREE-FLYING AND SORTIE MODES
 - POINTING ACCURACY ± 0.5 DEGREE (3 SIGMA) HALF-CONE ANGLE
 - STABILITY (DEADBAND) ± 0.1 DEGREE PER AXIS
 - STABILITY RATE ± 0.01 DEGREE PER SECOND PER AXIS
- 10^{-5} G ENVIRONMENT FOR MATERIAL PROCESSING, FOR BOTH FREE-FLYING AND SORTIE MODES
- ± 0.5 DEGREE (3 SIGMA) HALF-CONE ANGLE POINTING ACCURACY FOR ANTENNA POINTING
- DESATURATION CAPABILITY IN FREE-FLYING MODE
- RETRIEVAL CAPABILITY
 - GRAPPLE POINT LIMIT CYCLE AMPLITUDE: ± 3 INCHES
 - LIMIT CYCLE RATE: 0.1 DEGREE PER SEC
- 4π STERADIAN SENSOR FOR SOLAR ACQUISITION
- SENSORS FOR SOLAR POINTING

Primary Pointing and Stability Element

This element of the ACS, comprised of nine rate gyros and three CMGs, uses input data from the attitude sensors. In addition to the hardware, there is a software requirement imposed on the digital computer which is an element of the C&DH subsystem.

ATTITUDE CONTROL SUBSYSTEM SOFTWARE REQUIREMENTS

The ACS software requirements are shown in the chart.

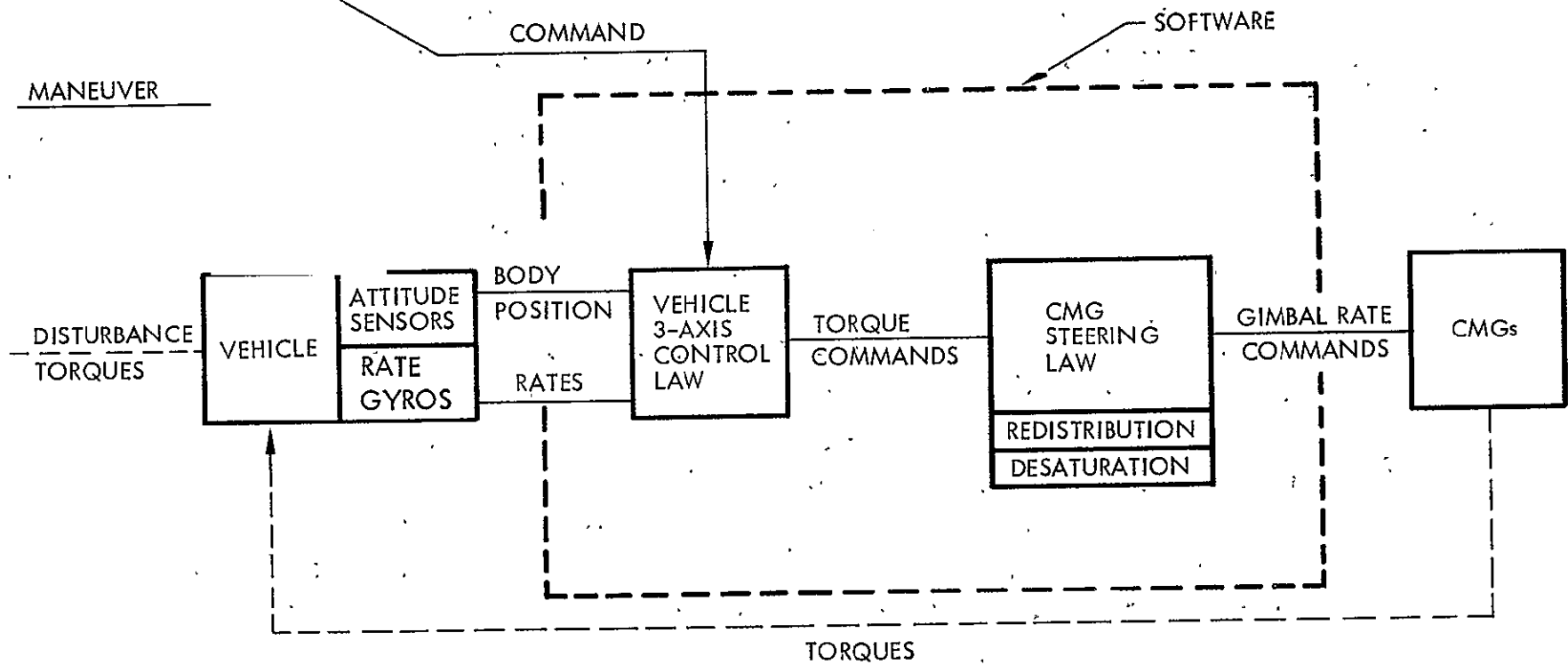


SOFTWARE REQUIREMENTS

MODES

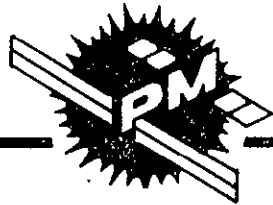
ATTITUDE HOLD

MANEUVER



RATE GYROSCOPE PERFORMANCE CHARACTERISTICS

- The ATM rate gyro package consists of a single Kearfott rate integrating gyro (King Series, C702519018) and associated electronics which allow it to operate in a rate mode. It is designed to operate over two selectable ranges of rate inputs. The low range, the fine mode, has a scale factor of 450 volts per degree per second for inputs up to 0.1 degree per second. The coarse mode has a scale factor of 45 volts per degree per second for inputs up to 1.0 degree per second. These scale factors result in rate output commands of 0 ± 45 VDC to be supplied from each package.
- Self-test provisions permit the gyro to be torqued electrically by a test signal with no rate input. The resulting gyro output checks the servo loop including the range change operation.
- The electronics include a 4.8 kHz generator, AC amplifier, 3-phase inverter, demodulator, power supply, torquer driver, and heater control.



RATE GYROSCOPE PERFORMANCE CHARACTERISTICS

ELECTRICAL			
RATE (MAXIMUM)			
COARSE MODE		±1 DEG/SEC	
FINE MODE		±0.1 DEG/SEC	
MAXIMUM VOLTAGE OUTPUT - EITHER MODE		0 TO ±45 VDC	
NULL UNCERTAINTY		2.0 MILLIVOLT	
TRANSFER FUNCTION			
COARSE MODE		$\frac{45 \text{ VDC/DEG/SEC}}{\left(\frac{S}{180}\right)^2 + \frac{2(0.7)S}{180} + 1}$	
FINE MODE		$\frac{450 \text{ VDC/DEG/SEC}}{\left(\frac{S}{50}\right)^2 + \frac{2(0.8)S}{50} + 1}$	
NULL DRIFT RATE			
COARSE MODE (COMPENSATED)	0.1 DEG/HOUR		
FINE MODE (COMPENSATED)	0.1 DEG/HOUR		
BANDPASS			
COARSE MODE	26 ±4 Hz		
FINE MODE	8 ±1 Hz		
SPIN-UP TIME		90 SECONDS	
POWER:			
RUNNING		12 WATTS (ESTIMATED)	
HEATER		0 TO 25 WATTS	
NULL DRIFT RATE			
COARSE MODE (COMPENSATED)			0.1 DEG HR
FINE MODE (COMPENSATED)			0.1 DEG HR
BANDPASS			
COARSE MODE			26 ±4 Hz
FINE MODE			8 ±1 Hz
SPIN-UP TIME			90 SEC
POWER			
RUNNING			12 WATTS (ESTIMATED)
HEATER			0 TO 25 WATTS

CMG CHARACTERISTICS

- Each CMG consists of an induction-motor-driven constant-momentum rotor which is gimbal supported to provide infinite rotation. The instrument is capable of producing restoring torques on a vehicle proportional to the angular rate of the gimbals. By controlling the CMG gimbal rates, attitude control of the vehicle can be achieved. Consequently, each gimbal control system contains a high-degree-of-performance rate servo which provides linear gimbal rate control.
- Processing electronics for the CMG are contained in the Electronics Assembly which is fastened to the CMG frame. The rate loop for each gimbal consists of a DC torquer, a DC tachometer, a precision speed-reduction gear train, and electronic amplifiers which provide voltage and power gain. These amplifiers are also used to implement servo compensation networks and to provide summing points for the rate command signal and the tachometer feedback signal.
- The 3-phase, 455-Hz power and 4.8-kHz excitation from each CMG Inverter Assembly (CMGIA) are fed to a corresponding CMG Electronics Assembly. The CMGIA also supplies 4.8 kHz and 800 kHz excitations and 455 Hz power.
- Each CMGIA consists of two types of electronics: (1) a static power inverter, and (2) conditioning electronics. The static power inverter comprises the following functional groups: (1) oscillator, control circuitry, and frequency drivers, (2) cycle register, (3) power amplifiers and output transformer system, (4) three-phase output filter, (5) wheel braking circuit, (6) three-phase output current assembly, (7) 800 Hz and 4.8 kHz amplifiers, (8) ± 12 VDC bias supply, and (9) line filters and RFI suppression.
- A crystal oscillator is used to provide the reference signal for the 4.8 kHz and 800 Hz amplifiers. A separate oscillator is used in generating the 455 Hz outputs.
- The 4.8 kHz and 800 Hz signals are the excitations for the APCS components. To reduce the possibility of losing these outputs, a backup oscillator is provided in the same functional block with the crystal oscillator. A frequency sensing circuit automatically switches in the backup oscillator, if required.
- The conditioning electronics provide information on temperature levels of the CMG wheel bearings, CMG wheel speed, and inner and outer gimbal positions.



CMG CHARACTERISTICS

<u>PERFORMANCE CHARACTERISTICS</u>		<u>PERFORMANCE CHARACTERISTICS (CONT)</u>	
MOMENTUM STORAGE	2300 FT-LB-SEC	POWER REQUIREMENTS	
DEGREES OF FREEDOM	2	BEARING HEATERS	
LIFE	10,000 HR AT RUN SPEED	60°F TO 80°F	48 WATTS
OUTPUT TORQUE		DURING WHEEL ACCELERATION	175 WATTS PER CMG (NOMINAL), 180 WATTS (MAX)
RANGE	0 TO 160 FT-LB	WHEEL AT OPERATING SPEED	55 WATTS PER CMG (NOMINAL), 100 WATTS (MAX)
THRESHOLD	0.160 FT-LB	GIMBAL FREEDOM	
GIMBAL COMMAND SENSITIVITY	1.0 VDC/DEG/SEC	INNER	ELECTRICAL ±75 DEGREES MECHANICAL ±80 DEGREES
GIMBAL RATES		OUTER	ELECTRICAL +215°, -125° MECHANICAL +220°, -130°
RANGE	0 TO 7.0 DEG/SEC	<u>PHYSICAL CHARACTERISTICS</u>	
THRESHOLD	0.0046 DEG/SEC	SIZE (APPROXIMATE)	
GIMBAL RATE SERVO		CMG	39-INCH SPHERE
BANDWIDTH	70 RADIAN/SEC	CMG ELECTRONICS ASSEMBLY (CMGEA)	9.8 BY 8.6 BY 3.0 INCHES
PHASE MARGIN	70 DEG	CMG INVERTER ASSEMBLY (CMGIA)	25.0 BY 22.5 BY 3.5 INCHES
GIMBAL PIVOT		WEIGHT	
ACTUATOR (DC MOTOR) TORQUE (MAX)	7.0 FT-LB	CMG	
TACHOMETER GAIN	1 VDC/RAD/SEC	INNER GIMBAL & WHEEL	242.0 LB
TACHOMETER AMPLIFIER GAIN	1.013	OUTER GIMBAL	75.3 LB
GEAR RATIO	56.55:1	FRAME	94.7 LB
RESOLVERS SPEED	SINGLE (4.8 kHz EXCITATION)	CMGEA	8.2 LB
WHEEL		CMGIA	<u>52.0 LB</u>
OPERATING SPEED	9027 RPM	TOTAL	472.2 LB
ACCELERATION TIME	14 HR MAX TO 8700 RPM		
DECELERATION TIME	4.5 TO 5.0 HR NOMINAL (DYNAMIC BRAKING), 30 TO 40 HR (COAST DOWN)		

Attitude Determination Element

This element of the ACS includes the narrow and wide angle sun sensing systems and the horizon sensing system. The narrow angle sun sensor (including electronics) provides solar pointing error information for the control of the solar arrays. There are two narrow angle sun sensors provided, both of which are active under normal operating conditions. The combination of the wide angle sun sensing system and the horizon sensing system will provide a three-axis attitude determination with an accuracy of better than ± 0.5 degree.

NARROW ANGLE SUN SENSOR PERFORMANCE CHARACTERISTICS

The sensor is an array of detectors which generates solar pointing error signals. The detector is an electro-optical device which converts solar radiant energy into an electrical current. It consists of a photovoltaic cell, a lens, and baffles which control the geometry of the input-output characteristics. The system (sensor plus electronics) will provide electrical analog signals proportional to the solar pointing error of the solar arrays and a sun presence signal to indicate when the sun is in the field-of-view of the error sensors. The performance characteristics of the narrow angle sun sensor are summarized in the chart.



NARROW ANGLE SUN SENSOR PERFORMANCE CHARACTERISTICS

SENSOR SPECIFICATIONS

FINE NULL SENSOR (BOTH AXES)

FIELD OF VIEW ± 10 DEG MINIMUM (FULL OUTPUT)
 ± 20 DEG (25 PERCENT OUTPUT)

LINEAR RANGE ± 5 DEG MINIMUM (± 6 DEG TYPICAL)

NULL ACCURACY 2 ARC MINUTES OR BETTER AT 0 ± 5 mV NULL ERROR

TARGET SENSOR

FIELD OF VIEW ± 9 DEG (CIRCULAR) ± 1 DEG

ELECTRICAL PERFORMANCE

POWER

INPUT VOLTAGE +28 VDC ± 4 VDC

INPUT POWER 1.2 WATTS MAXIMUM

SIGNAL

TRANSFER FUNCTION $\frac{114.6 \text{ VOLTS/RADIAN}}{S/62 + 1}$

ELECTRICAL PERFORMANCE (CONT)

ANGULAR SENSITIVITY 1.9 VOLTS/DEG TO 2.1 VOLTS/DEG
 (WITHIN ± 3 DEG OF NULL), 2 VOLTS/DEG NOMINAL

ON-TARGET OUTPUT + 6 VOLTS

FREQUENCY RESPONSE 0 TO 10 Hz (3 dB) MIN

OUTPUT VOLTAGE RANGE ± 12 VDC

MECHANICAL SPECIFICATIONS

WEIGHT SENSOR: 3.7 LB
 ELECTRONICS: 1.5 LB

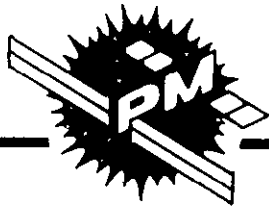
MAXIMUM DIMENSIONS

SENSOR PACKAGE 6.9 BY 6.5 BY 3 INCHES

ELECTRONICS PACKAGE 5 BY 5 BY 2 INCHES

WIDE ANGLE SUN SENSING SYSTEM PERFORMANCE CHARACTERISTICS

The wide angle sun sensing system is an Adcole Model 16764 system which provides spherical coverage with an average least significant bit size of 0.5 degrees and an accuracy of 0.25 degrees. This digital system consists of five two-axis sensors with 128 x 128 degree field-of-view and a package of signal processing electronics. The signal processing circuitry is shared by the five sensors; internal switching connects the sensor nearest the optical axis with respect to the sun and the processing circuitry. The system has been space qualified and successfully operated in orbit. The performance characteristics of the wide angle sun sensing system are summarized in the chart.

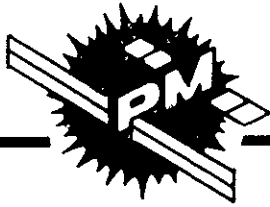


WIDE ANGLE SUN SENSING SYSTEM PERFORMANCE CHARACTERISTICS

NO. OF AXES:	2	OUTPUT LEVEL:	TTL COMPATIBLE CAPABLE OF DRIVING 6 LPTTL LOAD OR 1 TTL LOAD
MAX. NO. OF SENSORS:	5	POWER REQUIREMENTS:	+12 ±0.36 VDC AT 8 MA MAX -12 ±0.36 VDC AT 2 MA MAX
FIELD OF VIEW		TEMPERATURE RANGE:	
EACH SENSOR:	128° X 128°	OPERATING:	-20°C TO +50°C
TOTAL:	4π STERADIANS	NON-OPERATING:	-40°C TO +65°C
LEAST SIGNIFICANT BIT SIZE:	0.5°	PRESSURE:	HARD VACUUM AS ENCOUNTERED IN EARTH ORBIT
TRANSITION ACCURACY ² :	±0.25°	HUMIDITY:	UP TO 100 PERCENT
SENSOR MODEL NO.:	16763	ACCELERATION:	25 g
SENSOR SIZE:	3.18" X 3.18" X 0.8" EXCLUSIVE OF CONNECTOR (80.77 MM X 80.77 MM X 20.32 MM)	SHOCK:	40 g , 1 MS DURATION
		RANDOM VIBRATION:	20-2000 Hz; 0.31 g ² /Hz; 25 g RMS; ONE MINUTE EACH AXIS
SENSOR WEIGHT:	0.56 LB 254 GM	EMI:	MIL-STD-461A
ELECTRONICS SIZE:	3.5" X 4.5" X 1.16" (88.9 MM X 114.3 MM X 29.5 MM)	EXPECTED LIFE:	UNLIMITED
ELECTRONICS WEIGHT:	0.65 LB 295 GM	RADIATION EFFECTS:	N ON P SILICON PHOTOCELLS ARE PROTECTED WITH 0.5" OF FUSED SILICA. NO MOS DEVICES ARE USED. OPTICAL MATERIALS UN-AFFECTED BY PARTICLES OR ULTRAVIOLET RADIATION
OUTPUT ³ :	16 BIT PARALLEL GRAY CODE (8 BITS PER AXIS) AND 3 BIT PARALLEL SENSOR IDENTITY OUTPUT (ELECTRONICS SELECTS SENSOR THAT HAS SUN IN FIELD OF VIEW)	RELIABILITY:	MTBF 5.7 X 10 ⁵ HR
		DESIGN STATUS:	FLOWN NAVAL RESEARCH LABORATORIES NTS-1

HORIZON SENSING SYSTEM PERFORMANCE CHARACTERISTICS

- The horizon sensing system is an Ithaco Model CSA-9530 system consisting of two heads and an electronics package. Each head is a conical-scan, two-axis sensor. One sensor is aligned with the vehicle X-axis to accommodate local vertical orientations, the other sensor is aligned with the Z-axis to be compatible with inertial orientations (XPOP). Two complete systems are provided to improve the reliability through redundancy.
- The performance characteristics of the system are summarized in the chart.
- The combination of the Wide Angle Sun Sensing System and the Horizon Sensing System will provide a three-axis attitude determination with an accuracy better than ± 0.5 degree.



HORIZON SENSING SYSTEM PERFORMANCE CHARACTERISTICS

ITEM	CHARACTERISTIC
GENERAL	
FIELD OF VIEW	TBD
ACCURACY (3 σ)	$\pm 0.25^\circ$
ELECTRICAL	
POWER (PER SYSTEM)	10 WATTS
MECHANICAL	
WEIGHT (PER SYSTEM)	8.5 POUNDS
SIZE	
SENSOR PACKAGE	3.6-INCH DIAMETER BY 5-INCH LENGTH
ELECTRONICS PACKAGE	6.4 BY 6.4 BY 5.6 INCHES
RELIABILITY	
MTBF (PER SYSTEM)	58,000 HOURS

Contingent Stability and Desaturation Element

This element of the ACS is a magnetic torquing system which consists of a magnetometer, magnetometer electronics, four magnetic torquers, and a torquer electronics package. The prime function of this element is to provide the Power Module with the capability to be stabilized adequately for retrieval by the Orbiter Remote Manipulator System in the event of a failure of the primary pointing and control element. In addition, the magnetic torquing system will be used to continuously desaturate the CMGs during normal operation. At maximum coupling with the earth's magnetic field (approximately 1/2 gauss) the magnetic torquing system will exert a torque on the vehicle of approximately 0.15 foot-pounds.

MAGNETIC TORQUING SYSTEM PERFORMANCE CHARACTERISTICS

The performance characteristics of this element are summarized in the chart.



MAGNETIC TORQUING SYSTEM PERFORMANCE CHARACTERISTICS

LMSC-D614944-1

<u>MAGNETOMETER AND ELECTRONICS</u>		<u>ELECTRICAL</u>	
RANGE	±500 MILLIGAUSS	MAGNETOMETER AND ELECTRONICS	2 WATTS
SCALE FACTOR	0.005 VOLTS/MILLIGAUSS	TORQUERS AND ELECTRONICS	122 WATTS
ZERO BIAS	ZERO MILLIGAUSS = 2.500 ± 0.007 VDC		
ACCURACY	WITHIN 1% OF READING	<u>MECHANICAL</u>	
SIGNAL NOISE	LESS THAN 10 MILLIVOLTS		
BANDWIDTH	10 Hz	WEIGHT	
ORTHOGONALITY	THREE AXES ARE ORTHOGONAL WITHIN ±0.25 DEG AND ALIGNED WITH THE INSTALLATION REFERENCE WITHIN ±0.25 DEG	MAGNETOMETER AND ELECTRONICS	4 POUNDS
MTBF	240,000 HOURS	TORQUERS (EACH)	110 POUNDS
		TORQUER ELECTRONICS	16 POUNDS
<u>TORQUERS AND ELECTRONICS</u>			
TORQUER OUTPUT RANGE	±4000 AMPERE-METER SQUARED	SIZE	
SENSITIVITY	0.5 AMPERE-METER SQUARED	MAGNETOMETER	2.75 X 2.75 X 4.69 INCHES
OUTPUT LINEARITY	LESS THAN 5% OF COMMANDED MOMENT	MAGNETOMETER ELECTRONICS	5.37 X 6.5 X 3 INCHES
MTBF TORQUERS	14.3 X 10 ⁶ HOURS	TORQUERS (EACH)	4 X 4 X 92 INCHES
TORQUER ELECTRONICS	316,000 HOURS	TORQUER ELECTRONICS	9 X 9 X 12 INCHES

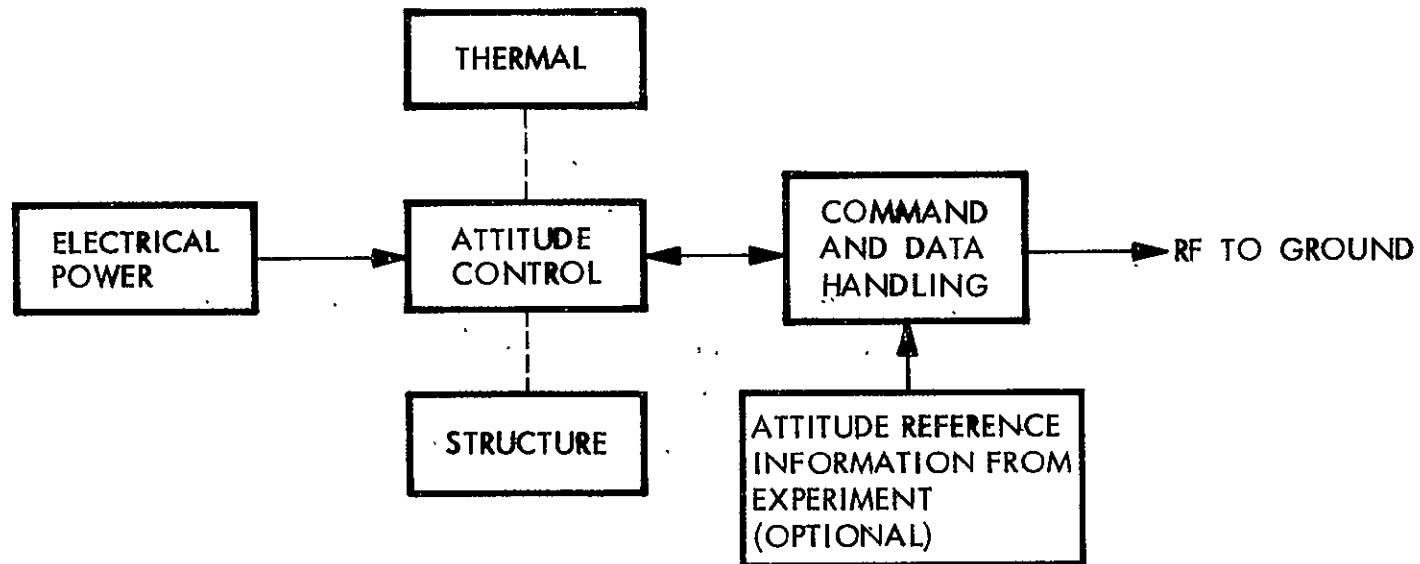
Functional Interfaces

25 KW POWER MODULE ATTITUDE CONTROL SUBSYSTEM INTERFACES-FREE-FLYER FLIGHT MODE

In the free-flying mode, the ACS interfaces are as shown in the chart. All command and data flow between the Power Module and the ground is through the on-board C & DH and TDRSS. The ACS software is configured to accept attitude reference information from experiment sensors.



ATTITUDE CONTROL SUBSYSTEM INTERFACES-FREE FLYER FLIGHT MODE



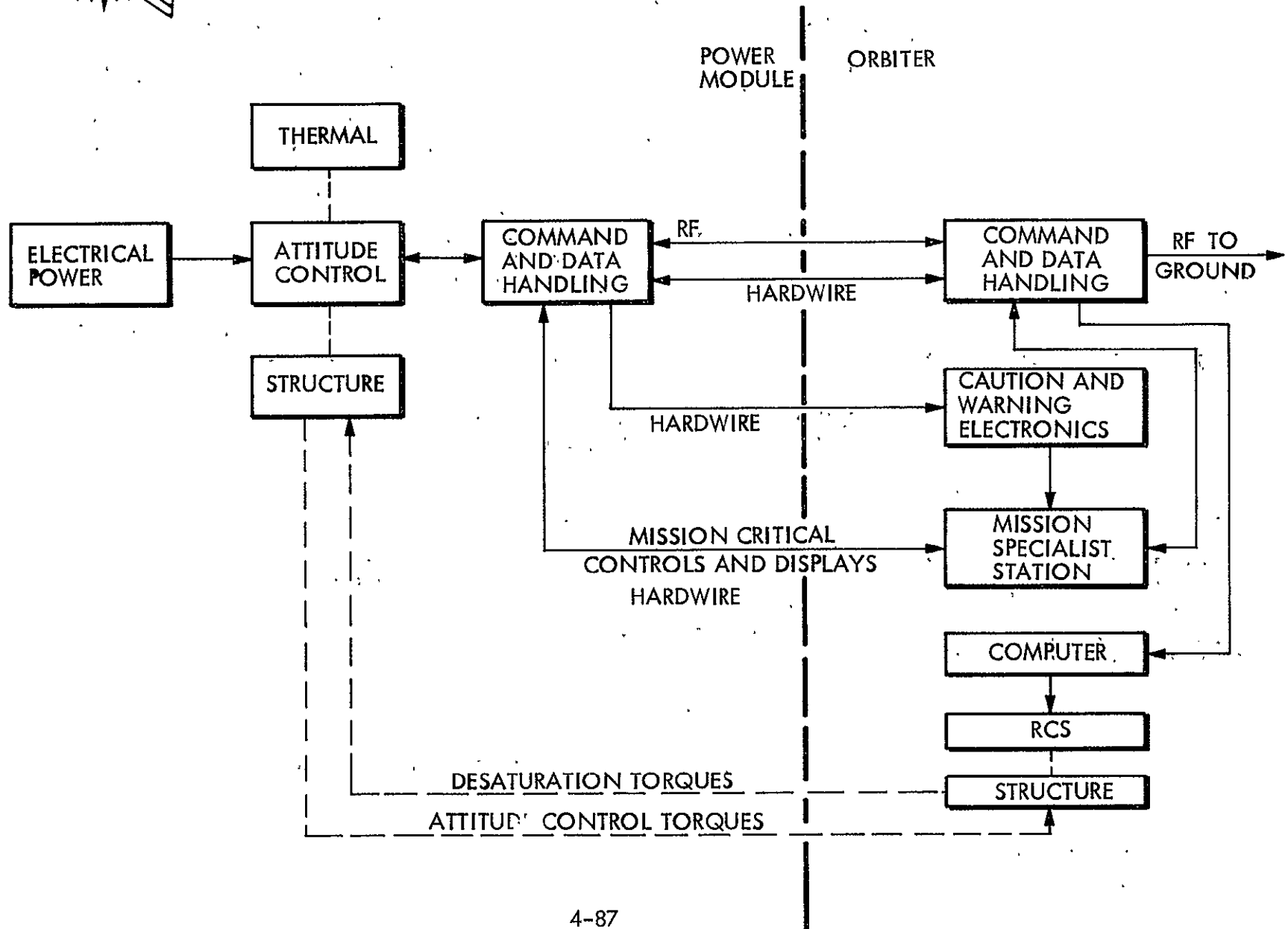
25 KW POWER MODULE ATTITUDE CONTROL SUBSYSTEM INTERFACES-SORTIE FLIGHT MODE

The ACS interfaces in the sortie mode are shown in the table. The principal functional interface derives from the requirement for the Power Module to provide the stabilization of the cluster while the Orbiter provides the necessary desaturation torques. Orbiter safety requirements require inputs to the caution and warning system, via hardware, for display at the mission specialist station. There is a further requirement for controls and displays via hardware at the mission specialist station to monitor and control, if necessary, any potentially dangerous conditions, e.g. wheel overspeed.

In the sortie mode there are redundant (RF and hardwire) transmission paths between the C&DH systems of both vehicles, with the Orbiter being the primary link with TDRSS and the ground.



ATTITUDE CONTROL SUBSYSTEM INTERFACES-SORTIE FLIGHT MODE



4.3.5 Communication and Data Handling Subsystem

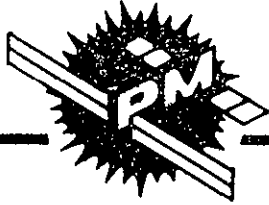
Functions

Communications and Data Handling (C&DH) subsystem provides onboard collection and formatting of engineering data for the Power Module subsystems. It receives, decodes, stores, distributes, and executes discrete and digital commands. Commands are received via TDRS. Data is transmitted via TDRS. Data transmission and commanding are also compatible with the STS Orbiter when docked or in a free-flying mode. An onboard digital computer is used to provide telemetry formatting and commanding, PM attitude control, and hi-gain antenna tracking (if provided) for TDRS contracts.

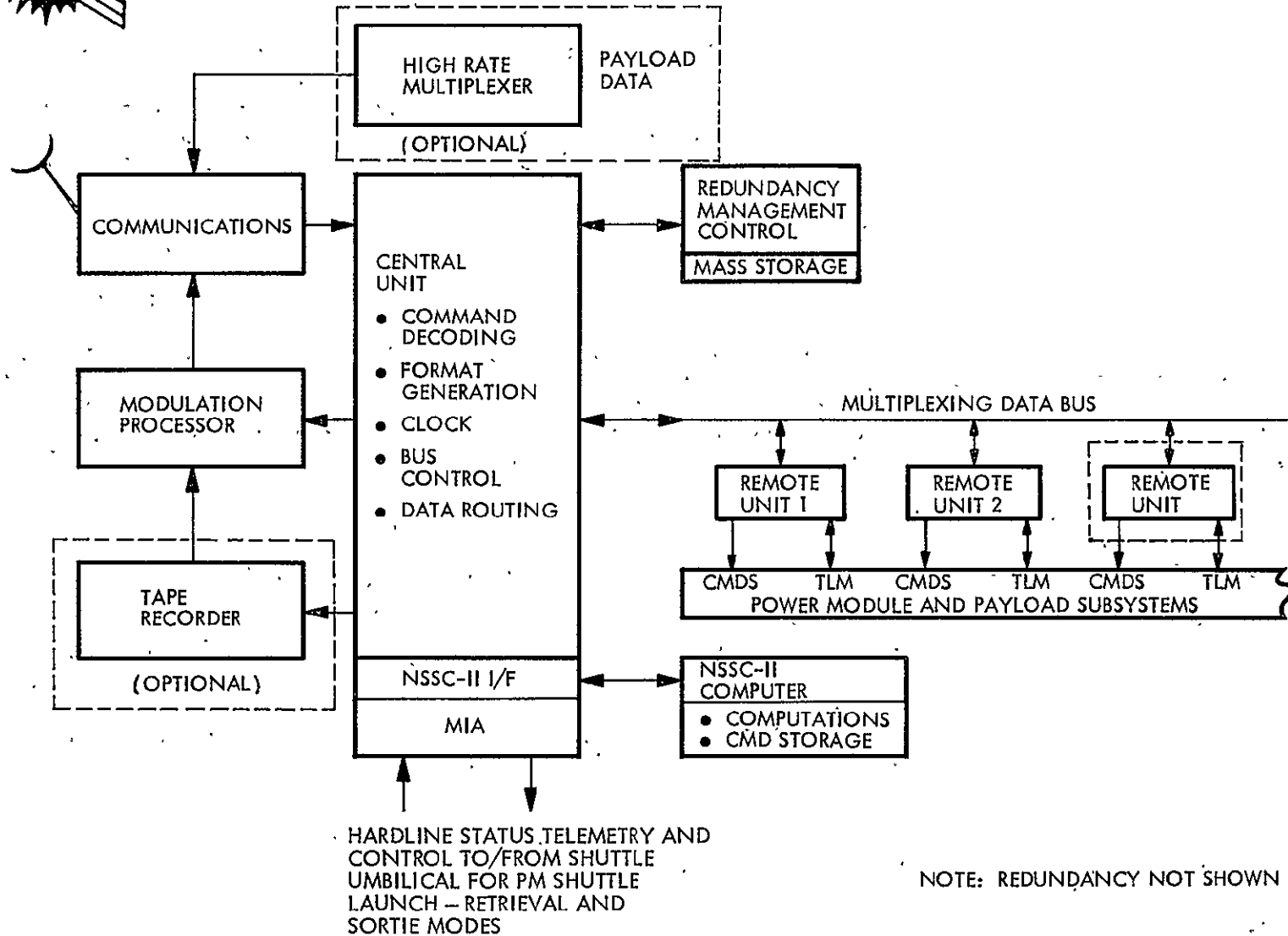
Subsystem Description

25 kW POWER MODULE COMMUNICATION AND DATA HANDLING SUBSYSTEM BLOCK DIAGRAM

- The C&DH subsystem functional block diagram is shown in the figure. This subsystem is comprised of five major elements:
 - (1) central unit
 - (2) computer
 - (3) redundancy management control
 - (4) communications
 - (5) remote units
- The subsystem configuration is dual redundant with the exception of the redundancy management and mass storage unit. Power Module growth in the C&DH subsystem is assured by the flexibility provided in the basic design concept so that software can be modified and modular remote units can be added. In addition, remote units can also be added to payload units to collect housekeeping data and provide limited command capability.
- The C&DH subsystem employs a completely redundant data buss system for command, control, and telemetry processing. This dual redundancy throughout the subsystem assures no loss of functions due to a single failure.



25kW POWER MODULE – COMMUNICATIONS AND DATA HANDLING SUBSYSTEM BLOCK DIAGRAM



Central Unit. The central unit is the major interface element within the C and DH subsystem. This unit is designed to perform the functions of command decoding, format generation, clocking, buss control, and data routing.

Command Decoding. The central unit accepts commands from either of the redundant TDRSS transponders in the NASA Standard word format at 125 bps or 1 kbs. Power Module address, word length, and parity checks are made. The length of the command word is (TBD).

Data Format Generation. Power Module and payload data rates are (TBD). The candidate system has a 256 kbs capability.

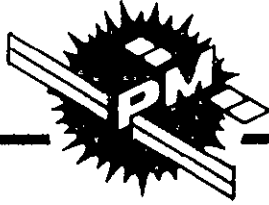
Buss Control and Data Routing. The data collection from the remote units is controlled by generating data point addresses in accordance with microprocessor and computer generated data formats. The computer and microprocessor distributes real time and stored commands via the central unit, data buss, and remote units.

Computer and Redundancy Management. The computer performs computations, stores commands, and executes events. Its prime responsibility is to manage attitude control and redundancy management functions. Mission-critical data is stored and updated in the mass storage unit. If an active computer failure is detected, it is powered off and the standby computer is powered on and its memory loaded from the mass storage unit. Execution of the flight program continues from the standby computer. The candidate computer has 56k memory.

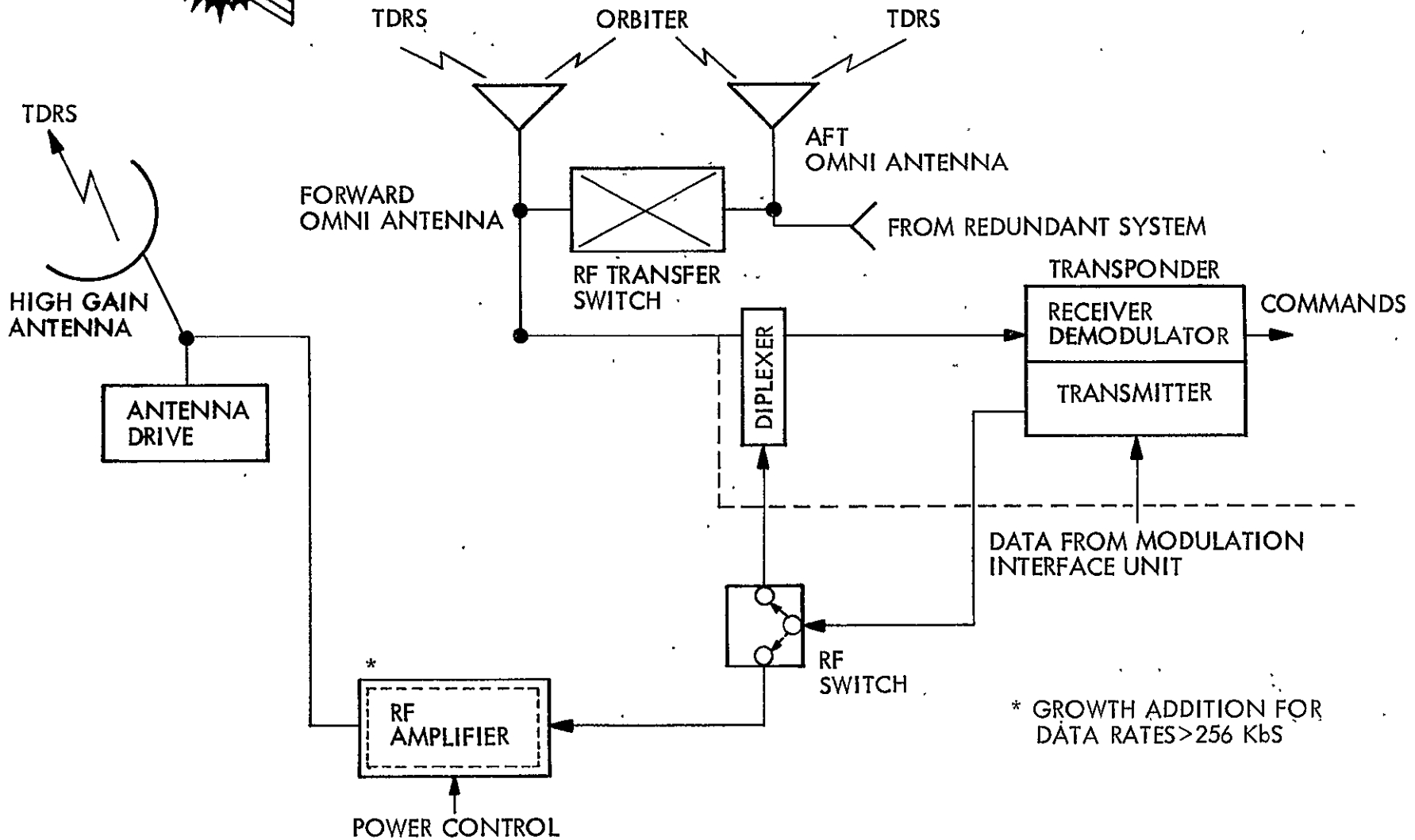
Communications

25 kW POWER MODULE COMMUNICATIONS SUBSYSTEM BLOCK DIAGRAM

A block diagram of the communications subsystem is shown in the figure. The C and DH communication S-band subsystem utilizes NASA standard TDRSS transponders and omni and high gain (21 db) steerable antennas. The on-board computer generates antenna pointing commands for either of the steerable antennas. The antenna is a direct-drive motor design used on Space Telescope. RF switches, diplexers, and multicouplers (which may be required) are standard units in use on several Air Force and NASA Programs.



25kW POWER MODULE COMMUNICATION SUBSYSTEM BLOCK DIAGRAM



NOTE: REDUNDANCY NOT SHOWN

Remote Units

The remote units are slaved to the central unit by a part line or data buss system. The remote units accept instructions from the central unit by a unique address and respond to the instructions by performing the following functions: (1) decode and distribute discrete and serial commands to the subsystems, and (2) accept, condition, and transmit (TBD) channels of subsystem telemetry data.

Component Characteristics

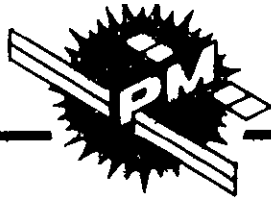
A weight breakdown of the C&DH subsystem for the 25 kW Power Module is given below.

C & DH SUBSYSTEM WEIGHT SUMMARY

<u>ITEM</u>	<u>WEIGHT (LB)</u>
Transponders	31
Computer	130
Central and Remote Units	80
Antennas/Drives	116
Steering Electronics	48
Swiches and Cables	23
SUBTOTAL	428
Contingency-25%	107
TOTAL	535

C&DH SUBSYSTEM COMPONENTS CHARACTERISTICS LIST

The physical characteristics of the C&DH subsystem are summarized in the table.



C&DH SUBSYSTEM COMPONENTS CHARACTERISTICS LIST

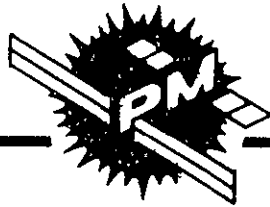
LMSC-D614944-1

ITEM NO.	COMPONENTS	NO. REQ'D	PWR (WATTS)	SIZE (L X W X H) (IN.)	UNIT WT (LB)	TOTAL WT (LB)
1	TRANSPONDER	2	38	15.2 X 9.9 X 4.3	15.7	31.4
2	OMNI ANTENNA	2	-	4.0 DIA	.225	.45
3	S BAND TRACKING ANTENNA	2	-	48 DIA	10	20
4	ANTENNA DRIVE ASSEMBLY	2	TBD	8.5 DIA X 14 H.	22.5	45
5	ANTENNA SUPPORT ASSEMBLY	2	-	TBD	2.1	4.2
6	ANTENNA STEERING ELECTRONICS	2	TBD	13.6 X 6.8 X 5.8	24	48
7	DEPLOY-RETRACT ASSEMBLY	2	N/A	TBD	23	46
8	NSSC-II COMPUTER	2	234	TBD; EST. VOLUME 1760 IN ³	65	130
9	REDUNDANCY MANAGEMENT UNIT	2	TBD	TBD	10	20
10	CENTRAL UNIT	2	TBD	TBD	10	20
11	REMOTE UNIT	4	TBD	TBD	10	40
12	CABLES	2	N/A	TBD	10	20
13	CIRCULATOR/ISOLATOR	2	N/A	TBD	TBD	TBD
14	RF SWITCH	2	TBD	3.5 X 2.8 X 2.1	0.6	1.2

Subsystem Performance

25 kW POWER MODULE C AND DH SUBSYSTEM COMPONENTS CHARACTERISTICS LIST

- Performance characteristics of the Communication and Data Handling Subsystem are summarized in the table. The assumption is that the MMS data handling system has been modified from 64 kbs to 256 kbs capability.
- With the 22 db gain of the S-band antenna, adequate link margins to TDRS exists with the 256 kbs data rate.



25kW POWER MODULE C&DH PERFORMANCE CHARACTERISTICS

25 KW POWER MODULE C&DH PERFORMANCE CHARACTERISTICS

COMPONENT	CHARACTERISTIC
COMPUTER (NSSC-II) MEMORY SPEED	56K MEMORY (BASELINE) 1024K BYTES (8 BITS) - CAPABILITY 200 KOPS - CAPABILITY
RF COMMAND RATE	1 KBS
PCM DATA RATE	256 KBS (S BAND)
PCM FORMATS FIXED PROGRAMMABLE	2 TBD
ANTENNA GAIN	≈22 dB (S BAND PARABOLIC)

Functional Interfaces

25 kW POWER MODULE C AND DH SUBSYSTEM INTERFACES

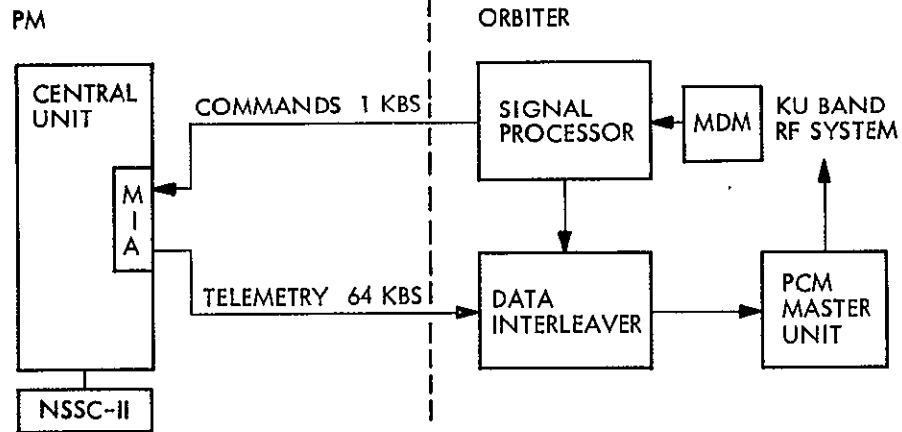
- C and DH interfaces are shown in the figure.
- When the Power Module is docked to the Orbiter, up to 64 kbs of data can be interleaved with the STS operations telemetry to the ground. Portions of the data can also be displayed to the Orbiter crew if required. When in the free-flying mode, the data rate drops to 16 kbs. In either the sortie mode or free-flyer mode the Power Module can accept and execute commands via the module interface adapter when docked and via the receiver/decoder when free-flying.



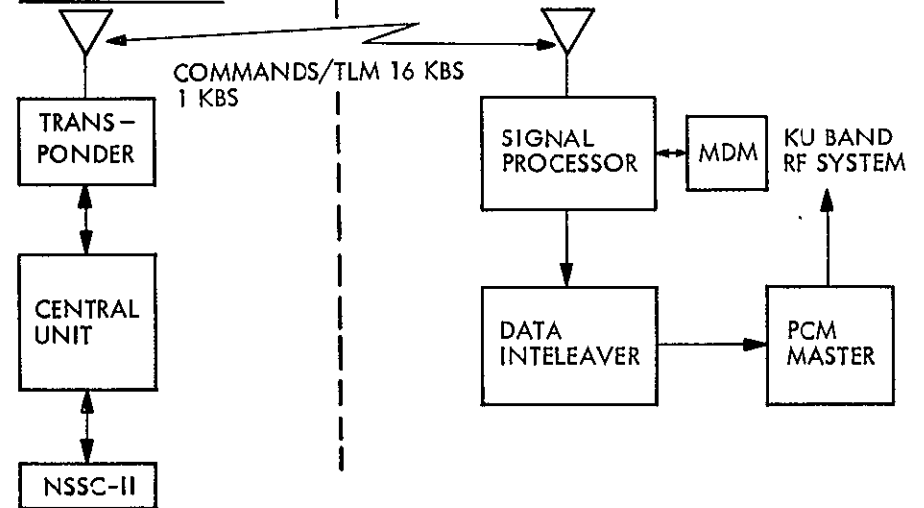
25kW POWER MODULE C&DH SUBSYSTEM INTERFACES

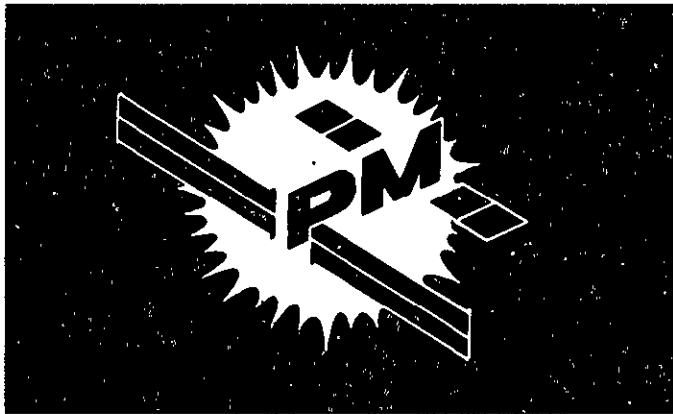
LMSC-D614944-1

SORTIE MODE



FREE FLYER MODE





SECTION 5 50kW POWER MODULE

- 5.1 OUTBOARD AND INBOARD PROFILES
- 5.2 WEIGHTS
- 5.3 SUBSYSTEM DESIGN DESCRIPTIONS

CANDIDATE 50kW POWER MODULE CONFIGURATION – DEPLOYED

- The 50kW Power Module, a derivative of the basic 25kW configuration and subsystems, is shown in the figure. The vehicle includes five basic subsystems.

Structures

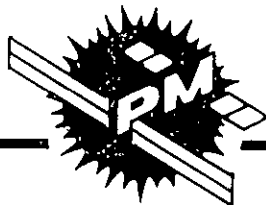
Electrical power

Thermal

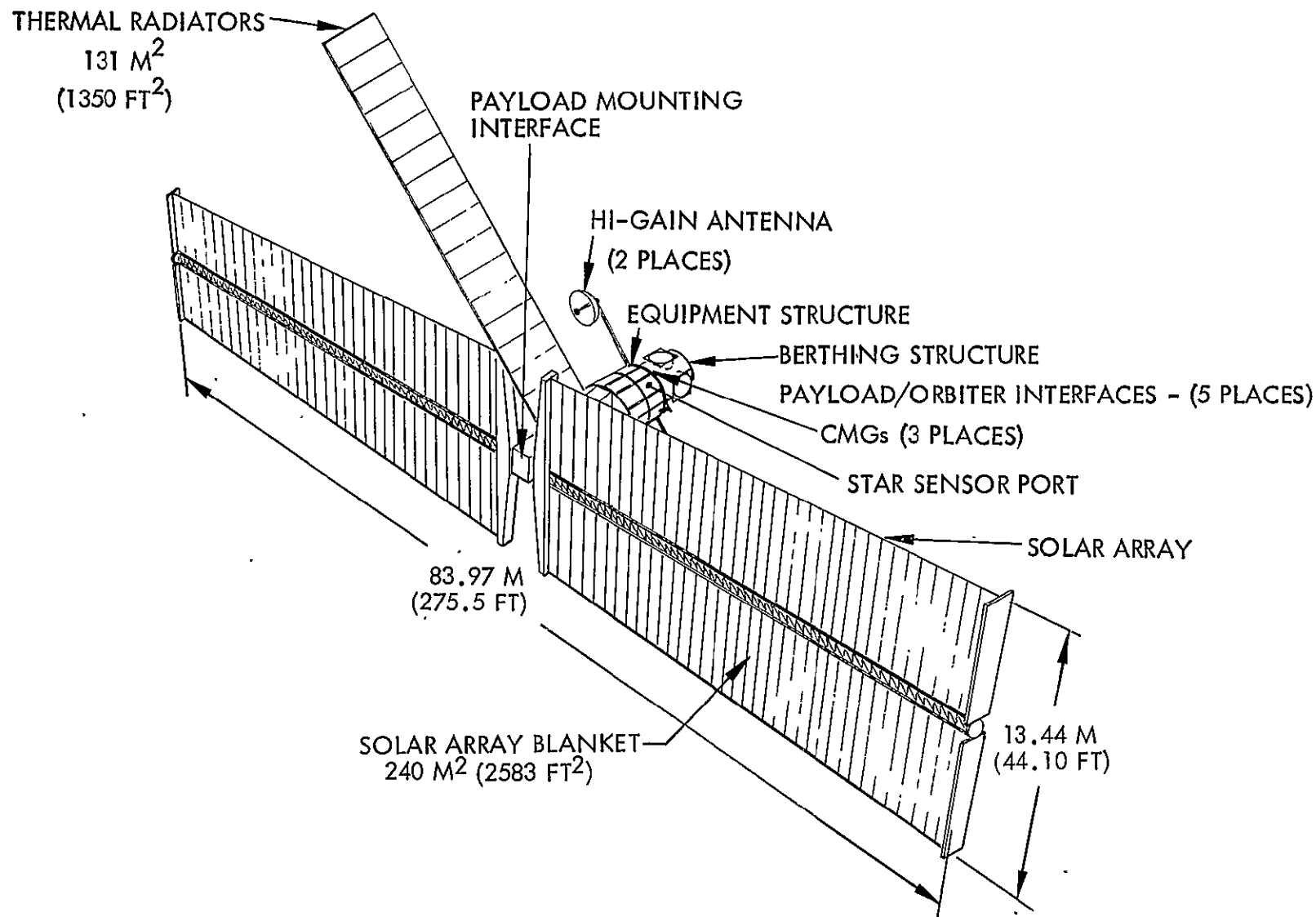
Attitude control

Communication and data handling

- Subsystem design guidelines have emphasized compatibility with Shuttle Orbiter interfaces and operations, replicability of equipment, flexibility for growth and maintenance on orbit, and low-cost design concepts.

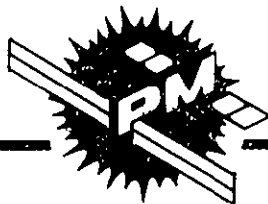


CANDIDATE 50kW POWER MODULE CONFIGURATION—DEPLOYED

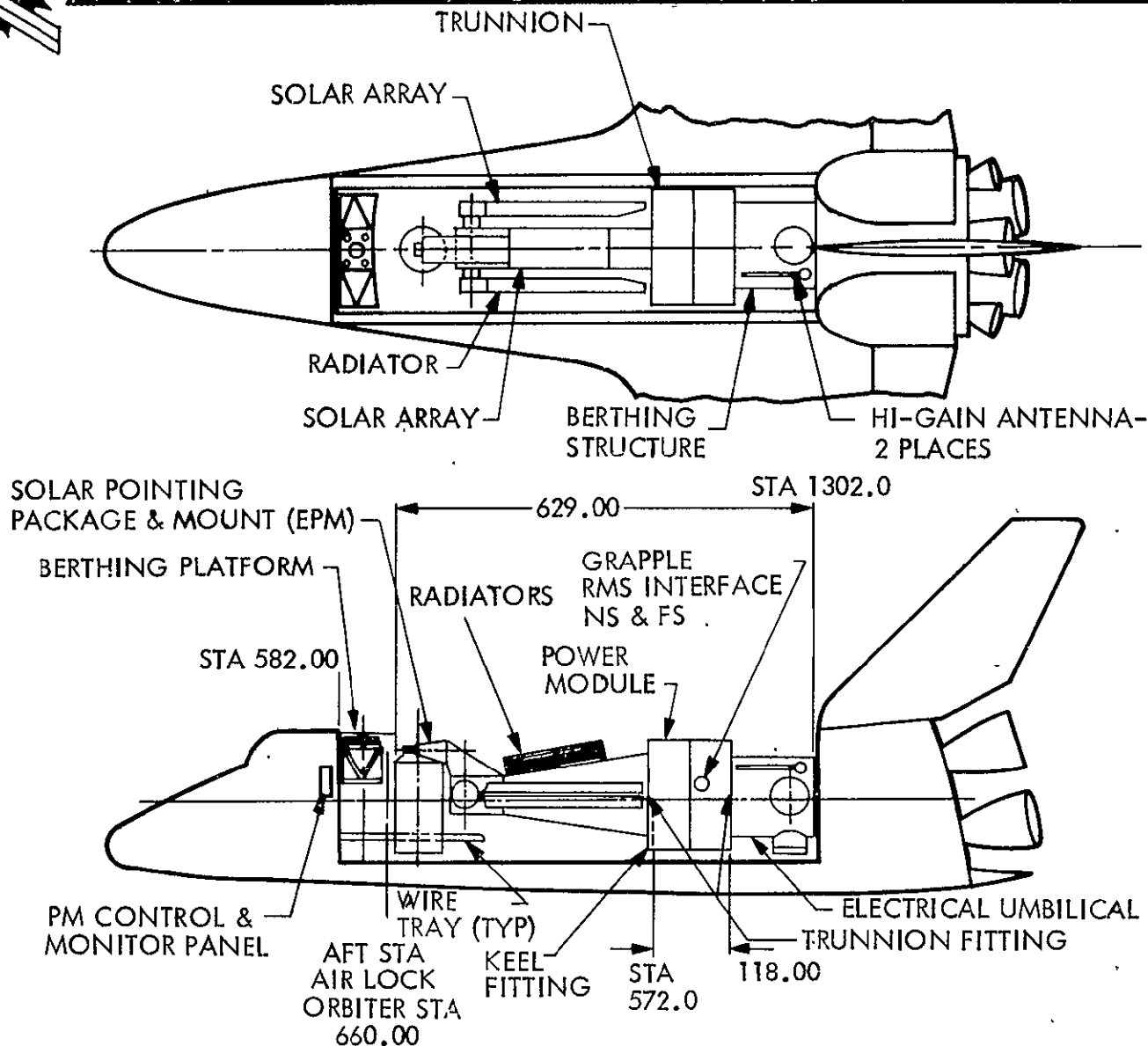


50 kW POWER MODULE – ORBITER PAYLOAD BAY INSTALLATION

- Configuration compatibility in the Orbiter cargo bay is shown in the figure and the accompanying drawing.
- A solar pointing package, which will contain Solar Terrestrial Observation experiments is shown in a folded, launch – storage configuration. Space forward of Orbiter station 660 is reserved for Orbiter use.



50kW POWER MODULE— ORBITER PAYLOAD BAY INSTALLATION



ALL DIMENSIONS IN INCHES

This page intentionally left blank.

This page intentionally left blank.

5.1 OUTBOARD AND INBOARD PROFILES

- The 50 kW Power Module configuration is the same as the 25 kW Power Module with the following variations:
 - Addition of an 80 inch solar array support structure extension to accommodate increased width solar array blankets.
 - Use of 6 meter width solar array blankets instead of 4 meter used on 25 kW.
 - Use of Ni-H₂ type batteries instead of Ni-Cd used on 25 kW
 - Addition of thermal radiator panels (10) to accommodate increased thermal dissipation.

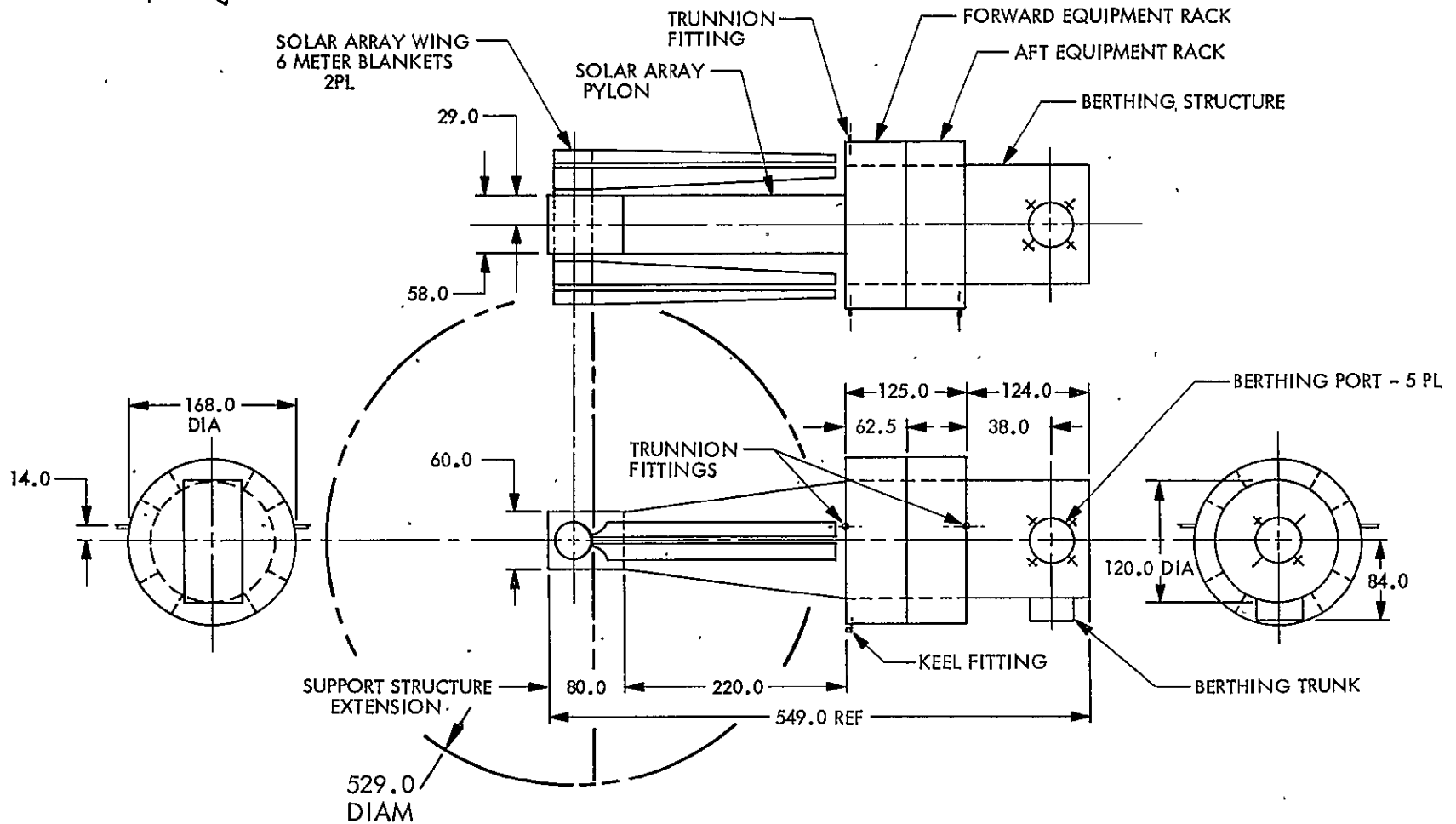
5.1.1 Outboard Profile

50 kW POWER MODULE OUTBOARD PROFILE

- The 50 kW Power Module outboard profile is shown in the figure. The vehicle is composed of four major structural components:
 - Solar array support structure
 - Forward equipment rack
 - Aft equipment rack
 - Berthing support structure
- The solar array support structure is of closed shear box or semi-monocoque construction to which the solar array wings are attached. The structure also carries the thermal radiator system.
- Both forward and aft equipment racks are constructed from ring frame assemblies, radial webs, and longerons attached to an inner tubular structure. Built into the equipment back structure are the trunnion fittings and keel fitting that support the Power Module in the Orbiter payload compartment.
- The berthing support structure is of semi-monocoque construction and is of the same diameter as the inner tubular structure in the equipment racks. Five berthing ports are built into this structure, four at equal spaces around the diameter and one on the aft face.



OUTBOARD PROFILE 50kW POWER MODULE

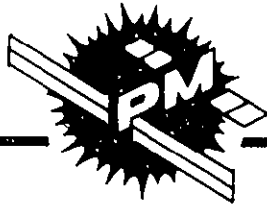


ALL DIMENSIONS IN INCHES

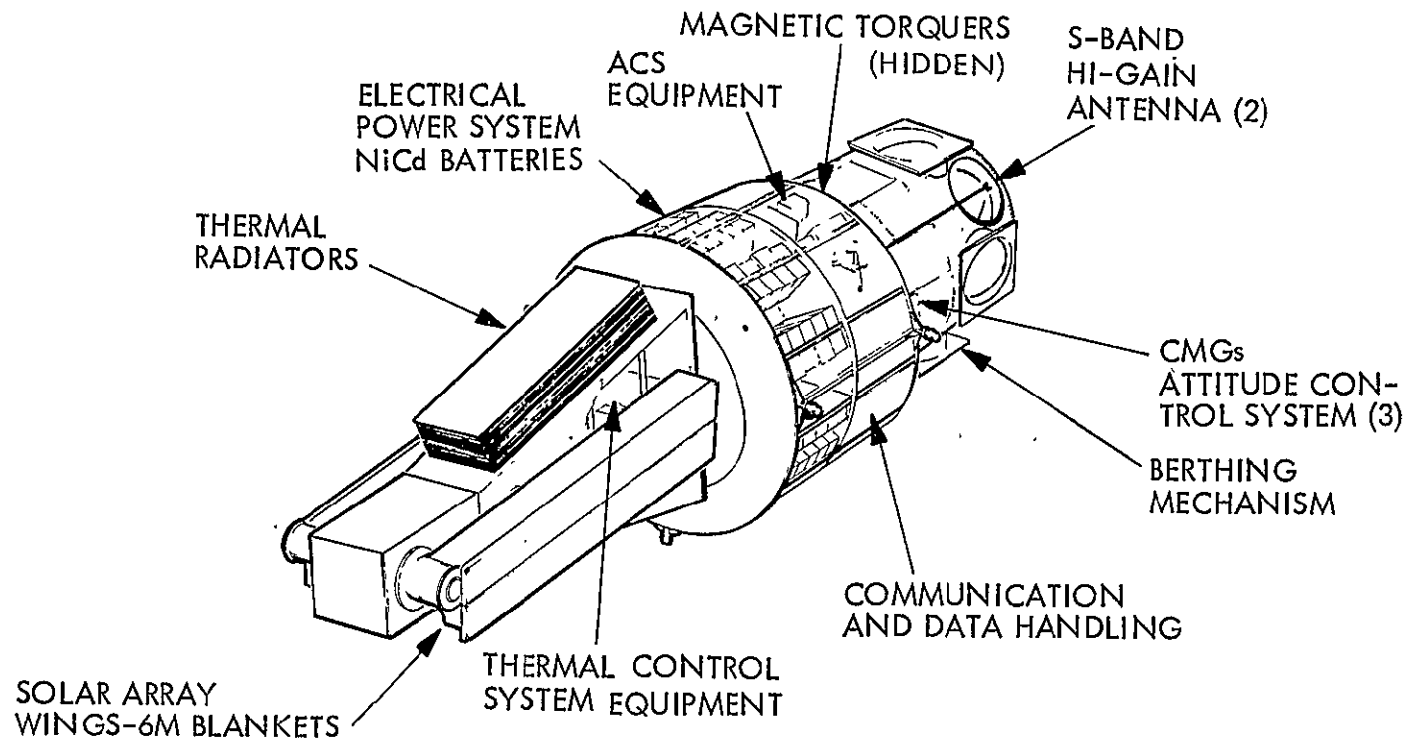
5.1.2 Inboard Profile

50 kW POWER MODULE EQUIPMENT INSTALLATION

- The inboard profile showing equipment installed is shown in the figure and is identical to the 25 kW PM aft of the solar array pylon/forward equipment rack interface. The concept of sub-system modularity is maintained for ease of equipment installation. The electrical power sub-system equipment is located in the forward equipment rack. Communications and data handling subsystem equipment, including magnetic torquers and electronics, rate gyros, and horizon sensors and electronics are located in the aft equipment rack. The three control moment gyros are located in the berthing module.
- As in the 25 kW PM configuration, subsystems are allocated to compartments to enhance the capability for growth and maintenance on-orbit. The 80 inch support structure extension (to accommodate 6 meter solar array blankets) is added to the forward end of the 25 kW PM solar array pylon support structure. The 10 additional thermal radiator panels are added to the thermal panel assembly for the 25 kW PM. The Ni-H₂ batteries are installed in the forward equipment rack in the same location used for the 25 kW batteries.



50kW POWER MODULE INBOARD PROFILE



50 kW POWER MODULE EQUIPMENT INSTALLTION

- Equipment installation details for the 50 kW Power Module are shown in the drawing.

This page intentionally left blank.

5.2 WEIGHTS

A weight summary for the 50kW power module is shown below. Mass properties data is given in Volume 4, paragraph 2.2, of the Part III Final Report.

50kW POWER MODULE WEIGHT SUMMARY

ITEM	WEIGHT (LB)
STRUCTURE & MECHANICAL	8,150
ELECTRICAL POWER	14,225
THERMAL CONTROL	3,119
ATTITUDE CONTROL	2,138
C & DH	450
SUB TOTAL	28,082
CONTINGENCY -- 25%	7,021
TOTAL	35,103

This page intentionally left blank.

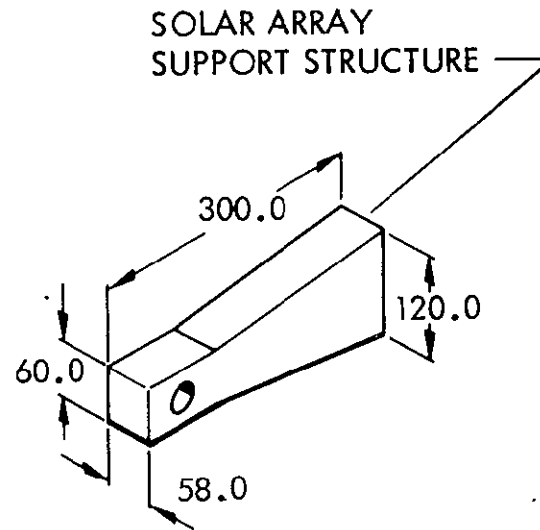
5.3 SUBSYSTEM DESIGN DESCRIPTIONS

5.3.1 Structures

- The 50 kW Power Module structure is the same as that for the 25 kW Power Module for the forward equipment rack, aft equipment rack and berthing structure as described in paragraph 4.3.1 pages 4-20 through 4-37 of Volume I Part III Final Report.
- The solar array support structure is larger for the 50 kW Power Module than for the 25 kW Power Module and is shown in the figure. All structure is of shear-box design.
- The solar array support structure has basic dimensions to accommodate the 6 meter deployable solar arrays, provides structural strength, and Orbiter/sortie clearances during rotation of the solar array through 360° . The structure has provisions for mounting the thermal radiators, and the thermal subsystem mechanical and electrical components, and also provide support for the solar pointing package.

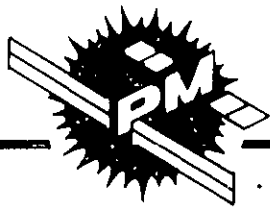


50 kW STRUCTURES SUBSYSTEM-SOLAR ARRAY STRUCTURE



COMPONENT CHARACTERISTICS

- A summary of structure subsystem weights and characteristics of the structure subsystem components are given in the table.



STRUCTURES AND MECHANICAL SUBSYSTEM COMPONENT CHARACTERISTICS

ITEM NO.	COMPONENT	NO. REQ'D	PWR (WATTS)	SIZE (L X WK X H) IN.	UNIT WT (LBS)	TOTAL WT (LBS)
1	STRUCTURAL ASSY. SOLAR ARRAY SUPPORT BOOM	1	N/A	300 X 58 X 60/120	1250	1250
2	STRUCTURAL ASSY. FWD SECTION EQUIPMENT RACK	1		62.5 X 168 DIAM.	1435	1435
3	STRUCTURAL ASSY AFT SECTION EQUIPMENT RACK	1		62.5 X 168 DIAM.	1465	1465
4	STRUCTURAL ASSY. BERTHING MODULE	1		124 X 168 DIAM.	3200	3200
5	MECHANISMS	TRD		TBD	800	800

The electrical power subsystem (EPS) for the 50 kW Power Module furnishes power required for the PM subsystems and provides 50 kW power at the Orbiter and payload interfaces. Characteristics of the EPS elements (solar arrays, power control and energy storage) are described below:

Solar Arrays

Increased power over that of the basic 25 kW vehicle is achieved by increased size of the solar arrays in conformance with the recommended growth path of the Power Module as shown in para 3.2 of this document. The solar array blankets are increased in width to 19.8 ft. (6 M). In addition solar cell efficiency is projected to increase to 16% by 1986. Based on these factors, a solar array blanket area of 2550 ft.² is used. A total of 4 blankets having a total area of 10,800 ft.² will provide the required electrical power output.

To support the increased size of the solar array wings, the solar array support structure is increased in length by 80 inches over the 25 kW configuration to a new length of 300 inches.

Power Control

The same power control equipment can be used in the 50 kW EPS as for the 25 kW EPS because the number of solar array - battery - regulator elements remains at 12 and the current and power levels remain within hardware capability. Power distribution and cabling equipment will increase in weight.

Energy Storage

Increasing power from 25 kW to 50 kW while maintaining 12 power string elements requires doubling the depth-of-discharge of the batteries to a maximum of 40%. It is LMSC's recommendation that this requirement can be satisfied with Ni-H₂ batteries by 1986. The control functions for the Ni-H₂ battery would be the same as for the Ni-Cd, except cell pressure measurement would be added for state-of-charge indication. The structural mounting and thermal control interface for the Ni-H₂ battery will of necessity be changed to accommodate the new configuration.

This page intentionally left blank.

Subsystem Performance and Component Characteristics

EPS performance requirements for the 50 kW PM are assumed to be double that of the 25 kW PM, which will require a doubling of Solar array area and battery DOD. EPS weight for the 50 kW system, based on 16% solar cell efficiency and 40% battery DOD Ni-H₂ batteries is given below:

50kW EPS CHARACTERISTICS AND WEIGHTS

ITEM	CHARACTERISTIC
POWER (kW)	50
CELL TYPE, LB/FT ²	Si, 0.2
CELL EFF. (%)	16
BATTERY	Ni - H ₂
DOD (%)	40
VOLTAGE (VDC REG)	(28) 110 OPTIONAL
WEIGHTS (LB)	
SOLAR ARRAY	4,800
SOLAR ARRAY DRIVE	250
BATTERIES	6,400
ELECTRONICS	1,395
PWR. DISTRIBUTION	880
WIRE HARNESS	500
SUBTOTAL	14,225
CONTINGENCY - 25%	3,556
TOTAL	17,781

50kW POWER MODULE ELECTRICAL POWER SUBSYSTEM COMPONENTS LIST

EPS component characteristics are shown in the table.

5.3.2-1 50 kW POWER MODULE ELECTRICAL POWER SUBSYSTEM COMPONENTS LIST

ITEM NO.	COMPONENT	REQ'D	PWR (WATTS)	SIZE (LX WX H) IN.	UNIT WT (LBS)	TOTAL WT (LBS)
1	BATTERY MODULE (Ni-H ₂ TYPE)	12	**	52 X 27 X 10	633	6,400
2	BATTERY CONTROL ASSY	12		12 X 24 X 9	55	660
3	BUS REGULATOR	12		12 X 24 X 12	55	660
4	SOLAR ARRAY WING	2		130 X 44	1400	4,800
5	SOLAR ARRAY DRIVE ASSY	2		TBD	125	250
6	POWER TRANSFER ASSY	2		TBD	125	250
7	DRIVE ELECTRONICS	1		12 X 12 X 12	30	30
8	DC/DC CONVERTERS	3		12 X 12 X 9	15	45
9	POWER INTERFACE DISTRIBUTOR	1		40 X 17 X 10	300	300
10	MAIN POWER DISTRIBUTOR	1		17 X 17 X 8	50	50
11	SOLAR ARRAY DISTRIBUTOR	1		17 X 17 X 8	30	30
12	BERTHING DISTRIBUTOR	1		30 X 17 X 10	150	150
13	RACK DISTRIBUTORS	3		17 X 17 X 8	30	90
14	REMOTE POWER CONTROLLERS	30		4 X 7 X 5	<.5LB	10
15	POWER CABLES				500	500

**Heater Power to be determined

5.3.3 Thermal Control Subsystem

The 50 kW Thermal Control Subsystem is the same as the 25 kW TCS with added components. The 50 kW TCS configuration is achieved by adding radiator panels and an additional payload heat exchanger plus simultaneous pump operation in each of the two coolant loops. To provide payload heat rejection availability to the payloads in the 50 kW configuration, 10 additional radiator panels (67.5 ft.² each) are added. This addition more than doubles the total PM heat rejection because the new panels are less influenced by solar array, PM surface, and payload surface interaction.

To maintain the Power Module battery and equipment temperatures within the desired 50 to 110°F range, the flow rate through the coolant system is approximately doubled by operating all pumps simultaneously. Subsequent flow analyses and development testing may show that the 2500 lb/hr pumps require upgrading to 3000 lb/hr capacity to handle the expected increase in pressure losses. Based on projected 23,000 hour mean-time-to-failure data on the Orbiter pumps, a pump package replacement would be scheduled to occur midway through the five-year mission.

An additional 15 kW rated payload heat exchanger would be added in parallel with the existing unit. Two payload fluid loop couplings would be provided with the necessary flow control.

This page intentionally left blank.

TCS Performance and Component Characteristics

The heat loads controlled by the PM coolant loop are basically double the 25 kW configuration. Battery and PM equipment will dissipate 18 kW of heat. The equipment temperature and coolant temperature increases will remain the same with a 10,000 lb/hr flow rate as those shown in paragraph 4.3.3. The total heat rejection capability will range from a minimum of 36 to 50 kW, thus providing an 18 to 32 kW cooling capacity for payloads. Similarly to the 25 kW radiators, the higher heat rejection levels correspond to spacecraft orientations which keep the panels edge-lit by the sun. Heat rejection levels are 18 kW maximum for the PM and nominal 25 kW for the payloads. Coolant loop temperature range 54°F is with a range 40/96°F. Thermal control of the manned habitat planned for the 1988 50 kW spacecraft will require 10 kW, or more, cooling capability depending on the occupancy level. This 10 kW requirement would reduce payload cooling capability by an equal amount. Heat rejection performance is given below.

50 kW POWER MODULE HEAT REJECTION PERFORMANCE

Configuration	Freon-21 Mass Flow Rate (lb/hr)	Heat Rejection (kW)			Freon Temp (°F)	Radiator Area (FT ²)	No. Of Panels/ Configuration
		PM	P/L ⁽¹⁾	Total ⁽²⁾			
50 kW	10,000	18	22.8	40.8	54 40/94	1,350	20

Notes: (1) Heat rejection available to payload may be used for manned habitat control. 10 kW estimated for 3-man occupancy.

(2) Total heat rejection includes effects of beta angle, sun incident up to 30°, and earthshine.

This page intentionally left blank.

TCS COMPONENT CHARACTERISTICS

TCS weight for the 50 kW system is given below:

50 kW TCS WEIGHT SUMMARY

ITEM	WEIGH (lb)
RADIATOR, STRUCTURE, MOTORS	2,020
COLD PLATES, LINES	565
HEAT EXCHANGERS	257
PUMPS, CONTROLS	177
INSULATION, PAINT, HEATERS	100
SUBTOTAL	3,119
CONTINGENCY - 25%	780
TOTAL	3,899

TCS components characteristics are shown in the table.



50kW POWER MODULE THERMAL CONTROL SUBSYSTEM COMPONENTS

ITEM NO.	COMPONENT	NO. REQ'D	PWR (W)	SIZE (L X W X H) (IN)	UNIT WT (LB)	TOTAL WT (LB)
1	RADIATOR	20		162.0 X 60.0 X 0.925	94.5	1,890
2	COLD PLATES	24			21.7	520
3	PUMP, ACCUMMULATOR, CHECK VALVE, INVERTER	2	500 (AC)	7.9 X 3.5 X 3.5* 13.1 (D) X 27.2**	58	116
4	PRESSURE TRANSDUCERS	2			5	10
5	FLOW CONTROL ASSEMBLY (MIXER VALVE)	2	57.5	24 X 20 X 9	25.5	51
6	INTERFACE H _x	2			120	240
7	GSE H _x	1			17	17
8	LINES FASTENERS, CONNECTORS, FILTERS, SOLENOID VALVES	TBD			45	45
9	INSULATION	TBD			100	100
10	HEATERS	1	TBD		TBD	
11	MOTOR AND MECHANISM TO DEPLOY THE RADIATORS	40	TBD		2.0 (EST)	80
12	FREON 21	TBD			TBD	TBD
13	RADIATOR SUPPORT STRUCTURE	1			50 (EST)	50

*INVERTER

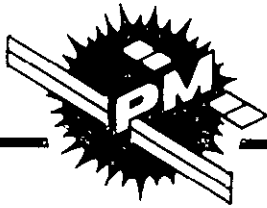
**ACCUMULATOR, PUMP, AND CHECK VALVE

5.3.4 Attitude Control Subsystem

The attitude control subsystem for the 50 kW Power Module is identical to that provided for the 25 kW Power Module, as described in paragraph 4.3.4 of this Volume 1, Part III Final Report.

CMG REQUIREMENTS FOR 50 KW POWER MODULES

The CMG requirements for the 50 kW configurations in Scenario I, shown in paragraph 2.1 page 2-13 of this Volume, are given in the table. The analysis is based on computing the momentum required to control the cyclic torques on the vehicle when it is in an inertial, perpendicular-to-the-orbit plane orientation, and providing two additional CMGs for maneuvering and redundancy. The analysis was for the Orbiter docked to the Power Module. It can be seen that vehicle A-2, because of its size, cannot be flown inertially, and will be constrained to local vertical orientations. The remaining three configurations can be flown in an XPOP orientation, or with any principal axis along the local vertical, with three CMGs.



CMG REQUIREMENTS FOR 50kW POWER MODULES

CONFIGURATION NOTE 1	ORIENTATION	CMGs REQUIRED TO CONTROL CYCLE TORQUES	CMGs REQUIRED FOR MANEUVERING AND REDUNDANCY	TOTAL CMGs REQUIRED	ORIENTATION
A-2	X POP	25	2	27	} NONE
	Y POP	16	2	18	
	Z POP	10	2	12	
A-3	X POP	1	2	3	v
	Y POP	4	2	6	
	Z POP	4	2	6	
B-2	X POP	1	2	3	v
	Y POP	4	2	6	
	Z POP	4	2	6	
B-3	X POP	1	2	3	v
	Y POP	4	2	6	
	Z POP	4	2	6	

NOTE 1: CONFIGURATION DESIGNATORS REFER TO CONFIGURATIONS SHOWN ON PAGE 3-62 OF THIS VOLUME 1 OF PART III FINAL REPORT.

5.3.5 Communication And Data Handling Subsystem

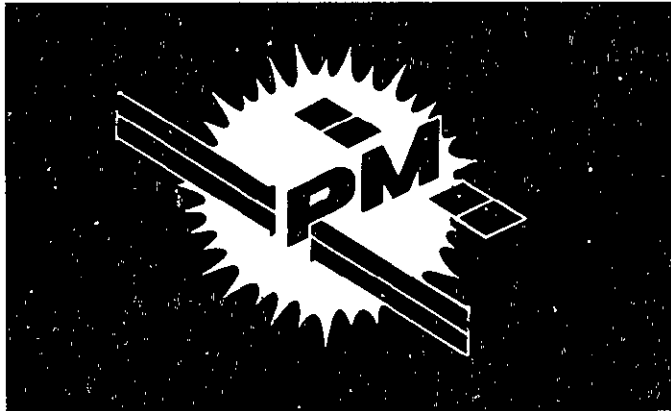
The Communication and Data Handling Subsystem for the 50 kW Power Module is identical to the design for the 25 kW PM. One remote interface unit is added to support the added 25 kW capability. Refer to paragraph 4.3.5 of this Volume 1, Part II Final Report for a description of the C & DH subsystem.

A weight breakdown of the C & DH subsystem for the 50 kW Power Module is given below.

C & DH SUBSYSTEM WEIGHT SUMMARY

Item	Weight (lb)
Transponders	31
Computer	130
Central and Remote Units	100
Antennas/Drives	116
Steering Electronics	48
Switches and Cables	25
SUBTOTAL	450
Contingency - 25%	113
TOTAL	563

The baseline C & DH subsystem can be expanded readily to accommodate any additional requirements by adding remote command and telemetry units to the central unit data bus. This is illustrated in the C & DH block diagram in paragraph 4.3.5.



SECTION 6 100kW POWER MODULE

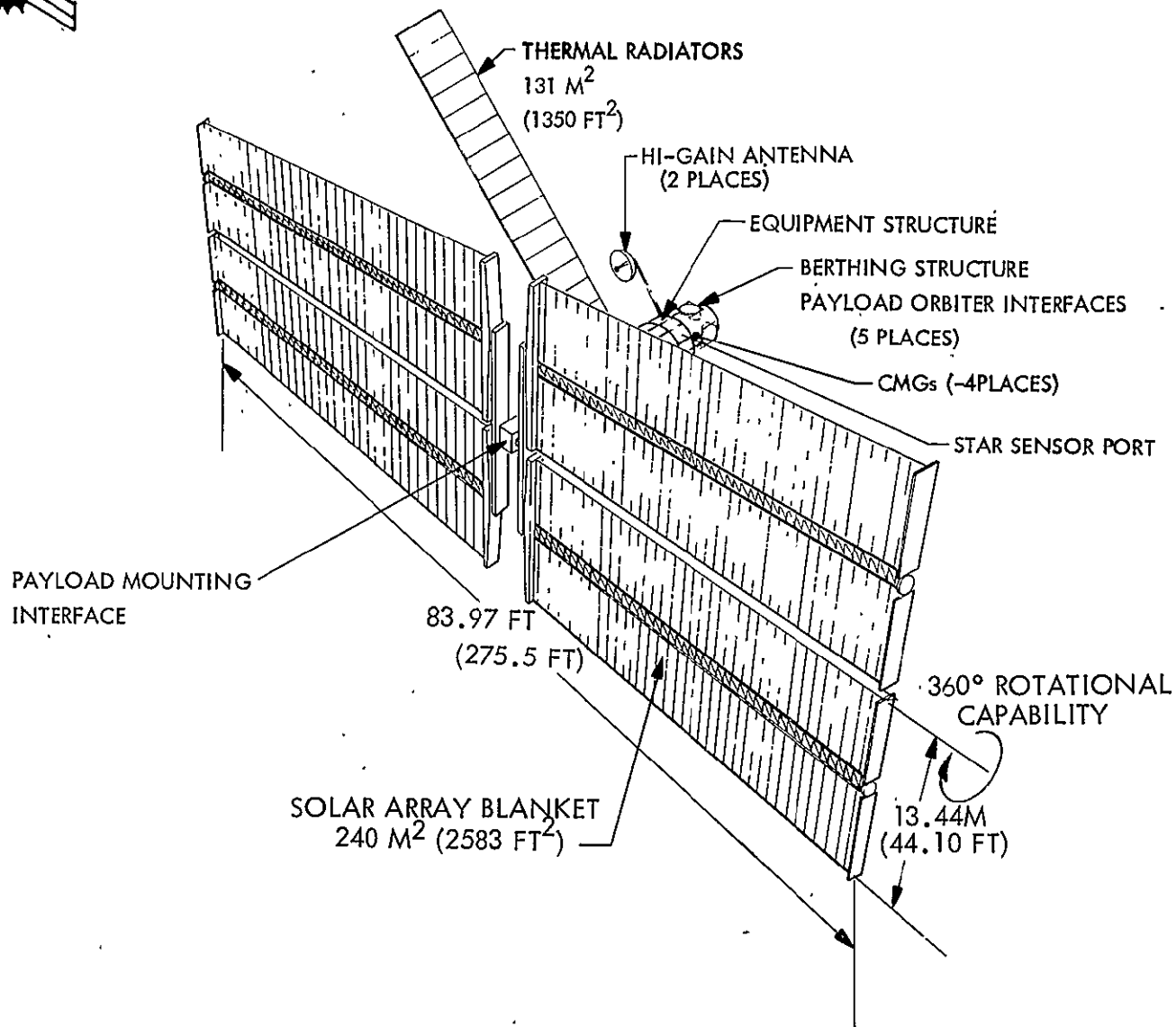
- 6.1 OUTBOARD AND INBOARD PROFILES
- 6.2 WEIGHTS
- 6.3 SUBSYSTEM DESIGN DESCRIPTIONS

CANDIDATE 100 kW POWER MODULE CONFIGURATION – DEPLOYED

- The 100 kW Power Module flight configuration is shown in the figure. This vehicle includes five basic subsystems as follows:
 - Structures
 - Electrical Power
 - Thermal
 - Attitude Control
 - Communication and Data Handling
- Subsystem design guidelines have emphasized compatibility with Shuttle Orbiter interfaces and operations, replicability of equipment, and flexibility for growth and maintenance on-orbit.
- There are two configuration concepts for the 100kW PM. The 100-1' configuration is grown on orbit from an existing, in-flight 50 kW vehicle by adding a 50-100 kW growth kit. The 100-1 configuration is all ground launched.



CANDIDATE 100kW POWER MODULE CONFIGURATION - DEPLOYED



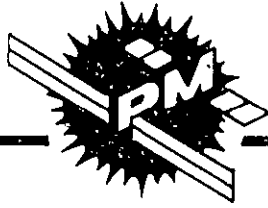
100 kW POWER MODULE 100-1' CONFIGURATION - (50-100 kW KIT)
ORBITER PAYLOAD BAY INSTALLATION

- The 100-1' vehicle is built up on-orbit from a 50 kW in-flight vehicle. The 50-100 kW kit is transported via an Orbiter launch (partial cargo) as shown in the figure to a rendezvous orbit with the in-flight 50 kW vehicle. Following rendezvous, capture, and berthing of the 50 kW vehicle to the Orbiter, the 50-100 kW growth kit is assembled to the 50 kW vehicle to form a 100 kW flight configuration. Details of this on-orbit assembly sequence are discussed in Volume 4, paragraph 6.5, of this Part III Final Report.

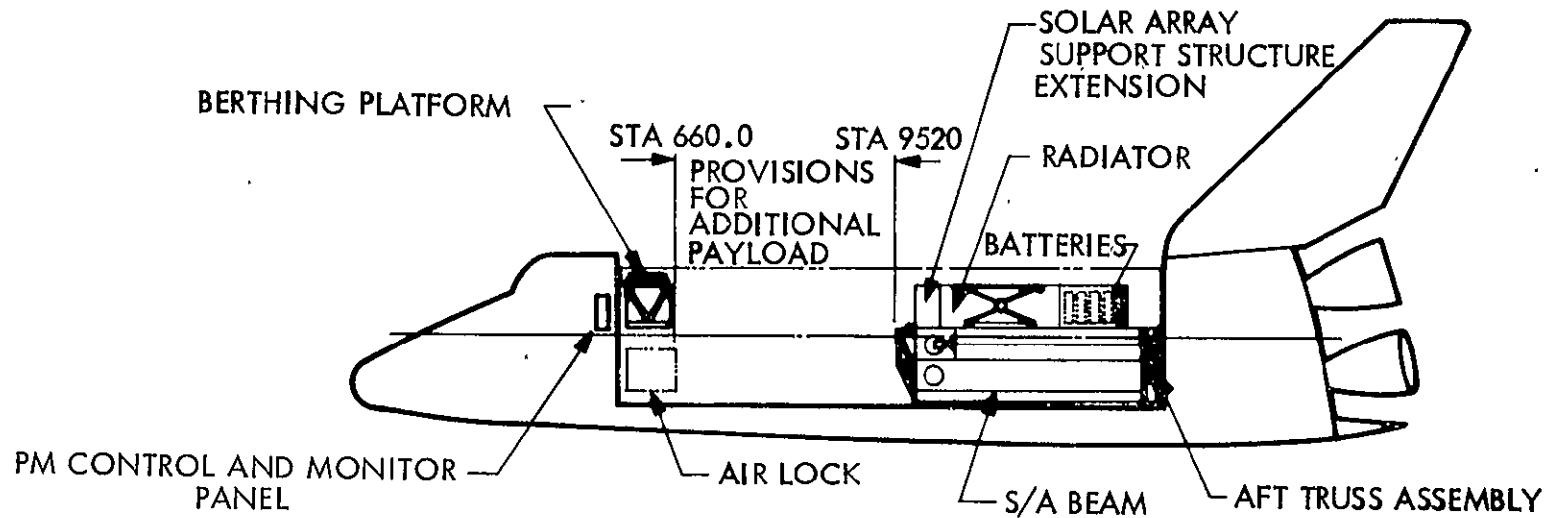
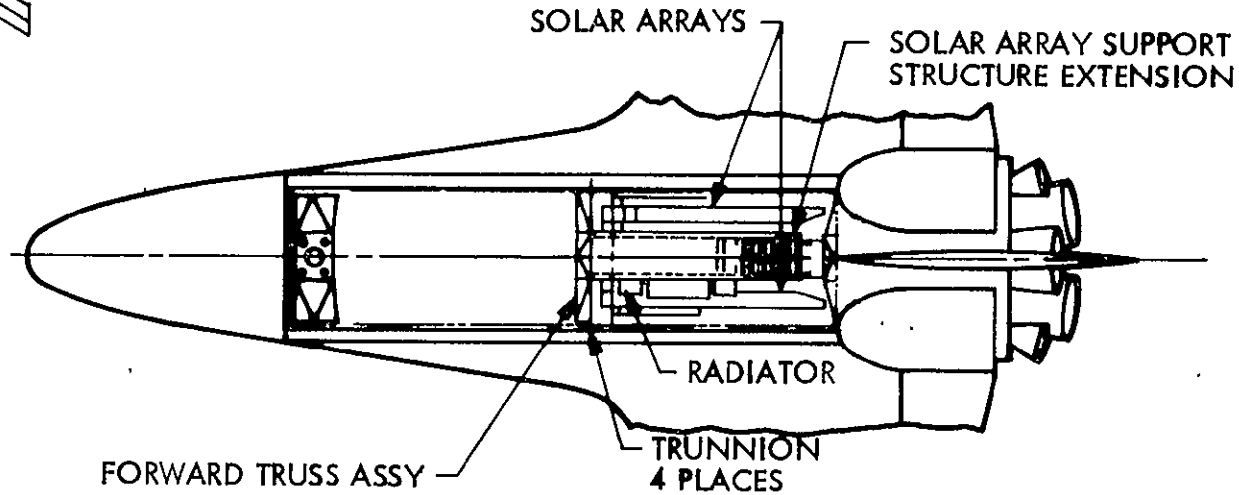
- When assembled on-orbit, the 100-1' and 100-1 vehicles are identical with the following exceptions:

The 100-1' configuration is build up from a 50 kW vehicle using a 50-100 kW kit. The kit will include components of the electrical power subsystem (batteries and electronics) which are installed in the solar array extension mast as an integral system. The original complement of batteries for the 50 kW vehicle will remain in the forward equipment rack and will remain inoperative.

- The concept of increasing electrical power capability on-orbit by using a 50-100 kW kit is to package on the ground a completely integrated electrical power subsystem including batteries electronics and two solar array wings. This can be tested and verified as an intact functional subsystem prior to launch, thereby precluding the necessity of breaking into the existing system of the 50 kW PM on-orbit. Assembly on-orbit, then, can be achieved with minimum disruption of the existing system on the 50 kW PM by adding the two solar array wings from the 50 kW PM to the 50-100 kW kit (with two solar array wings) and bypassing the existing 50 kW batteries and electronics.



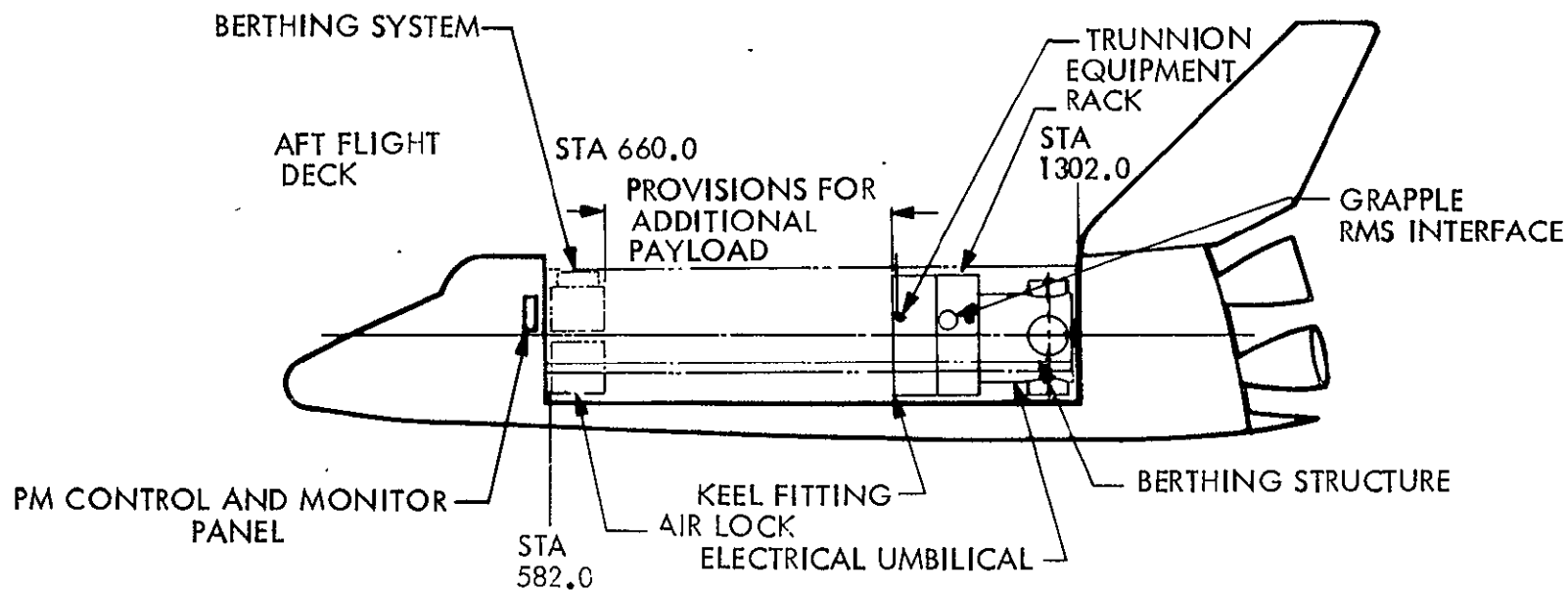
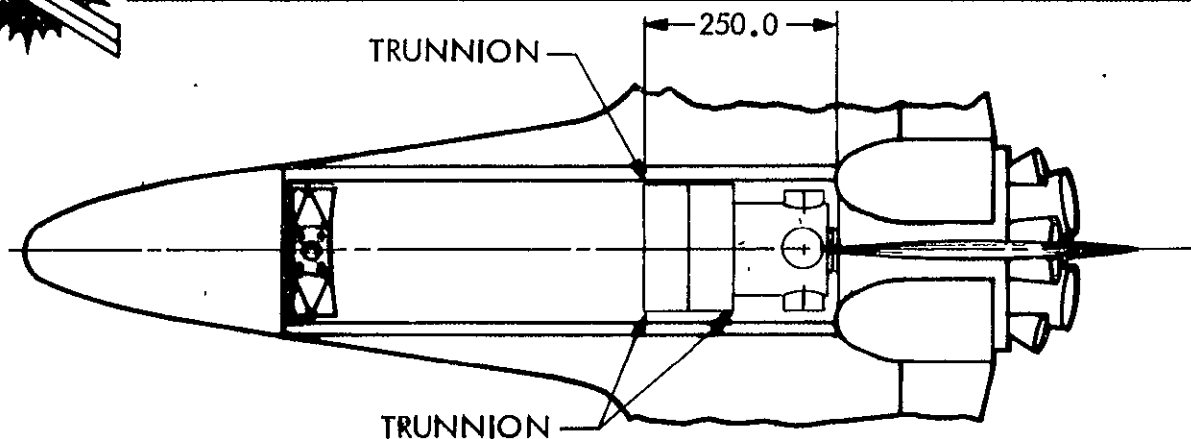
100kW POWER MODULE—(50-100 kW KIT) ORBITER PAYLOAD BAY INSTALLATION



100 kW POWER MODULE 100-1 CONFIGURATION
ORBITER PAYLOAD BAY INSTALLATION

- The 100-1 vehicle is launched as a full 100 kW capability system. Because of sizing, this requires two Orbiter launches. The first Orbiter launch will carry the Power Module equipment/berthing structure assembly (a partial cargo load) as shown in the chart. The second Orbiter launch will carry the solar array assembly (a full cargo load) as shown in the subsequent chart. In orbit, the PM equipment/berthing structure assembly will be berthed to the Orbiter and prepared for assembly operation. When the second Orbiter launch delivers the solar array assembly, it will be attached to the PM equipment assembly to form a 100 kW flight configuration.
- Configuration compatibility in the Orbiter cargo bay is shown in the two figures and two accompanying drawings. Space forward of Orbiter Station 660 is reserved for Orbiter use.

100kW POWER MODULE—EQUIPMENT/BERTHING STRUCTURE ELEMENT—ORBITER PAYLOAD BAY INSTALLATION

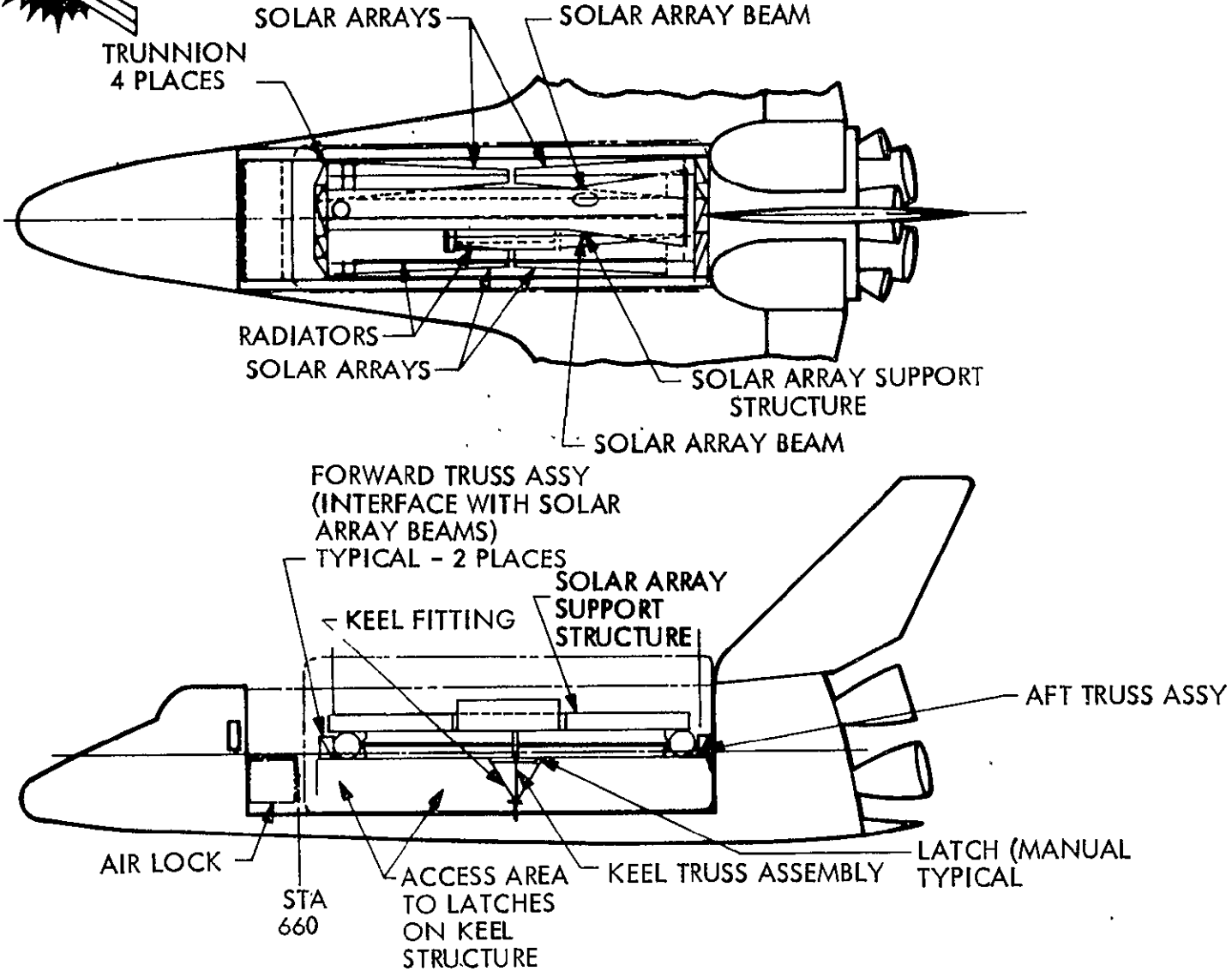


ALL DIMENSIONS IN INCHES

This page intentionally left blank.



100kW POWER MODULE—SOLAR ARRAY ASSEMBLY ELEMENT—ORBITER PAYLOAD BAY INSTALLATION



This page intentionally left blank.

REVISIONS		PARTS LIST	
NO.	DESCRIPTION	QTY	DESCRIPTION
1	ADD INSTRUCTIONS		
2	REVISED DIMENSIONS		
3	REVISED DIMENSIONS		
4	REVISED DIMENSIONS		
5	REVISED DIMENSIONS		
6	REVISED DIMENSIONS		
7	REVISED DIMENSIONS		
8	REVISED DIMENSIONS		
9	REVISED DIMENSIONS		
10	REVISED DIMENSIONS		

NOT RELEASED

TECHNICAL DRAWING REQUIRES STRUCTURE TO BE RELEASED TO THE AIR FORCE

1. TECHNICAL DRAWING REQUIRES STRUCTURE TO BE RELEASED TO THE AIR FORCE

2. TECHNICAL DRAWING REQUIRES STRUCTURE TO BE RELEASED TO THE AIR FORCE

3. TECHNICAL DRAWING REQUIRES STRUCTURE TO BE RELEASED TO THE AIR FORCE

4. TECHNICAL DRAWING REQUIRES STRUCTURE TO BE RELEASED TO THE AIR FORCE

5. TECHNICAL DRAWING REQUIRES STRUCTURE TO BE RELEASED TO THE AIR FORCE

6. TECHNICAL DRAWING REQUIRES STRUCTURE TO BE RELEASED TO THE AIR FORCE

7. TECHNICAL DRAWING REQUIRES STRUCTURE TO BE RELEASED TO THE AIR FORCE

8. TECHNICAL DRAWING REQUIRES STRUCTURE TO BE RELEASED TO THE AIR FORCE

9. TECHNICAL DRAWING REQUIRES STRUCTURE TO BE RELEASED TO THE AIR FORCE

10. TECHNICAL DRAWING REQUIRES STRUCTURE TO BE RELEASED TO THE AIR FORCE

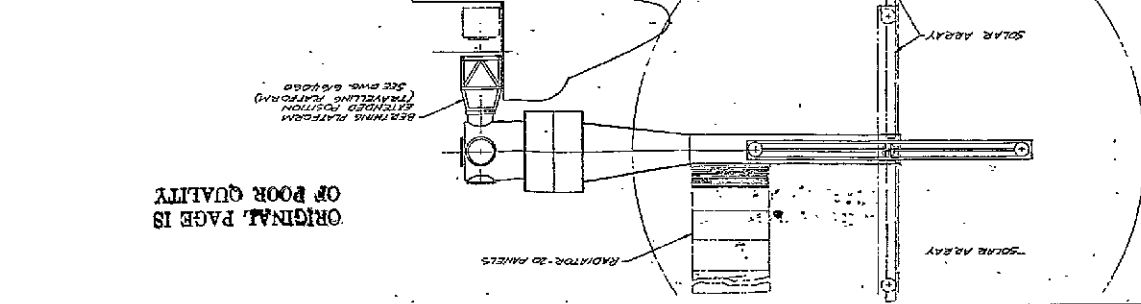
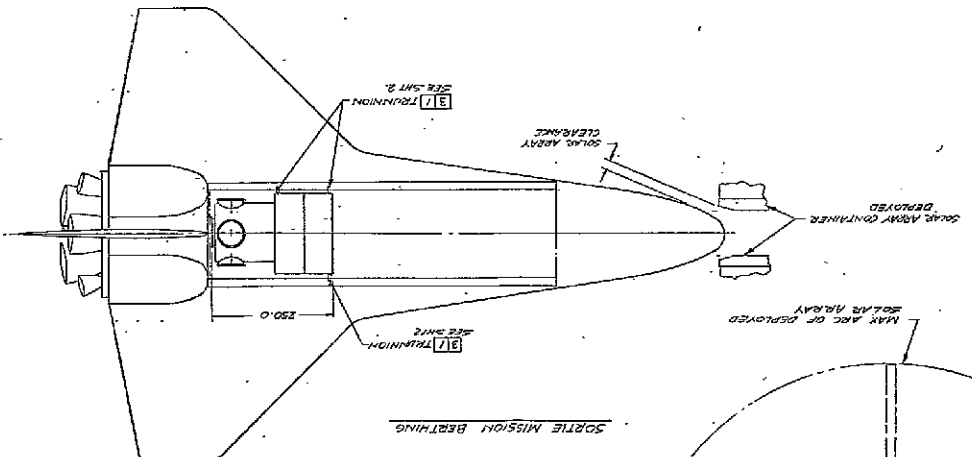
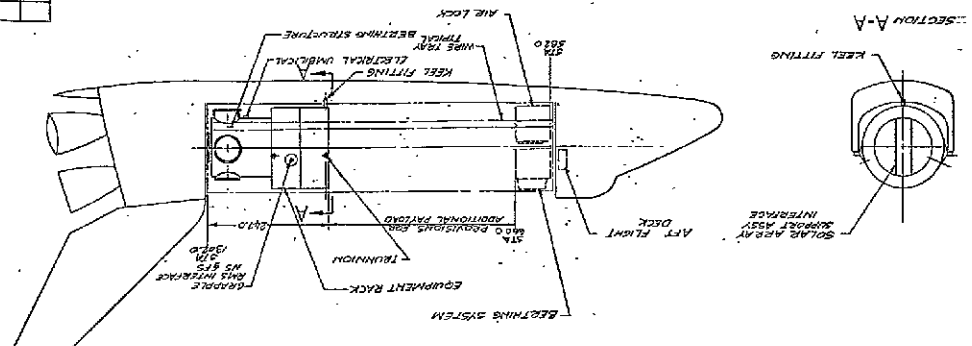
11. TECHNICAL DRAWING REQUIRES STRUCTURE TO BE RELEASED TO THE AIR FORCE

12. TECHNICAL DRAWING REQUIRES STRUCTURE TO BE RELEASED TO THE AIR FORCE

13. TECHNICAL DRAWING REQUIRES STRUCTURE TO BE RELEASED TO THE AIR FORCE

14. TECHNICAL DRAWING REQUIRES STRUCTURE TO BE RELEASED TO THE AIR FORCE

15. TECHNICAL DRAWING REQUIRES STRUCTURE TO BE RELEASED TO THE AIR FORCE



ORIGINAL PAGE IS OF POOR QUALITY

LMSC-D614944-1

NO.	DESCRIPTION	DATE	BY
1	ADD INSTRUCTIONS		
2	REVISED DIMENSIONS		
3	REVISED DIMENSIONS		
4	REVISED DIMENSIONS		
5	REVISED DIMENSIONS		
6	REVISED DIMENSIONS		
7	REVISED DIMENSIONS		
8	REVISED DIMENSIONS		
9	REVISED DIMENSIONS		
10	REVISED DIMENSIONS		
11	REVISED DIMENSIONS		
12	REVISED DIMENSIONS		
13	REVISED DIMENSIONS		
14	REVISED DIMENSIONS		
15	REVISED DIMENSIONS		

FOLDOUT FRAME

REV	DATE	BY	APP	DESCRIPTION
1	6/16/70

ITEM NO	QUANTITY	DESCRIPTION	UNIT
...

ITEM NO	QUANTITY	DESCRIPTION	UNIT
...

ITEM NO	QUANTITY	DESCRIPTION	UNIT
...

ITEM NO	QUANTITY	DESCRIPTION	UNIT
...

ITEM NO	QUANTITY	DESCRIPTION	UNIT
...

ITEM NO	QUANTITY	DESCRIPTION	UNIT
...

ITEM NO	QUANTITY	DESCRIPTION	UNIT
...

ITEM NO	QUANTITY	DESCRIPTION	UNIT
...

ITEM NO	QUANTITY	DESCRIPTION	UNIT
...

ITEM NO	QUANTITY	DESCRIPTION	UNIT
...

ITEM NO	QUANTITY	DESCRIPTION	UNIT
...

ITEM NO	QUANTITY	DESCRIPTION	UNIT
...

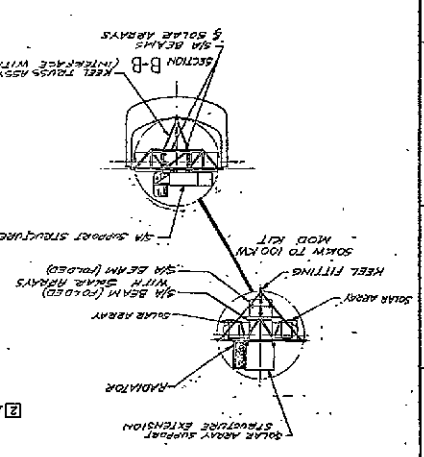
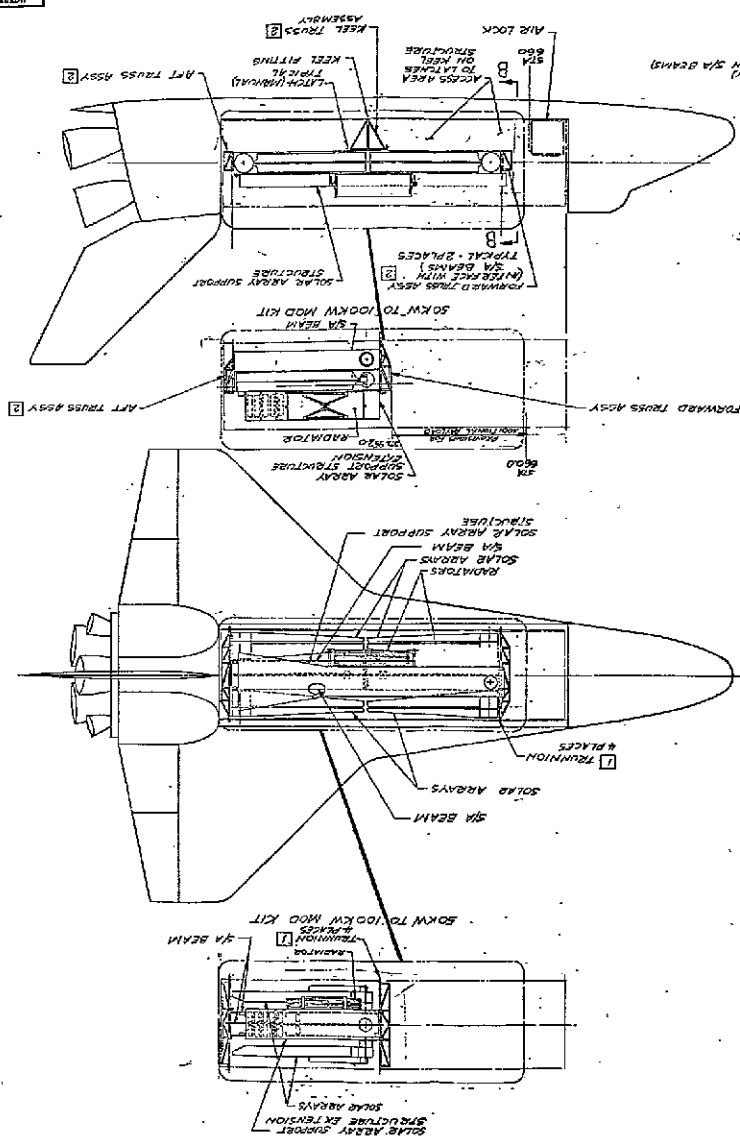
ITEM NO	QUANTITY	DESCRIPTION	UNIT
...

ITEM NO	QUANTITY	DESCRIPTION	UNIT
...

ITEM NO	QUANTITY	DESCRIPTION	UNIT
...

ITEM NO	QUANTITY	DESCRIPTION	UNIT
...

ITEM NO	QUANTITY	DESCRIPTION	UNIT
...



NOT REPRODUCED

NOTES:
 1. ATTENTION TRUSSION FITTING (NON DESTRUCTIVE PAYLOAD) PER SHUTTLE ORBITER/DETAILED FORWARD INTERFACES LDC NO. 2-19001, FIGURE 3.1.21-1 BY NASA - JOHNSON SPACE CENTRE.
 2. FORWARD, AFT AND KEEL TRUSS ASSEMBLY ARE REVERSIBLE SHUTTLE PAYLOAD TRANSPORT EQUIPMENT.

FOLDOUT FRAME IS ORIGINAL PAGE IS OF POOR QUALITY

FOLDOUT FRAME

2

FOLDOUT FRAME IS ORIGINAL PAGE IS OF POOR QUALITY

L.M.S.C.-D614944-1

REV	DATE	BY	APP	DESCRIPTION
A	REVISED SOLAR TO 100 KW MOD KIT

This page intentionally left blank.

6.1 OUTBOARD AND INBOARD PROFILES

6.1.1 Outboard Profile

100 kW POWER MODULE OUTBOARD PROFILE

- The 100 kW Power Module outboard profile is shown for the 100-1 configuration. The vehicle is composed of four major structural components:

Solar array support structure

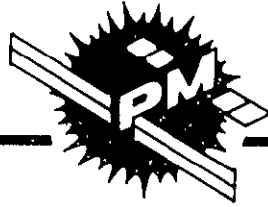
Forward equipment rack

Aft equipment rack

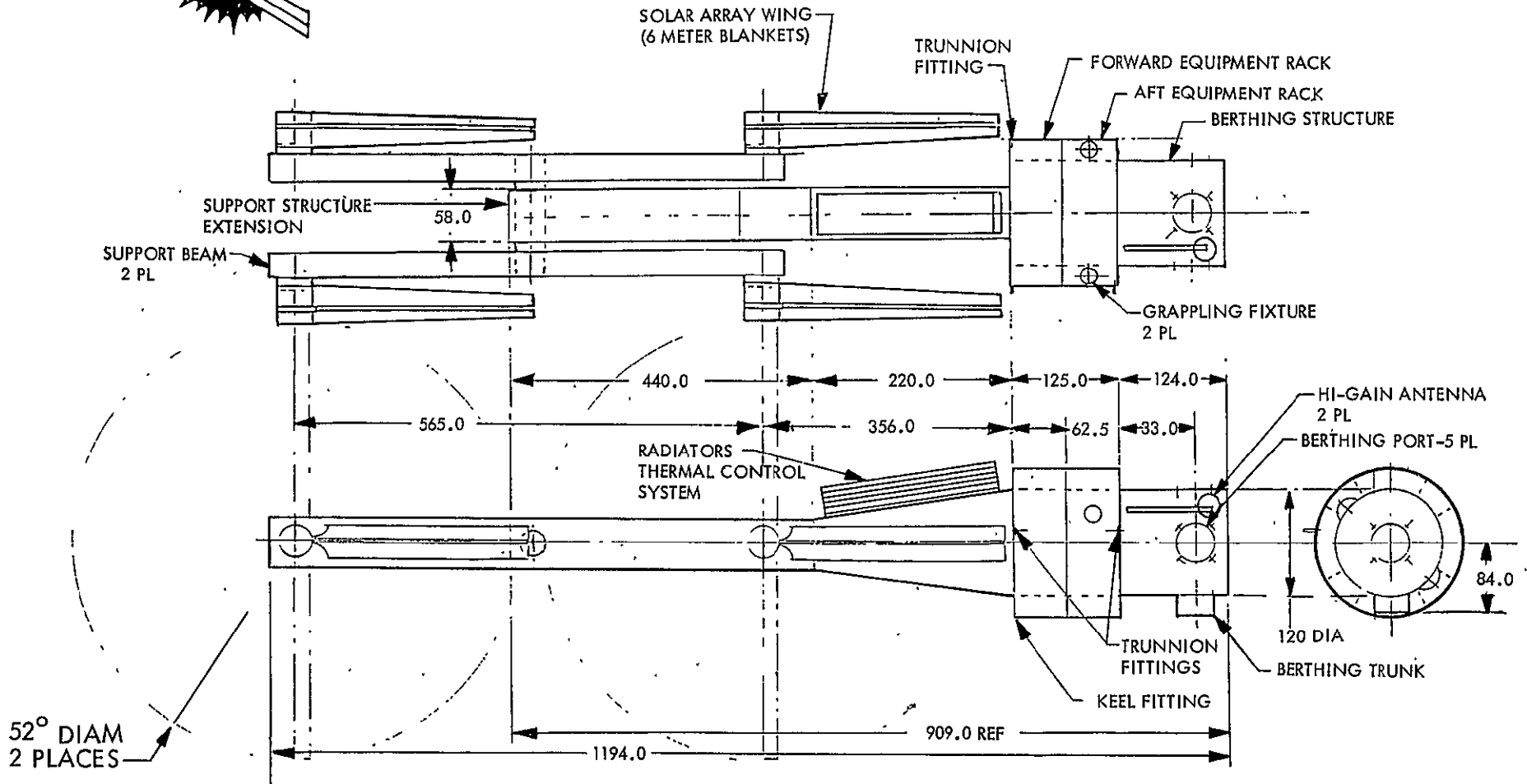
Berthing support structure

The outboard profile for the 100-1' configuration and 100-1 configuration is identical.

- The solar array support structure is of closed shear box or semi-monocoque construction to which the solar array wings are attached. It also carries the thermal radiator system. Both forward and aft equipment racks are constructed from ring frame assemblies, radial webs, and longerons attached to an inner tubular structure. Built into the equipment rack structure are the trunnion fittings and keel fitting that support the Power Module in the Orbiter payload compartment.
- The berthing support structure is of semi-monocoque construction and is of the same diameter as the inner tubular structure in the equipment racks. Five berthing ports are built into this structure -- four at equal spaces around the diameter and one on the aft face.



100kW POWER MODULE OUTBOARD PROFILE



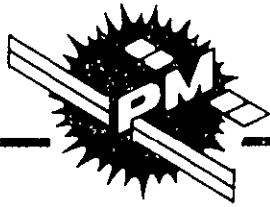
OUTBOARD PROFILE
100 kW POWER MODULE

ALL DIMENSIONS IN INCHES

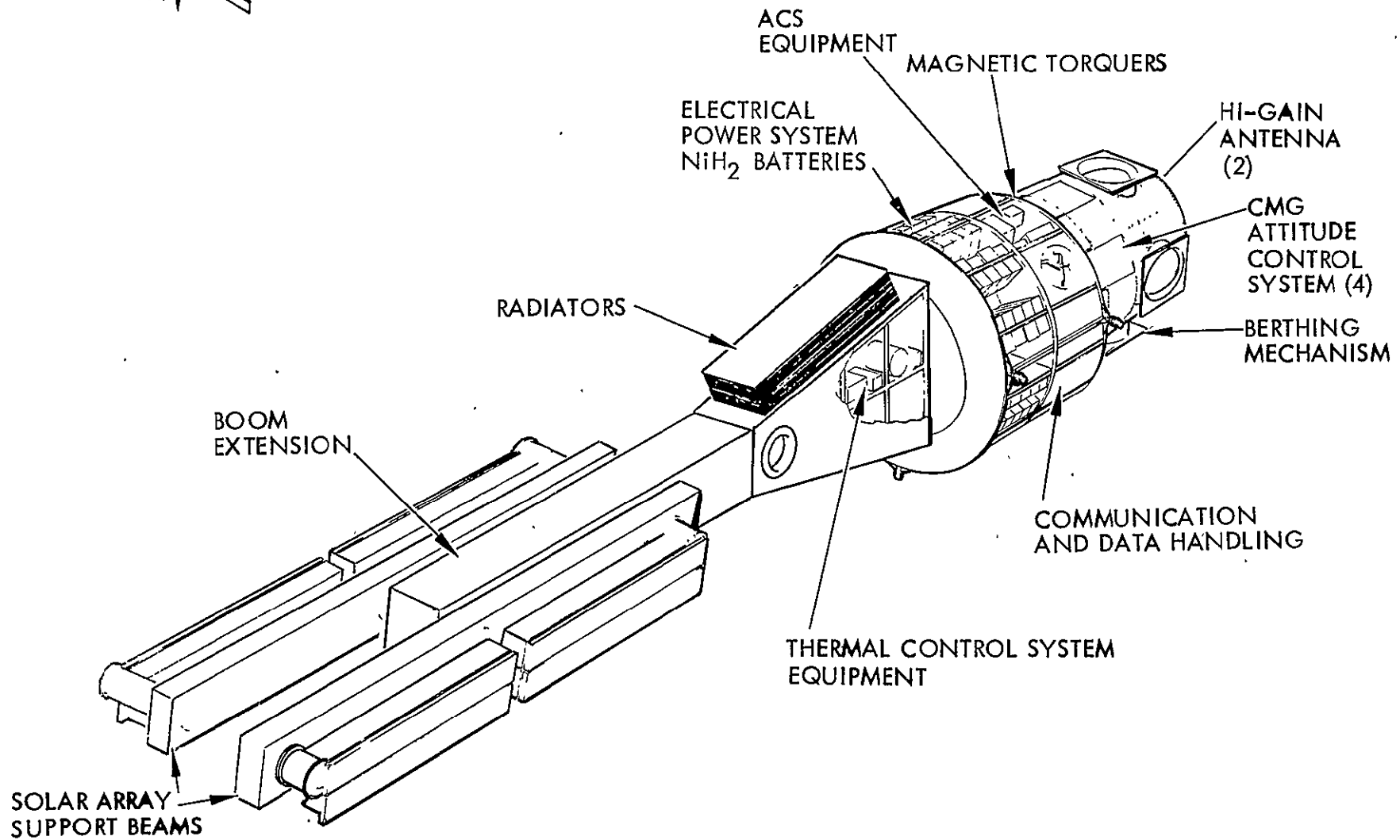
6.1.2 Inboard Profile

100 kW POWER MODULE INBOARD PROFILE EQUIPMENT INSTALLATION

- The inboard profile is shown in the figure for the 100-1 configuration. For ease of equipment installation, the concept of subsystem modularity is maintained. The electrical power subsystem equipment is located in the forward equipment rack. Communications and data handling subsystem equipment, magnetic torquers and electronics, rate gyros, and horizon sensors and electronics are located in the aft equipment rack. The four control moment gyros are located in the berthing module. The basic difference in the 100-1' configuration after on-orbit assembly of the (50-100 kW) kit to the 50 kW PM, is that the major components of the new electrical power subsystem (batteries and electronics) will be located in the solar array extension structure. The batteries and electronics of the former 50 kW vehicle will remain inactive in the forward equipment rack.
- This subsystem compartment allocation provides enhancement for growth and maintenance on-orbit.



100kW POWER MODULE INBOARD PROFILE EQUIPMENT INSTALLATION - (100-1) CONFIGURATION



100 kW POWER MODULE EQUIPMENT INSTALLATION

- Equipment installation details for the 100-1 configuration are shown in the drawing.

6-20

This page intentionally left blank.

6.2 WEIGHTS

A summary weight statement for the 100 kW Power Module is shown below. Mass Properties data is given in Volume 4, paragraph 2.2 of the Part III, Final Report.

100 kW POWER MODULE WEIGHTS SUMMARY

ITEM	CONFIGURATION	
	100-1*	100-1
WEIGHT (LB)		
STRUCTURE & MECHANICAL	9,900	10,050
ELECTRICAL POWER	28,225	17,600
THERMAL CONTROL	3,549	2,879
ATTITUDE CONTROL	2,610	2,610
C & DH	494	472
SUBTOTAL	44,778	33,611
CONTINGENCY	11,195	8,403
TOTAL	55,973	42,014

*On-orbit weight after kit assembly.

This page intentionally left blank.

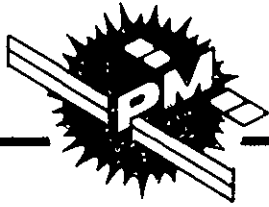
6.3 SUBSYSTEM DESIGN DESCRIPTION

6.3.1 Structures

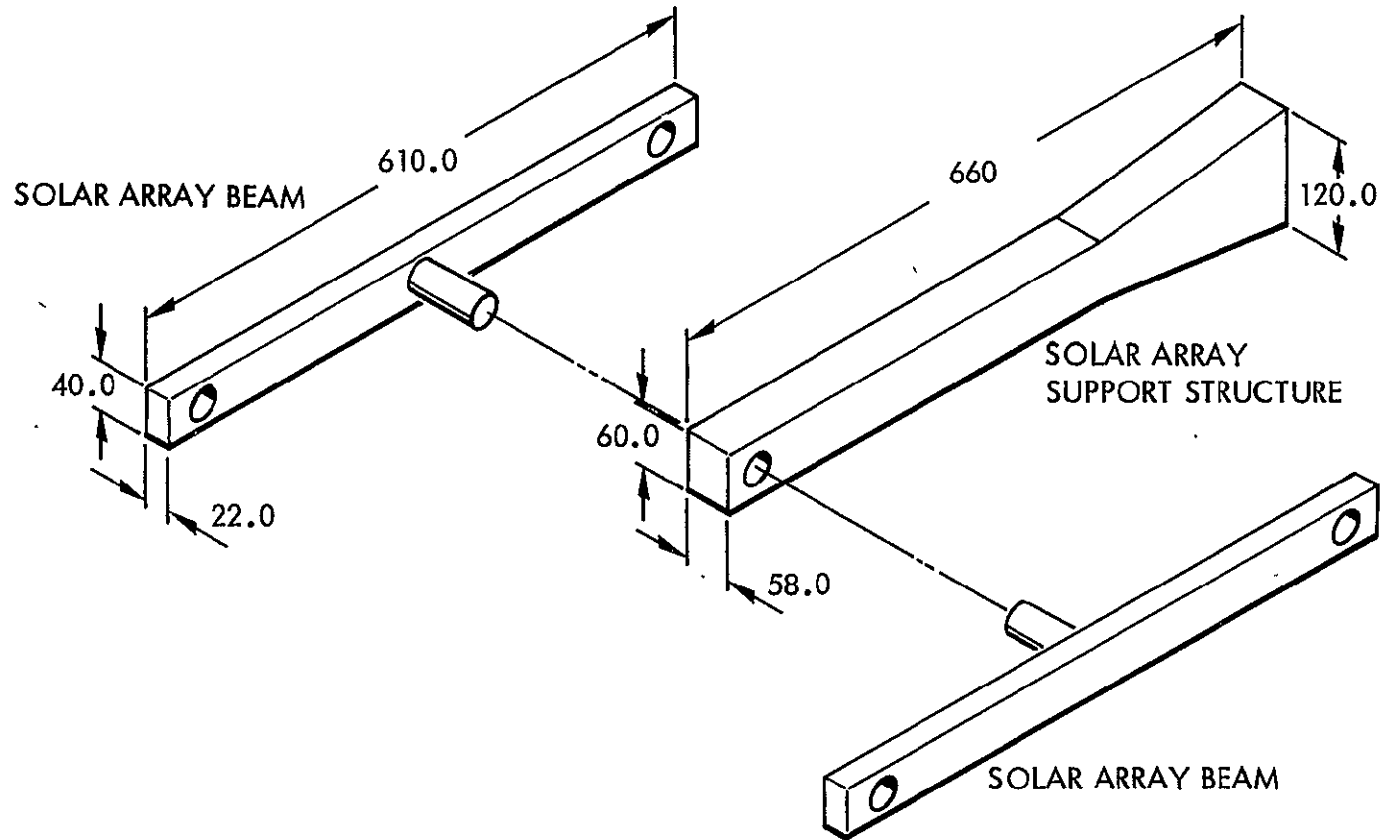
The structure of the forward and aft equipment racks and of the berthing structure is the same for the 100 kW PM as it is for the 25 kW PM as described in paragraph 4.3.1 pages 4-20 through 4-37 of this Volume.

CONFIGURATION 100-1 S/A STRUCTURE

- The solar array structural components are shown in the chart. All structure is of shear box design.
- The solar array support structure has basic dimensions to accommodate the deployable solar arrays and their rotation and to provide structural strength, and orbiter/clearances. The structure has provisions for mounting the solar array beams, the radiators, and the radiator mechanical and electrical components. The support section has a 58.0 X 60.0 - inch cross section that is standard for kit growth.
- The solar array beams accommodate two solar array assemblies on each beam. The beams interface with the solar array support structure and are powered to rotate and operate through 360°. A drive system similar to that for the 25 kW system, would rotate the beams for the 100 kW PM solar array wings. In this case the individual assemblies are fixed once they are deployed. A study is required to determine the cost effectiveness of making the 25 kW rotation system applicable to the 100 kW system.



CONFIGURATION – 100-1 S/A STRUCTURE



COMPONENT CHARACTERISTICS

- A summary of structure subsystem weights and characteristics of the structures subsystem components are given in the table:



100 kW POWER MODULE STRUCTURES AND MECHANICAL COMPONENT CHARACTERISTICS

ITEM NO.	COMPONENT	NO REQD	PWR (WATTS)	SIZE (L X W X H) IN	UNIT WT (LBS)	UNIT WT (LBS)	UNIT WT (LBS)	UNIT WT (LBS)
1	STRUCTURAL ASSEMBLY, SOLAR ARRAY SUPPORT - PYLON	1	N/A	660 X 58 X 120/160	1800	1800	2150	2150
2	STRUCTURAL ASSEMBLY, SOLAR ARRAY SUPPORT - BEAM	2		610 X 22 X 40	350	700	350	700
3	STRUCTURAL ASSEMBLY, FWD EQUIPMENT RACK	1		168 DIA X 62.5	1435	1435	1435	1435
4	STRUCTURAL ASSEMBLY, AFT EQUIPMENT RACK	1		168 DIA X 62.5	1465	1465	1465	1465
5	STRUCTURAL ASSEMBLY, BERTHING MODULE	1		168 DIA X 124	3200	3200	3200	3200
6	MECHANISMS	A/R		TBD	450	450	450	450

6.3.2 100 kW Electrical Power Subsystem

The electrical power subsystem (EPS) for the 100 kW Power Module furnishes power required for the PM subsystem and provides 100 kW power at the Orbiter and payload interfaces. Characteristic of the EPS elements (solar array proven control and energy storage) are described below:

Solar Arrays

One alternative for growth to 100 kW is on-orbit growth which is achieved by adding a 50-100 kW kit to one of the 50 kW Power Modules in orbit. This on-orbit assembly sequence, described in Volume 4, paragraph 6.9, of Part III Final Report, is summarized as follows:

- (1) Retraction and temporary stowage of 50 kW S/A blankets and radiators.
- (2) Removal and stowage of 50 kW solar array support assembly
- (3) Deployment of 50 kW "kit" which includes a 100 kW sized S/A support assembly
- (4) Mounting of existing 50 kW S/A blankets on 100 kW support assembly
- (5) Extension of masts with S/A blankets

The second alternative for growth to 100 kW is "launch-to-orbit" growth achieved by a 100 kW configuration launched entirely from the ground.

Solar Array Blanket Characteristics

Solar array blanket characteristics for these alternatives are given in the table.



100 kW POWER MODULE SOLAR ARRAY BLANKET CHARACTERISTICS

	<u>50 kW</u>	<u>50 kW kit</u>	<u>100 kW</u>
CELL EFF (%)	16.0	16.0	16.0
BLANKET WIDTH (FT)	19.8	19.8	19.8
BLANKET LENGTH (FT)	13.0	13.0	13.0
BLANKET AREA (FT ²)	2550	2550	5100
NUMBER OF BLANKETS	4	4	8
TOTAL AREA (FT ²)	10,200	10,200	20,400
	GROWTH ON-ORBIT CONFIGURATION		GROUND LAUNCH CONFIGURATION

Power Controls

The 100 kW PM will contain a full new complement of power controls brought up with the 50-100 kW kit. Higher power ratings are required, since the number of S/A-regulator-battery power strings will remain at 12.

Advances in technology between 1983 and 1990 are expected to offer significant weight savings and high reliability. Therefore, redesign of the control electronics is planned to take advantage of these improvements.

Energy Storage

The 50-100 kW kit will contain a full new complement of Ni-H₂ batteries for the following reasons:

- Batteries in the on-orbit 50 kW PM will have had 4 years of operation.
- The new complement of Ni-H₂ batteries will represent newer technology cells along with extensive life test data to back up operation to 80 percent DoD.
- The new 100 kW PM will use the same number (12) and size of batteries as the 50 kW PM, except DoD will double from 40 to 80 percent.

The doubled DoD will slightly more than double the loading on the thermal control system. Therefore, some modifications to that interface are anticipated.

This page intentionally left blank.

SUBSYSTEM PERFORMANCE AND COMPONENT CHARACTERISTICS

The 100 kW PM EPS performance requirements are assumed to be double that of the 50 kW PM. Solar array area and battery DOD are double, and new power controllers are required with higher current capability. The EPS weight for this 100 kW configuration is given below:

100 kW EPS CHARACTERISTICS AND WEIGHTS

ITEM	CONFIGURATION	
	100-1K ⁽¹⁾	100-1 ⁽²⁾
Power - kW	100	100
Cell Type, # Ft ²	Si, 0.2	Si, 0.2
Cell Eff. (%)	16	16
Battery	Ni-H ₂	Ni-H ₂
DOD (%)	80	80
Voltage, DC Reg	(28)/110 Optional	(28)/110 Optional
	Weight (LB)	Weight (LB)
Solar Array	8,400	7,200
Solar Array Drives	550	300
Batteries	12,800	6,400
Electronics	3,450	2,055
Pwr. Distribution	2,025	1,145
Wire Harness	1,000	500
Subtotal	28,225	17,600
Contingency - 25%	7,056	4,400
Total	35,281	22,000

Notes

1. Vehicle is built up on orbit by addition of (50-100 kW Kit), weights shown include the assembled kit.
2. 100 kW configuration launched from ground

100 kW PM ELECTRICAL POWER SUBSYSTEM COMPONENTS CHARACTERISTICS LIST

The table provides a listing of components and their estimated size and weight.



100kW PM ELECTRICAL POWER SUBSYSTEM COMPONENTS CHARACTERISTICS LIST

ITEM NO.	COMPONENT	REQ'D	PWR (WATTS)	SIZE (L X W X H) (IN.)	CONFIGURATION		
					UNIT WEIGHT (LB)	100-1' (1) TOTAL WEIGHT (LB)	100-1' (2) TOTAL WEIGHT (LB)
1	BATTERY CONTROL ASSEMBLY	12	TBD	12 X 24 X 9	80	1,680	960
2	BATTERY MODULE (NI-H ₂ TYPE)	12	↓	52 X 17 X 10	533	12,800	6,400
3	BUS REGULATOR	12		18 X 24 X 12	80	1,685	960
4	SOLAR ARRAY WING	4		130 X 44	1,800	8,400	7,200
5	SOLAR ARRAY DRIVE ASSEMBLY	2		TBD	150	550	300
6	POWER TRANSFER ASSEMBLY	2		18 DI X 20L	150	600	300
7	DRIVE ELECTRONICS	2		12 X 12 X 12	30	60	60
8	DC/DC CONVERTERS	3		12 X 12 X 9	25	150	75
9	POWER INTERFACE DISTRIBUTOR	1		40 X 17 X 10	400	800	400
10	MAIN POWER DISTRIBUTOR	1		17 X 17 X 8	65	130	65
11	SOLAR ARRAY DISTRIBUTOR	1		17 X 17 X 8	50	50	50
12	BERTHING DISTRIBUTOR	1		16 X 14 X 8	200	200	200
13	RACK DISTRIBUTORS	3		20 X 17 X 8	40	120	120
14	REMOTE POWER CONTROLLERS	30		4 X 7 X 5	<0.5 LB	10	10
15	POWER CABLES				500	1,000	500

NOTES

1. VEHICLE IS BUILT UP ON ORBIT BY ADDITION OF (50-100 kW KIT), WEIGHTS SHOWN INCLUDE THE ASSEMBLED KIT.
2. 100 kW CONFIGURATION LAUNCHED FROM GROUND

6.3.3 100 kW Thermal Control Subsystem

The 100 kW TCS design is basically identical to that of the 50 kW module with respect to radiator area, coolant flow rates, and temperature control of internal equipment. The thermal influence of the larger solar array blankets of the 100 kW configuration reduce the 50 kW radiator performance approximately 10%. Consequently, the radiators were extended and a rotational capability provided on the design to reduce the direct heat exchange from the solar arrays and to keep the panels edge-lit. The PM heat rejection system meets the anticipated maximum internal heat generation growth to 36 kW while still providing some payload cooling capability.

The remaining coolant loop components, pumps, cold plates, payload heat exchangers, and flow control approach are identical to that of the 50 kW configuration. The simultaneous operation of all pumps and the scheduled 2 1/2-year replacement interval will also remain in effect.

Payload Interface

Flow control of the payload coolant will remain identical to that of the 50 kW configuration. Although it is anticipated that payload cooling capacity will decrease as the result of increases in the Power Module's requirements, the payload heat exchanger remains unchanged. Consequently, the Power Module can handle payload heat loads equivalent to the 50 kW design under ideal thermal environments.

This page intentionally left blank.

The dissipation of waste heat from the 100 kW batteries and equipment is expected to increase to a maximum value of 36 kW. This assumption is conservative in that no power conversion efficiency improvement has been incorporated in the heat rejection performance analysis. The total Power Module heat rejection capability was calculated to range from 42 to 54 kW. This provides a payload (or manned habitat plus payload) cooling capacity of 10 to 14 kW. The payload cooling capacity could conceivably increase to 30 kW at 100% sun orbits with negligible PM battery charge/discharge activity. The heat rejection levels are 36 kW (maximum) for the PM and 18 kW (maximum) for the payloads. Coolant loop temperature is 64°F with a range of 40/104°F. Heat rejection performance is shown below.

POWER MODULE HEAT REJECTION PERFORMANCE

Configuration	Freon-21 Mass Flow Rate (Lb/Hr)	Heat Rejection (kW)			Freon Temp (°F)	Radiator Area (Ft ²)	No. of Panels/ Configuration
		PM	P/L ⁽¹⁾	Total ⁽²⁾			
100-1 kW	10,000	36	12.4	48.4	64 40/104	1,350	20 Extension + Rotation

- Notes: (1) Heat rejection available to payload may be used for manned habitat control. 10 kW estimated for 3-man occupancy.
 (2) Total heat rejection includes effects of beta angle, sun incident up to 30°, and earthshine.

TCS weight for the 100 kW system is given below:

100 kW TCS Weight Summary

Item	Weight (Lb)
Radiator, Structure, Motors	1,900
Cold Plates, Lines	565
Pumps, Controls	177
Heat Exchanger	137
Insulation, Paint	100
Subtotal	2,879
Contingency - 25%	720
Total	3,599

100 kW Power Module Thermal Control Subsystem Components List

TCS component characteristics are shown in this table.



100kW POWER MODULE THERMAL CONTROL SUBSYSTEM COMPONENTS

ITEM NO.	COMPONENT	NO. REQ'D	PWR (W)	SIZE (L X W X H) (IN)	UNIT WT (LB)	TOTAL WT (LB)
1	RADIATOR	20		162.0 X 60.0 X 0.925	81.0	1,620
2	COLD PLATES	24			21.7	520
3	PUMP, ACCUMULATOR, CHECK VALVE, INVERTER	2	500 (AC)	7.9 X 3.5 X 3.5* 13.1 (D) X 27.2**	58	116
4	PRESSURE TRANSDUCERS	2			5	10
5	FLOW CONTROL ASSEMBLY (MIXER VALVE)	2	57.5	24 X 20 X 9	25.5	51
6	INTERFACE H _x	1			120	120
7	GSE H _x	1			17	17
8	LINES FASTENERS, CONNECTORS, FILTERS, SOLENOID VALVES	TBD			45	45
9	INSULATION	TBD			100	100
10	HEATERS	1	TBD		TBD	
11	MOTOR AND MECHANISM TO DEPLOY THE RADIATORS	40	TBD		2.0 (EST)	80
12	FREON 21	TBD			TBD	TBD
13	RADIATOR SUPPORT STRUCTURE	1			200 (EST)	200

*INVERTER

**ACCUMULATOR, PUMP, AND CHECK VALVE

6.3.4 Attitude Control Subsystem

The attitude control subsystem for the 100 kW Power Module is identical to that provided for the 25 kW Power Module, as described in paragraph 4.3.4 of this Volume 1, Part III Final Report except that four CMGs will be used to accommodate larger payloads.

ACS weights for the 100 kW System are given below:

100 kW ACS WEIGHT SUMMARY⁽¹⁾

	Weight (LBS)
CMGs and Inverters	1,888
Rate Gyros	104
Signal Conditioner and Interface Units	90
Horizon Sensors/Electrical	54
Magnetic Torquers/Electrical	456
Miscellaneous	18
Subtotal	2,610
Contingency - 25%	653
TOTAL	3,263

Note: (1) Weights are identical for 100-1' and 100-1 configurations.

CMG REQUIREMENTS FOR THE 100 kW POWER MODULE

The CMG requirements for the 100 kW configuration in Scenario I shown in paragraph 2.1, page 2-13 of this volume are given in the chart. The analysis is based on computing the momentum required to control the cyclic torques on the vehicle when it is in an inertial, perpendicular-to-the-orbit plane orientation, and providing two additional CMGs for maneuvering, external torques, and redundancy. The analysis was made with the Orbiter docked to the Power Module. It can be seen that vehicle A-4, because of its size, cannot be flown inertially with the Orbiter attached. Further analysis showed that ZPOP was attainable in the free-flying mode. Vehicle A-5 can be flown in either XPOP or ZPOP orientations with six CMGs. Both vehicles can be held with any principal axis along the local vertical.



CMG REQUIREMENTS FOR 100 kW POWER MODULES

<u>CONFIGURATION</u>	<u>ORIENTATION</u>	<u>CMGs REQUIRED TO CONTROL CYCLE TORQUES</u>	<u>CMGs REQUIRED FOR MANEUVERING AND REDUNDANCY</u>	<u>TOTAL CMGs REQUIRED</u>	<u>DESIRABLE ORIENTATION</u>
A-4	XPOP	26	2	28	NONE
	YPOP	16	2	18	
	ZPOP	10	2	12	
A-5	XPOP	1	2	3	✓
	YPOP	5	2	7	
	ZPOP	4	2	6	✓

NOTE 1 CONFIGURATION DESIGNATORS REFER TO CONFIGURATIONS SHOWN ON PAGE 3-62 OF THIS VOLUME 1, OF PART III FINAL REPORT

6.3.5 Communication and Data Handling Subsystem

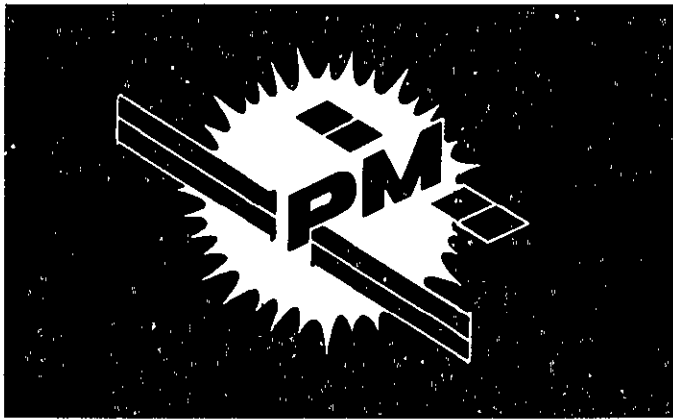
The Communication and Data Handling Subsystem for the 100 kW Power Module is identical to the design for the 25 kW PM. Refer to paragraph 4.3.5 of this Volume 1, Part III Final Report, for this description.

A weight breakdown of the C&DH subsystem for the 100 kW Power Module is given below.

C & DH SUBSYSTEM WEIGHT SUMMARY

Item Configuration	Weight (Lb)	
	100-1'	100-1
Transponders	31	31
Computer	130	130
Central and Remote Units	140	120
Antennas/Drives	116	116
Steering Electronics	48	48
Switches and Cables	29	27
SUBTOTAL	494	472
Contingency - 25%	124	118
TOTAL	618	590

The baseline C & DH subsystem can be readily expanded to accommodate any additional requirements by adding remote command and telemetry units to the central unit data bus. This is illustrated in the C & DH Block Diagram in paragraph 4.3.5 of this Volume.



**SECTION 7
LARGE POWER MODULE
CONSIDERATIONS**

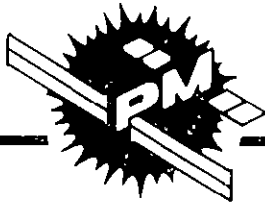
200/250 kW POWER MODULE EVOLUTION

Background

The Evolutionary scenario that was selected as a recommended NASA Program Plan represents a best mix from balancing payload discipline mission requirements and Power Module evolutionary growth and use. Scenario I shown in paragraph 2.1, page 2-13 of this Volume I, Part III Final Report indicates that the PM is only required to grow to 100 kW by 1990. This nominal growth requirement is achieved by the use of multiple 100 kW PM's in low earth, low inclination orbits, one PM oriented to Material Processing missions, and the other PM oriented to Space Science-Construction Base missions. A Power Module larger than 100 kW, which would serve the MP, SS-CB payloads, was not recommended since the low "g" environmental requirements of the MP missions are basically incompatible with the SS-CB missions where manned habitation is required.

In the initial phase of the study, one task team collected mission discipline desires and derived Power Module requirements, while the preliminary designers were conceptualizing feasible Evolutionary Growth designs of the Power Module. The results of the early preliminary design work showing 200/250 kW Power Module concepts are documented in this section. This design was not developed further under the Part III study because PMs larger than 100 kW were not part of the recommended scenario. These designs represent a logical growth of the PM system beyond 1990. They extend the use of the solar array configuration concept identical to that used in the 50 and 100 kW PM, and they provide packaging concepts to maximize the use of the Orbiter Payload Space using these solar arrays. The designs include the results of technology forecasting permitting higher efficiencies and high packaging densities that will significantly reduce the transportation costs to place a large Power Module into an operational mode. Further study and analysis of this size Power Module is recommended as a next program step, to prepare realistic planning into the mid-1990's.

Task considerations for these large Power Module studies are shown here.



LARGE POWER MODULE CONSIDERATIONS FOR FURTHER STUDY

- ON-ORBIT CONSTRUCTION/ASSEMBLY
- STS LAUNCHES/LIMITATIONS
- ELECTRIC POWER GENERATION/TRANSMISSION
- SEP ARRAY VS SPS ARRAY
- ENERGY STORAGE TECHNIQUES
- BATTERIES
- ATTITUDE CONTROL/STRUCTURE/SOLAR ARRAY INTERACTION
- PROPULSION/DRAG MAKE-UP
- THERMAL CONTROL TECHNIQUES
- ON - ORBIT MAINTENANCE
- EQUIPMENT LIFE
- SYSTEM GROWTH
- COMMONALITY
- TECHNOLOGY
- INVESTMENT COST/PAYBACK

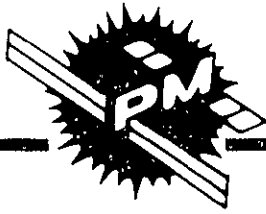
200/250 kW Power Module

The following three charts portray a conceptual design of a 200-250 kW Power Module in its launch configuration, on-orbit preparation for deployment, and in its deployed configuration. In this conceptual design, the solar array wings are attached to and folded against support beams that are fastened by hinges to each end of a center beam. The solar array support beams and center beam are shown as of truss design and can be structurally separated along the longitudinal center line.

Segments of a deployment boom, V band clamps and a gimballing unit are stowed within the solar array support booms. At the outer ends of the solar array support booms are stowed the folded panels of the thermal radiator system.

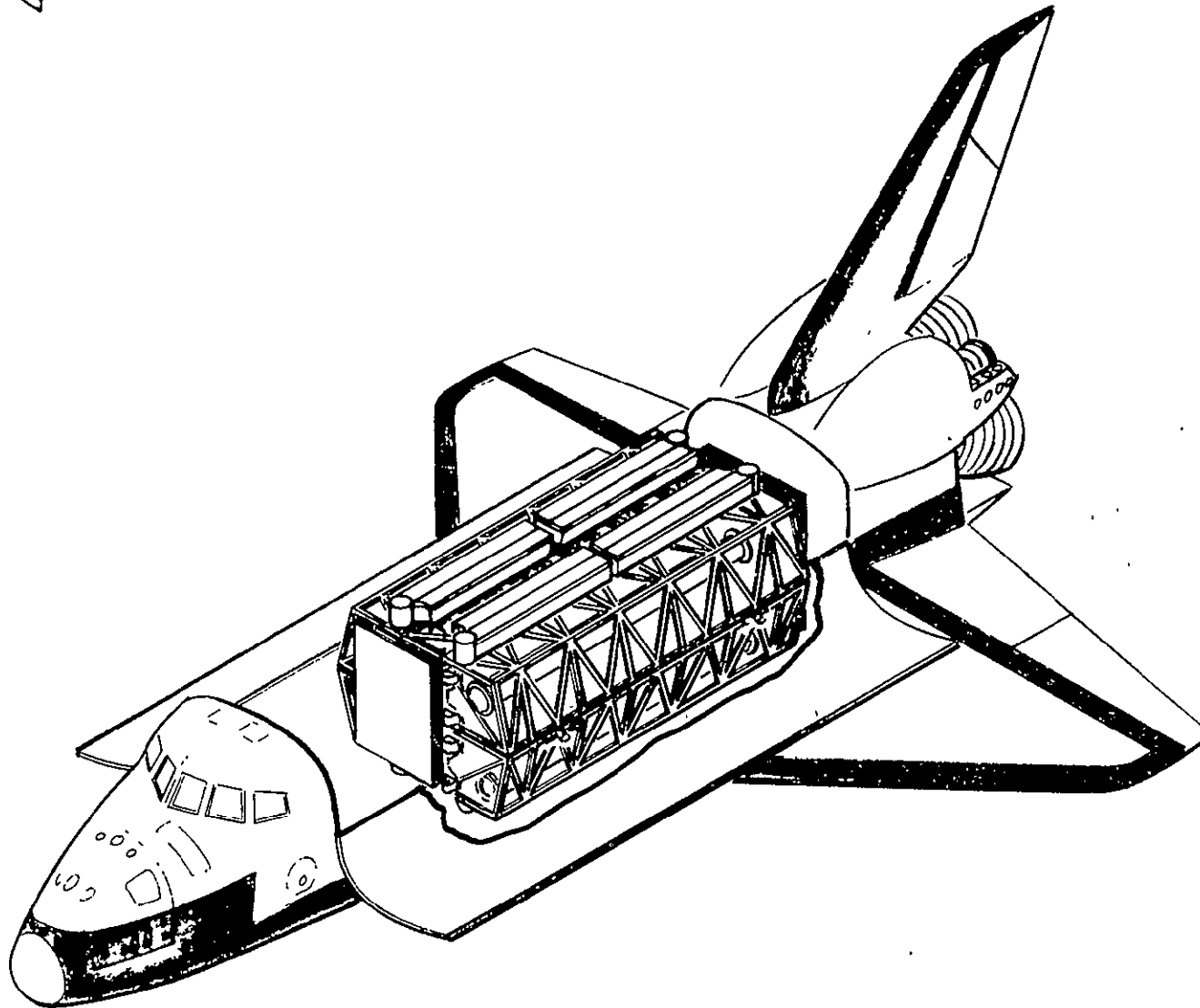
LAUNCH CONFIGURATION

For installation in the Orbiter payload compartment, the solar array support beams and the center beam are structurally joined at their separation planes and the outer beams are folded and locked against the sides of the center beam. The center beam is attached to the payload compartment structure by the conventional sill trunnion and keel fitting system — the sill trunnions extending by outriggers from the center beam through the truss structure of the outer beams.



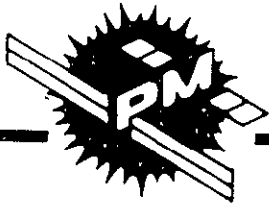
200/250 kW POWER MODULE LAUNCH CONFIGURATION

1990 TECHNOLOGY

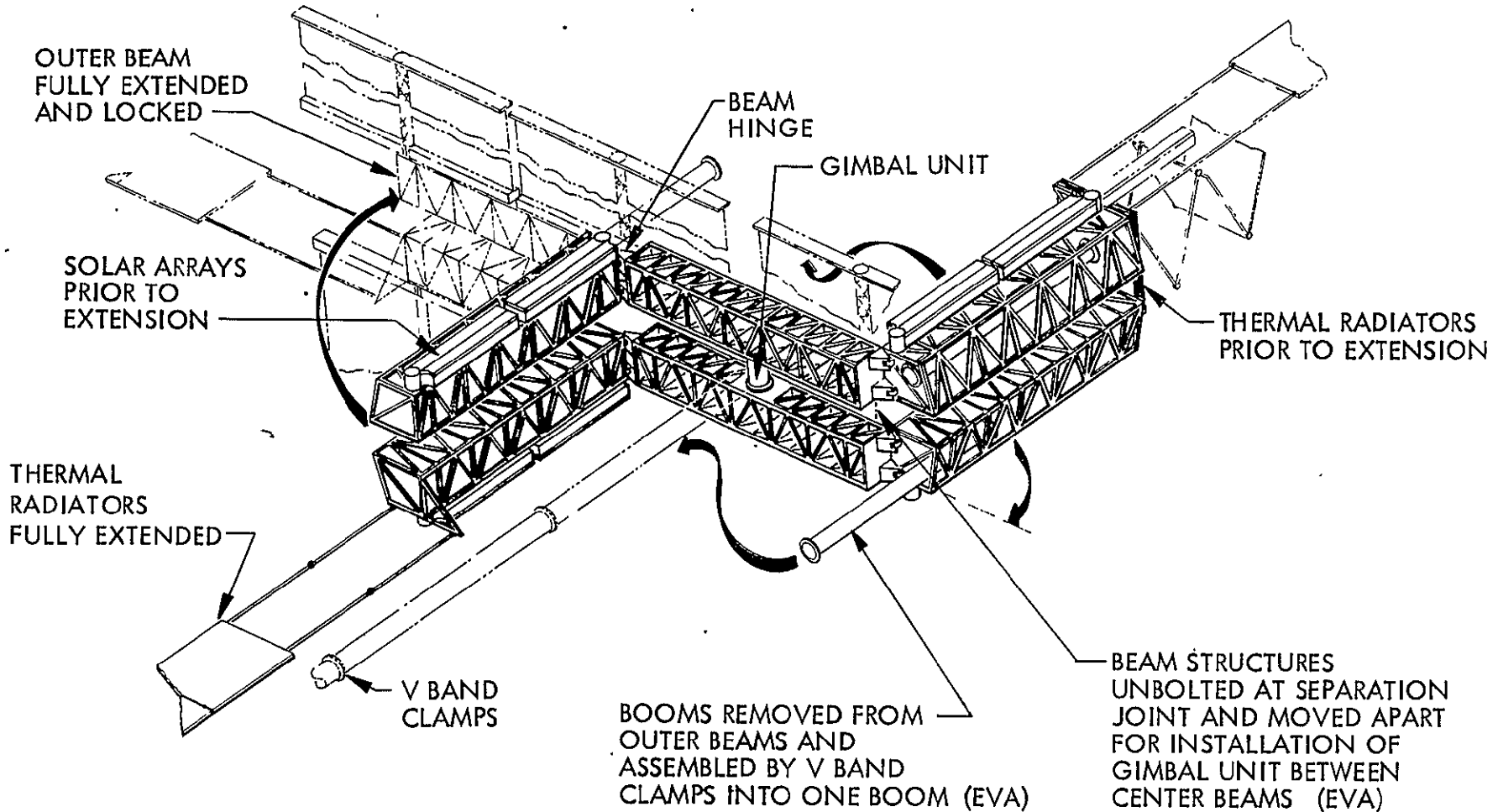


200/250 kW POWER MODULE SYSTEM
ON-ORBIT PREPARATION FOR DEPLOYMENT

The folded Power Module is removed from the payload compartment and the solar array support booms are unfolded and locked open. The upper and lower halves of the support booms and the center beam are separated and the gimbaling unit is installed between them. The segments of the deployment boom are unstowed and joined together by V Band Clamps to make one boom which is then connected to the gimbaling unit. The solar arrays and thermal radiator panels are extended and the system is ready for connection to a payload and operation.



200/250 kW POWER MODULE SYSTEM

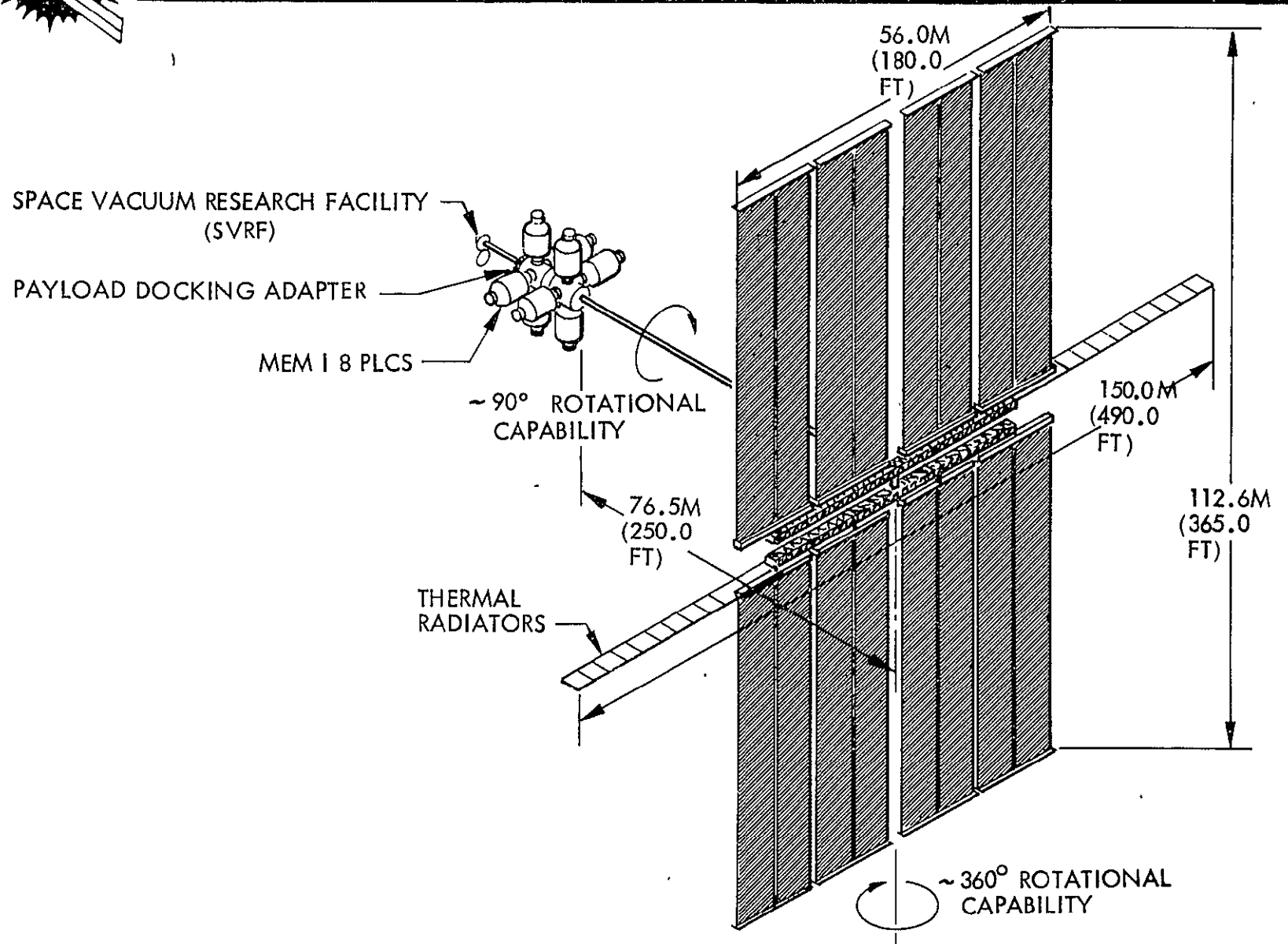


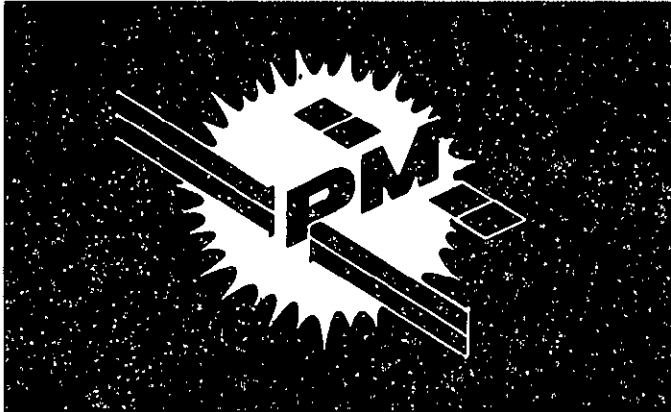
200/250 kW POWER MODULE DEPLOYED

The chart shows the Power Module fully unfolded and with the solar arrays and thermal radiators extended. A typical payload is attached by V Band Clamp to the free end of the deployment boom and the system is ready for operation.



200/250 kW POWER MODULE (DEPLOYED)





SECTION 8 REFERENCES

- 8.1 BIBLIOGRAPHY FOR PART III
- 8.2 REFERENCES
- 8.3 25 kW POWER MODULE STUDY DOCUMENTS

8.1 BIBLIOGRAPHY FOR PART III

The following lists the primary published document references utilized in conjunction with Part III of the study.

<u>No.</u>	<u>Document No.</u>	<u>Title</u>	<u>Author/Source/Contact</u>	<u>Date</u>
1	STAR 15	Shuttle Turnaround Analysis Report	KSC	9 Dec 1977
2	JSC 07700 Vol XIV	Space Shuttle System--Payload Accommodations (Revision F, Change 27)	NASA (JSC)	11 Nov 1978
3	NASA/Langley Memo 78668	An Introduction to Shuttle/LDEF Retrieval Operations: The R-Bar Approach Option	NASA	1 Feb 1978
4		25 kW Power Module Preliminary Definition	MSFC	Sep 1977
5		Power Module Data Management System (OMS) Study (IBM-FSD Huntsville)	IBM	9 June 1978
6		Teleoperator Retrieval System	Hethcoat (MSFC)	16 Mar 1978
7		Orientation Briefing for Power Module Evolution Study, Skylab	Rutland (MSFC)	16 Mar 1978
8		Space Shuttle External Tank Briefing	MSFC	16 Mar 1978
9	MSFC-SPEC-582A	Power Module System Design Requirements Document	NASA/MSFC	1 May 1978
10		System Capabilities	Beasley (MSFC)	17 Mar 1978

<u>No.</u>	<u>Document No.</u>	<u>Title</u>	<u>Author/Source/Contact</u>	<u>Date</u>
11		25 kW Attitude Control System Trade Studies	MSFC	Feb 1978
12		Power Module CMG Status	MSFC	Mar 1978
13		Solar Electric Propulsion	MSFC (Austin)	May 1978
14		25 kW Power Module Mass Properties (Concept IV)	MSFC (Collins)	1 Feb 1978
15	K-STSM-09 Vol VI	Launch Site Accommodations Handbook for STS Payloads	NASA (KSC)	14 Mar 1978
16	SAI No. SAI-79-602-HU	Space Industrialization		15 Apr 1978
17		Study of the Use of Spacelab Derived Elements	ERNO	Jan 1978
18	ICD 2-19001 CH 1	Shuttle Orbiter/Cargo Standard Interfaces	NASA (JSC)	24 Apr 1978
19	TMX-64972	A Miniaturized Pointing Mount for Spacelab Missions	C. G. Fritz, J. T. Howell, P. D. Nicaise, J. R. Parker	11 Nov 1975
20	LMSC-D569577	Contamination Control of Long-Life Shuttle Payload	M. C. Fong, C. K. Liu	10 Dec 1976
21	Combustion and Flames, Vol 14, No. 13, pp 397-404	Simultaneous Mass Spectrometric Differential Thermal Analyses of Nitrate Salts of MMII and Methylamine	P. Breisacher, H. H. Takimoto, G. C. Denault, W. A. Hicks	Jun 1970

<u>No.</u>	<u>Document No.</u>	<u>Title</u>	<u>Author/Source/Contact</u>	<u>Date</u>
22	MCR-75-13, Martin Marietta Aerospace, Denver	Payload/Orbiter Contamination Control Assessment Support	R. O. Rantanen, E. B. Ross	27 Jun 1975
23	NASA TM X-68212	Exhaust Plume and Contamination Characteristics of a Bipropellant (MMH/N ₂ O ₄) RCS Thruster	E. W. Spisz, R. L. Bowman, J. R. Jack	1973
24	Special Report 332	Special Report	L. J. Jacchia, Smithsonian Ob- servatory	5 May 1971
25	ES 84	Solar Activity Indices and Predictions	NASA/MSFC	5 Jan 1978
26	Viewgraph Briefing	1978 Predicted Solar Flux	W. D. McFadden/ MSFC	23 Oct 1978
27	LMSC-A374573	A High Speed Computer Program for Predicting the Decay of Earth Satellites	H. W. Small, R. C. Johnson/LMSC	13 May 1963
28	IBM K42-78-001	Power Module Data Management System (DMS) Study--Final Report	IBM, Federal Sys- tems Div., Huntsville	30 Nov 1978
29	STAR 15	Shuttle Turnaround Analysis Report	Rockwell International	5 June 1978
30	SLP 2104, Issue No. 1	Spacelab Payload Accommodation Handbook	NASA/MSFC	30 June 1977
31	LMSC-D614928A	25 kW Power Module Evolution Study: Part II Payload Support System Evolution	LMSC/J. W. Overall	30 Sep 1978

<u>No.</u>	<u>Document No.</u>	<u>Title</u>	<u>Author/Source/Contact</u>	<u>Date</u>
32	LMSC-665411	25 kW Power Module Solar Array Preliminary Design	LMSC/J. F. Milton	29 Nov 1978
33	NASA Fact Sheet No. 78-49	Teleoperator Retrieval System	NASA	31 Mar 1978

8.2 REFERENCES

The following documents are referenced in Volume 1.

No.	Document No.	Title	Author/Source/Contact	Date
1	JSC 07700 Vol I	Space Shuttle System - Program Description and Requirements Baseline (Rev A - Change 17)	NASA (JSC)	8 Dec 1978
2	JSC 07700 Vol VIII	Space Shuttle System - Flight Operations (Change 6)	NASA (JSC)	18 Aug 1978
3	JSC 07700 Vol IX	Space Shuttle System - Ground Operations (Change 7)	NASA (JSC)	15 Aug 1978
4	JSC 07700 Vol X	Space Shuttle System - Flight and Ground System Specification (Rev C/Ch 50)	NASA (JSC)	30 Oct 1978
5	JSC 07700 Vol XII	Space Shuttle System - Integrated Logistics	NASA (JSC)	21 Apr 1977
6	JSC Vol XIV	Space Shuttle System - Payload Accommodations (Revision F, through Change 27)	NASA (JSC)	11 Nov 1978
7	ICD 2-19001 Change 1	Shuttle Orbiter/Cargo Standard Interfaces	NASA (JSC)	24 Apr 1978
8	K-STSM-09	Launch Site Accommodations Handbook for STS Payloads	NASA (KSC)	14 Mar 1978

No.	Document No.	Title	Author/Source/Contact	Date
9	LMSC-D665412	25 kW Power Module Solar Array Preliminary Design Final Review Presentation to Marshall Space Flight Center	LMSC	29 Nov 1978
10	LMSC-D614928A	25 kW Power Module Evolution Study: Part II Payload Support System Evolution	LMSC/J. W. Overall	30 Sep 1978

8.3 25 kW POWER MODULE STUDY DOCUMENTS

The following study documents were prepared in conjunction with Part II of the study.

No.	Document No.	Title	Author/Source/Contact	Date
1	LMSC-D614940	25 kW Power Module Evolution Study, Presentation Material for Mission Accommodations Analysis	LMSC	14 Nov 1978
2	LMSC-D614945	25 kW Power Module Evolution Study Final Review Presentation	LMSC	28 Nov 1978
3	EM C-1.2.2-102	Engineering Memorandum - Preliminary Weight Comparison Summary	LMSC/B. G. Wong	5 Apr 1978
4	EM C-1.2.2-103	Engineering Memorandum - (1) Interface-Space Shuttle/Strawman 1; (2) RMS Deployment-Strawman 1/Shuttle	LMSC/B. G. Wong	7 Apr 1978
5	EM C-1.2.2-104	Engineering Memorandum - Update of the Equipment Arrangement for the 25 kW Power Module	LMSC/B. G. Wong	14 Apr 1978
6		Space Construction Base Control System Final Report	Bendix	27 Oct 1978

LOCKHEED



IBM

TRW