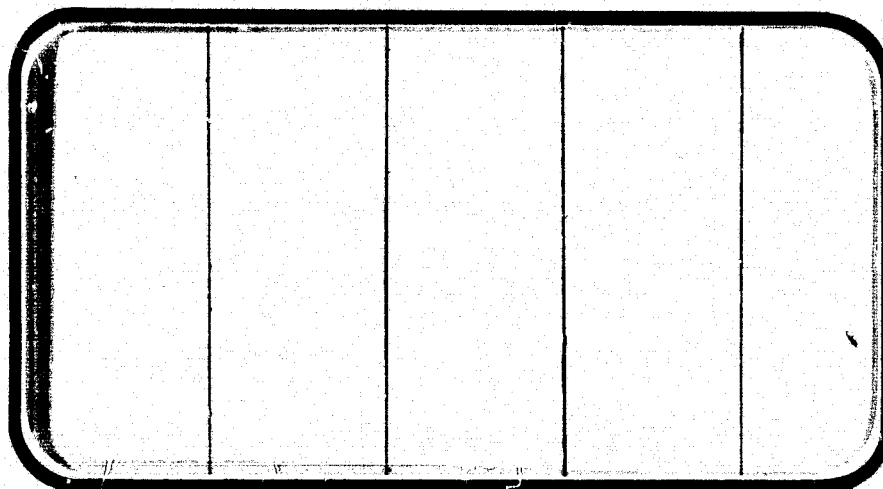




NATIONAL AERONAUTICS AND SPACE ADMINISTRATION



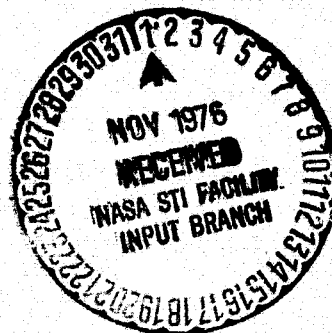
(NASA-CR-147633) INVESTIGATIONS OF THE
0.020-SCALE 88-OTS INTEGRATED SPACE SHUTTLE
VEHICLE JET-PLUME MODEL IN THE NASA/AMES
RESEARCH CENTER 11 BY 11-FOOT UNITARY PLAN
WIND TUNNEL (IA80), VOLUME 2 (Chrysler

N76-33264
HC #28.25

Unclas
G3/16 07276

SPACE SHUTTLE

AEROTHERMODYNAMIC DATA REPORT



JOHNSON SPACE CENTER

HOUSTON, TEXAS

DATA Management services



September, 1976

DMS-DR-2212
NASA CR-147,633

VOLUME 2 OF 4

INVESTIGATIONS OF THE 0.020-SCALE 88-OTS
INTEGRATED SPACE SHUTTLE VEHICLE JET-PLUME MODEL
IN THE NASA/AMES RESEARCH CENTER
11 x 11-FOOT UNITARY PLAN WIND TUNNEL (IA80)

by

M. E. Nichols
Shuttle Aero Sciences
Rockwell International Space Division

Prepared under NASA Contract Number NAS9-13247

by

Data Management Services
Chrysler Corporation Space Division
New Orleans, La. 70189

for

Engineering Analysis Division
Johnson Space Center
National Aeronautics and Space Administration
Houston, Texas

WIND TUNNEL TEST SPECIFICS:

Test Number: ARC 11-023
NASA Series Number: IA80
Model Number: 88-OTS
Test Dates: 4 through 8 November 1974
Occupancy Hours: 132

FACILITY COORDINATOR:

J. J. Brownson
Mail Stop 227-5
Ames Research Center
Moffett Field, Ca. 94035

Phone: (415) 965-6262

AERODYNAMICS ANALYSIS ENGINEER:

J. S. Stone
Mail Code AC07
Rockwell International
Space Division
12214 Lakewood Blvd.
Downey, Ca. 90241

Phone: (213) 922-4810

PROJECT ENGINEERS:

D. E. Thornton
M. E. Nichols
R. R. Burrows
Mail Code AD38
Rockwell International
Space Division
12214 Lakewood Blvd.
Downey, Ca. 90241

J. J. Brownson
Mail Stop 227-5
Ames Research Center
Moffett Field, Ca. 94035

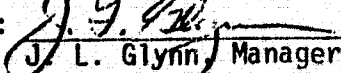
Phone: (415) 965-6262

Phone: (213) 922-2849

DATA MANAGEMENT SERVICES:

Prepared by: Liaison--D. A. Sarver
Operations--M. M. Mann, H. C. Zimmerle, C. R. Edwards

Reviewed by: D. E. Poucher

Approved: 
J. L. Glynn, Manager
Data Operations

Concurrence: 
N. D. Kemp, Manager
Data Management Services

Chrysler Corporation Space Division assumes no responsibility for the data presented other than display characteristics.

INVESTIGATIONS OF THE 0.020-SCALE 88-OTS
INTEGRATED SPACE SHUTTLE VEHICLE JET-PLUME MODEL
IN THE NASA/AMES RESEARCH CENTER
11 x 11-FOOT UNITARY PLAN WIND TUNNEL (IA80)

By

M. E. Nichols, Rockwell International Space Division

ABSTRACT

This report documents the results of jet-plume effects wind tunnel test IA80 of the 0.020-scale 88-OTS launch-configuration Space Shuttle Vehicle model in 11 x 11-foot leg of the NASA/Ames Research Center Unitary Plan Wind Tunnel. This test involved cold-gas Main Propulsion System and Solid Rocket - Motor plume simulations at Mach numbers from 0.6 to 1.4. IA80 was a continuation of a series of planned tests of plume effects, including IA19 and IA72. The test period was 4 through 8 November 1974, for 377 recorded runs.

The test-program objective was to determine integrated vehicle surface-pressure distributions, elevon and rudder hinge moments, and wing and vertical-tail root bending and torsional moments due to MPS and SRB plume interactions. Nozzle power conditions were controlled per pretest nozzle calibrations carried out by Rockwell International.

Model angle-of-attack was varied from -4° to $+4^\circ$; model angle-of-sideslip was varied from -4° to $+4^\circ$. Reynolds number was varied for certain test conditions and configurations, with the nominal freestream total pressure being 14.69 psia.

ABSTRACT (Concluded)

This report consists of 4 volumes of force and pressure data. They are arranged in the following manner:

VOLUME NUMBER	CONTENTS	
1	IA80 Plotted Force and Pressure Data	
2	IA80 Tabulated Force Data	
	IA80 Tabulated Pressure Data in Force Format	
	(a) orbiter base	pages 164-221
	(b) orbiter fuselage	pages 222-954
3	IA80 Tabulated Pressure Data	
	(a) orbiter fuselage	pages 1-248
	(b) orbiter bodyflap upper surface	pages 249-496
	(c) orbiter bodyflap lower surface	pages 497-744
4	IA80 Tabulated Pressure Data	
	(a) external tank	pages 745-992
	(b) external tank base	pages 993-1240
	(c) SRB skirt	pages 1241-1488

TABLE OF CONTENTS

	Page
ABSTRACT	iii
INDEX OF MODEL FIGURES	2
INDEX OF DATA FIGURES	3
NOMENCLATURE	17
CONFIGURATIONS INVESTIGATED	24
TEST FACILITY DESCRIPTION	27
DATA REDUCTION	28
RESULTS AND DISCUSSION	34
TABLES	
I. TEST CONDITIONS	35
II. DATA SET/RUN NUMBER COLLATION SUMMARY	36
III. MODEL DIMENSIONAL DATA	44
IV. PRESSURE TAP NUMBER ASSIGNMENTS	78
FIGURES	
MODEL	80
DATA	85
VOLUME 1 (FORCE AND PRESSURE)	
APPENDIX	85
TABULATED SOURCE DATA	
VOLUME 2 (FORCE AND PRESSURE IN FORCE FORMAT)	
VOLUMES 3, 4 (PRESSURE)	

INDEX OF MODEL FIGURES

Figure	Title	Page
1.	Axis systems.	80
2.	Integrated Space Shuttle Vehicle launch configuration.	81
3.	Model installation photographs.	
a.	Model 88-OTS Installation, Front View	82
b.	Model 88-OTS Installation, Rear View	83

INDEX OF DATA FIGURES

FIGURE NUMBER	TITLE	CONDITIONS VARYING	PLOTTED COEFFICIENTS SCHEDULE	PAGE
4	EFFECT OF ELEVON SETTING ON WING LOADS IN PITCH, MACH = 0.6 PLUMES OFF	ELV-IB, ELV-OB	A	1-6
5	EFFECT OF ELEVON SETTING ON WING LOADS IN PITCH, MACH = 0.9 PLUMES OFF	ELV-IB, ELV-OB	A	7-12
6	EFFECT OF ELEVON SETTING ON WING LOADS IN PITCH, MACH = 1.1 PLUMES OFF	ELV-IB, ELV-OB	A	13-18
7	EFFECT OF ELEVON SETTING ON WING LOADS IN PITCH, MACH = 1.25 PLUMES OFF	ELV-IB, ELV-OB	A	19-24
8	EFFECT OF ELEVON SETTING ON WING LOADS IN PITCH, MACH = 1.4 PLUMES OFF	ELV-IB, ELV-OB	A	25-30
9	EFFECT OF ELEVON SETTING ON ELEVON HINGE MOMENT IN PITCH, M = 0.6 PLUME OFF	ELV-IB, ELV-OB	B	31-34
10	EFFECT OF ELEVON SETTING ON ELEVON HINGE MOMENT IN PITCH, M = 0.9 PLUME OFF	ELV-IB, ELV-OB	B	35-38
11	EFFECT OF ELEVON SETTING ON ELEVON HINGE MOMENT IN PITCH, M = 1.1 PLUME OFF	ELV-IB, ELV-OB	B	39-42
12	EFFECT OF ELEVON SETTING ON ELEVON HINGE MOMENT IN PITCH, M = 1.25 PLUME OFF	ELV-IB, ELV-OB	B	43-46
13	EFFECT OF ELEVON SETTING ON ELEVON HINGE MOMENT IN PITCH, M = 1.4 PLUME OFF	ELV-IB, ELV-OB	B	47-50
14	EFFECT OF ELEVON SETTING ON WING LOADS IN YAW, MACH = 0.6 PLUMES OFF	ELV-IB, ELV-OB	E	51-56

INDEX OF DATA FIGURES (Continued)

FIGURE NUMBER	TITLE	CONDITIONS VARYING	PLOTTED COEFFICIENTS SCHEDULE	PAGE
15	EFFECT OF ELEVON SETTING ON WING LOADS IN YAW, MACH = 0.9 PLUMES OFF	ELV-IB, ELV-OB	E	57-62
16	EFFECT OF ELEVON SETTING ON WING LOADS IN YAW, MACH = 1.1 PLUMES OFF	ELV-IB, ELV-OB	E	63-68
17	EFFECT OF ELEVON SETTING ON WING LOADS IN YAW, MACH = 1.25 PLUMES OFF	ELV-IB, ELV-OB	E	69-74
18	EFFECT OF ELEVON SETTING ON WING LOADS IN YAW, MACH = 1.4 PLUMES OFF	ELV-IB, ELV-OB	E	75-80
19	EFFECT OF ELEVON SETTING ON ELEVON HINGE MOMENT IN YAW, M = 0.6 PLUME OFF	ELV-IB, ELV-OB	F	81-84
20	EFFECT OF ELEVON SETTING ON ELEVON HINGE MOMENT IN YAW, M = 0.9 PLUME OFF	ELV-IB, ELV-OB	F	85-88
21	EFFECT OF ELEVON SETTING ON ELEVON HINGE MOMENT IN YAW, M = 1.1 PLUME OFF	ELV-IB, ELV-OB	F	89-92
22	EFFECT OF ELEVON SETTING ON ELEVON HINGE MOMENT IN YAW, M = 1.25 PLUME OFF	ELV-IB, ELV-OB	F	93-96
23	EFFECT OF ELEVON SETTING ON ELEVON HINGE MOMENT IN YAW, M = 1.4 PLUME OFF	ELV-IB, ELV-OB	F	97-100
24	EFFECT OF ELEVON SETTING ON WING LOADS IN PITCH, MACH = 0.6 PLUMES ON	ELV-IB, ELV-OB	A	101-106
25	EFFECT OF ELEVON SETTING ON WING LOADS IN PITCH, MACH = 0.9 PLUMES ON	ELV-IB, ELV-OB	A	107-112

INDEX OF DATA FIGURES (Continued)

FIGURE NUMBER	TITLE	CONDITIONS VARYING	PLOTTED COEFFICIENTS SCHEDULE	PAGE
26	EFFECT OF ELEVON SETTING ON WING LOADS IN PITCH, MACH=1.1 PLUMES ON	ELV-IB, ELV-OB	A	113-118
27	EFFECT OF ELEVON SETTING ON WING LOADS IN PITCH, MACH = 1.25 PLUMES ON	ELV-IB, ELV-OB	A	119-124
28	EFFECT OF ELEVON SETTING ON WING LOADS IN PITCH, MACH = 1.4 PLUMES ON	ELV-IB, ELV-OB	A	125-130
29	EFFECT OF ELEVON SETTING ON ELEVON HINGE MOMENTS IN PITCH, M = 0.6 PLUME ON	ELV-IB, ELV-OB	B	131-134
30	EFFECT OF ELEVON SETTING ON ELEVON HINGE MOMENTS IN PITCH, M = 0.9 PLUME ON	ELV-IB, ELV-OB	B	135-138
31	EFFECT OF ELEVON SETTING ON ELEVON HINGE MOMENTS IN PITCH, M = 1.1 PLUME ON	ELV-IB, ELV-OB	B	139-142
32	EFFECT OF ELEVON SETTING ON ELEVON HINGE MOMENTS IN PITCH, M = 1.25 PLUME ON	ELV-IB, ELV-OB	B	143-146
33	EFFECT OF ELEVON SETTING ON ELEVON HINGE MOMENTS IN PITCH, M = 1.4 PLUME ON	ELV-IB, ELV-OB	B	147-150
34	EFFECT OF ELEVON SETTING ON WING LOADS IN YAW, MACH = 0.6 PLUMES ON	ELV-IB, ELV-OB	E	151-156
35	EFFECT OF ELEVON SETTING ON WINGS LOADS IN YAW, MACH = 0.9 PLUMES ON	ELV-IB, ELV-OB	E	157-162
36	EFFECT OF ELEVON SETTING ON WING LOADS IN YAW, MACH = 1.1 PLUMES ON	ELV-IB, ELV-OB	E	163-168

INDEX OF DATA FIGURES (Continued)

FIGURE NUMBER	TITLE	CONDITIONS VARYING	PLOTTED COEFFICIENTS SCHEDULE	PAGE
37	EFFECT OF ELEVON SETTING ON WING LOADS IN YAW, MACH = 1.25 PLUMES ON	ELV-IB, ELV-OB	E	169-174
38	EFFECT OF ELEVON SETTING ON WING LOADS IN YAW, MACH = 1.4 PLUMES ON	ELV-IB, ELV-OB	E	175-180
39	EFFECT OF ELEVON SETTING ON ELEVON HINGE MOMENTS IN YAW, M = 0.6 PLUME ON	ELV-IB, ELV-OB	F	181-184
40	EFFECT OF ELEVON SETTING ON ELEVON HINGE MOMENTS IN YAW, M = 0.9 PLUME ON	ELV-IB, ELV-OB	F	185-188
41	EFFECT OF ELEVON SETTING ON ELEVON HINGE MOMENTS IN YAW, M = 1.1 PLUME ON	ELV-IB, ELV-OB	F	189-192
42	EFFECT OF ELEVON SETTING ON ELEVON HINGE MOMENTS IN YAW, M = 1.25 PLUME ON	ELV-IB, ELV-OB	F	193-196
43	EFFECT OF ELEVON SETTING ON ELEVON HINGE MOMENTS IN YAW, M = 1.4 PLUME ON	ELV-IB, ELV-OB	F	197-200
44	PLUME EFFECTS ON VERTICAL TAIL LOADS, MACH = 0.6	PLUME	C	201-203
45	PLUME EFFECTS ON VERTICAL TAIL LOADS, MACH = 0.9	PLUME	C	204-206
46	PLUME EFFECTS ON VERTICAL TAIL LOADS, MACH = 1.1	PLUME	C	207-209
47	PLUME EFFECTS ON VERTICAL TAIL LOADS, MACH = 1.25	PLUME	C	210-212

INDEX OF DATA FIGURES (Continued)

FIGURE NUMBER	TITLE	CONDITIONS VARYING	PLOTTED COEFFICIENTS SCHEDULE	PAGE
48	PLUME EFFECTS ON VERTICAL TAIL LOADS, MACH = 1.4	PLUME	C	213-215
49	PLUME EFFECTS ON RUDDER HINGE MOMENT, MACH = 0.6	PLUME	D	216-126
50	PLUME EFFECTS ON RUDDER HINGE MOMENT, MACH = 0.9	PLUME	D	217-217
51	PLUME EFFECTS ON RUDDER HINGE MOMENT, MACH = 1.1	PLUME	D	218-218
52	PLUME EFFECTS ON RUDDER HINGE MOMENT, MACH = 1.25	PLUME	D	219-219
53	PLUME EFFECTS ON RUDDER HINGE MOMENT, MACH = 1.4	PLUME	D	220-220
54	EFFECT OF PLUMES ON WING LOADS IN PITCH, MACH = 0.6	PLUME	A	221-223
55	EFFECT OF PLUMES ON WING LOADS IN PITCH, MACH = 0.9	PLUME	A	224-226
56	EFFECT OF PLUMES ON WING LOADS IN PITCH, MACH = 1.1	PLUME	A	227-229
57	EFFECT OF PLUMES ON WING LOADS IN PITCH, MACH = 1.25	PLUME	A	230-232
58	EFFECT OF PLUMES ON WING LOADS IN PITCH, MACH = 1.4	PLUME	A	233-235

INDEX OF DATA FIGURES (Continued)

FIGURE NUMBER	TITLE	CONDITIONS VARYING	PLOTTED COEFFICIENTS SCHEDULE	PAGE
59	EFFECT OF PLUMES ON ELEVON HINGE MOMENT IN PITCH, MACH = 0.6	PLUME	B	236-237
60	EFFECT OF PLUMES ON ELEVON HINGE MOMENTS IN PITCH, MACH = 0.9	PLUME	B	238-239
61	EFFECT OF PLUMES ON ELEVON HINGE MOMENTS IN PITCH, MACH = 1.1	PLUME	B	240-241
62	EFFECT OF PLUMES ON ELEVON HINGE MOMENTS IN PITCH, MACH = 1.25	PLUME	B	242-243
63	EFFECT OF PLUMES ON ELEVON HINGE MOMENTS IN PITCH, MACH = 1.4	PLUME	B	244-245
64	EFFECT OF PLUMES ON WING LOADS IN YAW, MACH = 0.6	PLUME	E	246-248
65	EFFECT OF PLUMES ON WING LOADS IN YAW, MACH = 0.9	PLUME	E	249-251
66	EFFECT OF PLUMES ON WING LOADS IN YAW, MACH = 1.1	PLUME	E	252-254
67	EFFECT OF PLUMES ON WING LOADS IN YAW, MACH = 1.25	PLUME	E	255-257
68	EFFECT OF PLUMES ON WING LOADS IN YAW, MACH = 1.4	PLUME	E	258-260
69	EFFECT OF PLUMES ON ELEVON HINGE MOMENT IN YAW, MACH = 0.6	PLUME	F	261-262

INDEX OF DATA FIGURES (Continued)

FIGURE NUMBER	TITLE	CONDITIONS VARYING	PLOTTED COEFFICIENTS SCHEDULE	PAGE
70	EFFECT OF PLUMES ON ELEVON HINGE MOMENT IN YAW, MACH = 0.9	PLUME	F	263-264
71	EFFECT OF PLUMES ON ELEVON HINGE MOMENT IN YAW, MACH = 1.1	PLUME	F	265-266
72	EFFECT OF PLUMES ON ELEVON HINGE MOMENT IN YAW, MACH = 1.25	PLUME	F	267-268
73	EFFECT OF PLUMES ON ELEVON HINGE MOMENT IN YAW, MACH = 1.4	PLUME	F	269-270
74	EFFECT OF SSME PLUME SIZE ON WING LOAD IN PITCH, MACH = 0.6	PLUME	A	271-273
75	EFFECT OF SSME PLUME SIZE ON WING LOAD IN PITCH, MACH = 0.9	PLUME	A	274-276
76	EFFECT OF SSME PLUME SIZE ON WING LOAD IN PITCH, MACH = 1.1	PLUME	A	277-279
77	EFFECT OF SSME PLUME SIZE ON WING LOAD IN PITCH, MACH = 1.25	PLUME	A	280-282
78	EFFECT OF SSME PLUME SIZE ON WING LOAD IN PITCH, MACH = 1.4	PLUME	A	283-285
79	EFFECT OF SSME PLUME SIZE ON WING LOAD IN YAW, MACH = 0.6	PLUME	E	286-288
80	EFFECT OF SSME PLUME SIZE ON WING LOAD IN YAW, MACH = 0.9	PLUME	E	289-291

INDEX OF DATA FIGURES (Continued)

FIGURE NUMBER	TITLE	CONDITIONS VARYING	PLOTTED COEFFICIENTS SCHEDULE	PAGE
81	EFFECT OF SSME PLUME SIZE ON WING LOAD IN YAW, MACH = 1.1	PLUME	E	292-294
82	EFFECT OF SSME PLUME SIZE ON WING LOAD IN YAW, MACH = 1.25	PLUME	E	295-297
83	EFFECT OF SSME PLUME SIZE ON WING LOAD IN YAW, MACH = 1.4	PLUME	E	298-300
84	EFFECT OF SSME PLUME SIZE ON ELEVON HINGE MOMENT IN PITCH, MACH = 0.6	PLUME	B	301-302
85	EFFECT OF SSME PLUME SIZE ON ELEVON HINGE MOMENT IN PITCH, MACH = 0.9	PLUME	B	303-304
86	EFFECT OF SSME PLUME SIZE ON ELEVON HINGE MOMENT IN PITCH, MACH = 1.1	PLUME	B	305-306
87	EFFECT OF SSME PLUME SIZE ON ELEVON HINGE MOMENT IN PITCH, MACH = 1.25	PLUME	B	307-308
88	EFFECT OF SSME PLUME SIZE ON ELEVON HINGE MOMENT IN PITCH, MACH = 1.4	PLUME	B	309-310
89	EFFECT OF SSME PLUME SIZE ON ELEVON HINGE MOMENT IN YAW, MACH = 0.6	PLUME	F	311-312
90	EFFECT OF SSME PLUME SIZE ON ELEVON HINGE MOMENT IN YAW, MACH = 0.9	PLUME	F	313-314
91	EFFECT OF SSME PLUME SIZE ON ELEVON HINGE MOMENT IN YAW, MACH = 1.1	PLUME	F	315-316

INDEX OF DATA FIGURES (Continued)

FIGURE NUMBER	TITLE	CONDITIONS VARYING	PLOTTED COEFFICIENTS SCHEDULE	PAGE
92	EFFECT OF SSME PLUME SIZE ON ELEVON HINGE MOMENT IN YAW, MACH = 1.25	PLUME	F	317-318
93	EFFECT OF SSME PLUME SIZE ON ELEVON HINGE MOMENT IN YAW, MACH = 1.4	PLUME	F	319-320
94	EFFECT OF REYNOLDS NUMBER IN PITCH, MACH = 0.6 PLUMES OFF	RN/L	A,B	321-325
95	EFFECT OF REYNOLDS NUMBER IN PITCH, MACH = 0.9 PLUMES OFF	RN/L	A,B	326-330
96	EFFECT OF REYNOLDS NUMBER IN PITCH, MACH = 1.1 PLUMES OFF	RN/L	A,B	331-335
97	EFFECT OF REYNOLDS NUMBER IN PITCH, MACH = 1.25 PLUMES OFF	RN/L	A,B	336-340
98	EFFECT OF REYNOLDS NUMBER IN PITCH, MACH = 1.4 PLUMES OFF	RN/L	A,B	341-345
99	EFFECT OF REYNOLDS NUMBER IN YAW, MACH = 0.6 PLUMES OFF	RN/L	E,F, C,D	346-354
100	EFFECT OF REYNOLDS NUMBER IN YAW, MACH = 0.9 PLUMES OFF	RN/L	E,F, C,D	355-363
101	EFFECT OF REYNOLDS NUMBER IN YAW, MACH = 1.1 PLUMES OFF	RN/L	E,F, C,D	364-372
102	EFFECT OF REYNOLDS NUMBER IN YAW, MACH = 1.25 PLUMES OFF	RN/L	E,F, C,D	373-381

INDEX OF DATA FIGURES (Continued)

FIGURE NUMBER	TITLE	CONDITIONS VARYING	PLOTTED COEFFICIENTS SCHEDULE	PAGE
103	EFFECT OF REYNOLDS NUMBER IN YAW, MACH = 1.4 PLUMES OFF	RN/L	E,F, C,D	382-390
104	EFFECT OF REYNOLDS NUMBER IN PITCH, MACH = 0.6 PLUMES ON	RN/L	A,B	391-395
105	EFFECT OF REYNOLDS NUMBER IN PITCH, MACH = 0.9 PLUMES ON	RN/L	A,B	396-400
106	EFFECT OF REYNOLDS NUMBER IN PITCH, MACH = 1.1 PLUMES ON	RN/L	A,B	401-405
107	EFFECT OF REYNOLDS NUMBER IN YAW, MACH = 0.6 PLUMES ON	RN/L	E,F, C,D	406-414
108	EFFECT OF REYNOLDS NUMBER IN YAW, MACH = 0.9 PLUMES ON	RN/L	E,F, C,D	415-423
109	EFFECT OF REYNOLDS NUMBER IN YAW, MACH = 1.1 PLUMES ON	RN/L	E,F, C,D	424-432
110	SUMMARY, SRB PLUME SIZE EFFECTS ON WING LOADS	PLUME	H	433-435
111	SUMMARY, SRB PLUME SIZE EFFECTS ON ELEVON HINGE MOMENTS	PLUME	K	436-437
112	SUMMARY, EFFECTS OF ELEVON DEFLECTION ON WING LOADS, POWER OFF	DELVIB, DELVOB	I	438-440
113	SUMMARY, EFFECTS OF ELEVON DEFLECTION ON WING LOADS, POWER ON	DELVIB, DELVOB	I	441-443

INDEX OF DATA FIGURES (Continued)

FIGURE NUMBER	TITLE	CONDITIONS VARYING	PLOTTED COEFFICIENTS SCHEDULE	PAGE
114	SUMMARY, EFFECTS OF ELEVON DEFLECTION ON ELEVON HINGE MOMENTS POWER OFF	DELVIB, DELVOB	L	444-445
115	SUMMARY, EFFECTS OF ELEVON DEFLECTION ON ELEVON HINGE MOMENTS POWER ON	DELVIB, DELVOB	L	446-447
116	SUMMARY, EFFECTS SSME PLUME SIZE ON VERTICAL TAIL LOADS	PLUME	N	448-450
117	SUMMARY, EFFECTS SSME PLUME SIZE ON RUDDER HINGE MOMENTS	PLUME	M	451-451
118	EFFECT OF SSME PLUME SIZE ON WING LOADS	ALPHA, BETA	G	452-469
119	EFFECT OF SSME PLUME SIZE ON ELEVON HINGE MOMENT	ALPHA, BETA	J	470-481
120	SUMMARY, SRB PLUME EFFECTS ON WING CENTER OF PRESSURE	PLUME	O	482-483
121	SUMMARY, SSME PLUME EFFECTS ON VERTICAL TAIL CENTER OF PRESSURE	PLUME	P	484-485
122	SUMMARY, MACH RAMP MAXIMUM WING LOADS	PLUME	G	486-488
123	SUMMARY, MACH RAMP MAXIMUM ELEVON HINGE MOMENTS	PLUME	J	489-490
124	EFFECT OF SSME PLUMES ON ORBITER BASE PRESSURE ALPHA = -4.0	-	Q	491-514
125	EFFECT OF SSME PLUMES ON ORBITER BASE PRESSURE ALPHA = 0.0	BETA	Q	515-586

INDEX OF DATA FIGURES (Continued)

FIGURE NUMBER	TITLE	CONDITIONS VARYING	PLOTTED COEFFICIENTS SCHEDULE	PAGE
126	EFFECT OF SSME PLUMES ON ORBITER BASE PRESSURE ALPHA = 4.0	-	Q	587-610
127	ORB VENT PRESSURES	ALPHA, BETA	Q	611-644
128	AVERAGE ORB VENT PRESSURES	ALPHA, BETA	R	645-662
129	DELTA AVERAGE ORB VENT PRESSURES DUE TO PLUMES	ALPHA, BETA	S	663-680
130	PLUME EFFECTS ON ET BASE PRESSURE COEFFICIENT, MACH = 0.6	ALPHA, BETA, PHI	T	681-700
131	PLUME EFFECTS ON ET BASE PRESSURE COEFFICIENT, MACH = 0.9	ALPHA, BETA, PHI	T	701-720
132	PLUME EFFECTS ON ET BASE PRESSURE COEFFICIENT, MACH = 1.1	ALPHA, BETA, PHI	T	721-740
133	PLUME EFFECTS ON ET BASE PRESSURE COEFFICIENT, MACH = 1.25	ALPHA, BETA, PHI	T	741-760
134	PLUME EFFECTS ON ET BASE PRESSURE COEFFICIENT, MACH = 1.4	ALPHA, BETA, PHI	T	761-780
135	PLUME EFFECTS ON SRB BASE PRESSURE COEFFICIENTS, MACH = 0.6	ALPHA, BETA, XB/LB	U	781-786
136	PLUME EFFECTS ON SRB BASE PRESSURE COEFFICIENTS, MACH = 0.9	ALPHA, BETA, XB/LB	U	787-792
137	PLUME EFFECTS ON SRB BASE PRESSURE COEFFICIENTS, MACH = 1.1	ALPHA, BETA, XB/LB	U	793-798

INDEX OF DATA FIGURES (Continued)

FIGURE NUMBER	TITLE	CONDITIONS VARYING	PLOTTED COEFFICIENTS SCHEDULE	PAGE
138	PLUME EFFECTS ON SRB BASE PRESSURE COEFFICIENTS, MACH = 1.25	ALPHA, BETA, XB/LB	U	799-804
139	PLUME EFFECTS ON SRB BASE PRESSURE COEFFICIENTS, MACH = 1.4	ALPHA, BETA, XB/LB	U	805-810

PLOTTED COEFFICIENTS SCHEDULE:

- (A) CBMW, CTMW, CNW versus ALPHA
- (B) CHEI, CHEO versus ALPHA
- (C) CBMV, CTMV, CYV versus BETA
- (D) CHR versus BETA
- (E) CBMW, CTMW, CNW versus BETA
- (F) CHEI, CHEO versus BETA
- (G) CBMW, CTMW, CNW versus MACH NUMBER
- (H) DCBMW, DCTMW, DCNW versus MACH NUMBER
- (I) DCBMWE, DCTMWE, DCNWE versus MACH NUMBER
- (J) CHEI, CHEO versus MACH NUMBER
- (K) DCHEI, DCHEO versus MACH NUMBER
- (L) DCHEIE, DCHEOE versus MACH NUMBER

INDEX OF DATA FIGURES (Concluded)

- (M) DCHR versus MACH NUMBER
- (N) DCMBV, DCTMV, DCYV versus MACH NUMBER
- (O) DXWCP, DYWCP versus MACH NUMBER
- (P) DXVCP, DZVCP versus MACH NUMBER
- (Q) CP versus MACH NUMBER
- (R) CP#AV versus MACH NUMBER
- (S) DCP#A versus MACH NUMBER
- (T) CP versus R/ROD
- (U) CP versus PHI

NOMENCLATURE

<u>Symbol</u>	<u>Plot Symbol</u>	<u>Definition</u>
b	BREF	span of wing, in
b_V		span of vertical tail, in
BM_V		vertical tail-root bending moment (about vertical tail reference center), in-lb
BM_{V_0}		vertical tail-root bending moment at outboard gauge, in-lb
BM_{V_I}		vertical tail-root bending moment at inboard gauge, in-lb
BM_W		wing-root bending moment (about wing reference center), in-lb
BM_{W_I}		wing-root bending moment at inboard gauge, in-lb
BM_{W_0}		wing-root bending moment at outboard gauge, in-lb
\bar{c}	LREF	MAC of wing, in
C_{B_V}	CBMV	vertical tail-root bending-moment coefficient
C_{B_W}	CBMW	wing-root bending-moment coefficient
\bar{c}_E		MAC of total elevon panel, in
$C_{H_{E_I}}$	CHEI	hinge-moment coefficient for inboard elevon
$C_{H_{E_0}}$	CHEO	hinge-moment coefficient for outboard elevon
$C_{H_{E_T}}$	CHET	total elevon hinge-moment coefficient

NOMENCLATURE (Continued)

<u>Symbol</u>	<u>Plot Symbol</u>	<u>Definition</u>
C_{HR}	CHR	hinge-moment coefficient for rudder
C_{NW}	CNW	wing normal-force coefficient
C_{P_i}	CPI	pressure coefficient for model surface tap i
CPR_j		chamber-pressure ratio for nozzle j
\bar{c}_R		MAC of rudder panel, in
C_{TV}	CTMV	vertical tail-root twisting-moment coefficient
C_{TW}	CTMW	wing-root torsion-moment coefficient
\bar{c}_V		MAC of vertical tail, in
C_{YV}	CYV	vertical-tail side-force coefficient
EPR_j		exit-pressure ratio for nozzle j
ET		External Tank
HM_{E_I}		hinge moment of inboard elevon, in-lb
HM_{E_O}		hinge moment of outboard elevon, in-lb
HM_R		hinge moment of rudder, in-lb
M	MACH	freestream Mach number
MPS		Main Propulsion System
N		nominal

NOMENCLATURE (Continued)

<u>Symbol</u>	<u>Plot Symbol</u>	<u>Definition</u>
OTS		Orbiter + Tank + SRB
P_{c_j}		chamber pressure (absolute) of nozzle j
P_{cSRM}		SRM supply total pressure, psia (as set)
P_{cMPS}		MPS supply total pressure, psia (as set)
P_{e_j}		exit pressure (absolute) of nozzle j
P_i		pressure (absolute) at model surface tap i
P_T		freestream total pressure, psia
P_∞		freestream static pressure, psia
q	Q(Psf)	freestream dynamic pressure, psf
Re/ft	RN/L	freestream unit Reynolds number, ft^{-1}
S	SREF	reference wing area, ft^2
SRB		Solid Rocket Booster
SRM		Solid Rocket Motor
SSME		Space Shuttle Main Engine
S_E		reference elevon area, ft^2
S_R		reference rudder area, ft^2
S_V		reference vertical tail area, ft^2
TM_V		vertical tail-root torsional moment (about vertical tail reference center), in-lb
TM_{VG}		vertical tail-root torsional moment at gauge, in-lb

NOMENCLATURE (Continued)

<u>Symbol</u>	<u>Plot Symbol</u>	<u>Definition</u>
TM_W		wing-root torsional moment (about wing reference center), in-lb
TM_{WG}		wing-root torsional moment at gauge, in-lb
$T_{T_{MPS}}$		MPS supply total temperature, °R
$T_{T_{SRM}}$		SRM supply total temperature, °R
T_T		freestream total temperature, °R
T_∞		freestream static temperature, °R
X_{CP_V}	XVCP	vertical tail center-of-pressure, longitudinal location, in
X_{CP_W}	XWCP	wing center-of-pressure, longitudinal location, in
X_N		Orbiter nose station, in
$X_{TM_{VG}}$		longitudinal location of vertical tail-root torsional gauge, in
$X_{TM_{WG}}$		longitudinal location of wing-root torsional gauge, in
X_{VRC}		longitudinal (station) location of vertical tail reference center, in
X_{WRC}		longitudinal (station) location of wing reference center, in
$Y_{BM_{WI}}$		lateral location of inboard wing-root bending gauge, in
$Y_{BM_{WO}}$		lateral location of outboard wing-root bending gauge, in

NOMENCLATURE (Continued)

<u>Symbol</u>	<u>Plot Symbol</u>	<u>Definition</u>
Y_{CPW}	YWCP	wing center-of-pressure, lateral location, in
Y_{WRC}		lateral (buttplane) location of wing reference center, in
Z_{BMVI}		vertical location of inboard vertical tail-root bending gauge, in
Z_{BMVO}		vertical location of outboard vertical tail-root bending gauge, in
Z_{CPV}	ZVCP	vertical tail center-of-pressure, vertical location, in
Z_{VRC}		vertical (waterplane) location of vertical tail reference center, in
α	ALPHA	model angle-of-attack, deg
α_{Nj}		pitch angle of nozzle-j measured in a plane parallel to the Orbiter plane of symmetry, degrees
β	BETA	model angle-of-sideslip, deg
γ_{Nj}		pitch angle of nozzle-j measured in a plane which yaws with the nozzle, degrees
δ_{DF}	BDFLAP	bodyflap deflection, deg
$\delta_{E_{1I}}$	ELV-LI	left inboard elevon deflection, deg
$\delta_{E_{1O}}$	ELV-LO	left outboard elevon deflection, deg
$\delta_{E_{rI}}$	ELV-RI	right inboard elevon deflection, deg
$\delta_{E_{rO}}$	ELV-RO	right outboard elevon deflection, deg

NOMENCLATURE (Continued)

<u>Symbol</u>	<u>Plot Symbol</u>	<u>Definition</u>
δ_{E_I}	ELV-IB	inboard elevon deflection, deg
δ_{E_O}	ELV-OB	outboard elevon deflection, deg
δ_R	RUDDER	rudder deflection, deg
δ_{SB}	SPDBRK	speedbrake deflection, deg
ΔC_{p_i}	DCP <i>i</i>	incremental pressure coefficient, <i>i</i> = tap#
$\Delta C_{p_{av\#}}$	DCP#A	average value of incremental pressure coefficients for model surface taps
ψ_{Nj}		yaw angle of nozzle- <i>j</i> measured in an Orbiter waterplane, deg
ϕ	PHI	radial location, deg
$C_{p_{av\#}}$	CP#AV	average value of pressure coefficients for model surface taps
$\Delta(i)$	D(<i>i</i>)	incremental coefficient (<i>i</i>) due to thrust (<i>i</i>) \equiv previously defined coefficient
$\Delta(i)_{\delta_E}$	D(<i>i</i>)E	incremental coefficient (<i>i</i>) due to elevon deflection, (<i>i</i>) \equiv previously defined coefficient
l_B		body length, in
R/R_{od}	R/ROD	radius of tap location divided by outer radius
X_B/l_B	XB/LB	SRB base longitudinal distance divided by body length

NOMENCLATURE (Concluded)

SUBSCRIPTS

B	base, body
c	chamber
e	exit
E	elevon
G	gauge
i	surface-pressure tap number
I	inboard
J	nozzle number
L	left
N	nozzle, Orbiter nose
O	outboard, Orbiter
r	right
R	rudder
S	Solid Rocket Booster
T	External Tank, total
V	vertical tail
W	wing
∞	static

CONFIGURATIONS INVESTIGATED

The model employed in Test IA80, 88-OTS, was a 0.020-scale representation of the Vehicle 5 Space Shuttle launch configuration with mated Orbiter, External Tank, and Solid Rocket Boosters. Main Propulsion System and Solid Rocket Motor cold-gas plume-simulation was made possible by dual high-pressure air-supply systems.

Various elevon control settings were incorporated in the run schedule, while no gimbal-angle changes were made on the nozzles. Several different nozzle operation pressures were set for each Mach number, and two nozzle contours were tested.

Component dimensions are presented in Table III. Control-setting parameters were as indicated in Table II. Model surface-pressure tap locations are shown in Table IV.

The Orbiter, designated as O, was comprised of components identified as follows:

<u>Component Symbol</u>	<u>Description</u>
B ₆₂	fuselage
C ₁₂	canopy
E ₅₂	elevons
F ₁₀	bodyflap
M ₁₆	OMS/RCS pods
N ₈₇	MPS nozzles, conical
N ₈₉	OMS nozzles

CONFIGURATIONS INVESTIGATED (Continued)

N ₁₀₄	MPS nozzles, contoured
R ₅	rudder/speedbrake
V ₈	vertical tail
W ₁₁₆	wing

The External Tank, designated as T₂₈, was comprised of components identified as follows:

AT ₂₈	attach structure
AT ₃₁	attach structure
AT ₃₂	attach structure
FR ₁₀	aft attach crossbeam
FL ₁₀	feedline
FL ₁₁	feedline
PT ₁₂	ET protuberances
PT ₂₂	ET protuberances
PT ₂₃	ET protuberances
PT ₂₄	ET protuberances
PT ₂₅	ET protuberances
PT ₂₆	ET protuberances
PT ₂₇	ET protuberances

CONFIGURATIONS INVESTIGATED (Concluded)

The solid rocket booster, designated as S₂₂, was composed of components identified as follows:

N ₈₈	SRB nozzles
PS ₁₁	SRB protuberances
PS ₁₂	SRB protuberances
PS ₁₃	SRB protuberances
PS ₁₄	SRB protuberances
PS ₁₇	SRB protuberances
PS ₁₈	SRB protuberances
PS ₁₉	SRB protuberances

The launch configuration was designated as OTS on the Data Set/Run Number Collation Summary sheets.

TEST FACILITY DESCRIPTION

The NASA/Ames Research Center Unitary Plan Wind Tunnel 11 x 11 transonic leg is one of three circuits operating from a common power system and two compressor systems. The 11 x 11 leg is capable of attaining Mach numbers from 0.60 to 1.40, at Reynolds numbers from 1.7×10^6 per foot to 9.4×10^6 per foot.

The tunnel is a closed-return, air-medium, variable-density facility, operating at ambient temperatures and having a bled test section for transonic conditions.

Models are supported by means of conventional stings or sting/strut assemblies for force, moment, pressure, and component-loads testing. The tunnel sector-strut system can attain angles-of-attack to ± 15 degrees and angles-of-sideslip to ± 15 degrees about its body-of-revolution.

Schlieren and shadowgraph photographic systems are available, and high-pressure air-supply systems exist for use in power-plume simulations and thrust tests.

DATA REDUCTION

Standard tunnel operation parameters were computed by the facility along with model plume-simulation pressure data, model surface-pressure values and coefficients, rudder and elevon hinge-moments, and air-supply temperatures. Model angle-of-attack was determined by the onboard dangleometer. Furthermore, wing and vertical-tail bending and torsional moments were recorded and reduced to present centers-of-pressure and forces.

The following equations and methods were used:

Wing Normal-Force Coefficient:

$$C_{N_W} = \frac{BM_{W_I} - BM_{W_O}}{(Y_{BM_{W_O}} - Y_{BM_{W_I}}) S q}$$

Wing-Root Bending-Moment Coefficient:

$$C_{B_W} = \left[\frac{BM_{W_O}}{S q b} \right] + \left[\frac{C_{N_W} (Y_{BM_{W_O}} - Y_{WRC})}{b} \right]$$

or:

$$= \left[\frac{BM_{W_I}}{S q b} \right] + \left[\frac{C_{N_W} (Y_{BM_{W_I}} - Y_{WRC})}{b} \right]$$

Wing-Root Torsional-Moment Coefficient:

$$C_{T_W} = \left[\frac{TM_{W_G}}{S q \bar{c}} \right] - \left[\frac{C_{N_W} (X_{TM_{W_G}} - X_{WRC})}{\bar{c}} \right]$$

DATA REDUCTION (Continued)

Wing-Center-of-Pressure:

$$\begin{aligned}
 x_{CPW} &= x_{TMWG} - \left[\frac{TMWG}{S C_{NW} q} \right] \\
 y_{CPW} &= y_{BMWI} + \left[\frac{BMWI}{S C_{NW} q} \right] \\
 &= y_{BMWO} + \left[\frac{BMWO}{C_{NW} S q} \right] \quad \text{or:}
 \end{aligned}$$

Vertical Tail Side-Force Coefficient:

$$c_{YV} = \frac{BM_{VI} - BM_{VO}}{(Z_{BM_{VO}} - Z_{BM_{VI}}) S_V q}$$

Vertical Tail-Root Bending-Moment Coefficient:

$$\begin{aligned}
 c_{BV} &= \left[\frac{BM_{VO}}{S_V q b_V} \right] + \left[\frac{c_{YV} (Z_{BM_{VO}} - Z_{VRC})}{b_V} \right] \\
 &= \left[\frac{BM_{VI}}{S_V q b_V} \right] + \left[\frac{c_{YV} (Z_{BM_{VI}} - Z_{VRC})}{b_V} \right] \quad \text{or:}
 \end{aligned}$$

Vertical Tail-Root Torsional-Moment Coefficient:

$$c_{TV} = \left[\frac{TM_{VG}}{S_V q \bar{c}_V} \right] = \left[\frac{c_{YV} (x_{TM_{VG}} - x_{VRC})}{c_V} \right]$$

DATA REDUCTION (Continued)

Vertical Tail Center-of-Pressure:

$$X_{CP_V} = X_{TM_{VG}} - \left[\frac{TM_{VG}}{C_{Y_V} S_V q} \right]$$

$$Z_{CP_V} = Z_{BM_{VI}} + \left[\frac{BM_{VI}}{C_{Y_V} S_V q} \right]$$

or:

$$= Z_{BM_{VO}} + \left[\frac{BM_{VO}}{C_{Y_V} S_V q} \right]$$

Nozzle-Pressure Ratios:

$$CPR_j = \frac{P_{c_j}}{P_\infty}$$

$$EPR_j = \frac{P_{e_j}}{P_\infty}$$

where: j = 1, Top MPS nozzle
 2, L.H. MPS nozzle
 3, R.H. MPS nozzle
 4, L.H. SRB nozzle
 5, R.H. SRB nozzle

Hinge-Moments:

$$C_{HEI} = \frac{HM_{EI}}{S_E q \bar{c}_E}$$

$$C_{HEO} = \frac{HM_{EO}}{S_E q \bar{c}_E}$$

$$C_{HET} = C_{HEI} + C_{HEO}$$

$$C_{HR} = \frac{HM_R}{S_R q \bar{c}_R}$$

DATA REDUCTION (Continued)

Surface-Pressure Coefficients:

$$C_{p_i} = \frac{P_i - P_\infty}{q}$$

Coefficient averages:

For $i = 2, 21, 22, 39, 40, 60, 67, 68, 75, 76$

$$C_{p_{av_i}} = (C_{p_i} + C_{p_{i+2}} + C_{p_{i+4}} + C_{p_{i+6}}) / 4$$

For $i = 12, 29, 30, 47, 48:$

$$C_{p_{av_i}} = (C_{p_i} + C_{p_{i+2}} + C_{p_{i+6}} + C_{p_{i+8}}) / 4$$

And:

$$C_{p_{av_{13}}} = (C_{p_{13}} + C_{p_{17}} + C_{p_{19}}) / 3$$

$$C_{p_{av_{59}}} = (C_{p_{59}} + C_{p_{61}} + C_{p_{63}} + C_{p_{67}}) / 4$$

To reflect plume effects on surface pressures, incremental data were computed from results of tests with plume simulation and tests without plume simulation:

$$\Delta C_{p_i} = C_{p_i} \left(\begin{array}{c} \text{with} \\ \text{plume} \end{array} \right) - C_{p_i} \left(\begin{array}{c} \text{without} \\ \text{plume} \end{array} \right)$$

$$\Delta C_{p_{av_i}} = C_{p_{av_i}} \left(\begin{array}{c} \text{with} \\ \text{plume} \end{array} \right) - C_{p_{av_i}} \left(\begin{array}{c} \text{without} \\ \text{plume} \end{array} \right)$$

DATA REDUCTION (Continued)

<u>Symbol</u>	<u>Full-Scale</u>	<u>Model-Scale</u>
b	936.68 in	18.734 in
b _V	315.72 in	6.3144
\bar{c}	474.8 in	9.496 in
\bar{c}_E	90.70 in	1.814 in
\bar{c}_R	73.20 in	1.464 in
\bar{c}_V	199.81 in	3.996 in
\bar{c}_B	1290.3 in	25.806 in
S _E	210.00 ft ²	0.08400 ft ²
S _R	100.15 ft ²	0.04006 ft ²
S	2690.0 ft ²	1.0760 ft ²
S _V	413.25 ft ²	0.16530 ft ²
X _N	235.0	4.700 in
X _{TMVG}	—	28.5500 in
X _{TMWG}	—	24.6400 in
X _{VRC}	1414.3 in	28.286 in
X _{WRC}	1307.0 in	26.140 in
Y _{BMWI}	—	2.4962 in
Y _{BMWO}	—	3.9037 in

DATA REDUCTION (Concluded)

<u>Symbol</u>	<u>Full-Scale</u>	<u>Model-Scale</u>
YWRC	106.0 in	2.120 in
ZBM _V I	—	10.4681 in
ZBM _V O	—	11.3935 in
ZVRC	503.0 in	10.060 in

Resulting data are presented in the data figures and in the appendix.

RESULTS AND DISCUSSION

Generally high data confidence can be ascribed to the results of this test program, as instrumentation anomalies were few and correctable. Most data error was attributable to model failure, and the following outlines those incidents.

Hinge-moment data was consistently good with only minor zero-return changes due to gradual wear of hinge bearings in the elevons.

Post test data-correction factors had to be applied to Main Propulsion System nozzle chamber pressure readings, as the total-pressure probes progressively failed during testing. However, these corrections were small, on the order of 1%, and are already incorporated in data presented herein.

Scanivalve-measured Orbiter, External Tank, and Solid Rocket Booster surface pressures were also extremely reliable, with only one orifice apparently plugged, Tap #30 shown in Table 4.

Due to the loss of the right-hand contoured MPS nozzle during Run 311, all contoured-nozzle configuration testing after Run 313 employed the conical nozzle in the top-center location. The top-center contoured nozzle was used in the right-hand location, consequently.

TABLE I

TEST : IA80		DATE : 8 NOV., 1974	
TEST CONDITIONS			
MACH NUMBER	REYNOLDS NUMBER (per foot)	DYNAMIC PRESSURE (pounds/sq. inch)	STAGNATION TEMPERATURE (degrees Fahrenheit)
0.60	1.75×10^6	1.46	77
0.60	2.56×10^6	2.13	81
0.60	3.39×10^6	2.93	91
0.90	2.17×10^6	2.44	85
0.90	3.13×10^6	3.62	90
0.90	4.26×10^6	4.48	92
1.10	2.25×10^6	2.93	90
1.10	3.27×10^6	4.26	94
1.10	4.30×10^6	5.79	109
1.25	2.27×10^6	3.11	90
1.25	3.29×10^6	4.52	94
1.25	4.36×10^6	6.16	105
1.40	2.23×10^6	3.18	90
1.40	3.22×10^6	4.62	96
1.40	4.25×10^6	6.32	111

BALANCE UTILIZED: None

	CAPACITY:	ACCURACY:	COEFFICIENT TOLERANCE:
NF	_____	_____	_____
SF	_____	_____	_____
AF	_____	_____	_____
PM	_____	_____	_____
RM	_____	_____	_____
YM	_____	_____	_____

COMMENTS:

ORIGINAL PAGE IS
OF POOR QUALITY

TABLE II.

TEST: IASO DATA SET/RUN NUMBER COLLATION SUMMARY DATE: 8 NOV 74

DATA SET IDENTIFIER	CONFIGURATION	SCHD.		PARAMETERS/VALUES							NO. OF RUNS	ANGLE-OF-ATTACK				
		α	β	δ_{RB}	SS	δ_{BL}	δ_{EO}	RN	M					-4	0	4
RE4001	ϕ TS		B	N+	N	O	O	3.4	0.6					240	241	242
02								4.25	0.9					222	223	224
03									1.1					74	75	76
04									1.25					48	49	50
05									1.4					1	2	3
06				N+	N			3.4	0.6					243	244	245
07								4.25	0.9					225	226	227
08									1.1					77	78	79
09									1.25					51	52	53
10									1.4					4	5	6
11				N	N+			3.4	0.6					249	250	251
12								4.25	0.9					231	232	233
13									1.1					80	81	82
14									1.25					54	55	56
15									1.4					7	8	9
16				N	N-				0.9					234	235	236
17									1.1					83	84	85
18									1.25					57	58	59

TEST RUN NUMBERS

36

1 7 13 19 25 31 37 43 49 55 61 67 75 76

SEE ATTACHED SHEET FOR COMPLETE COEFFICIENT SCHEDULES

COEFFICIENTS IDVAR (1) IDVAR (2) IDVAR (3)

α OR β _____

SCHEDULES _____

TABLE II. - Continued.

TEST: IA80		DATA SET/RUN NUMBER COLLATION SUMMARY											DATE:					
DATA SET IDENTIFIER	CONFIGURATION	SCHD.		PARAMETERS/VALUES							NO. OF RUNS	ANGLE-OF-ATTACK						
		α	β	SR	B	SM	E	SE	EO	RN		M				-4	0	4
REH019	OTS		B	N	N-	0	0	4.25	1.4							10	11	12
20				N	N			3.4	0.6							246	247	248
21								4.25	0.9							228	229	230
22									1.1							86	87	88
23									1.25							60	61	62
24				↓	↓				1.4							13	14	15
25				N-	N				1.1							89	90	91
26									1.25							63	64	65
27				↓	↓			↓	1.4							16	17	18
28				OFF	OFF			3.4	0.6							237	238	239
29								4.25	0.9							219	220	221
30									1.1							69	70	71
31									1.25							66	67	68
32								↓	1.4							19	20	21
33								1.75	0.6							270	271	272
34								2.25	0.9							267	268	269
35									1.1							22	23	24
↓ 36	↓		↓	↓	↓	↓	↓	↓	1.25							30	31	32

TEST RUN NUMBERS

37

1	7	13	19	25	31	37	43	49	55	61	67	75	76	
COEFFICIENTS											IDVAR (1)	IDVAR (2)	NDV	
α OR β		_____										_____		_____
SCHEDULES		_____										_____		_____

TABLE II. - Continued.

TEST: IABO		DATA SET/RUN NUMBER COLLATION SUMMARY										DATE:				
DATA SET IDENTIFIER	CONFIGURATION	SCHD.		PARAMETERS/VALUES								NO. OF RUNS	ANGLE-OF-ATTACK			
		α	β	S _R	B	S _M	E	S _E	S _O	R _N	M		MACH No.	-4	0	4
RE4037	ΦTS		B	OFF	OFF	0	0	2.25	1.4					33	34	35
38				N	N			1.75	0.6					273	274	275
39								2.25	0.9					264	265	266
40								2.25	1.1					27	28	29
41				OFF	OFF			2.5	0.6					252	253	254
42								3.25	0.9					258	259	260
43									1.1					36	37	38
44									1.25					42	43	44
45									1.4					45	46	47
46				N	N			2.5	0.6					255	256	257
47								3.25	0.9					261	262	263
48								3.25	1.1					39	40	41
49				0	OFF	OFF	8	4	4.25	V			92			
50				0	N	N				V			93			
51				B	OFF	OFF				0.98				112	113	114
52					N	N				0.98				115	116	117
53					OFF	OFF			3.4	0.6				288	289	290
54								4.25	0.9					296	297	298

TEST RUN NUMBERS

1 7 13 19 25 31 37 43 49 55 61 67 75 76

COEFFICIENTS

IDVAR (1) IDVAR (2) NDV

α OR β
SCHEDULES

38

TABLE II. - Continued.

TEST: IA 80		DATA SET/RUN NUMBER COLLATION SUMMARY										DATE:								
DATA SET IDENTIFIER	CONFIGURATION	SCHD.		PARAMETERS/VALUES								NO. OF RUNS	ANGLE-OF-ATTACK							
		α	β	SRB	SSME	SEI	SEO	RN	MI											
RE4055	PTS		B	OFF	OFF	8	4	4.25	1.1									-4	0	4
56									1.25									106	107	108
57									1.4									94	95	96
58				N	N			3.4	0.6									100	101	102
59								4.25	0.9									291	292	293
60									1.1									299	300	301
61									1.1									109	110	111
62									1.25									97	98	99
63									1.4									103	104	105
64				N	N				0.98									118	119	120
65				OFF	OFF	8	-4	3.4	0.6									314	315	316
66								4.25	0.9									302	303	304
67									1.1									133	134	135
68									1.25									127	128	129
69									1.4									121	122	123
70				N	N			3.4	0.6									317	318	319
71								4.25	0.9									305	306	307
72									1.1									136	137	138
									1.25									130	131	132

39

TEST RUN NUMBERS

1 7 13 19 25 31 37 43 49 55 61 67 75 76

COEFFICIENTS

IDVAR (1) IDVAR (2) NDV

α OR β
SCHEDULES

TABLE II. - Continued.

TEST: IA80		DATA SET RUN NUMBER COLLATION SUMMARY										DATE:					
DATA SET IDENTIFIER	CONFIGURATION	SCHD.		PARAMETERS/VALUES								NO. OF RUNS	ANGLE-OF-ATTACK				
		α	β	SRB	SSME	SET	SEO	RN	M						-4	0	4
REL073	UTS		B	N	N	8	-4	4.25	1.4						124	125	126
74				OFF	OFF	8	0	3.4	0.6						276	277	278
75								4.25	0.9						282	283	284
76									1.1						153	154	155
77									1.25						147	148	149
78				↓	↓			↓	1.4						141	142	143
79				N	N			3.4	0.6						279	280	281
80								4.25	0.9						285	286	287
81									1.1						156	157	158
82									1.25						150	151	152
83				↓	↓	↓	↓	↓	1.4						144	145	146
84				OFF	OFF	8	2	3.4	0.6						326	327	328
85								4.25	0.9						320	321	322
86				↓	↓			↓	1.1						159	160	161
87				N	N			3.4	0.6						329	330	331
88								4.25	0.9						323	324	325
89				↓	↓	↓	↓	4.25	1.1						162	163	164
↓ 90	↓			↓	OFF	OFF	4	4	3.4	0.6					332	333	334
1	7	13	19	25	31	37	43	49	55	61	67	75	76				
COEFFICIENTS										IDVAR (1)	IDVAR (2)	NOV					
α OR β		_____										_____		_____			
SCHEDULES		_____										_____		_____			

40

TEST RUN NUMBERS

TABLE II. - Continued.

TEST: IA 80		DATA SET/RUN NUMBER COLLATION SUMMARY										DATE:			
DATA SET IDENTIFIER	CONFIGURATION	SCHD.		PARAMETERS/VALUES							NO. OF RUNS	ANGLE-OF-ATTACK			
		α	β	SRB	SME	SEE	SEO	RN	θ				-4	0	4
REH091	Φ TS		B	OFF	OFF	4	4	4.25	0.9				338	339	340
92									1.1				177	178	179
93									1.25				171	172	173
94				↓	↓			↓	1.4				165	166	167
95				N	N			3.4	0.6				335	336	337
96								4.25	0.9				341	342	343
97									1.1				180	181	182
98									1.25				174	175	176
99				↓	↓	↓	↓	↓	1.4				168	169	170
A0				OFF	OFF	0	4	3.4	0.6				344	345	346
A1				↓				4.25	0.9				350	351	352
A2				↓					1.1				195	196	197
A3				↓					1.25				189	190	191
A4				↓	↓			↓	1.4				183	184	185
A5				N	N			3.4	0.6				347	348	349
A6								4.25	0.9				353	354	355
A7									1.1				198	199	200
↓ A8	↓		↓	↓	↓	↓	↓	↓	1.25				192	193	194

TEST RUN NUMBERS

1 7 13 19 25 31 37 43 49 55 61 67 75 76

COEFFICIENTS

IDVAR (1) IDVAR (2) NDV

α OR β
SCHEDULES

ORIGINAL PAGE IS

41

TABLE II. - Continued.

TEST: IA80		DATA SET/RUN NUMBER COLLATION SUMMARY										DATE:							
DATA SET IDENTIFIER	CONFIGURATION	SCHD.		PARAMETERS/VALUES							NO. OF RUNS	ANGLE-OF-ATTACK							
		α	β	SRB	SME	SEE	SEO	RN	M					-4	0	4			
RE40A9	OTS		B	N	N	0	4	4.25	1.4								186	187	188
	B0			N	#2 OUT	0	0	3.4	0.6								362	363	364
	B1							4.25	0.9								365	366	367
	B2								1.1								207	208	209
	B3								1.25								204	205	206
	B4								1.4								201	202	203
	B5			N	#1 OUT			3.4	0.6								356	357	358
	B6							4.25	0.9								359	360	361
	B7								1.1								216	217	218
	B8								1.25								213	214	215
	B9								1.4								210	211	212
	C0	OTS W/ET BASE SPOILER			OFF	OFF			0.9								377	375	376
	C1								1.1								368	369	370
	C2			N	N				0.9								378	379	380
	C3								1.1								371	372	373

TEST RUN NUMBERS

42

1 7 13 19 25 31 37 43 49 55 61 67 75 76

COEFFICIENTS

IDVAR (1) IDVAR (2) NDV

α OR β _____
SCHEDULES _____

TABLE II. - Concluded.

DATASETS	IDVAR(1)	IDVAR(2)	COEFFICIENTS
RE40XX EE4XXX	ALPHA ALPHA	BETA BETA	CBMW, CTMW, CNW, CHEI, CHEO, CBMV, CTMV, CYV, CHR, MACH XWCP, YWCP, XVCP, ZVCP
AE4XXX	ALPHA	BETA	CP379, CP717, CP380, CP718, CP381, CP716, CP720, CP719, CP374, CP376
BE4XXX	ALPHA	BETA	CP2, CP4, CP6, CP8, CP12, CP14, CP18, CP20
CE4XXX	ALPHA	BETA	CP29, CP31, CP35, CP37, CP30, CP32, CP36, CP38
DE4XXX	ALPHA	BETA	CP76, CP78, CP80, CP82, CP75, CP77, CP79, CP81
FE4XXX	ALPHA	BETA	CP378, CP715, CP375, CP377, CP721, CP372, CP714, CP722, CP373, CP713
GE4XXX	ALPHA	BETA	CP723, CP371, CP370, CP724
HE4XXX	ALPHA	BETA	CP22, CP24, CP26, CP28, CP21, CP23, CP25, CP27
IE4XXX	ALPHA	BETA	CP13, CP17, CP19
JE4XXX	ALPHA	BETA	CP39, CP41, CP43, CP45, CP40, CP42, CP44, CP46
KE4XXX	ALPHA	BETA	CP47, CP49, CP53, CP55, CP48, CP50, CP54, CP56
LE4XXX	ALPHA	BETA	CP60, CP62, CP64, CP66, CP59, CP61, CP63, CP65
ME4XXX	ALPHA	BETA	CP68, CP70, CP72, CP74, CP67, CP69, CP71, CP73
RE4CXX	ALPHA	BETA	CP for pressure tap* 9, 10, 15, 16, 33, 34, 51, 54, 57, 58
RE4DXX	ALPHA	BETA	CP for pressure taps* 700, 702, 704, 706, 382, 384, 708, 710, 383, 385
RE4EXX	ALPHA	BETA	CP for pressure taps* 701, 703, 705, 707, 386, 388, 709, 711, 387, 389
RE4GXX	ALPHA	BETA	CP for pressure taps* 518, 805, 800, 521, 806, 801, 804, 807, 802, 515, 808, 803
RE4HXX	ALPHA	BETA	CP for pressure taps* 541, 810, 814, 821, 826, 815, 811, 816, 822, 827, 817, 823, 828, 832, 812, 818, 824, 829, 830, 833, 809, 813, 819, 820, 825, 831, 834
RE4IXX	ALPHA	BETA	CP for pressure taps* 841, 842, 843, 844

* See TABLE IV for tap locations.

Table III Model Dimensional Data

MODEL COMPONENT: ATTACH STRUCTURE - AT 28

GENERAL DESCRIPTION: Rear orbiter to ET attach structure (LH and RH) (2 members)

MODEL SCALE: 0.020

MODEL DRAWING NO.: _____

DRAWING NO.: VL78-000063, VL78-000062B

DIMENSIONS:

	<u>MEMBER</u>	<u>FULL SCALE</u>	<u>MODEL SCALE</u>
	#1		
	X _O	<u>1317.00</u>	<u>26.34</u>
	Y _O	<u>- 96.50 (LH)</u> - <u>1.930</u>	
		<u>96.50 (RH)</u>	<u>1.930</u>
	Z _O	<u>267.50</u>	<u>5.350</u>
	X _T	<u>2058.00</u>	<u>41.16</u>
	Y _T	<u>-125.68 (LH)</u> - <u>2.514</u>	
		<u>125.68 (RH)</u>	<u>2.514</u>
	Z _T	<u>515.5</u>	<u>10.310</u>
	#2		
	X _O	<u>1317.00</u>	<u>26.34</u>
	Y _O	<u>- 96.50 (LH)</u> - <u>1.930</u>	
		<u>96.50 (RH)</u>	<u>1.930</u>
	Z _O	<u>267.50</u>	<u>5.350</u>
	X _T	<u>1872.00</u>	<u>37.44</u>
	Y _T	<u>-125.68 (LH)</u> - <u>2.514</u>	
		<u>125.68 (RH)</u>	<u>2.514</u>
	Z _T	<u>504.5</u>	<u>10.090</u>
Diameter, In.	#1	<u>11.5</u>	<u>0.230</u>
	#2	<u>15.5</u>	<u>0.310</u>

Table III (Cont'd)

MODEL COMPONENT: ATTACH STRUCTURE - AT 31

GENERAL DESCRIPTION: REAR ET to SRB attach structure (LH and RH). (3 members)

MODEL SCALE: 0.020

MODEL DRAWING: _____

DRAWING NO.: VL78-000063, -000062B, -000066

DIMENSIONS:	MEMBER	FULL SCALE	MODEL SCALE
X _T	#1	2058.00	41.16
Y _T		-171.50	- 3.430 (LH)
		171.50	3.430 (RH)
Z _T		457.00	9.140
X _S		1511.00	41.16
Y _S		53.24	1.064
Z _S		57.00	1.14
X _T	#2	2058.00	41.16
Y _T		-163.85	- 3.277
Z _T		449.81	8.996
X _S		1511.00	30.22
Y _S		76.56	1.531
Z _S		15.73	0.315
X _T	#3	2058	41.16
Y _T		-161.72	-3.234
Z _T		343.00	6.860
X _S		1511.00	30.22
Y _S		53.24	1.597
Z _S		- 57.00	-1.140
Diameter of members, In.:	#1	_____	_____
	#2	_____	_____
	#3	_____	_____

Table III (Cont'd)

MODEL COMPONENT: ATTACH STRUCTURE - AT 32

GENERAL DESCRIPTION: Forward orbiter/ET attach structure (2 members)

MODEL SCALE: 0.020

DRAWING NO.: VL78-000062B, Martin Marietta 8260020914

DIMENSIONS:		<u>MEMBER</u>	<u>FULL SCALE</u>	<u>MODEL SCALE</u>
Member	#1			
		X _O	<u>388.15</u>	<u>7.763</u>
		Y _O	<u>0</u>	<u>0</u>
(Attach point on Orbiter Z _T 614)		Z _O	<u>LWR ML</u>	<u>LWR ML</u>
		X _T	<u>1129.9</u>	<u>22.598</u>
		Y _T	<u>46.50</u>	<u>9.300</u>
(Attach point on Tank)		Z _T	<u>562.58</u>	<u>11.251</u>
	#2	X _O	<u>388.15</u>	<u>7.763</u>
		Y _O	<u>0</u>	<u>0</u>
		Z _O	<u>LWR ML</u>	<u>LWR ML</u>
		X _T	<u>1129.9</u>	<u>22.598</u>
		Y _T	<u>-46.50</u>	<u>-0.930</u>
		Z _T	<u>562.58</u>	<u>11.252</u>
Diameter, In.	#1		<u>6.00</u>	<u>0.120</u>
	#2		<u>6.00</u>	<u>0.120</u>

Table III (Cont'd)

MODEL COMPONENT : BODY B₆₂

GENERAL DESCRIPTION : Configuration 140C orbiter fuselage, MCR 200-R4.

Similar to 140A/B fuselage except aft body revised and improved midbody-wing-boot fairing, $X_o = 940$ to $X_o = 1040$.

MODEL SCALE: 0.020

DRAWING NUMBER : VL70-000140C, -000202C, -000205A
-000200B, -000203

DIMENSIONS :	FULL SCALE	MODEL SCALE
Length (IML: Fwd Sta $X_o = 238$), In.	1290.3	25.806
Length (OML: Fwd Sta $X_o = 235$), In.	1293.3	25.866
Max Width (At $X_o = 1528.3$), In.	264.0	5.280
Max Depth (At $X_o = 1464$), In.	250.0	5.00
Fineness Ratio	4.899	4.899
Area - Ft ²		
Max. Cross-Sectional	340,885	0.136
Planform		
Wetted		
Base		

Table III (Cont'd)

MODEL COMPONENT : CANOPY - C₁₂

GENERAL DESCRIPTION : Configuration 140C orbiter canopy. Vehicle Cabin No. 31 updated to MCR 200-R4. Used with Fuselage B₆₂.

MODEL SCALE: 0.020

DRAWING NUMBER: VL70-000140C, -000202B, -000204

DIMENSIONS :	FULL SCALE	MODEL SCALE
Length($X_0 = 434.643$ to 578), In.	<u>143.357</u>	<u>2.867</u>
Max Width (At $X_0 = 513.127$), In.	<u>152.412</u>	<u>3.048</u>
Max Depth (At $Z_0 = 501$ to 449.39), In.	<u>51.61</u>	<u>1.032</u>
Fineness Ratio	<u> </u>	<u> </u>
Area	<u> </u>	<u> </u>
Max. Cross-Sectional	<u> </u>	<u> </u>
Planform	<u> </u>	<u> </u>
Wetted	<u> </u>	<u> </u>
Base	<u> </u>	<u> </u>

Table III (Cont'd)

MODEL COMPONENT: ELEVON - E52

GENERAL DESCRIPTION: Elevon for configuration 140C. Hingeline at $X_o = 1387$,
elevon split line $X_w = 312.5$, 6.0" gaps, beveled edges, and centerbodies.

MODEL SCALE: 0.020

DRAWING NUMBER: VL70-000140C, -006089, -006092, SS-A01260

<u>DIMENSIONS:</u>	<u>FULL-SCALE</u>	<u>MODEL SCALE</u>
Area - Ft ²	<u>210.0</u>	<u>0.084</u>
Span (equivalent) , In.	<u>349.2</u>	<u>6.984</u>
Inb'd equivalent chord , In.	<u>118.0</u>	<u>2.360</u>
Outb'd equivalent chord , In.	<u>55.19</u>	<u>1.104</u>
Ratio movable surface chord/ total surface chord		
At Inb'd equiv. chord	<u>0.2096</u>	<u>0.2096</u>
At Outb'd equiv. chord	<u>0.4004</u>	<u>0.4004</u>
Sweep Back Angles, degrees		
Leading Edge	<u>0.0</u>	<u>0.0</u>
Tailing Edge	<u>-10.056</u>	<u>-10.056</u>
Hingeline	<u>0.0</u>	<u>0.0</u>
(Product of area & \bar{c})		
Area Moment , Ft ³	<u>1587.25</u>	<u>0.0127</u>
Mean Aerodynamic Chord, In.	90.7	1,814
Hingeline dihedral (origin at $Z_o = 261.3509$), deg.)	5.229	5.229

Table III (Cont'd)

MODEL COMPONENT : BODY FLAP - F₁₀

GENERAL DESCRIPTION : Configuration 140C body flap. Hingeline located
at X_o = 1532, Z_o = 287.

MODEL SCALE: 0.020

DRAWING NUMBER : VL70-000140C, -355114

DIMENSIONS :	FULL SCALE	MODEL SCALE
Length (X _o = 1525.5 to 1613), In.	<u>87.50</u>	<u>1.750</u>
Max Width (At L. E., X _o = 1525.5) In.	<u>256.00</u>	<u>5.12</u>
Max Depth (X _o = 1532.0), In.	<u>19.798</u>	<u>0.594</u>
Fineness Ratio	<u> </u>	<u> </u>
Area - Ft ²	<u> </u>	<u> </u>
Max. Cross-Sectional (At H. L.)	<u>35.196</u>	<u>0.0317</u>
Planform	<u>135.00</u>	<u>0.1215</u>
Wetted	<u> </u>	<u> </u>
Base (X _o = 1613)	<u>4.89</u>	<u>0.0044</u>

Table III (Cont'd)

MODEL COMPONENT: FEEDLINE - FL₁₀

GENERAL DESCRIPTION: LH₂ feedline on upper left-hand side of T₂₈.

MODEL SCALE: 0.020

DRAWING NO.: VL78-000063, -000062B

DIMENSIONS:		<u>FULL SCALE</u>	<u>NNMODEL SCALE</u>
Leading edge at:	X _T	2071.5	41.430
	Y _T	- 70.00	-1.400
	Z _T	573.934	11.479
Trailing edge at:	X _T	2081.8	41.636
	Y _T	- 70.00	-1.400
	Z _T	584.059	11.681
Diameter of line (17.0 I.D.)		18.160	0.363

Table III (Cont'd)

MODEL COMPONENT: FEEDLINE - FL₁₁

GENERAL DESCRIPTION: LO₂ feedline on upper right-hand of T₂₈

MODEL SCALE: 0.020

DRAWING NUMBER: VL78-000063, -000062B

DIMENSIONS:		<u>FULL SCALE</u>	<u>MODEL SCALE</u>
Leading edge at:	X _T	1000.667	20.013
	Y _T	70.00	1.400
	Z _T	150.519	3.010
Trailing edge at:	X _T	2071.5	41.430
	Y _T	70.00	1.400
	Z _T	573.934	11.479
Diameter of line (17.0 I. D.)		18.16 O. D.	0.363

Table III (Cont'd)

MODEL COMPONENT: FAIRING - FR₁₀

GENERAL DESCRIPTION: Umbilical door fairing between aft ET/Orbiter
attach structure.

MODEL SCALE: 0.020

DRAWING NO.: VL78-000063, -000062B, Martin Marietta 82600207000

DIMENSIONS:

		<u>FULL SCALE</u>	<u>MODEL SCALE</u>
Leading edge at:	X _T	2052.0	41.04
Length		193.0	3.86
Width		15.00	0.300

Table III (Cont'd)

MODEL COMPONENT : OMS POD - M₁₆

GENERAL DESCRIPTION : Configuration 140C orbiter OMS pod - short pod.

MODEL SCALE: 0.020

DRAWING NUMBER : VL70-008401, -008410

DIMENSIONS :	FULL SCALE	MODEL SCALE
Length (OMS Fwd Sta $X_0 = 1310.5$), In.	<u>258.50</u>	<u>5.170</u>
Max Width (At $X_0 = 1511$), In.	<u>136.8</u>	<u>2.736</u>
Max Depth (At $X = 1511$), In.	<u>74.70</u>	<u>1.474</u>
Fineness Ratio	<u>2.484</u>	<u>2.484</u>
Area - Ft ²	<u> </u>	<u> </u>
Max. Cross-Sectional	<u>58.864</u>	<u>0.024</u>
Planform	<u> </u>	<u> </u>
Wetted	<u> </u>	<u> </u>
Base	<u> </u>	<u> </u>

Table III (Cont'd)

MODEL COMPONENT: MPS NOZZLES - N87

GENERAL DESCRIPTION: Flow-through MPS nozzles.

MODEL SCALE: 0.020

DRAWING NUMBER: SS-A01279

DIMENSIONS:	<u>FULL SCALE</u>	<u>MODEL SCALE</u>
MACH NO. 1.55, 2.0, 2.2, 2.6, 3.0, 3.5		
Length - In.		
Gimbal Point to Exit Plane	<u>157.0</u>	<u>3.140</u>
Throat to Exit Plane	<u>181.55</u>	<u>3.361</u>
Diameter - In.		
Exit	<u>90.435</u>	<u>1.809</u>
Throat	<u>23.350</u>	<u>0.467</u>
Inlet		
Area - ft ²		
Exit	<u>44.607</u>	<u>0.178</u>
Throat	<u>2.974</u>	<u>0.00198</u>
Gimbal Point (Station) - In.		
Upper Nozzle		
X _o	<u>1445.00</u>	<u>28.90</u>
Y _o	<u>0.0</u>	<u>0.0</u>
Z _o	<u>443.00</u>	<u>8.86</u>
Lower Nozzles		
X _o	<u>1468.17</u>	<u>29.363</u>
Y _o	<u>±53.0</u>	<u>±1.06</u>
Z _o	<u>342.64</u>	<u>6.853</u>
Null Position - Deg.		
Upper Nozzle		
Pitch	<u>16</u>	<u>16</u>
Yaw	<u>0</u>	<u>0</u>
Lower Nozzle		
Pitch	<u>10</u>	<u>10</u>
Yaw	<u>0</u>	<u>0</u>

Table III (Cont'd)

MODEL COMPONENT: SRB NOZZLE - N₈₈

GENERAL DESCRIPTION: Flow-through SRB nozzle simulator = 7.0 prototype.

MODEL SCALE: 0.020

DRAWING NUMBER: SS-A01281

DIMENSIONS:	<u>FULL SCALE</u>	<u>MODEL SCALE</u>
MACH NO. 1.55, 2.0, 2.2, 2.6, 3.0, 3.5		
Length - In.		
Gimbal Point to Exit Plane	<u>86.8</u>	<u>1.736</u>
Throat to Exit Plane	<u>112.135</u>	<u>2.243</u>
Diameter - In.		
Exit	<u>114.290</u>	<u>2.886</u>
Throat	<u>64.53</u>	<u>1.291</u>
Inlet	<u> </u>	<u> </u>
Area - ft ²		
Exit	<u>356.738</u>	<u>0.143</u>
Throat	<u>22.712</u>	<u>0.009</u>
Gimbal Point (Station) - In.		
XB	<u>1902.6</u>	<u>38,052</u>
YB	<u>250.2</u>	<u>5.010</u>
Z	<u> </u>	<u> </u>
Lower Nozzles		
X	<u> </u>	<u> </u>
Y	<u> </u>	<u> </u>
Z	<u> </u>	<u> </u>
Null Position - Deg.		
Pitch	<u>0</u>	<u>0</u>
Yaw	<u>0</u>	<u>0</u>
Lower Nozzle		
Pitch	<u> </u>	<u> </u>
Yaw	<u> </u>	<u> </u>

Table III (Cont'd)

MODEL COMPONENT: OMS NOZZLES - N₈₉

GENERAL DESCRIPTION: OMS nozzle in stowed position which is outboard 8 deg. and down 7 deg. from null position. Use with M₁₆.

MODEL SCALE: 0.020

DRAWING NUMBER: SS-A01279

DIMENSIONS:	<u>FULL SCALE</u>	<u>MODEL SCALE</u>
MACH NO.		
Length - In.		
Gimbal Point to Exit Plane	<u>56.0</u>	<u>1.12</u>
Throat to Exit Plane	<u> </u>	<u> </u>
Diameter - In.		
Exit (.O.D.)	<u>50.0</u>	<u>1.00</u>
Throat	<u> </u>	<u> </u>
Inlet	<u> </u>	<u> </u>
Area - ft ²		
Exit	<u> </u>	<u> </u>
Throat	<u> </u>	<u> </u>
Gimbal Point (Station) - In.		
X ₀	<u>1518.00</u>	<u>30.360</u>
Y ₀	<u>88.00</u>	<u>1.76</u>
Z ₀	<u>492.0</u>	<u>9.84</u>
Lower Nozzles		
X	<u> </u>	<u> </u>
Y	<u> </u>	<u> </u>
Z	<u> </u>	<u> </u>
Null Position - Deg.		
Pitch	<u>15°49'</u>	<u>15°49'</u>
Yaw	<u>6°30'</u>	<u>6°30'</u>
Lower Nozzle		
Pitch	<u> </u>	<u> </u>
Yaw	<u> </u>	<u> </u>

Table III (Cont'd)

MODEL COMPONENT: NOZZLES - N₁₀₄

GENERAL DESCRIPTION: Flow-through MPS nozzles with gimbal capability.
Same as N₈₇, except that these nozzles have contoured interior, the exterior
same as N₈₇ when shroud is attached.

MODEL SCALE: 0.020

DRAWING NUMBER: SS-A01261

DIMENSIONS:	<u>FULL SCALE</u>	<u>MODEL SCALE</u>
MACH NO.		
Length - In.		
Gimbal Point to Exit Plane	<u>157.00</u>	<u>3.14</u>
Throat to Exit Plane	<u>119.69</u>	<u>2.394</u>
Diameter - In.		
Exit	<u>90.435</u>	<u>1.809</u>
Throat	<u>30.140</u>	<u>0.603</u>
Inlet	<u> </u>	<u> </u>
Area - ft ²		
Exit	<u>44.607</u>	<u>0.0178</u>
Throat	<u>4.955</u>	<u>0.00198</u>
Gimbal Point (Station) - In.		
Upper Nozzle		
X _o	<u>1445.00</u>	<u>28.90</u>
Y _o	<u>0.0</u>	<u>0.0</u>
Z _o	<u> </u>	<u> </u>
Lower Nozzles		
X _o	<u>1468.17</u>	<u>29.3634</u>
Y _o	<u>53.0</u>	<u>1.06</u>
Z _o	<u>342.64</u>	<u>6.853</u>
Null Position - Deg.		
Upper Nozzle		
Pitch	<u>16</u>	<u>16</u>
Yaw	<u>0</u>	<u>0</u>
Lower Nozzle		
Pitch	<u>10</u>	<u>10</u>
Yaw	<u>OUTB'D 3°30'</u>	<u>OUTB'D 3°30'</u>

Table III (Cont'd)

MODEL COMPONENT : ELECTRICAL TUNNEL - PS₁₁

GENERAL DESCRIPTION : Tunnel running longitudinally on the SRB for electrical wires.

MODEL SCALE: 0.020

DRAWING NUMBER: VC77-000002

DIMENSIONS :	FULL SCALE	MODEL SCALE
Width, In.	<u>5.70</u>	<u>0.114</u>
Radius, In.	<u>5.70</u>	<u>0.114</u>
Height, In	<u>4.70</u>	<u>0.094</u>
L. E. at Sta.	<u>494.70</u>	<u>9.894</u>
L. L. sweepback angle, Deg.	<u>30.0</u>	<u>30.0</u>
Max. Cross-Sectional	<u> </u>	<u> </u>
Planform	<u> </u>	<u> </u>
Wetted	<u> </u>	<u> </u>
Base	<u> </u>	<u> </u>

Table III (Cont'd)

MODEL COMPONENT: ELECTRICAL TUNNEL - PS₁₂

GENERAL DESCRIPTION: Four ring stiffeners located at the aft end of the solid rocket boosters. The stiffener is a curved I-beam.

MODEL SCALE: 0.020

DRAWING NO.: VC77-000002

DIMENSIONS:		<u>FULL SCALE</u>	<u>MODEL SCALE</u>
Height, In.		2.5	0.050
Length, In.		2.0	0.04
Locations:	$X_B =$	1602.00	32.04
		1644.00	32.88
		1729.00	34.58
		1771.00	35.42

Table III (Cont'd)

MODEL COMPONENT: CIRCUMFERENTIAL STIFFENER - PS₁₃

GENERAL DESCRIPTION: Ring stiffener located at the point where the skirt flares. The stiffener is I-beam.

MODEL SCALE: 0.020

DRAWING NO.: VC77-000002

DIMENSIONS:		<u>FULL SCALE</u>	<u>MODEL SCALE</u>
Height, In.		6.50	0.130
Length, In.		4.00	0.080
Location centerline	X _B	1833.70	36.674

Table III (Cont'd)

MODEL COMPONENT: SOLID ROCKET BOOSTER - EXTERNAL TANK
ATTACH - PS₁₄

GENERAL DESCRIPTION: Two-ring stiffeners located at aft end of
solid rocket boosters. The stiffener is curved I-beam.

MODEL SCALE: 0.020

DRAWING NO.: VC77-000002

DIMENSIONS:		<u>FULL SCALE</u>	<u>MODEL SCALE</u>
Height, In.		8.00	0.160
Length, In.		3.00	0.060
Location centerline	X _B	1511.00	30.22

Table III (Cont'd)

MODEL COMPONENT: SRB PROTUBERANCES - PS₁₇

GENERAL DESCRIPTION: Electrical connecting box mounted on top of PS₁₄.

MODEL SCALE: 0.020

DRAWING NO.: None

DIMENSIONS:

	<u>FULL SCALE</u>	<u>MODEL SCALE</u>
Width, In.	60.00	1.200
Depth, In.	17.5	0.350

Centerline of box located 15 deg inboard from vertical plane of symmetry.

Table III (Cont'd)

MODEL COMPONENT: SRB PROTUBERANCE - PS₁₈

GENERAL DESCRIPTION: Tie-down fixtures mounted on the aft skirt. Total of four founted 30 deg. on both sides of vertical plane of symmetry.

MODEL SCALE: 0.020

DRAWING NO.: None

DIMENSIONS;	<u>FULL SCALE</u>	<u>MODEL SCALE</u>
Sta. of leading edge (X_B)	1861.2	37.224
Sta. of Trailing Edge (X_B)	1925.2	38.504
Max. width, In.	14.2	0.284
Height, In.	8.3	0.166

Table III (Cont'd)

MODEL COMPONENT: SRB PROTUBERANCES - PS₁₉

GENERAL DESCRIPTION: Aft separation motor pod mounted on aft skirt
at 20 deg. inboard from top vertical plane of symmetry.

MODEL SCALE: 0.020

DRAWING NO.: None

DIMENSIONS:	<u>FULL SCALE</u>	<u>MODEL SCALE</u>
Width, In.	14.0	0.280
Height, In. (at Trailing edge)	19.0	0.380
Sweepback of leading edge, deg.	15.0	15.0

Table III (Cont'd)

MODEL COMPONENT: ET PROTUBERANCE - PT₁₂

GENERAL DESCRIPTION: Lightning rod attached to ET nose.

MODEL SCALE: 0.020

DRAWING NO.: VL78-000068A

DIMENSIONS:	<u>FULL SCALE</u>	<u>MODEL SCALE</u>
Length	30.90	0.618
Diameter, In.	3.20	0.096

Table III (Cont'd)

MODEL COMPONENT: ELECTRICAL LINE - PT₂₂

GENERAL DESCRIPTION: Left-hand electrical conduit line on T₂₈.

MODEL SCALE: 0.020

DRAWING NO.: VL78-000063, VL78-000062B

DIMENSIONS:

		<u>FULL SCALE</u>	<u>MODEL SCALE</u>
Leading edge at:	X _T	1084.333	21.687
	Y _T	- 99.591	- 1.992
	Z _T	-139.620	- 2.794
Trailing edge at:	X _T	2058.00	41.16
	Y _T	- 99.491	-1.992
	Z _T	-139.620	-2.794
Conduit size:		2.0 x 6.0	0.04 x 0.12

Centerline of line located radially at $\phi = 35.5$ deg.

Table III (Cont'd)

MODEL COMPONENT: LO₂ RECIRCULATION LINE - PT₂₃

GENERAL DESCRIPTION: LO₂ recirculation line on right-hand upper side of T₂₈.

MODEL SCALE: 0.020

DRAWING NO.: VL78-000063, -000062B , Martin Marietta 82600207000

DIMENSIONS:		<u>FULL SCALE</u>	<u>MODEL SCALE</u>
Leading edge at:	X _T	1040.667	20.813
	Y _T	94.169	1.883
	Z _T	540.974	11.11817
Trailing edge at:	X _T	2062.920	41.258
	Y _T	70.00	1.40
	Z _T	573.934	11.479
Diameter of line		4.00	0.080
Centerline of lines located radially at $\phi = 33^{\circ} 45'$			
(Right of TDC looking forward).			

Table III (Cont'd)

MODEL COMPONENT: LH₂ RECIRCULATION LINE - PT₂₄

GENERAL DESCRIPTION: LH₂ recirculation line on T₂₈.

MODEL SCALE: 0.020

DRAWING NO.: VL78-000063, -000062B, Martin Marietta 82600207000

DIMENSIONS:		<u>FULL SCALE</u>	<u>MODEL SCALE</u>
Leading edge at:	X _T	1040.667	20.813
	Y _T	- 94.169	-1.883
	Z _T	540.934	11.819
Trailing edge at:	X _T	2062.920	41.258
	Y _T	- 70.00	-1.400
	Z _T	573.934	11.479
Diameter of line		4.0	0.080

Centerline of line located radially at $\phi = 33^{\circ}45'$

(Left of TDL looking forward).

Table III (Cont'd)

MODEL COMPONENT: ELECTRICAL LINE - PT₂₅

GENERAL DESCRIPTION: Right-hand aft electrical conduit line on T₂₈

with LH₂ pressure sensor line and LOX vent valve actuator line.

MODEL SCALE: 0.020

DRAWING NO.: VL78-000063, -000062B, Martin Marietta 82600207000

DIMENSIONS:		<u>FULL SCALE</u>	<u>MODEL SCALE</u>
Leading edge at:	X _T	1084.333	21.687
	Y _T	99.591	1.992
	Z _T	139.620	2.792
Trailing edge at:	X _T	2058.000	41.16
	Y _T	99.591	1.992
	Z _T	139.620	2.792
Conduit size		2.0 x 6.0	0.04 x 0.12
Centerline of line located radially at $\phi = 35.5$ deg.			

Table III (Cont'd)

MODEL COMPONENT: LOX PRESSURE LINE - PT₂₆

GENERAL DESCRIPTION: LOX pressure line on the T₂₈.

MODEL SCALE: 0.020

DRAWING NO.: VL78-000063, -000062B, Martin Marietta 82600207000

DIMENSIONS:		<u>FULL SCALE</u>	<u>MODEL SCALE</u>
Leading edge at:	X _T	360.733	7.215
	Y _T	15.145	0.303
	Z _T	407.718	8.154
Trailing edge at:	X _T	2083.5	41.670
	Y _T	63.25	1.265
	Z _T	609.00	12.180
Line diameter		2.0	0.040

Centerline of line located radially at $\phi = 27$ deg.

Table III (Cont'd)

MODEL COMPONENT: ELECTRICAL LINE - PT₂₇

GENERAL DESCRIPTION: Electrical conduit on the right-hand forward section of T₂₈.

MODEL SCALE: 0.020

DRAWING NO.: VL78-000062B

DIMENSIONS:		<u>FULL SCALE</u>	<u>MODEL SCALE</u>
Leading edge at:	X _T	360.733	7.215
	Y _T	11.549	0.231
	Z _T	412.474	8.250
Trailing edge at:	X _T	876.273	17.525
	Y _T	226.114	4.522
	Z _T	646.774	12.935

Centerline of conduit located radially at $\phi = 47.5$ deg.

Table III (Cont'd)

MODEL COMPONENT: RUDDER - R₅

GENERAL DESCRIPTION: Configuration 140C orbiter rudder (identical to configuration A/B rudder)

MODEL SCALE: 0.020

DRAWING NUMBER: VL70-000146B, -000095

<u>DIMENSIONS:</u>	<u>FULL-SCALE</u>	<u>MODEL SCALE</u>
Area - Ft ²	<u>100.15</u>	<u>0.004</u>
Span (equivalent) - In.	<u>201.00</u>	<u>4.020</u>
Inb'd equivalent chord - In.	<u>91.585</u>	<u>1.832</u>
Outb'd equivalent chord - In.	<u>50.833</u>	<u>1.017</u>
Ratio movable surface chord/ total surface chord		
At Inb'd equiv. chord	<u>0.400</u>	<u>0.400</u>
At Outb'd equiv. chord	<u>0.400</u>	<u>0.400</u>
Sweep Back Angles, degrees		
Leading Edge	<u> </u>	<u> </u>
Trailing Edge	<u>26.25</u>	<u>26.25</u>
Hingeline	<u>34.83</u>	<u>34.83</u>
(Product of area & \bar{c})		
Area Moment , Ft ³	<u>610.92</u>	<u>0.0049</u>
Mean Aerodynamic Chord, In.	<u>73.2</u>	<u>1.464</u>

Table III (Cont'd)

MODEL COMPONENT : BOOSTER SOLID ROCKET MOTOR - S₂₂

GENERAL DESCRIPTION : The BSRM is an external propulsion system which is jettisoned and recoverable after burnout. The BSRM's can be refurbished and reused after recovery.

MODEL SCALE: 0.020

DRAWING NUMBER : VC77-000002C, VC70-000002A, VC72-000002C

DIMENSIONS :	FULL SCALE	MODEL SCALE
Length - In.	<u>1789.60</u>	<u>35.792</u>
Max Width(Tank Dia.) , In.	<u>146.00</u>	<u>2.92</u>
Max Depth (Aft Shroud Dia.) , In.	<u>208.20</u>	<u>4.164</u>
Fineness Ratio	<u>8.596</u>	<u>8.596</u>
Area - Ft ²	<u> </u>	<u> </u>
Max. Cross-Sectional	<u>236.423</u>	<u>0.095</u>
Planform	<u> </u>	<u> </u>
Wetted	<u> </u>	<u> </u>
Base	<u> </u>	<u> </u>
WP of BSRM Centerline (X _T)	400.00	8.00
FS of BSRM nose (X _T)	743.0	14.86
BP of BSRM centerline (X _T)	250.5	5.010

Table III (Cont'd)

MODEL COMPONENT : EXTERNAL TANK - T₂₈

GENERAL DESCRIPTION : _____

NOTE: Dimensions are to tank structural OML, TPS not included).

MODEL SCALE: 0.020

DRAWING NUMBER : VL72-000143D, VL78-000063

DIMENSIONS :	FULL SCALE	MODEL SCALE
Length - In.	<u>1844.275</u>	<u>36.886</u>
Max Wetted Dia. - In.	<u>331.00</u>	<u>6.62</u>
Max Depth	_____	_____
Fineness Ratio	<u>5.687</u>	<u>5.687</u>
Area - Ft ²	_____	_____
Max. Cross-Sectional	<u>594.678</u>	<u>0.239</u>
Planform	_____	_____
Wetted	_____	_____
Base	_____	_____

Table III (Cont'd)

MODEL COMPONENT: VERTICAL - V₈

GENERAL DESCRIPTION: Configuration 140C orbiter vertical tail

(identical to configuration 140A/B vertical tail).

MODEL SCALE: 0.020

DRAWING NUMBER: VL70-000140C, -000146B

DIMENSIONS: FULL SCALE MODEL SCALE

TOTAL DATA

Area (Theo) - Ft ²		
Planform	<u>413.253</u>	<u>0.165</u>
Span (Theo) - In.	<u>315.72</u>	<u>6.314</u>
Aspect Ratio	<u>1.675</u>	<u>1.675</u>
Rate of Taper	<u>0.507</u>	<u>0.507</u>
Taper Ratio	<u>0.404</u>	<u>0.404</u>
Sweep-Back Angles, Degrees.		
Leading Edge	<u>45.00</u>	<u>45.00</u>
Trailing Edge	<u>26.25</u>	<u>26.25</u>
0.25 Element Line	<u>41.13</u>	<u>41.13</u>
Chords:		
Root (Theo) WP	<u>268.50</u>	<u>5.370</u>
Tip (Theo) WP	<u>108.47</u>	<u>2.169</u>
MAC	<u>199.81</u>	<u>3.996</u>
Fus. Sta. of .25 MAC	<u>1463.35</u>	<u>29.267</u>
W.P. of .25 MAC	<u>635.52</u>	<u>12.710</u>
B.L. of .25 MAC	<u>0.0</u>	<u>0.0</u>
Airfoil Section		
Leading Wedge Angle - Deg.	<u>10.00</u>	<u>10.0</u>
Trailing Wedge Angle - Deg.	<u>14.92</u>	<u>14.92</u>
Leading Edge Radius	<u>2.00</u>	<u>0.04</u>
Void Area	<u>13.17</u>	<u>0.0053</u>
Blanketed Area	<u>0.0</u>	<u>0.0</u>

Table III (Conl'd)

MODEL COMPONENT: WING-W₁₁₆
 GENERAL DESCRIPTION: NOTE: Identical to W₁₁₄ except airfoil thickness. Dihedral angle is along trailing edge of wing. Geometric twist = 0.

MODEL SCALE: 0.020

TEST NO.

DWG. NO. VL70-000140A, -000200

DIMENSIONS:

FULL-SCALE

MODEL SCALE

TOTAL DATA

Area (Theo.) Ft²

Planform

2690.00

1.076

Span (Theo) In.

936.68

18.734

Aspect Ratio

2.265

2.265

Rate of Taper

1.177

1.177

Taper Ratio

0.200

0.200

Dihedral Angle, degrees

3.500

3.500

Incidence Angle, degrees

0.500

0.500

Aerodynamic Twist, degrees

Sweep Back Angles, degrees

Leading Edge

45.000

45.000

Trailing Edge

- 10.056

- 10.056

0.25 Element Line

35.209

35.209

Chords:

Root (Theo) B.P.O.O.

689.24

13.785

Tip, (Theo) B.P.

137.85

2.757

MAC

474.81

9.496

Fus. Sta. of .25 MAC

1136.83

22.737

W.P. of .25 MAC

290.58

5.812

B.L. of .25 MAC

182.13

3.643

EXPOSED DATA

Area (Theo) Ft²

1751.50

0.701

Span, (Theo) In. BP108

720.68

14.4136

Aspect Ratio

2.059

2.059

Taper Ratio

0.245

0.245

Chords

Root BP108

562.09

11.242

Tip $1.00 \frac{b}{2}$

137.85

2.757

MAC

392.83

7.856

Fus. Sta. of .25 MAC

1185.98

23.720

W.P. of .25 MAC

294.30

5.886

B.L. of .25 MAC

251.77

5.035

Airfoil Section (Rockwell Mod NASA)
XXXX-64

Root $\frac{b}{2} =$

0.113

0.113

Tip $\frac{b}{2} =$

0.120

0.120

Data for (1) of (2) Sides

Leading Edge Cuff

Planform Area Ft²

113.18

0.045

Leading Edge Intersects Fus M. L. @ Sta

500.00

10.00

Leading Edge Intersects Wing @ Sta

1024.00

20.480

TABLE IV. - PRESSURE TAP NUMBER ASSIGNMENTS

ORBITER FUSELAGE

X _o STA	Z _o W.L	Tap LH	No. RH
7.60	7.08	—	2
8.24	7.08	—	6
7.60	7.26	—	4
8.24	7.26	—	8
15.08	7.54	—	12
15.48	7.54	17	18
15.08	7.76	13	14
15.48	7.76	19	20
18.48	7.02	29	30
18.90	7.02	35	36
18.48	7.24	31	32
18.90	7.24	37	38

X _o STA	Z _o WL	Tap LH	No RH
17.90	7.54	21	22
18.30	7.54	25	26
17.90	7.76	23	24
18.30	7.76	27	28
19.70	7.54	39	40
20.10	7.54	43	44
19.70	7.76	41	42
20.10	7.76	45	46
22.36	7.54	47	48
22.76	7.54	53	54
22.36	7.76	49	50
22.76	7.76	55	56

X _o STA	Z _o WL	Tap LH	No RH
27.62	6.72	75	76
28.02	6.72	79	80
27.62	6.98	77	78
28.02	6.98	81	82
26.84	6.72	59	60
27.08	6.72	63	64
26.84	6.86	61	62
27.08	6.86	65	66
27.40	6.18	67	68
27.54	6.18	71	72
27.40	6.28	69	70
27.54	6.28	73	74

ORB. FUS. RADIAL LOCATIONS

φ X _o	11.40	15.20	18.84	22.50	26.14
120	10	16	34	52	58
240	9	15	33	51	57

ORB. BODY FLAP - UPPER SURFACE

X _o	Y _o (B.L)				
STA	-1.89	-0.82	0.0	0.82	1.89
31.10	700	704	382	708	383
31.80	702	706	384	710	385

ORB. BODY FLAP - LWR SURFACE

X _o	Y _o (B.L.)				
STA	-1.89	-0.82	0.0	0.82	1.89
31.10	701	705	386	709	387
31.80	703	707	388	711	389

TABLE IV. - Concluded.

ORBITER BASE

Y _o BL	Z _o WL	Tap No.
-2.30	6.59	379
-.438	6.10	717
0.00	6.59	380
.438	6.10	718
2.30	6.59	381
-2.30	7.15	716
0.00	7.15	720
2.30	7.15	719
-2.30	8.00	374

Y _o BL	Z _o WL	Tap No.
0.00	7.72	376
2.30	8.00	378
-2.09	8.38	715
-.87	8.21	375
.87	8.21	377
2.09	8.38	721
-2.45	8.88	372
-1.73	8.70	714
1.73	8.70	722

Y _o BL	Z _o WL	Tap No.
2.45	8.86	373
-1.77	9.18	713
1.77	9.18	723
-1.00	10.0	371
1.00	10.0	370
1.9	9.92	724

EXTERNAL TANK

X _T STA	φ DEG.							
	0	45	90	135	180	225	270	315
19.0		800		801		802		803
38.0	518		521		804		515	
41.16	805		806		807		808	

ET BASE

R/ ROD	φ							
	0	45	90	135	180	225	270	315
0	541							
0.45							809	
.635	810		811		812		813	
.840	814	815	816	817	818		819	820
.895	821		822	823	824			825
.946	826		827	828	829	830		831
1.00			832		833			834

SRB (Inside Skirt)

X _B STA	φ			
	0	90	180	270
380	841	842	843	844

Notes:

1. Positive directions of force coefficients, moment coefficients, and angles are indicated by arrows
2. For clarity, origins of wind and stability axes have been displaced from the center of gravity

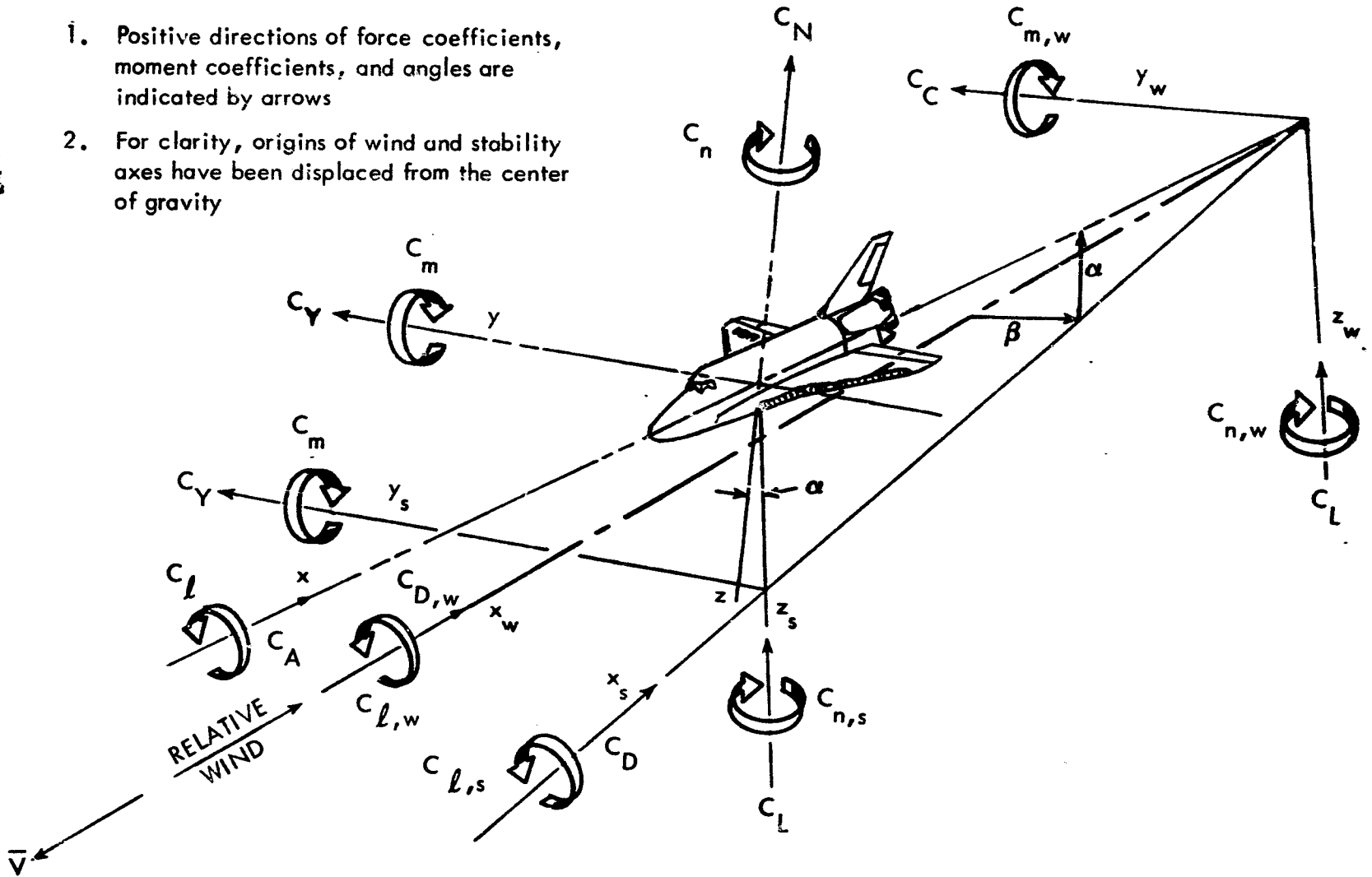


Figure 1. - Axis systems.

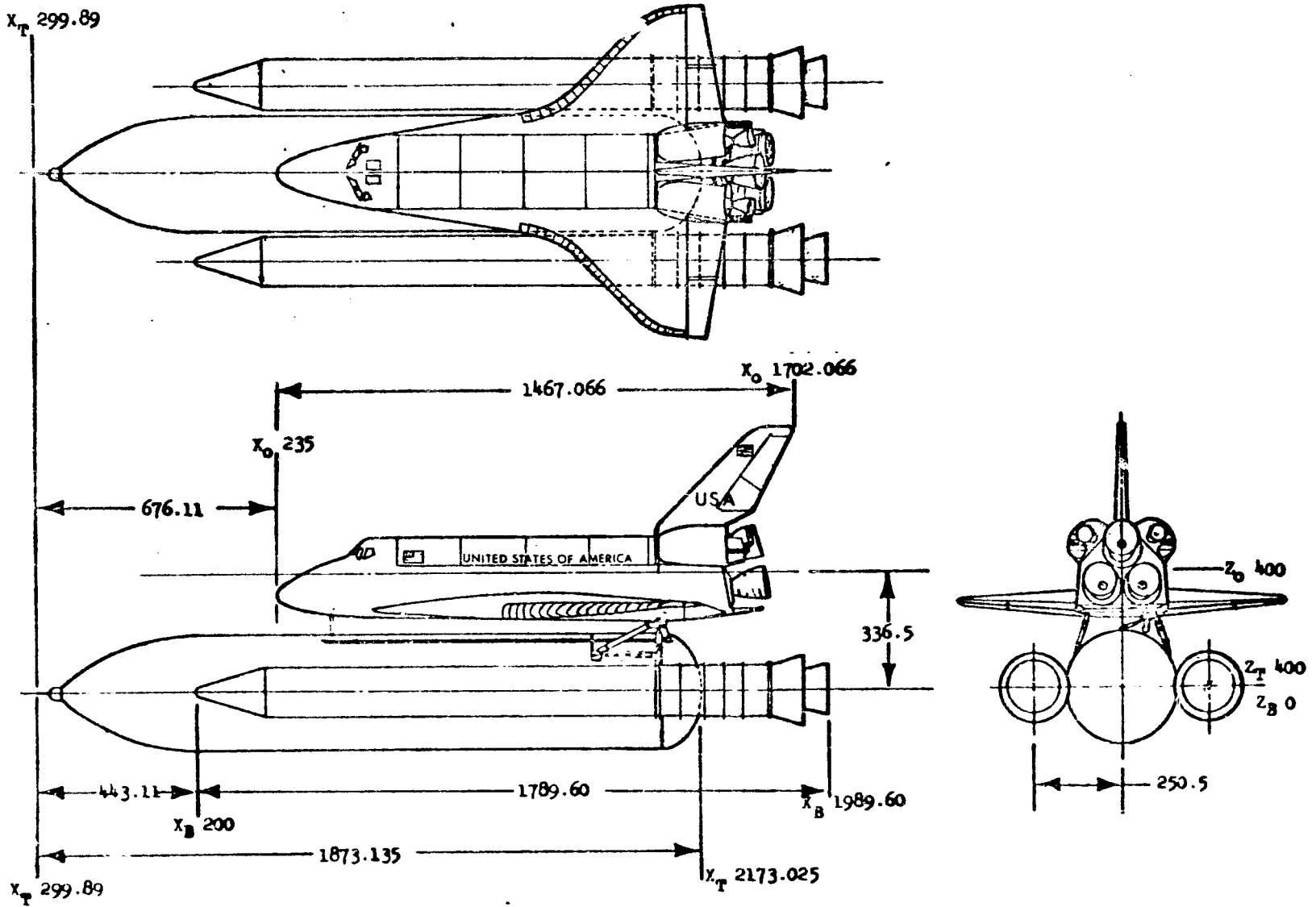
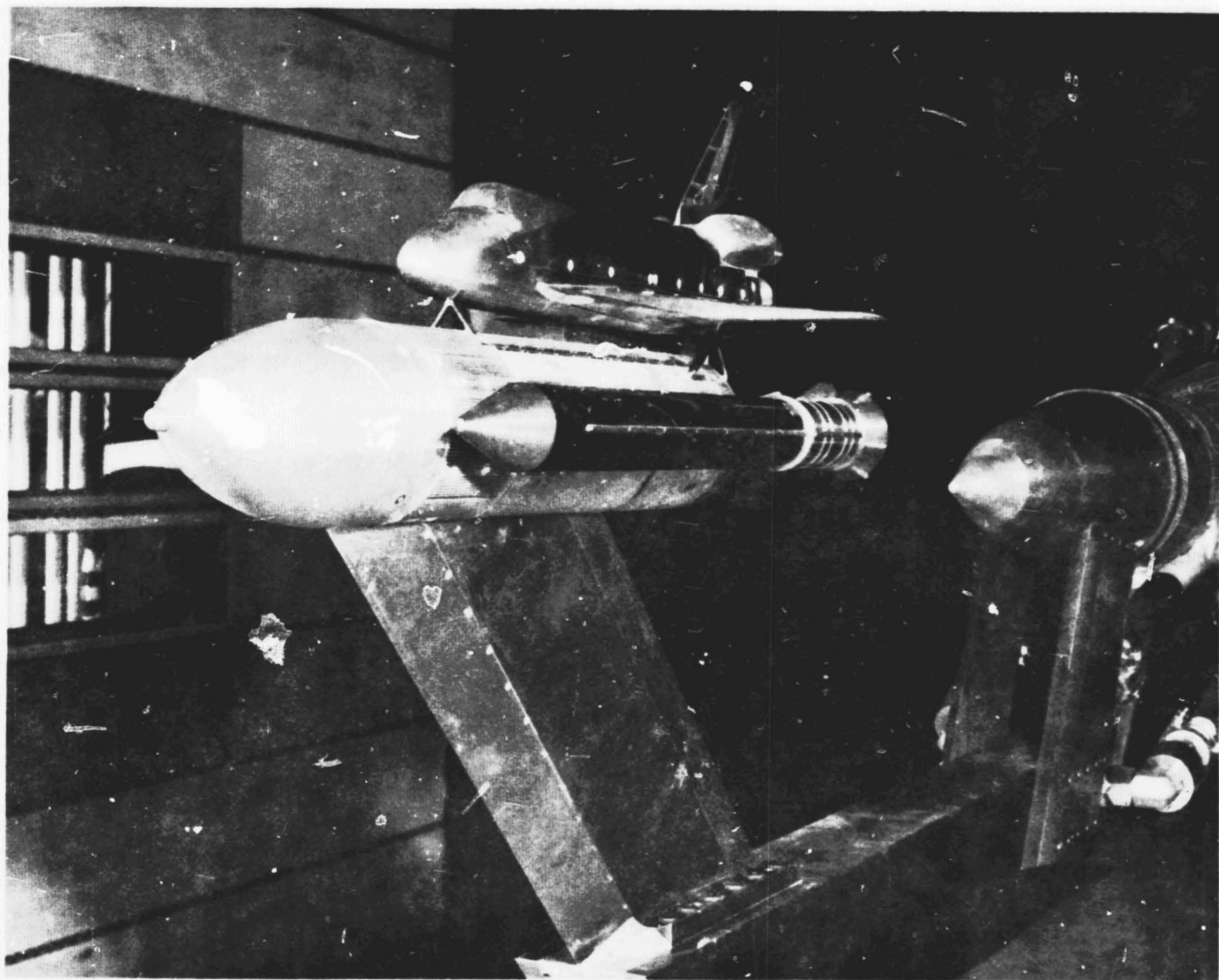
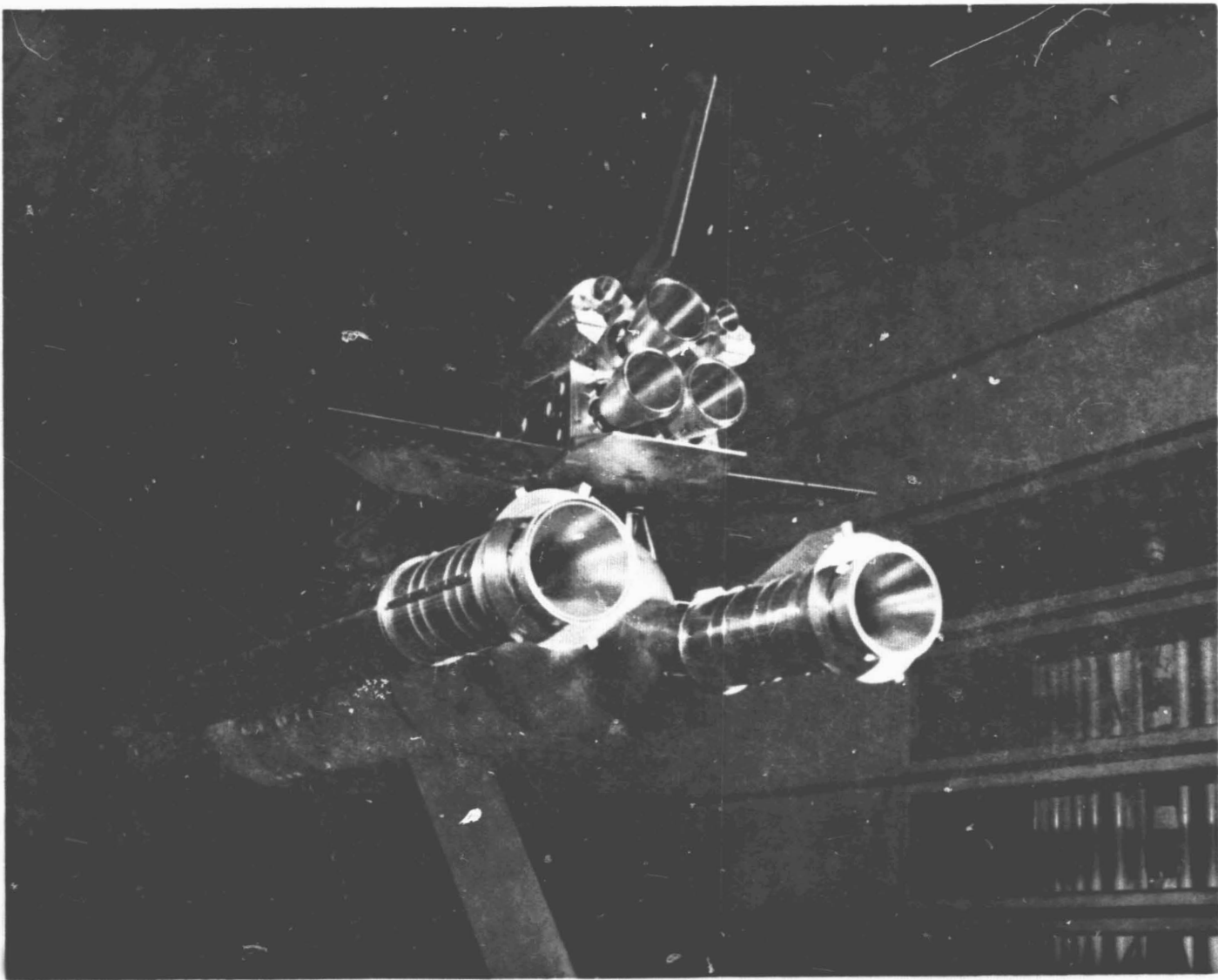


Figure 2. - Integrated space shuttle vehicle launch configuration.



a. Model 88-OTS Installation, Front View

Figure 3. - Model photographs.



b. Model 88-OTS Installation, Rear View

Figure 3. - Concluded.

ORIGINAL PAGE IS
OF POOR QUALITY

83

(Reverse of this page is blank.)

APPENDIX
TABULATED SOURCE DATA

Tabulations of plotted data are available on request from
Data Management Services

DATE 03 JUN 76

TABULATED SOURCE DATA - IAB0

PAGE 1

ARC 11-023 IAB0 OTS (SRB NOM++) (SSME NOM)

(RE4001) (08 JAN 75)

REFERENCE DATA

SREF = 2690.0100 SQ.FT. XMRP = .0000 IN.
 LREF = 1290.3000 IN. YMRP = .0000 IN.
 BREF = 1290.3000 IN. ZMRP = .0000 IN.
 SCALE = .0200

PARAMETRIC DATA

ELV-1B = .000 ELV-0B = .000
 RN/L = 3.400 MACH = .600

RUN NO. 240/ 0 RN/L = 3.38 GRADIENT INTERVAL = -5.00/ 5.00

ALPHA	BETA	CBMW	CTMW	CNW	CHEI	CHEO	CBMV	CTMV	CYV	CHR	MACH
-4.013	-.019	-.00440	.00300	-.01440	.03820	.02130	-.00130	-.00440	-.01080	.00060	.59860
	GRADIENT	.00000	.00000	.00000	.00000	.00000	.00000	.00000	.00000	.00000	.00000

RUN NO. 241/ 0 RN/L = 3.39 GRADIENT INTERVAL = -5.00/ 5.00

ALPHA	BETA	CBMW	CTMW	CNW	CHEI	CHEO	CBMV	CTMV	CYV	CHR	MACH
-.314	-4.034	.01320	.01500	.05050	.04420	.01820	.12060	-.01470	.29590	-.01080	.59600
-.340	-.019	.00560	.00880	.02190	.03860	.02010	-.00090	.00440	-.00950	.00060	.60260
-.459	3.997	-.00170	.00270	-.00680	.03240	.02090	-.11940	.00730	-.30280	.01200	.60000
	GRADIENT	-.00196	-.00153	-.00713	-.00147	.00034	-.02988	.00274	-.07455	.00284	.00050

RUN NO. 242/ 0 RN/L = 3.39 GRADIENT INTERVAL = -5.00/ 5.00

ALPHA	BETA	CBMW	CTMW	CNW	CHEI	CHEO	CBMV	CTMV	CYV	CHR	MACH
4.039	-.019	.01820	.01650	.06780	.03770	.01830	-.00160	-.00370	-.01080	.00030	.59860
	GRADIENT	.00000	.00000	.00000	.00000	.00000	.00000	.00000	.00000	.00000	.00000

ARC 11-023 IAB0 OTS (SRB NOM++) (SSME NOM)

(RE4002) (08 JAN 75)

REFERENCE DATA

SREF = 2690.0000 SQ.FT. XMRP = .0000 IN.
 LREF = 1290.3000 IN. YMRP = .0000 IN.
 BREF = 1290.3000 IN. ZMRP = .0000 IN.
 SCALE = .0200

PARAMETRIC DATA

ELV-1B = .000 ELV-0B = .000
 RN/L = 4.250 MACH = .900

RUN NO. 222/ 0 RN/L = 4.23 GRADIENT INTERVAL = -5.00/ 5.00

ALPHA	BETA	CBMW	CTMW	CNW	CHEI	CHEO	CBMV	CTMV	CYV	CHR	MACH
-3.901	-.012	.00120	.00280	.00730	.01590	.03010	-.00060	.00590	-.01960	.01450	.90550
	GRADIENT	.00000	.00000	.00000	.00000	.00000	.00000	.00000	.00000	.00000	.00000

RUN NO. 223/ 0 RN/L = 4.22 GRADIENT INTERVAL = -5.00/ 5.00

ALPHA	BETA	CBMW	CTMW	CNW	CHEI	CHEO	CBMV	CTMV	CYV	CHR	MACH
-.347	-4.025	.02080	.01950	.08260	.05080	.02900	.09950	.00890	.26510	.02610	.89710
-.380	-.009	.01320	.00830	.05170	.00990	.03210	-.00920	.00730	-.02010	.01300	.90620
-.456	4.003	.00260	-.00060	.00830	-.00230	.02370	-.10630	-.00430	-.27630	-.01670	.89850
	GRADIENT	-.00228	-.00252	-.00925	-.00669	-.00066	-.02564	-.00164	-.06744	-.00533	.00017

ORIGINAL PAGE IS
OF POOR QUALITY

DATE 03 JUN 76

TABULATED SOURCE DATA - IAB0

PAGE 3

ARC 11-023 IAB0 OTS (SRB NOM++) (SSME NOM)

(RE4004) (08 JAN 75)

REFERENCE DATA

SREF = 2690.0000 SQ.FT. XMRP = .0000 IN.
 LREF = 1290.3000 IN. YMRP = .0000 IN.
 BREF = 1290.3000 IN. ZMRP = .0000 IN.
 SCALE = .0200

PARAMETRIC DATA

ELV-18 = .000 ELV-08 = .000
 RN/L = 4.250 MACH = 1.250

RUN NO. 48/ 0 RN/L = 4.50 GRADIENT INTERVAL = -5.00/ 5.00

ALPHA	BETA	CBMW	CTMW	CNW	CHEI	CHEO	CBMV	CTMV	CYV	CHR	MACH
-4.165	.000	.00150	.00380	.00220	.10950	.03280	.00160	-.00340	.00230	-.00090	1.25950
	GRADIENT	.00000	.00000	.00000	.00000	.00000	.00000	.00000	.00000	.00000	.00000

RUN NO. 49/ 0 RN/L = 4.43 GRADIENT INTERVAL = -5.00/ 5.00

ALPHA	BETA	CBMW	CTMW	CNW	CHEI	CHEO	CBMV	CTMV	CYV	CHR	MACH
-4.495	-4.006	.03030	.01100	.11430	.10040	-.00530	.11690	-.03990	.27640	-.03470	1.24860
-5.528	.000	.01620	.00570	.05650	.09540	.01430	.00200	-.00370	.00260	-.00030	1.25730
-5.555	4.006	.00120	.00270	-.00230	.08480	.03430	-.10810	.03400	-.25220	.03190	1.25420
	GRADIENT	-.00363	-.00104	-.01455	-.00195	.00494	-.02808	.00322	-.06597	.00831	.00070

RUN NO. 50/ 0 RN/L = 4.43 GRADIENT INTERVAL = -5.00/ 5.00

ALPHA	BETA	CBMW	CTMW	CNW	CHEI	CHEO	CBMV	CTMV	CYV	CHR	MACH
3.881	.006	.03300	.01160	.11960	.08400	-.00610	.00160	-.00380	.00100	-.00120	1.24640
	GRADIENT	.00000	.00000	.00000	.00000	.00000	.00000	.00000	.00000	.00000	.00000

ARC 11-023 IAB0 OTS (SRB NOM++) (SSME NOM)

(RE4005) (08 JAN 75)

REFERENCE DATA

SREF = 2690.0000 SQ.FT. XMRP = .0000 IN.
 LREF = 1290.3000 IN. YMRP = .0000 IN.
 BREF = 1290.3000 IN. ZMRP = .0000 IN.
 SCALE = .0200

PARAMETRIC DATA

ELV-18 = .000 ELV-08 = .000
 RN/L = 4.250 MACH = 1.400

RUN NO. 1/ 0 RN/L = 4.31 GRADIENT INTERVAL = -5.00/ 5.00

ALPHA	BETA	CBMW	CTMW	CNW	CHEI	CHEO	CBMV	CTMV	CYV	CHR	MACH
-3.950	-.003	.00350	-.00030	.00950	.10160	.00210	.00290	-.00310	.00750	-.00100	1.40260
	GRADIENT	.00000	.00000	.00000	.00000	.00000	.00000	.00000	.00000	.00000	.00000

RUN NO. 2/ 0 RN/L = 4.30 GRADIENT INTERVAL = -5.00/ 5.00

ALPHA	BETA	CBMW	CTMW	CNW	CHEI	CHEO	CBMV	CTMV	CYV	CHR	MACH
-4.436	-4.009	.02710	.00380	.10270	.08460	-.01560	.11230	-.03720	.26850	-.03330	1.40430
-4.482	-.003	.01580	.00020	.05550	.08620	-.00990	.00330	-.00370	.00680	-.00090	1.40640
-5.505	4.009	.00410	-.00060	.00950	.08120	.00310	-.10360	.03250	-.24080	.03130	1.40450
	GRADIENT	-.00287	-.00055	-.01161	-.00042	.00233	-.02892	.00869	-.06351	.00806	.00002

DATE 03 JUN 76

TABULATED SOURCE DATA - IAB0

PAGE 5

ARC 11-023 IAB0 OTS (SRB NOM+) (SSME NOM)

(RE4007) (08 JAN 75)

REFERENCE DATA

SREF = 2690.0000 SQ.FT. XMRP = .0000 IN.
 LREF = 1290.3000 IN. YMRP = .0000 IN.
 BREF = 1290.3000 IN. ZMRP = .0000 IN.
 SCALE = .0200

PARAMETRIC DATA

ELV-1B = .000 ELV-0B = .000
 RN/L = 4.250 MACH = .900

RUN NO. 225/ 0 RN/L = 4.20 GRADIENT INTERVAL = -5.00/ 5.00

ALPHA	BETA	CBMW	CTMW	CNW	CHE1	CHE0	CBMV	CTMV	CYV	CHR	MACH
-3.930	-.009	.00100	.00290	.00690	.01500	.03210	-.00830	.00540	-.02050	.01600	.89930
	GRADIENT	.00000	.00000	.00000	.00000	.00000	.00000	.00000	.00000	.00000	.00000

RUN NO. 226/ 0 RN/L = 4.21 GRADIENT INTERVAL = -5.00/ 5.00

ALPHA	BETA	CBMW	CTMW	CNW	CHE1	CHE0	CBMV	CTMV	CYV	CHR	MACH
-.376	-4.028	.02160	.01970	.08550	.05290	.03130	.10400	.00300	.25900	.02740	.89960
-.330	-.012	.01530	.00870	.02230	.01050	.03180	-.00930	.00660	-.02150	.01280	.90360
-.330	4.003	.00210	-.00050	.00650	-.00360	.02470	-.10640	-.00450	-.27770	-.01760	.90230
	GRADIENT	-.00243	-.00252	-.00984	-.00704	-.00082	-.02620	-.00093	-.00807	-.00550	.00034

RUN NO. 227/ 0 RN/L = 4.21 GRADIENT INTERVAL = -5.00/ 5.00

ALPHA	BETA	CBMW	CTMW	CNW	CHE1	CHE0	CBMV	CTMV	CYV	CHR	MACH
3.927	-.016	.02590	.01690	.10040	.01990	.03050	-.00660	.00260	-.01740	.00450	.90100
	GRADIENT	.00000	.00000	.00000	.00000	.00000	.00000	.00000	.00000	.00000	.00000

ARC 11-023 IAB0 OTS (SRB NOM+) (SSME NOM)

(RE4008) (08 JAN 75)

REFERENCE DATA

SREF = 2690.0000 SQ.FT. XMRP = .0000 IN.
 LREF = 1290.3000 IN. YMRP = .0000 IN.
 BREF = 1290.3000 IN. ZMRP = .0000 IN.
 SCALE = .0200

PARAMETRIC DATA

ELV-1B = .000 ELV-0B = .000
 RN/L = 4.250 MACH = 1.100

RUN NO. 77/ 0 RN/L = 4.31 GRADIENT INTERVAL = -5.00/ 5.00

ALPHA	BETA	CBMW	CTMW	CNW	CHE1	CHE0	CBMV	CTMV	CYV	CHR	MACH
-3.907	.000	-.00190	.00940	-.01200	.09950	.06840	.00040	-.00410	-.00180	.00060	1.09890
	GRADIENT	.00000	.00000	.00000	.00050	.00000	.00000	.00000	.00000	.00000	.00000

RUN NO. 78/ 0 RN/L = 4.31 GRADIENT INTERVAL = -5.00/ 5.00

ALPHA	BETA	CBMW	CTMW	CNW	CHE1	CHE0	CBMV	CTMV	CYV	CHR	MACH
-.515	-4.003	.02650	.02000	.09680	.11490	.03690	.12450	-.04210	.29330	-.03440	1.09940
-.525	.003	.01120	.01310	.03610	.09560	.06070	.00000	-.00340	-.00310	.03090	1.10500
-.426	4.012	-.00440	.00490	-.02710	.08810	.06360	-.12180	.03740	-.28810	.03650	1.09930
	GRADIENT	-.00385	-.00188	-.01546	-.00334	.00333	-.03073	.00992	-.07253	.00885	-.00001

ORIGINAL PAGE IS
OF POOR QUALITY

DATE 03 JUN 76

TABULATED SOURCE DATA - 1A80

PAGE 7

ARC 11-023 1A80 OTS (SRB NOM+) (SSME NOM)

(RE4010) (08 JAN 75)

REFERENCE DATA

SREF = 2690.0000 SQ.FT. XMRP = .0000 IN.
 LREF = 1290.3000 IN. YMRP = .0000 IN.
 BREF = 1290.3000 IN. ZMRP = .0000 IN.
 SCALE = .0200

ELV-1B = .000 ELV-06 = .000
 RN/L = 4.250 MACH = 1.400

PARAMETRIC DATA

RUN NO. 4/ 0		RN/L = 4.29		GRADIENT INTERVAL = -5.00/ 5.00							
ALPHA	BETA	CBMW	CTMW	CNW	CHEI	CHEO	CBMV	CTMV	CYV	CHR	MACH
-3.904	-.006	.00370	-.00020	.00990	.10620	.00150	.00230	-.00350	.00500	-.00070	1.40010
	GRADIENT	.00000	.00000	.00000	.00000	.00000	.00000	.00000	.00000	.00000	.00000
RUN NO. 5/ 0		RN/L = 4.29		GRADIENT INTERVAL = -5.00/ 5.00							
ALPHA	BETA	CBMW	CTMW	CNW	CHEI	CHEO	CBMV	CTMV	CYV	CHR	MACH
-.406	-4.009	.02720	.00370	.10250	.08570	-.01580	.11230	-.03800	.26760	-.03410	1.40170
-.370	.000	.01600	.00040	.05600	.08900	-.00880	.00300	-.00370	.00610	-.00070	1.40380
-.453	4.012	.00420	-.00030	.00960	.03510	.00320	-.10380	.03280	-.24110	.03230	1.40040
	GRADIENT	-.00287	-.00050	-.01158	-.00007	.00237	-.02694	.00883	-.06341	.00828	-.00016
RUN NO. 6/ 0		RN/L = 4.29		GRADIENT INTERVAL = -5.00/ 5.00							
ALPHA	BETA	CBMW	CTMW	CNW	CHEI	CHEO	CBMV	CTMV	CYV	CHR	MACH
3.944	-.006	.03030	.00510	.11140	.06980	-.02050	.00140	-.00290	.00240	-.00030	1.39720
	GRADIENT	.00000	.00000	.00000	.00000	.00000	.00000	.00000	.00000	.00000	.00000

ARC 11-023 1A80 OTS (SRB NOM) (SSME NOM+)

(RE4011) (08 JAN 75)

REFERENCE DATA

SREF = 2690.0000 SQ.FT. XMRP = .0000 IN.
 LREF = 1290.3000 IN. YMRP = .0000 IN.
 BREF = 1290.3000 IN. ZMRP = .0000 IN.
 SCALE = .0200

ELV-1B = .000 ELV-06 = .000
 RN/L = 3.400 MACH = .600

PARAMETRIC DATA

RUN NO. 249/ 0		RN/L = 3.38		GRADIENT INTERVAL = -5.00/ 5.00							
ALPHA	BETA	CBMW	CTMW	CNW	CHEI	CHEO	CBMV	CTMV	CYV	CHR	MACH
-3.957	-.016	-.00460	.00310	-.01570	.03840	.02120	-.00130	-.00350	-.00850	.00040	.59560
	GRADIENT	.00000	.00000	.00000	.00000	.00000	.00000	.00000	.00000	.00000	.00000
RUN NO. 250/ 0		RN/L = 3.40		GRADIENT INTERVAL = -5.00/ 5.00							
ALPHA	BETA	CBMW	CTMW	CNW	CHEI	CHEO	CBMV	CTMV	CYV	CHR	MACH
-.337	-4.041	.01320	.01500	.05100	.04470	.01810	.11920	-.01500	.29140	-.01160	.59480
-.383	-.022	.00540	.00850	.02120	.03960	.02000	-.00080	-.00450	-.00980	.00030	.60070
-.400	3.937	-.00200	.00250	-.00810	.03360	.02100	-.11850	.00660	-.00200	.01190	.59880
	GRADIENT	-.00189	-.00156	-.00735	-.00138	.00030	-.02957	.00269	-.07383	.00292	.00050

DATE 03 JUN 76

TABLATED SOURCE DATA - IABO

PAGE 9

ARC 11-023 IABO OTS (SRB NOM) (SSME NOM+)

(RE4013) (08 JAN 75)

REFERENCE DATA

SREF = 2690.0000 SQ.FT. XMRP = .0000 IN.
 LREF = 1290.3000 IN. YMRP = .0000 IN.
 BREF = 1290.3000 IN. ZMRP = .0000 IN.
 SCALE = .0200

ELV-1B = .000 ELV-0B = .000
 RN/L = 4.250 MACH = 1.100

PARAMETRIC DATA

RUN NO. 80/ 0 RN/L = 4.32 GRADIENT INTERVAL = -5.00/ 5.00

ALPHA	BETA	CBMW	CTMW	CNW	CHE1	CHE0	CBMV	CTMV	CYV	CHR	MACH
-3.950	.006	-.00250	.00950	-.01470	.11470	.06820	.00000	-.00330	-.00300	.00090	1.09740
	GRADIENT	.00000	.00000	.00000	.00000	.00000	.00000	.00000	.00000	.00000	.00000

RUN NO. 81/ 0 RN/L = 4.32 GRADIENT INTERVAL = -5.00/ 5.00

ALPHA	BETA	CBMW	CTMW	CNW	CHE1	CHE0	CBMV	CTMV	CYV	CHR	MACH
-.509	-4.066	.02600	.02040	.09420	.12570	.03690	.12320	-.04090	.28870	-.02990	1.09880
-.552	-.056	.01040	.01330	.03210	.10900	.06070	.00030	-.00320	-.00250	.00080	1.10400
-.486	3.950	-.00470	.00530	-.02830	.09880	.06370	-.12140	.03570	-.28890	.03130	1.09840
	GRADIENT	-.00383	-.00188	-.01528	-.00330	.00334	-.03052	.00956	-.07206	.00762	-.00005

RUN NO. 82/ 0 RN/L = 4.32 GRADIENT INTERVAL = -5.00/ 5.00

ALPHA	BETA	CBMW	CTMW	CNW	CHE1	CHE0	CBMV	CTMV	CYV	CHR	MACH
4.029	-.069	.02690	.01760	.09320	.10970	.03490	.00040	-.00360	-.00340	.00060	1.10300
	GRADIENT	.00000	.00000	.00000	.00000	.00000	.00000	.00000	.00000	.00000	.00000

ARC 11-023 IABO OTS (SRB NOM) (SSME NOM+)

(RE4014) (08 JAN 75)

REFERENCE DATA

SREF = 2690.0000 SQ.FT. XMRP = .0000 IN.
 LREF = 1290.3000 IN. YMRP = .0000 IN.
 BREF = 1290.3000 IN. ZMRP = .0000 IN.
 SCALE = .0200

ELV-1B = .000 ELV-0B = .000
 RN/L = 4.250 MACH = 1.250

PARAMETRIC DATA

RUN NO. 54/ 0 RN/L = 4.38 GRADIENT INTERVAL = -5.00/ 5.00

ALPHA	BETA	CBMW	CTMW	CNW	CHE1	CHE0	CBMV	CTMV	CYV	CHR	MACH
-3.963	.006	.00180	.00440	.00160	.12560	.03320	.09110	-.00330	.00030	.00010	1.25120
	GRADIENT	.00000	.00000	.00000	.00000	.00000	.00000	.00000	.00000	.00000	.00000

RUN NO. 55/ 0 RN/L = 4.39 GRADIENT INTERVAL = -5.00/ 5.00

ALPHA	BETA	CBMW	CTMW	CNW	CHE1	CHE0	CBMV	CTMV	CYV	CHR	MACH
-.492	-4.006	.03010	.01140	.11200	.11880	-.00590	.11640	-.04030	.27260	-.03160	1.24790
-.466	.003	.01580	.00630	.05400	.11330	.01510	.00180	-.00340	.00150	-.00020	1.25340
-.522	4.009	.00040	.00330	-.00700	.09980	.03850	-.11100	.03460	-.26120	.03160	1.24230
	GRADIENT	-.00371	-.00101	-.01485	-.00237	.00554	-.02837	.00934	-.06660	.00788	-.00070

DATE 03 JUN 76

TABULATED SOURCE DATA - IABO

PAGE 11

ARC 11-023 IABO OTS (SRB NOM) (SSME NOM-)

(RE4016) (08 JAN 75)

REFERENCE DATA

SREF = 2690.0000 SQ.FT. XMRP = .0000 IN.
 LREF = 1290.3000 IN. YMRP = .0000 IN.
 BREF = 1290.3000 IN. ZMRP = .0000 IN.
 SCALE = .0200

ELV-1B = .000 ELV-0B = .000
 RN/L = 4.250 MACH = .900

PARAMETRIC DATA

RUN NO. 234/ 0 RN/L = 4.20 GRADIENT INTERVAL = -5.00/ 5.00

ALPHA	BETA	CBMW	CTMW	CNW	CHEI	CHEO	CBMV	CTMV	CYV	CHR	MACH
-3.986	-.012	.00050	.00260	.00510	.01500	.03280	-.00840	.00560	-.02060	.01660	.90160
	GRADIENT	.00000	.00000	.00000	.00000	.00000	.00000	.00000	.00000	.00000	.00000

RUN NO. 235/ 0 RN/L = 4.21 GRADIENT INTERVAL = -5.00/ 5.00

ALPHA	BETA	CBMW	CTMW	CNW	CHEI	CHEO	CBMV	CTMV	CYV	CHR	MACH
-.350	-4.031	.02120	.01960	.08340	.05340	.03090	-.10440	.00340	.27160	.02520	.89670
-.301	-.016	.01260	.00870	.04890	.01190	.03910	-.00870	.00000	-.01920	.01460	.91030
-.317	4.000	.00180	-.00030	.00560	-.00330	.02770	-.10820	-.00170	-.27850	-.01740	.90370
	GRADIENT	-.00242	-.00248	-.00969	-.00706	-.00040	-.02647	-.00064	-.06850	-.00530	.00087

RUN NO. 236/ 0 RN/L = 4.20 GRADIENT INTERVAL = -5.00/ 5.00

ALPHA	BETA	CBMW	CTMW	CNW	CHEI	CHEO	CBMV	CTMV	CYV	CHR	MACH
3.947	-.019	.02570	.01700	.09960	.02070	.03050	-.00510	.00220	-.01260	.00240	.90070
	GRADIENT	.00000	.00000	.00000	.00000	.00000	.00000	.00000	.00000	.00000	.00000

ARC 11-023 IABO OTS (SRB NOM) (SSME NOM-)

(RE4017) (08 JAN 75)

REFERENCE DATA

SREF = 2690.0000 SQ.FT. XMRP = .0000 IN.
 LREF = 1290.3000 IN. YMRP = .0000 IN.
 BREF = 1290.3000 IN. ZMRP = .0000 IN.
 SCALE = .0200

ELV-1B = .000 ELV-0B = .000
 RN/L = 4.250 MACH = 1.100

PARAMETRIC DATA

RUN NO. 83/ 0 RN/L = 4.32 GRADIENT INTERVAL = -5.00/ 5.00

ALPHA	BETA	CBMW	CTMW	CNW	CHEI	CHEO	CBMV	CTMV	CYV	CHR	MACH
-4.020	-.069	.00210	.00980	-.01250	.011290	.03840	.00070	-.00380	-.00030	.00010	1.09660
	GRADIENT	.00000	.00000	.00000	.00000	.00000	.00000	.00000	.00000	.00000	.00000

RUN NO. 84/ 0 RN/L = 4.31 GRADIENT INTERVAL = -5.00/ 5.00

ALPHA	BETA	CBMW	CTMW	CNW	CHEI	CHEO	CBMV	CTMV	CYV	CHR	MACH
-.479	-4.069	.02660	.02080	.09670	.12800	.03610	.12430	-.04270	.29350	.05790	1.09920
-.489	-.056	.01130	.01370	.03690	.10270	.06060	.00020	-.00340	-.00220	.00080	1.10410
-.486	3.947	-.00470	.00510	-.02900	.10090	.06350	-.12150	.03870	-.28560	.03880	1.09960
	GRADIENT	-.00390	-.00196	-.01568	-.00338	.00342	-.03067	.01016	-.07225	.00957	.00005

DATE 03 JUN 76

TABULATED SOURCE DATA - 1A80

PAGE 13

ARC 11-023 1A80 OTS (SRB NOM) (SSME NOM-)

(RE4019) (08 JAN 75)

REFERENCE DATA

SREF = 2690.0000 SQ.FT. XMRP = .0000 IN.
 LREF = 1290.3000 IN. YMRP = .0000 IN.
 BREF = 1290.3000 IN. ZMRP = .0000 IN.
 SCALE = .0200

PARAMETRIC DATA

ELV-18 = .000 ELV-08 = .000
 RN/L = 4.250 MACH = 1.400

RUN NO. 10/ 0 RN/L = 4.27 GRADIENT INTERVAL = -5.00/ 5.00

ALPHA	BETA	CBMW	CTMW	CNW	CHEI	CHEO	CBMV	CTMV	CYV	CHR	MACH
-3.848	-.006	.00390	-.00020	.01120	.11090	.00090	.00280	-.00400	.00480	-.00150	1.40690
	GRADIENT	.00000	.00000	.00000	.00000	.00000	.00000	.00000	.00000	.00000	.00000

RUN NO. 11/ 0 RN/L = 4.27 GRADIENT INTERVAL = -5.00/ 5.00

ALPHA	BETA	CBMW	CTMW	CNW	CHEI	CHEO	CBMV	CTMV	CYV	CHR	MACH
-.357	-4.009	.02750	.00400	.10360	.08670	-.01610	.11290	-.03800	.27100	-.03770	1.40310
-.363	.000	.01620	.00060	.05670	.09260	-.00910	.00340	-.00390	.00730	-.00100	1.40670
-.462	4.012	.00410	.00010	.00840	.09620	.00200	-.10410	.03470	-.24050	.03550	1.40300
	GRADIENT	-.00292	-.00049	-.01187	.00118	.00226	-.02705	.00906	-.06376	.00913	-.00001

RUN NO. 12/ 0 RN/L = 4.27 GRADIENT INTERVAL = -5.00/ 5.00

ALPHA	BETA	CBMW	CTMW	CNW	CHEI	CHEO	CBMV	CTMV	CYV	CHR	MACH
3.986	-.003	.03060	.00540	.11290	.07380	-.02070	.00270	-.00200	.00800	-.00070	1.40180
	GRADIENT	.00000	.00000	.00000	.00000	.00000	.00000	.00000	.00000	.00000	.00000

ARC 11-023 1A80 OTS (SRB NOM) (SSME NOM)

(RE4020) (08 JAN 75)

REFERENCE DATA

SREF = 2690.0000 SQ.FT. XMRP = .0000 IN.
 LREF = 1290.3000 IN. YMRP = .0000 IN.
 BREF = 1290.3000 IN. ZMRP = .0000 IN.
 SCALE = .0200

PARAMETRIC DATA

ELV-18 = .000 ELV-08 = .000
 RN/L = 3.400 MACH = .600

RUN NO. 246/ 0 RN/L = 3.36 GRADIENT INTERVAL = -5.00/ 5.00

ALPHA	BETA	CBMW	CTMW	CNW	CHEI	CHEO	CBMV	CTMV	CYV	CHR	MACH
-3.868	-.016	-.00440	.00310	-.01480	.03900	.02130	-.00250	-.00430	-.01450	.00050	.59200
	GRADIENT	.00000	.00000	.00000	.00000	.00000	.00000	.00000	.00000	.00000	.00000

RUN NO. 247/ 0 RN/L = 3.39 GRADIENT INTERVAL = -5.00/ 5.00

ALPHA	BETA	CBMW	CTMW	CNW	CHEI	CHEO	CBMV	CTMV	CYV	CHR	MACH
-.327	-4.038	.01320	.01520	.05100	.04510	.01850	.12070	-.01490	.29580	-.01070	.59840
-.291	-.022	.00530	.00860	.02070	.03960	.01990	-.00020	-.00380	-.00640	-.00040	.59810
-.386	3.994	-.00210	.00260	-.00830	.03410	.02130	-.11950	.00630	-.30460	.01200	.59810
	GRADIENT	-.00191	-.00157	-.00738	-.00137	.00035	-.02991	.00264	-.07476	.00283	-.00004

DATE 03 JUN 76

TABULATED SOURCE DATA - IABO

PAGE 15

ARC 11-023 IABO OTS (SRB NOM) (SSME NOM)

(RE4022) (08 JAN 75)

REFERENCE DATA

SREF = 2690.0000 SQ.FT. XMRP = .0000 IN.
 LREF = 1290.3000 IN. YMRP = .0000 IN.
 BREF = 1290.3000 IN. ZMRP = .0000 IN.
 SCALE = .0200

PARAMETRIC DATA

ELV-1B = .000 ELV-0B = .000
 RN/L = 4.250 MACH = 1.100

RUN NO. 86/ 0 RN/L = 4.32 GRADIENT INTERVAL = -5.00/ 5.00

ALPHA	BETA	CBMW	CTMW	CNW	CHE1	CHEO	CBMV	CTMV	CYV	CHR	MACH
-3.937	-.063	-.00200	.00980	-.01230	.11310	.06830	.00090	-.00370	.00030	.00010	1.09780
	GRADIENT	.00000	.00000	.00000	.00000	.00000	.00000	.00000	.00000	.00000	.00000

RUN NO. 87/ 0 RN/L = 4.32 GRADIENT INTERVAL = -5.00/ 5.00

ALPHA	BETA	CBMW	CTMW	CNW	CHE1	CHEO	CBMV	CTMV	CYV	CHR	MACH
-.525	-4.069	.02640	.02050	.09560	.12790	.03660	.12520	-.04300	.29470	-.03690	1.09880
-.439	-.056	.01080	.01350	.03430	.10620	.06050	-.00020	-.00340	-.00360	.00050	1.10380
-.482	3.950	-.00450	.00550	-.02740	.10340	.06360	-.12150	.03790	-.28720	.03770	1.09980
	GRADIENT	-.00385	-.00187	-.01534	-.00343	.00337	-.03077	.01009	-.07257	.00930	.00013

RUN NO. 88/ 0 RN/L = 4.32 GRADIENT INTERVAL = -5.00/ 5.00

ALPHA	BETA	CBMW	CTMW	CNW	CHE1	CHEO	CBMV	CTMV	CYV	CHR	MACH
3.963	-.063	.02750	.01770	.09590	.10570	.03450	.00020	-.00360	-.00330	.00080	1.10460
	GRADIENT	.00000	.00000	.00000	.00000	.00000	.00000	.00000	.00000	.00000	.00000

ARC 11-023 IABO OTS (SRB NOM) (SSME NOM)

(RE4023) (08 JAN 75)

REFERENCE DATA

SREF = 2690.0000 SQ.FT. XMRP = .0000 IN.
 LREF = 1290.3000 IN. YMRP = .0000 IN.
 BREF = 1290.3000 IN. ZMRP = .0000 IN.
 SCALE = .0200

PARAMETRIC DATA

ELV-1B = .000 ELV-0B = .000
 RN/L = 4.250 MACH = 1.250

RUN NO. 60/ 0 RN/L = 4.37 GRADIENT INTERVAL = -5.00/ 5.00

ALPHA	BETA	CBMW	CTMW	CNW	CHE1	CHEO	CBMV	CTMV	CYV	CHR	MACH
-3.917	.003	.00190	.00460	.00270	.12550	.03410	.00110	-.00330	.00080	-.00030	1.24600
	GRADIENT	.00000	.00000	.00000	.00000	.00000	.00000	.00000	.00000	.00000	.00000

RUN NO. 61/ 0 RN/L = 4.37 GRADIENT INTERVAL = -5.00/ 5.00

ALPHA	BETA	CBMW	CTMW	CNW	CHE1	CHEO	CBMV	CTMV	CYV	CHR	MACH
-.446	-4.006	.03040	.01180	.11310	.12020	-.00630	.11800	-.04130	.27850	-.03710	1.24800
-.456	.003	.01620	.00650	.05530	.11480	.01480	.00230	-.00320	.00420	-.00010	1.25520
-.439	4.012	.00060	.00380	-.00610	.10360	.03610	-.11040	.03560	-.25820	.03550	1.24160
	GRADIENT	-.00372	-.00100	-.01487	-.00207	.00525	-.02848	.00559	-.06693	.00905	-.00080

ORIGINAL PAGE IS
OF POOR QUALITY

DATE 03 JUN 76

TABULATED SOURCE DATA - 1A80

ARC 11-023 1A80 OTS (SRB NOM-) (SSME NOM)

(RE4025) (08 JAN 75)

REFERENCE DATA

SREF = 2690.0000 SQ.FT. XMRP = .0000 IN.
 LREF = 1290.3000 IN. YMRP = .0000 IN.
 BREF = 1290.3000 IN. ZMRP = .0000 IN.
 SCALE = .0200

ELV-18 = .000 ELV-08 = .000
 RN/L = 4.250 MACH = 1.100

PARAMETRIC DATA

RUN NO. 89/ 0		RN/L = 4.32		GRADIENT INTERVAL = -5.00/ 5.00							
ALPHA	BETA	CBMW	CTMW	CNW	CHE1	CHE0	CBMV	CTMV	CYV	CHR	MACH
-4.020	-.063	-.00250	.01010	-.01470	.12240	.06810	.00020	-.00410	-.00260	.00030	1.09640
	GRADIENT	.00000	.00000	.00000	.00000	.00000	.00000	.00000	.00000	.00000	.00000
RUN NO. 90/ 0		RN/L = 4.32		GRADIENT INTERVAL = -5.00/ 5.00							
ALPHA	BETA	CBMW	CTMW	CNW	CHE1	CHE0	CBMV	CTMV	CYV	CHR	MACH
-.482	-4.069	.02620	.02090	.09490	.13550	.03660	.12420	-.04230	.29320	-.03800	1.09790
-.489	-.059	.01070	.01390	.03350	.11460	.06040	-.00040	-.00360	-.00430	.00070	1.10400
-.453	3.950	-.00480	.00560	-.02910	.10760	.06350	-.12250	.03940	-.29010	.03930	1.09810
	GRADIENT	-.00387	-.00191	-.01546	-.00348	.00335	-.03077	.01006	-.07274	.00954	.00002
RUN NO. 91/ 0		RN/L = 4.32		GRADIENT INTERVAL = -5.00/ 5.00							
ALPHA	BETA	CBMW	CTMW	CNW	CHE1	CHE0	CBMV	CTMV	CYV	CHR	MACH
4.029	-.059	.02750	.01810	.09560	.11530	.03430	.00030	-.00320	-.00230	.00050	1.10310
	GRADIENT	.00000	.00000	.00000	.00000	.00000	.00000	.00000	.00000	.00000	.00000

ARC 11-023 1A80 OTS (SRB NOM-) (SSME NOM)

(RE4026) (08 JAN 75)

REFERENCE DATA

SREF = 2690.0000 SQ.FT. XMRP = .0000 IN.
 LREF = 1290.3000 IN. YMRP = .0000 IN.
 BREF = 1290.3000 IN. ZMRP = .0000 IN.
 SCALE = .0200

ELV-18 = .000 ELV-08 = .000
 RN/L = 4.250 MACH = 1.250

PARAMETRIC DATA

RUN NO. 63/ 0		RN/L = 4.36		GRADIENT INTERVAL = -5.00/ 5.00							
ALPHA	BETA	CBMW	CTMW	CNW	CHE1	CHE0	CBMV	CTMV	CYV	CHR	MACH
-3.983	.000	.00170	.00470	.00170	.13070	.03430	.00110	-.00350	-.00100	-.00050	1.24720
	GRADIENT	.00000	.00000	.00000	.00000	.00000	.00000	.00000	.00000	.00000	.00000
RUN NO. 64/ 0		RN/L = 4.36		GRADIENT INTERVAL = -5.00/ 5.00							
ALPHA	BETA	CBMW	CTMW	CNW	CHE1	CHE0	CBMV	CTMV	CYV	CHR	MACH
-.443	-4.006	.03040	.01200	.11290	.12220	-.00630	.11750	-.04150	.27690	-.03760	1.24710
-.426	.003	.01620	.00670	.05540	.12040	.01520	.00210	-.00340	.00360	-.00030	1.25350
-.456	4.016	.00040	.00400	-.00730	.10810	.03760	-.11140	.03620	-.26100	.03710	1.24370
	GRADIENT	-.00374	-.00100	-.01498	-.00176	.00547	-.02853	.00969	-.06705	.00931	-.00042

DATE 03 JUN 76

TABULATED SOURCE DATA - IABO

PAGE 19

ARC 11-023 IABO OTS (SRB OFF) (SSME OFF)

(RE4028) (08 JAN 75)

REFERENCE DATA

SREF = 2690.0000 SQ.FT. XMRP = .0000 IN.
 LREF = 1290.3000 IN. YMRP = .0000 IN.
 BREF = 1290.3000 IN. ZMRP = .0000 IN.
 SCALE = .0200

PARAMETRIC DATA

ELV-1B = .000 ELV-08 = .000
 RN/L = 3.400 MACH = .600

RUN NO. 237/ 0 RN/L = 3.39 GRADIENT INTERVAL = -5.00/ 5.00

ALPHA	BETA	CBMW	CTMW	CNW	CHEI	CHEO	CBMV	CTMV	CYV	CHR	MACH
-4.000	-.016	-.00580	.00310	-.02010	.04400	.02160	-.00200	-.00240	-.00850	.00110	.59820
	GRADIENT	.00000	.00000	.00000	.00000	.00000	.00000	.00000	.00000	.00000	.00000

RUN NO. 238/ 0 RN/L = 3.38 GRADIENT INTERVAL = -5.00/ 5.00

ALPHA	BETA	CBMW	CTMW	CNW	CHEI	CHEO	CBMV	CTMV	CYV	CHR	MACH
-.264	-4.034	.01210	.01550	.04690	.04600	.01890	.10570	-.00760	.26320	-.00510	.59700
-.261	-.019	.00450	.00940	.01840	.04340	.02040	-.00170	-.00270	-.00870	.00160	.59760
-.274	3.991	-.00250	.00320	-.00960	.03810	.02160	-.10520	.00160	-.26820	.00770	.59640
	GRADIENT	-.00182	-.00153	-.03704	-.00133	.00035	-.02628	.00115	-.06622	.00160	-.00007

RUN NO. 239/ 0 RN/L = 3.39 GRADIENT INTERVAL = -5.00/ 5.00

ALPHA	BETA	CBMW	CTMW	CNW	CHEI	CHEO	CBMV	CTMV	CYV	CHR	MACH
4.013	-.019	.01680	.01670	.06360	.04240	.01910	-.00240	-.00280	-.01060	.00120	.59700
	GRADIENT	.00000	.00000	.00000	.00000	.00000	.00000	.00000	.00000	.00000	.00000

ARC 11-023 IABO OTS (SRB OFF) (SSME OFF)

(RE4029) (08 JAN 75)

REFERENCE DATA

SREF = 2690.0000 SQ.FT. XMRP = .0000 IN.
 LREF = 1290.3000 IN. YMRP = .0000 IN.
 BREF = 1290.3000 IN. ZMRP = .0000 IN.
 SCALE = .0200

PARAMETRIC DATA

ELV-1B = .000 ELV-08 = .000
 RN/L = 4.250 MACH = .900

RUN NO. 219/ 0 RN/L = 4.25 GRADIENT INTERVAL = -5.00/ 5.00

ALPHA	BETA	CBMW	CTMW	CNW	CHEI	CHEO	CBMV	CTMV	CYV	CHR	MACH
-3.980	-.006	.00030	.00330	.00470	.02390	.03230	-.00820	.00560	-.01500	.00250	.90100
	GRADIENT	.00000	.00000	.00000	.00000	.00000	.00000	.00000	.00000	.00000	.00000

RUN NO. 220/ 0 RN/L = 4.25 GRADIENT INTERVAL = -5.00/ 5.00

ALPHA	BETA	CBMW	CTMW	CNW	CHEI	CHEO	CBMV	CTMV	CYV	CHR	MACH
-.320	-4.022	.02100	.02010	.08350	.05160	.02700	.09990	.00650	.26230	.00970	.89710
-.310	-.009	.01360	.00910	.05390	.01420	.03070	-.00700	.00400	-.01380	.00120	.90810
-.297	4.006	.00300	-.00030	.01070	.00220	.01660	-.10100	-.00600	-.26200	-.00400	.90600
	GRADIENT	-.00224	-.00254	-.00907	-.00615	-.00105	-.02502	-.00156	-.06531	-.00171	.00111

DATE 03 JUN 76

TABULATED SOURCE DATA - 1A80

PAGE 21

ARC 11-023 1A80 OTS (SRB OFF) (SSME OFF)

(RE4031) (08 JAN 75)

REFERENCE DATA

SREF = 2690.0000 SQ.FT. XMRP = .0000 IN.
 LREF = 1290.3000 IN. YMRP = .0000 IN.
 BREF = 1290.3000 IN. ZMRP = .0000 IN.
 SCALE = .0200

PARAMETRIC DATA

ELV-1B = .000 ELV-0B = .000
 RN/L = 4.250 MACH = 1.250

RUN NO. 66/ 0 RN/L = 4.36 GRADIENT INTERVAL = -5.00/ 5.00

ALPHA	BETA	CBMW	CTMW	CNW	CHE1	CHE0	CBMV	CTMV	CYV	CHR	MACH
-3.970	-.003	.00220	.00490	.00450	.13090	.03420	.00130	-.00310	.00270	-.00020	1.25020
	GRADIENT	.00000	.00000	.00000	.00000	.00000	.00000	.00000	.00000	.00000	.00000

RUN NO. 67/ 0 RN/L = 4.36 GRADIENT INTERVAL = -5.00/ 5.00

ALPHA	BETA	CBMW	CTMW	CNW	CHE1	CHE0	CBMV	CTMV	CYV	CHR	MACH
-.330	-4.006	.03120	.01280	.11700	.12200	-.00690	.11720	-.03920	.27700	-.03160	1.24950
-.317	.003	.01780	.00780	.06370	.11620	.01470	.00220	-.00320	.00510	-.00010	1.25690
-.370	4.012	.00100	.00450	-.00500	.11700	.03540	-.11050	.03420	-.25700	.03090	1.24810
	GRADIENT	-.00377	-.00104	-.01521	-.00062	.00528	-.02840	.00915	-.06659	.00779	-.00017

RUN NO. 68/ 0 RN/L = 4.36 GRADIENT INTERVAL = -5.00/ 5.00

ALPHA	BETA	CBMW	CTMW	CNW	CHE1	CHE0	CBMV	CTMV	CYV	CHR	MACH
3.950	-.003	.03370	.01330	.12250	.10780	-.00630	.00210	-.00330	.00460	-.00090	1.24930
	GRADIENT	.00000	.00000	.00000	.00000	.00000	.00000	.00000	.00000	.00000	.00000

ARC 11-023 1A80 OTS (SRB OFF) (SSME OFF)

(RE4032) (08 JAN 75)

REFERENCE DATA

SREF = 2690.0000 SQ.FT. XMRP = .0000 IN.
 LREF = 1290.3000 IN. YMRP = .0000 IN.
 BREF = 1290.3000 IN. ZMRP = .0000 IN.
 SCALE = .0200

PARAMETRIC DATA

ELV-1B = .000 ELV-0B = .000
 RN/L = 4.250 MACH = 1.400

RUN NO. 19/ 0 RN/L = 4.24 GRADIENT INTERVAL = -5.00/ 5.00

ALPHA	BETA	CBMW	CTMW	CNW	CHE1	CHE0	CBMV	CTMV	CYV	CHR	MACH
-4.043	.000	.00300	.00010	.00820	.11710	.00220	.00290	-.00310	.00770	-.00110	1.40470
	GRADIENT	.00000	.00000	.00000	.00000	.00000	.00000	.00000	.00000	.00000	.00000

RUN NO. 20/ 0 RN/L = 4.25 GRADIENT INTERVAL = -5.00/ 5.00

ALPHA	BETA	CBMW	CTMW	CNW	CHE1	CHE0	CBMV	CTMV	CYV	CHR	MACH
-.195	-4.012	.02780	.00440	.10520	.08670	-.01650	.11230	-.03650	.27020	-.03520	1.40280
-.211	.000	.01700	.00150	.06120	.09330	-.00970	.00290	-.00300	.00780	-.00060	1.40500
.083	4.006	.00570	.00070	.01440	.10080	.00120	-.10410	.03300	-.24140	.03300	1.40050
	GRADIENT	-.00276	-.00046	-.01132	.00176	.00221	-.02699	.00867	-.06380	.00951	-.00029

ORIGINAL PAGE IS
OF POOR QUALITY

ARC 11-023 1A80 OTS (SRB CFF) (SSME OFF)

(RE4034) (08 JAN 75)

REFERENCE DATA

SREF = 2690.0000 SQ.FT. XMRP = .0000 IN.
 LREF = 1290.3000 IN. YMRP = .0000 IN.
 BREF = 1290.3000 IN. ZMRP = .0000 IN.
 SCALE = .0200

PARAMETRIC DATA

ELV-18 = .000 ELV-08 = .000
 RN/L = 2.250 MACH = .900

RUN NO. 267/ 0 RN/L = 2.16 GRADIENT INTERVAL = -5.00/ 5.00

ALPHA	BETA	CBMW	CTMW	CNW	CHEI	CHEO	CBMV	CTMV	CYV	CHR	MACH
-3.947	.000	-.00020	.00340	.00180	.02950	.03400	-.00530	-.00270	-.02050	.00200	.90000
	GRADIENT	.00000	.00000	.00000	.00000	.00000	.00000	.00000	.00000	.00000	.00000

RUN NO. 268/ 0 RN/L = 2.16 GRADIENT INTERVAL = -5.00/ 5.00

ALPHA	BETA	CBMW	CTMW	CNW	CHEI	CHEO	CBMV	CTMV	CYV	CHR	MACH
-.264	-4.044	.01880	.02010	.07580	.05450	.03080	.09590	.00350	.24790	.00960	.89900
-.271	-.031	.01330	.00940	.05240	.02010	.02810	-.00410	-.00050	-.01390	.00250	.90840
-.304	3.984	.00340	.00030	.01210	.00770	.02100	-.09860	-.00950	-.20090	-.00700	.89710
	GRADIENT	-.00192	-.00247	-.00793	-.00568	-.00122	-.02435	-.00162	-.06338	-.00207	-.00024

RUN NO. 269/ 0 RN/L = 2.16 GRADIENT INTERVAL = -5.00/ 5.00

ALPHA	BETA	CBMW	CTMW	CNW	CHEI	CHEO	CBMV	CTMV	CYV	CHR	MACH
3.990	-.003	.02140	.01870	.08540	.03780	.03100	-.00230	-.00390	-.01290	.00110	.90350
	GRADIENT	.00000	.00000	.00000	.00000	.00000	.00000	.00000	.00000	.00000	.00000

ARC 11-023 1A80 OTS (SRB OFF) (SSME OFF)

(RE4035) (08 JAN 75)

REFERENCE DATA

SREF = 2690.0000 SQ.FT. XMRP = .0000 IN.
 LREF = 1290.3000 IN. YMRP = .0000 IN.
 BREF = 1290.3000 IN. ZMRP = .0000 IN.
 SCALE = .0200

PARAMETRIC DATA

ELV-18 = .000 ELV-08 = .000
 RN/L = 2.250 MACH = 1.100

RUN NO. 22/ 0 RN/L = 2.24 GRADIENT INTERVAL = -5.00/ 5.00

ALPHA	BETA	CBMW	CTMW	CNW	CHEI	CHEO	CBMV	CTMV	CYV	CHR	MACH
-3.957	.000	-.00290	.01140	-.01610	.12660	.06930	.00170	-.00290	.00680	.00170	1.09350
	GRADIENT	.00000	.00000	.00000	.00000	.00000	.00000	.00000	.00000	.00000	.00000

RUN NO. 23/ 0 RN/L = 2.25 GRADIENT INTERVAL = -5.00/ 5.00

ALPHA	BETA	CBMW	CTMW	CNW	CHEI	CHEO	CBMV	CTMV	CYV	CHR	MACH
-.225	-4.009	.02540	.02250	.09210	.14450	.03270	.11970	-.03680	.28130	-.01620	1.09540
-.225	.000	.01120	.01560	.03640	.11230	.05720	.00190	-.00290	.00540	.00240	1.09910
-.231	4.012	-.00450	.00700	-.02860	.11350	.06450	.11680	.03410	-.27130	.02370	1.09390
	GRADIENT	-.00373	-.00193	-.01505	-.00386	.00396	-.02948	.00824	-.06889	.00497	-.00019

DATE 03 JUN 76

TABULATED SOURCE DATA - IABO

PAGE 25

ARC 11-023 IABO OTS (SRB OFF) (SSME OFF)

(RE4037) (08 JAN 75)

REFERENCE DATA

SREF = 2690.0000 SQ.FT. XMRP = .0000 IN.
 LREF = 1290.3000 IN. YMRP = .0000 IN.
 BREF = 1290.3000 IN. ZMRP = .0000 IN.
 SCALE = .0200

PARAMETRIC DATA

ELV-1B = .000 ELV-0B = .000
 RN/L = 2.250 MACH = 1.400

RUN NO. 33/ 0 RN/L = 2.23 GRADIENT INTERVAL = -5.00/ 5.00

ALPHA	BETA	CBMW	CTMW	CNW	CHEI	CHEO	CBMV	CTMV	CYV	CHR	MACH
-4.013	.003	.00340	.00150	.01010	.11780	.00250	.00220	-.00310	.00620	-.00070	1.39980
	GRADIENT	.00000	.00000	.00000	.00000	.00000	.00000	.00000	.00000	.00000	.00000

RUN NO. 34/ 0 RN/L = 2.23 GRADIENT INTERVAL = -5.00/ 5.00

ALPHA	BETA	CBMW	CTMW	CNW	CHEI	CHEO	CBMV	CTMV	CYV	CHR	MACH
-.241	-4.006	.02740	.00560	.10430	.09510	-.01800	.11040	-.03700	.26320	-.03480	1.39960
-.264	.000	.01690	.00280	.06050	.09840	-.01060	.00340	-.00320	.00870	-.00080	1.40020
-.267	4.009	.00480	.00190	.01150	.10420	.00320	-.10440	.03150	-.24670	.03270	1.39930
	GRADIENT	-.00282	-.00046	-.01158	.00114	.00264	-.02680	.00855	-.06361	.00842	-.00004

RUN NO. 35/ 0 RN/L = 2.24 GRADIENT INTERVAL = -5.00/ 5.00

ALPHA	BETA	CBMW	CTMW	CNW	CHEI	CHEO	CBMV	CTMV	CYV	CHR	MACH
4.010	.003	.03050	.00720	.11390	.08440	-.02090	.00290	-.00170	.00950	-.00070	1.39960
	GRADIENT	.00000	.00000	.00000	.00000	.00000	.00000	.00000	.00000	.00000	.00000

ARC 11-023 IABO OTS (SRB NOM) (SSME NOM)

(RE4038) (08 JAN 75)

REFERENCE DATA

SREF = 2690.0000 SQ.FT. XMRP = .0000 IN.
 LREF = 1290.3000 IN. YMRP = .0000 IN.
 BREF = 1290.3000 IN. ZMRP = .0000 IN.
 SCALE = .0200

PARAMETRIC DATA

ELV-1B = .000 ELV-0B = .000
 RN/L = 1.750 MACH = .600

RUN NO. 273/ 0 RN/L = 1.76 GRADIENT INTERVAL = -5.00/ 5.00

ALPHA	BETA	CBMW	CTMW	CNW	CHEI	CHEO	CBMV	CTMV	CYV	CHR	MACH
-3.980	-.003	-.00490	.00280	-.01780	.03960	.02030	-.00160	-.00660	-.01550	-.00160	.59910
	GRADIENT	.00000	.00000	.00000	.00000	.00000	.00000	.00000	.00000	.00000	.00000

RUN NO. 274/ 0 RN/L = 1.77 GRADIENT INTERVAL = -5.00/ 5.00

ALPHA	BETA	CBMW	CTMW	CNW	CHEI	CHEO	CBMV	CTMV	CYV	CHR	MACH
-.314	-4.044	.01260	.01480	.04760	.04660	.01840	.11450	-.01510	.27430	-.01280	.59910
-.317	-.009	.00510	.00850	.01870	.03950	.01910	-.00130	-.00740	-.01650	-.00130	.60310
-.327	3.981	-.00190	.00250	-.00910	.03370	.02030	-.11700	-.09060	-.31330	.01100	.59500
	GRADIENT	-.00181	-.00153	-.00707	-.00161	.00024	-.02885	.00181	-.07322	.00297	-.00051

DATE 03 JUN 76

TABULATED SOURCE DATA - 1A80

PAGE 27

ARC 11-023 1A80 OTS (SRB NOM) (SSME NOM)

(RE4040) (08 JAN 75)

REFERENCE DATA

SREF = 2690.0000 SQ.FT. XMRP = .0000 IN.
 LREF = 1290.3000 IN. YMRP = .0000 IN.
 BREF = 1290.3000 IN. ZMRP = .0000 IN.
 SCALE = .0200

PARAMETRIC DATA

ELV-1B = .000 ELV-0B = .000
 RN/L = 2.250 MACH = 1.100

RUN NO. 27/ 0 RN/L = 2.25 GRADIENT INTERVAL = -5.00/ 5.00

ALPHA	BETA	CBMW	CTMW	CNW	CHE1	CHEO	CBMV	CTMV	CYV	CHR	MACH
-3.801	-.006	-.00300	.01020	-.01790	.12740	.06910	.00120	-.00400	.00190	.00110	1.09400
	GRADIENT	.00000	.00000	.00000	.00000	.00000	.00000	.00000	.00000	.00000	.00000

RUN NO. 28/ 0 RN/L = 2.25 GRADIENT INTERVAL = -5.00/ 5.00

ALPHA	BETA	CBMW	CTMW	CNW	CHE1	CHEO	CBMV	CTMV	CYV	CHR	MACH
-.304	-4.003	.02460	.02080	.08830	.13810	.03390	.12150	-.04280	.28360	-.03510	1.09570
-.267	.003	.01030	.01370	.03120	.11650	.05720	.00110	-.00360	.00100	.00130	1.10030
-.390	4.016	-.00450	.00620	-.02920	.10990	.06480	-.11900	.03690	-.28120	.03780	1.09520
	GRADIENT	-.00363	-.00182	-.01465	-.00352	.00385	-.02999	.00994	-.07044	.00909	-.00006

RUN NO. 29/ 0 RN/L = 2.26 GRADIENT INTERVAL = -5.00/ 5.00

ALPHA	BETA	CBMW	CTMW	CNW	CHE1	CHEO	CBMV	CTMV	CYV	CHR	MACH
3.983	.003	.02590	.01820	.08900	.11780	.03260	.00160	-.00430	-.00020	.00150	1.10290
	GRADIENT	.00000	.00000	.00000	.00000	.00000	.00000	.00000	.00000	.00000	.00000

ARC 11-023 1A80 OTS (SRB OFF) (SSME OFF)

(RE4041) (08 JAN 75)

REFERENCE DATA

SREF = 2690.0000 SQ.FT. XMRP = .0000 IN.
 LREF = 1290.3000 IN. YMRP = .0000 IN.
 BREF = 1290.3000 IN. ZMRP = .0000 IN.
 SCALE = .0200

PARAMETRIC DATA

ELV-1B = .000 ELV-0B = .000
 RN/L = 2.500 MACH = .600

RUN NO. 252/ 0 RN/L = 2.55 GRADIENT INTERVAL = -5.00/ 5.00

ALPHA	BETA	CBMW	CTMW	CNW	CHE1	CHEO	CBMV	CTMV	CYV	CHR	MACH
-4.000	-.022	-.00590	.00320	-.02070	.04450	.02130	-.00230	-.00440	-.01380	.00060	.60170
	GRADIENT	.00000	.00000	.00000	.00000	.00000	.00000	.00000	.00000	.00000	.00000

RUN NO. 253/ 0 RN/L = 2.55 GRADIENT INTERVAL = -5.00/ 5.00

ALPHA	BETA	CBMW	CTMW	CNW	CHE1	CHEO	CBMV	CTMV	CYV	CHR	MACH
-.261	-4.041	.01190	.01560	.04560	.04960	.01900	.10320	-.00830	.25370	-.00570	.59850
-.271	-.025	.00460	.00950	.01810	.04410	.01990	-.00210	-.00410	-.01260	.00100	.60560
-.343	3.991	-.00230	.00330	-.00940	.03850	.02130	-.10370	-.00010	-.26820	.00720	.60480
	GRADIENT	-.00177	-.00153	-.00685	-.00138	.00029	-.02576	.00102	-.06498	.00161	.00078

ORIGINAL PAGE IS
OF POOR QUALITY

DATE 03 JUN 76

TABULATED SOURCE DATA - 1A80

PAGE 29

ARC 11-023 1A80 OTS (SRB OFF) (SSME OFF)

(RE4043) (08 JAN 75)

REFERENCE DATA

SREF = 2690.0000 SQ.FT. XMRP = .0000 IN.
 LREF = 1290.3000 IN. YMRP = .0000 IN.
 BREF = 1290.3000 IN. ZMRP = .0000 IN.
 SCALE = .0200

ELV-1B = .000 ELV-0B = .000
 RN/L = 3.250 MACH = 1.100

PARAMETRIC DATA

RUN NO. 36/ 0 RN/L = 3.28 GRADIENT INTERVAL = -5.00/ 5.00

ALPHA	BETA	CBMW	CTMW	CNW	CHEI	CHEO	CBMV	CTMV	CYV	CHR	MACH
-4.016	.003	-.00240	.01100	-.01370	.12010	.06970	.00100	-.00290	.00000	.00000	1.09810
	GRADIENT	.00000	.00000	.00000	.00000	.00000	.00000	.00000	.00000	.00000	.00000

RUN NO. 37/ 0 RN/L = 3.27 GRADIENT INTERVAL = -5.00/ 5.00

ALPHA	BETA	CBMW	CTMW	CNW	CHEI	CHEO	CBMV	CTMV	CYV	CHR	MACH
-.287	-4.006	.02610	.02200	.09420	.14260	.03440	.12110	-.03640	.28540	-.01630	1.09740
-.291	.000	.01170	.01520	.03850	.10830	.05910	.00170	-.00270	.00460	.00260	1.10280
-.310	4.006	-.00460	.00650	-.02900	.11140	.06480	-.11830	.03380	-.27590	.02320	1.09860
	GRADIENT	-.00383	-.00193	-.01538	-.00389	.00379	-.02988	.00876	-.07005	.00493	.00015

RUN NO. 38/ 0 RN/L = 3.27 GRADIENT INTERVAL = -5.00/ 5.00

ALPHA	BETA	CBMW	CTMW	CNW	CHEI	CHEO	CBMV	CTMV	CYV	CHR	MACH
4.016	.003	.02740	.01900	.09600	.10990	.03390	.00190	-.00190	.00580	.00270	1.10700
	GRADIENT	.00000	.00000	.00000	.00000	.00000	.00000	.00000	.00000	.00000	.00000

ARC 11-023 1A80 OTS (SRB OFF) (SSME OFF)

(RE4044) (08 JAN 75)

REFERENCE DATA

SREF = 2690.0000 SQ.FT. XMRP = .0000 IN.
 LREF = 1290.3000 IN. YMRP = .0000 IN.
 BREF = 1290.3000 IN. ZMRP = .0000 IN.
 SCALE = .0200

ELV-1B = .000 ELV-0B = .000
 RN/L = 3.250 MACH = 1.250

PARAMETRIC DATA

RUN NO. 42/ 0 RN/L = 3.29 GRADIENT INTERVAL = -5.00/ 5.00

ALPHA	BETA	CBMW	CTMW	CNW	CHEI	CHEO	CBMV	CTMV	CYV	CHR	MACH
-3.953	.000	.00160	.00530	.00200	.13340	.03580	.00140	-.00280	.00430	.00020	1.25320
	GRADIENT	.00000	.00000	.00000	.00000	.00000	.00000	.00000	.00000	.00000	.00000

RUN NO. 43/ 0 RN/L = 3.29 GRADIENT INTERVAL = -5.00/ 5.00

ALPHA	BETA	CBMW	CTMW	CNW	CHEI	CHEO	CBMV	CTMV	CYV	CHR	MACH
-.287	-4.003	.03090	.01380	.11450	.13010	-.00540	.11660	-.03840	.27680	-.03040	1.23980
-.277	.003	.01740	.00800	.06130	.11670	.01560	.00330	-.00290	.00880	.00040	1.25980
-.376	4.012	.00130	.00510	-.00350	.11950	.03540	-.10770	.03290	-.25060	.03050	1.25320
	GRADIENT	-.00369	-.00109	-.01472	-.00132	.00509	-.02798	.00890	-.06580	.00760	.00167

DATE 03 JUN 76

TABULATED SOURCE DATA - IAB0

PAGE 31

ARC 11-023 IAB0 OTS (SRB NOM) (SSME NOM)

(RE4046) (08 JAN 75)

REFERENCE DATA

SREF = 2690.0000 SQ.FT. XMRP = .0000 IN.
 LREF = 1290.3000 IN. YMRP = .0000 IN.
 BREF = 1290.3000 IN. ZMRP = .0000 IN.
 SCALE = .0200

PARAMETRIC DATA

ELV-1B = .000 ELV-0B = .000
 RN/L = 2.500 MACH = .600

RUN NO. 255/ 0 RN/L = 2.56 GRADIENT INTERVAL = -5.00/ 5.00

ALPHA	BETA	CBMW	CTMW	CNW	CHEI	CHEO	CBMV	CTMV	CYV	CHR	MACH
-3.894	-.022	-.00440	.00310	-.01500	.03930	.02090	-.00110	-.00500	-.01090	-.00080	.60060
	GRADIENT	.00000	.00000	.00000	.00000	.00000	.00000	.00000	.00000	.00000	.00000

RUN NO. 256/ 0 RN/L = 2.55 GRADIENT INTERVAL = -5.00/ 5.00

ALPHA	BETA	CBMW	CTMW	CNW	CHEI	CHEO	CBMV	CTMV	CYV	CHR	MACH
-.350	-4.041	.01280	.01500	.04890	.04520	.01830	.11770	-.01440	.28660	-.01160	.60090
-.320	-.025	.00560	.00880	.02280	.03930	.01910	-.00060	-.00540	-.01130	-.00080	.59960
-.337	3.994	-.00190	.00260	-.00810	.03320	.02060	-.11800	.00400	-.30090	.01130	.59620
	GRADIENT	-.00183	-.00154	-.00709	-.00142	.00029	-.02934	.00229	-.07375	.00285	-.00059

RUN NO. 257/ 0 RN/L = 2.56 GRADIENT INTERVAL = -5.00/ 5.00

ALPHA	BETA	CBMW	CTMW	CNW	CHEI	CHEO	CBMV	CTMV	CYV	CHR	MACH
4.076	-.028	.01780	.01630	.06630	.03890	.01810	-.00230	-.00460	-.01530	-.00060	.60170
	GRADIENT	.00000	.00000	.00000	.00000	.00000	.00000	.00000	.00000	.00000	.00000

ARC 11-023 IAB0 OTS (SRB NOM) (SSME NOM)

(RE4047) (08 JAN 75)

REFERENCE DATA

SREF = 2690.0000 SQ.FT. XMRP = .0000 IN.
 LREF = 1290.3000 IN. YMRP = .0000 IN.
 BREF = 1290.3000 IN. ZMRP = .0000 IN.
 SCALE = .0200

PARAMETRIC DATA

ELV-1B = .000 ELV-0B = .000
 RN/L = 3.250 MACH = .900

RUN NO. 261/ 0 RN/L = 3.12 GRADIENT INTERVAL = -5.00/ 5.00

ALPHA	BETA	CBMW	CTMW	CNW	CHEI	CHEO	CBMV	CTMV	CYV	CHR	MACH
-4.033	.000	.00010	.00270	.00330	.01610	.03470	-.00740	.00270	-.02070	.01470	.90410
	GRADIENT	.00000	.00000	.00000	.00000	.00000	.00000	.00000	.00000	.00000	.00000

RUN NO. 262/ 0 RN/L = 3.13 GRADIENT INTERVAL = -5.00/ 5.00

ALPHA	BETA	CBMW	CTMW	CNW	CHEI	CHEO	CBMV	CTMV	CYV	CHR	MACH
-.343	-4.044	.02040	.01970	.08060	.05500	.03400	.10200	.00180	.26170	.02650	.90060
-.340	-.028	.01250	.00860	.04830	.01310	.03950	-.00640	.00410	-.01610	.01280	.91040
-.340	3.931	.00160	.00020	.00490	-.00180	.03410	-.10790	-.00030	-.27580	-.01950	.90310
	GRADIENT	-.00234	-.00243	-.00942	-.00707	.00001	-.02613	-.00020	-.06690	-.00573	.00031

DATE 03 JUN 76

TABULATED SOURCE DATA - 1A80

PAGE 33

ARC 11-023 1A80 OTS (SRB OFF) (SSME OFF)

(RE4049) (13 FEB 76)

REFERENCE DATA

SREF = 2690.0000 SQ.FT. XMRP = .5000 IN.
 LREF = 1290.3000 IN. YMRP = .0000 IN.
 BREF = 1290.3000 IN. ZMRP = .0000 IN.
 SCALE = .0200

PARAMETRIC DATA

ELV-1B = 8.000 ELV-0B = 4.000
 RN/L = 4.250 ALPHA = .000

RUN NO. 92/ 0 RN/L = 4.38 GRADIENT INTERVAL = -5.00/ 5.00

BETA	MACH	CBMW	CTMW	CNW	CHEI	CHEO	CBMW	CTMV	CYV	CHR	ALPHA
-.063	.908	.01650	.00840	.06460	.01190	.02170	.01650	.00480	-.00980	.00080	.03300
-.063	.947	.01730	.00900	.06420	.02610	.03010	.01730	.00600	-.00980	.00430	.12550
-.063	.998	.01690	.00890	.06180	.02560	.03030	.01690	.00280	-.00790	.01380	.13870
-.063	1.050	.01880	.00900	.06810	.01740	.02720	.01880	-.00320	-.00260	.00300	.15190
-.063	1.102	.01850	.00890	.06660	.02320	.02480	.01850	-.00310	.00120	.00090	.00000
-.063	1.146	.02330	.00880	.08470	.03560	.01500	.02330	-.00390	.00170	.00040	.06610
-.063	1.196	.02450	.00620	.09000	.03830	.00080	.02450	-.00340	.00500	-.00100	.04950
-.063	1.253	.02410	.00290	.08950	.03360	-.01050	.02410	-.00300	.00440	-.00130	.13870
	GRADIENT	.02593	-.01298	.08826	.05810	-.10237	.02593	-.02854	.04963	-.02059	-.00591

ARC 11-023 1A80 OTS (SRB NOM) (SSME NOM)

(RE4050) (13 FEB 76)

REFERENCE DATA

SREF = 2690.0000 SQ.FT. XMRP = .0000 IN.
 LREF = 1290.3000 IN. YMRP = .0000 IN.
 BREF = 1290.3000 IN. ZMRP = .0000 IN.
 SCALE = .0200

PARAMETRIC DATA

ELV-1B = 8.000 ELV-0B = 4.000
 RN/L = 4.250 ALPHA = .000

RUN NO. 93/ 0 RN/L = 4.37 GRADIENT INTERVAL = -5.00/ 5.00

BETA	MACH	CBMW	CTMW	CNW	CHEI	CHEO	CBMW	CTMV	CYV	CHR	ALPHA
-.063	.893	.01640	.00830	.06380	.01180	.02260	.01640	.00860	-.01690	.01100	.00660
-.063	.948	.01620	.00900	.06010	.03270	.03300	.01620	-.00310	-.00430	.00370	.03960
-.063	.995	.01640	.00810	.05960	.01630	.03040	.01640	-.00400	-.00220	-.00040	.01320
-.063	1.052	.01760	.00880	.06270	.02650	.02740	.01760	-.00410	-.00500	.00000	.02970
-.063	1.098	.01730	.00840	.06150	.02610	.02580	.01730	-.00400	-.00330	-.00010	-.09250
-.063	1.149	.02200	.00790	.07850	.03530	.01560	.02200	-.00380	.00020	-.00030	-.02310
-.063	1.197	.02360	.00530	.08540	.03390	.00110	.02360	-.00310	.00400	-.00120	-.03300
-.063	1.250	.02280	.00260	.08330	.03300	-.00090	.02280	-.00310	.00340	-.00110	.00660
	GRADIENT	.02300	-.01387	.07437	.05003	-.10107	.02300	-.01939	.04532	-.02578	-.13666

ORIGINAL PAGE IS
OF POOR QUALITY

ARC 11-023 1A80 OTS (SRB OFF) (SSME OFF)

(RE4051) (08 JAN 75)

REFERENCE DATA

SREF = 2690.0000 SQ.FT. XMPP = .0000 IN.
 LREF = 1290.3000 IN. YMRP = .0000 IN.
 BREF = 1290.3000 IN. ZMRP = .0000 IN.
 SCALE = .0200

PARAMETRIC DATA

ELV-1B = 8.000 ELV-0B = 4.000
 RN/L = 4.250 MACH = .960

RUN NO. 112/ 0 RN/L = 4.31 GRADIENT INTERVAL = -5.00/ 5.00

ALPHA	BETA	CBMW	CTMW	CNW	CHEI	CHEO	CBMV	CTMV	CYV	CHR	MACH
-3.950	-.063	.00300	.00270	.01240	.02070	.03360	-.00420	.00450	-.00650	.01780	.98240
	GRADIENT	.00000	.00000	.00000	.00000	.00000	.00000	.00000	.00000	.00000	.00000

RUN NO. 113/ 0 RN/L = 4.31 GRADIENT INTERV = -5.00/ 5.00

ALPHA	BETA	CBMW	CTMW	CNW	CHEI	CHEO	CBMV	CTMV	CYV	CHR	MACH
-.416	-4.075	.02890	.01660	.10990	.04120	.02480	.09840	-.00400	.24490	.03110	.97760
-.386	-.063	.01480	.00940	.05470	.02830	.03190	-.00470	.00470	-.00720	.01550	.98910
-.370	3.950	.00170	-.00140	.00190	.01120	.03080	-.09880	.00330	-.24280	-.02520	.98180
	GRADIENT	-.00339	-.00224	-.01346	-.00374	.00075	-.02457	.00091	-.06077	-.00702	.00052

RUN NO. 114/ 0 RN/L = 4.32 GRADIENT INTERVAL = -5.00/ 5.00

ALPHA	BETA	CBMW	CTMW	CNW	CHEI	CHEO	CBMV	CTMV	CYV	CHR	MACH
4.076	-.063	.03100	.01370	.11340	.03040	.01730	-.00420	.00520	-.00430	.01000	.98530
	GRADIENT	.00000	.00000	.00000	.00000	.00000	.00000	.00000	.00000	.00000	.00000

ARC 11-023 1A80 OTS (SRB NOM) (SSME NOM)

(RE4052) (08 JAN 75)

REFERENCE DATA

SREF = 2690.0000 SQ.FT. XMRP = .0000 IN.
 LREF = 1290.3000 IN. YMRP = .0000 IN.
 BREF = 1290.3000 IN. ZMRP = .0000 IN.
 SCALE = .0200

PARAMETRIC DATA

ELV-1B = 8.000 ELV-0B = 4.000
 RN/L = 4.250 MACH = .960

RUN NO. 115/ 0 RN/L = 4.30 GRADIENT INTERVAL = -5.00/ 5.00

ALPHA	BETA	CBMW	CTMW	CNW	CHEI	CHEO	CBMV	CTMV	CYV	CHR	MACH
-3.930	-.063	.00280	.00220	.01060	.01420	.03380	.00130	-.00430	.00030	.00000	.97970
	GRADIENT	.00000	.00000	.00000	.00000	.00000	.00000	.00000	.00000	.00000	.00000

RUN NO. 116/ 0 RN/L = 4.30 GRADIENT INTERVAL = -5.00/ 5.00

ALPHA	BETA	CBMW	CTMW	CNW	CHEI	CHEO	CBMV	CTMV	CYV	CHR	MACH
-.519	-4.078	.02850	.01550	.10730	.04240	.02440	.12500	-.04210	.29180	-.03170	.97600
-.476	-.063	.01430	.00660	.05130	.01510	.03160	.00050	-.00390	-.00210	-.00050	.98950
-.499	3.953	.00130	-.00180	-.00120	.00800	.03110	-.12390	.03580	-.29390	.03200	.98000
	GRADIENT	-.00339	-.00215	-.01351	-.00428	.00083	-.03099	.00970	-.07293	.00793	.00050

ARC 11-023 IAB0 OTS (SRB OFF) (SSME OFF)

(RE4054) (08 JAN 75)

REFERENCE DATA

SREF = 2690.0000 SQ.FT. XMRP = .0000 IN.
 LREF = 1290.3000 IN. YMRP = .0000 IN.
 BREF = 1290.3000 IN. ZMRP = .0000 IN.
 SCALE = .0200

PARAMETRIC DATA

ELV-1B = 8.000 ELV-0B = 4.000
 RN/L = 4.250 MACH = .900

RUN NO. 296/ 0 RN/L = 4.19 GRADIENT INTERVAL = -5.00/ 5.00

ALPHA	BETA	CBMW	CTMW	CNW	CHEI	CHEO	CBMV	CTMV	CYV	CHR	MACH
-3.940	-.044	.00280	.00100	.01440	.01160	.01770	-.00790	.00680	-.01290	.00380	.89610
	GRADIENT	.00000	.00000	.00000	.00000	.00000	.00000	.00000	.00000	.00000	.00000

RUN NO. 297/ 0 RN/L = 4.18 GRADIENT INTERVAL = -5.00/ 5.00

ALPHA	BETA	CBMW	CTMW	CNW	CHEI	CHEO	CBMV	CTMV	CYV	CHR	MACH
-.284	-4.059	.02450	.01640	.09850	.02250	.01420	.09850	.00860	.26280	.00750	.88870
-.320	-.041	.01490	.00740	.05950	.01220	.02040	-.00720	.00500	-.01200	.00140	.89730
-.314	3.975	.00420	-.00120	.01640	.00770	.01560	-.09940	-.00770	-.25720	-.00540	.88660
	GRADIENT	-.00253	-.00219	-.01022	-.00184	.00017	-.02463	-.00203	-.06472	-.00161	-.00026

RUN NO. 298/ 0 RN/L = 4.18 GRADIENT INTERVAL = -5.00/ 5.00

ALPHA	BETA	CBMW	CTMW	CNW	CHEI	CHEO	CBMV	CTMV	CYV	CHR	MACH
3.980	-.038	.02760	.01520	.10890	.01630	.01580	-.00250	.00050	-.00440	.00030	.89310
	GRADIENT	.00000	.00000	.00000	.00000	.00000	.00000	.00000	.00000	.00000	.00000

ARC 11-023 IAB0 OTS (SRB OFF) (SSME OFF)

(RE4055) (08 JAN 75)

REFERENCE DATA

SREF = 2690.0000 SQ.FT. XMRP = .0000 IN.
 LREF = 1290.3000 IN. YMRP = .0000 IN.
 BREF = 1290.3000 IN. ZMRP = .0000 IN.
 SCALE = .0200

PARAMETRIC DATA

ELV-1B = 8.000 ELV-0B = 4.000
 RN/L = 4.250 MACH = 1.100

RUN NO. 106/ 0 RN/L = 4.37 GRADIENT INTERVAL = -5.00/ 5.00

ALPHA	BETA	CBMW	CTMW	CNW	CHEI	CHEO	CBMV	CTMV	CYV	CHR	MACH
-3.772	-.066	.00450	.00430	.01500	.02790	.03120	.00050	-.00380	-.00030	.00040	1.10260
	GRADIENT	.00000	.00000	.00000	.00000	.00000	.00000	.00000	.00000	.00000	.00000

RUN NO. 107/ 0 RN/L = 4.37 GRADIENT INTERVAL = -5.00/ 5.00

ALPHA	BETA	CBMW	CTMW	CNW	CHEI	CHEO	CBMV	CTMV	CYV	CHR	MACH
-.380	-4.075	.03250	.01470	.12170	.03690	.00690	.12230	-.03830	.28870	-.02460	1.10270
-.357	-.059	.01760	.00860	.06320	.02250	.02500	.00010	-.00260	.00070	.00060	1.10700
-.367	3.956	.00040	-.00080	-.00800	.02560	.02800	-.12140	.03580	-.03420	.02760	1.09910
	GRADIENT	-.00400	-.00193	-.01615	-.00141	.00263	-.03034	.00923	-.07133	.00650	-.00045

ARC 11-023 IABO OTS (SRB OFF) (SSME OFF)

(RE4057) (08 JAN 75)

REFERENCE DATA

SREF = 2690.0000 SQ.FT. XMRP = .0000 IN.
 LREF = 1290.3000 IN. YMRP = .0000 IN.
 BREF = 1290.3000 IN. ZMRP = .0000 IN.
 SCALE = .0200

PARAMETRIC DATA

ELV-1B = 8.000 ELV-0B = 4.000
 RN/L = 4.250 MACH = 1.400

RUN NO. 100/ 0 RN/L = 4.31 GRADIENT INTERVAL = -5.00/ 5.00

ALPHA	BETA	CBMW	CTMW	CNW	CHEI	CHEO	CBMV	CTMV	CYV	CHR	MACH
-3.953	-.063	.00780	-.00460	.02950	.03490	-.01980	.00230	-.00380	.00470	-.00150	1.40490
	GRADIENT	.00000	.00000	.00000	.00000	.00000	.00000	.00000	.00000	.00000	.00000

RUN NO. 101/ 0 RN/L = 4.31 GRADIENT INTERVAL = -5.00/ 5.00

ALPHA	BETA	CBMW	CTMW	CNW	CHEI	CHEO	CBMV	CTMV	CYV	CHR	MACH
-.317	-4.075	.03170	-.00080	.12270	.00730	-.03740	.11160	-.03720	.26700	-.03750	1.40540
-.320	-.059	.02070	-.00340	.07800	.01820	-.02840	.00280	-.00320	.00700	-.00160	1.40870
-.522	3.956	.00840	-.00410	.02800	.02750	-.01760	-.10610	.03300	-.24930	.03390	1.40300
	GRADIENT	-.00290	-.00041	-.01179	.00252	.00247	-.02711	.00874	-.06429	.00889	-.00030

RUN NO. 102/ 0 RN/L = 4.29 GRADIENT INTERVAL = -5.00/ 5.00

ALPHA	BETA	CBMW	CTMW	CNW	CHEI	CHEO	CBMV	CTMV	CYV	CHR	MACH
4.208	-.069	.03510	.00140	.13280	.00470	-.03980	.00180	-.00200	.00550	-.00100	1.40300
	GRADIENT	.00000	.00000	.00000	.00000	.00000	.00000	.00000	.00000	.00000	.00000

ARC 11-023 IABO OTS (SRB NOM) (SSME NOM)

(RE4058) (08 JAN 75)

REFERENCE DATA

SREF = 2690.0000 SQ.FT. XMRP = .0000 IN.
 LREF = 1290.3000 IN. YMRP = .0000 IN.
 BREF = 1290.3000 IN. ZMRP = .0000 IN.
 SCALE = .0200

PARAMETRIC DATA

ELV-1B = 8.000 ELV-0B = 4.000
 RN/L = 3.400 MACH = .600

RUN NO. 291/ 0 RN/L = 3.39 GRADIENT INTERVAL = -5.00/ 5.00

ALPHA	BETA	CBMW	CTMW	CNW	CHEI	CHEO	CBMV	CTMV	CYV	CHR	MACH
-3.953	.000	.00160	-.00070	.00880	.00560	.00970	.00110	-.00380	-.00260	.00150	.59380
	GRADIENT	.00000	.00000	.00000	.00000	.00000	.00000	.00000	.00000	.00000	.00000

RUN NO. 292/ 0 RN/L = 3.40 GRADIENT INTERVAL = -5.00/ 5.00

ALPHA	BETA	CBMW	CTMW	CNW	CHEI	CHEO	CBMV	CTMV	CYV	CHR	MACH
-.343	-4.050	.02040	.01150	.07940	.00990	.00550	.12470	-.01290	.31150	-.01020	.59640
-.380	.000	.01180	.00510	.04620	.00700	.00800	.00130	-.00350	-.00090	.00070	.59810
-.386	3.978	.00440	-.00080	.01700	.00240	.00970	-.11850	.00670	-.30090	.01280	.59310
	GRADIENT	-.00199	-.00153	-.00777	-.00093	.00052	-.03029	.00244	-.07628	.00286	-.00041

DATE 03 JUN 76

TABULATED SOURCE DATA - 1A80

PAGE 39

ARC 11-023 1A80 OTS (SRB NOM) (SSME NOM)

(RE4058) (08 JAN 75)

REFERENCE DATA

SREF = 2690.0000 SQ.FT. XMRP = .0000 IN.
 LREF = 1290.3000 IN. YMRP = .0000 IN.
 BREF = 1290.3000 IN. ZMRP = .0000 IN.
 SCALE = .0200

PARAMETRIC DATA

ELV-18 = 8.000 ELV-08 = 4.000
 RN/L = 3.400 MACH = .600

RUN NO. 293/ 0 RN/L = 3.40 GRADIENT INTERVAL = -5.00/ 5.00

ALPHA	BETA	CBMW	CTMW	CNW	CHEI	CHEO	CBMV	CTMV	CYV	CHR	MACH
3.993	-.003	.02490	.01270	.09440	.00690	.00360	.00030	-.00280	-.00320	.00130	.59700
	GRADIENT	.00000	.00000	.00000	.00000	.00000	.00000	.00000	.00000	.00000	.00000

ARC 11-023 1A80 OTS (SRB NOM) (SSME NOM)

(RE4059) (08 JAN 75)

REFERENCE DATA

SREF = 2690.0000 SQ.FT. XMRP = .0000 IN.
 LREF = 1290.3000 IN. YMRP = .0000 IN.
 BREF = 1290.3000 IN. ZMRP = .0000 IN.
 SCALE = .0200

PARAMETRIC DATA

ELV-18 = 8.000 ELV-08 = 4.000
 RN/L = 4.250 MACH = .900

RUN NO. 299/ 0 RN/L = 4.17 GRADIENT INTERVAL = -5.00/ 5.00

ALPHA	BETA	CBMW	CTMW	CNW	CHEI	CHEO	CBMV	CTMV	CYV	CHR	MACH
-3.983	-.038	.00260	.00160	.01280	.01340	.01850	-.00830	.00760	-.01590	.01400	.89250
	GRADIENT	.00000	.00000	.00000	.00000	.00000	.00000	.00000	.00000	.00000	.00000

RUN NO. 300/ 0 RN/L = 4.18 GRADIENT INTERVAL = -5.00/ 5.00

ALPHA	BETA	CBMW	CTMW	CNW	CHEI	CHEO	CBMV	CTMV	CYV	CHR	MACH
-.370	-4.059	.02410	.01650	.09660	.02240	.02020	.09840	.00970	.26380	.02590	.88960
-.403	-.044	.01470	.00700	.05730	.01380	.02250	-.00970	.00750	-.01950	.01220	.90160
-.409	3.972	.00370	-.00150	.01350	.00730	.01850	-.09950	-.01150	-.26600	-.01850	.98520
	GRADIENT	-.00254	-.00224	-.01035	-.00188	-.00021	-.02464	-.00264	-.06597	-.00553	-.00055

RUN NO. 301/ 0 RN/L = 4.17 GRADIENT INTERVAL = -5.00/ 5.00

ALPHA	BETA	CBMW	CTMW	CNW	CHEI	CHEO	CBMV	CTMV	CYV	CHR	MACH
4.076	-.041	.02810	.01500	.10960	.01630	.02040	-.00370	.00150	-.00860	.00250	.89250
	GRADIENT	.00000	.00000	.00000	.00000	.00000	.00000	.00000	.00000	.00000	.00000

ORIGINAL PAGE IS
AS SHOWN ON SLIP

ARC 11-023 IABO OTS (SRB NOM) (SSME NOM)

(RE4060) (08 JAN 75)

REFERENCE DATA

SREF = 2690.0000 SQ.FT. XMRP = .0000 IN.
 LREF = 1290.3000 IN. YMRP = .0000 IN.
 BREF = 1290.3000 IN. ZMRP = .0000 IN.
 SCALE = .0200

PARAMETRIC DATA

ELV-1B = 8.000 ELV-0B = 4.000
 RN/L = 4.250 MACH = 1.100

RUN NO. 109/ 0 RN/L = 4.37 GRADIENT INTERVAL = -5.00/ 5.00

ALPHA	BETA	CBMW	CTMW	CNW	CHEI	CHEO	CBMV	CTMV	CYV	CHR	MACH
-3.937	-.059	.00330	.00340	.00960	.03070	.03140	.00090	-.00440	-.00060	-.00070	1.10000
	GRADIENT	.00000	.00000	.00000	.00000	.00000	.00000	.00000	.00000	.00000	.00000

RUN NO. 110/ 0 RN/L = 4.38 GRADIENT INTERVAL = -5.00/ 5.00

ALPHA	BETA	CBMW	CTMW	CNW	CHEI	CHEO	CBMV	CTMV	CYV	CHR	MACH
-.528	-4.075	.03170	.01400	.11900	.03430	.00850	.12520	-.04290	.29700	-.04000	1.09620
-.492	-.063	.01640	.00740	.05710	.02530	.02550	.00010	-.00300	-.00140	-.00020	1.10820
-.532	3.956	.00050	-.00100	-.00730	.02290	.02820	-.12260	.03890	-.28960	.04020	1.09180
	GRADIENT	-.00388	-.00187	-.01573	-.00142	.00245	-.03085	.01019	-.07304	.00999	-.00055

RUN NO. 111/ 0 RN/L = 4.38 GRADIENT INTERVAL = -5.00/ 5.00

ALPHA	BETA	CBMW	CTMW	CNW	CHEI	CHEO	CBMV	CTMV	CYV	CHR	MACH
4.013	-.063	.03230	.01190	.11610	.02640	.00660	.00000	-.00340	-.00350	.00020	1.10000
	GRADIENT	.00000	.00000	.00000	.00000	.00000	.00000	.00000	.00000	.00000	.00000

ARC 11-023 IABO OTS (SRB NOM) (SSME NOM)

(RE4061) (08 JAN 75)

REFERENCE DATA

SREF = 2690.0000 SQ.FT. XMRP = .0000 IN.
 LREF = 1290.3000 IN. YMRP = .0000 IN.
 BREF = 1290.3000 IN. ZMRP = .0000 IN.
 SCALE = .0200

PARAMETRIC DATA

ELV-1B = 8.000 ELV-0B = 4.000
 RN/L = 4.250 MACH = 1.250

RUN NO. 97/ 0 RN/L = 4.39 GRADIENT INTERVAL = -5.00/ 5.00

ALPHA	BETA	CBMW	CTMW	CNW	CHEI	CHEO	CBMV	CTMV	CYV	CHR	MACH
-3.960	-.066	.00650	-.00120	.02230	.04050	.00500	.00180	-.00360	.00230	-.00080	1.25280
	GRADIENT	.00000	.00000	.00000	.00000	.00000	.00000	.00000	.00000	.00000	.00000

RUN NO. 98/ 0 RN/L = 4.39 GRADIENT INTERVAL = -5.00/ 5.00

ALPHA	BETA	CBMW	CTMW	CNW	CHEI	CHEO	CBMV	CTMV	CYV	CHR	MACH
-.505	-4.075	.03460	.00630	.13200	.03280	-.02660	.11810	-.04180	.27900	-.03910	1.25160
-.459	-.059	.02040	.00140	.07400	.03480	-.00830	.00200	-.00340	.00270	-.00080	1.25600
-.462	3.953	.00470	-.00240	.01010	.02810	.00860	-.10990	.03570	-.25780	.03500	1.24950
	GRADIENT	-.00372	-.00108	-.01518	-.00059	.00438	-.02840	.00965	-.06687	.00935	-.00026

ARC 11-023 IAB0 OTS (SRB NOM+) (SSME NOM)

(RE4063) (08 JAN 75)

REFERENCE DATA

SREF = 2690.0000 SQ.FT. XMRP = .0000 IN.
 LREF = 1290.3000 IN. YMRP = .0000 IN.
 BREF = 1290.3000 IN. ZMRP = .0000 IN.
 SCALE = .0200

ELV-1B = 8.000 ELV-0B = 4.000
 RN/L = 4.250 MACH = .980

PARAMETRIC DATA

RUN NO. 118/ 0 RN/L = 4.31 GRADIENT INTERVAL = -5.00/ 5.00

ALPHA	BETA	CBMW	CTMW	CNW	CHEI	CHEO	CBMV	CTMV	CYV	CHR	MACH
-3.868	-.063	.00310	.00240	.01190	.01300	.03380	.00110	-.00390	.00040	-.00020	.98020
	GRADIENT	.00000	.00000	.00000	.00000	.00000	.00000	.00000	.00000	.00000	.00000

RUN NO. 119/ 0 RN/L = 4.31 GRADIENT INTERVAL = -5.00/ 5.00

ALPHA	BETA	CBMW	CTMW	CNW	CHEI	CHEO	CBMV	CTMV	CYV	CHR	MACH
-.486	-4.075	.02850	.01560	.10750	.04250	.02440	.12480	-.04170	.29070	-.03030	.97520
-.456	-.063	.01450	.00660	.05260	.01260	.03150	.00080	-.00360	-.00030	.00020	.98630
-.439	3.953	.00140	-.00180	-.00060	.00720	.03110	-.12400	.03570	-.29370	.03030	.97660
	GRADIENT	-.00338	-.00217	-.01347	-.00440	.00083	-.03099	.00964	-.07279	.00755	.00317

RUN NO. 120/ 0 RN/L = 4.31 GRADIENT INTERVAL = -5.00/ 5.00

ALPHA	BETA	CBMW	CTMW	CNW	CHEI	CHEO	CBMV	CTMV	CYV	CHR	MACH
4.013	-.069	.03090	.01290	.11230	.02850	.01670	.00050	-.00420	-.00420	.00120	.98150
	GRADIENT	.00000	.00000	.00000	.00000	.00000	.00000	.00000	.00000	.00000	.00000

ARC 11-023 IAB0 OTS (SRB OFF) (SSME OFF)

(RE4064) (08 JAN 75)

REFERENCE DATA

SREF = 2690.0000 SQ.FT. XMRP = .0000 IN.
 LREF = 1290.3000 IN. YMRP = .0000 IN.
 BREF = 1290.3000 IN. ZMRP = .0000 IN.
 SCALE = .0200

ELV-1B = 8.000 ELV-0B = -4.000
 RN/L = 3.400 MACH = .600

PARAMETRIC DATA

RUN NO. 314/ 0 RN/L = 3.40 GRADIENT INTERVAL = -5.00/ 5.00

ALPHA	BETA	CBMW	CTMW	CNW	CHEI	CHEO	CBMV	CTMV	CYV	CHR	MACH
-3.973	-.047	-.00440	.00230	-.00870	.01260	.00080	.00060	-.00200	-.00070	.00200	.58530
	GRADIENT	.00000	.00000	.00000	.00000	.00000	.00000	.00000	.00000	.00000	.00000

RUN NO. 315/ 0 RN/L = 3.42 GRADIENT INTERVAL = -5.00/ 5.00

ALPHA	BETA	CBMW	CTMW	CNW	CHEI	CHEO	CBMV	CTMV	CYV	CHR	MACH
-.277	-4.066	.01340	.01490	.05840	.01760	.02280	.10740	-.00630	.27000	-.00500	.58980
-.291	-.047	.00560	.00840	.02820	.01400	.02350	-.00040	-.00180	-.00200	.00130	.59100
-.307	3.972	-.00120	.00240	.00090	.00900	.02480	-.10480	.00200	-.26610	.00760	.58800
	GRADIENT	-.00182	-.00156	-.00715	-.00107	.00025	-.02640	.00103	-.06670	.06157	-.00022

ARC 11-023 IAB0 OTS (SRB NOM) (SSME NOM)

(RE4069) (08 JAN 75)

REFERENCE DATA

SREF = 2690.0000 SQ.FT. XMRP = .0000 IN.
 LREF = 1290.3000 IN. YMRP = .0000 IN.
 BREF = 1290.3000 IN. ZMRP = .0000 IN.
 SCALE = .0200

PARAMETRIC DATA

ELV-1B = 8.000 ELV-0B = -4.000
 RN/L = 3.400 MACH = .600

RUN NO. 317/ 0 RN/L = 3.46 GRADIENT INTERVAL = -5.00/ 5.00

ALPHA	BETA	CBMW	CTMW	CNW	CHE1	CHE0	CBMV	CTMV	CYV	CHR	MACH
-3.920	-.044	-.00360	.00220	-.00630	.00910	.02610	.00030	-.00300	-.00360	.00150	.59500
	GRADIENT	.00000	.00000	.00000	.00000	.00000	.00000	.00000	.00000	.00000	.00000

RUN NO. 318/ 0 RN/L = 3.46 GRADIENT INTERVAL = -5.00/ 5.00

ALPHA	BETA	CBMW	CTMW	CNW	CHE1	CHE0	CBMV	CTMV	CYV	CHR	MACH
-.376	-4.066	.01400	.01420	.06010	.01360	.02310	.12160	-.01290	.30130	-.00930	.59550
-.373	-.050	.00620	.00780	.03000	.01080	.02420	.00010	-.00220	-.00240	.00120	.60030
-.426	3.969	-.00100	.00190	.03140	.00560	.02510	-.11720	.00640	-.29740	.01160	.59650
	GRADIENT	-.00187	-.00153	-.00731	-.00100	.00025	-.02972	.00240	-.07452	.00260	.00012

RUN NO. 319/ 0 RN/L = 3.47 GRADIENT INTERVAL = -5.00/ 5.00

ALPHA	BETA	CBMW	CTMW	CNW	CHE1	CHE0	CBMV	CTMV	CYV	CHR	MACH
3.547	-.044	.01800	.01570	.07360	.01090	.02450	-.00070	-.00340	-.00770	.00150	.59680
	GRADIENT	.00000	.00000	.00000	.00000	.00000	.00000	.00000	.00000	.00000	.00000

ARC 11-023 IAB0 OTS (SRB NOM) (SSME NOM)

(RE4070) (08 JAN 75)

REFERENCE DATA

SREF = 2690.0000 SQ.FT. XMRP = .0000 IN.
 LREF = 1290.3000 IN. YMRP = .0000 IN.
 BREF = 1290.3000 IN. ZMRP = .0000 IN.
 SCALE = .0200

PARAMETRIC DATA

ELV-1B = 8.000 ELV-0B = -4.000
 RN/L = 4.250 MACH = .900

RUN NO. 305/ 0 RN/L = 4.17 GRADIENT INTERVAL = -5.00/ 5.00

ALPHA	BETA	CBMW	CTMW	CNW	CHE1	CHE0	CBMV	CTMV	CYV	CHR	MACH
-3.897	-.041	-.00110	.00430	.00230	.02310	.05260	-.00770	.00680	-.01490	.01360	.89150
	GRADIENT	.00000	.00000	.00000	.00000	.00000	.00000	.00000	.00000	.00000	.00000

RUN NO. 306/ 0 RN/L = 4.17 GRADIENT INTERVAL = -5.00/ 5.00

ALPHA	BETA	CBMW	CTMW	CNW	CHE1	CHE0	CBMV	CTMV	CYV	CHR	MACH
-.383	-4.063	.02180	.01810	.08940	.02960	.03100	.09960	.01180	.26730	.02710	.89790
-.357	-.047	.01100	.00970	.04650	.02050	.05130	-.00910	.00690	-.01810	.01020	.89750
-.370	3.972	.03060	.00060	.00420	.00920	.04430	-.10140	-.01150	-.27210	-.01780	.88610
	GRADIENT	-.00254	-.00218	-.01060	-.00254	.00165	-.02480	-.00290	-.06714	-.00559	-.00022

DATE 03 JUN 76

TABULATED SOURCE DATA - IABO

PAGE 47

ARC 11-023 IABO OTS (SRB NOM) (SSME NOM)

(RE4070) (08 JAN 75)

REFERENCE DATA

SREF = 2690.0000 SQ.FT. XMRP = .0000 IN.
 LREF = 1290.3000 IN. YMRP = .0000 IN.
 BREF = 1290.3000 IN. ZMRP = .0000 IN.
 SCALE = .0200

PARAMETRIC DATA

ELV-1B = 8.000 ELV-0B = -4.000
 RN/L = 4.250 MACH = .900

RUN NO. 307/ 0 RN/L = 4.18 GRADIENT INTERVAL = -5.00/ 5.00

ALPHA	BETA	CBMW	CTMW	CNW	CHEI	CHEO	CBMV	CTMV	CYV	CHR	MACH
4.020	-.041	.02550	.01660	.10140	.02650	.03070	-.00410	.00140	-.00960	.00220	.89260
	GRADIENT	.00000	.00000	.00000	.00000	.00000	.00000	.00000	.00000	.00000	.00000

ARC 11-023 IABO OTS (SRB NOM) (SSME NOM)

(RE4071) (08 JAN 75)

REFERENCE DATA

SREF = 2690.0000 SQ.FT. XMRP = .0000 IN.
 LREF = 1290.3000 IN. YMRP = .0000 IN.
 BREF = 1290.3000 IN. ZMRP = .0000 IN.
 SCALE = .0200

PARAMETRIC DATA

ELV-1B = 8.000 ELV-0B = -4.000
 RN/L = 4.250 MACH = 1.100

RUN NO. 136/ 0 RN/L = 4.37 GRADIENT INTERVAL = -5.00/ 5.00

ALPHA	BETA	CBMW	CTMW	CNW	CHEI	CHEO	CBMV	CTMV	CYV	CHR	MACH
-3.963	-.066	-.00160	.00780	-.00350	.03970	.08850	.00030	-.00450	-.00290	-.00060	1.09770
	GRADIENT	.00000	.00000	.00000	.00000	.00000	.00000	.00000	.00000	.00000	.00000

RUN NO. 137/ 0 RN/L = 4.37 GRADIENT INTERVAL = -5.00/ 5.00

ALPHA	BETA	CBMW	CTMW	CNW	CHEI	CHEO	CBMV	CTMV	CYV	CHR	MACH
-.545	-4.072	.02740	.01740	.10700	.04690	.04440	.12550	-.04330	.29650	-.04050	1.10080
-.667	-.059	.01150	.01140	.04390	.03690	.07740	.00020	-.00360	-.00230	-.00020	1.10480
-.519	3.953	-.00420	.00310	-.01970	.02690	.08510	-.12330	.03970	-.29230	.04010	1.09940
	GRADIENT	-.00394	-.00178	-.01579	-.00249	.00507	-.03100	.01022	-.07357	.01004	-.00017

RUN NO. 138/ 0 RN/L = 4.37 GRADIENT INTERVAL = -5.00/ 5.00

ALPHA	BETA	CBMW	CTMW	CNW	CHEI	CHEO	CBMV	CTMV	CYV	CHR	MACH
3.990	-.066	.02880	.01530	.10720	.03480	.04540	.00060	-.00360	-.00230	-.00020	1.10800
	GRADIENT	.00000	.00000	.00000	.00000	.00000	.00000	.00000	.00000	.00000	.00000

ORIGINAL PAGE IS
OF POOR QUALITY

ARC 11-023 1A80 OTS (SRB OFF) (SSME OFF)

(RE4075) (08 JAN 75)

REFERENCE DATA

SREF = 2690.0000 SQ.FT. XMRP = .0000 IN.
 LREF = 1290.3000 IN. YMRP = .0000 IN.
 BREF = 1290.3000 IN. ZMRP = .0000 IN.
 SCALE = .0200

PARAMETRIC DATA

ELV-1B = 8.000 ELV-0B = .000
 RN/L = 4.250 MACH = .900

RUN NO. 282/ 0 RN/L = 4.25 GRADIENT INTERVAL = -5.00/ 5.00

ALPHA	BETA	CBMW	CTMW	CNW	CHE1	CHE0	CBMV	CTMV	CYV	CHR	MACH
-3.980	-.012	.00110	.00220	.00850	.01370	.02990	-.00800	.00680	-.01280	.00370	.90260
	GRADIENT	.00000	.00000	.00000	.00000	.00000	.00000	.00000	.00000	.00000	.00000

RUN NO. 283/ 0 RN/L = 4.25 GRADIENT INTERVAL = -5.00/ 5.00

ALPHA	BETA	CBMW	CTMW	CNW	CHE1	CHE0	CBMV	CTMV	CYV	CHR	MACH
-.324	-4.047	.02310	.01790	.09410	.02840	.02550	.09840	.00920	.26410	.00740	.89820
-.317	-.006	.01380	.00880	.05550	.01650	.03140	-.00630	.00510	-.00950	.00140	.91000
-.396	3.984	.00320	.00010	.01270	.01050	.02350	-.09720	-.00550	-.24940	-.00360	.90560
	GRADIENT	-.00248	-.00222	-.01013	-.00223	-.00025	-.02436	-.00183	-.00395	-.00137	.00093

RUN NO. 284/ 0 RN/L = 4.24 GRADIENT INTERVAL = -5.00/ 5.00

ALPHA	BETA	CBMW	CTMW	CNW	CHE1	CHE0	CBMV	CTMV	CYV	CHR	MACH
4.076	-.012	.02670	.01680	.10610	.02320	.03040	-.00210	.00180	-.00160	-.00020	.90480
	GRADIENT	.00000	.00000	.00000	.00000	.00000	.00000	.00000	.00000	.00000	.00000

ARC 11-023 1A80 OTS (SRB OFF) (SSME OFF)

(RE4076) (08 JAN 75)

REFERENCE DATA

SREF = 2690.0000 SQ.FT. XMRP = .0000 IN.
 LREF = 1290.3000 IN. YMRP = .0000 IN.
 BREF = 1290.3000 IN. ZMRP = .0000 IN.
 SCALE = .0200

PARAMETRIC DATA

ELV-1B = 8.000 ELV-0B = .000
 RN/L = 4.250 MACH = 1.100

RUN NO. 153/ 0 RN/L = 4.42 GRADIENT INTERVAL = -5.00/ 5.00

ALPHA	BETA	CBMW	CTMW	CNW	CHE1	CHE0	CBMV	CTMV	CYV	CHR	MACH
-3.934	.009	.00100	.00600	.00470	.03310	.06120	.00020	-.00420	-.00270	.00060	1.10110
	GRADIENT	.00000	.00000	.00000	.00000	.00000	.00000	.00000	.00000	.00000	.00000

RUN NO. 154/ 0 RN/L = 4.42 GRADIENT INTERVAL = -5.00/ 5.00

ALPHA	BETA	CBMW	CTMW	CNW	CHE1	CHE0	CBMV	CTMV	CYV	CHR	MACH
-.238	-3.994	.02990	.01640	.11450	.04250	.02700	.12050	-.03790	.28220	-.02310	1.09950
-.307	.009	.01560	.01110	.05860	.02700	.05330	-.00030	-.00280	-.00230	.00130	1.11280
-.271	4.034	-.00190	.00100	-.01440	.02580	.05700	-.12160	.03500	-.28600	.02660	1.10650
	GRADIENT	-.00395	-.00192	-.01306	-.00208	.00373	-.03016	.00908	-.07078	.00619	.00087

ARC 11-023 IABO OTS (SRB OFF) (SSME OFF)

(RE4078) (08 JAN 75)

REFERENCE DATA

SREF = 2690.0000 SQ.FT. XMRP = .0000 IN.
 LREF = 1290.3000 IN. YMRP = .0000 IN.
 BREF = 1290.3000 IN. ZMRP = .0000 IN.
 SCALE = .0200

PARAMETRIC DATA

ELV-1B = 8.000 ELV-0B = .000
 RN/L = 4.250 MACH = 1.400

RUN NO. 141/ 0 RN/L = 4.35 GRADIENT INTERVAL = -5.00/ 5.00

ALPHA	BETA	CBMW	CTMW	CNW	CHE1	CHE0	CBMV	CTMV	CYV	CHR	MACH
-3.980	-.066	.00580	-.00350	.02360	.03600	-.00240	.00210	-.00390	.00000	-.00190	1.41000
	GRADIENT	.00000	.00000	.00000	.00000	.00000	.00000	.00000	.00000	.00000	.00000

RUN NO. 142/ 0 RN/L = 4.34 GRADIENT INTERVAL = -5.00/ 5.00

ALPHA	BETA	CBMW	CTMW	CNW	CHE1	CHE0	CBMV	CTMV	CYV	CHR	MACH
-.238	-4.072	.02990	.00040	.11780	.00950	-.02040	.11060	-.03720	.26320	-.03710	1.40620
-.228	-.063	.01930	-.00210	.07440	.02720	-.01350	.00210	-.00300	.00460	-.00120	1.40990
-.261	3.953	.00700	-.00300	.02480	.02770	-.00170	-.10620	.03290	-.24980	.03400	1.40630
	GRADIENT	-.00285	-.00042	-.01159	.00229	.00233	-.02702	.01874	-.06393	.00886	.00001

RUN NO. 143/ 0 RN/L = 4.34 GRADIENT INTERVAL = -5.00/ 5.00

ALPHA	BETA	CBMW	CTMW	CNW	CHE1	CHE0	CBMV	CTMV	CYV	CHR	MACH
3.920	-.066	.03260	.00190	.12490	.00790	-.02480	.00180	-.00190	.00500	-.00120	1.40430
	GRADIENT	.00000	.00000	.00000	.00000	.00000	.00000	.00000	.00000	.00000	.00000

ARC 11-023 IABO OTS (SRB NOM) (SSME NOM)

(RE4079) (08 JAN 75)

REFERENCE DATA

SREF = 2690.0000 SQ.FT. XMRP = .0000 IN.
 LREF = 1290.3000 IN. YMRP = .0000 IN.
 BREF = 1290.3000 IN. ZMRP = .0000 IN.
 SCALE = .0200

PARAMETRIC DATA

ELV-1B = 8.000 ELV-0B = .000
 RN/L = 3.400 MACH = .600

RUN NO. 279/ 0 RN/L = 3.42 GRADIENT INTERVAL = -5.00/ 5.00

ALPHA	BETA	CBMW	CTMW	CNW	CHE1	CHE0	CBMV	CTMV	CYV	CHR	MACH
-4.105	-.006	-.00120	.00070	.00090	.00750	.01830	.00120	-.00320	-.00070	.00050	.59090
	GRADIENT	.00000	.00000	.00000	.00000	.00000	.00000	.00000	.00000	.00000	.00000

RUN NO. 280/ 0 RN/L = 3.45 GRADIENT INTERVAL = -5.00/ 5.00

ALPHA	BETA	CBMW	CTMW	CNW	CHE1	CHE0	CBMV	CTMV	CYV	CHR	MACH
-.383	-4.047	.01700	.01310	.06940	.01200	.01620	.12320	-.01330	.30590	-.01000	.59570
-.380	-.009	.00920	.00590	.03960	.00870	.01740	.00130	-.00290	-.00020	.00010	.59810
-.499	3.981	.00180	.00080	.00980	.00400	.01800	-.11780	.00750	-.29630	.01170	.59850
	GRADIENT	-.00189	-.00153	-.00742	-.00100	.00022	-.03002	.00259	-.07501	.00270	.00035

ARC 11-023 1A80 OTS (SRB NOM) (SSME NOM)

(RE40B1) (08 JAN 75)

REFERENCE DATA

SREF = 2690.0000 SQ.FT. XMRP = .0000 IN.
 LREF = 1290.3000 IN. YMRP = .0000 IN.
 BREF = 1290.3000 IN. ZMRP = .0000 IN.
 SCALE = .0200

PARAMETRIC DATA

ELV-18 = 8.000 ELV-08 = .000
 RN/L = 4.250 MACH = 1.100

RUN NO. 156/ 0 RN/L = 4.38 GRADIENT INTERVAL = -5.00/ 5.00

ALPHA	BETA	CBMW	CTMW	CNW	CHEI	CHEO	CBMV	CTMV	CYV	CHR	MACH
-3.937	.012	.00060	.00550	.00200	.03240	.06130	.00050	-.00410	-.00200	-.00020	1.09960
	GRADIENT	.00000	.00000	.00000	.00000	.00000	.00000	.00000	.00000	.00000	.00000

RUN NO. 157/ 0 RN/L = 4.38 GRADIENT INTERVAL = -5.00/ 5.00

ALPHA	BETA	CBMW	CTMW	CNW	CHEI	CHEO	CBMV	CTMV	CYV	CHR	MACH
-.396	-3.994	.02920	.01560	.11110	.03950	.02820	.12340	-.04420	.23780	-.03930	1.09940
-.380	.009	.01430	.00980	.05230	.02570	.05440	.00000	-.00290	-.00250	.00020	1.11160
-.393	4.031	-.00210	.00080	-.01490	.02410	.05720	-.12310	.03780	-.29460	.04070	1.09620
	GRADIENT	-.00390	-.00184	-.01570	-.00192	.00361	-.03072	.01022	-.07257	.00997	-.00028

RUN NO. 158/ 0 RN/L = 4.38 GRADIENT INTERVAL = -5.00/ 5.00

ALPHA	BETA	CBMW	CTMW	CNW	CHEI	CHEO	CBMV	CTMV	CYV	CHR	MACH
3.894	.012	.02960	.01320	.10840	.03000	.02790	.00000	-.00400	-.00530	.00040	1.10310
	GRADIENT	.00000	.00000	.00000	.00000	.00000	.00000	.00000	.00000	.00000	.00000

ARC 11-023 1A80 OTS (SRB NOM) (SSME NOM)

(RE40B2) (08 JAN 75)

REFERENCE DATA

SREF = 2690.0000 SQ.FT. XMRP = .0000 IN.
 LREF = 1290.3000 IN. YMRP = .0000 IN.
 BREF = 1290.3000 IN. ZMRP = .0000 IN.
 SCALE = .0200

PARAMETRIC DATA

ELV-18 = 8.000 ELV-08 = .000
 RN/L = 4.250 MACH = 1.250

RUN NO. 150/ 0 RN/L = 4.42 GRADIENT INTERVAL = -5.00/ 5.00

ALPHA	BETA	CBMW	CTMW	CNW	CHEI	CHEO	CBMV	CTMV	CYV	CHR	MACH
-3.967	.016	.00400	.00050	.01500	.04190	.03020	.00030	-.00400	-.00300	-.00050	1.24390
	GRADIENT	.00000	.00000	.00000	.00000	.00000	.00000	.00000	.00000	.00000	.00000

RUN NO. 151/ 0 RN/L = 4.42 GRADIENT INTERVAL = -5.00/ 5.00

ALPHA	BETA	CBMW	CTMW	CNW	CHEI	CHEO	CBMV	CTMV	CYV	CHR	MACH
-.396	-3.994	.03220	.00740	.12690	.03410	-.01070	.11660	-.04150	.27320	-.03770	1.25180
-.396	.009	.01960	.00270	.06900	.03480	.01100	.00170	-.00370	.00170	-.00060	1.25500
-.380	4.031	.00270	-.00060	.00470	.02780	.03120	-.11150	.03500	-.26350	.03590	1.24640
	GRADIENT	-.00375	-.00100	-.01523	-.00079	.00522	-.02842	.00953	-.06688	.00917	-.00067

DATE 03 JUN 76

TABULATED SOURCE DATA - 1A80

PAGE 55

ARC 11-023 1A80 OTS (SRB NOM) (SSME NOM)

(RE4082) (08 JAN 75)

REFERENCE DATA

SREF = 2590.0000 SQ.FT. XMRP = .0000 IN.
 LREF = 1290.3000 IN. YMRP = .0000 IN.
 BREF = 1290.3000 IN. ZMRP = .0000 IN.
 SCALE = .0200

PARAMETRIC DATA

ELV-1B = 8.000 ELV-0B = .000
 RN/L = 4.250 MACH = 1.250

RUN NO. 152/ 0 RN/L = 4.41 GRADIENT INTERVAL = -5.00/ 5.00

ALPHA	BETA	CBMW	CTMW	CNW	CHE1	CHE0	CBMV	CTMV	CYV	CHR	MACH
3.877	.009	.03510	.00830	.13050	.02820	-.01080	.00150	-.00360	.00010	-.00140	1.25020
	GRADIENT	.00000	.00000	.00000	.00000	.00000	.00000	.00000	.00000	.00000	.00000

ARC 11-023 1A80 OTS (SRB NOM) (SSME NOM)

(RE4083) (08 JAN 75)

REFERENCE DATA

SREF = 2690.0000 SQ.FT. XMRP = .0000 IN.
 LREF = 1290.3000 IN. YMRP = .0000 IN.
 BREF = 1290.3000 IN. ZMRP = .0000 IN.
 SCALE = .0200

PARAMETRIC DATA

ELV-1B = 8.000 ELV-0B = .000
 RN/L = 4.250 MACH = 1.400

RUN NO. 144/ 0 RN/L = 4.32 GRADIENT INTERVAL = -5.00/ 5.00

ALPHA	BETA	CBMW	CTMW	CNW	CHE1	CHE0	CBMV	CTMV	CYV	CHR	MACH
-3.983	-.066	.00530	-.00380	.02030	.03420	-.00160	.00250	-.00350	.00480	-.00150	1.40860
	GRADIENT	.00000	.00000	.00000	.00000	.00000	.00000	.00000	.00000	.00000	.00000

RUN NO. 145/ 0 RN/L = 4.31 GRADIENT INTERVAL = -5.00/ 5.00

ALPHA	BETA	CBMW	CTMW	CNW	CHE1	CHE0	CBMV	CTMV	CYV	CHR	MACH
-.380	-4.059	.02950	.00000	.11580	.00910	-.01960	.11010	-.03910	.25900	-.03740	1.40500
-.380	-.059	.01220	-.00270	.06860	.02140	-.01280	.00240	-.00320	.00430	-.00120	1.40690
-.409	3.953	.00580	-.00390	.01820	.02380	-.00070	-.10510	.03290	-.24780	.03490	1.40430
	GRADIENT	-.00296	-.00049	-.01218	.00183	.00236	-.02666	.00899	-.06325	.00902	-.00009

RUN NO. 146/ 0 RN/L = 4.27 GRADIENT INTERVAL = -5.00/ 5.00

ALPHA	BETA	CBMW	CTMW	CNW	CHE1	CHE0	CBMV	CTMV	CYV	CHR	MACH
3.828	.000	.03160	.00130	.11920	.00770	-.02500	.00220	-.00240	.00510	-.00140	1.41020
	GRADIENT	.00000	.00000	.00000	.00000	.00000	.00000	.00000	.00000	.00000	.00000

ORIGINAL PAGE IS
OF POOR QUALITY

ARC 11-023 IA80 OTS (SRB OFF) (SSME OFF)

(RE4084) (08 JAN 75)

REFERENCE DATA

SREF = 2690.0000 SQ.FT. XMRP = .0000 IN.
 LREF = 1290.3000 IN. YMRP = .0000 IN.
 BREF = 1290.3000 IN. ZMRP = .0000 IN.
 SCALE = .0200

ELV-18 = 8.000 ELV-08 = 2.000
 RN/L = 3.400 MACH = .600

PARAMETRIC DATA

RUN NO. 326/ 0 RN/L = 3.42 GRADIENT INTERVAL = -5.00/ 5.00

ALPHA	BETA	CBMW	CTMW	CNW	CHEI	CHEO	CBMV	CTMV	CYV	CHR	MACH
-3.953	-.044	-.00070	.00020	.00120	.00920	.01420	-.00040	-.00150	-.00160	.00280	.59570
	GRADIENT	.00000	.00000	.00000	.00000	.00000	.00000	.00000	.00000	.00000	.00000

RUN NO. 327/ 0 RN/L = 3.43 GRADIENT INTERVAL = 5.00/ 5.00

ALPHA	BETA	CBMW	CTMW	CNW	CHEI	CHEO	CBMV	CTMV	CYV	CHR	MACH
-.284	-4.063	.01770	.01260	.07100	.01390	.01090	.10730	-.00570	.27230	-.00410	.59790
-.291	-.047	.00980	.00670	.04100	.01060	.01320	-.00040	-.00100	-.00040	.00240	.60120
-.320	3.969	.00250	.00060	.01160	.00580	.01410	-.10280	.00330	-.25700	.00790	.59720
	GRADIENT	-.00189	-.00149	-.00740	-.00101	.00040	-.02616	.00112	-.06591	.00149	-.00009

RUN NO. 328/ 0 RN/L = 3.43 GRADIENT INTERVAL = -5.00/ 5.00

ALPHA	BETA	CBMW	CTMW	CNW	CHEI	CHEO	CBMV	CTMV	CYV	CHR	MACH
3.973	-.044	.02200	.01380	.08540	.01060	.01010	-.00060	-.00120	-.00120	.00250	.59840
	GRADIENT	.00000	.00000	.00000	.00000	.00000	.00000	.00000	.00000	.00000	.00000

ARC 11-023 IA80 OTS (SRB OFF) (SSME OFF)

(RE4085) (08 JAN 75)

REFERENCE DATA

SREF = 2690.0000 SQ.FT. XMRP = .0000 IN.
 LREF = 1290.3000 IN. YMRP = .0000 IN.
 BREF = 1290.3000 IN. ZMRP = .0000 IN.
 SCALE = .0200

ELV-18 = 8.000 ELV-08 = 2.000
 RN/L = 4.250 MACH = .900

PARAMETRIC DATA

RUN NO. 320/ 0 RN/L = 4.27 GRADIENT INTERVAL = -5.00/ 5.00

ALPHA	BETA	CBMW	CTMW	CNW	CHEI	CHEO	CBMV	CTMV	CYV	CHR	MACH
-3.937	-.050	.00210	.00180	.01170	.01290	.02200	-.00780	.00640	-.01300	.00430	.90250
	GRADIENT	.00000	.00000	.00000	.00000	.00000	.00000	.00000	.00000	.00000	.00000

RUN NO. 321/ 0 RN/L = 4.24 GRADIENT INTERVAL = -5.00/ 5.00

ALPHA	BETA	CBMW	CTMW	CNW	CHEI	CHEO	CBMV	CTMV	CYV	CHR	MACH
-.301	-4.066	.02320	.01770	.09470	.02730	.02590	.09620	.00910	.25670	.00930	.89650
-.304	-.047	.01410	.00790	.05630	.01320	.02450	-.00740	.00530	-.01160	.00180	.90630
-.320	3.969	.00390	-.00090	.01430	.00940	.01440	-.10230	-.00490	-.25840	-.00850	.89530
	GRADIENT	-.00240	-.00232	-.01001	-.00223	-.00143	-.02471	-.00174	-.06411	-.00222	-.00015

ARC 11-023 1A80 OTS (SRB NOM) (SSME NOM)

(RE4087) (08 JAN 75)

REFERENCE DATA

SREF = 2690.0000 SQ.FT. XMRP = .0000 IN.
 LREF = 1290.3000 IN. YMRP = .0000 IN.
 BREF = 1290.3000 IN. ZMRP = .0000 IN.
 SCALE = .0200

PARAMETRIC DATA

FLV-1B = 8.000 ELV-08 = 2.000
 RN/L = 3.400 MACH = .600

RUN NO. 329/ 0 RN/L = 3.43 GRADIENT INTERVAL = -5.00/ 5.00

ALPHA	BETA	CBMW	CTMW	CNW	CHEI	CHEO	CBMV	CTMV	CYV	CHR	MACH
-3.871	-.044	.00050	.00040	.00610	.00560	.01420	.00120	-.00270	-.00030	.00210	.59840
	GRADIENT	.00000	.00000	.00000	.00000	.00000	.00000	.00000	.00000	.00000	.00000

RUN NO. 330/ 0 RN/L = 3.43 GRADIENT INTERVAL = -5.00/ 5.00

ALPHA	BETA	CBMW	CTMW	CNW	CHEI	CHEO	CBMV	CTMV	CYV	CHR	MACH
-.350	-4.066	.01870	.01220	.07430	.00960	.01040	.12090	-.01270	.30100	-.00850	.59690
-.380	-.050	.01040	.00590	.04250	.00730	.01290	-.00040	-.00200	-.00260	.00110	.60030
-.423	3.969	.00280	.00000	.01260	.00240	.01400	-.11680	.00720	-.29380	.01200	.59770
	GRADIENT	-.00198	-.00152	-.00768	-.00090	.00045	-.02959	.00248	-.07403	.00255	.00010

RUN NO. 331/ 0 RN/L = 3.43 GRADIENT INTERVAL = -5.00/ 5.00

ALPHA	BETA	CBMW	CTMW	CNW	CHEI	CHEO	CBMV	CTMV	CYV	CHR	MACH
3.986	-.047	.02300	.01340	.08830	.00750	.00930	-.00040	-.00260	-.00390	.00140	.59740
	GRADIENT	.00000	.00000	.00000	.00000	.00000	.00000	.00000	.00000	.00000	.00000

ARC 11-023 1A80 OTS (SRB NOM) (SSME NOM)

(RE4088) (08 JAN 75)

REFERENCE DATA

SREF = 2690.0000 SQ.FT. XMRP = .0000 IN.
 LREF = 1290.3000 IN. YMRP = .0000 IN.
 BREF = 1290.3000 IN. ZMRP = .0000 IN.
 SCALE = .0200

PARAMETRIC DATA

ELV-1B = 8.000 ELV-08 = 2.000
 RN/L = 4.250 MACH = .900

RUN NO. 323/ 0 RN/L = 4.19 GRADIENT INTERVAL = -5.00/ 5.00

ALPHA	BETA	CBMW	CTMW	CNW	CHEI	CHEO	CBMV	CTMV	CYV	CHR	MACH
-3.963	-.044	.00190	.00170	.01020	.01470	.02240	-.00810	.00850	-.01300	.01580	.89500
	GRADIENT	.00000	.00000	.00000	.00000	.00000	.00000	.00000	.00000	.00000	.00000

RUN NO. 324/ 0 RN/L = 4.19 GRADIENT INTERVAL = -5.00/ 5.00

ALPHA	BETA	CBMW	CTMW	CNW	CHEI	CHEO	CBMV	CTMV	CYV	CHR	MACH
-.383	-4.066	.02340	.01730	.09450	.02690	.02820	.10310	.00590	.27280	.02460	.89210
-.376	-.047	.01370	.00750	.05360	.01520	.02770	-.00970	.00900	-.01580	.01220	.90470
-.409	3.969	.00300	-.00130	.01040	.00460	.02080	-.11200	.00290	-.27970	-.01990	.89760
	GRADIENT	-.00254	-.00232	-.01047	-.00278	-.00092	-.02677	-.00037	-.06877	-.00554	.00068

ARC 11-023 1A80 OTS (SRB OFF) (SSME OFF)

(RE4090) (08 JAN 75)

REFERENCE DATA

SREF = 2690.0000 SQ.FT. XMRP = .0000 IN.
 LREF = 1290.3000 IN. YMRP = .0000 IN.
 BREF = 1290.3000 IN. ZMRP = .0000 IN.
 SCALE = .0200

PARAMETRIC DATA

ELV-18 = 4.000 ELV-08 = 4.000
 RN/L = 3.400 MACH = .600

RUN NO. 332/ 0 RN/L = 3.50 GRADIENT INTERVAL = -5.00/ 5.00

ALPHA	BETA	CBMW	CTMW	CNW	CHE1	CHE0	CBMV	CTMV	CYV	CHR	MACH
-3.960	-.003	-.00130	.00110	-.00350	.02840	.01120	.00000	-.00200	-.00090	.00070	.59840
	GRADIENT	.00000	.00000	.00000	.00000	.00000	.00000	.00000	.00000	.00000	.00000

RUN NO. 333/ 0 RN/L = 3.49 GRADIENT INTERVAL = -5.00/ 5.00

ALPHA	BETA	CBMW	CTMW	CNW	CHE1	CHE0	CBMV	CTMV	CYV	CHR	MACH
-.267	-4.003	.01690	.01330	.06380	.03250	.00760	.10550	-.00590	.26600	-.00480	.59840
-.291	.012	.00910	.00730	.03510	.02830	.01000	-.00100	-.00160	-.00340	.00150	.60040
-.294	4.028	.00170	.00110	.00590	.02000	.01130	-.10540	.00210	-.26680	.00710	.59840
	GRADIENT	-.00158	-.00152	-.00721	-.00118	.00046	-.02626	.00100	-.06634	.00148	.00000

RUN NO. 334/ 0 RN/L = 3.49 GRADIENT INTERVAL = -5.00/ 5.00

ALPHA	BETA	CBMW	CTMW	CNW	CHE1	CHE0	CBMV	CTMV	CYV	CHR	MACH
3.973	.006	.02150	.01420	.07990	.02710	.00570	-.00130	-.00200	-.00520	.00130	.59860
	GRADIENT	.00000	.00000	.00000	.00000	.00000	.00000	.00000	.00000	.00000	.00000

ARC 11-023 1A80 OTS (SRB OFF) (SSME OFF)

(RE4091) (08 JAN 75)

REFERENCE DATA

SREF = 2690.0000 SQ.FT. XMRP = .0000 IN.
 LREF = 1290.3000 IN. YMRP = .0000 IN.
 BREF = 1290.3000 IN. ZMRP = .0000 IN.
 SCALE = .0200

PARAMETRIC DATA

ELV-18 = 4.000 ELV-08 = 4.000
 RN/L = 4.250 MACH = .900

RUN NO. 338/ 0 RN/L = 4.21 GRADIENT INTERVAL = -5.00/ 5.00

ALPHA	BETA	CBMW	CTMW	CNW	CHE1	CHE0	CBMV	CTMV	CYV	CHR	MACH
-3.980	-.003	.00230	.00180	.01000	.01740	.01760	-.00870	.00860	-.01290	.00500	.90430
	GRADIENT	.00000	.00000	.00000	.00000	.00000	.00000	.00000	.00000	.00000	.00000

RUN NO. 339/ 0 RN/L = 4.20 GRADIENT INTERVAL = -5.00/ 5.00

ALPHA	BETA	CBMW	CTMW	CNW	CHE1	CHE0	CBMV	CTMV	CYV	CHR	MACH
-.267	-4.003	.02320	.01840	.09260	.03450	.02470	.09500	.00980	.25460	.00940	.90140
-.291	.012	.01430	.00830	.05550	.01550	.02040	-.00880	.00690	-.01440	.00280	.90020
-.284	4.028	.00350	-.00050	.01140	.00950	.01700	-.10370	-.00310	-.26100	-.00760	.89950
	GRADIENT	-.00245	-.00237	-.01011	-.00311	-.00096	-.02474	-.00161	-.06420	-.00212	-.00024

DATE 03 JUN 76

TABULATED SOURCE DATA - 1A80

PAGE 61

ARC 11-023 1A80 OTS (SRB OFF) (SSME OFF)

(RE4091) (08 JAN 75)

REFERENCE DATA

SREF = 2690.0000 SQ.FT. XMRP = .0000 IN.
 LREF = 1290.3000 IN. YMRP = .0000 IN.
 BREF = 1290.3000 IN. ZMRP = .0000 IN.
 SCALE = .0200

PARAMETRIC DATA

ELV-1B = 4.000 ELV-0B = 4.000
 RN/L = 4.250 MACH = .900

RUN NO. 340/ 0 RN/L = 4.20 GRADIENT INTERVAL = -5.00/ 5.00

ALPHA	BETA	CBMW	CTMW	CNW	CHEI	CHEO	CBMV	CTMV	CYV	CHR	MACH
3.970	-.003	.02610	.01670	.10240	.02300	.02200	-.00300	.00230	-.00410	.00110	.90050
	GRADIENT	.00000	.00000	.00000	.00000	.00000	.00000	.00000	.00000	.00000	.00000

ARC 11-023 1A80 OTS (SRB OFF) (SSME OFF)

(RE4092) (08 JAN 75)

REFERENCE DATA

SREF = 2690.0000 SQ.FT. XMRP = .0000 IN.
 LREF = 1290.3000 IN. YMRP = .0000 IN.
 BREF = 1290.3000 IN. ZMRP = .0000 IN.
 SCALE = .0200

PARAMETRIC DATA

ELV-1B = 4.000 ELV-0B = 4.000
 RN/L = 4.250 MACH = 1.100

RUN NO. 177/ 0 RN/L = 4.34 GRADIENT INTERVAL = -5.00/ 5.00

ALPHA	BETA	CBMW	CTMW	CNW	CHEI	CHEO	CBMV	CTMV	CYV	CHR	MACH
-3.957	.003	.00200	.00590	.00330	.06750	.03370	.00090	-.00380	.00110	.00040	1.09780
	GRADIENT	.00000	.00000	.00000	.00000	.00000	.00000	.00000	.00000	.00000	.00050

RUN NO. 178/ 0 RN/L = 4.34 GRADIENT INTERVAL = -5.00/ 5.00

ALPHA	BETA	CBMW	CTMW	CNW	CHEI	CHEO	CBMV	CTMV	CYV	CHR	MACH
-.284	-3.994	.03050	.01700	.11220	.07920	.00950	.12100	-.03860	.28360	-.02260	1.09470
-.281	.000	.01620	.01060	.05580	.05640	.02700	.00030	-.00250	.00070	.00110	1.10630
-.320	.028	-.00120	.00110	-.01620	.06330	.03000	-.12130	.03510	-.28520	.02720	1.09800
	GRADIENT	-.00395	-.00198	-.01601	-.00198	.00255	-.03021	.00919	-.07091	.00621	.00041

RUN NO. 179/ 0 RN/L = 4.34 GRADIENT INTERVAL = -5.00/ 5.00

ALPHA	BETA	CBMW	CTMW	CNW	CHEI	CHEO	CBMV	CTMV	CYV	CHR	MACH
3.577	.003	.03080	.01420	.10990	.05820	.00850	.00080	-.00280	.00070	.00130	1.09980
	GRADIENT	.00000	.00000	.00000	.00000	.00000	.00000	.00000	.00000	.00000	.00000

ORIGINAL PAGE IS
UNCLASSIFIED

ARC 11-023 IABO OTS (SRB OFF) (SSME OFF)

(RE4093) (08 JAN 75)

REFERENCE DATA

SREF = 2690.0000 SQ.FT. XMRP = .0000 IN.
 LREF = 1290.3000 IN. YMRP = .0000 IN.
 BREF = 1290.3000 IN. ZMRP = .0000 IN.
 SCALE = .0200

PARAMETRIC DATA

ELV-1B = 4.000 ELV-0B = 4.000
 RN/L = 4.250 MACH = 1.250

RUN NO. 171/ 0 RN/L = 4.35 GRADIENT INTERVAL = -5.00/ 5.00

ALPHA	BETA	CBMW	CTMW	CNW	CHEI	CHEO	CBMV	CTMV	CYV	CHR	MACH
-3.953	.006	.00520	.00110	.01660	.08320	.00850	.00110	-.00280	.00230	-.00050	1.25280
	GRADIENT	.00000	.00000	.00000	.00000	.00000	.00000	.00000	.00000	.00000	.00000

RUN NO. 172/ 0 RN/L = 4.35 GRADIENT INTERVAL = -5.00/ 5.00

ALPHA	BETA	CBMW	CTMW	CNW	CHEI	CHEO	CBMV	CTMV	CYV	CHR	MACH
-.238	-3.997	.03350	.00900	.12630	.07660	-.02470	.11640	-.03940	.27450	-.03360	1.25260
-.231	.000	.02040	.00430	.07370	.07300	-.07590	.00200	-.00260	.00490	-.00040	1.25810
-.284	4.034	.00420	.00090	.00790	.07420	.00940	-.11100	.03410	-.25960	.03200	1.24990
	GRADIENT	-.00365	-.00101	-.01474	-.00030	.00425	-.02831	.00915	-.06650	.00817	-.00034

RUN NO. 173/ 0 RN/L = 4.34 GRADIENT INTERVAL = -5.00/ 5.00

ALPHA	BETA	CBMW	CTMW	CNW	CHEI	CHEO	CBMV	CTMV	CYV	CHR	MACH
3.977	.000	.03590	.01000	.13140	.06640	-.02400	.00200	-.00330	.00380	-.00090	1.25240
	GRADIENT	.00000	.00000	.00000	.00000	.00000	.00000	.00000	.00000	.00000	.00000

ARC 11-023 IABO OTS (SRB OFF) (SSME OFF)

(RE4094) (08 JAN 75)

REFERENCE DATA

SREF = 2690.0000 SQ.FT. XMRP = .0000 IN.
 LREF = 1290.3000 IN. YMRP = .0000 IN.
 BREF = 1290.3000 IN. ZMRP = .0000 IN.
 SCALE = .0200

PARAMETRIC DATA

ELV-1B = 4.000 ELV-0B = 4.000
 RN/L = 4.250 MACH = 1.400

RUN NO. 165/ 0 RN/L = 4.38 GRADIENT INTERVAL = -5.00/ 5.00

ALPHA	BETA	CBMW	CTMW	CNW	CHEI	CHEO	CBMV	CTMV	CYV	CHR	MACH
-3.887	.016	.00640	-.00250	.02240	.07530	-.01650	.00240	-.00330	.00550	-.00170	1.40700
	GRADIENT	.00000	.00000	.00000	.00000	.00000	.00000	.00000	.00000	.00000	.00000

RUN NO. 166/ 0 RN/L = 4.36 GRADIENT INTERVAL = -5.00/ 5.00

ALPHA	BETA	CBMW	CTMW	CNW	CHEI	CHEO	CBMV	CTMV	CYV	CHR	MACH
-.271	-3.991	.03010	.00160	.11520	.04720	-.03400	.11040	-.03710	.26220	-.03600	1.40720
-.251	.009	.01330	-.00120	.07150	.05580	-.02540	.00250	-.00300	.00620	-.00140	1.40960
-.284	4.031	.00700	-.00220	.02160	.06450	-.01530	-.10520	.03250	-.24760	.03340	1.40890
	GRADIENT	-.00288	-.00047	-.01167	.00216	.00233	-.02688	.00868	-.06355	.00865	.00021

ARC 11-023 IAB0 OTS (SRB NOM) (SSME NOM)

(RE4096) (08 JAN 75)

REFERENCE DATA

SREF = 2690.0000 SQ.FT. XMRP = .0000 IN.
 LREF = 1290.3000 IN. YMRP = .0000 IN.
 BREF = 1290.3000 IN. ZMRP = .0000 IN.
 SCALE = .6200

PARAMETRIC DATA

ELV-18 = 4.000 ELV-08 = 4.000
 RN/L = 4.250 MACH = .900

RUN NO. 341/ 0 RN/L = 4.21 GRADIENT INTERVAL = -5.00/ 5.00

ALPHA	BETA	CBMW	CTMW	CNW	CHE1	CHE0	CBMV	CTMV	CYV	CHR	MACH
-3.891	-.003	.00240	.00210	.01010	.02240	.01720	-.00610	.00570	-.01140	.01590	.90360
	GRADIENT	.00000	.00000	.00000	.00000	.00000	.00000	.00000	.00000	.00000	.00000

RUN NO. 342/ 0 RN/L = 4.20 GRADIENT INTERVAL = -5.00/ 5.00

ALPHA	BETA	CBMW	CTMW	CNW	CHE1	CHE0	CBMV	CTMV	CYV	CHR	MACH
-.790	-4.003	.02300	.01760	.09060	.03490	.02710	.10250	.00000	.26720	.02410	.89620
-.360	.012	.01440	.00770	.05400	.02280	.02170	-.01030	.00870	-.01840	.01280	.90210
-.406	4.031	.00330	-.00120	.01010	.00750	.01660	-.11180	.00460	-.27730	-.01900	.90040
	GRADIENT	-.00245	-.00234	-.01002	-.00341	-.00131	-.02667	.00014	-.06777	-.00536	.00052

RUN NO. 343/ 0 RN/L = 4.20 GRADIENT INTERVAL = -5.00/ 5.00

ALPHA	BETA	CBMW	CTMW	CNW	CHE1	CHE0	CBMV	CTMV	CYV	CHR	MACH
3.986	-.003	.02670	.01610	.10280	.02310	.02390	-.00400	.00180	-.00830	.00260	.90050
	GRADIENT	.00000	.00000	.00000	.00000	.00000	.00000	.00000	.00000	.00000	.00000

ARC 11-023 IAB0 OTS (SRB NOM) (SSME NOM)

(RE4097) (08 JAN 75)

REFERENCE DATA

SREF = 2690.0000 SQ.FT. XMRP = .0000 IN.
 LREF = 1290.3000 IN. YMRP = .0000 IN.
 BREF = 1290.3000 IN. ZMRP = .0000 IN.
 SCALE = .0200

PARAMETRIC DATA

ELV-18 = 4.000 ELV-08 = 4.000
 RN/L = 4.250 MACH = 1.100

RUN NO. 180/ 0 RN/L = 4.34 GRADIENT INTERVAL = -5.00/ 5.00

ALPHA	BETA	CBMW	CTMW	CNW	CHE1	CHE0	CBMV	CTMV	CYV	CHR	MACH
-3.963	.003	.00160	.00530	.00130	.06530	.03380	.00090	-.00430	-.00090	-.00030	1.09950
	GRADIENT	.00000	.00000	.00000	.00000	.00000	.00000	.00000	.00000	.00000	.00000

RUN NO. 181/ 0 RN/L = 4.34 GRADIENT INTERVAL = -5.00/ 5.00

ALPHA	BETA	CBMW	CTMW	CNW	CHE1	CHE0	CBMV	CTMV	CYV	CHR	MACH
-.409	-3.997	.02980	.01590	.10900	.07240	.01030	.12470	-.04310	.29410	-.03990	1.09490
-.386	-.003	.01480	.00910	.04900	.05880	.02720	-.00010	-.00310	-.00270	.00070	1.10850
-.429	4.028	-.00090	.00090	-.01480	.05880	.03010	-.12230	.03830	-.29020	.04050	1.09570
	GRADIENT	-.00383	-.00187	-.01543	-.00169	.00246	-.03078	.01014	-.07281	.01002	.00009

ARC 11-023 1A80 OTS (SRB NOM) (SSME NOM)

(RE4099) (08 JAN 75

REFERENCE DATA

SREF = 2690.0000 SQ.FT. XMRP = .0000 IN.
 LREF = 1290.3000 IN. YMRP = .0000 IN.
 BREF = 1290.3000 IN. ZMRP = .0000 IN.
 SCALE = .0200

PARAMETRIC DATA

ELV-1B = 4.000 ELV-08 = 4.000
 RN/L = 4.250 MACH = 1.400

RUN NO. 168/ 0 RN/L = 4.27 GRADIENT INTERVAL = -5.00/ 5.00

ALPHA	BETA	CBMW	CTMW	CNW	CHE1	CHE0	CBMV	CTMV	CYV	CHR	MACH
-3.944	.009	.00620	-.00290	.02070	.07130	-.01690	.00270	-.00360	.00499	-.00130	1.40930
	GRADIENT	.00000	.00000	.00000	.00000	.00000	.00000	.00000	.00000	.00000	.00000

RUN NO. 169/ 0 RN/L = 4.26 GRADIENT INTERVAL = -5.00/ 5.00

ALPHA	BETA	CBMW	CTMW	CNW	CHE1	CHE0	CBMV	CTMV	CYV	CHR	MACH
-.403	-3.991	.02360	.00070	.11260	.04600	-.03410	.11170	-.03970	.26430	-.03730	1.40970
-.386	.012	.01810	-.00210	.06470	.05640	-.02540	.00290	-.00360	.00560	-.00130	1.41180
-.443	4.034	.00600	-.00320	.01590	.05840	-.01500	-.10430	.03310	-.24480	.03460	1.40910
	GRADIENT	-.00294	-.00049	-.01205	.00154	.00238	-.02692	.00895	-.06344	.00896	-.00008

RUN NO. 170/ 0 RN/L = 4.26 GRADIENT INTERVAL = -5.00/ 5.00

ALPHA	BETA	CBMW	CTMW	CNW	CHE1	CHE0	CBMV	CTMV	CYV	CHR	MACH
3.864	.012	.03200	.00230	.11870	.03910	-.03610	.00220	-.00210	.00540	-.00140	1.40840
	GRADIENT	.00000	.00000	.00000	.00000	.00000	.00000	.00000	.00000	.00000	.00000

ARC 11-023 1A80 OTS (SRB OFF) (SSME OFF)

(RE40A0) (08 JAN 75)

REFERENCE DATA

SREF = 2690.0000 SQ.FT. XMRP = .0000 IN.
 LREF = 1290.3000 IN. YMRP = .0000 IN.
 BREF = 1290.3000 IN. ZMRP = .0000 IN.
 SCALE = .0200

PARAMETRIC DATA

ELV-1B = .000 ELV-08 = 4.000
 RN/L = 3.400 MACH = .600

RUN NO. 344/ 0 RN/L = 3.59 GRADIENT INTERVAL = -5.00/ 5.00

ALPHA	BETA	CBMW	CTMW	CNW	CHE1	CHE0	CBMV	CTMV	CYV	CHR	MACH
-3.894	.000	-.00300	.00230	-.01170	.04190	.01330	.00010	-.00280	-.00380	.00180	.60180
	GRADIENT	.00000	.00000	.00000	.00000	.00000	.00000	.00000	.00000	.00000	.00000

RUN NO. 345/ 0 RN/L = 3.48 GRADIENT INTERVAL = -5.00/ 5.00

ALPHA	BETA	CBMW	CTMW	CNW	CHE1	CHE0	CBMV	CTMV	CYV	CHR	MACH
-.281	-4.003	.01490	.01450	.05500	.04610	.00900	.10750	-.00560	.27200	-.00470	.59690
-.287	.012	.00710	.00850	.02600	.04110	.01160	-.00080	-.00170	-.00390	.00200	.59790
-.301	4.028	.00000	.00250	-.00170	.03640	.01300	-.10580	.00240	-.26820	.00800	.59690
	GRADIENT	-.00186	-.00149	-.00705	-.00121	.00050	-.02656	.00100	-.06726	.00158	.00000

DATE 03 JUN 76

TABULATED SOURCE DATA - IABO

PAGE 67

ARC 11-023 IABO OTS (SRB OFF) (SSME OFF)

(RE40A0) (08 JAN 75)

REFERENCE DATA

SREF = 2690.0000 SQ.FT. XMRP = .0000 IN.
 LREF = 1290.3000 IN. YMRP = .0000 IN.
 BREF = 1290.3000 IN. ZMRP = .0000 IN.
 SCALE = .0200

PARAMETRIC DATA

ELV-1B = .000 ELV-0B = 4.000
 RN/L = 3.400 MACH = .600

RUN NO. 346/ 0 RN/L = 3.48 GRADIENT INTERVAL = -5.00/ 5.00

ALPHA	BETA	CBMW	CTMW	CNW	CHEI	CHEO	CBMV	CTMV	CYV	CHR	MACH
3.986	.012	.01970	.01540	.07170	.03960	.00740	-.00100	-.00180	-.00470	.00200	.59790
GRADIENT		.00000	.00000	.00000	.00000	.00000	.00000	.00000	.00000	.00000	.00000

ARC 11-023 IABO OTS (SRB OFF) (SSME OFF)

(RE40A1) (08 JAN 75)

REFERENCE DATA

SREF = 2690.0000 SQ.FT. XMRP = .0000 IN.
 LREF = 1290.3000 IN. YMRP = .0000 IN.
 BREF = 1290.3000 IN. ZMRP = .0000 IN.
 SCALE = .0200

PARAMETRIC DATA

ELV-1B = .000 ELV-0B = 4.000
 RN/L = 4.250 MACH = .900

RUN NO. 350/ 0 RN/L = 4.23 GRADIENT INTERVAL = -5.00/ 5.00

ALPHA	BETA	CBMW	CTMW	CNW	CHEI	CHEO	CBMV	CTMV	CYV	CHR	MACH
-3.996	.009	.00200	.00150	.00900	.01640	.01710	-.00880	.00840	-.01410	.00530	.89940
GRADIENT		.00000	.00000	.00000	.00000	.00000	.00000	.00000	.00000	.00000	.00000

RUN NO. 351/ 0 RN/L = 4.24 GRADIENT INTERVAL = -5.00/ 5.00

ALPHA	BETA	CBMW	CTMW	CNW	CHEI	CHEO	CBMV	CTMV	CYV	CHR	MACH
-.281	-4.006	.02210	.01950	.08660	.04760	.02610	.09830	.00930	.26330	.00820	.89840
-.284	.009	.01460	.00780	.05630	.00970	.01840	-.00790	.00670	-.01240	.00260	.90640
-.281	4.028	.00350	-.00080	.01150	.00240	.01520	-.10580	-.00430	-.26900	-.00690	.99780
GRADIENT		-.00232	-.00253	-.00937	-.00563	-.00136	-.02540	-.00169	-.06625	-.00188	-.00007

RUN NO. 352/ 0 RN/L = 4.23 GRADIENT INTERVAL = -5.00/ 5.00

ALPHA	BETA	CBMW	CTMW	CNW	CHEI	CHEO	CBMV	CTMV	CYV	CHR	MACH
4.023	.016	.02550	.01740	.09920	.02910	.02410	-.00400	.00140	-.00870	.00140	.90100
GRADIENT		.00000	.00000	.00000	.00000	.00000	.00000	.00000	.00000	.00000	.00000

ORIGINAL PAGE IS
OF POOR QUALITY

ARC 11-023 1A80 OTS (SRB OFF) (SSME OFF)

(RE40A2) (08 JAN 75)

REFERENCE DATA

SREF = 2690.0000 SQ.FT. XMRP = .0000 IN.
 LREF = 1290.3000 IN. YMRP = .0000 IN.
 BREF = 1290.3000 IN. ZMRP = .0000 IN.
 SCALE = .0200

PARAMETRIC DATA

ELV-1B = .000 ELV-OB = 4.000
 RN/L = 4.250 MACH = 1.100

RUN NO. 195/ 0 RN/L = 4.36 GRADIENT INTERVAL = -5.00/ 5.00

ALPHA	BETA	CBMW	CTMW	CNW	CHE1	CHEO	CBMV	CTMV	CYV	CHR	MACH
-3.967	.006	.00080	.00790	-.00300	.10210	.03570	.00090	-.00380	.00070	.00040	1.09860
	GRADIENT	.00000	.00000	.00000	.00000	.00000	.00000	.00000	.00000	.00000	.00000

RUN NO. 196/ 0 RN/L = 4.36 GRADIENT INTERVAL = -5.00/ 5.00

ALPHA	BETA	CBMW	CTMW	CNW	CHE1	CHEO	CBMV	CTMV	CYV	CHR	MACH
-.284	-4.003	.02900	.01930	.10440	.11620	.01240	.12160	-.03740	.28540	-.01980	1.09460
-.258	-.012	.01540	.01270	-.05110	.08850	.02930	.00030	-.00270	-.00020	.00140	1.10970
-.301	4.016	-.00230	.00300	-.02220	.09770	.03170	-.12050	.03430	-.28350	.02540	1.09690
	GRADIENT	-.00390	-.00203	-.01579	-.00230	.00240	-.03019	.00894	-.07095	.00564	.00028

RUN NO. 197/ 0 RN/L = 4.36 GRADIENT INTERVAL = -5.00/ 5.00

ALPHA	BETA	CBMW	CTMW	CNW	CHE1	CHEO	CBMV	CTMV	CYV	CHR	MACH
3.947	.000	.02970	.01600	.10370	.09040	.01060	.00070	-.00240	.00070	.00160	1.10300
	GRADIENT	.00000	.00000	.00000	.00000	.00000	.00000	.00000	.00000	.00000	.00000

ARC 11-023 1A80 OTS (SRB OFF) (SSME OFF)

(RE40A3) (08 JAN 75)

REFERENCE DATA

SREF = 2690.0000 SQ.FT. XMRP = .0000 IN.
 LREF = 1290.3000 IN. YMRP = .0000 IN.
 BREF = 1290.3000 IN. ZMRP = .0000 IN.
 SCALE = .0200

PARAMETRIC DATA

ELV-1B = .000 ELV-OB = 4.000
 RN/L = 4.250 MACH = 1.250

RUN NO. 189/ 0 RN/L = 4.37 GRADIENT INTERVAL = -5.00/ 5.00

ALPHA	BETA	CBMW	CTMW	CNW	CHE1	CHEO	CBMV	CTMV	CYV	CHR	MACH
-3.947	-.006	.00400	.00310	.01030	.12370	.01010	.00180	-.00320	.00340	-.00060	1.25450
	GRADIENT	.00000	.00000	.00000	.00000	.00000	.00000	.00000	.00000	.00000	.00000

RUN NO. 190/ 0 RN/L = 4.36 GRADIENT INTERVAL = -5.00/ 5.00

ALPHA	BETA	CBMW	CTMW	CNW	CHE1	CHEO	CBMV	CTMV	CYV	CHR	MACH
-.248	-4.000	.03220	.01090	.11950	.11430	-.02330	.11620	-.03960	.27330	-.03320	1.25530
-.244	-.006	.01930	.00610	.06770	.10900	-.00410	.00260	-.00280	.00630	-.00070	1.25860
-.271	4.022	.00320	.00290	.00220	.11040	.01060	-.11030	.03430	-.25690	.03140	1.24950
	GRADIENT	-.00362	-.00100	-.01462	-.00048	.00423	-.02823	.00921	-.06609	.00805	-.00073

ARC 11-023 IAB0 OTS (SRB NOM) (SSME NOM)

(RE40A5) (08 JAN 75)

REFERENCE DATA

SREF = 2690.0000 SQ.FT. XMRP = .0000 IN.
 LREF = 1290.3000 IN. YMRP = .0000 IN.
 BREF = 1290.3000 IN. ZMRP = .0000 IN.
 SCALE = .0200

PARAMETRIC DATA

ELV-1B = .000 ELV-0B = 4.000
 RN/L = 3.400 MACH = .600

RUN NO. 347/ 0 RN/L = 3.47 GRADIENT INTERVAL = -5.00/ 5.00

ALPHA	BETA	CBMW	CTMW	CNW	CHEI	CHEO	CBMV	CTMV	CYV	CHR	MACH
-3.983	.012	-.00210	.00210	-.00770	.03620	.01270	-.00020	-.00290	-.00550	.00100	.59900
	GRADIENT	.00000	.00000	.00000	.00000	.00000	.00000	.00000	.00000	.00000	.00000

RUN NO. 348/ 0 RN/L = 3.48 GRADIENT INTERVAL = -5.00/ 5.00

ALPHA	BETA	CBMW	CTMW	CNW	CHEI	CHEO	CBMV	CTMV	CYV	CHR	MACH
-.337	-4.006	.01600	.01380	.05900	.04090	.00860	.11990	-.01270	.29710	-.00910	.59700
-.370	.309	.00780	.00750	.02850	.03710	.01110	-.00030	-.00240	-.00460	.00080	.60380
-.453	4.025	.00040	.00150	-.00080	.03100	.01250	-.11950	.00700	-.30250	.01160	.60030
	GRADIENT	-.00194	-.00153	-.00745	-.00123	.00049	-.02981	.00245	-.07466	.00258	.00041

RUN NO. 349/ 0 RN/L = 3.48 GRADIENT INTERVAL = -5.00/ 5.00

ALPHA	BETA	CBMW	CTMW	CNW	CHEI	CHEO	CBMV	CTMV	CYV	CHR	MACH
3.910	.009	.02060	.01510	.07510	.03590	.00700	-.00100	-.00300	-.00740	.00160	.60100
	GRADIENT	.00000	.00000	.00000	.00000	.00000	.00000	.00000	.00000	.00000	.00000

ARC 11-023 IAB0 OTS (SRB NOM) (SSME NOM)

(RE40A6) (08 JAN 75)

REFERENCE DATA

SREF = 2690.0000 SQ.FT. XMRP = .0000 IN.
 LREF = 1290.3000 IN. YMRP = .0000 IN.
 BREF = 1290.3000 IN. ZMRP = .0000 IN.
 SCALE = .0200

PARAMETRIC DATA

ELV-1B = .000 ELV-0B = 4.000
 RN/L = 4.250 MACH = .900

RUN NO. 353/ 0 RN/L = 4.21 GRADIENT INTERVAL = -5.00/ 5.00

ALPHA	BETA	CBMW	CTMW	CNW	CHEI	CHEO	CBMV	CTMV	CYV	CHR	MACH
-3.937	.016	.00310	.00120	.01280	.00450	.01550	-.00690	.00610	-.01360	.01710	.90250
	GRADIENT	.00000	.00000	.00000	.00000	.00000	.00000	.00000	.00000	.00000	.00000

RUN NO. 354/ 0 RN/L = 4.23 GRADIENT INTERVAL = -5.00/ 5.00

ALPHA	BETA	CBMW	CTMW	CNW	CHEI	CHEO	CBMV	CTMV	CYV	CHR	MACH
-.376	-4.006	.02330	.01820	.09020	.04510	.02810	.10750	-.00190	.27440	.02550	.90450
-.353	.009	.01480	.00580	.05500	.00240	.02040	-.00660	.00550	-.01250	.01330	.91160
-.420	4.022	.00320	-.00090	.00880	-.00420	.01810	.11810	.01220	-.28790	-.01710	.91180
	GRADIENT	-.00250	-.00238	-.01014	-.00614	-.00125	-.02810	.00176	-.07004	-.00531	.00091

DATE 03 JUN 76

TABULATED SOURCE DATA - 1A80

PAGE 71

ARC 11-023 1A80 OTS (SRB NOM) (SSME NOM)

(RE40A6) (08 JAN 75)

REFERENCE DATA

SREF = 2690.0000 SQ.FT. XMRP = .0000 IN.
 LREF = 1290.3000 IN. YMRP = .0000 IN.
 BREF = 1290.3000 IN. ZMRP = .0000 IN.
 SCALE = .0200

PARAMETRIC DATA

ELV-1B = .000 ELV-0B = 4.000
 RN/L = 4.250 MACH = .900

RUN NO. 355/ 0 RN/L = 4.23 GRADIENT INTERVAL = -5.00/ 5.00

ALPHA	BETA	CBMW	CTMW	CNW	CHE1	CHEO	CBMV	CTMV	CYV	CHR	MACH
3.910	.006	.02820	.01500	.10670	.00870	.01980	-.00840	.00690	-.01680	.00820	.91060
	GRADIENT	.00000	.00000	.00000	.00000	.00000	.00000	.00000	.00000	.00000	.00000

ARC 11-023 1A80 OTS (SRB NOM) (SSME NOM)

(RE40A7) (08 JAN 75)

REFERENCE DATA

SREF = 2630.0000 SQ.FT. XMRP = .0000 IN.
 LREF = 1290.3000 IN. YMRP = .0000 IN.
 BREF = 1290.3000 IN. ZMRP = .0000 IN.
 SCALE = .0200

PARAMETRIC DATA

ELV-1B = .000 ELV-0B = 4.000
 RN/L = 4.250 MACH = 1.100

RUN NO. 198/ 0 RN/L = 4.36 GRADIENT INTERVAL = -5.00/ 5.00

ALPHA	BETA	CBMW	CTMW	CNW	CHE1	CHEO	CBMV	CTMV	CYV	CHR	MACH
-3.996	.006	.00050	.00730	-.00490	.09740	.03580	-.00020	-.00460	-.00450	.00000	1.09970
	GRADIENT	.00000	.00000	.00000	.00000	.00000	.00000	.00000	.00000	.00000	.00000

RUN NO. 199/ 0 RN/L = 4.36 GRADIENT INTERVAL = -5.00/ 5.00

ALPHA	BETA	CBMW	CTMW	CNW	CHE1	CHEO	CBMV	CTMV	CYV	CHR	MACH
-.416	-4.003	.02820	.01810	.10120	.11000	.01390	.12440	-.04270	.29320	-.03890	1.09590
-.403	-.012	.01390	.01100	.04390	.09150	.02970	.00010	-.00290	-.00250	.00040	1.10790
-.426	4.019	-.00200	.00290	-.02020	.09190	.03190	-.12270	.03900	-.29210	.03950	1.09400
	GRADIENT	-.00377	-.00190	-.01514	-.00225	.00224	-.03080	.01006	-.07296	.00977	-.00024

RUN NO. 200/ 0 RN/L = 4.36 GRADIENT INTERVAL = -5.00/ 5.00

ALPHA	BETA	CBMW	CTMW	CNW	CHE1	CHEO	CBMV	CTMV	CYV	CHR	MACH
3.798	.009	.02860	.01530	.09850	.09230	.01330	.00000	-.00310	-.00350	.00060	1.09940
	GRADIENT	.00000	.00000	.00000	.00000	.00000	.00000	.00000	.00000	.00000	.00000

ORIGINAL PAGE IS
OF POOR QUALITY

ARC 11-023 1A80 OTS (SRB NOM) (SSME NOM)

(RE40A8) (08 JAN 75)

REFERENCE DATA

SREF = 2690.0000 SQ.FT. XMRP = .0000 IN.
 LREF = 1290.3000 IN. YMRP = .0000 IN.
 BREF = 1290.3000 IN. ZMRP = .0000 IN.
 SCALE = .0200

PARAMETRIC DATA

ELV-1B = .000 ELV-0B = 4.000
 RN/L = 4.250 MACH = 1.250

RUN NO. 192/ 0 RN/L = 4.35 GRADIENT INTERVAL = -5.00/ 5.00

ALPHA	BETA	CBMW	CTMW	CNW	CHE1	CHE0	CBMV	CTMV	CYV	CHR	MACH
-3.986	.009	.00350	.00270	.00720	.11850	.01020	.00140	-.00330	.00170	-.00060	1.25500
	GRADIENT	.00000	.00000	.00000	.00000	.00000	.00000	.00000	.00000	.00000	.00000

RUN NO. 193/ 0 RN/L = 4.36 GRADIENT INTERVAL = -5.00/ 5.00

ALPHA	BETA	CBMW	CTMW	CNW	CHE1	CHE0	CBMV	CTMV	CYV	CHR	MACH
-4.400	-4.003	.03150	.01010	.11600	.11150	-.02270	.11730	-.04130	.27620	-.03840	1.25390
-.393	-.012	.01770	.00500	.05990	.10740	-.00360	.00250	-.00310	.00480	-.00100	1.25710
-.413	4.022	.00230	.00150	-.00210	.09560	.01200	-.11110	.03560	-.26130	.03710	1.24420
	GRADIENT	-.00364	-.00107	-.01472	-.00198	.00432	-.02846	.00958	-.06698	.00941	-.00121

RUN NO. 194/ 0 RN/L = 4.36 GRADIENT INTERVAL = -5.00/ 5.00

ALPHA	BETA	CBMW	CTMW	CNW	CHE1	CHE0	CBMV	CTMV	CYV	CHR	MACH
3.947	.003	.03420	.01080	.12200	.09270	-.02290	.00170	-.00320	.00200	-.00120	1.25390
	GRADIENT	.00000	.00000	.00000	.00000	.00000	.00000	.00000	.00000	.00000	.00000

ARC 11-023 1A80 OTS (SRB NOM) (SSME NOM)

(RE40A9) (08 JAN 75)

REFERENCE DATA

SREF = 2690.0000 SQ.FT. XMRP = .0000 IN.
 LREF = 1290.3000 IN. YMRP = .0000 IN.
 BREF = 1290.3000 IN. ZMRP = .0000 IN.
 SCALE = .0200

PARAMETRIC DATA

ELV-1B = .000 ELV-0B = 4.000
 RN/L = 4.250 MACH = 1.400

RUN NO. 186/ 0 RN/L = 4.29 GRADIENT INTERVAL = -5.00/ 5.00

ALPHA	BETA	CBMW	CTMW	CNW	CHE1	CHE0	CBMV	CTMV	CYV	CHR	MACH
-3.940	.009	.00480	-.00120	.01350	.10650	-.01530	.00270	-.00330	.00580	-.00150	1.40850
	GRADIENT	.00000	.00000	.00000	.00000	.00000	.00000	.00000	.00000	.00000	.00000

RUN NO. 187/ 0 RN/L = 4.28 GRADIENT INTERVAL = -5.00/ 5.00

ALPHA	BETA	CBMW	CTMW	CNW	CHE1	CHE0	CBMV	CTMV	CYV	CHR	MACH
-.449	-3.997	.02850	.00250	.10660	.07980	-.03230	.11170	-.03730	.26750	-.03720	1.40500
-.380	-.006	.01730	-.00040	.06050	.08820	-.02370	.00330	-.00320	.00770	-.00180	1.40820
-.443	4.025	.00500	-.00160	.01070	.09970	-.01330	-.10480	.03330	-.24610	.03440	1.40570
	GRADIENT	-.00293	-.00051	-.01196	.00123	.00237	-.02699	.00880	-.06402	.00893	-.00004

ARC 11-023 IABO OTS (SRB NOM) (SSME NO. 2 OUT)

(RE40B1) (08 JAN 75)

REFERENCE DATA

SREF = 2690.0000 SQ.FT. XMRP = .0000 IN.
 LREF = 1290.3000 IN. YMRP = .0000 IN.
 BREF = 1290.3000 IN. ZMRP = .0000 IN.
 SCALE = .0200

PARAMETRIC DATA

ELV-1B = .000 ELV-0B = .000
 RN/L = 4.250 MACH = .900

RUN NO. 365/ 0 RN/L = 4.21 GRADIENT INTERVAL = -5.00/ 5.00

ALPHA	BETA	CBMW	CTMW	CNW	CHE1	CHEO	CBMV	CTMV	CYV	CHR	MACH
-4.069	.009	.00000	.00270	.00280	.01670	.03340	-.01110	.01010	-.01900	.00950	.90080
	GRADIENT	.00000	.00000	.00000	.00000	.00000	.00000	.00000	.00000	.00000	.00000

RUN NO. 366/ 0 RN/L = 4.22 GRADIENT INTERVAL = -5.00/ 5.00

ALPHA	BETA	CBMW	CTMW	CNW	CHE1	CHEO	CBMV	CTMV	CYV	CHR	MACH
-.304	-4.006	.02110	.01920	.08250	.05370	.03070	.10230	.00100	.26780	.00570	.89800
-.317	.003	.01230	.00840	.04740	.01170	.03740	-.01060	.00900	-.01910	.00600	.91150
-.357	4.025	.00110	-.00060	.00260	-.00230	.02740	-.10600	-.00240	-.27410	-.00690	.90220
	GRADIENT	-.00249	-.00247	-.00995	-.00697	-.00041	-.02594	-.00042	-.06747	-.00157	.00052

RUN NO. 367/ 0 RN/L = 4.22 GRADIENT INTERVAL = -5.00/ 5.00

ALPHA	BETA	CBMW	CTMW	CNW	CHE1	CHEO	CBMV	CTMV	CYV	CHR	MACH
3.986	.019	.02580	.01620	.09920	.01780	.02750	-.00620	.00330	-.01250	.00150	.90670
	GRADIENT	.00000	.00000	.00000	.00000	.00000	.00000	.00000	.00000	.00000	.00000

ARC 11-023 IABO OTS (SRB NOM) (SSME NO. 2 OUT)

(RE40B2) (08 JAN 75)

REFERENCE DATA

SREF = 2690.0000 SQ.FT. XMRP = .0000 IN.
 LREF = 1290.3000 IN. YMRP = .0000 IN.
 BREF = 1290.3000 IN. ZMRP = .0000 IN.
 SCALE = .0200

PARAMETRIC DATA

ELV-1B = .000 ELV-0B = .000
 RN/L = 4.250 MACH = 1.100

RUN NO. 207/ 0 RN/L = 4.38 GRADIENT INTERVAL = -5.00/ 5.00

ALPHA	BETA	CBMW	CTMW	CNW	CHE1	CHEO	CBMV	CTMV	CYV	CHR	MACH
-3.973	-.009	-.00160	.00900	-.00960	.09860	.06570	.00090	-.00420	-.00090	-.00010	1.09460
	GRADIENT	.00000	.00000	.00000	.00000	.00000	.00000	.00000	.00000	.00000	.00000

RUN NO. 208/ 0 RN/L = 4.38 GRADIENT INTERVAL = -5.00/ 5.00

ALPHA	BETA	CBMW	CTMW	CNW	CHE1	CHEO	CBMV	CTMV	CYV	CHR	MACH
-.393	-4.006	.02680	.01930	.09870	.10450	.03370	.12340	-.04090	.29060	-.03250	1.09720
-.340	-.016	.01130	.01250	.03760	.09090	.05930	.00030	-.00350	-.00250	-.00010	1.10070
-.357	4.016	-.00400	.00410	-.02470	.08400	.06160	-.12240	.03590	-.29130	.03020	1.08960
	GRADIENT	-.00384	-.00190	-.01538	-.00255	.00347	-.03064	.00957	-.07254	.00782	-.00095

ARC 11-023 1A80 OTS (SRB NOM) (SSME NO. 2 OUT)

(RE4084) (08 JAN 75)

REFERENCE DATA

SREF = 2690.0000 SQ.FT. XMRP = .0000 IN.
 LREF = 1290.3000 IN. YMRP = .0000 IN.
 BREF = 1290.3000 IN. ZMRP = .0000 IN.
 SCALE = .0200

PARAMETRIC DATA

ELV-18 = .000 ELV-08 = .000
 RN/L = 4.250 MACH = 1.400

RUN NO. 201/ 0 RN/L = 4.36 GRADIENT INTERVAL = -5.00/ 5.00

ALPHA	BETA	CBMW	CTMW	CNW	CHEI	CHEO	CBMV	CTMV	CYV	CHR	MACH
-3.957	-.003	.00400	-.00060	.01240	.09370	.00110	.00220	-.00400	.00340	-.00160	1.40020
	GRADIENT	.00000	.00000	.00000	.00000	.00000	.00000	.00000	.00000	.00000	.00000

RUN NO. 202/ 0 RN/L = 4.35 GRADIENT INTERVAL = -5.00/ 5.00

ALPHA	BETA	CBMW	CTMW	CNW	CHEI	CHEO	CBMV	CTMV	CYV	CHR	MACH
-.443	-4.000	.02760	.00300	.10590	.06600	-.01690	.10970	-.03940	.25750	-.03530	1.40010
-.406	-.006	.01650	.00030	.05930	.07660	-.00970	.00120	-.00310	.00120	-.00110	1.39930
-.446	4.019	.00400	-.00100	.00980	.07810	.00240	-.10570	.03230	-.25060	.03330	1.39670
	GRADIENT	-.00294	-.00050	-.01211	.00151	.00241	-.02686	.03882	-.06336	.00855	-.00042

RUN NO. 203/ 0 RN/L = 4.33 GRADIENT INTERVAL = -5.00/ 5.00

ALPHA	BETA	CBMW	CTMW	CNW	CHEI	CHEO	CBMV	CTMV	CYV	CHR	MACH
3.953	-.009	.03080	.00480	.11460	.05920	-.02210	.00130	-.00250	.00170	-.00120	1.39710
	GRADIENT	.00000	.00000	.00000	.00000	.00000	.00000	.00000	.00000	.00000	.00000

ARC 11-023 1A80 OTS (SRB NOM) (SSME NO. 1 OUT)

(RE4085) (08 JAN 75)

REFERENCE DATA

SREF = 2690.0000 SQ.FT. XMRP = .0000 IN.
 LREF = 1290.3000 IN. YMRP = .0000 IN.
 BREF = 1290.3000 IN. ZMRP = .0000 IN.
 SCALE = .0200

PARAMETRIC DATA

ELV-18 = .000 ELV-08 = .000
 RN/L = 3.400 MACH = .600

RUN NO. 356/ 0 RN/L = 3.42 GRADIENT INTERVAL = -5.00/ 5.00

ALPHA	BETA	CBMW	CTMW	CNW	CHEI	CHEO	CBMV	CTMV	CYV	CHR	MACH
-4.072	.012	-.00560	.00320	-.01920	.04250	.02070	-.00040	-.00300	-.00500	-.00030	.58560
	GRADIENT	.00000	.00000	.00000	.00000	.00000	.00000	.00000	.00000	.00000	.00000

RUN NO. 357/ 0 RN/L = 3.49 GRADIENT INTERVAL = -5.00/ 5.00

ALPHA	BETA	CBMW	CTMW	CNW	CHEI	CHEO	CBMV	CTMV	CYV	CHR	MACH
-.284	-4.003	.01250	.01530	.04790	.04780	.01790	.11770	-.01150	.29220	-.00900	.60200
-.337	.003	.00460	.00890	.01820	.04300	.01950	-.00080	-.00200	-.00430	.00010	.60290
-.367	4.025	-.00260	.00280	-.01020	.03710	.02040	-.11670	.00510	-.29660	.00990	.60280
	GRADIENT	-.00188	-.00156	-.00724	-.00133	.00031	-.02920	.00207	-.07334	.00223	.00010

ARC 11-023 1A80 OTS (SRB NOM) (SSME NO. 1 OUT)

(RE40B7) (08 JAN 75)

REFERENCE DATA

PARAMETRIC DATA

SREF = 2690.0000 SQ.FT. XMRP = .0000 IN.
 LREF = 1290.3000 IN. YMRP = .0000 IN.
 BREF = 1290.3000 IN. ZMRP = .0000 IN.
 SCALE = .0200

ELV-18 = .000 ELV-08 = .000
 RN/L = 4.250 MACH = 1.100

RUN NO. 216/ 0 RN/L = 4.38 GRADIENT INTERVAL = -5.00/ 5.00

ALPHA	BETA	CBMW	CTMW	CNW	CHE1	CHEO	CBMV	CTMV	CYV	CHR	MACH
-1.003	-.012	-.00150	.00870	-.00870	.08870	.06600	.00040	-.00430	-.00220	-.00050	1.09920
	GRADIENT	.00000	.00000	.00000	.00000	.00000	.00000	.00000	.00000	.00000	.00000

RUN NO. 217/ 0 RN/L = 4.38 GRADIENT INTERVAL = -5.00/ 5.00

ALPHA	BETA	CBMW	CTMW	CNW	CHE1	CHEO	CBMV	CTMV	CYV	CHR	MACH
-.393	-4.006	.02660	.01900	.09780	.09780	.03410	.12010	-.04100	.28080	-.03340	1.09980
-.347	-.019	.01310	.01300	.04440	.08390	.05670	.00040	-.00300	-.00080	.00020	1.11150
-.383	4.012	-.00390	.00400	-.02420	.07390	.06170	-.12130	.03630	-.28730	.03420	1.10430
	GRADIENT	-.00379	-.00187	-.01522	-.00298	.00344	-.03010	.00964	-.07085	.00843	.00056

RUN NO. 218/ 0 RN/L = 4.38 GRADIENT INTERVAL = -5.00/ 5.00

ALPHA	BETA	CBMW	CTMW	CNW	CHE1	CHEO	CBMV	CTMV	CYV	CHR	MACH
4.049	-.012	.02800	.01710	.09940	.08500	.03190	-.00010	-.00290	-.00270	.00000	1.10750
	GRADIENT	.00000	.00000	.00000	.00000	.00000	.00000	.00000	.00000	.00000	.00000

ARC 11-023 1A80 OTS (SRB NOM) (SSME NO. 1 OUT)

(RE40B8) (08 JAN 75)

REFERENCE DATA

PARAMETRIC DATA

SREF = 2690.0000 SQ.FT. XMRP = .0000 IN.
 LREF = 1290.3000 IN. YMRP = .0000 IN.
 BREF = 1290.3000 IN. ZMRP = .0000 IN.
 SCALE = .0200

ELV-18 = .000 ELV-08 = .000
 RN/L = 4.250 MACH = 1.250

RUN NO. 213/ 0 RN/L = 4.40 GRADIENT INTERVAL = -5.00/ 5.00

ALPHA	BETA	CBMW	CTMW	CNW	CHE1	CHEO	CBMV	CTMV	CYV	CHR	MACH
-3.914	-.009	.00230	.00340	.00580	.10310	.03220	.00100	-.00310	.00120	-.00100	1.25130
	GRADIENT	.00000	.00000	.00000	.00000	.00000	.00000	.00000	.00000	.00000	.00000

RUN NO. 214/ 0 RN/L = 4.39 GRADIENT INTERVAL = -5.00/ 5.00

ALPHA	BETA	CBMW	CTMW	CNW	CHE1	CHEO	CBMV	CTMV	CYV	CHR	MACH
-.353	-4.006	.03090	.01060	.11670	.09630	-.00760	.11570	-.04150	.27200	-.03920	1.24830
-.367	-.016	.01700	.00570	.05960	.09320	.01400	.00190	-.00280	.00440	-.00110	1.25330
-.393	4.016	.00070	.00200	-.00580	.08290	.03540	-.11110	.03540	-.26160	.03740	1.24580
	GRADIENT	-.00377	-.00107	-.01527	-.00167	.00536	-.02827	.00959	-.06652	.00955	-.00031

ARC11-0231A80 OTS W/ET BASE SPOILER SRB=SSME=OFF

(RE40C0) (08 JAN 75)

REFERENCE DATA

SREF = 2690.0000 SQ.FT. XMRP = .0000 IN.
 LREF = 1290.3000 IN. YMRP = .0000 IN.
 BREF = 1290.3000 IN. ZMRP = .0000 IN.
 SCALE = .0200

PARAMETRIC DATA

ELV-1B = .000 ELV-0B = .000
 RN/L = 4.250 MACH = .900

RUN NO. 377/ 0 RN/L = 4.25 GRADIENT INTERVAL = -5.00/ 5.00

ALPHA	BETA	CBMW	CTMW	CNW	CHE1	CHE0	CBMV	CTMV	CYV	CHR	MACH
-4.029	.016	.00099	.00430	.00650	.02760	.03010	-.00960	.00820	-.01620	.00576	.89710
	GRADIENT	.00000	.00000	.00000	.00000	.00000	.00000	.00000	.00000	.00000	.00000

RUN NO. 375/ 0 RN/L = 4.25 GRADIENT INTERVAL = -5.00/ 5.00

ALPHA	BETA	CBMW	CTMW	CNW	CHE1	CHE0	CBMV	CTMV	CYV	CHR	MACH
-.241	-4.009	.02190	.02090	.06670	.05680	.02740	.09740	.00360	.26230	.00940	.90200
-.264	-.003	.01360	.00970	.05440	.01920	.02850	-.00610	.00530	-.00810	.00170	.90320
-.291	4.022	.00400	.00000	.01430	-.00100	.01620	-.10590	-.00120	-.27190	-.00040	.90330
	GRADIENT	-.00223	-.00260	-.00902	-.00720	-.00140	-.02531	-.00134	-.06651	-.00122	.00016

RUN NO. 376/ 0 RN/L = 4.26 GRADIENT INTERVAL = -5.00/ 5.00

ALPHA	BETA	CBMW	CTMW	CNW	CHE1	CHE0	CBMV	CTMV	CYV	CHR	MACH
3.980	.016	.02580	.01810	.10100	.02910	.02430	-.00480	.00290	-.00850	-.00020	.90820
	GRADIENT	.00000	.00000	.00000	.00000	.00000	.00000	.00000	.00000	.00000	.00000

ARC11-0231A80 OTS W/ET BASE SPOILER SRB=SSME=OFF

(RE40C1) (08 JAN 75)

REFERENCE DATA

SREF = 2690.0000 SQ.FT. XMRP = .0000 IN.
 LREF = 1290.3000 IN. YMRP = .0000 IN.
 BREF = 1290.3000 IN. ZMRP = .0000 IN.
 SCALE = .0200

PARAMETRIC DATA

ELV-1B = .000 ELV-0B = .000
 RN/L = 4.250 MACH = 1.100

RUN NO. 368/ 0 RN/L = 4.46 GRADIENT INTERVAL = -5.00/ 5.00

ALPHA	BETA	CBMW	CTMW	CNW	CHE1	CHE0	CBMV	CTMV	CYV	CHR	MACH
-4.000	.012	-.00090	.01010	-.00650	.10250	.06440	.00040	-.00410	-.00150	.00020	1.10390
	GRADIENT	.00000	.00000	.00000	.00000	.00000	.00000	.00000	.00000	.00000	.00000

RUN NO. 369/ 0 RN/L = 4.48 GRADIENT INTERVAL = -5.00/ 5.00

ALPHA	BETA	CBMW	CTMW	CNW	CHE1	CHE0	CBMV	CTMV	CYV	CHR	MACH
-.264	-4.009	.02770	.02040	.10230	.11520	.03110	.12130	-.03810	.28630	-.02550	1.10060
-.284	.000	.01250	.01440	.04290	.09900	.05680	-.00050	-.00240	-.00190	.00110	1.10370
-.297	4.022	-.00360	.00460	-.02360	.08160	.06010	-.12230	.03610	-.28780	.02900	1.10090
	GRADIENT	-.00390	-.00197	-.01568	-.00418	.00361	-.03033	.00924	-.07148	.00679	.00004

DATE 03 JUN 76

TABULATED SOURCE DATA - 1A80

PAGE 81

ARC11-0231A80 OTS W/ET BASE SPOILER SRB=SSME=OFF

(RE40C1) (08 JAN 75)

REFERENCE DATA

PARAMETRIC DATA

SREF = 2690.0000 SQ.FT. XMRP = .0000 IN.
 LREF = 1290.3000 IN. YMRP = .0000 IN.
 BREF = 1290.3000 IN. ZMRP = .0000 IN.
 SCALE = .0200

ELV-18 = .000 ELV-08 = .000
 RN/L = 4.250 MACH = 1.100

RUN NO. 370/ 0 RN/L = 4.49 GRADIENT INTERVAL = -5.00/ 5.00

ALPHA	BETA	CBMW	CTMW	CNW	CHE1	CHE0	CBMV	CTMV	CYV	CHR	MACH
3.910	.016	.02840	.01780	.10100	.10070	.03140	-.00030	-.00290	-.00330	.00130	1.10260
	GRADIENT	.00000	.00000	.00000	.00000	.00000	.00000	.00000	.00000	.00000	.00000

ARC11-0231A80 OTS W/ET BASE SPOILER SRB=SSME=NOM

(RE40C2) (08 JAN 75)

REFERENCE DATA

PARAMETRIC DATA

SREF = 2690.0000 SQ.FT. XMRP = .0000 IN.
 LREF = 1290.3000 IN. YMRP = .0000 IN.
 BREF = 1290.3000 IN. ZMRP = .0000 IN.
 SCALE = .0200

ELV-18 = .000 ELV-08 = .000
 RN/L = 4.250 MACH = .900

RUN NO. 378/ 0 RN/L = 4.22 GRADIENT INTERVAL = -5.00/ 5.00

ALPHA	BETA	CBMW	CTMW	CNW	CHE1	CHE0	CBMV	CTMV	CYV	CHR	MACH
-3.996	.016	.00160	.00330	.00860	.01190	.02890	-.00120	-.00070	-.00680	.01640	.90230
	GRADIENT	.00000	.00000	.00000	.00000	.00000	.00000	.00000	.00000	.00000	.00000

RUN NO. 379/ 0 RN/L = 4.22 GRADIENT INTERVAL = -5.00/ 5.00

ALPHA	BETA	CBMW	CTMW	CNW	CHE1	CHE0	CBMV	CTMV	CYV	CHR	MACH
-.284	-4.012	.02130	.02040	.08370	.05950	.02920	.10640	.00520	.28330	.02830	.89300
-.360	-.003	.01320	.03880	.05080	.00920	.03480	-.00300	.00050	-.00990	.01480	.91010
-.330	4.019	.00260	.00020	.00870	-.00390	.02330	-.11300	.00080	-.29230	-.01500	.89780
	GRADIENT	-.00233	-.00251	-.00934	-.00789	-.00074	-.02732	-.00055	-.07167	-.00539	.00060

RUN NO. 380/ 0 RN/L = 4.22 GRADIENT INTERVAL = -5.00/ 5.00

ALPHA	BETA	CBMW	CTMW	CNW	CHE1	CHE0	CBMV	CTMV	CYV	CHR	MACH
3.927	.012	.02590	.01700	.09960	.02120	.02620	-.00800	.00520	-.01990	.01420	.89920
	GRADIENT	.00000	.00000	.00000	.00000	.00000	.00000	.00000	.00000	.00000	.00000

ORIGINAL PAGE IS
OF POOR QUALITY

ARC11-023IAB0 OTS W/ET BASE SPOILER SRB=SSME=NOM

(RE40C3) (08 JAN 75)

REFERENCE DATA

SREF = 2690.0000 SQ.FT. XMRP = .0000 IN.
 LREF = 1290.3000 IN. YMRP = .0000 IN.
 BREF = 1290.3000 IN. ZMRP = .0000 IN.
 SCALE = .0200

ELV-18 = .000 ELV-08 = .000
 RN/L = 4.250 MACH = 1.100

PARAMETRIC DATA

RUN NO. 371/ 0 RN/L = 4.47 GRADIENT INTERVAL = -5.00/ 5.00

ALPHA	BETA	CBMW	CTMW	CNW	CHEI	CHEO	CBMV	CTMV	CYV	CHR	MACH
-4.033	.016	-.00160	.00910	-.01050	.09340	.06440	-.00060	-.00370	-.00590	.00230	1.10360
	GRADIENT	.00000	.00000	.00000	.00000	.00000	.00000	.00000	.00000	.00000	.00000

RUN NO. 372/ 0 RN/L = 4.46 GRADIENT INTERVAL = -5.00/ 5.00

ALPHA	BETA	CBMW	CTMW	CNW	CHEI	CHEO	CBMV	CTMV	CYV	CHR	MACH
-.433	-4.009	.02690	.01950	.09860	.10740	.03290	.12110	-.03690	.28690	-.01660	1.09700
-.446	-.003	.01190	.01330	.03900	.09540	.05720	-.00060	-.00250	-.00450	.00170	1.11290
-.456	4.022	-.00400	.00400	-.02580	.07670	.06040	-.12160	.03340	-.28980	.01860	1.09300
	GRADIENT	-.00385	-.00193	-.01743	-.00392	.00342	-.03022	.00875	-.07181	.00438	-.00050

RUN NO. 373/ 0 RN/L = 4.47 GRADIENT INTERVAL = -5.00/ 5.00

ALPHA	BETA	CBMW	CTMW	CNW	CHEI	CHEO	CBMV	CTMV	CYV	CHR	MACH
3.844	.003	.02710	.01690	.09520	.09530	.03260	-.00060	-.00320	-.00610	.00090	1.10230
	GRADIENT	.00000	.00000	.00000	.00000	.00000	.00000	.00000	.00000	.00000	.00000

ARC 11-023 IAB0 OTS (SRB NOM++) (SSME NOM)

(EE4001) (08 JAN 75)

REFERENCE DATA

SREF = 2690.0000 SQ.FT. XMRP = .0000 IN.
 LREF = 1290.3000 IN. YMRP = .0000 IN.
 BREF = 1290.3000 IN. ZMRP = .0000 IN.
 SCALE = .0200

ELV-18 = .000 ELV-08 = .000
 RN/L = 3.400 MACH = .600

PARAMETRIC DATA

RUN NO. 240/ 0 RN/L = 3.38 GRADIENT INTERVAL = -5.00/ 5.00

ALPHA	BETA	XWCP	YWCP	XVCP	ZVCP
-4.013	-.019	-.21040	.30340	.41000	.12220
	GRADIENT	.00000	.00000	.00000	.00000

RUN NO. 241/ 0 RN/L = 3.39 GRADIENT INTERVAL = -5.00/ 5.00

ALPHA	BETA	XWCP	YWCP	XVCP	ZVCP
-.314	-4.034	.29730	.26100	-.04960	.40740
-.340	-.019	.40170	.25400	.46770	.09290
-.459	3.997	-.39930	.25050	-.02400	-.39420
	GRADIENT	-.08674	-.00131	.00319	-.00164

DATE 03 JUN 76

TABULATED SOURCE DATA - :180

PAGE 83

ARC 11-023 1A80 OTS (SRB NOM++) (SSME NOM)

(EE4001) (08 JAN 75)

REFERENCE DATA

SREF = 2690.0000 SQ.FT. XMRP = .0000 IN.
 LREF = 1290.3000 IN. YMRP = .0000 IN.
 BREF = 1290.3000 IN. ZMRP = .0000 IN.
 SCALE = .0200

PARAMETRIC DATA

ELV-1B = .000 ELV-0B = .000
 RN/L = 3.400 MACH = .600

RUN NO. 242/ 0 RN/L = 3.39 GRADIENT INTERVAL = -5.00/ 5.00

ALPHA	BETA	XWCP	YWCP	XVCP	ZVCP
4.039	-.019	.24380	.26790	.33760	.15210
GRADIENT		.00000	.00000	.00000	.00000

ARC 11-023 1A80 OTS (SRB NOM++) (SSME NOM)

(EE4002) (08 JAN 75)

REFERENCE DATA

SREF = 2690.0000 SQ.FT. XMRP = .0000 IN.
 LREF = 1290.3000 IN. YMRP = .0000 IN.
 BREF = 1290.3000 IN. ZMRP = .0000 IN.
 SCALE = .0200

PARAMETRIC DATA

ELV-1B = .000 ELV-0B = .000
 RN/L = 4.250 MACH = .900

RUN NO. 222/ 0 RN/L = 4.23 GRADIENT INTERVAL = -5.00/ 5.00

ALPHA	BETA	XWCP	YWCP	XVCP	ZVCP
-3.901	-.012	.37990	.15890	-.30350	.44090
GRADIENT		.00000	.00000	.00000	.00000

RUN NO. 223/ 0 RN/L = 4.22 GRADIENT INTERVAL = -5.00/ 5.00

ALPHA	BETA	XWCP	YWCP	XVCP	ZVCP
-.347	-4.025	.23710	.25210	.03350	.37520
-.380	-.009	.16140	.25640	-.36150	.45800
-.456	4.003	-.07750	.29800	.01540	.38490
GRADIENT		-.03918	.00572	-.00227	.00121

RUN NO. 224/ 0 RN/L = 4.21 GRADIENT INTERVAL = -5.00/ 5.00

ALPHA	BETA	XWCP	YWCP	XVCP	ZVCP
3.977	-.009	.18020	.25700	.02780	.36600
GRADIENT		.00000	.00000	.00000	.00000

ARC 11-023 IAB0 OTS (SRB NOM++) (SSME NOM)

(EE4003) (08 JAN 75)

REFERENCE DATA

SREF = 2690.0000 SQ.FT. XMRP = .0000 IN.
 LREF = 1290.3000 IN. YMRP = .0000 IN.
 BREF = 1290.3000 IN. ZMRP = .0000 IN.
 SCALE = .0200

PARAMETRIC DATA

ELV-1B = .000 ELV-0B = .000
 RN/L = 4.250 MACH = 1.100

RUN NO. 74/ 0 RN/L = 4.30 GRADIENT INTERVAL = -5.00/ 5.00

ALPHA	BETA	XWCP	YWCP	XVCP	ZVCP
-3.920	-.003	-.86060	.15100	3.84940	-.30570
	GRADIENT	.00000	.00000	.00000	.00000

RUN NO. 75/ 0 RN/L = 4.31 GRADIENT INTERVAL = -5.00/ 5.00

ALPHA	BETA	XWCP	YWCP	XVCP	ZVCP
-.621	-4.006	.20150	.27390	-.13320	.41730
-.641	.000	.35340	.30840	.98690	.04680
-.492	4.009	-.16750	.16550	-.13060	.42310
	GRADIENT	-.04605	-.01353	.00029	.00074

RUN NO. 76/ 0 RN/L = 4.31 GRADIENT INTERVAL = -5.00/ 5.00

ALPHA	BETA	XWCP	YWCP	XVCP	ZVCP
3.944	-.003	.17060	.28320	-.55770	.52500
	GRADIENT	.00000	.00000	.00000	.00000

ARC 11-023 IAB0 OTS (SRB NOM++) (SSME NOM)

(EE4004) (08 JAN 75)

REFERENCE DATA

SREF = 2690.0000 SQ.FT. XMRP = .0000 IN.
 LREF = 1290.3000 IN. YMRP = .0000 IN.
 BREF = 1290.3000 IN. ZMRP = .0000 IN.
 SCALE = .0200

PARAMETRIC DATA

ELV-1B = .000 ELV-0B = .000
 RN/L = 4.250 MACH = 1.250

RUN NO. 48/ 0 RN/L = 4.50 GRADIENT INTERVAL = -5.00/ 5.00

ALPHA	BETA	XWCP	YWCP	XVCP	ZVCP
-4.155	.000	1.67920	.68060	-1.23260	.57850
	GRADIENT	.00000	.00000	.00000	.00000

RUN NO. 49/ 0 RN/L = 4.43 GRADIENT INTERVAL = -5.00/ 5.00

ALPHA	BETA	XWCP	YWCP	XVCP	ZVCP
-.495	-4.006	.09630	.25540	-.14430	.42280
-.528	.000	.10090	.28630	-1.40000	.76210
-.555	4.006	-1.16080	-.50250	-.13470	.42850
	GRADIENT	-.15689	-.09534	.00120	.00071

DATE 03 JUN 76

TABULATED SOURCE DATA - IAB0

PAGE 85

ARC 11-023 IAB0 OTS (SRB NOM++) (SSME NOM)

(EE4004) (08 JAN 75)

REFERENCE DATA

SREF = 2690.0000 SQ.FT. XMRP = .0000 IN.
 LREF = 1290.3000 IN. YMRP = .0000 IN.
 BREF = 1290.3000 IN. ZMRP = .0000 IN.
 SCALE = .0200

PARAMETRIC DATA

ELV-1B = .000 ELV-0B = .000
 RN/L = 4.250 MACH = 1.250

RUN NO. 50/ 0 RN/L = 4.43 GRADIENT INTERVAL = -5.00/ 5.00

ALPHA	BETA	XWCP	YWCP	XVCP	ZVCP
3.881	.006	.09680	.27580	-3.74000	1.55270
	GRADIENT	.00000	.00000	.00000	.00000

ARC 11-023 IAB0 OTS (SRB NOM++) (SSME NOM)

(EE4005) (08 JAN 75)

REFERENCE DATA

SREF = 2690.0000 SQ.FT. XMRP = .0000 IN.
 LREF = 1290.3000 IN. YMRP = .0000 IN.
 BREF = 1290.3000 IN. ZMRP = .0000 IN.
 SCALE = .0200

PARAMETRIC DATA

ELV-1B = .000 ELV-0B = .000
 RN/L = 4.250 MACH = 1.400

RUN NO. 1/ 0 RN/L = 4.31 GRADIENT INTERVAL = -5.00/ 5.00

ALPHA	BETA	XWCP	YWCP	XVCP	ZVCP
-3.950	-.003	-.03340	.36520	-.40730	.38950
	GRADIENT	.00000	.00000	.00000	.00000

RUN NO. 2/ 0 RN/L = 4.30 GRADIENT INTERVAL = -5.00/ 5.00

ALPHA	BETA	XWCP	YWCP	XVCP	ZVCP
-.436	-4.009	.03720	.26410	-.13840	.41830
-.482	-.003	.00330	.28440	-.54790	.48870
-.505	4.009	-.06080	.42460	-.13500	.43000
	GRADIENT	-.01222	.02002	.00045	.00145

RUN NO. 3/ 0 RN/L = 4.30 GRADIENT INTERVAL = -5.00/ 5.00

ALPHA	BETA	XWCP	YWCP	XVCP	ZVCP
3.881	-.006	.04480	.27110	-.52500	.42760
	GRADIENT	.00000	.00000	.00000	.00000

ORIGINAL PAGE IS
OF POOR QUALITY

ARC 11-023 IABO OTS (SRB NOM+) (SSME NOM)

(EE4006) (08 JAN 75)

REFERENCE DATA

SREF = 2690.0000 SQ.FT. XMRP = .0000 IN.
 LREF = 1290.3000 IN. YMRP = .0000 IN.
 BREF = 1290.3000 IN. ZMRP = .0000 IN.
 SCALE = .0200

PARAMETRIC DATA

ELV-18 = .000 ELV-08 = .000
 RN/L = 3.400 MACH = .600

RUN NO. 243/ 0 RN/L = 3.39 GRADIENT INTERVAL = -5.00/ 5.00

ALPHA	BETA	XWCP	YWCP	XVCP	ZVCP
-3.846	-.019	-.20200	.29970	.37090	.13630
	GRADIENT	.00000	.00000	.00000	.00000

RUN NO. 244/ 0 RN/L = 3.38 GRADIENT INTERVAL = -5.00/ 5.00

ALPHA	BETA	XWCP	YWCP	XVCP	ZVCP
-.350	-4.038	.29570	.25850	-.05190	.40920
-.314	-.022	.40620	.25520	.56820	.05880
-.396	3.997	-.29990	.24550	-.02220	.39410
	GRADIENT	-.07414	-.00162	.00368	-.00187

RUN NO. 245/ 0 RN/L = 3.39 GRADIENT INTERVAL = -5.00/ 5.00

ALPHA	BETA	XWCP	YWCP	XVCP	ZVCP
3.970	-.022	.24160	.26590	.36300	.15140
	GRADIENT	.00000	.00000	.00000	.00000

ARC 11-023 IABO OTS (SRB NOM+) (SSME NOM)

(EE4007) (09 JAN 75)

REFERENCE DATA

SREF = 2690.0000 SQ.FT. XMRP = .0000 IN.
 LREF = 1290.3000 IN. YMRP = .0000 IN.
 BREF = 1290.3000 IN. ZMRP = .0000 IN.
 SCALE = .0200

PARAMETRIC DATA

ELV-18 = .000 ELV-08 = .000
 RN/L = 4.250 MACH = .900

RUN NO. 225/ 0 RN/L = 4.20 GRADIENT INTERVAL = -5.00/ 5.00

ALPHA	BETA	XWCP	YWCP	XVCP	ZVCP
-3.930	-.009	.41720	.14290	-.26930	.41530
	GRADIENT	.00000	.00000	.00000	.00000

RUN NO. 226/ 0 RN/L = 4.21 GRADIENT INTERVAL = -5.00/ 5.00

ALPHA	BETA	XWCP	YWCP	XVCP	ZVCP
-.376	-4.028	.23100	.25300	.01110	.38650
-.330	-.012	.16710	.25490	-.30460	.43170
-.330	4.003	-.07900	.31770	.01640	.38330
	GRADIENT	-.03860	.00806	.00066	-.00040

DATE 03 JUN 76

TABULATED SOURCE DATA - 1A80

PAGE 87

ARC 11-023 1A80 OTS (SRB NOM+) (SSME NOM)

(EE4007) (08 JAN 75)

REFERENCE DATA

SREF = 2690.0000 SQ.FT. XMRP = .0000 IN.
 LREF = 1290.3000 IN. YMRP = .0000 IN.
 BREF = 1290.3000 IN. ZMRP = .0000 IN.
 SCALE = .0200

PARAMETRIC DATA

ELV-18 = .000 ELV-08 = .000
 RN/L = 4.250 MACH = .900

RUN NO. 227/ 0 RN/L = 4.21 GRADIENT INTERVAL = -5.00/ 5.00

ALPHA	BETA	XWCP	YWCP	XVCP	ZVCP
3.927	-.016	.16820	.25830	-.14780	.37850
GRADIENT		.00000	.00000	.00000	.00000

ARC 11-023 1A80 OTS (SRB NOM+) (SSME NOM)

(EE4008) (08 JAN 75)

REFERENCE DATA

SREF = 2690.0000 SQ.FT. XMRP = .0000 IN.
 LREF = 1290.3000 IN. YMRP = .0000 IN.
 BREF = 1290.3000 IN. ZMRP = .0000 IN.
 SCALE = .0200

PARAMETRIC DATA

ELV-18 = .000 ELV-08 = .000
 RN/L = 4.250 MACH = 1.100

RUN NO. 77/ 0 RN/L = 4.31 GRADIENT INTERVAL = -5.00/ 5.00

ALPHA	BETA	XWCP	YWCP	XVCP	ZVCP
-3.907	.000	-.78300	.15880	2.20330	-.19340
GRADIENT		.00000	.00000	.00000	.00000

RUN NO. 78/ 0 RN/L = 4.31 GRADIENT INTERVAL = -5.00/ 5.00

ALPHA	BETA	XWCP	YWCP	XVCP	ZVCP
-.515	-4.003	.20660	.27400	-.14350	.42450
-.525	.003	.36270	.30880	1.11750	-.00980
-.426	4.012	-.18120	.16330	-.12990	.42290
GRADIENT		-.04839	-.01381	.00165	-.00019

RUN NO. 79/ 0 RN/L = 4.32 GRADIENT INTERVAL = -5.00/ 5.00

ALPHA	BETA	XWCP	YWCP	XVCP	ZVCP
3.881	.006	.17930	.19430	1.73240	-.27820
GRADIENT		.00000	.00000	.00000	.00000

ARC 11-023 IABO OTS (SRB NOM+) (SSME NOM)

(EE4009) (08 JAN 75)

REFERENCE DATA

PARAMETRIC DATA

SREF = 2690.0000 SQ.FT. XMRP = .0000 IN.
 LREF = 1290.3000 IN. YMRP = .0000 IN.
 BREF = 1290.3000 IN. ZMRP = .0000 IN.
 SCALE = .0200

ELV-1B = .000 ELV-0B = .000
 RN/L = 4.250 MACH = 1.250

RUN NO. 51/ 0 RN/L = 4.40 GRADIENT INTERVAL = -5.00/ 5.00

ALPHA	BETA	XWCP	YWCP	XVCP	ZVCP
-3.897	.006	.97870	.50190	-2.74950	.87020
	GRADIENT	.00000	.00000	.00000	.00000

RUN NO. 52/ 0 RN/L = 4.40 GRADIENT INTERVAL = -5.00/ 5.00

ALPHA	BETA	XWCP	YWCP	XVCP	ZVCP
-.482	-4.006	.10100	.26780	-.14660	.42360
-.519	.003	.10800	.28770	-1.37640	.76640
-.462	4.009	-.64040	-.12530	-.13760	.42800
	GRADIENT	-.09248	-.04911	.00108	.00056

RUN NO. 53/ 0 RN/L = 4.40 GRADIENT INTERVAL = -5.00/ 5.00

ALPHA	BETA	XWCP	YWCP	XVCP	ZVCP
3.854	.006	.09960	.27670	-12.14400	4.45820
	GRADIENT	.00000	.00000	.00000	.00000

ARC 11-023 IABO OTS (SRB NOM+) (SSME NOM)

(EE4010) (08 JAN 75)

REFERENCE DATA

PARAMETRIC DATA

SREF = 2690.0000 SQ.FT. XMRP = .0000 IN.
 LREF = 1290.3000 IN. YMRP = .0000 IN.
 BREF = 1290.3000 IN. ZMRP = .0000 IN.
 SCALE = .0200

ELV-1B = .000 ELV-0B = .000
 RN/L = 4.250 MACH = 1.400

RUN NO. 4/ 0 RN/L = 4.29 GRADIENT INTERVAL = -5.00/ 5.00

ALPHA	BETA	XWCP	YWCP	XVCP	ZVCP
-3.904	-.006	-.02200	.37130	-.69650	.46340
	GRADIENT	.00000	.00000	.00000	.00000

RUN NO. 5/ 0 RN/L = 4.29 GRADIENT INTERVAL = -5.00/ 5.00

ALPHA	BETA	XWCP	YWCP	XVCP	ZVCP
-.406	-4.009	.03640	.26500	-.14200	.41980
-.370	.000	.00760	.28510	-.59960	.48390
-.453	4.012	-.03010	.43970	-.13620	.43040
	GRADIENT	-.00829	.02178	.00074	.00132

DATE 03 JUN 76

TABULATED SOURCE DATA - IAB0

PAGE 89

ARC 11-023 IAB0 OTS (SRB NOM+) (SSME NOM)

(EE4010) (08 JAN 75)

REFERENCE DATA

SREF = 2690.0000 SQ.FT. XMRP = .0000 IN.
 LREF = 1290.3000 IN. YMRP = .0000 IN.
 BREF = 1290.3000 IN. ZMRP = .0000 IN.
 SCALE = .0200

PARAMETRIC DATA

ELV-18 = .000 ELV-08 = .000
 RN/L = 4.250 MACH = 1.400

RUN NO. 6/ 0 RN/L = 4.29 GRADIENT INTERVAL = -5.00/ 5.00

ALPHA	BETA	XWCP	YWCP	XVCP	ZVCP
3.944	-.006	.04600	.27170	-1.17400	.59420
	GRADIENT	.00000	.00000	.00000	.00000

ARC 11-023 IAB0 OTS (SRB NOM) (SSME NOM+)

(EE4011) (08 JAN 75)

REFERENCE DATA

SREF = 2690.0000 SQ.FT. XMRP = .0000 IN.
 LREF = 1290.3000 IN. YMRP = .0000 IN.
 BREF = 1290.3000 IN. ZMRP = .0000 IN.
 SCALE = .0200

PARAMETRIC DATA

ELV-18 = .000 ELV-08 = .000
 RN/L = 3.400 MACH = .600

RUN NO. 249/ 0 RN/L = 3.38 GRADIENT INTERVAL = -5.00/ 5.00

ALPHA	BETA	XWCP	YWCP	XVCP	ZVCP
-3.957	-.016	-.19470	.29410	.41080	.14690
	GRADIENT	.00000	.00000	.00000	.00000

RUN NO. 250/ 0 RN/L = 3.40 GRADIENT INTERVAL = -5.00/ 5.00

ALPHA	BETA	XWCP	YWCP	XVCP	ZVCP
-.337	-4.041	.29320	.25920	-.05140	.40910
-.383	-.022	.40240	.27370	.46220	.08290
-.400	3.997	-.30440	.25220	-.02200	.39220
	GRADIENT	-.07435	-.00087	.00366	.00210

RUN NO. 251/ 0 RN/L = 3.41 GRADIENT INTERVAL = -5.00/ 5.00

ALPHA	BETA	XWCP	YWCP	XVCP	ZVCP
4.125	-.025	.24200	.26740	.35280	.14140
	GRADIENT	.00000	.00000	.00000	.00000

ARC 11-023 IAB0 OTS (SRB NOM) (SME NOM+)

(EE4012) (08 JAN 75)

REFERENCE DATA

SREF = 2690.0000 SQ.FT. XMRP = .0000 IN.
 LREF = 1290.3000 IN. YMRP = .0000 IN.
 BREF = 1290.3000 IN. ZMRP = .0000 IN.
 SCALE = .0200

ELV-1B = .000 ELV-0B = .000
 RN/L = 4.250 MACH = .900

PARAMETRIC DATA

RUN NO. 231/ 0 RN/L = 4.20 GRADIENT INTERVAL = -5.00/ 5.00

ALPHA	BETA	XWCP	YWCP	XVCP	ZVCP
-4.062	-.012	.53160	.09180	-.24810	.39820
	GRADIENT	.00000	.00000	.00000	.00000

RUN NO. 232/ 0 RN/L = 4.21 GRADIENT INTERVAL = -5.00/ 5.00

ALPHA	BETA	XWCP	YWCP	XVCP	ZVCP
-.383	-4.028	.23800	.25310	.05000	.36990
-.383	-.016	.17630	.25790	-.26250	.40830
-.453	4.000	-.06650	.31110	.01260	.38450
	GRADIENT	-.03793	.00723	-.00465	.00182

RUN NO. 233/ 0 RN/L = 4.20 GRADIENT INTERVAL = -5.00/ 5.00

ALPHA	BETA	XWCP	YWCP	XVCP	ZVCP
3.947	-.012	.17280	.25750	-.13580	.39600
	GRADIENT	.00000	.00000	.00000	.00000

ARC 11-023 IAB0 OTS (SRB NOM) (SME NOM+)

(EE4013) (08 JAN 75)

REFERENCE DATA

SREF = 2690.0000 SQ.FT. XMRP = .0000 IN.
 LREF = 1290.3000 IN. YMRP = .0000 IN.
 BREF = 1290.3000 IN. ZMRP = .0000 IN.
 SCALE = .0200

ELV-1B = .000 ELV-0B = .000
 RN/L = 4.250 MACH = 1.100

PARAMETRIC DATA

RUN NO. 80/ 0 RN/L = 4.32 GRADIENT INTERVAL = -5.00/ 5.00

ALPHA	BETA	XWCP	YWCP	XVCP	ZVCP
-3.950	.006	-.64760	.16750	1.26050	-.01540
	GRADIENT	.00000	.00000	.00000	.00000

RUN NO. 81/ 0 RN/L = 4.32 GRADIENT INTERVAL = -5.00/ 5.00

ALPHA	BETA	XWCP	YWCP	XVCP	ZVCP
-.509	-4.066	.21600	.27600	-.14180	.42670
-.552	-.056	.41530	.32390	1.25850	-.10200
-.486	3.950	-.18720	.16440	-.12350	.42020
	GRADIENT	-.05029	-.01392	.00233	-.00083

DATE 03 JUN 76

TABULATED SOURCE DATA - 1A90

PAGE 91

ARC 11-023 1A90 OTS (SRB NOM) (SSME NOM+)

(EE4013) (08 JAN 75)

REFERENCE DATA

SREF = 2690.0000 SQ.FT. XMRP = .0000 IN.
 LREF = 1290.3000 IN. YMRP = .0000 IN.
 BREF = 1290.3000 IN. ZMRP = .0000 IN.
 SCALE = .0200

PARAMETRIC DATA

ELV-1B = .000 ELV-0B = .000
 RN/L = 4.250 MACH = 1.100

RUN NO. 82/ 0 RN/L = 4.32 GRADIENT INTERVAL = -5.00/ 5.00

ALPHA	BETA	XWCP	YWCP	XVCP	ZVCP
4.029	-.069	.18880	.28890	1.05750	-.12190
	GRADIENT	.00000	.00000	.00000	.00000

ARC 11-023 1A90 OTS (SRB NOM) (SSME NOM+)

(EE4014) (08 JAN 75)

REFERENCE DATA

SREF = 2690.0000 SQ.FT. XMRP = .0000 IN.
 LREF = 1290.3000 IN. YMRP = .0000 IN.
 BREF = 1290.3000 IN. ZMRP = .0000 IN.
 SCALE = .0200

PARAMETRIC DATA

ELV-1B = .000 ELV-0B = .000
 RN/L = 4.250 MACH = 1.250

RUN NO. 54/ 0 RN/L = 4.38 GRADIENT INTERVAL = -5.00/ 5.00

ALPHA	BETA	XWCP	YWCP	XVCP	ZVCP
-3.963	.006	2.69100	1.08190	-10.28100	3.60250
	GRADIENT	.00000	.00000	.00000	.00000

RUN NO. 55/ 0 RN/L = 4.39 GRADIENT INTERVAL = -5.00/ 5.00

ALPHA	BETA	XWCP	YWCP	XVCP	ZVCP
-.492	-4.006	.10170	.26930	-.14770	.42690
-.466	.003	.11630	.29320	-2.28030	1.16700
-.522	4.009	-.47900	-.05890	-.13240	.42500
	GRADIENT	-.07244	-.04081	.00164	-.00021

RUN NO. 56/ 0 RN/L = 4.38 GRADIENT INTERVAL = -5.00/ 5.00

ALPHA	BETA	XWCP	YWCP	XVCP	ZVCP
3.996	.000	.10380	.27810	3.19090	-.96710
	GRADIENT	.00000	.00000	.00000	.00000

ARC 11-023 1A80 OTS (SRB NOM) (SSME NOM+)

(EE4015) (08 JAN 75)

REFERENCE DATA

SREF = 2690.0000 SQ.FT. XMRP = .0000 IN.
 LREF = 1290.3000 IN. YMRP = .0000 IN.
 BREF = 1290.3000 IN. ZMRP = .0000 IN.
 SCALE = .0200

PARAMETRIC DATA

ELV-18 = .000 ELV-08 = .000
 RN/L = 4.250 MACH = 1.400

RUN NO. 7/ 0 RN/L = 4.27 GRADIENT INTERVAL = -5.00/ 5.00

ALPHA	BETA	XWCP	YWCP	XVCP	ZVCP
-3.910	-.006	-.03770	.47620	-.53920	.42780
	GRADIENT	.00000	.00000	.00000	.00000

RUN NO. 8/ 0 RN/L = 4.28 GRADIENT INTERVAL = -5.00/ 5.00

ALPHA	BETA	XWCP	YWCP	XVCP	ZVCP
-.409	-4.009	.03630	.26560	-.14340	.42370
-.446	.000	.00790	.29060	-1.27230	.78680
-.509	4.009	-.13010	.61300	-.12820	.42460
	GRADIENT	-.02075	.04302	.00190	.00011

RUN NO. 9/ 0 RN/L = 4.28 GRADIENT INTERVAL = -5.00/ 5.00

ALPHA	BETA	XWCP	YWCP	XVCP	ZVCP
3.848	-.006	.04580	.27400	-3.51840	1.84880
	GRADIENT	.00000	.00000	.00000	.00000

ARC 11-023 1A80 OTS (SRB NOM) (SSME NOM-)

(EE4016) (08 JAN 75)

REFERENCE DATA

SREF = 2690.0000 SQ.FT. XMRP = .0000 IN.
 LREF = 1290.3000 IN. YMRP = .0000 IN.
 BREF = 1290.3000 IN. ZMRP = .0000 IN.
 SCALE = .0200

PARAMETRIC DATA

ELV-18 = .000 ELV-08 = .000
 RN/L = 4.250 MACH = .900

RUN NO. 234/ 0 RN/L = 4.20 GRADIENT INTERVAL = -5.00/ 5.00

ALPHA	BETA	XWCP	YWCP	XVCP	ZVCP
-3.986	-.012	.51580	.09980	-.27020	.41040
	GRADIENT	.00000	.00000	.00000	.00000

RUN NO. 235/ 0 RN/L = 4.21 GRADIENT INTERVAL = -5.00/ 5.00

ALPHA	BETA	XWCP	YWCP	XVCP	ZVCP
-.350	-4.031	.23500	.25400	.01240	.38440
-.301	-.016	.17710	.25790	-.34500	.45400
-.317	4.000	-.05860	.31840	.00600	.38850
	GRADIENT	-.03656	.00802	-.00080	.00051

DATE 03 JUN 76

TABULATED SOURCE DATA - IAB0

PAGE 93

ARC 11-023 IAB0 OTS (SRB NOM) (SSME NOM-)

(EE4017) (08 JAN 75)

REFERENCE DATA

SREF = 2690.0000 SQ.FT. XMRP = .0000 IN.
 LREF = 1290.3000 IN. YMRP = .0000 IN.
 BREF = 1290.3000 IN. ZMRP = .0000 IN.
 SCALE = .0200

PARAMETRIC DATA

ELV-1B = .000 ELV-0B = .000
 RN/L = 4.250 MACH = .900

RUN NO. 236/ 0 RN/L = 4.20 GRADIENT INTERVAL = -5.00/ 5.00

ALPHA	BETA	XWCP	YWCP	XVCP	ZVCP
3.947	-.019	.17110	.25830	-.17400	.40820
GRADIENT		.00000	.00000	.00000	.00000

ARC 11-023 IAB0 OTS (SRB NOM) (SSME NOM-)

(EE4017) (CB JAN 75)

REFERENCE DATA

SREF = 2690.0000 SQ.FT. XMRP = .0000 IN.
 LREF = 1290.3000 IN. YMRP = .0000 IN.
 BREF = 1290.3000 IN. ZMRP = .0000 IN.
 SCALE = .0200

PARAMETRIC DATA

ELV-1B = .000 ELV-0B = .000
 RN/L = 4.250 MACH = 1.100

RUN NO. 83/ 0 RN/L = 4.32 GRADIENT INTERVAL = -5.00/ 5.00

ALPHA	BETA	XWCP	YWCP	XVCP	ZVCP
-4.020	-.069	-.78860	.16560	11.88100	-2.10330
GRADIENT		.00000	.00000	.00000	.00000

RUN NO. 84/ 0 RN/L = 4.31 GRADIENT INTERVAL = -5.00/ 5.00

ALPHA	BETA	XWCP	YWCP	XVCP	ZVCP
-.479	-4.069	.21510	.27480	-.14560	.42360
-.489	-.056	.37080	.30670	1.50780	-.08750
-.486	3.947	-.17460	.16190	-.13540	.42550
GRADIENT		-.04858	-.01408	.00143	.00019

RUN NO. 85/ 0 RN/L = 4.32 GRADIENT INTERVAL = -5.00/ 5.00

ALPHA	BETA	XWCP	YWCP	XVCP	ZVCP
3.983	-.063	.18410	.28560	6.63780	-1.29710
GRADIENT		.00000	.00000	.00000	.00000

ORIGINAL PAGE IS
OF POOR QUALITY

ARC 11-023 (OTS (SRB NOM) (SSME NOM-)

(EE4018) (08 JAN 75)

REFERENCE DATA

SREF = 2690.0000 SQ.FT. XMRP = .0000 IN.
 LREF = 1290.3000 IN. YMRP = .0000 IN.
 BREF = 1290.3000 IN. ZMRP = .0000 IN.
 SCALE = .0200

PARAMETRIC DATA

ELV-18 = .000 ELV-08 = .000
 RN/L = 4.250 MACH = 1.250

RUN NO. 57/ 0 RN/L = 4.3L GRADIENT INTERVAL = -5.00/ 5.00

ALPHA	BETA	XWCP	YWCP	XVCP	ZVCP
-3.953	.000	1.23720	.58510	-1.91440	.78870
	GRADIENT	.00000	.00000	.00000	.00000

RUN NO. 58/ 0 RN/L = 4.36 GRADIENT INTERVAL = -5.00/ 5.00

ALPHA	BETA	XWCP	YWCP	XVCP	ZVCP
-.429	-4.006	.10320	.26830	-.14720	.42150
-.423	.003	.11580	.28930	-1.08820	.66500
-.416	4.009	-.51750	-.06680	-.13960	.42800
	GRADIENT	-.07743	-.04180	.00092	.00082

RUN NO. 59/ 0 RN/L = 4.37 GRADIENT INTERVAL = -5.00/ 5.00

ALPHA	BETA	XWCP	YWCP	XVCP	ZVCP
3.993	.003	.10470	.27680	-1.98740	.86880
	GRADIENT	.00000	.00000	.00000	.00000

ARC 11-023 1A80 OTS (SRB NOM) (SSME NOM-)

(EE4019) (08 JAN 75)

REFERENCE DATA

SREF = 2690.0000 SQ.FT. XMRP = .0000 IN.
 LREF = 1290.3000 IN. YMRP = .0000 IN.
 BREF = 1290.3000 IN. ZMRP = .0000 IN.
 SCALE = .0200

PARAMETRIC DATA

ELV-18 = .000 ELV-08 = .000
 RN/L = 4.250 MACH = 1.400

RUN NO. 10/ 0 RN/L = 4.27 GRADIENT INTERVAL = -5.00/ 5.00

ALPHA	BETA	XWCP	YWCP	XVCP	ZVCP
-3.848	-.006	-.01530	.75310	-.84310	.58960
	GRADIENT	.00000	.00000	.00000	.00000

RUN NO. 11/ 0 RN/L = 4.27 GRADIENT INTERVAL = -5.00/ 5.00

ALPHA	BETA	XWCP	YWCP	XVCP	ZVCP
-.357	-4.009	.03860	.26510	-.14010	.41660
-.363	.000	.01100	.28580	-.53480	.47040
-.462	4.012	.00770	.49340	-.14430	.43290
	GRADIENT	-.00385	.02846	-.00051	.00203

DATE 03 JUN 76

TABULATED SOURCE DATA - 1A80

PAGE 95

ARC 11-023 1A80 OTS (SRB NOM) (SSME NOM-)

(EE4019) (08 JAN 75)

REFERENCE DATA

SREF = 2690.0000 SQ.FT. XMRP = .0000 IN.
 LREF = 1290.3000 IN. YMRP = .0000 IN.
 BREF = 1290.3000 IN. ZMRP = .0000 IN.
 SCALE = .0200

PARAMETRIC DATA

ELV-18 = .000 ELV-08 = .000
 RN/L = 4.250 MACH = 1.400

RUN NO. 12/ 0 RN/L = 4.27 GRADIENT INTERVAL = -5.00/ 5.00

ALPHA	BETA	XWCP	YWCP	XVCP	ZVCP
3.386	-.003	.04760	.27110	-.24570	.33590
GRADIENT		.00000	.00000	.00000	.00000

ARC 11-023 1A80 OTS (SRB NOM) (SSME NOM)

(EE4020) (08 JAN 75)

REFERENCE DATA

SREF = 2690.0000 SQ.FT. XMRP = .0000 IN.
 LREF = 1290.3000 IN. YMRP = .0000 IN.
 BREF = 1290.3000 IN. ZMRP = .0000 IN.
 SCALE = .0200

PARAMETRIC DATA

ELV-18 = .000 ELV-08 = .000
 RN/L = 3.400 MACH = .600

RUN NO. 246/ 0 RN/L = 3.36 GRADIENT INTERVAL = -5.00/ 5.00

ALPHA	BETA	XWCP	YWCP	XVCP	ZVCP
-3.868	-.016	-.20840	.30020	.29950	.17040
GRADIENT		.00000	.00000	.00000	.00000

RUN NO. 247/ 0 RN/L = 3.39 GRADIENT INTERVAL = -5.00/ 5.00

ALPHA	BETA	XWCP	YWCP	XVCP	ZVCP
-.327	-4.038	.29770	.25930	-.05050	.40800
-.291	-.022	.41370	.25470	.59720	.03070
-.386	3.994	-.31770	.23370	-.02080	.39220
GRADIENT		-.07663	-.00120	.00370	-.00197

RUN NO. 248/ 0 RN/L = 3.41 GRADIENT INTERVAL = -5.00/ 5.00

ALPHA	BETA	XWCP	YWCP	XVCP	ZVCP
4.016	-.022	.24470	.26750	.31290	.16380
GRADIENT		.00000	.00000	.00000	.00000

ARC 11-023 1A80 OTS (SRB NOM) (SSME NOM)

(EE4021) (08 JAN 75)

REFERENCE DATA

SREF = 2690.0000 SQ.FT. XMRP = .0000 IN.
 LREF = 1290.3000 IN. YMRP = .0000 IN.
 BREF = 1290.3000 IN. ZMRP = .0000 IN.
 SCALE = .0200

PARAMETRIC DATA

ELV-1B = .000 ELV-0B = .000
 RN/L = 4.250 MACH = .900

RUN NO. 228/ 0 RN/L = 4.20 GRADIENT INTERVAL = -5.00/ 5.00

ALPHA	BETA	XWCP	YWCP	XVCP	ZVCP
-3.977	-.016	.51470	.10730	-.28980	.41690
	GRADIENT	.00000	.00000	.00000	.00000

RUN NO. 229/ 0 RN/L = 4.21 GRADIENT INTERVAL = -5.00/ 5.00

ALPHA	BETA	XWCP	YWCP	XVCP	ZVCP
-.327	-4.028	.23670	.25420	.02370	.37990
-.717	-.012	.17140	.25750	-.30910	.42530
-.350	4.000	-.07450	.31510	.01090	.38540
	GRADIENT	-.03876	.00758	-.00160	.00069

RUN NO. 230/ 0 RN/L = 4.20 GRADIENT INTERVAL = -5.00/ 5.00

ALPHA	BETA	XWCP	YWCP	XVCP	ZVCP
3.977	-.012	.16420	.25890	-.19800	.39920
	GRADIENT	.00000	.00000	.00000	.00000

ARC 11-023 1A80 OTS (SRB NOM) (SSME NOM)

(EE4022) (08 JAN 75)

REFERENCE DATA

SREF = 2690.0000 SQ.FT. XMRP = .0000 IN.
 LREF = 1290.3000 IN. YMRP = .0000 IN.
 BREF = 1290.3000 IN. ZMRP = .0000 IN.
 SCALE = .0200

PARAMETRIC DATA

ELV-1B = .000 ELV-0B = .000
 RN/L = 4.250 MACH = 1.100

RUN NO. 86/ 0 RN/L = 4.32 GRADIENT INTERVAL = -5.00/ 5.00

ALPHA	BETA	XWCP	YWCP	XVCP	ZVCP
-3.937	-.063	-.79060	.15950	-12.74800	3.09410
	GRADIENT	.00000	.00000	.00000	.00000

RUN NO. 87/ 0 RN/L = 4.32 GRADIENT INTERVAL = -5.00/ 5.00

ALPHA	BETA	XWCP	YWCP	XVCP	ZVCP
-.525	-4.069	.21480	.27590	-.14590	.42490
-.439	-.056	.39390	.31510	.96560	.06610
-.482	3.950	-.19880	.16380	-.15210	.42290
	GRADIENT	-.05155	-.01397	.00179	-.00027

DATE 03 JUN 76

TABULATED SOURCE DATA - IAB0

PAGE 97

ARC 11-023 IAB0 OTS (SRB NOM) (SSME NOM)

(EE4022) (08 JAN 75)

REFERENCE DATA

SREF = 2690.0000 SQ.FT. XMRP = .0000 IN.
 LREF = 1290.3000 IN. YMRP = .0000 IN.
 BREF = 1290.3000 IN. ZMRP = .0000 IN.
 SCALE = .0200

PARAMETRIC DATA

ELV-1B = .000 ELV-0B = .000
 RN/L = 4.250 MACH = 1.100

RUN NO. 88/ 0 RN/L = 4.32 GRADIENT INTERVAL = -5.00/ 5.00

ALPHA	BETA	XWCP	YWCP	XVCP	ZVCP
3.963	-.063	.18480	.28700	1.07360	-.07210
	GRADIENT	.00000	.00000	.00000	.00000

ARC 11-023 IAB0 OTS (SRB NOM) (SSME NOM)

(EE4023) (08 JAN 75)

REFERENCE DATA

SREF = 2690.0000 SQ.FT. XMRP = .0000 IN.
 LREF = 1290.3000 IN. YMRP = .0000 IN.
 BREF = 1290.3000 IN. ZMRP = .0000 IN.
 SCALE = .0200

PARAMETRIC DATA

ELV-1B = .000 ELV-0B = .000
 RN/L = 4.250 MACH = 1.250

RUN NO. 60/ 0 RN/L = 4.37 GRADIENT INTERVAL = -5.00/ 5.00

ALPHA	BETA	XWCP	YWCP	XVCP	ZVCP
-3.917	.003	1.70550	.70120	-4.16160	1.38870
	GRADIENT	.00000	.00000	.00000	.00000

RUN NO. 61/ 0 RN/L = 4.37 GRADIENT INTERVAL = -5.00/ 5.00

ALPHA	BETA	XWCP	YWCP	XVCP	ZVCP
-.446	-4.006	.10470	.26340	-.14840	.42370
-.456	.003	.11620	.29160	-.77580	.54700
-.439	4.012	-.62420	-.09770	-.13790	.42760
	GRADIENT	-.09090	-.04566	.00131	.00049

RUN NO. 62/ 0 RN/L = 4.37 GRADIENT INTERVAL = -5.00/ 5.00

ALPHA	BETA	XWCP	YWCP	XVCP	ZVCP
3.986	.000	.10360	.27810	-4.75680	1.93910
	GRADIENT	.00000	.00000	.00000	.00000

ARC 11-023 1A80 OTS (SRB NOM) (SSME NOM)

(EE4024) (08 JAN 75)

REFERENCE DATA

SREF = 2690.0000 SQ.FT. XMRP = .0000 IN.
 LREF = 1290.3000 IN. YMRP = .0000 IN.
 BREF = 1290.3000 IN. ZMRP = .0000 IN.
 SCALE = .0200

PARAMETRIC DATA

ELV-18 = .000 ELV-08 = .000
 RN/L = 4.250 MACH = 1.400

RUN NO. 13/ 0 RN/L = 4.25 GRADIENT INTERVAL = -5.00/ 5.00

ALPHA	BETA	XWCP	YWCP	XVCP	ZVCP
-3.884	-.003	.00140	.40910	-.46260	.38670
	GRADIENT	.00000	.00000	.00000	.00000

RUN NO. 14/ 0 RN/L = 4.25 GRADIENT INTERVAL = -5.00/ 5.00

ALPHA	BETA	XWCP	YWCP	XVCP	ZVCP
-.370	-4.009	.03680	.26530	-.14090	.41870
-.370	.000	.00880	.28830	-.49440	.45240
-.429	4.012	.01980	.49500	-.13660	.42850
	GRADIENT	-.00212	.02876	.00055	.00122

RUN NO. 15/ 0 RN/L = 4.26 GRADIENT INTERVAL = -5.00/ 5.00

ALPHA	BETA	XWCP	YWCP	XVCP	ZVCP
3.894	.000	.04740	.27220	-.78050	.48740
	GRADIENT	.00000	.00000	.00000	.00000

ARC 11-023 1A80 OTS (SRB NOM-) (SSME NOM)

(EE4025) (08 JAN 75)

REFERENCE DATA

SREF = 2690.0000 SQ.FT. XMRP = .0000 IN.
 LREF = 1290.3000 IN. YMRP = .0000 IN.
 BREF = 1290.3000 IN. ZMRP = .0000 IN.
 SCALE = .0200

PARAMETRIC DATA

ELV-18 = .000 ELV-08 = .000
 RN/L = 4.250 MACH = 1.100

RUN NO. 89/ 0 RN/L = 4.32 GRADIENT INTERVAL = -5.00/ 5.00

ALPHA	BETA	XWCP	YWCP	XVCP	ZVCP
-4.020	-.063	-.68920	.16820	1.59810	-.06400
	GRADIENT	.00000	.00000	.00000	.00000

RUN NO. 90/ 0 RN/L = 4.32 GRADIENT INTERVAL = -5.00/ 5.00

ALPHA	BETA	XWCP	YWCP	XVCP	ZVCP
-.482	-4.069	.22070	.27610	-.14430	.42360
-.489	-.059	.41460	.31900	.84060	.08630
-.453	3.950	-.19290	.16480	-.13220	.42210
	GRADIENT	-.05158	-.01388	.00151	-.00019

DATE 03 JUN 76

TABULATED SOURCE DATA - :A80

PAGE 99

ARC 11-023 1A80 OTS (SRB NOM-) (SSME NOM)

(EE4025) (08 JAN 75)

REFERENCE DATA

SREF = 2690.0000 SQ.FT. XMRP = .0000 IN.
 LREF = 1290.3000 IN. YMRP = .0000 IN.
 BREF = 1290.3000 IN. ZMRP = .0000 IN.
 SCALE = .0200

PARAMETRIC DATA

ELV-18 = .000 ELV-08 = .000
 RN/L = 4.250 MACH = 1.100

RUN NO. 91/ 0 RN/L = 4.32 GRADIENT INTERVAL = -5.00/ 5.00

ALPHA	BETA	XWCP	YWCP	XVCP	ZVCP
4.029	-.059	.11920	.28760	1.42070	-.12680
GRADIENT		.00000	.00000	.00000	.00000

ARC 11-023 1A80 OTS (SRB NOM-) (SSME NOM)

(EE4026) (08 JAN 75)

REFERENCE DATA

SREF = 2690.0000 SQ.FT. XMRP = .0000 IN.
 LREF = 1290.3000 IN. YMRP = .0000 IN.
 BREF = 1290.3000 IN. ZMRP = .0000 IN.
 SCALE = .0200

PARAMETRIC DATA

ELV-18 = .000 ELV-08 = .000
 RN/L = 4.250 MACH = 1.250

RUN NO. 63/ 0 RN/L = 4.36 GRADIENT INTERVAL = -5.00/ 5.00

ALPHA	BETA	XWCP	YWCP	XVCP	ZVCP
-3.983	.000	2.76380	1.00220	-3.59130	1.15890
GRADIENT		.00000	.00000	.00000	.00000

RUN NO. 64/ 0 RN/L = 4.36 GRADIENT INTERVAL = -5.00/ 5.00

ALPHA	BETA	XWCP	YWCP	XVCP	ZVCP
-.443	-4.006	.10590	.26990	-.15000	.42430
-.426	.003	.12090	.29280	-.94060	.59170
-.456	4.016	-.55040	-.05060	-.13890	.42670
GRADIENT		-.08183	-.03984	.00141	.00029

RUN NO. 65/ 0 RN/L = 4.36 GRADIENT INTERVAL = -5.00/ 5.00

ALPHA	BETA	XWCP	YWCP	XVCP	ZVCP
4.020	-.003	.10600	.27820	-5.90570	2.21850
GRADIENT		.00000	.00000	.00000	.00000

ARC 11-023 1A80 OTS (SRB NOM-) (SSME NOM)

(EE4027) (08 JAN 75)

REFERENCE DATA

SREF = 2690.0000 SQ.FT. XMRP = .0000 IN.
 LREF = 1290.3000 IN. YMRP = .0000 IN.
 BREF = 1290.3000 IN. ZMRP = .0000 IN.
 SCALE = .0200

PARAMETRIC DATA

ELV-1B = .000 ELV-0B = .000
 RN/L = 4.250 MACH = 1.400

RUN NO. 16/ 0 RN/L = 4.23 GRADIENT INTERVAL = -5.00/ 5.00

ALPHA	BETA	XWCP	YWCP	XVCP	ZVCP
-3.805	.000	.00770	.39320	-.45410	.42490
	GRADIENT	.00000	.00000	.00000	.00000

RUN NO. 17/ 0 RN/L = 4.24 GRADIENT INTERVAL = -5.00/ 5.00

ALPHA	BETA	XWCP	YWCP	XVCP	ZVCP
-.353	-4.006	.03670	.26510	-.14090	.41840
-.367	.000	.00890	.28920	-.49200	.43840
-.400	4.012	.00290	.51830	-.13940	.42910
	GRADIENT	-.00421	.03158	.00021	.00133

RUN NO. 18/ 0 RN/L = 4.24 GRADIENT INTERVAL = -5.00/ 5.00

ALPHA	BETA	XWCP	YWCP	XVCP	ZVCP
3.983	.000	.04690	.27290	-.54820	.42920
	GRADIENT	.00000	.00000	.00000	.00000

ARC 11-023 1A80 OTS (SRB OFF) (SSME OFF)

(EE4028) (08 JAN 75)

REFERENCE DATA

SREF = 2690.0000 SQ.FT. XMRP = .0000 IN.
 LREF = 1290.3000 IN. YMRP = .0000 IN.
 BREF = 1290.3000 IN. ZMRP = .0000 IN.
 SCALE = .0200

PARAMETRIC DATA

ELV-1B = .000 ELV-0B = .000
 RN/L = 3.400 MACH = .600

RUN NO. 237/ 0 RN/L = 3.39 GRADIENT INTERVAL = -5.00/ 5.00

ALPHA	BETA	XWCP	YWCP	XVCP	ZVCP
-4.000	-.016	-.15170	.28710	.26410	.23430
	GRADIENT	.00000	.00000	.00000	.00000

RUN NO. 238/ 0 RN/L = 3.38 GRADIENT INTERVAL = -5.00/ 5.00

ALPHA	BETA	XWCP	YWCP	XVCP	ZVCP
-.264	-4.034	.33000	.25830	-.02680	.40150
-.261	-.019	.51220	.24640	.30950	.19010
-.274	3.991	-.33350	.25910	-.00610	.39230
	GRADIENT	-.08265	.00010	.00285	-.00116

DATE 03 JUN 76

TABULATED SOURCE DATA - 1A80

PAGE 101

ARC 11-023 1A80 OTS (SRB OFF) (SSME OFF)

(EE4028) (08 JAN 75)

REFERENCE DATA

SREF = 2690.0000 SQ.FT. XMRP = .0000 IN.
LREF = 1290.3000 IN. YMRP = .0000 IN.
BREF = 1290.3000 IN. ZMRP = .0000 IN.
SCALE = .0200

PARAMETRIC DATA

ELV-18 = .000 ELV-08 = .000
RN/L = 3.400 MACH = .600

RUN NO. 239/ 0 RN/L = 3.39 GRADIENT INTERVAL = -5.00/ 5.00

ALPHA	BETA	XWCP	YWCP	XVCP	ZVCP
4.013	-.019	.26270	.26500	.26340	.22660
	GRADIENT	.00000	.00000	.00000	.00000

ARC 11-023 1A80 OTS (SRB OFF) (SSME OFF)

(EE4029) (08 JAN 75)

REFERENCE DATA

SREF = 2690.0000 SQ.FT. XMRP = .0000 IN.
LREF = 1290.3000 IN. YMRP = .0000 IN.
BREF = 1290.3000 IN. ZMRP = .0000 IN.
SCALE = .0200

PARAMETRIC DATA

ELV-18 = .000 ELV-08 = .000
RN/L = 4.250 MACH = .900

RUN NO. 219/ 0 RN/L = 4.25 GRADIENT INTERVAL = -5.00/ 5.00

ALPHA	BETA	XWCP	YWCP	XVCP	ZVCP
-3.980	-.006	.68910	.05360	-.37410	.54460
	GRADIENT	.00000	.00000	.00000	.00000

RUN NO. 220/ 0 RN/L = 4.25 GRADIENT INTERVAL = -5.00/ 5.00

ALPHA	BETA	XWCP	YWCP	XVCP	ZVCP
-.320	-4.022	.24050	.25090	.02480	.38080
-.310	-.009	.16840	.27140	-.28820	.50500
-.297	4.006	-.02660	.28130	.02290	.38570
	GRADIENT	-.03327	.00379	-.00023	.00061

RUN NO. 221/ 0 RN/L = 4.24 GRADIENT INTERVAL = -5.00/ 5.00

ALPHA	BETA	XWCP	YWCP	XVCP	ZVCP
3.986	-.009	.19650	.25340	.00370	.43030
	GRADIENT	.00000	.00000	.00000	.00000

ORIGINAL PAGE IS
OF POOR QUALITY

ARC 11-023 1A80 OTS (SRB OFF) (SSME OFF)

(EE4030) (08 JAN 75)

REFERENCE DATA

SREF = 2690.0000 SQ.FT. XMRP = .0000 IN.
 LREF = 1290.3000 IN. YMRP = .0000 IN.
 BREF = 1290.3000 IN. ZMRP = .0000 IN.
 SCALE = .0200

PARAMETRIC DATA

ELV-1B = .000 ELV-0B = .000
 RN/L = 4.250 MACH = 1.100

RUN NO. 69/ 0 RN/L = 4.33 GRADIENT INTERVAL = -5.00/ 5.00

ALPHA	BETA	XWCP	YWCP	XVCP	ZVCP
-4.016	-.003	-.88110	.16730	-18.96500	2.31250
	GRADIENT	.00000	.00000	.00000	.00000

RUN NO. 70/ 0 RN/L = 4.30 GRADIENT INTERVAL = -5.00/ 5.00

ALPHA	BETA	XWCP	YWCP	XVCP	ZVCP
-.370	-4.006	.21740	.27480	-.12510	.42220
-.343	.003	.37040	.30090	5.78560	.48150
-.370	4.009	-.17130	.16220	-.12310	.42720
	GRADIENT	-.04848	-.01405	.00043	.00063

RUN NO. 71/ 0 RN/L = 4.29 GRADIENT INTERVAL = -5.00/ 5.00

ALPHA	BETA	XWCP	YWCP	XVCP	ZVCP
3.894	-.003	.19070	.28380	-.91390	.36510
	GRADIENT	.00000	.00000	.00000	.00000

ARC 11-023 1A80 OTS (SRB OFF) (SSME OFF)

(EE4031) (08 JAN 75)

REFERENCE DATA

SREF = 2690.0000 SQ.FT. XMRP = .0000 IN.
 LREF = 1290.3000 IN. YMRP = .0000 IN.
 BREF = 1290.3000 IN. ZMRP = .0000 IN.
 SCALE = .0200

PARAMETRIC DATA

ELV-1B = .000 ELV-0B = .000
 RN/L = 4.250 MACH = 1.250

RUN NO. 66/ 0 RN/L = 4.36 GRADIENT INTERVAL = -5.00/ 5.00

ALPHA	BETA	XWCP	YWCP	XVCP	ZVCP
-3.970	-.003	1.08120	.49540	-1.17470	.50790
	GRADIENT	.00000	.00000	.00000	.00000

RUN NO. 67/ 0 RN/L = 4.36 GRADIENT INTERVAL = -5.00/ 5.00

ALPHA	BETA	YWCP	YWCP	XVCP	ZVCP
-.330	-4.006	.10970	.26710	-.14150	.42310
-.317	.003	.12210	.28010	-.61330	.43820
-.370	4.012	-.88790	-.19190	-.13310	.42990
	GRADIENT	-.12441	-.05724	.00105	.00085

DATE 03 JUN 76

TABULATED SOURCE DATA - IAB0

PAGE 103

ARC 11-023 IAB0 OTS (SRB OFF) (SSME OFF)

(EE4031) (08 JAN 75)

REFERENCE DATA

SREF = 2690.0000 SQ.FT. XMRP = .0000 IN.
 LREF = 1290.3000 IN. YMRP = .0000 IN.
 BREF = 1290.3000 IN. ZMRP = .0000 IN.
 SCALE = .0200

PARAMETRIC DATA

ELV-18 = .000 ELV-08 = .000
 RN/L = 4.250 MACH = 1.250

RUN NO. 68/ 0 RN/L = 4.36 GRADIENT INTERVAL = -5.00/ 5.00

ALPHA	BETA	XWCP	YWCP	XVCP	ZVCP
3.950	-.003	.10860	.27550	-.72330	.45980
	GRADIENT	.00000	.00000	.00000	.00000

ARC 11-023 IAB0 OTS (SRB OFF) (SSME OFF)

(EE4032) (08 JAN 75)

REFERENCE DATA

SREF = 2690.0000 SQ.FT. XMRP = .0000 IN.
 LREF = 1290.3000 IN. YMRP = .0000 IN.
 BREF = 1290.3000 IN. ZMRP = .0000 IN.
 SCALE = .0200

PARAMETRIC DATA

ELV-18 = .000 ELV-08 = .000
 RN/L = 4.250 MACH = 1.400

RUN NO. 19/ 0 RN/L = 4.24 GRADIENT INTERVAL = -5.00/ 5.00

ALPHA	BETA	XWCP	YWCP	XVCP	ZVCP
-4.043	.000	.01450	.37120	-.40110	.37420
	GRADIENT	.00000	.00000	.00000	.00000

RUN NO. 20/ 0 RN/L = 4.25 GRADIENT INTERVAL = -5.00/ 5.00

ALPHA	BETA	XWCP	YWCP	XVCP	ZVCP
-.195	-.012	.04200	.26380	-.13520	.41550
-.211	.000	.02460	.27840	-.38540	.37230
.083	4.006	.04500	.39320	-.13670	.43110
	GRADIENT	.00049	.01613	-.00020	.00194

RUN NO. 21/ 0 RN/L = 4.25 GRADIENT INTERVAL = -5.00/ 5.00

ALPHA	BETA	XWCP	YWCP	XVCP	ZVCP
4.082	.000	.04860	.27120	-.29820	.33310
	GRADIENT	.00000	.00000	.00000	.00000

ARC 11-023 1A80 OTS (SRB OFF) (SSME OFF)

(EE4033) (08 JAN 75)

REFERENCE DATA

SREF = 2690.0000 SQ.FT. XMRP = .0000 IN.
 LREF = 1290.3000 IN. YMRP = .0000 IN.
 BREF = 1290.3000 IN. ZMRP = .0000 IN.
 SCALE = .0200

PARAMETRIC DATA

ELV-18 = .000 ELV-08 = .000
 RN/L = 1.750 MACH = .600

RUN NO. 270/ 0 RN/L = 1.74 GRADIENT INTERVAL = -5.00/ 5.00

ALPHA	BETA	XWCP	YWCP	XVCP	ZVCP
-3.953	-.003	-.18120	.27840	.33690	.19760
	GRADIENT	.00000	.00000	.00000	.00000

RUN NO. 271/ 0 RN/L = 1.74 GRADIENT INTERVAL = -5.00/ 5.00

ALPHA	BETA	XWCP	YWCP	XVCP	ZVCP
-.271	-4.044	.35530	.26290	-.02550	.40450
-.284	-.031	.57630	.26250	.34030	.15040
-.343	3.984	-.33150	.23050	.01740	.37320
	GRADIENT	-.09192	-.00404	.00533	-.00389

RUN NO. 272/ 0 RN/L = 1.74 GRADIENT INTERVAL = -5.00/ 5.00

ALPHA	BETA	XWCP	YWCP	XVCP	ZVCP
3.963	-.003	.27750	.27100	.28780	.17410
	GRADIENT	.00000	.00000	.00000	.00000

ARC 11-023 1A80 OTS (SRB OFF) (SSME OFF)

(EE4034) (08 JAN 75)

REFERENCE DATA

SREF = 2690.0000 SQ.FT. XMRP = .0000 IN.
 LREF = 1290.3000 IN. YMRP = .0000 IN.
 BREF = 1290.3000 IN. ZMRP = .0000 IN.
 SCALE = .0200

PARAMETRIC DATA

ELV-18 = .000 ELV-08 = .000
 RN/L = 2.250 MACH = .900

RUN NO. 267/ 0 RN/L = 2.16 GRADIENT INTERVAL = -5.00/ 5.00

ALPHA	BETA	XWCP	YWCP	XVCP	ZVCP
-3.947	.000	1.93150	-.13280	.13300	.25820
	GRADIENT	.00000	.00000	.00000	.00000

RUN NO. 268/ 0 RN/L = 2.16 GRADIENT INTERVAL = -5.00/ 5.00

ALPHA	BETA	XWCP	YWCP	XVCP	ZVCP
-.264	-4.044	.26500	.24850	.01390	.39080
-.271	-.031	.18010	.25390	.03900	.29250
-.304	3.984	.02150	.28050	.03630	.37790
	GRADIENT	-.03033	.00390	.00279	-.00160

DATE 03 JUN 76

TABULATED SOURCE DATA - 1A80

PAGE 105

ARC 11-023 1A80 OTS (SRB OFF) (SSME OFF)

(EE4034) (08 JAN 75)

REFERENCE DATA

SREF = 2690.0000 SQ.FT. XMRP = .0000 IN.
 LREF = 1290.3000 IN. YMRP = .0000 IN.
 BREF = 1290.3000 IN. ZMRP = .0000 IN.
 SCALE = .0200

PARAMETRIC DATA

ELV-1B = .000 ELV-0B = .000
 RN/L = 2.250 MACH = .900

RUN NO. 269/ 0 RN/L = 2.16 GRADIENT INTERVAL = -5.00/ 5.00

ALPHA	BETA	XWCP	YWCP	XVCP	ZVCP
3.990	-.003	.21880	.25050	.30030	.17850
	GRADIENT	.00000	.00000	.00000	.00000

ARC 11-023 1A80 OTS (SRB OFF) (SSME OFF)

(EE4035) (08 JAN 75)

REFERENCE DATA

SREF = 2690.0000 SQ.FT. XMRP = .0000 IN.
 LREF = 1290.3000 IN. YMRP = .0000 IN.
 BREF = 1290.3000 IN. ZMRP = .0000 IN.
 SCALE = .0200

PARAMETRIC DATA

ELV-1B = .000 ELV-0B = .000
 RN/L = 2.250 MACH = 1.100

RUN NO. 22/ 0 RN/L = 2.24 GRADIENT INTERVAL = -5.00/ 5.00

ALPHA	BETA	XWCP	YWCP	XVCP	ZVCP
-3.957	.000	-.70720	.18030	-.42470	.25140
	GRADIENT	.00000	.00000	.00000	.00000

RUN NO. 23/ 0 RN/L = 2.25 GRADIENT INTERVAL = -5.00/ 5.00

ALPHA	BETA	XWCP	YWCP	XVCP	ZVCP
-.225	-4.009	.24460	.27580	-.13080	.42540
-.225	.000	.42760	.30750	-.54240	.36220
-.231	4.012	-.24390	.15680	-.12580	.43060
	GRADIENT	-.06091	-.01484	.00064	.00065

RUN NO. 24/ 0 RN/L = 2.25 GRADIENT INTERVAL = -5.00/ 5.00

ALPHA	BETA	XWCP	YWCP	XVCP	ZVCP
4.016	-.003	.20490	.28570	-.46710	.38010
	GRADIENT	.00000	.00000	.00000	.00000

ARC 11-023 IAB0 OTS (SRB OFF) (SSME OFF)

(EE4036) (08 JAN 75)

REFERENCE DATA

SREF = 2690.0000 SQ.FT. XMRP = .0000 IN.
 LREF = 1290.3000 IN. YMRP = .0000 IN.
 BREF = 1290.3000 IN. ZMRP = .0000 IN.
 SCALE = .0200

PARAMETRIC DATA

ELV-18 = .000 ELV-08 = .000
 RN/L = 2.250 MACH = 1.250

RUN NO. 30/ 0 RN/L = 2.27 GRADIENT INTERVAL = -5.00/ 5.00

ALPHA	BETA	XWCP	YWCP	XVCP	ZVCP
-3.993	.003	-2.80110	-.24100	-.83270	.33510
	GRADIENT	.00000	.00000	.00000	.00000

RUN NO. 31/ 0 RN/L = 2.27 GRADIENT INTERVAL = -5.00/ 5.00

ALPHA	BETA	XWCP	YWCP	XVCP	ZVCP
-.145	-4.003	.12410	.26820	-.13620	.42020
-.129	.003	.14720	.28400	-.63920	.46630
-.175	4.009	-.94060	-.14090	-.12930	.42840
	GRADIENT	-.13288	-.05106	.00086	.00102

RUN NO. 32/ 0 RN/L = 2.27 GRADIENT INTERVAL = -5.00/ 5.00

ALPHA	BETA	XWCP	YWCP	XVCP	ZVCP
4.072	.003	.11880	.27680	-.39730	.37510
	GRADIENT	.00000	.00000	.00000	.00000

ARC 11-023 IAB0 OTS (SRB OFF) (SSME OFF)

(EE4037) (08 JAN 75)

REFERENCE DATA

SREF = 2690.0000 SQ.FT. XMRP = .0000 IN.
 LREF = 1290.3000 IN. YMRP = .0000 IN.
 BREF = 1290.3000 IN. ZMRP = .0000 IN.
 SCALE = .0200

PARAMETRIC DATA

ELV-18 = .000 ELV-08 = .000
 RN/L = 2.250 MACH = 1.400

RUN NO. 33/ 0 RN/L = 2.23 GRADIENT INTERVAL = -5.00/ 5.00

ALPHA	BETA	XWCP	YWCP	XVCP	ZVCP
-4.013	.003	.11950	.34250	-.50480	.35410
	GRADIENT	.00000	.00000	.00000	.00000

RUN NO. 34/ 0 RN/L = 2.23 GRADIENT INTERVAL = -5.00/ 5.00

ALPHA	BETA	XWCP	YWCP	XVCP	ZVCP
-.241	-4.006	.05390	.26260	-.14060	.41940
-.264	.000	.04550	.27840	-.36120	.38950
-.267	4.009	.15790	.41520	-.12760	.42340
	GRADIENT	.01422	.01904	.00163	.00050

DATE 03 JUN 76

TABULATED SOURCE DATA - 1A80

PAGE 107

ARC 11-023 1A80 OTS (SRB OFF) (SSME OFF)

(EE4037) (08 JAN 75)

REFERENCE DATA

SREF = 2690.0000 SQ.FT. XMRP = .0000 IN.
 LREF = 1290.3000 IN. YMRP = .0000 IN.
 BREF = 1290.3000 IN. ZMRP = .0000 IN.
 SCALE = .0200

ELV-1B = .000 ELV-08 = .000
 RN/L = 2.250 MACH = 1.400

PARAMETRIC DATA

RUN NO. 35/ 0 RN/L = 2.24 GRADIENT INTERVAL = -5.00/ 5.00
 ALPHA BETA XWCP YWCP XWCP ZVCP
 4.010 .003 .06350 .26800 -.18350 .30390
 GRADIENT .00000 .00000 .00000

ARC 11-023 1A80 OTS (SRB NOM) (SSME NOM)

(EE4038) (08 JAN 75)

REFERENCE DATA

SREF = 2690.0000 SQ.FT. XMRP = .0000 IN.
 LREF = 1290.3000 IN. YMRP = .0000 IN.
 BREF = 1290.3000 IN. ZMRP = .0000 IN.
 SCALE = .0200

ELV-1B = .000 ELV-08 = .000
 RN/L = 1.750 MACH = .600

PARAMETRIC DATA

RUN NO. 273/ 0 RN/L = 1.76 GRADIENT INTERVAL = -5.00/ 5.00
 ALPHA BETA XWCP YWCP XWCP ZVCP
 -3.980 -.003 -.15650 .27370 .42590 .10220
 GRADIENT .00000 .00000 .00000

RUN NO. 274/ 0 RN/L = 1.77 GRADIENT INTERVAL = -5.00/ 5.00
 ALPHA BETA XWCP YWCP XWCP ZVCP
 -.314 -4.044 .31140 .26500 -.05510 .41750
 -.317 -.009 .45690 .27060 .44680 .07700
 -.327 3.981 -.27390 .20580 .00180 .37360
 GRADIENT -.07274 -.00736 .00730 -.00561

RUN NO. 275/ 0 RN/L = 1.78 GRADIENT INTERVAL = -5.00/ 5.00
 ALPHA BETA XWCP YWCP XWCP ZVCP
 3.950 -.003 .25360 .27450 .32390 .14000
 GRADIENT .00000 .00000 .00000

ORIGINAL PAGE IS
OF POOR QUALITY

ARC 11-023 1A80 OTS (SRB NOM) (SSME NOM)

(EE4039) (08 JAN 75)

REFERENCE DATA

SREF = 2690.0000 SQ.FT. XMRP = .0000 IN.
 LREF = 1290.3000 IN. YMRP = .0000 IN.
 BREF = 1290.3000 IN. ZMRP = .0000 IN.
 SCALE = .0200

ELV-1B = .000 ELV-0B = .000
 RN/L = 2.250 MACH = .900

PARAMETRIC DATA

RUN NO. 264/ 0 RN/L = 2.16 GRADIENT INTERVAL = -5.00/ 5.00

ALPHA	BETA	XWCP	YWCP	XVCP	ZVCP
-3.986	.003	.77820	.03020	.25030	.19240
	GRADIENT	.00000	.00000	.00000	.00000

RUN NO. 265/ 0 RN/L = 2.16 GRADIENT INTERVAL = -5.00/ 5.00

ALPHA	BETA	XWCP	YWCP	XVCP	ZVCP
-.294	-4.044	.25620	.25250	-.00030	.39580
-.310	-.028	.17740	.25840	.17530	.20750
-.320	3.981	.00160	.29150	.01200	.38320
	GRADIENT	-.03172	.00486	.00150	-.00158

RUN NO. 266/ 0 RN/L = 2.16 GRADIENT INTERVAL = -5.00/ 5.00

ALPHA	BETA	XWCP	YWCP	XVCP	ZVCP
3.970	.000	.18260	.25850	.25570	.22490
	GRADIENT	.00000	.00000	.00000	.00000

ARC 11-023 1A80 OTS (SRB NOM) (SSME NOM)

(EE4040) (08 JAN 75)

REFERENCE DATA

SREF = 2690.0000 SQ.FT. XMRP = .0000 IN.
 LREF = 1290.3000 IN. YMRP = .0000 IN.
 BREF = 1290.3000 IN. ZMRP = .0000 IN.
 SCALE = .0200

ELV-1B = .000 ELV-0B = .000
 RN/L = 2.250 MACH = 1.100

PARAMETRIC DATA

RUN NO. 27/ 0 RN/L = 2.25 GRADIENT INTERVAL = -5.00/ 5.00

ALPHA	BETA	XWCP	YWCP	XVCP	ZVCP
-3.801	-.006	-.56890	.16920	-2.11300	.60110
	GRADIENT	.00000	.00000	.00000	.00000

RUN NO. 28/ 0 RN/L = 2.25 GRADIENT INTERVAL = -5.00/ 5.00

ALPHA	BETA	XWCP	YWCP	XVCP	ZVCP
-.304	-4.003	.23610	.27910	-.15090	.42830
-.267	.003	.43980	.32920	-3.64250	1.16520
-.390	4.016	-.21090	.15510	-.13140	.42320
	GRADIENT	-.05577	-.01547	.00266	-.00068

DATE 03 JUN 76

TABULATED SOURCE DATA - 1A80

PAGE 109

ARC 11-023 1A80 OTS (SRB NOM) (SSME NOM)

(EE4040) (08 JAN 75)

REFERENCE DATA

SREF = 2690.0000 SQ.FT. XMRP = .0000 IN.
 LREF = 1290.3000 IN. YMRP = .0000 IN.
 BREF = 1290.3000 IN. ZMRP = .0000 IN.
 SCALE = .0200

PARAMETRIC DATA

ELV-1B = .000 ELV-08 = .000
 RN/L = 2.250 MACH = 1.100

RUN NO. 29/ 0 RN/L = 2.26 GRADIENT INTERVAL = -5.00/ 5.00

ALPHA	BETA	XWCP	YWCP	XVCP	ZVCP
3.983	.003	.20450	.29140	19.35100	-7.10870
	GRADIENT	.00000	.00000	.00000	.00000

ARC 11-023 1A80 OTS (SRB OFF) (SSME OFF)

(EE4041) (08 JAN 75)

REFERENCE DATA

SREF = 2690.0000 SQ.FT. XMRP = .0000 IN.
 LREF = 1290.3000 IN. YMRP = .0000 IN.
 BREF = 1290.3000 IN. ZMRP = .0000 IN.
 SCALE = .0200

PARAMETRIC DATA

ELV-1B = .000 ELV-08 = .000
 RN/L = 2.500 MACH = .600

RUN NO. 252/ 0 RN/L = 2.55 GRADIENT INTERVAL = -5.00/ 5.00

ALPHA	BETA	XWCP	YWCP	XVCP	ZVCP
-4.000	-.022	-.15480	.28330	.31890	.16770
	GRADIENT	.00000	.00000	.00000	.00000

RUN NO. 253/ 0 RN/L = 2.55 GRADIENT INTERVAL = -5.00/ 5.00

ALPHA	BETA	XWCP	YWCP	XVCP	ZVCP
-.261	-4.041	.34160	.26050	-.03260	.40690
-.271	-.025	.52630	.25120	.32420	.16580
-.343	3.991	-.35130	.24820	.00050	.38670
	GRADIENT	-.08695	-.00153	.00412	-.00252

RUN NO. 254/ 0 RN/L = 2.55 GRADIENT INTERVAL = -5.00/ 5.00

ALPHA	BETA	XWCP	YWCP	XVCP	ZVCP
3.944	-.022	.21320	.26610	.28580	.20640
	GRADIENT	.00000	.00000	.00000	.00000

ARC 11-023 1A80 OTS (SRB OFF) (SSME OFF)

(EE4042) (08 JAN 75)

REFERENCE DATA

SREF = 2690.0000 SQ.FT. XMRP = .0000 IN.
 LREF = 1290.3000 IN. YMRP = .0000 IN.
 BREF = 1290.3000 IN. ZMRP = .0000 IN.
 SCALE = .0200

PARAMETRIC DATA

ELV-1B = .000 ELV-0B = .020
 RN/L = 3.250 MACH = .900

RUN NO. 258/ 0 RN/L = 3.14 GRADIENT INTERVAL = -5.00/ 5.00

ALPHA	BETA	XWCP	YWCP	XVCP	ZVCP
-3.930	.003	.67900	.08750	-.14080	.41810
	GRADIENT	.00000	.00000	.00000	.00000

RUN NO. 259/ 0 RN/L = 3.13 GRADIENT INTERVAL = -5.00/ 5.00

ALPHA	BETA	XWCP	YWCP	XVCP	ZVCP
-.284	-4.041	.25400	.24980	.02400	.38260
-.281	-.028	.18510	.25390	-.20330	.44310
-.248	3.994	-.00530	.27770	.03060	.39260
	GRADIENT	-.03228	.00347	.00084	-.00001

RUN NO. 260/ 0 RN/L = 3.12 GRADIENT INTERVAL = -5.00/ 5.00

ALPHA	BETA	XWCP	YWCP	XVCP	ZVCP
3.960	.000	.20900	.25290	.20240	.27630
	GRADIENT	.00000	.00000	.00000	.00000

ARC 11-023 1A80 OTS (SRB OFF) (SSME OFF)

(EE4043) (08 JAN 75)

REFERENCE DATA

SREF = 2690.0000 SQ.FT. XMRP = .0000 IN.
 LREF = 1290.3000 IN. YMRP = .0000 IN.
 BREF = 1290.3000 IN. ZMRP = .0000 IN.
 SCALE = .0200

PARAMETRIC DATA

ELV-1B = .000 ELV-0B = .000
 RN/L = 3.250 MACH = 1.100

RUN NO. 36/ 0 RN/L = 3.28 GRADIENT INTERVAL = -5.00/ 5.00

ALPHA	BETA	XWCP	YWCP	XVCP	ZVCP
-4.016	.003	-.80080	.17460	-.92220	.28180
	GRADIENT	.00000	.00000	.00000	.00000

RUN NO. 37/ 0 RN/L = 3.27 GRADIENT INTERVAL = -5.00/ 5.00

ALPHA	BETA	XWCP	YWCP	XVCP	ZVCP
-.287	-4.006	.23320	.27650	-.12760	.42430
-.291	.000	.39450	.30490	-.58220	.36260
-.310	4.006	-.22330	.15860	-.12260	.42880
	GRADIENT	-.05697	-.01471	.00062	.00056

DATE 03 JUN 76

TABULATED SOURCE DATA - 1A80

PAGE 111

ARC 11-023 1A80 OTS (SRB OFF) (SSME OFF)

(EE4043) (08 JAN 75)

REFERENCE DATA

SREF = 2690.0000 SQ.FT. XMRP = .0000 IN.
 LREF = 1290.3000 IN. YMRP = .0000 IN.
 BREF = 1290.3000 IN. ZMRP = .0000 IN.
 SCALE = .0200

ELV-1B = .000 ELV-0B = .000
 RN/L = 3.250 MACH = 1.000

RUN NO. 38/ 0 RN/L = 3.27 GRADIENT INTERVAL = -5.00/ 5.00

ALPHA	BETA	XWCP	YWCP	XVCP	ZVCP
4.016	.003	.19850	.28500	-.33310	.31990
	GRADIENT	.00000	.00000	.00000	.00000

PARAMETRIC DATA

ARC 11-023 1A80 OTS (SRB OFF) (SSME OFF)

(EE4044) (08 JAN 75)

REFERENCE DATA

SREF = 2690.0000 SQ.FT. XMRP = .0000 IN.
 LREF = 1290.3000 IN. YMRP = .0000 IN.
 BREF = 1290.3000 IN. ZMRP = .0000 IN.
 SCALE = .0200

ELV-1B = .000 ELV-0B = .000
 RN/L = 3.250 MACH = 1.250

RUN NO. 42/ 0 RN/L = 3.29 GRADIENT INTERVAL = -5.00/ 5.00

ALPHA	BETA	XWCP	YWCP	XVCP	ZVCP
-3.953	.000	2.74100	.84170	-.66140	.33010
	GRADIENT	.00000	.00000	.00000	.00000

PARAMETRIC DATA

RUN NO. 43/ 0 RN/L = 3.29 GRADIENT INTERVAL = -5.00/ 5.00

ALPHA	BETA	XWCP	YWCP	XVCP	ZVCP
-.287	-4.003	.12020	.26930	-.13880	.42140
-.277	.003	.1340	.28370	-.32530	.37570
-.376	4.012	-1.45930	-.36210	-.13110	.42990
	GRADIENT	-.19708	-.08128	.00097	.00106

RUN NO. 44/ 0 RN/L = 3.29 GRADIENT INTERVAL = -5.00/ 5.00

ALPHA	BETA	XWCP	YWCP	XVCP	ZVCP
3.947	-.003	.11530	.27580	-.39430	.38090
	GRADIENT	.00000	.00000	.00000	.00000

ARC 11-023 IAB0 OTS (SRB OFF) (SSME OFF)

(EE4045) (08 JAN 75)

REFERENCE DATA

SREF = 2690.0000 SQ.FT. XMRP = .0000 IN.
 LREF = 1290.3000 IN. YMRP = .0000 IN.
 BREF = 1290.3000 IN. ZMRP = .0000 IN.
 SCALE = .0200

PARAMETRIC DATA

ELV-1B = .000 ELV-08 = .000
 RN/L = 3.250 MACH = 1.400

RUN NO. 45/ 0 RN/L = 3.23 GRADIENT INTERVAL = -5.00/ 5.00

ALPHA	BETA	XWCP	YWCP	XVCP	ZVCP
-3.990	-.003	.08770	.34190	-.36310	.34250
	GRADIENT	.00000	.00000	.00000	.00000

RUN NO. 46/ 0 RN/L = 3.22 GRADIENT INTERVAL = -5.00/ 5.00

ALPHA	BETA	XWCP	YWCP	XVCP	ZVCP
-.284	-4.000	.04570	.26290	-.13890	.41750
-.297	.000	.03180	.27870	-.33070	.39000
-.294	4.009	.05320	.42250	-.13240	.42710
	GRADIENT	.00668	.01993	.00083	.00120

RUN NO. 47/ 0 RN/L = 3.21 GRADIENT INTERVAL = -5.00/ 5.00

ALPHA	BETA	XWCP	YWCP	XVCP	ZVCP
3.980	.000	.05220	.26930	-.15090	.30570
	GRADIENT	.00000	.00000	.00000	.00000

ARC 11-023 IAB0 OTS (SRB NOM) (SSME NOM)

(EE4046) (08 JAN 75)

REFERENCE DATA

SREF = 2690.0000 SQ.FT. XMRP = .0000 IN.
 LREF = 1290.3000 IN. YMRP = .0000 IN.
 BREF = 1290.3000 IN. ZMRP = .0000 IN.
 SCALE = .0200

PARAMETRIC DATA

ELV-1B = .000 ELV-08 = .000
 RN/L = 2.500 MACH = .600

RUN NO. 255/ 0 RN/L = 2.56 GRADIENT INTERVAL = -5.00/ 5.00

ALPHA	BETA	XWCP	YWCP	XVCP	ZVCP
-3.894	-.022	-.20460	.29590	.45370	.10230
	GRADIENT	.00000	.00000	.00000	.00000

RUN NO. 256/ 0 RN/L = 2.55 GRADIENT INTERVAL = -5.00/ 5.00

ALPHA	BETA	XWCP	YWCP	XVCP	ZVCP
-.350	-4.041	.30640	.26120	-.05010	.41060
-.320	-.025	.38400	.24640	.47730	.05160
-.337	3.994	-.31920	.23910	-.01320	.38580
	GRADIENT	-.07788	-.00275	.00458	-.00308

DATE 03 JUN 76

TABULATED SOURCE DATA - IABO

PAGE 113

ARC 11-023 IABO CTS (SRB NOM) (SSME NOM)

(EE4046) (08 JAN 75)

REFERENCE DATA

SREF = 2690.0000 SQ.FT. XMRP = .0000 IN.
 LREF = 1290.3000 IN. YMRP = .0000 IN.
 BREF = 1290.3000 IN. ZMRP = .0000 IN.
 SCALE = .0200

ELV-1B = .000 ELV-0B = .000
 RN/L = 2.500 MACH = .600

PARAMETRIC DATA

RUN NO. 257/ 0 RN/L = 2.56 GRADIENT INTERVAL = -5.00/ 5.00

ALPHA	BETA	XWCP	YWCP	XVCP	ZVCP
4.076	-.028	.24580	.26880	.30310	.15320
	GRADIENT	.00000	.00000	.00000	.00000

ARC 11-023 IABO OTS (SRB NOM) (SSME NOM)

(EE4047) (08 JAN 75)

REFERENCE DATA

SREF = 2690.0000 SQ.FT. XMRP = .0000 IN.
 LREF = 1290.3000 IN. YMRP = .0000 IN.
 BREF = 1290.3000 IN. ZMRP = .0000 IN.
 SCALE = .0200

ELV-1B = .000 ELV-0B = .000
 RN/L = 3.250 MACH = .900

PARAMETRIC DATA

RUN NO. 261/ 0 RN/L = 3.12 GRADIENT INTERVAL = -5.00/ 5.00

ALPHA	BETA	XWCP	YWCP	XVCP	ZVCP
-4.033	.000	.82750	.03780	-.12830	.35670
	GRADIENT	.00000	.00000	.00000	.00000

RUN NO. 262/ 0 RN/L = 3.13 GRADIENT INTERVAL = -5.00/ 5.00

ALPHA	BETA	XWCP	YWCP	XVCP	ZVCP
-.343	-4.044	.24430	.25330	.00670	.38980
-.340	-.028	.17800	.25800	-.25470	.40080
-.340	3.991	.04780	.32290	.00110	.39100
	GRADIENT	-.02446	.00866	-.00069	.00015

RUN NO. 263/ 0 RN/L = 3.13 GRADIENT INTERVAL = -5.00/ 5.00

ALPHA	BETA	XWCP	YWCP	XVCP	ZVCP
3.927	-.028	.18460	.25770	.14900	.25540
	GRADIENT	.00000	.00000	.00000	.00000

ORIGINAL PAGE IS
OF BOOK

ARC 11-023 IAB0 OTS (SRB NOM) (SSME NOM)

(EE4048) (08 JAN 75)

REFERENCE DATA

SREF = 2690.0000 SQ.FT. XMRP = .0000 IN.
 LREF = 1290.3000 IN. YMRP = .0000 IN.
 BREF = 1290.3000 IN. ZMRP = .0000 IN.
 SCALE = .0200

PARAMETRIC DATA

ELV-18 = .000 ELV-08 = .000
 RN/L = 3.250 MACH = 1.100

RUN NO. 39/ 0 RN/L = 3.27 GRADIENT INTERVAL = -5.00/ 5.00

ALPHA	BETA	XWCP	YWCP	XVCP	ZVCP
-3.934	.003	-.68170	.16470	-9.57590	2.09740
	GRADIENT	.00000	.00000	.00000	.00000

RUN NO. 40/ 0 RN/L = 3.27 GRADIENT INTERVAL = -5.00/ 5.00

ALPHA	BETA	XWCP	YWCP	XVCP	ZVCP
-.413	-4.005	.22350	.27720	-.14420	.42460
-.443	.000	.41800	.32310	-3.66240	1.22210
-.420	4.016	-.21460	.15930	-.13440	.42550
	GRADIENT	-.05465	-.01471	.00156	.00003

RUN NO. 41/ 0 RN/L = 3.27 GRADIENT INTERVAL = -5.00/ 5.00

ALPHA	BETA	XWCP	YWCP	XVCP	ZVCP
3.884	.000	.19980	.29100	20.85300	-6.77040
	GRADIENT	.00000	.00000	.00000	.00000

ARC 11-023 IAB0 OTS (SRB OFF) (SSME OFF)

(EE4049) (13 FEB 76)

REFERENCE DATA

SREF = 2690.0000 SQ.FT. XMRP = .0000 IN.
 LREF = 1290.3000 IN. YMRP = .0000 IN.
 BREF = 1290.3000 IN. ZMRP = .0000 IN.
 SCALE = .0200

PARAMETRIC DATA

ELV-18 = 8.000 ELV-08 = 4.000
 RN/L = 4.250 ALPHA = .000

RUN NO. 92/ 0 RN/L = 4.38 GRADIENT INTERVAL = -5.00/ 5.00

BETA	MACH	XWCP	YWCP	XVCP	ZVCP
-.063	.908	.13090	.25490	-.48780	.63200
-.063	.947	.13810	.26570	-.60660	.66300
-.063	.998	.14490	.27330	-.35970	.47600
-.063	1.050	.13170	.27540	1.23290	-.00110
-.063	1.102	.13370	.27850	-2.55400	.70280
-.063	1.146	.10360	.27470	-1.75550	.70020
-.063	1.196	.06840	.27200	-.67310	.48490
-.063	1.253	.03200	.26950	-.69530	.47880
	GRADIENT	-.28238	.03307	-2.35073	-.14199

DATE 03 JUN 76

TABULATED SOURCE DATA - IA80

PAGE 115

ARC 11-023 IA80 OTS (SRE NOM) (SSME NOM)

(EE4050) (13 FEB 76)

REFERENCE DATA

SREF = 2690.0000 SQ.FT. XMRP = .0000 IN.
 LREF = 1290.3000 IN. YMRP = .0000 IN.
 BREF = 1290.3000 IN. ZMRP = .0000 IN.
 SCALE = .0200

PARAMETRIC DATA

ELV-1B = 8.000 ELV-0B = 4.000
 RN/L = 4.250 ALPHA = .000

RUN NO. 93/ 0 RN/L = 4.37 GRADIENT INTERVAL = -5.00/ 5.00

BETA	MACH	XWCP	YWCP	XVCP	ZVCP
-.063	.893	.12990	.25650	-.50920	.55620
-.063	.948	.15020	.26960	.71980	.02170
-.063	.995	.13550	.27560	1.77060	-.21230
-.063	1.052	.13960	.28070	.81740	.05470
-.063	1.098	.13600	.28200	1.22800	-.07020
-.063	1.149	.10040	.27980	-19.41630	7.35430
-.063	1.197	.06220	.27610	-.77740	.51770
-.063	1.250	.03170	.27320	-.90430	.58060
	GRADIENT	-.22959	.03890	-17.27051	5.95675

ARC 11-023 IA80 OTS (SRB OFF) (SSME OFF)

(EE4051) (08 JAN 75)

REFERENCE DATA

SREF = 2690.0000 SQ.FT. XMRP = .0000 IN.
 LREF = 1290.3000 IN. YMRP = .0000 IN.
 BREF = 1290.3000 IN. ZMRP = .0000 IN.
 SCALE = .0200

PARAMETRIC DATA

ELV-1B = 8.000 ELV-0B = 4.000
 RN/L = 4.250 MACH = .980

RUN NO. 112/ 0 RN/L = 4.31 GRADIENT INTERVAL = -5.00/ 5.00

ALPHA	BETA	XWCP	YWCP	XVCP	ZVCP
-3.950	-.063	.21490	.24280	-.69180	.64850
	GRADIENT	.00000	.00000	.00000	.00000

RUN NO. 113/ 0 RN/L = 4.31 GRADIENT INTERVAL = -5.00/ 5.00

ALPHA	BETA	XWCP	YWCP	XVCP	ZVCP
-.416	-.075	.15080	.26260	-.01630	.40170
-.386	-.063	.15270	.27130	-.64400	.64580
-.370	3.950	-.74030	.87710	-.01360	.40690
	GRADIENT	-.11104	.07657	.00034	.00065

RUN NO. 114/ 0 RN/L = 4.32 GRADIENT INTERVAL = -5.00/ 5.00

ALPHA	BETA	XWCP	YWCP	XVCP	ZVCP
4.076	-.063	.12080	.27320	-1.20410	.96500
	GRADIENT	.00000	.00000	.00000	.00000

ARC 11-023 IABO OTS (SRB NOM) (SSME NOM)

(EE4052) (08 JAN 75)

REFERENCE DATA

SREF = 2690.0000 SQ.FT. XMRP = .0090 IN.
 LREF = 1290.3000 IN. YMRP = .0000 IN.
 BREF = 1290.3000 IN. ZMRP = .0000 IN.
 SCALE = .0200

PARAMETRIC DATA

ELV-1B = 8.000 ELV-0B = 4.000
 RN/L = 4.250 MACH = .980

RUN NO. 115/ 0 RN/L = 4.30 GRADIENT INTERVAL = -5.00/ 5.00

ALPHA	BETA	XWCP	YWCP	XVCP	ZVCP
-3.930	-.063	.21140	.26500	-15.04900	4.59230
	GRADIENT	.00000	.00000	.00000	.00000

RUN NO. 116/ 0 RN/L = 4.30 GRADIENT INTERVAL = -5.00/ 5.00

ALPHA	BETA	XWCP	YWCP	XVCP	ZVCP
-.519	-4.078	.14470	.26560	-.14440	.42640
-.476	-.063	.12770	.27850	1.90260	-.24910
-.499	3.953	1.54620	-1.06970	-.12180	.42160
	GRADIENT	.17451	-.16625	.00281	-.00085

RUN NO. 117/ 0 RN/L = 4.31 GRADIENT INTERVAL = -5.00/ 5.00

ALPHA	BETA	XWCP	YWCP	XVCP	ZVCP
3.993	-.063	.11450	.27630	.78390	-.04280
	GRADIENT	.00000	.00000	.00000	.00000

ARC 11-023 IABO OTS (SRB OFF) (SSME OFF)

(EE4053) (08 JAN 75)

REFERENCE DATA

SREF = 2690.0000 SQ.FT. XMRP = .0000 IN.
 LREF = 1290.3000 IN. YMRP = .0000 IN.
 BREF = 1290.3000 IN. ZMRP = .0000 IN.
 SCALE = .0200

PARAMETRIC DATA

ELV-1B = 3.000 ELV-0B = 4.000
 RN/L = 3.400 MACH = .600

RUN NO. 288/ 0 RN/L = 3.47 GRADIENT INTERVAL = -5.00/ 5.00

ALPHA	BETA	XWCP	YWCP	XVCP	ZVCP
-3.944	.000	-.03980	.12800	.62370	.11750
	GRADIENT	.00000	.00000	.00000	.00000

RUN NO. 289/ 0 RN/L = 3.47 GRADIENT INTERVAL = -5.00/ 5.00

ALPHA	BETA	XWCP	YWCP	XVCP	ZVCP
-.320	-4.050	.15850	.25590	-.02210	.39610
-.297	.000	.12780	.25060	5.75190	-.54750
-.314	3.978	.00190	.23800	-.00460	.39340
	GRADIENT	-.01947	-.00223	.00647	-.00104

DATE 03 JUN 76

TABULATED SOURCE DATA - IAB0

PAGE 117

ARC 11-023 IAB0 OTS (SRB OFF) (SSME OFF)

(EE4053) (08 JUN 75)

REFERENCE DATA

SREF = 2690.0000 SQ.FT. XMRP = .0000 IN.
 LREF = 1290.3000 IN. YMRP = .0000 IN.
 BREF = 1290.3000 IN. ZMRP = .0000 IN.
 SCALE = .0200

PARAMETRIC DATA

ELV-18 = 8.000 ELV-08 = 4.000
 RN/L = 3.400 MACH = .600

RUN NO. 290/ 0 RN/L = 3.47 GRADIENT INTERVAL = -5.00/ 5.00

ALPHA	BETA	XWCP	YWCP	XVCP	ZVCP
4.053	.000	.14240	.26280	1.08190	.05060
GRADIENT		.00000	.00000	.00000	.00000

ARC 11-023 IAB0 OTS (SRB OFF) (SSME OFF)

(EE4054) (08 JAN 75)

REFERENCE DATA

SREF = 2690.0000 SQ.FT. XMRP = .0000 IN.
 LREF = 1290.3000 IN. YMRP = .0000 IN.
 BREF = 1290.3000 IN. ZMRP = .0000 IN.
 SCALE = .0200

PARAMETRIC DATA

ELV-18 = 8.000 ELV-08 = 4.000
 RN/L = 4.250 MACH = .900

RUN NO. 296/ 0 RN/L = 4.19 GRADIENT INTERVAL = -5.00/ 5.00

ALPHA	BETA	XWCP	YWCP	XVCP	ZVCP
-3.940	-.044	.06940	.19260	-.53090	.61060
GRADIENT		.00000	.00000	.00000	.00000

RUN NO. 297/ 0 RN/L = 4.18 GRADIENT INTERVAL = -5.00/ 5.00

ALPHA	BETA	XWCP	YWCP	XVCP	ZVCP
-.284	-4.059	.16670	.24910	.03290	.37490
-.320	-.041	.12470	.25050	-.41370	.60280
-.314	3.975	-.07420	.25820	.03000	.38630
GRADIENT		-.02998	.00113	-.00038	.00143

RUN NO. 298/ 0 RN/L = 4.18 GRADIENT INTERVAL = -5.00/ 5.00

ALPHA	BETA	XWCP	YWCP	XVCP	ZVCP
3.980	-.038	.13940	.25320	-.11520	.56620
GRADIENT		.00000	.00000	.00000	.00000

ORIGINAL PAGE IS
OF POOR QUALITY

ARC 11-023 IAB0 OTS (SRB OFF) (SSME OFF)

(EE4055) (08 JAN 75)

REFERENCE DATA

SREF = 2690.0000 SQ.FT. XMRP = .0000 IN.
 LREF = 1290.3000 IN. YMRP = .0000 IN.
 BREF = 1290.3000 IN. ZMRP = .0000 IN.
 SCALE = .0200

PARAMETRIC DATA

ELV-18 = 8.000 ELV-08 = 4.000
 RN/L = 4.250 MACH = 1.100

RUN NO. 106/ 0 RN/L = 4.37 GRADIENT INTERVAL = -5.00/ 5.00

ALPHA	BETA	XWCP	YWCP	XVCP	ZVCP
-3.772	-.066	.28490	.30090	14.31800	-1.99910
	GRADIENT	.00900	.00000	.00000	.00000

RUN NO. 107/ 0 RN/L = 4.37 GRADIENT INTERVAL = -5.00/ 5.00

ALPHA	BETA	XWCP	YWCP	XVCP	ZVCP
-.380	-4.075	.12050	.26700	-.13270	.42360
-.357	-.053	.13570	.27830	-3.88560	.17400
-.367	3.956	.09860	-.05330	-.12610	.42730
	GRADIENT	-.00274	-.03998	.00082	.00046

RUN NO. 108/ 0 RN/L = 4.37 GRADIENT INTERVAL = -5.00/ 5.00

ALPHA	BETA	XWCP	YWCP	XVCP	ZVCP
4.092	-.059	.10220	.27560	-1.38410	.38480
	GRADIENT	.00000	.00000	.00000	.00000

ARC 11-023 IAB0 OTS (SRB OFF) (SSME OFF)

(EE4056) (08 JAN 75)

REFERENCE DATA

SREF = 2690.0000 SQ.FT. XMRP = .0000 IN.
 LREF = 1290.3000 IN. YMRP = .0000 IN.
 BREF = 1290.3000 IN. ZMRP = .0000 IN.
 SCALE = .0200

PARAMETRIC DATA

ELV-18 = 8.000 ELV-08 = 4.000
 RN/L = 4.250 MACH = 1.250

RUN NO. 94/ 0 RN/L = 4.40 GRADIENT INTERVAL = -5.00/ 5.00

ALPHA	BETA	XWCP	YWCP	XVCP	ZVCP
-3.950	-.063	-.04440	.27500	-.73540	.42850
	GRADIENT	.00000	.00000	.00000	.00000

RUN NO. 95/ 0 RN/L = 4.40 GRADIENT INTERVAL = -5.00/ 5.00

ALPHA	BETA	XWCP	YWCP	XVCP	ZVCP
-.324	-4.075	.05720	.26170	-.14320	.42270
-.314	-.063	.02650	.26920	-.46860	.38170
-.343	3.953	-.07090	.37010	-.13220	.42760
	GRADIENT	-.01503	.01350	.00139	.00061

DATE 03 JUN 76

TABULATED SOURCE DATA - IAB0

PAGE 119

ARC 11-023 IAB0 OTS (SRB OFF) (SSME OFF)

(EE4056) (08 JAN 75)

REFERENCE DATA

SREF = 2690.0000 SQ.FT. XMRP = .0000 IN.
 LREF = 1290.3000 IN. YMRP = .0000 IN.
 BREF = 1290.3000 IN. ZMRP = .0000 IN.
 SCALE = .0200

PARAMETRIC DATA

ELV-18 = 8.000 ELV-08 = 4.000
 RN/L = 4.250 MACH = 1.250

RUN NO. 96/ 0 RN/L = 4.39 GRADIENT INTERVAL = -5.00/ 5.00

ALPHA	BETA	XWCP	YWCP	XVCP	ZVCP
3.967	-.066	.05650	.26980	-.72560	.48230
	GRADIENT	.00000	.00000	.00000	.00000

ARC 11-023 IAB0 OTS (SRB OFF) (SSME OFF)

(EE4057) (08 JAN 75)

REFERENCE DATA

SREF = 2690.0000 SQ.FT. XMRP = .0000 IN.
 LREF = 1290.3000 IN. YMRP = .0000 IN.
 BREF = 1290.3000 IN. ZMRP = .0000 IN.
 SCALE = .0200

PARAMETRIC DATA

ELV-18 = 8.000 ELV-08 = 4.000
 RN/L = 4.250 MACH = 1.400

RUN NO. 100/ 0 RN/L = 4.31 GRADIENT INTERVAL = -5.00/ 5.00

ALPHA	BETA	XWCP	YWCP	XVCP	ZVCP
-3.953	-.063	-.15560	.26450	-.79960	.49650
	GRADIENT	.00000	.00000	.00000	.00000

RUN NO. 101/ 0 RN/L = 4.31 GRADIENT INTERVAL = -5.00/ 5.00

ALPHA	BETA	XWCP	YWCP	XVCP	ZVCP
-.317	-4.075	-.00620	.25790	-.13940	.41780
-.320	-.059	-.04370	.26810	-.46240	.39940
-.522	3.956	-.14500	.29900	-.13240	.42570
	GRADIENT	-.01728	.00512	.00087	.00098

RUN NO. 102/ 0 RN/L = 4.29 GRADIENT INTERVAL = -5.00/ 5.00

ALPHA	BETA	XWCP	YWCP	XVCP	ZVCP
4.208	-.069	.01040	.26440	-.35720	.33370
	GRADIENT	.00000	.00000	.00000	.00000

ARC 11-023 IABO OTS (SRB NOM) (SSME NOM)

(EE4058) (08 JAN 75)

REFERENCE DATA

SREF = 2690.0000 SQ.FT. XMRP = .0000 IN.
 LREF = 1290.3000 IN. YMRP = .0000 IN.
 BREF = 1290.3000 IN. ZMRP = .0000 IN.
 SCALE = .0200

PARAMETRIC DATA

ELV-1B = 8.000 ELV-0B = 4.000
 RN/L = 3.400 MACH = .600

RUN NO. 291/ 0 RN/L = 3.39 GRADIENT INTERVAL = -5.00/ 5.00

ALPHA	BETA	XWCP	YWCP	XVCP	ZVCP
-3.953	.000	-.07640	.18020	1.44180	-.41430
	GRADIENT	.00000	.00000	.00000	.00000

RUN NO. 292/ 0 RN/L = 3.40 GRADIENT INTERVAL = -5.00/ 5.00

ALPHA	BETA	XWCP	YWCP	XVCP	ZVCP
-.343	-4.050	.14430	.25570	-.04130	.40940
-.380	.000	.10930	.25430	4.02480	-1.50970
-.386	3.978	-.04430	.25570	-.02210	.39390
	GRADIENT	-.02345	-.00013	.00541	-.00223

RUN NO. 293/ 0 RN/L = 3.40 GRADIENT INTERVAL = -5.00/ 5.00

ALPHA	BETA	XWCP	YWCP	XVCP	ZVCP
3.993	-.003	.13410	.26410	.86040	-.10440
	GRADIENT	.00000	.00000	.00000	.00000

ARC 11-023 IABO OTS (SRB NOM) (SSME NOM)

(EE4059) (08 JAN 75)

REFERENCE DATA

SREF = 2690.0000 SQ.FT. XMRP = .0000 IN.
 LREF = 1290.3000 IN. YMRP = .0000 IN.
 BREF = 1290.3000 IN. ZMRP = .0000 IN.
 SCALE = .0200

PARAMETRIC DATA

ELV-1B = 8.000 ELV-0B = 4.000
 RN/L = 4.250 MACH = .900

RUN NO. 299/ 0 RN/L = 4.17 GRADIENT INTERVAL = -5.00/ 5.00

ALPHA	BETA	XWCP	YWCP	XVCP	ZVCP
-3.993	-.038	.07940	.20380	-.47840	.52570
	GRADIENT	.00000	.00000	.00000	.00000

RUN NO. 300/ 0 RN/L = 4.18 GRADIENT INTERVAL = -5.00/ 5.00

ALPHA	BETA	XWCP	YWCP	XVCP	ZVCP
-.370	-4.059	.1707	.24890	.03690	.37310
-.403	-.044	.121	.25730	-.38490	.49360
-.409	3.972	-.11400	.27290	.04320	.37420
	GRADIENT	-.03544	.00311	.00078	.00014

DATE 03 JUN 76

TABULATED SOURCE DATA - 1A80

PAGE 121

ARC 11-023 1A80 OTS (SRB NOM) (SSME NOM)

(EE4059) (08 JAN 75)

REFERENCE DATA

SREF = 2690.0000 SQ.FT. XMRP = .0000 IN.
 LREF = 1290.3000 IN. YMRP = .0000 IN.
 BREF = 1290.3000 IN. ZMRP = .0000 IN.
 SCALE = .0200

PARAMETRIC DATA

ELV-18 = 8.000 ELV-08 = 4.000
 RN/L = 4.250 MACH = .900

RUN NO. 301/ 0 RN/L = 4.17 GRADIENT INTERVAL = -5.00/ 5.00
 ALPHA BETA XWCP YWCP XWCP ZVCP
 4.076 -.041 .13700 .25020 -.17430 .42900
 GRADIENT .00000 .00000 .00000 .00000

ARC 11-023 1A80 OTS (SRB NOM) (SSME NOM)

(EE4060) (08 JAN 75)

REFERENCE DATA

SREF = 2690.0000 SQ.FT. XMRP = .0000 IN.
 LREF = 1290.3000 IN. YMRP = .0000 IN.
 BREF = 1290.3000 IN. ZMRP = .0000 IN.
 SCALE = .0200

PARAMETRIC DATA

ELV-18 = 8.000 ELV-08 = 4.000
 RN/L = 4.250 MACH = 1.100

RUN NO. 109/ 0 RN/L = 4.37 GRADIENT INTERVAL = -5.00/ 5.00
 ALPHA BETA XWCP YWCP XWCP ZVCP
 -3.937 -.059 .35810 .34240 7.02900 -1.39570
 GRADIENT .00000 .00000 .00000 .00000

RUN NO. 110/ 0 RN/L = 4.38 GRADIENT INTERVAL = -5.00/ 5.00
 ALPHA BETA XWCP YWCP XWCP ZVCP
 -.528 -4.075 .11790 .26550 -.14450 .42160
 -.492 -.063 .12950 .28640 2.17010 -.09930
 -.532 3.956 .13609 -.07210 -.13450 .42340
 GRADIENT .00225 -.04217 .00110 .00026

RUN NO. 111/ 0 RN/L = 4.38 GRADIENT INTERVAL = -5.00/ 5.00
 ALPHA BETA XWCP YWCP XWCP ZVCP
 4.013 -.063 .10260 .27800 .95740 .00970
 GRADIENT .00000 .00000 .00000 .00000

ARC 11-023 IABD OTS (SRB NOM) (SSME NOM)

(EE4061) (08 JAN 75)

REFERENCE DATA

SREF = 2690.0000 SQ.FT. XMRP = .0000 IN.
 LREF = 1290.3000 IN. YMRP = .0000 IN.
 BREF = 1290.3000 IN. ZMRP = .0000 IN.
 SCALE = .0200

PARAMETRIC DATA

ELV-1B = 8.000 ELV-08 = 4.000
 RN/L = 4.250 MACH = 1.250

RUN NO. 97/ 0 RN/L = 4.39 GRADIENT INTERVAL = -5.00/ 5.00

ALPHA	BETA	XWCP	YWCP	XVCP	ZVCP
-3.960	-.066	-.05560	.29120	-1.54070	.76180
	GRADIENT	.00000	.00000	.00000	.00000

RUN NO. 98/ 0 RN/L = 4.39 GRADIENT INTERVAL = -5.00/ 5.00

ALPHA	BETA	XWCP	YWCP	XVCP	ZVCP
-.505	-4.075	.04750	.26180	-.15000	.42340
-.459	-.059	.01860	.27620	-1.28790	.73020
-.462	3.953	-.23720	.46590	-.13840	.42650
	GRADIENT	-.03546	.02542	.00141	.00040

RUN NO. 99/ 0 RN/L = 4.39 GRADIENT INTERVAL = -5.00/ 5.00

ALPHA	BETA	XWCP	YWCP	XVCP	ZVCP
4.006	-.063	.05420	.27150	-1.95440	.98280
	GRADIENT	.00000	.00000	.00000	.00000

ARC 11-023 IABD OTS (SRB NOM) (SSME NOM)

(EE4062) (08 JAN 75)

REFERENCE DATA

SREF = 2690.0000 SQ.FT. XMRP = .0000 IN.
 LREF = 1290.3000 IN. YMRP = .0000 IN.
 BREF = 1290.3000 IN. ZMRP = .0000 IN.
 SCALE = .0200

PARAMETRIC DATA

ELV-1B = 8.000 ELV-08 = 4.000
 RN/L = 4.250 MACH = 1.400

RUN NO. 103/ 0 RN/L = 4.28 GRADIENT INTERVAL = -5.00/ 5.00

ALPHA	BETA	XWCP	YWCP	XVCP	ZVCP
-3.937	-.069	-.17520	.27580	-.62400	.44800
	GRADIENT	.00000	.00000	.00000	.00000

RUN NO. 104/ 0 RN/L = 4.28 GRADIENT INTERVAL = -5.00/ 5.00

ALPHA	BETA	XWCP	YWCP	XVCP	ZVCP
-.486	-4.078	-.00990	.25970	-.14490	.42040
-.486	-.063	-.05340	.27210	-.91620	.56710
-.499	3.953	-.21750	.32510	-.13310	.42440
	GRADIENT	-.02585	.00814	.00147	.00050

DATE 03 JUN 76

TABULATED SOURCE DATA - 1A80

PAGE 123

ARC 11-023 1A80 OTS (SRB NC:1) (SSME NOM)

(EE4062) (08 JAN 75)

REFERENCE DATA

SREF = 2690.0000 SQ.FT. XMRP = .0000 IN.
 LREF = 1290.3000 IN. YMRP = .0000 IN.
 BREF = 1290.3000 IN. ZMRP = .0000 IN.
 SCALE = .0200

ELV-1B = 8.000 ELV-0B = 4.000
 RN/L = 4.250 MACH = 1.400

PARAMETRIC DATA

RUN NO. 105/ 0 RN/L = 4.28 GRADIENT INTERVAL = -5.00/ 5.00

ALPHA	BETA	XWCP	YWCP	XVCP	ZVCP
4.020	-.056	.00900	.26630	-1.50010	.75420
	GRADIENT	.00000	.00000	.00000	.00000

ARC 11-023 1A80 OTS (SRB NOM+) (SSME NOM)

(EE4063) (08 JAN 75)

REFERENCE DATA

SREF = 2690.0000 SQ.FT. XMRP = .0000 IN.
 LREF = 1290.3000 IN. YMRP = .0000 IN.
 BREF = 1290.3000 IN. ZMRP = .0000 IN.
 SCALE = .0200

ELV-1B = 8.000 ELV-0B = 4.000
 RN/L = 4.250 MACH = .980

PARAMETRIC DATA

RUN NO. 118/ 0 RN/L = 4.31 GRADIENT INTERVAL = -5.00/ 5.00

ALPHA	BETA	XWCP	YWCP	XVCP	ZVCP
-3.868	-.063	.20210	.26360	-8.98470	2.63000
	GRADIENT	.00000	.00000	.00000	.00000

RUN NO. 119/ 0 RN/L = 4.31 GRADIENT INTERVAL = -5.00/ 5.00

ALPHA	BETA	XWCP	YWCP	XVCP	ZVCP
-.486	-4.075	.14530	.26560	-.14330	.42920
-.456	-.063	.12460	.27570	13.98400	-3.13810
-.439	3.953	2.82910	-2.23480	-.12160	.42220
	GRADIENT	.33434	-.31150	.00225	-.00076

RUN NO. 120/ 0 RN/L = 4.31 GRADIENT INTERVAL = -5.00/ 5.00

ALPHA	BETA	XWCP	YWCP	XVCP	ZVCP
4.013	-.063	.11490	.27510	.99800	-.12260
	GRADIENT	.00000	.00000	.00000	.00000

ARC 11-023 IAB0 OTS (SRB OFF) (SSME OFF)

(EE4064) (08 JAN 75)

REFERENCE DATA

SREF = 2690.0000 SQ.FT. XMRP = .0000 IN.
 LREF = 1290.3000 IN. YMRP = .0000 IN.
 BREF = 1290.3000 IN. ZMRP = .0000 IN.
 SCALE = .0200

PARAMETRIC DATA

ELV-18 = 8.000 ELV-08 = -4.000
 RN/L = 3.400 MACH = .600

RUN NO. 314/ 0 RN/L = 3.40 GRADIENT INTERVAL = -5.00/ 5.00

ALPHA	BETA	XWCP	YWCP	XVCP	ZVCP
-3.973	-.047	-.26170	.50460	2.78350	-.86170
	GRADIENT	.00000	.00000	.00000	.00000

RUN NO. 315/ 0 RN/L = 3.42 GRADIENT INTERVAL = -5.00/ 5.00

ALPHA	BETA	XWCP	YWCP	XVCP	ZVCP
-.277	-4.066	.25550	.22960	-.02330	.39760
-.291	-.047	.29780	.20030	.89040	.20210
-.307	3.972	2.66890	-1.31340	-.00740	.39400
	GRADIENT	.30027	-.19198	.00198	-.00045

RUN NO. 316/ 0 RN/L = 3.42 GRADIENT INTERVAL = -5.00/ 5.00

ALPHA	BETA	XWCP	YWCP	XVCP	ZVCP
3.957	-.044	.22500	.24180	.50820	.17290
	GRADIENT	.00000	.00000	.00000	.00000

ARC 11-023 IAB0 OTS (SRB OFF) (SSME OFF)

(EE4065) (08 JAN 75)

REFERENCE DATA

SREF = 2690.0000 SQ.FT. XMRP = .0000 IN.
 LREF = 1290.3000 IN. YMRP = .0000 IN.
 BREF = 1290.3000 IN. ZMRP = .0000 IN.
 SCALE = .0200

PARAMETRIC DATA

ELV-18 = 8.000 ELV-08 = -4.000
 RN/L = 4.250 MACH = .900

RUN NO. 302/ 0 RN/L = 4.21 GRADIENT INTERVAL = -5.00/ 5.00

ALPHA	BETA	XWCP	YWCP	XVCP	ZVCP
-3.977	-.044	1.06380	-.30330	-.54370	.61960
	GRADIENT	.00000	.00000	.00000	.00000

RUN NO. 303/ 0 RN/L = 4.18 GRADIENT INTERVAL = -5.00/ 5.00

ALPHA	BETA	XWCP	YWCP	XVCP	ZVCP
-.304	-4.063	.20960	.24060	.02940	.37610
-.314	-.044	.19550	.23340	-.40700	.59190
-.317	3.972	.10150	.16170	.03140	.38370
	GRADIENT	-.01345	-.00982	.00023	.00095

DATE 03 JUN 76

TABULATED SOURCE DATA - IAB0

PAGE 125

ARC 11-023 IAB0 OTS (SRB OFF) (SSME OFF)

(EE4065) (08 JAN 75)

REFERENCE DATA

SREF = 2690.0000 SQ.FT. XMRP = .0000 IN.
 LREF = 1290.3000 IN. YMRP = .0000 IN.
 BREF = 1290.3000 IN. ZMRP = .0000 IN.
 SCALE = .0200

PARAMETRIC DATA

ELV-1B = 8.000 ELV-0B = -4.000
 RN/L = 4.250 MACH = .900

RUN NO. 304/ 0 RN/L = 4.17 GRADIENT INTERVAL = -5.00/ 5.00

ALPHA	BETA	XWCP	YWCP	XVCP	ZVCP
3.930	-.041	.16760	.24850	-.16100	.65010
GRADIENT		.00000	.00000	.00000	.00000

ARC 11-023 IAB0 OTS (SRB OFF) (SSME OFF)

(EE4066) (08 JAN 75)

REFERENCE DATA

SREF = 2690.0000 SQ.FT. XMRP = .0000 IN.
 LREF = 1290.3000 IN. YMRP = .0000 IN.
 BREF = 1290.3000 IN. ZMRP = .0000 IN.
 SCALE = .0200

PARAMETRIC DATA

ELV-1B = 8.000 ELV-0B = -4.000
 RN/L = 4.250 MACH = 1.100

RUN NO. 133/ 0 RN/L = 4.40 GRADIENT INTERVAL = -5.00/ 5.00

ALPHA	BETA	XWCP	YWCP	XVCP	ZVCP
-3.963	-.063	-9.25470	1.23440	1.82770	-.14920
GRADIENT		.00000	.00000	.00000	.00000

RUN NO. 134/ 0 RN/L = 4.40 GRADIENT INTERVAL = -5.00/ 5.00

ALPHA	BETA	XWCP	YWCP	XVCP	ZVCP
-.337	-4.072	.16660	.25510	-.13440	.42590
-.334	-.059	.26350	.25240	1.90160	-.06880
-.376	3.950	-.15510	.20840	-.12180	.42430
GRADIENT		-.04009	-.00582	.00164	-.00022

RUN NO. 135/ 0 RN/L = 4.40 GRADIENT INTERVAL = -5.00/ 5.00

ALPHA	BETA	XWCP	YWCP	XVCP	ZVCP
3.953	-.066	.14450	.26530	2.71840	-.31010
GRADIENT		.00000	.00000	.00000	.00000

ARC 11-023 IAB0 OTS (SRB OFF) (SSME OFF)

(EE4067) (08 JAN 75

REFERENCE DATA

SREF = 2690.0000 SQ.FT. XMRP = .0000 IN.
 LREF = 1290.3000 IN. YMRP = .0000 IN.
 BREF = 1290.3000 IN. ZMRP = .0000 IN.
 SCALE = .0200

PARAMETRIC DATA

ELV-18 = 8.000 ELV-08 = -4.000
 RN/L = 4.250 MACH = 1.250

RUN NO. 128/ 0 RN/L = 4.43 GRADIENT INTERVAL = -5.00/ 5.00

ALPHA	BETA	XWCP	YWCP	XVCP	ZVCP
-.327	-4.072	.07390	.25350	-.14640	.42550
-.317	-.059	.06900	.25460	-1.17790	.56180
-.340	3.950	.33490	.33010	-.12960	.42670
	GRADIENT	.03253	.00955	.00206	.00015

RUN NO. 127/ 0 RN/L = 4.43 GRADIENT INTERVAL = -5.00/ 5.00

ALPHA	BETA	XWCP	YWCP	XVCP	ZVCP
.000	-.063	.07130	.25640	-1.13500	-.63210
	GRADIENT	.00000	.00000	.00000	.00000

RUN NO. 129/ 0 RN/L = 4.42 GRADIENT INTERVAL = -5.00/ 5.00

ALPHA	BETA	XWCP	YWCP	XVCP	ZVCP
3.960	-.066	.07970	.26240	-1.12490	.60650
	GRADIENT	.00000	.00000	.00000	.00000

ARC 11-023 IAB0 OTS (SRB OFF) (SSME OFF)

(EE4068) (08 JAN 75)

REFERENCE DATA

SREF = 2690.0000 SQ.FT. XMRP = .0000 IN.
 LREF = 1290.3000 IN. YMRP = .0000 IN.
 BREF = 1290.3000 IN. ZMRP = .0000 IN.
 SCALE = .0200

PARAMETRIC DATA

ELV-18 = 8.000 ELV-08 = -4.000
 RN/L = 4.250 MACH = 1.400

RUN NO. 121/ 0 RN/L = 4.39 GRADIENT INTERVAL = -5.00/ 5.00

ALPHA	BETA	XWCP	YWCP	XVCP	ZVCP
-3.944	-.059	-.09800	.21740	-1.28570	.59390
	GRADIENT	.00000	.00000	.00000	.00000

RUN NO. 122/ 0 RN/L = 4.37 GRADIENT INTERVAL = -5.00/ 5.00

ALPHA	BETA	XWCP	YWCP	XVCP	ZVCP
-.320	-4.072	.01400	.24890	-.14570	.42260
-.320	-.059	-.01670	.25190	-1.02750	.58310
-.347	3.953	-.09790	.26320	-.12220	.42290
	GRADIENT	-.01394	.00178	.00218	.00004

DATE 03 JUN 76

TABULATED SOURCE DATA - IAB0

PAGE 127

ARC 11-023 IAB0 OTS (SRB OFF) (SSME OFF)

(EE4068) (08 JAN 75)

REFERENCE DATA

SREF = 2690.0000 SQ.FT. XMRP = .0000 IN.
 LREF = 1290.3000 IN. YMRP = .0000 IN.
 BREF = 1290.3000 IN. ZMRP = .0000 IN.
 SCALE = .0200

PARAMETRIC DATA

ELV-18 = 8.000 ELV-08 = -4.000
 RN/L = 4.250 MACH = 1.400

RUN NO. 123/ 0 RN/L = 4.35 GRADIENT INTERVAL = -5.00/ 5.00

ALPHA	BETA	XWCP	YWCP	XVCP	ZVCP
3.960	-.063	.02380	.25740	-.32130	.36220
	GRADIENT	.00000	.00000	.00000	.00000

ARC 11-023 IAB0 OTS (SRB NOM) (SSME NOM)

(EE4069) (08 JAN 75)

REFERENCE DATA

SREF = 2690.0000 SQ.FT. XMRP = .0000 IN.
 LREF = 1290.3000 IN. YMRP = .0000 IN.
 BREF = 1290.3000 IN. ZMRP = .0000 IN.
 SCALE = .0200

PARAMETRIC DATA

ELV-18 = 8.000 ELV-08 = -4.000
 RN/L = 3.400 MACH = .600

RUN NO. 317/ 0 RN/L = 3.46 GRADIENT INTERVAL = -5.00/ 5.00

ALPHA	BETA	XWCP	YWCP	XVCP	ZVCP
-3.920	-.044	-.35000	.57930	.83510	-.08560
	GRADIENT	.00000	.00000	.00000	.00000

RUN NO. 318/ 0 RN/L = 3.46 GRADIENT INTERVAL = -5.00/ 5.00

ALPHA	BETA	XWCP	YWCP	XVCP	ZVCP
-.376	-4.066	.23650	.23290	-.04300	.40360
-.373	-.050	.25940	.20570	.89680	-.03380
-.426	3.969	1.37920	-.69740	-.02150	.39420
	GRADIENT	.14225	-.11581	.00265	-.00116

RUN NO. 319/ 0 RN/L = 3.47 GRADIENT INTERVAL = -5.00/ 5.00

ALPHA	BETA	XWCP	YWCP	XVCP	ZVCP
3.947	-.044	.21370	.24500	.43940	.09650
	GRADIENT	.00000	.00000	.00000	.00000

ORIGINAL PAGE IS
OF POOR QUALITY

ARC 11-023 IAB0 OTS (SRB NOM) (SSME NOM)

(EE4070) (08 JAN 75)

REFERENCE DATA

SREF = 2690.0000 SQ.FT. XMRP = .0000 IN.
 LREF = 1290.3000 IN. YMRP = .0000 IN.
 BREF = 1290.3000 IN. ZMRP = .0000 IN.
 SCALE = .0200

PARAMETRIC DATA

ELV-1B = 8.000 ELV-0B = -4.000
 RN/L = 4.250 MACH = .900

RUN NO. 305/ 0 RN/L = 4.17 GRADIENT INTERVAL = -5.00/ 5.00

ALPHA	BETA	XWCP	YWCP	XVCP	ZVCP
-3.897	-.041	1.84640	-.48960	-.45680	.51640
	GRADIENT	.00000	.00000	.00000	.00000

RUN NO. 306/ 0 RN/L = 4.17 GRADIENT INTERVAL = -5.00/ 5.00

ALPHA	BETA	XWCP	YWCP	XVCP	ZVCP
-.383	-4.063	.20230	.24420	.04400	.36880
-.357	-.047	.20910	.23640	-.38300	.50340
-.370	3.972	.15100	.13990	.04220	.37270
	GRADIENT	-.00630	-.01300	-.00021	.00048

RUN NO. 307/ 0 RN/L = 4.18 GRADIENT INTERVAL = -5.00/ 5.00

ALPHA	BETA	XWCP	YWCP	XVCP	ZVCP
4.020	-.041	.16400	.25190	-.14210	.42960
	GRADIENT	.00000	.00000	.00000	.00000

ARC 11-023 IAB0 OTS (SRB NOM) (SSME NOM)

(EE4071) (08 JAN 75)

REFERENCE DATA

SREF = 2690.0000 SQ.FT. XMRP = .0000 IN.
 LREF = 1290.3000 IN. YMRP = .0000 IN.
 BREF = 1290.3000 IN. ZMRP = .0000 IN.
 SCALE = .0200

PARAMETRIC DATA

ELV-1B = 8.000 ELV-0B = -4.000
 RN/L = 4.250 MACH = 1.100

RUN NO. 136/ 0 RN/L = 4.37 GRADIENT INTERVAL = -5.00/ 5.00

ALPHA	BETA	XWCP	YWCP	XVCP	ZVCP
-3.963	-.066	-2.22810	.45070	1.57680	-.11600
	GRADIENT	.00000	.00000	.00000	.00000

RUN NO. 137/ 0 RN/L = 4.37 GRADIENT INTERVAL = -5.00/ 5.00

ALPHA	BETA	XWCP	YWCP	XVCP	ZVCP
-.545	-4.072	.16270	.25650	-.14620	.42320
-.667	-.059	.26030	.26150	1.54410	-.08950
-.519	3.953	-.15800	.21140	-.13250	.42170
	GRADIENT	-.03996	-.00562	.00171	-.00019

DATE 03 JUN 76

TABULATED SOURCE DATA - IABO

PAGE 129

ARC 11-023 IABO OTS (SRB NOM) (SSME NOM)

(EE4071) (08 JAN 75)

REFERENCE DATA

SREF = 2690.0000 SQ.FT. XMRP = .0000 IN.
 LREF = 1290.3000 IN. YMRP = .0000 IN.
 BREF = 1290.3000 IN. ZMRP = .0000 IN.
 SCALE = .0200

PARAMETRIC DATA

ELV-18 = 8.000 ELV-08 = -4.000
 RN/L = 4.250 MACH = 1.100

RUN NO. 138/ 0 RN/L = 4.37 GRADIENT INTERVAL = -5.00/ 5.00

ALPHA	BETA	XWCP	YWCP	XVCP	ZVCP
3.990	-.066	.14270	.26850	1.60410	-.27430
	GRADIENT	.00000	.00000	.00000	.00000

ARC 11-023 IABO OTS (SRB NOM) (SSME NOM)

(EE4072) (08 JAN 75)

REFERENCE DATA

SREF = 2690.0000 SQ.FT. XMRP = .0000 IN.
 LREF = 1290.3000 IN. YMRP = .0000 IN.
 BREF = 1290.3000 IN. ZMRP = .0000 IN.
 SCALE = .0200

PARAMETRIC DATA

ELV-18 = 8.000 ELV-08 = -4.000
 RN/L = 4.250 MACH = 1.250

RUN NO. 130/ 0 RN/L = 4.40 GRADIENT INTERVAL = -5.00/ 5.00

ALPHA	BETA	XWCP	YWCP	XVCP	ZVCP
-4.003	-.066	.14150	.21410	-1.93030	.85680
	GRADIENT	.00000	.00000	.00000	.00000

RUN NO. 131/ 0 RN/L = 4.40 GRADIENT INTERVAL = -5.00/ 5.00

ALPHA	BETA	XWCP	YWCP	XVCP	ZVCP
-.502	-4.072	.07070	.25390	-.15640	.42820
-.528	-.059	.06360	.26160	-.93580	.1360
-.538	3.953	6.32350	6.55490	-.13300	
	GRADIENT	.77917	.78517	.00292	-.00059

RUN NO. 132/ 0 RN/L = 4.41 GRADIENT INTERVAL = -5.00/ 5.00

ALPHA	BETA	XWCP	YWCP	XVCP	ZVCP
3.953	-.063	.07530	.26460	-2.68740	1.27120
	GRADIENT	.00000	.00000	.00000	.00000

ARC 11-023 IAB0 OTS (SRB NOM) (SSME NOM)

(EE4073) (08 JAN 75)

REFERENCE DATA

SREF = 2690.0000 SQ.FT. XMRP = .0000 IN.
 LREF = 1290.3000 IN. YMRP = .0000 IN.
 BREF = 1290.3000 IN. ZMRP = .0000 IN.
 SCALE = .0200

PARAMETRIC DATA

ELV-18 = 8.000 ELV-08 = -4.000
 RN/L = 4.250 MACH = 1.400

RUN NO. 125/ 0 RN/L = 4.32 GRADIENT INTERVAL = -5.00/ 5.00

ALPHA	BETA	XWCP	YWCP	XVCP	ZVCP
-.522	-4.072	.01070	.25000	-.15100	.42470
-.502	-.059	-.02670	.25750	-.83640	.57740
-.535	3.953	-.16130	.28240	-.13260	.42440
	GRADIENT	-.02143	.00404	.00229	-.00004

RUN NO. 126/ 0 RN/L = 4.31 GRADIENT INTERVAL = -3.00/ 5.00

ALPHA	BETA	XWCP	YWCP	XVCP	ZVCP
.000	-.063	-.01390	.25620	-1.58480	.90130
	GRADIENT	.00000	.00000	.00000	.00000

RUN NO. 124/ 0 RN/L = 4.33 GRADIENT INTERVAL = -5.00/ 5.00

ALPHA	BETA	XWCP	YWCP	XVCP	ZVCP
.020	-.063	-.01020	.25600	-.91340	.59690
	GRADIENT	.00000	.00000	.00000	.00000

ARC 11-023 IAB0 OTS (SRB OFF) (SSMF OFF)

(EE4074) (08 JAN 75)

REFERENCE DATA

SREF = 2690.0000 SQ.FT. XMRP = .0000 IN.
 LREF = 1290.3000 IN. YMRP = .0000 IN.
 BREF = 1290.3000 IN. ZMRP = .0000 IN.
 SCALE = .0200

PARAMETRIC DATA

ELV-18 = 8.000 ELV-08 = .000
 RN/L = 3.400 MACH = .600

RUN NO. 276/ 0 RN/L = 3.50 GRADIENT INTERVAL = -5.00/ 5.00

ALPHA	BETA	XWCP	YWCP	XVCP	ZVCP
-3.950	-.009	-2.8998	4.18590	2.91910	-.56450
	GRADIENT	.00000	.00000	.00000	.00000

RUN NO. 277/ 0 RN/L = 3.51 GRADIENT INTERVAL = -5.00/ 5.00

ALPHA	BETA	XWCP	YWCP	XVCP	ZVCP
-.301	-4.044	.20430	.24390	-.02140	-.39630
-.287	-.006	.19560	.22930	-1.07500	.53640
-.317	3.988	.14990	.16300	-.00830	-.39690
	GRADIENT	-.00677	-.01006	.00115	.00014

DATE 03 JUN 76

TABULATED SOURCE DATA - 1A80

PAGE 131

ARC 11-023 1A80 OTS (SRB OFF) (SSME OFF)

(EE4074) (08 JAN 75)

REFERENCE DATA

SREF = 2690.0000 SQ.FT. XMRP = .0000 IN.
 LREF = 1290.3000 IN. YMRP = .0000 IN.
 BREF = 1290.3000 IN. ZMRP = .0000 IN.
 SCALE = .0200

PARAMETRIC DATA

ELV-18 = 8.000 ELV-08 = .000
 RN/L = 3.400 MACH = .600

RUN NO. 278/ 0 RN/L = 3.51 GRADIENT INTERVAL = -5.03/ 5.00

ALPHA	BETA	XWCP	YWCP	XVCP	ZVCP
3.947	-.009	.18110	.25410	.64430	.12430
	GRADIENT	.00000	.00000	.00000	.00000

ARC 11-023 1A80 OTS (SRB OFF) (SSME OFF)

(EE4075) (08 JAN 75)

REFERENCE DATA

SREF = 2690.0000 SQ.FT. XMRP = .0000 IN.
 LREF = 1290.3000 IN. YMRP = .0000 IN.
 BREF = 1290.3000 IN. ZMRP = .0000 IN.
 SCALE = .0200

PARAMETRIC DATA

ELV-18 = 8.000 ELV-08 = .000
 RN/L = 4.250 MACH = .900

RUN NO. 282/ 0 RN/L = 4.25 GRADIENT INTERVAL = -5.00/ 5.00

ALPHA	BETA	XWCP	YWCP	XVCP	ZVCP
-3.980	-.012	.25470	.12450	-.53020	.61940
	GRADIENT	.00000	.00000	.00000	.00000

RUN NO. 283/ 0 RN/L = 4.25 GRADIENT INTERVAL = -5.03/ 5.00

ALPHA	BETA	XWCP	YWCP	XVCP	ZVCP
-.324	-4.047	.19050	.24530	.03470	.37280
-.317	-.006	.15660	.24800	-.53890	.66780
-.396	3.984	.00560	.25260	.02220	.38980
	GRADIENT	-.02299	.00091	-.00185	.00227

RUN NO. 284/ 0 RN/L = 4.24 GRADIENT INTERVAL = -5.00/ 5.00

ALPHA	BETA	XWCP	YWCP	XVCP	ZVCP
4.076	-.012	.15830	.25150	-1.14150	1.34400
	GRADIENT	.00000	.00000	.00000	.00000

ARC 11-023 IAB0 OTS (SRB OFF) (SSME OFF)

(EE4076) (08 JAN 75)

REFERENCE DATA

SREF = 2690.0000 SQ.FT. XMRP = .0000 IN.
 LREF = 1290.3000 IN. YMRP = .0000 IN.
 BREF = 1290.3000 IN. ZMRP = .0000 IN.
 SCALE = .0200

PARAMETRIC DATA

ELV-18 = 8.000 ELV-08 = .000
 RN/L = 4.250 MACH = 1.100

RUN NO. 153/ 0 RN/L = 4.42 GRADIENT INTERVAL = -5.00/ 5.00

ALPHA	BETA	XWCP	YWCP	XVCP	ZVCP
-3.934	.009	1.27840	.20650	1.56210	-.05870
	GRADIENT	.00000	.00000	.00000	.00000

RUN NO. 154/ 0 RN/L = 4.42 GRADIENT INTERVAL = -5.00/ 5.00

ALPHA	BETA	XWCP	YWCP	XVCP	ZVCP
-.238	-3.994	.14350	.26140	-.13130	.42700
-.307	.009	.18980	.26580	1.18390	.14520
-.271	4.034	-.07210	.13150	-.12240	.42500
	GRADIENT	-.02589	-.01626	.00119	-.00019

RUN NO. 155/ 0 RN/L = 4.41 GRADIENT INTERVAL = -5.00/ 5.00

ALPHA	BETA	XWCP	YWCP	XVCP	ZVCP
4.026	.012	.12460	.27080	2.60990	-.42610
	GRADIENT	.00000	.00000	.00000	.00000

ARC 11-023 IAB0 OTS (SRB OFF) (SSME OFF)

(EE4077) (08 JAN 75)

REFERENCE DATA

SREF = 2690.0000 SQ.FT. XMRP = .0000 IN.
 LREF = 1290.3000 IN. YMRP = .0000 IN.
 BREF = 1290.3000 IN. ZMRP = .0000 IN.
 SCALE = .0200

PARAMETRIC DATA

ELV-18 = 8.000 ELV-08 = .000
 RN/L = 4.250 MACH = 1.250

RUN NO. 147/ 0 RN/L = 4.48 GRADIENT INTERVAL = -5.00/ 5.00

ALPHA	BETA	XWCP	YWCP	XVCP	ZVCP
-3.881	.012	.02590	.21730	2.66660	-.31300
	GRADIENT	.00000	.00000	.00000	.00000

RUN NO. 148/ 0 RN/L = 4.47 GRADIENT INTERVAL = -5.00/ 5.00

ALPHA	BETA	XWCP	YWCP	XVCP	ZVCP
-.238	-3.994	.06180	.25790	-.14510	.42570
-.258	.009	.04590	.26310	-1.49310	.69960
-.263	4.031	.04650	.34460	-.13090	.42540
	GRADIENT	-.00164	.01081	.00203	.00003

DATE 03 JUN 76

TABULATED SOURCE DATA - IAB0

PAGE 133

ARC 11-023 IAB0 OTS (SRB OFF) (SSME OFF)

(EE4077) (08 JAN 75)

REFERENCE DATA

SREF = 2690.0000 SQ.FT. XMRP = .0000 IN.
 LREF = 1290.3000 IN. YMRP = .0000 IN.
 BREF = 1290.3000 IN. ZMRP = .0000 IN.
 SCALE = .0200

PARAMETRIC DATA

ELV-18 = 8.000 ELV-08 = .000
 RN/L = 4.250 MACH = 1.250

RUN NO. 149/ 0 RN/L = 4.46 GRADIENT INTERVAL = -5.00/ 5.00

ALPHA	BETA	XWCP	YWCP	XVCP	ZVCP
3.953	.016	.06940	.26540	-1.24620	.63230
GRADIENT		.00000	.00000	.00000	.00000

ARC 11-023 IAB0 OTS (SRB OFF) (SSME OFF)

(EE4078) (08 JAN 75)

REFERENCE DATA

SREF = 2690.0000 SQ.FT. XMRP = .0000 IN.
 LREF = 1290.3000 IN. YMRP = .0000 IN.
 BREF = 1290.3000 IN. ZMRP = .0000 IN.
 SCALE = .0200

PARAMETRIC DATA

ELV-18 = 8.000 ELV-08 = .000
 RN/L = 4.250 MACH = 1.400

RUN NO. 141/ 0 RN/L = 4.35 GRADIENT INTERVAL = -5.00/ 5.00

ALPHA	BETA	XWCP	YWCP	XVCP	ZVCP
-3.980	-.066	-.14770	.24300	-.95160	.52180
GRADIENT		.00000	.00000	.00000	.00000

RUN NO. 142/ 0 RN/L = 4.34 GRADIENT INTERVAL = -5.00/ 5.00

ALPHA	BETA	XWCP	YWCP	XVCP	ZVCP
-.238	-4.072	.00310	.25390	-.14120	.42020
-.228	-.063	-.02820	.25940	-.65860	.46650
-.261	3.953	-.12200	.28300	-.13150	.42510
GRADIENT		-.01559	.00363	.00124	.00761

RUN NO. 143/ 0 RN/L = 4.34 GRADIENT INTERVAL = -5.00/ 5.00

ALPHA	BETA	XWCP	YWCP	XVCP	ZVCP
3.920	-.066	.01490	.26110	-.38690	.35430
GRADIENT		.00000	.00000	.00000	.00000

ARC 11-023 IAB0 OTS (SRB NOM) (SSME NOM)

(EE4079) (08 JAN 75)

REFERENCE DATA

SREF = 2690.0000 SQ.FT. XMRP = .0000 IN.
 LREF = 1290.3000 IN. YMRP = .0000 IN.
 BREF = 1290.3000 IN. ZMRP = .0000 IN.
 SCALE = .0200

PARAMETRIC DATA

ELV-18 = 8.000 ELV-08 = .000
 RN/L = 3.400 MACH = .600

RUN NO. 279/ 0 RN/L = 3.42 GRADIENT INTERVAL = -5.00/ 5.00

ALPHA	BETA	XWCP	YWCP	XVCP	ZVCP
-4.105	-.006	.69730	-1.29820	4.70590	-1.78000
	GRADIENT	.00000	.00000	.00000	.00000

RUN NO. 280/ 0 RN/L = 3.45 GRADIENT INTERVAL = -5.00/ 5.00

ALPHA	BETA	XWCP	YWCP	XVCP	ZVCP
-.383	-4.047	.18820	.24530	-.04330	.40290
-.380	-.009	.17350	.23160	14.99300	-6.91690
-.499	3.991	.37830	.18030	-.02530	.39770
	GRADIENT	-.11367	-.00609	.00953	-.00415

RUN NO. 281/ 0 RN/L = 3.44 GRADIENT INTERVAL = -5.00/ 5.00

ALPHA	BETA	XWCP	YWCP	XVCP	ZVCP
3.950	-.012	.17040	.25430	.97610	-.15170
	GRADIENT	.00000	.00000	.00000	.00000

ARC 11-023 IAB0 OTS (SRB NOM) (SSME NOM)

(EE4080) (08 JAN 75)

REFERENCE DATA

SREF = 2690.0000 SQ.FT. XMRP = .0000 IN.
 LREF = 1290.3000 IN. YMRP = .0000 IN.
 BREF = 1290.3000 IN. ZMRP = .0000 IN.
 SCALE = .0200

PARAMETRIC DATA

ELV-18 = 8.000 ELV-08 = .000
 RN/L = 4.250 MACH = .900

RUN NO. 285/ 0 RN/L = 4.18 GRADIENT INTERVAL = -5.00/ 5.00

ALPHA	BETA	XWCP	YWCP	XVCP	ZVCP
-3.897	-.009	.29980	.13150	-.47940	-.53260
	GRADIENT	.00000	.00000	.00000	.00000

RUN NO. 286/ 0 RN/L = 4.19 GRADIENT INTERVAL = -5.00/ 5.00

ALPHA	BETA	XWCP	YWCP	XVCP	ZVCP
-.353	-4.050	.18630	.24680	.02880	-.37550
-.363	-.008	.16160	.25040	-.50660	-.55060
-.519	3.981	.00900	.23500	.00410	.39260
	GRADIENT	-.02204	-.00146	-.00325	.00222

DATE 03 JUN 76

TABULATED SOURCE DATA - IAB0

PAGE 135

ARC 11-023 IAB0 OTS (SRB NOM) (SSME NOM)

(EE4080) (08 JAN 75)

REFERENCE DATA

SREF = 2690.0000 SQ.FT. XMRP = .0000 IN.
 LREF = 1290.3000 IN. YMRP = .0000 IN.
 BREF = 1290.3000 IN. ZMRP = .0000 IN.
 SCALE = .0200

PARAMETRIC DATA

ELV-18 = 8.000 ELV-08 = .000
 RN/L = 4.250 MACH = .900

RUN NO. 287/ 0 RN/L = 4.18 GRADIENT INTERVAL = -5.00/ 5.00

ALPHA	BETA	XWCP	YWCP	XVCP	ZVCP
3.980	-.012	.15550	.25410	-.34400	.50250
	GRADIENT	.00000	.00000	.00000	.00000

ARC 11-023 IAB0 OTS (SRB NOM) (SSME NOM)

(EE4081) (08 JAN 75)

REFERENCE DATA

SREF = 2690.0000 SQ.FT. XMRP = .0000 IN.
 LREF = 1290.3000 IN. YMRP = .0000 IN.
 BREF = 1290.3000 IN. ZMRP = .0000 IN.
 SCALE = .0200

PARAMETRIC DATA

ELV-18 = 8.000 ELV-08 = .000
 RN/L = 4.250 MACH = 1.100

RUN NO. 156/ 0 RN/L = 4.38 GRADIENT INTERVAL = -5.00/ 5.00

ALPHA	BETA	XWCP	YWCP	XVCP	ZVCP
-3.937	.012	2.72730	.27490	2.08640	-.27350
	GRADIENT	.00000	.00000	.00000	.00000

RUN NO. 157/ 0 RN/L = 4.38 GRADIENT INTERVAL = -5.00/ 5.00

ALPHA	BETA	XWCP	YWCP	XVCP	ZVCP
-.396	-3.594	.14010	.26270	-.15360	.42860
-.380	.000	.18690	.27390	1.17520	-.01190
-.393	4.031	-.05180	.14310	-.12830	.41780
	GRADIENT	-.02394	-.01492	.00290	-.00126

RUN NO. 158/ 0 RN/L = 4.38 GRADIENT INTERVAL = -5.00/ 5.00

ALPHA	BETA	XWCP	YWCP	XVCP	ZVCP
3.894	.012	.12220	.27350	.74310	-.00850
	GRADIENT	.00000	.00000	.00000	.00000

ARC 11-023 IAB0 OTS (SRB NOM) (SSME NOM)

(EE4082) (08 JAN 75)

REFERENCE DATA

SREF = 2690.0000 SQ.FT. XMRP = .0000 IN.
 LREF = 1290.3000 IN. YMRP = .0000 IN.
 BREF = 1290.3000 IN. ZMRP = .0000 IN.
 SCALE = .0200

PARAMETRIC DATA

ELV-1B = 8.000 ELV-0B = .000
 RN/L = 4.250 MACH = 1.250

RUN NO. 150/ 0 RN/L = 4.42 GRADIENT INTERVAL = -5.00/ 5.00

ALPHA	BETA	XWCP	YWCP	XVCP	ZVCP
-3.967	.016	.03600	.26760	1.32050	-.09610
	GRADIENT	.00000	.00000	.00000	.00000

RUN NO. 151/ 0 RN/L = 4.42 GRADIENT INTERVAL = -5.00/ 5.00

ALPHA	BETA	XWCP	YWCP	XVCP	ZVCP
-.396	-3.994	.05630	.25840	-.15200	.42700
-.396	.009	.03870	.27030	-1.95690	1.01600
-.380	4.031	-.13660	.56300	-.13290	.42320
	GRADIENT	-.02430	.03798	.00274	-.00059

RUN NO. 152/ 0 RN/L = 4.41 GRADIENT INTERVAL = -5.00/ 5.00

ALPHA	BETA	XWCP	YWCP	XVCP	ZVCP
3.877	.009	.06390	.26860	-27.56400	11.44300
	GRADIENT	.00000	.00000	.00000	.00000

ARC 11-023 IAB0 OTS (SRB NOM) (SSME NOM)

(EE4083) (08 JAN 75)

REFERENCE DATA

SREF = 2690.0000 SQ.FT. XMRP = .0000 IN.
 LREF = 1290.3000 IN. YMRP = .0000 IN.
 BREF = 1290.3000 IN. ZMRP = .0000 IN.
 SCALE = .0200

PARAMETRIC DATA

ELV-1B = 8.000 ELV-0B = .000
 RN/L = 4.250 MACH = 1.400

RUN NO. 144/ 0 RN/L = 4.32 GRADIENT INTERVAL = -5.00/ 5.00

ALPHA	BETA	XWCP	YWCP	XVCP	ZVCP
-3.983	-.066	-.18790	.26210	-.71990	.52930
	GRADIENT	.00000	.00000	.00000	.00000

RUN NO. 145/ 0 RN/L = 4.31 GRADIENT INTERVAL = -5.00/ 5.00

ALPHA	BETA	XWCP	YWCP	XVCP	ZVCP
-.380	-4.059	-.00040	.25450	-.15110	.42520
-.380	-.059	-.04000	.26580	-.74280	.54490
-.409	3.953	-.21570	.31630	-.13300	.42420
	GRADIENT	-.02688	.00772	.00234	-.00014

DATE 03 JUN 76

TABULATED SOURCE DATA - 1A80

PAGE 137

ARC 11-023 1A80 OTS (SRB NOM) (SSME NOM)

(EE4083) (08 JAN 75)

REFERENCE DATA

SREF = 2690.0000 SQ.FT. XMRP = .0000 IN.
 LREF = 1290.3000 IN. YMRP = .0000 IN.
 BREF = 1290.3000 IN. ZMRP = .0000 IN.
 SCALE = .0200

PARAMETRIC DATA

ELV-1B = 8.000 ELV-0B = .000
 RN/L = 4.250 MACH = 1.400

RUN NO. 146/ 0 RN/L = 4.27 GRADIENT INTERVAL = -5.00/ 5.00

ALPHA	BETA	XWCP	YWCP	XVCP	ZVCP
3.828	.000	.01110	.26500	-.47250	.43940
	GRADIENT	.00000	.00000	.00000	.00000

ARC 11-023 1A80 OTS (SRB OFF) (SSME OFF)

(EE4084) (08 JAN 75)

REFERENCE DATA

SREF = 2690.0000 SQ.FT. XMRP = .0000 IN.
 LREF = 1290.3000 IN. YMRP = .0000 IN.
 BREF = 1290.3000 IN. ZMRP = .0000 IN.
 SCALE = .0200

PARAMETRIC DATA

ELV-1B = 8.000 ELV-0B = 2.000
 RN/L = 3.400 MACH = .600

RUN NO. 326/ 0 RN/L = 3.42 GRADIENT INTERVAL = -5.00/ 5.00

ALPHA	BETA	XWCP	YWCP	XVCP	ZVCP
-3.953	-.044	.20690	-.63180	.94420	.24130
	GRADIENT	.00000	.00000	.00000	.00000

RUN NO. 327/ 0 RN/L = 3.43 GRADIENT INTERVAL = -5.00/ 5.00

ALPHA	BETA	XWCP	YWCP	XVCP	ZVCP
-.284	-4.063	.17800	.24960	-.02100	.39390
-.291	-.047	.16300	.23900	2.69460	1.13870
-.320	3.969	.05240	.21250	-.01270	.40000
	GRADIENT	-.01564	-.00462	.00103	.00076

RUN NO. 328/ 0 RN/L = 3.43 GRADIENT INTERVAL = -5.00/ 5.00

ALPHA	BETA	XWCP	YWCP	XVCP	ZVCP
3.973	-.044	.16130	.25780	1.02200	.51840
	GRADIENT	.00000	.00000	.00000	.00000

ORIGINAL PAGE IS
OF POOR QUALITY

ARC 11-023 1A80 OTS (SRB OFF) (SSME OFF)

(EE4085) (08 JAN 75,)

REFERENCE DATA

SREF = 2690.0000 SQ.FT. XMRP = .0000 IN.
 LREF = 1290.3000 IN. YMRP = .0000 IN.
 BREF = 1290.3000 IN. ZMRP = .0000 IN.
 SCALE = .0200

PARAMETRIC DATA

ELV-18 = 8.000 ELV-08 = 2.000
 RN/L = 4.250 MACH = .900

RUN NO. 320/ 0 RN/L = 4.27 GRADIENT INTERVAL = -5.00/ 5.00

ALPHA	BETA	XWCP	YWCP	XVCP	ZVCP
-3.937	-.050	.15250	.18030	-.48860	.59750
	GRADIENT	.00000	.00000	.00000	.00000

RUN NO. 321/ 0 RN/L = 4.24 GRADIENT INTERVAL = -5.00/ 5.00

ALPHA	BETA	XWCP	YWCP	XVCP	ZVCP
-.301	-4.066	.18730	.24540	.03530	.37480
-.304	-.047	.14020	.25140	-.45480	.63540
-.320	3.969	-.06580	.27150	.01910	.39590
	GRADIENT	-.03150	.00325	-.00203	.00263

RUN NO. 322/ 0 RN/L = 4.23 GRADIENT INTERVAL = -5.00/ 5.00

ALPHA	BETA	XWCP	YWCP	XVCP	ZVCP
3.977	-.044	.15690	.25030	-.53110	.87440
	GRADIENT	.00000	.00000	.00000	.00000

ARC 11-023 1A80 OTS (SRB OFF) (SSME OFF)

(EE4086) (08 JAN 75)

REFERENCE DATA

SREF = 2690.0000 SQ.FT. XMRP = .0000 IN.
 LREF = 1290.3000 IN. YMRP = .0000 IN.
 BREF = 1290.3000 IN. ZMRP = .0000 IN.
 SCALE = .0200

PARAMETRIC DATA

ELV-18 = 8.000 ELV-08 = 2.000
 RN/L = 4.250 MACH = 1.100

RUN NO. 159/ 0 RN/L = 4.47 GRADIENT INTERVAL = -5.00/ 5.00

ALPHA	BETA	XWCP	YWCP	XVCP	ZVCP
-4.013	.016	.62120	.28080	-5.66390	1.17520
	GRADIENT	.00000	.00000	.00000	.00000

RUN NO. 160/ 0 RN/L = 4.46 GRADIENT INTERVAL = -5.00/ 5.00

ALPHA	BETA	XWCP	YWCP	XVCP	ZVCP
-.304	-3.991	.13210	.26410	-.13540	.42590
-.267	.009	.15820	.27300	-4.77070	1.13020
-.327	4.034	.00150	.07110	-.12130	.42400
	GRADIENT	-.01630	-.02408	.00301	-.00042

DATE 03 JUN 76

TABULATED SOURCE DATA - IA80

PAGE 139

ARC 11-023 IA80 OTS (SRB OFF) (SSME OFF)

(EE4086) (08 JAN 75)

REFERENCE DATA

SREF = 2690.0000 SQ.FT. XMRP = .0000 IN.
 LREF = 1290.3000 IN. YMRP = .0000 IN.
 BREF = 1290.3000 IN. ZMRP = .0000 IN.
 SCALE = .0200

PARAMETRIC DATA

ELV-18 = 8.000 ELV-08 = 2.000
 RN/L = 4.250 MACH = 1.100

RUN NO. 161/ 0 RN/L = 4.45 GRADIENT INTERVAL = -5.00/ 5.00

ALPHA	BETA	XWCP	YWCP	XVCP	ZVCP
3.986	.016	.11110	.27320	-2.14520	.75920
GRADIENT		.00000	.00000	.00000	.00000

ARC 11-023 IA80 OTS (SRB NOM) (SSME NOM)

(EE4087) (08 JAN 75)

REFERENCE DATA

SREF = 2690.0000 SQ.FT. XMRP = .0000 IN.
 LREF = 1290.3000 IN. YMRP = .0000 IN.
 BREF = 1290.3000 IN. ZMRP = .0000 IN.
 SCALE = .0200

PARAMETRIC DATA

ELV-18 = 8.000 ELV-08 = 2.000
 RN/L = 3.400 MACH = .600

RUN NO. 329/ 0 RN/L = 3.43 GRADIENT INTERVAL = -5.00/ 5.00

ALPHA	BETA	XWCP	YWCP	XVCP	ZVCP
-3.871	-.044	.06030	.08070	10.60900	-4.63110
GRADIENT		.00000	.00000	.00000	.00000

RUN NO. 330/ 0 RN/L = 3.43 GRADIENT INTERVAL = -5.00/ 5.00

ALPHA	BETA	XWCP	YWCP	XVCP	ZVCP
-.350	-4.066	.16370	.25100	-.04230	.40160
-.380	-.050	.13710	.24340	.77080	.15510
-.423	3.969	-.00280	.22520	-.02440	.39740
GRADIENT		-.02073	-.00321	.00220	-.00051

RUN NO. 331/ 0 RN/L = 3.43 GRADIENT INTERVAL = -5.00/ 5.00

ALPHA	BETA	XWCP	YWCP	XVCP	ZVCP
3.986	-.047	.15190	.26040	.66250	.09970
GRADIENT		.00000	.00000	.00000	.00000

ARC 11-023 1A80 OTS (SRB NOM) (SSME NOM)

(EE4088) (08 JAN 75)

REFERENCE DATA

SREF = 2690.0000 SQ.FT. XMRP = .0000 IN.
 LREF = 1290.3000 IN. YMRP = .0000 IN.
 BREF = 1290.3000 IN. ZMRP = .0000 IN.
 SCALE = .0200

PARAMETRIC DATA

ELV-18 = 8.000 ELV-08 = 2.000
 RN/L = 4.250 MACH = .900

RUN NO. 323/ 0 RN/L = 4.19 GRADIENT INTERVAL = -5.00/ 5.00

ALPHA	BETA	XWCP	YWCP	XVCP	ZVCP
-3.963	-.044	.17060	.18300	-.65080	.62520
	GRADIENT	.00000	.00000	.00000	.00000

RUN NO. 324/ 0 RN/L = 4.19 GRADIENT INTERVAL = -5.00/ 5.00

ALPHA	BETA	XWCP	YWCP	XVCP	ZVCP
-.383	-4.066	.18280	.24720	.02180	.37810
-.376	-.047	.14000	.25610	-.56810	.61190
-.409	3.959	-.12600	.23630	-.01050	.40040
	GRADIENT	-.03843	.00487	-.00404	.00278

RUN NO. 325/ 0 RN/L = 4.19 GRADIENT INTERVAL = -5.00/ 5.00

ALPHA	BETA	XWCP	YWCP	XVCP	ZVCP
3.940	-.044	.15040	.25480	-.06000	.40020
	GRADIENT	.00000	.00000	.00000	.00000

ARC 11-023 1A80 OTS (SRB NOM) (SSME NOM)

(EE4089) (08 JAN 75)

REFERENCE DATA

SREF = 2690.0000 SQ.FT. XMRP = .0000 IN.
 LREF = 1290.3000 IN. YMRP = .0000 IN.
 BREF = 1290.3000 IN. ZMRP = .0000 IN.
 SCALE = .0200

PARAMETRIC DATA

ELV-18 = 8.000 ELV-08 = 2.000
 RN/L = 4.250 MACH = 1.100

RUN NO. 162/ 0 RN/L = 4.41 GRADIENT INTERVAL = -5.00/ 5.00

ALPHA	BETA	XWCP	YWCP	XVCP	ZVCP
-3.970	.016	.83230	.34170	2.59440	-.38340
	GRADIENT	.00000	.00000	.00000	.00000

RUN NO. 163/ 0 RN/L = 4.43 GRADIENT INTERVAL = -5.00/ 5.00

ALPHA	BETA	XWCP	YWCP	XVCP	ZVCP
-.436	-3.994	.12770	.26490	-.15240	.42660
-.429	.009	.15730	.28060	4.77140	-.99450
-.466	4.031	.00020	.07050	-.13000	.41940
	GRADIENT	-.01591	-.02425	.00184	-.00062

DATE 03 JUN 76

TABULATED SOURCE DATA - 1A80

PAGE 141

ARC 11-023 1A80 OTS (SRB NOM) (SSME NOM)

(EE4089) (08 JAN 75)

REFERENCE DATA

SREF = 2690.0000 SQ.FT. XMRP = .0000 IN.
 LREF = 1290.3000 IN. YMRP = .0000 IN.
 BREF = 1290.3000 IN. ZMRP = .0000 IN.
 SCALE = .0200

PARAMETRIC DATA

ELV-18 = 8.000 ELV-08 = 2.000
 RN/L = 4.250 MACH = 1.100

RUN NO. 164/ 0 RN/L = 4.43 GRADIENT INTERVAL = -5.00/ 5.00

ALPHA	BETA	XWCP	YWCP	XVCP	ZVCP
3.851	.012	.11070	.27580	2.08930	-.44010
GRADIENT		.00000	.00000	.00000	.00000

ARC 11-023 1A80 OTS (SRB OFF) (SSME OFF)

(EE4090) (08 JAN 75)

REFERENCE DATA

SREF = 2690.0000 SQ.FT. XMRP = .0000 IN.
 LREF = 1290.3000 IN. YMRP = .0000 IN.
 BREF = 1290.3000 IN. ZMRP = .0000 IN.
 SCALE = .0200

PARAMETRIC DATA

ELV-18 = 4.000 ELV-08 = 4.000
 RN/L = 3.400 MACH = .600

RUN NO. 332/ 0 RN/L = 3.50 GRADIENT INTERVAL = -5.00/ 5.00

ALPHA	BETA	XWCP	YWCP	XVCP	ZVCP
-3.960	-.003	-.32870	.37090	2.14050	-.03840
GRADIENT		.00000	.00000	.00000	.00000

RUN NO. 333/ 0 RN/L = 3.49 GRADIENT INTERVAL = -5.00/ 5.00

ALPHA	BETA	XWCP	YWCP	XVCP	ZVCP
-.267	-4.003	.20660	.26300	-.02220	.39640
-.291	.012	.20900	.25960	.46420	.28120
-.294	4.028	.18920	.26350	-.00790	.39520
GRADIENT		-.00242	.00255	.00178	-.00015

RUN NO. 334/ 0 RN/L = 3.49 GRADIENT INTERVAL = -5.00/ 5.00

ALPHA	BETA	XWCP	YWCP	XVCP	ZVCP
3.973	.006	.17840	.26870	.38060	.24720
GRADIENT		.00000	.00000	.00000	.00000

ARC 11-023 1A80 OTS (SRB OFF) (SSME OFF)

(EE4091) (08 JAN 75)

REFERENCE DATA

SREF = 2690.0000 SQ.FT. XMRP = .0000 IN.
 LREF = 1290.3000 IN. YMRP = .0000 IN.
 BREF = 1290.3000 IN. ZMRP = .0000 IN.
 SCALE = .0200

PARAMETRIC DATA

ELV-1B = 4.000 ELV-0B = 4.000
 RN/L = 4.250 MACH = .900

RUN NO. 338/ 0 RN/L = 4.21 GRADIENT INTERVAL = -5.00/ 5.00

ALPHA	BETA	XWCP	YWCP	XVCP	ZVCP
-3.980	-.003	.17780	.22560	-.66970	.67980
	GRADIENT	.00000	.00000	.00000	.00000

RUN NO. 339/ 0 RN/L = 4.20 GRADIENT INTERVAL = -5.00/ 5.00

ALPHA	BETA	XWCP	YWCP	XVCP	ZVCP
-.267	-4.003	.19870	.25080	.03850	.37310
-.291	.012	.14890	.25750	-.47940	.61040
-.284	4.028	-.05190	.30850	.01200	.39740
	GRADIENT	-.03120	.00718	-.00331	.00303

RUN NO. 340/ 0 RN/L = 4.20 GRADIENT INTERVAL = -5.00/ 5.00

ALPHA	BETA	XWCP	YWCP	XVCP	ZVCP
3.970	-.003	.16320	.25530	-.55460	.72600
	GRADIENT	.00000	.00000	.00000	.00000

ARC 11-023 1A80 OTS (SRB OFF) (SSME OFF)

(EE4092) (08 JAN 75)

REFERENCE DATA

SREF = 2690.0000 SQ.FT. XMRP = .0000 IN.
 LREF = 1290.3000 IN. YMRP = .0000 IN.
 BREF = 1290.3000 IN. ZMRP = .0000 IN.
 SCALE = .0200

PARAMETRIC DATA

ELV-1B = 4.000 ELV-0B = 4.000
 RN/L = 4.250 MACH = 1.100

RUN NO. 177/ 0 RN/L = 4.34 GRADIENT INTERVAL = -5.00/ 5.00

ALPHA	BETA	XWCP	YWCP	XVCP	ZVCP
-3.957	.003	1.78480	.59580	-3.61050	.88470
	GRADIENT	.00000	.00000	.00000	.00000

RUN NO. 178/ 0 RN/L = 4.34 GRADIENT INTERVAL = -5.00/ 5.00

ALPHA	BETA	XWCP	YWCP	XVCP	ZVCP
-.284	-3.994	.15150	.27190	-.13610	.42690
-.281	.000	.18950	.28930	-3.32320	.46130
-.320	4.028	-.06100	.07360	-.12310	.42540
	GRADIENT	-.02127	-.02476	.00276	-.00020

DATE 03 JAN 76

TABULATED SOURCE DATA - 1A80

PAGE 143

ARC 11-023 1A80 OTS (SRB OFF) (SSME OFF)

(EE4092) (08 JAN 75)

REFERENCE DATA

SREF = 2690.0000 SQ.FT. XMRP = .0000 IN.
 LREF = 1290.3000 IN. YMRP = .0000 IN.
 BREF = 1290.3000 IN. ZMRP = .0000 IN.
 SCALE = .0200

PARAMETRIC DATA

ELV-1B = 4.000 ELV-08 = 4.000
 RN/L = 4.250 MACH = 1.100

RUN NO. 179/ 0 RN/L = 4.34 GRADIENT INTERVAL = -5.00/ 5.00

ALPHA	BETA	XWCP	YWCP	XVCP	ZVCP
3.977	.003	.12890	.28040	-3.74740	1.05300
	GRADIENT	.00000	.00000	.00000	.00000

ARC 11-023 1A80 OTS (SRB OFF) (SSME OFF)

(EE4093) (08 JAN 75)

REFERENCE DATA

SREF = 2690.0000 SQ.FT. XMRP = .0000 IN.
 LREF = 1290.3000 IN. YMRP = .0000 IN.
 BREF = 1290.3000 IN. ZMRP = .0000 IN.
 SCALE = .0200

PARAMETRIC DATA

ELV-1B = 4.000 ELV-08 = 4.000
 RN/L = 4.250 MACH = 1.250

RUN NO. 171/ 0 RN/L = 4.35 GRADIENT INTERVAL = -5.00/ 5.00

ALPHA	BETA	XWCP	YWCP	XVCP	ZVCP
-3.953	.006	.06520	.31200	-1.22270	.49310
	GRADIENT	.00000	.00000	.00000	.00000

RUN NO. 172/ 0 RN/L = 4.35 GRADIENT INTERVAL = -5.00/ 5.00

ALPHA	BETA	XWCP	YWCP	XVCP	ZVCP
-.238	-3.997	.07150	.26520	-.14340	.42400
-.231	.000	.05810	.27650	-.52860	.40790
-.284	4.034	.11700	.53670	-.13160	.42770
	GRADIENT	.00568	.03385	.00162	.00047

RUN NO. 173/ 0 RN/L = 4.34 GRADIENT INTERVAL = -5.00/ 5.00

ALPHA	BETA	XWCP	YWCP	XVCP	ZVCP
3.977	.000	.07610	.27340	-.86070	.51740
	GRADIENT	.00000	.00000	.00000	.00000

ARC 11-023 1A80 OTS (SRB OFF) (SSME OFF)

(EE4094) (08 JAN 75)

REFERENCE DATA

PARAMETRIC DATA

SREF = 2690.0000 SQ.FT. XMRP = .0000 IN.
 LREF = 1290.3000 IN. YMRP = .0000 IN.
 BREF = 1290.3000 IN. ZMRP = .0000 IN.
 SCALE = .0200

ELV-1B = 4.000 ELV-0B = 4.000
 RN/L = 4.250 MACH = 1.400

RUN NO. 165/ 0 RN/L = 4.38 GRADIENT INTERVAL = -5.00/ 5.00

ALPHA	BETA	XWCP	YWCP	XVCP	ZVCP
-3.887	.016	-.11050	.28410	-.60440	.42550
	GRADIENT	.00000	.00000	.00000	.00000

RUN NO. 166/ 0 RN/L = 4.36 GRADIENT INTERVAL = -5.00/ 5.00

ALPHA	BETA	XWCP	YWCP	XVCP	ZVCP
-.271	-3.991	.01360	.26160	-.14160	.42100
-.251	.009	-.01630	.27030	-.48090	.40370
-.284	4.031	-.10390	.32610	-.13140	.42470
	GRADIENT	-.01465	.00805	.00135	.00047

RUN NO. 167/ 0 RN/L = 4.33 GRADIENT INTERVAL = -5.00/ 5.00

ALPHA	BETA	XWCP	YWCP	XVCP	ZVCP
3.973	.006	.02660	.26770	-.36330	.28170
	GRADIENT	.00000	.00000	.00000	.00000

ARC 11-023 1A80 OTS (SRB NOM) (SSME NOM)

(EE4095) (08 JAN 75)

REFERENCE DATA

PARAMETRIC DATA

SREF = 2690.0000 SQ.FT. XMRP = .0000 IN.
 LREF = 1290.3000 IN. YMRP = .0000 IN.
 BREF = 1290.3000 IN. ZMRP = .0000 IN.
 SCALE = .0200

ELV-1B = 4.000 ELV-0B = 4.000
 RN/L = 3.400 MACH = .600

RUN NO. 335/ 0 RN/L = 3.41 GRADIENT INTERVAL = -5.00/ 5.00

ALPHA	BETA	XWCP	YWCP	XVCP	ZVCP
-3.950	.006	10.73400	-6.16280	1.72170	-.28850
	GRADIENT	.00000	.00000	.00000	.00000

RUN NO. 336/ 0 RN/L = 3.47 GRADIENT INTERVAL = -5.00/ 5.00

ALPHA	BETA	XWCP	YWCP	XVCP	ZVCP
-.297	-4.003	.18700	.25440	-.04180	.40170
-.307	.012	.17140	.26550	.45510	.12100
-.376	4.022	.02250	.30290	-.02570	.39780
	GRADIENT	-.02049	.00480	.00204	-.00050

DATE 03 JUN 76

TABULATED SOURCE DATA - 1A80

PAGE 145

ARC 11-023 1A80 OTS (SRB NOM) (SSME NOM)

(EE4095) (08 JAN 75)

REFERENCE DATA

SREF = 2690.0000 SQ.FT. XMRP = .0000 IN.
 LREF = 1290.3000 IN. YMRP = .0000 IN.
 BREF = 1290.3000 IN. ZMRP = .0000 IN.
 SCALE = .0200

PARAMETRIC DATA

ELV-18 = 4.000 ELV-08 = 4.000
 RN/L = 3.400 MACH = .600

RUN NO. 337/ 0 RN/L = 3.48 GRADIENT INTERVAL = -5.00/ 5.00

ALPHA	BETA	XWCP	YWCP	XVCP	ZVCP
4.020	-.003	.16820	.26900	.44190	.10460
	GRADIENT	.00000	.00000	.00000	.00000

ARC 11-023 1A80 OTS (SRB NOM) (SSME NOM)

(EE4096) (08 JAN 75)

REFERENCE DATA

SREF = 2690.0000 SQ.FT. XMRP = .0000 IN.
 LREF = 1290.3000 IN. YMRP = .0000 IN.
 BREF = 1290.3000 IN. ZMRP = .0000 IN.
 SCALE = .0200

PARAMETRIC DATA

ELV-18 = 4.000 ELV-08 = 4.000
 RN/L = 4.250 MACH = .900

RUN NO. 341/ 0 RN/L = 4.21 GRADIENT INTERVAL = -5.00/ 5.00

ALPHA	BETA	XWCP	YWCP	XVCP	ZVCP
-3.891	-.003	.21060	.24280	-.49420	.53260
	GRADIENT	.00000	.00000	.00000	.00000

RUN NO. 342/ 0 RN/L = 4.20 GRADIENT INTERVAL = -5.00/ 5.00

ALPHA	BETA	XWCP	YWCP	XVCP	ZVCP
-.390	-4.003	.19490	.25340	.01310	.38360
-.360	.012	.14310	.26610	-.47560	.55940
-.406	4.031	-.12060	.32910	-.01640	.40300
	GRADIENT	-.03927	.00942	-.00366	.00241

RUN NO. 343/ 0 RN/L = 4.20 GRADIENT INTERVAL = -5.00/ 5.00

ALPHA	BETA	XWCP	YWCP	XVCP	ZVCP
3.986	-.003	.15700	.26000	-.21620	.47320
	GRADIENT	.00000	.00000	.00000	.00000

ORIGINAL PAGE IS
 OF POOR QUALITY

ARC 11-023 1A80 OTS (SRB NOM) (SSME NOM)

(EE4097) (08 JAN 75)

REFERENCE DATA

SREF = 2690.0000 SQ.FT. XMRP = .0000 IN.
 LREF = 1290.3000 IN. YMRP = .0000 IN.
 BREF = 1290.3000 IN. ZMRP = .0000 IN.
 SCALE = .0200

ELV-1B = 4.000 ELV-08 = 4.000
 RN/L = 4.250 MACH = 1.100

PARAMETRIC DATA

RUN NO. 180/ 0 RN/L = 4.34 GRADIENT INTERVAL = -5.00/ 5.00

ALPHA	BETA	XWCP	YWCP	XVCP	ZVCP
-3.963	.003	4.22360	1.31330	5.00230	-1.05830
	GRADIENT	.00000	.00000	.00000	.00000

RUN NO. 181/ 0 RN/L = 4.34 GRADIENT INTERVAL = -5.00/ 5.00

ALPHA	BETA	XWCP	YWCP	XVCP	ZVCP
-.409	-3.997	.14600	.27330	-.14640	.42410
-.386	-.003	.18570	.30150	1.16950	.02060
-.429	4.028	-.06150	.06190	-.13210	.42140
	GRADIENT	-.02591	-.02639	.00128	-.00018

RUN NO. 182/ 0 RN/L = 4.34 GRADIENT INTERVAL = -5.00/ 5.00

ALPHA	BETA	XWCP	YWCP	XVCP	ZVCP
4.033	-.003	.12620	.28360	.90770	-.02830
	GRADIENT	.00000	.00000	.00000	.00000

ARC 11-023 1A80 OTS (SRB NOM) (SSME NOM)

(EE4098) (08 JAN 75)

REFERENCE DATA

SREF = 2690.0000 SQ.FT. XMRP = .0000 IN.
 LREF = 1290.3000 IN. YMRP = .0000 IN.
 BREF = 1290.3000 IN. ZMRP = .0000 IN.
 SCALE = .0200

ELV-1B = 4.000 ELV-08 = 4.000
 RN/L = 4.250 MACH = 1.250

PARAMETRIC DATA

RUN NO. 174/ 0 RN/L = 4.34 GRADIENT INTERVAL = -5.00/ 5.00

ALPHA	BETA	XWCP	YWCP	XVCP	ZVCP
-3.973	.003	.06890	.35160	-1.05170	.53980
	GRADIENT	.00000	.00000	.00000	.00000

RUN NO. 175/ 0 RN/L = 4.34 GRADIENT INTERVAL = -5.00/ 5.00

ALPHA	BETA	XWCP	YWCP	XVCP	ZVCP
-.482	-3.994	.06680	.26700	-.15120	.42530
-.439	-.003	.04810	.28710	-.50150	.45560
-.416	4.028	-.16880	1.24110	-.13480	.42480
	GRADIENT	-.02941	.12163	.00220	-.00008

DATE 03 JUN 76

TABULATED SOURCE DATA - IABO

PAGE 147

ARC 11-023 IABO OTS (SRB NOM) (SSME NOM)

(EE4098) (08 JAN 75)

REFERENCE DATA

SREF = 2690.0000 SQ.FT. XMRP = .0000 IN.
 LREF = 1290.3000 IN. YMRP = .0000 IN.
 BREF = 1290.3000 IN. ZMRP = .0000 IN.
 SCALE = .0200

ELV-18 = 4.000 ELV-08 = 4.000
 RN/L = 4.250 MACH = 1.250

PARAMETRIC DATA

RUN NO. 176/ 0 RN/L = 4.34 GRADIENT INTERVAL = -5.00/ 5.00

ALPHA	BETA	XWCP	YWCP	XVCP	ZVCP
4.020	.003	.07120	.27600	-1.01830	.64190
GRADIENT		.00000	.00000	.00000	.00000

ARC 11-023 IABO OTS (SRB NOM) (SSME NOM)

(EE4099) (08 JAN 75)

REFERENCE DATA

SREF = 2690.0000 SQ.FT. XMRP = .0000 IN.
 LREF = 1290.3000 IN. YMRP = .0000 IN.
 BREF = 1290.3000 IN. ZMRP = .0000 IN.
 SCALE = .0200

ELV-18 = 4.000 ELV-08 = 4.000
 RN/L = 4.250 MACH = 1.400

PARAMETRIC DATA

RUN NO. 168/ 0 RN/L = 4.27 GRADIENT INTERVAL = -5.00/ 5.00

ALPHA	BETA	XWCP	YWCP	XVCP	ZVCP
-3.944	.009	-.13980	.29970	-.73710	.54760
GRADIENT		.00000	.00000	.00000	.00000

RUN NO. 169/ 0 RN/L = 4.26 GRADIENT INTERVAL = -5.00/ 5.00

ALPHA	BETA	XWCP	YWCP	XVCP	ZVCP
-.403	-3.991	.00640	.26250	-.14630	.42240
-.386	.012	-.03320	.28010	-.64180	.52220
-.443	4.034	-.20170	.57420	-.13530	.42590
GRADIENT		-.02554	.01393	.00147	.00042

RUN NO. 170/ 0 RN/L = 4.26 GRADIENT INTERVAL = -5.00/ 5.00

ALPHA	BETA	XWCP	YWCP	XVCP	ZVCP
3.864	.012	.01920	.26340	-.38640	.41040
GRADIENT		.00000	.00000	.00000	.00000

ARC 11-023 1A80 OTS (SRB OFF) (SSME OFF)

(EE40A0) (08 JAN 75)

REFERENCE DATA

SREF = 2690.0000 SQ.FT. XMRP = .0000 IN.
 LREF = 1290.3000 IN. YMRP = .0000 IN.
 BREF = 1290.3000 IN. ZMRP = .0000 IN.
 SCALE = .0200

PARAMETRIC DATA

ELV-1B = .000 ELV-08 = 4.000
 RN/L = 3.400 MACH = .600

RUN NO. 344/ 0 RN/L = 3.50 GRADIENT INTERVAL = -5.00/ 5.00

ALPHA	BETA	XWCP	YWCP	XVCP	ZVCP
-3.894	.000	-.19690	.25690	.75590	-.01350
	GRADIENT	.00000	.00000	.00000	.00000

RUN NO. 345/ 0 RN/L = 3.48 GRADIENT INTERVAL = -5.00/ 5.00

ALPHA	BETA	XWCP	YWCP	XVCP	ZVCP
-.281	-4.003	.26270	.27130	-.02070	-.39520
-.287	.012	.32490	.27340	.43010	.21690
-.301	4.028	-1.42400	-.01110	-.00990	-.39440
	GRADIENT	-.21002	-.03516	.00147	-.00010

RUN NO. 346/ 0 RN/L = 3.48 GRADIENT INTERVAL = -5.00/ 5.00

ALPHA	BETA	XWCP	YWCP	XVCP	ZVCP
3.986	.012	.21470	.27470	.39110	.22270
	GRADIENT	.00000	.00000	.00000	.00000

ARC 11-023 1A80 OTS (SRB OFF) (SSME OFF)

(EE40A1) (08 JAN 75)

REFERENCE DATA

SREF = 2690.0000 SQ.FT. XMRP = .0000 IN.
 LREF = 1290.3000 IN. YMRP = .0000 IN.
 BREF = 1290.3000 IN. ZMRP = .0000 IN.
 SCALE = .0200

PARAMETRIC DATA

ELV-1B = .000 ELV-08 = 4.000
 RN/L = 4.250 MACH = .900

RUN NO. 350/ 0 RN/L = 4.23 GRADIENT INTERVAL = -5.00/ 5.00

ALPHA	BETA	XWCP	YWCP	XVCP	ZVCP
-3.996	.009	.16960	.22020	-.59830	.62500
	GRADIENT	.00000	.00000	.00000	.00000

RUN NO. 351/ 0 RN/L = 4.24 GRADIENT INTERVAL = -5.00/ 5.00

ALPHA	BETA	XWCP	YWCP	XVCP	ZVCP
-.281	-4.006	.22420	.25430	.03550	.37330
-.284	.009	.13860	.25870	-.54380	.64000
-.281	4.028	-.07010	.30860	.01590	.39320
	GRADIENT	-.03663	.00676	-.00243	.00247

DATE 03 JUN 76

TABULATED SOURCE DATA - 1A80

PAGE 149

ARC 11-023 1A80 OTS (SRB OFF) (SSME OFF)

(EE40A1) (08 JAN 75)

REFERENCE DATA

SREF = 2690.0000 SQ.FT. XMRP = .0000 IN.
 LREF = 1290.3000 IN. YMRP = .0000 IN.
 BREF = 1290.3000 IN. ZMRP = .0000 IN.
 SCALE = .0200

PARAMETRIC DATA

ELV-18 = .000 ELV-08 = 4.000
 RN/L = 4.250 MACH = .900

RUN NO. 352/ 0 RN/L = 4.23 GRADIENT INTERVAL = -5.00/ 5.00

ALPHA	BETA	XWCP	YWCP	XVCP	ZVCP
4.023	.016	.17540	.25730	-.15920	.45770
	GRADIENT	.00000	.00000	.00000	.00000

ARC 11-023 1A80 OTS (SRB OFF) (SSME OFF)

(EE40A2) (08 JAN 75)

REFERENCE DATA

SREF = 2690.0000 SQ.FT. XMRP = .0000 IN.
 LREF = 1290.3000 IN. YMRP = .0000 IN.
 BREF = 1290.3000 IN. ZMRP = .0000 IN.
 SCALE = .0200

PARAMETRIC DATA

ELV-18 = .000 ELV-08 = 4.000
 RN/L = 4.250 MACH = 1.100

RUN NO. 195/ 0 RN/L = 4.36 GRADIENT INTERVAL = -5.00/ 5.00

ALPHA	BETA	XWCP	YWCP	XVCP	ZVCP
-3.967	.006	-2.61540	-.27130	-5.79660	1.31020
	GRADIENT	.00000	.00000	.00000	.00000

RUN NO. 196/ 0 RN/L = 4.36 GRADIENT INTERVAL = -5.00/ 5.00

ALPHA	BETA	XWCP	YWCP	XVCP	ZVCP
-.284	-4.003	.18480	.27770	-.13120	.42620
-.258	-.012	.24830	.30080	15.57400	-1.69550
-.301	4.016	-.13510	.10120	-.12100	.42490
	GRADIENT	-.03998	-.02205	-.00483	.00066

RUN NO. 197/ 0 RN/L = 4.35 GRADIENT INTERVAL = -5.00/ 5.00

ALPHA	BETA	XWCP	YWCP	XVCP	ZVCP
3.947	.000	.15420	.28680	-3.70610	1.06100
	GRADIENT	.00000	.00000	.00000	.00000

ARC 11-023 1A80 OTS (SRB OFF) (SSME OFF)

(EE40A3) (08 JAN 75)

REFERENCE DATA

SREF = 2690.0000 SQ.FT. XMRP = .0000 IN.
 LREF = 1290.3000 IN. YMRP = .0000 IN.
 BREF = 1290.3000 IN. ZMRP = .0000 IN.
 SCALE = .0200

PARAMETRIC DATA

ELV-1B = .000 ELV-08 = 4.000
 RN/L = 4.250 MACH = 1.250

RUN NO. 189/ 0 RN/L = 4.37 GRADIENT INTERVAL = -5.00/ 5.00

ALPHA	BETA	XWCP	YWCP	XVCP	ZVCP
-3.947	-.006	.29810	.39120	-.94330	.51130
	GRADIENT	.00000	.00000	.00000	.00000

RUN NO. 190/ 0 RN/L = 4.36 GRADIENT INTERVAL = -5.00/ 5.00

ALPHA	BETA	XWCP	YWCP	XVCP	ZVCP
-.248	-4.000	.09130	.26930	-.14500	.42530
-.244	-.006	.09060	.28470	-.43630	.40350
-.271	4.022	.30660	1.43930	-.13360	.42930
	GRADIENT	.15171	.14605	.00153	.00051

RUN NO. 191/ 0 RN/L = 4.36 GRADIENT INTERVAL = -5.00/ 5.00

ALPHA	BETA	XWCP	YWCP	XVCP	ZVCP
3.986	.003	.09340	.27740	-.44610	.37840
	GRADIENT	.00000	.00000	.00000	.00000

ARC 11-023 1A80 OTS (SRB OFF) (SSME OF.)

(EE40A4) (08 JAN. 75)

REFERENCE DATA

SREF = 2690.0000 SQ.FT. XMRP = .0000 IN.
 LREF = 1290.3000 IN. YMRP = .0000 IN.
 BREF = 1290.3000 IN. ZMRP = .0000 IN.
 SCALE = .0200

PARAMETRIC DATA

ELV-1B = .000 ELV-08 = 4.000
 RN/L = 4.250 MACH = 1.400

RUN NO. 183/ 0 RN/L = 4.34 GRADIENT INTERVAL = -5.00/ 5.00

ALPHA	BETA	XWCP	YWCP	XVCP	ZVCP
-3.947	.006	-.03720	.32010	-1.28020	.60670
	GRADIENT	.00000	.00000	.00000	.00000

RUN NO. 184/ 0 RN/L = 4.31 GRADIENT INTERVAL = -5.00/ 5.00

ALPHA	BETA	XWCP	YWCP	XVCP	ZVCP
-.267	-3.994	.03030	.26450	-.14240	.42140
-.277	-.003	.00940	.27820	-.53820	.42130
-.284	4.019	-.02180	.37410	-.12850	.42330
	GRADIENT	-.00650	.01369	.00187	.00024

DATE 03 JUN 76

TABULATED SOURCE DATA - IAB0

PAGE 151

ARC 11-023 IAB0 OTS (SRB OFF) (SSME OFF)

(EE40A4) (08 JAN 75)

REFERENCE DATA

SREF = 2690.0000 SQ.FT. XMRP = .0000 IN.
 LREF = 1290.3000 IN. YMRP = .0000 IN.
 BREF = 1290.3000 IN. ZMRP = .0000 IN.
 SCALE = .0200

PARAMETRIC DATA

ELV-1B = .000 ELV-0B = 4.000
 RN/L = 4.250 MACH = 1.400

RUN NO. 185/ 0 RN/L = 4.28 GRADIENT INTERVAL = -5.00/ 5.00

ALPHA	BETA	XWCP	YWCP	XVCP	ZVCP
3.986	.006	.04050	.27110	-.42110	.28630
	GRADIENT	.00000	.00000	.00000	.00000

ARC 11-023 IAB0 OTS (SRB NOM) (SSME NOM)

(EE40A5) (08 JAN 75)

REFERENCE DATA

SREF = 2690.0000 SQ.FT. XMRP = .0000 IN.
 LREF = 1290.3000 IN. YMRP = .0000 IN.
 BREF = 1290.3000 IN. ZMRP = .0000 IN.
 SCALE = .0200

PARAMETRIC DATA

ELV-1B = .000 ELV-0B = 4.000
 RN/L = 3.400 MACH = .600

RUN NO. 347/ 0 RN/L = 3.47 GRADIENT INTERVAL = -5.00/ 5.00

ALPHA	BETA	XWCP	YWCP	XVCP	ZVCP
-3.983	.012	-.27270	.27620	.53050	.03720
	GRADIENT	.00000	.00000	.00000	.00000

RUN NO. 348/ 0 RN/L = 3.48 GRADIENT INTERVAL = -5.00/ 5.00

ALPHA	BETA	XWCP	YWCP	XVCP	ZVCP
-.337	-.4006	.23440	.27100	-.04270	.40360
-.370	.009	.26420	.27530	.53180	.06340
-.453	4.025	-1.84880	-.52110	-.02310	.39500
	GRADIENT	-.25939	-.09863	.00244	-.00107

RUN NO. 349/ 0 RN/L = 3.48 GRADIENT INTERVAL = -5.00/ 5.00

ALPHA	BETA	XWCP	YWCP	XVCP	ZVCP
3.910	.009	.20100	.27480	.39880	.13090
	GRADIENT	.00000	.00000	.00000	.00000

ORIGINAL PAGE IS
 OF POOR QUALITY

ARC 11-023 IAB0 OTS (SRB NOM) (SSME NOM)

(EE40A6) (08 JAN 75)

REFERENCE DATA

SREF = 2690.0000 SQ.FT. XMRP = .0000 IN.
 LREF = 1290.3000 IN. YMRP = .0000 IN.
 BREF = 1290.3000 IN. ZMRP = .0000 IN.
 SCALE = .0200

PARAMETRIC DATA

ELV-1B = .000 ELV-0B = 4.000
 RN/L = 4.250 MACH = .900

RUN NO. 353/ 0 RN/L = 4.21 GRADIENT INTERVAL = -5.00/ 5.00

ALPHA	BETA	XWCP	YWCP	XVCP	ZVCP
-3.937	.016	.09450	.24450	-.44560	.50480
	GRADIENT	.00000	.00000	.00000	.00000

RUN NO. 354/ 0 RN/L = 4.23 GRADIENT INTERVAL = -5.00/ 5.00

ALPHA	BETA	XWCP	YWCP	XVCP	ZVCP
-.376	-4.006	.20170	.25830	-.00710	.39170
-.353	.009	.12440	.26940	-.43970	.52770
-.420	4.022	-.10340	.36700	-.04240	.41010
	GRADIENT	-.03800	.01354	-.00441	.00230

RUN NO. 355/ 0 RN/L = 4.23 GRADIENT INTERVAL = -5.00/ 5.00

ALPHA	BETA	XWCP	YWCP	XVCP	ZVCP
3.910	.006	.14050	.26380	-.41270	.49800
	GRADIENT	.00000	.00000	.00000	.00000

ARC 11-023 IAB0 OTS (SRB NOM) (SSME NOM)

(EE40A7) (08 JAN 75)

REFERENCE DATA

SREF = 2690.0000 SQ.FT. XMRP = .0000 IN.
 LREF = 1290.3000 IN. YMRP = .0000 IN.
 BREF = 1290.3000 IN. ZMRP = .0000 IN.
 SCALE = .0200

PARAMETRIC DATA

ELV-1B = .000 ELV-0B = 4.000
 RN/L = 4.250 MACH = 1.100

RUN NO. 198/ 0 RN/L = 4.36 GRADIENT INTERVAL = -5.00/ 5.00

ALPHA	BETA	XWCP	YWCP	XVCP	ZVCP
-3.996	.006	-1.49090	-.11230	1.00750	.03560
	GRADIENT	.00000	.00000	.00000	.00000

RUN NO. 199/ 0 RN/L = 4.36 GRADIENT INTERVAL = -5.00/ 5.00

ALPHA	BETA	XWCP	YWCP	XVCP	ZVCP
-.416	-4.003	.17920	.27900	-.14580	.42420
-.403	-.012	.25160	.31630	1.17240	-.02190
-.426	4.019	-.14520	.09910	-.13020	.42010
	GRADIENT	-.04054	-.02248	.00139	-.00032

DATE 03 JUN 76

TABULATED SOURCE DATA - IAB0

PAGE 153

ARC 11-023 IAB0 OTS (SRB NOM) (SSME NOM)

(EE40A7) (08 JAN 75)

REFERENCE DATA

SREF = 2690.0000 SQ.FT. XMRP = .0000 IN.
 LREF = 1290.3000 IN. YMRP = .0000 IN.
 BREF = 1290.3000 IN. ZMRP = .0000 IN.
 SCALE = .0200

PARAMETRIC DATA

ELV-18 = .000 ELV-08 = 4.000
 RN/L = 4.250 MACH = 1.100

RUN NO. 200/ 0 RN/L = 4.36 GRADIENT INTERVAL = -5.00/ 5.00

ALPHA	BETA	XWCP	YWCP	XVCP	ZVCP
3.798	.009	.15530	.28990	.90420	-.00580
	GRADIENT	.00000	.00000	.00000	.00000

ARC 11-023 IAB0 OTS (SRB NOM) (SSME NOM)

(EE40A8) (08 JAN 75)

REFERENCE DATA

SREF = 2690.0000 SQ.FT. XMRP = .0000 IN.
 LREF = 1290.3000 IN. YMRP = .0000 IN.
 BREF = 1290.3000 IN. ZMRP = .0000 IN.
 SCALE = .0200

PARAMETRIC DATA

ELV-18 = .000 ELV-08 = 4.000
 RN/L = 4.250 MACH = 1.250

RUN NO. 192/ 0 RN/L = 4.36 GRADIENT INTERVAL = -5.00/ 5.00

ALPHA	BETA	XWCP	YWCP	XVCP	ZVCP
-3.986	.009	.37790	.48260	-1.90280	.80950
	GRADIENT	.00000	.00000	.00000	.00000

RUN NO. 193/ 0 RN/L = 4.36 GRADIENT INTERVAL = -5.00/ 5.00

ALPHA	BETA	XWCP	YWCP	XVCP	ZVCP
-.400	-4.003	.08730	.27100	-.14940	.42480
-.393	-.012	.08380	.29560	-.64420	.52520
-.413	4.022	-.69730	-1.09000	-.13630	.42510
	GRADIENT	-.09794	-.16991	.00186	-.00001

RUN NO. 194/ 0 RN/L = 4.36 GRADIENT INTERVAL = -5.00/ 5.00

ALPHA	BETA	XWCP	YWCP	XVCP	ZVCP
3.947	.003	.08830	.28010	-1.60000	.85520
	GRADIENT	.00000	.00000	.00000	.00000

ARC 11-023 1A80 OTS (SRB NOM) (SSME NOM)

(EE40A9) (08 JAN 75)

REFERENCE DATA

SREF = 2690.0000 SQ.FT. XMRP = .0000 IN.
 LREF = 1290.3000 IN. YMRP = .0000 IN.
 BREF = 1290.3000 IN. ZMRP = .0000 IN.
 SCALE = .0200

PARAMETRIC DATA

ELV-1B = .000 ELV-0B = 4.000
 RN/L = 4.250 MACH = 1.400

RUN NO. 186/ 0 RN/L = 4.29 GRADIENT INTERVAL = -5.00/ 5.00

ALPHA	BETA	XWCP	YWCP	XVCP	ZVCP
-3.940	.009	-.08660	.35690	-.56250	.46310
	GRADIENT	.00000	.00000	.00000	.00000

RUN NO. 187/ 0 RN/L = 4.23 GRADIENT INTERVAL = -5.00/ 5.00

ALPHA	BETA	XWCP	YWCP	XVCP	ZVCP
-.449	-3.997	.02310	.26700	-.13940	.41760
-.380	-.006	-.00630	.26550	-.41940	.42990
-.443	4.025	-.15180	.46590	-.13550	.42590
	GRADIENT	-.02183	.02483	.00060	.00103

RUN NO. 188/ 0 RN/L = 4.27 GRADIENT INTERVAL = -5.00/ 5.00

ALPHA	BETA	XWCP	YWCP	XVCP	ZVCP
3.821	.006	.03480	.27320	-.57110	.47670
	GRADIENT	.00000	.00000	.00000	.00000

ARC 11-023 1A80 OTS (SRB NOM) (SSME NO. 2 OUT)

(EE40B0) (08 JAN 75)

REFERENCE DATA

SREF = 2690.0000 SQ.FT. XMRP = .0000 IN.
 LREF = 1290.3000 IN. YMRP = .0000 IN.
 BREF = 1290.3000 IN. ZMRP = .0000 IN.
 SCALE = .0200

PARAMETRIC DATA

ELV-1B = .000 ELV-0B = .000
 RN/L = 3.400 MACH = .600

RUN NO. 362/ 0 RN/L = 3.51 GRADIENT INTERVAL = -5.00/ 5.00

ALPHA	BETA	XWCP	YWCP	XVCP	ZVCP
-4.013	.006	-.14740	.28750	.94480	-.00160
	GRADIENT	.00000	.00000	.00000	.00000

RUN NO. 363/ 0 RN/L = 3.49 GRADIENT INTERVAL = -5.00/ 5.00

ALPHA	BETA	XWCP	YWCP	XVCP	ZVCP
-.271	-4.006	.32700	.26220	-.04590	.40240
-.310	.003	.56070	.26320	.49630	.22250
-.310	4.025	-.12780	.23410	-.01530	.39240
	GRADIENT	-.05669	-.00350	.00374	-.00122

DATE 03 JUN 76

TABULATED SOURCE DATA - 1A80

PAGE 155

ARC 11-023 1A80 OTS (SRB NOM) (SSME NO. 2 OUT)

(EE4080) (08 JAN 75)

REFERENCE DATA

SREF = 2690.0000 SQ.FT. XMRP = .0000 IN.
 LREF = 1290.3000 IN. YMRP = .0000 IN.
 BREF = 1290.3000 IN. ZMRP = .0000 IN.
 SCALE = .0200

PARAMETRIC DATA

ELV-1B = .000 ELV-0B = .000
 RN/L = 3.400 MACH = .600

RUN NO. 364/ 0 RN/L = 3.49 GRADIENT INTERVAL = -5.00/ 5.00

ALPHA	BETA	XWCP	YWCP	XVCP	ZVCP
3.930	.009	.26860	.26880	.37140	.21970
	GRADIENT	.00000	.00000	.00000	.00000

ARC 11-023 1A80 OTS (SRB NOM) (SSME NO. 2 OUT)

(EE4081) (08 JAN 75)

REFERENCE DATA

SREF = 2690.0000 SQ.FT. XMRP = .0000 IN.
 LREF = 1290.3000 IN. YMRP = .0000 IN.
 BREF = 1290.3000 IN. ZMRP = .0000 IN.
 SCALE = .0200

PARAMETRIC DATA

ELV-1B = .000 ELV-0B = .000
 RN/L = 4.250 MACH = .900

RUN NO. 365/ 0 RN/L = 4.21 GRADIENT INTERVAL = -5.00/ 5.00

ALPHA	BETA	XWCP	YWCP	XVCP	ZVCP
-4.069	.009	.95880	.01230	-.53100	.58230
	GRADIENT	.00000	.00000	.00000	.00000

RUN NO. 366/ 0 RN/L = 4.22 GRADIENT INTERVAL = -5.00/ 5.00

ALPHA	BETA	XWCP	YWCP	XVCP	ZVCP
-.304	-4.006	.23310	.25530	.00360	.38190
-.317	.003	.17730	.25880	-.41930	.55620
-.357	4.025	-.21920	.43100	.00890	.38690
	GRADIENT	-.05634	.02189	.00072	.00050

RUN NO. 367/ 0 RN/L = 4.22 GRADIENT INTERVAL = -5.00/ 5.00

ALPHA	BETA	XWCP	YWCP	XVCP	ZVCP
3.986	.019	.16310	.25970	-.26820	.49770
	GRADIENT	.07000	.00000	.00000	.00000

ARC 11-023 IAB0 OTS (SRB NOM) (SSME NO. 2 OUT)

(EE40B2) (08 JAN 75)

REFERENCE DATA

SREF = 2690.0000 SQ.FT. XMRP = .0000 IN.
 LREF = 1290.3000 IN. YMRP = .0000 IN.
 BREF = 1290.3000 IN. ZMRP = .0000 IN.
 SCALE = .0200

PARAMETRIC DATA

ELV-1B = .000 ELV-0B = .000
 RN/L = 4.250 MACH = 1.100

RUN NO. 207/ 0 RN/L = 4.38 GRADIENT INTERVAL = -5.00/ 5.00

ALPHA	BETA	XWCP	YWCP	XVCP	ZVCP
-3.973	-.009	-.94320	.16940	4.73080	-1.01410
	GRADIENT	.00000	.00000	.00000	.00000

RUN NO. 208/ 0 RN/L = 4.38 GRADIENT INTERVAL = -5.00/ 5.00

ALPHA	BETA	XWCP	YWCP	XVCP	ZVCP
-.393	-4.006	.19550	.27110	-.14080	.42470
-.340	-.016	.33250	.30180	1.41160	-.10910
-.357	4.016	-.16460	.16030	-.12310	.42030
	GRADIENT	-.04502	-.01355	.00156	-.00032

RUN NO. 209/ 0 RN/L = 4.39 GRADIENT INTERVAL = -5.00/ 5.00

ALPHA	BETA	XWCP	YWCP	XVCP	ZVCP
4.026	-.016	.16940	.28180	1.14890	-.05820
	GRADIENT	.00000	.00000	.00000	.00000

ARC 11-023 IAB0 OTS (SRB NOM) (SSME NO. 2 OUT)

(EE40B3) (08 JAN 75)

REFERENCE DATA

SREF = 2690.0000 SQ.FT. XMRP = .0000 IN.
 LREF = 1290.3000 IN. YMRP = .0000 IN.
 BREF = 1290.3000 IN. ZMRP = .0000 IN.
 SCALE = .0200

PARAMETRIC DATA

ELV-1B = .000 ELV-0B = .000
 RN/L = 4.250 MACH = 1.250

RUN NO. 204/ 0 RN/L = 4.40 GRADIENT INTERVAL = -5.00/ 5.00

ALPHA	BETA	XWCP	YWCP	XVCP	ZVCP
-3.947	-.003	.92780	.48180	2.78090	-.42400
	GRADIENT	.00000	.00000	.00000	.00000

RUN NO. 205/ 0 RN/L = 4.40 GRADIENT INTERVAL = -5.00/ 5.00

ALPHA	BETA	XWCP	YWCP	XVCP	ZVCP
-.400	-4.000	.09350	.26570	-.14410	.42279
-.370	-.009	.10080	.28470	-1.42050	.74390
-.420	4.019	-.35990	-.11020	-.13050	.42270
	GRADIENT	-.05663	-.04696	.00219	-.00012

DATE 03 JUN 76

TABULATED SOURCE DATA - IAB0

PAGE 157

ARC 11-023 IAB0 OTS (SRB NOM) (SSME NO. 2 OUT)

(EE40B3) (08 JAN 75)

REFERENCE DATA

SREF = 2690.0000 SQ.FT. XMRP = .0000 IN.
 LREF = 1290.3000 IN. YMRP = .0000 IN.
 BREF = 1290.3000 IN. ZMRP = .0000 IN.
 SCALE = .0200

PARAMETRIC DATA

ELV-1B = .000 ELV-0B = .000
 RN/L = 4.250 MACH = 1.250

RUN NO. 206/ 0 RN/L = 4.40 GRADIENT INTERVAL = -5.00/ 5.00

ALPHA	BETA	XWCP	YWCP	XVCP	ZVCP
3.986	-.012	.09660	.27470	5.74760	-1.77170
	GRADIENT	.00000	.00000	.00000	.00000

ARC 11-023 IAB0 OTS (SRB NOM) (SSME NO. 2 OUT)

(EE40B4) (08 JAN 75)

REFERENCE DATA

SREF = 2690.0000 SQ.FT. XMRP = .0000 IN.
 LREF = 1290.3000 IN. YMRP = .0000 IN.
 BREF = 1290.3000 IN. ZMRP = .0000 IN.
 SCALE = .0200

PARAMETRIC DATA

ELV-1B = .000 ELV-0B = .000
 RN/L = 4.250 MACH = 1.400

RUN NO. 201/ 0 RN/L = 4.36 GRADIENT INTERVAL = -5.00/ 5.00

ALPHA	BETA	XWCP	YWCP	XVCP	ZVCP
-3.957	-.003	-.05120	.31790	-1.16660	.65550
	GRADIENT	.00000	.00000	.00000	.00000

RUN NO. 202/ 0 RN/L = 4.35 GRADIENT INTERVAL = -5.00/ 5.00

ALPHA	BETA	XWCP	YWCP	XVCP	ZVCP
-.443	-4.000	.02880	.26090	-.14920	.42600
-.406	-.006	.00430	.27860	-2.62940	.97890
-.446	4.019	-.11480	.45640	-.12890	.42180
	GRADIENT	-.01792	.02441	.00333	-.00070

RUN NO. 203/ 0 RN/L = 4.33 GRADIENT INTERVAL = -5.00/ 5.00

ALPHA	BETA	XWCP	YWCP	XVCP	ZVCP
3.953	-.009	.04190	.26860	-1.48630	.75990
	GRADIENT	.00000	.00000	.00000	.00000

ORIGINAL PAGE IS
OF POOR QUALITY

ARC 11-023 1A80 OTS (SRB NO.) (SSME NO. 1 OUT)

(EE4085) (08 JAN 75)

REFERENCE DATA

SREF = 2690.0000 SQ.FT. XMRP = .0000 IN.
 LREF = 1290.3000 IN. YMRP = .0000 IN.
 BREF = 1290.3000 IN. ZMRP = .0000 IN.
 SCALE = .0200

PARAMETRIC DATA

ELV-18 = .000 ELV-08 = .000
 RN/L = 3.400 MACH = .600

RUN NO. 356/ 0 RN/L = 3.42 GRADIENT INTERVAL = -5.00/ 5.00

ALPHA	BETA	XWCP	YWCP	XVCP	ZVCP
-4.072	.012	-.16460	.29320	.59540	.08890
	GRADIENT	.00000	.00000	.00000	.00000

RUN NO. 357/ 0 RN/L = 3.49 GRADIENT INTERVAL = -5.00/ 5.00

ALPHA	BETA	XWCP	YWCP	XVCP	ZVCP
-.284	-4.003	.31850	.26050	-.03940	.40290
-.337	.003	.48920	.25260	.45790	.17630
-.367	4.025	-.27750	.25390	-.01730	.39330
	GRADIENT	-.07432	-.00082	.00267	-.00115

RUN NO. 358/ 0 RN/L = 3.47 GRADIENT INTERVAL = -5.00/ 5.00

ALPHA	BETA	XWCP	YWCP	XVCP	ZVCP
3.868	.006	.26930	.26770	.31040	.17060
	GRADIENT	.00000	.00000	.00000	.00000

ARC 11-023 1A80 OTS (SRB NO.) (SSME NO. 1 OUT)

(EE4086) (08 JAN 75)

REFERENCE DATA

SREF = 2690.0000 SQ.FT. XMRP = .0000 IN.
 LREF = 1290.3000 IN. YMRP = .0000 IN.
 BREF = 1290.3000 IN. ZMRP = .0000 IN.
 SCALE = .0200

PARAMETRIC DATA

ELV-18 = .000 ELV-08 = .000
 RN/L = 4.250 MACH = .900

RUN NO. 359/ 0 RN/L = 4.20 GRADIENT INTERVAL = -5.00/ 5.00

ALPHA	BETA	XWCP	YWCP	XVCP	ZVCP
-4.013	.009	.85160	.05470	-.53650	.57690
	GRADIENT	.00000	.00000	.00000	.00000

RUN NO. 360/ 0 RN/L = 4.21 GRADIENT INTERVAL = -5.00/ 5.00

ALPHA	BETA	XWCP	YWCP	XVCP	ZVCP
-.317	-4.003	.22350	.25650	-.00530	.39080
-.310	.003	.17050	.25710	-.36060	.53470
-.340	4.025	.00610	.31940	-.00860	.39430
	GRADIENT	-.02709	.00784	-.00035	.00041

DATE 03 JUN 76

TABULATED SOURCE DATA - IAB0

PAGE 159

ARC 11-023 IAB0 OTS (SRB NOM) (SSME NO. 1 OUT)

(EE4086) (08 JAN 75)

REFERENCE DATA

SREF = 2690.0000 SQ.FT. XMRP = .0000 IN.
 LREF = 1290.3000 IN. YMRP = .0000 IN.
 BREF = 1290.3000 IN. ZMRP = .0000 IN.
 SCALE = .0200

PARAMETRIC DATA

ELV-1B = .000 ELV-0B = .000
 RN/L = 4.250 MACH = .900

RUN NO. 361/ 0 RN/L = 4.21 GRADIENT INTERVAL = -5.00/ 5.00

ALPHA	BETA	XWCP	YWCP	XVCP	ZVCP
3.854	.009	.17450	.25730	-.21010	.49950
GRADIENT		.00000	.00000	.00000	.00000

ARC 11-023 IAB0 OTS (SRB NOM) (SSME NO. 1 OUT)

(EE4087) (08 JAN 75)

REFERENCE DATA

SREF = 2690.0000 SQ.FT. XMRP = .0000 IN.
 LREF = 1290.3000 IN. YMRP = .0000 IN.
 BREF = 1290.3000 IN. ZMRP = .0000 IN.
 SCALE = .0200

PARAMETRIC DATA

ELV-1B = .000 ELV-0B = .000
 RN/L = 4.250 MACH = 1.100

RUN NO. 216/ 0 RN/L = 4.38 GRADIENT INTERVAL = -5.00/ 5.00

ALPHA	BETA	XWCP	YWCP	XVCP	ZVCP
-4.003	-.012	-.99260	.17170	1.95050	-.17320
GRADIENT		.00000	.00000	.00000	.00000

RUN NO. 217/ 0 RN/L = 4.38 GRADIENT INTERVAL = -5.00/ 5.00

ALPHA	BETA	XWCP	YWCP	XVCP	ZVCP
-.393	-4.006	.19440	.27190	-.14590	.42760
-.347	-.019	.29170	.29470	3.90840	-.47900
-.383	4.012	-.16470	.15750	-.12640	.42210
GRADIENT		-.01491	-.01430	.00060	-.00028

RUN NO. 218/ 0 RN/L = 4.38 GRADIENT INTERVAL = -5.00/ 5.00

ALPHA	BETA	XWCP	YWCP	XVCP	ZVCP
4.049	-.012	.17200	.28150	1.07540	.02060
GRADIENT		.00000	.00000	.00000	.00000

ARC 11-023 IAB0 OTS (SRB NOM) (SSME NO. 1 OUT)

(EE4088) (08 JAN 75)

REFERENCE DATA

SREF = 2690.0000 SQ.FT. XMRP = .0000 IN.
 LREF = 1290.3000 IN. YMRP = .0000 IN.
 BREF = 1290.3000 IN. ZMRP = .0000 IN.
 SCALE = .0200

PARAMETRIC DATA

ELV-18 = .000 ELV-08 = .000
 RN/L = 4.250 MACH = 1.250

RUN NO. 213/ 0 RN/L = 4.40 GRADIENT INTERVAL = -5.00/ 5.00

ALPHA	BETA	XWCP	YWCP	XVCP	ZVCP
-3.914	-.009	.53650	.40050	-2.53900	.78300
	GRADIENT	.00000	.00000	.00000	.00000

RUN NO. 214/ 0 RN/L = 4.39 GRADIENT INTERVAL = -5.00/ 5.00

ALPHA	BETA	XWCP	YWCP	XVCP	ZVCP
-.353	-4.006	.09100	.26510	-.15250	.42520
-.367	-.016	.03540	.29440	-.62620	.42610
-.393	4.016	-.34220	-.11480	-.13550	.42470
	GRADIENT	-.05410	-.04745	.00232	-.00006

RUN NO. 215/ 0 RN/L = 4.39 GRADIENT INTERVAL = -5.00/ 5.00

ALPHA	BETA	XWCP	YWCP	XVCP	ZVCP
4.053	-.012	.09480	.27460	-2.42900	1.08080
	GRADIENT	.00000	.00000	.00000	.00000

ARC 11-023 IAB0 OTS (SRB NOM) (SSME NO. 1 OUT)

(EE4089) (08 JAN 75)

REFERENCE DATA

SREF = 2690.0000 SQ.FT. XMRP = .0000 IN.
 LREF = 1290.3000 IN. YMRP = .0000 IN.
 BREF = 1290.3000 IN. ZMRP = .0000 IN.
 SCALE = .0200

PARAMETRIC DATA

ELV-18 = .000 ELV-08 = .000
 RN/L = 4.250 MACH = 1.400

RUN NO. 210/ 0 RN/L = 4.34 GRADIENT INTERVAL = -5.00/ 5.00

ALPHA	BETA	XWCP	YWCP	XVCP	ZVCP
-3.934	-.009	-.07420	.30250	-.53290	.41690
	GRADIENT	.00000	.00000	.00000	.00000

RUN NO. 211/ 0 RN/L = 4.34 GRADIENT INTERVAL = -5.00/ 5.00

ALPHA	BETA	XWCP	YWCP	XVCP	ZVCP
-.426	-4.006	.72620	.20050	-.15010	.42420
-.383	-.016	-.00330	.27840	-.56630	.43980
-.436	4.016	-.15730	.44320	-.13700	.42660
	GRADIENT	-.02290	.02281	.00181	.00029

DATE 03 JUN 76

TABULATED SOURCE DATA - IAB0

PAGE 161

ARC 11-023 IAB0 OTS (SRB NOM) (SSME NO. 1 OUT)

(EE4089) (08 JAN 75)

REFERENCE DATA

SREF = 2690.0000 SQ.FT. XMRP = .0000 IN.
 LREF = 1290.3000 IN. YMRP = .0000 IN.
 BREF = 1290.3000 IN. ZMRP = .0000 IN.
 SCALE = .0200

PARAMETRIC DATA

ELV-1B = .000 ELV-0B = .000
 RN/L = 4.250 MACH = 1.400

RUN NO. 212/ 0 RN/L = 4.33 GRADIENT INTERVAL = -5.00/ 5.00

ALPHA	BETA	XWCP	YWCP	XVCP	ZVCP
4.046	-.012	.03950	.26790	-.61200	.42080
GRADIENT		.00000	.00000	.00000	.00000

ARC 11-023 IAB0 OTS W/ET BASE SPOILER SRB=SSME=OFF

(EE40C0) (08 JAN 75)

REFERENCE DATA

SREF = 2690.0000 SQ.FT. XMRP = .0000 IN.
 LREF = 1290.3000 IN. YMRP = .0000 IN.
 BREF = 1290.3000 IN. ZMRP = .0000 IN.
 SCALE = .0200

PARAMETRIC DATA

ELV-1B = .000 ELV-0B = .000
 RN/L = 4.250 MACH = .900

RUN NO. 377/ 0 RN/L = 4.25 GRADIENT INTERVAL = -5.00/ 5.00

ALPHA	BETA	XWCP	YWCP	XVCP	ZVCP
-4.029	.016	.67200	.14430	-.50320	.59290
GRADIENT		.00000	.00000	.00000	.00000

RUN NO. 375/ 0 RN/L = 4.25 GRADIENT INTERVAL = -5.00/ 5.00

ALPHA	BETA	XWCP	YWCP	XVCP	ZVCP
-.241	-.009	.24100	.25210	.03660	.37140
-.264	-.003	.17770	.25430	-.65490	.75130
-.291	4.022	.00290	.27910	.00450	.36960
GRADIENT		-.02966	.00336	-.00387	.00219

RUN NO. 376/ 0 RN/L = 4.26 GRADIENT INTERVAL = -5.00/ 5.00

ALPHA	BETA	XWCP	YWCP	XVCP	ZVCP
3.980	.016	.17920	.25550	-.34090	.56620
GRADIENT		.00000	.00000	.00000	.00000

ARC11-0231A80 OTS W/ET BASE SPOILER SRB=SSME=OFF

(EE40C1) (08 JAN 75)

REFERENCE DATA

SREF = 2690.0000 SQ.FT. XMRP = .0000 IN.
 LREF = 1290.3000 IN. YMRP = .0000 IN.
 BREF = 1290.3000 IN. ZMRP = .0000 IN.
 SCALE = .0200

PARAMETRIC DATA

ELV-1B = .000 ELV-0B = .000
 RN/L = 4.250 MACH = 1.100

RUN NO. 368/ 0 RN/L = 4.46 GRADIENT INTERVAL = -5.00/ 5.00

ALPHA	BETA	XWCP	YWCP	XVCP	ZVCP
-4.000	.012	-1.56800	.13500	2.72870	-.24260
	GRADIENT	.00000	.00000	.00000	.00000

RUN NO. 369/ 0 RN/L = 4.48 GRADIENT INTERVAL = -5.00/ 5.00

ALPHA	BETA	XWCP	YWCP	XVCP	ZVCP
-.264	-4.009	.19990	.27080	-.13290	.42360
-.284	.000	.33580	.29200	1.25060	.25750
-.297	4.022	-.19370	.15270	-.12550	.42490
	GRADIENT	-.04905	-.01472	.00074	.00018

RUN NO. 370/ 0 RN/L = 4.49 GRADIENT INTERVAL = -5.00/ 5.00

ALPHA	BETA	XWCP	YWCP	XVCP	ZVCP
3.910	.016	.17650	.28060	.89200	.09430
	GRADIENT	.00000	.00000	.00000	.00000

ARC11-0231A80 OTS W/ET BASE SPOILER SRB=SSME=NOM

(EE40C2) (08 JAN 75)

REFERENCE DATA

SREF = 2690.0000 SQ.FT. XMRP = .0000 IN.
 LREF = 1290.3000 IN. YMRP = .0000 IN.
 BREF = 1290.3000 IN. ZMRP = .0000 IN.
 SCALE = .0200

PARAMETRIC DATA

ELV-1B = .000 ELV-0B = .000
 RN/L = 4.250 MACH = .900

RUN NO. 378/ 0 RN/L = 4.22 GRADIENT INTERVAL = -5.00/ 5.00

ALPHA	BETA	XWCP	YWCP	XVCP	ZVCP
-3.996	.016	.37950	.18980	.10020	.18120
	GRADIENT	.00000	.00000	.00000	.00000

RUN NO. 379/ 0 RN/L = 4.22 GRADIENT INTERVAL = -5.00/ 5.00

ALPHA	BETA	XWCP	YWCP	XVCP	ZVCP
-.284	-4.012	.24410	.25490	.01670	.37550
-.360	-.003	.17390	.25940	-.05440	.30330
-.330	4.019	.02200	.30280	-.00260	.38670
	GRADIENT	-.02766	.00597	-.00261	.00140

DATE 03 JUN 76

TABULATED SOURCE DATA - 1A80

PAGE 163

ARC11-0231A80 OTS W/ET BASE SPOILER SRB=SSME=NOM

(EE40C2) (08 JAN 75)

REFERENCE DATA

SREF = 2690.0000 SQ.FT. XMRP = .0000 IN.
 LREF = 1290.3000 IN. YMRP = .0000 IN.
 BREF = 1290.3000 IN. ZMRP = .0000 IN.
 SCALE = .0200

PARAMETRIC DATA

ELV-18 = .000 ELV-08 = .000
 RN/L = 4.250 MACH = .900

RUN NO. 380/ 0 RN/L = 4.22 GRADIENT INTERVAL = -5.00/ 5.00

ALPHA	BETA	XWCP	YWCP	XVCP	ZVCP
3.927	.012	.17100	.26030	-.26170	.40030
	GRADIENT	.00000	.00000	.00000	.00000

ARC11-0231A80 OTS W/ET BASE SPOILER SRB=SSME=NOM

(EE40C3) (08 JAN 75)

REFERENCE DATA

SREF = 2690.0000 SQ.FT. XMRP = .0000 IN.
 LREF = 1290.3000 IN. YMRP = .0000 IN.
 BREF = 1290.3000 IN. ZMRP = .0000 IN.
 SCALE = .0200

PARAMETRIC DATA

ELV-18 = .000 ELV-08 = .000
 RN/L = 4.250 MACH = 1.100

RUN NO. 371/ 0 RN/L = 4.47 GRADIENT INTERVAL = -5.00/ 5.00

ALPHA	BETA	XWCP	YWCP	XVCP	ZVCP
-4.033	.016	-.87360	.15740	.62730	.09550
	GRADIENT	.00000	.00000	.00000	.00000

RUN NO. 372/ 0 RN/L = 4.46 GRADIENT INTERVAL = -5.00/ 5.00

ALPHA	BETA	XWCP	YWCP	XVCP	ZVCP
-.433	-4.009	.19750	.27250	-.12860	.42220
-.446	-.003	.34130	.30530	.54390	.14210
-.456	4.022	-.15330	.15590	-.11520	.41950
	GRADIENT	-.04374	-.01454	.00154	-.00028

RUN NO. 373/ 0 RN/L = 4.47 GRADIENT INTERVAL = -5.00/ 5.00

ALPHA	BETA	XWCP	YWCP	XVCP	ZVCP
3.844	.003	.17710	.28410	.52780	.09250
	GRADIENT	.00000	.00000	.00000	.00000

ARC 11-023 IAB0 OTS (SRB NOM) (SSME NOM+)

(AE4011) (08 JAN 75)

REFERENCE DATA

SREF = 2690.0000 SQ.FT. XMRP = .0000 IN.
 LREF = 1290.3000 IN. YMRP = .0000 IN.
 BREF = 1290.3000 IN. ZMRP = .0000 IN.
 SCALE = .0200

PARAMETRIC DATA

ELV-1B = .000 ELV-0B = .000
 MACH = .600

RUN NO. 249/ 0 RN/L = 3.38 GRADIENT INTERVAL = -5.00/ 5.00

ALPHA	BETA	CP379	CP717	CP380	CP718	CP381	CP716	CP720	CP719	CP374	CP376
-3.957	-.016	-.35990	-.30270	-.30130	-.29200	-.30040	-.41250	-.36570	-.41840	-.38360	-.33890
	GRADIENT	.00000	.00000	.00000	.00000	.00000	.00000	.00000	.00000	.00000	.00000

RUN NO. 250/ 0 RN/L = 3.40 GRADIENT INTERVAL = -5.00/ 5.00

ALPHA	BETA	CP379	CP717	CP380	CP718	CP381	CP716	CP720	CP719	CP374	CP376
-.337	-4.041	-.38340	-.31330	-.33990	-.32640	-.30050	-.44660	-.38110	-.39530	-.42290	-.37420
-.383	-.022	-.34470	-.28920	-.28800	-.29860	-.34870	-.37930	-.31120	-.38320	-.36170	-.30720
-.400	3.997	-.31890	-.28640	-.31680	-.30760	-.36330	-.36640	-.37310	-.42370	-.36590	-.35910
	GRADIENT	.00802	.00335	.00287	.00234	.00215	.00998	.00100	-.00353	.00709	.00188

RUN NO. 251/ 0 RN/L = 3.41 GRADIENT INTERVAL = -5.00/ 5.00

ALPHA	BETA	CP379	CP717	CP380	CP718	CP381	CP716	CP720	CP719	CP374	CP376
4.125	-.025	-.33150	-.28100	-.28110	-.28890	-.33190	-.36220	-.30120	-.35170	-.34550	-.29300
	GRADIENT	.00000	.00000	.00000	.00000	.00000	.00000	.00000	.00000	.00000	.00000

ARC 11-023 IAB0 OTS (SRB NOM) (SSME NOM+)

(AE4012) (08 JAN 75)

REFERENCE DATA

SREF = 2690.0000 SQ.FT. XMRP = .0000 IN.
 LREF = 1290.3000 IN. YMRP = .0000 IN.
 BREF = 1290.3000 IN. ZMRP = .0000 IN.
 SCALE = .0200

PARAMETRIC DATA

ELV-1B = .000 ELV-0B = .000
 MACH = .900

RUN NO. 231/ 0 RN/L = 4.20 GRADIENT INTERVAL = -5.00/ 5.00

ALPHA	BETA	CP379	CP717	CP380	CP718	CP381	CP716	CP720	CP719	CP374	CP376
-4.062	-.012	-.35720	-.31700	-.33650	-.32530	-.39720	-.46620	-.50680	-.47990	-.44890	-.41390
	GRADIENT	.00000	.00000	.00000	.00000	.00000	.00000	.00000	.00000	.00000	.00000

RUN NO. 232/ 0 RN/L = 4.21 GRADIENT INTERVAL = -5.00/ 5.00

ALPHA	BETA	CP379	CP717	CP380	CP718	CP381	CP716	CP720	CP719	CP374	CP376
-.383	-4.028	-.40700	-.34440	-.37030	-.37930	-.45420	-.50550	-.49540	-.51340	-.49360	-.45230
-.383	-.016	-.35420	-.29310	-.30670	-.28890	-.36560	-.42470	-.45330	-.44450	-.40930	-.37940
-.453	4.000	-.44150	-.39540	-.38820	-.38100	-.43170	-.49780	-.49240	-.49620	-.48320	-.45410
	GRADIENT	-.00430	-.00511	-.00223	-.00021	.00280	.00095	.00037	.00214	.00129	-.00023

DATE 03 JUN 76

TABULATED SOURCE DATA - 1A80

PAGE 165

ARC 11-023 1A80 OTS (SRB NOM) (SSME NOM+)

(AE4012) (08 JAN 75)

REFERENCE DATA

SREF = 2690.0000 SQ.FT. XMRP = .0000 IN.
 LREF = 1290.3000 IN. YMRP = .0000 IN.
 BREF = 1290.3000 IN. ZMRP = .0000 IN.
 SCALE = .0200

PARAMETRIC DATA

ELV-1B = .000 ELV-0B = .000
 MACH = .900

RUN NO. 233/ 0 RN/L = 4.20 GRADIENT INTERVAL = -5.00/ 5.00

ALPHA	BETA	CP379	CP717	CP380	CP718	CP381	CP716	CP720	CP719	CP374	CP376
3.947	-.012	-.34630	-.29320	-.29770	-.28780	-.35230	-.41740	-.42400	-.43970	-.41300	-.37440
GRADIENT		.00000	.00000	.00000	.00000	.00000	.00000	.00000	.00000	.00000	.00000

ARC 11-023 1A80 OTS (SRB NOM) (SSME NOM+)

(AE4013) (08 JAN 75)

REFERENCE DATA

SREF = 2690.0000 SQ.FT. XMRP = .0000 IN.
 LREF = 1290.3000 IN. YMRP = .0000 IN.
 BREF = 1290.3000 IN. ZMRP = .0000 IN.
 SCALE = .0200

PARAMETRIC DATA

ELV-1B = .000 ELV-0B = .000
 MACH = 1.100

RUN NO. 80/ 0 RN/L = 4.32 GRADIENT INTERVAL = -5.00/ 5.00

ALPHA	BETA	CP379	CP717	CP380	CP718	CP381	CP716	CP720	CP719	CP374	CP376
-3.950	.006	-.38250	-.37170	-.37980	-.37120	-.40010	-.42460	-.44320	-.44350	-.42760	-.41330
GRADIENT		.00000	.00000	.00000	.00000	.00000	.00000	.00000	.00000	.00000	.00000

RUN NO. 81/ 0 RN/L = 4.32 GRADIENT INTERVAL = -5.00/ 5.00

ALPHA	BETA	CP379	CP717	CP380	CP718	CP381	CP716	CP720	CP719	CP374	CP376
-.509	-.066	-.44460	-.39980	-.39840	-.41550	-.45000	-.48950	-.46110	-.48910	-.48810	-.44630
-.552	-.056	-.38750	-.37740	-.37130	-.37650	-.40230	-.43070	-.42570	-.44700	-.43320	-.40360
-.486	3.950	-.43760	-.40590	-.38800	-.38500	-.43320	-.47240	-.44470	-.48250	-.46870	-.42990
GRADIENT		.00088	-.00088	.00130	.00381	.00210	.00214	.00205	.00082	.00242	.00205

RUN NO. 82/ 0 RN/L = 4.32 GRADIENT INTERVAL = -5.00/ 5.00

ALPHA	BETA	CP379	CP717	CP380	CP718	CP381	CP716	CP720	CP719	CP374	CP376
4.028	-.069	-.42810	-.41300	-.40930	-.40340	-.44230	-.47240	-.45630	-.48890	-.47330	-.43770
GRADIENT		.00000	.00000	.00000	.00000	.00000	.00000	.00000	.00000	.00000	.00000

ORIGINAL PAGE IS
OF POOR QUALITY

ARC 11-023 IA80 OTS (SRB NOM) (SSME NOM+)

(AE4014) (08 JAN 75)

REFERENCE DATA

SREF = 2690.0000 SQ.FT. XMRP = .0000 IN.
 LREF = 1290.3000 IN. YMRP = .0000 IN.
 BREF = 1290.3000 IN. ZMRP = .0000 IN.
 SCALE = .0200

PARAMETRIC DATA

ELV-1B = .000 ELV-0B = .000
 MACH = 1.250

RUN NO. 54/ 0 RN/L = 4.38 GRADIENT INTERVAL = -5.00/ 5.00

ALPHA	BETA	CP379	CP717	CP380	CP718	CP381	CP716	CP720	CP719	CP374	CP376
-3.963	.006	-.27250	-.26150	-.26700	-.24710	-.27550	-.31310	-.34520	-.32060	-.31880	-.30820
	GRADIENT	.00000	.00000	.00000	.00000	.00000	.00000	.00000	.00000	.00000	.00000

RUN NO. 55/ 0 RN/L = 4.39 GRADIENT INTERVAL = -5.00/ 5.00

ALPHA	BETA	CP379	CP717	CP380	CP718	CP381	CP716	CP720	CP719	CP374	CP376
-.492	-4.006	-.32480	-.26400	-.27320	-.28350	-.34880	-.35520	-.34460	-.34570	-.35380	-.32190
-.466	.003	-.28210	-.27010	-.27540	-.26500	-.28760	-.32200	-.32880	-.32620	-.32610	-.30560
-.522	4.009	-.32040	-.28910	-.27140	-.25980	-.29580	-.35110	-.33840	-.34270	-.35040	-.32020
	GRADIENT	.00055	-.00313	.00022	.00296	.00162	.00051	.00077	.00037	.00042	.00021

RUN NO. 56/ 0 RN/L = 4.38 GRADIENT INTERVAL = -5.00/ 5.00

ALPHA	BETA	CP379	CP717	CP380	CP718	CP381	CP716	CP720	CP719	CP374	CP376
3.996	.000	-.30910	-.28630	-.28690	-.27440	-.31190	-.34250	-.33300	-.35420	-.34850	-.31380
	GRADIENT	.00000	.00000	.00000	.00000	.00000	.00000	.00000	.00000	.00000	.00000

ARC 11-023 IA80 OTS (SRB NOM) (SSME NOM+)

(AE4015) (08 JAN 75)

REFERENCE DATA

SREF = 2690.0000 SQ.FT. XMRP = .0000 IN.
 LREF = 1290.3000 IN. YMRP = .0000 IN.
 BREF = 1290.3000 IN. ZMRP = .0000 IN.
 SCALE = .0200

PARAMETRIC DATA

ELV-1B = .000 ELV-0B = .000
 MACH = 1.400

RUN NO. 7/ 0 RN/L = 4.27 GRADIENT INTERVAL = -5.00/ 5.00

ALPHA	BETA	CP379	CP717	CP380	CP718	CP381	CP716	CP720	CP719	CP374	CP376
-3.910	-.006	-.20770	-.20170	-.20210	-.19430	-.20700	-.23950	-.25920	-.24410	-.24320	-.23490
	GRADIENT	.00000	.00000	.00000	.00000	.00000	.00000	.00000	.00000	.00000	.00000

RUN NO. 9/ 0 RN/L = 4.28 GRADIENT INTERVAL = -5.00/ 5.00

ALPHA	BETA	CP379	CP717	CP380	CP718	CP381	CP716	CP720	CP719	CP374	CP376
-.409	-4.009	-.21210	-.20380	-.20120	-.20470	-.21510	-.24900	-.22930	-.24480	-.24590	-.23400
-.446	.000	-.21090	-.20040	-.19380	-.18300	-.19650	-.23240	-.24500	-.22640	-.23600	-.22530
-.509	4.009	-.23220	-.20740	-.18990	-.17920	-.19510	-.25710	-.25790	-.23840	-.25990	-.23770
	GRADIENT	-.00251	-.00045	.00141	.00318	.00249	-.00101	-.00357	.00080	-.00175	-.00046

ARC 11-023 IABO OTS (SRB NOM) (SSME NOM-)

(AE4017) (08 JAN 75)

REFERENCE DATA

SREF = 2690.0000 SQ.FT. XMRP = .0000 IN.
 LREF = 1290.3000 IN. YMRP = .0000 IN.
 BREF = 1290.3000 IN. ZMRP = .0000 IN.
 SCALE = .0200

PARAMETRIC DATA

ELV-1B = .000 ELV-0B = .000
 MACH = 1.100

RUN NO. 83/ 0 RN/L = 4.32 GRADIENT INTERVAL = -5.00/ 5.00

ALPHA	BETA	CP379	CP717	CP380	CP718	CP381	CP716	CP720	CP719	CP374	CP376
-4.020	-.069	-.39220	-.36870	-.39060	-.39940	-.44610	-.45540	-.46770	-.49610	-.45590	-.44000
	GRADIENT	.00000	.00000	.00000	.00000	.00000	.00000	.00000	.00000	.00000	.00000

RUN NO. 84/ 0 RN/L = 4.31 GRADIENT INTERVAL = -5.00/ 5.00

ALPHA	BETA	CP379	CP717	CP380	CP718	CP381	CP716	CP720	CP719	CP374	CP376
-.479	-4.069	-.48140	-.40540	-.42400	-.43730	-.48180	-.54000	-.49930	-.52530	-.53380	-.47770
-.489	-.056	-.40670	-.37700	-.38630	-.39800	-.43810	-.47070	-.45850	-.48880	-.46960	-.42770
-.485	3.947	-.46020	-.42780	-.43440	-.43130	-.48060	-.50090	-.48040	-.53360	-.49760	-.46100
	GRADIENT	.00265	-.00279	-.00129	.00075	.00015	.00488	.00236	-.00103	.00452	.00209

RUN NO. 85/ 0 RN/L = 4.32 GRADIENT INTERVAL = -5.00/ 5.00

ALPHA	BETA	CP379	CP717	CP380	CP718	CP381	CP716	CP720	CP719	CP374	CP376
3.983	-.063	-.44960	-.40640	-.41950	-.42040	-.46910	-.51480	-.48050	-.52510	-.51380	-.46100
	GRADIENT	.00000	.00000	.00000	.00000	.00000	.00000	.00000	.00000	.00000	.00000

ARC 11-023 IABO OTS (SRB NOM) (SSME NOM-)

(AE4018) (08 JAN 75)

REFERENCE DATA

SREF = 2690.0000 SQ.FT. XMRP = .0000 IN.
 LREF = 1290.3000 IN. YMRP = .0000 IN.
 BREF = 1290.3000 IN. ZMRP = .0000 IN.
 SCALE = .0200

PARAMETRIC DATA

ELV-1B = .000 ELV-0B = .000
 MACH = 1.250

RUN NO. 57/ 0 RN/L = 4.38 GRADIENT INTERVAL = -5.00/ 5.00

ALPHA	BETA	CP379	CP717	CP380	CP718	CP381	CP716	CP720	CP719	CP374	CP376
-3.953	.000	-.30070	-.28110	-.29820	-.27810	-.32050	-.37890	-.41470	-.39310	-.37630	-.36570
	GRADIENT	.00000	.00000	.00000	.00000	.00000	.00000	.00000	.00000	.00000	.00000

RUN NO. 58/ 0 RN/L = 4.38 GRADIENT INTERVAL = -5.00/ 5.00

ALPHA	BETA	CP379	CP717	CP380	CP718	CP381	CP716	CP720	CP719	CP374	CP376
-.429	-4.006	-.37000	-.28110	-.30180	-.31180	-.34730	-.42920	-.42110	-.40100	-.41460	-.37250
-.423	.003	-.31100	-.28540	-.30490	-.29570	-.33940	-.38610	-.39270	-.40250	-.39270	-.35350
-.416	4.009	-.35180	-.31680	-.31330	-.30530	-.35830	-.39740	-.38800	-.41340	-.40250	-.36450
	GRADIENT	.00227	-.00445	-.00143	.00081	-.00137	.00397	.00413	-.00155	.00151	.00100

ARC 11-023 1A80 OTS (SRB NOM) (SSME NOM)

(AE4020) (08 JAN 75)

REFERENCE DATA

SREF = 2690.0000 SQ.FT. XMRP = .0000 IN.
 LREF = 1290.3000 IN. YMRP = .0000 IN.
 BREF = 1290.3000 IN. ZMRP = .0000 IN.
 SCALE = .0200

PARAMETRIC DATA

ELV-1B = .000 ELV-0B = .000
 MACH = .600

RUN NO. 246/ 0 RN/L = 3.36 GRADIENT INTERVAL = -5.00/ 5.00

ALPHA	BETA	CP379	CP717	CP380	CP718	CP381	CP716	CP720	CP719	CP374	CP376
-3.868	-.016	-.35490	-.30580	-.32840	-.32110	-.36480	-.40640	-.36620	-.42550	-.40090	-.37100
	GRADIENT	.00000	.00000	.00000	.00000	.00000	.00000	.00000	.00000	.00000	.00000

RUN NO. 247/ 0 RN/L = 3.39 GRADIENT INTERVAL = -5.00/ 5.00

ALPHA	BETA	CP379	CP717	CP380	CP718	CP381	CP716	CP720	CP719	CP374	CP376
-.327	-4.038	-.37160	-.31180	-.33130	-.31350	-.36920	-.41360	-.36820	-.38150	-.39120	-.36610
-.291	-.022	-.35100	-.29970	-.30730	-.30660	-.35030	-.38830	-.34720	-.40400	-.37080	-.34350
-.386	3.994	-.32540	-.29570	-.31550	-.30320	-.34690	-.34990	-.35980	-.30920	-.35160	-.34410
	GRADIENT	.00575	.00200	.00197	.00128	.00278	.00793	.00105	-.00096	.00493	.00274

RUN NO. 248/ 0 RN/L = 3.41 GRADIENT INTERVAL = -5.00/ 5.00

ALPHA	BETA	CP379	CP717	CP380	CP718	CP381	CP716	CP720	CP719	CP374	CP376
4.016	-.022	-.33310	-.28190	-.29990	-.29110	-.32990	-.35950	-.30360	-.35720	-.34570	-.30460
	GRADIENT	.00000	.00000	.00000	.00000	.00000	.00000	.00000	.00000	.00000	.00000

ARC 11-023 1A80 OTS (SRB NOM) (SSME NOM)

(AE4021) (08 JAN 75)

REFERENCE DATA

SREF = 2690.0000 SQ.FT. XMRP = .0000 IN.
 LREF = 1290.3000 IN. YMRP = .0000 IN.
 BREF = 1290.3000 IN. ZMRP = .0000 IN.
 SCALE = .0200

PARAMETRIC DATA

ELV-1B = .000 ELV-0B = .000
 MACH = .900

RUN NO. 228/ 0 RN/L = 4.20 GRADIENT INTERVAL = -5.00/ 5.00

ALPHA	BETA	CP379	CP717	CP380	CP718	CP381	CP716	CP720	CP719	CP374	CP376
-3.977	-.016	-.34770	-.29820	-.30520	-.31440	-.36660	-.41150	-.42060	-.42960	-.39750	-.37280
	GRADIENT	.00000	.00000	.00000	.00000	.00000	.00000	.00000	.00000	.00000	.00000

RUN NO. 229/ 0 RN/L = 4.21 GRADIENT INTERVAL = -5.00/ 5.00

ALPHA	BETA	CP379	CP717	CP380	CP718	CP381	CP716	CP720	CP719	CP374	CP376
-.327	-4.028	-.38790	-.34110	-.34530	-.37360	-.41070	-.44810	-.41590	-.43690	-.43220	-.40070
-.317	-.012	-.34060	-.29510	-.30370	-.28560	-.35690	-.40930	-.40460	-.41170	-.36590	-.34580
-.350	4.000	-.41120	-.37590	-.36150	-.37010	-.41200	-.43390	-.43030	-.45080	-.42950	-.42310
	GRADIENT	-.00290	-.00433	-.00451	.00644	-.00016	.00177	-.00179	-.00173	.00034	-.00279

ARC 11-023 1A80 OTS (SRB NOM) (SSME NOM)

(AE4023) (08 JAN 75)

REFERENCE DATA

SREF = 2690.0000 SQ.FT. XMRP = .0000 IN.
 LREF = 1290.3000 IN. YMRP = .0000 IN.
 BREF = 1290.3000 IN. ZMRP = .0000 IN.
 SCALE = .0200

PARAMETRIC DATA

ELV-1B = .000 ELV-0B = .030
 MACH = 1.250

RUN NO. 60/ 0 RN/L = 4.37 GRADIENT INTERVAL = -5.00/ 5.00

ALPHA	BETA	CP379	CP717	CP380	CP718	CP381	CP716	CP720	CP719	CP374	CP376
-3.917	.003	-.29520	-.27950	-.28930	-.26950	-.29990	-.35370	-.38980	-.36220	-.35370	-.34360
	GRADIENT	.00000	.00000	.00000	.00000	.00000	.00000	.00000	.00000	.00000	.00000

RUN NO. 61/ 0 RN/L = 4.37 GRADIENT INTERVAL = -5.00/ 5.00

ALPHA	BETA	CP379	CP717	CP380	CP718	CP381	CP716	CP720	CP719	CP374	CP376
-.446	-4.006	-.34470	-.27580	-.29150	-.28940	-.32890	-.39510	-.38150	-.37880	-.38780	-.35390
-.456	.003	-.30090	-.28800	-.29190	-.28010	-.31530	-.35220	-.35910	-.36530	-.35910	-.33270
-.439	4.012	-.33900	-.30810	-.28940	-.27940	-.32680	-.37940	-.37070	-.38150	-.37930	-.34740
	GRADIENT	.00071	-.00403	.00026	.00125	.00026	.00196	.00135	-.00034	.00106	.00081

RUN NO. 62/ 0 RN/L = 4.37 GRADIENT INTERVAL = -5.00/ 5.00

ALPHA	BETA	CP379	CP717	CP380	CP718	CP381	CP716	CP720	CP719	CP374	CP376
3.986	.000	-.32730	-.30460	-.30670	-.29090	-.34340	-.37400	-.36590	-.39230	-.38280	-.34360
	GRADIENT	.00000	.00000	.00000	.00000	.00000	.00000	.00000	.00000	.00000	.00000

ARC 11-023 1A80 OTS (SRB NOM) (SSME NOM)

(AE4024) (08 JAN 75)

REFERENCE DATA

SREF = 2690.0000 SQ.FT. XMRP = .0000 IN.
 LREF = 1290.3000 IN. YMRP = .0000 IN.
 BREF = 1290.3000 IN. ZMRP = .0000 IN.
 SCALE = .0200

PARAMETRIC DATA

ELV-1B = .000 ELV-0B = .000
 MACH = 1.400

RUN NO. 13/ 0 RN/L = 4.25 GRADIENT INTERVAL = -5.00/ 5.00

ALPHA	BETA	CP379	CP717	CP380	CP718	CP381	CP716	CP720	CP719	CP374	CP376
-3.884	-.003	-.22430	-.21750	-.22320	-.20720	-.22920	-.26860	-.29010	-.27880	-.27320	-.26040
	GRADIENT	.00000	.00000	.00000	.00000	.00000	.00000	.00000	.00000	.00000	.00000

RUN NO. 14/ 0 RN/L = 4.25 GRADIENT INTERVAL = -5.00/ 5.00

ALPHA	BETA	CP379	CP717	CP380	CP718	CP381	CP716	CP720	CP719	CP374	CP376
-.370	-4.009	-.24640	-.21850	-.22760	-.23200	-.23660	-.28490	-.27980	-.27730	-.28750	-.26770
-.370	.000	-.22810	-.21570	-.21680	-.20410	-.22420	-.26230	-.27310	-.26420	-.26230	-.24900
-.429	4.012	-.25620	-.23180	-.22080	-.20420	-.22470	-.28790	-.28820	-.27490	-.29020	-.26780
	GRADIENT	-.00122	-.00165	.00085	.00347	.00148	-.00037	-.00105	.00020	-.00034	-.00001

ARC 11-023 1A80 OTS (SRB OFF) (SSME OFF)

(AE4029) (08 JAN 75)

REFERENCE DATA

SREF = 2690.0000 SQ.FT. XMRP = .0000 IN.
 LREF = 1290.3000 IN. YMRP = .0000 IN.
 BREF = 1290.3000 IN. ZMRP = .0000 IN.
 SCALE = .0200

PARAMETRIC DATA

ELV-1B = .000 ELV-0B = .000
 MACH = .900

RUN NO. 219/ 0 RN/L = 4.25 GRADIENT INTERVAL = -5.00/ 5.00

ALPHA	BETA	CP379	CP717	CP380	CP718	CP381	CP716	CP720	CP719	CP374	CP376
-3.980	-.006	-.23980	-.24020	-.24370	-.24170	-.24750	-.24130	-.24310	-.24570	-.23840	-.24000
	GRADIENT	.00000	.00000	.00000	.00000	.00000	.00000	.00000	.00000	.00000	.00000

RUN NO. 220/ 0 RN/L = 4.25 GRADIENT INTERVAL = -5.00/ 5.00

ALPHA	BETA	CP379	CP717	CP380	CP718	CP381	CP716	CP720	CP719	CP374	CP376
-.320	-4.022	-.25600	-.25280	-.26260	-.25950	-.25550	-.26270	-.26360	-.26610	-.26210	-.26160
-.310	-.009	-.22550	-.22390	-.22510	-.22270	-.22690	-.22450	-.22530	-.22430	-.21380	-.21480
-.297	4.006	-.25500	-.26010	-.25780	-.25250	-.26100	-.25410	-.25770	-.26660	-.24790	-.25430
	GRADIENT	.00012	-.00091	.00060	.00087	-.00056	.00107	.00073	-.00006	.00264	.00091

RUN NO. 221/ 0 RN/L = 4.24 GRADIENT INTERVAL = -5.00/ 5.00

ALPHA	BETA	CP379	CP717	CP380	CP718	CP381	CP716	CP720	CP719	CP374	CP376
3.986	-.009	-.22570	-.21810	-.22150	-.21860	-.22480	-.22660	-.22600	-.22260	-.21100	-.21720
	GRADIENT	.00000	.00000	.00000	.00000	.00000	.00000	.00000	.00000	.00000	.00000

ARC 11-023 1A80 OTS (SRB OFF) (SSME OFF)

(AE4030) (08 JAN 75)

REFERENCE DATA

SREF = 2690.0000 SQ.FT. XMRP = .0000 IN.
 LREF = 1290.3000 IN. YMRP = .0000 IN.
 BREF = 1290.3000 IN. ZMRP = .0000 IN.
 SCALE = .0200

PARAMETRIC DATA

ELV-1B = .000 ELV-0B = .000
 MACH = 1.100

RUN NO. 69/ 0 RN/L = 4.33 GRADIENT INTERVAL = -5.00/ 5.00

ALPHA	BETA	CP379	CP717	CP380	CP718	CP381	CP716	CP720	CP719	CP374	CP376
-4.016	-.003	-.34390	-.34380	-.34390	-.34580	-.34930	-.34360	-.34310	-.34900	-.34330	-.34160
	GRADIENT	.00000	.00000	.00000	.00000	.00000	.00000	.00000	.00000	.00000	.00000

RUN NO. 70/ 0 RN/L = 4.30 GRADIENT INTERVAL = -5.00/ 5.00

ALPHA	BETA	CP379	CP717	CP380	CP718	CP381	CP716	CP720	CP719	CP374	CP376
-.370	-4.006	-.39510	-.39050	-.39210	-.39030	-.39400	-.39450	-.39220	-.39400	-.38550	-.38610
-.343	.003	-.34130	-.33980	-.33930	-.33860	-.34360	-.34160	-.33910	-.34310	-.33780	-.33650
-.370	4.009	-.40400	-.40440	-.40500	-.40250	-.40820	-.40530	-.40480	-.40900	-.39110	-.39900
	GRADIENT	-.00106	-.00173	-.00161	-.00152	-.00177	-.00135	-.00157	-.00187	-.00070	-.00161

ARC 11-023 1A80 OTS (SRB OFF) (SSME OFF)

(AE4032) (08 JAN 75)

REFERENCE DATA

SREF = 2690.0000 SQ.FT. XMRP = .0000 IN.
 LREF = 1290.3000 IN. YMRP = .0000 IN.
 BREF = 1290.3000 IN. ZMRP = .0000 IN.
 SCALE = .0200

PARAMETRIC DATA

ELV-1B = .000 ELV-0B = .000
 MACH = 1.400

RUN NO. 19/ 0 RN/L = 4.24 GRADIENT INTERVAL = -5.00/ 5.00

ALPHA	BETA	CP379	CP717	CP380	CP718	CP381	CP716	CP720	CP719	CP374	CP376
-4.043	.000	-.27270	-.26880	-.26770	-.26630	-.27080	-.27220	-.26370	-.27270	-.26960	-.26220
	GRADIENT	.00000	.00000	.00000	.00000	.00000	.00000	.00000	.00000	.00000	.00000

RUN NO. 20/ 0 RN/L = 4.25 GRADIENT INTERVAL = -5.00/ 5.00

ALPHA	BETA	CP379	CP717	CP380	CP718	CP381	CP716	CP720	CP719	CP374	CP376
-.195	-4.012	-.28680	-.28320	-.28360	-.28390	-.28690	-.28730	-.27900	-.29810	-.27780	-.27680
-.211	.000	-.26200	-.25930	-.25890	-.26010	-.26380	-.26200	-.25860	-.26140	-.25770	-.25230
.083	4.006	-.28670	-.28160	-.28190	-.28380	-.28760	-.28790	-.28310	-.28910	-.27700	-.27530
	GRADIENT	.00001	.00020	.00021	.00001	-.00009	-.00007	-.00014	-.00012	.00010	.00019

RUN NO. 21/ 0 RN/L = 4.25 GRADIENT INTERVAL = -5.00/ 5.00

ALPHA	BETA	CP379	CP717	CP380	CP718	CP381	CP716	CP720	CP719	CP374	CP376
4.082	.000	-.27850	-.27710	-.27740	-.27550	-.27910	-.27970	-.27540	-.27690	-.27620	-.27290
	GRADIENT	.00000	.00000	.00000	.00000	.00000	.00000	.00000	.00000	.00000	.00000

ARC 11-023 1A80 OTS (SRB NOM) (SSME NO. 2 OUT)

(AE4080) (08 JAN 75)

REFERENCE DATA

SREF = 2690.0000 SQ.FT. XMRP = .0000 IN.
 LREF = 1290.3000 IN. YMRP = .0000 IN.
 BREF = 1290.3000 IN. ZMRP = .0000 IN.
 SCALE = .0200

PARAMETRIC DATA

ELV-1B = .000 ELV-0B = .000
 MACH = .600

RUN NO. 362/ 0 RN/L = 3.51 GRADIENT INTERVAL = -5.00/ 5.00

ALPHA	BETA	CP379	CP717	CP380	CP718	CP381	CP716	CP720	CP719	CP374	CP376
-4.013	.006	-.35090	-.32590	-.33600	-.31890	-.32570	-.35000	-.34960	-.33650	-.34760	-.33740
	GRADIENT	.00000	.00000	.00000	.00000	.00000	.00000	.00000	.00000	.00000	.00000

RUN NO. 363/ 0 RN/L = 3.49 GRADIENT INTERVAL = 5.00/ 5.00

ALPHA	BETA	CP379	CP717	CP380	CP718	CP381	CP716	CP720	CP719	CP374	CP376
-.271	-4.006	-.38590	-.35490	-.36410	-.36380	-.38930	-.39480	-.38660	-.33610	-.38180	-.38290
-.310	.003	-.33880	-.31770	-.32100	-.31600	-.31930	-.33350	-.32610	-.31570	-.31930	-.31230
-.310	4.025	-.34420	-.33260	-.33160	-.32780	-.32580	-.34970	-.33160	-.32780	-.34760	-.33770
	GRADIENT	.00519	.00277	.00404	.00448	.00790	.00561	.00684	.00850	.00425	.00562

DATE 03 JUN 76

TABULATED SOURCE DATA - 1A80

PAGE 177

ARC 11-023 1A80 OTS (SRB NOM) (SSME NO. 2 OUT)

(AE4080) (08 JAN 75)

REFERENCE DATA

SREF = 2690.0000 SQ.FT. XMRP = .0000 IN.
 LREF = 1290.3000 IN. YMRP = .0000 IN.
 BREF = 1290.3000 IN. ZMRP = .0000 IN.
 SCALE = .0200

PARAMETRIC DATA

ELV-1B = .000 ELV-0B = .000
 MACH = .600

RUN NO. 364/ 0 RN/L = 3.49 GRADIENT INTERVAL = -5.00/ 5.00

ALPHA 3.930	BETA .009 GRADIENT	CP379 -.33490 .00000	CP717 -.32120 .00000	CP380 -.32460 .00000	CP718 -.31100 .00000	CP381 -.31460 .00000	CP716 -.33970 .00000	CP720 -.32410 .00000	CP719 -.31630 .00000	CP374 -.32720 .00000	CP376 -.32410 .00000
----------------	--------------------------	----------------------------	----------------------------	----------------------------	----------------------------	----------------------------	----------------------------	----------------------------	----------------------------	----------------------------	----------------------------

ARC 11-023 1A80 OTS (SRB NOM) (SSME NO. 2 OUT)

(AE4081) (08 JAN 75)

REFERENCE DATA

SREF = 2690.0000 SQ.FT. XMRP = .0000 IN.
 LREF = 1290.3000 IN. YMRP = .0000 IN.
 BREF = 1290.3000 IN. ZMRP = .0000 IN.
 SCALE = .0200

PARAMETRIC DATA

ELV-1B = .000 ELV-0B = .000
 MACH = .900

RUN NO. 365/ 0 RN/L = 4.21 GRADIENT INTERVAL = -5.00/ 5.00

ALPHA -4.069	BETA .009 GRADIENT	CP379 -.32830 .00000	CP717 -.32390 .00000	CP380 -.32070 .00000	CP718 -.33510 .00000	CP381 -.34680 .00000	CP716 -.33250 .00000	CP720 -.32890 .00000	CP719 -.35200 .00000	CP374 -.33750 .00000	CP376 -.33010 .00000
-----------------	--------------------------	----------------------------	----------------------------	----------------------------	----------------------------	----------------------------	----------------------------	----------------------------	----------------------------	----------------------------	----------------------------

RUN NO. 366/ 0 RN/L = 4.22 GRADIENT INTERVAL = -5.00/ 5.00

ALPHA -.304 -.317 -.357	BETA -4.006 .003 4.025 GRADIENT	CP379 -.37230 -.31250 -.38940 -.00201	CP717 -.36070 -.29980 -.38300 -.00279	CP380 -.36830 -.30320 -.36880 -.00007	CP718 -.38190 -.30750 -.36500 .00210	CP381 -.39380 -.31800 -.38880 .00061	CP716 -.37630 -.30830 -.38900 -.00159	CP720 -.37370 -.32100 -.38440 -.00134	CP719 -.39520 -.31560 -.39150 .00045	CP374 -.37900 -.30200 -.38990 -.00137	CP376 -.38020 -.29400 -.37710 .00037
----------------------------------	---	---	---	---	--	--	---	---	--	---	--

RUN NO. 367/ 0 RN/L = 4.22 GRADIENT INTERVAL = -5.00/ 5.00

ALPHA 3.986	BETA .019 GRADIENT	CP379 -.30180 .00000	CP717 -.29290 .00000	CP380 -.30350 .00000	CP718 -.29560 .00000	CP381 -.21070 .00000	CP716 -.30730 .00000	CP720 -.29680 .00000	CP719 -.30890 .00000	CP374 -.30230 .00000	CP376 -.29010 .00000
----------------	--------------------------	----------------------------	----------------------------	----------------------------	----------------------------	----------------------------	----------------------------	----------------------------	----------------------------	----------------------------	----------------------------

ORIGINAL PAGE IS
OF POOR QUALITY

ARC 11-023 1A80 OTS (SRB NOM) (SSME NO. 2 OUT)

(AE4082) (08 JAN 75)

REFERENCE DATA

SREF = 2690.0000 SQ.FT. XMRP = .0000 IN.
 LREF = 1290.3000 IN. YMRP = .0000 IN.
 BREF = 1290.3000 IN. ZMRP = .0000 IN.
 SCALE = .0200

PARAMETRIC DATA

ELV-18 = .000 ELV-08 = .000
 MACH = 1.100

RUN NO. 207/ 0 RN/L = 4.38 GRADIENT INTERVAL = -5.00/ 5.00

ALPHA	BETA	CP379	CP717	CP380	CP718	CP381	CP716	CP720	CP719	CP374	CP376
-3.973	-.009	-.40250	-.41230	-.41020	-.40990	-.41600	-.40450	-.41260	-.41840	-.40600	-.41810
	GRADIENT	.00000	.00000	.00000	.00000	.00000	.00000	.00000	.00000	.00000	.00000

RUN NO. 208/ 0 RN/L = 4.38 GRADIENT INTERVAL = -5.00/ 5.00

ALPHA	BETA	CP379	CP717	CP380	CP718	CP381	CP716	CP720	CP719	CP374	CP376
-.393	-4.006	-.49050	-.48050	-.47590	-.46960	-.47660	-.49050	-.49220	-.49580	-.48560	-.49440
-.340	-.016	-.40330	-.41110	-.41090	-.40910	-.41500	-.40800	-.40990	-.41690	-.40820	-.42040
-.357	4.016	-.48010	-.47040	-.46890	-.45870	-.46750	-.48240	-.48150	-.48030	-.47350	-.47960
	GRADIENT	.00126	.00123	.00085	.00139	.00111	.00098	.00130	.00190	.00148	.00182

RUN NO. 209/ 0 RN/L = 4.39 GRADIENT INTERVAL = -5.00/ 5.00

ALPHA	BETA	CP379	CP717	CP380	CP718	CP381	CP716	CP720	CP719	CP374	CP376
4.026	-.016	-.45550	-.45330	-.45360	-.44800	-.46500	-.46090	-.46240	-.46800	-.45260	-.46240
	GRADIENT	.00000	.00000	.00000	.00000	.00000	.00000	.00000	.00000	.00000	.00000

ARC 11-023 1A80 OTS (SRB NOM) (SSME NO. 2 OUT)

(AE4083) (08 JAN 75)

REFERENCE DATA

SREF = 2690.0000 SQ.FT. XMRP = .0000 IN.
 LREF = 1290.3000 IN. YMRP = .0000 IN.
 BREF = 1290.3000 IN. ZMRP = .0000 IN.
 SCALE = .0200

PARAMETRIC DATA

ELV-18 = .000 ELV-08 = .000
 MACH = 1.250

RUN NO. 204/ 0 RN/L = 4.40 GRADIENT INTERVAL = -5.00/ 5.00

ALPHA	BETA	CP379	CP717	CP380	CP718	CP381	CP716	CP720	CP719	CP374	CP376
-3.947	-.003	-.30830	-.30590	-.31090	-.30370	-.31040	-.31070	-.32130	-.32720	-.31140	-.32520
	GRADIENT	.00000	.00000	.00000	.00000	.00000	.00000	.00000	.00000	.00000	.00000

RUN NO. 205/ 0 RN/L = 4.40 GRADIENT INTERVAL = -5.00/ 5.00

ALPHA	BETA	CP379	CP717	CP380	CP718	CP381	CP716	CP720	CP719	CP374	CP376
-.400	-4.000	-.36720	-.36070	-.35120	-.34610	-.35490	-.36840	-.36890	-.37670	-.36360	-.37250
-.370	-.009	-.34150	-.33660	-.33180	-.32560	-.33100	-.34470	-.34330	-.34570	-.33810	-.34490
-.420	4.019	-.36610	-.35280	-.34130	-.32990	-.34030	-.37010	-.36350	-.36230	-.36260	-.35920
	GRADIENT	.00013	.00098	.00123	.00202	.00181	-.00022	.00066	.00179	.00011	.00165

ARC 11-023 1A80 OTS (SRB NOM) (SSME NO. 1 OUT)

(AE40B5) (02 JAN 75)

REFERENCE DATA

SREF = 2690.0000 SQ.FT. XMRP = .0000 IN.
 LREF = 1290.3000 IN. YMRP = .0000 IN.
 BREF = 1290.3000 IN. ZMRP = .0000 IN.
 SCALE = .0200

PARAMETRIC DATA

ELV-18 = .000 ELV-08 = .000
 MACH = .600

RUN NO. 356/ 0 RN/L = 3.42 GRADIENT INTERVAL = -5.00/ 5.00

ALPHA	BETA	CP379	CP717	CP380	CP718	CP381	CP716	CP720	CP719	CP374	CP376
-4.072	.012	-.32490	-.30350	-.32900	-.32210	-.34240	-.36740	-.38320	-.38320	-.38040	-.38110
	GRADIENT	.00000	.00000	.00000	.00000	.00000	.00000	.00000	.00000	.00000	.00000

RUN NO. 357/ 0 RN/L = 3.49 GRADIENT INTERVAL = -5.00/ 5.00

ALPHA	BETA	CP379	CP717	CP380	CP718	CP381	CP716	CP720	CP719	CP374	CP376
-.284	-4.003	-.33150	-.30660	-.32010	-.30430	-.33520	-.35400	-.34830	-.34930	-.34870	-.34180
-.337	.003	-.30430	-.28450	-.29830	-.29130	-.30560	-.31670	-.33110	-.32510	-.32710	-.32170
-.367	4.025	-.30000	-.28420	-.29600	-.29200	-.30370	-.31310	-.32750	-.33150	-.32280	-.32070
	GRADIENT	.00392	.00279	.00300	.00153	.00392	.00509	.00259	.00221	.00322	.00260

RUN NO. 358/ 0 RN/L = 3.47 GRADIENT INTERVAL = -5.00/ 5.00

ALPHA	BETA	CP379	CP717	CP380	CP718	CP381	CP716	CP720	CP719	CP374	CP376
3.868	.006	-.30940	-.28760	-.29680	-.29000	-.29920	-.32030	-.31280	-.31620	-.31280	-.30730
	GRADIENT	.00000	.00000	.00000	.00000	.00000	.00000	.00000	.00000	.00000	.00000

ARC 11-023 1A80 OTS (SRB NOM) (SSME NO. 1 OUT)

(AE40B6) (08 JAN 75)

REFERENCE DATA

SREF = 2690.0000 SQ.FT. XMRP = .0000 IN.
 LREF = 1290.3000 IN. YMRP = .0000 IN.
 BREF = 1290.3000 IN. ZMRP = .0000 IN.
 SCALE = .0200

PARAMETRIC DATA

ELV-18 = .000 ELV-08 = .000
 MACH = .900

RUN NO. 359/ 0 RN/L = 4.20 GRADIENT INTERVAL = -5.00/ 5.00

ALPHA	BETA	CP379	CP717	CP380	CP718	CP381	CP716	CP720	CP719	CP374	CP376
-4.013	.009	-.31750	-.29630	-.29870	-.31490	-.34230	-.34850	-.36130	-.37670	-.35070	-.33530
	GRADIENT	.00000	.00000	.00000	.00000	.00000	.00000	.00000	.00000	.00000	.00000

RUN NO. 360/ 0 RN/L = 4.21 GRADIENT INTERVAL = -5.00/ 5.00

ALPHA	BETA	CP379	CP717	CP380	CP718	CP381	CP716	CP720	CP719	CP374	CP376
-.317	-4.003	-.34760	-.32510	-.32770	-.33630	-.36350	-.37730	-.35580	-.37320	-.38320	-.35740
-.310	.003	-.30610	-.27770	-.27870	-.28500	-.31000	-.33040	-.33450	-.35090	-.32800	-.30220
-.340	4.025	-.36890	-.33960	-.34360	-.34580	-.37130	-.37430	-.36470	-.39440	-.38270	-.37110
	GRADIENT	-.00266	-.00182	-.00199	-.00119	-.00098	.00037	-.00111	-.00265	.00005	-.00172

DATE 03 JUN 76

TABULATED SOURCE DATA - IABO

PAGE 181

ARC 11-023 IABO OTS (SRB NOM) (SSME NO. 1 OUT)

(AE40B6) (08 JAN 75)

REFERENCE DATA

SREF = 2690.0000 SQ.FT. XMRP = .0000 IN.
 LREF = 1290.3000 IN. YMRP = .0000 IN.
 BREF = 1290.3000 IN. ZMRP = .0000 IN.
 SCALE = .0200

PARAMETRIC DATA

ELV-1B = .000 ELV-0B = .000
 MACH = .900

RUN NO. 351/ 0 RN/L = 4.21 GRADIENT INTERVAL = -5.00/ 5.00

ALPHA	BETA	CP379	CP717	CP380	CP718	CP381	CP716	CP720	CP719	CP374	CP376
3.854	.009	-.29500	-.26970	-.26280	-.27230	-.30120	-.31010	-.30470	-.32330	-.30540	-.28450
	GRADIENT	.00000	.00000	.00000	.00000	.00000	.00000	.00000	.00000	.00000	.00000

ARC 11-023 IABO OTS (SRB NOM) (SSME NO. 1 OUT)

(AE40B7) (08 JAN 75)

REFERENCE DATA

SREF = 2690.0000 SQ.FT. XMRP = .0000 IN.
 LREF = 1290.3000 IN. YMRP = .0000 IN.
 BREF = 1290.3000 IN. ZMRP = .0000 IN.
 SCALE = .0200

PARAMETRIC DATA

ELV-1B = .000 ELV-0B = .000
 MACH = 1.100

RUN NO. 216/ 0 RN/L = 4.38 GRADIENT INTERVAL = -5.00/ 5.00

ALPHA	BETA	CP379	CP717	CP380	CP718	CP381	CP716	CP720	CP719	CP374	CP376
-4.003	-.012	-.36330	-.35130	-.35590	-.36100	-.38030	-.39060	-.39200	-.41670	-.38810	-.36800
	GRADIENT	.00000	.00000	.00000	.00000	.00000	.00000	.00000	.00000	.00000	.00000

RUN NO. 217/ 0 RN/L = 4.38 GRADIENT INTERVAL = -5.00/ 5.00

ALPHA	BETA	CP379	CP717	CP380	CP718	CP381	CP716	CP720	CP719	CP374	CP376
-.393	-4.306	-.43870	-.39160	-.39520	-.41060	-.43020	-.47360	-.44580	-.45430	-.45940	-.42880
-.347	-.019	-.36070	-.34650	-.35080	-.35130	-.37350	-.38280	-.37000	-.40140	-.37790	-.35390
-.383	4.012	-.41350	-.39620	-.39380	-.38790	-.41690	-.43690	-.41730	-.45870	-.43130	-.40300
	GRADIENT	.00311	-.00059	.00015	.00281	.00164	.00454	.00353	-.00057	.00347	.00319

RUN NO. 218/ 0 RN/L = 4.38 GRADIENT INTERVAL = -5.00/ 5.00

ALPHA	BETA	CP379	CP717	CP380	CP718	CP381	CP716	CP720	CP719	CP374	CP376
4.049	-.012	-.40210	-.39110	-.38650	-.38700	-.40850	-.42480	-.40140	-.44630	-.42170	-.38790
	GRADIENT	.00000	.00000	.00000	.00000	.00000	.00000	.00000	.00000	.00000	.00000

ORIGINAL PAGE IS
OF POOR QUALITY

ARC 11-023 1A80 OTS (SRB NOM) (SSME NO. 1 OUT)

(AE4088) (08 JAN 75)

REFERENCE DATA

SREF = 2690.0000 SQ.FT. XMRP = .0000 IN.
 LREF = 1290.3000 IN. YMRP = .0000 IN.
 BREF = 1290.3000 IN. ZMRP = .0000 IN.
 SCALE = .0200

PARAMETRIC DATA

ELV-1B = .000 ELV-0B = .000
 MACH = 1.250

RUN NO. 213/ 0 RN/L = 4.40 GRADIENT INTERVAL = -5.00/ 5.00

ALPHA	BETA	CP379	CP717	CP380	CP718	CP381	CP716	CP720	CP719	CP374	CP376
-3.914	-.009	-.30380	-.28700	-.29270	-.27130	-.29980	-.34960	-.39460	-.37070	-.34910	-.34100
	GRADIENT	.00070	.00000	.00000	.00000	.00000	.00000	.00000	.00000	.00000	.00000

RUN NO. 214/ 0 RN/L = 4.39 GRADIENT INTERVAL = -5.00/ 5.00

ALPHA	BETA	CP379	CP717	CP380	CP718	CP381	CP716	CP720	CP719	CP374	CP376
-.353	-4.006	-.35900	-.29950	-.30380	-.30720	-.33200	-.40140	-.39960	-.38430	-.39040	-.35530
-.367	-.016	-.30940	-.29700	-.29940	-.29030	-.31660	-.35250	-.36010	-.37250	-.35310	-.32520
-.393	4.016	-.33980	-.31210	-.29340	-.28400	-.32610	-.37210	-.36780	-.39030	-.37380	-.33770
	GRADIENT	.00238	-.00157	.00130	.00289	.00073	.00364	.00395	-.00075	.00206	.00219

RUN NO. 215/ 0 RN/L = 4.39 GRADIENT INTERVAL = -5.00/ 5.00

ALPHA	BETA	CP379	CP717	CP380	CP718	CP381	CP716	CP720	CP719	CP374	CP376
4.053	-.012	-.32840	-.30730	-.30290	-.29110	-.33640	-.36260	-.34310	-.39090	-.35670	-.32230
	GRADIENT	.00000	.00000	.00000	.00000	.00000	.00000	.00000	.00000	.00000	.00000

ARC 11-023 1A80 OTS (SRB NOM) (SSME NO. 1 OUT)

(AE4089) (08 JAN 75)

REFERENCE DATA

SREF = 2690.0000 SQ.FT. XMRP = .0000 IN.
 LREF = 1290.3000 IN. YMRP = .0000 IN.
 BREF = 1290.3000 IN. ZMRP = .0000 IN.
 SCALE = .0200

PARAMETRIC DATA

ELV-1B = .000 ELV-0B = .000
 MACH = 1.400

RUN NO. 210/ 0 RN/L = 4.34 GRADIENT INTERVAL = -5.00/ 5.00

ALPHA	BETA	CP379	CP717	CP380	CP718	CP381	CP716	CP720	CP719	CP374	CP376
-3.934	-.009	-.23650	-.22500	-.22830	-.21370	-.23650	-.27810	-.32230	-.29780	-.28160	-.27490
	GRADIENT	.00000	.00000	.00000	.00000	.00000	.00000	.00000	.00000	.00000	.00000

RUN NO. 211/ 0 RN/L = 4.34 GRADIENT INTERVAL = -5.00/ 5.00

ALPHA	BETA	CP379	CP717	CP380	CP718	CP381	CP716	CP720	CP719	CP374	CP376
-.426	-4.006	-.26310	-.23540	-.24630	-.24140	-.24010	-.30250	-.31550	-.29530	-.30150	-.28250
-.383	-.016	-.24080	-.22440	-.22210	-.20710	-.22650	-.27270	-.29740	-.27710	-.27410	-.26150
-.436	4.016	-.26750	-.23750	-.22800	-.21490	-.22710	-.29950	-.31200	-.29590	-.30140	-.27830
	GRADIENT	-.00056	-.00027	.00227	.00329	.00162	.00036	.00043	-.00008	.00000	.00052

DATE 03 JUN 76

TABULATED SOURCE DATA - IAB0

PAGE 183

ARC 11-023 IAB0 OTS (SRB NOM) (SSME NO. 1 OUT)

(AE40B9) (08 JAN 75)

REFERENCE DATA

SREF = 2690.0000 SQ.FT. XMRP = .0000 IN.
 LREF = 1290.3000 IN. YMRP = .0000 IN.
 BREF = 1290.3000 IN. ZMRP = .0000 IN.
 SCALE = .0200

PARAMETRIC DATA

ELV-1B = .000 ELV-0B = .000
 MACH = 1.400

RUN NO. 212/ 0 RN/L = 4.33 GRADIENT INTERVAL = -5.00/ 5.00

ALPHA	BETA	CP379	CP717	CP38C	CP718	CP381	CP716	CP720	CP719	CP374	CP376
4.046	-.012	-.23500	-.21610	-.21200	-.20340	-.22830	-.27490	-.28050	-.27980	-.28090	-.24870
	GRADIENT	.00000	.00000	.00000	.00000	.00000	.00000	.00000	.00000	.00000	.00000

ARC 11-023 IAB0 OTS (SRB NOM) (SSME NOM+)

(GE4011) (08 JAN 75)

REFERENCE DATA

SREF = 2690.0000 SQ.FT. XMRP = .0000 IN.
 LREF = 1290.3000 IN. YMRP = .0000 IN.
 BREF = 1290.3000 IN. ZMRP = .0000 IN.
 SCALE = .0200

PARAMETRIC DATA

ELV-1B = .000 ELV-0B = .000
 MACH = .600

RUN NO. 249/ 0 RN/L = 3.38 GRADIENT INTERVAL = -5.00/ 5.00

ALPHA	BETA	CP723	CP371	CP370	CP724
-3.957	-.016	-.58280	-.54290	-.53370	-.56220
	GRADIENT	.00000	.00000	.00000	.00000

RUN NO. 250/ 0 RN/L = 3.40 GRADIENT INTERVAL = -5.00/ 5.00

ALPHA	BETA	CP723	CP371	CP370	CP724
-.337	-4.041	-.47350	-.45130	-.50850	-.51640
-.383	-.022	-.57560	-.52770	-.50610	-.54450
-.400	3.997	-.47500	-.46170	-.39420	-.52040
	GRADIENT	-.00021	-.00129	.01422	-.00050

RUN NO. 251/ 0 RN/L = 3.41 GRADIENT INTERVAL = -5.00/ 5.00

ALPHA	BETA	CP723	CP371	CP370	CP724
4.125	-.025	-.56740	-.50650	-.50040	-.53370
	GRADIENT	.00000	.00000	.00000	.00000

ARC 11-023 1A80 OTS (SRB NOM) (SSME NOM+)

(GE4012) (08 JAN 75)

REFERENCE DATA

SREF = 2690.0000 SQ.FT. XMRP = .0000 IN.
 LREF = 1290.3000 IN. YMRP = .0000 IN.
 BREF = 1290.3000 IN. ZMRP = .0000 IN.
 SCALE = .0200

PARAMETRIC DATA

ELV-1B = .000 ELV-0B = .000
 MACH = .900

RUN NO. 231/ 0 RN/L = 4.20 GRADIENT INTERVAL = -5.00/ 5.00

ALPHA	BETA	CP723	CP371	CP370	CP724
-4.062	-.012	-.54710	-.55050	-.53370	-.51760
	GRADIENT	.00000	.00000	.00000	.00000

RUN NO. 232/ 0 RN/L = 4.21 GRADIENT INTERVAL = -5.00/ 5.00

ALPHA	BETA	CP723	CP371	CP370	CP724
-.383	-4.028	-.51770	-.51860	-.57470	-.52220
-.383	-.016	-.50800	-.51080	-.49840	-.48220
-.453	4.000	-.55690	-.55030	-.49750	-.56130
	GRADIENT	-.00488	-.00395	.00962	-.00487

RUN NO. 233/ 0 RN/L = 4.20 GRADIENT INTERVAL = -5.00/ 5.00

ALPHA	BETA	CP723	CP371	CP370	CP724
3.947	-.012	-.51370	-.50370	-.49170	-.49410
	GRADIENT	.00000	.00000	.00000	.00000

ARC 11-023 1A80 OTS (SRB NOM) (SSME NOM+)

(GE4013) (08 JAN 75)

REFERENCE DATA

SREF = 2690.0000 SQ.FT. XMRP = .0000 IN.
 LREF = 1290.3000 IN. YMRP = .0000 IN.
 BREF = 1290.3000 IN. ZMRP = .0000 IN.
 SCALE = .0200

PARAMETRIC DATA

ELV-1B = .000 ELV-0B = .000
 MACH = 1.100

RUN NO. 80/ 0 RN/L = 4.32 GRADIENT INTERVAL = -5.00/ 5.00

ALPHA	BETA	CP723	CP371	CP370	CP724
-3.950	.006	-.47230	-.46870	-.46400	-.46370
	GRADIENT	.00000	.00000	.00000	.00000

RUN NO. 81/ 0 RN/L = 4.32 GRADIENT INTERVAL = -5.00/ 5.00

ALPHA	BETA	CP723	CP371	CP370	CP724
-.509	-4.066	-.51930	-.51540	-.50650	-.50390
-.552	-.056	-.47180	-.47210	-.46710	-.46640
-.486	3.350	-.49280	-.49420	-.50310	-.50240
	GRADIENT	.00331	.00265	.00043	.00019

DATE 03 JUN 76

TABULATED SOURCE DATA - IAB0

PAGE 185

ARC 11-023 IAB0 OTS (SRB NOM) (SSME NOM+)

(GE4013) (06 JAN 75)

REFERENCE DATA

PARAMETRIC DATA

SREF = 2690.0000 SQ.FT. XMRP = .0000 IN.
 LREF = 1290.3000 IN. YMRP = .0000 IN.
 BREF = 1290.3000 IN. ZMRP = .0000 IN.
 SCALE = .0200

ELV-1B = .000 ELV-0B = .000
 MACH = 1.100

RUN NO. 82/ 0 RN/L = 4.32 GRADIENT INTERVAL = -5.00/ 5.00

ALPHA	BETA	CP723	CP371	CP370	CP724
4.029	-.069	-.50410	-.50480	-.50210	-.49430
	GRADIENT	.00000	.00000	.00000	.00000

ARC 11-023 IAB0 OTS (SRB NOM) (SSME NOM+)

(GE4014) (08 JAN 75)

REFERENCE DATA

PARAMETRIC DATA

SREF = 2690.0000 SQ.FT. XMRP = .0000 IN.
 LREF = 1290.3000 IN. YMRP = .0000 IN.
 BREF = 1290.3000 IN. ZMRP = .0000 IN.
 SCALE = .0200

ELV-1B = .000 ELV-0B = .000
 MACH = 1.250

RUN NO. 54/ 0 RN/L = 4.38 GRADIENT INTERVAL = -5.00/ 5.00

ALPHA	BETA	CP723	CP371	CP370	CP724
-3.963	.006	-.35200	-.34860	-.35030	-.33930
	GRADIENT	.00000	.00000	.00000	.00000

RUN NO. 55/ 0 RN/L = 4.39 GRADIENT INTERVAL = -5.00/ 5.00

ALPHA	BETA	CP723	CP371	CP370	CP724
-.492	-4.006	-.38590	-.38120	-.36770	-.37260
-.466	.003	-.35780	-.35810	-.35670	-.34570
-.522	4.009	-.36150	-.35860	-.38050	-.37490
	GRADIENT	.00304	.00282	-.00160	-.00029

RUN NO. 56/ 0 RN/L = 4.38 GRADIENT INTERVAL = -5.00/ 5.00

ALPHA	BETA	CP723	CP371	CP370	CP724
3.996	.000	-.36810	-.37750	-.37220	-.35530
	GRADIENT	.00000	.00000	.00000	.00000

ARC 11-023 1A80 OTS (SRB NO:) (SSME NOM+)

(GE4015) (08 JAN 75)

REFERENCE DATA

SREF = 2690.0000 SQ.FT. XMRP = .0000 IN.
 LREF = 1290.3000 IN. YMRP = .0000 IN.
 BREF = 1290.3000 IN. ZMRP = .0000 IN.
 SCALE = .0200

PARAMETRIC DATA

ELV-18 = .000 ELV-08 = .000
 MACH = 1.400

RUN NO. 7/ 0 RN/L = 4.27 GRADIENT INTERVAL = -5.00/ 5.00

ALPHA	BETA	CP723	CP371	CP370	CP724
-3.910	-.006	-.26870	-.26840	-.26700	-.25910
	GRADIENT	.00000	.00000	.00000	.00000

RUN NO. 8/ 0 RN/L = 4.28 GRADIENT INTERVAL = -5.00/ 5.00

ALPHA	BETA	CP723	CP371	CP370	CP724
-.409	-4.009	-.29440	-.28800	-.26500	-.27560
-.446	.000	-.27220	-.26460	-.26590	-.25490
-.509	4.009	-.26840	-.26570	-.29250	-.27250
	GRADIENT	.00324	.00278	-.00343	.00039

RUN NO. 9/ 0 RN/L = 4.28 GRADIENT INTERVAL = -5.00/ 5.00

ALPHA	BETA	CP723	CP371	CP370	CP724
3.848	-.006	-.27000	-.26430	-.27320	-.25360
	GRADIENT	.00000	.00000	.00000	.00000

ARC 11-023 1A80 OTS (SRB NOM) (SSME NOM-)

(GE4016) (08 JAN 75)

REFERENCE DATA

SREF = 2690.0000 SQ.FT. XMRP = .0000 IN.
 LREF = 1290.3000 IN. YMRP = .0000 IN.
 BREF = 1290.3000 IN. ZMRP = .0000 IN.
 SCALE = .0200

PARAMETRIC DATA

ELV-18 = .000 ELV-06 = .000
 MACH = .900

RUN NO. 234/ 0 RN/L = 4.20 GRADIENT INTERVAL = -5.00/ 5.00

ALPHA	BETA	CP723	CP371	CP370	CP724
-3.986	-.012	-.48450	-.48250	-.47200	-.47540
	GRADIENT	.00000	.00000	.00000	.00000

RUN NO. 235/ 0 RN/L = 4.21 GRADIENT INTERVAL = -5.00/ 5.00

ALPHA	BETA	CP723	CP371	CP370	CP724
-.350	-4.031	-.45830	-.44820	-.49760	-.43760
-.301	-.016	-.46470	-.44560	-.43390	-.45360
-.317	4.000	-.48860	-.48060	-.44280	-.52490
	GRADIENT	-.60377	-.00403	.00682	-.01087

DATE 03 JUN 76

TABULATED SOURCE DATA - 1A80

PAGE 187

ARC 11-023 1A80 OTS (SRB NOM) (SSME NOM-)

(GE4016) (08 JAN 75)

REFERENCE DATA

SREF = 2690.0000 SQ.FT. XMRP = .0000 IN.
 LREF = 1290.3000 IN. YMRP = .0000 IN.
 BREF = 1290.3000 IN. ZMRP = .0000 IN.
 SCALE = .0200

PARAMETRIC DATA

ELV-1B = .000 ELV-08 = .000
 MACH = .90

RUN NO. 236/ 0 RN/L = 4.20 GRADIENT INTERVAL = -5.00/ 5.00

ALPHA	BETA	CP723	CP371	CP370	CP724
3.947	-.019	-.45890	-.43320	-.41320	-.45990
	GRADIENT	.00000	.00000	.00000	.00000

ARC 11-023 1A80 OTS (SRB NOM) (SSME NOM-)

(GE4017) (08 JAN 75)

REFERENCE DATA

SREF = 2690.0000 SQ.FT. XMRP = .0000 IN.
 LREF = 1290.3000 IN. YMRP = .0000 IN.
 BREF = 1290.3000 IN. ZMRP = .0000 IN.
 SCALE = .0200

PARAMETRIC DATA

ELV-1B = .000 ELV-08 = .000
 MACH = 1.100

RUN NO. 83/ 0 RN/L = 4.32 GRADIENT INTERVAL = -5.00/ 5.00

ALPHA	BETA	CP723	CP371	CP370	CP724
-4.020	-.069	-.51770	-.52600	-.50540	-.52820
	GRADIENT	.00000	.00000	.00000	.00000

RUN NO. 84/ 0 RN/L = 4.31 GRADIENT INTERVAL = -5.00/ 5.00

ALPHA	BETA	CP723	CP371	CP370	CP724
-.479	-4.069	-.54120	-.54140	-.53710	-.52470
-.489	-.056	-.52330	-.51900	-.51120	-.52450
-.486	3.947	-.54000	-.54820	-.52770	-.55850
	GRADIENT	.00015	-.00085	.00367	-.00422

RUN NO. 85/ 0 RN/L = 4.32 GRADIENT INTERVAL = -5.00/ 5.00

ALPHA	BETA	CP723	CP371	CP370	CP724
3.983	-.063	-.55000	-.54460	-.54820	-.54380
	GRADIENT	.00000	.00000	.00000	.00000

ARC 11-023 IAB0 OTS (SRB NOM) (SSME NOM-)

(GE4018) (08 JAN 75)

REFERENCE DATA

SREF = 2690.0000 SQ.FT. XMRP = .0000 IN.
 LREF = 1290.3000 IN. YMRP = .0000 IN.
 BREF = 1290.3000 IN. ZMRP = .0000 IN.
 SCALE = .0200

PARAMETRIC DATA

ELV-18 = .000 ELV-08 = .000
 MACH = 1.250

RUN NO. 57/ 0 RN/L = 4.38 GRADIENT INTERVAL = -5.00/ 5.00

ALPHA	BETA	CP723	CP371	CP370	CP724
-3.953	.000	-.41120	-.41800	-.41740	-.42420
	GRADIENT	.00000	.00000	.00000	.00000

RUN NO. 58/ 0 RN/L = 4.38 GRADIENT INTERVAL = -5.00/ 5.00

ALPHA	BETA	CP723	CP371	CP370	CP724
-.429	-4.006	-.44750	-.44150	-.44110	-.43590
-.423	.003	-.41980	-.43130	-.42300	-.42560
-.416	4.009	-.42410	-.43170	-.43920	-.44570
	GRADIENT	.00292	.00122	.00024	-.00122

RUN NO. 59/ 0 RN/L = 4.37 GRADIENT INTERVAL = -5.00/ 5.00

ALPHA	BETA	CP723	CP371	CP370	CP724
3.993	.003	-.44190	-.44400	-.44140	-.44380
	GRADIENT	.00000	.00000	.00000	.00000

ARC 11-023 IAB0 OTS (SRB NOM) (SSME NOM-)

(GE4019) (08 JAN 75)

REFERENCE DATA

SREF = 2690.0000 SQ.FT. XMRP = .0000 IN.
 LREF = 1290.3000 IN. YMRP = .0000 IN.
 BREF = 1290.3000 IN. ZMRP = .0000 IN.
 SCALE = .0200

PARAMETRIC DATA

ELV-18 = .000 ELV-08 = .000
 MACH = 1.400

RUN NO. 10/ 0 RN/L = 4.27 GRADIENT INTERVAL = -5.00/ 5.00

ALPHA	BETA	CP723	CP371	CP370	CP724
-3.848	-.006	-.32810	-.32950	-.33090	-.33140
	GRADIENT	.00000	.00000	.00000	.00000

RUN NO. 11/ 0 RN/L = 4.27 GRADIENT INTERVAL = -5.00/ 5.00

ALPHA	BETA	CP723	CP371	CP370	CP724
-.357	-4.009	-.35570	-.34800	-.33000	-.34510
-.363	.000	-.33220	-.32540	-.32740	-.32930
-.462	4.012	-.32870	-.32800	.34780	-.34020
	GRADIENT	.00337	.00249	-.00222	.00061

DATE 03 JUN 76

TABULATED SOURCE DATA - 1A80

PAGE 189

ARC 11-023 1A80 OTS (SRB NOM) (SSME NOM-)

(GE4019) (08 JAN 75)

REFERENCE DATA

SREF = 2690.0000 SQ.FT. XMRP = .0000 IN.
 LREF = 1290.3000 IN. YMRP = .0000 IN.
 BREF = 1290.3000 IN. ZMRP = .0000 IN.
 SCALE = .0200

PARAMETRIC DATA

ELV-1B = .000 ELV-0B = .000
 MACH = 1.400

RUN NO. 12/ 0 RN/L = 4.27 GRADIENT INTERVAL = -5.00/ 5.00

ALPHA	BETA	CP723	CP371	CP370	CP724
3.986	-.003	-.34100	-.33090	-.33930	-.32960
	GRADIENT	.00000	.00000	.00000	.00000

ARC 11-023 1A80 OTS (SRB NOM) (SSME NOM)

(GE4020) (08 JAN 75)

REFERENCE DATA

SREF = 2690.0000 SQ.FT. XMRP = .0000 IN.
 LREF = 1290.3000 IN. YMRP = .0000 IN.
 BREF = 1290.3000 IN. ZMRP = .0000 IN.
 SCALE = .0200

PARAMETRIC DATA

ELV-1B = .000 ELV-C3 = .000
 MACH = .600

RUN NO. 246/ 0 RN/L = 3.36 GRADIENT INTERVAL = -5.00/ 5.00

ALPHA	BETA	CP723	CP371	CP370	CP724
-3.868	-.016	-.54840	-.52630	.51280	-.56300
	GRADIENT	.00000	.00000	.00000	.00000

RUN NO. 247/ 0 RN/L = 3.39 GRADIENT INTERVAL = -5.00/ 5.00

ALPHA	BETA	CP723	CP371	CP370	CP724
-.327	-4.038	-.46810	-.44430	-.45830	-.49630
-.291	-.022	-.53650	-.50780	-.48390	-.54460
-.386	3.994	-.44650	-.43220	-.39090	-.50520
	GRADIENT	.00269	.00151	.00839	-.00111

RUN NO. 248/ 0 RN/L = 3.41 GRADIENT INTERVAL = -5.00/ 5.00

ALPHA	BETA	CP723	CP371	CP370	CP724
4.016	-.022	-.50460	-.46890	-.45040	-.52040
	GRADIENT	.00000	.00000	.00000	.00000

ORIGINAL PAGE IS
OF POOR QUALITY

ARC 11-023 IA80 OTS (SRB NOM) (SSME NOM)

(GE4021) (08 JAN 75)

REFERENCE DATA

SREF = 2690.0000 SQ.FT. XMRP = .0000 IN.
 LREF = 1290.3000 IN. YMRP = .0000 IN.
 BREF = 1290.3000 IN. ZMRP = .0000 IN.
 SCALE = .0200

PARAMETRIC DATA

ELV-1B = .000 ELV-0B = .000
 MACH = .900

RUN NO. 228/ 0 RN/L = 4.20 GRADIENT INTERVAL = -5.00/ 5.00

ALPHA	BETA	CP723	CP371	CP370	CP724
-3.977	-.016	-.50150	-.49750	-.47440	-.49210
	GRADIENT	.00000	.00000	.00000	.00000

RUN NO. 229/ 0 RN/L = 4.21 GRADIENT INTERVAL = -5.00/ 5.00

ALPHA	BETA	CP723	CP371	CP370	CP724
-.327	-4.028	-.43970	-.43810	-.50610	-.42620
-.317	-.012	-.50930	-.49100	-.46130	-.47910
-.350	4.000	-.50810	-.50270	-.43800	-.52180
	GRADIENT	-.00852	-.00805	.00848	-.01191

RUN NO. 230/ 0 RN/L = 4.20 GRADIENT INTERVAL = -5.00/ 5.00

ALPHA	BETA	CP723	CP371	CP370	CP724
3.977	-.012	-.48550	-.45620	-.43900	-.48790
	GRADIENT	.00000	.00000	.00000	.00000

ARC 11-023 IA80 OTS (SRB NOM) (SSME NOM)

(GE4022) (08 JAN 75)

REFERENCE DATA

SREF = 2690.0000 SQ.FT. XMRP = .0000 IN.
 LREF = 1290.3000 IN. YMRP = .0000 IN.
 BREF = 1290.3000 IN. ZMRP = .0000 IN.
 SCALE = .0200

PARAMETRIC DATA

ELV-1B = .000 ELV-0B = .000
 MACH = 1.100

RUN NO. 86/ 0 RN/L = 4.32 GRADIENT INTERVAL = -5.00/ 5.00

ALPHA	BETA	CP723	CP371	CP370	CP724
-3.937	-.063	-.51180	-.51720	-.50420	-.51720
	GRADIENT	.00000	.00000	.00000	.00000

RUN NO. 87/ 0 RN/L = 4.32 GRADIENT INTERVAL = -5.00/ 5.00

ALPHA	BETA	CP723	CP371	CP370	CP724
-.525	-4.069	-.55750	-.55130	-.54960	-.53850
-.439	-.056	-.51790	-.51370	-.51010	-.51370
-.482	3.950	-.52320	-.53880	-.53980	-.54850
	GRADIENT	.00353	.00156	.00122	-.00125

DATE 03 JUN 76

TABULATED SOURCE DATA - 1A80

PAGE 191

ARC 11-023 1A80 OTS (SRB NOM) (SSME NOM)

(GE4022) (08 JAN 75)

REFERENCE DATA

SREF = 2690.0000 SQ.FT. XMRP = .0000 IN.
LREF = 1290.3000 IN. YMRP = .0000 IN.
BREF = 1290.3000 IN. ZMRP = .0000 IN.
SCALE = .0200

PARAMETRIC DATA

ELV-18 = .000 ELV-08 = .000
MACH = 1.100

RUN NO. 88/ 0 RN/L = 4.32 GRADIENT INTERVAL = -5.00/ 5.00

ALPHA	BETA	CP723	CP371	CP370	CP724
3.963	-.063	-.54630	-.54160	-.54350	-.53740
	GRADIENT	.00000	.00000	.00000	.00000

ARC 11-023 1A80 OTS (SRB NOM) (SSME NOM)

(GE4023) (08 JAN 75)

REFERENCE DATA

SREF = 2690.0000 SQ.FT. XMRP = .0000 IN.
LREF = 1290.3000 IN. YMRP = .0000 IN.
BREF = 1290.3000 IN. ZMRP = .0000 IN.
SCALE = .0200

PARAMETRIC DATA

ELV-18 = .000 ELV-08 = .000
MACH = 1.250

RUN NO. 60/ 0 RN/L = 4.37 GRADIENT INTERVAL = -5.00/ 5.00

ALPHA	BETA	CP723	CP371	CP370	CP724
-3.917	.003	-.39040	-.38770	-.39400	-.38220
	GRADIENT	.00000	.00000	.00000	.00000

RUN NO. 61/ 0 RN/L = 4.37 GRADIENT INTERVAL = -5.00/ 5.00

ALPHA	BETA	CP723	CP371	CP370	CP724
-.446	-4.006	-.41720	-.41210	-.41130	-.40660
-.456	.003	-.39560	-.39500	-.39150	-.38710
-.439	4.012	-.39710	-.39980	-.41240	-.41200
	GRADIENT	.00251	.00153	-.00014	-.00067

RUN NO. 62/ 0 RN/L = 4.37 GRADIENT INTERVAL = -5.00/ 5.00

ALPHA	BETA	CP723	CP371	CP370	CP724
3.986	.000	-.40690	-.41280	-.40850	-.40090
	GRADIENT	.00000	.00000	.00000	.00000

ARC 11-023 1A80 OTS (SRB NOM) (SSME NOM)

(GE4024) (08 JAN 75)

REFERENCE DATA

PARAMETRIC DATA

SREF = 2690.0000 SQ.FT.	XMRP = .0000 IN.	ELV-1B = .000	ELV-0B = .000
LREF = 1290.3000 IN.	YMRP = .0000 IN.	MACH = 1.400	
BREF = 1290.3000 IN.	ZMRP = .0000 IN.		
SCALE = .0200			

RUN NO. 13/ 0 RN/L = 4.25 GRADIENT INTERVAL = -5.00/ 5.00

ALPHA	BETA	CP723	CP371	CP370	CP724
-5.884	-.003	-.30350	-.30410	-.30060	-.29920
	GRADIENT	.00000	.00000	.00000	.00000

RUN NO. 14/ 0 RN/L = 4.25 GRADIENT INTERVAL = -5.00/ 5.00

ALPHA	BETA	CP723	CP371	CP370	CP724
-.370	-4.009	-.32420	-.31880	-.30770	-.31350
-.370	.000	-.30600	-.29910	-.29730	-.29390
-.429	4.012	-.30100	-.29820	-.32240	-.30430
	GRADIENT	.00289	.00257	-.00183	.00115

RUN NO. 15/ 0 RN/L = 4.26 GRADIENT INTERVAL = -5.00/ 5.00

ALPHA	BETA	CP723	CP371	CP370	CP724
3.894	.000	-.31480	-.30340	-.31130	-.29470
	GRADIENT	.00000	.00000	.00000	.00000

ARC 11-023 1A80 OTS (SRB OFF) (SSME OFF)

(GE4028) (08 JAN 75)

REFERENCE DATA

PARAMETRIC DATA

SREF = 2690.0000 SQ.FT.	XMRP = .0000 IN.	ELV-1B = .000	ELV-0B = .000
LREF = 1290.3000 IN.	YMRP = .0000 IN.	MACH = .600	
BREF = 1290.3000 IN.	ZMRP = .0000 IN.		
SCALE = .0200			

RUN NO. 237/ 0 RN/L = 3.39 GRADIENT INTERVAL = -5.00/ 5.00

ALPHA	BETA	CP723	CP371	CP370	CP724
-4.000	-.016	-.17610	-.20650	-.20650	-.16930
	GRADIENT	.00000	.00000	.00000	.00000

RUN NO. 238/ 0 RN/L = 3.38 GRADIENT INTERVAL = -5.00/ 5.00

ALPHA	BETA	CP723	CP371	CP370	CP724
-.264	-4.034	-.20270	-.21660	-.20200	-.16430
-.261	-.019	-.16910	-.19380	-.19350	-.16370
-.274	3.991	-.17150	-.19220	-.18410	-.15310
	GRADIENT	.00389	.00304	.00223	.00140

DATE 03 JUN 76

TABULATED SOURCE DATA - 1A80

PAGE 193

ARC 11-023 1A80 OTS (SRB OFF) (SSME OFF)

(GE4028) (08 JAN 75)

REFERENCE DATA

SREF = 2690.0000 SQ.FT. XMRP = .0000 IN.
 LREF = 1290.3000 IN. YMRP = .0000 IN.
 BREF = 1290.3000 IN. ZMRP = .0000 IN.
 SCALE = .0200

PARAMETRIC DATA

ELV-1B = .000 ELV-0B = .000
 MACH = .600

RUN NO. 239/ 0 RN/L = 3.39 GRADIENT INTERVAL = -5.00/ 5.00

ALPHA	BETA	CP723	CP371	CP370	CP724
4.013	-.019	-.15940	-.17900	-.18170	-.14480
GRADIENT		.00000	.00000	.00000	.00000

ARC 11-023 1A80 OTS (SRB OFF) (SSME OFF)

(GE4029) (08 JAN 75)

REFERENCE DATA

SREF = 2690.0000 SQ.FT. XMRP = .0000 IN.
 LREF = 1290.3000 IN. YMRP = .0000 IN.
 BREF = 1290.3000 IN. ZMRP = .0000 IN.
 SCALE = .0200

PARAMETRIC DATA

ELV-1B = .000 ELV-0B = .000
 MACH = .900

RUN NO. 219/ 0 RN/L = 4.25 GRADIENT INTERVAL = -5.00/ 5.00

ALPHA	BETA	CP723	CP371	CP370	CP724
-3.980	-.006	-.21430	-.23550	-.22260	-.20370
GRADIENT		.00000	.00000	.00000	.00000

RUN NO. 220/ 0 RN/L = 4.25 GRADIENT INTERVAL = -5.00/ 5.00

ALPHA	BETA	CP723	CP371	CP370	CP724
-.320	-4.022	-.25060	-.24520	-.24630	-.22220
-.310	-.009	-.20140	-.20770	-.19740	-.17830
-.297	4.006	-.23730	-.24040	-.23680	-.22440
GRADIENT		.00166	.00060	.00118	-.00028

RUN NO. 221/ 0 RN/L = 4.24 GRADIENT INTERVAL = -5.00/ 5.00

ALPHA	BETA	CP723	CP371	CP370	CP724
3.986	-.009	-.19380	-.20930	-.20850	-.17440
GRADIENT		.00000	.00000	.00000	.00000

ARC 11-023 1A80 OTS (SRB OFF) (SSME OFF)

(GE4030) (08 JAN 75)

REFERENCE DATA

SREF = 2690.0000 SQ.FT. XMRP = .0000 IN.
 LREF = 1290.3000 IN. YMRP = .0000 IN.
 BREF = 1290.3000 IN. ZMRP = .0000 IN.
 SCALE = .0200

PARAMETRIC DATA

ELV-1B = .000 ELV-0B = .000
 MACH = 1.100

RUN NO. 69/ 0 RN/L = 4.33 GRADIENT INTERVAL = -5.00/ 5.00

ALPHA	BETA	CP723	CP371	CP370	CP724
-4.016	-.003	-.33120	-.34460	-.33790	-.32420
	GRADIENT	.00000	.00000	.00000	.00000

RUN NO. 70/ 0 RN/L = 4.30 GRADIENT INTERVAL = -5.00/ 5.00

ALPHA	BETA	CP723	CP371	CP370	CP724
-.370	-4.006	-.37090	-.37990	-.39080	-.35060
-.343	.003	-.31750	-.32940	-.33220	-.30970
-.370	4.009	-.39100	-.40440	-.39020	-.39050
	GRADIENT	-.00251	-.00305	.00008	-.00498

RUN NO. 71/ 0 RN/L = 4.29 GRADIENT INTERVAL = -5.00/ 5.00

ALPHA	BETA	CP723	CP371	CP370	CP724
3.894	-.003	-.34470	-.36240	-.35640	-.32700
	GRADIENT	.00000	.00000	.00000	.00000

ARC 11-023 1A80 OTS (SRB OFF) (SSME OFF)

(GE4031) (08 JAN 75)

REFERENCE DATA

SREF = 2690.0000 SQ.FT. XMRP = .0000 IN.
 LREF = 1290.3000 IN. YMRP = .0000 IN.
 BREF = 1290.3000 IN. ZMRP = .0000 IN.
 SCALE = .0200

PARAMETRIC DATA

ELV-1B = .000 ELV-0B = .000
 MACH = 1.250

RUN NO. 66/ 0 RN/L = 4.36 GRADIENT INTERVAL = -5.00/ 5.00

ALPHA	BETA	CP723	CP371	CP370	CP724
-3.970	-.003	-.28570	-.29200	-.29200	-.28330
	GRADIENT	.00000	.00000	.00000	.00000

RUN NO. 67/ 0 RN/L = 4.36 GRADIENT INTERVAL = -5.00/ 5.00

ALPHA	BETA	CP723	CP371	CP370	CP724
-.330	-4.006	-.31480	-.32220	-.32880	-.30580
-.317	.003	-.28290	-.29360	-.28550	-.27750
-.370	4.012	-.32490	-.33260	-.32720	-.33150
	GRADIENT	-.00126	-.00130	.00020	-.00321

DATE 03 JUN 76

TABULATED SOURCE DATA - 1A80

PAGE 195

ARC 11-023 1A80 OTS (SRB OFF) (SSME OFF)

(GE4031) (08 JAN 75)

REFERENCE DATA

SREF = 2690.0000 SQ.FT. XMRP = .0000 IN.
 LREF = 1290.3000 IN. YMRP = .0000 IN.
 BREF = 1290.3000 IN. ZMRP = .0000 IN.
 SCALE = .0200

PARAMETRIC DATA

ELV-18 = .000 ELV-08 = .000
 MACH = 1.250

RUN NO. 68/ 0 RN/L = 4.36 GRADIENT INTERVAL = -5.00/ 5.00

ALPHA	BETA	CP723	CP371	CP370	CP724
3.950	-.003	-.31770	-.32460	-.32350	-.30390
	GRADIENT	.00000	.00000	.00000	.00000

ARC 11-023 1A80 OTS (SRB OFF) (SSME OFF)

(GE4032) (08 JAN 75)

REFERENCE DATA

SREF = 2690.0000 SQ.FT. XMRP = .0000 IN.
 LREF = 1290.3000 IN. YMRP = .0000 IN.
 BREF = 1290.3000 IN. ZMRP = .0000 IN.
 SCALE = .0200

PARAMETRIC DATA

ELV-18 = .000 ELV-08 = .000
 MACH = 1.400

RUN NO. 19/ 0 RN/L = 4.24 GRADIENT INTERVAL = -5.00/ 5.00

ALPHA	BETA	CP723	CP371	CP370	CP724
-4.043	.000	-.26550	-.27120	-.27040	-.27300
	GRADIENT	.00000	.00000	.00000	.00000

RUN NO. 20/ 0 RN/L = 4.25 GRADIENT INTERVAL = -5.00/ 5.00

ALPHA	BETA	CP723	CP371	CP370	CP724
-.195	-4.012	-.27810	-.28490	-.28800	-.27140
-.211	.000	-.25040	-.26040	-.25870	-.25190
.083	4.006	-.27470	.28480	-.28720	-.29290
	GRADIENT	.00043	.00001	.00010	-.00268

RUN NO. 21/ 0 RN/L = 4.25 GRADIENT INTERVAL = -5.00/ 5.00

ALPHA	BETA	CP723	CP371	CP370	CP724
4.092	.000	-.26790	-.27710	-.27390	-.26370
	GRADIENT	.00000	.00000	.00000	.00000

ARC 11-023 1A80 OTS (SPB NOM) (SSME NO. 2 OUT)

(GE4080) (08 JAN 75)

REFERENCE DATA

PARAMETRIC DATA

SREF = 2690.0000 SQ.FT.	XMRP = .0000 IN.	ELV-1B = .000	ELV-0B = .000
LREF = 1290.3000 IN.	YMRP = .0000 IN.	MACH = .600	
BREF = 1290.3000 IN.	ZMRP = .0000 IN.		
SCALE = .0200			

RUN NO. 362/ 0 RN/L = 3.51 GRADIENT INTERVAL = -5.00/ 5.00

ALPHA	BETA	CP723	CP371	CP370	CP724
-4.013	.006	-.32200	-.33080	-.32100	-.27380
	GRADIENT	.00000	.00000	.00000	.00000

RUN NO. 363/ 0 RN/L = 3.49 GRADIENT INTERVAL = -5.00/ 5.00

ALPHA	BETA	CP723	CP371	CP370	CP724
-.271	-4.006	-.37590	-.36130	-.35270	-.31320
-.310	.003	-.30560	-.30690	-.29920	-.23340
-.310	4.025	-.31250	-.32650	-.31280	-.28380
	GRADIENT	.00789	.00433	.00496	.00365

RUN NO. 364/ 0 RN/L = 3.49 GRADIENT INTERVAL = -5.00/ 5.00

ALPHA	BETA	CP723	CP371	CP370	CP724
3.930	.009	-.30770	-.30900	-.29610	-.23050
	GRADIENT	.00000	.00000	.00000	.00000

ARC 11-023 1A80 OTS (SRB NOM) (SSME NO. 2 OUT)

(GE4081) (08 JAN 75)

REFERENCE DATA

PARAMETRIC DATA

SREF = 2690.0000 SQ.FT.	XMRP = .0000 IN.	ELV-1B = .000	ELV-0B = .000
LREF = 1290.3000 IN.	YMRP = .0000 IN.	MACH = .900	
BREF = 1290.3000 IN.	ZMRP = .0000 IN.		
SCALE = .0200			

RUN NO. 365/ 0 RN/L = 4.21 GRADIENT INTERVAL = -5.00/ 5.00

ALPHA	BETA	CP723	CP371	CP370	CP724
-4.069	.009	-.34470	-.34430	-.33870	-.32150
	GRADIENT	.00000	.00000	.00000	.00000

RUN NO. 366/ 0 RN/L = 4.22 GRADIENT INTERVAL = -5.00/ 5.00

ALPHA	BETA	CP723	CP371	CP370	CP724
-.304	-4.006	-.38140	-.37880	-.33430	-.36200
-.317	.003	-.31580	-.31640	-.30480	-.29460
-.357	4.025	-.38280	-.38560	-.37560	-.37500
	GRADIENT	-.00018	-.00086	-.00515	-.00163

DATE 03 JUN 76

TABULATED SOURCE DATA - IA80

PAGE 197

ARC 11-023 IA80 OTS (SRB NOM) (SSME NO. 2 OUT)

(GE4081) (08 JAN 75)

REFERENCE DATA

SREF = 2690.0000 SQ.FT. XMRP = .0000 IN.
 LREF = 1290.3000 IN. YMRP = .0000 IN.
 BREF = 1290.3000 IN. ZMRP = .0000 IN.
 SCALE = .0200

PARAMETRIC DATA

ELV-1E = .000 ELV-0E = .000
 MACH = .900

RUN NO. 367/ 0 RN/L = 4.22 GRADIENT INTERVAL = -5.00/ 5.00

ALPHA	BETA	CP723	CP371	CP370	CP724
3.986	.019	-.31280	-.31010	-.29920	-.27380
	GRADIENT	.00000	.00000	.00000	.00000

ARC 11-023 IA80 OTS (SRB NOM) (SSME NO. 2 OUT)

(GE4082) (08 JAN 75)

REFERENCE DATA

SREF = 2690.0000 SQ.FT. XMRP = .0000 IN.
 LREF = 1290.3000 IN. YMRP = .0000 IN.
 BREF = 1290.3000 IN. ZMRP = .0000 IN.
 SCALE = .0200

PARAMETRIC DATA

ELV-1E = .000 ELV-0E = .000
 MACH = 1.100

RUN NO. 207/ 0 RN/L = 4.38 GRADIENT INTERVAL = -5.00/ 5.00

ALPHA	BETA	CP723	CP371	CP370	CP724
-3.973	-.009	-.41030	-.41660	-.39530	-.41640
	GRADIENT	.00000	.00000	.00000	.00000

RUN NO. 208/ 0 RN/L = 4.38 GRADIENT INTERVAL = -5.00/ 5.00

ALPHA	BETA	CP723	CP371	CP370	CP724
-.393	-4.006	-.49050	-.49820	-.47520	-.50290
-.340	-.016	-.41070	-.41620	-.38430	-.41500
-.357	4.016	-.47000	-.48290	-.45340	-.47710
	GRADIENT	.00253	.00188	.00268	.00318

RUN NO. 209/ 0 RN/L = 4.39 GRADIENT INTERVAL = -5.00/ 5.00

ALPHA	BETA	CP723	CP371	CP370	CP724
4.026	-.016	-.45950	-.46580	-.43650	-.45770
	GRADIENT	.00000	.00000	.00000	.00000

ORIGINAL PAGE IS
OF POOR QUALITY

ARC 11-023 IA80 OTS (SRB NOM) (SSME NO. 2 OUT)

(GE40B3) (08 JAN 75)

REFERFNC DATA

SREF = 2690.0000 SQ.FT. XMRP = .0000 IN.
 LREF = 1290.3000 IN. YMRP = .0000 IN.
 BREF = 1290.3000 IN. ZMRP = .0000 IN.
 SCALE = .0200

PARAMETRIC DATA

ELV-1B = .000 ELV-0B = .000
 MACH = 1.250

RUN NO. 204/ 0 RN/L = 4.40 GRADIENT INTERVAL = -5.00/ 5.00

ALPHA	BETA	CP723	CP371	CP370	CP724
-3.947	-.003	-.31700	-.32590	-.30580	-.32870
	GRADIENT	.00000	.00000	.00000	.00000

RUN NO. 205/ 0 RN/L = 4.40 GRADIENT INTERVAL = -5.00/ 5.00

ALPHA	BETA	CP723	CP371	CP370	CP724
-.400	-4.000	-.36900	-.37800	-.35960	-.38710
-.370	-.009	-.34300	-.35050	-.32700	-.34590
-.420	4.019	-.35560	-.36150	-.34380	-.36940
	GRADIENT	.00166	.00155	.00196	.00219

RUN NO. 206/ 0 RN/L = 4.40 GRADIENT INTERVAL = -5.00/ 5.00

ALPHA	BETA	CP723	CP371	CP370	CP724
3.986	-.012	-.36930	-.37490	-.36040	-.36930
	GRADIENT	.00000	.00000	.00000	.00000

ARC 11-023 IA80 OTS (SRB NOM) (SSME NO. 2 OUT)

(GE40B4) (08 JAN 75)

REFERENCE DATA

SREF = 2690.0000 SQ.FT. XMRP = .0000 IN.
 LREF = 1290.3000 IN. YMRP = .0000 IN.
 BREF = 1290.3000 IN. ZMRP = .0000 IN.
 SCALE = .0200

PARAMETRIC DATA

ELV-1B = .000 ELV-0B = .000
 MACH = 1.400

RUN NO. 201/ 0 RN/L = 4.36 GRADIENT INTERVAL = -5.00/ 5.00

ALPHA	BETA	CP723	CP371	CP370	CP724
-3.957	-.003	-.25660	-.26560	-.25450	-.27030
	GRADIENT	.00000	.00000	.00000	.00000

RUN NO. 202/ 0 RN/L = 4.35 GRADIENT INTERVAL = -5.00/ 5.00

ALPHA	BETA	CP723	CP371	CP370	CP724
-.443	-4.000	-.27930	-.28520	-.25680	-.29220
-.406	-.006	-.26330	-.26730	-.24790	-.26840
-.446	4.019	-.27670	-.28340	-.26850	-.28590
	GRADIENT	.00032	.00022	-.00146	.00078

DATE 03 JUN 76

TABULATED SOURCE DATA - IAB0

PAGE 199

ARC 11-023 IAB0 OTS (SRB NOM) (SSME NO. 2 OUT)

(GE40B4) (08 JAN 75)

REFERENCE DATA

SREF = 2690.0000 SQ.FT. XMRP = .0000 IN.
LREF = 1290.3000 IN. YMRP = .0000 IN.
BREF = 1290.3000 IN. ZMRP = .0000 IN.
SCALE = .0200

PARAMETRIC DATA

ELV-1B = .000 ELV-0B = .000
MACH = 1.400

RUN NO. 203/ 0 RN/L = 3.33 GRADIENT INTERVAL = -5.00/ 5.00

ALPHA	BETA	CP723	CP371	CP370	CP724
3.953	-.009	-.26910	-.27800	-.25710	-.27480
	GRADIENT	.00000	.00000	.00000	.00000

ARC 11-023 IAB0 OTS (SRB NOM) (SSME NO. 1 OUT)

(GE40B5) (08 JAN 75)

REFERENCE DATA

SREF = 2690.0000 SQ.FT. XMRP = .0000 IN.
LREF = 1290.3000 IN. YMRP = .0000 IN.
BREF = 1290.3000 IN. ZMRP = .0000 IN.
SCALE = .0200

PARAMETRIC DATA

ELV-1B = .000 ELV-0B = .000
MACH = .600

RUN NO. 356/ 0 RN/L = 3.42 GRADIENT INTERVAL = -5.00/ 5.00

ALPHA	BETA	CP723	CP371	CP370	CP724
-4.072	.012	-.38140	-.39650	-.40210	-.36070
	GRADIENT	.00000	.00000	.00000	.00000

RUN NO. 357/ 0 RN/L = 3.49 GRADIENT INTERVAL = -5.00/ 5.00

ALPHA	BETA	CP723	CP371	CP370	CP724
-.284	-4.003	-.32830	-.34370	-.36760	-.31920
-.337	.003	-.33510	-.34380	-.33810	-.32970
-.367	4.025	-.35030	-.34720	-.32370	-.35390
	GRADIENT	-.00274	-.00044	.00547	-.00432

RUN NO. 358/ 0 RN/L = 3.47 GRADIENT INTERVAL = -5.00/ 5.00

ALPHA	BETA	CP723	CP371	CP370	CP724
3.868	.006	-.31920	-.32370	-.32570	-.31040
	GRADIENT	.00000	.00000	.00000	.00000

ARC 11-023 IABO OTS (SRB NOM) (SSME NO. 1 OUT)

(GE4086) (08 JAN 75)

REFERENCE DATA

SREF = 2690.0000 SQ.FT. XMRP = .0000 IN.
 LREF = 1290.3000 IN. YMRP = .0000 IN.
 BREF = 1290.3000 IN. ZMRP = .0000 IN.
 SCALE = .0200

PARAMETRIC DATA

ELV-1B = .000 ELV-0B = .000
 MACH = .900

RUN NO. 359/ 0 RN/L = 4.20 GRADIENT INTERVAL = -5.00/ 5.00

ALPHA	BETA	CP723	CP371	CP370	CP724
-4.013	.009	-.39970	-.40790	-.40170	-.39230
	GRADIENT	.00000	.00000	.00000	.00000

RUN NO. 360/ 0 RN/L = 4.21 GRADIENT INTERVAL = -5.00/ 5.00

ALPHA	BETA	CP723	CP371	CP370	CP724
-.317	-4.003	-.36910	-.37660	-.42640	-.35920
-.310	.003	-.37380	-.37040	-.37600	-.35800
-.340	4.025	-.42150	-.42570	-.38090	-.42450
	GRADIENT	-.00653	-.00612	.00566	-.00614

RUN NO. 361/ 0 RN/L = 4.21 GRADIENT INTERVAL = -5.00/ 5.00

ALPHA	BETA	CP723	CP371	CP370	CP724
3.854	.009	-.33540	-.33900	-.33940	-.32630
	GRADIENT	.00000	.00000	.00000	.00000

ARC 11-023 IABO OTS (SRB NOM) (SSME NO. 1 OUT)

(GE4087) (08 JAN 75)

REFERENCE DATA

SREF = 2690.0000 SQ.FT. XMRP = .0000 IN.
 LREF = 1290.3000 IN. YMRP = .0000 IN.
 BREF = 1290.3000 IN. ZMRP = .0000 IN.
 SCALE = .0200

PARAMETRIC DATA

ELV-1B = .000 ELV-0B = .000
 MACH = 1.100

RUN NO. 216/ 0 RN/L = 4.38 GRADIENT INTERVAL = -5.00/ 5.00

ALPHA	BETA	CP723	CP371	CP370	CP724
-4.003	-.012	-.43990	-.47920	-.43020	-.43320
	GRADIENT	.00000	.00000	.00000	.00000

RUN NO. 217/ 0 RN/L = 4.38 GRADIENT INTERVAL = -5.00/ 5.00

ALPHA	BETA	CP723	CP371	CP370	CP724
-.393	-4.006	-.47380	-.47180	-.48710	-.46380
-.347	-.019	-.42310	-.42340	-.41550	-.41400
-.383	4.012	-.47670	-.47640	-.44950	-.47880
	GRADIENT	-.00039	-.00060	.00465	-.00190

DATE 03 JUN 76

TABULATED SOURCE DATA - 1A80

PAGE 201

ARC 11-023 1A80 OTS (SRB NOM) (SSME NO. 1 OUT)

(GE40B7) (08 JAN 75)

REFERENCE DATA

SREF = 2690.0000 SQ.FT. XMRP = .0000 IN.
LREF = 1290.3000 IN. YMRP = .0000 IN.
BREF = 1290.3000 IN. ZMRP = .0000 IN.
SCALE = .0200

PARAMETRIC DATA

ELV-18 = .000 ELV-08 = .000
MACH = 1.100

RUN NO. 218/ 0 RN/L = 4.38 GRADIENT INTERVAL = -5.00/ 5.00

ALPHA	BETA	CP723	CP371	CP370	CP724
4.049	-.012	-.45860	-.46420	-.45550	-.44900
	GRADIENT	.00000	.00000	.00000	.00000

ARC 11-023 1A80 OTS (SRB NOM) (SSME NO. 1 OUT)

(GE40B8) (08 JAN 75)

REFERENCE DATA

SREF = 2690.0000 SQ.FT. XMRP = .0000 IN.
LREF = 1290.3000 IN. YMRP = .0000 IN.
BREF = 1290.3000 IN. ZMRP = .0000 IN.
SCALE = .0200

PARAMETRIC DATA

ELV-18 = .000 ELV-08 = .000
MACH = 1.250

RUN NO. 213/ 0 RN/L = 4.40 GRADIENT INTERVAL = -5.00/ 5.00

ALPHA	BETA	CP723	CP371	CP370	CP724
-3.914	-.009	-.40360	-.39830	-.40080	-.40440
	GRADIENT	.00000	.00000	.00000	.00000

RUN NO. 214/ 0 RN/L = 4.39 GRADIENT INTERVAL = -5.00/ 5.00

ALPHA	BETA	CP723	CP371	CP370	CP724
-.353	-4.006	-.42030	-.41740	-.41760	-.41100
-.367	-.016	-.40310	-.40600	-.39940	-.40080
-.393	4.016	-.40840	-.41260	-.40460	-.42150
	GRADIENT	.00148	.00059	.00162	-.00132

RUN NO. 215/ 0 RN/L = 4.39 GRADIENT INTERVAL = -5.00/ 5.00

ALPHA	BETA	CP723	CP371	CP370	CP724
4.053	-.012	-.40480	-.40650	-.39650	-.39900
	GRADIENT	.00000	.00000	.00000	.00000

ARC 11-023 1A80 OTS (SRB NOM) (SSME NO. 1 OUT)

(GE4089) (08 JAN 75)

REFERENCE DATA

SREF = 2690.0000 SQ.FT. XMRP = .0000 IN.
 LREF = 1290.3000 IN. YMRP = .0000 IN.
 BREF = 1290.3000 IN. ZMRP = .0000 IN.
 SCALE = .0200

PARAMETRIC DATA

ELV-1B = .000 ELV-0B = .000
 MACH = 1.400

RUN NO. 210/ 0 RN/L = 4.34 GRADIENT INTERVAL = -5.00/ 5.00

ALPHA	BETA	CP723	CP371	CP370	CP724
-3.934	-.009	-.32270	-.32470	-.31820	-.32440
	GRADIENT	.00000	.00000	.00000	.00000

RUN NO. 211/ 0 RN/L = 4.34 GRADIENT INTERVAL = -5.00/ 5.00

ALPHA	BETA	CP723	CP371	CP370	CP724
-.426	-4.006	-.34320	-.34180	-.33110	-.33690
-.383	-.016	-.32760	-.32100	-.31310	-.32230
-.436	4.016	-.32940	-.32850	-.33580	-.34240
	GRADIENT	.00172	.00165	-.00059	-.00071

RUN NO. 212/ 0 RN/L = 4.33 GRADIENT INTERVAL = -5.00/ 5.00

ALPHA	BETA	CP723	CP371	CP370	CP724
4.046	-.012	-.32900	-.32030	-.31790	-.31510
	GRADIENT	.00000	.00000	.00000	.00000

ARC 11-023 1A80 OTS (SRB NOM) (SSME NOM+)

(FE4011) (08 JAN 75)

REFERENCE DATA

SREF = 2690.0000 SQ.FT. XMRP = .0000 IN.
 LREF = 1290.3000 IN. YMRP = .0000 IN.
 BREF = 1290.3000 IN. ZMRP = .0000 IN.
 SCALE = .0200

PARAMETRIC DATA

ELV-1B = .000 ELV-0B = .000
 MACH = .600

RUN NO. 249/ 0 RN/L = 3.38 GRADIENT INTERVAL = -5.00/ 5.00

ALPHA	BETA	CP378	CP715	CP375	CP377	CP721	CP372	CP714	CP722	CP373	CP713
-3.957	-.016	-.38810	-.37200	-.40150	-.41220	-.37850	-.57940	-.34750	-.34670	-.64300	-.54240
	GRADIENT	.00000	.00000	.00000	.00000	.00000	.00000	.00000	.00000	.00000	.00000

RUN NO. 250/ 0 RN/L = 3.40 GRADIENT INTERVAL = -5.00/ 5.00

ALPHA	BETA	CP378	CP715	CP375	CP377	CP721	CP372	CP714	CP722	CP373	CP713
-.337	-4.041	-.36930	-.42130	-.45570	-.36540	-.36250	-.51490	-.39080	-.34080	-.49730	-.51420
-.383	-.022	-.36170	-.34610	-.36720	-.37330	-.34470	-.56080	-.31960	-.31920	-.62420	-.53480
-.400	3.997	-.36880	-.37060	-.38100	-.42740	-.39470	-.43010	-.36120	-.38240	-.56800	-.39500
	GRADIENT	-.00243	.00631	.00929	-.00771	-.00401	.02299	.00368	-.00518	-.00880	.01483

ARC 11-023 1A80 OTS (SRB NOM) (SSME NOM+)

(FE4013) (08 JAN 75)

REFERENCE DATA

SREF = 2690.0000 SQ.FT. XMRP = .0000 IN.
 LREF = 1290.3000 IN. YMRP = .0000 IN.
 BREF = 1290.3000 IN. ZMRP = .0000 IN.
 SCALE = .0200

PARAMETRIC DATA

ELV-1B = .000 ELV-0B = .000
 MACH = 1.100

RUN NO. 80/ 0 RN/L = 4.32 GRADIENT INTERVAL = -5.00/ 5.00

ALPHA	BETA	CP378	CP715	CP375	CP377	CP721	CP372	CP714	CP722	CP373	CP713
-3.950	.006	-.43740	-.41200	-.46970	-.46550	-.43330	-.45810	-.40790	-.40840	-.46670	-.46640
	GRADIENT	.00000	.00000	.00000	.00000	.00000	.00000	.00000	.00000	.00000	.00000

RUN NO. 81/ 0 RN/L = 4.32 GRADIENT INTERVAL = -5.00/ 5.00

ALPHA	BETA	CP378	CP715	CP375	CP377	CP721	CP372	CP714	CP722	CP373	CP713
-.509	-4.066	-.48020	-.47160	-.50440	-.50830	-.47260	-.49520	-.46470	-.45610	-.50920	-.49940
-.552	-.056	-.43960	-.41350	-.47030	-.46760	-.42540	-.46220	-.40140	-.41190	-.46690	-.47200
-.486	3.950	-.47140	-.44870	-.46950	-.49600	-.45830	-.49770	-.44480	-.44550	-.49550	-.50970
	GRADIENT	.00110	.00286	.00186	.00154	.00179	-.00031	.00248	.00132	.00171	-.00128

RUN NO. 82/ 0 RN/L = 4.32 GRADIENT INTERVAL = -5.00/ 5.00

ALPHA	BETA	CP378	CP715	CP375	CP377	CP721	CP372	CP714	CP722	CP373	CP713
4.029	-.069	-.47760	-.45700	-.50220	-.49990	-.46220	-.49750	-.44260	-.44740	-.49920	-.50560
	GRADIENT	.00000	.00000	.00000	.00000	.00000	.00000	.00000	.00000	.00000	.00000

ARC 11-023 1A80 OTS (SRB NOM) (SSME NOM+)

(FE4014) (08 JAN 75)

REFERENCE DATA

SREF = 2690.0000 SQ.FT. XMRP = .0000 IN.
 LREF = 1290.3000 IN. YMRP = .0000 IN.
 BREF = 1290.3000 IN. ZMRP = .0000 IN.
 SCALE = .0200

PARAMETRIC DATA

ELV-1B = .000 ELV-0B = .000
 MACH = 1.250

RUN NO. 54/ 0 RN/L = 4.38 GRADIENT INTERVAL = -5.00/ 5.00

ALPHA	BETA	CP378	CP715	CP375	CP377	CP721	CP372	CP714	CP722	CP373	CP713
-3.963	.006	-.31910	-.30850	-.35670	-.34770	-.31180	-.34010	-.30030	-.29350	-.34380	-.34940
	GRADIENT	.00000	.00000	.00000	.00000	.00000	.00000	.00000	.00000	.00000	.00000

RUN NO. 55/ 0 RN/L = 4.39 GRADIENT INTERVAL = -5.00/ 5.00

ALPHA	BETA	CP378	CP715	CP375	CP377	CP721	CP372	CP714	CP722	CP373	CP713
-.492	-4.006	-.35230	-.34150	-.36950	-.37930	-.33980	-.35590	-.33240	-.32760	-.37960	-.36100
-.466	.003	-.32910	-.31560	-.35470	-.36010	-.31890	-.34710	-.30470	-.30300	-.35410	-.35710
-.522	4.009	-.34410	-.33750	-.37300	-.36990	-.32940	-.37670	-.32830	-.31940	-.35690	-.38470
	GRADIENT	.00102	.00050	-.00044	.00117	.00130	-.00259	.00051	.00102	.00283	-.00296

DATE 03 JUN 76

TABULATED SOURCE DATA - IAB0

PAGE 205

ARC 11-023 IAB0 OTS (SRB NOM) (SSME NOM+)

(FE4014) (08 JAN 75)

REFERENCE DATA

SREF = 2690.0000 SQ.FT. XMRP = .0000 IN.
 LREF = 1290.3000 IN. YMRP = .0000 IN.
 BREF = 1290.3000 IN. ZMRP = .0000 IN.
 SCALE = .0200

PARAMETRIC DATA

ELV-1B = .000 ELV-0B = .000
 MACH = 1.250

RUN NO. 56/ 0 RN/L = 4.38 GRADIENT INTERVAL = -5.00/ 5.00

ALPHA	BETA	CP378	CP715	CP375	CP377	CP721	CP372	CP714	CP722	CP373	CP713
3.996	.000	-.35020	-.33070	-.36910	-.37160	-.33510	-.36130	-.31880	-.32170	-.36340	-.37300
	GRADIENT	.00000	.00000	.00000	.00000	.00000	.00000	.00000	.00000	.00000	.00000

ARC 11-023 IAB0 OTS (SRB NOM) (SSME NOM+)

(FE4015) (08 JAN 75)

REFERENCE DATA

SREF = 2690.0000 SQ.FT. XMRP = .0000 IN.
 LREF = 1290.3000 IN. YMRP = .0000 IN.
 BREF = 1290.3000 IN. ZMRP = .0000 IN.
 SCALE = .0200

PARAMETRIC DATA

ELV-1B = .300 ELV-0B = .000
 MACH = 1.400

RUN NO. 7/ 0 RN/L = 4.27 GRADIENT INTERVAL = -5.00/ 5.00

ALPHA	BETA	CP378	CP715	CP375	CP377	CP721	CP372	CP714	CP722	CP373	CP713
-3.910	-.006	-.24540	-.23240	-.27180	-.26500	-.23720	-.25430	-.22640	-.22830	-.25860	-.26900
	GRADIENT	.00000	.00000	.00000	.00000	.00000	.00000	.00000	.00000	.00000	.00000

RUN NO. 8/ 0 RN/L = 4.28 GRADIENT INTERVAL = -5.00/ 5.00

ALPHA	BETA	CP378	CP715	CP375	CP377	CP721	CP372	CP714	CP722	CP373	CP713
-.409	-4.009	-.25440	-.23860	-.27380	-.27990	-.24620	-.26540	-.23440	-.24040	-.28370	-.26470
-.446	.000	-.23080	-.22570	-.26530	-.26040	-.21940	-.26040	-.22540	-.21710	-.25940	-.26690
-.509	4.009	-.24200	-.25060	-.28430	-.27520	-.23410	-.28630	-.24580	-.22710	-.26980	-.29580
	GRADIENT	.00155	-.00150	-.00131	.00059	.00151	-.00261	-.00142	.00166	.00173	-.00388

RUN NO. 9/ 0 RN/L = 4.28 GRADIENT INTERVAL = -5.00/ 5.00

ALPHA	BETA	CP378	CP715	CP375	CP377	CP721	CP372	CP714	CP722	CP373	CP713
3.848	-.006	-.22630	-.22540	-.26720	-.26390	-.21810	-.26040	-.21970	-.21110	-.26000	-.27130
	GRADIENT	.00000	.00000	.00000	.00000	.00000	.00000	.00000	.00000	.00000	.00000

ORIGINAL PAGE IS
OF POOR QUALITY

ARC 11-023 IA80 OTS (SRB NOM) (SSME NOM-)

(FE4016) (08 JAN 75)

REFERENCE DATA

SREF = 2690.0000 SQ.FT. XMRP = .0000 IN.
 LREF = 1290.3000 IN. YMRP = .0000 IN.
 BREF = 1290.3000 IN. ZMRP = .0000 IN.
 SCALE = .0200

ELV-18 = .000 ELV-08 = .000
 MACH = .900

PARAMETRIC DATA

RUN NO. 234/ 0 RN/L = 4.20 GRADIENT INTERVAL = -5.00/ 5.00

ALPHA	BETA	CP378	CP715	CP375	CP377	CP721	CP372	CP714	CP722	CP373	CP713
-3.986	-.012	-.40230	-.36640	-.43130	-.42930	-.38460	-.46700	-.37420	-.37700	-.49390	-.48210
	GRADIENT	.00000	.00000	.00000	.00000	.00000	.00000	.00000	.00000	.00000	.00000

RUN NO. 235/ 0 RN/L = 4.21 GRADIENT INTERVAL = -5.00/ 5.00

ALPHA	BETA	CP378	CP715	CP375	CP377	CP721	CP372	CP714	CP722	CP373	CP713
-.350	-4.031	-.43700	-.40130	-.43840	-.43290	-.40690	-.51590	-.38580	-.40630	-.43710	-.49940
-.301	-.016	-.35520	-.36810	-.42570	-.41080	-.36750	-.44060	-.34730	-.34230	-.47520	-.44460
-.317	4.000	-.42020	-.41660	-.43140	-.43920	-.42730	-.43630	-.40930	-.40670	-.53470	-.44640
	GRADIENT	.00209	-.00191	.00087	-.00078	-.00250	.00991	-.00293	-.00005	-.01215	.00660

RUN NO. 236/ 0 RN/L = 4.20 GRADIENT INTERVAL = -5.00/ 5.00

ALPHA	BETA	CP378	CP715	CP375	CP377	CP721	CP372	CP714	CP722	CP373	CP713
3.947	-.019	-.34880	-.33250	-.37440	-.36900	-.34880	-.43680	-.33050	-.32170	-.45920	-.43620
	GRADIENT	.00000	.00000	.00000	.00000	.00000	.00000	.00000	.00000	.00000	.00000

ARC 11-023 IA80 OTS (SRB NOM) (SSME NOM-)

(FE4017) (08 JAN 75)

REFERENCE DATA

SREF = 2690.0000 SQ.FT. XMRP = .0000 IN.
 LREF = 1290.3000 IN. YMRP = .0000 IN.
 BREF = 1290.3000 IN. ZMRP = .0000 IN.
 SCALE = .0200

ELV-18 = .000 ELV-08 = .000
 MACH = 1.100

PARAMETRIC DATA

RUN NO. 83/ 0 RN/L = 4.32 GRADIENT INTERVAL = -5.00/ 5.00

ALPHA	BETA	CP378	CP715	CP375	CP377	CP721	CP372	CP714	CP722	CP373	CP713
-4.020	-.069	-.48530	-.44220	-.51370	-.51230	-.45900	-.51170	-.43620	-.44970	-.53110	-.50890
	GRADIENT	.00000	.00000	.00000	.00000	.00000	.00000	.00000	.00000	.00000	.00000

RUN NO. 84/ 0 RN/L = 4.31 GRADIENT INTERVAL = -5.00/ 5.00

ALPHA	BETA	CP378	CP715	CP375	CP377	CP721	CP372	CP714	CP722	CP373	CP713
-.479	-4.069	-.52250	-.50940	-.54190	-.54230	-.49960	-.57190	-.49530	-.49000	-.53270	-.54800
-.489	-.056	-.47990	-.44910	-.51090	-.49910	-.46290	-.51630	-.42930	-.44430	-.53550	-.51530
-.486	3.947	-.51270	-.48250	-.53190	-.53950	-.50070	-.52010	-.47660	-.46400	-.58870	-.53190
	GRADIENT	.00123	.00336	.00125	.00035	-.00013	.00647	.00234	.00075	-.00698	.00201

ARC 11-023 IAB0 OTS (SRB NOM) (SSME NOM-)

(FE4019) (08 JAN 75)

REFERENCE DATA

SREF = 2690.0000 SQ.FT. XMRP = .0000 IN.
 LREF = 1290.3000 IN. YMRP = .0000 IN.
 BREF = 1290.3000 IN. ZMRP = .0000 IN.
 SCALE = .0200

PARAMETRIC DATA

ELV-18 = .000 ELV-08 = .000
 MACH = 1.400

RUN NO. 10/ 0 RN/L = 4.27 GRADIENT INTERVAL = -5.00/ 5.00

ALPHA	BETA	CP378	CP715	CP375	CP377	CP721	CP372	CP714	CP722	CP373	CP713
-3.848	-.006	-.30850	-.28350	-.34010	-.32960	-.29250	-.33350	-.27880	-.26840	-.34770	-.32380
	GRADIENT	.00000	.00000	.00000	.00000	.00000	.00000	.00000	.00000	.00000	.00000

RUN NO. 11/ 0 RN/L = 4.27 GRADIENT INTERVAL = -5.00/ 5.00

ALPHA	BETA	CP378	CP715	CP375	CP377	CP721	CP372	CP714	CP722	CP373	CP713
-.357	-4.009	-.31500	-.29780	-.33490	-.34170	-.30370	-.33780	-.28130	-.29490	-.34650	-.32510
-.363	.000	-.29270	-.28470	-.34180	-.32520	-.28450	-.33430	-.27540	-.27070	-.34420	-.32790
-.462	4.012	-.30390	-.30230	-.35010	-.33440	-.29610	-.34990	-.29440	-.28220	-.34900	-.35250
	GRADIENT	.00138	-.00056	-.00189	.00091	.00095	-.00151	-.00163	.00152	-.00031	-.00342

RUN NO. 12/ 0 RN/L = 4.27 GRADIENT INTERVAL = -5.00/ 5.00

ALPHA	BETA	CP378	CP715	CP375	CP377	CP721	CP372	CP714	CP722	CP373	CP713
3.985	-.003	-.29620	-.29110	-.34250	-.33110	-.28730	-.33540	-.27960	-.27460	-.34330	-.33990
	GRADIENT	.00000	.00000	.00000	.00000	.00000	.00000	.00000	.00000	.00000	.00000

ARC 11-023 IAB0 OTS (SRB NOM) (SSME NOM)

(FE4020) (08 JAN 75)

REFERENCE DATA

SREF = 2690.0000 SQ.FT. XMRP = .0000 IN.
 LREF = 1290.3000 IN. YMRP = .0000 IN.
 BREF = 1290.3000 IN. ZMRP = .0000 IN.
 SCALE = .0200

PARAMETRIC DATA

ELV-18 = .000 ELV-08 = .000
 MACH = .600

RUN NO. 246/ 0 RN/L = 3.36 GRADIENT INTERVAL = -5.00/ 5.00

ALPHA	BETA	CP378	CP715	CP375	CP377	CP721	CP372	CP714	CP722	CP373	CP713
-3.868	-.016	-.39710	-.37610	-.38610	-.40620	-.38370	-.54200	-.35280	-.35800	-.58900	-.51660
	GRADIENT	.00000	.00000	.00000	.00000	.00000	.00000	.00000	.00000	.00000	.00000

RUN NO. 247/ 0 RN/L = 3.39 GRADIENT INTERVAL = -5.00/ 5.00

ALPHA	BETA	CP378	CP715	CP375	CP377	CP721	CP372	CP714	CP722	CP373	CP713
-.327	-4.038	-.36240	-.40650	-.41880	-.37380	-.36450	-.55510	-.36750	-.34710	-.49300	-.45960
-.291	-.022	-.37700	-.35300	-.36320	-.38090	-.35500	-.52760	-.32570	-.34070	-.59170	-.50710
-.386	3.994	-.36770	-.36160	-.36220	-.40110	-.37760	-.42540	-.34660	-.36400	-.53930	-.39910
	GRADIENT	-.00066	.00559	.00705	-.00340	-.00163	.01615	.00260	-.00210	-.00577	.00753

ARC 11-023 IABG OTS (SRB NOM) (SSME NOM)

(FE4022) (08 JAN 75)

REFERENCE DATA

SREF = 2690.0000 SQ.FT. XMRP = .0000 IN.
 LREF = 1290.3000 IN. YMRP = .0000 IN.
 BREF = 1290.3000 IN. ZMRP = .0000 IN.
 SCALE = .0200

ELV-18 = .000 ELV-08 = .000
 MACH = 1.100

PARAMETRIC DATA

RUN NO. 86/ 0 RN/L = 4.32 GRADIENT INTERVAL = -5.00/ 5.00

ALPHA	BETA	CP378	CP715	CP375	CP377	CP721	CP372	CP714	CP722	CP373	CP713
-3.937	-.063	-.48360	-.44370	-.52000	-.51340	-.45650	-.50750	-.43670	-.44250	-.51920	-.50500
	GRADIENT	.00000	.00000	.00000	.00000	.00000	.00000	.00000	.00000	.00000	.00000

RUN NO. 87/ 0 RN/L = 4.32 GRADIENT INTERVAL = -5.00/ 5.00

ALPHA	BETA	CP378	CP715	CP375	CP377	CP721	CP372	CP714	CP722	CP373	CP713
-.525	-4.069	-.51850	-.50590	-.55220	-.55650	-.50100	-.56290	-.49140	-.48970	-.54930	-.54890
-.439	-.056	-.47460	-.45420	-.51250	-.50850	-.46180	-.51400	-.43910	-.44240	-.51600	-.51130
-.482	3.950	-.51940	-.47970	-.53520	-.54400	-.49750	-.53730	-.46890	-.46300	-.55680	-.54600
	GRADIENT	-.00011	.00327	.00212	.00156	.00044	.00319	.00281	.00333	-.00093	.00036

RUN NO. 88/ 0 RN/L = 4.32 GRADIENT INTERVAL = -5.00/ 5.00

ALPHA	BETA	CP378	CP715	CP375	CP377	CP721	CP372	CP714	CP722	CP373	CP713
3.963	-.063	-.52160	-.48540	-.54330	-.54480	-.49750	-.54360	-.46170	-.47690	-.54430	-.54310
	GRADIENT	.00000	.00000	.00000	.00000	.00000	.00000	.00000	.00000	.00000	.00000

ARC 11-023 IABG OTS (SRB NOM) (SSME NOM)

(FE4023) (08 JAN 75)

REFERENCE DATA

SREF = 2690.0000 SQ.FT. XMRP = .0000 IN.
 LREF = 1290.3000 IN. YMRP = .0000 IN.
 BREF = 1290.3000 IN. ZMRP = .0000 IN.
 SCALE = .0200

ELV-18 = .000 ELV-08 = .000
 MACH = 1.250

PARAMETRIC DATA

RUN NO. 60/ 0 RN/L = 4.37 GRADIENT INTERVAL = -5.00/ 5.00

ALPHA	BETA	CP378	CP715	CP375	CP377	CP721	CP372	CP714	CP722	CP373	CP713
-3.917	.003	-.35540	-.34350	-.39640	-.38280	-.34510	-.38600	-.33590	-.32570	-.39410	-.38920
	GRADIENT	.00000	.00000	.00000	.00000	.00000	.00000	.00000	.00000	.00000	.00000

RUN NO. 61/ 0 RN/L = 4.37 GRADIENT INTERVAL = -5.00/ 5.00

ALPHA	BETA	CP378	CP715	CP375	CP377	CP721	CP372	CP714	CP722	CP373	CP713
-.446	-4.006	-.38530	-.37370	-.40500	-.41420	-.36950	-.40220	-.36160	-.35550	-.41280	-.39960
-.456	.003	-.36320	-.34230	-.39370	-.39830	-.34780	-.38870	-.33640	-.33530	-.39890	-.39290
-.439	4.012	-.38040	-.36260	-.40980	-.40530	-.36280	-.41100	-.35840	-.34050	-.40600	-.41890
	GRADIENT	.00061	.00138	-.00060	.00111	.00024	-.00110	.00040	.00237	.00085	-.00241

ARC 11-023 1A80 OTS (SRB OFF) (SSME OFF)

(FE4028) (08 JAN 75)

REFERENCE DATA

SREF = 2690.0000 SQ.FT. XMRP = .0000 IN.
 LREF = 1290.3000 IN. YMRP = .0000 IN.
 BREF = 1290.3000 IN. ZMRP = .0000 IN.
 SCALE = .0200

PARAMETRIC DATA

ELV-18 = .000 ELV-08 = .000
 MACH = .600

RUN NO. 237/ 0 RN/L = 3.39 GRADIENT INTERVAL = -5.00/ 5.00

ALPHA	BETA	CP378	CP715	CP375	CP377	CP721	CP372	CP714	CP722	CP373	CP713
-4.000	-.016	-.20300	-.20450	-.20010	-.19980	-.20520	-.20420	-.20820	-.20320	-.18180	-.18690
	GRADIENT	.00000	.00000	.00000	.00000	.00000	.00000	.00000	.00000	.00000	.00000

RUN NO. 238/ 0 RN/L = 3.38 GRADIENT INTERVAL = -5.00/ 5.00

ALPHA	BETA	CP378	CP715	CP375	CP377	CP721	CP372	CP714	CP722	CP373	CP713
-.264	-4.034	-.20480	-.21800	-.21180	-.20340	-.21080	-.21320	-.22030	-.21220	-.18440	-.19660
-.261	-.019	-.18540	-.20030	-.19590	-.19390	-.19560	-.19520	-.20030	-.19490	-.17450	-.18160
-.274	3.991	-.19420	-.20110	-.19770	-.20070	-.20550	-.19490	-.20140	-.20240	-.18580	-.19090
	GRADIENT	.00132	.00211	.00176	.00034	.00066	.00228	.00236	.00122	-.00017	.00071

RUN NO. 239/ 0 RN/L = 3.39 GRADIENT INTERVAL = -5.00/ 5.00

ALPHA	BETA	CP378	CP715	CP375	CP377	CP721	CP372	CP714	CP722	CP373	CP713
4.013	-.019	-.17480	-.19120	-.18850	-.18170	-.18100	-.18580	-.18590	-.18510	-.16410	-.17930
	GRADIENT	.00000	.00000	.00000	.00000	.00000	.00000	.00000	.00000	.00000	.00000

ARC 11-023 1A80 OTS (SRB OFF) (SSME OFF)

(FE4029) (08 JAN 75)

REFERENCE DATA

SREF = 2690.0000 SQ.FT. XMRP = .0000 IN.
 LREF = 1290.3000 IN. YMRP = .0000 IN.
 BREF = 1290.3000 IN. ZMRP = .0000 IN.
 SCALE = .0200

PARAMETRIC DATA

ELV-18 = .000 ELV-08 = .000
 MACH = .900

RUN NO. 219/ 0 RN/L = 4.25 GRADIENT INTERVAL = -5.00/ 5.00

ALPHA	BETA	CP378	CP715	CP375	CP377	CP721	CP372	CP714	CP722	CP373	CP713
-3.980	-.006	-.22890	-.23640	-.23300	-.23420	-.23160	-.22760	-.23690	-.23420	-.21810	-.22500
	GRADIENT	.00000	.00000	.00000	.00000	.00000	.00000	.00000	.00000	.00000	.00000

RUN NO. 220/ 0 RN/L = 4.25 GRADIENT INTERVAL = -5.00/ 5.00

ALPHA	BETA	CP378	CP715	CP375	CP377	CP721	CP372	CP714	CP722	CP373	CP713
-.320	-4.022	-.25940	-.25240	-.25240	-.24480	-.25070	-.25150	-.25410	-.25550	-.23370	-.24950
-.310	-.009	-.20880	-.23370	-.22380	-.22020	-.22460	-.21100	-.22130	-.21380	-.20200	-.20430
-.297	4.006	-.26140	-.24990	-.24200	-.25010	-.25500	-.24040	-.25250	-.25470	-.24410	-.24330
	GRADIENT	-.00025	.00031	.00129	-.00066	-.00054	.00138	.00020	.00010	-.00130	.00077

DATE 03 JUN 76

TABULATED SOURCE DATA - IAB0

PAGE 213

ARC 11-023 IAB0 OTS (SRB OFF) (SSME OFF)

(FE4029) (08 JAN 75)

REFERENCE DATA

SREF = 2690.0000 SQ.FT. XMRP = .0000 IN.
 LREF = 1290.3000 IN. YMRP = .0000 IN.
 BREF = 1290.3000 IN. ZMRP = .0000 IN.
 SCALE = .0200

PARAMETRIC DATA

ELV-1B = .000 ELV-0B = .000
 MACH = .900

RUN NO. 221/ 0 RN/L = 4.24 GRADIENT INTERVAL = -5.00/ 5.00

ALPHA	BETA	CP378	CP715	CP375	CP377	CP721	CP372	CP714	CP722	CP373	CP713
3.986	-.009	-.21140	-.21640	-.20870	-.21340	-.21550	-.20220	-.21340	-.21220	-.19850	-.19790
	GRADIENT	.00000	.00000	.00000	.00000	.00000	.00000	.00000	.00000	.00000	.00000

ARC 11-023 IAB0 OTS (SRB OFF) (SSME OFF)

(FE4030) (08 JAN 75)

REFERENCE DATA

SREF = 2690.0000 SQ.FT. XMRP = .0000 IN.
 LREF = 1290.3000 IN. YMRP = .0000 IN.
 BREF = 1290.3000 IN. ZMRP = .0000 IN.
 SCALE = .0200

PARAMETRIC DATA

ELV-1B = .000 ELV-0B = .000
 MACH = 1.100

RUN NO. 69/ 0 RN/L = 4.33 GRADIENT INTERVAL = -5.00/ 5.00

ALPHA	BETA	CP378	CP715	CP375	CP377	CP721	CP372	CP714	CP722	CP373	CP713
-4.016	-.003	-.33870	-.34110	-.33810	-.33740	-.33510	-.34310	-.34060	-.33540	-.31400	-.33000
	GRADIENT	.00000	.00000	.00000	.00000	.00000	.00000	.00000	.00000	.00000	.00000

RUN NO. 70/ 0 RN/L = 4.30 GRADIENT INTERVAL = -5.00/ 5.00

ALPHA	BETA	CP378	CP715	CP375	CP377	CP721	CP372	CP714	CP722	CP373	CP713
-.370	-4.006	-.38510	-.38090	-.37680	-.37480	-.39270	-.36060	-.38090	-.37980	-.37480	-.37530
-.343	.003	-.32830	-.33590	-.33120	-.33320	-.32750	-.33740	-.33440	-.32840	-.30800	-.32390
-.370	4.009	-.40180	-.38850	-.38540	-.39270	-.39640	-.37890	-.36890	-.39140	-.37430	-.36930
	GRADIENT	-.00208	-.00096	-.00120	-.00223	-.00171	-.00228	-.00100	-.00145	.00006	.00087

RUN NO. 71/ 0 RN/L = 4.29 GRADIENT INTERVAL = -5.00/ 5.00

ALPHA	BETA	CP378	CP715	CP375	CP377	CP721	CP372	CP714	CP722	CP373	CP713
3.894	-.003	-.35510	-.36090	-.35880	-.35940	-.35460	-.35790	-.35910	-.35410	-.33250	-.35170
	GRADIENT	.00000	.00000	.00000	.00000	.00000	.00000	.00000	.00000	.00000	.00000

ORIGINAL PAGE IS
OF POOR QUALITY

ARC 11-023 1A80 OTS (SRB OFF) (SSME OFF)

(FE4031) (08 JAN 75)

REFERENCE DATA

SREF = 2690.0000 SQ.FT. XMRP = .0000 IN.
 LREF = 1290.3000 IN. YMRP = .0000 IN.
 BREF = 1290.3000 IN. ZMRP = .0000 IN.
 SCALE = .0200

PARAMETRIC DATA

ELV-1B = .000 ELV-0B = .000
 MACH = 1.250

RUN NO. 66/ 0 RN/L = 4.36 GRADIENT INTERVAL = -5.00/ 5.00

ALPHA	BETA	CP378	CP715	CP375	CP377	CP721	CP372	CP714	CP722	CP373	CP713
-3.970	-.003	-.28970	-.29100	-.28670	-.28470	-.28580	-.28260	-.28980	-.28320	-.26420	-.28550
	GRADIENT	.00000	.00000	.00000	.00000	.00000	.00000	.00000	.00000	.00000	.00000

RUN NO. 67/ 0 RN/L = 4.36 GRADIENT INTERVAL = -5.00/ 5.00

ALPHA	BETA	CP378	CP715	CP375	CP377	CP721	CP372	CP714	CP722	CP373	CP713
-.330	-4.006	-.32460	-.31870	-.31520	-.31870	-.31650	-.29150	-.31640	-.32090	-.31150	-.31940
-.317	.003	-.28720	-.28880	-.28540	-.28430	-.28620	-.28380	-.28650	-.28300	-.26580	-.27850
-.370	4.012	-.33310	-.32300	-.32030	-.32280	-.32760	-.31750	-.32130	-.32490	-.30450	-.30900
	GRADIENT	-.00106	-.00054	-.00064	-.00051	-.00138	-.00324	-.00061	-.00050	.00087	.00130

RUN NO. 68/ 0 RN/L = 4.36 GRADIENT INTERVAL = -5.00/ 5.00

ALPHA	BETA	CP378	CP715	CP375	CP377	CP721	CP372	CP714	CP722	CP373	CP713
3.950	-.003	-.32140	-.32040	-.31770	-.31930	-.31430	-.31060	-.32120	-.31610	-.29840	-.31380
	GRADIENT	.00000	.00000	.00000	.00000	.00000	.00000	.00000	.00000	.00000	.00000

ARC 11-023 1A80 OTS (SRB OFF) (SSME OFF)

(FE4032) (08 JAN 75)

REFERENCE DATA

SREF = 2690.0000 SQ.FT. XMRP = .0000 IN.
 LREF = 1290.3000 IN. YMRP = .0000 IN.
 BREF = 1290.3000 IN. ZMRP = .0000 IN.
 SCALE = .0200

PARAMETRIC DATA

ELV-1B = .000 ELV-0B = .000
 MACH = 1.400

RUN NO. 19/ 0 RN/L = 4.24 GRADIENT INTERVAL = -5.00/ 5.00

ALPHA	BETA	CP378	CP715	CP375	CP377	CP721	CP372	CP714	CP722	CP373	CP713
-4.043	.000	-.26200	-.26460	-.26250	-.25780	-.26020	-.24910	-.26550	-.25930	-.22880	-.26390
	GRADIENT	.00000	.00000	.00000	.00000	.00000	.00000	.00000	.00000	.00000	.00000

RUN NO. 20/ 0 RN/L = 4.25 GRADIENT INTERVAL = -5.00/ 5.00

ALPHA	BETA	CP378	CP715	CP375	CP377	CP721	CP372	CP714	CP722	CP373	CP713
-.195	-4.012	-.27900	-.27450	-.27040	-.27920	-.27740	-.24940	-.27120	-.27910	-.25890	-.27400
-.211	.000	-.24930	-.25580	-.25210	-.25040	-.24590	-.24200	-.25440	-.25070	-.22460	-.25390
.083	4.006	-.28000	-.27240	-.27470	-.27420	-.27730	-.25110	-.27420	-.27590	-.25070	-.27670
	GRADIENT	-.00012	.00026	-.00053	.00063	.00001	-.00021	-.00037	.00040	.00102	-.00058

ARC 11-023 1A80 OTS (SRB NOM) (SSME NO. 2 OUT)

(FE4081) (08 JAN 75)

REFERENCE DATA

SREF = 2690.0000 SQ.FT. XMRP = .0000 IN.
 LREF = 1290.3000 IN. YMRP = .0000 IN.
 BREF = 1290.3000 IN. ZMRP = .0000 IN.
 SCALE = .0200

PARAMETRIC DATA

ELV-18 = .000 ELV-08 = .000
 MACH = .900

RUN NO. 365/ 0 RN/L = 4.21 GRADIENT INTERVAL = -5.00/ 5.00

ALPHA	BETA	CP378	CP715	CP375	CP377	CP721	CP372	CP714	CP722	CP373	CP713
-4.069	.009	-.34480	-.32480	-.33820	-.34940	-.34160	-.35010	-.33850	-.33470	-.34510	-.33820
	GRADIENT	.00000	.00000	.00000	.00000	.00000	.00000	.00000	.00000	.00000	.00000

RUN NO. 366/ 0 RN/L = 4.22 GRADIENT INTERVAL = -5.00/ 5.00

ALPHA	BETA	CP378	CP715	CP375	CP377	CP721	CP372	CP714	CP722	CP373	CP713
-.304	-4.006	-.38740	-.37650	-.37050	-.38920	-.38620	-.37760	-.38320	-.38320	-.39720	-.36950
-.317	.003	-.30890	-.32630	-.32530	-.33060	-.32910	-.32890	-.31370	-.31070	-.32250	-.31070
-.357	4.025	-.38290	-.37590	-.38080	-.38040	-.37750	-.39100	-.38080	-.38620	-.38340	-.37860
	GRADIENT	.00055	.00007	-.00129	.00109	.00108	-.00168	.00029	-.00038	.00171	-.00117

RUN NO. 367/ 0 RN/L = 4.22 GRADIENT INTERVAL = -5.00/ 5.00

ALPHA	BETA	CP378	CP715	CP375	CP377	CP721	CP372	CP714	CP722	CP373	CP713
3.986	.019	-.29780	-.30540	-.31610	-.31370	-.30460	-.31290	-.29950	-.30040	-.29960	-.30850
	GRADIENT	.00000	.00000	.00000	.00000	.00000	.00000	.00000	.00000	.00000	.00000

ARC 11-023 1A80 OTS (SRB NOM) (SSME NO. 2 OUT)

(FE4082) (09 JAN 75)

REFERENCE DATA

SREF = 2690.0000 SQ.FT. XMRP = .0000 IN.
 LREF = 1290.3000 IN. YMRP = .0000 IN.
 BREF = 1290.3000 IN. ZMRP = .0000 IN.
 SCALE = .0200

PARAMETRIC DATA

ELV-18 = .000 ELV-08 = .000
 MACH = 1.100

RUN NO. 207/ 0 RN/L = 4.38 GRADIENT INTERVAL = -5.00/ 5.00

ALPHA	BETA	CP378	CP715	CP375	CP377	CP721	CP372	CP714	CP722	CP373	CP713
-3.973	-.009	-.41690	-.40500	-.40500	-.41700	-.41450	-.41840	-.40670	-.40810	-.41660	-.38820
	GRADIENT	.00000	.00000	.00000	.00000	.00000	.00000	.00000	.00000	.00000	.00000

RUN NO. 208/ 0 RN/L = 4.38 GRADIENT INTERVAL = -5.00/ 5.00

ALPHA	BETA	CP378	CP715	CP375	CP377	CP721	CP372	CP714	CP722	CP373	CP713
-.393	-4.006	-.49850	-.49410	-.47760	-.50000	-.49410	-.43880	-.47680	-.49000	-.50700	-.44810
-.340	-.016	-.41580	-.40500	-.40110	-.41600	-.41450	-.41560	-.40600	-.41020	-.41060	-.39190
-.357	4.016	-.47790	-.47300	-.47420	-.47710	-.47570	-.48030	-.46530	-.47490	-.47280	-.45430
	GRADIENT	.00254	.00135	.00039	.00282	.00226	.00228	.00141	.00185	.00423	-.00080

ARC 11-023 IA80 OTS (SRB NOM) (SSME NO. 2 OUT)

(FE4084) (08 JAN 75)

REFERENCE DATA

SREF = 2690.0000 SQ.FT. XMRP = .0000 IN.
 LREF = 1290.3000 IN. YMRP = .0000 IN.
 BREF = 1290.3000 IN. ZMRP = .0000 IN.
 SCALE = .0200

PARAMETRIC DATA

ELV-1B = .000 ELV-0B = .000
 MACH = 1.400

RUN NO. 201/ 0 RN/L = 4.36 GRADIENT INTERVAL = -5.00/ 5.00

ALPHA	BETA	CP378	CP715	CP375	CP377	CP721	CP372	CP714	CP722	CP373	CP713
-3.957	-.003	-.26640	-.25830	-.25530	-.26860	-.26700	-.27560	-.25490	-.25970	-.27090	-.24190
	GRADIENT	.00000	.00000	.00000	.00000	.00000	.00000	.00000	.00000	.00000	.00000

RUN NO. 202/ 0 RN/L = 4.35 GRADIENT INTERVAL = -5.00/ 5.00

ALPHA	BETA	CP378	CP715	CP375	CP377	CP721	CP372	CP714	CP722	CP373	CP713
-.443	-4.000	-.27730	-.26590	-.25890	-.28040	-.27620	-.25300	-.26630	-.27890	-.29670	-.21860
-.406	-.006	-.26270	-.25740	-.25270	-.26640	-.26210	-.26630	-.25460	-.26080	-.27310	-.23670
-.446	4.019	-.27730	-.27440	-.27910	-.27590	-.27280	-.28540	-.26660	-.27540	-.27900	-.25880
	GRADIENT	-.00000	-.00106	-.00252	.00056	.00042	-.00404	-.00004	.00043	.00220	-.00501

RUN NO. 203/ 0 RN/L = 4.33 GRADIENT INTERVAL = -5.00/ 5.00

ALPHA	BETA	CP378	CP715	CP375	CP377	CP721	CP372	CP714	CP722	CP373	CP713
3.953	-.009	-.27450	-.26700	-.25860	-.27280	-.27100	-.26890	-.26210	-.26940	-.27550	-.24480
	GRADIENT	.00000	.00000	.00000	.00000	.00000	.00000	.00000	.00000	.00000	.00000

ARC 11-023 IA80 OTS (SRB NOM) (SSME NO. 1 OUT)

(FE4085) (08 JAN 75)

REFERENCE DATA

SREF = 2690.0000 SQ.FT. XMRP = .0000 IN.
 LREF = 1290.3000 IN. YMRP = .0000 IN.
 BREF = 1290.3000 IN. ZMRP = .0000 IN.
 SCALE = .0200

PARAMETRIC DATA

ELV-1B = .000 ELV-0B = .000
 MACH = .600

RUN NO. 356/ 0 RN/L = 3.42 GRADIENT INTERVAL = -5.00/ 5.00

ALPHA	BETA	CP378	CP715	CP375	CP377	CP721	CP372	CP714	CP722	CP373	CP713
-4.072	.012	-.39650	-.33510	-.34590	-.34810	-.33330	-.34770	-.33750	-.35300	-.35750	-.38110
	GRADIENT	.00000	.00000	.00000	.00000	.00000	.00000	.00000	.00000	.00000	.00000

RUN NO. 357/ 0 RN/L = 3.49 GRADIENT INTERVAL = -5.00/ 5.00

ALPHA	BETA	CP378	CP715	CP375	CP377	CP721	CP372	CP714	CP722	CP373	CP713
-.284	-4.003	-.33350	-.34680	-.35990	-.33600	-.33840	-.36490	-.34070	-.33470	-.32490	-.35950
-.337	.003	-.33090	-.32200	-.32770	-.32830	-.32260	-.32530	-.31490	-.32100	-.31860	-.33710
-.367	4.025	-.31740	-.31200	-.32910	-.34160	-.32340	-.31740	-.31570	-.31440	-.34660	-.31030
	GRADIENT	.00201	.00433	.00383	-.00070	.00187	.00591	.00311	.00253	-.00271	.00613

DATE 03 JUN 76

TABULATED SOURCE DATA - IAB0

PAGE 219

ARC 11-023 IAB0 OTS (SRB NOM) (SSME NO. 1 OUT)

(FE40B5) (08 JAN 75)

REFERENCE DATA

SREF = 2690.0000 SQ.FT. XMRP = .0000 IN.
 LREF = 1290.3000 IN. YMRP = .0000 IN.
 BREF = 1290.3000 IN. ZMRP = .0000 IN.
 SCALE = .0200

PARAMETRIC DATA

ELV-1B = .300 ELV-0B = .000
 MACH = .600

RUN NO. 358/ 0 RN/L = 3.47 GRADIENT INTERVAL = -5.00/ 5.00

ALPHA	BETA	CP378	CP715	CP375	CP377	CP721	CP372	CP714	CP722	CP373	CP713
3.858	.006	-.31380	-.31890	-.32710	-.31690	-.31110	-.32030	-.30870	-.30600	-.30390	-.32090
	GRADIENT	.00000	.00000	.00000	.00000	.00000	.00000	.00000	.00000	.00000	.00000

ARC 11-023 IAB0 OTS (SRB NOM) (SSME NO. 1 OUT)

(FE40B6) (08 JAN 75)

REFERENCE DATA

SREF = 2690.0000 SQ.FT. XMRP = .0000 IN.
 LREF = 1290.3000 IN. YMRP = .0000 IN.
 BREF = 1290.3000 IN. ZMRP = .0000 IN.
 SCALE = .0200

PARAMETRIC DATA

ELV-1B = .000 ELV-0B = .000
 MACH = .900

RUN NO. 359/ 0 RN/L = 4.20 GRADIENT INTERVAL = -5.00/ 5.00

ALPHA	BETA	CP378	CP715	CP375	CP377	CP721	CP372	CP714	CP722	CP373	CP713
-4.013	.009	-.36070	-.32120	-.35790	-.37330	-.35530	-.38450	-.33160	-.34750	-.39490	-.40170
	GRADIENT	.00000	.00000	.00000	.00000	.00000	.00000	.00000	.00000	.00000	.00000

RUN NO. 360/ 0 RN/L = 4.21 GRADIENT INTERVAL = -5.00/ 5.00

ALPHA	BETA	CP378	CP715	CP375	CP377	CP721	CP372	CP714	CP722	CP373	CP713
-.317	-4.003	-.38220	-.36020	-.38830	-.37190	-.36610	-.41580	-.35420	-.36760	-.37240	-.42650
-.310	.003	-.33210	-.31120	-.34730	-.35210	-.32880	-.36270	-.30810	-.31150	-.36640	-.36660
-.340	4.025	-.38710	-.36790	-.38370	-.40160	-.38450	-.38310	-.37510	-.36730	-.42390	-.37150
	GRADIENT	-.00062	-.00097	.00057	-.00371	-.00230	.00407	-.00261	.00003	-.00642	.00685

RUN NO. 361/ 0 RN/L = 4.21 GRADIENT INTERVAL = -5.00/ 5.00

ALPHA	BETA	CP378	CP715	CP375	CP377	CP721	CP372	CP714	CP722	CP373	CP713
3.854	.009	-.30340	-.29520	-.32570	-.33150	-.31040	-.33830	-.29330	-.29800	-.33650	-.34610
	GRADIENT	.00000	.00000	.00000	.00000	.00000	.00000	.00000	.00000	.00000	.00000

ORIGINAL PAGE IS
OF POOR QUALITY

ARC 11-023 IA80 OTS (SRB NOM) (SSME NO. 1 OUT)

(FE4087) (08 JAN 75)

REFERENCE DATA

SREF = 2690.0000 SQ.FT. XMRP = .0000 IN.
 LREF = 1290.3000 IN. YMRP = .0000 IN.
 BREF = 1290.3000 IN. ZMRP = .0000 IN.
 SCALE = .0200

PARAMETRIC DATA

ELV-18 = .000 ELV-08 = .009
 MACH = 1.100

RUN NO. 216/ 0 RN/L = 4.38 GRADIENT INTERVAL = -5.00/ 5.00

ALPHA	BETA	CP378	CP715	CP375	CP377	CP721	CP372	CP714	CP722	CP373	CP713
-4.003	-.012	-.40470	-.37410	-.42950	-.42640	-.39590	-.43200	-.36720	-.38330	-.43190	-.43830
	GRADIENT	.00000	.00000	.00000	.00000	.00000	.00000	.00000	.00000	.00000	.00000

RUN NO. 217/ 0 RN/L = 4.38 GRADIENT INTERVAL = -5.00/ 5.00

ALPHA	BETA	CP378	CP715	CP375	CP377	CP721	CP372	CP714	CP722	CP373	CP713
-.393	-4.006	-.45710	-.45730	-.48180	-.47110	-.45020	-.48250	-.43550	-.44840	-.46040	-.48980
-.347	-.019	-.39130	-.36180	-.41180	-.40760	-.38160	-.41500	-.35980	-.37410	-.41210	-.42410
-.383	4.012	-.44870	-.42170	-.45740	-.46610	-.43680	-.44280	-.42490	-.42080	-.49090	-.45490
	GRADIENT	.00102	.00440	.00302	.00060	.00164	.00493	.00129	.00341	-.00383	.00433

RUN NO. 218/ 0 RN/L = 4.38 GRADIENT INTERVAL = -5.00/ 5.00

ALPHA	BETA	CP378	CP715	CP375	CP377	CP721	CP372	CP714	CP722	CP373	CP713
4.049	-.012	-.43430	-.41090	-.44570	-.44420	-.41870	-.45100	-.40130	-.40530	-.44960	-.45690
	GRADIENT	.00000	.00000	.00000	.00000	.00000	.00000	.00000	.00000	.00000	.00000

ARC 11-023 IA80 OTS (SRB NOM) (SSME NO. 1 OUT)

(FE4088) (08 JAN 75)

REFERENCE DATA

SREF = 2690.0000 SQ.FT. XMRP = .0000 IN.
 LREF = 1290.3000 IN. YMRP = .0000 IN.
 BREF = 1290.3000 IN. ZMRP = .0000 IN.
 SCALE = .0200

PARAMETRIC DATA

ELV-18 = .000 ELV-08 = .000
 MACH = 1.250

RUN NO. 213/ 0 RN/L = 4.40 GRADIENT INTERVAL = -5.00/ 5.00

ALPHA	BETA	CP378	CP715	CP375	CP377	CP721	CP372	CP714	CP722	CP373	CP713
-3.914	-.009	-.37260	-.33480	-.40900	-.41040	-.37600	-.40850	-.33090	-.33040	-.41460	-.40960
	GRADIENT	.00000	.00000	.00000	.00000	.00000	.00000	.00000	.00000	.00000	.00000

RUN NO. 214/ 0 RN/L = 4.39 GRADIENT INTERVAL = -5.00/ 5.00

ALPHA	BETA	CP378	CP715	CP375	CP377	CP721	CP372	CP714	CP722	CP373	CP713
-.353	-4.006	-.39000	-.39440	-.41930	-.42560	-.37420	-.42410	-.36410	-.36600	-.41060	-.41570
-.367	-.016	-.37460	-.33130	-.40390	-.40400	-.35280	-.40800	-.32250	-.33540	-.40500	-.40500
-.393	4.016	-.39340	-.35100	-.40810	-.41220	-.36510	-.40730	-.35060	-.35320	-.42870	-.41220
	GRADIENT	-.00043	.00539	.00139	.00166	.00113	.00297	.00167	.00159	-.00226	.00043

ARC 11-023 1A80 OTS (SRB NOM++) (SSME NOM)

(BE4001) (28 OCT 75)

REFERENCE DATA

SREF = 2690.0000 SQ.FT. XMRP = .0000 IN.
 LREF = 1290.3000 IN. YMRP = .0000 IN.
 BREF = 1290.3000 IN. ZMRP = .0000 IN.
 SCALE = .0200

PARAMETRIC DATA

ELV-18 = .000 ELV-08 = .000
 RN/L = 3.400 MACH = .600

RUN NO. 240/ 0 RN/L = 3.38 GRADIENT INTERVAL = -5.00/ 5.00

ALPHA	BETA	CP2	CP4	CP6	CP8	CP12	CP14	CP18	CP20
-4.013	-.019	-.11700	-.11320	-.15570	-.15610	-.03650	-.04090	-.03200	-.03510
	GRADIENT	.00000	.00000	.00000	.00000	.00000	.00000	.00000	.00000

RUN NO. 241/ 0 RN/L = 3.39 GRADIENT INTERVAL = -5.00/ 5.00

ALPHA	BETA	CP2	CP4	CP6	CP8	CP12	CP14	CP18	CP20
-.314	-4.034	-.26320	-.26190	-.29080	-.28960	-.09890	-.10230	-.09540	-.09300
-.340	-.019	-.12040	-.11970	-.16580	-.16000	-.06540	-.06710	-.05630	-.05390
-.459	3.997	.02780	.03090	-.02040	-.01930	-.02960	-.02890	-.02380	-.02310
	GRADIENT	.03623	.03646	.03367	.03366	.00863	.00914	.00892	.00870

RUN NO. 242/ 0 RN/L = 3.39 GRADIENT INTERVAL = -5.00/ 5.00

ALPHA	BETA	CP2	CP4	CP6	CP8	CP12	CP14	CP18	CP20
4.039	-.019	-.12320	-.11500	-.15200	-.15370	-.08690	-.09170	-.08180	-.08790
	GRADIENT	.00000	.00000	.00000	.00000	.00000	.00000	.00000	.00000

ARC 11-023 1A80 OTS (SRB NOM++) (SSME NOM)

(BE4002) (28 OCT 75)

REFERENCE DATA

SREF = 2690.0000 SQ.FT. XMRP = .0000 IN.
 LREF = 1290.3000 IN. YMRP = .0000 IN.
 BREF = 1290.3000 IN. ZMRP = .0000 IN.
 SCALE = .0200

PARAMETRIC DATA

ELV-18 = .000 ELV-08 = .000
 RN/L = 4.250 MACH = .900

RUN NO. 222/ 0 RN/L = 4.23 GRADIENT INTERVAL = -5.00/ 5.00

ALPHA	BETA	CP2	CP4	CP6	CP8	CP12	CP14	CP18	CP20
-3.901	-.012	-.03140	-.02860	-.12300	-.10730	.02380	.02300	.02560	.02320
	GRADIENT	.00000	.00000	.00000	.00000	.00000	.00000	.00000	.00000

RUN NO. 223/ 0 RN/L = 4.22 GRADIENT INTERVAL = -5.00/ 5.00

ALPHA	BETA	CP2	CP4	CP6	CP8	CP12	CP14	CP18	CP20
-.347	-4.025	-.17580	-.17560	-.26970	-.24800	-.01810	-.00940	-.01610	-.00980
-.380	-.009	-.04800	-.04380	-.12920	-.11200	.00450	.00730	.00930	.00910
-.456	4.003	.08250	.08840	.00110	.01610	.01610	.01070	.02280	.01830
	GRADIENT	.03217	.03288	.03373	.03296	.00426	.00250	.00485	.00350

ARC 11-023 1A80 OTS (SRB NOM++) (SSME NOM)

(BE4004) (28 OCT 75)

REFERENCE DATA

SREF = 2690.0000 SQ.FT. XMRP = .0000 IN.
 LREF = 1290.3000 IN. YMRP = .0000 IN.
 BREF = 1290.3000 IN. ZMRP = .0000 IN.
 SCALE = .0200

PARAMETRIC DATA

ELV-18 = .000 ELV-08 = .000
 RN/L = 4.250 MACH = 1.250

RUN NO. 48/ 0 RN/L = 4.50 GRADIENT INTERVAL = -5.00/ 5.00

ALPHA	BETA	CP2	CP4	CP6	CP8	CP12	CP14	CP18	CP20
-4.165	.000	.26360	.26080	.20480	.22050	-.17700	-.17600	-.16380	-.15630
	GRADIENT	.00000	.00000	.00000	.00000	.00000	.00000	.00000	.00000

RUN NO. 49/ 0 RN/L = 4.43 GRADIENT INTERVAL = -5.00/ 5.00

ALPHA	BETA	CP2	CP4	CP6	CP8	CP12	CP14	CP18	CP20
-.495	-4.006	.14460	.14370	.06150	.08180	-.24390	-.23640	-.20880	-.19180
-.528	.000	.18270	.18560	.11730	.12730	-.16680	-.17130	-.15000	-.14320
-.555	4.006	.29590	.29410	.24710	.25960	-.07440	-.08350	-.07550	-.07980
	GRADIENT	.01888	.01877	.02316	.02219	.02115	.01908	.01664	.01398

RUN NO. 50/ 0 RN/L = 4.43 GRADIENT INTERVAL = -5.00/ 5.00

ALPHA	BETA	CP2	CP4	CP6	CP8	CP12	CP14	CP18	CP20
3.881	.006	.09100	.09000	.04700	.05210	-.14930	-.15310	-.15060	-.15030
	GRADIENT	.00000	.00000	.00000	.00000	.00000	.00000	.00000	.00000

ARC 11-023 1A80 OTS (SRB NOM++) (SSME NOM)

(BE4005) (28 OCT 75)

REFERENCE DATA

SREF = 2690.0000 SQ.FT. XMRP = .0000 IN.
 LREF = 1290.3000 IN. YMRP = .0000 IN.
 BREF = 1290.3000 IN. ZMRP = .0000 IN.
 SCALE = .0200

PARAMETRIC DATA

ELV-18 = .000 ELV-08 = .000
 RN/L = 4.250 MACH = 1.400

RUN NO. 1/ 0 RN/L = 4.31 GRADIENT INTERVAL = -5.00/ 5.00

ALPHA	BETA	CP2	CP4	CP6	CP8	CP12	CP14	CP18	CP20
-3.950	-.003	.29310	.28940	.22300	.23610	-.12280	-.12310	-.11590	-.10940
	GRADIENT	.00000	.00000	.00000	.00000	.00000	.00000	.00000	.00000

RUN NO. 2/ 0 RN/L = 4.30 GRADIENT INTERVAL = -5.00/ 5.00

ALPHA	BETA	CP2	CP4	CP6	CP8	CP12	CP14	CP18	CP20
-.436	-4.009	.18820	.18340	.11940	.12740	-.22300	-.22220	-.20440	-.19160
-.482	-.003	.23970	.24080	.16660	.17670	-.16040	-.17380	-.14610	-.14710
-.505	4.009	.31910	.31790	.24150	.24500	-.11330	-.12510	-.10120	-.11220
	GRADIENT	.01633	.01677	.01523	.01467	.01368	.01211	.01287	.00990

ARC 11-023 IABO OTS (SRB NOM+) (SSME NOM)

(BE4007) (28 OCT 75)

REFERENCE DATA

SREF = 2690.0000 SQ.FT. XMRP = .0000 IN.
 LREF = 1290.3000 IN. YMRP = .0000 IN.
 BREF = 1290.3000 IN. ZMRP = .0000 IN.
 SCALE = .0200

PARAMETRIC DATA

ELV-1B = .000 ELV-0B = .000
 RN/L = 4.250 MACH = .900

RUN NO. 225/ 0 RN/L = 4.20 GRADIENT INTERVAL = -5.00/ 5.00

ALPHA	BETA	CP2	CP4	CP6	CP8	CP12	CP14	CP18	CP20
-3.930	-.009	-.03800	-.03380	-.13050	-.11350	.01680	.01530	.01940	.01660
	GRADIENT	.00000	.00000	.00000	.00000	.00000	.00000	.00000	.00000

RUN NO. 226/ 0 RN/L = 4.21 GRADIENT INTERVAL = -5.00/ 5.00

ALPHA	BETA	CP2	CP4	CP6	CP8	CP12	CP14	CP18	CP20
-.376	-4.028	-.17560	-.17250	-.26440	-.21390	-.01420	-.00530	-.00980	-.00330
-.330	-.012	-.04940	-.04440	-.13440	-.11850	-.00020	-.00040	.00100	.00200
-.330	4.003	.08710	.09090	.00760	.02110	.01990	.01350	.02620	.02090
	GRADIENT	.03271	.03280	.03387	.03300	.00425	.00234	.00448	.00301

RUN NO. 227/ 0 RN/L = 4.21 GRADIENT INTERVAL = -5.00/ 5.00

ALPHA	BETA	CP2	CP4	CP6	CP8	CP12	CP14	CP18	CP20
3.927	-.016	-.07780	-.07210	-.15770	-.13960	-.03620	-.03900	-.03070	-.02990
	GRADIENT	.00000	.00000	.00000	.00000	.00000	.00000	.00000	.00000

ARC 11-023 IABO OTS (SRB NOM+) (SSME NOM)

(BE4008) (28 OCT 75)

REFERENCE DATA

SREF = 2690.0000 SQ.FT. XMRP = .0000 IN.
 LREF = 1290.3000 IN. YMRP = .0000 IN.
 BREF = 1290.3000 IN. ZMRP = .0000 IN.
 SCALE = .0200

PARAMETRIC DATA

ELV-1B = .000 ELV-0B = .000
 RN/L = 4.250 MACH = 1.000

RUN NO. 77/ 0 RN/L = 4.31 GRADIENT INTERVAL = -5.00/ 5.00

ALPHA	BETA	CP2	CP4	CP6	CP8	CP12	CP14	CP18	CP20
-3.907	.000	.17690	.17720	.10600	.12060	-.18570	-.17590	-.15880	-.15380
	GRADIENT	.00000	.00000	.00000	.00000	.00000	.00000	.00000	.00000

RUN NO. 78/ 0 RN/L = 4.31 GRADIENT INTERVAL = -5.00/ 5.00

ALPHA	BETA	CP2	CP4	CP6	CP8	CP12	CP14	CP18	CP20
-.515	-4.003	.05920	.05580	-.01810	.00490	-.17760	-.17470	-.13190	-.13020
-.525	.003	.12830	.12810	.07180	.08570	-.22250	-.21490	-.20660	-.19720
-.426	4.012	.24620	.24780	.18230	.19650	-.11560	-.11960	.05300	-.03810
	GRADIENT	.02733	.02395	.02500	.02390	.00774	.00688	.00059	.00775

ARC 11-023 IABO OTS (SRB NOM+) (SSME NOM)

(BE4010) (28 OCT 75)

REFERENCE DATA

SREF = 2690.0000 SQ.FT. XMRP = .0000 IN.
 LREF = 1290.3000 IN. YMRP = .0000 IN.
 BREF = 1290.3000 IN. ZMRP = .0000 IN.
 SCALE = .0200

PARAMETRIC DATA

ELV-18 = .000 ELV-08 = .000
 RN/L = 4.250 MACH = 1.400

RUN NO. 4/ 0 RN/L = 4.29 GRADIENT INTERVAL = -5.00/ 5.00

ALPHA	BETA	CP2	CP4	CP6	CP8	CP12	CP14	CP18	CP20
-3.904	-.006	.29100	.28500	.22050	.23427	-.12470	-.12720	-.11910	-.11170
	GRADIENT	.00000	.00000	.00000	.00000	.00000	.00000	.00000	.00000

RUN NO. 5/ 0 RN/L = 4.29 GRADIENT INTERVAL = -5.00/ 5.00

ALPHA	BETA	CP2	CP4	CP6	CP8	CP12	CP14	CP18	CP20
-.406	-4.009	.18550	.18300	.11760	.12650	-.22690	-.22500	-.20620	-.19520
-.370	.000	.23650	.23710	.16770	.17380	-.16290	-.17440	-.14720	-.14800
-.453	4.012	.31740	.31550	.24050	.24270	-.11380	-.12490	-.10060	-.10450
	GRADIENT	.01644	.01652	.01532	.01449	.01410	.01248	.01316	.01131

RUN NO. 6/ 0 RN/L = 4.29 GRADIENT INTERVAL = -5.00/ 5.00

ALPHA	BETA	CP2	CP4	CP6	CP8	CP12	CP14	CP18	CP20
3.944	-.006	.17090	.17060	.11120	.11930	-.15280	-.17380	-.13650	-.14860
	GRADIENT	.00000	.00000	.00000	.00000	.00000	.00000	.00000	.00000

ARC 11-023 IABO OTS (SRB NOM+) (SSME NOM+)

(BE4011) (28 OCT 75)

REFERENCE DATA

SREF = 2690.0000 SQ.FT. XMRP = .0000 IN.
 LREF = 1290.3000 IN. YMRP = .0000 IN.
 BREF = 1290.3000 IN. ZMRP = .0000 IN.
 SCALE = .0200

PARAMETRIC DATA

ELV-18 = .000 ELV-08 = .000
 RN/L = 3.400 MACH = .600

RUN NO. 249/ 0 RN/L = 3.38 GRADIENT INTERVAL = -5.00/ 5.00

ALPHA	BETA	CP2	CP4	CP6	CP8	CP12	CP14	CP18	CP20
-3.957	-.016	-.11670	-.11460	-.16130	-.15370	-.03910	-.04330	-.03150	-.04300
	GRADIENT	.00000	.00000	.00000	.00000	.00000	.00000	.00000	.00000

RUN NO. 250/ 0 RN/L = 3.40 GRADIENT INTERVAL = -5.00/ 5.00

ALPHA	BETA	CP2	CP4	CP6	CP8	CP12	CP14	CP18	CP20
-.337	-4.041	-.25900	-.26110	-.28470	-.28420	-.09970	-.10040	-.09110	-.09070
-.383	-.022	-.12150	-.11710	-.15430	-.14680	-.05790	-.05410	-.05080	-.05350
-.400	3.997	.02630	.03150	-.01870	-.01320	-.02520	-.02450	-.01900	-.02210
	GRADIENT	.03550	.03640	.03309	.03372	.00927	.00944	.00897	.00853

DATE 12 JUN 76

TABULATED SOURCE DATA - 1A80

PAGE 229

ARC 11-023 1A80 OTS (SRB NOM) (SSME NOM+)

(BE4011) (28 OCT 75)

REFERENCE DATA

SREF = 2690.0000 SQ.FT. XMRP = .0000 IN.
 LREF = 1290.3000 IN. YMRP = .0000 IN.
 BREF = 1290.3000 IN. ZMRP = .0000 IN.
 SCALE = .0200

PARAMETRIC DATA

ELV-18 = .000 ELV-08 = .000
 RN/L = 3.400 MACH = .600

RUN NO. 251/ 0 RN/L = 3.41 GRADIENT INTERVAL = -5.00/ 5.00

ALPHA	BETA	CP2	CP4	CP6	CP8	CP12	CP14	CP18	CP20
4.125	-.025	-.11370	-.11100	-.14800	-.14460	-.08560	-.09220	-.08220	-.08800
	GRADIENT	.00000	.00000	.00000	.00000	.00000	.00000	.00000	.00000

ARC 11-023 1A80 OTS (SRB NOM) (SSME NOM+)

(BE4012) (28 OCT 75)

REFERENCE DATA

SREF = 2690.0000 SQ.FT. XMRP = .0000 IN.
 LREF = 1290.3000 IN. YMRP = .0000 IN.
 BREF = 1290.3000 IN. ZMRP = .0000 IN.
 SCALE = .0200

PARAMETRIC DATA

ELV-18 = .000 ELV-08 = .000
 RN/L = 4.250 MACH = .900

RUN NO. 231/ 0 RN/L = 4.20 GRADIENT INTERVAL = -5.00/ 5.00

ALPHA	BETA	CP2	CP4	CP6	CP8	CP12	CP14	CP18	CP20
-4.062	-.012	-.03950	-.03570	-.13020	-.11560	.01670	.01510	.01730	.01530
	GRADIENT	.00000	.00000	.00000	.00000	.00000	.00000	.00000	.00000

RUN NO. 232/ 0 RN/L = 4.21 GRADIENT INTERVAL = -5.00/ 5.00

ALPHA	BETA	CP2	CP4	CP6	CP8	CP12	CP14	CP18	CP20
-.383	-4.028	-.17850	-.17830	-.27140	-.25120	-.02050	-.01280	-.02130	-.01460
-.453	-.016	-.05000	-.04500	-.13390	-.11440	.00450	.00490	.00730	.00790
	4.000	.08900	.09150	.00760	.02070	.02190	.01360	.02840	.02270
	GRADIENT	.03332	.03361	.03475	.03387	.00528	.00329	.00619	.00465

RUN NO. 233/ 0 RN/L = 4.20 GRADIENT INTERVAL = -5.00/ 5.00

ALPHA	BETA	CP2	CP4	CP6	CP8	CP12	CP14	CP18	CP20
3.947	-.012	-.07670	-.07070	-.15700	-.13780	-.03750	-.03870	-.03200	-.03180
	GRADIENT	.00000	.00000	.00000	.00000	.00000	.00000	.00000	.00000

ORIGINAL PAGE IS
OF POOR QUALITY

ARC 11-023 IA80 OTS (SRB NOM) (SSME NOM+)

(BE4013) (28 OCT 75)

REFERENCE DATA

SREF = 2690.0000 SQ.FT. XMRP = .0000 IN.
 LREF = 1290.3000 IN. YMRP = .0000 IN.
 BREF = 1290.3000 IN. ZMRP = .0000 IN.
 SCALE = .0200

PARAMETRIC DATA

ELV-18 = .000 ELV-08 = .000
 RN/L = 4.250 MACH = 1.100

RUN NO. 80/ 0 RN/L = 4.32 GRADIENT INTERVAL = -5.00/ 5.00

ALPHA	BETA	CP2	CP4	CP6	CP8	CP12	CP14	CP18	CP20
-3.950	.006	.17590	.17830	.10420	.11870	-.18550	-.17700	-.15810	-.15320
	GRADIENT	.00000	.00000	.00000	.00000	.00000	.00000	.00000	.00000

RUN NO. 81/ 0 RN/L = 4.32 GRADIENT INTERVAL = -5.00/ 5.00

ALPHA	BETA	CP2	CP4	CP6	CP8	CP12	CP14	CP18	CP20
-.509	-4.066	.05930	.05570	-.01830	.00430	-.17580	-.16830	-.13250	-.13120
-.552	-.056	.12820	.12910	.06960	.03500	-.22400	-.21440	-.20470	-.19680
-.486	3.950	.24520	.24960	.18240	.19700	-.11270	-.11770	-.05810	-.06250
	GRADIENT	.02319	.02419	.02504	.02404	.00787	.00631	.00928	.00857

RUN NO. 82/ 0 RN/L = 4.32 GRADIENT INTERVAL = -5.00/ 5.00

ALPHA	BETA	CP2	CP4	CP6	CP8	CP12	CP14	CP18	CP20
4.029	-.069	.07790	.07690	.00930	.03180	-.17120	-.17030	-.13850	-.14190
	GRADIENT	.00000	.00000	.00000	.00000	.00000	.00000	.00000	.00000

ARC 11-023 IA80 OTS (SRB NOM) (SSME NOM+)

(BE4014) (28 OCT 75)

REFERENCE DATA

SREF = 2690.0000 SQ.FT. XMRP = .0000 IN.
 LREF = 1290.3000 IN. YMRP = .0000 IN.
 BREF = 1290.3000 IN. ZMRP = .0000 IN.
 SCALE = .0200

PARAMETRIC DATA

ELV-18 = .000 ELV-08 = .000
 RN/L = 4.250 MACH = 1.250

RUN NO. 54/ 0 RN/L = 4.38 GRADIENT INTERVAL = -5.00/ 5.00

ALPHA	BETA	CP2	CP4	CP6	CP8	CP12	CP14	CP18	CP20
-3.963	.006	.25570	.25360	.19950	.21540	-.17500	-.17120	-.15650	-.14930
	GRADIENT	.00000	.00000	.00000	.00000	.00000	.00000	.00000	.00000

RUN NO. 55/ 0 RN/L = 4.39 GRADIENT INTERVAL = -5.00/ 5.00

ALPHA	BETA	CP2	CP4	CP6	CP8	CP12	CP14	CP18	CP20
-.492	-4.006	.14250	.14250	.06350	.08230	-.24560	-.23620	-.20790	-.20100
-.466	.003	.17960	.18370	.11600	.12680	-.17000	-.17240	-.15000	-.14740
-.522	4.009	.28930	.28740	.24160	.25410	-.08370	-.09200	-.08740	-.09050
	GRADIENT	.01831	.01808	.02222	.02143	.02020	.01799	.01503	.01379

ARC 11-023 IAB0 OTS (SRB NOM) (SSME NOM-)

(BE4016) (28 OCT 75)

REFERENCE DATA

SREF = 2690.0000 SQ.FT. XMRP = .0000 IN.
 LREF = 1290.3000 IN. YMRP = .0000 IN.
 BREF = 1290.3000 IN. ZMRP = .0000 IN.
 SCALE = .0200

PARAMETRIC DATA

ELV-1B = .000 ELV-0B = .000
 RN/L = 4.250 MACH = .900

RUN NO. 234/ 0 RN/L = 4.20 GRADIENT INTERVAL = -5.00/ 5.00

ALPHA	BETA	CP2	CP4	CP6	CP8	CP12	CP14	CP18	CP20
-3.986	-.012	-.03650	-.03380	-.12860	-.11300	.01790	.01790	.02070	.01710
	GRADIENT	.00000	.00000	.00000	.00000	.00000	.00000	.00000	.00000

RUN NO. 235/ 0 RN/L = 4.21 GRADIENT INTERVAL = -5.00/ 5.00

ALPHA	BETA	CP2	CP4	CP6	CP8	CP12	CP14	CP18	CP20
-3.350	-4.031	-.17590	-.17520	-.26800	-.24590	-.01750	-.00870	-.01690	-.00890
-.301	-.016	-.04430	-.04010	-.12720	-.11040	.01110	.01230	.01370	.01490
-.317	4.000	.08780	.09400	.01100	.02330	.01910	.01610	.03020	.02510
	GRADIENT	.03283	.03352	.03474	.03352	.00456	.00309	.00586	.00423

RUN NO. 236/ 0 RN/L = 4.20 GRADIENT INTERVAL = -5.00/ 5.00

ALPHA	BETA	CP2	CP4	CP6	CP8	CP12	CP14	CP18	CP20
3.947	-.019	-.07910	-.07350	-.15670	-.13990	-.03630	-.03850	-.02760	-.03020
	GRADIENT	.00000	.00000	.00000	.00000	.00000	.00000	.00000	.00000

ARC 11-023 IAB0 OTS (SRB NOM) (SSME NOM-)

(BE4017) (28 OCT 75)

REFERENCE DATA

SREF = 2690.0000 SQ.FT. XMRP = .0000 IN.
 LREF = 1290.3000 IN. YMRP = .0000 IN.
 BREF = 1290.3000 IN. ZMRP = .0000 IN.
 SCALE = .0200

PARAMETRIC DATA

ELV-1B = .000 ELV-0B = .000
 RN/L = 4.250 MACH = 1.100

RUN NO. 83/ 0 RN/L = 4.32 GRADIENT INTERVAL = -5.00/ 5.00

ALPHA	BETA	CP2	CP4	CP6	CP8	CP12	CP14	CP18	CP20
-4.020	-.069	.17510	.17520	.10350	.11790	-.18640	-.17710	-.15970	-.15390
	GRADIENT	.00000	.00000	.00000	.00000	.00000	.00000	.00000	.00000

RUN NO. 84/ 0 RN/L = 4.31 GRADIENT INTERVAL = -5.00/ 5.00

ALPHA	BETA	CP2	CP4	CP6	CP8	CP12	CP14	CP18	CP20
-.479	-4.069	.05810	.05490	-.01990	.00370	-.17820	-.17310	-.13310	-.13230
-.489	-.056	.12610	.12760	.06290	.08460	-.22550	-.21740	-.20710	-.19940
-.486	3.947	.24330	.24720	.12220	.19380	-.11560	-.12140	-.06690	-.07060
	GRADIENT	.02310	.02399	.02521	.02371	.00780	.00644	.00825	.00769

ARC 11-023 IAB0 OTS (SRB NOM) (SSME NOM-)

(BE4019) (28 OCT 75)

REFERENCE DATA

SREF = 2690.0000 SQ.FT. XMRP = .0000 IN.
 LREF = 1290.3000 IN. YMRP = .0000 IN.
 BREF = 1290.3000 IN. ZMRP = .0000 IN.
 SCALE = .0200

PARAMETRIC DATA

ELV-18 = .000 ELV-08 = .000
 RN/L = 4.250 MACH = 1.400

RUN NO. 10/ 0 RN/L = 4.27 GRADIENT INTERVAL = -5.00/ 5.00

ALPHA	BETA	CP2	CP4	CP6	CP8	CP12	CP14	CP18	CP20
-3.848	-.006	.29100	.28780	.22170	.23700	-.12360	-.12720	-.11350	-.10840
	GRADIENT	.00000	.00000	.00000	.00000	.00000	.00000	.00000	.00000

RUN NO. 11/ 0 RN/L = 4.27 GRADIENT INTERVAL = -5.00/ 5.00

ALPHA	BETA	CP2	CP4	CP6	CP8	CP12	CP14	CP18	CP20
-.357	-4.009	.18630	.18280	.11680	.1600	-.22820	-.22620	-.20630	-.19510
-.363	.000	.23760	.23790	.16690	.17280	-.16320	-.17000	-.14480	-.14860
-.462	4.012	.31680	.31520	.24020	.24370	-.11630	-.12420	-.10130	-.10830
	GRADIENT	.01627	.01651	.01538	.01467	.01395	.01272	.01309	.01094

RUN NO. 12/ 0 RN/L = 4.27 GRADIENT INTERVAL = -5.00/ 5.00

ALPHA	BETA	CP2	CP4	CP6	CP8	CP12	CP14	CP18	CP20
3.986	-.003	.17660	.17220	.11460	.12250	-.14430	-.17220	-.13250	-.14400
	GRADIENT	.00000	.00000	.00000	.00000	.00000	.00000	.00000	.00000

ARC 11-023 IAB0 OTS (SRB NOM) (SSME NOM)

(BE4020) (28 OCT 75)

REFERENCE DATA

SREF = 2690.0000 SQ.FT. XMRP = .0000 IN.
 LREF = 1290.3000 IN. YMRP = .0000 IN.
 BREF = 1290.3000 IN. ZMRP = .0000 IN.
 SCALE = .0200

PARAMETRIC DATA

ELV-18 = .000 ELV-08 = .000
 RN/L = 3.400 MACH = .600

RUN NO. 246/ 0 RN/L = 3.36 GRADIENT INTERVAL = -5.00/ 5.00

ALPHA	BETA	CP2	CP4	CP6	CP8	CP12	CP14	CP18	CP20
-3.868	-.016	-.12010	-.12010	-.16130	-.15270	-.04470	-.04950	-.04470	-.04570
	GRADIENT	.00000	.00000	.00000	.00000	.00000	.00000	.00000	.00000

RUN NO. 247/ 0 RN/L = 3.39 GRADIENT INTERVAL = -5.00/ 5.00

ALPHA	BETA	CP2	CP4	CP6	CP8	CP12	CP14	CP18	CP20
-.327	-4.038	-.26110	-.26010	-.28450	-.29170	-.08990	-.08950	-.07790	-.07720
-.291	-.022	-.12130	-.11780	-.15770	-.15500	-.06660	-.07140	-.06300	-.07040
-.386	3.994	.02000	.03100	-.02150	-.00750	-.02050	-.02360	-.00750	-.01060
	GRADIENT	.03500	.03625	.03275	.03414	.00864	.00808	.00877	.00829

DATE 12 JUN 76

TABULATED SOURCE DATA - IAB0

PAGE 235

ARC 11-023 IAB0 OTS (SRB NOM) (SSME NOM)

(BE4020) (28 OCT 75)

REFERENCE DATA

SREF = 2690.0000 SQ.FT. XMRP = .0000 IN.
 LREF = 1290.3000 IN. YMRP = .0000 IN.
 BREF = 1290.3000 IN. ZMRP = .0000 IN.
 SCALE = .0200

PARAMETRIC DATA

ELV-18 = .000 ELV-08 = .000
 RN/L = 3.400 MACH = .600

RUN NO. 248/ 0 RN/L = 3.41 GRADIENT INTERVAL = -5.00/ 5.00

ALPHA	BETA	CP2	CP4	CP6	CP3	CP12	CP14	CP18	CP20
4.016	-.022	-.11740	-.11940	-.15270	-.14890	-.08450	-.09060	-.08080	-.07810
	GRADIENT	.00000	.00000	.00000	.00000	.00000	.00000	.00000	.00000

ARC 11-023 IAB0 OTS (SRB NOM) (SSME NOM)

(BE4021) (28 OCT 75)

REFERENCE DATA

SREF = 2690.0000 SQ.FT. XMRP = .0000 IN.
 LREF = 1290.3000 IN. YMRP = .0000 IN.
 BREF = 1290.3000 IN. ZMRP = .0000 IN.
 SCALE = .0200

PARAMETRIC DATA

ELV-18 = .000 ELV-08 = .000
 RN/L = 4.250 MACH = .900

RUN NO. 228/ 0 RN/L = 4.20 GRADIENT INTERVAL = -5.00/ 5.00

ALPHA	BETA	CP2	CP4	CP6	CP3	CP12	CP14	CP18	CP20
-3.977	-.016	-.03720	-.03520	-.12870	-.11380	.01950	.01850	.02200	.01890
	GRADIENT	.00000	.00000	.00000	.00000	.00000	.00000	.00000	.00000

RUN NO. 229/ 0 RN/L = 4.21 GRADIENT INTERVAL = -5.00/ 5.00

ALPHA	BETA	CP2	CP4	CP6	CP3	CP12	CP14	CP18	CP20
-.327	-4.028	-.17520	-.17570	-.26630	-.24560	-.01770	-.00860	-.01570	-.00960
-.317	-.012	-.04370	-.04030	-.12690	-.11070	.00910	.01210	.01470	.01480
-.350	4.000	.08480	.09090	.00840	.01920	.01730	.01290	.02930	.02080
	GRADIENT	.03739	.03321	.03422	.03298	.00436	.00268	.00561	.00379

RUN NO. 230/ 0 RN/L = 4.20 GRADIENT INTERVAL = -5.00/ 5.00

ALPHA	BETA	CP2	CP4	CP6	CP3	CP12	CP14	CP18	CP20
3.977	-.012	-.07600	-.07150	-.15630	-.13910	-.03560	-.03500	-.02630	-.02510
	GRADIENT	.00000	.00000	.00000	.00000	.00000	.00000	.00000	.00000

ORIGINAL PAGE IS
OF POOR QUALITY

ARC 11-023 IAB0 OTS (SRB NOM) (SSME NOM)

(BE4022) (28 OCT 75)

REFERENCE DATA

SREF = 2690.0000 SQ.FT. XMRP = .0000 IN.
 LREF = 1290.3000 IN. YMRP = .0000 IN.
 BREF = 1290.3000 IN. ZMRP = .0000 IN.
 SCALE = .0200

PARAMETRIC DATA

ELV-18 = .000 ELV-08 = .000
 RN/L = 4.250 MACH = 1.100

RUN NO. 86/ 0 RN/L = 4.32 GRADIENT INTERVAL = -5.00/ 5.00

ALPHA	BETA	CP2	CP4	CP6	CP8	CP12	CP14	CP18	CP20
-3.937	-.063	.17520	.17690	.10470	.11990	-.18640	-.17650	-.15970	-.15410
	GRADIENT	.00000	.00000	.00000	.00000	.00000	.00000	.00000	.00000

RUN NO. 87/ 0 RN/L = 4.32 GRADIENT INTERVAL = -5.00/ 5.00

ALPHA	BETA	CP2	CP4	CP6	CP8	CP12	CP14	CP18	CP20
-.525	-4.069	.05910	.05690	-.01730	.00530	-.17440	-.16560	-.13120	-.12860
-.439	-.056	.12650	.12730	.06910	.08400	-.22230	-.21670	-.20670	-.19840
-.482	3.950	.24460	.24890	.18320	.19660	-.11460	-.12000	-.05940	-.06840
	GRADIENT	.02313	.02394	.02507	.02386	.00745	.00568	.00895	.00750

RUN NO. 88/ 0 RN/L = 4.32 GRADIENT INTERVAL = -5.00/ 5.00

ALPHA	BETA	CP2	CP4	CP6	CP8	CP12	CP14	CP18	CP20
3.963	-.063	.07880	.07760	.00810	.02740	-.16710	-.17510	-.14220	-.14710
	GRADIENT	.00000	.00000	.00000	.00000	.00000	.00000	.00000	.00000

ARC 11-023 IAB0 OTS (SRB NOM) (SSME NOM)

(BE4023) (28 OCT 75)

REFERENCE DATA

SREF = 2690.0000 SQ.FT. XMRP = .0000 IN.
 LREF = 1290.3000 IN. YMRP = .0000 IN.
 BREF = 1290.3000 IN. ZMRP = .0000 IN.
 SCALE = .0200

PARAMETRIC DATA

ELV-18 = .000 ELV-08 = .000
 RN/L = 4.250 MACH = 1.250

RUN NO. 60/ 0 RN/L = 4.37 GRADIENT INTERVAL = -5.00/ 5.00

ALPHA	BETA	CP2	CP4	CP6	CP8	CP12	CP14	CP18	CP20
-3.917	.003	.25110	.25210	.19500	.21150	-.17720	-.17390	-.16160	-.14880
	GRADIENT	.00000	.00000	.00000	.00000	.00000	.00000	.00000	.00000

RUN NO. 61/ 0 RN/L = 4.37 GRADIENT INTERVAL = -5.00/ 5.00

ALPHA	BETA	CP2	CP4	CP6	CP8	CP12	CP14	CP18	CP20
-.446	-4.006	.14110	.14160	.06150	.07980	-.24650	-.23550	-.20820	-.19770
-.456	.003	.17850	.17910	.11580	.12480	-.16640	-.17160	-.15110	-.14540
-.439	4.012	.28750	.28640	.23830	.25020	-.08580	-.09690	-.08620	-.09030
	GRADIENT	.01826	.01806	.02205	.02125	.02004	.01728	.01521	.01339

ARC 11-023 IAB0 OTS (SRB NOM-) (SSME NOM)

(BE4025) (28 OCT 75)

REFERENCE DATA

SREF = 2690.0000 SQ.FT. XMRP = .0000 IN.
 LREF = 1290.3000 IN. YMRP = .0000 IN.
 BREF = 1290.3000 IN. ZMRP = .0000 IN.
 SCALE = .0200

PARAMETRIC DATA

ELV-18 = .000 ELV-08 = .000
 RN/L = 4.250 MACH = 1.100

RUN NO. 89/ 0 RN/L = 4.32 GRADIENT INTERVAL = -5.00/ 5.00

ALPHA	BETA	CP2	CP4	CP6	CP8	CP12	CP14	CP18	CP20
-4.020	-.063	.17460	.17680	.10360	.11840	-.18260	-.17460	-.15620	-.15210
	GRADIENT	.00000	.00000	.00000	.00000	.00000	.00000	.00000	.00000

RUN NO. 90/ 0 RN/L = 4.32 GRADIENT INTERVAL = -5.00/ 5.00

ALPHA	BETA	CP2	CP4	CP6	CP8	CP12	CP14	CP18	CP20
-.482	-4.069	.05920	.05560	-.01890	.00490	-.17840	-.17160	-.13390	-.12750
-.489	-.059	.12760	.12760	.06840	.08330	-.22450	-.21600	-.20740	-.19960
-.453	3.950	.24440	.24730	.18270	.19370	-.11570	-.11880	-.05630	-.06330
	GRADIENT	.02310	.02391	.02514	.02354	.00792	.00658	.00967	.00801

RUN NO. 91/ 0 RN/L = 4.32 GRADIENT INTERVAL = -5.00/ 5.00

ALPHA	BETA	CP2	CP4	CP6	CP8	CP12	CP14	CP18	CP20
4.029	-.059	.07680	.07750	.01030	.02840	-.16890	-.17010	-.14060	-.14240
	GRADIENT	.00000	.00000	.00000	.00000	.00000	.00000	.00000	.00000

ARC 11-023 IAB0 OTS (SRB NOM-) (SSME NOM)

(BE4026) (28 OCT 75)

REFERENCE DATA

SREF = 2690.0000 SQ.FT. XMRP = .0000 IN.
 LREF = 1290.3000 IN. YMRP = .0000 IN.
 BREF = 1290.3000 IN. ZMRP = .0000 IN.
 SCALE = .0200

PARAMETRIC DATA

ELV-18 = .000 ELV-06 = .000
 RN/L = 4.250 MACH = 1.250

RUN NO. 63/ 0 RN/L = 4.36 GRADIENT INTERVAL = -5.00/ 5.00

ALPHA	BETA	CP2	CP4	CP6	CP8	CP12	CP14	CP18	CP20
-3.983	.000	.25330	.25220	.19780	.21270	-.17650	-.17130	-.15820	-.14880
	GRADIENT	.00000	.00000	.00000	.00000	.00000	.00000	.00000	.00000

RUN NO. 64/ 0 RN/L = 4.36 GRADIENT INTERVAL = -5.00/ 5.00

ALPHA	BETA	CP2	CP4	CP6	CP8	CP12	CP14	CP18	CP20
-.443	-4.006	.14270	.13970	.05960	.07760	-.24810	-.23660	-.20820	-.19990
-.426	.003	.17860	.17940	.11170	.12590	-.16890	-.16900	-.14860	-.14830
-.456	4.016	.28960	.28710	.24320	.25510	-.07870	-.09070	-.07870	-.08750
	GRADIENT	.01831	.01838	.02289	.02213	.02112	.01819	.01614	.01401

ARC 11-023 IAB0 OTS (SRB OFF) (SSME OFF)

(BE4028) (28 OCT 75)

REFERENCE DATA

SREF = 2690.0000 SQ.FT. XMRP = .0000 IN.
 LREF = 1290.3000 IN. YMRP = .0000 IN.
 BREF = 1290.3000 IN. ZMRP = .0000 IN.
 SCALE = .0200

PARAMETRIC DATA

ELV-18 = .000 ELV-08 = .000
 RN/L = 3.400 MACH = .600

RUN NO. 237/ 0 RN/L = 3.39 GRADIENT INTERVAL = -5.00/ 5.00

ALPHA	BETA	CP2	CP4	CP6	CP8	CP12	CP14	CP18	CP20
-4.000	-.016	-.11400	-.10920	-.15660	-.15320	-.03420	-.03770	-.02810	-.03190
	GRADIENT	.00000	.00000	.00000	.00000	.00000	.00000	.00000	.00000

RUN NO. 238/ 0 RN/L = 3.38 GRADIENT INTERVAL = -5.00/ 5.00

ALPHA	BETA	CP2	CP4	CP6	CP8	CP12	CP14	CP18	CP20
-.264	-4.034	-.25120	-.25330	-.27680	-.27480	-.09300	-.08260	-.08180	-.08480
-.261	-.019	-.11680	-.11070	-.14890	-.14620	-.05270	-.05580	-.04960	-.04930
-.274	3.991	.02210	.02970	-.02100	-.01380	-.02000	-.02550	-.00940	-.01520
	GRADIENT	.02106	.03526	.03188	.03252	.00910	.00786	.00902	.00867

RUN NO. 239/ 0 RN/L = 3.39 GRADIENT INTERVAL = -5.00/ 5.00

ALPHA	BETA	CP2	CP4	CP6	CP8	CP12	CP14	CP18	CP20
4.013	-.019	-.11620	-.11280	-.14870	-.14110	-.07870	-.07870	-.07010	-.07460
	GRADIENT	.00000	.00000	.00000	.00000	.00000	.00000	.00000	.00000

ARC 11-023 IAB0 OTS (SRB OFF) (SSME OFF)

(BE4029) (28 OCT 75)

REFERENCE DATA

SREF = 2690.0000 SQ.FT. XMRP = .0000 IN.
 LREF = 1290.3000 IN. YMRP = .0000 IN.
 BREF = 1290.3000 IN. ZMRP = .0000 IN.
 SCALE = .0200

PARAMETRIC DATA

ELV-18 = .000 ELV-08 = .000
 RN/L = 4.250 MACH = .900

RUN NO. 219/ 0 RN/L = 4.25 GRADIENT INTERVAL = -5.00/ 5.00

ALPHA	BETA	CP2	CP4	CP6	CP8	CP12	CP14	CP18	CP20
-3.980	-.006	-.03700	-.03320	-.12820	-.11090	.01910	.01890	.02270	.02010
	GRADIENT	.00000	.00000	.00000	.00000	.00000	.00000	.00000	.00000

RUN NO. 220/ 0 RN/L = 4.25 GRADIENT INTERVAL = -5.00/ 5.00

ALPHA	BETA	CP2	CP4	CP6	CP8	CP12	CP14	CP18	CP20
-.320	-4.022	-.17360	-.17480	-.26730	-.24490	-.01450	-.00460	-.01230	-.00700
-.310	-.009	-.04370	-.03850	-.12820	-.10930	.00860	.00980	.01240	.01180
-.297	4.006	.09250	.09630	.01400	.02690	.02300	.01960	.02930	.02560
	GRADIENT	.03315	.03377	.03504	.03386	.00467	.00301	.00518	.00406

DATE 12 JUN 75

TABULATED SOURCE DATA - 1A80

PAGE 241

ARC 11-023 1A80 OTS (SRB OFF) (SSME OFF)

(BE4029) (28 OCT 75)

REFERENCE DATA

SREF = 2690.0000 SQ.FT. XMRP = .0000 IN.
 LREF = 1290.3000 IN. YMRP = .0000 IN.
 BREF = 1290.3000 IN. ZMRP = .0000 IN.
 SCALE = .0200

PARAMETRIC DATA

ELV-18 = .000 ELV-08 = .000
 RN/L = 4.250 MACH = .900

RUN NO. 221/ 0 RN/L = 4.24 GRADIENT INTERVAL = -5.00/ 5.00

ALPHA	BETA	CP2	CP4	CP6	CP8	CP12	CP14	CP18	CP20
3.986	-.009	-.07740	-.07360	-.15940	-.14150	-.06230	-.06290	-.05000	-.05340
	GRADIENT	.00000	.00000	.00000	.00000	.00000	.00000	.00000	.00000

ARC 11-023 1A80 OTS (SRB OFF) (SSME OFF)

(BE4030) (28 OCT 75)

REFERENCE DATA

SREF = 2690.0000 SQ.FT. XMRP = .0000 IN.
 LREF = 1290.3000 IN. YMRP = .0000 IN.
 BREF = 1290.3000 IN. ZMRP = .0000 IN.
 SCALE = .0200

PARAMETRIC DATA

ELV-18 = .000 ELV-08 = .000
 RN/L = 4.250 MACH = 1.100

RUN NO. 69/ 0 RN/L = 4.33 GRADIENT INTERVAL = -5.00/ 5.00

ALPHA	BETA	CP2	CP4	CP6	CP8	CP12	CP14	CP18	CP20
-4.016	-.003	.17760	.17800	.10700	.12110	-.18530	-.17720	-.15900	-.15420
	GRADIENT	.00000	.00000	.00000	.00000	.00000	.00000	.00000	.00000

RUN NO. 70/ 0 RN/L = 4.30 GRADIENT INTERVAL = -5.00/ 5.00

ALPHA	BETA	CP2	CP4	CP6	CP8	CP12	CP14	CP18	CP20
-.370	-4.006	.05790	.05520	-.02160	.00430	-.18880	-.18710	-.14490	-.14300
-.343	.003	.12770	.12850	.07080	.08380	-.22510	-.21820	-.21170	-.20210
-.370	4.009	.24620	.24790	.18200	.19550	-.12210	-.12490	-.07270	-.08130
	GRADIENT	.02349	.02404	.02540	.02385	.00832	.00776	.00900	.00769

RUN NO. 71/ 0 RN/L = 4.29 GRADIENT INTERVAL = -5.00/ 5.00

ALPHA	BETA	CP2	CP4	CP6	CP8	CP12	CP14	CP18	CP20
3.234	-.003	.08100	.08110	.01120	.02990	-.20860	-.21570	-.18030	-.18920
	GRADIENT	.00000	.00000	.00000	.00000	.00000	.00000	.00000	.00000

ORIGINAL PAGE IS
OF POOR QUALITY

ARC 11-023 IAB0 OTS (SRB OFF) (SSME OFF)

(BE4031) (28 OCT 75)

REFERENCE DATA

SREF = 2690.0000 SQ.FT. XMRP = .0000 IN.
 LREF = 1290.3000 IN. YMRP = .0000 IN.
 BREF = 1290.3000 IN. ZMRP = .0000 IN.
 SCALE = .0200

ELV-1B = .000 ELV-0B = .000
 RN/L = 4.250 MACH = 1.250

PARAMETRIC DATA

RUN NO. 66/ 0 RN/L = 4.36 GRADIENT INTERVAL = -5.00/ 5.00

ALPHA	BETA	CP2	CP4	CP6	CP8	CP12	CP14	CP18	CP20
-3.970	-.003	.25370	.25300	.19840	.21490	-.17520	-.17220	-.15820	-.15060
	GRADIENT	.00000	.00000	.00000	.00000	.00000	.00000	.00000	.00000

RUN NO. 67/ 0 RN/L = 4.36 GRADIENT INTERVAL = -5.00/ 5.00

ALPHA	BETA	CP2	CP4	CP6	CP8	CP12	CP14	CP18	CP20
-.330	-4.006	.13910	.13940	.05640	.07430	-.24510	-.23460	-.20510	-.19650
-.317	.003	.17700	.17940	.11070	.12080	-.16360	-.16980	-.14760	-.14650
-.370	4.012	.29070	.28590	.23930	.25280	-.08100	-.09110	-.08380	-.08590
	GRADIENT	.01891	.01827	.02256	.02226	.02046	.01790	.01513	.01379

RUN NO. 68/ 0 RN/L = 4.36 GRADIENT INTERVAL = -5.00/ 5.00

ALPHA	BETA	CP2	CP4	CP6	CP8	CP12	CP14	CP18	CP20
3.950	-.003	.09040	.08960	.04460	.04540	-.15140	-.15330	-.15040	-.15170
	GRADIENT	.00000	.00000	.00000	.00000	.00000	.00000	.00000	.00000

ARC 11-023 IAB0 OTS (SRB OFF) (SSME OFF)

(BE4032) (28 OCT 75)

REFERENCE DATA

SREF = 2690.0000 SQ.FT. XMRP = .0000 IN.
 LREF = 1290.3000 IN. YMRP = .0000 IN.
 BREF = 1290.3000 IN. ZMRP = .0000 IN.
 SCALE = .0200

ELV-1B = .000 ELV-0B = .000
 RN/L = 4.250 MACH = 1.400

PARAMETRIC DATA

RUN NO. 19/ 0 RN/L = 4.24 GRADIENT INTERVAL = -5.00/ 5.00

ALPHA	BETA	CP2	CP4	CP6	CP8	CP12	CP14	CP18	CP20
-4.043	.000	.29510	.29060	.22680	.23950	-.12060	-.12220	-.11220	-.10270
	GRADIENT	.00000	.00000	.00000	.00000	.00000	.00000	.00000	.00000

RUN NO. 20/ 0 RN/L = 4.25 GRADIENT INTERVAL = -5.00/ 5.00

ALPHA	BETA	CP2	CP4	CP6	CP8	CP12	CP14	CP18	CP20
-.195	-4.012	.18430	.18080	.11510	.12290	-.22820	-.22870	-.20880	-.19670
-.211	.000	.23480	.23510	.16600	.17110	-.16180	-.17400	-.14700	-.14590
.083	4.006	.31100	.30680	.23430	.23520	-.11470	-.12940	-.03910	-.10920
	GRADIENT	.01580	.01571	.01486	.01400	.01416	.01238	.01368	.01091

ARC 11-023 IAB0 OTS (SRB OFF) (SSME OFF)

(BE4034) (28 OCT 75)

REFERENCE DATA

SREF = 2690.0000 SQ.FT. XMRP = .0000 IN.
 LREF = 1290.3000 IN. YMRP = .0000 IN.
 BREF = 1290.3000 IN. ZMRP = .0000 IN.
 SCALE = .0200

PARAMETRIC DATA

ELV-18 = .000 ELV-08 = .000
 RN/L = 2.250 MACH = .900

RUN NO. 267/ 0 RN/L = 2.16 GRADIENT INTERVAL = -5.00/ 5.00

ALPHA	BETA	CP2	CP4	CP6	CP8	CP12	CP14	CP18	CP20
-3.947	.000	-.04120	-.03760	-.13420	-.11950	.01020	.00780	.01300	.01220
	GRADIENT	.00000	.00000	.00000	.00000	.00000	.00000	.00000	.00000

RUN NO. 268/ 0 RN/L = 2.16 GRADIENT INTERVAL = -5.00/ 5.00

ALPHA	BETA	CP2	CP4	CP6	CP8	CP12	CP14	CP18	CP20
-.264	-4.044	-.17490	-.17290	-.26970	-.25160	-.02560	-.01480	-.02560	-.01720
-.271	-.031	-.05120	-.04480	-.13680	-.11690	-.03370	-.03850	-.02730	-.02850
-.304	3.984	.07760	.08040	-.00260	.01230	-.00020	.00700	.01510	.01270
	GRADIENT	.03145	.03155	.03327	.03287	.00316	.00272	.00507	.00373

RUN NO. 269/ 0 RN/L = 2.16 GRADIENT INTERVAL = -5.00/ 5.00

ALPHA	BETA	CP2	CP4	CP6	CP8	CP12	CP14	CP18	CP20
3.990	-.003	-.07760	-.07200	-.15870	-.13870	-.09510	-.09910	-.08000	-.08000
	GRADIENT	.00000	.00000	.00000	.00000	.00000	.00000	.00000	.00000

ARC 11-023 IAB0 OTS (SRB OFF) (SSME OFF)

(BE4035) (28 OCT 75)

REFERENCE DATA

SREF = 2690.0000 SQ.FT. XMRP = .0000 IN.
 LREF = 1290.3000 IN. YMRP = .0000 IN.
 BREF = 1290.3000 IN. ZMRP = .0000 IN.
 SCALE = .0200

PARAMETRIC DATA

ELV-18 = .000 ELV-08 = .000
 RN/L = 2.250 MACH = 1.100

RUN NO. 22/ 0 RN/L = 2.24 GRADIENT INTERVAL = -5.00/ 5.00

ALPHA	BETA	CP2	CP4	CP6	CP8	CP12	CP14	CP18	CP20
-3.957	.000	.16500	.16700	.08930	.10480	-.19150	-.18170	-.16570	-.16060
	GRADIENT	.00000	.00000	.00000	.00000	.00000	.00000	.00000	.00000

RUN NO. 23/ 0 RN/L = 2.25 GRADIENT INTERVAL = -5.00/ 5.00

ALPHA	BETA	CP2	CP4	CP6	CP8	CP12	CP14	CP18	CP20
-.225	-4.009	.04540	.04400	-.03500	-.01770	-.18380	-.17740	-.14040	-.13820
-.225	.000	.11230	.11370	.05250	.06840	-.23620	-.22950	-.21590	-.20920
-.231	4.012	.23210	.23420	.16530	.17840	-.11160	-.12170	-.05870	-.06140
	GRADIENT	.02327	.02371	.02503	.02445	.00900	.00695	.01019	.00958

ARC 11-023 1A80 OTS (SRB OFF) (SSME OFF)

(BE4037) (28 OCT 75)

REFERENCE DATA

SREF = 2690.0000 SQ.FT. XMRP = .0000 IN.
 LREF = 1290.3000 IN. YMRP = .0000 IN.
 BREF = 1290.3000 IN. ZMRP = .0000 IN.
 SCALE = .0200

PARAMETRIC DATA

ELV-18 = .000 ELV-08 = .000
 RN/L = 2.250 MACH = 1.400

RUN NO. 33/ 0 RN/L = 2.23 GRADIENT INTERVAL = -5.00/ 5.00

ALPHA	BETA	CP2	CP4	CP6	CP8	CP12	CP14	CP18	CP20
-4.013	.003	.27390	.27210	.21190	.22610	-.13180	-.13400	-.12340	-.11750
	GRADIENT	.00000	.00000	.00000	.00000	.00000	.00000	.00000	.00000

RUN NO. 34/ 0 RN/L = 2.23 GRADIENT INTERVAL = -5.00/ 5.00

ALPHA	BETA	CP2	CP4	CP6	CP8	CP12	CP14	CP18	CP20
-.241	-4.006	.16730	.16350	.10580	.11640	-.23760	-.23760	-.22010	-.20920
-.264	.000	.21400	.21620	.14990	.15680	-.17440	-.18740	-.15900	-.15680
-.267	4.009	.29660	.29620	.22280	.22660	-.12790	-.13880	-.11480	-.12480
	GRADIENT	.01613	.01656	.01460	.01375	.01369	.01233	.01314	.01053

RUN NO. 35/ 0 RN/L = 2.24 GRADIENT INTERVAL = -5.00/ 5.00

ALPHA	BETA	CP2	CP4	CP6	CP8	CP12	CP14	CP18	CP20
4.010	.003	.15570	.15630	.09520	.10300	-.15280	-.17590	-.14440	-.15650
	GRADIENT	.00000	.00000	.00000	.00000	.00000	.00000	.00000	.00000

ARC 11-023 1A80 OTS (SRB NOM) (SSME NOM)

(BE4038) (28 OCT 75)

REFERENCE DATA

SREF = 2690.0000 SQ.FT. XMRP = .0000 IN.
 LREF = 1290.3000 IN. YMRP = .0000 IN.
 BREF = 1290.3000 IN. ZMRP = .0000 IN.
 SCALE = .0200

PARAMETRIC DATA

ELV-18 = .000 ELV-08 = .000
 RN/L = 1.750 MACH = .600

RUN NO. 273/ 0 RN/L = 1.76 GRADIENT INTERVAL = -5.00/ 5.00

ALPHA	BETA	CP2	CP4	CP6	CP8	CP12	CP14	CP18	CP20
-3.980	-.003	-.11010	-.11480	-.15440	-.14960	-.03840	-.04040	-.03700	-.03700
	GRADIENT	.00000	.00000	.00000	.00000	.00000	.00000	.00000	.00000

RUN NO. 274/ 0 RN/L = 1.77 GRADIENT INTERVAL = -5.00/ 5.00

ALPHA	BETA	CP2	CP4	CP6	CP8	CP12	CP14	CP18	CP20
-.314	-4.044	-.25230	-.25230	-.28010	-.27400	-.09030	-.09300	-.08480	-.08550
-.317	-.009	-.11710	-.11440	-.15430	-.15070	-.06060	-.06200	-.05190	-.05260
-.327	3.981	.02460	.02880	-.02540	-.01990	-.02470	-.02890	-.02950	-.03430
	GRADIENT	.03450	.03503	.03174	.03166	.00817	.00799	.00689	.00638

DATE 12 JUN 76

TABULATED SOURCE DATA - IAB0

PAGE 247

ARC 11-022 IAB0 OTS (SRB NOM) (SSME NOM)

(BE4038) (28 OCT 75)

REFERENCE DATA

SREF = 2690.0000 SQ.FT. XMRP = .0000 IN.
 LREF = 1290.3000 IN. YMRP = .0000 IN.
 BREF = 1290.3000 IN. ZMRP = .0000 IN.
 SCALE = .0200

PARAMETRIC DATA

ELV-18 = .000 ELV-08 = .000
 RN/L = 1.750 MACH = .600

RUN NO. 275/ 0 RN/L = 1.78 GRADIENT INTERVAL = -5.00/ 5.00

ALPHA	BETA	CP2	CP4	CP6	CP8	CP12	CP14	CP18	CP20
3.950	-.003	-.11470	-.11470	-.15160	-.14020	-.08460	-.08060	-.07450	-.07650
	GRADIENT	.00000	.00000	.00000	.00000	.00000	.00000	.00000	.00000

ARC 11-023 IABJ OTS (SRB NOM) (SSME NOM)

(BE4039) (28 OCT 75)

REFERENCE DATA

SREF = 2690.0000 SQ.FT. XMRP = .0000 IN.
 LREF = 1290.3000 IN. YMRP = .0000 IN.
 BREF = 1290.3000 IN. ZMRP = .0000 IN.
 SCALE = .0200

PARAMETRIC DATA

ELV-18 = .000 ELV-08 = .000
 RN/L = 2.250 MACH = .900

RUN NO. 264/ 0 RN/L = 2.16 GRADIENT INTERVAL = -5.00/ 5.00

ALPHA	BETA	CP2	CP4	CP6	CP8	CP12	CP14	CP18	CP20
-3.986	.003	-.04280	-.04040	-.13690	-.12160	-.00180	-.00260	.00900	.00220
	GRADIENT	.00000	.00000	.00000	.00000	.00000	.00000	.00000	.00000

RUN NO. 265/ 0 RN/L = 2.16 GRADIENT INTERVAL = -5.00/ 5.00

ALPHA	BETA	CP2	CP4	CP6	CP8	CP12	CP14	CP18	CP20
-.294	-4.044	-.17730	-.17410	-.27230	-.25340	-.03080	-.02110	-.02960	-.02320
-.310	-.028	-.04390	-.03990	-.12990	-.11220	.00550	.00750	.00900	.01020
-.320	3.981	.07750	.08310	-.00150	.01050	.01170	.00890	.01840	.01280
	GRADIENT	.03175	.03205	.03375	.03289	.00530	.00374	.00598	.00449

RUN NO. 266/ 0 RN/L = 2.16 GRADIENT INTERVAL = -5.00/ 5.00

ALPHA	BETA	CP2	CP4	CP6	CP8	CP12	CP14	CP18	CP20
3.970	.000	-.08170	-.07570	-.15860	-.14060	-.09050	-.09900	-.07610	-.07650
	GRADIENT	.00000	.00000	.00000	.00000	.00000	.00000	.00000	.00000

ORIGINAL PAGE IS
OF POOR QUALITY

ARC 11-023 1A80 OTS (SRB NOM) (SSME NOM)

(BE4040) (23 OCT 75)

REFERENCE DATA

SREF = 2690.0000 SQ.FT. XMRP = .0000 IN.
 LREF = 1290.3000 IN. YMRP = .0000 IN.
 BREF = 1290.3000 IN. ZMRP = .0000 IN.
 SCALE = .0200

PARAMETRIC DATA

ELV-18 = .000 ELV-08 = .000
 RN/L = 2.250 MACH = 1.100

RUN NO. 27/ 0 RN/L = 2.25 GRADIENT INTERVAL = -5.00/ 5.00

ALPHA	BETA	CP2	CP4	CP6	CP8	CP12	CP14	CP18	CP20
-3.801	-.006	.16350	.16690	.08970	.10440	-.19240	-.18460	-.16220	-.15710
	GRADIENT	.00000	.00000	.00000	.00000	.00000	.00000	.00000	.00000

RUN NO. 28/ 0 RN/L = 2.25 GRADIENT INTERVAL = -5.00/ 5.00

ALPHA	BETA	CP2	CP4	CP6	CP8	CP12	CP14	CP18	CP20
-.304	-4.003	.04700	.04560	-.03490	-.01630	-.18320	-.17470	-.13850	-.13580
-.267	.003	.11220	.11590	.05440	.07000	-.23480	-.22840	-.21350	-.20670
-.390	4.016	.23110	.23550	.16670	.17990	-.11330	-.12140	-.05930	-.06540
	GRADIENT	.02296	.02368	.02514	.02447	.00872	.00665	.00988	.00879

RUN NO. 29/ 0 RN/L = 2.26 GRADIENT INTERVAL = -5.00/ 5.00

ALPHA	BETA	CP2	CP4	CP6	CP8	CP12	CP14	CP18	CP20
3.983	.003	.06620	.06620	.00030	.01710	-.19590	-.20470	-.16950	-.16920
	GRADIENT	.00000	.00000	.00000	.00000	.00000	.00000	.00000	.00000

ARC 11-023 1A80 OTS (SRB OFF) (SSME OFF)

(BE4041) (28 OCT 75)

REFERENCE DATA

SREF = 2690.0000 SQ.FT. XMRP = .0000 IN.
 LREF = 1290.3000 IN. YMRP = .0000 IN.
 BREF = 1290.3000 IN. ZMRP = .0000 IN.
 SCALE = .0200

PARAMETRIC DATA

ELV-18 = .000 ELV-08 = .000
 RN/L = 2.500 MACH = .600

RUN NO. 252/ 0 RN/L = 2.55 GRADIENT INTERVAL = -5.00/ 5.00

ALPHA	BETA	CP2	CP4	CP6	CP8	CP12	CP14	CP18	CP20
-4.000	-.022	-.10840	-.10560	-.14990	-.14710	-.03050	-.03230	-.02170	-.02680
	GRADIENT	.00000	.00000	.00000	.00000	.00000	.00000	.00000	.00000

RUN NO. 253/ 0 RN/L = 2.55 GRADIENT INTERVAL = -5.00/ 5.00

ALPHA	BETA	CP2	CP4	CP6	CP8	CP12	CP14	CP18	CP20
-.261	-4.041	-.24750	-.24610	-.27500	-.27400	-.08810	-.08810	-.07740	-.07970
-.271	-.025	-.11030	-.10500	-.14560	-.13920	-.04770	-.04860	-.03490	-.03900
-.343	3.991	.02960	.03280	-.01890	-.00970	-.01320	-.01840	-.00880	-.01390
	GRADIENT	.03450	.03473	.03189	.03291	.00895	.00868	.00854	.00819

ARC 11-023 1A80 OTS (SRB OFF) (SSME OFF)

(BE4043) (29 OCT 75)

REFERENCE DATA

SREF = 2690.0000 SQ.FT. XMRP = .0000 IN.
 LREF = 1290.3000 IN. YMRP = .0000 IN.
 BREF = 1290.3000 IN. ZMRP = .0000 IN.
 SCALE = .0200

PARAMETRIC DATA

ELV-18 = .000 ELV-08 = .000
 RN/L = 3.250 MACH = 1.100

RUN NO. 36/ 0 RN/L = 3.28 GRADIENT INTERVAL = -5.00/ 5.00

ALPHA	BETA	CP2	CP4	CP6	CP8	CP12	CP14	CP18	CP20
-4.016	.003	.17280	.17470	.10040	.11420	-.18840	-.17970	-.16230	-.15750
	GRADIENT	.00000	.00000	.00000	.00000	.00000	.00000	.00000	.00000

RUN NO. 37/ 0 RN/L = 3.27 GRADIENT INTERVAL = -5.00/ 5.00

ALPHA	BETA	CP2	CP4	CP6	CP8	CP12	CP14	CP18	CP20
-.287	-4.006	.05090	.04740	-.03300	-.01400	-.18680	-.17780	-.14010	-.13760
-.291	.000	.11970	.12290	.06050	.07640	-.23150	-.22340	-.21520	-.20710
-.310	4.006	.23790	.24140	.17360	.18740	-.12020	-.12530	-.06920	-.07540
	GRADIENT	.02374	.02421	.02579	.02514	.00831	.00655	.00885	.00776

RUN NO. 38/ 0 RN/L = 3.27 GRADIENT INTERVAL = -5.00/ 5.00

ALPHA	BETA	CP2	CP4	CP6	CP8	CP12	CP14	CP18	CP20
4.016	.003	.07390	.07390	.00460	.02290	-.20530	-.21660	-.17920	-.18630
	GRADIENT	.00000	.00000	.00000	.00000	.00000	.00000	.00000	.00000

ARC 11-023 1A80 OTS (SRB OFF) (SSME OFF)

(BE4044) (28 OCT 75)

REFERENCE DATA

SREF = 2690.0000 SQ.FT. XMRP = .0000 IN.
 LREF = 1290.3000 IN. YMRP = .0000 IN.
 BREF = 1290.3000 IN. ZMRP = .0000 IN.
 SCALE = .0200

PARAMETRIC DATA

ELV-18 = .000 ELV-08 = .000
 RN/L = 3.250 MACH = 1.250

RUN NO. 42/ 0 RN/L = 3.29 GRADIENT INTERVAL = -5.00/ 5.00

ALPHA	BETA	CP2	CP4	CP6	CP8	CP12	CP14	CP18	CP20
-3.953	.000	.25560	.25360	.19580	.20950	-.17630	-.17110	-.15980	-.15250
	GRADIENT	.00000	.00000	.00000	.00000	.00000	.00000	.00000	.00000

RUN NO. 43/ 0 RN/L = 3.29 GRADIENT INTERVAL = -5.00/ 5.00

ALPHA	BETA	CP2	CP4	CP6	CP8	CP12	CP14	CP18	CP20
-.287	-4.003	.12990	.12900	.04770	.06310	-.25170	-.24400	-.21520	-.20510
-.277	.003	.17360	.17750	.11290	.12260	-.16990	-.17290	-.15280	-.14940
-.376	4.012	.28610	.28350	.23810	.24960	-.07930	-.08620	-.08180	-.08340
	GRADIENT	.01949	.01928	.02375	.02327	.02151	.01969	.01664	.01518

ARC 11-023 1A80 OTS (SRB NOM) (SSME NOM)

(BE4046) (28 OCT 75)

REFERENCE DATA

SREF = 2690.0000 SQ.FT. XMRP = .0000 IN.
 LREF = 1290.3000 IN. YMRP = .0000 IN.
 BREF = 1290.3000 IN. ZMRP = .0000 IN.
 SCALE = .0200

PARAMETRIC DATA

ELV-18 = .000 ELV-08 = .000
 RN/L = 2.500 MACH = .600

RUN NO. 255/ 0 RN/L = 2.56 GRADIENT INTERVAL = -5.00/ 5.00

ALPHA	BETA	CP2	CP4	CP6	CP8	CP12	CP14	CP18	CP20
-3.894	-.022	-.12020	-.11690	-.15940	-.15430	-.03560	-.03040	-.02820	-.03000
	GRADIENT	.00000	.00000	.00000	.00000	.00000	.00000	.00000	.00000

RUN NO. 256/ 0 RN/L = 2.55 GRADIENT INTERVAL = -5.00/ 5.00

ALPHA	BETA	CP2	CP4	CP6	CP8	CP12	CP14	CP18	CP20
-.350	-4.041	-.24630	-.25230	-.27120	-.27400	-.08810	-.08990	-.07980	-.08020
-.320	-.025	-.11040	-.11270	-.15540	-.14710	-.05940	-.06210	-.05660	-.05700
-.337	3.994	.02580	.03040	-.02370	-.01390	-.02790	-.03440	-.03300	-.04090
	GRADIENT	.03387	.03519	.03081	.03237	.00749	.00691	.00583	.00489

RUN NO. 257/ 0 RN/L = 2.56 GRADIENT INTERVAL = -5.00/ 5.00

ALPHA	BETA	CP2	CP4	CP6	CP8	CP12	CP14	CP18	CP20
4.076	-.028	-.11630	-.11360	-.14860	-.14220	-.07810	-.08040	-.06610	-.06340
	GRADIENT	.00000	.00000	.00000	.00000	.00000	.00000	.00000	.00000

ARC 11-023 1A80 OTS (SRB NOM) (SSME NOM)

(BE4047) (28 OCT 75)

REFERENCE DATA

SREF = 2690.0000 SQ.FT. XMRP = .0000 IN.
 LREF = 1290.3000 IN. YMRP = .0000 IN.
 BREF = 1290.3000 IN. ZMRP = .0000 IN.
 SCALE = .0200

PARAMETRIC DATA

ELV-18 = .000 ELV-08 = .000
 RN/L = 3.250 MACH = .900

RUN NO. 261/ 0 RN/L = 3.12 GRADIENT INTERVAL = -5.00/ 5.00

ALPHA	BETA	CP2	CP4	CP6	CP8	CP12	CP14	CP18	CP20
-4.033	.000	-.03130	-.02880	-.12460	-.10730	.02330	.02220	.02650	.02540
	GRADIENT	.00000	.00000	.00000	.00000	.00000	.00000	.00000	.00000

RUN NO. 262/ 0 RN/L = 3.13 GRADIENT INTERVAL = -5.00/ 5.00

ALPHA	BETA	CP2	CP4	CP6	CP8	CP12	CP14	CP18	CP20
-.343	-4.044	-.17010	-.16850	-.26490	-.24660	-.01520	-.00410	-.01410	-.00600
-.340	-.028	-.04490	-.03930	-.12820	-.10910	.00710	.00970	.01110	.01220
-.340	3.991	.08610	.09040	.00860	.02300	.02550	.02250	.03420	.02960
	GRADIENT	.03189	.03222	.03404	.03356	.00507	.00331	.00601	.00443

DATE 12 JUN 76

TABULATED SOURCE DATA - 1A80

PAGE 253

ARC 11-023 1A80 OTS (SRB NOM) (SSME NOM)

(BE4047) (28 OCT 75)

REFERENCE DATA

SREF = 2690.0000 SQ.FT. XMRP = .0000 IN.
 LREF = 1290.3000 IN. YMRP = .0000 IN.
 BREF = 1290.3000 IN. ZMRP = .0000 IN.
 SCALE = .0200

PARAMETRIC DATA

ELV-18 = .000 ELV-08 = .000
 RN/L = 3.250 MACH = .900

RUN NO. 263/ 0 RN/L = 3.13 GRADIENT INTERVAL = -5.00/ 5.00

ALPHA	BETA	CP2	CP4	CP6	CP8	CP12	CP14	CP18	CP20
3.927	-.028	-.07530	-.07230	-.15580	-.13570	-.07860	-.08430	-.06880	-.07260
	GRADIENT	.00000	.00000	.00000	.00000	.00000	.00000	.00000	.00000

ARC 11-023 1A80 OTS (SRB NOM) (SSME NOM)

(BE4048) (28 OCT 75)

REFERENCE DATA

SREF = 2690.0000 SQ.FT. XMRP = .0000 IN.
 LREF = 1290.3000 IN. YMRP = .0000 IN.
 BREF = 1290.3000 IN. ZMRP = .0000 IN.
 SCALE = .0200

PARAMETRIC DATA

ELV-18 = .000 ELV-08 = .000
 RN/L = 3.250 MACH = 1.100

RUN NO. 39/ 0 RN/L = 3.27 GRADIENT INTERVAL = -5.00/ 5.00

ALPHA	BETA	CP2	CP4	CP6	CP8	CP12	CP14	CP18	CP20
-3.934	.003	.17350	.17420	.09990	.11510	-.18820	-.17870	-.16060	-.15670
	GRADIENT	.00000	.00000	.00000	.00000	.00000	.00000	.00000	.00000

RUN NO. 40/ 0 RN/L = 3.27 GRADIENT INTERVAL = -5.00/ 5.00

ALPHA	BETA	CP2	CP4	CP6	CP8	CP12	CP14	CP18	CP20
-.413	-4.006	.05590	.05240	-.02740	-.00990	-.18140	-.18100	-.13870	-.13560
-.443	.000	.12140	.12440	.06300	.07810	-.22940	-.22170	-.21120	-.20270
-.420	4.016	.23970	.24240	.17620	.19030	-.11950	-.12520	-.07080	-.07630
	GRADIENT	.02292	.02369	.02538	.02496	.00772	.00696	.00847	.00740

RUN NO. 41/ 0 RN/L = 3.27 GRADIENT INTERVAL = -5.00/ 5.00

ALPHA	BETA	CP2	CP4	CP6	CP8	CP12	CP14	CP18	CP20
3.884	.000	.07500	.07590	.00840	.02650	-.20940	-.21630	-.17740	-.19250
	GRADIENT	.00000	.00000	.00000	.00000	.00000	.00000	.00000	.00000

ORIGINAL PAGE IS
OF POOR QUALITY

ARC 11-023 IABO OTS (SRB OFF) (SSME OFF)

(BE4053) (28 OCT 75)

REFERENCE DATA

SREF = 2690.0000 SQ.FT. XMRP = .0000 IN.
 LREF = 1290.3000 IN. YMRP = .0000 IN.
 BREF = 1290.3000 IN. ZMRP = .0000 IN.
 SCALE = .0200

PARAMETRIC DATA

ELV-18 = 8.000 ELV-08 = 4.000
 RN/L = 3.400 MACH = .600

RUN NO. 288/ 0 RN/L = 3.47 GRADIENT INTERVAL = -5.00/ 5.00

ALPHA	BETA	CP2	CP4	CP6	CP8	CP12	CP14	CP18	CP20
-3.944	.000	-.11460	-.11150	-.15570	-.15220	-.03710	-.04320	-.03580	-.04010
	GRADIENT	.00000	.00000	.00000	.00000	.00000	.00000	.00000	.00000

RUN NO. 289/ 0 RN/L = 3.47 GRADIENT INTERVAL = -5.00/ 5.00

ALPHA	BETA	CP2	CP4	CP6	CP8	CP12	CP14	CP18	CP20
-.320	-4.050	-.25320	-.25420	-.28270	-.27740	-.09180	-.09140	-.08570	-.08610
-.297	.000	-.11620	-.11050	-.15280	-.15080	-.05380	-.05820	-.04980	-.05250
-.314	3.978	.02280	.03150	-.02180	-.01850	-.01850	-.02380	-.00980	-.01920
	GRADIENT	.03438	.03559	.03250	.03225	.00913	.00842	.00945	.00833

RUN NO. 290/ 0 RN/L = 3.47 GRADIENT INTERVAL = -5.00/ 5.00

ALPHA	BETA	CP2	CP4	CP6	CP8	CP12	CP14	CP18	CP20
4.053	.000	-.11410	-.11080	-.14600	-.13890	-.07720	-.08230	-.06820	-.07460
	GRADIENT	.00000	.00000	.00000	.00000	.00000	.00000	.00000	.00000

ARC 11-023 IABO OTS (SRB OFF) (SSME OFF)

(BE4054) (28 OCT 75)

REFERENCE DATA

SREF = 2690.0000 SQ.FT. XMRP = .0000 IN.
 LREF = 1290.3000 IN. YMRP = .0000 IN.
 BREF = 1290.3000 IN. ZMRP = .0000 IN.
 SCALE = .0200

PARAMETRIC DATA

ELV-18 = 8.000 ELV-08 = 4.000
 RN/L = 4.250 MACH = .900

RUN NO. 296/ 0 RN/L = 4.19 GRADIENT INTERVAL = -5.00/ 5.00

ALPHA	BETA	CP2	CP4	CP6	CP8	CP12	CP14	CP18	CP20
-3.940	-.044	-.03950	-.03730	-.13210	-.11580	.01400	.01100	.01590	.04460
	GRADIENT	.00000	.00000	.00000	.00000	.00000	.00000	.00000	.00000

RUN NO. 297/ 0 RN/L = 4.18 GRADIENT INTERVAL = -5.00/ 5.00

ALPHA	BETA	CP2	CP4	CP6	CP8	CP12	CP14	CP18	CP20
-.284	-4.059	-.18310	-.18240	-.27860	-.25690	-.02690	-.01810	-.02790	-.02210
-.320	-.041	-.05230	-.04780	-.13760	-.11880	-.00540	-.00480	-.00080	-.00140
-.314	3.975	.08040	.08260	.00150	.01670	.01370	.01120	.01530	.00890
	GRADIENT	.03280	.03298	.03485	.03405	.00499	.00365	.00538	.00386

ARC 11-023 1A80 OTS (SR3 OFF) (SSME OFF)

(BE4056) (28 OCT 75)

REFERENCE DATA

SREF = 2690.0000 SQ.FT. XMRP = .0000 IN.
 LREF = 1290.3000 IN. YMRP = .0000 IN.
 BREF = 1290.3000 IN. ZMRP = .0000 IN.
 SCALE = .0200

PARAMETRIC DATA

ELV-18 = 8.000 ELV-08 = 4.000
 RN/L = 4.250 MACH = 1.250

RUN NO. 94/ 0 RN/L = 4.40 GRADIENT INTERVAL = -5.00/ 5.00

ALPHA	BETA	CP2	CP4	CP6	CP8	CP12	CP14	CP18	CP20
-3.950	-.063	.25620	.25480	.19940	.21600	-.17460	-.16940	-.15950	-.15040
	GRADIENT	.00000	.00000	.00000	.00000	.00000	.00000	.00000	.00000

RUN NO. 95/ 0 RN/L = 4.40 GRADIENT INTERVAL = -5.00/ 5.00

ALPHA	BETA	CP2	CP4	CP6	CP8	CP12	CP14	CP18	CP20
-.324	-4.075	.13700	.13770	.05720	.07240	-.24670	-.23610	-.20700	-.19870
-.314	-.063	.17910	.18040	.11200	.12150	-.16560	-.16980	-.14820	-.14710
-.343	3.953	.29020	.28960	.24310	.25560	-.07990	-.08760	-.08010	-.08300
	GRADIENT	.01900	.01892	.02316	.02282	.02078	.01850	.01581	.01441

RUN NO. 96/ 0 RN/L = 4.39 GRADIENT INTERVAL = -5.00/ 5.00

ALPHA	BETA	CP2	CP4	CP6	CP8	CP12	CP14	CP18	CP20
3.967	-.066	.09050	.09080	.04660	.04320	-.14690	-.15200	-.14840	-.14790
	GRADIENT	.00000	.00000	.00000	.00000	.00000	.00000	.00000	.00000

ARC 11-023 1A80 OTS (SR3 OFF) (SSME OFF)

(BE4057) (28 OCT 75)

REFERENCE DATA

SREF = 2690.0000 SQ.FT. XMRP = .0000 IN.
 LREF = 1290.3000 IN. YMRP = .0000 IN.
 BREF = 1290.3000 IN. ZMRP = .0000 IN.
 SCALE = .0200

PARAMETRIC DATA

ELV-18 = 8.000 ELV-08 = 4.000
 RN/L = 4.250 MACH = 1.400

RUN NO. 100/ 0 RN/L = 4.31 GRADIENT INTERVAL = -5.00/ 5.00

ALPHA	BETA	CP2	CP4	CP6	CP8	CP12	CP14	CP18	CP20
-3.953	-.063	.29250	.28860	.22230	.23490	-.12310	-.12440	-.11520	-.10590
	GRADIENT	.00000	.00000	.00000	.00000	.00000	.00000	.00000	.00000

RUN NO. 101/ 0 RN/L = 4.31 GRADIENT INTERVAL = -5.00/ 5.00

ALPHA	BETA	CP2	CP4	CP6	CP8	CP12	CP14	CP18	CP20
-.317	-4.075	.18580	.18310	.11680	.12600	-.22680	-.22820	-.20850	-.19540
-.320	-.059	.23870	.23960	.16870	.17440	-.16040	-.17160	-.14670	-.14740
-.522	3.956	.31830	.31410	.24000	.24190	-.11050	-.12290	-.09980	-.10830
	GRADIENT	.01650	.01631	.01534	.01443	.01448	.01311	.01353	.01085

ARC 11-023 IAB0 OTS (SRB NOM) (SSME NOM)

(BE4059) (28 OCT 75)

REFERENCE DATA

SREF = 2690.0000 SQ.FT. XMRP = .0000 IN.
 LREF = 1290.3000 IN. YMRP = .0000 IN.
 BREF = 1290.3000 IN. ZMRP = .0000 IN.
 SCALE = .0200

PARAMETRIC DATA

ELV-18 = 8.000 ELV-08 = 4.000
 RN/L = 4.250 MACH = .900

RUN NO. 299/ 0 RN/L = 4.17 GRADIENT INTERVAL = -5.00/ 5.00

ALPHA	BETA	CP2	CP4	CP6	CP8	CP12	CP14	CP18	CP20
-3.983	-.038	-.04650	-.04230	-.13710	-.12140	.00920	.00730	.01140	.00900
	GRADIENT	.00000	.00000	.00000	.00000	.00000	.00000	.00000	.00000

RUN NO. 300/ 0 RN/L = 4.18 GRADIENT INTERVAL = -5.00/ 5.00

ALPHA	BETA	CP2	CP4	CP6	CP8	CP12	CP14	CP18	CP20
-.370	-4.059	-.18480	-.18400	-.27720	-.25790	-.02740	-.01840	-.02770	-.02050
-.403	-.044	-.05060	-.04430	-.13360	-.11380	-.00050	.00030	.00480	.00420
-.409	3.972	.07720	.08240	.00160	.01280	.01210	.00570	.01380	.00920
	GRADIENT	.03262	.03317	.03471	.03371	.00492	.00300	.00517	.00370

RUN NO. 301/ 0 RN/L = 4.17 GRADIENT INTERVAL = -5.00/ 5.00

ALPHA	BETA	CP2	CP4	CP6	CP8	CP12	CP14	CP18	CP20
4.076	-.041	-.08680	-.07860	-.16340	-.14310	-.07330	-.06920	-.06050	-.06170
	GRADIENT	.00000	.00000	.00000	.00000	.00000	.00000	.00000	.00000

ARC 11-023 IAB0 OTS (SRB NOM) (SSME NOM)

(BE4060) (28 OCT 75)

REFERENCE DATA

SREF = 2690.0000 SQ.FT. XMRP = .0000 IN.
 LREF = 1290.3000 IN. YMRP = .0000 IN.
 BREF = 1290.3000 IN. ZMRP = .0000 IN.
 SCALE = .0200

PARAMETRIC DATA

ELV-18 = 8.000 ELV-08 = 4.000
 RN/L = 4.250 MACH = 1.100

RUN NO. 109/ 0 RN/L = 4.37 GRADIENT INTERVAL = -5.00/ 5.00

ALPHA	BETA	CP2	CP4	CP6	CP8	CP12	CP14	CP18	CP20
-3.937	-.059	.17920	.17950	.10690	.12210	-.18700	-.17790	-.15850	-.15480
	GRADIENT	.00000	.00000	.00000	.00000	.00000	.00000	.00000	.00000

RUN NO. 110/ 0 RN/L = 4.38 GRADIENT INTERVAL = -5.00/ 5.00

ALPHA	BETA	CP2	CP4	CP6	CP8	CP12	CP14	CP18	CP20
-.528	-4.075	.05830	.05530	-.01600	.00110	-.16660	-.16470	-.13120	-.11930
-.492	-.063	.13050	.13100	.07140	.08820	.22300	-.21480	-.20490	-.19240
-.532	3.956	.24760	.25000	.18310	.19670	-.10450	-.12070	-.05930	-.07640
	GRADIENT	.02357	.02424	.02479	.02436	.00774	.00548	.00896	.00535

DATE 12 JUN 76

TABULATED SOURCE DATA - IAB0

PAGE 261

ARC 11-023 IAB0 OTS (SRB NOM) (SSME NOM)

(BE4060) (28 OCT 75)

REFERENCE DATA

SREF = 2690.0000 SQ.FT. XMRP = .0000 IN.
 LREF = 1290.3000 IN. YMRP = .0000 IN.
 BREF = 1290.3000 IN. ZMRP = .0000 IN.
 SCALE = .0200

PARAMETRIC DATA

ELV-18 = 8.000 ELV-08 = 4.000
 RN/L = 4.250 MACH = 1.100

RUN NO. 111/ 0 RN/L = 4.38 GRADIENT INTERVAL = -5.00/ 5.00

ALPHA	BETA	CP2	CP4	CP6	CP8	CP12	CP14	CP18	CP20
4.013	-.063	.07600	.07620	.01000	.03130	-.16620	-.16960	-.14620	-.14690
	GRADIENT	.00000	.00000	.00000	.00000	.00000	.00000	.00000	.00000

ARC 11-023 IAB0 OTS (SRB NOM) (SSME NOM)

(BE4051) (28 OCT 75)

REFERENCE DATA

SREF = 2690.0000 SQ.FT. XMRP = .0000 IN.
 LREF = 1290.3000 IN. YMRP = .0000 IN.
 BREF = 1290.3000 IN. ZMRP = .0000 IN.
 SCALE = .0200

PARAMETRIC DATA

ELV-18 = 8.000 ELV-08 = 4.000
 RN/L = 4.250 MACH = 1.250

RUN NO. 97/ 0 RN/L = 4.39 GRADIENT INTERVAL = -5.00/ 5.00

ALPHA	BETA	CP2	CP4	CP6	CP8	CP12	CP14	CP18	CP20
-3.960	-.066	.25440	.25430	.20010	.21570	-.17630	-.17040	-.15850	-.15010
	GRADIENT	.00000	.00000	.00000	.00000	.00000	.00000	.00000	.00000

RUN NO. 98/ 0 RN/L = 4.39 GRADIENT INTERVAL = -5.00/ 5.00

ALPHA	BETA	CP2	CP4	CP6	CP8	CP12	CP14	CP18	CP20
-.505	-4.075	.14110	.14040	.06000	.07740	-.24540	-.23630	-.21110	-.19530
-.459	-.059	.18050	.18110	.11130	.12540	-.16700	-.17080	-.15090	-.14930
-.462	3.953	.29290	.29180	.24480	.25660	-.08110	-.08890	-.08110	-.08290
	GRADIENT	.01891	.01886	.02302	.02232	.02047	.01836	.01619	.01400

RUN NO. 99/ 0 RN/L = 4.39 GRADIENT INTERVAL = -5.00/ 5.00

ALPHA	BETA	CP2	CP4	CP6	CP8	CP12	CP14	CP18	CP20
4.006	-.063	.08310	.08560	.04050	.04230	-.15170	-.15580	-.15150	-.15280
	GRADIENT	.00000	.00000	.00000	.00000	.00000	.00000	.00000	.00000

ORIGINAL PAGE IS
OF POOR QUALITY

ARC 11-023 IABO OTS (SRB NOM) (SSME NOM)

(BE4062) (28 OCT 75)

REFERENCE DATA

SREF = 2690.0000 SQ.FT. XMRP = .0000 IN.
 LREF = 1290.3000 IN. YMRP = .0000 IN.
 BREF = 1290.3000 IN. ZMRP = .0000 IN.
 SCALE = .0200

PARAMETRIC DATA

ELV-18 = 8.000 ELV-08 = 4.000
 RN/L = 4.250 MACH = 1.400

RUN NO. 103/ 0 RN/L = 4.28 GRADIENT INTERVAL = -5.00/ 5.00

ALPHA	BETA	CP2	CP4	CP6	CP8	CP12	CP14	CP18	CP20
-3.937	-.069	.29020	.28720	.21890	.23090	-.12590	-.12800	-.11870	-.11340
	GRADIENT	.00000	.00000	.00000	.00000	.00000	.00000	.00000	.00000

RUN NO. 104/ 0 RN/L = 4.28 GRADIENT INTERVAL = -5.00/ 5.00

ALPHA	BETA	CP2	CP4	CP6	CP8	CP12	CP14	CP18	CP20
-.486	-4.078	.18420	.18050	.11520	.12430	-.22770	-.22850	-.20890	-.19700
-.486	-.063	.23490	.23810	.16590	.17200	-.16060	-.17490	-.14860	-.14700
-.499	3.953	.31660	.31430	.23930	.24130	-.11470	-.12680	-.10230	-.11000
	GRADIENT	.01649	.01666	.01545	.01457	.01407	.01266	.01327	.01083

RUN NO. 105/ 0 RN/L = 4.28 GRADIENT INTERVAL = -5.00/ 5.00

ALPHA	BETA	CP2	CP4	CP6	CP8	CP12	CP14	CP18	CP20
4.020	-.066	.17000	.17000	.11060	.11890	-.15380	-.17110	-.13760	-.14800
	GRADIENT	.00000	.00000	.00000	.00000	.00000	.00000	.00000	.00000

ARC 11-023 IABO OTS (SRB NOM+) (SSME NOM)

(BE4063) (28 OCT 75)

REFERENCE DATA

SREF = 2690.0000 SQ.FT. XMRP = .0000 IN.
 LREF = 1290.3000 IN. YMRP = .0000 IN.
 BREF = 1290.3000 IN. ZMRP = .0000 IN.
 SCALE = .0200

PARAMETRIC DATA

ELV-18 = 8.000 ELV-08 = 4.000
 RN/L = 4.250 MACH = .980

RUN NO. 118/ 0 RN/L = 4.31 GRADIENT INTERVAL = -5.00/ 5.00

ALPHA	BETA	CP2	CP4	CP6	CP8	CP12	CP14	CP18	CP20
-3.868	-.063	.04520	.04850	-.03640	-.02130	.02750	.02900	.07020	.06760
	GRADIENT	.00000	.00000	.00000	.00000	.00000	.00000	.00000	.00000

RUN NO. 119/ 0 RN/L = 4.31 GRADIENT INTERVAL = -5.00/ 5.00

ALPHA	BETA	CP2	CP4	CP6	CP8	CP12	CP14	CP18	CP20
-.486	-4.075	-.09370	-.09370	-.17480	-.15490	-.08460	-.08980	-.03470	-.02560
-.456	-.063	.02770	.03110	-.04870	-.03090	-.05110	-.04080	.03360	.04390
-.439	3.953	.14960	.15290	.07240	.08870	-.01200	-.02170	.03750	.03230
	GRADIENT	.03031	.03072	.03079	.03034	.00904	.00848	.00899	.00721

ARC 11-023 IAB0 OTS (SRB OFF) (SSME OFF)

(BE4065) (28 OCT 75)

REFERENCE DATA

SREF = 2690.0000 SQ.FT. XMRP = .0000 IN.
 LREF = 1290.3000 IN. YMRP = .0000 IN.
 BREF = 1290.3000 IN. ZMRP = .0000 IN.
 SCALE = .0200

PARAMETRIC DATA

ELV-18 = 8.000 ELV-08 = -4.000
 RN/L = 4.250 MACH = .900

RUN NO. 302/ 0 RN/L = 4.21 GRADIENT INTERVAL = -5.00/ 5.00

ALPHA	BETA	CP2	CP4	CP6	CP8	CP12	CP14	CP18	CP20
-3.977	-.044	-.04350	-.04000	-.13540	-.11760	.01060	.00880	.01560	.01210
	GRADIENT	.00000	.00000	.00000	.00000	.00000	.00000	.00000	.00000

RUN NO. 303/ 0 RN/L = 4.18 GRADIENT INTERVAL = -5.00/ 5.00

ALPHA	BETA	CP2	CP4	CP6	CP8	CP12	CP14	CP18	CP20
-.304	-4.063	-.18510	-.18470	-.28040	-.25380	-.02940	-.02030	-.02960	-.02340
-.314	-.044	-.05170	-.04610	-.13260	-.11840	-.00330	-.00230	.00240	.00200
-.317	3.972	.08150	.08370	.00360	.01780	.01630	.01060	.01820	.01240
	GRADIENT	.03318	.03341	.03535	.03443	.00569	.00387	.00595	.00446

RUN NO. 304/ 0 RN/L = 4.17 GRADIENT INTERVAL = -5.00/ 5.00

ALPHA	BETA	CP2	CP4	CP6	CP8	CP12	CP14	CP18	CP20
3.930	-.041	-.08340	-.07930	-.16180	-.14140	-.06440	-.06970	-.05210	-.05620
	GRADIENT	.00000	.00000	.00000	.00000	.00000	.00000	.00000	.00000

ARC 11-023 IAB0 OTS (SRB OFF) (SSME OFF)

(BE4066) (28 OCT 75)

REFERENCE DATA

SREF = 2690.0000 SQ.FT. XMRP = .0000 IN.
 LREF = 1290.3000 IN. YMRP = .0000 IN.
 BREF = 1290.3000 IN. ZMRP = .0000 IN.
 SCALE = .0200

PARAMETRIC DATA

ELV-18 = 8.000 ELV-08 = -4.000
 RN/L = 4.250 MACH = 1.100

RUN NO. 133/ 0 RN/L = 4.40 GRADIENT INTERVAL = -5.00/ 5.00

ALPHA	BETA	CP2	CP4	CP6	CP8	CP12	CP14	CP18	CP20
-3.963	-.063	.17570	.17750	.10530	.12020	-.18510	-.17700	-.16010	-.15470
	GRADIENT	.00000	.00000	.00000	.00000	.00000	.00000	.00000	.00000

RUN NO. 134/ 0 RN/L = 4.40 GRADIENT INTERVAL = -5.00/ 5.00

ALPHA	BETA	CP2	CP4	CP6	CP8	CP12	CP14	CP18	CP20
-.337	-4.072	.05620	.05260	-.02310	-.00260	-.17840	-.17700	-.14120	-.13710
-.334	-.059	.12040	.12280	.05380	.08010	-.22630	-.21960	-.20550	-.19960
-.376	3.950	.24470	.24670	.18080	.19530	-.11900	-.12120	-.06710	-.07780
	GRADIENT	.02350	.02420	.02542	.02467	.00740	.00695	.00923	.00739

ARC 11-023 1A80 OTS (SRB OFF) (SSME OFF)

(BE4068) (28 OCT 75)

REFERENCE DATA

SREF = 2690.0000 SQ.FT. XMRP = .0000 IN.
 LREF = 1290.3000 IN. YMRP = .0000 IN.
 BREF = 1290.3000 IN. ZMRP = .0000 IN.
 SCALE = .0200

PARAMETRIC DATA

ELV-18 = 8.000 ELV-08 = -4.000
 RN/L = 4.250 MACH = 1.400

RUN NO. 121/ 0 RN/L = 4.39 GRADIENT INTERVAL = -5.00/ 5.00

ALPHA	BETA	CP2	CP4	CP6	CP8	CP12	CP14	CP18	CP20
-3.944	-.059	.29220	.28700	.22350	.23410	-.11980	-.12250	-.11380	-.10690
	GRADIENT	.00000	.00000	.00000	.00000	.00000	.00000	.00000	.00000

RUN NO. 122/ 0 RN/L = 4.37 GRADIENT INTERVAL = -5.00/ 5.00

ALPHA	BETA	CP2	CP4	CP6	CP8	CP12	CP14	CP18	CP20
-.320	-4.072	.18630	.18230	.11740	.12920	-.22650	-.22510	-.20540	-.19440
-.320	-.059	.23900	.24170	.16860	.17600	-.16260	-.17410	-.14780	-.14920
-.347	3.953	.31960	.31540	.23910	.24390	-.11330	-.12270	-.10050	-.10830
	GRADIENT	.01661	.01659	.01517	.01429	.01411	.01276	.01307	.01073

RUN NO. 123/ 0 RN/L = 4.35 GRADIENT INTERVAL = -5.00/ 5.00

ALPHA	BETA	CP2	CP4	CP6	CP8	CP12	CP14	CP18	CP20
3.960	-.063	.17700	.17450	.11680	.12620	-.14470	-.17260	-.12570	-.13960
	GRADIENT	.00000	.00000	.00000	.00000	.00000	.00000	.00000	.00000

ARC 11-023 1A80 OTS (SRB NOM) (SSME NOM)

(BE4069) (28 OCT 75)

REFERENCE DATA

SREF = 2690.0000 SQ.FT. XMRP = .0000 IN.
 LREF = 1290.3000 IN. YMRP = .0000 IN.
 BREF = 1290.3000 IN. ZMRP = .0000 IN.
 SCALE = .0200

PARAMETRIC DATA

ELV-18 = 8.000 ELV-08 = -4.000
 RN/L = 3.400 MACH = .600

RUN NO. 317/ 0 RN/L = 3.46 GRADIENT INTERVAL = -5.00/ 5.00

ALPHA	BETA	CP2	CP4	CP6	CP8	CP12	CP14	CP18	CP20
-3.920	-.044	-.12390	-.11600	-.16030	-.16130	-.04370	-.04400	-.03220	-.03710
	GRADIENT	.00000	.00000	.00000	.00000	.00000	.00000	.00000	.00000

RUN NO. 318/ 0 RN/L = 3.46 GRADIENT INTERVAL = -5.00/ 5.00

ALPHA	BETA	CP2	CP4	CP6	CP8	CP12	CP14	CP18	CP20
-.376	-4.066	-.25440	-.26160	-.28100	-.27550	-.10050	-.09460	-.08770	-.08630
-.373	-.050	-.12090	-.11400	-.15540	-.15230	-.06590	-.06420	-.05430	-.05500
-.426	3.969	.02330	.02950	-.02490	-.01420	-.02290	-.02940	-.02220	-.02490
	GRADIENT	.03456	.03623	.03188	.03252	.00966	.00812	.00815	.00764

ARC 11-023 IAB0 OTS (SRB NOM) (SSME NOM)

(BE4071) (28 OCT 75)

REFERENCE DATA

SREF = 2690.0000 SQ.FT. XMRP = .0000 IN.
 LREF = 1290.3000 IN. YMRP = .0000 IN.
 BREF = 1290.3000 IN. ZMRP = .0000 IN.
 SCALE = .0200

PARAMETRIC DATA

ELV-18 = 8.000 ELV-08 = -4.000
 RN/L = 4.250 MACH = 1.100

RUN NO. 136/ 0 RN/L = 4.37 GRADIENT INTERVAL = -5.00/ 5.00

ALPHA	BETA	CP2	CP4	CP6	CP8	CP12	CP14	CP18	CP20
-3.963	-.066	.19540	.19690	.11740	.13510	-.20050	-.19180	-.16970	-.16070
	GRADIENT	.00000	.00000	.00000	.00000	.00000	.00000	.00000	.00000

RUN NO. 137/ 0 RN/L = 4.37 GRADIENT INTERVAL = -5.00/ 5.00

ALPHA	BETA	CP2	CP4	CP6	CP8	CP12	CP14	CP18	CP20
-.545	-4.072	.07080	.06640	-.02660	-.00170	-.22420	-.22350	-.17130	-.16630
-.667	-.059	.15150	.15240	.08200	.10110	-.26750	-.25690	-.24430	-.23330
-.519	3.953	.28270	.28450	.21030	.22630	-.13530	-.14260	-.08100	-.09770
	GRADIENT	.02640	.02718	.02952	.02841	.01108	.01008	.01125	.00979

RUN NO. 138/ 0 RN/L = 4.37 GRADIENT INTERVAL = -5.00/ 5.00

ALPHA	BETA	CP2	CP4	CP6	CP8	CP12	CP14	CP18	CP20
3.990	-.066	.09410	.09460	.00620	.03130	-.25970	-.26820	-.22360	-.22680
	GRADIENT	.00000	.00000	.00000	.00000	.00000	.00000	.00000	.00000

ARC 11-023 IAB0 OTS (SRB NOM) (SSME NOM)

(BE4072) (28 OCT 75)

REFERENCE DATA

SREF = 2690.0000 SQ.FT. XMRP = .0000 IN.
 LREF = 1290.3000 IN. YMRP = .0000 IN.
 BREF = 1290.3000 IN. ZMRP = .0000 IN.
 SCALE = .0200

PARAMETRIC DATA

ELV-18 = 8.000 ELV-08 = -4.000
 RN/L = 4.250 MACH = 1.250

RUN NO. 130/ 0 RN/L = 4.40 GRADIENT INTERVAL = -5.00/ 5.00

ALPHA	BETA	CP2	CP4	CP6	CP8	CP12	CP14	CP18	CP20
-4.003	-.066	.25300	.25330	.20020	.21570	-.17470	-.16860	-.15680	-.14910
	GRADIENT	.00000	.00000	.00000	.00000	.00000	.00000	.00000	.00000

RUN NO. 131/ 0 RN/L = 4.40 GRADIENT INTERVAL = -5.00/ 5.00

ALPHA	BETA	CP2	CP4	CP6	CP8	CP12	CP14	CP18	CP20
-.502	-4.072	.14120	.13930	.06000	.07750	-.24770	-.23690	-.20840	-.20230
-.528	-.059	.18230	.18310	.11270	.12650	-.16760	-.17260	-.14960	-.14770
-.538	3.953	.28970	.28730	.24100	.25330	-.08100	-.09240	-.08420	-.08710
	GRADIENT	.01850	.01844	.02255	.02191	.02077	.01801	.01548	.01436

DATE 12 JUN 76

TABULATED SOURCE DATA - IAB0

PAGE 269

ARC 11-023 IAB0 OTS (SRB NOM) (SSME NOM)

(BE4072) (28 OCT 75)

REFERENCE DATA

SREF = 2690.0000 SQ.FT. XMRP = .0000 IN.
 LREF = 1290.3000 IN. YMRP = .0000 IN.
 BREF = 1290.3000 IN. ZMRP = .0000 IN.
 SCALE = .0200

PARAMETRIC DATA

ELV-18 = 8.000 ELV-08 = -4.000
 RN/L = 4.250 MACH = 1.250

RUN NO. 132/ 0 RN/L = 4.41 GRADIENT INTERVAL = -5.00/ 5.00

ALPHA	BETA	CP2	CP4	CP6	CP8	CP12	CP14	CP18	CP20
3.953	-.063	.08660	-.08690	.03520	.04000	-.14930	-.15180	-.14540	-.14940
	GRADIENT	.00000	.00000	.00000	.00000	.00000	.00000	.00000	.00000

ARC 11-023 IAB0 OTS (SRB NOM) (SSME NOM)

(BE4073) (28 OCT 75)

REFERENCE DATA

SREF = 2690.0000 SQ.FT. XMRP = .0000 IN.
 LREF = 1290.3000 IN. YMRP = .0000 IN.
 BREF = 1290.3000 IN. ZMRP = .0000 IN.
 SCALE = .0200

PARAMETRIC DATA

ELV-18 = 8.000 ELV-08 = -4.000
 RN/L = 4.250 MACH = 1.400

RUN NO. 125/ 0 RN/L = 4.32 GRADIENT INTERVAL = -5.00/ 5.00

ALPHA	BETA	CP2	CP4	CP6	CP8	CP12	CP14	CP18	CP20
-.522	-4.072	.18800	.18310	.11940	.12870	-.22560	-.22500	-.20530	-.19360
-.502	-.059	.24240	.24400	.17170	.17970	-.16040	-.17060	-.14860	-.14920
-.535	3.953	.32070	.31700	.24030	.24550	-.11290	-.12500	-.10000	-.11020
	GRADIENT	.01654	.01669	.01507	.01455	.01404	.01246	.01312	.01039

RUN NO. 126/ 0 RN/L = 4.31 GRADIENT INTERVAL = -5.00/ 5.00

ALPHA	BETA	CP2	CP4	CP6	CP8	CP12	CP14	CP18	CP20
.000	-.063	.23430	.23530	.16720	.17410	-.16370	-.17470	-.14640	-.15150
	GRADIENT	.00000	.00000	.00000	.00000	.00000	.00000	.00000	.00000

RUN NO. 124/ 0 RN/L = 4.33 GRADIENT INTERVAL = -5.00/ 5.00

ALPHA	BETA	CP2	CP4	CP6	CP8	CP12	CP14	CP18	CP20
.020	-.063	.22960	.23070	.16060	.16810	-.16690	-.17730	-.15150	-.15150
	GRADIENT	.00000	.00000	.00000	.00000	.00000	.00000	.00000	.00000

ORIGINAL PAGE IS
OF POOR QUALITY

ARC 11-023 IAB0 OTS (SRB OFF) (SSME OFF)

(BE4074) (28 OCT 75)

REFERENCE DATA

SREF = 2690.0000 SQ.FT. XMRP = .0000 IN.
 LREF = 1290.3000 IN. YMRP = .0000 IN.
 BREF = 1290.3000 IN. ZMRP = .0000 IN.
 SCALE = .0200

PARAMETRIC DATA

ELV-1B = 8.000 ELV-08 = .000
 RN/L = 3.400 MACH = .600

RUN NO. 276/ 0 RN/L = 3.50 GRADIENT INTERVAL = -5.00/ 5.00

ALPHA	BETA	CP2	CP4	CP6	CP8	CP12	CP14	CP18	CP20
-3.950	-.009	-.11240	-.11240	-.15260	-.14760	-.03060	-.03600	-.02350	-.02650
	GRADIENT	.00000	.00000	.00000	.00000	.00000	.00000	.00000	.00000

RUN NO. 277/ 0 RN/L = 3.51 GRADIENT INTERVAL = -5.00/ 5.00

ALPHA	BETA	CP2	CP4	CP6	CP8	CP12	CP14	CP18	CP20
-.301	-4.044	-.25330	-.25640	-.28070	-.28210	-.09040	-.09280	-.08430	-.08570
-.287	-.006	-.11360	-.11330	-.15200	-.14900	-.05480	-.05580	-.04640	-.04810
-.317	3.988	.02540	.03010	-.02140	-.01700	-.02040	-.02850	-.01570	-.02310
	GRADIENT	.03470	.03567	.03229	.03301	.00872	.00801	.00854	.00780

RUN NO. 278/ 0 RN/L = 3.51 GRADIENT INTERVAL = -5.00/ 5.00

ALPHA	BETA	CP2	CP4	CP6	CP8	CP12	CP14	CP18	CP20
3.947	-.009	-.11630	-.10960	-.14850	-.14410	-.08440	-.08510	-.07440	-.07940
	GRADIENT	.00000	.00000	.00000	.00000	.00000	.00000	.00000	.00000

ARC 11-023 IAB0 OTS (SRB OFF) (SSME OFF)

(BE4075) (28 OCT 75)

REFERENCE DATA

SREF = 2690.0000 SQ.FT. XMRP = .0000 IN.
 LREF = 1290.3000 IN. YMRP = .0000 IN.
 BREF = 1290.3000 IN. ZMRP = .0000 IN.
 SCALE = .0200

PARAMETRIC DATA

ELV-1B = 8.000 ELV-08 = .000
 RN/L = 4.250 MACH = .900

RUN NO. 282/ 0 RN/L = 4.25 GRADIENT INTERVAL = -5.00/ 5.00

ALPHA	BETA	CP2	CP4	CP6	CP8	CP12	CP14	CP18	CP20
-3.980	-.012	-.03500	-.03320	-.12610	-.11060	.02250	.02050	.02310	.02230
	GRADIENT	.00000	.00000	.00000	.00000	.00000	.00000	.00000	.00000

RUN NO. 283/ 0 RN/L = 4.25 GRADIENT INTERVAL = -5.00/ 5.00

ALPHA	BETA	CP2	CP4	CP6	CP8	CP12	CP14	CP18	CP20
-.324	-4.047	-.17710	-.17690	-.26870	-.24680	-.01320	-.00420	-.01040	-.00360
-.317	-.006	-.04330	-.03880	-.12630	-.11090	.01010	.01070	.01310	.01430
-.396	3.984	.08960	.09460	.01140	.02490	.02670	.02060	.03050	.02910
	GRADIENT	.03321	.03381	.03488	.03283	.00497	.00309	.00509	.00395

ARC 11-023 IAB0 OTS (SRB OFF) (SSME OFF)

(BE4077) (28 OCT 75)

REFERENCE DATA

SREF = 2690.0000 SQ.FT. XMRP = .0000 IN.
 LREF = 1290.3000 IN. YMRP = .0000 IN.
 BREF = 1290.3000 IN. ZMRP = .0000 IN.
 SCALE = .0200

PARAMETRIC DATA

ELV-18 = 8.000 ELV-08 = .000
 RN/L = 4.250 MACH = 1.250

RUN NO. 147/ 0 RN/L = 4.48 GRADIENT INTERVAL = -5.00/ 5.00

ALPHA	BETA	CP2	CP4	CP6	CP8	CP12	CP14	CP18	CP20
-3.881	.012	.25660	.25460	.20110	.71680	-.17000	-.16500	-.15350	-.14650
	GRADIENT	.00000	.00000	.00000	.00000	.00000	.00000	.00000	.00000

RUN NO. 148/ 0 RN/L = 4.47 GRADIENT INTERVAL = -5.00/ 5.00

ALPHA	BETA	CP2	CP4	CP6	CP8	CP12	CP14	CP18	CP20
-.238	-3.994	.14070	.14100	.05990	.07750	-.24060	-.23220	-.20510	-.19820
-.258	.009	.17860	.18070	.11360	.12230	-.16130	-.16280	-.14310	-.14340
-.281	4.031	.29080	.29000	.24170	.25570	-.07740	-.08710	-.07920	-.08140
	GRADIENT	.01871	.01857	.02266	.02221	.02034	.01808	.01569	.01456

RUN NO. 149/ 0 RN/L = 4.46 GRADIENT INTERVAL = -5.00/ 5.00

ALPHA	BETA	CP2	CP4	CP6	CP8	CP12	CP14	CP18	CP20
3.953	.016	.08770	.09100	.04840	.05070	-.14460	-.14870	-.14710	-.14920
	GRADIENT	.00000	.00000	.00000	.00000	.00000	.00000	.00000	.00000

ARC 11-023 IAB0 OTS (SRB OFF) (SSME OFF)

(BE4078) (28 OCT 75)

REFERENCE DATA

SREF = 2690.0000 SQ.FT. XMRP = .0000 IN.
 LREF = 1290.3000 IN. YMRP = .0000 IN.
 BREF = 1290.3000 IN. ZMRP = .0000 IN.
 SCALE = .0200

PARAMETRIC DATA

ELV-18 = 8.000 ELV-08 = .000
 RN/L = 4.250 MACH = 1.400

RUN NO. 141/ 0 RN/L = 4.35 GRADIENT INTERVAL = -5.00/ 5.00

ALPHA	BETA	CP2	CP4	CP6	CP8	CP12	CP14	CP18	CP20
-3.980	-.066	.29790	.29500	.22660	.23820	-.11490	-.11800	-.10790	-.10230
	GRADIENT	.00000	.00000	.00000	.00000	.00000	.00000	.00000	.00000

RUN NO. 142/ 0 RN/L = 4.34 GRADIENT INTERVAL = -5.00/ 5.00

ALPHA	BETA	CP2	CP4	CP6	CP8	CP12	CP14	CP18	CP20
-.238	-4.072	.18660	.18270	.11880	.12810	-.22520	-.22550	-.20640	-.19460
-.228	-.063	.24040	.24140	.17030	.17590	-.16050	-.17060	-.14250	-.14340
-.261	3.953	.31700	.31790	.24040	.24450	-.11040	-.12240	-.09750	-.10710
	GRADIENT	.01635	.01685	.01515	.01451	.01430	.01285	.01357	.01090

ARC 11-023 IABO OTS (SRB NOM) (SSME NOM)

(BE4080) (28 OCT 75)

REFERENCE DATA

SREF = 2690.0000 SQ.FT. XMRP = .0000 IN.
 LREF = 1290.3000 IN. YMRP = .0000 IN.
 BREF = 1290.3000 IN. ZMRP = .0000 IN.
 SCALE = .0200

PARAMETRIC DATA

ELV-18 = 8.000 ELV-08 = .000
 RN/L = 4.250 MACH = .900

RUN NO. 285/ 0 RN/L = 4.18 GRADIENT INTERVAL = -5.00/ 5.00

ALPHA	BETA	CP2	CP4	CP6	CP8	CP12	CP14	CP18	CP20
-3.897	-.009	-.03890	-.03890	-.13380	-.11770	.01220	.00990	.01480	.01160
	GRADIENT	.00000	.00000	.00000	.00000	.00000	.00000	.00000	.00000

RUN NO. 286/ 0 RN/L = 4.19 GRADIENT INTERVAL = -5.00/ 5.00

ALPHA	BETA	CP2	CP4	CP6	CP8	CP12	CP14	CP18	CP20
-.353	-4.050	-.17830	-.18080	-.27200	-.25000	-.01780	-.00760	-.01490	-.00940
-.363	-.009	-.04860	-.04510	-.13220	-.11670	.00190	.00250	.00490	.00580
-.519	3.981	.08330	.09060	.00520	.02170	.01970	.01810	.03020	.02600
	GRADIENT	.03257	.03379	.03452	.03383	.00467	.00320	.00561	.00441

RUN NO. 287/ 0 RN/L = 4.18 GRADIENT INTERVAL = -5.00/ 5.00

ALPHA	BETA	CP2	CP4	CP6	CP8	CP12	CP14	CP18	CP20
3.980	-.012	-.08220	-.07550	-.15930	-.13980	-.06710	-.07020	-.05940	-.05820
	GRADIENT	.00000	.00000	.00000	.00000	.00000	.00000	.00000	.00000

ARC 11-023 IABO OTS (SRB NOM) (SSME NOM)

(BE4081) (28 OCT 75)

REFERENCE DATA

SREF = 2690.0000 SQ.FT. XMRP = .0000 IN.
 LREF = 1290.3000 IN. YMRP = .0000 IN.
 BREF = 1290.3000 IN. ZMRP = .0000 IN.
 SCALE = .0200

PARAMETRIC DATA

ELV-18 = 8.000 ELV-08 = .000
 RN/L = 4.250 MACH = 1.100

RUN NO. 156/ 0 RN/L = 4.38 GRADIENT INTERVAL = -5.00/ 5.00

ALPHA	BETA	CP2	CP4	CP6	CP8	CP12	CP14	CP18	CP20
-3.937	.012	.17830	.17870	.10850	.12160	-.18700	-.17760	-.15760	-.15670
	GRADIENT	.00000	.00000	.00000	.00000	.00000	.00000	.00000	.00000

RUN NO. 157/ 0 RN/L = 4.38 GRADIENT INTERVAL = -5.00/ 5.00

ALPHA	BETA	CP2	CP4	CP6	CP8	CP12	CP14	CP18	CP20
-.396	-3.994	.05880	.05630	-.02070	.00230	-.17730	-.17390	-.13730	-.12740
-.380	.009	.13230	.13420	.07560	.09140	-.21840	-.21170	-.19940	-.19130
-.393	4.031	.24620	.25080	.18630	.19530	-.11910	-.11720	-.06240	-.07180
	GRADIENT	.02336	.02424	.02580	.02461	.00727	.00708	.00935	.00695

DATE 12 JUN 76

TABULATED SOURCE DATA - IABO

PAGE 275

ARC 11-023 IABO OTS (SRB NOM) (SSME NOM)

(BE4081) (28 OCT 75)

REFERENCE DATA

SREF = 2690.0000 SQ.FT. XMRP = .0000 IN.
 LREF = 1290.3000 IN. YMRP = .0000 IN.
 BREF = 1290.3000 IN. ZMRP = .0000 IN.
 SCALE = .0200

PARAMETRIC DATA

ELV-18 = 8.000 ELV-08 = .000
 RN/L = 4.250 MACH = 1.100

RUN NO. 158/ 0 RN/L = 4.38 GRADIENT INTERVAL = -5.00/ 5.00

ALPHA	BETA	CP2	CP4	CP6	CP8	CP12	CP14	CP18	CP20
3.894	.012	.07880	.08040	.01360	.03080	-.18160	-.18720	-.15500	-.15690
	GRADIENT	.00000	.00000	.00000	.00000	.00000	.00000	.00000	.00000

ARC 11-023 IABO OTS (SRB NOM) (SSME NOM)

(BE4082) (28 OCT 75)

REFERENCE DATA

SREF = 2690.0000 SQ.FT. XMRP = .0000 IN.
 LREF = 1290.3000 IN. YMRP = .0000 IN.
 BREF = 1290.3000 IN. ZMRP = .0000 IN.
 SCALE = .0200

PARAMETRIC DATA

ELV-18 = 8.000 ELV-08 = .000
 RN/L = 4.250 MACH = 1.250

RUN NO. 150/ 0 RN/L = 4.42 GRADIENT INTERVAL = -5.00/ 5.00

ALPHA	BETA	CP2	CP4	CP6	CP8	CP12	CP14	CP18	CP20
-3.967	.016	.25310	.25250	.19680	.21350	-.17680	-.17060	-.16000	-.14850
	GRADIENT	.00000	.00000	.00000	.00000	.00000	.00000	.00000	.00000

RUN NO. 151/ 0 RN/L = 4.42 GRADIENT INTERVAL = -5.00/ 5.00

ALPHA	BETA	CP2	CP4	CP6	CP8	CP12	CP14	CP18	CP20
-.396	-3.994	.14490	.14310	.06210	.08040	-.24530	-.23550	-.20800	-.19880
-.396	.009	.17970	.18130	.11710	.12690	-.16570	-.16970	-.14780	-.14430
-.330	4.031	.29140	.29060	.24310	.25650	-.08420	-.09320	-.08090	-.08530
	GRADIENT	.01826	.01839	.02256	.02195	.02008	.01773	.01584	.01414

RUN NO. 152/ 0 RN/L = 4.41 GRADIENT INTERVAL = -5.00/ 5.00

ALPHA	BETA	CP2	CP4	CP6	CP8	CP12	CP14	CP18	CP20
3.877	.009	.08640	.09100	.04560	.04300	-.15020	-.15070	-.14860	-.15010
	GRADIENT	.00000	.00000	.00000	.00000	.00000	.00000	.00000	.00000

ORIGINAL PAGE IS
OF POOR QUALITY

ARC 11-023 1A80 OTS (SR8 NOM) (SSME NOM)

(BE4083) (28 OCT 75)

REFERENCE DATA

SREF = 2690.0000 SQ.FT. XMRP = .0000 IN.
 LREF = 1290.3000 IN. YMRP = .0000 IN.
 BREF = 1290.3000 IN. ZMRP = .0000 IN.
 SCALE = .0200

PARAMETRIC DATA

ELV-18 = 8.000 ELV-08 = .000
 RN/L = 4.250 MACH = 1.400

RUN NO. 144/ 0 RN/L = 4.32 GRADIENT INTERVAL = -5.00/ 5.00

ALPHA	BETA	CP2	CP4	CP6	CP8	CP12	CP14	CP18	CP20
-3.983	-.066	.29570	.29240	.22400	.23690	-.11690	-.12120	-.11090	-.10370
	GRADIENT	.00000	.00000	.00000	.00000	.00000	.00000	.00000	.00000

RUN NO. 145/ 0 RN/L = 4.31 GRADIENT INTERVAL = -5.00/ 5.00

ALPHA	BETA	CP2	CP4	CP6	CP8	CP12	CP14	CP18	CP20
-.380	-4.059	.18820	.18560	.11850	.12750	-.22730	-.22560	-.20660	-.19450
-.380	-.059	.24040	.24080	.16930	.17600	-.16070	-.17270	-.14390	-.14330
-.409	3.953	.32030	.31670	.24120	.24620	-.11210	-.12110	-.09740	-.10640
	GRADIENT	.01649	.01636	.01531	.01482	.01438	.01304	.01363	.01099

RUN NO. 146/ 0 RN/L = 4.27 GRADIENT INTERVAL = -5.00/ 5.00

ALPHA	BETA	CP2	CP4	CP6	CP8	CP12	CP14	CP18	CP20
3.828	.000	.18320	.18120	.12160	.13080	-.14060	-.16910	-.12580	-.13610
	GRADIENT	.00000	.00000	.00000	.00000	.00000	.00000	.00000	.00000

ARC 11-023 1A80 OTS (SR8 OFF) (SSME OFF)

(BE4084) (28 OCT 75)

REFERENCE DATA

SREF = 2690.0000 SQ.FT. XMRP = .0000 IN.
 LREF = 1290.3000 IN. YMRP = .0000 IN.
 BREF = 1290.3000 IN. ZMRP = .0000 IN.
 SCALE = .0200

PARAMETRIC DATA

ELV-18 = 8.000 ELV-08 = 2.000
 RN/L = 3.400 MACH = .600

RUN NO. 326/ 0 RN/L = 3.42 GRADIENT INTERVAL = -5.00/ 5.00

ALPHA	BETA	CP2	CP4	CP6	CP8	CP12	CP14	CP18	CP20
-3.953	-.044	-.11410	-.11470	-.16570	-.16050	-.04920	-.05580	-.04720	-.04990
	GRADIENT	.00000	.00000	.00000	.00000	.00000	.00000	.00000	.00000

RUN NO. 327/ 0 RN/L = 3.43 GRADIENT INTERVAL = -5.00/ 5.00

ALPHA	BETA	CP2	CP4	CP6	CP8	CP12	CP14	CP18	CP20
-.284	-4.063	-.24770	-.25390	-.27520	-.27660	-.09270	-.09200	-.08720	-.08580
-.291	-.047	-.11590	-.10800	-.14750	-.14040	-.05160	-.05120	-.03760	-.03900
-.320	3.969	.02940	.03140	-.01830	-.01560	-.02790	-.03130	-.02580	-.02890
	GRADIENT	.03450	.03552	.03199	.03250	.00807	.00756	.00765	.00708

ARC 11-023 1A80 OTS (SRB OFF) (SC OFF)

(BE4086) (28 OCT 75)

REFERENCE DATA

SREF = 2690.0000 SQ.FT. XMRP = .0000 IN.
 LREF = 1290.3000 IN. YMRP = .0000 IN.
 BREF = 1290.3000 IN. ZMRP = .0000 IN.
 SCALE = .0200

PARAMETRIC DATA

ELV-18 = 8.000 ELV-08 = 2.000
 RN/L = 4.250 MACH = 1.100

RUN NO. 159/ 0 RN/L = 4.47 GRADIENT INTERVAL = -5.00/ 5.00

ALPHA	BETA	CP2	CP4	CP6	CP8	CP12	CP14	CP18	CP20
-4.013	.016	.18480	.18430	.11360	.12830	-.18280	-.17710	-.16340	-.15580
	GRADIENT	.00000	.00000	.00000	.00000	.00000	.00000	.00000	.00000

RUN NO. 160/ 0 RN/L = 4.46 GRADIENT INTERVAL = -5.00/ 5.00

ALPHA	BETA	CP2	CP4	CP6	CP8	CP12	CP14	CP18	CP20
-.304	-3.991	.05790	.05370	-.02140	.00010	-.21180	-.20840	-.17670	-.17380
-.267	.009	.12690	.12910	.06870	.08580	-.22170	-.21360	-.20180	-.19130
-.327	4.034	.24940	.25070	.18530	.19900	-.12770	-.12990	-.08840	-.09900
	GRADIENT	.02387	.02455	.02576	.02479	.01049	.00979	.01102	.00934

RUN NO. 161/ 0 RN/L = 4.45 GRADIENT INTERVAL = -5.00/ 5.00

ALPHA	BETA	CP2	CP4	CP6	CP8	CP12	CP14	CP18	CP20
3.986	.016	.07740	.07770	.00900	.02690	-.17770	-.18170	-.15390	-.15530
	GRADIENT	.00000	.00000	.00000	.00000	.00000	.00000	.00000	.00000

ARC 11-023 1A80 OTS (SRB NOM) (SSME NOM)

(BE4087) (28 OCT 75)

REFERENCE DATA

SREF = 2690.0000 SQ.FT. XMRP = .0000 IN.
 LREF = 1290.3000 IN. YMRP = .0000 IN.
 BREF = 1290.3000 IN. ZMRP = .0000 IN.
 SCALE = .0200

PARAMETRIC DATA

ELV-18 = 8.000 ELV-08 = 2.000
 RN/L = 3.400 MACH = .600

RUN NO. 329/ 0 RN/L = 3.43 GRADIENT INTERVAL = -5.00/ 5.00

ALPHA	BETA	CP2	CP4	CP6	CP8	CP12	CP14	CP18	CP20
-3.871	-.044	-.11610	-.11680	-.16200	-.15730	-.04110	-.04620	-.03870	-.03630
	GRADIENT	.00000	.00000	.00000	.00000	.00000	.00000	.00000	.00000

RUN NO. 330/ 0 RN/L = 3.43 GRADIENT INTERVAL = -5.00/ 5.00

ALPHA	BETA	CP2	CP4	CP6	CP8	CP12	CP14	CP18	CP20
-.350	-4.066	-.25410	-.25990	-.28030	-.28100	-.09560	-.09880	-.08910	-.08460
-.380	-.050	-.12260	-.11720	-.16220	-.15850	-.06300	-.06800	-.05330	-.05740
-.423	3.969	.02800	.03140	-.02070	-.01220	-.02180	-.02490	-.01280	-.02010
	GRADIENT	.03511	.03626	.03231	.03346	.00919	.00920	.00950	.00803

ARC 11-023 1A80 OTS (SRB NOM) (SSME NOM)

(BE4089) (28 OCT 75)

REFERENCE DATA

SREF = 2690.0000 SQ.FT. XMRP = .0000 IN.
 LREF = 1290.3000 IN. YMRP = .0000 IN.
 BREF = 1290.3000 IN. ZMRP = .0000 IN.
 SCALE = .0200

PARAMETRIC DATA

ELV-18 = 8.000 ELV-08 = 2.000
 RN/L = 4.250 MACH = 1.100

RUN NO. 162/ 0 RN/L = 4.41 GRADIENT INTERVAL = -5.00/ 5.00

ALPHA	BETA	CP2	CP4	CP6	CP8	CP12	CP14	CP18	CP20
-3.970	.016	.18010	.18070	.10900	.17340	-.18300	-.17620	-.15880	-.15140
	GRADIENT	.00000	.00000	.00000	.00000	.00000	.00000	.00000	.00000

RUN NO. 163/ 0 RN/L = 4.43 GRADIENT INTERVAL = -5.00/ 5.00

ALPHA	BETA	CP2	CP4	CP6	CP8	CP12	CP14	CP18	CP20
-.436	-3.994	.06070	.05640	-.01730	.00440	-.17810	-.17770	-.12370	-.12470
-.429	.009	.13120	.13270	.07760	.09170	-.21830	-.20900	-.20130	-.18860
-.466	4.031	.24770	.24930	.18230	.19600	-.12290	-.12850	-.07010	-.09580
	GRADIENT	.02331	.02404	.02487	.02388	.00689	.00614	.00670	.00362

RUN NO. 164/ 0 RN/L = 4.43 GRADIENT INTERVAL = -5.00/ 5.00

ALPHA	BETA	CP2	CP4	CP6	CP8	CP12	CP14	CP18	CP20
3.851	.012	.07940	.07980	.00960	.02890	-.17800	-.18240	-.14470	-.14510
	GRADIENT	.00000	.00000	.00000	.00000	.00000	.00000	.00000	.00000

ARC 11-023 1A80 OTS (SRB OFF) (SSME OFF)

(BE4090) (28 OCT 75)

REFERENCE DATA

SREF = 2690.0000 SQ.FT. XMRP = .0000 IN.
 LREF = 1290.3000 IN. YMRP = .0000 IN.
 BREF = 1290.3000 IN. ZMRP = .0000 IN.
 SCALE = .0200

PARAMETRIC DATA

ELV-18 = 4.000 ELV-08 = 4.000
 RN/L = 3.400 MACH = .600

RUN NO. 332/ 0 RN/L = 3.50 GRADIENT INTERVAL = -5.00/ 5.00

ALPHA	BETA	CP2	CP4	CP6	CP8	CP12	CP14	CP18	CP20
-3.960	-.003	-.11760	-.11450	-.15760	-.15350	-.03630	-.03360	-.02880	-.02710
	GRADIENT	.00000	.00000	.00000	.00000	.00000	.00000	.00000	.00000

RUN NO. 333/ 0 RN/L = 3.49 GRADIENT INTERVAL = -5.00/ 5.00

ALPHA	BETA	CP2	CP4	CP6	CP8	CP12	CP14	CP18	CP20
-.267	-4.003	-.24310	-.25230	-.27140	-.27450	-.09460	-.09120	-.08440	-.08340
-.291	.012	-.11110	-.10710	-.15320	-.14880	-.05580	-.05790	-.04740	-.04090
-.294	4.028	.02650	.03090	-.01960	-.01380	-.01850	-.02540	-.01550	-.01550
	GRADIENT	.03357	.03526	.03135	.03246	.00948	.00819	.00858	.00845

DATE 12 JUN 76

TABULATED SOURCE DATA - IABO

PAGE 281

ARC 11-023 IABO OTS (SRB OFF) (SSME OFF)

(BE4090) (28 OCT 75)

REFERENCE DATA

SREF = 2690.0000 SQ.FT. XMRP = .0000 IN.
 LREF = 1290.3000 IN. YMRP = .0000 IN.
 BREF = 1290.3000 IN. ZMRP = .0000 IN.
 SCALE = .0200

PARAMETRIC DATA

ELV-18 = 4.000 ELV-08 = 4.000
 RN/L = 3.400 MACH = .600

RUN NO. 334/ 0 RN/L = 3.49 GRADIENT INTERVAL = -5.00/ 5.00

ALPHA	BETA	CP2	CP4	CP6	CP8	CP12	CP14	CP18	CP20
3.973	.006	-.11670	-.11290	-.14700	-.14500	-.08260	-.08330	-.07310	-.07720
	GRADIENT	.00000	.00000	.00000	.00000	.00000	.00000	.00000	.00000

ARC 11-023 IABO OTS (SRB OFF) (SSME OFF)

(BE4091) (28 OCT 75)

REFERENCE DATA

SREF = 2690.0000 SQ.FT. XMRP = .0000 IN.
 LREF = 1290.3000 IN. YMRP = .0000 IN.
 BREF = 1290.3000 IN. ZMRP = .0000 IN.
 SCALE = .0200

PARAMETRIC DATA

ELV-18 = 4.000 ELV-08 = 4.000
 RN/L = 4.250 MACH = .900

RUN NO. 338/ 0 RN/L = 4.21 GRADIENT INTERVAL = -5.00/ 5.00

ALPHA	BETA	CP2	CP4	CP6	CP8	CP12	CP14	CP18	CP20
-3.980	-.003	-.03280	-.02950	-.12560	-.10990	.02240	.02300	.02530	.02610
	GRADIENT	.00000	.00000	.00000	.00000	.00000	.00000	.00000	.00000

RUN NO. 339/ 0 RN/L = 4.20 GRADIENT INTERVAL = -5.00/ 5.00

ALPHA	BETA	CP2	CP4	CP6	CP8	CP12	CP14	CP18	CP20
-.267	-4.003	-.16700	-.16640	-.25730	-.23800	-.01080	-.00010	-.00740	.00210
-.291	.012	-.04870	-.04370	-.13350	-.11830	-.00320	-.00130	-.00030	.00310
-.284	4.028	.08890	.09470	.01320	.02650	.02350	.01920	.03030	.02870
	GRADIENT	.03186	.03251	.03368	.03293	.00427	.00240	.00469	.00331

RUN NO. 340/ 0 RN/L = 4.20 GRADIENT INTERVAL = -5.00/ 5.00

ALPHA	BETA	CP2	CP4	CP6	CP8	CP12	CP14	CP18	CP20
3.970	-.003	-.07500	-.06950	-.14920	-.13410	-.06020	-.06310	-.04970	-.05060
	GRADIENT	.00000	.00000	.00000	.00000	.00000	.00000	.00000	.00000

ORIGINAL PAGE IS
OF POOR QUALITY

ARC 11-023 1A80 OTS (SRB OFF) (SSME OFF)

(BE4092) (28 OCT 75)

REFERENCE DATA

SREF = 2690.0000 SQ.FT. XMRP = .0000 IN.
 LREF = 1290.3000 IN. YMRP = .0000 IN.
 BREF = 1290.3000 IN. ZMRP = .0000 IN.
 SCALE = .0200

PARAMETRIC DATA

ELV-1B = 4.000 ELV-08 = 4.000
 RN/L = 4.250 MACH = 1.100

RUN NO. 177/ 0 RN/L = 4.34 GRADIENT INTERVAL = -5.00/ 5.00

ALPHA	BETA	CP2	CP4	CP6	CP8	CP12	CP14	CP18	CP20
-3.957	.003	.17600	.17670	.10550	.11940	-.18820	-.18000	-.16430	-.15600
	GRADIENT	.00000	.00000	.00000	.00000	.00000	.00000	.00000	.00000

RUN NO. 178/ 0 RN/L = 4.34 GRADIENT INTERVAL = -5.00/ 5.00

ALPHA	BETA	CP2	CP4	CP6	CP8	CP12	CP14	CP18	CP20
-.284	-3.994	.05470	.05140	-.02120	-.00270	-.17550	-.17350	-.13260	-.12780
-.281	.000	.12810	.12640	.06820	.08410	-.22690	-.22150	-.21330	-.20360
-.320	4.028	.24600	.24740	.18000	.19540	-.11690	-.11930	-.05200	-.06660
	GRADIENT	.02386	.02444	.02509	.02470	.00733	.00678	.01009	.00767

RUN NO. 179/ 0 RN/L = 4.34 GRADIENT INTERVAL = -5.00/ 5.00

ALPHA	BETA	CP2	CP4	CP6	CP8	CP12	CP14	CP18	CP20
3.977	.003	.07900	.07880	.01470	.03300	-.16490	-.17780	-.14380	-.14750
	GRADIENT	.00000	.00000	.00000	.00000	.00000	.00000	.00000	.00000

ARC 11-023 1A80 OTS (SRB OFF) (SSME OFF)

(BE4093) (28 OCT 75)

REFERENCE DATA

SREF = 2690.0000 SQ.FT. XMRP = .0000 IN.
 LREF = 1290.3000 IN. YMRP = .0000 IN.
 BREF = 1290.3000 IN. ZMRP = .0000 IN.
 SCALE = .0200

PARAMETRIC DATA

ELV-1B = 4.000 ELV-08 = 4.000
 RN/L = 4.250 MACH = 1.250

RUN NO. 171/ 0 RN/L = 4.35 GRADIENT INTERVAL = -5.00/ 5.00

ALPHA	BETA	CP2	CP4	CP6	CP8	CP12	CP14	CP18	CP20
-3.953	.006	.25550	.25550	.19890	.21510	-.17470	-.16960	-.15730	-.15030
	GRADIENT	.00000	.00000	.00000	.00000	.00000	.00000	.00000	.00000

RUN NO. 172/ 0 RN/L = 4.35 GRADIENT INTERVAL = -5.00/ 5.00

ALPHA	BETA	CP2	CP4	CP6	CP8	CP12	CP14	CP18	CP20
-.238	-3.997	.13730	.13660	.05670	.07120	-.25030	-.23780	-.20990	-.20110
-.231	.000	.17870	.18130	.11020	.12250	-.16680	-.17030	-.15340	-.14960
-.284	4.034	.28880	.28760	.23890	.25150	-.08130	-.08880	-.08210	-.08380
	GRADIENT	.01888	.01681	.02270	.02246	.02104	.01855	.01592	.01461

ARC 11-023 1A80 OTS (SRB NOM) (SSME NOM)

(BE4095) (28 OCT 75)

REFERENCE DATA

SREF = 2690.0000 SQ.FT. XMRP = .0000 IN.
 LREF = 1290.3000 IN. YMRP = .0000 IN.
 BREF = 1290.3000 IN. ZMRP = .0900 IN.
 SCALE = .0200

PARAMETRIC DATA

ELV-18 = 4.000 ELV-08 = 4.000
 RN/L = 3.400 MACH = .600

RUN NO. 335/ 0 RN/L = 3.41 GRADIENT INTERVAL = -5.00/ 5.00

ALPHA	BETA	CP2	CP4	CP6	CP8	CP12	CP14	CP18	CP20
-3.960	.006	-.12480	-.12160	-.16510	-.16120	-.04970	-.05360	-.05110	-.05320
	GRADIENT	.00000	.00000	.00000	.00000	.00000	.00000	.00000	.00000

RUN NO. 336/ 0 RN/L = 3.47 GRADIENT INTERVAL = -5.00/ 5.00

ALPHA	BETA	CP2	CP4	CP6	CP8	CP12	CP14	CP18	CP20
-.297	-4.003	-.25040	-.25480	-.27920	-.27820	-.10030	-.09900	-.09620	-.09100
-.307	.012	-.11780	-.11510	-.15240	-.14760	-.05320	-.05280	-.03950	-.04120
-.376	4.022	.02450	.02970	-.01970	-.01690	-.02520	-.02900	-.03140	-.03250
	GRADIENT	.03426	.03545	.03234	.03256	.06936	.06872	.06808	.06734

RUN NO. 337/ 0 RN/L = 3.48 GRADIENT INTERVAL = -5.00/ 5.00

ALPHA	BETA	CP2	CP4	CP6	CP8	CP12	CP14	CP18	CP20
4.020	-.003	-.11500	-.11440	-.14970	-.14560	-.08070	-.08960	-.06910	-.07120
	GRADIENT	.00000	.00000	.00000	.00000	.00000	.00000	.00000	.00000

ARC 11-023 1A80 OTS (SRB NOM) (SSME NOM)

(BE4096) (28 OCT 75)

REFERENCE DATA

SREF = 2690.0000 SQ.FT. XMRP = .0000 IN.
 LREF = 1290.3000 IN. YMRP = .0000 IN.
 BREF = 1290.3000 IN. ZMRP = .0000 IN.
 SCALE = .0200

PARAMETRIC DATA

ELV-18 = 4.000 ELV-08 = 4.000
 RN/L = 4.250 MACH = .900

RUN NO. 341/ 0 RN/L = 4.21 GRADIENT INTERVAL = -5.00/ 5.00

ALPHA	BETA	CP2	CP4	CP6	CP8	CP12	CP14	CP18	CP20
-3.891	-.003	-.03160	-.02880	-.12300	-.10670	.02340	.02360	.02600	.02820
	GRADIENT	.00000	.00000	.00000	.00000	.00000	.00000	.00000	.00000

RUN NO. 342/ 0 RN/L = 4.20 GRADIENT INTERVAL = -5.00/ 5.00

ALPHA	BETA	CP2	CP4	CP6	CP8	CP12	CP14	CP18	CP20
-.390	-4.003	-.17190	-.17190	-.26560	-.24630	-.01750	-.00740	-.01590	-.00660
-.360	.012	-.04840	-.04110	-.13200	-.11390	.00470	.00210	.00430	.00790
-.406	4.031	.09130	.09550	.01160	.02610	.02300	.02080	.03270	.02970
	GRADIENT	.03276	.03328	.03450	.03390	.00504	.00351	.00605	.00452

ARC 11-023 IAB0 OTS (SRB NOM) (SSME NOM)

(BE4098) (28 OCT 75)

REFERENCE DATA

SREF = 2690.0000 SQ.FT. XMRP = .0000 IN.
 LREF = 1290.3000 IN. YMRP = .0000 IN.
 BREF = 1290.3000 IN. ZMRP = .0000 IN.
 SCALE = .0200

PARAMETRIC DATA

ELV-18 = 4.000 ELV-08 = 4.000
 RN/L = 4.250 MACH = 1.250

RUN NO. 174/ 0 RN/L = 4.34 GRADIENT INTERVAL = -5.00/ 5.00

ALPHA	BETA	CP2	CP4	CP6	CP8	CP12	CP14	CP18	CP20
-3.973	.003	.25590	.25490	.19870	.21640	-.17580	-.17000	-.15730	-.14910
	GRADIENT	.00000	.00000	.00000	.00000	.00000	.00000	.00000	.00000

RUN NO. 175/ 0 RN/L = 4.34 GRADIENT INTERVAL = -5.00/ 5.00

ALPHA	BETA	CP2	CP4	CP6	CP8	CP12	CP14	CP18	CP20
-.482	-3.994	.14290	.14180	.06040	.07930	-.24810	-.23730	-.20830	-.20240
-.439	-.003	.18350	.18300	.11340	.12540	-.16680	-.17030	-.15310	-.14800
-.416	.028	.29270	.29050	.24350	.25740	-.08010	-.08960	-.08240	-.08430
	GRADIENT	.01869	.01856	.02284	.02222	.02094	.01842	.01570	.01472

RUN NO. 176/ 0 RN/L = 4.34 GRADIENT INTERVAL = -5.00/ 5.00

ALPHA	BETA	CP2	CP4	CP6	CP8	CP12	CP14	CP18	CP20
4.020	.003	.09010	.09000	.04270	.04610	-.14980	-.15670	-.15190	-.15520
	GRADIENT	.00000	.00000	.00000	.00000	.00000	.00000	.00000	.00000

ARC 11-023 IAB0 OTS (SRB NOM) (SSME NOM)

(BE4099) (28 OCT 75)

REFERENCE DATA

SREF = 2690.0000 SQ.FT. XMRP = .0000 IN.
 LREF = 1290.3000 IN. YMRP = .0000 IN.
 BREF = 1290.3000 IN. ZMRP = .0000 IN.
 SCALE = .0200

PARAMETRIC DATA

ELV-18 = 4.000 ELV-08 = 4.000
 RN/L = 4.250 MACH = 1.400

RUN NO. 168/ 0 RN/L = 4.27 GRADIENT INTERVAL = -5.00/ 5.00

ALPHA	BETA	CP2	CP4	CP6	CP8	CP12	CP14	CP18	CP20
-3.944	.009	.29570	.29200	.22530	.23790	-.11550	-.11810	-.11010	-.10270
	GRADIENT	.00000	.00000	.00000	.00000	.00000	.00000	.00000	.00000

RUN NO. 169/ 0 RN/L = 4.26 GRADIENT INTERVAL = -5.00/ 5.00

ALPHA	BETA	CP2	CP4	CP6	CP8	CP12	CP14	CP18	CP20
-.403	-3.991	.19110	.18780	.12370	.13190	-.21740	-.21540	-.19810	-.18700
-.386	.012	.24520	.24520	.17270	.17940	-.15110	-.17000	-.13860	-.13930
-.443	.034	.32390	.32220	.24360	.24800	-.10880	-.12060	-.09500	-.10430
	GRADIENT	.01655	.01675	.01494	.01447	.01353	.01181	.01285	.01030

ARC 11-023 1A80 OTS (SRB OFF) (SSME OFF)

(BE40A1) (28 OCT 75)

REFERENCE DATA

SREF = 2690.0000 SQ.FT. XMRP = .0000 IN.
 LREF = 1290.3000 IN. YMRP = .0000 IN.
 BREF = 1290.3000 IN. ZMRP = .0000 IN.
 SCALE = .0200

PARAMETRIC DATA

ELV-1B = .000 ELV-08 = 4.000
 RN/L = 4.250 MACH = .900

RUN NO. 350/ 0 RN/L = 4.23 GRADIENT INTERVAL = -5.00/ 5.00

ALPHA	BETA	CP2	CP4	CP6	CP8	CP12	CP14	CP18	CP20
-3.996	.009	-.03650	-.03470	-.12730	-.11270	.01940	.01840	.02360	.02440
	GRADIENT	.00000	.00000	.00000	.00000	.00000	.00000	.00000	.00000

RUN NO. 351/ 0 RN/L = 4.24 GRADIENT INTERVAL = -5.00/ 5.00

ALPHA	BETA	CP2	CP4	CP6	CP8	CP12	CP14	CP18	CP20
-.281	-4.006	-.17570	-.17350	-.26740	-.24570	-.01410	-.00390	-.01170	-.00270
-.284	.009	-.04350	-.04030	-.12810	-.11350	.00510	.00790	.00830	.01190
-.281	4.028	.08580	.09030	.00790	.02030	.02030	.01770	.02660	.02560
	GRADIENT	.03255	.03283	.03427	.03311	.00428	.00269	.00477	.00352

RUN NO. 352/ 0 RN/L = 4.23 GRADIENT INTERVAL = -5.00/ 5.00

ALPHA	BETA	CP2	CP4	CP6	CP8	CP12	CP14	CP18	CP20
4.023	.016	-.07430	-.06800	-.14720	-.13310	-.06180	-.06140	-.04680	-.04640
	GRADIENT	.00000	.00000	.00000	.00000	.00000	.00000	.00000	.00000

ARC 11-023 1A80 OTS (SRB OFF) (SSME OFF)

(BE40A2) (28 OCT 75)

REFERENCE DATA

SREF = 2690.0000 SQ.FT. XMRP = .0000 IN.
 LREF = 1290.3000 IN. YMRP = .0000 IN.
 BREF = 1290.3000 IN. ZMRP = .0000 IN.
 SCALE = .0200

PARAMETRIC DATA

ELV-1B = .000 ELV-08 = 4.000
 RN/L = 4.250 MACH = 1.100

RUN NO. 195/ 0 RN/L = 4.36 GRADIENT INTERVAL = -5.00/ 5.00

ALPHA	BETA	CP2	CP4	CP6	CP8	CP12	CP14	CP18	CP20
-3.967	.006	.17790	.17940	.10650	.12070	-.18500	-.17650	-.16230	-.15550
	GRADIENT	.00000	.00000	.00000	.00000	.00000	.00000	.00000	.00000

RUN NO. 196/ 0 RN/L = 4.36 GRADIENT INTERVAL = -5.00/ 5.00

ALPHA	BETA	CP2	CP4	CP6	CP8	CP12	CP14	CP18	CP20
-.284	-4.003	.05420	.05280	-.02310	.00180	-.17300	-.16410	-.12930	-.12860
-.258	-.012	.12910	.13130	.07220	.06540	-.22350	-.21680	-.21120	-.20060
-.301	4.016	.24360	.24900	.18000	.19490	-.11760	-.11450	-.05580	-.07530
	GRADIENT	.02363	.02448	.02533	.02409	.00694	.00622	.00921	.00669

ARC 11-023 IAB0 OTS (SRB OFF) (SSME OFF)

(BE40A4) (28 OCT 75)

REFERENCE DATA

SREF = 2690.0000 SQ.FT. XMRP = .0000 IN.
 LREF = 1290.3000 IN. YMRP = .0000 IN.
 BREF = 1290.3000 IN. ZMRP = .0000 IN.
 SCALE = .0200

PARAMETRIC DATA

ELV-18 = .000 ELV-08 = 4.000
 RN/L = 4.250 MACH = 1.400

RUN NO. 183/ 0 RN/L = 4.34 GRADIENT INTERVAL = -5.00/ 5.00

ALPHA	BETA	CP2	CP4	CP6	CP8	CP12	CP14	CP18	CP20
-3.947	.006	.29330	.29060	.22200	.23470	-.12000	-.12200	-.11540	-.10870
	GRADIENT	.00000	.00000	.00000	.00000	.00000	.00000	.00000	.00000

RUN NO. 184/ 0 RN/L = 4.31 GRADIENT INTERVAL = -5.00/ 5.00

ALPHA	BETA	CP2	CP4	CP6	CP8	CP12	CP14	CP18	CP20
-.267	-3.994	.18440	.18100	.11640	.12510	-.22620	-.22500	-.20670	-.19460
-.277	-.003	.23760	.23650	.16790	.17400	-.15690	-.16740	-.14430	-.14850
-.284	4.019	.31750	.31510	.24080	.24310	-.11290	-.12280	-.10000	-.11230
	GRADIENT	.01662	.01674	.01553	.01473	.01414	.01275	.01331	.01027

RUN NO. 185/ 0 RN/L = 4.28 GRADIENT INTERVAL = -5.00/ 5.00

ALPHA	BETA	CP2	CP4	CP6	CP8	CP12	CP14	CP18	CP20
3.986	.006	.17220	.17140	.11370	.12200	-.14600	-.16930	-.13490	-.14380
	GRADIENT	.00000	.00000	.00000	.00000	.00000	.00000	.00000	.00000

ARC 11-023 IAB0 OTS (SRB NOM) (SSME NOM)

(BE40A5) (28 OCT 75)

REFERENCE DATA

SREF = 2690.0000 SQ.FT. XMRP = .0000 IN.
 LREF = 1290.3000 IN. YMRP = .0000 IN.
 BREF = 1290.3000 IN. ZMRP = .0000 IN.
 SCALE = .0200

PARAMETRIC DATA

ELV-18 = .000 ELV-08 = 4.000
 RN/L = 3.400 MACH = .600

RUN NO. 347/ 0 RN/L = 3.47 GRADIENT INTERVAL = -5.00/ 5.00

ALPHA	BETA	CP2	CP4	CP6	CP8	CP12	CP14	CP18	CP20
-3.983	.012	-.12000	-.12100	-.15730	-.15730	-.04280	-.04650	-.03530	-.04280
	GRADIENT	.00000	.00000	.00000	.00000	.00000	.00000	.00000	.00000

RUN NO. 348/ 0 RN/L = 3.48 GRADIENT INTERVAL = -5.00/ 5.00

ALPHA	BETA	CP2	CP4	CP6	CP8	CP12	CP14	CP18	CP20
-.337	-4.006	-.25710	-.25040	-.28150	-.27700	-.09100	-.09030	-.08580	-.08130
-.370	.009	-.11470	-.11610	-.15960	-.15520	-.06080	-.06080	-.05510	-.05370
-.453	4.025	.02410	.03500	-.02290	-.01470	-.02360	-.02830	-.01510	-.01780
	GRADIENT	.03501	.03628	.03220	.03266	.00839	.00772	.00880	.00791

DATE 12 JUN 76

TABULATED SOURCE DATA - IAB0

PAGE 291

ARC 11-023 IAB0 OTS (SRB NOM) (SSME NOM)

(BE40A5) (28 OCT 75)

REFERENCE DATA

SREF = 2690.0000 SQ.FT. XMRP = .0000 IN.
 LREF = 1290.3000 IN. YMRP = .0000 IN.
 BREF = 1290.3000 IN. ZMRP = .0000 IN.
 SCALE = .0200

PARAMETRIC DATA

ELV-18 = .000 ELV-08 = 4.000
 RN/L = 3.400 MACH = .600

RUN NO. 349/ 0 RN/L = 3.48 GRADIENT INTERVAL = -5.00/ 5.00

ALPHA	BETA	CP2	CP4	CP6	CP8	CP12	CP14	CP18	CP20
3.910	.009	-.11640	-.11980	-.15100	-.14450	-.08610	-.08820	-.07630	-.07490
	GRADIENT	.00000	.00000	.00000	.00000	.00000	.00000	.00000	.00000

ARC 11-023 IAB0 OTS (SRB NOM) (SSME NOM)

(BE40A6) (28 OCT 75)

REFERENCE DATA

SREF = 2690.0000 SQ.FT. XMRP = .0000 IN.
 LREF = 1290.3000 IN. YMRP = .0000 IN.
 BREF = 1290.3000 IN. ZMRP = .0000 IN.
 SCALE = .0200

PARAMETRIC DATA

ELV-18 = .000 ELV-08 = 4.000
 RN/L = 4.250 MACH = .900

RUN NO. 353/ 0 RN/L = 4.21 GRADIENT INTERVAL = -5.00/ 5.00

ALPHA	BETA	CP2	CP4	CP6	CP8	CP12	CP14	CP18	CP20
-3.937	.016	-.03480	-.03140	-.12830	-.11080	.02210	.02170	.02210	.02290
	GRADIENT	.00000	.00000	.00000	.00000	.00000	.00000	.00000	.00000

RUN NO. 354/ 0 RN/L = 4.23 GRADIENT INTERVAL = -5.00/ 5.00

ALPHA	BETA	CP2	CP4	CP6	CP8	CP12	CP14	CP18	CP20
-.376	-4.006	-.16810	-.16750	-.26050	-.23790	-.01000	.00120	-.00440	.00550
-.353	.009	-.03860	-.03640	-.12480	-.10630	.01270	.01470	.01630	.01930
-.420	4.022	.09350	.10020	.01750	.03080	.02560	.02520	.04070	.04010
	GRADIENT	.03259	.03335	.03463	.03347	.00446	.00299	.00562	.00431

RUN NO. 355/ 0 RN/L = 4.23 GRADIENT INTERVAL = -5.00/ 5.00

ALPHA	BETA	CP2	CP4	CP6	CP8	CP12	CP14	CP18	CP20
3.910	.006	-.06800	-.06240	-.14130	-.12520	-.02860	-.02420	-.01590	-.01230
	GRADIENT	.00000	.00000	.00000	.00000	.00000	.00000	.00000	.00000

ORIGINAL PAGE IS
OF POOR QUALITY

ARC 11-023 1A80 OTS (SRB NOM) (SSME NOM)

(BE40A7) (28 OCT 75)

REFERENCE DATA

SREF = 2690.0000 SQ.FT. XMRP = .0000 IN.
 LREF = 1290.3000 IN. YMRP = .0000 IN.
 BREF = 1290.3000 IN. ZMRP = .0000 IN.
 SCALE = .0200

PARAMETRIC DATA

ELV-1B = .000 ELV-0B = 4.000
 RN/L = 4.250 MACH = 1.100

RUN NO. 198/ 0 RN/L = 4.36 GRADIENT INTERVAL = -5.00/ 5.00

ALPHA	BETA	CP2	CP4	CP6	CP8	CP12	CP14	CP18	CP20
-3.996	.006	.17910	.17930	.10660	.12160	-.18650	-.17440	-.15770	-.15450
	GRADIENT	.00000	.00000	.00000	.00000	.00000	.00000	.00000	.00000

RUN NO. 199/ 0 RN/L = 4.36 GRADIENT INTERVAL = -5.00/ 5.00

ALPHA	BETA	CP2	CP4	CP6	CP8	CP12	CP14	CP18	CP20
-.416	-4.003	.05750	.05470	-.02220	-.00060	-.17610	-.16950	-.12620	-.12810
-.403	-.012	.13030	.12960	.07150	.08640	-.22160	-.21500	-.19770	-.18930
-.426	4.019	.24790	.25370	.18680	.20170	-.09730	-.10810	-.04390	-.04410
	GRADIENT	.02374	.02482	.02606	.02522	.00986	.00769	.01031	.01051

RUN NO. 200/ 0 RN/L = 4.36 GRADIENT INTERVAL = -5.00/ 5.00

ALPHA	BETA	CP2	CP4	CP6	CP8	CP12	CP14	CP18	CP20
3.798	.009	.07800	.08010	.01810	.03060	-.16560	-.17220	-.14340	-.14480
	GRADIENT	.00000	.00000	.00000	.00000	.00000	.00000	.00000	.00000

ARC 11-023 1A80 OTS (SRB NOM) (SSME NOM)

(BE40A8) (28 OCT 75)

REFERENCE DATA

SREF = 2690.0000 SQ.FT. XMRP = .0000 IN.
 LREF = 1290.3000 IN. YMRP = .0000 IN.
 BREF = 1290.3000 IN. ZMRP = .0000 IN.
 SCALE = .0200

PARAMETRIC DATA

ELV-1B = .000 ELV-0B = 4.000
 RN/L = 4.250 MACH = 1.250

RUN NO. 192/ 0 RN/L = 4.35 GRADIENT INTERVAL = -5.00/ 5.00

ALPHA	BETA	CP2	CP4	CP6	CP8	CP12	CP14	CP18	CP20
-3.986	.009	.25830	.25690	.20180	.21700	-.17650	-.17090	-.15870	-.15020
	GRADIENT	.00000	.00000	.00000	.00000	.00000	.00000	.00000	.00000

RUN NO. 193/ 0 RN/L = 4.36 GRADIENT INTERVAL = -5.00/ 5.00

ALPHA	BETA	CP2	CP4	CP6	CP8	CP12	CP14	CP18	CP20
-.400	-4.003	.14320	.14170	.06100	.06040	-.24630	-.23720	-.21190	-.20440
-.393	-.012	.18170	.18230	.11470	.12720	-.16520	-.17290	-.15130	-.14780
-.413	4.022	.28960	.28960	.24010	.25290	-.08710	-.09460	-.08580	-.09090
	GRADIENT	.01826	.01032	.02233	.02151	.01984	.01777	.01571	.01414

ARC 11-023 1A80 OTS (SRB NOM) (SSME NO. 2 OUT)

(BE4080) (28 OCT 75)

REFERENCE DATA

SREF = 2690.0000 SQ.FT. XMRP = .0000 IN.
 LREF = 1290.3000 IN. YMRP = .0000 IN.
 BREF = 1290.3000 IN. ZMRP = .0000 IN.
 SCALE = .0200

PARAMETRIC DATA

ELV-18 = .000 ELV-08 = .000
 RN/L = 3.400 MACH = .600

RUN NO. 362/ 0 RN/L = 3.51 GRADIENT INTERVAL = -5.00/ 5.00

ALPHA	BETA	CP2	CP4	CP6	CP8	CP12	CP14	CP18	CP20
-4.013	.006	-.11480	-.11380	-.15350	-.14910	-.03440	-.03510	-.02660	-.01920
	GRADIENT	.00000	.00000	.00000	.00000	.00000	.00000	.00000	.00000

RUN NO. 363/ 0 RN/L = 3.49 GRADIENT INTERVAL = -5.00/ 5.00

ALPHA	BETA	CP2	CP4	CP6	CP8	CP12	CP14	CP18	CP20
-.271	-4.006	-.25650	-.25960	-.28770	-.28430	-.10270	-.10820	-.09790	-.09760
-.310	.003	-.11700	-.11400	-.15320	-.14850	-.05090	-.05970	-.03940	-.03470
-.310	4.025	.02980	.03220	-.01830	-.01550	-.02450	-.03270	-.01790	-.02100
	GRADIENT	.03565	.03633	.03354	.03347	.00974	.00940	.00996	.00953

RUN NO. 364/ 0 RN/L = 3.49 GRADIENT INTERVAL = -5.00/ 5.00

ALPHA	BETA	CP2	CP4	CP6	CP8	CP12	CP14	CP18	CP20
3.930	.009	-.11350	-.11560	-.14590	-.14350	-.08560	-.08530	-.07270	-.07640
	GRADIENT	.00000	.00000	.00000	.00000	.00000	.00000	.00000	.00000

ARC 11-023 1A80 OTS (SRB NOM) (SSME NO. 2 OUT)

(BE4081) (28 OCT 75)

REFERENCE DATA

SREF = 2690.0000 SQ.FT. XMRP = .0000 IN.
 LREF = 1290.3000 IN. YMRP = .0000 IN.
 BREF = 1290.3000 IN. ZMRP = .0000 IN.
 SCALE = .0200

PARAMETRIC DATA

ELV-18 = .000 ELV-08 = .000
 RN/L = 4.250 MACH = .900

RUN NO. 365/ 0 RN/L = 4.21 GRADIENT INTERVAL = -5.00/ 5.00

ALPHA	BETA	CP2	CP4	CP6	CP8	CP12	CP14	CP18	CP20
-4.069	.009	-.03550	-.03330	-.12990	-.11460	.01740	.01620	.01960	.02080
	GRADIENT	.00000	.00000	.00000	.00000	.00000	.00000	.00000	.00000

RUN NO. 366/ 0 RN/L = 4.22 GRADIENT INTERVAL = -5.00/ 5.00

ALPHA	BETA	CP2	CP4	CP6	CP8	CP12	CP14	CP18	CP20
-.304	-4.006	-.17310	-.17380	-.26610	-.24590	-.01550	-.00630	-.01230	-.00400
-.317	.003	-.03870	-.03510	-.12270	-.10600	.01310	.01430	.01850	.02050
-.357	4.025	.09100	.09560	.00970	.02660	.02050	.01410	.02740	.02640
	GRADIENT	.03288	.03354	.03434	.03393	.00448	.00254	.00494	.00378

ARC 11-023 IABO OTS (SRB NOM) (SSME NO. 2 OUT)

(BE40B3) (28 OCT 75)

REFERENCE DATA

SREF = 2690.0000 SQ.FT. XMRP = .0000 IN.
 LREF = 1290.3000 IN. YMRP = .0000 IN.
 BREF = 1290.3000 IN. ZMRP = .0000 IN.
 SCALE = .0200

PARAMETRIC DATA

ELV-18 = .000 ELV-08 = .000
 RN/L = 4.250 MACH = 1.250

RUN NO. 204/ 0 RN/L = 4.40 GRADIENT INTERVAL = -5.00/ 5.00

ALPHA	BETA	CP2	CP4	CP6	CP8	CP12	CP14	CP18	CP20
-3.947	-.003	.25250	.25400	.19830	.21250	-.17530	-.17020	-.15730	-.15110
	GRADIENT	.00000	.00000	.00000	.00000	.00000	.00000	.00000	.00000

RUN NO. 205/ 0 RN/L = 4.40 GRADIENT INTERVAL = -5.00/ 5.00

ALPHA	BETA	CP2	CP4	CP6	CP8	CP12	CP14	CP18	CP20
-.400	-4.000	.13640	.13680	.05390	.07240	-.24410	-.23310	-.20870	-.20300
-.370	-.009	.17820	.18110	.11240	.12110	-.16640	-.17080	-.15130	-.14910
-.420	4.019	.28550	.28530	.23950	.25460	-.08220	-.09100	-.08820	-.09050
	GRADIENT	.01861	.01853	.02316	.02274	.02019	.01772	.01503	.01403

RUN NO. 206/ 0 RN/L = 4.40 GRADIENT INTERVAL = -5.00/ 5.00

ALPHA	BETA	CP2	CP4	CP6	CP8	CP12	CP14	CP18	CP20
3.986	-.012	.08800	.09030	.04530	.05080	-.14940	-.15470	-.15050	-.15080
	GRADIENT	.00000	.00000	.00000	.00000	.00000	.00000	.00000	.00000

ARC 11-023 IABO OTS (SRB NOM) (SSME NO. 2 OUT)

(BE40B4) (28 OCT 75)

REFERENCE DATA

SREF = 2690.0000 SQ.FT. XMRP = .0000 IN.
 LREF = 1290.3000 IN. YMRP = .0000 IN.
 BREF = 1290.3000 IN. ZMRP = .0000 IN.
 SCALE = .0200

PARAMETRIC DATA

ELV-18 = .000 ELV-08 = .000
 RN/L = 4.250 MACH = 1.400

RUN NO. 201/ 0 RN/L = 4.36 GRADIENT INTERVAL = -5.00/ 5.00

ALPHA	BETA	CP2	CP4	CP6	CP8	CP12	CP14	CP18	CP20
-3.957	-.003	.29370	.28940	.22270	.23440	-.12320	-.12440	-.11640	-.10920
	GRADIENT	.00000	.00000	.00000	.00000	.00000	.00000	.00000	.00000

RUN NO. 202/ 0 RN/L = 4.35 GRADIENT INTERVAL = -5.00/ 5.00

ALPHA	BETA	CP2	CP4	CP6	CP8	CP12	CP14	CP18	CP20
-.443	-4.000	.18740	.18440	.11900	.12670	-.22180	-.21910	-.20130	-.18870
-.406	-.006	.23550	.23770	.16560	.17190	-.15630	-.16950	-.14570	-.14570
-.446	4.019	.31730	.31400	.24010	.24460	-.11150	-.12250	-.09750	-.10730
	GRADIENT	.01620	.01617	.01511	.01446	.01375	.01207	.01294	.01015

DATE 12 JUN 76

TABULATED SOURCE DATA - IAB0

PAGE 297

ARC 11-023 IAB0 OTS (SRB NOM) (SSME NO. 2 OUT)

(BE4084) (28 OCT 75)

REFERENCE DATA

SREF = 2690.0000 SQ.FT. XMRP = .0000 IN.
 LREF = 1290.3000 IN. YMRP = .0000 IN.
 BREF = 1290.3000 IN. ZMRP = .0000 IN.
 SCALE = .0200

PARAMETRIC DATA

ELV-18 = .000 ELV-08 = .000
 RN/L = 4.250 MACH = 1.400

RUN NO. 203/ 0 RN/L = 4.33 GRADIENT INTERVAL = -5.00/ 5.00

ALPHA	BETA	CP2	CP4	CP6	CP8	CP12	CP14	CP18	CP20
3.953	-.009	.17600	.17380	.11520	.2120	-.14520	-.16840	-.13490	-.14450
	GRADIENT	.00000	.00000	.00000	.00000	.00000	.00000	.00000	.00000

ARC 11-023 IAB0 OTS (SRB NOM) (SSME NO. 1 OUT)

(BE4085) (28 OCT 75)

REFERENCE DATA

SREF = 2690.0000 SQ.FT. XMRP = .0000 IN.
 LREF = 1290.3000 IN. YMRP = .0000 IN.
 BREF = 1290.3000 IN. ZMRP = .0000 IN.
 SCALE = .0200

PARAMETRIC DATA

ELV-18 = .000 ELV-08 = .000
 RN/L = 3.400 MACH = .600

RUN NO. 356/ 0 RN/L = 3.42 GRADIENT INTERVAL = -5.00/ 5.00

ALPHA	BETA	CP2	CP4	CP6	CP8	CP12	CP14	CP18	CP20
-4.072	.012	-.12110	-.11790	-.15650	-.15920	-.05000	-.06310	-.06490	-.08110
	GRADIENT	.00000	.00000	.00000	.00000	.00000	.00000	.00000	.00000

RUN NO. 357/ 0 RN/L = 3.49 GRADIENT INTERVAL = -5.00/ 5.00

ALPHA	BETA	CP2	CP4	CP6	CP8	CP12	CP14	CP18	CP20
-.284	-4.003	-.25330	-.25670	-.27830	-.27530	-.09390	-.09290	-.08440	-.08300
-.337	.003	-.12020	-.11550	-.16110	-.15300	-.05980	-.06390	-.05240	-.05450
-.367	4.025	.02520	.02730	-.02240	-.01700	-.01870	-.02280	-.01670	-.01190
	GRADIENT	.03469	.03538	.03188	.03218	.00937	.00873	.00843	.00886

RUN NO. 358/ 0 RN/L = 3.47 GRADIENT INTERVAL = -5.00/ 5.00

ALPHA	BETA	CP2	CP4	CP6	CP8	CP12	CP14	CP18	CP20
3.868	.006	-.11960	-.11750	-.15660	-.14970	-.08570	-.08640	-.07300	-.07920
	GRADIENT	.00000	.00000	.00000	.00000	.00000	.00000	.00000	.00000

ORIGINAL PAGE IS
OF POOR QUALITY

ARC 11-023 IAB0 OTS (SRB NOM) (SSME NO. 1 OUT)

(BE4086) (28 OCT 75)

REFERENCE DATA

SREF = 2690.0000 SQ.FT. XMRP = .0000 IN.
 LREF = 1290.3000 IN. YMRP = .0000 IN.
 BREF = 1290.3000 IN. ZMRP = .0000 IN.
 SCALE = .0200

PARAMETRIC DATA

ELV-18 = .000 ELV-08 = .000
 RN/L = 4.250 MACH = .900

RUN NO. 359/ 0 RN/L = 4.20 GRADIENT INTERVAL = -5.00/ 5.00

ALPHA	BETA	CP2	CP4	CP6	CP8	CP12	CP14	CP18	CP20
-4.013	.009	-.03940	-.03620	-.13310	-.11820	.01390	.01430	.01730	.01710
	GRADIENT	.00000	.00000	.00000	.00000	.00000	.00000	.00000	.00000

RUN NO. 360/ 0 RN/L = 4.21 GRADIENT INTERVAL = -5.00/ 5.00

ALPHA	BETA	CP2	CP4	CP6	CP8	CP12	CP14	CP18	CP20
-.317	-4.003	-.17190	-.17220	-.26290	-.24220	-.01100	-.00100	-.00820	-.00020
-.310	.003	-.05160	-.04420	-.13500	-.12050	-.00300	.00000	.00040	.00370
-.340	4.025	.09150	.09310	.00910	.02270	.02210	.02010	.02770	.02770
	GRADIENT	.03281	.03305	.03398	.03300	.00412	.00263	.00447	.00348

RUN NO. 361/ 0 RN/L = 4.21 GRADIENT INTERVAL = -5.00/ 5.00

ALPHA	BETA	CP2	CP4	CP6	CP8	CP12	CP14	CP18	CP20
3.854	.009	-.04430	-.06950	-.15570	-.13650	-.03540	-.03300	-.02460	-.02220
	GRADIENT	.00000	.00000	.00000	.00000	.00000	.00000	.00000	.00000

ARC 11-023 IAB0 OTS (SRB NOM) (SSME NO. 1 OUT)

(BE4087) (28 OCT 75)

REFERENCE DATA

SREF = 2690.0000 SQ.FT. XMRP = .0000 IN.
 LREF = 1290.3000 IN. YMRP = .0000 IN.
 BREF = 1290.3000 IN. ZMRP = .0000 IN.
 SCALE = .0200

PARAMETRIC DATA

ELV-18 = .000 ELV-08 = .000
 RN/L = 4.250 MACH = 1.100

RUN NO. 216/ 0 RN/L = 4.38 GRADIENT INTERVAL = -5.00/ 5.00

ALPHA	BETA	CP2	CP4	CP6	CP8	CP12	CP14	CP18	CP20
-4.003	-.012	.17740	.18010	.10740	.12150	-.18960	-.17690	-.16450	-.15980
	GRADIENT	.00000	.00000	.00000	.00000	.00000	.00000	.00000	.00000

RUN NO. 217/ 0 RN/L = 4.38 GRADIENT INTERVAL = -5.00/ 5.00

ALPHA	BETA	CP2	CP4	CP6	CP8	CP12	CP14	CP18	CP20
-.393	-4.006	.05030	.05720	-.01810	.00400	-.17700	-.16740	-.12960	-.12890
-.347	-.019	.12850	.12960	.07300	.08920	-.21660	-.20920	-.20050	-.19260
-.383	4.012	.24490	.25090	.18350	.19620	-.12380	-.12760	-.07040	-.08510
	GRADIENT	.02303	.02417	.02515	.02397	.00666	.00499	.00743	.00550

ARC 11-023 1A80 OTS (SRB NOM) (SSME NO. 1 OUT)

(BE4089) (28 OCT 75)

REFERENCE DATA

SREF = 2690.0000 SQ.FT. XMRP = .0000 IN.
 LREF = 1290.3000 IN. YMRP = .0000 IN.
 BREF = 1290.3000 IN. ZMRP = .0000 IN.
 SCALE = .0200

PARAMETRIC DATA

ELV-18 = .000 ELV-08 = .000
 RN/L = 4.250 MACH = 1.400

RUN NO. 210/ 0 RN/L = 4.34 GRADIENT INTERVAL = -5.00/ 5.00

ALPHA	BETA	CP2	CP4	CP6	CP8	CP12	CP14	CP18	CP20
-3.934	-.009	.29660	.29250	.22490	.23880	-.12170	-.12400	-.11630	-.10830
	GRADIENT	.00000	.00000	.00000	.00000	.00000	.00000	.00000	.00000

RUN NO. 211/ 0 RN/L = 4.34 GRADIENT INTERVAL = -5.00/ 5.00

ALPHA	BETA	CP2	CP4	CP6	CP8	CP12	CP14	CP18	CP20
-.426	-4.006	.18920	.18620	.12270	.13160	-.22340	-.22140	-.20270	-.19170
-.383	-.016	.24200	.24390	.17150	.17890	-.15180	-.16420	-.14180	-.14240
-.436	4.016	.32010	.31810	.24350	.24640	-.11300	-.12420	-.10070	-.10970
	GRADIENT	.01632	.01645	.01506	.01432	.01376	.01211	.01271	.01022

RUN NO. 212/ 0 RN/L = 4.33 GRADIENT INTERVAL = -5.00/ 5.00

ALPHA	BETA	CP2	CP4	CP6	CP8	CP12	CP14	CP18	CP20
4.046	-.012	.17770	.17570	.11840	.12670	-.14960	-.17230	-.13870	-.14670
	GRADIENT	.00000	.00000	.00000	.00000	.00000	.00000	.00000	.00000

ARC11-0231A80 OTS W/ET BASE SPOILER SRB=SSME=OFF

(BE4089) (28 OCT 75)

REFERENCE DATA

SREF = 2690.0000 SQ.FT. XMRP = .0000 IN.
 LREF = 1290.3000 IN. YMRP = .0000 IN.
 BREF = 1290.3000 IN. ZMRP = .0000 IN.
 SCALE = .0200

PARAMETRIC DATA

ELV-18 = .000 ELV-08 = .000
 RN/L = 4.250 MACH = .900

RUN NO. 377/ 0 RN/L = 4.25 GRADIENT INTERVAL = -5.00/ 5.00

ALPHA	BETA	CP2	CP4	CP6	CP8	CP12	CP14	CP18	CP20
-4.029	.016	-.04040	-.03540	-.13060	-.11660	.01550	.01530	.01670	.01730
	GRADIENT	.00000	.00000	.00000	.00000	.00000	.00000	.00000	.00000

RUN NO. 375/ 0 RN/L = 4.25 GRADIENT INTERVAL = -5.00/ 5.00

ALPHA	BETA	CP2	CP4	CP6	CP8	CP12	CP14	CP18	CP20
-.241	-4.009	-.17090	-.16970	-.26180	-.24200	-.00860	.00180	-.00340	.00660
-.264	-.003	-.04920	-.04290	-.12270	-.11620	.00200	.00500	.00530	.00790
-.291	4.022	.08860	.09380	.01310	.02650	.02890	.02590	.03800	.03600
	GRADIENT	.03231	.03281	.03423	.03343	.00467	.00300	.00516	.00366

ARC11-023IA80 OTS W/ET BASE SPOILER SRB=SSME=NOM

(BE40C2) (28 OCT 75)

REFERENCE DATA

SREF = 2690.0000 SQ.FT. XMRP = .0000 IN.
 LREF = 1290.3000 IN. YMRP = .0000 IN.
 BREF = 1290.3000 IN. ZMRP = .0000 IN.
 SCALE = .0200

ELV-18 = .000 ELV-08 = .000
 RN/L = 4.250 MACH = .900

PARAMETRIC DATA

RUN NO. 378/ 0 RN/L = 4.22 GRADIENT INTERVAL = -5.00/ 5.00

ALPHA	BETA	CP2	CP4	CP6	CP8	CP12	CP14	CP18	CP20
-3.996	.016	-.03720	-.03380	-.12940	-.11300	.02200	.02180	.02600	.02900
	GRADIENT	.00000	.00000	.00000	.00000	.00000	.00000	.00000	.00000

RUN NO. 379/ 0 RN/L = 4.22 GRADIENT INTERVAL = -5.00/ 5.00

ALPHA	BETA	CP2	CP4	CP6	CP8	CP12	CP14	CP18	CP20
-.284	-4.012	-.18200	-.17960	-.27290	-.25300	-.01830	-.00900	-.01810	-.00840
-.360	-.003	-.04300	-.03830	-.12970	-.11100	.01160	.01480	.01700	.02170
-.330	4.019	.08240	.09130	.00550	.01940	.02000	.01550	.02880	.02720
	GRADIENT	.03292	.03373	.03466	.03392	.00477	.00305	.00584	.00443

RUN NO. 380/ 0 RN/L = 4.22 GRADIENT INTERVAL = -5.00/ 5.00

ALPHA	BETA	CP2	CP4	CP6	CP8	CP12	CP14	CP18	CP20
3.927	.012	-.07750	-.07090	-.15450	-.13370	-.05950	-.05700	-.04410	-.04370
	GRADIENT	.00000	.00000	.00000	.00000	.00000	.00000	.00000	.00000

ARC11-023IA80 OTS W/ET BASE SPOILER SRB=SSME=NOM

(BE40C3) (28 OCT 75)

REFERENCE DATA

SREF = 2690.0000 SQ.FT. XMRP = .0000 IN.
 LREF = 1290.3000 IN. YMRP = .0000 IN.
 BREF = 1290.3000 IN. ZMRP = .0000 IN.
 SCALE = .0200

ELV-18 = .000 ELV-08 = .000
 RN/L = 4.250 MACH = 1.100

PARAMETRIC DATA

RUN NO. 371/ 0 RN/L = 4.47 GRADIENT INTERVAL = -5.00/ 5.00

ALPHA	BETA	CP2	CP4	CP6	CP8	CP12	CP14	CP18	CP20
-4.033	.016	.19210	.18340	.11310	.12740	-.18050	-.17010	-.15340	-.14830
	GRADIENT	.00000	.00000	.00000	.00000	.00000	.00000	.00000	.00000

RUN NO. 372/ 0 RN/L = 4.46 GRADIENT INTERVAL = -5.00/ 5.00

ALPHA	BETA	CP2	CP4	CP6	CP8	CP12	CP14	CP18	CP20
-.433	-4.009	.05890	.05500	-.01960	.00240	-.16350	-.16270	-.11980	-.11650
-.446	-.003	.13400	.13500	.07620	.09240	-.21800	-.20860	-.19670	-.18180
-.456	4.022	.25090	.25440	.18490	.20040	-.09800	-.10770	-.03660	-.04380
	GRADIENT	.02391	.02483	.02546	.02466	.00817	.00686	.01038	.00907

ARC 11-023 1A80 OTS (SRB NOM++) (SSME NOM)

(CE4002) (28 OCT 75)

REFERENCE DATA

SREF = 2690.0000 SQ.FT. XMRP = .0000 IN.
 LREF = 1290.3000 IN. YMRP = .0000 IN.
 BREF = 1290.3000 IN. ZMRP = .0000 IN.
 SCALE = .0200

PARAMETRIC DATA

ELV-18 = .000 ELV-08 = .000
 RN/L = 4.250 MACH = .900

RUN NO. 222/ 0 RN/L = 4.23 GRADIENT INTERVAL = -5.00/ 5.00

ALPHA	BETA	CP29	CP31	CP35	CP37	CP30	CP32	CP36	CP38
-3.901	-.012	.05550	.05510	.06070	.06230	.00000	.06900	.07540	.07310
	GRADIENT	.00000	.00000	.00000	.00000	.00000	.00000	.00000	.00000

RUN NO. 223/ 0 RN/L = 4.22 GRADIENT INTERVAL = -5.00/ 5.00

ALPHA	BETA	CP29	CP31	CP35	CP37	CP30	CP32	CP36	CP38
-.347	-4.025	.04170	.03920	.03900	.04070	.00000	.00170	.01060	.01160
-.380	-.009	.03360	.03560	.04020	.02820	.00000	.04830	.05410	.04140
-.456	4.003	-.00480	-.00660	.00010	-.00530	.00000	.05490	.05510	.04840
	GRADIENT	-.00579	-.00570	-.00484	-.00573	.00000	.00663	.00554	.00458

RUN NO. 224/ 0 RN/L = 4.21 GRADIENT INTERVAL = -5.00/ 5.00

ALPHA	BETA	CP29	CP31	CP35	CP37	CP30	CP32	CP36	CP38
3.977	-.009	-.00740	-.00400	-.00440	-.00710	.00000	.01020	.00940	.00800
	GRADIENT	.00000	.00000	.00000	.00000	.00000	.00000	.00000	.00000

ARC 11-023 1A80 OTS (SRB NOM++) (SSME NOM)

(CE4003) (28 OCT 75)

REFERENCE DATA

SREF = 2690.0000 SQ.FT. XMRP = .0000 IN.
 LREF = 1290.3000 IN. YMRP = .0000 IN.
 BREF = 1290.3000 IN. ZMRP = .0000 IN.
 SCALE = .0200

PARAMETRIC DATA

ELV-18 = .000 ELV-08 = .000
 RN/L = 4.250 MACH = 1.100

RUN NO. 74/ 0 RN/L = 4.30 GRADIENT INTERVAL = -5.00/ 5.00

ALPHA	BETA	CP29	CP31	CP35	CP37	CP30	CP32	CP36	CP38
-3.920	-.003	-.00340	.00020	.03560	.05300	.00000	.01430	.09570	.09050
	GRADIENT	.00000	.00000	.00000	.00000	.00000	.00000	.00000	.00000

RUN NO. 75/ 0 RN/L = 4.31 GRADIENT INTERVAL = -5.00/ 5.00

ALPHA	BETA	CP29	CP31	CP35	CP37	CP30	CP32	CP36	CP38
-.621	-4.006	.15410	.15480	.17710	.17620	.00000	.10500	.13120	.12850
-.641	.000	.04490	.04540	.11320	.11450	.00000	.07490	.14760	.13890
-.492	4.009	.07160	.07550	.09170	.09560	.00000	.17040	.19980	.18940
	GRADIENT	-.01029	-.00988	-.01055	-.01005	.00000	-.00816	.00956	.00760

DATE 12 JUN 76

TABULATED SOURCE DATA - 1A80

PAGE 305

ARC 11-023 1A80 OTS (SRB NOM++) (SSME NOM)

(CE4003) (28 OCT 75)

REFERENCE DATA

SREF = 2690.0000 SQ.FT. XMRP = .0000 IN.
 LREF = 1290.3000 IN. YMRP = .0000 IN.
 BREF = 1290.3000 IN. ZMRP = .0000 IN.
 SCALE = .0200

PARAMETRIC DATA

ELV-18 = .000 ELV-08 = .300
 RN/L = 4.250 MACH = 1.169

RUN NO. 76/ 0 RN/L = 4.31 GRADIENT INTERVAL = -5.00/ 5.00

ALPHA	BETA	CP29	CP31	CP33	CP37	CP30	CP32	CP36	CP38
3.944	-.003	.14780	.15800	.17830	.17510	.00000	.17150	.20110	.18980
	GRADIENT	.00000	.00000	.00000	.00000	.00000	.00000	.00000	.00000

ARC 11-023 1A80 OTS (SRB NOM++) (SSME NOM)

(CE4004) (28 OCT 75)

REFERENCE DATA

SREF = 2690.0000 SQ.FT. XMRP = .0000 IN.
 LREF = 1290.3000 IN. YMRP = .0000 IN.
 BREF = 1290.3000 IN. ZMRP = .0000 IN.
 SCALE = .0200

PARAMETRIC DATA

ELV-18 = .000 ELV-08 = .000
 RN/L = 4.250 MACH = 1.250

RUN NO. 48/ 0 RN/L = 4.50 GRADIENT INTERVAL = -5.00/ 5.00

ALPHA	BETA	CP29	CP31	CP35	CP37	CP30	CP32	CP36	CP38
-4.165	.000	-.03640	-.03790	-.02790	-.02240	.00000	-.03870	-.02070	-.02260
	GRADIENT	.00000	.00000	.00000	.00000	.00000	.00000	.00000	.00000

RUN NO. 49/ 0 RN/L = 4.43 GRADIENT INTERVAL = -5.00/ 5.00

ALPHA	BETA	CP29	CP31	CP35	CP37	CP30	CP32	CP36	CP38
-.495	-4.006	.01620	.01960	.03200	.03000	.00000	-.07500	-.06830	-.07430
-.528	.000	-.04460	-.04170	-.03580	-.03710	.00000	-.03890	-.01940	-.03010
-.555	4.006	-.08090	-.07480	-.08570	-.08440	.00000	.02290	.04800	.03330
	GRADIENT	-.01212	-.01178	-.01459	-.01428	.00000	.01222	.01452	.01343

RUN NO. 50/ 0 RN/L = 4.43 GRADIENT INTERVAL = -5.00/ 5.00

ALPHA	BETA	CP29	CP31	CP35	CP37	CP30	CP32	CP36	CP38
3.881	.006	-.05400	-.06270	-.05580	-.05870	.00000	-.06480	-.04640	-.05790
	GRADIENT	.00000	.00000	.03000	.00000	.00000	.00000	.00000	.00000

ARC 11-023 IAB0 OTS (SRB NOM++) (SSME NOM)

(CE4005) (28 OCT 75)

REFERENCE DATA

PARAMETRIC DATA

SREF = 2690.0000 SQ.FT. XMRP = .0000 IN.
 LREF = 1290.3000 IN. YMRP = .0000 IN.
 BREF = 1290.3000 IN. ZMRP = .0000 IN.
 SCALE = .0200

ELV-18 = .000 ELV-08 = .000
 RN/L = 4.250 MACH = 1.400

RUN NO. 1/ 0 RN/L = 4.31 GRADIENT INTERVAL = -5.00/ 5.00

ALPHA	BETA	CP29	CP31	CP35	CP37	CP30	CP32	CP36	CP38
-3.950	-.003	-.02660	-.02550	-.01070	-.01700	.00000	-.01380	-.00180	-.01160
	GRADIENT	.00000	.00000	.00000	.00000	.00000	.00000	.00000	.00000

RUN NO. 2/ 0 RN/L = 4.30 GRADIENT INTERVAL = -5.00/ 5.00

ALPHA	BETA	CP29	CP31	CP35	CP37	CP30	CP32	CP36	CP38
-.436	-4.009	.01680	.01820	.03320	.02840	.00000	-.04700	-.03640	-.04240
-.482	-.003	-.01820	-.01810	-.00810	-.01170	.00000	-.02040	-.01000	-.01600
-.505	4.009	-.03990	-.03850	-.04070	-.03950	.00000	.01620	.03920	.02880
	GRADIENT	-.00707	-.00707	-.00922	-.00847	.00000	.00788	.00743	.00888

RUN NO. 3/ 0 RN/L = 4.30 GRADIENT INTERVAL = -5.00/ 5.00

ALPHA	BETA	CP29	CP31	CP35	CP37	CP30	CP32	CP36	CP38
3.881	-.006	-.02980	-.02580	-.02010	-.01880	.00000	-.03260	-.00860	-.01680
	GRADIENT	.00000	.00000	.00000	.00000	.00000	.00000	.00000	.00000

ARC 11-023 IAB0 OTS (SRB NOM+) (SSME NOM)

(CE4006) (28 OCT 75)

REFERENCE DATA

PARAMETRIC DATA

SREF = 2690.0000 SQ.FT. XMRP = .0000 IN.
 LREF = 1290.3000 IN. YMRP = .0000 IN.
 BREF = 1290.3000 IN. ZMRP = .0000 IN.
 SCALE = .0200

ELV-18 = .000 ELV-08 = .000
 RN/L = 3.400 MACH = .600

RUN NO. 243/ 0 RN/L = 3.39 GRADIENT INTERVAL = -5.00/ 5.00

ALPHA	BETA	CP29	CP31	CP35	CP37	CP30	CP32	CP36	CP38
-3.848	-.019	.00140	-.00170	.00280	-.00360	.00000	.00870	.01420	.00260
	GRADIENT	.00000	.00000	.00000	.00000	.00000	.00000	.00000	.00000

RUN NO. 244/ 0 RN/L = 3.38 GRADIENT INTERVAL = -5.00/ 5.00

ALPHA	BETA	CP29	CP31	CP35	CP37	CP30	CP32	CP36	CP38
-.350	-4.038	-.02070	-.01650	-.02310	-.03380	.00000	-.04560	-.03870	-.05070
-.314	-.022	-.03140	-.02770	-.02870	-.03780	.00000	-.01950	-.01980	-.03680
-.396	3.997	-.05630	-.06470	-.05950	-.05240	.00000	-.01930	-.02410	-.03240
	GRADIENT	-.00443	-.00600	-.00453	-.00356	.00000	.06327	.00182	.00228

DATE 12 JUN 76

TABULATED SOURCE DATA - 1A80

PAGE 307

ARC 11-023 1A80 OTS (SRB NOM+) (SSME NOM)

(CE4006) (28 OCT 75)

REFERENCE DATA

SREF = 2690.0000 SQ.FT. XMRP = .0000 IN.
 LREF = 1290.3000 IN. YMRP = .0000 IN.
 BREF = 1290.3000 IN. ZMRP = .0000 IN.
 SCALE = .0200

PARAMETRIC DATA

ELV-18 = .000 ELV-06 = .000
 RN/L = 3.400 MACH = .600

RUN NO. 245/ 0 RN/L = 3.39 GRADIENT INTERVAL = -5.00/ 5.00

ALPHA	BETA	CP29	CP31	CP35	CP37	CP30	CP32	CP36	CP38
3.970	-.022	-.07290	-.07190	-.07670	-.08540	.00000	-.07050	-.07460	-.08470
	GRADIENT	.00000	.00000	.00000	.00000	.00000	.00000	.00000	.00000

ARC 11-023 1A80 OTS (SRB NOM+) (SSME NOM)

(CE4007) (28 OCT 75)

REFERENCE DATA

SREF = 2690.0000 SQ.FT. XMRP = .0000 IN.
 LREF = 1290.3000 IN. YMRP = .0000 IN.
 BREF = 1290.3000 IN. ZMRP = .0000 IN.
 SCALE = .0200

PARAMETRIC DATA

ELV-18 = .000 ELV-06 = .000
 RN/L = 4.250 MACH = .900

RUN NO. 225/ 0 RN/L = 4.20 GRADIENT INTERVAL = -5.00/ 5.00

ALPHA	BETA	CP29	CP31	CP35	CP37	CP30	CP32	CP36	CP38
-3.930	-.009	.05390	.05630	.06150	.05530	.00000	.06540	.07580	.06950
	GRADIENT	.00000	.00000	.00000	.00000	.00000	.00000	.00000	.00000

RUN NO. 226/ 0 RN/L = 4.21 GRADIENT INTERVAL = -5.00/ 5.00

ALPHA	BETA	CP29	CP31	CP35	CP37	CP30	CP32	CP36	CP38
-.376	-4.028	.04590	.05060	.04550	.04090	.00000	.01060	.02060	.01330
-.330	-.012	.02330	.02660	.03040	.02620	.00000	.03630	.04510	.03800
-.330	4.003	-.00420	-.00380	.00270	-.00200	.00000	.05590	.05900	.05130
	GRADIENT	-.00624	-.00677	-.00533	-.00534	.00000	.00564	.00478	.00473

RUN NO. 227/ 0 RN/L = 4.21 GRADIENT INTERVAL = -5.00/ 5.00

ALPHA	BETA	CP29	CP31	CP35	CP37	CP30	CP32	CP36	CP38
3.927	-.016	-.00700	.00110	.00050	-.00520	.00000	.01260	.01610	.00870
	GRADIENT	.00000	.00000	.00000	.00000	.00000	.00000	.00000	.00000

ORIGINAL PAGE IS
OF POOR QUALITY

ARC 11-023 IAB0 OTS (SRB NOM+) (SSME NOM)

(CE4008) (23 OCT 75)

REFERENCE DATA

SREF = 2690.0000 SQ.FT. XMRP = .0000 IN.
 LREF = 1290.3000 IN. YMRP = .0000 IN.
 BREF = 1290.3000 IN. ZMRP = .0000 IN.
 SCALE = .0200

PARAMETRIC DATA

ELV-18 = .000 ELV-08 = .000
 RN/L = 4.250 MACH = 1.100

RUN NO. 77/ 0 RN/L = 4.31 GRADIENT INTERVAL = -5.00/ 5.00

ALPHA	BETA	CP29	CP31	CP35	CP37	CP30	CP32	CP36	CP38
-3.907	.000	-.00530	-.00140	.05300	.05050	.00000	.02100	.09550	.08730
	GRADIENT	.00000	.00000	.00000	.00000	.00000	.00000	.00000	.00000

RUN NO. 78/ 0 RN/L = 4.31 GRADIENT INTERVAL = -5.00/ 5.00

ALPHA	BETA	CP29	CP31	CP35	CP37	CP30	CP32	CP36	CP38
-.515	-4.003	.15980	.16380	.18350	.17990	.00000	.10870	.13460	.13170
-.525	.003	.05580	.05290	.11930	.11590	.00000	.08570	.15140	.14110
-.426	4.012	.07450	.05250	.09320	.10130	.00000	.17550	.20160	.19370
	GRADIENT	-.01064	-.01014	-.01126	-.00981	.00000	.00834	.00836	.00774

RUN NO. 79/ 0 RN/L = 4.32 GRADIENT INTERVAL = -5.00/ 5.00

ALPHA	BETA	CP29	CP31	CP35	CP37	CP30	CP32	CP36	CP38
3.881	.006	.17530	.18240	.19310	.19030	.00000	.19500	.21440	.20420
	GRADIENT	.00000	.00000	.00000	.00000	.00000	.00000	.00000	.00000

ARC 11-023 IAB0 OTS (SRB NOM+) (SSME NOM)

(CE4009) (28 OCT 75)

REFERENCE DATA

SREF = 2690.0000 SQ.FT. XMRP = .0000 IN.
 LREF = 1290.3000 IN. YMRP = .0000 IN.
 BREF = 1290.3000 IN. ZMRP = .0000 IN.
 SCALE = .0200

PARAMETRIC DATA

ELV-18 = .000 ELV-08 = .000
 RN/L = 4.250 MACH = 1.250

RUN NO. 51/ 0 RN/L = 4.40 GRADIENT INTERVAL = -5.00/ 5.00

ALPHA	BETA	CP29	CP31	CP35	CP37	CP30	CP32	CP36	CP38
-3.897	.006	-.03180	-.03150	-.01630	-.02380	.00000	-.02830	-.01110	-.02370
	GRADIENT	.00000	.00000	.00000	.00000	.00000	.00000	.00000	.00000

RUN NO. 52/ 0 RN/L = 4.40 GRADIENT INTERVAL = -5.00/ 5.00

ALPHA	BETA	CP29	CP31	CP35	CP37	CP30	CP32	CP36	CP38
-.482	-4.006	.01590	.01450	.02970	.02730	.00000	-.07670	-.06850	-.07330
-.519	.003	-.04680	-.04070	-.03930	-.03500	.00000	-.04280	-.02270	-.02980
-.462	4.009	-.09610	-.08830	-.09850	-.09100	.00000	.01860	.03950	.03440
	GRADIENT	-.01397	-.01283	-.01597	-.01476	.00000	.01189	.01347	.01344

ARC 11-023 IABO OTS (SRB NOM) (SSME NOM+)

(CE4011) (28 OCT 75)

REFERENCE DATA

SREF = 2690.0000 SQ.FT. XMRP = .0000 IN.
 LREF = 1290.3000 IN. YMRP = .0000 IN.
 BREF = 1290.3000 IN. ZMRP = .0000 IN.
 SCALE = .0200

PARAMETRIC DATA

ELV-18 = .000 ELV-08 = .000
 RN/L = 3.400 MACH = .600

RUN NO. 249/ 0 RN/L = 3.38 GRADIENT INTERVAL = -5.00/ 5.00

ALPHA	BETA	CP29	CP31	CP35	CP37	CP30	CP32	CP36	CP38
-3.957	-.016	.00340	.00270	-.00150	-.00210	.00000	.00720	.01240	.00590
	GRADIENT	.00000	.00000	.00000	.00000	.00000	.00000	.00000	.00000

RUN NO. 250/ 0 RN/L = 3.40 GRADIENT INTERVAL = -5.00/ 5.00

ALPHA	BETA	CP29	CP31	CP35	CP37	CP30	CP32	CP36	CP38
-.337	-4.041	-.01750	-.01790	-.02340	-.03190	.00000	-.04190	-.03530	-.05000
-.383	-.022	-.03080	-.02460	-.02870	-.03670	.00000	-.01910	-.02600	-.03600
-.400	3.997	-.04440	-.04230	-.04160	-.04780	.00000	-.00890	-.01160	-.02760
	GRADIENT	-.00335	-.00304	-.00226	-.00158	.00000	.00411	.00295	.00279

RUN NO. 251/ 0 RN/L = 3.41 GRADIENT INTERVAL = -5.00/ 5.00

ALPHA	BETA	CP29	CP31	CP35	CP37	CP30	CP32	CP36	CP38
4.125	-.025	-.07110	-.06930	-.07720	-.07790	.00300	-.06320	-.07100	-.07680
	GRADIENT	.00000	.00000	.00000	.00000	.00000	.00000	.00000	.00000

ARC 11-023 IABO OTS (SRB NOM) (SSME NOM+)

(CE4012) (28 OCT 75)

REFERENCE DATA

SREF = 2690.0000 SQ.FT. XMRP = .0000 IN.
 LREF = 1290.3000 IN. YMRP = .0000 IN.
 BREF = 1290.3000 IN. ZMRP = .0000 IN.
 SCALE = .0200

PARAMETRIC DATA

ELV-18 = .000 ELV-08 = .000
 RN/L = 4.250 MACH = .900

RUN NO. 231/ 0 RN/L = 4.20 GRADIENT INTERVAL = -5.00/ 5.00

ALPHA	BETA	CP29	CP31	CP35	CP37	CP30	CP32	CP36	CP38
-4.062	-.012	.05380	.05100	.05870	.05630	.00000	.06480	.07420	.06870
	GRADIENT	.00000	.00000	.00000	.00000	.00000	.00000	.00000	.00000

RUN NO. 232/ 0 RN/L = 4.21 GRADIENT INTERVAL = -5.00/ 5.00

ALPHA	BETA	CP29	CP31	CP35	CP37	CP30	CP32	CP36	CP38
-.383	-4.078	.03960	.03820	.03450	.03710	.00000	-.00160	.00720	.00920
-.383	-.016	.03190	.03670	.03870	.02580	.00000	.04580	.05260	.03870
-.453	4.039	-.00140	-.00360	.00590	-.00080	.00000	.05740	.05890	.05310
	GRADIENT	-.00511	-.00521	-.00356	-.00472	.00000	.00735	.00644	.00547

DATE 12 JUN 76

TABULATED SOURCE DATA - IAB0

PAGE 311

ARC 11-023 IAB0 OTS (SRB NOM) (SSME NOM+)

(CE4012) (23 OCT 75)

REFERENCE DATA

SREF = 2690.0000 SQ.FT. XMRP = .0000 IN.
 LREF = 1290.3000 IN. YMRP = .0000 IN.
 BREF = 1290.3000 IN. ZMRP = .0000 IN.
 SCALE = .0200

PARAMETRIC DATA

ELV-1B = .000 ELV-0B = .000
 RN/L = 4.250 MACH = .900

RUN NO. 233/ 0 RN/L = 4.20 GRADIENT INTERVAL = -5.00/ 5.00

ALPHA	BETA	CP29	CP31	CP35	CP37	CP30	CP32	CP36	CP38
3.947	-.012	-.00340	-.00140	-.00280	-.00340	.00000	.00920	.01160	.00650
	GRADIENT	.00000	.00000	.00000	.00000	.00000	.00000	.00000	.00000

ARC 11-023 IAB0 OTS (SRB NOM) (SSME NOM+)

(CE4013) (28 OCT 75)

REFERENCE DATA

SREF = 2690.0000 SQ.FT. XMRP = .0000 IN.
 LREF = 1290.3000 IN. YMRP = .0000 IN.
 BREF = 1290.3000 IN. ZMRP = .0000 IN.
 SCALE = .0200

PARAMETRIC DATA

ELV-1B = .000 ELV-0B = .000
 RN/L = 4.250 MACH = 1.100

RUN NO. 80/ 0 RN/L = 4.32 GRADIENT INTERVAL = -5.00/ 5.00

ALPHA	BETA	CP29	CP31	CP35	CP37	CP30	CP32	CP36	CP38
-3.950	.006	.02270	.01380	.06610	.07390	.00000	.03110	.11540	.11750
	GRADIENT	.00000	.00000	.00000	.00000	.00000	.00000	.00000	.00000

RUN NO. 81/ 0 RN/L = 4.32 GRADIENT INTERVAL = -5.00/ 5.00

ALPHA	BETA	CP29	CP31	CP35	CP37	CP30	CP32	CP36	CP38
-.509	-4.066	.16240	.16600	.18020	.18110	.00000	.10600	.13590	.13160
-.552	-.056	.07730	.07410	.12240	.13000	.00000	.10000	.15470	.15310
-.486	3.950	.07340	.09160	.09320	.09750	.00000	.17620	.20210	.19530
	GRADIENT	-.01110	-.01053	-.01085	-.01043	.00000	.00876	.00826	.00795

RUN NO. 82/ 0 RN/L = 4.32 GRADIENT INTERVAL = -5.00/ 5.00

ALPHA	BETA	CP29	CP31	CP35	CP37	CP30	CP32	CP36	CP38
4.029	-.069	.17830	.18880	.19320	.19080	.00030	.19530	.21370	.20030
	GRADIENT	.00000	.00000	.00000	.00000	.00000	.00000	.00000	.00000

ORIGINAL PAGE IS
OF POOR QUALITY

ARC 11-023 IAB0 OTS (SRB NOM) (SSME NOM+)

(CE4014) (28 OCT 75)

REFERENCE DATA

SREF = 2690.0000 SQ.FT. XMRP = .0000 IN.
 LREF = 1290.3000 IN. YMRP = .0000 IN.
 BREF = 1290.3000 IN. ZMRP = .0000 IN.
 SCALE = .0200

PARAMETRIC DATA

ELV-18 = .000 ELV-08 = .000
 RN/L = 4.250 MACH = 1.250

RUN NO. 54/ 0 RN/L = 4.38 GRADIENT INTERVAL = -5.00/ 5.00

ALPHA	BETA	CP29	CP31	CP35	CP37	CP30	CP32	CP36	CP38
-3.963	.006	-.02430	-.02200	-.01230	-.01680	.00000	-.02550	-.00960	-.02230
	GRADIENT	.00000	.00000	.00000	.00000	.00000	.00000	.00000	.00000

RUN NO. 55/ 0 RN/L = 4.39 GRADIENT INTERVAL = -5.00/ 5.00

ALPHA	BETA	CP29	CP31	CP35	CP37	CP30	CP32	CP36	CP38
-.492	-4.006	.01990	.01940	.02950	.02840	.00000	-.07820	-.06750	-.07320
-.466	.003	-.04280	-.03390	-.03070	-.02950	.00000	-.04170	-.01830	-.02810
-.522	4.009	-.09320	-.08810	-.09970	-.08890	.00000	.01480	.04010	.03670
	GRADIENT	-.01411	-.01341	-.01612	-.01463	.00000	.01160	.01342	.01371

RUN NO. 56/ 0 RN/L = 4.38 GRADIENT INTERVAL = -5.00/ 5.00

ALPHA	BETA	CP29	CP31	CP35	CP37	CP30	CP32	CP36	CP38
3.996	.000	-.06520	-.06340	-.05550	-.05980	.00000	-.06600	-.04790	-.05870
	GRADIENT	.00000	.00000	.00000	.00000	.00000	.00000	.00000	.00000

ARC 11-023 IAB0 OTS (SRB NOM) (SSME NOM+)

(CE4015) (28 OCT 75)

REFERENCE DATA

SREF = 2690.0000 SQ.FT. XMRP = .0000 IN.
 LREF = 1290.3000 IN. YMRP = .0000 IN.
 BREF = 1290.3000 IN. ZMRP = .0000 IN.
 SCALE = .0200

PARAMETRIC DATA

ELV-18 = .000 ELV-08 = .000
 RN/L = 4.250 MACH = 1.400

RUN NO. 7/ 0 RN/L = 4.27 GRADIENT INTERVAL = -5.00/ 5.00

ALPHA	BETA	CP29	CP31	CP35	CP37	CP30	CP32	CP36	CP38
-3.910	-.006	-.02370	-.02760	-.00320	-.01210	.00000	-.01510	.00130	-.01440
	GRADIENT	.00000	.00000	.00000	.00000	.00000	.00000	.00000	.00000

RUN NO. 8/ 0 RN/L = 4.28 GRADIENT INTERVAL = -5.00/ 5.00

ALPHA	BETA	CP29	CP31	CP35	CP37	CP30	CP32	CP36	CP38
-.409	-4.009	.01940	.01830	.03280	.02850	.00000	-.04470	-.03430	-.04390
-.446	.000	-.01330	-.01440	.00150	-.00110	.00000	-.02050	-.00580	-.01770
-.509	4.009	-.04060	-.03780	-.03890	-.03680	.00000	.01470	.03950	.02860
	GRADIENT	-.00748	-.00700	-.00894	-.00814	.00000	.00741	.00920	.00904

ARC 11-023 IABO OTS (SRB NOM) (SSME NOM-)

(CE4017) (28 OCT 75)

REFERENCE DATA

SREF = 2690.0000 SQ.FT. XMRP = .0000 IN.
 LREF = 1290.3000 IN. YMRP = .0000 IN.
 BREF = 1290.3000 IN. ZMRP = .0000 IN.
 SCALE = .0200

PARAMETRIC DATA

ELV-1B = .000 ELV-0B = .000
 RN/L = 4.250 MACH = 1.100

RUN NO. 83/ 0 RN/L = 4.32 GRADIENT INTERVAL = -5.00/ 5.00

ALPHA	BETA	CP29	CP31	CP35	CP37	CP30	CP32	CP36	CP38
-4.020	-0.069	.01470	.01080	.08110	.08050	.00000	.02290	.11680	.11770
	GRADIENT	.00000	.00000	.00000	.00000	.00000	.00000	.00000	.00000

RUN NO. 84/ 0 RN/L = 4.31 GRADIENT INTERVAL = -5.00/ 5.00

ALPHA	BETA	CP29	CP31	CP35	CP37	CP30	CP32	CP36	CP38
-4.479	-4.069	.15790	.16250	.17990	.18310	.00000	.10450	.13450	.13100
-4.489	-0.056	.06600	.07170	.12850	.13390	.00000	.06600	.15850	.15140
-4.486	3.947	.06750	.08130	.08980	.09650	.00000	.17290	.19900	.19360
	GRADIENT	-.01128	-.01014	-.01124	-.01080	.00000	.00853	.00805	.00781

RUN NO. 85/ 0 RN/L = 4.32 GRADIENT INTERVAL = -5.00/ 5.00

ALPHA	BETA	CP29	CP31	CP35	CP37	CP30	CP32	CP36	CP38
3.983	-.063	.17170	.17960	.19160	.18560	.00000	.18850	.21400	.20180
	GRADIENT	.00000	.00000	.00000	.00000	.00000	.00000	.00000	.00000

ARC 11-023 IABO OTS (SRB NOM) (SSME NOM-)

(CE4018) (28 OCT 75)

REFERENCE DATA

SREF = 2690.0000 SQ.FT. XMRP = .0000 IN.
 LREF = 1290.3000 IN. YMRP = .0000 IN.
 BREF = 1290.3000 IN. ZMRP = .0000 IN.
 SCALE = .0200

PARAMETRIC DATA

ELV-1B = .000 ELV-0B = .000
 RN/L = 4.250 MACH = 1.250

RUN NO. 57/ 0 RN/L = 4.38 GRADIENT INTERVAL = -5.00/ 5.00

ALPHA	BETA	CP29	CP31	CP35	CP37	CP30	CP32	CP36	CP38
-3.953	.000	-.03190	-.03510	-.02070	-.02830	.00000	-.03120	-.01450	-.02530
	GRADIENT	.00000	.00000	.00000	.00000	.00000	.00000	.00000	.00000

RUN NO. 58/ 0 RN/L = 4.38 GRADIENT INTERVAL = -5.00/ 5.00

ALPHA	BETA	CP29	CP31	CP35	CP37	CP30	CP32	CP36	CP38
-4.429	-4.006	.01480	.01590	.02980	.02990	.00000	-.07660	-.06770	-.07490
-4.423	.003	-.04450	-.04590	-.03350	-.03690	.00000	-.04320	-.02290	-.03280
-4.416	4.009	-.09510	-.09120	-.10080	.09350	.00000	.01520	.03650	.03410
	GRADIENT	-.01371	-.01336	-.01629	.01540	.00000	.01145	.01300	.01360

ARC 11-023 IAB0 OTS (SRB NOM) (SSMC NOM)

(CE4020) (20 OCT 75)

REFERENCE DATA

SREF = 2690.0000 SQ.FT. XMRP = .0000 IN.
 LREF = 1290.3000 IN. YMRP = .0000 IN.
 BREF = 1290.3000 IN. ZMRP = .0000 IN.
 SCALE = .0200

PARAMETRIC DATA

ELV-1B = .000 ELV-0B = .000
 RN/L = 3.400 MACH = .600

RUN NO. 246/ 0 RN/L = 3.36 GRADIENT INTERVAL = -5.00/ 5.00

ALPHA	BETA	CP29	CP31	CP35	CP37	CP30	CP32	CP36	CP38
-3.868	-.016	-.00350	-.00700	-.00670	-.00590	.00000	-.00350	.00240	-.00170
	GRADIENT	.00000	.00000	.00000	.00000	.00000	.00000	.00000	.00000

RUN NO. 247/ 0 RN/L = 3.39 GRADIENT INTERVAL = -5.00/ 5.00

ALPHA	BETA	CP29	CP31	CP35	CP37	CP30	CP32	CP36	CP38
-.327	-4.038	-.00990	-.00990	-.01130	-.03370	.00000	-.03030	-.01820	-.04810
-.291	-.022	-.03860	-.04030	-.04620	-.03650	.00000	-.03620	-.03760	-.03340
-.386	3.994	-.04620	-.03580	-.03270	-.05570	.00000	-.00070	-.00380	-.02650
	GRADIENT	-.00452	-.00322	-.00265	-.00274	.00000	.00369	.00179	.00269

RUN NO. 248/ 0 RN/L = 3.41 GRADIENT INTERVAL = -5.00/ 5.00

ALPHA	BETA	CP29	CP31	CP35	CP37	CP30	CP32	CP36	CP38
4.016	-.022	-.07030	-.06750	-.06920	-.07820	.00000	-.06240	-.06510	-.08160
	GRADIENT	.00000	.00000	.00000	.00000	.00000	.00000	.00000	.00000

ARC 11-023 IAB0 OTS (SRB NOM) (SSME NOM)

(CE4021) (28 OCT 75)

REFERENCE DATA

SREF = 2690.0000 SQ.FT. XMRP = .0000 IN.
 LREF = 1290.3000 IN. YMRP = .0000 IN.
 BREF = 1290.3000 IN. ZMRP = .0000 IN.
 SCALE = .0200

PARAMETRIC DATA

ELV-1B = .000 ELV-0B = .000
 RN/L = 4.250 MACH = .900

RUN NO. 228/ 0 RN/L = 4.20 GRADIENT INTERVAL = -5.00/ 5.00

ALPHA	BETA	CP29	CP31	CP35	CP37	CP30	CP32	CP36	CP38
-3.977	-.016	.05500	.05660	.05020	.05770	.00000	.06910	.07720	.06830
	GRADIENT	.00000	.00000	.00000	.00000	.00000	.00000	.00000	.00000

RUN NO. 229/ 0 RN/L = 4.21 GRADIENT INTERVAL = -5.00/ 5.00

ALPHA	BETA	CP29	CP31	CP35	CP37	CP30	CP32	CP36	CP38
-.327	-4.028	.04350	.04390	.04320	.03930	.00000	.00740	.01680	.01120
-.317	-.012	.03280	.03500	.04280	.03240	.00000	.04900	.05870	.04360
-.350	4.000	-.00350	-.00290	.00370	-.00200	.00000	.05990	.05990	.05160
	GRADIENT	-.00585	-.00583	-.00501	-.00514	.00000	.00654	.00537	.00503

DATE 12 JUN 76

TABULATED SOURCE DATA - 1A80

PAGE 317

ARC 11-023 1A80 OTS (SRB NOM) (SSME NOM)

(CE4021) (28 OCT 75)

REFERENCE DATA

SREF = 2690.0000 SQ.FT. XMRP = .0000 IN.
 LREF = 1290.3000 IN. YMRP = .0000 IN.
 BREF = 1290.3000 IN. ZMRP = .0000 IN.
 SCALE = .0200

PARAMETRIC DATA

ELV-18 = .000 ELV-08 = .000
 RN/L = 4.250 MACH = .900

RUN NO. 230/ 0 RN/L = 4.20 GRADIENT INTERVAL = -5.00/ 5.00

ALPHA	BETA	CP29	CP31	CP35	CP37	CP30	CP32	CP36	CP38
3.977	-.012	-.00040	.00190	.00450	-.00300	.00000	.01540	.01900	.00840
	GRADIENT	.00000	.00000	.00000	.00000	.00000	.00000	.00000	.00000

ARC 11-023 1A80 OTS (SRB NOM) (SSME NOM)

(CE4022) (28 OCT 75)

REFERENCE DATA

SREF = 2690.0000 SQ.FT. XMRP = .0000 IN.
 LREF = 1290.3000 IN. YMRP = .0000 IN.
 BREF = 1290.3000 IN. ZMRP = .0000 IN.
 SCALE = .0200

PARAMETRIC DATA

ELV-18 = .000 ELV-08 = .000
 RN/L = 4.250 MACH = 1.100

RUN NO. 86/ 0 RN/L = 4.32 GRADIENT INTERVAL = -5.00/ 5.00

ALPHA	BETA	CP29	CP31	CP35	CP37	CP30	CP32	CP36	CP38
-3.937	-.063	.01450	.00650	.06540	.07290	.00000	.03360	.10850	.11920
	GRADIENT	.00000	.00000	.00000	.00000	.00000	.00000	.00000	.00000

RUN NO. 87/ 0 RN/L = 4.32 GRADIENT INTERVAL = -5.00/ 5.00

ALPHA	BETA	CP29	CP31	CP35	CP37	CP30	CP32	CP36	CP38
-.525	-4.069	.16440	.16320	.18440	.18070	.00000	.10580	.13360	.13020
-.439	-.056	.06300	.07900	.12450	.12720	.00000	.10240	.15780	.15270
-.482	3.950	.06920	.07920	.09300	.09730	.00000	.17480	.20180	.19380
	GRADIENT	-.01188	-.01048	-.01140	-.01040	.00000	.00860	.00850	.00793

RUN NO. 88/ 0 RN/L = 4.32 GRADIENT INTERVAL = -5.00/ 5.00

ALPHA	BETA	CP29	CP31	CP35	CP37	CP30	CP32	CP36	CP38
3.963	-.063	.17610	.17780	.19010	.18720	.00000	.18750	.21400	.20170
	GRADIENT	.00000	.00000	.00000	.00000	.00000	.00000	.00000	.00000

ORIGINAL PAGE IS
OF POOR QUALITY

ARC 11-023 IAB0 OTS (SRB NOM) (SSME NOM)

(CE4023) (28 OCT 75)

REFERENCE DATA

SREF = 2690.0000 SQ.FT. XMRP = .0000 IN.
 LREF = 1290.3000 IN. YMRP = .3000 IN.
 BREF = 1290.3000 IN. ZMRP = .0000 IN.
 SCALE = .0200

PARAMETRIC DATA

ELV-18 = .000 ELV-08 = .000
 RN/L = 4.250 MACH = 1.250

RUN NO. 60/ 0 RN/L = 4.37 GRADIENT INTERVAL = -5.00/ 5.00

ALPHA	BETA	CP29	CP31	CP35	CP37	CP30	CP32	CP36	CP38
-3.917	.003	-.03010	-.02750	-.01660	-.02350	.00000	-.03310	-.01170	-.02530
	GRADIENT	.00000	.00000	.00000	.00000	.00000	.00000	.00000	.00000

RUN NO. 61/ 0 RN/L = 4.37 GRADIENT INTERVAL = -5.00/ 5.00

ALPHA	BETA	CP29	CP31	CP35	CP37	CP30	CP32	CP36	CP38
-.446	-4.006	.01780	.01560	.03100	.02780	.00000	-.07850	-.06890	-.07410
-.456	.003	-.04670	-.04090	-.03390	-.03840	.00000	-.04040	-.02140	-.02840
-.439	4.012	-.09510	-.09130	-.10050	-.09070	.00000	.01990	.03850	.03270
	GRADIENT	-.01408	-.01333	-.01640	-.01478	.00000	.01227	.01339	.01332

RUN NO. 62/ 0 RN/L = 4.37 GRADIENT INTERVAL = -5.00/ 5.00

ALPHA	BETA	CP29	CP31	CP35	CP37	CP30	CP32	CP36	CP38
3.986	.000	-.06810	-.06600	-.05720	-.06070	.00000	-.06730	-.04970	-.06050
	GRADIENT	.00000	.00000	.00000	.00000	.00000	.00000	.00000	.00000

ARC 11-023 IAB0 OTS (SRB NOM) (SSME NOM)

(CE4024) (28 OCT 75)

REFERENCE DATA

SREF = 2690.0000 SQ.FT. XMRP = .0000 IN.
 LREF = 1290.3000 IN. YMRP = .0000 IN.
 BREF = 1290.3000 IN. ZMRP = .0000 IN.
 SCALE = .0200

PARAMETRIC DATA

ELV-18 = .000 ELV-08 = .000
 RN/L = 4.250 MACH = 1.400

RUN NO. 13/ 0 RN/L = 4.25 GRADIENT INTERVAL = -5.00/ 5.00

ALPHA	BETA	CP29	CP31	CP35	CP37	CP30	CP32	CP36	CP38
-3.894	-.003	-.02790	-.03150	-.01240	-.02050	.00000	-.01930	-.00330	-.01610
	GRADIENT	.00000	.00000	.00000	.00000	.00000	.00000	.00000	.00000

RUN NO. 14/ 0 RN/L = 4.25 GRADIENT INTERVAL = -5.00/ 5.00

ALPHA	BETA	CP29	CP31	CP35	CP37	CP30	CP32	CP36	CP38
-.370	-4.009	.01580	.01640	.03050	.02780	.00000	-.04400	-.03390	-.04190
-.370	.000	-.01960	-.01440	-.00630	-.00900	.00000	-.02190	-.00740	-.01780
-.429	4.012	-.04150	-.03620	-.03730	-.03680	.00000	.01490	.03860	.02530
	GRADIENT	-.00714	-.00656	-.00845	-.00805	.00000	.00734	.00904	.00838

ARC 11-023 IAB0 OTS (SRB NOM-) (SSME NOM)

(CE4026) (28 OCT 75)

REFERENCE DATA

SREF = 2690.0000 SQ.FT. XMRP = .0000 IN.
 LREF = 1290.3000 IN. YMRP = .0000 IN.
 BREF = 1290.3000 IN. ZMRP = .0000 IN.
 SCALE = .0200

PARAMETRIC DATA

ELV-18 = .000 ELV-08 = .000
 RN/L = 4.250 MACH = 1.250

RUN NO. 63/ 0 RN/L = 4.36 GRADIENT INTERVAL = -5.00/ 5.00

ALPHA	BETA	CP29	CP31	CP35	CP37	CP30	CP32	CP36	CP38
-3.983	.000	-.02860	-.03000	-.01600	-.02310	.00000	-.03120	-.01240	-.02390
	GRADIENT	.00000	.00000	.00000	.00000	.00000	.00000	.00000	.00000

RUN NO. 64/ 0 RN/L = 4.36 GRADIENT INTERVAL = -5.00/ 5.00

ALPHA	BETA	CP29	CP31	CP35	CP37	CP30	CP32	CP36	CP38
-.443	-4.006	.02000	.01680	.03030	.02250	.00000	-.07570	-.06960	-.07520
-.426	.003	-.04210	-.04080	-.03650	-.03400	.00000	-.04280	-.02290	-.03080
-.456	4.016	-.09220	-.08610	-.09650	-.08980	.00000	.02040	.04130	.03460
	GRADIENT	-.01399	-.01283	-.01581	-.01487	.00000	.01198	.01383	.01369

RUN NO. 65/ 0 RN/L = 4.35 GRADIENT INTERVAL = -5.00/ 5.00

ALPHA	BETA	CP29	CP31	CP35	CP37	CP30	CP32	CP36	CP38
4.020	-.003	-.06860	-.06650	-.05980	-.06230	.00000	-.06980	-.05150	-.06130
	GRADIENT	.00000	.00000	.00000	.00000	.00000	.00000	.00000	.00000

ARC 11-023 IAB0 OTS (SRB NOM-) (SSME NOM)

(CE4027) (28 OCT 75)

REFERENCE DATA

SREF = 2690.0000 SQ.FT. XMRP = .0000 IN.
 LREF = 1290.3000 IN. YMRP = .0000 IN.
 BREF = 1290.3000 IN. ZMRP = .0000 IN.
 SCALE = .0200

PARAMETRIC DATA

ELV-18 = .000 ELV-08 = .000
 RN/L = 4.250 MACH = 1.400

RUN NO. 16/ 0 RN/L = 4.23 GRADIENT INTERVAL = -5.00/ 5.00

ALPHA	BETA	CP29	CP31	CP35	CP37	CP30	CP32	CP36	CP38
-3.805	.000	-.03290	-.03170	-.01760	-.02340	.00000	-.02100	-.00880	-.01690
	GRADIENT	.00000	.00000	.00000	.00000	.00000	.00000	.00000	.00000

RUN NO. 17/ 0 RN/L = 4.24 GRADIENT INTERVAL = -5.00/ 5.00

ALPHA	BETA	CP29	CP31	CP35	CP37	CP30	CP32	CP36	CP38
-.353	-4.006	.01400	.01380	.02650	.02300	.00000	-.04660	-.03790	-.04320
-.367	.000	-.01930	-.01230	-.00740	-.00850	.00000	-.02250	-.00900	-.01570
-.400	4.012	-.03800	-.03560	-.04060	-.03840	.00000	.01310	.03940	.02500
	GRADIENT	-.00648	-.00616	-.00837	-.00766	.00000	.00745	.00952	.00851

ARC 11-023 1A80 OTS (SR3 OFF) (SSME OFF)

(CE4029) (28 OCT 75)

REFERENCE DATA

SREF = 2690.0000 SQ.FT. XMRP = .0000 IN.
 LREF = 1290.3000 IN. YMRP = .0000 IN.
 BREF = 1290.3000 IN. ZMRP = .0000 IN.
 SCALE = .0200

PARAMETRIC DATA

ELV-18 = .000 ELV-08 = .000
 RN/L = 4.250 MACH = .900

RUN NO. 219/ 0 RN/L = 4.25 GRADIENT INTERVAL = -5.00/ 5.00

ALPHA	BETA	CP29	CP31	CP35	CP37	CP30	CP32	CP36	CP38
-3.980	-.006	.05730	.05830	.06470	.05970	.00000	.06840	.08040	.07270
	GRADIENT	.00000	.00000	.00000	.00000	.00000	.00000	.00000	.00000

RUN NO. 220/ 0 RN/L = 4.25 GRADIENT INTERVAL = -5.00/ 5.00

ALPHA	BETA	CP29	CP31	CP35	CP37	CP30	CP32	CP36	CP38
-.320	-4.022	.04570	.04650	.04390	.04450	.00000	.00560	.01410	.01340
-.310	-.009	.03430	.03950	.04290	.03140	.00000	.04920	.05500	.04530
-.297	4.006	.00430	.00290	.00760	.00390	.00000	.06090	.06110	.05690
	GRADIENT	-.00516	-.00543	-.00452	-.00506	.00000	.00689	.00585	.00542

RUN NO. 221/ 0 RN/L = 4.24 GRADIENT INTERVAL = -5.00/ 5.00

ALPHA	BETA	CP29	CP31	CP35	CP37	CP30	CP32	CP36	CP38
3.986	-.009	-.00180	-.00580	-.00060	-.00360	.00000	.01150	.01430	.00930
	GRADIENT	.00000	.00000	.00000	.00000	.00000	.00000	.00000	.00000

ARC 11-023 1A80 OTS (SR3 OFF) (SSME OFF)

(CE4030) (28 OCT 75)

REFERENCE DATA

SREF = 2690.0000 SQ.FT. XMRP = .0000 IN.
 LREF = 1290.3000 IN. YMRP = .0000 IN.
 BREF = 1290.3000 IN. ZMRP = .0000 IN.
 SCALE = .0200

PARAMETRIC DATA

ELV-18 = .000 ELV-08 = .000
 RN/L = 4.250 MACH = 1.100

RUN NO. 69/ 0 RN/L = 4.33 GRADIENT INTERVAL = -5.00/ 5.00

ALPHA	BETA	CP29	CP31	CP35	CP37	CP30	CP32	CP36	CP38
-4.016	-.003	-.00720	-.00870	.05500	.04900	.00000	.00810	.08880	.07670
	GRADIENT	.00000	.00000	.00000	.00000	.00000	.00000	.00000	.00000

RUN NO. 70/ 0 RN/L = 4.30 GRADIENT INTERVAL = -5.00/ 5.00

ALPHA	BETA	CP29	CP31	CP35	CP37	CP30	CP32	CP36	CP38
-.370	-4.006	.14690	.14820	.17260	.17230	.00000	.09640	.13110	.12750
-.343	.003	.04320	.03540	.10910	.11440	.00000	.06900	.13760	.13770
-.370	4.009	.06920	.07520	.08770	.08960	.00000	.16510	.19430	.18750
	GRADIENT	-.00970	-.00911	-.01059	-.01032	.00000	.00857	.00788	.00748

ARC 11-023 1A80 OTS (SFB OFF) (SSME OFF)

(CE4032) (28 OCT 75)

REFERENCE DATA

SREF = 2690.0000 SQ.FT. XMRP = .0000 IN.
 LREF = 1290.3000 IN. YMRP = .0000 IN.
 BREF = 1290.3000 IN. ZMRP = .0000 IN.
 SCALE = .0200

PARAMETRIC DATA

ELV-18 = .000 ELV-08 = .000
 RN/L = 4.250 MACH = 1.400

RUN NO. 19/ 0 RN/L = 4.24 GRADIENT INTERVAL = -5.00/ 5.00

ALPHA	BETA	CP29	CP31	CP35	CP37	CP30	CP32	CP36	CP38
-4.043	.000	-.03090	-.03090	-.01890	-.02650	.00000	-.02020	-.00620	-.01400
	GRADIENT	.00000	.00000	.00000	.00000	.00000	.00000	.00000	.00000

RUN NO. 20/ 0 RN/L = 4.25 GRADIENT INTERVAL = -5.00/ 5.00

ALPHA	BETA	CP29	CP31	CP35	CP37	CP30	CP32	CP36	CP38
-.195	-4.012	.01130	.01150	.02830	.02450	.00000	-.04910	-.03760	-.04100
-.211	.000	-.02500	-.02480	-.01250	-.01850	.00000	-.02340	-.01080	-.02130
.083	4.006	-.04680	-.04120	-.04140	-.03660	.00000	.01020	.03170	.02570
	GRADIENT	-.00720	-.00657	-.00869	-.00762	.00000	.00739	.00864	.00832

RUN NO. 21/ 0 RN/L = 4.25 GRADIENT INTERVAL = -5.00/ 5.00

ALPHA	BETA	CP29	CP31	CP35	CP37	CP30	CP32	CP36	CP38
4.082	.000	-.04210	-.03660	-.02850	-.02840	.00000	-.03990	-.01650	-.02310
	GRADIENT	.00000	.00000	.00000	.00000	.00000	.00000	.00000	.00000

ARC 11-023 1A80 OTS (SRB OFF) (SSME OFF)

(CE4033) (28 OCT 75)

REFERENCE DATA

SREF = 2690.0000 SQ.FT. XMRP = .0000 IN.
 LREF = 1290.3000 IN. YMRP = .0000 IN.
 BREF = 1290.3000 IN. ZMRP = .0000 IN.
 SCALE = .0200

PARAMETRIC DATA

ELV-18 = .000 ELV-08 = .000
 RN/L = 1.750 MACH = .600

RUN NO. 270/ 0 RN/L = 1.74 GRADIENT INTERVAL = -5.00/ 5.00

ALPHA	BETA	CP29	CP31	CP35	CP37	CP30	CP32	CP36	CP38
-3.953	-.003	.01770	.01360	.01770	.00810	.00000	.02330	.03500	.01500
	GRADIENT	.00000	.00000	.00000	.00000	.00000	.00000	.00000	.00000

RUN NO. 271/ 0 RN/L = 1.74 GRADIENT INTERVAL = -5.00/ 5.00

ALPHA	BETA	CP29	CP31	CP35	CP37	CP30	CP32	CP36	CP38
-.271	-4.044	-.01680	-.01820	-.02800	-.01820	.00000	-.03980	-.03490	-.03280
-.284	-.031	-.01390	-.01110	-.00840	-.01790	.00000	-.00350	.00180	-.01930
-.343	3.984	-.04600	-.05020	-.05020	-.04040	.00000	-.01820	-.02100	-.02650
	GRADIENT	-.00364	-.00399	-.00277	-.00277	.00000	.00269	.00173	.00078

DATE 12 JUN 76

TABULATED SOURCE DATA - IAB0

PAGE 325

ARC 11-023 IAB0 OTS (SRB OFF) (SSME OFF)

(CE4033) (28 OCT 75)

REFERENCE DATA

SREF = 2690.0000 SQ.FT. XMRP = .0000 IN.
 LREF = 1290.3000 IN. YMRP = .0000 IN.
 BREF = 1290.3000 IN. ZMRP = .0000 IN.
 SCALE = .0200

PARAMETRIC DATA

ELV-18 = .000 ELV-08 = .000
 RN/L = 1.750 MACH = .600

RUN NO. 272/ 0 RN/L = 1.74 GRADIENT INTERVAL = -5.00/ 5.00

ALPHA	BETA	CP29	CP31	CP35	CP37	CP30	CP32	CP36	CP38
3.963	-.003	-.06950	-.05810	-.07990	-.07010	.00000	-.06530	-.06880	-.07560
	GRADIENT	.00000	.00000	.00000	.00000	.00000	.00000	.00000	.00000

ARC 11-023 IAB0 OTS (SRB OFF) (SSME OFF)

(CE4034) (28 OCT 75)

REFERENCE DATA

SREF = 2690.0000 SQ.FT. XMRP = .0000 IN.
 LREF = 1290.3000 IN. YMRP = .0000 IN.
 BREF = 1290.3000 IN. ZMRP = .0000 IN.
 SCALE = .0200

PARAMETRIC DATA

ELV-18 = .000 ELV-08 = .000
 RN/L = 2.250 MACH = .900

RUN NO. 267/ 0 RN/L = 2.16 GRADIENT INTERVAL = -5.00/ 5.00

ALPHA	BETA	CP29	CP31	CP35	CP37	CP30	CP32	CP36	CP38
-3.947	.000	.04920	.04960	.05970	.05390	.00000	.06130	.07460	.06390
	GRADIENT	.00000	.00000	.00000	.00000	.00000	.00000	.00000	.00000

RUN NO. 268/ 0 RN/L = 2.16 GRADIENT INTERVAL = -5.00/ 5.00

ALPHA	BETA	CP29	CP31	CP35	CP37	CP30	CP32	CP36	CP38
-.264	-4.044	.04360	.04400	.04560	.03670	.00000	.00410	.02190	.00820
-.271	-.031	.02240	.02560	.03080	.02840	.00000	.03550	.04360	.03630
-.304	3.994	-.00750	-.00910	-.00260	-.00100	.00000	.04940	.05270	.04450
	GRADIENT	-.00637	-.00661	-.00600	-.00470	.00000	.00564	.00384	.00452

RUN NO. 269/ 0 RN/L = 2.16 GRADIENT INTERVAL = -5.00/ 5.00

ALPHA	BETA	CP29	CP31	CP35	CP37	CP30	CP32	CP36	CP38
3.990	-.003	-.00850	-.00410	-.00290	-.00640	.00000	.00760	.01160	.00320
	GRADIENT	.00000	.00000	.00000	.00000	.00000	.00000	.00000	.00000

ORIGINAL PAGE IS
OF POOR QUALITY

ARC 11-023 1A80 OTS (SFB OFF) (SSME OFF)

(CE4035) (28 OCT 75)

REFERENCE DATA

SREF = 2690.0000 SQ.FT. XMRP = .0000 IN.
 LREF = 1290.3000 IN. YMRP = .0000 IN.
 BREF = 1290.3000 IN. ZMRP = .0000 IN.
 SCALE = .0200

PARAMETRIC DATA

ELV-18 = .000 ELV-08 = .000
 RN/L = 2.250 MACH = 1.100

RUN NO. 22/ 0 RN/L = 2.24 GRADIENT INTERVAL = -5.00/ 5.00

ALPHA	BETA	CP29	CP31	CP35	CP37	CP30	CP32	CP36	CP38
-3.957	.000	.03310	.03650	.09550	.09330	.00000	.05770	.14190	.12820
	GRADIENT	.00000	.00000	.00000	.00000	.00000	.00000	.00000	.00000

RUN NO. 23/ 0 RN/L = 2.25 GRADIENT INTERVAL = -5.00/ 5.00

ALPHA	BETA	CP29	CP31	CP35	CP37	CP30	CP32	CP36	CP38
-.225	-4.009	.14610	.14780	.17070	.16700	.00000	.09240	.12580	.11760
-.225	.000	.13000	.12830	.16010	.15860	.00000	.14010	.18250	.17180
-.251	4.012	.06360	.06940	.08030	.08280	.00000	.15850	.19150	.17830
	GRADIENT	-.01029	-.00977	-.01127	-.01050	.00000	.00824	.00819	.00757

RUN NO. 24/ 0 RN/L = 2.25 GRADIENT INTERVAL = -5.00/ 5.00

ALPHA	BETA	CP29	CP31	CP35	CP37	CP30	CP32	CP36	CP38
4.016	-.003	.15970	.16650	.17800	.17820	.00000	.17290	.19800	.18760
	GRADIENT	.00000	.00000	.00000	.00000	.00000	.00000	.00000	.00000

ARC 11-023 1A80 OTS (SFB OFF) (SSME OFF)

(CE4036) (28 OCT 75)

REFERENCE DATA

SREF = 2690.0000 SQ.FT. XMRP = .0000 IN.
 LREF = 1290.3000 IN. YMRP = .0000 IN.
 BREF = 1290.3000 IN. ZMRP = .0000 IN.
 SCALE = .0200

PARAMETRIC DATA

ELV-18 = .000 ELV-08 = .000
 RN/L = 2.250 MACH = 1.250

RUN NO. 30/ 0 RN/L = 2.27 GRADIENT INTERVAL = -5.00/ 5.00

ALPHA	BETA	CP29	CP31	CP35	CP37	CP30	CP32	CP36	CP38
-3.993	.003	-.04590	-.04340	-.03800	-.03910	.00000	-.04310	-.01980	-.03870
	GRADIENT	.00000	.00000	.00000	.00000	.00000	.00000	.00000	.00000

RUN NO. 31/ 0 RN/L = 2.27 GRADIENT INTERVAL = -5.00/ 5.00

ALPHA	BETA	CP29	CP31	CP35	CP37	CP30	CP32	CP36	CP38
-.145	-4.003	.00220	.00320	.01620	.01590	.00000	-.09210	-.07710	-.08660
-.129	.003	-.05840	-.05810	-.05050	-.05150	.00000	-.05810	-.03140	-.04360
-.175	4.009	-.09840	-.09130	-.10280	-.10020	.00000	.00840	.03550	.01730
	GRADIENT	-.01256	-.01179	-.01485	-.01449	.00000	.01254	.01405	.01297

ARC 11-023 1A80 OTS (SRB NOM) (SSME NOM)

(CE4038) (28 OCT 75)

REFERENCE DATA

SREF = 2690.0000 SQ.FT. XMRP = .0000 IN.
 LREF = 1290.3000 IN. YMRP = .0000 IN.
 BREF = 1290.3000 IN. ZMRP = .0000 IN.
 SCALE = .0200

PARAMETRIC DATA

ELV-1B = .000 ELV-08 = .000
 RN/L = 1.750 MACH = .600

RUN NO. 273/ 0 RN/L = 1.76 GRADIENT INTERVAL = -5.00/ 5.00

ALPHA	BETA	CP29	CP31	CP35	CP37	CP30	CP32	CP36	CP38
-3.980	-.003	.00470	-.00080	.00260	.00190	.00000	.00400	.01490	.00530
	GRADIENT	.00000	.00000	.00000	.00000	.00000	.00000	.00000	.00000

RUN NO. 274/ 0 RN/L = 1.77 GRADIENT INTERVAL = -5.00/ 5.00

ALPHA	BETA	CP29	CP31	CP35	CP37	CP30	CP32	CP36	CP38
-.314	-4.044	-.01360	-.00960	-.01770	-.02860	.00000	-.03810	-.02390	-.04490
-.317	-.009	-.03050	-.02710	-.02510	-.03510	.00000	-.01970	-.01560	-.03440
-.327	3.981	-.04270	-.04610	-.05020	-.04400	.00000	-.01520	-.01660	-.02690
	GRADIENT	-.00363	-.00455	-.00405	-.00192	.00000	.00286	.00091	.00224

RUN NO. 275/ 0 RN/L = 1.78 GRADIENT INTERVAL = -5.00/ 5.00

ALPHA	BETA	CP29	CP31	CP35	CP37	CP30	CP32	CP36	CP38
3.950	-.003	-.06390	-.06460	-.06460	-.07520	.00000	-.05720	-.05520	-.08060
	GRADIENT	.00000	.00000	.00000	.00000	.00000	.00000	.00000	.00000

ARC 11-023 1A80 OTS (SRB NOM) (SSME NOM)

(CE4039) (28 OCT 75)

REFERENCE DATA

SREF = 2690.0000 SQ.FT. XMRP = .0000 IN.
 LREF = 1290.3000 IN. YMRP = .0000 IN.
 BREF = 1290.3000 IN. ZMRP = .0000 IN.
 SCALE = .0200

PARAMETRIC DATA

ELV-1B = .000 ELV-08 = .000
 RN/L = 2.250 MACH = .900

RUN NO. 264/ 0 RN/L = 2.16 GRADIENT INTERVAL = -5.00/ 5.00

ALPHA	BETA	CP29	CP31	CP35	CP37	CP30	CP32	CP36	CP38
-3.986	.003	.05250	.04940	.05780	.05080	.00000	.05860	.07600	.06200
	GRADIENT	.00000	.00000	.00000	.00000	.00000	.00000	.00000	.00000

RUN NO. 265/ 0 RN/L = 2.16 GRADIENT INTERVAL = -5.00/ 5.00

ALPHA	BETA	CP29	CP31	CP35	CP37	CP30	CP32	CP36	CP38
-.294	-4.044	.04010	.03890	.03970	.03680	.00000	.00060	.01510	.00660
-.310	-.028	.03110	.03430	.03980	.03270	.00000	.04460	.05570	.04060
-.320	3.981	-.00640	-.00560	-.00280	-.00310	.00000	.04890	.05450	.04430
	GRADIENT	-.00579	-.00554	-.00529	-.00497	.00000	.00602	.00491	.00470

ARC 11-023 1A80 OTS (SRB OFF) (SSME OFF)

(CE4041) (28 OCT 75)

REFERENCE DATA

SREF = 26 0.0000 SQ.FT. XMRP = .0000 IN.
 LREF = 1290.3000 IN. YMRP = .0000 IN.
 BREF = 1290.3000 IN. ZMRP = .0000 IN.
 SCALE = .0200

PARAMETRIC DATA

ELV-1B = .000 ELV-08 = .000
 RN/L = 2.300 MACH = .600

RUN NO. 252/ 0 RN/L = 2.55 GRADIENT INTERVAL = -5.00/ 5.00

ALPHA	BETA	CP29	CP31	CP35	CP37	CP30	CP32	CP36	CP38
-4.000	.022	.01740	.01230	.01780	.01470	.00000	.02340	.02800	.02160
	GRADIENT	.00000	.00000	.00000	.00000	.00000	.00000	.00000	.00000

RUN NO. 253/ 0 RN/L = 2.55 GRADIENT INTERVAL = -5.00/ 5.00

ALPHA	BETA	CP29	CP31	CP35	CP37	CP30	CP32	CP36	CP38
-.261	-4.041	-.00620	-.00430	-.01080	-.01810	.00000	-.02950	-.01880	-.03440
-.271	-.025	-.01400	-.00850	-.01220	-.02160	.00000	-.00580	.00060	-.01980
-.343	3.991	-.03470	-.03150	-.02920	-.03480	.00000	.00250	-.00210	-.01550
	GRADIENT	-.00355	-.00339	-.00229	-.00208	.00000	.00398	.00208	.00234

RUN NO. 254/ 0 RN/L = 2.55 GRADIENT INTERVAL = -5.00/ 5.00

ALPHA	BETA	CP29	CP31	CP35	CP37	CP30	CP32	CP36	CP38
3.944	-.022	-.05710	-.05340	-.06030	-.06640	.00000	-.04920	-.05660	-.06270
	GRADIENT	.00000	.00000	.00000	.00000	.00000	.00000	.00000	.00000

ARC 11-023 1A80 OTS (SRB OFF) (SSME OFF)

(CE4042) (28 OCT 75)

REFERENCE DATA

SREF = 2690.0000 SQ.FT. XMRP = .0000 IN.
 LREF = 1290.3000 IN. YMRP = .0000 IN.
 BREF = 1290.3000 IN. ZMRP = .0000 IN.
 SCALE = .0200

PARAMETRIC DATA

ELV-1B = .000 ELV-08 = .000
 RN/L = 3.250 MACH = .900

RUN NO. 258/ 0 RN/L = 3.14 GRADIENT INTERVAL = -5.00/ 5.00

ALPHA	BETA	CP29	CP31	CP35	CP37	CP30	CP32	CP36	CP38
-3.930	.003	.05220	.05110	.06010	.05780	.00000	.06230	.07540	.07000
	GRADIENT	.00000	.00000	.00000	.00000	.00000	.00000	.00000	.00000

RUN NO. 259/ 0 RN/L = 3.13 GRADIENT INTERVAL = -5.00/ 5.00

ALPHA	BETA	CP29	CP31	CP35	CP37	CP30	CP32	CP36	CP38
-.284	-4.041	.04530	.04500	.04500	.04650	.00000	.00970	.01970	.01620
-.281	-.028	.02580	.02880	.03100	.02740	.00000	.03750	.04350	.03720
-.248	3.994	-.00170	-.00140	.00570	.00080	.00000	.05690	.06070	.04990
	GRADIENT	-.00585	-.00578	-.00489	-.00569	.00000	.00587	.00510	.00419

ARC 11-023 IA80 OTS (SRB OFF) (SSME OFF)

(CE4044) (28 OCT 75)

REFERENCE DATA

PARAMETRIC DATA

SREF = 2690.0000 SQ.FT. XMRP = .0000 IN.
 LREF = 1290.3000 IN. YMRP = .0000 IN.
 BREF = 1290.3000 IN. ZMRP = .0000 IN.
 SCALE = .0200

ELV-1B = .000 ELV-08 = .000
 RN/L = 3.250 MACH = 1.250

RUN NO. 42/ 0 RN/L = 3.29 GRADIENT INTERVAL = -5.00/ 5.00

ALPHA	BETA	CP29	CP31	CP35	CP37	CP30	CP32	CP36	CP38
-3.953	.000	-.03920	-.03810	-.02990	-.03360	.00000	-.03440	-.01710	-.03060
	GRADIENT	.00000	.00000	.00000	.00000	.00000	.00000	.00000	.00000

RUN NO. 43/ 0 RN/L = 3.29 GRADIENT INTERVAL = -5.00/ 5.00

ALPHA	BETA	CP29	CP31	CP35	CP37	CP30	CP32	CP36	CP38
-.287	-4.003	.00190	.00400	.01840	.02530	.00000	-.08990	-.07790	-.08270
-.277	.003	-.05830	-.05570	-.04810	-.04870	.00000	-.04700	-.02690	-.03750
-.376	4.012	-.08540	-.08060	-.08970	-.08580	.00000	.01390	.03760	.02830
	GRADIENT	-.01089	-.01055	-.01349	-.01386	.00000	.01295	.01441	.01385

RUN NO. 44/ 0 RN/L = 3.29 GRADIENT INTERVAL = -5.00/ 5.00

ALPHA	BETA	CP29	CP31	CP35	CP37	CP30	CP32	CP36	CP38
3.947	-.003	-.07810	-.07420	-.06620	-.06880	.00000	-.07330	-.05590	-.06380
	GRADIENT	.00000	.00000	.00000	.00000	.00000	.00000	.00000	.00000

ARC 11-023 IA80 OTS (SRB OFF) (SSME OFF)

(CE4045) (28 OCT 75)

REFERENCE DATA

PARAMETRIC DATA

SREF = 2690.0000 SQ.FT. XMRP = .0000 IN.
 LREF = 1290.3000 IN. YMRP = .0000 IN.
 BREF = 1290.3000 IN. ZMRP = .0000 IN.
 SCALE = .0200

ELV-1B = .000 ELV-08 = .000
 RN/L = 3.250 MACH = 1.400

RUN NO. 45/ 0 RN/L = 3.23 GRADIENT INTERVAL = -5.00/ 5.00

ALPHA	BETA	CP29	CP31	CP35	CP37	CP30	CP32	CP36	CP38
-3.990	-.003	-.03990	-.03780	-.02920	-.03180	.00000	-.02560	-.01050	-.02160
	GRADIENT	.00000	.00000	.00000	.00000	.00000	.00000	.00000	.00000

RUN NO. 46/ 0 RN/L = 3.22 GRADIENT INTERVAL = -5.00/ 5.00

ALPHA	BETA	CP29	CP31	CP35	CP37	CP30	CP32	CP36	CP38
-.284	-4.000	.00890	.00970	.02630	.02090	.00000	-.05290	-.03930	-.04450
-.297	.000	-.02990	-.02820	-.01950	-.01390	.00000	-.02820	-.01370	-.02370
-.294	4.009	-.04610	-.04200	-.04370	-.04140	.00000	.01100	.03360	.02180
	GRADIENT	-.00687	-.00645	-.00874	-.00778	.00000	.00798	.00910	.00828

DATE 12 JUN 76

TABULATED SOURCE DATA - 1A80

PAGE 333

ARC 11-023 1A80 OTS (SRB OFF) (SSME OFF)

(CE4045) (28 OCT 75)

REFERENCE DATA

SREF = 2690.0000 SQ.FT. XMRP = .0000 IN.
 LREF = 1290.3000 IN. YMRP = .0000 IN.
 BREF = 1290.3000 IN. ZMRP = .0000 IN.
 SCALE = .0200

PARAMETRIC DATA

ELV-1B = .000 ELV-08 = .000
 RN/L = 3.250 MACH = 1.400

RUN NO. 47/ 0 RN/L = 3.21 GRADIENT INTERVAL = -5.00/ 5.00

ALPHA	BETA	CP29	CP31	CP35	CP37	CP30	CP32	CP36	CP38
3.980	.000	-.04180	-.03760	-.02800	-.02930	.00000	-.04670	-.02090	-.02540
	GRADIENT	.00000	.00000	.00000	.00000	.00000	.00000	.00000	.00000

ARC 11-023 1A80 OTS (SRB NOM) (SSME NOM)

(CE4046) (28 OCT 75)

REFERENCE DATA

SREF = 2690.0000 SQ.FT. XMRP = .0000 IN.
 LREF = 1290.3000 IN. YMRP = .0000 IN.
 BREF = 1290.3000 IN. ZMRP = .0000 IN.
 SCALE = .0200

PARAMETRIC DATA

ELV-1B = .000 ELV-08 = .000
 RN/L = 2.500 MACH = .600

RUN NO. 255/ 0 RN/L = 2.56 GRADIENT INTERVAL = -5.00/ 5.00

ALPHA	BETA	CP29	CP31	CP35	CP37	CP30	CP32	CP36	CP38
-3.894	-.022	.00780	.00640	.00960	-.00280	.00000	.01660	.02300	.00560
	GRADIENT	.00000	.00000	.00000	.00000	.00000	.00000	.00000	.00000

RUN NO. 256/ 0 RN/L = 2.55 GRADIENT INTERVAL = -5.00/ 5.00

ALPHA	BETA	CP29	CP31	CP35	CP37	CP30	CP32	CP36	CP38
-.350	-4.041	-.01120	-.01030	-.01540	-.02450	.00000	-.03660	-.02650	-.04200
-.320	-.025	-.02890	-.02750	-.03130	-.02920	.00000	-.02340	-.02570	-.03430
-.337	3.994	-.05370	-.05510	-.06300	-.04940	.00000	-.02380	-.03220	-.02790
	GRADIENT	-.00529	-.00558	-.00592	-.00310	.00000	.00159	-.00071	.00175

RUN NO. 257/ 0 RN/L = 2.56 GRADIENT INTERVAL = -5.00/ 5.00

ALPHA	BETA	CP29	CP31	CP35	CP37	CP30	CP32	CP36	CP38
4.076	-.028	-.06300	-.05560	-.05750	-.07650	.00000	-.05100	-.05150	-.07740
	GRADIENT	.00000	.00000	.00000	.00000	.00000	.00000	.00000	.00000

ORIGINAL PAGE IS
OF POOR QUALITY

ARC 11-023 IAB0 OTS (SRB NOM) (SSME NOM)

(CE4047) (28 OCT 75)

REFERENCE DATA

PARAMETRIC DATA

SREF = 2690.0000 SQ.FT. XMRP = .0000 IN.
 LREF = 1290.3000 IN. YMRP = .0000 IN.
 BREF = 1290.3000 IN. ZMRP = .0000 IN.
 SCALE = .0200

ELV-1B = .000 ELV-0B = .000
 RN/L = 3.250 MACH = .900

RUN NO. 261/ 0 RN/L = 3.12 GRADIENT INTERVAL = -5.00/ 5.00

ALPHA	BETA	CP29	CP31	CP35	CP37	CP30	CP32	CP36	CP38
-4.033	.000	.06080	.06250	.07010	.05880	.00000	.07310	.08830	.06990
	GRADIENT	.00000	.00000	.00000	.00000	.00000	.00000	.00000	.00000

RUN NO. 262/ 0 RN/L = 3.13 GRADIENT INTERVAL = -5.00/ 5.00

ALPHA	BETA	CP29	CP31	CP35	CP37	CP30	CP32	CP36	CP38
-.343	-4.044	.04860	.04860	.04910	.03970	.00000	.01040	.02100	.01310
-.340	-.028	.03350	.03860	.03940	.03000	.00000	.04860	.05380	.04340
-.340	3.991	.00590	.00670	.01350	.00080	.00000	.06450	.06690	.05150
	GRADIENT	-.00531	-.00522	-.00443	-.00484	.00000	.00673	.00571	.00478

RUN NO. 263/ 0 RN/L = 3.13 GRADIENT INTERVAL = -5.00/ 5.00

ALPHA	BETA	CP29	CP31	CP35	CP37	CP30	CP32	CP36	CP38
3.927	-.028	-.00570	-.00410	-.00080	-.00380	.00000	.00870	.01420	.00630
	GRADIENT	.00000	.00000	.00000	.00000	.00000	.00000	.00000	.00000

ARC 11-023 IAB0 OTS (SRB NOM) (SSME NOM)

(CE4048) (28 OCT 75)

REFERENCE DATA

PARAMETRIC DATA

SREF = 2690.0000 SQ.FT. XMRP = .0000 IN.
 LREF = 1290.3000 IN. YMRP = .0000 IN.
 BREF = 1290.3000 IN. ZMRP = .0000 IN.
 SCALE = .0200

ELV-1B = .000 ELV-0B = .000
 RN/L = 3.250 MACH = 1.100

RUN NO. 39/ 0 RN/L = 3.27 GRADIENT INTERVAL = -5.00/ 5.00

ALPHA	BETA	CP29	CP31	CP35	CP37	CP30	CP32	CP36	CP38
-3.934	.003	-.00170	.00340	.04860	.04620	.00000	.01610	.09540	.07510
	GRADIENT	.00000	.00000	.00000	.00000	.00000	.00000	.00000	.00000

RUN NO. 40/ 0 RN/L = 3.27 GRADIENT INTERVAL = -5.00/ 5.00

ALPHA	BETA	CP29	CP31	CP35	CP37	CP30	CP32	CP36	CP38
-.413	-4.006	.15560	.15420	.17790	.17430	.00000	.09980	.13090	.12360
-.443	.000	.06040	.05560	.12370	.12060	.00000	.09200	.15360	.14670
-.420	4.016	.06780	.07400	.09040	.09260	.00000	.16810	.19870	.18890
	GRADIENT	-.01094	-.00999	-.01091	-.01018	.00000	.00852	.00845	.00814

ARC 11-023 IABO OTS (SRB OFF) (SSME OFF)

(CE4051) (28 OCT 75)

REFERENCE DATA

SREF = 2690.0000 SQ.FT. XMRP = .0000 IN.
 LREF = 1290.3000 IN. YMRP = .0000 IN.
 BREF = 1290.3000 IN. ZMRP = .0000 IN.
 SCALE = .0200

PARAMETRIC DATA

ELV-18 = 8.000 ELV-08 = 4.000
 RN/L = 4.250 MACH = .980

RUN NO. 112/ 0 RN/L = 4.31 GRADIENT INTERVAL = -5.00/ 5.00

ALPHA	BETA	CP29	CP31	CP35	CP37	CP30	CP32	CP36	CP38
-3.950	-.063	.15200	.15130	.15550	.15070	.00000	.16400	.17620	.16730
	GRADIENT	.00000	.00000	.00000	.00000	.00000	.00000	.00000	.00000

RUN NO. 113/ 0 RN/L = 4.31 GRADIENT INTERVAL = -5.00/ 5.00

ALPHA	BETA	CP29	CP31	CP35	CP37	CP30	CP32	CP36	CP38
-.416	-4.075	.11970	.12250	.12220	.11990	.00000	.10080	.11260	.10610
-.386	-.063	.12580	.12900	.12940	.12720	.00000	.13920	.14810	.14100
-.370	3.950	.08280	.08830	.08480	.08580	.00000	.13260	.14040	.13420
	GRADIENT	-.00460	-.00426	-.00466	-.00425	.00000	.00396	.00346	.00350

RUN NO. 114/ 0 RN/L = 4.32 GRADIENT INTERVAL = -5.00/ 5.00

ALPHA	BETA	CP29	CP31	CP35	CP37	CP30	CP32	CP36	CP38
4.076	-.063	.08990	.09280	.09410	.09080	.00000	.10420	.11510	.10580
	GRADIENT	.00000	.00000	.00000	.00000	.00000	.00000	.00000	.00000

ARC 11-023 IABO OTS (SRB NOM) (SSME NOM)

(CE4052) (28 OCT 75)

REFERENCE DATA

SREF = 2690.0000 SQ.FT. XMRP = .0000 IN.
 LREF = 1290.3000 IN. YMRP = .0000 IN.
 BREF = 1290.3000 IN. ZMRP = .0000 IN.
 SCALE = .0200

PARAMETRIC DATA

ELV-18 = 8.000 ELV-08 = 4.000
 RN/L = 4.250 MACH = .980

RUN NO. 115/ 0 RN/L = 4.30 GRADIENT INTERVAL = -5.00/ 5.00

ALPHA	BETA	CP29	CP31	CP35	CP37	CP30	CP32	CP36	CP38
-3.930	-.063	.14650	.14760	.15070	.14510	.00000	.16040	.17390	.16230
	GRADIENT	.00000	.00000	.00000	.00000	.00000	.00000	.00000	.00000

RUN NO. 116/ 0 RN/L = 4.30 GRADIENT INTERVAL = -5.00/ 5.00

ALPHA	BETA	CP29	CP31	CP35	CP37	CP30	CP32	CP36	CP38
-.519	-4.078	.12020	.12430	.12220	.11900	.00000	.10160	.11390	.10390
-.476	-.063	.12580	.13070	.13750	.12740	.00000	.14250	.15170	.14190
-.499	3.953	.08770	.09200	.09110	.09030	.00000	.13340	.14300	.13290
	GRADIENT	-.00405	-.00402	-.00393	-.00357	.00000	.00396	.00362	.00361

ARC 11-023 1A80 OTS (SRB OFF) (SSME OFF)

(CE4054) (28 OCT 75)

REFERENCE DATA

SREF = 2690.0000 SQ.FT. XMRP = .0000 IN.
 LREF = 1290.3000 IN. YMRP = .0000 IN.
 BREF = 1290.3000 IN. ZMRP = .0000 IN.
 SCALE = .0200

PARAMETRIC DATA

ELV-1B = 8.000 ELV-08 = 4.000
 RN/L = 4.250 MACH = .900

RUN NO. 296/ 0 RN/L = 4.19 GRADIENT INTERVAL = -5.00/ 5.00

ALPHA	BETA	CP29	CP31	CP35	CP37	CP30	CP32	CP36	CP38
-3.940	-.044	.05450	.05590	.06200	.05970	.00000	.06690	.07570	.07150
	GRADIENT	.00000	.00000	.00000	.00000	.00000	.00000	.00000	.00000

RUN NO. 297/ 0 RN/L = 4.18 GRADIENT INTERVAL = -5.00/ 5.00

ALPHA	BETA	CP29	CP31	CP35	CP37	CP30	CP32	CP36	CP38
-.284	-4.059	.03860	.03860	.03710	.03700	.00000	.00000	.00840	.00840
-.320	-.041	.02660	.02870	.03270	.02390	.00000	.03940	.04660	.03690
-.314	3.975	-.01000	-.01350	-.01160	-.00810	.00000	.04720	.04370	.04310
	GRADIENT	-.00605	-.00648	-.00606	-.00561	.00000	.00588	.00439	.00432

RUN NO. 298/ 0 RN/L = 4.18 GRADIENT INTERVAL = -5.00/ 5.00

ALPHA	BETA	CP29	CP31	CP35	CP37	CP30	CP32	CP36	CP38
3.980	-.038	-.00230	.00100	.00100	-.00610	.00000	.01330	.01410	.00730
	GRADIENT	.00000	.00000	.00000	.00000	.00000	.00000	.00000	.00000

ARC 11-023 1A80 OTS (SRB OFF) (SSME OFF)

(CE4055) (28 OCT 75)

REFERENCE DATA

SREF = 2690.0000 SQ.FT. XMRP = .0000 IN.
 LREF = 1290.3000 IN. YMRP = .0000 IN.
 BREF = 1290.3000 IN. ZMRP = .0000 IN.
 SCALE = .0200

PARAMETRIC DATA

ELV-1B = 8.000 ELV-08 = 4.000
 RN/L = 4.250 MACH = 1.100

RUN NO. 106/ 0 RN/L = 4.37 GRADIENT INTERVAL = -5.00/ 5.00

ALPHA	BETA	CP29	CP31	CP35	CP37	CP30	CP32	CP36	CP38
-3.772	-.066	-.02580	-.02380	.02670	-.00310	.00000	.00210	.09070	.03220
	GRADIENT	.00000	.00000	.00000	.00000	.00000	.00000	.00000	.00000

RUN NO. 107/ 0 RN/L = 4.37 GRADIENT INTERVAL = -5.00/ 5.00

ALPHA	BETA	CP29	CP31	CP35	CP37	CP30	CP32	CP36	CP38
-.380	-4.075	.15140	.14900	.16960	.17110	.00000	.09650	.12870	.12980
-.357	-.059	.00580	.02960	.08770	.10440	.00000	.04850	.14900	.13100
-.367	3.956	.07240	.08140	.08540	.09080	.00000	.17220	.19800	.19310
	GRADIENT	-.00984	-.00842	-.01048	-.01000	.00000	.00943	.00863	.00788

DATE 12 JUN 76

TABULATED SOURCE DATA - 1A80

PAGE 339

ARC 11-023 1A80 OTS (SRB OFF) (SSME OFF)

(CE4055) (28 OCT 75)

REFERENCE DATA

SREF = 2690.0000 SQ.FT. XMRP = .0000 IN.
 LREF = 1290.3000 IN. YMRP = .0000 IN.
 BREF = 1290.3000 IN. ZMRP = .0000 IN.
 SCALE = .0200

PARAMETRIC DATA

ELV-18 = 8.000 ELV-08 = 4.000
 RN/L = 4.250 MACH = 1.100

RUN NO. 108/ 0 RN/L = 4.37 GRADIENT INTERVAL = -5.00/ 5.00

ALPHA	BETA	CP29	CP31	CP35	CP37	CP30	CP32	CP36	CP38
4.092	-.059	.18470	.18800	.19260	.19170	.00000	.19600	.21120	.20360
	GRADIENT	.00000	.00000	.00000	.00000	.00000	.00000	.00000	.00000

ARC 11-023 1A80 OTS (SRB OFF) (SSME OFF)

(CE4056) (28 OCT 75)

REFERENCE DATA

SREF = 2690.0000 SQ.FT. XMRP = .0000 IN.
 LREF = 1290.3000 IN. YMRP = .0000 IN.
 BREF = 1290.3000 IN. ZMRP = .0000 IN.
 SCALE = .0200

PARAMETRIC DATA

ELV-18 = 8.000 ELV-08 = 4.000
 RN/L = 4.250 MACH = 1.250

RUN NO. 94/ 0 RN/L = 4.40 GRADIENT INTERVAL = -5.00/ 5.00

ALPHA	BETA	CP29	CP31	CP35	CP37	CP30	CP32	CP36	CP38
-3.950	-.063	-.03790	-.03850	-.03150	-.03430	.00000	-.03170	-.01440	-.02430
	GRADIENT	.00000	.00000	.00000	.00000	.00000	.00000	.00000	.00000

RUN NO. 95/ 0 RN/L = 4.40 GRADIENT INTERVAL = -5.00/ 5.00

ALPHA	BETA	CP29	CP31	CP35	CP37	CP30	CP32	CP36	CP38
-.324	-4.075	.01170	.01310	.02540	.02370	.00000	-.07650	-.07090	-.07460
-.314	-.063	-.05410	-.05090	-.04720	-.04450	.00000	-.04560	-.02650	-.03230
-.343	3.953	-.08880	-.08420	-.09230	-.09030	.00000	.01840	.03950	.03430
	GRADIENT	-.01252	-.01212	-.01466	-.01420	.00000	.01182	.01375	.01357

RUN NO. 96/ 0 RN/L = 4.39 GRADIENT INTERVAL = -5.00/ 5.00

ALPHA	BETA	CP29	CP31	CP35	CP37	CP30	CP32	CP36	CP38
3.967	-.066	-.07110	-.06690	-.05980	-.06000	.00000	-.06420	-.04480	-.05540
	GRADIENT	.00000	.00000	.00000	.00000	.00000	.00000	.00000	.00000

ORIGINAL PAGE IS
OF POOR QUALITY

ARC 11-023 1A80 OTS (SRB OFF) (SSME OFF)

(CE4057) (28 OCT 75)

REFERENCE DATA

SREF = 2690.0000 SQ.FT. XMRP = .0000 IN.
 LREF = 1290.3000 IN. YMRP = .0000 IN.
 BRFF = 1290.3000 IN. ZMRP = .0000 IN.
 SCALE = .0200

PARAMETRIC DATA

ELV-18 = 8.000 ELV-08 = 4.000
 RN/L = 4.250 MACH = 1.400

RUN NO. 100/ 0 RN/L = 4.31 GRADIENT INTERVAL = -5.00/ 5.00

ALPHA	BETA	CP29	CP31	CP35	CP37	CP30	CP32	CP36	CP38
-3.953	-.063	-.03420	-.03000	-.01960	-.02400	.00000	-.01710	-.00340	-.01410
	GRADIENT	.00000	.00000	.00000	.00000	.00000	.00000	.00000	.00000

RUN NO. 101/ 0 RN/L = 4.31 GRADIENT INTERVAL = -5.00/ 5.00

ALPHA	BETA	CP29	CP31	CP35	CP37	CP30	CP32	CP36	CP38
-.317	-4.075	.01350	.01520	.02980	.02800	.00000	-.04910	-.03600	-.03850
-.320	-.059	-.02290	-.02010	-.01100	-.01400	.00000	-.02350	-.00930	-.01830
-.522	3.956	-.04150	-.03830	-.04000	-.03860	.00000	.01420	.03730	.02740
	GRADIENT	-.00685	-.00666	-.00869	-.00829	.00000	.00788	.00913	.00821

RUN NO. 102/ 0 RN/L = 4.29 GRADIENT INTERVAL = -5.00/ 5.00

ALPHA	BETA	CP29	CP31	CP35	CP37	CP30	CP32	CP36	CP38
4.208	-.069	-.03680	-.03210	-.02320	-.02530	.00000	-.03330	-.01280	-.02040
	GRADIENT	.00000	.00000	.00000	.00000	.00000	.00000	.00000	.00000

ARC 11-023 1A80 OTS (SRB NOM) (SSME NOM)

(CE4058) (28 OCT 75)

REFERENCE DATA

SREF = 2690.0000 SQ.FT. XMRP = .0000 IN.
 LREF = 1290.3000 IN. YMRP = .0000 IN.
 BRFF = 1290.3000 IN. ZMRP = .0000 IN.
 SCALE = .0200

PARAMETRIC DATA

ELV-18 = 8.000 ELV-08 = 4.000
 RN/L = 3.400 MACH = .600

RUN NO. 291/ 0 RN/L = 3.39 GRADIENT INTERVAL = -5.00/ 5.00

ALPHA	BETA	CP29	CP31	CP35	CP37	CP30	CP32	CP36	CP38
-3.953	.000	-.01310	-.01380	-.01490	-.01170	.00000	-.01100	-.00480	-.00470
	GRADIENT	.00000	.00000	.00000	.00000	.00000	.00000	.00000	.00000

RUN NO. 292/ 0 RN/L = 3.40 GRADIENT INTERVAL = -5.00/ 5.00

ALPHA	BETA	CP29	CP31	CP35	CP37	CP30	CP32	CP36	CP38
-.343	-4.050	-.02320	-.02150	-.02530	-.03550	.00000	-.04850	-.03950	-.05380
-.380	.000	-.03940	-.03630	-.04250	-.04130	.00000	-.03210	-.03150	-.04260
-.386	3.978	-.06380	-.05890	-.05890	-.06730	.00000	-.02130	-.03620	-.03880
	GRADIENT	-.00505	-.00466	-.00419	-.00395	.00000	.00332	.00042	.00187

ARC 11-023 1A80 OTS (SRB NOM) (SSME NOM)

(CE4060) (28 OCT 75)

REFERENCE DATA

SREF = 2690.0000 SQ.FT. XMRP = .0000 IN.
 LREF = 1290.3000 IN. YMRP = .0000 IN.
 BREF = 1290.3000 IN. ZMRP = .0000 IN.
 SCALE = .0200

PARAMETRIC DATA

ELV-1B = 8.000 ELV-0B = 4.000
 RN/L = 4.250 MACH = 1.100

RUN NO. 109/ 0 RN/L = 4.37 GRADIENT INTERVAL = -5.00/ 5.00

ALPHA	BETA	CP29	CP31	CP35	CP37	CP30	CP32	CP36	CP38
-3.937	-.059	-.02390	-.00520	.02470	.05240	.00000	.00200	.07230	.07490
	GRADIENT	.00000	.00000	.00000	.00000	.00000	.00000	.00000	.00000

RUN NO. 110/ 0 RN/L = 4.38 GRADIENT INTERVAL = -5.00/ 5.00

ALPHA	BETA	CP29	CP31	CP35	CP37	CP30	CP32	CP36	CP38
-.528	-4.075	.16140	.16340	.18340	.17830	.00000	.11020	.13400	.13130
-.492	-.063	.01170	.02460	.12420	.09530	.00000	.05260	.15780	.11310
-.532	3.956	.07000	.07860	.08400	.09930	.00000	.16450	.19290	.18800
	GRADIENT	-.01137	-.01055	-.01238	-.00983	.00000	.00739	.00733	.00706

RUN NO. 111/ 0 RN/L = 4.38 GRADIENT INTERVAL = -5.00/ 5.00

ALPHA	BETA	CP29	CP31	CP35	CP37	CP30	CP32	CP36	CP38
4.013	-.063	.18110	.18590	.19080	.19160	.00000	.19640	.21320	.20640
	GRADIENT	.00000	.00000	.00000	.00000	.00000	.00000	.00000	.00000

ARC 11-023 1A80 OTS (SRB NOM) (SSME NOM)

(CE4061) (28 OCT 75)

REFERENCE DATA

SREF = 2690.0000 SQ.FT. XMRP = .0000 IN.
 LREF = 1290.3000 IN. YMRP = .0000 IN.
 BREF = 1290.3000 IN. ZMRP = .0000 IN.
 SCALE = .0200

PARAMETRIC DATA

ELV-1B = 8.000 ELV-0B = 4.000
 RN/L = 4.250 MACH = 1.250

RUN NO. 97/ 0 RN/L = 4.39 GRADIENT INTERVAL = -5.00/ 5.00

ALPHA	BETA	CP29	CP31	CP35	CP37	CP30	CP32	CP36	CP38
-3.960	-.066	-.03130	-.03260	-.01930	-.02760	.00000	-.02820	-.00680	-.02060
	GRADIENT	.00000	.00000	.00000	.00000	.00000	.00000	.00000	.00000

RUN NO. 98/ 0 RN/L = 4.39 GRADIENT INTERVAL = -5.00/ 5.00

ALPHA	BETA	CP29	CP31	CP35	CP37	CP30	CP32	CP36	CP38
-.505	-4.075	.01820	.01570	.03500	.02840	.00000	-.07500	-.06700	-.07410
-.459	-.059	-.04520	-.04510	-.04010	-.03790	.00000	-.04150	-.01870	-.03070
-.462	3.953	-.08500	-.07940	-.09020	-.08790	.00000	.02200	.04250	.03520
	GRADIENT	-.01286	-.01185	-.01560	-.01449	.00000	.01208	.01364	.01361

ARC 11-023 IAB0 OTS (SRB NOM+) (SSME NOM)

(CE4063) (28 OCT 75)

REFERENCE DATA

SREF = 2690.0000 SQ.FT. XMRP = .0000 IN.
 LREF = 1290.3000 IN. YMRP = .0000 IN.
 BREF = 1290.3000 IN. ZMRP = .0000 IN.
 SCALE = .0200

PARAMETRIC DATA

ELV-18 = 8.000 ELV-08 = 4.000
 RN/L = 4.250 MACH = .980

RUN NO. 118/ 0 RN/L = 4.31 GRADIENT INTERVAL = -5.00/ 5.00

ALPHA	BETA	CP29	CP31	CP35	CP37	CP30	CP32	CP36	CP38
-3.868	-0.063	.14550	.14830	.14910	.14590	.00000	.15960	.17210	.16380
	GRADIENT	.00000	.00000	.00000	.00000	.00000	.00000	.00000	.00000

RUN NO. 119/ 0 RN/L = 4.31 GRADIENT INTERVAL = -5.00/ 5.00

ALPHA	BETA	CP29	CP31	CP35	CP37	CP30	CP32	CP36	CP38
-.486	-4.075	.11900	.12180	.12090	.11860	.00000	.09980	.11110	.10360
-.456	-.063	.12030	.12510	.12470	.12390	.00000	.13580	.14440	.13850
-.439	3.953	.08230	.08610	.08510	.08550	.00000	.13020	.13910	.12900
	GRADIENT	-.00457	-.00445	-.00446	-.00412	.00000	.00379	.00349	.00316

RUN NO. 120/ 0 RN/L = 4.31 GRADIENT INTERVAL = -5.00/ 5.00

ALPHA	BETA	CP29	CP31	CP35	CP37	CP30	CP32	CP36	CP38
4.013	-.069	.08420	.08920	.08720	.08530	.00000	.09960	.11110	.10110
	GRADIENT	.00000	.00000	.00000	.00000	.00000	.00000	.00000	.00000

ARC 11-023 IAB0 OTS (SRB OFF) (SSME OFF)

(CE4064) (28 OCT 75)

REFERENCE DATA

SREF = 2690.0000 SQ.FT. XMRP = .0000 IN.
 LREF = 1290.3000 IN. YMRP = .0000 IN.
 BREF = 1290.3000 IN. ZMRP = .0000 IN.
 SCALE = .0200

PARAMETRIC DATA

ELV-18 = 8.000 ELV-08 = -4.000
 RN/L = 3.400 MACH = .600

RUN NO. 314/ 0 RN/L = 3.40 GRADIENT INTERVAL = -5.00/ 5.00

ALPHA	BETA	CP29	CP31	CP35	CP37	CP30	CP32	CP36	CP38
-3.973	-.047	.01830	.01510	.01650	.00920	.00000	.02150	.02940	.02170
	GRADIENT	.00000	.00000	.00000	.00000	.00000	.00000	.00000	.00000

RUN NO. 315/ 0 RN/L = 3.42 GRADIENT INTERVAL = -5.00/ 5.00

ALPHA	BETA	CP29	CP31	CP35	CP37	CP30	CP32	CP36	CP38
-.277	-.066	-.00830	-.00650	-.01290	-.01970	.00000	-.03410	-.02420	-.03340
-.291	.047	-.02290	-.02120	-.02400	-.02870	.00000	-.01830	-.01200	-.02030
-.307	3.972	-.04360	-.04070	-.04360	-.04120	.00000	-.00620	-.00940	-.01490
	GRADIENT	-.00439	-.00426	-.00382	-.00267	.00000	.00347	.00184	.00230

ARC 11-023 IAB0 OTS (SRB NOM) (SSME NOM)

(CE4069) (28 OCT 75)

REFERENCE DATA

SREF = 2690.0000 SQ.FT. XMRP = .0000 IN.
 LREF = 1290.3000 IN. YMRP = .0000 IN.
 BREF = 1290.3000 IN. ZMRP = .0000 IN.
 SCALE = .0200

PARAMETRIC DATA

ELV-1B = 8.000 ELV-0B = -4.000
 RN/L = 3.400 MACH = .600

RUN NO. 317/ 0 RN/L = 3.46 GRADIENT INTERVAL = -5.00/ 5.00

ALPHA	BETA	CP29	CP31	CP35	CP37	CP30	CP32	CP36	CP38
-3.920	-.044	.00290	.00080	.00430	-.00490	.00000	.00700	.01540	.00490
	GRADIENT	.00000	.00000	.00000	.00000	.00000	.00000	.00000	.00000

RUN NO. 318/ 0 RN/L = 3.46 GRADIENT INTERVAL = -5.00/ 5.00

ALPHA	BETA	CP29	CP31	CP35	CP37	CP30	CP32	CP36	CP38
-.376	-4.066	-.01190	-.01580	-.01960	-.02950	.00000	-.04590	-.03130	-.04750
-.373	-.050	-.03210	-.03180	-.02900	-.03250	.00000	-.02800	-.01300	-.03110
-.426	3.969	-.05290	-.05010	-.05080	-.05170	.00000	-.01180	-.01490	-.02690
	GRADIENT	-.00510	-.00427	-.00388	-.00276	.00000	.00424	.00204	.00256

RUN NO. 319/ 0 RN/L = 3.47 GRADIENT INTERVAL = -5.00/ 5.00

ALPHA	BETA	CP29	CP31	CP35	CP37	CP30	CP32	CP36	CP38
3.947	-.044	-.06790	-.06420	-.06760	-.07780	.00000	-.06250	-.05970	-.07340
	GRADIENT	.00000	.00000	.00000	.00000	.00000	.00000	.00000	.00000

ARC 11-023 IAB0 OTS (SRB NOM) (SSME NOM)

(CE4070) (28 OCT 75)

REFERENCE DATA

SREF = 2690.0000 SQ.FT. XMRP = .0000 IN.
 LREF = 1290.3000 IN. YMRP = .0000 IN.
 BREF = 1290.3000 IN. ZMRP = .0000 IN.
 SCALE = .0200

PARAMETRIC DATA

ELV-1B = 8.000 ELV-0B = -4.000
 RN/L = 4.250 MACH = .900

RUN NO. 305/ 0 RN/L = 4.17 GRADIENT INTERVAL = -5.00/ 5.00

ALPHA	BETA	CP29	CP31	CP35	CP37	CP30	CP32	CP36	CP38
-3.897	-.041	.04780	.04880	.05680	.04850	.00000	.05950	.07120	.06440
	GRADIENT	.00000	.00000	.00000	.00000	.00000	.00000	.00000	.00000

RUN NO. 306/ 0 RN/L = 4.17 GRADIENT INTERVAL = -5.00/ 5.00

ALPHA	BETA	CP29	CP31	CP35	CP37	CP30	CP32	CP36	CP38
-.383	-4.063	.03780	.03920	.03900	.03510	.00000	.00110	.00900	.00460
-.357	-.047	.02780	.03150	.03440	.02260	.00000	.04470	.04820	.03710
-.370	3.972	-.02240	-.02290	-.01610	-.00960	.00000	.04210	.03800	.04000
	GRADIENT	-.00749	-.00773	-.00686	-.00532	.00000	.00510	.00361	.00441

DATE 12 JUN 76

TABULATED SOURCE DATA - 1A80

PAGE 351

ARC 11-023 1A80 OTS (SRB NOM) (SSME NOM)

(CE4073) (28 OCT 75)

REFERENCE DATA

SREF = 2690.0000 SQ.FT. XMRP = .0000 IN.
 LREF = 1290.3000 IN. YMRP = .0000 IN.
 BREF = 1290.3000 IN. ZMRP = .0000 IN.
 SCALE = .0200

PARAMETRIC DATA

ELV-18 = 8.000 ELV-08 = -4.000
 RN/L = 4.250 MACH = 1.400

RUN NO. 124/ 0 RN/L = 4.33 GRADIENT INTERVAL = -5.00/ 5.00

ALPHA	BETA	CP29	CP31	CP35	CP37	CP30	CP32	CP36	CP38
.020	-.063	-.01460	-.01210	-.00520	-.00490	.00000	-.02200	-.00750	-.01680
	GRADIENT	.00000	.00000	.00000	.00000	.00000	.00000	.00000	.00000

ARC 11-023 1A80 OTS (SRB OFF) (SSME OFF)

(CE4074) (28 OCT 75)

REFERENCE DATA

SREF = 2690.0000 SQ.FT. XMRP = .0000 IN.
 LREF = 1290.3000 IN. YMRP = .0000 IN.
 BREF = 1290.3000 IN. ZMRP = .0000 IN.
 SCALE = .0200

PARAMETRIC DATA

ELV-18 = 8.000 ELV-08 = .000
 RN/L = 3.400 MACH = .600

RUN NO. 276/ 0 RN/L = 3.50 GRADIENT INTERVAL = -5.00/ 5.00

ALPHA	BETA	CP29	CP31	CP35	CP37	CP30	CP32	CP36	CP38
-3.950	-.009	.01170	.01440	.01570	.01030	.00000	.01880	.02250	.01770
	GRADIENT	.00000	.00000	.00000	.00000	.00000	.00000	.00000	.00000

RUN NO. 277/ 0 RN/L = 3.51 GRADIENT INTERVAL = -5.00/ 5.00

ALPHA	BETA	CP29	CP31	CP35	CP37	CP30	CP32	CP36	CP38
-.301	-4.044	-.01340	-.01140	-.02020	-.02440	.00000	-.03710	-.03130	-.03630
-.287	-.006	-.02040	-.01810	-.02240	-.03030	.00000	-.01210	-.01510	-.02400
-.317	3.988	-.04470	-.04400	-.04400	-.04380	.00000	-.01000	-.01400	-.02270
	GRADIENT	-.00389	-.00405	-.00296	-.00241	.00000	.00338	.00216	.00170

RUN NO. 278/ 0 RN/L = 3.51 GRADIENT INTERVAL = -5.00/ 5.00

ALPHA	BETA	CP29	CP31	CP35	CP37	CP30	CP32	CP36	CP38
3.947	-.009	-.06380	-.06080	-.06950	-.06750	.00000	-.05500	-.06580	-.06820
	GRADIENT	.00000	.00000	.00000	.00000	.00000	.00000	.00000	.00000

ORIGINAL PAGE IS
OF POOR QUALITY

ARC 11-023 1A80 OTS (SRB OFF) (SSME OFF)

(CE4075) (28 OCT 75)

REFERENCE DATA

SREF = 2690.0000 SQ.FT. XMRP = .0000 IN.
 LREF = 1290.3000 IN. YMRP = .0000 IN.
 BREF = 1290.3000 IN. ZMRP = .0000 IN.
 SCALE = .0200

PARAMETRIC DATA

ELV-18 = 8.000 ELV-08 = .000
 RN/L = 4.250 MACH = .900

RUN NO. 282/ 0 RN/L = 4.25 GRADIENT INTERVAL = -5.00/ 5.00

ALPHA	BETA	CP29	CP31	CP35	CP37	CP30	CP32	CP36	CP38
-3.980	-.012	.05620	.05760	.06460	.05930	.00000	.06900	.07620	.07270
	GRADIENT	.00000	.00000	.00000	.00000	.00000	.00000	.00000	.00000

RUN NO. 283/ 0 RN/L = 4.25 GRADIENT INTERVAL = -5.00/ 5.00

ALPHA	BETA	CP29	CP31	CP35	CP37	CP30	CP32	CP36	CP38
-.324	-4.047	.04670	.04630	.04670	.04250	.00000	.00810	.01790	.01330
-.317	-.006	.03530	.03910	.04570	.03190	.00000	.05160	.05740	.04710
-.396	3.984	.00380	.00080	.01040	.00270	.00000	.06170	.06370	.05650
	GRADIENT	-.00534	-.00566	-.00451	-.00495	.00000	.00668	.00571	.00539

RUN NO. 284/ 0 RN/L = 4.24 GRADIENT INTERVAL = -5.00/ 5.00

ALPHA	BETA	CP29	CP31	CP35	CP37	CP30	CP32	CP36	CP38
4.076	-.012	.00420	.00720	.00780	-.00010	.00000	.01900	.02020	.01460
	GRADIENT	.00000	.00000	.00000	.00000	.00000	.00000	.00000	.00000

ARC 11-023 1A80 OTS (SRB OFF) (SSME OFF)

(CE4076) (28 OCT 75)

REFERENCE DATA

SREF = 2690.0000 SQ.FT. XMRP = .0000 IN.
 LREF = 1290.3000 IN. YMRP = .0000 IN.
 BREF = 1290.3000 IN. ZMRP = .0000 IN.
 SCALE = .0200

PARAMETRIC DATA

ELV-18 = 8.000 ELV-08 = .000
 RN/L = 4.250 MACH = 1.100

RUN NO. 153/ 0 RN/L = 4.42 GRADIENT INTERVAL = -5.00/ 5.00

ALPHA	BETA	CP29	CP31	CP35	CP37	CP30	CP32	CP36	CP38
-3.934	.009	-.04690	-.05000	-.03450	.00980	.00000	-.03790	-.00050	.03860
	GRADIENT	.00000	.00000	.00000	.00000	.00000	.00000	.00000	.00000

RUN NO. 154/ 0 RN/L = 4.42 GRADIENT INTERVAL = -5.00/ 5.00

ALPHA	BETA	CP29	CP31	CP35	CP37	CP30	CP32	CP36	CP38
-.238	-3.994	.14950	.15630	.17250	.17190	.00000	.09990	.12890	.12940
-4.307	.009	-.03340	-.03760	.02280	.01090	.00000	-.02310	.07820	.03530
-.271	4.034	.02850	.03640	.07300	.07700	.00000	.11740	.15300	.14860
	GRADIENT	-.01504	-.01490	-.01237	-.01180	.00000	.00221	.00302	.00242

ARC 11-023 1A80 OTS (SRB OFF) (SSME OFF)

(CE4078) (28 OCT 75)

REFERENCE DATA

SREF = 2690.0000 SQ.FT. XMRP = .0000 IN.
 LREF = 1290.3000 IN. YMRP = .0000 IN.
 BREF = 1290.3000 IN. ZMRP = .0000 IN.
 SCALE = .0200

PARAMETRIC DATA

ELV-1B = 8.000 ELV-0B = .000
 RN/L = 4.250 MACH = 1.400

RUN NO. 141/ 0 RN/L = 4.35 GRADIENT INTERVAL = -5.00/ 5.00

ALPHA	BETA	CP29	CP31	CP35	CP37	CP30	CP32	CP36	CP38
-3.980	-.066	-.02710	-.02460	-.01830	-.0210	.00000	-.01480	.00070	-.01170
	GRADIENT	.00000	.00000	.00000	.00000	.00000	.00000	.00000	.00000

RUN NO. 142/ 0 RN/L = 4.34 GRADIENT INTERVAL = -5.00/ 5.00

ALPHA	BETA	CP29	CP31	CP35	CP37	CP30	CP32	CP36	CP38
-.238	-4.072	.01230	.01200	.03030	.02630	.00000	-.04620	-.03460	-.03940
-.228	-.063	-.02030	-.01800	-.01310	-.01360	.00000	-.02000	-.00660	-.01610
-.261	3.953	-.03930	-.03570	-.03680	-.03410	.00000	.01420	.03950	.03050
	GRADIENT	-.00643	-.00594	-.00836	-.00753	.00000	.00753	.00923	.00871

RUN NO. 143/ 0 RN/L = 4.34 GRADIENT INTERVAL = -5.00/ 5.00

ALPHA	BETA	CP29	CP31	CP35	CP37	CP30	CP32	CP36	CP38
3.920	-.066	-.03620	-.03070	.02280	-.02220	.00000	-.03120	-.01260	-.01860
	GRADIENT	.00000	.00000	.00000	.00000	.00000	.00000	.00000	.00000

ARC 11-023 1A80 OTS (SRB NOM) (SSME NOM)

(CE4079) (28 OCT 75)

REFERENCE DATA

SREF = 2690.0000 SQ.FT. XMRP = .0000 IN.
 LREF = 1290.3000 IN. YMRP = .0000 IN.
 BREF = 1290.3000 IN. ZMRP = .0000 IN.
 SCALE = .0200

PARAMETRIC DATA

ELV-1B = 8.000 ELV-0B = .000
 RN/L = 3.400 MACH = .600

RUN NO. 279/ 0 RN/L = 3.42 GRADIENT INTERVAL = -5.00/ 5.00

ALPHA	BETA	CP29	CP31	CP35	CP37	CP30	CP32	CP36	CP38
-4.105	-.006	.00220	.00050	-.00410	-.00510	.00000	.00750	.00890	.00300
	GRADIENT	.00000	.00000	.00000	.00000	.00000	.00000	.00000	.00000

RUN NO. 280/ 0 RN/L = 3.45 GRADIENT INTERVAL = -5.00/ 5.00

ALPHA	BETA	CP29	CP31	CP35	CP37	CP30	CP32	CP36	CP38
-.383	-4.047	-.02130	-.02510	-.02860	-.03460	.00000	-.04700	-.04210	-.04910
-.380	-.009	-.03260	-.03570	-.03680	-.04670	.00000	-.03260	-.02780	-.04330
-.499	3.981	-.05160	-.04950	-.05050	-.04950	.00000	-.01540	-.01780	-.03160
	GRADIENT	-.00377	-.00304	-.00273	-.00186	.00000	.00394	.00303	.00218

ARC 11-023 IAB0 OTS (SRB NOM) (SSME NOM)

(CE4081) (28 OCT 75)

REFERENCE DATA

SREF = 2690.0000 SQ.FT. XMRP = .0000 IN.
 LREF = 1290.3000 IN. YMRP = .0000 IN.
 BREF = 1290.3000 IN. ZMRP = .0000 IN.
 SCALE = .0200

PARAMETRIC DATA

ELV-1B = 8.000 ELV-08 = .000
 RN/L = 4.250 MACH = 1.100

RUN NO. 156/ 0 RN/L = 4.38 GRADIENT INTERVAL = -5.00/ 5.00

ALPHA	BETA	CP29	CP31	CP35	CP37	CP30	CP32	CP36	CP38
-3.937	.012	-.01110	-.01140	.00750	.02170	.00000	-.00090	.05720	.08020
	GRADIENT	.00000	.00000	.00000	.00000	.00000	.00000	.00000	.00000

RUN NO. 157/ 0 RN/L = 4.38 GRADIENT INTERVAL = -5.00/ 5.00

ALPHA	BETA	CP29	CP31	CP35	CP37	CP30	CP32	CP36	CP38
-.396	-3.994	.15420	.15390	.17940	.17680	.00000	.10660	.13830	.12940
-.380	.009	-.02250	-.00710	.08570	.00990	.00000	.02830	.15390	.04700
-.393	4.031	.07550	.08270	.09370	.09820	.00000	.17600	.19940	.19400
	GRADIENT	-.00978	-.00885	-.01067	-.00977	.00000	.00867	.00762	.00807

RUN NO. 158/ 0 RN/L = 4.38 GRADIENT INTERVAL = -5.00/ 5.00

ALPHA	BETA	CP29	CP31	CP35	CP37	CP30	CP32	CP36	CP38
3.894	.012	.16810	.17310	.18500	.18850	.00000	.18810	.21320	.20530
	GRADIENT	.00000	.00000	.00000	.00000	.00000	.00000	.00000	.00000

ARC 11-023 IAB0 OTS (SRB NOM) (SSME NOM)

(CE4082) (28 OCT 75)

REFERENCE DATA

SREF = 2690.0000 SQ.FT. XMRP = .0000 IN.
 LREF = 1290.3000 IN. YMRP = .0000 IN.
 BREF = 1290.3000 IN. ZMRP = .0000 IN.
 SCALE = .0200

PARAMETRIC DATA

ELV-1B = 8.000 ELV-08 = .000
 RN/L = 4.250 MACH = 1.250

RUN NO. 150/ 0 RN/L = 4.42 GRADIENT INTERVAL = -5.00/ 5.00

ALPHA	BETA	CP29	CP31	CP35	CP37	CP30	CP32	CP36	CP38
-3.967	.016	-.02820	-.03110	-.01790	-.02420	.00000	-.03440	-.01050	-.02790
	GRADIENT	.00000	.00000	.00000	.00000	.00000	.00000	.00000	.00000

RUN NO. 151/ 0 RN/L = 4.42 GRADIENT INTERVAL = -5.00/ 5.00

ALPHA	BETA	CP29	CP31	CP35	CP37	CP30	CP32	CP36	CP38
-.396	-3.994	.01570	.01480	.02810	.02690	.00000	-.07660	-.06550	-.07200
-.396	.009	-.04680	-.04540	-.03540	-.03740	.00000	-.03930	-.02070	-.03200
-.380	4.031	-.08530	-.08180	-.08900	-.08750	.00000	.02160	.04440	.03510
	GRADIENT	-.01258	-.01204	-.01459	-.01425	.00000	.01224	.01370	.01335

ARC 11-023 1A80 OTS (SRB OFF) (SSME OFF)

(CE4084) (28 OCT 75)

REFERENCE DATA

SREF = 2690.0000 SQ.FT. XMRP = .0000 IN.
 LREF = 1290.3000 IN. YMRP = .0000 IN.
 BREF = 1290.3000 IN. ZMRP = .0000 IN.
 SCALE = .0200

PARAMETRIC DATA

ELV-1B = 8.000 ELV-08 = 2.000
 RN/L = 3.400 MACH = .600

RUN NO. 326/ 0 RN/L = 3.42 GRADIENT INTERVAL = -5.00/ 5.00

ALPHA	BETA	CP29	CP31	CP35	CP37	CP30	CP32	CP36	CP38
-3.953	-.044	-.00540	-.01030	-.00890	.00780	.00000	-.00230	.00630	.01570
	GRADIENT	.00000	.00000	.00000	.00000	.00000	.00000	.00000	.00000

RUN NO. 327/ 0 RN/L = 3.43 GRADIENT INTERVAL = -5.00/ 5.00

ALPHA	BETA	CP29	CP31	CP35	CP37	CP30	CP32	CP36	CP38
-.284	-4.063	-.01250	-.01220	-.02280	-.01960	.00000	-.04000	-.02870	-.03330
-.291	-.047	-.01530	-.01290	-.01600	-.02640	.00000	-.00840	-.00060	-.01890
-.320	3.969	-.05000	-.04860	-.05130	-.04290	.00000	-.01420	-.01660	-.01720
	GRADIENT	-.00467	-.00453	-.00355	-.00290	.00000	.00321	.00151	.00200

RUN NO. 328/ 0 RN/L = 3.43 GRADIENT INTERVAL = -5.00/ 5.00

ALPHA	BETA	CP29	CP31	CP35	CP37	CP30	CP32	CP36	CP38
3.973	-.044	-.06170	-.05960	-.06370	-.06760	.00000	-.05720	-.05380	-.06210
	GRADIENT	.00000	.00000	.00000	.00000	.00000	.00000	.00000	.00000

ARC 11-023 1A80 OTS (SRB OFF) (SSME OFF)

(CE4085) (28 OCT 75)

REFERENCE DATA

SREF = 2690.0000 SQ.FT. XMRP = .0000 IN.
 LREF = 1290.3000 IN. YMRP = .0000 IN.
 BREF = 1290.3000 IN. ZMRP = .0000 IN.
 SCALE = .0200

PARAMETRIC DATA

ELV-1B = 8.000 ELV-08 = 2.000
 RN/L = 4.250 MACH = .900

RUN NO. 320/ 0 RN/L = 4.27 GRADIENT INTERVAL = -5.00/ 5.00

ALPHA	BETA	CP29	CP31	CP35	CP37	CP30	CP32	CP36	CP38
-3.937	-.050	.05950	.05890	.06430	.06410	.00000	.06950	.08460	.07830
	GRADIENT	.00000	.00000	.00000	.00000	.00000	.00000	.00000	.00000

RUN NO. 321/ 0 RN/L = 4.24 GRADIENT INTERVAL = -5.00/ 5.00

ALPHA	BETA	CP29	CP31	CP35	CP37	CP30	CP32	CP36	CP38
-.301	-4.066	.04850	.04670	.04750	.04220	.00000	.00750	.02510	.01700
-.304	-.047	.03010	.03070	.03530	.03260	.00000	.04250	.05630	.04690
-.320	3.969	-.00870	-.00680	-.00200	-.00420	.00000	.05180	.06090	.05440
	GRADIENT	-.00712	-.00666	-.00616	-.00577	.00000	.00551	.00446	.00466

ARC 11-023 IAB0 OTS (SRB NOM) (SSME NOM)

(CE4087) (28 OCT 75)

REFERENCE DATA

SREF = 2690.0000 SQ.FT. XMRP = .0000 IN.
 LREF = 1290.3000 IN. YMRP = .0000 IN.
 BREF = 1290.3000 IN. ZMRP = .0000 IN.
 SCALE = .0200

PARAMETRIC DATA

ELV-1B = 8.000 ELV-0B = 2.000
 RN/L = 3.400 MACH = .600

RUN NO. 329/ 0 RN/L = 3.43 GRADIENT INTERVAL = -5.00/ 5.00

ALPHA	BETA	CP29	CP31	CP35	CP37	CP30	CP32	CP36	CP38
-3.871	-.044	-.00110	.00030	.00200	-.00470	.00000	.00240	.01510	.00310
	GRADIENT	.00000	.00000	.00000	.00000	.00000	.00000	.00000	.00000

RUN NO. 330/ 0 RN/L = 3.43 GRADIENT INTERVAL = -5.00/ 5.00

ALPHA	BETA	CP29	CP31	CP35	CP37	CP30	CP32	CP36	CP38
-.350	-4.066	-.02000	-.01520	-.02240	-.03050	.00000	-.04590	-.03560	-.04590
-.380	-.050	-.03540	-.03100	-.03580	-.03790	.00000	-.02520	-.01660	-.03630
-.423	3.969	-.04770	-.04870	-.04730	-.05020	.00000	-.01320	-.01280	-.02560
	GRADIENT	-.00345	-.00417	-.00310	-.00245	.00000	.00407	.00284	.00253

RUN NO. 331/ 0 RN/L = 3.43 GRADIENT INTERVAL = -5.00/ 5.00

ALPHA	BETA	CP29	CP31	CP35	CP37	CP30	CP32	CP36	CP38
3.986	-.047	-.07600	-.06770	-.07910	-.08370	.00000	-.06550	-.06490	-.07820
	GRADIENT	.00000	.00000	.00000	.00000	.00000	.00000	.00000	.00000

ARC 11-023 IAB0 OTS (SRB NOM) (SSME NOM)

(CE4088) (28 OCT 75)

REFERENCE DATA

SREF = 2690.0000 SQ.FT. XMRP = .0000 IN.
 LREF = 1290.3000 IN. YMRP = .0000 IN.
 BREF = 1290.3000 IN. ZMRP = .0000 IN.
 SCALE = .0200

PARAMETRIC DATA

ELV-1B = 8.000 ELV-0B = 2.000
 RN/L = 4.250 MACH = .900

RUN NO. 323/ 0 RN/L = 4.19 GRADIENT INTERVAL = -5.00/ 5.00

ALPHA	BETA	CP29	CP31	CP35	CP37	CP30	CP32	CP36	CP38
-3.963	-.044	.05070	.05260	.05970	.05510	.00000	.06500	.07800	.06970
	GRADIENT	.00000	.00000	.00000	.00000	.00000	.00000	.00000	.00000

RUN NO. 324/ 0 RN/L = 4.19 GRADIENT INTERVAL = -5.00/ 5.00

ALPHA	BETA	CP29	CP31	CP35	CP37	CP30	CP32	CP36	CP38
-.383	-4.066	.04300	.04240	.04260	.03820	.00000	.00250	.01850	.00960
-.376	-.047	.03350	.03570	.04190	.03120	.00000	.04800	.06510	.04400
-.409	3.969	.00040	.00020	.00290	-.00540	.00000	.06330	.06720	.05500
	GRADIENT	-.00530	-.00525	-.00494	-.00543	.00000	.00757	.00606	.00565

DATE 12 JUN 76

TABULATED SOURCE DATA - IAB0

PAGE 361

ARC 11-023 IAB0 OTS (SRB NOM) (SSME NOM)

(CE4088) (28 OCT 75)

REFERENCE DATA

SREF = 2690.0000 SQ.FT. XMRP = .0000 IN.
 LREF = 1290.3000 IN. YMRP = .0000 IN.
 BREF = 1290.3000 IN. ZMRP = .0000 IN.
 SCALE = .0200

PARAMETRIC DATA

ELV-18 = 8.000 ELV-08 = 2.000
 RN/L = 4.250 MACH = .900

RUN NO. 325/ 0 RN/L = 4.19 GRADIENT INTERVAL = -5.00/ 5.00

ALPHA	BETA	CP29	CP31	CP35	CP37	CP30	CP32	CP36	CP38
3.940	-.044	-.00530	-.00510	-.00250	-.00430	.00000	.00660	.02070	.01130
	GRADIENT	.00000	.00000	.00000	.00000	.00000	.00000	.00000	.00000

ARC 11-023 IAB0 OTS (SRB NOM) (SSME NOM)

(CE4089) (28 OCT 75)

REFERENCE DATA

SREF = 2690.0000 SQ.FT. XMRP = .0000 IN.
 LREF = 1290.3000 IN. YMRP = .0000 IN.
 BREF = 1290.3000 IN. ZMRP = .0000 IN.
 SCALE = .0200

PARAMETRIC DATA

ELV-18 = 8.000 ELV-08 = 2.000
 RN/L = 4.250 MACH = 1.100

RUN NO. 162/ 0 RN/L = 4.41 GRADIENT INTERVAL = -5.00/ 5.00

ALPHA	BETA	CP29	CP31	CP35	CP37	CP30	CP32	CP36	CP38
-3.970	.016	-.01030	-.00230	.03260	.02910	.00000	.00630	.07290	.05670
	GRADIENT	.00000	.00000	.00000	.00000	.00000	.00000	.00000	.00000

RUN NO. 163/ 0 RN/L = 4.43 GRADIENT INTERVAL = -5.00/ 5.00

ALPHA	BETA	CP29	CP31	CP35	CP37	CP30	CP32	CP36	CP38
-.436	-3.994	.15070	.16080	.18050	.17530	.00000	.10530	.13380	.12910
-.429	.009	-.01260	-.01500	.10310	-.00940	.00000	.00450	.14700	.02160
-.466	4.031	.06580	.07580	.08670	.09420	.00000	.15860	.18310	.18620
	GRADIENT	-.01056	-.01057	-.01168	-.01015	.00000	.00667	.00615	.00714

RUN NO. 164/ 0 RN/L = 4.43 GRADIENT INTERVAL = -5.00/ 5.00

ALPHA	BETA	CP29	CP31	CP35	CP37	CP30	CP32	CP36	CP38
3.851	.012	.17350	.18410	.19610	.18650	.00000	.19880	.21540	.20220
	GRADIENT	.00000	.00000	.00000	.00000	.00000	.00000	.00000	.00000

ORIGINAL PAGE IS
OF POOR QUALITY

ARC 11-023 IAB0 OTS (SRB OFF) (SSME OFF)

(CE4090) (28 OCT 75)

REFERENCE DATA

SREF = 2690.0000 SQ.FT. XMRP = .0000 IN.
 LREF = 1290.3000 IN. YMRP = .0000 IN.
 BREF = 1290.3000 IN. ZMRP = .0000 IN.
 SCALE = .0200

PARAMETRIC DATA

ELV-1B = 4.000 ELV-0B = 4.000
 RN/L = 3.400 MACH = .600

RUN NO. 332/ 0 RN/L = 3.50 GRADIENT INTERVAL = -5.00/ 5.00

ALPHA	BETA	CP29	CP31	CP35	CP37	CP30	CP32	CP36	CP38
-3.960	-.003	.01280	.01080	.01250	.00740	.00000	.01490	.02380	.01760
	GRADIENT	.00000	.00000	.00000	.00000	.00000	.00000	.00000	.00000

RUN NO. 333/ 0 RN/L = 3.49 GRADIENT INTERVAL = -5.00/ 5.00

ALPHA	BETA	CP29	CP31	CP35	CP37	CP30	CP32	CP36	CP38
-.267	-4.003	-.01350	-.01210	-.02170	-.01710	.00000	-.03840	-.02990	-.03310
-.291	.012	-.02330	-.01760	-.01860	-.02590	.00000	-.01520	-.00670	-.02050
-.294	4.028	-.04530	-.04250	-.03980	-.04400	.00000	-.00770	-.01010	-.01820
	GRADIENT	-.00396	-.00379	-.00225	-.00335	.00000	.00382	.00247	.00186

RUN NO. 334/ 0 RN/L = 3.49 GRADIENT INTERVAL = -5.00/ 5.00

ALPHA	BETA	CP29	CP31	CP35	CP37	CP30	CP32	CP36	CP38
3.973	.006	-.06370	-.05790	-.06890	-.06980	.00000	-.05750	-.05820	-.06300
	GRADIENT	.00000	.00000	.00000	.00000	.00000	.00000	.00000	.00000

ARC 11-023 IAB0 OTS (SRB OFF) (SSME OFF)

(CE4091) (28 OCT 75)

REFERENCE DATA

SREF = 2690.0000 SQ.FT. XMRP = .0000 IN.
 LREF = 1290.3000 IN. YMRP = .0000 IN.
 BREF = 1290.3000 IN. ZMRP = .0000 IN.
 SCALE = .0200

PARAMETRIC DATA

ELV-1B = 4.000 ELV-0B = 4.000
 RN/L = 4.250 MACH = .900

RUN NO. 338/ 0 RN/L = 4.21 GRADIENT INTERVAL = -5.00/ 5.00

ALPHA	BETA	CP29	CP31	CP35	CP37	CP30	CP32	CP36	CP38
-3.980	-.003	.05860	.05800	.05510	.06290	.00000	.07010	.08390	.08000
	GRADIENT	.00000	.00000	.00000	.00000	.00000	.00000	.00000	.00000

RUN NO. 339/ 0 RN/L = 4.20 GRADIENT INTERVAL = -5.00/ 5.00

ALPHA	BETA	CP29	CP31	CP35	CP37	CP30	CP32	CP36	CP38
-.267	-4.003	.04910	.05030	.04970	.04650	.00000	.01340	.02510	.02180
-.291	.012	.02510	.02720	.03020	.02830	.00000	.03730	.04720	.04200
-.284	4.028	-.00020	.00170	.00470	.00090	.00000	.06080	.06550	.05830
	GRADIENT	-.00014	-.00605	-.00560	-.00568	.00000	.00590	.00503	.00454

DATE 12 JUN 76

TABULATED SOURCE DATA - IAB0

PAGE 363

ARC 11-023 IAB0 OTS (SRB OFF) (SSME OFF)

(CE4091) (28 OCT 75)

REFERENCE DATA

SREF = 2690.0000 SQ.FT. XMRP = .0000 IN.
 LREF = 1290.3000 IN. YMRP = .0000 IN.
 BREF = 1290.3000 IN. ZMRP = .0000 IN.
 SCALE = .0200

PARAMETRIC DATA

ELV-1B = 4.000 ELV-0B = 4.000
 RN/L = 4.250 MACH = .900

RUN NO. 340/ 0 RN/L = 4.20 GRADIENT INTERVAL = -5.00/ 5.00

ALPHA	BETA	CP29	CP31	CP35	CP37	CP30	CP32	CP36	CP38
3.970	-.003	.00310	.00390	.00290	-.00010	.00000	.01540	.02190	.01680
	GRADIENT	.00000	.00000	.00000	.00000	.00000	.00000	.00000	.00000

ARC 11-023 IAB0 OTS (SRB OFF) (SSME OFF)

(CE4092) (28 OCT 75)

REFERENCE DATA

SREF = 2690.0000 SQ.FT. XMRP = .0000 IN.
 LREF = 1290.3000 IN. YMRP = .0000 IN.
 BREF = 1290.3000 IN. ZMRP = .0000 IN.
 SCALE = .0200

PARAMETRIC DATA

ELV-1B = 4.000 ELV-0B = 4.000
 RN/L = 4.250 MACH = 1.100

RUN NO. 177/ 0 RN/L = 4.34 GRADIENT INTERVAL = -5.00/ 5.00

ALPHA	BETA	CP29	CP31	CP35	CP37	CP30	CP32	CP36	CP38
-3.957	.003	-.02460	-.00790	.04290	.03860	.00000	.00480	.07660	.07840
	GRADIENT	.00000	.00000	.03000	.00000	.00000	.00000	.00000	.00000

RUN NO. 178/ 0 RN/L = 4.34 GRADIENT INTERVAL = -5.00/ 5.00

ALPHA	BETA	CP29	CP31	CP35	CP37	CP30	CP32	CP36	CP38
-.284	-3.994	.15590	.15950	.18020	.17610	.00000	.10790	.13840	.13320
-.281	.000	.01340	.04370	.10760	.09310	.00000	.08610	.15000	.12030
-.320	4.028	.07640	.08510	.09110	.09770	.00000	.17530	.20060	.19320
	GRADIENT	-.00987	-.00925	-.01110	-.00976	.00000	.00842	.00776	.00749

RUN NO. 179/ 0 RN/L = 4.34 GRADIENT INTERVAL = -5.00/ 5.00

ALPHA	BETA	CP29	CP31	CP35	CP37	CP30	CP32	CP36	CP38
3.977	.003	.17910	.18680	.13590	.19410	.00000	.19670	.21290	.20580
	GRADIENT	.00000	.00000	.03000	.00000	.00000	.00000	.00000	.00000

ARC 11-023 IAB0 OTS (SRB OFF) (SSME OFF)

(CE4093) (28 OCT 75)

REFERENCE DATA

SREF = 2690.0000 SQ.FT. XMRP = .0000 IN.
 LREF = 1290.3000 IN. YMRP = .0000 IN.
 BREF = 1290.3000 IN. ZMRP = .0000 IN.
 SCALE = .0200

PARAMETRIC DATA

ELV-1B = 4.000 ELV-08 = 4.000
 RN/L = 4.250 MACH = 1.250

RUN NO. 171/ 0 RN/L = 4.35 GRADIENT INTERVAL = -5.00/ 5.00

ALPHA	BETA	CP29	CP31	CP35	CP37	CP30	CP32	CP36	CP38
-3.953	.006	-.04010	-.03990	-.03110	-.03470	.00000	-.03220	-.01680	-.02940
	GRADIENT	.00000	.00000	.00000	.00000	.00000	.00000	.00000	.00000

RUN NO. 172/ 0 RN/L = 4.35 GRADIENT INTERVAL = -5.00/ 5.00

ALPHA	BETA	CP29	CP31	CP35	CP37	CP30	CP32	CP36	CP38
-.238	-3.997	.00710	.00820	.02390	.01900	.00000	-.07890	-.07370	-.07660
-.231	.000	-.05430	-.05240	-.04550	-.04670	.00000	-.04810	-.03040	-.03720
-.284	4.034	-.08810	-.08330	-.09100	-.08970	.00000	.01910	.03980	.03280
	GRADIENT	-.01185	-.01139	-.01430	-.01353	.00000	.01221	.01414	.01363

RUN NO. 173/ 0 RN/L = 4.34 GRADIENT INTERVAL = -5.00/ 5.00

ALPHA	BETA	CP29	CP31	CP35	CP37	CP30	CP32	CP36	CP38
3.977	.000	-.06930	-.06910	-.05880	-.06340	.00000	-.06490	-.04700	-.05940
	GRADIENT	.00000	.00000	.00000	.00000	.00000	.00000	.00000	.00000

ARC 11-023 IAB0 OTS (SRB OFF) (SSME OFF)

(CE4094) (28 OCT 75)

REFERENCE DATA

SREF = 2690.0000 SQ.FT. XMRP = .0000 IN.
 LREF = 1290.3000 IN. YMRP = .0000 IN.
 BREF = 1290.3000 IN. ZMRP = .0000 IN.
 SCALE = .0200

PARAMETRIC DATA

ELV-1B = 4.000 ELV-08 = 4.000
 RN/L = 4.250 MACH = 1.400

RUN NO. 165/ 0 RN/L = 4.38 GRADIENT INTERVAL = -5.00/ 5.00

ALPHA	BETA	CP29	CP31	CP35	CP37	CP30	CP32	CP36	CP38
-3.887	.016	-.02680	-.02510	-.01510	-.01560	.00000	-.01590	-.00280	-.00760
	GRADIENT	.00000	.00000	.00000	.00000	.00000	.00000	.00000	.00000

RUN NO. 166/ 0 RN/L = 4.36 GRADIENT INTERVAL = -5.00/ 5.00

ALPHA	BETA	CP29	CP31	CP35	CP37	CP30	CP32	CP36	CP38
-.271	-3.991	.01480	.01530	.03350	.02890	.00000	-.04670	-.03740	-.03320
-.251	.009	-.01320	-.01100	-.00300	-.00780	.00000	-.01960	-.00350	-.01430
-.284	4.031	-.03810	-.03500	-.03670	-.03280	.00000	.01720	.04220	.03250
	GRADIENT	-.00659	-.00627	-.00875	-.00769	.00000	.00797	.00992	.00894

ARC 11-023 1A80 OTS (SRB NOM) (SSME NOM)

(CE4096) (28 OCT 75)

REFERENCE DATA				PARAMETRIC DATA					
SREF =	2690.0000	SQ.FT.	XMRP =	.0000	IN.	ELV-18 =	4.000	ELV-08 =	4.000
LREF =	1290.3000	IN.	YMRP =	.0000	IN.	RN/L =	4.250	MACH =	.900
BREF =	1290.3000	IN.	ZMRP =	.0000	IN.				
SCALE =	.0200								

RUN NO. 341/ 0		RN/L =	4.21		GRADIENT INTERVAL =		-5.00/ 5.00		
ALPHA	BETA	CP29	CP31	CP35	CP37	CP30	CP32	CP36	CP38
-3.891	-.003	.05860	.06040	.06690	.06100	.00000	.06990	.08500	.07620
	GRADIENT	.00000	.00000	.00000	.00000	.00000	.00000	.00000	.00000

RUN NO. 342/ 0		RN/L =	4.20		GRADIENT INTERVAL =		-5.00/ 5.00		
ALPHA	BETA	CP29	CP31	CP35	CP37	CP30	CP32	CP36	CP38
-.390	-4.003	.04410	.04370	.04410	.04360	.00000	.00480	.01880	.01530
-.360	.012	.02770	.03270	.03390	.02520	.00000	.04160	.05590	.04100
-.406	4.031	.00150	-.00130	.00590	.00150	.00000	.06210	.07040	.05870
	GRADIENT	-.00530	-.00560	-.00475	-.00524	.00000	.00713	.00642	.00540

RUN NO. 343/ 0		RN/L =	4.20		GRADIENT INTERVAL =		-5.00/ 5.00		
ALPHA	BETA	CP29	CP31	CP35	CP37	CP30	CP32	CP36	CP38
3.986	-.003	-.00150	.00170	.00110	-.00170	.00000	.01200	.01990	.01580
	GRADIENT	.00000	.00000	.00000	.00000	.00000	.00000	.00000	.00000

ARC 11-023 1A80 OTS (SRB NOM) (SSME NOM)

(CE4097) (28 OCT 75)

REFERENCE DATA				PARAMETRIC DATA					
SREF =	2690.0000	SQ.FT.	XMRP =	.0000	IN.	ELV-18 =	4.000	ELV-08 =	4.000
LREF =	1290.3000	IN.	YMRP =	.0000	IN.	RN/L =	4.250	MACH =	1.100
BREF =	1290.3000	IN.	ZMRP =	.0000	IN.				
SCALE =	.0200								

RUN NO. 180/ 0		RN/L =	4.34		GRADIENT INTERVAL =		-5.00/ 5.00		
ALPHA	BETA	CP29	CP31	CP35	CP37	CP30	CP32	CP36	CP38
-3.963	.003	.00270	-.00010	.02680	.04820	.00000	.02600	.06760	.08970
	GRADIENT	.00000	.00000	.00000	.00000	.00000	.00000	.00000	.00000

RUN NO. 181/ 0		RN/L =	4.34		GRADIENT INTERVAL =		-5.00/ 5.00		
ALPHA	BETA	CP29	CP31	CP35	CP37	CP30	CP32	CP36	CP38
-.409	-3.997	.16140	.16480	.18220	.17750	.00000	.11290	.14210	.13360
-.386	-.003	.03480	.03280	.12940	.04970	.00000	.08070	.18120	.09420
-.429	4.028	.08820	.09040	.09650	.10510	.00000	.17740	.20310	.19240
	GRADIENT	-.00909	-.00923	-.01068	-.00899	.00000	.00806	.00760	.00735

ARC 11-023 1A80 OTS (SRB NOM) (SSME NOM)

(CE4099) (28 OCT 75)

REFERENCE DATA

SREF = 2690.0000 SQ.FT. XMRP = .0000 IN.
 LREF = 1290.3000 IN. YMRP = .0000 IN.
 BREF = 1290.3000 IN. ZMRP = .0000 IN.
 SCALE = .0200

ELV-18 = 4.000 ELV-08 = 4.000
 RN/L = 4.250 MACH = 1.400

PARAMETRIC DATA

RUN NO. 169/ 0 RN/L = 4.27 GRADIENT INTERVAL = -5.00/ 5.00

ALPHA	BETA	CP29	CP31	CP35	CP37	CP30	CP32	CP36	CP38
-3.944	.009	-.02280	-.02200	-.00790	-.02020	.00000	-.01110	.00310	-.00930
	GRADIENT	.00000	.00000	.00000	.00000	.00000	.00000	.00000	.00000

RUN NO. 169/ 0 RN/L = 4.26 GRADIENT INTERVAL = -5.00/ 5.00

ALPHA	BETA	CP29	CP31	CP35	CP37	CP30	CP32	CP36	CP38
-.403	-3.991	.02230	.02070	.03360	.03060	.00000	-.04400	-.03540	-.04320
-.386	.012	-.01390	-.01430	-.00500	-.00800	.00000	-.01440	-.00290	-.01170
-.443	4.034	-.03730	-.03490	-.03630	-.03360	.00000	.01910	.04190	.03240
	GRADIENT	-.00743	-.00693	-.00871	-.00800	.00000	.00786	.00963	.00942

RUN NO. 170/ 0 RN/L = 4.26 GRADIENT INTERVAL = -5.00/ 5.00

ALPHA	BETA	CP29	CP31	CP35	CP37	CP30	CP32	CP36	CP38
3.864	.012	-.02840	-.02480	-.01540	-.01750	.00000	-.03710	-.00870	-.01470
	GRADIENT	.00000	.00000	.00000	.00000	.00000	.00000	.00000	.00000

ARC 11-023 1A80 OTS (SRB OFF) (SSME OFF)

(CE40A0) (28 OCT 75)

REFERENCE DATA

SREF = 2690.0000 SQ.FT. XMRP = .0000 IN.
 LREF = 1290.3000 IN. YMRP = .0000 IN.
 BREF = 1290.3000 IN. ZMRP = .0000 IN.
 SCALE = .0200

ELV-18 = .000 ELV-08 = 4.000
 RN/L = 3.400 MACH = .600

PARAMETRIC DATA

RUN NO. 344/ 0 RN/L = 3.50 GRADIENT INTERVAL = -5.00/ 5.00

ALPHA	BETA	CP29	CP31	CP35	CP37	CP30	CP32	CP36	CP38
-3.894	.000	.01960	.01960	.02340	.01140	.00000	.02610	.04070	.02190
	GRADIENT	.00000	.00000	.00000	.00000	.00000	.00000	.00000	.00000

RUN NO. 345/ 0 RN/L = 3.48 GRADIENT INTERVAL = -5.00/ 5.00

ALPHA	BETA	CP29	CP31	CP35	CP37	CP30	CP32	CP36	CP38
-.281	-4.003	-.00880	-.00570	-.01260	-.01810	.00000	-.03110	-.02180	-.03210
-.287	.012	-.01940	-.01700	-.02110	-.02450	.00000	-.01250	-.00990	-.01870
-.301	4.029	-.04240	-.04310	-.04130	-.04200	.00000	-.00600	-.01360	-.01870
	GRADIENT	-.00418	-.00466	-.00357	-.00298	.00000	.00313	.00102	.00167

ORIGINAL PAGE IS
OF POOR QUALITY

DATE 12 JUN 76

TABULATED SOURCE DATA - 1A80

PAGE 369

ARC 11-023 1A80 OTS (SRB OFF) (SSME OFF)

(CE40A0) (28 OCT 75)

REFERENCE DATA

SRFF = 2690.0000 SQ.FT. XMRP = .0000 IN.
 LRE = 1290.3000 IN. YMRP = .0000 IN.
 BREF = 1290.3000 IN. ZMRP = .0000 IN.
 SCALE = .0200

PARAMETRIC DATA

ELV-18 = .000 ELV-08 = 4.000
 RN/L = 3.400 MACH = .600

RUN NO. 346/ 0 RN/L = 3.48 GRADIENT INTERVAL = -5.00/ 5.00

ALPHA	BETA	CP29	CP31	CP35	CP37	CP30	CP32	CP36	CP38
3.986	.012	-.06180	-.05980	-.06770	-.06750	.00000	-.05600	-.05910	-.06170
	GRADIENT	.00000	.00000	.00000	.00000	.00000	.00000	.00000	.00000

ARC 11-023 1A80 OTS (SRB OFF) (SSME OFF)

(CE40A1) (28 OCT 75)

REFERENCE DATA

SREF = 2690.0000 SQ.FT. XMRP = .0000 IN.
 LREF = 1290.3000 IN. YMRP = .0000 IN.
 BREF = 1290.3000 IN. ZMRP = .0000 IN.
 SCALE = .0200

PARAMETRIC DATA

ELV-18 = .000 ELV-08 = 4.000
 RN/L = 4.250 MACH = .900

RUN NO. 350/ 0 RN/L = 4.23 GRADIENT INTERVAL = -5.00/ 5.00

ALPHA	BETA	CP29	CP31	CP35	CP37	CP30	CP32	CP36	CP38
-3.996	.009	.05870	.06030	.06490	.06130	.00000	.06990	.08320	.07730
	GRADIENT	.00000	.00000	.00000	.00000	.00000	.00000	.00000	.00000

RUN NO. 351/ 0 RN/L = 4.24 GRADIENT INTERVAL = -5.00/ 5.00

ALPHA	BETA	CP29	CP31	CP35	CP37	CP30	CP32	CP36	CP38
-.281	-4.006	.04630	.04690	.04590	.04430	.00000	.00830	.02160	.01830
-.284	.009	.03160	.03420	.03840	.03250	.00000	.04540	.05620	.04700
-.281	4.028	-.00280	-.00380	.00150	-.00160	.00000	.05660	.06530	.05640
	GRADIENT	-.00611	-.00631	-.00553	-.00571	.00000	.00601	.00544	.00474

RUN NO. 352/ 0 RN/L = 4.23 GRADIENT INTERVAL = -5.00/ 5.00

ALPHA	BETA	CP29	CP31	CP35	CP37	CP30	CP32	CP36	CP38
4.023	.016	-.00010	.00410	.00520	.00200	.00000	.01600	.02480	.01830
	GRADIENT	.00000	.00000	.00000	.00000	.00000	.00000	.00000	.00000

ORIGINAL PAGE IS
OF POOR QUALITY

ARC 11-023 IAB0 OTS (SRB OFF) (SSME OFF)

(CE40A2) (28 OCT 75)

REFERENCE DATA

SREF = 2690.0000 SQ.FT. XMRP = .0000 IN.
 LREF = 1290.3000 IN. YMRP = .0000 IN.
 BREF = 1290.3000 IN. ZMRP = .0000 IN.
 SCALE = .0200

PARAMETRIC DATA

ELV-18 = .000 ELV-08 = 4.000
 RN/L = 4.250 MACH = 1.100

RUN NO. 195/ 0 RN/L = 4.36 GRADIENT INTERVAL = -5.00/ 5.00

ALPHA	BETA	CP29	CP31	CP35	CP37	CP30	CP32	CP36	CP38
-3.967	.006	-.01190	-.01220	.04210	.06560	.00000	.00790	.09410	.08750
	GRADIENT	.00000	.00000	.00000	.00000	.00000	.00000	.00000	.00000

RUN NO. 196/ 0 RN/L = 4.36 GRADIENT INTERVAL = -5.00/ 5.00

ALPHA	BETA	CP29	CP31	CP35	CP37	CP30	CP32	CP36	CP38
-.284	-4.003	.15790	.15910	.17390	.17640	.00000	.10830	.13560	.13260
-.258	-.012	-.00260	-.00560	.08770	.06420	.00000	.03780	.13910	.09540
-.301	4.016	.07930	.08390	.09020	.09730	.00000	.17450	.19530	.19320
	GRADIENT	-.00975	-.00933	-.01104	-.00984	.00000	.00830	.00746	.00758

RUN NO. 197/ 0 RN/L = 4.36 GRADIENT INTERVAL = -5.00/ 5.00

ALPHA	BETA	CP29	CP31	CP35	CP37	CP30	CP32	CP36	CP38
3.947	.000	.17100	.17770	.19520	.18880	.00000	.19300	.21270	.20060
	GRADIENT	.00000	.00000	.00000	.00000	.00000	.00000	.00000	.00000

ARC 11-023 IAB0 OTS (SRB OFF) (SSME OFF)

(CE40A3) (28 OCT 75)

REFERENCE DATA

SREF = 2690.0000 SQ.FT. XMRP = .0000 IN.
 LREF = 1290.3000 IN. YMRP = .0000 IN.
 BREF = 1290.3000 IN. ZMRP = .0000 IN.
 SCALE = .0200

PARAMETRIC DATA

ELV-18 = .000 ELV-08 = 4.000
 RN/L = 4.250 MACH = 1.250

RUN NO. 189/ 0 RN/L = 4.37 GRADIENT INTERVAL = -5.00/ 5.00

ALPHA	BETA	CP29	CP31	CP35	CP37	CP30	CP32	CP36	CP38
-3.947	-.006	-.01010	-.04100	-.03290	-.03700	.00000	-.03380	-.01780	-.02900
	GRADIENT	.00000	.00000	.00000	.00000	.00000	.00000	.00000	.00000

RUN NO. 190/ 0 RN/L = 4.36 GRADIENT INTERVAL = -5.00/ 5.00

ALPHA	BETA	CP29	CP31	CP35	CP37	CP30	CP32	CP36	CP38
-.248	-4.000	.01080	.01000	.02060	.02380	.00000	-.07740	-.07300	-.07470
-.244	-.006	-.05470	-.05160	-.04670	-.04590	.00000	-.04920	-.02930	-.03780
-.271	4.022	-.08880	-.08450	-.09250	-.09000	.00000	.01500	.03910	.03080
	GRADIENT	-.01241	-.01178	-.01412	-.01418	.00000	.01152	.01398	.01316

ARC 11-023 1A80 OTS (SRB NOM) (SSME NOM)

(CE40A5) (28 OCT 75)

REFERENCE DATA

SREF = 2690.0000 SQ.FT. XMRP = .0000 IN.
 LREF = 1290.3000 IN. YMRP = .0000 IN.
 BREF = 1290.3000 IN. ZMRP = .0000 IN.
 SCALE = .0200

PARAMETRIC DATA

ELV-18 = .000 ELV-08 = 4.000
 RN/L = 3.400 MACH = .600

RUN NO. 347/ 0 RN/L = 3.47 GRADIENT INTERVAL = -5.00/ 5.00

ALPHA	BETA	CP29	CP31	CP35	CP37	CP30	CP32	CP36	CP38
-3.983	.012	.00060	-.00720	-.00380	-.00210	.00000	.00170	.01060	.00950
	GRADIENT	.00000	.00000	.00000	.00000	.00000	.00000	.00000	.00000

RUN NO. 348/ 0 RN/L = 3.48 GRADIENT INTERVAL = -5.00/ 5.00

ALPHA	BETA	CP29	CP31	CP35	CP37	CP30	CP32	CP36	CP38
-.337	-4.006	-.01170	-.01310	-.01360	-.03090	.00000	-.03790	-.02790	-.04530
-.370	.009	-.02860	-.02690	-.03400	-.03660	.00000	-.03000	-.01440	-.03320
-.453	4.025	-.04960	-.04590	-.04590	-.05110	.00000	-.01140	-.01410	-.01910
	GRADIENT	-.00472	-.00408	-.00327	-.00252	.00000	.00330	.00172	.00326

RUN NO. 349/ 0 RN/L = 3.48 GRADIENT INTERVAL = -5.00/ 5.00

ALPHA	BETA	CP29	CP31	CP35	CP37	CP30	CP32	CP36	CP38
3.910	.009	-.06900	-.06460	-.07000	-.07750	.00000	-.06080	-.05940	-.07310
	GRADIENT	.00000	.00000	.00000	.00000	.00000	.00000	.00000	.00000

ARC 11-023 1A80 OTS (SRB NOM) (SSME NOM)

(CE40A6) (28 OCT 75)

REFERENCE DATA

SREF = 2690.0000 SQ.FT. XMRP = .0000 IN.
 LREF = 1290.3000 IN. YMRP = .0000 IN.
 BREF = 1290.3000 IN. ZMRP = .0000 IN.
 SCALE = .0200

PARAMETRIC DATA

ELV-18 = .000 ELV-08 = 4.000
 RN/L = 4.250 MACH = .900

RUN NO. 353/ 0 RN/L = 4.21 GRADIENT INTERVAL = -5.00/ 5.00

ALPHA	BETA	CP29	CP31	CP35	CP37	CP30	CP32	CP36	CP38
-3.937	.016	.05680	.05620	.06120	.05850	.00000	.06690	.08040	.07460
	GRADIENT	.00000	.00000	.00000	.00000	.00000	.00000	.00000	.00000

RUN NO. 354/ 0 RN/L = 4.23 GRADIENT INTERVAL = -5.00/ 5.00

ALPHA	BETA	CP29	CP31	CP35	CP37	CP30	CP32	CP36	CP38
-.376	-4.006	.05210	.05110	.05090	.04530	.00000	.01390	.02960	.02110
.353	.009	.03600	.03840	.04280	.03400	.00000	.04880	.06290	.05010
-.420	4.022	.00750	.00970	.01760	.00700	.00000	.06840	.08160	.06530
	GRADIENT	-.00556	-.00528	-.00415	-.00477	.00000	.00679	.00648	.00551

ARC 11-023 IAB0 OTS (SRB NOM) (SSME NOM)

(CE40A8) 28 OCT 75)

REFERENCE DATA

SREF = 2690.0000 SQ.FT. XMRP = .0000 IN.
 LREF = 1290.3000 IN. YMRP = .0000 IN.
 BREF = 1290.3000 IN. ZMRP = .0000 IN.
 SCALE = .0200

PARAMETRIC DATA

ELV-18 = .000 ELV-08 = 4.000
 RN/L = 4.250 MACH = 1.250

RUN NO. 192/ 0 RN/L = 4.35 GRADIENT INTERVAL = -5.00/ 5.00

ALPHA	BETA	CP29	CP31	CP35	CP37	CP30	CP32	CP36	CP38
-3.986	.009	-.03090	-.03220	-.02180	-.03040	.00000	-.02920	-.00960	-.02370
	GRADIENT	.00000	.00000	.00000	.00000	.00000	.00000	.00000	.00000

RUN NO. 193/ 0 RN/L = 4.36 GRADIENT INTERVAL = -5.00/ 5.00

ALPHA	BETA	CP29	CP31	CP35	CP37	CP30	CP32	CP36	CP38
-.400	-4.003	.01750	.01350	.02770	.02530	.00000	-.07560	-.06570	-.07470
-.393	-.012	-.04360	-.04200	-.03770	-.03800	.00000	-.04270	-.02220	-.03160
-.413	4.022	-.09190	-.08740	-.05530	-.09290	.00000	.01670	.03750	.03570
	GRADIENT	-.01363	-.01257	-.01539	-.01471	.00000	.01151	.01286	.01376

RUN NO. 194/ 0 RN/L = 4.36 GRADIENT INTERVAL = -5.00/ 5.00

ALPHA	BETA	CP29	CP31	CP35	CP37	CP30	CP32	CP36	CP38
3.947	.003	-.05950	-.06340	-.05360	-.05830	.00000	-.05760	-.04280	-.05530
	GRADIENT	.00000	.00000	.00000	.00000	.00000	.00000	.00000	.00000

ARC 11-023 IAB0 OTS (SRB NOM) (SSME NOM)

(CE40A9) (28 OCT 75)

REFERENCE DATA

SREF = 2690.0000 SQ.FT. XMRP = .0000 IN.
 LREF = 1290.3000 IN. YMRP = .0000 IN.
 BREF = 1290.3000 IN. ZMRP = .0000 IN.
 SCALE = .0200

PARAMETRIC DATA

ELV-18 = .000 ELV-08 = 4.000
 RN/L = 4.250 MACH = 1.400

RUN NO. 186/ 0 RN/L = 4.29 GRADIENT INTERVAL = -5.00/ 5.00

ALPHA	BETA	CP29	CP31	CP35	CP37	CP30	CP32	CP36	CP38
-3.940	.009	-.02240	-.02460	-.01120	-.01970	.00000	-.01390	.00050	-.01200
	GRADIENT	.00000	.00000	.00000	.00000	.00000	.00000	.00000	.00000

RUN NO. 187/ 0 RN/L = 4.28 GRADIENT INTERVAL = -5.00/ 5.00

ALPHA	BETA	CP29	CP31	CP35	CP37	CP30	CP32	CP36	CP38
-.449	-3.997	.01740	.01580	.03120	.02750	.00000	-.04400	-.03610	-.04230
-.380	-.006	-.01950	-.01760	-.01020	-.01220	.00000	-.01830	-.00800	-.01490
-.443	4.025	-.03820	-.03410	-.02660	-.03570	.00000	.01480	.03860	.02810
	GRADIENT	-.00693	-.00622	-.00945	-.00787	.00000	.00733	.00932	.00878

ARC 11-023 IAB0 OTS (SRB NOM) (SSME NO. 2 OUT)

(CE40B1) (23 OCT 75)

REFERENCE DATA

SREF = 2690.0000 SQ.FT. XMRP = .0000 IN.
 LREF = 1290.3000 IN. YMRP = .0000 IN.
 BREF = 1290.3000 IN. ZMRP = .0000 IN.
 SCALE = .0200

PARAMETRIC DATA

ELV-1B = .000 ELV-0B = .000
 RN/L = 4.250 MACH = .900

RUN NO. 365/ 0 RN/L = 4.21 GRADIENT INTERVAL = -5.00/ 5.00

ALPHA	BETA	CP29	CP31	CP35	CP37	CP30	CP32	CP36	CP38
-4.069	.009	.05110	.05370	.05870	.05960	.00000	.06360	.08050	.07180
	GRADIENT	.00000	.00000	.00000	.00000	.00000	.00000	.00000	.00000

RUN NO. 366/ 0 RN/L = 4.22 GRADIENT INTERVAL = -5.00/ 5.00

ALPHA	BETA	CP29	CP31	CP35	CP37	CP30	CP32	CP36	CP38
-.304	-4.006	.04450	.04730	.04590	.04350	.00000	.00820	.02100	.01470
-.317	.003	.03780	.04200	.04580	.03440	.00000	.05370	.06470	.04870
-.357	4.025	-.00160	.00060	.00610	.00190	.00000	.05840	.06600	.05720
	GRADIENT	-.00574	-.00582	-.00496	-.00518	.00000	.00625	.00560	.00529

RUN NO. 367/ 0 RN/L = 4.22 GRADIENT INTERVAL = -5.00/ 5.00

ALPHA	BETA	CP29	CP31	CP35	CP37	CP30	CP32	CP36	CP38
3.986	.019	.00340	.00700	.01040	.00490	.00000	.02040	.03060	.01760
	GRADIENT	.00000	.00000	.00000	.00000	.00000	.00000	.00000	.00000

ARC 11-023 IAB0 OTS (SRB NOM) (SSME NO. 2 OUT)

(CE40B2) (28 OCT 75)

REFERENCE DATA

SREF = 2690.0000 SQ.FT. XMRP = .0000 IN.
 LREF = 1290.3000 IN. YMRP = .0000 IN.
 BREF = 1290.3000 IN. ZMRP = .0000 IN.
 SCALE = .0200

PARAMETRIC DATA

ELV-1B = .000 ELV-0B = .000
 RN/L = 4.250 MACH = 1.100

RUN NO. 207/ 0 RN/L = 4.38 GRADIENT INTERVAL = -5.00/ 5.00

ALPHA	BETA	CP29	CP31	CP35	CP37	CP30	CP32	CP36	CP38
-3.973	-.009	.08850	.07680	.12440	.13990	.00000	.10990	.16450	.15840
	GRADIENT	.00000	.00000	.00000	.00000	.00000	.00000	.00000	.00000

RUN NO. 208/ 0 RN/L = 4.38 GRADIENT INTERVAL = -5.00/ 5.00

ALPHA	BETA	CP29	CP31	CP35	CP37	CP30	CP32	CP36	CP38
-.393	-4.006	.15820	.16050	.18230	.17830	.00000	.11080	.13170	.13170
-.340	-.016	.13390	.15070	.15360	.15470	.00000	.13420	.16860	.18190
-.357	4.016	.08230	.08610	.09990	.10930	.00000	.16640	.19330	.18590
	GRADIENT	-.00947	-.00929	-.01028	-.00861	.00000	.00693	.00768	.00675

DATE 12 JUN 76

TABULATED SOURCE DATA - IABO

PAGE 377

ARC 11-023 IABO OTS (SRB NOM) (SSME NO. 2 OUT)

(CE4082) (28 OCT 75)

REFERENCE DATA

SREF = 2690.0000 SQ.FT. XMRP = .0000 IN.
 LREF = 1290.3000 IN. YMRP = .0000 IN.
 9REF = 1290.3000 IN. ZMRP = .0000 IN.
 SCALE = .0200

PARAMETRIC DATA

ELV-18 = .000 ELV-08 = .000
 RN/L = 4.250 MACH = 1.100

RUN NO. 209/ 0 RN/L = 4.39 GRADIENT INTERVAL = -5.00/ 5.00

ALPHA	BETA	CP29	CP31	CP35	CP37	CP30	CP32	CP36	CP38
4.026	-.016	.18160	.18350	.19030	.19030	.00000	.19240	.21220	.20670
	GRADIENT	.00000	.00000	.00000	.00000	.00000	.00000	.00000	.00000

ARC 11-023 IABO OTS (SRB NOM) (SSME NO. 2 OUT)

(CE4083) (28 OCT 75)

REFERENCE DATA

SREF = 2690.0000 SQ.FT. XMRP = .0000 IN.
 LREF = 1290.3000 IN. YMRP = .0000 IN.
 9REF = 1290.3000 IN. ZMRP = .0000 IN.
 SCALE = .0200

PARAMETRIC DATA

ELV-18 = .000 ELV-08 = .000
 RN/L = 4.250 MACH = 1.250

RUN NO. 204/ 0 RN/L = 4.40 GRADIENT INTERVAL = -5.00/ 5.00

ALPHA	BETA	CP29	CP31	CP35	CP37	CP30	CP32	CP36	CP38
-3.947	-.003	-.02410	-.02900	-.01740	-.02280	.00000	-.02850	-.01220	-.02290
	GRADIENT	.00000	.00000	.00000	.00000	.00000	.00000	.00000	.00000

RUN NO. 205/ 0 RN/L = 4.40 GRADIENT INTERVAL = -5.00/ 5.00

ALPHA	BETA	CP29	CP31	CP35	CP37	CP30	CP32	CP36	CP38
-.400	-4.000	.02070	.01600	.02550	.02860	.00000	-.07910	-.07200	-.07500
-.370	-.009	-.04450	-.04260	-.03730	-.03400	.00000	-.00070	-.02270	-.03040
-.420	4.019	-.09300	-.08930	-.09910	-.09180	.00000	.01950	.03780	.03470
	GRADIENT	-.01418	-.01313	-.01554	-.01501	.00000	.01230	.01370	.01368

RUN NO. 206/ 0 RN/L = 4.40 GRADIENT INTERVAL = -5.00/ 5.00

ALPHA	BETA	CP29	CP31	CP35	CP37	CP30	CP32	CP36	CP38
3.986	-.012	-.06390	-.06390	-.05540	-.05910	.00000	-.06440	-.04640	-.05720
	GRADIENT	.00000	.00000	.00000	.00000	.00000	.00000	.00000	.00000

ORIGINAL PAGE IS
OF POOR QUALITY

ARC 11-023 IAB0 OTS (SRB NOM) (SSME NO. 2 OUT)

(CE4084) (28 OCT 75)

REFERENCE DATA

SREF = 2690.0000 SQ.FT. XMRP = .0000 IN.
 LREF = 1290.3000 IN. YMRP = .0000 IN.
 BREF = 1290.3000 IN. ZMRP = .0000 IN.
 SCALE = .0200

PARAMETRIC DATA

ELV-18 = .000 ELV-08 = .000
 RN/L = 4.250 MACH = 1.400

RUN NO. 201/ 0 RN/L = 4.36 GRADIENT INTERVAL = -5.00/ 5.00

ALPHA	BETA	CP29	CP31	CP35	CP37	CP30	CP32	CP36	CP38
-3.957	-.003	-.02530	-.02690	-.00660	-.01540	.00000	-.01710	-.00260	-.01210
	GRADIENT	.00000	.00000	.00000	.00000	.00000	.00000	.00000	.00000

RUN NO. 202/ 0 RN/L = 4.35 GRADIENT INTERVAL = -5.00/ 5.00

ALPHA	BETA	CP29	CP31	CP35	CP37	CP30	CP32	CP36	CP38
-.443	-4.000	.01570	.01230	.03080	.02650	.00000	-.04410	-.03590	-.04180
-.406	-.006	-.01570	-.01450	-.00750	-.00820	.00000	-.02090	-.00720	-.01390
-.446	4.019	-.04200	-.04080	-.04330	-.03960	.00000	.01450	.03770	.02830
	GRADIENT	-.00719	-.00662	-.00824	-.00824	.00000	.00731	.00918	.00874

RUN NO. 203/ 0 RN/L = 4.33 GRADIENT INTERVAL = -5.00/ 5.00

ALPHA	BETA	CP29	CP31	CP35	CP37	CP30	CP32	CP36	CP38
3.953	-.009	-.03290	-.02980	-.02250	-.02390	.00000	-.03130	-.01560	-.01810
	GRADIENT	.00000	.00000	.00000	.00000	.00000	.00000	.00000	.00000

ARC 11-023 IAB0 OTS (SRB NOM) (SSME NO. 1 OUT)

(CE4085) (28 OCT 75)

REFERENCE DATA

SREF = 2690.0000 SQ.FT. XMRP = .0000 IN.
 LREF = 1290.3000 IN. YMRP = .0000 IN.
 BREF = 1290.3000 IN. ZMRP = .0000 IN.
 SCALE = .0200

PARAMETRIC DATA

ELV-18 = .000 ELV-08 = .000
 RN/L = 3.400 MACH = .600

RUN NO. 356/ 0 RN/L = 3.42 GRADIENT INTERVAL = -5.00/ 5.00

ALPHA	BETA	CP29	CP31	CP35	CP37	CP30	CP32	CP36	CP38
-4.072	.012	-.01570	-.02560	-.04050	-.00160	.00000	-.01990	-.02520	.00860
	GRADIENT	.00000	.00000	.00000	.00000	.00000	.00000	.00000	.00000

RUN NO. 357/ 0 RN/L = 3.49 GRADIENT INTERVAL = -5.00/ 5.00

ALPHA	BETA	CP29	CP31	CP35	CP37	CP30	CP32	CP36	CP38
-.284	-4.003	-.01170	-.01200	-.01880	-.02340	.00000	-.03810	-.02690	-.04030
-.337	.003	-.03370	-.02730	-.03270	-.03530	.00000	-.02490	-.02150	-.02920
-.367	4.025	-.04390	-.04210	-.04010	-.04800	.00000	-.00560	-.00250	-.02030
	GRADIENT	-.00401	-.00375	-.00265	-.00306	.00000	.00405	.00304	.00249

ARC 11-023 1A80 OTS (SRB NOM) (SSME NO. 1 OUT)

(CE4027) (28 OCT 75)

REFERENCE DATA

SREF = 2690.0000 SQ.FT. XMRP = .0000 IN.
 LREF = 1290.3000 IN. YMRP = .0000 IN.
 BREF = 1290.3000 IN. ZMRP = .0000 IN.
 SCALE = .0200

PARAMETRIC DATA

ELV-1B = .000 ELV-0B = .000
 RN/L = 4.250 MACH = 1.100

RUN NO. 216/ 0 RN/L = 4.38 GRADIENT INTERVAL = -5.00/ 5.00

ALPHA	BETA	CP29	CP31	CP35	CP37	CP30	CP32	CP36	CP38
-4.003	-.012	-.00720	-.01870	.00080	.04030	.00000	-.00570	.03240	.07130
	GRADIENT	.00000	.00000	.00000	.00000	.00000	.00000	.00000	.00000

RUN NO. 217/ 0 RN/L = 4.38 GRADIENT INTERVAL = -5.00/ 5.00

ALPHA	BETA	CP29	CP31	CP35	CP37	CP30	CP32	CP36	CP38
-.393	-4.006	.13860	.12950	.15470	.16340	.00000	.09340	.12520	.12840
-.347	-.019	.03570	.05200	.11180	.03100	.00000	.09120	.15350	.05390
-.383	4.012	.05860	.06290	.07520	.08190	.00000	.12990	.16210	.16000
	GRADIENT	-.00995	-.00829	-.00991	-.01012	.00000	.00456	.00460	.00398

RUN NO. 218/ 0 RN/L = 4.38 GRADIENT INTERVAL = -5.00/ 5.00

ALPHA	BETA	CP29	CP31	CP35	CP37	CP30	CP32	CP36	CP38
4.049	-.012	.15430	.14840	.16760	.16650	.00000	.15270	.19390	.18690
	GRADIENT	.00000	.00000	.00000	.00000	.00000	.00000	.00000	.00000

ARC 11-023 1A80 OTS (SRB NOM) (SSME NO. 1 OUT)

(CE4088) (28 OCT 75)

REFERENCE DATA

SREF = 2690.0000 SQ.FT. XMRP = .0000 IN.
 LREF = 1290.3000 IN. YMRP = .0000 IN.
 BREF = 1290.3000 IN. ZMRP = .0000 IN.
 SCALE = .0200

PARAMETRIC DATA

ELV-1B = .000 ELV-0B = .000
 RN/L = 4.250 MACH = 1.250

RUN NO. 213/ 0 RN/L = 4.40 GRADIENT INTERVAL = -5.00/ 5.00

ALPHA	BETA	CP29	CP31	CP35	CP37	CP30	CP32	CP36	CP38
-3.914	-.009	-.02710	-.03100	-.01880	-.02490	.00000	-.03230	-.01750	-.02970
	GRADIENT	.00000	.00000	.00000	.00000	.00000	.00000	.00000	.00000

RUN NO. 214/ 0 RN/L = 4.39 GRADIENT INTERVAL = -5.00/ 5.00

ALPHA	BETA	CP29	CP31	CP35	CP37	CP30	CP32	CP36	CP38
-.353	-4.006	.01660	.01130	.02730	.02380	.00000	-.07800	-.07210	-.07770
-.367	-.016	-.04240	-.04370	-.03720	-.03670	.00000	-.04640	-.02980	-.03570
-.393	4.016	-.08550	-.08270	-.09410	-.08960	.00000	.01790	.03900	.03630
	GRADIENT	-.01272	-.01170	-.01513	-.01413	.00000	.01171	.01386	.01422

ARC11-0231A80 OTS W/ET BASE SPOILER SR8=SSME=OFF

(CE40C2) (29 OCT 75)

REFERENCE DATA

SREF = 2690.0000 SQ.FT. XMRP = .0000 IN.
 LREF = 1290.3000 IN. YMRP = .0000 IN.
 BREF = 1290.3000 IN. ZMRP = .0000 IN.
 SCALE = .0200

PARAMETRIC DATA

ELV-18 = .000 ELV-08 = .000
 RN/L = 4.250 MACH = .900

RUN NO. 377/ 0 RN/L = 4.25 GRADIENT INTERVAL = -5.00/ 5.00

ALPHA	BETA	CP29	CP31	CP35	CP37	CP30	CP32	CP36	CP38
-4.029	.016	.05530	.05230	.05690	.06460	.00000	.06350	.07400	.07550
	GRADIENT	.00000	.00000	.00000	.00000	.00000	.00000	.00000	.00000

RUN NO. 375/ 0 RN/L = 4.25 GRADIENT INTERVAL = -5.00/ 5.00

ALPHA	BETA	CP29	CP31	CP35	CP37	CP30	CP32	CP36	CP38
-.241	-4.009	.05190	.05470	.05710	.05280	.00000	.01720	.02680	.02220
-.264	-.003	.02970	.03250	.03650	.03470	.00000	.04290	.05170	.04710
-.291	4.022	.00780	.00810	.01610	.00770	.00000	.06790	.07450	.06040
	GRADIENT	-.00549	-.00580	-.00510	-.00562	.00000	.00631	.00594	.00476

RUN NO. 376/ 0 RN/L = 4.26 GRADIENT INTERVAL = -5.00/ 5.00

ALPHA	BETA	CP29	CP31	CP35	CP37	CP30	CP32	CP36	CP38
3.980	.016	.01300	.01500	.02120	.01620	.00000	.02630	.03550	.02410
	GRADIENT	.00000	.00300	.00000	.00000	.00000	.00000	.00000	.00000

ARC11-0231A80 OTS W/ET BASE SPOILER SR8=SSME=OFF

(CE40C1) (29 OCT 75)

REFERENCE DATA

SREF = 2690.0000 SQ.FT. XMRP = .0000 IN.
 LREF = 1290.3000 IN. YMRP = .0000 IN.
 BREF = 1290.3000 IN. ZMRP = .0000 IN.
 SCALE = .0200

PARAMETRIC DATA

ELV-18 = .000 ELV-08 = .000
 RN/L = 4.250 MACH = 1.100

RUN NO. 368/ 0 RN/L = 4.46 GRADIENT INTERVAL = -5.00/ 5.00

ALPHA	BETA	CP29	CP31	CP35	CP37	CP30	CP32	CP36	CP38
-4.000	.012	-.02190	-.02500	.03570	.02390	.00000	-.01510	.07310	.04010
	GRADIENT	.00000	.00000	.00000	.00000	.00000	.00000	.00000	.00000

RUN NO. 369/ 0 RN/L = 4.48 GRADIENT INTERVAL = -5.00/ 5.00

ALPHA	BETA	CP29	CP31	CP35	CP37	CP30	CP32	CP36	CP38
-.264	-4.000	.15320	.15640	.18240	.18170	.00000	.10770	.13640	.13430
-.284	.000	.07280	.10050	.14960	.13640	.00000	.10480	.10650	.17740
-.297	4.022	.08440	.08670	.10290	.09910	.00000	.10310	.20370	.19540
	GRADIENT	-.00856	-.00843	-.00990	-.01028	.00000	.00871	.00938	.00773

DATE 12 JUN 76

TABULATED SOURCE DATA - A80

PAGE 383

ARC11-0231A80 OTS W/ET BASE SPOILER SRB=SSME-OFF

(CE40C1) (28 OCT 75)

REFERENCE DATA

PARAMETRIC DATA

SREF = 2690.0000 SQ.FT. XMRP = .0000 IN.
 LREF = 1290.3000 IN. YMRP = .0000 IN.
 BREF = 1290.3000 IN. ZMRP = .0000 IN.
 SCALE = .0200

ELV-1B = .000 ELV-0B = .000
 RN/L = 4.250 MACH = 1.100

RUN NO. 370/ 0 RN/L = 4.49 GRADIENT INTERVAL = -5.00/ 5.00

ALPHA	BETA	CP29	CP31	CP35	CP37	CP30	CP32	CP36	CP38
3.910	.016	.18190	.18780	.19820	.20030	.00000	.19600	.21490	.20840
	GRADIENT	.00000	.00000	.00000	.00000	.00000	.00000	.00000	.00000

ARC11-0231A80 OTS W/ET BASE SPOILER SRB=SSME=NOM

(CE40C2) (28 OCT 75)

REFERENCE DATA

PARAMETRIC DATA

SREF = 2690.0000 SQ.FT. XMRP = .0000 IN.
 LREF = 1290.3000 IN. YMRP = .0000 IN.
 BREF = 1290.3000 IN. ZMRP = .0000 IN.
 SCALE = .0200

ELV-1B = .000 ELV-0B = .000
 RN/L = 4.250 MACH = .900

RUN NO. 378/ 0 RN/L = 4.22 GRADIENT INTERVAL = -5.00/ 5.00

ALPHA	BETA	CP29	CP31	CP35	CP37	CP30	CP32	CP36	CP38
-3.996	.016	.06000	.06220	.07210	.06370	.00000	.07410	.09020	.07360
	GRADIENT	.00000	.00000	.00000	.00000	.00000	.00000	.00000	.00000

RUN NO. 379/ 0 RN/L = 4.22 GRADIENT INTERVAL = -5.00/ 5.00

ALPHA	BETA	CP29	CP31	CP35	CP37	CP30	CP32	CP36	CP38
-.284	-4.012	.04590	.04650	.04830	.04580	.00000	.00730	.02350	.01380
-.360	-.003	.03870	.04030	.05080	.03720	.00000	.05320	.06760	.04950
-.330	4.019	-.00220	-.00280	.00710	.00060	.00000	.05840	.06540	.05670
	GRADIENT	-.00599	-.00614	-.00513	-.00563	.00000	.00636	.00521	.00534

RUN NO. 380/ 0 RN/L = 4.22 GRADIENT INTERVAL = -5.00/ 5.00

ALPHA	BETA	CP29	CP31	CP35	CP37	CP30	CP32	CP36	CP38
3.927	.012	.00310	.00550	.00860	.00390	.00000	.01660	.02730	.01610
	GRADIENT	.00000	.00000	.00000	.00000	.00000	.00000	.00000	.00000

ORIGINAL PAGE IS
OF POOR QUALITY

ARC11-0231A80 OTS W/ET BASE SPOILER SRB=SSME=NOM

(DE4003) (28 OCT 75)

REFERENCE DATA

SREF = 2690.0000 SQ.FT. XMRP = .0000 IN.
 LREF = 1290.3000 IN. YMRP = .0000 IN.
 BREF = 1290.3000 IN. ZMRP = .0000 IN.
 SCALE = .0200

PARAMETRIC DATA

ELV-18 = .000 ELV-08 = .000
 RN/L = 4.250 MACH = 1.100

RUN NO. 371/ 0 RN/L = 4.47 GRADIENT INTERVAL = -5.00/ 5.00

ALPHA	BETA	CP29	CP31	CP35	CP37	CP30	CP32	CP36	CP38
-4.033	.016	-.00230	-.00740	.03740	.00830	.00000	-.00890	.08500	.04710
	GRADIENT	.00000	.00000	.00000	.00000	.00000	.00000	.00000	.00000

RUN NO. 372/ 0 RN/L = 4.46 GRADIENT INTERVAL = -5.00/ 5.00

ALPHA	BETA	CP29	CP31	CP35	CP37	CP30	CP32	CP36	CP38
-.433	-4.009	.16620	.16410	.18850	.18500	.00000	.11000	.14020	.13550
-.446	-.003	-.00240	.02400	.15430	.02360	.00000	.06770	.18240	.04130
-.456	4.022	.08070	.08340	.09810	.10910	.00000	.17420	.19740	.19320
	GRADIENT	-.01062	-.01003	-.01126	-.00943	.00000	.00800	.00712	.00721

RUN NO. 373/ 0 RN/L = 4.47 GRADIENT INTERVAL = -5.00/ 5.00

ALPHA	BETA	CP29	CP31	CP35	CP37	CP30	CP32	CP36	CP38
3.844	.003	.17350	.18180	.19650	.19780	.00000	.19770	.20990	.20960
	GRADIENT	.00000	.00000	.00000	.00000	.00000	.00000	.00000	.00000

ARC 11-023 1A80 OTS (SRB NOM++) (SSME NOM)

(DE4001) (28 OCT 75)

REFERENCE DATA

SREF = 2690.0000 SQ.FT. XMRP = .0000 IN.
 LREF = 1290.3000 IN. YMRP = .0000 IN.
 BREF = 1290.3000 IN. ZMRP = .0000 IN.
 SCALE = .0200

PARAMETRIC DATA

ELV-18 = .000 ELV-08 = .000
 RN/L = 3.400 MACH = .600

RUN NO. 240/ 0 RN/L = 3.38 GRADIENT INTERVAL = -5.00/ 5.00

ALPHA	BETA	CP76	CP78	CP80	CP82	CP75	CP77	CP79	CP81
-4.013	-.019	-.13230	-.14910	-.14980	.00000	-.16870	-.17140	-.17860	-.19270
	GRADIENT	.00000	.00000	.00000	.00000	.00000	.00000	.00000	.00000

RUN NO. 241/ 0 RN/L = 3.39 GRADIENT INTERVAL = -5.00/ 5.00

ALPHA	BETA	CP76	CP78	CP80	CP82	CP75	CP77	CP79	CP81
-.314	-4.034	-.20820	-.21960	-.22030	.00000	-.11630	-.12180	-.12840	-.13350
-.340	-.019	-.14220	-.15750	-.15110	.00000	-.17690	-.18260	-.18130	-.19150
-.459	3.997	-.07210	-.08230	-.08540	.00000	-.22400	-.23010	-.23490	-.24480
	GRADIENT	.01695	.01710	.11680	.00000	-.01348	-.01348	-.01326	-.01386

ARC 11-023 1A80 OTS (SRB NOM++) (SSME NOM)

(DE4003) (28 OCT 75)

REFERENCE DATA

SREF = 2690.0000 SQ.FT. XMRP = .0000 IN.
 LREF = 1290.3000 IN. YMRP = .0000 IN.
 BREF = 1290.3000 IN. ZMRP = .0000 IN.
 SCALE = .0200

PARAMETRIC DATA

ELV-18 = .000 ELV-08 = .000
 RN/L = 4.250 MACH = 1.100

RUN NO. 74/ 0 RN/L = 4.30 GRADIENT INTERVAL = -5.00/ 5.00

ALPHA	BETA	CP76	CP78	CP80	CP82	CP75	CP77	CP79	CP81
-3.920	-.003	.03090	.02590	-.03120	.00000	-.05310	.01790	-.02510	-.03350
	GRADIENT	.00000	.00000	.00000	.00000	.00000	.00000	.00000	.00000

RUN NO. 75/ 0 RN/L = 4.31 GRADIENT INTERVAL = -5.00/ 5.00

ALPHA	BETA	CP76	CP78	CP80	CP82	CP75	CP77	CP79	CP81
-.621	-4.006	-.05510	-.05660	-.12390	.00000	-.10390	-.03310	-.05930	-.06510
-.641	.000	.03040	.02210	-.03170	.00000	-.09460	-.01340	-.04860	-.06040
-.492	4.009	.07020	.05820	.00770	.00000	-.09730	-.02470	-.07060	-.07640
	GRADIENT	.01563	.01432	.01642	.00000	.00082	.00105	-.00141	-.00141

RUN NO. 76/ 0 RN/L = 4.31 GRADIENT INTERVAL = -5.00/ 5.00

ALPHA	BETA	CP76	CP78	CP80	CP82	CP75	CP77	CP79	CP81
3.944	-.003	-.01250	-.02060	-.07500	.00000	-.13850	-.06640	-.09410	-.10660
	GRADIENT	.00000	.00000	.00000	.00000	.00000	.00000	.00000	.00000

ARC 11-023 1A80 OTS (SRB NOM++) (SSME NOM)

(DE4004) (28 OCT 75)

REFERENCE DATA

SREF = 2690.0000 SQ.FT. XMRP = .0000 IN.
 LREF = 1290.3000 IN. YMRP = .0000 IN.
 BREF = 1290.3000 IN. ZMRP = .0000 IN.
 SCALE = .0200

PARAMETRIC DATA

ELV-18 = .000 ELV-08 = .000
 RN/L = 4.250 MACH = 1.250

RUN NO. 48/ 0 RN/L = 4.50 GRADIENT INTERVAL = -5.00/ 5.00

ALPHA	BETA	CP76	CP78	CP80	CP82	CP75	CP77	CP79	CP81
-4.165	.000	.05750	.04660	.01280	.00000	-.01680	.01470	-.00180	-.01450
	GRADIENT	.00000	.00000	.00000	.00000	.00000	.00000	.00000	.00000

RUN NO. 49/ 0 RN/L = 4.43 GRADIENT INTERVAL = -5.00/ 5.00

ALPHA	BETA	CP76	CP78	CP80	CP82	CP75	CP77	CP79	CP81
-.495	-4.006	-.00470	-.00610	-.06090	.00000	-.07570	-.04910	-.06180	-.05360
-.528	.000	.04590	.03630	-.00140	.00000	-.08520	-.03170	-.05030	-.05940
-.555	4.006	.05160	.04200	.01530	.00000	-.06000	-.00480	-.02470	-.03680
	GRADIENT	.00703	.00600	.00951	.00000	.00196	.00553	.00463	.00210

ARC 11-023 1A80 OTS (SRB NOM+) (SSME NOM)

(DE4006) (28 OCT 75)

REFERENCE DATA

SREF = 2690.0000 SQ.FT. XMRP = .0000 IN.
 LREF = 1290.3000 IN. YMRP = .0000 IN.
 BREF = 1290.3000 IN. ZMRP = .0000 IN.
 SCALE = .0200

PARAMETRIC DATA

ELV-1B = .000 ELV-08 = .000
 RN/L = 3.400 MACH = .600

RUN NO. 243/ 0 RN/L = 3.39 GRADIENT INTERVAL = -5.00/ 5.00

ALPHA	BETA	CP76	CP78	CP80	CP82	CP75	CP77	CP79	CP81
-3.848	-.019	-.14150	-.15980	-.15490	.00000	-.16830	-.17730	-.18860	-.19480
	GRADIENT	.00000	.00000	.00000	.00000	.00000	.00000	.00000	.00000

RUN NO. 244/ 0 RN/L = 3.38 GRADIENT INTERVAL = -5.00/ 5.00

ALPHA	BETA	CP76	CP78	CP80	CP82	CP75	CP77	CP79	CP81
-.350	-4.038	-.20580	-.21610	-.21930	.00000	-.11700	-.11800	-.12320	-.13150
-.314	-.022	-.14360	-.15550	-.14900	.00000	-.17460	-.18170	-.18310	-.19050
-.396	3.997	-.07650	-.09100	-.09450	.00000	-.23280	-.24590	-.24630	-.25260
	GRADIENT	.01609	.01557	.01553	.00000	-.01441	-.01592	-.01532	-.01507

RUN NO. 245/ 0 RN/L = 3.39 GRADIENT INTERVAL = -5.00/ 5.00

ALPHA	BETA	CP76	CP78	CP80	CP82	CP75	CP77	CP79	CP81
3.970	-.022	-.13770	-.15150	-.14730	.00000	-.17440	-.18140	-.18000	-.18850
	GRADIENT	.00000	.00000	.00000	.00000	.00000	.00000	.00000	.00000

ARC 11-023 1A80 OTS (SRB NOM+) (SSME NOM)

(DE4007) (28 OCT 75)

REFERENCE DATA

SREF = 2690.0000 SQ.FT. XMRP = .0000 IN.
 LREF = 1290.3000 IN. YMRP = .0000 IN.
 BREF = 1290.3000 IN. ZMRP = .0000 IN.
 SCALE = .0200

PARAMETRIC DATA

ELV-1B = .000 ELV-08 = .000
 RN/L = 4.250 MACH = .900

RUN NO. 225/ 0 RN/L = 4.20 GRADIENT INTERVAL = -5.00/ 5.00

ALPHA	BETA	CP76	CP78	CP80	CP82	CP75	CP77	CP79	CP81
-3.930	-.009	-.26920	-.29330	-.32070	.00000	-.26230	-.27430	-.32430	-.34120
	GRADIENT	.00000	.00000	.00000	.00000	.00000	.00000	.00000	.00000

RUN NO. 226/ 0 RN/L = 4.21 GRADIENT INTERVAL = -5.00/ 5.00

ALPHA	BETA	CP76	CP78	CP80	CP82	CP75	CP77	CP79	CP81
-.376	-4.028	-.37080	-.38920	-.40840	.00000	-.21750	-.23660	-.21830	-.23700
-.330	-.012	-.28350	-.30720	-.33300	.00000	-.28830	-.30380	-.34590	-.36810
-.330	4.003	-.15130	-.17340	-.16490	.00000	-.33980	-.35220	-.40370	-.41650
	GRADIENT	.02733	.02687	.03032	.00000	-.01523	-.01439	-.02308	-.02235

DATE 12 JUN 76

TABULATED SOURCE DATA - IAB0

PAGE 389

ARC 11-023 IAB0 OTS (SRB NOM+) (SSME NOM)

(DE4007) (28 OCT 75)

REFERENCE DATA

SREF = 2690.0000 SQ.FT. XMRP = .0000 IN.
 LREF = 1290.3000 IN. YMRP = .0000 IN.
 BREF = 1290.3000 IN. ZMRP = .0000 IN.
 SCALE = .0200

PARAMETRIC DATA

ELV-18 = .000 ELV-08 = .000
 RN/L = 4.250 MACH = .900

RUN NO. 227/ 0 RN/L = 4.21 GRADIENT INTERVAL = -5.00/ 5.00

ALPHA	BETA	CP76	CP78	CP80	CP82	CP75	CP77	CP79	CP81
3.927	-.016	-.31510	-.33700	-.35350	.00000	-.32440	-.34140	-.36770	-.40230
	GRADIENT	.00000	.00000	.00000	.00000	.00000	.00000	.00000	.00000

ARC 11-023 IAB0 OTS (SRB NOM+) (SSME NOM)

(DE4008) (28 OCT 75)

REFERENCE DATA

SREF = 2690.0000 SQ.FT. XMRP = .0000 IN.
 LREF = 1290.3000 IN. YMRP = .0000 IN.
 BREF = 1290.3000 IN. ZMRP = .0000 IN.
 SCALE = .0200

PARAMETRIC DATA

ELV-18 = .000 ELV-08 = .000
 RN/L = 4.250 MACH = 1.100

RUN NO. 77/ 0 RN/L = 4.31 GRADIENT INTERVAL = -5.00/ 5.00

ALPHA	BETA	CP76	CP78	CP80	CP82	CP75	CP77	CP79	CP81
-3.907	.000	.03090	.02690	-.02890	.00000	-.05440	.01960	-.02430	-.03280
	GRADIENT	.00000	.00000	.00000	.00000	.00000	.00000	.00000	.00000

RUN NO. 78/ 0 RN/L = 4.31 GRADIENT INTERVAL = -5.00/ 5.00

ALPHA	BETA	CP76	CP78	CP80	CP82	CP75	CP77	CP79	CP81
-.515	-4.003	-.05740	-.05740	-.12620	.00000	-.10940	-.03400	-.06150	-.06730
-.525	.003	.03130	.02350	-.03090	.00000	-.09770	-.01280	-.04950	-.06170
-.426	4.012	.06750	.05620	.00600	.00000	-.10170	-.02700	-.07300	-.07910
	GRADIENT	.01558	.01417	.01649	.00000	.00096	.00097	-.00144	-.00147

RUN NO. 79/ 0 RN/L = 4.32 GRADIENT INTERVAL = -5.00/ 5.00

ALPHA	BETA	CP76	CP78	CP80	CP82	CP75	CP77	CP79	CP81
3.881	.006	-.02190	-.02660	-.08230	.00000	-.15100	-.07510	-.10570	-.11620
	GRADIENT	.00000	.00000	.00000	.00000	.00000	.00000	.00000	.00000

ORIGINAL PAGE IS
OF POOR QUALITY

ARC 11-023 IABO OTS (SRB NOM+) (SSME NOM)

(DE4009) (28 OCT 75)

REFERENCE DATA

SREF = 2690.0000 SQ.FT. XMRP = .0000 IN.
 LREF = 1290.3000 IN. YMRP = .0000 IN.
 BREF = 1290.3000 IN. ZMRP = .0000 IN.
 SCALE = .0200

PARAMETRIC DATA

ELV-1B = .000 ELV-0B = .000
 RN/L = 4.250 MACH = 1.250

RUN NO. 51/ 0 RN/L = 4.40 GRADIENT INTERVAL = -5.00/ 5.00

ALPHA	BETA	CP76	CP78	CP80	CP82	CP75	CP77	CP79	CP81
-3.857	.006	.05590	.04540	.01290	.00000	-.02860	.00920	-.01020	-.02070
	GRADIENT	.00000	.00000	.00000	.00000	.00000	.00000	.00000	.00000

RUN NO. 52/ 0 RN/L = 4.40 GRADIENT INTERVAL = -5.00/ 5.00

ALPHA	BETA	CP76	CP78	CP80	CP82	CP75	CP77	CP79	CP81
-.482	-4.006	-.00560	-.00840	-.06130	.00000	-.07850	-.04500	-.06350	-.06430
-.519	.003	.04430	.03530	-.00390	.00000	-.09120	-.03560	-.05540	-.06520
-.462	4.009	.05130	.04220	.01280	.00000	-.06500	-.01020	-.03190	-.04420
	GRADIENT	.00710	.00631	.00925	.00000	.00166	.00434	.00394	.00251

RUN NO. 53/ 0 RN/L = 4.40 GRADIENT INTERVAL = -5.00/ 5.00

ALPHA	BETA	CP76	CP78	CP80	CP82	CP75	CP77	CP79	CP81
3.854	.006	-.00390	-.01090	-.04660	.00000	-.15220	-.10390	-.10490	-.11670
	GRADIENT	.00000	.00000	.00000	.00000	.00000	.00000	.00000	.00000

ARC 11-023 IABO OTS (SRB NOM+) (SSME NOM)

(DE4010) (28 OCT 75)

REFERENCE DATA

SREF = 2690.0000 SQ.FT. XMRP = .0000 IN.
 LREF = 1290.3000 IN. YMRP = .0000 IN.
 BREF = 1290.3000 IN. ZMRP = .0000 IN.
 SCALE = .0200

PARAMETRIC DATA

ELV-1B = .000 ELV-0B = .000
 RN/L = 4.250 MACH = 1.400

RUN NO. 4/ 0 RN/L = 4.29 GRADIENT INTERVAL = -5.00/ 5.00

ALPHA	BETA	CP76	CP78	CP80	CP82	CP75	CP77	CP79	CP81
-3.904	-.006	.05940	.04820	.02070	.00000	.01210	.01130	-.00050	-.01180
	GRADIENT	.00000	.00000	.00000	.00000	.00000	.00000	.00000	.00000

RUN NO. 5/ 0 RN/L = 4.29 GRADIENT INTERVAL = -5.00/ 5.00

ALPHA	BETA	CP76	CP78	CP80	CP82	CP75	CP77	CP79	CP81
-.406	-4.009	.01250	.00790	-.04130	.00000	-.05790	-.04700	-.05300	-.05580
-.370	.000	.02140	.01350	-.01400	.00000	-.04150	-.03050	-.04120	-.04730
-.453	4.012	.02510	.02830	-.00210	.00000	-.01940	-.02040	-.02910	-.04530
	GRADIENT	.00157	.00254	.00489	.00000	.00480	.00332	.00298	.00131

ARC 11-023 IAB0 OTS (SRB NOM) (SSME NOM+)

(DE4012) (28 OCT 75)

REFERENCE DATA

SREF = 2690.0000 SQ.FT. XMRP = .0000 IN.
 LREF = 1290.3000 IN. YMRP = .0000 IN.
 BREF = 1290.3000 IN. ZMRP = .0000 IN.
 SCALE = .0200

PARAMETRIC DATA

ELV-18 = .000 ELV-08 = .000
 RN/L = 4.250 MACH = .900

RUN NO. 231/ 0 RN/L = 4.20 GRADIENT INTERVAL = -5.00/ 5.00

ALPHA	BETA	CP76	CP78	CP80	CP82	CP75	CP77	CP79	CP81
-4.062	-.012	-.26940	-.29530	-.32130	.00000	-.26390	-.27710	-.33080	-.34190
	GRADIENT	.00000	.00000	.00000	.00000	.00000	.00000	.00000	.00000

RUN NO. 232/ 0 RN/L = 4.21 GRADIENT INTERVAL = -5.00/ 5.00

ALPHA	BETA	CP76	CP78	CP80	CP82	CP75	CP77	CP79	CP81
-.383	-4.028	-.38190	-.40010	-.42330	.00000	-.21160	-.23860	-.24090	-.27310
-.383	-.016	-.27580	-.29750	-.32350	.00000	-.27990	-.29810	-.33380	-.35570
-.453	4.000	-.15290	-.17490	-.16710	.00000	-.33700	-.35340	-.40160	-.41500
	GRADIENT	.02953	.02805	.03191	.00000	-.01562	-.01430	-.02002	-.01768

RUN NO. 233/ 0 RN/L = 4.20 GRADIENT INTERVAL = -5.00/ 5.00

ALPHA	BETA	CP76	CP78	CP80	CP82	CP75	CP77	CP79	CP81
3.947	-.012	-.31960	-.33660	-.35970	.00000	.32850	-.34880	-.37850	-.40450
	GRADIENT	.00000	.00000	.00000	.00000	.00000	.00000	.00000	.00000

ARC 11-023 IAB0 OTS (SRB NOM) (SSME NOM+)

(DE4013) (28 OCT 75)

REFERENCE DATA

SREF = 2690.0000 SQ.FT. XMRP = .0000 IN.
 LREF = 1290.3000 IN. YMRP = .0000 IN.
 BREF = 1290.3000 IN. ZMRP = .0000 IN.
 SCALE = .0200

PARAMETRIC DATA

ELV-18 = .000 ELV-08 = .000
 RN/L = 4.250 MACH = 1.100

RUN NO. 80/ 0 RN/L = 4.32 GRADIENT INTERVAL = -5.00/ 5.00

ALPHA	BETA	CP76	CP78	CP80	CP82	CP75	CP77	CP79	CP81
-3.950	.006	.02780	.01810	-.03450	.00000	-.06090	.01610	-.02960	-.03640
	GRADIENT	.00000	.00000	.00000	.00000	.00000	.00000	.00000	.00000

RUN NO. 81/ 0 RN/L = 4.32 GRADIENT INTERVAL = -5.00/ 5.00

ALPHA	BETA	CP76	CP78	CP80	CP82	CP75	CP77	CP79	CP81
-.509	-4.066	-.06150	-.05860	-.13070	.00000	-.10570	-.03690	-.06680	-.06780
-.552	-.056	.02750	.01920	-.03480	.00000	-.09840	-.01530	-.05290	-.06170
-.486	3.950	.06350	.06010	-.00030	.00000	-.10290	-.02820	-.07500	-.07790
	GRADIENT	.01560	.01481	.01627	.00000	.00035	.00109	-.00102	-.00126

ARC 11-023 1A80 OTS (SRB NOM) (SSME NOM+)

(DE4015) (28 OCT 75)

REFERENCE DATA

PARAMETRIC DATA

SREF = 2690.0000 SQ.FT. XMRP = .0000 IN.
 LREF = 1290.3000 IN. YMRP = .0000 IN.
 BREF = 1290.3000 IN. ZMRP = .0000 IN.
 SCALE = .0200

ELV-18 = .000 ELV-08 = .000
 RN/L = 4.250 MACH = 1.400

RUN NO. 7/ 0 RN/L = 4.27 GRADIENT INTERVAL = -5.00/ 5.00

ALPHA	BETA	CP76	CP78	CP80	CP82	CP75	CP77	CP79	CP81
-3.910	-.006	.05440	.04820	.01630	.00000	.01060	.01100	-.00380	-.01690
	GRADIENT	.00000	.00000	.00000	.00000	.00000	.00000	.00000	.00000

RUN NO. 8/ 0 RN/L = 4.28 GRADIENT INTERVAL = -5.00/ 5.00

ALPHA	BETA	CP76	CP78	CP80	CP82	CP75	CP77	CP79	CP81
-.409	-4.009	.01280	.01050	-.03910	.00000	-.05790	-.04870	-.05360	-.05110
-.446	.000	.02190	.01570	-.01810	.00000	-.04680	-.03530	-.04530	-.05320
-.509	4.009	.02380	.03430	-.00450	.00000	-.01900	-.01870	-.03600	-.05020
	GRADIENT	.00137	.00297	.00431	.00000	.00485	.00374	.00219	.00011

RUN NO. 9/ 0 RN/L = 4.28 GRADIENT INTERVAL = -5.00/ 5.00

ALPHA	BETA	CP76	CP78	CP80	CP82	CP75	CP77	CP79	CP81
3.848	-.006	-.02550	-.02620	-.05890	.00000	-.10000	-.10440	-.09910	-.11410
	GRADIENT	.00000	.00000	.00000	.00000	.00000	.00000	.00000	.00000

ARC 11-023 1A80 OTS (SRB NOM) (SSME NOM-)

(DE4016) (28 OCT 75)

REFERENCE DATA

PARAMETRIC DATA

SREF = 2690.0000 SQ.FT. XMRP = .0000 IN.
 LREF = 1290.3000 IN. YMRP = .0000 IN.
 BREF = 1290.3000 IN. ZMRP = .0000 IN.
 SCALE = .0200

ELV-18 = .000 ELV-08 = .000
 RN/L = 4.250 MACH = .900

RUN NO. 234/ 0 RN/L = 4.20 GRADIENT INTERVAL = -5.00/ 5.00

ALPHA	BETA	CP76	CP78	CP80	CP82	CP75	CP77	CP79	CP81
-3.986	-.012	-.26760	-.29000	-.31940	.00000	-.25930	-.27630	-.32560	-.33820
	GRADIENT	.00000	.00000	.00000	.00000	.00000	.00000	.00000	.00000

RUN NO. 235/ 0 RN/L = 4.21 GRADIENT INTERVAL = -5.00/ 5.00

ALPHA	BETA	CP76	CP78	CP80	CP82	CP75	CP77	CP79	CP81
-.350	-4.031	-.37590	-.39480	-.41660	.00000	-.21010	-.23410	-.24390	-.26950
-.301	-.016	-.26980	-.29150	-.31710	.00000	-.27460	-.28970	-.32950	-.33220
-.317	4.000	-.14970	-.17370	-.17750	.00000	-.33640	-.35040	-.40130	-.41160
	GRADIENT	.02817	.02753	.02977	.00000	-.01573	-.01448	-.01960	-.01769

ARC 11-023 IAB0 OTS (SRB NOM) (SSME NOM-)

(DE4018) (28 OCT 75)

REFERENCE DATA

SREF = 2690.0000 SQ.FT. XMRP = .0000 IN.
 LREF = 1290.3000 IN. YMRP = .0000 IN.
 BREF = 1290.3000 IN. ZMRP = .0000 IN.
 SCALE = .0200

PARAMETRIC DATA

ELV-18 = .000 ELV-08 = .000
 RN/L = 4.250 MACH = 1.250

RUN NO. 57/ 0 RN/L = 4.38 GRADIENT INTERVAL = -5.00/ 5.00

ALPHA	BETA	CP76	CP78	CP80	CP82	CP75	CP77	CP79	CP81
-3.953	.000	.05650	.04920	.01340	.00000	-.02640	.01240	-.00680	-.01910
	GRADIENT	.00000	.00000	.00000	.00000	.00000	.00000	.00000	.00000

RUN NO. 58/ 0 RN/L = 4.38 GRADIENT INTERVAL = -5.00/ 5.00

ALPHA	BETA	CP76	CP78	CP80	CP82	CP75	CP77	CP79	CP81
-.429	-4.006	.00040	-.00320	-.05530	.00000	-.08340	-.04860	-.06280	-.06300
-.423	.003	.04610	.03460	-.00180	.00000	-.09460	-.03760	-.05640	-.06670
-.416	4.009	.05460	.04350	.01760	.00000	-.06350	-.00590	-.03040	-.04320
	GRADIENT	.00676	.00583	.00910	.00000	.00248	.00520	.00404	.00247

RUN NO. 59/ 0 RN/L = 4.37 GRADIENT INTERVAL = -5.00/ 5.00

ALPHA	BETA	CP76	CP78	CP80	CP82	CP75	CP77	CP79	CP81
3.993	.003	-.00160	-.01040	-.04370	.00000	-.16000	-.10760	-.10860	-.12090
	GRADIENT	.00000	.00000	.00000	.00000	.00000	.00000	.00000	.00000

ARC 11-023 IAB0 OTS (SRB NOM) (SSME NOM-)

(DE4019) (28 OCT 75)

REFERENCE DATA

SREF = 2690.0000 SQ.F. XMRP = .0000 IN.
 LREF = 1290.3000 IN. YMRP = .0000 IN.
 BREF = 1290.3000 IN. ZMRP = .0000 IN.
 SCALE = .0200

PARAMETRIC DATA

ELV-18 = .000 ELV-08 = .000
 RN/L = 4.250 MACH = 1.400

RUN NO. 10/ 0 RN/L = 4.27 GRADIENT INTERVAL = -5.00/ 5.00

ALPHA	BETA	CP76	CP78	CP80	CP82	CP75	CP77	CP79	CP81
-3.848	-.006	.05960	.04670	.01900	.00000	.01190	.01190	.00050	-.00970
	GRADIENT	.00000	.00000	.00000	.00000	.00000	.00000	.00000	.00000

RUN NO. 11/ 0 RN/L = 4.27 GRADIENT INTERVAL = -5.00/ 5.00

ALPHA	BETA	CP76	CP78	CP80	CP82	CP75	CP77	CP79	CP81
-.357	-4.009	.01650	.00680	-.03750	.00000	-.05850	-.04950	-.05380	-.05170
-.363	.000	.02740	.01740	-.01100	.00000	-.04260	-.03040	-.03980	-.04460
-.462	4.012	.02370	.02230	-.00240	.00000	-.01860	-.02000	-.02980	-.04080
	GRADIENT	.00090	.00193	.00438	.00000	.00497	.00368	.00299	.00136

DATE 12 JUN 76

TABULATED SOURCE DATA - IAB0

PAGE 397

ARC 11-023 IAB0 OTS (SRB NOM) (SSME NOM-)

(DE4019) (28 OCT 75)

REFERENCE DATA

SREF = 2690.0000 SQ.FT. XMRP = .0000 IN.
 LREF = 1290.3000 IN. YMRP = .0000 IN.
 BREF = 1290.3000 IN. ZMRP = .0000 IN.
 SCALE = .0200

PARAMETRIC DATA

ELV-18 = .000 ELV-08 = .000
 RN/L = 4.250 MACH = 1.400

RUN NO. 12/ 0 RN/L = 4.27 GRADIENT INTERVAL = -5.00/ 5.00

ALPHA	BETA	CP76	CP78	CP80	CP82	CP75	CP77	CP79	CP81
3.986	-.003	-.02530	-.03010	-.05450	.00000	-.09650	-.09850	-.09700	-.10880
	GRADIENT	.00000	.00000	.00000	.00000	.00000	.00000	.00000	.00000

ARC 11-023 IAB0 OTS (SRB NOM) (SSME NOM)

(DE4020) (28 OCT 75)

REFERENCE DATA

SREF = 2690.0000 SQ.FT. XMRP = .0000 IN.
 LREF = 1290.3000 IN. YMRP = .0000 IN.
 BREF = 1290.3000 IN. ZMRP = .0000 IN.
 SCALE = .0200

PARAMETRIC DATA

ELV-18 = .000 ELV-08 = .000
 RN/L = 3.400 MACH = .600

RUN NO. 246/ 0 RN/L = 3.36 GRADIENT INTERVAL = -5.00/ 5.00

ALPHA	BETA	CP76	CP78	CP80	CP82	CP75	CP77	CP79	CP81
-3.868	-.016	-.15350	-.16400	-.17130	.00000	-.17620	-.18710	-.19890	-.20730
	GRADIENT	.00000	.00000	.00000	.00000	.00000	.00000	.00000	.00000

RUN NO. 247/ 0 RN/L = 3.39 GRADIENT INTERVAL = -5.00/ 5.00

ALPHA	BETA	CP76	CP78	CP80	CP82	CP75	CP77	CP79	CP81
-.327	-4.038	-.19870	-.21310	-.20700	.00000	-.11030	-.11440	-.11850	-.12200
-.291	-.022	-.14620	-.16380	-.16480	.00000	-.18240	-.18820	-.19850	-.20330
-.386	3.994	-.05950	-.07110	-.06870	.00000	-.21800	-.22800	-.21800	-.22910
	GRADIENT	.01733	.01769	.01722	.00000	-.01341	-.01414	-.01239	-.01334

RUN NO. 248/ 0 RN/L = 3.41 GRADIENT INTERVAL = -5.00/ 5.00

ALPHA	BETA	CP76	CP78	CP80	CP82	CP75	CP77	CP79	CP81
4.016	-.022	-.13600	-.14350	-.13770	.00000	-.17540	-.17880	-.17440	-.18560
	GRADIENT	.00000	.00000	.00000	.00000	.00000	.00000	.00000	.00000

ORIGINAL PAGE IS OF POOR QUALITY

ARC 11-023 IABO OTS (SRB NOM) (SSME NOM)

(DE4021) (28 OCT 75)

REFERENCE DATA

PARAMETRIC DATA

SREF = 2690.0000 SQ.FT. XMRP = .0000 IN.
 LREF = 1290.3000 IN. YMRP = .0000 IN.
 BREF = 1290.3000 IN. ZMRP = .0000 IN.
 SCALE = .0200

ELV-18 = .000 ELV-08 = .000
 RN/L = 4.250 MACH = .900

RUN NO. 228/ 0 RN/L = 4.20 GRADIENT INTERVAL = -5.00/ 5.00

ALPHA	BETA	CP76	CP78	CP80	CP82	CP75	CP77	CP79	CP81
-3.977	-.016	-.26520	-.29010	-.31660	.00000	-.25730	-.27050	-.32330	-.33700
	GRADIENT	.00000	.00000	.00000	.00000	.00000	.00000	.00000	.00000

RUN NO. 229/ 0 RN/L = 4.21 GRADIENT INTERVAL = -5.00/ 5.00

ALPHA	BETA	CP76	CP78	CP80	CP82	CP75	CP77	CP79	CP81
-.327	-4.028	-.37780	-.39390	-.41090	.00000	-.21010	-.22390	-.22450	-.23160
-.317	-.012	-.26880	-.29260	-.31670	.00000	-.27700	-.28920	-.33330	-.35110
-.350	4.000	-.14960	-.15750	-.15300	.00000	-.33950	-.35350	-.40220	-.41380
	GRADIENT	.02842	.02945	.03212	.00000	-.01612	-.01614	-.02214	-.02270

RUN NO. 230/ 0 RN/L = 4.20 GRADIENT INTERVAL = -5.00/ 5.00

ALPHA	BETA	CP76	CP78	CP80	CP82	CP75	CP77	CP79	CP81
3.977	-.012	-.31430	-.33460	-.35350	.00000	-.32400	-.34270	-.37120	-.39680
	GRADIENT	.00000	.00000	.00000	.00000	.00000	.00000	.00000	.00000

ARC 11-023 IABO OTS (SRB NOM) (SSME NOM)

(DE4022) (28 OCT 75)

REFERENCE DATA

PARAMETRIC DATA

SREF = 2690.0000 SQ.FT. XMRP = .0000 IN.
 LREF = 1290.3000 IN. YMRP = .0000 IN.
 BREF = 1290.3000 IN. ZMRP = .0000 IN.
 SCALE = .0200

ELV-18 = .000 ELV-08 = .000
 RN/L = 4.250 MACH = 1.100

RUN NO. 86/ 0 RN/L = 4.32 GRADIENT INTERVAL = -5.00/ 5.00

ALPHA	BETA	CP76	CP78	CP80	CP82	CP75	CP77	CP79	CP81
-3.937	-.063	.02930	.02610	-.03320	.00000	-.06040	.01280	-.02810	-.03570
	GRADIENT	.00000	.00000	.00000	.00000	.00000	.00000	.00000	.00000

RUN NO. 87/ 0 RN/L = 4.32 GRADIENT INTERVAL = -5.00/ 5.00

ALPHA	BETA	CP76	CP78	CP80	CP82	CP75	CP77	CP79	CP81
-.525	-4.069	-.05820	-.05920	.12690	.00000	-.11210	-.04090	-.06590	-.06980
-.439	-.056	.02870	.01990	-.03250	.00000	-.10110	-.02080	-.05270	-.06390
-.482	3.950	.06220	.05820	.00540	.00000	-.10160	-.03200	-.07350	-.07890
	GRADIENT	.01576	.01464	.01650	.00000	.00131	.00111	-.00095	-.00113

ARC 11-023 IABO OTS (SRB NOM) (SSME NOM)

(DE4024) (28 OCT 75)

REFERENCE DATA

PARAMETRIC DATA

SREF = 2690.0000 SQ.FT. XMRP = .0000 IN.
 LREF = 1290.3000 IN. YMRP = .0000 IN.
 BREF = 1290.3000 IN. ZMRP = .0000 IN.
 SCALE = .0200

ELV-1B = .000 ELV-0B = .000
 RN/L = 4.250 MACH = 1.400

RUN NO. 13/ 0 RN/L = 4.25 GRADIENT INTERVAL = -5.00/ 5.00

ALPHA	BETA	CP76	CP78	CP80	CP82	CP75	CP77	CP79	CP81
-3.894	-.003	.05930	.04960	.01980	.00000	.00560	.01060	-.00150	-.01070
	GRADIENT	.00000	.00000	.00000	.00000	.00000	.00000	.00000	.00000

RUN NO. 14/ 0 RN/L = 4.25 GRADIENT INTERVAL = -5.00/ 5.00

ALPHA	BETA	CP76	CP78	CP80	CP82	CP75	CP77	CP79	CP81
-.370	-4.009	.01680	.00980	-.03650	.00000	-.05540	-.04850	-.05100	-.04710
-.370	.000	.02110	.01370	-.01570	.00000	-.04850	-.03440	-.04400	-.04650
-.429	4.012	.02230	.02900	.00090	.00000	-.02510	-.02030	-.03120	-.04090
	GRADIENT	.00069	.00239	.00466	.00000	.00378	.00352	.00247	.00077

RUN NO. 15/ C RN/L = 4.26 GRADIENT INTERVAL = -5.00/ 5.00

ALPHA	BETA	CP76	CP78	CP80	CP82	CP75	CP77	CP79	CP81
3.894	.000	-.02640	-.03000	-.06070	.00000	-.10360	-.10460	-.10270	-.11110
	GRADIENT	.00000	.00000	.00000	.00000	.00000	.00000	.00000	.00000

ARC 11-023 IABO OTS (SRB NOM-) (SSME NOM)

(DE4025) (28 OCT 75)

REFERENCE DATA

PARAMETRIC DATA

SREF = 2690.0000 SQ.FT. XMRP = .0000 IN.
 LREF = 1290.3000 IN. YMRP = .0000 IN.
 BREF = 1290.3000 IN. ZMRP = .0000 IN.
 SCALE = .0200

ELV-1B = .000 ELV-0B = .000
 RN/L = 4.250 MACH = 1.100

RUN NO. 89/ 0 RN/L = 4.32 GRADIENT INTERVAL = -5.00/ 5.00

ALPHA	BETA	CP76	CP78	CP80	CP82	CP75	CP77	CP79	CP81
-4.020	-.063	.02750	.02350	-.03480	.00000	-.06240	.00750	-.03030	-.03960
	GRADIENT	.00000	.00000	.00000	.00000	.00000	.00000	.00000	.00000

RUN NO. 90/ 0 RN/L = 4.32 GRADIENT INTERVAL = -5.00/ 5.00

ALPHA	BETA	CP76	CP78	CP80	CP82	CP75	CP77	CP79	CP81
-.482	-4.069	-.06030	-.05990	-.12910	.00000	-.11260	-.04780	-.06810	-.07220
-.489	-.059	.02890	.02110	-.03210	.00000	-.10070	-.02430	-.05300	-.06430
-.453	3.950	.06560	.05510	.00320	.00000	-.10520	-.03750	-.07640	-.08200
	GRADIENT	.01570	.01434	.01650	.00000	.00092	.00128	-.00104	-.00122

ARC 11-023 IAB0 OTS (SRB NOM-) (SSME NOM)

(DE4027) (28 OCT 75)

REFERENCE DATA

SREF = 2690.0000 SQ.FT. XMRP = .0000 IN.
 LREF = 1290.3000 IN. YMRP = .0000 IN.
 BREF = 1290.3000 IN. ZMRP = .0000 IN.
 SCALE = .0200

PARAMETRIC DATA

ELV-18 = .000 ELV-08 = .000
 RN/L = 4.250 MACH = 1.400

RUN NO. 16/ 0 RN/L = 4.23 GRADIENT INTERVAL = -5.00/ 5.00

ALPHA	BETA	CP76	CP78	CP80	CP82	CP75	CP77	CP79	CP81
-3.805	.000	.05550	.04600	.01440	.00000	.00360	.00710	-.00320	-.01180
	GRADIENT	.00000	.00000	.00000	.00000	.00000	.00000	.00000	.00000

RUN NO. 17/ 0 RN/L = 4.24 GRADIENT INTERVAL = -5.00/ 5.00

ALPHA	BETA	CP76	CP78	CP80	CP82	CP75	CP77	CP79	CP81
-.353	-4.006	.01200	.00620	-.03910	.00000	-.06200	-.05410	-.05730	-.05410
-.367	.000	.02290	.01390	-.01610	.00000	-.05030	-.03610	-.04570	-.04990
-.400	4.012	.02560	.03270	-.00240	.00000	-.02270	-.01830	-.02860	-.04150
	GRADIENT	.00170	.00331	.00458	.00000	.00490	.00446	.00358	.00156

RUN NO. 18/ 0 RN/L = 4.24 GRADIENT INTERVAL = -5.00/ 5.00

ALPHA	BETA	CP76	CP78	CP80	CP82	CP75	CP77	CP79	CP81
3.983	.000	-.02770	-.02850	-.05700	.00000	-.10510	-.10550	-.10170	-.11060
	GRADIENT	.00000	.00000	.00000	.00000	.00000	.00000	.00000	.00000

ARC 11-023 IAB0 OTS (SRB OFF) (SSME OFF)

(DE4028) (28 OCT 75)

REFERENCE DATA

SREF = 2690.0000 SQ.FT. XMRP = .0000 IN.
 LREF = 1290.3000 IN. YMRP = .0000 IN.
 BREF = 1290.3000 IN. ZMRP = .0000 IN.
 SCALE = .0200

PARAMETRIC DATA

ELV-18 = .000 ELV-08 = .000
 RN/L = 3.400 MACH = .600

RUN NO. 237/ 0 RN/L = 3.39 GRADIENT INTERVAL = -5.00/ 5.00

ALPHA	BETA	CP76	CP78	CP80	CP82	CP75	CP77	CP79	CP81
-4.000	-.016	-.09370	-.10600	-.10470	.00000	-.12410	-.12930	-.13640	-.14260
	GRADIENT	.00000	.00000	.00000	.00000	.00000	.00000	.00000	.00000

RUN NO. 238/ 0 RN/L = 3.38 GRADIENT INTERVAL = -5.00/ 5.00

ALPHA	BETA	CP76	CP78	CP80	CP82	CP75	CP77	CP79	CP81
-.264	-4.034	-.14930	-.16470	-.15140	.00000	-.07400	-.07640	-.07950	-.08260
-.261	-.019	-.09170	-.10630	-.09950	.00000	-.12620	-.13470	-.13060	-.13950
-.274	3.991	-.02550	-.03370	-.03480	.00000	-.17290	-.17800	-.17420	-.17630
	GRADIENT	.01543	.01632	.01453	.00000	-.01232	-.01266	-.01180	-.01168

ARC 11-023 IAB0 OTS (SRB OFF) (SSME OFF)

(DE4030) (28 OCT 75)

REFERENCE DATA

SREF = 2690.0000 SQ.FT. XMRP = .0000 IN.
 LREF = 1290.3000 IN. YMRP = .0000 IN.
 BREF = 1290.3000 IN. ZMRP = .0000 IN.
 SCALE = .0200

PARAMETRIC DATA

ELV-18 = .000 ELV-08 = .000
 RN/L = 4.250 MACH = 1.100

RUN NO. 69/ 0 RN/L = 4.33 GRADIENT INTERVAL = -5.00/ 5.00

ALPHA	BETA	CP76	CP78	CP80	CP82	CP75	CP77	CP79	CP81
-4.016	-.003	.02950	.03950	-.02910	.00000	-.04600	.02240	-.02450	-.03450
	GRADIENT	.00000	.00000	.00000	.00000	.00000	.00000	.00000	.00000

RUN NO. 70/ 0 RN/L = 4.30 GRADIENT INTERVAL = -5.00/ 5.00

ALPHA	BETA	CP76	CP78	CP80	CP82	CP75	CP77	CP79	CP81
-.370	-4.006	-.04780	-.04810	-.11210	.00000	-.11370	-.03380	-.06300	-.07330
-.343	.003	.03180	.04160	-.02630	.00000	-.09570	-.01330	-.05120	-.06520
-.370	4.009	.06760	.07400	.01020	.00000	-.09370	-.02380	-.07240	-.08150
	GRADIENT	.01440	.01523	.01526	.00000	.00250	.00125	-.00117	-.00102

RUN NO. 71/ 0 RN/L = 4.29 GRADIENT INTERVAL = -5.00/ 5.00

ALPHA	BETA	CP76	CP78	CP80	CP82	CP75	CP77	CP79	CP81
3.894	-.003	-.00400	-.00150	-.06280	.00000	-.13700	-.06970	-.09100	-.10710
	GRADIENT	.00000	.00000	.00000	.00000	.00000	.00000	.00000	.00000

ARC 11-023 IAB0 OTS (SRB OFF) (SSME OFF)

(DE4J31) (28 OCT 75)

REFERENCE DATA

SREF = 2690.0000 SQ.FT. XMRP = .0000 IN.
 LREF = 1290.3000 IN. YMRP = .0000 IN.
 BREF = 1290.3000 IN. ZMRP = .0000 IN.
 SCALE = .0200

PARAMETRIC DATA

ELV-18 = .000 ELV-08 = .000
 RN/L = 4.250 MACH = 1.250

RUN NO. 66/ 0 RN/L = 4.36 GRADIENT INTERVAL = -5.00/ 5.00

ALPHA	BETA	CP76	CP78	CP80	CP82	CP75	CP77	CP79	CP81
-3.970	-.003	.05610	.06190	.01400	.00000	-.02090	.01620	-.00270	-.01810
	GRADIENT	.00000	.00000	.00000	.00000	.00000	.00000	.00000	.00000

RUN NO. 67/ 0 RN/L = 4.36 GRADIENT INTERVAL = -5.00/ 5.00

ALPHA	BETA	CP76	CP78	CP80	CP82	CP75	CP77	CP79	CP81
-.330	-4.006	.00490	.00620	-.04780	.00000	-.09780	-.04940	-.06190	-.06640
-.317	.003	.04480	.04670	.00280	.00000	-.03840	-.03550	-.05320	-.06780
-.370	4.012	.06000	.06090	.02700	.00000	-.07180	-.00770	-.02850	-.04550
	GRADIENT	.00687	.00682	.00933	.00000	.00324	.00520	.00417	.00261

ARC 11-023 IAB0 OTS (SRB OFF) (SSME OFF)

(DE4033) (28 OCT 75)

REFERENCE DATA

SREF = 2690.0000 SQ.FT. XMRP = .0000 IN.
 LREF = 1290.3000 IN. YMRP = .0000 IN.
 BREF = 1290.3000 IN. ZMRP = .0000 IN.
 SCALE = .0200

PARAMETRIC DATA

ELV-18 = .000 ELV-08 = .000
 RN/L = 1.750 MACH = .600

RUN NO. 270/ 0 RN/L = 1.74 GRADIENT INTERVAL = -5.00/ 5.00

ALPHA	BETA	CP76	CP78	CP80	CP82	CP75	CP77	CP79	CP81
-3.953	-.003	-.09100	-.09370	-.09720	.00000	-.11710	-.12130	-.12750	-.12540
	GRADIENT	.00000	.00000	.00000	.00000	.00000	.00000	.00000	.00000

RUN NO. 271/ 0 RN/L = 1.74 GRADIENT INTERVAL = -5.00/ 5.00

ALPHA	BETA	CP76	CP78	CP80	CP82	CP75	CP77	CP79	CP81
-.271	-4.044	-.16150	-.17260	-.16920	.00000	-.07800	-.08500	-.08850	-.09060
-.284	-.031	-.08470	-.09020	-.08540	.00000	-.11610	-.12360	-.11470	-.12020
-.343	3.984	-.03420	-.04110	-.05430	.00000	-.17380	-.19180	-.18560	-.19250
	GRADIENT	.01586	.01638	.01431	.00000	-.01193	-.01330	-.01210	-.01269

RUN NO. 272/ 0 RN/L = 1.74 GRADIENT INTERVAL = -5.00/ 5.00

ALPHA	BETA	CP76	CP78	CP80	CP82	CP75	CP77	CP79	CP81
3.963	-.003	-.09300	-.10610	-.09990	.00000	-.13320	-.14910	-.13520	-.14010
	GRADIENT	.00000	.00000	.00000	.00000	.00000	.00000	.00000	.00000

ARC 11-023 IAB0 OTS (SRB OFF) (SSME OFF)

(DE4034) (28 OCT 75)

REFERENCE DATA

SREF = 2690.0000 SQ.FT. XMRP = .0000 IN.
 LREF = 1290.3000 IN. YMRP = .0000 IN.
 BREF = 1290.3000 IN. ZMRP = .0000 IN.
 SCALE = .0200

PARAMETRIC DATA

ELV-18 = .000 ELV-08 = .000
 RN/L = 2.250 MACH = .900

RUN NO. 267/ 0 RN/L = 2.16 GRADIENT INTERVAL = -5.00/ 5.00

ALPHA	BETA	CP76	CP78	CP80	CP82	CP75	CP77	CP79	CP81
-3.947	.000	-.26530	-.27780	-.30910	.00000	-.25930	-.27900	-.31640	-.32920
	GRADIENT	.00000	.00000	.00000	.00000	.00000	.00000	.00000	.00000

RUN NO. 268/ 0 RN/L = 2.16 GRADIENT INTERVAL = -5.00/ 5.00

ALPHA	BETA	CP76	CP78	CP80	CP82	CP75	CP77	CP79	CP81
-.264	-4.044	-.37040	-.38180	-.41720	.00000	-.16980	-.18670	-.18100	-.19300
-.271	-.031	-.28300	-.29770	-.37660	.00000	-.27980	-.30370	-.33060	-.35170
-.304	3.984	-.10910	-.12120	-.12400	.00000	-.34180	-.36080	-.39710	-.41160
	GRADIENT	.03255	.03246	.03652	.00000	-.02142	-.02169	-.02692	-.02723

DATE 12 JUN 76

TABULATED SOURCE DATA - IABO

PAGE 407

ARC 11-023 IABO OTS (SRB OFF) (SSME OFF)

(DE4034) (28 OCT 75)

REFERENCE DATA

SREF = 2690.0000 SQ.FT. XMRP = .0000 IN.
 LREF = 1290.3000 IN. YMRP = .0000 IN.
 BREF = 1290.3000 IN. ZMRP = .0000 IN.
 SCALE = .0200

PARAMETRIC DATA

ELV-18 = .000 ELV-08 = .000
 RN/L = 2.250 MACH = .900

RUN NO. 269/ 0 RN/L = 2.16 GRADIENT INTERVAL = -5.00/ 5.00

ALPHA	BETA	CP76	CP78	CP80	CP82	CP75	CP77	CP79	CP81
3.990	-.003	-.26790	-.28230	-.29230	.00000	-.27110	-.29950	-.28910	-.32030
	GRADIENT	.00000	.00000	.00000	.00000	.00000	.00000	.00000	.00000

ARC 11-023 IABO OTS (SRB OFF) (SSME OFF)

(DE4035) (28 OCT 75)

REFERENCE DATA

SREF = 2690.0000 SQ.FT. XMRP = .0000 IN.
 LREF = 1290.3000 IN. YMRP = .0000 IN.
 BREF = 1290.3000 IN. ZMRP = .0000 IN.
 SCALE = .0200

PARAMETRIC DATA

ELV-18 = .000 ELV-08 = .000
 RN/L = 2.250 MACH = 1.100

RUN NO. 22/ 0 RN/L = 2.24 GRADIENT INTERVAL = -5.00/ 5.00

ALPHA	BETA	CP76	CP78	CP80	CP82	CP75	CP77	CP79	CP81
-3.957	.000	.00890	.01260	-.05480	.00000	-.01970	.00070	-.05170	-.05410
	GRADIENT	.00000	.00000	.00000	.00000	.00000	.00000	.00000	.00000

RUN NO. 23/ 0 RN/L = 2.25 GRADIENT INTERVAL = -5.00/ 5.00

ALPHA	BETA	CP76	CP78	CP80	CP82	CP75	CP77	CP79	CP81
-.225	-4.009	-.07600	-.07910	-.14080	.00000	-.07700	-.04580	-.07600	-.08080
-.225	.000	.00590	.00690	-.05510	.00000	-.06250	-.03710	-.07840	-.08550
-.231	4.012	.05250	.05280	-.00890	.00000	-.07070	-.05170	-.10770	-.11070
	GRADIENT	.01602	.01644	.01644	.00000	.00078	-.00074	-.00395	-.00373

RUN NO. 24/ 0 RN/L = 2.25 GRADIENT INTERVAL = -5.00/ 5.00

ALPHA	BETA	CP76	CP78	CP80	CP82	CP75	CP77	CP79	CP81
4.016	-.003	-.02980	-.03690	-.09020	.00000	-.11280	-.09260	-.12130	-.13070
	GRADIENT	.00000	.00000	.00000	.00000	.00000	.00000	.00000	.00000

ORIGINAL PAGE IS
OF POOR QUALITY

ARC 11-023 1A80 OTS (SRB CFF) (SSME OFF)

(DE4036) (28 OCT 75)

REFERENCE DATA

PARAMETRIC DATA

SREF = 2690.0000 SQ.FT. XMRP = .0000 IN.
 LREF = 1290.3000 IN. YMRP = .0000 IN.
 BREF = 1290.3000 IN. ZMRP = .0000 IN.
 SCALE = .0200

ELV-1B = .000 ELV-0B = .000
 RN/L = 2.250 MACH = 1.250

RUN NO. 30/ 0 RN/L = 2.27 GRADIENT INTERVAL = -5.00/ 5.00

ALPHA	BETA	CP76	CP78	CP80	CP82	CP75	CP77	CP79	CP81
-3.993	.003	.04130	.04390	-.00390	.00000	-.00670	.00440	-.01530	-.02580
	GRADIENT	.00000	.00000	.00000	.00000	.00000	.00000	.00000	.00000

RUN NO. 31/ 0 RN/L = 2.27 GRADIENT INTERVAL = -5.00/ 5.00

ALPHA	BETA	CP76	CP78	CP80	CP82	CP75	CP77	CP79	CP81
-.145	-4.003	-.01400	-.01590	-.06490	.00000	-.09380	-.06170	-.07760	-.07790
-.129	.003	.02040	.01790	-.02380	.00000	-.08230	-.05560	-.07430	-.08480
-.175	4.009	.04090	.04280	.01390	.00000	-.03810	-.01960	-.04790	-.05940
	GRADIENT	.00685	.00733	.00983	.00000	.00695	.00525	.00371	.00231

RUN NO. 32/ 0 RN/L = 2.27 GRADIENT INTERVAL = -5.00/ 5.00

ALPHA	BETA	CP76	CP78	CP80	CP82	CP75	CP77	CP79	CP81
4.072	.003	-.01620	-.02640	-.05410	.00000	-.05080	-.11550	-.12120	-.13200
	GRADIENT	.00000	.00000	.00000	.00000	.00000	.00000	.00000	.00000

ARC 11-023 1A80 OTS (SRB OFF) (SSME OFF)

(DE4037) (28 OCT 75)

REFERENCE DATA

PARAMETRIC DATA

SREF = 2690.0000 SQ.FT. XMRP = .0000 IN.
 LREF = 1290.3000 IN. YMRP = .0000 IN.
 BREF = 1290.3000 IN. ZMRP = .0000 IN.
 SCALE = .0200

ELV-1B = .000 ELV-0B = .000
 RN/L = 2.250 MACH = 1.400

RUN NO. 33/ 0 RN/L = 2.23 GRADIENT INTERVAL = -5.00/ 5.00

ALPHA	BETA	CP76	CP78	CP80	CP82	CP75	CP77	CP79	CP81
-4.013	.003	.04280	.04030	.00510	.00000	-.01740	-.00110	-.01210	-.02360
	GRADIENT	.00000	.00000	.00000	.00000	.00000	.00000	.00000	.00000

RUN NO. 34/ 0 RN/L = 2.23 GRADIENT INTERVAL = -5.00/ 5.00

ALPHA	BETA	CP76	CP78	CP80	CP82	CP75	CP77	CP79	CP81
-.241	-4.006	.00710	.00030	-.04310	.00000	-.00060	-.06810	-.07530	-.07060
-.264	.000	.01430	.00840	-.02510	.00000	-.08410	-.05380	-.06280	-.06810
-.267	4.009	.01780	.02370	-.00320	.00000	-.05820	-.03690	-.04880	-.06380
	GRADIENT	.00133	.00292	.00498	.00000	.00529	.00389	.00331	.00085

ARC 11-023 IAB0 OTS (SRB NOM) (SSME NOM)

(DE4039) (28 OCT 75)

REFERENCE DATA

SREF = 2690.0000 SQ.FT. XMRP = .0000 IN.
 LREF = 1290.3000 IN. YMRP = .0000 IN.
 BREF = 1290.3000 IN. ZMRP = .0000 IN.
 SCALE = .0200

PARAMETRIC DATA

ELV-1B = .000 ELV-0B = .000
 RN/L = 2.250 MACH = .900

RUN NO. 264/ 0 RN/L = 2.16 GRADIENT INTERVAL = -5.00/ 5.00

ALPHA	BETA	CP76	CP78	CP80	CP82	CP75	CP77	CP79	CP81
-3.986	.003	-.27700	-.28750	-.33480	.00000	-.27180	-.28790	-.33520	-.34600
	GRADIENT	.00000	.00000	.00000	.00000	.00000	.00000	.00000	.00000

RUN NO. 265/ 0 RN/L = 2.16 GRADIENT INTERVAL = -5.00/ 5.00

ALPHA	BETA	CP76	CP78	CP80	CP82	CP75	CP77	CP79	CP81
-.294	-4.044	-.38130	-.38980	-.42880	.00000	-.20240	-.21810	-.22300	-.23630
-.310	-.028	-.27220	-.28320	-.32940	.00000	-.28400	-.30300	-.33930	-.35510
-.320	3.981	-.15380	-.16730	-.18250	.00000	-.34670	-.36390	-.40790	-.41510
	GRADIENT	.02835	.02773	.03069	.00000	-.01798	-.01817	-.02304	-.02228

RUN NO. 266/ 0 RN/L = 2.16 GRADIENT INTERVAL = -5.00/ 5.00

ALPHA	BETA	CP76	CP78	CP80	CP82	CP75	CP77	CP79	CP81
3.970	.000	-.29750	-.30510	-.34170	.00000	-.31360	-.34770	-.35250	-.37540
	GRADIENT	.00000	.00000	.00000	.00000	.00000	.00000	.00000	.00000

ARC 11-023 IAB0 OTS (SRB NOM) (SSME NOM)

(DE4040) (28 OCT 75)

REFERENCE DATA

SREF = 2690.0000 SQ.FT. XMRP = .0000 IN.
 LREF = 1290.3000 IN. YMRP = .0000 IN.
 BREF = 1290.3000 IN. ZMRP = .0000 IN.
 SCALE = .0200

PARAMETRIC DATA

ELV-1B = .000 ELV-0B = .000
 RN/L = 2.250 MACH = 1.100

RUN NO. 27/ 0 RN/L = 2.25 GRADIENT INTERVAL = -5.00/ 5.00

ALPHA	BETA	CP76	CP78	CP80	CP82	CP75	CP77	CP79	CP81
-3.801	-.006	.00990	.00340	-.05370	.00000	-.02210	-.00240	-.05370	-.05610
	GRADIENT	.00000	.00000	.00000	.00000	.00000	.00000	.00000	.00000

RUN NO. 28/ 0 RN/L = 2.25 GRADIENT INTERVAL = -5.00/ 5.00

ALPHA	BETA	CP76	CP78	CP80	CP82	CP75	CP77	CP79	CP81
-.304	-4.003	-.07760	-.07760	-.14630	.00000	-.07320	-.04470	-.07620	-.07690
-.267	.003	.00920	-.00060	-.05300	.00000	-.06320	-.03920	-.07870	-.08210
-.390	4.016	.05700	.04680	-.00680	.00000	-.06730	-.05100	-.10700	-.10450
	GRADIENT	.01678	.01551	.01740	.00000	.00074	-.00079	-.00384	-.00344

DATE 12 JUN 76

TABULATED SOURCE DATA - 1A80

PAGE 411

ARC 11-023 1A80 OTS (SRB NOM) (SSME NOM)

(DE4040) (28 OCT 75)

REFERENCE DATA

SREF = 2690.0000 SQ.FT. XMRP = .0000 IN.
 LREF = 1290.3000 IN. YMRP = .0000 IN.
 BREF = 1290.3000 IN. ZMRP = .0000 IN.
 SCALE = .0200

PARAMETRIC DATA

ELV-18 = .000 ELV-08 = .000
 RN/L = 2.250 MACH = 1.100

RUN NO. 29/ 0 RN/L = 2.26 GRADIENT INTERVAL = -5.00/ 5.00

ALPHA	BETA	CP76	CP78	CP80	CP82	CP75	CP77	CP79	CP81
3.983	.003	-.02940	-.03370	-.08790	.00000	-.11110	-.08720	-.12020	-.12480
	GRADIENT	.00000	.00000	.00000	.00000	.00000	.00000	.00000	.00000

ARC 11-023 1A80 OTS (SRB OFF) (SSME OFF)

(DE4041) (28 OCT 75)

REFERENCE DATA

SREF = 2690.0000 SQ.FT. XMRP = .0000 IN.
 LREF = 1290.3000 IN. YMRP = .0000 IN.
 BREF = 1290.3000 IN. ZMRP = .0000 IN.
 SCALE = .0200

PARAMETRIC DATA

ELV-18 = .000 ELV-08 = .000
 RN/L = 2.500 MACH = .600

RUN NO. 252/ 0 RN/L = 2.55 GRADIENT INTERVAL = -5.00/ 5.00

ALPHA	BETA	CP76	CP78	CP80	CP82	CP75	CP77	CP79	CP81
-4.000	-.022	-.09200	-.09570	-.10030	.00000	-.11640	-.11920	-.13030	-.13540
	GRADIENT	.00000	.00000	.00000	.00000	.00000	.00000	.00000	.00000

RUN NO. 253/ 0 RN/L = 2.55 GRADIENT INTERVAL = -5.00/ 5.00

ALPHA	BETA	CP76	CP78	CP80	CP82	CP75	CP77	CP79	CP81
-.261	-4.041	-.14790	-.15810	-.15070	.00000	-.06770	-.07190	-.07330	-.07510
-.271	-.025	-.08910	-.09320	-.09270	.00000	-.11980	-.12480	-.12380	-.12660
-.343	3.991	-.02450	-.02770	-.02960	.00000	-.16990	-.17580	-.16980	-.17670
	GRADIENT	.01537	.01624	.01508	.00000	-.01273	-.01294	-.01202	-.01265

RUN NO. 254/ 0 RN/L = 2.55 GRADIENT INTERVAL = -5.00/ 5.00

ALPHA	BETA	CP76	CP78	CP80	CP82	CP75	CP77	CP79	CP81
3.944	-.022	-.08280	-.09480	-.08650	.00000	-.12610	-.12890	-.12020	-.12710
	GRADIENT	.00000	.00000	.00000	.00000	.00000	.00000	.00000	.00000

ORIGINAL PAGE IS
OF POOR QUALITY

ARC 11-023 IABO OTS (SRB OFF) (SSME OFF)

(DE4042) (28 OCT 75)

REFERENCE DATA

SREF = 2690.0000 SQ.FT. XMRP = .0000 IN.
 LREF = 1290.3000 IN. YMRP = .0000 IN.
 BREF = 1290.3000 IN. ZMRP = .0000 IN.
 SCALE = .0200

PARAMETRIC DATA

ELV-1B = .000 ELV-0B = .000
 RN/L = 3.250 MACH = .900

RUN NO. 258/ 0 RN/L = 3.14 GRADIENT INTERVAL = -5.00/ 5.00

ALPHA	BETA	CP76	CP78	CP80	CP82	CP75	CP77	CP79	CP81
-3.930	.003	-.26340	-.28380	-.31670	.00000	-.25600	-.27480	-.32060	-.33230
	GRADIENT	.00000	.00000	.00000	.00000	.00000	.00000	.00000	.00000

RUN NO. 259/ 0 RN/L = 3.13 GRADIENT INTERVAL = -5.00/ 5.00

ALPHA	BETA	CP76	CP78	CP80	CP82	CP75	CP77	CP79	CP81
-.284	-4.041	-.35990	-.37720	-.40240	.00000	-.18270	-.19740	-.18600	-.19770
-.281	-.028	-.28090	-.30020	-.33050	.00000	-.27600	-.29970	-.32770	-.34710
-.248	3.994	-.10920	-.11140	-.11550	.00000	-.33900	-.35380	-.39560	-.41200
	GRADIENT	.03121	.03309	.03572	.00000	-.01945	-.01946	-.02608	-.02667

RUN NO. 260/ 0 RN/L = 3.12 GRADIENT INTERVAL = -5.00/ 5.00

ALPHA	BETA	CP76	CP78	CP80	CP82	CP75	CP77	CP79	CP81
3.960	.000	-.26690	-.28390	-.29430	.00000	-.28140	-.30610	-.29480	-.32390
	GRADIENT	.00000	.00000	.00000	.00000	.00000	.00000	.00000	.00000

ARC 11-023 IABO OTS (SRB OFF) (SSME OFF)

(DE4043) (28 OCT 75)

REFERENCE DATA

SREF = 2690.0000 SQ.FT. XMRP = .0000 IN.
 LREF = 1290.3000 IN. YMRP = .0000 IN.
 BREF = 1290.3000 IN. ZMRP = .0000 IN.
 SCALE = .0200

PARAMETRIC DATA

ELV-1B = .000 ELV-0B = .000
 RN/L = 3.250 MACH = 1.100

RUN NO. 35/ 0 RN/L = 3.28 GRADIENT INTERVAL = -5.00/ 5.00

ALPHA	BETA	CP76	CP78	CP80	CP82	CP75	CP77	CP79	CP81
-4.016	.003	.02350	.02860	-.03720	.00000	-.03120	.01610	-.03400	-.03950
	GRADIENT	.00000	.00000	.00000	.00000	.00000	.00000	.00000	.00000

RUN NO. 37/ 0 RN/L = 3.27 GRADIENT INTERVAL = -5.00/ 5.00

ALPHA	BETA	CP76	CP78	CP80	CP82	CP75	CP77	CP79	CP81
-.287	-4.006	-.05960	-.06140	-.12380	.00000	-.09840	-.04150	-.07140	-.07670
-.291	.000	.02070	.02600	-.03730	.00000	-.07320	-.02420	-.06520	-.07490
-.310	4.006	.06070	.06580	.00340	.00000	-.08050	-.03270	-.08610	-.09090
	GRADIENT	.01501	.01588	.01588	.00000	.00223	.00110	-.00183	-.00177

ARC 11-023 1A80 OTS (SRB OFF) (SSME OFF)

(DE4045) (28 OCT 75)

REFERENCE DATA

SREF = 2690.0000 SQ.FT. XMRP = .0000 IN.
 LREF = 1290.3000 IN. YMRP = .0000 IN.
 BREF = 1290.3000 IN. ZMRP = .0000 IN.
 SCALE = .0200

PARAMETRIC DATA

ELV-1B = .000 ELV-0B = .000
 RN/L = 3.250 MACH = 1.400

RUN NO. 45/ 0 RN/L = 3.23 GRADIENT INTERVAL = -5.00/ 5.00

ALPHA	BETA	CP76	CP78	CP80	CP82	CP75	CP77	CP79	CP81
-3.990	-.003	.05040	.04910	.01110	.00000	-.01300	.00550	-.00410	-.01730
	GRADIENT	.00000	.00000	.00000	.00000	.00000	.00000	.00000	.00000

RUN NO. 46/ 0 RN/L = 3.22 GRADIENT INTERVAL = -5.00/ 5.00

ALPHA	BETA	CP76	CP78	CP80	CP82	CP75	CP77	CP79	CP81
-.284	-4.000	.02290	.01800	-.03190	.00000	-.08610	-.05490	-.06300	-.06130
-.297	.000	.02670	.02180	-.01510	.00000	-.07700	-.04020	-.04790	-.05660
-.294	4.009	.02100	.03250	.00080	.00000	-.05260	-.02580	-.03810	-.05430
	GRADIENT	-.00024	.00181	.00408	.00000	.00418	.00363	.00311	.00087

RUN NO. 47/ 0 RN/L = 3.21 GRADIENT INTERVAL = -5.00/ 5.00

ALPHA	BETA	CP76	CP78	CP80	CP82	CP75	CP77	CP79	CP81
3.980	.000	-.03340	-.03790	-.06360	.00000	-.13360	-.10960	-.10890	-.11660
	GRADIENT	.00000	.00000	.00000	.00000	.00000	.00000	.00000	.00000

ARC 11-023 1A80 OTS (SRB NOM) (SSME NOM)

(DE4046) (28 OCT 75)

REFERENCE DATA

SREF = 2690.0000 SQ.FT. XMRP = .0000 IN.
 LREF = 1290.3000 IN. YMRP = .0000 IN.
 BREF = 1290.3000 IN. ZMRP = .0000 IN.
 SCALE = .0200

PARAMETRIC DATA

ELV-1B = .000 ELV-0B = .000
 RN/L = 2.500 MACH = .600

RUN NO. 255/ 0 RN/L = 2.56 GRADIENT INTERVAL = -5.00/ 5.00

ALPHA	BETA	CP76	CP78	CP80	CP82	CP75	CP77	CP79	CP81
-3.894	-.022	-.14070	-.15230	-.15170	.00000	-.16800	-.17450	-.18180	-.18640
	GRADIENT	.00000	.00000	.00000	.00000	.00000	.00000	.00000	.00000

RUN NO. 256/ 0 RN/L = 2.55 GRADIENT INTERVAL = -5.00/ 5.00

ALPHA	BETA	CP76	CP78	CP80	CP82	CP75	CP77	CP79	CP81
-.350	-4.041	-.20220	-.20960	-.21140	.00000	-.10460	-.11250	-.11570	-.11990
-.320	-.025	-.14560	-.15160	-.15670	.00000	-.17300	-.18320	-.18460	-.19160
-.337	3.994	-.07660	-.08780	-.10040	.00000	-.23190	-.24170	-.24620	-.25930
	GRADIENT	.01563	.01516	.01382	.00000	-.01584	-.01608	-.01624	-.01735

DATE 12 JUN 76

TABULATED SOURCE DATA - IABO

PAGE 417

ARC 11-023 IABO OTS (SRB NOM) (SSME NOM)

(DE4050) (13 NOV 75)

REFERENCE DATA

SREF = 2690.0000 SQ.FT. XMRP = .0000 IN.
 LREF = 1290.3000 IN. YMRP = .0000 IN.
 BREF = 1290.3000 IN. ZMRP = .0000 IN.
 SCALE = .0200

PARAMETRIC DATA

ELV-18 = 8.000 ELV-09 = 4.000
 RN/L = 4.250 ALPHA = .000

RUN NO. 93/ 0 RN/L = -.06 GRADIENT INTERVAL = -5.00/ 5.00

BETA	MACH	CP76	CP78	CP80	CP82	CP75	CP77	CP79	CP81
.007	.000	.00000	.00000	.00000	.00000	.00000	.00000	.00000	.00000
	GRADIENT	.00000	.00000	.00000	.00000	.00000	.00000	.00000	.00000

ARC 11-023 IABO OTS (SRB OFF) (SSME OFF)

(DE4051) (28 OCT 75)

REFERENCE DATA

SREF = 2690.0000 SQ.FT. XMRP = .0000 IN.
 LREF = 1290.3000 IN. YMRP = .0000 IN.
 BREF = 1290.3000 IN. ZMRP = .0000 IN.
 SCALE = .0200

PARAMETRIC DATA

ELV-18 = 8.000 ELV-09 = 4.000
 RN/L = 4.250 MACH = .980

RUN NO. 112/ 0 RN/L = 4.31 GRADIENT INTERVAL = -5.00/ 5.00

ALPHA	BETA	CP76	CP78	CP80	CP82	CP75	CP77	CP79	CP81
-3.950	-.063	-.13730	-.14030	-.20950	.00000	-.13530	-.19490	-.21500	-.21570
	GRADIENT	.00000	.00000	.00000	.00000	.00000	.00000	.00000	.00000

RUN NO. 113/ 0 RN/L = 4.31 GRADIENT INTERVAL = -5.00/ 5.00

ALPHA	BETA	CP76	CP78	CP80	CP82	CP75	CP77	CP79	CP81
-.416	-4.075	-.23710	-.25260	-.30480	.00000	-.17320	-.23340	-.23840	-.23440
-.386	-.063	-.14170	-.14670	-.21160	.00000	-.16280	-.22780	-.23930	-.23960
-.370	3.950	-.08840	-.08550	-.16220	.00000	-.19170	-.25260	-.26770	-.27080
	GRADIENT	.01853	.02082	.01777	.00000	-.00231	-.00239	-.00365	-.00454

RUN NO. 114/ 0 RN/L = 4.32 GRADIENT INTERVAL = -5.00/ 5.00

ALPHA	BETA	CP76	CP78	CP80	CP82	CP75	CP77	CP79	CP81
4.076	-.063	-.18230	-.19540	-.24730	.00000	-.22440	-.29420	-.29420	-.29750
	GRADIENT	.00000	.00000	.00000	.00000	.00000	.00000	.00000	.00000

ORIGINAL PAGE IS
OF POOR QUALITY

ARC 11-023 1A80 OTS (SRB NOM) (SSME NOM)

(DE4052) (28 OCT 75)

REFERENCE DATA

SREF = 2690.0000 SQ.FT. XMRP = .0000 IN.
 LREF = 1290.3000 IN. YMRP = .0000 IN.
 BREF = 1290.3000 IN. ZMRP = .0000 IN.
 SCALE = .0200

PARAMETRIC DATA

ELV-1B = 8.000 ELV-0B = 4.000
 RN/L = 4.250 MACH = .980

RUN NO. 115/ 0 RN/L = 4.30 GRADIENT INTERVAL = -5.00/ 5.00

ALPHA	BETA	CP76	CP78	CP80	CP82	CP75	CP77	CP79	CP81
-3.930	-.063	-.14320	-.15930	-.21720	.00000	-.14910	-.21020	-.22990	-.22680
	GRADIENT	.00000	.00000	.00000	.00000	.00000	.00000	.00000	.00000

RUN NO. 116/ 0 RN/L = 4.30 GRADIENT INTERVAL = -5.00/ 5.00

ALPHA	BETA	CP76	CP78	CP80	CP82	CP75	CP77	CP79	CP81
-.519	-4.078	-.24560	-.24890	-.31410	.00000	-.18770	-.24450	-.25380	-.24800
-.476	-.063	-.14120	-.15740	-.21060	.00000	-.16750	-.23150	-.24440	-.24330
-.499	3.953	-.09410	-.10740	-.16830	.00000	-.20290	-.26420	-.27880	-.27970
	GRADIENT	.01886	.01762	.01815	.00000	-.00189	-.00245	-.00311	-.00395

RUN NO. 117/ 0 RN/L = 4.31 GRADIENT INTERVAL = -5.00/ 5.00

ALPHA	BETA	CP76	CP78	CP80	CP82	CP75	CP77	CP79	CP81
3.993	-.063	-.19310	-.20390	-.25640	.00000	-.23880	-.30780	-.31070	-.31100
	GRADIENT	.00000	.00000	.00000	.00000	.00000	.00000	.00000	.00000

ARC 11-023 1A80 OTS (SRB OFF) (SSME OFF)

(DE4053) (28 OCT 75)

REFERENCE DATA

SREF = 2690.0000 SQ.FT. XMRP = .0000 IN.
 LREF = 1290.3000 IN. YMRP = .0000 IN.
 BREF = 1290.3000 IN. ZMRP = .0000 IN.
 SCALE = .0200

PARAMETRIC DATA

ELV-1B = 8.000 ELV-0B = 4.000
 RN/L = 3.400 MACH = .600

RUN NO. 288/ 0 RN/L = 3.47 GRADIENT INTERVAL = -5.00/ 5.00

ALPHA	BETA	CP76	CP78	CP80	CP82	CP75	CP77	CP79	CP81
-3.944	.000	-.18930	-.20040	-.21730	.00000	-.18690	-.19300	-.21320	-.21460
	GRADIENT	.00000	.00000	.00000	.00000	.00000	.00000	.00000	.00000

RUN NO. 289/ 0 RN/L = 3.47 GRADIENT INTERVAL = -5.00/ 5.00

ALPHA	BETA	CP76	CP78	CP80	CP82	CP75	CP77	CP79	CP81
-.320	-4.050	-.23680	-.24520	-.25430	.00000	-.13970	-.13600	-.15510	-.15280
-.297	.000	-.18090	-.19300	-.20100	.00000	-.18320	-.18760	-.19970	-.20370
-.314	3.978	-.12670	-.12840	-.14710	.00000	-.22320	-.22750	-.23150	-.23420
	GRADIENT	.01371	.01454	.01335	.00000	-.01040	-.01140	-.00952	-.01015

ARC 11-023 1A80 OTS (SRB OFF) (SSME OFF)

(DE4055) (28 OCT 75)

REFERENCE DATA

SREF = 2690.0000 SQ.FT. XMRP = .0000 IN.
 LREF = 1290.3000 IN. YMRP = .0000 IN.
 BREF = 1290.3000 IN. ZMRP = .0000 IN.
 SCALE = .0200

PARAMETRIC DATA

ELV-1B = 8.000 ELV-08 = 4.000
 RN/L = 4.250 MACH = 1.100

RUN NO. 106/ 0 RN/L = 4.37 GRADIENT INTERVAL = -5.00/ 5.00

ALPHA	BETA	CP76	CP78	CP80	CP82	CP75	CP77	CP79	CP81
-3.772	-.066	.02900	.03120	-.03430	.00000	.03440	-.01470	-.03570	-.03870
	GRADIENT	.00000	.00000	.00000	.00000	.00000	.00000	.00000	.00000

RUN NO. 107/ 0 RN/L = 4.37 GRADIENT INTERVAL = -5.00/ 5.00

ALPHA	BETA	CP76	CP78	CP80	CP82	CP75	CP77	CP79	CP81
-.380	-4.075	-.04950	-.05490	-.11410	.00000	-.04020	-.09030	-.09070	-.08830
-.357	-.073	.02760	.03110	-.03220	.00000	-.00710	-.06290	-.07090	-.07410
-.367	3.917	.06120	.06310	-.00070	.00000	-.01690	-.06710	-.08620	-.08990
	GRADIENT	.01378	.01469	.01412	.00000	.00290	.00289	.00056	-.00020

RUN NO. 108/ 0 RN/L = 4.37 GRADIENT INTERVAL = -5.00/ 5.00

ALPHA	BETA	CP76	CP78	CP80	CP82	CP75	CP77	CP79	CP81
4.092	-.059	-.02330	-.03260	-.08470	.00000	-.07410	-.13720	-.13340	-.13720
	GRADIENT	.00000	.00000	.00000	.00000	.00000	.00000	.00000	.00000

ARC 11-023 1A80 OTS (SRB OFF) (SSME OFF)

(DE4056) (28 OCT 75)

REFERENCE DATA

SREF = 2690.0000 SQ.FT. XMRP = .0000 IN.
 LREF = 1290.3000 IN. YMRP = .0000 IN.
 BREF = 1290.3000 IN. ZMRP = .0000 IN.
 SCALE = .0200

PARAMETRIC DATA

ELV-1B = 8.000 ELV-08 = 4.000
 RN/L = .250 MACH = 1.250

RUN NO. 94/ 0 RN/L = 4.40 GRADIENT INTERVAL = -5.00/ 5.00

ALPHA	BETA	CP76	CP78	CP80	CP82	CP75	CP77	CP79	CP81
-3.950	-.063	.05500	.05420	.01010	.00000	.03430	.00800	-.01060	-.01950
	GRADIENT	.00000	.00000	.00000	.00000	.00000	.00000	.00000	.00000

RUN NO. 95/ 0 RN/L = 4.40 GRADIENT INTERVAL = -5.00/ 5.00

ALPHA	BETA	CP76	CP78	CP80	CP82	CP75	CP77	CP79	CP81
-.324	-4.075	.00500	.00190	-.04750	.00000	-.06440	-.07590	-.08880	-.08260
-.314	-.063	.04460	.03950	-.00230	.00000	-.05190	-.05380	-.06680	-.07340
-.343	3.953	.05760	.04830	.02330	.00000	.01220	-.01890	-.03380	-.04580
	GRADIENT	.00655	.00578	.00882	.00000	.00954	.00710	.00685	.00458

ARC 11-023 1A80 OTS (SRB NOM) (SSME NOM)

(DE4058) (28 OCT 75)

REFERENCE DATA

SREF = 2690.0000 SQ.FT. XMRP = .0000 IN.
 LREF = 1290.3000 IN. YMRP = .0000 IN.
 BREF = 1290.3000 IN. ZMRP = .0000 IN.
 SCALE = .0200

PARAMETRIC DATA

ELV-1B = 8.000 ELV-08 = 4.000
 RN/L = 3.400 MACH = .600

RUN NO. 291/ 0 RN/L = 3.39 GRADIENT INTERVAL = -5.00/ 5.00

ALPHA	BETA	CP76	CP78	CP80	CP82	CP75	CP77	CP79	CP81
-3.953	.000	-.24650	-.25380	-.27860	.00000	-.24060	-.24650	-.26640	-.27470
	GRADIENT	.00000	.00000	.00000	.00000	.00000	.00000	.00000	.00000

RUN NO. 292/ 0 RN/L = 3.40 GRADIENT INTERVAL = -5.00/ 5.00

ALPHA	BETA	CP76	CP78	CP80	CP82	CP75	CP77	CP79	CP81
-.343	-4.050	-.29890	-.29440	-.30920	.00000	-.17920	-.17780	-.19820	-.19750
-.380	.000	-.23670	-.24220	-.26260	.00000	-.23440	-.24050	-.25050	-.25840
-.386	3.977	-.18100	-.18620	-.20470	.00000	-.28980	-.28980	-.29860	-.30620
	GRADIENT	.01469	.01348	.01301	.00000	-.01390	-.01396	-.01251	-.01354

RUN NO. 293/ 0 RN/L = 3.40 GRADIENT INTERVAL = -5.00/ 5.00

ALPHA	BETA	CP76	CP78	CP80	CP82	CP75	CP77	CP79	CP81
3.993	-.003	-.22800	-.23280	-.24840	.00000	-.22690	-.23420	-.24320	-.23900
	GRADIENT	.00000	.00000	.00000	.00000	.00000	.00000	.00000	.00000

ARC 11-023 1A80 OTS (SRB NOM) (SSME NOM)

(DE4059) (28 OCT 75)

REFERENCE DATA

SREF = 2690.0000 SQ.FT. XMRP = .0000 IN.
 LREF = 1290.3000 IN. YMRP = .0000 IN.
 BREF = 1290.3000 IN. ZMRP = .0000 IN.
 SCALE = .0200

PARAMETRIC DATA

ELV-1B = 8.000 ELV-08 = 4.000
 RN/L = 4.250 MACH = .900

RUN NO. 299/ 0 RN/L = 4.17 GRADIENT INTERVAL = -5.00/ 5.00

ALPHA	BETA	CP76	CP78	CP80	CP82	CP75	CP77	CP79	CP81
-3.983	-.038	-.28100	-.30270	-.33930	.00000	-.27060	-.29100	-.33990	-.35060
	GRADIENT	.00000	.00000	.00000	.00000	.00000	.00000	.00000	.00000

RUN NO. 300/ 0 RN/L = 4.18 GRADIENT INTERVAL = -5.00/ 5.00

ALPHA	BETA	CP76	CP78	CP80	CP82	CP75	CP77	CP79	CP81
-.370	-4.059	-.38840	-.40410	-.43670	.00000	-.24190	-.26110	-.28360	-.29730
-.403	-.044	-.28690	-.30510	-.33900	.00000	-.29290	-.31140	-.35480	-.36450
-.409	3.972	-.20490	-.22860	-.26730	.00000	-.36180	-.38190	-.42620	-.44120
	GRADIENT	.02285	.02185	.02109	.00000	-.01493	-.01504	-.01776	-.01792

ARC 11-023 IABO OTS (SRB NOM) (SSME NOM)

(DE4061) (28 OCT 75)

REFERENCE DATA

SREF = 2690.0000 SQ.FT. XMRP = .0000 IN.
 LREF = 1290.3000 IN. YMRP = .0000 IN.
 BREF = 1290.3000 IN. ZMRP = .0000 IN.
 SCALE = .0200

PARAMETRIC DATA

ELV-18 = 8.000 ELV-08 = 4.000
 RN/L = 4.250 MACH = 1.250

RUN NO. 97/ 0 RN/L = 4.39 GRADIENT INTERVAL = -5.00/ 5.00

ALPHA	BETA	CP76	CP78	CP80	CP82	CP75	CP77	CP79	CP81
-3.960	-.066	.05550	.04260	.00820	.00000	.02440	-.01140	-.01920	-.02510
	GRADIENT	.00000	.00000	.00000	.00000	.00000	.00000	.00000	.00000

RUN NO. 98/ 0 RN/L = 4.39 GRADIENT INTERVAL = -5.00/ 5.00

ALPHA	BETA	CP76	CP78	CP80	CP82	CP75	CP77	CP79	CP81
-.505	-4.075	.00790	-.00320	-.05350	.00000	-.06490	-.07570	-.05120	-.07860
-.459	-.059	.04500	.03100	-.00510	.00000	-.03630	-.06350	-.07090	-.07120
-.462	3.953	.05470	.03910	.01730	.00000	.01090	-.02540	-.03260	-.03690
	GRADIENT	.00645	.00527	.00882	.00000	.00944	.00627	.00730	.00519

RUN NO. 99/ 0 RN/L = 4.39 GRADIENT INTERVAL = -5.00/ 5.00

ALPHA	BETA	CP76	CP78	CP80	CP82	CP75	CP77	CP79	CP81
4.006	-.063	-.00790	-.01930	-.04710	.00000	-.10660	-.14220	-.13640	-.13370
	GRADIENT	.00000	.00000	.00000	.00000	.00000	.00000	.00000	.00000

ARC 11-023 IABO OTS (SRB NOM) (SSME NOM)

(DE4062) (28 OCT 75)

REFERENCE DATA

SREF = 2690.0000 SQ.FT. XMRP = .0000 IN.
 LREF = 1290.3000 IN. YMRP = .0000 IN.
 BREF = 1290.3000 IN. ZMRP = .0000 IN.
 SCALE = .0200

PARAMETRIC DATA

ELV-18 = 8.000 ELV-08 = 4.000
 RN/L = 4.250 MACH = 1.400

RUN NO. 103/ 0 RN/L = 4.28 GRADIENT INTERVAL = -5.00/ 5.00

ALPHA	BETA	CP76	CP78	CP80	CP82	CP75	CP77	CP79	CP81
-3.937	-.069	.05610	.04610	.01360	.00000	.01870	-.01680	-.01030	-.01810
	GRADIENT	.00000	.00000	.00000	.00000	.00000	.00000	.00000	.00000

RUN NO. 104/ 0 RN/L = 4.28 GRADIENT INTERVAL = -5.00/ 5.00

ALPHA	BETA	CP76	CP78	CP80	CP82	CP75	CP77	CP79	CP81
-.486	-4.078	.01710	.00960	-.03350	.00000	-.05970	-.08020	-.06810	-.06380
-.486	-.063	.03080	.02300	-.00840	.00000	-.03460	-.06890	-.05600	-.05500
-.499	3.953	.02410	.03140	.00100	.00000	-.00210	-.04920	-.03080	-.04520
	GRADIENT	.00087	.00271	.00430	.00000	.00717	.00386	.00464	.00232

DATE 12 JUN 76

TABULATED SOURCE DATA - IA80

PAGE 425

ARC 11-023 IA80 OTS (SRB NOM) (SSME NOM)

(DE4062) (28 OCT 75)

REFERENCE DATA

SREF = 2690.0000 SQ.FT. XMRP = .0000 IN.
 LREF = 1290.3000 IN. YMRP = .0000 IN.
 BREF = 1290.3000 IN. ZMRP = .0000 IN.
 SCALE = .0200

PARAMETRIC DATA

ELV-18 = 8.000 ELV-08 = 4.000
 RN/L = 4.250 MACH = 1.400

RUN NO. 105/ 0 RN/L = 4.28 GRADIENT INTERVAL = -5.00/ 5.00

ALPHA	BETA	CP76	CP78	CP80	CP82	CP75	CP77	CP79	CP81
4.020	-.366	-.03050	-.03160	-.05720	.00000	-.10050	-.14390	-.12060	-.12490
	GRADIENT	.00000	.00000	.00000	.00000	.00000	.00000	.00000	.00000

ARC 11-023 IA80 OTS (SRB NOM+) (SSME NOM)

(DE4063) (28 OCT 75)

REFERENCE DATA

SREF = 2690.0000 SQ.FT. XMRP = .0000 IN.
 LREF = 1290.3000 IN. YMRP = .0000 IN.
 BREF = 1290.3000 IN. ZMRP = .0000 IN.
 SCALE = .0200

PARAMETRIC DATA

ELV-18 = 8.000 ELV-08 = 4.000
 RN/L = 4.250 MACH = .980

RUN NO. 118/ 0 RN/L = 4.31 GRADIENT INTERVAL = -5.00/ 5.00

ALPHA	BETA	CP76	CP78	CP80	CP82	CP75	CP77	CP79	CP81
-3.868	-.063	-.14400	-.15780	-.21530	.00000	-.14860	-.20820	-.22860	-.22580
	GRADIENT	.00000	.00000	.00000	.00000	.00000	.00000	.00000	.00000

RUN NO. 119/ 0 RN/L = 4.31 GRADIENT INTERVAL = -5.00/ 5.00

ALPHA	BETA	CP76	CP78	CP80	CP82	CP75	CP77	CP79	CP81
-.486	-4.075	-.24740	-.25240	-.31690	.00000	-.18960	-.24630	-.25760	-.25250
-.456	-.063	-.14740	-.16380	-.21530	.00000	-.17480	-.23820	-.25090	-.24880
-.439	3.953	.09920	-.11380	-.17440	.00000	-.21170	-.27060	-.28560	-.28780
	GRADIENT	.01858	.01726	.01775	.00000	-.00275	-.00303	-.00349	-.00440

RUN NO. 120/ 0 RN/L = 4.31 GRADIENT INTERVAL = -5.00/ 5.00

ALPHA	BETA	CP76	CP78	CP80	CP82	CP75	CP77	CP79	CP81
4.013	-.069	-.19180	-.20300	-.25490	.00000	-.23750	-.30590	-.30820	-.31030
	GRADIENT	.00000	.00000	.00000	.00000	.00000	.00000	.00000	.00000

ORIGINAL PAGE IS
OF POOR QUALITY

ARC 11-023 1A80 OTS (SRB OFF) (SSME OFF)

(DE4064) (28 OCT 75)

REFERENCE DATA

PARAMETRIC DATA

SREF = 2690.0000 SQ.FT. XMRP = .0000 IN.
 LREF = 1290.3000 IN. YMRP = .0000 IN.
 BREF = 1290.3000 IN. ZMRP = .0000 IN.
 SCALE = .0200

ELV-18 = 8.000 ELV-08 = -4.000
 RN/L = 3.400 MACH = .600

RUN NO. 314/ 0 RN/L = 3.40 GRADIENT INTERVAL = -5.00/ 5.00

ALPHA	BETA	CP76	CP78	CP80	CP82	CP75	CP77	CP79	CP81
-3.973	-.047	-.16360	-.17370	-.18940	.00000	-.16610	-.16220	-.18510	-.18440
	GRADIENT	.00000	.00000	.00000	.00000	.00000	.00000	.00000	.00000

RUN NO. 315/ 0 RN/L = 3.42 GRADIENT INTERVAL = -5.00/ 5.00

ALPHA	BETA	CP76	CP78	CP80	CP82	CP75	CP77	CP79	CP81
-.277	-4.066	-.22510	-.23220	-.24240	.00000	-.12120	-.11660	-.14000	-.14000
-.291	-.047	-.17620	-.18390	-.19130	.00000	-.17330	-.17690	-.19390	-.19620
-.307	3.972	-.11560	-.11600	-.14190	.00000	-.21940	-.21580	-.22720	-.23220
	GRADIENT	.01362	.01446	.01250	.00000	-.01222	-.01234	-.01085	-.01147

RUN NO. 316/ 0 RN/L = 3.42 GRADIENT INTERVAL = -5.00/ 5.00

ALPHA	BETA	CP76	CP78	CP80	CP82	CP75	CP77	CP79	CP81
3.957	-.044	-.16470	-.17000	-.18090	.00000	-.17070	-.16820	-.17600	-.18190
	GRADIENT	.00000	.00000	.00000	.00000	.00000	.00000	.00000	.00000

ARC 11-023 1A80 OTS (SRB OFF) (SSME OFF)

(DE4065) (28 OCT 75)

REFERENCE DATA

PARAMETRIC DATA

SREF = 2690.0000 SQ.FT. XMRP = .0000 IN.
 LREF = 1290.3000 IN. YMRP = .0000 IN.
 BREF = 1290.3000 IN. ZMRP = .0000 IN.
 SCALE = .0200

ELV-18 = 8.000 ELV-08 = -4.000
 RN/L = 4.250 MACH = .900

RUN NO. 302/ 0 RN/L = 4.21 GRADIENT INTERVAL = -5.00/ 5.00

ALPHA	BETA	CP76	CP78	CP80	CP82	CP75	CP77	CP79	CP81
-3.977	-.044	-.26850	-.29000	-.31940	.00000	-.25790	-.27750	-.31430	-.32690
	GRADIENT	.00000	.00000	.00000	.00000	.00000	.00000	.00000	.00000

RUN NO. 303/ 0 RN/L = 4.18 GRADIENT INTERVAL = -5.00/ 5.00

ALPHA	BETA	CP76	CP78	CP80	CP82	CP75	CP77	CP79	CP81
-.304	-4.063	-.38170	-.40180	-.41830	.00000	-.19190	-.19910	-.20820	-.21900
-.314	-.044	-.27880	-.30090	-.32530	.00000	-.27770	-.29680	-.31790	-.34160
-.317	3.972	-.16160	-.17900	-.22920	.00000	-.24720	-.37170	-.40830	-.42480
	GRADIENT	.02739	.02773	.02354	.00000	-.01933	-.02148	-.02491	-.02562

ARC 11-023 IABO OTS (SRB OFF) (SSME OFF)

(DE4067) (28 OCT 75)

REFERENCE DATA

SREF = 2690.0000 SQ.FT. XMRP = .0000 IN.
 LREF = 1290.3000 IN. YMRP = .0000 IN.
 BREF = 1290.3000 IN. ZMRP = .0000 IN.
 SCALE = .0200

PARAMETRIC DATA

ELV-18 = 8.000 ELV-08 = -4.000
 RN/L = 4.250 MACH = 1.250

RUN NO. 128/ 0 RN/L = 4.43 GRADIENT INTERVAL = -5.00/ 5.00

ALPHA	BETA	CP76	CP78	CP80	CP82	CP75	CP77	CP79	CP81
-.327	-4.072	.00000	-.00220	-.05220	.00000	-.06460	-.07020	-.08950	-.08760
-.317	-.059	.04280	.03870	-.00560	.00000	-.03380	-.04730	-.06990	-.07770
-.340	3.950	.05640	.05270	.02220	.00000	.01010	-.01030	-.03460	-.05040
	GRADIENT	.00703	.00684	.00927	.00000	.00931	.00747	.00684	.00464

RUN NO. 127/ 0 RN/L = 4.43 GRADIENT INTERVAL = -5.00/ 5.00

ALPHA	BETA	CP76	CP78	CP80	CP82	CP75	CP77	CP79	CP81
.000	-.063	.04040	.03580	-.00370	.00000	-.04230	-.05660	-.07670	-.08320
	GRADIENT	.00000	.00000	.00000	.00000	.00000	.00000	.00000	.00000

RUN NO. 129/ 0 RN/L = 4.42 GRADIENT INTERVAL = -5.00/ 5.00

ALPHA	BETA	CP76	CP78	CP80	CP82	CP75	CP77	CP79	CP81
3.960	-.066	-.00290	-.01540	-.04630	.00000	-.10060	-.12800	-.12650	-.13610
	GRADIENT	.00000	.00000	.00000	.00000	.00000	.00000	.00000	.00000

ARC 11-023 IABO OTS (SRB OFF) (SSME OFF)

(DE4068) (28 OCT 75)

REFERENCE DATA

SREF = 2690.0000 SQ.FT. XMRP = .0000 IN.
 LREF = 1290.3000 IN. YMRP = .0000 IN.
 BREF = 1290.3000 IN. ZMRP = .0000 IN.
 SCALE = .0200

PARAMETRIC DATA

ELV-18 = 8.000 ELV-08 = -4.000
 RN/L = 4.250 MACH = 1.400

RUN NO. 121/ 0 RN/L = 4.39 GRADIENT INTERVAL = -5.00/ 5.00

ALPHA	BETA	CP76	CP78	CP80	CP82	CP75	CP77	CP79	CP81
-3.944	-.059	.06090	.05670	.01890	.00000	.03190	.00970	.00360	-.00990
	GRADIENT	.00000	.00000	.00000	.00000	.00000	.00000	.00000	.00000

RUN NO. 122/ 0 RN/L = 4.37 GRADIENT INTERVAL = -5.00/ 5.00

ALPHA	BETA	CP76	CP78	CP80	CP82	CP75	CP77	CP79	CP81
-.320	-4.072	.03130	.02130	-.02400	.00000	-.06080	-.06530	-.06970	-.06440
-.320	-.059	.03680	.02990	-.00310	.00000	-.02530	-.03380	-.04710	-.05320
-.347	3.953	.03060	.03610	.07830	.00000	.00160	-.02080	-.02880	-.04450
	GRADIENT	-.00009	.00184	.00402	.00000	.00778	.00555	.00510	.00248

ARC 11-023 IAB0 OTS (SRB NOM) (SSME NOM)

(DE4070) (28 OCT 75)

REFERENCE DATA

SREF = 2690.0000 SQ.FT. XMRP = .0000 IN.
 LREF = 1290.3000 IN. YMRP = .0000 IN.
 BREF = 1290.3000 IN. ZMRP = .0000 IN.
 SCALE = .0200

PARAMETRIC DATA

ELV-18 = 8.000 ELV-08 = -4.000
 RN/L = 4.250 MACH = .900

RUN NO. 305/ 0 RN/L = 4.17 GRADIENT INTERVAL = -5.00/ 5.00

ALPHA	BETA	CP76	CP78	CP80	CP82	CP75	CP77	CP79	CP81
-3.897	-.041	-.28410	-.30470	-.34220	.00000	-.27890	-.29450	-.34300	-.35520
	GRADIENT	.00000	.00000	.00000	.00000	.00000	.00000	.00000	.00000

RUN NO. 306/ 0 RN/L = 4.17 GRADIENT INTERVAL = -5.00/ 5.00

ALPHA	BETA	CP76	CP78	CP80	CP82	CP75	CP77	CP79	CP81
-3.383	-4.063	-.39160	-.40410	-.43470	.00000	-.22530	-.24250	-.24790	-.26350
-.357	-.047	-.28830	-.30730	-.33880	.00000	-.29510	-.31220	-.34670	-.36500
-.370	3.972	-.19940	-.21340	-.26220	.00000	-.36790	-.38700	-.43310	-.44520
	GRADIENT	.02392	.02374	.02147	.00000	-.01775	-.01799	-.02305	-.02261

RUN NO. 307/ 0 RN/L = 4.18 GRADIENT INTERVAL = -5.00/ 5.00

ALPHA	BETA	CP76	CP78	CP80	CP82	CP75	CP77	CP79	CP81
4.020	-.041	-.33280	-.34720	-.37410	.00000	-.34030	-.36840	-.38410	-.41090
	GRADIENT	.00000	.00000	.00000	.00000	.00000	.00000	.00000	.00000

ARC 11-023 IAB0 OTS (SRB NOM) (SSME NOM)

(DE4071) (28 OCT 75)

REFERENCE DATA

SREF = 2690.0000 SQ.FT. XMRP = .0000 IN.
 LREF = 1290.3000 IN. YMRP = .0000 IN.
 BREF = 1290.3000 IN. ZMRP = .0000 IN.
 SCALE = .0200

PARAMETRIC DATA

ELV-18 = 8.000 ELV-08 = -4.000
 RN/L = 4.250 MACH = 1.100

RUN NO. 136/ 0 RN/L = 4.37 GRADIENT INTERVAL = -5.00/ 5.00

ALPHA	BETA	CP76	CP78	CP80	CP82	CP75	CP77	CP79	CP81
-3.953	-.066	.03170	.02490	-.03320	.00000	.03150	.01430	-.03770	-.04520
	GRADIENT	.00000	.00000	.00000	.00000	.00000	.00000	.00000	.00000

RUN NO. 137/ 0 RN/L = 4.37 GRADIENT INTERVAL = -5.00/ 5.00

ALPHA	BETA	CP76	CP78	CP80	CP82	CP75	CP77	CP79	CP81
-.545	-4.072	-.07090	-.07830	-.15270	.00000	-.06390	-.07660	-.11780	-.11970
-.667	-.059	.03340	.02140	-.04240	.00000	-.01430	-.03430	-.08390	-.09460
-.519	3.953	.07660	.05800	.00190	.00000	-.01960	-.03440	-.09160	-.10280
	GRADIENT	.01838	.01698	.01326	.00000	.00552	.00526	.00326	.00211

DATE 12 JUN 76

TABULATED SOURCE DATA - IABO

PAGE 431

ARC 11-023 IABO OTS (SRB NOM) (SSME NOM)

(DE4071) (28 OCT 75)

REFERENCE DATA

SREF = 2690.0000 SQ.FT. XMRP = .0000 IN.
 LREF = 1290.3000 IN. YMRP = .0000 IN.
 BREF = 1290.3000 IN. ZMRP = .0000 IN.
 SCALE = .0200

PARAMETRIC DATA

ELV-18 = 8.000 ELV-08 = -4.000
 RN/L = 4.250 MACH = 1.100

RUN NO. 138/ 0 RN/L = 4.37 GRADIENT INTERVAL = -5.00/ 5.00

ALPHA	BETA	CP76	CP78	CP80	CP82	CP75	CP77	CP79	CP81
3.990	-.066	-.02010	-.03490	-.09520	.00000	-.08370	-.10930	-.15090	-.16410
	GRADIENT	.00000	.00000	.00000	.00000	.00000	.00000	.00000	.00000

ARC 11-023 IABO OTS (SRB NOM) (SSME NOM)

(DE4072) (28 OCT 75)

REFERENCE DATA

SREF = 2690.0000 SQ.FT. XMRP = .0000 IN.
 LREF = 1290.3000 IN. YMRP = .0000 IN.
 BREF = 1290.3000 IN. ZMRP = .0000 IN.
 SCALE = .0200

PARAMETRIC DATA

ELV-18 = 8.000 ELV-08 = -4.000
 RN/L = 4.250 MACH = 1.250

RUN NO. 130/ 0 RN/L = 4.40 GRADIENT INTERVAL = -5.00/ 5.00

ALPHA	BETA	CP76	CP78	CP80	CP82	CP75	CP77	CP79	CP81
-4.003	-.066	.05760	.04510	.00340	.00000	.02570	.00270	-.01560	-.02580
	GRADIENT	.00000	.00000	.00300	.00000	.00000	.00000	.00000	.00000

RUN NO. 131/ 0 RN/L = 4.40 GRADIENT INTERVAL = -5.00/ 5.00

ALPHA	BETA	CP76	CP78	CP80	CP82	CP75	CP77	CP79	CP81
-.502	-4.072	.00240	-.00160	-.05140	.00000	-.06440	-.06900	-.08650	-.08330
-.528	-.059	.04470	.03100	-.00330	.00000	-.03300	-.04900	-.06910	-.07490
-.532	3.955	.04960	.03930	.01690	.00000	.00660	-.01650	-.03780	-.05030
	GRADIENT	.00588	.00510	.00951	.00000	.00885	.00654	.00607	.00411

RUN NO. 132/ 0 RN/L = 4.41 GRADIENT INTERVAL = -5.00/ 5.00

ALPHA	BETA	CP76	CP78	CP80	CP82	CP75	CP77	CP79	CP81
3.953	-.063	-.00190	-.01550	-.04530	.00000	-.10470	-.13160	-.12980	-.13610
	GRADIENT	.00000	.00000	.00000	.00000	.00000	.00000	.00000	.00000

ORIGINAL PAGE IS
OF POOR QUALITY

ARC 11-023 IAB0 OTS (SRB NOM) (SSME NOM)

(DE4073) (28 OCT 75)

REFERENCE DATA

SREF = 2690.0000 SQ.FT. XMRP = .0000 IN.
 LREF = 1290.3000 IN. YMRP = .0000 IN.
 BREF = 1290.3000 IN. ZMRP = .0000 IN.
 SCALE = .0200

PARAMETRIC DATA

ELV-18 = 8.000 ELV-08 = -4.000
 RN/L = 4.250 MACH = 1.400

RUN NO. 125/ 0 RN/L = 4.32 GRADIENT INTERVAL = -5.00/ 5.00

ALPHA	BETA	CP76	CP78	CP80	CP82	CP75	CP77	CP79	CP81
-.522	-4.072	.01710	.01330	-.03170	.00000	-.05830	-.06070	-.06490	-.06350
-.502	-.059	.03100	.02410	-.00600	.00000	-.02700	-.03900	-.04920	-.05350
-.535	3.953	.02280	.02840	-.00220	.00000	-.00120	-.02130	-.03220	-.04410
	GRADIENT	.00071	.00188	.00368	.00000	.00712	.00491	.00407	.00242

RUN NO. 126/ 0 RN/L = 4.31 GRADIENT INTERVAL = -5.00/ 5.00

ALPHA	BETA	CP76	CP78	CP80	CP82	CP75	CP77	CP79	CP81
.000	-.063	.02920	.02130	-.00690	.00000	-.03170	-.04390	-.05240	-.05510
	GRADIENT	.00000	.00000	.00000	.00000	.00000	.00000	.00000	.00000

RUN NO. 124/ 0 RN/L = 4.33 GRADIENT INTERVAL = -5.00/ 5.00

ALPHA	BETA	CP76	CP78	CP80	CP82	CP75	CP77	CP79	CP81
.020	-.063	.02510	.01970	-.01030	.00000	-.03650	-.04730	-.05620	-.06030
	GRADIENT	.00000	.00000	.00000	.00000	.00000	.00000	.00000	.00000

ARC 11-023 IAB0 OTS (SRB OFF) (SSME OFF)

(DE4074) (28 OCT 75)

REFERENCE DATA

SREF = 2690.0000 SQ.FT. XMRP = .0000 IN.
 LREF = 1290.3000 IN. YMRP = .0000 IN.
 BREF = 1290.3000 IN. ZMRP = .0000 IN.
 SCALE = .0200

PARAMETRIC DATA

ELV-18 = 8.000 ELV-08 = .000
 RN/L = 3.400 MACH = .600

RUN NO. 276/ 0 RN/L = 3.50 GRADIENT INTERVAL = -5.00/ 5.00

ALPHA	BETA	CP76	CP78	CP80	CP82	CP75	CP77	CP79	CP81
-3.950	-.009	-.17280	-.18370	-.20050	.00000	-.17220	-.18400	-.19480	-.19780
	GRADIENT	.00000	.00000	.00000	.00000	.00000	.00000	.00000	.00000

RUN NO. 277/ 0 RN/L = 3.51 GRADIENT INTERVAL = -5.00/ 5.00

ALPHA	BETA	CP76	CP78	CP80	CP82	CP75	CP77	CP79	CP81
-.301	-4.044	-.23100	-.24110	-.24860	.00000	-.12950	-.13150	-.14470	-.14810
-.287	-.006	-.17840	-.18340	-.19150	.00000	-.17870	-.18440	-.19180	-.19450
-.317	3.988	-.12620	-.13100	-.14990	.00000	-.22490	-.22830	-.23780	-.23950
	GRADIENT	.01305	.01371	.01231	.00000	-.01188	-.01205	-.01159	-.01138

ARC 11-023 IABO OTS (SRB OFF) (SSME OFF)

(DE4076) (23 OCT 75)

REFERENCE DATA

SREF = 2690.0000 SQ.FT. XMRP = .0000 IN.
 LREF = 1290.3000 IN. YMRP = .0000 IN.
 BREF = 1290.3000 IN. ZMRP = .0000 IN.
 SCALE = .0200

PARAMETRIC DATA

ELV-18 = 8.000 ELV-08 = .000
 RN/L = 4.250 MACH = 1.100

RUN NO. 153/ 0 RN/L = 4.42 GRADIENT INTERVAL = -5.00/ 5.00

ALPHA	BETA	CP76	CP78	CP80	CP82	CP75	CP77	CP79	CP81
-3.934	.009	.02740	.02650	-.03570	.00000	.02750	.01720	-.03200	-.03960
	GRADIENT	.00000	.00000	.00000	.00000	.00000	.00000	.00000	.00000

RUN NO. 154/ 0 RN/L = 4.42 GRADIENT INTERVAL = -5.00/ 5.00

ALPHA	BETA	CP76	CP78	CP80	CP82	CP75	CP77	CP79	CP81
-.238	-3.994	-.05390	-.06170	-.11700	.00000	-.04940	-.05510	-.08970	-.08920
-.307	.009	.03840	.03810	-.02260	.00000	-.01100	-.01860	-.05990	-.06620
-.271	4.034	.06990	.06780	.00860	.00000	-.01470	-.02330	-.07160	-.07840
	GRADIENT	.01541	.01612	.01564	.00000	.00432	.00396	.00225	.00134

RUN NO. 155/ 0 RN/L = 4.41 GRADIENT INTERVAL = -5.00/ 5.00

ALPHA	BETA	CP76	CP78	CP80	CP82	CP75	CP77	CP79	CP81
4.026	.012	-.01340	-.02230	-.07680	.00000	-.06970	-.08470	-.11630	-.12540
	GRADIENT	.00000	.00000	.00000	.00000	.00000	.00000	.00000	.00000

ARC 11-023 IABO OTS (SRB OFF) (SSME OFF)

(DE4077) (28 OCT 75)

REFERENCE DATA

SREF = 2690.0000 SQ.FT. XMRP = .0000 IN.
 LREF = 1290.3000 IN. YMRP = .0000 IN.
 BREF = 1290.3000 IN. ZMRP = .0000 IN.
 SCALE = .0200

PARAMETRIC DATA

ELV-18 = 8.000 ELV-08 = .000
 RN/L = 4.250 MACH = 1.250

RUN NO. 147/ 0 RN/L = 4.48 GRADIENT INTERVAL = -5.00/ 5.00

ALPHA	BETA	CP76	CP78	CP80	CP82	CP75	CP77	CP79	CP81
-3.881	.012	.05650	.05390	.01010	.00000	.02710	.01010	-.01200	-.02140
	GRADIENT	.00000	.00000	.00000	.00000	.00000	.00000	.00000	.00000

RUN NO. 148/ 0 RN/L = 4.47 GRADIENT INTERVAL = -5.00/ 5.00

ALPHA	BETA	CP76	CP78	CP80	CP82	CP75	CP77	CP79	CP81
-.238	-3.994	.00420	-.00160	-.04790	.00000	-.06640	-.06420	-.08340	-.07910
-.258	.009	.04460	.03950	-.00200	.00000	-.04030	-.04820	-.06710	-.07620
-.281	4.031	.06180	.05510	.02540	.00000	.00710	-.01140	-.03360	-.04620
	GRADIENT	.00718	.00706	.00913	.00000	.00829	.00658	.00621	.00410

ARC 11-023 IABO OTS (SRB NOM) (SSME NOM)

(DE4079) (28 OCT 75)

REFERENCE DATA

SREF = 2690.0000 SQ.FT. XMRP = .0000 IN.
 LREF = 1290.3000 IN. YMRP = .0000 IN.
 BREF = 1290.3000 IN. ZMRP = .0000 IN.
 SCALE = .0200

PARAMETRIC DATA

ELV-18 = 8.000 ELV-08 = .000
 RN/L = 3.400 MACH = .600

RUN NO. 279/ 0 RN/L = 3.42 GRADIENT INTERVAL = -5.00/ 5.00

ALPHA	BETA	CP76	CP78	CP80	CP82	CP75	CP77	CP79	CP81
-4.105	-.006	-.22280	-.23690	-.25190	.00000	-.21820	-.22880	-.24420	-.25290
	GRADIENT	.00000	.00000	.00000	.00000	.00000	.00000	.00000	.00000

RUN NO. 280/ 0 RN/L = 3.45 GRADIENT INTERVAL = -5.00/ 5.00

ALPHA	BETA	CP76	CP78	CP80	CP82	CP75	CP77	CP79	CP81
-3.383	-4.047	-.28520	-.29260	-.30960	.00000	-.17180	-.17010	-.19680	-.19650
-.380	-.009	-.22940	-.23740	-.25220	.00000	-.23120	-.23120	-.24700	-.25180
-.499	3.981	-.15780	-.16950	-.19250	.00000	-.27400	-.27790	-.28370	-.29360
	GRADIENT	.01587	.01533	.01459	.00000	-.01273	-.01343	-.01083	-.01210

RUN NO. 281/ 0 RN/L = 3.44 GRADIENT INTERVAL = -5.00/ 5.00

ALPHA	BETA	CP76	CP78	CP80	CP82	CP75	CP77	CP79	CP81
3.960	-.012	-.22390	-.23120	-.24740	.00000	-.22500	-.23120	-.23950	-.24190
	GRADIENT	.00000	.00000	.00000	.00000	.06000	.00000	.00000	.00000

ARC 11-023 IABO OTS (SRB NOM) (SSME NOM)

(DE4080) (28 OCT 75)

REFERENCE DATA

SREF = 2690.0000 SQ.FT. XMRP = .0000 IN.
 LREF = 1290.3000 IN. YMRP = .0000 IN.
 BREF = 1290.3000 IN. ZMRP = .0000 IN.
 SCALE = .0200

PARAMETRIC DATA

ELV-18 = 8.000 ELV-08 = .000
 RN/L = 4.250 MACH = .900

RUN NO. 285/ 0 RN/L = 4.18 GRADIENT INTERVAL = -5.00/ 5.00

ALPHA	BETA	CP76	CP78	CP80	CP82	CP75	CP77	CP79	CP81
-3.897	-.009	-.27640	-.29950	-.33620	.00000	-.26890	-.28360	-.34190	-.35060
	GRADIENT	.00000	.00000	.00000	.00000	.00000	.00000	.00000	.00000

RUN NO. 286/ 0 RN/L = 4.19 GRADIENT INTERVAL = -5.00/ 5.00

ALPHA	BETA	CP76	CP78	CP80	CP82	CP75	CP77	CP79	CP81
-.353	-4.050	-.38140	-.39470	-.42670	.00000	-.24220	-.24940	-.27010	-.28600
-.363	-.003	-.28210	-.30150	-.33660	.00000	-.29180	-.30410	-.34650	-.36630
-.519	3.981	-.20010	-.21430	-.25590	.00000	-.34090	-.35300	-.40580	-.41730
	GRADIENT	.02258	.02246	.02127	.00000	-.01229	-.01290	-.01690	-.01636

ARC 11-023 1A80 OTS (SRB NOM) (SSME NOM)

(DE4082) (28 OCT 75)

REFERENCE DATA

SREF = 2690.0000 SQ.FT. XMRP = .0000 IN.
 LREF = 1290.3000 IN. YMRP = .0000 IN.
 BREF = 1290.3000 IN. ZMRP = .0000 IN.
 SCALE = .0200

PARAMETRIC DATA

ELV-1B = 8.000 ELV-08 = .000
 RN/L = 4.250 MACH = 1.250

RUN NO. 150/ 0 RN/L = 4.42 GRADIENT INTERVAL = -5.00/ 5.00

ALPHA	BETA	CP76	CP78	CP80	CP82	CP75	CP77	CP79	CP81
-3.967	.016	.05420	.04070	.00460	.00000	.01750	.00070	-.02080	-.02860
	GRADIENT	.00000	.00000	.00000	.00000	.00000	.00000	.00000	.00000

RUN NO. 151/ 0 RN/L = 4.42 GRADIENT INTERVAL = -5.00/ 5.00

ALPHA	BETA	CP76	CP78	CP80	CP82	CP75	CP77	CP79	CP81
-.396	-3.994	.00160	-.00320	-.05310	.00000	-.06560	-.06740	-.08580	-.08390
-.396	.009	.04720	.03010	-.00180	.00000	-.04240	-.05110	-.06980	-.07570
-.380	4.031	.05300	.04220	.01800	.00000	.00180	-.01200	-.03250	-.04540
	GRADIENT	.00640	.00566	.00886	.00000	.00840	.00691	.00664	.00480

RUN NO. 152/ 0 RN/L = 4.41 GRADIENT INTERVAL = -5.00/ 5.00

ALPHA	BETA	CP76	CP78	CP80	CP82	CP75	CP77	CP79	CP81
3.877	.009	.00010	-.01320	-.04300	.00000	-.11030	-.12730	-.12930	-.13280
	GRADIENT	.00000	.00000	.00000	.00000	.00000	.00000	.00000	.00000

ARC 11-023 1A80 OTS (SRB NOM) (SSME NOM)

(DE4083) (28 OCT 75)

REFERENCE DATA

SREF = 2690.0000 SQ.FT. XMRP = .0000 IN.
 LREF = 1290.3000 IN. YMRP = .0000 IN.
 BREF = 1290.3000 IN. ZMRP = .0000 IN.
 SCALE = .0200

PARAMETRIC DATA

ELV-1B = 8.000 ELV-08 = .000
 RN/L = 4.250 MACH = 1.400

RUN NO. 144/ 0 RN/L = 4.32 GRADIENT INTERVAL = -5.00/ 5.00

ALPHA	BETA	CP76	CP78	CP80	CP82	CP75	CP77	CP79	CP81
-3.983	-.066	.06490	.05600	.02430	.00000	.02250	.00330	.00340	-.00880
	GRADIENT	.00000	.00000	.00000	.00000	.00000	.00000	.00000	.00000

RUN NO. 145/ 0 RN/L = 4.31 GRADIENT INTERVAL = -5.00/ 5.00

ALPHA	BETA	CP76	CP78	CP80	CP82	CP75	CP77	CP79	CP81
-.380	-4.059	.01590	.01140	-.03340	.00000	-.06340	-.06530	-.06510	-.06360
-.380	-.059	.03160	.02430	-.00570	.00000	-.03600	-.04950	-.04840	-.05390
-.409	3.953	.02390	.03140	.00100	.00000	-.00730	-.02460	-.02830	-.04250
	GRADIENT	.00100	.00250	.00429	.00000	.00700	.00508	.00459	.00263

DATE 12 JUN 76

TABULATED SOURCE DATA - 1A80

PAGE 439

ARC 11-023 1A80 OTS (SRB NOM) (SSME NOM)

(DE4083) (22 OCT 75)

REFERENCE DATA

SREF = 2690.0000 SQ.FT. XMRP = .0000 IN.
 LREF = 1290.3000 IN. YMRP = .0000 IN.
 BREF = 1290.3000 IN. ZMRP = .0000 IN.
 SCALE = .0200

PARAMETRIC DATA

ELV-18 = 8.000 ELV-08 = .000
 RN/L = 4.250 MACH = 1.400

RUN NO. 146/ 0 RN/L = 4.27 GRADIENT INTERVAL = -5.00/ 5.00

ALPHA	BETA	CP76	CP78	CP80	CP82	CP75	CP77	CP79	CP81
3.828	.000	-.01930	-.01910	-.04890	.00000	-.09100	-.11840	-.10220	-.11210
	GRADIENT	.00000	.00000	.00000	.00000	.00000	.00000	.00000	.00000

ARC 11-023 1A80 OTS (SRB OFF) (SSME OFF)

(DE4084) (28 OCT 75)

REFERENCE DATA

SREF = 2690.0000 SQ.FT. XMRP = .0000 IN.
 LREF = 1290.3000 IN. YMRP = .0000 IN.
 BREF = 1290.3000 IN. ZMRP = .0000 IN.
 SCALE = .0200

PARAMETRIC DATA

ELV-18 = 8.000 ELV-08 = 2.000
 RN/L = 3.400 MACH = .600

RUN NO. 326/ 0 RN/L = 3.42 GRADIENT INTERVAL = -5.00/ 5.00

ALPHA	BETA	CP76	CP78	CP80	CP82	CP75	CP77	CP79	CP81
-3.953	-.044	-.19900	-.21990	-.23060	.00000	-.20000	-.20370	-.23100	-.23060
	GRADIENT	.00000	.00000	.00000	.00000	.00000	.00000	.00000	.00000

RUN NO. 327/ 0 RN/L = 3.43 GRADIENT INTERVAL = -5.00/ 5.00

ALPHA	BETA	CP76	CP78	CP80	CP82	CP75	CP77	CP79	CP81
-.284	-4.063	-.23680	-.24570	-.25190	.00000	-.13310	-.13310	-.15090	-.15230
-.291	-.047	-.17030	-.18430	-.19180	.00000	-.17990	-.17580	-.18900	-.18670
-.320	3.969	-.13160	-.14060	-.16460	.00000	-.23570	-.23810	-.24950	-.25600
	GRADIENT	.01310	.01309	.01087	.00000	-.01278	-.01307	-.01228	-.01291

RUN NO. 328/ 0 RN/L = 3.43 GRADIENT INTERVAL = -5.00/ 5.00

ALPHA	BETA	CP76	CP78	CP80	CP82	CP75	CP77	CP79	CP81
3.973	-.044	-.17510	-.18290	-.19190	.00000	-.17960	-.17820	-.18990	-.19160
	GRADIENT	.00000	.00000	.00000	.00000	.00000	.00000	.00000	.00000

ORIGINAL PAGE IS
OF POOR QUALITY

ARC 11-023 IABO OTS (SRB OFF) (SSME OFF)

(DE4085) (28 OCT 75)

REFERENCE DATA

SREF = 2690.0000 SQ.FT. XMRP = .0000 IN.
 LREF = 1290.3000 IN. YMRP = .0000 IN.
 BREF = 1290.3000 IN. ZMRP = .0000 IN.
 SCALE = .0200

PARAMETRIC DATA

ELV-1B = 8.000 ELV-0B = 2.000
 RN/L = 4.250 MACH = .900

RUN NO. 320/ 0 RN/L = 4.27 GRADIENT INTERVAL = -5.00/ 5.00

ALPHA	BETA	CP76	CP78	CP80	CP82	CP75	CP77	CP79	CP81
-3.937	-.050	-.26130	-.28470	-.31720	.00000	-.25250	-.25960	-.31640	-.32540
	GRADIENT	.00000	.00000	.00000	.00000	.00000	.00000	.00000	.00000

RUN NO. 321/ 0 RN/L = 4.24 GRADIENT INTERVAL = -5.00/ 5.00

ALPHA	BETA	CP76	CP78	CP80	CP82	CP75	CP77	CP79	CP81
-.301	-4.066	-.37170	-.39600	-.41060	.00000	-.21200	-.21460	-.22890	-.24680
-.304	-.047	-.27230	-.29700	-.32650	.00000	-.27490	-.28850	-.33350	-.34910
-.320	3.969	-.18570	-.19120	-.24820	.00000	-.34320	-.35250	-.40230	-.41320
	GRADIENT	.02315	.02549	.02021	.00000	-.01633	-.01716	-.02158	-.02071

RUN NO. 322/ 0 RN/L = 4.23 GRADIENT INTERVAL = -5.00/ 5.00

ALPHA	BETA	CP76	CP78	CP80	CP82	CP75	CP77	CP79	CP81
3.977	-.044	-.30930	-.32940	-.34010	.00000	-.30850	-.32620	-.33990	-.36850
	GRADIENT	.00000	.00000	.00000	.00000	.00000	.00000	.00000	.00000

ARC 11-023 IABO OTS (SRB OFF) (SSME OFF)

(DE4086) (28 OCT 75)

REFERENCE DATA

SREF = 2690.0000 SQ.FT. XMRP = .0000 IN.
 LREF = 1290.3000 IN. YMRP = .0000 IN.
 BREF = 1290.3000 IN. ZMRP = .0000 IN.
 SCALE = .0200

PARAMETRIC DATA

ELV-1B = 8.000 ELV-0B = 2.000
 RN/L = 4.250 MACH = 1.100

RUN NO. 159/ 0 RN/L = 4.47 GRADIENT INTERVAL = -5.00/ 5.00

ALPHA	BETA	CP76	CP78	CP80	CP82	CP75	CP77	CP79	CP81
-4.013	.016	.03120	.03090	-.03220	.00000	.03440	.02100	-.02780	-.03470
	GRADIENT	.00000	.00000	.00000	.00000	.00000	.00000	.00000	.00000

RUN NO. 160/ 0 RN/L = 4.46 GRADIENT INTERVAL = -5.00/ 5.00

ALPHA	BETA	CP76	CP78	CP80	CP82	CP75	CP77	CP79	CP81
-.304	-3.991	-.05470	-.06170	-.11650	.00000	-.05300	-.05850	-.09100	-.09240
-.267	.009	.02820	.02630	-.03140	.00000	-.01370	-.02560	-.06630	-.07310
-.327	4.034	.06630	.06500	.00740	.00000	-.01340	-.02190	-.06960	-.07830
	GRADIENT	.01507	.01578	.01543	.00000	.00493	.00456	.00266	.00175

ARC 11-023 IAB0 OTS (SRB NOM) (SSME NOM)

(DE4088) (28 OCT 75)

REFERENCE DATA

SREF = 2690.0000 SQ.FT. XMRP = .0000 IN.
 LREF = 1290.3000 IN. YMRP = .0000 IN.
 BREF = 1290.3000 IN. ZMRP = .0000 IN.
 SCALE = .0200

PARAMETRIC DATA

ELV-18 = 8.000 ELV-08 = 2.000
 RN/L = 4.250 MACH = .900

RUN NO. 323/ 0 RN/L = 4.19 GRADIENT INTERVAL = -5.00/ 5.00

ALPHA	BETA	CP76	CP78	CP80	CP82	CP75	CP77	CP79	CP81
-3.963	-.044	-.28120	-.30460	-.33970	.00000	-.27310	-.28260	-.33990	-.34720
	GRADIENT	.00000	.00000	.00000	.00000	.00000	.00000	.00000	.00000

RUN NO. 324/ 0 RN/L = 4.19 GRADIENT INTERVAL = -5.00/ 5.00

ALPHA	BETA	CP76	CP78	CP80	CP82	CP75	CP77	CP79	CP81
-.383	-4.066	-.38590	-.40540	-.43120	.00000	-.23820	-.24930	-.27040	-.28690
-.376	-.047	-.27830	-.30470	-.33210	.00000	-.28920	-.29700	-.34590	-.35280
-.409	3.969	-.19500	-.21350	-.25140	.00000	-.34560	-.35170	-.40780	-.41370
	GRADIENT	.02375	.02389	.02238	.00000	-.01337	-.01275	-.01710	-.01578

RUN NO. 325/ 0 RN/L = 4.19 GRADIENT INTERVAL = -5.00/ 5.00

ALPHA	BETA	CP76	CP78	CP80	CP82	CP75	CP77	CP79	CP81
3.940	-.044	-.32720	-.35050	-.37190	.00000	-.34010	-.35180	-.39190	-.41200
	GRADIENT	.00000	.00000	.00000	.00000	.00000	.00000	.00000	.00000

ARC 11-023 IAB0 OTS (SRB NOM) (SSME NOM)

(DE4089) (28 OCT 75)

REFERENCE DATA

SREF = 2690.0000 SQ.FT. XMRP = .0000 IN.
 LREF = 1290.3000 IN. YMRP = .0000 IN.
 BREF = 1290.3000 IN. ZMRP = .0000 IN.
 SCALE = .0200

PARAMETRIC DATA

ELV-18 = 8.000 ELV-08 = 2.000
 RN/L = 4.250 MACH = 1.100

RUN NO. 162/ 0 RN/L = 4.41 GRADIENT INTERVAL = -5.00/ 5.00

ALPHA	BETA	CP76	CP78	CP80	CP82	CP75	CP77	CP79	CP81
-3.970	.016	.02900	.01860	-.03540	.00000	.02470	.01280	-.03430	-.04080
	GRADIENT	.00000	.00000	.00000	.00000	.00000	.00000	.00000	.00000

RUN NO. 163/ 0 RN/L = 4.43 GRADIENT INTERVAL = -5.00/ 5.00

ALPHA	BETA	CP76	CP78	CP80	CP82	CP75	CP77	CP79	CP81
-.436	-3.994	-.05570	-.06350	-.12060	.00000	-.05340	-.05800	-.09110	-.08950
-.429	.009	.03850	.02620	-.02390	.00000	-.01240	-.02190	-.06180	-.06770
-.466	4.031	.06470	.04820	.00130	.00000	-.01990	-.02970	-.07660	-.08470
	GRADIENT	.01500	.01391	.01518	.00000	.00418	.00352	.00180	.00059

ARC 11-023 IA80 OTS (SRB OFF) (SSME OFF)

(DE4091) (28 OCT 75)

REFERENCE DATA

SREF = 2690.0000 SQ.FT. XMRP = .0000 IN.
 LREF = 1290.3000 IN. YMRP = .0000 IN.
 BREF = 1290.3000 IN. ZMRP = .0000 IN.
 SCALE = .0200

PARAMETRIC DATA

ELV-18 = 4.000 ELV-08 = 4.000
 RN/L = 4.250 MACH = .900

RUN NO. 338/ 0 RN/L = 4.21 GRADIENT INTERVAL = -5.00/ 5.00

ALPHA	BETA	CP76	CP78	CP80	CP82	CP75	CP77	CP79	CP81
-3.980	-.003	-.26380	-.28560	-.32370	.00000	-.25070	-.25990	-.31950	-.32850
	GRADIENT	.00000	.00000	.00000	.00000	.00000	.00000	.00000	.00000

RUN NO. 339/ 0 RN/L = 4.20 GRADIENT INTERVAL = -5.00/ 5.00

ALPHA	BETA	CP76	CP78	CP80	CP82	CP75	CP77	CP79	CP81
-.267	-4.003	-.36290	-.38640	-.40700	.00000	-.21290	-.22200	-.22500	-.24450
-.291	.012	-.28460	-.30910	-.34060	.00000	-.28320	-.29940	-.33690	-.35930
-.284	4.028	-.17670	-.18440	-.23070	.00000	-.33310	-.34320	-.39340	-.40730
	GRADIENT	.02318	.02515	.02195	.00000	-.01497	-.01509	-.02097	-.02027

RUN NO. 340/ 0 RN/L = 4.20 GRADIENT INTERVAL = -5.00/ 5.00

ALPHA	BETA	CP76	CP78	CP80	CP82	CP75	CP77	CP79	CP81
3.970	-.003	-.30310	-.32970	-.34730	.00000	-.30510	-.32070	-.33540	-.36970
	GRADIENT	.00000	.00000	.00000	.00000	.00000	.00000	.00000	.00000

ARC 11-023 IA80 OTS (SRB OFF) (SSME OFF)

(DE4092) (28 OCT 75)

REFERENCE DATA

SREF = 2690.0000 SQ.FT. XMRP = .0000 IN.
 LREF = 1290.3000 IN. YMRP = .0000 IN.
 BREF = 1290.3000 IN. ZMRP = .0000 IN.
 SCALE = .0200

PARAMETRIC DATA

ELV-18 = 4.000 ELV-08 = 4.000
 RN/L = 4.250 MACH = 1.100

RUN NO. 177/ 0 RN/L = 4.34 GRADIENT INTERVAL = -5.00/ 5.00

ALPHA	BETA	CP76	CP78	CP80	CP82	CP75	CP77	CP79	CP81
-3.957	.003	.02440	.02490	-.03670	.00000	.03030	.00900	-.03450	-.04020
	GRADIENT	.00000	.00000	.00000	.00000	.00000	.00000	.00000	.00000

RUN NO. 178/ 0 RN/L = 4.34 GRADIENT INTERVAL = -5.00/ 5.00

ALPHA	BETA	CP76	CP78	CP80	CP82	CP75	CP77	CP79	CP81
-.284	-3.994	-.06280	-.07260	-.12510	.00000	-.04570	-.06350	-.08880	-.09240
-.281	.000	.02970	.02690	-.03000	.00000	-.09660	-.03140	-.06380	-.07100
-.320	4.028	.06020	.05870	.00260	.00000	-.02060	-.04180	-.08270	-.09060
	GRADIENT	.01532	.01636	.01591	.00000	.00312	.00270	.00075	.00022

ARC 11-023 IAB0 OTS (SRB OFF) (SSME OFF)

(DE4094) (28 OCT 75)

REFERENCE DATA

PARAMETRIC DATA

SREF = 2690.0000 SQ.FT. XMRP = .0000 IN.
 LREF = 1290.3000 IN. YMRP = .0000 IN.
 BREF = 1290.3000 IN. ZMRP = .0000 IN.
 SCALE = .0200

ELV-1B = 4.000 ELV-0B = 4.000
 RN/L = 4.250 MACH = 1.400

RUN NO. 165/ 0 RN/L = 4.38 GRADIENT INTERVAL = -5.00/ 5.00

ALPHA	BETA	CP76	CP78	CP80	CP82	CP75	CP77	CP79	CP81
-3.887	.016	.06290	.05840	.02520	.00000	.03210	.01630	.00850	-.00460
	GRADIENT	.00000	.00000	.00000	.00000	.00000	.00000	.00000	.00000

RUN NO. 166/ 0 RN/L = 4.36 GRADIENT INTERVAL = -5.00/ 5.00

ALPHA	BETA	CP76	CP78	CP80	CP82	CP75	CP77	CP79	CP81
-.271	-3.991	.02820	.01920	-.02290	.00000	-.05500	-.05840	-.06090	-.05610
-.251	.009	.04260	.03290	-.00010	.00000	-.02420	-.03450	-.04080	-.04720
-.284	4.031	.03500	.03670	.01020	.00000	-.00070	-.02220	-.02860	-.04290
	GRADIENT	.00085	.00218	.00412	.00000	.00677	.00451	.00403	.00164

RUN NO. 167/ 0 RN/L = 4.33 GRADIENT INTERVAL = -5.00/ 5.00

ALPHA	BETA	CP76	CP78	CP80	CP82	CP75	CP77	CP79	CP81
3.973	.006	-.01540	-.02530	-.05610	.00000	-.09380	-.11290	-.11010	-.11720
	GRADIENT	.00000	.00000	.00000	.00000	.00000	.00000	.00000	.00000

ARC 11-023 IAB0 OTS (SRB NOM) (SSME NOM)

(DE4095) (28 OCT 75)

REFERENCE DATA

PARAMETRIC DATA

SREF = 2690.0000 SQ.FT. XMRP = .0000 IN.
 LREF = 1290.3000 IN. YMRP = .0000 IN.
 BREF = 1290.3000 IN. ZMRP = .0000 IN.
 SCALE = .0200

ELV-1B = 4.000 ELV-0B = 4.000
 RN/L = 3.400 MACH = .600

RUN NO. 335/ 0 RN/L = 3.41 GRADIENT INTERVAL = -5.00/ 5.00

ALPHA	BETA	CP76	CP78	CP80	CP82	CP75	CP77	CP79	CP81
-3.960	.006	-.20920	-.22490	-.23990	.00000	-.21030	-.21560	-.23630	-.24490
	GRADIENT	.00000	.00000	.00000	.00000	.00000	.00000	.00000	.00000

RUN NO. 336/ 0 RN/L = 3.47 GRADIENT INTERVAL = -5.00/ 5.00

ALPHA	BETA	CP76	CP78	CP80	CP82	CP75	CP77	CP79	CP81
-.297	-4.003	-.26150	-.27490	-.28560	.00000	-.15500	-.15440	-.17360	-.17700
-.307	.012	-.19060	-.20430	-.20670	.00000	-.19880	-.19810	-.20940	-.21180
-.376	4.022	-.13530	-.15020	-.17510	.00000	-.25400	-.26100	-.27590	-.29070
	GRADIENT	.01573	.01554	.01377	.00000	-.01234	-.01328	-.01275	-.01417

DATE 12 JUN 76

TABULATED SOURCE DATA - IABO

PAGE 447

ARC 11-023 IABO OTS (SRB NOM) (SSME NOM)

(DE4095) (28 OCT 75)

REFERENCE DATA

PARAMETRIC DATA

SREF = 2690.0000 SQ.FT. XMRP = .0000 IN.
 LREF = 1290.3000 IN. YMRP = .0000 IN.
 BREF = 1290.3000 IN. ZMRP = .0000 IN.
 SCALE = .0200

ELV-18 = 4.000 ELV-08 = 4.000
 RN/L = 3.400 MACH = .600

RUN NO. 337/ 0 RN/L = 3.48 GRADIENT INTERVAL = -5.00/ 5.00

ALPHA	BETA	CP76	CP78	CP80	CP82	CP75	CP77	CP79	CP81
4.020	-.003	-.19130	-.20460	-.20350	.00000	-.19980	-.20560	-.20790	-.20790
	GRADIENT	.00000	.00000	.00000	.00000	.00000	.00000	.00000	.00000

ARC 11-023 IABO OTS (SRB NOM) (SSME NOM)

(DE4096) (28 OCT 75)

REFERENCE DATA

PARAMETRIC DATA

SREF = 2690.0000 SQ.FT. XMRP = .0000 IN.
 LREF = 1290.3000 IN. YMRP = .0000 IN.
 BREF = 1290.3000 IN. ZMRP = .0000 IN.
 SCALE = .0200

ELV-18 = 4.000 ELV-08 = 4.000
 RN/L = 4.250 MACH = .900

RUN NO. 341/ 0 RN/L = 4.21 GRADIENT INTERVAL = -5.00/ 5.00

ALPHA	BETA	CP76	CP78	CP80	CP82	CP75	CP77	CP79	CP81
-3.891	-.003	-.25720	-.29030	-.32580	.00000	-.25750	-.26650	-.32860	-.33590
	GRADIENT	.00000	.00000	.00000	.00000	.00000	.00000	.00000	.00000

RUN NO. 342/ 0 RN/L = 4.20 GRADIENT INTERVAL = -5.00/ 5.00

ALPHA	BETA	CP76	CP78	CP80	CP82	CP75	CP77	CP79	CP81
-.390	-4.003	-.37940	-.39920	-.42430	.00000	-.24450	-.25830	-.28420	-.30200
-.360	.012	-.28160	-.30730	-.33870	.00000	-.29100	-.30110	-.35160	-.36500
-.406	4.031	-.19700	-.21890	-.25060	.00000	-.33820	-.34690	-.40250	-.40810
	GRADIENT	.02270	.02244	.02162	.00000	-.01166	-.01103	-.01472	-.01321

RUN NO. 343/ 0 RN/L = 4.20 GRADIENT INTERVAL = -5.00/ 5.00

ALPHA	BETA	CP76	CP78	CP80	CP82	CP75	CP77	CP79	CP81
3.986	-.003	-.32180	-.34370	-.36610	.00000	-.32810	-.34570	-.37980	-.40450
	GRADIENT	.00000	.00000	.00000	.00000	.00000	.00000	.00000	.00000

ORIGINAL PAGE IS
OF POOR QUALITY

ARC 11-023 IABO OTS (SRB NOM) (SSME NOM)

(DE4097) (28 OCT 75)

REFERENCE DATA

PARAMETRIC DATA

SREF = 2690.0000 SQ.FT. XMRP = .0000 IN.
 LREF = 1290.3000 IN. YMRP = .0000 IN.
 BREF = 1290.3000 IN. ZMRP = .0000 IN.
 SCALE = .0200

ELV-1B = 4.000 ELV-0B = 4.000
 RN/L = 4.250 MACH = 1.100

RUN NO. 180/ 0 RN/L = 4.34 GRADIENT INTERVAL = -5.00/ 5.00

ALPHA	BETA	CP76	CP78	CP80	CP82	CP75	CP77	CP79	CP81
-3.963	.003	.02870	.01890	-.03510	.00000	.02850	.00870	-.03350	-.03970
	GRADIENT	.00000	.00000	.00000	.00000	.00000	.00000	.00000	.00000

RUN NO. 181/ 0 RN/L = 4.34 GRADIENT INTERVAL = -5.00/ 5.00

ALPHA	BETA	CP76	CP78	CP80	CP82	CP75	CP77	CP79	CP81
-.409	-3.997	-.06670	-.07360	-.13130	.00000	-.05510	-.07480	-.09740	-.09750
-.386	-.003	.03530	.01810	-.02810	.00000	-.00980	-.03290	-.06380	-.07050
-.429	4.028	.06110	.04370	-.00110	.00000	-.02830	-.04800	-.08780	-.09410
	GRADIENT	.01591	.01460	.01621	.00000	.00333	.00333	.00119	.00041

RUN NO. 182/ 0 RN/L = 4.34 GRADIENT INTERVAL = -5.00/ 5.00

ALPHA	BETA	CP76	CP78	CP80	CP82	CP75	CP77	CP79	CP81
4.033	-.003	-.02230	-.03620	-.08160	.00000	-.07840	-.10590	-.12640	-.13630
	GRADIENT	.00300	.00000	.00000	.00000	.00000	.00000	.00000	.00000

ARC 11-023 IABO OTS (SRB NOM) (SSME NOM)

(DE4098) (28 OCT 75)

REFERENCE DATA

PARAMETRIC DATA

SREF = 2690.0000 SQ.FT. XMRP = .0000 IN.
 LREF = 1290.3000 IN. YMRP = .0000 IN.
 BREF = 1290.3000 IN. ZMRP = .0000 IN.
 SCALE = .0200

ELV-1B = 4.000 ELV-0B = 4.000
 RN/L = 4.250 MACH = 1.250

RUN NO. 174/ 0 RN/L = 4.34 GRADIENT INTERVAL = -5.00/ 5.00

ALPHA	BETA	CP76	CP78	CP80	CP82	CP75	CP77	CP79	CP81
-3.973	.003	.05790	.04520	.01340	.00000	.02250	-.00370	-.01530	-.02600
	GRADIENT	.00000	.00000	.00000	.00000	.00000	.00000	.00000	.00000

RUN NO. 175/ 0 RN/L = 4.34 GRADIENT INTERVAL = -5.00/ 5.00

ALPHA	BETA	CP76	CP78	CP80	CP82	CP75	CP77	CP79	CP81
-.482	-3.994	-.00350	-.00480	-.05550	.00000	-.05900	-.06590	-.07870	-.07700
-.439	-.003	.04150	.02850	-.00420	.00000	-.03700	-.05560	-.06750	-.07730
-.416	4.028	.04530	.03670	.01540	.00000	.00400	-.01870	-.03180	-.04610
	GRADIENT	.00607	.00517	.00883	.00000	.00786	.00589	.00585	.00386

ARC 11-023 IAB0 OTS (SRB OFF) (SSME OFF)

(DE40A0) (28 OCT 75)

REFERENCE DATA

SREF = 2690.0000 SQ.FT. XMRP = .0000 IN.
 LREF = 1290.3000 IN. YMRP = .0000 IN.
 BREF = 1290.3000 IN. ZMRP = .0000 IN.
 SCALE = .0200

PARAMETRIC DATA

ELV-1B = .000 ELV-08 = 4.000
 RN/L = 3.400 MACH = .600

RUN NO. 344/ 0 RN/L = 3.50 GRADIENT INTERVAL = -5.00/ 5.00

ALPHA	BETA	CP76	CP78	CP80	CP82	CP75	CP77	CP79	CP81
-3.894	.000	-.08980	-.09900	-.09900	.00000	-.11660	-.12070	-.12400	-.13150
	GRADIENT	.00000	.00000	.00000	.00000	.00000	.00000	.00000	.00000

RUN NO. 345/ 0 RN/L = 3.48 GRADIENT INTERVAL = -5.00/ 5.00

ALPHA	BETA	CP76	CP78	CP80	CP82	CP75	CP77	CP79	CP81
-.281	-4.003	-.15330	-.17180	-.15810	.00000	-.07290	-.07460	-.07630	-.08380
-.287	.012	-.09590	-.10990	-.10580	.00000	-.12940	-.13280	-.13080	-.14200
-.301	4.028	-.03680	-.04780	-.04780	.00000	-.17870	-.18310	-.18620	-.19440
	GRADIENT	.01451	.01544	.01373	.00000	-.01317	-.01351	-.01368	-.01377

RUN NO. 346/ 0 RN/L = 3.48 GRADIENT INTERVAL = -5.00/ 5.00

ALPHA	BETA	CP76	CP78	CP80	CP82	CP75	CP77	CP79	CP81
3.986	.012	-.09760	-.11020	-.10130	.00000	-.13310	-.13750	-.12860	-.13890
	GRADIENT	.00000	.00000	.00000	.00000	.00000	.00000	.00000	.00000

ARC 11-023 IAB0 OTS (SRB OFF) (SSME OFF)

(DE40A1) (28 OCT 75)

REFERENCE DATA

SREF = 2690.0000 SQ.FT. XMRP = .0000 IN.
 LREF = 1290.3000 IN. YMRP = .0000 IN.
 BREF = 1290.3000 IN. ZMRP = .0000 IN.
 SCALE = .0200

PARAMETRIC DATA

ELV-1B = .000 ELV-08 = 4.000
 RN/L = 4.250 MACH = .900

RUN NO. 350/ 0 RN/L = 4.23 GRADIENT INTERVAL = -5.00/ 5.00

ALPHA	BETA	CP76	CP78	CP80	CP82	CP75	CP77	CP79	CP81
-3.996	.009	-.26140	-.28470	-.31220	.00000	-.24960	-.26040	-.31260	-.32500
	GRADIENT	.00000	.00000	.00000	.00000	.00000	.00000	.00000	.00000

RUN NO. 351/ 0 RN/L = 4.24 GRADIENT INTERVAL = -5.00/ 5.00

ALPHA	BETA	CP76	CP78	CP80	CP82	CP75	CP77	CP79	CP81
-.281	-4.006	-.36850	-.39240	-.40580	.00000	-.18570	-.19530	-.18490	-.19930
-.284	.009	-.27080	-.29550	-.32070	.00000	-.27100	-.28590	-.32790	-.34480
-.281	4.028	-.11620	-.12940	-.13000	.00000	-.33610	-.34700	-.39530	-.41120
	GRADIENT	.03140	.03274	.03433	.00000	-.01872	-.01888	-.02619	-.02637

ARC 11-023 1A80 OTS (SRB OFF) (SSME OFF)

(DE40A3) (28 OCT 75)

REFERENCE DATA

SREF = 2690.0000 SQ.FT. XMRP = .0000 IN.
 LREF = 1290.3000 IN. YMRP = .0000 IN.
 BREF = 1290.3000 IN. ZMRP = .0000 IN.
 SCALE = .0200

PARAMETRIC DATA

ELV-18 = .000 ELV-08 = 4.000
 RN/L = 4.250 MACH = 1.250

RUN NO. 189/ 0 RN/L = 4.37 GRADIENT INTERVAL = -5.00/ 5.00

ALPHA	BETA	CP76	CP78	CP80	CP82	CP75	CP77	CP79	CP81
-3.947	-.006	.05920	.05530	.01840	.00000	.03040	.00700	-.00500	-.01780
	GRADIENT	.00000	.00000	.00000	.00000	.00000	.00000	.00000	.00000

RUN NO. 190/ 0 RN/L = 4.36 GRADIENT INTERVAL = -5.00/ 5.00

ALPHA	BETA	CP76	CP78	CP80	CP82	CP75	CP77	CP79	CP81
-.248	-4.000	.00520	-.00260	-.04300	.00000	-.06550	-.06430	-.07420	-.07540
-.244	-.006	.03930	.03250	.00080	.00000	-.04040	-.05410	-.06350	-.07530
-.271	4.022	.05040	.04590	.02490	.00000	.00350	-.01570	-.03230	-.04890
	GRADIENT	.00563	.00604	.00846	.00000	.00860	.00606	.00523	.00331

RUN NO. 191/ 0 RN/L = 4.36 GRADIENT INTERVAL = -5.00/ 5.00

ALPHA	BETA	CP76	CP78	CP80	CP82	CP75	CP77	CP79	CP81
3.986	.003	-.00200	-.01170	-.03920	.00000	-.10170	-.12370	-.11290	-.12650
	GRADIENT	.00000	.00000	.00000	.00000	.00000	.00000	.00000	.00000

ARC 11-023 1A80 OTS (SRB OFF) (SSME OFF)

(DE40A4) (28 OCT 75)

REFERENCE DATA

SREF = 2690.0000 SQ.FT. XMRP = .0000 IN.
 LREF = 1290.3000 IN. YMRP = .0000 IN.
 BREF = 1290.3000 IN. ZMRP = .0000 IN.
 SCALE = .0200

PARAMETRIC DATA

ELV-18 = .000 ELV-08 = 4.000
 RN/L = 4.250 MACH = 1.400

RUN NO. 183/ 0 RN/L = 4.34 GRADIENT INTERVAL = -5.00/ 5.00

ALPHA	BETA	CP76	CP78	CP80	CP82	CP75	CP77	CP79	CP81
-3.947	.006	.06050	.05470	.02460	.00000	.02600	.00920	.00480	-.00750
	GRADIENT	.00000	.00000	.00000	.00000	.00000	.00000	.00000	.00000

RUN NO. 184/ 0 RN/L = 4.31 GRADIENT INTERVAL = -5.00/ 5.00

ALPHA	BETA	CP76	CP78	CP80	CP82	CP75	CP77	CP79	CP81
-.267	-3.994	.02570	.01540	-.02720	.00000	-.06770	.06420	-.06730	-.06330
-.277	-.003	.03590	.02500	-.00580	.00000	-.03110	.04060	-.04670	-.05340
-.284	4.019	.02720	.02790	.00330	.00000	-.00700	-.02920	-.03300	-.04900
	GRADIENT	.00018	.00156	.00380	.00000	.00757	.00437	.00428	.00178

DATE 12 JUN 76

TABULATED SOURCE DATA - IAB0

PAGE 453

ARC 11-023 IAB0 OTS (SRB OFF) (SSME OFF)

(DE40A4) (28 OCT 75)

REFERENCE DATA

SREF = 2690.0000 SQ.FT. XMRP = .0000 IN.
 LREF = 1290.3000 IN. YMRP = .0000 IN.
 BREF = 1290.3000 IN. ZMRP = .0000 IN.
 SCALE = .0200

PARAMETRIC DATA

ELV-18 = .000 ELV-08 = 4.000
 RN/L = 4.250 MACH = 1.400

RUN NO. 185/ 0 RN/L = 4.28 GRADIENT INTERVAL = -5.00/ 5.00

ALPHA	BETA	CP76	CP78	CP80	CP82	CP75	CP77	CP79	CP81
3.986	.006	-.02180	-.02990	-.06020	.00000	-.09650	-.00000	-.10590	-.11550
	GRADIENT	.00000	.00000	.00000	.00000	.00000	.00000	.00000	.00000

ARC 11-023 IAB0 OTS (SRB NOM) (SSME NOM)

(DE40A5) (28 OCT 75)

REFERENCE DATA

SREF = 2690.0000 SQ.FT. XMRP = .0000 IN.
 LREF = 1290.3000 IN. YMRP = .0000 IN.
 BREF = 1290.3000 IN. ZMRP = .0000 IN.
 SCALE = .0200

PARAMETRIC DATA

ELV-18 = .000 ELV-08 = 4.000
 RN/L = 3.400 MACH = .600

RUN NO. 347/ 0 RN/L = 3.47 GRADIENT INTERVAL = -5.00/ 5.00

ALPHA	BETA	CP76	CP78	CP80	CP82	CP75	CP77	CP79	CP81
-3.983	.012	-.15650	-.17400	-.17780	.00000	-.18050	-.18090	-.20010	-.20390
	GRADIENT	.00000	.00000	.00000	.00000	.00000	.00000	.00000	.00000

RUN NO. 348/ 0 RN/L = 3.48 GRADIENT INTERVAL = -5.00/ 5.00

ALPHA	BETA	CP76	CP78	CP80	CP82	CP75	CP77	CP79	CP81
-.337	-4.006	-.21110	-.22180	-.22390	.00000	-.11760	-.12410	-.12760	-.13510
-.370	.009	-.15090	-.16850	-.16880	.00000	-.18260	-.18500	-.18740	-.19890
-.453	4.025	-.08100	-.08540	-.09660	.00000	-.22730	-.23210	-.23720	-.24170
	GRADIENT	.01620	.01698	.01585	.00000	-.01366	-.01345	-.01365	-.01327

RUN NO. 349/ 0 RN/L = 3.48 GRADIENT INTERVAL = -5.00/ 5.00

ALPHA	BETA	CP76	CP78	CP80	CP82	CP75	CP77	CP79	CP81
3.910	.009	-.14060	-.15430	-.15020	.00000	-.17600	-.18150	-.17570	-.18560
	GRADIENT	.00000	.00000	.00000	.00000	.00000	.00000	.00000	.00000

ORIGINAL PAGE IS
OF POOR QUALITY

DATE 12 JUN 76

TABULATED SOURCE DATA - IAB0

PAGE 454

ARC 11-023 IAB0 OTS (SRB NOM) (SSME NOM)

(DE40A6) (28 OCT 75)

REFERENCE DATA

SREF = 2690.0000 SQ.FT. XMRP = .0000 IN.
 LREF = 1290.3000 IN. YMRP = .0000 IN.
 BREF = 1290.3000 IN. ZMRP = .0000 IN.
 SCALE = .0200

ELV-18 = .000 ELV-08 = 4.000
 RN/L = 4.250 MACH = .900

PARAMETRIC DATA

RUN NO. 353/ 0 RN/L = 4.21 GRADIENT INTERVAL = -5.00/ 5.00

ALPHA	BETA	CP76	CP78	CP80	CP82	CP75	CP77	CP79	CP81
-3.937	.016	-.26600	-.29010	-.31880	.00000	-.25640	-.26700	-.32510	-.33510
	GRADIENT	.00000	.00000	.00000	.00000	.00000	.00000	.00000	.00000

RUN NO. 354/ 0 RN/L = 4.23 GRADIENT INTERVAL = -5.00/ 5.00

ALPHA	BETA	CP76	CP78	CP80	CP82	CP75	CP77	CP79	CP81
-.376	-4.006	-.36710	-.38600	-.40730	.00000	-.23320	-.24000	-.26570	-.28140
-.353	.009	-.26840	-.29190	-.31700	.00000	-.27460	-.28770	-.33350	-.34710
-.420	4.022	-.18630	-.19900	-.21170	.00000	-.32200	-.33110	-.38500	-.38810
	GRADIENT	.02252	.02329	.02436	.00000	-.01106	-.01135	-.01486	-.01329

RUN NO. 355/ 0 RN/L = 4.23 GRADIENT INTERVAL = -5.00/ 5.00

ALPHA	BETA	CP76	CP78	CP80	CP82	CP75	CP77	CP79	CP81
3.910	.006	-.30130	-.31940	-.33490	.00000	-.31680	-.32580	-.36630	-.38320
	GRADIENT	.00000	.00000	.00000	.00000	.00000	.00000	.00000	.00000

ARC 11-023 IAB0 OTS (SRB NOM) (SSME NOM)

(DE40A7) (28 OCT 75)

REFERENCE DATA

SREF = 2690.0000 SQ.FT. XMRP = .0000 IN.
 LREF = 1290.3000 IN. YMRP = .0000 IN.
 BREF = 1290.3000 IN. ZMRP = .0000 IN.
 SCALE = .0200

ELV-18 = .000 ELV-08 = 4.000
 RN/L = 4.250 MACH = 1.100

PARAMETRIC DATA

RUN NO. 198/ 0 RN/L = 4.36 GRADIENT INTERVAL = -5.00/ 5.00

ALPHA	BETA	CP76	CP78	CP80	CP82	CP75	CP77	CP79	CP81
-3.996	.006	.00000	.02000	-.02800	.00000	.02620	.01350	-.02900	-.03630
	GRADIENT	.00000	.00000	.00000	.00000	.00000	.00000	.00000	.00000

RUN NO. 199/ 0 RN/L = 4.36 GRADIENT INTERVAL = -5.00/ 5.00

ALPHA	BETA	CP76	CP78	CP80	CP82	CP75	CP77	CP79	CP81
-.416	-4.003	-.06670	-.07250	-.12980	.00000	-.04800	-.06120	-.07880	-.09620
-.403	-.012	.03320	.01760	-.02570	.00000	-.01310	-.02820	-.05700	-.06720
-.426	4.019	.05920	.04360	.00150	.00000	-.03480	-.04510	-.08810	-.09630
	GRADIENT	.01568	.01446	.01635	.00000	.00163	.00200	-.00117	-.00127

ARC 11-023 IAB0 OTS (SRB NOM) (SSME NOM)

(DE40A9) (28 OCT 75)

REFERENCE DATA

SREF = 2690.0000 SQ.FT. XMRP = .0000 IN.
 LREF = 1290.3000 IN. YMRP = .0000 IN.
 BREF = 1290.3000 IN. ZMRP = .0000 IN.
 SCALE = .0200

PARAMETRIC DATA

ELV-18 = .000 ELV-08 = 4.000
 RN/L = 4.250 MACH = 1.400

RUN NO. 186/ 0 RN/L = 4.29 GRADIENT INTERVAL = -5.00/ 5.00

ALPHA	BETA	CP76	CP78	CP80	CP82	CP75	CP77	CP79	CP81
-3.940	.009	.06240	.05390	.02430	.00000	.01570	.00040	-.00210	-.01440
	GRADIENT	.00000	.00000	.00000	.00000	.00000	.00000	.00000	.00000

RUN NO. 187/ 0 RN/L = 4.28 GRADIENT INTERVAL = -5.00/ 5.00

ALPHA	BETA	CP76	CP78	CP80	CP82	CP75	CP77	CP79	CP81
-.449	-3.997	.01670	.01180	-.03370	.00000	-.06730	-.06430	-.06730	-.06240
-.380	-.006	.02690	.01860	-.01060	.00000	-.03980	-.05050	-.05240	-.05720
-.443	4.025	.02150	.03160	-.00220	.00000	-.01120	-.02990	-.03210	-.04920
	GRADIENT	.00060	.00247	.00392	.00000	.00699	.00429	.00439	.00165

RUN NO. 188/ 0 RN/L = 4.27 GRADIENT INTERVAL = -5.00/ 5.00

ALPHA	BETA	CP76	CP78	CP80	CP82	CP75	CP77	CP79	CP81
3.821	.006	-.02300	-.02440	-.05520	.00000	-.10120	-.11310	-.10500	-.11430
	GRADIENT	.00000	.00000	.00000	.00000	.00000	.00000	.00000	.00000

ARC 11-023 IAB0 OTS (SRB NOM) (SSME NO. 2 OUT)

(DE40B0) (28 OCT 75)

REFERENCE DATA

SREF = 2690.0000 SQ.FT. XMRP = .0000 IN.
 LREF = 1290.3000 IN. YMRP = .0000 IN.
 BREF = 1290.3000 IN. ZMRP = .0000 IN.
 SCALE = .0200

PARAMETRIC DATA

ELV-18 = .000 ELV-08 = .000
 RN/L = 3.400 MACH = .600

RUN NO. 362/ 0 RN/L = 3.51 GRADIENT INTERVAL = -5.00/ 5.00

ALPHA	BETA	CP76	CP78	CP80	CP82	CP75	CP77	CP79	CP81
-4.013	.006	-.12490	-.14220	-.13370	.00000	-.15440	-.16700	-.16970	-.17750
	GRADIENT	.00000	.00000	.00000	.00000	.00000	.00000	.00000	.00000

RUN NO. 363/ 0 RN/L = 3.49 GRADIENT INTERVAL = -5.00/ 5.00

ALPHA	BETA	CP76	CP78	CP80	CP82	CP75	CP77	CP79	CP81
-.271	-4.006	-.20800	-.24230	-.21690	.00000	-.11670	-.13010	-.12360	-.13460
-.310	.003	-.12270	-.14000	-.12910	.00000	-.15860	-.17380	-.15930	-.16430
-.310	4.025	-.05470	-.06710	-.06600	.00000	-.21790	-.23820	-.22750	-.23950
	GRADIENT	.01909	.02181	.01879	.00000	-.01260	-.01346	-.01294	-.01306

ARC 11-023 1A80 OTS (SRB NOM) (SSME NO. 2 OUT)

(DE4082) (28 OCT 75)

REFERENCE DATA

SREF = 2690.0000 SQ.FT. XMRP = .0000 IN.
 LREF = 1290.3000 IN. YMRP = .0000 IN.
 BREF = 1290.3000 IN. ZMRP = .0000 IN.
 SCALE = .0200

PARAMETRIC DATA

ELV-18 = .000 ELV-08 = .000
 RN/L = 4.250 MACH = 1.100

RUN NO. 207/ 0 RN/L = 4.38 GRADIENT INTERVAL = -5.00/ 5.00

ALPHA	BETA	CP76	CP78	CP80	CP82	CP75	CP77	CP79	CP81
-3.973	-.009	.02470	.01080	-.03570	.00000	.01950	.00670	-.04320	-.04990
	GRADIENT	.00000	.00000	.00000	.00000	.00000	.00000	.00000	.00000

RUN NO. 208/ 0 RN/L = 4.38 GRADIENT INTERVAL = -5.00/ 5.00

ALPHA	BETA	CP76	CP78	CP80	CP82	CP75	CP77	CP79	CP81
-.393	-4.006	-.06330	-.06860	-.12890	.00000	-.04560	-.05210	-.08570	-.08900
-.340	-.016	.02400	.00580	-.03460	.00000	-.01510	-.02890	-.07280	-.08090
-.357	4.016	.05440	.03480	-.00750	.00000	-.03620	-.04840	-.09770	-.10720
	GRADIENT	.01466	.01288	.01512	.00000	.00116	.00045	-.00150	-.00228

RUN NO. 209/ 0 RN/L = 4.39 GRADIENT INTERVAL = -5.00/ 5.00

ALPHA	BETA	CP76	CP78	CP80	CP82	CP75	CP77	CP79	CP81
4.026	-.016	-.02400	-.03590	-.08220	.00000	-.07360	-.08920	-.12430	-.13490
	GRADIENT	.00000	.00000	.00000	.00000	.00000	.00000	.00000	.00000

ARC 11-023 1A80 OTS (SRB NOM) (SSME NO. 2 OUT)

(DE4083) (28 OCT 75)

REFERENCE DATA

SREF = 2690.0000 SQ.FT. XMRP = .0000 IN.
 LREF = 1290.3000 IN. YMRP = .0000 IN.
 BREF = 1290.3000 IN. ZMRP = .0000 IN.
 SCALE = .0200

PARAMETRIC DATA

ELV-18 = .000 ELV-08 = .000
 RN/L = 4.250 MACH = 1.250

RUN NO. 204/ 0 RN/L = 4.40 GRADIENT INTERVAL = -5.00/ 5.00

ALPHA	BETA	CP76	CP78	CP80	CP82	CP75	CP77	CP79	CP81
-3.947	-.003	.05620	.04240	.01360	.00000	.02390	.00620	-.01790	-.02690
	GRADIENT	.00000	.00000	.00000	.00000	.00000	.00000	.00000	.00000

RUN NO. 205/ 0 RN/L = 4.40 GRADIENT INTERVAL = -5.00/ 5.00

ALPHA	BETA	CP76	CP78	CP80	CP82	CP75	CP77	CP79	CP81
-.400	-4.000	-.01410	-.01690	-.06600	.00000	-.06540	-.06410	-.08260	-.08710
-.370	-.009	.04170	.02680	-.00290	.00000	-.03910	-.05120	-.07190	-.07990
-.420	4.019	.04640	.03760	.01390	.00000	.00880	-.01100	-.03800	-.05180
	GRADIENT	.00753	.00679	.00996	.00000	.00926	.00663	.00557	.00441

ARC 11-023 IAB0 OTS (SRB NOM) (SSME NO. 1 OUT)

(DE40B5) (28 OCT 75)

REFERENCE DATA

SREF = 2690.0000 SQ.FT. XMRP = .0000 IN.
 LREF = 1290.3000 IN. YMRP = .0000 IN.
 BREF = 1290.3000 IN. ZMRP = .0000 IN.
 SCALE = .0200

PARAMETRIC DATA

ELV-1B = .000 ELV-0B = .000
 RN/L = 3.400 MACH = .600

RUN NO. 356/ 0 RN/L = 3.42 GRADIENT INTERVAL = -5.00/ 5.00

ALPHA	BETA	CP76	CP78	CP80	CP82	CP75	CP77	CP79	CP81
-4.072	.012	-.14940	-.17530	-.18130	.00000	-.17280	-.18370	-.20670	-.21740
	GRADIENT	.00000	.00000	.00000	.00000	.00000	.00000	.00000	.00000

RUN NO. 357/ 0 RN/L = 3.49 GRADIENT INTERVAL = -5.00/ 5.00

ALPHA	BETA	CP76	CP78	CP80	CP82	CP75	CP77	CP79	CP81
-.284	-4.003	-.19420	-.21180	-.20100	.00000	-.09700	-.10280	-.10880	-.11630
-.337	.003	-.13000	-.14030	-.13950	.00000	-.16420	-.16960	-.17400	-.17900
-.367	4.025	-.05600	-.06130	-.06880	.00000	-.20830	-.21440	-.21160	-.22420
	GRADIENT	.01722	.01806	.01647	.00000	-.01386	-.01390	-.01280	-.01344

RUN NO. 358/ 0 RN/L = 3.47 GRADIENT INTERVAL = -5.00/ 5.00

ALPHA	BETA	CP76	CP78	CP80	CP82	CP75	CP77	CP79	CP81
3.868	.006	-.12310	-.13920	-.13170	.00000	-.16050	-.16660	-.16250	-.17010
	GRADIENT	.00000	.00000	.00000	.00000	.00000	.00000	.00000	.00000

ARC 11-023 IAB0 OTS (SRB NOM) (SSME NO. 1 OUT)

(DE40B6) (28 OCT 75)

REFERENCE DATA

SREF = 2690.0000 SQ.FT. XMRP = .0000 IN.
 LREF = 1290.3000 IN. YMRP = .0000 IN.
 BREF = 1290.3000 IN. ZMRP = .0000 IN.
 SCALE = .0200

PARAMETRIC DATA

ELV-1B = .000 ELV-0B = .000
 RN/L = 4.250 MACH = .900

RUN NO. 359/ 0 RN/L = 4.20 GRADIENT INTERVAL = -5.00/ 5.00

ALPHA	BETA	CP76	CP78	CP80	CP82	CP75	CP77	CP79	CP81
-4.013	.009	-.27650	-.30490	-.33010	.00000	-.26670	-.27630	-.33450	-.34760
	GRADIENT	.00000	.00000	.00000	.00000	.00000	.00000	.00000	.00000

RUN NO. 360/ 0 RN/L = 4.21 GRADIENT INTERVAL = -5.00/ 5.00

ALPHA	BETA	CP76	CP78	CP80	CP82	CP75	CP77	CP79	CP81
-.317	-4.003	-.37600	-.40260	-.41850	.00000	-.21860	-.23260	-.23830	-.26960
-.310	.003	-.28820	-.31860	-.34170	.00000	-.29200	-.30270	-.35150	-.37340
-.340	4.025	-.13870	-.15450	-.15910	.00000	-.33600	-.34600	-.40150	-.41800
	GRADIENT	.02956	.03091	.03232	.00000	-.01462	-.01412	-.02032	-.01848

DATE 12 JUN 76

TABULATED SOURCE DATA - 1A80

PAGE 481

ARC 11-023 1A80 OTS (SRB NOM) (SSME NO. 1 OUT)

(DE4086) (28 OCT 75)

REFERENCE DATA

SREF = 2690.0000 SQ.FT. XMRP = .0000 IN.
 LREF = 1290.3000 IN. YMRP = .0000 IN.
 BREF = 1290.3000 IN. ZMRP = .0000 IN.
 SCALE = .0200

PARAMETRIC DATA

ELV-1B = .000 ELV-08 = .000
 RN/L = 4.250 MACH = .900

RUN NO. 361/ 0 RN/L = 4.21 GRADIENT INTERVAL = -5.00/ 5.00

ALPHA	BETA	CP76	CP78	CP80	CP82	CP75	CP77	CP79	CP81
3.854	.009	-.31670	-.34250	-.35960	.00000	-.32440	-.33860	-.37220	-.40220
	GRADIENT	.00000	.00000	.00000	.00000	.00000	.00000	.00000	.00000

ARC 11-023 1A80 OTS (SRB NOM) (SSME NO. 1 OUT)

(DE4087) (28 OCT 75)

REFERENCE DATA

SREF = 2690.0000 SQ.FT. XMRP = .0000 IN.
 LREF = 1290.3000 IN. YMRP = .0000 IN.
 BREF = 1290.3000 IN. ZMRP = .0000 IN.
 SCALE = .0200

PARAMETRIC DATA

ELV-1B = .000 ELV-08 = .000
 RN/L = 4.250 MACH = 1.100

RUN NO. 216/ 0 RN/L = 4.38 GRADIENT INTERVAL = -5.00/ 5.00

ALPHA	BETA	CP76	CP78	CP80	CP82	CP75	CP77	CP79	CP81
-4.003	-.012	.03240	.01680	-.01870	.00000	.03250	.01830	-.03170	-.04460
	GRADIENT	.00000	.00000	.00000	.00000	.00000	.00000	.00000	.00000

RUN NO. 217/ 0 RN/L = 4.38 GRADIENT INTERVAL = -5.00/ 5.00

ALPHA	BETA	CP76	CP78	CP80	CP82	CP75	CP77	CP79	CP81
-.393	-4.006	-.06180	-.07170	-.10580	.00000	-.03420	-.03850	-.07450	-.08510
-.347	-.019	.03920	.02080	-.00860	.00000	.00210	-.01370	-.05390	-.06840
-.383	4.012	.07490	.05390	.02560	.00000	-.00790	-.02160	-.07250	-.08450
	GRADIENT	.01703	.01565	.01637	.00000	.00327	.00210	.00024	.00007

RUN NO. 218/ 0 RN/L = 4.38 GRADIENT INTERVAL = -5.00/ 5.00

ALPHA	BETA	CP76	CP78	CP80	CP82	CP75	CP77	CP79	CP81
4.049	-.012	-.00980	-.03040	-.05530	.00000	-.05290	-.06930	-.10450	-.12080
	GRADIENT	.00000	.00000	.00000	.00000	.00000	.00000	.00000	.00000

ORIGINAL PAGE IS
OF POOR QUALITY

ARC 11-023 1A80 OTS (SRB NOM) (SSME NO. 1 OUT)

(DE4088) (28 OCT 75)

REFERENCE DATA

SREF = 2690.0000 SQ.FT. XMRP = .0000 IN.
 LREF = 1290.3000 IN. YMRP = .0000 IN.
 BREF = 1290.3000 IN. ZMRP = .0000 IN.
 SCALE = .0200

PARAMETRIC DATA

ELV-1B = .000 ELV-08 = .000
 RN/L = 4.250 MACH = 1.250

RUN NO. 213/ 0 RN/L = 4.40 GRADIENT INTERVAL = -5.00/ 5.00

ALPHA	BETA	CP76	CP78	CP80	CP82	CP75	CP77	CP79	CP81
-3.914	-.009	.05740	.03980	.02100	.00000	.02780	.00860	-.01070	-.02630
	GRADIENT	.00000	.00000	.00000	.00000	.00000	.00000	.00000	.00000

RUN NO. 214/ 0 RN/L = 4.39 GRADIENT INTERVAL = -5.00/ 5.00

ALPHA	BETA	CP76	CP78	CP80	CP82	CP75	CP77	CP79	CP81
-.353	-4.006	-.01350	-.01870	-.04820	.00000	-.06380	-.06120	-.07960	-.08180
-.367	-.016	.03540	.01980	.00010	.00000	-.03990	-.04790	-.06660	-.08360
-.393	4.016	.04290	.03280	.02140	.00000	.01510	-.00700	-.03280	-.05100
	GRADIENT	.00702	.00641	.00867	.00000	.00984	.00676	.00584	.00385

RUN NO. 215/ 0 RN/L = 4.39 GRADIENT INTERVAL = -5.00/ 5.00

ALPHA	BETA	CP76	CP78	CP80	CP82	CP75	CP77	CP79	CP81
4.053	-.012	-.01300	-.02330	-.04250	.00000	-.09930	-.11750	-.11870	-.13590
	GRADIENT	.00000	.00000	.00000	.00000	.00000	.00000	.00000	.00000

ARC 11-023 1A80 OTS (SRB NOM) (SSME NO. 1 OUT)

(DE4089) (28 OCT 75)

REFERENCE DATA

SREF = 2690.0000 SQ.FT. XMRP = .0000 IN.
 LREF = 1290.3000 IN. YMRP = .0000 IN.
 BREF = 1290.3000 IN. ZMRP = .0000 IN.
 SCALE = .0200

PARAMETRIC DATA

ELV-1B = .000 ELV-08 = .000
 RN/L = 4.250 MACH = 1.400

RUN NO. 210/ 0 RN/L = 4.34 GRADIENT INTERVAL = -5.00/ 5.00

ALPHA	BETA	CP76	CP78	CP80	CP82	CP75	CP77	CP79	CP81
-3.934	-.009	.06030	.05020	.03020	.00000	.02190	.00740	-.00400	-.01880
	GRADIENT	.00000	.00000	.00000	.00000	.00000	.00000	.00000	.00000

RUN NO. 211/ 0 RN/L = 4.34 GRADIENT INTERVAL = -5.00/ 5.00

ALPHA	BETA	CP76	CP78	CP80	CP82	CP75	CP77	CP79	CP81
-.426	-4.006	.01470	.00750	-.02380	.00000	-.05390	-.05010	-.05800	-.05980
-.383	-.016	.02670	.01690	-.00420	.00000	-.03090	-.03750	-.04790	-.05660
-.436	4.016	.01520	.01980	.00150	.00000	-.00150	-.01830	-.02930	-.04660
	GRADIENT	.00006	.00153	.00315	.00000	.00653	.00397	.00358	.00165

ARC11-0231A80 OTS W/ET BASE SPOILER SRB=SSME=OFF

(DE40C1) (28 OCT 75)

REFERENCE DATA

PARAMETRIC DATA

SREF = 2690.0000 SQ.FT. XMRP = .0000 IN.
 LREF = 1290.3000 IN. YMRP = .0000 IN.
 BREF = 1290.3000 IN. ZMRP = .0000 IN.
 SCALE = .0200

ELV-18 = .000 ELV-08 = .000
 RN/L = 4.250 MACH = 1.100

RUN NO. 368/ 0 RN/L = 4.46 GRADIENT INTERVAL = -5.00/ 5.00

ALPHA	BETA	CP76	CP78	CP80	CP82	CP75	CP77	CP79	CP81
-4.000	.012	.03390	.02900	-.02050	.00000	.04070	.02210	-.02570	-.03620
	GRADIENT	.00000	.00000	.00000	.00000	.00000	.00000	.00000	.00000

RUN NO. 369/ 0 RN/L = 4.48 GRADIENT INTERVAL = -5.00/ 5.00

ALPHA	BETA	CP76	CP78	CP80	CP82	CP75	CP77	CP79	CP81
-.264	-4.009	-.05300	-.06690	-.10540	.00000	-.03560	-.04750	-.07870	-.08700
-.284	.000	.02780	.02010	-.02480	.00000	-.00470	-.02430	-.06400	-.07760
-.297	4.022	.07050	.06150	.01410	.00000	-.01260	-.03250	-.07720	-.08990
	GRADIENT	.01537	.01598	.01488	.00000	.00286	.00187	.00018	-.00036

RUN NO. 370/ 0 RN/L = 4.49 GRADIENT INTERVAL = -5.00/ 5.00

ALPHA	BETA	CP76	CP78	CP80	CP82	CP75	CP77	CP79	CP81
3.910	.016	-.01640	-.03060	-.06660	.00000	-.06320	-.08550	-.11540	-.12970
	GRADIENT	.00000	.00000	.00000	.00000	.00000	.00000	.00000	.00000

ARC11-0231A80 OTS W/ET BASE SPOILER SRB=SSME=NOM

(DE40C2) (28 OCT 75)

REFERENCE DATA

PARAMETRIC DATA

SREF = 2690.0000 SQ.FT. XMRP = .0000 IN.
 LREF = 1290.3000 IN. YMRP = .0000 IN.
 BREF = 1290.3000 IN. ZMRP = .0000 IN.
 SCALE = .0200

ELV-18 = .000 ELV-08 = .000
 RN/L = 4.250 MACH = .900

RUN NO. 378/ 0 RN/L = 4.22 GRADIENT INTERVAL = -5.00/ 5.00

ALPHA	BETA	CP76	CP78	CP80	CP82	CP75	CP77	CP79	CP81
-3.996	.016	-.26750	-.29640	-.31640	.00000	-.26390	-.28470	-.32970	-.34450
	GRADIENT	.00000	.00000	.00000	.00000	.00000	.00000	.00000	.00000

RUN NO. 379/ 0 RN/L = 4.22 GRADIENT INTERVAL = -5.00/ 5.00

ALPHA	BETA	CP76	CP78	CP80	CP82	CP75	CP77	CP79	CP81
-.284	-4.012	-.38480	-.41180	-.42430	.00000	-.21940	-.22890	-.23120	-.23440
-.360	-.003	-.27320	-.30460	-.32410	.00000	-.28890	-.31060	-.35270	-.36840
-.330	4.019	-.12740	-.14520	-.13790	.00000	-.34490	-.37120	-.40810	-.42660
	GRADIENT	.03205	.03320	.03567	.00000	-.01563	-.01772	-.02202	-.02393

ARC 11-023 IAB0 OTS (SRB NOM++) (SSME NOM)

(HE4001) (28 OCT 75)

REFERENCE DATA

SREF = 2690.0000 SQ.FT. XMRP = .0000 IN.
 LREF = 1290.3000 IN. YMRP = .0000 IN.
 BREF = 1290.3000 IN. ZMRP = .0000 IN.
 SCALE = .0200

PARAMETRIC DATA

ELV-18 = .000 ELV-08 = .000
 RN/L = 3.400 MACH = .600

RUN NO. 240/ 0 RN/L = 3.38 GRADIENT INTERVAL = -5.00/ 5.00

ALPHA	BETA	CP22	CP24	CP26	CP28	CP21	CP23	CP25	CP27
-4.013	-.019	.00250	-.00130	.00420	.00800	.00140	-.00440	.00080	.00210
	GRADIENT	.00000	.00000	.00000	.00000	.00000	.00000	.00000	.00000

RUN NO. 241/ 0 RN/L = 3.39 GRADIENT INTERVAL = -5.00/ 5.00

ALPHA	BETA	CP22	CP24	CP26	CP28	CP21	CP23	CP25	CP27
-.314	-4.034	-.05290	-.05630	-.04590	-.05080	-.01620	-.02380	-.02070	-.02030
-.340	-.019	-.03340	-.03510	-.02960	-.03030	-.03370	-.03910	-.03270	-.03470
-.459	3.997	-.01300	-.01600	-.00890	-.01760	-.05170	-.05270	-.05100	-.05780
	GRADIENT	.00497	.00502	.00461	.00411	-.00442	-.00360	-.00377	-.00467

RUN NO. 242/ 0 RN/L = 3.39 GRADIENT INTERVAL = -5.00/ 5.00

ALPHA	BETA	CP22	CP24	CP26	CP28	CP21	CP23	CP25	CP27
4.039	-.019	-.06590	-.06760	-.06480	-.07100	-.06620	-.06830	-.06520	-.06930
	GRADIENT	.00000	.00000	.00000	.00000	.00000	.00000	.00000	.00000

ARC 11-023 IAB0 OTS (SRB NOM++) (SSME NOM)

(HE4002) (28 OCT 75)

REFERENCE DATA

SREF = 2690.0000 SQ.FT. XMRP = .0000 IN.
 LREF = 1290.3000 IN. YMRP = .0000 IN.
 BREF = 1290.3000 IN. ZMRP = .0000 IN.
 SCALE = .0200

PARAMETRIC DATA

ELV-18 = .000 ELV-08 = .000
 RN/L = 4.250 MACH = .900

RUN NO. 222/ 0 RN/L = 4.23 GRADIENT INTERVAL = -5.00/ 5.00

ALPHA	BETA	CP22	CP24	CP26	CP28	CP21	CP23	CP25	CP27
-3.901	-.012	.05350	.05210	.06050	.05990	.04830	.04670	.05350	.05010
	GRADIENT	.00000	.00000	.00000	.00000	.00000	.00000	.00000	.00000

RUN NO. 223/ 0 RN/L = 4.22 GRADIENT INTERVAL = -5.00/ 5.00

ALPHA	BETA	CP22	CP24	CP26	CP28	CP21	CP23	CP25	CP27
-.347	-4.025	-.00690	-.00970	-.00240	-.00750	.04040	.03760	.04020	.03580
-.380	-.009	.02780	.02960	.03700	.03780	.02150	.02460	.03180	.02800
-.456	4.003	.04530	.03720	.04710	.04150	-.01230	-.01510	-.00920	-.01290
	GRADIENT	.00650	.00584	.00617	.00610	-.00656	-.00656	-.00615	-.00607

DATE 12 JUN 76

TABULATED SOURCE DATA - IABO

PAGE 467

ARC 11-023 IABO OTS (SRB NOM++) (SSME NOM)

(HE4002) (28 OCT 75)

REFERENCE DATA

SREF = 2690.0000 SQ.FT. XMRP = .0000 IN.
 LREF = 1290.3000 IN. YMRP = .0000 IN.
 BREF = 1290.3000 IN. ZMRP = .0000 IN.
 SCALE = .0200

PARAMETRIC DATA

ELV-1B = .000 ELV-0B = .000
 RN/L = 4.250 MACH = .900

RUN NO. 224/ 0 RN/L = 4.21 GRADIENT INTERVAL = -5.00/ 5.00

ALPHA	BETA	CP22	CP24	CP26	CP28	CP21	CP23	CP25	CP27
3.977	-.009	-.00170	-.00560	.00230	-.00130	-.00940	-.00780	-.00640	-.00900
	GRADIENT	.00000	.00000	.00000	.00000	.00000	.00000	.00000	.00000

ARC 11-023 IABO OTS (SRB NOM++) (SSME NOM)

(HE4003) (28 OCT 75)

REFERENCE DATA

SREF = 2690.0000 SQ.FT. XMRP = .0000 IN.
 LREF = 1290.3000 IN. YMRP = .0000 IN.
 BREF = 1290.3000 IN. ZMRP = .0000 IN.
 SCALE = .0200

PARAMETRIC DATA

ELV-1B = .000 ELV-0B = .000
 RN/L = 4.250 MACH = 1.100

RUN NO. 74/ 0 RN/L = 4.30 GRADIENT INTERVAL = -5.00/ 5.00

ALPHA	BETA	CP22	CP24	CP26	CP28	CP21	CP23	CP25	CP27
-3.920	-.003	-.03300	-.03820	-.00660	-.01340	-.03620	-.03960	-.01950	-.02310
	GRADIENT	.00000	.00000	.00000	.00000	.00000	.00000	.00000	.00000

RUN NO. 75/ 0 RN/L = 4.31 GRADIENT INTERVAL = -5.00/ 5.00

ALPHA	BETA	CP22	CP24	CP26	CP28	CP21	CP23	CP25	CP27
-.621	-4.006	.04710	.04950	.08810	.08450	.11040	.09750	.13420	.12660
-.641	.000	-.02550	-.02470	.02670	.02650	-.03740	-.03910	.00180	.00030
-.492	4.009	.11780	.11230	.14920	.14130	.03580	.04270	.07030	.07200
	GRADIENT	.00882	.00784	.00763	.00709	-.00930	-.00683	-.00797	-.00681

RUN NO. 76/ 0 RN/L = 4.31 GRADIENT INTERVAL = -5.00/ 5.00

ALPHA	BETA	CP22	CP24	CP26	CP28	CP21	CP23	CP25	CP27
3.944	-.003	.07880	.08910	.15800	.16120	.07180	.06620	.14490	.14750
	GRADIENT	.00000	.00000	.00000	.00000	.00000	.00000	.00000	.00000

ORIGINAL PAGE IS
OF POOR QUALITY

ARC 11-023 IAB0 OTS (SRB NOM++) (SSME NOM)

(HE4004) (28 OCT 75)

REFERENCE DATA

SREF = 2690.0000 SQ.FT. XMRP = .0000 IN.
 LREF = 1290.3000 IN. YMRP = .0000 IN.
 BREF = 1290.3000 IN. ZMRP = .0000 IN.
 SCALE = .0200

PARAMETRIC DATA

ELV-1B = .000 ELV-0B = .000
 RN/L = 4.250 MACH = 1.250

RUN NO. 48/ 0 RN/L = 4.50 GRADIENT INTERVAL = -5.00/ 5.00

ALPHA	BETA	CP22	CP24	CP26	CP28	CP21	CP23	CP25	CP27
-4.165	.000	-.03740	-.04320	-.04110	-.04640	-.03830	-.04410	-.03930	-.04410
	GRADIENT	.00000	.00000	.00000	.00000	.00000	.00000	.00000	.00000

RUN NO. 49/ 0 RN/L = 4.43 GRADIENT INTERVAL = -5.00/ 5.00

ALPHA	BETA	CP22	CP24	CP26	CP28	CP21	CP23	CP25	CP27
-.495	-4.006	-.07070	-.06980	-.07310	-.07380	-.01060	-.01650	.01170	.00540
-.528	.000	-.04490	-.04620	-.04510	-.04750	-.04220	-.04440	-.04630	-.04520
-.555	4.006	-.01410	-.01610	.00510	.00120	-.05700	-.05840	-.06490	-.06330
	GRADIENT	.00706	.00670	.00976	.00936	-.00579	-.00523	-.00956	-.00857

RUN NO. 50/ 0 RN/L = 4.43 GRADIENT INTERVAL = -5.00/ 5.00

ALPHA	BETA	CP22	CP24	CP26	CP28	CP21	CP23	CP25	CP27
3.881	.006	-.08060	-.07830	-.07210	-.07430	-.06890	-.06880	-.06730	-.06540
	GRADIENT	.00000	.00000	.00000	.00000	.00000	.00000	.00000	.00000

ARC 11-023 IAB0 OTS (SRB NOM++) (SSME NOM)

(HE4005) (28 OCT 75)

REFERENCE DATA

SREF = 2690.0000 SQ.FT. XMRP = .0000 IN.
 LREF = 1290.3000 IN. YMRP = .0000 IN.
 BREF = 1290.3000 IN. ZMRP = .0000 IN.
 SCALE = .0200

PARAMETRIC DATA

ELV-1B = .000 ELV-0B = .000
 RN/L = 4.250 MACH = 1.400

RUN NO. 1/ 0 RN/L = 4.31 GRADIENT INTERVAL = -5.00/ 5.00

ALPHA	BETA	CP22	CP24	CP26	CP28	CP21	CP23	CP25	CP27
-3.950	-.003	-.02800	-.03300	-.02230	-.02490	-.03070	-.03590	-.02340	-.02710
	GRADIENT	.00000	.00000	.00000	.00000	.00000	.00000	.00000	.00000

RUN NO. 2/ 0 RN/L = 4.30 GRADIENT INTERVAL = -5.00/ 5.00

ALPHA	BETA	CP22	CP24	CP26	CP28	CP21	CP23	CP25	CP27
-.436	-4.009	-.06740	-.07100	-.05930	-.06010	.00180	.00230	.00770	.00560
-.482	-.003	-.03510	-.04070	-.02460	-.02990	-.04100	-.04160	-.02990	-.03270
-.505	4.009	.00440	.00220	.01160	.00660	-.05560	-.05950	-.04640	-.04930
	GRADIENT	.00895	.00913	.00884	.00932	-.00716	-.00771	-.00675	-.00685

DATE 12 JUN 76

TABULATED SOURCE DATA - IAB0

PAGE 469

ARC 11-023 IAB0 OTS (SRB NOM++) (SSME NOM)

(HE4005) (28 OCT 75)

REFERENCE DATA

SREF = 2690.0000 SQ.FT. XMRP = .0000 IN.
 LREF = 1290.3000 IN. YMRP = .0000 IN.
 BREF = 1290.3000 IN. ZMRP = .0000 IN.
 SCALE = .0200

PARAMETRIC DATA

ELV-18 = .000 ELV-08 = .000
 RN/L = 4.250 MACH = 1.400

RUN NO. 3/ 0 RN/L = 4.30 GRADIENT INTERVAL = -5.00/ 5.00

ALPHA	BETA	CP22	CP24	CP26	CP28	CP21	CP23	CP25	CP27
3.881	-.006	-.04550	-.04350	-.03790	-.03760	-.03010	-.03290	-.02750	-.02640
	GRADIENT	.00000	.00000	.00000	.00000	.00000	.00000	.00000	.00000

ARC 11-023 IAB0 OTS (SRB NOM+) (SSME NOM)

(HE4006) (28 OCT 75)

REFERENCE DATA

SREF = 2690.0000 SQ.FT. XMRP = .0000 IN.
 LREF = 1290.3000 IN. YMRP = .0000 IN.
 BREF = 1290.3000 IN. ZMRP = .0000 IN.
 SCALE = .0200

PARAMETRIC DATA

ELV-18 = .000 ELV-08 = .000
 RN/L = 3.400 MACH = .600

RUN NO. 243/ 0 RN/L = 3.39 GRADIENT INTERVAL = -5.00/ 5.00

ALPHA	BETA	CP22	CP24	CP26	CP28	CP21	CP23	CP25	CP27
-3.846	-.019	-.00200	-.00060	.00380	-.00170	-.00550	-.00410	-.00200	-.00480
	GRADIENT	.00000	.00000	.00000	.00000	.00000	.00000	.00000	.00000

RUN NO. 244/ 0 RN/L = 3.38 GRADIENT INTERVAL = -5.00/ 5.00

ALPHA	BETA	CP22	CP24	CP26	CP28	CP21	CP23	CP25	CP27
-.350	-4.036	-.05530	-.05180	-.04700	-.04870	-.01960	-.02030	-.01790	-.02450
-.314	-.022	-.03250	-.03040	-.02840	-.02800	-.03350	-.03110	-.03310	-.03140
-.396	3.997	-.01890	-.02200	-.02310	-.02650	-.06150	-.02790	-.05840	-.05700
	GRADIENT	.00453	.00371	.00297	.00276	-.00522	-.00543	-.00504	-.00405

RUN NO. 245/ 0 RN/L = 3.39 GRADIENT INTERVAL = -5.00/ 5.00

ALPHA	BETA	CP22	CP24	CP26	CP28	CP21	CP23	CP25	CP27
3.970	-.022	-.06850	-.06850	-.07080	-.07390	-.07290	-.07640	-.07400	-.07260
	GRADIENT	.00000	.00000	.00000	.00000	.00000	.00000	.00000	.00000

ORIGINAL PAGE IS
OF POOR QUALITY

ARC 11-023 1A80 OTS (SRB NOM+) (SSME NOM)

(HE4007) (28 OCT 75)

REFERENCE DATA

SREF = 2690.0000 SQ.FT. XMRP = .0000 IN.
 LREF = 1290.3000 IN. YMRP = .0000 IN.
 BREF = 1290.3000 IN. ZMRP = .0000 IN.
 SCALE = .0200

PARAMETRIC DATA

ELV-18 = .000 ELV-08 = .000
 RN/L = 4.250 MACH = .900

RUN NO. 225/ 0 RN/L = 4.20 GRADIENT INTERVAL = -5.00/ 5.00

ALPHA	BETA	CP22	CP24	CP26	CP28	CP21	CP23	CP25	CP27
-3.930	-.009	.04880	.04860	.05510	.05510	.04310	.04210	.04820	.04800
	GRADIENT	.00000	.00000	.00000	.00000	.00000	.00000	.00000	.00000

RUN NO. 226/ 0 RN/L = 4.21 GRADIENT INTERVAL = -5.00/ 5.00

ALPHA	BETA	CP22	CP24	CP26	CP28	CP21	CP23	CP25	CP27
-.376	-4.028	-.00460	-.00680	.00130	-.00210	.04060	.03740	.04590	.04020
-.330	-.012	.02490	.02330	.03470	.02720	.01930	.01810	.02660	.02190
-.330	4.003	.04740	.04360	.05000	.04260	-.00920	-.00980	-.00580	-.00760
	GRADIENT	.00647	.00628	.00606	.00557	-.00620	-.00588	-.00644	-.00595

RUN NO. 227/ 0 RN/L = 4.21 GRADIENT INTERVAL = -5.00/ 5.00

ALPHA	BETA	CP22	CP24	CP26	CP28	CP21	CP23	CP25	CP27
3.927	-.016	.00030	-.00170	.00600	.00350	-.00760	-.00760	-.00230	-.00300
	GRADIENT	.00000	.00000	.00000	.00000	.00000	.00000	.00000	.00000

ARC 11-023 1A80 OTS (SRB NOM+) (SSME NOM)

(HE4008) (28 OCT 75)

REFERENCE DATA

SREF = 2690.0000 SQ.FT. XMRP = .0000 IN.
 LREF = 1290.3000 IN. YMRP = .0000 IN.
 BREF = 1290.3000 IN. ZMRP = .0000 IN.
 SCALE = .0200

PARAMETRIC DATA

ELV-18 = .000 ELV-08 = .000
 RN/L = 4.250 MACH = 1.100

RUN NO. 77/ 0 RN/L = 4.31 GRADIENT INTERVAL = -5.00/ 5.00

ALPHA	BETA	CP22	CP24	CP26	CP28	CP21	CP23	CP25	CP27
-3.907	.000	-.03440	-.03940	-.01160	-.01430	-.03320	-.03870	-.02040	-.02470
	GRADIENT	.00000	.00000	.00000	.00000	.00000	.00000	.00000	.00000

RUN NO. 78/ 0 RN/L = 4.31 GRADIENT INTERVAL = -5.00/ 5.00

ALPHA	BETA	CP22	CP24	CP26	CP28	CP21	CP23	CP25	CP27
-.515	-4.003	.05690	.05900	.09470	.09220	.11470	.11100	.14250	.13650
-.525	.003	-.02390	-.02340	.03390	.02880	-.03610	-.03730	.01540	.01600
-.426	4.012	.12220	.11420	.15400	.14570	.04230	.04290	.06880	.07240
	GRADIENT	.00815	.00689	.00740	.00668	-.00903	-.00849	-.00919	-.00799

ARC 11-023 1A80 OTS (SRB NOM+) (SSME NOM)

(HE4010) (28 OCT 75)

REFERENCE DATA

SREF = 2690.0000 SQ.FT. XMRP = .0000 IN.
 LREF = 1290.3000 IN. YMRP = .0000 IN.
 BREF = 1290.3000 IN. ZMRP = .0000 IN.
 SCALE = .0200

PARAMETRIC DATA

ELV-1B = .000 ELV-08 = .000
 RN/L = 4.250 MACH = 1.400

RUN NO. 4/ 0 RN/L = 4.29 GRADIENT INTERVAL = -5.00/ 5.00

ALPHA	BETA	CP22	CP24	CP26	CP28	CP21	CP23	CP25	CP27
-3.904	-.006	-.03290	-.03720	-.02730	-.02180	-.03380	-.04100	-.03010	-.03080
	GRADIENT	.00000	.00000	.00000	.00000	.00000	.00000	.00000	.00000

RUN NO. 5/ 0 RN/L = 4.29 GRADIENT INTERVAL = -5.00/ 5.00

ALPHA	BETA	CP22	CP24	CP26	CP28	CP21	CP23	CP25	CP27
-.406	-4.009	-.06630	-.07070	-.05930	-.05820	-.00090	.00050	.00500	.00120
-.370	.000	-.03770	-.04050	-.03000	-.02900	-.04370	-.04090	-.02890	-.03400
-.453	4.012	.00210	-.00050	.00790	.00650	-.05330	-.05860	-.04470	-.04850
	GRADIENT	.00853	.00875	.00838	.00807	-.00653	-.00737	-.00620	-.00620

RUN NO. 6/ 0 RN/L = 4.29 GRADIENT INTERVAL = -5.00/ 5.00

ALPHA	BETA	CP22	CP24	CP26	CP28	CP21	CP23	CP25	CP27
3.944	-.006	-.05240	-.05140	-.04630	-.04580	-.03970	-.03990	-.03180	-.03490
	GRADIENT	.00000	.00000	.00000	.00000	.00000	.00000	.00000	.00000

ARC 11-023 1A80 OTS (SRB NOM+) (SSME NOM+)

(HE4011) (28 OCT 75)

REFERENCE DATA

SREF = 2690.0000 SQ.FT. XMRP = .0000 IN.
 LREF = 1290.3000 IN. YMRP = .0000 IN.
 BREF = 1290.3000 IN. ZMRP = .0000 IN.
 SCALE = .0200

PARAMETRIC DATA

ELV-1B = .000 ELV-08 = .000
 RN/L = 3.400 MACH = .600

RUN NO. 249/ 0 RN/L = 3.38 GRADIENT INTERVAL = -5.00/ 5.00

ALPHA	BETA	CP22	CP24	CP26	CP28	CP21	CP23	CP25	CP27
-3.957	-.016	-.00010	-.00220	.00340	.00090	-.00320	-.00780	-.00220	-.00290
	GRADIENT	.00000	.00000	.00000	.00000	.00000	.00000	.00000	.00000

RUN NO. 250/ 0 RN/L = 3.40 GRADIENT INTERVAL = -5.00/ 5.00

ALPHA	BETA	CP22	CP24	CP26	CP28	CP21	CP23	CP25	CP27
-.337	-4.041	-.05480	-.05340	-.04640	-.04470	-.01930	-.02000	-.01680	-.02310
-.383	-.022	-.02910	-.02220	-.02700	-.02700	-.03420	-.03010	-.03080	-.02560
-.400	3.997	-.00960	-.01400	-.00920	-.01820	-.05260	-.04820	-.04610	-.05230
	GRADIENT	.00562	.00490	.00463	.00230	-.00414	-.00351	-.00365	-.00363

ARC 11-023 IAB0 OTS (SRB NOM) (SSME NOM+)

(HE4013) (28 OCT 75)

REFERENCE DATA

SREF = 2690.0000 SQ.FT. XMRP = .0000 IN.
 LREF = 1290.3000 IN. YMRP = .0000 IN.
 BRF = 1290.3000 IN. ZMRP = .0000 IN.
 SCALE = .0200

PARAMETRIC DATA

ELV-1B = .000 ELV-0B = .000
 RN/L = 4.250 MACH = 1.100

RUN NO. 80/ 0 RN/L = 4.32 GRADIENT INTERVAL = -5.00/ 5.00

ALPHA	BETA	CP22	CP24	CP26	CP28	CP21	CP23	CP25	CP27
-3.950	.006	-.02060	-.02730	.00260	.01760	-.02750	-.03380	-.00770	-.01350
	GRADIENT	.00000	.00000	.00000	.00000	.00000	.00000	.00000	.00000

RUN NO. 81/ 0 RN/L = 4.32 GRADIENT INTERVAL = -5.00/ 5.00

ALPHA	BETA	CP22	CP24	CP26	CP28	CP21	CP23	CP25	CP27
-.509	-4.066	.05690	.05450	.09630	.09080	.11710	.11470	.14290	.13920
-.552	-.056	-.00890	-.01570	.05290	.05510	-.02500	-.02690	.02480	.01820
-.486	3.950	.12920	.11960	.15420	.14660	.04380	.04570	.07050	.07570
	GRADIENT	.00902	.00812	.00722	.00696	-.00915	-.00861	-.00904	-.00793

RUN NO. 82/ 0 RN/L = 4.32 GRADIENT INTERVAL = -5.00/ 5.00

ALPHA	BETA	CP22	CP24	CP26	CP28	CP21	CP23	CP25	CP27
4.029	-.069	.14720	.16780	.17960	.18120	.14770	.15010	.16960	.17110
	GRADIENT	.00000	.00000	.00000	.00000	.00000	.00000	.00000	.00000

ARC 11-023 IAB0 OTS (SRB NOM) (SSME NOM+)

(HE4014) (28 OCT 75)

REFERENCE DATA

SREF = 2690.0000 SQ.FT. XMRP = .0000 IN.
 LREF = 1290.3000 IN. YMRP = .0000 IN.
 BRF = 1290.3000 IN. ZMRP = .0000 IN.
 SCALE = .0200

PARAMETRIC DATA

ELV-1B = .000 ELV-0B = .000
 RN/L = 4.250 MACH = 1.250

RUN NO. 54/ 0 RN/L = 4.38 GRADIENT INTERVAL = -5.00/ 5.00

ALPHA	BETA	CP22	CP24	CP26	CP28	CP21	CP23	CP25	CP27
-3.963	.006	-.03610	-.03900	-.03100	-.03510	-.03940	-.04340	-.03400	-.03350
	GRADIENT	.00000	.00000	.00000	.00000	.00000	.00000	.00000	.00000

RUN NO. 55/ 0 RN/L = 4.39 GRADIENT INTERVAL = -5.00/ 5.00

ALPHA	BETA	CP22	CP24	CP26	CP28	CP21	CP23	CP25	CP27
-.492	-4.006	-.07080	-.06940	-.07370	-.07420	-.01270	-.00940	.00950	.00520
-.466	.003	-.04280	-.04670	-.04330	-.05100	-.04190	-.04360	-.04520	-.04710
-.522	4.009	-.00710	-.01240	.00970	.00050	-.06670	-.06650	-.07790	-.07430
	GRADIENT	.00795	.00711	.01040	.00932	-.00674	-.00712	-.01090	-.00992

DATE 12 JUN 76

TABULATED SOURCE DATA - 1A80

PAGE 475

ARC 11-023 1A80 OTS (SRB NOM) (SSME NOM+)

(HE4014) (28 OCT 75)

REFERENCE DATA

SREF = 2690.0000 SQ.FT. XMRP = .0000 IN.
 LREF = 1290.3000 IN. YMRP = .0000 IN.
 BREF = 1290.3000 IN. ZMRP = .0000 IN.
 SCALE = .0200

PARAMETRIC DATA

ELV-1B = .000 ELV-0B = .000
 RN/L = 4.250 MACH = 1.250

RUN NO. 56/ 0 RN/L = 4.38 GRADIENT INTERVAL = -5.00/ 5.00

ALPHA	BETA	CP22	CP24	CP26	CP28	CP21	CP23	CP25	CP27
3.996	.000	-.08130	-.08070	-.05810	-.07610	-.06940	-.06940	-.06630	-.06300
	GRADIENT	.00000	.00000	.00000	.00000	.00000	.00000	.00000	.00000

ARC 11-023 1A80 OTS (SRB NOM) (SSME NOM+)

(HE4015) (28 OCT 75)

REFERENCE DATA

SREF = 2690.0000 SQ.FT. XMRP = .0000 IN.
 LREF = 1290.3000 IN. YMRP = .0000 IN.
 BREF = 1290.3000 IN. ZMRP = .0000 IN.
 SCALE = .0200

PARAMETRIC DATA

ELV-1B = .000 ELV-0B = .000
 RN/L = 4.250 MACH = 1.400

RUN NO. 7/ 0 RN/L = 4.27 GRADIENT INTERVAL = -5.00/ 5.00

ALPHA	BETA	CP22	CP24	CP26	CP28	CP21	CP23	CP25	CP27
-3.910	-.006	-.03100	-.03490	-.02180	-.02620	-.03200	-.03960	-.02790	-.02850
	GRADIENT	.00000	.00000	.00000	.00000	.00000	.00000	.00000	.00000

RUN NO. 8/ 0 RN/L = 4.28 GRADIENT INTERVAL = -5.00/ 5.00

ALPHA	BETA	CP22	CP24	CP26	CP28	CP21	CP23	CP25	CP27
-.409	-4.009	-.06650	-.06830	-.05840	-.05780	.00060	-.00060	.00580	.00160
-.446	.000	-.03910	-.04190	-.02690	-.03000	-.03860	-.04030	-.02940	-.03080
-.509	4.009	.00290	.00040	.00860	.00670	-.05440	-.05710	-.04490	-.04850
	GRADIENT	.00865	.00857	.00836	.00804	-.00686	-.00705	-.00632	-.00625

RUN NO. 9/ 0 RN/L = 4.23 GRADIENT INTERVAL = -5.00/ 5.00

ALPHA	BETA	CP22	CP24	CP26	CP28	CP21	CP23	CP25	CP27
3.848	-.006	-.04820	-.04880	-.03790	-.03990	-.02940	-.03410	-.02480	-.02690
	GRADIENT	.00000	.00000	.00000	.00000	.00000	.00000	.00000	.00000

ORIGINAL PAGE IS
OF POOR QUALITY

ARC 11-023 IAB0 OTS (SRB NOM) (SSME NOM-)

(HE4016) (28 OCT 75)

REFERENCE DATA

SREF = 2690.0000 SQ.FT. XMRP = .0000 IN.
 LREF = 1290.3000 IN. YMRP = .0000 IN.
 BREF = 1290.3000 IN. ZMRP = .0000 IN.
 SCALE = .0200

PARAMETRIC DATA

ELV-1B = .000 ELV-0B = .000
 RN/L = 4.250 MACH = .900

RUN NO. 234/ 0 RN/L = 4.20 GRADIENT INTERVAL = -5.00/ 5.00

ALPHA	BETA	CP22	CP24	CP26	CP28	CP21	CP23	CP25	CP27
-3.986	-.012	.04950	.04870	.05720	.05170	.04520	.04300	.05010	.04640
	GRADIENT	.00000	.00000	.00000	.00000	.00000	.00000	.00000	.00000

RUN NO. 235/ 0 RN/L = 4.21 GRADIENT INTERVAL = -5.00/ 5.00

ALPHA	BETA	CP22	CP24	CP26	CP28	CP21	CP23	CP25	CP27
-.350	-4.031	-.00700	-.00790	-.00020	-.00610	.04130	.03880	.04470	.03780
-.301	-.016	.03030	.03150	.04100	.04140	.02390	.02410	.03490	.03170
-.317	4.000	.05080	.04290	.05160	.04630	-.00840	-.00680	-.00440	-.00720
	GRADIENT	.00720	.00631	.00645	.00652	-.00619	-.00568	-.00611	-.00560

RUN NO. 236/ 0 RN/L = 4.20 GRADIENT INTERVAL = -5.00/ 5.00

ALPHA	BETA	CP22	CP24	CP26	CP28	CP21	CP23	CP25	CP27
3.947	-.019	-.00120	-.00090	.00590	.00350	-.00680	-.00680	-.00220	-.00240
	GRADIENT	.00000	.00000	.00000	.00000	.00000	.00000	.00000	.00000

ARC 11-023 IAB0 OTS (SRB NOM) (SSME NOM-)

(HE4017) (28 OCT 75)

REFERENCE DATA

SREF = 2690.0000 SQ.FT. XMRP = .0000 IN.
 LREF = 1290.3000 IN. YMRP = .0000 IN.
 BREF = 1290.3000 IN. ZMRP = .0000 IN.
 SCALE = .0200

PARAMETRIC DATA

ELV-1B = .000 ELV-0B = .000
 RN/L = 4.250 MACH = 1.100

RUN NO. 83/ 0 RN/L = 4.32 GRADIENT INTERVAL = -5.00/ 5.00

ALPHA	BETA	CP22	CP24	CP26	CP28	CP21	CP23	CP25	CP27
-4.020	-.069	-.02470	-.03310	.01490	.01500	-.03190	-.03040	-.00100	.00460
	GRADIENT	.00000	.00000	.00000	.00000	.00000	.00000	.00000	.00000

RUN NO. 84/ 0 RN/L = 4.31 GRADIENT INTERVAL = -5.00/ 5.00

ALPHA	BETA	CP22	CP24	CP26	CP28	CP21	CP23	CP25	CP27
-.479	-4.069	.05350	.05740	.09040	.08950	.11780	.11640	.14360	.13660
-.489	-.056	-.01750	-.01530	.05230	.04840	-.02720	-.03160	.03080	.01940
-.486	3.947	.12010	.11420	.14920	.14560	.03660	.04470	.07090	.06900
	GRADIENT	.00830	.00708	.00733	.00699	-.01014	-.00896	-.00908	-.00844

ARC 11-023 1A80 OTS (SRB NOM) (SSME NOM-)

(HE4019) (28 OCT 75)

REFERENCE DATA

SREF = 2690.0000 SQ.FT. XMRP = .0000 IN.
 LREF = 1290.3000 IN. YMRP = .0000 IN.
 BREF = 1290.3000 IN. ZMRP = .0000 IN.
 SCALE = .0200

PARAMETRIC DATA

ELV-18 = .000 ELV-08 = .000
 RN/L = 4.250 MACH = 1.400

RUN NO. 10/ 0 RN/L = 4.27 GRADIENT INTERVAL = -5.00/ 5.00

ALPHA	BETA	CP22	CP24	CP26	CP28	CP21	CP23	CP25	CP27
-3.848	-.006	-.03040	-.03520	-.02430	-.02740	-.03520	-.04020	-.02930	-.02930
	GRADIENT	.00000	.00000	.00000	.00000	.00000	.00000	.00000	.00000

RUN NO. 11/ 0 RN/L = 4.27 GRADIENT INTERVAL = -5.00/ 5.00

ALPHA	BETA	CP22	CP24	CP26	CP28	CP21	CP23	CP25	CP27
-.357	-4.009	-.06730	-.07070	-.05500	-.06020	.00030	.00060	.00450	.00180
-.363	.000	-.03860	-.04080	-.02850	-.03090	-.04050	-.04280	-.02980	-.03650
-.462	4.012	.00350	.00120	.00880	.00550	-.05560	-.05890	-.04340	-.04890
	GRADIENT	.00883	.00896	.00795	.00819	-.00697	-.00742	-.00597	-.00632

RUN NO. 12/ 0 RN/L = 4.27 GRADIENT INTERVAL = -5.00/ 5.00

ALPHA	BETA	CP22	CP24	CP26	CP28	CP21	CP23	CP25	CP27
3.986	-.003	-.04950	-.05210	-.04280	-.04200	-.03240	-.03520	-.03270	-.02650
	GRADIENT	.00000	.00000	.00000	.00000	.00000	.00000	.00000	.00000

ARC 11-023 1A90 OTS (SRB NOM) (SSME NOM)

(HE4020) (28 OCT 75)

REFERENCE DATA

SREF = 2690.0000 SQ.FT. XMRP = .0000 IN.
 LREF = 1290.3000 IN. YMRP = .0000 IN.
 BREF = 1290.3000 IN. ZMRP = .0000 IN.
 SCALE = .0200

PARAMETRIC DATA

ELV-18 = .000 ELV-08 = .000
 RN/L = 3.400 MACH = .600

RUN NO. 246/ 0 RN/L = 3.35 GRADIENT INTERVAL = -5.00/ 5.00

ALPHA	BETA	CP22	CP24	CP26	CP28	CP21	CP23	CP25	CP27
-3.868	-.016	-.00560	-.01160	.00070	-.00740	-.00560	-.00630	-.00740	-.00670
	GRADIENT	.00000	.00000	.00000	.00000	.00000	.00000	.00000	.00000

RUN NO. 247/ 0 RN/L = 3.39 GRADIENT INTERVAL = -5.00/ 5.00

ALPHA	BETA	CP22	CP24	CP26	CP28	CP21	CP23	CP25	CP27
-.327	-4.038	-.05270	-.05650	-.04270	-.04230	-.02060	-.01960	-.01510	-.01580
-.291	-.022	-.02960	-.03200	-.03030	-.03860	-.03170	-.03340	-.03620	-.03580
-.386	3.994	-.01170	-.01100	-.00970	-.01140	-.05690	-.05240	-.04860	-.04620
	GRADIENT	.00511	.00567	.00411	.00385	-.00452	-.00408	-.00417	-.00379

ARC 11-023 1A80 OTS (SRB NOM) (SSME NOM)

(HE4022) (28 OCT 75)

REFERENCE DATA

SREF = 2690.0000 SQ.FT. XMRP = .0000 IN.
 LREF = 1290.3000 IN. YMRP = .0000 IN.
 BREF = 1290.3000 IN. ZMRP = .0000 IN.
 SCALE = .0200

PARAMETRIC DATA

ELV-18 = .000 ELV-08 = .000
 RN/L = 4.250 MACH = 1.100

RUN NO. 86/ 0 RN/L = 4.32 GRADIENT INTERVAL = -5.00/ 5.00

ALPHA	BETA	CP22	CP24	CP26	CP28	CP21	CP23	CP25	CP27
-3.937	-.063	-.02290	-.03370	.00840	.00030	-.03450	-.03140	-.01640	-.01040
	GRADIENT	.00000	.00000	.00000	.00000	.00000	.00000	.00000	.00000

RUN NO. 97/ 0 RN/L = 4.32 GRADIENT INTERVAL = -5.00/ 5.00

ALPHA	BETA	CP22	CP24	CP26	CP28	CP21	CP23	CP25	CP27
-.525	-4.069	.05490	.01940	.09540	.09370	.12070	.11580	.14430	.13800
-.433	-.056	-.01150	-.01360	.05450	.04650	-.03140	-.03070	.02170	.01870
-.482	3.950	.12510	.11590	.15170	.14430	.03820	.04480	.07220	.07360
	GRADIENT	.00875	.00704	.00702	.00637	-.01030	-.00836	-.00900	-.00804

RUN NO. 88/ 0 RN/L = 4.32 GRADIENT INTERVAL = -5.00/ 5.00

ALPHA	BETA	CP22	CP24	CP26	CP28	CP21	CP23	CP25	CP27
3.963	-.063	.14060	.14260	.17700	.18090	.13560	.13700	.17000	.17320
	GRADIENT	.00000	.00000	.00000	.00000	.00000	.00000	.00000	.00000

ARC 11-023 1A80 OTS (SRB NOM) (SSME NOM)

(HE4023) (28 OCT 75)

REFERENCE DATA

SREF = 2690.0000 SQ.FT. XMRP = .0000 IN.
 LREF = 1290.3000 IN. YMRP = .0000 IN.
 BREF = 1290.3000 IN. ZMRP = .0000 IN.
 SCALE = .0200

PARAMETRIC DATA

ELV-18 = .000 ELV-08 = .000
 RN/L = 4.250 MACH = 1.250

RUN NO. 60/ 0 RN/L = 4.37 GRADIENT INTERVAL = -5.00/ 5.00

ALPHA	BETA	CP22	CP24	CP26	CP28	CP21	CP23	CP25	CP27
-3.917	.003	-.03780	-.03810	-.03600	-.03870	-.04210	-.04050	-.03520	-.03740
	GRADIENT	.00000	.00000	.00000	.00000	.00000	.00000	.00000	.00000

RUN NO. 61/ 0 RN/L = 4.37 GRADIENT INTERVAL = -5.00/ 5.00

ALPHA	BETA	CP22	CP24	CP26	CP28	CP21	CP23	CP25	CP27
-.446	-4.006	-.07160	-.07000	-.07500	-.07580	-.01350	-.01190	.00630	.00260
-.456	.003	-.04430	-.04720	-.04280	-.04950	-.04510	-.04250	-.04460	-.04520
-.439	4.012	-.00880	-.01740	.00630	-.00060	-.06630	-.06840	-.07730	-.07680
	GRADIENT	.00783	.00655	.01014	.00938	-.00658	-.00705	-.01043	-.00990

ARC 11-023 1A80 OTS (SRB NOM-) (SSME NOM)

(HE4025) (28 OCT 75)

REFERENCE DATA

SREF = 2690.0000 SQ.FT. XMRP = .0000 IN.
 LREF = 1290.3000 IN. YMRP = .0000 IN.
 BREF = 1290.3000 IN. ZMRP = .0000 IN.
 SCALE = .0200

PARAMETRIC DATA

ELV-18 = .000 ELV-08 = .000
 RN/L = 4.250 MACH = 1.100

RUN NO. 89/ 0 RN/L = 4.32 GRADIENT INTERVAL = -5.00/ 5.00

ALPHA	BETA	CP22	CP24	CP26	CP28	CP21	CP23	CP25	CP27
-4.020	-.063	-.02260	-.01590	.03260	.03470	-.02200	-.02390	.01790	.01590
	GRADIENT	.00000	.00000	.00000	.00000	.00000	.00000	.00000	.00000

RUN NO. 90/ 0 RN/L = 4.32 GRADIENT INTERVAL = -5.00/ 5.00

ALPHA	BETA	CP22	CP24	CP26	CP28	CP21	CP23	CP25	CP27
-.482	-4.069	.06010	.06040	.09510	.09170	.12130	.11620	.14560	.14030
-.489	-.059	-.01420	-.00960	.07110	.05340	-.02880	-.03120	.04540	.02870
-.453	3.950	.12580	.11710	.15370	.14600	.03700	.04390	.07180	.06640
	GRADIENT	.00819	.00707	.00731	.00677	-.01051	-.00902	-.00920	-.00922

RUN NO. 91/ 0 RN/L = 4.32 GRADIENT INTERVAL = -5.00/ 5.00

ALPHA	BETA	CP22	CP24	CP26	CP28	CP21	CP23	CP25	CP27
4.029	-.059	.14860	.15530	.18170	.18590	.14190	.14780	.17110	.17200
	GRADIENT	.00000	.00000	.00000	.00000	.00000	.00000	.00000	.00000

ARC 11-023 1A80 OTS (SRB NOM-) (SSME NOM)

(HE4026) (28 OCT 75)

REFERENCE DATA

SREF = 2690.0000 SQ.FT. XMRP = .0000 IN.
 LREF = 1290.3000 IN. YMRP = .0000 IN.
 BREF = 1290.3000 IN. ZMRP = .0000 IN.
 SCALE = .0200

PARAMETRIC DATA

ELV-18 = .000 ELV-08 = .000
 RN/L = 4.250 MACH = 1.250

RUN NO. 63/ 0 RN/L = 4.36 GRADIENT INTERVAL = -5.00/ 5.00

ALPHA	BETA	CP22	CP24	CP26	CP28	CP21	CP23	CP25	CP27
-3.983	.000	-.03740	-.03960	-.03610	-.03850	-.04220	-.04030	-.03520	-.03530
	GRADIENT	.00000	.00000	.00000	.00000	.00000	.00000	.00000	.00000

RUN NO. 64/ 0 RN/L = 4.36 GRADIENT INTERVAL = -5.00/ 5.00

ALPHA	BETA	CP22	CP24	CP26	CP28	CP21	CP23	CP25	CP27
-.443	-4.006	-.07150	-.07110	-.07670	-.07520	-.00970	-.01630	.00630	.00400
-.426	.003	-.04710	-.04250	-.04530	-.04740	-.04630	-.04740	-.04440	-.04840
-.456	4.016	-.01100	-.00950	.01110	.00270	-.06560	-.06400	-.07530	-.07340
	GRADIENT	.00754	.00768	.01095	.00971	-.00697	-.00595	-.01017	-.00965

DATE 12 JUN 76

TABULATED SOURCE DATA - 1A80

PAGE 483

ARC 11-023 1A80 OTS (SRB NOM-) (SSME NOM)

(HE4026) (28 OCT 75)

REFERENCE DATA

SREF = 2690.0000 SQ.FT. XMRP = .0000 IN.
 LREF = 1290.3000 IN. YMRP = .0000 IN.
 BREF = 1290.3000 IN. ZMRP = .0000 IN.
 SCALE = .0200

PARAMETRIC DATA

ELV-18 = .000 ELV-08 = .000
 RN/L = 4.250 MACH = 1.250

RUN NO. 65/ 0 RN/L = 4.35 GRADIENT INTERVAL = -5.00/ 5.00

ALPHA	BETA	CP22	CP24	CP26	CP28	CP21	CP23	CP25	CP27
4.020	-.003	-.08470	-.08270	-.07190	-.07850	-.07340	-.06920	-.06900	-.06700
	GRADIENT	.00000	.00000	.00000	.00000	.00000	.00000	.00000	.00000

ARC 11-023 1A80 OTS (SRB NOM-) (SSME NOM)

(HE4027) (28 OCT 75)

REFERENCE DATA

SREF = 2690.0000 SQ.FT. XMRP = .0000 IN.
 LREF = 1290.3000 IN. YMRP = .0000 IN.
 BREF = 1290.3000 IN. ZMRP = .0000 IN.
 SCALE = .0200

PARAMETRIC DATA

ELV-18 = .000 ELV-08 = .000
 RN/L = 4.250 MACH = 1.400

RUN NO. 16/ 0 RN/L = 4.23 GRADIENT INTERVAL = -5.00/ 5.00

ALPHA	BETA	CP22	CP24	CP26	CP28	CP21	CP23	CP25	CP27
-3.805	.000	-.03360	-.04000	-.02570	-.02880	-.03700	-.04400	-.03150	-.03340
	GRADIENT	.00000	.00000	.00000	.00000	.00000	.00000	.00000	.00000

RUN NO. 17/ 0 RN/L = 4.24 GRADIENT INTERVAL = -5.00/ 5.00

ALPHA	BETA	CP22	CP24	CP26	CP28	CP21	CP23	CP25	CP27
-.353	-4.006	-.06510	-.07050	-.05790	-.06100	-.00470	-.00500	.00240	-.00100
-.367	.000	-.03950	-.04360	-.03080	-.03140	-.04130	-.04280	-.02340	-.03190
-.400	4.012	.00130	-.00200	.01090	.00650	-.05600	-.06020	-.04170	-.04560
	GRADIENT	.00841	.00854	.00958	.00842	-.00640	-.00688	-.00550	-.00556

RUN NO. 18/ 0 RN/L = 4.24 GRADIENT INTERVAL = -5.00/ 5.00

ALPHA	BETA	CP22	CP24	CP26	CP28	CP21	CP23	CP25	CP27
3.983	.000	-.04770	-.04770	-.03780	-.04000	-.03470	-.03630	-.02950	-.02910
	GRADIENT	.00000	.00000	.00000	.00000	.00000	.00000	.00000	.00000

ORIGINAL PAGE IS
OF POOR QUALITY

ARC 11-023 1A80 OTS (SRB OFF) (SSME OFF)

(HE4028) (28 OCT 75)

REFERENCE DATA

SREF = 2690.0000 SQ.FT. XMRP = .0000 IN.
 LREF = 1290.3000 IN. YMRP = .0000 IN.
 BREF = 1290.3000 IN. ZMRP = .0000 IN.
 SCALE = .0200

PARAMETRIC DATA

ELV-18 = .000 ELV-08 = .000
 RN/L = 3.400 MACH = .600

RUN NO. 237/ 0 RN/L = 3.39 GRADIENT INTERVAL = -5.00/ 5.00

ALPHA	BETA	CP22	CP24	CP26	CP28	CP21	CP23	CP25	CP27
-4.000	-.016	.01090	.00840	.01310	.01040	.00600	.00320	.00970	.00530
	GRADIENT	.00000	.00000	.00000	.00000	.00000	.00000	.00000	.00000

RUN NO. 238/ 0 RN/L = 3.38 GRADIENT INTERVAL = -5.00/ 5.00

ALPHA	BETA	CP22	CP24	CP26	CP28	CP21	CP23	CP25	CP27
-.264	-4.034	-.04290	-.04060	-.03680	-.04020	-.00660	-.01140	-.00730	-.01520
-.261	-.019	-.01930	-.01900	-.01860	-.02000	-.02450	-.01930	-.02140	-.01970
-.274	3.991	-.00500	-.00740	-.01150	-.01150	-.04850	-.04370	-.03960	-.04310
	GRADIENT	.00472	.00414	.00315	.00358	-.00522	-.00402	-.00402	-.00348

RUN NO. 239/ 0 RN/L = 3.39 GRADIENT INTERVAL = -5.00/ 5.00

ALPHA	BETA	CP22	CP24	CP26	CP28	CP21	CP23	CP25	CP27
4.013	-.019	-.05290	-.05290	-.05180	-.05900	-.05460	-.05700	-.05660	-.05490
	GRADIENT	.00000	.00000	.00000	.00000	.00000	.00000	.00000	.00000

ARC 11-023 1A80 OTS (SRB OFF) (SSME OFF)

(HE4029) (28 OCT 75)

REFERENCE DATA

SREF = 2690.0000 SQ.FT. XMRP = .0000 IN.
 LREF = 1290.3000 IN. YMRP = .0000 IN.
 BREF = 1290.3000 IN. ZMRP = .0000 IN.
 SCALE = .0200

PARAMETRIC DATA

ELV-18 = .000 ELV-08 = .000
 RN/L = 4.250 MACH = .900

RUN NO. 219/ 0 RN/L = 4.25 GRADIENT INTERVAL = -5.00/ 5.00

ALPHA	BETA	CP22	CP24	CP26	CP28	CP21	CP23	CP25	CP27
-3.980	-.006	.05410	.05270	.06110	.05850	.04710	.04450	.05470	.05050
	GRADIENT	.00000	.00000	.00000	.00000	.00000	.00000	.00000	.00000

RUN NO. 220/ 0 RN/L = 4.25 GRADIENT INTERVAL = -5.00/ 5.00

ALPHA	BETA	CP22	CP24	CP26	CP28	CP21	CP23	CP25	CP27
-.320	-4.022	-.00500	-.00530	.00440	.00100	.04390	.03830	.04610	.04090
-.310	-.009	.03130	.03250	.04050	.04010	.02490	.02490	.03490	.03210
-.297	4.006	.05320	.04950	.05360	.05130	-.00270	-.00370	-.00110	-.00290
	GRADIENT	.00725	.00686	.00613	.00627	-.00580	-.00523	-.00588	-.00546

ARC 11-023 1A80 OTS (SRB OFF) (SSME OFF)

(HE4031) (28 OCT 75)

REFERENCE DATA

SREF = 2690.0000 SQ.FT. XMRP = .0000 IN.
 LREF = 1290.3000 IN. YMRP = .0000 IN.
 BREF = 1290.3000 IN. ZMRP = .0000 IN.
 SCALE = .0200

PARAMETRIC DATA

ELV-18 = .000 ELV-08 = .000
 RN/L = 4.250 MACH = 1.250

RUN NO. 66/ 0 RN/L = 4.36 GRADIENT INTERVAL = -5.00/ 5.00

ALPHA	BETA	CP22	CP24	CP26	CP28	CP21	CP23	CP25	CP27
-3.970	-.003	-.04000	-.04140	-.03850	-.03980	-.04730	-.04700	-.04200	-.04170
	GRADIENT	.00000	.00000	.00000	.00000	.00000	.00000	.00000	.00000

RUN NO. 67/ 0 RN/L = 4.36 GRADIENT INTERVAL = -5.00/ 5.00

ALPHA	BETA	CP22	CP24	CP26	CP28	CP21	CP23	CP25	CP27
-.330	-4.006	-.06990	-.07100	-.07520	-.07450	-.01280	-.01790	.00460	.00050
-.317	.003	-.04660	-.04890	-.04700	-.05340	-.04620	-.04860	-.04910	-.04830
-.370	4.012	-.01250	-.01410	.00760	.00200	-.06010	-.06140	-.07120	-.06900
	GRADIENT	.00710	.00710	.01033	.00954	-.00590	-.00542	-.00945	-.00867

RUN NO. 68/ 0 RN/L = 4.36 GRADIENT INTERVAL = -5.00/ 5.00

ALPHA	BETA	CP22	CP24	CP26	CP28	CP21	CP23	CP25	CP27
3.950	-.003	-.08450	-.08340	-.07430	-.07770	-.07450	-.07270	-.07190	-.07310
	GRADIENT	.00000	.00000	.00000	.00000	.00000	.00000	.00000	.00000

ARC 11-023 1A80 OTS (SRB OFF) (SSME OFF)

(HE4032) (28 OCT 75)

REFERENCE DATA

SREF = 2690.0000 SQ.FT. XMRP = .0000 IN.
 LREF = 1290.3000 IN. YMRP = .0000 IN.
 BREF = 1290.3000 IN. ZMRP = .0000 IN.
 SCALE = .0200

PARAMETRIC DATA

ELV-18 = .000 ELV-08 = .000
 RN/L = 4.250 MACH = 1.400

RUN NO. 19/ 0 RN/L = 4.24 GRADIENT INTERVAL = -5.00/ 5.00

ALPHA	BETA	CP22	CP24	CP26	CP28	CP21	CP23	CP25	CP27
-4.043	.000	-.02950	-.03660	-.02460	-.02740	-.03100	-.04040	-.02800	-.02920
	GRADIENT	.00000	.00000	.00000	.00000	.00000	.00000	.00000	.00000

RUN NO. 20/ 0 RN/L = 4.25 GRADIENT INTERVAL = -5.00/ 5.00

ALPHA	BETA	CP22	CP24	CP26	CP28	CP21	CP23	CP25	CP27
-.195	-4.012	-.06670	-.07340	-.05720	-.06110	-.00150	-.00190	.00350	.00200
-.211	.000	-.03760	-.04160	-.03040	-.03340	-.04410	-.04320	-.03150	-.03620
.083	4.006	-.00130	-.00350	.00410	.00050	-.05150	-.06090	-.04300	-.04790
	GRADIENT	.00816	.00872	.00764	.00768	-.00624	-.00736	-.00580	-.00622

ARC 11-023 IAB0 OTS (SRB OFF) (SSME OFF)

(HE4034) (28 OCT 75)

REFERENCE DATA

SREF = 2690.0000 SQ.FT. XMRP = .0000 IN.
 LREF = 1290.3000 IN. YMRP = .0000 IN.
 BREF = 1290.3000 IN. ZMRP = .0000 IN.
 SCALE = .0200

PARAMETRIC DATA

ELV-18 = .000 ELV-08 = .000
 RN/L = 2.250 MACH = .900

RUN NO. 267/ 0 RN/L = 2.16 GRADIENT INTERVAL = -5.00/ 5.00

ALPHA	BETA	CP22	CP24	CP25	CP28	CP21	CP23	CP25	CP27
-3.947	.000	.04330	.04440	.05560	.04960	.04230	.03910	.05040	.04520
	GRADIENT	.00000	.00000	.00300	.00000	.00000	.00000	.00000	.00000

RUN NO. 268/ 0 RN/L = 2.16 GRADIENT INTERVAL = -5.00/ 5.00

ALPHA	BETA	CP22	CP24	CP25	CP28	CP21	CP23	CP25	CP27
-.264	-4.044	-.00960	-.01040	.00150	-.00150	.03680	.03400	.04120	.03640
-.271	-.031	.02280	.02320	.02380	.02600	.01760	.01880	.02520	.02320
-.304	3.984	.03770	.03410	.04360	.03690	-.01190	-.01190	-.00550	-.01110
	GRADIENT	.00589	.00554	.00499	.00478	-.00607	-.00572	-.00582	-.00592

RUN NO. 269/ 0 RN/L = 2.16 GRADIENT INTERVAL = -5.00/ 5.00

ALPHA	BETA	CP22	CP24	CP25	CP28	CP21	CP23	CP25	CP27
3.990	-.003	-.00810	-.01050	-.00350	.00030	-.01690	-.01650	-.00770	-.00810
	GRADIENT	.00000	.00000	.00300	.00000	.00000	.00000	.00000	.00000

ARC 11-023 IAB0 OTS (SRB OFF) (SSME OFF)

(HE4035) (28 OCT 75)

REFERENCE DATA

SREF = 2690.0000 SQ.FT. XMRP = .0000 IN.
 LREF = 1290.3000 IN. YMRP = .0000 IN.
 BREF = 1290.3000 IN. ZMRP = .0000 IN.
 SCALE = .0200

PARAMETRIC DATA

ELV-18 = .000 ELV-08 = .000
 RN/L = 2.250 MACH = 1.100

RUN NO. 22/ 0 RN/L = 2.24 GRADIENT INTERVAL = -5.00/ 5.00

ALPHA	BETA	CP22	CP24	CP25	CP28	CP21	CP23	CP25	CP27
-3.957	.000	-.01670	-.02490	.03110	.02190	-.02930	-.03440	.00100	.00210
	GRADIENT	.00000	.00000	.00000	.00000	.00000	.00000	.00000	.00000

RUN NO. 23/ 0 RN/L = 2.25 GRADIENT INTERVAL = -5.00/ 5.00

ALPHA	BETA	CP22	CP24	CP25	CP28	CP21	CP23	CP25	CP27
-.225	-4.009	.04420	.04720	.07990	.07920	.10600	.10090	.13150	.12410
-.225	.000	.04660	.05330	.11640	.11370	.03230	.02930	.11470	.11270
-.231	4.012	.10760	.10040	.13820	.13060	.03780	.04360	.06400	.06500
	GRADIENT	.00790	.00663	.00734	.00641	-.00850	-.00714	-.00842	-.00737

DATE 12 JUN 76

TABULATED SOURCE DATA - IAB0

PAGE 489

ARC 11-023 IAB0 OTS (SRB OFF) (SSME OFF)

(HE4035) (28 OCT 75)

REFERENCE DATA

PARAMETRIC DATA

SREF = 2690.0000 SQ.FT. XMRP = .0000 IN.
 LREF = 1290.3000 IN. YMRP = .0000 IN.
 BREF = 1290.3000 IN. ZMRP = .0000 IN.
 SCALE = .0200

ELV-1B = .000 ELV-0B = .000
 RN/L = 2.250 MACH = 1.100

RUN NO. 24/ 0 RN/L = 2.25 GRADIENT INTERVAL = -5.00/ 5.00

ALPHA	BETA	CP22	CP24	CP25	CP28	CP21	CP23	CP25	CP27
4.016	-.003	.13260	.13840	.16720	.16750	.12820	.13090	.15840	.16110
	GRADIENT	.00000	.00000	.00300	.00000	.00000	.00000	.00000	.00000

ARC 11-023 IAB0 OTS (SRB OFF) (SSME OFF)

(HE4036) (28 OCT 75)

REFERENCE DATA

PARAMETRIC DATA

SREF = 2690.0000 SQ.FT. XMRP = .0000 IN.
 LREF = 1290.3000 IN. YMRP = .0000 IN.
 BREF = 1290.3000 IN. ZMRP = .0000 IN.
 SCALE = .0200

ELV-1B = .000 ELV-0B = .000
 RN/L = 2.250 MACH = 1.250

RUN NO. 30/ 0 RN/L = 2.27 GRADIENT INTERVAL = -5.00/ 5.00

ALPHA	BETA	CP22	CP24	CP25	CP28	CP21	CP23	CP25	CP27
-3.993	.003	-.04750	-.05010	-.04560	-.05070	-.05100	-.05420	-.04690	-.05200
	GRADIENT	.00000	.00000	.00000	.00000	.00000	.00000	.00000	.00000

RUN NO. 31/ 0 RN/L = 2.27 GRADIENT INTERVAL = -5.00/ 5.00

ALPHA	BETA	CP22	CP24	CP25	CP28	CP21	CP23	CP25	CP27
-.145	-4.003	-.08030	-.07840	-.08570	-.08480	-.01880	-.02270	-.00580	-.00990
-.129	.003	-.05560	-.05750	-.05720	-.06000	-.05400	-.05330	-.05620	-.05560
-.175	4.009	-.02500	-.02470	-.00340	-.01070	-.07480	-.07280	-.08080	-.08080
	GRADIENT	.00690	.00670	.00352	.00925	-.00699	-.00625	-.00936	-.00885

RUN NO. 32/ 0 RN/L = 2.27 GRADIENT INTERVAL = -5.00/ 5.00

ALPHA	BETA	CP22	CP24	CP25	CP28	CP21	CP23	CP25	CP27
4.072	.003	-.09270	-.09140	-.08440	-.08760	-.08630	-.08410	-.08310	-.08340
	GRADIENT	.00000	.00000	.00000	.00000	.00000	.00000	.00000	.00000

ORIGINAL PAGE IS
OF POOR QUALITY

ARC 11-023 IABO OTS (SRB OFF) (SSME OFF)

(HE4037) (28 OCT 75)

REFERENCE DATA

SREF = 2690.0000 SQ.FT. XMRP = .0000 IN.
 LREF = 1290.3000 IN. YMRP = .0000 IN.
 BREF = 1290.3000 IN. ZMRP = .0000 IN.
 SCALE = .0200

PARAMETRIC DATA

ELV-1B = .000 ELV-0B = .000
 RN/L = 2.250 MACH = 1.400

RUN NO. 33/ 0 RN/L = 2.23 GRADIENT INTERVAL = -5.00/ 5.00

ALPHA	BETA	CP22	CP24	CP26	CP28	CP21	CP23	CP25	CP27
-4.013	.003	-.04190	-.04740	-.03620	-.03960	-.04590	-.05120	-.03870	-.04090
	GRADIENT	.00000	.00000	.00000	.00000	.00000	.00000	.00000	.00000

RUN NO. 34/ 0 RN/L = 2.23 GRADIENT INTERVAL = -5.00/ 5.00

ALPHA	BETA	CP22	CP24	CP26	CP28	CP21	CP23	CP25	CP27
-.241	-4.006	-.07600	-.08100	-.06790	-.07070	-.01380	-.01390	-.01000	-.01190
-.264	.000	-.04790	-.05170	-.04170	-.04600	-.05140	-.05070	-.04010	-.04380
-.267	4.009	-.00660	-.00940	-.00220	-.00440	-.06450	-.07140	-.05640	-.05980
	GRADIENT	.00866	.00833	.00820	.00827	-.00532	-.00719	-.00579	-.00596

RUN NO. 35/ 0 RN/L = 2.24 GRADIENT INTERVAL = -5.00/ 5.00

ALPHA	BETA	CP22	CP24	CP26	CP28	CP21	CP23	CP25	CP27
4.010	.003	-.06990	-.06990	-.06020	-.05590	-.05430	-.05120	-.04800	-.04650
	GRADIENT	.00000	.00000	.00000	.00000	.00000	.00000	.00000	.00000

ARC 11-023 IABO OTS (SRB NOM) (SSME NOM)

(HE4038) (28 OCT 75)

REFERENCE DATA

SREF = 2690.0000 SQ.FT. XMRP = .0000 IN.
 LREF = 1290.3000 IN. YMRP = .0000 IN.
 BREF = 1290.3000 IN. ZMRP = .0000 IN.
 SCALE = .0200

PARAMETRIC DATA

ELV-1B = .000 ELV-0B = .000
 RN/L = 1.750 MACH = .600

RUN NO. 273/ 0 RN/L = 1.76 GRADIENT INTERVAL = -5.00/ 5.00

ALPHA	BETA	CP22	CP24	CP26	CP28	CP21	CP23	CP25	CP27
-3.980	-.003	.00190	.00120	.00120	-.00150	.00120	-.00220	.00260	-.00280
	GRADIENT	.00000	.00000	.00000	.00000	.00000	.00000	.00000	.00000

RUN NO. 274/ 0 RN/L = 1.77 GRADIENT INTERVAL = -5.00/ 5.00

ALPHA	BETA	CP22	CP24	CP26	CP28	CP21	CP23	CP25	CP27
-.314	-4.044	-.04970	-.04560	-.04290	-.04220	-.01500	-.01640	-.01300	-.01640
-.317	-.009	-.02980	-.02780	-.02440	-.02570	-.03250	-.02710	-.02780	-.03050
-.327	3.981	-.00830	-.01380	-.01520	-.02210	-.04810	-.04960	-.04200	-.04470
	GRADIENT	.00516	.00396	.00345	.00251	-.00413	-.00413	-.00361	-.00353

ARC 11-023 1A80 OTS (SRB NOM) (SSME NOM)

(HE4040) (28 OCT 75)

REFERENCE DATA

SREF = 2690.0000 SQ.FT. XMRP = .0000 IN.
 LREF = 1290.3000 IN. YMRP = .0000 IN.
 BREF = 1290.3000 IN. ZMRP = .0000 IN.
 SCALE = .0200

PARAMETRIC DATA

ELV-18 = .000 ELV-08 = .000
 RN/L = 2.250 MACH = 1.100

RUN NO. 27/ 0 RN/L = 2.25 GRADIENT INTERVAL = -5.00/ 5.00

ALPHA	BETA	CP22	CP24	CP26	CP28	CP21	CP23	CP25	CP27
-3.801	-.006	-.01570	-.01840	.03610	.02290	-.02080	-.02210	.00990	.00710
	GRADIENT	.00000	.00000	.00000	.00000	.00000	.00000	.00000	.00000

RUN NO. 28/ 0 RN/L = 2.25 GRADIENT INTERVAL = -5.00/ 5.00

ALPHA	BETA	CP22	CP24	CP26	CP28	CP21	CP23	CP25	CP27
-.304	-4.003	.04980	.05220	.08240	.08310	.11260	.10580	.13560	.13190
-.267	.003	.02880	.02340	.09790	.10060	.00820	.00040	.07930	.07860
-.390	4.016	.11170	.10660	.14230	.13480	.03430	.04000	.06550	.06480
	GRADIENT	.00772	.00679	.00747	.00645	-.00976	-.00820	-.00874	-.00837

RUN NO. 29/ 0 RN/L = 2.26 GRADIENT INTERVAL = -5.00/ 5.00

ALPHA	BETA	CP22	CP24	CP26	CP28	CP21	CP23	CP25	CP27
3.983	.003	.12560	.12900	.16270	.16030	.11820	.12600	.15390	.15530
	GRADIENT	.00000	.00000	.00000	.00000	.00000	.00000	.00000	.00000

ARC 11-023 1A80 OTS (SRB OFF) (SSME OFF)

(HE4041) (28 OCT 75)

REFERENCE DATA

SREF = 2690.0000 SQ.FT. XMRP = .0000 IN.
 LREF = 1290.3000 IN. YMRP = .0000 IN.
 BREF = 1290.3000 IN. ZMRP = .0000 IN.
 SCALE = .0200

PARAMETRIC DATA

ELV-18 = .000 ELV-08 = .000
 RN/L = 2.500 MACH = .600

RUN NO. 252/ 0 RN/L = 2.55 GRADIENT INTERVAL = -5.00/ 5.00

ALPHA	BETA	CP22	CP24	CP26	CP28	CP21	CP23	CP25	CP27
-4.000	-.022	.01690	.01230	.02060	.01650	.01180	.01140	.01550	.01230
	GRADIENT	.00000	.00000	.00000	.00000	.00000	.00000	.00000	.00000

RUN NO. 253/ 0 RN/L = 2.55 GRADIENT INTERVAL = -5.00/ 5.00

ALPHA	BETA	CP22	CP24	CP26	CP28	CP21	CP23	CP25	CP27
-.261	-4.041	-.03790	-.04020	-.03420	-.03420	-.00480	-.00800	-.00480	-.00900
-.71	-.025	-.01630	-.01360	-.01310	-.01490	-.01770	-.01680	-.01400	-.01400
-.343	3.991	-.00210	-.00120	-.00490	-.00650	-.00340	-.03970	-.03520	-.03700
	GRADIENT	.00446	.00486	.00365	.00320	-.00418	-.00395	-.00379	-.00349

DATE 12 JUN 76

TABULATED SOURCE DATA - IAB0

PAGE 494

ARC 11-023 IAB0 OTS (SRB OFF) (SSME OFF)

(HE4043) (28 OCT 75)

REFERENCE DATA

SREF = 2690.0000 SQ.FT. XMRP = .0000 IN.
 LREF = 1290.3000 IN. YMRP = .0000 IN.
 BREF = 1290.3000 IN. ZMRP = .0000 IN.
 SCALE = .0200

PARAMETRIC DATA

ELV-1B = .000 ELV-08 = .000
 RN/L = 3.250 MACH = 1.100

RUN NO. 36/ 0 RN/L = 3.28 GRADIENT INTERVAL = -5.00/ 5.00

ALPHA	BETA	CP22	CP24	CP26	CP28	CP21	CP23	CP25	CP27
-4.016	.003	-.03780	-.04240	-.00960	-.00780	-.04910	-.05120	-.02420	-.02700
	GRADIENT	.00000	.00000	.00000	.00000	.00000	.00000	.00000	.00000

RUN NO. 37/ 0 RN/L = 3.27 GRADIENT INTERVAL = -5.00/ 5.00

ALPHA	BETA	CP22	CP24	CP26	CP28	CP21	CP23	CP25	CP27
-.287	-4.056	.04250	.04510	.08170	.08170	.10830	.10370	.13130	.12290
-.291	.000	-.00830	-.01450	.06760	.05880	-.03070	-.03110	.04820	.03950
-.310	4.006	.11780	.10790	.14430	.13760	.03640	.04310	.06700	.06930
	GRADIENT	.00940	.00784	.00781	.00698	-.00897	-.00756	-.00803	-.00669

RUN NO. 38/ 0 RN/L = 3.27 GRADIENT INTERVAL = -5.00/ 5.00

ALPHA	BETA	CP22	CP24	CP26	CP28	CP21	CP23	CP25	CP27
4.016	.003	.10580	.11090	.16020	.16150	.09590	.09410	.15210	.15210
	GRADIENT	.00000	.00000	.00000	.00000	.00000	.00000	.00000	.00000

ARC 11-023 IAB0 OTS (SRB OFF) (SSME OFF)

(HE4044) (28 OCT 75)

REFERENCE DATA

SREF = 2690.0000 SQ.FT. XMRP = .0000 IN.
 LREF = 1290.3000 IN. YMRP = .0000 IN.
 BREF = 1290.3000 IN. ZMRP = .0000 IN.
 SCALE = .0200

PARAMETRIC DATA

ELV-1B = .000 ELV-08 = .000
 RN/L = 3.250 MACH = 1.250

RUN NO. 42/ 0 RN/L = 3.29 GRADIENT INTERVAL = -5.00/ 5.00

ALPHA	BETA	CP22	CP24	CP26	CP28	CP21	CP23	CP25	CP27
-3.953	.000	-.04030	-.04050	-.03770	-.04200	-.04420	-.04860	-.04100	-.04420
	GRADIENT	.00000	.00000	.00000	.00000	.00000	.00000	.00000	.00000

RUN NO. 43/ 0 RN/L = 3.29 GRADIENT INTERVAL = -5.00/ 5.00

ALPHA	BETA	CP22	CP24	CP26	CP28	CP21	CP23	CP25	CP27
-.287	-4.003	-.07810	-.07810	-.08740	-.08690	-.01230	-.01910	-.00030	-.00820
-.277	.003	-.04900	-.04940	-.04880	-.05220	-.05050	-.05090	-.05350	-.05330
-.376	4.012	-.01580	-.01510	.00220	-.00640	-.06000	-.06050	-.06890	-.06820
	GRADIENT	.00777	.00786	.01118	.01004	-.00595	-.00516	-.00856	-.00748

ARC 11-023 1A80 OTS (SRB NOM) (SSME NOM)

(HE4046) (28 OCT 75)

REFERENCE DATA

PARAMETRIC DATA

SREF = 2590.0000 SQ.FT.	XMRP = .0000 IN.	ELV-18 = .000	ELV-08 = .000
LREF = 1290.3000 IN.	YMRP = .0000 IN.	RN/L = 2.500	MACH = .600
BREF = 1290.3000 IN.	ZMRP = .0000 IN.		
SCALE = .0200			

RUN NO. 255/ 0 RN/L = 2.56 GRADIENT INTERVAL = -5.00/ 5.00

ALPHA	BETA	CP22	CP24	CP26	CP28	CP21	CP23	CP25	CP27
-3.894	-.022	.00270	-.00290	.00660	.00680	-.00520	-.00520	-.00060	.00360
	GRADIENT	.00000	.00000	.00000	.00000	.00000	.00000	.00000	.00000

RUN NO. 256/ 0 RN/L = 2.55 GRADIENT INTERVAL = -5.00/ 5.00

ALPHA	BETA	CP22	CP24	CP26	CP28	CP21	CP23	CP25	CP27
-.350	-4.041	-.04590	-.04500	-.0470	-.03800	-.00890	-.00890	-.01170	-.01260
-.320	-.025	-.03030	-.02750	-.02480	-.02750	-.02570	-.02890	-.02380	-.02850
-.337	3.994	-.01020	-.01300	-.01350	-.02570	-.05000	-.05050	-.05050	-.05610
	GRADIENT	.00444	.00398	.00351	.00153	-.00512	-.00518	-.00483	-.00541

RUN NO. 257/ 0 RN/L = 2.56 GRADIENT INTERVAL = -5.00/ 5.00

ALPHA	BETA	CP22	CP24	CP26	CP28	CP21	CP23	CP25	CP27
4.076	-.028	-.06110	-.05980	-.05470	-.05700	-.06250	-.06110	-.06160	-.05840
	GRADIENT	.00000	.00000	.00000	.00000	.00000	.00000	.00000	.00000

ARC 11-023 1A80 OTS (SRB NOM) (SSME NOM)

(HE4047) (28 OCT 75)

REFERENCE DATA

PARAMETRIC DATA

SREF = 2690.0000 SQ.FT.	XMRP = .0000 IN.	ELV-18 = .000	ELV-08 = .000
LREF = 1290.3000 IN.	YMRP = .0000 IN.	RN/L = 3.250	MACH = .900
BREF = 1290.3000 IN.	ZMRP = .0000 IN.		
SCALE = .0200			

RUN NO. 261/ 0 RN/L = 3.12 GRADIENT INTERVAL = -5.00/ 5.00

ALPHA	BETA	CP22	CP24	CP26	CP28	CP21	CP23	CP25	CP27
-4.033	.000	.05240	.05400	.06320	.06000	.04670	.04590	.05650	.05370
	GRADIENT	.00000	.00000	.00000	.00000	.00000	.00000	.00000	.00000

RUN NO. 262/ 0 RN/L = 3.13 GRADIENT INTERVAL = -5.00/ 5.00

ALPHA	BETA	CP22	CP24	CP26	CP28	CP21	CP23	CP25	CP27
-.343	-4.044	-.00410	-.00410	.00220	-.00140	.04010	.04090	.04580	.04170
-.340	-.028	.02920	.02890	.03830	.03700	.02210	.02270	.03210	.02970
-.340	3.991	.04790	.04540	.05660	.05080	-.00830	-.00690	.00020	-.00140
	GRADIENT	.00647	.00616	.00677	.00650	-.00602	-.00595	-.00568	-.00536

DATE 12 JUN 76

TABULATED SOURCE DATA - IABO

PAGE 497

ARC 11-023 IABO OTS (SRB NOM) (SSME NOM)

(HE4047) (28 OCT 75)

REFERENCE DATA

SREF = 2690.0000 SQ.FT. XMRP = .0000 IN.
 LREF = 1290.3000 IN. YMRP = .0000 IN.
 BREF = 1290.3000 IN. ZMRP = .0000 IN.
 SCALE = .0200

PARAMETRIC DATA

ELV-18 = .000 ELV-08 = .000
 RN/L = 3.250 MACH = .900

RUN NO. 263/ 0 RN/L = 3.13 GRADIENT INTERVAL = -5.00/ 5.00

ALPHA	BETA	CP22	CP24	CP26	CP28	CP21	CP23	CP25	CP27
3.927	-.028	-.00600	-.00360	.00050	.00110	-.01090	-.01200	-.00550	-.00460
	GRADIENT	.00000	.00000	.00000	.00000	.00000	.00000	.00000	.00000

ARC 11-023 IABO OTS (SRB NOM) (SSME NOM)

(HE4048) (28 OCT 75)

REFERENCE DATA

SREF = 2690.0000 SQ.FT. XMRP = .0000 IN.
 LREF = 1290.3000 IN. YMRP = .0000 IN.
 BREF = 1290.3000 IN. ZMRP = .0000 IN.
 SCALE = .0200

PARAMETRIC DATA

ELV-18 = .000 ELV-08 = .000
 RN/L = 3.250 MACH = 1.100

RUN NO. 39/ 0 RN/L = 3.27 GRADIENT INTERVAL = -5.00/ 5.00

ALPHA	BETA	CP22	CP24	CP26	CP28	CP21	CP23	CP25	CP27
-3.934	.003	-.03660	-.03890	-.01030	-.01420	-.03960	-.04260	-.02430	-.02270
	GRADIENT	.00000	.00000	.00000	.00000	.00000	.00000	.00000	.00000

RUN NO. 40/ 0 RN/L = 3.27 GRADIENT INTERVAL = -5.00/ 5.00

ALPHA	BETA	CP22	CP24	CP26	CP28	CP21	CP23	CP25	CP27
-.413	-4.006	.05140	.05440	.08650	.08690	.10850	.10650	.13650	.13050
-.443	.000	-.01800	-.01870	.04270	.03840	-.03340	-.03640	.01900	.01790
-.420	4.016	.11640	.11370	.14760	.13990	.03810	.04270	.06710	.07060
	GRADIENT	.00811	.00740	.00762	.00661	-.00878	-.00794	-.00864	-.00746

RUN NO. 41/ 0 RN/L = 3.27 GRADIENT INTERVAL = -5.00/ 5.00

ALPHA	BETA	CP22	CP24	CP26	CP28	CP21	CP23	CP25	CP27
3.884	.000	.09060	.08670	.15760	.15550	.07430	.07360	.14170	.14220
	GRADIENT	.00000	.00000	.00000	.00000	.00000	.00000	.00000	.00000

ORIGINAL PAGE IS
OF POOR QUALITY

ARC 11-023 1A80 OTS (SRB OFF) (SSME OFF)

(HE4053) (29 OCT 75)

REFERENCE DATA

SREF = 2690.0000 SQ.FT. XMRP = .0000 IN.
 LREF = 1290.3000 IN. YMRP = .0000 IN.
 BREF = 1290.3000 IN. ZMRP = .0000 IN.
 SCALE = .0200

PARAMETRIC DATA

ELV-18 = 8.000 ELV-08 = 4.000
 RN/L = 3.400 MACH = .600

RUN NO. 288/ 0 RN/L = 3.47 GRADIENT INTERVAL = -5.00/ 5.00

ALPHA	BETA	CP22	CP24	CP26	CP28	CP21	CP23	CP25	CP27
-3.944	.000	.00870	.00600	.00940	.00500	.00570	.00230	.00600	.00200
	GRADIENT	.00000	.00000	.00300	.00000	.00000	.00000	.00000	.00000

RUN NO. 289/ 0 RN/L = 3.47 GRADIENT INTERVAL = -5.00/ 5.00

ALPHA	BETA	CP22	CP24	CP26	CP28	CP21	CP23	CP25	CP27
-.320	-4.050	-.04150	-.04590	-.03910	-.04150	-.00690	-.01360	-.01160	-.01690
-.297	.000	-.02400	-.02500	-.02340	-.02170	-.02970	-.02400	-.02340	-.02600
-.314	3.978	-.00550	-.01120	-.00690	-.01660	-.04960	-.04830	-.04500	-.04500
	GRADIENT	.00448	.00432	.00401	.00311	-.00532	-.00432	-.00416	-.00350

RUN NO. 290/ 0 RN/L = 3.47 GRADIENT INTERVAL = -5.00/ 5.00

ALPHA	BETA	CP22	CP24	CP26	CP28	CP21	CP23	CP25	CP27
4.053	.000	-.05500	-.05560	-.05770	-.06000	-.05770	-.05560	-.05900	-.05900
	GRADIENT	.00000	.00000	.00300	.00000	.00000	.00000	.00000	.00000

ARC 11-023 1A80 OTS (SRB OFF) (SSME OFF)

(HE4054) (28 OCT 75)

REFERENCE DATA

SREF = 2690.0000 SQ.FT. XMRP = .0000 IN.
 LREF = 1290.3000 IN. YMRP = .0000 IN.
 BREF = 1290.3000 IN. ZMRP = .0000 IN.
 SCALE = .0200

PARAMETRIC DATA

ELV-18 = 8.000 ELV-08 = 4.000
 RN/L = 4.250 MACH = .900

RUN NO. 296/ 0 RN/L = 4.19 GRADIENT INTERVAL = -5.00/ 5.00

ALPHA	BETA	CP22	CP24	CP26	CP28	CP21	CP23	CP25	CP27
-3.940	-.044	.05020	.05160	.06000	.05630	.04590	.04450	.05320	.04820
	GRADIENT	.00000	.00000	.00300	.00000	.00000	.00000	.00000	.00000

RUN NO. 297/ 0 RN/L = 4.18 GRADIENT INTERVAL = -5.00/ 5.00

ALPHA	BETA	CP22	CP24	CP26	CP28	CP21	CP23	CP25	CP27
-.284	-4.059	-.01090	-.01210	-.00370	-.00800	.03760	.03350	.03940	.03120
-.320	-.041	.02280	.02340	.03210	.03050	.01690	.01630	.02420	.01990
-.314	3.975	.04060	.03670	.04560	.03810	-.01700	-.02030	-.01120	-.01800
	GRADIENT	.00641	.00607	.00526	.00574	-.00680	-.00670	-.00630	-.00612

ARC 11-023 IAB0 OTS (SRB OFF) (SSME OFF)

(HE4056) (28 OCT 75)

REFERENCE DATA

SREF = 2690.0000 SQ.FT. XMRP = .0000 IN.
 LREF = 1290.3000 IN. YMRP = .0000 IN.
 BREF = 1290.3000 IN. ZMRP = .0000 IN.
 SCALE = .0200

PARAMETRIC DATA

ELV-18 = 8.000 ELV-08 = 4.000
 RN/L = 4.250 MACH = 1.250

RUN NO. 94/ 0 RN/L = 4.40 GRADIENT INTERVAL = -5.00/ 5.00

ALPHA	BETA	CP22	CP24	CP26	CP28	CP21	CP23	CP25	CP27
-3.950	-.063	-.03620	-.04030	-.03660	-.03820	-.04640	-.04780	-.04240	-.04460
	GRADIENT	.00000	.00000	.00000	.00000	.00000	.00000	.00000	.00000

RUN NO. 95/ 0 RN/L = 4.40 GRADIENT INTERVAL = -5.00/ 5.00

ALPHA	BETA	CP22	CP24	CP26	CP28	CP21	CP23	CP25	CP27
-.324	-4.075	-.06700	-.06730	-.07420	-.07330	-.01700	-.02090	.00480	-.00240
-.314	-.063	-.04580	-.04910	-.04790	-.04960	-.04590	-.04720	-.04820	-.05170
-.343	3.953	-.01050	-.01330	.00760	.00250	-.06200	-.06160	-.07080	-.06940
	GRADIENT	.00704	.00673	.01019	.00944	-.00561	-.00507	-.00942	-.00835

RUN NO. 96/ 0 RN/L = 4.39 GRADIENT INTERVAL = -5.00/ 5.00

ALPHA	BETA	CP22	CP24	CP26	CP28	CP21	CP23	CP25	CP27
3.967	-.066	-.08130	-.08050	-.07060	-.07520	-.07170	-.07170	-.07140	-.07270
	GRADIENT	.00000	.00000	.00000	.00000	.00000	.00000	.00000	.00000

ARC 11-023 IAB0 OTS (SRB OFF) (SSME OFF)

(HE4057) (28 OCT 75)

REFERENCE DATA

SREF = 2690.0000 SQ.FT. XMRP = .0000 IN.
 LREF = 1290.3000 IN. YMRP = .0000 IN.
 BREF = 1290.3000 IN. ZMRP = .0000 IN.
 SCALE = .0200

PARAMETRIC DATA

ELV-18 = 8.000 ELV-08 = 4.000
 RN/L = 4.250 MACH = 1.400

RUN NO. 100/ 0 RN/L = 4.31 GRADIENT INTERVAL = -5.00/ 5.00

ALPHA	BETA	CP22	CP24	CP26	CP28	CP21	CP23	CP25	CP27
-3.953	-.063	-.02860	-.03500	-.02550	-.02630	-.03220	-.04090	-.02860	-.03170
	GRADIENT	.00000	.00000	.00000	.00000	.00000	.00000	.00000	.00000

RUN NO. 101/ 0 RN/L = 4.31 GRADIENT INTERVAL = -5.00/ 5.00

ALPHA	BETA	CP22	CP24	CP26	CP28	CP21	CP23	CP25	CP27
-.317	-4.075	-.06440	-.07120	-.05670	-.06020	.00090	.00170	.00700	.00190
-.320	-.059	-.03510	-.03870	-.02770	-.02990	-.04070	-.04360	-.03000	-.03230
-.522	3.956	.00350	-.00130	.00850	.00550	-.05250	-.05940	-.04400	-.04690
	GRADIENT	.00845	.00870	.00812	.00818	-.00665	-.00761	-.00635	-.00608

ARC 11-023 IAB0 OTS (SRB NOM) (SSME NOM)

(HE4059) (28 OCT 75)

REFERENCE DATA

SREF = 2690.0000 SQ.FT. XMRP = .0000 IN.
 LREF = 1290.3000 IN. YMRP = .0000 IN.
 BREF = 1290.3000 IN. ZMRP = .0000 IN.
 SCALE = .0200

PARAMETRIC DATA

ELV-18 = 8.000 ELV-08 = 4.000
 RN/L = 4.250 MACH = .900

RUN NO. 299/ 0 RN/L = 4.17 GRADIENT INTERVAL = -5.00/ 5.00

ALPHA	BETA	CP22	CP24	CP26	CP28	CP21	CP23	CP25	CP27
-3.983	-.038	.04540	.04410	.05560	.05250	.03800	.03800	.04890	.04420
	GRADIENT	.00000	.00000	.00000	.00000	.00000	.00000	.00000	.00000

RUN NO. 300/ 0 RN/L = 4.18 GRADIENT INTERVAL = -5.00/ 5.00

ALPHA	BETA	CP22	CP24	CP26	CP28	CP21	CP23	CP25	CP27
-.370	-4.059	-.01110	-.01520	-.00630	-.01070	.03390	.03170	.03720	.02940
-.403	-.044	.02540	.02800	.03410	.03030	.01790	.01990	.02660	.02340
-.409	3.972	.03920	.03530	.04210	.03490	-.02250	-.01980	-.01730	-.01880
	GRADIENT	.00626	.00629	.00609	.00568	-.00702	-.00641	-.00679	-.00600

RUN NO. 301/ 0 RN/L = 4.17 GRADIENT INTERVAL = -5.00/ 5.00

ALPHA	BETA	CP22	CP24	CP26	CP28	CP21	CP23	CP25	CP27
4.076	-.041	-.00910	-.00800	-.00330	-.00410	-.01830	-.01640	-.00890	-.01520
	GRADIENT	.00000	.00000	.00000	.00000	.00000	.00000	.00000	.00000

ARC 11-023 IAB0 OTS (SRB NOM) (SSME NOM)

(HE4060) (28 OCT 75)

REFERENCE DATA

SREF = 2690.0000 SQ.FT. XMRP = .0000 IN.
 LREF = 1290.3000 IN. YMRP = .0000 IN.
 BREF = 1290.3000 IN. ZMRP = .0000 IN.
 SCALE = .0200

PARAMETRIC DATA

ELV-18 = 8.000 ELV-08 = 4.000
 RN/L = 4.250 MACH = 1.100

RUN NO. 109/ 0 RN/L = 4.37 GRADIENT INTERVAL = -5.00/ 5.00

ALPHA	BETA	CP22	CP24	CP26	CP28	CP21	CP23	CP25	CP27
-3.937	-.059	-.03530	-.04260	-.01420	-.02780	-.03630	-.04580	-.02390	-.03270
	GRADIENT	.00000	.00000	.00000	.00000	.00000	.00000	.00000	.00000

RUN NO. 110/ 0 RN/L = 4.36 GRADIENT INTERVAL = -5.00/ 5.00

ALPHA	BETA	CP22	CP24	CP26	CP28	CP21	CP23	CP25	CP27
-.528	-4.075	.06010	.06140	.09570	.09520	.12070	.11590	.14320	.13720
-.492	-.063	-.04090	-.04510	-.00620	.00390	-.04420	-.05640	-.03700	-.03990
-.532	3.956	.12030	.11380	.14780	.14090	.04640	.04690	.07120	.07280
	GRADIENT	.00750	.00653	.00650	.00570	-.00924	-.00858	-.00896	-.00801

DATE 12 JUN 76

TABULATED SOURCE DATA - IABO

PAGE 505

ARC 11-023 IABO OTS (SRB NOM) (SSME NOM)

(HE4060) (28 OCT 75)

REFERENCE DATA

SREF = 2690.0000 SQ.FT. XMRP = .0000 IN.
 LREF = 1290.3000 IN. YMRP = .0000 IN.
 BREF = 1290.3000 IN. ZMRP = .0009 IN.
 SCALE = .0200

PARAMETRIC DATA

ELV-18 = 8.000 ELV-08 = 4.000
 RN/L = 4.250 MACH = 1.100

RUN NO. 111/ 0 RN/L = 4.38 GRADIENT INTERVAL = -5.00/ 5.00

ALPHA	BETA	CP22	CP24	CP26	CP28	CP21	CP23	CP25	CP27
4.013	-.063	.17050	.17430	.18840	.19010	.15790	.16780	.18130	.18020
	GRADIENT	.00000	.00000	.00000	.00000	.00000	.00000	.00000	.00000

ARC 11-023 IABO OTS (SRB NOM) (SSME NOM)

(HE4061) (28 OCT 75)

REFERENCE DATA

SREF = 2690.0000 SQ.FT. XMRP = .0000 IN.
 LREF = 1290.3000 IN. YMRP = .0000 IN.
 BREF = 1290.3000 IN. ZMRP = .0000 IN.
 SCALE = .0200

PARAMETRIC DATA

ELV-18 = 8.000 ELV-08 = 4.000
 RN/L = 4.250 MACH = 1.250

RUN NO. 97/ 0 RN/L = 4.39 GRADIENT INTERVAL = -5.00/ 5.00

ALPHA	BETA	CP22	CP24	CP26	CP28	CP21	CP23	CP25	CP27
-3.960	-.066	-.03530	-.03890	-.03180	-.03720	-.04380	-.04530	-.03880	-.03970
	GRADIENT	.00000	.00000	.00000	.00000	.00000	.00000	.00000	.00000

RUN NO. 98/ 0 RN/L = 4.39 GRADIENT INTERVAL = -5.00/ 5.00

ALPHA	BETA	CP22	CP24	CP26	CP28	CP21	CP23	CP25	CP27
-.505	-4.075	-.06750	-.06610	-.07280	-.07180	-.01440	-.01860	.00690	.00250
-.459	-.059	-.04440	-.04600	-.04300	-.04760	-.04430	-.04630	-.04630	-.04870
-.462	3.953	-.00840	-.01190	.00700	.00310	-.05990	-.06160	-.06860	-.06790
	GRADIENT	.00736	.00675	.00994	.00933	-.00567	-.00536	-.00940	-.00877

RUN NO. 99/ 0 RN/L = 4.39 GRADIENT INTERVAL = -5.00/ 5.00

ALPHA	BETA	CP22	CP24	CP26	CP28	CP21	CP23	CP25	CP27
4.006	-.063	-.08310	-.08020	-.07260	-.07620	-.07560	-.07190	-.07030	-.06950
	GRADIENT	.00000	.00000	.00000	.00000	.00000	.00000	.00000	.00000

ORIGINAL PAGE IS
OF POOR QUALITY

ARC 11-023 IABO OTS (SRB NOM) (SSME NOM)

(HE4062) (28 OCT 75)

REFERENCE DATA

SREF = 2690.0000 SQ.FT. XMRP = .0000 IN.
 LREF = 1290.3000 IN. YMRP = .0000 IN.
 BREF = 1290.3000 IN. ZMRP = .0000 IN.
 SCALE = .0200

PARAMETRIC DATA

ELV-18 = 8.000 ELV-08 = 4.000
 RN/L = 4.250 MACH = 1.400

RUN NO. 103/ 0 RN/L = 4.28 GRADIENT INTERVAL = -5.00/ 5.00

ALPHA	BETA	CP22	CP24	CP26	CP28	CP21	CP23	CP25	CP27
-3.937	-.069	-.03440	-.03650	-.02620	-.02920	-.03470	-.04220	-.03200	-.03250
	GRADIENT	.00000	.00000	.00000	.00000	.00000	.00000	.00000	.00000

RUN NO. 104/ 0 RN/L = 4.28 GRADIENT INTERVAL = -5.00/ 5.00

ALPHA	BETA	CP22	CP24	CP26	CP28	CP21	CP23	CP25	CP27
-.486	-4.078	-.06480	-.07130	-.05570	-.05790	-.00240	-.00110	.00350	-.00030
-.486	-.063	-.03770	-.04220	-.03050	-.03130	-.04630	-.04280	-.02960	-.03350
-.499	3.953	.00230	-.00130	.00770	.00620	-.05560	-.06110	-.04670	-.04910
	GRADIENT	.00835	.00872	.00789	.00798	-.00662	-.00747	-.00625	-.00615

RUN NO. 105/ 0 RN/L = 4.28 GRADIENT INTERVAL = -5.00/ 5.00

ALPHA	BETA	CP22	CP24	CP26	CP28	CP21	CP23	CP25	CP27
4.020	-.066	-.04890	-.04760	-.04510	-.04370	-.03580	-.03530	-.03260	-.03260
	GRADIENT	.00000	.00000	.00000	.00000	.00000	.00000	.00000	.00000

ARC 11-023 IABO OTS (SRB NOM+) (SSME NOM)

(HE4063) (28 OCT 75)

REFERENCE DATA

SREF = 2690.0000 SQ.FT. XMRP = .0000 IN.
 LREF = 1290.3000 IN. YMRP = .0000 IN.
 BREF = 1290.3000 IN. ZMRP = .0000 IN.
 SCALE = .0200

PARAMETRIC DATA

ELV-18 = 8.000 ELV-08 = 4.000
 RN/L = 4.250 MACH = .980

RUN NO. 118/ 0 RN/L = 4.31 GRADIENT INTERVAL = -5.00/ 5.00

ALPHA	BETA	CP22	CP24	CP26	CP28	CP21	CP23	CP25	CP27
-3.868	-.063	.14610	.14650	.15260	.15200	.14110	.14130	.14500	.14420
	GRADIENT	.00000	.00000	.00000	.00000	.00000	.00000	.00000	.00000

RUN NO. 119/ 0 RN/L = 4.31 GRADIENT INTERVAL = -5.00/ 5.00

ALPHA	BETA	CP22	CP24	CP26	CP28	CP21	CP23	CP25	CP27
-.486	-4.075	.09270	.09270	.09850	.09730	.11020	.10870	.11670	.11210
-.456	-.063	.12410	.12470	.13110	.12970	.11730	.12010	.12340	.12320
-.439	3.953	.11620	.11400	.12290	.11790	.08700	.08850	.09030	.08940
	GRADIENT	.00293	.00265	.00304	.00257	-.00289	-.00252	-.00329	-.00283

ARC 11-023 1A80 OTS (SRB OFF) (SSME OFF)

(HE4065) (28 OCT 75)

REFERENCE DATA

SREF = 2690.0000 SQ.FT. XMRP = .0000 IN.
 LREF = 1290.3000 IN. YMRP = .0000 IN.
 BREF = 1290.3000 IN. ZMRP = .0000 IN.
 SCALE = .0200

PARAMETRIC DATA

ELV-18 = 8.000 ELV-08 = -4.000
 RN/L = 4.250 MACH = .900

RUN NO. 302/ 0 RN/L = 4.21 GRADIENT INTERVAL = -5.00/ 5.00

ALPHA	BETA	CP22	CP24	CP26	CP28	CP21	CP23	CP25	CP27
-3.977	-.044	.04910	.05020	.05800	.05530	.04320	.04340	.05140	.04730
	GRADIENT	.00000	.00000	.00000	.00000	.00000	.00000	.00000	.00000

RUN NO. 303/ 0 RN/L = 4.18 GRADIENT INTERVAL = -5.00/ 5.00

ALPHA	BETA	CP22	CP24	CP26	CP28	CP21	CP23	CP25	CP27
-.304	-4.063	-.01170	-.01380	-.00390	-.00800	.03680	.03100	.03800	.03080
-.314	-.044	.02530	.02420	.03420	.03320	.01960	.01880	.02460	.02260
-.317	3.972	.04190	.03940	.04400	.04000	-.01790	-.02010	-.01290	-.01350
	GRADIENT	.00367	.00662	.00596	.00597	-.00681	-.00636	-.00633	-.00551

RUN NO. 304/ 0 RN/L = 4.17 GRADIENT INTERVAL = -5.00/ 5.00

ALPHA	BETA	CP22	CP24	CP26	CP28	CP21	CP23	CP25	CP27
3.930	-.041	-.00800	-.00510	.00090	-.00160	-.01290	-.01330	-.00630	-.01040
	GRADIENT	.00000	.00000	.00000	.00000	.00000	.00000	.00000	.00000

ARC 11-023 1A80 OTS (SRB OFF) (SSME OFF)

(HE4066) (28 OCT 75)

REFERENCE DATA

SREF = 2690.0000 SQ.FT. XMRP = .0000 IN.
 LREF = 1290.3000 IN. YMRP = .0000 IN.
 BREF = 1290.3000 IN. ZMRP = .0000 IN.
 SCALE = .0200

PARAMETRIC DATA

ELV-18 = 8.000 ELV-08 = -4.000
 RN/L = 4.250 MACH = 1.100

RUN NO. 133/ 0 RN/L = 4.40 GRADIENT INTERVAL = -5.00/ 5.00

ALPHA	BETA	CP22	CP24	CP26	CP28	CP21	CP23	CP25	CP27
-3.963	-.063	-.04240	-.04400	-.01600	-.01670	-.05260	-.05240	-.03180	-.03380
	GRADIENT	.00000	.00000	.00000	.00000	.00000	.00000	.00000	.00000

RUN NO. 134/ 0 RN/L = 4.40 GRADIENT INTERVAL = -5.00/ 5.00

ALPHA	BETA	CP22	CP24	CP26	CP28	CP21	CP23	CP25	CP27
-.337	-4.072	.05110	.04990	.08860	.08750	.12060	.11340	.14040	.13360
-.334	-.059	.06790	.05000	.12930	.11950	.04710	.03210	.11310	.11090
-.376	3.972	.11970	.11650	.14970	.14200	.07960	.04430	.06770	.06550
	GRADIENT	.00855	.00830	.00762	.00679	-.01010	-.00862	-.00906	-.00849

ARC 11-023 IAB0 OTS (SRB OFF) (SSME OFF)

(HE4068) (28 OCT 75)

REFERENCE DATA

PARAMETRIC DATA

SREF = 2690.0000 SQ.FT. XMRP = .0000 IN.
 LREF = 1290.3000 IN. YMRP = .0000 IN.
 BREF = 1290.3000 IN. ZMRP = .0000 IN.
 SCALE = .0200

ELV-18 = 8.000 ELV-08 = -4.000
 RN/L = 4.250 MACH = 1.400

RUN NO. 121/ 0 RN/L = 4.39 GRADIENT INTERVAL = -5.00/ 5.00

ALPHA	BETA	CP22	CP24	CP26	CP28	CP21	CP23	CP25	CP27
-3.944	-.059	-.03030	-.03580	-.02450	-.02560	-.03300	-.04280	-.02950	-.03000
	GRADIENT	.00000	.00000	.00000	.00000	.00000	.00000	.00000	.00000

RUN NO. 122/ 0 RN/L = 4.37 GRADIENT INTERVAL = -5.00/ 5.00

ALPHA	BETA	CP22	CP24	CP26	CP28	CP21	CP23	CP25	CP27
-.320	-4.072	-.06570	-.06940	-.05640	-.05960	.00160	.00260	.00800	.00540
-.320	-.059	-.03500	-.03580	-.02470	-.02680	-.04050	-.04210	-.03160	-.03240
-.347	3.953	.00510	.00150	.01180	.00850	-.05070	-.05730	-.04050	-.04550
	GRADIENT	.00292	.00883	.00850	.00849	-.00652	-.00746	-.00604	-.00634

RUN NO. 123/ 0 RN/L = 4.35 GRADIENT INTERVAL = -5.00/ 5.00

ALPHA	BETA	CP22	CP24	CP26	CP28	CP21	CP23	CP25	CP27
3.960	-.063	-.05060	-.04870	-.04070	-.04280	-.03450	-.03240	-.02810	-.02620
	GRADIENT	.00000	.00000	.00000	.00000	.00000	.00000	.00000	.00000

ARC 11-023 IAB0 OTS (SRB NOM) (SSME NOM)

(HE4069) (28 OCT 75)

REFERENCE DATA

PARAMETRIC DATA

SREF = 2690.0000 SQ.FT. XMRP = .0000 IN.
 LREF = 1290.3000 IN. YMRP = .0000 IN.
 BREF = 1290.3000 IN. ZMRP = .0000 IN.
 SCALE = .0200

ELV-18 = 8.000 ELV-08 = -4.000
 RN/L = 3.400 MACH = .600

RUN NO. 317/ 0 RN/L = 3.46 GRADIENT INTERVAL = -5.00/ 5.00

ALPHA	BETA	CP22	CP24	CP26	CP28	CP21	CP23	CP25	CP27
-3.920	-.044	-.00370	-.00620	.00220	-.00060	-.00790	-.00580	-.00100	-.00580
	GRADIENT	.00000	.00000	.00000	.00000	.00000	.00000	.00000	.00000

RUN NO. 318/ 0 RN/L = 3.46 GRADIENT INTERVAL = -5.00/ 5.00

ALPHA	BETA	CP22	CP24	CP26	CP28	CP21	CP23	CP25	CP27
-.376	-4.066	-.05630	-.05420	-.04940	-.05140	-.01850	-.01780	-.01710	-.02410
-.373	-.050	-.03140	-.03180	-.02870	-.03180	-.03350	-.03080	-.03180	-.03560
-.426	3.969	-.01520	-.01660	-.01520	-.02840	-.05460	-.05670	-.04770	-.05220
	GRADIENT	.00512	.00468	.00426	.00286	-.00449	-.00484	-.00381	-.00350

ARC 11-023 IAB0 OTS (SRB NOM) (SSME NOM)

(HE4071) (28 OCT 75)

REFERENCE DATA

SREF = 2690.0000 SQ.FT. XMRP = .0000 IN.
 LREF = 1290.3000 IN. YMRP = .0000 IN.
 BREF = 1290.3000 IN. ZMRP = .0000 IN.
 SCALE = .0200

PARAMETRIC DATA

ELV-18 = 8.000 ELV-08 = -4.000
 RN/L = 4.250 MACH = 1.100

RUN NO. 136/ 0 RN/L = 4.37 GRADIENT INTERVAL = -5.00/ 5.00

ALPHA	BETA	CP22	CP24	CP26	CP28	CP21	CP23	CP25	CP27
-3.963	-.066	-.03310	-.03570	-.00275	-.00520	-.03890	-.04050	-.01450	-.01756
	GRADIENT	.00000	.00000	.00000	.00000	.00000	.00000	.00000	.00000

RUN NO. 137/ 0 RN/L = 4.37 GRADIENT INTERVAL = -5.00/ 5.00

ALPHA	BETA	CP22	CP24	CP26	CP28	CP21	CP23	CP25	CP27
-.545	-4.072	.06380	.05960	.10470	.10450	.14110	.13250	.16980	.16340
-.667	-.059	-.03190	-.03050	.04470	.02800	-.04580	-.04600	.00610	.01280
-.519	3.953	.14400	.13530	.17620	.16730	.03640	.04860	.07950	.07670
	GRADIENT	.00999	.00943	.00891	.00783	-.01305	-.01050	-.01125	-.01080

RUN NO. 138/ 0 RN/L = 4.37 GRADIENT INTERVAL = -5.00/ 5.00

ALPHA	BETA	CP22	CP24	CP26	CP28	CP21	CP23	CP25	CP27
3.990	-.066	.10700	.12020	.20180	.20930	.10550	.10940	.19010	.19110
	GRADIENT	.00000	.00000	.00000	.00000	.00000	.00000	.00000	.00000

ARC 11-023 IAB0 OTS (SRB NOM) (SSME NOM)

(HE4072) (28 OCT 75)

REFERENCE DATA

SREF = 2690.0000 SQ.FT. XMRP = .0000 IN.
 LREF = 1290.3000 IN. YMRP = .0000 IN.
 BREF = 1290.3000 IN. ZMRP = .0000 IN.
 SCALE = .0200

PARAMETRIC DATA

ELV-18 = 8.000 ELV-08 = -4.000
 RN/L = 4.250 MACH = 1.250

RUN NO. 130/ 0 RN/L = 4.40 GRADIENT INTERVAL = -5.00/ 5.00

ALPHA	BETA	CP22	CP24	CP26	CP28	CP21	CP23	CP25	CP27
-4.003	-.066	-.03660	-.03790	-.03310	-.03470	-.04340	-.04320	-.03760	-.03920
	GRADIENT	.00000	.00000	.00000	.00000	.00000	.00000	.00000	.00000

RUN NO. 131/ 0 RN/L = 4.40 GRADIENT INTERVAL = -5.00/ 5.00

ALPHA	BETA	CP22	CP24	CP26	CP28	CP21	CP23	CP25	CP27
-.502	-4.072	-.06800	-.06610	-.06960	-.07020	-.01550	-.02010	.00430	-.00210
-.528	-.059	-.04280	-.04270	-.04170	-.04460	-.04140	-.04230	-.04230	-.04510
-.538	3.953	-.01420	-.01630	.00650	-.00100	-.06540	-.06470	-.07470	-.07210
	GRADIENT	.00670	.00621	.00948	.00862	-.00622	-.00556	-.00984	-.00872

DATE 12 JUN 76

TABULATED SOURCE DATA - 1A80

PAGE 513

ARC 11-023 1A80 OTS (SRB NOM) (SSME NOM)

(HE4072) (28 OCT 75)

REFERENCE DATA

PARAMETRIC DATA

SREF = 2690.0000 SQ.FT. XMRP = .0000 IN.
 LREF = 1290.3000 IN. YMRP = .0000 IN.
 BREF = 1290.3000 IN. ZMRP = .0000 IN.
 SCALE = .0200

ELV-1B = 8.000 ELV-08 = -4.000
 RN/L = 4.250 MACH = 1.250

RUN NO. 132/ 0 RN/L = 4.41 GRADIENT INTERVAL = -5.00/ 5.00

ALPHA	BETA	CP22	CP24	CP26	CP28	CP21	CP23	CP25	CP27
3.953	-.063	-.08210	-.07950	-.07020	-.07270	-.07270	-.07310	-.07020	-.06860
	GRADIENT	.00000	.00000	.00000	.00000	.00000	.00000	.00000	.00000

ARC 11-023 1A80 OTS (SRB NOM) (SSME NOM)

(HE4073) (28 OCT 75)

REFERENCE DATA

PARAMETRIC DATA

SREF = 2690.0000 SQ.FT. XMRP = .0000 IN.
 LREF = 1290.3000 IN. YMRP = .0000 IN.
 BREF = 1290.3000 IN. ZMRP = .0000 IN.
 SCALE = .0200

ELV-1B = 8.000 ELV-08 = -4.000
 RN/L = 4.250 MACH = 1.400

RUN NO. 125/ 0 RN/L = 4.32 GRADIENT INTERVAL = -5.00/ 5.00

ALPHA	BETA	CP22	CP24	CP26	CP28	CP21	CP23	CP25	CP27
-.522	-4.072	-.06810	-.07060	-.05750	-.06100	.00330	.00260	.00890	.00620
-.502	-.059	-.02970	-.03270	-.02350	-.02460	-.03940	-.04070	-.02870	-.03170
-.535	3.953	.00510	.00370	.01120	.00930	-.05370	-.05850	-.04250	-.04550
	GRADIENT	.00912	.00926	.00856	.00876	-.00710	-.00761	-.00640	-.00644

RUN NO. 126/ 0 RN/L = 4.31 GRADIENT INTERVAL = -5.00/ 5.00

ALPHA	BETA	CP22	CP24	CP26	CP28	CP21	CP23	CP25	CP27
.000	-.063	-.03160	-.03570	-.02200	-.02600	-.03740	-.03850	-.02580	-.02640
	GRADIENT	.00000	.00000	.00000	.00000	.00000	.00000	.00000	.00000

RUN NO. 124/ 0 RN/L = 4.33 GRADIENT INTERVAL = -5.00/ 5.00

ALPHA	BETA	CP22	CP24	CP26	CP28	CP21	CP23	CP25	CP27
.020	-.063	-.03630	-.03970	-.02610	-.03080	-.03820	-.04320	-.02390	-.03020
	GRADIENT	.00000	.00000	.00000	.00000	.00000	.00000	.00000	.00000

ORIGINAL PAGE IS OF POOR QUALITY

ARC 11-023 IAB0 OTS (SRB OFF) (SSME OFF)

(HE4074) (28 OCT 75)

REFERENCE DATA

SREF = 2690.0000 SQ.FT. XMRP = .0000 IN.
 LREF = 1290.3000 IN. YMRP = .0000 IN.
 BREF = 1290.3000 IN. ZMRP = .0000 IN.
 SCALE = .0200

PARAMETRIC DATA

ELV-1B = 8.000 ELV-0B = .000
 RN/L = 3.400 MACH = .600

RUN NO. 276/ 0 RN/L = 3.50 GRADIENT INTERVAL = -5.00/ 5.00

ALPHA	BETA	CP22	CP24	CP26	CP28	CP21	CP23	CP25	CP27
-3.950	-.009	.01130	.00790	.01440	.01300	.00730	.00520	.00960	.00760
	GRADIENT	.00000	.00000	.00000	.00000	.00000	.00000	.00000	.00000

RUN NO. 277/ 0 RN/L = 3.51 GRADIENT INTERVAL = -5.00/ 5.00

ALPHA	BETA	CP22	CP24	CP26	CP28	CP21	CP23	CP25	CP27
-.301	-4.044	-.04220	-.04590	-.03940	-.04180	-.01000	-.01340	-.01140	-.01540
-.287	-.006	-.02210	-.02210	-.01740	-.02180	-.02680	-.02280	-.02180	-.02310
-.317	3.988	-.00830	-.01300	-.01300	-.02080	-.04570	-.04810	-.04540	-.04600
	GRADIENT	.00422	.00410	.00329	.00262	-.00444	-.00432	-.00423	-.00381

RUN NO. 278/ 0 RN/L = 3.51 GRADIENT INTERVAL = -5.00/ 5.00

ALPHA	BETA	CP22	CP24	CP26	CP28	CP21	CP23	CP25	CP27
3.947	-.009	-.05270	-.05810	-.05770	-.06010	-.05610	-.05670	-.05910	-.06210
	GRADIENT	.00000	.00000	.00000	.00000	.00000	.00000	.00000	.00000

ARC 11-023 IAB0 OTS (SRB OFF) (SSME OFF)

(HE4075) (28 OCT 75)

REFERENCE DATA

SREF = 2690.0000 SQ.FT. XMRP = .0000 IN.
 LREF = 1290.3000 IN. YMRP = .0000 IN.
 BREF = 1290.3000 IN. ZMRP = .0000 IN.
 SCALE = .0200

PARAMETRIC DATA

ELV-1B = 8.000 ELV-0B = .000
 RN/L = 4.250 MACH = .900

RUN NO. 282/ 0 RN/L = 4.25 GRADIENT INTERVAL = -5.00/ 5.00

ALPHA	BETA	CP22	CP24	CP26	CP28	CP21	CP23	CP25	CP27
-3.980	-.012	.05300	.05180	.06080	.05960	.04700	.04560	.05380	.05240
	GRADIENT	.00000	.00000	.00000	.00000	.00000	.00000	.00000	.00000

RUN NO. 283/ 0 RN/L = 4.25 GRADIENT INTERVAL = -5.00/ 5.00

ALPHA	BETA	CP22	CP24	CP26	CP28	CP21	CP23	CP25	CP27
-.324	-4.047	-.00440	-.00580	.00140	.00020	.04230	.03910	.04590	.03910
-.317	-.006	.03290	.03090	.04170	.04010	.02520	.02640	.03310	.03190
-.396	3.984	.05210	.04750	.05610	.04970	-.00480	-.00640	-.00140	-.00300
	GRADIENT	.00704	.00664	.00682	.00617	-.00586	-.00566	-.00588	-.00523

ARC 11-023 1A80 OTS (SRB OFF) (SSME OFF)

(HE4077) (28 OCT 75)

REFERENCE DATA

SREF = 2690.0000 SQ.FT. XMRP = .0000 IN.
 LREF = 1290.3000 IN. YMRP = .0000 IN.
 BREF = 1290.3000 IN. ZMRP = .0000 IN.
 SCALE = .0200

PARAMETRIC DATA

ELV-18 = 8.000 ELV-08 = .000
 RN/L = 4.250 MACH = 1.250

RUN NO. 147/ 0 RN/L = 4.48 GRADIENT INTERVAL = -5.00/ 5.00

ALPHA	BETA	CP22	CP24	CP26	CP28	CP21	CP23	CP25	CP27
-3.881	.012	-.04170	-.04210	-.03800	-.04070	-.04560	-.04920	-.04130	-.04640
	GRADIENT	.00000	.00000	.00000	.00000	.00000	.00000	.00000	.00000

RUN NO. 148/ 0 RN/L = 4.47 GRADIENT INTERVAL = -5.00/ 5.00

ALPHA	BETA	CP22	CP24	CP26	CP28	CP21	CP23	CP25	CP27
-.238	-3.994	-.07240	-.07160	-.07800	-.07670	-.01760	-.02170	.00250	-.00290
-.258	.009	-.04960	-.05290	-.05010	-.05200	-.05200	-.05310	-.05280	-.05420
-.281	4.031	-.01010	-.01030	.00630	.00040	-.06070	-.06500	-.06870	-.06820
	GRADIENT	.00776	.00758	.01051	.00961	-.00537	-.00539	-.00887	-.00813

RUN NO. 149/ 0 RN/L = 4.46 GRADIENT INTERVAL = -5.00/ 5.00

ALPHA	BETA	CP22	CP24	CP26	CP28	CP21	CP23	CP25	CP27
3.953	.016	-.08460	-.08290	-.07410	-.07790	-.07870	-.07500	-.07490	-.07550
	GRADIENT	.00000	.00000	.00000	.00000	.00000	.00000	.00000	.00000

ARC 11-023 1A80 OTS (SRB OFF) (SSME OFF)

(HE4078) (28 OCT 75)

REFERENCE DATA

SREF = 2690.0000 SQ.FT. XMRP = .0000 IN.
 LREF = 1290.3000 IN. YMRP = .0000 IN.
 BREF = 1290.3000 IN. ZMRP = .0000 IN.
 SCALE = .0200

PARAMETRIC DATA

ELV-18 = 8.000 ELV-08 = .000
 RN/L = 4.250 MACH = 1.400

RUN NO. 141/ 0 RN/L = 4.35 GRADIENT INTERVAL = -5.00/ 5.00

ALPHA	BETA	CP22	CP24	CP26	CP28	CP21	CP23	CP25	CP27
-3.980	-.066	-.02630	-.03150	-.01910	-.02130	-.02740	-.03800	-.02490	-.02560
	GRADIENT	.00000	.00000	.00000	.00000	.00000	.00000	.00000	.00000

RUN NO. 142/ 0 RN/L = 4.34 GRADIENT INTERVAL = -5.00/ 5.00

ALPHA	BETA	CP22	CP24	CP26	CP28	CP21	CP23	CP25	CP27
-.238	-4.072	-.06570	-.06810	-.05370	-.05670	-.00100	.00100	.00460	.00070
-.228	-.063	-.03270	-.03780	-.02600	-.02880	-.03770	-.04140	-.02940	-.03330
-.261	3.953	.00340	.00170	.00840	.00740	-.05220	-.05920	-.04060	-.04480
	GRADIENT	.00861	.00870	.00774	.00799	-.00638	-.00750	-.00563	-.00567

DATE 12 JUN 76

TABULATED SOURCE DATA - IABO

PAGE 518

ARC 11-023 IABO OTS (SRB NOM) (SSME NOM)

(HE4080) (28 OCT 75)

REFERENCE DATA

SREF = 2690.0000 SQ.FT. XMRP = .0000 IN.
 LREF = 1290.3000 IN. YMRP = .0000 IN.
 BREF = 1290.3000 IN. ZMRP = .0000 IN.
 SCALE = .0200

PARAMETRIC DATA

ELV-18 = 8.000 ELV-08 = .000
 RN/L = 4.250 MACH = .900

RUN NO. 285/ 0 RN/L = 4.18 GRADIENT INTERVAL = -5.00/ 5.00

ALPHA	BETA	CP22	CP24	CP26	CP28	CP21	CP23	CP25	CP27
-3.897	-.009	.04600	.04700	.05460	.05230	.04270	.03760	.04820	.04500
	GRADIENT	.00000	.00000	.00000	.00000	.00000	.00000	.00000	.00000

RUN NO. 286/ 0 RN/L = 4.19 GRADIENT INTERVAL = -5.00/ 5.00

ALPHA	BETA	CP22	CP24	CP26	CP28	CP21	CP23	CP25	CP27
-.353	-4.050	-.01030	-.01160	-.00280	-.00440	.03750	.03620	.04200	.03460
-.363	-.009	.02490	.02660	.03420	.03440	.01910	.01990	.02690	.02490
-.519	3.981	.04880	.04320	.05230	.04800	-.00970	-.01110	-.00620	-.00790
	GRADIENT	.00735	.00683	.00687	.00653	-.00587	-.00589	-.00600	-.00529

RUN NO. 287/ 0 RN/L = 4.18 GRADIENT INTERVAL = -5.00/ 5.00

ALPHA	BETA	CP22	CP24	CP26	CP28	CP21	CP23	CP25	CP27
3.980	-.012	-.00350	-.00590	.00160	.00140	-.01200	-.01300	-.00450	-.00830
	GRADIENT	.00000	.00000	.00000	.00000	.00000	.00000	.00000	.00000

ARC 11-023 IABO OTS (SRB NOM) (SSME NOM)

(HE4081) (28 OCT 75)

REFERENCE DATA

SREF = 2690.0000 SQ.FT. XMRP = .0000 IN.
 LREF = 1290.3000 IN. YMRP = .0000 IN.
 BREF = 1290.3000 IN. ZMRP = .0000 IN.
 SCALE = .0200

PARAMETRIC DATA

ELV-18 = 8.000 ELV-08 = .000
 RN/L = 4.250 MACH = 1.100

RUN NO. 156/ 0 RN/L = 4.38 GRADIENT INTERVAL = -5.00/ 5.00

ALPHA	BETA	CP22	CP24	CP26	CP28	CP21	CP23	CP25	CP27
-3.937	.012	-.03690	-.04300	-.01880	-.01890	-.04300	-.04380	-.02910	-.03300
	GRADIENT	.00000	.00000	.00000	.00000	.00000	.00000	.00000	.00000

RUN NO. 157/ 0 RN/L = 4.38 GRADIENT INTERVAL = -5.00/ 5.00

ALPHA	BETA	CP22	CP24	CP26	CP28	CP21	CP23	CP25	CP27
-.396	-3.994	.05740	.06020	.09360	.09680	.11020	.10260	.13780	.13120
-.380	.009	-.05320	-.05430	-.02520	-.02370	-.05790	-.05490	-.03920	-.03820
-.393	4.031	.12700	.11990	.14960	.14580	.04770	.05870	.07330	.06850
	GRADIENT	.00870	.00747	.00701	.00613	-.00776	-.00544	-.00801	-.00779

ARC 11-023 IAB0 OTS (SRB NOM) (SSME NOM)

(HE4083) (28 OCT 75)

REFERENCE DATA

SREF = 2690.0000 SQ.FT. XMRP = .0000 IN.
 LREF = 1290.3000 IN. YMRP = .0000 IN.
 BREF = 1290.3000 IN. ZMRP = .0000 IN.
 SCALE = .0200

PARAMETRIC DATA

ELV-18 = 8.000 ELV-08 = .000
 RN/L = 4.250 MACH = 1.400

RUN NO. 144/ 0 RN/L = 4.32 GRADIENT INTERVAL = -5.00/ 5.00

ALPHA	BETA	CP22	CP24	CP26	CP28	CP21	CP23	CP25	CP27
-3.983	-.066	-.02890	-.03240	-.01870	-.02140	-.02950	-.03760	-.02480	-.02670
	GRADIENT	.00000	.00000	.00000	.00000	.00000	.00000	.00000	.00000

RUN NO. 145/ 0 RN/L = 4.31 GRADIENT INTERVAL = -5.00/ 5.00

ALPHA	BETA	CP22	CP24	CP26	CP28	CP21	CP23	CP25	CP27
-.380	-4.059	-.06570	-.07110	-.05630	-.06150	-.00110	-.00080	.00630	.00020
-.380	-.059	-.03530	-.03940	-.02610	-.02700	-.04170	-.04330	-.03060	-.03440
-.409	3.953	.00140	.00080	.00910	.00780	-.05210	-.05000	-.04270	-.04660
	GRADIENT	.00837	.00897	.00816	.00865	-.00636	-.00739	-.00611	-.00584

RUN NO. 146/ 0 RN/L = 4.27 GRADIENT INTERVAL = -5.00/ 5.00

ALPHA	BETA	CP22	CP24	CP26	CP28	CP21	CP23	CP25	CP27
3.828	.000	-.05250	-.04780	-.04090	-.04150	-.03580	-.04030	-.02520	-.02420
	GRADIENT	.00000	.00000	.00000	.00000	.00000	.00000	.00000	.00000

ARC 11-023 IAB0 OTS (SRB OFF) (SSME OFF)

(HE4084) (28 OCT 75)

REFERENCE DATA

SREF = 2690.0000 SQ.FT. XMRP = .0000 IN.
 LREF = 1290.3000 IN. YMRP = .0000 IN.
 BREF = 1290.3000 IN. ZMRP = .0000 IN.
 SCALE = .0200

PARAMETRIC DATA

ELV-18 = 8.000 ELV-08 = 2.000
 RN/L = 3.400 MACH = .600

RUN NO. 326/ 0 RN/L = 3.42 GRADIENT INTERVAL = -5.00/ 5.00

ALPHA	BETA	CP22	CP24	CP26	CP28	CP21	CP23	CP25	CP27
-3.953	-.044	.00770	-.00130	.00010	-.00580	.00390	-.00340	.00110	-.00750
	GRADIENT	.00000	.00000	.00000	.00000	.00000	.00000	.00000	.00000

RUN NO. 327/ 0 RN/L = 3.43 GRADIENT INTERVAL = -5.00/ 5.00

ALPHA	BETA	CP22	CP24	CP26	CP28	CP21	CP23	CP25	CP27
-.284	-4.063	-.04310	-.04350	-.03660	-.04280	-.00870	-.01220	-.01040	-.01730
-.291	-.047	-.02210	-.02010	-.01660	-.01660	-.02420	-.02240	-.01840	-.02140
-.320	3.969	-.01040	-.01520	-.01310	-.01860	-.04620	-.04520	-.04270	-.05410
	GRADIENT	.00407	.00352	.00293	.00301	-.00467	-.00411	-.00402	-.00458

DATE 12 JUN 76

TABULATED SOURCE DATA - IABO

PAGE 521

ARC 11-023 IABO OTS (SRB OFF) (SSME OFF)

(HE4084) (28 OCT 75)

REFERENCE DATA

SREF = 2690.0000 SQ.FT. XMRP = .0000 IN.
 LREF = 1290.3000 IN. YMRP = .0000 IN.
 BREF = 1290.3000 IN. ZMRP = .0000 IN.
 SCALE = .0200

PARAMETRIC DATA

ELV-18 = 8.000 ELV-08 = 2.000
 RN/L = 3.400 MACH = .600

RUN NO. 328/ 0 RN/L = 3.43 GRADIENT INTERVAL = -5.00/ 5.00

ALPHA	BETA	CP22	CP24	CP26	CP28	CP21	CP23	CP25	CP27
3.973	-.044	-.05480	-.05650	-.05890	-.05790	-.05960	-.05820	-.05610	-.06100
	GRADIENT	.00000	.00000	.00000	.00000	.00000	.00000	.00000	.00000

ARC 11-023 IABO OTS (SRB OFF) (SSME OFF)

(HE4085) (28 OCT 75)

REFERENCE DATA

SREF = 2690.0000 SQ.FT. XMRP = .0000 IN.
 LREF = 1290.3000 IN. YMRP = .0000 IN.
 BREF = 1290.3000 IN. ZMRP = .0000 IN.
 SCALE = .0200

PARAMETRIC DATA

ELV-18 = 8.000 ELV-08 = 2.000
 RN/L = 4.250 MACH = .900

RUN NO. 320/ 0 RN/L = 4.27 GRADIENT INTERVAL = -5.00/ 5.00

ALPHA	BETA	CP22	CP24	CP26	CP28	CP21	CP23	CP25	CP27
-3.937	-.050	.05450	.05260	.06170	.05950	.04960	.04720	.05650	.05180
	GRADIENT	.00000	.00000	.00000	.00000	.00000	.00000	.00000	.00000

RUN NO. 321/ 0 RN/L = 4.24 GRADIENT INTERVAL = -5.00/ 5.00

ALPHA	BETA	CP22	CP24	CP26	CP28	CP21	CP23	CP25	CP27
-.301	-4.066	-.00570	-.00490	.00220	-.00320	.04020	.03980	.04300	.03920
-.304	-.047	.02950	.03150	.03750	.03450	.02350	.02350	.03010	.02790
-.320	3.969	.04460	.03750	.04640	.03870	-.01510	-.01530	-.01430	-.01450
	GRADIENT	.00626	.00528	.00550	.00522	-.00688	-.00688	-.00713	-.00668

RUN NO. 322/ 0 RN/L = 4.23 GRADIENT INTERVAL = -5.00/ 5.00

ALPHA	BETA	CP22	CP24	CP26	CP28	CP21	CP23	CP25	CP27
3.977	-.044	-.00190	-.00090	.00490	.00430	-.00860	-.00540	-.00090	-.00270
	GRADIENT	.00000	.00000	.00000	.00000	.00000	.00000	.00000	.00000

ORIGINAL PAGE IS
OF POOR QUALITY

ARC 11-023 1A80 OTS (SRB OFF) (SSME OFF)

(HE4086) (28 OCT 75)

REFERENCE DATA

SREF = 2690.0000 SQ.FT. XMRP = .0000 IN.
 LREF = 1290.3000 IN. YMRP = .0000 IN.
 BREF = 1290.3000 IN. ZMRP = .0000 IN.
 SCALE = .0200

PARAMETRIC DATA

ELV-18 = 8.000 ELV-08 = 2.000
 RN/L = 4.250 MACH = 1.100

RUN NO. 159/ 0 RN/L = 4.47 GRADIENT INTERVAL = -5.00/ 5.00

ALPHA	BETA	CP22	CP24	CP26	CP28	CP21	CP23	CP25	CP27
-4.013	.016	-.05820	-.05970	-.04050	-.05210	-.05900	-.06430	-.05220	-.05360
	GRADIENT	.00000	.00000	.00000	.00000	.00000	.00000	.00000	.00000

RUN NO. 160/ 0 RN/L = 4.46 GRADIENT INTERVAL = -5.00/ 5.00

ALPHA	BETA	CP22	CP24	CP26	CP28	CP21	CP23	CP25	CP27
-.304	-3.991	.04650	.05230	.08220	.07950	.11330	.10240	.12810	.11600
-.267	.009	-.01230	-.02250	.09720	.06480	-.04840	-.04860	.05090	.03630
-.327	4.034	.07320	.06490	.09490	.07880	.00040	-.00240	.02860	.04760
	GRADIENT	.00335	.00159	.00158	-.00008	-.01404	-.01303	-.01239	-.00851

RUN NO. 161/ 0 RN/L = 4.45 GRADIENT INTERVAL = -5.00/ 5.00

ALPHA	BETA	CP22	CP24	CP26	CP28	CP21	CP23	CP25	CP27
3.986	.016	.14720	.15980	.18470	.18640	.13630	.14180	.17610	.17270
	GRADIENT	.00000	.00000	.00000	.00000	.00000	.00000	.00000	.00000

ARC 11-023 1A80 OTS (SRB NOM) (SSME NOM)

(HE4087) (28 OCT 75)

REFERENCE DATA

SREF = 2690.0000 SQ.FT. XMRP = .0000 IN.
 LREF = 1290.3000 IN. YMRP = .0000 IN.
 BREF = 1290.3000 IN. ZMRP = .0000 IN.
 SCALE = .0200

PARAMETRIC DATA

ELV-18 = 8.000 ELV-08 = 2.000
 RN/L = 3.400 MACH = .600

RUN NO. 329/ 0 RN/L = 3.43 GRADIENT INTERVAL = -5.00/ 5.00

ALPHA	BETA	CP22	CP24	CP26	CP28	CP21	CP23	CP25	CP27
-3.871	-.044	-.00310	-.00350	.00480	-.00210	-.00490	-.00730	-.00040	-.00450
	GRADIENT	.00000	.00000	.00000	.00000	.00000	.00000	.00000	.00000

RUN NO. 330/ 0 RN/L = 3.43 GRADIENT INTERVAL = -5.00/ 5.00

ALPHA	BETA	CP22	CP24	CP26	CP28	CP21	CP23	CP25	CP27
-.350	-4.066	-.05420	-.05490	-.04590	-.05280	-.01410	-.01970	-.01970	-.01860
-.380	-.050	-.03370	-.03580	-.03300	-.03410	-.03650	-.03890	-.03720	-.03650
-.423	3.969	-.01460	-.01770	-.01700	-.01730	-.05420	-.05280	-.05280	-.05490
	GRADIENT	.00493	.00463	.00360	.00442	-.00499	-.00412	-.00412	-.00452

ARC 11-023 IABO OTS (SRB NOM) (SSME NOM)

(HE4089) (28 OCT 75)

REFERENCE DATA

PARAMETRIC DATA

SREF = 2690.0000 SQ.FT. XMRP = .0000 IN.
 LREF = 290.3000 IN. YMRP = .0000 IN.
 BREF = 1290.3000 IN. ZMRP = .0000 IN.
 SCALE = .0200

ELV-1B = 8.000 ELV-0B = 2.000
 RN/L = 4.250 MACH = 1.100

RUN NO. 162/ 0 RN/L = 4.41 GRADIENT INTERVAL = -5.00/ 5.00

ALPHA	BETA	CP22	CP24	CP26	CP28	CP21	CP23	CP25	CP27
-3.970	.016	-.03960	-.03940	-.01460	-.02080	-.04010	-.03990	-.01890	-.02500
	GRADIENT	.00000	.00000	.00000	.00000	.00000	.00000	.00000	.00000

RUN NO. 163/ 0 RN/L = 4.43 GRADIENT INTERVAL = -5.00/ 5.00

ALPHA	BETA	CP22	CP24	CP26	CP28	CP21	CP23	CP25	CP27
-.436	-3.994	.05370	.05800	.09170	.09160	.11690	.11290	.13690	.12890
-.429	.009	-.05580	-.05480	-.02870	-.02620	-.06120	-.06040	-.04310	-.04330
-.466	4.031	.10250	.09420	.13730	.13290	.04070	.03020	.06460	.07280
	GRADIENT	.00611	.00454	.00571	.00517	-.00947	-.01028	-.00898	-.00696

RUN NO. 164/ 0 RN/L = 4.43 GRADIENT INTERVAL = -5.00/ 5.00

ALPHA	BETA	CP22	CP24	CP26	CP28	CP21	CP23	CP25	CP27
3.851	.012	.13800	.15010	.17570	.18930	.13420	.13240	.16570	.17220
	GRADIENT	.00000	.00000	.00000	.00000	.00000	.00000	.00000	.00000

ARC 11-023 IABO OTS (SRB OFF) (SSME OFF)

(HE4090) (28 OCT 75)

REFERENCE DATA

PARAMETRIC DATA

SREF = 2690.0000 SQ.FT. XMRP = .0000 IN.
 LREF = 1290.3000 IN. YMRP = .0000 IN.
 BREF = 1290.3000 IN. ZMRP = .0000 IN.
 SCALE = .0200

ELV-1B = 4.000 ELV-0B = 4.000
 RN/L = 3.400 MACH = .600

RUN NO. 332/ 0 RN/L = 3.50 GRADIENT INTERVAL = -5.00/ 5.00

ALPHA	BETA	CP22	CP24	CP26	CP28	CP21	CP23	CP25	CP27
-3.960	-.003	.00700	.00570	.01280	.01010	.00430	.00360	.00770	.00460
	GRADIENT	.00000	.00000	.00000	.00000	.00000	.00000	.00000	.00000

RUN NO. 333/ 0 RN/L = 3.49 GRADIENT INTERVAL = -5.00/ 5.00

ALPHA	BETA	CP22	CP24	CP26	CP28	CP21	CP23	CP25	CP27
-.267	-4.003	-.04360	-.04250	-.03810	-.04080	-.00460	-.00970	-.01000	-.01650
-.291	.012	-.02130	-.02400	-.02300	-.01960	-.02330	-.02640	-.02370	-.02540
-.294	4.028	-.00900	-.01070	-.01210	-.01620	-.04830	-.04940	-.04490	-.04420
	GRADIENT	.00431	.00396	.00324	.00306	-.00544	-.00494	-.00435	-.00345

ARC 11-023 1A80 OTS (SRB OFF) (SSME OFF)

(HE4092) (28 OCT 75)

REFERENCE DATA

SREF = 2690.0000 SQ.FT. XMRP = .0000 IN.
 LREF = 1290.3000 IN. YMRP = .0000 IN.
 BREF = 1290.3000 IN. ZMRP = .0000 IN.
 SCALE = .0200

PARAMETRIC DATA

ELV-18 = 4.000 ELV-08 = 4.000
 RN/L = 4.250 MACH = 1.100

RUN NO. 177/ 0 RN/L = 4.34 GRADIENT INTERVAL = -5.00/ 5.00

ALPHA	BETA	CP22	CP24	CP26	CP28	CP21	CP23	CP25	CP27
-3.957	.003	-.03850	-.05320	-.03030	-.03560	-.05410	-.05900	-.02480	-.04690
	GRADIENT	.00000	.00000	.00000	.00000	.00000	.00000	.00000	.00000

RUN NO. 178/ 0 RN/L = 4.34 GRADIENT INTERVAL = -5.00/ 5.00

ALPHA	BETA	CP22	CP24	CP26	CP28	CP21	CP23	CP25	CP27
-.284	-3.994	.05930	.05790	.09250	.09170	.11520	.10940	.14070	.13190
-.281	.000	-.03810	-.02860	.03280	.01970	-.05510	-.05850	-.02420	-.01480
-.320	4.028	.12260	.11900	.15230	.14620	.04890	.05080	.07970	.07370
	GRADIENT	.00794	.00766	.00749	.00683	-.00622	-.00726	-.00756	-.00721

RUN NO. 179/ 0 RN/L = 4.34 GRADIENT INTERVAL = -5.00/ 5.00

ALPHA	BETA	CP22	CP24	CP26	CP28	CP21	CP23	CP25	CP27
3.977	.003	.16450	.17180	.18750	.19070	.15830	.16510	.18170	.18170
	GRADIENT	.00000	.00000	.00000	.00000	.00000	.00000	.00000	.00000

ARC 11-023 1A80 OTS (SRB OFF) (SSME OFF)

(HE4093) (28 OCT 75)

REFERENCE DATA

SREF = 2690.0000 SQ.FT. XMRP = .0000 IN.
 LREF = 1290.3000 IN. YMRP = .0000 IN.
 BREF = 1290.3000 IN. ZMRP = .0000 IN.
 SCALE = .0200

PARAMETRIC DATA

ELV-18 = 4.000 ELV-08 = 4.000
 RN/L = 4.250 MACH = 1.250

RUN NO. 171/ 0 RN/L = 4.35 GRADIENT INTERVAL = -5.00/ 5.00

ALPHA	BETA	CP22	CP24	CP26	CP28	CP21	CP23	CP25	CP27
-3.953	.006	-.04100	-.04310	-.03940	-.04210	-.04900	-.05300	-.04490	-.04860
	GRADIENT	.00000	.00000	.00000	.00000	.00000	.00000	.00000	.00000

RUN NO. 172/ 0 RN/L = 4.35 GRADIENT INTERVAL = -5.00/ 5.00

ALPHA	BETA	CP22	CP24	CP26	CP28	CP21	CP23	CP25	CP27
-.238	-3.997	-.06780	-.06960	-.07600	-.07540	-.02670	-.02550	-.00080	-.00700
-.231	.000	-.05000	-.05060	-.05050	-.05250	-.04760	-.04950	-.05090	-.05380
-.284	4.034	-.01700	-.01750	.00430	-.00050	-.06280	-.06480	-.07140	-.07090
	GRADIENT	.00633	.00649	.01000	.00933	-.00524	-.00489	-.00878	-.00795

ARC 11-023 IAB0 OTS (SRB NOM) (SSME NOM)

(HE4095) (28 OCT 75)

REFERENCE DATA

SREF = 2690.0000 SQ.FT. XMRP = .0000 IN.
 LREF = 1290.3000 IN. YMRP = .0000 IN.
 BREF = 1290.3000 IN. ZMRP = .0000 IN.
 SCALE = .0200

PARAMETRIC DATA

ELV-18 = 4.000 ELV-08 = 4.000
 RN/L = 3.400 MACH = .600

RUN NO. 335/ 0 RN/L = 3.41 GRADIENT INTERVAL = -5.00/ 5.00

ALPHA	BETA	CP22	CP24	CP26	CP28	CP21	CP23	CP25	CP27
-3.960	.006	-.00510	-.00790	-.00650	-.00580	-.01220	-.01150	-.01150	-.01040
	GRADIENT	.00000	.00000	.00000	.00000	.00000	.00000	.00000	.00000

RUN NO. 336/ 0 RN/L = 3.47 GRADIENT INTERVAL = -5.00/ 5.00

ALPHA	BETA	CP22	CP24	CP26	CP28	CP21	CP23	CP25	CP27
-.297	-4.003	-.05100	-.05100	-.04690	-.04690	-.01390	-.01800	-.01430	-.02280
-.307	.012	-.03450	-.02940	-.02040	-.02250	-.03620	-.03140	-.03040	-.02660
-.376	4.022	-.01590	-.01870	-.01800	-.02430	-.06000	-.05580	-.05200	-.05340
	GRADIENT	.00437	.00403	.00360	.00282	-.00574	-.00471	-.00462	-.00381

RUN NO. 337/ 0 RN/L = 3.48 GRADIENT INTERVAL = -5.00/ 5.00

ALPHA	BETA	CP22	CP24	CP26	CP28	CP21	CP23	CP25	CP27
4.020	-.003	-.06640	-.06880	-.06470	-.06580	-.06680	-.06680	-.06880	-.06510
	GRADIENT	.00000	.00000	.00000	.00000	.00000	.00000	.00000	.00000

ARC 11-023 IAB0 OTS (SRB NOM) (SSME NOM)

(HE4096) (28 OCT 75)

REFERENCE DATA

SREF = 2690.0000 SQ.FT. XMRP = .0000 IN.
 LREF = 1290.3000 IN. YMRP = .0000 IN.
 BREF = 1290.3000 IN. ZMRP = .0000 IN.
 SCALE = .0200

PARAMETRIC DATA

ELV-18 = 4.000 ELV-08 = 4.000
 RN/L = 4.250 MACH = .900

RUN NO. 341/ 0 RN/L = 4.21 GRADIENT INTERVAL = -5.00/ 5.00

ALPHA	BETA	CP22	CP24	CP26	CP28	CP21	CP23	CP25	CP27
-3.891	-.003	.05340	.05320	.06350	.05860	.04820	.04900	.05740	.05260
	GRADIENT	.00000	.00000	.00000	.00000	.00000	.00000	.00000	.00000

RUN NO. 342/ 0 RN/L = 4.20 GRADIENT INTERVAL = -5.00/ 5.00

ALPHA	BETA	CP22	CP24	CP26	CP28	CP21	CP23	CP25	CP27
-.390	-4.003	-.00430	-.00940	-.00170	-.00500	.04290	.03810	.04250	.03720
-.360	.012	.02520	.02480	.03610	.03290	.01760	.01860	.02870	.02480
-.406	4.031	.04890	.04570	.05300	.04770	-.00800	-.00920	-.00460	-.00420
	GRADIENT	.00662	.00686	.00681	.00656	-.00634	-.00589	-.00586	-.00515

DATE 12 JUN 76

TABULATED SOURCE DATA - IABO

PAGE 529

ARC 11-023 IABO OTS (SRB NOM) (SSME NOM)

(HE4096) (28 OCT 75)

REFERENCE DATA

SREF = 2690.0000 SQ.FT. XMRP = .0000 IN.
 LREF = 1290.3000 IN. YMRP = .0000 IN.
 BREF = 1290.3000 IN. ZMRP = .0000 IN.
 SCALE = .0200

PARAMETRIC DATA

ELV-1B = 4.000 ELV-08 = 4.000
 RN/L = 4.250 MACH = .900

RUN NO. 343/ 0 RN/L = 4.20 GRADIENT INTERVAL = -5.00/ 5.00

ALPHA	BETA	CP22	CP24	CP26	CP28	CP21	CP23	CP25	CP27
3.986	-.003	-.00170	.00030	.00900	.00430	-.00900	-.00620	-.00050	.00130
	GRADIENT	.00000	.00000	.00000	.00000	.00000	.00000	.00000	.00000

ARC 11-023 IABO OTS (SRB NOM) (SSME NOM)

(HE4097) (28 OCT 75)

REFERENCE DATA

SREF = 2690.0000 SQ.FT. XMRP = .0000 IN.
 LREF = 1290.3000 IN. YMRP = .0000 IN.
 BREF = 1290.3000 IN. ZMRP = .0000 IN.
 SCALE = .0200

PARAMETRIC DATA

ELV-1B = 4.000 ELV-08 = 4.000
 RN/L = 4.250 MACH = 1.100

RUN NO. 180/ 0 RN/L = 4.34 GRADIENT INTERVAL = -5.00/ 5.00

ALPHA	BETA	CP22	CP24	CP26	CP28	CP21	CP23	CP25	CP27
-3.963	.003	-.03400	-.03790	-.00780	-.01700	-.03890	-.03880	-.01680	-.01630
	GRADIENT	.00000	.00000	.00000	.00000	.00000	.00000	.00000	.00000

RUN NO. 181/ 0 RN/L = 4.34 GRADIENT INTERVAL = -5.00/ 5.00

ALPHA	BETA	CP22	CP24	CP26	CP28	CP21	CP23	CP25	CP27
-.409	-3.997	.06420	.06680	.10110	.09720	.12050	.11500	.14370	.13560
-.386	-.003	-.04440	-.03050	.01330	-.00510	-.05160	-.04780	-.02380	-.02550
-.429	4.028	.12570	.12080	.15540	.14890	.05280	.05640	.08320	.08350
	GRADIENT	.00772	.00678	.00681	.00649	-.00838	-.00725	-.00749	-.00644

RUN NO. 182/ 0 RN/L = 4.34 GRADIENT INTERVAL = -5.00/ 5.00

ALPHA	BETA	CP22	CP24	CP26	CP28	CP21	CP23	CP25	CP27
4.033	-.003	.16840	.17000	.19080	.19220	.16480	.16190	.18060	.18100
	GRADIENT	.70000	.00000	.00000	.00000	.00000	.00000	.00000	.00000

ORIGINAL PAGE IS
OF POOR QUALITY

ARC 11-023 IAB0 OTS (SRB NOM) (SSME NOM)

(HE4098) (28 OCT 75)

REFERENCE DATA

SREF = 2690.0000 SQ.FT. XMRP = .0000 IN.
 LREF = 1290.3000 IN. YMRP = .0000 IN.
 BREF = 1290.3000 IN. ZMRP = .0000 IN.
 SCALE = .0200

PARAMETRIC DATA

ELV-18 = 4.000 ELV-08 = 4.000
 RN/L = 4.250 MACH = 1.250

RUN NO. 174/ 0 RN/L = 4.34 GRADIENT INTERVAL = -5.00/ 5.00

ALPHA	BETA	CP22	CP24	CP26	CP28	CP21	CP23	CP25	CP27
-3.973	.003	-.03670	-.03800	-.03330	-.03690	-.04640	-.04930	-.03660	-.04190
	GRADIENT	.00000	.00000	.00000	.00000	.00000	.00000	.00000	.00000

RUN NO. 175/ 0 RN/L = 4.34 GRADIENT INTERVAL = -5.00/ 5.00

ALPHA	BETA	CP22	CP24	CP26	CP28	CP21	CP23	CP25	CP27
-.482	-3.994	-.06790	-.06450	-.07200	-.06930	-.01810	-.02330	.00310	-.00220
-.439	-.003	-.04660	-.04760	-.04570	-.04730	-.04470	-.04760	-.04600	-.04840
-.416	4.028	-.01150	-.01190	.00700	.00280	-.06200	-.06160	-.07000	-.07180
	GRADIENT	.00703	.00656	.00985	.00899	-.00547	-.00477	-.00911	-.00867

RUN NO. 176/ 0 RN/L = 4.34 GRADIENT INTERVAL = -5.00/ 5.00

ALPHA	BETA	CP22	CP24	CP26	CP28	CP21	CP23	CP25	CP27
4.020	.003	-.08190	-.08090	-.07030	-.07190	-.07220	-.07370	-.06520	-.06820
	GRADIENT	.00000	.00000	.00000	.00000	.00000	.00000	.00000	.00000

ARC 11-023 IAB0 OTS (SRB NOM) (SSME NOM)

(HE4099) (28 OCT 75)

REFERENCE DATA

SREF = 2690.0000 SQ.FT. XMRP = .0000 IN.
 LREF = 1290.3000 IN. YMRP = .0000 IN.
 BREF = 1290.3000 IN. ZMRP = .0000 IN.
 SCALE = .0200

PARAMETRIC DATA

ELV-18 = 4.000 ELV-08 = 4.000
 RN/L = 4.250 MACH = 1.400

RUN NO. 168/ 0 RN/L = 4.27 GRADIENT INTERVAL = -5.00/ 5.00

ALPHA	BETA	CP22	CP24	CP26	CP28	CP21	CP23	CP25	CP27
-3.944	.009	-.02600	-.02980	-.01940	-.01810	-.02770	-.03360	-.02160	-.02410
	GRADIENT	.00000	.00000	.00000	.00000	.00000	.00000	.00000	.00000

RUN NO. 169/ 0 RN/L = 4.26 GRADIENT INTERVAL = -5.00/ 5.00

ALPHA	BETA	CP22	CP24	CP26	CP28	CP21	CP23	CP25	CP27
-.403	-3.991	-.06700	-.06950	-.05640	-.05910	.00080	.00180	.00880	.00570
-.386	.012	-.02750	-.03440	-.02150	-.02310	-.03830	-.03720	-.02500	-.02940
-.443	4.034	.00600	.00370	.01360	.01200	-.05240	-.05950	-.04180	-.04640
	GRADIENT	.00910	.00912	.00872	.00886	-.00663	-.00764	-.00630	-.00649

ARC 11-023 1A80 OTS (SRB OFF) (SSME OFF)

(HE40A1) (28 OCT 75)

REFERENCE DATA

SREF = 2690.0000 SQ.FT. XMRP = .0000 IN.
 LREF = 1290.3000 IN. YMRP = .0000 IN.
 BREF = 1290.3000 IN. ZMRP = .0000 IN.
 SCALE = .0200

PARAMETRIC DATA

ELV-18 = .000 ELV-08 = 4.000
 RN/L = 4.250 MACH = .900

RUN NO. 350/ 0 RN/L = 4.23 GRADIENT INTERVAL = -5.00/ 5.00

ALPHA	BETA	CP22	CP24	CP26	CP28	CP21	CP23	CP25	CP27
-3.996	.009	.05410	.05100	.06190	.05870	.04820	.04700	.05410	.05200
	GRADIENT	.00000	.00000	.00000	.00000	.00000	.00000	.00000	.00000

RUN NO. 351/ 0 RN/L = 4.24 GRADIENT INTERVAL = -5.00/ 5.00

ALPHA	BETA	CP22	CP24	CP26	CP28	CP21	CP23	CP25	CP27
-.281	-4.006	-.00450	-.00630	.00470	-.03110	.04250	.03950	.04530	.03950
-.284	.009	.02940	.02840	.03780	.03620	.02500	.02440	.02940	.02940
-.281	4.028	.04780	.04100	.05000	.04500	-.01220	-.01200	-.00760	-.01080
	GRADIENT	.00651	.00589	.00564	.00574	-.00681	-.00641	-.00658	-.00626

RUN NO. 352/ 0 RN/L = 4.23 GRADIENT INTERVAL = -5.00/ 5.00

ALPHA	BETA	CP22	CP24	CP26	CP28	CP21	CP23	CP25	CP27
4.023	.016	.00090	-.00090	.00880	.00440	-.00650	-.00530	-.00050	-.00110
	GRADIENT	.00000	.00000	.00000	.00000	.00000	.00000	.00000	.00000

ARC 11-023 1A80 OTS (SRB OFF) (SSME OFF)

(HE40A2) (28 OCT 75)

REFERENCE DATA

SREF = 2690.0000 SQ.FT. XMRP = .0000 IN.
 LREF = 1290.3000 IN. YMRP = .0000 IN.
 BREF = 1290.3000 IN. ZMRP = .0000 IN.
 SCALE = .0200

PARAMETRIC DATA

ELV-18 = .000 ELV-08 = 4.000
 RN/L = 4.250 MACH = 1.100

RUN NO. 195/ 0 RN/L = 4.36 GRADIENT INTERVAL = -5.00/ 5.00

ALPHA	BETA	CP22	CP24	CP26	CP28	CP21	CP23	CP25	CP27
-3.967	.006	-.03970	-.04770	-.01190	-.01770	-.04430	-.05400	-.02960	-.03150
	GRADIENT	.00000	.00000	.00000	.00000	.00000	.00000	.00000	.00000

RUN NO. 196/ 0 RN/L = 4.36 GRADIENT INTERVAL = -5.00/ 5.00

ALPHA	BETA	CP22	CP24	CP26	CP28	CP21	CP23	CP25	CP27
-.284	-4.003	.06200	.06450	.09690	.09650	.11600	.11140	.13980	.13050
-.258	-.012	-.05040	-.05360	-.03160	-.02060	-.05790	-.05790	-.04600	-.04380
-.301	4.016	.12400	.11790	.14960	.14720	.04740	.05370	.07640	.07490
	GRADIENT	.00779	.00672	.00663	.00638	-.00850	-.00714	-.00785	-.00688

DATE 12 JUN 76

TABULATED SOURCE DATA - IAB0

PAGE 533

ARC 11-023 IAB0 OTS (SRB OFF) (SSME OFF)

(HE40A2) (28 OCT 75)

REFERENCE DATA

SREF = 2690.0000 SQ.FT. XMRP = .0000 IN.
 LREF = 1290.3000 IN. YMRP = .0000 IN.
 BREF = 1290.3000 IN. ZMRP = .0000 IN.
 SCALE = .0200

ELV-18 = .000 ELV-08 = 4.000
 RN/L = 4.250 MACH = 1.100

PARAMETRIC DATA

RUN NO. 197/ 0 RN/L = 4.36 GRADIENT INTERVAL = -5.00/ 5.00

ALPHA	BETA	CP22	CP24	CP26	CP28	CP21	CP23	CP25	CP27
3.947	.000	.14040	.13670	.17530	.17890	.12930	.11590	.16540	.16920
	GRADIENT	.00000	.00000	.00000	.00000	.00000	.00000	.00000	.00000

ARC 11-023 IAB0 OTS (SRB OFF) (SSME OFF)

(HE40A3) (28 OCT 75)

REFERENCE DATA

SREF = 2690.0000 SQ.FT. XMRP = .0000 IN.
 LREF = 1290.3000 IN. YMRP = .0000 IN.
 BREF = 1290.3000 IN. ZMRP = .0000 IN.
 SCALE = .0200

ELV-18 = .000 ELV-08 = 4.000
 RN/L = 4.250 MACH = 1.250

PARAMETRIC DATA

RUN NO. 189/ 0 RN/L = 4.37 GRADIENT INTERVAL = -5.00/ 5.00

ALPHA	BETA	CP22	CP24	CP26	CP28	CP21	CP23	CP25	CP27
-3.947	-.006	-.04100	-.04260	-.04060	-.04060	-.04920	-.05000	-.04390	-.05080
	GRADIENT	.00000	.00000	.00000	.00000	.00000	.00000	.00000	.00000

RUN NO. 190/ 0 RN/L = 4.36 GRADIENT INTERVAL = -5.00/ 5.00

ALPHA	BETA	CP22	CP24	CP26	CP28	CP21	CP23	CP25	CP27
-.248	-4.000	-.06680	-.06540	-.07240	-.07160	-.01850	-.02290	-.00230	-.00500
-.244	-.006	-.04860	-.05050	-.04970	-.05320	-.04650	-.05080	-.05150	-.05370
-.271	4.022	-.01320	-.01530	.00120	-.00290	-.06260	-.06160	-.07180	-.07200
	GRADIENT	.00668	.00625	.00918	.00857	-.00550	-.00482	-.00866	-.00835

RUN NO. 191/ 0 RN/L = 4.36 GRADIENT INTERVAL = -5.00/ 5.00

ALPHA	BETA	CP22	CP24	CP26	CP28	CP21	CP23	CP25	CP27
3.986	.003	-.08480	-.08290	-.07150	-.07770	-.08220	-.07890	-.07840	-.08170
	GRADIENT	.00000	.00000	.00000	.00000	.00000	.00000	.00000	.00000

ORIGINAL PAGE IS
OF POOR QUALITY

ARC 11-023 1A80 OTS (SRB OFF) (SSME OFF)

(HE40A4) (28 OCT 75)

REFERENCE DATA

PARAMETRIC DATA

SREF = 2690.0000 SQ.FT. XMRP = .0000 IN.
 LREF = 1290.3000 IN. YMRP = .0000 IN.
 BREF = 1290.3000 IN. ZMRP = .0000 IN.
 SCALE = .0200

ELV-1B = .000 ELV-0B = 4.000
 RN/L = 4.250 MACH = 1.400

RUN NO. 183/ 0 RN/L = 4.34 GRADIENT INTERVAL = -5.00/ 5.00

ALPHA	BETA	CP22	CP24	CP26	CP28	CP21	CP23	CP25	CP27
-3.947	.006	-.02980	-.03540	-.02570	-.02590	-.03230	-.03760	-.02750	-.03040
	GRADIENT	.00000	.00000	.00000	.00000	.00000	.00000	.00000	.00000

RUN NO. 184/ 0 RN/L = 4.31 GRADIENT INTERVAL = -5.00/ 5.00

ALPHA	BETA	CP22	CP24	CP26	CP28	CP21	CP23	CP25	CP27
-.267	-3.994	-.06740	-.07170	-.05820	-.06100	-.00300	-.00250	.00290	-.00160
-.277	-.003	-.03670	-.03780	-.02750	-.03080	-.03790	-.04270	-.03000	-.03570
-.284	4.019	-.00030	-.00170	.00600	.00460	-.05370	-.05880	-.04610	-.05070
	GRADIENT	.00838	.03874	.00801	.00819	-.00632	-.00702	-.00611	-.00612

RUN NO. 185/ 0 RN/L = 4.28 GRADIENT INTERVAL = -5.00/ 5.00

ALPHA	BETA	CP22	CP24	CP26	CP28	CP21	CP23	CP25	CP27
3.986	.006	-.04940	-.04300	-.03870	-.04030	-.04210	-.04130	-.03460	-.03540
	GRADIENT	.00000	.00000	.00000	.00000	.00000	.00000	.00000	.00000

ARC 11-023 1A80 OTS (SRB NOM) (SSME NOM)

(HE40A5) (28 OCT 75)

REFERENCE DATA

PARAMETRIC DATA

SREF = 2690.0000 SQ.FT. XMRP = .0000 IN.
 LREF = 1290.3000 IN. YMRP = .0000 IN.
 BREF = 1290.3000 IN. ZMRP = .0000 IN.
 SCALE = .0200

ELV-1B = .000 ELV-0B = 4.000
 RN/L = 3.400 MACH = .600

RUN NO. 347/ 0 RN/L = 3.47 GRADIENT INTERVAL = -5.00/ 5.00

ALPHA	BETA	CP22	CP24	CP26	CP28	CP21	CP23	CP25	CP27
-3.983	.012	.00030	-.00070	.00170	-.00240	-.00350	-.00110	-.00040	-.00660
	GRADIENT	.00000	.00000	.00000	.00000	.00000	.00000	.00000	.00000

RUN NO. 348/ 0 RN/L = 3.48 GRADIENT INTERVAL = -5.00/ 5.00

ALPHA	BETA	CP22	CP24	CP26	CP28	CP21	CP23	CP25	CP27
-.337	-4.006	-.05230	-.04920	-.04680	-.04790	-.01650	-.01960	-.01380	-.01760
-.370	.009	-.03230	-.03130	-.03070	-.03000	-.03070	-.03540	-.03130	-.03300
-.453	4.025	-.00930	-.01750	-.01070	-.01990	-.05270	-.05270	-.05200	-.05270
	GRADIENT	.00535	.00395	.00449	.00361	-.00451	-.00412	-.00476	-.00437

ARC 11-023 IAB0 OTS (SRB NOM) (SSME NOM)

(HE40A7) (28 OCT 75)

REFERENCE DATA

SREF = 2690.0000 SQ.FT. XMRP = .0000 IN.
 LREF = 1290.3000 IN. YMRP = .0000 IN.
 BREF = 1290.3000 IN. ZMRP = .0030 IN.
 SCALE = .0200

PARAMETRIC DATA

ELV-18 = .000 ELV-08 = 4.000
 RN/L = 4.250 MACH = 1.100

RUN NO. 198/ 0 RN/L = 4.36 GRADIENT INTERVAL = -5.00/ 5.00

ALPHA	BETA	CP22	CP24	CP26	CP28	CP21	CP23	CP25	CP27
-3.996	.006	-.03610	-.04580	-.01640	-.02290	-.03880	-.04650	-.02870	-.03510
	GRADIENT	.00000	.00000	.00000	.00000	.00000	.00000	.00000	.00000

RUN NO. 199/ 0 RN/L = 4.36 GRADIENT INTERVAL = -5.00/ 5.00

ALPHA	BETA	CP22	CP24	CP26	CP28	CP21	CP23	CP25	CP27
-.416	-4.003	.06110	.06330	.09940	.09730	.11890	.11360	.14550	.13280
-.403	-.012	-.03990	-.04820	.01880	.00740	-.04860	-.05110	-.02620	-.01450
-.426	4.019	.12360	.11720	.15030	.14430	.04650	.05350	.08230	.07830
	GRADIENT	.00785	.00678	.00639	.00591	-.00897	-.00744	-.00782	-.00674

RUN NO. 200/ 0 RN/L = 4.36 GRADIENT INTERVAL = -5.00/ 5.00

ALPHA	BETA	CP22	CP24	CP26	CP28	CP21	CP23	CP25	CP27
3.799	.009	.16740	.16840	.18850	.18900	.15460	.16480	.17870	.17530
	GRADIENT	.00000	.00000	.00000	.00000	.00000	.00000	.00000	.00000

ARC 11-023 IAB0 OTS (SRB NOM) (SSME NOM)

(HE40A8) (28 OCT 75)

REFERENCE DATA

SREF = 2690.0000 SQ.FT. XMRP = .0000 IN.
 LREF = 1290.3000 IN. YMRP = .0000 IN.
 BREF = 1290.3000 IN. ZMRP = .0000 IN.
 SCALE = .0200

PARAMETRIC DATA

ELV-18 = .000 ELV-08 = 4.000
 RN/L = 4.250 MACH = 1.250

RUN NO. 192/ 0 RN/L = 4.35 GRADIENT INTERVAL = -5.00/ 5.00

ALPHA	BETA	CP22	CP24	CP26	CP28	CP21	CP23	CP25	CP27
-3.985	.009	-.03770	-.03900	-.03580	-.03610	-.04520	-.04750	-.03900	-.04460
	GRADIENT	.00000	.00000	.00000	.00000	.00000	.00000	.00000	.00000

RUN NO. 193/ 0 RN/L = 4.36 GRADIENT INTERVAL = -5.00/ 5.00

ALPHA	BETA	CP22	CP24	CP26	CP28	CP21	CP23	CP25	CP27
-.400	-4.003	-.05750	-.06420	-.07260	-.07070	-.01700	-.02330	.00410	-.00240
-.393	-.012	-.04670	-.04700	-.04410	-.04860	-.04460	-.04700	-.04490	-.04880
-.413	4.022	-.01230	-.01490	.00510	-.00150	-.06710	-.06790	-.07680	-.07810
	GRADIENT	.00688	.00615	.00969	.00863	-.00624	-.00556	-.01008	-.00943

DATE 12 JUN 76

TABULATED SOURCE DATA - 1A80

PAGE 538

ARC 11-023 1A80 OTS (SRB NOM) (SSME NO. 2 OUT)

(HE40B0) (28 OCT 75)

REFERENCE DATA

SREF = 2690.0000 SQ.FT. XMRP = .0000 IN.
 LREF = 1290.3000 IN. YMRP = .0000 IN.
 BREF = 1290.3000 IN. ZMRP = .0000 IN.
 SCALE = .0200

PARAMETRIC DATA

ELV-1B = .000 ELV-0B = .000
 RN/L = 3.400 MACH = .600

RUN NO. 362/ 0 RN/L = 3.51 GRADIENT INTERVAL = -5.00/ 5.00

ALPHA	BETA	CP22	CP24	CP26	CP28	CP21	CP23	CP25	CP27
-4.013	.006	.00590	.00790	.00960	.01030	.00180	.00250	.00930	.00250
	GRADIENT	.00000	.00000	.00000	.00000	.00000	.00000	.00000	.00000

RUN NO. 363/ 0 RN/L = 3.49 GRADIENT INTERVAL = -5.00/ 5.00

ALPHA	BETA	CP22	CP24	CP26	CP28	CP21	CP23	CP25	CP27
-.271	-4.006	-.05170	-.05610	-.05100	-.05540	-.01450	-.02140	-.02070	-.02690
-.310	.003	-.02630	-.02570	-.02260	-.02260	-.03000	-.02500	-.02600	-.02020
-.310	4.025	-.01070	-.01280	-.01420	-.01930	-.05240	-.04930	-.05000	-.04830
	GRADIENT	.00510	.00539	.00458	.00449	-.00472	-.00348	-.00365	-.00267

RUN NO. 364/ 0 RN/L = 3.49 GRADIENT INTERVAL = -5.00/ 5.00

ALPHA	BETA	CP22	CP24	CP26	CP28	CP21	CP23	CP25	CP27
3.930	.009	-.06170	-.05930	-.06070	-.06170	-.05820	-.05820	-.05340	-.06370
	GRADIENT	.00000	.00000	.00000	.00000	.00000	.00000	.00000	.00000

ARC 11-023 1A80 OTS (SRB NOM) (SSME NO. 2 OUT)

(HE40B1) (28 OCT 75)

REFERENCE DATA

SREF = 2690.0000 SQ.FT. XMRP = .0000 IN.
 LREF = 1290.3000 IN. YMRP = .0000 IN.
 BREF = 1290.3000 IN. ZMRP = .0000 IN.
 SCALE = .0200

PARAMETRIC DATA

ELV-1B = .000 ELV-0B = .000
 RN/L = 4.250 MACH = .900

RUN NO. 365/ 0 RN/L = 4.21 GRADIENT INTERVAL = -5.00/ 5.00

ALPHA	BETA	CP22	CP24	CP26	CP28	CP21	CP23	CP25	CP27
-4.069	.009	.04890	.04600	.05530	.05170	.04580	.04280	.04770	.04670
	GRADIENT	.00000	.00000	.00000	.00000	.00000	.00000	.00000	.00000

RUN NO. 366/ 0 RN/L = 4.22 GRADIENT INTERVAL = -5.00/ 5.00

ALPHA	BETA	CP22	CP24	CP26	CP28	CP21	CP23	CP25	CP27
-.304	-4.006	-.00410	-.00900	.00140	-.00230	.04160	.03920	.04320	.03960
-.317	.003	.03140	.03300	.04260	.04160	.02640	.02820	.03440	.03440
-.357	4.025	.05000	.04690	.05260	.04670	-.00680	-.00780	-.00360	-.00500
	GRADIENT	.00674	.00696	.00637	.00610	-.00603	-.00585	-.00583	-.00556

ARC 11-023 IABO OTS (SRB NOM) (SSME NO. 2 OUT)

(HE40B3) (28 OCT 75)

REFERENCE DATA

PARAMETRIC DATA

SREF = 2690.0000 SQ.FT.	XMRP = .0000 IN.	ELV-1B = .000	ELV-0B = .000
LREF = 1290.3000 IN.	YMRP = .0000 IN.	RN/L = 4.250	MACH = 1.250
BREF = 1290.3000 IN.	ZMRP = .0000 IN.		
SCALE = .0200			

RUN NO. 204/ 0 RN/L = 4.40 GRADIENT INTERVAL = -5.00/ 5.00

ALPHA	BETA	CP22	CP24	CP26	CP28	CP21	CP23	CP25	CP27
-3.947	-.003	-.03460	-.03740	-.03480	-.03620	-.03990	-.04270	-.03110	-.03440
	GRADIENT	.00000	.00000	.00000	.00000	.00000	.00000	.00000	.00000

RUN NO. 205/ 0 RN/L = 4.40 GRADIENT INTERVAL = -5.00/ 5.00

ALPHA	BETA	CP22	CP24	CP26	CP28	CP21	CP23	CP25	CP27
-.400	-4.000	-.07270	-.06960	-.07660	-.07540	-.01240	-.01530	.00750	.00140
-.370	-.009	-.04310	-.04370	-.04240	-.04660	-.04360	-.04500	-.04440	-.04660
-.420	4.019	-.01120	-.00910	.00980	.00090	-.06980	-.06840	-.07400	-.07300
	GRADIENT	.00767	.00755	.01078	.00952	-.00716	-.00662	-.01016	-.00927

RUN NO. 206/ 0 RN/L = 4.40 GRADIENT INTERVAL = -5.00/ 5.00

ALPHA	BETA	CP22	CP24	CP26	CP28	CP21	CP23	CP25	CP27
3.986	-.012	-.08190	-.08000	-.07150	-.07340	-.07130	-.06830	-.06440	-.06570
	GRADIENT	.00000	.00000	.00000	.00000	.00000	.00000	.00000	.00000

ARC 11-023 IABO OTS (SRB NOM) (SSME NO. 2 OUT)

(HE40B4) (28 OCT 75)

REFERENCE DATA

PARAMETRIC DATA

SREF = 2690.0000 SQ.FT.	XMRP = .0000 IN.	ELV-1B = .000	ELV-0B = .000
LREF = 1290.3000 IN.	YMRP = .0000 IN.	RN/L = 4.250	MACH = 1.400
BREF = 1290.3000 IN.	ZMRP = .0000 IN.		
SCALE = .0200			

RUN NO. 201/ 0 RN/L = 4.36 GRADIENT INTERVAL = -5.00/ 5.00

ALPHA	BETA	CP22	CP24	CP26	CP28	CP21	CP23	CP25	CP27
-3.957	-.003	-.02910	-.03590	-.02380	-.02520	-.03050	-.03670	-.02440	-.02770
	GRADIENT	.00000	.00000	.00000	.00000	.00000	.00000	.00000	.00000

RUN NO. 202/ 0 RN/L = 4.35 GRADIENT INTERVAL = -5.00/ 5.00

ALPHA	BETA	CP22	CP24	CP26	CP28	CP21	CP23	CP25	CP27
-.443	-4.000	-.06380	-.06440	-.05480	-.05710	-.00110	.00100	.00320	.00010
-.406	-.006	-.03620	-.04090	-.02390	-.03180	-.03840	-.04110	-.02380	-.02750
-.446	4.019	.00210	.00070	.00730	.00460	-.05510	-.06010	-.04480	-.04960
	GRADIENT	.00822	.00812	.00774	.00770	-.00673	-.00762	-.00600	-.00620

DATE 12 JUN 76

TABULATED SOURCE DATA - IABO

PAGE 541

ARC 11-023 IABO OTS (SRB NOM) (SSME NO. 2 OUT)

(HE4084) (28 OCT 75)

REFERENCE DATA

SREF = 2690.0000 SQ.FT. XMRP = .0000 IN.
 LREF = 1290.3000 IN. YMRP = .0000 IN.
 BREF = 1290.3000 IN. ZMRP = .0000 IN.
 SCALE = .0200

PARAMETRIC DATA

ELV-18 = .000 ELV-08 = .000
 RN/L = 4.250 MACH = 1.400

RUN NO. 203/ 0 RN/L = 4.33 GRADIENT INTERVAL = -5.00/ 5.00

ALPHA	BETA	CP22	CP24	CP26	CP28	CP21	CP23	CP25	CP27
3.953	-.009	-.04470	-.04440	-.03780	-.03890	-.02380	-.03390	-.02790	-.02630
	GRADIENT	.00000	.00000	.00000	.00000	.00000	.00000	.00000	.00000

ARC 11-023 IABO OTS (SRB NOM) (SSME NO. 1 OUT)

(HE4085) (28 OCT 75)

REFERENCE DATA

SREF = 2690.0000 SQ.FT. XMRP = .0000 IN.
 LREF = 1290.3000 IN. YMRP = .0000 IN.
 BREF = 1290.3000 IN. ZMRP = .0000 IN.
 SCALE = .0200

PARAMETRIC DATA

ELV-18 = .000 ELV-08 = .000
 RN/L = 3.400 MACH = .600

RUN NO. 356/ 0 RN/L = 3.42 GRADIENT INTERVAL = -5.00/ 5.00

ALPHA	BETA	CP22	CP24	CP26	CP28	CP21	CP23	CP25	CP27
-4.072	.012	.00210	-.00220	.00030	-.01320	-.00400	-.00250	-.00290	-.01140
	GRADIENT	.00000	.00000	.00000	.00000	.00000	.00000	.00000	.00000

RUN NO. 357/ 0 RN/L = 3.49 GRADIENT INTERVAL = -5.00/ 5.00

ALPHA	BETA	CP22	CP24	CP26	CP28	CP21	CP23	CP25	CP27
-.284	-4.003	-.04930	-.04460	-.04190	-.04080	-.01270	-.01300	-.01470	-.01710
-.337	.003	-.03030	-.02630	-.02590	-.02860	-.03400	-.03170	-.02690	-.02830
-.367	4.025	-.01130	-.01470	-.00960	-.01510	-.05230	-.05270	-.04790	-.04660
	GRADIENT	.00473	.00372	.00402	.00320	-.00493	-.00495	-.00414	-.00368

RUN NO. 358/ 0 RN/L = 3.47 GRADIENT INTERVAL = -5.00/ 5.00

ALPHA	BETA	CP22	CP24	CP26	CP28	CP21	CP23	CP25	CP27
3.868	.006	-.06290	-.06150	-.06390	-.06460	-.06430	-.06320	-.06560	-.06530
	GRADIENT	.00000	.00000	.00000	.00000	.00000	.00000	.00000	.00000

ORIGINAL PAGE IS
OF POOR QUALITY

ARC 11-023 IAB0 OTS (SRB NOM) (SSME NO. 1 OUT)

(HE40B6) (28 OCT 75)

REFERENCE DATA

PARAMETRIC DATA

SREF = 2690.0000 SQ.FT.	XMRP = .0000 IN.	ELV-1B = .000	ELV-0B = .000
LREF = 1290.3000 IN.	YMRP = .0000 IN.	RN/L = 4.250	MACH = .900
BREF = 1290.3000 IN.	ZMRP = .0000 IN.		
SCALE = .0200			

RUN NO. 359/ 0 RN/L = 4.20 GRADIENT INTERVAL = -5.00/ 5.00

ALPHA	BETA	CP22	CP24	CP26	CP28	CP21	CP23	CP25	CP27
-4.013	.009	.04840	.04420	.05270	.04720	.04400	.04080	.04500	.04280
	GRADIENT	.00000	.00000	.00000	.00000	.00000	.00000	.00000	.00000

RUN NO. 360/ 0 RN/L = 4.21 GRADIENT INTERVAL = -5.00/ 5.00

ALPHA	BETA	CP22	CP24	CP26	CP28	CP21	CP23	CP25	CP27
-.317	-4.003	-.00320	-.00580	.00300	-.00200	.04290	.04030	.04760	.04130
-.310	.003	.02480	.02170	.03140	.02860	.01750	.01890	.02440	.02130
-.340	4.025	.04860	.04340	.05240	.04720	-.00400	-.00940	-.00360	-.00500
	GRADIENT	.00645	.00613	.00615	.00613	-.00584	-.00619	-.00638	-.00577

RUN NO. 361/ 0 RN/L = 4.21 GRADIENT INTERVAL = -5.00/ 5.00

ALPHA	BETA	CP22	CP24	CP26	CP28	CP21	CP23	CP25	CP27
3.854	.009	.00300	.00280	.00910	.00680	-.00260	-.00320	.00040	.00060
	GRADIENT	.00000	.00000	.00000	.00000	.00000	.00000	.00000	.00000

ARC 11-023 IAB0 OTS (SRB NOM) (SSME NO. 1 OUT)

(HE40B7) (28 OCT 75)

REFERENCE DATA

PARAMETRIC DATA

SREF = 2690.0000 SQ.FT.	XMRP = .0000 IN.	ELV-1B = .000	ELV-0B = .000
LREF = 1290.3000 IN.	YMRP = .0000 IN.	RN/L = 4.250	MACH = 1.100
BREF = 1290.3000 IN.	ZMRP = .0000 IN.		
SCALE = .0200			

RUN NO. 216/ 0 RN/L = 4.38 GRADIENT INTERVAL = -5.00/ 5.00

ALPHA	BETA	CP22	CP24	CP26	CP28	CP21	CP23	CP25	CP27
-4.003	-.012	-.03480	-.04000	-.02510	-.02250	-.03660	-.03400	-.02850	-.03520
	GRADIENT	.00000	.00000	.00000	.00000	.00000	.00000	.00000	.00000

RUN NO. 217/ 0 RN/L = 4.38 GRADIENT INTERVAL = -5.00/ 5.00

ALPHA	BETA	CP22	CP24	CP26	CP28	CP21	CP23	CP25	CP27
-.393	-4.006	.04190	.05240	.08140	.08110	.09720	.08640	.11880	.10530
-.347	-.019	-.04890	-.04190	.01660	.03480	-.05150	-.04770	-.01960	.01030
-.383	4.012	.08680	.07060	.11160	.05020	.03360	.02870	.05890	.05470
	GRADIENT	.00565	.00232	.00380	.00116	-.00788	-.00715	-.00742	-.00628

ARC 11-023 1A80 OTS (SRB NOM) (SSME NO. 1 OUT)

(HE4089) (28 OCT 75)

REFERENCE DATA

SREF = 2690.0000 SQ.FT. XMRP = .0000 IN.
 LREF = 1290.3000 IN. YMRP = .0000 IN.
 BREF = 1290.3000 IN. ZMRP = .0000 IN.
 SCALE = .0200

PARAMETRIC DATA

ELV-18 = .000 ELV-08 = .000
 RN/L = 4.250 MACH = 1.400

RUN NO. 210/ 0 RN/L = 4.34 GRADIENT INTERVAL = -5.00/ 5.00

ALPHA	BETA	CP22	CP24	CP26	CP28	CP21	CP23	CP25	CP27
-3.934	-.009	-.03500	-.04000	-.02410	-.02560	-.03180	-.03970	-.02300	-.02370
	GRADIENT	.00000	.00000	.00000	.00000	.00000	.00000	.00000	.00000

RUN NO. 211/ 0 RN/L = 4.34 GRADIENT INTERVAL = -5.00/ 5.00

ALPHA	BETA	CP22	CP24	CP26	CP28	CP21	CP23	CP25	CP27
-.426	-4.006	-.06150	-.06560	-.05390	-.05560	.00430	.00680	.00840	.00840
-.383	-.016	-.04270	-.04720	-.02770	-.02740	-.04000	-.04110	-.02550	-.02390
-.436	4.016	.00190	-.00080	.00910	.00650	-.05520	-.06270	-.04540	-.04900
	GRADIENT	.00791	.00808	.00786	.00774	-.00741	-.00866	-.00670	-.00715

RUN NO. 212/ 0 RN/L = 4.33 GRADIENT INTERVAL = -5.00/ 5.00

ALPHA	BETA	CP22	CP24	CP26	CP28	CP21	CP23	CP25	CP27
4.046	-.012	-.04130	-.03560	-.03180	-.03210	-.03920	-.03670	-.02470	-.02920
	GRADIENT	.00000	.00000	.00000	.00000	.00000	.00000	.00000	.00000

ARC 11-0231A80 OTS W/ET BASE SPOILER SRB=SSME=OFF

(HE40C0) (28 OCT 75)

REFERENCE DATA

SREF = 2690.0000 SQ.FT. XMRP = .0000 IN.
 LREF = 1290.3000 IN. YMRP = .0000 IN.
 BREF = 1290.3000 IN. ZMRP = .0000 IN.
 SCALE = .0200

PARAMETRIC DATA

ELV-18 = .000 ELV-08 = .000
 RN/L = 4.250 MACH = .900

RUN NO. 377/ 0 RN/L = 4.25 GRADIENT INTERVAL = -5.00/ 5.00

ALPHA	BETA	CP22	CP24	CP26	CP28	CP21	CP23	CP25	CP27
-4.029	.016	.05420	.05090	.05850	.05390	.04810	.04670	.05330	.04830
	GRADIENT	.00000	.00000	.00000	.00000	.00000	.00000	.00000	.00000

RUN NO. 375/ 0 RN/L = 4.25 GRADIENT INTERVAL = -5.00/ 5.00

ALPHA	BETA	CP22	CP24	CP26	CP28	CP21	CP23	CP25	CP27
-.241	-4.009	.00240	-.00060	.00920	.00260	.04760	.04600	.05030	.04560
-.264	-.003	.02970	.02790	.03630	.03350	.02350	.02310	.03030	.02710
-.291	4.022	.05270	.05110	.05750	.05370	-.00340	-.00260	.00220	.00200
	GRADIENT	.00626	.00644	.00601	.00636	-.00635	-.00605	-.00599	-.00543

ARC11-0231A80 OTS W/ET BASE SPOILER SRB=SSME=NOM

(HE40C2) (28 OCT 75)

REFERENCE DATA

SREF = 2690.0000 SQ.FT. XMRP = .0000 IN.
 LREF = 1290.3000 IN. YMRP = .0000 IN.
 BREF = 1290.3000 IN. ZMRP = .0000 IN.
 SCALE = .0200

PARAMETRIC DATA

ELV-18 = .000 ELV-08 = .000
 RN/L = 4.250 MACH = .900

RUN NO. 378/ 0 RN/L = 4.22 GRADIENT INTERVAL = -5.00/ 5.00

ALPHA	BETA	CP22	CP24	CP26	CP28	CP21	CP23	CP25	CP27
-3.996	.016	.05140	.05140	.06400	.06100	.04750	.04590	.05640	.05440
	GRADIENT	.00000	.00000	.00000	.00000	.00000	.00000	.00000	.00000

RUN NO. 379/ 0 RN/L = 4.22 GRADIENT INTERVAL = -5.00/ 5.00

ALPHA	BETA	CP22	CP24	CP26	CP28	CP21	CP23	CP25	CP27
-.284	-4.012	-.00650	-.00900	.00060	-.00410	.04080	.03780	.04360	.03900
-.360	-.003	.03290	.03190	.04180	.04030	.02730	.02590	.03250	.03570
-.330	4.019	.05030	.04470	.05010	.04380	-.01050	-.01190	-.00520	-.00730
	GRADIENT	.00707	.00668	.00616	.00596	-.00639	-.00519	-.00608	-.00577

RUN NO. 380/ 0 RN/L = 4.22 GRADIENT INTERVAL = -5.00/ 5.00

ALPHA	BETA	CP22	CP24	CP26	CP28	CP21	CP23	CP25	CP27
3.927	.012	.00270	.00370	.00770	.00610	-.00340	-.00500	.00070	.00030
	GRADIENT	.00000	.00000	.00000	.00000	.00000	.00000	.00000	.00000

ARC11-0231A80 OTS W/ET BASE SPOILER SRB=SSME=NOM

(HE40C3) (28 OCT 75)

REFERENCE DATA

SREF = 2690.0000 SQ.FT. XMRP = .0000 IN.
 LREF = 1290.3000 IN. YMRP = .0000 IN.
 BREF = 1290.3000 IN. ZMRP = .0000 IN.
 SCALE = .0200

PARAMETRIC DATA

ELV-18 = .000 ELV-08 = .000
 RN/L = 4.250 MACH = 1.100

RUN NO. 371/ 0 RN/L = 4.47 GRADIENT INTERVAL = -5.00/ 5.00

ALPHA	BETA	CP22	CP24	CP26	CP28	CP21	CP23	CP25	CP27
-4.033	.016	-.04320	-.03610	-.02710	-.02440	-.04530	-.03970	-.02930	-.02390
	GRADIENT	.00000	.00000	.00000	.00000	.00000	.00000	.00000	.00000

RUN NO. 372/ 0 RN/L = 4.46 GRADIENT INTERVAL = -5.00/ 5.00

ALPHA	BETA	CP22	CP24	CP26	CP28	CP21	CP23	CP25	CP27
-.433	-4.009	.06720	.06550	.10270	.10080	.12470	.11810	.14710	.14280
-.446	-.003	-.05070	-.05510	-.03010	-.02910	-.05050	-.05800	-.04210	-.04310
-.456	4.022	.12510	.11880	.15240	.14580	.05640	.05740	.08490	.07980
	GRADIENT	.00724	.00666	.00622	.00563	-.00848	-.00753	-.00771	-.00781

DATE 12 JUN 76

TABULATED SOURCE DATA - 1A80

PAGE 547

ARC11-0231A80 OTS W/ET BASE SPOILER SRB=SSME=NOM

(HE40C3) (28 OCT 75)

REFERENCE DATA

SREF = 2690.0000 SQ.FT. XMRP = .0000 IN.
 LREF = 1290.3000 IN. YMRP = .0000 IN.
 BREF = 1290.3000 IN. ZMRP = .0000 IN.
 SCALE = .0200

PARAMETRIC DATA

ELV-18 = .000 ELV-08 = .000
 RN/L = 4.250 MACH = 1.100

RUN NO. 373/ 0 RN/L = 4.47 GRADIENT INTERVAL = -5.00/ 5.00

ALPHA	BETA	CP22	CP24	CP26	CP28	CP21	CP23	CP25	CP27
3.844	.003	.16190	.17860	.19210	.19080	.16180	.16650	.18380	.17870
	GRADIENT	.00000	.00000	.00000	.00000	.00000	.00000	.00000	.00000

ARC 11-023 1A80 OTS (SRB NOM++) (SSME NOM)

(IE4001) (28 OCT 75)

REFERENCE DATA

SREF = 2690.0000 SQ.FT. XMRP = .0000 IN.
 LREF = 1290.3000 IN. YMRP = .0000 IN.
 BREF = 1290.3000 IN. ZMRP = .0000 IN.
 SCALE = .0200

PARAMETRIC DATA

ELV-18 = .000 ELV-08 = .000
 RN/L = 3.400 MACH = .600

RUN NO. 240/ 0 RN/L = 3.38 GRADIENT INTERVAL = -5.00/ 5.00

ALPHA	BETA	CP13	CP17	CP19
-4.013	-.019	-.03650	-.02490	-.03030
	GRADIENT	.00000	.00000	.00000

RUN NO. 241/ 0 RN/L = 3.39 GRADIENT INTERVAL = -5.00/ 5.00

ALPHA	BETA	CP13	CP17	CP19
-.314	-4.034	-.02820	-.02150	-.02640
-.340	-.019	-.05200	-.05020	-.05010
-.459	3.997	-.03240	-.08660	-.05140
	GRADIENT	-.00792	-.00811	-.00809

RUN NO. 242/ 0 RN/L = 3.39 GRADIENT INTERVAL = -5.00/ 5.00

ALPHA	BETA	CP13	CP17	CP19
4.039	-.019	-.03140	-.08040	-.08070
	GRADIENT	.00000	.00000	.00000

DATE 12 JUN 76

TABULATED SOURCE DATA - 1A80

PAGE 548

ARC 11-023 1A80 OTS (SRB NOM++) (SSME NOM)

(1E4002) (28 OCT 75)

REFERENCE DATA

PARAMETRIC DATA

SREF = 2690.0000 SQ.FT. XMRP = .0000 IN.
 LREF = 1290.3000 IN. YMRP = .0000 IN.
 BREF = 1290.3000 IN. ZMRP = .0000 IN.
 SCALE = .0200

ELV-1B = .000 ELV-0B = .000
 RN/L = 4.250 MACH = .900

RUN NO. 222/ 0 RN/L = 4.23 GRADIENT INTERVAL = -5.00/ 5.00

ALPHA	BETA	CP13	CP17	CP19
-3.901	-.012	.02860	.02780	.02820
	GRADIENT	.03006	.00000	.00000

RUN NO. 223/ 0 RN/L = 4.22 GRADIENT INTERVAL = -5.00/ 5.00

ALPHA	BETA	CP13	CP17	CP19
-.347	-4.025	.01360	.02130	.01890
-.380	-.009	.03970	.01050	.01230
-.456	4.003	-.01120	-.00590	-.00490
	GRADIENT	-.03309	-.00339	-.00296

RUN NO. 224/ 0 RN/L = 4.21 GRADIENT INTERVAL = -5.00/ 5.00

ALPHA	BETA	CP13	CP17	CP19
3.977	-.009	-.04030	-.03140	-.05890
	GRADIENT	.03000	.00000	.00000

ARC 11-023 1A80 OTS (SRB NOM++) (SSME NOM)

(1E4003) (28 OCT 75)

REFERENCE DATA

PARAMETRIC DATA

SREF = 2690.0000 SQ.FT. XMRP = .0000 IN.
 LREF = 1290.3000 IN. YMRP = .0000 IN.
 BREF = 1290.3000 IN. ZMRP = .0000 IN.
 SCALE = .0200

ELV-1B = .000 ELV-0B = .000
 RN/L = 4.250 MACH = 1.100

RUN NO. 74/ 0 RN/L = 4.30 GRADIENT INTERVAL = -5.00/ 5.00

ALPHA	BETA	CP13	CP17	CP19
-3.920	-.003	-.17960	-.15170	-.14660
	GRADIENT	.00000	.00000	.00000

RUN NO. 75/ 0 RN/L = 4.31 GRADIENT INTERVAL = -5.00/ 5.00

ALPHA	BETA	CP13	CP17	CP19
-.621	-4.006	-.12950	-.08230	-.08970
-.641	.000	-.21160	-.19960	-.18970
-.492	4.009	-.15450	-.12200	-.12430
	GRADIENT	-.00436	-.00495	-.00431

DATE 12 JUN 76

TABULATED SOURCE DATA - IAB0

PAGE 549

ARC 11-023 IAB0 OTS (SRB NOM++) (SSME NOM)

(1E4003) (28 OCT 75)

REFERENCE DATA

SREF = 2690.0000 SQ.FT. XMRP = .0000 IN.
LREF = 1290.3000 IN. YMRP = .0000 IN.
BREF = 1290.3000 IN. ZMRP = .0000 IN.
SCALE = .0200

PARAMETRIC DATA

ELV-1B = .000 ELV-0B = .000
RN/L = 4.250 MACH = 1.100

RUN NO. 76/ 0 RN/L = 4.31 GRADIENT INTERVAL = -5.00/ 5.00

ALPHA BETA CP13 CP17 CP19
3.944 -.003 -.19730 -.16960 -.17510
GRADIENT .00000 .00000 .00000

ARC 11-023 IAB0 OTS (SRB NOM++) (SSME NOM)

(1E4004) (28 OCT 75)

REFERENCE DATA

SREF = 2690.0000 SQ.FT. XMRP = .0000 IN.
LREF = 1290.3000 IN. YMRP = .0000 IN.
BREF = 1290.3000 IN. ZMRP = .0000 IN.
SCALE = .0200

PARAMETRIC DATA

ELV-1B = .000 ELV-0B = .000
RN/L = 4.250 MACH = 1.250

RUN NO. 48/ 0 RN/L = 4.50 GRADIENT INTERVAL = -5.00/ 5.00

ALPHA BETA CP13 CP17 CP19
-4.165 .000 -.17490 -.17620 -.16500
GRADIENT .00000 .00000 .00000

RUN NO. 49/ 0 RN/L = 4.43 GRADIENT INTERVAL = -5.00/ 5.00

ALPHA BETA CP13 CP17 CP19
-.495 -4.006 -.09810 -.07940 -.08080
-.528 .000 -.17290 -.14190 -.14280
-.555 4.006 -.22380 -.19280 -.18780
GRADIENT -.01694 -.01415 -.01335

RUN NO. 50/ 0 RN/L = 4.43 GRADIENT INTERVAL = -5.00/ 5.00

ALPHA BETA CP13 CP17 CP19
3.881 .006 -.14870 -.14610 -.13960
GRADIENT .00000 .00000 .00000

ORIGINAL PAGE IS
OF POOR QUALITY

ARC 11-023 1A80 OTS (SRB NOM++) (SSME NOM)

(1E4005) (28 OCT 75)

REFERENCE DATA

SREF = 2690.0000 SQ.FT. XMRP = .0000 IN.
 LREF = 1290.3000 IN. YMRP = .0000 IN.
 BREF = 1290.3000 IN. ZMRP = .0000 IN.
 SCALE = .0200

PARAMETRIC DATA

ELV-18 = .000 ELV-08 = .000
 RN/L = 4.250 MACH = 1.400

RUN NO. 1/ 0 RN/L = 4.31 GRADIENT INTERVAL = -5.00/ 5.00

ALPHA	BETA	CP13	CP17	CP19
-3.950	-.003	-.12030	-.11970	-.10960
	GRADIENT	.00000	.00000	.00000

RUN NO. 2/ 0 RN/L = 4.30 GRADIENT INTERVAL = -5.00/ 5.00

ALPHA	BETA	CP13	CP17	CP19
-.436	-4.009	-.12730	-.09500	-.10270
-.482	-.003	-.16890	-.14610	-.14710
-.505	4.009	-.20810	-.17900	-.17140
	GRADIENT	-.01008	-.01047	-.00857

RUN NO. 3/ 0 RN/L = 4.30 GRADIENT INTERVAL = -5.00/ 5.00

ALPHA	BETA	CP13	CP17	CP19
3.881	-.006	-.17930	-.14180	-.15050
	GRADIENT	.00000	.00000	.00000

ARC 11-023 1A80 OTS (SRB NOM+) (SSME NOM)

(1E4006) (28 OCT 75)

REFERENCE DATA

SREF = 2690.0000 SQ.FT. XMRP = .0000 IN.
 LREF = 1290.3000 IN. YMRP = .0000 IN.
 BREF = 1290.3000 IN. ZMRP = .0000 IN.
 SCALE = .0200

PARAMETRIC DATA

ELV-18 = .000 ELV-08 = .000
 RN/L = 3.400 MACH = .600

RUN NO. 243/ 0 RN/L = 3.39 GRADIENT INTERVAL = -5.00/ 5.00

ALPHA	BETA	CP13	CP17	CP19
-3.848	-.019	-.04000	-.03320	-.03760
	GRADIENT	.00000	.00000	.00000

RUN NO. 244/ 0 RN/L = 3.39 GRADIENT INTERVAL = -5.00/ 5.00

ALPHA	BETA	CP13	CP17	CP19
-.350	-4.038	-.07430	-.02120	-.02120
-.314	-.022	-.05010	-.05100	-.05060
-.396	3.997	-.03890	-.09720	-.09690
	GRADIENT	-.00929	-.00946	-.00942

DATE 12 JUN 76

TABULATED SOURCE DATA - IAB0

PAGE 551

ARC 11-023 IAB0 OTS (SRB NOM+) (SSME NOM)

(1E4006) (28 OCT 75)

REFERENCE DATA

SREF = 2690.0000 SQ.FT. XMRP = .0000 IN.
LREF = 1290.3000 IN. YMRP = .0000 IN.
BREF = 1290.3000 IN. ZMRP = .0000 IN.
SCALE = .0200

PARAMETRIC DATA

ELV-1B = .000 ELV-0B = .000
RN/L = 3.400 MACH = .600

RUN NO. 245/ 0 RN/L = 3.39 GRADIENT INTERVAL = -5.00/ 5.00

ALPHA BETA CP13 CP17 CP19
3.970 -.022 -.09390 -.08770 -.08090
GRADIENT .00000 .00000 .00000

ARC 11-023 IAB0 OTS (SRB NOM+) (SSME NOM)

(1E4007) (28 OCT 75)

REFERENCE DATA

SREF = 2690.0000 SQ.FT. XMRP = .0000 IN.
LREF = 1290.3000 IN. YMRP = .0000 IN.
BREF = 1290.3000 IN. ZMRP = .0000 IN.
SCALE = .0200

PARAMETRIC DATA

ELV-1B = .000 ELV-0B = .000
RN/L = 4.250 MACH = .900

RUN NO. 225/ 0 RN/L = 4.20 GRADIENT INTERVAL = -5.00/ 5.00

ALPHA BETA CP13 CP17 CP19
-3.930 -.009 .02000 .02060 .02100
GRADIENT .00000 .00000 .00000

RUN NO. 226/ 0 RN/L = 4.21 GRADIENT INTERVAL = -5.00/ 5.00

ALPHA BETA CP13 CP17 CP19
-.376 -4.026 .01710 .02970 .02560
-.330 -.012 .00280 .00120 .00600
-.330 4.003 -.00850 -.00490 .00140
GRADIENT -.00319 -.00431 -.00301

RUN NO. 227/ 0 RN/L = 4.21 GRADIENT INTERVAL = -5.00/ 5.00

ALPHA BETA CP13 CP17 CP19
3.927 -.016 -.03600 -.02990 -.02710
GRADIENT .00000 .00000 .00000

ARC 11-023 1A80 OTS (SRB NOM+) (SSME NOM)

(1E4009) (28 OCT 75)

REFERENCE DATA

SREF = 2690.0000 SQ.FT. XMRP = .0000 IN.
 LREF = 1290.3000 IN. YMRP = .0000 IN.
 BREF = 1290.3000 IN. ZMRP = .0000 IN.
 SCALE = .0200

PARAMETRIC DATA

ELV-18 = .000 ELV-08 = .000
 RN/L = 4.250 MACH = 1.100

RUN NO. 77/ 0 RN/L = 4.31 GRADIENT INTERVAL = -5.00/ 5.00

ALPHA	BETA	CP13	CP17	CP19
-3.907	.000	-.17920	-.15180	-.14550
	GRADIENT	.00000	.00000	.00000

RUN NO. 78/ 0 RN/L = 4.31 GRADIENT INTERVAL = -5.00/ 5.00

ALPHA	BETA	CP13	CP17	CP19
-.515	-4.003	-.12670	-.07070	-.08210
-.525	.003	-.21300	-.20170	-.18940
-.426	4.012	-.15630	-.12300	-.12240
	GRADIENT	-.00369	-.00652	-.00502

RUN NO. 79/ 0 RN/L = 4.32 GRADIENT INTERVAL = -5.00/ 5.00

ALPHA	BETA	CP13	CP17	CP19
3.881	.006	-.18860	-.14560	-.14410
	GRADIENT	.00000	.00000	.00000

ARC 11-023 1A80 OTS (SRB NOM+) (SSME NOM)

(1E4009) (28 OCT 75)

REFERENCE DATA

SREF = 2690.0000 SQ.FT. XMRP = .0000 IN.
 LREF = 1290.3000 IN. YMRP = .0000 IN.
 BREF = 1290.3000 IN. ZMRP = .0000 IN.
 SCALE = .0200

PARAMETRIC DATA

ELV-18 = .000 ELV-08 = .000
 RN/L = 4.250 MACH = 1.250

RUN NO. 51/ 0 RN/L = 4.40 GRADIENT INTERVAL = -5.00/ 5.00

ALPHA	BETA	CP13	CP17	CP19
-3.897	.006	-.17450	-.17380	-.16380
	GRADIENT	.00000	.00000	.00000

RUN NO. 52/ 0 RN/L = 4.40 GRADIENT INTERVAL = -5.00/ 5.00

ALPHA	BETA	CP13	CP17	CP19
-.482	-4.006	-.09230	-.08100	-.07950
-.519	.003	-.17610	-.14890	-.14410
-.462	4.009	-.22500	-.19350	-.18950
	GRADIENT	-.01656	-.01404	-.01372

DATE 12 JUN 76

TABULATED SOURCE DATA - 1A80

PAGE 553

ARC 11-023 1A80 OTS (SRB NOM+) (SSME NOM)

(1E4009) (28 OCT 75)

REFERENCE DATA

SREF = 2690.0000 SQ.FT. XMRP = .0000 IN.
LREF = 1290.3000 IN. YMRP = .0000 IN.
BREF = 1290.3000 IN. ZMRP = .0000 IN.
SCALE = .0200

PARAMETRIC DATA

ELV-18 = .000 ELV-08 = .000
RN/L = 4.250 MACH = 1.250

RUN NO. 53/ 0 RN/L = 4.40 GRADIENT INTERVAL = -5.00/ 5.00

ALPHA BETA CP13 CP17 CP19
3.854 .006 -.14580 -.14280 -.14240
GRADIENT .00000 .00000 .00000

ARC 11-023 1A80 OTS (SRB NOM+) (SSME NOM)

(1E4010) (28 OCT 75)

REFERENCE DATA

SREF = 2690.0000 SQ.FT. XMRP = .0000 IN.
LREF = 1290.3000 IN. YMRP = .0000 IN.
BREF = 1290.3000 IN. ZMRP = .0000 IN.
SCALE = .0200

PARAMETRIC DATA

ELV-18 = .000 ELV-08 = .000
RN/L = 4.250 MACH = 1.400

RUN NO. 4/ 0 RN/L = 4.29 GRADIENT INTERVAL = -5.00/ 5.00

ALPHA BETA CP13 CP17 CP19
-3.904 -.006 -.12270 -.12290 -.11350
GRADIENT .00000 .00000 .00000

RUN NO. 5/ 0 RN/L = 4.29 GRADIENT INTERVAL = -5.00/ 5.00

ALPHA BETA CP13 CP17 CP19
-.406 -4.009 -.12660 -.09300 -.10410
-.370 .000 -.17110 -.14710 -.14880
-.453 4.012 -.21310 -.18480 -.17810
GRADIENT -.01078 -.01144 -.00922

RUN NO. 6/ 0 RN/L = 4.29 GRADIENT INTERVAL = -5.00/ 5.00

ALPHA BETA CP13 CP17 CP19
3.944 -.006 -.19040 -.14560 -.15760
GRADIENT .00000 .00000 .00000

ARC 11-023 IAB0 OTS (SRB NOM) (SSME NOM+)

(IE4011) (28 OCT 75)

REFERENCE DATA

SREF = 2690.0000 SQ.FT. XMRP = .0000 IN.
 LREF = 1290.3000 IN. YMRP = .0000 IN.
 BREF = 1290.3000 IN. ZMRP = .0000 IN.
 SCALE = .0200

PARAMETRIC DATA

ELV-18 = .000 ELV-08 = .000
 RN/L = 3.400 MACH = .600

RUN NO. 249/ 0 RN/L = 3.38 GRADIENT INTERVAL = -5.00/ 5.00

ALPHA	BETA	CP13	CP17	CP19
-3.957	-.016	-.04050	-.03290	-.03290
	GRADIENT	.00000	.00000	.00000

RUN NO. 250/ 0 RN/L = 3.40 GRADIENT INTERVAL = -5.00/ 5.00

ALPHA	BETA	CP13	CP17	CP19
-.337	-4.641	-.02400	-.01910	-.02400
-.383	-.022	-.05420	-.04770	-.05280
-.400	3.997	-.09290	-.08320	-.07770
	GRADIENT	-.00857	-.00798	-.00668

RUN NO. 251/ 0 RN/L = 3.41 GRADIENT INTERVAL = -5.00/ 5.00

ALPHA	BETA	CP13	CP17	CP19
4.125	-.025	-.08600	-.07740	-.08220
	GRADIENT	.00000	.00000	.00000

ARC 11-023 IAB0 OTS (SRB NOM) (SSME NOM+)

(IE4012) (28 OCT 75)

REFERENCE DATA

SREF = 2690.0000 SQ.FT. XMRP = .0000 IN.
 LREF = 1290.3000 IN. YMRP = .0000 IN.
 BREF = 1290.3000 IN. ZMRP = .0000 IN.
 SCALE = .0200

PARAMETRIC DATA

ELV-18 = .000 ELV-08 = .000
 RN/L = 4.250 MACH = .900

RUN NO. 231/ 0 RN/L = 4.20 GRADIENT INTERVAL = -5.00/ 5.00

ALPHA	BETA	CP13	CP17	CP19
-4.062	-.012	.01960	.02020	.02020
	GRADIENT	.00000	.00000	.00000

RUN NO. 232/ 0 RN/L = 4.21 GRADIENT INTERVAL = -5.00/ 5.00

ALPHA	BETA	CP13	CP17	CP19
-.383	-4.028	.01290	.01760	.01470
-.383	-.016	.00930	.00790	.01280
-.453	4.000	-.00650	-.00210	.00240
	GRADIENT	-.00247	-.00245	-.00153

DATE 12 JUN 76

TABULATED SOURCE DATA - 1A80

PAGE 555

ARC 11-023 1A80 OTS (SRB NOM) (SSME NOM+)

(1E4012) (28 OCT 75)

REFERENCE DATA

PARAMETRIC DATA

SREF = 2690.0000 SQ.FT. XMRP = .0000 IN.
 LREF = 1290.3000 IN. YMRP = .0000 IN.
 BREF = 1290.3000 IN. ZMRP = .0000 IN.
 SCALE = .0200

ELV-18 = .000 ELV-08 = .000
 RN/L = 4.250 MACH = .900

RUN NO. 233/ 0 RN/L = 4.20 GRADIENT INTERVAL = -5.00/ 5.00

ALPHA	BETA	CP13	CP17	CP19
3.947	-.012	-.07590	-.03280	-.02860
	GRADIENT	.00000	.00000	.00000

ARC 11-023 1A80 OTS (SRB NOM) (SSME NOM+)

(1E4013) (28 OCT 75)

REFERENCE DATA

PARAMETRIC DATA

SREF = 2690.0000 SQ.FT. XMRP = .0000 IN.
 LREF = 1290.3000 IN. YMRP = .0000 IN.
 BREF = 1290.3000 IN. ZMRP = .0000 IN.
 SCALE = .0200

ELV-18 = .000 ELV-08 = .000
 RN/L = 4.250 MACH = 1.100

RUN NO. 80/ 0 RN/L = 4.32 GRADIENT INTERVAL = -5.00/ 5.00

ALPHA	BETA	CP13	CP17	CP19
-3.950	.006	-.17920	-.15080	-.14640
	GRADIENT	.00000	.00000	.00000

RUN NO. 81/ 0 RN/L = 4.32 GRADIENT INTERVAL = -5.00/ 5.00

ALPHA	BETA	CP13	CP17	CP19
-.509	-4.066	-.12600	-.07650	-.08440
-.552	-.056	-.11230	-.19980	-.18930
-.486	3.950	-.15930	-.12360	-.12400
	GRADIENT	-.00416	-.00588	-.00494

RUN NO. 82/ 0 RN/L = 4.32 GRADIENT INTERVAL = -5.00/ 5.00

ALPHA	BETA	CP13	CP17	CP19
4.029	-.069	-.18270	-.14190	-.14920
	GRADIENT	.00000	.00000	.00000

ORIGINAL PAGE IS
OF POOR QUALITY

DATE 12 JUN 76

TABULATED SOURCE DATA - IA80

PAGE 556

ARC 11-023 IA80 OTS (SRB NOM) (SSME NOM+)

(IE4014) (28 OCT 75)

REFERENCE DATA

SREF = 2690.0000 SQ.FT. XMRP = .0000 IN.
 LREF = 1290.3000 IN. YMRP = .0000 IN.
 BREF = 1290.3000 IN. ZMRP = .0000 IN.
 SCALE = .0200

PARAMETRIC DATA

ELV-18 = .000 ELV-08 = .000
 RN/L = 4.250 MACH = 1.250

RUN NO. 54/ 0 RN/L = 4.38 GRADIENT INTERVAL = -5.00/ 5.00

ALPHA	BETA	CP13	CP17	CP19
-3.963	.006	-.17280	-.17070	-.16080
	GRADIENT	.00000	.00000	.00000

RUN NO. 55/ 0 RN/L = 4.39 GRADIENT INTERVAL = -5.00/ 5.00

ALPHA	BETA	CP13	CP17	CP19
-.492	-4.006	-.08770	-.08150	-.08010
-.466	.003	-.17650	-.14650	-.14220
-.522	4.009	-.22730	-.20150	-.19370
	GRADIENT	-.01742	-.01497	-.01417

RUN NO. 56/ 0 RN/L = 4.38 GRADIENT INTERVAL = -5.00/ 5.00

ALPHA	BETA	CP13	CP17	CP19
3.996	.000	-.15200	-.14380	-.14640
	GRADIENT	.00000	.00000	.00000

ARC 11-023 IA80 OTS (SRB NOM) (SSME NOM+)

(IE4015) (28 OCT 75)

REFERENCE DATA

SREF = 2690.0000 SQ.FT. XMRP = .0000 IN.
 LREF = 1290.3000 IN. YMRP = .0000 IN.
 BREF = 1290.3000 IN. ZMRP = .0000 IN.
 SCALE = .0200

PARAMETRIC DATA

ELV-18 = .000 ELV-08 = .000
 RN/L = 4.250 MACH = 1.400

RUN NO. 7/ 0 RN/L = 4.27 GRADIENT INTERVAL = -5.00/ 5.00

ALPHA	BETA	CP13	CP17	CP19
-3.910	-.006	-.12090	-.12040	-.11290
	GRADIENT	.00000	.00000	.00000

RUN NO. 8/ 0 RN/L = 4.28 GRADIENT INTERVAL = -5.00/ 5.00

ALPHA	BETA	CP13	CP17	CP19
-.409	-4.009	-.12780	-.09360	-.10440
-.446	.000	-.17210	-.14930	-.14860
-.509	4.009	-.21320	-.18860	-.17660
	GRADIENT	-.01065	-.01185	-.00900

DATE 12 JUN 76

TABULATED SOURCE DATA - 1A80

PAGE 557

ARC 11-023 1A80 OTS (SRB NOM) (SSME NOM+)

(1E4015) (28 OCT 75)

REFERENCE DATA

SREF = 2690.0000 SQ.FT. XMRP = .0000 IN.
LREF = 1290.3000 IN. YMRP = .0000 IN.
BREF = 1290.3000 IN. ZMRP = .0000 IN.
SCALE = .0200

PARAMETRIC DATA

ELV-18 = .000 ELV-08 = .000
RN/L = 4.250 MACH = 1.400

RUN NO. 9/ 0 RN/L = 4.28 GRADIENT INTERVAL = -5.00/ 5.00

ALPHA BETA CP13 CP17 CP19
3.048 -.006 -.18380 -.14470 -.15570
GRADIENT .00000 .00000 .00000

ARC 11-023 1A80 OTS (SRB NOM) (SSME NOM-)

(1E4016) (28 OCT 75)

REFERENCE DATA

SREF = 2690.0000 SQ.FT. XMRP = .0000 IN.
LREF = 1290.3000 IN. YMRP = .0000 IN.
BREF = 1290.3000 IN. ZMRP = .0000 IN.
SCALE = .0200

PARAMETRIC DATA

ELV-18 = .000 ELV-08 = .000
RN/L = 4.250 MACH = .900

RUN NO. 234/ 0 RN/L = 4.20 GRADIENT INTERVAL = -5.00/ 5.00

ALPHA BETA CP13 CP17 CP19
-3.986 -.012 .02110 .02150 .02170
GRADIENT .00000 .00000 .00000

RUN NO. 235/ 0 RN/L = 4.21 GRADIENT INTERVAL = -5.00/ 5.00

ALPHA BETA CP13 CP17 CP19
-.350 -4.031 .01320 .02320 .01870
-.301 -.016 .01610 .01450 .01890
-.317 4.000 -.00330 .00160 .00320
GRADIENT -.00205 -.00269 -.00193

RUN NO. 236/ 0 RN/L = 4.20 GRADIENT INTERVAL = -5.00/ 5.00

ALPHA BETA CP13 CP17 CP19
3.947 -.019 -.03360 -.03040 -.02740
GRADIENT .00000 .00000 .00000

DATE 12 JUN 76

TABULATED SOURCE DATA - 1A80

PAGE 558

ARC 11-023 1A80 OTS (SRB NOM) (SSME NOM-)

(1E4017) (28 OCT 75)

REFERENCE DATA

SREF = 2690.0000 SQ.FT. XMRP = .0000 IN.
 LREF = 1290.3000 IN. YMRP = .0000 IN.
 BREF = 1290.3000 IN. ZMRP = .0000 IN.
 SCALE = .0200

PARAMETRIC DATA

ELV-18 = .000 ELV-08 = .000
 RN/L = 4.250 MACH = 1.100

RUN NO. 83/ 0 RN/L = 4.32 GRADIENT INTERVAL = -5.00/ 5.00

ALPHA	BETA	CP13	CP17	CP19
-4.020	-.069	-.17880	-.15170	-.14650
	GRADIENT	.00000	.00000	.00000

RUN NO. 84/ 0 RN/L = 4.31 GRADIENT INTERVAL = -5.00/ 5.00

ALPHA	BETA	CP13	CP17	CP19
-.479	-4.069	-.12720	-.07310	-.07940
-.489	-.056	-.21400	-.20210	-.19050
-.486	3.947	-.15910	-.12480	-.12580
	GRADIENT	-.00399	-.00646	-.00580

RUN NO. 85/ 0 RN/L = 4.32 GRADIENT INTERVAL = -5.00/ 5.00

ALPHA	BETA	CP13	CP17	CP19
3.983	-.063	-.19730	-.15290	-.15480
	GRADIENT	.00000	.00000	.00000

ARC 11-023 1A80 OTS (SRB NOM) (SSME NOM-)

(1E4018) (28 OCT 75)

REFERENCE DATA

SREF = 2690.0000 SQ.FT. XMRP = .0000 IN.
 LREF = 1290.3000 IN. YMRP = .0000 IN.
 BREF = 1290.3000 IN. ZMRP = .0000 IN.
 SCALE = .0200

PARAMETRIC DATA

ELV-18 = .000 ELV-08 = .000
 RN/L = 4.250 MACH = 1.250

RUN NO. 57/ 0 RN/L = 4.38 GRADIENT INTERVAL = -5.00/ 5.00

ALPHA	BETA	CP13	CP17	CP19
-3.953	.000	-.17450	-.17280	-.16320
	GRADIENT	.00000	.00000	.00000

RUN NO. 58/ 0 RN/L = 4.38 GRADIENT INTERVAL = -5.00/ 5.00

ALPHA	BETA	CP13	CP17	CP19
-.429	-4.006	-.08820	-.07940	-.07770
-.423	.003	-.17400	-.14230	-.14400
-.416	4.009	-.22520	-.19580	-.18890
	GRADIENT	-.01709	-.01452	-.01387

DATE 12 JUN 76

TABULATED SOURCE DATA - IAB0

PAGE 559

ARC 11-023 IAB0 OTS (SRB NOM) (SSME NOM-)

(1E4018) (28 OCT 75)

REFERENCE DATA

SREF = 2690.0000 SQ.FT. XMRP = .0000 IN.
 LREF = 1290.3000 IN. YMRP = .0000 IN.
 BREF = 1290.3000 IN. ZMRP = .0000 IN.
 SCALE = .0200

PARAMETRIC DATA

ELV-18 = .000 ELV-08 = .000
 RN/L = 4.250 MACH = 1.250

RUN NO. 59/ 0 RN/L = 4.37 GRADIENT INTERVAL = -5.00/ 5.00

ALPHA	BETA	CP13	CP17	CP19
3.993	.003	-.14430	-.14830	-.14300
	GRADIENT	.00000	.00000	.00000

ARC 11-023 IAB0 OTS (SRB NOM) (SSME NOM-)

(1E4019) (28 OCT 75)

REFERENCE DATA

SREF = 2690.0000 SQ.FT. XMRP = .0000 IN.
 LREF = 1290.3000 IN. YMRP = .0000 IN.
 BREF = 1290.3000 IN. ZMRP = .0000 IN.
 SCALE = .0200

PARAMETRIC DATA

ELV-18 = .000 ELV-08 = .000
 RN/L = 4.250 MACH = 1.400

RUN NO. 10/ 0 RN/L = 4.27 GRADIENT INTERVAL = -5.00/ 5.00

ALPHA	BETA	CP13	CP17	CP19
-3.848	-.006	-.11820	-.11890	-.11000
	GRADIENT	.00000	.00000	.00000

RUN NO. 11/ 0 RN/L = 4.27 GRADIENT INTERVAL = -5.00/ 5.00

ALPHA	BETA	CP13	CP17	CP19
-.357	-4.009	-.12630	-.09460	-.10330
-.363	.000	-.17230	-.14750	-.14590
-.462	4.012	-.21520	-.18650	-.17860
	GRADIENT	-.01083	-.01146	-.00939

RUN NO. 12/ 0 RN/L = 4.27 GRADIENT INTERVAL = -5.00/ 5.00

ALPHA	BETA	CP13	CP17	CP19
3.986	-.003	-.18610	-.14120	-.15510
	GRADIENT	.00000	.00000	.00000

DATE 12 JUN 76

TABULATED SOURCE DATA - IAB0

PAGE 560

ARC 11-023 IAB0 OTS (SRB NOM) (SSME NOM)

(1E4020) (28 OCT 75)

REFERENCE DATA

PARAMETRIC DATA

SREF = 2690.0000 SQ.FT. XMRP = .0000 IN.
 LREF = 1290.3000 IN. YMRP = .0000 IN.
 BREF = 1290.3000 IN. ZMRP = .0000 IN.
 SCALE = .0200

ELV-1B = .000 ELV-0B = .000
 RN/L = 3.400 MACH = .600

RUN NO. 246/ 0 RN/L = 3.36 GRADIENT INTERVAL = -5.00/ 5.00

ALPHA	BETA	CP13	CP17	CP19
-3.868	-.016	-.04710	-.04290	-.04150
	GRADIENT	.00000	.00000	.00000

RUN NO. 247/ 0 RN/L = 3.39 GRADIENT INTERVAL = -5.00/ 5.00

ALPHA	BETA	CP13	CP17	CP19
-.327	-4.038	-.02120	-.00980	-.00950
-.291	-.022	-.06830	-.06320	-.06210
-.386	3.994	-.08270	-.07410	-.06830
	GRADIENT	-.00766	-.00801	-.00732

RUN NO. 248/ 0 RN/L = 3.41 GRADIENT INTERVAL = -5.00/ 5.00

ALPHA	BETA	CP13	CP17	CP19
4.016	-.022	-.08690	-.07710	-.07670
	GRADIENT	.00000	.00000	.00000

ARC 11-023 IAB0 OTS (SRB NOM) (SSME NOM)

(1E4021) (28 OCT 75)

REFERENCE DATA

PARAMETRIC DATA

SREF = 2690.0000 SQ.FT. XMRP = .0000 IN.
 LREF = 1290.3000 IN. YMRP = .0000 IN.
 BREF = 1290.3000 IN. ZMRP = .0000 IN.
 SCALE = .0200

ELV-1B = .000 ELV-0B = .000
 RN/L = 4.250 MACH = .900

RUN NO. 228/ 0 RN/L = 4.20 GRADIENT INTERVAL = -5.00/ 5.00

ALPHA	BETA	CP13	CP17	CP19
-3.977	-.016	.02340	.02540	.02340
	GRADIENT	.00000	.00000	.00000

RUN NO. 229/ 0 RN/L = 4.21 GRADIENT INTERVAL = -5.00/ 5.00

ALPHA	BETA	CP13	CP17	CP19
-.327	-4.028	.01580	.02740	.02350
-.317	-.012	.01620	.01480	.01920
-.350	4.000	-.00810	-.00150	.00160
	GRADIENT	-.00298	-.00360	-.00273

DATE 12 JUN 76

TABULATED SOURCE DATA - 1A80

PAGE 561

ARC 11-023 1A80 OTS (SRB NOM) (SSME NOM)

(1E4021) (28 OCT 75)

REFERENCE DATA

SREF = 2690.0000 SQ.FT.	XMRP = .0000 IN.
LREF = 1290.3000 IN.	YMRP = .0000 IN.
BREF = 1290.3000 IN.	ZMRP = .0000 IN.
SCALE = .0200	

PARAMETRIC DATA

ELV-18 = .000	ELV-08 = .000
RN/L = 4.250	MACH = .900

RUN NO. 230/ 0 RN/L = 4.20 GRADIENT INTERVAL = -5.00/ 5.00

ALPHA	BETA	CP13	CP17	CP19
3.977	-.012	-.03160	-.02690	-.02410
	GRADIENT	.00000	.00000	.00000

ARC 11-023 1A80 OTS (SRB NOM) (SSME NOM)

(1E4022) (28 OCT 75)

REFERENCE DATA

SREF = 2690.0000 SQ.FT.	XMRP = .0000 IN.
LREF = 1290.3000 IN.	YMRP = .0000 IN.
BREF = 1290.3000 IN.	ZMRP = .0000 IN.
SCALE = .0200	

PARAMETRIC DATA

ELV-18 = .000	ELV-08 = .000
RN/L = 4.250	MACH = 1.100

RUN NO. 86/ 0 RN/L = 4.32 GRADIENT INTERVAL = -5.00/ 5.00

ALPHA	BETA	CP13	CP17	CP19
-3.937	-.063	-.17910	-.15120	-.14540
	GRADIENT	.00000	.00000	.00000

RUN NO. 87/ 0 RN/L = 4.32 GRADIENT INTERVAL = -5.00/ 5.00

ALPHA	BETA	CP13	CP17	CP19
-.525	-4.069	-.12440	-.07450	-.07910
-.439	-.056	-.21280	-.20180	-.19060
-.482	3.950	-.16080	-.12140	-.12260
	GRADIENT	-.00454	-.0058E	-.00543

RUN NO. 88/ 0 RN/L = 4.32 GRADIENT INTERVAL = -5.00/ 5.00

ALPHA	BETA	CP13	CP17	CP19
3.963	-.063	-.18370	-.15180	-.14730
	GRADIENT	.00000	.00000	.00000

ORIGINAL PAGE IS
OF POOR QUALITY

ARC 11-023 1A80 OTS (SRB NOM) (SSME NOM)

(1E4023) (29 OCT 75)

REFERENCE DATA

SREF = 2690.0000 SQ.FT. XMRP = .0000 IN.
 LREF = 1290.3000 IN. YMRP = .0000 IN.
 BREF = 1290.3000 IN. ZMRP = .0000 IN.
 SCALE = .0200

PARAMETRIC DATA

ELV-18 = .000 ELV-08 = .000
 RN/L = 4.250 MACH = 1.250

RUN NO. 60/ 0 RN/L = 4.37 GRADIENT INTERVAL = -5.00/ 5.00

ALPHA	BETA	CP13	CP17	CP19
-3.917	.003	-.17800	-.17750	-.15690
	GRADIENT	.00000	.00000	.00000

RUN NO. 61/ 0 RN/L = 4.37 GRADIENT INTERVAL = -5.00/ 5.00

ALPHA	BETA	CP13	CP17	CP19
-.446	-4.006	-.09150	-.08090	-.08030
-.456	.003	-.17400	-.14490	-.14380
-.439	4.012	-.22650	-.19580	-.19060
	GRADIENT	-.01684	-.01433	-.01376

RUN NO. 62/ 0 RN/L = 4.37 GRADIENT INTERVAL = -5.00/ 5.00

ALPHA	BETA	CP13	CP17	CP19
3.986	.000	-.15010	-.14810	-.14480
	GRADIENT	.00000	.00000	.00000

ARC 11-023 1A80 OTS (SRB NOM) (SSME NOM)

(1E4024) (28 OCT 75)

REFERENCE DATA

SREF = 2690.0000 SQ.FT. XMRP = .0000 IN.
 LREF = 1290.3000 IN. YMRP = .0000 IN.
 BREF = 1290.3000 IN. ZMRP = .0000 IN.
 SCALE = .0200

PARAMETRIC DATA

ELV-18 = .000 ELV-08 = .000
 RN/L = 4.250 MACH = 1.400

RUN NO. 13/ 0 RN/L = 4.25 GRADIENT INTERVAL = -5.00/ 5.00

ALPHA	BETA	CP13	CP17	CP19
-3.884	-.003	-.12440	-.12410	-.11260
	GRADIENT	.00000	.00000	.00000

RUN NO. 14/ 0 RN/L = 4.25 GRADIENT INTERVAL = -5.00/ 5.00

ALPHA	BETA	CP13	CP17	CP19
-.370	-4.009	-.12490	-.09140	-.10280
-.370	.000	-.17230	-.15120	-.14910
-.429	4.012	-.21490	-.18540	-.17810
	GRADIENT	-.01122	-.01172	-.00939

DATE 12 JUN 76

TABULATED SOURCE DATA - IAB0

PAGE 563

ARC 11-023 IAB0 OTS (SRB NOM) (SSME NOM)

(1E4024) (28 OCT 75)

REFERENCE DATA

PARAMETRIC DATA

SREF = 2690.0000 SQ.FT. XMRP = .0000 IN.
LREF = 1290.3000 IN. YMRP = .0000 IN.
BREF = 1290.3000 IN. ZMRP = .0000 IN.
SCALE = .0200

ELV-18 = .000 ELV-08 = .000
RN/L = 4.250 MACH = 1.400

RUN NO. 15/ 0 RN/L = 4.26 GRADIENT INTERVAL = -5.00/ 5.00

ALPHA BETA CP13 CP17 CP19
3.994 .000 -.18400 -.14750 -.15490
GRADIENT .00000 .00000 .00000

ARC 11-023 IAB0 OTS (SRB NOM-) (SSME NOM)

(1E4025) (28 OCT 75)

REFERENCE DATA

PARAMETRIC DATA

SREF = 2690.0000 SQ.FT. XMRP = .0000 IN.
LREF = 1290.3000 IN. YMRP = .0000 IN.
BREF = 1290.3000 IN. ZMRP = .0000 IN.
SCALE = .0200

ELV-18 = .000 ELV-08 = .000
RN/L = 4.250 MACH = 1.100

RUN NO. 89/ 0 RN/L = 4.32 GRADIENT INTERVAL = -5.00/ 5.00

ALPHA BETA CP13 CP17 CP19
-4.020 -.063 -.17680 -.14940 -.14480
GRADIENT .00000 .00000 .00000

RUN NO. 90/ 0 RN/L = 4.32 GRADIENT INTERVAL = -5.00/ 5.00

ALPHA BETA C. 13 CP17 CP19
-.482 -4.069 -.12360 -.07120 -.07670
-.489 -.059 -.21350 -.20040 -.19070
-.453 3.950 -.15810 -.12350 -.12370
GRADIENT -.00430 -.00652 -.00586

RUN NO. 91/ 0 RN/L = 4.32 GRADIENT INTERVAL = -5.00/ 5.00

ALPHA BETA CP13 CP17 CP19
4.029 -.059 -.17330 -.14480 -.14670
GRADIENT .00000 .00000 .00000

ARC 11-023 1A80 OTS (SRB NOM-) (SSME NOM)

(IE4026) (28 OCT 75)

REFERENCE DATA

SREF = 2690.0000 SQ.FT. XMRP = .0000 IN.
 LREF = 1290.3000 IN. YMRP = .0000 IN.
 BREF = 1290.3000 IN. ZMRP = .0000 IN.
 SCALE = .0200

PARAMETRIC DATA

ELV-18 = .000 ELV-08 = .000
 RN/L = 4.250 MACH = 1.250

RUN NO. 63/ 0 RN/L = 4.36 GRADIENT INTERVAL = -5.00/ 5.00

ALPHA	BETA	CP13	CP17	CP19
-3.983	.000	-.17430	-.17240	-.16460
	GRADIENT	.00000	.00000	.00000

RUN NO. 64/ 0 RN/L = 4.36 GRADIENT INTERVAL = -5.00/ 5.00

ALPHA	BETA	CP13	CP17	CP19
-.443	-4.006	-.09090	-.08020	-.08130
-.426	.003	-.17480	-.14480	-.14230
-.456	4.016	-.22350	-.19050	-.18760
	GRADIENT	-.01653	-.01375	-.01325

RUN NO. 65/ 0 RN/L = 4.35 GRADIENT INTERVAL = -5.00/ 5.00

ALPHA	BETA	CP13	CP17	CP19
4.020	-.003	-.15110	-.15010	-.14560
	GRADIENT	.00000	.00000	.00000

ARC 11-023 1A80 OTS (SRB NOM-) (SSME NOM)

(IE4027) (28 OCT 75)

REFERENCE DATA

SREF = 2690.0000 SQ.FT. XMRP = .0000 IN.
 LREF = 1290.3000 IN. YMRP = .0000 IN.
 BREF = 1290.3000 IN. ZMRP = .0000 IN.
 SCALE = .0200

PARAMETRIC DATA

ELV-18 = .000 ELV-08 = .000
 RN/L = 4.250 MACH = 1.400

RUN NO. 16/ 0 RN/L = 4.23 GRADIENT INTERVAL = -5.00/ 5.00

ALPHA	BETA	CP13	CP17	CP19
-3.805	.000	-.12510	-.12440	-.11540
	GRADIENT	.00000	.00000	.00000

RUN NO. 17/ 0 RN/L = 4.24 GRADIENT INTERVAL = -5.00/ 5.00

ALPHA	BETA	CP13	CP17	CP19
-.353	-4.006	-.12990	-.09570	-.10490
-.367	.000	-.17270	-.15160	-.15280
-.400	4.012	-.21390	-.18760	-.17870
	GRADIENT	-.01048	-.01146	-.00920

DATE 12 JUN 76

TABULATED SOURCE DATA - 1A80

PAGE 565

ARC 11-023 1A80 OTS (SRB NOM-) (SSME NOM)

(1E4027) (28 OCT 75)

REFERENCE DATA

PARAMETRIC DATA

SREF = 2690.0000 SQ.FT. XMRP = .0000 IN.
LREF = 1290.3000 IN. YMRP = .0000 IN.
BREF = 1290.3000 IN. ZMRP = .0000 IN.
SCALE = .0200

ELV-1B = .000 ELV-0B = .000
RN/L = 4.250 MACH = 1.400

RUN NO. 18/ 0 RN/L = 4.24 GRADIENT INTERVAL = -5.00/ 5.00

ALPHA BETA CP13 CP17 CP19
3.983 .000 -.18600 -.14340 -.15460
GRADIENT .00000 .00000 .00000

ARC 11-023 1A80 OTS (SRB OFF) (SSME OFF)

(1E4028) (28 OCT 75)

REFERENCE DATA

PARAMETRIC DATA

SREF = 2690.0000 SQ.FT. XMRP = .0000 IN.
LREF = 1290.3000 IN. YMRP = .0000 IN.
BREF = 1290.3000 IN. ZMRP = .0000 IN.
SCALE = .0200

ELV-1B = .000 ELV-0B = .000
RN/L = 3.400 MACH = .600

RUN NO. 237/ 0 RN/L = 3.39 GRADIENT INTERVAL = -5.00/ 5.00

ALPHA BETA CP13 CP17 CP19
-4.000 -.016 -.03250 -.02470 -.02610
GRADIENT .00000 .00000 .00000

RUN NO. 238/ 0 RN/L = 3.38 GRADIENT INTERVAL = -5.00/ 5.00

ALPHA BETA CP13 CP17 CP19
-.264 -4.034 -.02050 -.01210 -.01360
-.261 -.019 -.05270 -.04280 -.04380
-.274 3.991 -.08340 -.07580 -.07620
GRADIENT -.00783 -.00794 -.00778

RUN NO. 239/ 0 RN/L = 3.39 GRADIENT INTERVAL = -5.00/ 5.00

ALPHA BETA CP13 CP17 CP19
4.013 -.019 -.07870 -.06940 -.07320
GRADIENT .00000 .00000 .00000

DATE 12 JUN 76

TABULATED SOURCE DATA - IAB0

PAGE 566

ARC 11-023 IAB0 OTS (SR3 OFF) (SSME OFF)

(1E4029) (28 OCT 75)

REFERENCE DATA

SREF = 2690.0000 SQ.FT. XMRP = .0000 IN.
 LREF = 1290.3000 IN. YMRP = .0000 IN.
 BREF = 1290.3000 IN. ZMRP = .0000 IN.
 SCALE = .0200

PARAMETRIC DATA

ELV-18 = .000 ELV-08 = .000
 RN/L = 4.250 MACH = .900

RUN NO. 219/ 0 RN/L = 4.25 GRADIENT INTERVAL = -5.00/ 5.00

ALPHA	BETA	CP13	CP17	CP19
7.980	-.006	.02310	.02350	.02530
	GRADIENT	.00000	.00000	.00000

RUN NO. 220/ 0 RN/L = 4.25 GRADIENT INTERVAL = -5.00/ 5.00

ALPHA	BETA	CP13	CP17	CP19
-.320	-4.022	.02130	.02590	.02370
-.310	-.009	.01380	.01240	.01580
-.297	4.006	.00430	.00150	.00570
	GRADIENT	-.00262	-.00304	-.00224

RUN NO. 221/ 0 RN/L = 4.24 GRADIENT INTERVAL = -5.00/ 5.00

ALPHA	BETA	CP13	CP17	CP19
3.986	-.009	-.06000	-.05380	-.05120
	GRADIENT	.00000	.00000	.00000

ARC 11-023 IAB0 OTS (SR3 OFF) (SSME OFF)

(1E4030) (28 OCT 75)

REFERENCE DATA

SREF = 2690.0000 SQ.FT. XMRP = .0000 IN.
 LREF = 1290.3000 IN. YMRP = .0000 IN.
 BREF = 1290.3000 IN. ZMRP = .0000 IN.
 SCALE = .0200

PARAMETRIC DATA

ELV-18 = .000 ELV-08 = .000
 RN/L = 4.250 MACH = 1.100

RUN NO. 69/ 0 RN/L = 4.33 GRADIENT INTERVAL = -5.00/ 5.00

ALPHA	BETA	CP13	CP17	CP19
-4.016	-.003	-.17870	-.15020	-.14560
	GRADIENT	.00000	.00000	.00000

RUN NO. 70/ 0 RN/L = 4.30 GRADIENT INTERVAL = -5.00/ 5.00

ALPHA	BETA	CP13	CP17	CP19
-.370	-4.006	-.13030	-.08920	-.09680
-.343	.003	-.21320	-.20320	-.19260
-.370	4.009	-.16730	-.13040	-.12620
	GRADIENT	-.00462	-.00514	-.00367

DATE 12 JUN 76

TABULATED SOURCE DATA - IAB0

PAGE 567

ARC 11-023 IAB0 OTS (SRB OFF) (SSME OFF)

(IE4030) (28 OCT 75)

REFERENCE DATA

SREF = 2690.0000 SQ.FT. XMRP = .0000 IN.
 LREF = 1290.3000 IN. YMRP = .0000 IN.
 BREF = 1290.3000 IN. ZMRP = .0000 IN.
 SCALE = .0200

PARAMETRIC DATA

ELV-1B = .000 ELV-0B = .000
 RN/L = 4.250 MACH = 1.100

RUN NO. 71/ 0 RN/L = 4.29 GRADIENT INTERVAL = -5.00/ 5.00

ALPHA	BETA	CP13	CP17	CP19
3.894	-.003	-.21320	-.19180	-.19360
	GRADIENT	.00000	.00000	.00000

ARC 11-023 IAB0 OTS (SRB OFF) (SSME OFF)

(IE4031) (28 OCT 75)

REFERENCE DATA

SREF = 2690.0000 SQ.FT. XMRP = .0000 IN.
 LREF = 1290.3000 IN. YMRP = .0000 IN.
 BREF = 1290.3000 IN. ZMRP = .0000 IN.
 SCALE = .0200

PARAMETRIC DATA

ELV-1B = .000 ELV-0B = .000
 RN/L = 4.250 MACH = 1.250

RUN NO. 66/ 0 RN/L = 4.36 GRADIENT INTERVAL = -5.00/ 5.00

ALPHA	BETA	CP13	CP17	CP19
-3.970	-.003	-.17450	-.17360	-.16310
	GRADIENT	.00000	.00000	.00000

RUN NO. 67/ 0 RN/L = 4.36 GRADIENT INTERVAL = -5.00/ 5.00

ALPHA	BETA	CP13	CP17	CP19
-.330	-4.006	-.08700	-.07830	-.07840
-.317	.003	-.17120	-.14160	-.13920
-.370	4.012	-.22330	-.19370	-.18910
	GRADIENT	-.01700	-.01439	-.01381

RUN NO. 68/ 0 RN/L = 4.36 GRADIENT INTERVAL = -5.00/ 5.00

ALPHA	BETA	CP13	CP17	CP19
3.950	-.003	-.14380	-.14710	-.14820
	GRADIENT	.00000	.00000	.00000

ARC 11-023 1A80 OTS (SRB OFF) (SSME OFF)

(IE4032) (28 OCT 75)

REFERENCE DATA

SREF = 2690.0000 SQ.FT. XMRP = .0000 IN.
 LREF = 1290.3000 IN. YMRP = .0000 IN.
 BREF = 1290.3000 IN. ZMRP = .0000 IN.
 SCALE = .0200

PARAMETRIC DATA

ELV-1B = .000 ELV-08 = .000
 RN/L = 4.250 MACH = 1.400

RUN NO. 19/ 0 RN/L = 4.24 GRADIENT INTERVAL = -5.00/ 5.00

ALPHA	BETA	CP13	CP17	CP19
-4.043	.000	-.11730	-.11630	-.10800
	GRADIENT	.00000	.00000	.00000

RUN NO. 20/ 0 RN/L = 4.25 GRADIENT INTERVAL = -5.00/ 5.00

ALPHA	BETA	CP13	CP17	CP19
-.195	-4.012	-.13200	-.09570	-.10350
-.211	.000	-.17510	-.15060	-.15000
.083	4.006	-.22180	-.19130	-.18370
	GRADIENT	-.01120	-.01192	-.01000

RUN NO. 21/ 0 RN/L = 4.25 GRADIENT INTERVAL = -5.00/ 5.00

ALPHA	BETA	CP13	CP17	CP19
4.082	.000	-.18920	-.14410	-.15770
	GRADIENT	.00000	.00000	.00000

ARC 11-023 1A80 OTS (SRB OFF) (SSME OFF)

(IE4033) (28 OCT 75)

REFERENCE DATA

SREF = 2690.0000 SQ.FT. XMRP = .0000 IN.
 LREF = 1290.3000 IN. YMRP = .0000 IN.
 BREF = 1290.3000 IN. ZMRP = .0000 IN.
 SCALE = .0200

PARAMETRIC DATA

ELV-1B = .000 ELV-08 = .000
 RN/L = 1.750 MACH = .600

RUN NO. 270/ 0 RN/L = 1.74 GRADIENT INTERVAL = -5.00/ 5.00

ALPHA	BETA	CP13	CP17	CP19
-3.953	-.003	-.02840	-.02010	-.02080
	GRADIENT	.00000	.00000	.00000

RUN NO. 271/ 0 RN/L = 1.74 GRADIENT INTERVAL = -5.00/ 5.00

ALPHA	BETA	CP13	CP17	CP19
-.271	-4.044	-.03210	-.02520	-.03350
-.284	-.031	-.04510	-.03360	-.03490
-.343	3.984	-.09100	-.08960	-.09020
	GRADIENT	-.00734	-.00802	-.00708

DATE 12 JUN 76

TABULATED SOURCE DATA - 1A80

PAGE 569

ARC 11-023 1A80 OTS (SRB OFF) (SSME OFF)

(1E4033) (28 OCT 75)

REFERENCE DATA

PARAMETRIC DATA

LREF = 2690.0000 SQ.FT. XMRP = .0000 IN.
 LREF = 1290.3000 IN. YMRP = .0000 IN.
 BREF = 1290.3000 IN. ZMRP = .0000 IN.
 SCALE = .0200

ELV-1B = .000 ELV-0B = .000
 RN/L = 1.750 MACH = .600

RUN NO. 272/ 0 RN/L = 1.74 GRADIENT INTERVAL = -5.00/ 5.00

ALPHA	BETA	CP13	CP17	CP19
3.963	-.003	-.00570	-.08390	-.08600
	GRADIENT	.00000	.00000	.00000

ARC 11-023 1A80 OTS (SRB OFF) (SSME OFF)

(1E4034) (28 OCT 75)

REFERENCE DATA

PARAMETRIC DATA

SREF = 2690.0000 SQ.FT. XMRP = .0000 IN.
 LREF = 1290.3000 IN. YMRP = .0000 IN.
 BREF = 1290.3000 IN. ZMRP = .0000 IN.
 SCALE = .0200

ELV-1B = .000 ELV-0B = .000
 RN/L = 2.250 MACH = .900

RUN NO. 267/ 0 RN/L = 2.16 GRADIENT INTERVAL = -5.00/ 5.00

ALPHA	BETA	CP13	CP17	CP19
-3.947	.000	.01100	.01540	.01420
	GRADIENT	.00000	.00000	.00000

RUN NO. 268/ 0 RN/L = 2.16 GRADIENT INTERVAL = -5.00/ 5.00

ALPHA	BETA	CP13	CP17	CP19
-.264	-4.044	.01660	.01980	.02020
-.271	-.031	-.03770	-.02730	-.02540
-.304	3.984	-.01550	-.02120	-.01830
	GRADIENT	-.00400	-.00511	-.00479

RUN NO. 269/ 0 RN/L = 2.16 GRADIENT INTERVAL = -5.00/ 5.00

ALPHA	BETA	CP13	CP17	CP19
3.990	-.003	-.09570	-.07800	-.08040
	GRADIENT	.00000	.00000	.00000

ORIGINAL PAGE IS
OF POOR QUALITY

ARC 11-023 IABG OTS (SRB OFF) (SSME OFF)

(1E4035) (28 OCT 75)

REFERENCE DATA

PARAMETRIC DATA

SREF = 2690.0000 SQ.FT. XMRP = .0000 IN.
 LREF = 1290.3000 IN. YMRP = .0000 IN.
 BREF = 1290.3000 IN. ZMRP = .0000 IN.
 SCALE = .0200

ELV-1B = .000 ELV-0B = .000
 RN/L = 2.250 MACH = 1.100

RUN NO. 22/ 0 RN/L = 2.24 GRADIENT INTERVAL = -5.00/ 5.00

ALPHA	BETA	CP13	CP17	CP19
-3.957	.000	-.18200	-.15240	-.14660
	GRADIENT	.00000	.00000	.00000

RUN NO. 23/ 0 RN/L = 2.25 GRADIENT INTERVAL = -5.00/ 5.00

ALPHA	BETA	CP13	CP17	CP19
-.225	-4.009	-.12790	-.06890	-.07430
-.225	.000	-.22710	-.21050	-.20240
-.231	4.012	-.16410	-.12820	-.12650
	GRADIENT	-.00451	-.00739	-.00650

RUN NO. 24/ 0 RN/L = 2.25 GRADIENT INTERVAL = -5.00/ 5.00

ALPHA	BETA	CP13	CP17	CP19
4.016	-.003	-.20120	-.17150	-.17450
	GRADIENT	.00000	.00000	.00000

ARC 11-023 IABG OTS (SRB OFF) (SSME OFF)

(1E4036) (28 OCT 75)

REFERENCE DATA

PARAMETRIC DATA

SREF = 2690.0000 SQ.FT. XMRP = .0000 IN.
 LREF = 1290.3000 IN. YMRP = .0000 IN.
 BREF = 1290.3000 IN. ZMRP = .0000 IN.
 SCALE = .0200

ELV-1B = .000 ELV-0B = .000
 RN/L = 2.250 MACH = 1.250

RUN NO. 30/ 0 RN/L = 2.27 GRADIENT INTERVAL = -5.00/ 5.00

ALPHA	BETA	CP13	CP17	CP19
-3.993	.003	-.17980	-.17880	-.16770
	GRADIENT	.00000	.00000	.00000

RUN NO. 31/ 0 RN/L = 2.27 GRADIENT INTERVAL = -5.00/ 5.00

ALPHA	BETA	CP13	CP17	CP19
-.175	-4.003	-.09190	-.09250	-.08870
-.129	.003	-.18540	-.14880	-.15080
-.175	4.009	-.23150	-.19870	-.19750
	GRADIENT	-.01742	-.01325	-.01358

DATE 12 JUN 76

LABULATED SOURCE DATA - IAB0

PAGE 571

ARC 11-023 IAB0 OTS (SRE OFF) (SSME OFF)

(IE4036) (28 OCT 75)

REFERENCE DATA

SREF = 2690.0000 SQ.FT. XMRP = .0000 IN.
LREF = 1290.3000 IN. YMRP = .0000 IN.
BREF = 1290.3000 IN. ZMRP = .0000 IN.
SCALE = .0200

PARAMETRIC DATA

ELV-18 = .000 ELV-08 = .000
RN/L = 2.250 MACH = 1.250

RUN NO. 32/ 0 RN/L = 2.27 GRADIENT INTERVAL = -5.00/ 5.00

ALPHA BETA CP13 CP17 CP19
4.072 .003 -.1495 -.15040 -.14850
GRADIENT .00000 .00000 .00000

ARC 11-023 IAB0 OTS (SRB OFF) (SSME OFF)

(IE4037) (28 OCT 75)

REFERENCE DATA

SREF = 2690.0000 SQ.FT. XMRP = .0000 IN.
LREF = 1290.3000 IN. YMRP = .0000 IN.
BREF = 1290.3000 IN. ZMRP = .0000 IN.
SCALE = .0200

PARAMETRIC DATA

ELV-18 = .000 ELV-08 = .000
RN/L = 2.250 MACH = 1.400

RUN NO. 33/ 0 RN/L = 2.23 GRADIENT INTERVAL = -5.00/ 5.00

ALPHA BETA CP13 CP17 CP19
-4.013 .003 -.13120 -.13080 -.12120
GRADIENT .00000 .00000 .00000

RUN NO. 34/ 0 RN/L = 2.23 GRADIENT INTERVAL = -5.00/ 5.00

ALPHA BETA CP13 CP17 CP19
-.241 -4.006 -.14490 -.11150 -.12330
-.264 .000 -.18310 -.16150 -.16370
-.267 4.009 -.22070 -.19410 -.18480
GRADIENT -.00946 -.01030 -.00767

RUN NO. 35/ 0 RN/L = 2.24 GRADIENT INTERVAL = -5.00/ 5.00

ALPHA BETA CP13 CP17 CP19
4.010 .003 -.19770 -.15090 -.16530
GRADIENT .00000 .00000 .00000

ARC 11-023 1A80 OTS (SRB NOM) (SSME NOM)

(1E4038) (28 OCT 75)

REFERENCE DATA

PARAMETRIC DATA

SREF = 2690.0000 SQ.FT. XMRP = .0000 IN.
 LREF = 1290.3000 IN. YMRP = .0000 IN.
 BREF = 1290.3000 IN. ZMRP = .0000 IN.
 SCALE = .0200

ELV-18 = .000 ELV-08 = .000
 RN/L = 1.750 MACH = .600

RUN NO. 273/ 0 RN/L = 1.76 GRADIENT INTERVAL = -5.00/ 5.00

ALPHA	BETA	CP13	CP17	CP19
-3.980	-.003	-.04250	-.03500	-.03220
	GRADIENT	.00000	.00000	.00000

RUN NO. 274/ 0 RN/L = 1.77 GRADIENT INTERVAL = -5.00/ 5.00

ALPHA	BETA	CP13	CP17	CP19
-.314	-4.044	-.02310	-.01700	-.01700
-.317	-.009	-.05790	-.05050	-.05260
-.327	3.981	-.09330	-.08780	-.08780
	GRADIENT	-.00675	-.00882	-.00882

RUN NO. 275/ 0 RN/L = 1.78 GRADIENT INTERVAL = -5.00/ 5.00

ALPHA	BETA	CP13	CP17	CP19
3.950	-.003	-.08730	-.07450	-.07390
	GRADIENT	.00000	.00000	.00000

ARC 11-023 1A80 OTS (SRB NOM) (SSME NOM)

(1E4039) (28 OCT 75)

REFERENCE DATA

PARAMETRIC DATA

SREF = 2690.0000 SQ.FT. XMRP = .0000 IN.
 LREF = 1290.3000 IN. YMRP = .0000 IN.
 BREF = 1290.3000 IN. ZMRP = .0000 IN.
 SCALE = .0200

ELV-18 = .000 ELV-08 = .000
 RN/L = 2.250 MACH = .900

RUN NO. 264/ 0 RN/L = 2.16 GRADIENT INTERVAL = -5.00/ 5.00

ALPHA	BETA	CP13	CP17	CP19
-3.986	.003	-.00060	.01020	.00460
	GRADIENT	.00000	.00000	.00000

RUN NO. 265/ 0 RN/L = 2.16 GRADIENT INTERVAL = -5.00/ 5.00

ALPHA	BETA	CP13	CP17	CP19
-.29.	-4.044	.01110	.01510	.01350
-.310	-.028	.01140	.00980	.01140
-.320	3.981	-.00990	-.01470	-.01150
	GRADIENT	-.00252	-.00371	-.00311

DATE 12 JUN 76

TABULATED SOURCE DATA - 1A80

PAGE 573

AKC 11-023 1A80 OTS (SRB NOM) (SSME NOM)

(1E4039) (28 OCT 75)

REFERENCE DATA

PARAMETRIC DATA

SREF = 2690.0000 SQ.FT. XMRP = .0000 IN.
LREF = 1290.3000 IN. YMRP = .0000 IN.
BREF = 1290.3000 IN. ZMRP = .0000 IN.
SCALE = .0200

ELV-18 = .000 ELV-08 = .000
RN/L = 2.250 MACH = .900

RUN NO. 266/ 0 RN/L = 2.16 GRADIENT INTERVAL = -5.00/ 5.00

ALPHA BETA CP13 CP17 CP19
3.970 .000 -.09220 -.07890 -.07890
GRADIENT .00000 .00000 .00000

ARC 11-023 1A80 OTS (SRB NOM) (SSME NOM)

(1E4040) (28 OCT 75)

REFERENCE DATA

PARAMETRIC DATA

SREF = 2690.0000 SQ.FT. XMRP = .0000 IN.
LREF = 1290.3000 IN. YMRP = .0000 IN.
BREF = 1290.3000 IN. ZMRP = .0000 IN.
SCALE = .0200

ELV-18 = .000 ELV-08 = .000
RN/L = 2.250 MACH = 1.100

RUN NO. 27/ 0 RN/L = 2.25 GRADIENT INTERVAL = -5.00/ 5.00

ALPHA BETA CP13 CP17 CP19
-3.801 -.005 -.18420 -.15200 -.14720
GRADIENT .00000 .00000 .00000

RUN NO. 28/ 0 RN/L = 2.25 GRADIENT INTERVAL = -5.00/ 5.00

ALPHA BETA CP13 CP17 CP19
-.304 -4.003 -.13410 -.07690 -.08060
-.267 .003 -.22500 -.20640 -.19790
-.390 4.016 -.16620 -.12960 -.12980
GRADIENT -.00470 -.00657 -.00613

RUN NO. 29/ 0 RN/L = 2.26 GRADIENT INTERVAL = -5.00/ 5.00

ALPHA BETA CP13 CP17 CP19
3.983 .003 -.20630 -.17540 -.17730
GRADIENT .00000 .00000 .00000

ARC 11-023 IAB0 OTS (SRB OFF) (SSME OFF)

(1E4041) (28 OCT 75)

REFERENCE DATA

SREF = 2690.0000 SQ.FT. XMRP = .0000 IN.
 LREF = 1290.3000 IN. YMRP = .0000 IN.
 BREF = 1290.3000 IN. ZMRP = .0000 IN.
 SCALE = .0200

PARAMETRIC DATA

ELV-1B = .000 ELV-08 = .000
 RN/L = 2.500 MACH = .600

RUN NO. 252/ 0 RN/L = 2.55 GRADIENT INTERVAL = -5.00/ 5.00

ALPHA	BETA	CP13	CP17	CP19
-4.000	-.022	-.0330	-.01990	-.02450
	GRADIENT	.00000	.00000	.00000

RUN NO. 253/ 0 RN/L = 2.55 GRADIENT INTERVAL = -5.00/ 5.00

ALPHA	BETA	CP13	CP17	CP19
-.261	-4.041	-.01730	-.01260	-.01260
-.271	-.025	-.04770	-.03620	-.03260
-.343	3.991	-.08250	-.07060	-.07060
	GRADIENT	-.00812	-.00722	-.00722

RUN NO. 254/ 0 RN/L = 2.55 GRADIENT INTERVAL = -5.00/ 5.00

ALPHA	BETA	CP13	CP17	CP19
3.944	-.022	-.07660	-.06880	-.06880
	GRADIENT	.00000	.00000	.00000

ARC 11-023 IAB0 OTS (SRB OFF) (SSME OFF)

(1E4042) (28 OCT 75)

REFERENCE DATA

SREF = 2690.0000 SQ.FT. XMRP = .0000 IN.
 LREF = 1290.3000 IN. YMRP = .0000 IN.
 BREF = 1290.3000 IN. ZMRP = .0000 IN.
 SCALE = .0200

PARAMETRIC DATA

ELV-1B = .000 ELV-08 = .000
 RN/L = 3.250 MACH = .900

RUN NO. 258/ 0 RN/L = 3.14 GRADIENT INTERVAL = -5.00/ 5.00

ALPHA	BETA	CP13	CP17	CP19
-3.930	.003	.02110	.02110	.02090
	GRADIENT	.00000	.00000	.00000

RUN NO. 259/ 0 RN/L = 3.13 GRADIENT INTERVAL = -5.00/ 5.00

ALPHA	BETA	CP13	CP17	CP19
-.284	-4.041	.02000	.02820	.02350
-.281	-.028	-.00210	-.00010	-.00290
-.248	3.994	-.00360	-.00660	-.00440
	GRADIENT	-.00294	-.00433	-.00347

DATE 12 JUN 76

TABULATED SOURCE DATA - IAB0

PAGE 575

ARC 11-023 IAB0 OTS (SRB OFF) (SSME OFF)

(IE4042) (28 OCT 75)

REFERENCE DATA

SREF = 2690.0000 SQ.FT. XMRP = .0000 IN.
LREF = 1290.3000 IN. YMRP = .0000 IN.
BREF = 1290.3000 IN. ZMRP = .0000 IN.
SCALE = .0200

PARAMETRIC DATA

ELV-18 = .000 ELV-08 = .000
RN/L = 3.250 MACH = .900

RUN NO. 260/ 0 RN/L = 3.12 GRADIENT INTERVAL = -5.00/ 5.00

ALPHA	BETA	CP13	CP17	CP19
3.960	.000	-.06430	-.06950	-.07060
	GRADIENT	.00000	.00000	.00000

ARC 11-023 IAB0 OTS (SRB OFF) (SSME OFF)

(IE4043) (28 OCT 75)

REFERENCE DATA

SREF = 2690.0000 SQ.FT. XMRP = .0000 IN.
LREF = 1290.3000 IN. YMRP = .0000 IN.
BREF = 1290.3000 IN. ZMRP = .0000 IN.
SCALE = .0200

PARAMETRIC DATA

ELV-18 = .000 ELV-08 = .000
RN/L = 3.250 MACH = 1.100

RUN NO. 35/ 0 RN/L = 3.28 GRADIENT INTERVAL = -5.00/ 5.00

ALPHA	BETA	CP13	CP17	CP19
-4.016	.003	-.16270	-.15470	-.14920
	GRADIENT	.00000	.00000	.00000

RUN NO. 37/ 0 RN/L = 3.27 GRADIENT INTERVAL = -5.00/ 5.00

ALPHA	BETA	CP13	CP17	CP19
-.287	-4.006	-.13320	-.08450	-.08890
-.291	.000	-.21880	-.20870	-.19700
-.310	4.006	-.16150	-.12620	-.12440
	GRADIENT	-.00353	-.00520	-.00443

RUN NO. 38/ 0 RN/L = 3.27 GRADIENT INTERVAL = -5.00/ 5.00

ALPHA	BETA	CP13	CP17	CP19
4.016	.003	-.21060	-.18010	-.18990
	GRADIENT	.00000	.00000	.00000

ARC 11-023 IAB0 OTS (SRB OFF) (SSME OFF)

(IE4044) (28 OCT 75)

REFERENCE DATA

PARAMETRIC DATA

SREF = 2690.0000 SQ.FT. XMRP = .0000 IN.
 LREF = 1290.3000 IN. YMRP = .0000 IN.
 BREF = 1290.3000 IN. ZMRP = .0000 IN.
 SCALE = .0200

ELV-1B = .000 ELV-0B = .000
 RN/L = 3.250 MACH = 1.250

RUN NO. 42/ 0 RN/L = 3.29 GRADIENT INTERVAL = -5.00/ 5.00

ALPHA	BETA	CP13	CP17	CP19
-3.953	.000	-.17500	-.17300	-.16590
	GRADIENT	.00000	.00000	.00000

RUN NO. 43/ 0 RN/L = 3.29 GRADIENT INTERVAL = -5.00/ 5.00

ALPHA	BETA	CP13	CP17	CP19
-.287	-4.003	-.09500	-.09330	-.09070
-.277	.003	-.17450	-.14810	-.14480
-.376	4.012	-.23310	-.19900	-.19420
	GRADIENT	-.01710	-.01356	-.01291

RUN NO. 44/ 0 RN/L = 3.29 GRADIENT INTERVAL = -5.00/ 5.00

ALPHA	BETA	CP13	CP17	CP19
3.947	-.003	-.14830	-.14730	-.14440
	GRADIENT	.00000	.00000	.00000

ARC 11-023 IAB0 OTS (SRB OFF) (SSME OFF)

(IE4045) (28 OCT 75)

REFERENCE DATA

PARAMETRIC DATA

SREF = 2690.0000 SQ.FT. XMRP = .0000 IN.
 LREF = 1290.3000 IN. YMRP = .0000 IN.
 BREF = 1290.3000 IN. ZMRP = .0000 IN.
 SCALE = .0200

ELV-1B = .000 ELV-0B = .000
 RN/L = 3.250 MACH = 1.400

RUN NO. 45/ 0 RN/L = 3.23 GRADIENT INTERVAL = -5.00/ 5.00

ALPHA	BETA	CP13	CP17	CP19
-3.990	-.003	-.12590	-.12450	-.11600
	GRADIENT	.00000	.00000	.00000

RUN NO. 46/ 0 RN/L = 3.22 GRADIENT INTERVAL = -5.00/ 5.00

ALPHA	BETA	CP13	CP17	CP19
-.284	-4.000	-.13510	-.09730	-.11190
-.297	.000	-.17500	-.15260	-.15070
-.294	4.009	-.23320	-.18910	-.18950
	GRADIENT	-.01050	-.01134	-.00856

DATE 12 JUN 76

TABULATED SOURCE DATA - 1A80

PAGE 577

ARC 11-023 1A80 OTS (SRB OFF) (SSME OFF)

(1E4045) (28 OCT 75)

REFERENCE DATA

SREF = 2690.0000 SQ.FT.	XMRP = .0000 IN.
LREF = 1290.3000 IN.	YMRP = .0000 IN.
BREF = 1290.3000 IN.	ZMRP = .0000 IN.
SCALE = .0200	

PARAMETRIC DATA

ELV-1B = .000	ELV-08 = .000
RN/L = 3.250	MACH = 1.400

RUN NO. 47/ 0 RN/L = 3.21 GRADIENT INTERVAL = -5.00/ 5.00

ALPHA	BETA	CP13	CP17	CP19
3.980	.000	-.19470	-.14440	-.15730
	GRADIENT	.00000	.00000	.00000

ARC 11-023 1A80 OTS (SRB NOM) (SSME NOM)

(1E4046) (28 OCT 75)

REFERENCE DATA

SREF = 2690.0000 SQ.FT.	XMRP = .0000 IN.
LREF = 1290.3000 IN.	YMRP = .0000 IN.
BREF = 1290.3000 IN.	ZMRP = .0000 IN.
SCALE = .0200	

PARAMETRIC DATA

ELV-1B = .000	ELV-08 = .000
RN/L = 2.500	MACH = .600

RUN NO. 255/ 0 RN/L = 2.56 GRADIENT INTERVAL = -5.00/ 5.00

ALPHA	BETA	CP13	CP17	CP19
-3.894	-.022	-.03420	-.02360	-.02450
	GRADIENT	.00000	.00000	.00000

RUN NO. 256/ 0 RN/L = 2.55 GRADIENT INTERVAL = -5.00/ 5.00

ALPHA	BETA	CP13	CP17	CP19
-.350	-4.041	-.01750	-.01340	-.01430
-.320	-.025	-.05340	-.05150	-.05190
-.337	3.994	-.10250	-.09780	-.09640
	GRADIENT	-.01058	-.01051	-.01022

RUN NO. 257/ 0 RN/L = 2.56 GRADIENT INTERVAL = -5.00/ 5.00

ALPHA	BETA	CP13	CP17	CP19
4.076	-.028	-.07910	-.06520	-.06430
	GRADIENT	.00000	.00000	.00000

ORIGINAL PAGE IS
OF POOR QUALITY

ARC 11-023 IAB0 OTS (SRB NOM) (SSME NOM)

(1E4047) (28 OCT 75)

REFERENCE DATA

SREF = 2690.0000 SQ.FT. XMRP = .0000 IN.
 LREF = 1290.3000 IN. YMRP = .0000 IN.
 BREF = 1290.3000 IN. ZMRP = .0000 IN.
 SCALE = .0200

PARAMETRIC DATA

ELV-18 = .000 ELV-08 = .000
 RN/L = 3.250 MACH = .900

RUN NO. 261/ 0 RN/L = 3.12 GRADIENT INTERVAL = -5.00/ 5.00

ALPHA	BETA	CP13	CP17	CP19
-4.033	.000	.02680	.02870	.02920
	GRADIENT	.00000	.00000	.00000

RUN NO. 262/ 0 RN/L = 3.13 GRADIENT INTERVAL = -5.00/ 5.00

ALPHA	BETA	CP13	CP17	CP19
-.343	-4.044	.01830	.02810	.02510
-.340	-.028	.01380	.01270	.01570
-.340	3.991	.00350	-.00030	.00460
	GRADIENT	-.00184	-.00353	-.00255

RUN NO. 263/ 0 RN/L = 3.13 GRADIENT INTERVAL = -5.00/ 5.00

ALPHA	BETA	CP13	CP17	CP19
3.927	-.028	-.08270	-.07320	-.06610
	GRADIENT	.00000	.00000	.00000

ARC 11-023 IAB0 OTS (SRB NOM) (SSME NOM)

(1E4048) (28 OCT 75)

REFERENCE DATA

SREF = 2690.0000 SQ.FT. XMRP = .0000 IN.
 LREF = 1290.3000 IN. YMRP = .0000 IN.
 BREF = 1290.3000 IN. ZMRP = .0000 IN.
 SCALE = .0200

PARAMETRIC DATA

ELV-18 = .000 ELV-08 = .000
 RN/L = 3.250 MACH = 1.100

RUN NO. 39/ 0 RN/L = 3.27 GRADIENT INTERVAL = -5.00/ 5.00

ALPHA	BETA	CP13	CP17	CP19
-3.934	.003	-.18290	-.15340	-.14910
	GRADIENT	.00000	.00000	.00000

RUN NO. 40/ 0 RN/L = 3.27 GRADIENT INTERVAL = -5.00/ 5.00

ALPHA	BETA	CP13	CP17	CP19
-.413	-4.006	-.13220	-.08490	-.08720
-.413	.000	-.21610	-.20290	-.19260
-.420	4.016	-.16840	-.12750	-.12910
	GRADIENT	-.00451	-.00530	-.00522

DATE 12 JUN 76

TABULATED SOURCE DATA - IABO

PAGE 579

ARC 11-023 IABO OTS (SRB NOM) (SSME NOM)

(1E4048) (28 OCT 75)

REFERENCE DATA

SREF = 2690.0000 SQ.FT. XMRP = .0000 IN.
LREF = 1290.3000 IN. YMRP = .0000 IN.
BREF = 1290.3000 IN. ZMRP = .0000 IN.
SCALE = .0200

PARAMETRIC DATA

ELV-1B = .000 ELV-0B = .000
RN/L = 3.250 MACH = 1.100

RUN NO. 41/ 0 RN/L = 3.27 GRADIENT INTERVAL = -5.00/ 5.00

ALPHA BETA CP13 CP17 CP19
3.884 .000 -.21040 -.18520 -.18950
GRADIENT .00000 .00000 .00000

ARC 11-023 IABO OTS (SRB OFF) (SSME OFF)

(1E4049) (13 NOV 75)

REFERENCE DATA

SREF = 2690.0000 SQ.FT. XMRP = .0000 IN.
LREF = 1290.3000 IN. YMRP = .0000 IN.
BREF = 1290.3000 IN. ZMRP = .0000 IN.
SCALE = .0200

PARAMETRIC DATA

ELV-1B = 8.000 ELV-0B = 4.000
RN/L = 4.250 ALPHA = .000

RUN NO. 92/ 0 RN/L = -.06 GRADIENT INTERVAL = -5.00/ 5.00

BETA MACH CP13 CP17 CP19
.033 .000 .06460 .00840 .25490
GRADIENT .00000 .00000 .00000

ARC 11-023 IABO OTS (SRB NOM) (SSME NOM)

(1E4050) (13 NOV 75)

REFERENCE DATA

SREF = 2690.0000 SQ.FT. XMRP = .0000 IN.
LREF = 1290.3000 IN. YMRP = .0000 IN.
BREF = 1290.3000 IN. ZMRP = .0000 IN.
SCALE = .0200

PARAMETRIC DATA

ELV-1B = 8.000 ELV-0B = 4.000
RN/L = 4.250 ALPHA = .000

RUN NO. 93/ 0 RN/L = -.06 GRADIENT INTERVAL = -5.00/ 5.00

BETA MACH CP13 CP17 CP19
.007 .000 .06380 .00830 .25650
GRADIENT .00000 .00000 .00000

ARC 11-023 IAB0 OTS (SRB OFF) (SSME OFF)

(IE4051) (28 OCT 75)

REFERENCE DATA

SREF = 2690.0000 SQ.FT. XMRP = .0000 IN.
 LREF = 1290.3000 IN. YMRP = .0000 IN.
 BREF = 1290.3000 IN. ZMRP = .0000 IN.
 SCALE = .0200

PARAMETRIC DATA

ELV-18 = 8.000 ELV-08 = 4.000
 RN/L = 4.250 MACH = .980

RUN NO. 112/ 0 RN/L = 4.31 GRADIENT INTERVAL = -5.00/ 5.00

ALPHA	BETA	CP13	CP17	CP19
-3.950	-.063	.03780	.07550	.07950
	GRADIENT	.00000	.00000	.00000

RUN NO. 113/ 0 RN/L = 4.31 GRADIENT INTERVAL = -5.00/ 5.00

ALPHA	BETA	CP13	CP17	CP19
-.416	-4.075	-.00220	.04300	.04170
-.386	-.063	-.04970	.03390	.03900
-.370	3.950	-.07300	-.0:950	-.01640
	GRADIENT	-.00882	-.00779	-.00724

RUN NO. 114/ 0 RN/L = 4.32 GRADIENT INTERVAL = -5.00/ 5.00

ALPHA	BETA	CP13	CP17	CP19
4.076	-.063	-.29210	-.16730	-.11260
	GRADIENT	.00000	.00000	.00000

ARC 11-023 IAB0 OTS (SRB NOM) (SSME NOM)

(IE4052) (28 OCT 75)

REFERENCE DATA

SREF = 2690.0000 SQ.FT. XMRP = .0000 IN.
 LREF = 1290.3000 IN. YMRP = .0000 IN.
 BREF = 1290.3000 IN. ZMRP = .0000 IN.
 SCALE = .0200

PARAMETRIC DATA

ELV-18 = 8.000 ELV-08 = 4.000
 RN/L = 4.250 MACH = .980

RUN NO. 115/ 0 RN/L = 4.30 GRADIENT INTERVAL = -5.00/ 5.00

ALPHA	BETA	CP13	CP17	CP19
-3.930	-.063	.04140	.08120	.07760
	GRADIENT	.00000	.00000	.00000

RUN NO. 116/ 0 RN/L = 4.30 GRADIENT INTERVAL = -5.00/ 5.00

ALPHA	BETA	CP13	CP17	CP19
-.519	-4.078	.01400	.05570	.04870
-.476	-.063	-.05270	.04520	.04570
-.499	3.953	-.06620	-.01800	-.01350
	GRADIENT	-.00999	-.00918	-.00774

DATE 12 JUN 76

TABULATED SOURCE DATA - IAB0

PAGE 581

ARC 11-023 IAB0 OTS (SRB NOM) (SSME NOM)

(IE4052) (28 OCT 75)

REFERENCE DATA

PARAMETRIC DATA

SREF = 2690.0000 SQ.FT. XMRP = .0000 IN.
LPEF = 1290.3000 IN. YMRP = .0000 IN.
BREF = 1290.3000 IN. ZMRP = .0000 IN.
SCALE = .0200

ELV-1B = 8.000 ELV-08 = 4.000
RN/L = 4.250 MACH = .980

RUN NO. 117/ 0 RN/L = 4.31 GRADIENT INTERVAL = -5.00/ 5.00

ALPHA BETA CP13 CP17 CP19
3.993 -.063 -.29090 -.12230 -.07670
GRADIENT .00000 .00000 .00000

ARC 11-023 IAB0 OTS (SRB OFF) (SSME OFF)

(IE4053) (28 OCT 75)

REFERENCE DATA

PARAMETRIC DATA

SREF = 2690.0000 SQ.FT. XMRP = .0000 IN.
LREF = 1290.3000 IN. YMRP = .0000 IN.
BREF = 1290.3000 IN. ZMRP = .0000 IN.
SCALE = .0200

ELV-1B = 8.000 ELV-08 = 4.000
RN/L = 3.400 MACH = .590

RUN NO. 288/ 0 RN/L = 3.47 GRADIENT INTERVAL = -5.00/ 5.00

ALPHA BETA CP13 CP17 CP19
-3.944 .000 -.03810 -.02940 -.03440
GRADIENT .00000 .00000 .00000

RUN NO. 289/ 0 RN/L = 3.47 GRADIENT INTERVAL = -5.00/ 5.00

ALPHA BETA CP13 CP17 CP19
-.320 -4.050 -.02230 -.01620 -.02060
-.297 .000 -.05590 -.04740 -.04810
-.314 3.978 -.08620 -.07480 -.07380
GRADIENT -.00803 -.00730 -.00663

RUN NO. 290/ 0 RN/L = 3.47 GRADIENT INTERVAL = -5.00/ 5.00

ALPHA BETA CP13 CP17 CP19
4.053 .000 -.07890 -.07020 -.07050
GRADIENT .00000 .00000 .00000

ARC 11-023 1A80 OTS (SRB OFF) (SSME OFF)

(IE454) (28 OCT 75)

REFERENCE DATA

SREF = 2690.0000 SQ.FT. XMRP = .0000 IN.
 LREF = 1290.3000 IN. YMRP = .0000 IN.
 BREF = 1290.3000 IN. ZMRP = .0000 IN.
 SCALE = .0200

PARAMETRIC DATA

ELV-18 = 8.000 ELV-08 = 4.000
 RN/L = 4.250 MACH = .900

RUN NO. 296/ 0 RN/L = 4.19 GRADIENT INTERVAL = -5.00/ 5.00

ALPHA	BETA	CP13	CP17	CP19
-3.940	-.044	.01610	.01770	.01790
	GRADIENT	.00000	.00000	.00000

RUN NO. 297/ 0 RN/L = 4.18 GRADIENT INTERVAL = -5.00/ 5.00

ALPHA	BETA	CP13	CP17	CP19
-.284	-4.059	.01110	.01930	.01450
-.320	-.041	-.00240	-.00220	.00210
-.314	3.975	-.01570	-.02230	-.01880
	GRADIENT	-.00334	-.00518	-.00414

RUN NO. 298/ 0 RN/L = 4.18 GRADIENT INTERVAL = -5.00/ 5.00

ALPHA	BETA	CP13	CP17	CP19
3.980	-.038	-.06100	-.05080	-.05180
	GRADIENT	.00000	.00000	.00000

ARC 11-023 1A80 OTS (SRB OFF) (SSME OFF)

(IE4055) (28 OCT 75)

REFERENCE DATA

SREF = 2690.0000 SQ.FT. XMRP = .0000 IN.
 LREF = 1290.3000 IN. YMRP = .0000 IN.
 BREF = 1290.3000 IN. ZMRP = .0000 IN.
 SCALE = .0200

PARAMETRIC DATA

ELV-18 = 8.000 ELV-08 = 4.000
 RN/L = 4.250 MACH = 1.100

RUN NO. 106/ 0 RN/L = 4.37 GRADIENT INTERVAL = -5.00/ 5.00

ALPHA	BETA	CP13	CP17	CP19
-3.772	-.066	-.18130	-.15190	-.14590
	GRADIENT	.00000	.00000	.00000

RUN NO. 107/ 0 RN/L = 4.37 GRADIENT INTERVAL = -5.00/ 5.00

ALPHA	BETA	CP13	CP17	CP19
-.380	-4.075	-.12700	-.08470	-.09380
-.357	-.059	-.21550	-.20740	-.19370
-.357	3.956	-.15870	-.12080	-.12000
	GRADIENT	-.00355	-.00449	-.00336

DATE 12 JUN 76

TABULATED SOURCE DATA - 1A80

PAGE 583

ARC 11-023 1A80 OTS (SRB OFF) (SSME OFF)

(1E4055) (28 OCT 75)

REFERENCE DATA

SREF = 2690.0000 SQ.FT. XMRP = .0000 IN.
 LREF = 1290.3000 IN. YMRP = .0000 IN.
 BREF = 1290.3000 IN. ZMRP = .0000 IN.
 SCALE = .0200

PARAMETRIC DATA

ELV-18 = 8.000 ELV-08 = 4.000
 RN/L = 4.250 MACH = 1.100

RUN NO. 108/ 0 RN/L = 4.37 GRADIENT INTERVAL = -5.00/ 5.00

ALPHA	BETA	CP13	CP17	CP19
4.092	-.059	-.16900	-.14730	-.14760
	GRADIENT	.00000	.00000	.00000

ARC 11-023 1A80 OTS (SRB OFF) (SSME OFF)

(1E4056) (28 OCT 75)

REFERENCE DATA

SREF = 2690.0000 SQ.FT. XMRP = .0000 IN.
 LREF = 1290.3000 IN. YMRP = .0000 IN.
 BREF = 1290.3000 IN. ZMRP = .0000 IN.
 SCALE = .0200

PARAMETRIC DATA

ELV-18 = 8.000 ELV-08 = 4.000
 RN/L = 4.250 MACH = 1.250

RUN NO. 94/ 0 RN/L = 4.40 GRADIENT INTERVAL = -5.00/ 5.00

ALPHA	BETA	CP13	CP17	CP19
-3.950	-.063	-.17400	-.17290	-.16440
	GRADIENT	.00000	.00000	.00000

RUN NO. 95/ 0 RN/L = 4.40 GRADIENT INTERVAL = -5.00/ 5.00

ALPHA	BETA	CP13	CP17	CP19
-.324	-4.075	-.08080	-.07300	-.07310
-.314	-.063	-.17010	-.14150	-.14120
-.343	3.953	-.22310	-.19540	-.18820
	GRADIENT	-.01772	-.01525	-.01434

RUN NO. 96/ 0 RN/L = 4.39 GRADIENT INTERVAL = -5.00/ 5.00

ALPHA	BETA	CP13	CP17	CP19
3.967	-.066	-.14510	-.14470	-.14300
	GRADIENT	.00000	.00000	.00000

ORIGINAL PAGE IS
OF POOR QUALITY

ARC 11-023 1A80 OTS (SRB OFF) (SSME OFF)

(1E4057) (28 OCT 75)

REFERENCE DATA

SREF = 2690.0000 SQ.FT. XMRP = .0000 IN.
 LREF = 1290.3000 IN. YMRP = .0000 IN.
 BREF = 1290.3000 IN. ZMRP = .0000 IN.
 SCALE = .0200

PARAMETRIC DATA

ELV-1B = 8.000 ELV-0B = 4.000
 RN/L = 4.250 MACH = 1.400

RUN NO. 100/ 0 RN/L = 4.31 GRADIENT INTERVAL = -5.00/ 5.00

ALPHA	BETA	CP13	CP17	CP19
-3.953	-.063	-.11990	-.11940	-.10880
	GRADIENT	.00000	.00000	.00000

RUN NO. 101/ 0 RN/L = 4.31 GRADIENT INTERVAL = -5.00/ 5.00

ALPHA	BETA	CP13	CP17	CP19
-.317	-4.075	-.13100	-.09640	-.10880
-.320	-.059	-.17400	-.14790	-.14760
-.522	3.956	-.21700	-.18660	-.17790
	GRADIENT	-.01071	-.01123	-.00860

RUN NO. 102/ 0 RN/L = 4.29 GRADIENT INTERVAL = -5.00/ 5.00

ALPHA	BETA	CP13	CP17	CP19
4.208	-.069	-.18890	-.13870	-.15020
	GRADIENT	.00000	.00000	.00000

ARC 11-023 1A80 OTS (SRB NOM) (SSME NOM)

(1E4058) (28 OCT 75)

REFERENCE DATA

SREF = 2690.0000 SQ.FT. XMRP = .0000 IN.
 LREF = 1290.3000 IN. YMRP = .0000 IN.
 BREF = 1290.3000 IN. ZMRP = .0000 IN.
 SCALE = .0200

PARAMETRIC DATA

ELV-1B = 8.000 ELV-0B = 4.000
 RN/L = 3.400 MACH = .600

RUN NO. 291/ 0 RN/L = 3.39 GRADIENT INTERVAL = -5.00/ 5.00

ALPHA	BETA	CP13	CP17	CP19
-3.953	.000	-.05380	-.04720	-.05210
	GRADIENT	.00000	.00000	.00000

RUN NO. 292/ 0 RN/L = 3.40 GRADIENT INTERVAL = -5.00/ 5.00

ALPHA	BETA	CP13	CP17	CP19
-.343	-4.050	-.03180	-.02250	-.02420
-.380	.000	-.06880	-.06160	-.06360
-.386	3.978	-.10610	-.09180	-.08870
	GRADIENT	-.00925	-.00864	-.00804

DATE 12 JUN 76

TABULATED SOURCE DATA - IA80

PAGE 585

ARC 11-023 IA80 OTS (SRB NOM) (SSME NOM)

(1E4058) (28 OCT 75)

REFERENCE DATA

SREF = 2690.0000 SQ.FT. XMRP = .0000 IN.
LREF = 1290.3000 IN. YMRP = .0000 IN.
BREF = 1290.3000 IN. ZMRP = .0000 IN.
SCALE = .0200

PARAMETRIC DATA

ELV-18 = 8.000 ELV-08 = 4.000
RN/L = 3.400 MACH = .600

RUN NO. 293/ 0 RN/L = 3.40 GRADIENT INTERVAL = -5.00/ 5.00

ALPHA BETA CP13 CP17 CP19
3.993 -.003 -.09140 -.08560 -.08590
GRADIENT .00000 .00000 .00000

ARC 11-023 IA80 OTS (SRB NOM) (SSME NOM)

(1E4059) (28 OCT 75)

REFERENCE DATA

SREF = 2690.0000 SQ.FT. XMRP = .0000 IN.
LREF = 1290.3000 IN. YMRP = .0000 IN.
BREF = 1290.3000 IN. ZMRP = .0000 IN.
SCALE = .0200

PARAMETRIC DATA

ELV-18 = 8.000 ELV-08 = 4.000
RN/L = 4.250 MACH = .900

RUN NO. 299/ 0 RN/L = 4.17 GRADIENT INTERVAL = -5.00/ 5.00

ALPHA BETA CP13 CP17 CP19
-3.983 -.038 .01060 .01320 .01300
GRADIENT .00000 .00000 .00000

RUN NO. 300/ 0 RN/L = 4.18 GRADIENT INTERVAL = -5.00/ 5.00

ALPHA BETA CP13 CP17 CP19
-.370 -4.059 .00960 .01620 .01380
-.403 -.044 .00260 .00200 .00660
-.409 3.972 -.02060 -.02660 -.02370
GRADIENT -.00376 -.00533 -.00467

RUN NO. 301/ 0 RN/L = 4.17 GRADIENT INTERVAL = -5.00/ 5.00

ALPHA BETA CP13 CP17 CP19
4.076 -.041 -.07130 -.06130 -.05700
GRADIENT .00000 .00000 .00000

DATE 12 JUN 76

TABULATED SOURCE DATA - 1A80

PAGE 586

ARC 11-023 1A80 OTS (SRB NOM) (SSME NOM)

(1E4060) (28 OCT 75)

REFERENCE DATA

SREF = 2690.0000 SQ.FT. XMRP = .0000 IN.
 LREF = 1290.3000 IN. YMRP = .0000 IN.
 BREF = 1290.3000 IN. ZMRP = .0000 IN.
 SCALE = .0200

PARAMETRIC DATA

ELV-18 = 8.000 ELV-08 = 4.000
 RN/L = 4.250 MACH = 1.100

RUN NO. 109/ 0 RN/L = 4.37 GRADIENT INTERVAL = -5.00/ 5.00

ALPHA	BETA	CP13	CP17	CP19
-3.937	-.059	-.18040	-.15150	-.14610
	GRADIENT	.00000	.00000	.00000

RUN NO. 110/ 0 RN/L = 4.38 GRADIENT INTERVAL = -5.00/ 5.00

ALPHA	BETA	CP13	CP17	CP19
-.528	-4.075	-.11830	-.05080	-.05400
-.492	-.063	-.21140	-.20030	-.18630
-.532	3.956	-.15780	-.12550	-.13290
	GRADIENT	-.00491	-.00929	-.00982

RUN NO. 111/ 0 RN/L = 4.38 GRADIENT INTERVAL = -5.00/ 5.00

ALPHA	BETA	CP13	CP17	CP19
4.013	-.063	-.17310	-.15060	-.14600
	GRADIENT	.00000	.00000	.00000

ARC 11-023 1A80 OTS (SRB NOM) (SSME NOM)

(1E4061) (28 OCT 75)

REFERENCE DATA

SREF = 2690.0000 SQ.FT. XMRP = .0000 IN.
 LREF = 1290.3000 IN. YMRP = .0000 IN.
 BREF = 1290.3000 IN. ZMRP = .0000 IN.
 SCALE = .0200

PARAMETRIC DATA

ELV-18 = 8.000 ELV-08 = 4.000
 RN/L = 4.250 MACH = 1.250

RUN NO. 97/ 0 RN/L = 4.39 GRADIENT INTERVAL = -5.00/ 5.00

ALPHA	BETA	CP13	CP17	CP19
-3.960	-.066	-.17330	-.17390	-.16390
	GRADIENT	.00000	.00000	.00000

RUN NO. 98/ 0 RN/L = 4.39 GRADIENT INTERVAL = -5.00/ 5.00

ALPHA	BETA	CP13	CP17	CP19
-.505	-4.075	-.08630	-.07470	-.07530
-.459	-.059	-.17490	-.14610	-.14570
-.462	3.953	-.22290	-.19400	-.18830
	GRADIENT	-.01702	-.01486	-.01408

DATE 12 JUN 76

TABULATED SOURCE DATA - IAB0

PAGE 587

ARC 11-023 IAB0 OTS (SRB NOM) (SSME NOM)

(1E4061) (28 OCT 75)

REFERENCE DATA

SREF = 2690.0000 SQ.FT. XMRP = .0000 IN.
LREF = 1290.3000 IN. YMRP = .0000 IN.
BREF = 1290.3000 IN. ZMRP = .0000 IN.
SCALE = .0200

PARAMETRIC DATA

ELV-1B = 8.000 ELV-0B = 4.000
RN/L = 4.250 MACH = 1.250

RUN NO. 99/ 0 RN/L = 4.39 GRADIENT INTERVAL = -5.00/ 5.00

ALPHA BETA CP13 CP17 CP19
4.006 -.063 -.15040 -.14740 -.14850
GRADIENT .00000 .00000 .00000

ARC 11-023 IAB0 OTS (SRB NOM) (SSME NOM)

(1E4062) (28 OCT 75)

REFERENCE DATA

SREF = 2690.0000 SQ.FT. XMRP = .0000 IN.
LREF = 1290.3000 IN. YMRP = .0000 IN.
BREF = 1290.3000 IN. ZMRP = .0000 IN.
SCALE = .0200

PARAMETRIC DATA

ELV-1B = 8.000 ELV-0B = 4.000
RN/L = 4.250 MACH = 1.400

RUN NO. 103/ 0 RN/L = 4.28 GRADIENT INTERVAL = -5.00/ 5.00

ALPHA BETA CP13 CP17 CP19
-3.937 -.069 -.12490 -.12480 -.11470
GRADIENT .00000 .00000 .00000

RUN NO. 104/ 0 RN/L = 4.28 GRADIENT INTERVAL = -5.00/ 5.00

ALPHA BETA CP13 CP17 CP19
-.486 -4.078 -.12940 -.09500 -.10530
-.486 -.063 -.17400 -.15170 -.15140
-.499 3.953 -.21430 -.18560 -.17960
GRADIENT -.01057 -.01128 -.00925

RUN NO. 105/ 0 RN/L = 4.28 GRADIENT INTERVAL = -5.00/ 5.00

ALPHA BETA CP13 CP17 CP19
4.020 -.066 -.19150 -.14660 -.15390
GRADIENT .00000 .00000 .00000

ARC 11-023 IAB0 OTS (SRB NOM+) (SSME NOM)

(1E4063) (28 OCT 75)

REFERENCE DATA

SREF = 2690.0000 SQ.FT. XMRP = .0000 IN.
 LREF = 1290.3000 IN. YMRP = .0000 IN.
 BREF = 1290.3000 IN. ZMRP = .0000 IN.
 SCALE = .0200

PARAMETRIC DATA

ELV-18 = 8.000 ELV-08 = 4.000
 RN/L = 4.250 MACH = .980

RUN NO. 118/ 0 RN/L = 4.31 GRADIENT INTERVAL = -5.00/ 5.00

ALPHA	BETA	CP13	CP17	CP19
-3.868	-.063	.04120	.07830	.07980
	GRADIENT	.00000	.00000	.00000

RUN NO. 119/ 0 RN/L = 4.31 GRADIENT INTERVAL = -5.00/ 5.00

ALPHA	BETA	CP13	CP17	CP19
-.486	-4.075	.01290	.05300	.05150
-.456	-.063	-.03510	.04140	.03990
-.439	3.953	-.06980	-.01310	-.00700
	GRADIENT	-.01018	-.00823	-.00729

RUN NO. 120/ 0 RN/L = 4.31 GRADIENT INTERVAL = -5.00/ 5.00

ALPHA	BETA	CP13	CP17	CP19
4.013	-.069	-.27880	-.09410	-.06250
	GRADIENT	.00000	.00000	.00000

ARC 11-023 IAB0 OTS (SRB OFF) (SSME OFF)

(1E4064) (28 OCT 75)

REFERENCE DATA

SREF = 2690.0000 SQ.FT. XMRP = .0000 IN.
 LREF = 1290.3000 IN. YMRP = .0000 IN.
 BREF = 1290.3000 IN. ZMRP = .0000 IN.
 SCALE = .0200

PARAMETRIC DATA

ELV-18 = 8.000 ELV-08 = -4.000
 RN/L = 3.400 MACH = .600

RUN NO. 314/ 0 RN/L = 3.40 GRADIENT INTERVAL = -5.00/ 5.00

ALPHA	BETA	CP13	CP17	CP19
-3.973	-.047	-.02610	-.01790	-.01790
	GRADIENT	.00000	.00000	.00000

RUN NO. 315/ 0 RN/L = 3.42 GRADIENT INTERVAL = -5.00/ 5.00

ALPHA	BETA	CP13	CP17	CP19
-.277	-4.066	-.02270	-.01250	-.01500
-.291	-.047	-.05490	-.04640	-.04890
-.307	3.972	-.08550	-.08020	-.07810
	GRADIENT	-.00781	-.00842	-.00785

DATE 12 JUN 76

TABULATED SOURCE DATA - 1A80

PAGE 589

ARC 11-023 1A80 OTS (SRB OFF) (SSME OFF)

(1E4064) (28 OCT 75)

REFERENCE DATA

SREF = 2690.0000 SQ.FT. XMRP = .0000 IN.
LREF = 1290.3000 IN. YMRP = .0000 IN.
BREF = 1290.3000 IN. ZMRP = .0000 IN.
SCALE = .0200

PARAMETRIC DATA

ELV-18 = 8.000 ELV-08 = -4.000
RN/L = 3.400 MACH = .600

RUN NO. 316/ 0 RN/L = 3.42 GRADIENT INTERVAL = -5.00/ 5.00

ALPHA	BETA	CP13	CP17	CP19
3.957	-.044	-.07900	.07120	-.06910
	GRADIENT	.00000	.00000	.00000

ARC 11-023 1A80 OTS (SRB OFF) (SSME OFF)

(1E4065) (28 OCT 75)

REFERENCE DATA

SREF = 2690.0000 SQ.FT. XMRP = .0000 IN.
LREF = 1290.3000 IN. YMRP = .0000 IN.
BREF = 1290.3000 IN. ZMRP = .0000 IN.
SCALE = .0200

PARAMETRIC DATA

ELV-18 = 8.000 ELV-08 = -4.000
RN/L = 4.250 MACH = .900

RUN NO. 302/ 0 RN/L = 4.21 GRADIENT INTERVAL = -5.00/ 5.00

ALPHA	BETA	CP13	CP17	CP19
-3.977	-.044	.01410	.01600	.01560
	GRADIENT	.00000	.00000	.00000

RUN NO. 303/ 0 RN/L = 4.18 GRADIENT INTERVAL = -5.00/ 5.00

ALPHA	BETA	CP13	CP17	CP19
-.304	-4.063	.00990	.02270	.01590
-.314	-.044	.00030	.00200	.00540
-.317	3.972	-.01290	-.02290	-.01840
	GRADIENT	-.00284	-.00568	-.00427

RUN NO. 304/ 0 RN/L = 4.17 GRADIENT INTERVAL = -5.00/ 5.00

ALPHA	BETA	CP13	CP17	CP19
3.930	-.041	-.06520	-.05520	-.05330
	GRADIENT	.00000	.00000	.00000

ARC 11-023 1A80 OTS (SRB OFF) (SSME OFF)

(IE4066) (28 OCT 75)

REFERENCE DATA

SREF = 2690.0000 SQ.FT. XMRP = .0000 IN.
 LREF = 1290.3000 IN. YMRP = .0000 IN.
 BREF = 1290.3000 IN. ZMRP = .0000 IN.
 SCALE = .0200

PARAMETRIC DATA

ELV-18 = 8.000 ELV-08 = -4.000
 RN/L = 4.250 MACH = 1.100

RUN NO. 133/ 0 RN/L = 4.40 GRADIENT INTERVAL = -5.00/ 5.00

ALPHA	BETA	CP13	CP17	CP19
-3.963	-.063	-.17870	-.15010	-.14550
	GRADIENT	.00000	.00000	.00000

RUN NO. 134/ 0 RN/L = 4.40 GRADIENT INTERVAL = -5.00/ 5.00

ALPHA	BETA	CP13	CP17	CP19
-.337	-4.072	-.12510	-.07310	-.08770
-.334	-.059	-.21490	-.20060	-.19060
-.376	3.950	-.16150	-.12260	-.12340
	GRADIENT	-.00454	-.00617	-.00445

RUN NO. 135/ 0 RN/L = 4.40 GRADIENT INTERVAL = -5.00/ 5.00

ALPHA	BETA	CP13	CP17	CP19
3.953	-.066	-.18060	-.15990	-.16030
	GRADIENT	.00000	.00000	.00000

ARC 11-023 1A80 OTS (SRB OFF) (SSME OFF)

(IE4067) (28 OCT 75)

REFERENCE DATA

SREF = 2690.0000 SQ.FT. XMRP = .0000 IN.
 LREF = 1290.3000 IN. YMRP = .0000 IN.
 BREF = 1290.3000 IN. ZMRP = .0000 IN.
 SCALE = .0200

PARAMETRIC DATA

ELV-18 = 8.000 ELV-08 = -4.000
 RN/L = 4.250 MACH = 1.250

RUN NO. 128/ 0 RN/L = 4.43 GRADIENT INTERVAL = -5.00/ 5.00

ALPHA	BETA	CP13	CP17	CP19
-.327	-4.072	-.09030	-.07970	-.07970
-.317	-.059	-.17420	-.14250	-.14000
-.340	3.950	-.22740	-.19720	-.19360
	GRADIENT	-.01709	-.01465	-.01420

RUN NO. 127/ 0 RN/L = 4.43 GRADIENT INTERVAL = -5.00/ 5.00

ALPHA	BETA	CP13	CP17	CP19
.000	-.063	-.16760	-.13920	-.13640
	GRADIENT	.00000	.00000	.00000

DATE 12 JUN 76

TABULATED SOURCE DATA - 1A80

PAGE 991

ARC 11-023 1A80 OTS (SRB OFF) (SSME OFF)

(1E4067) (28 OCT 75)

REFERENCE DATA

SREF = 2690.0000 SQ.FT. XMRP = .0000 IN.
LREF = 1290.3000 IN. YMRP = .0000 IN.
BREF = 1290.3000 IN. ZMRP = .0000 IN.
SCALE = .0200

PARAMETRIC DATA

ELV-1B = 8.000 ELV-08 = -4.000
RN/L = 4.250 MACH = 1.250

RUN NO. 129/ 0 RN/L = 4.42 GRADIENT INTERVAL = -5.00/ 5.00

ALPHA	BETA	CP13	CP17	CP19
3.960	-.066	-.14430	-.14350	-.14410
	GRADIENT	.00000	.00000	.00000

ARC 11-023 1A80 OTS (SRB OFF) (SSME OFF)

(1E4068) (28 OCT 75)

REFERENCE DATA

SREF = 2690.0000 SQ.FT. XMRP = .0000 IN.
LREF = 1290.3000 IN. YMRP = .0000 IN.
BREF = 1290.3000 IN. ZMRP = .0000 IN.
SCALE = .0200

PARAMETRIC DATA

ELV-1B = 8.000 ELV-08 = -4.000
RN/L = 4.250 MACH = 1.400

RUN NO. 121/ 0 RN/L = 4.39 GRADIENT INTERVAL = -5.00/ 5.00

ALPHA	BETA	CP13	CP17	CP19
3.944	-.059	-.11860	-.12110	-.11080
	GRADIENT	.00000	.00000	.00000

RUN NO. 122/ 0 RN/L = 4.37 GRADIENT INTERVAL = -5.00/ 5.00

ALPHA	BETA	CP13	CP17	CP19
-.320	-4.072	-.13140	-.09660	-.10940
-.320	-.059	-.17240	-.14700	-.14780
-.347	3.953	-.21550	-.18560	-.17710
	GRADIENT	-.01048	-.01109	-.00844

RUN NO. 123/ 0 RN/L = 4.35 GRADIENT INTERVAL = -5.00/ 5.00

ALPHA	BETA	CP13	CP17	CP19
3.960	-.063	-.19460	-.13640	-.15110
	GRADIENT	.00000	.00000	.00000

ORIGINAL PAGE IS
OF POOR QUALITY

ARC 11-023 1A80 OTS (SRB NOM) (SSME NOM)

(1E4069) (28 OCT 75)

REFERENCE DATA

SREF = 2690.0000 SQ.FT. XMRP = .0000 IN.
 LREF = 1290.3000 IN. YMRP = .0000 IN.
 BREF = 1290.3000 IN. ZMRP = .0000 IN.
 SCALE = .0200

PARAMETRIC DATA

ELV-1B = 8.000 ELV-08 = -4.000
 RN/L = 3.400 MACH = .600

RUN NO. 317/ 0 RN/L = 3.46 GRADIENT INTERVAL = -5.00/ 5.00

ALPHA	BETA	CP13	CP17	CP19
-3.920	-.044	-.03920	-.03360	-.03260
	GRADIENT	.00000	.00000	.00000

RUN NO. 318/ 0 RN/L = 3.46 GRADIENT INTERVAL = -5.00/ 5.00

ALPHA	BETA	CP13	CP17	CP19
-.376	-4.066	-.02680	-.02170	-.02170
-.373	-.050	-.06320	-.05570	-.05050
-.426	3.969	-.09800	-.08900	-.08560
	GRADIENT	-.00886	-.00838	-.00795

RUN NO. 319/ 0 RN/L = 3.47 GRADIENT INTERVAL = -5.00/ 5.00

ALPHA	BETA	CP13	CP17	CP19
3.947	-.044	-.08910	-.07570	-.08120
	GRADIENT	.00300	.00000	.00070

ARC 11-023 1A80 OTS (SRB NOM) (SSME NOM)

(1E4070) (28 OCT 75)

REFERENCE DATA

SREF = 2690.0000 SQ.FT. XMRP = .0000 IN.
 LREF = 1290.3000 IN. YMRP = .0000 IN.
 BREF = 1290.3000 IN. ZMRP = .0000 IN.
 SCALE = .0200

PARAMETRIC DATA

ELV-1B = 8.000 ELV-08 = -4.000
 RN/L = 4.250 MACH = .900

RUN NO. 305/ 0 RN/L = 4.17 GRADIENT INTERVAL = -5.00/ 5.00

ALPHA	BETA	CP13	CP17	CP19
-3.897	-.041	.00890	.00930	.00930
	GRADIENT	.00000	.00000	.00000

RUN NO. 306/ 0 RN/L = 4.17 GRADIENT INTERVAL = -5.00/ 5.00

ALPHA	BETA	CP13	CP17	CP19
-.383	-4.063	.00910	.02040	.01690
-.357	-.047	-.00060	.00150	.00150
-.370	3.972	-.02180	-.02770	-.02420
	GRADIENT	-.00385	-.00599	-.00512

DATE 12 JUN 76

TABULATED SOURCE DATA - IAB0

PAGE 593

ARC 11-023 IAB0 OTS (SRB NOM) (SSME NOM)

(IE4070) (28 OCT 75)

REFERENCE DATA

SREF = 2690.0000 SQ.FT. XMRP = .0000 IN.
 LREF = 1290.3000 IN. YMRP = .0000 IN.
 BREF = 1290.3000 IN. ZMRP = .0000 IN.
 SCALE = .0200

PARAMETRIC DATA

ELV-18 = 8.000 ELV-08 = -4.000
 RN/L = 4.250 MACH = .900

RUN NO. 307/ 0 RN/L = 4.18 GRADIENT INTERVAL = -5.00/ 5.00

ALPHA	BETA	CP13	CP17	CP19
4.020	-.041	-.06750	-.05630	-.05430
	GRADIENT	.00000	.00000	.00000

ARC 11-023 IAB0 OTS (SRB NOM) (SSME NOM)

(IE4071) (28 OCT 75)

REFERENCE DATA

SREF = 2690.0000 SQ.FT. XMRP = .0000 IN.
 LREF = 1290.3000 IN. YMRP = .0000 IN.
 BREF = 1290.3000 IN. ZMRP = .0000 IN.
 SCALE = .0200

PARAMETRIC DATA

ELV-18 = 8.000 ELV-08 = -4.000
 RN/L = 4.250 MACH = 1.100

RUN NO. 136/ 0 RN/L = 4.37 GRADIENT INTERVAL = -5.00/ 5.00

ALPHA	BETA	CP13	CP17	CP19
-3.963	-.066	-.19240	-.15860	-.15120
	GRADIENT	.00000	.00000	.00000

RUN NO. 137/ 0 RN/L = 4.37 GRADIENT INTERVAL = -5.00/ 5.00

ALPHA	BETA	CP13	CP17	CP19
-.545	-4.072	-.16080	-.10680	-.11420
-.667	-.059	-.25200	-.23700	-.22310
-.519	3.953	-.18690	-.14460	-.14260
	GRADIENT	-.00325	-.00471	-.00754

RUN NO. 138/ 0 RN/L = 4.37 GRADIENT INTERVAL = -5.00/ 5.00

ALPHA	BETA	CP13	CP17	CP19
3.990	-.066	-.26540	-.23330	-.23890
	GRADIENT	.00000	.00000	.00000

ARC 11-023 IAB0 OTS (SRB NOM) (SSME NOM)

(1E4072) (28 OCT 75)

REFERENCE DATA

SREF = 2690.0000 SQ.FT. XMRP = .0000 IN.
 LREF = 1290.3000 IN. YMRP = .0000 IN.
 BREF = 1290.3000 IN. ZMRP = .0000 IN.
 SCALE = .0200

PARAMETRIC DATA

ELV-18 = 8.000 ELV-08 = -4.000
 RN/L = 4.250 MACH = 1.250

RUN NO. 130/ 0 RN/L = 4.40 GRADIENT INTERVAL = -5.00/ 5.00

ALPHA	BETA	CP13	CP17	CP19
-4.003	-.066	-.17250	-.17210	-.16480
	GRADIENT	.00000	.00000	.00000

RUN NO. 131/ 0 RN/L = 4.40 GRADIENT INTERVAL = -5.00/ 5.00

ALPHA	BETA	CP13	CP17	CP19
-.502	-4.072	-.06310	-.07320	-.07380
-.528	-.059	-.17640	-.14270	-.14260
-.538	3.953	-.22870	-.19690	-.19580
	GRADIENT	-.01814	-.01541	-.01520

RUN NO. 132/ 0 RN/L = 4.41 GRADIENT INTERVAL = -5.00/ 5.00

ALPHA	BETA	CP13	CP17	CP19
3.953	-.063	-.14590	-.14330	-.14200
	GRADIENT	.00000	.00000	.00000

ARC 11-023 IAB0 OTS (SRB NOM) (SSME NOM)

(1E4073) (28 OCT 75)

REFERENCE DATA

SREF = 2690.0000 SQ.FT. XMRP = .0000 IN.
 LREF = 1290.3000 IN. YMRP = .0000 IN.
 BREF = 1290.3000 IN. ZMRP = .0000 IN.
 SCALE = .0200

PARAMETRIC DATA

ELV-18 = 8.000 ELV-08 = -4.000
 RN/L = 4.250 MACH = 1.400

RUN NO. 125/ 0 RN/L = 4.32 GRADIENT INTERVAL = -5.00/ 5.00

ALPHA	BETA	CP13	CP17	CP19
-.522	-4.072	-.13000	-.09760	-.10910
-.502	-.059	-.17060	-.14700	-.14680
-.535	3.953	-.21410	-.18460	-.17500
	GRADIENT	-.01048	-.01084	-.00821

RUN NO. 126/ 0 RN/L = 4.31 GRADIENT INTERVAL = -5.00/ 5.00

ALPHA	BETA	CP13	CP17	CP19
.000	-.063	-.17600	-.14680	-.14720
	GRADIENT	.00000	.00000	.00000

DATE 12 JUN 76

TABULATED SOURCE DATA - 1A80

PAGE 595

ARC 11-023 1A80 OTS (SRB NOM) (SSME NOM)

(1E4073) (28 OCT 75)

REFERENCE DATA

SREF = 2690.0000 SQ.FT. XMRP = .0000 IN.
LREF = 1290.3000 IN. YMRP = .0000 IN.
BREF = 1290.3000 IN. ZMRP = .0000 IN.
SCALE = .0200

PARAMETRIC DATA

ELV-1B = 8.000 ELV-0B = -4.000
RN/L = 4.250 MACH = 1.400

RUN NO. 124/ 0 RN/L = 4.33 GRADIENT INTERVAL = -5.00/ 5.00

ALPHA BETA CP13 CP17 CP19
.020 -.063 -.18040 -.15230 -.15370
GRADIENT .00000 .00000 .00000

ARC 11-023 1A80 OTS (SRB OFF) (SSME OFF)

(1E4074) (28 OCT 75)

REFERENCE DATA

SREF = 2690.0000 SQ.FT. XMRP = .0000 IN.
LREF = 1290.3000 IN. YMRP = .0000 IN.
BREF = 1290.3000 IN. ZMRP = .0000 IN.
SCALE = .0200

PARAMETRIC DATA

ELV-1B = 8.000 ELV-0B = .000
RN/L = 3.400 MACH = .600

RUN NO. 276/ 0 RN/L = 3.50 GRADIENT INTERVAL = -5.00/ 5.00

ALPHA BETA CP13 CP17 CP19
-3.950 -.009 -.02920 -.02150 -.02350
GRADIENT .00000 .00000 .00000

RUN NO. 277/ 0 RN/L = 3.51 GRADIENT INTERVAL = -5.00/ 5.00

ALPHA BETA CP13 CP17 CP19
-.301 -4.044 -.01980 -.01400 -.01570
-.287 -.006 -.05340 -.03940 -.04480
-.317 3.988 -.09100 -.08430 -.07930
GRADIENT -.00886 -.00875 -.00792

RUN NO. 278/ 0 RN/L = 3.51 GRADIENT INTERVAL = -5.00/ 5.00

ALPHA BETA CP13 CP17 CP19
3.947 -.009 -.08040 -.07240 -.07570
GRADIENT .00000 .00000 .00000

ARC 11-023 1A80 OTS (SRB OFF) (SSME OFF)

(1E4075) (28 OCT 75)

REFERENCE DATA

SREF = 2690.0000 SQ.FT. XMRP = .0000 IN.
 LREF = 1290.3000 IN. YMRP = .0000 IN.
 BREF = 1290.3000 IN. ZMRP = .0000 IN.
 SCALE = .0200

PARAMETRIC DATA

ELV-18 = 8.000 ELV-08 = .000
 RN/L = 4.250 MACH = .900

RUN NO. 282/ 0 RN/L = 4.25 GRADIENT INTERVAL = -5.00/ 5.00

ALPHA	BETA	CP13	CP17	CP19
-3.990	-.012	.02550	.02590	.02610
	GRADIENT	.00000	.00000	.00000

RUN NO. 283/ 0 RN/L = 4.25 GRADIENT INTERVAL = -5.00/ 5.00

ALPHA	BETA	CP13	CP17	CP19
-.324	-4.047	.02010	.02910	.02390
-.317	-.006	.01430	.01410	.01690
-.396	3.984	-.00330	.00210	.00720
	GRADIENT	-.00291	-.00336	-.00208

RUN NO. 284/ 0 RN/L = 4.24 GRADIENT INTERVAL = -5.00/ 5.00

ALPHA	BETA	CP13	CP17	CP19
4.076	-.012	-.03040	-.02480	-.02120
	GRADIENT	.00000	.00000	.00000

ARC 11-023 1A80 OTS (SRB OFF) (SSME OFF)

(1E4076) (28 OCT 75)

REFERENCE DATA

SREF = 2690.0000 SQ.FT. XMRP = .0000 IN.
 LREF = 1290.3000 IN. YMRP = .0000 IN.
 BREF = 1290.3000 IN. ZMRP = .0000 IN.
 SCALE = .0200

PARAMETRIC DATA

ELV-18 = 8.000 ELV-08 = .000
 RN/L = 4.250 MACH = 1.100

RUN NO. 153/ 0 RN/L = 4.42 GRADIENT INTERVAL = -5.00/ 5.00

ALPHA	BETA	CP13	CP17	CP19
-3.934	.009	-.18190	-.15670	-.15160
	GRADIENT	.00000	.00000	.00000

RUN NO. 154/ 0 RN/L = 4.42 GRADIENT INTERVAL = -5.00/ 5.00

ALPHA	BETA	CP13	CP17	CP19
-.238	-3.994	-.13030	-.08340	-.08260
-.307	.009	-.21280	-.20520	-.19090
-.271	4.034	-.19400	-.16370	-.15660
	GRADIENT	-.00792	-.00998	-.00920

DATE 12 JUN 76

TABULATED SOURCE DATA - 1A80

PAGE 997

ARC 11-023 1A80 OTS (SRB OFF) (SSME OFF)

(1E4076) (28 OCT 75)

REFERENCE DATA

SREF = 2690.0000 SQ.FT. XMRP = .0000 IN.
LREF = 1290.3000 IN. YMRP = .0000 IN.
BREF = 1290.3000 IN. ZMRP = .0000 IN.
SCALE = .0200

PARAMETRIC DATA

ELV-18 = 8.000 ELV-08 = .000
RN/L = 4.250 MACH = 1.100

RUN NO. 155/ 0 RN/L = 4.41 GRADIENT INTERVAL = -5.00/ 5.00

ALPHA BETA CP13 CP17 CP19
4.026 .012 -.20160 -.5340 -.17320
GRADIENT .00000 .00000 .00000

ARC 11-023 1A80 OTS (SRB OFF) (SSME OFF)

(1E4077) (28 OCT 75)

REFERENCE DATA

SREF = 2690.0000 SQ.FT. XMRP = .0000 IN.
LREF = 1290.3000 IN. YMRP = .0000 IN.
BREF = 1290.3000 IN. ZMRP = .0000 IN.
SCALE = .0200

PARAMETRIC DATA

ELV-18 = 8.000 ELV-08 = .000
RN/L = 4.250 MACH = 1.250

RUN NO. 147/ 0 RN/L = 4.48 GRADIENT INTERVAL = -5.00/ 5.00

ALPHA BETA CP13 CP17 CP19
-3.881 .012 -.16780 -.16840 -.15840
GRADIENT .00000 .00000 .00000

RUN NO. 148/ 0 RN/L = 4.47 GRADIENT INTERVAL = -5.00/ 5.00

ALPHA BETA CP13 CP17 CP19
-.238 -3.994 -.08720 -.07760 -.07580
-.258 .009 -.16780 -.13940 -.13770
-.281 4.031 -.22380 -.19830 -.19170
GRADIENT -.01702 -.01504 .01444

RUN NO. 149/ 0 RN/L = 4.46 GRADIENT INTERVAL = -5.00/ 5.00

ALPHA BETA CP13 CP17 CP19
3.953 .016 -.14080 -.14190 -.13970
GRADIENT .00000 .00000 .00000

ORIGINAL PAGE IS
OF POOR QUALITY

ARC 11-023 IAB0 OTS (SRB OFF) (SSME OFF)

(1E4078) (28 OCT 75)

REFERENCE DATA

SREF = 2690.0000 SQ.FT. XMRP = .0000 IN.
 LREF = 1290.3000 IN. YMRP = .0000 IN.
 BREF = 1290.3000 IN. ZMRP = .0000 IN.
 SCALE = .0200

PARAMETRIC DATA

ELV-18 = 8.000 ELV-08 = .000
 RN/L = 4.250 MACH = 1.400

RUN NO. 141/ 0 RN/L = 4.35 GRADIENT INTERVAL = -5.00/ 5.00

ALPHA	BETA	CP13	CP17	CP19
-3.980	-.066	-.11250	-.11190	-.10200
	GRADIENT	.00000	.00000	.00000

RUN NO. 142/ 0 RN/L = 4.34 GRADIENT INTERVAL = -5.00/ 5.00

ALPHA	BETA	CP13	CP17	CP19
-.238	-4.072	-.12840	-.09390	-.10500
-.228	-.063	-.16930	-.14620	-.14720
-.261	3.953	-.21390	-.18210	-.17490
	GRADIENT	-.01065	-.01099	-.00871

RUN NO. 143/ 0 RN/L = 4.34 GRADIENT INTERVAL = -5.00/ 5.00

ALPHA	BETA	CP13	CP17	CP19
3.920	-.066	-.18220	-.13930	-.14990
	GRADIENT	.00000	.00000	.00000

ARC 11-023 IAB0 OTS (SRB NOM) (SSME NOM)

(1E4079) (28 OCT 75)

REFERENCE DATA

SREF = 2690.0000 SQ.FT. XMRP = .0000 IN.
 LREF = 1290.3000 IN. YMRP = .0000 IN.
 BREF = 1290.3000 IN. ZMRP = .0000 IN.
 SCALE = .0200

PARAMETRIC DATA

ELV-18 = 8.000 ELV-08 = .000
 RN/L = 3.400 MACH = .600

RUN NO. 279/ 0 RN/L = 3.42 GRADIENT INTERVAL = -5.00/ 5.00

ALPHA	BETA	CP13	CP17	CP19
-4.105	-.006	-.03590	-.03310	-.03590
	GRADIENT	.00000	.00000	.00000

RUN NO. 280/ 0 RN/L = 3.45 GRADIENT INTERVAL = -5.00/ 5.00

ALPHA	BETA	CP13	CP17	CP19
-.383	-4.047	-.02710	-.02330	-.02430
-.380	-.009	-.06130	-.05550	-.05720
-.499	3.981	-.09230	-.08640	-.08500
	GRADIENT	-.00812	-.00786	-.00756

DATE 12 JUN 76

TABULATED SOURCE DATA - 1A80

PAGE 599

ARC 11-023 1A80 OTS (SRB NOM) (SSME NOM)

(1E4079) (28 OCT 75)

REFERENCE DATA

SREF = 2690.0000 SQ.FT. XMRP = .0000 IN.
LREF = 1290.3000 IN. YMRP = .0000 IN.
BREF = 1290.3000 IN. ZMRP = .0000 IN.
SCALE = .0200

PARAMETRIC DATA

ELV-1B = 8.000 ELV-0B = .000
RN/L = 3.400 MACH = .600

RUN NO. 281/ 0 RN/L = 3.44 GRADIENT INTERVAL = -5.00/ 5.00

ALPHA BETA CP13 CP17 CP19
3.960 -.012 -.09370 -.08860 -.08270
GRADIENT .00000 .00000 .00000

ARC 11-023 1A80 OTS (SRB NOM) (SSME NOM)

(1E4080) (28 OCT 75)

REFERENCE DATA

SREF = 2690.0000 SQ.FT. XMRP = .0000 IN.
LREF = 1290.3000 IN. YMRP = .0000 IN.
BREF = 1290.3000 IN. ZMRP = .0000 IN.
SCALE = .0200

PARAMETRIC DATA

ELV-1B = 8.000 ELV-0B = .000
RN/L = 4.250 MACH = .900

RUN NO. 285/ 0 RN/L = 4.18 GRADIENT INTERVAL = -5.00/ 5.00

ALPHA BETA CP13 CP17 CP19
-3.897 -.009 .01520 .01600 .01440
GRADIENT .00000 .00000 .00000

RUN NO. 286/ 0 RN/L = 4.19 GRADIENT INTERVAL = -5.00/ 5.00

ALPHA BETA CP13 CP17 CP19
-.353 -4.050 .01640 .02540 .02250
-.363 -.009 .00600 .00660 .00880
-.519 3.981 -.00430 .00150 .00190
GRADIENT -.00258 -.00298 -.00257

RUN NO. 287/ 0 RN/L = 4.18 GRADIENT INTERVAL = -5.00/ 5.00

ALPHA BETA CP13 CP17 CP19
3.980 -.012 -.06550 -.05580 -.05640
GRADIENT .00000 .00000 .00000

ARC 11-023 IAB0 OTS (SRB NOM) (SSME NOM)

(IE4081) (28 OCT 75)

REFERENCE DATA

SREF = 2690.0000 SQ.FT. XMRP = .0000 IN.
 LREF = 1290.3000 IN. YMRP = .0000 IN.
 BREF = 1290.3000 IN. ZMRP = .0000 IN.
 SCALE = .0200

PARAMETRIC DATA

ELV-18 = 8.000 ELV-08 = .000
 RN/L = 4.250 MACH = 1.100

RUN NO. 156/ 0 RN/L = 4.38 GRADIENT INTERVAL = -5.00/ 5.00

ALPHA	BETA	CP13	CP17	CP19
-3.937	.012	-.17840	.14990	-.14550
	GRADIENT	.00000	.00000	.00000

RUN NO. 157/ 0 RN/L = 4.38 GRADIENT INTERVAL = -5.00/ 5.00

ALPHA	BETA	CP13	CP17	CP19
-.396	-3.994	-.12710	-.07880	-.08480
-.380	.009	-.20950	-.19780	-.18310
-.393	4.031	-.15910	-.12490	-.13330
	GRADIENT	-.00397	-.00573	-.00603

RUN NO. 158/ 0 RN/L = 4.38 GRADIENT INTERVAL = -5.00/ 5.00

ALPHA	BETA	CP13	CP17	CP19
3.894	.012	-.20170	-.15450	-.15620
	GRADIENT	.00000	.00000	.00000

ARC 11-023 IAB0 OTS (SRB NOM) (SSME NOM)

(IE4082) (28 OCT 75)

REFERENCE DATA

SREF = 2690.0000 SQ.FT. XMRP = .0000 IN.
 LREF = 1290.3000 IN. YMRP = .0000 IN.
 BREF = 1290.3000 IN. ZMRP = .0000 IN.
 SCALE = .0200

PARAMETRIC DATA

ELV-18 = 8.000 ELV-08 = .000
 RN/L = 4.250 MACH = 1.250

RUN NO. 150/ 0 RN/L = 4.42 GRADIENT INTERVAL = -5.00/ 5.00

ALPHA	BETA	CP13	CP17	CP19
-3.967	.016	-.17600	-.17560	-.16490
	GRADIENT	.00000	.00000	.00000

RUN NO. 151/ 0 RN/L = 4.42 GRADIENT INTERVAL = -5.00/ 5.00

ALPHA	BETA	CP13	CP17	CP19
-.396	-3.994	-.08980	-.07760	-.07760
-.396	.009	-.17080	-.14250	-.1120
-.380	4.031	-.22740	-.19770	-.18880
	GRADIENT	-.01714	-.01496	-.01386

DATE 12 JUN 76

TABULATED SOURCE DATA - 1A80

PAGE 801

ARC 11-023 1A80 OTS (SRB NOM) (SSME NOM)

(IE4082) (28 OCT 75)

REFERENCE DATA

SREF = 2690.0000 SQ.FT. XMRP = .0000 IN.
LREF = 1290.3000 IN. YMRP = .0000 IN.
BREF = 1290.3000 IN. ZMRP = .0000 IN.
SCALE = .0200

PARAMETRIC DATA

ELV-18 = 8.000 ELV-08 = .000
RN/L = 4.250 MACH = 1.250

RUN NO. 152/ 0 RN/L = 4.41 GRADIENT INTERVAL = -5.00/ 5.00

ALPHA	BETA	CP13	CP17	CP19
3.877	.009	-.14510	-.14600	-.14620
	GRADIENT	.00000	.00000	.00000

ARC 11-023 1A80 OTS (SRB NOM) (SSME NOM)

(IE4083) (28 OCT 75)

REFERENCE DATA

SREF = 2690.0000 SQ.FT. XMRP = .0000 IN.
LREF = 1290.3000 IN. YMRP = .0000 IN.
BREF = 1290.3000 IN. ZMRP = .0000 IN.
SCALE = .0200

PARAMETRIC DATA

ELV-18 = 8.000 ELV-08 = .000
RN/L = 4.250 MACH = 1.400

RUN NO. 144/ 0 RN/L = 4.32 GRADIENT INTERVAL = -5.00/ 5.00

ALPHA	BETA	CP13	CP17	CP19
-3.983	-.066	-.11510	-.11420	-.10500
	GRADIENT	.00000	.00000	.00000

RUN NO. 145/ 0 RN/L = 4.31 GRADIENT INTERVAL = -5.00/ 5.00

ALPHA	BETA	CP13	CP17	CP19
-.380	-4.059	-.12940	-.03440	-.10480
-.380	-.059	-.15770	-.14710	-.14640
-.409	3.953	-.21230	-.18230	-.17500
	GRADIENT	-.01035	-.01097	-.00876

RUN NO. 146/ 0 RN/L = 4.27 GRADIENT INTERVAL = -5.00/ 5.00

ALPHA	BETA	CP13	CP17	CP19
3.828	.000	-.17880	-.13740	-.14670
	GRADIENT	.00000	.00000	.00000

ARC 11-023 IAB0 OTS (SRB OFF) (SSME OFF)

(1E4084) (28 OCT 75)

REFERENCE DATA

SREF = 2690.0000 SQ.FT. XMRP = .0000 IN.
 LREF = 1290.3000 IN. YMRP = .0000 IN.
 BREF = 1290.3000 IN. ZMRP = .0000 IN.
 SCALE = .0200

PARAMETRIC DATA

ELV-18 = 8.000 ELV-08 = 2.000
 RN/L = 3.400 MACH = .600

RUN NO. 326/ 0 RN/L = 3.42 GRADIENT INTERVAL = -5.00/ 5.00

ALPHA	BETA	CP13	CP17	CP19
-3.953	-.044	-.04960	-.0540	-.05230
	GRADIENT	.00000	.00000	.00000

RUN NO. 327/ 0 RN/L = 3.43 GRADIENT INTERVAL = -5.00/ 5.00

ALPHA	BETA	CP13	CP17	CP19
-.284	-4.063	-.02550	-.01760	-.01650
-.291	-.047	-.04880	-.04030	-.03900
-.320	3.969	-.02860	-.02820	-.02930
	GRADIENT	-.00786	-.00979	-.00906

RUN NO. 328/ 0 RN/L = 3.43 GRADIENT INTERVAL = -5.00/ 5.00

ALPHA	BETA	CP13	CP17	CP19
3.973	-.044	-.07980	-.07540	-.07400
	GRADIENT	.00000	.00000	.00000

ARC 11-023 IAB0 OTS (SRB OFF) (SSME OFF)

(1E4085) (28 OCT 75)

REFERENCE DATA

SREF = 2690.0000 SQ.FT. XMRP = .0000 IN.
 LREF = 1290.3000 IN. YMRP = .0000 IN.
 BREF = 1290.3000 IN. ZMRP = .0000 IN.
 SCALE = .0200

PARAMETRIC DATA

ELV-18 = 8.000 ELV-08 = 2.000
 RN/L = 4.250 MACH = .900

RUN NO. 320/ 0 RN/L = 4.27 GRADIENT INTERVAL = -5.00/ 5.00

ALPHA	BETA	CP13	CP17	CP19
-3.937	-.050	.02340	.02260	.02500
	GRADIENT	.00000	.00000	.00000

RUN NO. 321/ 0 RN/L = 4.24 GRADIENT INTERVAL = -5.00/ 5.00

ALPHA	BETA	CP13	CP17	CP19
-.301	-4.066	.01760	.02620	.02800
-.304	-.047	.00930	.00550	.01110
-.320	3.969	-.00930	-.01180	-.00630
	GRADIENT	-.00335	-.00473	-.00409

DATE 12 JUN 76

TABULATED SOURCE DATA - 1A80

PAGE 803

ARC 11-023 1A80 OTS (SRB OFF) (SSME OFF)

(1E4085) (28 OCT 75)

REFERENCE DATA

SREF = 2690.0000 SQ.FT. XMRP = .0000 IN.
LREF = 1290.3000 IN. YMRP = .0000 IN.
BREF = 1290.3000 IN. ZMRP = .0000 IN.
SCALE = .0200

PARAMETRIC DATA

ELV-18 = 8.000 ELV-08 = 2.000
RN/L = 4.250 MACH = .900

RUN NO. 322/ 0 RN/L = 4.23 GRADIENT INTERVAL = -5.00/ 5.00

ALPHA BETA CP13 CP17 CP19
3.977 -.044 -.06120 -.05060 -.04950
GRADIENT .00000 .00000 .00000

ARC 11-023 1A80 OTS (SRB OFF) (SSME OFF)

(1E4086) (28 OCT 75)

REFERENCE DATA

SREF = 2690.0000 SQ.FT. XMRP = .0000 IN.
LREF = 1290.3000 IN. YMRP = .0000 IN.
BREF = 1290.3000 IN. ZMRP = .0000 IN.
SCALE = .0200

PARAMETRIC DATA

ELV-18 = 8.000 ELV-08 = 2.000
RN/L = 4.250 MACH = 1.100

RUN NO. 159/ 0 RN/L = 4.47 GRADIENT INTERVAL = -5.00/ 5.00

ALPHA BETA CP13 CP17 CP19
-4.013 .016 -.17830 -.15140 -.14840
GRADIENT .00000 .00000 .00000

RUN NO. 160/ 0 RN/L = 4.46 GRADIENT INTERVAL = -5.00/ 5.00

ALPHA BETA CP13 CP17 CP19
-.304 -3.991 -.13740 -.09570 -.10850
-.267 .009 -.21630 -.19850 -.18820
-.327 4.034 -.19350 -.15970 -.15700
GRADIENT -.00698 -.00796 -.00603

RUN NO. 161/ 0 RN/L = 4.45 GRADIENT INTERVAL = -5.00/ 5.00

ALPHA BETA CP13 CP17 CP19
3.986 .016 -.19390 -.16190 -.16560
GRADIENT .00000 .00000 .00000

ORIGINAL PAGE IS
OF POOR QUALITY

ARC 11-023 IAB0 OTS (SRB NOM) (SSME NOM)

(IE4087) (28 OCT 75)

REFERENCE DATA

SREF = 2690.0000 SQ.FT. XMRP = .0000 IN.
 LREF = 1290.3000 IN. YMRP = .0000 IN.
 BREF = 1290.3000 IN. ZMRP = .0000 IN.
 SCALE = .0200

PARAMETRIC DATA

ELV-1B = 8.000 ELV-08 = 2.000
 RN/L = 3.400 MACH = .600

RUN NO. 329/ 0 RN/L = 3.43 GRADIENT INTERVAL = -5.00/ 5.00

ALPHA	BETA	CP13	CP17	CP19
-3.871	-.044	-.04210	-.03770	-.03460
	GRADIENT	.00000	.00000	.00000

RUN NO. 330/ 0 RN/L = 3.43 GRADIENT INTERVAL = -5.00/ 5.00

ALPHA	BETA	CP13	CP17	CP19
-.350	-4.066	-.02980	-.01980	-.01980
-.380	-.050	-.06770	-.05780	-.05230
-.423	3.969	-.08980	-.08700	-.08190
	GRADIENT	-.00747	-.00836	-.00773

RUN NO. 331/ 0 RN/L = 3.43 GRADIENT INTERVAL = -5.00/ 5.00

ALPHA	BETA	CP13	CP17	CP19
3.986	-.047	-.08900	-.08080	-.08220
	GRADIENT	.00000	.00000	.00300

ARC 11-023 IAB0 OTS (SRB NOM) (SSME NOM)

(IE4088) (28 OCT 75)

REFERENCE DATA

SREF = 2690.0000 SQ.FT. XMRP = .0000 IN.
 LREF = 1290.3000 IN. YMRP = .0000 IN.
 BREF = 1290.3000 IN. ZMRP = .0000 IN.
 SCALE = .0200

PARAMETRIC DATA

ELV-1B = 8.000 ELV-08 = 2.000
 RN/L = 4.250 MACH = .900

RUN NO. 323/ 0 RN/L = 4.19 GRADIENT INTERVAL = -5.00/ 5.00

ALPHA	BETA	CP13	CP17	CP19
-3.963	-.044	.01250	.01400	.01480
	GRADIENT	.00000	.00000	.00000

RUN NO. 324/ 0 RN/L = 4.19 GRADIENT INTERVAL = -5.00/ 5.00

ALPHA	BETA	CP13	CP17	CP19
-.383	-4.066	.01310	.01960	.01940
-.376	-.047	.00840	.00720	.01320
-.409	3.969	-.00160	-.00540	-.00060
	GRADIENT	-.00183	-.00311	-.00249

DATE 12 JUN 76

TABULATED SOURCE DATA - IAB0

PAGE 605

ARC 11-023 IAB0 OTS (SRB NOM) (SSME NOM)

(1E4088) (28 OCT 75)

REFERENCE DATA

SREF = 2690.0000 SQ.FT. XMRP = .0000 IN.
LREF = 1290.3000 IN. YMRP = .0000 IN.
BREF = 1290.3000 IN. ZMRP = .0000 IN.
SCALE = .0200

PARAMETRIC DATA

ELV-18 = 8.000 ELV-08 = 2.000
RN/L = 4.250 MACH = .900

RUN NO. 325/ 0 RN/L = 4.19 GRADIENT INTERVAL = -5.00/ 5.00

ALPHA	BETA	CP13	CP17	CP19
3.940	-.044	-.06800	-.05940	-.05740
	GRADIENT	.00000	.00000	.00000

ARC 11-023 IAB0 OTS (SRB NOM) (SSME NOM)

(1E4089) (28 OCT 75)

REFERENCE DATA

SREF = 2690.0000 SQ.FT. XMRP = .0000 IN.
LREF = 1290.3000 IN. YMRP = .0000 IN.
BREF = 1290.3000 IN. ZMRP = .0000 IN.
SCALE = .0200

PARAMETRIC DATA

ELV-18 = 8.000 ELV-08 = 2.000
RN/L = 4.250 MACH = 1.100

RUN NO. 162/ 0 RN/L = 4.41 GRADIENT INTERVAL = -5.00/ 5.00

ALPHA	BETA	CP13	CP17	CP19
-3.970	.016	-.17840	-.14840	-.14430
	GRADIENT	.00000	.00000	.00000

RUN NO. 153/ 0 RN/L = 4.43 GRADIENT INTERVAL = -5.00/ 5.00

ALPHA	BETA	CP13	CP17	CP19
-.436	-3.994	-.12400	-.07340	-.07220
-.429	.009	-.20870	-.19220	-.18230
-.466	4.031	-.18110	-.17110	-.15260
	GRADIENT	-.00710	-.00073	-.01001

RUN NO. 164/ 0 RN/L = 4.43 GRADIENT INTERVAL = -5.00/ 5.00

ALPHA	BETA	CP13	CP17	CP19
3.851	.012	-.19650	-.15040	-.14840
	GRADIENT	.00000	.00000	.00000

ARC 11-023 IAB0 OTS (SRB OFF) (SSME OFF)

(1E4090) (28 OCT 75)

REFERENCE DATA

SREF = 2690.0000 SQ.FT. XMRP = .0000 IN.
 LREF = 1290.3000 IN. YMRP = .0000 IN.
 BREF = 1290.3000 IN. ZMRP = .0000 IN.
 SCALE = .0200

PARAMETRIC DATA

ELV-18 = 4.000 ELV-08 = 4.000
 RN/L = 3.400 MACH = .600

RUN NO. 332/ 0 RN/L = 3.50 GRADIENT INTERVAL = -5.00/ 5.00

ALPHA	BETA	CP13	CP17	CP19
-3.960	-.003	-.03260	-.02810	-.02780
	GRADIENT	.00000	.00000	.00000

RUN NO. 333/ 0 RN/L = 3.49 GRADIENT INTERVAL = -5.00/ 5.00

ALPHA	BETA	CP13	CP17	CP19
-.267	-4.003	-.02130	-.01680	-.01680
-.291	.012	-.05210	-.04600	-.04260
-.294	4.028	-.08780	-.08130	-.08160
	GRADIENT	-.00828	-.00803	-.00807

RUN NO. 334/ 0 RN/L = 3.49 GRADIENT INTERVAL = -5.00/ 5.00

ALPHA	BETA	CP13	CP17	CP19
3.973	.006	-.07890	-.07580	-.07580
	GRADIENT	.00000	.00000	.00000

ARC 11-023 IAB0 OTS (SRB OFF) (SSME OFF)

(1E4091) (28 OCT 75)

REFERENCE DATA

SREF = 2690.0000 SQ.FT. XMRP = .0000 IN.
 LREF = 1290.3000 IN. YMRP = .0000 IN.
 BREF = 1290.3000 IN. ZMRP = .0000 IN.
 SCALE = .0200

PARAMETRIC DATA

ELV-18 = 4.000 ELV-08 = 4.000
 RN/L = 4.250 MACH = .900

RUN NO. 338/ 0 RN/L = 4.21 GRADIENT INTERVAL = -5.00/ 5.00

ALPHA	BETA	CP13	CP17	CP19
-3.980	-.003	.02590	.02510	.02610
	GRADIENT	.00000	.00000	.00000

RUN NO. 339/ 0 RN/L = 4.20 GRADIENT INTERVAL = -5.00/ 5.00

ALPHA	BETA	CP13	CP17	CP19
-.267	-4.003	.02080	.02940	.02780
-.291	.012	.00110	-.00230	.00270
-.284	4.028	-.00130	-.00340	.00350
	GRADIENT	-.00275	-.00408	-.00303

DATE 12 JUN 76

TABULATED SOURCE DATA - 1A80

PAGE 607

ARC 11-023 1A80 OTS (SRB OFF) (SSME OFF)

(IE4091) (28 OCT 75)

REFERENCE DATA

SREF = 2690.0000 SQ.FT. XMRP = .0000 IN.
LREF = 1290.3000 IN. YMRP = .0000 IN.
BREF = 1290.3000 IN. ZMRP = .0000 IN.
SCALE = .0200

PARAMETRIC DATA

ELV-18 = 4.000 ELV-08 = 4.000
RN/L = 4.250 MACH = .900

RUN NO. 340/ 0 RN/L = 4.20 GRADIENT INTERVAL = -5.00/ 5.00

ALPHA	BETA	CP13	CP17	CP19
3.970	-.003	-.05760	-.05320	-.05220
	GRADIENT	.00000	.00000	.00000

ARC 11-023 1A80 OTS (SRB OFF) (SSME OFF)

(IE4092) (28 OCT 75)

REFERENCE DATA

SREF = 2690.0000 SQ.FT. XMRP = .0000 IN.
LREF = 1290.3000 IN. YMRP = .0000 IN.
BREF = 1290.3000 IN. ZMRP = .0000 IN.
SCALE = .0200

PARAMETRIC DATA

ELV-18 = 4.000 ELV-08 = 4.000
RN/L = 4.250 MACH = 1.100

RUN NO. 177/ 0 RN/L = 4.34 GRADIENT INTERVAL = -5.00/ 5.00

ALPHA	BETA	CP13	CP17	CP19
-3.957	.003	-.18240	-.15360	-.14760
	GRADIENT	.00000	.00000	.00000

RUN NO. 178/ 0 RN/L = 4.34 GRADIENT INTERVAL = -5.00/ 5.00

ALPHA	BETA	CP13	CP17	CP19
-.284	-3.994	-.12550	-.05110	-.06590
-.281	.000	-.21840	-.20820	-.19770
-.320	4.028	-.15630	-.11810	-.11680
	GRADIENT	-.00381	-.00706	-.00631

RUN NO. 179/ 0 RN/L = 4.34 GRADIENT INTERVAL = -5.00/ 5.00

ALPHA	BETA	CP13	CP17	CP19
3.977	.003	-.16800	-.14970	-.15110
	GRADIENT	.00000	.00000	.00000

ARC 11-023 1A80 OTS (SRB OFF) (SSME OFF)

(1E4093) (28 OCT 75)

REFERENCE DATA

PARAMETRIC DATA

SREF = 2690.0000 SQ.FT. XMRP = .0000 IN.
 LREF = 1290.3000 IN. YMRP = .0000 IN.
 BREF = 1290.3000 IN. ZMRP = .0000 IN.
 SCALE = .0200

ELV-1B = 4.000 ELV-0B = 4.000
 RN/L = 4.250 MACH = 1.250

RUN NO. 171/ 0 RN/L = 4.35 GRADIENT INTERVAL = -5.00/ 5.00

ALPHA	BETA	CP13	CP17	CP19
-3.953	.006	-.17060	-.17140	-.16210
	GRADIENT	.00000	.00000	.00000

RUN NO. 172/ 0 RN/L = 4.35 GRADIENT INTERVAL = -5.00/ 5.00

ALPHA	BETA	CP13	CP17	CP19
-.238	-3.997	-.08680	.07830	-.07880
-.231	.000	-.17220	-.14560	-.14340
-.284	4.034	-.22550	-.19390	-.19080
	GRADIENT	-.01726	-.01439	-.01394

RUN NO. 173/ 0 RN/L = 4.34 GRADIENT INTERVAL = -5.00/ 5.00

ALPHA	BETA	CP13	CP17	CP19
3.977	.000	-.14610	-.14550	-.14550
	GRADIENT	.00000	.00000	.00000

ARC 11-023 1A80 OTS (SRB OFF) (SSME OFF)

(1E4094) (28 OCT 75)

REFERENCE DATA

PARAMETRIC DATA

SREF = 2690.0000 SQ.FT. XMRP = .0000 IN.
 LREF = 1290.3000 IN. YMRP = .0000 IN.
 BREF = 1290.3000 IN. ZMRP = .0000 IN.
 SCALE = .0200

ELV-1B = 4.000 ELV-0B = 4.000
 RN/L = 4.250 MACH = 1.400

RUN NO. 165/ 0 RN/L = 4.38 GRADIENT INTERVAL = -5.00/ 5.00

ALPHA	BETA	CP13	CP17	CP19
-3.887	.016	-.11180	-.11510	-.10490
	GRADIENT	.00000	.00000	.00000

RUN NO. 166/ 0 RN/L = 4.36 GRADIENT INTERVAL = -5.00/ 5.00

ALPHA	BETA	CP13	CP17	CP19
-.271	-3.991	-.12180	-.08740	-.09550
-.251	.009	-.16430	-.14150	-.14210
-.284	4.031	-.20050	-.17410	-.16570
	GRADIENT	-.00981	-.01081	-.00862

DATE 12 JUN 76

TABULATED SOURCE DATA - IAB0

PAGE 609

ARC 11-023 IAB0 OTS (SRB OFF) (SSME OFF)

(IE4094) (28 OCT 75)

REFERENCE DATA

SREF = 2690.0000 SQ.FT. XMRP = .0000 IN.
 LREF = 1290.3000 IN. YMRP = .0000 IN.
 BREF = 1290.3000 IN. ZMRP = .0000 IN.
 SCALE = .0200

PARAMETRIC DATA

ELV-18 = 4.000 ELV-08 = 4.000
 RN/L = 4.250 MACH = 1.400

RUN NO. 167/ 0 RN/L = 4.33 GRADIENT INTERVAL = -5.00/ 5.00

ALPHA	BETA	CP13	CP17	CP19
3.973	.006	-.17370	-.13540	-.14760
	GRADIENT	.00000	.00000	.00000

ARC 11-023 IAB0 OTS (SRB NOM) (SSME NOM)

(IE4095) (28 OCT 75)

REFERENCE DATA

SREF = 2690.0000 SQ.FT. XMRP = .0000 IN.
 LREF = 1290.3000 IN. YMRP = .0000 IN.
 BREF = 1290.3000 IN. ZMRP = .0000 IN.
 SCALE = .0200

PARAMETRIC DATA

ELV-18 = 4.000 ELV-08 = 4.000
 RN/L = 3.400 MACH = .600

RUN NO. 335/ 0 RN/L = 3.41 GRADIENT INTERVAL = -5.00/ 5.00

ALPHA	BETA	CP13	CP17	CP19
-3.960	.006	-.04960	-.04470	-.04720
	GRADIENT	.00000	.00000	.00000

RUN NO. 336/ 0 RN/L = 3.47 GRADIENT INTERVAL = -5.00/ 5.00

ALPHA	BETA	CP13	CP17	CP19
-.297	-4.003	-.02720	-.02410	-.03000
-.307	.012	-.05350	-.04090	-.04050
-.376	4.022	-.09850	-.10060	-.09500
	GRADIENT	-.00888	-.00953	-.00810

RUN NO. 337/ 0 RN/L = 3.48 GRADIENT INTERVAL = -5.00/ 5.00

ALPHA	BETA	CP13	CP17	CP19
4.020	-.003	-.08180	-.07560	-.07120
	GRADIENT	.00000	.00000	.00000

ORIGINAL PAGE IS
OF POOR QUALITY

ARC 11-023 1A80 OTS (SRB NOM) (SSME NOM)

(1E4096) (28 OCT 75)

REFERENCE DATA

SREF = 2690.0000 SQ.FT. XMRP = .0000 IN.
 LREF = 1290.3000 IN. YMRP = .0000 IN.
 BREF = 1290.3000 IN. ZMRP = .0000 IN.
 SCALE = .0200

PARAMETRIC DATA

ELV-18 = 4.000 ELV-08 = 4.000
 RN/L = 4.250 MACH = .900

RUN NO. 341/ 0 RN/L = 4.21 GRADIENT INTERVAL = -5.00/ 5.00

ALPHA	BETA	CP13	CP17	CP19
-3.891	-.003	.02680	.02780	.02820
	GRADIENT	.00000	.00000	.00000

RUN NO. 342/ 0 RN/L = 4.20 GRADIENT INTERVAL = -5.00/ 5.00

ALPHA	BETA	CP13	CP17	CP19
-.390	-4.003	.01450	.02140	.01950
-.360	.012	.00510	.00290	.00750
-.406	4.031	.00070	-.00210	.00330
	GRADIENT	-.00172	-.00292	-.00202

RUN NO. 343/ 0 RN/L = 4.20 GRADIENT INTERVAL = -5.00/ 5.00

ALPHA	BETA	CP13	CP17	CP19
3.986	-.003	-.06050	-.05370	-.05170
	GRADIENT	.00000	.00000	.00000

ARC 11-023 1A80 OTS (SRB NOM) (SSME NOM)

(1E4097) (28 OCT 75)

REFERENCE DATA

SREF = 2690.0000 SQ.FT. XMRP = .0000 IN.
 LREF = 1290.3000 IN. YMRP = .0000 IN.
 BREF = 1290.3000 IN. ZMRP = .0000 IN.
 SCALE = .0200

PARAMETRIC DATA

ELV-18 = 4.000 ELV-08 = 4.000
 RN/L = 4.250 MACH = 1.100

RUN NO. 180/ 0 RN/L = 4.34 GRADIENT INTERVAL = -5.00/ 5.00

ALPHA	BETA	CP13	CP17	CP19
-3.963	.003	-.17760	-.14770	-.14530
	GRADIENT	.00000	.00000	.00000

RUN NO. 181/ 0 RN/L = 4.34 GRADIENT INTERVAL = -5.00/ 5.00

ALPHA	BETA	CP13	CP17	CP19
-.409	-3.997	-.12010	-.05510	-.05510
-.386	-.003	-.21260	-.19840	-.18630
-.429	4.028	-.14990	-.12030	-.12060
	GRADIENT	-.00368	-.00808	-.00812

DATE 12 JUN 76

TABULATED SOURCE DATA - IAB0

PAGE 811

ARC 11-023 IAB0 OTS (SRB NOM) (SSME NOM)

(1E4097) (28 OCT 75)

REFERENCE DATA

SREF = 2690.0000 SQ.FT. XMRP = .0000 IN.
 LREF = 1290.3000 IN. YMRP = .0000 IN.
 BREF = 1290.3000 IN. ZMRP = .0000 IN.
 SCALE = .0200

PARAMETRIC DATA

ELV-18 = 4.000 ELV-08 = 4.000
 RN/L = 4.250 MACH = 1.100

RUN NO. 182/ 0 RN/L = 4.34 GRADIENT INTERVAL = -5.00/ 5.00

ALPHA	BETA	CP13	CP17	CP19
4.033	-.003	-.16240	-.13930	-.13910
	GRADIENT	.00000	.00000	.00000

ARC 11-023 IAB0 OTS (SRB NOM) (SSME NOM)

(1E4098) (28 OCT 75)

REFERENCE DATA

SREF = 2690.0000 SQ.FT. XMRP = .0000 IN.
 LREF = 1290.3000 IN. YMRP = .0000 IN.
 BREF = 1290.3000 IN. ZMRP = .0000 IN.
 SCALE = .0200

PARAMETRIC DATA

ELV-18 = 4.000 ELV-08 = 4.000
 RN/L = 4.250 MACH = 1.250

RUN NO. 174/ 0 RN/L = 4.34 GRADIENT INTERVAL = -5.00/ 5.00

ALPHA	BETA	CP13	CP17	CP19
-3.973	.003	-.17270	-.17110	-.16240
	GRADIENT	.00000	.00000	.00000

RUN NO. 175/ 0 RN/L = 4.34 GRADIENT INTERVAL = -5.00/ 5.00

ALPHA	BETA	CP13	CP17	CP19
-.482	-3.994	-.08840	-.07040	-.07920
-.439	-.003	-.17340	-.14630	-.14640
-.416	4.028	-.22200	-.19540	-.18890
	GRADIENT	-.01665	-.01458	-.01367

RUN NO. 176/ 0 RN/L = 4.34 GRADIENT INTERVAL = -5.00/ 5.00

ALPHA	BETA	CP13	CP17	CP19
4.020	.003	-.14720	-.14800	-.14800
	GRADIENT	.00000	.00000	.00000

ORIGINAL PAGE IS OF POOR QUALITY

ARC 11-023 1A80 OTS (SRB NOM) (SSME NOM)

(1E4099) (28 OCT 75)

REFERENCE DATA

SREF = 2690.0000 SQ.FT. XMRP = .0000 IN.
 LREF = 1290.3000 IN. YMRP = .0000 IN.
 BREF = 1290.3000 IN. ZMRP = .0000 IN.
 SCALE = .0200

PARAMETRIC DATA

ELV-18 = 4.000 ELV-08 = 4.000
 RN/L = 4.250 MACH = 1.400

RUN NO. 168/ 0 RN/L = 4.27 GRADIENT INTERVAL = -5.00/ 5.00

ALPHA	BETA	CP13	CP17	CP19
-3.944	.009	-.11390	-.11170	-.10260
	GRADIENT	.00000	.00000	.00000

RUN NO. 169/ 0 RN/L = 4.26 GRADIENT INTERVAL = -5.00/ 5.00

ALPHA	BETA	CP13	CP17	CP19
-.403	-3.991	-.11960	-.08790	-.09990
-.386	.012	-.16280	-.14270	-.14190
-.443	4.034	-.20240	-.17460	-.16730
	GRADIENT	-.01032	-.01080	-.00840

RUN NO. 170/ 0 RN/L = 4.26 GRADIENT INTERVAL = -5.00/ 5.00

ALPHA	BETA	CP13	CP17	CP19
3.864	.012	-.17610	-.13630	-.14780
	GRADIENT	.00000	.00000	.00000

ARC 11-023 1A80 OTS (SRB OFF) (SSME OFF)

(1E40A0) (28 OCT 75)

REFERENCE DATA

SREF = 2690.0000 SQ.FT. XMRP = .0000 IN.
 LREF = 1290.3000 IN. YMRP = .0000 IN.
 BREF = 1290.3000 IN. ZMRP = .0000 IN.
 SCALE = .0200

PARAMETRIC DATA

ELV-18 = .000 ELV-08 = 4.000
 RN/L = 3.400 MACH = .600

RUN NO. 344/ 0 RN/L = 3.50 GRADIENT INTERVAL = -5.00/ 5.00

ALPHA	BETA	CP13	CP17	CP19
-3.894	.000	-.02650	-.01800	-.01530
	GRADIENT	.00000	.00000	.00000

RUN NO. 345/ 0 RN/L = 3.48 GRADIENT INTERVAL = -5.00/ 5.00

ALPHA	BETA	CP13	CP17	CP19
-.281	-4.303	-.01740	-.01290	-.01360
-.287	.012	-.05010	-.04470	-.04540
-.301	4.028	-.08790	-.08340	-.08100
	GRADIENT	-.00878	-.00878	-.00839

DATE 12 JUN 76

TABULATED SOURCE DATA - 1A80

PAGE 613

ARC 11-023 1A80 OTS (SRB OFF) (SSME OFF)

(1E40A0) (28 OCT 75)

REFERENCE DATA

SREF = 2690.0000 SQ.FT. XMRP = .0000 IN.
LREF = 1290.3000 IN. YMRP = .0000 IN.
BREF = 1290.3000 IN. ZMRP = .0000 IN.
SCALE = .0200

PARAMETRIC DATA

ELV-18 = .000 ELV-08 = 4.000
RN/L = 3.400 MACH = .600

RUN NO. 346/ 0 RN/L = 3.48 GRADIENT INTERVAL = -5.00/ 5.00

ALPHA BETA CP13 CP17 CP19
3.986 .012 -.08090 -.07540 -.07680
GRADIENT .00000 .00000 .00000

ARC 11-023 1A80 OTS (SRB OFF) (SSME OFF)

(1E40A1) (28 OCT 75)

REFERENCE DATA

SREF = 2690.0000 SQ.FT. XMRP = .0000 IN.
LREF = 1290.3000 IN. YMRP = .0000 IN.
BREF = 1290.3000 IN. ZMRP = .0000 IN.
SCALE = .0200

PARAMETRIC DATA

ELV-18 = .000 ELV-08 = 4.000
RN/L = 4.250 MACH = .900

RUN NO. 350/ 0 RN/L = 4.23 GRADIENT INTERVAL = -5.00/ 5.00

ALPHA BETA CP13 CP17 CP19
-3.996 .009 .02140 .02180 .02360
GRADIENT .00000 .00000 .00000

RUN NO. 351/ 0 RN/L = 4.24 GRADIENT INTERVAL = -5.00/ 5.00

ALPHA BETA CP13 CP17 CP19
-.281 -4.006 .01790 .02280 .02560
-.284 .009 .00990 .00670 .01090
-.281 4.028 -.00260 -.00720 -.00140
GRADIENT -.00255 -.00411 -.00336

RUN NO. 352/ 0 RN/L = 4.23 GRADIENT INTERVAL = -5.00/ 5.00

ALPHA BETA CP13 CP17 CP19
4.023 .016 -.06200 -.05120 -.04560
GRADIENT .00000 .00000 .00000

ARC 11-023 1A80 OTS (SRB OFF) (SSME OFF)

(1E40A2) (28 OCT 75)

REFERENCE DATA

PARAMETRIC DATA

SREF = 2690.0000 SQ.FT. XMRP = .0000 IN.
 LREF = 1290.3000 IN. YMRP = .0000 IN.
 BREF = 1290.3000 IN. ZMRP = .0000 IN.
 SCALE = .0200

ELV-18 = .000 ELV-08 = 4.000
 RN/L = 4.250 MACH = 1.100

RUN NO. 195/ 0 RN/L = 4.36 GRADIENT INTERVAL = -5.00/ 5.00

ALPHA	BETA	CP13	CP17	CP19
-3.967	.006	-.17970	-.15090	-.14590
	GRADIENT	.00000	.00000	.00000

RUN NO. 196/ 0 RN/L = 4.36 GRADIENT INTERVAL = -5.00/ 5.00

ALPHA	BETA	CP13	CP17	CP19
-.284	-4.003	-.11520	-.06490	-.05990
-.258	-.012	-.21780	-.20630	-.19640
-.301	4.016	-.15440	-.11930	-.12250
	GRADIENT	-.00486	-.00674	-.00777

RUN NO. 197/ 0 RN/L = 4.36 GRADIENT INTERVAL = -5.00/ 5.00

ALPHA	BETA	CP13	CP17	CP19
3.947	.000	-.18900	-.15510	-.15460
	GRADIENT	.00000	.00000	.00000

ARC 11-023 1A80 OTS (SRB OFF) (SSME OFF)

(1E40A3) (28 OCT 75)

REFERENCE DATA

PARAMETRIC DATA

SREF = 2690.0000 SQ.FT. XMRP = .0000 IN.
 LREF = 1290.3000 IN. YMRP = .0000 IN.
 BREF = 1290.3000 IN. ZMRP = .0000 IN.
 SCALE = .0200

ELV-18 = .000 ELV-08 = 4.000
 RN/L = 4.250 MACH = 1.250

RUN NO. 189/ 0 RN/L = 4.37 GRADIENT INTERVAL = -5.00/ 5.00

ALPHA	BETA	CP13	CP17	CP19
-3.947	-.006	-.17050	-.17060	-.17060
	GRADIENT	.00000	.00000	.00000

RUN NO. 190/ 0 RN/L = 4.36 GRADIENT INTERVAL = -5.00/ 5.00

ALPHA	BETA	CP13	CP17	CP19
-.248	-4.000	-.08530	-.07510	-.07670
-.244	-.006	-.17300	-.14490	-.14190
-.271	4.022	-.22640	-.19730	-.18990
	GRADIENT	-.01758	-.01523	-.01411

DATE 12 JUN 76

TABULATED SOURCE DATA - 1A80

PAGE 615

ARC 11-023 1A80 OTS (SRB OFF) (SSME OFF)

(1E40A3) (28 OCT 75)

REFERENCE DATA

PARAMETRIC DATA

SREF = 2690.0000 SQ.FT. XMRP = .0000 IN.
LREF = 1290.3000 IN. YMRP = .0000 IN.
BREF = 1290.3000 IN. ZMRP = .0000 IN.
SCALE = .0200

ELV-19 = .000 ELV-08 = 4.000
RN/L = 4.250 MACH = 1.250

RUN NO. 191/ 0 RN/L = 4.36 GRADIENT INTERVAL = -5.00/ 5.00

ALPHA BETA CP13 CP17 CP19
3.986 .003 -.1370 -.14480 -.14370
GRADIENT .00000 .00000 .00000

ARC 11-023 1A80 OTS (SRB OFF) (SSME OFF)

(1E40A4) (28 OCT 75)

REFERENCE DATA

PARAMETRIC DATA

SREF = 2690.0000 SQ.FT. XMRP = .0000 IN.
LREF = 1290.3000 IN. YMRP = .0000 IN.
BREF = 1290.3000 IN. ZMRP = .0000 IN.
SCALE = .0200

ELV-18 = .000 ELV-08 = 4.000
RN/L = 4.250 MACH = 1.400

RUN NO. 183/ 0 RN/L = 4.34 GRADIENT INTERVAL = -5.00/ 5.00

ALPHA BETA CP13 CP17 CP19
-3.947 .006 -.11843 -.11840 -.10790
GRADIENT .00000 .00000 .00000

RUN NO. 184/ 0 RN/L = 4.31 GRADIENT INTERVAL = -5.00/ 5.00

ALPHA BETA CP13 CP17 CP19
-.267 -3.994 -.12980 -.09350 -.10720
-.277 -.003 -.17020 -.14910 -.14850
-.284 4.019 -.21060 -.18260 -.17360
GRADIENT - 01008 -.01112 -.00828

RUN NO. 185/ 0 RN/L = 4.28 GRADIENT INTERVAL = -5.00/ 5.00

ALPHA BETA CP13 CP17 CP19
3.986 .006 -.18520 -.14200 -.15310
GRADIENT .00000 .00000 .00000

ORIGINAL PAGE IS
OF POOR QUALITY

ARC 11-023 IAB0 OTS (SRB NOM) (SSME NOM)

(1E40A5) (28 OCT 75)

REFERENCE DATA

SREF = 2690.0000 SQ.FT. XMRP = .0000 IN.
 LREF = 1290.3000 IN. YMRP = .0000 IN.
 BREF = 1290.3000 IN. ZMRP = .0000 IN.
 SCALE = .0200

PARAMETRIC DATA

ELV-18 = .000 ELV-08 = 4.000
 RN/L = 3.400 MACH = .600

RUN NO. 347/ 0 RN/L = 3.47 GRADIENT INTERVAL = -5.00/ 5.00

ALPHA	BETA	CP13	CP17	CP19
-3.983	.012	-.04210	-.04110	-.03800
	GRADIENT	.00000	.00000	.00000

RUN NO. 348/ 0 RN/L = 3.48 GRADIENT INTERVAL = -5.00/ 5.00

ALPHA	BETA	CP13	CP17	CP19
-.337	-4.006	-.02510	-.01580	-.01610
-.370	.009	-.06180	-.05840	-.05100
-.453	4.025	-.09210	-.08900	-.08350
	GRADIENT	-.00834	-.00911	-.00839

RUN NO. 349/ 0 RN/L = 3.48 GRADIENT INTERVAL = -5.00/ 5.00

ALPHA	BETA	CP13	CP17	CP19
3.910	.009	-.03610	-.07520	-.07590
	GRADIENT	.00000	.00000	.00000

ARC 11-023 IAB0 OTS (SRB NOM) (SSME NOM)

(1E40A5) (28 OCT 75)

REFERENCE DATA

SREF = 2690.0000 SQ.FT. XMRP = .0000 IN.
 LREF = 1290.3000 IN. YMRP = .0000 IN.
 BREF = 1290.3000 IN. ZMRP = .0000 IN.
 SCALE = .0200

PARAMETRIC DATA

ELV-18 = .000 ELV-08 = 4.000
 RN/L = 4.250 MACH = .900

RUN NO. 353/ 0 RN/L = 4.21 GRADIENT INTERVAL = -5.00/ 5.00

ALPHA	BETA	CP13	CP17	CP19
-3.937	.016	.02430	.02170	.02270
	GRADIENT	.00000	.00000	.00000

RUN NO. 354/ 0 RN/L = 4.23 GRADIENT INTERVAL = -5.00/ 5.00

ALPHA	BETA	CP13	CP17	CP19
-.376	-4.006	.02190	.01330	.02930
-.353	.009	.01770	.01330	.01810
-.420	4.022	-.01010	.00730	.01650
	GRADIENT	-.00399	-.00262	-.00159

DATE 12 JUN 76

TABULATED SOURCE DATA - 1A80

PAGE 617

ARC 11-023 1A80 OTS (SRB NOM) (SSME NOM)

(1E40A6) (29 OCT 75)

REFERENCE DATA

SREF = 2690.0000 SQ.FT. XMRP = .0000 IN.
LREF = 1290.3000 IN. YMRP = .0000 IN.
BREF = 1290.3000 IN. ZMRP = .0000 IN.
SCALE = .0200

PARAMETRIC DATA

ELV-18 = .000 ELV-08 = 4.000
RN/L = 4.250 MACH = .900

RUN NO. 355/ 0 RN/L = 4.23 GRADIENT INTERVAL = -5.00/ 5.00

ALPHA BETA CP13 CP17 CP19
3.910 .006 - .02680 - .01850 - .01270
GRADIENT .00000 .00000 .00000

ARC 11-023 1A80 OTS (SRB NOM) (SSME NOM)

(1E40A7) (28 OCT 75)

REFERENCE DATA

SREF = 2690.0000 SQ.FT. XMRP = .0000 IN.
LREF = 1290.3000 IN. YMRP = .0000 IN.
BREF = 1290.3000 IN. ZMRP = .0000 IN.
SCALE = .0200

PARAMETRIC DATA

ELV-18 = .000 ELV-08 = 4.000
RN/L = 4.250 MACH = 1.100

RUN NO. 198/ 0 RN/L = 4.36 GRADIENT INTERVAL = -5.00/ 5.00

ALPHA BETA CP13 CP17 CP19
-3.996 .006 - .17750 - .14990 - .14340
GRADIENT .00000 .00000 .00000

RUN NO. 199/ 0 RN/L = 4.36 GRADIENT INTERVAL = -5.00/ 5.00

ALPHA BETA CP13 CP17 CP19
-.416 -4.003 - .11840 - .05940 - .07220
-.403 -.012 - .21460 - .19880 - .18610
-.426 4.019 - .15350 - .11730 - .12360
GRADIENT -.00435 -.00717 -.00637

RUN NO. 200/ 0 RN/L = 4.36 GRADIENT INTERVAL = -5.00/ 5.00

ALPHA BETA CP13 CP17 CP19
3.798 .009 - .17070 - .14600 - .14750
GRADIENT .00000 .00000 .00000

ARC 11-023 1A80 OTS (SRB NOM) (SSME NOM)

(1E40A8) (28 OCT 75)

REFERENCE DATA

SREF = 2690.0000 SQ.FT. XMRP = .0000 IN.
 LREF = 1290.3000 IN. YMRP = .0000 IN.
 BREF = 1290.3000 IN. ZMRP = .0000 IN.
 SCALE = .0200

PARAMETRIC DATA

ELV-18 = .000 ELV-08 = 4.000
 RN/L = 4.250 MACH = 1.250

RUN NO. 192/ 0 RN/L = 4.35 GRADIENT INTERVAL = -5.00/ 5.00

ALPHA	BETA	CP13	CP17	CP19
-3.986	.009	-.17310	-.17040	-.15890
	GRADIENT	.00000	.00000	.00000

RUN NO. 193/ 0 RN/L = 4.36 GRADIENT INTERVAL = -5.00/ 5.00

ALPHA	BETA	CP13	CP17	CP19
-.400	-4.003	-.0885J	-.07790	-.07820
-.393	-.012	-.17320	-.14730	-.14360
-.413	4.022	-.22830	-.19730	-.19440
	GRADIENT	-.01741	-.01487	-.01448

RUN NO. 194/ 0 RN/L = 4.36 GRADIENT INTERVAL = -5.00/ 5.00

ALPHA	BETA	CP13	CP17	CP19
3.947	.003	-.14610	-.14460	-.14460
	GRADIENT	.00000	.00000	.00000

ARC 11-023 1A80 OTS (SRB NOM) (SSME NOM)

(1E40A9) (28 OCT 75)

REFERENCE DATA

SREF = 2690.0000 SQ.FT. XMRP = .0000 IN.
 LREF = 1290.3000 IN. YMRP = .0000 IN.
 BREF = 1290.3000 IN. ZMRP = .0000 IN.
 SCALE = .0200

PARAMETRIC DATA

ELV-18 = .000 ELV-08 = 4.000
 RN/L = 4.250 MACH = 1.400

RUN NO. 186/ 0 RN/L = 4.29 GRADIENT INTERVAL = -5.00/ 5.00

ALPHA	BETA	CP13	CP17	CP19
-3.940	.009	-.11750	-.11520	-.10390
	GRADIENT	.00000	.00000	.00000

RUN NO. 187/ 0 RN/L = 4.28 GRADIENT INTERVAL = -5.00/ 5.00

ALPHA	BETA	CP13	CP17	CP19
-.449	-3.997	-.12450	-.09360	-.10580
-.380	-.006	-.16530	-.14360	-.14490
-.443	4.025	-.21040	-.18040	-.17330
	GRADIENT	-.01071	-.01082	-.00841

DATE 12 JUN 76

TABULATED SOURCE DATA - IAB0

PAGE 619

ARC 11-023 IAB0 OTS (SRB NOM) (SSME NOM)

(1E40A9) (28 OCT 75)

REFERENCE DATA

PARAMETRIC DATA

SREF = 2690.0000 SQ.FT. XMRP = .0000 IN.
LREF = 1290.3000 IN. YMRP = .0000 IN.
BREF = 1290.3000 IN. ZMRP = .0000 IN.
SCALE = .0200

ELV-18 = .000 ELV-08 = 4.000
RN/L = 4.250 MACH = 1.400

RUN NO. 188/ 0 RN/L = 4.27 GRADIENT INTERVAL = -5.00/ 5.00

ALPHA BETA CP13 CP17 CP19
3.821 .006 -.18290 -.13930 -.15010
GRADIENT .00000 .00000 .00000

ARC 11-023 IAB0 OTS (SRB NOM) (SSME NO. 2 OUT)

(1E40B0) (28 OCT 75)

REFERENCE DATA

PARAMETRIC DATA

SREF = 2690.0000 SQ.FT. XMRP = .0000 IN.
LREF = 1290.3000 IN. YMRP = .0000 IN.
BREF = 1290.3000 IN. ZMRP = .0000 IN.
SCALE = .0200

ELV-18 = .000 ELV-08 = .000
RN/L = 3.400 MACH = .600

RUN NO. 362/ 0 RN/L = 3.51 GRADIENT INTERVAL = -5.00/ 5.00

ALPHA BETA CP13 CP17 CP19
-4.013 .006 -.03310 -.02390 -.02220
GRADIENT .00000 .00000 .00000

RUN NO. 363/ 0 RN/L = 3.49 GRADIENT INTERVAL = -5.00/ 5.00

ALPHA BETA CP13 CP17 CP19
-.271 -.006 -.03440 -.02820 -.02990
-.310 .003 -.05490 -.04210 -.03700
-.310 .025 -.09250 -.07940 -.09080
GRADIENT -.00724 -.00638 -.00759

RUN NO. 364/ 0 RN/L = 3.49 GRADIENT INTERVAL = -5.00/ 5.00

ALPHA BETA CP13 CP17 CP19
3.930 .009 -.08360 -.07810 -.07300
GRADIENT .00000 .00000 .00000

DATE 12 JUN 76

TABULATED SOURCE DATA - IAB0

PAGE 620

ARC 11-023 IAB0 OTS (SRB NOM) (SSME NO. 2 OUT)

(1E40B1) (23 OCT 75)

REFERENCE DATA

SREF = 2690.0000 SQ.FT. XMRP = .0000 IN.
 LREF = 1290.3000 IN. YMRP = .0000 IN.
 BREF = 1290.3000 IN. ZMRP = .0000 IN.
 SCALE = .0200

PARAMETRIC DATA

ELV-1B = .000 ELV-08 = .000
 RN/L = 4.250 MACH = .900

RUN NO. 365/ 0 RN/L = 4.21 GRADIENT INTERVAL = -5.00/ 5.00

ALPHA	BETA	CP13	CP17	CP19
-4.069	.009	.02000	.02040	.02180
	GRADIENT	.00000	.00000	.00000

RUN NO. 366/ 0 RN/L = 4.22 GRADIENT INTERVAL = -5.00/ 5.00

ALPHA	BETA	CP13	CP17	CP19
-.304	-4.006	.01630	.02500	.02220
-.317	.003	.01790	.01570	.02070
-.357	4.025	-.00410	-.00410	.00370
	GRADIENT	-.00254	-.00362	-.00230

RUN NO. 367/ 0 RN/L = 4.22 GRADIENT INTERVAL = -5.00/ 5.00

ALPHA	BETA	CP13	CP17	CP19
3.986	.019	-.03060	-.02400	-.01870
	GRADIENT	.00000	.00000	.00000

ARC 11-023 IAB0 OTS (SRB NOM) (SSME NO. 2 OUT)

(1E40B2) (28 OCT 75)

REFERENCE DATA

SREF = 2690.0000 SQ.FT. XMRP = .0000 IN.
 LREF = 1290.3000 IN. YMRP = .0000 IN.
 BREF = 1290.3000 IN. ZMRP = .0000 IN.
 SCALE = .0200

PARAMETRIC DATA

ELV-1B = .000 ELV-08 = .000
 RN/L = 4.250 MACH = 1.100

RUN NO. 207/ 0 RN/L = 4.38 GRADIENT INTERVAL = -5.00/ 5.00

ALPHA	BETA	CP13	CP17	CP19
-3.973	-.009	-.17340	-.14550	-.14190
	GRADIENT	.00000	.00000	.00000

RUN NO. 208/ 0 RN/L = 4.38 GRADIENT INTERVAL = -5.00/ 5.00

ALPHA	BETA	CP13	CP17	CP19
-.393	-4.006	-.12610	-.06400	-.07340
-.340	-.016	-.21780	-.20530	-.19200
-.357	4.016	-.15770	-.11970	-.11560
	GRADIENT	-.00391	-.00690	-.00522

DATE 12 JUN 76

TABULATED SOURCE DATA - 1A80

PAGE 621

ARC 11-023 1A80 OTS (SRB NOM) (SSME NO. 2 OUT)

(1E4082) (28 OCT 75)

REFERENCE DATA

SREF = 2690.0000 SQ.FT. XMRP = .0000 IN.
 LREF = 1290.3000 IN. YMRP = .0000 IN.
 BREF = 1290.3000 IN. ZMRP = .0000 IN.
 SCALE = .0200

PARAMETRIC DATA

ELV-18 = .000 ELV-08 = .000
 RN/L = 4.250 MACH = 1.100

RUN NO. 209/ 0 RN/L = 4.39 GRADIENT INTERVAL = -5.00/ 5.00

ALPHA	BETA	CP13	CP17	CP19
4.026	-.016	-.17420	-.14960	-.15750
	GRADIENT	.00000	.00000	.00000

ARC 11-023 1A80 OTS (SPB NOM) (SSME NO. 2 OUT)

(1E4083) (28 OCT 75)

REFERENCE DATA

SREF = 2690.0000 SQ.FT. XMRP = .0000 IN.
 LREF = 1290.3000 IN. YMRP = .0000 IN.
 BREF = 1290.3000 IN. ZMRP = .0000 IN.
 SCALE = .0200

PARAMETRIC DATA

ELV-18 = .000 ELV-08 = .000
 RN/L = 4.250 MACH = 1.250

RUN NO. 204/ 0 RN/L = 4.40 GRADIENT INTERVAL = -5.00/ 5.00

ALPHA	BETA	CP13	CP17	CP19
-3.947	-.003	-.17450	-.17110	-.16300
	GRADIENT	.00000	.00000	.00000

RUN NO. 205/ 0 RN/L = 4.40 GRADIENT INTERVAL = -5.00/ 5.00

ALPHA	BETA	CP13	CP17	CP19
-.400	-4.000	-.09490	-.08540	-.08680
-.370	-.009	-.17540	-.14650	-.14540
-.420	4.019	-.22470	-.19210	-.18990
	GRADIENT	-.01618	-.01330	-.01285

RUN NO. 206/ 0 RN/L = 4.40 GRADIENT INTERVAL = -5.00/ 5.00

ALPHA	BETA	CP13	CP17	CP19
3.986	-.012	-.14460	-.14590	-.14070
	GRADIENT	.00000	.00000	.00000

ARC 11-023 1A80 OTS (SRB NOM) (SSME NO. 2 OUT)

(1E40B4) (23 OCT 75)

REFERENCE DATA

PARAMETRIC DATA

SREF = 2690.0000 SQ.FT. XMRP = .0000 IN.
 LREF = 1290.3000 IN. YMRP = .0000 IN.
 BREF = 1290.3000 IN. ZMRP = .0000 IN.
 SCALE = .0200

ELV-1B = .000 ELV-0B = .000
 RN/L = 4.250 MACH = 1.400

RUN NO. 201/ 0 RN/L = 4.36 GRADIENT INTERVAL = -5.00/ 5.00

ALPHA	BETA	CP13	CP17	CP19
-3.957	-.003	-.11860	-.12020	-.11090
	GRADIENT	.00000	.00000	.00000

RUN NO. 202/ 0 RN/L = 4.35 GRADIENT INTERVAL = -5.00/ 5.00

ALPHA	BETA	CP13	CP17	CP19
-.443	-4.000	-.12420	-.09040	-.09900
-.406	-.006	-.17170	-.14970	-.14810
-.446	4.019	-.20690	-.18020	-.17300
	GRADIENT	-.01031	-.01119	-.00922

RUN NO. 203/ 0 RN/L = 4.33 GRADIENT INTERVAL = -5.00/ 5.00

ALPHA	BETA	CP13	CP17	CP19
3.953	-.009	-.17960	-.14720	-.15230
	GRADIENT	.00000	.00000	.00000

ARC 11-023 1A80 OTS (SRB NOM) (SSME NO. 1 OUT)

(1E40B5) (28 OCT 75)

REFERENCE DATA

PARAMETRIC DATA

SREF = 2690.0000 SQ.FT. XMRP = .0000 IN.
 LREF = 1290.3000 IN. YMRP = .0000 IN.
 BREF = 1290.3000 IN. ZMRP = .0000 IN.
 SCALE = .0200

ELV-1B = .000 ELV-0B = .000
 RN/L = 3.400 MACH = .600

RUN NO. 356/ 0 RN/L = 3.42 GRADIENT INTERVAL = -5.00/ 5.00

ALPHA	BETA	CP13	CP17	CP19
-4.072	.012	-.05640	-.06590	-.07190
	GRADIENT	.00000	.00000	.00000

RUN NO. 357/ 0 RN/L = 3.49 GRADIENT INTERVAL = -5.00/ 5.00

ALPHA	BETA	CP13	CP17	CP19
-.284	-4.003	-.02210	-.01600	-.01370
-.337	.003	-.05980	-.05510	-.05650
-.367	4.025	-.09000	-.08220	-.07650
	GRADIENT	-.00346	-.00825	-.00782

DATE 12 JUN 76

TABULATED SOURCE DATA - 1A80

PAGE 623

ARC 11-023 1A80 OTS (SRB NOM) (SSME NO. 1 OUT)

(1E40B5) (28 OCT 75)

REFERENCE DATA

PARAMETRIC DATA

SREF = 2690.0000 SQ.FT. XMRP = .0000 IN.
 LREF = 1290.3000 IN. YMRP = .0000 IN.
 BREF = 1290.3000 IN. ZMRP = .0000 IN.
 SCALE = .0200

ELV-18 = .000 ELV-08 = .000
 RN/L = 3.400 MACH = .600

RUN NO. 358/ 0 RN/L = 3.47 GRADIENT INTERVAL = -5.00/ 5.00

ALPHA	BETA	CP13	CP17	CP19
3.868	.006	-.0530	-.07580	-.07570
	GRADIENT	.00000	.00000	.00000

ARC 11-023 1A80 OTS (SRB NOM) (SSME NO. 1 OUT)

(1E40B6) (28 OCT 75)

REFERENCE DATA

PARAMETRIC DATA

SREF = 2690.0000 SQ.FT. XMRP = .0000 IN.
 LREF = 1290.3000 IN. YMRP = .0000 IN.
 BREF = 1290.3000 IN. ZMRP = .0000 IN.
 SCALE = .0200

ELV-18 = .000 ELV-08 = .000
 RN/L = 4.250 MACH = .900

RUN NO. 359/ 0 RN/L = 4.20 GRADIENT INTERVAL = -5.00/ 5.00

ALPHA	BETA	CP13	CP17	CP19
-4.013	.009	.01650	.01590	.01750
	GRADIENT	.00000	.00000	.00000

RUN NO. 360/ 0 RN/L = 4.21 GRADIENT INTERVAL = -5.00/ 5.00

ALPHA	BETA	CP13	CP17	CP19
-.317	-4.003	.01920	.02620	.02340
-.310	.003	.00120	-.00060	.00350
-.340	4.025	-.00040	-.00260	.00290
	GRADIENT	-.00244	-.00359	-.00255

RUN NO. 361/ 0 RN/L = 4.21 GRADIENT INTERVAL = -5.00/ 5.00

ALPHA	BETA	CP13	CP17	CP19
3.854	.009	-.03340	-.02920	-.02340
	GRADIENT	.00000	.00000	.00000

ORIGINAL PAGE IS
OF POOR QUALITY

DATE 12 JUN 76

TABULATED SOURCE DATA - IAB0

PAGE 624

ARC 11-023 IAB0 OTS (SRB NOM) (SSME NO. 1 OUT)

(1E40B7) (28 OCT 75)

REFERENCE DATA

PARAMETRIC DATA

SREF = 2690.0000 SQ.FT. XMRP = .0000 IN.
 LREF = 1290.3000 IN. YMRP = .0000 IN.
 BREF = 1290.3000 IN. ZMRP = .0000 IN.
 SCALE = .0200

ELV-18 = .000 ELV-08 = .000
 RN/L = 4.250 MACH = 1.100

RUN NO. 216/ 0 RN/L = 4.38 GRADIENT INTERVAL = -5.00/ 5.00

ALPHA	BETA	CP13	CP17	CP19
-4.003	-.012	-.18100	-.15200	-.15180
	GRADIENT	.00000	.00000	.00000

RUN NO. 217/ 0 RN/L = 4.38 GRADIENT INTERVAL = -5.00/ 5.00

ALPHA	BETA	CP13	CP17	CP19
-.393	-4.006	-.12810	-.07630	-.07560
-.347	-.019	-.20860	-.19350	-.18640
-.383	4.012	-.19190	-.15750	-.14530
	GRADIENT	-.00793	-.01009	-.00866

RUN NO. 218/ 0 RN/L = 4.38 GRADIENT INTERVAL = -5.00/ 5.00

ALPHA	BETA	CP13	CP17	CP19
4.049	-.012	-.19860	-.17910	-.17580
	GRADIENT	.00000	.00000	.00000

ARC 11-023 IAB0 OTS (SRB NOM) (SSME NO. 1 OUT)

(1E40B8) (28 OCT 75)

REFERENCE DATA

PARAMETRIC DATA

SREF = 2690.0000 SQ.FT. XMRP = .0000 IN.
 LREF = 1290.3000 IN. YMRP = .0000 IN.
 BREF = 1290.3000 IN. ZMRP = .0000 IN.
 SCALE = .0200

ELV-18 = .000 ELV-08 = .000
 RN/L = 4.250 MACH = 1.250

RUN NO. 213/ 0 RN/L = 4.40 GRADIENT INTERVAL = -5.00/ 5.00

ALPHA	BETA	CP13	CP17	CP19
-3.914	-.009	-.17320	-.17020	-.16220
	GRADIENT	.00000	.00000	.00000

RUN NO. 214/ 0 RN/L = 4.39 GRADIENT INTERVAL = -5.00/ 5.00

ALPHA	BETA	CP13	CP17	CP19
-.353	-4.006	-.10180	-.08220	-.08730
-.367	-.016	-.17860	-.15010	-.14940
-.393	4.016	-.22590	-.19640	-.18990
	GRADIENT	-.01546	-.01386	-.01279

DATE 12 JUN 76

TABULATED SOURCE DATA - 1A80

PAGE 825

ARC 11-023 1A80 OTS (SRB NOM) (SSME NO. 1 OUT)

(1E4088) (27 OCT 75)

REFERENCE DATA

SREF = 2690.0000 SQ.FT. XMRP = .0000 IN.
 LREF = 1290.3000 IN. YMRP = .0000 IN.
 BREF = 1290.3000 IN. ZMRP = .0000 IN.
 SCALE = .0200

PARAMETRIC DATA

ELV-18 = .000 ELV-08 = .000
 RN/L = 4.250 MACH = 1.250

RUN NO. 215/ 0 RN/L = 4.39 GRADIENT INTERVAL = -5.00/ 5.00

ALPHA	BETA	CP13	CP17	CP19
4.053	-.012	-.14650	-.14850	-.14690
	GRADIENT	.00000	.00000	.00000

ARC 11-023 1A80 OTS (SRB NOM) (SSME NO. 1 OUT)

(1E4089) (28 OCT 75)

REFERENCE DATA

SREF = 2690.0000 SQ.FT. XMRP = .0000 IN.
 LREF = 1290.3000 IN. YMRP = .0000 IN.
 BREF = 1290.3000 IN. ZMRP = .0000 IN.
 SCALE = .0200

PARAMETRIC DATA

ELV-18 = .000 ELV-08 = .000
 RN/L = 4.250 MACH = 1.400

RUN NO. 210/ 0 RN/L = 4.34 GRADIENT INTERVAL = -5.00/ 5.00

ALPHA	BETA	CP13	CP17	CP19
-3.934	-.009	-.11540	-.11370	-.10310
	GRADIENT	.00000	.00000	.00000

RUN NO. 211/ 0 RN/L = 4.34 GRADIENT INTERVAL = -5.00/ 5.00

ALPHA	BETA	CP13	CP17	CP19
-.426	-4.006	-.12710	-.03530	-.10570
-.383	-.016	-.16200	-.13970	-.13920
-.436	4.016	-.20700	-.17920	-.17210
	GRADIENT	-.00996	-.01046	-.00828

RUN NO. 212/ 0 RN/L = 4.33 GRADIENT INTERVAL = -5.00/ 5.00

ALPHA	BETA	CP13	CP17	CP19
4.046	-.012	-.17860	-.13330	-.14560
	GRADIENT	.00000	.00000	.00000

ARC11-0231A80 OTS W/ET BASE SPOILER SRB=SSME=OFF

(1E40C0) (28 OCT 75)

REFERENCE DATA

SREF = 2690.0000 SQ.FT. XMRP = .0000 IN.
 LREF = 1290.3000 IN. YMRP = .0000 IN.
 BREF = 1290.3000 IN. ZMRP = .0000 IN.
 SCALE = .0200

PARAMETRIC DATA

ELV-18 = .000 ELV-08 = .000
 RN/L = 4.250 MACH = .900

RUN NO. 377/ 0 RN/L = 4.25 GRADIENT INTERVAL = -5.00/ 5.00

ALPHA	BETA	CP13	CP17	CP19
-4.029	.016	.01750	.01730	.01730
	GRADIENT	.00000	.00000	.00000

RUN NO. 375/ 0 RN/L = 4.25 GRADIENT INTERVAL = -5.00/ 5.00

ALPHA	BETA	CP13	CP17	CP19
-.241	-4.009	.02370	.03310	.03130
-.264	-.003	.00650	.00510	.00770
-.291	4.022	.00510	.00420	.00890
	GRADIENT	-.00231	-.00360	-.00279

RUN NO. 376/ 0 RN/L = 4.26 GRADIENT INTERVAL = -5.00/ 5.00

ALPHA	BETA	CP13	CP17	CP19
3.780	.016	-.02440	-.02010	-.01230
	GRADIENT	.00000	.00000	.00000

ARC11-0231A80 OTS W/ET BASE SPOILER SRB=SSME=OFF

(1E40C1) (28 OCT 75)

REFERENCE DATA

SREF = 2690.0000 SQ.FT. XMRP = .0000 IN.
 LREF = 1290.3000 IN. YMRP = .0000 IN.
 BREF = 1290.3000 IN. ZMRP = .0000 IN.
 SCALE = .0200

PARAMETRIC DATA

ELV-18 = .000 ELV-08 = .000
 RN/L = 4.250 MACH = 1.100

RUN NO. 368/ 0 RN/L = 4.46 GRADIENT INTERVAL = -5.00/ 5.00

ALPHA	BETA	CP13	CP17	CP19
-4.000	.012	-.17530	-.14840	-.14470
	GRADIENT	.00000	.00000	.00000

RUN NO. 369/ 0 RN/L = 4.48 GRADIENT INTERVAL = -5.00/ 5.00

ALPHA	BETA	CP13	CP17	CP19
-.264	-4.009	-.13050	-.07510	-.08720
-.284	.000	-.21760	-.20650	-.19590
-.297	4.022	-.15500	-.11590	-.12020
	GRADIENT	-.00304	-.00507	-.00410

DATE 12 JUN 76

TABULATED SOURCE DATA - IAB0

PAGE 627

ARC11-0231A80 OTS W/ET BASE SPOILER SRB=SSME-OFF

(1E40C1) (28 OCT 75)

REFERENCE DATA

PARAMETRIC DATA

SREF = 2690.0000 SQ.FT. XMRP = .0000 IN.
 LREF = 1290.3000 IN. YMRP = .0000 IN.
 BREF = 1290.3000 IN. ZMRP = .0000 IN.
 SCALE = .0200

ELV-18 = .000 ELV-08 = .000
 RN/L = 4.250 MACH = 1.100

RUN NO. 370/ 0 RN/L = 4.49 GRADIENT INTERVAL = -5.00/ 5.00

ALPHA	BETA	CP13	CP17	CP19
3.910	.016	-.19530	-.16150	-.15470
	GRADIENT	.00000	.00000	.00000

ARC11-0231A80 OTS W/ET BASE SPOILER SRB=SSME-NOM

(1E40C2) (28 OCT 75)

REFERENCE DATA

PARAMETRIC DATA

SREF = 2690.0000 SQ.FT. XMRP = .0000 IN.
 LREF = 1290.3000 IN. YMRP = .0000 IN.
 BREF = 1290.3000 IN. ZMRP = .0000 IN.
 SCALE = .0200

ELV-18 = .000 ELV-08 = .000
 RN/L = 4.250 MACH = .900

RUN NO. 378/ 0 RN/L = 4.22 GRADIENT INTERVAL = -5.00/ 5.00

ALPHA	BETA	CP13	CP17	CP19
-3.996	.016	.02500	.02640	.02760
	GRADIENT	.00000	.00000	.00000

RUN NO. 379/ 0 RN/L = 4.22 GRADIENT INTERVAL = -5.00/ 5.00

ALPHA	BETA	CP13	CP17	CP19
-.284	-4.012	.01550	.02530	.02220
-.360	-.003	.01640	.01520	.01970
-.330	4.019	-.00660	-.00620	-.00260
	GRADIENT	-.00275	-.00392	-.00309

RUN NO. 380/ 0 RN/L = 4.22 GRADIENT INTERVAL = -5.00/ 5.00

ALPHA	BETA	CP13	CP17	CP19
3.927	.012	-.05980	-.04780	-.04680
	GRADIENT	.00000	.00000	.00000

DATE 12 JUN 76

TABULATED SOURCE DATA - 1A80

PAGE 628

ARC11-0231A80 OTS W/ET BASE SPOILER SR8-SSME=NOM

(1E40C3) (28 OCT 75)

REFERENCE DATA

SREF = 2690.0000 SQ.FT. XMRP = .0000 IN.
LREF = 1290.3000 IN. YMRP = .0000 IN.
BREF = 1290.3000 IN. ZMRP = .0000 IN.
SCALE = .0200

PARAMETRIC DATA

ELV-18 = .000 ELV-08 = .000
RN/L = 4.250 MACH = 1.100

RUN NO. 371/ 0 RN/L = 4.47 GRADIENT INTERVAL = -5.00/ 5.00

ALPHA BETA CP13 CP17 CP19
-4.033 .016 -.17400 -.14770 -.13970
GRADIENT .00000 .00000 .00000

RUN NO. 372/ 0 RN/L = 4.46 GRADIENT INTERVAL = -5.00/ 5.00

ALPHA BETA CP13 CP17 CP19
-.433 -4.009 -.11470 -.06570 -.05460
-.446 -.003 -.20940 -.19260 -.17870
-.456 4.022 -.15710 -.11910 -.12000
GRADIENT -.00527 -.00663 -.00813

RUN NO. 373/ 0 RN/L = 4.47 GRADIENT INTERVAL = -5.00/ 5.00

ALPHA BETA CP13 CP17 CP19
3.844 .003 -.18810 -.15220 -.16220
GRADIENT .00000 .00000 .00000

ARC 11-023 1A80 OTS (SRB NOM++) (SSME NOM)

(JE4001) (28 OCT 75)

REFERENCE DATA

SREF = 2690.0000 SQ.FT. XMRP = .0000 IN.
 LREF = 1290.3000 IN. YMRP = .0000 IN.
 BREF = 1290.3000 IN. ZMRP = .0000 IN.
 SCALE = .0200

PARAMETRIC DATA

ELV-1B = .000 ELV-08 = .000
 RN/L = 3.400 MACH = .600

RUN NO. 240/ 0 RN/L = 3.38 GRADIENT INTERVAL = -5.00/ 5.00

ALPHA	BETA	CP39	CP41	CP43	CP45	CP40	CP42	CP44	CP46
-4.013	-.019	-.00700	-.00800	-.02270	-.02100	-.00660	-.00630	-.02030	-.02240
	GRADIENT	.00000	.00000	.00000	.00000	.00000	.00000	.00000	.00000

RUN NO. 241/ 0 RN/L = 3.39 GRADIENT INTERVAL = -5.00/ 5.00

ALPHA	BETA	CP39	CP41	CP43	CP45	CP40	CP42	CP44	CP46
-.314	-4.034	-.05830	-.05350	-.08380	-.08210	-.06040	-.05590	-.07620	-.07240
-.340	-.019	-.05430	-.04750	-.06950	-.06680	-.05500	-.05260	-.08000	-.07660
-.459	3.997	-.05770	-.05530	-.07820	-.07000	-.05840	-.05350	-.09210	-.08530
	GRADIENT	.00007	-.00022	.00070	.00151	.00025	.00029	-.00198	-.00161

RUN NO. 242/ 0 RN/L = 3.39 GRADIENT INTERVAL = -5.00/ 5.00

ALPHA	BETA	CP39	CP41	CP43	CP45	CP40	CP42	CP44	CP46
4.039	-.019	-.10140	-.09420	-.13190	-.12430	-.10790	-.10520	-.14420	-.13870
	GRADIENT	.00000	.00000	.00000	.00000	.00000	.00000	.00000	.00000

ARC 11-023 1A80 OTS (SRB NOM +) (SSME NOM)

(JE4002) (28 OCT 75)

REFERENCE DATA

SREF = 2690.0000 SQ.FT. XMRP = .0000 IN.
 LREF = 1290.3000 IN. YMRP = .0000 IN.
 BREF = 1290.3000 IN. ZMRP = .0000 IN.
 SCALE = .0200

PARAMETRIC DATA

ELV-1B = .000 ELV-08 = .000
 RN/L = 4.250 MACH = .900

RUN NO. 222/ 0 RN/L = 4.23 GRADIENT INTERVAL = -5.00/ 5.00

ALPHA	BETA	CP39	CP41	CP43	CP45	CP40	CP42	CP44	CP46
-3.901	-.012	.06170	.06490	.05000	.04900	.07130	.06830	.05260	.04780
	GRADIENT	.00000	.00000	.00000	.00000	.00000	.00000	.00000	.00000

RUN NO. 223/ 0 RN/L = 4.22 GRADIENT INTERVAL = -5.00/ 5.00

ALPHA	BETA	CP39	CP41	CP43	CP45	CP40	CP42	CP44	CP46
-.347	-4.025	.02340	.02960	-.00700	-.00880	.01120	.00560	-.00640	-.00780
-.380	-.009	.03400	.03600	.01480	.01860	.03720	.03460	.01560	.01620
-.456	4.003	-.00970	-.00160	.01600	-.01250	.02360	.02360	-.01190	-.01230
	GRADIENT	-.00487	-.00389	-.00112	-.00046	.00155	.00224	-.00058	-.00056

FINAL PAGE IS
OF POOR QUALITY

DATE 22 JUN 76

TABULATED SOURCE DATA - 1A80

PAGE 631

ARC 11-023 1A80 OTS (SRB NCM++) (SSME NOM)

(JE4004) (28 OCT 75)

REFERENCE DATA

SREF = 2690.0000 SQ.FT. XMRP = .0000 IN.
 LREF = 1290.3000 IN. YMRP = .0000 IN.
 BREF = 1290.3000 IN. ZMRP = .0000 IN.
 SCALE = .0200

PARAMETRIC DATA

ELV-18 = .000 ELV-08 = .000
 RN/L = 4.250 MACH = 1.250

RUN NO. 48/ 0 RN/L = 4.50 GRADIENT INTERVAL = -5.00/ 5.00

ALPHA	BETA	CP39	CP41	CP43	CP45	CP40	CP42	CP44	CP46
-4.165	.000	-.02220	-.01530	-.01520	-.01760	-.01170	-.01330	-.00620	-.00670
	GRADIENT	.00000	.00000	.00000	.00000	.00000	.00000	.00000	.00000

RUN NO. 49/ 0 RN/L = 4.43 GRADIENT INTERVAL = -5.00/ 5.00

ALPHA	BETA	CP39	CP41	CP43	CP45	CP40	CP42	CP44	CP46
-.495	-4.006	.03630	.04990	.05870	.05640	-.04960	-.04670	-.03220	-.03990
-.528	.000	-.05140	-.03140	-.01700	-.02360	-.02130	-.01780	-.01510	-.01890
-.555	4.006	-.08290	-.05920	-.04970	-.05000	.04240	.04580	.05460	.04620
	GRADIENT	-.0563	-.01362	-.01353	-.01328	.01151	.01154	.01083	.01075

RUN NO. 50/ 0 RN/L = 4.43 GRADIENT INTERVAL = -5.00/ 5.00

ALPHA	BETA	CP39	CP41	CP43	CP45	CP40	CP42	CP44	CP46
3.881	.006	-.06910	-.04890	-.02380	-.03160	-.05080	-.04780	-.04970	-.05160
	GRADIENT	.00000	.00000	.00000	.00000	.00000	.00000	.00000	.00000

ARC 11-023 1A80 OTS (SRB NOM++) (SSME NOM)

(JE4005) (28 OCT 75)

REFERENCE DATA

SREF = 2690.0000 SQ.FT. XMRP = .0000 IN.
 LREF = 1290.3000 IN. YMRP = .0000 IN.
 BREF = 1290.3000 IN. ZMRP = .0000 IN.
 SCALE = .0200

PARAMETRIC DATA

ELV-18 = .000 ELV-08 = .000
 RN/L = 4.250 MACH = 1.400

RUN NO. 1/ 0 RN/L = 4.31 GRADIENT INTERVAL = -5.00/ 5.00

ALPHA	BETA	CP39	CP41	CP43	CP45	CP40	CP42	CP44	CP46
-3.950	-.003	-.00840	.00000	.00570	.00370	-.00880	-.00970	-.00260	-.00490
	GRADIENT	.00900	.00000	.00000	.00000	.00000	.00000	.00000	.00000

RUN NO. 2/ 0 RN/L = 4.30 GRADIENT INTERVAL = -5.00/ 5.00

ALPHA	BETA	CP39	CP41	CP43	CP45	CP40	CP42	CP44	CP46
-.436	-4.009	.02380	.03820	.06110	.04900	-.04070	-.04120	-.03360	-.03890
-.482	-.003	-.00520	.00610	.01050	.00830	.00260	.00040	.00600	-.00040
-.505	4.009	-.05350	-.03880	-.03660	-.03930	.04630	.04670	.05170	.04740
	GRADIENT	-.00964	-.00960	-.01218	-.01103	.01085	.01096	.01064	.01076

ORIGINAL PAGE IS
OF POOR QUALITY

DATE 22 JUN 76

TABULATED SOURCE DATA - IAB0

PAGE 633

ARC 11-023 IAB0 OTS (SRB NOM+) (SSME NOM)

(JE4007) (28 OCT 75)

REFERENCE DATA

SREF = 2690.0000 SQ.FT. XMRP = .0000 IN.
 LREF = 1290.3000 IN. YMRP = .0000 IN.
 BREF = 1290.3000 IN. ZMRP = .0000 IN.
 SCALE = .0200

PARAMETRIC DATA

ELV-1B = .000 ELV-0B = .000
 RN/L = 4.250 MACH = .900

RUN NO. 225/ 0 RN/L = 4.20 GRADIENT INTERVAL = -5.00/ 5.00

ALPHA	BETA	CP39	CP41	CP43	CP45	CP40	CP42	CP44	CP46
-3.930	-.009	.05510	.05840	.04500	.04670	.06460	.06140	.04730	.05030
	GRADIENT	.00000	.00000	.00000	.00000	.00000	.00000	.00000	.00000

RUN NO. 226/ 0 RN/L = 4.21 GRADIENT INTERVAL = -5.00/ 5.00

ALPHA	BETA	CP39	CP41	CP43	CP45	CP40	CP42	CP44	CP46
-.376	-4.028	.03030	.03390	-.00260	-.00460	.01270	.01070	-.00080	.00120
-.330	-.012	.02600	.03260	.00750	.00790	.03080	.03140	.00250	.00490
-.330	4.003	-.00520	.00020	-.01110	-.01130	.02920	.02680	-.00940	-.00900
	GRADIENT	-.00442	-.00420	-.00106	-.00183	.00205	.00200	-.00107	-.00127

RUN NO. 227/ 0 RN/L = 4.21 GRADIENT INTERVAL = -5.00/ 5.00

ALPHA	BETA	CP39	CP41	CP43	CP45	CP40	CP42	CP44	CP46
3.927	-.016	-.00800	-.00320	-.03800	-.03520	-.00760	-.00660	-.03860	-.03640
	GRADIENT	.00000	.00000	.00000	.00000	.00000	.00000	.00000	.00000

ARC 11-023 IAB0 OTS (SRB NOM+) (SSME NOM)

(JE4008) (28 OCT 75)

REFERENCE DATA

SREF = 2690.0000 SQ.FT. XMRP = .0000 IN.
 LREF = 1290.3000 IN. YMRP = .0000 IN.
 BREF = 1290.3000 IN. ZMRP = .0000 IN.
 SCALE = .0200

PARAMETRIC DATA

ELV-1B = .000 ELV-0B = .000
 RN/L = 4.250 MACH = 1.100

RUN NO. 77/ 0 RN/L = 4.31 GRADIENT INTERVAL = -5.00/ 5.00

ALPHA	BETA	CP39	CP41	CP43	CP45	CP40	CP42	CP44	CP46
-3.907	.000	.15280	.15400	.16910	.16570	.16480	.15920	.17630	.17330
	GRADIENT	.00000	.00000	.00000	.00000	.00000	.00000	.00000	.00000

RUN NO. 78/ 0 RN/L = 4.31 GRADIENT INTERVAL = -5.00/ 5.00

ALPHA	BETA	CP39	CP41	CP43	CP45	CP40	CP42	CP44	CP46
-.515	-4.003	.20370	.21430	.18950	.18920	.16200	.15810	.16230	.16110
-.525	.003	.17740	.18390	.18070	.18190	.18780	.18850	.18290	.18830
-.426	4.012	.12550	.13480	.14010	.11330	.20650	.20700	.18690	.18830
	GRADIENT	-.01050	-.00992	-.00616	-.00573	.00555	.00610	.00307	.00339

ARC 11-023 IAB0 OTS (SRB NOM+) (SSME NOM)

(JE4010) (28 OCT 75)

REFERENCE DATA

SREF = 2690.0000 SQ.FT. XMRP = .0000 IN.
 LREF = 1290.3000 IN. YMRP = .0000 IN.
 BREF = 1290.3000 IN. ZMRP = .0000 IN.
 SCALE = .0200

PARAMETRIC DATA

ELV-1B = .000 ELV-08 = .000
 RN/L = 4.250 MACH = 1.400

RUN NO. 4/ 0 RN/L = 4.29 GRADIENT INTERVAL = -5.00/ 5.00

ALPHA	BETA	CP39	CP41	CP43	CP45	CP40	CP42	CP44	CP46
-3.904	-.006	-.01190	-.00360	.00330	.00050	-.00990	-.01260	-.00310	-.00900
	GRADIENT	.00000	.00000	.00000	.00000	.00000	.00000	.00000	.00000

RUN NO. 5/ 0 RN/L = 4.29 GRADIENT INTERVAL = -5.00/ 5.00

ALPHA	BETA	CP39	CP41	CP43	CP45	CP40	CP42	CP44	CP46
-.406	-4.009	.02140	.03630	.06010	.04760	-.04080	-.04300	-.03320	-.03920
-.370	.000	-.00550	.00720	.00960	.00530	.00030	-.00400	.00860	.00240
-.453	4.012	-.05630	-.03990	-.03560	-.03960	.04420	.04400	.05180	.04430
	GRADIENT	-.00969	-.00950	-.01193	-.01087	.01060	.01085	.01060	.01041

RUN NO. 6/ 0 RN/L = 4.29 GRADIENT INTERVAL = -5.00/ 5.00

ALPHA	BETA	CP39	CP41	CP43	CP45	CP40	CP42	CP44	CP46
3.944	-.006	-.03900	-.01730	-.01960	-.01870	-.01140	-.00970	-.01310	-.01580
	GRADIENT	.00000	.00000	.00000	.00000	.00000	.00000	.00000	.00000

ARC 11-023 IAB0 OTS (SRB NOM) (SSME NOM+)

(JE4011) (28 OCT 75)

REFERENCE DATA

SREF = 2690.0000 SQ.FT. XMRP = .0000 IN.
 LREF = 1290.3000 IN. YMRP = .0000 IN.
 BREF = 1290.3000 IN. ZMRP = .0000 IN.
 SCALE = .0200

PARAMETRIC DATA

ELV-1B = .000 ELV-08 = .000
 RN/L = 3.400 MACH = .600

RUN NO. 249/ 0 RN/L = 3.38 GRADIENT INTERVAL = -5.00/ 5.00

ALPHA	BETA	CP39	CP41	CP43	CP45	CP40	CP42	CP44	CP46
-3.957	-.016	-.01180	-.01180	-.02490	-.02520	-.01000	-.00930	-.02490	-.02280
	GRADIENT	.00000	.00000	.00000	.00000	.00000	.00000	.00000	.00000

RUN NO. 250/ 0 RN/L = 3.40 GRADIENT INTERVAL = -5.00/ 5.00

ALPHA	BETA	CP39	CP41	CP43	CP45	CP40	CP42	CP44	CP46
-.337	-4.041	-.05210	-.04820	-.08290	-.07740	-.05520	-.05450	-.07320	-.07080
-.383	-.022	-.04930	-.04590	-.06300	-.06840	-.04900	-.05070	-.07730	-.06950
-.400	3.997	-.06379	-.04960	-.07290	-.06470	-.05640	-.05090	-.09080	-.08110
	GRADIENT	-.00020	-.00017	.00124	.00158	-.00015	.00045	-.00219	-.00128

ARC 11-023 1A80 OTS (SRB NOM) (SSME NOM+)

(JE4013) (28 OCT 75)

REFERENCE DATA

SREF = 2690.0000 SQ.FT. XMRP = .0000 IN.
 LREF = 1290.3000 IN. YMRP = .0000 IN.
 BREF = 1290.3000 IN. ZMRP = .0000 IN.
 SCALE = .0200

PARAMETRIC DATA

ELV-18 = .000 ELV-08 = .000
 RN/L = 4.250 MACH = 1.100

RUN NO. 80/ 0 RN/L = 4.32 GRADIENT INTERVAL = -5.00/ 5.00

ALPHA	BETA	CP39	CP41	CP43	CP45	CP40	CP42	CP44	CP46
-3.950	.006	.16210	.16720	.17710	.18160	.17640	.16890	.18710	.18450
	GRADIENT	.00000	.00000	.00000	.00000	.00000	.00000	.00000	.00000

RUN NO. 81/ 0 RN/L = 4.32 GRADIENT INTERVAL = -5.00/ 5.00

ALPHA	BETA	CP39	CP41	CP43	CP45	CP40	CP42	CP44	CP46
-.509	-4.066	.20970	.21330	.18930	.13930	.16330	.15970	.16220	.16200
-.552	-.056	.18200	.18610	.17970	.18680	.19010	.19330	.18690	.19010
-.486	3.950	.12610	.13750	.14020	.14390	.20640	.20420	.18460	.18490
	GRADIENT	-.01043	-.00946	-.00613	-.00566	.00538	.00555	.00279	.00286

RUN NO. 82/ 0 RN/L = 4.32 GRADIENT INTERVAL = -5.00/ 5.00

ALPHA	BETA	CP39	CP41	CP43	CP45	CP40	CP42	CP44	CP46
4.029	-.069	.20490	.21240	.18450	.18990	.21100	.21090	.18720	.19310
	GRADIENT	.00000	.00000	.00000	.00000	.00000	.00000	.00000	.00000

ARC 11-023 1A80 OTS (SRB NOM) (SSME NOM+)

(JE4014) (28 OCT 75)

REFERENCE DATA

SREF = 2690.0000 SQ.FT. XMRP = .0000 IN.
 LREF = 1290.3000 IN. YMRP = .0000 IN.
 BREF = 1290.3000 IN. ZMRP = .0000 IN.
 SCALE = .0200

PARAMETRIC DATA

ELV-18 = .000 ELV-08 = .000
 RN/L = 4.250 MACH = 1.250

RUN NO. 54/ 0 RN/L = 4.38 GRADIENT INTERVAL = -5.00/ 5.00

ALPHA	BETA	CP39	CP41	CP43	CP45	CP40	CP42	CP44	CP46
-3.963	.006	-.01610	-.00800	-.00280	-.00340	-.00760	-.00720	.00010	-.00140
	GRADIENT	.00000	.00000	.00000	.00000	.00000	.00000	.00000	.00000

RUN NO. 55/ 0 RN/L = 4.39 GRADIENT INTERVAL = -5.00/ 5.00

ALPHA	BETA	CP39	CP41	CP43	CP45	CP40	CP42	CP44	CP46
-.492	-4.006	.03920	.05070	.06000	.05490	-.04890	-.04820	-.03390	-.04410
-.466	.003	-.05080	-.02970	-.01500	-.02300	-.02150	-.01560	-.02150	-.02080
-.522	4.009	-.03180	-.06680	-.05250	-.05470	.04400	.04540	.05960	.04570
	GRADIENT	-.01634	-.01466	-.01404	-.01367	.01159	.01168	.01166	.01120

ARC 11-023 1A80 OTS (SRB NCM) (SSME NOM-)

(JE4016) (28 OCT 75)

REFERENCE DATA

SREF = 2690.0000 SQ.FT. XMRP = .0000 IN.
 LREF = 1290.3000 IN. YMRP = .0000 IN.
 BREF = 1290.3000 IN. ZMRP = .0000 IN.
 SCALE = .0200

PARAMETRIC DATA

ELV-1B = .000 ELV-0B = .000
 RN/L = 4.250 MACH = .900

RUN NO. 234/ 0 RN/L = 4.20 GRADIENT INTERVAL = -5.00/ 5.00

ALPHA	BETA	CP39	CP41	CP43	CP45	CP40	CP42	CP44	CP46
-3.986	-.012	.05820	.06110	.04470	.04490	.06550	.06410	.04570	.04760
	GRADIENT	.00000	.00000	.00000	.00000	.00000	.00000	.00000	.00000

RUN NO. 235/ 0 RN/L = 4.21 GRADIENT INTERVAL = -5.00/ 5.00

ALPHA	BETA	CP39	CP41	CP43	CP45	CP40	CP42	CP44	CP46
-.350	-4.031	.02900	.03100	-.00560	-.00780	.01200	.00980	-.00360	-.00720
-.301	-.016	.03240	.04200	.01860	.02200	.03880	.03900	.01880	.02040
-.317	4.000	-.00260	.00300	-.01200	-.00920	.02940	.02740	-.00660	-.00620
	GRADIENT	-.00396	-.00349	-.00080	-.00017	.00217	.00219	-.00037	.00012

RUN NO. 236/ 0 RN/L = 4.20 GRADIENT INTERVAL = -5.00/ 5.00

ALPHA	BETA	CP39	CP41	CP43	CP45	CP40	CP42	CP44	CP46
3.947	-.019	-.00830	-.00530	-.00750	-.00730	-.00870	-.00810	-.04050	-.03930
	GRADIENT	.00000	.00000	.00000	.00000	.00000	.00000	.00000	.00000

ARC 11-023 1A80 OTS (SRB NOM) (SSME NOM-)

(JE4017) (28 OCT 75)

REFERENCE DATA

SREF = 2690.0000 SQ.FT. XMRP = .0000 IN.
 LREF = 1290.3000 IN. YMRP = .0000 IN.
 BREF = 1290.3000 IN. ZMRP = .0000 IN.
 SCALE = .0200

PARAMETRIC DATA

ELV-1B = .000 ELV-0B = .000
 RN/L = 4.250 MACH = 1.100

RUN NO. 83/ 0 RN/L = 4.32 GRADIENT INTERVAL = -5.00/ 5.00

ALPHA	BETA	CP39	CP41	CP43	CP45	CP40	CP42	CP44	CP46
-4.020	-.069	.17230	.17590	.18860	.18000	.17980	.17860	.19230	.18470
	GRADIENT	.00000	.00000	.00000	.00000	.00000	.00000	.00000	.00000

RUN NO. 84/ 0 RN/L = 4.31 GRADIENT INTERVAL = -5.00/ 5.00

ALPHA	BETA	CP39	CP41	CP43	CP45	CP40	CP42	CP44	CP46
-.479	-4.069	.21020	.21370	.18930	.18950	.16030	.15880	.16100	.16120
-.489	-.056	.18410	.19140	.18220	.18550	.19500	.19440	.18840	.19100
-.486	3.947	.12430	.13690	.13760	.14130	.20760	.20570	.18540	.18720
	GRADIENT	-.01071	-.00958	-.00645	-.00589	.00590	.00585	.00305	.00325

ORIGINAL PAGE IS
OF POOR QUALITY

DATE 22 JUN 76

TABULATED SOURCE DATA - 1A80

PAGE 541

ARC 11-023 1A80 OTS (SRB NOM) (SSME NOM-)

(JE4019) (28 OCT 75)

REFERENCE DATA

SREF = 2690.0000 SQ.FT. XMRP = .0000 IN.
 LREF = 1290.3000 IN. YMRP = .0000 IN.
 BREF = 1290.3000 IN. ZMRP = .0000 IN.
 SCALE = .0200

PARAMETRIC DATA

ELV-18 = .000 ELV-08 = .000
 RN/L = 4.250 MACH = 1.400

RUN NO. 10/ 0 RN/L = 4.27 GRADIENT INTERVAL = -5.00/ 5.00

ALPHA	BETA	CP39	CP41	CP43	CP45	CP40	CP42	CP44	CP46
-3.848	-.006	-.01420	-.00550	.00260	-.00220	-.01340	-.01120	-.00550	-.00970
	GRADIENT	.00000	.00000	.00000	.00000	.00000	.00000	.00000	.00000

RUN NO. 11/ 0 RN/L = 4.27 GRADIENT INTERVAL = -5.00/ 5.00

ALPHA	BETA	CP39	CP41	CP43	CP45	CP40	CP42	CP44	CP46
-.357	-4.009	.02160	.03640	.06120	.04760	-.04060	-.03970	-.03410	-.03830
-.363	.000	-.00730	.00410	.00660	.00890	-.00180	-.00070	.00640	.00150
-.462	4.012	-.05420	-.03640	-.03530	-.03730	.04470	.04460	.05170	.04360
	GRADIENT	-.00945	-.00908	-.01203	-.01058	.01063	.01051	.01070	.01021

RUN NO. 12/ 0 RN/L = 4.27 GRADIENT INTERVAL = -5.00/ 5.00

ALPHA	BETA	CP39	CP41	CP43	CP45	CP40	CP42	CP44	CP46
3.986	-.003	-.03760	-.01320	-.01360	-.01760	-.01000	-.00570	-.00690	-.01400
	GRADIENT	.00000	.00000	.00000	.00000	.00000	.00000	.00000	.00000

ARC 11-023 1A80 OTS (SRB NOM) (SSME NOM)

(JE4020) (28 OCT 75)

REFERENCE DATA

SREF = 2690.0000 SQ.FT. XMRP = .0000 IN.
 LREF = 1290.3000 IN. YMRP = .0000 IN.
 BREF = 1290.3000 IN. ZMRP = .0000 IN.
 SCALE = .0200

PARAMETRIC DATA

ELV-18 = .000 ELV-08 = .000
 RN/L = 3.400 MACH = .600

RUN NO. 246/ 0 RN/L = 3.36 GRADIENT INTERVAL = -5.00/ 5.00

ALPHA	BETA	CP39	CP41	CP43	CP45	CP40	CP42	CP44	CP46
-3.868	-.016	-.01280	-.01320	-.03370	-.03410	-.01740	-.01390	-.03760	-.03550
	GRADIENT	.00000	.00000	.00000	.00000	.00000	.00000	.00000	.00000

RUN NO. 247 0 RN/L = 3.39 GRADIENT INTERVAL = -5.00/ 5.00

ALPHA	BETA	CP39	CP41	CP43	CP45	CP40	CP42	CP44	CP46
-.327	-4.038	-.05530	-.04920	-.07520	-.06900	-.05570	-.05090	-.06770	-.06390
-.291	-.022	-.05130	-.04990	-.07350	-.07390	-.05300	-.05260	-.08280	-.08420
-.386	3.994	-.05600	-.05430	-.06800	-.06800	-.05430	-.04670	-.07830	-.07620
	GRADIENT	-.00009	-.00064	.00090	.00012	.00017	.00052	-.00132	-.00153

ARC 11-023 1A80 OTS (SRB NOM) (SSME NOM)

(JE4022) (28 OCT 75)

REFERENCE DATA

SREF = 2690.0000 SQ.FT. XMRP = .0000 IN.
 LREF = 1290.3000 IN. YMRP = .0000 IN.
 BREF = 1290.3000 IN. ZMRP = .0000 IN.
 SCALE = .0200

PARAMETRIC DATA

ELV-1B = .000 ELV-0B = .000
 RN/L = 4.250 MACH = 1.100

RUN NO. 86/ 0 RN/L = 4.32 GRADIENT INTERVAL = -5.00/ 5.00

ALPHA	BETA	CP39	CP41	CP43	CP45	CP40	CP42	CP44	CP46
-3.937	-.063	.16970	.16260	.18270	.17930	.17530	.17750	.18480	.18360
	GRADIENT	.00000	.00000	.00000	.00000	.00000	.00000	.00000	.00000

RUN NO. 87/ 0 RN/L = 4.32 GRADIENT INTERVAL = -5.00/ 5.00

ALPHA	BETA	CP39	CP41	CP43	CP45	CP40	CP42	CP44	CP46
-.525	-4.069	.20910	.21350	.18690	.18940	.16010	.15930	.16250	.16060
-.439	-.056	.18570	.18750	.18150	.18430	.13310	.19500	.18690	.18940
-.482	3.950	.12630	.13950	.13950	.14320	.20780	.20600	.18580	.18700
	GRADIENT	-.01032	-.00935	-.00616	-.00564	.00595	.00582	.00291	.00329

RUN NO. 88/ 0 RN/L = 4.32 GRADIENT INTERVAL = -5.00/ 5.00

ALPHA	BETA	CP39	CP41	CP43	CP45	CP40	CP42	CP44	CP46
3.963	-.063	.20410	.21460	.18730	.19210	.21070	.21130	.19040	.19490
	GRADIENT	.00000	.00000	.00000	.00000	.00000	.00000	.00000	.00000

ARC 11-023 1A80 OTS (SRB NOM) (SSME NOM)

(JE4023) (28 OCT 75)

REFERENCE DATA

SREF = 2690.0000 SQ.FT. XMRP = .0000 IN.
 LREF = 1290.3000 IN. YMRP = .0000 IN.
 BREF = 1290.3000 IN. ZMRP = .0000 IN.
 SCALE = .0200

PARAMETRIC DATA

ELV-1B = .000 ELV-0B = .000
 RN/L = 4.250 MACH = 1.250

RUN NO. 60/ 0 RN/L = 4.37 GRADIENT INTERVAL = -5.00/ 5.00

ALPHA	BETA	CP39	CP41	CP43	CP45	CP40	CP42	CP44	CP46
-3.917	.003	-.01670	-.01030	-.00670	-.00900	-.01160	-.01250	-.00300	-.00570
	GRADIENT	.00000	.00000	.00000	.00000	.00000	.00000	.00000	.00000

RUN NO. 61/ 0 RN/L = 4.37 GRADIENT INTERVAL = -5.00/ 5.00

ALPHA	BETA	CP39	CP41	CP43	CP45	CP40	CP42	CP44	CP46
-.446	-4.006	.03830	.04740	.06010	.05250	-.05030	-.05050	-.03550	-.04140
-.456	.003	-.04890	-.02790	-.01350	-.02170	-.02030	-.01770	-.01920	-.02110
-.439	4.012	-.02660	-.06920	-.05790	-.05760	.03900	.04060	.05860	.04400
	GRADIENT	-.01682	-.01454	-.01472	-.01374	.01114	.01136	.01174	.01065

ORIGINAL PAGE IS
OF POOR QUALITY

DATE 22 JUN 76

TABULATED SOURCE DATA - IAB0

PAGE 645

ARC 11-023 IAB0 OTS (SRB NOM-) (SSME NOM)

(JE4025) (28 OCT 75)

REFERENCE DATA

SREF = 2690.0000 SQ.FT. XMRP = .0000 IN.
 LREF = 1290.3000 IN. YMRP = .0000 IN.
 BREF = 1290.3000 IN. ZMRP = .0000 IN.
 SCALE = .0200

PARAMETRIC DATA

ELV-1B = .000 ELV-0B = .000
 RN/L = 4.250 MACH = 1.100

RUN NO. 89/ 0 RN/L = 4.32 GRADIENT INTERVAL = -5.00/ 5.00

ALPHA	BETA	CP39	CP41	CP43	CP45	CP40	CP42	CP44	CP46
-4.020	-.063	.17890	.18490	.19400	.19300	.19570	.19110	.19860	.19540
	GRADIENT	.00000	.00000	.00000	.00000	.00000	.00000	.00000	.00000

RUN NO. 90/ 0 RN/L = 4.32 GRADIENT INTERVAL = -5.00/ 5.00

ALPHA	BETA	CP39	CP41	CP43	CP45	CP40	CP42	CP44	CP46
-4.482	-4.069	.20890	.21300	.18810	.13790	.16130	.15740	.16150	.16050
-4.489	-.059	.18260	.19260	.18410	.18450	.19360	.19550	.18920	.19040
-4.453	3.950	.12630	.13580	.13770	.14230	.20490	.20360	.18410	.18560
	GRADIENT	-.01030	-.00953	-.00629	-.00569	.00544	.00576	.00282	.00313

RUN NO. 91/ 0 RN/L = 4.32 GRADIENT INTERVAL = -5.00/ 5.00

ALPHA	BETA	CP39	CP41	CP43	CP45	CP40	CP42	CP44	CP46
4.029	-.059	.20440	.21370	.18480	.19070	.20980	.21220	.18950	.19440
	GRADIENT	.00000	.00000	.00000	.00000	.00000	.00000	.00000	.00000

ARC 11-023 IAB0 OTS (SRB NOM-) (SSME NOM)

(JE4026) (28 OCT 75)

REFERENCE DATA

SREF = 2690.0000 SQ.FT. XMRP = .0000 IN.
 LREF = 1290.3000 IN. YMRP = .0000 IN.
 BREF = 1290.3000 IN. ZMRP = .0000 IN.
 SCALE = .0200

PARAMETRIC DATA

ELV-1B = .000 ELV-0B = .000
 RN/L = 4.250 MACH = 1.250

RUN NO. 63/ 0 RN/L = 4.36 GRADIENT INTERVAL = -5.00/ 5.00

ALPHA	BETA	CP39	CP41	CP43	CP45	CP40	CP42	CP44	CP46
-3.983	.000	-.01680	-.00900	-.00420	-.00770	-.01140	-.01140	-.00170	-.00580
	GRADIENT	.00000	.00000	.00000	.00000	.00000	.00000	.00000	.00000

RUN NO. 64/ 0 RN/L = 4.36 GRADIENT INTERVAL = -5.00/ 5.00

ALPHA	BETA	CP39	CP41	CP43	CP45	CP40	CP42	CP44	CP46
-4.443	-4.006	.03590	.04610	.05830	.05500	-.05070	-.05106	-.03610	-.04150
-4.426	.003	-.05340	-.02830	-.01610	-.01960	-.02240	-.01860	-.01830	-.02210
-4.456	4.016	-.03110	-.05340	-.05320	-.05340	.04740	.04670	.06250	.04960
	GRADIENT	-.01583	-.01365	-.01390	-.01351	.01223	.01218	.01229	.01135

DATE 22 JUN 76

TABULATED SOURCE DATA - 1A80

PAGE 647

ARC 11-023 1A80 OTS (SRB OFF) (SSME OFF)

(JE4028) (28 OCT 75)

REFERENCE DATA

SREF = 2690.0000 SQ.FT. XMRP = .0000 IN.
 LREF = 1290.3000 IN. YMRP = .0000 IN.
 BREF = 1290.3000 IN. ZMRP = .0000 IN.
 SCALE = .0200

PARAMETRIC DATA

ELV-18 = .000 ELV-08 = .000
 RN/L = 3.400 MACH = .600

RUN NO. 237/ 0 RN/L = 3.39 GRADIENT INTERVAL = -5.00/ 5.00

ALPHA	BETA	CP39	CP41	CP43	CP45	CP40	CP42	CP44	CP46
-4.000	-.016	.00020	.00500	-.01410	-.01340	.00730	.00460	-.01240	-.01440
	GRADIENT	.00000	.00000	.00000	.00000	.00000	.00000	.00000	.00000

RUN NO. 238/ 0 RN/L = 3.38 GRADIENT INTERVAL = -5.00/ 5.00

ALPHA	BETA	CP39	CP41	CP43	CP45	CP40	CP42	CP44	CP46
-.264	-4.034	-.04650	-.03660	-.07170	-.06760	-.04030	-.04100	-.06080	-.05500
-.261	-.019	-.03620	-.03110	-.05190	-.05530	-.03790	-.03960	-.06280	-.06000
-.274	3.991	-.04620	-.04320	-.06130	-.05610	-.04660	-.04830	-.07970	-.07080
	GRADIENT	.00004	-.00082	.00130	.00143	-.00078	-.00091	-.00235	-.00197

RUN NO. 239/ 0 RN/L = 3.39 GRADIENT INTERVAL = -5.00/ 5.00

ALPHA	BETA	CP39	CP41	CP43	CP45	CP40	CP42	CP44	CP46
4.013	-.019	-.08660	-.07950	-.11050	-.10500	-.09000	-.08870	-.12540	-.11520
	GRADIENT	.00000	.00000	.00000	.00000	.00000	.00000	.00000	.00000

ARC 11-023 1A80 OTS (SRB OFF) (SSME OFF)

(JE4029) (28 OCT 75)

REFERENCE DATA

SREF = 2690.0000 SQ.FT. XMRP = .0000 IN.
 LREF = 1290.3000 IN. YMRP = .0000 IN.
 BREF = 1290.3000 IN. ZMRP = .0000 IN.
 SCALE = .0200

PARAMETRIC DATA

ELV-18 = .000 ELV-08 = .000
 RN/L = 4.250 MACH = .900

RUN NO. 219/ 0 RN/L = 4.25 GRADIENT INTERVAL = -5.00/ 5.00

ALPHA	BETA	CP39	CP41	CP43	CP45	CP40	CP42	CP44	CP46
-3.980	-.006	.05830	.05450	.04950	.04970	.07090	.06890	.05250	.05250
	GRADIENT	.00000	.00000	.00000	.00000	.00000	.00000	.00000	.00000

RUN NO. 220/ 0 RN/L = 4.25 GRADIENT INTERVAL = -5.00/ 5.00

ALPHA	BETA	CP39	CP41	CP43	CP45	CP40	CP42	CP44	CP46
-.320	-4.022	.03040	.03340	-.00200	-.00300	.01700	.01540	.00380	.00140
-.310	-.009	.03320	.04140	.01840	.01970	.03900	.03850	.01700	.01820
-.297	4.006	.00580	.00510	-.00740	-.00480	.03600	.02950	-.00210	-.00170
	GRADIENT	-.00372	-.00353	-.00067	-.00022	.00237	.00176	-.00074	-.00039

ARC 11-023 1A80 OTS (SRB OFF) (SSME OFF)

(JE4031) (28 OCT 75)

REFERENCE DATA

SREF = 2690.0000 SQ.FT. XMRP = .0000 IN.
 LREF = 1290.3000 IN. YMRP = .0000 IN.
 BREF = 1290.3000 IN. ZMRP = .0000 IN.
 SCALE = .0200

PARAMETRIC DATA

ELV-1B = .000 ELV-08 = .000
 RN/L = 4.250 MACH = 1.250

RUN NO. 66/ 0 RN/L = 4.36 GRADIENT INTERVAL = -5.00/ 5.00

ALPHA	BETA	CP39	CP41	CP43	CP45	CP40	CP42	CP44	CP46
-3.970	-.003	-.02130	-.01580	-.01210	-.01210	-.01290	-.01370	-.00310	-.00580
	GRADIENT	.00000	.00000	.00000	.00000	.00000	.00000	.00000	.00000

RUN NO. 67/ 0 RN/L = 4.36 GRADIENT INTERVAL = -5.00/ 5.00

ALPHA	BETA	CP39	CP41	CP43	CP45	CP40	CP42	CP44	CP46
-.330	-4.006	.03400	.04730	.05840	.05560	-.05780	-.05460	-.03910	-.04490
-.317	.003	-.06010	-.03490	-.02140	-.03370	-.02330	-.01790	-.02010	-.02180
-.370	4.012	-.09500	-.06190	-.05990	-.05540	.03810	.04250	.05440	.04780
	GRADIENT	-.01609	-.01362	-.01463	-.01384	.01136	.01211	.01166	.01156

RUN NO. 68/ 0 RN/L = 4.36 GRADIENT INTERVAL = -5.00/ 5.00

ALPHA	BETA	CP39	CP41	CP43	CP45	CP40	CP42	CP44	CP46
3.950	-.003	-.07850	-.05700	-.03070	-.04090	-.05460	-.04780	-.04830	-.05540
	GRADIENT	.00000	.00000	.00000	.00000	.00000	.00000	.00000	.00000

ARC 11-023 1A80 OTS (SRB OFF) (SSME OFF)

(JE4032) (28 OCT 75)

REFERENCE DATA

SREF = 2690.0000 SQ.FT. XMRP = .0000 IN.
 LREF = 1290.3000 IN. YMRP = .0000 IN.
 BREF = 1290.3000 IN. ZMRP = .0000 IN.
 SCALE = .0200

PARAMETRIC DATA

ELV-1B = .000 ELV-08 = .000
 RN/L = 4.250 MACH = 1.400

RUN NO. 19/ 0 RN/L = 4.24 GRADIENT INTERVAL = -5.00/ 5.00

ALPHA	BETA	CP39	CP41	CP43	CP45	CP40	CP42	CP44	CP46
-4.043	.000	-.01470	-.00650	-.00470	-.00480	-.01230	-.01320	-.00700	-.01290
	GRADIENT	.00000	.00000	.00000	.00000	.00000	.00000	.00000	.00000

RUN NO. 20/ 0 RN/L = 4.25 GRADIENT INTERVAL = -5.00/ 5.00

ALPHA	BETA	CP39	CP41	CP43	CP45	CP40	CP42	CP44	CP46
-.195	-4.012	.02200	.03760	.05870	.04770	-.04260	-.04070	-.03580	-.03950
-.211	.000	-.09940	.00180	.00780	.00460	-.00330	-.00690	.00320	-.00120
.083	4.006	-.05450	-.03630	-.03660	-.04090	.04150	.04040	.05000	.04180
	GRADIENT	-.00954	-.00922	-.01188	-.01105	.01049	.01011	.01070	.01014

ORIGINAL PAGE IS
OF POOR QUALITY

DATE 22 JUN 76

TABULATED SOURCE DATA - IABO

PAGE 651

ARC 11-023 IABO OTS (SRB OFF) (SSME OFF)

(JE4034) (28 OCT 75)

REFERENCE DATA

SREF = 2690.0000 SQ.FT. XMRP = .0000 IN.
 LREF = 1290.3000 IN. YMRP = .0000 IN.
 BREF = 1290.3000 IN. ZMRP = .0000 IN.
 SCALE = .0200

PARAMETRIC DATA

ELV-1B = .000 ELV-0B = .000
 RN/L = 2.250 MACH = .900

RUN NO. 267/ 0 RN/L = 2.16 GRADIENT INTERVAL = -5.00/ 5.00

ALPHA	BETA	CP39	CP41	CP43	CP45	CP40	CP42	CP44	CP46
-3.947	.000	.05510	.06030	.04310	.04350	.06270	.06230	.04470	.04670
	GRADIENT	.00000	.00000	.00000	.00000	.00000	.00000	.00000	.00000

RUN NO. 268/ 0 RN/L = 2.16 GRADIENT INTERVAL = -5.00/ 5.00

ALPHA	BETA	CP39	CP41	CP43	CP45	CP40	CP42	CP44	CP46
-.264	-4.044	.02790	.02830	-.00830	-.00630	.01100	.00940	.00020	-.00350
-.271	-.031	.02760	.03200	-.00970	-.00850	.02760	.03120	.00300	.00540
-.304	3.984	.00220	.00300	-.01230	-.01470	.02230	.01910	-.01310	-.01390
	GRADIENT	-.00320	-.00315	-.00050	-.00105	.00141	.00121	-.00166	-.00130

RUN NO. 269/ 0 RN/L = 2.16 GRADIENT INTERVAL = -5.00/ 5.00

ALPHA	BETA	CP39	CP41	CP43	CP45	CP40	CP42	CP44	CP46
3.990	-.003	-.00560	-.00360	-.03760	-.03440	-.01040	-.00800	-.03760	-.03800
	GRADIENT	.00000	.00000	.00000	.00000	.00000	.00000	.00000	.00000

ARC 11-023 IABO OTS (SRB OFF) (SSME OFF)

(JE4035) (28 OCT 75)

REFERENCE DATA

SREF = 2690.0000 SQ.FT. XMRP = .0000 IN.
 LREF = 1290.3000 IN. YMRP = .0000 IN.
 BREF = 1290.3000 IN. ZMRP = .0000 IN.
 SCALE = .0200

PARAMETRIC DATA

ELV-1B = .000 ELV-0B = .000
 RN/L = 2.250 MACH = 1.100

RUN NO. 22/ 0 RN/L = 2.24 GRADIENT INTERVAL = -5.00/ 5.00

ALPHA	BETA	CP39	CP41	CP43	CP45	CP40	CP42	CP44	CP46
-3.957	.000	.16660	.16690	.17740	.17710	.17810	.17570	.17910	.17880
	GRADIENT	.00000	.00000	.00000	.00000	.00000	.00000	.00000	.00000

RUN NO. 23/ 0 RN/L = 2.25 GRADIENT INTERVAL = -5.00/ 5.00

ALPHA	BETA	CP39	CP41	CP43	CP45	CP40	CP42	CP44	CP46
-.225	-4.009	.19570	.19470	.17040	.17040	.14740	.14700	.14670	.14600
-.225	.000	.19340	.19610	.18420	.18560	.19610	.19500	.18490	.18690
-.231	4.012	.10950	.11790	.12060	.12270	.18690	.18900	.16830	.16830
	GRADIENT	-.01075	-.00959	-.00621	-.00595	.00492	.00511	.00269	.00278

DATE 22 JUN 76

TABULATED SOURCE DATA - 1A80

PAGE 653

ARC 11-023 1A80 OTS (SRB OFF) (SSME OFF)

(JE4037) (28 OCT 75)

REFERENCE DATA

SREF = 2690.0000 SQ.FT. XMRP = .0000 IN.
 LREF = 1290.3000 IN. YMRP = .0000 IN.
 BREF = 1290.3000 IN. ZMRP = .0000 IN.
 SCALE = .0200

PARAMETRIC DATA

ELV-18 = .000 ELV-08 = .000
 RN/L = 2.250 MACH = 1.400

RUN NO. 33/ 0 RN/L = 2.23 GRADIENT INTERVAL = -5.00/ 5.00

ALPHA	BETA	CP39	CP41	CP43	CP45	CP40	CP42	CP44	CP46
-4.013	.003	-.02400	-.01900	-.01460	-.01490	-.02550	-.02490	-.01900	-.02430
	GRADIENT	.00000	.00000	.00000	.00000	.00000	.00000	.00000	.00000

RUN NO. 34/ 0 RN/L = 2.23 GRADIENT INTERVAL = -5.00/ 5.00

ALPHA	BETA	CP39	CP41	CP43	CP45	CP40	CP42	CP44	CP46
-.241	-4.006	.01740	.02670	.05100	.04010	-.05350	-.05110	-.04830	-.05230
-.264	.000	-.01870	-.01100	-.01000	-.01100	-.01690	-.01810	-.00940	-.01560
-.267	4.009	-.06390	-.05980	-.05050	-.05270	.03270	.03240	.03950	.02890
	GRADIENT	-.01014	-.03967	-.01265	-.01158	.01075	.01042	.01095	.01013

RUN NO. 35/ 0 RN/L = 2.24 GRADIENT INTERVAL = -5.00/ 5.00

ALPHA	BETA	CP39	CP41	CP43	CP45	CP40	CP42	CP44	CP46
4.010	.003	-.04910	-.03760	-.03360	-.03820	-.03010	-.02790	-.02670	-.03260
	GRADIENT	.00000	.00000	.00000	.00000	.00000	.00000	.00000	.00000

ARC 11-023 1A80 OTS (SRB NOM) (SSME NOM)

(JE4038) (28 OCT 75)

REFERENCE DATA

SREF = 2690.0000 SQ.FT. XMRP = .0000 IN.
 LREF = 1290.3000 IN. YMRP = .0000 IN.
 BREF = 1290.3000 IN. ZMRP = .0000 IN.
 SCALE = .0200

PARAMETRIC DATA

ELV-18 = .000 ELV-08 = .000
 RN/L = 1.750 MACH = .600

RUN NO. 273/ 0 RN/L = 1.76 GRADIENT INTERVAL = -5.00/ 5.00

ALPHA	BETA	CP39	CP41	CP43	CP45	CP40	CP42	CP44	CP46
-3.980	-.003	-.01030	-.00690	-.02010	-.02400	-.00760	-.00830	-.02810	-.02870
	GRADIENT	.00000	.00000	.00000	.00000	.00000	.00000	.00000	.00000

RUN NO. 274/ 0 RN/L = 1.77 GRADIENT INTERVAL = -5.00/ 5.00

ALPHA	BETA	CP39	CP41	CP43	CP45	CP40	CP42	CP44	CP46
-.314	-4.044	-.04760	-.04550	-.07470	-.07400	-.04890	-.05230	-.06520	-.06520
-.317	-.009	-.04450	-.04450	-.06670	-.06600	-.05000	-.05120	-.07880	-.07140
-.327	3.981	-.05270	-.04950	-.06600	-.06460	-.05570	-.05430	-.08850	-.08370
	GRADIENT	-.00074	-.00050	.00109	.00117	-.00085	-.00025	-.00292	-.00230

DATE 22 JUN 76

TABULATED SOURCE DATA - IABO

PAGE 655

ARC 11-023 IABO OTS (SRB NOM) (SSME NOM)

(JE4040) (28 OCT 75)

REFERENCE DATA

SREF = 2690.0000 SQ.FT. XMRP = .0000 IN.
 LREF = 1290.3000 IN. YMRP = .0000 IN.
 BREF = 1290.3000 IN. ZMRP = .0000 IN.
 SCALE = .0200

PARAMETRIC DATA

ELV-18 = .000 ELV-08 = .000
 RN/L = 2.250 MACH = 1.100

RUN NO. 27/ 0 RN/L = 2.25 GRADIENT INTERVAL = -5.00/ 5.00

ALPHA	BETA	CP39	CP41	CP43	CP45	CP40	CP42	CP44	CP46
-3.801	-.006	.16680	.16680	.17500	.17360	.18000	.17830	.18140	.18280
	GRADIENT	.00000	.00000	.00000	.00000	.00000	.00000	.00000	.00000

RUN NO. 28/ 0 RN/L = 2.25 GRADIENT INTERVAL = -5.00/ 5.00

ALPHA	BETA	CP39	CP41	CP43	CP45	CP40	CP42	CP44	CP46
-.304	-4.003	.19860	.19820	.17390	.17590	.14550	.14760	.14550	.14520
-.267	.003	.18580	.18290	.17880	.18310	.19120	.18920	.18150	.18280
-.390	4.016	.11800	.12710	.12310	.13050	.19110	.18900	.16970	.17010
	GRADIENT	-.01005	-.00887	-.00596	-.00566	.00569	.00516	.00289	.00310

RUN NO. 29/ 0 RN/L = 2.26 GRADIENT INTERVAL = -5.00/ 5.00

ALPHA	BETA	CP39	CP41	CP43	CP45	CP40	CP42	CP44	CP46
3.983	.003	.19300	.20100	.17250	.17650	.19570	.19900	.17820	.18120
	GRADIENT	.00000	.00000	.00000	.00000	.00000	.00000	.00000	.00000

ARC 11-023 IABO OTS (SRB OFF) (SSME OFF)

(JE4041) (28 OCT 75)

REFERENCE DATA

SREF = 2690.0000 SQ.FT. XMRP = .0000 IN.
 LREF = 1290.3000 IN. YMRP = .0000 IN.
 BREF = 1290.3000 IN. ZMRP = .0000 IN.
 SCALE = .0200

PARAMETRIC DATA

ELV-18 = .000 ELV-08 = .000
 RN/L = 2.500 MACH = .600

RUN NO. 252/ 0 RN/L = 2.55 GRADIENT INTERVAL = -5.00/ 5.00

ALPHA	BETA	CP39	CP41	CP43	CP45	CP40	CP42	CP44	CP46
-4.000	-.022	.00820	.01060	-.00930	-.00650	.01150	.01240	-.00790	-.00790
	GRADIENT	.00000	.00000	.00000	.00000	.00000	.00000	.00000	.00000

RUN NO. 253/ 0 RN/L = 2.55 GRADIENT INTERVAL = -5.00/ 5.00

ALPHA	BETA	CP39	CP41	CP43	CP45	CP40	CP42	CP44	CP46
-.261	-4.041	-.03670	-.03480	-.06550	-.06370	-.03850	-.03850	-.05340	-.05340
-.271	-.025	-.02980	-.02750	-.04950	-.04720	-.03350	-.03350	-.05910	-.05040
-.343	3.991	-.04260	-.03980	-.06630	-.06260	-.03850	-.04300	-.07410	-.06590
	GRADIENT	-.00073	-.00062	.00115	.00138	-.00000	-.00056	-.00258	-.00156

DATE 22 JUN 76

TABULATED SOURCE DATA - IAB0

PAGE 657

ARC 11-023 IAB0 OTS (SRB OFF) (SSME OFF)

(JE4043) (28 OCT 75)

REFERENCE DATA

SREF = 2690.0000 SQ.FT. XMRP = .0000 IN.
 LREF = 1290.3000 IN. YMRP = .0000 IN.
 BREF = 1290.3000 IN. ZMRP = .0000 IN.
 SCALE = .0200

PARAMETRIC DATA

ELV-1B = .000 ELV-08 = .000
 RN/L = 3.250 MACH = 1.100

RUN NO. 36/ 0 RN/L = 3.28 GRADIENT INTERVAL = -5.00/ 5.00

ALPHA	BETA	CP39	CP41	CP43	CP45	CP40	CP42	CP44	CP46
-4.016	.003	.15620	.15370	.17240	.17140	.15870	.15560	.17670	.17280
	GRADIENT	.00000	.00000	.00000	.00000	.00000	.00000	.00000	.00000

RUN NO. 37/ 0 RN/L = 3.27 GRADIENT INTERVAL = -5.00/ 5.00

ALPHA	BETA	CP39	CP41	CP43	CP45	CP40	CP42	CP44	CP46
-.287	-4.006	.20390	.20620	.18040	.18180	.15670	.15500	.15690	.15670
-.291	.000	.18920	.19130	.18530	.18670	.19290	.19240	.18720	.18740
-.310	4.006	.11280	.12730	.127E0	.13190	.20090	.19960	.17910	.18120
	GRADIENT	-.01137	-.00985	-.00656	-.00623	.00552	.00557	.00277	.00306

RUN NO. 38/ 0 RN/L = 3.27 GRADIENT INTERVAL = -5.00/ 5.00

ALPHA	BETA	CP39	CP41	CP43	CP45	CP40	CP42	CP44	CP46
4.016	.003	.20350	.20920	.18310	.18610	.20490	.20690	.18570	.18930
	GRADIENT	.00000	.00000	.00000	.00000	.00000	.00000	.00000	.00000

ARC 11-023 IAB0 OTS (SRB OFF) (SSME OFF)

(JE4044) (28 OCT 75)

REFERENCE DATA

SREF = 2690.0000 SQ.FT. XMRP = .0000 IN.
 LREF = 1290.3000 IN. YMRP = .0000 IN.
 BREF = 1290.3000 IN. ZMRP = .0000 IN.
 SCALE = .0200

PARAMETRIC DATA

ELV-1B = .000 ELV-08 = .000
 RN/L = 3.250 MACH = 1.250

RUN NO. 42/ 0 RN/L = 3.29 GRADIENT INTERVAL = -5.00/ 5.00

ALPHA	BETA	CP39	CP41	CP43	CP45	CP40	CP42	CP44	CP46
-3.953	.000	-.02430	-.01700	-.01330	-.01520	-.01420	-.01370	-.00510	-.00530
	GRADIENT	.00000	.00000	.00000	.00000	.00000	.00000	.00000	.00000

RUN NO. 43/ 0 RN/L = 3.29 GRADIENT INTERVAL = -5.00/ 5.00

ALPHA	BETA	CP39	CP41	CP43	CP45	CP40	CP42	CP44	CP46
-.287	-4.003	.02700	.04040	.04800	.04040	-.06510	-.06330	-.05290	-.05370
-.277	.003	-.05540	-.03980	-.02910	-.03660	-.02670	-.02430	-.02320	-.02700
-.376	4.012	-.08730	-.06200	-.05770	-.05530	.03520	.03690	.04250	.03800
	GRADIENT	-.01426	-.01277	-.01319	-.01194	.01251	.01250	.01190	.01144

ORIGINAL PAGE IS
OF POOR QUALITY

DATE 22 JUN 76

TABULATED SOURCE DATA - 1A80

PAGE 659

ARC 11-023 1A80 OTS (SRB NOM) (SSME NOM)

(JE4046) (28 OCT 75)

REFERENCE DATA

SREF = 2690.0000 SQ.FT. XMRP = .0000 IN.
 LREF = 1290.3000 IN. YMRP = .0000 IN.
 BREF = 1290.3000 IN. ZMRP = .0000 IN.
 SCALE = .0200

PARAMETRIC DATA

ELV-18 = .000 ELV-08 = .000
 RN/L = 2.500 MACH = .600

RUN NO. 255/ 0 RN/L = 2.56 GRADIENT INTERVAL = -5.00/ 5.00

ALPHA	BETA	CP39	CP41	CP43	CP45	CP40	CP42	CP44	CP46
-3.894	-.022	-.00830	-.00860	-.02120	-.01800	-.00640	-.00510	-.02120	-.01890
	GRADIENT	.00000	.00000	.00000	.00000	.00000	.00000	.00000	.00000

RUN NO. 256/ 0 RN/L = 2.55 GRADIENT INTERVAL = -5.00/ 5.00

ALPHA	BETA	CP39	CP41	CP43	CP45	CP40	CP42	CP44	CP46
-.350	-4.041	-.04570	-.04390	-.07430	-.07200	-.05030	-.04850	-.06550	-.06510
-.320	-.025	-.04310	-.03710	-.06440	-.06490	-.05190	-.04780	-.07690	-.06720
-.337	3.994	-.05500	-.05730	-.08060	-.07830	-.05540	-.05730	-.09880	-.09370
	GRADIENT	-.00116	-.00157	-.00078	-.00078	-.00063	-.00110	-.00414	-.00356

RUN NO. 257/ 0 RN/L = 2.56 GRADIENT INTERVAL = -5.00/ 5.00

ALPHA	BETA	CP39	CP41	CP43	CP45	CP40	CP42	CP44	CP46
4.076	-.028	-.09400	-.08580	-.11940	-.11160	-.10100	-.09220	-.12770	-.12040
	GRADIENT	.00000	.00000	.00000	.00000	.00000	.00000	.00000	.00000

ARC 11-023 1A80 OTS (SRB NOM) (SSME NOM)

(JE4047) (28 OCT 75)

REFERENCE DATA

SREF = 2690.0000 SQ.FT. XMRP = .0000 IN.
 LREF = 1290.3000 IN. YMRP = .0000 IN.
 BREF = 1290.3000 IN. ZMRP = .0000 IN.
 SCALE = .0200

PARAMETRIC DATA

ELV-18 = .000 ELV-08 = .000
 RN/L = 3.250 MACH = .900

RUN NO. 261/ 0 RN/L = 3.12 GRADIENT INTERVAL = -5.00/ 5.00

ALPHA	BETA	CP39	CP41	CP43	CP45	CP40	CP42	CP44	CP46
-4.033	.000	.05120	.06690	.05090	.05390	.07100	.07050	.05470	.05530
	GRADIENT	.00000	.00000	.00000	.00000	.00000	.00000	.00000	.00000

RUN NO. 262/ 0 RN/L = 3.13 GRADIENT INTERVAL = -5.00/ 5.00

ALPHA	BETA	CP39	CP41	CP43	CP45	CP40	CP42	CP44	CP46
-.343	-4.044	.03320	.03270	-.00130	-.00240	.01500	.01120	-.00080	-.00130
-.340	-.028	.03160	.03900	.01540	.01860	.03530	.03510	.01350	.01600
-.340	3.99	-.00060	.00320	-.00300	-.00270	.03090	.03200	-.00190	-.00030
	GRADIENT	-.00421	-.00367	-.01031	-.00004	.00198	.00259	-.00014	.00012

DATE 22 JUN 76

TABULATED SOURCE DATA - IABO

PAGE 663

ARC 11-023 IABO OTS (SRB OFF) (SSME OFF)

(JE4053) (28 OCT 75)

REFERENCE DATA

SREF = 2690.0000 SQ.FT. XMRP = .0000 IN.
 LREF = 1290.3000 IN. YMRP = .0000 IN.
 BREF = 1290.3000 IN. ZMRP = .0000 IN.
 SCALE = .0200

PARAMETRIC DATA

ELV-18 = 8.000 ELV-08 = 4.000
 RN/L = 3.400 MACH = .600

RUN NO. 288/ 0 RN/L = 3.47 GRADIENT INTERVAL = -5.00/ 5.00

ALPHA	BETA	CP39	CP41	CP43	CP45	CP40	CP42	CP44	CP46
-3.944	.000	-.00280	.00060	-.02120	-.02190	.00460	-.00280	-.02330	-.01960
	GRADIENT	.00000	.00000	.00000	.00000	.00000	.00000	.00000	.00000

RUN NO. 289/ 0 RN/L = 3.47 GRADIENT INTERVAL = -5.00/ 5.00

ALPHA	BETA	CP39	CP41	CP43	CP45	CP40	CP42	CP44	CP46
-.320	-4.050	-.04700	-.04340	-.07550	-.07120	-.04770	-.04470	-.06510	-.06610
-.297	.000	-.04030	-.03700	-.06110	-.06010	-.04770	-.04370	-.06880	-.06810
-.314	3.978	-.05140	-.04840	-.06440	-.06200	-.05600	-.05070	-.08800	-.07870
	GRADIENT	-.00054	-.00062	.00139	.00115	-.00103	-.00074	-.00285	-.00157

RUN NO. 290/ 0 RN/L = 3.47 GRADIENT INTERVAL = -5.00/ 5.00

ALPHA	BETA	CP39	CP41	CP43	CP45	CP40	CP42	CP44	CP46
4.053	.000	-.08820	-.08280	-.11660	-.11020	-.09750	-.09490	-.13200	-.12700
	GRADIENT	.00000	.00000	.00000	.00000	.00000	.00000	.00000	.00000

ARC 11-023 IABO OTS (SRB OFF) (SSME OFF)

(JE4054) (28 OCT 75)

REFERENCE DATA

SREF = 2690.0000 SQ.FT. XMRP = .0000 IN.
 LREF = 1290.3000 IN. YMRP = .0000 IN.
 BREF = 1290.3000 IN. ZMRP = .0000 IN.
 SCALE = .0200

PARAMETRIC DATA

ELV-18 = 8.000 ELV-08 = 4.000
 RN/L = 4.250 MACH = .900

RUN NO. 296/ 0 RN/L = 4.19 GRADIENT INTERVAL = -5.00/ 5.00

ALPHA	BETA	CP39	CP41	CP43	CP45	CP40	CP42	CP44	CP46
-3.940	-.044	.05160	.06440	.04820	.04780	.07010	.06680	.05070	.05130
	GRADIENT	.00000	.00000	.00000	.00000	.00000	.00000	.00000	.00000

RUN NO. 297/ 0 RN/L = 4.18 GRADIENT INTERVAL = -5.00/ 5.00

ALPHA	BETA	CP39	CP41	CP43	CP45	CP40	CP42	CP44	CP46
-.284	-4.059	.02510	.02720	-.01250	-.01190	.01060	.00760	-.00570	-.00820
-.320	-.041	.02540	.03060	.00840	.01060	.03040	.02840	.00570	.00700
-.314	3.975	-.00770	-.00220	-.01780	-.01590	.02040	.01930	-.01730	-.01960
	GRADIENT	-.00408	-.00366	-.00066	-.00050	.00122	.00146	-.00144	-.00142

ARC 11-023 1A80 OTS (SRB OFF) (SSME OFF)

(JE4056) (28 OCT 75)

REFERENCE DATA

SREF = 2690.0000 SQ.FT. XMRP = .0000 IN.
 LREF = 1290.3000 IN. YMRP = .0000 IN.
 BREF = 1290.3000 IN. ZMRP = .0000 IN.
 SCALE = .0200

PARAMETRIC DATA

ELV-1B = 8.000 ELV-0B = 4.000
 RN/L = 4.250 MACH = 1.250

RUN NO. 94/ 0 RN/L = 4.40 GRADIENT INTERVAL = -5.00/ 5.00

ALPHA	BETA	CP39	CP41	CP43	CP45	CP40	CP42	CP44	CP46
-3.950	-.063	-.02470	-.01750	-.01310	-.01120	-.01280	-.01260	-.00200	-.00390
	GRADIENT	.00000	.00000	.00000	.00000	.00000	.00000	.00000	.00000

RUN NO. 95/ 0 RN/L = 4.40 GRADIENT INTERVAL = -5.00/ 5.00

ALPHA	BETA	CP39	CP41	CP43	CP45	CP40	CP42	CP44	CP46
-.324	-4.075	.03530	.04870	.06450	.05830	-.05640	-.05350	-.04050	-.04780
-.314	-.053	-.05080	-.03490	-.02820	-.03420	-.02430	-.01980	-.01890	-.02400
-.343	3.953	-.09500	-.06260	-.05450	-.05560	.04230	.04370	.06100	.04570
	GRADIENT	-.01635	-.01386	-.01482	-.01419	.01229	.01211	.01264	.01165

RUN NO. 96/ 0 RN/L = 4.39 GRADIENT INTERVAL = -5.00/ 5.00

ALPHA	BETA	CP39	CP41	CP43	CP45	CP40	CP42	CP44	CP46
3.957	-.066	-.07120	-.05260	-.02860	-.03620	-.05190	-.04540	-.04940	-.05270
	GRADIENT	.00000	.00000	.00000	.00000	.00000	.00000	.00000	.00000

ARC 11-023 1A80 OTS (SRB OFF) (SSME OFF)

(JE4057) (28 OCT 75)

REFERENCE DATA

SREF = 2690.0000 SQ.FT. XMRP = .0000 IN.
 LREF = 1290.3000 IN. YMRP = .0000 IN.
 BREF = 1290.3000 IN. ZMRP = .0000 IN.
 SCALE = .0200

PARAMETRIC DATA

ELV-1B = 8.000 ELV-0B = 4.000
 RN/L = 4.250 MACH = 1.400

RUN NO. 100/ 0 RN/L = 4.31 GRADIENT INTERVAL = -5.00/ 5.00

ALPHA	BETA	CP39	CP41	CP43	CP45	CP40	CP42	CP44	CP46
-3.953	-.063	-.01410	-.00580	-.00050	-.00390	-.01230	-.01290	-.00860	-.01470
	GRADIENT	.00000	.00000	.00000	.00000	.00000	.00000	.00000	.00000

RUN NO. 101/ 0 RN/L = 4.31 GRADIENT INTERVAL = -5.00/ 5.00

ALPHA	BETA	CP39	CP41	CP43	CP45	CP40	CP42	CP44	CP46
-.317	-4.075	.02380	.03820	.05960	.04650	-.04110	-.04080	-.03460	-.03890
-.320	-.059	-.00710	.00350	.01340	.00840	-.00340	-.00640	.00560	-.00190
-.522	3.955	-.05310	-.03570	-.03270	-.03630	.04250	.04340	.05230	.04420
	GRADIENT	-.00958	-.00920	-.01140	-.01031	.01041	.01048	.01082	.01035

ARC 11-023 IAB0 OTS (SRB NOM) (SSME NOM)

(JE4059) (28 OCT 75)

REFERENCE DATA

SREF = 2690.0000 SQ.FT. XMRP = .0000 IN.
 LREF = 1290.3000 IN. YMRP = .0000 IN.
 BREF = 1290.3000 IN. ZMRP = .0000 IN.
 SCALE = .0200

PARAMETRIC DATA

ELV-1B = 8.000 ELV-08 = 4.000
 RN/L = 4.250 MACH = .900

RUN NO. 299/ 0 RN/L = 4.17 GRADIENT INTERVAL = -5.00/ 5.00

ALPHA	BETA	CP39	CP41	CP43	CP45	CP40	CP42	CP44	CP46
-3.983	-.038	.05210	.05880	.04280	.04280	.06250	.06270	.04580	.04480
	GRADIENT	.00000	.00000	.00000	.00000	.00000	.00000	.00000	.00000

RUN NO. 300/ 0 RN/L = 4.18 GRADIENT INTERVAL = -5.00/ 5.00

ALPHA	BETA	CP39	CP41	CP43	CP45	CP40	CP42	CP44	CP46
-.370	-4.059	.02330	.02390	-.01260	-.01280	.00640	.00510	-.00750	-.01020
-.403	-.044	.02860	.03260	.01050	.01250	.03430	.03060	.00560	.01050
-.409	3.972	-.00680	-.00840	-.01850	-.02020	.01790	.01500	-.02040	-.02160
	GRADIENT	-.00375	-.00402	-.00073	-.00092	.00143	.00123	-.00161	-.00142

RUN NO. 301/ 0 RN/L = 4.17 GRADIENT INTERVAL = -5.00/ 5.00

ALPHA	BETA	CP39	CP41	CP43	CP45	CP40	CP42	CP44	CP46
4.076	-.041	-.01410	-.00880	-.04680	-.03950	-.01160	-.01450	-.04660	-.04210
	GRADIENT	.00000	.00000	.00000	.00000	.00000	.00000	.00000	.00000

ARC 11-023 IAB0 OTS (SRB NOM) (SSME NOM)

(JE4060) (28 OCT 75)

REFERENCE DATA

SREF = 2690.0000 SQ.FT. XMRP = .0000 IN.
 LREF = 1290.3000 IN. YMRP = .0000 IN.
 BREF = 1290.3000 IN. ZMRP = .0000 IN.
 SCALE = .0200

PARAMETRIC DATA

ELV-1B = 8.000 ELV-08 = 4.000
 RN/L = 4.250 MACH = 1.100

RUN NO. 109/ 0 RN/L = 4.37 GRADIENT INTERVAL = -5.00/ 5.00

ALPHA	BETA	CP39	CP41	CP43	CP45	CP40	CP42	CP44	CP46
-3.937	-.059	.13090	.13970	.15440	.14460	.14560	.14920	.15760	.15570
	GRADIENT	.00000	.00000	.00000	.00000	.00000	.00000	.00000	.00000

RUN NO. 110/ 0 RN/L = 4.38 GRADIENT INTERVAL = -5.00/ 5.00

ALPHA	BETA	CP39	CP41	CP43	CP45	CP40	CP42	CP44	CP46
-.528	-4.075	.20440	.20990	.18490	.18440	.15910	.15770	.15910	.15960
-.492	-.063	.15170	.15820	.16120	.17840	.16660	.16950	.17790	.18810
-.532	3.925	.12940	.13580	.13530	.13450	.19630	.19460	.17580	.17660
	GRADIENT	-.00934	-.00923	-.00618	-.00621	.00463	.00460	.00208	.00212

ORIGINAL PAGE IS
OF POOR QUALITY

DATE 22 JUN 76

TABULATED SOURCE DATA - 1A80

PAGE 669

ARC 11-023 1A80 OTS (SRB NOM) (SSME NOM)

(JE4062) (28 OCT 75)

REFERENCE DATA

SREF = 2690.0000 SQ.FT. XMRP = .0000 IN.
 LREF = 1290.3000 IN. YMRP = .0000 IN.
 BREF = 1290.3000 IN. ZMRP = .0000 IN.
 SCALE = .0200

PARAMETRIC DATA

ELV-1B = 8.000 ELV-08 = 4.000
 RN/L = 4.250 MACH = 1.400

RUN NO. 103/ 0 RN/L = 4.28 GRADIENT INTERVAL = -5.00/ 5.00

ALPHA	BETA	CP39	CP41	CP43	CP45	CP40	CP42	CP44	CP46
-3.937	-.069	-.01280	-.00570	.00080	.00000	-.01410	-.01300	-.00800	-.01040
	GRADIENT	.00000	.00000	.00000	.00000	.00000	.00000	.00000	.00000

RUN NO. 104/ 0 RN/L = 4.28 GRADIENT INTERVAL = -5.00/ 5.00

ALPHA	BETA	CP39	CP41	CP43	CP45	CP40	CP42	CP44	CP46
-.486	-4.078	.02440	.03580	.06460	.04650	-.04190	-.04120	-.03290	-.04050
-.486	-.063	-.00750	.00540	.00720	.00380	-.00040	-.00380	.00880	-.00010
-.499	3.953	-.05860	-.03950	-.03350	-.04090	.04080	.04150	.05140	.04300
	GRADIENT	-.01033	-.00950	-.01223	-.01113	.01030	.01030	.01050	.01040

RUN NO. 105/ 0 RN/L = 4.28 GRADIENT INTERVAL = -5.00/ 5.00

ALPHA	BETA	CP39	CP41	CP43	CP45	CP40	CP42	CP44	CP46
4.020	-.066	-.03950	-.01800	-.01790	-.01660	-.01000	-.01110	-.01070	-.590
	GRADIENT	.00000	.00000	.00000	.00000	.00000	.00000	.00000	.000

ARC 11-023 1A80 OTS (SRB NOM) (SSME NOM)

(JE4063) (28 OCT 75)

REFERENCE DATA

SREF = 2690.0000 SQ.FT. XMRP = .0000 IN.
 LREF = 1290.3000 IN. YMRP = .0300 IN.
 BREF = 1290.3000 IN. ZMRP = .0000 IN.
 SCALE = .0200

PARAMETRIC DATA

ELV-1B = 8.000 ELV-08 = 4.000
 RN/L = 4.250 MACH = .980

RUN NO. 118/ 0 RN/L = 4.31 GRADIENT INTERVAL = -5.00/ 5.00

ALPHA	BETA	CP39	CP41	CP43	CP45	CP40	CP42	CP44	CP46
-3.868	-.063	.14330	.15180	.13540	.13730	.15600	.15440	.14040	.13910
	GRADIENT	.00000	.00000	.00000	.00000	.00000	.00000	.00000	.00000

RUN NO. 119/ 0 RN/L = 4.31 GRADIENT INTERVAL = -5.00/ 5.00

ALPHA	BETA	CP39	CP41	CP43	CP45	CP40	CP42	CP44	CP46
-.486	-4.075	.10390	.11600	.08250	.08250	.10210	.09880	.09060	.08860
-.456	-.063	.12990	.13100	.10740	.10900	.12940	.12990	.10740	.11050
-.439	3.953	.07813	.08850	.07730	.07760	.10960	.10870	.07870	.09110
	GRADIENT	-.00384	-.00343	-.00057	-.00061	.00093	.00123	-.00148	-.00094

ARC 11-023 IABO OTS (SRB OFF) (SSME OFF)

(JE4065) (28 OCT 75)

REFERENCE DATA

SREF = 2690.0000 SQ.FT. XMRP = .0000 IN.
 LREF = 1290.3000 IN. YMRP = .0000 IN.
 BREF = 1290.3000 IN. ZMRP = .0000 IN.
 SCALE = .0200

PARAMETRIC DATA

ELV-1B = 8.000 ELV-0B = -4.000
 RN/L = 4.250 MACH = .900

RUN NO. 302/ 0 RN/L = 4.21 GRADIENT INTERVAL = -5.00/ 5.00

ALPHA	BETA	CP35	CP41	CP43	CP45	CP40	CP42	CP44	CP46
-3.977	-.044	.05790	.06320	.04770	.04690	.06610	.06670	.05040	.04920
	GRADIENT	.00000	.00000	.00000	.00000	.00000	.00000	.00000	.00000

RUN NO. 303/ 0 RN/L = 4.18 GRADIENT INTERVAL = -5.00/ 5.00

ALPHA	BETA	CP39	CP41	CP43	CP45	CP40	CP42	CP44	CP46
-.304	-4.063	.02180	.02470	-.01210	-.01020	.01050	.00670	-.00530	-.00570
-.314	-.044	.02730	.03190	.01090	.01450	.03130	.03260	.00990	.01070
-.317	3.972	-.00910	-.00440	-.01140	-.01470	.02210	.01630	-.01590	-.01550
	GRADIENT	-.00385	-.00362	.00009	-.00056	.00144	.00118	-.00132	-.00122

RUN NO. 304/ 0 RN/L = 4.17 GRADIENT INTERVAL = -5.00/ 5.00

ALPHA	BETA	CP39	CP41	CP43	CP45	CP40	CP42	CP44	CP46
3.930	-.041	-.01130	-.00480	-.04030	-.03910	-.00930	-.00970	-.04280	-.04030
	GRADIENT	.00000	.00000	.00000	.00000	.00000	.00000	.00000	.00000

ARC 11-023 IABO OTS (SRB OFF) (SSME OFF)

(JE4066) (28 OCT 75)

REFERENCE DATA

SREF = 2690.0000 SQ.FT. XMRP = .0000 IN.
 LREF = 1290.3000 IN. YMRP = .0000 IN.
 BREF = 1290.3000 IN. ZMRP = .0000 IN.
 SCALE = .0200

PARAMETRIC DATA

ELV-1B = 8.000 ELV-0B = -4.000
 RN/L = 4.250 MACH = 1.100

RUN NO. 133/ 0 RN/L = 4.40 GRADIENT INTERVAL = -5.00/ 5.00

ALPHA	BETA	CP39	CP41	CP43	CP45	CP40	CP42	CP44	CP46
-3.963	-.063	.15080	.14890	.17020	.16750	.15730	.15450	.17240	.17170
	GRADIENT	.00000	.00000	.00000	.00000	.00000	.00000	.00000	.00000

RUN NO. 134/ 0 RN/L = 4.40 GRADIENT INTERVAL = -5.00/ 5.00

ALPHA	BETA	CP39	CP41	CP43	CP45	CP40	CP42	CP44	CP46
-.337	-4.072	.21070	.21460	.18690	.18760	.16280	.16150	.16410	.15950
-.334	-.059	.20270	.20720	.19350	.19720	.20910	.20860	.19610	.19980
-.376	3.950	.11080	.12520	.12820	.12990	.20680	.20360	.18600	.18590
	GRADIENT	-.01245	-.01114	-.00732	-.00719	.00549	.00525	.00273	.00329

ORIGINAL PAGE IS
OF POOR QUALITY

DATE 22 JUN 76

TABULATED SOURCE DATA - 1A80

PAGE 673

ARC 11-023 1A80 OTS (SRB OFF) (SSME OFF)

(JE4068) (28 OCT 75)

REFERENCE DATA

SREF = 2690.0000 SQ.FT. XMRP = .0000 IN.
 LREF = 1290.3000 IN. YMRP = .0000 IN.
 BREF = 1290.3000 IN. ZMRP = .0000 IN.
 SCALE = .0200

PARAMETRIC DATA

ELV-18 = 8.000 ELV-08 = -4.000
 RN/L = 4.250 MACH = 1.400

RUN NO. 121/ 0 RN/L = 4.39 GRADIENT INTERVAL = -5.00/ 5.00

ALPHA	BETA	CP39	CP41	CP43	CP45	CP40	CP42	CP44	CP46
-3.944	-.059	-.01450	-.00600	.00070	-.00380	-.01420	-.01310	-.00520	-.01050
	GRADIENT	.00000	.00000	.00000	.00000	.00000	.00000	.00000	.00000

RUN NO. 122/ 0 RN/L = 4.37 GRADIENT INTERVAL = -5.00/ 5.00

ALPHA	BETA	CP39	CP41	CP43	CP45	CP40	CP42	CP44	CP46
-.320	-4.072	.02700	.04000	.05750	.04800	-.03970	-.03830	-.03250	-.03950
-.320	-.059	-.00700	.00280	.01200	.00840	-.00280	-.00840	.00620	.00140
-.347	3.953	-.04980	-.03110	-.03250	-.03330	.04470	.04740	.05200	.04640
	GRADIENT	-.00957	-.00886	-.01121	-.01013	.01052	.01068	.01053	.01170

RUN NO. 123/ 0 RN/L = 4.35 GRADIENT INTERVAL = -5.00/ 5.00

ALPHA	BETA	CP39	CP41	CP43	CP45	CP40	CP42	CP44	CP46
3.960	-.063	-.03020	-.00950	-.01360	-.01510	-.00730	-.00340	-.00760	-.01290
	GRADIENT	.00000	.00000	.00000	.00000	.00000	.00000	.00000	.00000

ARC 11-023 1A80 OTS (SRB NOM) (SSME NOM)

(JE4069) (28 OCT 75)

REFERENCE DATA

SREF = 2690.0000 SQ.FT. XMRP = .0000 IN.
 LREF = 1290.3000 IN. YMRP = .0000 IN.
 BREF = 1290.3000 IN. ZMRP = .0000 IN.
 SCALE = .0200

PARAMETRIC DATA

ELV-18 = 8.000 ELV-08 = -4.000
 RN/L = 3.400 MACH = .600

RUN NO. 317/ 0 RN/L = 3.46 GRADIENT INTERVAL = -5.00/ 5.00

ALPHA	BETA	CP39	CP41	CP43	CP45	CP40	CP42	CP44	CP46
-3.920	-.044	-.00960	-.00990	-.04450	-.03410	-.01240	-.01200	-.02930	-.03100
	GRADIENT	.00000	.00000	.00000	.00000	.00000	.00000	.00000	.00000

RUN NO. 318/ 0 RN/L = 3.46 GRADIENT INTERVAL = -5.00/ 5.00

ALPHA	BETA	CP39	CP41	CP43	CP45	CP40	CP42	CP44	CP46
-.376	-4.066	-.04850	-.05200	-.10240	-.08580	-.05790	-.05890	-.07720	-.07340
-.373	-.050	-.04410	-.05020	-.08990	-.07960	-.05430	-.05670	-.08160	-.07890
-.426	3.969	-.05440	-.05580	-.09340	-.08510	-.06030	-.06270	-.10170	-.08950
	GRADIENT	-.00073	-.00047	.00112	.00009	-.00030	-.00047	-.00305	-.00200

DATE 22 JUN 76

TABULATED SOURCE DATA - 1A80

PAGE 675

ARC 11-023 1A80 OTS (SRB NOM) (SSME N)

(JE4071) (28 OCT 75)

REFERENCE DATA

SREF = 2690.0000 SQ.FT. XMRP = .0000 IN.
 LREF = 1290.3000 IN. YMRP = .0000 IN.
 BREF = 1290.3000 IN. ZMRP = .0000 IN.
 SCALE = .0200

PARAMETRIC DATA

ELV-1B = 8.000 ELV-0B = -4.000
 RN/L = 4.250 MACH = 1.100

RUN NO. 136/ 0 RN/L = 4.37 GRADIENT INTERVAL = -5.00/ 5.00

ALPHA	BETA	CP39	CP41	CP43	CP45	CP40	CP42	CP44	CP46
-3.963	-.066	.17760	.17480	.19450	.19600	.18840	.18350	.20190	.19890
	GRADIENT	.00000	.00000	.00000	.00000	.00000	.00000	.00000	.00000

RUN NO. 137/ 0 RN/L = 4.37 GRADIENT INTERVAL = -5.00/ 5.00

ALPHA	BETA	CP39	CP41	CP43	CP45	CP40	CP42	CP44	CP46
-.545	-4.072	.25640	.26060	.23190	.23220	.19210	.19090	.19420	.19590
-.667	-.059	.21910	.22650	.21960	.22380	.22840	.22940	.22120	.22770
-.519	3.953	.13700	.15230	.15670	.16040	.23740	.23580	.21420	.21800
	GRADIENT	-.01488	-.01350	-.00937	-.00895	.00564	.00560	.00249	.00275

RUN NO. 138/ 0 RN/L = 4.37 GRADIENT INTERVAL = -5.00/ 5.00

ALPHA	BETA	CP39	CP41	CP43	CP45	CP40	CP42	CP44	CP46
3.990	-.066	.25710	.26780	.23080	.23960	.26410	.26520	.23990	.24400
	GRADIENT	.00000	.00000	.00000	.00000	.00000	.00000	.00000	.00000

ARC 11-023 1A80 OTS (SRB NOM) (SSME NOM)

(JE4072) (28 OCT 75)

REFERENCE DATA

SREF = 2690.0000 SQ.FT. XMRP = .0000 IN.
 LREF = 1290.3000 IN. YMRP = .0000 IN.
 BREF = 1290.3000 IN. ZMRP = .0000 IN.
 SCALE = .0200

PARAMETRIC DATA

ELV-1B = 8.000 ELV-0B = -4.000
 RN/L = 4.250 MACH = 1.250

RUN NO. 130/ 0 RN/L = 4.40 GRADIENT INTERVAL = -5.00/ 5.00

ALPHA	BETA	CP39	CP41	CP43	CP45	CP40	CP42	CP44	CP46
-4.003	-.066	-.01640	-.01130	-.00750	-.00730	-.00670	-.00650	.00160	.00020
	GRADIENT	.00000	.00000	.00000	.00000	.00000	.00000	.00000	.00000

RUN NO. 131/ 0 RN/L = 4.40 GRADIENT INTERVAL = -5.00/ 5.00

ALPHA	BETA	CP39	CP41	CP43	CP45	CP40	CP42	CP44	CP46
-.502	-4.072	.03760	.04980	.06480	.05840	-.05130	-.04860	-.03790	-.04330
-.528	-.059	-.05240	-.02880	-.01840	-.02530	-.01790	-.01470	-.01600	-.02130
-.538	3.953	-.09380	-.06590	-.05480	-.06110	.04540	.04540	.06010	.04720
	GRADIENT	-.01630	-.01442	-.01490	-.01489	.01205	.01171	.01221	.01128

ORIGINAL PAGE IS
OF POOR QUALITY

DATE 22 JUN 76

TABULATED SOURCE DATA - 1A80

PAGE 677

ARC 11-025 1A80 OTS (SRB OFF) (SSME OFF)

(JE4074) (28 OCT 75)

REFERENCE DATA				PARAMETRIC DATA					
SREF =	2690.0000	SQ.FT.	XMRP =	.0000	IN.	ELV-18 =	8.000	ELV-08 =	.000
LREF =	1290.3000	IN.	YMRP =	.0000	IN.	RN/L =	3.400	MACH =	.600
BREF =	1290.3000	IN.	ZMRP =	.0000	IN.				
SCALE =	.0200								

RUN NO. 276/ 0		RN/L =	3.50		GRADIENT INTERVAL =		-5.00/ 5.00		
ALPHA	BETA	CP39	CP41	CP43	CP45	CP40	CP42	CP44	CP46
-3.950	-.009	.00050	.00320	-.01200	-.01300	.00390	.00490	-.01370	-.01260
	GRADIENT	.00000	.00000	.00000	.00000	.00000	.00000	.00000	.00000

RUN NO. 277/ 0		RN/L =	3.51		GRADIENT INTERVAL =		-5.00/ 5.00		
ALPHA	BETA	CP39	CP41	CP43	CP45	CP40	CP42	CP44	CP46
-.301	-4.044	-.04600	-.04270	-.07340	-.07270	-.04670	-.04810	-.06490	-.06260
-.287	-.006	-.03930	-.03460	-.05800	-.05530	-.04400	-.03900	-.07040	-.06100
-.317	3.988	-.05530	-.04820	-.06500	-.06270	-.05390	-.05430	-.08920	-.08250
	GRADIENT	-.00115	-.00068	.00093	.00125	-.00089	-.00077	-.00302	-.00247

RUN NO. 278/ 0		RN/L =	3.51		GRADIENT INTERVAL =		-5.00/ 5.00		
ALPHA	BETA	CP39	CP41	CP43	CP45	CP40	CP42	CP44	CP46
3.947	-.009	-.08930	-.08390	-.11740	-.11140	-.09700	-.09360	-.13010	-.12510
	GRADIENT	.00000	.00000	.00000	.00000	.00000	.00000	.00000	.00000

ARC 11-023 1A80 OTS (SRB OFF) (SSME OFF)

(JE4075) (28 OCT 75)

REFERENCE DATA				PARAMETRIC DATA					
SREF =	2690.0000	SQ.FT.	XMRP =	.0000	IN.	ELV-18 =	8.000	ELV-08 =	.000
LREF =	1290.3000	IN.	YMRP =	.0000	IN.	RN/L =	4.250	MACH =	.900
BREF =	1290.3000	IN.	ZMRP =	.0000	IN.				
SCALE =	.0200								

RUN NO. 282/ 0		RN/L =	4.25		GRADIENT INTERVAL =		-5.00/ 5.00		
ALPHA	BETA	CP39	CP41	CP43	CP45	CP40	CP42	CP44	CP46
-3.980	-.012	.06210	.06550	.05080	.05120	.07090	.06910	.05390	.05350
	GRADIENT	.00000	.00000	.00000	.00000	.00000	.00000	.00000	.00000

RUN NO. 283/ 0		RN/L =	4.25		GRADIENT INTERVAL =		-5.00/ 5.00		
ALPHA	BETA	CP39	CP41	CP43	CP45	CP40	CP42	CP44	CP46
-.324	-4.047	.03070	.03350	-.00320	-.00180	.01470	.01280	.00280	.00100
-.317	-.006	.03460	.04100	.02080	.02220	.03940	.04000	.01690	.01930
-.396	3.984	-.00170	.00570	-.00420	-.00290	.03450	.03270	-.00270	-.00030
	GRADIENT	-.00402	-.00333	-.00012	-.00012	.00247	.00249	-.00068	-.00015

DATE 22 JUN 76

TABULATED SOURCE DATA - 1A80

PAGE 679

ARC 11-023 1A80 OTS (SRB OFF) (SSME OFF)

(JE4077) (28 OCT 75)

REFERENCE DATA

SREF = 2690.0000 SQ.FT. XMRP = .0000 IN.
 LREF = 1290.3000 IN. YMRP = .0000 IN.
 BREF = 1290.3000 IN. ZMRP = .0000 IN.
 SCALE = .0200

PARAMETRIC DATA

ELV-18 = 8.000 ELV-08 = .000
 RN/L = 4.250 MACH = 1.250

RUN NO. 147/ 0 RN/L = 4.48 GRADIENT INTERVAL = -5.00/ 5.00

ALPHA	BETA	CP39	CP41	CP43	CP45	CP40	CP42	CP44	CP46
-3.881	.012	-.02200	-.01420	-.01290	-.01150	-.0.530	-.01450	-.00420	-.00790
	GRADIENT	.00000	.00000	.00000	.00000	.00000	.00000	.00000	.00000

RUN NO. 148/ 0 RN/L = 4.47 GRADIENT INTERVAL = -5.00/ 5.00

ALPHA	BETA	CP39	CP41	CP43	CP45	CP40	CP42	CP44	CP46
-.238	-3.994	.03330	.04580	.06020	.05530	-.05910	-.05630	-.04330	-.04800
-.258	.009	-.05870	-.03660	-.02500	-.03200	-.02580	-.02250	-.02230	-.02410
-.281	4.031	-.09070	-.06150	-.05760	-.05620	.03620	.03850	.04990	.03990
	GRADIENT	-.01545	-.01337	-.01467	-.01389	.01188	.01182	.01162	.01096

RUN NO. 149/ 0 RN/L = 4.45 GRADIENT INTERVAL = -5.00/ 5.00

ALPHA	BETA	CP39	CP41	CP43	CP45	CP40	CP42	CP44	CP46
3.953	.016	-.07750	-.05830	-.03100	-.04030	-.05410	-.04840	-.05200	-.05400
	GRADIENT	.00000	.00000	.00000	.00000	.00000	.00000	.00000	.00000

ARC 11-023 1A80 OTS (SRB OFF) (SSME OFF)

(JE4078) (28 OCT 75)

REFERENCE DATA

SREF = 2690.0000 SQ.FT. XMRP = .0000 IN.
 LREF = 1290.3000 IN. YMRP = .0000 IN.
 BREF = 1290.3000 IN. ZMRP = .0000 IN.
 SCALE = .0200

PARAMETRIC DATA

ELV-18 = 8.000 ELV-08 = .000
 RN/L = 4.250 MACH = 1.400

RUN NO. 141/ 0 RN/L = 4.35 GRADIENT INTERVAL = -5.00/ 5.00

ALPHA	BETA	CP39	CP41	CP43	CP45	CP40	CP42	CP44	CP46
-3.980	-.066	-.01110	-.00420	.00170	-.00110	-.01140	-.01050	-.00610	-.00890
	GRADIENT	.00000	.00000	.00000	.00000	.00000	.00000	.00000	.00000

RUN NO. 142/ 0 RN/L = 4.34 GRADIENT INTERVAL = -5.00/ 5.00

ALPHA	BETA	CP39	CP41	CP43	CP45	CP40	CP42	CP44	CP46
-.238	-4.072	.02560	.04110	.06080	.05050	-.03690	-.03670	-.03220	-.03860
-.228	-.063	-.00740	.00500	.01260	.01000	-.00620	-.00790	.00710	.00050
-.261	3.953	-.05040	-.03470	-.03320	-.03450	.04420	.04260	.05130	.04520
	GRADIENT	-.00947	-.00945	-.01171	-.01059	.01011	.00988	.01041	.01044

ARC 11-023 1A80 OTS (SRB NOM) (SSME NOM)

(JE4080) (28 OCT 75)

REFERENCE DATA

SREF = 2690.0000 SQ.FT. XMRP = .0000 IN.
 LREF = 1290.3000 IN. YMRP = .0000 IN.
 BREF = 1290.3000 IN. ZMRP = .0000 IN.
 SCALE = .0200

PARAMETRIC DATA

ELV-18 = 8.000 ELV-08 = .000
 RN/L = 4.250 MACH = .900

RUN NO. 285/ 0 RN/L = 4.18 GRADIENT INTERVAL = -5.00/ 5.00

ALPHA	BETA	CP39	CP41	CP43	CP45	CP40	CP42	CP44	CP46
-3.897	-.009	.05190	.05720	.04220	.04220	.06250	.06030	.04420	.04470
	GRADIENT	.00000	.00000	.00000	.00000	.00000	.00000	.00000	.00000

RUN NO. 286/ 0 RN/L = 4.19 GRADIENT INTERVAL = -5.00/ 5.00

ALPHA	BETA	CP39	CP41	CP43	CP45	CP40	CP42	CP44	CP46
-.353	-4.050	.02720	.02980	-.00690	-.00730	.01180	.00710	-.00370	-.00330
-.363	-.009	.02900	.03380	.01180	.01650	.03280	.03140	.01060	.01230
-.519	3.961	-.00580	.00120	-.01130	-.00520	.03000	.02860	-.00400	-.00160
	GRADIENT	-.00410	-.00355	-.00054	.00027	.00227	.00268	-.00003	.00022

RUN NO. 287/ 0 RN/L = 4.18 GRADIENT INTERVAL = -5.00/ 5.00

ALPHA	BETA	CP39	CP41	CP43	CP45	CP40	CP42	CP44	CP46
3.980	-.012	-.00920	-.00290	-.03650	-.03590	-.00600	-.00840	-.03990	-.03770
	GRADIENT	.00000	.00000	.00000	.00000	.00000	.00000	.00000	.00000

ARC 11-023 1A80 OTS (SRB NOM) (SSME NOM)

(JE4081) (28 OCT 75)

REFERENCE DATA

SREF = 2690.0000 SQ.FT. XMRP = .0000 IN.
 LREF = 1290.3000 IN. YMRP = .0000 IN.
 BREF = 1290.3000 IN. ZMRP = .0000 IN.
 SCALE = .0200

PARAMETRIC DATA

ELV-18 = 8.000 ELV-08 = .000
 RN/L = 4.250 MACH = 1.100

RUN NO. 156/ 0 RN/L = 4.38 GRADIENT INTERVAL = -5.00/ 5.00

ALPHA	BETA	CP39	CP41	CP43	CP45	CP40	CP42	CP44	CP46
-3.937	.012	.14170	.13200	.15220	.15780	.15520	.14860	.16980	.16590
	GRADIENT	.00000	.00000	.00000	.00000	.00000	.00000	.00000	.00000

RUN NO. 157/ 0 RN/L = 4.38 GRADIENT INTERVAL = -5.00/ 5.00

ALPHA	BETA	CP39	CP41	CP43	CP45	CP40	CP42	CP44	46
-.395	-3.994	.20590	.21210	.18700	.18750	.16220	.16040	.16160	.16060
-.380	.009	.13730	.14610	.15370	.15170	.15050	.14900	.16270	.16770
-.393	4.031	.13050	.13490	.13540	.14040	.20360	.20200	.18260	.18270
	GRADIENT	-.00939	-.00951	-.00243	-.00587	.00517	.00519	.00262	.00275

DATE 22 JUN 76

TABULATED SOURCE DATA - IAB0

PAGE 683

ARC 11-023 IAB0 OTS (SRB NOM) (SSME NOM)

(JE4083) (28 OCT 75)

REFERENCE DATA

SREF = 2690.0000 SQ.FT. XMRP = .0000 IN.
 LREF = 1290.3000 IN. YMRP = .0000 IN.
 BREF = 1290.3000 IN. ZMRP = .0000 IN.
 SCALE = .0200

PARAMETRIC DATA

ELV-1B = 8.000 ELV-08 = .000
 RN/L = 4.250 MACH = 1.400

RUN NO. 144/ 0 RN/L = 4.32 GRADIENT INTERVAL = -5.00/ 5.00

ALPHA	BETA	CP39	CP41	CP43	CP45	CP40	CP42	CP44	CP46
-3.983	-.066	-.00700	.00050	.00770	.00580	-.00720	-.00750	-.00040	-.00580
	GRADIENT	.00000	.00000	.00000	.00000	.00000	.00000	.00000	.00000

RUN NO. 145/ 0 RN/L = 4.31 GRADIENT INTERVAL = -5.00/ 5.00

ALPHA	BETA	CP39	CP41	CP43	CP45	CP40	CP42	CP44	CP46
-.380	-4.059	.02470	.03910	.06130	.04960	-.03740	-.03830	-.03380	-.03970
-.380	-.059	-.00570	.00570	.01250	.01050	-.00320	-.00450	.01030	.00220
-.409	3.953	-.05380	-.03620	-.03420	-.03760	.04520	.04410	.05140	.04680
	GRADIENT	-.00980	-.00940	-.01192	-.01988	.01031	.01028	.01063	.01080

RUN NO. 146/ 0 RN/L = 4.27 GRADIENT INTERVAL = -5.00/ 5.00

ALPHA	BETA	CP39	CP41	CP43	CP45	CP40	CP42	CP44	CP46
3.828	.000	-.02730	-.00470	-.00710	-.00740	-.00300	.00120	-.00160	-.00640
	GRADIENT	.00000	.00000	.00000	.00000	.00000	.00000	.00000	.00000

ARC 11-023 IAB0 OTS (SRB OFF) (SSME OFF)

(JE4084) (28 OCT 75)

REFERENCE DATA

SREF = 2690.0000 SQ.FT. XMRP = .0000 IN.
 LREF = 1290.3000 IN. YMRP = .0000 IN.
 BREF = 1290.3000 IN. ZMRP = .0000 IN.
 SCALE = .0200

PARAMETRIC DATA

ELV-1B = 8.000 ELV-08 = 2.000
 RN/L = 3.400 MACH = .600

RUN NO. 326/ 0 RN/L = 3.42 GRADIENT INTERVAL = -5.00/ 5.00

ALPHA	BETA	CP39	CP41	CP43	CP45	CP40	CP42	CP44	CP46
-3.953	-.044	-.00830	-.00750	-.03380	-.03550	-.00730	-.01280	-.03380	-.03990
	GRADIENT	.00000	.00000	.00000	.00000	.00000	.00000	.00000	.00000

RUN NO. 327/ 0 RN/L = 3.43 GRADIENT INTERVAL = -5.00/ 5.00

ALPHA	BETA	CP39	CP41	CP43	CP45	CP40	CP42	CP44	CP46
-.284	-4.053	-.04020	-.03980	-.07580	-.07370	-.04670	-.04700	-.06690	-.06340
-.291	-.047	-.03420	-.03180	-.06100	-.05290	-.04240	-.04240	-.06170	-.05930
-.320	3.869	-.04700	-.04630	-.07540	-.07060	-.05690	-.05970	-.08810	-.08770
	GRADIENT	-.00085	-.00081	.00005	.00039	-.00115	-.00158	-.00264	-.00303

DATE 22 JUN 76

TABULATED SOURCE DATA - IA80

PAGE 685

ARC 11-023 IA80 OTS (SRB OFF) (SSME OFF)

(JE4086) (28 OCT 75)

REFERENCE DATA

SREF = 2690.0000 SQ.FT. XMRP = .0000 IN.
 LREF = 1290.3000 IN. YMRP = .0000 IN.
 BREF = 1290.3000 IN. ZMRP = .0000 IN.
 SCALE = .0200

PARAMETRIC DATA

ELV-1B = 8.000 ELV-08 = 2.000
 RN/L = 4.250 MACH = 1.100

RUN NO. 159/ 0 RN/L = 4.47 GRADIENT INTERVAL = -5.00/ 5.00

ALPHA	BETA	CP39	CP41	CP43	CP45	CP40	CP42	CP44	CP46
-4.013	.016	.09610	.09000	.12750	.10560	.10280	.10490	.12040	.12500
	GRADIENT	.00000	.00000	.00000	.00000	.00000	.00000	.00000	.00000

RUN NO. 160/ 0 RN/L = 4.46 GRADIENT INTERVAL = -5.00/ 5.00

ALPHA	BETA	CP39	CP41	CP43	CP45	CP40	CP42	CP44	CP46
-.304	-3.991	.20540	.20790	.18160	.18090	.16030	.15580	.15660	.15690
-.267	.009	.18530	.20500	.19150	.19610	.19620	.20690	.19370	.20770
-.327	4.034	.12130	.13140	.13100	.14070	.17200	.17520	.16240	.16510
	GRADIENT	-.01049	-.00954	-.00534	-.00502	.00145	.00241	.00071	.00101

RUN NO. 161/ 0 RN/L = 4.45 GRADIENT INTERVAL = -5.00/ 5.00

ALPHA	BETA	CP39	CP41	CP43	CP45	CP40	CP42	CP44	CP46
3.986	.016	.20790	.21590	.18750	.19360	.21180	.21400	.19020	.19340
	GRADIENT	.00000	.00000	.00000	.00000	.00000	.00000	.00000	.00000

ARC 11-023 IA80 OTS (SRB NOM) (SSME NOM)

(JE4087) (28 OCT 75)

REFERENCE DATA

SREF = 2690.0000 SQ.FT. XMRP = .0000 IN.
 LREF = 1290.3000 IN. YMRP = .0000 IN.
 BREF = 1290.3000 IN. ZMRP = .0000 IN.
 SCALE = .0200

PARAMETRIC DATA

ELV-1B = 8.000 ELV-08 = 2.000
 RN/L = 3.400 MACH = .600

RUN NO. 329/ 0 RN/L = 3.43 GRADIENT INTERVAL = -5.00/ 5.00

ALPHA	BETA	CP39	CP41	CP43	CP45	CP40	CP42	CP44	CP46
-3.871	-.044	-.01190	-.00950	-.03590	-.03380	-.01230	-.01020	-.03690	-.03450
	GRADIENT	.00000	.00000	.00000	.00000	.00000	.00000	.00000	.00000

RUN NO. 330/ 0 RN/L = 3.43 GRADIENT INTERVAL = -5.00/ 5.00

ALPHA	BETA	CP39	CP41	CP43	CP45	CP40	CP42	CP44	CP46
-.350	-4.066	-.05110	-.04970	-.08660	-.08580	-.05830	-.05830	-.08000	-.07420
-.380	-.050	-.05330	-.05400	-.08050	-.07540	-.06150	-.06180	-.08360	-.07880
-.423	3.969	-.05850	-.05610	-.08170	-.07080	-.06050	-.06220	-.09100	-.08730
	GRADIENT	-.00092	-.00080	.00060	.00187	-.00027	-.00049	-.00137	-.00163

DATE 22 JUN 76

TABULATED SOURCE DATA - IAB0

PAGE 687

ARC 11-023 IAB0 OTS (SRB NOM) (SSME NOM)

(JE4089) (28 OCT 75)

REFERENCE DATA

SREF = 2690.0000 SQ.FT. XMRP = .0000 IN.
 LREF = 1290.3000 IN. YMRP = .0000 IN.
 BREF = 1290.3000 IN. ZMRP = .0000 IN.
 SCALE = .0200

PARAMETRIC DATA

ELV-1B = 8.000 ELV-08 = 2.000
 RN/L = 4.250 MACH = 1.100

RUN NO. 162/ 0 RN/L = 4.41 GRADIENT INTERVAL = -5.00/ 5.00

ALPHA	BETA	CP39	CP41	CP43	CP45	CP40	CP42	CP44	CP46
-3.970	.016	.13190	.14340	.15520	.15160	.15310	.14890	.16250	.16170
	GRADIENT	.00000	.00000	.00000	.00000	.00000	.00000	.00000	.00000

RUN NO. 163/ 0 RN/L = 4.43 GRADIENT INTERVAL = -5.00/ 5.00

ALPHA	BETA	CP39	CP41	CP43	CP45	CP40	CP42	CP44	CP46
-.436	-3.994	.20820	.21120	.18560	.18750	.15970	.15880	.15870	.16090
-.429	.009	.12990	.13750	.15030	.16410	.14700	.15020	.16160	.17490
-.466	4.031	.11760	.12860	.13270	.13710	.20360	.20270	.18320	.18790
	GRADIENT	-.01128	-.01029	-.00571	-.00628	.00548	.00548	.00305	.00336

RUN NO. 164/ 0 RN/L = 4.43 GRADIENT INTERVAL = -5.00/ 5.00

ALPHA	BETA	CP39	CP41	CP43	CP45	CP40	CP42	CP44	CP46
3.851	.012	.20410	.21370	.18530	.19140	.20970	.21020	.19020	.19430
	GRADIENT	.00000	.00000	.00000	.00000	.00000	.00000	.00000	.00000

ARC 11-023 IAB0 OTS (SRB OFF) (SSME OFF)

(JE4090) (28 OCT 75)

REFERENCE DATA

SREF = 2690.0000 SQ.FT. XMRP = .0000 IN.
 LREF = 1290.3000 IN. YMRP = .0000 IN.
 BREF = 1290.3000 IN. ZMRP = .0000 IN.
 SCALE = .0200

PARAMETRIC DATA

ELV-1B = 4.000 ELV-08 = 4.000
 RN/L = 3.400 MACH = .600

RUN NO. 332/ 0 RN/L = 3.50 GRADIENT INTERVAL = -5.00/ 5.00

ALPHA	BETA	CP39	CP41	CP43	CP45	CP40	CP42	CP44	CP46
-3.960	-.003	.05230	-.00120	-.01720	-.01410	.00190	-.00120	-.01680	-.01100
	GRADIENT	.00000	.00000	.00000	.00000	.00000	.00000	.00000	.00000

RUN NO. 333/ 0 RN/L = 3.49 GRADIENT INTERVAL = -5.00/ 5.00

ALPHA	BETA	CP39	CP41	CP43	CP45	CP40	CP42	CP44	CP46
-.267	-4.003	-.03790	-.03930	-.07360	-.06990	-.04500	-.04670	-.06550	-.06310
-.291	.012	-.03770	-.03640	-.05740	-.05470	-.04420	-.04520	-.06620	-.06040
-.294	4.028	-.04810	-.04740	-.06480	-.06310	-.05050	-.05490	-.08320	-.08210
	GRADIENT	-.00127	-.00161	.00110	.00085	-.00068	-.00102	-.00220	-.00237

DATE 22 JUN 76

TABULATED SOURCE DATA - IAB0

PAGE 689

ARC 11-023 IAB0 OTS (SRB OFF) (SSME OFF)

(JE4092) (28 OCT 75)

REFERENCE DATA

SREF = 2690.0000 SQ.FT. XMRP = .0000 IN.
 LREF = 1290.3000 IN. YMRP = .0000 IN.
 BREF = 1290.3000 IN. ZMRP = .0000 IN.
 SCALE = .0200

PARAMETRIC DATA

ELV-18 = 4.000 ELV-08 = 4.000
 RN/L = 4.250 MACH = 1.100

RUN NO. 177/ 0 RN/L = 4.34 GRADIENT INTERVAL = -5.00/ 5.00

ALPHA	BETA	CP39	CP41	CP43	CP45	CP40	CP42	CP44	CP46
-3.957	.003	.14520	.15280	.15760	.15490	.14870	.13230	.15710	.16780
	GRADIENT	.00000	.00000	.00000	.00000	.00000	.00000	.00000	.00000

RUN NO. 178/ 0 RN/L = 4.34 GRADIENT INTERVAL = -5.00/ 5.00

ALPHA	BETA	CP39	CP41	CP43	CP45	CP40	CP42	CP44	CP46
-.264	-3.994	.20390	.20860	.18120	.18290	.16150	.15950	.16210	.15970
-.281	.000	.17120	.17510	.17640	.17480	.18490	.15900	.17820	.17960
-.320	4.028	.11510	.13340	.13230	.13950	.20530	.20580	.18390	.18550
	GRADIENT	-.01107	-.00940	-.00603	-.00542	.00546	.00552	.00272	.00321

RUN NO. 179/ 0 RN/L = 4.34 GRADIENT INTERVAL = -5.00/ 5.00

ALPHA	BETA	CP39	CP41	CP43	CP45	CP40	CP42	CP44	CP46
3.517	.003	.20670	.21610	.18470	.18380	.20880	.21010	.18620	.19090
	GRADIENT	.00000	.00000	.00000	.00000	.00000	.00000	.00000	.00000

ARC 11-023 IAB0 OTS (SRB OFF) (SSME OFF)

(JE4093) (28 OCT 75)

REFERENCE DATA

SREF = 2690.0000 SQ.FT. XMRP = .0000 IN.
 LREF = 1290.3000 IN. YMRP = .0000 IN.
 BREF = 1290.3000 IN. ZMRP = .0000 IN.
 SCALE = .0200

PARAMETRIC DATA

ELV-18 = 4.000 ELV-08 = 4.000
 RN/L = 4.250 MACH = 1.250

RUN NO. 171/ 0 RN/L = 4.35 GRADIENT INTERVAL = -5.00/ 5.00

ALPHA	BETA	CP39	CP41	CP43	CP45	CP40	CP42	CP44	CP46
-3.953	.006	-.02750	-.01750	-.01130	-.01290	-.01460	-.01380	-.00470	-.00620
	GRADIENT	.00000	.00000	.00000	.00000	.00000	.00000	.00000	.00000

RUN NO. 172/ 0 RN/L = 4.35 GRADIENT INTERVAL = -5.00/ 5.00

ALPHA	BETA	CP39	CP41	CP43	CP45	CP40	CP42	CP44	CP46
-.238	-3.997	.02570	.04120	.02450	.05370	-.06090	-.05800	-.04260	-.05090
-.231	.000	-.06140	-.04040	-.02940	-.03660	-.02890	-.02320	-.02240	-.02780
-.284	4.034	-.09480	-.05430	-.02620	-.05840	.03470	.03660	.05320	.04140
	GRADIENT	-.01499	-.01312	-.01377	-.01394	.01191	.01178	.01194	.01150

ORIGINAL PAGE IS
OF POOR QUALITY

DATE 22 JUN 76

TABULATED SOURCE DATA - IABO

PAGE 691

ARC 11-023 IABO OTS (SRB NOM) (SSME NOM)

(JE4095) (28 OCT 75)

REFERENCE DATA

SREF = 2690.0000 SQ.FT. XMRP = .0000 IN.
 LREF = 1290.3000 IN. YMRP = .0000 IN.
 BREF = 1290.3000 IN. ZMRP = .0000 IN.
 SCALE = .0200

PARAMETRIC DATA

ELV-18 = 4.300 ELV-08 = 4.000
 RN/L = 3.400 MACH = .600

RUN NO. 335/ 0 RN/L = 3.41 GRADIENT INTERVAL = -5.00/ 5.00

ALPHA	BETA	CP39	CP41	CP43	CP45	CP40	CP42	CP44	CP46
-3.960	.006	-.01440	-.01980	-.03470	-.03720	-.01760	-.01900	-.03680	-.03570
	GRADIENT	.00000	.00000	.00000	.00000	.00000	.00000	.00000	.00000

RUN NO. 336/ 0 RN/L = 3.47 GRADIENT INTERVAL = -5.00/ 5.00

ALPHA	BETA	CP39	CP41	CP43	CP45	CP40	CP42	CP44	CP46
-.297	-4.003	-.04740	-.04670	-.08720	-.08480	-.05670	-.06010	-.07690	-.08170
-.307	.012	-.04600	-.04560	-.06580	-.06070	-.05210	-.05010	-.07130	-.06780
-.376	4.022	-.06080	-.05490	-.07740	-.07640	-.06320	-.06490	-.10160	-.09230
	GRADIENT	-.00167	-.00102	.00122	.00105	-.00081	-.00060	-.00308	-.00132

RUN NO. 337/ 0 RN/L = 3.48 GRADIENT INTERVAL = -5.00/ 5.00

ALPHA	BETA	CP39	CP41	CP43	CP45	CP40	CP42	CP44	CP46
4.020	-.003	-.09400	-.09460	-.12450	-.12550	-.11050	-.10820	-.14050	-.13270
	GRADIENT	.00000	.00000	.00000	.00000	.00000	.00000	.00000	.00000

ARC 11-023 IABO OTS (SRB NOM) (SSME NOM)

(JE4096) (28 OCT 75)

REFERENCE DATA

SREF = 2690.0000 SQ.FT. XMRP = .0000 IN.
 LREF = 1290.3000 IN. YMRP = .0000 IN.
 BREF = 1290.3000 IN. ZMRP = .0000 IN.
 SCALE = .0200

PARAMETRIC DATA

ELV-18 = 4.000 ELV-08 = 4.000
 RN/L = 4.250 MACH = .900

RUN NO. 341/ 0 RN/L = 4.21 GRADIENT INTERVAL = -5.00/ 5.00

ALPHA	BETA	CP39	CP41	CP43	CP45	CP40	CP42	CP44	CP46
-3.891	-.003	.06740	.06760	.05040	.05100	.07000	.06620	.05280	.05180
	GRADIENT	.00900	.00000	.00000	.00000	.00000	.00000	.00000	.00000

RUN NO. 342/ 0 RN/L = 4.20 GRADIENT INTERVAL = -5.00/ 5.00

ALPHA	BETA	CP39	CP41	CP43	CP45	CP40	CP42	CP44	CP46
-.390	-4.003	.03530	.03180	-.00410	-.00610	.01100	.00560	-.00330	-.00640
-.360	.012	.03160	.03440	.01090	.01230	.03300	.03040	-.00830	.01050
-.406	4.031	.00110	.00510	-.00670	-.00710	.03390	.02700	-.00150	-.00350
	GRADIENT	-.00426	-.00332	-.00032	-.00013	.00284	.00266	.00022	.00036

ARC 11-023 1A80 OTS (SRP NOM) (SSME NOM)

(JE4096) (28 OCT 75)

REFERENCE DATA

SREF = 2690.0000 SQ.FT. XMRP = .0000 IN.
 LREF = 1290.3000 IN. YMRP = .0000 IN.
 BREF = 1290.3000 IN. ZMRP = .0000 IN.
 SCALE = .0200

PARAMETRIC DATA

ELV-18 = 4.000 ELV-08 = 4.000
 RN/L = 4.250 MACH = .900

RUN NO. 343/ 0 RN/L = 4.20 GRADIENT INTERVAL = -5.00/ 5.00

ALPHA	BETA	CP39	CP41	CP43	CP45	CP40	CP42	CP44	CP46
3.986	-.003	.00370	.00130	-.02880	-.03200	.00190	-.00370	-.03300	-.03360
	GRADIENT	.00000	.00000	.00000	.00000	.00000	.00000	.00000	.00000

ARC 11-023 1A80 OTS (SRB NOM) (SSME NOM)

(JE4097) (28 OCT 75)

REFERENCE DATA

SREF = 2690.0000 SQ.FT. XMRP = .0000 IN.
 LREF = 1290.3000 IN. YMRP = .0000 IN.
 BREF = 1290.3000 IN. ZMRP = .0000 IN.
 SCALE = .0200

PARAMETRIC DATA

ELV-18 = 4.000 ELV-08 = 4.000
 RN/L = 4.250 MACH = 1.100

RUN NO. 180/ 0 RN/L = 4.34 GRADIENT INTERVAL = -5.00/ 5.00

ALPHA	BETA	CP39	CP41	CP43	CP45	CP40	CP42	CP44	CP46
-3.963	.003	.15890	.15780	.17190	.17000	.16750	.16440	.17990	.16830
	GRADIENT	.00000	.00000	.00000	.00000	.00000	.00000	.00000	.00000

RUN NO. 181/ 0 RN/L = 4.34 GRADIENT INTERVAL = -5.00/ 5.00

ALPHA	BETA	CP39	CP41	CP43	CP45	CP40	CP42	CP44	CP46
-.409	-3.997	.20500	.20860	.18240	.18360	.16040	.16040	.15990	.16140
-.386	-.003	.16320	.16780	.17120	.18130	.17810	.18070	.17400	.18440
-.429	4.028	.13110	.14460	.14900	.15170	.20350	.20210	.18180	.18300
	GRADIENT	-.00921	-.00797	-.00416	-.00398	.00537	.00520	.00273	.00269

RUN NO. 182/ 0 RN/L = 4.34 GRADIENT INTERVAL = -5.00/ 5.00

ALPHA	BETA	CP39	CP41	CP43	CP45	CP40	CP42	CP44	CP46
4.033	-.003	.20210	.21150	.18050	.18490	.20720	.20750	.18340	.18860
	GRADIENT	.00000	.00000	.00950	.00000	.00000	.00000	.00000	.00000

DATE 22 JUN 76

TABULATED SOURCE DATA - 1A80

PAGE 693

ARC 11-023 1A80 OTS (SRB NOM) (SSME NOM)

(JE4098) (28 OCT 75)

REFERENCE DATA

SREF = 2690.0000 SQ.FT. XMRP = .0000 IN.
 LREF = 1290.3000 IN. YMRP = .0000 IN.
 BREF = 1290.3000 IN. ZMRP = .0000 IN.
 SCALE = .0200

PARAMETRIC DATA

ELV-18 = 4.000 ELV-08 = 4.000
 RN/L = 4.250 MACH = 1.250

RUN NO. 174/ 0 RN/L = 4.34 GRADIENT INTERVAL = -5.00/ 5.00

ALPHA	BETA	CP39	CP41	CP43	CP45	CP40	CP42	CP44	CP46
-3.973	.003	-.01450	-.00810	-.00480	-.00350	-.00810	-.00860	-.00160	-.00080
	GRADIENT	.00000	.00000	.00300	.00000	.00000	.00000	.00000	.00000

RUN NO. 175/ 0 RN/L = 4.34 GRADIENT INTERVAL = -5.00/ 5.00

ALPHA	BETA	CP39	CP41	CP43	CP45	CP40	CP42	CP44	CP46
-.482	-3.994	.03300	.04830	.05220	.05490	-.05400	-.05130	-.03510	-.01300
-.439	-.003	-.05370	-.03030	-.01720	.02630	-.02250	-.02160	-.01950	-.02440
-.416	4.028	-.09160	-.06380	-.05460	-.05490	.04300	.03960	.05290	.04700
	GRADIENT	-.01552	-.01396	-.01418	-.01368	.01210	.01134	.01098	.01111

RUN NO. 176/ 0 RN/L = 4.34 GRADIENT INTERVAL = -5.00/ 5.00

ALPHA	BETA	CP39	CP41	CP43	CP45	CP40	CP42	CP44	CP46
4.020	.003	-.06800	-.04730	-.02450	-.03330	-.05100	-.04540	-.04610	-.05070
	GRADIENT	.00000	.00000	.00000	.00000	.00000	.00000	.00000	.00000

ARC 11-023 1A80 OTS (SRB NOM) (SSME NOM)

(JE4099) (28 OCT 75)

REFERENCE DATA

SREF = 2690.0000 SQ.FT. XMRP = .0000 IN.
 LREF = 1290.3000 IN. YMRP = .0000 IN.
 BREF = 1290.3000 IN. ZMRP = .0000 IN.
 SCALE = .0200

PARAMETRIC DATA

ELV-18 = 4.000 ELV-08 = 4.000
 RN/L = 4.250 MACH = 1.400

RUN NO. 168/ 0 RN/L = 4.27 GRADIENT INTERVAL = -5.00/ 5.00

ALPHA	BETA	CP39	CP41	CP43	CP45	CP40	CP42	CP44	CP46
-3.944	.009	-.00650	-.00020	.00390	.00560	-.00540	-.00740	-.00120	-.00520
	GRADIENT	.00000	.00000	.00300	.00000	.00000	.00000	.00000	.00000

RUN NO. 169/ 0 RN/L = 4.26 GRADIENT INTERVAL = -5.00/ 5.00

ALPHA	BETA	CP39	CP41	CP43	CP45	CP40	CP42	CP44	CP46
-.403	-3.991	.03200	.04470	.06490	.05670	-.03910	-.03690	-.03150	-.03620
-.386	.012	-.00280	.00910	.01440	.01320	.00270	-.00380	.00440	.00340
-.443	4.034	-.05200	-.03500	-.03360	-.03620	.04770	.04570	.05370	.04690
	GRADIENT	-.01047	-.00993	-.01227	-.01158	.01082	.01029	.01062	.01036

ORIGINAL PAGE IS
OF POOR QUALITY

ARC 11-023 IAB0 OTS (SRB OFF) (SSME OFF)

(JE40A1) (28 OCT 75)

REFERENCE DATA

SREF = 2690.0000 SQ.FT. XMRP = .0000 IN.
 LREF = 1290.3000 IN. YMRP = .0000 IN.
 BREF = 1290.3000 IN. ZMRP = .0000 IN.
 SCALE = .0200

PARAMETRIC DATA

ELV-1B = .000 ELV-0B = 4.000
 RN/L = 4.250 MACH = .900

RUN NO. 350/ 0 RN/L = 4.23 GRADIENT INTERVAL = -5.00/ 5.00

ALPHA	BETA	CP39	CP41	CP43	CP45	CP40	CP42	CP44	CP46
-3.996	.009	.06510	.06530	.05130	.04990	.06990	.06710	.05390	.05590
	GRADIENT	.00000	.00000	.00000	.00000	.00000	.00000	.00000	.00000

RUN NO. 351/ 0 RN/L = 4.24 GRADIENT INTERVAL = -5.00/ 5.00

ALPHA	BETA	CP39	CP41	CP43	CP45	CP40	CP42	CP44	CP46
-.281	-4.006	.03730	.03490	-.00130	-.00150	.01650	.01230	.00130	.00230
-.284	.009	.03750	.03730	.01660	.01680	.03730	.03450	.01310	.01380
-.281	4.029	-.00180	.00110	-.01120	-.01020	.02970	.02170	-.00620	-.00900
	GRADIENT	-.00487	-.00421	-.00123	-.00108	.00164	.00117	-.00093	-.00141

RUN NO. 352/ 0 RN/L = 4.23 GRADIENT INTERVAL = -5.00/ 5.00

ALPHA	BETA	CP39	CP41	CP43	CP45	CP40	CP42	CP44	CP46
4.023	.016	.00490	.00210	-.02880	-.02880	.00230	-.00200	-.03010	-.02720
	GRADIENT	.00000	.00000	.00000	.00000	.00000	.00000	.00000	.00000

ARC 11-023 IAB0 OTS SRB OFF) (SSME OFF)

(JE40A2) (28 OCT 75)

REFERENCE DATA

SREF = 2690.0000 SQ.FT. XMRP = .0000 IN.
 LREF = 1290.3000 IN. YMRP = .0000 IN.
 BREF = 1290.3000 IN. ZMRP = .0000 IN.
 SCALE = .0200

PARAMETRIC DATA

ELV-1B = .000 ELV-0B = 4.000
 RN/L = 4.250 MACH = 1.100

RUN NO. 195/ 0 RN/L = 4.36 GRADIENT INTERVAL = -5.00/ 5.00

ALPHA	BETA	CP39	CP41	CP43	CP45	CP40	CP42	CP44	CP46
-3.967	.006	.15500	.15500	.17330	.16750	.15740	.15520	.17080	.17170
	GRADIENT	.00000	.00000	.00000	.00000	.00000	.00000	.00000	.00000

RUN NO. 196/ 0 RN/L = 4.36 GRADIENT INTERVAL = -5.00/ 5.00

ALPHA	BETA	CP39	CP41	CP43	CP45	CP40	CP42	CP44	CP46
-.284	-4.003	.20390	.20650	.17960	.18180	.16350	.16160	.16230	.16160
-.258	-.012	.16670	.15390	.15900	.16690	.16620	.15640	.16540	.16730
-.301	4.016	.11840	.12870	.13170	.14040	.20390	.20200	.18220	.16400
	GRADIENT	-.01066	-.00970	-.00610	-.00517	.00504	.00505	.00248	.00280

DATE 22 JUN 76

TABULATED SOURCE DATA - 1A80

PAGE 697

ARC 11-023 1A80 OTS (SRB OFF) (SSME OFF)

(JE40A4) (28 OCT 75)

REFERENCE DATA

SREF = 2690.0000 SQ.FT. XMRP = .0000 IN.
 LREF = 1290.3000 IN. YMRP = .0000 IN.
 BREF = 1290.3000 IN. ZMRP = .0000 IN.
 SCALE = .0200

PARAMETRIC DATA

ELV-1B = .000 ELV-0B = 4.000
 RN/L = 4.250 MACH = 1.400

RUN NO. 183/ 0 RN/L = 4.34 GRADIENT INTERVAL = -5.00/ 5.00

ALPHA	BETA	CP39	CP41	CP43	CP45	CP40	CP42	CP44	CP46
-3.947	.006	-.01480	-.00900	-.00150	-.00430	-.01210	-.01180	-.00480	-.01090
	GRADIENT	.00000	.00000	.00000	.00000	.00000	.00000	.00000	.00000

RUN NO. 184/ 0 RN/L = 4.31 GRADIENT INTERVAL = -5.00/ 5.00

ALPHA	BETA	CP39	CP41	CP43	CP45	CP40	CP42	CP44	CP46
-.267	-3.994	.02670	.03900	.06000	.04820	-.04110	-.04000	-.03510	-.04040
-.277	-.003	-.01090	.00290	.00790	.00510	-.00050	-.00490	.00650	.00240
-.284	4.019	-.05560	-.03970	-.03840	-.03930	.04380	.04110	.05160	.04190
	GRADIENT	-.01027	-.00982	-.01203	-.01092	.01060	.01012	.01082	.01027

RUN NO. 185/ 0 RN/L = 4.28 GRADIENT INTERVAL = -5.00/ 5.00

ALPHA	BETA	CP39	CP41	CP43	CP45	CP40	CP42	CP44	CP46
3.986	.006	-.03970	-.01820	-.01770	-.01980	-.00920	-.00660	-.00980	-.01280
	GRADIENT	.00000	.00000	.00000	.00000	.00000	.00000	.00000	.00000

ARC 11-023 1A80 OTS (SRB NOM) (SSME NOM)

(JE40A5) (28 OCT 75)

REFERENCE DATA

SREF = 2690.0000 SQ.FT. XMRP = .0000 IN.
 LREF = 1290.3000 IN. YMRP = .0000 IN.
 BREF = 1290.3000 IN. ZMRP = .0000 IN.
 SCALE = .0200

PARAMETRIC DATA

ELV-1B = .000 ELV-0B = 4.000
 RN/L = 3.400 MACH = .600

RUN NO. 347/ 0 RN/L = 3.47 GRADIENT INTERVAL = -5.00/ 5.00

ALPHA	BETA	CP39	CP41	CP43	CP45	CP40	CP42	CP44	CP46
-3.983	.012	-.00390	-.01100	-.03250	-.02630	-.00720	-.01160	-.03080	-.02770
	GRADIENT	.00000	.00000	.00000	.00000	.00000	.00000	.00000	.00000

RUN NO. 348/ 0 RN/L = 3.48 GRADIENT INTERVAL = -5.00/ 5.00

ALPHA	BETA	CP39	CP41	CP43	CP45	CP40	CP42	CP44	CP46
-.337	-4.006	-.04800	-.04740	-.07510	-.07340	-.05220	-.05590	-.07480	-.06730
-.370	.009	-.04910	-.04700	-.06900	-.06760	-.05180	-.05620	-.07980	-.07640
-.453	4.025	-.05590	-.05560	-.07430	-.06990	-.05960	-.05960	-.09230	-.08250
	GRADIENT	-.00098	-.00102	.00010	.00044	-.00092	-.00046	-.00218	-.00189

ORIGINAL PAGE IS
OF POOR QUALITY

ARC 11-023 1A80 OTS (SRB NOM) (SSME NOM)

(JE40A7) (28 OCT 75)

REFERENCE DATA

SREF = 2690.0000 SQ.FT. XMRP = .0000 IN.
 LREF = 1290.3000 IN. YMRP = .0000 IN.
 BREF = 1290.3000 IN. ZMRP = .0000 IN.
 SCALE = .0200

PARAMETRIC DATA

ELV-1B = .000 ELV-0B = 4.000
 RN/L = 4.250 MACH = 1.100

RUN NO. 198/ 0 RN/L = 4.36 GRADIENT INTERVAL = -5.00/ 5.00

ALPHA	BETA	CP39	CP41	CP43	CP45	CP40	CP42	CP44	CP46
-3.996	.006	.12370	.12800	.15720	.16610	.13990	.14580	.16830	.17580
	GRADIENT	.00000	.00000	.00000	.00000	.00000	.00000	.00000	.00000

RUN NO. 199/ 0 RN/L = 4.36 GRADIENT INTERVAL = -5.00/ 5.00

ALPHA	BETA	CP39	CP41	CP43	CP45	CP40	CP42	CP44	CP46
-.416	-4.003	.20550	.20870	.18300	.18440	.16070	.15950	.15890	.15950
-.403	-.012	.15470	.16200	.17080	.17120	.16180	.17960	.17570	.17730
-.426	4.019	.13210	.14460	.14200	.14700	.19960	.19750	.17890	.17940
	GRADIENT	-.00914	-.00798	-.00511	-.00466	.00486	.00474	.00249	.00248

RUN NO. 200/ 0 RN/L = 4.35 GRADIENT INTERVAL = -5.00/ 5.00

ALPHA	BETA	CP39	CP41	CP43	CP45	CP40	CP42	CP44	CP46
3.798	.009	.20190	.21090	.18110	.18770	.20680	.20850	.19470	.18820
	GRADIENT	.00000	.00000	.00000	.00000	.00000	.00000	.00000	.00000

ARC 11-023 1A80 OTS (SRB NOM) (SSME NOM)

(JE40A8) (28 OCT 75)

REFERENCE DATA

SREF = 2690.0000 SQ.FT. XMRP = .0000 IN.
 LREF = 1290.3000 IN. YMRP = .0000 IN.
 BREF = 1290.3000 IN. ZMRP = .0000 IN.
 SCALE = .0200

PARAMETRIC DATA

ELV-1B = .000 ELV-0B = 4.000
 RN/L = 4.250 MACH = 1.250

RUN NO. 192/ 0 RN/L = 4.35 GRADIENT INTERVAL = -5.00/ 5.00

ALPHA	BETA	CP39	CP41	CP43	CP45	CP40	CP42	CP44	CP46
-3.986	.009	-.01670	-.01270	-.00640	-.00710	-.01040	-.01000	.00060	-.00210
	GRADIENT	.00000	.00000	.00000	.00000	.00000	.00000	.00000	.00000

RUN NO. 193/ 0 RN/L = 4.36 GRADIENT INTERVAL = -5.00/ 5.00

ALPHA	BETA	CP39	CP41	CP43	CP45	CP40	CP42	CP44	CP46
-.400	-4.003	.03200	.04590	.05720	.05550	-.05230	-.05150	-.03730	-.04290
-.393	-.012	-.05150	-.03010	-.01770	-.02520	-.02410	-.01800	-.01930	-.02180
-.413	4.022	-.09520	-.07010	-.05540	-.05690	.03540	.04100	.05130	.04600
	GRADIENT	-.01584	-.01445	-.01402	-.01399	.01094	.01153	.01105	.01109

ARC 11-023 IABO OTS (SRB NOM) (SSME NO. 2 OUT)

(JE4080) (28 OCT 75)

REFERENCE DATA

SREF = 2690.0000 SQ.FT. XMRP = .0000 IN.
 LREF = 1290.3000 IN. YMRP = .0000 IN.
 BREF = 1290.3000 IN. ZMRP = .0000 IN.
 SCALE = .0200

ELV-18 = .000 ELV-08 = .000
 RN/L = 3.400 MACH = .600

PARAMETRIC DATA

RUN NO. 362/ 0 RN/L = 3.51 GRADIENT INTERVAL = -5.00/ 5.00

ALPHA	BETA	CP39	CP41	CP43	CP45	CP40	CP42	CP44	CP46
-4.013	.006	.00010	.00120	-.02220	-.01340	.00760	.00290	-.01680	-.01140
	GRADIENT	.00000	.00000	.00000	.00000	.00000	.00000	.00000	.00000

RUN NO. 363/ 0 RN/L = 3.49 GRADIENT INTERVAL = -5.00/ 5.00

ALPHA	BETA	CP39	CP41	CP43	CP45	CP40	CP42	CP44	CP46
-.271	-4.006	-.05010	-.05350	-.08710	-.08440	-.05490	-.05730	-.07960	-.07610
-.310	.003	-.03960	-.04170	-.05960	-.05990	-.04810	-.04300	-.06940	-.05690
-.310	4.025	-.05160	-.05300	-.07320	-.07150	-.05330	-.05570	-.08600	-.07980
	GRADIENT	-.09019	.00006	.00173	.00160	.00020	.00020	-.00080	-.00046

RUN NO. 364/ 0 RN/L = 3.49 GRADIENT INTERVAL = -5.00/ 5.00

ALPHA	BETA	CP39	CP41	CP43	CP45	CP40	CP42	CP44	CP46
3.930	.009	-.08620	-.08790	-.12260	-.11510	-.09740	-.09790	-.12870	-.12020
	GRADIENT	.00000	.00000	.00000	.00000	.00000	.00000	.00000	.00000

ARC 11-023 IABO OTS (SRB NOM) (SSME NO. 2 OUT)

(JE4081) (28 OCT 75)

REFERENCE DATA

SREF = 2690.0000 SQ.FT. XMRP = .0000 IN.
 LREF = 1290.3000 IN. YMRP = .0000 IN.
 BREF = 1290.3000 IN. ZMRP = .0000 IN.
 SCALE = .0200

ELV-18 = .000 ELV-08 = .000
 RN/L = 4.250 MACH = .900

PARAMETRIC DATA

RUN NO. 365/ 0 RN/L = 4.21 GRADIENT INTERVAL = -5.00/ 5.00

ALPHA	BETA	CP39	CP41	CP43	CP45	CP40	CP42	CP44	CP46
-4.069	.009	.05000	.05900	.04190	.04190	.06520	.06160	.04690	.04890
	GRADIENT	.00000	.00000	.00000	.00000	.00000	.00000	.00000	.00000

RUN NO. 366/ 0 RN/L = 4.22 GRADIENT INTERVAL = -5.00/ 5.00

ALPHA	BETA	CP39	CP41	CP43	CP45	CP40	CP42	CP44	CP46
-.304	-4.006	.03530	.03120	-.00770	-.00870	.00990	.00890	-.00100	-.00180
-.317	.003	.04020	.04020	.01640	.02070	.04210	.03920	.01760	.01930
-.357	4.025	.00670	.00250	-.01470	-.01250	.03340	.02670	-.00830	-.00610
	GRADIENT	-.00431	-.00358	-.00088	-.00048	.00292	.00221	-.00091	-.00054

DATE 22 JUN 76

TABULATED SOURCE DATA - IABO

PAGE 703

ARC 11-023 IABO OTS (SRB NOM) (SSME NO. 2 OUT)

(JE40B3) (28 OCT 75)

REFERENCE DATA

SREF = 2690.0000 SQ.FT. XMRP = .0000 IN.
 LREF = 1290.3000 IN. YMRP = .0000 IN.
 BREF = 1290.3000 IN. ZMRP = .0000 IN.
 SCALE = .0200

PARAMETRIC DATA

ELV-18 = .000 ELV-08 = .000
 RN/L = 4.250 MACH = 1.250

RUN NO. 204/ 0 RN/L = 4.40 GRADIENT INTERVAL = -5.00/ 5.00

ALPHA	BETA	CP39	CP41	CP43	CP45	CP40	CP42	CP44	CP46
-3.947	-.003	-.01280	-.00740	.00030	-.00180	-.01080	-.01110	-.00040	-.00360
	GRADIENT	.00000	.00000	.00000	.00000	.00000	.00000	.00000	.00000

RUN NO. 205/ 0 RN/L = 4.40 GRADIENT INTERVAL = -5.00/ 5.00

ALPHA	BETA	CP39	CP41	CP43	CP45	CP40	CP42	CP44	CP46
-.400	-4.000	.04000	.04900	.05910	.05520	-.05490	-.05430	-.04110	-.04610
-.370	-.009	-.04490	-.02700	-.01210	-.01950	-.02200	-.01740	-.01870	-.02250
-.420	4.019	-.08940	-.06360	-.04950	-.05350	.04370	.04260	.05810	.04780
	GRADIENT	-.01613	-.01403	-.01354	-.01355	.01230	.01209	.01238	.01172

RUN NO. 206/ 0 RN/L = 4.40 GRADIENT INTERVAL = -5.00/ 5.00

ALPHA	BETA	CP39	CP41	CP43	CP45	CP40	CP42	CP44	CP46
3.986	-.012	-.06490	-.04870	-.02170	-.03270	-.04920	-.04940	-.04540	-.05310
	GRADIENT	.00000	.00000	.00000	.00000	.00000	.00000	.00000	.00000

ARC 11-023 IABO OTS (SRB NOM) (SSME NO. 2 OUT)

(JE40B4) (28 OCT 75)

REFERENCE DATA

SREF = 2690.0000 SQ.FT. XMRP = .0000 IN.
 LREF = 1290.3000 IN. YMRP = .0000 IN.
 BREF = 1290.3000 IN. ZMRP = .0000 IN.
 SCALE = .0200

PARAMETRIC DATA

ELV-18 = .000 ELV-08 = .000
 RN/L = 4.250 MACH = 1.400

RUN NO. 201/ 0 RN/L = 4.36 GRADIENT INTERVAL = -5.00/ 5.00

ALPHA	BETA	CP39	CP41	CP43	CP45	CP40	CP42	CP44	CP46
-3.957	-.003	-.00770	-.00180	.00480	.00170	-.00950	-.00670	-.00100	-.00620
	GRADIENT	.00000	.00000	.00000	.00000	.00000	.00000	.00000	.00000

RUN NO. 202/ 0 RN/L = 4.35 GRADIENT INTERVAL = -5.00/ 5.00

ALPHA	BETA	CP39	CP41	CP43	CP45	CP40	CP42	CP44	CP46
-.443	-4.000	.03040	.04120	.06300	.05470	-.03930	-.04130	-.03490	-.03860
-.406	-.036	-.00730	.00420	.00750	.00320	.00320	.00260	.00810	.00360
-.446	4.019	-.05390	-.03990	-.03700	-.03840	.04490	.04260	.05220	.04680
	GRADIENT	-.01051	-.01011	-.01247	-.01161	.01050	.01046	.01086	.01065

ORIGINAL PAGE IS
OF POOR QUALITY

DATE 22 JUN 76

TABULATED SOURCE DATA - IAB0

PAGE 705

ARC 11-023 IAB0 OTS (S-B NOM) (SSME NO. 1 OUT)

(JE4086) (28 OCT 75)

REFERENCE DATA

SREF = 2690.0000 SQ.FT. XMRP = .0000 IN.
 LREF = 1290.3000 IN. YMRP = .0000 IN.
 BREF = 1290.3000 IN. ZMRP = .0000 IN.
 SCALE = .0200

PARAMETRIC DATA

ELV-1B = .000 ELV-0B = .000
 RN/L = 4.250 MACH = .900

RUN NO. 359/ 0 RN/L = 4.20 GRADIENT INTERVAL = -5.00/ 5.00

ALPHA	BETA	CP39	CP41	CP43	CP45	CP40	CP42	CP44	CP46
-4.013	.009	.05840	.05630	.04230	.04070	.06180	.05920	.04230	.04570
	GRADIENT	.00000	.00000	.00000	.00000	.00000	.00000	.00000	.00000

RUN NO. 360/ 0 RN/L = 4.21 GRADIENT INTERVAL = -5.00/ 5.00

ALPHA	BETA	CP39	CP41	CP43	CP45	CP40	CP42	CP44	CP46
-.317	-4.003	.03800	.03640	.00290	-.00110	.01290	.01130	.00010	-.00030
-.310	.003	.03060	.02980	.01030	.01030	.02900	.02770	.00530	-.00750
-.340	4.025	-.00250	.00350	-.00970	-.00670	.03090	.02770	-.00310	-.00150
	GRADIENT	-.00505	-.00410	-.00157	-.00070	.00224	.00204	-.00040	-.00015

RUN NO. 361/ 0 RN/L = 4.21 GRADIENT INTERVAL = -5.00/ 5.00

ALPHA	BETA	CP39	CP41	CP43	CP45	CP40	CP42	CP44	CP46
3.854	.009	-.00010	-.00270	-.03040	-.03140	-.00290	-.00570	-.03600	-.03200
	GRADIENT	.00000	.00000	.00000	.00000	.00000	.00000	.00000	.00000

ARC 11-023 IAB0 OTS (SRB NOM) (SSME NO. 1 OUT)

(JE4087) (28 OCT 75)

REFERENCE DATA

SREF = 2690.0000 SQ.FT. XMRP = .0000 IN.
 LREF = 1290.3000 IN. YMRP = .0000 IN.
 BREF = 1290.3000 IN. ZMRP = .0000 IN.
 SCALE = .0200

PARAMETRIC DATA

ELV-1B = .000 ELV-0B = .000
 RN/L = 4.250 MACH = 1.100

RUN NO. 216/ 0 RN/L = 4.38 GRADIENT INTERVAL = -5.00/ 5.00

ALPHA	BETA	CP39	CP41	CP43	CP45	CP40	CP42	CP44	CP46
-4.003	-.012	.15770	.13680	.14260	.15440	.14660	.12680	.15150	.15700
	GRADIENT	.00000	.00000	.00000	.00000	.00000	.00000	.00000	.00000

RUN NO. 217/ 0 RN/L = 4.38 GRADIENT INTERVAL = -5.00/ 5.00

ALPHA	BETA	CP39	CP41	CP43	CP45	CP40	CP42	CP44	CP46
-.393	-4.006	.20080	.20290	.18190	.18390	.16340	.16040	.15800	.16630
-.347	-.019	.14790	.16250	.17920	.17250	.16840	.17470	.18000	.18060
-.383	4.012	.11540	.12580	.12870	.13540	.17200	.17930	.16120	.16580
	GRADIENT	-.01065	-.00961	-.00665	-.00605	.00107	.00235	.00039	-.00007

DATE 22 JUN 76

TABULATED SOURCE DATA - IABO

PAGE 707

ARC 11-023 IABO OTS (SRB NOM) (SSME NO. 1 OUT)

(JE4089) (28 OCT 75)

REFERENCE DATA

SREF = 2690.0070 SQ.FT. XMRP = .0000 IN.
 LREF = 1290.3000 IN. YMRP = .0000 IN.
 BREF = 1290.3000 IN. ZMRP = .0000 IN.
 SCALE = .0200

PARAMETRIC DATA

ELV-18 = .000 ELV-08 = .000
 RN/L = 4.250 MACH = 1.400

RUN NO. 210/ 0 RN/L = 4.34 GRADIENT INTERVAL = -5.00/ 5.00

ALPHA	BETA	CP39	CP41	CP43	CP45	CP40	CP42	CP44	CP46
-3.934	-.009	-.00860	-.00250	.00350	.00070	-.01330	-.00750	.00120	-.00370
	GRADIENT	.00000	.00000	.00000	.00000	.00000	.00000	.00000	.00000

RUN NO. 211/ 0 RN/L = 4.34 GRADIENT INTERVAL = -5.00/ 5.00

ALPHA	BETA	CP39	CP41	CP43	CP45	CP40	CP42	CP44	CP46
-.426	-4.006	.04200	.04500	.06790	.05810	-.04640	-.04200	-.03160	-.03380
-.383	-.016	.00110	.00780	.01070	.00970	-.00280	.00450	.01650	.00940
-.436	4.016	-.04710	-.03640	-.03770	-.03600	.03550	.03930	.05250	.04790
	GRADIENT	-.01111	-.01015	-.01316	-.01173	.01021	.01013	.01048	.01018

RUN NO. 212/ 0 RN/L = 4.33 GRADIENT INTERVAL = -5.00/ 5.00

ALPHA	BETA	CP39	CP41	CP43	CP45	CP40	CP42	CP44	CP46
4.046	-.012	-.01570	-.00250	-.00810	-.00770	-.00560	-.00280	-.00110	-.00440
	GRADIENT	.00000	.00000	.00000	.00000	.00000	.00000	.00000	.00000

ARC11-023IABO OTS W/ET BASE SPOILER SRB=SSME=OFF

(JE40C0) (28 OCT 75)

REFERENCE DATA

SREF = 2690.0000 SQ.FT. XMRP = .0000 IN.
 LREF = 1290.3000 IN. YMRP = .0000 IN.
 BREF = 1290.3000 IN. ZMRP = .0000 IN.
 SCALE = .0200

PARAMETRIC DATA

ELV-18 = .000 ELV-08 = .000
 RN/L = 4.250 MACH = .900

RUN NO. 377/ 0 RN/L = 4.25 GRADIENT INTERVAL = -5.00/ 5.00

ALPHA	BETA	CP39	CP41	CP43	CP45	CP40	CP42	CP44	CP46
-4.029	.016	.06610	.06250	.04770	.04730	.06930	.06450	.04750	.04630
	GRADIENT	.00000	.00000	.00000	.00000	.00000	.00000	.00000	.00000

RUN NO. 375/ 0 RN/L = 4.25 GRADIENT INTERVAL = -5.00/ 5.00

ALPHA	BETA	CP39	CP41	CP43	CP45	CP40	CP42	CP44	CP46
-.241	-4.009	.04430	.03930	.00750	.00280	.01770	.01710	.00610	.00490
-.264	-.003	.03710	.03650	.01570	.01350	.03530	.03410	.00890	.01210
-.291	4.022	.02630	.01130	-.00080	-.00120	.03710	.03240	.00000	.00200
	GRADIENT	-.00473	-.00349	-.00104	-.00050	.00241	.00190	-.00076	-.00036

DATE 22 JUN 76

TABULATED SOURCE DATA - 1A80

PAGE 709

ARC11-0231A80 OTS W/ET BASE SPOILER SRB=SSME=NOM

(JE40C2) (28 OCT 75)

REFERENCE DATA

SREF = 2690.0000 SQ.FT. XMRP = .0000 IN.
 LREF = 1290.3000 IN. YMRP = .0000 IN.
 BREF = 1290.3000 IN. ZMRP = .0000 IN.
 SCALE = .0200

ELV-18 = .000 ELV-08 = .000
 RN/L = 4.250 MACH = .900

PARAMETRIC DATA

RUN NO. 378/ 0 RN/L = 4.22 GRADIENT INTERVAL = -5.00/ 5.00

ALPHA	BETA	CP39	CP41	CP43	CP45	CP40	CP42	CP44	CP46
-3.996	.016	.06530	.06650	.05350	.05130	.07010	.06990	.05310	.05570
	GRADIENT	.00000	.00000	.00000	.00000	.00000	.00000	.00000	.00000

RUN NO. 379/ 0 RN/L = 4.22 GRADIENT INTERVAL = -5.00/ 5.00

ALPHA	BETA	CP39	CP41	CP43	CP45	CP40	CP42	CP44	CP46
-.284	-4.012	.03510	.03060	-.00030	-.00350	.01060	.00840	-.00250	-.00210
-.360	-.003	.03960	.03940	.02230	.02150	.04000	.03720	.01460	.01920
-.330	4.019	-.00240	.00100	-.01100	-.01100	.03140	.02410	-.01200	-.00680
	GRADIENT	-.00467	-.00359	-.00134	-.00094	.00259	.00195	-.00119	-.00059

RUN NO. 380/ 0 RN/L = 4.22 GRADIENT INTERVAL = -5.00/ 5.00

ALPHA	BETA	CP39	CP41	CP43	CP45	CP40	CP42	CP44	CP46
3.927	.012	.00550	.00210	-.02640	-.02820	.00090	-.00190	-.03420	-.03600
	GRADIENT	.00000	.00000	.00000	.00000	.00000	.00000	.00000	.00000

ARC11-0231A80 OTS W/ET BASE SPOILER SRB=SSME=NOM

(JE40C3) (28 OCT 75)

REFERENCE DATA

SREF = 2690.0000 SQ.FT. XMRP = .0000 IN.
 LREF = 1290.3000 IN. YMRP = .0000 IN.
 BREF = 1290.3000 IN. ZMRP = .0000 IN.
 SCALE = .0200

ELV-18 = .000 ELV-08 = .000
 RN/L = 4.250 MACH = 1.100

PARAMETRIC DATA

RUN NO. 371/ 0 RN/L = 4.47 GRADIENT INTERVAL = -5.00/ 5.00

ALPHA	BETA	CP39	CP41	CP43	CP45	CP40	CP42	CP44	CP46
-4.033	.016	.13180	.12000	.15430	.16080	.15290	.13100	.15150	.16360
	GRADIENT	.00000	.00000	.00000	.00000	.00000	.00000	.00000	.00000

RUN NO. 372/ 0 RN/L = 4.46 GRADIENT INTERVAL = -5.00/ 5.00

ALPHA	BETA	CP39	CP41	CP43	CP45	CP40	CP42	CP44	CP46
-.433	-4.009	.21640	.21250	.19290	.19820	.16420	.16330	.16170	.16340
-.446	-.000	.12910	.13950	.15150	.17170	.14140	.14650	.15500	.17760
-.436	4.022	.13970	.14430	.14330	.14680	.20490	.19900	.17670	.17960
	GRADIENT	-.00954	-.00848	-.00617	-.00516	.00508	.00445	.00187	.00202

DATE 22 JUN 76

TABULATED SOURCE DATA - 1A80

PAGE 711

ARC 11-023 1A80 OTS (SRB NOM++) (SSME NOM)

(KE4002) (28 OCT 75)

REFERENCE DATA

SREF = 2690.0000 SQ.FT. XMRP = .0000 IN.
 LREF = 1290.3000 IN. YMRP = .0000 IN.
 BREF = 1290.3000 IN. ZMRP = .0000 IN.
 SCALE = .0200

PARAMETRIC DATA

ELV-18 = .000 ELV-08 = .000
 RN/L = 4.250 MACH = .900

RUN NO. 222/ 0 RN/L = 4.23 GRADIENT INTERVAL = -5.00/ 5.00

ALPHA	BETA	CP47	CP49	CP53	CP55	CP48	CP50	CP54	CP56
-3.901	-.012	-.04900	-.03850	-.05290	-.04060	-.08340	-.07260	-.09180	-.07050
	GRADIENT	.00000	.00000	.03000	.00000	.00000	.00000	.00000	.00000

RUN NO. 223/ 0 RN/L = 4.22 GRADIENT INTERVAL = -5.00/ 5.00

ALPHA	BETA	CP47	CP49	CP53	CP55	CP48	CP50	CP54	CP56
-.347	-4.025	-.20530	-.18510	-.18890	-.17870	-.12410	-.10810	-.12570	-.10890
-.380	-.009	-.11830	-.10280	-.13090	-.11310	-.17030	-.15340	-.19940	-.16790
-.456	4.003	-.09710	-.08500	-.10290	-.09140	-.31040	-.29610	-.30630	-.28110
	GRADIENT	.01348	.01259	.01071	.01088	-.02320	-.02342	-.02250	-.02145

RUN NO. 224/ 0 RN/L = 4.21 GRADIENT INTERVAL = -5.00/ 5.00

ALPHA	BETA	CP47	CP49	CP53	CP55	CP48	CP50	CP54	CP56
3.977	-.009	-.24090	-.21740	-.23150	-.21780	-.34660	-.32950	-.38870	-.36110
	GRADIENT	.00000	.00000	.00000	.00000	.00000	.00000	.00000	.00000

ARC 11-023 1A80 OTS (SRB NOM++) (SSME NOM)

(KE4003) (28 OCT 75)

REFERENCE DATA

SREF = 2690.0000 SQ.FT. XMRP = .0000 IN.
 LREF = 1290.3000 IN. YMRP = .0000 IN.
 BREF = 1290.3000 IN. ZMRP = .0000 IN.
 SCALE = .0200

PARAMETRIC DATA

ELV-18 = .000 ELV-08 = .000
 RN/L = 4.250 MACH = 1.100

RUN NO. 74/ 0 RN/L = 4.30 GRADIENT INTERVAL = -5.00/ 5.00

ALPHA	BETA	CP47	CP49	CP53	CP55	CP48	CP50	CP54	CP56
-3.920	-.003	.13640	.14420	.13490	.14620	.10100	.11580	.09560	.12130
	GRADIENT	.00000	.00000	.00000	.00000	.00000	.00000	.00000	.00000

RUN NO. 75/ 0 RN/L = 4.31 GRADIENT INTERVAL = -5.00/ 5.00

ALPHA	BETA	CP47	CP49	CP53	CP55	CP48	CP50	CP54	CP56
-.621	-4.006	-.03200	-.02310	-.02590	-.02070	.09570	.10450	.08490	.10840
-.641	.000	.05550	.07440	.07450	.08530	-.01580	-.00200	-.08350	-.04530
-.492	4.009	.09220	.10370	.09270	.10600	-.06640	-.05950	-.17470	-.13310
	GRADIENT	.01549	.01582	.01478	.01521	-.02022	-.02046	-.03239	-.03013

ORIGINAL PAGE IS
OF POOR QUALITY

DATE 22 JUN 76

TABULATED SOURCE DATA - 1A80

PAGE 713

ARC 11-023 1A80 OTS (SR0 NOM++) (SSME NOM)

(KE4005) (28 OCT 75)

REFERENCE DATA

SREF = 2690.0000 SQ.FT. XMRP = .0000 IN.
 LREF = 1290.3000 IN. YMRP = .0000 IN.
 BREF = 1290.3000 IN. ZMRP = .0000 IN.
 SCALE = .0200

PARAMETRIC DATA

ELV-1B = .000 ELV-0B = .000
 RN/L = 4.250 MACH = 1.400

RUN NO. 1/ 0 RN/L = 4.31 GRADIENT INTERVAL = -5.00/ 5.00

ALPHA	BETA	CP47	CP49	CP53	CP55	CP48	CP50	CP54	CP56
-3.950	-.003	-.01350	-.00930	-.01940	-.01640	-.01220	-.01250	-.07220	-.04270
	GRADIENT	.00000	.00000	.00000	.00000	.00000	.00000	.00000	.00000

RUN NO. 2/ 0 RN/L = 4.30 GRADIENT INTERVAL = -5.00/ 5.00

ALPHA	BETA	CP47	CP49	CP53	CP55	CP48	CP50	CP54	CP56
-4.436	-4.009	.00720	.01290	-.01580	-.01190	-.04580	-.04630	-.10120	-.06820
-4.82	-.003	-.02920	-.02130	-.04760	-.03990	-.04320	-.04380	-.10630	-.07260
-5.05	4.009	-.05780	-.05090	-.06680	-.05620	-.01090	-.01340	-.06380	-.03270
	GRADIENT	-.00811	-.00796	-.00526	-.00552	.00435	.00410	.00467	.00443

RUN NO. 3/ 0 RN/L = 4.30 GRADIENT INTERVAL = -5.00/ 5.00

ALPHA	BETA	CP47	CP49	CP53	CP55	CP48	CP50	CP54	CP56
3.881	-.006	-.07370	-.06410	-.08970	-.08030	-.07400	-.07570	-.14250	-.10630
	GRADIENT	.00000	.00000	.00000	.00000	.00000	.00000	.00000	.00000

ARC 11-023 1A80 OTS (SR0 NOM+) (SSME NOM)

(KE4006) (28 OCT 75)

REFERENCE DATA

SREF = 2690.0000 SQ.FT. XMRP = .0000 IN.
 LREF = 1290.3000 IN. YMRP = .0000 IN.
 BREF = 1290.3000 IN. ZMRP = .0000 IN.
 SCALE = .0200

PARAMETRIC DATA

ELV-1B = .000 ELV-0B = .000
 RN/L = 3.400 MACH = .600

RUN NO. 243/ 0 RN/L = 3.39 GRADIENT INTERVAL = -5.00/ 5.00

ALPHA	BETA	CP47	CP49	CP53	CP55	CP48	CP50	CP54	CP56
-3.848	-.019	-.10500	-.09330	-.10800	-.09250	-.11590	-.11110	-.12320	-.10390
	GRADIENT	.00000	.00000	.00000	.00000	.00000	.00000	.00000	.00000

RUN NO. 244/ 0 RN/L = 3.38 GRADIENT INTERVAL = -5.00/ 5.00

ALPHA	BETA	CP47	CP49	CP53	CP55	CP48	CP50	CP54	CP56
-3.350	-4.038	-.16890	-.15640	-.17220	-.15690	-.17300	-.15640	-.18050	-.15620
-3.314	-.022	-.15340	-.14190	-.16290	-.15030	-.17720	-.15950	-.18090	-.15910
-3.396	3.997	-.16490	-.14760	-.16520	-.15200	-.20300	-.18370	-.19600	-.17170
	GRADIENT	.00050	.00109	.00087	.00061	-.00373	-.00340	-.00193	-.00193

DATE 22 JUN 76

TABULATED SOURCE DATA - IABO

PAGE 715

ARC 11-023 IABO OTS (SRB NOM) (SSME NOM)

(K4008) (29 OCT 75)

REFERENCE DATA

SREF = 2690.0000 SQ.FT. XMRP = .0000 IN.
 LREF = 1290.3000 IN. YMRP = .0000 IN.
 BREF = 1290.3000 IN. ZMRP = .0000 IN.
 SCALE = .0200

PARAMETRIC DATA

ELV-18 = .000 ELV-08 = .000
 RN/L = 4.250 MACH = 1.100

RUN NO. 77/ 0 RN/L = 4.31 GRADIENT INTERVAL = -5.00/ 5.00

ALPHA	BETA	CP47	CP49	CP53	CP55	CP48	CP50	CP54	CP56
-3.907	.000	.13710	.14540	.13550	.14630	.10650	.12090	.09770	.12240
	GRADIENT	.00000	.00000	.00000	.00000	.00000	.00000	.00000	.00000

RUN NO. 78/ 0 RN/L = 4.31 GRADIENT INTERVAL = -5.00/ 5.00

ALPHA	BETA	CP47	CP49	CP53	CP55	CP48	CP50	CP54	CP56
-4.515	-4.003	-.03550	-.02720	-.02570	-.02130	.09360	.10410	.08460	.10600
-.525	.003	.06460	.07610	.07370	.08460	-.01550	.00000	-.08470	-.04550
-.426	4.012	.09240	.10370	.09160	.10520	-.06840	-.06150	-.17900	-.13910
	GRADIENT	.01596	.01633	.01478	.01578	-.02021	-.02066	-.03288	-.03058

RUN NO. 79/ 0 RN/L = 4.32 GRADIENT INTERVAL = -5.00/ 5.00

ALPHA	BETA	CP47	CP49	CP53	CP55	CP48	CP50	CP54	CP56
3.981	.006	-.03220	-.02140	-.03770	-.02740	-.05590	-.05010	-.16540	-.12200
	GRADIENT	.00000	.00000	.00000	.00000	.00000	.00000	.00000	.00000

ARC 11-023 IABO OTS (SRB NOM) (SSME NOM)

(K4009) (29 OCT 75)

REFERENCE DATA

SREF = 2690.0000 SQ.FT. XMRP = .0000 IN.
 LREF = 1290.3000 IN. YMRP = .0000 IN.
 BREF = 1290.3000 IN. ZMRP = .0000 IN.
 SCALE = .0200

PARAMETRIC DATA

ELV-18 = .000 ELV-08 = .000
 RN/L = 4.250 MACH = 1.250

RUN NO. 51/ 0 RN/L = 4.40 GRADIENT INTERVAL = -5.00/ 5.00

ALPHA	BETA	CP47	CP49	CP53	CP55	CP48	CP50	CP54	CP56
-3.897	.006	-.01300	-.00860	-.02250	-.01580	-.02720	-.02750	-.05720	-.02880
	GRADIENT	.00000	.00000	.00000	.00000	.00000	.00000	.00000	.00000

RUN NO. 52/ 0 RN/L = 4.40 GRADIENT INTERVAL = -5.00/ 5.00

ALPHA	BETA	CP47	CP49	CP53	CP55	CP48	CP50	CP54	CP56
-4.482	-4.005	-.05100	-.04280	-.06630	-.06180	-.05530	-.05370	-.09680	-.06360
-.519	.003	-.04640	-.03680	-.06000	-.04860	-.06770	-.07050	-.11650	-.07890
-.462	4.009	-.06140	-.05070	-.06630	-.05430	-.04740	-.05450	-.10790	-.07210
	GRADIENT	-.00130	-.00099	.00000	.00094	.00099	-.00010	-.00139	-.00106

DATE 22 JUN 76

TABULATED SOURCE DATA - 1A80

PAGE 717

ARC 11-023 1A80 OTS (SRB NOM) (SSME NOM+)

(KE4011) (28 OCT 75)

REFERENCE DATA

SREF = 2690.0000 SQ.FT. XMRP = .0000 IN.
 LREF = 1290.3000 IN. YMRP = .0000 IN.
 BREF = 1290.3000 IN. ZMRP = .0000 IN.
 SCALE = .0200

PARAMETRIC DATA

ELV-1B = .000 ELV-0B = .000
 RN/L = 3.400 MACH = .600

RUN NO. 249/ 0 RN/L = 3.38 GRADIENT INTERVAL = -5.00/ 5.00

ALPHA	BETA	CP47	CP49	CP53	CP55	CP48	CP50	CP54	CP56
-3.957	-.016	-.10120	-.09500	-.10000	-.09550	-.11990	-.11020	-.12500	-.10630
	GRADIENT	.00000	.00000	.00000	.00000	.00000	.00000	.00000	.00000

RUN NO. 250/ 0 RN/L = 3.40 GRADIENT INTERVAL = -5.00/ 5.00

ALPHA	BETA	CP47	CP49	CP53	CP55	CP48	CP50	CP54	CP56
-.337	-4.041	-.16760	-.16070	-.17300	-.15660	-.17070	-.15270	-.18100	-.15870
-.383	-.022	-.15040	-.14020	-.15760	-.14700	-.17300	-.15760	-.18470	-.16000
-.400	3.997	-.14490	-.13120	-.14920	-.13650	-.18610	-.16900	-.18850	-.15990
	GRADIENT	.00282	.00367	.00296	.00250	-.00192	-.00203	-.00093	-.00015

RUN NO. 251/ 0 RN/L = 3.41 GRADIENT INTERVAL = -5.00/ 5.00

ALPHA	BETA	CP47	CP49	CP53	CP55	CP48	CP50	CP54	CP56
4.125	-.025	-.22240	-.20870	-.21930	-.20900	-.25120	-.23370	-.24570	-.22370
	GRADIENT	.00000	.00000	.00000	.00000	.00000	.00000	.00000	.00000

ARC 11-023 1A80 OTS (SRB NOM) (SSME NOM+)

(KE4012) (28 OCT 75)

REFERENCE DATA

SREF = 2690.0000 SQ.FT. XMRP = .0000 IN.
 LREF = 1290.3000 IN. YMRP = .0000 IN.
 BREF = 1290.3000 IN. ZMRP = .0000 IN.
 SCALE = .0200

PARAMETRIC DATA

ELV-1B = .000 ELV-0B = .000
 RN/L = 4.250 MACH = .900

RUN NO. 231/ 0 RN/L = 4.20 GRADIENT INTERVAL = -5.00/ 5.00

ALPHA	BETA	CP47	CP49	CP53	CP55	CP48	CP50	CP54	CP56
-4.062	-.012	-.05230	-.04180	-.05650	-.04360	-.08680	-.07230	-.09510	-.07440
	GRADIENT	.00000	.00000	.00000	.00000	.00000	.00000	.00000	.00000

RUN NO. 232/ 0 RN/L = 4.21 GRADIENT INTERVAL = -5.00/ 5.00

ALPHA	BETA	CP47	CP49	CP53	CP55	CP48	CP50	CP54	CP56
-.383	-4.028	-.20590	-.19100	-.19280	-.18280	-.12810	-.11570	-.13050	-.11050
-.383	-.016	-.11520	-.10500	-.13270	-.11970	-.17200	-.15290	-.20160	-.16930
-.453	4.000	-.09390	-.07960	-.10020	-.08340	-.30970	-.29110	-.32170	-.29480
	GRADIENT	.01395	.01368	.01146	.01238	-.02262	-.02185	-.02382	-.02296

ORIGINAL PAGE IS
OF POOR QUALITY

DATE 22 JUN 76

TABULATED SOURCE DATA - IAB0

PAGE 719

ARC 11-023 IAB0 OTS (SRB NOM) (SSME NOM+)

(KE4014) (28 OCT 75)

REFERENCE DATA

SREF = 2690.0000 SQ.FT. XMRP = .0000 IN.
 LREF = 1290.3000 IN. YMRP = .0000 IN.
 BREF = 1290.3000 IN. ZMRP = .0000 IN.
 SCALE = .0200

PARAMETRIC DATA

ELV-1B = .000 ELV-08 = .000
 RN/L = 4.250 MACH = 1.250

RUN NO. 54/ 0 RN/L = 4.38 GRADIENT INTERVAL = -5.00/ 5.00

ALPHA	BETA	CP47	CP49	CP53	CP55	CP48	CP50	CP54	CP56
-3.963	.006	-.00980	-.00530	-.02250	-.01580	-.02390	-.02250	-.05680	-.02980
	GRADIENT	.00000	.00000	.00000	.00000	.00000	.00000	.00000	.00000

RUN NO. 55/ 0 RN/L = 4.39 GRADIENT INTERVAL = -5.00/ 5.00

ALPHA	BETA	CP47	CP49	CP53	CP55	CP48	CP50	CP54	CP56
-.492	-4.006	-.04980	-.04090	-.06520	-.05980	-.05640	-.05490	-.10020	-.06360
-.466	.003	-.04800	-.03510	-.05570	-.05120	-.06700	-.06360	-.11420	-.08050
-.322	4.009	-.06490	-.05330	-.06590	-.05640	-.04610	-.05380	-.10450	-.07200
	GRADIENT	-.00188	-.00155	.00041	.00042	.00128	.00014	-.00054	-.00105

RUN NO. 56/ 0 RN/L = 4.38 GRADIENT INTERVAL = -5.00/ 5.00

ALPHA	BETA	CP47	CP49	CP53	CP55	CP48	CP50	CP54	CP56
3.996	.000	-.08300	-.07090	-.10170	-.09150	-.08530	-.08880	-.13940	-.10760
	GRADIENT	.00000	.00000	.00000	.00000	.00000	.00000	.00000	.00000

ARC 11-023 IAB0 OTS (SRB NOM) (SSME NOM+)

(KE4015) (28 OCT 75)

REFERENCE DATA

SREF = 2690.0000 SQ.FT. XMRP = .0000 IN.
 LREF = 1290.3000 IN. YMRP = .0000 IN.
 BREF = 1290.3000 IN. ZMRP = .0000 IN.
 SCALE = .0200

PARAMETRIC DATA

ELV-1B = .000 ELV-08 = .000
 RN/L = 4.250 MACH = 1.400

RUN NO. 7/ 0 RN/L = 4.27 GRADIENT INTERVAL = -5.00/ 5.00

ALPHA	BETA	CP47	CP49	CP53	CP55	CP48	CP50	CP54	CP56
-3.910	-.006	-.01960	-.01210	-.02240	-.01910	-.01400	-.01460	-.07400	-.04210
	GRADIENT	.00000	.00000	.00000	.00000	.00000	.00000	.00000	.00000

RUN NO. 8/ 0 RN/L = 4.28 GRADIENT INTERVAL = -5.00/ 5.00

ALPHA	BETA	CP47	CP49	CP53	CP55	CP48	CP50	CP54	CP56
-.409	-4.009	.00670	.01530	-.01550	-.01280	-.04500	-.04630	-.10110	-.06750
-.446	.000	-.03120	-.02550	-.05050	-.04090	-.04550	-.04670	-.10910	-.07320
-.509	4.009	-.06310	-.05200	-.07550	-.06080	-.01350	-.01580	-.06480	-.03300
	GRADIENT	-.00870	-.00839	-.00748	-.00599	.00393	.00380	.00453	.00470

ARC 11-023 1A80 OTS (SRB NOM) (SSME NOM+)

(KE4015) (28 OCT 75)

REFERENCE DATA

SREF = 2690.0000 SQ.FT. XMRP = .0000 IN.
 LREF = 1290.3000 IN. YMRP = .0000 IN.
 BREF = 1290.3000 IN. ZMRP = .0000 IN.
 SCALE = .0200

PARAMETRIC DATA

ELV-18 = .000 ELV-08 = .000
 RN/L = 4.250 MACH = 1.400

RUN NO. 9/ 0 RN/L = 4.28 GRADIENT INTERVAL = -5.00/ 5.00

ALPHA	BETA	CP47	CP49	CP53	CP55	CP48	CP50	CP54	CP56
3.848	-.006	-.07590	-.06830	-.03510	-.08650	-.07510	-.07760	-.14480	-.10970
	GRADIENT	.00000	.00000	.03000	.00000	.00000	.00000	.00000	.00000

ARC 11-023 1A80 OTS (SRB NOM) (SSME NOM-)

(KE4016) (28 OCT 75)

REFERENCE DATA

SREF = 2690.0000 SQ.FT. XMRP = .0000 IN.
 LREF = 1290.3000 IN. YMRP = .0000 IN.
 BREF = 1290.3000 IN. ZMRP = .0000 IN.
 SCALE = .0200

PARAMETRIC DATA

ELV-18 = .000 ELV-08 = .000
 RN/L = 4.250 MACH = .900

RUN NO. 234/ 0 RN/L = 4.20 GRADIENT INTERVAL = -5.00/ 5.00

ALPHA	BETA	CP47	CP49	CP53	CP55	CP48	CP50	CP54	CP56
-3.986	-.012	-.05000	-.03830	-.05400	-.04390	-.08630	-.07220	-.09450	-.07240
	GRADIENT	.00000	.00000	.03000	.00000	.00000	.00000	.00000	.00000

RUN NO. 235/ 0 RN/L = 4.21 GRADIENT INTERVAL = -5.00/ 5.00

ALPHA	BETA	CP47	CP49	CP53	CP55	CP48	CP50	CP54	CP56
-.350	-4.031	-.20450	-.19140	-.19030	-.18130	-.12450	-.10810	-.12720	-.10580
-.301	-.016	-.11180	-.10220	-.13090	-.11900	-.16570	-.14970	-.20010	-.16940
-.317	4.000	-.09450	-.07900	-.13020	-.08320	-.30750	-.29590	-.31180	-.29760
	GRADIENT	.01370	.01400	.01122	.01221	-.02279	-.02338	-.02299	-.02388

RUN NO. 236/ 0 RN/L = 4.20 GRADIENT INTERVAL = -5.00/ 5.00

ALPHA	BETA	CP47	CP49	CP53	CP55	CP48	CP50	CP54	CP56
3.947	-.019	-.24190	-.21910	-.23010	-.21890	-.35040	-.33650	-.39660	-.36610
	GRADIENT	.00000	.00000	.03000	.00000	.00000	.00000	.00000	.00000

DATE 22 JUN 76

TABULATED SOURCE DATA - 1A80

PAGE 721

ARC 11-023 1A80 OTS (SRB NOM) (SSME NOM-)

(KE4017) (28 OCT 75)

REFERENCE DATA

SREF = 2690.0000 SQ.FT. XMRP = .0000 IN.
 LREF = 1290.3000 IN. YMRP = .0000 IN.
 BREF = 1290.3000 IN. ZMRP = .0000 IN.
 SCALE = .0200

PARAMETRIC DATA

ELV-1B = .000 ELV-08 = .000
 RN/L = 4.250 MACH = 1.100

RUN NO. 83/ 0 RN/L = 4.32 GRADIENT INTERVAL = -5.00/ 5.00

ALPHA	BETA	CP47	CP49	CP53	CP55	CP48	CP50	CP54	CP56
-4.020	-.069	.13460	.14330	.13330	.14400	.10440	.11770	.09200	.11760
	GRADIENT	.00000	.00000	.00000	.00000	.00000	.00000	.00000	.00000

RUN NO. 84/ 0 RN/L = 4.31 GRADIENT INTERVAL = -5.00/ 5.00

ALPHA	BETA	CP47	CP49	CP53	CP55	CP48	CP50	CP54	CP56
-.479	-4.069	-.04070	-.03130	-.03240	-.02690	.09000	.10120	.08190	.10370
-.489	-.056	.06600	.07680	.07420	.08500	-.01450	.00070	-.08380	-.04640
-.486	3.947	.09110	.10200	.08830	.10260	-.06970	-.06160	-.17740	-.13850
	GRADIENT	.01645	.01663	.01514	.01616	-.01993	-.02031	-.03235	-.03022

RUN NO. 85/ 0 RN/L = 4.32 GRADIENT INTERVAL = -5.00/ 5.00

ALPHA	BETA	CP47	CP49	CP53	CP55	CP48	CP50	CP54	CP56
3.983	-.063	-.02700	-.01320	-.03100	-.02120	-.05030	-.04290	-.15770	-.11580
	GRADIENT	.00000	.00000	.00000	.00000	.00000	.00000	.00000	.00000

ARC 11-023 1A80 OTS (SRB NOM) (SSME NOM-)

(KE4018) (28 OCT 75)

REFERENCE DATA

SREF = 2690.0000 SQ.FT. XMRP = .0000 IN.
 LREF = 1290.3000 IN. YMRP = .0000 IN.
 BREF = 1290.3000 IN. ZMRP = .0000 IN.
 SCALE = .0200

PARAMETRIC DATA

ELV-1B = .000 ELV-08 = .000
 RN/L = 4.250 MACH = 1.250

RUN NO. 57/ 0 RN/L = 4.38 GRADIENT INTERVAL = -5.00/ 5.00

ALPHA	BETA	CP47	CP49	CP53	CP55	CP48	CP50	CP54	CP56
-3.953	.000	-.01260	-.00720	-.02370	-.01720	-.02640	-.02580	-.05660	-.02880
	GRADIENT	.00000	.00000	.00000	.00000	.00000	.00000	.00000	.00000

RUN NO. 58/ 0 RN/L = 4.38 GRADIENT INTERVAL = -5.00/ 5.00

ALPHA	BETA	CP47	CP49	CP53	CP55	CP48	CP50	CP54	CP56
-.429	-4.006	-.04600	-.04000	-.06590	-.06490	-.05380	-.05440	-.09740	-.06560
-.423	.093	-.04490	-.03640	-.05950	-.05120	-.06740	-.07060	-.11660	-.07700
-.416	4.009	-.06280	-.05110	-.06950	-.05780	-.04780	-.05420	-.10790	-.07360
	GRADIENT	-.00210	-.00138	-.01045	.00089	.00075	.00002	-.00131	-.00100

DATE 22 JUN 76

TABULATED SOURCE DATA - IABO

PAGE 723

ARC 11-023 IABO OTS (SRB NOM) (SSME NOM)

(KE4020) (28 OCT 75)

REFERENCE DATA

SREF = 2690.0000 SQ.FT. XMRP = .0000 IN.
 LREF = 1290.3000 IN. YMRP = .0000 IN.
 BREF = 1290.3000 IN. ZMRP = .0000 IN.
 SCALE = .0200

PARAMETRIC DATA

ELV-18 = .000 ELV-08 = .000
 RN/L = 3.400 MACH = .600

RUN NO. 246/ 0 RN/L = 3.36 GRADIENT INTERVAL = -5.00/ 5.00

ALPHA	BETA	CP47	CP49	CP53	CP55	CP48	CP50	CP54	CP56
-3.868	-.016	-.11210	-.10580	-.11300	-.09690	-.13090	-.11250	-.12660	-.11340
	GRADIENT	.00000	.00000	.00000	.00000	.00000	.00000	.00000	.00000

RUN NO. 247/ 0 RN/L = 3.39 GRADIENT INTERVAL = -5.00/ 5.00

ALPHA	BETA	CP47	CP49	CP53	CP55	CP48	CP50	CP54	CP56
-.327	-4.038	-.15890	-.14180	-.17240	-.15860	-.15580	-.14000	-.17930	-.15650
-.291	-.022	-.16890	-.15140	-.15730	-.14740	-.18910	-.17160	-.18080	-.16010
-.386	3.994	-.13380	-.12590	-.15970	-.13770	-.17660	-.15570	-.16930	-.15870
	GRADIENT	.00313	.00198	.00158	.00260	-.00247	-.00195	-.00125	-.00027

RUN NO. 248/ 0 RN/L = 3.41 GRADIENT INTERVAL = -5.00/ 5.00

ALPHA	BETA	CP47	CP49	CP53	CP55	CP48	CP50	CP54	CP56
4.016	-.022	-.22030	-.20750	-.21890	-.20260	-.24740	-.23050	-.25050	-.22090
	GRADIENT	.00000	.00000	.00000	.00000	.00000	.00000	.00000	.00000

ARC 11-023 IABO OTS (SRB NOM) (SSME NOM)

(KE4021) (28 OCT 75)

REFERENCE DATA

SREF = 2690.0000 SQ.FT. XMRP = .0000 IN.
 LREF = 1290.3000 IN. YMRP = .0000 IN.
 BREF = 1290.3000 IN. ZMRP = .0000 IN.
 SCALE = .0200

PARAMETRIC DATA

ELV-18 = .000 ELV-08 = .000
 RN/L = 4.250 MACH = .900

RUN NO. 228/ 0 RN/L = 4.20 GRADIENT INTERVAL = -5.00/ 5.00

ALPHA	BETA	CP47	CP49	CP53	CP55	CP48	CP50	CP54	CP56
-3.977	-.016	-.04940	-.03810	-.05500	-.04330	-.08250	-.07060	-.09550	-.07570
	GRADIENT	.00000	.00000	.00000	.00000	.00000	.00000	.00000	.00000

RUN NO. 229/ 0 RN/L = 4.21 GRADIENT INTERVAL = -5.00/ 5.00

ALPHA	BETA	CP47	CP49	CP53	CP55	CP48	CP50	CP54	CP56
-.327	-4.028	-.19670	-.17760	-.19080	-.17920	-.11760	-.10660	-.12700	-.10650
-.317	-.012	-.11970	-.10210	-.13030	-.11630	-.16950	-.14860	-.19660	-.17080
-.350	4.000	-.09370	-.07760	-.09990	-.08600	-.30280	-.29370	-.31330	-.28850
	GRADIENT	.01283	.01246	.01132	.01161	-.02307	-.02330	-.02321	-.02267

DATE 22 JUN 76

TABULATED SOURCE DATA - 1A80

PAGE 725

ARC 11-023 1A80 OTS (SRB NOM) (SSME NOM)

(KE4023) (28 OCT 75)

REFERENCE DATA

SREF = 2690.0000 SQ.FT. XMRP = .0000 IN.
 LREF = 1290.3000 IN. YMRP = .0000 IN.
 BREF = 1290.3000 IN. ZMRP = .0000 IN.
 SCALE = .0200

ELV-18 = .000 ELV-08 = .000
 RN/L = 4.250 MACH = 1.250

PARAMETRIC DATA

RUN NO. 60/ 0 RN/L = 4.37 GRADIENT INTERVAL = -5.00/ 5.00

ALPHA	BETA	CP47	CP49	CP53	CP55	CP48	CP50	CP54	CP56
-3.917	.003	-.01280	-.00840	-.02540	-.01840	-.02890	-.02750	-.05900	-.02960
	GRADIENT	.00000	.00000	.03000	.00000	.00000	.00000	.00000	.00000

RUN NO. 61/ 0 RN/L = 4.37 GRADIENT INTERVAL = -5.00/ 5.00

ALPHA	BETA	CP47	CP49	CP53	CP55	CP48	CP50	CP54	CP56
-.446	-4.006	-.04870	-.04250	-.06730	-.06010	-.05530	-.05400	-.09900	-.06670
-.456	.003	-.04440	-.02710	-.06290	-.04840	-.06650	-.06730	-.11480	-.07870
-.439	4.012	-.06330	-.05230	-.06700	-.05870	-.04570	-.05440	-.10660	-.07340
	GRADIENT	-.00182	-.00122	.00011	.00017	.00120	-.00005	-.00095	-.00084

RUN NO. 62/ 0 RN/L = 4.37 GRADIENT INTERVAL = -5.00/ 5.00

ALPHA	BETA	CP47	CP49	CP53	CP55	CP48	CP50	CP54	CP56
3.986	.000	-.08260	-.07060	-.10130	-.09260	-.08530	-.08580	-.14070	-.10560
	GRADIENT	.00000	.00000	.00000	.00000	.00000	.00000	.00000	.00000

ARC 11-023 1A80 OTS (SRB NOM) (SSME NOM)

(KE4024) (28 OCT 75)

REFERENCE DATA

SREF = 2690.0000 SQ.FT. XMRP = .0000 IN.
 LREF = 1290.3000 IN. YMRP = .0000 IN.
 BREF = 1290.3000 IN. ZMRP = .0000 IN.
 SCALE = .0200

ELV-18 = .000 ELV-08 = .000
 RN/L = 4.250 MACH = 1.400

PARAMETRIC DATA

RUN NO. 13/ 0 RN/L = 4.25 GRADIENT INTERVAL = -5.00/ 5.00

ALPHA	BETA	CP47	CP49	CP53	CP55	CP48	CP50	CP54	CP56
-3.884	-.003	-.01980	-.01270	-.02440	-.01970	-.01500	-.01490	-.07530	-.04370
	GRADIENT	.00000	.00000	.00000	.00000	.00000	.00000	.00000	.00000

RUN NO. 14/ 0 RN/L = 4.25 GRADIENT INTERVAL = -5.00/ 5.00

ALPHA	BETA	CP47	CP49	CP53	CP55	CP48	CP50	CP54	CP56
-.370	-4.009	.00740	.01240	-.01640	-.01170	-.04450	-.04700	-.10090	-.06510
-.370	.000	-.03270	-.02620	-.05100	-.04160	-.04580	-.04530	-.10930	-.07710
-.429	4.012	-.05740	-.04890	-.06950	-.05920	-.01260	-.01610	-.06790	-.03320
	GRADIENT	-.00808	-.00764	-.00662	-.00592	.00398	.00385	.00411	.00398

ARC 11-023 1A80 OTS (SR8 NOM-) (SSME NOM)

(KE4026) (28 OCT 75)

REFERENCE DATA

SREF = 2690.0000 SQ.FT. XMRP = .0000 IN.
 LREF = 1290.3000 IN. YMRP = .0000 IN.
 BREF = 1290.3000 IN. ZMRP = .0000 IN.
 SCALE = .0200

PARAMETRIC DATA

ELV-18 = .000 ELV-08 = .000
 RN/L = 4.250 MACH = 1.250

RUN NO. 63/ 0 RN/L = 4.36 GRADIENT INTERVAL = -5.00/ 5.00

ALPHA	BETA	CP47	CP49	CP53	CP55	CP48	CP50	CP54	CP56
-3.983	.000	-.01330	-.00690	-.02280	-.01610	-.02430	-.02710	-.05750	-.03080
	GRADIENT	.00000	.00000	.00000	.00000	.00000	.00000	.00000	.00000

RUN NO. 64/ 0 RN/L = 4.36 GRADIENT INTERVAL = -5.00/ 5.00

ALPHA	BETA	CP47	CP49	CP53	CP55	CP48	CP50	CP54	CP56
-.443	-4.006	-.04610	-.04160	-.06140	-.06220	-.05500	-.05550	-.09990	-.06570
-.426	.003	-.04480	-.03610	-.05890	-.05210	-.06740	-.06830	-.11490	-.08110
-.456	4.016	-.05720	-.04620	-.06660	-.05240	-.04370	-.05150	-.10390	-.07010
	GRADIENT	-.00138	-.00057	-.00065	.00122	.00141	.00050	-.00050	-.00055

RUN NO. 65/ 0 RN/L = 4.35 GRADIENT INTERVAL = -5.00/ 5.00

ALPHA	BETA	CP47	CP49	CP53	CP55	CP48	CP50	CP54	CP56
4.020	-.003	-.08470	-.07120	-.10320	-.08940	-.08920	-.08870	-.13800	-.10330
	GRADIENT	.00000	.00000	.00000	.00000	.00000	.00000	.00000	.00000

ARC 11-023 1A80 OTS (SR8 NOM-) (SSME NOM)

(KE4027) (28 OCT 75)

REFERENCE DATA

SREF = 2690.0000 SQ.FT. XMRP = .0000 IN.
 LREF = 1290.3000 IN. YMRP = .0000 IN.
 BREF = 1290.3000 IN. ZMRP = .0000 IN.
 SCALE = .0200

PARAMETRIC DATA

ELV-18 = .000 ELV-08 = .000
 RN/L = 4.250 MACH = 1.400

RUN NO. 16/ 0 RN/L = 4.23 GRADIENT INTERVAL = -5.00/ 5.00

ALPHA	BETA	CP47	CP49	CP53	CP55	CP48	CP50	CP54	CP56
-3.805	.000	-.01980	-.01390	-.02520	-.02170	-.01700	-.01770	-.07750	-.04760
	GRADIENT	.00000	.00000	.00000	.00000	.00000	.00000	.00000	.00000

RUN NO. 17/ 0 RN/L = 4.24 GRADIENT INTERVAL = -5.00/ 5.00

ALPHA	BETA	CP47	CP49	CP53	CP55	CP48	CP50	CP54	CP56
-.353	-4.006	.00490	.01010	-.01900	-.01370	-.04730	-.04950	-.10040	-.06820
-.367	.000	-.03170	-.02640	-.04870	-.04030	-.04590	-.04870	-.10630	-.07670
-.400	4.012	-.05730	-.04960	-.06970	-.06120	-.01420	-.01770	-.06730	-.03610
	GRADIENT	-.00776	-.00744	-.00632	-.00592	.00413	.00397	.00413	.00400

ARC 11-023 1A80 OTS (SRB OFF) (SSME OFF)

(KE4029) (28 OCT 75)

REFERENCE DATA

SREF = 2690.0000 SQ.FT. XMRP = .0000 IN.
 LREF = 1290.3000 IN. YMRP = .0000 IN.
 BREF = 1290.3000 IN. ZMRP = .0000 IN.
 SCALE = .0200

PARAMETRIC DATA

ELV-1B = .000 ELV-08 = .000
 RN/L = 4.250 MACH = .900

RUN NO. 219/ 0 RN/L = 4.25 GRADIENT INTERVAL = -5.00/ 5.00

ALPHA	BETA	CP47	CP49	CP53	CP55	CP48	CP50	CP54	CP56
-3.980	-.006	-.04550	-.03630	-.05150	-.04210	-.02170	-.06430	-.08990	-.06760
	GRADIENT	.00000	.00000	.00000	.00000	.00000	.00000	.00000	.00000

RUN NO. 220/ 0 RN/L = 4.25 GRADIENT INTERVAL = -5.00/ 5.00

ALPHA	BETA	CP47	CP49	CP53	CP55	CP48	CP50	CP54	CP56
-.320	-4.022	-.19660	-.18380	-.18470	-.17930	-.11910	-.10170	-.12510	-.10310
-.310	-.009	-.11420	-.10190	-.12750	-.11460	-.16920	-.14930	-.19650	-.16780
-.297	4.006	-.08760	-.07870	-.09510	-.07920	-.30830	-.29190	-.31690	-.27690
	GRADIENT	.01358	.01309	.01116	.01247	-.02357	-.02369	-.02389	-.02165

RUN NO. 221/ 0 RN/L = 4.24 GRADIENT INTERVAL = -5.00/ 5.00

ALPHA	BETA	CP47	CP49	CP53	CP55	CP48	CP50	CP54	CP56
3.986	-.009	-.23650	-.20730	-.22290	-.20950	-.34050	-.32270	-.36700	-.33930
	GRADIENT	.00000	.00000	.00000	.00000	.00000	.00000	.00000	.00000

ARC 11-023 1A80 OTS (SRB OFF) (SSME OFF)

(KE4030) (28 OCT 75)

REFERENCE DATA

SREF = 2690.0000 SQ.FT. XMRP = .0000 IN.
 LREF = 1290.3000 IN. YMRP = .0000 IN.
 BREF = 1290.3000 IN. ZMRP = .0000 IN.
 SCALE = .0200

PARAMETRIC DATA

ELV-1B = .000 ELV-08 = .000
 RN/L = 4.250 MACH = 1.100

RUN NO. 69/ 0 RN/L = 4.33 GRADIENT INTERVAL = -5.00/ 5.00

ALPHA	BETA	CP47	CP49	CP53	CP55	CP48	CP50	CP54	CP56
-4.016	-.003	.13670	.14510	.13510	.14600	.11110	.12100	.09970	.12510
	GRADIENT	.00000	.00000	.00000	.00000	.00000	.00000	.00000	.00000

RUN NO. 70/ 0 RN/L = 4.30 GRADIENT INTERVAL = -5.00/ 5.00

ALPHA	BETA	CP47	CP49	CP53	CP55	CP48	CP50	CP54	CP56
-.370	-4.006	-.04150	-.03050	-.03870	-.03150	.09170	.10430	.08010	.10280
-.343	.003	.05820	.07050	.07170	.08070	-.01620	-.00250	-.08710	-.05120
-.370	4.009	.08460	.09220	.08170	.09710	-.06500	-.05820	-.17430	-.13460
	GRADIENT	.01573	.01531	.01502	.01605	-.01955	-.02027	-.03174	-.02962

ARC 11-023 IAB0 OTS (SRB OFF) (SSME OFF)

(KE4030) (28 OCT 75)

REFERENCE DATA

SREF = 2690.0000 SQ.FT. XMRP = .0000 IN.
 LREF = 1290.3000 IN. YMRP = .0000 IN.
 BREF = 1290.3000 IN. ZMRP = .0000 IN.
 SCALE = .0200

PARAMETRIC DATA

ELV-18 = .000 ELV-08 = .000
 RN/L = 4.250 MACH = 1.100

RUN NO. 71/ 0 RN/L = 4.29 GRADIENT INTERVAL = -5.00/ 5.00

ALPHA	BETA	CP47	CP49	CP53	CP55	CP48	CP50	CP54	CP56
3.894	-.003	-.02640	-.01400	-.03320	-.01910	-.04750	-.03920	-.15340	-.11010
	GRADIENT	.00000	.00000	.00300	.00000	.00000	.00000	.00000	.00000

ARC 11-023 IAB0 OTS (SRB OFF) (SSME OFF)

(KE4031) (28 OCT 75)

REFERENCE DATA

SREF = 2690.0000 SQ.FT. XMRP = .0000 IN.
 LREF = 1290.3000 IN. YMRP = .0000 IN.
 BREF = 1290.3000 IN. ZMRP = .0000 IN.
 SCALE = .0200

PARAMETRIC DATA

ELV-18 = .000 ELV-08 = .000
 RN/L = 4.250 MACH = 1.250

RUN NO. 66/ 0 RN/L = 4.36 GRADIENT INTERVAL = -5.00/ 5.00

ALPHA	BETA	CP47	CP49	CP53	CP55	CP48	CP50	CP54	CP56
-3.970	-.003	-.01440	-.00900	-.02660	-.01880	-.02700	-.02810	-.05700	-.03150
	GRADIENT	.00000	.00000	.00300	.00000	.00000	.00000	.00000	.00000

RUN NO. 67/ 0 RN/L = 4.36 GRADIENT INTERVAL = -5.00/ 5.00

ALPHA	BETA	CP47	CP49	CP53	CP55	CP48	CP50	CP54	CP56
-.330	-4.006	-.05400	-.04400	-.07570	-.06910	-.05400	-.05550	-.09750	-.06860
-.317	.003	-.05000	-.03810	-.06730	-.05600	-.06800	-.06950	-.11440	-.08000
-.370	4.012	-.05670	-.04820	-.06660	-.05620	-.04290	-.04990	-.10330	-.06970
	GRADIENT	-.00034	-.00052	.00113	.00161	.00138	.00070	-.00072	-.00014

RUN NO. 68/ 0 RN/L = 4.36 GRADIENT INTERVAL = -5.00/ 5.00

ALPHA	BETA	CP47	CP49	CP53	CP55	CP48	CP50	CP54	CP56
3.950	-.003	-.08170	-.06940	-.09990	-.08940	-.08760	-.09600	-.13910	-.10450
	GRADIENT	.00000	.00000	.00300	.00000	.00000	.00000	.00000	.00000

DATE 22 JUN 76

TABULATED SOURCE DATA - 1A80

PAGE 731

ARC 11-023 1A80 OTS (SRB OFF) (SSME OFF)

(KE4032) (28 OCT 75)

REFERENCE DATA

SREF = 2690.0000 SQ.FT. XMRP = .0000 IN.
 LREF = 1290.3000 IN. YMRP = .0000 IN.
 BREF = 1290.3000 IN. ZMRP = .0000 IN.
 SCALE = .0200

PARAMETRIC DATA

ELV-18 = .000 ELV-08 = .000
 RN/L = 4.250 MACH = 1.400

RUN NO. 19/ 0 RN/L = 4.24 GRADIENT INTERVAL = -5.00/ 5.00

ALPHA	BETA	CP47	CP49	CP53	CP55	CP48	CP50	CP54	CP56
-4.043	.000	-.02260	-.01740	-.02170	-.01720	-.01400	-.01400	-.07010	-.04010
	GRADIENT	.00000	.00000	.00000	.00000	.00000	.00000	.00000	.00000

RUN NO. 20/ 0 RN/L = 4.25 GRADIENT INTERVAL = -5.00/ 5.00

ALPHA	BETA	CP47	CP49	CP53	CP55	CP48	CP50	CP54	CP56
-.195	-4.012	-.00120	.00480	-.02490	-.02270	-.04950	-.04850	-.10250	-.07230
-.211	.000	-.03520	-.02940	-.07480	-.04490	-.04590	-.04610	-.10870	-.07430
.083	4.006	-.06300	-.05200	-.06800	-.05980	-.01890	-.02060	-.07300	-.03950
	GRADIENT	-.00771	-.00708	-.00538	-.00463	.00382	.00348	.00368	.00409

RUN NO. 21/ 0 RN/L = 4.25 GRADIENT INTERVAL = -5.00/ 5.00

ALPHA	BETA	CP47	CP49	CP53	CP55	CP48	CP50	CP54	CP56
4.082	.000	-.08090	-.07170	-.09710	-.08560	-.07980	-.08430	-.14730	-.11390
	GRADIENT	.00000	.00000	.00000	.00000	.00000	.00000	.00000	.00000

ARC 11-023 1A80 OTS (SRB OFF) (SSME OFF)

(KE4033) (28 OCT 75)

REFERENCE DATA

SREF = 2690.0000 SQ.FT. XMRP = .0000 IN.
 LREF = 1290.3000 IN. YMRP = .0000 IN.
 BREF = 1290.3000 IN. ZMRP = .0000 IN.
 SCALE = .0200

PARAMETRIC DATA

ELV-18 = .000 ELV-08 = .000
 RN/L = 1.750 MACH = .600

RUN NO. 270/ 0 RN/L = 1.74 GRADIENT INTERVAL = -5.00/ 5.00

ALPHA	BETA	CP47	CP49	CP53	CP55	CP48	CP50	CP54	CP56
-3.953	-.003	-.08340	-.07030	-.08690	-.06970	-.09100	-.07930	-.09450	-.07310
	GRADIENT	.00000	.00000	.00000	.00000	.00000	.00000	.00000	.00000

RUN NO. 271/ 0 RN/L = 1.74 GRADIENT INTERVAL = -5.00/ 5.00

ALPHA	BETA	CP47	CP49	CP53	CP55	CP48	CP50	CP54	CP56
-.271	-4.044	-.16350	-.14870	-.14270	-.13230	-.15710	-.14390	-.14690	-.12950
-.284	-.031	-.12060	-.10840	-.13310	-.12020	-.14030	-.12400	-.14940	-.12700
-.343	3.984	-.14010	-.13390	-.13480	-.12370	-.18240	-.16640	-.16680	-.14730
	GRADIENT	.00254	.00184	.00098	.00107	-.00315	-.00280	-.00248	-.00222

DATE 22 JUN 76

TABULATED SOURCE DATA - IAB0

PAGE 733

ARC 11-023 IAB0 OTS (SRB OFF) (SSME OFF)

(KE4035) (28 OCT 75)

REFERENCE DATA

SREF = 2690.0000 SQ.FT. XMRP = .0000 IN.
 LREF = 1290.3000 IN. YMRP = .0000 IN.
 BREF = 1290.3000 IN. ZMRP = .0000 IN.
 SCALE = .0200

PARAMETRIC DATA

ELV-18 = .000 ELV-08 = .000
 RN/L = 2.250 MACH = 1.100

RUN NO. 22/ 0 RN/L = 2.24 GRADIENT INTERVAL = -5.00/ 5.00

ALPHA	BETA	CP47	CP49	CP53	CP55	CP48	CP50	CP54	CP56
-3.957	.000	.11980	.13030	.11870	.13170	.08820	.10180	.08460	.10610
	GRADIENT	.00000	.00000	.00000	.00000	.00000	.00000	.00000	.00000

RUN NO. 23/ 0 RN/L = 2.25 GRADIENT INTERVAL = -5.00/ 5.00

ALPHA	BETA	CP47	CP49	CP53	CP55	CP48	CP50	CP54	CP56
-.225	-4.009	-.06030	-.05250	-.05640	-.05370	.07500	.08920	.07230	.09070
-.225	.000	.05240	.06620	.06010	.07030	-.02180	-.01070	-.07510	-.04330
-.231	4.012	.07130	.08210	.07000	.08290	-.08740	-.08230	-.18790	-.15480
	GRADIENT	.01640	.01678	.01576	.01703	-.02024	-.02138	-.03244	-.03060

RUN NO. 24/ 0 RN/L = 2.25 GRADIENT INTERVAL = -5.00/ 5.00

ALPHA	BETA	CP47	CP49	CP53	CP55	CP48	CP50	CP54	CP56
4.016	-.003	-.03570	-.02460	-.04070	-.03190	-.06710	-.05860	-.16290	-.12500
	GRADIENT	.00000	.00000	.00000	.00000	.00000	.00000	.00000	.00000

ARC 11-023 IAB0 OTS (SRB OFF) (SSME OFF)

(KE4036) (28 OCT 75)

REFERENCE DATA

SREF = 2690.0000 SQ.FT. XMRP = .0000 IN.
 LREF = 1290.3000 IN. YMRP = .0000 IN.
 BREF = 1290.3000 IN. ZMRP = .0000 IN.
 SCALE = .0200

PARAMETRIC DATA

ELV-18 = .000 ELV-08 = .000
 RN/L = 2.250 MACH = 1.250

RUN NO. 30/ 0 RN/L = 2.27 GRADIENT INTERVAL = -5.00/ 5.00

ALPHA	BETA	CP47	CP49	CP53	CP55	CP48	CP50	CP54	CP56
-3.993	.003	-.02510	-.01840	-.03060	-.02590	-.03870	-.03460	-.05990	-.03700
	GRADIENT	.00000	.00000	.00000	.00000	.00000	.00000	.00000	.00000

RUN NO. 31/ 0 RN/L = 2.27 GRADIENT INTERVAL = -5.00/ 5.00

ALPHA	BETA	CP47	CP49	CP53	CP55	CP48	CP50	CP54	CP56
-.145	-4.003	-.06210	-.05360	-.08120	-.07580	-.07320	-.06690	-.09780	-.07390
-.129	.003	-.05010	-.05090	-.07440	-.06550	-.08070	-.08130	-.11220	-.09220
-.175	4.009	-.06780	-.05860	-.07640	-.06360	-.05700	-.06750	-.11240	-.08340
	GRADIENT	-.00071	-.00062	.00060	.00152	.00202	-.00007	-.00182	-.00119

DATE 22 JUN 76

TABULATED SOURCE DATA - IAB0

PAGE 735

ARC 11-023 IAB0 OTS (SRB NOM) (SSME NOM)

(KE4038) (28 OCT 75)

REFERENCE DATA

SREF = 2690.0000 SQ.FT. XMRP = .0000 IN.
 LREF = 1290.3000 IN. YMRP = .0000 IN.
 BREF = 1290.3000 IN. ZMRP = .0000 IN.
 SCALE = .0200

PARAMETRIC DATA

ELV-1B = .000 ELV-0B = .000
 RN/L = 1.750 MACH = .600

RUN NO. 273/ 0 RN/L = 1.76 GRADIENT INTERVAL = -5.00/ 5.00

ALPHA	BETA	CP47	CP49	CP53	CP55	CP48	CP50	CP54	CP56
-3.980	-.003	-.10370	-.09550	-.10050	-.09300	-.12690	-.10230	-.11890	-.09840
	GRADIENT	.00000	.00000	.00000	.00000	.00000	.00000	.00000	.00000

RUN NO. 274/ 0 RN/L = 1.77 GRADIENT INTERVAL = -5.00/ 5.00

ALPHA	BETA	CP47	CP49	CP53	CP55	CP48	CP50	CP54	CP56
-.314	-4.044	-.16020	-.15070	-.16370	-.15020	-.16220	-.14900	-.17190	-.15080
-.317	-.009	-.15340	-.14000	-.15620	-.14610	-.17160	-.16080	-.18110	-.15760
-.327	3.981	-.14680	-.14130	-.14760	-.13880	-.19130	-.17490	-.18130	-.15800
	GRADIENT	.00167	.00117	.00201	.00142	-.00362	-.00335	-.00117	-.00090

RUN NO. 275/ 0 RN/L = 1.78 GRADIENT INTERVAL = -5.00/ 5.00

ALPHA	BETA	CP47	CP49	CP53	CP55	CP48	CP50	CP54	CP56
3.950	-.003	-.21390	-.19520	-.21360	-.19990	-.23670	-.22060	-.24250	-.21830
	GRADIENT	.00000	.00000	.00000	.00000	.00000	.00000	.00000	.00000

ARC 11-023 IAB0 OTS (SRB NOM) (SSME NOM)

(KE4039) (28 OCT 75)

REFERENCE DATA

SREF = 2690.0000 SQ.FT. XMRP = .0000 IN.
 LREF = 1290.3000 IN. YMRP = .0000 IN.
 BREF = 1290.3000 IN. ZMRP = .0000 IN.
 SCALE = .0200

PARAMETRIC DATA

ELV-1B = .000 ELV-0B = .000
 RN/L = 2.250 MACH = .900

RUN NO. 264/ 0 RN/L = 2.16 GRADIENT INTERVAL = -5.00/ 5.00

ALPHA	BETA	CP47	CP49	CP53	CP55	CP48	CP50	CP54	CP56
-3.986	.003	-.05490	-.04400	-.06150	-.04940	-.08940	-.07540	-.09690	-.07720
	GRADIENT	.00000	.00000	.00000	.00000	.00000	.00000	.00000	.00000

RUN NO. 265/ 0 RN/L = 2.16 GRADIENT INTERVAL = -5.00/ 5.00

ALPHA	BETA	CP47	CP49	CP53	CP55	CP48	CP50	CP54	CP56
-.294	-4.044	-.19930	-.18400	-.19200	-.18110	-.12570	-.11280	-.13000	-.11060
-.310	-.028	-.12260	-.10800	-.13010	-.12140	-.17310	-.15930	-.19540	-.17280
-.320	3.981	-.09920	-.08530	-.10270	-.09190	-.30780	-.29380	-.29750	-.27950
	GRADIENT	.01248	.01230	.01113	.01112	-.02269	-.02255	-.02087	-.02105

ORIGINAL PAGE IS
OF POOR QUALITY

DATE 22 JUN 76

TABULATED SOURCE DATA - IABO

PAGE 737

ARC 11-023 IABO OTS (SRB OFF) (SSME OFF)

(KE4041) (28 OCT 75)

REFERENCE DATA

SREF = 2690.0000 SQ.FT. XMRP = .0000 IN.
 LREF = 1290.3000 IN. YMRP = .0000 IN.
 BREF = 1290.3000 IN. ZMRP = .0000 IN.
 SCALE = .0200

PARAMETRIC DATA

ELV-18 = .000 ELV-08 = .000
 RN/L = 2.500 MACH = .600

RUN NO. 252/ 0 RN/L = 2.55 GRADIENT INTERVAL = -5.00/ 5.00

ALPHA	BETA	CP47	CP49	CP53	CP55	CP48	CP50	CP54	CP56
-4.000	-.022	-.08400	-.06970	-.08090	-.06520	-.05270	-.07890	-.08920	-.07450
	GRADIENT	.00000	.00000	.00000	.00000	.00000	.00000	.00000	.00000

RUN NO. 253/ 0 RN/L = 2.55 GRADIENT INTERVAL = -5.00/ 5.00

ALPHA	BETA	CP47	CP49	CP53	CP55	CP48	CP50	CP54	CP56
-.261	-4.041	-.14550	-.13340	-.14660	-.13400	-.14270	-.13060	-.14990	-.12700
-.271	-.025	-.12530	-.11210	-.13070	-.11700	-.15000	-.12760	-.15220	-.12750
-.343	3.991	-.12260	-.11250	-.13090	-.11890	-.16280	-.14720	-.16390	-.13540
	GRADIENT	.00285	.00260	.00195	.00188	-.00250	-.00207	-.00174	-.00105

RUN NO. 254/ 0 RN/L = 2.55 GRADIENT INTERVAL = -5.00/ 5.00

ALPHA	BETA	CP47	CP49	CP53	CP55	CP48	CP50	CP54	CP56
3.944	-.022	-.19070	-.17740	-.19130	-.17470	-.21970	-.19580	-.21670	-.19230
	GRADIENT	.00000	.00000	.00000	.00000	.00000	.00000	.00000	.00000

ARC 11-023 IABO OTS (SRB OFF) (SSME OFF)

(KE4042) (28 OCT 75)

REFERENCE DATA

SREF = 2690.0000 SQ.FT. XMRP = .0000 IN.
 LREF = 1290.3000 IN. YMRP = .0000 IN.
 BREF = 1290.3000 IN. ZMRP = .0000 IN.
 SCALE = .0200

PARAMETRIC DATA

ELV-18 = .000 ELV-08 = .000
 RN/L = 3.250 MACH = .900

RUN NO. 258/ 0 RN/L = 3.14 GRADIENT INTERVAL = -5.00/ 5.00

ALPHA	BETA	CP47	CP49	CP53	CP55	CP48	CP50	CP54	CP56
-3.930	.003	-.05170	-.04160	-.05430	-.04090	-.08620	-.07700	-.08960	-.07090
	GRADIENT	.00000	.00000	.00000	.00000	.00000	.00000	.00000	.00000

RUN NO. 259/ 0 RN/L = 3.13 GRADIENT INTERVAL = -5.00/ 5.00

ALPHA	BETA	CP47	CP49	CP53	CP55	CP48	CP50	CP54	CP56
-.284	-4.041	-.19650	-.17890	-.18520	-.17880	-.11250	-.09810	-.12230	-.09870
-.281	-.028	-.12840	-.11430	-.13390	-.12680	-.18040	-.16270	-.20180	-.17260
-.248	3.924	-.09110	-.08210	-.09300	-.08370	-.29950	-.28020	-.29540	-.25710
	GRADIENT	.01312	.01205	.01085	.01184	-.02328	-.02267	-.02155	-.01972

DATE 22 JUN 76

TABULATED SOURCE DATA - IAB0

PAGE 739

ARC 11-023 IAB0 OTS (SRB OFF) (SSME OFF)

(KE4044) (28 OCT '75)

REFERENCE DATA

SREF = 2690.0000 SQ.FT. XMRP = .0000 IN.
 LREF = 1290.3000 IN. YMRP = .0000 IN.
 BREF = 1290.3000 IN. ZMRP = .0000 IN.
 SCALE = .0200

PARAMETRIC DATA

ELV-18 = .000 ELV-08 = .000
 RN/L = 3.250 MACH = 1.250

RUN NO. 42/ 0 RN/L = 3.29 GRADIENT INTERVAL = -5.00/ 5.00

ALPHA	BETA	CP47	CP49	CP53	CP55	CP48	CP50	CP54	CP56
-3.953	.000	-.01870	-.01370	-.02620	-.02030	-.02930	-.03040	-.05590	-.03050
	GRADIENT	.00000	.00000	.00000	.00000	.00000	.00000	.00000	.00000

RUN NO. 43/ 0 RN/L = 3.29 GRADIENT INTERVAL = -5.00/ 5.00

ALPHA	BETA	CP47	CP49	CP53	CP55	CP48	CP50	CP54	CP56
-.287	-4.003	-.06090	-.05310	-.07940	-.07590	-.07060	-.06820	-.10210	-.07120
-.277	.003	-.05450	-.04160	-.06910	-.05830	-.07160	-.07330	-.11460	-.08490
-.376	4.012	-.05860	-.04950	-.06930	-.05460	-.04410	-.05550	-.09830	-.06820
	GRADIENT	.00029	.00045	.00126	.00266	.00331	.00158	.00047	.00037

RUN NO. 44/ 0 RN/L = 3.29 GRADIENT INTERVAL = -5.00/ 5.00

ALPHA	BETA	CP47	CP49	CP53	CP55	CP48	CP50	CP54	CP56
3.947	-.003	-.08610	-.07440	-.10430	-.09220	-.08930	-.09340	-.13690	-.10220
	GRADIENT	.00000	.00000	.00000	.00000	.00000	.00000	.00000	.00000

ARC 11-023 IAB0 OTS (SRB OFF) (SSME OFF)

(KE4045) (28 OCT 75)

REFERENCE DATA

SREF = 2690.0000 SQ.FT. XMRP = .0000 IN.
 LREF = 1290.3000 IN. YMRP = .0000 IN.
 BREF = 1290.3000 IN. ZMRP = .0000 IN.
 SCALE = .0200

PARAMETRIC DATA

ELV-18 = .000 ELV-08 = .000
 RN/L = 3.250 MACH = 1.400

RUN NO. 45/ 0 RN/L = 3.23 GRADIENT INTERVAL = -5.00/ 5.00

ALPHA	BETA	CP47	CP49	CP53	CP55	CP48	CP50	CP54	CP56
-3.990	-.003	-.02930	-.02310	-.02920	-.02690	-.02210	-.02360	-.07440	-.04950
	GRADIENT	.00000	.00000	.00000	.00000	.00000	.00000	.00000	.00000

RUN NO. 46/ 0 RN/L = 3.22 GRADIENT INTERVAL = -5.00/ 5.00

ALPHA	BETA	CP47	CP49	CP53	CP55	CP48	CP50	CP54	CP56
-.294	-4.000	-.00300	.00250	-.02860	-.02110	-.05490	-.05530	-.10050	-.07260
-.297	.000	-.03880	-.03320	-.05530	-.04840	-.04980	-.04920	-.10820	-.07310
-.294	4.009	-.06360	-.05620	-.07150	-.06210	-.01600	-.01970	-.07150	-.04420
	GRADIENT	-.00757	-.00733	-.00536	-.00512	.00461	.00445	.00362	.00355

DATE 22 JUN 76

TABULATED SOURCE DATA - IABO

PAGE 741

ARC 11-023 IABO OTS (SRB NOM) (SSME NOM)

(KE4047) (28 OCT 75)

REFERENCE DATA

SREF = 2690.0000 SQ.FT. XMRP = .0000 IN.
 LREF = 1290.3000 IN. YMRP = .0000 IN.
 BREF = 1290.3000 IN. ZMRP = .0000 IN.
 SCALE = .0200

PARAMETRIC DATA

ELV-1B = .000 ELV-0B = .000
 RN/L = 3.250 MACH = .900

RUN NO. 261/ 0 RN/L = 3.12 GRADIENT INTERVAL = -5.00/ 5.00

ALPHA	BETA	CP47	CP49	CP53	CP55	CP48	CP50	CP54	CP56
-4.033	.000	-.03940	-.02940	-.05210	-.04060	-.07550	-.06300	-.00000	-.06430
	GRADIENT	.00000	.00000	.00000	.00000	.00000	.00000	.00000	.00000

RUN NO. 262/ 0 RN/L = 3.13 GRADIENT INTERVAL = -5.00/ 5.00

ALPHA	BETA	CP47	CP49	CP53	CP55	CP48	CP50	CP54	CP56
-.343	-4.044	-.19220	-.17670	-.19050	-.17770	-.11660	-.10330	-.12430	-.10280
-.340	-.028	-.11730	-.10440	-.13210	-.12080	-.17040	-.15640	-.19690	-.17050
-.340	3.991	-.08360	-.07300	-.09850	-.08250	-.29430	-.27370	-.30910	-.26800
	GRADIENT	.01352	.01291	.01145	.01185	-.02212	-.02121	-.02300	-.02056

RUN NO. 263/ 0 RN/L = 3.13 GRADIENT INTERVAL = -5.00/ 5.00

ALPHA	BETA	CP47	CP49	CP53	CP55	CP48	CP50	CP54	CP56
3.927	-.028	-.23270	-.20990	-.22520	-.21320	-.34020	-.32070	-.37030	-.33980
	GRADIENT	.00000	.00000	.00000	.00000	.00000	.00000	.00000	.00000

ARC 11-023 IABO OTS (SRB NOM) (SSME NOM)

(KE4048) (28 OCT 75)

REFERENCE DATA

SREF = 2690.0000 SQ.FT. XMRP = .0000 IN.
 LREF = 1290.3000 IN. YMRP = .0000 IN.
 BREF = 1290.3000 IN. ZMRP = .0000 IN.
 SCALE = .0200

PARAMETRIC DATA

ELV-1B = .000 ELV-0B = .000
 RN/L = 3.250 MACH = 1.100

RUN NO. 39/ 0 RN/L = 3.27 GRADIENT INTERVAL = -5.00/ 5.00

ALPHA	BETA	CP47	CP49	CP53	CP55	CP48	CP50	CP54	CP56
-3.934	.003	.13120	.13880	.12890	.13980	.10030	.11110	.09580	.11790
	GRADIENT	.00000	.00000	.00000	.00000	.00000	.00000	.00000	.00000

RUN NO. 40/ 0 RN/L = 3.27 GRADIENT INTERVAL = -5.00/ 5.00

ALPHA	BETA	CP47	CP49	CP53	CP55	CP48	CP50	CP54	CP56
-.413	-4.006	-.03280	-.03010	-.03070	-.03020	.08780	.10000	.08060	.10280
-.443	.000	.05950	.07420	.06980	.08010	-.01950	-.00670	-.08230	-.04760
-.420	4.016	.08230	.09740	.06640	.10140	-.07250	-.06510	-.17530	-.13820
	GRADIENT	.01584	.01589	.01459	.01640	-.01998	-.02058	-.03190	-.03004

DATE 22 JUN 76

TABULATED SOURCE DATA - IAB0

PAGE 743

ARC 11-023 IAB0 OTS (SRB OFF) (SSME OFF)

(KE4051) (28 OCT 75)

REFERENCE DATA

SREF = 2690.0000 SQ.FT. XMRP = .0000 IN.
 LREF = 1290.3000 IN. YMRP = .0000 IN.
 BREF = 1290.3000 IN. ZMRP = .0000 IN.
 SCALE = .0200

PARAMETRIC DATA

ELV-18 = 8.000 ELV-08 = 4.000
 RN/L = 4.250 MACH = .980

RUN NO. 112/ 0 RN/L = 4.31 GRADIENT INTERVAL = -5.00/ 5.00

ALPHA	BETA	CP47	CP49	CP53	CP55	CP48	CP50	CP54	CP56
-3.950	-.063	.03270	.04240	.02760	.03700	-.00130	.01110	-.02530	-.00430
	GRADIENT	.00000	.00000	.00000	.00000	.00000	.00000	.00000	.00000

RUN NO. 113/ 0 RN/L = 4.31 GRADIENT INTERVAL = -5.00/ 5.00

ALPHA	BETA	CP47	CP49	CP53	CP55	CP48	CP50	CP54	CP56
-.416	-4.075	-.14110	-.12870	-.12500	-.12040	-.01560	-.00490	-.03380	-.02010
-.386	-.063	-.03550	-.02420	-.03610	-.02850	-.10900	-.09210	-.10950	-.08760
-.370	3.950	-.00880	.00090	-.01460	-.00500	-.20820	-.19910	-.30010	-.27090
	GRADIENT	.01649	.01615	.01375	.01438	-.02400	-.02420	-.03318	-.03125

RUN NO. 114/ 0 RN/L = 4.32 GRADIENT INTERVAL = -5.00/ 5.00

ALPHA	BETA	CP47	CP49	CP53	CP55	CP48	CP50	CP54	CP56
4.076	-.063	-.15880	-.14420	-.14850	-.14070	-.21590	-.20600	-.31520	-.28420
	GRADIENT	.00000	.00000	.00000	.00000	.00000	.00000	.00000	.00000

ARC 11-023 IAB0 OTS (SRB NOM) (SSME NOM)

(KE4052) (28 OCT 75)

REFERENCE DATA

SREF = 2690.0000 SQ.FT. XMRP = .0000 IN.
 LREF = 1290.3000 IN. YMRP = .0000 IN.
 BREF = 1290.3000 IN. ZMRP = .0000 IN.
 SCALE = .0200

PARAMETRIC DATA

ELV-18 = 8.000 ELV-08 = 4.000
 RN/L = 4.250 MACH = .980

RUN NO. 115/ 0 RN/L = 4.30 GRADIENT INTERVAL = -5.00/ 5.00

ALPHA	BETA	CP47	CP49	CP53	CP55	CP48	CP50	CP54	CP56
-3.930	-.063	.03080	.03870	.02980	.03560	-.00830	.00550	-.02920	-.01030
	GRADIENT	.00000	.00000	.00000	.00000	.00000	.00000	.00000	.00000

RUN NO. 116/ 0 RN/L = 4.30 GRADIENT INTERVAL = -5.00/ 5.00

ALPHA	BETA	CP47	CP49	CP53	CP55	CP48	CP50	CP54	CP56
-.519	-4.078	-.13130	-.12250	-.11340	-.11060	-.01920	-.00750	-.03900	-.02430
-.476	-.053	-.02890	-.01810	-.02730	-.02150	-.10570	-.08760	-.10450	-.08250
-.499	3.953	-.00670	.00200	-.00730	-.00040	-.21260	-.20060	-.30020	-.27190
	GRADIENT	.01551	.01550	.01321	.01372	-.02408	-.02404	-.03252	-.03083

ORIGINAL PAGE IS
OF POOR QUALITY

DATE 22 JUN 76

TABULATED SOURCE DATA - 1A80

PAGE 745

ARC 11-023 1A80 OTS (SRB OFF) (SSME OFF)

(KE4054) (28 OCT 75)

REFERENCE DATA

SREF = 2690.0000 SQ.FT. XMRP = .0000 IN.
 LREF = 1290.3000 IN. YMRP = .0000 IN.
 BREF = 1290.3000 IN. ZMRP = .0000 IN.
 SCALE = .0200

PARAMETRIC DATA

ELV-18 = 8.000 ELV-08 = 4.000
 RN/L = 4.250 MACH = .900

RUN NO. 296/ 0 RN/L = 4.19 GRADIENT INTERVAL = -5.00/ 5.00

ALPHA	BETA	CP47	CP49	CP53	CP55	CP48	CP50	CP54	CP56
-3.940	-.044	-.04820	-.03740	-.05280	-.04000	-.08120	-.06700	-.09020	-.06670
	GRADIENT	.00000	.00000	.00000	.00000	.00000	.00000	.00000	.00000

RUN NO. 297/ 0 RN/L = 4.18 GRADIENT INTERVAL = -5.00/ 5.00

ALPHA	BETA	CP47	CP49	CP53	CP55	CP48	CP50	CP54	CP56
-.284	-4.059	-.20100	-.18570	-.19220	-.18400	-.12170	-.10940	-.13080	-.11110
-.320	-.041	-.12480	-.11040	-.13530	-.12020	-.17890	-.15800	-.20410	-.17470
-.314	3.975	-.10270	-.09350	-.10730	-.09190	-.30360	-.28850	-.27820	-.24960
	GRADIENT	.01224	.01148	.01057	.01146	-.02264	-.02229	-.01835	-.01724

RUN NO. 298/ 0 RN/L = 4.18 GRADIENT INTERVAL = -5.00/ 5.00

ALPHA	BETA	CP47	CP49	CP53	CP55	CP48	CP50	CP54	CP56
3.980	-.038	-.22500	-.20800	-.22670	-.21250	-.33670	-.32020	-.36250	-.32430
	GRADIENT	.00000	.00000	.00000	.00000	.00000	.00000	.00000	.00000

ARC 11-023 1A80 OTS (SRB OFF) (SSME OFF)

(KE4055) (28 OCT 75)

REFERENCE DATA

SREF = 2690.0000 SQ.FT. XMRP = .0000 IN.
 LREF = 1290.3000 IN. YMRP = .0000 IN.
 BREF = 1290.3000 IN. ZMRP = .0000 IN.
 SCALE = .0200

PARAMETRIC DATA

ELV-18 = 8.000 ELV-08 = 4.000
 RN/L = 4.250 MACH = 1.100

RUN NO. 106/ 0 RN/L = 4.37 GRADIENT INTERVAL = -5.00/ 5.00

ALPHA	BETA	CP47	CP49	CP53	CP55	CP48	CP50	CP54	CP56
-3.772	-.066	.12270	.13800	.11990	.13570	.09590	.10620	.10010	.11790
	GRADIENT	.00000	.00000	.00000	.00000	.00000	.00000	.00000	.00000

RUN NO. 107/ 0 RN/L = 4.37 GRADIENT INTERVAL = -5.00/ 5.00

ALPHA	BETA	CP47	CP49	CP53	CP55	CP48	CP50	CP54	CP56
-.380	-4.075	-.04170	-.03100	-.03660	-.03420	.09090	.10170	.07940	.09800
-.357	-.059	.05780	.06760	.06850	.07760	-.01680	-.00230	-.08740	-.05980
-.367	3.956	.08470	.09330	.08030	.09400	-.07220	-.06580	-.18190	-.14780
	GRADIENT	.01574	.01548	.01456	.01596	-.02031	-.02086	-.03254	-.03061

DATE 22 JUN 76

TABULATED SOURCE DATA - IABO

PAGE 747

ARC 11-023 IABO OTS (SM8 OFF) (SSME OFF)

E4057) (28 OCT. 75)

REFERENCE DATA

SREF = 2690.0000 SQ.FT. XMRP = .0000 IN.
 LREF = 1290.3000 IN. YMRP = .0000 IN.
 BREF = 1290.3000 IN. ZMRP = .0000 IN.
 SCALE = .0200

PARAMETRIC DATA

ELV-18 = 8.000 ELV-08 = 4.000
 RN/L = 4.250 MACH = 1.400

RUN NO. 100/ 0 RN/L = 4.31 GRADIENT INTERVAL = -5.00/ 5.00

ALPHA	BETA	CP47	CP49	CP53	CP55	CP48	CP50	CP54	CP56
-3.953	-.063	-.02090	-.01530	-.02160	-.01850	-.01130	-.01430	-.07210	-.04530
	GRADIENT	.00000	.00000	.00000	.00000	.00000	.00000	.00000	.00000

RUN NO. 101/ 0 RN/L = 4.31 GRADIENT INTERVAL = -5.00/ 5.00

ALPHA	BETA	CP47	CP49	CP53	CP55	CP48	CP50	CP54	CP56
-.317	-4.075	.00040	.00720	-.02120	-.02080	-.04880	-.05180	-.10150	-.07410
-.320	-.059	-.03400	-.02670	-.04690	-.04150	-.04290	-.04360	-.10630	-.07490
-.522	3.956	-.05840	-.05070	-.05330	-.05570	-.01370	-.01600	-.06840	-.03530
	GRADIENT	-.00732	-.00721	-.00524	-.00435	.00437	.00446	.00412	.00483

RUN NO. 102/ 0 RN/L = 4.29 GRADIENT INTERVAL = -5.00/ 5.00

ALPHA	BETA	CP47	CP49	CP53	CP55	CP48	CP50	CP54	CP56
4.208	-.069	-.07910	-.06610	-.09100	-.08290	-.07710	-.08100	-.14500	-.11140
	GRADIENT	.00000	.00000	.00000	.00000	.00000	.00000	.00000	.00000

ARC 11-023 IABO OTS (SR8 NOM) (SSME NOM)

(KE4058) (28 OCT 75)

REFERENCE DATA

SREF = 2690.0000 SQ.FT. XMRP = .0000 IN.
 LREF = 1290.3000 IN. YMRP = .0000 IN.
 BREF = 1290.3000 IN. ZMRP = .0000 IN.
 SCALE = .0200

PARAMETRIC DATA

ELV-18 = 8.000 ELV-08 = 4.000
 RN/L = 3.400 MACH = .600

RUN NO. 291/ 0 RN/L = 3.39 GRADIENT INTERVAL = -5.00/ 5.00

ALPHA	BETA	CP47	CP49	CP53	CP55	CP48	CP50	CP54	CP56
-3.953	.000	-.12210	-.11860	-.12260	-.11110	-.15090	-.13630	-.14320	-.12780
	GRADIENT	.00000	.00000	.00000	.00000	.00000	.00000	.00000	.00000

RUN NO. 292/ 0 RN/L = 3.40 GRADIENT INTERVAL = -5.00/ 5.00

ALPHA	BETA	CP47	CP49	CP53	CP55	CP48	CP50	CP54	CP56
-.343	-4.050	-.18110	-.16590	-.18050	-.16800	-.18460	-.17390	-.19710	-.17500
-.380	.000	-.17070	-.15970	-.17040	-.15870	-.19640	-.18580	-.20310	-.17940
-.386	3.978	-.16700	-.15940	-.17560	-.16470	-.21670	-.19410	-.21820	-.19370
	GRADIENT	.00176	.00381	.00062	.00042	-.00400	-.00252	-.00262	-.00233

DATE 22 JUN 76

TABULATED SOURCE DATA - 1A80

PAGE 749

ARC 11-023 1A80 OTS (SRB NOM) (SSME NOM)

(KE4060) (28 OCT 75)

REFERENCE DATA

SREF = 2690.0000 SQ.FT. XMRP = .0000 IN.
 LREF = 1290.3000 IN. YMRP = .0000 IN.
 BREF = 1290.3000 IN. ZMRP = .0000 IN.
 SCALE = .0200

PARAMETRIC DATA

ELV-18 = 8.000 ELV-08 = 4.000
 RN/L = 4.250 MACH = 1.100

RUN NO. 109/ 0 RN/L = 4.37 GRADIENT INTERVAL = -5.00/ 5.00

ALPHA	BETA	CP47	CP49	CP53	CP55	CP48	CP50	CP54	CP56
-3.937	-.059	.13380	.14360	.13840	.14180	.09420	.11280	.09630	.11730
	GRADIENT	.00000	.00000	.00000	.00000	.00000	.00000	.00000	.00000

RUN NO. 110/ 0 RN/L = 4.38 GRADIENT INTERVAL = -5.00/ 5.00

ALPHA	BETA	CP47	CP49	CP53	CP55	CP48	CP50	CP54	CP56
-.528	-4.075	-.04130	-.03150	-.02950	-.02790	.08980	.10040	.08120	.09630
-.492	-.053	.06760	.07770	.07570	.07820	-.01320	.00390	-.09040	-.06490
-.532	3.956	.08510	.09470	.08560	.09720	-.08260	-.07440	-.18760	-.15720
	GRADIENT	.01574	.01571	.01433	.01557	-.02147	-.02176	-.03347	-.03156

RUN NO. 111/ 0 RN/L = 4.38 GRADIENT INTERVAL = -5.00/ 5.00

ALPHA	BETA	CP47	CP49	CP53	CP55	CP48	CP50	CP54	CP56
4.013	-.063	-.04110	-.02680	-.03850	-.03790	-.06140	-.05580	-.17210	-.14090
	GRADIENT	.00000	.00000	.00000	.00000	.00000	.00000	.00000	.00000

ARC 11-023 1A80 OTS (SRB NOM) (SSME NOM)

(KE4061) (28 OCT 75)

REFERENCE DATA

SREF = 2690.0000 SQ.FT. XMRP = .0000 IN.
 LREF = 1290.3000 IN. YMRP = .0000 IN.
 BREF = 1290.3000 IN. ZMRP = .0000 IN.
 SCALE = .0200

PARAMETRIC DATA

ELV-18 = 8.000 ELV-08 = 4.000
 RN/L = 4.250 MACH = 1.250

RUN NO. 97/ 0 RN/L = 4.39 GRADIENT INTERVAL = -5.00/ 5.00

ALPHA	BETA	CP47	CP49	CP53	CP55	CP48	CP50	CP54	CP56
-3.960	-.066	-.01010	-.00460	-.01980	-.01380	-.02640	-.02740	-.05680	-.03320
	GRADIENT	.00000	.00000	.00000	.00000	.00000	.00000	.00000	.00000

RUN NO. 98/ 0 RN/L = 4.39 GRADIENT INTERVAL = -5.00/ 5.00

ALPHA	BETA	CP47	CP49	CP53	CP55	CP48	CP50	CP54	CP56
-.505	-4.075	-.04990	-.04110	-.06430	-.06230	-.05670	-.05290	-.09820	-.06800
-.459	-.059	-.04580	-.03470	-.05740	-.05020	-.06500	-.06780	-.11380	-.08350
-.462	3.953	-.05600	-.04570	-.06230	-.05280	-.04090	-.04840	-.09970	-.06730
	GRADIENT	-.00076	-.00057	.00021	.00118	.00197	.00056	-.00019	.00009

ORIGINAL PAGE IS
OF POOR QUALITY

ARC 11-023 IAB0 OTS (SRB NOM+) (SSME NOM)

(KE4063) (28 OCT 75)

REFERENCE DATA

SREF = 2690.0000 SQ.FT. XMRP = .0000 IN.
 LREF = 1290.3000 IN. YMRP = .0000 IN.
 BREF = 1290.3000 IN. ZMRP = .0000 IN.
 SCALE = .0200

PARAMETRIC DATA

ELV-1B = 8.000 ELV-0B = 4.000
 RN/L = 4.250 MACH = .980

RUN NO. 118/ 0 RN/L = 4.31 GRADIENT INTERVAL = -5.00/ 5.00

ALPHA	BETA	CP47	CP49	CP53	CP55	CP48	CP50	CP54	CP56
-3.868	-.063	.03040	.03870	.03000	.03440	-.00830	.00420	-.03100	-.01300
	GRADIENT	.00000	.00000	.00000	.00000	.00000	.00000	.00000	.00000

RUN NO. 119/ 0 RN/L = 4.31 GRADIENT INTERVAL = -5.00/ 5.00

ALPHA	BETA	CP47	CP49	CP53	CP55	CP48	CP50	CP54	CP56
-4.486	-4.075	-.13290	-.12330	-.11470	-.11420	-.02050	-.01010	-.03990	-.07570
-4.456	-.063	-.03450	-.02530	-.03230	-.02850	-.11410	-.09390	-.10590	-.08880
-4.439	3.953	-.01240	-.00350	-.01190	-.00590	-.21770	-.20580	-.30780	-.27720
	GRADIENT	.01501	.01492	.01280	.01349	-.02456	-.02438	-.03337	-.03120

RUN NO. 120/ 0 RN/L = 4.31 GRADIENT INTERVAL = -5.00/ 5.00

ALPHA	BETA	CP47	CP49	CP53	CP55	CP48	CP50	CP54	CP56
4.013	-.069	-.16190	-.14900	-.14710	-.14230	-.22330	-.21350	-.32290	-.29290
	GRADIENT	.00000	.00000	.00000	.00000	.00000	.00000	.00000	.00000

ARC 11-023 IAB0 OTS (SRB OFF) (SSME OFF)

(KE4064) (28 OCT 75)

REFERENCE DATA

SREF = 2690.0000 SQ.FT. XMRP = .0000 IN.
 LREF = 1290.3000 IN. YMRP = .0000 IN.
 BREF = 1290.3000 IN. ZMRP = .0000 IN.
 SCALE = .0200

PARAMETRIC DATA

ELV-1B = 8.000 ELV-0B = -4.000
 RN/L = 3.400 MACH = .600

RUN NO. 314/ 0 RN/L = 3.40 GRADIENT INTERVAL = -5.00/ 5.00

ALPHA	BETA	CP47	CP49	CP53	CP55	CP48	CP50	CP54	CP56
-3.973	-.047	-.08160	-.06770	-.09080	-.07180	-.09850	-.08520	-.10660	-.08180
	GRADIENT	.00000	.00000	.00000	.00000	.00000	.00000	.00000	.00000

RUN NO. 315/ 0 RN/L = 3.42 GRADIENT INTERVAL = -5.00/ 5.00

ALPHA	BETA	CP47	CP49	CP53	CP55	CP48	CP50	CP54	CP56
-.277	-4.066	-.14860	-.13840	-.15790	-.14440	-.15460	-.14340	-.16100	-.14370
-.291	-.047	-.13940	-.12780	-.14540	-.13060	-.16570	-.15100	-.16770	-.14610
-.307	3.972	-.13470	-.12620	-.14460	-.12720	-.18290	-.16480	-.17660	-.15390
	GRADIENT	.00173	.00152	.00165	.00214	-.00352	-.00266	-.00194	-.00127

DATE 22 JUN 76

TABULATED SOURCE DATA - IAB0

PAGE 753

ARC 11-023 IAB0 OTS (SRB OFF) (SSME OFF)

(KE4066) (28 OCT 75)

REFERENCE DATA

SREF = 2690.0000 SQ.FT. XMRP = .0000 IN.
 LREF = 1290.3000 IN. YMRP = .0000 IN.
 BREF = 1290.3000 IN. ZMRP = .0000 IN.
 SCALE = .0200

PARAMETRIC DATA

ELV-1B = 8.000 ELV-0B = -4.000
 RN/L = 4.250 MACH = 1.100

RUN NO. 133/ 0 RN/L = 4.40 GRADIENT INTERVAL = -5.00/ 5.00

ALPHA	BETA	CP47	CP49	CP53	CP55	CP48	CP50	CP54	CP56
-3.963	-.063	.13170	.14000	.13430	.14050	.09730	.11370	.09640	.11680
	GRADIENT	.00000	.00000	.00030	.00000	.00000	.00000	.00000	.00000

RUN NO. 134/ 0 RN/L = 4.40 GRADIENT INTERVAL = -5.00/ 5.00

ALPHA	BETA	CP47	CP49	CP53	CP55	CP48	CP50	CP54	CP56
-.337	-4.072	-.05240	-.04000	-.03260	-.04400	.08790	.09970	.08070	.09850
-.334	-.059	.05900	.07110	.07330	.07540	-.01740	-.00480	-.08770	-.05670
-.376	3.950	.08040	.09270	.09090	.09600	-.06860	-.06410	-.17860	-.13770
	GRADIENT	.01656	.01654	.01540	.01745	-.01951	-.02042	-.03233	-.02945

RUN NO. 135/ 0 RN/L = 4.40 GRADIENT INTERVAL = -5.00/ 5.00

ALPHA	BETA	CP47	CP49	CP53	CP55	CP48	CP50	CP54	CP56
3.953	-.066	-.03330	-.01910	-.02520	-.02750	-.05760	-.04950	-.17050	-.12830
	GRADIENT	.00000	.00000	.00030	.00000	.00000	.00000	.00000	.00000

ARC 11-023 IAB0 OTS (SRB OFF) (SSME OFF)

(KE4067) (28 OCT 75)

REFERENCE DATA

SREF = 2690.0000 SQ.FT. XMRP = .0000 IN.
 LREF = 1290.3000 IN. YMRP = .0000 IN.
 BREF = 1290.3000 IN. ZMRP = .0000 IN.
 SCALE = .0200

PARAMETRIC DATA

ELV-1B = 8.000 ELV-0B = -4.000
 RN/L = 4.250 MACH = 1.250

RUN NO. 128/ 0 RN/L = 4.43 GRADIENT INTERVAL = -5.00/ 5.00

ALPHA	BETA	CP47	CP49	CP53	CP55	CP48	CP50	CP54	CP56
-.327	-4.072	-.05370	-.04430	-.05460	-.05920	-.05820	-.05830	-.10130	-.07320
-.317	-.059	-.04820	-.03500	-.05130	-.05500	-.06950	-.05900	-.11670	-.08470
-.340	3.950	-.05790	-.05080	-.05650	-.05650	-.04220	-.05480	-.10350	-.07180
	GRADIENT	-.00952	-.00081	-.00024	.00158	.00199	.00044	-.00027	.00017

RUN NO. 127/ 0 RN/L = 4.43 GRADIENT INTERVAL = -5.00/ 5.00

ALPHA	BETA	CP47	CP49	CP53	CP55	CP48	CP50	CP54	CP56
.000	-.063	-.05380	-.04110	-.05620	-.06070	-.07410	-.07550	-.11950	-.09020
	GRADIENT	.00000	.00000	.00030	.00000	.00000	.00000	.00000	.00000

DATE 22 JUN 76

TABULATED SOURCE DATA - IAB0

PAGE 755

ARC 11-023 IAB0 OTS (SRB NOM) (SSME NOM)

(KE4069) (28 OCT 75)

REFERENCE DATA

SREF = 2690.0000 SQ.FT. XMRP = .0000 IN.
 LREF = 1290.3000 IN. YMRP = .0000 IN.
 BREF = 1290.3000 IN. ZMRP = .0000 IN.
 SCALE = .0200

PARAMETRIC DATA

ELV-18 = 8.000 ELV-08 = -4.000
 RN/L = 3.400 MACH = .600

RUN NO. 317/ 0 RN/L = 3.46 GRADIENT INTERVAL = -5.00/ 5.00

ALPHA	BETA	CP47	CP49	CPE3	CP55	CP48	CP50	CP54	CP56
-3.920	-.044	-.10460	-.09250	-.11480	-.09920	-.12670	-.11020	-.13150	-.11620
	GRADIENT	.00000	.00000	.00000	.00000	.00000	.00000	.00000	.00000

RUN NO. 318/ 0 RN/L = 3.46 GRADIENT INTERVAL = -5.00/ 5.00

ALPHA	BETA	CP47	CP49	CPE3	CP55	CP48	CP50	CP54	CP56
-.376	-4.066	-.16670	-.15770	-.17830	-.15960	-.18020	-.16220	-.18660	-.16890
-.373	-.050	-.16070	-.14460	-.16250	-.14850	-.18830	-.16680	-.19020	-.16870
-.426	3.969	-.15290	-.14640	-.15990	-.14300	-.20250	-.18840	-.20030	-.17240
	GRADIENT	.00172	.00141	.00229	.00207	-.00278	-.00326	-.00171	-.00044

RUN NO. 319/ 0 RN/L = 3.47 GRADIENT INTERVAL = -5.00/ 5.00

ALPHA	BETA	CP47	CP49	CPE3	CP55	CP48	CP50	CP54	CP56
3.947	-.044	-.22050	-.20680	-.23010	-.20720	-.25270	-.23630	-.25660	-.23260
	GRADIENT	.00000	.00000	.00000	.00000	.00000	.00000	.00000	.00000

ARC 11-023 IAB0 OTS (SRB NOM) (SSME NOM)

(KE4070) (28 OCT 75)

REFERENCE DATA

SREF = 2690.0000 SQ.FT. XMRP = .0000 IN.
 LREF = 1290.3000 IN. YMRP = .0000 IN.
 BREF = 1290.3000 IN. ZMRP = .0000 IN.
 SCALE = .0200

PARAMETRIC DATA

ELV-18 = 8.000 ELV-08 = -4.000
 RN/L = 4.250 MACH = .900

RUN NO. 305/ 0 RN/L = 4.17 GRADIENT INTERVAL = -5.00/ 5.00

ALPHA	BETA	CP47	CP49	CPE3	CP55	CP48	CP50	CP54	CP56
-3.897	-.041	-.05740	-.04800	-.05420	-.05090	-.09350	-.07800	-.09930	-.08190
	GRADIENT	.00000	.00000	.00000	.00000	.00000	.00000	.00000	.00000

RUN NO. 306/ 0 RN/L = 4.17 GRADIENT INTERVAL = -5.00/ 5.00

ALPHA	BETA	CP47	CP49	CPE3	CP55	CP48	CP50	CP54	CP56
-.383	-4.063	-.19990	-.18360	-.19580	-.18520	-.12430	-.11340	-.13740	-.11680
-.357	-.047	-.12090	-.10710	-.13700	-.12080	-.17130	-.16140	-.20310	-.17490
-.370	3.972	-.11130	-.09860	-.10830	-.10030	-.31970	-.30780	-.28090	-.26440
	GRADIENT	.01089	.01058	.01089	.01057	-.02432	-.02420	-.01786	-.01837

ORIGINAL PAGE IS
OF POOR QUALITY

DATE 22 JUN 76

TABULATED SOURCE DATA - IAB0

PAGE 759

ARC 11-023 IAB0 OTS (SRB OFF) (SSME OFF)

(KE4075) (28 OCT 75)

REFERENCE DATA

SREF = 2690.0000 SQ.FT. XMRP = .0000 IN.
 LREF = 1290.3000 IN. YMRP = .0000 IN.
 BREF = 1290.3000 IN. ZMRP = .0000 IN.
 SCALE = .0200

PARAMETRIC DATA

ELV-18 = 8.000 ELV-08 = .000
 RN/L = 4.250 MACH = .900

RUN NO. 282/ 0 RN/L = 4.25 GRADIENT INTERVAL = -5.00/ 5.00

ALPHA	BETA	CP47	CP49	CP53	CP55	CP48	CP50	CP54	CP56
-3.980	-.012	-.04530	-.03670	-.05160	-.03910	-.07820	-.06720	-.08820	-.06580
	GRADIENT	.00000	.00000	.00000	.00000	.00000	.00000	.00000	.00000

RUN NO. 283/ 0 RN/L = 4.25 GRADIENT INTERVAL = -5.00/ 5.00

ALPHA	BETA	CP47	CP49	CP53	CP55	CP48	CP50	CP54	CP56
-.324	-4.047	-.20010	-.17560	-.18930	-.18110	-.11400	-.10080	-.12230	-.10160
-.317	-.006	-.11310	-.09930	-.12940	-.11530	-.16480	-.14640	-.19350	-.16690
-.396	3.984	-.09140	-.07830	-.09810	-.08290	-.30560	-.28650	-.31650	-.28220
	GRADIENT	.01355	.01213	.01136	.01224	-.02383	-.02310	-.02417	-.02247

RUN NO. 284/ 0 RN/L = 4.24 GRADIENT INTERVAL = -5.00/ 5.00

ALPHA	BETA	CP47	CP49	CP53	CP55	CP48	CP50	CP54	CP56
4.076	-.012	-.22840	-.21380	-.22730	-.21160	-.34120	-.32530	-.38990	-.35070
	GRADIENT	.00000	.00000	.00000	.00000	.00000	.00000	.00000	.00000

ARC 11-023 IAB0 OTS (SRB OFF) (SSME OFF)

(KE4076) (28 OCT 75)

REFERENCE DATA

SREF = 2690.0000 SQ.FT. XMRP = .0000 IN.
 LREF = 1290.3000 IN. YMRP = .0000 IN.
 BREF = 1290.3000 IN. ZMRP = .0000 IN.
 SCALE = .0200

PARAMETRIC DATA

ELV-18 = 8.000 ELV-08 = .000
 RN/L = 4.250 MACH = 1.100

RUN NO. 153/ 0 RN/L = 4.42 GRADIENT INTERVAL = -5.00/ 5.00

ALPHA	BETA	CP47	CP49	CP53	CP55	CP48	CP50	CP54	CP56
-3.934	.009	.10670	.10940	.13030	.13790	.05040	.04650	.10500	.12820
	GRADIENT	.00000	.00000	.00000	.00000	.00000	.00000	.00000	.00000

RUN NO. 154/ 0 RN/L = 4.42 GRADIENT INTERVAL = -5.00/ 5.00

ALPHA	BETA	CP47	CP49	CP53	CP55	CP48	CP50	CP54	CP56
-.238	-3.994	-.04440	-.03290	-.04400	-.03610	.09080	.10250	.07760	.10100
-.307	.009	.02750	.04590	.04030	.04570	-.03340	-.01390	-.12210	-.07510
-.271	4.034	.07750	.09130	.07820	.09480	-.06160	-.04940	-.16990	-.12520
	GRADIENT	.01518	.01547	.01522	.01630	-.01897	-.01891	-.03081	-.02816

DATE 22 JUN 76

TABULATED SOURCE DATA - 1A80

PAGE 761

ARC 11-023 1A80 OTS (SRB OFF) (SSME OFF)

(KE4078) (28 OCT 75)

REFERENCE DATA

SREF = 2690.0000 SQ.FT. XMRP = .0000 IN.
 LREF = 1290.3000 IN. YMRP = .0000 IN.
 BREF = 1290.3000 IN. ZMRP = .0000 IN.
 SCALE = .0200

PARAMETRIC DATA

ELV-18 = 8.000 ELV-08 = .000
 RN/L = 4.250 MACH = 1.400

RUN NO. 141/ 0 RN/L = 4.35 GRADIENT INTERVAL = -5.00/ 5.00

ALPHA	BETA	CP47	CP49	CP53	CP55	CP48	CP50	CP54	CP56
-3.980	-.066	-.01900	-.01250	-.01370	-.01560	-.00890	-.01170	-.06570	-.03280
	GRADIENT	.00000	.00000	.00000	.00000	.00000	.00000	.00000	.00000

RUN NO. 142/ 0 RN/L = 4.34 GRADIENT INTERVAL = -5.00/ 5.00

ALPHA	BETA	CP47	CP49	CP53	CP55	CP48	CP50	CP54	CP56
-.238	-4.072	.00320	.00920	-.00980	-.01960	-.04840	-.04780	-.10180	-.06270
-.228	-.063	-.03100	-.02470	-.03740	-.03970	-.04010	-.04190	-.10330	-.05850
-.261	3.953	-.05740	-.04930	-.05350	-.05340	-.01210	-.01490	-.06510	-.01740
	GRADIENT	-.00755	-.00729	-.00545	-.00421	.00452	.00410	.00457	.00565

RUN NO. 143/ 0 RN/L = 4.34 GRADIENT INTERVAL = -5.00/ 5.00

ALPHA	BETA	CP47	CP49	CP53	CP55	CP48	CP50	CP54	CP56
3.920	-.066	-.07450	-.06260	-.07960	-.07850	-.07170	-.07820	-.14220	-.08980
	GRADIENT	.00000	.00000	.00000	.00000	.00000	.00000	.00000	.00000

ARC 11-023 1A80 OTS (SRB NOM) (SSME NOM)

(KE4079) (28 OCT 75)

REFERENCE DATA

SREF = 2690.0000 SQ.FT. XMRP = .0000 IN.
 LREF = 1290.3000 IN. YMRP = .0000 IN.
 BREF = 1290.3000 IN. ZMRP = .0000 IN.
 SCALE = .0200

PARAMETRIC DATA

ELV-18 = 8.000 ELV-08 = .000
 RN/L = 3.400 MACH = .600

RUN NO. 279/ 0 RN/L = 3.42 GRADIENT INTERVAL = -5.00/ 5.00

ALPHA	BETA	CP47	CP49	CP53	CP55	CP48	CP50	CP54	CP56
-4.105	-.006	-.10980	-.10100	-.11550	-.10000	-.12620	-.11600	-.13270	-.11230
	GRADIENT	.00000	.00000	.00000	.00000	.00000	.00000	.00000	.00000

RUN NO. 280/ 0 RN/L = 3.45 GRADIENT INTERVAL = -5.00/ 5.00

ALPHA	BETA	CP47	CP49	CP53	CP55	CP48	CP50	CP54	CP56
-.383	-4.047	-.18200	-.16780	-.17820	-.16540	-.18310	-.16610	-.19140	-.17230
-.380	-.009	-.16970	-.15150	-.17670	-.15810	-.19340	-.17380	-.20090	-.17700
-.499	3.981	-.15540	-.14450	-.15660	-.14680	-.20410	-.18590	-.20430	-.17570
	GRADIENT	.00331	.00290	.00266	.00232	-.00262	-.00247	-.00161	-.00042

DATE 22 JUN 76

TABULATED FORCE DATA - IABO

PAGE 763

ARC 11-023 IABO OTS (SRB NOM) (SSME NOM)

(KE4081) (28 OCT 75)

REFERENCE DATA

SREF = 2690.0000 SQ.FT. XMRP = .0000 IN.
 LREF = 1290.3000 IN. YMRP = .0000 IN.
 BREF = 1290.3000 IN. ZMRP = .0000 IN.
 SCALE = .0200

PARAMETRIC DATA

ELV-1B = 8.000 ELV-0B = .000
 RN/L = 4.250 MACH = 1.100

RUN NO. 156/ 0 RN/L = 4.38 GRADIENT INTERVAL = -5.00/ 5.00

ALPHA	BETA	CP47	CP49	CP53	CP55	CP48	CP50	CP54	CP56
-3.937	.012	.13810	.14710	.13240	.14610	.10910	.12190	.09970	.12730
	GRADIENT	.00000	.00000	.00000	.00000	.00000	.00000	.00000	.00000

RUN NO. 157/ 0 RN/L = 4.38 GRADIENT INTERVAL = -5.00/ 5.00

ALPHA	BETA	CP47	CP49	CP53	CP55	CP48	CP50	CP54	CP56
-.396	-3.994	-.03610	-.02910	-.03100	-.02530	.09030	.02900	.08230	.10620
-.380	.009	.05190	.07780	.04980	.07050	-.01460	.00500	-.11210	-.06560
-.393	4.031	.08870	.10100	.09010	.10540	-.07420	-.06460	-.18470	-.14210
	GRADIENT	.01555	.01620	.01509	.01628	-.02049	-.02087	-.03326	-.03093

RUN NO. 158/ 0 RN/L = 4.38 GRADIENT INTERVAL = -5.00/ 5.00

ALPHA	BETA	CP47	CP49	CP53	CP55	CP48	CP50	CP54	CP56
3.894	.012	-.02650	-.01350	-.03180	-.02020	-.05320	-.04550	-.16200	-.11560
	GRADIENT	.00000	.00000	.00000	.00000	.00000	.00000	.00000	.00000

ARC 11-023 IABO OTS (SRB NOM) (SSME NOM)

(KE4082) (28 OCT 75)

REFERENCE DATA

SREF = 2690.0000 SQ.FT. XMRP = .0000 IN.
 LREF = 1290.3000 IN. YMRP = .0000 IN.
 BREF = 1290.3000 IN. ZMRP = .0000 IN.
 SCALE = .0200

PARAMETRIC DATA

ELV-1B = 8.000 ELV-0B = .000
 RN/L = 4.250 MACH = 1.250

RUN NO. 150/ 0 RN/L = 4.42 GRADIENT INTERVAL = -5.00/ 5.00

ALPHA	BETA	CP47	CP49	CP53	CP55	CP48	CP50	CP54	CP56
-3.967	.016	-.01480	-.01030	-.02430	-.01680	-.02470	-.02310	-.06040	-.02900
	GRADIENT	.00000	.00000	.00000	.00000	.00000	.00000	.00000	.00000

RUN NO. 151/ 0 RN/L = 4.42 GRADIENT INTERVAL = -5.00/ 5.00

ALPHA	BETA	CP47	CP49	CP53	CP55	CP48	CP50	CP54	CP56
-.396	-3.994	-.04810	-.03980	-.06630	-.06340	-.05230	-.05100	-.09500	-.06350
-.396	.009	-.04780	-.03290	-.05880	-.04810	-.06390	-.06630	-.11420	-.07690
-.380	4.031	-.05930	-.04770	-.06550	-.05370	-.04100	-.04880	-.09930	-.06620
	GRADIENT	-.00140	-.00099	.00010	.00121	.00141	.00028	-.00053	-.00033

ORIGINAL PAGE IS
OF POOR QUALITY

ARC 11-023 1A80 OTS (SRB OFF) (SSME OFF)

(KE4084) (28 OCT 75)

REFERENCE DATA

SREF = 2690.0000 SQ.FT. XMRP = .0000 IN.
 LREF = 1290.3000 IN. YMRP = .0000 IN.
 BREF = 1290.3000 IN. ZMRP = .0000 IN.
 SCALE = .0200

PARAMETRIC DATA

ELV-1B = 8.000 ELV-08 = 2.000
 RN/L = 3.400 MACH = .600

RUN NO. - 326/ 0 RN/L = 3.42 GRADIENT INTERVAL = -5.00/ 5.00

ALPHA	BETA	CP47	CP49	CP53	CP55	CP48	CP50	CP54	CP56
-3.953	-.044	-.11310	-.10480	-.09650	-.09160	-.13570	-.12440	-.11580	-.10570
	GRADIENT	.00000	.00000	.00000	.00000	.00000	.00000	.00000	.00000

RUN NO. 327/ 0 RN/L = 3.43 GRADIENT INTERVAL = -5.00/ 5.00

ALPHA	BETA	CP47	CP49	CP53	CP55	CP48	CP50	CP54	CP56
-.284	-4.063	-.16130	-.15340	-.16120	-.14610	-.16850	-.14900	-.16670	-.14990
-.291	-.047	-.13430	-.12080	-.14680	-.13110	-.16010	-.14490	-.16860	-.14680
-.320	3.969	-.14730	-.14150	-.14570	-.13330	-.19930	-.18430	-.18630	-.17010
	GRADIENT	.00174	.00148	.00193	.00159	-.00384	-.00440	-.00244	-.00252

RUN NO. 328/ 0 RN/L = 3.43 GRADIENT INTERVAL = -5.00/ 5.00

ALPHA	BETA	CP47	CP49	CP53	CP55	CP48	CP50	CP54	CP56
3.973	-.044	-.20420	-.19120	-.20940	-.19060	-.23840	-.21820	-.23410	-.20880
	GRADIENT	.00000	.00000	.00000	.00000	.00000	.00000	.00000	.00000

ARC 11-023 1A80 OTS (SRB OFF) (SSME OFF)

(KE4085) (28 OCT 75)

REFERENCE DATA

SREF = 2690.0000 SQ.FT. XMRP = .0000 IN.
 LREF = 1290.3000 IN. YMRP = .0000 IN.
 BREF = 1290.3000 IN. ZMRP = .0000 IN.
 SCALE = .0200

PARAMETRIC DATA

ELV-1B = 8.000 ELV-08 = 2.000
 RN/L = 4.250 MACH = .900

RUN NO. 320/ 0 RN/L = 4.27 GRADIENT INTERVAL = -5.00/ 5.00

ALPHA	BETA	CP47	CP49	CP53	CP55	CP48	CP50	CP54	CP56
-3.937	-.050	-.04270	-.03250	-.05090	-.03850	-.08190	-.06670	-.08650	-.06900
	GRADIENT	.00000	.00000	.00000	.00000	.00000	.00000	.00000	.00000

RUN NO. 321/ 0 RN/L = 4.24 GRADIENT INTERVAL = -5.00/ 5.00

ALPHA	BETA	CP47	CP49	CP53	CP55	CP48	CP50	CP54	CP56
-.301	-4.066	-.18280	-.17370	-.19400	-.17850	-.11640	-.10070	-.12390	-.10470
-.304	-.047	-.11920	-.11000	-.12610	-.11450	-.17970	-.16340	-.19710	-.16880
-.320	3.959	-.09470	-.08590	-.10480	-.08860	-.34610	-.31300	-.29170	-.27000
	GRADIENT	.01097	.01093	.01110	.01119	-.02859	-.02642	-.02089	-.02057

DATE 22 JUN 76

TABULATED SOURCE DATA - IAB0

PAGE 767

ARC 11-023 IAB0 OTS (SRB NOM) (SSME NOM)

(KE4087) (28 OCT 75)

REFERENCE DATA

SREF = 2690.0000 SQ.FT. XMRP = .0000 IN.
 LREF = 1290.3000 IN. YMRP = .0000 IN.
 BREF = 1290.3000 IN. ZMRP = .0000 IN.
 SCALE = .0200

PARAMETRIC DATA

ELV-18 = 8.000 ELV-08 = 2.000
 RN/L = 3.400 MACH = .600

RUN NO. 329/ 0 RN/L = 3.43 GRADIENT INTERVAL = -5.00/ 5.00

ALPHA	BETA	CP47	CP49	CP53	CP55	CP48	CP50	CP54	CP56
-3.871	-.044	-.11040	-.10330	-.11730	-.10280	-.13540	-.12580	-.13690	-.11940
	GRADIENT	.00000	.00000	.00000	.00000	.00000	.00000	.00000	.00000

RUN NO. 330/ 0 RN/L = 3.43 GRADIENT INTERVAL = -5.00/ 5.00

ALPHA	BETA	CP47	CP49	CP53	CP55	CP48	CP50	CP54	CP56
-.350	-4.066	-.17560	-.16500	-.18210	-.16650	-.18590	-.16570	-.18930	-.16960
-.380	-.050	-.16190	-.14660	-.17210	-.16010	-.19180	-.17380	-.20050	-.17730
-.423	3.959	-.15510	-.14100	-.15910	-.14900	-.20450	-.18860	-.20340	-.18000
	GRADIENT	.00255	.00299	.00279	.00218	-.00232	-.00285	-.00175	-.00129

RUN NO. 331/ 0 RN/L = 3.43 GRADIENT INTERVAL = -5.00/ 5.00

ALPHA	BETA	CP47	CP49	CP53	CP55	CP48	CP50	CP54	CP56
3.986	-.047	-.23090	-.21750	-.23830	-.21900	-.26410	-.24500	-.26410	-.23780
	GRADIENT	.00000	.00000	.00000	.00000	.00000	.00000	.00000	.00000

ARC 11-023 IAB0 OTS (SRB NOM) (SSME NOM)

(KE4088) (28 OCT 75)

REFERENCE DATA

SREF = 2690.0000 SQ.FT. XMRP = .0000 IN.
 LREF = 1290.3000 IN. YMRP = .0000 IN.
 BREF = 1290.3000 IN. ZMRP = .0000 IN.
 SCALE = .0200

PARAMETRIC DATA

ELV-18 = 8.000 ELV-08 = 2.000
 RN/L = 4.250 MACH = .900

RUN NO. 323/ 0 RN/L = 4.19 GRADIENT INTERVAL = -5.00/ 5.00

ALPHA	BETA	CP47	CP49	CP53	CP55	CP48	CP50	CP54	CP56
-3.963	-.044	-.04950	-.04260	-.06100	-.05000	-.09180	-.07660	-.09780	-.07720
	GRADIENT	.00000	.00000	.00000	.00000	.00000	.00000	.00000	.00000

RUN NO. 324/ 0 RN/L = 4.13 GRADIENT INTERVAL = -5.00/ 5.00

ALPHA	BETA	CP47	CP49	CP53	CP55	CP48	CP50	CP54	CP56
-.383	-4.066	-.18780	-.18010	-.19820	-.18630	-.12670	-.11110	-.13350	-.11630
-.376	-.047	-.11240	-.09850	-.13110	-.11680	-.17560	-.15430	-.20130	-.17070
-.409	3.969	-.08790	-.07940	-.10530	-.08200	-.32630	-.30110	-.30310	-.25780
	GRADIENT	.01244	.01253	.01156	.01298	-.02484	-.02365	-.02111	-.01761

DATE 22 JUN 76

TABULATED SOURCE DATA - IABO

PAGE 769

ARC 11-023 IABO OTS (SRB OFF) (SSME OFF)

(KE4090) (28 OCT 75)

REFERENCE DATA

SREF = 2630.0000 SQ.FT. XMRP = .0000 IN.
 LREF = 1290.3000 IN. YMRP = .0000 IN.
 BREF = 1290.3000 IN. ZMRP = .0000 IN.
 SCALE = .0200

PARAMETRIC DATA

ELV-1 = 4.000 ELV-08 = 4.000
 RN/L = 3.400 MACH = .600

RUN NO. 332/ 0 RN/L = 3.50 GRADIENT INTERVAL = -5.00/ 5.00

ALPHA	BETA	CP47	CP49	CP53	CP55	CP48	CP50	CP54	CP56
-3.960	-.003	-.08530	-.08020	-.09320	-.07890	-.10950	-.09580	-.10590	-.09320
	GRADIENT	.00000	.00000	.00000	.00000	.00000	.00000	.00000	.00000

RUN NO. 333/ 0 RN/L = 3.49 GRADIENT INTERVAL = -5.00/ 5.00

ALPHA	BETA	CP47	CP49	CP53	CP55	CP48	CP50	CP54	CP56
-.267	-4.003	-.15940	-.14820	-.15260	-.14100	-.16280	-.14370	-.16050	-.14480
-.291	.012	-.13460	-.12880	-.14370	-.13080	-.16570	-.14580	-.12510	-.14710
-.294	4.028	-.13660	-.13050	-.14500	-.12590	-.18250	-.16720	-.18290	-.15520
	GRADIENT	.00284	.00220	.00095	.00188	-.00245	-.00293	-.00279	-.00129

RUN NO. 334/ 0 RN/L = 3.49 GRADIENT INTERVAL = -5.00/ 5.00

ALPHA	BETA	CP47	CP49	CP53	CP55	CP48	CP50	CP54	CP56
3.973	.006	-.19970	-.19150	-.20470	-.19010	-.23910	-.21770	-.23240	-.20540
	GRADIENT	.00000	.00000	.00000	.00000	.00000	.00000	.00000	.00000

APC 11-023 IABO OTS (SRB OFF) (SSME OFF)

(KE4091) (28 OCT 75)

REFERENCE DATA

SREF = 2690.0000 SQ.FT. XMRP = .0000 IN.
 LREF = 1290.3000 IN. YMRP = .0000 IN.
 BREF = 1290.3000 IN. ZMRP = .0000 IN.
 SCALE = .0200

PARAMETRIC DATA

ELV-18 = 4.000 ELV-08 = 4.000
 RN/L = 4.250 MACH = .900

RUN NO. 338/ 0 RN/L = 4.21 GRADIENT INTERVAL = -5.00/ 5.00

ALPHA	BETA	CP47	CP49	CP53	CP55	CP48	CP50	CP54	CP56
-3.980	-.003	-.04460	-.03510	-.04990	-.03950	-.08300	-.06750	-.08600	-.06810
	GRADIENT	.00000	.00000	.00000	.00000	.00000	.00000	.00000	.00000

RUN NO. 339/ 0 RN/L = 4.20 GRADIENT INTERVAL = -5.00/ 5.00

ALPHA	BETA	CP47	CP49	CP53	CP55	CP48	CP50	CP54	CP56
-.267	-4.003	-.18720	-.17840	-.18690	-.17680	-.11270	-.10130	-.12120	-.09960
-.291	.012	-.12590	-.11540	-.13170	-.11960	-.18800	-.16880	-.19720	-.17760
-.284	4.028	-.08950	-.08010	-.09980	-.08320	-.33950	-.30280	-.31150	-.27030
	GRADIENT	.01215	.01224	.01085	.01165	-.02824	-.02509	-.02370	-.02125

DATE 22 JUN 75

TABULATED SOURCE DATA - IABO

PAGE 771

ARC 11-023 IABO OTS (SPB OFF) (SSME OFF)

(KE4093) (28 OCT 75)

REFERENCE DATA

SREF = 2690.0000 SQ.FT. XMRP = .0000 IN.
 LREF = 1290.3000 IN. YMRP = .0000 IN.
 BREF = 1290.3000 IN. ZMRP = .0000 IN.
 SCALE = .0200

PARAMETRIC DATA

FLV-1B = 4.000 ELV-08 = 4.000
 RN/L = 4.250 MACH = 1.250

RUN NO. 171/ 0 RN/L = 4.35 GRADIENT INTERVAL = -5.00/ 5.00

ALPHA	BETA	CP47	CP49	CP53	CP55	CP48	CP50	CP54	CP56
-3.953	.006	-.01490	-.00970	-.02430	-.01980	-.02420	-.02480	-.05590	-.03060
	GRADIENT	.00000	.00000	.00000	.00000	.00000	.00000	.00000	.00000

RUN NO. 172/ 0 RN/L = 4.35 GRADIENT INTERVAL = -5.00/ 5.00

ALPHA	BETA	CP47	CP49	CP53	CP55	CP48	CP50	CP54	CP56
-.238	-3.997	-.05550	-.04690	-.07620	-.07240	-.05530	-.05640	-.09930	-.06820
-.231	.000	-.05310	-.04150	-.06850	-.05910	-.06910	-.07150	-.11560	-.08000
-.284	4.034	-.06020	-.04970	-.05760	-.05780	-.04300	-.05210	-.10200	-.06960
	GRADIENT	-.00059	-.00035	.00107	.00182	.00154	.00054	-.00033	-.00017

RUN NO. 173/ 0 RN/L = 4.34 GRADIENT INTERVAL = -5.00/ 5.00

ALPHA	BETA	CP47	CP49	CP53	CP55	CP48	CP50	CP54	CP56
3.977	.000	-.08140	-.06850	-.03880	-.08510	-.09400	-.09620	-.14720	-.10630
	GRADIENT	.00000	.00000	.00000	.00000	.00000	.00000	.00000	.00000

ARC 11-023 IABO OTS (SPB OFF) (SSME OFF)

(KE4094) (28 OCT 75)

REFERENCE DATA

SREF = 2690.0000 SQ.FT. XMRP = .0000 IN.
 LREF = 1290.3000 IN. YMRP = .0000 IN.
 BREF = 1290.3000 IN. ZMRP = .0000 IN.
 SCALE = .0200

PARAMETRIC DATA

ELV-1B = 4.000 ELV-08 = 4.000
 RN/L = 4.250 MACH = 1.400

RUN NO. 165/ 0 RN/L = 4.38 GRADIENT INTERVAL = -5.00/ 5.00

ALPHA	BETA	CP47	CP49	CP53	CP55	CP48	CP50	CP54	CP56
-3.887	.016	-.01420	-.00920	-.01810	-.01380	-.00740	-.00930	-.06660	-.03690
	GRADIENT	.00000	.00000	.00000	.00000	.00000	.00000	.00000	.00000

RUN NO. 165/ 0 RN/L = 4.36 GRADIENT INTERVAL = -5.00/ 5.00

ALPHA	BETA	CP47	CP49	CP53	CP55	CP48	CP50	CP54	CP56
-.271	-3.991	.00450	.01230	-.01660	-.01450	-.04600	-.04720	-.09830	-.06630
-.251	.009	-.02850	-.01950	-.04470	-.03310	-.03840	-.03920	-.10130	-.05970
-.284	4.031	-.05050	-.04510	-.05680	-.05020	-.00730	-.01020	-.05830	-.02630
	GRADIENT	-.00590	-.00715	-.00501	-.00445	.00483	.00461	.00499	.00499

ORIGINAL PAGE IS
OF POOR QUALITY

DATE 22 JUN 76

TABULATED SOURCE DATA - 1A80

PAGE 773

ARC 11-023 1A80 OTS (SRB NOM) (SSME NOM)

(KE4096) (28 OCT 75)

REFERENCE DATA				PARAMETRIC DATA					
SREF =	2690.0000	SQ.FT.	XMRP =	.0000	IN.	ELV-1B =	4.000	ELV-0B =	4.000
LREF =	1290.3000	IN.	YMRP =	.0000	IN.	RN/L =	4.250	MACH =	.900
BREF =	1290.3000	IN.	ZMRP =	.0000	IN.				
SCALE =	.0200								

	RUN NO.	341/ 0	RN/L =	4.21	GRADIENT INTERVAL =	-5.00/ 5.00			
ALPHA	BETA	CP47	CP49	CP53	CP55	CP48	CP50	CP54	CP56
-3.891	-.003	-.04480	-.03840	-.05460	-.03980	-.08850	-.07040	-.09060	-.07070
	GRADIENT	.00000	.00000	.00000	.00000	.00000	.00000	.00000	.00000

	RUN NO.	342/ 0	RN/L =	4.20	GRADIENT INTERVAL =	-5.00/ 5.00			
ALPHA	BETA	CP47	CP49	CP53	CP55	CP48	CP50	CP54	CP56
-.390	-4.003	-.19630	-.18580	-.16900	-.18070	-.12620	-.11000	-.12780	-.11050
-.360	.012	-.12100	-.11190	-.13400	-.12250	-.18640	-.16390	-.20350	-.17690
-.406	4.031	-.09150	-.07580	-.09650	-.08220	-.33550	-.30500	-.31530	-.27040
	GRADIENT	.01304	.01369	.01151	.01226	-.02605	-.02427	-.02334	-.01990

	RUN NO.	343/ 0	RN/L =	4.20	GRADIENT INTERVAL =	-5.00/ 5.00			
ALPHA	BETA	CP47	CP49	CP53	CP55	CP48	CP50	CP54	CP56
3.986	-.003	-.22560	-.21310	-.22360	-.20700	-.38050	-.34210	-.37790	-.33960
	GRADIENT	.00000	.00000	.00000	.00000	.00000	.00000	.00000	.00000

ARC 11-023 1A80 OTS (SRB NOM) (SSME NOM)

(KE4097) (28 OCT 75)

REFERENCE DATA				PARAMETRIC DATA					
SREF =	2690.0000	SQ.FT.	XMRP =	.0000	IN.	ELV-1B =	4.000	ELV-0B =	4.000
LREF =	1290.3000	IN.	YMRP =	.0000	IN.	RN/L =	4.250	MACH =	1.100
BREF =	1290.3000	IN.	ZMRP =	.0000	IN.				
SCALE =	.0200								

	RUN NO.	180/ 0	RN/L =	4.34	GRADIENT INTERVAL =	-5.00/ 5.00			
ALPHA	BETA	CP47	CP49	CP53	CP55	CP48	CP50	CP54	CP56
-3.963	.003	.13840	.14230	.13870	.15000	.11130	.12120	.10120	.12570
	GRADIENT	.00000	.00000	.00000	.00000	.00000	.00000	.00000	.00000

	RUN NO.	181/ 0	RN/L =	4.34	GRADIENT INTERVAL =	-5.00/ 5.00			
ALPHA	BETA	CP47	CP49	CP53	CP55	CP48	CP50	CP54	CP56
-.409	-3.997	-.04130	-.03430	-.03550	-.02990	.08900	.09650	.07870	.10000
-.386	-.003	.05190	.08540	.06450	.08560	-.01130	.00650	-.10170	-.05240
-.429	4.028	.09470	.10260	.09280	.10400	-.07440	-.06670	-.19480	-.14150
	GRADIENT	.01693	.01704	.01597	.01678	-.02035	-.02033	-.03282	-.03008

DATE 22 JUN 76

TABULATED SOURCE DATA - IA80

PAGE 775

ARC 11-023 IA80 OTS (SRB NOM) (SSME NOM)

(KE4099) (28 OCT 75)

REFERENCE DATA

SREF = 2690.0000 SQ.FT. XMRP = .0000 IN.
 LREF = 1290.3000 IN. YMRP = .0000 IN.
 BREF = 1290.3000 IN. ZMRP = .0000 IN.
 SCALE = .0200

PARAMETRIC DATA

ELV-18 = 4.000 ELV-08 = 4.000
 RN/L = 4.250 MACH = 1.400

RUN NO. 168/ 0 RN/L = 4.27 GRADIENT INTERVAL = -5.00/ 5.00

ALPHA	BETA	CP47	CP49	CP53	CP55	CP48	CP50	CP54	CP56
-3.944	.009	-.00990	-.00540	-.01680	-.01020	-.00900	-.01030	-.06590	-.03590
	GRADIENT	.00000	.00000	.00000	.00000	.00000	.00000	.00000	.00000

RUN NO. 169/ 0 RN/L = 4.26 GRADIENT INTERVAL = -5.00/ 5.00

ALPHA	BETA	CP47	CP49	CP53	CP55	CP48	CP50	CP54	CP56
-.403	-3.391	.01210	.01710	-.00870	-.00730	-.04320	-.04650	-.09800	-.06620
-.386	.012	-.02410	-.02010	-.04110	-.03280	-.03740	-.03650	-.09920	-.06620
-.443	4.034	-.05390	-.04440	-.06040	-.05400	-.00870	-.01010	-.05810	-.02910
	GRADIENT	-.00822	-.00766	-.00644	-.00582	.00430	.00454	.00498	.00463

RUN NO. 170/ 0 RN/L = 4.26 GRADIENT INTERVAL = -5.00/ 5.00

ALPHA	BETA	CP47	CP49	CP53	CP55	CP48	CP50	CP54	CP56
3.864	.012	-.06700	-.05830	-.08320	-.07540	-.06700	-.06890	-.13810	-.10360
	GRADIENT	.00000	.00000	.00000	.00000	.00000	.00000	.00000	.00000

APC 11-023 IA80 OTS (SRB OFF) (SSME OFF)

(KE40A0) (28 OCT 75)

REFERENCE DATA

SREF = 2690.0000 SQ.FT. XMRP = .0000 IN.
 LREF = 1290.3000 IN. YMRP = .0000 IN.
 BREF = 1290.3000 IN. ZMRP = .0000 IN.
 SCALE = .0200

PARAMETRIC DATA

ELV-18 = .000 ELV-08 = 4.000
 RN/L = 3.400 MACH = .600

RUN NO. 344/ 0 RN/L = 3.50 GRADIENT INTERVAL = -5.00/ 5.00

ALPHA	BETA	CP47	CP49	CP53	CP55	CP48	CP50	CP54	CP56
-3.894	.000	-.07450	-.06400	-.08660	-.06960	-.09170	-.07410	-.09570	-.08010
	GRADIENT	.00000	.00000	.00000	.00000	.00000	.00000	.00000	.00000

RUN NO. 345/ 0 RN/L = 3.48 GRADIENT INTERVAL = -5.00/ 5.00

ALPHA	BETA	CP47	CP49	CP53	CP55	CP48	CP50	CP54	CP56
-.281	-4.003	-.14860	-.13770	-.14730	-.13360	-.15030	-.13630	-.15210	-.13290
-.287	.012	-.13320	-.12200	-.13840	-.12270	-.15610	-.14010	-.15790	-.13800
-.301	4.028	-.14100	-.12980	-.14000	-.12900	-.18310	.16730	-.17500	-.15370
	GRADIENT	.00095	.00098	.00091	.00057	-.00408	-.00386	-.00285	-.00259

DATE 22 JUN 76

TABULATED SOURCE DATA - 1A80

PAGE 777

ARC 11-023 1A80 OTS (SRB OFF) (SSME OFF)

(KE40A2) (28 OCT 75)

REFERENCE DATA

SREF = 2690.0000 SQ.FT. XMRP = .0000 IN.
 LREF = 1290.3000 IN. YMRP = .0000 IN.
 BREF = 1290.3000 IN. ZMRP = .0000 IN.
 SCALE = .0200

PARAMETRIC DATA

ELV-1B = .000 ELV-08 = 4.000
 RN/L = 4.250 MACH = 1.100

RUN NO. 195/ 0 RN/L = 4.36 GRADIENT INTERVAL = -5.00/ 5.00

ALPHA	BETA	CP47	CP49	CP53	CP55	CP48	CP50	CP54	CP56
-3.967	.006	.13490	.14150	.13860	.14720	.11120	.12390	.10060	.12550
	GRADIENT	.00000	.00000	.00000	.00000	.00000	.00000	.00000	.00000

RUN NO. 196/ 0 RN/L = 4.36 GRADIENT INTERVAL = -5.00/ 5.00

ALPHA	BETA	CP47	CP49	CP53	CP55	CP48	CP50	CP54	CP56
-.284	-4.003	-.05420	-.03990	-.04770	-.04340	.08520	.09590	.07430	.03430
-.258	-.012	.04980	.05250	.06550	.08080	-.01660	-.00250	-.09930	-.05960
-.301	4.016	.08190	.09260	.07990	.09360	-.07320	-.06620	-.18470	-.14550
	GRADIENT	.01696	.01651	.01589	.01706	-.01974	-.02021	-.03228	-.02989

RUN NO. 197/ 0 RN/L = 4.36 GRADIENT INTERVAL = -5.00/ 5.00

ALPHA	BETA	CP47	CP49	CP53	CP55	CP48	CP50	CP54	CP56
3.947	.000	-.02850	-.01530	-.02890	-.02050	-.05390	-.04680	-.15930	-.11710
	GRADIENT	.00000	.00000	.00000	.00000	.00000	.00000	.00000	.00000

ARC 11-023 1A80 OTS (SRB OFF) (SSME OFF)

(KE40A3) (28 OCT 75)

REFERENCE DATA

SREF = 2690.0000 SQ.FT. XMRP = .0000 IN.
 LREF = 1290.3000 IN. YMRP = .0000 IN.
 BREF = 1290.3000 IN. ZMRP = .0000 IN.
 SCALE = .0200

PARAMETRIC DATA

ELV-1B = .000 ELV-08 = 4.000
 RN/L = 4.250 MACH = 1.250

RUN NO. 189/ 0 RN/L = 4.37 GRADIENT INTERVAL = -5.00/ 5.00

ALPHA	BETA	CP47	CP49	CP53	CP55	CP48	CP50	CP54	CP56
-3.947	-.006	-.01550	-.01070	-.02330	-.01860	-.02360	-.02550	-.05400	-.02870
	GRADIENT	.00000	.00000	.00000	.00000	.00000	.00000	.00000	.00000

RUN NO. 190/ 0 RN/L = 4.36 GRADIENT INTERVAL = -5.00/ 5.00

ALPHA	BETA	CP47	CP49	CP53	CP55	CP48	CP50	CP54	CP56
-.248	-4.000	-.05080	-.04330	-.06970	-.06850	-.05540	-.05540	-.09800	-.06390
-.244	-.006	-.05210	-.04060	-.06500	-.05770	-.06800	-.07100	-.11400	-.08070
-.271	4.022	-.06010	-.05120	-.06710	-.05720	-.04450	-.05500	-.10070	-.06850
	GRADIENT	-.00116	-.00099	.00032	.00141	.00137	.00006	-.00033	-.00057

DATE 22 JUN 76

TABULATED SOURCE DATA - IABO

PAGE 779

ARC 11-023 IABO OTS (SRB NOM) (SSME NOM)

(KE40A5) (28 OCT 75)

REFERENCE DATA

SREF = 2690.0000 SQ.FT. XMRP = .0000 IN.
 LREF = 1290.3000 IN. YMRP = .0000 IN.
 BREF = 1290.3000 IN. ZMRP = .0000 IN.
 SCALE = .0200

PARAMETRIC DATA

ELV-1B = .000 ELV-0B = 4.000
 RN/L = 3.400 MACH = .600

RUN NO. 347/ 0 RN/L = 3.47 GRADIENT INTERVAL = -5.00/ 5.00

ALPHA	BETA	CP47	CP49	CP53	CP55	CP48	CP50	CP54	CP56
-3.983	.012	-.11310	-.09840	-.11060	-.09040	-.13120	-.11480	-.12230	-.10750
	GRADIENT	.00000	.00000	.00000	.00000	.00000	.00000	.00000	.00000

RUN NO. 348/ 0 RN/L = 3.48 GRADIENT INTERVAL = -5.00/ 5.00

ALPHA	BETA	CP47	CP49	CP53	CP55	CP48	CP50	CP54	CP56
-.337	-4.006	-.16200	-.15270	-.17190	-.15770	-.17160	-.15410	-.17840	-.15530
-.370	.009	-.15570	-.14690	-.16240	-.14990	-.19040	-.16720	-.18540	-.16140
-.453	4.025	-.14890	-.13850	-.15970	-.14260	-.19860	-.17540	-.18870	-.17100
	GRADIENT	.00163	.00176	.00152	.00188	-.00336	-.00265	-.00128	-.00195

RUN NO. 349/ 0 RN/L = 3.48 GRADIENT INTERVAL = -5.00/ 5.00

ALPHA	BETA	CP47	CP49	CP53	CP55	CP48	CP50	CP54	CP56
3.910	.009	-.21430	-.20280	-.22400	-.20790	-.25130	-.22380	-.25160	-.21950
	GRADIENT	.00000	.00000	.00000	.00000	.00000	.00000	.00000	.00000

ARC 11-023 IABO OTS (SRB NOM) (SSME NOM)

(KE40A6) (28 OCT 75)

REFERENCE DATA

SREF = 2690.0000 SQ.FT. XMRP = .0000 IN.
 LREF = 1290.3000 IN. YMRP = .0000 IN.
 BREF = 1290.3000 IN. ZMRP = .0000 IN.
 SCALE = .0200

PARAMETRIC DATA

ELV-1B = .000 ELV-0B = 4.000
 RN/L = 4.250 MACH = .900

RUN NO. 353/ 0 RN/L = 4.21 GRADIENT INTERVAL = -5.00/ 5.00

ALPHA	BETA	CP47	CP49	CP53	CP55	CP48	CP50	CP54	CP56
-3.937	.016	-.04700	-.04040	-.05530	-.04520	-.09100	-.07620	-.09330	-.07580
	GRADIENT	.00000	.00000	.00000	.00000	.00000	.00000	.00000	.00000

RUN NO. 354/ 0 RN/L = 4.23 GRADIENT INTERVAL = -5.00/ 5.00

ALPHA	BETA	CP47	CP49	CP53	CP55	CP48	CP50	CP54	CP56
-.376	-4.006	-.18580	-.17540	-.16910	-.17790	-.11580	-.10060	-.12080	-.10310
-.353	.009	-.11420	-.10290	-.12900	-.11270	-.17620	-.15590	-.19480	-.16870
-.420	4.022	-.08570	-.06780	-.09460	-.07830	-.34100	-.29970	-.33790	-.30020
	GRADIENT	.01253	.01340	.01185	.01241	-.02805	-.02480	-.02617	-.02455

ORIGINAL PAGE IS
OF POOR QUALITY

DATE 22 JUN 76

TABULATED SOURCE DATA - 1A80

PAGE 781

ARC 11-023 1A80 OTS (SRB NOM) (SSME NOM)

(KE40A8) (28 OCT 75)

REFERENCE DATA

SREF = 2690.0000 SQ.FT. XMRP = .0000 IN.
 LREF = 1290.3000 IN. YMRP = .0000 IN.
 BREF = 1290.3000 IN. ZMRP = .0000 IN.
 SCALE = .0200

PARAMETRIC DATA

ELV-18 = .000 ELV-08 = 4.000
 RN/L = 4.250 MACH = 1.250

RUN NO. 192/ 0 RN/L = 4.35 GRADIENT INTERVAL = -5.00/ 5.00

ALPHA	BETA	CP47	CP49	CP53	CP55	CP48	CP50	CP54	CP56
-3.986	.009	-.01310	-.00740	-.02190	-.01420	-.02180	-.02260	-.05270	-.02690
	GRADIENT	.00000	.00000	.00000	.00000	.00000	.00000	.00000	.00000

RUN NO. 193/ 0 RN/L = 4.36 GRADIENT INTERVAL = -5.00/ 5.00

ALPHA	BETA	CP47	CP49	CP53	CP55	CP48	CP50	CP54	CP56
-4.000	-4.003	-.04720	-.04130	-.06370	-.06220	-.05460	-.05500	-.09820	-.06500
-.393	-.012	-.04800	-.03650	-.06030	-.04990	-.06720	-.06530	-.11360	-.07830
-.413	4.022	-.06190	-.05170	-.06740	-.05840	-.04530	-.05290	-.10340	-.07230
	GRADIENT	-.00183	-.00130	-.00046	.00047	.00117	.00027	-.00064	-.00091

RUN NO. 194/ 0 RN/L = 4.35 GRADIENT INTERVAL = -5.00/ 5.00

ALPHA	BETA	CP47	CP49	CP53	CP55	CP48	CP50	CP54	CP56
3.947	.003	-.08130	-.06570	-.09460	-.08540	-.08740	-.09630	-.14610	-.10710
	GRADIENT	.00000	.00000	.00000	.00000	.00000	.00000	.00000	.00000

ARC 11-023 1A80 OTS (SRB NOM) (SSME NOM)

(KE40A9) (28 OCT 75)

REFERENCE DATA

SREF = 2690.0000 SQ.FT. XMRP = .0000 IN.
 LREF = 1290.3000 IN. YMRP = .0000 IN.
 BREF = 1290.3000 IN. ZMRP = .0000 IN.
 SCALE = .0200

PARAMETRIC DATA

ELV-18 = .000 ELV-08 = 4.000
 RN/L = 4.250 MACH = 1.400

RUN NO. 186/ 0 RN/L = 4.23 GRADIENT INTERVAL = -5.00/ 5.00

ALPHA	BETA	CP47	CP49	CP53	CP55	CP48	CP50	CP54	CP56
-3.940	.009	-.01260	-.00650	-.01530	-.01250	-.00980	-.00950	-.06780	-.03830
	GRADIENT	.00000	.00000	.00000	.00000	.00000	.00000	.00000	.00000

RUN NO. 187/ 0 RN/L = 4.23 GRADIENT INTERVAL = -5.00/ 5.00

ALPHA	BETA	CP47	CP49	CP53	CP55	CP48	CP50	CP54	CP56
-.449	-3.997	.00840	.01760	-.00810	-.00890	-.04730	-.04760	-.09930	-.06620
-.380	-.006	-.02760	-.02070	-.04130	-.03530	-.03850	-.03990	-.10240	-.07090
-.443	4.025	-.05460	-.04680	-.06230	-.05447	-.00810	-.01140	-.06160	-.03230
	GRADIENT	-.00785	-.00803	-.00675	-.00567	.00485	.00452	.00471	.00423

DATE 22 JUN 76

TABULATED SOURCE DATA - IAB0

PAGE 793

ARC 11-023 IAB0 OTS (SRB NOM) (SSME NO. 2 OUT)

(KE4081) (28 OCT 75)

REFERENCE DATA

SREF = 2690.0000 SQ.FT. XMRP = .0000 IN.
 LREF = 1290.3007 IN. YMRP = .0000 IN.
 BREF = 1290.3000 IN. ZMRP = .0000 IN.
 SCALE = .0200

PARAMETRIC DATA

ELV-1B = .000 ELV-08 = .000
 RN/L = 4.250 MACH = .900

RUN NO. 365/ 0 RN/L = 4.21 GRADIENT INTERVAL = -5.00/ 5.00

ALPHA	BETA	CP47	CP49	CP53	CP55	CP48	CP50	CP54	CP56
-4.669	.009	-.04890	-.04070	-.05340	-.04430	-.09170	-.07160	-.08930	-.07360
	GRADIENT	.00000	.00000	.00000	.00000	.00000	.00000	.00000	.00000

RUN NO. 366/ 0 RN/L = 4.22 GRADIENT INTERVAL = -5.00/ 5.00

ALPHA	BETA	CP47	CP49	CP53	CP55	CP48	CP50	CP54	CP56
-.304	-4.006	-.18830	-.17880	-.18590	-.17900	-.11960	-.10570	-.12270	-.10810
-.317	.003	-.10990	-.09980	-.12450	-.10900	-.16740	-.14660	-.18950	-.16770
-.357	4.025	-.09100	-.08220	-.09500	-.08280	-.30520	-.28350	-.30430	-.27880
	GRADIENT	.01211	.01202	.01137	.01198	-.02312	-.02214	-.02261	-.02126

RUN NO. 367/ 0 RN/L = 4.22 GRADIENT INTERVAL = -5.00/ 5.00

ALPHA	BETA	CP47	CP49	CP53	CP55	CP48	CP50	CP54	CP56
3.986	.019	-.22550	-.21300	-.22280	-.21020	-.33180	-.31550	-.38980	-.35640
	GRADIENT	.00000	.00000	.00000	.00000	.00000	.00000	.00000	.00000

ARC 11-023 IAB0 OTS (SRB NOM) (SSME NO. 2 OUT)

(KE4082) (28 OCT 75)

REFERENCE DATA

SREF = 2690.0000 SQ.FT. XMRP = .0000 IN.
 LREF = 1290.3000 IN. YMRP = .0000 IN.
 BREF = 1290.3000 IN. ZMRP = .0000 IN.
 SCALE = .0200

PARAMETRIC DATA

ELV-1B = .000 ELV-08 = .000
 RN/L = 4.250 MACH = 1.100

RUN NO. 207/ 0 RN/L = 4.36 GRADIENT INTERVAL = -5.00/ 5.00

ALPHA	BETA	CP47	CP49	CP53	CP55	CP48	CP50	CP54	CP56
-3.973	-.009	.13420	.14070	.13010	.14200	.10090	.11150	.08620	.11130
	GRADIENT	.00000	.00000	.00000	.00000	.00000	.00000	.00000	.00000

RUN NO. 208/ 0 RN/L = 4.36 GRADIENT INTERVAL = -5.00/ 5.00

ALPHA	BETA	CP47	CP49	CP53	CP55	CP48	CP50	CP54	CP56
-.393	-4.006	-.04170	-.03380	-.03780	-.02980	.08700	.10000	.07900	.10230
-.340	-.016	.05870	.07900	.07110	.08510	-.01620	-.00090	-.08540	-.04370
-.357	4.016	.08240	.08930	.06997	.08590	-.08320	-.07530	-.19340	-.15200
	GRADIENT	.01545	.01532	.01340	.01440	-.02121	-.02188	-.03395	-.03169

DATE 22 JUN 76

TABULATED SOURCE DATA - IABO

PAGE 785

ARC 11-023 IABO OTS (SRB NOM) (SSME NO. 2 OUT)

(KE4084) (28 OCT 75)

REFERENCE DATA

SREF = 2690.0000 SQ.FT. XMRP = .0000 IN.
 LREF = 1290.3000 IN. YMRP = .0000 IN.
 BREF = 1290.3000 IN. ZMRP = .0000 IN.
 SCALE = .0200

PARAMETRIC DATA

ELV-1B = .000 ELV-08 = .000
 RN/L = 4.250 MACH = 1.400

RUN NO. 201/ 0 RN/L = 4.36 GRADIENT INTERVAL = -5.00/ 5.00

ALPHA	BETA	CP47	CP49	CP53	CP55	CP48	CP50	CP54	CP56
-3.957	-.003	-.01460	-.00870	-.02220	-.01590	-.01350	-.01400	-.07250	-.04360
	GRADIENT	.00000	.00000	.00000	.00000	.00000	.00000	.00000	.00000

RUN NO. 202/ 0 RN/L = 4.35 GRADIENT INTERVAL = -5.00/ 5.00

ALPHA	BETA	CP47	CP49	CP53	CP55	CP48	CP50	CP54	CP56
-.443	-.000	.00750	.01270	-.01790	-.01290	-.04600	-.04800	-.09910	-.06580
-.406	-.006	-.03110	-.02480	-.04730	-.03770	-.04480	-.04620	-.10540	-.07360
-.446	4.019	-.05700	-.04760	-.06950	-.05840	-.00820	-.01420	-.06280	-.02970
	GRADIENT	-.00804	-.00752	-.00648	-.00567	.00472	.00422	.00453	.00451

RUN NO. 203/ 0 RN/L = 4.33 GRADIENT INTERVAL = -5.00/ 5.00

ALPHA	BETA	CP47	CP49	CP53	CP55	CP48	CP50	CP54	CP56
3.953	-.009	-.07670	-.06730	-.09710	-.08560	-.07560	-.07560	-.14480	-.11060
	GRADIENT	.00000	.00000	.00000	.00000	.00000	.00000	.00000	.00000

ARC 11-023 IABO OTS (SRB NOM) (SSME NO. 1 OUT)

(KE4085) (28 OCT 75)

REFERENCE DATA

SREF = 2690.0000 SQ.FT. YMRP = .0000 IN.
 LREF = 1290.3000 IN. YMRP = .0000 IN.
 BREF = 1290.3000 IN. ZMRP = .0000 IN.
 SCALE = .0200

PARAMETRIC DATA

ELV-1B = .000 ELV-08 = .000
 RN/L = 3.400 MACH = .600

RUN NO. 356/ 0 RN/L = 3.42 GRADIENT INTERVAL = -5.00/ 5.00

ALPHA	BETA	CP47	CP49	CP53	CP55	CP48	CP50	CP54	CP56
-4.072	.012	-.13150	-.12550	-.10350	-.08970	-.14880	-.14420	-.11480	-.09820
	GRADIENT	.00000	.00000	.00000	.00000	.00000	.00000	.00000	.00000

RUN NO. 357/ 0 RN/L = 3.49 GRADIENT INTERVAL = -5.00/ 5.00

ALPHA	BETA	CP47	CP49	CP53	CP55	CP48	CP50	CP54	CP56
-.284	-4.003	-.16060	-.15180	-.15800	-.14720	-.16160	-.14910	-.16780	-.14410
-.337	.003	-.15140	-.14130	-.15580	-.14230	-.17470	-.16330	-.17580	-.14970
-.367	4.025	-.14040	-.13690	-.14720	-.13900	-.18090	-.16640	-.18100	-.15800
	GRADIENT	.00252	.00197	.00127	.00102	-.00240	-.00215	-.00164	-.00173

ORIGINAL PAGE IS
OF POOR QUALITY

DATE 22 JUN 76

TABULATED SOURCE DATA - IAB0

PAGE 787

ARC 11-023 IAB0 OTS (SRB NOM) (SSME NO. 1 OUT)

(KE4087) (28 OCT 75)

REFERENCE DATA

SREF = 2690.0000 SQ.FT. XMRP = .0000 IN.
 LREF = 1290.3000 IN. YMRP = .0000 IN.
 BREF = 1290.3000 IN. ZMRP = .0000 IN.
 SCALE = .0200

PARAMETRIC DATA

ELV-18 = .000 ELV-08 = .000
 RN/L = 4.250 MACH = 1.100

RUN NO. 216/ 0 RN/L = 4.38 GRADIENT INTERVAL = -5.00/ 5.00

ALPHA	BETA	CP47	CP49	CP53	CP55	CP48	CP50	CP54	CP56
-4.003	-.012	.12690	.14140	.13860	.15330	.09440	.07030	.10850	.13050
	GRADIENT	.00000	.00000	.00000	.00000	.00000	.06000	.00000	.00000

RUN NO. 217/ 0 RN/L = 4.38 GRADIENT INTERVAL = -5.00/ 5.00

ALPHA	BETA	CP47	CP49	CP53	CP55	CP48	CP50	CP54	CP56
-.393	-4.006	-.03120	.00210	-.02210	-.02120	.09160	.10830	.09110	-.11220
-.347	-.019	.05760	.07990	.03330	.05200	-.03110	-.01580	-.12280	-.06830
-.383	4.012	.09090	.12040	.08920	.10390	-.08590	-.07000	-.16920	-.13570
	GRADIENT	.01521	.01474	.01388	.01560	-.02212	-.02222	-.03242	-.03089

RUN NO. 218/ 0 RN/L = 4.38 GRADIENT INTERVAL = -5.00/ 5.00

ALPHA	BETA	CP47	CP49	CP53	CP55	CP48	CP50	CP54	CP56
4.049	-.012	-.03370	-.00390	-.04530	-.03220	-.07510	-.05690	-.15980	-.11990
	GRADIENT	.00000	.00000	.00000	.00000	.00000	.00000	.00000	.00000

ARC 11-023 IAB0 OTS (SRB NOM) (SSME NO. 1 OUT)

(KE4088) (28 OCT 75)

REFERENCE DATA

SREF = 2690.0000 SQ.FT. XMRP = .0000 IN.
 LREF = 1290.3000 IN. YMRP = .0000 IN.
 BREF = 1290.3000 IN. ZMRP = .0000 IN.
 SCALE = .0200

PARAMETRIC DATA

ELV-18 = .000 ELV-08 = .000
 RN/L = 4.250 MACH = 1.250

RUN NO. 213/ 0 RN/L = 4.40 GRADIENT INTERVAL = -5.00/ 5.00

ALPHA	BETA	CP47	CP49	CP53	CP55	CP48	CP50	CP54	CP56
-3.914	-.009	-.01350	-.00020	-.02410	-.02080	-.03310	-.03020	-.04940	-.02750
	GRADIENT	.00000	.00000	.00000	.00000	.00000	.00000	.00000	.00000

RUN NO. 214/ 0 RN/L = 4.39 GRADIENT INTERVAL = -5.00/ 5.00

ALPHA	BETA	CP47	CP49	CP53	CP55	CP48	CP50	CP54	CP56
-.353	-4.006	-.05010	-.02520	-.07110	-.06760	-.07080	-.05940	-.09220	-.06430
-.367	-.016	-.05060	-.02420	-.06680	-.05880	-.08640	-.07950	-.11380	-.08000
-.393	4.016	-.05720	-.03040	-.06810	-.05650	-.06640	-.05530	-.09630	-.06750
	GRADIENT	-.00089	-.00065	.00037	.00133	.00056	.00052	-.00050	-.00039

ARC11-0231A80 OTS W/ET BASE SPOILER SRB-SSME-OFF

(KE40C0) (28 OCT 75)

REFERENCE DATA

SREF = 2690.0000 SQ.FT. XMRP = .0000 IN.
 LREF = 1290.3000 IN. YMRP = .0000 IN.
 BREF = 1290.3000 IN. ZMRP = .0000 IN.
 SCALE = .0200

PARAMETRIC DATA

ELV-1B = .000 ELV-0B = .000
 RN/L = 4.250 MACH = .900

RUN NO. 377/ 0 RN/L = 4.25 GRADIENT INTERVAL = -5.00/ 5.00

ALPHA	BETA	CP47	CP49	CP53	CP55	CP48	CP50	CP54	CP56
-4.029	.016	-.05390	-.04770	-.05170	-.04170	-.09060	-.07720	-.08790	-.07080
	GRADIENT	.00000	.00000	.00000	.00000	.00000	.00000	.00000	.00000

RUN NO. 375/ 0 RN/L = 4.25 GRADIENT INTERVAL = -5.00/ 5.00

ALPHA	BETA	CP47	CP49	CP53	CP55	CP48	CP50	CP54	CP56
-.241	-4.009	-.18220	-.17590	-.18320	-.17940	-.11070	-.09440	-.11530	-.10090
-.264	-.003	-.12180	-.11600	-.13050	-.11710	-.18090	-.16130	-.19620	-.17540
-.291	4.022	-.08210	-.07100	-.09200	-.07980	-.29020	-.26380	-.29860	-.27590
	GRADIENT	.01246	.01306	.01135	.01240	-.02235	-.02110	-.02283	-.02179

RUN NO. 376/ 0 RN/L = 4.25 GRADIENT INTERVAL = -5.00/ 5.00

ALPHA	BETA	CP47	CP49	CP53	CP55	CP48	CP50	CP54	CP56
3.980	.016	-.21720	-.20580	-.21240	-.20330	-.32600	-.30780	-.37500	-.34570
	GRADIENT	.00000	.00000	.00000	.00000	.00000	.00000	.00000	.00000

ARC11-0231A80 OTS W/ET BASE SPOILER SRB-SSME-OFF

(KE40C1) (28 OCT 75)

REFERENCE DATA

SREF = 2690.0000 SQ.FT. XMRP = .0000 IN.
 LREF = 1290.3000 IN. YMRP = .0000 IN.
 BREF = 1290.3000 IN. ZMRP = .0000 IN.
 SCALE = .0200

PARAMETRIC DATA

ELV-1B = .000 ELV-0B = .000
 RN/L = 4.250 MACH = 1.100

RUN NO. 368/ 0 RN/L = 4.46 GRADIENT INTERVAL = -5.00/ 5.00

ALPHA	BETA	CP47	CP49	CP53	CP55	CP48	CP50	CP54	CP56
-4.000	.012	-.12830	-.13590	-.12810	-.13390	-.10000	-.11200	-.11410	-.12780
	GRADIENT	.00000	.00000	.00000	.00000	.00000	.00000	.00000	.00000

RUN NO. 369/ 0 RN/L = 4.48 GRADIENT INTERVAL = -5.00/ 5.00

ALPHA	BETA	CP47	CP49	CP53	CP55	CP48	CP50	CP54	CP56
-.264	-4.009	-.03920	-.03510	-.04110	-.03710	.08880	.09990	.06620	.10210
-.284	.000	.06770	.07550	.07230	.08230	-.02050	-.00500	-.06860	-.04530
-.297	4.022	.09020	.10100	.08350	.10090	-.07560	-.06750	-.15900	-.13730
	GRADIENT	.01611	.01694	.01551	.01710	-.02047	-.02084	-.03053	-.02960

ORIGINAL PAGE IS
OF POOR QUALITY

DATE 22 JUN 76

TABULATED SOURCE DATA - 1A80

PAGE 791

ARC11-0231A80 OTS W/ET BASE SPOILER SRB=SSME=NOM

(KE40C3) (28 OCT 75)

REFERENCE DATA

SREF = 2690.0000 SQ.FT. XMRP = .0000 IN.
 LREF = 1290.3000 IN. YMRP = .0000 IN.
 BREF = 1290.3000 IN. ZMRP = .0000 IN.
 SCALE = .0200

PARAMETRIC DATA

ELV-18 = .000 ELV-08 = .000
 RN/L = 4.250 MACH = 1.100

RUN NO. 371/ 0 RN/L = 4.47 GRADIENT INTERVAL = -5.00/ 5.00

ALPHA	BETA	CP47	CP49	CP53	CP55	CP48	CP50	CP54	CP56
-4.033	.016	.13680	.14420	.13010	.14560	.09320	.11530	.11410	.12890
	GRADIENT	.00000	.00000	.00000	.00000	.00000	.00000	.00000	.00000

RUN NO. 372/ 0 RN/L = 4.46 GRADIENT INTERVAL = -5.00/ 5.00

ALPHA	BETA	CP47	CP49	CP53	CP55	CP48	CP50	CP54	CP56
-4.433	-4.009	-.03320	-.03190	-.02940	-.02950	.08960	.10230	.09060	.10620
-4.446	-.703	.07340	.08690	.07210	.06690	-.01109	.00520	-.10210	-.07440
-4.456	4.022	.09230	.10200	.06750	.10110	-.06580	-.07700	-.16480	-.14420
	GRADIENT	.01562	.01666	.01455	.01626	-.02184	-.02258	-.03179	-.03117

RUN NO. 373/ 0 RN/L = 4.47 GRADIENT INTERVAL = -5.00/ 5.00

ALPHA	BETA	CP47	CP49	CP53	CP55	CP48	CP50	CP54	CP56
3.844	.003	-.02000	-.01780	-.02970	-.02290	-.06340	-.05120	-.14330	-.12040
	GRADIENT	.00000	.00000	.00000	.00000	.00000	.00000	.00000	.00000

ARC 11-023 1A80 OTS (SRB NOM++) (SSME NOM)

(LE4001) (28 OCT 75)

REFERENCE DATA

SREF = 2690.0000 SQ.FT. XMRP = .0000 IN.
 LREF = 1290.3000 IN. YMRP = .0000 IN.
 BREF = 1290.3000 IN. ZMRP = .0000 IN.
 SCALE = .0200

PARAMETRIC DATA

ELV-18 = .000 ELV-08 = .000
 RN/L = 3.400 MACH = .600

RUN NO. 240/ 0 RN/L = 3.38 GRADIENT INTERVAL = -5.00/ 5.00

ALPHA	BETA	CP60	CP62	CP64	CP66	CP59	CP61	CP63	CP65
-4.013	-.019	-.01570	-.07850	-.09850	-.10190	-.12870	-.13070	-.13590	-.14520
	GRADIENT	.00000	.00000	.00000	.00000	.00000	.00000	.00000	.00000

RUN NO. 241/ 0 RN/L = 3.39 GRADIENT INTERVAL = -5.00/ 5.00

ALPHA	BETA	CP60	CP62	CP64	CP66	CP59	CP61	CP63	CP65
-4.314	-4.034	-.08980	-.15830	-.17560	-.17700	-.10470	-.10540	-.10640	-.10570
-4.340	-.019	-.02530	-.09570	-.10690	-.10350	-.15620	-.16000	-.15520	-.15930
-4.459	3.997	.05110	-.01980	-.03730	-.03520	-.19580	-.19510	-.20370	-.21120
	GRADIENT	.01754	.01725	.01722	.01766	-.01134	-.01117	-.01212	-.01314

ARC 11-023 IAB0 OTS (SRB NOM++) (SSME NOM)

(LE4003) (28 OCT 75)

REFERENCE DATA

SREF = 2690.0000 SQ.FT. XMRP = .0000 IN.
 LREF = 1290.3000 IN. YMRP = .0000 IN.
 BREF = 1290.3000 IN. ZMRP = .0000 IN.
 SCALE = .0200

PARAMETRIC DATA

ELV-18 = .000 ELV-08 = .000
 RN/L = 4.250 MACH = 1.100

RUN NO. 74/ 0 RN/L = 4.30 GRADIENT INTERVAL = -5.00/ 5.00

ALPHA	BETA	CP60	CP62	CP64	CP66	CP69	CP61	CP63	CP65
-3.920	-.003	.17050	.16520	.13030	.12800	.12470	.11710	.10080	.11320
	GRADIENT	.00000	.00000	.00000	.00000	.00000	.00000	.00000	.00000

RUN NO. 75/ 0 RN/L = 4.31 GRADIENT INTERVAL = -5.00/ 5.00

ALPHA	BETA	CP60	CP62	CP64	CP66	CP69	CP61	CP63	CP65
-.621	-4.006	.10020	.09390	.05490	.05610	-.01060	.00150	-.00430	.01600
-.641	.000	.16360	.15850	.12750	.12410	.06970	.06350	.05400	.06900
-.492	4.009	.18900	.18190	.15910	.15570	.10310	.09460	.06960	.08310
	GRADIENT	.01108	.01098	.03300	.01243	.01418	.01161	.00922	.00837

RUN NO. 76/ 0 RN/L = 4.31 GRADIENT INTERVAL = -5.00/ 5.00

ALPHA	BETA	CP60	CP62	CP64	CP66	CP69	CP61	CP63	CP65
3.944	-.003	.13150	.12180	.09490	.08900	-.00530	-.00850	-.01410	.00280
	GRADIENT	.00000	.00000	.00000	.00000	.00000	.00000	.00000	.00000

ARC 11-023 IAB0 OTS (SRB NOM++) (SSME NOM)

(LE4004) (28 OCT 75)

REFERENCE DATA

SREF = 2690.0000 SQ.FT. XMRP = .0000 IN.
 LREF = 1290.3000 IN. YMRP = .0000 IN.
 BREF = 1290.3000 IN. ZMRP = .0000 IN.
 SCALE = .0200

PARAMETRIC DATA

ELV-18 = .000 ELV-08 = .000
 RN/L = 4.250 MACH = 1.250

RUN NO. 48/ 0 RN/L = 4.50 GRADIENT INTERVAL = -5.00/ 5.00

ALPHA	BETA	CP60	CP62	CP64	CP66	CP69	CP61	CP63	CP65
-4.165	.000	.14950	.14090	.12260	.11610	.07340	.06350	.06230	.06880
	GRADIENT	.00000	.00000	.00000	.00000	.00000	.00000	.00000	.00000

RUN NO. 49/ 0 RN/L = 4.43 GRADIENT INTERVAL = -5.00/ 5.00

ALPHA	BETA	CP60	CP62	CP64	CP66	CP69	CP61	CP63	CP65
-.495	-4.006	.11260	.10970	.07840	.08020	-.07150	-.07060	-.05400	-.03930
-.528	.000	.12330	.11660	.10550	.09880	-.01400	-.01430	-.00930	.00590
-.555	4.006	.09040	.09380	.07680	.07910	.06770	.05480	.05540	.06780
	GRADIENT	-.00277	-.00198	-.00020	-.00014	.01737	.01565	.01365	.01337

ORIGINAL PAGE IS
OF POOR QUALITY

DATE 22 JUN 76

TABULATED SOURCE DATA - IABO

PAGE 795

ARC 11-023 IABO OTS (SRB NOM+) (SSME NOM)

(LE4006) (28 OCT 75)

REFERENCE DATA

SREF = 2690.0000 SQ.FT. XMRP = .0000 IN.
 LREF = 1290.3000 IN. YMRP = .0000 IN.
 BREF = 1290.3000 IN. ZMRP = .0000 IN.
 SCALE = .0200

PARAMETRIC DATA

ELV-1B = .000 ELV-0B = .000
 RN/L = 3.400 MACH = .600

RUN NO. 243/ 0 RN/L = 3.39 GRADIENT INTERVAL = -5.00/ 5.00

ALPHA	BETA	CP60	CP62	CP64	CP66	CP59	CP61	CP63	CP65
-3.848	-.019	-.02200	-.08880	-.10320	-.11250	-.12970	-.13600	-.14560	-.14770
	GRADIENT	.00000	.00000	.00000	.00000	.00000	.00000	.00000	.00000

RUN NO. 244/ 0 RN/L = 3.38 GRADIENT INTERVAL = -5.00/ 5.00

ALPHA	BETA	CP60	CP62	CP64	CP66	CP59	CP61	CP63	CP65
-.350	-4.038	-.08740	-.15800	-.17530	-.17570	-.10500	-.10540	-.10580	-.10540
-.314	-.022	-.02320	-.09170	-.10570	-.10340	-.15440	-.15640	-.15540	-.16050
-.396	3.997	.04900	-.03130	-.04550	-.04620	-.20150	-.21080	-.21820	-.21850
	GRADIENT	.01698	.01577	.01616	.01612	-.01201	-.01312	-.01399	-.01408

RUN NO. 245/ 0 RN/L = 3.39 GRADIENT INTERVAL = -5.00/ 5.00

ALPHA	BETA	CP60	CP62	CP64	CP66	CP59	CP61	CP63	CP65
3.970	-.022	-.01920	-.09420	-.10590	-.10860	-.17290	-.17130	-.17300	.17810
	GRADIENT	.00000	.00000	.00000	.00000	.00000	.00000	.00000	.00000

ARC 11-023 IABO OTS (SRB NOM+) (SSME NOM)

(LE4007) (28 OCT 75)

REFERENCE DATA

SREF = 2690.0000 SQ.FT. XMRP = .0000 IN.
 LREF = 1290.3000 IN. YMRP = .0000 IN.
 BREF = 1290.3000 IN. ZMRP = .0000 IN.
 SCALE = .0200

PARAMETRIC DATA

ELV-1B = .000 ELV-0B = .000
 RN/L = 4.250 MACH = .900

RUN NO. 225/ 0 RN/L = 4.20 GRADIENT INTERVAL = -5.00/ 5.00

ALPHA	BETA	CP60	CP62	CP64	CP66	CP59	CP61	CP63	CP65
-3.930	-.009	-.05580	-.09730	-.14370	-.14240	-.14740	-.15490	-.17600	-.18660
	GRADIENT	.00000	.00000	.00000	.00000	.00000	.00000	.00000	.00000

RUN NO. 226/ 0 RN/L = 4.21 GRADIENT INTERVAL = -5.00/ 5.00

ALPHA	BETA	CP60	CP62	CP64	CP66	CP59	CP61	CP63	CP65
-.376	-4.028	-.15640	-.19020	-.23810	-.23620	-.18610	-.18590	-.18430	-.18380
-.330	-.012	-.08300	-.11250	-.15550	-.15390	-.19270	-.20090	-.21340	-.22230
-.330	4.003	-.00440	-.03710	-.06770	-.06690	-.21560	-.22590	-.25410	-.26010
	GRADIENT	.01893	.01906	.02122	.02108	-.00367	-.00498	-.00869	-.00950

DATE 22 JUN 76

TABULATED SOURCE DATA - IAB0

PAGE 797

ARC 11-023 IAB0 OTS (SRB NOM+) (SSME NOM)

(LE4009) (28 OCT 75)

REFERENCE DATA

SREF = 2690.0000 SQ.FT. XMRP = .0000 IN.
 LREF = 1290.3000 IN. YMRP = .0000 IN.
 BREF = 1290.3000 IN. ZMRP = .0000 IN.
 SCALE = .0200

PARAMETRIC DATA

ELV-18 = .000 ELV-08 = .000
 RN/L = 4.250 MACH = 1.250

RUN NO. 51/ 0 RN/L = 4.40 GRADIENT INTERVAL = -5.00/ 5.00

ALPHA	BETA	CP60	CP62	CP64	CP66	CP59	CP61	CP63	CP65
-3.897	.006	.15120	.14350	.12690	.11990	.06780	.05950	.05770	.06650
	GRADIENT	.00000	.00000	.00000	.00000	.00000	.00000	.00000	.00000

RUN NO. 52/ 0 RN/L = 4.40 GRADIENT INTERVAL = -5.00/ 5.00

ALPHA	BETA	CP60	CP62	CP64	CP66	CP59	CP61	CP63	CP65
-.482	-4.006	.11070	.10750	.07750	.07890	-.07450	-.06550	-.05990	-.04670
-.519	.003	.12110	.11450	.10300	.09630	-.01770	-.01870	-.01360	.00280
-.462	4.009	.08840	.09150	.07640	.07320	.06830	.05330	.05020	.06310
	GRADIENT	-.00278	-.00200	-.00014	-.00071	.01781	.01532	.01374	.01370

RUN NO. 53/ 0 RN/L = 4.40 GRADIENT INTERVAL = -5.00/ 5.00

ALPHA	BETA	CP60	CP62	CP64	CP66	CP59	CP61	CP63	CP65
3.854	.006	.07350	.06530	.05050	.04560	-.08130	-.08560	-.07880	-.07080
	GRADIENT	.00000	.00000	.00000	.00000	.00000	.00000	.00000	.00000

ARC 11-023 IAB0 OTS (SRB NOM+) (SSME NOM)

(LE4010) (28 OCT 75)

REFERENCE DATA

SREF = 2690.0000 SQ.FT. XMRP = .0000 IN.
 LREF = 1290.3000 IN. YMRP = .0000 IN.
 BREF = 1290.3000 IN. ZMRP = .0000 IN.
 SCALE = .0200

PARAMETRIC DATA

ELV-18 = .000 ELV-08 = .000
 RN/L = 4.250 MACH = 1.400

RUN NO. 4/ 0 RN/L = 4.29 GRADIENT INTERVAL = -5.00/ 5.00

ALPHA	BETA	CP60	CP62	CP64	CP66	CP59	CP61	CP63	CP65
-3.904	-.006	.14210	.13280	.12270	.11320	.05380	.04770	.04920	.04880
	GRADIENT	.00000	.00000	.00000	.00000	.00000	.00000	.00000	.00000

RUN NO. 5/ 0 RN/L = 4.29 GRADIENT INTERVAL = -5.00/ 5.00

ALPHA	BETA	CP60	CP62	CP64	CP66	CP59	CP61	CP63	CP65
-.406	-4.009	.11820	.11540	.08720	.08640	-.09550	-.09170	-.07380	-.06830
-.373	.000	.09460	.09470	.07260	.07140	-.02660	-.03350	-.01950	-.01590
-.453	4.012	.05400	.05110	.04200	.05210	.02940	.02210	.02610	.02250
	GRADIENT	-.00800	-.00677	-.00563	-.00429	.01557	.01419	.01245	.01132

DATE 22 JUN 76

TABULATED SOURCE DATA - IABO

PAGE 799

ARC 11-023 IABO OTS (SRB NOM) (SSME NOM+)

(LE4012) (28 OCT 75)

REFERENCE DATA

SREF = 2690.0000 SQ.FT. XMRP = .0000 IN.
 LREF = 1290.3000 IN. YMRP = .0000 IN.
 BREF = 1290.3000 IN. ZMRP = .0000 IN.
 SCALE = .0200

PARAMETRIC DATA

ELV-18 = .000 ELV-08 = .000
 RN/L = 4.250 MACH = .900

RUN NO. 231/ 0 RN/L = 4.20 GRADIENT INTERVAL = -5.00/ 5.00

ALPHA	BETA	CP60	CP62	CP64	CP66	CP69	CP61	CP63	CP65
-4.062	-.012	-.06480	-.09770	-.14380	-.14050	-.14860	-.15610	-.17830	-.18620
	GRADIENT	.00000	.00000	.00000	.00000	.00000	.00000	.00000	.00000

RUN NO. 232/ 0 RN/L = 4.21 GRADIENT INTERVAL = -5.00/ 5.00

ALPHA	BETA	CP60	CP62	CP64	CP66	CP69	CP61	CP63	CP65
-.383	-4.028	-.16370	-.19990	-.25150	-.24320	-.16830	-.19190	-.20050	-.20460
-.383	-.016	-.07170	-.10500	-.14850	-.14550	-.18420	-.19290	-.20500	-.21320
-.453	4.000	-.00260	-.03550	-.06660	-.06360	-.21380	-.22530	-.25080	-.25800
	GRADIENT	.02007	.02048	.02303	.02312	-.00319	-.00416	-.00627	-.00665

RUN NO. 233/ 0 RN/L = 4.20 GRADIENT INTERVAL = -5.00/ 5.00

ALPHA	BETA	CP60	CP62	CP64	CP66	CP69	CP61	CP63	CP65
3.947	-.012	-.11040	-.14410	-.18670	-.18570	-.26040	-.26350	-.27520	-.27850
	GRADIENT	.00000	.00000	.00000	.00000	.00000	.00000	.00000	.00000

ARC 11-023 IABO OTS (SRB NOM) (SSME NOM+)

(LE4013) (28 OCT 75)

REFERENCE DATA

SREF = 2690.0000 SQ.FT. XMRP = .0000 IN.
 LREF = 1290.3000 IN. YMRP = .0000 IN.
 BREF = 1290.3000 IN. ZMRP = .0000 IN.
 SCALE = .0200

PARAMETRIC DATA

ELV-18 = .000 ELV-08 = .000
 RN/L = 4.250 MACH = 1.100

RUN NO. 80/ 0 RN/L = 4.32 GRADIENT INTERVAL = -5.00/ 5.00

ALPHA	BETA	CP60	CP62	CP64	CP66	CP69	CP61	CP63	CP65
-3.950	.006	.17060	.16760	.13110	.12990	.12340	.11540	.09850	.11090
	GRADIENT	.00000	.00000	.00000	.00000	.00000	.00000	.00000	.00000

RUN NO. 81/ 0 RN/L = 4.32 GRADIENT INTERVAL = -5.00/ 5.00

ALPHA	BETA	CP60	CP62	CP64	CP66	CP69	CP61	CP63	CP65
-.509	-4.066	.09260	.09060	.04510	.04850	-.01450	-.00480	-.01120	.01430
-.552	-.056	.15410	.15990	.12800	.12690	.06550	.06400	.05040	.06870
-.486	3.950	.13720	.18090	.15680	.15250	.09820	.08950	.06310	.07730
	GRADIENT	.01180	.01127	.01754	.01298	.01406	.01177	.00927	.00786

ORIGINAL PAGE IS
OF POOR QUALITY

DATE 22 JUN 76

TABULATED SOURCE DATA - IABO

PAGE 801

ARC 11-023 IABO OTS (SRB NOM) (SSME NM+)

(LE4015) (28 OCT 75)

REFERENCE DATA

SREF = 2690.0000 SQ.FT. XMRP = .0000 IN.
 LREF = 1290.3000 IN. YMRP = .0000 IN.
 BREF = 1290.3000 IN. ZMRP = .0000 IN.
 SCALE = .0200

PARAMETRIC DATA

ELV-IB = .000 ELV-OB = .000
 RN/L = 4.250 MACH = 1.400

RUN NO. 7/ 0 RN/L = 4.27 GRADIENT INTERVAL = -5.00/ 5.00

ALPHA	BETA	CP60	CP62	CP64	CP66	CP59	CP61	CP63	CP65
-3.910	-.006	.14770	.14030	.12070	.11770	.05430	.04820	.04790	.04650
	GRADIENT	.00000	.00000	.00000	.00000	.00000	.00000	.00000	.00000

RUN NO. 8/ 0 RN/L = 4.28 GRADIENT INTERVAL = -5.00/ 5.00

ALPHA	BETA	CP60	CP62	CP64	CP66	CP59	CP61	CP63	CP65
-.409	-4.009	.12410	.12260	.09310	.09370	-.09910	-.09440	-.07510	-.06780
-.446	.000	.09980	.10150	.07310	.07650	-.03300	-.03830	-.02330	-.02030
-.509	4.009	.05980	.06900	.04420	.06070	.03290	.02320	.02400	.02340
	GRADIENT	-.00802	-.00668	-.00610	-.00412	.01646	.01467	.01236	.01137

RUN NO. 9/ 0 RN/L = 4.28 GRADIENT INTERVAL = -5.00/ 5.00

ALPHA	BETA	CP60	CP62	CP64	CP66	CP59	CP61	CP63	CP65
3.848	-.006	.03700	.03810	.01580	.02270	-.09940	-.10080	-.08400	-.08520
	GRADIENT	.00000	.00000	.00000	.00000	.00000	.00000	.00000	.00000

ARC 11-023 IABO OTS (SRB NOM) (SSME NM-)

(LE4016) (28 OCT 75)

REFERENCE DATA

SREF = 2690.0000 SQ.FT. XMRP = .0000 IN.
 LREF = 1290.3000 IN. YMRP = .0000 IN.
 BREF = 1290.3000 IN. ZMRP = .0000 IN.
 SCALE = .0200

PARAMETRIC DATA

ELV-IB = .000 ELV-OB = .000
 RN/L = 4.250 MACH = .900

RUN NO. 234/ 0 RN/L = 4.20 GRADIENT INTERVAL = -5.00/ 5.00

ALPHA	BETA	CP60	CP62	CP64	CP66	CP59	CP61	CP63	CP65
-3.986	-.012	-.06390	-.09590	-.14320	-.14190	-.14430	-.15380	-.17440	-.18330
	GRADIENT	.00000	.00000	.00000	.00000	.00000	.00000	.00000	.00000

RUN NO. 235/ 0 RN/L = 4.21 GRADIENT INTERVAL = -5.00/ 5.00

ALPHA	BETA	CP60	CP62	CP64	CP66	CP59	CP61	CP63	CP65
-.350	-4.031	-.16140	-.19680	-.24390	-.24360	-.18500	-.18480	-.19760	-.20040
-.301	-.016	-.05740	-.09920	-.14170	-.14130	-.18110	-.18690	-.20130	-.20980
-.317	4.000	-.00260	-.03730	-.06520	-.07090	-.21500	-.22170	-.24910	-.25460
	GRADIENT	.01977	.01986	.02224	.02150	-.00374	-.00459	-.00641	-.00675

DATE 22 JUN 76

TABULATED SOURCE DATA - 1A80

PAGE 803

ARC 11-023 1A80 OTS (SRB NOM) (SSME NOM-)

(LE4018) (28 OCT 75)

REFERENCE DATA

SREF = 2690.0000 SQ.FT. XMRP = .0000 IN.
 LREF = 1290.3000 IN. YMRP = .0000 IN.
 BREF = 1290.3000 IN. ZMRP = .0000 IN.
 SCALE = .0200

PARAMETRIC DATA

ELV-18 = .000 ELV-08 = .000
 RN/L = 4.250 MACH = 1.250

RUN NO. 57/ 0 RN/L = 4.38 GRADIENT INTERVAL = -5.00/ 5.00

ALPHA	BETA	CP60	CP62	CP64	CP66	CP69	CP61	CP63	CP65
-3.953	.000	.15100	.14150	.12390	.11980	.06960	.06390	.06180	.07070
	GRADIENT	.00000	.00000	.00000	.00000	.00000	.00000	.00000	.00000

RUN NO. 58/ 0 RN/L = 4.33 GRADIENT INTERVAL = -5.00/ 5.00

ALPHA	BETA	CP60	CP62	CP64	CP66	CP69	CP61	CP63	CP65
-.429	-4.006	.11530	.10990	.08560	.08130	-.07320	-.07050	-.05810	-.04610
-.423	.003	.12200	.11500	.10560	.09680	-.01780	-.01830	-.01480	.00020
-.416	4.009	.08650	.08650	.07580	.07580	.07240	.05850	.05350	.06710
	GRADIENT	-.00359	-.00292	-.00122	-.00069	.01816	.01609	.01392	.01412

RUN NO. 59/ 0 RN/L = 4.37 GRADIENT INTERVAL = -5.00/ 5.00

ALPHA	BETA	CP60	CP62	CP64	CP66	CP69	CP61	CP63	CP65
3.993	.003	.07240	.06110	.04970	.04480	-.08790	-.09060	-.08340	-.07560
	GRADIENT	.00000	.00000	.00000	.00000	.00000	.00000	.00000	.00000

ARC 11-023 1A80 OTS (SRB NOM) (SSME NOM-)

(LE4019) (28 OCT 75)

REFERENCE DATA

SREF = 2690.0000 SQ.FT. XMRP = .0000 IN.
 LREF = 1290.3000 IN. YMRP = .0000 IN.
 BREF = 1290.3000 IN. ZMRP = .0000 IN.
 SCALE = .0200

PARAMETRIC DATA

ELV-18 = .000 ELV-08 = .000
 RN/L = 4.250 MACH = 1.400

RUN NO. 10/ 0 RN/L = 4.27 GRADIENT INTERVAL = -5.00/ 5.00

ALPHA	BETA	CP60	CP62	CP64	CP66	CP69	CP61	CP63	CP65
-3.848	-.006	.14200	.13320	.12110	.11230	.05450	.04950	.05030	.05030
	GRADIENT	.00000	.00000	.00000	.00000	.00000	.00000	.00000	.00000

RUN NO. 11/ 0 RN/L = 4.27 GRADIENT INTERVAL = -5.00/ 5.00

ALPHA	BETA	CP60	CP62	CP64	CP66	CP69	CP61	CP63	CP65
-.357	-4.009	.11780	.11440	.08920	.08430	-.09470	-.09290	-.07576	-.06830
-.363	.000	.09220	.09220	.07530	.07260	-.02880	-.03130	-.01710	-.01400
-.462	4.012	.04740	.05300	.03500	.04570	.03110	.02140	.02420	.02400
	GRADIENT	-.00878	-.00765	-.00551	-.00481	.01568	.01425	.01245	.01151

DATE 22 JUN 76

TABULATED SOURCE DATA - IAB0

PAGE 805

ARC 11-023 IAB0 OTS (SRB NOM) (SSME NOM)

(LE4021) (28 OCT 75)

REFERENCE DATA

SREF = 2690.0000 SQ.FT. XMRP = .0000 IN.
 LREF = 1290.3000 IN. YMRP = .0000 IN.
 BREF = 1290.3000 IN. ZMRP = .0000 IN.
 SCALE = .0200

PARAMETRIC DATA

ELV-18 = .000 ELV-08 = .000
 RN/L = 4.250 MACH = .900

RUN NO. 228/ 0 RN/L = 4.20 GRADIENT INTERVAL = -5.00/ 5.00

ALPHA	BETA	CP60	CP62	CP64	CP66	CP69	CP61	CP63	CP65
-3.977	-.016	-.06270	-.09470	-.14030	-.14210	-.14290	-.15160	-.17550	-.18300
	GRADIENT	.00000	.00000	.00000	.00000	.00000	.00000	.00000	.00000

RUN NO. 229/ 0 RN/L = 4.21 GRADIENT INTERVAL = -5.00/ 5.00

ALPHA	BETA	CP60	CP62	CP64	CP66	CP69	CP61	CP63	CP65
-.327	-4.028	-.16170	-.19370	-.23800	-.23920	-.18270	-.18080	-.18610	-.18590
-.317	-.012	-.06720	-.09890	-.14110	-.14090	-.18300	-.19720	-.20410	-.20790
-.350	4.000	-.00560	-.03070	-.05760	-.06410	-.21560	-.22570	-.25330	-.25670
	GRADIENT	.01944	.02030	.02247	.02161	-.00410	-.00559	-.00837	-.00882

RUN NO. 230/ 0 RN/L = 4.20 GRADIENT INTERVAL = -5.00/ 5.00

ALPHA	BETA	CP60	CP62	CP64	CP66	CP69	CP61	CP63	CP65
3.977	-.012	-.10690	-.14020	-.18130	-.18250	-.25740	-.26070	-.27080	-.27320
	GRADIENT	.00000	.00000	.00000	.00000	.00000	.00000	.00000	.00000

ARC 11-023 IAB0 OTS (SRB NOM) (SSME NOM)

(LE4022) (28 OCT 75)

REFERENCE DATA

SREF = 2690.0000 SQ.FT. XMRP = .0000 IN.
 LREF = 1290.3000 IN. YMRP = .0000 IN.
 BREF = 1290.3000 IN. ZMRP = .0000 IN.
 SCALE = .0200

PARAMETRIC DATA

ELV-18 = .000 ELV-08 = .000
 RN/L = 4.250 MACH = 1.100

RUN NO. 86/ 0 RN/L = 4.32 GRADIENT INTERVAL = -5.00/ 5.00

ALPHA	BETA	CP60	CP62	CP64	CP66	CP69	CP61	CP63	CP65
-3.937	-.063	.17010	.16480	.12970	.12770	.12460	.11630	.09920	.11270
	GRADIENT	.00000	.00000	.00000	.00000	.00000	.00000	.00000	.00000

RUN NO. 87/ 0 RN/L = 4.32 GRADIENT INTERVAL = -5.00/ 5.00

ALPHA	BETA	CP60	CP62	CP64	CP66	CP69	CP61	CP63	CP65
-.525	-4.069	.09630	.09170	.05270	.05370	-.01340	-.00550	-.01250	.01290
-.439	-.056	.15110	.15580	.12530	.12310	.06740	.06080	.05030	.06840
-.482	3.950	.18610	.17920	.15650	.15360	.10080	.09280	.06610	.08000
	GRADIENT	.01120	.01091	.01295	.01246	.01424	.01226	.00980	.00837

ARC 11-023 IABO OTS (SRB NOM) (SSME NOM)

(LE4024) (28 OCT 75)

REFERENCE DATA

SREF = 2690.0000 SQ.FT. XMRP = .0000 IN.
 LREF = 1290.3000 IN. YMRP = .0000 IN.
 BREF = 1290.3000 IN. ZMRP = .0000 IN.
 SCALE = .0200

PARAMETRIC DATA

ELV-18 = .000 ELV-08 = .000
 RN/L = 4.250 MACH = 1.400

RUN NO. 13/ 0 RN/L = 4.25 GRADIENT INTERVAL = -5.00/ 5.00

ALPHA	BETA	CP60	CP62	CP64	CP66	CP69	CP61	CP63	CP65
-3.884	-.003	.14190	.13380	.12190	.11520	.05180	.04750	.04680	.05100
	GRADIENT	.00000	.00000	.00000	.00000	.00000	.00000	.00000	.00000

RUN NO. 14/ 0 RN/L = 4.25 GRADIENT INTERVAL = -5.00/ 5.00

ALPHA	BETA	CP60	CP62	CP64	CP66	CP69	CP61	CP63	CP65
-.370	-4.009	.12100	.11850	.09070	.08770	-.08990	-.09070	-.07060	-.06530
-.370	.000	.09200	.09450	.06980	.07390	-.02990	-.03670	-.02270	-.01710
-.429	4.012	.05250	.06090	.04420	.05450	.03040	.02390	.02510	.02900
	GRADIENT	-.00854	-.00718	-.00580	-.00414	.01500	.01429	.01193	.01176

RUN NO. 15/ 0 RN/L = 4.26 GRADIENT INTERVAL = -5.00/ 5.00

ALPHA	BETA	CP60	CP62	CP64	CP66	CP69	CP61	CP63	CP65
3.894	.000	.03260	.03320	.00970	.01650	-.09280	-.09850	-.08090	-.08040
	GRADIENT	.00000	.00000	.00000	.00000	.00000	.00000	.00000	.00000

ARC 11-023 IABO OTS (SRB NOM) (SSME NOM)

(LE4025) (28 OCT 75)

REFERENCE DATA

SREF = 2690.0000 SQ.FT. XMRP = .0000 IN.
 LREF = 1290.3000 IN. YMRP = .0000 IN.
 BREF = 1290.3000 IN. ZMRP = .0000 IN.
 SCALE = .0200

PARAMETRIC DATA

ELV-18 = .000 ELV-08 = .000
 RN/L = 4.250 MACH = 1.100

RUN NO. 89/ 0 RN/L = 4.32 GRADIENT INTERVAL = -5.00/ 5.00

ALPHA	BETA	CP60	CP62	CP64	CP66	CP69	CP61	CP63	CP65
-4.020	-.053	.16810	.16380	.12830	.12660	.12180	.11380	.09700	.11050
	GRADIENT	.00000	.00000	.00000	.00000	.00000	.00000	.00000	.00000

RUN NO. 90/ 0 RN/L = 4.32 GRADIENT INTERVAL = -5.00/ 5.00

ALPHA	BETA	CP60	CP62	CP64	CP66	CP69	CP61	CP63	CP65
-.482	-4.069	.09560	.09070	.05050	.05170	-.01630	-.00610	-.01220	.01130
-.489	-.059	.16220	.15800	.12620	.12420	.06740	.06350	.05150	.07020
-.453	3.950	.18630	.17720	.15540	.15110	.09850	.09000	.06330	.07730
	GRADIENT	.01131	.01079	.01300	.01240	.01432	.01198	.00942	.00823

DATE 22 JUN 76

TABULATED SOURCE DATA - IA80

PAGE 809

ARC 11-023 IA80 OTS (SRB NOM-) (SSME NOM)

(LE4027) (28 OCT 75)

REFERENCE DATA

SREF = 2690.0000 SQ.FT. XMRP = .0000 IN.
 LREF = 1290.3000 IN. YMRP = .0000 IN.
 BREF = 1290.3000 IN. ZMRP = .0000 IN.
 SCALE = .0200

PARAMETRIC DATA

ELV-18 = .000 ELV-08 = .000
 RN/L = 4.250 MACH = 1.400

RUN NO. 16/ 0 RN/L = 4.23 GRADIENT INTERVAL = -5.00/ 5.00

ALPHA	BETA	CP60	CP62	CP64	CP66	CP69	CP61	CP63	CP65
-3.805	.000	.13900	.12900	.11770	.10980	.04980	.04370	.04630	.04840
	GRADIENT	.00000	.00000	.00000	.00000	.00000	.00000	.00000	.00000

RUN NO. 17/ 0 RN/L = 4.24 GRADIENT INTERVAL = -5.00/ 5.00

ALPHA	BETA	CP60	CP62	CP64	CP66	CP69	CP61	CP63	CP65
-.353	-4.006	.11680	.11400	.08860	.08530	-.09790	-.09510	-.07710	-.07070
-.367	.000	.09380	.09250	.07100	.06860	-.03240	-.03730	-.02310	-.01900
-.400	4.012	.05340	.06610	.04230	.05090	.03250	.02570	.02870	.02780
	GRADIENT	-.00791	-.00597	-.00577	-.00429	.01626	-.01506	.01319	.01228

RUN NO. 18/ 0 RN/L = 4.24 GRADIENT INTERVAL = -5.00/ 5.00

ALPHA	BETA	CP60	CP62	CP64	CP66	CP69	CP61	CP63	CP65
3.983	.000	.03110	.03310	.01290	.01730	-.09350	-.09880	-.08240	-.08070
	GRADIENT	.00900	.00000	.00000	.00000	.00000	.00000	.00000	.00000

ARC 11-023 IA80 OTS (SRB OFF) (SSME OFF)

(LE4028) (28 OCT 75)

REFERENCE DATA

SREF = 2690.0000 SQ.FT. XMRP = .0000 IN.
 LREF = 1290.3000 IN. YMRP = .0000 IN.
 BREF = 1290.3000 IN. ZMRP = .0000 IN.
 SCALE = .0200

PARAMETRIC DATA

ELV-18 = .000 ELV-08 = .000
 RN/L = 3.400 MACH = .600

RUN NO. 237/ 0 RN/L = 3.39 GRADIENT INTERVAL = -5.00/ 5.00

ALPHA	BETA	CP60	CP62	CP64	CP66	CP69	CP61	CP63	CP65
-4.000	-.016	-.01760	-.05010	-.06540	-.06820	-.06630	-.09210	-.09860	-.10400
	GRADIENT	.00000	.00000	.00000	.00000	.00000	.00000	.00000	.00000

RUN NO. 238/ 0 RN/L = 3.38 GRADIENT INTERVAL = -5.00/ 5.00

ALPHA	BETA	CP60	CP62	CP64	CP66	CP69	CP61	CP63	CP65
-.254	-4.034	-.08100	-.11150	-.12350	-.12960	-.06800	-.06900	-.06560	-.06660
-.261	-.019	-.01960	-.05310	-.06270	-.06650	-.10820	-.11500	-.11220	-.11670
-.274	3.991	.04790	.01390	.03190	.00260	-.14740	-.14950	-.15050	-.15260
	GRADIENT	.01606	.01563	.01563	.01647	-.00989	-.01003	-.01058	-.01072

DATE 22 JUN 76

TABULATED SOURCE DATA - IAB0

PAGE 811

ARC 11-023 IAB0 OTS (SRB OFF) (SSME OFF)

(LE4030) (28 OCT 75)

REFERENCE DATA

SREF = 2690.0000 SQ.FT. XMRP = .0000 IN.
 LREF = 1290.3000 IN. YMRP = .0000 IN.
 BREF = 1290.3000 IN. ZMRP = .0000 IN.
 SCALE = .0200

PARAMETRIC DATA

ELV-1B = .000 ELV-0B = .000
 RN/L = 4.250 MACH = 1.100

RUN NO. 69/ 0 RN/L = 4.33 GRADIENT INTERVAL = -5.00/ 5.00

ALPHA	BETA	CP60	CP62	CP64	CP66	CP59	CP61	CP63	CP65
-4.016	-.003	.16750	.16330	.12900	.12530	.13620	.12820	.11060	.12140
	GRADIENT	.00000	.00000	.00000	.00000	.00000	.00000	.00000	.00000

RUN NO. 70/ 0 RN/L = 4.30 GRADIENT INTERVAL = -5.00/ 5.00

ALPHA	BETA	CP60	CP62	CP64	CP66	CP59	CP61	CP63	CP65
-.370	-4.006	.09580	.08970	.05320	.05030	-.00830	.00210	-.00490	.02030
-.343	.003	.15970	.15530	.12340	.11930	.06870	.06430	.05380	.07090
-.370	4.009	.18170	.17280	.15310	.14440	.10590	.09650	.07210	.08410
	GRADIENT	.01072	.01037	.01209	.01174	.01425	.01178	.00961	.00796

RUN NO. 71/ 0 RN/L = 4.29 GRADIENT INTERVAL = -5.00/ 5.00

ALPHA	BETA	CP60	CP62	CP64	CP66	CP59	CP61	CP63	CP65
3.894	-.003	.13570	.12540	.09680	.09160	.00150	-.00530	-.00690	.00910
	GRADIENT	.00000	.00000	.00000	.00000	.00000	.00000	.00000	.00000

ARC 11-023 IAB0 OTS (SRB OFF) (SSME OFF)

(LE4031) (28 OCT 75)

REFERENCE DATA

SREF = 2690.0000 SQ.FT. XMRP = .0000 IN.
 LREF = 1290.3000 IN. YMRP = .0000 IN.
 BREF = 1290.3000 IN. ZMRP = .0000 IN.
 SCALE = .0200

PARAMETRIC DATA

ELV-1B = .000 ELV-0B = .000
 RN/L = 4.250 MACH = 1.250

RUN NO. 66/ 0 RN/L = 4.36 GRADIENT INTERVAL = -5.00/ 5.00

ALPHA	BETA	CP60	CP62	CP64	CP66	CP59	CP61	CP63	CP65
-3.970	-.003	.14890	.14010	.12220	.11550	.08060	.07300	.07010	.07670
	GRADIENT	.00000	.00000	.00000	.00000	.00000	.00000	.00000	.00000

RUN NO. 67/ 0 RN/L = 4.36 GRADIENT INTERVAL = -5.00/ 5.00

ALPHA	BETA	CP60	CP62	CP64	CP66	CP59	CP61	CP63	CP65
-.330	-4.006	.10970	.10230	.07910	.07340	-.07520	-.07010	-.06210	-.04270
-.317	.003	.11700	.11090	.09040	.09280	-.01270	-.01780	-.01250	.00310
-.370	4.012	.08590	.08650	.08000	.07470	.06930	.06060	.05580	.06500
	GRADIENT	-.00237	-.00197	.00011	.00016	.01802	.01630	.01470	.01343

DATE 22 JUN 76

TABULATED SOURCE DATA - IAB0

PAGE 813

ARC 11-023 IAB0 OTS (SRB OFF) (SSME OFF)

(LE4033) (28 OCT 75)

REFERENCE DATA

SREF = 2690.0000 SQ.FT. XMRP = .0000 IN.
 LREF = 1290.3000 IN. YMRP = .0000 IN.
 BREF = 1290.3000 IN. ZMRP = .0000 IN.
 SCALE = .0200

PARAMETRIC DATA

ELV-1B = .000 ELV-0B = .000
 RN/L = 1.750 MACH = .600

RUN NO. 270/ 0 RN/L = 1.74 GRADIENT INTERVAL = -5.00/ 5.00

ALPHA	BETA	CP60	CP62	CP64	CP66	CP69	CP61	CP63	CP65
-3.953	-.003	.00190	-.04290	-.05270	-.06420	-.08490	-.08830	-.09590	-.09590
	GRADIENT	.00000	.00000	.00000	.00000	.00000	.00000	.00000	.00000

RUN NO. 271/ 0 RN/L = 1.74 GRADIENT INTERVAL = -5.00/ 5.00

ALPHA	BETA	CP60	CP62	CP64	CP66	CP69	CP61	CP63	CP65
-.271	-4.044	-.06960	-.12520	-.13240	-.14330	-.07380	-.07450	-.07730	-.07660
-.284	-.031	.00580	-.04250	-.05690	-.04940	-.10660	-.10450	-.10180	-.10590
-.343	3.984	.05960	.00190	-.01330	-.01680	-.15080	-.16120	-.16540	-.17440
	GRADIENT	.01609	.01583	.01558	.01576	-.00959	-.01080	-.01097	-.01218

RUN NO. 272/ 0 RN/L = 1.74 GRADIENT INTERVAL = -5.00/ 5.00

ALPHA	BETA	CP60	CP62	CP64	CP66	CP69	CP61	CP63	CP65
3.963	-.003	-.00430	-.06180	-.07150	-.07710	-.14220	-.14780	-.14220	-.14220
	GRADIENT	.00000	.00000	.00000	.00000	.00000	.00000	.00000	.00000

ARC 11-023 IAB0 OTS (SRB OFF) (SSME OFF)

(LE4034) (28 OCT 75)

REFERENCE DATA

SREF = 2690.0000 SQ.FT. XMRP = .0000 IN.
 LREF = 1290.3000 IN. YMRP = .0000 IN.
 BREF = 1290.3000 IN. ZMRP = .0000 IN.
 SCALE = .0200

PARAMETRIC DATA

ELV-1B = .000 ELV-0B = .000
 RN/L = 2.250 MACH = .900

RUN NO. 267/ 0 RN/L = 2.16 GRADIENT INTERVAL = -5.00/ 5.00

ALPHA	BETA	CP60	CP62	CP64	CP66	CP69	CP61	CP63	CP65
-3.947	.000	-.04450	-.10550	-.15430	-.15150	-.15150	-.15910	-.18090	-.18770
	GRADIENT	.00000	.00000	.00000	.00000	.00000	.00000	.00000	.00000

RUN NO. 268/ 0 RN/L = 2.16 GRADIENT INTERVAL = -5.00/ 5.00

ALPHA	BETA	CP60	CP62	CP64	CP66	CP69	CP61	CP63	CP65
-.254	-4.044	-.13390	-.20180	-.24650	-.24730	-.15810	-.15530	-.15800	-.16040
-.271	-.031	-.05690	-.12590	-.16630	-.16870	-.19730	-.20690	-.21900	-.22620
-.304	3.984	.04900	-.01590	-.04300	-.04340	-.22650	-.23450	-.26200	-.26600
	GRADIENT	.02278	.02316	.02335	.02540	-.00852	-.00986	-.01295	-.01315

DATE 22 JUN 76

TABULATED SOURCE DATA - 1A80

PAGE 815

ARC 11-023 1A80 015 (SRB OFF) (SSME OFF)

(LE4036) (28 OCT 75)

REFERENCE DATA

SREF = 2690.0000 SQ.FT. XMRP = .0000 IN.
 LREF = 1290.3000 IN. YMRP = .0000 IN.
 BREF = 1290.3000 IN. ZMRP = .0000 IN.
 SCALE = .0200

PARAMETRIC DATA

ELV-18 = .000 ELV-08 = .000
 RN/L = 2.250 MACH = 1.250

RUN NO. 30/ 0 RN/L = 2.27 GRADIENT INTERVAL = -5.00/ 5.00

ALPHA	BETA	CP60	CP62	CP64	CP66	CP59	CP61	CP63	CP65
-3.993	.003	.12800	.12190	.10250	.09930	.06460	.05600	.05540	.05950
	GRADIENT	.00000	.00000	.00000	.00000	.00000	.00000	.00000	.00000

RUN NO. 31/ 0 RN/L = 2.27 GRADIENT INTERVAL = -5.00/ 5.00

ALPHA	BETA	CP60	CP62	CP64	CP66	CP59	CP61	CP63	CP65
-.145	-4.003	.08400	.08020	.05570	.05250	-.08220	-.07870	-.07170	-.05540
-.129	.003	.09330	.08790	.07480	.06750	-.03460	-.03620	-.03330	-.02250
-.175	4.009	.07090	.07510	.06490	.05630	.05690	.04920	.04380	.04800
	GRADIENT	-.00163	-.00064	.00115	.00047	.01736	.01596	.01441	.01290

RUN NO. 32/ 0 RN/L = 2.27 GRADIENT INTERVAL = -5.00/ 5.00

ALPHA	BETA	CP60	CP62	CP64	CP66	CP59	CP61	CP63	CP65
4.072	.003	.05030	.04330	.03220	.02520	-.10450	-.10640	-.10160	-.09400
	GRADIENT	.00000	.00000	.00000	.00000	.00000	.00000	.00000	.00000

ARC 11-023 1A80 015 (SRB OFF) (SSME OFF)

(LE4037) (28 OCT 75)

REFERENCE DATA

SREF = 2690.0000 SQ.FT. XMRP = .0000 IN.
 LREF = 1290.3000 IN. YMRP = .0000 IN.
 BREF = 1290.3000 IN. ZMRP = .0000 IN.
 SCALE = .0200

PARAMETRIC DATA

ELV-18 = .000 ELV-08 = .000
 RN/L = 2.250 MACH = 1.400

RUN NO. 33/ 0 RN/L = 2.23 GRADIENT INTERVAL = -5.00/ 5.00

ALPHA	BETA	CP60	CP62	CP64	CP66	CP59	CP61	CP63	CP65
-4.013	.003	.11900	.11150	.09810	.09150	.04100	.03780	.03660	.03880
	GRADIENT	.00000	.00000	.00000	.00000	.00000	.00000	.00000	.00000

RUN NO. 34/ 0 RN/L = 2.23 GRADIENT INTERVAL = -5.00/ 5.00

ALPHA	BETA	CP60	CP62	CP64	CP66	CP59	CP61	CP63	CP65
-.241	-4.006	.08340	.03090	.06590	.05900	-.09280	-.09190	-.08030	-.06780
-.264	.000	.05900	.06810	.05430	.05030	-.04390	-.04820	-.03880	-.02950
-.267	4.009	.01650	.02190	.01470	.01700	.01060	.00210	.00210	.01180
	GRADIENT	-.00897	-.00736	-.00639	-.00518	.01290	.01173	.01028	.00993

ORIGINAL PAGE IS
AS GOOD QUALITY

DATE 22 JUN 76

TABULATED SOURCE DATA - IAB0

PAGE 817

ARC 11-023 IAB0 OTS (SRB NOM) (SSME NOM)

(LE4039) (28 OCT 75)

REFERENCE DATA				PARAMETRIC DATA					
SREF =	2690.0000	SQ.FT.	XMRP =	.0000	IN.	ELV-1B =	.000	ELV-0B =	.000
LREF =	1290.3000	IN.	YMRP =	.0000	IN.	RN/L =	2.250	MACH =	.900
BREF =	1290.3000	IN.	ZMRP =	.0000	IN.				
SCALE =	.0200								

RUN NO.		264/ 0	RN/L =	2.15	GRADIENT INTERVAL = -5.00/ 5.00				
ALPHA	BETA	CP60	CP62	CP64	CP66	CP59	CP61	CP63	CP65
-3.986	.003	-.04860	-.11140	-.15940	-.15660	-.16180	-.16820	-.19210	-.19890
	GRADIENT	.00000	.00000	.00000	.00000	.00000	.00000	.00000	.00000
RUN NO.		265/ 0	RN/L =	2.16	GRADIENT INTERVAL = -5.00/ 5.00				
ALPHA	BETA	CP60	CP62	CP64	CP66	CP59	CP61	CP63	CP65
-.294	-4.044	-.13720	-.20650	-.25610	-.25330	-.17950	-.17630	-.18360	-.18440
-.310	-.028	-.04160	-.11040	-.15190	-.15390	-.19300	-.19730	-.21200	-.21630
-.320	3.981	.02930	-.03550	-.16750	-.07030	-.22710	-.23510	-.26190	-.26470
	GRADIENT	.02075	.02131	.02350	.02280	-.00593	-.00733	-.00976	-.01001
RUN NO.		266/ 0	RN/L =	2.16	GRADIENT INTERVAL = -5.00/ 5.00				
ALPHA	BETA	CP60	CP62	CP64	CP66	CP59	CP61	CP63	CP65
3.970	.000	-.07900	-.14490	-.18020	-.18180	-.26610	-.27130	-.27730	-.28060
	GRADIENT	.00000	.00000	.00000	.00000	.00000	.00000	.00000	.00000

ARC 11-023 IAB0 OTS (SRB NOM) (SSME NOM)

(LE4040) (28 OCT 75)

REFERENCE DATA				PARAMETRIC DATA					
SREF =	2690.0000	SQ.FT.	XMRP =	.0000	IN.	ELV-1B =	.000	ELV-0B =	.000
LREF =	1290.3000	IN.	YMRP =	.0000	IN.	RN/L =	2.250	MACH =	1.100
BREF =	1290.3000	IN.	ZMRP =	.0000	IN.				
SCALE =	.0200								

RUN NO.		27/ 0	RN/L =	2.25	GRADIENT INTERVAL = -5.00/ 5.00				
ALPHA	BETA	CP60	CP62	CP64	CP66	CP59	CP61	CP63	CP65
-3.801	-.006	.14470	.14100	.10560	.10560	.10080	.09370	.07660	.08580
	GRADIENT	.00000	.00000	.00000	.00000	.00000	.00000	.00000	.00000
RUN NO.		28/ 0	RN/L =	2.25	GRADIENT INTERVAL = -5.00/ 5.00				
ALPHA	BETA	CP60	CP62	CP64	CP66	CP59	CP61	CP63	CP65
-.304	-4.003	.06780	.06580	.02610	.02810	-.01900	-.01020	-.01600	.00300
-.267	.093	.13520	.13040	.10020	.09790	.03700	.03290	.02210	.03630
-.395	4.016	.16680	.16070	.13620	.13510	.07370	.06650	.03940	.04880
	GRADIENT	.01234	.01183	.01398	.01334	.01156	.00956	.00691	.00571

DATE 22 JUN 76

TABULATED SOURCE DATA - 1A80

PAGE 819

ARC 11-023 1A80 OTS (SRB OFF) (SSME OFF)

(LE4042) (28 OCT 75)

REFERENCE DATA

SREF = 2690.0000 SQ.FT. XMRP = .0000 IN.
 LREF = 1290.3000 IN. YMRP = .0000 IN.
 BREF = 1290.3000 IN. ZMRP = .0000 IN.
 SCALE = .0200

PARAMETRIC DATA

ELV-1B = .000 ELV-0B = .000
 RN/L = 3.250 MACH = .900

RUN NO. 258/ 0 RN/L = 3.14 GRADIENT INTERVAL = -5.00/ 5.00

ALPHA	BETA	CP60	CP62	CP64	CP66	CP59	CP61	CP63	CP65
-3.930	.003	-.02570	-.09860	-.14430	-.14460	-.14190	-.15090	-.17480	-.18300
	GRADIENT	.00000	.00000	.00000	.00000	.00000	.00000	.00000	.00000

RUN NO. 259/ 0 RN/L = 3.13 GRADIENT INTERVAL = -5.00/ 5.00

ALPHA	BETA	CP60	CP62	CP64	CP66	CP59	CP61	CP63	CP65
-.284	-4.041	-.11120	-.18860	-.23540	-.23570	-.16610	-.16360	-.16750	-.16860
-.281	-.028	-.04290	-.11780	-.15950	-.16060	-.18900	-.19740	-.21020	-.21730
-.248	3.994	.05630	-.00920	-.03750	-.04020	-.21610	-.22350	-.25080	-.25820
	GRADIENT	.02085	.02246	.02463	.02434	-.00622	-.00746	-.01037	-.01115

RUN NO. 260/ 0 RN/L = 3.12 GRADIENT INTERVAL = -5.00/ 5.00

ALPHA	BETA	CP60	CP62	CP64	CP66	CP59	CP61	CP63	CP65
3.960	.000	-.06170	-.13620	-.17240	-.18010	-.24480	-.24810	-.25350	-.26200
	GRADIENT	.00000	.00000	.00000	.00000	.00000	.00000	.00000	.00000

ARC 11-023 1A80 OTS (SRB OFF) (SSME OFF)

(LE4043) (28 OCT 75)

REFERENCE DATA

SREF = 2690.0000 SQ.FT. XMRP = .0000 IN.
 LREF = 1290.3000 IN. YMRP = .0000 IN.
 BREF = 1290.3000 IN. ZMRP = .0000 IN.
 SCALE = .0200

PARAMETRIC DATA

ELV-1B = .000 ELV-0B = .000
 RN/L = 3.250 MACH = 1.100

RUN NO. 36/ 0 RN/L = 3.28 GRADIENT INTERVAL = -5.00/ 5.00

ALPHA	BETA	CP60	CP62	CP64	CP66	CP59	CP61	CP63	CP65
-4.016	.003	.15820	.15380	.11800	.11520	.12490	.11680	.09930	.10940
	GRADIENT	.00000	.00000	.00000	.00000	.00000	.00000	.00000	.00000

RUN NO. 37/ 0 RN/L = 3.27 GRADIENT INTERVAL = -5.00/ 5.00

ALPHA	BETA	CP60	CP62	CP64	CP66	CP59	CP61	CP63	CP65
-.287	-4.006	.08970	.07670	.04910	.03780	-.01570	-.00660	-.01130	.01030
-.291	.000	.14850	.14190	.11140	.10800	.05630	.05210	.03990	.05840
-.310	4.006	.17980	.16390	.14140	.13520	.09400	.08520	.06000	.07180
	GRADIENT	.01175	.01088	.01264	.01216	.01369	.01146	.00890	.00768

DATE 22 JUN 76

TABULATED SOURCE DATA - 1A80

PAGE 821

ARC 11-023 1A80 OTS (SRB OFF) (SSME OFF)

(LE4045) (28 OCT 75)

REFERENCE DATA

SREF = 2690.0000 SQ.FT. XMRP = .0000 IN.
 LREF = 1290.3000 IN. YMRP = .0000 IN.
 BREF = 1290.3000 IN. ZMRP = .0000 IN.
 SCALE = .0200

PARAMETRIC DATA

ELV-1B = .000 ELV-1B = .000
 RN/L = 3.250 MACH = 1.400

RUN NO. 45/ 0 RN/L = 3.25 GRADIENT INTERVAL = -5.00/ 5.00

ALPHA	BETA	CP60	CP62	CP64	CP66	CP59	CP61	CP63	CP65
-3.990	-.003	.12790	.12040	.10730	.09960	.05070	.04520	.04690	.05030
	GRADIENT	.00000	.00000	.00000	.00000	.00000	.00000	.00000	.00000

RUN NO. 46/ 0 RN/L = 3.22 GRADIENT INTERVAL = -5.00/ 5.00

ALPHA	BETA	CP60	CP62	CP64	CP66	CP59	CP61	CP63	CP65
-.284	-4.000	.10870	.10210	.08290	.07530	-.08940	-.08650	-.07310	-.05770
-.297	.000	.08360	.08040	.06870	.06360	-.03090	-.03730	-.02520	-.01500
-.294	4.009	.02270	.03040	.02130	.02490	.02230	.01380	.01720	.02790
	GRADIENT	-.01074	-.00895	-.00769	-.00629	.01395	.01252	.01127	.01069

RUN NO. 47/ 0 RN/L = 3.21 GRADIENT INTERVAL = -5.00/ 5.00

ALPHA	BETA	CP60	CP62	CP64	CP66	CP59	CP61	CP63	CP65
3.980	.000	.00510	.00590	-.00280	-.00350	-.09800	-.10530	-.09060	-.08480
	GRADIENT	.00000	.00000	.00000	.00000	.00000	.00000	.00000	.00000

ARC 11-023 1A80 OTS (SRB NOM) (SSME NOM)

(LE4046) (28 OCT 75)

REFERENCE DATA

SREF = 2690.0000 SQ.FT. XMRP = .0000 IN.
 LREF = 1290.3000 IN. YMRP = .0000 IN.
 BREF = 1290.3000 IN. ZMRP = .0000 IN.
 SCALE = .0200

PARAMETRIC DATA

ELV-1B = .000 ELV-0B = .000
 RN/L = 2.500 MACH = .600

RUN NO. 255/ 0 RN/L = 2.56 GRADIENT INTERVAL = -5.00/ 5.00

ALPHA	BETA	CP60	CP62	CP64	CP66	CP59	CP61	CP63	CP65
-3.894	-.022	-.02920	-.08470	-.09930	-.10040	-.12780	-.13100	-.13680	-.14200
	GRADIENT	.00000	.00000	.00000	.00000	.00000	.00000	.00000	.00000

RUN NO. 256/ 0 RN/L = 2.55 GRADIENT INTERVAL = -5.00/ 5.00

ALPHA	BETA	CP60	CP62	CP64	CP66	CP59	CP61	CP63	CP65
-.359	-4.041	-.08980	-.15080	-.16930	-.17060	-.09850	-.09620	-.09350	-.09390
-.320	-.025	-.03030	-.08930	-.10920	-.11110	-.14920	-.15710	-.16170	-.16410
-.337	3.994	.04120	-.02750	-.05080	-.05360	-.20040	-.21110	-.22040	-.22370
	GRADIENT	.01631	.01535	.01475	.01456	-.01268	-.01430	-.01579	-.01616

DATE 22 JUN 76

TABULATED SOURCE DATA - IABD

PAGE 823

ARC 11-023 IABD OTS (SRB NOM) (SSME NOM)

(LE4048) (28 OCT 75)

REFERENCE DATA

SREF = 2690.0000 SQ.FT. XMRP = .0000 IN.
 LREF = 1290.3000 IN. YMRP = .0000 IN.
 BREF = 1290.3000 IN. ZMRP = .0000 IN.
 SCALE = .0200

PARAMETRIC DATA

ELV-18 = .000 ELV-08 = .000
 RN/L = 3.250 MACH = 1.100

RUN NO. 39/ 0 RN/L = 3.27 GRADIENT INTERVAL = -5.00/ 5.00

ALPHA	BETA	CP60	CP62	CP64	CP66	CP59	CP61	CP63	CP65
-3.934	.003	.16180	.15770	.12340	.12100	.11580	.10880	.09290	.10470
	GRADIENT	.00000	.00000	.00000	.00000	.00000	.00000	.00000	.00000

RUN NO. 40/ 0 RN/L = 3.27 GRADIENT INTERVAL = -5.00/ 5.00

ALPHA	BETA	CP60	CP62	CP64	CP66	CP59	CP61	CP63	CP65
-.413	-4.006	.09010	.08620	.04720	.04750	-.01660	-.00650	-.01130	.00990
-.443	.000	.15090	.14590	.11600	.11260	.05460	.05010	.04020	.05700
-.420	4.016	.17930	.17140	.14910	.14540	.09450	.08690	.06040	.07170
	GRADIENT	.01112	.01062	.01270	.01220	.01385	.01164	.00894	.00770

RUN NO. 41/ 0 RN/L = 3.27 GRADIENT INTERVAL = -5.00/ 5.00

ALPHA	BETA	CP60	CP62	CP64	CP66	CP59	CP61	CP63	CP65
3.884	.000	.12580	.11690	.08890	.08550	-.00830	-.01250	-.01660	-.00260
	GRADIENT	.00000	.00000	.00000	.00000	.00000	.00000	.00000	.00000

ARC 11-023 IABD OTS (SRB OFF) (SSME OFF)

(LE4049) (13 NOV 75)

REFERENCE DATA

SREF = 2690.0000 SQ.FT. XMRP = .0000 IN.
 LREF = 1290.3000 IN. YMRP = .0000 IN.
 BREF = 1290.3000 IN. ZMRP = .0000 IN.
 SCALE = .0200

PARAMETRIC DATA

ELV-18 = 8.000 ELV-08 = 4.000
 RN/L = 4.250 ALPHA = .000

RUN NO. 32/ 0 RN/L = -.06 GRADIENT INTERVAL = -5.00/ 5.00

BETA	MACH	CP60	CP62	CP64	CP66	CP59	CP61	CP63	CP65
.033	.000	.00480	.63200	.87310	.84960	-.00620	-.48780	.89100	.86720
	GRADIENT	.00000	.00000	.00000	.00000	.00000	.00000	.00000	.00000

ORIGINAL PAGE IS
OF POOR QUALITY

ARC 11-023 1A80 OTS (SRB NOM) (SSME NOM)

(LE4052) (28 OCT 75)

REFERENCE DATA

SREF = 2690.0000 SQ.FT. XMRP = .0000 IN.
 LREF = 1290.3000 IN. YMRP = .0000 IN.
 BREF = 1290.3000 IN. ZMRP = .0000 IN.
 SCALE = .0200

PARAMETRIC DATA

ELV-1B = 8.000 ELV-0B = 4.000
 RN/L = 4.250 MACH = .990

RUN NO. 115/ 0 RN/L = 4.33 GRADIENT INTERVAL = -5.00/ 5.00

ALPHA	BETA	CP60	CP62	CP64	CP66	CP59	CP61	CP63	CP65
-3.930	-.063	.02700	.02150	-.02140	-.02100	-.02990	-.03700	-.05790	-.06050
	GRADIENT	.00000	.00000	.00000	.00000	.00000	.00000	.00000	.00000

RUN NO. 116/ 0 RN/L = 4.33 GRADIENT INTERVAL = -5.00/ 5.00

ALPHA	BETA	CP60	CP62	CP64	CP66	CP59	CP61	CP63	CP65
-.519	-4.078	-.07050	-.07450	-.11830	-.11700	-.12790	-.11960	-.13220	-.12520
-.476	-.063	.02370	.01770	-.02150	-.02310	-.06520	-.07270	-.08730	-.08950
-.499	3.953	.06200	.05740	.02110	.01980	-.07000	-.07960	-.10650	-.11130
	GRADIENT	.01650	.01642	.01736	.01703	.00721	.00498	.00320	.00173

RUN NO. 117/ 0 RN/L = 4.31 GRADIENT INTERVAL = -5.00/ 5.00

ALPHA	BETA	CP60	CP62	CP64	CP66	CP59	CP61	CP63	CP65
3.993	-.063	-.02310	-.03180	-.06640	-.07030	-.16070	-.16200	-.17080	-.17130
	GRADIENT	.00000	.00000	.00000	.00000	.00000	.00000	.00000	.00000

ARC 11-023 1A80 OTS (SRB OFF) (SSME OFF)

(LE4053) (28 OCT 75)

REFERENCE DATA

SREF = 2690.0000 SQ.FT. XMRP = .0000 IN.
 LREF = 1290.3000 IN. YMRP = .0000 IN.
 BREF = 1290.3000 IN. ZMRP = .0000 IN.
 SCALE = .0200

PARAMETRIC DATA

ELV-1B = 8.000 ELV-0B = 4.000
 RN/L = 3.400 MACH = .600

RUN NO. 288/ 0 RN/L = 3.47 GRADIENT INTERVAL = -5.00/ 5.00

ALPHA	BETA	CP60	CP62	CP64	CP66	CP59	CP61	CP63	CP65
-3.944	.000	-.04960	-.11650	-.14180	-.14820	-.14210	-.14580	-.15900	-.16000
	GRADIENT	.00000	.00000	.00000	.00000	.00000	.00000	.00000	.00000

RUN NO. 289/ 0 RN/L = 3.47 GRADIENT INTERVAL = 5.00/ 5.00

ALPHA	BETA	CP60	CP62	CP64	CP66	CP59	CP61	CP63	CP65
-.320	-4.050	-.10410	-.17640	-.19590	-.20000	-.11590	-.11110	-.11790	-.11750
-.297	.000	-.04150	-.11690	-.13680	-.13570	-.15120	-.15900	-.16670	-.16330
-.314	3.978	.02020	-.05200	-.07510	-.07370	-.18900	-.19470	-.19710	-.19970
	GRADIENT	.01548	.01549	.01497	.01573	-.00910	-.01042	-.00987	-.01024

DATE 22 JUN 76

TABULATED SOURCE DATA - IAB0

PAGE 827

ARC 11-023 IAB0 OTS (SRB OFF) (SSME OFF)

(LE4055) (28 OCT 75)

REFERENCE DATA

SREF = 2690.0000 SQ.FT. XMRP = .0000 IN.
 LREF = 1290.3000 IN. YMRP = .0000 IN.
 BREF = 1290.3000 IN. ZMRP = .0000 IN.
 SCALE = .0200

PARAMETRIC DATA

ELV-18 = 8.000 ELV-08 = 4.000
 RN/L = 4.250 MACH = 1.100

RUN NO. 106/ 0 RN/L = 4.37 GRADIENT INTERVAL = -5.00/ 5.00

ALPHA	BETA	CP60	CP62	CP64	CP66	CP69	CP61	CP63	CP65
-3.772	-.066	.16800	.16290	.12720	.12400	.13670	.12970	.11250	.10660
	GRADIENT	.00000	.00000	.00000	.00000	.00000	.00000	.00000	.00000

RUN NO. 107/ 0 RN/L = 4.37 GRADIENT INTERVAL = -5.00/ 5.00

ALPHA	BETA	CP60	CP62	CP64	CP66	CP69	CP61	CP63	CP65
-.380	-4.075	.09480	.08920	.05390	.05090	-.00630	.00230	-.00270	.00270
-.357	-.059	.15980	.15560	.12300	.11930	.06890	.06500	.05710	.05240
-.367	3.956	.17750	.17190	.14600	.14110	.10230	.09380	.06910	.06230
	GRADIENT	.01030	.01030	.01147	.01123	.01352	.01139	.00894	.00742

RUN NO. 108/ 0 RN/L = 4.37 GRADIENT INTERVAL = -5.00/ 5.00

ALPHA	BETA	CP60	CP62	CP64	CP66	CP69	CP61	CP63	CP65
4.032	-.059	.11790	.10710	.07940	.07430	-.02480	-.02900	-.02880	-.03510
	GRADIENT	.00000	.00000	.00000	.00000	.00000	.00000	.00000	.00000

ARC 11-023 IAB0 OTS (SRB OFF) (SSME OFF)

(LE4056) (28 OCT 75)

REFERENCE DATA

SREF = 2690.0000 SQ.FT. XMRP = .0000 IN.
 LREF = 1290.3000 IN. YMRP = .0000 IN.
 BREF = 1290.3000 IN. ZMRP = .0000 IN.
 SCALE = .0200

PARAMETRIC DATA

ELV-18 = 8.000 ELV-08 = 4.000
 RN/L = 4.250 MACH = 1.250

RUN NO. 94/ C RN/L = 4.40 GRADIENT INTERVAL = -5.00/ 5.00

ALPHA	BETA	CP60	CP62	CP64	CP66	CP69	CP61	CP63	CP65
-3.950	-.063	.14870	.14060	.12400	.11390	.08240	.07530	.07550	.06530
	GRADIENT	.00000	.00000	.00000	.00000	.00000	.00000	.00000	.00000

RUN NO. 95/ 0 RN/L = 4.40 GRADIENT INTERVAL = -5.00/ 5.00

ALPHA	BETA	CP60	CP62	CP64	CP66	CP69	CP61	CP63	CP65
-.324	-4.075	.11110	.10380	.08250	.07400	-.07710	-.07120	-.06450	-.05800
-.314	-.063	.11710	.10960	.10020	.09220	-.01620	-.01840	-.01120	-.01220
-.343	3.953	.09060	.08420	.07800	.07640	.07640	.06140	.05980	.04840
	GRADIENT	-.00255	-.00244	-.00056	.00030	.01912	.01652	.01548	.01325

ORIGINAL PAGE IS
OF POOR QUALITY

DATE 22 JUN 76

TABULATED SOURCE DATA - IAB0

PAGE 829

ARC 11-023 IAB0 OTS (SRB NOM) (SSME NOM)

(LE4059) (28 OCT 75)

REFERENCE DATA

SREF = 2690.0000 SQ.FT. XMRP = .0000 IN.
 LREF = 1290.3000 IN. YMRP = .0000 IN.
 BREF = 1290.3000 IN. ZMRP = .0000 IN.
 SCALE = .0200

PARAMETRIC DATA

ELV-1B = 8.000 ELV-08 = 4.000
 RN/L = 3.400 MACH = .600

RUN NO. 291/ 0 RN/L = 3.39 GRADIENT INTERVAL = -5.00/ 5.00

ALPHA	BETA	CP60	CP62	CP64	CP66	CP59	CP61	CP63	CP65
-3.953	.000	-.09090	-.16270	-.19580	-.19510	-.18950	-.19230	-.20310	-.21260
	GRADIENT	.00000	.00000	.00000	.00000	.00000	.00000	.00000	.00000

RUN NO. 292/ 0 RN/L = 3.40 GRADIENT INTERVAL = -5.00/ 5.00

ALPHA	BETA	CP60	CP62	CP64	CP66	CP59	CP61	CP63	CP65
-.343	-4.050	-.15000	-.21860	-.24390	-.24220	-.15040	-.14830	-.15420	-.15520
-.380	.000	-.08590	-.15900	-.18320	-.18730	-.19840	-.20310	-.20690	-.21210
-.386	3.978	-.02010	-.09490	-.11900	-.11690	-.24750	-.24750	-.25000	-.26080
	GRADIENT	.01618	.01541	.01556	.01560	-.01209	-.01236	-.01194	-.01316

RUN NO. 293/ 0 RN/L = 3.40 GRADIENT INTERVAL = -5.00/ 5.00

ALPHA	BETA	CP60	CP62	CP64	CP66	CP59	CP61	CP63	CP65
3.993	-.003	-.08060	-.15570	-.17780	-.18020	-.21030	-.21410	-.21790	-.21240
	GRADIENT	.00000	.00000	.00000	.00000	.00000	.00000	.00000	.00000

ARC 11-023 IAB0 OTS (SRB NOM) (SSME NOM)

(LE4059) (28 OCT 75)

REFERENCE DATA

SREF = 2690.0000 SQ.FT. XMRP = .0000 IN.
 LREF = 1290.3000 IN. YMRP = .0000 IN.
 BREF = 1290.3000 IN. ZMRP = .0000 IN.
 SCALE = .0200

PARAMETRIC DATA

ELV-1B = 8.000 ELV-08 = 4.000
 RN/L = 4.250 MACH = .900

RUN NO. 299/ 0 RN/L = 4.17 GRADIENT INTERVAL = -5.00/ 5.00

ALPHA	BETA	CP60	CP62	CP64	CP66	CP59	CP61	CP63	CP65
-3.983	-.038	-.16600	-.10850	-.15310	-.15470	-.15740	-.16540	-.18770	-.19660
	GRADIENT	.00000	.00000	.00000	.00000	.00000	.00000	.00000	.00000

RUN NO. 300/ 0 RN/L = 4.18 GRADIENT INTERVAL = -5.00/ 5.00

ALPHA	BETA	CP60	CP62	CP64	CP66	CP59	CP61	CP63	CP65
-.370	-4.059	-.20360	-.20570	-.25500	-.25270	-.20130	-.19820	-.21180	-.21080
-.403	-.044	-.11330	-.11140	-.15620	-.15460	-.19590	-.20010	-.21860	-.21980
-.409	3.972	-.05980	-.05520	-.10440	-.10610	-.23470	-.24550	-.274E1	-.28290
	GRADIENT	.01790	.01749	.01875	.01825	-.00416	-.00589	-.00782	-.00898

DATE 22 JUN 76

TABULATED SOURCE DATA - IAB0

PAGE 831

ARC 11-023 IAB0 OTS (SRB NOM) (SSME NOM)

(LE4061) (28 OCT 75)

REFERENCE DATA

SREF = 2690.0000 SQ.FT. XMRP = .0000 IN.
 LREF = 1290.3000 IN. YMRP = .0000 IN.
 BREF = 1290.3000 IN. ZMRP = .0000 IN.
 SCALE = .0200

PARAMETRIC DATA

ELV-1B = 8.000 ELV-08 = 4.000
 RN/L = 4.250 MACH = 1.250

RUN NO. 97/ 0 RN/L = 4.39 GRADIENT INTERVAL = -5.00/ 5.00

ALPHA	BETA	CP60	CP62	CP64	CP66	CP69	CP61	CP63	CP65
-3.960	-.066	.15120	.14530	.12610	.12040	.07030	.06290	.06120	.05410
	GRADIENT	.00000	.00000	.00000	.00000	.00000	.00000	.00000	.00000

RUN NO. 98/ 0 RN/L = 4.39 GRADIENT INTERVAL = -5.30/ 5.00

ALPHA	BETA	CP60	CP62	CP64	CP66	CP69	CP61	CP63	CP65
-4.505	-4.075	.11730	.11040	.08660	.08540	-.07710	-.07410	-.06560	-.05570
-.459	-.059	.12160	.11610	.10470	.09810	-.01850	-.01790	-.01340	-.01440
-.462	3.953	.09170	.09040	.08290	.07770	.07350	.06270	.05920	.04890
	GRADIENT	-.00319	-.00249	-.00046	-.00096	.01876	.01704	.01555	.01303

RUN NO. 99/ 0 RN/L = 4.39 GRADIENT INTERVAL = -5.00/ 5.00

ALPHA	BETA	CP60	CP62	CP64	CP66	CP69	CP61	CP63	CP65
4.006	-.063	.06590	.05690	.05150	.04010	-.09170	-.09680	-.09280	-.09630
	GRADIENT	.00000	.00000	.00000	.00000	.00000	.00000	.00000	.00000

ARC 11-023 IAB0 OTS (SRB NOM) (SSME NOM)

(LE4062) (28 OCT 75)

REFERENCE DATA

SREF = 2690.0000 SQ.FT. XMRP = .0000 IN.
 LREF = 1290.3000 IN. YMRP = .0000 IN.
 BREF = 1290.3000 IN. ZMRP = .0000 IN.
 SCALE = .0200

PARAMETRIC DATA

ELV-1B = 8.000 ELV-08 = 4.000
 RN/L = 4.250 MACH = 1.400

RUN NO. 103/ 0 RN/L = 4.28 GRADIENT INTERVAL = -5.00/ 5.00

ALPHA	BETA	CP60	CP62	CP64	CP66	CP69	CP61	CP63	CP65
-3.937	-.069	.14080	.13170	.11920	.11180	.05140	.04860	.04670	.04110
	GRADIENT	.00000	.00000	.00000	.00000	.00000	.00000	.00000	.00000

RUN NO. 104/ 0 RN/L = 4.28 GRADIENT INTERVAL = -5.00/ 5.00

ALPHA	BETA	CP60	CP62	CP64	CP66	CP69	CP61	CP63	CP65
-4.486	-4.078	.12180	.11570	.09270	.08940	-.09560	-.09340	-.07640	-.07220
-.486	-.053	.09270	.09050	.07610	.07280	-.03240	-.03450	-.02280	-.02440
-.499	3.953	.05260	.05820	.04490	.05130	.03620	.02510	.03310	.02020
	GRADIENT	-.00862	-.00716	-.00595	-.00474	.01641	.01475	.01363	.01151

DATE 22 JUN 76

TABULATED SOURCE DATA - IAB0

PAGE 833

ARC 11-023 IAB0 OTS (SRB OFF) (SSME OFF)

(LE4064) (28 OCT 75)

REFERENCE DATA

SREF = 2690.0000 SQ.FT. XMRP = .0000 IN.
 LREF = 1290.3000 IN. YMRP = .0000 IN.
 BREF = 1290.3000 IN. ZMRP = .0000 IN.
 SCALE = .0200

PARAMETRIC DATA

ELV-1B = 8.000 ELV-0B = -4.000
 RN/L = 3.400 MACH = .600

RUN NO. 314/ 0 RN/L = 3.40 GRADIENT INTERVAL = -5.00/ 5.00

ALPHA	BETA	CP60	CP62	CP64	CP66	CP59	CP61	CP63	CP65
-3.973	-.047	-.09220	-.09180	-.11660	-.11620	-.11440	-.11440	-.12880	-.12990
	GRADIENT	.00000	.00000	.00000	.00000	.00000	.00000	.00000	.00000

RUN NO. 315/ 0 RN/L = 3.42 GRADIENT INTERVAL = -5.00/ 5.00

ALPHA	BETA	CP60	CP62	CP64	CP66	CP59	CP61	CP63	CP65
-.277	-4.066	-.16350	-.16000	-.18470	-.18230	-.09070	-.09070	-.09600	-.09670
-.291	-.047	-.10800	-.10660	-.12420	-.12390	-.13900	-.14150	-.14930	-.15000
-.307	3.972	-.04790	-.04720	-.06850	-.06670	-.17980	-.17910	-.18410	-.19400
	GRADIENT	.01438	.01403	.01446	.01438	-.01109	-.01100	-.01096	-.01211

RUN NO. 316/ 0 RN/L = 3.42 GRADIENT INTERVAL = -5.00/ 5.00

ALPHA	BETA	CP60	CP62	CP64	CP66	CP59	CP61	CP63	CP65
3.957	-.044	-.10390	-.09860	-.11900	-.11760	-.15040	-.14900	-.15080	-.15470
	GRADIENT	.00000	.00000	.00000	.00000	.00000	.00000	.00000	.00000

ARC 11-023 IAB0 OTS (SRB OFF) (SSME OFF)

(LE4065) (28 OCT 75)

REFERENCE DATA

SREF = 2690.0000 SQ.FT. XMRP = .0000 IN.
 LREF = 1290.3000 IN. YMRP = .0000 IN.
 BREF = 1290.3000 IN. ZMRP = .0000 IN.
 SCALE = .0200

PARAMETRIC DATA

ELV-1B = 8.000 ELV-0B = -4.000
 RN/L = 4.250 MACH = .900

RUN NO. 302/ 0 RN/L = 4.21 GRADIENT INTERVAL = -5.00/ 5.00

ALPHA	BETA	CP60	CP62	CP64	CP66	CP59	CP61	CP63	CP65
-3.977	-.044	-.10070	-.10270	-.14730	-.14820	-.14630	-.15470	-.17820	-.18380
	GRADIENT	.00000	.00000	.00000	.00000	.00000	.00000	.00000	.00000

RUN NO. 303/ 0 RN/L = 4.18 GRADIENT INTERVAL = -5.00/ 5.00

ALPHA	BETA	CP60	CP62	CP64	CP66	CP59	CP61	CP63	CP65
-.304	-4.063	-.20320	-.20670	-.25290	-.25480	-.17160	-.16440	-.16980	-.17320
-.314	-.044	-.11080	-.11360	-.15550	-.15610	-.18740	-.19190	-.20490	-.21290
-.317	3.972	-.03140	-.03530	-.07510	-.07690	-.22380	-.23740	-.26630	-.27330
	GRADIENT	.02138	.02133	.02213	.02214	-.00650	-.00909	-.01201	-.01246

ORIGINAL PAGE IS
OF POOR QUALITY

DATE 22 JUN 76

TABULATED SOURCE DATA - IAB0

PAGE 835

ARC 11-023 IAB0 OTS (SRB OFF) (SSME OFF)

(LE4067) (28 OCT 75)

REFERENCE DATA

SREF = 2690.0000 SQ.FT. XMRP = .0000 IN.
 LREF = 1290.3000 IN. YMRP = .0000 IN.
 BREF = 1290.3000 IN. ZMRP = .0000 IN.
 SCALE = .0200

PARAMETRIC DATA

ELV-18 = 8.000 ELV-08 = -4.000
 RN/L = 4.250 MACH = 1.250

RUN NO. 128/ 0 RN/L = 4.43 GRADIENT INTERVAL = -5.00/ 5.00

ALPHA	BETA	CP60	CP62	CP64	CP66	CP69	CP61	CP63	CP65
-.327	-4.072	.10720	.09970	.07750	.07160	-.07990	-.07610	-.06870	-.05980
-.317	-.059	.11820	.11070	.09390	.09430	-.01750	-.01750	-.01220	-.01360
-.340	3.950	.08560	.08740	.07980	.07100	.07140	.05850	.05820	.04050
	GRADIENT	-.00269	-.00153	.00316	-.00007	.01886	.01678	.01582	.01250

RUN NO. 127/ 0 RN/L = 4.43 GRADIENT INTERVAL = -5.00/ 5.00

ALPHA	BETA	CP60	CP62	CP64	CP66	CP69	CP61	CP63	CP65
.000	-.063	.11480	.10770	.09380	.09100	-.02610	-.02690	-.02110	-.01860
	GRADIENT	.00000	.00000	.00300	.00000	.00000	.00000	.00000	.00000

RUN NO. 129/ 0 RN/L = 4.42 GRADIENT INTERVAL = -5.00/ 5.00

ALPHA	BETA	CP60	CP62	CP64	CP66	CP69	CP61	CP63	CP65
3.950	-.066	.06780	.05800	.04830	.03840	-.08990	-.09580	-.08880	-.09390
	GRADIENT	.00000	.00000	.00300	.00000	.00000	.00000	.00000	.00000

ARC 11-023 IAB0 OTS (SRB OFF) (SSME OFF)

(LE4068) (28 OCT 75)

REFERENCE DATA

SREF = 2690.0000 SQ.FT. XMRP = .0000 IN.
 LREF = 1290.3000 IN. YMRP = .0000 IN.
 BREF = 1290.3000 IN. ZMRP = .0000 IN.
 SCALE = .0200

PARAMETRIC DATA

ELV-18 = 8.000 ELV-08 = -4.000
 RN/L = 4.250 MACH = 1.400

RUN NO. 121/ 0 RN/L = 4.39 GRADIENT INTERVAL = -5.00/ 5.00

ALPHA	BETA	CP60	CP62	CP64	CP66	CP69	CP61	CP63	CP65
-3.944	-.059	.14020	.13010	.11820	.10880	.06520	.06050	.06030	.05300
	GRADIENT	.00000	.00000	.00300	.00000	.00000	.00000	.00000	.00000

RUN NO. 122/ 0 RN/L = 4.37 GRADIENT INTERVAL = -5.00/ 5.00

ALPHA	BETA	CP60	CP62	CP64	CP66	CP69	CP61	CP63	CP65
-.320	-4.072	.12210	.11400	.09180	.08210	-.08930	-.08550	-.07110	-.06640
-.320	-.059	.08980	.08810	.07960	.07040	-.02300	-.02620	-.01600	-.01820
-.347	3.953	.02440	.02870	.02910	.02790	.03880	.02910	.03410	.02320
	GRADIENT	-.01217	-.01063	-.00781	-.00675	.01596	.01428	.01311	.01117

ARC 11-023 1A80 OTS (SRB NOM) (SSME NOM)

(LE4070) (28 OCT 75)

REFERENCE DATA

SREF = 2690.0000 SQ.FT. XMRP = .0000 IN.
 LREF = 1290.3000 IN. YMRP = .0000 IN.
 BREF = 1290.3000 IN. ZMRP = .0000 IN.
 SCALE = .0200

PARAMETRIC DATA

ELV-18 = 8.000 ELV-08 = -4.000
 RN/L = 4.250 MACH = .900

RUN NO. 305/ 0 RN/L = 4.17 GRADIENT INTERVAL = -5.00/ 5.00

ALPHA	BETA	CP60	CP62	CP64	CP66	CP69	CP61	CP63	CP65
-3.897	-.041	-.10760	-.10800	-.15510	-.15410	-.15820	-.16640	-.19010	-.19710
	GRADIENT	.00000	.00000	.00000	.00000	.00000	.00000	.00000	.00000

RUN NO. 306/ 0 RN/L = 4.17 GRADIENT INTERVAL = -5.00/ 5.00

ALPHA	BETA	CP60	CP62	CP64	CP66	CP69	CP61	CP63	CP65
-4.383	-4.063	-.20750	-.20690	-.25570	-.25350	-.19540	-.19370	-.19580	-.20040
-.357	-.047	-.11480	-.11460	-.15710	-.15790	-.19720	-.20240	-.21670	-.22200
-.370	3.972	-.05620	-.05700	-.09500	-.09970	-.24010	-.24750	-.27790	-.28510
	GRADIENT	.01883	.01866	.02000	.01914	-.00556	-.00670	-.01022	-.01054

RUN NO. 307/ 0 RN/L = 4.18 GRADIENT INTERVAL = -5.00/ 5.00

ALPHA	BETA	CP60	CP62	CP64	CP66	CP69	CP61	CP63	CP65
4.020	-.041	-.15600	-.16080	-.20180	-.19970	-.27500	-.28030	-.28870	-.29110
	GRADIENT	.00000	.00000	.00000	.00000	.00000	.00000	.00000	.00000

ARC 11-023 1A80 OTS (SRB NOM) (SSME NOM)

(LE4071) (28 OCT 75)

REFERENCE DATA

SREF = 2690.0000 SQ.FT. XMRP = .0000 IN.
 LREF = 1290.3000 IN. YMRP = .0000 IN.
 BREF = 1290.3000 IN. ZMRP = .0000 IN.
 SCALE = .0200

PARAMETRIC DATA

ELV-18 = 8.000 ELV-08 = -4.000
 RN/L = 4.250 MACH = 1.100

RUN NO. 136/ 0 RN/L = 4.37 GRADIENT INTERVAL = -5.00/ 5.00

ALPHA	BETA	CP60	CP62	CP64	CP66	CP69	CP61	CP63	CP65
-3.963	-.066	-.18970	-.18690	-.14790	-.14690	-.14390	-.13400	-.11810	-.11470
	GRADIENT	.00000	.00000	.00000	.00000	.00000	.00000	.00000	.00000

RUN NO. 137/ 0 RN/L = 4.37 GRADIENT INTERVAL = -5.00/ 5.00

ALPHA	BETA	CP60	CP62	CP64	CP66	CP69	CP61	CP63	CP65
-.545	-4.072	.11870	.11130	.06640	.06550	-.02410	-.01300	-.02130	-.01010
-.667	-.059	.19410	.18810	.15180	.14990	.07660	.07020	.05860	.05820
-.519	3.953	.21420	.20650	.18060	.17550	.11780	.10790	.07950	.07430
	GRADIENT	.01190	.01186	.01423	.01371	.01768	.01507	.01256	.01052

DATE 22 JUN 76

TABULATED SOURCE DATA - 1A80

PAGE 839

ARC 11-023 1A80 OTS (SRB NOM) (SSME NOM)

(LE4073) (28 OCT 75)

REFERENCE DATA

SREF = 2690.0000 SQ.FT. XMRP = .0000 IN.
 LREF = 1290.3000 IN. YMRP = .0000 IN.
 BREF = 1290.3000 IN. ZMRP = .0000 IN.
 SCALE = .0200

PARAMETRIC DATA

ELV-18 = 8.000 ELV-08 = -4.000
 RN/L = 4.250 MACH = 1.400

* RUN NO. 125/ 0 RN/L = 4.32 GRADIENT INTERVAL = -5.00/ 5.00

ALPHA	BETA	CP60	CP62	CP64	CP66	CP59	CP61	CP63	CP65
-.522	-4.072	.12230	.11840	.09090	.09820	-.09590	-.09050	-.07610	-.07120
-.502	-.059	.09220	.09250	.08110	.07680	-.02720	-.03160	-.01800	-.02080
-.535	3.953	.05050	.05870	.04060	.05220	.03620	.02690	.03000	.02120
	GRADIENT	-.00895	-.00744	-.00627	-.00449	.01646	.01463	.01322	.01151

RUN NO. 126/ 0 RN/L = 4.31 GRADIENT INTERVAL = -5.00/ 5.00

ALPHA	BETA	CP60	CP62	CP64	CP66	CP59	CP61	CP63	CP65
.000	-.063	.08880	.08950	.07680	.07350	-.03550	-.03930	-.02410	-.02710
	GRADIENT	.00000	.00000	.00000	.00000	.00000	.00000	.00000	.00000

RUN NO. 124/ 0 RN/L = 4.33 GRADIENT INTERVAL = -5.00/ 5.00

ALPHA	BETA	CP60	CP62	CP64	CP66	CP59	CP61	CP63	CP65
.020	-.063	.08510	.08800	.07120	.07180	-.03860	-.04210	-.02840	-.03220
	GRADIENT	.00000	.00000	.00000	.00000	.00000	.00000	.00000	.00000

ARC 11-023 1A80 OTS (SRB OFF) (SSME OFF)

(LE4074) (28 OCT 75)

REFERENCE DATA

SREF = 2690.0000 SQ.FT. XMRP = .0000 IN.
 LREF = 1290.3000 IN. YMRP = .0000 IN.
 BREF = 1290.3000 IN. ZMRP = .0000 IN.
 SCALE = .0200

PARAMETRIC DATA

ELV-18 = 8.000 ELV-08 = .000
 RN/L = 3.400 MACH = .600

RUN NO. 276/ 0 RN/L = 3.50 GRADIENT INTERVAL = -5.00/ 5.00

ALPHA	BETA	CP60	CP62	CP64	CP66	CP59	CP61	CP63	CP65
-3.950	-.009	-.03370	-.10150	-.12990	-.12380	-.12220	-.13300	-.13740	-.14380
	GRADIENT	.00000	.00000	.00000	.00000	.00000	.00000	.00000	.00000

RUN NO. 277/ 0 RN/L = 3.51 GRADIENT INTERVAL = -5.00/ 5.00

ALPHA	BETA	CP60	CP62	CP64	CP66	CP59	CP61	CP63	CP65
-.301	-4.044	-.10040	-.16950	-.18910	-.18940	-.10890	-.10850	-.11060	-.11060
-.287	-.005	-.04180	-.10710	-.12650	-.12720	-.15000	-.15230	-.15470	-.15800
-.317	3.988	.02370	-.05340	-.07370	-.07200	-.18140	-.18850	-.19730	-.20030
	GRADIENT	.01545	.01446	.01437	.01462	-.00903	-.00996	-.01080	-.01117

ARC 11-023 1A80 OTS (SRB OFF) (SSME OFF)

(LE4074) (28 OCT 75)

REFERENCE DATA

SREF = 2690.0000 SQ.FT. XMRP = .0000 IN.
 LREF = 1290.3000 IN. YMRP = .0000 IN.
 BREF = 1290.3000 IN. ZMRP = .0000 IN.
 SCALE = .0200

PARAMETRIC DATA

ELV-18 = 8.000 ELV-08 = .000
 RN/L = 3.400 MACH = .600

RUN NO. 278/ 0 RN/L = 3.51 GRADIENT INTERVAL = -5.00/ 5.00

ALPHA	BETA	CP60	CP62	CP64	CP66	CP59	CP61	CP63	CP65
3.947	-.009	-.03120	-.10980	-.12720	-.12990	-.16620	-.16890	-.16750	-.16790
	GRADIENT	.00000	.00000	.00000	.00000	.00000	.00000	.00000	.00000

ARC 11-023 1A80 OTS (SR2 OFF) (SSME OFF)

(LE4075) (28 OCT 75)

REFERENCE DATA

SREF = 2690.0000 SQ.FT. XMRP = .0000 IN.
 LREF = 1290.3000 IN. YMRP = .0000 IN.
 BREF = 1290.3000 IN. ZMRP = .0000 IN.
 SCALE = .0200

PARAMETRIC DATA

ELV-18 = 8.000 ELV-08 = .000
 RN/L = 4.250 MACH = .900

RUN NO. 282/ 0 RN/L = 4.25 GRADIENT INTERVAL = -5.00/ 5.00

ALPHA	BETA	CP60	CP62	CP64	CP66	CP59	CP61	CP63	CP65
-3.980	-.012	-.01330	-.09180	-.13760	-.13840	-.13540	-.14560	-.16800	-.17660
	GRADIENT	.00000	.00000	.00000	.00000	.00000	.00000	.00000	.00000

RUN NO. 283/ 0 RN/L = 4.25 GRADIENT INTERVAL = -5.00/ 5.00

ALPHA	BETA	CP60	CP62	CP64	CP66	CP59	CP61	CP63	CP65
-.324	-4.047	-.10600	-.19360	-.24000	-.23870	-.17760	-.17450	-.18280	-.18070
-.317	-.006	-.01830	-.09970	-.14030	-.14060	-.17460	-.18090	-.19500	-.20080
-.396	3.984	.04030	-.03830	-.07760	-.07740	-.20380	-.21280	-.24290	-.24930
	GRADIENT	.01822	.01935	.02023	.02009	-.00325	-.00476	-.00747	-.00853

RUN NO. 284/ 0 RN/L = 4.24 GRADIENT INTERVAL = -5.00/ 5.00

ALPHA	BETA	CP60	CP62	CP64	CP66	CP59	CP61	CP63	CP65
4.076	-.012	-.05290	-.13390	-.17090	-.17470	-.24310	-.24350	-.25050	-.26040
	GRADIENT	.00000	.00000	.00300	.00000	.00000	.00000	.00000	.00000

DATE 22 JUN 76

TABULATED SOURCE DATA - 1A80

PAGE 841

ARC 11-023 1A80 OTS (SRB OFF) (SSME OFF)

(LE4076) (28 OCT 75)

REFERENCE DATA

SREF = 2690.0000 SQ.FT. XMRP = .0000 IN.
 LREF = 1290.3000 IN. YMRP = .0000 IN.
 BREF = 1290.3000 IN. ZMRP = .0000 IN.
 SCALE = .0200

PARAMETRIC DATA

ELV-1B = 8.000 ELV-08 = .000
 RN/L = 4.250 MACH = 1.100

RUN NO. 153/ 0 RN/L = 4.42 GRADIENT INTERVAL = -5.00/ 5.00

ALPHA	BETA	CP60	CP62	CP64	CP66	CP59	CP61	CP63	CP65
-3.934	.009	.16590	.15890	.12390	.11910	.14090	.12710	.11320	.10390
	GRADIENT	.00000	.00000	.00000	.00000	.00000	.00000	.00000	.00000

RUN NO. 154/ 0 RN/L = 4.42 GRADIENT INTERVAL = -5.00/ 5.00

ALPHA	BETA	CP60	CP62	CP64	CP66	CP59	CP61	CP63	CP65
-.238	-3.994	.09230	.08690	.05020	.04820	-.00770	-.00460	-.00450	.00110
-.307	.009	.16580	.16190	.12840	.12570	.06930	.06470	.05720	.05400
-.271	4.034	.18540	.17460	.15210	.14930	.10930	.09600	.07640	.06910
	GRADIENT	.01159	.01092	.01269	.01259	.01457	.01253	.01007	.00847

RUN NO. 155/ 0 RN/L = 4.41 GRADIENT INTERVAL = -5.00/ 5.00

ALPHA	BETA	CP60	CP62	CP64	CP66	CP59	CP61	CP63	CP65
4.026	.012	.12740	.11860	.06900	.08480	-.00700	-.01800	-.01320	-.01930
	GRADIENT	.00000	.00000	.00000	.00000	.00000	.00000	.00000	.00000

ARC 11-023 1A80 OTS (SRB OFF) (SSME OFF)

(LE4077) (28 OCT 75)

REFERENCE DATA

SREF = 2690.0000 SQ.FT. XMRP = .0000 IN.
 LREF = 1290.3000 IN. YMRP = .0000 IN.
 BREF = 1290.3000 IN. ZMRP = .0000 IN.
 SCALE = .0200

PARAMETRIC DATA

ELV-1B = 8.000 ELV-08 = .000
 RN/L = 4.250 MACH = 1.250

RUN NO. 147/ 0 RN/L = 4.48 GRADIENT INTERVAL = -5.00/ 5.00

ALPHA	BETA	CP60	CP62	CP64	CP66	CP59	CP61	CP63	CP65
-3.881	.012	.14950	.14320	.12280	.11640	.08010	.07060	.07260	.06300
	GRADIENT	.00000	.00000	.00000	.00000	.00000	.00000	.00000	.00000

RUN NO. 148/ 0 RN/L = 4.47 GRADIENT INTERVAL = -5.00/ 5.00

ALPHA	BETA	CP60	CP62	CP64	CP66	CP59	CP61	CP63	CP65
-.238	-3.994	.10740	.09910	.07800	.07080	-.07480	-.07260	-.06160	-.05490
-.258	.009	.11670	.11090	.09900	.09190	-.01780	-.02190	-.01200	-.01350
-.281	4.031	.08970	.08910	.08270	.07560	.07010	.05470	.05450	.04390
	GRADIENT	-.00221	-.00175	.00058	.00059	.01806	.01587	.01447	.01231

ORIGINAL PAGE IS
OF POOR QUALITY

DATE 22 JUN 76

TABULATED SOURCE DATA - IAB0

PAGE 843

ARC 11-023 IAB0 OTS (SRB NOM) (SSME NOM)

(LE4079) (28 OCT 75)

REFERENCE DATA

SREF = 2690.0000 SQ.FT. XMRP = .0000 IN.
 LREF = 1290.3000 IN. YMRP = .0000 IN.
 BREF = 1290.3000 IN. ZMRP = .0000 IN.
 SCALE = .0200

PARAMETRIC DATA

ELV-18 = 8.000 ELV-08 = .000
 RN/L = 3.400 MACH = .600

RUN NO. 279/ 0 RN/L = 3.42 GRADIENT INTERVAL = -5.00/ 5.00

ALPHA	BETA	CP60	CP62	CP64	CP66	CP69	CP61	CP63	CP65
-4.105	-.006	-.07160	-.14500	-.17140	-.17380	-.16680	-.17460	-.18580	-.19000
	GRADIENT	.00000	.00000	.00000	.00000	.00000	.00000	.00000	.00000

RUN NO. 280/ 0 RN/L = 3.45 GRADIENT INTERVAL = -5.00/ 5.00

ALPHA	BETA	CP60	CP62	CP64	CP66	CP69	CP61	CP63	CP65
-.383	-4.047	-.14040	-.21440	-.24110	-.23970	-.14450	-.14450	-.15220	-.15150
-.380	-.009	-.07780	-.15020	-.17540	-.17600	-.19610	-.19230	-.20260	-.20360
-.499	3.981	.00220	-.07730	-.10480	-.10210	-.22840	-.23020	-.23560	-.24490
	GRADIENT	.01776	.01708	.01698	.01714	-.01046	-.01068	-.01039	-.01164

RUN NO. 281/ 0 RN/L = 3.44 GRADIENT INTERVAL = -5.00/ 5.00

ALPHA	BETA	CP60	CP62	CP64	CP66	CP69	CP61	CP63	CP65
3.960	-.012	-.07190	-.14970	-.17420	-.16790	-.20430	-.20780	-.21300	-.20670
	GRADIENT	.00000	.00000	.00000	.00000	.00000	.00000	.00000	.00000

ARC 11-023 IAB0 OTS (SRB NOM) (SSME NOM)

(LE4080) (28 OCT 75)

REFERENCE DATA

SREF = 2690.0000 SQ.FT. XMRP = .0000 IN.
 LREF = 1290.3000 IN. YMRP = .0000 IN.
 BREF = 1290.3000 IN. ZMRP = .0000 IN.
 SCALE = .0200

PARAMETRIC DATA

ELV-18 = 8.000 ELV-08 = .000
 RN/L = 4.250 MACH = .900

RUN NO. 285/ 0 RN/L = 4.12 GRADIENT INTERVAL = -5.00/ 5.00

ALPHA	BETA	CP60	CP62	CP64	CP66	CP69	CP61	CP63	CP65
-3.897	-.009	-.02430	-.10380	-.14970	-.15050	-.15150	-.16050	-.18720	-.19270
	GRADIENT	.00000	.00000	.00000	.00000	.00000	.00000	.00000	.00000

RUN NO. 286/ 0 RN/L = 4.19 GRADIENT INTERVAL = -5.00/ 5.00

ALPHA	BETA	CP60	CP62	CP64	CP66	CP69	CP61	CP63	CP65
-.353	-4.050	-.11200	-.20070	-.24680	-.24400	-.19720	-.19370	-.20210	-.20070
-.363	-.009	-.02830	-.10890	-.15220	-.15160	-.19270	-.19760	-.21270	-.21830
-.519	3.981	.03180	-.04690	-.08310	-.08880	-.21300	-.21970	-.24820	-.25470
	GRADIENT	.01791	.01916	.02039	.01933	-.00196	-.00323	-.00573	-.00672

DATE 22 JUN 76

TABULATED SOURCE DATA - IAB0

PAGE 845

ARC 11-023 IAB0 OTS (SRB NOM) (SSME NOM)

(LE4082) (28 OCT 75)

REFERENCE DATA

SREF = 2690.0000 SQ.FT. XMRP = .0000 IN.
 LREF = 1290.3000 IN. YMRP = .0000 IN.
 BREF = 1290.3000 IN. ZMRP = .0000 IN.
 SCALE = .0200

PARAMETRIC DATA

ELV-18 = 8.000 ELV-08 = .000
 RN/L = 4.250 MACH = 1.250

RUN NO. 150/ 0 RN/L = 4.42 GRADIENT INTERVAL = -5.00/ 5.00

ALPHA	BETA	CP60	CP62	CP64	CP66	CP69	CP61	CP63	CP65
-3.967	.016	.15210	.14710	.12610	.12060	.06860	.05780	.05980	.05430
	GRADIENT	.00000	.00000	.00000	.00000	.00000	.00000	.00000	.00000

RUN NO. 151/ 0 RN/L = 4.42 GRADIENT INTERVAL = -5.00/ 5.00

ALPHA	BETA	CP60	CP62	CP64	CP66	CP69	CP61	CP63	CP65
-.396	-3.294	.11460	.10780	.09740	.08340	-.07590	-.07650	-.06310	-.05650
-.396	.009	.12550	.11450	.10610	.10020	-.01980	-.02310	-.01510	-.01450
-.380	4.031	.08870	.09210	.08380	.08470	.07090	.05590	.05560	.04440
	GRADIENT	-.00323	-.00196	-.00045	.00016	.01830	.01650	.01479	.01257

RUN NO. 152/ 0 RN/L = 4.41 GRADIENT INTERVAL = -5.00/ 5.00

ALPHA	BETA	CP60	CP62	CP64	CP66	CP69	CP61	CP63	CP65
3.877	.009	.07160	.06140	.05290	.04220	-.09130	-.09770	-.08900	-.09320
	GRADIENT	.00000	.00000	.00000	.00000	.00000	.00000	.00000	.00000

ARC 11-023 IAB0 OTS (SRB NOM) (SSME NOM)

(LE4083) (28 OCT 75)

REFERENCE DATA

SREF = 2690.0000 SQ.FT. XMRP = .0000 IN.
 LREF = 1290.3000 IN. YMRP = .0000 IN.
 BREF = 1290.3000 IN. ZMRP = .0000 IN.
 SCALE = .0200

PARAMETRIC DATA

ELV-18 = 8.000 ELV-08 = .000
 RN/L = 4.250 MACH = 1.400

RUN NO. 144/ 0 RN/L = 4.32 GRADIENT INTERVAL = -5.00/ 5.00

ALPHA	BETA	CP60	CP62	CP64	CP66	CP69	CP61	CP63	CP65
-3.983	-.066	.14880	.13910	.12790	.12050	.05680	.05130	.05470	.04970
	GRADIENT	.00000	.00000	.00000	.00000	.00000	.00000	.00000	.00000

RUN NO. 145/ 0 RN/L = 4.31 GRADIENT INTERVAL = -5.00/ 5.00

ALPHA	BETA	CP60	CP62	CP64	CP66	CP69	CP61	CP63	CP65
-.380	-4.059	.11970	.11750	.09350	.09050	-.09670	-.09170	-.07750	-.07240
-.380	-.059	.09670	.09560	.08220	.07830	-.02590	-.03390	-.01900	-.02170
-.409	3.953	.05170	.06000	.04310	.05530	.03350	.02490	.03070	.02250
	GRADIENT	-.00849	-.00718	-.00629	-.00439	.01625	.01455	.01350	.01184

DATE 22 JUN 76

TABULATED SOURCE DATA - IAB0

PAGE 647

ARC 11-023 IAB0 OTS (SRB OFF) (SSME OFF)

(LE4085) (28 OCT 75)

REFERENCE DATA				PARAMETRIC DATA					
SREF =	2690.0000	SO.FT.	XMRP =	.0000	IN.	ELV-18 =	8.000	ELV-08 =	2.000
LREF =	1290.3000	IN.	YMRP =	.0000	IN.	RN/L =	4.250	MACH =	.900
BREF =	1290.3000	IN.	ZMRP =	.0000	IN.				
SCALE =	.0200								

RUN NO.		320/ 0	RN/L =	4.27	GRADIENT INTERVAL = -5.00/ 5.00				
ALPHA	BETA	CP60	CP62	CP64	CP66	CP59	CP61	CP63	CP65
-3.937	-.050	-.09210	-.09470	-.13770	-.13810	-.13410	-.14050	-.16700	-.17390
	GRADIENT	.00000	.00000	.00000	.00000	.00000	.00000	.00000	.00000
RUN NO.		321/ 0	RN/L =	4.24	GRADIENT INTERVAL = -5.00/ 5.00				
ALPHA	BETA	CP60	CP62	CP64	CP66	CP59	CP61	CP63	CP65
-.301	-4.066	-.19360	-.19290	-.23820	-.23720	-.17950	-.17600	-.17900	-.18690
-.304	-.047	-.10450	-.10510	-.14950	-.14830	-.18300	-.19040	-.20580	-.21380
-.320	3.969	-.04820	-.04230	-.08360	-.08420	-.21950	-.22720	-.25570	-.26420
	GRADIENT	.01810	.01675	.01924	.01904	-.00498	-.00637	-.00955	-.00962

RUN NO.		322/ 0	RN/L =	4.23	GRADIENT INTERVAL = -5.00/ 5.00				
ALPHA	BETA	CP60	CP62	CP64	CP66	CP59	CP61	CP63	CP65
3.977	-.044	-.14280	-.14360	-.18530	-.18710	-.25350	-.25540	-.26020	-.26570
	GRADIENT	.00000	.00000	.00000	.00000	.00000	.00000	.00000	.00000

ARC 11-023 IAB0 OTS (SRB OFF) (SSME OFF)

(LE4086) (28 OCT 75)

REFERENCE DATA				PARAMETRIC DATA					
SREF =	2690.0000	SO.FT.	XMRP =	.0000	IN.	ELV-18 =	8.000	ELV-08 =	2.000
LREF =	1290.3000	IN.	YMRP =	.0000	IN.	RN/L =	4.250	MACH =	1.100
BREF =	1290.3000	IN.	ZMRP =	.0000	IN.				
SCALE =	.0200								

RUN NO.		159/ 0	RN/L =	4.47	GRADIENT INTERVAL = -5.00/ 5.00				
ALPHA	BETA	CP60	CP62	CP64	CP66	CP59	CP61	CP63	CP65
-4.013	.016	.17000	.16420	.12590	.12290	.14520	.13220	.11840	.10960
	GRADIENT	.00000	.00000	.00000	.00000	.00000	.00000	.00000	.00000
RUN NO.		160/ 0	RN/L =	4.46	GRADIENT INTERVAL = -5.00/ 5.00				
ALPHA	BETA	CP60	CP62	CP64	CP66	CP59	CP61	CP63	CP65
-.304	-3.991	.09200	.08610	.04850	.04750	-.01130	-.00910	-.00860	-.00010
-.267	.009	.15130	.15860	.12550	.12290	.07080	.06300	.05940	.05480
-.327	4.034	.18130	.17400	.15010	.14540	.10990	.09980	.07980	.07010
	GRADIENT	.01112	.01095	.01265	.01219	.01510	.01357	.01101	.00874

DATE 22 JUN 75

TABULATED SOURCE DATA - IABO

PAGE 649

ARC 11-023 IABO OTS (SRB NOM) (SSME NOM)

(LE4089) (28 OCT 75)

REFERENCE DATA

SREF = 2690.0000 SQ.FT. XMRP = .0000 IN.
 LREF = 1290.3000 IN. YMRP = .0000 IN.
 BREF = 1290.3000 IN. ZMRP = .0000 IN.
 SCALE = .0200

PARAMETRIC DATA

ELV-18 = 8.000 ELV-08 = 2.000
 RN/L = 4.250 MACH = .900

RUN NO. 323/ 0 RN/L = 4.19 GRADIENT INTERVAL = -5.00/ 5.00

ALPHA	BETA	CP60	CP62	CP64	CP66	CP69	CP61	CP63	CP65
-3.963	-.044	-.10570	-.10590	-.15130	-.15050	-.15540	-.16330	-.18550	-.19480
	GRADIENT	.00000	.00000	.00000	.00000	.00000	.00000	.00000	.00000

RUN NO. 324/ 0 RN/L = 4.19 GRADIENT INTERVAL = -5.00/ 5.00

ALPHA	BETA	CP60	CP62	CP64	CP66	CP69	CP61	CP63	CP65
-.383	-4.066	-.20020	-.20210	-.25040	-.24650	-.19980	-.19470	-.20440	-.20810
-.376	-.047	-.10760	-.10700	-.14820	-.14600	-.19170	-.19490	-.20900	-.21240
-.409	3.969	-.04610	-.04810	-.08280	-.08620	-.21720	-.22410	-.25140	-.26000
	GRADIENT	.01918	.01917	.02036	.01995	-.00217	-.00366	-.00585	-.00646

RUN NO. 325/ 0 RN/L = 4.19 GRADIENT INTERVAL = -5.00/ 5.00

ALPHA	BETA	CP60	CP62	CP64	CP66	CP69	CP61	CP63	CP65
3.940	-.044	-.15050	-.15370	-.19590	-.19550	-.26840	-.27160	-.28470	-.28930
	GRADIENT	.00000	.00000	.00000	.00000	.00000	.00000	.00000	.00000

ARC 11-023 IABO OTS (SRB NOM) (SSME NOM)

(LE4089) (28 OCT 75)

REFERENCE DATA

SREF = 2690.0000 SQ.FT. XMRP = .0000 IN.
 LREF = 1290.3000 IN. YMRP = .0000 IN.
 BREF = 1290.3000 IN. ZMRP = .0000 IN.
 SCALE = .0200

PARAMETRIC DATA

ELV-18 = 8.000 ELV-08 = 2.000
 RN/L = 4.250 MACH = 1.100

RUN NO. 162/ 0 RN/L = 4.41 GRADIENT INTERVAL = -5.00/ 5.00

ALPHA	BETA	CP60	CP62	CP64	CP66	CP69	CP61	CP63	CP65
-3.970	.016	.17150	.16730	.13050	.12890	.13340	.10810	.10110	
	GRADIENT	.00000	.00000	.00000	.00000	.00000	.00000	.00000	

RUN NO. 163/ 0 RN/L = 4.43 GRADIENT INTERVAL = -5.00/ 5.00

ALPHA	BETA	CP60	CP62	CP64	CP66	CP69	CP61	CP63	CP65
-.436	-3.994	.09860	.09380	.05750	.05680	-.01560	-.00830	-.00130	
-.429	.009	.16990	.16570	.13470	.13370	.06660	.05710	.05320	
-.466	4.031	.18390	.17710	.15410	.15090	.10480	.07310	.06460	
	GRADIENT	.01062	.01037	.0.233	.01172	.01500	.01014	.00821	

ORIGINAL PAGE IS
OF POOR QUALITY

DATE 22 JUN 76

TABULATED SOURCE DATA - 1A80

PAGE 851

ARC 11-023 1A80 OTS (SRB OFF) (SSME OFF)

(LE4091) (28 OCT 75)

REFERENCE DATA

SREF = 2690.0000 SO.FT. XMRP = .0000 IN.
 LREF = 1290.3000 IN. YMRP = .0000 IN.
 BREF = 1290.3000 IN. ZMRP = .0000 IN.
 SCALE = .0200

PARAMETRIC DATA

ELV-18 = 4.000 ELV-08 = 4.000
 RN/L = 4.250 MACH = .900

RUN NO. 338/ 0 RN/L = 4.21 GRADIENT INTERVAL = -5.00/ 5.00

ALPHA	BETA	CP60	CP62	CP54	CP66	CP59	CP61	CP63	CP65
-3.980	-.003	-.09050	-.09230	-.13770	-.13750	-.13350	-.14170	-.16410	-.17320
	GRADIENT	.00000	.00000	.00000	.00000	.00000	.00000	.00000	.00000

RUN NO. 339/ 0 RN/L = 4.20 GRADIENT INTERVAL = -5.00/ 5.00

ALPHA	BETA	CP60	CP62	CP54	CP66	CP59	CP61	CP63	CP65
-.267	-4.003	-.18650	-.18790	-.23310	-.23270	-.17800	-.17320	-.18020	-.18470
-.291	.012	-.11350	-.11410	-.15760	-.15680	-.19070	-.19780	-.21240	-.22080
-.284	4.028	-.04900	-.03670	-.07390	-.07560	-.20760	-.21690	-.24380	-.25330
	GRADIENT	.01824	.01883	.01982	.01956	-.00369	-.00544	-.00792	-.00854

RUN NO. 340/ 0 RN/L = 4.20 GRADIENT INTERVAL = -5.00/ 5.00

ALPHA	BETA	CP60	CP62	CP54	CP66	CP59	CP61	CP63	CP65
3.970	-.003	-.13970	-.14150	-.19540	-.18580	-.24750	-.24810	-.25780	-.26810
	GRADIENT	.00000	.00000	.00000	.00000	.00000	.00000	.00000	.00000

ARC 11-023 1A80 OTS (SRB OFF) (SSME OFF)

(LE4092) (28 OCT 75)

REFERENCE DATA

SREF = 2690.0000 SO.FT. XMRP = .0000 IN.
 LREF = 1290.3000 IN. YMRP = .0000 IN.
 BREF = 1290.3000 IN. ZMRP = .0000 IN.
 SCALE = .0200

PARAMETRIC DATA

ELV-18 = 4.000 ELV-08 = 4.000
 RN/L = 4.250 MACH = 1.100

RUN NO. 177/ 0 RN/L = 4.34 GRADIENT INTERVAL = -5.00/ 5.00

ALPHA	BETA	CP60	CP62	CP64	CP66	CP59	CP61	CP63	CP65
-3.957	.003	.16570	.16070	.12400	.12190	.13560	.12430	.11160	.10190
	GRADIENT	.00000	.00000	.00000	.00000	.00000	.00000	.00000	.00000

RUN NO. 178/ 0 RN/L = 4.34 GRADIENT INTERVAL = -5.00/ 5.00

ALPHA	BETA	CP60	CP62	CP64	CP66	CP59	CP61	CP63	CP65
-.284	-3.994	.08410	.08050	.04200	.04080	-.01200	-.00820	-.00690	-.00550
-.281	.000	.16200	.15560	.12400	.12040	.06800	.05920	.05460	.04810
-.320	4.028	.17900	.17140	.14660	.14120	.10110	.08930	.06880	.05890
	GRADIENT	.01182	.01132	.01328	.01251	.01409	.01215	.00943	.00802

DATE 22 JUN 76

TABULATED SOURCE DATA - IAB0

PAGE 853

ARC 11-023 IAB0 OTS (SRB OFF) (SSME OFF)

(LE4094) (29 OCT 75)

REFERENCE DATA

SREF = 2690.0000 SQ.FT. XMRP = .0000 IN.
 LREF = 1290.3000 IN. YMRP = .0000 IN.
 BREF = 1290.3000 IN. ZMRP = .0000 IN.
 SCALE = .0200

PARAMETRIC DATA

ELV-18 = 4.000 ELV-08 = 4.000
 RN/L = 4.250 MACH = 1.400

RUN NO. 165/ 0 RN/L = 4.38 GRADIENT INTERVAL = -5.00/ 5.00

ALPHA	BETA	CP60	CP62	CP64	CP66	CP59	CP61	CP63	CP65
-3.887	.016	.14440	.13600	.12450	.11490	.06640	.06080	.06300	.05530
	GRADIENT	.00000	.00000	.00000	.00000	.00000	.00000	.00000	.00000

RUN NO. 166/ 0 RN/L = 4.36 GRADIENT INTERVAL = -5.00/ 5.00

ALPHA	BETA	CP60	CP62	CP64	CP66	CP59	CP61	CP63	CP65
-.271	-3.991	.11930	.11240	.09550	.08550	-.08370	-.08070	-.06580	-.05960
-.251	.039	.09790	.09640	.08340	.07840	-.02130	-.02710	-.01240	-.01630
-.284	4.031	.02960	.03650	.03170	.03350	.03310	.02330	.02950	.01910
	GRADIENT	-.01119	-.00947	-.00736	-.00649	.01456	.01296	.01188	.00981

RUN NO. 167/ 0 RN/L = 4.33 GRADIENT INTERVAL = -5.00/ 5.00

ALPHA	BETA	CP60	CP62	CP64	CP66	CP59	CP61	CP63	CP65
3.973	.006	.01660	.01480	.00870	.00530	-.09080	-.09880	-.08260	-.09080
	GRADIENT	.00000	.00000	.00000	.00000	.00000	.00000	.00000	.00000

ARC 11-023 IAB0 OTS (SRB NOM) (SSME NOM)

(LE4095) (28 OCT 75)

REFERENCE DATA

SREF = 2690.0000 SQ.FT. XMRP = .0000 IN.
 LREF = 1290.3000 IN. YMRP = .0000 IN.
 BREF = 1290.3000 IN. ZMRP = .0000 IN.
 SCALE = .0200

PARAMETRIC DATA

ELV-18 = 4.000 ELV-08 = 4.000
 RN/L = 3.400 MACH = .600

RUN NO. 335/ 0 RN/L = 3.41 GRADIENT INTERVAL = -5.00/ 5.00

ALPHA	BETA	CP60	CP62	CP64	CP66	CP59	CP61	CP63	CP65
-3.960	.006	-.13790	-.13680	-.15470	-.16860	-.15860	-.16970	-.18220	-.18860
	GRADIENT	.00000	.00000	.00000	.00000	.00000	.00000	.00000	.00000

RUN NO. 336/ 0 RN/L = 3.47 GRADIENT INTERVAL = -5.00/ 5.00

ALPHA	BETA	CP60	CP62	CP64	CP66	CP59	CP61	CP63	CP65
-.297	-4.003	-.19360	-.19960	-.22430	-.22740	-.14040	-.13770	-.14010	-.14110
-.307	.012	-.12700	-.12390	-.14390	-.14000	-.17190	-.16910	-.17360	-.17260
-.376	4.022	-.07170	-.06750	-.10150	-.09560	-.21680	-.22100	-.23480	-.24900
	GRADIENT	.01594	.01646	.01536	.01643	-.00952	-.01038	-.01180	-.01344

DATE 22 JUN 76

TABULATED SOURCE DATA - 1A80

PAGE 855

ARC 11-023 1A80 OTS (SRB NOM) (SSME NOM)

(LE4097) (28 OCT 75)

REFERENCE DATA

SREF = 2690.0000 SQ.FT. XMRP = .0000 IN.
 LREF = 1290.3000 IN. YMRP = .0000 IN.
 BREF = 1290.3000 IN. ZMRP = .0000 IN.
 SCALE = .0200

PARAMETRIC DATA

ELV-1B = 4.000 ELV-08 = 4.000
 RN/L = 4.250 MACH = 1.100

RUN NO. 180/ 0 RN/L = 4.34 GRADIENT INTERVAL = -5.00/ 5.00

ALPHA	BETA	CP60	CP62	CP64	CP66	CP69	CP61	CP63	CP65
-3.963	.003	.17120	.16730	.13280	.13010	.13110	.12210	.10870	.10130
	GRADIENT	.00000	.00000	.00000	.00000	.00000	.00000	.00000	.00000

RUN NO. 181/ 0 RN/L = 4.34 GRADIENT INTERVAL = -5.00/ 5.00

ALPHA	BETA	CP60	CP62	CP64	CP66	CP69	CP61	CP63	CP65
-.409	-3.997	.08930	.08400	.04670	.04660	-.02710	-.01960	-.02350	-.0560
-.386	-.003	.16720	.16180	.13090	.12820	.06280	.05600	.05080	.04780
-.429	4.028	.18250	.17660	.15360	.14860	.09470	.08440	.06540	.05590
	GRADIENT	.01160	.01153	.01331	.01270	.01517	.01295	.01107	.00890

RUN NO. 182/ 0 RN/L = 4.34 GRADIENT INTERVAL = -5.00/ 5.00

ALPHA	BETA	CP60	CP62	CP64	CP66	CP69	CP61	CP63	CP65
4.033	-.003	.12450	.11330	.08480	.08060	-.03170	-.03800	-.03650	-.03960
	GRADIENT	.00000	.00000	.00000	.00000	.00000	.00000	.00000	.00000

ARC 11-023 1A80 OTS (SRB NOM) (SSME NOM)

(LE4098) (28 OCT 75)

REFERENCE DATA

SREF = 2690.0000 SQ.FT. XMRP = .0000 IN.
 LREF = 1290.3000 IN. YMRP = .0000 IN.
 BREF = 1290.3000 IN. ZMRP = .0000 IN.
 SCALE = .0200

PARAMETRIC DATA

ELV-1B = 4.000 ELV-08 = 4.000
 RN/L = 4.250 MACH = 1.250

RUN NO. 174/ 0 RN/L = 4.34 GRADIENT INTERVAL = -5.00/ 5.00

ALPHA	BETA	CP60	CP62	CP64	CP66	CP69	CP61	CP63	CP65
-3.973	.003	.15480	.14980	.13160	.12500	.06540	.05620	.06070	.05450
	GRADIENT	.00000	.00000	.00000	.00000	.00000	.00000	.00000	.00000

RUN NO. 175/ 0 RN/L = 4.34 GRADIENT INTERVAL = -5.00/ 5.00

ALPHA	BETA	CP60	CP62	CP64	CP66	CP69	CP61	CP63	CP65
-.482	-3.994	.11800	.11240	.08280	.08350	-.07420	-.07280	-.06150	-.05620
-.439	-.003	.12170	.11440	.10360	.09550	-.02000	-.02460	-.01670	-.01740
-.416	4.028	.08760	.09250	.07800	.07720	.06720	.05480	.05920	.04610
	GRADIENT	-.00380	-.00249	-.00061	-.00079	.01763	.01591	.01505	.01276

DATE 22 JUN 76

TABULATED SOURCE DATA - IAB0

PAGE 857

ARC 11-023 IAB0 OTS (SRB OFF) (SSME OFF)

(LE40A0) (28 OCT 75)

REFERENCE DATA

SREF = 2690.0000 SQ.FT. XMRP = .0000 IN.
 LREF = 1290.3000 IN. YMRP = .0000 IN.
 BREF = 1290.3000 IN. ZMRP = .0000 IN.
 SCALE = .0200

ELV-1B = .000 ELV-08 = 4.000
 RN/L = 3.400 MACH = .600

PARAMETRIC DATA

RUN NO. 344/ 0 RN/L = 3.50 GRADIENT INTERVAL = -5.00/ 5.00

ALPHA	BETA	CP60	CP62	CP54	CP66	CP59	CP61	CP63	CP65
-3.894	.000	-.04650	-.04720	-.05980	-.05010	-.08250	-.08620	-.08760	-.09400
	GRADIENT	.00000	.00000	.00000	.00000	.00000	.00000	.00000	.00000

RUN NO. 345/ 0 RN/L = 3.48 GRADIENT INTERVAL = -5.00/ 5.00

ALPHA	BETA	CP60	CP62	CP54	CP66	CP59	CP61	CP63	CP65
-.281	-4.003	-.11570	-.11710	-.13080	-.13280	-.07150	-.07090	-.06810	-.07120
-.287	.012	-.05530	-.05500	-.05800	-.07100	-.11480	-.11750	-.11790	-.12230
-.301	4.028	.09220	.00150	-.01220	-.01250	-.15100	-.15610	-.16530	-.16910
	GRADIENT	.01468	.01477	.01477	.01498	-.00990	-.01061	-.01210	-.01219

RUN NO. 346/ 0 RN/L = 3.48 GRADIENT INTERVAL = -5.00/ 5.00

ALPHA	BETA	CP60	CP62	CP54	CP66	CP59	CP61	CP63	CP65
3.986	.012	-.06180	-.06180	-.07240	-.07610	-.13900	-.14100	-.13690	-.13760
	GRADIENT	.00000	.00000	.00000	.00000	.00000	.00000	.00000	.00000

ARC 11-023 IAB0 OTS (SRB OFF) (SSME OFF)

(LE40A1) (28 OCT 75)

REFERENCE DATA

SREF = 2690.0000 SQ.FT. XMRP = .0000 IN.
 LREF = 1290.3000 IN. YMRP = .0000 IN.
 BREF = 1290.3000 IN. ZMRP = .0000 IN.
 SCALE = .0200

ELV-1B = .000 ELV-08 = 4.000
 RN/L = 4.250 MACH = .900

PARAMETRIC DATA

RUN NO. 350/ 0 RN/L = 4.23 GRADIENT INTERVAL = -5.00/ 5.00

ALPHA	BETA	CP60	CP62	CP54	CP66	CP59	CP61	CP63	CP65
-3.996	.009	-.09260	-.09200	-.13980	-.13880	-.13340	-.14380	-.16590	-.17590
	GRADIENT	.00000	.00000	.00000	.00000	.00000	.00000	.00000	.00000

RUN NO. 351/ 0 RN/L = 4.24 GRADIENT INTERVAL = -5.00/ 5.00

ALPHA	BETA	CP60	CP62	CP54	CP66	CP59	CP61	CP63	CP65
-.281	-4.006	-.19100	-.19080	-.23840	-.23680	-.16610	-.16330	-.16610	-.17170
-.284	.039	-.10440	-.10460	-.14810	-.14690	-.17840	-.18520	-.20070	-.20810
-.281	4.028	-.02130	-.02450	-.05270	-.05210	-.21130	-.22100	-.24730	-.25810
	GRADIENT	.02112	.02070	.02311	.02299	-.00563	-.00718	-.01011	-.01075

ORIGINAL PAGE IS
OF POOR QUALITY

DATE 22 JUN 76

TABULATED SOURCE DATA - 1A80

PAGE 859

ARC 11-023 1A80 OTS (SRB OFF) (SSME OFF)

(LE40A3) (28 OCT 75)

REFERENCE DATA

SREF = 2690.0000 SQ.FT. XMRP = .0000 IN.
 LREF = 1290.3000 IN. YMRP = .0000 IN.
 BREF = 1290.3000 IN. ZMRP = .0000 IN.
 SCALE = .0200

PARAMETRIC DATA

ELV-18 = .000 ELV-08 = 4.000
 RN/L = 4.250 MACH = 1.250

RUN NO. 189/ 0 RN/L = 4.37 GRADIENT INTERVAL = -5.00/ 5.00

ALPHA	BETA	CP60	CP62	CP64	CP66	CP69	CP61	CP63	CP65
-3.947	-.006	.15000	.14250	.12380	.11610	.07080	.05900	.06330	.05440
	GRADIENT	.00000	.00000	.00000	.00000	.00000	.00000	.00000	.00000

RUN NO. 190/ 0 RN/L = 4.36 GRADIENT INTERVAL = -5.00/ 5.00

ALPHA	BETA	CP60	CP62	CP64	CP66	CP69	CP61	CP63	CP65
-.248	-4.000	.11120	.10270	.08170	.07470	-.08500	-.07850	-.07210	-.06210
-.244	-.006	.11530	.10760	.09670	.08910	-.02790	-.02910	-.02280	-.02430
-.271	4.022	.08440	.08360	.07500	.06890	.07160	.05830	.05480	.04350
	GRADIENT	-.00335	-.00239	-.00084	.00073	.01953	.01706	.01582	.01317

RUN NO. 191/ 0 RN/L = 4.36 GRADIENT INTERVAL = -5.00/ 5.00

ALPHA	BETA	CP60	CP62	CP64	CP66	CP69	CP61	CP63	CP65
3.986	.003	.06920	.06440	.05000	.04520	-.09540	-.09690	-.08930	-.09410
	GRADIENT	.00000	.00000	.00000	.00000	.00000	.00000	.00000	.00000

ARC 11-023 1A80 OTS (SRB OFF) (SSME OFF)

(LE40A4) (28 OCT 75)

REFERENCE DATA

SREF = 2690.0000 SQ.FT. XMRP = .0000 IN.
 LREF = 1290.3000 IN. YMRP = .0000 IN.
 BREF = 1290.3000 IN. ZMRP = .0000 IN.
 SCALE = .0200

PARAMETRIC DATA

ELV-18 = .000 ELV-08 = 4.000
 RN/L = 4.250 MACH = 1.400

RUN NO. 183/ 0 RN/L = 4.34 GRADIENT INTERVAL = -5.00/ 5.00

ALPHA	BETA	CP60	CP62	CP64	CP66	CP69	CP61	CP63	CP65
-3.947	.006	.14230	.13230	.12260	.11250	.05870	.05210	.05440	.04810
	GRADIENT	.00000	.00000	.00000	.00000	.00000	.00000	.00000	.00000

RUN NO. 184/ 0 RN/L = 4.31 GRADIENT INTERVAL = -5.00/ 5.00

ALPHA	BETA	CP60	CP62	CP64	CP66	CP69	CP61	CP63	CP65
-.267	-3.994	.11670	.11150	.09170	.08270	-.09840	-.09450	-.08060	-.07220
-.277	-.003	.09540	.09140	.07840	.07290	-.02860	-.03050	-.02170	-.02090
-.284	4.019	.02820	.03340	.02650	.03170	.02250	.01400	.01870	.01350
	GRADIENT	-.01105	-.00975	-.00813	-.00637	.01509	.01354	.01239	.01069

DATE 22 JUN 76

TABULATED SOURCE DATA - IABO

PAGE 861

ARC 11-023 IABO OTS (SRB NOM) (SSME NOM)

(LE40A6) (28 OCT 75)

REFERENCE DATA

SREF = 2690.0000 SQ.FT. XMRP = .0000 IN.
 LREF = 1290.3000 IN. YMRP = .0000 IN.
 BREF = 1290.3000 IN. ZMRP = .0000 IN.
 SCALE = .0200

PARAMETRIC DATA

ELV-1B = .000 ELV-0B = 4.000
 RN/L = 4.250 MACH = .900

RUN NO. 353/ 0 RN/L = 4.21 GRADIENT INTERVAL = -5.00/ 5.00

ALPHA	BETA	CP60	CP62	CPE4	CP66	CP59	CP61	CP63	CP65
-3.937	.016	-.09250	-.09190	-.13860	-.13880	-.14040	-.14880	-.17160	-.18080
	GRADIENT	.00000	.00000	.00000	.00000	.00000	.00000	.00000	.00000

RUN NO. 354/ 0 RN/L = 4.23 GRADIENT INTERVAL = -5.00/ 5.00

ALPHA	BETA	CP60	CP62	CPE4	CP66	CP59	CP61	CP63	CP65
-.376	-4.006	-.18590	-.18610	-.23490	-.23170	-.18330	-.18150	-.19130	-.19470
-.353	.009	-.09830	-.09750	-.14100	-.13920	-.17820	-.18680	-.20170	-.20690
-.420	4.022	-.03650	-.03490	-.06840	-.06100	-.19910	-.20470	-.23300	-.23800
	GRADIENT	.01861	.01883	.02074	.02126	-.00134	-.00289	-.00519	-.00539

RUN NO. 355/ 0 RN/L = 4.23 GRADIENT INTERVAL = -5.00/ 5.00

ALPHA	BETA	CP60	CP62	CPE4	CP66	CP59	CP61	CP63	CP65
3.910	.006	-.12520	-.12500	-.16700	-.16580	-.24680	-.24440	-.25700	-.26170
	GRADIENT	.00000	.00000	.00000	.00000	.00000	.00000	.00000	.00000

ARC 11-023 IABO OTS (SRB NOM) (SSME NOM)

(LE40A7) (28 OCT 75)

REFERENCE DATA

SREF = 2690.0000 SQ.FT. XMRP = .0000 IN.
 LREF = 1290.3000 IN. YMRP = .0000 IN.
 BREF = 1290.3000 IN. ZMRP = .0000 IN.
 SCALE = .0200

PARAMETRIC DATA

ELV-1B = .000 ELV-0B = 4.000
 RN/L = 4.250 MACH = 1.100

RUN NO. 198/ 0 RN/L = 4.36 GRADIENT INTERVAL = -5.00/ 5.00

ALPHA	BETA	CP60	CP62	CPE4	CP66	CP59	CP61	CP63	CP65
-3.996	.006	.17250	.16840	.13180	.12990	.13160	.12250	.10820	.10170
	GRADIENT	.00000	.00000	.00000	.00000	.00000	.00000	.00000	.00000

RUN NO. 199/ 0 RN/L = 4.36 GRADIENT INTERVAL = -5.00/ 5.00

ALPHA	BETA	CP60	CP62	CPE4	CP66	CP59	CP61	CP63	CP65
-.416	-4.003	.09140	.08680	.04570	.04740	-.02460	-.01370	-.01950	-.01060
-.403	-.012	.16660	.16150	.13130	.12830	.05780	.05420	.04950	.04860
-.426	4.019	.18010	.17410	.15170	.14810	.09320	.08380	.06110	.05560
	GRADIENT	.01104	.01087	.01320	.01254	.01467	.01215	.01004	.00824

DATE 22 JUN 76

TABULATED SOURCE DATA - 1A80

PAGE 863

ARC 11-023 1A80 OTS (SRB NOM) (SSME NOM)

(LE40A9) (28 OCT 75)

REFERENCE DATA

SREF = 2690.0000 SQ.FT. XMRP = .0000 IN.
 LREF = 1290.3000 IN. YMRP = .0000 IN.
 BREF = 1290.3000 IN. ZMRP = .0000 IN.
 SCALE = .0200

PARAMETRIC DATA

ELV-1R = .000 ELV-08 = 4.000
 RN/L = 4.250 MACH = 1.400

RUN NO. 186/ 0 RN/L = 4.29 GRADIENT INTERVAL = -5.00/ 5.00

ALPHA	BETA	CP60	CP62	CP64	CP66	CP59	CP61	CP63	CP65
-3.940	.009	.14780	.13910	.12940	.12160	.04960	.04770	.04560	.04040
	GRADIENT	.00000	.00000	.00000	.00000	.00000	.00000	.00000	.00000

RUN NO. 187/ 0 RN/L = 4.28 GRADIENT INTERVAL = -5.00/ 5.00

ALPHA	BETA	CP60	CP62	CP64	CP66	CP59	CP61	CP63	CP65
-.449	-3.997	.12240	.11880	.09120	.08970	-.09530	-.09310	-.08250	-.07730
-.380	-.006	.09760	.09900	.07970	.07640	-.03930	-.03740	-.03190	-.02780
-.443	4.025	.05140	.06430	.04340	.05380	.02120	.01150	.02060	.01180
	GRADIENT	-.00886	-.00680	-.00596	-.00448	.01452	.01304	.01285	.01110

RUN NO. 188/ 0 RN/L = 4.27 GRADIENT INTERVAL = -5.00/ 5.00

ALPHA	BETA	CP60	CP62	CP64	CP66	CP59	CP61	CP63	CP65
3.821	.006	.03250	.03500	.01720	.02000	-.11140	-.10710	-.10140	-.09650
	GRADIENT	.00000	.00000	.00000	.00000	.00000	.00000	.00000	.00000

ARC 11-023 1A80 OTS (SRB NOM) (SSME NO. 2 OUT)

(LE40B0) (28 OCT 75)

REFERENCE DATA

SREF = 2690.0000 SQ.FT. XMRP = .0000 IN.
 LREF = 1290.3000 IN. YMRP = .0000 IN.
 BREF = 1290.3000 IN. ZMRP = .0000 IN.
 SCALE = .0200

PARAMETRIC DATA

ELV-1B = .000 ELV-08 = .000
 RN/L = 3.400 MACH = .600

RUN NO. 362/ 0 RN/L = 3.51 GRADIENT INTERVAL = -5.00/ 5.00

ALPHA	BETA	CP60	CP62	CP64	CP66	CP59	CP61	CP63	CP65
-4.013	.006	-.03020	-.06660	-.08460	-.08520	-.11450	-.11520	-.12440	-.13010
	GRADIENT	.00000	.00000	.00000	.00000	.00000	.00000	.00000	.00000

RUN NO. 363/ 0 RN/L = 3.49 GRADIENT INTERVAL = -5.00/ 5.00

ALPHA	BETA	CP60	CP62	CP64	CP66	CP59	CP61	CP63	CP65
-.271	-4.006	-.11410	-.15880	-.17730	-.17630	-.11000	-.11210	-.10960	-.11100
-.310	.003	-.03040	-.06590	-.08420	-.07980	-.13770	-.13870	-.13500	-.13600
-.310	4.025	.03950	-.00940	-.01900	-.02660	-.18560	-.19210	-.19660	-.20550
	GRADIENT	.01912	.01860	.01371	.01864	-.00941	-.00996	-.01084	-.01177

ORIGINAL PAGE IS
OF POOR QUALITY

ARC 11-023 1A80 OTS (SRB NOM) (SSME NO. 2 OUT)

(LE4082) (28 OCT 75)

REFERENCE DATA

SREF = 2690.0000 SQ.FT. XMRP = .0000 IN.
 LREF = 1290.3000 IN. YMRP = .0000 IN.
 BREF = 1290.3000 IN. ZMRP = .0000 IN.
 SCALE = .0200

PARAMETRIC DATA

ELV-1B = .000 ELV-08 = .000
 RN/L = 4.250 MACH = 1.100

RUN NO. 207/ 0 RN/L = 4.38 GRADIENT INTERVAL = -5.00/ 5.00

ALPHA	BETA	CP60	CP62	CP64	CP66	CP59	CP61	CP63	CP65
-3.973	-.009	.16840	.16460	.12800	.12440	.12030	.11310	.09870	.09230
	GRADIENT	.00000	.00000	.00000	.00000	.00000	.00000	.00000	.00000

RUN NO. 208/ 0 RN/L = 4.38 GRADIENT INTERVAL = -5.00/ 5.00

ALPHA	BETA	CP60	CP62	CP64	CP66	CP59	CP61	CP63	CP65
-.393	-4.006	.09420	.08980	.04850	.05050	-.01840	-.00970	-.01550	-.00780
-.340	-.016	.16130	.15520	.12270	.12020	.06240	.05840	.04870	.04410
-.357	4.016	.17500	.16720	.14120	.13760	.08630	.07760	.05440	.04630
	GRADIENT	.01006	.00954	.01154	.01085	.01304	.01087	.00870	.00673

RUN NO. 209/ 0 RN/L = 4.39 GRADIENT INTERVAL = -5.00/ 5.00

ALPHA	BETA	CP60	CP62	CP64	CP66	CP59	CP61	CP63	CP65
4.026	-.016	.12160	.11510	.08380	.08030	-.02430	-.02590	-.03050	-.03390
	GRADIENT	.00000	.00000	.00000	.00000	.00000	.00000	.00000	.00000

ARC 11-023 1A80 OTS (SRB NOM) (SSME NO. 2 OUT)

(LE4083) (28 OCT 75)

REFERENCE DATA

SREF = 2690.0000 SQ.FT. XMRP = .0000 IN.
 LREF = 1290.3000 IN. YMRP = .0000 IN.
 BREF = 1290.3000 IN. ZMRP = .0000 IN.
 SCALE = .0200

PARAMETRIC DATA

ELV-1B = .000 ELV-08 = .000
 RN/L = 4.250 MACH = 1.250

RUN NO. 204/ 0 RN/L = 4.40 GRADIENT INTERVAL = -5.00/ 5.00

ALPHA	BETA	CP60	CP62	CP64	CP66	CP59	CP61	CP63	CP65
-3.947	-.003	.15470	.14730	.12820	.12220	.06830	.06210	.05960	.05260
	GRADIENT	.00000	.00000	.00000	.00000	.00000	.00000	.00000	.00000

RUN NO. 205/ 0 RN/L = 4.40 GRADIENT INTERVAL = -5.00/ 5.00

ALPHA	BETA	CP60	CP62	CP64	CP66	CP59	CP61	CP63	CP65
-.400	-4.000	.10680	.10440	.07170	.07150	-.08300	-.07720	-.06770	-.06200
-.370	-.009	.12280	.11540	.10770	.10000	-.02330	-.02470	-.02090	-.01920
-.420	4.019	.08700	.09040	.07580	.07780	.07590	.06110	.05350	.04210
	GRADIENT	-.00248	-.00175	.00050	.00078	.01982	.01725	.01512	.01299

DATE 22 JUN 76

TABULATED SOURCE DATA - 1A80

PAGE 867

ARC 11-023 1A80 OTS (SRF NOM) (SSME NO. 1 OUT)

(LE4085) (28 OCT 75)

REFERENCE DATA

SREF = 2690.0000 SQ.FT. XMRP = .0000 IN.
 LREF = 1290.3000 IN. YMRP = .0000 IN.
 BREF = 1290.3000 IN. ZMRP = .0000 IN.
 SCALE = .0200

PARAMETRIC DATA

ELV-18 = .000 ELV-08 = .000
 RN/L = 3.400 MACH = .600

RUN NO. 356/ 0 RN/L = 3.42 GRADIENT INTERVAL = -5.00/ 5.00

ALPHA	BETA	CP60	CP62	CP64	CP66	CP59	CP61	CP63	CP65
-4.072	.012	-.09390	-.10240	-.12970	-.13330	-.12900	-.14500	-.16410	-.17120
	GRADIENT	.00000	.00000	.00000	.00000	.00000	.00000	.00000	.00000

RUN NO. 357/ 0 RN/L = 3.49 GRADIENT INTERVAL = -5.00/ 5.00

ALPHA	BETA	CP60	CP62	CP64	CP66	CP59	CP61	CP63	CP65
-.284	-4.003	-.14380	-.14340	-.16040	-.16040	-.09700	-.09800	-.09530	-.09670
-.337	.003	-.08170	-.08040	-.09630	-.10030	-.14630	-.15010	-.15110	-.15610
-.367	4.025	-.00790	-.00730	-.02110	-.02010	-.17800	-.18610	-.18430	-.19620
	GRADIENT	.01693	.01695	.01735	.01748	-.01009	-.01097	-.01108	-.01108

RUN NO. 358/ 0 RN/L = 3.47 GRADIENT INTERVAL = -5.00/ 5.00

ALPHA	BETA	CP60	CP62	CP64	CP66	CP59	CP61	CP63	CP65
3.868	.006	-.08110	-.07630	-.09310	-.09620	-.16390	-.16490	-.16320	-.16220
	GRADIENT	.00000	.00000	.00000	.00000	.00000	.00000	.00000	.00000

ARC 11-023 1A80 OTS (SRB NOM) (SSME NO. 1 OUT)

(LE4086) (28 OCT 75)

REFERENCE DATA

SREF = 2690.0000 SQ.FT. XMRP = .0000 IN.
 LREF = 1290.3000 IN. YMRP = .0000 IN.
 BREF = 1290.3000 IN. ZMRP = .0000 IN.
 SCALE = .0200

PARAMETRIC DATA

ELV-18 = .000 ELV-08 = .000
 RN/L = 4.250 MACH = .900

RUN NO. 359/ 0 RN/L = 4.20 GRADIENT INTERVAL = -5.00/ 5.00

ALPHA	BETA	CP60	CP62	CP64	CP66	CP59	CP61	CP63	CP65
-4.013	.009	-.09910	-.09950	-.14840	-.14840	-.14940	-.15950	-.18190	-.18810
	GRADIENT	.00000	.00000	.00000	.00000	.00000	.00000	.00000	.00000

RUN NO. 360/ 0 RN/L = 4.21 GRADIENT INTERVAL = -5.00/ 5.00

ALPHA	BETA	CP60	CP62	CP64	CP66	CP59	CP61	CP63	CP65
-.317	-4.003	-.18260	-.18890	-.24300	-.23970	-.18780	-.18370	-.18980	-.19440
-.310	.003	-.11030	-.11170	-.15800	-.15640	-.19620	-.20200	-.21910	-.22480
-.340	4.025	-.02550	-.02100	-.06000	-.06540	-.21160	-.22070	-.24780	-.25480
	GRADIENT	.02032	.02080	.02280	.02171	-.00297	-.00461	-.00722	-.00752

ARC 11-023 1A80 OTS (SRB NOM) (SSME NO. 1 OUT)

(LE4088) (28 OCT 75)

REFERENCE DATA

SREF = 2690.0000 SQ.FT. XMRP = .0000 IN.
 LREF = 1290.3000 IN. YMRP = .0000 IN.
 BREF = 1290.3000 IN. ZMRP = .0000 IN.
 SCALE = .0200

PARAMETRIC DATA

ELV-18 = .000 ELV-08 = .000
 RN/L = 4.250 MACH = 1.250

RUN NO. 213/ 0 RN/L = 4.40 GRADIENT INTERVAL = -5.00/ 5.00

ALPHA	BETA	CP60	CP62	CP64	CP66	CP69	CP61	CP63	CP65
-3.914	-.009	.14930	.14500	.12490	.12200	.06690	.06230	.06210	.05240
	GRADIENT	.00000	.00000	.00300	.00000	.00000	.00000	.00000	.00000

RUN NO. 214/ 0 RN/L = 4.39 GRADIENT INTERVAL = -5.00/ 5.00

ALPHA	BETA	CP60	CP62	CP64	CP66	CP69	CP61	CP63	CP65
-.353	-4.006	.10080	.10660	.07110	.07750	-.08240	-.07680	-.06800	-.06130
-.367	-.016	.11200	.11250	.09710	.09440	-.02820	-.02630	-.02370	-.02640
-.393	4.016	.08330	.09070	.07140	.07900	.07440	.06100	.05520	.04360
	GRADIENT	-.00219	-.00199	.00003	.00017	.01956	.01719	.01537	.01308

RUN NO. 215/ 0 RN/L = 4.39 GRADIENT INTERVAL = -5.00/ 5.00

ALPHA	BETA	CP60	CP62	CP64	CP66	CP69	CP61	CP63	CP65
4.053	-.012	.06330	.06090	.03500	.04010	-.09220	-.09650	-.09250	-.09730
	GRADIENT	.00000	.00000	.00300	.00000	.00000	.00000	.00000	.00000

APC 11-023 1A80 OTS (SRB NOM) (SSME NO. 1 OUT)

(LE4089) (28 OCT 75)

REFERENCE DATA

SREF = 2690.0000 SQ.FT. XMRP = .0000 IN.
 LREF = 1290.3000 IN. YMRP = .0000 IN.
 BREF = 1290.3000 IN. ZMRP = .0000 IN.
 SCALE = .0200

PARAMETRIC DATA

ELV-18 = .000 ELV-08 = .000
 RN/L = 4.250 MACH = 1.400

RUN NO. 210/ 0 RN/L = 4.34 GRADIENT INTERVAL = -5.00/ 5.00

ALPHA	BETA	CP60	CP62	CP64	CP66	CP69	CP61	CP63	CP65
-3.934	-.009	.14320	.13910	.12250	.12000	.05170	.04770	.04950	.04220
	GRADIENT	.00000	.00000	.00300	.00000	.00000	.00000	.00000	.00000

RUN NO. 211/ 0 RN/L = 4.34 GRADIENT INTERVAL = -5.00/ 5.00

ALPHA	BETA	CP60	CP62	CP64	CP66	CP69	CP61	CP63	CP65
-.426	-4.006	.11670	.12090	.08920	.09320	-.09060	-.08510	-.07120	-.06660
-.383	-.016	.09250	.09850	.07420	.08010	-.02830	-.03470	-.02310	-.02590
-.436	4.016	.05290	.06910	.04400	.05600	.03130	.02480	.02730	.01800
	GRADIENT	-.00796	-.00646	-.00564	-.00464	.01520	.01370	.01228	.01055

ORIGINAL PAGE IS
OF POOR QUALITY

DATE 22 JUN 76

TABULATED SOURCE DATA - 1A80

PAGE 871

ARC11-0231A80 OTS W/ET BASE SPOILER SRB=SSME=OFF

(LE40C1) (28 OCT 75)

REFERENCE DATA

SREF = 2690.0000 SQ.FT. XMRP = .0000 IN.
 LREF = 1290.3000 IN. YMRP = .0000 IN.
 BREF = 1290.3000 IN. ZMRP = .0000 IN.
 SCALE = .0200

PARAMETRIC DATA

ELV-1B = .000 ELV-08 = .000
 RN/L = 4.250 MACH = 1.100

RUN NO. 368/ 0 RN/L = 4.46 GRADIENT INTERVAL = -5.00/ 5.00

ALPHA	BETA	CP60	CP62	CP64	CP66	CP59	CP61	CP63	CP65
-4.000	.012	.22190	.16790	.13170	.12900	.14170	.13390	.11610	.10720
	GRADIENT	.00000	.00000	.00000	.00000	.00000	.00000	.00000	.00000

RUN NO. 369/ 0 RN/L = 4.48 GRADIENT INTERVAL = -5.00/ 5.00

ALPHA	BETA	CP60	CP62	CP64	CP66	CP59	CP61	CP63	CP65
-.264	-4.009	.14760	.08750	.05230	.04980	-.01220	-.00460	-.00740	-.00420
-.284	.000	.21290	.15430	.12300	.11950	.06370	.05970	.05210	.04450
-.297	4.022	.22270	.17570	.15310	.14900	.10280	.09460	.07040	.06140
	GRADIENT	.00935	.01098	.01255	.01235	.01432	.01235	.00968	.00817

RUN NO. 370/ 0 RN/L = 4.49 GRADIENT INTERVAL = -5.00/ 5.00

ALPHA	BETA	CP60	CP62	CP64	CP66	CP59	CP61	CP63	CP65
3.910	.016	.16760	.11330	.08580	.08110	-.01920	-.02500	-.02530	-.03260
	GRADIENT	.00000	.00000	.00000	.00000	.00000	.00000	.00000	.00000

ARC11-0231A80 OTS W/ET BASE SPOILER SRB=SSME=NOM

(LE40C2) (28 OCT 75)

REFERENCE DATA

SREF = 2690.0000 SQ.FT. XMRP = .0000 IN.
 LREF = 1290.3000 IN. YMRP = .0000 IN.
 BREF = 1290.3000 IN. ZMRP = .0000 IN.
 SCALE = .0200

PARAMETRIC DATA

ELV-1B = .000 ELV-08 = .000
 RN/L = 4.250 MACH = .900

RUN NO. 378/ 0 RN/L = 4.22 GRADIENT INTERVAL = -5.00/ 5.00

ALPHA	BETA	CP60	CP62	CP64	CP66	CP59	CP61	CP63	CP65
-3.996	.016	-.02450	-.09260	-.13700	-.13600	-.14470	-.15150	-.17320	-.18030
	GRADIENT	.00000	.00000	.00000	.00000	.00000	.00000	.00000	.00000

RUN NO. 379/ 0 RN/L = 4.22 GRADIENT INTERVAL = -5.00/ 5.00

ALPHA	BETA	CP60	CP62	CP64	CP66	CP59	CP61	CP63	CP65
-.284	-4.012	-.12340	-.19720	-.24690	-.24490	-.19310	-.18230	-.19760	-.19390
-.350	-.003	-.03270	-.09860	-.14210	-.14050	-.19030	-.19490	-.21140	-.21560
-.330	4.019	.03880	-.02480	-.05210	-.05350	-.21970	-.22940	-.25450	-.26180
	GRADIENT	.02019	.02146	.02425	.02383	-.00331	-.00587	-.00705	-.00846

DATE 22 JUN 76

TABULATED SOURCE DATA - IAB0

PAGE 873

ARC 11-023 IAB0 OTS (SRB NOM++) (SSME NOM)

(ME4001) (28 OCT 75)

REFERENCE DATA

SREF = 2690.0000 SQ.FT. XMRP = .0000 IN.
 LREF = 1290.3000 IN. YMRP = .0000 IN.
 BREF = 1290.3000 IN. ZMRP = .0000 IN.
 SCALE = .0200

PARAMETRIC DATA

ELV-18 = .000 ELV-08 = .000
 RN/L = 3.400 MACH = .600

RUN NO. 240/ 0 RN/L = 3.38 GRADIENT INTERVAL = -5.00/ 5.00

ALPHA	BETA	CP68	CP70	CP72	CP74	CP67	CP69	CP71	CP73
-4.013	-.019	-.14760	-.14200	-.17360	-.14810	-.14580	-.14920	-.15470	-.16090
	GRADIENT	.00000	.00000	.00000	.00000	.00000	.00000	.00000	.00000

RUN NO. 241/ 0 RN/L = 3.39 GRADIENT INTERVAL = -5.00/ 5.00

ALPHA	BETA	CP68	CP70	CP72	CP74	CP67	CP69	CP71	CP73
-.314	-4.034	-.22090	-.21650	-.24560	-.21990	-.12510	-.12280	-.13630	-.12520
-.340	-.019	-.15180	-.14500	-.17790	-.15170	-.16140	-.16670	-.17620	-.17210
-.459	3.997	-.08730	-.07760	-.10730	-.08030	-.20710	-.20790	-.20850	-.21570
	GRADIENT	.01663	.01729	.01722	.01738	-.01021	-.01060	-.00899	-.01127

RUN NO. 242/ 0 RN/L = 3.39 GRADIENT INTERVAL = -5.00/ 5.00

ALPHA	BETA	CP68	CP70	CP72	CP74	CP67	CP69	CP71	CP73
4.039	-.019	-.15250	-.14180	-.16890	-.14550	-.17180	-.16920	-.17640	-.17330
	GRADIENT	.00000	.00000	.00000	.00000	.00000	.00000	.00000	.00000

ARC 11-023 IAB0 OTS (SRB NOM++) (SSME NOM)

(ME4002) (28 OCT 75)

REFERENCE DATA

SREF = 2690.0000 SQ.FT. XMRP = .0000 IN.
 LREF = 1290.3000 IN. YMRP = .0000 IN.
 BREF = 1290.3000 IN. ZMRP = .0000 IN.
 SCALE = .0200

PARAMETRIC DATA

ELV-18 = .000 ELV-08 = .000
 RN/L = 4.250 MACH = .900

RUN NO. 222/ 0 RN/L = 4.23 GRADIENT INTERVAL = -5.00/ 5.00

ALPHA	BETA	CP68	CP70	CP72	CP74	CP67	CP69	CP71	CP73
-3.901	-.012	-.26390	-.24100	-.29920	-.27230	-.20560	-.20530	-.22330	-.22660
	GRADIENT	.00000	.00000	.00000	.00000	.00000	.00000	.00000	.00000

RUN NO. 223/ 0 RN/L = 4.22 GRADIENT INTERVAL = -5.00/ 5.00

ALPHA	BETA	CP68	CP70	CP72	CP74	CP67	CP69	CP71	CP73
-.347	-4.025	-.37570	-.35310	-.40440	-.38150	-.20830	-.18910	-.19230	-.20610
-.380	-.009	-.26990	-.25610	-.3080	-.28430	-.23500	-.24580	-.25580	-.25860
-.456	4.003	-.14250	-.11720	-.17030	-.13230	-.28870	-.29240	-.30800	-.31200
	GRADIENT	.02905	.02938	.02916	.03104	-.01001	-.01287	-.01441	-.01319

ORIGINAL PAGE IS
OF POOR QUALITY

DATE 22 JUN 76

TABULATED SOURCE DATA - IABO

PAGE 875

ARC 11-023 IABO OTS (SRB NOM++) (SSME NOM)

(ME4004) (28 OCT 75)

REFERENCE DATA

SREF = 2690.0000 SQ.FT. XMRP = .0000 IN.
 LREF = 1290.3000 IN. YMRP = .0000 IN.
 BREF = 1290.3000 IN. ZMRP = .0000 IN.
 SCALE = .0200

PARAMETRIC DATA

ELV-18 = .000 ELV-08 = .300
 RN/L = 4.250 MACH = 1.250

RUN NO. 48/ 0 RN/L = 4.50 GRADIENT INTERVAL = -5.00/ 5.00

ALPHA	BETA	CP68	CP70	CP72	CP74	CP67	CP69	CP71	CP73
-4.165	.000	.06600	.08350	.03200	.06870	.05390	.06380	.05180	.05160
	GRADIENT	.00000	.00000	.00000	.00000	.00000	.00000	.00000	.00000

RUN NO. 49/ 0 RN/L = 4.43 GRADIENT INTERVAL = -5.00/ 5.00

ALPHA	BETA	CP68	CP70	CP72	CP74	CP67	CP69	CP71	CP73
-.495	-4.006	.00250	.01000	-.03140	.00300	-.03130	-.03480	-.03480	-.04450
-.528	.000	.06150	.06340	.01850	.05920	-.01400	-.01980	-.02280	-.02430
-.555	4.006	.05220	.05140	.02990	.05620	.05480	.04810	.04250	.03420
	GRADIENT	.00620	.00517	.00765	.00689	.01075	.01035	.00965	.00982

RUN NO. 50/ 0 RN/L = 4.43 GRADIENT INTERVAL = -5.00/ 5.00

ALPHA	BETA	CP68	CP70	CP72	CP74	CP67	CP69	CP71	CP73
3.881	.006	.01250	.01420	-.02180	.01180	-.08330	-.08850	-.09140	-.09410
	GRADIENT	.00000	.00000	.00000	.00000	.00000	.00000	.00000	.00000

ARC 11-023 IABO OTS (SF-3 NOM++) (SSME NOM)

(ME4005) (28 OCT 75)

REFERENCE DATA

SREF = 2690.0000 SQ.FT. XMRP = .0000 IN.
 LREF = 1290.3000 IN. YMRP = .0000 IN.
 BREF = 1290.3000 IN. ZMRP = .0000 IN.
 SCALE = .0200

PARAMETRIC DATA

ELV-18 = .000 ELV-08 = .000
 RN/L = 4.250 MACH = 1.400

RUN NO. 1/ 0 RN/L = 4.31 GRADIENT INTERVAL = -5.00/ 5.00

ALPHA	BETA	CP68	CP70	CP72	CP74	CP67	CP69	CP71	CP73
-3.950	-.003	.06830	.08450	.02760	.05060	.05120	.05090	.04190	.04220
	GRADIENT	.00000	.00000	.00000	.00000	.00000	.00000	.00000	.00000

RUN NO. 2/ 0 RN/L = 4.30 GRADIENT INTERVAL = -5.00/ 5.00

ALPHA	BETA	CP68	CP70	CP72	CP74	CP67	CP69	CP71	CP73
-.435	-4.009	.02770	.03670	.00650	.01520	-.04420	-.04470	-.04440	-.04470
-.482	-.003	.03940	.04160	.02000	.02730	-.01370	-.01560	-.01720	-.01950
-.505	4.009	-.00240	.00600	-.00600	.00610	.02220	.02180	.01840	.01810
	GRADIENT	-.00376	-.00383	-.00156	-.00114	.00828	.00829	.00783	.00783

DATE 22 JUN 76

TABULATED SOURCE DATA - 1A80

PAGE 877

ARC 11-023 1A80 OTS (SRB NOM+) (SSME NOM)

(ME4007) (28 OCT 75)

REFERENCE DATA

SREF = 2690.0000 SQ.FT. XMRP = .0000 IN.
 LREF = 1290.3000 IN. YMRP = .0000 IN.
 BREF = 1290.3000 IN. ZMRP = .0000 IN.
 SCALE = .0200

PARAMETRIC DATA

ELV-18 = .000 ELV-08 = .000
 RN/L = 4.250 MACH = .900

RUN NO. 225/ 0 RN/L = 4.20 GRADIENT INTERVAL = -5.00/ 5.00

ALPHA	BETA	CP68	CP70	CP72	CP74	CP67	CP69	CP71	CP73
-3.930	-.009	-.27220	-.25240	-.31190	-.28090	-.21620	-.21690	-.23580	-.23880
	GRADIENT	.00000	.00000	.00000	.00000	.00000	.00000	.00000	.00000

RUN NO. 226/ 0 RN/L = 4.21 GRADIENT INTERVAL = -5.00/ 5.00

ALPHA	BETA	CP68	CP70	CP72	CP74	CP67	CP69	CP71	CP73
-.376	-4.028	-.36650	-.34950	-.40220	-.37810	-.20820	-.20720	-.21510	-.21470
-.330	-.012	-.27940	-.26200	-.32320	-.28950	-.24850	-.25100	-.26930	-.26870
-.330	4.053	-.15390	-.13880	-.17550	-.15410	-.28650	-.28900	-.30250	-.30940
	GRADIENT	.02647	.02624	.02810	.02789	-.01000	-.01019	-.01088	-.01179

RUN NO. 227/ 0 RN/L = 4.21 GRADIENT INTERVAL = -5.00/ 5.00

ALPHA	BETA	CP68	CP70	CP72	CP74	CP67	CP69	CP71	CP73
3.927	-.016	-.31360	-.29350	-.35380	-.32620	-.28700	-.29280	-.30360	-.30520
	GRADIENT	.00000	.00000	.00300	.00000	.00000	.00000	.00000	.00000

ARC 11-023 1A80 OTS (SRB NOM+) (SSME NOM)

(ME4008) (28 OCT 75)

REFERENCE DATA

SREF = 2690.0000 SQ.FT. XMRP = .0000 IN.
 LREF = 1290.3000 IN. YMRP = .0000 IN.
 BREF = 1290.3000 IN. ZMRP = .0000 IN.
 SCALE = .0200

PARAMETRIC DATA

ELV-18 = .000 ELV-08 = .000
 RN/L = 4.250 MACH = 1.100

RUN NO. 77/ 0 RN/L = 4.31 GRADIENT INTERVAL = -5.00/ 5.00

ALPHA	BETA	CP68	CP70	CP72	CP74	CP67	CP69	CP71	CP73
-3.907	.000	.03590	.05030	-.02320	.04810	.07870	.07890	.06100	.05930
	GRADIENT	.00000	.00000	.00700	.00000	.00000	.00000	.00000	.00000

RUN NO. 78/ 0 RN/L = 4.31 GRADIENT INTERVAL = -5.00/ 5.00

ALPHA	BETA	CP68	CP70	CP72	CP74	CP67	CP69	CP71	CP73
-.515	-4.003	-.05160	-.04030	-.10890	-.04200	-.02960	-.02960	-.03960	-.03740
-.525	.003	.03790	.05180	-.02490	.05090	.02450	.02520	.00950	.01130
-.426	4.012	.08060	.09260	.02410	.09230	.03980	.03550	.02280	.01600
	GRADIENT	.01649	.01658	.01559	.01675	.00866	.00812	.00778	.00666

ORIGINAL PAGE IS
OF POOR QUALITY

DATE 22 JUN 76

TABULATED SOURCE DATA - IABO

PAGE 879

ARC 11-023 IABO OTS (SRB NOM+) (SSME NOM)

(ME4010) (28 OCT 75)

REFERENCE DATA

SREF = 2690.0000 SQ.FT. XMRP = .0000 IN.
 LREF = 1290.3000 IN. YMRP = .0000 IN.
 BREF = 1290.3000 IN. ZMRP = .0000 IN.
 SCALE = .0200

PARAMETRIC DATA

ELV-1B = .000 ELV-0B = .000
 RN/L = 4.250 MACH = 1.400

RUN NO. 4/ 0 RN/L = 4.29 GRADIENT INTERVAL = -5.00/ 5.00

ALPHA	BETA	CP68	CP70	CP72	CP74	CP67	CP69	CP71	CP73
-3.904	-.006	.06580	.08250	.024 0	.04940	.04630	.04420	.03750	.03950
	GRADIENT	.00000	.00000	.00000	.00000	.00000	.00000	.00000	.00000

RUN NO. 5/ 0 RN/L = 4.29 GRADIENT INTERVAL = -5.00/ 5.00

ALPHA	BETA	CP68	CP70	CP72	CP74	CP67	CP69	CP71	CP73
-.406	-4.009	.02640	.03680	.005 0	.01380	-.05040	-.05020	-.05000	-.04950
-.370	.000	.03890	.04020	.01830	.02640	-.01510	-.01880	-.01880	-.02190
-.453	4.012	-.00440	.00520	-.00660	.00120	.02300	.02450	.01760	.01790
	GRADIENT	-.00384	-.00394	-.00146	-.00157	.00915	.00932	.00843	.00840

RUN NO. 6/ 0 RN/L = 4.29 GRADIENT INTERVAL = -5.00/ 5.00

ALPHA	BETA	CP68	CP70	CP72	CP74	CP67	CP69	CP71	CP73
3.9+4	-.006	-.01930	-.01410	-.02890	-.02530	-.07770	-.08380	-.07990	-.08550
	GRADIENT	.00000	.00000	.00000	.00000	.00000	.00000	.00000	.00000

ARC 11-023 IABO OTS (SRB NOM+) (SSME NOM+)

(ME4011) (28 OCT 75)

REFERENCE DATA

SREF = 2690.0000 SQ.FT. XMRP = .0000 IN.
 LREF = 1290.3000 IN. YMRP = .0000 IN.
 BREF = 1290.3000 IN. ZMRP = .0000 IN.
 SCALE = .0200

PARAMETRIC DATA

ELV-1B = .000 ELV-0B = .000
 RN/L = 3.400 MACH = .600

RUN NO. 249/ 0 RN/L = 3.38 GRADIENT INTERVAL = -5.00/ 5.00

ALPHA	BETA	CP68	CP70	CP72	CP74	CP67	CP69	CP71	CP73
-3.957	-.016	-.16430	-.15280	-.18080	.15860	-.15930	-.15760	-.16390	-.16970
	GRADIENT	.00000	.00000	.00000	.00000	.00000	.00000	.00000	.00000

RUN NO. 250/ 0 RN/L = 3.40 GRADIENT INTERVAL = -5.00/ 5.00

ALPHA	BETA	CP68	CP70	CP72	CP74	CP67	CP69	CP71	CP73
-.337	-4.041	-.23000	-.22550	-.24660	-.22400	-.13120	-.12840	-.13360	-.13220
-.383	-.022	-.15760	-.15020	-.17760	-.15290	-.16440	-.16630	-.17590	-.17380
-.400	3.997	-.08690	-.07830	-.10750	-.07860	-.20460	-.20760	-.20870	-.21180
	GRADIENT	.01780	.01831	.01731	.01829	-.00913	-.00985	-.00934	-.00990

ARC 11-023 1A80 OTS (SRB NOM) (SSME NOM+)

(ME4013) (27 OCT 75)

REFERENCE DATA

SREF = 2690.0000 SQ.FT. XMRP = .0000 IN.
 LREF = 1290.3000 IN. YMRP = .0000 IN.
 BREF = 1290.3000 IN. ZMRP = .0000 IN.
 SCALE = .0200

PARAMETRIC DATA

ELV-1B = .000 ELV-0B = .000
 RN/L = 4.250 MACH = 1.100

RUN NO. 80/ D RN/L = 4.32 GRADIENT INTERVAL = -5.00/ 5.00

ALPHA	BETA	CP68	CP70	CP72	CP74	CP67	CP69	CP71	CP73
-3.950	.006	.03370	.04910	-.03040	.04770	.07290	.06990	.05370	.05230
	GRADIENT	.00000	.00000	.00000	.00000	.00000	.00000	.00000	.00000

RUN NO. 81/ D RN/L = 4.32 GRADIENT INTERVAL = -5.00/ 5.00

ALPHA	BETA	CP68	CP70	CP72	CP74	CP67	CP69	CP71	CP73
-.509	-4.066	-.06520	-.04710	-.19520	-.04980	-.03240	-.03200	-.04220	-.04150
-.552	-.056	.03830	.04970	-.02560	.05060	.01760	.02240	.00410	.00700
-.486	3.950	.07460	.08440	.01850	.08630	.03540	.03180	.01960	.01310
	GRADIENT	.01744	.01641	.01548	.01686	.00846	.00796	.00771	.00681

RUN NO. 82/ D RN/L = 4.32 GRADIENT INTERVAL = -5.00/ 5.00

ALPHA	BETA	CP68	CP70	CP72	CP74	CP67	CP69	CP71	CP73
4.629	-.369	-.01080	.00430	-.07470	-.00470	-.04780	-.04890	-.06250	-.05950
	GRADIENT	.00000	.00000	.00000	.00000	.00000	.05000	.00000	.00000

ARC 11-023 1A80 OTS (SRB NOM) (SSME NOM+)

(ME4014) (28 OCT 75)

REFERENCE DATA

SREF = 2690.0000 SQ.FT. XMRP = .0000 IN.
 LREF = 1290.3000 IN. YMRP = .0000 IN.
 BREF = 1290.3000 IN. ZMRP = .0000 IN.
 SCALE = .0200

PARAMETRIC DATA

ELV-1B = .000 ELV-0B = .000
 RN/L = 4.250 MACH = 1.250

RUN NO. 54/ D RN/L = 4.38 GRADIENT INTERVAL = -5.00/ 5.00

ALPHA	BETA	CP68	CP70	CP72	CP74	CP67	CP69	CP71	CP73
-3.963	.006	.06700	.07710	.02470	.06890	.04900	.04850	.03800	.03990
	GRADIENT	.00000	.00000	.00000	.00000	.00000	.00000	.00000	.00000

RUN NO. 55/ D RN/L = 4.39 GRADIENT INTERVAL = -5.00/ 5.00

ALPHA	BETA	CP68	CP70	CP72	CP74	CP67	CP69	CP71	CP73
-.492	-4.006	-.00740	.00820	-.03260	-.00200	-.04480	-.04860	-.04370	-.04170
-.466	.003	.05380	.05330	.01440	.05150	-.02140	-.02380	-.03050	-.03040
-.522	4.029	.03600	.05390	.02910	.05440	.03810	.04800	.03100	.02750
	GRADIENT	.00542	.00570	.00772	.00704	.01034	.01105	.00932	.00863

DATE 22 JUN 76

TABULATED SOURCE DATA - 1A80

PAGE 063

ARC 11-023 1A80 OTS (SRB NOM) (SSME NOM-)

(ME4016) (28 OCT 75)

REFERENCE DATA

SREF = 2690.0000 SQ.FT. XMRP = .0000 IN.
 LREF = 1290.3000 IN. YMRP = .0000 IN.
 BREF = 1290.3000 IN. ZMRP = .0000 IN.
 SCALE = .0200

PARAMETRIC DATA

ELV-18 = .000 ELV-08 = .000
 RN/L = 4.250 MACH = .900

RUN NO. 234/ 0 RN/L = 4.20 GRADIENT INTERVAL = -5.00/ 5.00

ALPHA	BETA	CP68	CP70	CP72	CP74	CP67	CP69	CP71	CP73
-3.986	-.012	-.27130	-.24760	-.30820	-.27870	-.21380	-.21200	-.23000	-.23440
	GRADIENT	.00000	.00000	.00000	.00000	.00000	.00000	.00000	.00000

RUN NO. 235/ 0 RN/L = 4.21 GRADIENT INTERVAL = -5.00/ 5.00

ALPHA	BETA	CP68	CP70	CP72	CP74	CP67	CP69	CP71	CP73
-.350	-4.031	-.37340	-.35210	-.40370	-.38120	-.21120	-.19470	-.20260	-.21110
-.301	-.016	-.26310	-.25260	-.30810	-.27760	-.23300	-.24580	-.26260	-.25720
-.317	4.000	-.15150	-.13150	-.18840	-.15150	-.28350	-.28540	-.30070	-.30870
	GRADIENT	.02763	.02747	.02681	.02860	-.00900	-.01129	-.01221	-.01215

RUN NO. 236/ 0 RN/L = 4.20 GRADIENT INTERVAL = -5.00/ 5.00

ALPHA	BETA	CP68	CP70	CP72	CP74	CP67	CP69	CP71	CP73
3.947	-.019	-.31270	-.29220	-.35870	-.32930	-.29220	-.29440	-.30690	-.30890
	GRADIENT	.00000	.00000	.00000	.00000	.00000	.00000	.00000	.00000

ARC 11-023 1A80 OTS (SRB NOM) (SSME NOM-)

(ME4017) (28 OCT 75)

REFERENCE DATA

SREF = 2690.0000 SQ.FT. XMRP = .0000 IN.
 LREF = 1290.3000 IN. YMRP = .0000 IN.
 BREF = 1290.3000 IN. ZMRP = .0000 IN.
 SCALE = .0200

PARAMETRIC DATA

ELV-18 = .000 ELV-08 = .000
 RN/L = 4.250 MACH = 1.100

RUN NO. 83/ 0 RN/L = 4.32 GRADIENT INTERVAL = -5.00/ 5.00

ALPHA	BETA	CP68	CP70	CP72	CP74	CP67	CP69	CP71	CP73
-4.020	-.069	.03140	.04620	-.03440	.04480	.07560	.07470	.05780	.05570
	GRADIENT	.00000	.00000	.00000	.00000	.00000	.00000	.00000	.00000

RUN NO. 84/ 0 RN/L = 4.31 GRADIENT INTERVAL = -5.00/ 5.00

ALPHA	BETA	CP68	CP70	CP72	CP74	CP67	CP69	CP71	CP73
-.479	-4.069	-.04240	-.03570	-.10890	-.03780	-.03700	-.03100	-.04630	-.04390
-.489	-.056	.03550	.04980	-.02840	.04850	.02090	.02390	.00640	.00960
-.486	3.947	.08170	.09140	.02100	.03330	.03860	.03590	.02370	.01660
	GRADIENT	.01623	.01586	.01621	.01636	.00943	.00834	.00873	.00755

ORIGINAL PAGE IS
OF POOR QUALITY

DATE 22 JUN 76

TABULATED SOURCE DATA - 1A80

PAGE 885

ARC 11-023 1A80 OTS (SRB NOM) (SSME NOM-)

(ME4019) (28 OCT '75)

REFERENCE DATA

SREF = 2690.0000 SQ.FT. XMRP = .0000 IN.
 LREF = 1290.3000 IN. YMRP = .0000 IN.
 BREF = 1290.3000 IN. ZMRP = .0000 IN.
 SCALE = .0200

PARAMETRIC DATA

ELV-18 = .000 ELV-08 = .000
 RN/L = 4.250 MACH = 1.400

RUN NO. 10/ 0 RN/L = 4.27 GRADIENT INTERVAL = -5.00/ 5.00

ALPHA	BETA	CP68	CP70	CP72	CP74	CP67	CP69	CP71	CP73
-3.848	-.006	.06950	.08600	.02170	.05280	.04490	.04810	.03840	.03920
	GRADIENT	.00000	.00000	.00000	.00000	.00000	.00000	.00000	.00000

RUN NO. 11/ 0 RN/L = 4.27 GRADIENT INTERVAL = -5.00/ 5.00

ALPHA	BETA	CP68	CP70	CP72	CP74	CP67	CP69	CP71	CP73
-.357	-4.009	.03140	.03740	.00680	.01680	-.05520	-.05350	-.05410	-.05350
-.363	.000	.04330	.04510	.01450	.02910	-.01760	-.02050	-.02160	-.02390
-.462	4.012	-.00690	.00060	-.00800	.00160	.02290	.02330	.02060	.02080
	GRADIENT	-.00478	-.00459	-.00185	-.00190	.00974	.00957	.00931	.00926

RUN NO. 12/ 0 RN/L = 4.27 GRADIENT INTERVAL = -5.00/ 5.00

ALPHA	BETA	CP68	CP70	CP72	CP74	CP67	CP69	CP71	CP73
3.386	-.003	-.01210	-.01270	-.03090	-.02220	-.07820	-.08150	-.08270	-.08610
	GRADIENT	.00000	.00000	.00000	.00000	.00000	.00000	.00000	.00000

ARC 11-023 1A80 OTS (SRB NOM) (SSME NOM)

(ME4020) (28 OCT 75)

REFERENCE DATA

SREF = 2690.0000 SQ.FT. XMRP = .0000 IN.
 LREF = 1290.3000 IN. YMRP = .0000 IN.
 BREF = 1290.3000 IN. ZMRP = .0000 IN.
 SCALE = .0200

PARAMETRIC DATA

ELV-18 = .000 ELV-08 = .000
 RN/L = 3.400 MACH = .600

RUN NO. 246/ 0 RN/L = 3.36 GRADIENT INTERVAL = -5.00/ 5.00

ALPHA	BETA	CP68	CP70	CP72	CP74	CP67	CP69	CP71	CP73
-3.868	-.016	-.17070	-.15040	-.18470	-.16050	-.16300	-.16090	-.16330	-.16790
	GRADIENT	.00000	.00000	.00000	.00000	.00000	.00000	.00000	.00000

RUN NO. 247/ 0 RN/L = 3.39 GRADIENT INTERVAL = -5.00/ 5.00

ALPHA	BETA	CP68	CP70	CP72	CP74	CP67	CP69	CP71	CP73
-.327	-4.038	-.20300	-.21870	-.24100	-.21450	-.11210	-.12680	-.13170	-.12100
-.291	-.022	-.17110	-.14930	-.17860	-.15650	-.17940	-.16960	-.17170	-.17790
-.386	3.994	-.07470	-.07600	-.10180	-.07220	-.19040	-.21490	-.20740	-.21630
	GRADIENT	.01598	.01777	.01733	.01772	-.00975	-.01097	-.00943	-.01187

DATE 22 JUN 76

TABULATED SOURCE DATA - IABO

PAGE 887

ARC 11-023 IABO OTS (SRB NOM) (SSME NOM)

(ME4022) (28 OCT 75)

REFERENCE DATA

SREF = 2690.0000 SQ.FT. XMRP = .0000 IN.
 LREF = 1290.3000 IN. YMRP = .0000 IN.
 BREF = 1290.3000 IN. ZMRP = .0000 IN.
 SCALE = .0200

PARAMETRIC DATA

ELV-1B = .000 ELV-0B = .000
 RN/L = 4.250 MACH = 1.100

RUN NO. 86/ 0 RN/L = 4.32 GRADIENT INTERVAL = -5.00/ 5.00

ALPHA	BETA	CP68	CP70	CP72	CP74	CP67	CP69	CP71	CP73
-3.937	-.063	.03390	.04900	-.03110	.04780	.07360	.07340	.05650	.05530
	GRADIENT	.00000	.00000	.00000	.00000	.00000	.00000	.00000	.00000

RUN NO. 87/ 0 RN/L = 4.32 GRADIENT INTERVAL = -5.00/ 5.00

ALPHA	BETA	CP68	CP70	CP72	CP74	CP67	CP69	CP71	CP73
-.525	-4.069	-.05300	-.04090	-.11200	-.04340	-.03300	-.03360	-.04310	-.04380
-.439	-.056	.03740	.04880	-.02730	.04920	.01850	.02270	.00680	.00920
-.482	3.950	.08110	.09130	.02310	.09390	.03920	.03400	.02130	.01580
	GRADIENT	.01672	.01649	.01685	.01712	.00900	.00843	.00803	.00743

RUN NO. 88/ 0 RN/L = 4.32 GRADIENT INTERVAL = -5.00/ 5.00

ALPHA	BETA	CP68	CP70	CP72	CP74	CP67	CP69	CP71	CP73
3.963	-.063	-.00620	.00810	-.07410	-.00170	-.04420	-.04550	-.05680	-.05620
	GRADIENT	.00000	.00000	.00000	.00000	.00000	.00000	.00000	.00000

ARC 11-023 IABO OTS (SRB NOM) (SSME NOM)

(ME4023) (28 OCT 75)

REFERENCE DATA

SREF = 2690.0000 SQ.FT. XMRP = .0000 IN.
 LREF = 1290.3000 IN. YMRP = .0000 IN.
 BREF = 1290.3000 IN. ZMRP = .0000 IN.
 SCALE = .0200

PARAMETRIC DATA

ELV-1B = .000 ELV-0B = .000
 RN/L = 4.250 MACH = 1.250

RUN NO. 60/ 0 RN/L = 4.37 GRADIENT INTERVAL = -5.00/ 5.00

ALPHA	BETA	CP68	CP70	CP72	CP74	CP67	CP69	CP71	CP73
-3.917	.003	.06510	.07490	.02160	.06470	.04880	.04970	.03870	.03860
	GRADIENT	.00000	.00000	.00000	.00000	.00000	.00000	.00000	.00000

RUN NO. 61/ 0 RN/L = 4.37 GRADIENT INTERVAL = -5.00/ 5.00

ALPHA	BETA	CP68	CP70	CP72	CP74	CP67	CP69	CP71	CP73
-.446	-4.006	-.00070	.00770	-.03510	-.00010	-.04520	-.04690	-.04450	-.04770
-.456	.003	.06130	.06660	.01960	.06190	-.02140	-.02350	-.02920	-.02900
-.439	4.012	.04820	.04930	.02480	.05490	.04250	.05100	.03620	.03260
	GRADIENT	.00610	.00519	.00747	.00685	.01094	.01221	.01006	.01601

ORIGINAL PAGE IS
OF POOR QUALITY

DATE 22 JUN 76

TABULATED SOURCE DATA - 1A80

PAGE 883

ARC 11-023 1A80 OTS (SRB NOM-) (SSME NOM)

(ME4025) (28 OCT 75)

REFERENCE DATA

SREF = 2690.0000 SQ.FT. XMRP = .0000 IN.
 LREF = 1290.3000 IN. YMRP = .0000 IN.
 BREF = 1290.3000 IN. ZMRP = .0000 IN.
 SCALE = .0200

PARAMETRIC DATA

ELV-1B = .000 ELV-0B = .000
 RN/L = 4.250 MACH = 1.100

RUN NO. 89/ 0 RN/L = 4.32 GRADIENT INTERVAL = -5.00/ 5.00

ALPHA	BETA	CP68	CP70	CP72	CP74	CP67	CP69	CP71	CP73
-4.020	-.063	.03260	.04690	-.03390	.04520	.07090	.07150	.05370	.05180
	GRADIENT	.00000	.00000	.00000	.00000	.00000	.00000	.00000	.00000

RUN NO. 90/ 0 RN/L = 4.32 GRADIENT INTERVAL = -5.00/ 5.00

ALPHA	BETA	CP68	CP70	CP72	CP74	CP67	CP69	CP71	CP73
-.482	-4.069	-.05590	-.04320	-.11390	-.04460	-.03630	-.03490	-.04510	-.04320
-.489	-.059	.03820	.04810	-.02630	.05010	.02060	.02310	.00430	.00760
-.453	3.950	.08110	.09100	.02180	.09190	.03480	.03240	.01980	.01240
	GRADIENT	.01709	.01674	.01692	.01702	.00887	.00839	.00809	.00693

RUN NO. 91/ 0 RN/L = 4.32 GRADIENT INTERVAL = -5.00/ 5.00

ALPHA	BETA	CP68	CP70	CP72	CP74	CP67	CP69	CP71	CP73
4.029	-.059	-.00800	.00630	-.07560	-.00260	-.04780	-.04980	-.06010	-.05950
	GRADIENT	.00000	.00000	.00000	.00000	.00000	.00000	.00000	.00000

ARC 11-023 1A80 OTS (SRB NOM-) (SSME NOM)

(ME4026) (28 OCT 75)

REFERENCE DATA

SREF = 2690.0000 SQ.FT. XMRP = .0000 IN.
 LREF = 1290.3000 IN. YMRP = .0000 IN.
 BREF = 1290.3000 IN. ZMRP = .0000 IN.
 SCALE = .0200

PARAMETRIC DATA

ELV-1B = .000 ELV-0B = .000
 RN/L = 4.250 MACH = 1.250

RUN NO. 63/ 0 RN/L = 4.36 GRADIENT INTERVAL = -5.00/ 5.00

ALPHA	BETA	CP68	CP70	CP72	CP74	CP67	CP69	CP71	CP73
-3.983	.000	.06540	.07680	.02290	.06890	.04990	.05130	.04010	.04190
	GRADIENT	.00000	.00000	.00000	.00000	.00000	.00000	.00000	.00000

RUN NO. 64/ 0 RN/L = 4.36 GRADIENT INTERVAL = -5.00/ 5.00

ALPHA	BETA	CP68	CP70	CP72	CP74	CP67	CP69	CP71	CP73
-.443	-4.006	-.09090	.00740	-.03770	.00080	-.04920	-.04730	-.04810	-.04980
-.426	.003	.05070	.06670	.01780	.06050	-.02350	-.02430	-.03310	-.03250
-.456	4.016	.04910	.05190	.03140	.06050	.04860	.05090	.04410	.03590
	GRADIENT	.00623	.00555	.00861	.00744	.01219	.01224	.01149	.01068

DATE 22 JUN 76

TABULATED SOURCE DATA - 1A80

PAGE 891

ARC 11-023 1A80 OTS (SRB OFF) (SSME OFF)

(ME4028) (28 OCT 75)

REFERENCE DATA

SREF = 2690.0000 SQ.FT. XMRP = .0000 IN.
 LREF = 1290.3000 IN. YMRP = .0000 IN.
 BREF = 1290.3000 IN. ZMRP = .0000 IN.
 SCALE = .0200

PARAMETRIC DATA

ELV-18 = .000 ELV-08 = .000
 RN/L = 3.400 MACH = .600

RUN NO. 237/ 0 RN/L = 3.39 GRADIENT INTERVAL = -5.00/ 5.00

ALPHA	BETA	CP68	CP70	CP72	CP74	CP67	CP69	CP71	CP73
-4.000	-.016	-.11020	-.09680	-.12350	-.10190	-.10470	-.10740	-.11530	-.11700
	GRADIENT	.00000	.00000	.00000	.00000	.00000	.00000	.00000	.00000

RUN NO. 238/ 0 RN/L = 3.38 GRADIENT INTERVAL = -5.00/ 5.00

ALPHA	BETA	CP68	CP70	CP72	CP74	CP67	CP69	CP71	CP73
-.264	-4.034	-.16490	-.15930	-.17740	-.16030	-.08100	-.07510	-.08290	-.07880
-.261	-.019	-.10950	-.10160	-.12310	-.10600	-.12110	-.11940	-.12240	-.12520
-.274	3.991	-.04550	-.03540	-.05560	-.04300	-.15390	-.16530	-.16360	-.16910
	GRADIENT	.01488	.01544	.01393	.01462	-.00908	-.01124	-.01006	-.01125

RUN NO. 239/ 0 RN/L = 3.39 GRADIENT INTERVAL = -5.00/ 5.00

ALPHA	BETA	CP68	CP70	CP72	CP74	CP67	CP69	CP71	CP73
4.013	-.019	-.10450	-.09210	-.11630	-.09440	-.12470	-.12490	-.13170	-.12590
	GRADIENT	.00000	.00000	.00000	.00000	.00000	.00000	.00000	.00000

ARC 11-023 1A80 OTS (SRB OFF) (SSME OFF)

(ME4029) (28 OCT 75)

REFERENCE DATA

SREF = 2690.0000 SQ.FT. XMRP = .0000 IN.
 LREF = 1290.3000 IN. YMRP = .0000 IN.
 BREF = 1290.3000 IN. ZMRP = .0000 IN.
 SCALE = .0200

PARAMETRIC DATA

ELV-18 = .000 ELV-08 = .000
 RN/L = 4.250 MACH = .900

RUN NO. 219/ 0 RN/L = 4.25 GRADIENT INTERVAL = -5.00/ 5.00

ALPHA	BETA	CP68	CP70	CP72	CP74	CP67	CP69	CP71	CP73
-3.980	-.006	-.26430	-.24530	-.29500	-.27070	-.20210	-.20400	-.22280	-.22310
	GRADIENT	.00000	.00000	.00000	.00000	.00000	.00000	.00000	.00000

RUN NO. 220/ 0 RN/L = 4.25 GRADIENT INTERVAL = -5.00/ 5.00

ALPHA	BETA	CP69	CP70	CP72	CP74	CP67	CP69	CP71	CP73
-.320	-4.022	-.36530	-.34530	-.39300	-.36890	-.18430	-.16700	-.17710	-.17460
-.310	-.009	-.25320	-.25110	-.30520	-.27700	-.22100	-.23430	-.24610	-.24440
-.297	4.006	-.13170	-.11370	-.14540	-.12650	-.27600	-.27630	-.28880	-.29660
	GRADIENT	.02910	.02885	.03084	.03019	-.01142	-.01361	-.01391	-.01520

ORIGINAL PAGE IS
OF POOR QUALITY

DATE 22 JUN 76

TABULATED SOURCE DATA - IA80

PAGE 893

ARC 11-023 IA80 OTS (SRB OFF) (SSME OFF)

(ME4031) (28 OCT 75)

REFERENCE DATA

SREF = 2690.0000 SQ.FT. XMRP = .0000 IN.
 LREF = 1290.3000 IN. YMRP = .0000 IN.
 BREF = 1290.3000 IN. ZMRP = .0000 IN.
 SCALE = .0200

ELV-1B = .000 ELV-0B = .000
 RN/L = 4.250 MACH = 1.250

PARAMETRIC DATA

RUN NO. 66/ 0 RN/L = 4.36 GRADIENT INTERVAL = -5.00/ 5.00

ALPHA	BETA	CP68	CP70	CP72	CP74	CP67	CP69	CP71	CP73
-3.970	-.003	.06490	.07700	.02080	.06510	.05950	.06130	.04970	.05000
	GRADIENT	.00000	.00000	.00000	.00000	.00000	.00000	.00000	.00000

RUN NO. 67/ 0 RN/L = 4.36 GRADIENT INTERVAL = -5.00/ 5.00

ALPHA	BETA	CP68	CP70	CP72	CP74	CP67	CP69	CP71	CP73
-.330	-4.006	.01000	.02020	-.03980	.01000	-.05140	-.05010	-.05200	-.05210
-.317	.003	.05950	.06460	.01480	.06210	-.02200	-.02450	-.02900	-.02940
-.370	4.012	.05910	.06490	.03000	.06890	.05710	.05520	.04600	.04390
	GRADIENT	.00612	.00557	.00858	.00735	.01353	.01313	.01222	.01197

RUN NO. 68/ 0 RN/L = 4.36 GRADIENT INTERVAL = -5.00/ 5.00

ALPHA	BETA	CP68	CP70	CP72	CP74	CP67	CP69	CP71	CP73
3.950	-.003	.01670	.02380	-.02880	.01760	-.09100	-.09100	-.09620	-.09480
	GRADIENT	.00000	.00000	.00000	.00000	.00000	.00000	.00000	.00000

ARC 11-023 IA80 OTS (SRB OFF) (SSME OFF)

(ME4032) (28 OCT 75)

REFERENCE DATA

SREF = 2690.0000 SQ.FT. XMRP = .0000 IN.
 LREF = 1290.3000 IN. YMRP = .0000 IN.
 BREF = 1290.3000 IN. ZMRP = .0000 IN.
 SCALE = .0200

ELV-1B = .000 ELV-0B = .000
 RN/L = 4.250 MACH = 1.400

PARAMETRIC DATA

RUN NO. 19/ 0 RN/L = 4.24 GRADIENT INTERVAL = -5.00/ 5.00

ALPHA	BETA	CP68	CP70	CP72	CP74	CP67	CP69	CP71	CP73
-4.043	.000	.07390	.08860	.01680	.05230	.05450	.05570	.04680	.04710
	GRADIENT	.00000	.00000	.00000	.00000	.00000	.00000	.00000	.00000

RUN NO. 20/ 0 RN/L = 4.25 GRADIENT INTERVAL = -5.00/ 5.00

ALPHA	BETA	CP68	CP70	CP72	CP74	CP67	CP69	CP71	CP73
-.195	-4.012	.03970	.04920	-.00060	.01990	-.06540	-.06480	-.06600	-.06680
-.211	.000	.04840	.05260	.01430	.03050	-.02180	-.02490	-.02420	-.02520
.083	4.006	-.00590	-.00330	-.01780	-.00830	.01450	.01730	.01220	.01220
	GRADIENT	-.00568	-.00655	-.00214	-.00352	.00996	.01024	.00975	.00985

ARC 11-023 IABO OTS (SRB OFF) (SSME OFF)

(ME4034) (28 OCT 75)

REFERENCE DATA				PARAMETRIC DATA					
SREF =	2690.0000	SQ.FT.	XMRP =	.0000	IN.	ELV-16 =	.000	ELV-08 =	.000
LREF =	1290.3000	IN.	YMRP =	.0000	IN.	RN/L =	2.250	MACH =	.900
BREF =	1290.3000	IN.	ZMRP =	.0000	IN.				
SCALE =	.0200								

RUN NO. 267/ 0		RN/L =	2.16		GRADIENT INTERVAL =		-5.00/ 5.00		
ALPHA	BETA	CP68	CP70	CP72	CP74	CP67	CP69	CP71	CP73
-3.947	.000	-.26270	-.24380	-.29990	-.27330	-.20910	-.21170	-.22980	-.23110
	GRADIENT	.00000	.00000	.00000	.00000	.00000	.00000	.00000	.00000

RUN NO. 268/ 0		RN/L =	2.16		GRADIENT INTERVAL =		-5.00/ 5.00		
ALPHA	BETA	CP68	CP70	CP72	CP74	CP67	CP69	CP71	CP73
-.264	-4.044	-.35870	-.34960	-.39610	-.37520	-.17120	-.17680	-.17750	-.17750
-.271	-.331	-.27820	-.25670	-.30850	-.28890	-.24330	-.24320	-.25590	-.25750
-.304	3.984	-.12200	-.10230	-.14540	-.12040	-.28580	-.28740	-.29990	-.31560
	GRADIENT	.02949	.03081	.03123	.03174	-.01427	-.01378	-.01525	-.01720

RUN NO. 269/ 0		RN/L =	2.16		GRADIENT INTERVAL =		-5.00/ 5.00		
ALPHA	BETA	CP68	CP70	CP72	CP74	CP67	CP69	CP71	CP73
3.990	-.003	-.26570	-.25590	-.30230	-.27390	-.24970	-.25830	-.25710	-.26110
	GRADIENT	.00000	.00000	.00000	.00000	.00000	.00000	.00000	.00000

ARC 11-023 IABO OTS (SRB OFF) (SSME OFF)

(ME4035) (28 OCT 75)

REFERENCE DATA				PARAMETRIC DATA					
SREF =	2690.0000	SQ.FT.	XMRP =	.0000	IN.	ELV-16 =	.000	ELV-08 =	.000
LREF =	1290.3000	IN.	YMRP =	.0000	IN.	RN/L =	2.250	MACH =	1.100
BREF =	1290.3000	IN.	ZMRP =	.0000	IN.				
SCALE =	.0200								

RUN NO. 22/ 0		RN/L =	2.24		GRADIENT INTERVAL =		-5.00/ 5.00		
ALPHA	BETA	CP68	CP70	CP72	CP74	CP67	CP69	CP71	CP73
-3.957	.000	.01780	.02830	-.02180	.00510	.05630	.05580	.03880	.03710
	GRADIENT	.00000	.00000	.00000	.00000	.00000	.00000	.00000	.00000

RUN NO. 23/ 0		RN/L =	2.25		GRADIENT INTERVAL =		-5.00/ 5.00		
ALPHA	BETA	CP68	CP70	CP72	CP74	CP67	CP69	CP71	CP73
-.225	-4.009	-.06090	-.05190	-.09910	-.07600	-.04660	-.04210	-.05400	-.04820
-.225	.000	.01940	.02650	-.02120	.00450	.00210	.00380	-.01140	-.01000
-.231	4.012	.06790	.07530	.02910	.05280	.00840	.00570	-.00820	-.01440
	GRADIENT	.01606	.01586	.01593	.01606	.00686	.00608	.00571	.00421

ARC 11-023 1A80 OTS (SRB OFF) (SSME OFF)

(ME4037) (28 OCT 75)

REFERENCE DATA

SREF = 2690.0000 SQ.FT. XMRP = .0000 IN.
 LREF = 1290.3000 IN. YMRP = .0000 IN.
 BREF = 1290.3000 IN. ZMRP = .0000 IN.
 SCALE = .0200

PARAMETRIC DATA

ELV-1B = .000 ELV-0B = .000
 RN/L = 2.250 MACH = 1.400

RUN NO. 33/ 0 RN/L = 2.23 GRADIENT INTERVAL = -5.00/ 5.00

ALPHA	BETA	CP68	CP70	CP72	CP74	CP67	CP69	CP71	CP73
-4.013	.003	.06030	.06530	.01070	.04220	.02660	.03000	.02380	.02500
	GRADIENT	.00000	.00000	.00000	.00000	.00000	.00000	.00000	.00000

RUN NO. 34/ 0 RN/L = 2.23 GRADIENT INTERVAL = -5.00/ 5.00

ALPHA	BETA	CP68	CP70	CP72	CP74	CP67	CP69	CP71	CP73
-.241	-4.006	.02840	.02900	-.03910	.00990	-.08440	-.08620	-.06280	-.02500
-.264	.000	.03490	.03560	.00060	.01740	-.04350	-.04410	-.04760	-.04630
-.267	4.009	.00430	.00250	-.01600	.00090	.01180	.01030	.00500	.00370
	GRADIENT	-.00301	-.00331	-.00086	-.00112	.01200	.01204	.01095	.01107

RUN NO. 35/ 0 RN/L = 2.24 GRADIENT INTERVAL = -5.00/ 5.00

ALPHA	BETA	CP68	CP70	CP72	CP74	CP67	CP69	CP71	CP73
4.010	.003	-.02020	-.02490	-.04960	-.03580	-.11060	-.11420	-.11300	-.11520
	GRADIENT	.00000	.00000	.00000	.00000	.00000	.00000	.00000	.00000

ARC 11-023 1A80 OTS (SRB NOM) (SSME NOM)

(ME4038) (28 OCT 75)

REFERENCE DATA

SREF = 2690.0000 SQ.FT. XMRP = .0000 IN.
 LREF = 1290.3000 IN. YMRP = .0000 IN.
 BREF = 1290.3000 IN. ZMRP = .0000 IN.
 SCALE = .0200

PARAMETRIC DATA

ELV-1B = .000 ELV-0B = .000
 RN/L = 1.750 MACH = .600

RUN NO. 273/ 0 RN/L = 1.76 GRADIENT INTERVAL = -5.00/ 5.00

ALPHA	BETA	CP68	CP70	CP72	CP74	CP67	CP69	CP71	CP73
-3.980	-.003	-.15840	-.14690	-.17010	-.15920	-.16250	-.15520	-.15990	-.16390
	GRADIENT	.00000	.00000	.00000	.00000	.00000	.00000	.00000	.00000

RUN NO. 274/ 0 RN/L = 1.77 GRADIENT INTERVAL = -5.00/ 5.00

ALPHA	BETA	CP68	CP70	CP72	CP74	CP67	CP69	CP71	CP73
-.314	-4.044	-.21400	-.21820	-.23720	-.21690	-.11480	-.11760	-.12310	-.11560
-.317	-.009	-.15490	-.14950	-.17710	-.15560	-.16230	-.16630	-.17040	-.16700
-.327	3.981	-.09270	-.07360	-.13790	-.08320	-.21280	-.20670	-.21020	-.20890
	GRADIENT	.01511	.01802	.01611	.01666	-.01221	-.01110	-.01086	-.01163

DATE 22 JUN 76

TABULATED SOURCE DATA - IABO

PAGE 899

ARC 11-023 IABO OTS (SRB NOM) (SSME NOM)

(ME4040) (28 OCT 75)

REFERENCE DATA

SREF = 2690.0000 SQ.FT. XMRP = .0000 IN.
 LREF = 1290.3000 IN. YMRP = .0000 IN.
 BREF = 1290.3000 IN. ZMRP = .0000 IN.
 SCALE = .0200

PARAMETRIC DATA

ELV-1B = .000 ELV-0B = .000
 RN/L = 2.250 MACH = 1.100

RUN NO. 27/ 0 RN/L = 2.25 GRADIENT INTERVAL = -5.00/ 5.00

ALPHA	BETA	CP68	CP70	CP72	CP74	CP67	CP69	CP71	CP73
-3.801	-.006	.02250	.03060	-.01840	.00920	.05240	.05100	.03400	.03400
	GRADIENT	.00000	.00000	.00000	.00000	.00000	.00000	.00000	.00000

RUN NO. 28/ 0 RN/L = 2.25 GRADIENT INTERVAL = -5.00/ 5.00

ALPHA	BETA	CP68	CP70	CP72	CP74	CP67	CP69	CP71	CP73
-.304	-4.003	-.06790	-.05930	-.10400	-.08030	-.04180	-.04270	-.05220	-.05120
-.267	.003	.02270	.02950	-.01520	.00820	-.00400	.00110	-.01180	-.01210
-.390	4.016	.07430	.07940	.03800	.06210	.00960	.00810	-.00790	-.01260
	GRADIENT	.01773	.01730	.01771	.01776	.00643	.00633	.00552	.00481

RUN NO. 29/ 0 RN/L = 2.26 GRADIENT INTERVAL = -5.00/ 5.00

ALPHA	BETA	CP68	CP70	CP72	CP74	CP67	CP69	CP71	CP73
3.983	.003	-.01020	-.00180	-.05460	-.02800	-.05840	-.05660	-.06940	-.06540
	GRADIENT	.00000	.00000	.00000	.00000	.00000	.00000	.00000	.00000

ARC 11-023 IABO OTS (SRB OFF) (SSME OFF)

(ME4041) (28 OCT 75)

REFERENCE DATA

SREF = 2690.0000 SQ.FT. XMRP = .0000 IN.
 LREF = 1290.3000 IN. YMRP = .0000 IN.
 BREF = 1290.3000 IN. ZMRP = .0000 IN.
 SCALE = .0200

PARAMETRIC DATA

ELV-1B = .000 ELV-0B = .000
 RN/L = 2.500 MACH = .600

RUN NO. 252/ 0 RN/L = 2.55 GRADIENT INTERVAL = -5.00/ 5.00

ALPHA	BETA	CP68	CP70	CP72	CP74	CP67	CP69	CP71	CP73
-4.000	-.022	-.11040	-.09150	-.11970	-.10120	-.10440	-.10030	-.10670	-.10810
	GRADIENT	.00000	.00000	.00000	.00000	.00000	.00000	.00000	.00000

RUN NO. 253/ 0 RN/L = 2.55 GRADIENT INTERVAL = -5.00/ 5.00

ALPHA	BETA	CP68	CP70	CP72	CP74	CP67	CP69	CP71	CP73
-.261	-4.041	-.16290	-.15160	-.17490	-.15720	-.07890	-.07470	-.07980	-.07510
-.271	-.025	-.09490	-.09780	-.12020	-.09870	-.11050	-.11660	-.12120	-.12020
-.343	3.991	-.04910	-.04460	-.05980	-.03870	-.15000	-.16160	-.16580	-.16030
	GRADIENT	.01529	.01457	.01433	.01475	-.00885	-.01082	-.01071	-.01061

DATE 22 JUN 76

TABULATED SOURCE DATA - IAB0

PAGE 901

ARC 11-023 IAB0 OTS (SRB OFF) (SSME OFF)

(ME4043) (28 OCT 75)

REFERENCE DATA

SREF = 2690.0000 SQ.FT. XMRP = .0000 IN.
 LREF = 1290.3000 IN. YMRP = .0000 IN.
 BREF = 1290.3000 IN. ZMRP = .0000 IN.
 SCALE = .0200

PARAMETRIC DATA

ELV-18 = .000 ELV-08 = .000
 RN/L = 3.250 MACH = 1.100

RUN NO. 36/ 0 RN/L = 3.28 GRADIENT INTERVAL = -5.00/ 5.00

ALPHA	BETA	CP68	CP70	CP72	CP74	CP67	CP69	CP71	CP73
-4.016	.003	.02740	.04150	-.01140	.02190	.07550	.07610	.05900	.05630
	GRADIENT	.00000	.00000	.00000	.00000	.00000	.00000	.00000	.00000

RUN NO. 37/ 0 RN/L = 3.27 GRADIENT INTERVAL = -5.00/ 5.00

ALPHA	BETA	CP68	CP70	CP72	CP74	CP67	CP69	CP71	CP73
-.287	-4.006	-.05160	-.03990	-.08870	-.06030	-.03770	-.03690	-.04750	-.04480
-.291	.000	.02860	.03940	-.01170	.02100	.01340	.01750	.00140	.00300
-.310	4.006	.07270	.08310	.03570	.06600	.03150	.02880	.01420	.00820
	GRADIENT	.01551	.01535	.01553	.01576	.00864	.00820	.00770	.00661

RUN NO. 38/ 0 RN/L = 3.27 GRADIENT INTERVAL = -5.00/ 5.00

ALPHA	BETA	CP68	CP70	CP72	CP74	CP67	CP69	CP71	CP73
4.016	.003	-.00530	.01030	-.05220	-.01980	-.04400	-.04030	-.05150	-.05060
	GRADIENT	.00000	.00000	.00000	.00000	.00000	.00000	.00000	.00000

ARC 11-023 IAB0 OTS (SRB OFF) (SSME OFF)

(ME4044) (28 OCT 75)

REFERENCE DATA

SREF = 2690.0000 SQ.FT. XMRP = .0000 IN.
 LREF = 1290.3000 IN. YMRP = .0000 IN.
 BREF = 1290.3000 IN. ZMRP = .0000 IN.
 SCALE = .0200

PARAMETRIC DATA

ELV-18 = .000 ELV-08 = .000
 RN/L = 3.250 MACH = 1.250

RUN NO. 42/ 0 RN/L = 3.29 GRADIENT INTERVAL = -5.00/ 5.00

ALPHA	BETA	CP68	CP70	CP72	CP74	CP67	CP69	CP71	CP73
-3.953	.000	.06110	.06990	.02630	.05360	.05690	.05600	.04500	.04630
	GRADIENT	.00000	.00000	.00000	.00000	.00000	.00000	.00000	.00000

RUN NO. 43/ 0 RN/L = 3.29 GRADIENT INTERVAL = -5.00/ 5.00

ALPHA	BETA	CP68	CP70	CP72	CP74	CP67	CP69	CP71	CP73
-.287	-4.003	-.00310	.00550	-.04040	-.01320	-.06610	-.06070	-.06440	-.06720
-.277	.003	.05100	.05520	.01910	.04380	-.03080	-.02900	-.03630	-.03400
-.376	4.012	.05440	.05980	.03120	.05480	.04320	.04510	.03820	.03250
	GRADIENT	.00717	.00676	.03893	.00848	.01364	.01320	.01280	.01244

ARC 11-023 IAB0 OTS (SRB OFF) (SSME OFF)

(ME4044) (28 OCT 75)

REFERENCE DATA

SREF = 2690.0000 SQ.FT. XMRP = .0000 IN.
 LREF = 1290.3000 IN. YMRP = .0000 IN.
 BREF = 1290.3000 IN. ZMRP = .0000 IN.
 SCALE = .0200

PARAMETRIC DATA

ELV-1B = .000 ELV-0B = .000
 RN/L = 3.250 MACH = 1.400

RUN NO. 44/ 0 RN/L = 3.29 GRADIENT INTERVAL = -5.00/ 5.00

ALPHA	BETA	CP68	CP70	CP72	CP74	CP67	CP69	CP71	CP73
3.947	-.003	.00750	.01450	-.02330	-.00070	-.09890	-.10070	-.10110	-.10160
	GRADIENT	.00000	.00000	.03000	.00000	.00000	.00000	.00000	.00000

ARC 11-023 IAB0 OTS (SRB OFF) (SSME OFF)

(ME4045) (28 OCT 75)

REFERENCE DATA

SREF = 2690.0000 SQ.FT. XMRP = .0000 IN.
 LREF = 1290.3000 IN. YMRP = .0000 IN.
 BREF = 1290.3000 IN. ZMRP = .0000 IN.
 SCALE = .0200

PARAMETRIC DATA

ELV-1B = .000 ELV-0B = .000
 RN/L = 3.250 MACH = 1.400

RUN NO. 45/ 0 RN/L = 3.23 GRADIENT INTERVAL = -5.00/ 5.00

ALPHA	BETA	CP68	CP70	CP72	CP74	CP67	CP69	CP71	CP73
-3.990	-.003	.06480	.07830	.03760	.05250	.03670	.04000	.03020	.03250
	GRADIENT	.00000	.00000	.03000	.00000	.00000	.00000	.00000	.00000

RUN NO. 46/ 0 RN/L = 3.22 GRADIENT INTERVAL = -5.00/ 5.00

ALPHA	BETA	CP68	CP70	CP72	CP74	CP67	CP69	CP71	CP73
-.284	-4.000	.03950	.04520	-.02240	.02630	-.06970	-.06960	-.06640	-.06890
-.297	.000	.04230	.04580	.03380	.03290	-.02900	-.03070	-.03400	-.03490
-.294	4.009	.00360	.00820	-.01960	.00210	.01510	.01680	.01340	.00990
	GRADIENT	-.00448	-.00462	-.03215	-.00302	.01059	.01079	.00996	.00984

RUN NO. 47/ 0 RN/L = 3.21 GRADIENT INTERVAL = -5.00/ 5.00

ALPHA	BETA	CP68	CP70	CP72	CP74	CP67	CP69	CP71	CP73
3.980	.000	-.01240	-.01540	-.04130	-.02470	-.09530	-.09770	-.09620	-.10090
	GRADIENT	.00000	.00000	.03000	.00000	.00000	.00000	.00000	.00000

DATE 22 JUN 76

TABULATED SOURCE DATA - IAB0

PAGE 903

ARC 11-023 IAB0 OTS (SRB NOM) (SSME NOM)

(ME4046) (28 OCT 75)

REFERENCE DATA

SREF = 2690.0000 SQ.FT. XMRP = .0000 IN.
 LREF = 1290.3000 IN. YMRP = .0000 IN.
 BREF = 1290.3000 IN. ZMRP = .0000 IN.
 SCALE = .0200

PARAMETRIC DATA

ELV-18 = .000 ELV-08 = .000
 RN/L = 2.500 MACH = .600

RUN NO. 255/ 0 RN/L = 2.56 GRADIENT INTERVAL = -5.00/ 5.00

ALPHA	BETA	CP68	CP70	CP72	CP74	CP67	CP69	CP71	CP73
-3.894	-.022	-.14940	-.14630	-.17400	-.15140	-.14430	-.15930	-.16160	-.16380
	GRADIENT	.00000	.00000	.00000	.00000	.00000	.00000	.00000	.00000

RUN NO. 256/ 0 RN/L = 2.55 GRADIENT INTERVAL = -5.00/ 5.00

ALPHA	BETA	CP68	CP70	CP72	CP74	CP67	CP69	CP71	CP73
-.350	-4.041	-.21310	-.20910	-.23130	-.21370	-.11370	-.11430	-.11800	-.11660
-.320	-.025	-.15620	-.14840	-.17630	-.15260	-.16870	-.16430	-.17080	-.16700
-.337	3.994	-.09940	-.07710	-.11120	-.06690	-.23110	-.21000	-.21370	-.22300
	GRADIENT	.01415	.01643	.01495	.01578	-.01461	-.01191	-.01191	-.01324

RUN NO. 257/ 0 RN/L = 2.56 GRADIENT INTERVAL = -5.00/ 5.00

ALPHA	BETA	CP68	CP70	CP72	CP74	CP67	CP69	CP71	CP73
4.076	-.028	-.12450	-.13540	-.15480	-.12940	-.14860	-.16720	-.16260	-.16270
	GRADIENT	.00000	.00000	.00000	.00000	.00000	.00000	.00000	.00000

ARC 11-023 IAB0 OTS (SRB NOM) (SSME NOM)

(ME4047) (28 OCT 75)

REFERENCE DATA

SREF = 2690.0000 SQ.FT. XMRP = .0000 IN.
 LREF = 1290.3000 IN. YMRP = .0000 IN.
 BREF = 1290.3000 IN. ZMRP = .0000 IN.
 SCALE = .0200

PARAMETRIC DATA

ELV-18 = .000 ELV-08 = .000
 RN/L = 3.250 MACH = .900

RUN NO. 261/ 0 RN/L = 3.12 GRADIENT INTERVAL = -5.00/ 5.00

ALPHA	BETA	CP68	CP70	CP72	CP74	CP67	CP69	CP71	CP73
-4.033	.000	-.25930	-.24510	-.30000	-.27150	-.20600	-.21200	-.23070	-.23070
	GRADIENT	.00000	.00000	.00000	.00000	.00000	.00000	.00000	.00000

RUN NO. 262/ 0 RN/L = 3.13 GRADIENT INTERVAL = -5.00/ 5.00

ALPHA	BETA	CP68	CP70	CP72	CP74	CP67	CP69	CP71	CP73
-.343	-4.044	-.36500	-.34820	-.39720	-.37620	-.19840	-.20420	-.19820	-.20850
-.340	-.028	-.26770	-.25240	-.30940	-.28130	-.24120	-.24940	-.26560	-.26350
-.340	3.991	-.12360	-.13240	-.16540	-.13270	-.28150	-.29060	-.30390	-.31880
	GRADIENT	.03005	.02686	.02885	.03031	-.01034	-.01075	-.01316	-.01249

DATE 22 JUN 76

TABULATED SOURCE DATA - IAB0

PAGE 905

ARC 11-023 IAB0 OTS (SRB OFF) (SSME OFF)

(ME4049) (13 NOV 75)

REFERENCE DATA

SREF = 2690.0000 SQ.FT. XMRP = .0000 IN.
 LREF = 1290.3000 IN. YMRP = .0000 IN.
 BREF = 1290.3000 IN. ZMRP = .0000 IN.
 SCALE = .0200

PARAMETRIC DATA

ELV-1B = 8.000 ELV-0B = 4.000
 RN/L = 4.250 ALPHA = .000

RUN NO. 92/ 0 RN/L = -.06 GRADIENT INTERVAL = -5.00/ 5.00

BETA	MACH	CP68	CP70	CP72	CP74	CP67	CP69	CP71	CP73
.033	.000	.00000	.00000	.00000	.00000	.84870	.00000	.00000	.00000
	GRADIENT	.00000	.00000	.00000	.00000	.00000	.00000	.00000	.00000

ARC 11-023 IAB0 OTS (SRB NOM) (SSME NOM)

(ME4050) (13 NOV 75)

REFERENCE DATA

SREF = 2690.0000 SQ.FT. XMRP = .0000 IN.
 LREF = 1290.3000 IN. YMRP = .0000 IN.
 BREF = 1290.3000 IN. ZMRP = .0000 IN.
 SCALE = .0200

PARAMETRIC DATA

ELV-1B = 8.000 ELV-0B = 4.000
 RN/L = 4.250 ALPHA = .000

RUN NO. 93/ 0 RN/L = -.06 GRADIENT INTERVAL = -5.00/ 5.00

BETA	MACH	CP68	CP70	CP72	CP74	CP67	CP69	CP71	CP73
.007	.000	.00000	.00000	.00000	.00000	.54260	.00000	.00000	.00000
	GRADIENT	.00000	.00000	.00000	.00000	.00000	.00000	.00000	.00000

ARC 11-023 IAB0 OTS (SRB OFF) (SSME OFF)

(ME4051) (28 OCT 75)

REFERENCE DATA

SREF = 2690.0000 SQ.FT. XMRP = .0000 IN.
 LREF = 1290.3000 IN. YMRP = .0000 IN.
 BREF = 1290.3000 IN. ZMRP = .0000 IN.
 SCALE = .0200

PARAMETRIC DATA

ELV-1B = 8.000 ELV-0B = 4.000
 RN/L = 4.250 MACH = .980

RUN NO. 112/ 0 RN/L = 4.31 GRADIENT INTERVAL = -5.00/ 5.00

ALPHA	BETA	CP68	CP70	CP72	CP74	CP67	CP69	CP71	CP73
-3.950	-.063	-.14630	-.11910	-.10550	-.15430	-.08310	-.08210	-.10220	-.10610
	GRADIENT	.00000	.00000	.00000	.00000	.00000	.00000	.00000	.00000

ORIGINAL PAGE IS
OF POOR QUALITY

ARC 11-023 IABO OTS (SRB OFF) (SSME OFF)

(ME4053) (28 OCT 75)

REFERENCE DATA

SREF = 2690.0000 SQ.FT. XMRP = .0000 IN.
 LREF = 1290.3000 IN. YMRP = .0000 IN.
 BREF = 1290.3000 IN. ZMRP = .0000 IN.
 SCALE = .0200

PARAMETRIC DATA

ELV-18 = 8.000 ELV-08 = 4.000
 RN/L = 3.400 MACH = .500

RUN NO. 288/ 0 RN/L = 3.47 GRADIENT INTERVAL = -5.00/ 5.00

ALPHA	BETA	CP68	CP70	CP72	CP74	CP67	CP69	CP71	CP73
-3.944	.000	-.21970	-.19100	-.22770	-.20950	-.17420	-.16230	-.17180	-.17680
	GRADIENT	.00000	.00000	.00000	.00000	.00000	.00000	.00000	.00000

RUN NO. 289/ 0 RN/L = 3.47 GRADIENT INTERVAL = -5.00/ 5.00

ALPHA	BETA	CP68	CP70	CP72	CP74	CP67	CP69	CP71	CP73
-.320	-4.050	-.25650	-.24420	-.27410	-.25260	-.14040	-.13530	-.14640	-.14470
-.297	.000	-.20640	-.19260	-.22920	-.19900	-.17410	-.17520	-.18360	-.18220
-.314	3.978	-.14730	-.13670	-.18010	-.14680	-.20880	-.21040	-.21680	-.21680
	GRADIENT	.01360	.01339	.01171	.01318	-.00852	-.00936	-.00877	-.00923

RUN NO. 290/ 0 RN/L = 3.47 GRADIENT INTERVAL = -5.00/ 5.00

ALPHA	BETA	CP68	CP70	CP72	CP74	CP67	CP69	CP71	CP73
4.053	.000	-.19370	-.16790	-.21480	-.19400	-.17150	-.17450	-.17480	-.17850
	GRADIENT	.00000	.00000	.00000	.00000	.00000	.00000	.00000	.00000

ARC 11-023 IABO OTS (SRB OFF) (SSME OFF)

(ME4054) (28 OCT 75)

REFERENCE DATA

SREF = 2690.0000 SQ.FT. XMRP = .0000 IN.
 LREF = 1290.3000 IN. YMRP = .0000 IN.
 BREF = 1290.3000 IN. ZMRP = .0000 IN.
 SCALE = .0200

PARAMETRIC DATA

ELV-18 = 8.000 ELV-08 = 4.000
 RN/L = 4.250 MACH = .900

RUN NO. 295/ 0 RN/L = 4.19 GRADIENT INTERVAL = -5.00/ 5.00

ALPHA	BETA	CP68	CP70	CP72	CP74	CP67	CP69	CP71	CP73
-3.940	-.044	-.27310	-.25120	-.30450	-.27950	-.20660	-.20770	-.22060	-.22690
	GRADIENT	.00000	.00000	.00000	.00000	.00000	.00000	.00000	.00000

RUN NO. 297/ 0 RN/L = 4.18 GRADIENT INTERVAL = -5.00/ 5.00

ALPHA	BETA	CP68	CP70	CP72	CP74	CP67	CP69	CP71	CP73
-.294	-4.059	-.37770	-.35580	-.40380	-.38490	-.20740	-.19550	-.20030	-.20440
-.320	-.041	-.27890	-.26430	-.31800	-.29120	-.23470	-.24480	-.25640	-.25790
-.314	3.975	-.20740	-.17190	-.22270	-.19010	-.30160	-.29360	-.30100	-.30960
	GRADIENT	.02120	.02289	.02254	.02425	-.01172	-.01221	-.01253	-.01309

DATE 22 JUN 76

TABULATED SOURCE DATA - 1A80

PAGE 909

ARC 11-023 1A80 OTS (SRB OFF) (SSME OFF)

(ME4053) (28 OCT 75)

REFERENCE DATA

SREF = 2690.0000 SQ.FT. XMRP = .0000 IN.
 LREF = 1290.3000 IN. YMRP = .0000 IN.
 BREF = 1290.3000 IN. ZMRP = .0000 IN.
 SCALE = .0200

PARAMETRIC DATA

ELV-1B = 8.000 ELV-08 = 4.000
 RN/L = 4.250 MACH = 1.250

RUN NO. 94/ 0 RN/L = 4.40 GRADIENT INTERVAL = -5.00/ 5.00

ALPHA	BETA	CP68	CP70	CP72	CP74	CP67	CP69	CP71	CP73
-3.950	-.063	.05940	.07490	.02920	.04640	.06220	.06550	.05360	.05070
	GRADIENT	.00000	.00000	.00000	.00000	.00000	.00000	.00000	.00000

RUN NO. 95/ 0 RN/L = 4.40 GRADIENT INTERVAL = -5.00/ 5.00

ALPHA	BETA	CP68	CP70	CP72	CP74	CP67	CP69	CP71	CP73
-.324	-4.075	.00590	.01990	-.02590	-.01000	-.06430	-.06590	-.06920	-.06920
-.314	-.063	.05310	.06440	.02680	.04090	-.02670	-.02710	-.03680	-.03460
-.343	3.953	.05460	.06540	.01800	.05000	.06060	.05840	.04900	.04530
	GRADIENT	.00607	.00567	.00796	.00747	.01556	.01548	.01472	.01426

RUN NO. 96/ 0 RN/L = 4.39 GRADIENT INTERVAL = -5.00/ 5.00

ALPHA	BETA	CP68	CP70	CP72	CP74	CP67	CP69	CP71	CP73
3.957	-.066	.01240	.02000	-.01760	-.00030	-.09870	-.09650	-.10410	-.10450
	GRADIENT	.00000	.00000	.00000	.00000	.00000	.00000	.00000	.00000

ARC 11-023 1A80 OTS (SRB OFF) (SSME OFF)

(ME4057) (28 OCT 75)

REFERENCE DATA

SREF = 2690.0000 SQ.FT. XMRP = .0000 IN.
 LREF = 1290.3000 IN. YMRP = .0000 IN.
 BREF = 1290.3000 IN. ZMRP = .0000 IN.
 SCALE = .0200

PARAMETRIC DATA

ELV-1B = 8.000 ELV-08 = 4.000
 RN/L = 4.250 MACH = 1.400

RUN NO. 100/ 0 RN/L = 4.31 GRADIENT INTERVAL = -5.00/ 5.00

ALPHA	BETA	CP68	CP70	CP72	CP74	CP67	CP69	CP71	CP73
-3.953	-.063	.07040	.08830	.01040	.04910	.04910	.05140	.04080	.04310
	GRADIENT	.00000	.00000	.00030	.00000	.00000	.00000	.00000	.00000

RUN NO. 101/ 0 RN/L = 4.31 GRADIENT INTERVAL = -5.00/ 5.00

ALPHA	BETA	CP68	CP70	CP72	CP74	CP67	CP69	CP71	CP73
-.317	-4.075	.04030	.05460	-.00220	.02060	-.07100	-.06870	-.07070	-.07400
-.320	-.059	.04580	.05550	.01140	.02990	-.02580	-.02670	-.03060	-.03110
-.522	3.956	.01020	.01640	-.01430	.00100	.02940	.03110	.02590	.02180
	GRADIENT	-.00375	-.00476	-.00157	-.00244	.01250	.01243	.01203	.01193

DATE 22 JUN 76

TABULATED SOURCE DATA - IAB0

PAGE 911

ARC 11-023 IAB0 OTS (SRB NOM) (SSME NOM)

(ME4059) (28 OCT 75)

REFERENCE DATA

SREF = 2690.0000 SQ.FT. XMRP = .0000 IN.
 LREF = 1290.3000 IN. YMRP = .0000 IN.
 BREF = 1290.3000 IN. ZMRP = .0000 IN.
 SCALE = .0200

PARAMETRIC DATA

ELV-18 = 8.000 ELV-08 = 4.000
 RN/L = 4.250 MACH = .909

RUN NO. 299/ 0 RN/L = 4.17 GRADIENT INTERVAL = -5.00/ 5.00

ALPHA	BETA	CP68	CP70	CP72	CP74	CP67	CP69	CP71	CP73
-3.983	-.038	-.28410	-.26420	-.32140	-.29270	-.22530	-.22540	-.24350	-.24570
	GRADIENT	.00000	.00000	.03000	.00000	.00000	.00000	.00000	.00000

RUN NO. 300/ 0 RN/L = 4.18 GRADIENT INTERVAL = -5.00/ 5.00

ALPHA	BETA	CP68	CP70	CP72	CP74	CP67	CP69	CP71	CP73
-.370	-4.059	-.39580	-.36570	-.42120	-.39700	-.22670	-.22790	-.22920	-.23980
-.403	-.044	-.27830	-.26520	-.32420	-.29800	-.25110	-.25960	-.27410	-.27320
-.409	3.972	-.22160	-.18620	-.24450	-.21280	-.31220	-.30900	-.32140	-.32900
	GRADIENT	.02045	.02210	.02200	.02294	-.01065	-.01010	-.01148	-.01111

RUN NO. 301/ 0 RN/L = 4.17 GRADIENT INTERVAL = -5.00/ 5.00

ALPHA	BETA	CP68	CP70	CP72	CP74	CP67	CP69	CP71	CP73
4.076	-.041	-.33140	-.31110	-.37440	-.35310	-.30280	-.31210	-.31930	-.32530
	GRADIENT	.00000	.00000	.03000	.00000	.00000	.00000	.00000	.00000

ARC 11-023 IAB0 OTS (SRB NOM) (SSME NOM)

(ME4060) (28 OCT 75)

REFERENCE DATA

SREF = 2690.0000 SQ.FT. XMRP = .0000 IN.
 LREF = 1290.3000 IN. YMRP = .0000 IN.
 BREF = 1290.3000 IN. ZMRP = .0000 IN.
 SCALE = .0200

PARAMETRIC DATA

ELV-18 = 8.000 ELV-08 = 4.000
 RN/L = 4.250 MACH = 1.100

RUN NO. 109/ 0 RN/L = 4.37 GRADIENT INTERVAL = -5.00/ 5.00

ALPHA	BETA	CP68	CP70	CP72	CP74	CP67	CP69	CP71	CP73
-3.937	-.059	.02630	.04570	-.0:080	.01700	.08230	.07830	.06270	.05870
	GRADIENT	.00000	.00000	.03000	.00000	.00000	.00000	.00000	.00000

RUN NO. 110/ 0 RN/L = 4.38 GRADIENT INTERVAL = -5.00/ 5.00

ALPHA	BETA	CP68	CP70	CP72	CP74	CP67	CP69	CP71	CP73
-.528	-4.075	-.05970	-.04320	-.03510	-.07150	-.04680	-.04370	-.06120	-.05780
-.492	-.063	.03300	.05030	-.00220	.02460	.01980	.02350	.00370	.00480
-.532	3.956	.06210	.07690	.02930	.05560	.02950	.02520	.01290	.00440
	GRADIENT	.01516	.01495	.01549	.01582	.00950	.00858	.00922	.00774

ORIGINAL PAGE IS
OF POOR QUALITY

DATE 22 JUN 76

TABULATED SOURCE DATA - 1A80

PAGE 913

ARC 11-023 1A80 OTS (SRB NOM) (SSME NOM)

(ME4062) (28 OCT 75)

REFERENCE DATA

SREF = 2690.0000 SQ.FT. XMRP = .0000 IN.
 LREF = 1290.3000 IN. YMRP = .0000 IN.
 BREF = 1290.3000 IN. ZMRP = .0000 IN.
 SCALE = .0200

PARAMETRIC DATA

ELV-18 = 8.000 ELV-08 = 4.000
 RN/L = 4.250 MACH = 1.400

RUN NO. 103/ 0 RN/L = 4.28 GRADIENT INTERVAL = -5.00/ 5.00

ALPHA	BETA	CP68	CP70	CP72	CP74	CP67	CP69	CP71	CP73
-3.937	-.069	.06440	.08330	.01480	.04860	.04040	.04190	.03090	.03100
	GRADIENT	.00000	.00000	.00000	.00000	.00000	.00000	.00000	.00000

RUN NO. 104/ 0 RN/L = 4.28 GRADIENT INTERVAL = -5.00/ 5.00

ALPHA	BETA	CP68	CP70	CP72	CP74	CP67	CP69	CP71	CP73
-.486	-4.078	.02980	.03770	.00000	.01570	-.05970	-.05740	-.05910	-.06140
-.486	-.063	.04280	.04870	.01140	.03150	-.02530	-.02760	-.02870	-.03160
-.499	3.953	-.00850	.00570	-.00630	.00260	.02230	.02550	.01960	.01980
	GRADIENT	-.00477	-.00398	-.00078	-.00163	.01021	.01032	.00980	.01011

RUN NO. 105/ 0 RN/L = 4.28 GRADIENT INTERVAL = -5.00/ 5.00

ALPHA	BETA	CP68	CP70	CP72	CP74	CP67	CP69	CP71	CP73
4.020	-.066	-.01590	-.01430	-.03160	-.02530	-.08830	-.09290	-.09320	-.09960
	GRADIENT	.00000	.00000	.00000	.00000	.00000	.00000	.00000	.00000

ARC 11-023 1A80 OTS (SRB NOM+) (SSME NOM)

(ME4063) (28 OCT 75)

REFERENCE DATA

SREF = 2690.0000 SQ.FT. XMRP = .0000 IN.
 LREF = 1290.3000 IN. YMRP = .0000 IN.
 BREF = 1290.3000 IN. ZMRP = .0000 IN.
 SCALE = .0200

PARAMETRIC DATA

ELV-18 = 8.000 ELV-08 = 4.000
 RN/L = 4.250 MACH = .980

RUN NO. 118/ 0 RN/L = 4.31 GRADIENT INTERVAL = -5.00/ 5.00

ALPHA	BETA	CP68	CP70	CP72	CP74	CP67	CP69	CP71	CP73
-3.868	-.063	-.14760	-.12270	-.19060	-.15600	-.09960	-.09820	-.12170	-.12360
	GRADIENT	.00000	.00000	.00000	.00000	.00000	.00000	.00000	.00000

RUN NO. 119/ 0 RN/L = 4.31 GRADIENT INTERVAL = -5.00/ 5.00

ALPHA	BETA	CP68	CP70	CP72	CP74	CP67	CP69	CP71	CP73
-.486	-4.075	-.24790	-.22590	-.28450	-.25470	-.17370	-.17080	-.19000	-.18770
-.456	-.063	-.15000	-.12660	-.19030	-.15900	-.14020	-.13610	-.15860	-.15680
-.439	3.953	-.10990	-.07540	-.14080	-.10730	-.15130	-.15380	-.16990	-.17530
	GRADIENT	.01831	.01875	.01791	.01836	.00279	.00212	.00250	.00154

DATE 22 JUN 76

TABULATED SOURCE DATA - IAB0

PAGE 915

ARC 11-023 IAB0 OTS (SRB OFF) (SSME OFF)

(ME4065) (28 OCT 75)

REFERENCE DATA

SREF = 2690.0000 SQ.FT. XMRP = .0000 IN.
 LREF = 1290.3000 IN. YMRP = .0000 IN.
 BREF = 1290.3000 IN. ZMRP = .0000 IN.
 SCALE = .0200

PARAMETRIC DATA

ELV-18 = 8.000 ELV-08 = -4.000
 RN/L = 4.250 MACH = .900

RUN NO. 302/ 0 RN/L = 4.21 GRADIENT INTERVAL = -5.00/ 5.00

ALPHA	BETA	CP68	CP70	CP72	CP74	CP67	CP69	CP71	CP73
-3.977	-.044	-.27410	-.25340	-.30710	-.28420	-.20980	-.21180	-.22660	-.22940
	GRADIENT	.00000	.00000	.00000	.00000	.00000	.00000	.00000	.00000

RUN NO. 303/ 0 RN/L = 4.18 GRADIENT INTERVAL = -5.00/ 5.00

ALPHA	BETA	CP68	CP70	CP72	CP74	CP67	CP69	CP71	CP73
-.304	-4.063	-.37830	-.35830	-.40490	-.39010	-.19280	-.18400	-.19260	-.19210
-.314	-.044	-.27430	-.26030	-.31430	-.29290	-.22960	-.24200	-.25340	-.25670
-.317	3.972	-.18350	-.15380	-.20400	-.18340	-.29490	-.29380	-.30540	-.31570
	GRADIENT	.02425	.02545	.02500	.02573	-.01271	-.01367	-.01404	-.01538

RUN NO. 304/ 0 RN/L = 4.17 GRADIENT INTERVAL = -5.00/ 5.00

ALPHA	BETA	CP68	CP70	CP72	CP74	CP67	CP69	CP71	CP73
3.930	-.041	-.30700	-.28770	-.33340	-.31760	-.26610	-.27500	-.27480	-.28010
	GRADIENT	.00000	.00000	.00000	.00000	.00000	.00000	.00000	.00000

ARC 11-023 IAB0 OTS (SRB OFF) (SSME OFF)

(ME4066) (28 OCT 75)

REFERENCE DATA

SREF = 2690.0000 SQ.FT. XMRP = .0000 IN.
 LREF = 1290.3000 IN. YMRP = .0000 IN.
 BREF = 1290.3000 IN. ZMRP = .0000 IN.
 SCALE = .0200

PARAMETRIC DATA

ELV-18 = 8.000 ELV-08 = -4.000
 RN/L = 4.250 MACH = 1.100

RUN NO. 133/ 0 RN/L = 4.40 GRADIENT INTERVAL = -5.00/ 5.00

ALPHA	BETA	CP68	CP70	CP72	CP74	CP67	CP69	CP71	CP73
-3.963	-.063	.02050	.04240	-.00770	.01200	.08100	.08240	.06390	.06070
	GRADIENT	.00000	.00000	.00000	.00000	.00000	.00000	.00000	.00000

RUN NO. 134/ 0 RN/L = 4.40 GRADIENT INTERVAL = -5.00/ 5.00

ALPHA	BETA	CP68	CP70	CP72	CP74	CP67	CP69	CP71	CP73
-.337	-4.072	-.05160	-.04010	-.08810	-.07030	-.05160	-.04590	-.06180	-.05720
-.334	-.059	.02590	.03720	-.01340	.00780	.01290	.01830	-.00190	.00110
-.376	3.950	.06340	.08270	.03740	.05780	.04220	.04020	.02690	.01880
	GRADIENT	.01434	.01531	.01555	.01597	.01169	.01073	.01106	.00947

DATE 22 JUN 76

TABULATED SOURCE DATA - IABO

PAGE 917

ARC 11-023 IABO OTS (SRB OFF) (SSME OFF)

(ME4068) (28 OCT 75)

REFERENCE DATA

SREF = 2690.0000 SQ.FT. XMRP = .0000 IN.
 LREF = 1290.3000 IN. YMRP = .0000 IN.
 BREF = 1290.3000 IN. ZMRP = .0000 IN.
 SCALE = .0200

PARAMETRIC DATA

ELV-1B = 8.000 ELV-0B = -4.000
 RN/L = 4.250 MACH = 1.400

RUN NO. 121/ 0 RN/L = 4.39 GRADIENT INTERVAL = -5.00/ 5.00

ALPHA	BETA	CP68	CP70	CP72	CP74	CP67	CP69	CP71	CP73
-3.944	-.059	.06850	.08630	.01390	.04610	.04750	.04960	.04170	.04360
	GRADIENT	.00000	.00000	.00000	.00000	.00000	.00000	.00000	.00000

RUN NO. 122/ 0 RN/L = 4.37 GRADIENT INTERVAL = -5.00/ 5.00

ALPHA	BETA	CP68	CP70	CP72	CP74	CP67	CP69	CP71	CP73
-.320	-4.072	.04150	.05630	.03320	.02070	-.07130	-.06990	-.07130	-.07190
-.320	-.059	.04570	.05670	.01350	.02880	-.02350	-.02340	-.02830	-.02970
-.347	3.953	.00940	.01820	-.01070	.00380	.02580	.03200	.02080	.02550
	GRADIENT	-.00400	-.00475	-.00173	-.00211	.01210	.01270	.01148	.01214

RUN NO. 123/ 0 RN/L = 4.35 GRADIENT INTERVAL = -5.00/ 5.00

ALPHA	BETA	CP68	CP70	CP72	CP74	CP67	CP69	CP71	CP73
3.960	-.063	-.00260	.00010	-.02820	-.02070	-.08580	-.09220	-.09220	-.09340
	GRADIENT	.00000	.00000	.00000	.00000	.00000	.00000	.00000	.00000

ARC 11-023 IABO OTS (SRB NOM) (SSME NOM)

(ME4069) (28 OCT 75)

REFERENCE DATA

SREF = 2690.0000 SQ.FT. XMRP = .0000 IN.
 LREF = 1290.3000 IN. YMRP = .0000 IN.
 BREF = 1250.3000 IN. ZMRP = .0000 IN.
 SCALE = .0200

PARAMETRIC DATA

ELV-1B = 8.000 ELV-0B = 4.000
 RN/L = 3.400 MACH = .600

RUN NO. 317/ 0 RN/L = 3.46 GRADIENT INTERVAL = -5.00/ 5.00

ALPHA	BETA	CP68	CP70	CP72	CP74	CP67	CP69	CP71	CP73
-3.920	-.044	-.25050	-.22960	-.25600	-.24730	-.19950	-.20630	-.21470	-.21540
	GRADIENT	.00000	.00000	.00000	.00000	.00000	.00000	.00000	.00000

RUN NO. 318/ 0 RN/L = 3.46 GRADIENT INTERVAL = -5.00/ 5.00

ALPHA	BETA	CP68	CP70	CP72	CP74	CP67	CP69	CP71	CP73
-.376	-4.066	-.29890	-.28860	-.31970	-.30350	-.15330	-.15700	-.16640	-.16570
-.373	-.050	-.23910	-.23000	-.25490	-.24200	-.20420	-.20740	-.21800	-.22080
-.426	3.969	-.19040	-.16690	-.20280	-.17830	-.25220	-.25110	-.25520	-.26180
	GRADIENT	.01350	.01515	.01455	.01558	-.01231	-.01171	-.01105	-.01195

ORIGINAL PAGE IS
OF POOR QUALITY

DATE 22 JUN 76

TABULATED SOURCE DATA - 1A80

PAGE 919

ARC 11-023 1A80 OTS (SRB NOM) (SSME NOM)

(ME4071) (28 OCT 75)

REFERENCE DATA

SREF = 2690.0000 SQ.FT. XMRP = .0000 IN.
 LREF = 1290.3000 IN. YMRP = .0000 IN.
 BREF = 1290.3000 IN. ZMRP = .0000 IN.
 SCALE = .0200

PARAMETRIC DATA

ELV-18 = 8.000 ELV-08 = -4.000
 RN/L = 4.250 MACH = 1.100

RUN NO. 136/ 0 RN/L = 4.37 GRADIENT INTERVAL = -5.00/ 5.00

ALPHA	BETA	CP68	CP70	CP72	CP74	CP67	CP69	CP71	CP73
-3.963	-.066	.04240	.04850	-.02550	.01890	.08780	.08030	.06010	.06140
	GRADIENT	.00000	.00000	.00000	.00000	.00000	.00000	.00000	.00000

RUN NO. 137/ 0 RN/L = 4.37 GRADIENT INTERVAL = -5.00/ 5.00

ALPHA	BETA	CP68	CP70	CP72	CP74	CP67	CP69	CP71	CP73
-.545	-4.072	-.05940	-.04570	-.10300	-.08190	-.06150	-.05570	-.07790	-.07340
-.667	-.059	.04590	.05480	-.03140	.02140	.01750	.01790	-.00530	-.00200
-.519	3.953	.09530	.10260	.05390	.07660	.04630	.04010	.02490	.01720
	GRADIENT	.01928	.01848	.01955	.01975	.01343	.01194	.01281	.01129

RUN NO. 138/ 0 RN/L = 4.37 GRADIENT INTERVAL = -5.00/ 5.00

ALPHA	BETA	CP68	CP70	CP72	CP74	CP67	CP69	CP71	CP73
3.990	-.066	-.00190	.01550	-.05980	-.03360	-.05680	-.06070	-.07740	-.07540
	GRADIENT	.00000	.00000	.00000	.00000	.00000	.00000	.00060	.00000

ARC 11-023 1A80 OTS (SRB NOM) (SSME NOM)

(ME4072) (28 OCT 75)

REFERENCE DATA

SREF = 2690.0000 SQ.FT. XMRP = .0000 IN.
 LREF = 1290.3000 IN. YMRP = .0000 IN.
 BREF = 1290.3000 IN. ZMRP = .0000 IN.
 SCALE = .0200

PARAMETRIC DATA

ELV-18 = 8.000 ELV-08 = -4.000
 RN/L = 4.250 MACH = 1.250

RUN NO. 130/ 0 RN/L = 4.40 GRADIENT INTERVAL = -5.00/ 5.00

ALPHA	BETA	CP68	CP70	CP72	CP74	CP67	CP69	CP71	CP73
-4.003	-.066	.06260	.07690	.03630	.05260	.05180	.05050	.03920	.03820
	GRADIENT	.00000	.00000	.00000	.00000	.00000	.00000	.00000	.00000

RUN NO. 131/ 0 RN/L = 4.40 GRADIENT INTERVAL = -5.00/ 5.00

ALPHA	BETA	CP68	CP70	CP72	CP74	CP67	CP69	CP71	CP73
-.502	-4.072	.09620	.01660	-.02010	-.00720	-.05690	-.05560	-.06140	-.06170
-.528	-.059	.05910	.06620	.03510	.04780	-.02380	-.02660	-.03270	-.03360
-.538	3.953	.04900	.05550	.04090	.04830	.04280	.04600	.03340	.02950
	GRADIENT	.00545	.00485	.00769	.00692	.01242	.01266	.01181	.01136

DATE 22 JUN 76

TABULATED SOURCE DATA - 1A80

PAGE 921

ARC 11-023 1A80 OTS (SRB OFF) (SSME OFF)

(ME4074) (28 OCT 75)

REFERENCE DATA

SREF = 2690.0000 SQ.FT. XMRP = .0000 IN.
 LREF = 1290.3000 IN. YMRP = .0000 IN.
 BREF = 1290.3000 IN. ZMRP = .0000 IN.
 SCALE = .0200

PARAMETRIC DATA

ELV-1B = 8.000 ELV-0B = .000
 RN/L = 3.400 MACH = .600

RUN NO. 276/ 0 RN/L = 3.50 GRADIENT INTERVAL = -5.00/ 5.00

ALPHA	BETA	CP68	CP70	CP72	CP74	CP67	CP65	CP71	CP73
-3.950	-.009	-.20070	-.16100	-.21820	-.19210	-.15600	-.15420	-.16270	-.16810
	GRADIENT	.00000	.00000	.00000	.00000	.00000	.00000	.00000	.00000

RUN NO. 277/ 0 RN/L = 3.51 GRADIENT INTERVAL = -5.00/ 5.00

ALPHA	BETA	CP68	CP70	CP72	CP74	CP67	CP69	CP71	CP73
-.301	-4.044	-.24730	-.24180	-.27020	-.24820	-.13900	-.12950	-.13990	-.13720
-.287	-.006	-.19720	-.18540	-.22050	-.19340	-.16670	-.17340	-.17870	-.17770
-.317	3.988	-.14880	-.13020	-.17770	-.14340	-.20880	-.20710	-.21380	-.21920
	GRADIENT	.01226	.01390	.01152	.01305	-.00881	-.00966	-.00920	-.01021

RUN NO. 278/ 0 RN/L = 3.51 GRADIENT INTERVAL = -5.00/ 5.00

ALPHA	BETA	CP68	CP70	CP72	CP74	CP67	CP69	CP71	CP73
3.947	-.009	-.19410	-.17770	-.21290	-.18940	-.17260	-.16960	-.17670	.73700
	GRADIENT	.00000	.00000	.00000	.00000	.00000	.00000	.00000	.00000

ARC 11-023 1A80 OTS (SRB OFF) (SSME OFF)

(ME4075) (28 OCT 75)

REFERENCE DATA

SREF = 2690.0000 SQ.FT. XMRP = .0000 IN.
 LREF = 1290.3000 IN. YMRP = .0000 IN.
 BREF = 1290.3000 IN. ZMRP = .0000 IN.
 SCALE = .0200

PARAMETRIC DATA

ELV-1B = 8.000 ELV-0B = .000
 RN/L = 4.250 MACH = .900

RUN NO. 282/ 0 RN/L = 4.25 GRADIENT INTERVAL = -5.00/ 5.00

ALPHA	BETA	CP68	CP70	CP72	CP74	CP67	CP69	CP71	CP73
-3.980	-.012	-.26700	-.24540	-.30320	-.27390	-.20210	-.20300	-.21980	-.22470
	GRADIENT	.00000	.00000	.00000	.00000	.00000	.00000	.00000	.00000

RUN NO. 283/ 0 RN/L = 4.25 GRADIENT INTERVAL = -5.00/ 5.00

ALPHA	BETA	CP68	CP70	CP72	CP74	CP67	CP69	CP71	CP73
-.324	-4.047	-.36510	-.34350	-.39540	-.37300	-.20270	-.19660	-.20220	-.20240
-.317	-.006	-.26140	-.24670	-.30360	-.27530	-.22290	-.23530	-.24710	-.24970
-.396	3.984	-.18330	-.16410	-.22050	-.18960	-.27440	-.27830	-.29030	-.29860
	GRADIENT	.02264	.02234	.02178	.02284	-.00892	-.01017	-.01097	-.01198

DATE 22 JUN 76

TABULATED SOURCE DATA - 1A80

PAGE 923

ARC 11-023 1A80 OTS (SRB OFF) (SSME OFF)

(ME4077) (28 OCT 75)

REFERENCE DATA

SREF = 2690.0000 SQ.FT. XMRP = .0000 IN.
 LREF = 1290.3000 IN. YMRP = .0000 IN.
 BREF = 1290.3000 IN. ZMRP = .0000 IN.
 SCALE = .0200

PARAMETRIC DATA

ELV-18 = 8.000 ELV-08 = .000
 RN/L = 4.250 MACH = 1.250

RUN NO. 147/ 0 RN/L = 4.48 GRADIENT INTERVAL = -5.00/ 5.00

ALPHA	BETA	CP68	CP70	CP72	CP74	CP67	CP69	CP71	CP73
-3.881	.012	.05890	.07500	.03270	.04740	.05740	.06110	.04900	.04600
	GRADIENT	.00000	.00000	.00000	.00000	.00000	.00000	.00000	.00000

RUN NO. 148/ 0 RN/L = 4.47 GRADIENT INTERVAL = -5.00/ 5.00

ALPHA	BETA	CP68	CP70	CP72	CP74	CP67	CP69	CP71	CP73
-.238	-3.994	.00460	.01830	-.02420	-.01050	-.05770	-.06240	-.06180	-.06670
-.258	.009	.05350	.06200	.02740	.04000	-.02860	-.02690	-.03580	-.03810
-.281	4.031	.06000	.06860	.04440	.05350	.05220	.05210	.04271	.03510
	GRADIENT	.00690	.00626	.00655	.00797	.01370	.01427	.01305	.01269

RUN NO. 149/ 0 RN/L = 4.46 GRADIENT INTERVAL = -5.00/ 5.00

ALPHA	BETA	CP68	CP70	CP72	CP74	CP67	CP69	CP71	CP73
3.953	.016	.01070	.02180	-.01290	.00010	-.09830	-.10040	-.10570	-.12520
	GRADIENT	.00000	.00000	.00000	.00000	.00000	.00000	.00000	.00000

ARC 11-023 1A80 OTS (SRB OFF) (SSME OFF)

(ME4078) (28 OCT 75)

REFERENCE DATA

SREF = 2690.0000 SQ.FT. XMRP = .0000 IN.
 LREF = 1290.3000 IN. YMRP = .0000 IN.
 BREF = 1290.3000 IN. ZMRP = .0000 IN.
 SCALE = .0200

PARAMETRIC DATA

ELV-18 = 8.000 ELV-08 = .000
 RN/L = 4.250 MACH = 1.400

RUN NO. 141/ 0 RN/L = 4.35 GRADIENT INTERVAL = -5.00/ 5.00

ALPHA	BETA	CP68	CP70	CP72	CP74	CP67	CP69	CP71	CP73
-3.980	-.066	.07570	.09350	.01820	.05290	.05210	.15670	.04700	.04670
	GRADIENT	.00000	.00000	.00000	.00000	.00000	.00000	.00000	.00000

RUN NO. 142/ 0 RN/L = 4.34 GRADIENT INTERVAL = -5.00/ 5.00

ALPHA	BETA	CP68	CP70	CP72	CP74	CP67	CP69	CP71	CP73
-.238	-4.072	.04140	.05480	.00240	.01900	-.07160	-.07030	-.07160	-.07430
-.228	-.063	.04850	.05790	.01440	.03060	-.02500	-.02580	-.03000	-.03180
-.261	3.953	.00990	.01820	-.01000	.00400	.02600	.02980	.02340	.01840
	GRADIENT	-.00393	-.00456	-.00155	-.00187	.01216	.01247	.01184	.01155

DATE 22 JUN 76

TABULATED SOURCE DATA - IABO

PAGE 925

ARC 11-023 IABO OTS (SRB NOM) (SSME NOM)

(ME4080) (28 OCT 75)

REFERENCE DATA

SREF = 2690.0000 SQ.FT. XMRP = .0000 IN.
 LREF = 1290.3000 IN. YMRP = .0000 IN.
 BREF = 1290.3000 IN. ZMRP = .0000 IN.
 SCALE = .0200

PARAMETRIC DATA

ELV-18 = 8.000 ELV-08 = .000
 RN/L = 4.250 MACH = .900

RUN NO. 285/ 0 RN/L = 4.18 GRADIENT INTERVAL = -5.00/ 5.00

ALPHA	BETA	CP68	CP70	CP72	CP74	CP67	CP69	CP71	CP73
-3.897	-.009	-.27970	-.25800	-.31980	-.28860	-.22660	-.22260	-.24330	-.24530
	GRADIENT	.00000	.00000	.00000	.00000	.00000	.00000	.00000	.00000

RUN NO. 286/ 0 RN/L = 4.19 GRADIENT INTERVAL = -5.00/ 5.00

ALPHA	BETA	CP68	CP70	CP72	CP74	CP67	CP69	CP71	CP73
-.353	-4.050	-.37510	-.35640	-.41420	-.38750	-.22420	-.22310	-.22920	-.23310
-.363	-.009	-.27620	-.26450	-.32330	-.29360	-.24560	-.25760	-.27070	-.27540
-.519	3.981	-.19790	-.18280	-.24730	-.21060	-.28530	-.29110	-.30600	-.31380
	GRADIENT	.02207	.02162	.02079	.02203	-.00760	-.00847	-.00956	-.01005

RUN NO. 287/ 0 RN/L = 4.18 GRADIENT INTERVAL = -5.00/ 5.00

ALPHA	BETA	CP68	CP70	CP72	CP74	CP67	CP69	CP71	CP73
3.980	-.012	-.32620	-.30370	-.36890	-.34190	-.30200	-.30310	-.31200	-.31810
	GRADIENT	.00000	.00000	.00000	.00000	.00000	.00000	.00000	.00000

ARC 11-023 IABO OTS (SRB NOM) (SSME NOM)

(ME4081) (28 OCT 75)

REFERENCE DATA

SREF = 2690.0000 SQ.FT. XMRP = .0000 IN.
 LREF = 1290.3000 IN. YMRP = .0000 IN.
 BREF = 1290.3000 IN. ZMRP = .0000 IN.
 SCALE = .0200

PARAMETRIC DATA

ELV-18 = 8.000 ELV-08 = .000
 RN/L = 4.250 MACH = 1.100

RUN NO. 156/ 0 RN/L = 4.38 GRADIENT INTERVAL = -5.00/ 5.00

ALPHA	BETA	CP68	CP70	CP72	CP74	CP67	CP69	CP71	CP73
-3.937	.012	.02560	.04610	-.00420	.01640	.08030	.07980	.06200	.05450
	GRADIENT	.00000	.00000	.00000	.00000	.00000	.00000	.00000	.00000

RUN NO. 157/ 0 RN/L = 4.38 GRADIENT INTERVAL = -5.00/ 5.00

ALPHA	BETA	CP68	CP70	CP72	CP74	CP67	CP69	CP71	CP73
-.396	-3.994	-.05580	-.03830	-.08760	-.06820	-.04400	-.04120	-.05840	-.05690
-.380	.009	.03940	.05510	.01270	.02870	.02140	.01980	.00320	.00190
-.393	4.031	.06810	.08650	.04540	.05840	.03400	.03150	.01830	.00480
	GRADIENT	.01543	.01555	.01594	.01577	.00971	.00905	.00955	.00768

ORIGINAL PAGE IS
OF POOR QUALITY

DATE 22 JUN 76

TABULATED SOURCE DATA - IAB0

PAGE 927

ARC 11-023 IAB0 OTS (SRB NOM) (SSME NOM)

(ME4083) (28 OCT 75)

REFERENCE DATA

SREF = 2690.0000 SQ.FT. XMRP = .0000 IN.
 LREF = 1290.3000 IN. YMRP = .0000 IN.
 BREF = 1290.3000 IN. ZMRP = .0000 IN.
 SCALE = .0200

PARAMETRIC DATA

ELV-1B = 8.000 ELV-0B = .000
 RN/L = 4.250 MACH = 1.400

RUN NO. 144/ 0 RN/L = 4.32 GRADIENT INTERVAL = -5.00/ 5.00

ALPHA	BETA	CP68	CP70	CP72	CP74	CP67	CP69	CP71	CP73
-3.983	-.066	.07200	.08930	.02630	.05230	.04640	.04650	.03900	.03650
	GRADIENT	.00000	.00000	.00000	.00000	.00000	.00000	.00000	.00000

RUN NO. 145/ 0 RN/L = 4.31 GRADIENT INTERVAL = -5.00/ 5.00

ALPHA	BETA	CP68	CP70	CP72	CP74	CP67	CP69	CP71	CP73
-.380	-4.059	.03090	.03850	.00400	.01380	-.05830	-.05500	-.05890	-.05970
-.380	-.059	.04330	.04950	.01530	.03010	-.02210	-.02650	-.02930	-.03230
-.409	3.953	-.00270	.00290	-.00790	-.00010	.02630	.02590	.02130	.01750
	GRADIENT	-.00420	-.00445	-.00149	-.00174	.01056	.01010	.01001	.00964

RUN NO. 146/ 0 RN/L = 4.27 GRADIENT INTERVAL = -5.00/ 5.00

ALPHA	BETA	CP68	CP70	CP72	CP74	CP67	CP69	CP71	CP73
3.828	.000	-.00750	-.00940	-.02270	-.01790	-.07560	-.08350	-.08810	-.09210
	GRADIENT	.00000	.00000	.00000	.00000	.00000	.00000	.00000	.00000

ARC 11-023 IAB0 OTS (SRB OFF) (SSME OFF)

(ME4084) (28 OCT 75)

REFERENCE DATA

SREF = 2690.0000 SQ.FT. XMRP = .0000 IN.
 LREF = 1290.3000 IN. YMRP = .0000 IN.
 BREF = 1290.3000 IN. ZMRP = .0000 IN.
 SCALE = .0200

PARAMETRIC DATA

ELV-1B = 8.000 ELV-0B = 2.000
 RN/L = 3.400 MACH = .600

RUN NO. 326/ 0 RN/L = 3.42 GRADIENT INTERVAL = -5.00/ 5.00

ALPHA	BETA	CP68	CP70	CP72	CP74	CP67	CP69	CP71	CP73
-3.953	-.044	-.23940	-.19420	-.23310	-.22070	-.19100	-.16320	-.17830	-.18790
	GRADIENT	.00000	.00000	.00000	.00000	.00000	.00000	.00000	.00000

RUN NO. 327/ 0 RN/L = 3.43 GRADIENT INTERVAL = -5.00/ 5.00

ALPHA	BETA	CP68	CP70	CP72	CP74	CP67	CP69	CP71	CP73
-.284	-4.063	-.26060	-.24200	-.26400	-.25230	-.14150	-.12760	-.13380	-.13760
-.291	-.047	-.19150	-.18600	-.21460	-.19590	-.16420	-.17300	-.17540	-.17810
-.320	3.969	-.17150	-.13620	-.18040	-.15670	-.22550	-.21040	-.21690	-.22300
	GRADIENT	.01109	.01317	.01041	.01190	-.01046	-.01031	-.01035	-.01063

DATE 22 JUN 76

TABULATED SOURCE DATA - 1A80

PAGE 929

ARC 11-023 1A80 OTS (SRB OFF) (SSME OFF)

(ME4086) (28 OCT 75)

REFERENCE DATA

SREF = 2690.0000 SQ.FT. XMRP = .0000 IN.
 LREF = 1290.3000 IN. YMRP = .0000 IN.
 BREF = 1290.3000 IN. ZMRP = .0000 IN.
 SCALE = .0200

PARAMETRIC DATA

ELV-1B = 8.000 ELV-0B = 2.000
 RN/L = 4.250 MACH = 1.100

RUN NO. 159/ 0 RN/L = 4.47 GRADIENT INTERVAL = -5.00/ 5.00

ALPHA	BETA	CP68	CP70	CP72	CP74	CP67	CP69	CP71	CP73
-4.013	.016	.02530	.04830	-.00250	.01710	.09080	.09350	.07560	.06630
	GRADIENT	.00000	.00000	.00000	.00000	.00000	.00000	.00000	.00000

RUN NO. 160/ 0 RN/L = 4.46 GRADIENT INTERVAL = -5.00/ 5.00

ALPHA	BETA	CP68	CP70	CP72	CP74	CP67	CP69	CP71	CP73
-.304	-3.991	-.05630	-.03760	-.06480	-.06760	-.04970	-.03790	-.05860	-.05610
-.267	.009	.02650	.04490	-.00460	.01440	.02360	.02460	.00410	.00480
-.327	4.034	.06860	.08610	.04130	.05970	.05150	.04890	.03620	.02270
	GRADIENT	.01556	.01541	.01571	.01586	.01260	.01081	.01181	.00981

RUN NO. 161/ 0 RN/L = 4.45 GRADIENT INTERVAL = -5.00/ 5.00

ALPHA	BETA	CP68	CP70	CP72	CP74	CP67	CP69	CP71	CP73
3.986	.016	-.01890	.00220	-.05510	-.03480	-.05000	-.04820	-.06440	-.06550
	GRADIENT	.00000	.00000	.00000	.00000	.00000	.00000	.00000	.00000

ARC 11-023 1A80 OTS (SRB NOM) (SSME NOM)

(ME4087) (28 OCT 75)

REFERENCE DATA

SREF = 2690.0000 SQ.FT. XMRP = .0000 IN.
 LREF = 1290.3000 IN. YMRP = .0000 IN.
 BREF = 1290.3000 IN. ZMRP = .0000 IN.
 SCALE = .0200

PARAMETRIC DATA

ELV-1B = 8.000 ELV-0B = 2.000
 RN/L = 3.400 MACH = .600

RUN NO. 329/ 0 RN/L = 3.43 GRADIENT INTERVAL = -5.00/ 5.00

ALPHA	BETA	CP68	CP70	CP72	CP74	CP67	CP69	CP71	CP73
-3.871	-.044	-.25930	-.23620	-.27160	-.25030	-.20840	-.20560	-.21420	-.22280
	GRADIENT	.00000	.00000	.00000	.00000	.00000	.00000	.00000	.00000

RUN NO. 330/ 0 RN/L = 3.43 GRADIENT INTERVAL = -5.00/ 5.00

ALPHA	BETA	CP68	CP70	CP72	CP74	CP67	CP69	CP71	CP73
-.350	-4.066	-.31170	-.30110	-.32390	-.30590	-.17280	-.16690	-.18000	-.17660
-.380	-.050	-.25010	-.24010	-.27530	-.25340	-.21830	-.21850	-.22610	-.23190
-.423	3.969	-.19310	-.17450	-.21410	-.19030	-.25270	-.25370	-.25920	-.26360
	GRADIENT	.01476	.01576	.01367	.01439	-.00994	-.01080	-.00986	-.01083

DATE 22 JUN 76

TABULATED SOURCE DATA - 1A80

PAGE 931

ARC 11-023 1A80 OTS (SRB NOM) (SSME NOM)

(ME4089) (28 OCT 75)

REFERENCE DATA

SREF = 2690.0000 SQ.FT. XMRP = .0000 IN.
 LREF = 1290.3000 IN. YMRP = .0000 IN.
 BREF = 1290.3000 IN. ZMRP = .0000 IN.
 SCALE = .0200

PARAMETRIC DATA

ELV-18 = 8.000 ELV-08 = 2.000
 RN/L = 4.250 MACH = 1.100

RUN NO. 162/ 0 RN/L = 4.41 GRADIENT INTERVAL = -5.00/ 5.00

ALPHA	BETA	CP68	CP70	CP72	CP74	CP67	CP69	CP71	CP73
-3.970	.016	.02540	.04640	-.00280	.01590	.08050	.08040	.06250	.05480
	GRADIENT	.00000	.00000	.00000	.00000	.00000	.00000	.00000	.00000

RUN NO. 163/ 0 RN/L = 4.43 GRADIENT INTERVAL = -5.00/ 5.00

ALPHA	BETA	CP68	CP70	CP72	CP74	CP67	CP69	CP71	CP73
-.436	-3.994	-.05350	-.03640	-.08290	-.05600	-.03930	-.03950	-.05720	-.05550
-.429	.009	.04010	.05510	.01110	.02770	.02360	.02070	.00500	.00420
-.466	4.031	.07230	.08880	.04530	.06160	.04310	.04070	.02690	.01350
	GRADIENT	.01567	.01560	.01597	.01589	.01026	.01000	.01048	.00859

RUN NO. 164/ 0 RN/L = 4.43 GRADIENT INTERVAL = -5.00/ 5.00

ALPHA	BETA	CP68	CP70	CP72	CP74	CP67	CP69	CP71	CP73
3.851	.012	-.01340	.00650	-.04710	-.02860	-.04970	-.04610	-.06220	-.06360
	GRADIENT	.00000	.00000	.00000	.00000	.00000	.00000	.00000	.00000

ARC 11-023 1A80 OTS (SRB OFF) (SSME OFF)

(ME4090) (28 OCT 75)

REFERENCE DATA

SREF = 2690.0000 SQ.FT. XMRP = .0000 IN.
 LREF = 1290.3000 IN. YMRP = .0000 IN.
 BREF = 1290.3000 IN. ZMRP = .0000 IN.
 SCALE = .0200

PARAMETRIC DATA

ELV-18 = 4.000 ELV-08 = 4.000
 RN/L = 3.400 MACH = .600

RUN NO. 332/ 0 RN/L = 3.50 GRADIENT INTERVAL = -5.00/ 5.00

ALPHA	BETA	CP68	CP70	CP72	CP74	CP67	CP69	CP71	CP73
-3.960	-.003	-.17950	-.16010	-.19320	-.17130	-.13500	-.13000	-.14370	-.14850
	GRADIENT	.00000	.00000	.00000	.00000	.00000	.00000	.00000	.00000

RUN NO. 333/ 0 RN/L = 3.49 GRADIENT INTERVAL = -5.00/ 5.00

ALPHA	BETA	CP68	CP70	CP72	CP74	CP67	CP69	CP71	CP73
-.267	-4.003	-.23460	-.21710	-.24000	-.22800	-.11840	-.10400	-.11220	-.10980
-.291	.012	-.15750	-.16050	-.18800	-.17000	-.14240	-.14790	-.15710	-.15610
-.294	4.028	-.12040	-.10390	-.13600	-.11860	-.18970	-.19030	-.19470	-.19740
	GRADIENT	.01422	.01410	.01295	.01362	-.00888	-.01075	-.01027	-.01091

ORIGINAL PAGE IS
OF POOR QUALITY

DATE 22 JUN 76

TABULATED SOURCE DATA - IAB0

PAGE 933

ARC 11-023 IAB0 OTS (SRB OFF) (SSME OFF)

(ME4092) (28 OCT 75)

REFERENCE DATA

SREF = 2690.0000 SQ.FT. XMRP = .0000 IN.
 LREF = 1290.3000 IN. YMRP = .0000 IN.
 BREF = 1290.3000 IN. ZMRP = .0000 IN.
 SCALE = .0200

PARAMETRIC DATA

ELV-18 = 4.000 ELV-08 = 4.000
 RN/L = 4.250 MACH = 1.100

RUN NO. 177/ 0 RN/L = 4.34 GRADIENT INTERVAL = -5.00/ 5.00

ALPHA	BETA	CP68	CP70	CP72	CP74	CP67	CP69	CP71	CP73
-3.957	.003	.01890	.04090	-.01010	.01040	.07520	.08360	.06470	.06310
	GRADIENT	.00000	.00000	.00000	.00000	.00000	.00000	.00000	.00000

RUN NO. 178/ 0 RN/L = 4.34 GRADIENT INTERVAL = -5.00/ 5.00

ALPHA	BETA	CP68	CP70	CP72	CP74	CP67	CP69	CP71	CP73
-.284	-3.994	-.06390	-.04520	-.09110	-.07400	-.05310	.04270	-.05670	-.05090
-.281	.000	.02650	.04760	-.00030	.01770	.01940	.02680	.00870	.01140
-.320	4.028	.06370	.08040	.03790	.05550	.03110	.03550	.02440	.01690
	GRADIENT	.01590	.01565	.01637	.01613	.01049	.00974	.01010	.00844

RUN NO. 179/ 0 RN/L = 4.34 GRADIENT INTERVAL = -5.00/ 5.00

ALPHA	BETA	CP68	CP70	CP72	CP74	CP67	CP69	CP71	CP73
3.977	.003	-.02230	.00080	-.05580	-.03710	-.05810	-.05280	-.06650	-.06330
	GRADIENT	.00000	.00000	.00000	.00000	.00000	.00000	.00000	.00000

ARC 11-023 IAB0 OTS (SP9 OFF) (SSME OFF)

(ME4093) (28 OCT 75)

REFERENCE DATA

SREF = 2690.0000 SQ.FT. XMRP = .0000 IN.
 LREF = 1290.3000 IN. YMRP = .0000 IN.
 BREF = 1290.3000 IN. ZMRP = .0000 IN.
 SCALE = .0200

PARAMETRIC DATA

ELV-18 = 4.000 ELV-08 = 4.000
 RN/L = 4.250 MACH = 1.200

RUN NO. 171/ 0 RN/L = 4.35 GRADIENT INTERVAL = -5.00/ 5.00

ALPHA	BETA	CP68	CP70	CP72	CP74	CP67	CP69	CP71	CP73
-3.953	.006	.05010	.07390	.03190	.04790	.05740	.06510	.05250	.05200
	GRADIENT	.00000	.00000	.00000	.00000	.00000	.00000	.00000	.00000

RUN NO. 172/ 0 RN/L = 4.35 GRADIENT INTERVAL = -5.00/ 5.00

ALPHA	BETA	CP68	CP70	CP72	CP74	CP67	CP69	CP71	CP73
-.238	-3.997	.00370	.01770	-.02740	-.01260	-.06080	-.06070	-.06310	-.06410
-.231	.000	.05150	.05860	.02420	.03730	-.03060	-.02780	-.03510	-.03450
-.284	4.034	.05080	.05580	.03610	.04640	.05110	.05630	.04480	.03890
	GRADIENT	.00586	.00474	.03790	.00734	.01394	.01458	.01344	.01283

DATE 22 JUN 76

TABULATED SOURCE DATA - IABO

PAGE 935

ARC 11-023 IABO OTS (SRB NOM) (SSME NOM)

(ME4095) (28 OCT '75)

REFERENCE DATA

SREF = 2690.0000 SQ.FT. XMRP = .0000 IN.
 LREF = 1290.3000 IN. YMRP = .0000 IN.
 BREF = 1290.3000 IN. ZMRP = .0000 IN.
 SCALE = .0200

PARAMETRIC DATA

ELV-18 = 4.000 ELV-08 = 4.000
 RN/L = 3.400 MACH = .600

RUN NO. 335/ 0 RN/L = 3.41 GRADIENT INTERVAL = -5.00/ 5.00

ALPHA	BETA	CP68	CP70	CP72	CP74	CP67	CP69	CP71	CP73
-3.960	.006	-.24930	-.21390	-.24640	-.23000	-.20240	-.18570	-.19180	-.20180
	GRADIENT	.00000	.00000	.00700	.00000	.00000	.00000	.00000	.00000

RUN NO. 336/ 0 RN/L = 3.47 GRADIENT INTERVAL = -5.00/ 5.00

ALPHA	BETA	CP68	CP70	CP72	CP74	CP67	CP69	CP71	CP73
-.297	-4.003	-.29540	-.26940	-.29210	-.28220	-.16610	-.15160	-.15920	-.15400
-.307	.012	-.20960	-.21150	-.23380	-.21630	-.18250	-.19570	-.19950	-.19500
-.376	4.022	-.17490	-.14290	-.17720	-.15850	-.24690	-.23840	-.24290	-.24050
	GRADIENT	.01502	.01576	.01432	.01541	-.01007	-.01082	-.01043	-.01078

RUN NO. 337/ 0 RN/L = 3.48 GRADIENT INTERVAL = -5.00/ 5.00

ALPHA	BETA	CP68	CP70	CP72	CP74	CP67	CP69	CP71	CP73
4.020	-.003	-.21460	-.20250	-.23180	-.21100	-.19000	-.19670	-.19770	-.19700
	GRADIENT	.00000	.00000	.00000	.00000	.00000	.00000	.00000	.00000

ARC 11-023 IABO OTS (SRB NOM) (SSME NOM)

(ME4096) (28 OCT 75)

REFERENCE DATA

SREF = 2690.0000 SQ.FT. XMRP = .0000 IN.
 LREF = 1290.3000 IN. YMRP = .0000 IN.
 BREF = 1290.3000 IN. ZMRP = .0000 IN.
 SCALE = .0200

PARAMETRIC DATA

ELV-18 = 4.000 ELV-08 = 4.000
 RN/L = 4.250 MACH = .900

RUN NO. 341/ 0 RN/L = 4.21 GRADIENT INTERVAL = -5.00/ 5.00

ALPHA	BETA	CP68	CP70	CP72	CP74	CP67	CP69	CP71	CP73
-3.891	-.003	-.27400	-.24590	-.30550	-.28120	-.20890	-.20930	-.22840	-.23160
	GRADIENT	.00000	.00000	.00000	.00000	.00000	.00000	.00000	.00000

RUN NO. 342/ 0 RN/L = 4.20 GRADIENT INTERVAL = -5.00/ 5.00

ALPHA	BETA	CP68	CP70	CP72	CP74	CP67	CP69	CP71	CP73
-.390	-4.003	-.38280	-.35320	-.40790	-.38710	-.23300	-.21760	-.23180	-.23520
-.360	.012	-.28610	-.26390	-.32130	-.29630	-.24960	-.25350	-.27180	-.27020
-.406	4.031	-.19900	-.18100	-.23140	-.20820	-.28230	-.28470	-.30030	-.30820
	GRADIENT	.02288	.02143	.02197	.02227	-.00614	-.00835	-.00853	-.00909

ARC 11-023 IAB0 OTS (SRB NOM) (SSME NOM)

(ME4098) (28 OCT 75)

REFERENCE DATA

SREF = 2690.0000 SQ.FT. XMRP = .0000 IN.
 LREF = 1290.3000 IN. YMRP = .0000 IN.
 BREF = 1290.3000 IN. ZMRP = .0000 IN.
 SCALE = .0200

PARAMETRIC DATA

ELV-1B = 4.000 ELV-08 = 4.000
 RN/L = 4.250 MACH = 1.250

RUN NO. 174/ 0 RN/L = 4.34 GRADIENT INTERVAL = -5.00/ 5.00

ALPHA	BETA	CP68	CP70	CP72	CP74	CP67	CP69	CP71	CP73
-3.973	.003	.06490	.07660	.04020	.05460	.04750	.05010	.03870	.03940
	GRADIENT	.00000	.00000	.00000	.00000	.00000	.00000	.00000	.00000

RUN NO. 175/ 0 RN/L = 4.34 GRADIENT INTERVAL = -5.00/ 5.00

ALPHA	BETA	CP68	CP70	CP72	CP74	CP67	CP69	CP71	CP73
-.482	-3.994	.00000	.00930	-.02260	-.01310	-.05480	-.05190	-.05740	-.05500
-.439	-.003	.05350	.06110	.03190	.04150	-.02990	-.02840	-.03670	-.03590
-.416	4.028	.04790	.04520	.03540	.03970	.04900	.05260	.04230	.03910
	GRADIENT	.00596	.00446	.00722	.00657	.01295	.01304	.01244	.01174

RUN NO. 176/ 0 RN/L = 4.34 GRADIENT INTERVAL = -5.00/ 5.00

ALPHA	BETA	CP68	CP70	CP72	CP74	CP67	CP69	CP71	CP73
4.020	.003	.00320	.01170	-.01540	-.00530	-.09950	-.10040	-.10540	-.10520
	GRADIENT	.00000	.00000	.00000	.00000	.00000	.00000	.00000	.00000

ARC 11-023 IAB0 OTS (SRB NOM) (SSME NOM)

(ME4099) (28 OCT 75)

REFERENCE DATA

SREF = 2690.0000 SQ.FT. XMRP = .0000 IN.
 LREF = 1290.3000 IN. YMRP = .0000 IN.
 BREF = 1290.3000 IN. ZMRP = .0000 IN.
 SCALE = .0200

PARAMETRIC DATA

ELV-1B = 4.000 ELV-08 = 4.000
 RN/L = 4.250 MACH = 1.400

RUN NO. 168/ 0 RN/L = 4.27 GRADIENT INTERVAL = -5.00/ 5.00

ALPHA	BETA	CP68	CP70	CP72	CP74	CP67	CP69	CP71	CP73
-3.944	.009	.07190	.08840	.02250	.04960	.04210	.04510	.03740	.03950
	GRADIENT	.00000	.00000	.00000	.00000	.00000	.00000	.00000	.00000

RUN NO. 169/ 0 RN/L = 4.26 GRADIENT INTERVAL = -5.00/ 5.00

ALPHA	BETA	CP68	CP70	CP72	CP74	CP67	CP69	CP71	CP73
-.403	-3.991	.02910	.03640	.03550	.01290	-.05370	-.05140	-.05230	-.05060
-.386	.012	.04430	.04640	.01950	.02850	-.01980	-.02150	-.02320	-.02480
-.443	4.034	-.00340	.00920	-.03500	-.00090	.01860	.02690	.01890	.02000
	GRADIENT	-.00406	-.00339	-.03132	-.00172	.00901	.00976	.00887	.00880

ORIGINAL PAGE IS
OF POOR QUALITY

ARC 11-023 1A80 OTS (SRB OFF) (SSME OFF)

(ME40A1) (28 OCT 75)

REFERENCE DATA

SREF = 2690.0000 SQ.FT. XMRP = .0000 IN.
 LREF = 1290.3000 IN. YMRP = .0000 IN.
 BREF = 1290.3000 IN. ZMRP = .0000 IN.
 SCALE = .0200

PARAMETRIC DATA

ELV-18 = .000 ELV-08 = 4.000
 RN/L = 4.250 MACH = .900

RUN NO. 350/ 0 RN/L = 4.23 GRADIENT INTERVAL = -5.00/ 5.00

ALPHA	BETA	CP68	CP70	CP72	CP74	CP67	CP69	CP71	CP73
-3.996	.009	-.27090	-.24550	-.29970	-.27670	-.19900	-.19990	-.21820	-.22120
	GRADIENT	.00000	.00000	.09000	.00000	.00000	.00000	.00000	.00000

RUN NO. 351/ 0 RN/L = 4.24 GRADIENT INTERVAL = -5.00/ 5.00

ALPHA	BETA	CP68	CP70	CP72	CP74	CP67	CP69	CP71	CP73
-.281	-4.006	-.36970	-.34490	-.39420	-.37530	-.18340	-.18130	-.18430	-.13590
-.284	.009	-.27530	-.25170	-.30530	-.28360	-.22860	-.23240	-.24800	-.25120
-.281	4.028	-.12670	-.11070	-.14810	-.12960	-.28050	-.28430	-.29670	-.30400
	GRADIENT	.03025	.02915	.03063	.03058	-.01209	-.01282	-.01399	-.01470

RUN NO. 352/ 0 RN/L = 4.23 GRADIENT INTERVAL = -5.00/ 5.00

ALPHA	BETA	CP68	CP70	CP72	CP74	CP67	CP69	CP71	CP73
4.023	.016	-.30190	-.27620	-.32880	-.30880	-.26060	-.26620	-.26580	-.27020
	GRADIENT	.00000	.00000	.03000	.00000	.00000	.00000	.00000	.00000

ARC 11-023 1A80 OTS (SRB OFF) (SSME OFF)

(ME40A2) (28 OCT 75)

REFERENCE DATA

SREF = 2690.0000 SQ.FT. XMRP = .0000 IN.
 LREF = 1290.3000 IN. YMRP = .0000 IN.
 BREF = 1290.3000 IN. ZMRP = .0000 IN.
 SCALE = .0200

PARAMETRIC DATA

ELV-18 = .000 ELV-08 = 4.000
 RN/L = 4.250 MACH = 1.100

RUN NO. 195/ 0 RN/L = 4.36 GRADIENT INTERVAL = -5.00/ 5.00

ALPHA	BETA	CP68	CP70	CP72	CP74	CP67	CP69	CP71	CP73
-3.967	.006	.02470	.04610	.03320	.02690	.08690	.08520	.07020	.06520
	GRADIENT	.00000	.00000	.09000	.00000	.00000	.00000	.00000	.00000

RUN NO. 196/ 0 RN/L = 4.36 GRADIENT INTERVAL = -5.00/ 5.00

ALPHA	BETA	CP68	CP70	CP72	CP74	CP67	CP69	CP71	CP73
-.284	-4.003	-.06180	-.04510	-.03430	-.06330	-.04660	-.04440	-.05610	-.05170
-.258	-.012	.03510	.05350	.01490	.03710	.03040	-.03200	.01830	.01610
-.301	4.016	.06210	.08340	.04370	.06620	.03910	.03500	.02290	.01490
	GRADIENT	.01544	.01601	.01595	.01614	.01067	.00989	.00971	.00829

DATE 22 JUN 76

TABULATED SOURCE DATA - 1A80

PAGE 941

ARC 11-023 1A80 OTS (SRB OFF) (SSME OFF)

(ME40A4) (28 OCT 75)

REFERENCE DATA

SREF = 2690.0000 SQ.FT. XMRP = .0000 IN.
 LREF = 1290.3000 IN. YMRP = .0000 IN.
 BREF = 1290.3000 IN. ZMRP = .0000 IN.
 SCALE = .0200

PARAMETRIC DATA

ELV-18 = .000 ELV-08 = 4.000
 RN/L = 4.250 MACH = 7.400

RUN NO. 183/ 0 RN/L = 4.34 GRADIENT INTERVAL = -5.00/ 5.00

ALPHA	BETA	CP68	CP70	CP72	CP74	CP67	CP69	CP71	CP73
-3.947	.006	.06850	.08880	.01050	.05190	.04450	.04850	.04070	.04080
	GRADIENT	.00000	.00000	.00000	.00000	.00000	.00000	.00000	.00000

RUN NO. 184/ 0 RN/L = 4.31 GRADIENT INTERVAL = -5.00/ 5.00

ALPHA	BETA	CP68	CP70	CP72	CP74	CP67	CP69	CP71	CP73
-.267	-3.994	.03630	.05070	-.00120	.02140	-.07310	-.07370	-.07020	-.07070
-.277	-.003	.04700	.05480	.01190	.03250	-.02860	-.02820	-.03030	-.03000
-.284	4.019	.00400	.00810	-.00860	-.00050	.02600	.02710	.02450	.01980
	GRADIENT	-.00404	-.00532	-.00093	-.00274	.01237	.01258	.01182	.01130

RUN NO. 185/ 0 RN/L = 4.28 GRADIENT INTERVAL = -5.00/ 5.00

ALPHA	BETA	CP68	CP70	CP72	CP74	CP67	CP69	CP71	CP73
3.986	.006	-.00810	-.00830	-.03430	-.02100	-.08810	-.09600	-.08950	-.09650
	GRADIENT	.00000	.00000	.00000	.00000	.00000	.00000	.00000	.00000

ARC 11-023 1A80 OTS (SRB NOM) (SSME NOM)

(ME40A5) (28 OCT 75)

REFERENCE DATA

SREF = 2690.0000 SQ.FT. XMRP = .0000 IN.
 LREF = 1290.3000 IN. YMRP = .0000 IN.
 BREF = 1290.3000 IN. ZMRP = .0000 IN.
 SCALE = .0200

PARAMETRIC DATA

ELV-18 = .000 ELV-08 = 4.000
 RN/L = 3.400 MACH = .600

RUN NO. 347/ 0 RN/L = 3.47 GRADIENT INTERVAL = -5.00/ 5.00

ALPHA	BETA	CP68	CP70	CP72	CP74	CP67	CP69	CP71	CP73
-3.983	.012	-.17950	-.15620	-.18050	-.16680	-.16200	-.15590	-.15860	-.17020
	GRADIENT	.00000	.00000	.00000	.00000	.00000	.00000	.00000	.00000

RUN NO. 348/ 0 RN/L = 3.48 GRADIENT INTERVAL = -5.00/ 5.00

ALPHA	BETA	CP68	CP70	CP72	CP74	CP67	CP69	CP71	CP73
-.337	-4.006	-.22630	-.22110	-.23590	-.22630	-.12600	-.12830	-.13270	-.12620
-.370	.009	-.16650	-.15900	-.18260	-.16680	-.17320	-.16910	-.17890	-.17620
-.453	4.025	-.10430	-.08330	-.11610	-.09220	-.20820	-.20890	-.21400	-.21680
	GRADIENT	.01519	.01716	.01492	.01670	-.01024	-.01004	-.01012	-.01128

DATE 22 JUN 76

TABULATED SOURCE DATA - 1A80

PAGE 943

ARC 11-023 1A80 OTS (SRB NOM) (SSME NOM)

(ME40A7) (28 OCT 75)

REFERENCE DATA

SREF = 2690.0000 SQ.FT. XMRP = .0000 IN.
 LREF = 1290.3000 IN. YMRP = .0000 IN.
 BREF = 1290.3000 IN. ZMRP = .0000 IN.
 SCALE = .0200

PARAMETRIC DATA

ELV-1B = .000 ELV-0B = 4.000
 RN/L = 4.250 MACH = 1.100

RUN NO. 198/ 0 RN/L = 4.36 GRADIENT INTERVAL = -5.00/ 5.00

ALPHA	BETA	CP68	CP70	CP72	CP74	CP67	CP69	CP71	CP73
-3.996	.006	.02980	.04870	.06870	.03250	.08560	.08340	.06830	.06340
	GRADIENT	.00000	.00000	.00000	.00000	.00000	.00000	.00000	.00000

RUN NO. 199/ 0 RN/L = 4.36 GRADIENT INTERVAL = -5.00/ 5.00

ALPHA	BETA	CP68	CP70	CP72	CP74	CP67	CP69	CP71	CP73
-.416	-4.003	-.06730	-.04970	-.08720	-.06690	-.04560	-.04360	-.05330	-.05040
-.403	-.012	.03550	.05270	.01620	.03780	.02460	.02520	.01080	.01250
-.426	4.019	.07090	.08430	.04540	.06880	.03150	.02840	.01670	.00580
	GRADIENT	.01721	.01669	.01664	.01690	.00960	.00896	.00871	.00699

RUN NO. 200/ 0 RN/L = 4.36 GRADIENT INTERVAL = -5.00/ 5.00

ALPHA	BETA	CP68	CP70	CP72	CP74	CP67	CP69	CP71	CP73
3.798	.009	-.01830	.00160	-.04330	-.02030	-.05090	-.04840	-.05770	-.05920
	GRADIENT	.00000	.00000	.00000	.00000	.00000	.00000	.00000	.00000

ARC 11-023 1A80 OTS (SRB NOM) (SSME NOM)

(ME40A8) (28 OCT 75)

REFERENCE DATA

SREF = 2690.0000 SQ.FT. XMRP = .0000 IN.
 LREF = 1290.3000 IN. YMRP = .0000 IN.
 BREF = 1290.3000 IN. ZMRP = .0000 IN.
 SCALE = .0200

PARAMETRIC DATA

ELV-1B = .000 ELV-0B = 4.000
 RN/L = 4.250 MACH = 1.250

RUN NO. 192/ 0 RN/L = 4.35 GRADIENT INTERVAL = -5.00/ 5.00

ALPHA	BETA	CP68	CP70	CP72	CP74	CP67	CP69	CP71	CP73
-3.986	.009	.06410	.07850	.04560	.06130	.05260	.05270	.04430	.04310
	GRADIENT	.00000	.00000	.00000	.00000	.00000	.00000	.00000	.00000

RUN NO. 193/ 0 RN/L = 4.36 GRADIENT INTERVAL = -5.00/ 5.00

ALPHA	BETA	CP68	CP70	CP72	CP74	CP67	CP69	CP71	CP73
-.400	-4.003	-.00140	.00950	-.01970	-.00410	-.06370	-.06290	-.05920	-.05890
-.393	-.012	.05420	.05990	.03320	.05090	-.03430	-.03700	-.04120	-.03970
-.413	4.022	.04100	.04750	.03130	.04360	.04920	.05090	.04360	.03770
	GRADIENT	.00527	.00472	.00634	.00593	.01408	.01419	.01282	.01205

ORIGINAL PAGE IS
OF POOR QUALITY

DATE 22 JUN 76

TABULATED SOURCE DATA - IABO

PAGE 945

ARC 11-023 IABO OTS (SRB NOM) (SSME NO. 2 OUT)

(ME4080) (28 OCT 75)

REFERENCE DATA

SREF = 2690.0000 SQ.FT. XMRP = .0000 IN.
 LREF = 1290.3000 IN. YMRP = .0000 IN.
 BREF = 1290.3000 IN. ZMRP = .0000 IN.
 SCALE = .0200

PARAMETRIC DATA

ELV-1B = .000 ELV-0B = .000
 RN/L = 3.400 MACH = .600

RUN NO. 362/ 0 RN/L = 3.51 GRADIENT INTERVAL = -5.00/ 5.00

ALPHA	BETA	CP68	CP70	CP72	CP74	CP67	CP69	CP71	CP73
-4.013	.006	-.13730	-.13160	-.15070	-.13880	-.12840	-.14010	-.14530	-.14930
	GRADIENT	.00000	.00000	.00000	.00000	.00000	.00000	.00000	.00000

RUN NO. 363/ 0 RN/L = 3.49 GRADIENT INTERVAL = -5.00/ 5.00

ALPHA	BETA	CP68	CP70	CP72	CP74	CP67	CP69	CP71	CP73
-.271	-4.006	-.22780	-.20770	-.23000	-.22040	-.12610	-.10990	-.12190	-.11980
-.310	.033	-.13060	-.13080	-.15420	-.13560	-.13830	-.15550	-.16090	-.15890
-.310	4.025	-.08340	-.06400	-.08770	-.07390	-.20520	-.20110	-.21140	-.21480
	GRADIENT	.01798	.01789	.01772	.01824	-.00985	-.01136	-.01114	-.01183

RUN NO. 364/ 0 RN/L = 3.49 GRADIENT INTERVAL = -5.00/ 5.00

ALPHA	BETA	CP68	CP70	CP72	CP74	CP67	CP69	CP71	CP73
3.930	.009	-.14480	-.12460	-.15050	-.13320	-.16090	-.15840	-.16210	-.16450
	GRADIENT	.00000	.00000	.00000	.00000	.00000	.00000	.00000	.00000

ARC 11-023 IABO OTS (SRB NOM) (SSME NO. 2 OUT)

(ME4081) (28 OCT 75)

REFERENCE DATA

SREF = 2690.0000 SQ.FT. XMRP = .0000 IN.
 LREF = 1290.3000 IN. YMRP = .0000 IN.
 BREF = 1290.3000 IN. ZMRP = .0000 IN.
 SCALE = .0200

PARAMETRIC DATA

ELV-1B = .000 ELV-0B = .000
 RN/L = 4.250 MACH = .900

RUN NO. 365/ 0 RN/L = 4.21 GRADIENT INTERVAL = -5.00/ 5.00

ALPHA	BETA	CP68	CP70	CP72	CP74	CP67	CP69	CP71	CP73
-4.069	.009	-.27800	-.25040	-.30260	-.28820	-.21990	-.21480	-.23550	-.23940
	GRADIENT	.00000	.00000	.00000	.00000	.00000	.00000	.00000	.00000

RUN NO. 366/ 0 RN/L = 4.22 GRADIENT INTERVAL = -5.00/ 5.00

ALPHA	BETA	CP68	CP70	CP72	CP74	CP67	CP69	CP71	CP73
-.304	-4.006	-.37630	-.35400	-.40040	-.38870	-.21350	-.21050	-.21660	-.21620
-.317	.003	-.26750	-.24910	-.29940	-.28290	-.23690	-.24470	-.26070	-.26010
-.357	4.025	-.15730	-.12940	-.16210	-.15910	-.28600	-.28740	-.30280	-.30730
	GRADIENT	.02727	.02797	.02955	.02859	-.00903	-.00958	-.01073	-.01134

ARC 11-023 1A90 OTS (SRB NOM) (SSME NO. 2 OUT)

(ME4083) (28 OCT 75)

REFERENCE DATA

SREF = 2690.0000 SQ.FT. XMRP = .0000 IN.
 LREF = 1290.3000 IN. YMRP = .0000 IN.
 BREF = 1290.3000 IN. ZMRP = .0000 IN.
 SCALE = .0200

PARAMETRIC DATA

ELV-18 = .000 ELV-08 = .000
 RN/L = 4.250 MACH = 1.250

RUN NO. 204/ 0 RN/L = 4.40 GRADIENT INTERVAL = -5.00/ 5.00

ALPHA	BETA	CP68	CP70	CP72	CP74	CP67	CP69	CP71	CP73
-3.947	-.003	.06110	.07340	.03730	.05530	.04760	.04850	.04000	.04110
	GRADIENT	.00000	.00000	.00000	.00000	.00000	.00000	.00000	.00000

RUN NO. 205/ 0 RN/L = 4.40 GRADIENT INTERVAL = -5.00/ 5.00

ALPHA	BETA	CP68	CP70	CP72	CP74	CP67	CP69	CP71	CP73
-.400	-4.000	-.01430	.00150	-.03060	-.01830	-.06070	-.05930	-.05830	-.05960
-.370	-.009	.05360	.06230	.03240	.04690	-.03510	-.03370	-.03930	-.04110
-.420	4.019	.04420	.04660	.03890	.04400	.04870	.05480	.04210	.04180
	GRADIENT	.00728	.00561	.00866	.00776	.01365	.01424	.01253	.01266

RUN NO. 206/ 0 RN/L = 4.40 GRADIENT INTERVAL = -5.00/ 5.00

ALPHA	BETA	CP68	CP70	CP72	CP74	CP67	CP69	CP71	CP73
3.986	-.012	.00860	.00720	-.01350	-.00790	-.09780	-.10220	-.10400	-.10830
	GRADIENT	.00000	.00000	.00000	.00000	.00000	.00000	.00000	.00000

ARC 11-023 1A90 OTS (SRB NOM) (SSME NO. 2 OUT)

(ME4084) (28 OCT 75)

REFERENCE DATA

SREF = 2690.0000 SQ.FT. XMRP = .0000 IN.
 LREF = 1290.3000 IN. YMRP = .0000 IN.
 BREF = 1290.3000 IN. ZMRP = .0000 IN.
 SCALE = .0200

PARAMETRIC DATA

ELV-18 = .000 ELV-08 = .000
 RN/L = 4.250 MACH = 1.400

RUN NO. 201/ 0 RN/L = 4.36 GRADIENT INTERVAL = -5.00/ 5.00

ALPHA	BETA	CP68	CP70	CP72	CP74	CP67	CP69	CP71	CP73
-3.957	-.003	.05450	.08340	.01950	.05000	.04160	.04500	.03440	.03440
	GRADIENT	.00000	.00000	.00000	.00000	.00000	.00000	.00000	.00000

RUN NO. 202/ 0 RN/L = 4.35 GRADIENT INTERVAL = -5.00/ 5.00

ALPHA	BETA	CP68	CP70	CP72	CP74	CP67	CP69	CP71	CP73
-.443	-4.000	.02400	.03480	.00630	.01420	-.05400	-.05380	-.05480	-.05460
-.406	-.006	.03680	.04130	.01650	.02840	-.02950	-.02850	-.03400	-.03520
-.446	4.019	-.00380	.01010	-.00450	.00660	.02410	.02530	.01970	.01780
	GRADIENT	-.00348	-.00309	-.00133	-.00095	.00974	.00987	.00930	.00903

DATE 22 JUN 76

TABULATED SOURCE DATA - IAB0

PAGE 949

ARC 11-023 IAB0 OTS (SRB NOM) (SSME NO. 1 OUT)

(ME4086) (28 OCT 75)

REFERENCE DATA

SREF = 2690.0000 SQ.FT. XMRP = .0000 IN.
 LREF = 1290.3000 IN. YMRP = .0000 IN.
 BREF = 1290.3000 IN. ZMRP = .0000 IN.
 SCALE = .0200

PARAMETRIC DATA

ELV-18 = .000 ELV-08 = .000
 RN/L = 4.250 MACH = .900

RUN NO. 359/ 0 RN/L = 4.20 GRADIENT INTERVAL = -5.00/ 5.00

ALPHA	BETA	CP68	CP70	CP72	CP74	CP67	CP69	CP71	CP73
-4.013	.009	-.28240	-.25280	-.30710	-.28780	-.22000	-.21510	-.23640	-.23870
	GRADIENT	.00000	.00000	.00000	.00000	.00000	.00000	.00000	.00000

RUN NO. 360/ 0 RN/L = 4.21 GRADIENT INTERVAL = -5.00/ 5.00

ALPHA	BETA	CP68	CP70	CP72	CP74	CP67	CP69	CP71	CP73
-.317	-4.003	-.37790	-.35400	-.39800	-.38350	-.21520	-.20630	-.21100	-.20910
-.310	.003	-.28770	-.26500	-.31660	-.29850	-.25360	-.25470	-.27140	-.27160
-.340	4.025	-.15160	-.13250	-.17220	-.14790	-.28550	-.28340	-.30110	-.30570
	GRADIENT	.02813	.02759	.02813	.02935	-.00876	-.00960	-.01122	-.01203

RUN NO. 361/ 0 RN/L = 4.21 GRADIENT INTERVAL = -5.00/ 5.00

ALPHA	BETA	CP68	CP70	CP72	CP74	CP67	CP69	CP71	CP73
3.854	.009	-.31510	-.29220	-.34920	-.33060	-.28160	-.29070	-.29970	-.30210
	GRADIENT	.00000	.00000	.00000	.00000	.00000	.00000	.00000	.00000

ARC 11-023 IAB0 OTS (SRB NOM) (SSME NO. 1 OUT)

(ME4087) (28 OCT 75)

REFERENCE DATA

SREF = 2690.0000 SQ.FT. XMRP = .0000 IN.
 LREF = 1290.3000 IN. YMRP = .0000 IN.
 BREF = 1290.3000 IN. ZMRP = .0000 IN.
 SCALE = .0200

PARAMETRIC DATA

ELV-18 = .000 ELV-08 = .000
 RN/L = 4.250 MACH = 1.100

RUN NO. 21E/ 0 RN/L = 4.38 GRADIENT INTERVAL = -5.00/ 5.00

ALPHA	BETA	CP68	CP70	CP72	CP74	CP67	CP69	CP71	CP73
-4.003	-.012	.02900	.04980	.00460	.02590	.08110	.08160	.06230	.06080
	GRADIENT	.00000	.00900	.00000	.00000	.00000	.00000	.00000	.00000

RUN NO. 217/ 0 RN/L = 4.38 GRADIENT INTERVAL = -5.00/ 5.00

ALPHA	BETA	CP68	CP70	CP72	CP74	CP67	CP69	CP71	CP73
-.393	-4.006	-.05930	-.04410	-.08470	-.06560	-.03380	-.03160	-.04520	-.04190
-.347	-.019	.04330	.05540	.01720	.03820	.02460	.01470	.00110	.00960
-.383	4.012	.08580	.09900	.06230	.08020	.04610	.04350	.02970	.02300
	GRADIENT	.01808	.01783	.01832	.01817	.00996	.00936	.00934	.00808

ORIGINAL PAGE IS
OF POOR QUALITY

DATE 22 JUN 76

TABULATED SOURCE DATA - IABO

PAGE 951

ARC 11-023 IABO OTS (SR=1:0M) (SSME NO. 1 OUT)

(ME4083) (28 OCT 75)

REFERENCE DATA

SREF = 2690.0000 SQ.FT. XMRP = .0000 IN.
 LREF = 1290.3000 IN. YMRP = .0000 IN.
 BREF = 1290.3000 IN. ZMRP = .0000 IN.
 SCALE = .0200

PARAMETRIC DATA

ELV-18 = .000 ELV-08 = .000
 RN/L = 4.250 MACH = 1.400

RUN NO. 210/ 0 RN/L = 4.34 GRADIENT INTERVAL = -5.00/ 5.00

ALPHA	BETA	CP68	CP70	CP72	CP74	CP67	CP69	CP71	CP73
-3.934	-.009	.06730	.08180	.02490	.05400	.04060	.04110	.03230	.03540
	GRADIENT	.00000	.00000	.00000	.00000	.00000	.00000	.00000	.00000

RUN NO. 211/ 0 RN/L = 4.34 GRADIENT INTERVAL = -5.00/ 5.00

ALPHA	BETA	CP68	CP70	CP72	CP74	CP67	CP69	CP71	CP73
-.426	-4.006	.02920	.03970	.00620	.01990	-.05230	-.05240	-.05200	-.05250
-.383	-.016	.04070	.04000	.01940	.02900	-.02470	-.02860	-.02950	-.03120
-.436	4.016	-.00210	.00830	-.00780	.00260	.02340	.02580	.02090	.02310
	GRADIENT	-.00391	-.00392	-.00175	-.00216	.00944	.00975	.00909	.00943

RUN NO. 212/ 0 RN/L = 4.33 GRADIENT INTERVAL = -5.00/ 5.00

ALPHA	BETA	CP68	CP70	CP72	CP74	CP67	CP69	CP71	CP73
4.046	-.012	-.01930	-.01120	-.02550	-.02070	-.08400	-.08950	-.08980	-.09100
	GRADIENT	.00000	.00000	.00000	.00000	.00000	.00000	.00000	.00000

ARC11-023IABO OTS W/ET BASE SPOILER SR8=SSME=OFF

(ME40C0) (28 OCT 75)

REFERENCE DATA

SREF = 2690.0000 SQ.FT. XMRP = .0000 IN.
 LREF = 1290.3000 IN. YMRP = .0000 IN.
 BREF = 1290.3000 IN. ZMRP = .0000 IN.
 SCALE = .0200

PARAMETRIC DATA

ELV-18 = .000 ELV-08 = .000
 RN/L = 4.250 MACH = 1.400

RUN NO. 377/ 0 RN/L = 4.25 GRADIENT INTERVAL = -5.00/ 5.00

ALPHA	BETA	CP68	CP70	CP72	CP74	CP67	CP69	CP71	CP73
-4.029	.016	-.28290	-.24790	-.29700	-.28610	-.22470	-.21790	-.23800	-.24280
	GRADIENT	.00000	.00000	.00030	.00000	.00000	.00000	.00000	.00000

RUN NO. 375/ 0 RN/L = 4.25 GRADIENT INTERVAL = -5.00/ 5.00

ALPHA	BETA	CP68	CP70	CP72	CP74	CP67	CP69	CP71	CP73
-.241	-4.009	-.36040	-.33840	-.38510	-.37270	-.19840	-.19520	-.19940	-.19680
-.264	-.003	-.28140	-.25810	-.30730	-.29180	-.25160	-.25390	-.26920	-.26860
-.291	4.022	-.10560	-.09520	-.12310	-.10580	-.27310	-.27880	-.29440	-.29860
	GRADIENT	.03174	.03029	.03263	.03324	-.00930	-.01041	-.01182	-.01267

DATE 22 JUN 76

TABULATED SOURCE DATA - 1A80

PAGE 953

ARC11-0231A80 OTS W/ET BASE SPOILER SRB=SSME=NOM

(ME40C2) (28 OCT 75)

REFERENCE DATA

SREF = 2690.0000 SQ.FT. XMRP = .0000 IN.
 LREF = 1290.3000 IN. YMRP = .0000 IN.
 BREF = 1290.3000 IN. ZMRP = .0000 IN.
 SCALE = .0200

PARAMETRIC DATA

ELV-18 = .000 ELV-08 = .000
 RN/L = 4.250 MACH = .900

RUN NO. 378/ 0 RN/L = 4.22 GRADIENT INTERVAL = -5.00/ 5.00

ALPHA	BETA	CP68	CP70	CP72	CP74	CP67	CP69	CP71	CP73
-3.996	.016	-.26770	-.24670	-.29580	-.27950	-.21440	-.21740	-.23850	-.23940
	GRADIENT	.00000	.00000	.00000	.00000	.00000	.00000	.00000	.00000

RUN NO. 379/ 0 RN/L = 4.22 GRADIENT INTERVAL = -5.00/ 5.00

ALPHA	BETA	CP68	CP70	CP72	CP74	CP67	CP69	CP71	CP73
-.284	-4.012	-.38010	-.36050	-.40500	-.39390	-.21630	-.20990	-.21930	-.21880
-.360	-.003	-.26780	-.25150	-.30080	-.28570	-.24850	-.25590	-.27760	-.27540
-.330	4.019	-.14000	-.11490	-.14720	-.13390	-.29140	-.29380	-.31100	-.31640
	GRADIENT	.02990	.03058	.03210	.03238	-.00935	-.01045	-.01142	-.01215

RUN NO. 380/ 0 RN/L = 4.22 GRADIENT INTERVAL = -5.00/ 5.00

ALPHA	BETA	CP68	CP70	CP72	CP74	CP67	CP69	CP71	CP73
3.927	.012	-.32050	-.29890	-.35270	-.33820	-.31140	-.31660	-.32850	-.33300
	GRADIENT	.00000	.00000	.00000	.00000	.00000	.00000	.00000	.00000

ARC11-0231A80 OTS W/ET BASE SPOILER SRB=SSME=NOM

(ME40C3) (28 OCT 75)

REFERENCE DATA

SREF = 2690.0000 SQ.FT. XMRP = .0000 IN.
 LREF = 1290.3000 IN. YMRP = .0000 IN.
 BREF = 1290.3000 IN. ZMRP = .0000 IN.
 SCALE = .0200

PARAMETRIC DATA

ELV-18 = .000 ELV-08 = .000
 RN/L = 4.250 MACH = 1.100

RUN NO. 371/ 0 RN/L = 4.47 GRADIENT INTERVAL = -5.00/ 5.00

ALPHA	BETA	CP68	CP70	CP72	CP74	CP67	CP69	CP71	CP73
-4.033	.016	.03320	.05370	.00870	.02230	.08600	.08490	.06790	.06470
	GRADIENT	.00000	.00000	.00000	.00000	.00000	.00000	.00000	.00000

RUN NO. 372/ 0 RN/L = 4.46 GRADIENT INTERVAL = -5.00/ 5.00

ALPHA	BETA	CP68	CP70	CP72	CP74	CP67	CP69	CP71	CP73
-.433	-4.009	-.06910	-.05130	-.09270	-.08180	-.04470	-.04400	-.05580	-.05280
-.446	-.003	.04110	.05890	.01910	.02890	.02890	.03090	.00980	.01160
-.456	4.022	.06760	.08190	.04450	.05650	.03140	.02540	.01470	.00600
	GRADIENT	.01701	.01658	.01707	.01721	.00947	.00863	.00877	.00731

ORIGINAL PAGE IS
OF POOR QUALITY

