

General Disclaimer

One or more of the Following Statements may affect this Document

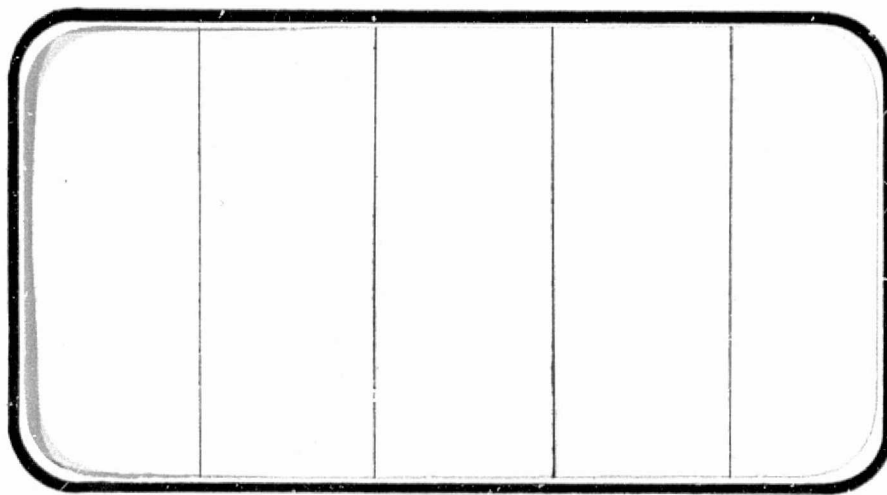
- This document has been reproduced from the best copy furnished by the organizational source. It is being released in the interest of making available as much information as possible.
- This document may contain data, which exceeds the sheet parameters. It was furnished in this condition by the organizational source and is the best copy available.
- This document may contain tone-on-tone or color graphs, charts and/or pictures, which have been reproduced in black and white.
- This document is paginated as submitted by the original source.
- Portions of this document are not fully legible due to the historical nature of some of the material. However, it is the best reproduction available from the original submission.



NATIONAL AERONAUTICS AND SPACE ADMINISTRATION

NASA CR-

141538



(NASA-CR-141538) RESULTS OF TESTS OF A
ROCKWELL INTERNATIONAL SPACE SHUTTLE ORBITER
(-139 CONFIGURATION) 0.0175-SCALE MODEL (NO.
29-0) IN AEDC TUNNEL F TO DETERMINE
HYPERSONIC HEATING EFFECTS (OH11) (Chrysler

N75-27045

Unclas
28794



SPACE SHUTTLE

AEROTHERMODYNAMIC DATA REPORT

JOHNSON SPACE CENTER

HOUSTON, TEXAS

DATA Management services



May, 1975

DMS-DR-2141
NASA-CR-141,538

RESULTS OF TESTS OF A
ROCKWELL INTERNATIONAL SPACE SHUTTLE ORBITER
(-139 CONFIGURATION) 0.0175-SCALE MODEL (NO. 29-0)
IN AEDC TUNNEL F TO DETERMINE
HYPERSONIC HEATING EFFECTS (OH11)

By

M. Quan
Shuttle Aero Sciences
Rockwell International Space Division

Prepared under NASA Contract Number NAS9-13247

By

Data Management Services
Chrysler Corporation Space Division
New Orleans, La. 70189

for

Engineering Analysis Division

Johnson Space Center
National Aeronautics and Space Administration
Houston, Texas

WIND TUNNEL TEST SPECIFICS:

Test Number AEDC F VA 354
NASA Series Number: OH11
Model Number: 29-0
Test Dates: 24 October through 2 November, 1973
Occupancy Hours: 37

FACILITY COORDINATOR:

L. L. Trimmer
ARO, Inc.
VKF-SH
Arnold Air Force Station
Tenn. 37389
Phone: (615) 455-2611 x7377

AEROHEATING ANALYSIS ENGINEER:

C. Craig
Rockwell International
Space Division
12214 Lakewood Blvd.
Mail Code AC48
Downey, California 90241
Phone: (213) 922-1558

PROJECT ENGINEERS:

M. Quan
Rockwell International
Space Division
12214 Lakewood Blvd.
Mail Code AC07
Downey, California 90241
Phone: (213) 922-2844

A. Boudreau
ARO, Inc.
VKF-ADP
Arnold Air Force Station
Tenn. 37389
Phone: (615) 455-2611 x7301

DATA MANAGEMENT SERVICES:

Prepared by: Liaison--D. A. Sarver, V. W. Sparks
Operations--Maurice Moser, Jr.

Reviewed by: G. G. McDonald, J. L. Glynn *jpg.*

Approved: *N. D. Kemp* Concurrency: *J. G. Swider*
N. D. Kemp, Manager
Data Management Services
J. G. Swider, Manager
Flight Technology Branch

Chrysler Corporation Space Division assumes no responsibility for the data presented other than display characteristics.

RESULTS OF TESTS OF A
ROCKWELL INTERNATIONAL SPACE SHUTTLE ORBITER
(-139 CONFIGURATION) 0.0175-SCALE MODEL (NO. 29-0)
IN AEDC TUNNEL F TO DETERMINE
HYPERSONIC HEATING EFFECTS (OH11)

By

M. Quan, Rockwell International Space Division

ABSTRACT

This report presents the results from wind tunnel tests to determine hypersonic aerodynamic heating rates on a NASA/Rockwell Space Shuttle Orbiter.

The objectives of this test were to determine Mach number effects, if any, and to obtain overall heating rate data at high Mach numbers from 10.5 to 16. The model used was a 0.0175-scale model built to Rockwell Orbiter lines VL70-000139. The model identity number is 29-0. These tests, designated OH11, were conducted in the AEDC Tunnel F.

TABLE OF CONTENTS

| | Page |
|---|------|
| ABSTRACT | iii |
| INDEX OF FIGURES | 2 |
| INTRODUCTION | 3 |
| NOMENCLATURE | 4 |
| REMARKS | 6 |
| CONFIGURATIONS INVESTIGATED | 7 |
| INSTRUMENTATION | 8 |
| TEST FACILITY DESCRIPTION | 10 |
| TEST PROCEDURE | 11 |
| DATA REDUCTION | 12 |
| REFERENCES | 15 |
| TABLES | |
| I. TEST CONDITIONS | 16 |
| II. DATA SET/RUN NUMBER COLLATION SUMMARY | 17 |
| III. MODEL DIMENSIONAL DATA | 19 |
| IV. FUSELAGE GAUGE LOCATIONS | 25 |
| V. WING GAUGE LOCATIONS | 26 |
| FIGURES | 27 |
| APPENDIX | |
| TABULATED SOURCE DATA | 32 |

PRECEDING PAGE BLANK NOT FILMED

INDEX OF FIGURES

| Figure: | Title | Page |
|---------|---|------|
| 1. | Axis systems. | 27 |
| 2. | Model sketches. | |
| a. | Shuttle Orbiter Model 29-0 | 28 |
| b. | Shuttle OH11 Installation in the 54-Inch Test Section | 29 |
| 3. | Model Photographs. | |
| a. | Side View of Model Installation | 30 |
| b. | Lower Front View of Model Installation | 31 |

INTRODUCTION

This report presents the test description and data obtained from wind tunnel tests conducted to determine hypersonic aerodynamic heating rates on a NASA/Rockwell Space Shuttle Orbiter configuration. Mach number effects were of special interest. The NASA/Rockwell number for this test was OH11 and the facility project number was VA 354. These tests were conducted in Tunnel F of the von Karman Facility at the Arnold Engineering Development Center (AEDC) from October 24 through November 2, 1973.

The model used was an 0.0175-scale Orbiter model based on Rockwell lines VL70-000139. The number assigned to this model was 29-0.

NOMENCLATURE

| <u>Symbol</u> | <u>Computer Printout</u> | <u>Definition</u> |
|-----------------|--------------------------|--|
| B/2 | | wing semispan, 8.2 in. |
| h | H | heat-transfer coefficient determined at a particular gauge location, $Q/(T_{aw} - T_w)$ |
| h_{ref} | HREF | reference heat-transfer coefficient based on test section stagnation conditions on a 0.21-in. radius hemisphere, $Q_0/(T_0 - T_w)$ |
| H_0 | HO | stagnation enthalpy, Btu/lbm |
| h_w | | enthalpy at model wall temperature, 134.2 Btu/lbm |
| | L | model length, 23.226 in. |
| M_∞ | M-INF | free-stream Mach number |
| P_0 | PO | tunnel reservoir pressure, psia |
| p_0' | POP | stagnation pressure measured behind the free-stream normal shock, psia |
| p_∞ | P-INF | free-stream static pressure, psia |
| \dot{q} | Q | heat-transfer rate, Btu/ft ² -sec |
| q_∞ | Q-INF | free-stream dynamic pressure, psia |
| \dot{q}_0 | Q0 or Q-0 | stagnation heat-transfer rate on a 0.21-in. radius hemisphere, Btu/ft ² -sec |
| | Q1-Q89 | heat-transfer gauge designations on model |
| \dot{q}_{ref} | QREF | reference heat-transfer rate (same as \dot{q}_0), Btu/ft ² -sec |
| Re_∞/ft | RE/FT | Reynolds number based on free-stream conditions and 1-ft length |
| | RE-L | Reynolds number based on free-stream conditions and the model length of 23.226 in. |

NOMENCLATURE (Concluded)

| <u>Symbol</u> | <u>Computer Printout</u> | <u>Definition</u> |
|---------------|--------------------------|--|
| ρ_∞ | RHO-INF | free-stream density, lbm/ft ³ |
| | STO or ST-0 | Stanton number for measured hemisphere stagnation heat-transfer rate, $Q_0 / [\rho_\infty (U_\infty) (H_0 - h_w)]$ |
| T_0 | T0 | reservoir temperature, °R |
| T_∞ | T-INF | free-stream static temperature, °R |
| T_{aw} | | adiabatic wall temperature, ($T_{aw} = \eta T_0$) |
| T_w | | model wall temperature, $\approx 540^\circ\text{R}$ |
| U_∞ | U-INF | free-stream velocity, ft/sec |
| X | | axial distance along the model measured from the nose, in. |
| X' | | axial distance along the model measured from the leading edge of the wing, in. |
| α | | angle of attack, deg |
| δ | | local flow deflection angle, $\alpha + \theta$, deg |
| η | | enthalpy recovery factor, $\eta = 0.867 + 0.133 \sin^{1.55} \delta$ |
| θ | | local model surface angle relative to centerline, deg (see Table III) |
| ϕ | | angle between a gauge and vertical plane through the centerline of the model, deg |

NOTE: Reference stagnation conditions (\dot{q}_{ref} and \dot{q}_0) were measured on a 0.50-in. radius hemisphere and reference to a 0.21-in. radius by multiplying by

$$\sqrt{\frac{0.50}{0.21}}$$

REMARKS

Wind tunnel tests were conducted on a 0.0175-scale model of the Rockwell International Space Shuttle Orbiter to determine aerodynamic heating rates on the vehicle. Data from these tests were compared with data from other tunnel tests. Since tunnel F has a high Mach number capability, it was of special interest to use these data for the determination of Mach number effects on heating rates.

Data were recorded using resistance thermometer slug calorimeters and co-axial surface thermocouples. Details on this instrumentation are given in the Instrumentation Section.

Model angles of attack were varied from 25° to 45° with 0° sideslip. Nominal Mach number range was from 10.5 to 16 and Reynolds number from 1.0 to 10.0×10^6 /ft. Tunnel F operates using a constant volume reservoir with set initial charge densities. Reservoir conditions decay with time during each run, resulting in varying Mach and Reynolds numbers over a run. Initial reservoir conditions are set so that the sweep in values of the tunnel parameters will include the requested Mach/Reynolds number combination. The Run Schedule shows the nominal conditions and the Reynolds number range in which tabulated data were collected.

This test is also documented by AEDC report number AEDC-DR-74-16 (Reference 2) by A. H. Boudreau (ARO, Inc.). Much of the information contained in the following text was obtained from that source. In addition, the AEDC report contains plots of the data with some comparisons made with theory and with data obtained during another test (in tunnel B, also at AEDC).

CONFIGURATIONS INVESTIGATED

The model tested was an 0.0175-scale model of the Space Shuttle Orbiter built to Rockwell lines VL70-000139 (designated model number 29-0). This model was fabricated from 15-5 PH stainless steel. The wing and vertical tail were each built as one solid piece. Exterior contour lines followed the control surfaces in an undeflected position.

Since the model contained no removable, deflectable, or interchangeable parts, configuration variations could not be tested. Therefore, individual components were not referred to. The run schedule merely lists the model by its number, 29-0. However, for information, the following nomenclature symbols had been assigned to the components of the configuration tested.

| | |
|------------------|---------------|
| B ₁₇ | Fuselage body |
| C ₇ | Canopy |
| F ₅ | Body flap |
| M ₄ | OMS pods |
| V ₇ | Vertical tail |
| W ₁₀₇ | Wing |

Component geometry is detailed in Table III.

INSTRUMENTATION

Sixty gauges of two types were used to measure heating rates on the model surface. Locations of these gauges are shown in Figure 2a. The two types of gauges were resistance thermometer slug calorimeters (RT) and co-axial surface thermometers (co-ax).

Fourteen RT gauges were installed on model leeward surfaces. The RT gauges were built 0.250-in. diameter to be used where the heat transfer rate range was expected to be 0.05 to 50 Btu/ft²-sec. These gauges used a thin-film platinum resistance thermometer to sense the back surface temperature of an aluminum disc, the front of which was flush to the model surface. The calorimeters were optimized to measure a given range of heat flux by an appropriate selection of the aluminum disc thickness. Unfortunately, since these discs were made flat across their surface, a small deviation from model surface contour resulted across the diameter of the gauges when they were installed.

Forty-six 0.125-in. diameter co-ax thermocouple gauges were also used on this model. The surface contour of these gauges matched exactly that of the model since the thermocouple sensing surface could be worked to the model shape and still function properly. These gauges were comprised of an electrically insulated chromel wire enclosed in a constantan cylindrical jacket. A thin-film junction was made at the model surface by lightly polishing with fine sandpaper. They had a higher operating range (5 to 500 Btu/ft²-sec.) than the RT gauges and were placed in areas such as the lower surface where higher heating rates were expected. Because

INSTRUMENTATION (Concluded)

they matched the model surface contour so well, they did not cause early boundary layer transition with its subsequent higher heating rate.

Tunnel conditions were monitored using two 1-inch diameter hemisphere-cylinders instrumented with slug calorimeters. The hemisphere-cylinders were installed at an appropriate distance from the model to eliminate shock interference. A pitot probe was located near each hemisphere-cylinder to measure the normal shock stagnation pressure. Test section pitot pressures as well as ARC chamber reservoir pressures were measured with semiconductor strain-gauge transducers.

TEST FACILITY DESCRIPTION

The Hypervelocity Wind Tunnel (F) is an arc-driven wind tunnel of the hotshot type and capable of providing Mach numbers from about 7.5 to 20 over a unit Reynolds number range from 0.05×10^6 to 75×10^6 per foot. Test sections of 108-in. diameter ($M_\infty = 14$ to 20) and 54-in. diameter ($M_\infty = 10$ to 17) are available using a 4-deg., half-angle conical nozzle. The range of Mach numbers at a particular test station in the conical nozzle is obtained by using various throat diameters. The $M_\infty = 8$ contoured nozzle has a 25-in. exit diameter which connects to the 54-in. diameter test section and provides a free-jet exhaust. The test gas can be either air or nitrogen. The test gas is confined in either a 2.5 cu. ft. or a 4.0 cu. ft. arc chamber where it is heated and compressed by an electric arc discharge. The increase in pressure results in a diaphragm rupture with the subsequent flow expansion through the nozzle. Test times are typically from 50 to 200 msec. Shadowgraphs and Schlieren coverage are available at both test sections.

This test was conducted in the 54-in. diameter test section of the conical nozzle for $M_\infty = 10.1$ -16.2. Nitrogen was the test gas. The 2.5 and 4.0 ft³ arc chambers were used, and useful test times up to approximately 100 msec. were obtained.

TEST PROCEDURE

Variables for this test were Mach number, Reynolds number, and angle of attack. Prior to making a run, these variables were set with the proper facility nozzle, throat diameter, arc chamber pressure and sting angle.

The tunnel was fired with an electric arc discharge. The nitrogen within the arc chamber was heated by this discharge and the resultant increase in pressure ruptured a diaphragm, which released the gas into the nozzle.

As gas left the arc chamber, reservoir pressure declined with a resulting decay of tunnel parameters. Gauge output was scanned with a digital system. Oscillographs were also used to record the output of each channel as a back-up and for a quick look at results. As reservoir pressure declined, timewise scans of data resulted in variations of Reynolds number. Thus, a single run contained data for a range of Reynolds numbers.

DATA REDUCTION

Output of the heat transfer gauges was converted by AEDC from direct functions of temperature vs. time to Q/Q_{ref} and H/H_{ref} vs. time. Tabulations of these values for each run are presented in the back of this report.

Statements made below on data uncertainty are based on information presented in the AEDC data report for this test, AEDC-DR-74-16 by A. H. Boudreau (ARO, Inc.).

The determination of the free-stream and reservoir conditions was based on the measured values p_0^* , p_0 , and \dot{q}_0 . Uncertainties for these parameters are ± 4 , ± 5 , and ± 5 percent, respectively, based on calibration and data acquisition accuracy as well as uncertainties associated with testing under dynamic conditions. Using the Taylor series method of error propagation resulted in the following uncertainties in tunnel conditions:

| <u>Parameter</u> | <u>Uncertainty (percent)</u> |
|------------------|------------------------------|
| M_∞ | ± 1.5 |
| Re_∞/ft | ± 10 |
| T_∞ | ± 6 |
| ρ_∞ | ± 6 |
| T_0 | ± 4 |
| H_0 | ± 5 |

Uncertainties in heat transfer rates (\dot{q}) were a function of flow condition, angle of attack, and location on the model. Low heat transfer rates

DATA REDUCTION (Continued)

sometimes approached the limits of the instrumentation, which resulted in higher data uncertainties. Bottom centerline gauges 34, 38, 41, 44, 47, and 50 (figure 2-a) had low outputs, so pre-amp units were used to boost the signal to noise ratio. Separate uncertainty values are provided for these gauges. The table below lists the uncertainties in the heat transfer rates by their location on the model.

| <u>Location of Model</u> | <u>Range (Btu/ft²-sec)</u> | <u>Uncertainty (percent)</u> |
|-------------------------------------|---------------------------------------|------------------------------|
| Bottom centerline (w/o pre-amps) | $\dot{q} > 5$ | ± 9 |
| | $\dot{q} < 5$ | ± 15 |
| Bottom Centerline (w/ pre-amps) | $\dot{q} > 1$ | ± 9 |
| Bottom of Wing | $\dot{q} > 5$ | ± 9 |
| | $\dot{q} < 5$ | ± 15 |
| Model Upper Surface | $\dot{q} > 0.2$ | ± 9 |
| | $\dot{q} < 0.2$ | ± 15 |

The uncertainties associated with model data non-dimensionalized with free-stream conditions (h) or stagnation conditions and free stream (h_{ref}) are based on the uncertainties of tunnel parameters and \dot{q} 's given above. These uncertainties are propagated through the appropriate equations by the Taylor series method of error propagation to yield the following estimates of data uncertainty (T_w uncertainty considered negligible):

DATA REDUCTION (Concluded)

| <u>Parameter</u> | <u>Uncertainty (Percent)</u> | <u>Comments</u> |
|-------------------------|------------------------------|---|
| h | ± 10 | for \dot{q} with ± 9 percent uncertainty |
| h | ± 16 | for \dot{q} with ± 15 percent uncertainty |
| h_{ref} | ± 6 | |
| \dot{q}_{ref} | ± 5 | |
| \dot{q}/\dot{q}_{ref} | ± 10 | for \dot{q} with ± 9 percent uncertainty |
| \dot{q}/\dot{q}_{ref} | ± 16 | for \dot{q} with ± 15 percent uncertainty |
| h/h_{ref} | ± 12 | for \dot{q} with ± 9 percent uncertainty |
| h/h_{ref} | ± 17 | for \dot{q} with ± 15 percent uncertainty |

REFERENCES

1. Wilkinson, E. E., "Pretest Information for Tests of the 0.0175-Scale Space Shuttle Vehicle Heat Transfer Model 29-0 in the AEDC Tunnel F (Test OH-11)," SD73-SH-0204, dated July 11, 1973.
2. Boudreau, A. H., "Test Results from the NASA/RI Shuttle Heating Test OH-11 in the AEDC-VKF Tunnel F," AEDC-DR-74-16, dated February 7, 1974.

TABLE I.

| TEST : OH11 | | DATE : Post-test | |
|--|-------------------------------|------------------------------|---|
| TEST CONDITIONS | | | |
| MACH NUMBER | REYNOLDS NUMBER (per foot) | STAGNATION PRESSURE (psi) | STAGNATION TEMPERATURE (degrees Rankine) |
| 10.5 | 1.0 x 10 ⁶ | 3500 | 3500 |
| | 3.7 | 3000 | 2200 |
| | 6.0 | 6000 | 2000 |
| | 10.0 | 5000 | 2200 |
| 12.0 | 1.0 | 3000 | 3000 |
| | 3.7 | 5000 | 3000 |
| | 6.0 | 12000 | 2500 |
| 14.0 | 1.0 | 14000 | 3000 |
| | 3.7 | 15000 | 3000 |
| | 1.0 | 12000 | 4000 |
| BALANCE UTILIZED: <u>None</u> | | | |
| | CAPACITY: | ACCURACY: | COEFFICIENT TOLERANCE: |
| NF | _____ | _____ | _____ |
| SF | _____ | _____ | _____ |
| AF | _____ | _____ | _____ |
| PM | _____ | _____ | _____ |
| RM | _____ | _____ | _____ |
| YM | _____ | _____ | _____ |
| COMMENTS: Large variation in test conditions during each run. Given conditions are approximate. | | | |

TABLE II.

| TEST: CH11 | | DATA SET/RUN NUMBER COLLATION SUMMARY | | | | | | | DATE: Post-test | | | |
|------------|---------------|---------------------------------------|---------|--------------------------------------|---|----|------|---|-----------------|--------------|--|--|
| TUNNEL RUN | CONFIGURATION | SCHD. | | Re/ft x 10 ⁶ REQUESTED | Re/ft x 10 ⁶ RANGE ATTAINED | | | COMMENTS | NO. OF RUNS | MACH NUMBERS | | |
| | | α | β | | | | | | | | | |
| 4504 | 29-0 | 25 | 0 | 1.0 | 1.6 | TO | 2.6 | | | 10.5 | | |
| 4506 | | 35 | | 3.7 | 2.1 | TO | 6.5 | | | | | |
| 4507 | | 30 | | 10.0 | 4.0 | TO | 10.1 | | | | | |
| 4508 | | 30 | | 10.0 | 4.8 | TO | 10.0 | | | | | |
| 4509 | | 30 | | 6.0 | 5.7 | TO | 10.5 | | | | | |
| 4510 | | 30 | | 3.7 | 3.2 | TO | 6.2 | | | | | |
| 4511 | | 25 | | 3.7 | 3.4 | TO | 5.8 | | | | | |
| 4512 | | 30 | | 6.0 | 3.9 | TO | 8.1 | | | 12.0 | | |
| 4513 | | 30 | | 3.7 | 1.6 | TO | 3.4 | FAILED TO REACH DESIRED Re | | | | |
| 4514 | | 30 | | 1.0 | .39 | TO | 2.0 | | | | | |
| 4515 | | 30 | | 3.7 | 1.7 | TO | 3.8 | | | 14.0 | | |
| 4516 | | 30 | | 1.0 | 1.0 | TO | 2.5 | | | 14.0 | | |
| 4517 | | 30 | | 1.0 | .75 | TO | 1.5 | | | 16.0 | | |
| 4518 | | 35 | | 3.7 | 1.5 | TO | 3.6 | | | 12.0 | | |
| 4519 | | 35 | | 3.7 | 2.0 | TO | 3.9 | B.C. TRIPPED BY PARTICLE IMPACT ON MODEL | | 14.0 | | |
| 4520 | | 25 | | 3.7 | 1.5 | TO | 3.8 | | | 12.0 | | |
| 4521 | | 25 | | 1.0 | .75 | TO | 1.0 | | | 12.0 | | |
| 4522 | | 25 | | 3.7 | 2.5 | TO | 3.8 | | | 14.0 | | |

17

TEST RUN NUMBERS

| | | | | | | | | | | | | | | |
|---------------------|---|----------------------------------|----|----|----|----|----|----|----|----------|----|----|----------|-------|
| 1 | 7 | 13 | 19 | 25 | 31 | 37 | 43 | 49 | 55 | 61 | 67 | 73 | 76 | |
| COEFFICIENTS | | | | | | | | | | 10VAR 11 | | | 10VAR 12 | 11VAR |
| α OR β | | α = angle of attack, deg. | | | | | | | | | | | | |
| SCHEDULES | | | | | | | | | | | | | | |

TABLE II. - Concluded.

| TEST: OH21 | | DATA SET/RUN NUMBER COLLATION SUMMARY | | | | | | | | DATE: <i>Post-Test</i> | | | | | | | | |
|------------|---------------|---------------------------------------|---------|----------------------------------|---------------------------|----|-----|----------------|-------------|------------------------|--|--|--|------|--|--|--|--|
| TUNNEL RUN | CONFIGURATION | SCHD. | | $Re/ft \times 10^6$ REQUESTED | $Re/ft \times 10^6$ Range | | | COMMENTS | NO. OF RUNS | MACH NUMBERS | | | | | | | | |
| | | α | β | | ATTAINED | TO | | | | | | | | | | | | |
| 4523 | 29-0 | 45 | 0 | 3.7 | 2.1 | TO | 3.9 | | | | | | | 12.0 | | | | |
| 4524 | | 30 | | 3.7 | 1.5 | TO | 4.1 | RE-RUN OF 4513 | | | | | | 12.0 | | | | |
| 4525 | | 35 | | 3.7 | 1.8 | TO | 3.6 | RE-RUN OF 4519 | | | | | | 14.0 | | | | |
| 4526 | | 35 | | 1.0 | 1.3 | TO | 2.3 | | | | | | | 14.0 | | | | |
| 4527 | | 35 | | 1.0 | .65 | TO | 1.0 | | | | | | | 12.0 | | | | |

TEST RUN NUMBERS:

18

1 7 13 19 25 31 37 43 49 55 61 67 75 76

COEFFICIENTS
IDVAR (1)
ICLAR (2)
ICV

α OR β

SCHEDULES

TABLE III MODEL DIMENSIONAL DATA

MODEL COMPONENT : BODY - B₁₇

GENERAL DESCRIPTION : Fuselage, 3 configuration, lightweight orbiter per Rockwell Lines VL70-000139

MODEL SCALE: 0.0175

DRAWING NUMBER: VL70-000139

| DIMENSIONS : | FULL SCALE | MODEL SCALE |
|------------------------|---------------|---------------|
| Length, In. | <u>1290.3</u> | <u>22.580</u> |
| Max Width, In. | <u>267.6</u> | <u>4.683</u> |
| Max Depth, In. | <u>244.5</u> | <u>4.279</u> |
| Fineness Ratio | <u>4.822</u> | <u>4.822</u> |
| Area - Ft ² | <u></u> | <u></u> |
| Max. Cross-Sectional | <u>386.67</u> | <u>6.767</u> |
| Planform | <u></u> | <u></u> |
| Wetted | <u></u> | <u></u> |
| Base | <u></u> | <u></u> |

TABLE III (CONT'D)

MODEL COMPONENT : CANOPY - C₇

GENERAL DESCRIPTION : Configuration 3 per Rockwell Lines

VL70-000139

MODEL SCALE: 0.0175

DRAWING NUMBER: VL70-000139

| DIMENSIONS : | FULL SCALE | MODEL SCALE |
|---|-----------------------------|-----------------------------|
| Length ($X_{O_2}=433$ to $X_{O_2}=578$) in.F.S. | <u>145.0</u> | <u>2.538</u> |
| Max Width | <u> </u> | <u> </u> |
| Max Depth | <u> </u> | <u> </u> |
| Fineness Ratio | <u> </u> | <u> </u> |
| Area | <u> </u> | <u> </u> |
| Max. Cross-Sectional | <u> </u> | <u> </u> |
| Planform | <u> </u> | <u> </u> |
| Wetted | <u> </u> | <u> </u> |
| Base | <u> </u> | <u> </u> |

TABLE III (CONT'D)

MODEL COMPONENT : BODY FLAP - F₅

GENERAL DESCRIPTION : Configuration per Rockwell Lines

VL70-000139

MODEL SCALE: 0.0175

DRAWING NUMBER : VL70-000139

| DIMENSIONS : | FULL SCALE | MODEL SCALE |
|------------------------|-------------------|-------------------|
| Length , In. | <u>84.70</u> | <u>1.482</u> |
| Max Width, In. | <u>267.6</u> | <u>4.683</u> |
| Max Depth | <u> </u> | <u> </u> |
| Fineness Ratio | <u> </u> | <u> </u> |
| Area - Ft ² | <u> </u> | <u> </u> |
| Max. Cross-Sectional | <u> </u> | <u> </u> |
| Planform | <u>142.5</u> | <u>0.044</u> |
| Wetted | <u> </u> | <u> </u> |
| Base | <u>38.096</u> | <u>0.012</u> |

TABLE III (CONT'D)

MODEL COMPONENT : OMS POD - M₄

GENERAL DESCRIPTION : Configuration 3 per Rockwell Lines

VL70-000139.

NOTE: M₄ identical to M₃, except intersection to fuse. age

MODEL SCALE: 0.0175

DRAWING NUMBER : VL70-000139

| DIMENSIONS : | FULL SCALE | MODEL SCALE |
|----------------------|-----------------------------|-----------------------------|
| Length , In. | <u>346.0</u> | <u>6.055</u> |
| Max Width, In. | <u>108.0</u> | <u>0.890</u> |
| Max Depth , In. | <u>113.0</u> | <u>1.978</u> |
| Fineness Ratio | <u> </u> | <u> </u> |
| Area | <u> </u> | <u> </u> |
| Max. Cross-Sectional | <u> </u> | <u> </u> |
| Planform | <u> </u> | <u> </u> |
| Wetted | <u> </u> | <u> </u> |
| Base | <u> </u> | <u> </u> |

TABLE III (CONT'D)

MODEL COMPONENT: VERTICAL - V₇GENERAL DESCRIPTION: Centerline vertical tail, double-wedge airfoil
with rounded leading edge.NOTE: Same as V₅, but with manipulator housing removed.MODEL SCALE: 0.0175DRAWING NUMBER: VL70-000139

| DIMENSIONS: | <u>FULL SCALE</u> | <u>MODEL SCALE</u> |
|-------------------------------|-------------------|--------------------|
| TOTAL DATA | | |
| Area (Theo) - Ft ² | | |
| Planform | <u>425.92</u> | <u>0.130</u> |
| Span (Theo) - In. | <u>315.72</u> | <u>5.525</u> |
| Aspect Ratio | <u>1.675</u> | <u>1.675</u> |
| Rate of Taper | <u>0.507</u> | <u>0.507</u> |
| Taper Ratio | <u>0.404</u> | <u>0.404</u> |
| Sweep-Back Angles, Degrees. | | |
| Leading Edge | <u>45.000</u> | <u>45.000</u> |
| Trailing Edge | <u>26.249</u> | <u>26.249</u> |
| 0.25 Element Line | <u>41.130</u> | <u>41.130</u> |
| Chords: | | |
| Root (Theo) WP | <u>268.50</u> | <u>4.699</u> |
| Tip (Theo) WP | <u>108.47</u> | <u>1.898</u> |
| MAC | <u>199.81</u> | <u>3.497</u> |
| Fus. Sta. of .25 MAC | <u>1463.50</u> | <u>25.611</u> |
| W.P. of .25 MAC | <u>635.522</u> | <u>11.116</u> |
| B.L. of .25 MAC | <u>0.00</u> | <u>0.00</u> |
| Airfoil Section | | |
| Leading Wedge angle - Deg. | <u>10.00</u> | <u>10.00</u> |
| Trailing Wedge Angle - Deg. | <u>14.920</u> | <u>14.920</u> |
| Leading Edge Radius | <u>2.00</u> | <u>2.00</u> |
| Void Area | <u>13.17</u> | <u>0.004</u> |
| Blanketed Area | <u>0.0</u> | <u>0.0</u> |

ORIGINAL PAGE IS
OF POOR QUALITY

TABLE III (CONL'D)

MODEL COMPONENT: WING-W 107

GENERAL DESCRIPTION: Configuration 3 per Rockwell Lines VL70-000139B

NOTE: Same as W 103, except cuff, airfoil and incidence angle.

MODEL SCALE: 0.0175

| TEST NO. | DWG. NO. | |
|--|------------|-------------|
| DIMENSIONS: | FULL-SCALE | MODEL SCALE |
| TOTAL DATA | | |
| Area (Theo.) Ft ² | | |
| Planform | 2690.00 | 0.824 |
| Span (Theo) In. | 936.68 | 16.392 |
| Aspect Ratio | 2.265 | 2.265 |
| Rate of Taper | 1.177 | 1.177 |
| Taper Ratio | 0.200 | 0.200 |
| Dihedral Angle, degrees | 3.500 | 3.500 |
| Incidence Angle, degrees | 0.500 | 0.500 |
| Aerodynamic Twist, degrees | 3.000 | 3.000 |
| Sweep Back Angles, degrees | | |
| Leading Edge | 45.000 | 45.000 |
| Trailing Edge | - 10.240 | - 10.240 |
| 0.25 Element Line | 35.209 | 35.209 |
| Chords: | | |
| Root (Theo) B.P.O.O. | 689.24 | 12.062 |
| Tip, (Theo) B.P. | 137.85 | 2.412 |
| MAC | 474.81 | 8.309 |
| Fus. Sta. of .25 MAC | 1136.89 | 19.896 |
| W.P. of .25 MAC | 290.857 | 3.672 |
| B.L. of .25 MAC | 182.13 | 3.187 |
| EXPOSED DATA | | |
| Area (Theo) Ft ² | 1752.29 | 0.537 |
| Span, (Theo) In. BP108 | 720.68 | 12.612 |
| Aspect Ratio | 2.058 | 2.058 |
| Taper Ratio | 0.245 | 0.245 |
| Chords | | |
| Root BP108 | 562.40 | 9.842 |
| Tip $1.00 \frac{b}{2}$ | 137.85 | 2.412 |
| MAC | 393.03 | 6.878 |
| Fus. Sta. of .25 MAC | 1184.21 | 20.743 |
| W.P. of .25 MAC | 290.683 | 5.139 |
| B.L. of .25 MAC | 251.76 | 4.406 |
| Airfoil Section (Rockwell Mod NASA) XXXX-64 | | |
| Root $\frac{b}{2}$ = | 0.100 | 0.100 |
| Tip $\frac{b}{2}$ = | 0.120 | 0.120 |
| Data for (1) of (2) Sides | | |
| Leading Edge Cuff | | |
| Planform Area Ft ² | 118.333 | 0.036 |
| Leading Edge Intersects Fus M. L. @ Sta | 500.00 | 8.750 |
| Leading Edge Intersects Wing @ Sta | 1083.4 | 18.960 |

TABLE IV. - FUSELAGE GAUGE LOCATIONS

Normalized Length vs. Local Model Surface Angle

| FUSELAGE LOWER SURFACE CENTERLINE | | | RADIAL GAUGES | | |
|--------------------------------------|-------|---------------|---------------|-------------|---------------|
| | | | X/L = .15 | | |
| Gauge # | X/L | θ -deg | Gauge # | ϕ -deg | θ -deg |
| 1 | .005 | 52.25 | 10 | 0 | 3.25 |
| 2 | .020 | 20.5 | 11 | 20° | 3.25 |
| 3 | .040 | 13.5 | 12 | 30° | 3.25 |
| 6 | .060 | 10.0 | | | |
| 7 | .080 | 7.25 | | | |
| 8 | .100 | 5.5 | | | |
| 10 | .150 | 3.25 | X/L = .30 | | |
| 16 | .200 | 2.0 | | | |
| 20 | .250 | 1.25 | | | |
| 23 | .300 | 1.0 | 23 | 0° | 1.0 |
| 31 | .400 | 1.0 | 25 | 40° | 1.0 |
| 34 | .500 | 1.0 | 26 | 45° | 1.0 |
| 38 | .600 | 1.0 | | | |
| 41 | .700 | 1.0 | | | |
| 44 | .800 | 1.0 | | | |
| 47 | .900 | -2.0 | | | |
| 50 | 1.000 | -4.5 | | | |

TABLE V. - WING GAUGE LOCATIONS

WING LOWER SURFACE

| 25% HALFSPAN | | | 40% HALFSPAN | | |
|--------------|------|-------|--------------|-----|-------|
| Gauge # | X/C | θ-deg | Gauge # | X/C | θ-deg |
| 52 | .082 | 5.35 | 59 | .1 | 6.7 |
| 53 | .302 | 2.5 | 60 | .2 | 5.65 |
| 54 | .447 | 2.65 | 61 | .3 | 4.65 |
| 55 | .591 | 2.25 | 62 | .56 | 2.85 |
| 56 | .736 | 0 | 63 | .7 | 1.4 |
| 57 | .881 | -0.75 | 64 | .9 | -4.75 |
| 50% HALFSPAN | | | 60% HALFSPAN | | |
| Gauge # | X/C | θ-deg | Gauge # | X/C | θ-deg |
| 65 | .176 | 4.55 | 68 | .1 | 4.95 |
| 66 | .484 | 5.0 | 69 | .2 | 4.8 |
| 82 | .7 | 1.85 | 70 | .43 | 5.4 |
| | | | 71 | .6 | 3.5 |
| | | | 72 | .8 | -1.55 |
| 75% HALFSPAN | | | 85% HALFSPAN | | |
| Gauge # | X/C | θ-deg | Gauge # | X/C | θ-deg |
| 74 | .1 | 5.3 | 79 | .1 | 5.6 |
| | | | 80 | .3 | 5.35 |
| | | | 81 | .5 | 4.6 |

Notes:

1. Positive directions of force coefficients, moment coefficients, and angles are indicated by arrows
2. For clarity, origins of wind and stability axes have been displaced from the center of gravity

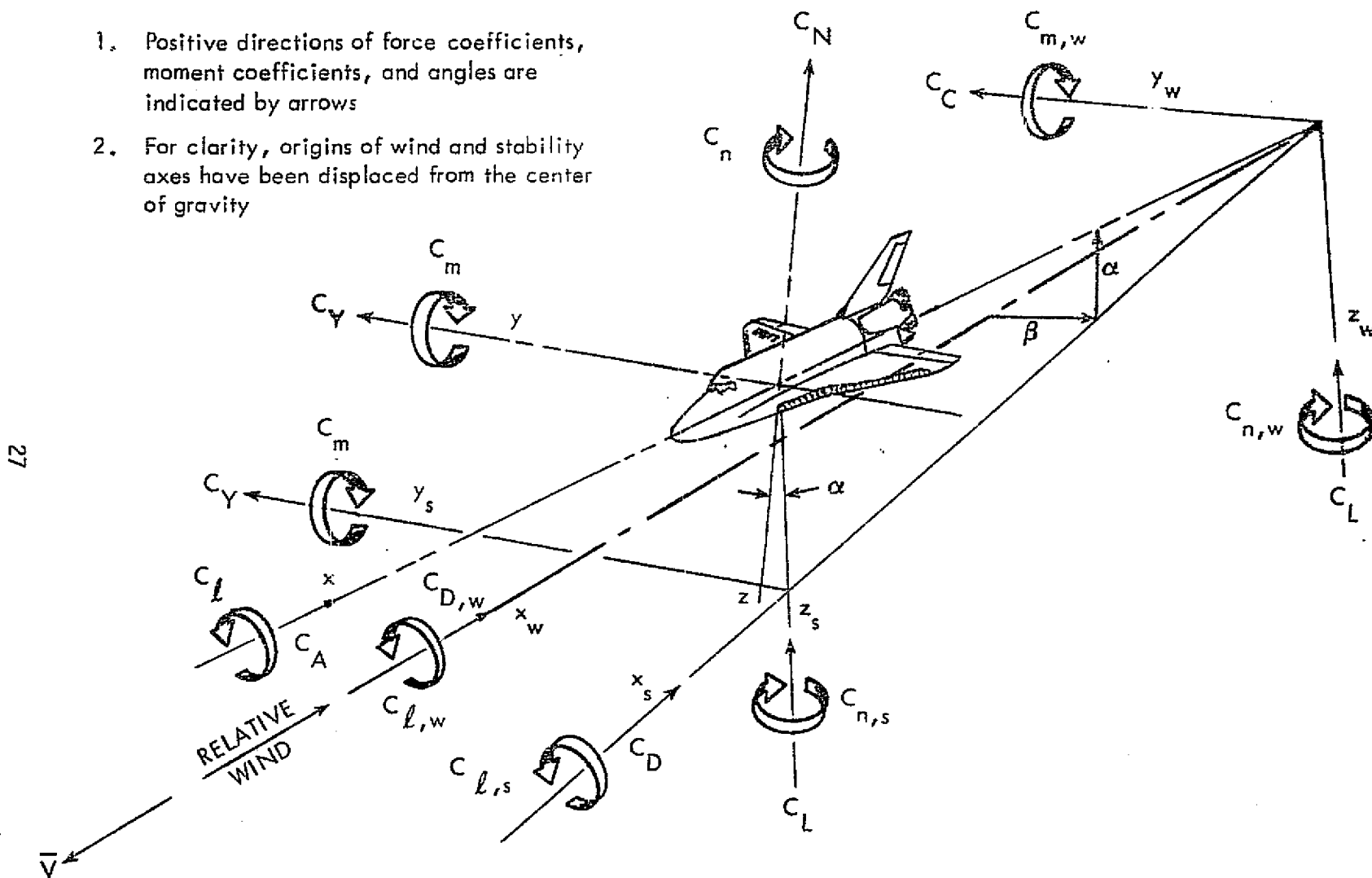


Figure 1. - Axis Systems.

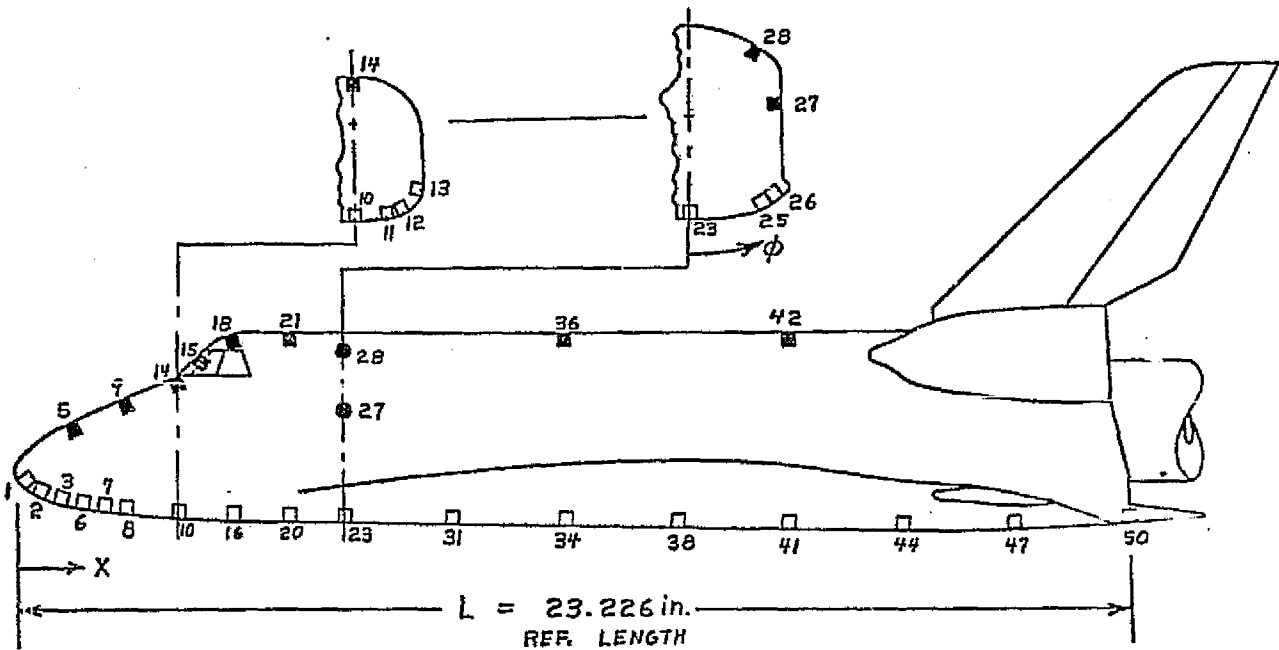
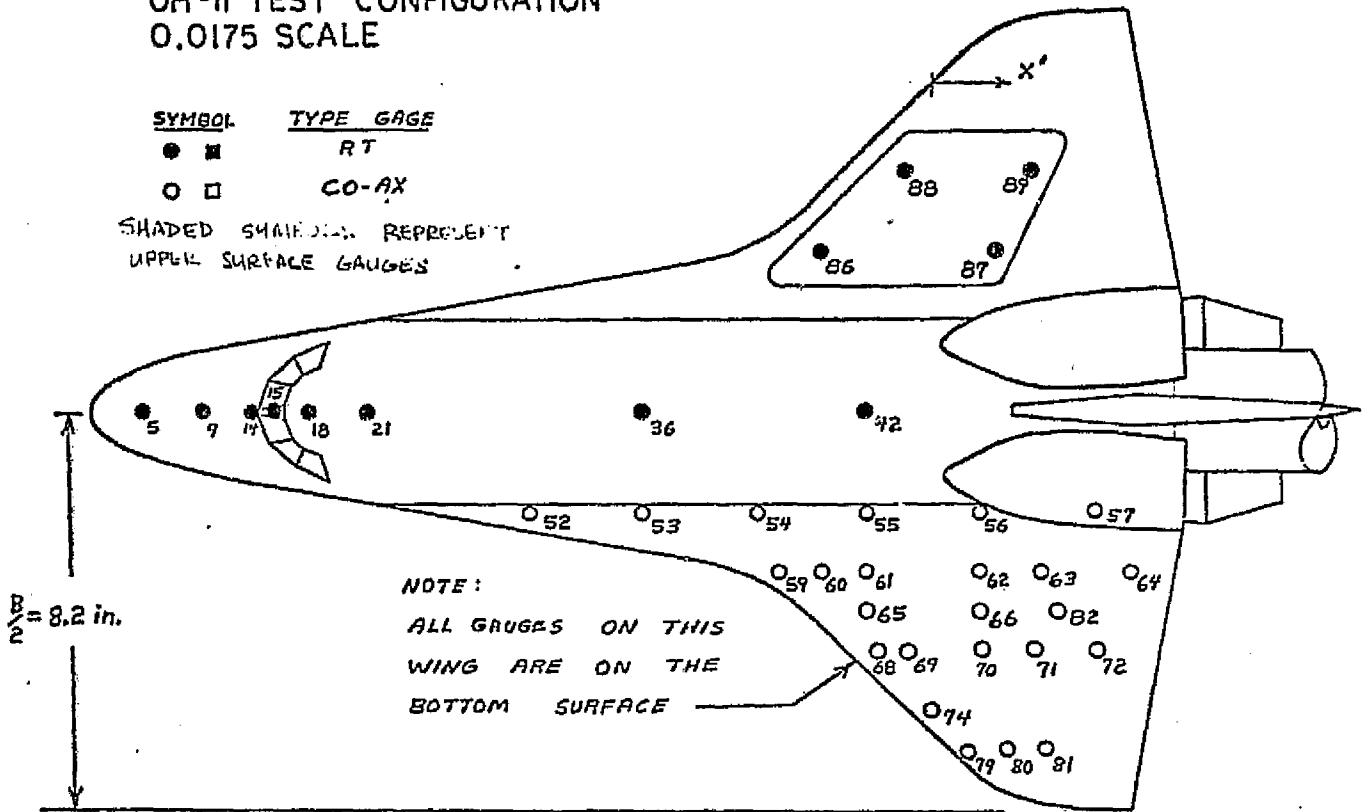
OH-11 TEST CONFIGURATION
0.0175 SCALE

SYMBOL **TYPE GAGE**

● ■ RT

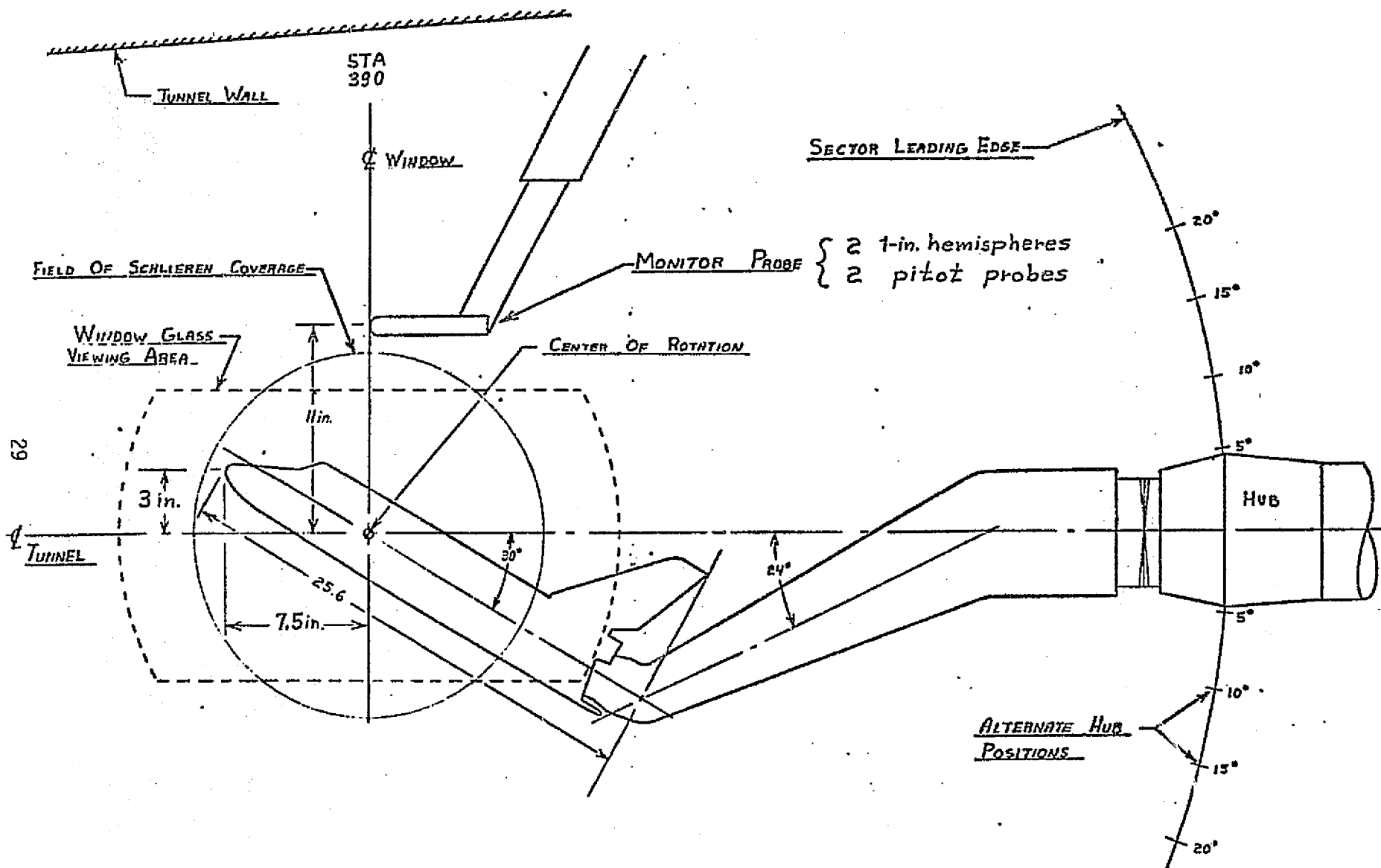
○ □ CO-AX

SHADED SYMBOLS REPRESENT
UPPER SURFACE GAUGES



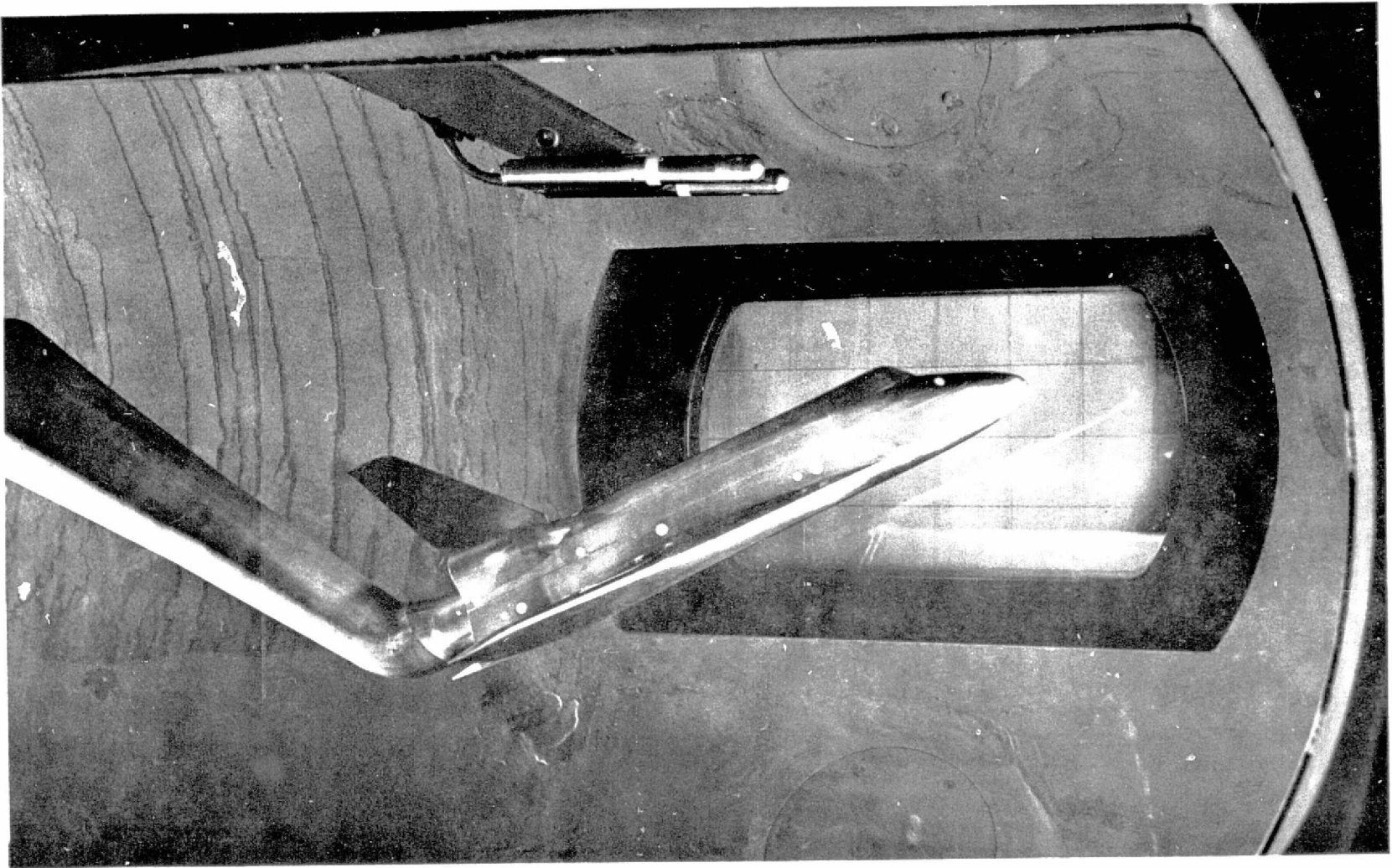
a. Shuttle Orbiter Model 29-0

Figure 2.- Model sketches.



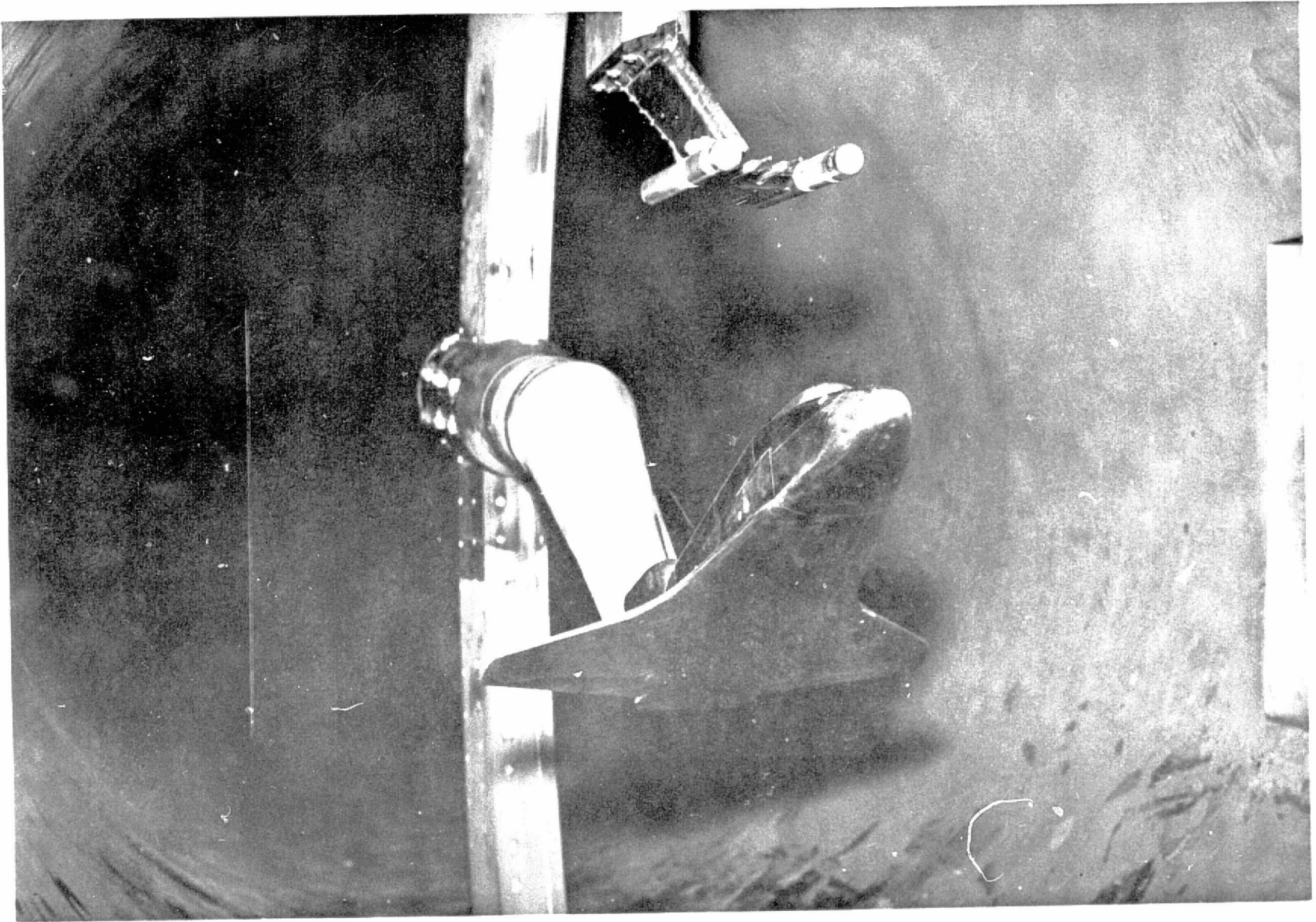
b. Shuttle OH11 Installation in the 54-Inch Test Section

Figure 2. - Concluded.



a. Side View of Model Installation

Figure 3. - Model photographs.



b. Lower Front View of Model Installation

Figure 3. - Concluded.

DATE = 10-23-73

PROJECT NUMBER VA354-21FA

ARG. INC.

ARNOLD AIR FORCE STATION, TENN.

NASA / R1 Qn-11 SHUTTLE ORBITER TEST

TEST CONDITIONS TEST GAS NITROGEN
ANGLE OF ATTACK 25.000 DEG.

Q=0, ST=0 BASED ON .210 INCH RADIUS
MODEL LENGTH 23.226 INCHES

| TIME | P-INF | RHO-INF | T-INF | U-INF | M-INF | Q-INF | RE/FT | RE-L | PO | TO | MO | QO BTU/ | STO | POP | MREF | BTU/ |
|------|---------|-----------|-------|--------|-------|-------|--------|--------|------|-------|-----------|----------|--------|--------|----------|------|
| MSEC | PSIA | LBM/CU-FT | DEG R | FT/SEC | | PSIA | X10-6 | X10-6 | PSIA | DEG R | BTU/LBM | SOFT-SEC | | PSIA | SOFT-SEC | |
| 60 | .079412 | .001542 | 134.5 | 5.57 | 10.13 | 5.705 | 2.6160 | 5.0632 | 3783 | 2660 | 7.181E 02 | 147.2 | .02788 | 10.535 | .0694 | |
| 116 | .073273 | .001042 | 109.5 | 5.394 | 10.34 | 3.268 | 1.9991 | 3.4693 | 2362 | 2283 | 6.078E 02 | 86.7 | .03255 | 6.025 | .0497 | |
| 128 | .037908 | .000913 | 108.5 | 5.392 | 10.38 | 2.861 | 1.7673 | 3.4205 | 2130 | 2283 | 6.072E 02 | 81.0 | .03477 | 5.276 | .0465 | |
| 138 | .035204 | .000429 | 111.1 | 5.437 | 10.35 | 2.644 | 1.5820 | 3.0619 | 1959 | 2321 | 6.175E 02 | 79.9 | .03662 | 4.875 | .0448 | |

NOTE: QREF is the same as QO

ORIGINAL PAGE IS
OF POOR QUALITY

PRECEDING PAGE BLANK NOT FILMED

DATE = 10-23-73

PROJECT NUMBER VA354-21FA

ARD, INC.

ARLUND AIR FORCE STATION, TENN.

NASA / RI OR-11 SHUTTLE ORBITER TEST

HEAT TRANSFER DATA (H / HREF)

| TIME | Q1 | Q2 | Q3 | Q6 | Q7 | Q8 | Q10 | Q11 | Q12 | Q13 | Q16 | Q23 | Q25 | Q26 | Q31 |
|------|--------|--------|--------|--------|--------|--------|--------|--------|--------|--------|--------|--------|--------|--------|--------|
| 60 | .47299 | .25752 | .16864 | .13169 | .10267 | .08581 | .06241 | .08752 | .09035 | .08509 | .05305 | .04434 | .04309 | .09095 | .04241 |
| 116 | .46708 | .25435 | .16825 | .13676 | .10341 | .08684 | .06190 | .08628 | .08995 | .08228 | .05302 | .05032 | .04243 | .08692 | .04575 |
| 128 | .46306 | .25420 | .16886 | .13620 | .10519 | .08740 | .06171 | .08575 | .09109 | .08285 | .05355 | .05090 | .04289 | .08946 | .04552 |
| 138 | .46304 | .25796 | .16377 | .13557 | .10390 | .08791 | .06242 | .08512 | .09193 | .08279 | .05298 | .05143 | .04286 | .08572 | .04537 |
| TIME | Q34 | Q38 | Q41 | Q44 | Q47 | Q50 | Q52 | Q53 | Q54 | Q55 | Q56 | Q57 | Q59 | Q60 | Q61 |
| 60 | .04115 | .04002 | .03843 | .03581 | .02650 | .01903 | .00529 | .07017 | .05996 | .04202 | .04344 | .04571 | .11624 | .09587 | .07985 |
| 116 | .04255 | .04392 | .05135 | .05719 | .07041 | .05116 | .00180 | .06318 | .05530 | .03988 | .04572 | .04542 | .11909 | .09074 | .07803 |
| 128 | .04266 | .04403 | .04689 | .05294 | .06348 | .04651 | .00124 | .06261 | .05462 | .04045 | .04658 | .04485 | .11685 | .09247 | .07841 |
| 138 | .04320 | .04206 | .04400 | .04812 | .05863 | .04298 | .00062 | .06257 | .05362 | .04144 | .04772 | .04458 | .11453 | .09012 | .07684 |
| TIME | Q62 | Q63 | Q64 | Q65 | Q66 | Q68 | Q69 | Q70 | Q71 | Q72 | Q74 | Q79 | Q80 | Q81 | |
| 60 | .06332 | .06307 | .03542 | .14962 | .09886 | .07768 | .14888 | .10510 | .10043 | .06997 | .04260 | .17622 | .20410 | .09764 | .14572 |
| 116 | .06141 | .05723 | .03246 | .14818 | .10110 | .07985 | .15816 | .09438 | .08799 | .07207 | .04541 | .17605 | .20745 | .10324 | .08809 |
| 128 | .06198 | .05677 | .03177 | .14592 | .09940 | .07928 | .15929 | .09212 | .08949 | .07263 | .04599 | .18056 | .20970 | .10381 | .08765 |
| 138 | .06193 | .05644 | .03139 | .14620 | .09595 | .07805 | .16032 | .09036 | .08794 | .07315 | .04661 | .18157 | .21182 | .10374 | .08739 |
| TIME | Q5 | Q9 | Q14 | Q15 | Q18 | Q21 | Q28 | Q27 | Q36 | Q42 | Q86 | Q89 | | | |
| 60 | .02356 | .00812 | .00400 | .03179 | .00789 | .00200 | .00183 | .01401 | .00720 | .00354 | .00286 | .00127 | | | |
| 116 | .02416 | .00444 | .00357 | .02911 | .00875 | .00244 | .00213 | .01565 | .00702 | .00466 | .00322 | .00099 | | | |
| 128 | .02543 | .00355 | .00357 | .02842 | .00909 | .00242 | .00229 | .01571 | .00708 | .00506 | .00339 | .00101 | | | |
| 138 | .02449 | .00931 | .00356 | .02829 | .00920 | .00247 | .00228 | .01481 | .00673 | .00506 | .00340 | .00101 | | | |

DATE = 10-23-73

PROJECT NUMBER VA354-21FA

ARO, INC.

ARNOLD AIR FORCE STATION, TENN.

NASA / RI OR-11 SHUTTLE ORBITER TEST

HEAT TRANSFER DATA (O/DREF)

| TIME | Q1 | Q2 | Q3 | Q6 | Q7 | Q8 | Q10 | Q11 | Q12 | Q13 | Q16 | Q23 | Q25 | Q26 | Q31 |
|------|--------|--------|--------|--------|--------|--------|--------|--------|--------|--------|--------|--------|--------|--------|--------|
| 60 | .47000 | .24000 | .15000 | .11900 | .09201 | .07650 | .05527 | .07750 | .08000 | .07441 | .04680 | .03900 | .03790 | .06000 | .03730 |
| 110 | .46400 | .24000 | .15300 | .12300 | .09220 | .07700 | .05450 | .07596 | .07920 | .07150 | .04650 | .04400 | .03710 | .07600 | .04000 |
| 120 | .46000 | .24079 | .15356 | .12250 | .09379 | .07750 | .05433 | .07550 | .08020 | .07200 | .04696 | .04450 | .03750 | .07821 | .03980 |
| 130 | .46000 | .23974 | .14900 | .12200 | .09270 | .07800 | .05500 | .07500 | .08100 | .07200 | .04650 | .04500 | .03750 | .07500 | .03970 |
| TIME | Q34 | Q38 | Q41 | Q44 | Q47 | Q50 | Q52 | Q53 | Q54 | Q55 | Q56 | Q57 | Q59 | Q60 | Q61 |
| 60 | .03620 | .03520 | .03380 | .03150 | .02311 | .01700 | .07600 | .06200 | .05300 | .03710 | .03810 | .04000 | .10400 | .08550 | .07100 |
| 110 | .03720 | .03500 | .04490 | .05000 | .06100 | .04400 | .07250 | .05550 | .04860 | .03900 | .03905 | .03950 | .10600 | .08050 | .06900 |
| 120 | .03730 | .03550 | .04100 | .04550 | .05500 | .04000 | .07200 | .05500 | .04800 | .03550 | .04000 | .03900 | .10400 | .08203 | .06934 |
| 130 | .03720 | .03620 | .03050 | .04210 | .05084 | .03700 | .07150 | .05500 | .04716 | .03640 | .04102 | .03880 | .10200 | .08000 | .06880 |
| TIME | Q62 | Q63 | Q64 | Q65 | Q66 | Q68 | Q69 | Q70 | Q71 | Q72 | Q74 | Q79 | Q80 | Q81 | |
| 60 | .05600 | .05290 | .03100 | .13300 | .08800 | .06050 | .13250 | .09350 | .08950 | .06200 | .03720 | .15700 | .18200 | .08700 | .12955 |
| 110 | .05400 | .05010 | .02790 | .13100 | .08950 | .07000 | .14000 | .08350 | .07800 | .06350 | .03900 | .15600 | .18400 | .09150 | .07709 |
| 120 | .05450 | .04970 | .02731 | .12900 | .08800 | .06900 | .14100 | .08150 | .07932 | .06400 | .03990 | .16000 | .18600 | .09200 | .07750 |
| 130 | .05450 | .04944 | .02700 | .12933 | .08500 | .06900 | .14200 | .08000 | .07800 | .06450 | .04047 | .16100 | .18800 | .09200 | .07732 |
| TIME | Q5 | Q9 | Q14 | Q15 | Q18 | Q21 | Q23 | Q27 | Q36 | Q42 | Q86 | Q89 | | | |
| 60 | .02060 | .00710 | .00350 | .02780 | .00690 | .00175 | .00160 | .01225 | .00630 | .00310 | .00250 | .00111 | | | |
| 110 | .02100 | .00820 | .00310 | .02530 | .00760 | .00212 | .00165 | .01360 | .00610 | .00405 | .00280 | .00086 | | | |
| 120 | .02210 | .00830 | .00310 | .02470 | .00790 | .00210 | .00199 | .01365 | .00615 | .00440 | .00295 | .00088 | | | |
| 130 | .02140 | .00810 | .00310 | .02450 | .00800 | .00215 | .00198 | .01288 | .00585 | .00440 | .00296 | .00088 | | | |

ORIGINAL PAGE IS
OF POOR QUALITY

DATE * 10-23-73
 PROJECT NUMBER YA354-21FA
 AHD, INC.
 ARNOLD AIR FORCE STATION, TENN.
 NASA / RI Or-11 SHUTTLE ORBITER TEST

TEST CONDITIONS TEST GAS NITROGEN
 ANGLE OF ATTACK 35.000 DEG.

Q=0 ST=0 BASED ON .210 INCH RADIUS
 MODEL LENGTH 23.226 INCHES

| TIME | P-INF | RHO-INF | T-INF | U-INF | M-INF | Q-INF | RE/FT | RE=L | PO | TO | HO | QO BTU/ | STO | POP | HREF | BTU/ |
|------|---------|-----------|-------|--------|-------|-------|--------|---------|------|-------|-----------|----------|--------|--------|----------|------|
| MSEC | PSIA | LBM/CU-FT | DEG R | FT/SEC | | PSIA | X10-6 | X10-6 | PSIA | DEG R | BTU/LBM | SOFT-SEC | | PSIA | SOFT-SEC | |
| 70 | .127504 | .003224 | 103.3 | 5323 | 10.51 | 9.850 | 6.4744 | 12.5312 | 6734 | 2173 | 5.911E 02 | 144.2 | .01837 | 18.164 | .0883 | |
| 100 | .003494 | .001812 | 120.4 | 5776 | 10.56 | 6.519 | 3.3880 | 6.9574 | 5032 | 2569 | 6.958E 02 | 150.8 | .02563 | 12.030 | .0743 | |
| 110 | .074957 | .001556 | 122.7 | 5828 | 10.55 | 5.845 | 2.9528 | 5.7151 | 4579 | 2618 | 7.085E 02 | 146.3 | .02737 | 10.795 | .0704 | |
| 130 | .057310 | .001290 | 116.0 | 5721 | 10.66 | 4.554 | 2.4795 | 4.7990 | 3760 | 2536 | 6.820E 02 | 122.6 | .03030 | 8.408 | .0615 | |

DATE = 10-23-73
 PROJECT NUMBER VA354-21FA
 ARO, INC.
 ARNOLD AIR FORCE STATION, TENN.
 NASA / RI OR-11 SHUTTLE ORBITER TEST

HEAT TRANSFER DATA (H / HREF)

| TIME | Q1 | Q2 | Q3 | Q6 | Q7 | Q8 | Q10 | Q11 | Q12 | Q13 | Q16 | Q23 | Q25 | Q26 | Q31 |
|------|--------|--------|--------|--------|--------|--------|--------|--------|--------|--------|--------|--------|--------|--------|--------|
| 70 | .56517 | .34585 | .23022 | .20940 | .16981 | .14009 | .11684 | .12342 | .15763 | .09459 | .10010 | .09104 | .12324 | .13323 | .10103 |
| 100 | .53015 | .33469 | .22042 | .19569 | .15933 | .13728 | .11407 | .13820 | .14588 | .08759 | .10239 | .08172 | .11275 | .12037 | .07068 |
| 110 | .53015 | .32720 | .22459 | .19240 | .15601 | .13504 | .11292 | .13266 | .14252 | .08394 | .09904 | .07947 | .10983 | .11590 | .07726 |
| 130 | .51552 | .31373 | .21513 | .18244 | .14845 | .12602 | .09985 | .12753 | .13715 | .08248 | .08962 | .07623 | .10506 | .10827 | .07402 |
| TIME | Q34 | Q38 | Q41 | Q44 | Q47 | Q50 | Q52 | Q53 | Q54 | Q55 | Q56 | Q57 | Q59 | Q61 | Q62 |
| 70 | .12814 | .20084 | .30099 | .32531 | .30380 | .22002 | .13574 | .17454 | .24908 | .34502 | .36200 | .29708 | .27150 | .35185 | .38078 |
| 100 | .06311 | .09939 | .15461 | .20762 | .23404 | .17408 | .11336 | .09789 | .09144 | .08964 | .18277 | .18980 | .14113 | .13325 | .17900 |
| 110 | .06775 | .08389 | .13245 | .18344 | .20968 | .16010 | .10895 | .09010 | .07578 | .07038 | .12742 | .15535 | .12913 | .10918 | .14489 |
| 130 | .06146 | .07970 | .10055 | .14543 | .18484 | .15416 | .10031 | .07806 | .05962 | .05503 | .10638 | .13884 | .11637 | .08741 | .10986 |
| TIME | Q63 | Q74 | Q85 | Q86 | Q82 | Q69 | Q70 | Q72 | Q74 | Q79 | Q80 | Q81 | Q85 | Q89 | Q14 |
| 70 | .32711 | .23072 | .49047 | .45493 | .34325 | .50457 | .46092 | .21269 | .65710 | .60700 | .55108 | .54929 | .61188 | .01067 | .01384 |
| 100 | .18972 | .15509 | .18137 | .16148 | .18946 | .16748 | .15257 | .12688 | .42515 | .43566 | .45779 | .42932 | .01156 | .00990 | .01328 |
| 110 | .13880 | .11720 | .15398 | .11441 | .14863 | .15169 | .11874 | .10234 | .37048 | .37015 | .42760 | .38763 | .01144 | .00961 | .01344 |
| 130 | .11144 | .10007 | .14035 | .09823 | .12121 | .13324 | .09553 | .08907 | .29443 | .26643 | .39541 | .31581 | .01146 | .00945 | .01420 |
| TIME | Q15 | Q18 | Q21 | Q28 | Q27 | Q36 | Q42 | Q36 | Q88 | Q89 | | | | | |
| 70 | .06070 | .00807 | .00215 | .00073 | .01569 | .00424 | .00773 | .00118 | .00756 | .00190 | | | | | |
| 100 | .06116 | .00819 | .00223 | .00076 | .01477 | .00282 | .00430 | .00098 | .00733 | .00202 | | | | | |
| 110 | .05972 | .00829 | .00229 | .00084 | .01476 | .00193 | .00280 | .00103 | .00699 | .00190 | | | | | |
| 130 | .05853 | .00876 | .00234 | .00110 | .01443 | .00159 | .00206 | .00136 | .00750 | .00222 | | | | | |

ORIGINAL PAGE IS
 OF POOR QUALITY

DATE = 10-29-73
 PROJECT NUMBER VA354-21FA
 ARO, INC.
 ARNOLD AIR FORCE STATION, TENN.
 NASA / RI OM-11 SHUTTLE ORBITER TEST

HEAT TRANSFER DATA (Q/QREF)

| TIME | Q1 | Q2 | Q3 | Q6 | Q7 | Q8 | Q10 | Q11 | Q12 | Q13 | Q16 | Q23 | Q25 | Q25 | Q31 |
|------|--------|--------|--------|--------|--------|--------|--------|--------|--------|--------|--------|--------|--------|--------|--------|
| 70 | .56500 | .33000 | .22300 | .19400 | .15600 | .12800 | .10600 | .13918 | .14300 | .08200 | .09768 | .08200 | .11100 | .12000 | .09100 |
| 100 | .53000 | .32300 | .21500 | .18200 | .14700 | .12600 | .10400 | .12600 | .13300 | .07650 | .09300 | .07400 | .10210 | .10900 | .06400 |
| 110 | .53000 | .31300 | .21100 | .17900 | .14400 | .12400 | .10300 | .12100 | .13000 | .07337 | .09000 | .07200 | .09950 | .10500 | .07000 |
| 130 | .51537 | .30000 | .20200 | .17000 | .13692 | .11600 | .09100 | .11623 | .12500 | .07200 | .08137 | .06900 | .09510 | .09800 | .06700 |
| TIME | Q34 | Q38 | Q41 | Q44 | Q47 | Q50 | Q52 | Q53 | Q54 | Q55 | Q56 | Q57 | Q59 | Q61 | Q62 |
| 70 | .11542 | .18989 | .27830 | .29300 | .27100 | .20000 | .12400 | .15800 | .22553 | .31200 | .32500 | .26607 | .24900 | .32062 | .34500 |
| 100 | .05715 | .09000 | .14000 | .18800 | .21000 | .16000 | .10400 | .08900 | .08321 | .08147 | .16500 | .17095 | .13000 | .12200 | .16300 |
| 110 | .06138 | .07600 | .12000 | .16800 | .18825 | .14800 | .10000 | .08200 | .06900 | .06400 | .11500 | .14000 | .11900 | .10000 | .13200 |
| 130 | .05563 | .06400 | .09226 | .13200 | .16578 | .13721 | .09200 | .07098 | .05424 | .05000 | .09600 | .12500 | .10900 | .08000 | .10000 |
| TIME | Q63 | Q64 | Q65 | Q66 | Q68 | Q69 | Q70 | Q72 | Q74 | Q79 | Q80 | Q81 | Q85 | Q89 | Q14 |
| 70 | .29500 | .26400 | .45134 | .41500 | .31000 | .46000 | .42100 | .19000 | .60000 | .55478 | .50400 | .50100 | .01030 | .00925 | .01200 |
| 100 | .17200 | .13400 | .16000 | .14800 | .17200 | .15300 | .14000 | .11400 | .39000 | .40000 | .42000 | .39300 | .01010 | .00865 | .01160 |
| 110 | .12590 | .10435 | .14100 | .10500 | .13500 | .13900 | .10900 | .09200 | .34000 | .34000 | .34789 | .35600 | .01000 | .00840 | .01175 |
| 130 | .10100 | .08900 | .12042 | .09000 | .11000 | .12200 | .08800 | .08000 | .27000 | .24500 | .36266 | .28900 | .01000 | .00825 | .01240 |
| TIME | Q15 | Q18 | Q21 | Q28 | Q27 | Q36 | Q42 | Q86 | Q88 | Q89 | | | | | |
| 70 | .05262 | .00700 | .00186 | .00063 | .01360 | .00368 | .00670 | .00102 | .00655 | .00165 | | | | | |
| 100 | .05342 | .00715 | .00195 | .00066 | .01290 | .00247 | .00376 | .00086 | .00640 | .00176 | | | | | |
| 110 | .05220 | .00725 | .00200 | .00073 | .01290 | .00159 | .00245 | .00090 | .00611 | .00166 | | | | | |
| 130 | .05109 | .00765 | .00204 | .00096 | .01260 | .00139 | .00180 | .00119 | .00655 | .00194 | | | | | |

DATE = 10-23-73

PROJECT NUMBER VA354-21FA

ARU, INC.

ARNOLD AIR FORCE STATION, TENN.

NASA / RT Or-11 SHUTTLE ORBITER TEST

TEST CONDITIONS

TEST GAS NITROGEN

Q=0, ST=0 BASED ON .210 INCH RADIUS

ANGLE OF ATTACK 30.000 DEG.

MODEL LENGTH 23.226 INCHES

| TIME | P-INF | RHO-INF | Y-INF | U-INF | M-INF | O-INF | RE/FT | RE-L | PO | TO | HO | QO BTU/ | STO | POP | HHEF | BTU/ |
|------|---------|-----------|-------|--------|-------|--------|---------|---------|------|-------|-----------|----------|--------|--------|----------|------|
| MSEC | PSIA | LBM/CU-FT | DEG R | FT/SEC | | PSIA | X10-6 | X10-6 | PSIA | OFG R | BTU/LBM | SOFT-SEC | | PSIA | SGFT-SEC | |
| 94 | .140d17 | .004411 | 83.4 | 4898 | 10.76 | 11.412 | 10.0951 | 19.5391 | 8058 | 1794 | 4.997E 02 | 121.6 | .01537 | 21.014 | .0970 | |
| 98 | .133716 | .004003 | 87.2 | 5006 | 10.75 | 10.817 | 8.9478 | 17.3185 | 7754 | 1890 | 5.219E 02 | 124.9 | .01606 | 19.927 | .0925 | |
| 116 | .111546 | .003142 | 92.7 | 5119 | 10.66 | 8.877 | 6.7576 | 13.0794 | 6391 | 2004 | 5.460E 02 | 123.5 | .01863 | 16.358 | .0844 | |
| 122 | .099745 | .002434 | 91.9 | 5134 | 10.74 | 8.056 | 6.1685 | 11.9391 | 6061 | 2019 | 5.489E 02 | 118.6 | .01963 | 14.846 | .0802 | |
| 136 | .086690 | .002466 | 93.7 | 509 | 10.73 | 6.910 | 5.3973 | 10.4464 | 5260 | 1998 | 5.412E 02 | 107.6 | .02100 | 12.732 | .0738 | |
| 150 | .072948 | .001911 | 99.7 | 532 | 10.70 | 5.843 | 3.9753 | 7.6942 | 4579 | 2198 | 5.908E 02 | 111.0 | .02386 | 10.774 | .0670 | |

DATE = 10-23-73

PROJECT NUMBER VA354-21FA

ARJ, INC.

ARNOLD AIR FORCE STATION, TENN.

NASA / RI OR-11 SHUTTLE ORBITER TEST

HEAT TRANSFER DATA (M / HREF)

| TIME | G1 | G2 | G3 | G4 | G5 | G6 | G7 | G8 | G9 | G10 | G11 | G12 | G13 | G14 | G15 | G16 | G17 | G18 |
|------|--------|--------|--------|--------|--------|--------|--------|--------|--------|--------|--------|--------|--------|--------|--------|-----|-----|-----|
| 94 | .59660 | .35069 | .23134 | .19875 | .15606 | .13794 | .11303 | .14242 | .15355 | .10079 | .11126 | .14127 | .12874 | .13385 | .20507 | | | |
| 98 | .59155 | .34953 | .23198 | .19886 | .15567 | .13758 | .11215 | .14090 | .14991 | .09767 | .10754 | .13062 | .12494 | .13062 | .18855 | | | |
| 116 | .59152 | .34903 | .23096 | .20293 | .15972 | .13834 | .10566 | .13713 | .15174 | .09732 | .09820 | .10645 | .11761 | .12514 | .14445 | | | |
| 122 | .58315 | .34618 | .22984 | .20274 | .15702 | .13662 | .10450 | .13618 | .15169 | .09786 | .08686 | .09915 | .11603 | .12396 | .11958 | | | |
| 136 | .59152 | .34798 | .23147 | .19798 | .15806 | .13668 | .10117 | .13602 | .15176 | .09966 | .08579 | .08085 | .11722 | .12459 | .07061 | | | |
| 150 | .56139 | .35045 | .23197 | .19779 | .15475 | .13561 | .09853 | .13436 | .15115 | .09280 | .07996 | .07121 | .11954 | .12123 | .08120 | | | |
| TIME | G34 | G35 | G41 | G44 | G47 | G52 | G53 | G54 | G55 | G56 | G57 | G59 | G60 | G61 | G62 | | | |
| 94 | .26773 | .30391 | .32583 | .32355 | .31082 | .18197 | .22440 | .30243 | .37318 | .37613 | .28197 | .34063 | .34972 | .37991 | .42900 | | | |
| 98 | .25443 | .29419 | .32372 | .32031 | .30752 | .17235 | .20451 | .28011 | .36080 | .37082 | .27994 | .31556 | .32422 | .35449 | .41382 | | | |
| 116 | .18685 | .23215 | .28491 | .29444 | .28250 | .13841 | .13973 | .20047 | .29209 | .32609 | .25742 | .21780 | .21075 | .22935 | .33765 | | | |
| 122 | .15056 | .20376 | .25471 | .27395 | .27048 | .13390 | .12841 | .17451 | .25478 | .30372 | .23788 | .19773 | .17947 | .20131 | .24253 | | | |
| 136 | .11439 | .15456 | .20387 | .23445 | .24708 | .12351 | .10481 | .11264 | .15452 | .23869 | .22198 | .16449 | .13383 | .14546 | .20825 | | | |
| 150 | .09411 | .12405 | .15788 | .19172 | .21519 | .12034 | .08408 | .06058 | .11232 | .19120 | .19052 | .14110 | .11999 | .12261 | .18320 | | | |
| TIME | G63 | G64 | G65 | G66 | G68 | G69 | G70 | G71 | G72 | G74 | G79 | G80 | G81 | G85 | G89 | | | |
| 94 | .35040 | .27777 | .51485 | .48084 | .36348 | .43283 | .53290 | .45739 | .22528 | .52623 | .55192 | .47127 | .52876 | .01739 | .00858 | | | |
| 98 | .33844 | .22350 | .47502 | .45491 | .35563 | .35510 | .44346 | .44711 | .22246 | .51563 | .44003 | .46556 | .52285 | .01756 | .00855 | | | |
| 116 | .29178 | .19272 | .28786 | .32296 | .31506 | .19234 | .32364 | .39919 | .21014 | .58052 | .27659 | .42973 | .49011 | .01807 | .00863 | | | |
| 122 | .25663 | .17595 | .24837 | .27816 | .29124 | .15874 | .26664 | .35365 | .19521 | .56693 | .26240 | .41534 | .47250 | .01830 | .00869 | | | |
| 136 | .19907 | .16043 | .18468 | .21977 | .23040 | .10874 | .13220 | .21452 | .16219 | .53704 | .25989 | .39853 | .45436 | .01877 | .00892 | | | |
| 150 | .18712 | .14071 | .16609 | .16155 | .17486 | .10918 | .09949 | .12616 | .12847 | .50387 | .26114 | .37367 | .41582 | .01925 | .00899 | | | |
| TIME | G14 | G15 | G18 | G21 | G28 | G27 | G36 | G42 | G86 | G88 | G89 | | | | | | | |
| 94 | .01068 | .05193 | .00869 | .00306 | .00126 | .01820 | .00782 | .00415 | .00159 | .00893 | .00252 | | | | | | | |
| 98 | .01041 | .05116 | .00860 | .00305 | .00123 | .01791 | .00773 | .00419 | .00158 | .00866 | .00244 | | | | | | | |
| 116 | .00904 | .04443 | .00857 | .00302 | .00120 | .01726 | .00765 | .00452 | .00162 | .00823 | .00220 | | | | | | | |
| 122 | .00852 | .04771 | .00851 | .00299 | .00120 | .01726 | .00770 | .00475 | .00162 | .00828 | .00208 | | | | | | | |
| 136 | .00886 | .04653 | .00834 | .00295 | .00121 | .01738 | .00782 | .00510 | .00172 | .00830 | .00195 | | | | | | | |
| 150 | .00905 | .04623 | .00830 | .00233 | .00122 | .01836 | .00646 | .00542 | .00182 | .00836 | .00194 | | | | | | | |

DATE # 10-25-73

PROJECT NUMBER VA354-21FA

ARO, INC.

ARNOLD AIR FORCE STATION, TENN.

NASA / RI OM-11 SHUTTLE ORBITER TEST

HEAT TRANSFER DATA (Q/QREF)

| TIME | Q1 | Q2 | Q3 | Q6 | Q7 | Q8 | Q10 | Q11 | Q12 | Q13 | Q16 | Q23 | Q25 | Q26 | Q31 |
|------|--------|--------|--------|--------|--------|--------|--------|--------|--------|--------|--------|--------|--------|--------|--------|
| 94 | .59500 | .32861 | .21200 | .18000 | .14000 | .12300 | .10000 | .12600 | .13585 | .08637 | .09800 | .12400 | .11300 | .11750 | .18000 |
| 98 | .59000 | .32800 | .21300 | .18050 | .14000 | .12300 | .09950 | .12500 | .13300 | .08400 | .09500 | .11500 | .11000 | .11500 | .16600 |
| 116 | .59000 | .32800 | .21800 | .18461 | .14400 | .12400 | .09400 | .12200 | .13500 | .08400 | .08700 | .09400 | .10385 | .11050 | .12800 |
| 122 | .58166 | .32539 | .21150 | .18449 | .14161 | .12250 | .09300 | .12120 | .13500 | .08450 | .07699 | .08759 | .10250 | .10950 | .10563 |
| 136 | .59000 | .32700 | .21845 | .18000 | .14248 | .12250 | .09000 | .12100 | .13500 | .08600 | .07600 | .07138 | .10350 | .11000 | .08000 |
| 150 | .56000 | .33000 | .21400 | .18050 | .14000 | .12200 | .08800 | .12000 | .13500 | .08050 | .07113 | .06315 | .10600 | .10750 | .07200 |
| TIME | Q34 | Q38 | Q41 | Q46 | Q47 | Q52 | Q53 | Q54 | Q55 | Q56 | Q57 | Q59 | Q60 | Q61 | Q62 |
| 94 | .23500 | .26676 | .28000 | .28400 | .27000 | .16217 | .19800 | .26700 | .32900 | .32900 | .24600 | .30500 | .31200 | .33775 | .37900 |
| 98 | .22400 | .25900 | .28500 | .28200 | .26800 | .15400 | .18132 | .24800 | .31900 | .32539 | .24500 | .28326 | .29000 | .31600 | .36663 |
| 116 | .16500 | .20500 | .25000 | .26000 | .24700 | .12400 | .12400 | .17800 | .25900 | .28700 | .22600 | .19600 | .18900 | .25000 | .30000 |
| 122 | .13300 | .18000 | .22500 | .24200 | .23658 | .12000 | .11400 | .15500 | .22600 | .26741 | .20893 | .17800 | .16100 | .14000 | .26000 |
| 136 | .10100 | .14200 | .18000 | .20700 | .21600 | .11004 | .09300 | .10000 | .13700 | .21000 | .19485 | .14801 | .12000 | .13000 | .18500 |
| 150 | .08700 | .11000 | .14000 | .17000 | .18900 | .10821 | .07451 | .05400 | .10000 | .16900 | .16800 | .12742 | .10800 | .11000 | .16342 |
| TIME | Q63 | Q64 | Q65 | Q66 | Q69 | Q70 | Q71 | Q72 | Q74 | Q79 | Q80 | Q81 | Q85 | Q89 | |
| 94 | .30800 | .19600 | .46200 | .42800 | .32000 | .38500 | .47500 | .40500 | .19600 | .55800 | .49230 | .42000 | .47000 | .01490 | .00735 |
| 98 | .29837 | .19300 | .42330 | .40600 | .31400 | .31671 | .44100 | .39700 | .19416 | .55000 | .39352 | .41600 | .46600 | .01510 | .00735 |
| 116 | .25800 | .16700 | .25400 | .28900 | .27900 | .17200 | .29000 | .35544 | .18400 | .52000 | .24800 | .38500 | .43800 | .01560 | .00745 |
| 122 | .22700 | .15600 | .22200 | .24900 | .25800 | .14200 | .24900 | .31500 | .17100 | .50800 | .23541 | .37222 | .42240 | .01580 | .00750 |
| 136 | .17600 | .13900 | .16500 | .19664 | .20400 | .09723 | .11844 | .19099 | .14200 | .48100 | .23300 | .35700 | .40600 | .01620 | .00770 |
| 150 | .16614 | .12253 | .14896 | .14510 | .15548 | .09800 | .08948 | .11277 | .11300 | .45300 | .23500 | .33600 | .37300 | .01670 | .00780 |
| TIME | Q14 | Q15 | Q18 | Q21 | Q28 | Q27 | Q34 | Q42 | Q86 | Q88 | Q89 | | | | |
| 94 | .00915 | .04450 | .00745 | .00262 | .00108 | .01560 | .00670 | .00355 | .00135 | .00765 | .00216 | | | | |
| 98 | .00895 | .04400 | .00740 | .00262 | .00106 | .01540 | .00665 | .00360 | .00136 | .00745 | .00210 | | | | |
| 116 | .00780 | .04120 | .00740 | .00261 | .00104 | .01490 | .00660 | .00390 | .00140 | .00710 | .00190 | | | | |
| 122 | .00770 | .04120 | .00735 | .00258 | .00104 | .01490 | .00665 | .00410 | .00140 | .00715 | .00180 | | | | |
| 136 | .00765 | .04050 | .00720 | .00246 | .00104 | .01500 | .00675 | .00440 | .00148 | .00716 | .00168 | | | | |
| 150 | .00725 | .04010 | .00720 | .00203 | .00106 | .01593 | .00560 | .00470 | .00158 | .00725 | .00168 | | | | |

ORIGINAL PAGE IS
OF POOR QUALITY

DATE = 10-25-73
 PROJECT NUMBER VA35A-21FA
 ARC, INC.
 WINDO AIR FORCE STATION, TENN.
 NASA / RI OP-11 SHUTTLE ORBITER TEST

TEST CONDITIONS TEST GAS NITROGEN
 ANGLE OF ATTACK 30.000 DEG.

Q=0, ST=0 BASED ON .210 INCH RADIUS
 MODEL LENGTH 23.226 INCHES

| TIME | P-INF | RHO-INF | T-INF | U-INF | M-INF | Q-INF | RE/FT | RE-L | PO | TO | HO | QO BTU/ | STO | POP | HREF BTU/ |
|------|---------|-----------|-------|--------|-------|--------|---------|---------|------|-------|-----------|----------|--------|--------|-----------|
| MSEC | PSIA | LBH/CU-FT | DEG R | FT/SEC | | PSIA | X10-6 | X10-6 | PSIA | DEG R | BTU/LBH | SOFT-SEC | | PSIA | SOFT-SEC |
| 80 | .166341 | .004035 | 93.7 | 5199 | 10.77 | 13.509 | 10.0148 | 19.3836 | 9666 | 2030 | 5.629E 02 | 159.4 | .01542 | 24.905 | .1070 |
| 102 | .128876 | .003050 | 110.4 | 5543 | 10.58 | 10.105 | 5.9679 | 11.5509 | 7277 | 2347 | 6.407E 02 | 165.2 | .01927 | 18.648 | .0914 |
| 106 | .119062 | .002873 | 108.2 | 5513 | 10.63 | 9.418 | 5.7032 | 11.0385 | 6944 | 2326 | 6.336E 02 | 156.8 | .01981 | 17.380 | .0878 |
| 124 | .089812 | .002326 | 100.9 | 5374 | 10.73 | 7.241 | 4.8270 | 9.3425 | 5643 | 2224 | 6.014E 02 | 127.1 | .02174 | 13.356 | .0754 |
| 130 | .078233 | .002164 | 93.5 | 5226 | 10.84 | 6.433 | 4.7547 | 9.2027 | 5212 | 2105 | 5.684E 02 | 111.6 | .02248 | 11.850 | .0713 |

DATE = 10-25-73

PROJECT NUMBER VA354-21FA

ARO, INC.

ARNOLD AIR FORCE STATION, TENN.

NASA / RI OH-11 SHUTTLE ORBITER TEST

HEAT TRANSFER DATA (W / HREF)

| TIME | G1 | G2 | G3 | G6 | G7 | G8 | G10 | G11 | G12 | G13 | G16 | G23 | G25 | G26 | G31 |
|------|--------|--------|--------|--------|--------|--------|--------|--------|--------|--------|--------|--------|--------|--------|--------|
| 80 | .62159 | .37445 | .23692 | .20946 | .17294 | .15499 | .13480 | .17524 | .17861 | .11461 | .13762 | .15165 | .15844 | .16297 | .21503 |
| 102 | .60146 | .35955 | .23097 | .20452 | .16325 | .14307 | .11616 | .14173 | .15079 | .10688 | .10764 | .09898 | .12485 | .13727 | .12261 |
| 106 | .57055 | .35006 | .23104 | .20129 | .15994 | .13867 | .11173 | .14002 | .15977 | .10497 | .10207 | .08799 | .12377 | .13548 | .11252 |
| 124 | .55224 | .34506 | .23157 | .19869 | .15105 | .13232 | .10344 | .13523 | .15620 | .10024 | .09215 | .08466 | .12349 | .12737 | .11069 |
| 130 | .55442 | .32504 | .22966 | .17869 | .15107 | .13138 | .09847 | .13459 | .15304 | .09821 | .09009 | .08328 | .12428 | .12824 | .09039 |
| TIME | G34 | G38 | G41 | G44 | G47 | G50 | G52 | G53 | G54 | G55 | G56 | G57 | G59 | G60 | G61 |
| 80 | .30331 | .33160 | .35908 | .35447 | .35431 | .22208 | .20254 | .25338 | .31516 | .39898 | .43602 | .32896 | .37761 | .40567 | .42490 |
| 102 | .15635 | .20409 | .26096 | .28008 | .27077 | .19106 | .14425 | .14890 | .19247 | .26666 | .32722 | .24161 | .24640 | .22725 | .24647 |
| 106 | .14244 | .19466 | .24754 | .26330 | .26750 | .18732 | .13763 | .13663 | .17574 | .24657 | .30927 | .26363 | .22057 | .20514 | .21691 |
| 124 | .11272 | .14053 | .20668 | .21755 | .22873 | .16056 | .12483 | .11442 | .12334 | .19423 | .25807 | .21876 | .16603 | .16436 | .17714 |
| 130 | .11185 | .13347 | .18077 | .20920 | .22361 | .15646 | .12030 | .11581 | .12362 | .18567 | .24937 | .21703 | .17734 | .16693 | .18068 |
| TIME | G62 | G63 | G64 | G65 | G66 | G82 | G69 | G70 | G71 | G72 | G74 | G79 | G80 | G81 | G5 |
| 80 | .48458 | .39568 | .25139 | .57045 | .53610 | .43901 | .45822 | .55770 | .51155 | .28561 | .64715 | .66879 | .49765 | .56171 | .01744 |
| 102 | .37023 | .32389 | .21346 | .31146 | .34213 | .34328 | .22220 | .25073 | .35312 | .21549 | .56718 | .29547 | .42363 | .49159 | .01810 |
| 106 | .34120 | .30904 | .20573 | .28931 | .29739 | .32432 | .10301 | .21126 | .31259 | .19746 | .57511 | .28606 | .41059 | .47728 | .01817 |
| 124 | .27338 | .24745 | .17572 | .21936 | .21478 | .23444 | .13363 | .15894 | .18227 | .15000 | .53124 | .25805 | .37749 | .42999 | .01809 |
| 130 | .26953 | .23961 | .16803 | .24821 | .21523 | .22940 | .14507 | .16102 | .19024 | .15199 | .50283 | .24109 | .30983 | .40715 | .01802 |
| TIME | G9 | G14 | G15 | G18 | G21 | G28 | G27 | G36 | G42 | G66 | G68 | G69 | | | |
| 80 | .00363 | .00432 | .05117 | .00857 | .00333 | .00109 | .04107 | .00753 | .00442 | .00148 | .00891 | .00316 | | | |
| 102 | .00836 | .00462 | .04095 | .00816 | .00298 | .00110 | .02069 | .00834 | .00470 | .00131 | .00979 | .00215 | | | |
| 106 | .00840 | .00451 | .04055 | .00805 | .00291 | .00112 | .02047 | .00805 | .00477 | .00138 | .00942 | .00205 | | | |
| 124 | .00422 | .00830 | .04074 | .00806 | .00273 | .00120 | .02000 | .00766 | .00507 | .00167 | .00934 | .00128 | | | |
| 130 | .00936 | .00841 | .04082 | .00811 | .00269 | .00122 | .01987 | .00780 | .00520 | .00172 | .00953 | .00165 | | | |

ORIGINAL PAGE IS OF POOR QUALITY

DATE # 10-25-73

PROJECT NUMBER YA35A-21FA

ARD, INC.

ARLDO AIR FORCE STATION, TENN.

NASA / RI OR-11 SHUTTLE ORBITER TEST

HEAT TRANSFER DATA (Q/QREF)

| TIME | Q1 | Q2 | Q3 | Q6 | Q7 | Q8 | Q10 | Q11 | Q12 | Q13 | Q16 | Q23 | Q25 | Q26 | Q31 |
|------|--------|--------|--------|--------|--------|--------|--------|--------|--------|--------|--------|--------|--------|--------|--------|
| 80 | .62000 | .35200 | .21805 | .19100 | .15600 | .13900 | .12000 | .15600 | .15900 | .09900 | .12200 | .13400 | .14000 | .14400 | .19000 |
| 102 | .60000 | .33900 | .22000 | .18700 | .14800 | .12900 | .10400 | .12689 | .14216 | .09300 | .09600 | .08800 | .11100 | .12204 | .10900 |
| 106 | .59316 | .33000 | .21900 | .18400 | .14500 | .12500 | .10000 | .12532 | .14300 | .09130 | .09100 | .07820 | .11000 | .12041 | .10000 |
| 124 | .59676 | .32531 | .21369 | .17408 | .13671 | .11909 | .09243 | .12083 | .13957 | .08700 | .08201 | .07511 | .11000 | .11300 | .09820 |
| 130 | .59292 | .30580 | .21161 | .16284 | .13646 | .11800 | .08779 | .12000 | .13645 | .08500 | .08000 | .07371 | .11000 | .11350 | .08000 |
| TIME | Q34 | Q38 | Q41 | Q44 | Q47 | Q50 | Q52 | Q53 | Q54 | Q55 | Q56 | Q57 | Q59 | Q60 | Q61 |
| 80 | .26800 | .29300 | .31724 | .31365 | .31000 | .19274 | .18191 | .22500 | .28000 | .35400 | .38400 | .28900 | .34000 | .36400 | .38000 |
| 102 | .13900 | .18500 | .23200 | .24900 | .23848 | .16700 | .19000 | .13300 | .17200 | .23800 | .29000 | .24900 | .22300 | .20500 | .22200 |
| 106 | .12659 | .17300 | .22000 | .23400 | .23552 | .16387 | .12400 | .12200 | .15700 | .22000 | .27400 | .23301 | .20500 | .18500 | .19500 |
| 124 | .10000 | .13000 | .18336 | .19300 | .20100 | .14000 | .11230 | .10200 | .11000 | .17300 | .22822 | .19300 | .15000 | .14800 | .15900 |
| 130 | .69900 | .11814 | .16000 | .19516 | .19600 | .13605 | .18000 | .10300 | .11000 | .16500 | .22000 | .19100 | .15590 | .15000 | .16900 |
| TIME | Q62 | Q63 | Q64 | Q65 | Q66 | Q82 | Q69 | Q70 | Q71 | Q72 | Q74 | Q79 | Q80 | Q81 | Q5 |
| 80 | .43000 | .35008 | .21000 | .51000 | .48000 | .32900 | .41000 | .50000 | .45576 | .25026 | .58000 | .60000 | .44609 | .50227 | .01550 |
| 102 | .33106 | .28831 | .18043 | .28000 | .50800 | .30600 | .20000 | .22600 | .31641 | .19051 | .51109 | .26646 | .38179 | .44200 | .01580 |
| 106 | .30500 | .27500 | .17918 | .26000 | .26764 | .28900 | .16460 | .19036 | .28000 | .17410 | .51807 | .25794 | .30993 | .42900 | .01580 |
| 124 | .24397 | .21921 | .15310 | .19083 | .19300 | .21300 | .12000 | .14300 | .16300 | .13200 | .47781 | .23236 | .33976 | .38588 | .01570 |
| 130 | .24000 | .21253 | .14000 | .22224 | .19300 | .20404 | .14000 | .14457 | .16975 | .13342 | .45133 | .21658 | .33200 | .36401 | .01560 |
| TIME | Q9 | Q14 | Q15 | Q18 | Q21 | Q28 | Q27 | Q36 | Q42 | Q86 | Q88 | Q89 | | | |
| 80 | .00745 | .00805 | .04420 | .00740 | .00288 | .00094 | .01820 | .00650 | .00382 | .00128 | .00770 | .00273 | | | |
| 102 | .00727 | .00750 | .04085 | .00710 | .00259 | .00096 | .01800 | .00699 | .00409 | .00114 | .00851 | .00127 | | | |
| 106 | .00774 | .00740 | .04049 | .00770 | .00253 | .00097 | .01780 | .00700 | .00415 | .00120 | .00802 | .00178 | | | |
| 124 | .00800 | .00720 | .04022 | .00700 | .00237 | .00104 | .01736 | .00665 | .00440 | .00145 | .00811 | .00167 | | | |
| 130 | .00810 | .00728 | .04225 | .00702 | .00233 | .00106 | .01720 | .00675 | .00450 | .00149 | .00825 | .00160 | | | |

DATE = 10-25-73

PROJECT NUMBER YA354-21FA

ARU, INC.

ARMOLO AIR FORCE STATION, TENN.

NASA / RI OM-11 SHUTTLE ORBITER TEST

TEST CONDITIONS TEST GAS NITROGEN

Q-Q: ST=0 BASED ON .210 INCH RADIUS

ANGLE OF ATTACK 30.000 DEG.

MODEL LENGTH 23.226 INCHES

| TIME | P-INF | RHO-INF | T-INF | U-INF | M-INF | Q-INF | RE/FT | RE-L | PO | TO | NO | QD BTU/ | STO | POP | HMEF BTU/ |
|------|---------|-----------|-------|--------|-------|--------|---------|---------|------|-------|-----------|----------|--------|--------|-----------|
| SECS | PSIA | LBM/CU-FT | DEG R | FT/SEC | | PSIA | X10-6 | X10-6 | PSIA | DEG R | BTU/LBM | SQFT-SEC | | PSIA | SQFT-SEC |
| 82 | .153452 | .004692 | 85.4 | 4917 | 10.67 | 12.231 | 10.5220 | 20.3653 | 8286 | 1808 | 5.038E 02 | 127.4 | .01493 | 22.523 | .1005 |
| 90 | .131423 | .003695 | 92.4 | 5151 | 10.72 | 10.572 | 7.9830 | 15.4511 | 7633 | 2015 | 5.527E 02 | 137.3 | .01721 | 19.486 | .0931 |
| 104 | .114499 | .002972 | 100.0 | 5317 | 10.64 | 9.059 | 6.1218 | 11.8488 | 6577 | 2168 | 5.892E 02 | 137.6 | .01912 | 16.705 | .0846 |
| 120 | .093422 | .002432 | 92.8 | 5145 | 10.72 | 7.514 | 5.6885 | 11.0101 | 5651 | 2034 | 5.514E 02 | 115.3 | .02038 | 13.847 | .0772 |

ADDITIONAL PAGE IS

11/20/73 10:10:00 AM 73

DATE = 10-25-73

PROJECT NUMBER VA354-21FA

ARU, INC.

ARNOLD AIR FORCE STATION, TENN.

NASA / RT OM-11 SHUTTLE ORBITER TEST

HEAT TRANSFER DATA (H / HREF)

| TIME | 01 | 02 | 03 | 04 | 05 | 06 | 07 | 08 | 09 | 10 | 11 | 12 | 13 | 14 | 15 | 16 | 17 | 18 | |
|------|--------|--------|--------|--------|--------|--------|--------|--------|--------|--------|--------|--------|--------|--------|--------|----|----|----|--|
| 82 | .60161 | .35209 | .23018 | .19537 | .15599 | .13676 | .11581 | .15253 | .16496 | .10555 | .11348 | .11615 | .13835 | .15316 | .17878 | | | | |
| 90 | .59151 | .33515 | .22242 | .18903 | .15414 | .13106 | .10675 | .13485 | .15366 | .09961 | .10156 | .09057 | .12737 | .13699 | .12454 | | | | |
| 104 | .56942 | .32399 | .21540 | .17979 | .14598 | .12734 | .10060 | .12364 | .14339 | .09690 | .09336 | .07673 | .11848 | .12694 | .09253 | | | | |
| 120 | .53587 | .30248 | .20049 | .17744 | .14419 | .12153 | .09267 | .12383 | .14153 | .09492 | .08459 | .07095 | .11408 | .12330 | .07278 | | | | |
| TIME | 034 | 038 | 041 | 044 | 047 | 050 | 052 | 053 | 054 | 055 | 056 | 057 | 059 | 060 | 061 | | | | |
| 82 | .27839 | .32404 | .36710 | .35528 | .33367 | .22861 | .15254 | .14578 | .28305 | .39447 | .43079 | .32422 | .32263 | .37535 | .41038 | | | | |
| 90 | .21511 | .28827 | .32176 | .32040 | .29776 | .20474 | .13391 | .13969 | .22182 | .32133 | .36122 | .28848 | .22219 | .20928 | .28187 | | | | |
| 104 | .14895 | .21075 | .27124 | .28323 | .26431 | .17799 | .11572 | .12240 | .16163 | .24275 | .32829 | .25157 | .18612 | .18897 | .23419 | | | | |
| 120 | .11181 | .16975 | .23051 | .25610 | .23972 | .16151 | .12493 | .10134 | .11255 | .18820 | .29747 | .23446 | .15863 | .15803 | .18895 | | | | |
| TIME | 062 | 063 | 064 | 065 | 066 | 068 | 069 | 070 | 071 | 072 | 074 | 079 | 080 | 081 | 08 | | | | |
| 82 | .46209 | .39231 | .26172 | .46114 | .53435 | .41249 | .36876 | .58313 | .52378 | .29335 | .65064 | .63876 | .49575 | .56915 | .01726 | | | | |
| 90 | .41801 | .35276 | .23073 | .31379 | .42417 | .37516 | .21241 | .40952 | .46568 | .25896 | .59910 | .42753 | .44862 | .50837 | .01672 | | | | |
| 104 | .34600 | .31329 | .20886 | .25100 | .33864 | .31734 | .17835 | .28925 | .36938 | .22003 | .55643 | .26445 | .39970 | .45564 | .01740 | | | | |
| 120 | .31718 | .26764 | .18795 | .21514 | .28254 | .27200 | .11462 | .22306 | .30752 | .18523 | .52034 | .24101 | .36000 | .41468 | .01648 | | | | |
| TIME | 09 | 014 | 015 | 018 | 021 | 028 | 027 | 036 | 042 | 086 | 088 | 089 | | | | | | | |
| 82 | .00814 | .01003 | .04805 | .00861 | .00330 | .00104 | .01846 | .00770 | .00397 | .00162 | .00851 | .00251 | | | | | | | |
| 90 | .00807 | .00857 | .04656 | .00776 | .00309 | .00104 | .01753 | .00758 | .00397 | .00159 | .00790 | .00229 | | | | | | | |
| 104 | .00783 | .00815 | .04499 | .00782 | .00279 | .00107 | .01638 | .00743 | .00421 | .00152 | .00761 | .00217 | | | | | | | |
| 120 | .00743 | .00803 | .04515 | .00741 | .00237 | .00112 | .01520 | .00671 | .00381 | .00144 | .00764 | .00168 | | | | | | | |

DATE * 10-25-73

PROJECT NUMBER YA354-21FA

ARD, INC.

ARABLD AIR FORCE STATION, TENN.

NASA / RI OM-11 SHUTTLE ORBITER TEST

HEAT TRANSFER DATA (Q/UREF)

| TIME | 01 | 02 | 03 | 06 | 07 | 08 | 010 | 011 | 012 | 013 | 016 | 023 | 025 | 026 | 031 |
|------|--------|--------|--------|--------|--------|--------|--------|--------|--------|--------|--------|--------|--------|--------|--------|
| 82 | .60000 | .33000 | .21100 | .17700 | .14000 | .12200 | .10250 | .13500 | .14600 | .09050 | .10000 | .10200 | .12150 | .12450 | .15700 |
| 90 | .59000 | .31500 | .20503 | .17200 | .13900 | .11750 | .09500 | .12000 | .13674 | .08600 | .09000 | .08000 | .11250 | .12100 | .11000 |
| 104 | .56400 | .30500 | .19900 | .16400 | .13200 | .11450 | .08980 | .11037 | .12800 | .08400 | .08300 | .06800 | .10500 | .11250 | .08200 |
| 120 | .53451 | .29000 | .18498 | .16150 | .13007 | .10900 | .08250 | .11024 | .12600 | .08200 | .07499 | .06270 | .10081 | .10895 | .06431 |
| TIME | 034 | 038 | 041 | 044 | 047 | 050 | 052 | 053 | 054 | 055 | 056 | 057 | 059 | 060 | 061 |
| 82 | .24448 | .28808 | .32239 | .31200 | .29000 | .19700 | .13600 | .16400 | .25000 | .34792 | .37700 | .28.0 | .28900 | .33500 | .36500 |
| 90 | .19000 | .24756 | .28421 | .28300 | .26042 | .17762 | .14000 | .12400 | .14700 | .28500 | .31800 | .25.4 | .20000 | .14773 | .25200 |
| 104 | .13200 | .18677 | .24039 | .25190 | .23200 | .15500 | .10400 | .10900 | .14400 | .21600 | .29000 | .22170 | .16800 | .17000 | .21000 |
| 120 | .09881 | .15000 | .20900 | .22630 | .20976 | .14019 | .11200 | .09000 | .10000 | .16700 | .26200 | .20600 | .14244 | .14181 | .15900 |
| TIME | 062 | 063 | 064 | 065 | 066 | 062 | 069 | 070 | 071 | 072 | 074 | 079 | 080 | 081 | 05 |
| 82 | .00842 | .34500 | .22500 | .41000 | .47544 | .36331 | .32815 | .52000 | .46400 | .25535 | .58000 | .57000 | .44200 | .50012 | .01480 |
| 90 | .36438 | .31200 | .20000 | .28000 | .37967 | .33231 | .19000 | .36704 | .41475 | .22682 | .53678 | .38344 | .40202 | .45443 | .01443 |
| 104 | .30400 | .27400 | .18000 | .22500 | .30400 | .28200 | .18000 | .26000 | .33000 | .19340 | .50000 | .23786 | .35922 | .40851 | .01509 |
| 120 | .28200 | .23700 | .16300 | .19236 | .25300 | .24104 | .10257 | .20000 | .27400 | .16232 | .46639 | .21623 | .32273 | .37083 | .01424 |
| TIME | 09 | 014 | 015 | 018 | 021 | 028 | 027 | 036 | 042 | 086 | 088 | 089 | | | |
| 82 | .00698 | .00460 | .04120 | .00738 | .00283 | .00082 | .01583 | .00660 | .00340 | .00139 | .00730 | .00215 | | | |
| 90 | .00647 | .00740 | .04020 | .00670 | .00267 | .00040 | .01514 | .00655 | .00343 | .00137 | .00682 | .00198 | | | |
| 104 | .00619 | .00706 | .03900 | .00678 | .00242 | .00043 | .01420 | .00644 | .00365 | .00132 | .00660 | .00188 | | | |
| 120 | .00642 | .00694 | .03900 | .00640 | .00205 | .00047 | .01313 | .00580 | .00329 | .00124 | .00660 | .00145 | | | |

DATE = 10-26-73

PROJECT NUMBER VA354-21FA

ARO, INC.

ARABO AIR FORCE STATION, TENN.

NASA / RI OR-11 SHUTTLE ORBITER TEST

TEST CONDITIONS

TEST GAS NITROGEN

Q=0% ST=0% BASED ON .210 INCH RADIUS

ANGLE OF ATTACK 30.000 DEG.

MODEL LENGTH 23.226 INCHES

| TIME | P-INF | RHO-INF | T-INF | U-INF | M-INF | Q-INF | RE/FT | RE=L | PO | TO | HO | OO BTU/ | STO | POP | HREF BTU/ |
|------|---------|-----------|-------|--------|-------|-------|--------|---------|------|-------|-----------|----------|--------|--------|-----------|
| MSEC | PSIA | LBM/CU-FT | DEG R | FT/SEC | | PSIA | X10-6 | X10-6 | PSIA | DEG R | BTU/LBM | SGFT-SEC | | PSIA | SGFT-SEC |
| 70 | .122681 | .003485 | 103.9 | 5451 | 10.53 | 7.523 | 6.1906 | 11.9818 | 6623 | 2197 | 5.973E 02 | 144.1 | .01884 | 17.563 | .0870 |
| 100 | .079150 | .002171 | 95.2 | 5228 | 10.75 | 6.398 | 4.6427 | 8.9859 | 5007 | 2111 | 5.692E 02 | 111.5 | .02256 | 11.794 | .0710 |
| 122 | .059369 | .001480 | 90.4 | 5103 | 10.74 | 5.279 | 4.1152 | 7.9649 | 4161 | 2016 | 5.424E 02 | 94.3 | .02406 | 9.727 | .0639 |
| 132 | .054544 | .001709 | 89.4 | 5077 | 10.77 | 4.752 | 3.7805 | 7.3172 | 3819 | 1997 | 5.368E 02 | 88.1 | .02519 | 8.755 | .0605 |
| 140 | .055345 | .001517 | 94.7 | 5196 | 10.71 | 4.416 | 3.2414 | 6.2738 | 3536 | 2101 | 5.625E 02 | 91.0 | .02693 | 8.139 | .0583 |

DATE * 10-25-73

PROJECT NUMBER VA354-21FA

ARD, INC.

ARNOLD AIR FORCE STATION, TENN.

NASA / RI OM-11 SHUTTLE ORBITER TEST

HEAT TRANSFER DATA (H / HREF)

| TIME | 01 | 02 | 03 | 04 | 05 | 06 | 07 | 08 | 010 | 011 | 012 | 013 | 016 | 023 | 025 | 026 | 031 |
|------|--------|--------|--------|--------|--------|--------|--------|--------|--------|--------|--------|--------|---------|---------|--------|-----|-----|
| 70 | .54134 | .32921 | .21897 | .18848 | .15033 | .12783 | .09965 | .12876 | .14331 | .09107 | .09555 | .09586 | .11165 | .12293 | .10375 | | |
| 100 | .51830 | .30025 | .20294 | .16917 | .13726 | .11912 | .08972 | .11184 | .12785 | .08356 | .08067 | .07456 | .09252 | .10050 | .07230 | | |
| 122 | .51632 | .31789 | .20431 | .17429 | .13418 | .11823 | .09158 | .11462 | .13115 | .08571 | .08519 | .08208 | .10455 | .10182 | .07964 | | |
| 132 | .52035 | .31393 | .20546 | .17150 | .13534 | .12051 | .09218 | .11635 | .13153 | .08575 | .08579 | .08381 | .104618 | .104967 | .07702 | | |
| 140 | .53247 | .30988 | .20022 | .17089 | .13513 | .11797 | .09165 | .11416 | .12656 | .08149 | .08384 | .07922 | .09491 | .10150 | .07833 | | |
| TIME | 034 | 038 | 041 | 044 | 047 | 050 | 052 | 053 | 054 | 055 | 056 | 057 | 059 | 060 | 061 | | |
| 70 | .17533 | .18157 | .25167 | .28862 | .25163 | .18357 | .14903 | .14703 | .17837 | .23363 | .25908 | .24723 | .21261 | .22110 | .23853 | | |
| 100 | .08360 | .12199 | .20097 | .23046 | .22244 | .15178 | .09913 | .08093 | .08652 | .14064 | .23574 | .20781 | .12753 | .10358 | .11722 | | |
| 122 | .08491 | .12114 | .18040 | .22190 | .21267 | .14639 | .09655 | .07773 | .07544 | .13529 | .21645 | .19478 | .12331 | .10591 | .10626 | | |
| 132 | .08155 | .11213 | .17442 | .21295 | .20476 | .13839 | .08531 | .07438 | .07033 | .12238 | .20796 | .18569 | .12225 | .10483 | .10583 | | |
| 140 | .06498 | .10282 | .16497 | .20340 | .19967 | .13226 | .08808 | .07191 | .06345 | .11929 | .19271 | .17614 | .11979 | .10205 | .09689 | | |
| TIME | 062 | 063 | 064 | 065 | 066 | 067 | 069 | 070 | 071 | 072 | 074 | 079 | 080 | 081 | 08 | | |
| 70 | .32233 | .28241 | .19469 | .27875 | .35071 | .30304 | .21613 | .31272 | .36510 | .21375 | .53758 | .26670 | .40534 | .46376 | .01561 | | |
| 100 | .18079 | .19389 | .14154 | .15674 | .16016 | .19715 | .07699 | .11136 | .17965 | .14352 | .54647 | .23968 | .35308 | .40351 | .01571 | | |
| 122 | .17215 | .17072 | .13113 | .15562 | .13295 | .15354 | .07267 | .08145 | .12126 | .09933 | .42969 | .23638 | .35125 | .38603 | .01587 | | |
| 132 | .16773 | .16064 | .12012 | .15447 | .12294 | .13440 | .07046 | .06747 | .10109 | .08681 | .37962 | .23647 | .33714 | .37491 | .01622 | | |
| 140 | .15382 | .16250 | .12661 | .14475 | .10336 | .12750 | .06564 | .06237 | .08169 | .08232 | .32534 | .23932 | .33003 | .36831 | .01582 | | |
| TIME | 09 | 014 | 015 | 018 | 021 | 028 | 027 | 036 | 042 | 086 | 088 | 089 | | | | | |
| 70 | .00749 | .00807 | .04418 | .00732 | .00244 | .00081 | .01642 | .00692 | .00424 | .00150 | .00715 | .00193 | | | | | |
| 100 | .00716 | .00797 | .04212 | .00739 | .00236 | .00102 | .01617 | .00647 | .00464 | .00151 | .00715 | .00141 | | | | | |
| 122 | .00747 | .00793 | .04378 | .00788 | .00232 | .00114 | .01668 | .00625 | .00449 | .00167 | .00729 | .00167 | | | | | |
| 132 | .00711 | .00788 | .04275 | .00788 | .00226 | .00115 | .01669 | .00603 | .00417 | .00176 | .00753 | .00181 | | | | | |
| 140 | .00786 | .00754 | .04160 | .00762 | .00229 | .00114 | .01606 | .00601 | .00393 | .00183 | .00768 | .00186 | | | | | |

DATE = 10-25-73

PROJECT NUMBER VA35A-21FA

ARJ, INC.

AROLD AIR FORCE STATION, TENN.

NASA / RI OR-11 SHUTTLE ORBITER TEST

HEAT TRANSFER DATA (Q/QHEF)

| TIME | 01 | 02 | 03 | 06 | 07 | 08 | 010 | 011 | 012 | 013 | 016 | 023 | 025 | 026 | 031 |
|------|--------|--------|--------|--------|--------|--------|--------|--------|--------|--------|--------|--------|--------|--------|--------|
| 70 | .54000 | .31000 | .20200 | .17200 | .17000 | .11500 | .08900 | .11500 | .12800 | .07900 | .08500 | .08500 | .09900 | .10900 | .09200 |
| 100 | .51500 | .28250 | .18700 | .15418 | .12400 | .10700 | .08000 | .09972 | .11400 | .07233 | .07164 | .06600 | .08190 | .08896 | .06400 |
| 122 | .51500 | .29478 | .18000 | .15850 | .12100 | .10600 | .08150 | .10200 | .11671 | .07400 | .07550 | .07250 | .09235 | .09994 | .07034 |
| 132 | .52500 | .29500 | .18400 | .15600 | .12200 | .10800 | .08200 | .10350 | .11700 | .07400 | .07600 | .07460 | .08492 | .09880 | .08800 |
| 140 | .52113 | .29153 | .19000 | .15572 | .12205 | .10550 | .08171 | .10170 | .11283 | .07052 | .07444 | .07011 | .08400 | .09903 | .08932 |
| TIME | 034 | 038 | 041 | 044 | 047 | 050 | 052 | 053 | 054 | 055 | 056 | 057 | 059 | 060 | 061 |
| 70 | .17000 | .16100 | .22848 | .25593 | .22100 | .15993 | .13400 | .13100 | .15900 | .20800 | .22900 | .21800 | .19200 | .14900 | .21400 |
| 100 | .07400 | .10799 | .17790 | .20490 | .19500 | .13200 | .08900 | .07199 | .07700 | .12500 | .20800 | .18291 | .11500 | .09309 | .10500 |
| 122 | .07500 | .10700 | .16500 | .19600 | .18600 | .12700 | .08652 | .06900 | .06700 | .12000 | .19100 | .17106 | .11100 | .09500 | .09500 |
| 132 | .07200 | .09400 | .15400 | .18831 | .17900 | .12000 | .08000 | .06600 | .06244 | .10850 | .18300 | .16300 | .11000 | .09400 | .09458 |
| 140 | .06193 | .09100 | .14600 | .18037 | .17500 | .11500 | .07906 | .06395 | .05646 | .10000 | .17000 | .15500 | .10800 | .09169 | .08678 |
| TIME | 062 | 063 | 064 | 065 | 066 | 068 | 069 | 070 | 071 | 072 | 074 | 079 | 080 | 081 | 085 |
| 70 | .28751 | .25074 | .16953 | .25000 | .31500 | .26944 | .19400 | .28123 | .32635 | .18800 | .48331 | .24000 | .36447 | .41600 | .01354 |
| 100 | .16100 | .17125 | .12300 | .14000 | .14363 | .17500 | .06900 | .10000 | .16032 | .12600 | .49100 | .21536 | .31700 | .36139 | .01360 |
| 122 | .15300 | .15100 | .11367 | .13900 | .11900 | .13600 | .06500 | .07300 | .10800 | .08700 | .38500 | .21200 | .31476 | .34507 | .01379 |
| 132 | .14900 | .14201 | .11100 | .13800 | .11000 | .11900 | .06300 | .06045 | .09000 | .07600 | .34000 | .21200 | .30200 | .33500 | .01400 |
| 140 | .14586 | .14400 | .11000 | .12960 | .09268 | .11315 | .05900 | .05600 | .07289 | .07225 | .29200 | .21500 | .24626 | .32981 | .01369 |
| TIME | 09 | 014 | 015 | 018 | 021 | 028 | 027 | 036 | 042 | 086 | 088 | 089 | | | |
| 70 | .00650 | .00700 | .03832 | .00635 | .00212 | .00070 | .01424 | .00600 | .00368 | .00130 | .00620 | .00167 | | | |
| 100 | .00620 | .00690 | .03046 | .00640 | .00204 | .00088 | .01400 | .00560 | .00402 | .00131 | .00619 | .00122 | | | |
| 122 | .00645 | .00685 | .03780 | .00680 | .00200 | .00098 | .01440 | .00540 | .00388 | .00144 | .00629 | .00144 | | | |
| 132 | .00605 | .00680 | .03090 | .00680 | .00195 | .00099 | .01440 | .00520 | .00360 | .00152 | .00650 | .00156 | | | |
| 140 | .00680 | .00653 | .03000 | .00659 | .00198 | .00099 | .01390 | .00520 | .00340 | .00158 | .00665 | .00161 | | | |

DATE 10-23-73

PROJECT NUMBER 7A35A-21FA

ARO, INC.

ARNOLD AIR FORCE STATION, TENN.

NASA / RI OR-11 SHUTTLE ORBITER TEST

TEST CONDITIONS TEST GAS NITROGEN

Q=0, ST=0 BASED ON 210 INCH RADIUS

ANGLE OF ATTACK 25.000 DEG.

MODEL LENGTH 23.226 INCHES

| TIME | P-INF | RHO-INF | T-INF | U-INF | M-INF | Q-INF | RE/FT | RE=L | PO | TO | HO | QD BTU/ | STO | POP | HREF BTU/ |
|------|---------|-----------|-------|--------|-------|-------|-------------------|-------------------|------|-------|-----------|----------|--------|--------|-----------|
| MSEC | PSIA | LBM/CU-FT | DEG R | FT/SEC | | PSIA | X10 ⁻⁶ | X10 ⁻⁶ | PSIA | DEG R | BTU/LBM | SOFT-SEC | | PSIA | SOFT-SEC |
| 76 | .110610 | .002416 | 110.4 | 5421 | 10.35 | 8.291 | 5.0034 | 9.6841 | 5496 | 2272 | 6.140E 02 | 140.3 | .02060 | 15.292 | .0010 |
| 100 | .084860 | .002038 | 108.8 | 5372 | 10.33 | 6.340 | 3.9212 | 7.5895 | 4281 | 2246 | 6.029E 02 | 119.3 | .02323 | 11.692 | .0699 |
| 116 | .068344 | .001832 | 97.4 | 5133 | 10.43 | 5.205 | 3.7593 | 7.2742 | 3644 | 2052 | 5.501E 02 | 95.6 | .02442 | 9.589 | .0632 |
| 138 | .059600 | .001644 | 94.7 | 4994 | 10.30 | 4.422 | 3.3796 | 6.5411 | 2940 | 1943 | 5.212E 02 | 79.6 | .02503 | 8.142 | .0568 |

ORIGINAL PAGE IS

DATE = 10-23-73

PROJECT NUMBER VA354-21FA

ARD, INC.

ARNOLD AIR FORCE STATION, TENN.

NASA / RT OH-11 SHUTTLE ORBITER TEST

HEAT TRANSFER DATA (H / HREF)

| TIME | G1 | G2 | G3 | G6 | G7 | G8 | G10 | G11 | G12 | G13 | G16 | G23 | G25 | G26 | G31 |
|------|--------|--------|--------|--------|--------|--------|--------|--------|--------|--------|--------|--------|--------|--------|--------|
| 76 | .50836 | .26914 | .18147 | .14173 | .11218 | .09588 | .06816 | .09770 | .11644 | .08517 | .06272 | .06172 | .09266 | .10159 | .06864 |
| 100 | .49327 | .25713 | .17054 | .13476 | .10942 | .09035 | .06819 | .09377 | .10797 | .08292 | .05420 | .05563 | .08807 | .09729 | .05905 |
| 116 | .49841 | .25690 | .17107 | .13508 | .10848 | .09211 | .06563 | .09359 | .10916 | .08330 | .05444 | .05461 | .09083 | .09852 | .05749 |
| 138 | .49345 | .25936 | .17143 | .13204 | .10036 | .09088 | .06296 | .09272 | .11023 | .08495 | .05173 | .05478 | .09214 | .09463 | .05536 |
| TIME | G34 | G38 | G41 | G44 | G47 | G50 | G52 | G53 | G54 | G55 | G56 | G57 | G59 | G60 | G61 |
| 76 | .09208 | .10639 | .14643 | .17732 | .16162 | .11397 | .09875 | .08540 | .08536 | .10826 | .15204 | .14335 | .13485 | .12402 | .12441 |
| 100 | .08688 | .09500 | .13163 | .16024 | .14728 | .10822 | .09597 | .07690 | .07686 | .09121 | .13777 | .16111 | .13716 | .11280 | .11316 |
| 116 | .06611 | .09198 | .12047 | .14946 | .14120 | .10196 | .09344 | .07723 | .07719 | .08588 | .13841 | .15608 | .14347 | .11325 | .11362 |
| 138 | .06343 | .08073 | .12316 | .13857 | .13392 | .09382 | .09093 | .07540 | .06914 | .08040 | .13306 | .12462 | .13058 | .10680 | .09745 |
| TIME | G62 | G63 | G64 | G65 | G66 | G82 | G69 | G70 | G71 | G72 | G74 | G79 | G80 | G81 | G5 |
| 76 | .14218 | .14242 | .09892 | .18215 | .15817 | .15974 | .14696 | .25952 | .23838 | .14411 | .18059 | .19734 | .10721 | .28280 | .02279 |
| 100 | .13087 | .12003 | .08734 | .16413 | .13564 | .11986 | .13572 | .16933 | .17035 | .09228 | .17874 | .20581 | .09941 | .27830 | .02211 |
| 116 | .13143 | .11462 | .08193 | .17048 | .13619 | .11466 | .13627 | .14086 | .13639 | .07881 | .18140 | .20306 | .10769 | .27130 | .02245 |
| 138 | .11462 | .10941 | .07047 | .16103 | .13087 | .11500 | .11388 | .10860 | .10866 | .06977 | .18190 | .20208 | .10612 | .25070 | .02275 |
| TIME | G9 | G14 | G15 | G18 | G21 | G28 | G27 | G36 | G42 | G86 | G88 | G89 | | | |
| 76 | .00777 | .00564 | .03856 | .00880 | .00256 | .00146 | .01565 | .00898 | .00230 | .00184 | .01047 | .00175 | | | |
| 100 | .00783 | .00501 | .03455 | .00838 | .00253 | .00158 | .01551 | .00852 | .00328 | .00198 | **** | .00129 | | | |
| 116 | .00804 | .00474 | .03332 | .00833 | .00243 | .00175 | .01477 | .00856 | .00373 | .00212 | **** | .00121 | | | |
| 138 | .00836 | .00476 | .03117 | .00865 | .00245 | .00203 | .01474 | .00859 | .00409 | .00232 | **** | .00117 | | | |

DATE = 90-23-73

PROJECT NUMBER VA354-21FA

ARO, INC.

ARNOLD AIR FORCE STATION, TENN.

NASA / RI OR-11 SHUTTLE ORBITER TEST

HEAT TRANSFER DATA (Q/UREF)

| TIME | Q1 | Q2 | Q3 | Q6 | Q7 | Q8 | Q10 | Q11 | Q12 | Q13 | Q16 | Q23 | Q25 | Q26 | Q31 |
|------|--------|--------|--------|--------|--------|--------|--------|--------|--------|--------|--------|--------|--------|--------|--------|
| 76 | .50500 | .25000 | .16500 | .12700 | .10000 | .08500 | .06000 | .08600 | .10250 | .07400 | .05500 | .05395 | .08100 | .08800 | .06000 |
| 100 | .49000 | .23877 | .15500 | .12114 | .09750 | .08005 | .06000 | .08250 | .09500 | .07200 | .04750 | .04861 | .07694 | .08500 | .05159 |
| 116 | .49500 | .23800 | .15500 | .12100 | .09630 | .08130 | .05750 | .08200 | .09564 | .07200 | .04750 | .04750 | .07900 | .08569 | .05000 |
| 138 | .49000 | .23988 | .15500 | .11800 | .08886 | .07982 | .05500 | .08100 | .09630 | .07318 | .04500 | .04750 | .07990 | .08206 | .04800 |
| TIME | Q34 | Q38 | Q41 | Q44 | Q47 | Q50 | Q52 | Q53 | Q54 | Q55 | Q56 | Q57 | Q59 | Q60 | Q61 |
| 76 | .08349 | .04300 | .12800 | .15500 | .14090 | .09800 | .04750 | .07500 | .07500 | .09500 | .13250 | .12464 | .12000 | .11000 | .11000 |
| 100 | .06000 | .08300 | .11500 | .14000 | .12750 | .09300 | .06500 | .06750 | .06750 | .08000 | .12000 | .14000 | .12200 | .10000 | .10000 |
| 116 | .05750 | .08300 | .11000 | .13000 | .12166 | .08719 | .05243 | .06750 | .06750 | .07500 | .12000 | .13500 | .12713 | .10000 | .10000 |
| 138 | .05500 | .07000 | .10000 | .12016 | .11500 | .07994 | .06000 | .06570 | .06028 | .07000 | .11500 | .10745 | .11540 | .09406 | .08553 |
| TIME | Q62 | Q63 | Q64 | Q65 | Q66 | Q82 | Q69 | Q70 | Q71 | Q72 | Q74 | Q79 | Q80 | Q81 | Q85 |
| 76 | .12500 | .12500 | .08500 | .16100 | .14000 | .14000 | .13000 | .23000 | .21000 | .12500 | .16000 | .17500 | .09500 | .25000 | .01980 |
| 100 | .11500 | .12500 | .07500 | .14500 | .12000 | .16500 | .12000 | .15000 | .15000 | .08000 | .15828 | .16242 | .08805 | .24591 | .01920 |
| 116 | .11500 | .10000 | .07000 | .15000 | .12000 | .10000 | .12000 | .12428 | .11959 | .06800 | .16000 | .17928 | .09500 | .23874 | .01940 |
| 138 | .10000 | .09500 | .06000 | .14128 | .11500 | .10000 | .10000 | .09555 | .09500 | .06000 | .16000 | .17793 | .09336 | .22000 | .01960 |
| TIME | Q9 | Q14 | Q15 | Q18 | Q21 | Q28 | Q27 | Q36 | Q42 | Q86 | Q88 | Q89 | | | |
| 76 | .00675 | .00490 | .03350 | .00765 | .00222 | .00127 | .01360 | .00780 | .00200 | .00160 | .00910 | .00152 | | | |
| 100 | .00680 | .00435 | .03000 | .00728 | .00220 | .00137 | .01347 | .00740 | .00285 | .00172 | **** | .00112 | | | |
| 116 | .00645 | .00410 | .02800 | .00720 | .00210 | .00151 | .01276 | .00740 | .00322 | .00183 | **** | .00105 | | | |
| 138 | .00720 | .00410 | .02886 | .00765 | .00211 | .00175 | .01270 | .00740 | .00353 | .00200 | **** | .00101 | | | |

ORIGINAL PAGE IS
OF POOR QUALITY

DATE * 10-30-73

PROJECT NUMBER VA354-21FA

ARO, INC.

ARLOLD AIR FORCE STATION, TENN.

NASA / RI OH-11 SHUTTLE ORBITER TEST

TEST CONDITIONS TEST GAS NITROGEN

Q=0, ST=0 BASED ON .210 INCH RADIUS

ANGLE OF ATTACK 30.000 DEG.

MODEL LENGTH 23.226 INCHES

| TIME | P-INF | RHO-INF | T-INF | U-INF | V-INF | Q-INF | RE/FT | RE=L | PO | TO | MO | QO BTU/ | STO | POP | MREF BTU/ |
|------|---------|-----------|-------|--------|-------|--------|--------|---------|-------|-------|-----------|----------|--------|--------|-----------|
| MSEC | PSIA | LBM/CU-FY | DEG R | FT/SEC | | PSIA | X10-6 | X10-6 | PSIA | DEG R | BTU/LBM | SOFT-SEC | | PSIA | SOFT-SEC |
| 70 | .113181 | .003265 | 90.5 | 5754 | 12.13 | 11.658 | 8.0857 | 15.6499 | 14718 | 2412 | 6.835E 02 | 197.0 | .01907 | 21.544 | .1052 |
| 82 | .100909 | .002717 | 97.0 | 5897 | 12.01 | 10.188 | 6.4338 | 12.4527 | 12874 | 2554 | 7.184E 02 | 197.1 | .02103 | 18.834 | .0979 |
| 112 | .073129 | .002018 | 94.6 | 5782 | 11.92 | 7.277 | 4.8053 | 9.3006 | 9180 | 2502 | 6.911E 02 | 158.0 | .02428 | 13.448 | .0805 |
| 130 | .062248 | .001834 | 90.1 | 5596 | 11.83 | 6.192 | 4.4384 | 8.5906 | 7539 | 2368 | 6.475E 02 | 133.3 | .02528 | 11.434 | .0729 |

DATE = 10-30-73

PROJECT NUMBER VA354-21FA

ARO, INC.

ARNOLD AIR FORCE STATION, TENN.

NASA / RI OR-11, SHUTTLE ORBITER TEST

HEAT TRANSFER DATA (H / HREF)

| TIME | 01 | 02 | 03 | 04 | 05 | 06 | 07 | 08 | 09 | 10 | 11 | 12 | 13 | 14 | 15 | 16 | 17 | 18 |
|------|--------|--------|--------|--------|--------|--------|--------|--------|--------|--------|--------|--------|--------|--------|--------|----|----|----|
| 70 | .58641 | .34029 | .22277 | .19125 | .15430 | .12456 | .11083 | .14785 | .16180 | .09757 | .10250 | .13974 | .13757 | .13709 | .17979 | | | |
| 82 | .55131 | .31879 | .21385 | .17780 | .14305 | .12058 | .10025 | .14480 | .15594 | .09505 | .09353 | .08465 | .10823 | .11103 | .08075 | | | |
| 112 | .56730 | .30512 | .19882 | .16705 | .13322 | .11512 | .09627 | .13491 | .14778 | .09112 | .08559 | .08080 | .09988 | .10213 | .07632 | | | |
| 130 | .53341 | .30111 | .19844 | .15854 | .12792 | .11087 | .09212 | .12506 | .14099 | .08869 | .08127 | .07309 | .09558 | .10013 | .07534 | | | |
| TIME | 034 | 038 | 041 | 044 | 047 | 050 | 052 | 053 | 054 | 055 | 056 | 057 | 059 | 060 | 061 | | | |
| 70 | .23261 | .29778 | .29216 | .32139 | .30981 | .21484 | .15521 | .24305 | .30185 | .37209 | .39000 | .31634 | .34224 | .36329 | .38886 | | | |
| 82 | .10318 | .12225 | .16150 | .23848 | .24333 | .18472 | .10735 | .09936 | .11092 | .18882 | .27898 | .27370 | .15118 | .14038 | .17236 | | | |
| 112 | .09539 | .09509 | .12245 | .15712 | .16762 | .13351 | .10188 | .09049 | .09045 | .11627 | .16826 | .18730 | .13344 | .12170 | .13872 | | | |
| 130 | .38540 | .09445 | .10156 | .13156 | .14754 | .11605 | .10054 | .08618 | .08241 | .11201 | .15054 | .15941 | .12261 | .12190 | .13229 | | | |
| TIME | 062 | 063 | 064 | 065 | 066 | 068 | 069 | 070 | 071 | 072 | 074 | 079 | 080 | 081 | 08 | | | |
| 70 | .44132 | .35266 | .23677 | .48011 | .50094 | .36207 | .39534 | .48191 | .44743 | .22719 | .57241 | .37471 | .43236 | .50004 | .01625 | | | |
| 82 | .26694 | .24955 | .18321 | .22976 | .21354 | .24723 | .09866 | .15267 | .15359 | .11294 | .53131 | .24882 | .34621 | .45866 | .01615 | | | |
| 112 | .17855 | .15417 | .11876 | .18872 | .14190 | .15447 | .11093 | .11294 | .11748 | .08370 | .44302 | .23237 | .34551 | .41717 | .01559 | | | |
| 130 | .14534 | .13454 | .09728 | .18180 | .13881 | .13038 | .10912 | .10204 | .11380 | .07934 | .42936 | .22722 | .33278 | .34026 | .01516 | | | |
| TIME | 09 | 014 | 015 | 018 | 021 | 028 | 027 | 036 | 042 | 026 | 087 | 088 | | | | | | |
| 70 | .00729 | .00835 | .04477 | .00717 | .00207 | .00088 | .01719 | .00678 | .00442 | .00096 | .00137 | .00918 | | | | | | |
| 82 | .00710 | .00767 | .04295 | .00678 | .00200 | .00101 | .01661 | .00653 | .00458 | .00100 | .00121 | .00833 | | | | | | |
| 112 | .00722 | .00493 | .04069 | .00649 | .00204 | .00123 | .01662 | .00596 | .00453 | .00105 | .00097 | .00785 | | | | | | |
| 130 | .00724 | .00689 | .04021 | .00661 | .00218 | .00130 | .01565 | .00546 | .00450 | .00117 | .00154 | .00775 | | | | | | |

ORIGINAL PAGE IS

| TIME | Q1 | Q2 | Q3 | Q4 | Q5 | Q6 | Q7 | Q8 | Q9 | Q10 | Q11 | Q12 | Q13 | Q14 | Q15 | Q16 | Q17 | Q18 | Q19 | Q20 | Q21 | Q22 | Q23 | Q24 | Q25 | Q26 | Q27 | Q28 | Q29 | Q30 | Q31 | Q32 | Q33 | Q34 | Q35 | Q36 | Q37 | Q38 | Q39 | Q40 | Q41 | Q42 | Q43 | Q44 | Q45 | Q46 | Q47 | Q48 | Q49 | Q50 | Q51 | Q52 | Q53 | Q54 | Q55 | Q56 | Q57 | Q58 | Q59 | Q60 | Q61 | Q62 | Q63 | Q64 | Q65 | Q66 | Q67 | Q68 | Q69 | Q70 | Q71 | Q72 | Q73 | Q74 | Q75 | Q76 | Q77 | Q78 | Q79 | Q80 | Q81 | Q82 | Q83 | Q84 | Q85 | Q86 | Q87 | Q88 | Q89 | Q90 | Q91 | Q92 | Q93 | Q94 | Q95 | Q96 | Q97 | Q98 | Q99 | Q100 | Q101 | Q102 | Q103 | Q104 | Q105 | Q106 | Q107 | Q108 | Q109 | Q110 | Q111 | Q112 | Q113 | Q114 | Q115 | Q116 | Q117 | Q118 | Q119 | Q120 | Q121 | Q122 | Q123 | Q124 | Q125 | Q126 | Q127 | Q128 | Q129 | Q130 | Q131 | Q132 | Q133 | Q134 | Q135 | Q136 | Q137 | Q138 | Q139 | Q140 | Q141 | Q142 | Q143 | Q144 | Q145 | Q146 | Q147 | Q148 | Q149 | Q150 |
|------|-------|-------|-------|-------|-------|-------|-------|-------|-------|--------|-------|-------|-------|-------|-------|-------|-------|-------|-------|-------|-------|-------|-------|-------|-------|-------|-----|-----|-----|-----|-----|-----|-----|-----|-----|-----|-----|-----|-----|-----|-----|-----|-----|-----|-----|-----|-----|-----|-----|-----|-----|-----|-----|-----|-----|-----|-----|-----|-----|-----|-----|-----|-----|-----|-----|-----|-----|-----|-----|-----|-----|-----|-----|-----|-----|-----|-----|-----|-----|-----|-----|-----|-----|-----|-----|-----|-----|-----|-----|-----|-----|-----|-----|-----|-----|-----|-----|-----|-----|------|------|------|------|------|------|------|------|------|------|------|------|------|------|------|------|------|------|------|------|------|------|------|------|------|------|------|------|------|------|------|------|------|------|------|------|------|------|------|------|------|------|------|------|------|------|------|------|------|------|------|
| 130 | 53211 | 28395 | 18344 | 14500 | 11700 | 13000 | 10000 | 88250 | 11200 | 12627 | 10750 | 10910 | 97367 | 10000 | 13346 | 14100 | 11100 | 12100 | 11600 | 16600 | 12100 | 11000 | 31240 | 31585 | 34200 | 01320 | | | | | | | | | | | | | | | | | | | | | | | | | | | | | | | | | | | | | | | | | | | | | | | | | | | | | | | | | | | | | | | | | | | | | | | | | | | | | | | | | | | | | | | | | | | | | | | | | | | | | | | | | | | | | | | | | | | | | | | | | | | | |
| 112 | 56595 | 28200 | 18400 | 15300 | 12100 | 10400 | 88520 | 12104 | 13259 | 10750 | 10910 | 97367 | 10000 | 13346 | 14100 | 11100 | 12100 | 11600 | 16600 | 12100 | 11000 | 31240 | 31585 | 34200 | 01320 | | | | | | | | | | | | | | | | | | | | | | | | | | | | | | | | | | | | | | | | | | | | | | | | | | | | | | | | | | | | | | | | | | | | | | | | | | | | | | | | | | | | | | | | | | | | | | | | | | | | | | | | | | | | | | | | | | | | | | | | | | | | | |
| 92 | 55900 | 30100 | 19400 | 16300 | 13000 | 10900 | 89000 | 13000 | 14000 | 108300 | 08300 | 08300 | 09150 | 09150 | 07200 | 08900 | 09650 | 04900 | 07200 | 06800 | 05900 | 09100 | 05900 | 09900 | 06800 | | | | | | | | | | | | | | | | | | | | | | | | | | | | | | | | | | | | | | | | | | | | | | | | | | | | | | | | | | | | | | | | | | | | | | | | | | | | | | | | | | | | | | | | | | | | | | | | | | | | | | | | | | | | | | | | | | | | | | | | | | | | | |
| 70 | 58500 | 32100 | 20600 | 17500 | 14000 | 12143 | 09932 | 13250 | 14500 | 08500 | 09150 | 09150 | 12400 | 12400 | 07200 | 08900 | 09650 | 04900 | 07200 | 06800 | 05900 | 09100 | 05900 | 09900 | 06800 | | | | | | | | | | | | | | | | | | | | | | | | | | | | | | | | | | | | | | | | | | | | | | | | | | | | | | | | | | | | | | | | | | | | | | | | | | | | | | | | | | | | | | | | | | | | | | | | | | | | | | | | | | | | | | | | | | | | | | | | | | | | | |
| TIME | Q1 | Q2 | Q3 | Q4 | Q5 | Q6 | Q7 | Q8 | Q9 | Q10 | Q11 | Q12 | Q13 | Q14 | Q15 | Q16 | Q17 | Q18 | Q19 | Q20 | Q21 | Q22 | Q23 | Q24 | Q25 | Q26 | Q27 | Q28 | Q29 | Q30 | Q31 | Q32 | Q33 | Q34 | Q35 | Q36 | Q37 | Q38 | Q39 | Q40 | Q41 | Q42 | Q43 | Q44 | Q45 | Q46 | Q47 | Q48 | Q49 | Q50 | Q51 | Q52 | Q53 | Q54 | Q55 | Q56 | Q57 | Q58 | Q59 | Q60 | Q61 | Q62 | Q63 | Q64 | Q65 | Q66 | Q67 | Q68 | Q69 | Q70 | Q71 | Q72 | Q73 | Q74 | Q75 | Q76 | Q77 | Q78 | Q79 | Q80 | Q81 | Q82 | Q83 | Q84 | Q85 | Q86 | Q87 | Q88 | Q89 | Q90 | Q91 | Q92 | Q93 | Q94 | Q95 | Q96 | Q97 | Q98 | Q99 | Q100 | Q101 | Q102 | Q103 | Q104 | Q105 | Q106 | Q107 | Q108 | Q109 | Q110 | Q111 | Q112 | Q113 | Q114 | Q115 | Q116 | Q117 | Q118 | Q119 | Q120 | Q121 | Q122 | Q123 | Q124 | Q125 | Q126 | Q127 | Q128 | Q129 | Q130 | Q131 | Q132 | Q133 | Q134 | Q135 | Q136 | Q137 | Q138 | Q139 | Q140 | Q141 | Q142 | Q143 | Q144 | Q145 | Q146 | Q147 | Q148 | Q149 | Q150 |

DATE = 10-30-73

PROJECT NUMBER VA35A-21FA

ARO, INC.

ARNOLD AIR FORCE STATION, TENN.

NASA / RT OR-11 SHUTTLE ORBITER TEST

TEST CONDITIONS

TEST GAS NITROGEN

Q=0, ST=0 BASED ON .210 INCH RADIUS

ANGLE OF ATTACK 30.000 DEG.

MODEL LENGTH 23.226 INCHES

| TIME | P-INF | RHO-INF | T-INF | U-INF | H-INF | Q-INF | RE/FT | RE=L | PO | YO | HO | QO BTU/ | STO | POP | HREF BTU/ |
|------|---------|-----------|-------|--------|-------|-------|--------|--------|------|-------|-----------|----------|--------|-------|-----------|
| MSEC | PSIA | LBH/CU-FT | DEG R | FT/SEC | | PSIA | X10-6 | X10-6 | PSIA | DFG R | BTU/LBH | SOFT-SEC | | PSIA | SOFT-SEC |
| 84 | .042442 | .001119 | 99.1 | 5085 | 11.46 | 3.899 | 2.5016 | 4.8418 | 4428 | 2485 | 6.697E 02 | 110.7 | .03248 | 7.201 | .0569 |
| 92 | .034759 | .001085 | 95.7 | 5579 | 11.44 | 3.642 | 2.4644 | 4.7699 | 4093 | 2402 | 6.452E 02 | 101.7 | .03284 | 6.724 | .0546 |
| 112 | .034541 | .000998 | 90.4 | 5388 | 11.37 | 3.125 | 2.3180 | 4.4844 | 3402 | 2253 | 6.021E 02 | 83.6 | .03319 | 5.764 | .0488 |
| 132 | .029132 | .000861 | 85.3 | 5254 | 11.42 | 2.568 | 2.0685 | 4.0036 | 2865 | 2149 | 5.730E 02 | 71.3 | .03585 | 4.734 | .0443 |
| 158 | .022955 | .000662 | 83.0 | 5338 | 11.35 | 2.033 | 1.5454 | 2.9912 | 2272 | 2221 | 5.916E 02 | 65.5 | .04055 | 3.750 | .0390 |

ORIGINAL PAGE IS
OF POOR QUALITY

DATE = 10-30-73

PROJECT NUMBER W354-21FA

ARO, INC.

ARNOLD AIR FORCE STATION, TENN.

NASA / RT OH-11 SHUTTLE ORBITER TEST

HEAT TRANSFER DATA (H / MHEF)

| TIME | 01 | 02 | 03 | 06 | 07 | 08 | 010 | 011 | 012 | 013 | 016 | 023 | 025 | 026 | 031 |
|------|--------|--------|--------|--------|--------|--------|--------|--------|--------|--------|--------|--------|--------|--------|--------|
| 84 | .50756 | .28079 | .19452 | .14961 | .12113 | .10241 | .08026 | .10591 | .12263 | .08255 | .07050 | .06511 | .09542 | .10103 | .05978 |
| 92 | .49119 | .22794 | .19464 | .15302 | .12125 | .10528 | .07924 | .10747 | .12276 | .08496 | .07170 | .06518 | .09665 | .10452 | .05844 |
| 112 | .51126 | .29720 | .19282 | .15947 | .12701 | .11106 | .08501 | .11465 | .12864 | .09096 | .07637 | .06760 | .10252 | .11041 | .05746 |
| 132 | .52130 | .29749 | .20006 | .16997 | .13275 | .11681 | .08741 | .12047 | .13766 | .09211 | .07876 | .06660 | .10611 | .11175 | .05644 |
| 158 | .49522 | .28134 | .20044 | .16979 | .13039 | .11389 | .08841 | .11831 | .13691 | .08986 | .07886 | .06425 | .10371 | .11273 | .05749 |
| TIME | 034 | 038 | 041 | 044 | 047 | 050 | 052 | 053 | 054 | 055 | 056 | 057 | 059 | 060 | 061 |
| 84 | .06002 | .05555 | .05135 | .05500 | .04815 | .03082 | .04692 | .07933 | .06227 | .05479 | .05115 | .05041 | .12133 | .10402 | .08880 |
| 92 | .06009 | .05019 | .05170 | .05547 | .04690 | .03200 | .04834 | .08054 | .06373 | .05598 | .05299 | .04972 | .12421 | .10413 | .08889 |
| 112 | .06196 | .05033 | .05033 | .05746 | .05095 | .03095 | .05566 | .08522 | .07061 | .06284 | .06210 | .05211 | .12724 | .10768 | .09243 |
| 132 | .06096 | .05044 | .06096 | .05589 | .04844 | .02987 | .10831 | .08726 | .07747 | .06858 | .06308 | .05700 | .13022 | .10772 | .09494 |
| 158 | .06007 | .05636 | .06534 | .05185 | .04552 | .02409 | .11031 | .08800 | .07625 | .07073 | .07404 | .05894 | .12730 | .10884 | .08648 |
| TIME | 062 | 063 | 064 | 065 | 066 | 082 | 069 | 070 | 071 | 072 | 074 | 079 | 080 | 081 | 085 |
| 84 | .07310 | .06381 | .04243 | .13343 | .08907 | .02341 | .07877 | .05576 | .05570 | .04752 | .19386 | .21028 | .12239 | .26644 | .01582 |
| 92 | .07427 | .05555 | .05202 | .13338 | .08602 | .06295 | .08052 | .05210 | .05353 | .05066 | .19901 | .20979 | .12196 | .26672 | .01550 |
| 112 | .07840 | .06631 | .04244 | .13702 | .08652 | .06539 | .08571 | .06444 | .07377 | .05906 | .19743 | .21983 | .12223 | .27845 | .01554 |
| 132 | .07630 | .06315 | .04139 | .13726 | .08303 | .08843 | .08420 | .07825 | .07950 | .05804 | .18925 | .22021 | .11131 | .27311 | .01616 |
| 158 | .06724 | .05695 | .03903 | .12504 | .07582 | .05127 | .09243 | .08781 | .08499 | .05909 | .15937 | .21661 | .10561 | .24974 | .01636 |
| TIME | 09 | 014 | 015 | 018 | 021 | 028 | 027 | 036 | 042 | 086 | 087 | 088 | | | |
| 84 | .00711 | .00642 | .04127 | .00745 | .00189 | .00131 | .01445 | .00536 | .00422 | .00113 | .00126 | .01134 | | | |
| 92 | .00743 | .00700 | .04167 | .00746 | .00195 | .00132 | .01435 | .00540 | .00453 | .00115 | .00109 | .01102 | | | |
| 112 | .00725 | .00726 | .04200 | .00807 | .00213 | .00147 | .01485 | .00576 | .00484 | .00150 | .00115 | **** | | | |
| 132 | .00762 | .00716 | .04213 | .00849 | .00231 | .00166 | .01674 | .00600 | .00508 | .00208 | .00127 | **** | | | |
| 158 | .00795 | .00691 | .04096 | .00899 | .00246 | .00183 | .01750 | .00599 | .00489 | .00248 | .00161 | **** | | | |

DATE = 10-30-73

PROJECT NUMBER VA354-21FA

ARCO, INC.

ARNOLD AIR FORCE STATION, TENN.

NASA / RE OR-11 SHUTTLE ORBITER TEST

HEAT TRANSFER DATA (Q/QREF)

| TIME | 01 | 02 | 03 | 06 | 07 | 08 | 010 | 011 | 012 | 013 | 016 | 023 | 025 | 026 | 031 |
|------|--------|--------|--------|--------|--------|--------|--------|--------|--------|--------|--------|--------|--------|--------|--------|
| 84 | .50634 | .26500 | .18000 | .13700 | .11000 | .09250 | .07200 | .09500 | .11000 | .07200 | .06300 | .05800 | .08500 | .09000 | .05325 |
| 92 | .49000 | .21500 | .18000 | .14000 | .11000 | .09500 | .07100 | .09630 | .11000 | .07400 | .06400 | .05800 | .08600 | .09300 | .05200 |
| 112 | .51000 | .28000 | .17000 | .14563 | .11500 | .10000 | .07600 | .10250 | .11500 | .07900 | .06800 | .06000 | .09100 | .09800 | .05100 |
| 132 | .52000 | .28000 | .18000 | .15500 | .12000 | .10500 | .07800 | .10750 | .12284 | .07981 | .07000 | .05900 | .09400 | .09900 | .05000 |
| 156 | .49349 | .26502 | .18500 | .15500 | .11800 | .10250 | .07900 | .10571 | .12233 | .07799 | .07000 | .05700 | .09200 | .10000 | .05100 |
| TIME | 034 | 038 | 041 | 044 | 047 | 050 | 052 | 053 | 054 | 055 | 056 | 057 | 059 | 060 | 061 |
| 84 | .05400 | .04549 | .04074 | .04900 | .04250 | .02700 | .00750 | .07100 | .05575 | .04900 | .04542 | .04466 | .11000 | .09400 | .00000 |
| 92 | .05400 | .05300 | .04600 | .04900 | .04134 | .02000 | .00870 | .07200 | .05700 | .05000 | .04700 | .04400 | .11250 | .09400 | .00000 |
| 112 | .05500 | .05000 | .05000 | .05100 | .04480 | .02700 | .02500 | .07600 | .05300 | .05600 | .05500 | .04600 | .11500 | .09700 | .00300 |
| 132 | .05400 | .05400 | .05400 | .04951 | .04250 | .02600 | .02731 | .07768 | .06900 | .06100 | .05571 | .05021 | .11750 | .09687 | .00510 |
| 156 | .05400 | .05000 | .05000 | .04600 | .04000 | .02100 | .02923 | .07844 | .06900 | .06300 | .06600 | .05200 | .11500 | .09800 | .07762 |
| TIME | 062 | 063 | 064 | 065 | 066 | 082 | 069 | 070 | 071 | 072 | 074 | 079 | 080 | 081 | 05 |
| 84 | .06550 | .05491 | .03715 | .12053 | .07222 | .07450 | .07180 | .05035 | .05000 | .04200 | .17500 | .19000 | .11050 | .24000 | .01380 |
| 92 | .06700 | .05038 | .04600 | .12000 | .07750 | .07400 | .07250 | .04700 | .04800 | .04472 | .18000 | .18935 | .11000 | .24000 | .01350 |
| 112 | .07000 | .05244 | .03700 | .12300 | .07778 | .07600 | .07700 | .05800 | .06600 | .05200 | .17757 | .19800 | .11000 | .25000 | .01350 |
| 132 | .06400 | .05601 | .03600 | .12300 | .07451 | .07900 | .08000 | .07031 | .07100 | .05100 | .17000 | .19800 | .10000 | .24477 | .01460 |
| 156 | .06000 | .05059 | .03400 | .11219 | .06813 | .06118 | .06300 | .07900 | .07600 | .05200 | .14333 | .14500 | .09500 | .22411 | .01420 |
| TIME | 09 | 014 | 015 | 018 | 021 | 028 | 027 | 036 | 042 | 086 | 087 | 088 | | | |
| 84 | .00620 | .00560 | .03000 | .00650 | .00165 | .00114 | .01260 | .00468 | .00368 | .00098 | .00110 | .00990 | | | |
| 92 | .00647 | .00610 | .03629 | .00650 | .00170 | .00115 | .01250 | .00470 | .00395 | .00100 | .00095 | .00960 | | | |
| 112 | .00630 | .00631 | .03700 | .00701 | .00185 | .00128 | .01250 | .00500 | .00420 | .00130 | .00100 | **** | | | |
| 132 | .00660 | .00620 | .03650 | .00770 | .00200 | .00144 | .01450 | .00520 | .00440 | .00180 | .00110 | **** | | | |
| 156 | .00690 | .00600 | .03555 | .00740 | .00214 | .00159 | .01519 | .00520 | .00425 | .00215 | .00140 | **** | | | |

ORIGINAL PAGE IS OF POOR QUALITY

DATE * 10-30-73

PROJECT NUMBER. YA354-21FA

ARO, INC.

ARNOLD AIR FORCE STATION, TENN.

NASA / RI OM-11 SHUTTLE ORBITER TEST

TEST CONDITIONS TEST GAS NITROGEN
ANGLE OF ATTACK 30.000 DEG.

Q=0, ST=0 BASED ON .210 INCH RADIUS
MODEL LENGTH 23.226 INCHES

| TIME | P-INF | RHO-INF | T-INF | U-INF | M-INF | Q-INF | RE/FT | RE=L | PO | TO | MO | QO BTU/ | STO | POP | HREF BTU/ |
|------|---------|-----------|-------|--------|-------|-------|--------|--------|------|-------|-----------|----------|--------|-------|-----------|
| MSEC | PSIA | LBM/CU-FT | DEG R | FT/SEC | | PSIA | X10-6 | X10-6 | PSIA | DEG R | BTU/LBM | SOFT-SEC | | PSIA | SOFT-SEC |
| 64 | .037802 | .000510 | 162.2 | 6995 | 11.02 | 3.216 | 1.0241 | 1.9822 | 3679 | 3649 | 1.017E 03 | 174.7 | .04638 | 5.960 | .0562 |
| 74 | .032356 | .000433 | 145.1 | 7549 | 10.84 | 2.662 | .8540 | 1.2658 | 3089 | 4202 | 1.180E 03 | 190.3 | .05529 | 4.939 | .0520 |
| 98 | .025823 | .000325 | 207.8 | 7720 | 10.74 | 2.046 | .4713 | .5122 | 2408 | 4387 | 1.241E 03 | 179.1 | .06452 | 3.871 | .0465 |
| 116 | .015599 | .000259 | 197.6 | 7577 | 10.81 | 1.603 | .3875 | .7500 | 1893 | 4242 | 1.195E 03 | 149.2 | .07162 | 2.975 | .0403 |

DATE * 10-30-73

PROJECT NUMBER YA354-21FA

ARR, INC.

ARADLU AIR FORCE STATION, TENN.

NASA / RI OR-1; SHUTTLE ORBITER TEST

HEAT TRANSFER DATA (H / HREF)

| TIME | 01 | 02 | 03 | 06 | 07 | 08 | 010 | 011 | 012 | 013 | 016 | 023 | 025 | 026 | 031 |
|------|--------|--------|--------|--------|--------|--------|--------|--------|--------|--------|--------|--------|--------|--------|--------|
| 64 | .59128 | .34270 | .22278 | .18697 | .14881 | .12896 | .10493 | .13530 | .14634 | .09290 | .10308 | .09225 | .11103 | .13027 | .08558 |
| 78 | .56120 | .33175 | .22241 | .18342 | .14850 | .12868 | .10668 | .12947 | .13809 | .08924 | .10172 | .08920 | .10311 | .10948 | .08204 |
| 98 | .54100 | .31701 | .20892 | .17031 | .13715 | .11806 | .09683 | .11838 | .12939 | .08127 | .09061 | .08064 | .09576 | .09556 | .07429 |
| 118 | .52430 | .30013 | .20032 | .16767 | .13350 | .11522 | .09255 | .11155 | .12395 | .07906 | .08402 | .07538 | .09145 | .09622 | .06873 |
| TIME | 034 | 038 | 041 | 044 | 047 | 050 | 052 | 053 | 054 | 055 | 056 | 057 | 059 | 060 | 061 |
| 64 | .07809 | .06191 | .06224 | .06446 | .05268 | .03329 | .10969 | .09018 | .07302 | .06330 | .05851 | .05082 | .14494 | .11190 | .10121 |
| 78 | .07539 | .06652 | .06044 | .06209 | .05365 | .03263 | .09422 | .08806 | .07267 | .06630 | .05920 | .04957 | .13826 | .11106 | .09748 |
| 98 | .06809 | .06094 | .05727 | .05761 | .05026 | .02923 | .09198 | .07724 | .06618 | .05742 | .05444 | .04787 | .12955 | .10627 | .09159 |
| 118 | .06051 | .05986 | .05543 | .05543 | .04873 | .02813 | .09148 | .07342 | .06401 | .05745 | .05640 | .04622 | .12551 | .10398 | .08780 |
| TIME | 062 | 063 | 064 | 065 | 066 | 068 | 069 | 070 | 071 | 072 | 074 | 079 | 080 | 081 | 085 |
| 64 | .07575 | .06532 | .03039 | .15612 | .10441 | .09148 | .10337 | .08151 | .07174 | .05093 | .20396 | .26130 | .11529 | .23298 | .01756 |
| 78 | .07187 | .06313 | .03040 | .15646 | .10308 | .08631 | .10972 | .09311 | .07708 | .05571 | .19449 | .24415 | .11778 | .11603 | .02022 |
| 98 | .06835 | .05976 | .03484 | .14677 | .09626 | .07959 | .10527 | .08758 | .07923 | .04909 | .18772 | .24620 | .12335 | .09615 | .02009 |
| 118 | .06618 | .05768 | .03265 | .14476 | .09320 | .07701 | .10093 | .08571 | .08147 | .05023 | .19173 | .24084 | .12050 | .08782 | .01999 |
| TIME | 09 | 014 | 015 | 018 | 021 | 028 | 027 | 036 | 042 | 086 | 087 | 088 | | | |
| 64 | .00751 | .00549 | .03448 | .00821 | .00195 | .00107 | .01559 | .00457 | .00446 | .00171 | .00102 | .01254 | | | |
| 78 | .00771 | .00525 | .03274 | .00843 | .00201 | .00189 | .01525 | .00487 | .00418 | .00209 | .00105 | .01248 | | | |
| 98 | .00790 | .00504 | .02894 | .00880 | .00220 | .00186 | .01423 | .00356 | .00395 | .00283 | .00107 | .01129 | | | |
| 118 | .00791 | .00530 | .02634 | .00870 | .00237 | .00184 | .01415 | .00316 | .00361 | .00328 | .00112 | .01186 | | | |

ORIGINAL PAGE IS OF GOOD QUALITY

DATE = 10-30-73

PROJECT NUMBER VA35A-21FA

ARL, IAC.

ARNDOL AIR FORCE STATION, TENN.

NASA / RT OH-11 SHUTTLE ORBITER TEST

HEAT TRANSFER DATA (Q/QREF)

| TIME | 01 | 02 | 03 | 06 | 07 | 08 | 010 | 011 | 012 | 013 | 016 | 023 | 025 | 026 | 031 |
|------|--------|--------|--------|--------|--------|--------|--------|--------|--------|--------|--------|--------|--------|--------|--------|
| 64 | .58000 | .32500 | .20750 | .17250 | .13625 | .11750 | .09500 | .12250 | .13250 | .08200 | .09300 | .08300 | .09990 | .10875 | .07700 |
| 78 | .54000 | .31500 | .20750 | .17000 | .13625 | .11750 | .09700 | .11750 | .12532 | .07900 | .09200 | .08100 | .09300 | .09875 | .07400 |
| 98 | .54065 | .29445 | .19500 | .15750 | .12590 | .10786 | .08793 | .10750 | .11750 | .07200 | .08200 | .07278 | .08643 | .08625 | .06705 |
| 114 | .52817 | .28500 | .19250 | .15500 | .12250 | .10522 | .08400 | .10125 | .11250 | .07000 | .07600 | .06800 | .08250 | .08680 | .06200 |
| TIME | 034 | 038 | 041 | 044 | 047 | 050 | 052 | 053 | 054 | 055 | 056 | 057 | 059 | 060 | 061 |
| 64 | .04900 | .06200 | .05000 | .05800 | .04700 | .02950 | .04990 | .08148 | .06600 | .05715 | .05250 | .04550 | .13250 | .10200 | .09200 |
| 78 | .04800 | .06000 | .05000 | .05600 | .04800 | .02900 | .08600 | .07975 | .06584 | .06000 | .05325 | .04450 | .12666 | .10145 | .08881 |
| 98 | .06200 | .05500 | .05169 | .05200 | .04500 | .02600 | .08400 | .07000 | .06000 | .05200 | .04900 | .04300 | .11875 | .09713 | .08349 |
| 114 | .06000 | .05400 | .05000 | .05000 | .04360 | .02500 | .08351 | .06650 | .06800 | .05200 | .05074 | .04150 | .11500 | .09500 | .08000 |
| TIME | 062 | 063 | 064 | 065 | 066 | 082 | 069 | 070 | 071 | 072 | 074 | 079 | 080 | 081 | 08 |
| 64 | .06851 | .05884 | .03400 | .14187 | .04500 | .08250 | .09400 | .07425 | .06500 | .04550 | .18573 | .23814 | .10500 | .21174 | .01550 |
| 78 | .06515 | .05700 | .03273 | .14250 | .09400 | .07803 | .10000 | .08500 | .07000 | .04990 | .17750 | .22300 | .10750 | .18569 | .01790 |
| 98 | .06200 | .05400 | .03100 | .13375 | .08793 | .07200 | .09600 | .08000 | .07200 | .04400 | .17141 | .22500 | .11265 | .08763 | .01780 |
| 114 | .06000 | .05227 | .02900 | .13146 | .08500 | .06963 | .09200 | .07825 | .07400 | .04300 | .17500 | .22000 | .11000 | .08000 | .01770 |
| TIME | 09 | 014 | 015 | 018 | 021 | 028 | 027 | 036 | 042 | 086 | 087 | 088 | | | |
| 64 | .00662 | .00485 | .03079 | .00725 | .00172 | .00147 | .01375 | .00403 | .00393 | .00150 | .00090 | .01107 | | | |
| 78 | .00642 | .00465 | .02900 | .00747 | .00178 | .00167 | .01350 | .00360 | .00370 | .00185 | .00093 | .01105 | | | |
| 98 | .00700 | .00450 | .02564 | .00740 | .00195 | .00165 | .01261 | .00315 | .00350 | .00250 | .00094 | .01000 | | | |
| 114 | .00700 | .00469 | .02336 | .00770 | .00210 | .00162 | .01253 | .00280 | .00320 | .00290 | .00099 | .01050 | | | |

DATE # 10-31-73

PROJECT NUMBER WA354-21FA

ARO, INC.

ARNOLD AIR FORCE STATION, TENN.

NASA / RT OM-11 SHUTTLE ORBITER TEST

TEST CONDITIONS TEST GAS NITROGEN

Q=0 ST=0 BASED ON .210 INCH RADIUS

ANGLE OF ATTACK 30.000 DEG.

MODEL LENGTH 23.226 INCHES

| TIME | P-INF | RHO-INF | T-INF | U-INF | V-INF | D-INF | RE/FT | RE-L | PO | YO | HO | OO BTU/ | STO | POP | HREF BTU/ |
|------|---------|-----------|-------|--------|-------|-------|--------|--------|-------|-------|-----------|----------|--------|-------|-----------|
| MSEC | PSIA | LBM/CU-FT | DEG R | FT/SEC | | PSIA | X10-6 | X10-6 | PSIA | DEG R | BTU/LBM | SOFT-SEC | | PSIA | SOFT-SEC |
| 82 | .035345 | .001184 | 78.1 | 6428 | 14.59 | 5.274 | 3.7973 | 7.3497 | 17368 | 2926 | 8.445E 02 | 174.5 | .03226 | 9.771 | .0731 |
| 86 | .034982 | .001124 | 81.3 | 6525 | 14.52 | 5.159 | 3.5145 | 6.8023 | 16897 | 3016 | 8.703E 02 | 179.6 | .03326 | 9.560 | .0725 |
| 106 | .032851 | .000943 | 91.0 | 6406 | 14.31 | 4.709 | 2.7466 | 5.3161 | 15289 | 3285 | 9.476E 02 | 194.3 | .03720 | 8.732 | .0708 |
| 126 | .029625 | .000772 | 100.2 | 7486 | 14.20 | 4.179 | 2.1759 | 4.1146 | 13849 | 3560 | 1.027E 03 | 201.9 | .04131 | 7.754 | .0669 |
| 160 | .024338 | .000435 | 108.3 | 7239 | 13.95 | 3.589 | 1.0537 | 3.2007 | 11505 | 3735 | 1.073E 03 | 197.3 | .04567 | 6.661 | .0618 |

ORIGINAL PAGE IS
OF POOR QUALITY

DATE * 10-31-73

PROJECT NUMBER YA354-21FA

ARCO, INC.

ARNOLD AIR FORCE STATION, TENN.

NASA / HI OM-11 SHUTTLE ORBITER TEST

HEAT TRANSFER DATA (W / HREF)

| TIME | 01 | 02 | 03 | 06 | 07 | 08 | 010 | 011 | 012 | 013 | 016 | 023 | 025 | 026 | 031 |
|------|--------|--------|--------|--------|--------|--------|--------|--------|--------|--------|--------|--------|--------|--------|--------|
| 82 | .59133 | .75127 | .23184 | .19294 | .14872 | .12644 | .09432 | .13316 | .15592 | .10923 | .09687 | .07871 | .11667 | .12846 | .07819 |
| 86 | .58132 | .23412 | .22609 | .19029 | .14796 | .12157 | .09487 | .13785 | .15755 | .10617 | .08528 | .07813 | .11326 | .12962 | .07813 |
| 106 | .67135 | .35362 | .23054 | .17642 | .14771 | .12765 | .09815 | .13834 | .15494 | .10507 | .09091 | .07797 | .11436 | .12830 | .07240 |
| 126 | .67133 | .35333 | .23628 | .18949 | .14750 | .12627 | .09352 | .13240 | .15371 | .10345 | .08649 | .07519 | .11120 | .12788 | .07228 |
| 160 | .58127 | .34750 | .24852 | .19034 | .15598 | .13197 | .10326 | .13800 | .16114 | .10616 | .09055 | .07221 | .11110 | .12846 | .06110 |
| TIME | 034 | 038 | 041 | 044 | 047 | 050 | 052 | 053 | 054 | 055 | 056 | 057 | 059 | 060 | 061 |
| 82 | .39495 | .11170 | .12287 | .13404 | .14649 | .11917 | .11580 | .10899 | .09513 | .09083 | .11203 | .14035 | .14813 | .13328 | .12873 |
| 86 | .10610 | .10666 | .11142 | .11720 | .14919 | .11339 | .11572 | .10668 | .09442 | .09453 | .12709 | .12781 | .14894 | .13756 | .12148 |
| 106 | .07574 | .08354 | .08354 | .08911 | .09549 | .07919 | .11551 | .10093 | .08869 | .09434 | .10054 | .11194 | .15514 | .13351 | .12447 |
| 126 | .06672 | .07228 | .06672 | .07228 | .07289 | .05645 | .11534 | .10077 | .08301 | .08865 | .08921 | .08940 | .15064 | .13170 | .12107 |
| 160 | .26918 | .06750 | .07049 | .06666 | .07842 | .05639 | .11984 | .10068 | .08548 | .08013 | .07800 | .07815 | .15459 | .12754 | .11496 |
| TIME | 062 | 063 | 064 | 065 | 066 | 068 | 068 | 069 | 070 | 071 | 072 | 074 | 079 | 080 | 081 |
| 82 | .12424 | .12735 | .09084 | .16844 | .13248 | .13371 | .17114 | .12555 | .12032 | .11486 | .06889 | .24163 | .24691 | .24468 | .35369 |
| 86 | .12212 | .12243 | .08511 | .16570 | .13238 | .12804 | .17184 | .12142 | .11754 | .10526 | .06184 | .23593 | .23962 | .25473 | .34850 |
| 106 | .11080 | .10014 | .07354 | .17045 | .13215 | .12772 | .16335 | .12120 | .10926 | .10130 | .05991 | .20905 | .24185 | .15598 | .31972 |
| 126 | .10509 | .09441 | .06214 | .16542 | .13195 | .11426 | .16052 | .11002 | .10434 | .09386 | .05800 | .20200 | .24600 | .12632 | .30319 |
| 160 | .10355 | .08878 | .05643 | .16499 | .12381 | .10154 | .16938 | .12018 | .10629 | .09018 | .06065 | .20210 | .25205 | .12613 | .29358 |
| TIME | 045 | 09 | 014 | 015 | 018 | 021 | 028 | 027 | 036 | 042 | 087 | 088 | | | |
| 82 | .01680 | .00758 | .00889 | .04673 | .00729 | .00205 | .00151 | .01767 | .00581 | .00508 | .00133 | .00847 | | | |
| 86 | .01651 | .00797 | .00877 | .04614 | .00731 | .00199 | .00154 | .01720 | .00579 | .00518 | .00125 | .00843 | | | |
| 106 | .01627 | .00755 | .00863 | .04610 | .00772 | .00203 | .00164 | .01761 | .00509 | .00544 | .00108 | .00839 | | | |
| 126 | .01648 | .00764 | .00816 | .04421 | .00805 | .00210 | .00170 | .01417 | .00536 | .00549 | .00096 | .00816 | | | |
| 160 | .01585 | .00781 | .00810 | .04459 | .00861 | .00215 | .00173 | .01755 | .00544 | .00562 | .00119 | .00923 | | | |

DATE = 10-31-73

PROJECT NUMBER VA354-21FA

ARL, INC.

ARABLD AIR FORCE STATION, TENN.

NASA / RI OR-11 SHUTTLE ORBITER TEST

HEAT TRANSFER DATA (Q/QREF)

| TIME | Q1 | Q2 | Q3 | Q6 | Q7 | Q8 | Q10 | Q11 | Q12 | Q13 | Q16 | Q23 | Q25 | Q26 | Q31 |
|------|--------|--------|--------|--------|--------|--------|--------|--------|--------|--------|--------|--------|--------|--------|--------|
| 82 | .58000 | .33231 | .21522 | .17725 | .13560 | .11470 | .08500 | .12000 | .14051 | .09584 | .07800 | .07046 | .10444 | .11500 | .07000 |
| 86 | .58000 | .32000 | .21000 | .17500 | .13500 | .11035 | .08555 | .12432 | .14208 | .09323 | .07663 | .07000 | .10147 | .11613 | .07000 |
| 100 | .60000 | .33500 | .22000 | .16250 | .13500 | .11608 | .08668 | .12500 | .14000 | .09250 | .08185 | .07000 | .10267 | .11519 | .06500 |
| 126 | .60000 | .33500 | .22000 | .17475 | .13500 | .11500 | .08500 | .12000 | .13911 | .09126 | .07800 | .06762 | .10000 | .11500 | .06500 |
| 160 | .58000 | .33000 | .23154 | .18305 | .14287 | .12029 | .09352 | .12500 | .14596 | .09375 | .08174 | .06500 | .10000 | .11563 | .05500 |
| TIME | Q34 | Q38 | Q41 | Q44 | Q47 | Q50 | Q52 | Q53 | Q54 | Q55 | Q56 | Q57 | Q59 | Q60 | Q61 |
| 82 | .09500 | .10000 | .11000 | .12000 | .13000 | .10500 | .10500 | .09800 | .08557 | .08162 | .10000 | .12500 | .13485 | .12096 | .11649 |
| 86 | .07500 | .09500 | .10000 | .10500 | .13250 | .10000 | .10500 | .09600 | .08500 | .08500 | .11353 | .11393 | .13568 | .12492 | .11000 |
| 100 | .06800 | .07500 | .07500 | .08000 | .08500 | .07000 | .10500 | .09100 | .08000 | .08500 | .09000 | .10000 | .14157 | .12147 | .11291 |
| 126 | .06000 | .06500 | .06000 | .06500 | .06500 | .05000 | .10500 | .09100 | .07500 | .08000 | .08000 | .08000 | .13766 | .12000 | .11000 |
| 160 | .06227 | .06112 | .06311 | .06000 | .07000 | .05000 | .10919 | .09100 | .07730 | .07238 | .07000 | .07000 | .14595 | .11630 | .10453 |
| TIME | Q62 | Q63 | Q64 | Q65 | Q66 | Q68 | Q69 | Q70 | Q71 | Q72 | Q74 | Q79 | Q80 | Q81 | |
| 82 | .11183 | .11414 | .08000 | .15237 | .12000 | .12000 | .15500 | .11366 | .10912 | .10358 | .06122 | .21907 | .22405 | .20000 | .32000 |
| 86 | .11000 | .11000 | .07500 | .15000 | .12000 | .11500 | .15576 | .11000 | .10667 | .09500 | .05500 | .21405 | .21759 | .20114 | .31553 |
| 100 | .10000 | .09300 | .06500 | .15477 | .12000 | .11494 | .14831 | .11000 | .09933 | .09159 | .05339 | .19000 | .22000 | .15088 | .29000 |
| 126 | .09500 | .08500 | .05500 | .15062 | .12000 | .10300 | .14597 | .10000 | .09500 | .08500 | .05000 | .18386 | .22410 | .11500 | .27543 |
| 160 | .09369 | .08000 | .05000 | .14917 | .11259 | .09162 | .14415 | .10933 | .09385 | .08174 | .05421 | .18411 | .22980 | .11492 | .26693 |
| TIME | Q5 | Q9 | Q14 | Q15 | Q18 | Q21 | Q28 | Q27 | Q36 | Q42 | Q47 | Q88 | | | |
| 82 | .01474 | .00700 | .00780 | .04100 | .00640 | .00180 | .00132 | .01550 | .00510 | .00446 | .00117 | .00743 | | | |
| 86 | .01450 | .00700 | .00770 | .04052 | .00642 | .00175 | .00135 | .01510 | .00508 | .00455 | .00110 | .00740 | | | |
| 100 | .01433 | .00700 | .00760 | .04059 | .00640 | .00178 | .00144 | .01550 | .00536 | .00478 | .00095 | .00739 | | | |
| 126 | .01454 | .00709 | .00720 | .03990 | .00710 | .00185 | .00150 | .01250 | .00473 | .00404 | .00085 | .00720 | | | |
| 160 | .01400 | .00690 | .00715 | .03938 | .00760 | .00190 | .00152 | .01550 | .00480 | .00497 | .00105 | .00815 | | | |

ORIGINAL PAGE IS
UNCLASSIFIED

DATE = 10-31-73

PROJECT NUMBER VA354-21FA

ARO, INC.

ARNOLD AIR FORCE STATION, TENN.

NASA / RT OM-11 SHUTTLE ORBITER TEST

TEST CONDITIONS

TEST GAS NITROGEN

Q=0, ST=0 BASED ON .210 INCH RADIUS

ANGLE OF ATTACK 20.000 DEG.

MODEL LENGTH 23.226 INCHES

| TIME | P-INF | RHO-INF | T-INF | U-INF | H-INF | Q-INF | RE/FT | RE=L | PO | TO | HO | QD BTU/ | SIO | POP | HREF BTU/ |
|------|---------|----------|-------|--------|-------|-------|--------|--------|------|-------|-----------|----------|--------|-------|-----------|
| MSEC | PSIA | LB/CU-FT | DEG R | FT/SEC | | PSIA | X10-6 | X10-6 | PSIA | DEG R | BTU/LHM | SOFT-SEC | | PSIA | SOFT-SEC |
| 110 | .021104 | .000787 | 70.1 | 6002 | 14.38 | 3.056 | 2.6263 | 5.0831 | 9680 | 2653 | 7.368E 02 | 111.7 | .03922 | 5.655 | .0529 |
| 120 | .020150 | .000675 | 78.0 | 6286 | 14.28 | 2.876 | 2.1193 | 4.1019 | 9220 | 2899 | 8.084E 02 | 121.4 | .04240 | 5.324 | .0515 |
| 130 | .019151 | .000575 | 87.0 | 6592 | 14.18 | 2.695 | 1.6981 | 3.2867 | 8789 | 3170 | 8.893E 02 | 133.6 | .04662 | 4.994 | .0508 |
| 174 | .016696 | .000415 | 105.1 | 7064 | 13.82 | 2.233 | 1.0866 | 2.1032 | 7092 | 3625 | 1.023E 03 | 146.7 | .05630 | 4.142 | .0476 |

DATE = 10-31-73

PROJECT NUMBER VA354-21FA

AHD, INC.

ARNOLD AIR FORCE STATION, TENN.

NASA / RI OM-11 SHUTTLE ORBITER TEST

HEAT TRANSFER DATA (H / HREF)

| TIME | Q1 | Q2 | Q3 | Q5 | Q7 | Q8 | Q16 | Q11 | Q12 | Q13 | Q16 | Q23 | Q25 | Q26 | Q31 |
|------|--------|--------|--------|--------|--------|--------|--------|--------|--------|--------|--------|--------|--------|--------|--------|
| 110 | .62146 | .36518 | .24111 | .20170 | .15939 | .13813 | .11015 | .14390 | .16411 | .11321 | .10721 | .08370 | .12042 | .13201 | .07749 |
| 120 | .60138 | .34358 | .23164 | .19043 | .15357 | .13375 | .10655 | .13874 | .15393 | .10717 | .10305 | .08045 | .11732 | .12432 | .07039 |
| 130 | .60136 | .34448 | .23452 | .19283 | .15329 | .13623 | .10633 | .13989 | .15229 | .10461 | .10227 | .07804 | .11427 | .12541 | .07124 |
| 174 | .62147 | .36381 | .25233 | .21350 | .17040 | .14599 | .10936 | .15188 | .16944 | .11097 | .10198 | .08226 | .12228 | .13895 | .07548 |
| TIME | Q34 | Q38 | Q41 | Q44 | Q47 | Q50 | Q52 | Q53 | Q54 | Q55 | Q56 | Q57 | Q59 | Q60 | Q61 |
| 110 | .07346 | .06497 | .06945 | .06980 | .07347 | .05124 | .11885 | .10863 | .09363 | .08928 | .09831 | .10698 | .16516 | .13034 | .12187 |
| 120 | .06888 | .06242 | .06021 | .05547 | .05636 | .03569 | .11450 | .09967 | .08450 | .07681 | .07151 | .07861 | .15382 | .12091 | .11054 |
| 130 | .06649 | .06243 | .05797 | .05128 | .04779 | .02870 | .11284 | .09768 | .07988 | .07220 | .06429 | .06722 | .15901 | .12099 | .10755 |
| 174 | .07114 | .06336 | .05669 | .05082 | .04629 | .02546 | .12354 | .10247 | .08299 | .07754 | .07246 | .06205 | .16957 | .13166 | .11553 |
| TIME | Q62 | Q63 | Q64 | Q65 | Q66 | Q82 | Q68 | Q69 | Q70 | Q71 | Q72 | Q74 | Q79 | Q80 | Q81 |
| 110 | .11139 | .11243 | .08037 | .17455 | .13281 | .11173 | .15824 | .10797 | .10209 | .08672 | .05757 | .19604 | .24856 | .12714 | .32134 |
| 120 | .10001 | .08705 | .05340 | .16309 | .12146 | .05947 | .15185 | .10364 | .09375 | .08048 | .05178 | .18755 | .24250 | .11571 | .30402 |
| 130 | .09204 | .08040 | .04759 | .16000 | .11902 | .09731 | .15155 | .10343 | .09026 | .07526 | .04941 | .18167 | .24202 | .11009 | .27582 |
| 174 | .08847 | .08144 | .04030 | .16234 | .11991 | .10206 | .15391 | .11273 | .10206 | .08702 | .05293 | .19220 | .24690 | .11530 | .14859 |
| TIME | Q5 | Q9 | Q14 | Q15 | Q18 | Q21 | Q28 | Q27 | Q36 | Q42 | Q87 | Q88 | | | |
| 110 | .01601 | .00766 | .00778 | .04460 | .00915 | .00217 | .00181 | .01658 | .00560 | .00440 | .00091 | .00858 | | | |
| 120 | .01653 | .00764 | .00724 | .04161 | .00912 | .00214 | .00177 | .01539 | .00536 | .00474 | .00088 | .00855 | | | |
| 130 | .01640 | .00762 | .00703 | .04036 | .00910 | .00223 | .00176 | .01592 | .00512 | .00472 | .00085 | .00864 | | | |
| 174 | .01756 | .00793 | .00716 | .03739 | .00952 | .00238 | .00185 | .01636 | .00419 | .00453 | .00082 | .00935 | | | |

DATE = 10-31-73

PROJECT NUMBER YA354-21FA

ARD, INC.

ARNOLD AIR FORCE STATION, TENN.

NASA / RI OR-11 SHUTTLE ORBITER TEST

HEAT TRANSFER DATA (Q/QREF)

| TIME | Q1 | Q2 | Q3 | Q6 | Q7 | Q8 | Q10 | Q11 | Q12 | Q13 | Q16 | Q23 | Q25 | Q26 | Q31 |
|------|--------|--------|--------|--------|--------|--------|--------|--------|--------|--------|--------|--------|--------|--------|--------|
| 110 | .42000 | .34500 | .22341 | .18500 | .14500 | .12500 | .09900 | .12934 | .14750 | .09900 | .09600 | .07472 | .10750 | .11785 | .06918 |
| 120 | .60000 | .32500 | .21500 | .17500 | .14000 | .12130 | .09600 | .12500 | .13868 | .09400 | .09250 | .07200 | .10500 | .11127 | .06300 |
| 130 | .60000 | .33000 | .21800 | .17750 | .14000 | .12380 | .09600 | .12630 | .13750 | .09200 | .09200 | .07000 | .10250 | .11250 | .06390 |
| 174 | .62000 | .34500 | .23500 | .19696 | .15600 | .13300 | .09900 | .13750 | .15339 | .09793 | .09200 | .07400 | .11000 | .12500 | .06790 |
| TIME | Q34 | Q38 | Q41 | Q44 | Q47 | Q50 | Q52 | Q53 | Q54 | Q55 | Q56 | Q57 | Q59 | Q60 | Q61 |
| 110 | .76549 | .05400 | .06200 | .06231 | .06500 | .04500 | .10750 | .09742 | .08400 | .08000 | .08750 | .09500 | .15000 | .11800 | .11000 |
| 120 | .06165 | .05587 | .05389 | .05009 | .05000 | .03144 | .10380 | .08960 | .07600 | .06900 | .06382 | .07000 | .14000 | .10971 | .10000 |
| 130 | .06000 | .05600 | .05200 | .04600 | .04250 | .02535 | .10250 | .08800 | .07200 | .06500 | .05750 | .06000 | .14500 | .11000 | .09750 |
| 174 | .06400 | .05700 | .05100 | .04500 | .04130 | .02255 | .11250 | .09257 | .07500 | .07000 | .06500 | .05555 | .15500 | .12000 | .10500 |
| TIME | Q62 | Q63 | Q64 | Q65 | Q66 | Q68 | Q69 | Q70 | Q71 | Q72 | Q74 | Q79 | Q80 | Q81 | |
| 110 | .10000 | .10000 | .06000 | .15750 | .12000 | .10000 | .14256 | .09750 | .09236 | .07800 | .05100 | .17729 | .22500 | .11500 | .29000 |
| 120 | .09000 | .07500 | .04700 | .14750 | .11000 | .08925 | .13750 | .09380 | .08500 | .07256 | .04600 | .17000 | .22000 | .10489 | .27500 |
| 130 | .09300 | .07220 | .04200 | .14500 | .10800 | .08750 | .13750 | .09380 | .08200 | .06800 | .04400 | .16500 | .22000 | .10000 | .25000 |
| 174 | .09000 | .07335 | .04100 | .14750 | .10900 | .09203 | .14000 | .10250 | .09295 | .07684 | .04728 | .17500 | .22500 | .14500 | .13500 |
| TIME | Q8 | Q9 | Q14 | Q15 | Q18 | Q21 | Q2A | Q27 | Q36 | Q42 | Q47 | Q88 | | | |
| 110 | .01400 | .00670 | .00080 | .03900 | .00800 | .00190 | .00154 | .01450 | .00490 | .00420 | .00080 | .00750 | | | |
| 120 | .01450 | .00670 | .00035 | .03650 | .00800 | .00188 | .00155 | .01350 | .00470 | .00416 | .00077 | .00750 | | | |
| 130 | .01442 | .00670 | .00018 | .03550 | .00800 | .00196 | .00155 | .01400 | .00450 | .00415 | .00075 | .00760 | | | |
| 174 | .01550 | .00700 | .00030 | .03300 | .00840 | .00210 | .00163 | .01443 | .00470 | .00400 | .00072 | .00825 | | | |

DATE # 10-31-73

PROJECT NUMBER VA354-21FA

ARO, INC.

ARNOLD AIR FORCE STATION, TENN.

NASA / RI OF-11 SHUTTLE UNHITEN TEST

TEST CONDITIONS TEST GAS NITROGEN
ANGLE OF ATTACK 30.000 DEG.

Q=0, ST=0 BASED ON .210 INCH RADIUS
MODEL LENGTH 23.226 INCHES

| TIME | P-INF | RHO-INF | T-INF | U-INF | M-INF | Q-INF | RE/FT | RE=L | PO | TO | HO | OO HTU/ | STO | POP | HREF | BTU/ |
|------|---------|-----------|-------|--------|-------|-------|--------|--------|-------|-------|-----------|----------|--------|-------|----------|------|
| MSEC | PSIA | LHM/CU-FT | DEG R | FT/SEC | | PSIA | X10-6 | X10-6 | PSIA | DFG R | BTU/LHM | SOFT-SEC | | PSIA | SGFT-SEC | |
| 96 | .011308 | .000402 | 73.8 | 6945 | 16.22 | 2.092 | 1.4745 | 2.2539 | 13021 | 3421 | 9.817E 02 | 135.2 | .05707 | 3.882 | .0469 | |
| 118 | .012700 | .000341 | 98.0 | 7042 | 15.49 | 2.145 | 1.0352 | 2.0036 | 12029 | 4106 | 1.191E 03 | 171.8 | .06245 | 3.986 | .0482 | |
| 148 | .011904 | .000272 | 114.4 | 8112 | 15.21 | 1.929 | .7510 | 1.4525 | 10815 | 4609 | 1.342E 03 | 191.1 | .07170 | 3.587 | .0470 | |

DATE = 10-31-73

PROJECT NUMBER VA35A-21FA

ARO, INC.

ARNOLD AIR FORCE STATION, TENN.

NASA / RI DM-11 SHUTTLE CRUISE TEST

HEAT TRANSFER DATA (H / HREF)

| TIME | 01 | 02 | 03 | 06 | 07 | 08 | 010 | 011 | 012 | 013 | 016 | 023 | 025 | 026 | 031 |
|------|--------|--------|--------|--------|--------|--------|--------|--------|--------|--------|--------|--------|--------|--------|--------|
| 96 | .63140 | .36462 | .24715 | .20506 | .16623 | .14834 | .12584 | .16477 | .17693 | .11007 | .13461 | .12943 | .13077 | .13911 | .12242 |
| 110 | .61122 | .35815 | .24271 | .20345 | .16354 | .14345 | .11993 | .15763 | .16534 | .10623 | .12499 | .12422 | .12477 | .12755 | .11646 |
| 148 | .60127 | .34205 | .24095 | .19129 | .15786 | .14220 | .12105 | .14856 | .15847 | .09534 | .12974 | .11071 | .11769 | .11625 | .10296 |
| TIME | 034 | 038 | 041 | 044 | 047 | 050 | 052 | 053 | 054 | 055 | 056 | 057 | 059 | 060 | 061 |
| 96 | .10004 | .10461 | .10795 | .10906 | .10774 | .08024 | .12013 | .10860 | .10246 | .14284 | .16741 | .13980 | .16964 | .14234 | .14869 |
| 110 | .09482 | .09760 | .09760 | .09750 | .10176 | .07430 | .11234 | .10604 | .10357 | .11842 | .13346 | .11701 | .17205 | .14236 | .13726 |
| 148 | .09300 | .08414 | .07307 | .08844 | .06696 | .04494 | .11490 | .10470 | .08961 | .07813 | .07836 | .06706 | .15579 | .12847 | .12059 |
| TIME | 062 | 063 | 064 | 065 | 066 | 082 | 068 | 069 | 070 | 071 | 072 | 074 | 079 | 080 | 081 |
| 96 | .16600 | .14451 | .08296 | .18009 | .15185 | .13190 | .16508 | .11835 | .10991 | .09835 | .05717 | .19729 | .24716 | .12092 | .23684 |
| 110 | .13744 | .12187 | .06944 | .18048 | .14568 | .12172 | .17445 | .12625 | .10404 | .09245 | .05249 | .20059 | .25570 | .12472 | .16254 |
| 148 | .09695 | .09626 | .04721 | .15207 | .11538 | .09113 | .10979 | .13019 | .10285 | .09001 | .05016 | .18605 | .24604 | .11763 | .12687 |
| TIME | 05 | 09 | 014 | 015 | 018 | 021 | 028 | 027 | 036 | 042 | 087 | 088 | | | |
| 96 | .01924 | .00017 | .00760 | .03631 | .00930 | .00216 | .00170 | .01607 | .00444 | .00426 | .00130 | .01248 | | | |
| 110 | .01910 | .00751 | .00791 | .03142 | .00904 | .00227 | .00175 | .01582 | .00373 | .00384 | .00101 | .01017 | | | |
| 148 | .01406 | .00767 | .00526 | .02876 | .00864 | .00222 | .00178 | .01466 | .00350 | .00361 | .00089 | .00970 | | | |

DATE = 10-31-73

PROJECT NUMBER VA35A-21FA

ARO, INC.

ARNOLD AIR FORCE STATION, TENN.

NASA / RI OR-11 SHUTTLE ORBITER TEST

HEAT TRANSFER DATA (Q/QREF)

| TIME | 01 | 02 | 03 | 06 | 07 | 08 | 010 | 011 | 012 | 013 | 016 | 023 | 025 | 026 | 031 |
|------|--------|--------|--------|--------|--------|--------|--------|--------|--------|--------|--------|--------|--------|--------|--------|
| 96 | .63000 | .34500 | .23000 | .18900 | .15203 | .13500 | .11380 | .14900 | .16000 | .09700 | .12130 | .11630 | .11750 | .12500 | .11000 |
| 118 | .61000 | .34000 | .22034 | .18800 | .15000 | .13094 | .10880 | .14300 | .15000 | .09400 | .11300 | .11200 | .11250 | .11500 | .10500 |
| 148 | .60000 | .32500 | .22500 | .17700 | .14500 | .13000 | .11000 | .13500 | .14400 | .08454 | .11750 | .10000 | .10630 | .10500 | .09300 |
| TIME | 034 | 038 | 041 | 044 | 047 | 050 | 052 | 053 | 054 | 055 | 056 | 057 | 059 | 060 | 061 |
| 96 | .09000 | .09400 | .09700 | .09800 | .09600 | .07100 | .10928 | .09800 | .09250 | .12880 | .15000 | .12500 | .15491 | .12960 | .13500 |
| 118 | .09000 | .08800 | .08800 | .08800 | .09100 | .06600 | .10250 | .09600 | .09380 | .10750 | .12000 | .10500 | .15756 | .12000 | .12500 |
| 148 | .08400 | .07660 | .06600 | .06200 | .06000 | .04000 | .10500 | .09495 | .08130 | .07081 | .07059 | .06029 | .14289 | .11750 | .11000 |
| TIME | 062 | 063 | 064 | 065 | 066 | 082 | 068 | 069 | 070 | 071 | 072 | 074 | 079 | 080 | 081 |
| 96 | .15000 | .13900 | .07300 | .16400 | .13800 | .11880 | .15000 | .10750 | .10000 | .08900 | .05100 | .18000 | .22500 | .11000 | .21500 |
| 118 | .12500 | .11000 | .06200 | .16470 | .13289 | .11000 | .15900 | .11502 | .09494 | .08438 | .04700 | .18300 | .23348 | .11380 | .14800 |
| 148 | .08800 | .07000 | .04200 | .14775 | .10534 | .08250 | .15500 | .11800 | .09400 | .08184 | .04500 | .17000 | .22500 | .10750 | .11571 |
| TIME | 05 | 09 | 014 | 015 | 018 | 021 | 028 | 027 | 036 | 042 | 087 | 088 | | | |
| 96 | .01700 | .00720 | .00070 | .03200 | .00820 | .00190 | .00150 | .01416 | .00391 | .00375 | .00115 | .01100 | | | |
| 118 | .01690 | .00700 | .00700 | .02780 | .00800 | .00201 | .00155 | .01400 | .00330 | .00340 | .00089 | .00900 | | | |
| 148 | .01690 | .00680 | .00466 | .02550 | .00766 | .00197 | .00157 | .01300 | .00310 | .00320 | .00079 | .00860 | | | |

ORIGINAL PAGE IS

DATE = 10-31-73

PROJECT NUMBER VA354-21FA

ARJ, INC.

ARNOLD AIR FORCE STATION, TENN.

NASA / RI OH-11 SHUTTLE ORBITER TEST

TEST CONDITIONS TEST GAS NITROGEN
ANGLE OF ATTACK 35.000 DEG.

Q=0, ST=0 BASED ON .210 INCH RADIUS
MODEL LENGTH 23.226 INCHES

| TIME | P-INF | RHO-INF | T-INF | U-INF | M-INF | Q-INF | RE/FT | RE=L | PO | TO | MO | QO BTU/ | STO | POP | HREF BTU/ |
|------|---------|-----------|-------|--------|-------|-------|--------|--------|------|-------|-----------|----------|--------|--------|-----------|
| MSEC | PSIA | LRM/CU-FT | DEG R | FT/SEC | | PSIA | X10-6 | X10-6 | PSIA | DEG R | BTU/LBM | SOFT-SEC | | PSIA | SOFT-SEC |
| 64 | .062165 | .001614 | 100.0 | 5808 | 11.61 | 5.869 | 3.6290 | 7.0239 | 6841 | 2556 | 6.984E 02 | 143.9 | .02719 | 10.845 | .0714 |
| 78 | .049112 | .001064 | 120.0 | 6314 | 11.54 | 4.576 | 2.1725 | 4.2049 | 5670 | 3000 | 8.258E 02 | 157.5 | .03386 | 8.467 | .0640 |
| 96 | .038310 | .000780 | 128.0 | 6527 | 11.56 | 3.582 | 1.5452 | 2.9906 | 4706 | 3198 | 8.824E 02 | 152.3 | .03996 | 6.632 | .0573 |
| 118 | .031857 | .000726 | 114.7 | 6159 | 11.54 | 2.969 | 1.5108 | 2.9396 | 3769 | 2890 | 7.854E 02 | 118.5 | .04064 | 5.491 | .0504 |

DATE = 10-2, 73

PROJECT NUMBER VA354-21FA

ARO, INC.

WHAALO AIR FORCE STATION, TENN.

NASA / RI OR-11 SHUTTLE ORBITER TEST

HEAT TRANSFER DATA (H / HREF)

| TIME | C1 | C2 | C3 | C6 | C7 | C8 | C10 | C11 | C12 | C13 | C16 | C23 | C25 | C26 | C31 |
|------|--------|--------|--------|--------|--------|--------|--------|---------|--------|--------|--------|--------|--------|--------|--------|
| 60 | .59017 | .35553 | .23959 | .20969 | .17127 | .15255 | .12616 | .116455 | .17552 | .10536 | .11837 | .11597 | .13254 | .13806 | .10162 |
| 70 | .56647 | .32759 | .22038 | .19397 | .16430 | .14745 | .12256 | .15093 | .16394 | .09680 | .10964 | .10176 | .12213 | .12651 | .08581 |
| 90 | .51987 | .30254 | .21706 | .18141 | .15533 | .13506 | .11547 | .13639 | .14666 | .08753 | .10407 | .09339 | .11536 | .11536 | .07361 |
| 110 | .53338 | .30212 | .21653 | .17793 | .15274 | .13290 | .10938 | .13713 | .14608 | .08056 | .10429 | .09107 | .11561 | .11628 | .07928 |
| TIME | C34 | C38 | C41 | C44 | C47 | C50 | C52 | C53 | C54 | C55 | C56 | C57 | C59 | C60 | C61 |
| 60 | .11045 | .10824 | .11547 | .18741 | .26597 | .19073 | .12264 | .10445 | .11814 | .17797 | .25288 | .24985 | .17372 | .16119 | .16386 |
| 70 | .07776 | .07620 | .07041 | .07741 | .10421 | .07026 | .10733 | .08979 | .07987 | .07331 | .08827 | .10505 | .13374 | .09769 | .09880 |
| 90 | .07416 | .07141 | .06592 | .07141 | .09686 | .07003 | .10309 | .08205 | .07108 | .06568 | .07162 | .08291 | .12432 | .09758 | .08698 |
| 110 | .07157 | .06612 | .05742 | .05088 | .06617 | .04476 | .10326 | .07921 | .06848 | .06074 | .06074 | .06808 | .12454 | .09532 | .08608 |
| TIME | C62 | C63 | C64 | C65 | C66 | C82 | C68 | C69 | C70 | C71 | C72 | C74 | C79 | C80 | C81 |
| 60 | .23305 | .22168 | .18210 | .20762 | .19642 | .17627 | .24557 | .21878 | .20880 | .15346 | .11131 | .29437 | .44661 | .50145 | .33159 |
| 70 | .09048 | .09340 | .07608 | .14155 | .10875 | .09328 | .10988 | .15080 | .11166 | .08224 | .06096 | .23360 | .25577 | .34109 | .20685 |
| 90 | .08196 | .08121 | .06143 | .13595 | .09776 | .08220 | .17460 | .13935 | .10307 | .07548 | .05534 | .20077 | .22347 | .31357 | .14506 |
| 110 | .08104 | .07148 | .04927 | .13621 | .09794 | .08924 | .17415 | .14156 | .10327 | .08101 | .06060 | .20466 | .22482 | .24658 | .14164 |
| TIME | C5 | C9 | C14 | C15 | C18 | C21 | C28 | C27 | C36 | C42 | C47 | C88 | | | |
| 60 | .01144 | .01019 | .01003 | .06127 | .00836 | .00240 | .00109 | .01591 | .00155 | .00228 | .00192 | .01376 | | | |
| 70 | .01139 | .00934 | .01501 | .06264 | .00909 | .00239 | .00120 | .01537 | .00125 | .00125 | .00204 | .01025 | | | |
| 90 | .01152 | .00875 | .01440 | .06252 | .01000 | .00250 | .00114 | .01478 | .00108 | .00102 | .00210 | .00978 | | | |
| 110 | .01169 | .00844 | .01355 | .06568 | .01060 | .00262 | .00120 | .01425 | .00091 | .00160 | .00222 | .00969 | | | |

ORIGINAL PAGE IS
OF GOOD QUALITY

DATE * 10-31-73
 PROJECT NUMBER YA354-21FA
 ARCO, INC.
 ARNOLD AIR FORCE STATION, TENN.
 NASA / R1 OR-11 SHUTTLE ORBITER TEST

HEAT TRANSFER DATA (Q/OHEF)

| TIME | 01 | 02 | 03 | 06 | 07 | 08 | 010 | 011 | 012 | 013 | 016 | 023 | 025 | 026 | 031 |
|------|--------|--------|--------|--------|--------|--------|--------|--------|--------|--------|--------|--------|--------|--------|--------|
| 60 | .59000 | .34000 | .22500 | .19500 | .15800 | .14000 | .11500 | .15000 | .16000 | .09200 | .10750 | .10500 | .12000 | .12500 | .09200 |
| 70 | .56631 | .31363 | .21500 | .18090 | .15200 | .13579 | .11250 | .13800 | .15000 | .08500 | .10000 | .09250 | .11101 | .11500 | .07800 |
| 90 | .51473 | .29000 | .20451 | .16935 | .14391 | .12452 | .10578 | .12495 | .13436 | .07700 | .09500 | .08500 | .10500 | .10500 | .06700 |
| 110 | .53323 | .28932 | .20563 | .16544 | .14126 | .12230 | .10000 | .12537 | .13355 | .07592 | .09500 | .08271 | .10500 | .10561 | .07200 |
| TIME | 034 | 038 | 041 | 044 | 047 | 050 | 052 | 053 | 054 | 055 | 056 | 057 | 059 | 060 | 061 |
| 60 | .10000 | .09200 | .10500 | .16900 | .23861 | .16401 | .11250 | .09500 | .10750 | .16174 | .22826 | .22500 | .16000 | .14800 | .15000 |
| 70 | .07250 | .06527 | .06400 | .07000 | .09390 | .07000 | .09800 | .08197 | .07295 | .06600 | .08000 | .09500 | .12358 | .09000 | .09076 |
| 90 | .06750 | .06500 | .06000 | .06500 | .08740 | .07045 | .09500 | .07500 | .06500 | .06000 | .06500 | .07500 | .11500 | .09000 | .08000 |
| 110 | .06500 | .06006 | .05215 | .04621 | .05956 | .04000 | .09494 | .07226 | .06250 | .05537 | .05500 | .06152 | .11500 | .08775 | .07902 |
| TIME | 062 | 063 | 064 | 065 | 066 | 068 | 069 | 070 | 071 | 072 | 074 | 079 | 080 | 081 | |
| 60 | .21219 | .20045 | .16201 | .19000 | .18000 | .16000 | .22500 | .20036 | .19157 | .14000 | .10000 | .27000 | .41000 | .46000 | .30350 |
| 70 | .09000 | .08500 | .06000 | .13000 | .10000 | .04500 | .17459 | .14544 | .10200 | .07530 | .05500 | .21500 | .23560 | .30000 | .19000 |
| 90 | .07500 | .07400 | .05500 | .12500 | .09000 | .07500 | .16072 | .12822 | .09500 | .06920 | .05000 | .18500 | .20608 | .24898 | .13340 |
| 110 | .07400 | .06500 | .04400 | .12500 | .09000 | .08125 | .10000 | .13000 | .09500 | .07411 | .05402 | .18422 | .20694 | .28361 | .13000 |
| TIME | 05 | 09 | 014 | 015 | 018 | 021 | 028 | 027 | 036 | 042 | 047 | 088 | | | |
| 60 | .00999 | .00450 | .01400 | .05350 | .00730 | .00210 | .00055 | .01389 | .00135 | .00199 | .00168 | .01202 | | | |
| 70 | .01000 | .00420 | .01318 | .05500 | .00748 | .00210 | .00105 | .01350 | .00110 | .00110 | .00180 | .00300 | | | |
| 90 | .01013 | .00770 | .01267 | .05500 | .00800 | .00220 | .00100 | .01300 | .00095 | .00089 | .00185 | .00860 | | | |
| 110 | .01025 | .00740 | .01188 | .05760 | .00930 | .00230 | .00105 | .01250 | .00080 | .00140 | .00195 | .00850 | | | |

DATE = 11-1-73

PROJECT NUMBER VA354-21FA

ARO, INC.

ARNOLD AIR FORCE STATION, TENN.

NASA / RI OM-11 SHUTTLE ORBITER TEST

TEST CONDITIONS TEST GAS NIT
ANGLE OF ATTACK 35.000 DEG.

Q=0, ST=0 BASED ON .210 INCH RADIUS
MODEL LENGTH 23.226 INCHES

| TIME | P-INF | Q0-INF | T-INF | U-INF | H-INF | Q-INF | RE/FT | RE=L | PO | TO | HO | Q0 BTU/ | STO | POP | HREF BTU/ |
|------|---------|-----------|-------|--------|-------|-------|--------|--------|-------|-------|-----------|----------|--------|-------|-----------|
| MSEC | PSIA | LRM/CO-FT | DEG R | FT/SEC | | PSIA | X10-6 | X10-6 | PSIA | DEG R | BTU/LHM | SOFT-SEC | | PSIA | SCFI-SEC |
| 86 | .03463 | .001264 | 77.8 | 6392 | 14.53 | 5.302 | 3.8515 | 7.4545 | 17074 | 2899 | 8.351E 02 | 172.3 | .03193 | 9.822 | .0731 |
| 108 | .03508 | .000969 | 94.6 | 6872 | 14.17 | 4.932 | 2.7405 | 5.3042 | 15409 | 3345 | 9.664E 02 | 203.6 | .03674 | 9.146 | .0726 |
| 142 | .029134 | .000749 | 101.6 | 7658 | 14.04 | 4.022 | 2.0258 | 3.9210 | 12753 | 3548 | 1.020E 03 | 196.4 | .04192 | 7.462 | .0653 |

This Run was tripped by roughness at x/L = 0.05

DATE = 11-1-73

PROJECT NUMBER VA354-21FA

ARO, INC.

AROLD AIR FORCE STATION, TENN.

NASA / RT OR-11 SHUTTLE ORBITER TEST

HEAT TRANSFER DATA (W / HREF)

| TIME | 01 | 02 | 03 | 06 | 07 | 08 | 010 | 011 | 012 | 013 | 016 | 023 | 025 | 026 | 031 |
|------|--------|--------|--------|--------|--------|--------|--------|--------|--------|--------|--------|--------|--------|--------|--------|
| 86 | .74021 | .42812 | .30248 | .28968 | .23786 | .21515 | .18812 | .19669 | .20736 | .10945 | .20857 | .26423 | .16294 | .17065 | .24923 |
| 106 | .70019 | .41713 | .27579 | .24623 | .20278 | .17883 | .15161 | .17670 | .18978 | .10332 | .13682 | .13172 | .14599 | .15148 | .15368 |
| 142 | .64754 | .39609 | .28003 | .23534 | .18611 | .16704 | .14165 | .17543 | .19069 | .10430 | .12575 | .10965 | .13434 | .14255 | .09869 |
| TIME | 034 | 038 | 041 | 044 | 047 | 050 | 052 | 053 | 054 | 055 | 056 | 057 | 059 | 060 | 061 |
| 86 | .38205 | .29176 | .27389 | .26198 | .29779 | .17903 | .18263 | .19731 | .24452 | .29618 | .30918 | .24568 | .29238 | .26611 | .27559 |
| 106 | .18661 | .19758 | .20656 | .23052 | .25464 | .16324 | .15614 | .15740 | .17481 | .21329 | .24218 | .20740 | .24845 | .21126 | .21728 |
| 142 | .16965 | .10965 | .10464 | .12610 | .14376 | .10579 | .13866 | .12666 | .11460 | .12020 | .13195 | .11901 | .21046 | .16236 | .14653 |
| TIME | 062 | 063 | 064 | 065 | 066 | 082 | 068 | 069 | 070 | 071 | 072 | 074 | 079 | 080 | 081 |
| 86 | .29894 | .26722 | .19596 | .32688 | .30470 | .26359 | .31562 | .26676 | .30434 | .28417 | .19412 | .32618 | .35848 | .44571 | .36715 |
| 106 | .22431 | .19735 | .14504 | .26041 | .23878 | .15711 | .23881 | .22885 | .21683 | .19874 | .13047 | .27549 | .29256 | .39393 | .26251 |
| 142 | .12636 | .12748 | .08415 | .19543 | .15181 | .12033 | .21081 | .20072 | .15164 | .12522 | .07731 | .25362 | .25527 | .31416 | .19283 |
| TIME | 05 | 09 | 014 | 015 | 018 | 021 | 028 | 027 | 036 | 042 | 086 | 088 | 039 | | |
| 86 | .01197 | .00558 | .01594 | .06221 | .00957 | .00222 | .00108 | .01710 | .00100 | .00119 | .00117 | .01619 | .00217 | | |
| 106 | .01142 | .00480 | .01468 | .05847 | .00908 | .00238 | .00124 | .01707 | .00114 | .00124 | .00128 | .01334 | .00238 | | |
| 142 | .01190 | .00479 | .01417 | .05945 | .00998 | .00252 | .00142 | .01702 | .00105 | .00136 | .00139 | .01292 | .00253 | | |

This Run was tripped by roughness at x/L = 0.05

DATE = 11-1-73

PROJECT NUMBER VA354-21FA

ARU, INC.

ARNOLD AIR FORCE STATION, TENN.

NASA / RI OM-11 SHUTTLE ORBITER TEST

HEAT TRANSFER DATA (Q/WPEF)

| TIME | 01 | 02 | 03 | 06 | 07 | 08 | 010 | 011 | 012 | 013 | 016 | 023 | 025 | 026 | 031 |
|------|--------|--------|--------|--------|--------|--------|--------|--------|--------|--------|--------|--------|--------|--------|--------|
| 86 | .74000 | .41000 | .28000 | .27000 | .22000 | .19800 | .17199 | .17983 | .18959 | .09000 | .19000 | .24000 | .14000 | .15500 | .22037 |
| 106 | .70000 | .40000 | .26000 | .23000 | .18800 | .16500 | .14900 | .16200 | .17400 | .09100 | .12500 | .12000 | .13300 | .13800 | .14000 |
| 142 | .64736 | .38000 | .26416 | .22000 | .17270 | .15426 | .13000 | .16100 | .17500 | .09200 | .11500 | .10000 | .12251 | .13000 | .09000 |

| TIME | 034 | 038 | 041 | 044 | 047 | 050 | 052 | 053 | 054 | 055 | 056 | 057 | 059 | 060 | 061 |
|------|--------|--------|--------|--------|--------|--------|--------|--------|--------|--------|--------|--------|--------|--------|--------|
| 86 | .27435 | .20500 | .24868 | .23795 | .26810 | .16000 | .16800 | .18000 | .22500 | .27000 | .29000 | .22200 | .27000 | .24500 | .25300 |
| 106 | .17000 | .18000 | .19000 | .21000 | .23000 | .14600 | .14400 | .14400 | .16000 | .19500 | .22000 | .18000 | .23000 | .15500 | .20000 |
| 142 | .10000 | .10000 | .10000 | .11500 | .13000 | .09500 | .12800 | .11600 | .10500 | .11000 | .12000 | .10800 | .19500 | .15000 | .13500 |

| TIME | 062 | 063 | 064 | 065 | 066 | 068 | 069 | 070 | 071 | 072 | 074 | 079 | 080 | 081 | |
|------|--------|--------|--------|--------|--------|--------|--------|--------|--------|--------|--------|--------|--------|--------|--------|
| 86 | .27300 | .24300 | .17500 | .30000 | .28000 | .24000 | .29000 | .24500 | .24000 | .26000 | .17500 | .30000 | .33000 | .41000 | .33700 |
| 106 | .21000 | .18000 | .13000 | .24000 | .22000 | .18000 | .22000 | .21000 | .20000 | .17500 | .11900 | .25404 | .27000 | .34331 | .26000 |
| 142 | .12500 | .11000 | .08000 | .18000 | .14000 | .11000 | .19439 | .18500 | .14000 | .11500 | .07000 | .23408 | .23540 | .25000 | .15000 |

| TIME | 085 | 089 | 014 | 015 | 018 | 021 | 028 | 027 | 036 | 042 | 086 | 088 | 089 |
|------|--------|--------|--------|--------|--------|--------|--------|--------|--------|--------|--------|--------|--------|
| 86 | .01050 | .00875 | .01400 | .05457 | .00840 | .00195 | .00095 | .01500 | .00087 | .00104 | .00102 | .01420 | .00190 |
| 106 | .01050 | .00775 | .01243 | .05150 | .00800 | .00210 | .00189 | .01503 | .00100 | .00109 | .00113 | .01175 | .00209 |
| 142 | .01050 | .00775 | .01240 | .05279 | .00880 | .00228 | .00125 | .01501 | .00092 | .00120 | .00122 | .01140 | .00223 |

This Run was tripped by roughness at $x/L = 0.05$

DATE * 11- 1-73

PROJECT NUMBER VA354-21FA

ARG, INC.

ARNOLD AIR FORCE STATION, TENN.

NASA / RI OR-11 SHUTTLE ORBITER TEST

TEST CONDITIONS TEST GAS NITROGEN

Q=0, ST=0 BASED ON .210 INCH RADIUS

ANGLE OF ATTACK 25.000 DEG.

MODEL LENGTH 23.226 INCHES

| TIME | P-INF | RHO-INF | T-INF | U-INF | M-INF | Q-INF | RE/FT | RE-L | PO | TO | HO | QD BTU/ | STO | POP | MNEF BTU/ |
|------|---------|-----------|-------|--------|-------|-------|--------|--------|------|-------|-----------|----------|--------|--------|-----------|
| MSEC | PSIA | LBM/CU-FT | DEG R | FT/SEC | | PSIA | X10-6 | X10-6 | PSIA | DEG R | BTU/LBH | SOFT-SEC | | PSIA | SLFT-SEC |
| 72 | .050201 | .001045 | 95.7 | 5651 | 11.59 | 5.665 | 3.7844 | 7.3247 | 6447 | 2431 | 6.613E 02 | 131.2 | .02675 | 10.462 | .0694 |
| 78 | .056201 | .001325 | 110.9 | 6039 | 11.50 | 5.211 | 2.8098 | 5.4384 | 6076 | 2761 | 7.557E 02 | 150.7 | .03029 | 9.634 | .0679 |
| 88 | .049110 | .001493 | 117.4 | 6211 | 11.50 | 4.544 | 2.2521 | 4.3590 | 5485 | 2914 | 7.992E 02 | 150.0 | .03323 | 8.406 | .0632 |
| 96 | .044776 | .000986 | 118.0 | 6239 | 11.49 | 4.140 | 2.0222 | 3.9140 | 5053 | 2943 | 8.064E 02 | 145.0 | .03503 | 7.658 | .0603 |
| 108 | .039576 | .000446 | 119.1 | 6276 | 11.53 | 3.592 | 1.7355 | 3.3592 | 4535 | 2981 | 8.160E 02 | 137.3 | .03791 | 6.646 | .0562 |
| 128 | .024400 | .000748 | 100.9 | 5879 | 11.74 | 2.788 | 1.6985 | 3.2475 | 3713 | 2650 | 7.157E 02 | 102.4 | .04003 | 5.192 | .0485 |
| 142 | .026647 | .000676 | 103.2 | 5893 | 11.64 | 2.531 | 1.5038 | 2.9105 | 3279 | 2668 | 7.189E 02 | 98.2 | .04215 | 4.676 | .0462 |

DATE = 11-1-73

PROJECT NUMBER VA354-21FA

ARL, IAC.

ARNOLD AIR FORCE STATION, TENN.

NASA / RI OR-11 SHUTTLE ORBITER TEST

HEAT TRANSFER DATA (H / HREF)

| TIME | 01 | 02 | 03 | 06 | 07 | 08 | 010 | 011 | 012 | 013 | 016 | 023 | 025 | 026 | 031 |
|------|--------|--------|--------|--------|--------|--------|--------|--------|--------|--------|--------|--------|--------|--------|--------|
| 72 | .54856 | .28464 | .19299 | .15756 | .12455 | .11024 | .08610 | .11953 | .13822 | .09639 | .07278 | .06720 | .09411 | .10380 | .06160 |
| 78 | .54341 | .27479 | .18470 | .15478 | .12261 | .10757 | .08347 | .11618 | .12792 | .08663 | .07025 | .06349 | .08331 | .09878 | .06018 |
| 84 | .52324 | .27318 | .18140 | .14607 | .11922 | .10517 | .08114 | .11149 | .13536 | .09250 | .07132 | .06586 | .08913 | .09238 | .05781 |
| 96 | .51317 | .26778 | .18028 | .14350 | .11806 | .10178 | .07954 | .10639 | .12792 | .08663 | .07025 | .06349 | .08331 | .09878 | .06018 |
| 108 | .50310 | .26203 | .17477 | .13794 | .11124 | .09016 | .07653 | .10129 | .12103 | .08319 | .06740 | .06119 | .07989 | .08839 | .05666 |
| 120 | .49809 | .24661 | .16475 | .13289 | .10602 | .08975 | .07003 | .10129 | .11423 | .07974 | .06551 | .05664 | .07646 | .08382 | .05324 |
| 142 | .48305 | .24141 | .16151 | .12725 | .10321 | .08749 | .06662 | .09431 | .10730 | .07891 | .05928 | .05154 | .07561 | .08186 | .04775 |
| TIME | 034 | 038 | 041 | 044 | 047 | 050 | 052 | 053 | 054 | 055 | 056 | 057 | 059 | 060 | 061 |
| 72 | .06274 | .06160 | .06274 | .07700 | .09397 | .05746 | .04230 | .07267 | .06016 | .05000 | .05149 | .04547 | .13732 | .10121 | .09701 |
| 78 | .04018 | .05077 | .05677 | .06245 | .06233 | .03690 | .08968 | .07009 | .05763 | .04242 | .04555 | .03994 | .13387 | .05656 | .09436 |
| 84 | .03668 | .05228 | .04447 | .05101 | .04645 | .02290 | .04113 | .06720 | .05528 | .03453 | .03979 | .03702 | .12542 | .04506 | .08861 |
| 96 | .05425 | .05149 | .04759 | .04533 | .04644 | .02470 | .06504 | .06639 | .05275 | .03782 | .03750 | .03316 | .12260 | .04329 | .08677 |
| 108 | .05211 | .04888 | .04312 | .04069 | .04205 | .02070 | .08757 | .06490 | .05198 | .03443 | .03635 | .03384 | .11978 | .04941 | .07846 |
| 120 | .04622 | .04321 | .03658 | .03695 | .03714 | .01617 | .07857 | .06452 | .05092 | .04078 | .03649 | .03428 | .11878 | .04747 | .07648 |
| 142 | .04320 | .03959 | .03665 | .03653 | .02974 | .01475 | .07743 | .06338 | .04977 | .03856 | .03705 | .03428 | .11597 | .04633 | .07647 |
| TIME | 062 | 063 | 064 | 065 | 066 | 068 | 068 | 069 | 070 | 071 | 072 | 074 | 075 | 080 | 081 |
| 72 | .07373 | .06608 | .04350 | .15234 | .11832 | .09728 | .21522 | .11534 | .09094 | .08151 | .04640 | .18013 | .21146 | .10919 | .28515 |
| 78 | .07002 | .06351 | .04067 | .14608 | .11502 | .09344 | .20202 | .10948 | .07946 | .07552 | .04461 | .17378 | .20723 | .10762 | .22977 |
| 84 | .06765 | .06001 | .03651 | .14024 | .10924 | .08763 | .18450 | .10090 | .07498 | .07090 | .04176 | .16792 | .20133 | .10521 | .17387 |
| 96 | .06611 | .05772 | .03454 | .13459 | .10361 | .08422 | .17813 | .09527 | .07384 | .06863 | .03963 | .16563 | .19568 | .10356 | .14579 |
| 108 | .06310 | .05525 | .03240 | .12894 | .09798 | .08023 | .16799 | .08975 | .07270 | .06748 | .03784 | .16201 | .19003 | .10067 | .13658 |
| 120 | .05943 | .05338 | .03178 | .12145 | .09118 | .07542 | .16483 | .08432 | .07294 | .06772 | .03964 | .15660 | .18523 | .09877 | .12874 |
| 142 | .05879 | .05336 | .03177 | .12055 | .08706 | .07314 | .15220 | .08149 | .07405 | .06443 | .04123 | .15165 | .18389 | .09651 | .12435 |
| TIME | 085 | 09 | 014 | 015 | 018 | 021 | 028 | 027 | 036 | 042 | 086 | 088 | 089 | | |
| 72 | .02559 | .00857 | .00425 | .03270 | .00832 | .00204 | .00195 | .01348 | .00780 | .00403 | .00333 | .01148 | .00112 | | |
| 78 | .02512 | .00879 | .00411 | .03103 | .00845 | .00203 | .00199 | .01342 | .00731 | .00411 | .00334 | .01108 | .00111 | | |
| 84 | .02465 | .00864 | .00388 | .02947 | .00809 | .00203 | .00203 | .01326 | .00684 | .00422 | .00336 | .01049 | .00103 | | |
| 96 | .02343 | .00877 | .00376 | .02849 | .00798 | .00205 | .00207 | .01310 | .00638 | .00433 | .00342 | .01026 | .00116 | | |
| 108 | .02335 | .00854 | .00357 | .02734 | .00780 | .00205 | .00211 | .01310 | .00619 | .00456 | .00342 | .00977 | .00094 | | |
| 120 | .02287 | .00823 | .00355 | .02630 | .00755 | .00206 | .00215 | .01247 | .00572 | .00480 | .00354 | .00964 | .00089 | | |
| 142 | .02201 | .00800 | .00354 | .02618 | .00755 | .00206 | .00215 | .01256 | .00565 | .00497 | .00359 | .00960 | .00086 | | |

ORIGINAL PAGE IS OF POOR QUALITY

DATE = 11-1-73
 PROJECT NUMBER YA354-21FA
 ARJ, IAC.
 ARNOLD AIR FORCE STATION, TENN.
 NASA / R1 OR-11 SHUTTLE ORBITER TEST

HEAT TRANSFER DATA (O/OHEF)

| TIME | Q1 | Q2 | Q3 | Q4 | Q5 | Q6 | Q7 | Q8 | Q9 | Q10 | Q11 | Q12 | Q13 | Q16 | Q23 | Q25 | Q26 | Q31 | |
|------|--------|--------|--------|--------|--------|--------|--------|--------|--------|--------|--------|--------|--------|--------|--------|--------|--------|--------|--------|
| 72 | .54500 | .26500 | .17300 | .14200 | .11130 | .09800 | .07400 | .10550 | .12200 | .08400 | .06400 | .05900 | .08250 | .09100 | .05400 | .05300 | .08700 | .08150 | .05100 |
| 7h | .54000 | .26000 | .17300 | .14000 | .11000 | .09600 | .07400 | .10300 | .12000 | .08100 | .06300 | .05800 | .08250 | .09100 | .05400 | .05300 | .08700 | .08150 | .05100 |
| 8h | .52000 | .25500 | .16044 | .13303 | .10711 | .09400 | .07209 | .09900 | .11350 | .07600 | .06215 | .05602 | .07350 | .08150 | .05100 | .05100 | .08700 | .08150 | .05100 |
| 9h | .51000 | .25300 | .16500 | .13000 | .10609 | .09100 | .07100 | .09450 | .10750 | .07300 | .05000 | .05400 | .07050 | .07800 | .05000 | .05000 | .08700 | .08000 | .05000 |
| 10h | .50000 | .24664 | .16000 | .12500 | .10000 | .08600 | .06800 | .09000 | .10150 | .07000 | .05000 | .05000 | .06750 | .07400 | .05000 | .05000 | .08700 | .08000 | .05000 |
| 12h | .48500 | .23000 | .15500 | .12007 | .09500 | .08000 | .06200 | .08350 | .09500 | .06900 | .05229 | .04533 | .06650 | .07200 | .05000 | .05000 | .08700 | .08000 | .05000 |
| 14z | .48000 | .22500 | .15300 | .11500 | .09250 | .07800 | .05900 | .08100 | .09350 | .06650 | .05000 | .04300 | .06800 | .07250 | .05000 | .05000 | .08700 | .08000 | .05000 |
| TIME | Q34 | Q38 | Q41 | Q44 | Q47 | Q50 | Q52 | Q53 | Q54 | Q55 | Q56 | Q57 | Q59 | Q60 | Q61 | | | | |
| 72 | .05500 | .05400 | .05500 | .06740 | .00165 | .05000 | .00200 | .06400 | .05700 | .04400 | .04500 | .04000 | .12250 | .09000 | .08600 | | | | |
| 7h | .05300 | .05000 | .05000 | .05500 | .05447 | .03200 | .00000 | .06200 | .05100 | .03740 | .04000 | .03500 | .11900 | .09000 | .08400 | | | | |
| 8h | .05000 | .04512 | .04400 | .04500 | .04063 | .01900 | .00142 | .05954 | .04900 | .03500 | .03500 | .03250 | .11250 | .09500 | .07900 | | | | |
| 9h | .04840 | .04544 | .04000 | .04000 | .04111 | .02147 | .01600 | .05604 | .04678 | .03350 | .03300 | .02912 | .11000 | .09344 | .07738 | | | | |
| 10h | .04600 | .04315 | .03407 | .03592 | .03681 | .01800 | .01828 | .05754 | .04611 | .03494 | .03200 | .02973 | .10750 | .09000 | .07000 | | | | |
| 12h | .04065 | .03800 | .03393 | .03250 | .03238 | .01400 | .01600 | .05700 | .04500 | .03600 | .03200 | .03000 | .10626 | .07800 | .06900 | | | | |
| 14z | .03800 | .03403 | .03400 | .03214 | .02594 | .01278 | .00900 | .05500 | .04400 | .03404 | .03250 | .03000 | .10377 | .07700 | .06800 | | | | |
| TIME | Q62 | Q63 | Q64 | Q65 | Q66 | Q68 | Q69 | Q70 | Q71 | Q72 | Q74 | Q79 | Q80 | Q81 | | | | | |
| 72 | .06500 | .05800 | .03750 | .13500 | .10500 | .08550 | .19096 | .10230 | .08000 | .07200 | .04037 | .16000 | .10800 | .25273 | | | | | |
| 7h | .06200 | .05600 | .03579 | .13000 | .10250 | .08250 | .18000 | .09750 | .07000 | .06700 | .03900 | .15500 | .10500 | .20452 | | | | | |
| 8h | .06000 | .05300 | .03170 | .12500 | .09750 | .07750 | .16500 | .09000 | .06700 | .06300 | .03657 | .15000 | .10000 | .15500 | | | | | |
| 9h | .05900 | .05100 | .03000 | .12000 | .09250 | .07450 | .15900 | .08500 | .06400 | .06100 | .03473 | .14800 | .17500 | .13000 | | | | | |
| 10h | .05600 | .04803 | .02500 | .11500 | .08750 | .07100 | .15000 | .08011 | .06500 | .06000 | .03600 | .14401 | .17000 | .10399 | | | | | |
| 12h | .05300 | .04700 | .02750 | .11048 | .08115 | .06650 | .14668 | .07500 | .06500 | .06000 | .03465 | .13950 | .16516 | .07800 | | | | | |
| 14z | .05200 | .04700 | .02750 | .11250 | .07750 | .06450 | .14636 | .07250 | .06600 | .06100 | .03600 | .13512 | .16400 | .07500 | | | | | |
| TIME | Q5 | Q9 | Q14 | Q15 | Q18 | Q21 | Q28 | Q27 | Q36 | Q42 | Q46 | Q48 | Q49 | | | | | | |
| 72 | .02220 | .00781 | .00370 | .02450 | .00725 | .00178 | .00170 | .01175 | .00680 | .00351 | .00290 | .01000 | .00098 | | | | | | |
| 7h | .02200 | .00770 | .00360 | .02446 | .00740 | .00178 | .00174 | .01175 | .00640 | .00360 | .00293 | .00970 | .00098 | | | | | | |
| 8h | .02100 | .00762 | .00344 | .02350 | .00710 | .00178 | .00178 | .01163 | .00600 | .00370 | .00295 | .00920 | .00090 | | | | | | |
| 9h | .02100 | .00770 | .00330 | .02300 | .00700 | .00170 | .00182 | .01150 | .00560 | .00300 | .00300 | .00900 | .00102 | | | | | | |
| 10h | .02050 | .00750 | .00310 | .02400 | .00685 | .00170 | .00185 | .01150 | .00544 | .00400 | .00300 | .00858 | .00092 | | | | | | |
| 12h | .02000 | .00720 | .00310 | .02300 | .00660 | .00180 | .00188 | .01125 | .00500 | .00420 | .00310 | .00843 | .00077 | | | | | | |
| 14z | .01925 | .00740 | .00310 | .02240 | .00660 | .00180 | .00184 | .01099 | .00494 | .00435 | .00314 | .00840 | .00075 | | | | | | |

DATE = 11- 1-73
 PROJECT NUMBER VA354-21FA
 ARD, INC.
 ARNOLD AIR FORCE STATION, TENN.
 NASA / RT OR-11, SHUTTLE CRITTER TEST

TEST CONDITIONS TEST GAS NITROGEN
 ANGLE OF ATTACK 25,000 DEG.

Q=0, ST=0 BASED ON .210 INCH RADIUS
 MODEL LENGTH 23.226 INCHES

| TIME | P-INF | RD-INF | I-INF | U-INF | H-INF | Q-INF | RE/FT | RE-L | PO | TO | HO | QD BTU/ | STO | POP | HREF BTU/ |
|------|---------|-----------|-------|--------|-------|-------|-------|--------|------|-------|-----------|----------|--------|-------|-----------|
| MSEC | PSIA | LRM/CM-FT | DEG H | FT/SEC | | PSIA | X10-6 | X10-6 | PSIA | DFG R | BTU/LBM | SOFT-SEC | | PSIA | SGFT-SEC |
| 70 | .029413 | .000438 | 175.4 | 7.57 | 10.99 | 2.487 | .7061 | 1.3666 | 2965 | 3908 | 1.095E 03 | 168.0 | .05500 | 4.612 | .0499 |
| 96 | .021403 | .000300 | 155.4 | 6.51 | 11.18 | 1.874 | .6267 | 1.2129 | 2364 | 3618 | 1.003E 03 | 131.1 | .06033 | 3.472 | .0426 |
| 114 | .017201 | .000374 | 129.0 | 6.20 | 11.38 | 1.564 | .7523 | 1.4561 | 1981 | 2970 | 8.048E 02 | 88.9 | .05687 | 2.893 | .0366 |

ORIGINAL PAGE 77

DATE * 11- 1-73

PROJECT NUMBER VA354-21EA

ARD, INC.

ARNOLD AIR FORCE STATION, TENN.

NASA / RI OR-11 SHUTTLE ORBITER TEST

HEAT TRANSFER DATA (H / HREF)

| TIME | 01 | 02 | 03 | 06 | 07 | 08 | 010 | 011 | 012 | 013 | 016 | 023 | 025 | 026 | 031 |
|------|--------|--------|--------|--------|--------|--------|--------|--------|--------|--------|--------|--------|--------|--------|--------|
| 76 | .56036 | .29969 | .20173 | .15048 | .12537 | .10751 | .08500 | .11185 | .12747 | .08598 | .07407 | .06303 | .08889 | .09452 | .06006 |
| 96 | .44508 | .26702 | .16288 | .13740 | .11078 | .09796 | .07617 | .10082 | .11762 | .08046 | .06744 | .05974 | .07890 | .08234 | .05523 |
| 114 | .44298 | .24632 | .17478 | .13243 | .10847 | .09281 | .07204 | .09567 | .11143 | .07861 | .06326 | .05551 | .07590 | .08157 | .05237 |
| TIME | 034 | 038 | 041 | 044 | 047 | 050 | 052 | 053 | 054 | 055 | 056 | 057 | 059 | 060 | 061 |
| 76 | .05855 | .05002 | .05087 | .04839 | .04537 | .02109 | .04674 | .06956 | .05713 | .04822 | .04400 | .03618 | .14181 | .10117 | .08579 |
| 96 | .05523 | .05472 | .04452 | .04339 | .04026 | .01944 | .04006 | .06385 | .05161 | .04268 | .03956 | .03341 | .13314 | .05447 | .04177 |
| 114 | .05098 | .04045 | .04135 | .04078 | .03770 | .01783 | .04607 | .06091 | .04961 | .03782 | .03749 | .03188 | .10920 | .05166 | .07959 |
| TIME | 062 | 063 | 064 | 065 | 066 | 082 | 069 | 070 | 071 | 072 | 074 | 079 | 080 | 081 | |
| 76 | .06444 | .05564 | .03541 | .15045 | .10908 | .08083 | .17810 | .09912 | .08673 | .07903 | .04396 | .18351 | .21670 | .11676 | .10308 |
| 96 | .06342 | .05351 | .02475 | .13952 | .10031 | .07047 | .10166 | .09035 | .08395 | .07612 | .04312 | .17264 | .20366 | .11003 | .09486 |
| 114 | .06045 | .05262 | .02464 | .13714 | .09519 | .07459 | .14540 | .08242 | .07830 | .07815 | .04252 | .16487 | .19899 | .10628 | .08969 |
| TIME | 05 | 09 | 014 | 015 | 018 | 021 | 024 | 027 | 036 | 042 | 086 | 088 | 089 | | |
| 76 | .02541 | .00450 | .00345 | .02545 | .00837 | .00226 | .00238 | .01346 | .00499 | .00464 | .00407 | .00950 | .00078 | | |
| 96 | .02436 | .00497 | .00380 | .02493 | .00839 | .00227 | .00238 | .01332 | .00453 | .00442 | .00408 | .00929 | .00091 | | |
| 114 | .02392 | .01037 | .00347 | .02506 | .00843 | .00228 | .00245 | .01245 | .00422 | .00434 | .00410 | .00934 | .00098 | | |

DATE = 11-1-73

PROJECT NUMBER VA354-21FA

ARO, INC.

ARNOLD AIR FORCE STATION, TENN.

NASA / RI OR-11 SHUTTLE ORBITER TEST

HEAT TRANSFER DATA (Q/DHEF)

| TIME | 01 | 02 | 03 | 06 | 07 | 08 | 010 | 011 | 012 | 013 | 016 | 023 | 025 | 026 | 031 |
|------|--------|--------|--------|--------|--------|--------|--------|--------|--------|--------|--------|--------|--------|--------|--------|
| 70 | .56304 | .27709 | .18554 | .13725 | .11333 | .09672 | .07600 | .10000 | .11397 | .07600 | .06600 | .05501 | .07900 | .08400 | .05337 |
| 90 | .48200 | .25700 | .16000 | .12500 | .10000 | .08800 | .06800 | .09000 | .10500 | .07100 | .06000 | .05300 | .07000 | .07305 | .04900 |
| 114 | .48000 | .23000 | .16000 | .12000 | .09750 | .08300 | .06400 | .08500 | .09900 | .06900 | .05600 | .04900 | .06700 | .07200 | .04623 |
| TIME | 034 | 038 | 041 | 044 | 047 | 050 | 052 | 053 | 054 | 055 | 056 | 057 | 059 | 060 | 061 |
| 70 | .05203 | .04978 | .04450 | .04300 | .04000 | .01900 | .07800 | .06207 | .05100 | .04300 | .03900 | .03200 | .12800 | .09105 | .07700 |
| 90 | .04900 | .04500 | .03450 | .03850 | .03543 | .01700 | .07189 | .05688 | .04600 | .03800 | .03500 | .02950 | .12000 | .08490 | .07328 |
| 114 | .04500 | .04100 | .03050 | .03600 | .03300 | .01550 | .06800 | .05400 | .04400 | .03350 | .03300 | .02800 | .09800 | .08200 | .07100 |
| TIME | 062 | 063 | 064 | 065 | 066 | 068 | 069 | 070 | 071 | 072 | 074 | 079 | 080 | 081 | |
| 70 | .05800 | .04450 | .03100 | .13500 | .09800 | .07200 | .15958 | .08900 | .07800 | .07071 | .03881 | .16500 | .19500 | .18500 | .09250 |
| 90 | .05700 | .04153 | .02000 | .12500 | .08998 | .06800 | .14500 | .08100 | .07539 | .06800 | .03800 | .15500 | .18300 | .09800 | .08500 |
| 114 | .05400 | .04650 | .02579 | .12230 | .08500 | .06600 | .14000 | .07400 | .07000 | .05948 | .03726 | .14735 | .17800 | .09500 | .08000 |
| TIME | 085 | 089 | 014 | 015 | 018 | 021 | 028 | 027 | 036 | 042 | 086 | 088 | 089 | | |
| 70 | .02246 | .00840 | .00340 | .02250 | .00740 | .00200 | .00210 | .01225 | .00440 | .00410 | .00360 | .00840 | .00069 | | |
| 90 | .02150 | .00820 | .00335 | .02200 | .00740 | .00200 | .00210 | .01175 | .00400 | .00390 | .00360 | .00820 | .00086 | | |
| 114 | .02100 | .00810 | .00340 | .02200 | .00740 | .00200 | .00215 | .01128 | .00370 | .00385 | .00360 | .00820 | .00086 | | |

DATE = 11-6-73
 PROJECT NUMBER VAS5A-21FA
 ARCO INC.
 ARNOLD AIR FORCE STATION, TENN.
 NASA / RT OR-11 SHUTTLE ORBITER TEST

TEST CONDITIONS TEST GAS NITROGEN
 ANGLE OF ATTACK 25.000 DEG.

Q=0, ST=0 BASED ON .210 INCH RADIUS
 MODEL LENGTH 23.226 INCHES

| TIME MSEC | P-INF PSIA | RHO-INF LBM/CU-FT | T-INF DEG R | U-INF FT/SEC | V-INF | Q-INF PSIA | RE/FT X10-6 | RE-L X10-6 | PO PSIA | YO DFG R | HO HTU/LBM | QO BTU/ SQFT-SEC | STO | POP PSIA | HREF BTU/ SQFT-SEC |
|--------------|---------------|----------------------|----------------|-----------------|-------|---------------|----------------|---------------|------------|-------------|---------------|---------------------|--------|-------------|-----------------------|
| 74 | .036383 | .001185 | 80.2 | 6540 | 14.65 | 5.467 | 3.7673 | 7.2916 | 18440 | 3012 | 8.740E 02 | 186.0 | .03241 | 10.131 | .0752 |
| 84 | .034077 | .001018 | 87.4 | 6193 | 14.58 | 5.008 | 3.0844 | 5.9699 | 17549 | 3247 | 9.433E 02 | 197.9 | .03533 | 9.398 | .0731 |
| 104 | .021439 | .000727 | 88.0 | 6405 | 14.50 | 4.627 | 2.7717 | 5.3647 | 15900 | 3276 | 9.467E 02 | 190.0 | .03706 | 8.579 | .0694 |
| 124 | .027789 | .000774 | 83.0 | 6027 | 14.59 | 4.141 | 2.7207 | 5.2658 | 14489 | 3131 | 8.976E 02 | 187.6 | .03787 | 7.675 | .0647 |
| 142 | .024613 | .000790 | 81.4 | 6584 | 14.64 | 3.693 | 2.4899 | 4.8192 | 13232 | 3107 | 8.006E 02 | 155.6 | .03977 | 6.844 | .0606 |

DATE 11-6-73

PROJECT NUMBER VA354-21FA

ARC, INC.

ARNOLD AIR FORCE STATION, TENN.

NASA / RI ON-11 SHUTTLE ORBITER TEST

HEAT TRANSFER DATA (M / HREF)

| TIME | G1 | G2 | G3 | G6 | G7 | G8 | G10 | G11 | G12 | G13 | G16 | G23 | G25 | G26 | G31 |
|------|--------|--------|--------|--------|--------|--------|--------|--------|--------|--------|--------|--------|--------|--------|--------|
| 74 | .41931 | .32815 | .21385 | .17100 | .13068 | .10955 | .08657 | .11701 | .13220 | .09947 | .07114 | .06341 | .10418 | .11777 | .06115 |
| 84 | .55159 | .31817 | .20723 | .16522 | .12767 | .10711 | .08085 | .11005 | .12536 | .09431 | .06987 | .06215 | .09945 | .11188 | .05876 |
| 104 | .52724 | .29944 | .20326 | .15968 | .12418 | .10671 | .08013 | .10778 | .12630 | .09088 | .06974 | .05762 | .09306 | .10394 | .05761 |
| 124 | .57054 | .29426 | .20129 | .16088 | .12780 | .10679 | .07964 | .11026 | .12510 | .09100 | .06558 | .05656 | .09275 | .10180 | .05326 |
| 142 | .54430 | .29540 | .19092 | .15545 | .12094 | .10379 | .07615 | .11017 | .12349 | .08918 | .06428 | .05601 | .09277 | .10221 | .05402 |
| TIME | G34 | G38 | G41 | G44 | G47 | G50 | G52 | G53 | G54 | G55 | G56 | G57 | G59 | G60 | G61 |
| 74 | .76228 | .06341 | .06341 | .06988 | .06166 | .03341 | .10959 | .09246 | .07889 | .06545 | .07722 | .06600 | .16932 | .12570 | .11542 |
| 84 | .96102 | .05783 | .05424 | .05148 | .05013 | .02753 | .10541 | .09196 | .07892 | .06525 | .07252 | .05791 | .16457 | .12031 | .11176 |
| 104 | .95423 | .04471 | .04406 | .04067 | .03645 | .01949 | .10044 | .08888 | .07197 | .05742 | .05778 | .04985 | .15521 | .11151 | .10064 |
| 124 | .95203 | .04068 | .04248 | .03959 | .03397 | .01837 | .09832 | .08492 | .06981 | .05523 | .05379 | .04498 | .14913 | .10884 | .09739 |
| 142 | .05168 | .04877 | .04299 | .03847 | .03255 | .01818 | .09945 | .08434 | .06767 | .05524 | .05219 | .04661 | .14783 | .10341 | .09453 |
| TIME | G62 | G63 | G64 | G65 | G66 | G82 | G88 | G89 | G70 | G71 | G72 | G74 | G79 | G80 | G81 |
| 74 | .09607 | .08496 | .05242 | .21073 | .14273 | .10506 | .22168 | .17410 | .15542 | .11243 | .06307 | .18899 | .21540 | .11071 | .21855 |
| 84 | .09106 | .07443 | .04541 | .20362 | .13688 | .09645 | .21010 | .15247 | .13919 | .09954 | .05832 | .17974 | .20971 | .14828 | .15661 |
| 104 | .08200 | .06084 | .04251 | .19230 | .12004 | .08742 | .19888 | .14179 | .12275 | .08863 | .04779 | .17088 | .20297 | .10597 | .13421 |
| 124 | .07877 | .06179 | .03742 | .18345 | .11463 | .08351 | .19715 | .13342 | .11617 | .08424 | .04557 | .17687 | .20319 | .14452 | .12876 |
| 142 | .07078 | .07221 | .03793 | .17420 | .11405 | .08347 | .20146 | .13207 | .11151 | .08425 | .04578 | .17682 | .20582 | .10157 | .11758 |
| TIME | G5 | G9 | G14 | G15 | G18 | G21 | G28 | G27 | G36 | G42 | G86 | G88 | G89 | | |
| 74 | .02076 | .00864 | .00433 | .03258 | .00747 | .00198 | .00219 | .01452 | .00727 | .00421 | .00370 | .01070 | .00107 | | |
| 84 | .02070 | .00825 | .00431 | .03049 | .00744 | .00210 | .00214 | .01396 | .00670 | .00409 | .00304 | .01027 | .00106 | | |
| 104 | .02545 | .00443 | .00420 | .02954 | .00819 | .00210 | .00210 | .01392 | .00667 | .00396 | .00349 | .01113 | .00103 | | |
| 124 | .02502 | .00910 | .00404 | .02948 | .00796 | .00210 | .00214 | .01393 | .00648 | .00343 | .00304 | .01148 | .00100 | | |
| 142 | .02503 | .00933 | .00404 | .03015 | .00820 | .00210 | .00222 | .01422 | .00635 | .00332 | .00343 | .01131 | .00104 | | |

ORIGINAL PAGE IS
OF POOR QUALITY

DATE 11-2-73

PROJECT NUMBER VA354-21FA

ARC, INC.

ARNOLD AIR FORCE STATION, TENN.

NASA / RT OR-11 SHUTTLE ORBITER TEST

HEAT TRANSFER DATA (Q/QREF)

| TIME | Q1 | Q2 | Q3 | Q6 | Q7 | Q8 | Q10 | Q11 | Q12 | Q13 | Q16 | Q23 | Q25 | Q26 | Q31 |
|------|--------|--------|--------|--------|--------|--------|--------|--------|--------|--------|--------|--------|--------|--------|--------|
| 74 | .61551 | .29900 | .19502 | .15500 | .11750 | .09800 | .07695 | .10400 | .11750 | .08735 | .06300 | .05600 | .09200 | .10400 | .05400 |
| 84 | .59000 | .29000 | .19000 | .15000 | .11500 | .09600 | .07200 | .09800 | .11163 | .08300 | .06200 | .05500 | .08800 | .09900 | .05200 |
| 104 | .59369 | .28000 | .18042 | .14500 | .11188 | .09566 | .07137 | .09600 | .11250 | .08000 | .06190 | .05100 | .08308 | .09200 | .05099 |
| 124 | .58707 | .27871 | .18437 | .14545 | .11502 | .09563 | .07086 | .09810 | .11130 | .08000 | .05814 | .05000 | .08200 | .09000 | .04700 |
| 142 | .55092 | .27695 | .18643 | .14145 | .10883 | .09293 | .06774 | .09800 | .10985 | .07839 | .05698 | .04950 | .08200 | .09034 | .04775 |
| TIME | Q34 | Q38 | Q41 | Q44 | Q47 | Q50 | Q52 | Q53 | Q54 | Q55 | Q56 | Q57 | Q59 | Q60 | Q61 |
| 74 | .05500 | .05000 | .05000 | .04100 | .05400 | .02950 | .09800 | .08200 | .07000 | .05800 | .06800 | .05800 | .15200 | .11250 | .10300 |
| 84 | .05400 | .05100 | .04800 | .04600 | .04400 | .02400 | .09443 | .08163 | .07016 | .05794 | .06400 | .05100 | .14800 | .10787 | .09992 |
| 104 | .04800 | .04400 | .03900 | .03600 | .03200 | .01700 | .09000 | .07900 | .06400 | .05100 | .04400 | .04400 | .13962 | .10000 | .09000 |
| 124 | .04600 | .04300 | .03800 | .03500 | .02478 | .01600 | .08800 | .07539 | .06200 | .04900 | .04742 | .03950 | .13000 | .09750 | .08700 |
| 142 | .04567 | .04311 | .03800 | .03400 | .02453 | .01600 | .08900 | .07487 | .06010 | .04900 | .04600 | .04100 | .13281 | .09263 | .08800 |
| TIME | Q62 | Q63 | Q64 | Q65 | Q66 | Q68 | Q69 | Q70 | Q71 | Q72 | Q74 | Q79 | Q80 | Q81 | |
| 74 | .02000 | .02000 | .04000 | .18800 | .12750 | .09300 | .19800 | .15900 | .13900 | .10000 | .05600 | .16897 | .19320 | .04900 | .19500 |
| 84 | .01800 | .00948 | .04000 | .18200 | .12250 | .08600 | .18800 | .13638 | .12471 | .08870 | .05125 | .16100 | .18800 | .04700 | .14000 |
| 104 | .01800 | .06100 | .03705 | .17200 | .10750 | .07800 | .17800 | .12645 | .11000 | .07900 | .04200 | .15847 | .18200 | .04496 | .12000 |
| 124 | .01800 | .06000 | .03300 | .16400 | .10250 | .07400 | .17626 | .11923 | .10400 | .07500 | .04000 | .15829 | .18200 | .04356 | .11500 |
| 142 | .01800 | .06000 | .03300 | .16000 | .10250 | .07400 | .18000 | .11800 | .09980 | .07500 | .04018 | .16000 | .18432 | .04090 | .10500 |
| TIME | Q85 | Q89 | Q14 | Q15 | Q18 | Q21 | Q28 | Q27 | Q36 | Q42 | Q86 | Q88 | Q89 | | |
| 74 | .02350 | .00759 | .00300 | .02861 | .00780 | .00173 | .00192 | .01275 | .00638 | .00370 | .00325 | .00940 | .00094 | | |
| 84 | .02350 | .00774 | .00319 | .02700 | .00690 | .00185 | .00189 | .01229 | .00590 | .00360 | .00320 | .00956 | .00093 | | |
| 104 | .02241 | .00420 | .00370 | .02600 | .00721 | .00185 | .00185 | .01225 | .00588 | .00348 | .00307 | .00980 | .00091 | | |
| 124 | .02200 | .00400 | .00300 | .02627 | .00700 | .00185 | .00185 | .01225 | .00570 | .00346 | .00320 | .01009 | .00088 | | |
| 142 | .02200 | .00420 | .00345 | .02650 | .00721 | .00185 | .00185 | .01250 | .00558 | .00300 | .00345 | .00994 | .00091 | | |

DATE = 11-7-73

PROJECT NUMBER X354-21FA

ARG, INC.

ARNOLD AIR FORCE STATION, TENN.

NASA / RI OM-11 SHUTTLE ORBITER TEST

TEST CONDITIONS TEST GAS NITROGEN

ANGLE OF ATTACK 45.000 DEG.

Q=0; ST=0 BASED ON .210 INCH RADIUS

MODEL LENGTH 23.226 INCHES

| TIME | P-INF | RHO-INF | I-INF | U-INF | H-INF | Q-INF | HE/FT | RE-1 | PO | TO | HO | QO BTU/ | STO | POP | HHEF BTU/ | |
|------|---------|-----------|-------|--------|--------|---------|---------|---------|------|-------|-----------|----------|--------|----------|-----------|----------|
| MSEC | PSIA | LBH/CU-FT | DEG | FT/SEC | FT/SEC | BTU/SEC | BTU/SEC | BTU/SEC | PSIA | DEG R | BTU/LBM | SOFT-SEC | PSIA | SOFT-SEC | PSIA | SOFT-SEC |
| 52 | .071248 | .001774 | 104.7 | 5048 | 11.45 | 6.541 | 3.8521 | 7.4557 | 7132 | 2588 | 7.087E 02 | 154.9 | .02598 | 12.086 | .0757 | |
| 66 | .062134 | .001372 | 118.3 | 6202 | 11.44 | 5.689 | 2.8019 | 5.4231 | 6547 | 2994 | 7.972E 02 | 167.3 | .02964 | 10.524 | .0711 | |
| 80 | .048080 | .001019 | 123.3 | 6324 | 11.42 | 4.392 | 2.0352 | 3.5392 | 5248 | 3016 | 8.284E 02 | 155.1 | .03463 | 8.126 | .0626 | |
| 94 | .039085 | .000901 | 115.0 | 6179 | 11.56 | 3.712 | 1.8876 | 3.6535 | 4662 | 2996 | 7.909E 02 | 133.7 | .03651 | 6.866 | .0567 | |
| 112 | .032008 | .000813 | 95.2 | 5641 | 11.64 | 3.132 | 2.1236 | 4.1102 | 3876 | 2453 | 6.587E 02 | 97.0 | .03589 | 5.783 | .0507 | |

ORIGINAL PAGE IS
OF POOR QUALITY

DATE = 11-7-73
 PROJECT SUMMER VASAM-21FA
 ARCO, INC.
 ARNOLD AIR FORCE STATION, TENN.
 NASA / RT OH-11 SHUTTLE ORBITER TEST

HEAT TRANSFER DATA (H / HREF)

| TIME | 01 | 02 | 03 | 06 | 07 | 08 | 010 | 011 | 012 | 013 | 016 | 023 | 025 | 026 | 031 |
|------|--------|--------|--------|--------|--------|--------|--------|--------|--------|--------|--------|--------|--------|--------|--------|
| 5r | .39100 | .40936 | .30108 | .25565 | .20870 | .18592 | .17259 | .20832 | .21418 | .11446 | .16037 | .14473 | .18010 | .18225 | .16081 |
| 60 | .54817 | .37711 | .27418 | .24563 | .19998 | .17718 | .15834 | .19756 | .19993 | .10832 | .13280 | .11661 | .15198 | .15186 | .10289 |
| 80 | .53969 | .34766 | .26093 | .21929 | .18377 | .16481 | .14595 | .18033 | .18621 | .18025 | .12839 | .11153 | .14435 | .14467 | .10315 |
| 92 | .51103 | .32728 | .24372 | .19864 | .17366 | .15646 | .13825 | .16483 | .17015 | .09121 | .12184 | .10135 | .12879 | .12625 | .08999 |
| 112 | .49427 | .33199 | .24931 | .20147 | .17406 | .15201 | .13223 | .15336 | .16529 | .08835 | .11771 | .09659 | .12342 | .12342 | .08585 |
| TIME | 034 | 038 | 041 | 044 | 047 | 052 | 053 | 054 | 055 | 056 | 057 | 059 | 060 | 061 | 062 |
| 52 | .18225 | .22256 | .25143 | .27873 | .32439 | .16949 | .17081 | .19208 | .22434 | .30805 | .28013 | .25333 | .24620 | .25896 | .27083 |
| 60 | .11234 | .19699 | .11769 | .16049 | .21579 | .13832 | .11014 | .11717 | .10663 | .14484 | .17202 | .14943 | .12601 | .11729 | .14904 |
| 80 | .05537 | .08321 | .08019 | .04584 | .09184 | .12156 | .10531 | .09274 | .07460 | .08577 | .09132 | .13380 | .10456 | .04673 | .08512 |
| 92 | .19488 | .07537 | .07203 | .07430 | .07552 | .11623 | .09319 | .09054 | .07464 | .07148 | .08063 | .12647 | .09304 | .02258 | .08064 |
| 112 | .09204 | .09057 | .08545 | .09172 | .09202 | .12322 | .10152 | .09079 | .07486 | .08138 | .08629 | .13093 | .10594 | .09029 | .08540 |
| TIME | 063 | 064 | 065 | 066 | 082 | 068 | 069 | 070 | 071 | 072 | 074 | 079 | 080 | 081 | 085 |
| 52 | .25108 | .24267 | .30186 | .30876 | .28744 | .35236 | .36526 | .28597 | .29717 | .20046 | .36021 | .42344 | .31779 | .31843 | .00826 |
| 60 | .14963 | .14260 | .15833 | .13761 | .16012 | .23853 | .16957 | .14444 | .14568 | .11473 | .25942 | .26515 | .17917 | .17697 | .00821 |
| 80 | .08011 | .06514 | .13548 | .08912 | .04534 | .21570 | .15354 | .10569 | .10153 | .07568 | .23080 | .25079 | .15142 | .13681 | .00797 |
| 92 | .17264 | .06756 | .12059 | .08093 | .08249 | .18910 | .12724 | .09210 | .08975 | .07140 | .21017 | .21876 | .14010 | .12693 | .00798 |
| 112 | .08340 | .07041 | .12151 | .08490 | .08565 | .18577 | .14865 | .10601 | .10656 | .07564 | .21945 | .22722 | .14843 | .12749 | .08803 |
| TIME | 09 | 014 | 015 | 018 | 021 | 028 | 027 | 036 | 042 | 086 | 088 | 089 | | | |
| 52 | .02249 | .02391 | .08470 | .01818 | .00190 | .00097 | .01877 | .00435 | .00415 | .00126 | .00630 | .00273 | | | |
| 60 | .02201 | .02250 | .08209 | .01710 | .00205 | .00098 | .01847 | .00433 | .00353 | .00116 | .00621 | .00268 | | | |
| 80 | .02052 | .02132 | .07047 | .01640 | .00222 | .00100 | .01757 | .00349 | .00296 | .00107 | .00604 | .00251 | | | |
| 92 | .02052 | .02152 | .07704 | .01546 | .00224 | .00100 | .01667 | .00349 | .00295 | .00105 | .00599 | .00245 | | | |
| 112 | .01990 | .01950 | .07341 | .01549 | .00227 | .00103 | .01652 | .00390 | .00298 | .00106 | .00585 | .00235 | | | |

| | | | | | | | | | | | | | | | | | | | | | | | | | | | | | | | | | | | | | | | | | | | | | | | | | | | | |
|------|----|----|----|----|----|----|----|----|----|----|----|----|----|----|----|----|----|----|----|----|----|----|----|----|----|----|----|----|----|----|----|----|----|----|----|----|----|----|----|----|----|----|----|----|----|----|----|----|----|----|----|----|
| TIME | 01 | 02 | 03 | 04 | 05 | 06 | 07 | 08 | 09 | 10 | 11 | 12 | 13 | 14 | 15 | 16 | 17 | 18 | 19 | 20 | 21 | 22 | 23 | 24 | 25 | 26 | 27 | 28 | 29 | 30 | 31 | 32 | 33 | 34 | 35 | 36 | 37 | 38 | 39 | 40 | 41 | 42 | 43 | 44 | 45 | 46 | 47 | 48 | 49 | 50 | 51 | 52 |
| TIME | 01 | 02 | 03 | 04 | 05 | 06 | 07 | 08 | 09 | 10 | 11 | 12 | 13 | 14 | 15 | 16 | 17 | 18 | 19 | 20 | 21 | 22 | 23 | 24 | 25 | 26 | 27 | 28 | 29 | 30 | 31 | 32 | 33 | 34 | 35 | 36 | 37 | 38 | 39 | 40 | 41 | 42 | 43 | 44 | 45 | 46 | 47 | 48 | 49 | 50 | 51 | 52 |
| TIME | 01 | 02 | 03 | 04 | 05 | 06 | 07 | 08 | 09 | 10 | 11 | 12 | 13 | 14 | 15 | 16 | 17 | 18 | 19 | 20 | 21 | 22 | 23 | 24 | 25 | 26 | 27 | 28 | 29 | 30 | 31 | 32 | 33 | 34 | 35 | 36 | 37 | 38 | 39 | 40 | 41 | 42 | 43 | 44 | 45 | 46 | 47 | 48 | 49 | 50 | 51 | 52 |

DATE = 11-7-73
 PRODUCT NUMBER VA354-21FA
 ARJ, Inc.
 ARJLD AIR FORCE STATION, TENN.
 NASA / RI ON-11 SHUTTLE ORBITER TEST
 HEAD TRANSFER DATA (O/NHEP)

DATE = 11-7-73

PROJECT NUMBER YA354-21FR

ARC, INC.

ARMED AIR FORCE STATION, TENN.

NASA / RT 00-11 SHUTTLE ORBITER TEST

TEST CONDITIONS:

TEST GAS NITROGEN

U=0, ST=0 BASED ON .210 INCH RADIUS

ANGLE OF ATTACK 30.000 DEG.

MODEL LENGTH 23.226 INCHES.

| TIME | P-INF | RHO-INF | T-INF | U-INF | N-INF | S-INF | HE/FT | RE=L | PO | TO | HO | OD HTU/ | STO | POP | HREF HTU/ |
|------|---------|-----------|-------|--------|-------|-------|--------|--------|-------|---------|-----------|---------|----------|--------|-----------|
| MSec | PSIA | LRM/CM-FT | DEG R | FT/SEC | PSIA | X10-6 | X10-6 | PSIA | DFG R | BTU/LBM | SOFT-SEC | PSIA | SOFT-SEC | PSIA | SOFT-SEC |
| 66 | .062244 | .001765 | 93.0 | 5587 | 11.58 | 5.939 | 3.1031 | 7.5416 | 6660 | 2375 | 6.464E 02 | 130.2 | .02576 | 10.966 | .0769 |
| 70 | .054522 | .001253 | 110.1 | 6034 | 11.53 | 5.075 | 2.7591 | 5.3402 | 5998 | 2756 | 7.541E 02 | 148.4 | .03066 | 9.383 | .0669 |
| 90 | .040306 | .000940 | 112.2 | 6126 | 11.60 | 3.805 | 2.0008 | 3.8726 | 4810 | 2848 | 7.770E 02 | 132.0 | .03563 | 7.037 | .0572 |
| 130 | .028749 | .000698 | 107.6 | 6014 | 11.63 | 2.722 | 1.5201 | 2.9421 | 3545 | 2768 | 7.488E 02 | 107.6 | .04168 | 5.032 | .0483 |

DATE * 11-7-73

PROJECT NUMBER VA354-21FA

ARU, INC.

ARMOLO AIR FORCE STATION, TENN.

NASA / RT 00-11 SHUTTLE ORBITER TEST

HEAT TRANSFER DATA (H / HREF)

| TIME | 01 | 02 | 03 | 06 | 07 | 08 | 010 | 011 | 012 | 013 | 016 | 023 | 025 | 026 | 031 |
|------|--------|--------|--------|--------|--------|--------|--------|--------|--------|--------|--------|--------|--------|--------|--------|
| 60 | .60000 | .33846 | .23147 | .19898 | .15497 | .13668 | .11124 | .15519 | .16665 | .10941 | .09614 | .08770 | .11988 | .12848 | .08320 |
| 70 | .55128 | .31204 | .21352 | .17865 | .14057 | .12143 | .11336 | .14226 | .15448 | .09821 | .08924 | .08280 | .10629 | .11444 | .07608 |
| 90 | .51409 | .28258 | .19499 | .15615 | .12845 | .11031 | .09328 | .12524 | .13686 | .08898 | .08187 | .07385 | .09843 | .10415 | .06707 |
| 130 | .52121 | .29435 | .19517 | .16339 | .13177 | .11401 | .09335 | .12446 | .13780 | .08792 | .08143 | .07160 | .09655 | .10122 | .06536 |

| TIME | 034 | 038 | 041 | 044 | 047 | 050 | 052 | 053 | 054 | 055 | 056 | 057 | 059 | 060 | 061 |
|------|--------|--------|--------|--------|--------|--------|--------|--------|--------|--------|--------|--------|--------|--------|--------|
| 60 | .08442 | .09219 | .10794 | .15483 | .17161 | .14837 | .11535 | .09960 | .08389 | .08848 | .10150 | .12428 | .15463 | .13156 | .12265 |
| 70 | .07552 | .07049 | .06490 | .07008 | .09283 | .08023 | .10161 | .08688 | .07237 | .06465 | .07294 | .07873 | .13420 | .10152 | .10182 |
| 90 | .06750 | .06387 | .05549 | .05925 | .05639 | .03749 | .09270 | .07790 | .06118 | .04566 | .04474 | .04495 | .12417 | .09581 | .08610 |
| 130 | .06144 | .05818 | .05259 | .05058 | .04515 | .02015 | .09457 | .07796 | .07014 | .04904 | .04219 | .04273 | .12429 | .09709 | .08300 |

| TIME | 062 | 063 | 064 | 065 | 066 | 068 | 069 | 070 | 071 | 072 | 074 | 079 | 080 | 081 | |
|------|--------|--------|--------|--------|--------|--------|--------|--------|--------|--------|--------|--------|--------|--------|--------|
| 60 | .11497 | .10735 | .07853 | .17235 | .14589 | .14050 | .14437 | .11111 | .08217 | .08813 | .06317 | .39453 | .25823 | .37549 | .43359 |
| 70 | .08902 | .08182 | .05640 | .14944 | .10503 | .10302 | .13264 | .09293 | .06957 | .06663 | .04510 | .25394 | .23728 | .29150 | .34868 |
| 90 | .08909 | .06973 | .03873 | .13702 | .09225 | .04303 | .12148 | .09315 | .06523 | .05874 | .04126 | .14395 | .22235 | .18002 | .24866 |
| 130 | .06462 | .06146 | .03000 | .14723 | .08844 | .08045 | .12117 | .09331 | .06691 | .06218 | .04509 | .16619 | .22070 | .11043 | .28777 |

| TIME | 085 | 089 | 014 | 015 | 018 | 021 | 028 | 027 | 036 | 042 | 086 | 088 | 089 |
|------|--------|--------|--------|--------|--------|--------|--------|--------|--------|--------|--------|--------|--------|
| 60 | .11826 | .00804 | .00804 | .04256 | .00735 | .00201 | .00154 | .01689 | .00597 | .00448 | .00190 | .00851 | .00152 |
| 70 | .01759 | .00754 | .00727 | .03997 | .00742 | .00194 | .00151 | .01597 | .00565 | .00434 | .00194 | .00834 | .00142 |
| 90 | .01620 | .00719 | .00002 | .03879 | .00787 | .00192 | .00146 | .01460 | .00542 | .00445 | .00205 | .00844 | .00123 |
| 130 | .01600 | .00776 | .00005 | .04146 | .00838 | .00194 | .00151 | .01530 | .00548 | .00491 | .00234 | .00913 | .00153 |

ORIGINAL PAGE IS
OF POOR QUALITY

DATE * 11- 7-73

PROJECT NUMBER, W3354-21FA

ARL, INC.

ARNOLD AIR FORCE STATION, TENN.

NASA / RI OR-11 SHUTTLE ORBITER TEST

HEAT TRANSFER DATA (U/UREF)

| TIME | 01 | 02 | 03 | 06 | 07 | 08 | 010 | 011 | 012 | 013 | 016 | 023 | 025 | 026 | 031 |
|------|--------|--------|--------|--------|--------|--------|--------|--------|--------|--------|--------|--------|--------|--------|--------|
| 60 | .54855 | .31912 | .21376 | .18200 | .14054 | .12328 | .09964 | .13900 | .14027 | .09525 | .08578 | .07800 | .10662 | .11427 | .07400 |
| 70 | .55000 | .29500 | .19800 | .16400 | .12800 | .11000 | .10200 | .12800 | .13000 | .08000 | .08000 | .07400 | .09500 | .10228 | .06800 |
| 90 | .51370 | .26761 | .18000 | .14344 | .11705 | .10000 | .09400 | .11279 | .12325 | .07800 | .07346 | .06606 | .08805 | .09317 | .06000 |
| 130 | .57000 | .27425 | .18100 | .15000 | .12000 | .10329 | .09400 | .11200 | .12400 | .07100 | .07300 | .06400 | .08630 | .09048 | .05842 |
| TIME | 034 | 038 | 041 | 044 | 047 | 050 | 052 | 053 | 054 | 055 | 056 | 057 | 059 | 060 | 061 |
| 60 | .07500 | .08200 | .09000 | .13700 | .15122 | .12975 | .10400 | .08900 | .07500 | .07400 | .09000 | .10994 | .14000 | .11872 | .11034 |
| 70 | .06750 | .06300 | .05000 | .06000 | .08223 | .08000 | .09200 | .07800 | .06500 | .05800 | .06500 | .07000 | .12200 | .09200 | .09200 |
| 90 | .06020 | .05714 | .05000 | .05000 | .05000 | .03300 | .08400 | .07000 | .05500 | .04100 | .03990 | .04600 | .11297 | .08690 | .07786 |
| 130 | .05492 | .05200 | .04700 | .04521 | .04000 | .02300 | .09600 | .07000 | .06300 | .04400 | .03700 | .03800 | .11300 | .08800 | .07500 |
| TIME | 062 | 063 | 064 | 065 | 066 | 062 | 068 | 069 | 070 | 071 | 072 | 074 | 079 | 080 | 081 |
| 60 | .10205 | .09700 | .06002 | .15500 | .13139 | .12529 | .13000 | .10000 | .07500 | .07900 | .05574 | .35565 | .23300 | .33853 | .39000 |
| 70 | .09000 | .07500 | .05000 | .13500 | .09500 | .09204 | .12000 | .08400 | .06300 | .06000 | .04000 | .22989 | .21500 | .26394 | .31500 |
| 90 | .06233 | .05708 | .03407 | .12307 | .08351 | .07500 | .10955 | .08427 | .05911 | .05293 | .03663 | .16066 | .20163 | .14500 | .27000 |
| 130 | .05408 | .05500 | .03104 | .13300 | .08000 | .07209 | .10959 | .08435 | .06000 | .05000 | .04000 | .15047 | .20000 | .10000 | .20000 |
| TIME | 085 | 09 | 014 | 015 | 018 | 021 | 028 | 027 | 036 | 042 | 086 | 088 | 089 | | |
| 60 | .01500 | .00700 | .00700 | .03705 | .00600 | .00175 | .00134 | .01470 | .00520 | .00390 | .00165 | .00741 | .00132 | | |
| 70 | .01500 | .00600 | .00617 | .03500 | .00650 | .00170 | .00132 | .01394 | .00445 | .00380 | .00170 | .00730 | .00124 | | |
| 90 | .01420 | .00630 | .00580 | .03400 | .00690 | .00108 | .00128 | .01280 | .00470 | .00390 | .00180 | .00740 | .00108 | | |
| 130 | .01471 | .00600 | .00600 | .03666 | .00760 | .00170 | .00132 | .01340 | .00480 | .00430 | .00205 | .00800 | .00134 | | |

DATE * 11- 7-73

PROJECT NUMBER VA354-21FA

ARG. INC.

ARNOLD AIR FORCE STATION, TENN.

NASA / RI OR-11 SHUTTLE ORBITER TEST

TEST CONDITIONS

TEST GAS NITROGEN

U=0, ST=0 BASED ON .210 INCH RADIUS

ANGLE OF ATTACK 35,000 DEG.

MODEL LENGTH 23.226 INCHES

| TIME | P-INF | RHO-INF | T-INF | U-INF | M-INF | Q-INF | RE/FT | RE-L | PO | TO | HO | OO BTU/ | STO | POP | HREF | BTU/ |
|------|---------|----------|-------|--------|-------|-------|--------|--------|-------|-------|-----------|----------|--------|-------|----------|------|
| MSEC | PSIA | LB/CC-FT | DEG R | FT/SEC | | PSIA | X10-6 | X10-6 | PSIA | DFG R | BTU/LBM | SOFT-SEC | | PSIA | SOFT-SEC | |
| 84 | .034907 | .001157 | 11.1 | 6530 | 14.55 | 5.320 | 3.6316 | 7.0289 | 17513 | 3014 | 8.715E 02 | 182.8 | .03278 | 9.858 | .0739 | |
| 102 | .033951 | .000945 | 93.8 | 6914 | 14.32 | 4.872 | 2.7142 | 5.2534 | 16012 | 3375 | 9.778E 02 | 205.3 | .03722 | 9.037 | .0724 | |
| 124 | .030915 | .000767 | 104.4 | 7206 | 14.15 | 4.297 | 2.0635 | 3.9439 | 14209 | 3670 | 1.063E 03 | 213.4 | .04153 | 7.975 | .0682 | |
| 150 | .027539 | .000526 | 104.9 | 7182 | 14.07 | 3.814 | 1.8295 | 3.5409 | 12468 | 3668 | 1.056E 03 | 199.5 | .04391 | 7.079 | .0638 | |

DATE = 11-7-73

PROJECT NUMBER VA354-21EA

ARJ: IAC.

ARABLO AIR FORCE STATION, TENN.

NASA / RI OR-11 SHUTTLE ORBITER TEST

HEAT TRANSFER DATA (H / HREF)

| TIME | 01 | 02 | 03 | 06 | 07 | 08 | 010 | 011 | 012 | 013 | 016 | 023 | 025 | 026 | 031 |
|------|--------|--------|--------|--------|--------|--------|--------|--------|--------|--------|--------|--------|--------|--------|--------|
| 84 | .66120 | .41335 | .28147 | .24255 | .19016 | .16939 | .13989 | .16796 | .17719 | .11030 | .12065 | .11440 | .14222 | .14803 | .12760 |
| 102 | .65062 | .39416 | .27162 | .23549 | .18981 | .16472 | .13651 | .16352 | .17085 | .10913 | .11649 | .10390 | .13170 | .14048 | .10536 |
| 124 | .64017 | .39704 | .28611 | .22990 | .18958 | .16668 | .13504 | .16507 | .17861 | .12008 | .11803 | .09850 | .12932 | .14027 | .09206 |
| 150 | .59748 | .36265 | .24668 | .20593 | .17053 | .15328 | .12875 | .16119 | .17329 | .09798 | .11207 | .08928 | .12589 | .13058 | .08614 |

| TIME | 034 | 038 | 041 | 044 | 047 | 050 | 052 | 053 | 054 | 055 | 056 | 057 | 059 | 060 | 061 |
|------|--------|--------|--------|--------|--------|--------|--------|--------|--------|--------|--------|--------|--------|--------|--------|
| 84 | .14080 | .15180 | .17054 | .17820 | .19087 | .13414 | .15642 | .16647 | .16202 | .18632 | .20410 | .16806 | .23265 | .20622 | .20681 |
| 102 | .12073 | .12512 | .13170 | .14487 | .15054 | .12109 | .14682 | .14810 | .14605 | .15831 | .17522 | .13787 | .21926 | .17873 | .17923 |
| 124 | .10459 | .10459 | .11507 | .12055 | .13262 | .10205 | .13850 | .13314 | .11592 | .12013 | .12986 | .10662 | .19043 | .14920 | .14103 |
| 150 | .08430 | .08767 | .09315 | .09370 | .12163 | .08903 | .12458 | .11337 | .10172 | .08191 | .10440 | .09361 | .16579 | .12743 | .11350 |

| TIME | 062 | 063 | 064 | 065 | 066 | 082 | 068 | 069 | 070 | 072 | 074 | 079 | 080 | 081 | 085 |
|------|--------|--------|--------|--------|--------|--------|--------|--------|--------|--------|--------|--------|--------|--------|--------|
| 84 | .22708 | .18239 | .13230 | .25042 | .21747 | .18654 | .25013 | .25024 | .21722 | .12634 | .28707 | .30020 | .1907 | .31352 | .01142 |
| 102 | .17468 | .14409 | .10713 | .23341 | .20076 | .17784 | .21558 | .22802 | .19725 | .11276 | .24939 | .24918 | .37008 | .20642 | .01164 |
| 124 | .11083 | .11222 | .08241 | .18441 | .15173 | .11499 | .20555 | .18930 | .15349 | .07947 | .23824 | .24118 | .30568 | .15733 | .01176 |
| 150 | .10053 | .09922 | .06082 | .15793 | .11267 | .05305 | .19847 | .16576 | .12499 | .06379 | .22884 | .24575 | .25967 | .13697 | .01218 |

| TIME | 09 | 014 | 015 | 018 | 021 | 028 | 027 | 036 | 042 | 066 | 089 | 3088 |
|------|--------|--------|--------|--------|--------|--------|--------|--------|--------|--------|--------|--------|
| 84 | .00996 | .01708 | .06115 | .00924 | .00233 | .00097 | .01709 | .00118 | .00185 | .00148 | .00215 | .00879 |
| 102 | .00940 | .01630 | .05903 | .00954 | .00238 | .00122 | .01718 | .00095 | .00123 | .00132 | .00215 | .01042 |
| 124 | .00935 | .01507 | .05841 | .01098 | .00258 | .00127 | .01659 | .00089 | .00097 | .00134 | .00211 | .01096 |
| 150 | .00935 | .01382 | .05720 | .01020 | .00239 | .00162 | .01646 | .00129 | .00152 | .00181 | .00208 | .01203 |

DATE # 11-7-73

PROJECT NUMBER VA354-21FA

ARL INC.

ARNOLD AIR FORCE STATION, TENN.

NASA / RI OM-11 SHUTTLE CRUITCH TEST

HEAT TRANSFER DATA (Q/DREF)

| TIME | Q1 | Q2 | Q3 | Q6 | Q7 | Q8 | Q10 | Q11 | Q12 | Q13 | Q16 | Q23 | Q25 | Q26 | Q31 |
|------|--------|--------|--------|--------|--------|--------|--------|--------|--------|--------|--------|--------|--------|--------|--------|
| H4 | .66191 | .39600 | .26500 | .22622 | .17600 | .15600 | .12800 | .15369 | .16213 | .09686 | .11000 | .10400 | .12929 | .13454 | .11600 |
| 102 | .65944 | .37800 | .25010 | .22000 | .17600 | .15200 | .12518 | .15000 | .16400 | .09614 | .10644 | .09467 | .12000 | .12800 | .09600 |
| 124 | .64990 | .38160 | .27000 | .21500 | .17600 | .15400 | .12400 | .15157 | .16400 | .10000 | .10800 | .08988 | .11800 | .12800 | .08400 |
| 150 | .59732 | .34800 | .23467 | .19259 | .15831 | .14162 | .11822 | .14800 | .15912 | .08049 | .10255 | .08202 | .11447 | .11915 | .07860 |
| TIME | Q34 | Q38 | Q41 | Q44 | Q47 | Q50 | Q52 | Q53 | Q54 | Q55 | Q56 | Q57 | Q59 | Q60 | Q61 |
| H4 | .12800 | .13800 | .15500 | .16200 | .17200 | .12000 | .14400 | .15200 | .14800 | .17000 | .18500 | .15200 | .21500 | .19000 | .19000 |
| 102 | .11800 | .11400 | .12000 | .13200 | .13600 | .10916 | .14543 | .13562 | .13370 | .14476 | .15920 | .12500 | .20300 | .18500 | .16500 |
| 124 | .10030 | .10000 | .10500 | .11000 | .12000 | .09170 | .12800 | .12200 | .10626 | .11000 | .11817 | .09681 | .17653 | .13791 | .13000 |
| 150 | .07665 | .08000 | .08500 | .08550 | .11006 | .08000 | .11505 | .10388 | .09325 | .07500 | .09500 | .08500 | .15368 | .11778 | .10462 |
| TIME | Q62 | Q63 | Q64 | Q65 | Q66 | Q82 | Q68 | Q69 | Q70 | Q72 | Q74 | Q79 | Q80 | Q81 | Q5 |
| H4 | .19000 | .16000 | .11800 | .23000 | .20000 | .17000 | .24000 | .23000 | .20000 | .11400 | .26423 | .27711 | .38579 | .24800 | .01003 |
| 102 | .16000 | .13600 | .09000 | .21500 | .18500 | .16243 | .19900 | .21000 | .18198 | .10200 | .23000 | .23000 | .34136 | .19000 | .01025 |
| 124 | .12900 | .10400 | .07400 | .16994 | .14000 | .10518 | .19000 | .17456 | .14178 | .07200 | .22000 | .22290 | .28231 | .14500 | .01038 |
| 150 | .09808 | .09063 | .06000 | .14554 | .10395 | .08511 | .10310 | .15286 | .11545 | .05779 | .21132 | .22711 | .24000 | .12624 | .01075 |
| TIME | Q9 | Q14 | Q15 | Q18 | Q21 | Q28 | Q27 | Q36 | Q42 | Q86 | Q89 | 3088 | | | |
| H4 | .00875 | .01500 | .05370 | .00812 | .00205 | .00085 | .01500 | .00104 | .00162 | .00130 | .00189 | .00808 | | | |
| 102 | .00803 | .01436 | .05200 | .00840 | .00210 | .00107 | .01514 | .00084 | .00108 | .00116 | .00190 | .00959 | | | |
| 124 | .00825 | .01330 | .05200 | .00840 | .00228 | .00112 | .01500 | .00078 | .00086 | .00118 | .00186 | .01010 | | | |
| 150 | .00825 | .01220 | .05049 | .00900 | .00255 | .00143 | .01453 | .00114 | .00134 | .00160 | .00184 | .01108 | | | |

ORIGINAL PAGE IS OF POOR QUALITY

DATE = 11-1-73

PROJECT NUMBER VA354-21FA

AHU, INC.

ARMED AIR FORCE STATION, IENH.

NASA / RI OR-11 SHUTTLE ORBITER TEST

TEST CONDITIONS TEST GAS NITROGEN
ANGLE OF ATTACK 35.000 DEG.

U=0, ST=0 BASED ON .210 INCH RADIUS
MODEL LENGTH 23.226 INCHES

| TIME | P-INF | RHO-INF | T-INF | U-INF | V-INF | Q-INF | RE/FT | RE-L | PO | TO | HO | OO BTU/ | STO | POP | HREF BTU/ |
|------|---------|-----------|-------|--------|-------|-------|--------|--------|------|-------|-----------|----------|--------|-------|-----------|
| HSEC | PSIA | LHM/CU-FT | DEG R | FT/SFC | | PSIA | X10-6 | X10-6 | PSIA | DFG R | BTU/LHM | SOFT-SEC | | PSIA | SOFT-SEC |
| 116 | .020208 | .000715 | 73.0 | 6145 | 14.35 | 2.911 | 2.3182 | 4.4869 | 9336 | 2777 | 7.723E 02 | 114.6 | .04085 | 5.388 | .0512 |
| 120 | .019111 | .000626 | 78.4 | 6336 | 14.35 | 2.754 | 2.0022 | 3.8752 | 9123 | 2942 | 8.211E 02 | 121.3 | .04378 | 5.101 | .0505 |
| 142 | .018203 | .000527 | 90.2 | 6073 | 14.10 | 2.532 | 1.5201 | 2.9422 | 8199 | 3250 | 9.116E 02 | 133.7 | .04886 | 4.692 | .0493 |
| 164 | .015926 | .000446 | 93.0 | 6798 | 14.10 | 2.223 | 1.2622 | 2.4429 | 7423 | 3373 | 9.461E 02 | 131.5 | .05338 | 4.121 | .0464 |

DATE = 11-1-73

PROJECT NUMBER VA35A-21FA

ARCO, INC.

ARNOLD AIR FORCE STATION, TENN.

NASA / RI OR-11 SHUTTLE ORBITER TEST

HEAT TRANSFER DATA (H / HREF)

| TIME | Q1 | Q2 | Q3 | Q6 | Q7 | Q8 | Q10 | Q11 | Q12 | Q13 | Q16 | Q23 | Q25 | Q26 | Q31 |
|------|--------|---------|--------|--------|--------|--------|--------|--------|--------|--------|--------|--------|--------|--------|--------|
| 116 | .62018 | .37608 | .26545 | .22547 | .17963 | .15661 | .12763 | .15327 | .17079 | .10846 | .10994 | .08596 | .13644 | .14878 | .08156 |
| 120 | .62017 | .38108 | .26041 | .23157 | .18159 | .16077 | .12968 | .15526 | .17057 | .10940 | .11133 | .08695 | .13482 | .15005 | .08255 |
| 142 | .62017 | .38567 | .27589 | .23861 | .18397 | .16228 | .12570 | .16019 | .17081 | .10681 | .10536 | .08653 | .12905 | .14093 | .08127 |
| 164 | .65018 | .78351 | .29164 | .23521 | .19844 | .17339 | .12513 | .15704 | .17731 | .10274 | .10353 | .09219 | .12622 | .13445 | .08231 |
| TIME | Q34 | Q38 | Q41 | Q44 | Q47 | Q50 | Q52 | Q53 | Q54 | Q55 | Q56 | Q57 | Q59 | Q61 | Q62 |
| 116 | .07935 | .07715 | .08938 | .07271 | .07196 | .04309 | .13601 | .10753 | .08883 | .07900 | .07738 | .07090 | .16691 | .10903 | .08988 |
| 120 | .07924 | .07704 | .08274 | .06714 | .06884 | .04250 | .13645 | .10739 | .08982 | .08005 | .07616 | .06855 | .16888 | .10890 | .08976 |
| 142 | .07721 | .07249 | .07340 | .06590 | .06093 | .03794 | .13018 | .10776 | .09073 | .08098 | .07600 | .06402 | .16859 | .10898 | .08715 |
| 164 | .07917 | .07995 | .06773 | .05993 | .05504 | .03507 | .13010 | .10797 | .09176 | .08093 | .07893 | .06851 | .16196 | .10846 | .08395 |
| TIME | Q63 | Q64 | Q65 | Q66 | Q82 | Q68 | Q69 | Q70 | Q72 | Q74 | Q79 | Q80 | Q81 | Q85 | Q89 |
| 116 | .08146 | .05820 | .16141 | .12525 | .10773 | .20044 | .16565 | .12511 | .05997 | .21764 | .23920 | .23937 | .14721 | .01227 | .00959 |
| 120 | .08170 | .04477 | .16334 | .12230 | .10346 | .15995 | .16651 | .12359 | .05738 | .21847 | .24152 | .22822 | .14159 | .01225 | .00957 |
| 142 | .08008 | .04662 | .16091 | .11561 | .09448 | .19766 | .16732 | .12474 | .06033 | .21670 | .23949 | .15453 | .13438 | .01245 | .00943 |
| 164 | .07697 | .04027 | .15236 | .11113 | .08944 | .20839 | .17156 | .12466 | .05866 | .21686 | .23473 | .13043 | .11804 | .01249 | .01011 |
| TIME | Q14 | Q15 | Q18 | Q21 | Q28 | Q27 | Q36 | Q42 | Q86 | Q88 | Q89 | | | | |
| 116 | .01541 | .00165 | .01153 | .00291 | .00133 | .01668 | .00071 | .00086 | .00206 | .00068 | .00217 | | | | |
| 120 | .01529 | .00224 | .01156 | .00296 | .00143 | .01616 | .00080 | .00103 | .00211 | .00066 | .00204 | | | | |
| 142 | .01449 | .005757 | .01165 | .00315 | .00164 | .01666 | .00111 | .00165 | .00239 | .00920 | .00177 | | | | |
| 164 | .01437 | .00076 | .01233 | .00318 | .00190 | .01719 | .00114 | .00220 | .00264 | .01029 | .00186 | | | | |

DATE = 11-1-73

PROJECT NUMBER VA354-21FA

ARD, INC.

ARNOLD AIR FORCE STATION, TENN.

NASA / RI OR-11 SHUTTLE ORBITER TEST

HEAT TRANSFER DATA (Q/QHEF)

| TIME | 01 | 02 | 03 | 06 | 07 | 08 | 010 | 011 | 012 | 013 | 016 | 023 | 025 | 026 | 031 |
|------|--------|--------|--------|--------|--------|--------|--------|--------|--------|--------|--------|--------|--------|--------|--------|
| 116 | .62000 | .39000 | .25000 | .21000 | .16600 | .14600 | .11658 | .14000 | .15600 | .09500 | .10000 | .07800 | .12380 | .13500 | .07400 |
| 120 | .67000 | .36000 | .25300 | .21589 | .16800 | .14800 | .11860 | .14200 | .15600 | .09600 | .10145 | .07900 | .12250 | .13633 | .07500 |
| 142 | .62000 | .36969 | .26000 | .22279 | .17049 | .14905 | .11519 | .13680 | .15653 | .09400 | .09621 | .07879 | .11750 | .12831 | .07400 |
| 164 | .65000 | .36778 | .27000 | .21973 | .18400 | .16000 | .11474 | .14400 | .15800 | .09051 | .09460 | .08400 | .11500 | .12250 | .07500 |
| TIME | 034 | 038 | 041 | 044 | 047 | 050 | 052 | 053 | 054 | 055 | 056 | 057 | 059 | 061 | 062 |
| 116 | .07200 | .07000 | .08110 | .06598 | .06471 | .03900 | .12500 | .09800 | .08100 | .07200 | .07000 | .06400 | .15400 | .10800 | .08200 |
| 120 | .07200 | .07000 | .07522 | .06100 | .06200 | .03800 | .12555 | .09800 | .08200 | .07300 | .06900 | .06196 | .15600 | .10000 | .08200 |
| 142 | .07000 | .06500 | .06720 | .06000 | .05500 | .03400 | .12000 | .09854 | .08300 | .07400 | .06900 | .05400 | .15600 | .10027 | .07977 |
| 164 | .07214 | .05465 | .06171 | .05461 | .04973 | .03200 | .12000 | .09880 | .08400 | .07400 | .07172 | .06212 | .14995 | .09985 | .07690 |
| TIME | 063 | 064 | 065 | 066 | 082 | 068 | 069 | 070 | 072 | 074 | 079 | 080 | 081 | 05 | 09 |
| 116 | .07400 | .05200 | .14000 | .11500 | .09800 | .18400 | .15200 | .11500 | .05400 | .20000 | .22000 | .22000 | .13500 | .01075 | .00840 |
| 120 | .07400 | .04000 | .15000 | .11242 | .09423 | .18377 | .15297 | .11374 | .05175 | .20146 | .22739 | .21000 | .13000 | .01075 | .00840 |
| 142 | .07300 | .04175 | .14000 | .10646 | .08623 | .18200 | .15400 | .11500 | .05453 | .19979 | .22042 | .14245 | .12361 | .01096 | .00830 |
| 164 | .07021 | .04148 | .14022 | .10240 | .08169 | .18200 | .15800 | .11500 | .05306 | .20000 | .21666 | .12031 | .10865 | .01100 | .00890 |
| TIME | 014 | 015 | 018 | 021 | 028 | 027 | 036 | 042 | 086 | 088 | 089 | | | | |
| 116 | .01350 | .05400 | .01010 | .00255 | .00116 | .01461 | .00062 | .00075 | .00180 | .00760 | .00190 | | | | |
| 120 | .01342 | .05441 | .01015 | .00260 | .00125 | .01418 | .00070 | .00090 | .00185 | .00760 | .00179 | | | | |
| 142 | .01275 | .05467 | .01025 | .00277 | .00144 | .01466 | .00097 | .00145 | .00210 | .00810 | .00155 | | | | |
| 164 | .01266 | .05000 | .01087 | .00280 | .00167 | .01515 | .00100 | .00194 | .00232 | .00906 | .00164 | | | | |

DATE = 11-1-73

PROJECT NUMBER VA354-21FA

ARR. INC.

AR. OLD AIR FORCE STATION, TENN.

NASA / RI ON-11 SHUTTLE ORBITER TEST

TEST CONDITIONS TEST GAS NITROGEN
ANGLE OF ATTACK 25.000 DEG.

Q=0, ST=0 BASED ON .210 INCH RADIUS
MODEL LENGTH 23.226 INCHES

| TIME | P-INF | RHO-INF | T-INF | U-INF | H-INF | Q-INF | RE/FT | RE=L | PO | TO | HO | QO BTU/ | STO | POP | HREF BTU/ |
|------|---------|-----------|-------|--------|-------|-------|-------|--------|------|-------|-----------|----------|--------|-------|-----------|
| PSEC | PSIA | LBM/CU-FT | DEG R | FT/SEC | | PSIA | X10-6 | X10-6 | PSIA | DFG R | BTU/LBM | SQFT-SEC | | PSIA | SQFT-SEC |
| 72 | .032298 | .000553 | 152.4 | 6825 | 11.09 | 2.780 | .9657 | 1.8691 | 3240 | 3494 | 9.674E 02 | 152.9 | .04853 | 5.150 | .0518 |
| 92 | .025517 | .000434 | 153.7 | 6850 | 11.08 | 2.194 | .7531 | 1.4577 | 2602 | 3523 | 9.744E 02 | 137.0 | .05484 | 4.065 | .0459 |
| 112 | .019542 | .000344 | 148.9 | 6783 | 11.15 | 1.705 | .6099 | 1.1405 | 2092 | 3465 | 9.555E 02 | 117.9 | .06153 | 3.158 | .0403 |
| 134 | .016289 | .000326 | 130.4 | 6384 | 11.21 | 1.434 | .6224 | 1.2046 | 1739 | 3107 | 8.458E 02 | 91.0 | .06136 | 2.653 | .0355 |

ORIGINAL PAGE IS
OF FOUR OTHERS

DATE * 11-1-73

PROJECT NUMBER VA35A-23FA

ARG, INC.

AR OLD AIR FORCE STATION, TENN.

NASA / RI OR-11 SHUTTLE ORBITER TEST

HEAT TRANSFER DATA (H / HREF)

| TIME | G1 | G2 | G3 | G6 | G7 | G8 | G10 | G11 | G12 | G13 | G16 | G23 | G25 | G26 | G31 |
|------|--------|--------|--------|--------|--------|--------|--------|--------|--------|--------|--------|--------|--------|--------|--------|
| 72 | .04953 | .33288 | .23749 | .19745 | .15737 | .13854 | .11335 | .14583 | .15695 | .09187 | .10399 | .09312 | .11480 | .11626 | .08336 |
| 92 | .04515 | .34349 | .23423 | .19471 | .15520 | .13949 | .11842 | .14984 | .16128 | .09636 | .10389 | .09431 | .11546 | .11844 | .08554 |
| 112 | .04315 | .33361 | .23115 | .17121 | .15524 | .13465 | .11063 | .14312 | .15479 | .09188 | .10064 | .09215 | .11119 | .10761 | .08369 |
| 130 | .05636 | .32349 | .23145 | .16933 | .15334 | .14202 | .11532 | .14649 | .15142 | .09329 | .10255 | .09203 | .10851 | .10773 | .08867 |
| TIME | G34 | G38 | G41 | G44 | G47 | G50 | G52 | G53 | G54 | G55 | G56 | G57 | G59 | G60 | G61 |
| 72 | .04012 | .07458 | .06710 | .06541 | .05531 | .03453 | .10727 | .08847 | .07315 | .06230 | .05940 | .05456 | .13624 | .10460 | .09233 |
| 92 | .04115 | .07786 | .07122 | .06690 | .06083 | .03506 | .10509 | .08955 | .07532 | .06229 | .05829 | .05514 | .13363 | .10392 | .09335 |
| 112 | .07848 | .07459 | .06692 | .06692 | .05722 | .03343 | .10187 | .08520 | .07707 | .06121 | .05762 | .05402 | .12546 | .09962 | .08904 |
| 130 | .08144 | .07646 | .06822 | .06049 | .05988 | .03386 | .10205 | .08319 | .07459 | .05874 | .05733 | .05193 | .12438 | .09924 | .08485 |
| TIME | G62 | G63 | G64 | G65 | G66 | G68 | G69 | G70 | G72 | G74 | G79 | G80 | G81 | G85 | |
| 72 | .07237 | .06585 | .04233 | .14191 | .10113 | .07550 | .19201 | .15464 | .17134 | .04861 | .20999 | .22522 | .15603 | .11672 | .01219 |
| 92 | .07711 | .06761 | .04458 | .14049 | .10223 | .08205 | .19503 | .15803 | .12024 | .05271 | .21671 | .22953 | .14343 | .12214 | .01219 |
| 112 | .07312 | .06465 | .04181 | .13848 | .09763 | .07698 | .18226 | .14652 | .11052 | .05304 | .21027 | .22525 | .12788 | .12760 | .01206 |
| 130 | .07130 | .06545 | .04359 | .13961 | .09563 | .07507 | .17910 | .14408 | .11072 | .05222 | .20022 | .21058 | .12556 | .12600 | .01209 |
| TIME | G9 | G14 | G15 | G18 | G21 | G28 | G27 | G36 | G42 | G66 | G88 | G89 | | | |
| 72 | .00794 | .01164 | .05423 | .10500 | .00301 | .00142 | .01531 | .00147 | .00306 | .00159 | .01230 | .00193 | | | |
| 92 | .00771 | .01057 | .05231 | .10999 | .00300 | .00150 | .01519 | .00164 | .00329 | .00210 | .01191 | .00209 | | | |
| 112 | .00753 | .00976 | .05105 | .11117 | .00289 | .00145 | .01475 | .00170 | .00329 | .00261 | .01123 | .00225 | | | |
| 130 | .00751 | .00887 | .05004 | .10994 | .00267 | .00141 | .01365 | .00173 | .00319 | .00276 | .01104 | .00225 | | | |

DATE = 11-1-73

PROJECT NUMBER VA354-21FA

ARCO, INC.

ARCO AIR FORCE STATION, TENN.

NASA / R1 ORN-11 SHUTTLE ORBITER TEST

HEAT TRANSFER DATA (Q/QREF)

| TIME | Q1 | Q2 | Q3 | Q4 | Q5 | Q6 | Q7 | Q8 | Q9 | Q10 | Q11 | Q12 | Q13 | Q14 | Q15 | Q16 | Q17 | Q18 | Q19 | Q20 | Q21 | Q22 | Q23 | Q24 | Q25 | Q26 | Q27 |
|------|--------|--------|--------|--------|--------|--------|--------|--------|--------|--------|--------|--------|--------|--------|--------|-----|-----|-----|-----|-----|-----|-----|-----|-----|-----|-----|-----|
| 72 | .54938 | .31922 | .22000 | .18454 | .14600 | .12791 | .10400 | .13380 | .14400 | .08100 | .09508 | .08490 | .10466 | .10600 | .07600 | | | | | | | | | | | | |
| 92 | .54500 | .33000 | .22000 | .18200 | .14400 | .12800 | .10866 | .13750 | .14800 | .08500 | .09500 | .08600 | .10529 | .10800 | .07800 | | | | | | | | | | | | |
| 112 | .54000 | .32000 | .21000 | .16600 | .14400 | .12430 | .10149 | .13130 | .14200 | .08100 | .09200 | .08600 | .10136 | .09810 | .07629 | | | | | | | | | | | | |
| 130 | .55620 | .31000 | .21000 | .15000 | .14200 | .13087 | .10558 | .13412 | .13864 | .08200 | .09356 | .08372 | .09871 | .09800 | .08066 | | | | | | | | | | | | |
| TIME | Q34 | Q38 | Q41 | Q44 | Q47 | Q50 | Q52 | Q53 | Q54 | Q55 | Q56 | Q57 | Q59 | Q60 | Q61 | | | | | | | | | | | | |
| 72 | .07304 | .06000 | .06100 | .06000 | .05000 | .03100 | .04900 | .08100 | .06700 | .05700 | .05400 | .04950 | .12620 | .04662 | .08505 | | | | | | | | | | | | |
| 92 | .07400 | .07100 | .06500 | .06100 | .05500 | .03148 | .04700 | .08200 | .06900 | .05700 | .05300 | .05003 | .12380 | .04600 | .08600 | | | | | | | | | | | | |
| 112 | .07200 | .06800 | .06100 | .04100 | .05172 | .03000 | .04400 | .07800 | .06600 | .05600 | .05238 | .04900 | .11620 | .04200 | .08200 | | | | | | | | | | | | |
| 130 | .07400 | .06955 | .06211 | .05539 | .05400 | .03042 | .04400 | .07600 | .07000 | .05363 | .05200 | .04700 | .11500 | .04148 | .07800 | | | | | | | | | | | | |
| TIME | Q62 | Q63 | Q64 | Q65 | Q66 | Q67 | Q68 | Q69 | Q70 | Q72 | Q74 | Q79 | Q80 | Q81 | Q85 | | | | | | | | | | | | |
| 72 | .08663 | .08011 | .03727 | .13067 | .09324 | .06900 | .17701 | .14250 | .11200 | .04400 | .19377 | .20800 | .14400 | .10750 | .01075 | | | | | | | | | | | | |
| 92 | .07068 | .06172 | .04000 | .13500 | .09426 | .07500 | .17982 | .14380 | .11100 | .04772 | .20000 | .21200 | .13239 | .11250 | .01075 | | | | | | | | | | | | |
| 112 | .06700 | .05960 | .03750 | .12750 | .09000 | .07035 | .18800 | .13500 | .10700 | .04800 | .19400 | .20800 | .11800 | .11750 | .01063 | | | | | | | | | | | | |
| 130 | .06521 | .05461 | .03700 | .12830 | .08800 | .06900 | .18478 | .13250 | .10200 | .04715 | .18439 | .19410 | .11565 | .12500 | .01063 | | | | | | | | | | | | |
| TIME | Q9 | Q14 | Q15 | Q18 | Q21 | Q28 | Q27 | Q36 | Q42 | Q86 | | Q88 | Q89 | | | | | | | | | | | | | | |
| 72 | .00700 | .01326 | .04093 | .09260 | .00265 | .00125 | .01350 | .00130 | .00270 | .00140 | | .01084 | .00170 | | | | | | | | | | | | | | |
| 92 | .00800 | .00432 | .04613 | .09700 | .00265 | .00132 | .01340 | .00145 | .00290 | .00186 | | .01050 | .00184 | | | | | | | | | | | | | | |
| 112 | .00664 | .00461 | .04500 | .09800 | .00255 | .00128 | .01300 | .00150 | .00290 | .00230 | | .00990 | .00198 | | | | | | | | | | | | | | |
| 130 | .00660 | .00720 | .04400 | .09400 | .00235 | .00124 | .01200 | .00142 | .00280 | .00243 | | .00970 | .00198 | | | | | | | | | | | | | | |

ORIGINAL PAGE IS
OF POOR QUALITY