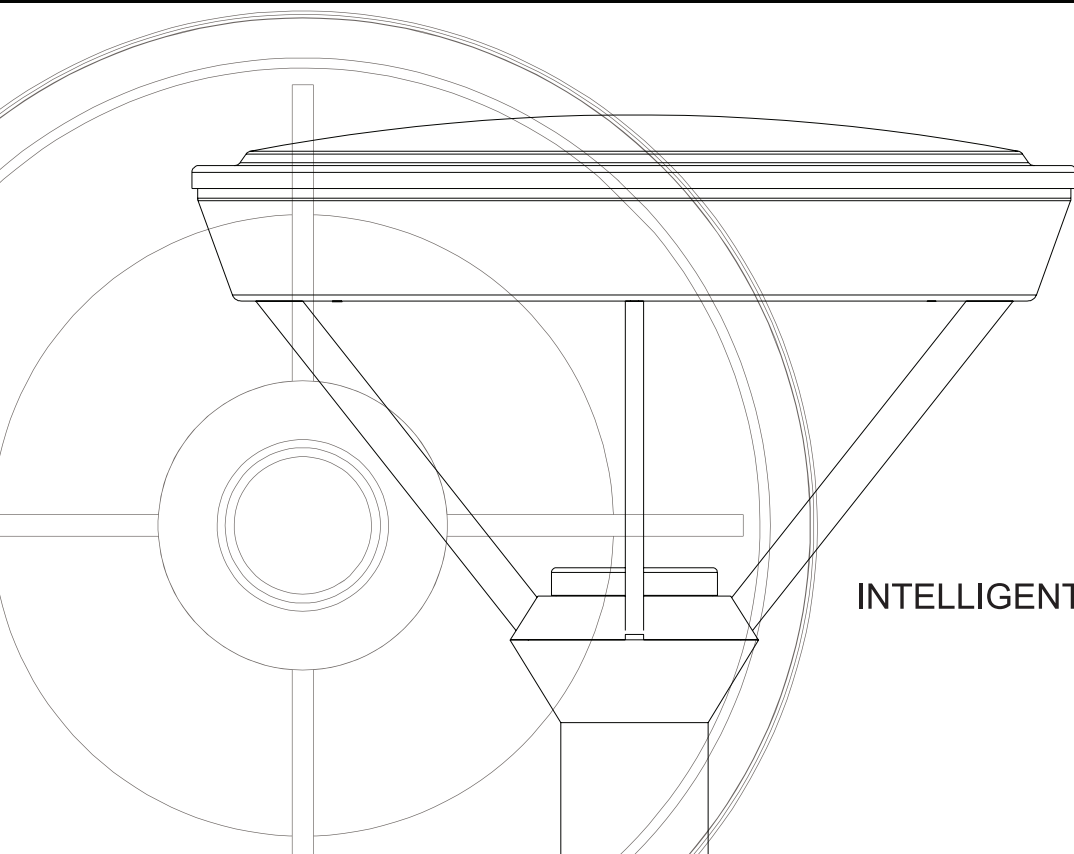


ARCHITECTURAL



NOVA 2 | LED

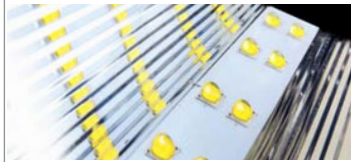


INTELLIGENT LIGHT + PERFORMANCE™
nslighting.com

NOVA 2 LED



STAR POWER REFLECTOR



The Star Power Reflector is an excellent system, providing great value and performance.

INTELLIGENT

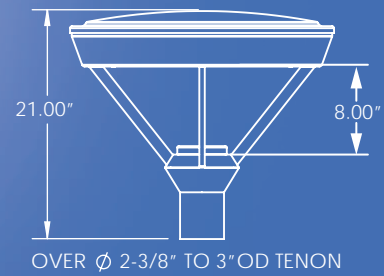
- Designed to replace existing post top fixtures saving 75% energy while meeting IES minimum foot candle levels
- Neighborhood friendly—full Cutoff Dark Sky luminaire design with recessed LEDs to eliminate direct glare
- Collar design that makes the perfect complement to any retail, high-end commercial project, government icon, theater, or walkway
- Clear tempered safety glass lens with silicone gasket that improves fixture reliability
- Available from 18 to 136 watts and is scalable to replace any wattage between 70-400 watt HID
- Throws light five mounting heights in all directions
- Kelvin temperature offering of (warm) 3000, (neutral) 4000 and (cool) 5000 in Type 2, 3, 4 and 5 light distributions
- Patent-pending Star Power reflector system enables performance to exceed IES minimum foot candle levels and extend maintenance cycles
- Philips Advance driver technology warranted 5 years
- Conforms to the strictest Made in America standards—designed, tooled, fabricated and assembled in the USA

LIGHT



Housing: Cast Aluminum
Finish: 5 Millimeters Powder Coat

LED: Luxeon M Series by Lumileds
Optics: Star Power reflector system
Reflectors: Type 2, 3, 4 + 5 Optics
Watts: 18-136 Watts
Kelvin: 3000, 4000, or 5000



Tenon: Over 2-3/8"
OD through 3" OD

+ PERFORMANCE

PHOTOMETRICS / APPLICATIONS

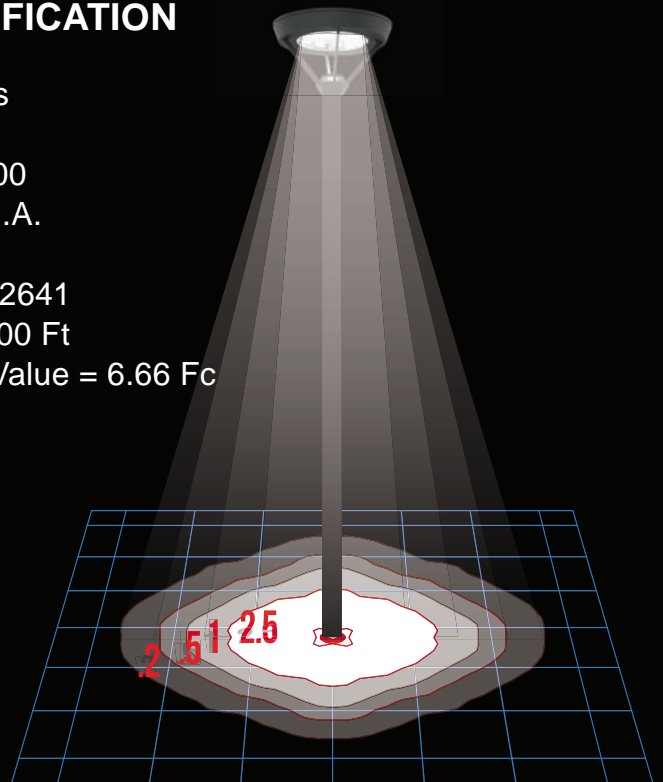
PHOTOMETRIC FILE NAME:
NOV-2-T5-48L-53-50K.IES

DESCRIPTIVE INFORMATION

(From Photometric File):
NLS LIGHTING LLC
NOV-2-T5-48L-53-5000K
17" DIA. X 5"H. LED
LUMINAIRE
ALUMINUM REFLECTOR
WITH CLEAR LENS

TEMPLATE SPECIFICATION

Horizontal Footcandles
Scale: 1 Inch = 20 Ft.
Light Loss Factor = 1.00
Lumens Per Lamp = N.A.
(absolute photometry)
Luminaire Lumens = 12641
Mounting Height = 16.00 Ft
Maximum Calculated Value = 6.66 Fc
Arrangement: Single





NLS Lighting, LLC | 701 Kingshill Place, Carson, CA 90746
Ph (310) 341.2037 | sales@nslighting.com

LUMEN DATA

LED WATTAGE CHART			
	350mA	530mA	700mA
16L	18w	28w	36w
32L	33w	54w	71w
48L	51w	80w	104w
64L	66w	102w	136w

EPA	Nova 2
Single	1.19

PART NUMBER	T3 LUMENS	Lm/W	T5 LUMENS	Lm/W	WATTS	L70 LIFE
NOV-2-16L-35-30K-UNV-XXX	1818	101	1980	110	18	>60,000
NOV-2-16L-53-30K-UNV-XXX	2392	92	2704	104	28	>60,000
NOV-2-16L-7-30K-UNV-XXX	3185	91	3535	101	36	>60,000
NOV-2-16L-35-40K-UNV-XXX	1980	110	2142	119	18	>60,000
NOV-2-16L-53-40K-UNV-XXX	2652	102	2990	115	28	>60,000
NOV-2-16L-7-40K-UNV-XXX	3360	96	3850	110	36	>60,000
NOV-2-16L-35-50K-UNV-XXX	2124	118	2232	124	18	>60,000
NOV-2-16L-53-50K-UNV-XXX	2834	109	3146	121	28	>60,000
NOV-2-16L-7-50K-UNV-XXX	3640	104	4060	116	36	>60,000
NOV-2-32L-35-30K-UNV-XXX	3465	99	3780	108	33	>60,000
NOV-2-32L-53-30K-UNV-XXX	4680	90	5304	102	54	>60,000
NOV-2-32L-7-30K-UNV-XXX	6650	95	6930	99	71	>60,000
NOV-2-32L-35-40K-UNV-XXX	3780	108	4095	117	33	>60,000
NOV-2-32L-53-40K-UNV-XXX	5200	100	5876	113	54	>60,000
NOV-2-32L-7-40K-UNV-XXX	6580	94	7560	108	71	>60,000
NOV-2-32L-35-50K-UNV-XXX	4060	116	4340	124	33	>60,000
NOV-2-32L-53-50K-UNV-XXX	5564	107	6292	121	54	>60,000
NOV-2-32L-7-50K-UNV-XXX	7070	101	8120	116	71	>60,000
NOV-2-48L-35-30K-UNV-XXX	5194	98	5671	107	51	>60,000
NOV-2-48L-53-30K-UNV-XXX	7120	89	8080	101	80	>60,000
NOV-2-48L-7-30K-UNV-XXX	9152	88	10192	98	104	>60,000
NOV-2-48L-35-40K-UNV-XXX	5671	107	6148	116	51	>60,000
NOV-2-48L-53-40K-UNV-XXX	7920	99	8960	112	80	>60,000
NOV-2-48L-7-40K-UNV-XXX	9672	93	11128	107	104	>60,000
NOV-2-48L-35-50K-UNV-XXX	6095	115	6413	121	51	>60,000
NOV-2-48L-53-50K-UNV-XXX	8480	106	9440	118	80	>60,000
NOV-2-48L-7-50K-UNV-XXX	10504	101	11752	113	104	>60,000
NOV-2-64L-35-30K-UNV-XXX	6720	96	7350	105	66	>60,000
NOV-2-64L-53-30K-UNV-XXX	9048	87	10296	99	102	>60,000
NOV-2-64L-7-30K-UNV-XXX	11782	86	13152	96	136	>60,000
NOV-2-64L-35-40K-UNV-XXX	7350	105	7980	114	66	>60,000
NOV-2-64L-53-40K-UNV-XXX	10088	97	11440	110	102	>60,000
NOV-2-64L-7-40K-UNV-XXX	12467	91	14385	105	136	>60,000
NOV-2-64L-35-50K-UNV-XXX	7910	113	8330	119	66	>60,000
NOV-2-64L-53-50K-UNV-XXX	10816	104	12064	116	102	>60,000
NOV-2-64L-7-50K-UNV-XXX	13266	99	15207	111	136	>60,000

ORDERING GUIDE

CAT #	TYPE	# OF LEDS	MILLIAMPS	KELVIN	VOLTS	COLOR	MOUNTING	OPTIONS
NOVA 2 (NOV-2)	TYPE 2 (T2)	16 (16L)	350 (35)	3000K (30K)	120-277 (UNV)	BRONZE (BRZ)	POST TOP OVER 2-3/8 OD (T2R)	MARINE GRADE FINISH (MGF)
	TYPE 3 (T3)	32 (32L)	530 (53)	4000K (40K)	347-480 (HV)	WHITE (WHT)	POST TOP OVER 3 OD (T3R)	PHOTOCELL (PC) <i>*Universal Voltage 120-277</i>
	TYPE 4 (T4)	48 (48L)	700 (7)	5000K (50K)		SILVER (SVR)		SURGE PROTECTOR (10K)
	TYPE 5 (T5)	64 (64L)				BLACK (BLK)	FSP-211 W/ MOTION SENSOR (UNV VOLTAGE)	
						HUNTER GREEN (HGN)	FSP-8 <i>*Height 8' + Below (FSP8)</i>	
					GRAPHITE (GPH)	FSP-20 <i>*Height 9' to 20' (FSP20)</i>		
					GREY (GRY)	FSP-40 <i>*Height 21' to 40' (FSP40)</i>		

Visit nslighting.com for more products.