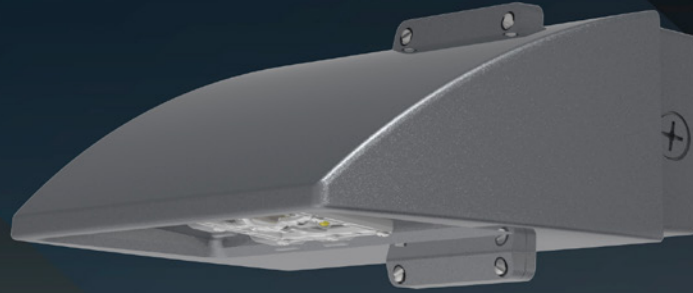


ARCHITECTURAL HIGH PERFORMANCE FULL CUTOFF WALL PACK



LED WATTAGE CHART

	16L	32L
400 milliamps	21w	-
530 milliamps	29w	-
700 milliamps	37w	71w
1000 milliamps	-	100w
1050 milliamps	56w	

KEY FEATURES

- Ideal for Exterior Walls, Entryways, Pathways, New Construction and Renovation, Warehouse and Receiving Docks, Court Yards, and School Playgrounds
- Sleek Minimalistic Design of the the NV-W (up to 11,000 Lumens, 12"W x 9"D x 5.5"H) Compliments the Design of the NV-W2 (up to 24,000 Lumens, 18"W x 9.38"D x 5"H)
- Amber, 2700K, 3000K, 3500K, 4000K, 5000K CCT Multichip High Power 70 & 80 CRI LEDs
- IP65 Rated Against Dust & Water Ingress, IK10 Rated for Tamper/Vandalism/Impact Protection
- 20kA Surge Protection (120V - 480V) Cold Weather Integrated Battery Back-Up Safety Options
- Silicone Optics providing 96% Clarity and Heat Resistant up to 150°C
- 9 Standard Finishes, Custom Finish and Marine Grade Finish Available
- Controls Agnostic, Compatible with Most Control Systems and Sensors

- Environmentally Friendly Product Which Reduces Energy Consumption, L70 > 100,000 hours
- IDA qualified for 3000K CCT and Lower for Down-light Application, Reducing Light Pollution and Trespass
- Buy America(n) Option Available, Quick Mount for Easy Installation
- Cost Competitive and Short Shipping Lead Times in Days & Weeks

BUY AMERICAN

To ensure the latest BAA/TAA/BABA Standards are being met, please select BAA, TAA, or BABA in the options section. Please contact the factory before placing an order for any NLS products requesting BAA (Buy American Act), TAA (Trade American Act), or BABA (Build America, Buy America).



Project Name:

Type:

NV-W ORDERING GUIDE

Cat#	Light Dist.	No. of LEDs	Milliamps	Kelvin Temp	Volts
NV-W (NV-W)	Type 2 (T2)	16 (16L)	400 (40)	Amber 585-600nm (AMBER) ① ⑥	120-277 (UNV)
	Type 3 (T3)	32 (32L)	530 (53)	2700K, 70 CRI (27K7) ⑦	347-480 (HV)
	Type 4 (T4)	700 (7)	2700K, 80 CRI (27K8) ① ⑦		
		1000 (1A) ⑧	3000K, 70 CRI (30K7) ⑦		
		1050 (1) ⑨	3000K, 80 CRI (30K8) ① ⑦		
			3500K, 80 CRI (35K8)		
			4000K, 70 CRI (40K7)		
			4000K, 80 CRI (40K8) ①		
			5000K, 70 CRI (50K7)		
			5000K, 80 CRI (50K8) ①		

Mounting	Color	Control Options	Options	Lens Options
Wall Mount (WM)	Bronze Textured (BRZ)	Nema 7-Pin Receptacle (PE7) ③	Marine Grade Finish (MGF)	Glass Lens (GL) ③
	White Textured (WHT)	Button Photocell (PC) ③	Vanity Plate 22"x16" (VP)	HAL Lens (HAL) ③
	Smooth White Gloss (SWT)	FSP-211 with Motion Sensor (UNV Voltage) (FSP-8) ③	Housing Extension (HE)	
	Silver Metallic (SVR)	*8' and Below (FSP-20) ③	Surge Protector (20KA)	
	Black Textured (BLK)	*9'-20" Heights	Emergency Battery 4w (EM4) ② ③ ④	
	Smooth Black Gloss (SBK)		Emergency Battery 8w (EM8) ② ③ ④	
	Graphite Textured (GPH)		Emergency Cold Pk Battery 14w (EMCP) ② ③ ④	
	Grey Textured (GRY)		Black Hardware (BH)	
	Green Textured (GRN)		Black Optic Frame (BOF)	
	Hunter Green Textured (HGN)		Buy American (BAA) ⑤	
	Custom (CS)		Trade American (TAA) ⑤	
			Build America Buy American (BABA) ⑤	
			Custom Controls Integration (CCI) ⑩	

- Notes:**
- ① Consult Factory for Lead Time. Consult Factory for 90 CRI Requests
 - ② Requires Housing Extension
 - ③ Universal Voltage 120-27
 - ④ All Emergency Battery Options Certified CA Title 20
 - ⑤ (1A) 32L only
 - ⑥ (1A) 16L only
 - ⑦ 3000K or lower must be selected to meet International Dark Sky Association certification
 - ⑧ Glass Lens: Low iron glass, fully tempered per ANSI C1047
 - ⑨ (QCH-2201-37) HAL Lens: Clear Soda-Lime-Silica Float Glass, Yellow (Spectrum Yellow Smooth 161S), Annealed, 1/8"
 - ⑩ Please contact Factory for Custom Control Integration requests (nLight, NX, WaveLinx, Crestron, DMX/RDM, Synapse, Casambi, Dali II, Avi-On, or other control systems)
 - ⑪ Turtle Safe
 - ⑫ Consult factory for all BAA/TAA/BABA requests

PRODUCT SPECIFICATIONS

ELECTRICAL

- 120-277 Volts (UNV) or 347-480 Volts (HV)
- 0-10V dimming driver
- Driver power factor at maximum load is $\geq .95$, THD maximum load is 15%
- LED Drivers Ambient Temp. Min is -40°C and Ambient Temp. Max ranges from 50°C to 55°C and, in some cases, even higher. Consult the factory for revalidation by providing the fixture catalog string before quoting and specifying it.
- All internal wiring UL certified for 600 VAC and 105°C
- All drivers, controls, and sensors housed in enclosed IP66 compartment
- CRI 70, 80, 90
- Color temperatures: 2700K, 3000K, 3500K, 4000K, 5000K

CONSTRUCTION

- Die Cast Aluminum
- Internal cooling fins
- Corrosion resistant external hardware
- One-piece silicone gasket ensures IP65 seal for electronics compartment
- Two-piece silicone Micro Optic system ensures IP67 level seal around each PCB
- Silicone Micro Optics: Recessed, full cutoff, vandal resistant and non-yellowing
- Dark Sky Approved

OPTIONS

MARINE GRADE FINISH (MGF) - A multi-step process creating protective finishing coat against harsh environments. Chemically washed in a 5 stage cleaning system. Prebaked, Powder coated 3-5 mils of Zinc Rich Super Durable Polyester Primer. Oven Baked. Finished Powder Coating of Super Durable Polyester Powder Coat 3-5 mil thickness.

VANITY PLATE (VP) - Optional Vanity Plate was designed to cover the unsightly remains on a wall where a larger HID wallpack was removed. The aluminum Vanity Plate will be painted to match the finish of the NV-W2, custom finishes are available, please consult factory. The standard Vanity Plate is 22"W x 16"H.

20KA SURGE PROTECTOR (20KA) - protects the complete system against nominal surges of up to 20KA. Protection against power surges, storms and lightning strikes.

EMERGENCY BATTERY BACKUP

EMERGENCY COLD PACK BATTERY (EMPC) - Emergency cold pack battery system available in 14w output.

BLACK HARDWARE (BH) - Black stainless steel hardware.

BLACK OPTIC FRAME (BOF) - Black optic frame. Standard is white.

GLASS LENS (GL) - Low Iron Glass, fully tempered.

HIGH PERFORMANCE AMBER LENS (HAL) -

CONTROL OPTIONS

- FSP-211 (FSP-X)—Passive infrared (PIR) sensor providing multi-level control based on motion/daylight contribution.
- All control parameters adjustable via wireless configuration remote storing and transmitting sensor profiles.
- FSP-8 Mounting heights 8 feet and below
- FSP-20 mounting heights 9-20 feet
- Includes 5 dimming event cycles, 0-10V dimming with motion sensing, re-programmable in the field. Programmable remote must be purchased separately.
- FSIR-100 commissioning remote is required to change sensor settings. Please contact factory for ordering.
- Controls Agnostic: Please contact factory for your preferred controls option.

NEMA 7-PIN RECEPTACLE (PE7)—An ANSI C136.41-2013 receptacle provides electrical and mechanical interconnection between photo control cell and luminaire. Dimming receptacle available two or four dimming contacts supports 0-10 VDC dimming methods or Digital Addressable Lighting Interface (DALI), providing reliable power interconnect.

BUTTON PHOTOCELL—Dusk to dawn optional Button Photocell.

FINISH

3-5 mils electrostatic powder coat. NLS Lighting's standard high-quality finishes prevent corrosion, and protects against extreme environmental conditions.

WARRANTY

Five-year limited warranty for drivers and LEDs.

OPTICS

Silicone optics high thermal stability and light output provide higher powered LEDs with minimized lumen depreciation. UV stability with scratch resistance increases exterior application durability. Silicone optics do not yellow, crack or brittle over time.

LISTINGS

- Certified to UL 1598
- UL 8750
- CSA C22.2 No. 250.0
- DesignLights Consortium® (DLC)
- DesignLights Consortium Premium® (DLCP)
- IP65 Rated Fixture / IP67 Rated Optics
- IK10 Rated
- IDA Dark Sky Approved

BUY AMERICAN OPTION

While all of the NLS Lighting products listed in this document qualify for the Buy America(n) Act of 1933, we reserve the right to change our listings without notice.

The information provided above is for general informational purposes only. We encourage you to consult legal professionals for advice particular to your projects concerning BAA, TAA, BABA or Buy America.

Additional NLS Products that meet BAA, TAA standards can be found at the following link:

<https://nslighting.com/buy-american/>



The information and specifications on this document are subject to change without any notification. All values are design, nominal, typical or prorated values when measured under internal and external laboratory conditions.



701 Kingshill Place, Carson, CA 90746
Call Us Today (310) 341-2037

nslighting.com

PRODUCT SPECIFICATIONS

LUMENS							
PART NUMBER	T2	LM/W	T3	LM/W	T4	LM/W	WATTS
NV-W-16L-40-27K7	2561	122	2591	123	2561	122	21
NV-W-16L-40-27K8	2398	114	2426	116	2398	114	21
NV-W-16L-40-30K8	2571	122	2601	124	2571	122	21
NV-W-16L-40-30K7	2769	132	2801	133	2769	132	21
NV-W-16L-40-35K8	2571	122	2601	124	2571	122	21
NV-W-16L-40-40K8	2769	132	2801	133	2769	132	21
NV-W-16L-40-40K7	2992	142	3027	144	2992	142	21
NV-W-16L-40-50K8	2769	132	2801	133	2769	132	21
NV-W-16L-40-50K7	2992	142	3027	144	2992	142	21
NV-W-16L-53-30K7	3544	122	3579	123	3544	122	29
NV-W-16L-53-40K7	3756	130	3794	131	3756	130	29
NV-W-16L-53-50K7	3756	130	3794	131	3756	130	29
NV-W-16L-7-30K7	4388	119	4432	120	4388	119	37
NV-W-16L-7-40K7	4651	126	4698	127	4651	126	37
NV-W-16L-7-50K7	4651	126	4698	127	4651	126	37
NV-W-16L-1-30K7	5970	107	6029	108	5970	107	56
NV-W-16L-1-40K7	6328	113	6391	114	6328	113	56
NV-W-16L-1-50K7	6328	113	6391	114	6328	113	56
NV-W-32L-53-30K7	X	X	X	X	6,821	126	54
NV-W-32L-7-30K7	9010	127	9100	128	9010	127	71
NV-W-32L-7-40K7	9550	135	9646	136	9550	135	71
NV-W-32L-7-50K7	9550	135	9646	136	9550	135	71
NV-W-32L-1A-30K7	10871	109	10983	110	10871	109	100
NV-W-32L-1A-40K7	11426	114	11544	115	11426	114	100
NV-W-32L-1A-50K7	11426	114	11544	115	11426	114	100

3000K or lower, with fixed mounting options only, must be selected to meet International Dark-Sky Association certification.

EMERGENCY BATTERY BACK-UP LUMENS							
PART NUMBER	T2	LM/W	T3	LM/W	T4	LM/W	WATTS
EM4-30K7	520	130	524	131	516	129	4
EM4-40K7	544	136	548	137	540	135	4
EM4-50K7	560	140	564	141	556	139	4
EM8-30K7	1040	130	1048	131	1032	129	8
EM8-40K7	1088	136	1096	137	1080	135	8
EM8-50K7	1120	140	1128	141	1112	139	8
EM14-30K7	2080	130	2096	131	2064	129	16
EM14-40K7	2176	136	2192	137	2160	135	16
EM14-50K7	2240	140	2256	141	2224	139	16
EMCP-30K7	1820	130	1834	131	1806	129	14
EMCP-40K7	1904	136	1918	137	1890	135	14
EMCP-50K7	1960	140	1974	141	1946	139	14



701 Kingshill Place, Carson, CA 90746
Call Us Today (310) 341-2037

nslighting.com

PRODUCT SPECIFICATIONS

BUG RATINGS BUG RATINGS

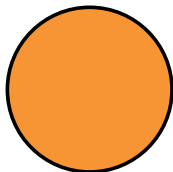
PART NUMBER	T2	T3	T4	WATTS
NV-W-16L-35-30K7	B1-U0-G1	B1-U0-G1	B1-U0-G1	21
NV-W-16L-35-40K7	B1-U0-G1	B1-U0-G1	B1-U0-G1	21
NV-W-16L-35-50K7	B1-U0-G1	B1-U0-G1	B1-U0-G1	21
NV-W-16L-53-30K7	B1-U0-G1	B1-U0-G1	B1-U0-G1	29
NV-W-16L-53-40K7	B1-U0-G1	B1-U0-G1	B1-U0-G1	29
NV-W-16L-53-50K7	B1-U0-G1	B1-U0-G1	B1-U0-G1	29
NV-W-16L-7-30K7	B1-U0-G1	B1-U0-G1	B1-U0-G1	37
NV-W-16L-7-40K7	B1-U0-G1	B1-U0-G1	B1-U0-G1	37
NV-W-16L-7-50K7	B1-U0-G1	B1-U0-G1	B1-U0-G1	37
NV-W-16L-1-30K7	B1-U0-G1	B1-U0-G2	B1-U0-G2	56
NV-W-16L-1-40K7	B1-U0-G1	B1-U0-G2	B1-U0-G2	56
NV-W-16L-1-50K7	B1-U0-G1	B1-U0-G2	B1-U0-G2	56
NV-W-32L-7-30K7	B1-U0-G2	B2-U0-G2	B2-U0-G2	71
NV-W-32L-7-40K7	B1-U0-G2	B2-U0-G2	B2-U0-G2	71
NV-W-32L-7-50K7	B1-U0-G2	B2-U0-G2	B2-U0-G2	71
NV-W-32L-1A-30K7	B2-U0-G2	B2-U0-G2	B2-U0-G2	100
NV-W-32L-1A-40K7	B2-U0-G2	B2-U0-G2	B2-U0-G2	100
NV-W-32L-1A-50K7	B2-U0-G2	B2-U0-G2	B2-U0-G2	100

Lumen Maintenance Data

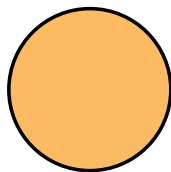
Ambient Temperature	Drive Current	L90 Hours*	L70 Hours**	30,000 Hours*	50,000 Hours*	60,000 Hours*	100,000 Hours**
25°C	Up to 700mA	58,000	173,000	95.7%	91.6%	89.6%	82.1%
	1050mA	48,000	143,000	94.3%	89.5%	87.2%	78.5%

*Reported extrapolations per IESNA TM-21 **Projected extrapolations per IESNA TM-21

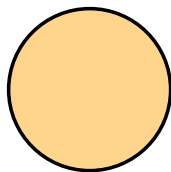
LED KELVIN RANGE



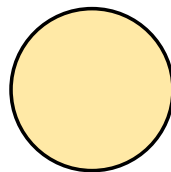
AMBER
585-600 nm



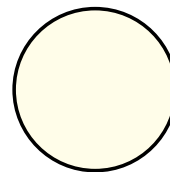
2700K 70 CRI



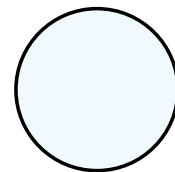
3000K 70 CRI



3500K 80 CRI



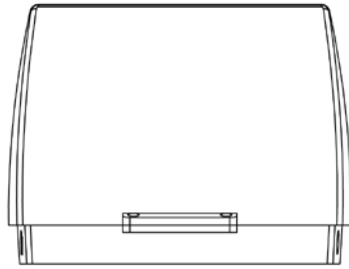
4000K 70 CRI



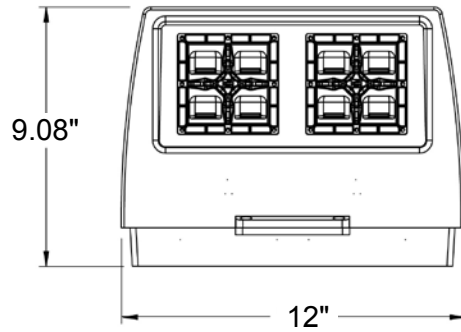
5000K 70 CRI

Color	Dominant or Peak Wavelength Range (nm)	
	Minimum	Maximum
Amber	585	600

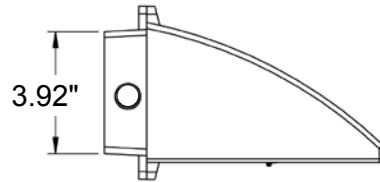
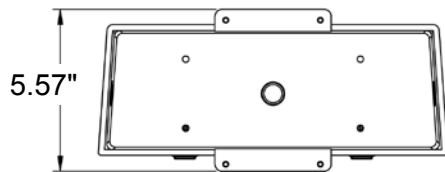
PRODUCT SPECIFICATIONS



TOP VIEW

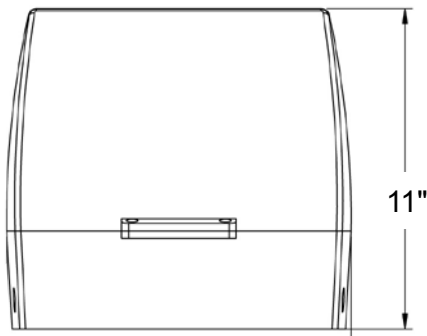


BOTTOM VIEW

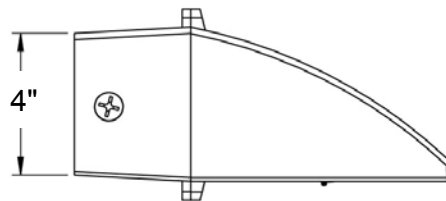


Weight: 9.1 lbs

EMERGENCY BATTERY AND 7-PIN EXTENSION BOX DIMENSIONS



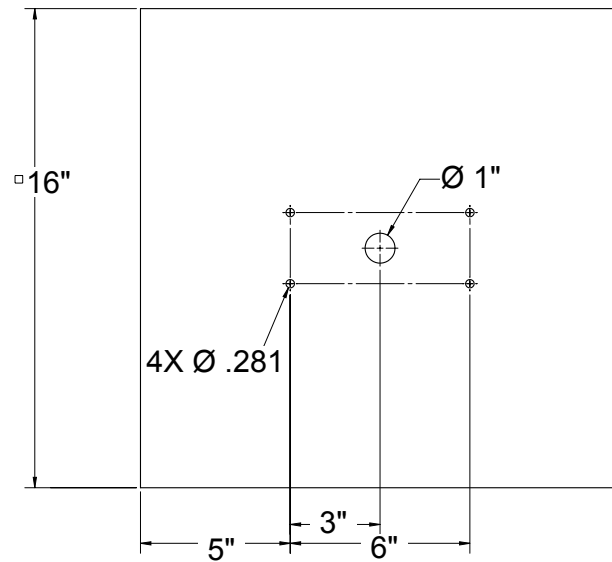
TOP VIEW



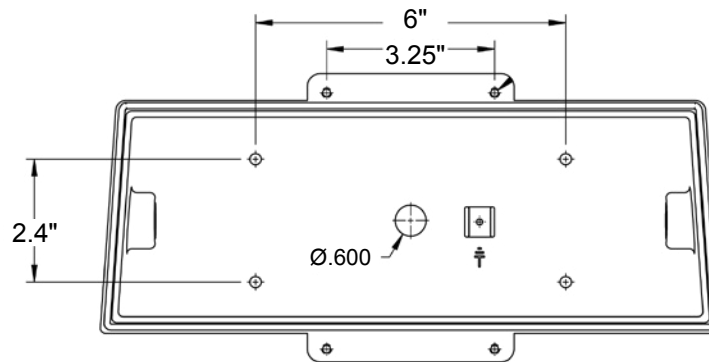
Weight: 13.3 lbs

PRODUCT SPECIFICATIONS

VANITY PLATE (VP)



MOUNTING HOLE



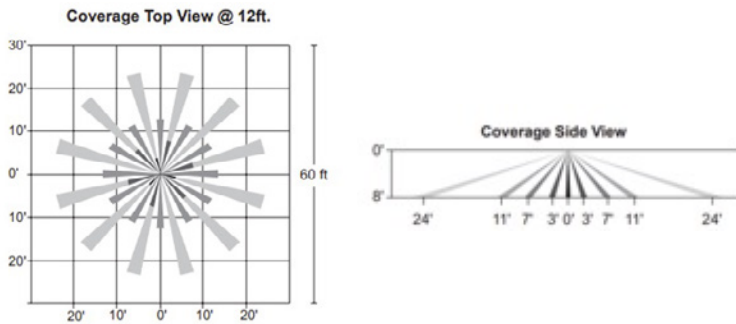
* 3 Conduit access points on either side or center back.

PRODUCT SPECIFICATIONS

MOTION SENSOR PLACEMENT



FSP-8



FSP-20

