

DL2000 DUST COLLECTOR

SERVICE MANUAL

Read this manual before servicing machine

403082 Rev H



This manual provides all the information needed to use and service your dust collector. Good operation and durability depend on proper maintenance and careful use.

Before leaving the factory, this particular model has undergone stringent tests to ensure utmost reliability. Always check however to make sure the dust collector has not been damaged during transport in such a way as to affect operation and safety.

This manual should be considered an integral part of the dust collector and must be kept together with the unit. In case of loss of or damage to the manual, ask **National Flooring Equipment (NFE)** for a new copy.

Some details shown in the illustrations in this manual may be different from those of your dust collector. Some component parts may have been removed for greater clarity.

The subjects dealt with in this manual are those expressly required by "**Machine Directive 2006/42/CE**" and the technical details shown are those provided by the manufacturer at the time of compilation.

This manual must be kept in a place accessible to all the personnel charged with operating and servicing the dust collector.

In case of any doubts, immediately contact **NFE Technical Service**.

NFE CUSTOMER SERVICE

Our engineers are available to help you in case any problem occurs.

Please call 1-800-245-0267

The manual must be kept with the dust collector at all times.

Information Section

1.1	Identification of main parts	1
1.2	Replaceable filters	2
1.3	Technical details	3
1.4	Warranty.....	4

Safety Section

2.1	Safety details	5
2.2	Safety warnings	6
2.3	Electrical practices.....	9
2.4	Safety plates and symbols	11
2.5	Outstanding risks.....	12
2.6	Applied directives	12

Maintenance Section

3.1	Informative notes	13
3.2	General safety warnings	13
3.3	Maintenance operations	14
3.4	Replacing the filter	15
3.5	Filter replacement schedule.....	16
3.6	Troubleshooting	17

Parts Section

4.1	Recommended spare parts	18
4.2	Accessories	20
4.3	Parts lists and diagrams.....	22

1.1 Identification of main parts



- 1) Motor head
- 2) Push handle
- 3) DUSTOP flap for filter cleaning
- 4) Filtering chamber
- 5) Removable Longopac® container
- 6) Fixed wheels
- 7) Casters
- 8) Longopac® bag
- 9) Suction inlet with slide damper
- 10) Filter access clamp

1.2 Replaceable filters



**402467 – Filter, Primary
(ONLY REPLACEMENT FILTER)**

1.3 Technical details

Product Specifications					
Vacuum Pressure	Air Movement	Noise Emission	Filter Efficiency	Filter Area	Inlet
88.6" H ₂ O (2,250 mm H ₂ O)	206 CFM (350 m ³ /h)	75 dBA	99.995 @ .18 microns	32.3 ft ² (30,000 cm ²)	2" (50 mm)

Product Specifications			
Width	Height	Length	Weight
22" (56 cm)	51.2" (130 cm)	20.9" (53 cm)	125.7 lbs (57 kg)

Machine Variants			
Region	Serial Number	Input Power	Power
Domestic	10XXXX	120V / 60 Hz	2.7 hp (2 kW)
International	11XXXX	230V / 50 Hz	2.7 hp (2 kW)
	20XXXX	110V / 50 Hz	2.7 hp (2 kW)
	28XXXX	100V / 50/60 Hz	2.0 hp (1.5 kW)

1.4 Warranty

National Flooring Equipment Inc. (referred to as "The Company") warrants that each new unit manufactured by The Company to be free from defects in materials and workmanship in normal use and service for a period of twelve (12) months from date of shipment from The Company to the end user. If shipment to end user is from a Distributor, The Company may honor warranty for up to 15 months from initial shipment from the Company if the end user can provide documentation of receipt date. Accessories or equipment furnished and installed on the product by the Company but manufactured by others, including but not limited to: engines, motors, electrical components, transmissions etc., shall carry the accessory manufacturers own warranty. Battery warranties are prorated over the warranty period. Customer is responsible for the inspection of equipment or parts upon delivery. **Freight damages are excluded from this warranty.**

The Company, at its determination of defect, will repair or replace any product or part deemed to be defective in material or workmanship within specified warranty time period. All product determinations and / or repairs will take place at The Company repair facility or at a certified warranty location designated by The Company. The Company will coordinate and be responsible for all freight expenses associated with valid warranty claims. Freight and shipping expenses associated with abuse or misuse will be back charged to the Distributor/Customer. The Company reserves the right to modify, alter or improve any part / parts without incurring any obligation to replace any part / parts previously sold without such modified, altered or improved part / parts. In no event shall the seller or manufacturer of the product be liable for special, incidental, or consequential damages, including loss of profits, whether or not caused by or resulting from the negligence of seller and / or the manufacturer of the product unless specifically provided herein. **This warranty shall not apply to any products or portions there of which have been subjected to abuse, misuse, improper installation or operation, lack of recommended maintenance, electrical failure or abnormal conditions, and to products which have been tampered with, altered, modified, repaired, reworked by anyone not approved or authorized by the Company or used in any manner inconsistent with the provisions of the above or any instructions or specifications provided with or for the product.** Any and all unauthorized onsite warranty work conducted by unauthorized personnel or any outside person(s), is not covered by The Company unless the work has been pre-authorized by a predetermined manufacturer representative. This warranty excludes wearable parts and/or consumables.

Defective or failed material or equipment shall be held at the purchaser's premises until authorization has been granted by The Company to return or dispose of defective products. Products returned to The Company for inspection must be returned with a manufacturer authorized Return Material Authorization (RMA), and must be packaged to The Company's specifications to avoid damage during shipment. Any unauthorized return of equipment will be declined at the dock by The Company. Any non-approved items returned with approved returned items are subject to rejection and will not be credited. Credit will be issued for material found to be defective upon The Company's inspection based on prices at time of purchase.

To obtain a Material Safety Data Sheet and/or a copy of the CE Declaration of Conformity please contact National. This product is CE compliant.

TO OBTAIN SERVICE CONTACT NATIONAL FLOORING EQUIPMENT, INC. TOLL FREE AT 800-245-0267 FOR A REPAIR AUTHORIZATION NUMBER. COD FREIGHT RETURNS WILL NOT BE ACCEPTED. FREIGHT COLLECT SHIPMENTS WILL NOT BE ACCEPTED. WARRANTY REPAIRS MUST BE ACCOMPANIED BY DATE OF PURCHASE RECEIPT AND A RETURN/REPAIR AUTHORIZATION NUMBER.

RETURN/REPAIR AUTHORIZATION NUMBER: _____
MACHINE SERIAL NUMBER: _____

2.1 Safety details

The person in charge of safety shall be responsible for informing workers about the risks associated with dust collector operation.

The obligation also exists of training workers so they are able to protect themselves and others.

Failure to observe basic safety regulations and warnings could cause accidents during dust collector operation, maintenance and repair. Accidents can often be avoided by recognizing potentially dangerous situations before these occur. Operators should be aware of potential hazards and be trained and skilled enough. They should also have the tools necessary to perform these duties properly.

NFE shall under no circumstances be deemed liable for accidents or damage caused by use of the dust collector by personnel not properly trained or who use it in an improper manner, as well as by even partial failure to comply with the safety regulations and intervention procedures indicated in this manual.

The safety warnings and warning notices are indicated in this manual and on the product.

Unless these hazard messages are heeded, the operator could become involved in accidents with serious consequences for him/herself and for other people.

The safety messages are highlighted by the following symbols:

Warning!

Unless these messages are heeded, operator injuries could occur.

Caution!

Unless these messages are heeded, dust collector damage could occur.

NFE cannot foresee all possible circumstances capable of representing a potential hazard. The warnings in this manual and on the products should not therefore be deemed exhaustive. In the event of tools, procedures, work or machining methods being used that are not explicitly recommended by **NFE**, make sure no hazards exist for operators and others.

Only ever use original NFE spare parts.

NFE declines all liability in the event of non-original spare parts being used.

2.2 Safety warnings

Warning!

The following indications are, by themselves, not enough to fully protect against all the hazards that could arise during dust collector operation. These will have to be integrated with common sense and the experience of the operator, both of which are crucial factors for preventing accidents. Each section of this manual lists further specific safety warnings for the various operations.

Maintenance jobs must always be performed with the power plug detached from the power source.

The employer must inform and train the user according to the provisions of applicable laws.

Before using the machine, prepare and train yourself by reading this manual carefully. Use of the machine by untrained and unauthorized persons is forbidden.

Using the machine to vacuum toxic substances is forbidden unless this has been equipped with special filters required for the specific type of dusts. Such filters must be explicitly requested by you.

If the machine is used to vacuum toxic-harmful substances, the Longopac® bag must be emptied and the filters cleaned using adequate individual protection devices, selected according to the type of substances to be vacuumed.

Do not vacuum flammable materials or substances which could cause explosions (fuels, solvents, etc.). To vacuum such materials, the machine must be built with Anti-explosion Motor and Electric System and this must be requested by you explicitly.

Do not vacuum corrosive substances unless the machine is equipped with containers suitable for this purpose (***Stainless-steel AISI 304***).

Use of the machine without the supplied filters is not recommended.

If the filters are correctly fitted, the machine will not emit any dust.

Never rest miscellaneous materials on the horizontal protection guard.

The machine casing containing moving parts must not be removed by the user.

When using the machine, mind other people, especially children.

Use the machine cautiously on slopes and ramps.

Do not change direction on gradients.

Make sure the parked machine remains stable by operating the braked wheel.

During cleaning operations, maintenance jobs or when changing parts, the starter switch must be off and the machine must be disconnected from the power mains by removing the cable from the socket.

Only skilled persons should carry out repairs.

During use, protect the power supply cables from damage and avoid crushing or pulling the cables.

Periodically check the main power cable to ensure this is not damaged.

In the event of the cable being damaged, the machine must not be used.

In the event of the cable, plugs or couplings being replaced, make sure these are protected against water spray and check mechanical strength.

Never pull the machine by means of the power cable and the vacuum hose.

Replace the motor brushes every 800 hours. Always use original spare parts.

The user is responsible for disposing of vacuumed substances in accordance with applicable laws.

In the event of customers fitting a tool to the machine not supplied by **NFE**, make sure the safety conditions required by **Machine Directive 2006/42/CE** are complied with and in any event, **NFE** is unable to accept liability for any problems arising from use of such tool.

The dust collector must not be operated in a corrosive or explosive environment.

Always make sure the dust collector is free of all foreign materials such as debris, oil, equipment and other objects that could affect operation and cause injury to persons.

Avoid using flammable or toxic solvents such as gasoline, benzene, ether and alcohol for cleaning.

Avoid prolonged contact with solvents and inhaling their vapours. Avoid use close to open flames or sources of heat.

Never use the dust collector without the filter.

Do not vacuum lit cigarette ends or burning material. The filter could be damaged and the machine could start on fire.

Do not vacuum gasoline or flammable liquids in general.

Make sure all the guards and protection devices are in place and that all the safety devices are in place and working properly.

Do not wear loose or hanging clothing such as ties, scarves or torn garments that could become trapped and be sucked up by the cleaner.

Do not open the Longopac® bag with the machine running.

Structural damage and improper alterations or repairs could change the protection capacity of the dust collector and therefore void the warranty.

Any alterations to the machine must only be made by **NFE** technical support.

During maintenance jobs, affix a notice to the appliance indicating "**MACHINE BEING SERVICED, DO NOT START**".

Climbing on the dust collector is forbidden.

Never touch electric wires, switches, buttons, etc. with wet hands.

Before connecting to the power mains, make sure the power voltage and frequency are those shown on the machine plate.

Make power connections to a mains supply with proper grounding.

If an extension cord is used, make sure it is the appropriate wire gage and insulation level for the dust collector input.

After service or maintenance is performed, the appointed personnel should make sure all removed parts are properly reinstalled.

Only adult persons should use the dust collector.

During vacuuming operations, always use the caster wheel brakes to prevent the machine from rolling.

For LONGOPAC Dust Collectors:

- If the machine is used to vacuum toxic-harmful substances, the Longopac® bag must be emptied and the filters cleaned using adequate individual protection devices, selected according to the type of substances to be vacuumed.
- Do not open the Longopac® bag with the machine running.

2.3 Electrical Practices



WARNING: Electrical cords can be hazardous. Misuse can result in fire or death by electrical shock. Read carefully and follow all directions.



CAUTION: Always follow applicable electrical codes, standards and/or regulations. Consult your local electrical authority or a licensed electrician before attempting to modify an electrical installation. Ensure that circuit and ground fault protection devices and all other electrical safety equipment are functioning properly.

Extension Cord Requirements

- Ensure the cord type is suitable for the application and location. If you are unsure about your cord type, consult a qualified electrical professional or electrician.



WARNING: Ground your equipment. The equipment must be plugged into an appropriate outlet which is properly installed and grounded in accordance with all codes and ordinances. Do NOT modify the plug provided with the equipment. Never remove the grounding prong from the plug.



WARNING: Do not remove, bend or modify any metal prongs or pins of the plug. Modifications to power cords and/or plugs may result in injury and/or equipment damage.

- FULLY INSERT plug into outlet.
- Do not use excessive force to make connections.
- Never unplug by pulling the cord from the outlet. Pull plug rather than cord to reduce the risk of damage.
- Regularly examine your extension cord and ensure it is in good electrical condition. Never use a damaged cord—either replace it or have it repaired by a qualified person.
- Protect your extension cords from sharp objects, excessive heat and damp or wet areas. Keep the cord away from oil, cutting edges and moving parts.
- Do not drive, drag or place objects over cord.
- Avoid overheating. Uncoil cord and do not cover it with any material.
- Avoid accidental starting. Be sure equipment is turned off before plugging in. Do not use equipment if the power switch does not turn the equipment on and off.
- Make sure equipment is not running before disconnecting cord.
- Unplug equipment. When not in use and before changing accessories or performing maintenance, unplug the machine.

Extension Cord Selection

All cords should be sized appropriately to reduce the risk of damage, fire or reduced performance. Reference the tables in this section for cord sizes.

How to Use the Table

1. Determine your supply voltage.
2. Determine the total length of your cord including all extension cords.
3. Determine the maximum amp draw for your machine.
4. Trace your voltage across the top of the table to the first length that is greater than or equal to your cord length.
5. Follow the column down to the first row that contains a maximum amp draw greater than or equal to yours.
6. This cell contains the minimum wire size for your application.

Example

Application: Max Amps = 11A, Length = 80ft, Voltage = 230V 1ph

Solution: 80ft is between the 50ft and 100ft columns, so the larger of the two columns is chosen. Likewise, 11A is between the 10A and 12A rows, so the larger of the two rows is chosen. 14 AWG (2.5mm²) is the minimum wire size for this example.

Single Phase Equipment				
Max Length	120V Supply	25ft (7.5m)	50ft (15m)	75ft (22.5m)
	230V Supply	50ft (15m)	100ft (30m)	150ft (45m)
Max Amps				
8	16 AWG (1.5mm ²)	16 AWG (1.5mm ²)	16 AWG (1.5mm ²)	16 AWG (1.5mm ²)
10	16 AWG (1.5mm ²)	16 AWG (1.5mm ²)	16 AWG (1.5mm ²)	16 AWG (1.5mm ²)
12	14 AWG (2.5mm ²)	14 AWG (2.5mm ²)	14 AWG (2.5mm ²)	14 AWG (2.5mm ²)
14	14 AWG (2.5mm ²)	14 AWG (2.5mm ²)	14 AWG (2.5mm ²)	14 AWG (2.5mm ²)

Extension Cord Sizes

Single Phase Equipment							
Max Length	120V Supply	25ft (7.5m)	50ft (15m)	75ft (25m)	100ft (30m)	150ft (45m)	200ft (60m)
	230V Supply	50ft (15m)	100ft (30m)	150ft (45m)	200ft (60m)	300ft (90m)	400ft (120m)
Max Amps	Minimum Wire Size						
8	16 AWG (1.5mm ²)	16 AWG (1.5mm ²)	16 AWG (1.5mm ²)	16 AWG (1.5mm ²)	16 AWG (1.5mm ²)	14 AWG (2.5mm ²)	14 AWG (2.5mm ²)
10	16 AWG (1.5mm ²)	16 AWG (1.5mm ²)	16 AWG (1.5mm ²)	16 AWG (1.5mm ²)	16 AWG (1.5mm ²)	14 AWG (2.5mm ²)	12 AWG (4mm ²)
12	14 AWG (2.5mm ²)	14 AWG (2.5mm ²)	14 AWG (2.5mm ²)	14 AWG (2.5mm ²)	14 AWG (2.5mm ²)	12 AWG (4mm ²)	12 AWG (4mm ²)
14	14 AWG (2.5mm ²)	14 AWG (2.5mm ²)	14 AWG (2.5mm ²)	14 AWG (2.5mm ²)	14 AWG (2.5mm ²)	12 AWG (4mm ²)	10 AWG (6mm ²)
16	14 AWG (2.5mm ²)	14 AWG (2.5mm ²)	14 AWG (2.5mm ²)	14 AWG (2.5mm ²)	14 AWG (2.5mm ²)	12 AWG (4mm ²)	10 AWG (6mm ²)
18	14 AWG (2.5mm ²)	14 AWG (2.5mm ²)	14 AWG (2.5mm ²)	14 AWG (2.5mm ²)	12 AWG (4mm ²)	12 AWG (4mm ²)	10 AWG (6mm ²)
20	12 AWG (4mm ²)	12 AWG (4mm ²)	12 AWG (4mm ²)	12 AWG (4mm ²)	12 AWG (4mm ²)	10 AWG (6mm ²)	10 AWG (6mm ²)
25	12 AWG (4mm ²)	12 AWG (4mm ²)	12 AWG (4mm ²)	12 AWG (4mm ²)	12 AWG (4mm ²)	10 AWG (6mm ²)	8 AWG (10mm ²)
30	10 AWG (6mm ²)	10 AWG (6mm ²)	10 AWG (6mm ²)	10 AWG (6mm ²)	10 AWG (6mm ²)	8 AWG (10mm ²)	8 AWG (10mm ²)

Note: The table is based on a <10% voltage loss, data from the U.S. National Electrical Code Tables 400.5(A) & 400.5(B) and typical resistances for copper wire.

2.4 Safety plates and symbols

Plates are affixed to the dust collector showing safety symbols and/or messages.

Warning!

Make sure all the safety messages are legible.

Clean these with a cloth, soap and water. Do not use solvents, diesel fuel or gasoline.

Replace the damaged plates with new ones supplied by National Flooring Equipment.

If a plate is affixed to a replaced part, make sure a new plate is affixed to the new part.

Warning!

Read the operator's and maintenance manual carefully before using the machine or doing any maintenance jobs.

WARNING!

**DO NOT BREATHE IN FLAMMABLE AND/OR
EXPLOSIVE LIQUIDS OR POWDERS**

Warning!

Risk of crushing upper limbs while fitting and locking the material Longopac® container on the dust collector.

Never place hands between the material Longopac® container and dust collector while locking.

Do not place hands on sides of Longopac® container near the guide pins while locking.

Perform the Longopac® container locking operation by means of the levers located on the side, USING BOTH HANDS!

2.5 Outstanding risks

Careful analysis of risks performed by the manufacturer and stored in the technical file has made it possible to eliminate most of the risks associated with dust collector operation.

The manufacturer advises carefully following the instructions, procedures and advice contained in this manual as well as applicable safety regulations, including the use of the envisaged protection devices, both those integrated in the dust collector and individual.

Outstanding risks associated with the dust collector could be:

Risk of improper use in the presence of explosive and flammable substances.

The dust collector must not be used in environments containing substances in the form of liquids that could vaporize at room temperature and flammable dusts and gas.

Risks of operation in humid environments.

Keep to the limits shown in the operating manual at section 1.5 Allowed environmental conditions.

Risk of erroneous interpretation of the safety pictograms.

Having identified the various outstanding risks, the manufacturer has affixed to the dust collector a number of hazard labels in compliance with regulations relating to the graphic symbols to be used. The user must immediately replace any safety plates that become illegible due to wear or damage.

Warning!

Removing the safety plates on the dust collector is strictly forbidden. The manufacturer declines all liability in relation to dust collector safety in the event of failure to comply with the above indications.

2.6 Applied directives

The following directives apply to the vacuum cleaner described in this manual:

- ***2006/42/CE Machine Directive***
- ***2004/108/CE Electromagnetic compatibility directive***
- ***2006/95/CE Low-voltage directive***

3.1 Informative notes

In the case of major repairs, contact NFE or an authorized dealer.

3.2 General safety warnings

Maintenance must always be performed by skilled technicians. Contact NFE for authorized service center.

Before doing any maintenance job:

- Make sure the technician is equipped with all approved individual protection equipment needed for the specific operation (mask, eyewear, gloves, shoes, etc.).
- Make sure the technician has carefully read the instructions contained in this manual and knows how the dust collector works.
- Make sure there are no unauthorized persons in the work area.
- Make sure the necessary tools are on hand and that these are in good condition.
- Make sure the lighting is adequate.

Before carrying out maintenance:

- Disconnect the plug from the power socket.

Work done on motors or other electrical component parts must only be performed by a specifically trained electrician.

3.3 Maintenance operations

Warning!

All the described operations must be done with the plug disconnected from the power socket. Before starting any maintenance or cleaning job, always wear adequate protective clothing, eyewear and/or gloves according to the type of job to be done.

For smooth dust collector operation, the following periodic maintenance is necessary:

- Check to see whether the filter is worn or clogged.
- Make sure the sealing gaskets of the motor head base, of the filter-holder ring and of the container are working efficiently.
- The electrical parts (plugs, switches, cables, etc.) must not be damaged.
- The screws and nuts must always be tight.
- Make sure the Longopac bag is not overfilled. The bag should be replaced when the filled portion reaches 1/2 - 3/4 of the distance between the support plate and the Longopac holder.
- Check the integrity of the flexible vacuum hose and accessories to be used.
- If the flexible hose is perforated, the power of the dust collector will be reduced and dust and liquids will leak into the environment.

Attention!

It is recommended that this machine be serviced by NFE or its authorized dealers.

3.4 Replacing the filter

1. Turn off the dust collector by pressing the motor **STOP** buttons.
2. Disconnect the dust collector plug from the power socket.

Warning!
Wear appropriate personal protection equipment.

3. Release the two retainers that hold the motor head in place. Lift the motor head and rest on a flat surface being careful not to damage the power cable.
4. Remove the five retaining screws.



5. If the filter is stuck to the chamber, use a prying tool around the entire perimeter of the filter to loosen the filter from the chamber.

Attention!
Be careful not to damage the filter or chamber when prying loose the filter.



6. Remove the filter.



Important!

All the material trapped by the filter and the filter itself must be disposed of through authorized channels in the country where the dust collector is used.

3.5 Filter replacement schedule

- **402467 Filter Cartridge:** Replace every 750 hours or as needed.

Important!

All wear parts must be inspected regularly, as replacement time varies with conditions of use. Also check gaskets regularly for air leaks.

3.6 Troubleshooting

<i>Fault found</i>	<i>Possible cause</i>	<i>Recommended remedy</i>
<i>The dust collector fails to start</i>	No power	Check the power mains supply Check the integrity of the plug and power cable
	Thermal magnetic switch tripped	Reset the thermal magnetic switch
<i>Dust is leaking out</i>	Perforated vacuum hose	Replace the hose
	Filter unsuitable for type of job	Use a suitable filter for the type of material to be vacuumed
<i>The dust collector does not work as it should</i>	Hose perforated or blocked	Check the hose and, if necessary, replace it
	Longopac® bag is full	Replace bag
	Filter blocked	Perform filter cleaning cycle and, if necessary, replace filter
	Slide damper is closed	Open slide damper
	Longopac flap not closing	Contact NFE technical support
	Seals worn	Check the seals and, if necessary, replace them
	Air leak	Check for any air leaks out of closing fasteners, tightening screws, Longopac® bag or filter chamber
<i>Motor very noisy</i>	<i>Contact NFE technical support</i>	

Warning!
For any other problems, contact the NFE technical support.

4.1 Recommended spare parts

Code	Description
402467	Filter, Primary
402471	Filter, HEPA
402473	Longopac, 4 Pack
402475	Motor, 120V
402476	Brushes, Motor, 120 Volt
402482	Gasket, Longopac
407126	Switch, On/Off, Green
402488	Gasket, Filter Chamber, 1.2 m
402493	Gasket, Container, 1.2 m
402494	Damper, Inlet Slide
402497	Motor Head, 120 Volt
402502	Cord, Adapter, 120V, 20 amp to 15 amp
402503	Cord, Power, SJTOW, 12/3, NEMA 5-20, 33ft

403719 Plug, NEMA 5-15 Style, Folding Ground, Japan (Serial Number 28XXXX only)

403869 Motor, 100 Volt (Serial Number 20XXXX, 28XXXX only)

403870 Plug, Male, IEC 60309, 110-130V, 16A, 3W, Yellow (Serial Number 20XXXX only)

405048 Assembly, Cord, CEE 7/7, 30ft (Serial Number 11XXXX only)

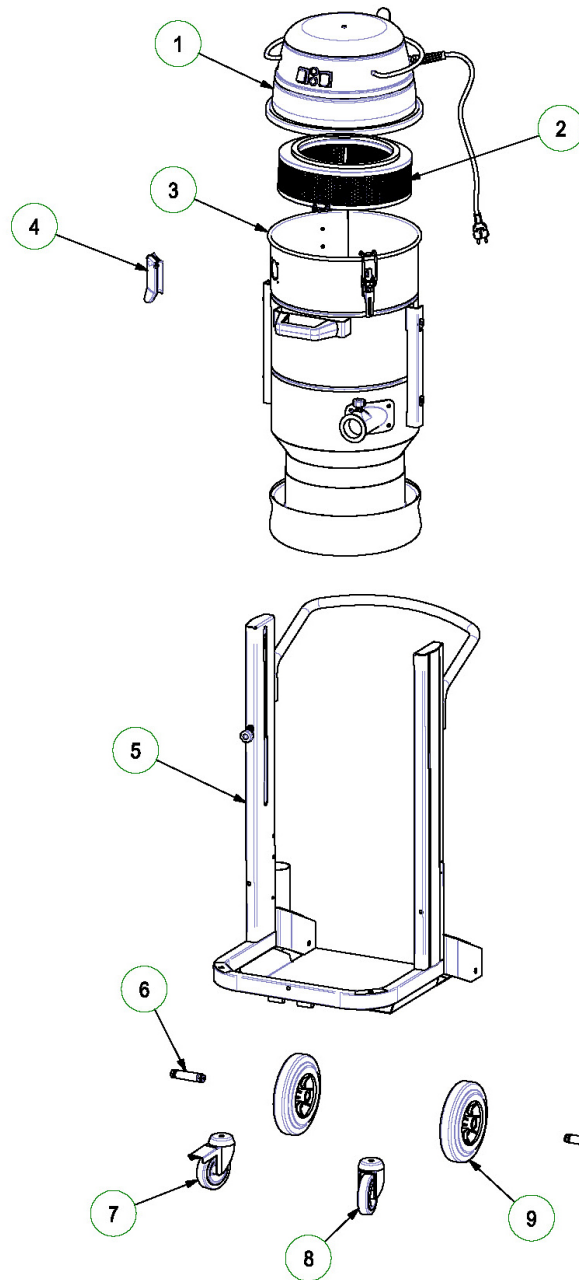
405049 Motor, 230 Volt (Serial Number 11XXXX only)

4.2 Accessories

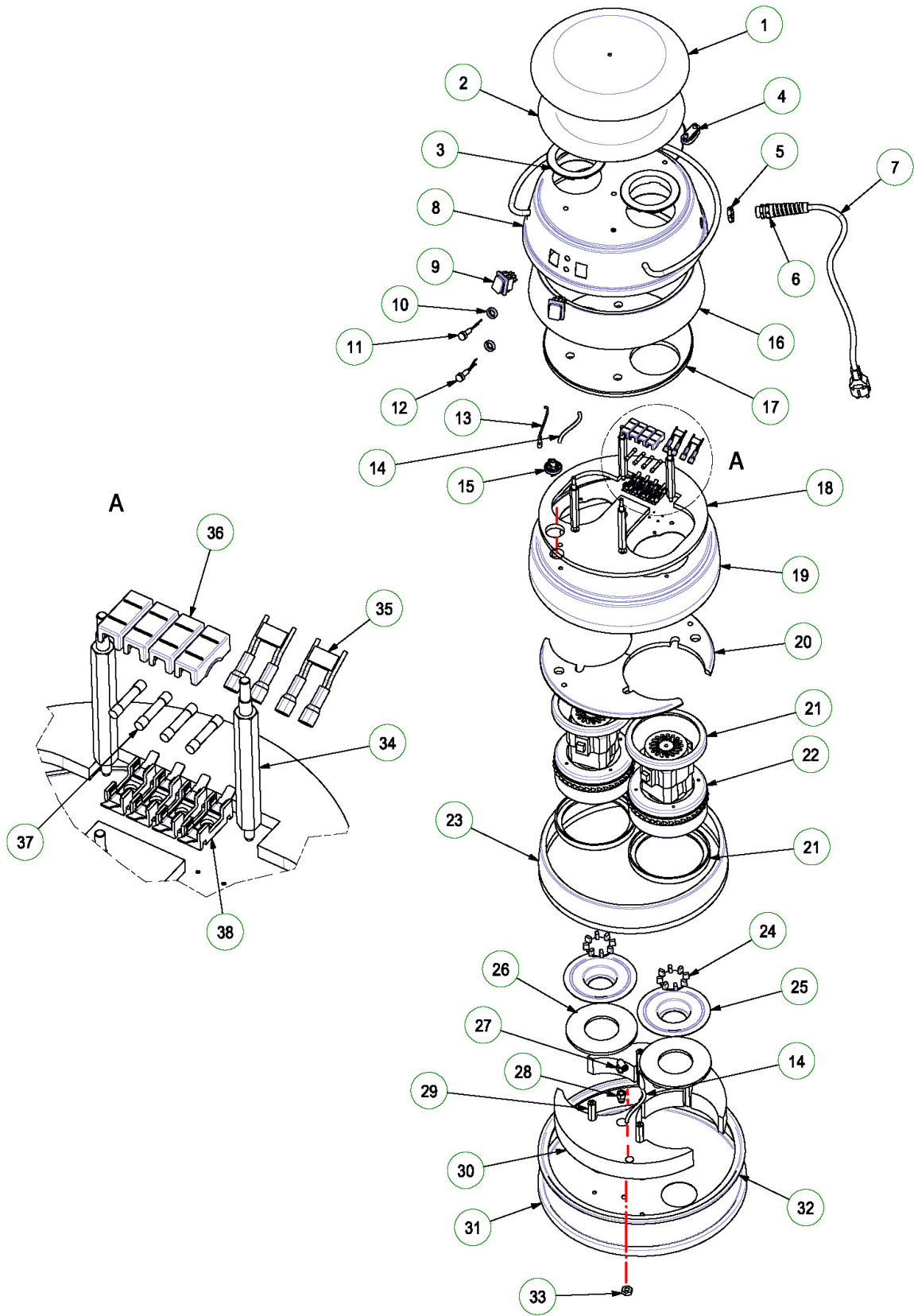
Code	Description
402517	Connector, Hose, 50mm
402518	Hose, Antistatic, 50mm, 7.5m
402519	Adapter, Hose, 50mm
402520	Reducer, Hose, 50mm to 38mm
402521	Hose, Antistatic, 38mm, 7.5m
402522	Adapter, Hose, 38mm
402523	Wand, Floor, 38mm, Aluminum
402524	Brush, Floor, 38mm, Steel

THIS PAGE INTENTIONALLY LEFT BLANK

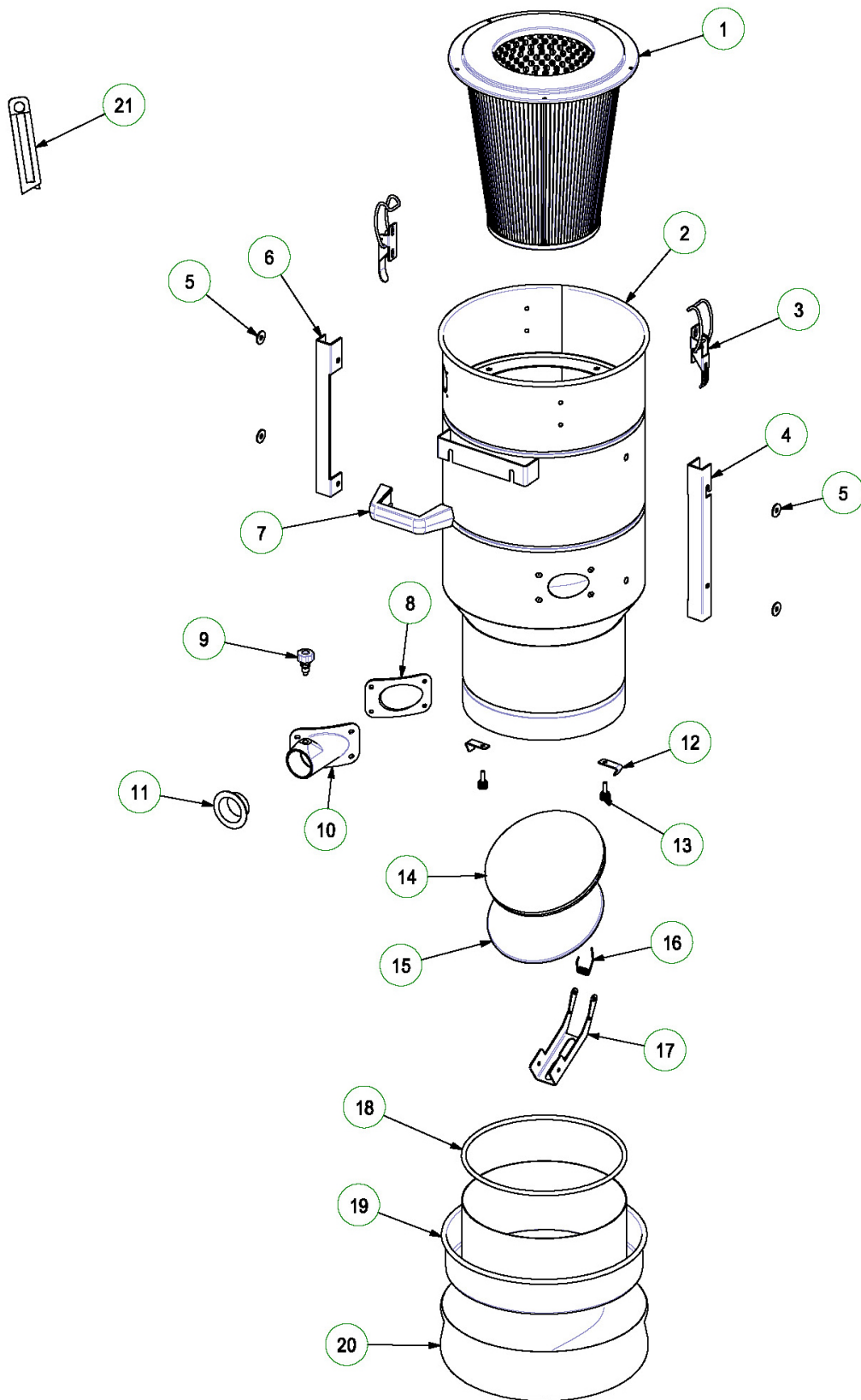
4.3 Parts lists and diagrams



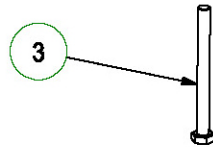
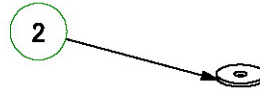
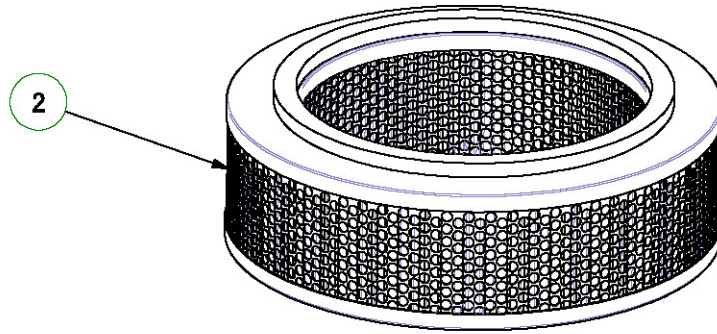
PARTS LIST			
ITEM	QTY	PART#	DESCRIPTION
1	1	402497	Motor Head, 115 Volt, Dual Motor
2	1		FI.0013.0000 MTL202DS DUST ABSOLUTE FILTER
3	1		MTL202DSL P HOPPER KIT (M FILTER)
4	1	403618	Valve, Flapper
5	1		GAS SPRINGS MTL202DS LP MACHINE BODY KIT
6	2		RT.0071.0000 WHEEL AXLE KIT
7	1	403646	Assembly, Caster, Black, with Brake
8	1	403647	Assembly, Caster, Black
9	2	403885	Wheel, Rubber, 200 x 58mm



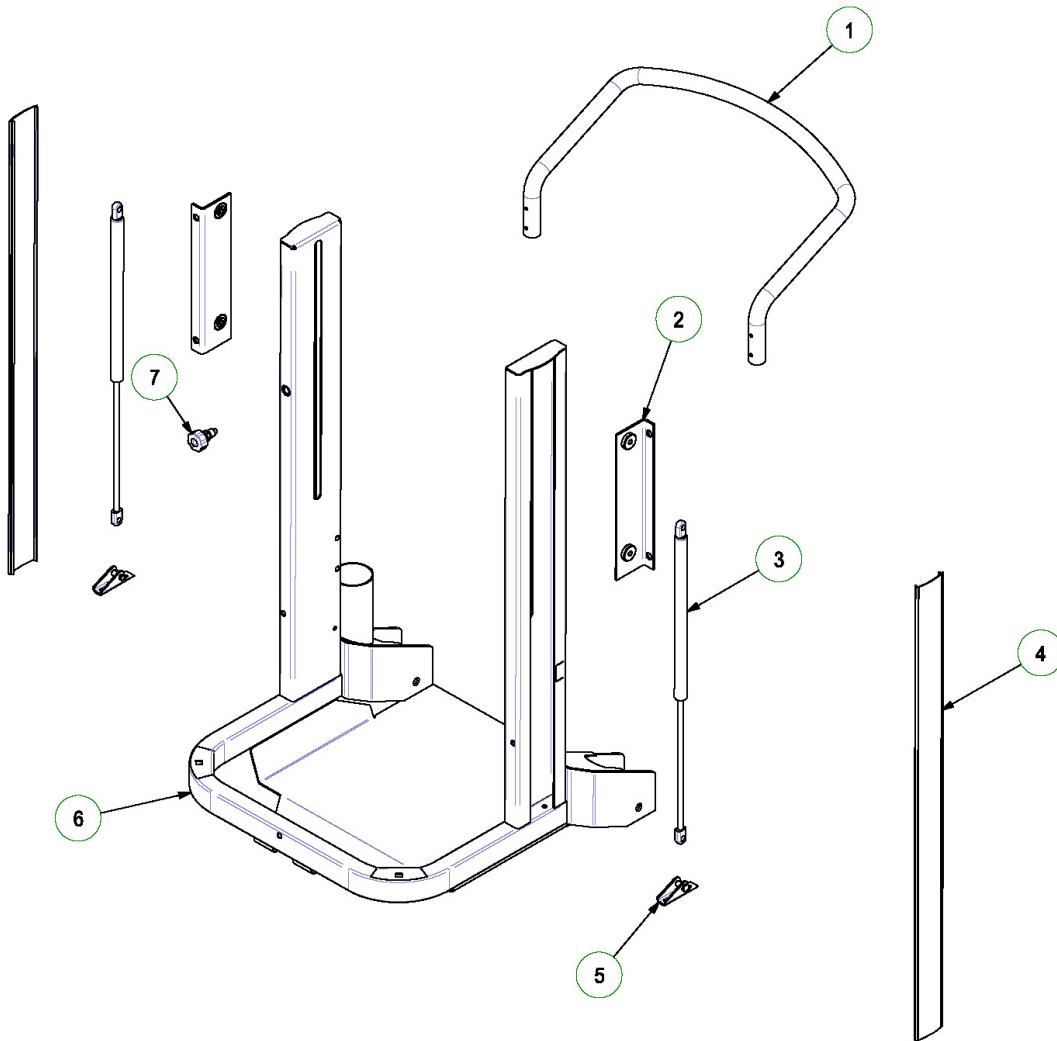
PARTS LIST			
ITEM	QTY	PART#	DESCRIPTION
1	1		MTL 202 DS COVER WITH CABLE SUPPORT
2	1		COVER NOISE BUFFERING MATERIAL
3	2		COOLING RING
4	1		SBMMM932 CABLE FASTENER SUPPORT
5	1		PG 13,5 BLACK POLYAMIDE NUT
6	1		PG 13,5 POL YAMIDE BLACK CABLE FASTENER
7	1	402503	Cord, Power, SJTOW, 12/3, NEMA 5-20, 33ft (DL2000-10XXXX)
	1	405048	Assembly, Cord, CEE 7/7, 30ft (DL2000-11XXXX)
8	1		MTL202DS COVER
9	2	407126	Switch, On/Off, Green
10	2		CHROMED NUT FOR HEAD LIGHT
11	1	403923	Light, Clogged Filter, Yellow
12	1	403924	Light, Power Supply On, Green
13	1		L300 1.5 BLACK CABLE DUSTOP SPY
14	2		98SH 4X6 POLIURETHANE BLUE HOSE
15	1	404192	Switch, Air Pressure
16	1		MTL 202 DS COVER SIDE NOISE BUFFERING MATERIAL
17	1		MTL 202 DS COVER NOISE BUFFERING MATERIAL
18	1		MTL 202 DS MOTOR FASTENER NOISE BUFFERING MATERIAL
19	1		MTL202DS DUSTOP MOTOR FASTENER
20	2		MTL 202 DS MOTOR FASTENER NOISE BUFFERING MATERIAL
21	4	406348	Gasket, 145x5mm
22	2	402475	Motor, 120 Volt (DL2000-10XXXX)
	2	405049	Motor, 230 Volt (DL2000-11XXXX)
	2	403869	Motor, 100 Volt (DL2000-20XXXX, -28XXXX)
23	1		MTL 202 DS - 501 W-D MOTOR FASTENER SIDE NOISE BUFFERING MATERIAL
24	2		DLFM BOTTOM PLATE VALVE
25	2		DLFM MOTORS BOTTOM PLATE (GALVANIZED)
26	2	404828	Gasket, Bottom Plate, By-Pass Motor
27	1		G1/8M - D6 SWIVEL ELBOW PUSH IN FITTING
28	1		1/8" MF L 22 EXTENSION
29	4	404007	Standoff, F/F, M6 x80mm
30	2		MTL 202 DS BASE PLATE NOISE BUFFERING MATERIAL
31	1		MTL202DS DUSTOP BASE PLATE
32	1.2 m	402488	Gasket, Filter Chamber, 1.2m
33	1		1/8" CH 17 MM. HEXAGONAL NUT
34	4	404008	Standoff, M/M, M6 xM8 x136mm
35	1		HEAD SPINNING KIT 202DS / 802WD / M235S 120V
36	4		FUSE BLACK COATING
37	4		GLASS FUSE 15A 6.3x32
38	4		30A 250V FUSE HOLDER



PARTS LIST			
ITEM	QTY	PART#	DESCRIPTION
1	1	402467	Filter, Primary, DL2000
2	1		0360 H770 HOPPER WITH TANGENTIAL INLET (MTL202DS LP)
3	2		LATCH TOGGLE CLAMP
4	1		MTL202DS LP CHAMBER LEFT PROFILE
5	4		DIN9021 8X24 NYLON WASHER
6	1		MTL202DS LP CHAMBER RIGHT PROFILE
7	1		L=140 HANDLE
8	1		TANGENTIAL INLET EPDM GASKET (MTL/PHARMA)
9	1	403619	Pawl, Double Bend
10	1		MTL202DS INLET
11	1		DUSTOP PVC D50 CAP
12	2	404764	Hanger, Longopac Container
13	2	404765	Knob, M6x20
14	1	404054	Gasket, Longopac Flap
15	1	404925	Arm, Flap, Longopack
16	1	404926	Spring, Regulation
17	1	404924	Flap, Longopac
18	1	402482	Gasket, Longopac
19	1	404742	Holder, Longopac
20	0.25	402473	Longopac, 4 pack, DL Series
21	1		CUTTER WITH AUTOMATIC SPRING



PARTS LIST			
ITEM	QTY	PART#	DESCRIPTION
2	1	402471	Filter, HEPA, DL1000/2000
2	1		GALVANIZED PLAIN WASHER DIN 9021 8X32
3	1		8X90 GALVANIZED HEXAGON HEAD BOLT



PARTS LIST			
ITEM	QTY	PART#	DESCRIPTION
1	1		MTL PUSH HANDLE
2	2		MTL202DS LP GALVANIZED SLIDING BRACKET
3	2		MTL202DS LP GAS SPRINGS (125N STROKE=250)
4	2		MTL202 DS SC LP COLUMNS PROFILE
5	2		GALVANIZED GAS SPRING FIXING BRACKET
6	1		MTL 202 DS LP TROLLEY (GAS SPRINGS)
7	1	403619	Pawl, Double Bend



Made in America Since 1968

9250 Xylon Avenue N • Minneapolis, MN 55445 • U.S.A.
Toll-free 800-245-0267 • Phone 763-315-5300 • Fax 800-648-7124 • Fax 763-535-8255
Web Site: www.nationalequipmentdirect.com • E-Mail: info@nationalequipment.com