

# MOHAWK



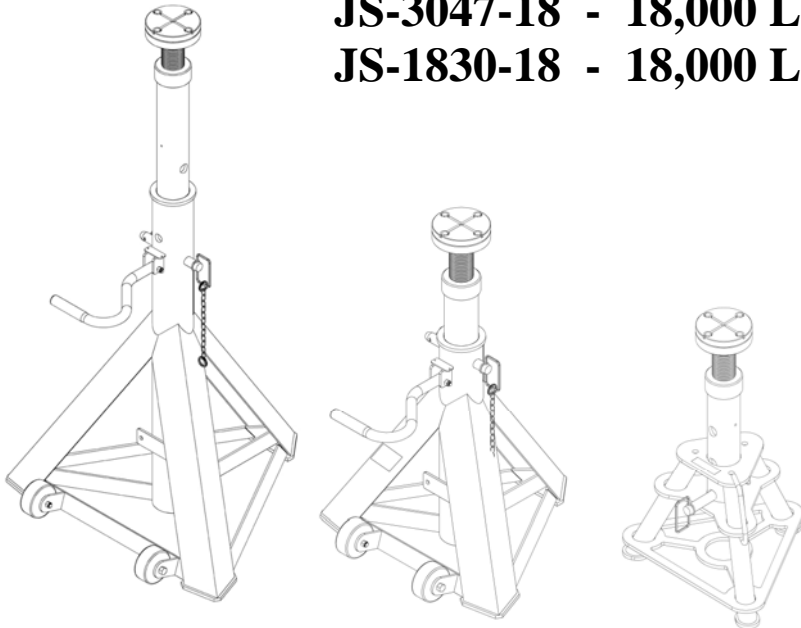
MADE IN THE USA

## JS-Series Jack Stand

- JS-4775-24 - 24,000 LB. CAPACITY -
- JS-3047-24 - 24,000 LB. CAPACITY -
- JS-1830-24 - 24,000 LB. CAPACITY -
- JS-4775-18 - 18,000 LB. CAPACITY -
- JS-3047-18 - 18,000 LB. CAPACITY -
- JS-1830-18 - 18,000 LB. CAPACITY -



**Intertek**  
81287  
Conforms to  
ANSI/ASME  
PALD-2009



- OPERATION
- MAINTENANCE
- PARTS



### MOHAWK RESOURCES LTD.

VROOMAN AVE  
PO BOX 110  
AMSTERDAM, NY 12010  
**TOLL FREE:** 1-800-833-2006  
**LOCAL:** 1-518-842-1431  
**FAX:** 1-518-842-1289  
**INTERNET:** WWW.MOHAWKLIFTS.COM  
**E-MAIL:** SERVICE@MOHAWKLIFTS.COM

**READ MANUAL THOROUGHLY BEFORE INSTALLING, OPERATING OR SERVICING THIS LIFT !!**  
**Deliver these instructions to lift owner/user/employer along with other instructional materials furnished with this lift.**

**MOHAWK WARRANTIES**

EFFECTIVE DATE: 12/1/2015\*

READ THIS WARRANTY IN ITS ENTIRETY

**GENERAL WARRANTY INFORMATION:**

MOHAWK'S OBLIGATION UNDER THIS WARRANTY IS LIMITED TO REPAIRING OR REPLACING ANY PART OR PARTS RETURNED TO THIS FACTORY, TRANSPORTATION CHARGES PREPAID BY CUSTOMER WITH AUTHORIZED RETURN (RGA), WHICH PROVE UPON INSPECTION TO BE DEFECTIVE AND WHICH HAVE NOT BEEN MISUSED. DAMAGE OR FAILURE TO ANY PART DUE TO FREIGHT DAMAGE OR LACK OF REQUIRED REGULAR DOCUMENTED MAINTENANCE IS NOT COVERED UNDER THIS WARRANTY. ALL WARRANTY CLAIMS MUST BE PERFORMED IN ACCORDANCE TO MOHAWK'S WARRANTY PARTS RETURN POLICY (CONTACT MOHAWK'S SERVICE DEPARTMENT FOR MORE INFORMATION).

THIS WARRANTY DOES NOT COVER MIS-DIAGNOSING OF UNIT OR PARTS RETURNED THAT ARE NON-DEFECTIVE. THIS WARRANTY DOES NOT COVER ANY CONSEQUENTIAL OR INCIDENTAL DAMAGES INCLUDING, BUT NOT LIMITED TO, LOST REVENUES OR BUSINESS HARM. THIS EQUIPMENT HAS BEEN DESIGNED FOR USE IN NORMAL VEHICLE MAINTENANCE APPLICATIONS. A SPECIFIC INDIVIDUAL WARRANTY MUST BE ISSUED FOR UNITS THAT DEVIATE FROM INTENDED USAGE, SUCH AS HIGH CYCLE USAGE IN INDUSTRIAL APPLICATIONS, OR USAGE IN EXTREMELY ABUSIVE ENVIRONMENTS. MOHAWK RESERVES THE RIGHT TO DECLINE RESPONSIBILITY WHEN REPAIRS OR MODIFICATIONS HAVE BEEN MADE OR ATTEMPTED BY OTHERS WITHOUT WRITTEN AUTHORIZATION FROM MOHAWK RESOURCES LTD.. THIS WARRANTY DOES NOT COVER LABOR OR TRANSPORTATION. THIS WARRANTY DOES NOT COVER DOWNTIME EXPENSES INCURRED WHEN UNIT IS IN REPAIR. **THE LIFT MUST BE REGISTERED WITHIN 30 DAYS OF INSTALLATION BY MAILING SUPPLIED WARRANTY REGISTRATION CARD TO MOHAWK AND MUST BE SIGNED BY A LICENSED ELECTRICIAN.** THE MODEL NUMBER AND SERIAL NUMBER OF THE EQUIPMENT MUST BE FURNISHED WITH ALL WARRANTY CLAIMS. THIS WARRANTY STATEMENT CONTAINS THE ENTIRE AGREEMENT BETWEEN MOHAWK RESOURCES LTD. AND THE PURCHASER UNLESS OTHERWISE SPECIFICALLY EXPRESSED IN WRITING. THIS NON-TRANSFERABLE WARRANTY APPLIES TO THE ORIGINAL PURCHASER ONLY.

THIS WARRANTY DOES NOT COVER NORMAL SURFACE WEAR ITEMS, ITEMS SUBJECT TO ABRASION, OR ITEMS USED IN A CORROSIVE ENVIRONMENT. SOME ITEMS ON LIFT ARE SUBJECT TO NORMAL "WEAR AND TEAR" AND ARE NOT COVERED UNDER THIS WARRANTY.

**STRUCTURAL AND MECHANICAL COMPONENTS (ALL LIFTS):**

STRUCTURAL AND MECHANICAL COMPONENTS OF THIS UNIT ARE GUARANTEED FOR THE BELOW STATED TIME FRAME, SPECIFIC TO MODEL LISTED, FROM THE DATE OF SHIPMENT FROM FACTORY, AGAINST DEFECTS IN WORKMANSHIP AND/OR MATERIALS WHEN LIFT IS INSTALLED AND USED ACCORDING TO SPECIFICATIONS.

**25-YEARS STRUCTURAL / 10 YEARS MECHANICAL:** TWO-POST MODELS A-7, SYSTEM IA-10, LC-12, LMF-12, TP-16, TP-18, TP-20, TP-26, TP-30. STRUCTURAL ITEMS COVERED INCLUDE LEG, CARRIAGE, SWING ARM AND SLIDER WELDMENTS (EXCLUDING NORMAL WEAR AREAS AS STATED ABOVE). MECHANICAL ITEMS COVERED INCLUDE ROLLER BEARINGS AND LIFTING CHAIN.

**5-YEAR:** MODELS TL-7.

**3-YEAR:** MODELS TR-19, TR-25, FL-25, TR-30, TR-33, TR-35, TR-50, TR-75, TR-110, TR-120, MP-SERIES LIFTS.

**2-YEAR:** MODELS PARALLELOGRAM SERIES LIFTS.

**1-YEAR:** MODELS TD-1000, TD-2000, CT-1000, USL-6000.

**POWER UNIT (ALL LIFTS):**

ALL POWER UNIT COMPONENTS (MOTOR, PUMP AND RESERVOIR) ARE GUARANTEED FOR TWO YEARS FOR PARTS, FROM THE DATE OF SHIPMENT FROM FACTORY, AGAINST DEFECTS IN WORKMANSHIP AND/OR MATERIALS WHEN THE LIFT IS INSTALLED, WIRED BY A LICENSED ELECTRICIAN AND USED ACCORDING TO SPECIFICATIONS.

**ELECTRICAL COMPONENTS (ALL LIFTS):**

ALL ELECTRICAL COMPONENTS (EXCLUDING MOTOR) ARE GUARANTEED FOR ONE YEAR FOR PARTS, FROM THE DATE OF SHIPMENT FROM FACTORY, AGAINST DEFECTS IN WORKMANSHIP AND/OR MATERIALS WHEN THE LIFT IS INSTALLED AND USED ACCORDING TO SPECIFICATIONS. SEE WARRANTY EXCEPTIONS SECTION FOR BATTERIES.

**PNEUMATIC-AIR COMPONENTS (ALL LIFTS):**

ALL PNEUMATIC (AIR) COMPONENTS (I.E. AIR CYLINDERS AND POPPET AIR VALVES) ARE GUARANTEED FOR ONE YEAR FOR PARTS, FROM THE DATE OF SHIPMENT FROM FACTORY, AGAINST DEFECTS IN WORKMANSHIP AND/OR MATERIALS WHEN THE LIFT IS INSTALLED AND USED ACCORDING TO SPECIFICATIONS. COMPONENTS IN A PNEUMATIC SYSTEM THAT ARE NOT PROPERLY REGULATED, LUBRICATED AND CONDITIONED WITH AN AIR DRYING SYSTEM ARE NOT COVERED UNDER WARRANTY.

**HYDRAULIC COMPONENTS (ALL LIFTS):**

EXCLUDING CYLINDERS AND PUMPS (COVERED IN OTHER SECTIONS), ALL HYDRAULIC COMPONENTS (I.E. VALVES AND FITTINGS) ARE GUARANTEED FOR ONE YEAR FOR PARTS, FROM THE DATE OF SHIPMENT FROM FACTORY,

MOHAWK JACK STANDS

AGAINST DEFECTS IN WORKMANSHIP AND/OR MATERIALS WHEN THE LIFT IS INSTALLED AND USED ACCORDING TO SPECIFICATIONS.

**HYDRAULIC CYLINDERS (MODEL SPECIFIC LIFTS):**

THE FOLLOWING MODELS ARE GUARANTEED FOR 5 YEARS (PARTS ONLY), FROM DATE OF SHIPMENT FROM FACTORY, FOR HYDRAULIC CYLINDERS, AGAINST DEFECTS IN WORKMANSHIP AND/OR MATERIALS WHEN THE LIFT IS INSTALLED AND USED ACCORDING TO SPECIFICATIONS: TWO-POST MODELS A-7, SYSTEM IA-10, LC-12, LMF-12, TP-16, TP-18, TP-20, TP-26, TP-30.

ALL OTHER MODELS ARE GUARANTEED FOR TWO YEARS (PARTS ONLY), FROM THE DATE OF SHIPMENT FROM FACTORY, FOR HYDRAULIC CYLINDERS, AGAINST DEFECTS IN WORKMANSHIP AND/OR MATERIALS WHEN THE LIFT IS INSTALLED AND USED ACCORDING TO SPECIFICATIONS (EXCLUDING USL-6000, WHICH IS ONE YEAR).

THE "EXTENDED LIFETIME CYLINDER SEAL WARRANTY" (BELOW) IS APPLICABLE TO THE FOLLOWING MOHAWK LIFTS ONLY: TWO-POST MODELS A-7, SYSTEM IA-10, LC-12, LMF-12, TP-16, TP-18, TP-20, TP-26, TP-30. SEE MOHAWK'S "EXTENDED LIFETIME CYLINDER SEAL WARRANTY" FOR SPECIFIC WARRANTY PROVISIONS FOR HYDRAULIC CYLINDERS.

THE "EXTENDED LIFETIME CYLINDER SEAL WARRANTY" IS AS FOLLOWS:

AS THE ORIGINAL PURCHASER OF A MOHAWK LIFT MANUFACTURED BY MOHAWK RESOURCES, LTD. YOU ARE ENTITLED TO AN EXTENDED CYLINDER SEAL WARRANTY.

MOHAWK'S OBLIGATION UNDER THIS WARRANTY IS LIMITED TO SUPPLYING MODEL SPECIFIC CYLINDER SEALS. THE CUSTOMER IS RESPONSIBLE FOR SHIPPING AND HANDLING OF THE SEALS. MOHAWK IS NOT RESPONSIBLE/LIABLE FOR THE REBUILD OF CYLINDERS BY OTHERS. THIS WARRANTY IS NON-TRANSFERABLE AND RUNS TO THE ORIGINAL PURCHASER ONLY.

**STANDARD OPTIONS (ALL LIFTS):**

ALL STANDARD OPTIONS OF THIS UNIT ARE GUARANTEED FOR ONE YEAR FOR PARTS, FROM THE DATE OF SHIPMENT FROM FACTORY, AGAINST DEFECTS IN WORKMANSHIP AND/OR MATERIALS WHEN LIFT IS INSTALLED AND USED ACCORDING TO SPECIFICATIONS.

**CUSTOM LIFTS AND CUSTOM OPTIONS:**

ALL "CUSTOM" LIFTS AND/OR "CUSTOM" OPTIONS ARE GUARANTEED FOR ONE YEAR FOR PARTS, FROM THE DATE OF SHIPMENT FROM FACTORY, AGAINST DEFECTS IN WORKMANSHIP AND/OR MATERIALS WHEN LIFT IS INSTALLED AND USED ACCORDING TO SPECIFICATIONS.

**WARRANTY EXCEPTIONS (ALL LIFTS):**

**ADJUSTMENTS:** THIS WARRANTY DOES NOT COVER CASUAL AND ROUTINE ADJUSTMENTS SUCH AS, BUT NOT LIMITED TO: FITTINGS, SENSORS AND SWITCHES, ANCHOR BOLT RE-TIGHTENING, OR ANY SHIMMING OR ADJUSTMENTS REQUIRED DURING A PROPER AND PROFESSIONAL INSTALLATION BY A QUALIFIED INSTALLER.

**MAINTENANCE AND INSPECTIONS:** IF THIS UNIT IS NOT MAINTAINED AND INSPECTED IN ACCORDANCE TO THE RELEVANT SECTIONS IN THE USERS MANUAL FOR THIS SPECIFIC MODEL, WARRANTY IS VOID. OSHA, ANSI AND MOHAWK REQUIRE THAT RECORDS MUST BE MAINTAINED TO PROVE THAT INSPECTIONS AND MAINTENANCE OF THIS UNIT HAVE BEEN ROUTINELY PERFORMED BY QUALIFIED INDIVIDUALS.

**ABUSE:** IF THIS UNIT IS FOUND TO BE OVERLOADED (PURPOSELY OR UNKNOWINGLY), USED IN A SITUATION BEYOND ITS INTENDED FUNCTION, NOT MAINTAINED & INSPECTED REGULARLY, USED IN AN ABUSIVE ENVIRONMENT OR BEYOND NORMAL SHOP USAGE, THIS WARRANTY IS VOID IN ITS ENTIRETY.

**NON-EXISTENT PROBLEMS:** FOR SERVICE VISITS, PART REPLACEMENTS, LABOR, ETC. FOR PARTS FOUND TO BE NON-DEFECTIVE, OR FOR A UNIT DIS-FUNCTION THAT DOES NOT EXIST, IT IS THE LIFT OWNER THAT REQUESTED THE SERVICE VISIT WHO BEARS THE RESPONSIBILITY OF ALL RELATED EXPENSES.

**BATTERIES:** ALL BATTERIES CARRY THE BATTERY MANUFACTURER'S WARRANTY. MAINTENANCE REQUIREMENTS AND ABUSE PROVISIONS ARE AS STATED BY THE BATTERY MANUFACTURER. REFER TO BATTERY MANUFACTURER'S WARRANTY.

**SPECIAL/MODIFIED INSTALLATIONS:** THIS WARRANTY DOES NOT COVER "NON-TRADITIONAL" INSTALLATIONS. INSTALLATIONS ARE TO BE DONE ACCORDING TO SPECIFICATIONS, OR THE WARRANTY IS VOID.

**WEARABLE COMPONENTS:** SOME ITEMS ON LIFTS ARE SUBJECT TO NORMAL "WEAR AND TEAR" AND ARE NOT COVERED UNDER THIS WARRANTY.

**NON-VEHICLE / RE-PURPOSED LIFTS:** THIS WARRANTY DOES NOT COVER LIFTS THAT ARE "RE-PURPOSED" TO RAISE AND LOWER EQUIPMENT THAT ARE NOT CONSIDERED VEHICLES.

\* THIS WARRANTY SUPERSEDES ALL OTHER WARRANTY POLICIES PREVIOUSLY STATED AND IN ALL OTHER MOHAWK PRODUCT SPECIFIC LITERATURE (MANUALS, BROCHURES, ETC.).

## **GENERAL INSTRUCTIONS & WARNINGS:**

STUDY, UNDERSTAND, AND FOLLOW ALL INSTRUCTIONS BEFORE OPERATING THIS DEVICE.  
RETAIN THESE INSTRUCTIONS FOR FUTURE REFERENCE.

IF THE OPERATOR IS NOT FLUENT IN ENGLISH, THE PRODUCT INSTRUCTIONS AND WARNINGS SHALL BE READ TO AND DISCUSSED WITH THE OPERATOR IN THE OPERATOR'S NATIVE LANGUAGE BY THE PURCHASE/OWNER OR HIS DESIGNEE, MAKING SURE THE OPERATOR COMPREHENDS ITS CONTENTS.

THE EQUIPMENT DESCRIBED IN THIS MANUAL COULD BE POTENTIALLY DANGEROUS IF IMPROPERLY OR CARELESSLY OPERATED. FOR THE PROTECTION OF ALL PERSONS AND EQUIPMENT, ONLY COMPETENTLY TRAINED OPERATORS WHO ARE CRITICALLY AWARE OF THE PROPER OPERATING PROCEDURES, POTENTIAL DANGERS, AND SPECIFIC APPLICATION OF THIS EQUIPMENT SHOULD BE ALLOWED TO USE THIS EQUIPMENT AT ANY TIME.

BECAUSE OF POTENTIAL HAZARDS ASSOCIATED WITH THIS TYPE OF EQUIPMENT, NO ALTERATIONS SHALL BE MADE TO THIS PRODUCT.

FAILURE TO HEED ALL WARNINGS CONTAINED IN THIS MANUAL MAY RESULT IN PERSONAL INJURY AND/OR PROPERTY DAMAGE.

THE USE OF PORTABLE AUTOMOTIVE LIFTING DEVICES IS SUBJECT TO CERTAIN HAZARDS THAT CANNOT BE PREVENTED BY MECHANICAL MEANS, BUT ONLY BY THE EXERCISE OF INTELLIGENCE, CARE, AND COMMON SENSE. IT IS THEREFORE ESSENTIAL TO HAVE OWNERS AND PERSONNEL INVOLVED IN THE USE AND OPERATION OF EQUIPMENT WHO ARE CAREFUL, COMPETENT, TRAINED, AND QUALIFIED IN THE SAFE OPERATION OF THE EQUIPMENT AND ITS PROPER USE.

ALL WARRANTIES APPLICABLE TO THIS EQUIPMENT ARE CONTINGENT ON STRICT ADHERENCE TO THE OPERATION AND MAINTENANCE PROCEDURES IN THIS MANUAL.

RECOMMENDATIONS BY THE INDIVIDUAL USER OR USING ORGANIZATION FOR IMPROVING THIS PUBLICATION OR ANY ASPECT OF THE PRODUCT ARE ENCOURAGED AND SHOULD BE FORWARDED IN WRITING TO:

MOHAWK RESOURCES LTD.  
PRODUCT IMPROVEMENTS  
VROOMAN AVE.  
PO BOX 110  
AMSTERDAM, NY 12010

## **OPERATION INSTRUCTIONS & WARNINGS:**

DO NOT EXCEED RATED CAPACITY. OVERLOADING CAN CAUSE DAMAGE TO OR FAILURE OF THE STAND.

USE STANDS ON HARD LEVEL SURFACE CAPABLE OF SUSTAINING THE LOAD. USE ON OTHER THAN HARD LEVEL SURFACES MAY RESULT IN POSSIBLE LOSS OF LOAD.

LOCATE SADDLE AT VEHICLE MANUFACTURER DESIGNATED SUPPORT POINTS. ALWAYS CONSULT THE VEHICLE LIFTING GUIDE FOR THE PROPER LIFTING POINTS ON ANY VEHICLE. THESE GUIDES ARE AVAILABLE FROM THE VEHICLE MANUFACTURERS.

PLACE LOAD IN THE CENTER OF THE SADDLE ONLY.

USE AS A MATCHED PAIR ONLY. USE A MINIMUM OF TWO STANDS TO SUPPORT AND STABILIZE ONE END OF A VEHICLE ONLY.

DO NOT APPLY HORIZONTAL FORCES OR LARGE TORQUE LOADS TO THE VEHICLE WHILE SUPPORTED BY STANDS.

## MOHAWK JACK STANDS

DO NOT START ENGINE WHILE SUPPORTED ON STANDS.

DO NOT USE STANDS TO SIMULTANEOUSLY SUPPORT BOTH ENDS OF A VEHICLE.

ENSURE STANDS ARE STABLE AND VEHICLE IS BALANCED BEFORE LOWERING ONTO STANDS.

CAREFULLY LOWER VEHICLE ONTO ALL STANDS UTILIZED SIMULTANEOUSLY.

ONLY ATTACHMENTS, RESTRAINTS OR ADAPTERS SUPPLIED BY THE MANUFACTURER SHALL BE USED.

NO ALTERATIONS SHALL BE MADE TO THIS PRODUCT.

ALWAYS ADJUST HEIGHT OF JACK STAND UP TO LOAD WITH PAD SCREWED ALL THE WAY DOWN FIRST. THEN RAISE CENTER SLIDER UP TO HIGHEST PIN SETTING, THEN SPIN PAD UPWARD TO LOAD.

ALWAYS ENSURE THAT HITCH PIN IS FULLY INSERTED INTO HOLES THROUGH ENTIRE BASE FRAME AND THAT HAIR PIN IS RETAINING OTHER SIDE.

THE CENTER TUBE IS SPRING LOADED TO ASSIST IN RAISING TUBE TO DESIRED HEIGHT. USE CAUTION WHEN PULLING HITCH PIN. BUILT UP SPRING FORCE MAY RAISE CENTER TUBE SUDDENLY.

KEEP HANDS AND BODY CLEAR OF ANY POTENTIAL PINCH POINTS.

FAILURE TO HEED THESE WARNINGS MAY RESULT IN PERSONAL INJURY AND/OR PROPERTY DAMAGE.

### **MAINTENANCE AND INSPECTION INSTRUCTIONS & WARNINGS:**

THIS PRODUCT SHALL BE MAINTAINED IN ACCORDANCE WITH THE FOLLOWING MAINTENANCE INSTRUCTIONS.

VISUAL INSPECTION SHALL BE MADE BEFORE EACH USE OF THIS UNIT BY CHECKING FOR ABNORMAL CONDITIONS SUCH AS CRACKED WELDS, LEAKS, AND DAMAGED, LOOSE, OR MISSING PARTS.

OTHER INSPECTIONS SHALL BE MADE PER OPERATING INSTRUCTIONS ABOVE.

EACH UNIT SHALL BE INSPECTED IMMEDIATELY IF THE LIFT IS BELIEVED TO HAVE BEEN SUBJECTED TO AN ABNORMAL LOAD OR SHOCK. IT IS RECOMMENDED THAT THIS INSPECTION BE MADE BY A MANUFACTURER'S OR SUPPLIER'S AUTHORIZED REPAIR FACILITY.

PERIODICALLY LUBRICATE THREADED PORTION OF LIFT PAD WITH WD-40 OR OTHER LIGHT LUBRICANT.

OWNERS AND/OR OPERATORS SHOULD BE AWARE THAT REPAIR OF THIS EQUIPMENT MAY REQUIRE SPECIALIZED KNOWLEDGE AND FACILITIES. IT IS RECOMMENDED THAT AN ANNUAL INSPECTION OF THIS UNIT BE MADE BY A MANUFACTURER'S OR SUPPLIER'S AUTHORIZED REPAIR FACILITY AND THAT ANY DEFECTIVE PARTS, DECALS, OR WARNING LABELS BE REPLACED WITH MANUFACTURER'S OR SUPPLIER'S SPECIFIED PARTS. A LIST OF AUTHORIZED REPAIR FACILITIES IS AVAILABLE FROM THE MANUFACTURER OR SUPPLIER.

ANY UNIT THAT APPEARS TO BE DAMAGED IN ANY WAY, IS FOUND TO BE WORN, OR OPERATES ABNORMALLY **SHALL BE REMOVED FROM SERVICE UNTIL REPAIRED**. IT IS RECOMMENDED THAT NECESSARY REPAIRS BE MADE BY THE MANUFACTURER'S OR SUPPLIER'S AUTHORIZED REPAIR FACILITY IF REPAIRS ARE PERMITTED BY THE MANUFACTURER OR SUPPLIER.

# MOHAWK

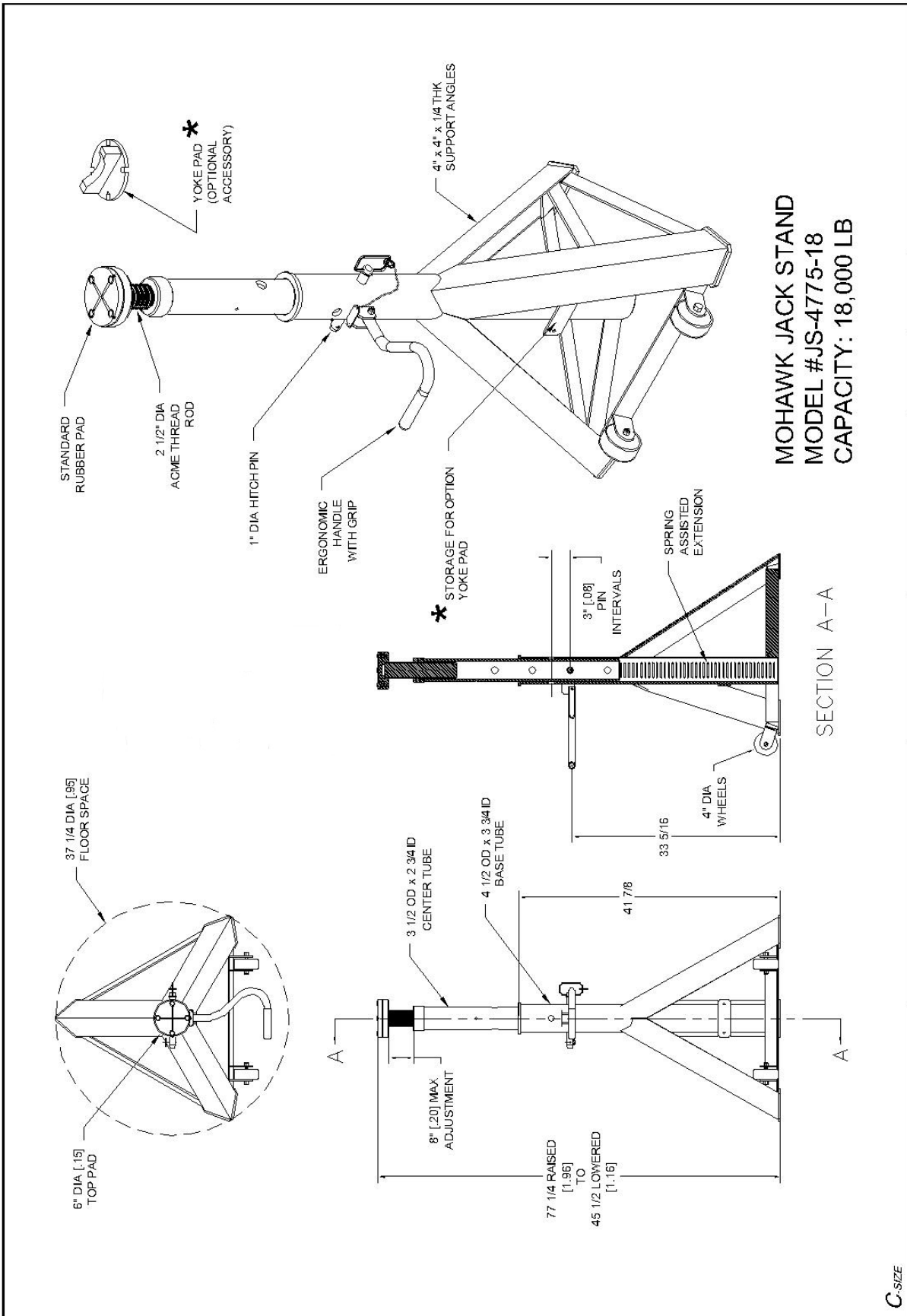
## MODEL JS-4775-18 & JS-4775-24

### DRAWINGS & PARTS



## MOHAWK RESOURCES LTD.

VROOMAN AVE.  
PO BOX 110  
AMSTERDAM, NY 12010  
**TOLL FREE:** 1-800-833-2006  
**LOCAL:** 1-518-842-1431  
**FAX:** 1-518-842-1289  
**INTERNET:** [WWW.MOHAWKLIFTS.COM](http://WWW.MOHAWKLIFTS.COM)  
**E-MAIL:** [SERVICE@MOHAWKLIFTS](mailto:SERVICE@MOHAWKLIFTS).



**MOHAWK JACK STAND**  
**MODEL #JS-4775-18**  
**CAPACITY: 18,000 LB**

C-SIZE

**NOTICE OF CONFIDENTIAL INFORMATION**  
 INFORMATION CONTAINED HEREIN IS CONFIDENTIAL AND PROPERTY OF MOHAWK RESOURCES LTD. IT SHALL BE USED SOLELY FOR PURPOSES OF INSPECTION, INSTALLATION, OR MAINTENANCE. THE INFORMATION SHALL NOT BE REPRODUCED OR DISCLOSED BY THE RECIPIENT FOR ANY OTHER PURPOSES WHATSOEVER.

**NOTES**  
 1. REMOVE ALL SHARP CORNERS & EDGES.  
 2. UNLESS OTHERWISE SPECIFIED, SURFACE FINISH TO BE 125 RMS.  
 3. WELDING MEDIUM SHALL CONFORM TO AWS SPECIFICATIONS TO E-70XX ELECTRODES OR E-7011 CODE S-3 FLUX CORE WIRE ONLY.

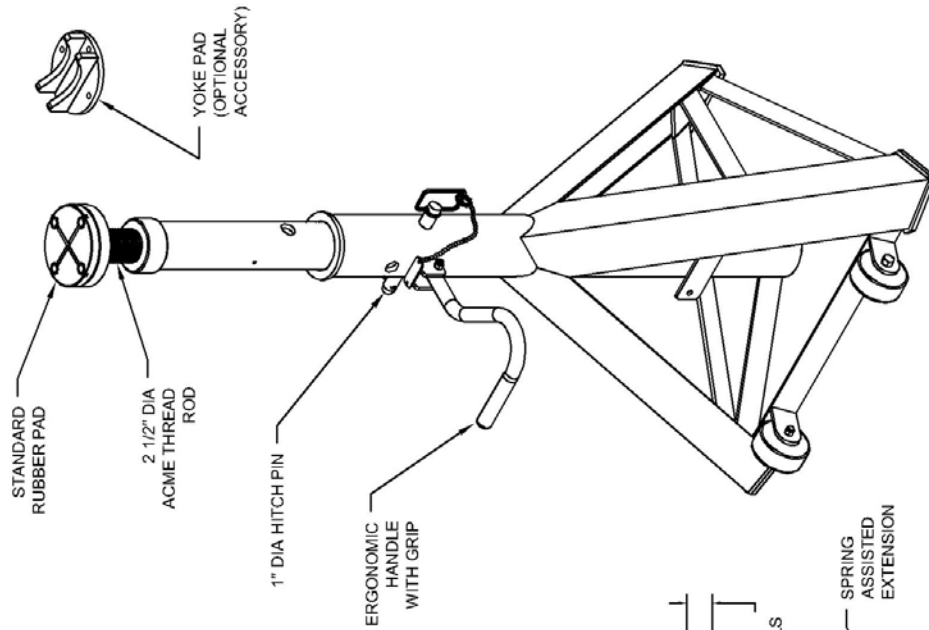
**TOLERANCES:**  
 ANGULAR ± 1.0  
 DECIMAL ± .030  
 DECIMAL ± .003  
 DECIMAL ± .003  
 FILE NAME JS-000-A-SPEC1

JS-000-A-000  
 NEXT ASSEMBLY

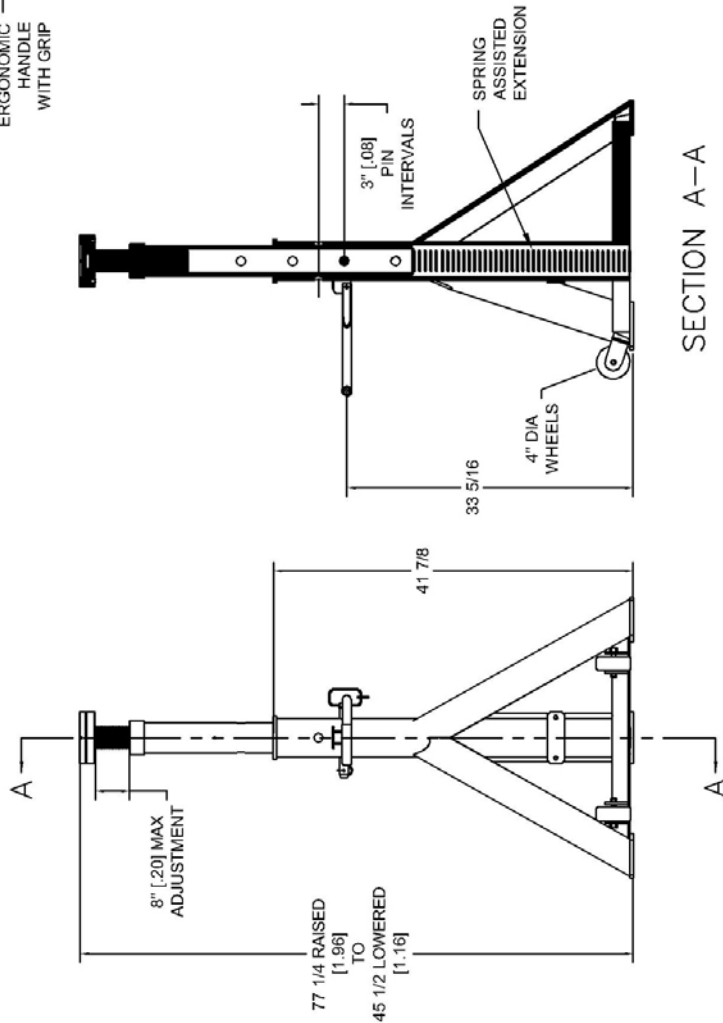
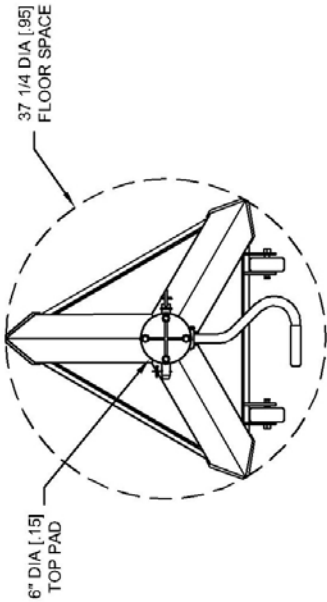
SCALE 7/10  
 DRAWN PWT/2089  
 CHECKED  
 DATE 2/7/06

APPROVED  
 WEIGHT 195 LB.  
 FROM N/A

**MOHAWK RESOURCES LTD.**  
 TITLE Jack Stand JS-4775-18  
 DRAWING NUMBER JS-000-A-SPEC1



**MOHAWK JACK STAND**  
**MODEL #JS-4775-24**  
**CAPACITY: 24,000 LB**



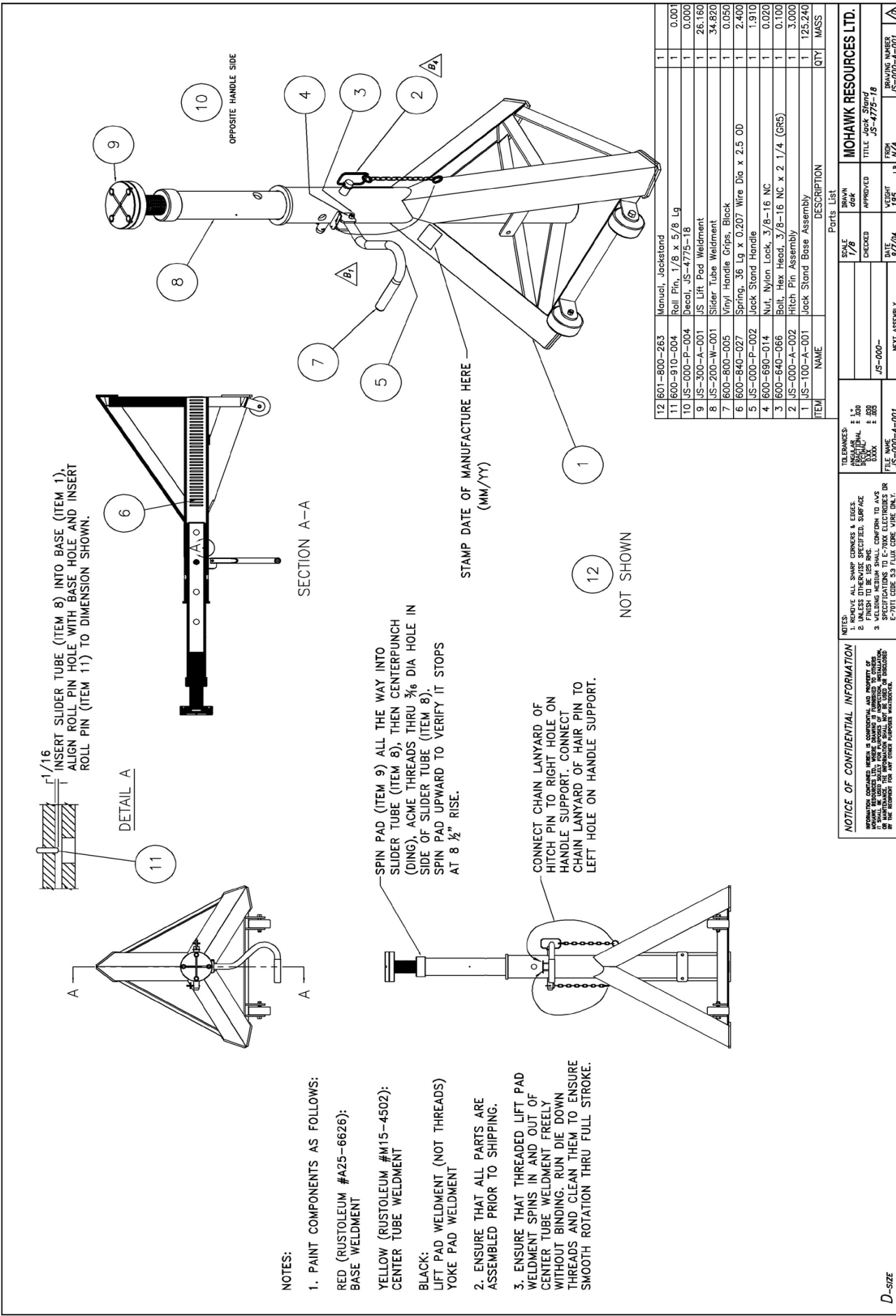
SECTION A-A

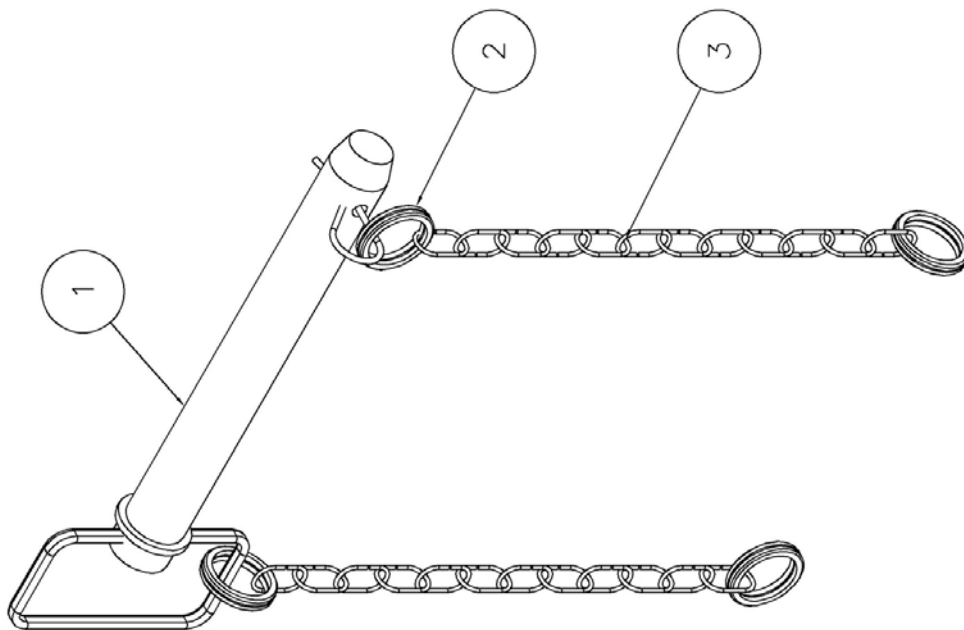
<p><b>NOTICE OF CONFIDENTIAL INFORMATION</b></p> <p>INFORMATION CONTAINED HEREIN IS CONFIDENTIAL AND PROPERTY OF MOHAWK RESOURCES LTD., WHERE DRAWING IS FURNISHED TO OTHERS. IT SHALL BE USED SOLELY FOR PURPOSES OF INSPECTION, INSTALLATION, REPAIR, OR MAINTENANCE OF THE EQUIPMENT AND NOT BE DISCLOSED BY THE RECIPIENT FOR ANY OTHER PURPOSES WHATSOEVER.</p>		<p><b>NOTES:</b></p> <ol style="list-style-type: none"> <li>REMOVE ALL SHARP CORNERS &amp; EDGES, UNLESS OTHERWISE SPECIFIED, SURFACE FINISH TO BE 125 RMS. CONFORM TO AWS SPECIFICATIONS TO E-70XX ELECTRODES OR E-70TT CODE S3 FLUX CORE WIRE (MILV).</li> </ol>		<p><b>TOLERANCES:</b></p> <p>ANGULAR ± 1.0°                  FRACTIONAL ± .030                  DECIMAL ± .005                  XXXX ± .005</p>		<p>FILE NAME                  JS-000-A-SPEC2</p>		<p>NEXT ASSEMBLY</p>	
SCALE	1/10	DRAWN	PH7/089	<p>MOHAWK RESOURCES LTD.</p>		<p>TITLE Jack Stand                  JS-4775-24</p>			
CHECKED		APPROVED		DATE	3/18/06	WEIGHT	195 LB.	FROM	N/A
								DRAWING NUMBER	JS-000-A-SPEC2

C-SIZE



# MOHAWK JACK STANDS





3	JS-000-P-401	Double Loop Coil Chain, Zinc Plated, Size 5 x 12 Links	2	0.250
2	600-900-011	Split Ring, 1.25 OD x 1" ID, Zinc Plated	4	0.100
1	600-900-009	Hitch Pin, 1 Dia x 6 3/4 Usable Lg w/ Hairpin	1	2.000
ITEM	NAME	DESCRIPTION	QTY	MASS

C-SIZE

**NOTICE OF CONFIDENTIAL INFORMATION**  
 INFORMATION CONTAINED HEREIN IS CONFIDENTIAL AND PROPERTY OF MOHAWK RESOURCES LTD. IT SHALL BE USED SOLELY FOR PURPOSES OF INSPECTION, INSTALLATION, OR MAINTENANCE. THE INFORMATION SHALL NOT BE USED OR DISCLOSED BY THE RECIPIENT FOR ANY OTHER PURPOSES WHATSOEVER.

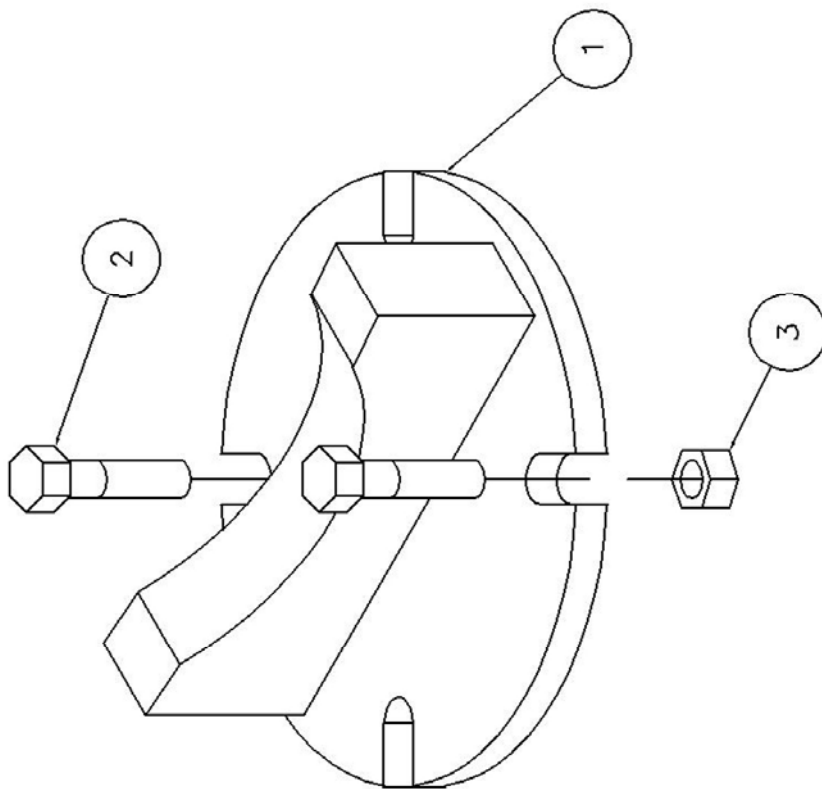
**NOTES:**  
 1. REMOVE ALL SHARP CORNERS & EDGES.  
 2. UNLESS OTHERWISE SPECIFIED, SURFACE FINISH TO BE 125 RMS.  
 3. WELDING MEDIUM SHALL CONFORM TO AWS SPECIFICATIONS TO E-70XX ELECTRODES OR E-70T1 CODE 53 FLUX CORE WIRE ONLY.

**TOLERANCES:**  
 ANGULAR ± 1.0  
 DECIMAL ± .030  
 DECIMAL ± .030  
 DECIMAL ± .005  
 DECIMAL ± .005  
 FILE NAME JS-000-A-002

SCALE 3/4  
 CHECKED  
 DATE 9/15/2005  
 FILE NAME JS-000-A-001  
 NEXT ASSEMBLY

DRAWN rwy7089  
 APPROVED  
 WEIGHT 3  
 L.B. N/A  
 FROM N/A  
 DRAWING NUMBER JS-000-A-002  
**MOHAWK RESOURCES LTD.**  
 TITLE Jack Stand Hitch Pin Assembly

#	DESCRIPTION	DATE	APPROVED
A	VIEW REVISED	04/25/2007	60003878
B	1. ITEM 1 WAS JS-300-W-002 2. WEIGHT WAS 4.75	08/19/2008	DM



ITEM	NAME	DESCRIPTION	QTY	MATERIAL	VENDOR	NOTE	MASS	PRICE
3	600-680-012	Nut, Plain, 3/8-16 NC	2				0.002	
2	600-640-082	Bolt, Hex Head, 3/8-16 NC x 1 1/2 (GR5)	2				0.050	
1	JS-300-W-003	Yoke Pad Adapter Weldment	1				5.000	

C-size

**NOTICE OF CONFIDENTIAL INFORMATION**

MOHAWK JACK STANDS ARE THE PROPERTY OF MOHAWK RESOURCES LTD. ALL RIGHTS ARE RESERVED. NO PARTS OR MATERIALS SHALL BE REPRODUCED OR TRANSMITTED IN ANY FORM OR BY ANY MEANS, ELECTRONIC OR MECHANICAL, INCLUDING PHOTOCOPYING, RECORDING, OR BY ANY INFORMATION STORAGE AND RETRIEVAL SYSTEM, WITHOUT THE WRITTEN PERMISSION OF MOHAWK RESOURCES LTD.

**NOTES:**

- REMOVE ALL SHARP CORNERS & EDGES.
- UNLESS OTHERWISE SPECIFIED, SURFACE FINISH TO BE 325 RMS.
- WELDING METHOD SHALL CONFORM TO AWS SPECIFICATIONS TO E-70XX ELECTRODES OR E-70TT CODE 53 FLUX CORE WIRE ONLY.

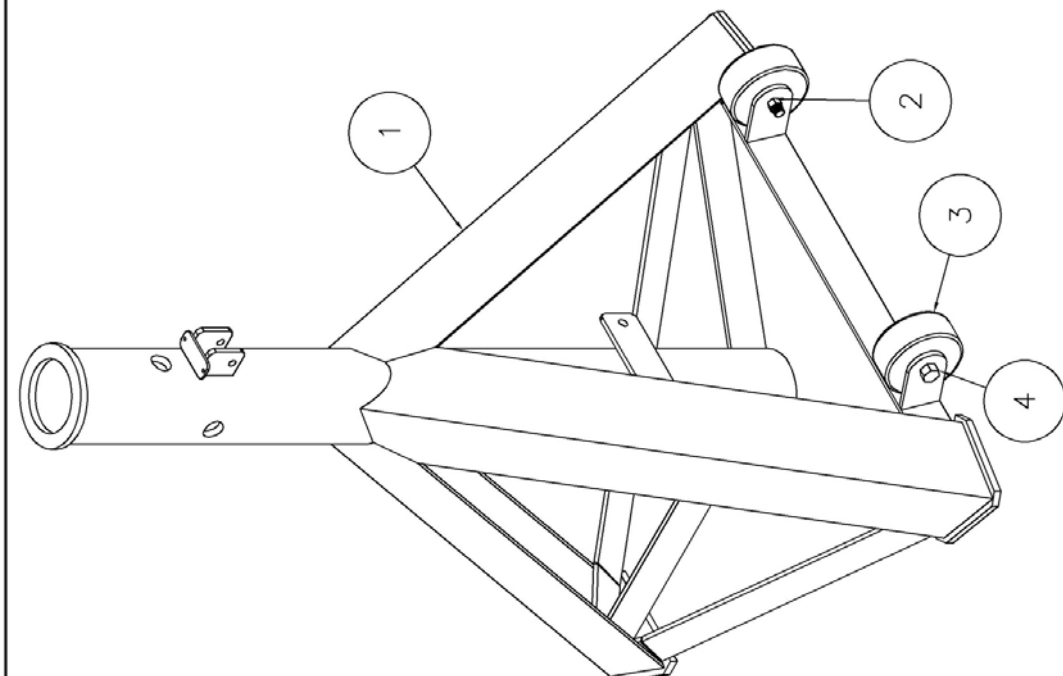
**TOLERANCES:**

FINISH DIMS	± .005
MECHANICAL DIMS	± .010
HOLES	± .005

FILE NAME: JS-000-A-003  
NEXT ASSEMBLY

**Parts List**

SCALE	1:25	DRAWN	FW7089	MOHAWK RESOURCES LTD.
CHECKED		APPROVED		TITLE
DATE	8/18/2008	WEIGHT	5.05	Yoke Pad Option
		FROM	n/a	TRAVEL NUMBER
				JS-000-A-003



ITEM	NAME	DESCRIPTION	QTY	MASS
4	600-640-018	Bolt, Hex Head, 1/2-13 NC x 3" (GR5)	2	0.220
3	600-920-012	Wheel, 4" Dia x 1/2 Dia Axle x 1 1/2 Wide	2	0.000
2	600-690-014	Nut, Nylon Lock, 3/8-16 NC	2	0.020
1	JS-100-W-001	Jack Stand Base Weldment	1	130.000

Parts List	
SCALE	BRAVN
1" = 1'0"	agk
CHECKED	APPROVED
DATE	WEIGHT
9/2/04	125.24 LB.
FILE NAME	BRAVING NUMBER
JS-100-A-001	JS-100-A-001
NEXT ASSEMBLY	FRDM
	n/a

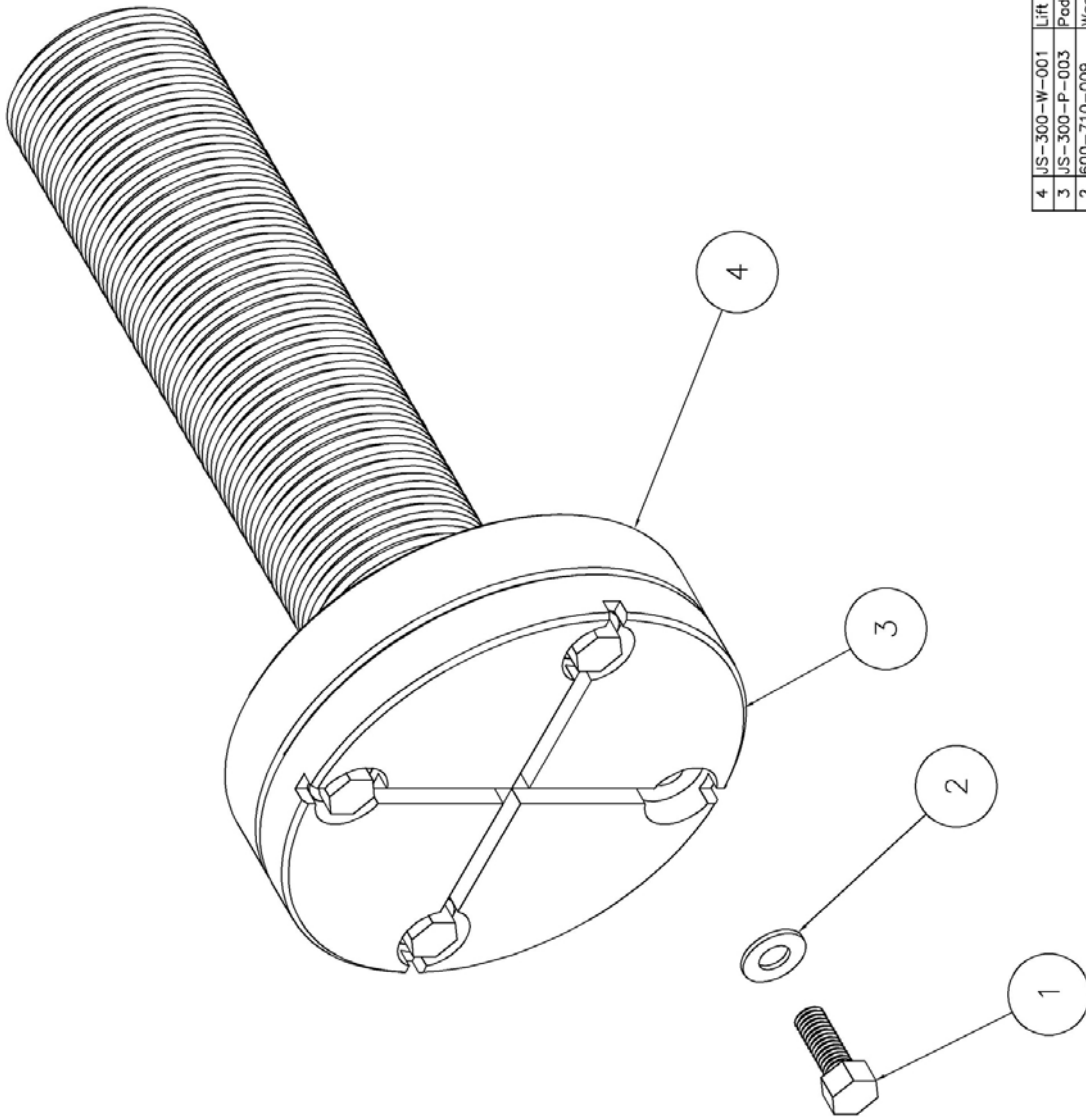
C--size

**NOTICE OF CONFIDENTIAL INFORMATION**  
 INFORMATION CONTAINED HEREIN IS CONFIDENTIAL AND PROPERTY OF MOHAWK RESOURCES LTD. IT SHALL BE USED SOLELY FOR PURPOSES OF INSPECTION, INSTALLATION, OR MAINTENANCE. THE INFORMATION SHALL NOT BE USED OR DISCLOSED BY THE RECIPIENT FOR ANY OTHER PURPOSES WHATSOEVER.

**NOTES:**  
 1. REMOVE ALL SHARP CORNERS & EDGES.  
 2. UNLESS OTHERWISE SPECIFIED, SURFACE FINISH TO BE 125 RMS.  
 3. WELDING MEDIUM SHALL CONFORM TO AWS SPECIFICATIONS TO E-70XX ELECTRODES OR E-70TI CODE 5.3 FLUX CORE WIRE DNL.Y.

**TOLERANCES:**  
 L.O.  
 ANGULAR ± .030  
 DECIMAL ± .005  
 D.XX ± .005  
 D.XXX

**MOHAWK RESOURCES LTD.**  
 TITLE Jack Stand Base Assembly  
 DATE 9/2/04  
 WEIGHT 125.24 LB.  
 FRDM n/a  
 BRAVING NUMBER JS-100-A-001



ITEM	NAME	DESCRIPTION	QTY	WEIGHT	FRDM	LB.
4	JS-300-W-001	Lift Pad Weldment	1	20.430		
3	JS-300-P-003	Pod	1	5.500		
2	600-710-009	Washer, Flat, 3/8	4	0.007		
1	600-640-083	Bolt, Hex Head, 3/8-16 NC x 1" (GRS)	4	0.050		
PARTS LIST						

DRAWN		MOHAWK RESOURCES LTD.	
SCALE	FULL	CHECKED	TITLE JS LIFT PAD ASSEMBLY
DATE	8/31/04	WEIGHT	26.16
FILE NAME	JS-000-A-001	FRDM	JS-300-A-001
NEXT ASSEMBLY			

TOLERANCES:	± .00
FRACTIONAL	± .000
DECIMAL	± .000
XXX	± .000
FILE NAME	JS-300-A-001

NOTES:  
 1. REMOVE ALL SHARP CORNERS & EDGES.  
 2. UNLESS OTHERWISE SPECIFIED, SURFACE FINISH TO BE 125 RMS.  
 3. WELDING MEDIUM SHALL CONFORM TO AWS SPECIFICATIONS TO E-70XX ELECTRODES OR E-70TT CODE 53 FLUX CORE WIRE ONLY.

**NOTICE OF CONFIDENTIAL INFORMATION**  
 INFORMATION CONTAINED HEREIN IS CONFIDENTIAL AND PROPERTY OF MOHAWK RESOURCES LTD. WHERE DRAWING IS FURNISHED TO OTHERS IT SHALL BE USED SOLELY FOR PURPOSES OF INSPECTION, INSTALLATION, REPAIR, MAINTENANCE, OR REPRODUCTION AND NOT BE REPRODUCED OR DISCLOSED BY THE RECIPIENT FOR ANY OTHER PURPOSES WHATSOEVER.

C-SIZE

# **MOHAWK**

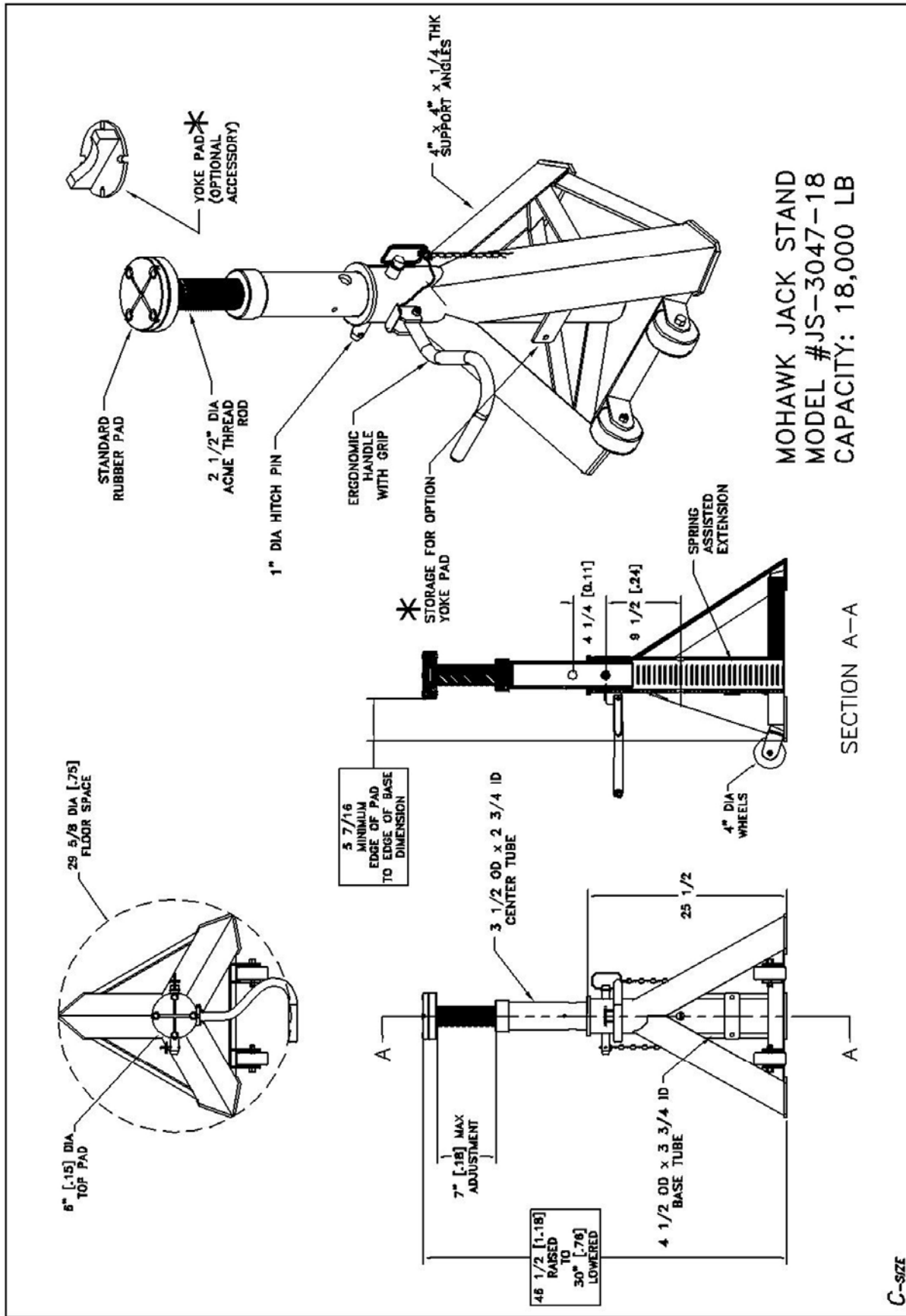
## **MODEL JS-3047-18 & JS-3047-24**

### **DRAWINGS & PARTS**

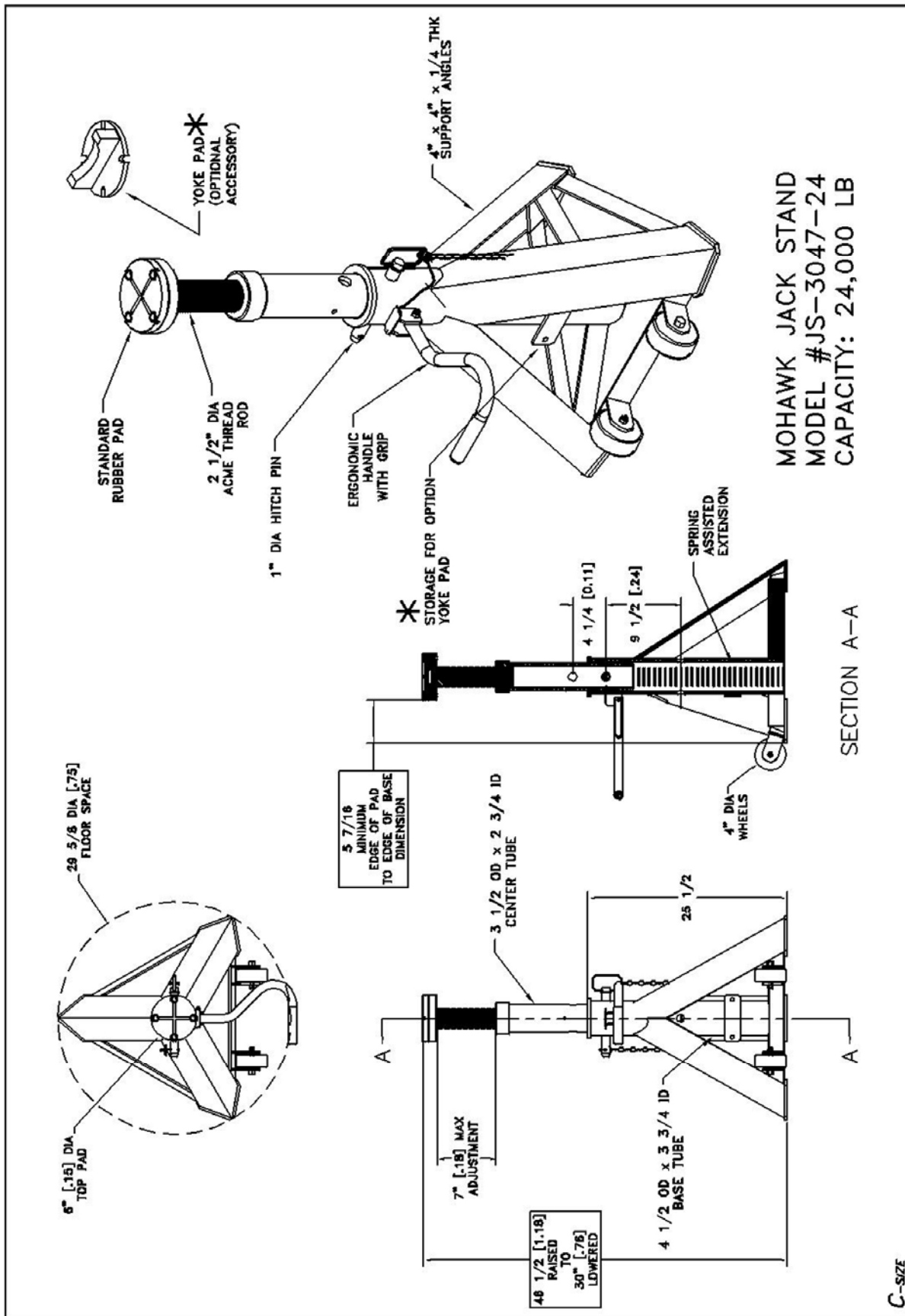


### **MOHAWK RESOURCES LTD.**

VROOMAN AVE.  
PO BOX 110  
AMSTERDAM, NY 12010  
**TOLL FREE:** 1-800-833-2006  
**LOCAL:** 1-518-842-1431  
**FAX:** 1-518-842-1289  
**INTERNET:** [WWW.MOHAWKLIFTS.COM](http://WWW.MOHAWKLIFTS.COM)  
**E-MAIL:** [SERVICE@MOHAWKLIFTS](mailto:SERVICE@MOHAWKLIFTS)



<p>NOTICE OF CONFIDENTIAL INFORMATION</p> <p>UNLESS OTHERWISE SPECIFIED, ALL DIMENSIONS ARE IN INCHES. DIMENSIONS IN PARENTHESES ARE IN MILLIMETERS. DIMENSIONS IN PARENTHESES ARE TO BE USED ONLY FOR CLARIFICATION OF DIMENSIONS. DIMENSIONS IN PARENTHESES ARE TO BE USED ONLY FOR CLARIFICATION OF DIMENSIONS. DIMENSIONS IN PARENTHESES ARE TO BE USED ONLY FOR CLARIFICATION OF DIMENSIONS.</p>		<p>MOHAWK JACK STAND</p> <p>MODEL #JS-3047-18</p>	
<p>1. REMOVE ALL SHARP CORNERS &amp; EDGES.</p> <p>2. UNLESS OTHERWISE SPECIFIED, SURFACE FINISH TO BE 125 RMS.</p> <p>3. WELDING METIUM SHALL CONFORM TO AWS SPECIFICATIONS TO E-70XX ELECTRODES OR E-70T1 CODE 3.3 FLUX CORE WIRE ONLY.</p>	<p>SCALE 1/10</p> <p>CHECKED</p> <p>DATE 9/07</p>	<p>DRAWN PAV/DB9</p> <p>APPROVED</p> <p>WEIGHT 1.50 LB</p>	<p>MOHAWK RESOURCES LTD.</p> <p>FROM N/A</p>
<p>TOLERANCES</p> <p>ANGULAR ± .001</p> <p>DIMENSIONAL ± .000</p> <p>DECIMAL ± .000</p> <p>DECIMAL ± .000</p> <p>DECIMAL ± .000</p> <p>DECIMAL ± .000</p>	<p>FILE NAME JS-000-A-SPEC3</p> <p>NEXT ASSEMBLY</p>	<p>BRANDING NUMBER JS-000-A-SPEC3</p>	<p>TRADING NUMBER JS-000-A-SPEC3</p>



MOHAWK JACK STAND  
 MODEL #JS-3047-24  
 CAPACITY: 24,000 LB

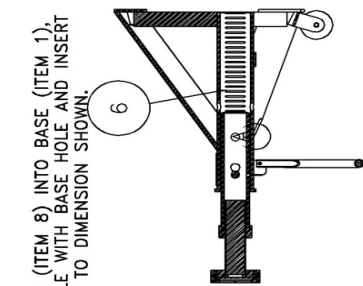
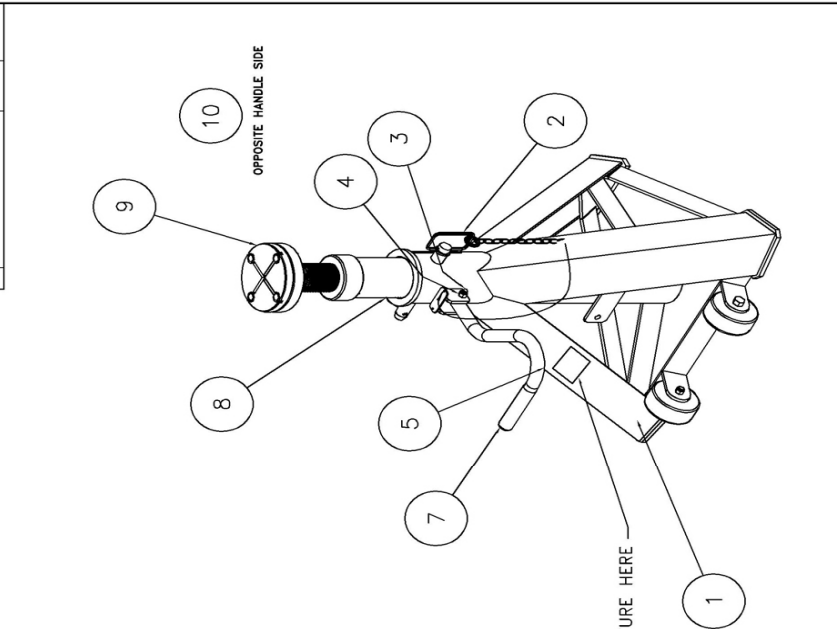
SECTION A-A

C-SIZE

<b>NOTICE OF CONFIDENTIAL INFORMATION</b>		<b>NOTES:</b>		<b>TOLERANCES</b>		<b>MOHAWK RESOURCES LTD.</b>			
INFORMATION CONTAINED HEREIN IS CONFIDENTIAL AND PROPERTY OF MOHAWK RESOURCES LTD. IT SHALL BE USED ONLY FOR PURPOSES OF INSPECTION, INSTALLATION OR MAINTENANCE. THE INFORMATION SHALL NOT BE USED OR REPRODUCED IN ANY MANNER FOR ANY OTHER PURPOSES WITHOUT THE WRITTEN PERMISSION OF MOHAWK RESOURCES LTD.		1. REMOVE ALL SHARP CORNERS & EDGES. 2. UNLESS OTHERWISE SPECIFIED, SURFACE FINISH TO BE 125 RMS. 3. WELDING MEDIAN SHALL CONFORM TO AWS SPECIFICATIONS TO E-70XX ELECTRODES OR E-70XX COBE 5.9 FLUX CORE WIRE ONLY.		ANGULAR ± 1.0 DIMENSIONAL ± .030 HOLE ± .020 TYPICAL ± .030		DRAWN JWW/7089 APPROVED		TITLE Lock Stand JS-3047-24	
		FILE NAME JS-000-A-SPEC4		CHECKED JS-000-A-008 DATE 9/07		WEIGHT 150 LB. N/A		DRAWING NUMBER JS-000-A-SPEC4	



#	DESCRIPTION	DATE	APPROVED
A	1. Item 9 was JS-300-A-001/09/18/2007		



SECTION A-A

STAMP DATE OF MANUFACTURE HERE (MM/YY)

SPIN PAD (ITEM 9) ALL THE WAY INTO SLIDER TUBE (ITEM 8), THEN CENTERPUNCH (DING), AGME THREADS THRU 3/8 DIA HOLE IN SIDE OF SLIDER TUBE (ITEM 8). SPIN PAD UPWARD TO VERIFY IT STOPS AT 8 1/2" RISE.

CONNECT CHAIN LANYARD OF HITCH PIN TO RIGHT HOLE ON HANDLE SUPPORT. CONNECT CHAIN LANYARD OF HAIR PIN TO LEFT HOLE ON HANDLE SUPPORT.

12

NOT SHOWN

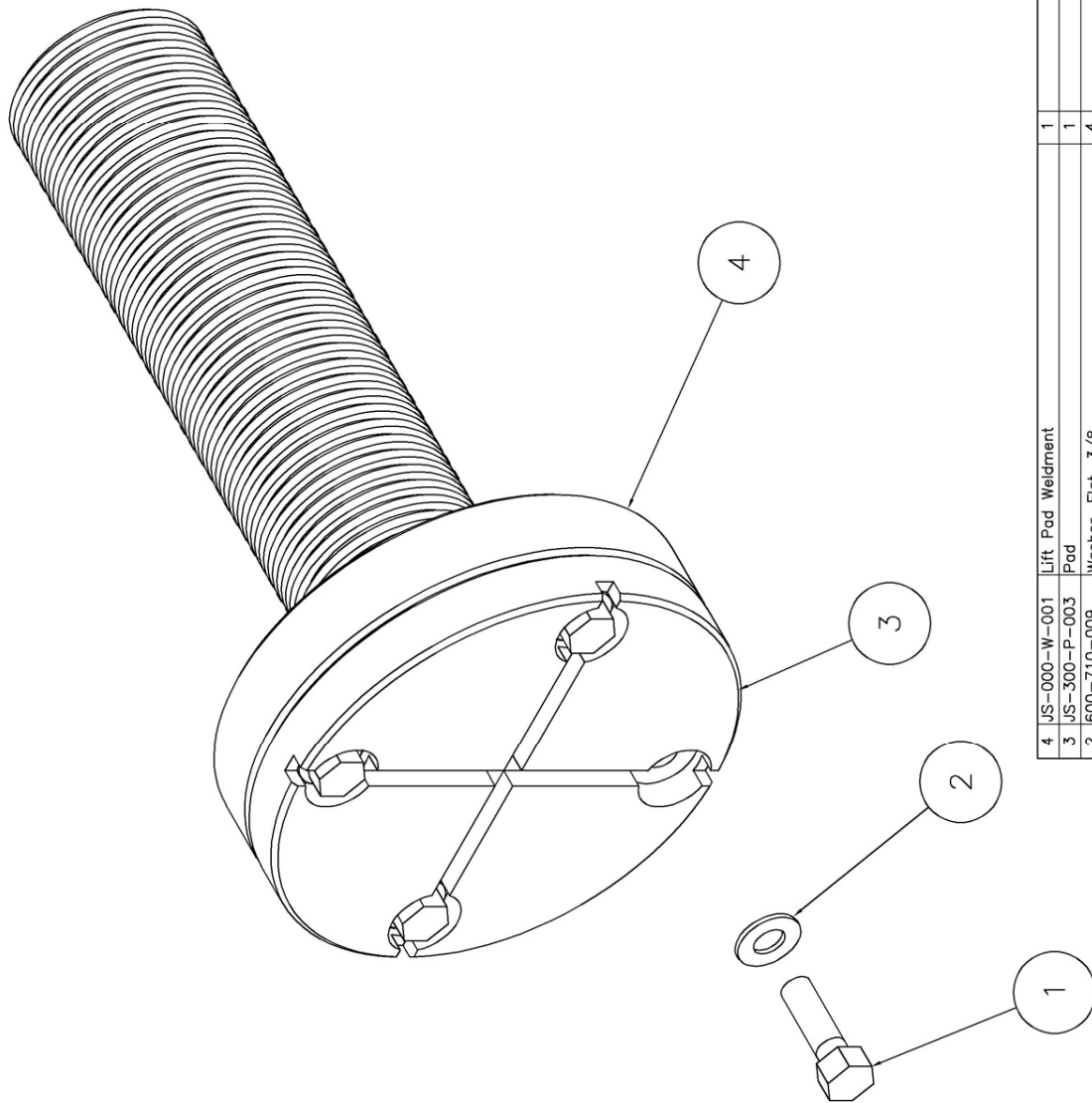
- NOTES:
1. PAINT COMPONENTS AS FOLLOWS:  
 RED (RUSTOLEUM #A25-6626):  
 BASE WELDMENT  
 YELLOW (RUSTOLEUM #M15-4502):  
 CENTER TUBE WELDMENT  
 BLACK:  
 LIFT PAD WELDMENT (NOT THREADS)  
 YOKE PAD WELDMENT
  2. ENSURE THAT ALL PARTS ARE ASSEMBLED PRIOR TO SHIPPING.
  3. ENSURE THAT THREADED LIFT PAD WELDMENT SPINS IN AND OUT OF CENTER TUBE WELDMENT FREELY WITHOUT BINDING. RUN DIE DOWN THREADS AND CLEAN THEM TO ENSURE SMOOTH ROTATION THRU FULL STROKE.

ITEM	NAME	DESCRIPTION	QTY
11	600-910-004	Roll Pin, 1/8 x 5/8 Lg	1
10	JS-000-P-006	Decal, JS-3047-18	1
9	JS-000-A-007	JS Lift Pad Weldment	1
8	JS-200-W-002	Slider Tube Weldment, JS-3047-18	1
7	600-800-005	Vinyl Handle Grips, Black	1
6	JS-000-P-402	Spring, 21 Lg x 0.207 Wire Dia x 2.5 OD	1
5	JS-000-P-002	Jack Stand Handle	1
4	600-690-014	Nut, Nylon Lock, 3/8-16 NC	1
3	600-640-066	Bolt, Hex Head, 3/8-16 NC x 2 1/4 (GR5)	1
2	JS-000-A-002	Hitch Pin Assembly	1
1	JS-100-A-002	Jack Stand Base Assembly	1

TOLERANCES UNLESS OTHERWISE SPECIFIED		MOHAWK RESOURCES LTD.	
FINISH	±	SCALE	DRAWN
ASSEMBLY	± .005	1/8	JK
WELDING	± .005	CHECKED	APPROVED
FILE NAME	JS-000-	DATE	WEIGHT
JS-000-A-005		3/22/07	155.49 LB
NEXT ASSEMBLY		FRON	DRAWING NUMBER
			JS-000-A-005

JS-3047

D-size



4	JS-000-W-001	Lift Pad Weldment	1				19.900
3	JS-300-P-003	Pad	1		6" Dia x 3/4 Thk		5.500
2	600-710-009	Washer, Flat, 3/8	4				0.007
1	600-640-083	Bolt, Hex Head, 3/8-16 NC x 1 1/4" (GR5)	4				0.060
ITEM	NAME	DESCRIPTION	QTY	MATERIAL	NOTE		PRICE

SCALE		FULL
CHECKED	APPROVED	
DATE	9/07	
WEIGHT	25.67	LB.
TITLE		JS LIFT PAD ASSEMBLY
FROM		
DRAWING NUMBER		JS-000-A-007

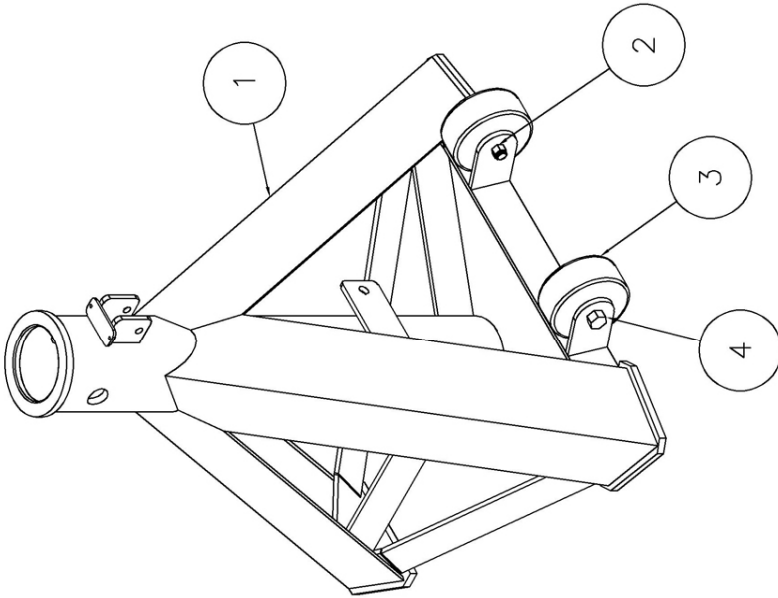
TOLERANCES:	
ANGULAR	± .5
LINEAR	± .030
DECIMAL	± .005
XXX	± .005
XXX	± .005
XXX	± .005
FILE NAME	JS-000-A-007
NEXT ASSEMBLY	

NOTES:	
1.	REMOVE ALL SHARP CORNERS & EDGES.
2.	UNLESS OTHERWISE SPECIFIED, SURFACE FINISH TO BE 125 RMS.
3.	WELDING MEDIUM SHALL CONFORM TO AWS SPECIFICATIONS TO E-70XX ELECTRODES OR E-70TT CODE 5.3 FLUX CORE WIRE ONLY.

NOTICE OF CONFIDENTIAL INFORMATION	
INFORMATION CONTAINED HEREIN IS CONFIDENTIAL AND PROPERTY OF MOHAWK RESOURCES LTD. IT SHALL BE USED SOLELY FOR PURPOSES OF INSPECTION, INSTALLATION OR MAINTENANCE. THE INFORMATION SHALL NOT BE USED OR DISCLOSED BY THE RECIPIENT FOR ANY OTHER PURPOSES WHATSOEVER.	

C-SIZE

Parts List	
MOHAWK RESOURCES LTD.	
DRAWN D.M.	
APPROVED	
WEIGHT	25.67
DATE	9/07
TITLE	JS LIFT PAD ASSEMBLY
FROM	
DRAWING NUMBER	JS-000-A-007



JS-3047

4	600-640-018	Bolt, Hex Head, 1/2-13 NC x 3" (GR5)	2
3	600-920-012	Wheel, 4" Dia x 1/2 Dia Axle x 1 1/2 Wide	2
2	600-690-014	Nut, Nylon Lock, 3/8-16 NC	2
1	JS-100-W-005	Jack Stand Base Weldment (JS-3047-18)	1
ITEM	NAME	DESCRIPTION	QTY

C-SIZE

Parts List

<p>NOTICE OF CONFIDENTIAL INFORMATION</p> <p>INFORMATION CONTAINED HEREIN IS CONFIDENTIAL AND PROPERTY OF MOHAWK RESOURCES LTD. WHERE DRAWING IS FURNISHED TO OTHERS IT SHALL BE USED SOLELY FOR PURPOSES OF INSPECTION, INSTALLATION, OR MAINTENANCE. THE INFORMATION SHALL NOT BE USED OR DISCLOSED BY THE RECIPIENT FOR ANY OTHER PURPOSES WHATSOEVER.</p>		<p>NOTES:</p> <ol style="list-style-type: none"> <li>REMOVE ALL SHARP CORNERS &amp; EDGES.</li> <li>UNLESS OTHERWISE SPECIFIED, SURFACE FINISH TO BE 125 RMS.</li> <li>WELDING MEDIUM SHALL CONFORM TO AWS SPECIFICATIONS TO E-70XX ELECTRODES OR E-70TI CODE 53 FLUX CORE WIRE ONLY.</li> </ol>		<p>TOLERANCES:</p> <p>FINISH DECIMAL ± .030</p> <p>DECIMAL ± .000</p> <p>XXX ± .005</p> <p>FILE NAME JS-100-A-002</p>		<p>SCALE 1/4</p> <p>CHECKED</p> <p>DATE 3/07</p> <p>DRAWN <i>ark</i></p> <p>APPROVED</p> <p>WEIGHT 103.26 LB.</p>		<p>MOHAWK RESOURCES LTD.</p> <p>TITLE JS-3047-18 Jack Stand Base Assembly</p> <p>FROM JS-100-A-002</p> <p>DRAWING NUMBER JS-100-A-002</p>	
---	--	--	--	---	--	---	--	---	--

# **MOHAWK**

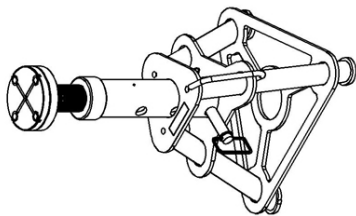
## **MODEL JS-1830-18 & JS-1830-24**

### **DRAWINGS & PARTS**



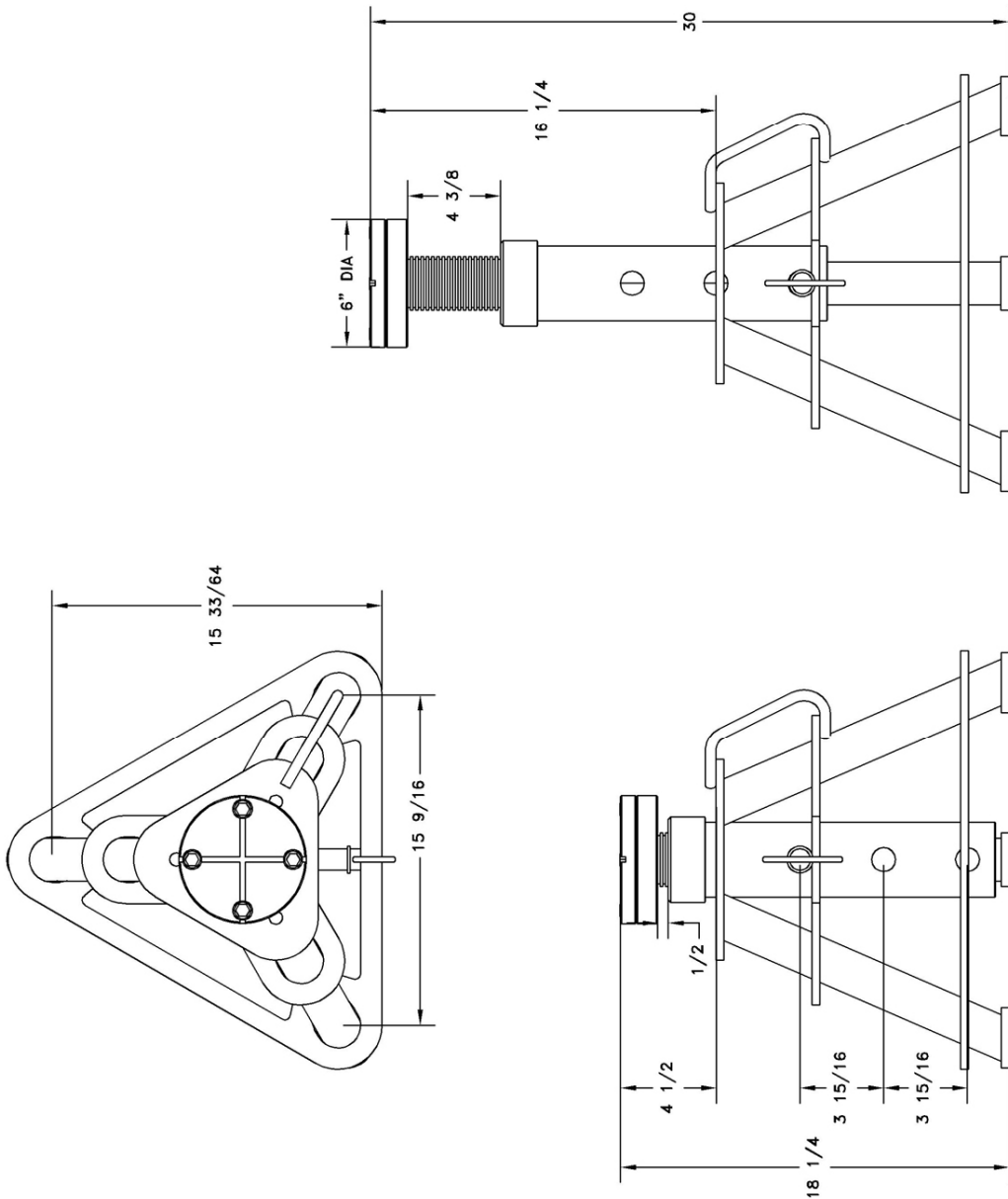
### **MOHAWK RESOURCES LTD.**

VROOMAN AVE.  
PO BOX 110  
AMSTERDAM, NY 12010  
**TOLL FREE:** 1-800-833-2006  
**LOCAL:** 1-518-842-1431  
**FAX:** 1-518-842-1289  
**INTERNET:** [WWW.MOHAWKLIFTS.COM](http://WWW.MOHAWKLIFTS.COM)  
**E-MAIL:** [SERVICE@MOHAWKLIFTS](mailto:SERVICE@MOHAWKLIFTS)



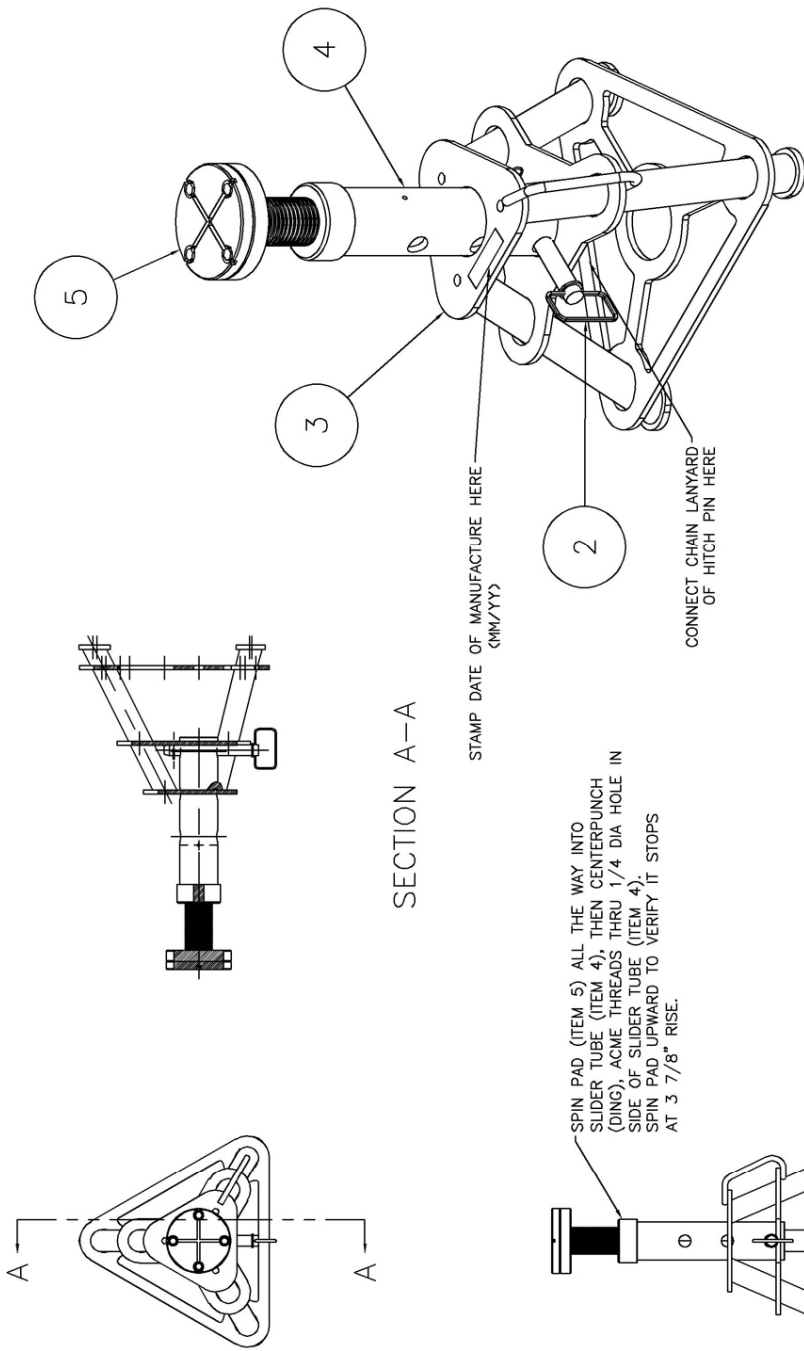
JS-1830-18  
&  
JS-1830-24

PG 2 OF 2



<p><b>NOTICE OF CONFIDENTIAL INFORMATION</b></p> <p>INFORMATION CONTAINED HEREIN IS CONFIDENTIAL AND PROPERTY OF MOHAWK RESOURCES LTD., WHERE DRAWING IS FURNISHED TO OTHERS IT SHALL BE USED SOLELY FOR PURPOSES OF INSPECTION, INSTALLATION, REPAIR, MAINTENANCE, REUSE, REPRODUCTION, OR DISCLOSURE BY THE RECIPIENT FOR ANY OTHER PURPOSES WHATSOEVER.</p>		<p><b>NOTES:</b></p> <ol style="list-style-type: none"> <li>REMOVE ALL SHARP CORNERS &amp; EDGES.</li> <li>UNLESS OTHERWISE SPECIFIED, SURFACE FINISH TO BE 125 RMS.</li> <li>WELDING MEDUIM SHALL CONFORM TO AWS SPECIFICATIONS TO E-70XX ELECTRODES OR E-7011 CODE 53 FLUX CORE WIRE ONLY.</li> </ol>		<p>TOLERANCES:                  FRACTIONAL ± 1/16                  DECIMAL ± .030                  HOLE ± .005                  HOLE ± .005</p> <p>FILE NAME                  JS-400-A-002</p>		<p>SCALE                  1/4</p> <p>CHECKED</p> <p>DATE                  6/07</p>		<p>DRAWN                  D.M.</p> <p>APPROVED</p> <p>WEIGHT                  94.62 LB.</p>		<p><b>MOHAWK RESOURCES LTD.</b></p> <p>TITLE                  18-30" JS ASSEMBLY</p> <p>FROM                  JS-400-A-002</p>	
		<p>NEXT ASSEMBLY</p>									

C-SIZE



NOTES:

1. PAINT COMPONENTS AS FOLLOWS:  
RED (RUSTOLEUM #A25-6626):  
BASE WELDMENT  
YELLOW (RUSTOLEUM #M15-4502):  
CENTER TUBE WELDMENT  
BLACK:  
LIFT PAD WELDMENT (NOT THREADS)
2. ENSURE THAT ALL PARTS ARE ASSEMBLED PRIOR TO SHIPPING.
3. ENSURE THAT THREADED LIFT PAD WELDMENT SPINS IN AND OUT OF CENTER TUBE WELDMENT FREELY WITHOUT BINDING. RUN DIE DOWN THREADS AND CLEAN THEM TO ENSURE SMOOTH ROTATION THRU FULL STROKE.

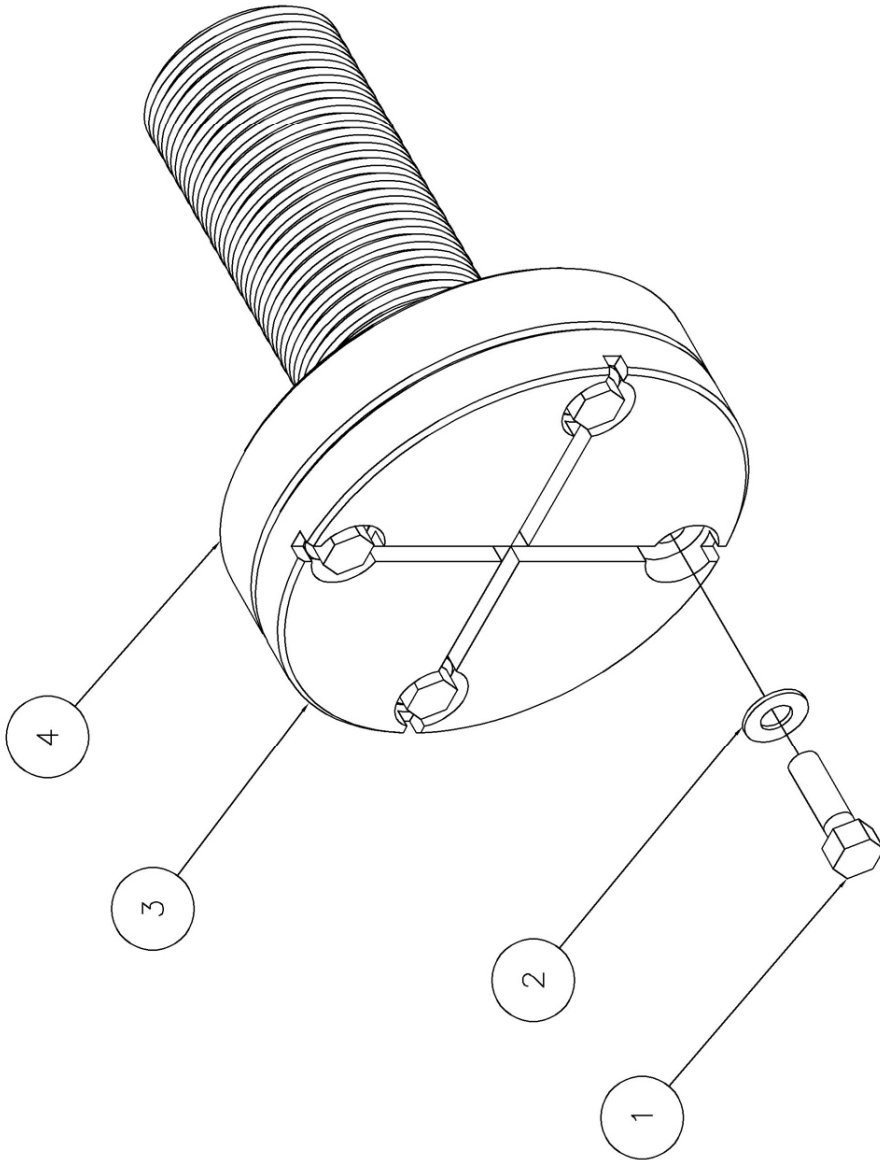
PG 1 OF 2

5	JS-400-A-001	18-30" JS Lift Pad Assembly	1	21.040
4	JS-400-W-002	18-30" Slider Tube Weldment	1	17.440
3	JS-400-W-003	JS-1830 Weldment	1	41.500
2	JS-000-A-002	Hitch Pin Assembly	1	3.000
1	JS-400-P-008	18-30" JS Decal, JS-1830-18	1	4" x 11"
ITEM	NAME	DESCRIPTION	QTY	NOTE
			VENDOR	PRICE
			MASS	

Parts List

<p>NOTES:</p> <ol style="list-style-type: none"> <li>1. REMOVE ALL SHARP CORNERS &amp; EDGES.</li> <li>2. UNLESS OTHERWISE SPECIFIED, SURFACE FINISH TO BE 125 RMS.</li> <li>3. WELDING MEDIUM SHALL CONFORM TO AWS SPECIFICATIONS TO E-70XX ELECTRODES OR E-70T1 CODE 5.3 FLUX CORE WIRE ONLY.</li> </ol>		<p>TOLERANCES: FINISH TYPICAL ± .030 DECIMAL ± .005 DXXX ± .005</p> <p>FILE NAME JS-400-A-002</p>	<p>SCALE 1/8</p> <p>CHECKED</p> <p>DATE 6/07</p>	<p>DRAWN D.M.</p> <p>APPROVED</p> <p>WEIGHT 94.62</p> <p>LB.</p>	<p>MOHAWK RESOURCES LTD.</p> <p>TITLE 18-30" JS ASSEMBLY</p> <p>FROM DRAWING NUMBER JS-400-A-002</p>
<p>NOTICE OF CONFIDENTIAL INFORMATION</p> <p>INFORMATION CONTAINED HEREIN IS CONFIDENTIAL AND PROPERTY OF MOHAWK RESOURCES LTD. WHERE DRAWING IS FURNISHED TO OTHERS IT SHALL BE USED SOLELY FOR PURPOSES OF INSPECTION, INSTALLATION, OR MAINTENANCE AND NOT FOR ANY OTHER PURPOSES WITHOUT THE WRITTEN PERMISSION OF MOHAWK RESOURCES LTD.</p>		<p>C-SIZE</p>			

MOHAWK JACK STANDS



ITEM	NAME	DESCRIPTION	QTY	MATERIAL	NOTE	MASS
4	JS-400-W-001	Lift Pad Weldment	1			15.27
3	JS-300-P-003	Pad	1		6" Dia x 3/4 Thk	5.50
2	600-710-009	Washer, Flat, 3/8	4			0.01
1	600-640-083	Bolt, Hex Head, 3/8-16 NC x 1 1/4" (GR5)	4			0.06

C-SIZE

**NOTICE OF CONFIDENTIAL INFORMATION**  
 INFORMATION CONTAINED HEREIN IS CONFIDENTIAL AND PROPERTY OF MOHAWK RESOURCES LTD., WHERE DRAWING IS FURNISHED TO OTHERS IT SHALL BE USED SOLELY FOR PURPOSES OF INSPECTION, INSTALLATION, REPAIR AND MAINTENANCE OF THE EQUIPMENT AND NOT BE DISCLOSED BY THE RECIPIENT FOR ANY OTHER PURPOSES WHATSOEVER.

NOTES:  
 1. REMOVE ALL SHARP CORNERS & EDGES.  
 2. UNLESS OTHERWISE SPECIFIED, SURFACE FINISH TO BE 125 RMS.  
 3. WELDING MEDIUM SHALL CONFORM TO AWS SPECIFICATIONS TO E-70XX ELECTRODES OR E-7011 CODE S3 FLOX CORE WIRE ONLY.

TOLERANCES: FRACTIONAL ± .030 DECIMAL ± .005 XXX ± .005	FILE NAME JS-400-A-001
--	---------------------------

SCALE 1:1	CHECKED	DATE 6/07	WEIGHT 21.04
APPROVED	DATE 6/07	WEIGHT 21.04	FROM
TITLE 18-30" JS LIFT PAD ASSEMBLY		DRAWING NUMBER JS-400-A-001	

MOHAWK RESOURCES LTD.	
DRAWN D.M.	APPROVED
PARTS LIST	
TITLE 18-30" JS LIFT PAD ASSEMBLY	
DRAWING NUMBER JS-400-A-001	

**⚠ CAUTION**



Always use safety stands when removing or installing heavy components. ©

**⚠ WARNING**



Use lift locking device or 4 stands to support vehicle. ©



# MOHAWK *Because Quality Lasts Forever*



Model A-7

## Model A-7

The A-7 is a 7,000 lb. capacity asymmetric lift that allows full opening of all vehicle doors as well as total undercar/underdash access, thanks to Mohawk's unique "clear floor" design. Low 4" arms accommodate all imports and low-riding sports cars. Includes both 3" and 6" adapters.

## Parallelogram Lifts

Standard models from 36,000 to 100,000 lb. capacities with track lengths from 26'-48'. Available in surface or flush mount with full under-vehicle access for all trucks, buses and heavy equipment.



Model 50-26-S



Model TP-16

## Models System I, LC-12, LMF-12, TP-16, TP-18, TP-26 & TP-30

These 10,000 to 30,000 lb. capacity models are the ideal heavy-duty lifts for up to Class VI trucks. Mohawk's unique "clear floor" design makes these the perfect lifts for all fleet applications. Truck adapters are also standard equipment.

## MP-Series Mobile Column

Mohawk's mobile columns are capable of lifting 32,000 to 240,000 lbs. All columns operate together, individually or can be divided into separate pairs. Adjustable lifting forks accommodate the widest range of vehicles. No wheel reducer sleeves needed.



Model MP-18-006



Model TR-75

## TR-Series Ramp Style Lifts

Standard models from 19,000 to 120,000 lbs. for total under-vehicle access. Available in 20', 25', and 30' long runways. Completely operated by a single technician and feature fully interlocked, redundant safety systems.



Mohawk Resources, LTD. • P.O. Box 110  
65 Vrooman Ave • Amsterdam, NY 12010  
(800) 833-2006 or (518) 842-1431  
[www.mohawklifts.com](http://www.mohawklifts.com)

# SEND US YOUR PHOTOS!

MOHAWK IS ALWAYS INTERESTED IN SEEING HOW YOUR LIFTS ARE USED. WE HAVE CREATED AN ON-LINE PHOTO DATABASE FOR CUSTOMERS TO VIEW OUR LIFTS IN USE.



VISIT [WWW.MOHAWKLIFTS.COM/PR/](http://WWW.MOHAWKLIFTS.COM/PR/) AND MAYBE WE CAN ADD YOUR PHOTOS TO OUR COLLECTION. (JPG FORMATS PREFERRED)

E-MAIL YOUR PHOTOS AND COMMENTS TO: [PHOTOS@MOHAWKLIFTS.COM](mailto:PHOTOS@MOHAWKLIFTS.COM)

BEST REGARDS & HAPPY LIFTING!

YOUR FRIENDS AT MOHAWK LIFTS