



## WALL 3450 Full-Motion TV Wall Mount

Article number (SKU)  
Colour

8354140  
Black

### Key Benefits

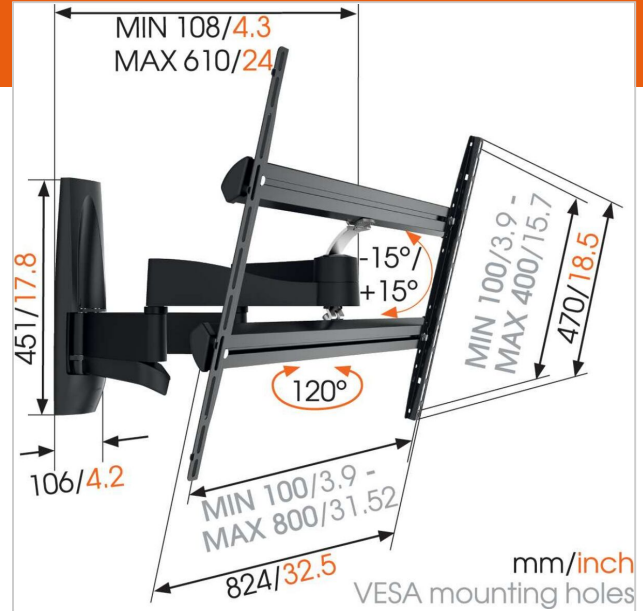
- Also suitable for a tv in a cabinet or niche
- Hide all unsightly cables
- Screen Protection System - Protect your TV from bumping into the wall
- Ultra strong - built for heavy TVs
- Use the app and mark the first drilling hole easily!

### Full motion TV wall mount with double support arms for TVs up to max. 55 kg

The WALL 3450 is designed especially for extra-large and heavy TVs. A solid mount for TVs from 55" to 100" (140-254 cm). The maximum turning angle is 120° and the max. tilting angle is 15°. For TVs up to 55 kg.

### Sturdy construction thanks to double support arms, also for large and heavy TVs

The unique construction with two support arms ensures a stable and powerful weight capacity. The Screen Protection System prevents your TV from touching the wall.





# WALL 3450 Full-Motion TV Wall Mount

[www.vogels.com](http://www.vogels.com)

VOGEL'S HOLDING BV 2019 (c) All rights reserved.  
Subject to printing errors, technical and price amendments.  
Date: 2019-06-25

## Specifications

Product type number	WALL 3450
Article number (SKU)	8354140
Colour	Black
EAN single box	8712285335600
Product size	XL
TÜV certified	Yes
Tilt	Tilt up to 15°
Turn	Forward and turning motion (up to 120°)
Guarantee	Lifetime
Min. screen size (inch)	55
Max. screen size (inch)	100
Max. weight load (kg)	55
Min. hole pattern	100mm x 100mm
Max. hole pattern	800mm x 450mm
Max. bolt size	M8
Max. height of interface (mm)	470
Max. width of interface (mm)	824
Cable management	Cable management integrated in arm
Max. distance to the wall (mm)	610
Min. distance to the wall (mm)	108
Number of pivot points	4
Universal or fixed hole pattern	Universal
What's in the box	<ul style="list-style-type: none"> <li>• Allen key</li> <li>• Mounting instructions</li> </ul>

- TV mount guide app
- TV mounting kit
- Wall mount
- Wall mounting kit
- Drilling template

