

CATALOG

 **MERTMEDICA**® | OEM



The trademarks, service marks and logos displayed in this Catalog are registered and unregistered trademarks of Merit Medical Systems, Inc., its affiliates or subsidiaries, or third parties who have licensed their trademarks to Merit in the U.S and other countries. In addition, certain product, service or company designations for companies other than Merit may be mentioned in the Catalog for identification purposes only. Such designations may be claimed as trademarks or service marks by their respective owners. You should contact the appropriate companies for more complete information regarding such designations and their registration status. In addition, all content contained in this Catalog is protected by copyright, patents or other proprietary agreements and laws and you are only permitted to use content as expressly authorized by Merit, its affiliates or its licensors. All rights are reserved. Please be advised that Merit enforces its intellectual property rights to the fullest extent of the law. Products may not be available for all OEM applications. Copyright © 2020 Merit Medical Systems, Inc. All rights reserved.



INTRODUCING MERIT MEDICAL



Founded in 1987, Merit Medical set out to build the world's most customer-focused healthcare company by understanding customers' needs, and innovating and delivering a diverse range of products that improve the lives of people, families, and communities throughout the world.

UNDERSTAND. INNOVATE. DELIVER.

Merit Medical Systems, Inc. is a leading manufacturer and marketer of disposable medical devices used in interventional, diagnostic and therapeutic procedures, particularly in cardiology, radiology, oncology, critical care and endoscopy.



8 MANUFACTURING FACILITIES • OVER 400,000 FT² OF CLEANROOM SPACE



MERIT'S MANUFACTURING CAPABILITIES

INJECTION MOLDING

- Injection Molding
- Over 60 Injection Molding Machines
- 100% American Made Molds
- Insert Molding
- Two-Shot Molding

EXTRUSIONS

- Custom Catheter Lengths & Shapes
- Catheter Assembly
- Wire Braid Extrusions
- RF Tipping
- Excimer Laser Drilling
- Crimping & Swaging of Radiopaque Marker Band



COATINGS

- PTFE Coatings
- Reinforced PTFE Coatings
- Hydrophilic Coatings
- Wire Coiling
- Continuous Spool-to-Spool Coatings
- Coated Guidewires and Components
- Coated Mandrels, Stylets & Needles

PRESSURE SENSORS

- Pressure Sensors specialized for medical monitoring needs
- Electronic Device Assembly
- Ceramic Wafer Manufacturing

CLEANROOM ASSEMBLY

- Class 100,000 Cleanrooms
- Over 400,000 ft² of Cleanroom Space
- Inline Quality Control
- Product Testing
- Automated & Manual Assembly
- UV & Solvent Bonding
- Regulatory Support
- Ultra Sonic Welding
- RF Welding
- RF Tipping
- Guide Wire Assembly
- Bevel Grinding
- Needle Assembly

PROVEN PRODUCTS. PROVEN PARTNER. ENDLESS POSSIBILITIES.



VERTICAL INTEGRATED MANUFACTURING PROCESS

Merit has strategically focused on expanding our manufacturing capabilities towards developing a vertically integrated manufacturing process to secure our supply chain. Our vertical manufacturing process also provides Merit with the ability to quickly customize our products and support the unique needs of our OEM partners.

CUSTOMIZATION

- Custom Tubing Sets
- Custom Materials & Colors
- Custom Catheter Lengths & Shapes
- Custom Kits & Procedure Packs
- Custom Configured Devices & Components
- Custom Packaging
- Private Label Sterile Product
- Pad Printing
- Mold Modifications



Work with a **PARTNER**, not another **SUPPLIER**.



GLOBAL INFRASTRUCTURE

- Project Management, Legal, Quality, Regulatory, Sterilization, Packaging, and Labeling



REGULATORY SUPPORT

- Merit's Global Regulatory Affairs Division
- Products with 510k Clearance and CE marks



STERILIZATION ADOPTION & BIOCOMPATIBILITY SUMMARIES

- ETO and Gamma compatible options
- Expedite the product submission process with Merit's documentation



INDUSTRY REQUIREMENTS

- Merit stay current with industry requirements, implementing industry requirements like ISO 80369-7 and MDR



PRIVATE LABEL – STERILE PRODUCT

- Private labeled product using Merit's regulatory clearance allows customers to bring products to market in weeks
- Custom packaging designs
- IFU Services: Off-The-Shelf IFU Options, Translations, Formatting, Printing



TABLE OF CONTENTS

2	Introduction	91	Waste Management & Safety Products	146	Catheters & Extrusions
8	Syringes	93	Fluid & Waste Disposal Systems	148	Diagnostic Peripheral Catheters
10	Medallion® Syringes	95	Drainage Bags	170	Diagnostic Cardiology Catheters
20	COP Medallion® Syringes	96	Disposal Basins	173	Guiding Catheters
23	Medallion® Syringe Handles	97	Pen & Label	179	Microcatheters
23	Polypropylene Syringe	98	Sharps Holders	181	Centesis Catheters
23	IZOFF™	199	Percutaneous Access	184	Drainage Catheters
23	RXP®	101	Scalpels	188	Marker Bands
24	VacLok® Syringes	102	Needles	189	Catheter Shafts
25	VacLok AT™	108	Over the Needle Access	190	Pressure Sensors
26	Coronary Control Syringe	110	Transeptal Needles and Sheath Introducers	192	BP Series Disposable Blood Pressure Sensor
31	X-Change™ Syringes & Tips	112	Introducers	193	AP Series Compensated Pressure Assembly
32	Inflation Syringes	117	Prelude® Sheath Introducers	193	Pressure Transducer Assembly – Amplified Output
38	Valves	125	Prelude® Obturators	194	Specialty Devices
40	Hemostasis	127	Dilators	196	Snares
43	Tuohy Borst Valves	129	Valve Crossing Tool	198	Transducers
44	Hemostasis Valve Adapters	130	Coatings	201	Therapeutic Infusion Systems
45	Luer Activated Valves	132	Coatings & Capabilities	204	Squirt® Fluid Dispensing System
47	Check Relief Valves	133	Coated Guide Wire Components	205	Fixation Device
49	High Pressure Flow Control Switch	134	Coated Mandrels & Stylets	207	Suture Retention
50	Stopcocks	135	Coated Needle Components		
55	Manifolds	136	Guidewires & Accessories		
57	Molded Parts & Components	138	Access Guidewires		
59	Adapters & Rotators	140	Diagnostic Guidewires		
60	Caps & Covers	143	Hydrophilic Guidewires		
64	Luers & Connectors	144	Torque Devices		
70	Catheter Hubs	145	Accessories		
71	Tubing				
73	Custom Tubing Sets				
74	High Pressure Tubing				
76	Pressure Monitoring Tubing				
77	Fluid Management				
79	Fluid Administration Sets				
86	Fluid Administration Components				
89	Pressure Infusion Bags				
90	Contrast Transfer Sets				



SYRINGES

10	Medallion® Syringes
20	COP Medallion® Syringes
23	Medallion® Syringe Handles
23	Polypropylene Syringe
23	IZOFF™
23	RXP®
24	VacLok®
25	VacLok AT™
26	Coronary Control Syringe
31	X-Change™ Syringes & Tips
32	Inflation Syringes

Medallion® Syringes

1ml Fixed Male Medallion® Syringes

Barrel Material: Polycarbonate Tip Material: Silicone
Plunger Material: ABS



White

MSS011P

Light Blue

MSS011-LBP

Yellow

MSS011-YP

Red

MSS011-RP

Purple

MSS011-PRP

Light Green

MSS011-LGP

Dark Green

MSS011-DGP

3ml Fixed Male Medallion® Syringes

Barrel Material: Polycarbonate Tip Material: Silicone
Plunger Material: ABS



White

MSS031P

Light Blue

MSS031-LBP

Yellow

MSS031-YP

Red

MSS031-RP

Purple

MSS031-PRP

Light Green

MSS031-LGP

Dark Green

MSS031-DGP

6ml Fixed Male Medallion® Syringes

Barrel Material: Polycarbonate Tip Material: Silicone
Plunger Material: ABS



White	Light Blue	Red	Purple	Light Green	Dark Green
MSS061P	MSS061-LBP	MSS061-RP	MSS061-PRP	MSS061-LGP	MSS061-DGP

10ml Fixed Male Medallion® Syringes

Barrel Material: Polycarbonate Tip Material: Silicone
Plunger Material: ABS



White	Light Blue	Yellow	Red	Purple	Light Green	Dark Green
MSS111P	MSS111-LBP	MSS111-YP	MSS111-RP	MSS111-PRP	MSS111-LGP	MSS111-DGP

10ml Sword Handle Fixed Male Medallion® Syringes

Barrel Material: Polycarbonate
 Tip Material: Silicone
 Plunger Material: ABS



White	Light Blue	Yellow	Red	Purple	Light Green	Dark Green
MSSW11P	MSSW11-LBP	MSSW11-YP	MSSW11-RP	MSSW11-PRP	MSSW11-LGP	MSSW11-DGP

20ml Fixed Male Medallion® Syringes

Barrel Material: Polycarbonate Tip Material: Silicone
 Plunger Material: ABS



White	Light Blue	Yellow	Red	Purple	Light Green	Dark Green
MSS121P	MSS121-LBP	MSS121-YP	MSS121-RP	MSS121-PRP	MSS121-LGP	MSS121-DGP

20ml Sword Handle Fixed Male Medallion® Syringes

Barrel Material: Polycarbonate
 Tip Material: Silicone
 Plunger Material: ABS



Light Blue

MSSW21-LBP

Yellow

MSSW21-YP

Red

MSSW21-RP

Purple

MSSW21-PRP

Light Green

MSSW21-LGP

Dark Green

MSSW21-DGP

30ml Fixed Male Medallion® Syringes

Barrel Material: Polycarbonate Tip Material: Silicone
 Plunger Material: ABS



White

MSS131P

Light Blue

MSS131-LBP

Yellow

MSS131-YP

Red

MSS131-RP

Purple

MSS131-PRP

Light Green

MSS131-LGP

Dark Green

MSS131-DGP

60ml Fixed Male Medallion® Syringes

Barrel Material: Polycarbonate Tip Material: EPDM
Plunger Material: ABS



White
MSS160P



Red
MSS160-RP



Light Blue
MSS160-LBP

Customized Medallion® Syringes

Barrel Material: Polycarbonate Tip Material: Silicone
Plunger Material: ABS

Available with custom graduation marks and logos



10ml White
without Logo
K01-05586P



6ml Yellow
without Logo
K01-06124P



20ml Green with
Gamma Barrel
without Logo
K01-06182P

.25ml Sword Handle Fixed Male Medallion® Syringe

Barrel Material: Polycarbonate
 Tip Material: Silicone
 Plunger Material: Glass Reinforced Nylon



White
K01-05984P

Medallion® Slip Luer Syringes

Barrel Material: Polycarbonate
 Tip Material: Silicone
 Plunger Material: ABS



3ml, Dark Green
K01-02040P

6ml, Yellow
K01-02044P

10ml, Dark Green
K01-02025P

10ml, Yellow
K01-60131P

1ml, White
K01-05235P

Toomey Tip Medallion® Syringe



60ml, Toomey Tip
MSS160TP

NITRO Labeled, 10ml Fixed Male Luer

Barrel Material: Polycarbonate
Tip Material: Silicone Plunger Material: ABS



White	Light Blue	Yellow	Red	Light Green
K01-60077P	K01-60085P	K01-60101P	K01-60109P	K01-60093P

LIDOCAINE Labeled, 10ml
Fixed Male Luer

Barrel Material: Polycarbonate
Tip Material: Silicone Plunger Material: ABS



Light Blue	Yellow	Red	Light Green	Purple
K01-60081P	K01-60097P	K01-60105P	K01-60089P	K01-04086P

HEPARIN Labeled, 10ml
Fixed Male Luer

Barrel Material: Polycarbonate
Tip Material: Silicone Plunger Material: ABS



Light Blue	Yellow	Red	Light Green
K01-60082P	K01-60098P	K01-60106P	K01-60090P

CONTRAST Labeled, 10ml Fixed Male Luer

Barrel Material: Polycarbonate
Tip Material: Silicone Plunger Material: ABS



White	Light Blue	Yellow	Red	Light Green	Dark Green
K01-60078P	K01-60086P	K01-60102P	K01-60110P	K01-60094P	K01-00786P

SALINE Labeled, 10ml and 20ml Medication Printed, Fixed Male Luer

Barrel Material: Polycarbonate
Tip Material: Silicone
Plunger Material: ABS

VERSED Labeled, 3ml Medication Printed, Fixed Male Luer

Barrel Material: Polycarbonate
Tip Material: Silicone
Plunger Material: ABS



White, 10ml	Light Blue, 10ml	Yellow, 10ml	Light Blue, 20ml, sword handle	Light Blue
K01-60075P	K01-60083P	K01-60099P	K01-07192P	K01-05185P

XYLOCAINE® Labeled, 10ml

Medication Printed, Fixed Male Luer

Barrel Material: Polycarbonate Tip Material: Silicone
Plunger Material: ABS



Light Blue
K01-00917P



Red
K01-00953P

Xylocaine® is a registered trademark of APP Pharmaceuticals, LLC.

FLUSH Labeled, 10ml

Medication Printed, Fixed Male Luer

Barrel Material: Polycarbonate Tip Material: Silicone
Plunger Material: ABS



Light Blue
K01-05093P



White
K01-05025P

Medallion® COP Syringes



Cyclo Olefin Polymer (COP) offers the same benefits of glass but has additional clinical and cost-effective advantages. Working with Merit OEM opens the door to numerous customization options, providing you with the exact COP syringe to meet your needs. For more information about customizing a Merit Medallion COP syringe, contact a Merit OEM representative.

CYCLO OLEFIN POLYMER FEATURES & BENEFITS

High Moisture and Gas Barrier	Prevents moisture loss and air permeability to increase shelf life
Low Extractables and Off-Gassing	Less contamination of material loaded in barrel to improve biocompatibility
Chemical Resistance	Resistance to acids, bases, alcohols and fragrances
Low Protein Absorption	COP does not contribute to the pH shift of the diluents reducing protein absorption of the material loaded in barrel
High Break-Resistance	Eliminating the potential hazards of shattered glass in a clinical or manufacturing environment
Excellent Purity	Extremely low residual metals (less than .02 ppm)
Glass-like Transparency	Great aesthetic characteristics and easy visual inspection of graduation marks
Consistent Glide Force	Precise internal geometry and cross-linked siliconization provide smooth and reliable delivery
Integrated Luer Lock	Eliminates leakage or rotation of the luer lock adapter causing needle ejection disconnection of luer lock adapter during injection.

The Medallion® COP syringe is shipped in a protective tray.



1ml Fixed Male Medallion COP Syringe

Barrel Material: Cyclo Olefin Polymer (COP)
 Tip Material: Silicone
 Plunger Material: Polycarbonate



Blue
 PC Plunger

COP011PC-BP

White
 PC Plunger

COP011PC-WP

10ml Fixed Male Medallion COP Syringe

Barrel Material: Cyclo Olefin Polymer (COP)
 Tip Material: Silicone
 Plunger Material: Polycarbonate



Blue
 PC Plunger

COP0111PC-BP

20ml Fixed Male Medallion COP Syringe

Barrel Material: Cyclo Olefin Polymer (COP)

Tip Material: Silicone

Plunger Material: Polycarbonate



Red
Polycarbonate
Plunger

COP121PC-RP

Green
Polycarbonate
Plunger

COP121PC-GP

Purple
Polycarbonate
Plunger

COP121PC-PP

Yellow
Polycarbonate
Plunger

COP121PC-YP

Orange
Polycarbonate
Plunger

COP121PC-OP

Blue
Polycarbonate
Plunger

COP121PC-BP

Gray
Polycarbonate
Plunger

COP121PC-GRP

20ml Fixed Male Medallion COP Syringe

Barrel Material: Cyclo Olefin Polymer (COP)

Tip Material: Silicone

Plunger Material: ABS



Red
ABS Plunger

COP121AB-RP

Green
ABS Plunger

COP121AB-GP

Purple
ABS Plunger

COP121AB-PP

Yellow
ABS Plunger

COP121AB-YP

Medallion® Handles



Attachable Rings - Clear
Fit 3ml polycarbonate syringe
101430001



1ml Polypropylene Syringe

Barrel Material: Polypropylene
Tip Material: Silicone
Plunger Material: Acrylic Copolymer



K01-05934P



Attachable Wing - Blue
Fits 1ml polypropylene
101426001

RXP® Flush Syringe

Barrel Material: Polycarbonate
Tip Material: Silicone
Plunger Material: Acrylic Copolymer



4ml, Rapid Exchange Prep Flush Syringe
RXPORP

VacLok® Negative Pressure Syringes

Plunger Material: ABS Material: Polycarbonate
 Tip Material: Silicone Luer: Fixed Male

Four Position Locking Syringe



VacLok 10ml
 Negative Pressure
 White

VAC110P



VacLok 20ml
 Negative Pressure
 White

VAC120P



VacLok 20ml
 Negative Pressure
 Red

VAC120-RP



VacLok 20ml
 Negative Pressure
 Yellow

VAC120-YP



VacLok 20ml
 Negative Pressure
 Light Blue

VAC120-LBP

Six Position Locking Syringe



VacLok 30ml
 Negative Pressure
 White

VAC130P



VacLok 30ml
 Negative Pressure
 Red

VAC130-RP



VacLok 30ml
 Negative Pressure
 Yellow

VAC130-YP



VacLok 30ml
 Negative Pressure
 Light Blue

VAC130-LBP



VacLok 60ml
 Negative Pressure
 White

Tip Material: EPDM
VAC160P

VacLok AT™

Barrel Material: Polycarbonate Tip Material: Silicone
Plunger Material: Acrylic Copolymer

A History of Innovation, A Future of Advancement

Designed to hold a vacuum without user interface, Merit's VacLok AT™ locks in any of the 90 positions along the length of the barrel – holding negative pressure with ease and reducing hand fatigue, making it the perfect syringe for creating negative vacuum pressure.

SEE THE DIFFERENCE

- Accurate filling
- Clear Polycarbonate barrel
- Large, stable finger wings
- Bold graduations
- Silicone plunger tip
- Dual use – can be used as a vacuum syringe or as a standard syringe

FEEL THE DIFFERENCE

- Smooth glass plunger action
- Even, steady operation
- Larger grip
- Skid resistant thumb pad
- Plunger design holds negative pressure with ease and won't inadvertently disengage



Step 1: To activate vacuum pressure, pull plunger back to desired location. Twist plunger clockwise until it stops and locks into place.



Step 2: To disconnect vacuum pressure, twist plunger counter-clockwise until plunger stops.



20ml, 0-90 positions

VAC220

Coronary Control Syringes

With Ring Plunger and Ring Grip, Rotating Adapter

Plunger Material: ABS Material: Polycarbonate
Tip Material: Silicone



8ml, Inject8™,
Solid Plunger
CCS880P



8ml, Inject8™,
Solid Plunger
CCS881P



10ml, Inject10n™,
Solid Plunger
CCX010P



10ml, Inject10n™,
Solid Plunger
CCX011P



10ml, Solid Plunger
CCS800P



10ml, Solid Plunger
CCS801P



12ml, Solid Plunger
with Smart Tip
ST600P



12ml, Solid Plunger
CCS600P

Coronary Control Syringes

With Ring Plunger and Ring Grip, Fixed Male Connector

Plunger Material: ABS Material: Polycarbonate
Tip Material: Silicone



12ml, Solid Plunger
CCS601P



20ml, Solid Plunger
CCS320P



20ml, Solid Plunger
CCS321P

Open Bore Control Syringes

With Palm Pad Plunger and Ring Grip, Open Bore



10ml, Open Bore,
Palm Pad
K06-00189P



20ml, Open Bore
K06-00281P

Coronary Control Syringes

Locking Ring Plunger

Plunger Material: ABS Material: Polycarbonate
Tip Material: Silicone



6ml, Locking Ring Plunger
Rotating Male Adapter
CCS460P



6ml, Locking Ring Plunger
Fixed Male Adapter
CCS461P



12ml, Solid Plunger
CCS100P



12ml, Locking Ring Plunger
Fixed Male Adapter
CCS101P



12ml, Locking Ring
Plunger with Palm Pad,
Rotating Male Adapter
CCS200P



12ml, Locking Ring
Plunger with Palm Pad,
Fixed Male Adapter
CCS201P

Coronary Control Syringes

With Palm Pad Plunger and Ring Grip, Rotating Adapter

Plunger Material: ABS Material: Polycarbonate
Tip Material: Silicone



8ml, Inject8™,
Solid Plunger
CCSB880P



10ml, Inject10n™,
Solid Plunger
CCXB010P



10ml, Solid Plunger
CCSB900P



12ml, Solid Plunger
CCSB700P

Coronary Control Syringes

With Palm Pad Plunger and Ring Grip, Fixed Male Connector

Plunger Material: ABS Material: Polycarbonate
Tip Material: Silicone



8ml, Inject8™,
Solid Plunger
CCSB881P



10ml, Inject10n™,
Solid Plunger
CCXB011P



10ml, Solid Plunger
CCSB901P



12ml, Solid Plunger
CCSB701P

Coronary Control Syringes

With Palm Pad Plunger and Wing Grip, Rotating Adapter

Plunger Material: ABS Material: Polycarbonate
Tip Material: Silicone



8ml, Inject8™,
Solid Plunger
CCSW880P



10ml, Solid Plunger
CCSB910P



12ml, Solid Plunger
CCSB710P

Coronary Control Syringes

With Palm Pad Plunger and Wing Grip, Fixed Male Connector

Plunger Material: ABS Material: Polycarbonate
Tip Material: Silicone



8ml, Inject8™,
Solid Plunger
CCSW881P



10ml, Solid Plunger
CCSB911P



12ml, Solid Plunger
CCSB711P

Merit X-Change™ Syringes

Plunger Material: ABS
 Material: Polycarbonate
 Tip Material: Silicone



20ml X-Change™, clear, with male luer tip
EX20-SMP



20ml X-Change™, gamma, with male luer tip
EX20G-SMP



20ml X-Change™, clear, with dead-end cap
EX20-SDP



20ml X-Change™, gamma, with dead-end cap
EX20G-SDP

Also Available Separately

Male luer tips



Clear
702395001



Gamma
702395003

Dead-end caps



Clear
702395002



Gamma
702395004

CUSTOMIZING

From custom pad printing on the barrel to custom colored plungers or custom barrel tip configurations, Merit Medical can work with your product design team to customize the X-Change™ to fit your needs.



Inflation Syringes

DiamondTOUCH™

The DiamondTOUCH Syringe combines the visibility and accuracy of a digital device with the convenience of an ergonomic one-handed prep handle. 36" tubing extension. Features one button functionality for ease of use and large, high resolution dial face with oversized time and pressure digits.

Display: Digital
 Pressure: 35 ATM/BAR
 Stopcock: 3-Way 500 PSI
 Tubing: 36" Tubing extension
 Barrel
 Volume: 30ml



- Timed Inflation Duration
- Timed Elapsed Since Last Inflation
- Displays pressures in ATM/BAR or PSI

DiamondTOUCH™ Syringe

IN9135

Blue Diamond™ Digital Inflation Device

Combines the accuracy of a digital device with the simplicity of an analog system. Features one button functionality for ease of use and a large dial face with oversize time and pressure digits to enhance visibility of critical information. Available stand alone or call to customize to your specifications.

Display: Digital
 Pressure: 30 ATM
 Stopcock: 3-Way 500 PSI
 Tubing: 13" (33.02cm) Extension Tubing with Male Rotating Luer
 Barrel Volume: 20ml



- Timed Inflation Duration
- Timed Elapsed Since Last Inflation
- Displays pressures in ATM/BAR or PSI

Blue Diamond™ Inflation Device

IN7130

basixTOUCH™ 35

The basixTOUCH delivers the speed you need to expand the capacity of your lab. Quick-release handle for easy release even from high-pressure inflations, accelerating deflation time. Ergonomic handle and new threads ensure that high pressures can be reached rapidly – up to 35 atm with less than 3 rotations of the handle. One-handed preparation.

Display: Analog
 Pressure: 35 ATM/BAR
 Stopcock: 3-Way 500 PSI
 Tubing: 13" (33.02cm) Extension Tubing with Male Rotating Luer
 Barrel Volume: 30ml



basixTOUCH™ 35 Inflation Device
IN8130

basixTOUCH™ 40

The basixTOUCH delivers the speed you need to expand the capacity of your lab. Quick-release handle for easy release even from high-pressure inflations, accelerating deflation time. Ergonomic handle and new threads ensure that high pressures can be reached rapidly – up to 40 atm with less than 3 rotations of the handle. One-handed preparation.

Display: Analog
 Pressure: 40 ATM/BAR
 Stopcock: 3-Way 500 PSI
 Tubing: 13" (33.02cm) Extension Tubing with Male Rotating Luer
 Barrel Volume: 30ml



basixTOUCH™ 40 Inflation Device
IN8140

BasixCOMPAK™ Inflation Device

Ergonomically designed to ensure accurate inflation of interventional devices. Features an angled analog gauge for better viewing of pressure readings and a luminescent dial for low-lit procedures. Available stand alone or call to customize to your specifications.

Display: Analog

Pressure: 30 ATM

Stopcock: 3-Way 500 PSI

Tubing: 13" (33.02cm) Extension Tubing with Male Rotating Luer

Barrel

Volume: 20ml



BasixCOMPAK™ Inflation Device

IN4130

Big60™ Inflation Device

Ergonomically designed to ensure accurate inflation and deflation of interventional devices. Features an angled analog gauge for better viewing of pressure readings and a luminescent dial for low-lit procedures. Designed to monitor inflation pressures over a range of -.68 to 12 ATM/BAR (-10 to 176 psi) with an accuracy of 3% ATM/BAR. Available stand alone or call to customize to your specifications.

Display: Analog
 Pressure: 12 ATM/BAR
 Stopcock: 3-Way 500 PSI
 Tubing: 13" (33.02cm) Extension Tubing with Male Rotating Luer
 Barrel Volume: 60ml



Big60™ Inflation Device

ENDO-AN6012



VALVES

40	Hemostasis Valves
43	Tuohy Borst Valves
44	Hemostasis Valve Adapters
45	Luer Activated Valves
47	Check Relief Valves
49	High Pressure Flow Control Switch
50	Stopcocks
55	Manifolds

Hemostasis Valves

FLO50™

Material: Polycarbonate Inner Lumen: 9F (.118")
Valve Material: Silicone Luer: Rotating



FLO50™ Large Bore Ultra Compact Hemostasis Valve

504284002

MBA™

Material: Polycarbonate Inner Lumen: 9F (.118")
Valve Material: Silicone Luer: Rotating



Large Bore Dual Seal Hemostasis Valve

500981002



Hemostasis Valve with 10" PVC Tubing Extension

501086001

AccessPLUS™

Material: Polycarbonate Inner Lumen: 9F (.120")
Valve Material: Silicone Luer: Rotating



Large Bore Hemostasis Valve
500628005



Large Bore Hemostasis Valve with
12" PVC Tubing Extension
563010001



Large Bore Hemostasis Valve with
6" Polyurethane Tubing Extension
563009001

DoublePlay™

Material: Polycarbonate
Inner Lumen: 9F (.120")
Valve Material: Silicone Luer: Rotating



French Size: 9F, Large Bore Double Y
Hemostasis Valve
501075001

Access-9™

Material: Polycarbonate
Inner Lumen: 9F (.120")
Valve Material: Silicone Luer: Rotating



Access-9™ Large Bore
Hemostasis Valve
500366003

Passage®

Material: Polycarbonate Inner Lumen: 7.4F (.097")
Valve Material: Silicone



Hemostasis Valve with
Rotating Luer

500066002



Hemostasis Valve with Slip Fit
(.179" to .209" taper)

K12-00457P

Honor®

Material: Polycarbonate Inner Lumen: 7.2F (.094")
Valve Material: Silicone Luer: Rotating



Hemostasis Valve

580195001



Hemostasis Valve with
8" Tubing Extension

580196001

Tuohy Borst Valves

FLO30™

Material: Polycarbonate
Inner Lumen: 9F (.118")
Valve Material: Silicone Luer: Fixed



FLO30™ Tuohy Borst

FLO30P

FLO40™

Material: Polycarbonate
Inner Lumen: 9F (.118")
Valve Material: Silicone Luer: Swivel Nut

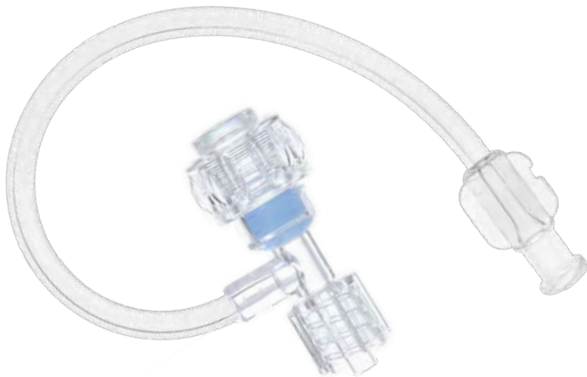


FLO40™ Tuohy Borst
with side port

580335001

FLO40X™

Material: Polycarbonate
Inner Lumen: 9F (.118")
Valve Material: Silicone Luer: Swivel Nut



FLO40X™ Tuohy Borst with
side port tubing extension
Tubing Extension Material:
DEHP-Free PVC

580334002

FLO40XR™

Material: Polycarbonate
Inner Lumen: 7.3F (.096")
Valve Material: Silicone Luer: Rotating



FLO 40XR™ Tuohy Borst with 6"
extension tubing and rotating luer
Tubing Extension Material:
DEHP-Free PVC

580478001

Hemostasis Valve Adapters

Material: Polycarbonate Valve Material: Silicone
Cap: ABS Handle: Acetal

Adapter with Stopcock Handle
Male with Swivel Luer
French Size: 8F or Smaller



Swabbable, Needle-less Valves



Y-Port 4.0mm, PC
702238001



Male Luer Lock, PC
701000001



Tube End 2.0mm, PC
702243001



Tube End 2.5mm, PC
702243002



Tube End 2.8mm, PC
702243003



Tube End 3.7mm, PC
702243004



Tube End 4.0mm, PC
701814001

Swabbable, Needle-less Valves



Bag Valve 6.8mm OD, PC

70224001



Vial Adapter 20mm, PC

70224402

Needle and Luer Accessible Valve

Valve Material: Polyisoprene
Body Material: Copolyester



Merit Medical's Universal One-Step™ Valve offers the unique feature of either needle or luer access.

Universal One-Step™ Valve

60014801

Check Relief Valves



Female Luer Control Port,
Small Bore Inlet Port,
Fixed Male Luer Outlet Port

506014001



Female Luer Control Port,
Small Bore Inlet Port,
Small Bore Outlet Port

506016001



Female Luer Control Port,
Large Bore Inlet Port,
Large Bore Outlet Port

506017001



Inline CRV,
Female Luer Control Port,
Fixed Male Luer Inlet Port,
Fixed Male Luer Outlet Port

506001001



Inline CRV,
Female Luer Control Port,
Tubing Pocket Inlet Port,
Fixed Male Luer Outlet Port

506005001



Inline CRV,
Female Luer Control Port,
Small Bore Inlet Port,
Fixed Male Luer Outlet Port

506006001

Check Relief Valves



Inline CRV, Female Luer Control Port,
Tubing Pocket Inlet Port,
Fixed Male Slip Outlet Port

506007001



Inline CRV, Female Luer Control Port,
Female Luer Inlet Port,
Large Bore Slip Outlet Port

506008001



Inline CRV, Female Luer Control Port,
Fixed Male Luer Inlet Port,
Male Luer Swivel Nut

506003001



Light Blue, Female Luer Control Port,
Large Bore Inlet Port,
Large Bore Outlet Port,

506019001



Inline CRV,
Male Rotator Control Port,
Small Bore Elbow Inlet Port,
Large Bore Elbow Outlet Port

506018001



Light Blue, Male Rotator Control Port,
Small Bore Inlet Port,
Large Bore Elbow Outlet Port

506021001



Light Blue, Reflux Valve Control Port,
Small Bore Inlet Port,
Large Bore Outlet Port

506020001



Light Blue, Female Luer Control Port,
Small Cap Inlet Port,
Small Bore Outlet Port

506023001



Light Blue, Female Luer Control Port,
Small Bore Inlet Port,
Fixed Male Luer Outlet Port

506024001



High Pressure Inline CRV,
Female Luer Outlet Port,
Female Luer Inlet Port,
Male Luer Control Port

506004001



Inline CRV, Large Bore Control Port,
Female Luer Inlet Port,
Male Luer Swivel Nut

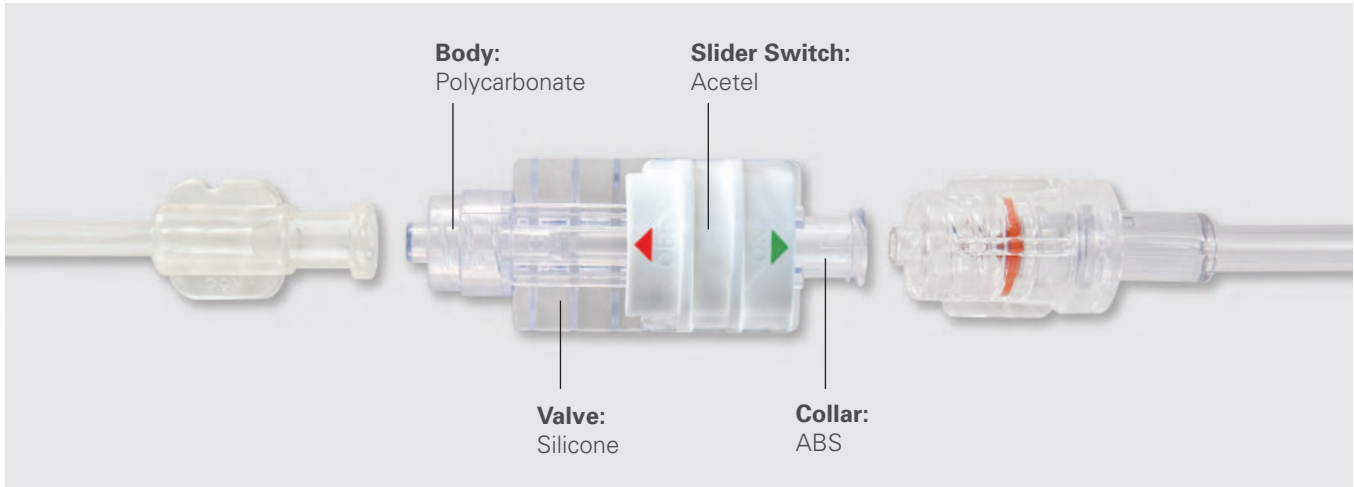
506002001



Inline CRV, Female Luer Control Port,
Female Luer Inlet Port,
Male Luer Lock Outlet Port

506000001

High Pressure Flow Control Switch



Merit's High Pressure Flow Control Switch can be used with any application that involves liquid flow and requires inline shut off capability.



Flow Control Switch with Rotating Luer



Stopcocks

Handle: Acetal Material: Polycarbonate

Large Bore 50 PSI



Swivel Nut, Large Bore,
3-way

L3SNP



Swivel Nut, Large
Bore, 4-way

530178001

Low Pressure 200 PSI



Fixed Male Luer, 1-Way

S1FLP



Swivel Nut, 1-Way

S1SNP



Slip Luer, 1-Way

S1SLP



Swivel Nut, 3-Way

S3SNP



Slip Luer, 3-Way

S3SLP



All Female Luer, 3-Way

S3FP



Fixed Male Luer, 3-Way

S3FLP



Swivel Nut, 4-Way

S4SNP



Fixed Male Luer, 4-Way

S4FLP



Slip Luer, 4-Way

S4SLP

Medium Pressure 500 PSI



Fixed Male Luer, 1-Way
M1FLP



Swivel Nut, 1-Way
M1SNP



Slip Luer, 1-Way
M1SLP



Slip Luer, 3-Way
M3SLP



Fixed Male Luer, 3-Way
M3FLP



Left Rotating Male Luer, 3-Way
M3RLP



Right Rotating Male Luer, 3-Way
M3RRP



Swivel Nut, 3-Way
M3SNP



Right Rotating Male Luer, 4-Way
M4RRP



Swivel Nut, 4-Way
M4SNP



Fixed Male Luer, 4-Way
530158001



Right Rotating Male Luer w/ On Handle, 4-Way
530176001

High Pressure 1050 PSI



Fixed Male Luer, 1-Way

H1FLP



Swivel Nut, 1-Way

H1SNP



Right Rotating Male Luer, 1-Way

H1RP



Slip Luer, 3-way

H3SLP



Fixed Male Luer, 3-way

H3FLP



Left Rotating Male Luer, 3-way

H3RLP



Right Rotating Male Luer, 3-way

H3RRP



Swivel Nut, 3-way

H3SNP



Fixed Male Luer, 4-way

H4FLP



Right Rotating Male Luer, 4-way

H4RRP



Swivel Nut, 4-way

H4SNP

Stopcocks with Extension Tubing

Merit offers a variety of stopcocks with tubing extensions to meet various project needs. In addition to the wide variety listed below, we can also offer a solution tailored to your needs. Contact your sales representative or OEM customer service for more information.

Stopcocks with Extension Tubing Examples:



3-way Stopcock
Standard Pressure (200psi)
0.110" Tubing OD DEHP-free
PVC Tubing 5.625" Extension

501857001



3-way Stopcock
Low Profile Handle
Standard Pressure (200psi)
0.140" Tubing OD TPU
Tubing 8" Extension

502226001



1-way Stopcock
Medium Pressure (500psi) 0.125 Tubing
OD DEHP-Free PVC Tubing 6.25"
Extension with Male Luer

K04-01006AP



3-way Stopcock
Standard Pressure (200psi)
0.110 Tubing OD DEHP-Free
PVC Tubing 6" Extension

503240001



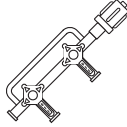
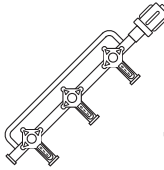
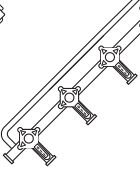
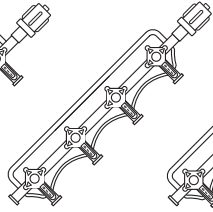
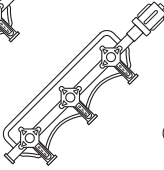
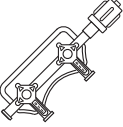
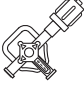
3-way Stopcock
Standard Pressure (200psi)
0.158 Tubing OD DEHP-free
PVC Tubing 7.25" Extension

503239001

Manifolds

Manifolds with Right Port Orientation and Rotating Luer

200 PSI (14 BAR)

							
2 Port Half Body	3 Port Half Body	4 Port Half Body	4 Port Block Body	3 Port Block Body	2 Port Block Body	1 Port Block Body	
ON Handles OFF Handles 360/ON Handles 360/OFF Handles	202HN-R 202HF-R	203HN-R 203HF-R	204HN-R 204HF-R 204HF-RT	204BN-R 204BF-R 204BF-RT	203BN-R 203BF-R 203BN-RT 203BF-RT	202BN-R 202BN-RT	201BF-R

500 PSI (34 BAR)

							
2 Port Half Body	3 Port Half Body	4 Port Half Body	4 Port Block Body	3 Port Block Body	2 Port Block Body	1 Port Block Body	
ON Handles OFF Handles 360/ON Handles 360/OFF Handles	502HN-R 502HF-R 202BN-F 502HF-RT	503HN-R 503HF-R 503HF-RT	504HF-R 504HN-RT	504BN-R 504BF-R 504BN-RT 504BF-RT	503BN-R 503BF-R	502BN-R 502BF-R	501BN-R

Manifolds with Left Port Orientation and Rotating Luer

200 PSI (14 BAR)

					
2 Port Half Body	3 Port Half Body	4 Port Half Body	4 Port Block Body	3 Port Block Body	2 Port Block Body
ON Handles OFF Handles	202HF-L	203HF-L	204HF-L	203BN-L 203BF-L	202BF-L

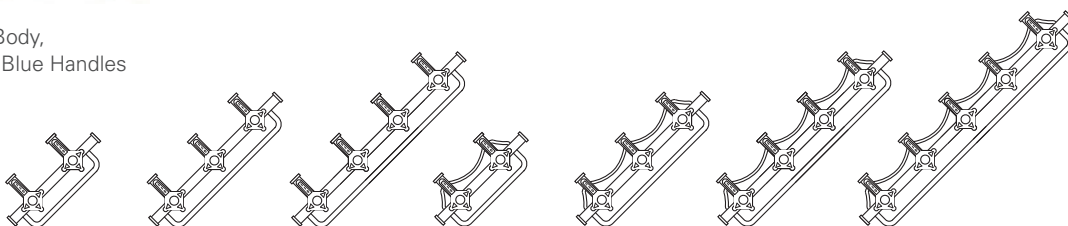
500 PSI (34 BAR)

					
2 Port Half Body	3 Port Half Body	4 Port Half Body	4 Port Block Body	3 Port Block Body	2 Port Block Body
OFF Handles 360/ON Handles 360/OFF Handles	502HF-L 502HN-L	503HF-L 503HN-LT		503BF-L	502BF-L

Manifolds with All Female Ports



200 PSI, 5 Port, Block Body,
360/OFF Red, White & Blue Handles
500237001



200 PSI (14 BAR)

2 Port Half Body	3 Port Half Body	4 Port Half Body	2 Port Block Body	3 Port Block Body	4 Port Block Body	5 Port Block Body
---------------------	---------------------	---------------------	----------------------	----------------------	----------------------	----------------------

ON Handles				202BN-F	203BN-F		
OFF Handles	202HF-F	203HF-F				205BF-F	
360/ON Handles							
360/OFF Handles			204HF-FT	202BF-FT	203BF-FT	204BF-FT	205BF-FT

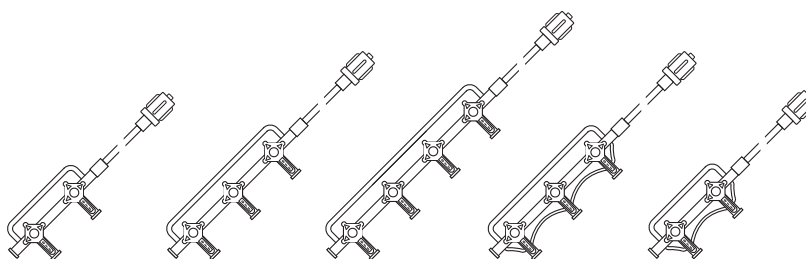
500 PSI (34 BAR)

2 Port Half Body	3 Port Half Body	4 Port Half Body	2 Port Block Body	3 Port Block Body	4 Port Block Body	5 Port Block Body
---------------------	---------------------	---------------------	----------------------	----------------------	----------------------	----------------------

ON Handles						
OFF Handles				503BF-F		
360/ON Handles						

Manifolds with Right Port Orientation

6" (15cm) tubing extension and rotating luer.



200 PSI (14 BAR)

2 Port Half Body	3 Port Half Body	4 Port Half Body	3 Port Block Body	2 Port Block Body
---------------------	---------------------	---------------------	----------------------	----------------------

ON Handles	202HN-RX	203HN-RX		
OFF Handles	202HF-RX	203HF-RX	204HF-RX	203BF-RX
360/OFF Handles				203BF-RXT

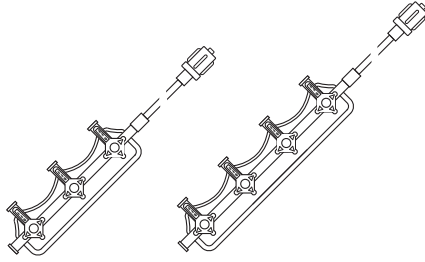
500 PSI (34 BAR)

2 Port Half Body	3 Port Half Body	4 Port Half Body	3 Port Block Body	2 Port Block Body
---------------------	---------------------	---------------------	----------------------	----------------------

ON Handles		503HN-RX			
OFF Handles	502HF-RX	503HF-RX	504HF-RX	503BF-RX	502BF-RX
360/ON Handles			504BF-RXT		

Manifolds with Left Port Orientation

6" (15cm) tubing extension and rotating luer.



500 PSI (34 BAR)

3 Port
Block Body

4 Port
Block Body

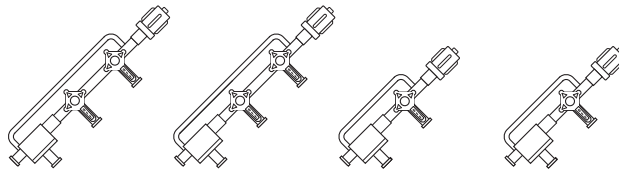
ON Handles

503BN-LX

OFF Handles

504BF-LX

Devos™ Manifolds with Check Relief Valve, Right Port Orientation and Rotating Luer



200 PSI (14 BAR)

3 Port
Half Body

3 Port
Half Body

2 Port
Half Body

2 Port
Half Body

OFF Handles

2V3HF-R

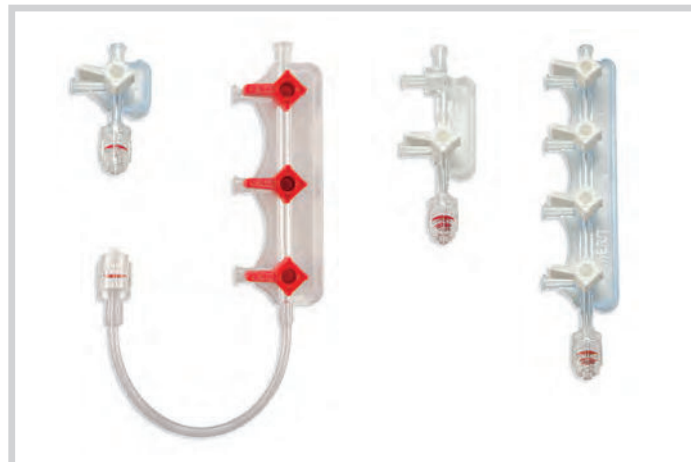
360/OFF Handles

2V3HF-RT

2V2HF-R

2V2HF-RT

Custom colored handles and tubing options available.





MOLDED PARTS & COMPONENTS

59	Adapters & Rotators
60	Caps & Covers
64	Luer & Connectors
70	Catheter Hubs

Adapters & Rotaters

90 Degree Right Angle

Material: Polycarbonate



Clear. Pocket ID .231"-.202"
Taper

100723001



Clear. Pocket ID .172"-.152"
Taper

100723002

Male Rotating

Body Material: Polycarbonate
O-Ring Material: EPDM



Clear. Tubing Pocket ID
.180"-.205"

510104002



Gamma. Tubing Pocket ID
.136"-.139"

501178001

Male/Female and Male/Male Rotating

Body Material: Polycarbonate
O-Ring Material: EPDM



Clear. Male/Female Rotating

562013001



Clear. Male/Male Rotating

MMA100P

Caps & Covers

Universal Luer Lock Vented Caps

Material: Polycarbonate



Clear

101037001



White

101037002



Gamma

101037004

Universal Luer Lock Non-Vented Caps

Material: Polycarbonate



Clear

101040001



White

101040002



Red

101040003



Gamma

101040004

Female Snap-On Vented Caps

Material: Polypropylene



White

101039002



Light Blue

101039003



Royal Blue

101039004

Female Snap-On Non-Vented Caps

Material: Polypropylene



White

101038002



Royal Blue

101038004

Female Hex Luer Vented Fit Covers

Material: Polypropylene



Natural

101010001



White

101010002



Light Blue

101010003



Yellow

101010004



Red

101010005

Female Hex Luer with Vent Hole Covers

Material: Polypropylene



Natural

101030001



White

101030002



Light Blue

101030003



Yellow

101030004

Female Non-Vented Covers

Material: Polypropylene



Natural

101020001



White

101020002



Light Blue

101020003



Yellow

101020004

Female Vented Round Luer Fit Covers

Material: Polypropylene



White

100738002



Light Blue

100738003

Female Non-Vented Wing Covers

Material: Polycarbonate



Red

100987001



Green

100987002



Yellow

100987003



Royal Blue

100987004



Purple

100987005



White

100987006



Orange

100987007



Black

100987008



Metallic

100987011

COP Female Non-Vented Wing Covers

Material: COP (Cyclo Olefin Polymer)



Clear

101566004

Male Luer Vented Caps

Material: ABS



White

101031001



Light Blue

101031002



Royal Blue

101031003



Yellow

101031004



Red

101031006



Dark Green

101031012

Male Luer Non-Vented Caps

Material: ABS



White

101041001



Light Blue

101041002



Royal Blue

101041003



Yellow

101041004



Red

101041006

Male Luer Thread Covers

Material: Polycarbonate



Clear

100632001



Gamma

100632002

Luers & Connectors

Female Slip Fit Luers

Material: Polycarbonate



White Female Luer Lock
Slip Fit .120" to .150" Taper

100916001



Clear Female Luer Lock
Slip Fit .120" to .150" Taper

102112001



Clear Female Luer Lock
Slip Fit .154" to .192" Taper

102102001



Gamma Color Female Luer Lock
Slip Fit .154" to .192" Taper

102202001



Gamma Color Female Luer Lock
Slip Fit .120" to .150" Taper

102202002



Clear Female Luer Lock
Slip Fit .179" to .209" Taper

100719

Female Tubing Pocket Fit Luers

Material: Polycarbonate

MOLDED PARTS
& COMPONENTS



Clear Female Luer Lock
Tubing Pocket Taper
.095" to .101"

102103002



Clear Female Luer Lock
Tubing Pocket Taper
.118" to .124"

101023001



Clear Female Luer Lock
Tubing Pocket Taper
.124" to .132"

102103001



Clear Female Luer Lock
Tubing Pocket Taper
.140" to .145"

102103004



Clear Female Luer Lock
Tubing Pocket Taper
.158" to .164"

102103003



Clear Female Luer Lock
Tubing Pocket Taper
.182" to .192"

100976001



Gamma Color Female Luer Lock
Tubing Pocket Taper
.095" to .101"

102203002



Gamma Color Female Luer Lock
Tubing Pocket Taper
.124" to .132"

102203001



Gamma Color Female Luer Lock
Tubing Pocket Taper
.158" to .164"

102203003

Male Slip Fit Luers

Material: Polycarbonate

MOLDED PARTS
& COMPONENTS



Blue Male Luer Lock
Slip Fit Taper .120" to .150"

100914002



Gamma Color Male Luer Lock
Slip Fit Taper .154" to .192"

102200001



White Male Luer Lock
Slip Fit Taper .120" to .150"

100914001



Clear Male Luer Lock
Slip Fit Taper .120" to .150"

102110001



Clear Male Luer Lock
Slip Fit Taper .120" to .150"

102110001



Clear Male Luer Lock
Slip Fit Taper .154" to .192"

102100001



Clear Male Luer Lock
Slip Fit .148" to .166"

102056001



Clear Male Luer Lock
Slip Fit .148" to .166"

102056001



Clear Male Luer Lock
Slip Fit .178" to .208"

102039

Male Tubing Pocket Fit Luers

Material: Polycarbonate

MOLDED PARTS
& COMPONENTS



Clear Male Luer Lock
Tubing Pocket Taper
.095" to .101"

102101002



Clear Male Luer Lock
Tubing Pocket Taper
.108" to .114"

102101005



Clear Male Luer Lock
Tubing Pocket Taper
.118" to .124"

101024001



Clear Male Luer Lock
Tubing Pocket
.124" to .132"

102101001



Clear Male Luer Lock
Tubing Pocket Taper
.140" to .145"

102101004



Clear Male Luer Lock
Tubing Pocket Taper
.158" to .164"

102101003



Clear Male Luer Lock
Tubing Pocket Taper
.182" to .192"

100975001



Gamma Color Male Luer Lock
Tubing Pocket Taper
.118" to .124"

101124001



Gamma Color Male Luer Lock
Tubing Pocket Taper
.095" to .101"

102201002

Luers & Connectors Other



Clear, 2-Way Connector Tubing Pockets
Tubing Pocket Taper .160" to .145"
Material: Cyrolite

101002



Clear, 2-Way Connector Tubing Pockets
Tubing Pocket Taper .158" to .142"
Material: Polycarbonate

101004



Clear, 3-Way Connector Tubing Pockets
Tubing Pocket Taper .160" to .145"
Material: Cyrolite

101003



Clear Male/Female Luer
Lock Connector
Connector 1: Male Luer Lock
Connector 2: Female Luer Lock
Material: Polycarbonate

101047001



Red Male/Female Luer
Lock Connector
Connector 1: Male Luer Lock
Connector 2: Female Luer Lock
Material: Polycarbonate

101542001



Blue Male/Female Luer
Lock Connector
Connector 1: Male Luer Lock
Connector 2: Female Luer Lock
Material: Polycarbonate

101542002



Clear Female/Female Luer
Lock Connector
Connector 1: Female Luer Lock
Connector 2: Female Luer Lock
Material: MABS

700357001



Y Tubing Connector
Connector 1: .154 slip
Connector 2: .154 slip
Connector 3: .154 slip
Material: Clear ABS

101508002



Clear Male/Male Luer
Lock Connector
Connector 1: Male Luer Lock
Connector 2: Male Luer Lock
Material: Polycarbonate

101025001

T-Connectors

Material: Polycarbonate

MOLDED PARTS
& COMPONENTS



Clear Two Female Luer Lock,
One Male Slip

100966001



Gamma Color Two Female
Luer Lock, One Male Slip

100966002



Clear One Female Luer Lock,
Two Male Slip

100969001



Clear All Male Slip

100967001



Clear Two Female Luer Lock,
One Male Swivel

506010001



Clear All Female Luer Lock

100965001



Clear with .139" Tubing Pockets

100965002

Catheter Hubs

Material: Polycarbonate

MOLDED PARTS
& COMPONENTS



4F Hub, White
100941200



5F Hub, White
100941205



6F Hub, White
.050" thru-hole
100941211



6F Hub, White
100941212



8F Hub, White
100941218



4F Hub, Clear
100942220



5F Hub, Clear
100942221



6F Hub, Clear,
.083" Inner Lumen
100942222

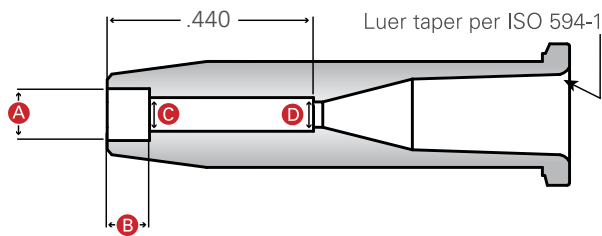


7F Hub, Clear
100942223



7F Hub, Clear
100942224

Hub details. Measurements in inches.



Catalog Number	A	B	C	D
100941200	0.087	0.090	0.058	0.056
100941205	0.111	0.090	0.071	0.069
100941211	0.120	0.125	0.083	0.050
100941212	0.120	0.125	0.083	0.052
100941218	0.135	0.125	0.109	0.107

C $^{+0.002}_{-0.001}$ \varnothing at entrance straightline tapers to D $^{+0.001}_{-0.001}$ \varnothing at bottom



Custom colors
and printing
options available.



5F Hub, White
0.045 inner lumen
Printed

590012039



Reverse



6F Hub, White
0.050 inner lumen
Printed

590012057



Reverse



TUBING

- 73 Custom Tubing Sets
- 74 High Pressure Tubing
- 76 Pressure Monitoring Tubing

Custom Tubing

Over the last 30 years, Merit has developed the infrastructure needed for mass customization to meet the unique needs of individual clinics or physicians. This translates into a robust OEM service that allows you to receive a customized configuration as a bulk non-sterile product or even a private labeled sterile product.



TUBING

ASPIRATION SETS • TUBING EXTENSION SETS • FLUID ADMINISTRATION SETS
HIGH PRESSURE TUBING • PRESSURE MONITORING TUBING



HOW MERIT HELPS OUR OEM CUSTOMERS:

- Tubing Set Design and Development
- Inline Quality Control
- Packaging Validations
- Sterilization Validations
- Private Labeling
- Regulatory Support

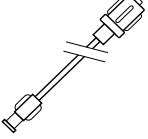
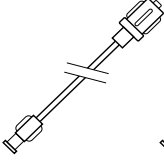
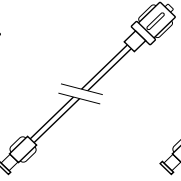
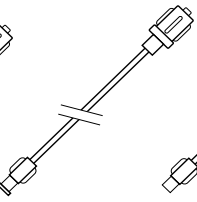
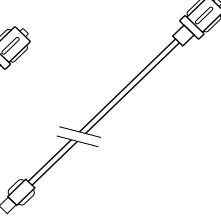
High Pressure Tubing

Rated at 1200 PSI (83 BAR)

Material: Flexible Nylon Braided Polyurethane

Male to Female

Airless Rotating Adapter

				
10" Length (25cm)	20" Length (51cm)	30" Length (76cm)	48" Length (122cm)	72" Length (183cm)
HPF100P	HPF200P	HPF300P	HPF480P	HPF720P

Fixed Male Connector

10" Length (25cm)	20" Length (51cm)	30" Length (76cm)	48" Length (122cm)	72" Length (183cm)
HPF101P	HPF201P	HPF301P	HPF481P	HPF721P

High Pressure Tubing

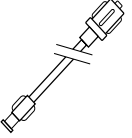
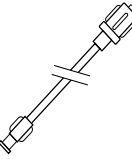
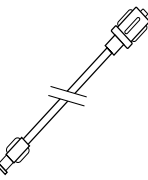
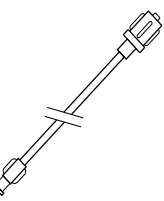
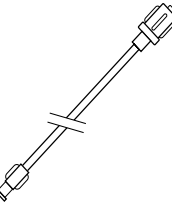
Rated at 1200, 900 and 500 PSI (83, 62 and 34 BAR)

Material: PVC, Clear

Male to Female

Airless Rotating Adapter

1200 PSI (83 BAR)
900 PSI (62 BAR)
500 PSI (34 BAR)

				
10" Length (25cm)	20" Length (51cm)	30" Length (76cm)	48" Length (122cm)	59" Length (150cm)
HPT100P HP9100P HP5100P	HPT200P HP9200P HP5200P	HPT300P HP9300P HP5300P	HPT480P HP9480P HP5480P	HPT590P

Fixed Male Connector

1200 PSI (83 BAR)
900 PSI (62 BAR)
500 PSI (34 BAR)

10" Length (25cm)	20" Length (51cm)	30" Length (76cm)	48" Length (122cm)	59" Length (150cm)
HPT101P HP9101P HP5101P	HPT201P HP9201P HP5201P	HPT301P HP9301P HP5301P	HPT481P HP9481P HP5481P	HPT591P



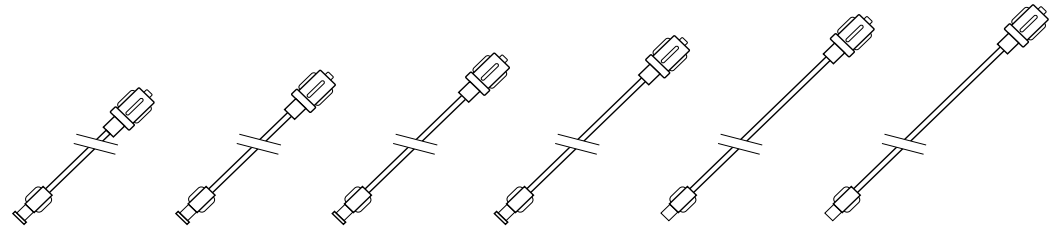
Excite™ High Pressure Tubing

Rated at 1200 PSI (83 BAR)

Material: Coextruded Nylon/Polyurethane

TUBING

Male to Female



Airless Rotating Adapter

10" Length (25cm)	20" Length (51cm)	30" Length (76cm)	39" Length (100cm)	48" Length (122cm)	59" Length (150cm)
HPC100P	HPC200P	HPC300P	HPC390P	HPC480P	HPC590P

Fixed Male Connector

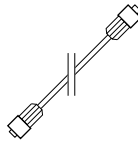
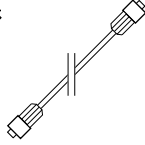
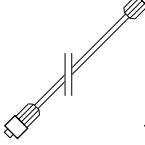
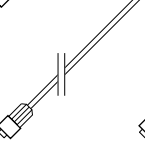
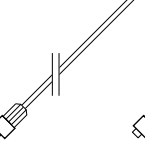
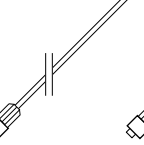
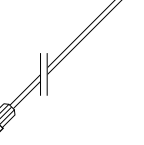
10" Length (25cm)	20" Length (51cm)	30" Length (76cm)	39" Length (100cm)	48" Length (122cm)	59" Length (150cm)
HPC101P	HPC201P	HPC301P	HPC391P	HPC481P	HPC591P

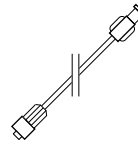
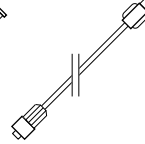
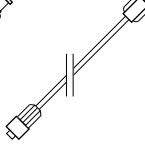
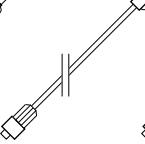
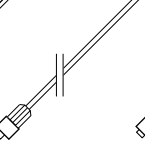
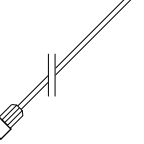



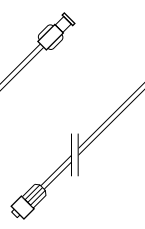
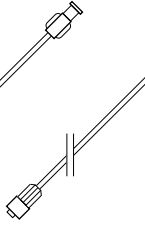
Pressure Monitoring Tubing

High Durometer, Non Expanding.

Material: PVC, Clear

							
Male to Male	6" Length (15cm)	12" Length (30cm)	24" Length (61cm)	36" Length (91cm)	48" Length (122cm)	60" Length (152cm)	72" Length (183cm)
	PM6006P	PM6012P	PM6024P	PM6036P	PM6048P	PM6060P	PM6072P

						
Male to Female	6" Length (15cm)	12" Length (30cm)	24" Length (61cm)	36" Length (91cm)	48" Length (122cm)	60" Length (152cm)
	PM6106P	PM6112P	PM6124P	PM6136P	PM6148P	PM6160P

			
Male to Female	72" Length (183cm)	84" Length (213cm)	96" Length (244cm)
	PM6172P	PM6184P	PM6196P



TUBING



FLUID MANAGEMENT

- 79 Fluid Administration Sets
- 86 Fluid Administration Components
 - 86 Spikes
 - 87 Roller Clamps
 - 87 Drip Chambers
- 89 Pressure Infuser Bags
- 90 Contrast Transfer Sets

Fluid Administration Sets

Small Bore with Drip Chamber. Many tubing sets available with non-DEHP material

Tubing Material: PVC



48" Small Bore, Vented Macro Drip Chamber without Micro Filter, Male Luer
ID: .120", Inches: 48", OD: .160"

FAS1048P



60" Small Bore, Vented Macro Drip Chamber, without Micro Filter, Male Luer
ID: .120", Inches: 60", OD: .160"

FAS1060P



72" Small Bore, Vented Macro Drip Chamber, without Micro Filter, Male Luer
ID: .120", Inches: 72", OD: .160"

FAS1072P



108" Small Bore, Vented Macro Drip Chamber, with Micro Filter, Male Luer
ID: .120", Inches: 60", OD: .160"

FAS1108P

Fluid Administration Sets

Small Bore with Drip Chamber

Tubing Material: PVC



60" Small Bore, Vented Macro Drip Chamber without Micro Filter, Male Luer
ID: .120", Inches: 60", OD: .160"

FAS1160P



72" Small Bore, Vented Macro Drip Chamber without Micro Filter, Male Luer
ID: .120", Inches: 72", OD: .160"

FAS1172P



60" Small Bore, Non-Vented Macro Drip Chamber without Micro Filter, Male Luer
ID: .120", Inches: 60", OD: .160"

FAS1260P



72" Small Bore, Non-Vented Macro Drip Chamber without Micro Filter, Male Luer
ID: .120", Inches: 72", OD: .160"

FAS1272P

Fluid Administration Sets

Small Bore with Drip Chamber

Tubing Material: PVC



24" Small Bore with User Selectable Macro Drip Chamber without Micro Filter, 48" Small Bore Bifurcated with Roller Clamps, Male Luers
ID: .120", Inches: 24", OD: .160"

FAS2072P



24" Small Bore with User Selectable Macro Drip Chamber without Micro Filter, 48" Small Bore Trifurcated with Roller Clamps, Male Luers
ID: .120", Inches: 24", OD: .160"

FAS3072P



48" Small Bore, Vented Macro Drip Chamber with Micro Filter, Male Luer
ID: .120", Inches: 60", OD: .160"

FAS4048P



60" Small Bore, Vented Macro Drip Chamber with Micro Filter, Male Luer
ID: .120", Inches: 60", OD: .160"

FAS4060P

Fluid Administration Sets

Small and Large Bore with Drip Chamber

Tubing Material: PVC



72" Small Bore, Vented Macro Drip Chamber with Micro Filter, Male Luer
ID: .120", Inches: 72", OD: .160"

FAS4072P



108" Large Bore, Vented Macro Drip Chamber with Micro Filter, Male Luer
ID: .120", Inches: 108", OD: .160"

FAS4108P



48" Large Bore with User Selectable Vented Macro Drip Chamber with Micro Filter, 48" Large Bore, Bifurcated with Roller Clamps, Male Luers
ID: .120", Inches: 48", OD: .160"

FAS5048P



50" Large Bore with User Selectable Vented Macro Drip Chamber with Micro Filter, 50" Large Bore, Bifurcated with Roller Clamps, Male Luers
ID: .120", Inches: 50", OD: .160"

FAS5060P

FLUID
MANAGEMENT

Fluid Administration Sets

Small and Large Bore with Drip Chamber

Tubing Material: PVC

FLUID
MANAGEMENT



72" Large Bore with User Selectable Vented Macro Drip Chamber with Micro Filter, 72" Large Bore Bifurcated with Roller Clamps, Male Luers
ID: .72", Inches: 50", OD: .160"

FAS5072P



108" Large Bore with User Selectable Vented Macro Drip Chamber with Micro Filter, 108" Large Bore, Bifurcated with Roller Clamps, Male Luers
ID: .108", Inches: 108", OD: .160"

FAS5108P



48" Large Bore Non-vented Macro Drip Chamber with Micro Filter, 48" Large Bore, with Roller Clamps, Male Luers
ID: .120", Inches: 48", OD: .160"

FAS5248P



24" Small Bore with Vented Macro Drip Chamber with Micro Filter, 24" Small Bore Bifurcated with Roller Clamps, Male Luers
ID: .24", Inches: 524", OD: .160"

FAS6072

Fluid Administration Sets

Large Bore with Drip Chamber

Tubing Material: PVC



72" Large Bore, Piercing Spike with Sosa Vented Macro Drip Chamber with Micro Filter, Male Luer ID: .120", Inches: 72", OD: .160"

K08-00006



2" Large Bore, Vented Macro Drip Chamber with Micro Filter, Male Luer ID: .120", Inches: 724", OD: .160", 3-Way Stopcock

K08-00077B



2" Large Bore, Vented Macro Drip Chamber with Micro Filter, Male Luer ID: .120", Inches: 724", OD: .160", 1-Way Stopcock

K08-00078A



6.5" Large Bore, Vented Macro Drip Chamber with Micro Filter, Male Luer, 3-Way Stopcock ID: .120", Inches: 72", OD: .160"

K08-00417BP



6.5" Large Bore, Vented Spike Macro Drip Chamber with Micro Filter, Male Luer, 3-Way Stopcock ID: .120", Inches: 72", OD: .160"

K08-00577

FLUID
MANAGEMENT

Fluid Administration Sets

Large Bore with Drip Chamber

Tubing Material: PVC

FLUID
MANAGEMENT



6.5" Large Bore, Piercing Spike with Sosa Vented Macro Drip Chamber with Micro Filter, Male Luer
ID: .120", Inches: 72", OD: .160" 3-way Stopcock

K08-00685A



6.5" Large Bore, Vented Spike Macro Drip Chamber with Micro Filter, Male Luer, 3-Way Stopcock with Swivel Nut
ID: .6.4", Inches: 72", OD: .160"

K08-01878B

Fluid Administration Components

Spikes



Spike, Small Bore
Vented Inner
700028001



Spike, Small Bore
Non-Vented
700315002



Spike, Small Bore
Non-Vented
700315



Spike, Large
Bore Vented
700027



Spike Dual Flow
.15 Drop/ml Large Flow
701480002



Spike, Vented with 1" Large Bore
Extension and 1-Way Stopcock
K08-02438



Spike, Vented with 2" Large Bore
Extension and 3-Way Stopcock
K08-02384

Roller Clamps



Small Bore Roller Clamp

700022001



Large Bore Roller Clamp

700022002

Drip Chambers

Many tubing sets available with non-DEHP material.

Cap: Polyethylene Spike/Inline Tubing Adapter: ABS
Chamber: Polypropylene Vent: Polyethylene



Macro Inline Non-Vented

700098



Drip Chamber, Vented with
15 Micron Filter

700026



Drip Chamber Non-Vented
without Filter

700032



Drip Chamber Inline Non-Vented
with 15 Micron Filter

700547001

Drip Chambers

Cap: Polyethylene Spike/Inline Tubing Adapter: ABS
Chamber: Polypropylene Vent: Polyethylene



Drip Chamber, Vented without Filter

700442002



Drip Chamber, Vented without Filter, Large Bore Tube Connector

701242001



Drip Chamber Non-Vented Bent Stem

700541001



Drip Chamber Non-Vented Filter

700029



Drip Vented with Ball Valve
Ball: Polypropylene
Chamber: PVC

701610001

Pressure Infusor Bags

Many tubing sets available with non-DEHP material

Color: White Material: Nylon Bag

FLUID
MANAGEMENT



500ml Pressure Infusor Bag

PIB500

1000ml Pressure Infusor Bag

PIB1000

3000ml Pressure Infusor Bag

PIB3000

Contrast Transfer Sets

Many tubing sets available with non-DEHP material

Tubing Material: PVC
Inches: 20" O.D.: .160"



CT Contrast Transfer Set with Filtered Sosa Spike Swabbable Valve, ID: .120"

TS120



CT Large Bore Contrast Transfer Set Swabbable Valve, ID: .154"

TS520L



CT Saline Transfer Set with Blue Stripe Tubing and Longer Spike, Swabbable Valve, ID: .120"

TS220



20 Small Bore, Female and Slip Luer

K08-01859P



Inline Contrast Saver, 54 Small Bore Tubing, (2) 1-Way Check Valves, Std. Pressure 3-Way Stopcock, Male Luers

K08-00422D



WASTE MANAGEMENT & SAFETY PRODUCTS

- 93 Fluid & Waste Desposal Systems
- 95 Drainage Bags
- 96 Disposal Basins
- 97 Pen & Label
- 98 Sharps Holder

Fluid & Waste Disposal System

WASTE MGT
& SAFETY
PRODUCTS



Merit Disposal Depot™ 1400 mL bag, 72" (183 cm) tubing, fixed male luer

MDD100



Merit Disposal Depot 1400 mL bag, 72" (183cm) tubing, one-way check valve with female luer

MDD110



Merit Disposal Depot 1400 mL bag, check relief valve to vented spike, female control port, valve to bag: 48" (122 cm), valve to spike/drip: 72" (183 cm)

MDD200H



Merit Disposal Depot 1400 mL bag, check relief valve to vented spike, female control port with reflux valve, Valve to bag: 48" (122 cm), valve to spike/drip: 72" (183 cm)

MDD220H

Fluid & Waste Disposal System



Merit Disposal Depot 1400 mL bag, check relief valve to vented spike, rotating male connector control port, valve to bag: 48" (122 cm), valve to spike/drip: 72" (183 cm)

MDD300H



Merit Disposal Depot 1400 mL bag, check relief valve to vented drip chamber, rotating male connector control port, valve to bag: 48" (122 cm), valve to spike/drip: 72" (183 cm)

MDD400H



Merit Disposal Depot 1400 mL bag, check relief valve to vented spike, 3-way stopcock with vented spike, female control port, valve to bag: 48" (122 cm), valve to spike/drip: 72" (183 cm)

MDD500H



Merit Disposal Depot 1400 mL bag, check relief valve to vented spike, 3-way stopcock with vented spike, female control port with reflux valve, valve to bag: 48" (122 cm), valve to spike/drip: 72" (183 cm)

MDD520H

Drainage Bags



Merit Drainage Depot™ 600ml Nephrostomy Bag, 24" (61cm). Kink-resistant adjustable tubing with fixed male luer, twist drain valve, VELCRO® brand fastener and additional male luer.

MDD600



600ml bag, soft cloth backing, 24" (61cm) kink-resistant adjustable tubing with fixed male luer, twist drain valve and VELCRO® brand fastener. Additional male luer.

FZ624

VELCRO® is a registered trademark of Velcro Industries B.V.

Disposal Basins



BackStop® Disposal Basin, 500ml fluid capacity and absorbent material. Includes particulate-free die cut sponge and seal-tight lid.

MBS100



BackStop+™ Disposal Basin with temporary sharps holder, 500ml fluid capacity and absorbent material. Includes particulate-free die cut sponge and seal-tight lid.

MBSP100



DugOut® Disposal Basin 1000ml fluid capacity and absorbent material. Includes particulate-free die cut sponge, secondary compartment for storage of ancillary products or saline and seal-tight lid.

DUG100



DugOut® Disposal Basin with 1000ml fluid capacity and absorbent material. Includes particulate-free die cut sponge, secondary compartment for storage of ancillary products or saline and seal-tight lid with ShortStop® sharps holder.

DUG1SS

Disposal Basins



MiniStop+™ Disposal Basin with temporary sharps holder, 100ml fluid capacity and absorbent material. Includes particulate-free die cut sponge and seal-tight lid.

MMSP100

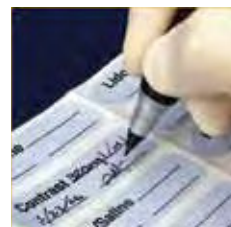


MiniStop® Disposal Basin, 100ml fluid capacity and absorbent material. Includes particulate-free die cut sponge and seal-tight lid.

MMS100

Pen & Labels

Packaging: Sterile Single Pouch - 25/Box and 100/Case



Catalog Number

Description

- PAL100** Contains pen and label set of 35
- PAL200** Contains pen and label set of 24
- PAL225** Contains pen, label set of 24 and guide wire bowl label set of 5
- PAL250** Contains pen, label set of 24 and large bowl label set of 7
- PAL300** Contains pen and label set of 12
- PAL325** Contains pen, label set of 12 and guide wire bowl label set of 5
- PAL350** Contains pen, label set of 12 and large bowl label set of 7
- PAL400** Contains pen and blank label set of 12
- PAL425** Contains pen, blank label set of 12 and guide wire bowl label set of 5
- PAL450** Contains pen, blank label set of 12 and large bowl label set of 7
- PAL500** Contains pen and guide wire bowl label set of 5
- PAL600** Contains pen and large bowl label set of 7
- PAL700** Contains pen, label set of 35 and large bowl label set of 7
- K13-00476** Pen only

Sharps Holders



ShortStop® Temporary
Sharps Holder

SS10



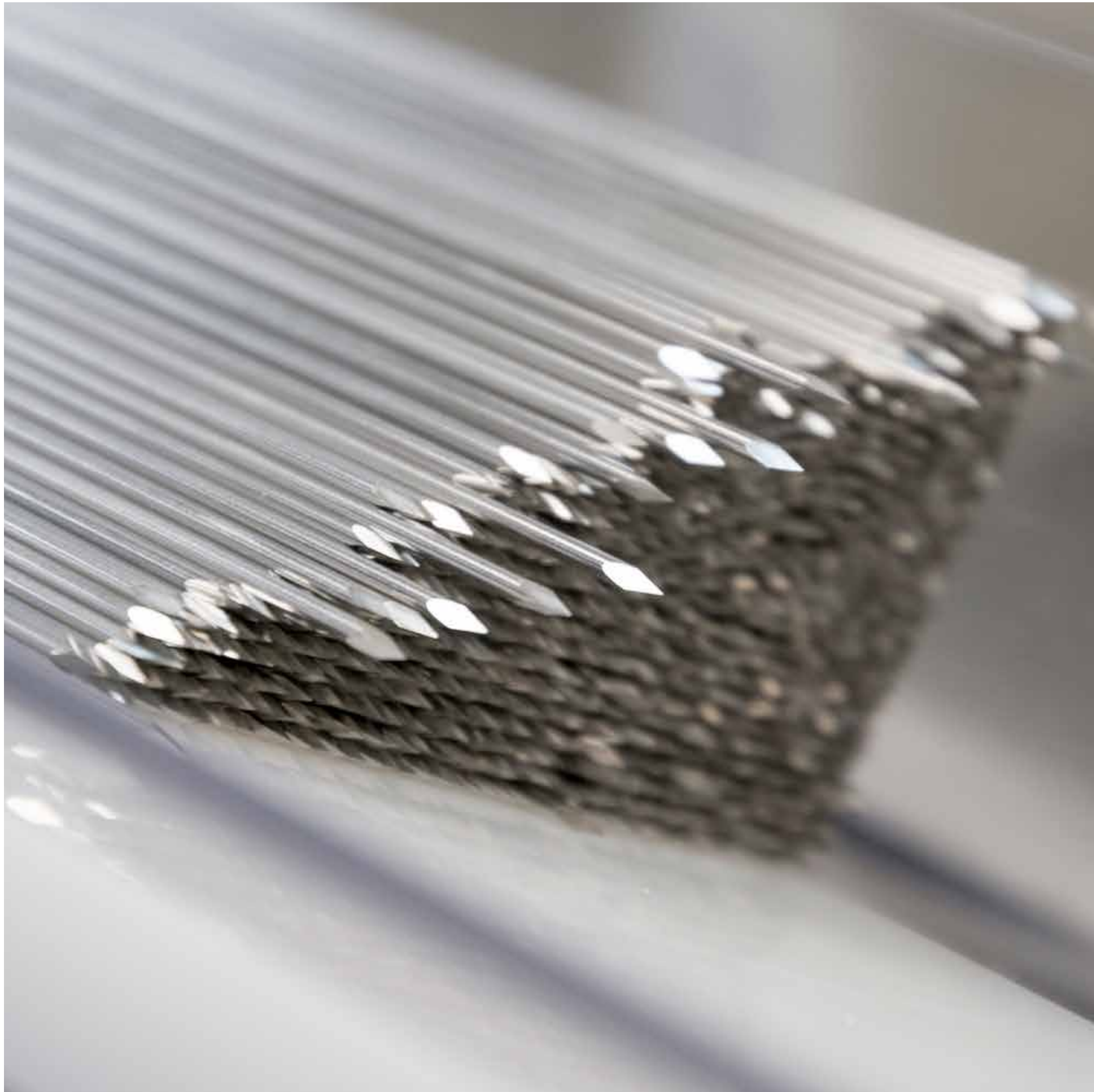
ShortStop Advantage™ Temporary
Sharps Holder with Side Access Point

SS20



ShortStop Grandstand® Temporary
Sharps Holder with Upright Access

SS30

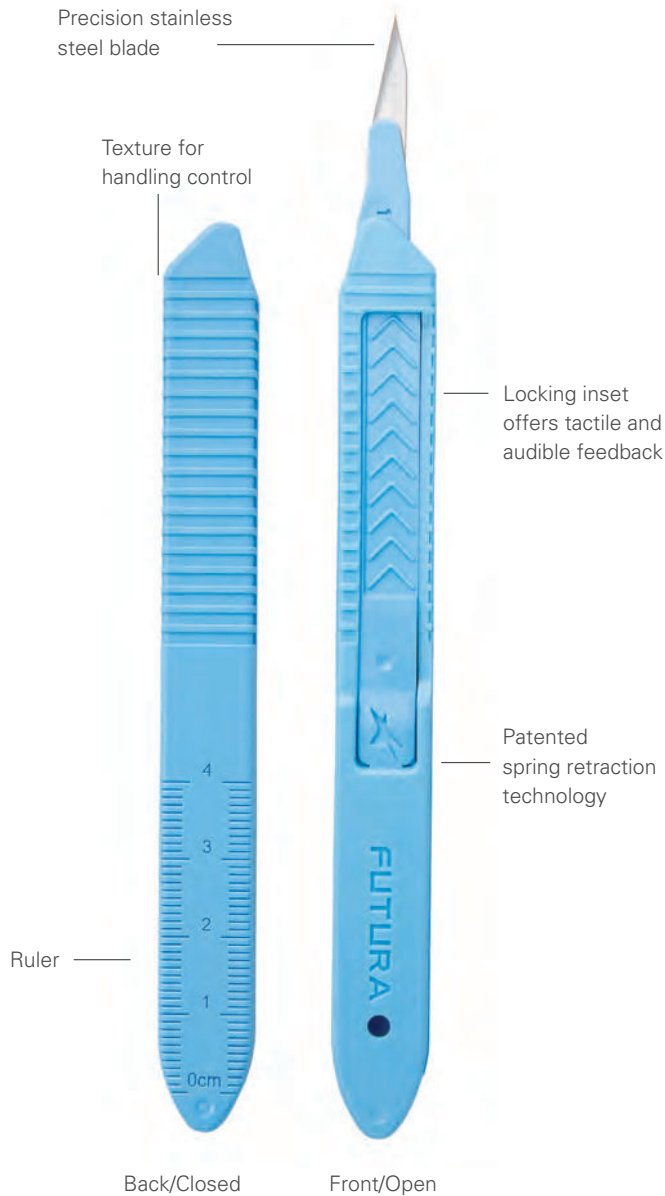


PERCUTANEOUS ACCESS

- 101 Scalpels
- 102 Needles
 - 103 Merit Advance® Angiographic Needle
 - 106 Merit Advance® Angiographic Safety Needles
- 108 Over the Needle Access
- 110 Transeptal Needles and Sheath Introducers
- 112 Introducers
 - 112 Coaxial Introducers
 - 116 Large Bore Introducers
 - 117 Prelude® Sheath Introducers
- 125 Prelude® Obturators
- 127 Dilators
 - 127 Prelude® Dilators
 - 128 Vessel Dilators
- 129 Valve Crossing Tool

Futura® retractable safety scalpels are designed to protect users from accidental cuts while passing and disposing.

- Blade sizes are color coded for easy identification
- Small, compact and ideal for kits, trays and packs
- Made of latex-free materials



Blade Style #11, Blue
SMS211P



Blade Style #15, Yellow
SMS215P

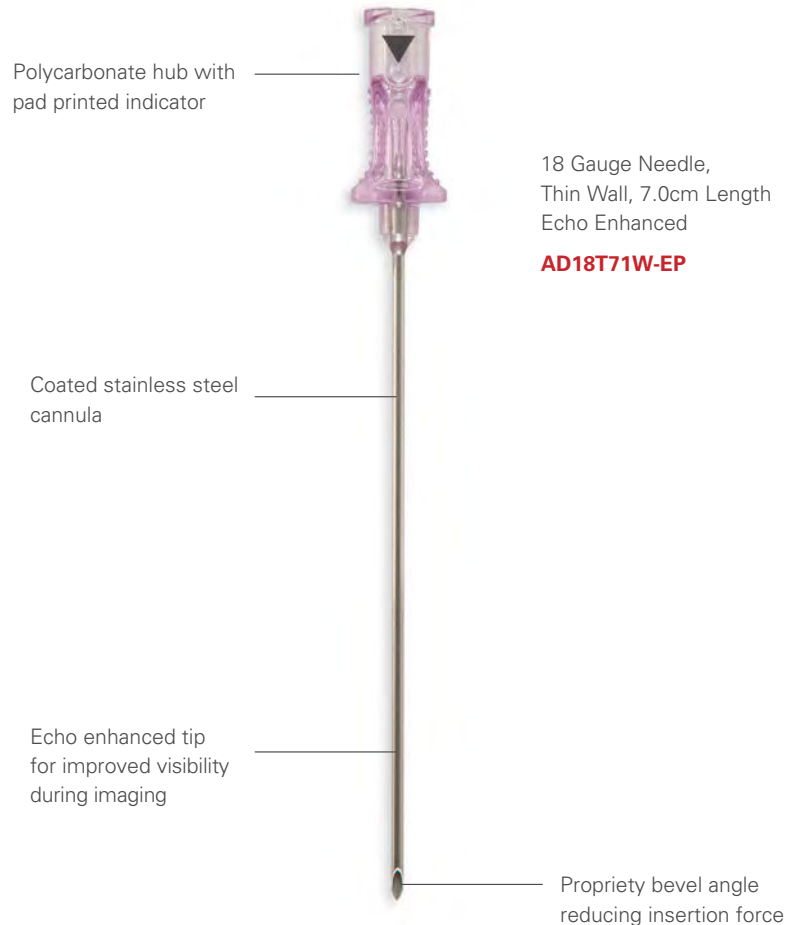


Blade Style #10, Green
SMS210P

Merit's Advance® Needle was specifically designed to outperform every needle on the market by simultaneously delivering superior sharpness and tactile feel for the clinician. Additional features include Merit's proprietary coated cannula with a unique bevel grind angle and an ergonomic hub with pad printed bevel indicator.

FEATURES & BENEFITS

Superior Sharpness	Facilitates smooth entry into tissue and vessel walls
Proprietary Coated Cannula	18G needles have approximately 25% less drag than leading competitor
Echo Enhanced Tip (optional)	Provides enhanced visibility during imaging
Unique Bevel Grind Angle	Reduces insertion force
Industry Standard Hub Colors	Universal gauge recognition



PERCUTANEOUS
ACCESS

18 Gauge Merit Advance® Angiographic Needles

Hub: Polycarbonate
Cannula/Obturator: Stainless Steel



18 Gauge Needle,
Thin Wall, 5.1cm Length

AD18T51WP



18 Gauge Needle,
Thin Wall, 7.0cm Length

AD18T71WP



18 Gauge Needle,
Thin Wall, 7.0cm Length
Echo Enhanced

AD18T71W-EP



18 Gauge Needle,
Normal Wall,
9.0cm Length

AD18N91WP



18 Gauge Needle,
Thin Wall, 5.0cm Length
with Seldinger Shield

AD18T51WSP



18 Gauge Needle,
Thin Wall, 7.0cm Length
with Courmand Shield

AD18T71WCP



18 Gauge Needle,
Thin Wall, 7.0cm Length
with Seldinger Shield

AD18T71WSP

19 Gauge Merit Advance® Angiographic Needles

Hub: Polycarbonate
Cannula/Obturator: Stainless Steel



19 Gauge Needle,
Ultra Thin Wall,
4.0cm Length with
Courmand Shield

AD19U41WCP



19 Gauge Needle,
Ultra Thin Wall,
4.0cm Length

AD19U41WP



19 Gauge Needle,
Ultra Thin Wall,
5.1cm Length

AD19U51WP



19 Gauge Needle,
Thin Wall,
5.0cm Length with
Seldinger Shield

AD19U71WSP

20 Gauge Merit Advance® Angiographic Needles

Hub: Polycarbonate
Cannula/Obturator: Stainless Steel



19 Gauge Needle,
Ultra Thin Wall,
7.0cm Length

AD19U71WP



20 Gauge Needle,
Thin Wall,
4.0cm Length

AD20T41WP



20 Gauge Needle,
Thin Wall,
7.0cm Length

AD20T71WP

PERCUTANEOUS
ACCESS

21 Gauge Merit Advance® Angiographic Needles

Hub: Polycarbonate
Cannula/Obturator: Stainless Steel



21 Gauge, Thin Wall,
4.0cm Length

AD21T41WCP



21 Gauge, Thin Wall,
4.0cm Length

AD21T41WP



21 Gauge, Thin Wall,
7.0cm Length

AD21T71WP



21 Gauge, Thin Wall,
7.0cm Length Echo Tip

AD21T71W-EP



21 Gauge, Thin Wall,
9.0cm Length Echo Tip

AD21T91W-EP



21 Gauge Curved Needle,
9.0cm Length

AD21T91RP



21 Gauge Curved Needle,
9.0cm Length with Echo Tip
Echo Enhanced Coaxial

AD21T91REP

22 Gauge Merit Advance® Angiographic Needles

Hub: Polycarbonate
Cannula/Obturator: Stainless Steel



22 Gauge, Thin Wall,
6.0cm Length, One-Wall

AD22T61WP

Standard Needle



Gauge: 18G XTW
Length: 2.71"

FND-001-00

Merit Advance® Angiographic Safety Needles

Hub: Polycarbonate
Cannula/Obturator: Stainless Steel



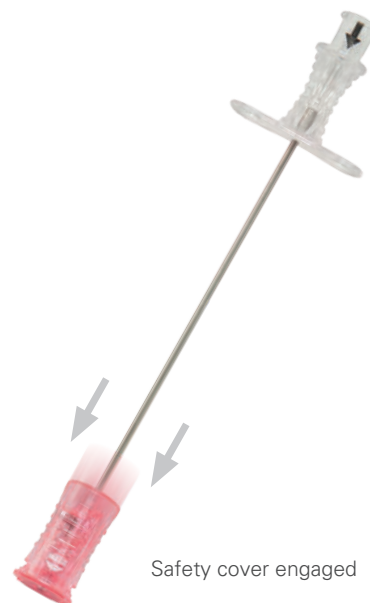
18 Gauge, 7.0cm Length,
With out Wings,
Guide wire .038"

SL18T71WP/A



18 Gauge, 7.0cm Length,
With Wings,
Guide wire .038"

SL18T71WSP/A



Safety cover engaged

ONE-WALL STYLE NEEDLE

Catalog Number	Gauge	Wall Thickness	Accepts Guide Wire	Length (cm)	Length (inches)	Finish
AD18T51WP	18	Thin	.038" (0.97mm)	5.0cm	2"	Smooth
AD18T71WP	18	Thin	.038" (0.97mm)	7.0cm	2 3/4"	Smooth
AD18T71W-EP	18	Thin	.038" (0.97mm)	7.0cm	2 3/4"	Echo
AD18N91WP	18	Normal	.038" (0.97mm)	9.0cm	3 1/2"	Smooth
AD19U41WP	19	Ultra	.035" (0.89mm)	4.0cm	1 1/2"	Smooth
AD19U51WP	19	Ultra	.035" (0.89mm)	5.0cm	2"	Smooth
AD19U71WP	19	Ultra	.035" (0.89mm)	7.0cm	2 3/4"	Smooth
AD19U71W-EP	19	Ultra	.035" (0.89mm)	7.0cm	2 3/4"	Echo
AD20T41WP	20	Thin	.025" (0.64mm)	4.0cm	1 1/2"	Smooth
AD20T41W-EP	20	Thin	.025" (0.64mm)	4.0cm	1 1/2"	Echo
AD20T71WP	20	Thin	.025" (0.64mm)	7.0cm	2 3/4"	Smooth
AD20T71W-EP	20	Thin	.025" (0.64mm)	7.0cm	2 3/4"	Echo
AD21T41WP	21	Thin	.021" (0.53mm)	4.0cm	1 1/2"	Smooth
AD21T41W-EP	21	Thin	.021" (0.53mm)	4.0cm	1 1/2"	Echo
AD21T71WP	21	Thin	.021" (0.53mm)	7.0cm	2 3/4"	Smooth
AD21T71W-EP	21	Thin	.021" (0.53mm)	7.0cm	2 3/4"	Echo
AD21T91WP	21	Thin	.021" (0.53mm)	9.0cm	3 1/2"	Smooth
AD21T91W-EP	21	Thin	.021" (0.53mm)	9.0cm	3 1/2"	Echo
AD21T91RP	21	Thin	.021" (0.53mm)	9.0cm	3 1/2"	Smooth
AD21T91REP	21	Thin	.021" (0.53mm)	9.0cm	3 1/2"	Echo

ONE-WALL NEEDLE WITH SELDINGER SHIELD

AD18T51WSP	18	Thin	.038" (0.97mm)	5.0cm	2"	Smooth
AD18T71WSP	18	Thin	.038" (0.97mm)	7.0cm	2 3/4"	Smooth
AD19U71WSP	19	Ultra	.035" (0.89mm)	7.0cm	2 3/4"	Smooth

ONE-WALL NEEDLE WITH COURNAND SHIELD

AD18T71WCP	18	Thin	.038" (0.97mm)	7.0cm	2 3/4"	Smooth
AD19U41WCP	19	Ultra	.035" (0.89mm)	4.0cm	1 1/2"	Smooth
AD19U71WCP	19	Ultra	.035" (0.89mm)	7.0cm	2 3/4"	Smooth
AD21T41WCP	21	Thin	.021" (0.53mm)	4.0cm	1 1/2"	Smooth

Over the Needle Access

Additional packaging configurations available; please contact a Merit Medical OEM representative for more information.



Non-Drilled
 OTN Size: 4F(18G)
 OTN Length: 2.73"
 Needle Gauge 19.5G
 Catheter Material:
 Radiopaque FEP
 Hub Color: Green

FCA-001-01



Non-Drilled
 OTN Size: 4F(18G)
 OTN Length: 2.73"
 Needle Gauge 19.5G
 Catheter Material:
 Radiopaque FEP
 Hub Color: Pink

FCA-001-03



Non-Drilled
 OTN Size: 4F(18G)
 OTN Length: 1.57"
 Needle Gauge 19.5G
 Catheter Material:
 Radiopaque FEP
 Hub Color: Pink

FCA-001-08



Non-Drilled
 OTN Size: 4F(18G)
 OTN Length: 7.10"
 Needle Gauge 19.5G
 Catheter Material:
 Radiopaque FEP
 Hub Color: Pink

FCA-001-10



Non-Drilled
 OTN Size: 2F (22G)
 OTN Length: 1.96"
 Needle Gauge 22G
 Catheter Material:
 Radiopaque FEP
 Hub Color: Yellow

FCA-002-04



Non-Drilled
 OTN Size: 2F (22G)
 OTN Length: 1.48"
 Needle Gauge 24G
 Catheter Material:
 Radiopaque FEP
 Hub Color: Blue

FCA-003-00



Non-Drilled
 OTN Size: 2F (22G)
 OTN Length: 2.73"
 Needle Gauge 24G
 Catheter Material:
 Radiopaque FEP
 Hub Color: Blue

FCA-003-01



Non-Drilled
 OTN Size: 2F (22G)
 OTN Length: 1.97"
 Needle Gauge 24G
 Catheter Material:
 Radiopaque FEP
 Hub Color: Blue

FCA-003-02

Over the Needle Access



Non-Drilled
 OTN Size: 6F (14G)
 OTN Length: 2.125"
 Needle Gauge 14G
 Catheter Material:
 Radiopaque FEP
 Hub Color: Yellow

FCA-007-00



Non-Drilled
 OTN Size: 6F (18G)
 OTN Length: 1.96"
 Needle Gauge 19.5G
 Catheter Material:
 Radiopaque FEP
 Hub Color: Pink

FCA-012-00



Non-Drilled
 OTN Size: 6F (14G)
 OTN Length: 2.75"
 Needle Gauge 16G
 Catheter Material:
 Radiopaque FEP
 Hub Color: Orange

FCA-028-00



Non-Drilled
 OTN Size: 6F (14G)
 OTN Length: 2.76"
 Needle Gauge 17G
 Catheter Material:
 Radiopaque FEP
 Hub Color: White

FCA-044-00



Drilled
 OTN Size: 4F (18G)
 OTN Length: 2.76"
 Needle Gauge 20G
 Catheter Material:
 Radiopaque FEP
 Hub Color: White

FCA-044-01



Drilled
 OTN Size: 5F (16G)
 OTN Length: 2.76"
 Needle Gauge 19G
 Catheter Material:
 Radiopaque FEP
 Hub Color: White

FCA-044-04



Drilled
 OTN Size: 5F (16G)
 OTN Length: 3.94"
 Needle Gauge 19G
 Catheter Material:
 Radiopaque FEP
 Hub Color: White

FCA-044-05

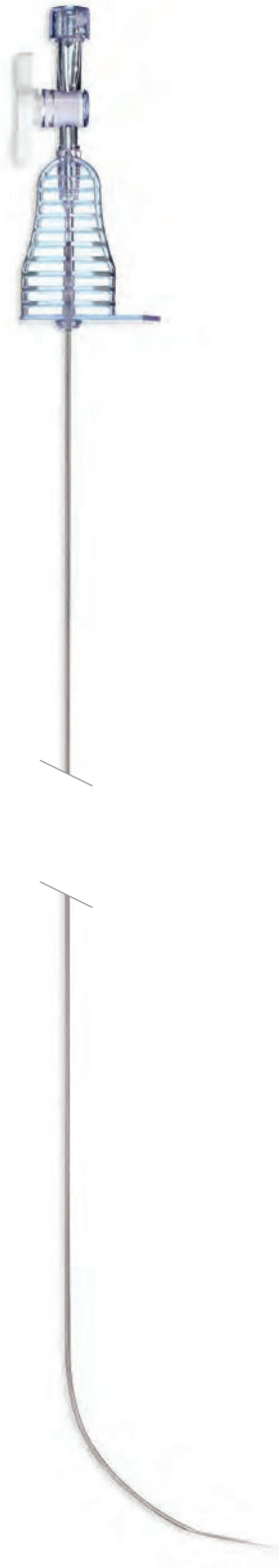


Drilled
 OTN Size: 5F (16G)
 OTN Length: 5.91"
 Needle Gauge 17G
 Catheter Material:
 Radiopaque FEP
 Hub Color: White

FCA-044-07

Transeptal Needles and Sheath Introducers

Transeptal Needles



Catalog Number	Length	Curve Angle	Tip Gauge
FND-019-00	56cm	50° Curve	22
FND-019-01	71cm	50° Curve	21
FND-019-02	71cm	86° Curve	21
FND-019-03	89cm	50° Curve	21
FND-019-04	89cm	86° Curve	21
FND-019-05	98cm	50° Curve	21
FND-019-06	98cm	86° Curve	21

Fixed Curve Transeptal Sheath Introducer

Merit's Long Introducers have a braided core for excellent torqueability. The tapered dilator and soft, atraumatic tip is designed for enhanced tissue crossing. The embedded platinum marker aids in radiopacity for proper placement.



Catalog Number	French Size	Length	Curve Angle
FCL-160-00	8.5F	60cm	15° Curve
FCL-160-01	8.5F	60cm	30° Curve
FCL-160-02	8.5F	60cm	55° Curve
FCL-160-03	8.5F	60cm	120° Curve (short)
FCL-160-04	8.5F	60cm	120° Curve (long)
FCL-160-05	8.5F	60cm	150° Curve
FCL-160-06	8.5F	79.4cm	15° Curve
FCL-160-07	8.5F	79.4cm	55° Curve
FCL-160-09	8.5F	79.4cm	120° Curve
FCL-160-10	8.5F	101.5cm	55° Curve

Introducers

Coaxial Introducer/Dilator Pairs



French Size: 4F
Length: 10cm

MAK4F-10

French Size: 5F
Length: 10cm

MAK5F-10

French Size: 5F
Length: 15cm

MAK5F-15

French Size: 4F
Length: 10cm
Stiffened Dilator

S-MAK4F-10

French Size: 5F
Length: 10cm
Stiffened Dilator

S-MAK5F-10

French Size: 5F
Length: 15cm
Stiffened Dilator

S-MAK5F-15

Coaxial Introducer Kits



French Size: 4F
 Needle Length: 7cm
 Core/Tip: Stainless Steel/Stainless Steel
 Length: 10cm, Gauge: 21, Guide Wire
 Diameter/Length: 0.018" (0.46mm) x 40cm
 Echo Enhanced

MAK401



French Size: 4F
 Needle Length: 7cm
 Core/Tip: Stainless Steel/Stainless Steel
 Length: 10cm, Gauge: 21, Guide Wire
 Diameter/Length: 0.018" (0.46mm) x 40cm
 Echo Enhanced

MAK401-E



French Size: 4F
 Needle Length: 4cm
 Core/Tip: Stainless Steel/Stainless Steel
 Length: 10cm, Gauge: 21, Guide Wire
 Diameter/Length: 0.018" (0.46mm) x 40cm
 Echo Enhanced

MAK401-PED



French Size: 4F
 Needle Length: 7cm
 Core/Tip: Nitinol/Platinum Tip, Length: 10cm
 Gauge: 21, Guide Wire Diameter/Length:
 0.018" (0.46mm) x 40cm

MAK401N



French Size: 4F
 Needle Length: 7cm
 Core/Tip: Nitinol/Platinum Tip, Length: 10cm
 Gauge: 21, Guide Wire Diameter/Length:
 0.018" (0.46mm) x 40cm, Echo Enhanced

MAK401N-E



French Size: 4F
 Needle Length: 4cm
 Core/Tip: Nitinol/Platinum Tip, Length: 10cm
 Gauge: 21, Guide Wire Diameter/Length:
 0.018" (0.46mm) x 40cm
 Echo Enhanced

MAK401N-PED

Coaxial Introducer Kits



French Size: 4F
 Needle Length: 7cm
 Core/Tip: Stainless Steel/Platinum Tip
 Length: 10cm, Gauge: 21, Guide Wire
 Diameter/Length: 0.018" (0.46mm) x 40cm

MAK405



French Size: 4F
 Needle Length: 7cm
 Core/Tip: Stainless Steel/Platinum Tip
 Length: 10cm, Gauge: 21, Guide Wire
 Diameter/Length: 0.018" (0.46mm) x 40cm
 Echo Enhanced

MAK405-E



French Size: 4F,
 Needle Length: 7cm
 Core/Tip: Stainless Steel/Stainless Steel
 Length: 10cm, Gauge: 21, Guide Wire
 Diameter/Length: 0.018" (0.46mm) x 40cm
 Echo Enhanced

MAK405-PED



French Size: 5F
 Needle Length: 7cm
 Core/Tip: Stainless Steel/Stainless Steel
 Length: 10cm, Gauge: 21,
 Guide Wire Diameter/Length: 0.018"
 (0.46mm) x 40cm

MAK501



French Size: 5F
 Needle Length: 7cm
 Core/Tip: Stainless Steel/Stainless Steel
 Length: 10cm, Gauge: 21, Guide Wire
 Diameter/Length: 0.018" (0.46mm) x 40cm
 Echo Enhanced

MAK501-E



French Size: 5F
 Needle Length: 4cm
 Core/Tip: Stainless Steel/Stainless Steel
 Length: 10cm, Gauge: 21, Guide Wire
 Diameter/Length: 0.018" (0.46mm) x 40cm
 Echo Enhanced

MAK501-PED

Coaxial Introducers Kits



French Size: 5F
 Needle Length: 7cm
 Core/Tip: Nitinol/Platinum Tip
 Length: 10cm, Gauge: 21, Guide Wire
 Diameter/Length: 0.018" (0.46mm) x 40cm

MAK501N



French Size: 5F
 Needle Length: 7cm
 Core/Tip: Nitinol/Platinum Tip
 Length: 15cm, Gauge: 21, Guide Wire
 Diameter/Length: 0.018" (0.46mm) x 40cm

MAK501N-15



French Size: 5F
 Needle Length: 7cm
 Core/Tip: Nitinol/Platinum Tip
 Length: 10cm, Gauge: 21, Guide Wire
 Diameter/Length: 0.018" (0.46mm) x 40cm
 Echo Enhanced

MAK501N-E

PERCUTANEOUS
ACCESS



French Size: 5F
 Needle Length: 4cm
 Core/Tip: Stainless Steel/Stainless Steel, Length: 10cm, Gauge: 21
 Guide Wire Diameter/Length: 0.018" (0.46mm) x 40cm
 Echo Enhanced

MAK501N-PED



French Size: 5F
 Needle Length: 7cm
 Core/Tip: Stainless Steel/Platinum Tip, Length: 10cm, Gauge: 21
 Guide Wire Diameter/Length: 0.018" (0.46mm) x 40cm

MAK505



French Size: 5F
 Needle Length: 7cm
 Core/Tip: Stainless Steel/Platinum Tip, Length: 10cm, Gauge: 21
 Guide Wire Diameter/Length: 0.018" (0.46mm) x 40cm
 Echo Enhanced

MAK505-E



French Size: 5F
 Needle Length: 4cm
 Core/Tip: Stainless Steel/Platinum Tip, Length: 10cm, Gauge: 21
 Guide Wire Diameter/Length: 0.018" (0.46mm) x 40cm
 Echo Enhanced

MAK505-PED

Large Bore Introducers

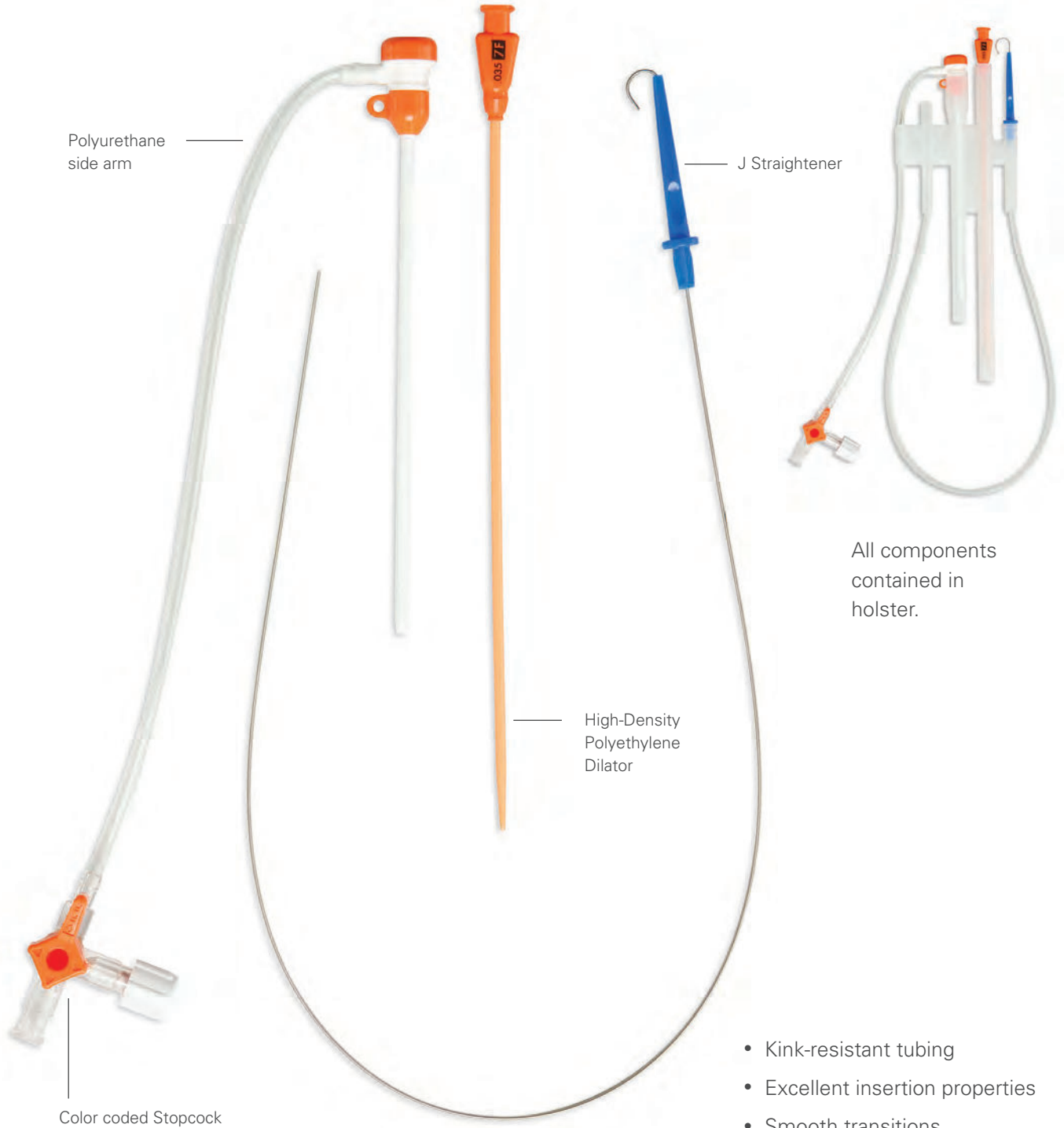


French Size: 16F
Sheath Length: 13cm
Dilator Length: 20cm
No Sideport

FCL-174-00

PERCUTANEOUS
ACCESS

Prelude® Sheath Introducers & Dilators



Prelude® Sheath Introducers 11cm

The Prelude® Sheath Introducer is packaged in a holster that keeps all components secure, especially the guide wire. Components can be flushed while in the holster. Guide wires are double ended, stainless steel, with a 3mm J end and a floppy straight end. Product includes a vessel dilator, sheath introducer and guide wire (also available without guide wire).

SHEATH INTRODUCERS Packaged in holster; 5 per box

Catalog Number	French Size	Length	Guide Wire Diameter/Length	Hub Color
PSI-4F-11-035	4F	11cm	0.035" (0.89mm) x 50cm	red
PSI-5F-11-035	5F	11cm	0.035" (0.89mm) x 50cm	gray
PSI-6F-11-035	6F	11cm	0.035" (0.89mm) x 50cm	green
PSI-7F-11-035	7F	11cm	0.035" (0.89mm) x 50cm	orange
PSI-8F-11-035	8F	11cm	0.035" (0.89mm) x 50cm	blue
PSI-5F-11-038	5F	11cm	0.038" (0.97mm) x 50cm	gray
PSI-6F-11-038	6F	11cm	0.038" (0.97mm) x 50cm	green
PSI-7F-11-038	7F	11cm	0.038" (0.97mm) x 50cm	orange
PSI-8F-11-038	8F	11cm	0.038" (0.97mm) x 50cm	blue
PSI-4F-11	4F	11cm	N/A	red
PSI-5F-11	5F	11cm	N/A	gray
PSI-6F-11	6F	11cm	N/A	green
PSI-7F-11	7F	11cm	N/A	orange
PSI-8F-11	8F	11cm	N/A	blue



Prelude® Sheath Introducers 23cm

The Prelude® Sheath Introducer is packaged in a holster that keeps all components secure, especially the guide wire. Components can be flushed while in the holster. Guide wires are double ended, stainless steel, with a floppy 3mm J end and a floppy straight end. Product includes a vessel dilator, sheath introducer and guide wire (also available without guide wire).

SHEATH INTRODUCERS Packaged in holster; 5 per box

Catalog Number	French Size	Length	Guide Wire Diameter/Length	Hub Color
PSI-4F-23-035	4F	23cm	0.035" (0.89mm) x 80cm	red
PSI-5F-23-035	5F	23cm	0.035" (0.89mm) x 80cm	gray
PSI-6F-23-035	6F	23cm	0.035" (0.89mm) x 80cm	green
PSI-7F-23-035	7F	23cm	0.035" (0.89mm) x 80cm	orange
PSI-8F-23-035	8F	23cm	0.035" (0.89mm) x 80cm	blue
PSI-5F-23-038	5F	23cm	0.038" (0.97mm) x 80cm	gray
PSI-6F-23-038	6F	23cm	0.038" (0.97mm) x 80cm	green
PSI-7F-23-038	7F	23cm	0.038" (0.97mm) x 80cm	orange
PSI-8F-23-038	8F	23cm	0.038" (0.97mm) x 80cm	blue
PSI-4F-23	4F	23cm	N/A	red
PSI-5F-23	5F	23cm	N/A	gray
PSI-6F-23	6F	23cm	N/A	green
PSI-7F-23	7F	23cm	N/A	orange
PSI-8F-23	8F	23cm	N/A	blue



Prelude PRO™ Sheath Introducers & Prelude ACT™ Sheath Introducers

Prelude Pro™ Sheath tubing offers increased resilience and additional support during procedure.
 Prelude ACT™ (Activated Clotting Time) Sheaths allow easy blood draw through sheath side arm.
 Packaged in holster; 5 per box.

PRO SHEATH INTRODUCERS

Catalog Number	French Size	Length	Guide Wire Diameter/Length	Hub Color
PRO-4F-11-035	4F	11cm	0.035" (0.89mm) x 50cm	red
PRO-5F-11-035	5F	11cm	0.035" (0.89mm) x 50cm	gray
PRO-6F-11-035	6F	11cm	0.035" (0.89mm) x 50cm	green
PRO-7F-11-035	7F	11cm	0.035" (0.89mm) x 50cm	orange
PRO-8F-11-035	8F	11cm	0.035" (0.89mm) x 50cm	blue
PRO-5F-11-038	5F	11cm	0.038" (0.97mm) x 50cm	gray
PRO-6F-11-038	6F	11cm	0.038" (0.97mm) x 50cm	green
PRO-7F-11-038	7F	11cm	0.038" (0.97mm) x 50cm	orange
PRO-8F-11-038	8F	11cm	0.038" (0.97mm) x 50cm	blue
PRO-4F-11	4F	11cm	N/A	red
PRO-5F-11	5F	11cm	N/A	gray
PRO-6F-11	6F	11cm	N/A	green
PRO-7F-11	7F	11cm	N/A	orange
PRO-8F-11	8F	11cm	N/A	blue



ACT SHEATH INTRODUCERS All ACT Sheaths use PRELUDE PRO™ Tubing

Catalog Number	French Size	Length	Guide Wire Diameter/Length	Hub Color
PSI-4F-11-035ACT	4.5F	11cm	0.035" (0.89mm) x 50cm	red
PSI-5F-11-038ACT	5.5F	11cm	0.038" (0.97mm) x 50cm	gray
PSI-6F-11-038ACT	6.5F	11cm	0.038" (0.97mm) x 50cm	green
PSI-7F-11-038ACT	7.5F	11cm	0.038" (0.97mm) x 50cm	orange
PSI-8F-11-038ACT	8.5F	11cm	0.038" (0.97mm) x 50cm	blue
PSI-4F-11ACT	4.5F	11cm	N/A	red
PSI-5F-11ACT	5.5F	11cm	N/A	gray
PSI-6F-11ACT	6.5F	11cm	N/A	green
PSI-7F-11ACT	7.5F	11cm	N/A	orange
PSI-8F-11ACT	8.5F	11cm	N/A	blue

PERCUTANEOUS ACCESS

Prelude® Sheath Introducers with Merit Advance® Needle

The Prelude® Sheath Introducer with Merit Advance needle includes the sheath introducer, vessel dilator, guide wire and needle all packaged in a holster. Packaged in holster; 5 per box.

Catalog Number	French Size	Length	Guide Wire Diameter/Length	Needle Gauge/length	Hub Color
PSI-5F-11-035-18G	5F	11cm	0.035" (0.89mm) x 50cm	18G x 7cm	gray
PSI-6F-11-035-18G	6F	11cm	0.035" (0.89mm) x 50cm	18G x 7cm	green
PSI-7F-11-035-18G	7F	11cm	0.035" (0.89mm) x 50cm	18G x 7cm	orange
PSI-8F-11-035-18G	8F	11cm	0.035" (0.89mm) x 50cm	18G x 7cm	blue
PSI-5F-11-038-18G	5F	11cm	0.038" (0.97mm) x 50cm	18G x 7cm	gray
PSI-6F-11-038-18G	6F	11cm	0.038" (0.97mm) x 50cm	18G x 7cm	green
PRO-5F-11-038-18G	5F*	11cm	0.038" (0.97mm) x 50cm	18G x 7cm	gray
PRO-6F-11-038-18G	6F*	11cm	0.038" (0.97mm) x 50cm	18G x 7cm	green

* Prelude PRO tubing



Prelude® Sheath Introducers with Marker Tip

The Prelude® Sheath Introducer with Marker Tip is available in 11cm (Prelude PRO™ tubing) and 23cm (standard Prelude tubing). The sheaths have a highly radiopaque marker tip allowing for increased visibility of the sheath tip using fluoroscopy. Products are available with and without double ended, stainless steel guide wire. Packaged in holster; 5 per box.

Catalog Number	French Size	Length	Guide Wire Diameter/Length	Hub Color
PRO-4F-11-035MT	4F	11cm	0.035" (0.89mm) x 50cm	red
PRO-5F-11-035MT	5F	11cm	0.035" (0.89mm) x 50cm	gray
PRO-6F-11-035MT	6F	11cm	0.035" (0.89mm) x 50cm	green
PRO-7F-11-035MT	7F	11cm	0.035" (0.89mm) x 50cm	orange
PRO-8F-11-035MT	8F	11cm	0.035" (0.89mm) x 50cm	blue
PRO-5F-11-038MT	5F	11cm	0.038" (0.97mm) x 50cm	gray
PRO-6F-11-038MT	6F	11cm	0.038" (0.97mm) x 50cm	green
PRO-7F-11-038MT	7F	11cm	0.038" (0.97mm) x 50cm	orange
PRO-8F-11-038MT	8F	11cm	0.038" (0.97mm) x 50cm	blue
PRO-4F-11MT	4F	11cm	N/A	red
PRO-5F-11MT	5F	11cm	N/A	gray
PRO-6F-11MT	6F	11cm	N/A	green
PRO-7F-11MT	7F	11cm	N/A	orange
PRO-8F-11MT	8F	11cm	N/A	blue
PSI-4F-23-035MT	4F	23cm	0.035" (0.89mm) x 80cm	red
PSI-5F-23-035MT	5F	23cm	0.035" (0.89mm) x 80cm	gray
PSI-6F-23-035MT	6F	23cm	0.035" (0.89mm) x 80cm	green
PSI-7F-23-035MT	7F	23cm	0.035" (0.89mm) x 80cm	orange
PSI-8F-23-035MT	8F	23cm	0.035" (0.89mm) x 80cm	blue
PSI-5F-23-038MT	5F	23cm	0.038" (0.97mm) x 80cm	gray
PSI-6F-23-038MT	6F	23cm	0.038" (0.97mm) x 80cm	green
PSI-7F-23-038MT	7F	23cm	0.038" (0.97mm) x 80cm	orange
PSI-8F-23-038MT	8F	23cm	0.038" (0.97mm) x 80cm	blue
PSI-4F-23MT	4F	23cm	N/A	red
PSI-5F-23MT	5F	23cm	N/A	gray
PSI-6F-23MT	6F	23cm	N/A	green
PSI-7F-23MT	7F	23cm	N/A	orange
PSI-8F-23MT	8F	23cm	N/A	blue



PERCUTANEOUS ACCESS

Prelude® Sheath Introducers - Mini Access Kits

The Prelude® Sheath Introducers - Mini Access Kits provide access to the vascular system to facilitate the placement of guide wires. The sheaths are available in three lengths: 7cm, 11cm and 23cm; and are packaged in a holster with a sheath, vessel dilator, guide wire and needle. Products can be used for pediatrics, transradial, brachial and femoral access. Packaged in holster; 5 per box.

Catalog Number	French Size	Length	Guide Wire Diameter/Length	Guide Wire Core/Tip	Needle Gauge/Tip	Hub Color
PSI-4F-7-018	4F	7cm	0.018" (0.46mm) x 40cm	SS/SS	21G x 4cm	red
PSI-5F-7-018	5F	7cm	0.018" (0.46mm) x 40cm	SS/SS	21G x 4cm	gray
PSI-6F-7-018	6F	7cm	0.018" (0.46mm) x 40cm	SS/SS	21G x 4cm	green
PSI-4F-7-018NT4	4F	7cm	0.018" (0.46mm) x 40cm	NT/PT	21G x 4cm	red
PSI-5F-7-018NT4	5F	7cm	0.018" (0.46mm) x 40cm	NT/PT	21G x 4cm	gray
PSI-6F-7-018NT4	6F	7cm	0.018" (0.46mm) x 40cm	NT/PT	21G x 4cm	green
PSI-4F-11-018	4F	11cm	0.018" (0.46mm) x 40cm	SS/SS	21G x 4cm	red
PSI-5F-11-018	5F	11cm	0.018" (0.46mm) x 40cm	SS/SS	21G x 4cm	gray
PSI-6F-11-018	6F	11cm	0.018" (0.46mm) x 40cm	SS/SS	21G x 4cm	green
PSI-4F-11-018NT4	4F	11cm	0.018" (0.46mm) x 40cm	NT/PT	21G x 4cm	red
PSI-5F-11-018NT4	5F	11cm	0.018" (0.46mm) x 40cm	NT/PT	21G x 4cm	gray
PSI-6F-11-018NT4	6F	11cm	0.018" (0.46mm) x 40cm	NT/PT	21G x 4cm	green
PRO-4F-11-018NT7*	4F	11cm	0.018" (0.46mm) x 40cm	NT/PT	21G x 7cm	red
PRO-5F-11-018NT7*	5F	11cm	0.018" (0.46mm) x 40cm	NT/PT	21G x 7cm	gray
PRO-6F-11-018NT7*	6F	11cm	0.018" (0.46mm) x 40cm	NT/PT	21G x 7cm	green
PSI-4F-23-018NT4	4F	23cm	0.018" (0.46mm) x 80cm	NT/PT	21G x 4cm	red
PSI-5F-23-018NT4	5F	23cm	0.018" (0.46mm) x 80cm	NT/PT	21G x 4cm	gray
PSI-6F-23-018NT4	6F	23cm	0.018" (0.46mm) x 80cm	NT/PT	21G x 4cm	green
PSI-4F-23-018NT7	4F	23cm	0.018" (0.46mm) x 80cm	NT/PT	21G x 7cm	red
PSI-5F-23-018NT7	5F	23cm	0.018" (0.46mm) x 80cm	NT/PT	21G x 7cm	gray
PSI-6F-23-018NT7	6F	23cm	0.018" (0.46mm) x 80cm	NT/PT	21G x 7cm	green

SS = Stainless Steel PT = Platinum Tip NT = Nitinol

Guide wire is stainless steel; double ended (3mmJ and floppy).

* Catalog Numbers that begin with PRO use Prelude PRO tubing

PSI-4F-7-025	4F	7cm	0.025" (0.64mm) x 50cm	-	20G x 4cm	red
PSI-5F-7-025	5F	7cm	0.025" (0.64mm) x 50cm	-	20G x 4cm	gray
PSI-6F-7-025	6F	7cm	0.025" (0.64mm) x 50cm	-	20G x 4cm	green
PSI-4F-11-025	4F	11cm	0.025" (0.64mm) x 50cm	-	20G x 4cm	red
PSI-5F-11-025	5F	11cm	0.025" (0.64mm) x 50cm	-	20G x 4cm	gray
PSI-6F-11-025	6F	11cm	0.025" (0.64mm) x 50cm	-	20G x 4cm	green

Prelude® Short Sheath Introducers

Prelude® Short Sheath Introducer provides access to dialysis fistulas and grafts. Can be used for declot, angioplasty and thrombolysis procedures, as well as temporary hemodialysis. Will accommodate flow rates up to 600ml/min. Includes removable stopcock. Packaged 5 per box.

Catalog Number	French Size	Length	Guide Wire Diameter/Length	Needle Gauge/Length	Hub Color
PSS-5F-4-018MT	5F	4cm	0.018" (0.46mm) x 40cm*	21G x 4cm	gray
PSS-6F-4-018MT	6F	4cm	0.018" (0.46mm) x 40cm	21G x 4cm	green
PSS-7F-4-018MT	7F	4cm	0.018" (0.46mm) x 40cm	21G x 4cm	orange
PSS-8F-4-018MT	8F	4cm	0.018" (0.46mm) x 40cm	21G x 4cm	blue
PSS-5F-4-038MT	5F	4cm	0.038" (0.97mm) x 50cm**	–	gray
PSS-6F-4-038MT	6F	4cm	0.038" (0.97mm) x 50cm	–	green
PSS-7F-4-038MT	7F	4cm	0.038" (0.97mm) x 50cm	–	orange
PSS-8F-4-038MT	8F	4cm	0.038" (0.97mm) x 50cm	–	blue
PSS-5F-4MT	5F	4cm	N/A	–	gray
PSS-6F-4MT	6F	4cm	N/A	–	green
PSS-7F-4MT	7F	4cm	N/A	–	orange
PSS-8F-4MT	8F	4cm	N/A	–	blue

* 0.018" Guide wire is stainless steel with straight stainless steel flexible tip.

** 0.038" Guide wire is stainless steel; double ended (3mm J and floppy).



Prelude® Obturators



French Size: 4F
Length: 13cm
Color: Red

OBT-4F-11



French Size: 4F
Length: 25cm
Color: Red

OBT-4F-23



French Size: 4F
Length: 13cm
Color: Gray

OBT-5F-11



French Size: 5 F
Length: 25cm
Color: Gray

OBT-5F-23

PERCUTANEOUS
ACCESS

Prelude® Obturators



French Size: 6F
Length: 13cm
Color: Green

OBT-6F-11



French Size: 6F
Length: 25cm
Color: Green

OBT-6F-23



French Size: 7F
Length: 13cm
Color: Orange

OBT-7F-11



French Size: 7F
Length: 25cm
Color: Orange

OBT-7F-23

Dilators

Prelude® Dilators



PERCUTANEOUS
ACCESS

French Size: 4F
Dilator: High-Density
Polyethylene
Fits .035" Guide Wire
Red HDPE Hub

PD4F035

French Size: 5F
Dilator: High-Density
Polyethylene
Fits .038" Guide Wire
Gray HDPE Hub

PD5F038

French Size: 6F
Dilator: High-Density
Polyethylene
Fits .038" Guide Wire
Green HDPE Hub

PD6F038

French Size: 7F
Dilator: High-Density
Polyethylene
Fits .038" Guide Wire
Orange HDPE Hub

PD7F038

French Size: 8F
Dilator: High-Density
Polyethylene
Fits .038" Guide Wire
Blue HDPE Hub

PD8F038

Vessel Dilators

French Size: 5F
Wire Size: .035"
Length: 20cm

3339-21

French Size: 4F
Wire Size: .035"
Length: 20cm

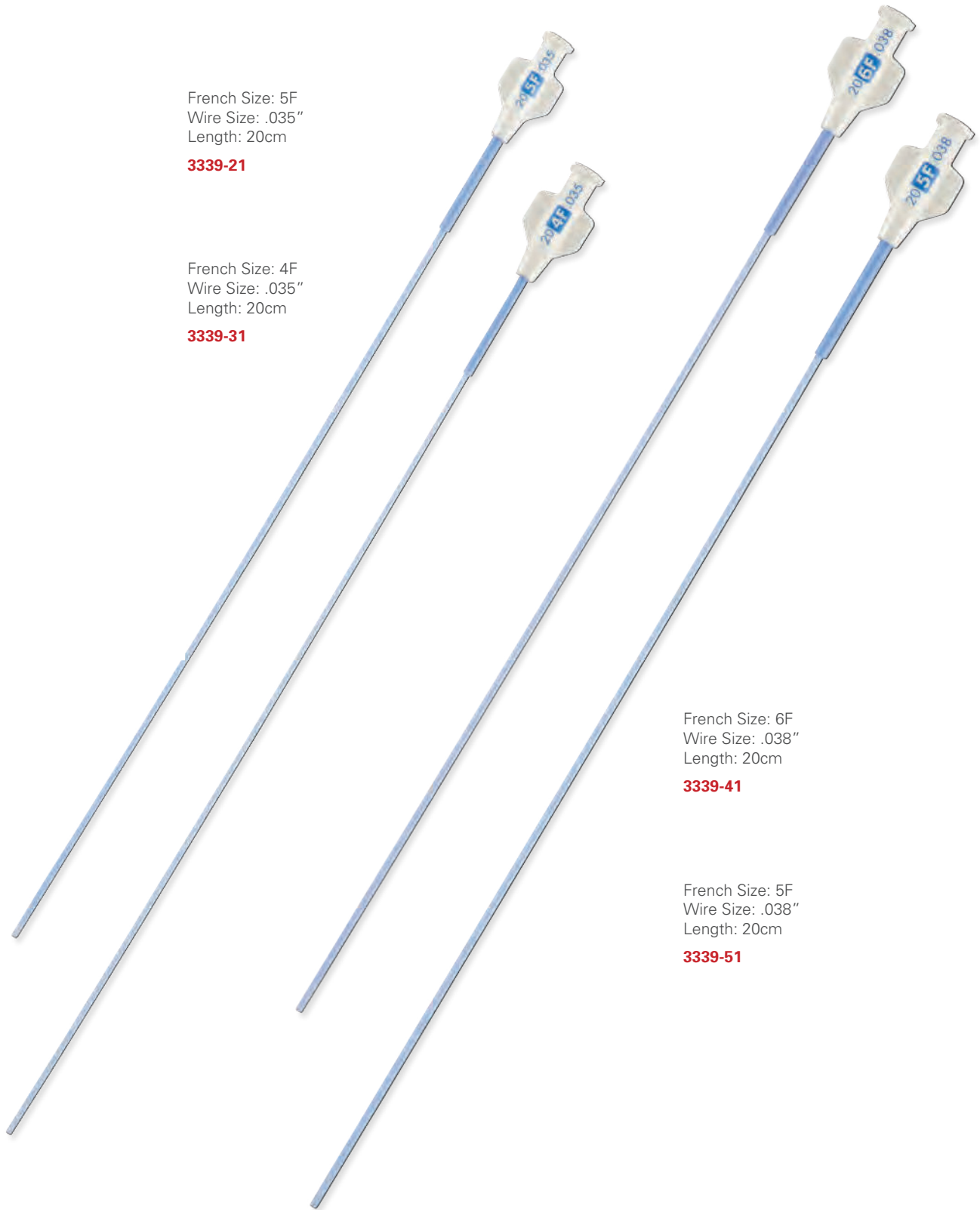
3339-31

French Size: 6F
Wire Size: .038"
Length: 20cm

3339-41

French Size: 5F
Wire Size: .038"
Length: 20cm

3339-51



Valve Crossing Tools



French Size: 7F

504781001

PERCUTANEOUS
ACCESS



COATINGS

- 132 Coatings & Capabilities
- 133 Coated Guide Wire Components
- 134 Coated Mandrels & Stylets
- 135 Coated Needle Components

Over the last 30 years Merit has pioneered and perfected the continuous spool-to-spool precoating technology, delivering a reliable and cost-efficient process for coating wire and tubing. Starting with the initial concept and finishing with the production release, Merit Medical Coatings is committed to developing the solution that will precisely match your requirements, perform to your high standards and exceed your expectations. Merit sources raw materials from the world's leading suppliers of metals, polymers and coatings to ensure that you can rely on a consistent supply of the highest grade end-products. This consistency and quality is important for our customers as you design your finished medical devices.

Coating Capabilities

Bare Wire Diameter

- Stainless steel, Nitinol, platinum, etc - 0.038mm - 1.0mm (0.0015" - 0.039")
- Copper - 0.254mm - 1.4mm (0.010" - 0.055")

Bare Tube Diameter

- Stainless steel - OD 0.30mm - 0.90mm (0.012" - 0.035")
- Walls as thin as 0.05mm (0.002")
- ID can vary

Coating Thickness

- Wires: 2 microns thickness per side to 20 microns thickness per side (0.00008" - 0.0008")
- Tubes: 4 microns thickness per side to 10 microns thickness per side (0.00016" - 0.0004")

PTFE Coatings

LubriSkin™

- Soft, flexible, thin coating
- Smooth surface
- Superior lubricity
- Tight tolerances
- Biocompatible according to ISO 10993

LubriSkin™ uses Merit's proprietary spool-to-spool process in the advanced three coat system with a 100% pure PTFE topcoat, providing exceptional performance where low friction is of critical importance.

Applications: *Guidewires, Stylets/Mandrels, and Needles*

Base Materials: *Stainless Steel, Nitinol, and other alloys*

Colors: *Green, Black, Blue, Grey*

DuraSkin™

- Durable, thin coating
- Smooth surface
- Lubricious
- Tight tolerances
- Biocompatible according to ISO 10993

DuraSkin™ uses Merit's proprietary spool-to-spool process in a two-coat system combining the low friction of PTFE and the toughness of polyethersulfone (PES) for a lubricious yet durable coating.

Application: *Stylets/Mandrels, Needles*

Base Materials: *Stainless Steel, Nitinol, Copper, Other Alloys*

Colors: *Green, Black, Blue, Grey, Clear*

HardSkin™

- Hard, thin coating
- Textured surface
- High wear resistance
- Tight tolerances
- Biocompatible according to ISO 10993

HardSkin™ uses Merit's proprietary spool-to-spool process, applying a single coat hydrophobic polymer blend for a very tough and hard surface finish.

Application: *Stylets/Mandrels, Needles*

Base Materials: *Stainless Steel, Nitinol, Other Alloys*

Colors: *Black*

Reinforced PTFE Coatings

DuraBond™

- Reinforced for superior cohesion
- Hard and smooth surface finish
- High wear resistance
- Biocompatible according to ISO 10993

DuraBond™ uses Merit's proprietary spool-to-spool process in a reinforced PTFE coating, providing a stronger bond between the various layers resulting in a harder surface.

Application: *Guide Wires, Stylets/Mandrels, Needles*

Base Materials: *Stainless Steel, Nitinol, Other Alloys*

Colors: *Green, Black, Blue, Grey, Clear*

Coated Guide Wire Components



Capabilities

Processes: Precoating, Coiling, Cut-to-length, Grinding, Flattening, Rounded Ends; Cleaning Packaging, Laser Coating Ablation

Coil Finishes: OD/ID Coil, Varying Pitch, Length

Core Wire Finishes: Single Taper, Multiple Taper, Length, Uncoated

Wire Diameter Range

- Round - 0.038mm - 1.0mm (0.0015" - 0.0400")

Coating Options, Thicknesses & Colors

- PFOA-free PTFE LubriSkin™
- For wire diameter $\leq 0.254\text{mm}$, $2.0\mu\text{m}$ - $7.0\mu\text{m}$ (0.00008" - 0.0003") per side
- For wire diameter $\geq 0.254\text{mm}$, $4.0\mu\text{m}$ - $10.0\mu\text{m}$ (0.00016" - 0.0004") per side (other thicknesses upon request)
- Green, Black, Blue, Grey

Base Materials

- Stainless Steel Round Wire (304 or 304V)
- 35NLT®*
- SS304V SLT®*
- Pt/Ir
- Titanium
- Tungsten
- Nitinol
- Other materials upon request

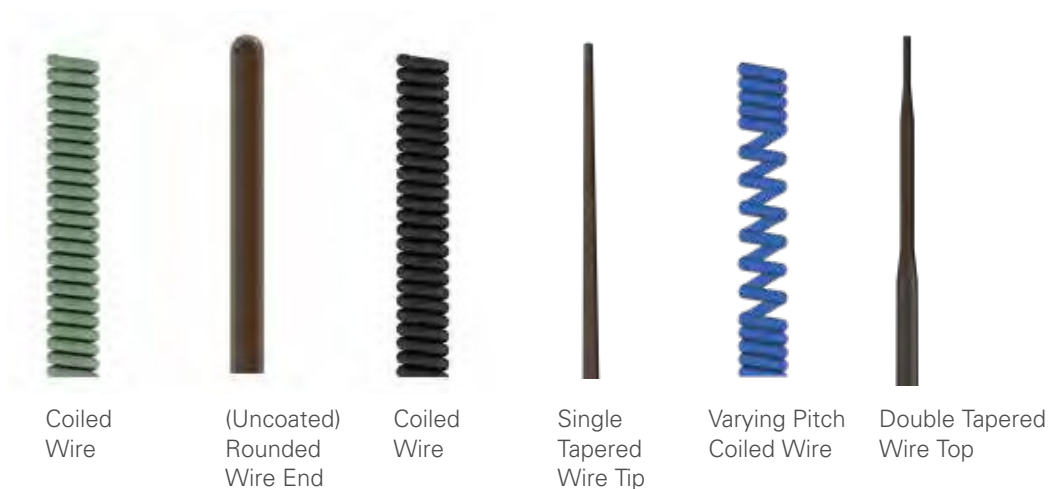
Delivery Options

- Prestraightened or unstraightened and coated on spools (DIN standards available)
- Straightened and cut-to-length
- Coiled
- Custom tapered profile

Applications

- Cardiovascular Diagnostic / Interventional Guide Wires
- Neurovascular Interventional Guide Wires
- Peripheral vascular guide wires
- Endoscopy coils

Guide Wire components are entirely customized. The images below are examples of available finishing options.



Coiled Wire

(Uncoated) Rounded Wire End

Coiled Wire

Single Tapered Wire Tip

Varying Pitch Coiled Wire

Double Tapered Wire Top

* 35NLT® and SS304V SLT® are registered trademarks of Fort Wayne Metals Research Products Corp. All rights reserved.

Coated Mandrels & Stylets



Capabilities

Finishes: Rounded Ends; Shear Cut Ends; Taper; Custom Shapes

Processes: Grinding; Laser Coating Ablation; Cut-to-length; Spool-to-spool Precoating

Wire Diameter Range

- 0.127mm - 1.0mm (0.005" - 0.039")

Coating Options, Thicknesses & Colors

- PFOE-free PTFE LubriSkin™ HardSkin™ DuraBond™
- 4.0µm - 10.0µm (0.00016" - 0.0004") per side
- Other coating thicknesses upon request
- Green, Black, Blue, Grey, Clear

Base Materials

- Stainless Steel Wire (304, 304V, 304LVM, SS302, SS304V SLT*)
- Nitinol
- Other materials upon request

Delivery Options

- On spool
- Straightened and cut-to-length

Applications

- Release and bonding mandrels
- Coated extrusion mandrels
- Neuro-probes
- Neurological delivery stylets



Uncoated Rounded Ends



Shear Cut



Tapered



Laser Coating Ablation

* SS304V SLT® is a registered trademark of Fort Wayne Metals Research Products Corp. All rights reserved.

Coated Needle Components



Capabilities

Finishes: Rounded Ends, Shear Cut Ends

Processes: Spool-to-Spool Precoating, Cut-to-Length

Diameter Range

- Tube: OD 0.30mm - 0.90mm (0.012" - 0.035"). Wall as thin as 0.05mm (0.002")
- Wire: 0.127mm - 1.0mm (0.005" - 0.039")

Coating Options, Thicknesses & Colors

- PFOA-free PTFE
LubriSkin™
DuraSkin™
HardSkin™
DuraBond™
- 4.0µm - 20.0µm (0.00016" - 0.0008") per side
- Green, Black, Blue, Grey, Clear

Base Materials

- Stainless Steel Tube (304 and 304L)
- Stainless Steel Wire (304V)
- Other materials on request

Delivery Options

- Coated tube on spool
- Coated wire on spool
- Coated wire cut-to-length

Applications

- Hypodermic needles used for i.e. neuro-stimulation
- EMG Needles
- Neuro-Probes



Shear Cut Ends



GUIDEWIRES & ACCESSORIES

138	Access Guide Wires
140	Diagnostic Guide Wires
143	Hydrophilic Guide Wires
144	Torque Devices
145	Accessories

Access Guide Wires

Coaxial Introducer Guide Wires



Size: 0.018" (0.46mm) x 40cm
Core/Tip: Stainless
Steel/Stainless Steel

MAK001



Size: 0.018" (0.46mm) x 40cm
Core/Tip: Nitinol/Platinum Tip

MAK001N



Size: 0.018" (0.46mm) x 60cm
Core/Tip: Nitinol/Platinum Tip

MAK001N-60



Size: 0.018" (0.46mm) x 80cm
Core/Tip: Nitinol/Platinum Tip

MAK001N-80



Size: 0.018" (0.46mm) x 40cm
Core/Tip: Stainless Steel/Platinum Tip

MAK005



Size: 0.018" (0.46mm) x 60cm
Core/Tip: Stainless Steel/Platinum Tip

MAK005-60

Sheath Introducer Guide Wires

Packaged in hoop; 10 per box

Catalog Number	Length	Guide Wire Diameter	Guide Wire Type
SW35DE80SST	80cm	0.035" (0.89mm)	3mm J/ Straight DBL End
SW38DE80SST	80cm	0.038" (0.97mm)	3mm J/ Straight DBL End
SW38DE50SST	50cm	0.038" (0.97mm)	3mm J/ Straight DBL End
SW38DE80SST	80cm	0.038" (0.97mm)	3mm J/ Straight DBL End



Diagnostic Guide Wires

The InQwire™ guide wire is pre-coated with PTFE over the entire wire surface for smooth, consistent coverage that resists flaking. Less friction means increased trackability, lubricity, and durability. Its precise J-tip memory does not require reloading the J straightener and the tight guide wire tolerances ensure catheter and sheath compatibility. The InQwire is also available with Heparin coating to minimize clot formation.

InQwire™



Pre-coated

Other



Spray coated

ADVANTAGES OF PRE-COATED WIRE

- Smooth surface — consistent performance
- Safety — resists flaking of PTFE coating
- Increased lubricity — better catheter compatibility
- Improved durability — consistent performance after multiple catheter exchanges

Curved Diagnostic Guide Wires

PTFE-Coated, Inqwire® Guide Wires

ROSEN-TIP WIRES

Catalog Number	Description	Size	Length cm	Core	Heparin Coated	# Per Box
6500-11	1.5mm J (R)	0.035" (0.89mm)	150	F		10
6500-31	1.5mm J (R)	0.035" (0.89mm)	80	F		
6609-13	1.5mm J (R)	0.035" (0.89mm)	180	F		10
6609-33	1.5mm J (R)	0.035" (0.89mm)	260	F		5
IQ35F80J1O5RS	1.5mm J (R)	0.035" (0.89mm)	80	F		
IQ35F150J1O5RS	1.5mm J (R)	0.035" (0.89mm)	150	F		10
IQ35F180J1O5RS	1.5mm J (R)	0.035" (0.89mm)	180	F		5/10
IQ38F150J1O5RS	1.5mm J (R)	0.038" (0.97mm)	150	F		10

J-TIP WIRES

Catalog Number	Description	Size	Length cm	Core	Heparin Coated	# Per Box
6677-B1	3mm J Newton	0.035" (0.89mm)	150	F		
6678-71	1.5mm J	0.035" (0.89mm)	150	F	H	
6678-81	1.5mm J SS	0.035" (0.89mm)	180	F		
6682-41	3mm J	0.035" (0.89mm)	150	F		
6682-C1	3mm J	0.035" (0.89mm)	150	F	H	10
6682-E1	3mm J	0.025" (0.64mm)	150	F		
6682-K1	3mm J	0.018" (0.46mm)	150	F		10
6682-L3	3mm J	0.018" (0.46mm)	180	F		
6682-M1	3mm J	0.021" (0.53mm)	150	F		5
6682-N3	3mm J	0.021" (0.53mm)	180	F		5
6682-R1	3mm J	0.035" (0.89mm)	200	F		
6684-41	3mm J	0.035" (0.89mm)	150	M		
6693-41	3mm J	0.035" (0.89mm)	150	M		10
6693-61	3mm J	0.038" (0.97mm)	150	M		10
6693-71	3mm J	0.035" (0.89mm)	150	M	H	10
6693-A1	1.5mm J	0.035" (0.89mm)	150	M		10
6694-21	6mm J	0.035" (0.89mm)	150	M		
IQ35F80J3	3mm J	0.035" (0.89mm)	80	F		

Curved Diagnostic Guide Wires

PTFE-Coated, Inqwire® Guide Wires

Catalog Number	Description	Size	Length cm	Core	Heparin Coated	# Per Box
IQ35F100J15	15mm J	0.035" (0.89mm)	100	F		
IQ35F150J105	1.5mm J	0.035" (0.89mm)	150	F		
IQ35F150J3	3mm J	0.035" (0.89mm)	150	F		
IQ35F150J3F	3mm J FB	0.035" (0.89mm)	150	F		10
IQ35F150J3K	3mm J	0.035" (0.89mm)	150	F		
IQ35F150J6	6mm J	0.035" (0.89mm)	150	F		
IQ35F150J15	15mm J	0.035" (0.89mm)	150	F		
IQ35F180J105	1.5mm J	0.035" (0.89mm)	180	F		
IQ35F180J3	3mm J	0.035" (0.89mm)	180	F		
IQ35F180J3F	3mm J FB	0.035" (0.89mm)	180	F		10
IQ35F180J6F	6mm J FB	0.035" (0.89mm)	180	F		
IQ35F180J15	15mm J	0.035" (0.89mm)	180	F		
IQ35F210J105	1.5mm J	0.035" (0.89mm)	210	F		
IQ35F210J3	3mm J	0.035" (0.89mm)	210	F		
IQ35F260B	Bentson	0.035" (0.89mm)	260	F		
IQ35F260J105	1.5mm J	0.035" (0.89mm)	260	F		
IQ35F260J105F	1.5mm J FB	0.035" (0.89mm)	260	F		
IQ35F260J3	3mm J	0.035" (0.89mm)	260	F		
IQ38F50J3	3mm J	0.038" (0.97mm)	50	F		
IQ38F150J3	3mm J	0.038" (0.97mm)	150	F		
IQ38F150J3F	3mm J FB	0.038" (0.97mm)	150	F		
IQ38F150J6	6mm J	0.038" (0.97mm)	150	F		
IQ38F150J15	15mm J	0.038" (0.97mm)	150	F		
IQ38F180J3F	3mm J FB	0.038" (0.97mm)	180	F		
IQ38F260J3	3mm J	0.038" (0.97mm)	260	F		
IQH35F70J6	6mm J	0.035" (0.89mm)	70	F	H	
IQH35F150J105	1.5mm J	0.035" (0.89mm)	150	F	H	10
IQH35F150J3	3mm J	0.035" (0.89mm)	150	F	H	
IQH35F150J15	15mm J	0.035" (0.89mm)	150	F	H	
IQH35F180J3F	3mm J FB	0.035" (0.89mm)	180	F	H	10
IQH38F70J6	6mm J	0.038" (0.97mm)	70	F	H	
IQH38F150J3	3mm J	0.038" (0.97mm)	150	F	H	
IQR35F150J3	3mm J	0.035" (0.89mm)	150	F		
IQR35F150J3F	3mm J FB	0.035" (0.89mm)	150	F		
IQR35F260J3	3mm J	0.035" (0.89mm)	260	F		
IQR38F150J3	3mm J	0.038" (0.97mm)	150	F		

GUIDEWIRES & ACCESSORIES

FIXED CORE, DOUBLE ENDED

Catalog Number	Description	Size	Length cm	Core	Heparin Coated	# Per Box
6697-11	3mm J/ Straight	0.032" (0.81mm)	125	F		
6697-21	3mm J/ Straight	0.032" (0.81mm)	150	F		
IQ35F150J105S	1.5mm J/ Straight	0.035" (0.89mm)	150	F		
IQ35F150J3S	3mm J/ Straight	0.035" (0.89mm)	150	F		
IQ35F150J3SHD	3mm J/ Straight	0.035" (0.89mm)	150	F		
IQ35F150J3SK	3mm J/ Straight	0.035" (0.89mm)	150	F		
IQ35F180J3S	3mm J/ Straight	0.035" (0.89mm)	180	F		
IQ38F150J3S	3mm J/ Straight	0.038" (0.97mm)	150	F	H	
IQR35F150J3S	3mm J/ Straight	0.035" (0.89mm)	150	F		

Straight Diagnostic Guide Wires

PTFE-Coated, Inqwire® Guide Wires

Catalog Number	Description	Size	Length cm	Core	Heparin Coated	# Per Box
6646-11	Moveable Core	0.035" (0.89mm)	145	M		
6676-A1	Standard	0.018" (0.46mm)	150	F		
6676-B3	Standard	0.018" (0.46mm)	180	F		
6676-C1	Standard	0.021" (0.53mm)	150	F		
6676-D3	Standard	0.021" (0.53mm)	180	F		
6677-71	Newton LT(13.5cm)	0.035" (0.89mm)	150	F	H	
6680-11	Super Stiff	0.035" (0.89mm)	150	F		
6680-23	Super Stiff	0.035" (0.89mm)	260	F		5
6680-31	Super Stiff	0.038" (0.97mm)	150	F		
6680-51	Super Stiff	0.035" (0.89mm)	100	F		
6680-61	Super Stiff	0.035" (0.89mm)	80	F		
6680-71	Super Stiff	0.035" (0.89mm)	180	F		
6690-41	Moveable Core	0.035" (0.89mm)	150	M		
IQ35F80B	Bentson	0.035" (0.89mm)	80	F		
IQ35F150B	Bentson	0.035" (0.89mm)	150	F		
IQ35F150BC	Bentson C	0.035" (0.89mm)	150	F		
IQ35F150BST	Bentson Short Taper	0.035" (0.89mm)	150	F		
IQ35F150NLLLT	Newton LLLT (23.5cm)	0.035" (0.89mm)	150	F		
IQ35F150NLLT	Newton LLT (18.5cm)	0.035" (0.89mm)	150	F		
IQ35F150NLT	Newton LT (13.5cm)	0.035" (0.89mm)	150	F		
IQ35F150S	Standard	0.035" (0.89mm)	150	F		10
IQ35F180B	Bentson	0.035" (0.89mm)	180	F		
IQ35F180BC	Bentson C	0.035" (0.89mm)	180	F		
IQ35F180BST	Bentson Short Taper	0.035" (0.89mm)	180	F		
IQ35F260B	Bentson Exchange	0.035" (0.89mm)	260	F		
IQ35F260S	Standard Exchange	0.035" (0.89mm)	260	F		
IQ38F150B	Bentson	0.038" (0.97mm)	150	F		
IQ38F150BC	Bentson C	0.038" (0.97mm)	150	F		
IQ38F150S	Standard	0.038" (0.97mm)	150	F		
IQ38F260S	Standard Exchange	0.038" (0.97mm)	260	F		
IQH35F150B	Bentson	0.035" (0.89mm)	150	F	H	
IQH35F150NLT	Newton LT (13.5cm)	0.035" (0.89mm)	150	F	H	
IQH35F150S	Standard	0.035" (0.89mm)	150	F	H	
IQH35F180B	Bentson	0.035" (0.89mm)	180	F	H	5
IQH35F180BST	Bentson Short Taper	0.035" (0.89mm)	180	F	H	
IQH38F150B	Bentson	0.038" (0.97mm)	150	F	H	
IQR35F150B	Bentson	0.035" (0.89mm)	150	F		
IQR35F150BST	Bentson Short Taper	0.035" (0.89mm)	150	F		

GUIDEWIRES & ACCESSORIES

MERIT LAUREATE STANDARD HYDROPHILIC GUIDE WIRES

Catalog Number	Description	Size	Length cm
LWSTDA3580	Standard Body/Angled Tip	0.035" (0.89mm)	80cm (31.5")
LWSTDA3880	Standard Body/Angled Tip	0.038" (0.97mm)	80cm (31.5")
LWSTDA25150	Standard Body/Angled Tip	0.025" (0.64mm)	150cm (59")
LWSTDA25180	Standard Body/Angled Tip	0.025" (0.64mm)	180cm (71")
LWSTDA25260EX	Standard Body Exchange/Angled Tip	0.025" (0.64mm)	260cm (102")
LWSTDA35150	Standard Body/Angled Tip	0.035" (0.89mm)	150cm (59")
LWSTDA35180	Standard Body/Angled Tip	0.035" (0.89mm)	180cm (71")
LWSTDA35220	Standard Body/Angled Tip	0.035" (0.89mm)	220cm (87")
LWSTDA35260EX	Standard Body Exchange/Angled Tip	0.035" (0.89mm)	260cm (102")
LWSTDA38120	Standard Body/Angled Tip	0.038" (0.97mm)	120cm (47")
LWSTDA38180	Standard Body/Angled Tip	0.038" (0.97mm)	180cm (71")
LWSTDA38260EX	Standard Body Exchange/Angled Tip	0.038" (0.97mm)	260cm (102")
LWSTDS25150	Standard Body/Straight Tip	0.025" (0.64mm)	150cm (59")
LWSTDS25180	Standard Body/Straight Tip	0.025" (0.64mm)	180cm (71")
LWSTDS25260EX	Standard Body Exchange/Straight Tip	0.025" (0.64mm)	260cm (102")
LWSTDS35150	Standard Body/Straight Tip	0.035" (0.89mm)	150cm (59")
LWSTDS35180	Standard Body/Straight Tip	0.035" (0.89mm)	180cm (71")
LWSTDS35220	Standard Body/Straight Tip	0.035" (0.89mm)	220cm (87")
LWSTDS35260EX	Standard Body Exchange/Straight Tip	0.035" (0.89mm)	260cm (102")
LWSTDS38180	Standard Body/Straight Tip	0.038" (0.97mm)	180cm (71")
LWSTDS38260EX	Standard Body Exchange/Straight Tip	0.038" (0.97mm)	260cm (102")
LWSTFA3580	Stiff Body/Angled Tip	0.035" (0.89mm)	80cm (31.5")
LWSTFA3880	Stiff Body/Angled Tip	0.038" (0.97mm)	80cm (31.5")
LWSTFA35150	Stiff Body/Angled Tip	0.035" (0.89mm)	150cm (59")
LWSTFA35180	Stiff Body/Angled Tip	0.035" (0.89mm)	180cm (71")
LWSTFA35220	Stiff Body/Angled Tip	0.035" (0.89mm)	220cm (87")
LWSTFA35260EX	Stiff Body Exchange/Angled Tip	0.035" (0.89mm)	260cm (102")
LWSTFA38150	Stiff Body/Angled Tip	0.038" (0.97mm)	150cm (59")
LWSTFS35180	Stiff Body/Straight Tip	0.035" (0.89mm)	180cm (71")
LWSTFS35220	Stiff Body/Straight Tip	0.035" (0.89mm)	220cm (87")
LWSTFS35260EX	Stiff Body Exchange/Straight Tip	0.035" (0.89mm)	260cm (102")
LWSTFS38150	Stiff Body/Straight Tip	0.038" (0.97mm)	150cm (59")
LWSTFS38180	Stiff Body/Straight Tip	0.038" (0.97mm)	180cm (71")
LWSTDA1880	Standard Body/Angled Tip	0.018" (0.46mm)	80cm (31.5")
LWSTDA18150	Standard Body/Angled Tip	0.018" (0.46mm)	150cm (59")
LWSTDA18180	Standard Body/Angled Tip	0.018" (0.46mm)	180cm (71")
LWSTDA18260EX	Standard Body Exchange/Angled Tip	0.018" (0.46mm)	260cm (102")
LWSTDS18150	Standard Body/Straight Tip	0.018" (0.46mm)	150cm (59")
LWSTDS18180	Standard Body/Straight Tip	0.018" (0.46mm)	180cm (71")
LWSTDS18260EX	Standard Body Exchange/Straight Tip	0.018" (0.46mm)	260cm (102")

Torque Devices (Pin Vise)

Cap Material: Polycarbonate Body Material: Polypropylene



Salmon. Fits Guide Wires
.009" to .018"

510061001



Green. Fits Guide Wires
.009" to .018"

510061002



Royal Blue. Fits Guide Wires
.009" to .018"

510061003



White. Fits Guide Wires
.009" to .018"

510061004

Salmon. Fits Guide Wires
.013" to .024"

502013001

Salmon. Fits Guide Wires
.018" to .038"

502195001

Sea Dragon™ Torque Device



Fits Guide Wires From .018" (0.46mm)
to .038" (0.97mm)

501695001

H2O Torq™ Torque Device



Orange. Fits Guide Wires
From .025" (0.64mm) to
.040" (1.02mm)

701655001



Yellow. Fits Guide Wires
From .010" (0.25mm) to
.020" (0.51mm)

701656001

Guide Wire Accessories



Metal Guide Wire Insertion Tool
Hub Material: Polycarbonate
Inner Lumen: 0.022"
Shaft Material: Stainless Steel

501994002



Plastic Guide Wire Insertion Tool
Hub Material: High Density Polyethylene
Inner Lumen: 0.028"
Shaft Material: High Density Polyethylene

MAP600B



BowTie™ Guide Wire
Insertion Tool Fits Guide
Wires \leq 0.018" (0.46mm)

502423001



Peel-Away Guide
Wire Insertion Tool,
Tapered Tip,
Inner Lumen 0.043"

502391002



Peel-Away Guide
Wire Insertion Tool,
Non-tapered Tip,
Inner Lumen 0.055"

502391003



J-Straightener
for .035" wires

101415001



J-Straightener
for .038" wires

101415002



Natural Color Retention Clip

100730002



Ringmaster™ Guide Wire Basin

RM01

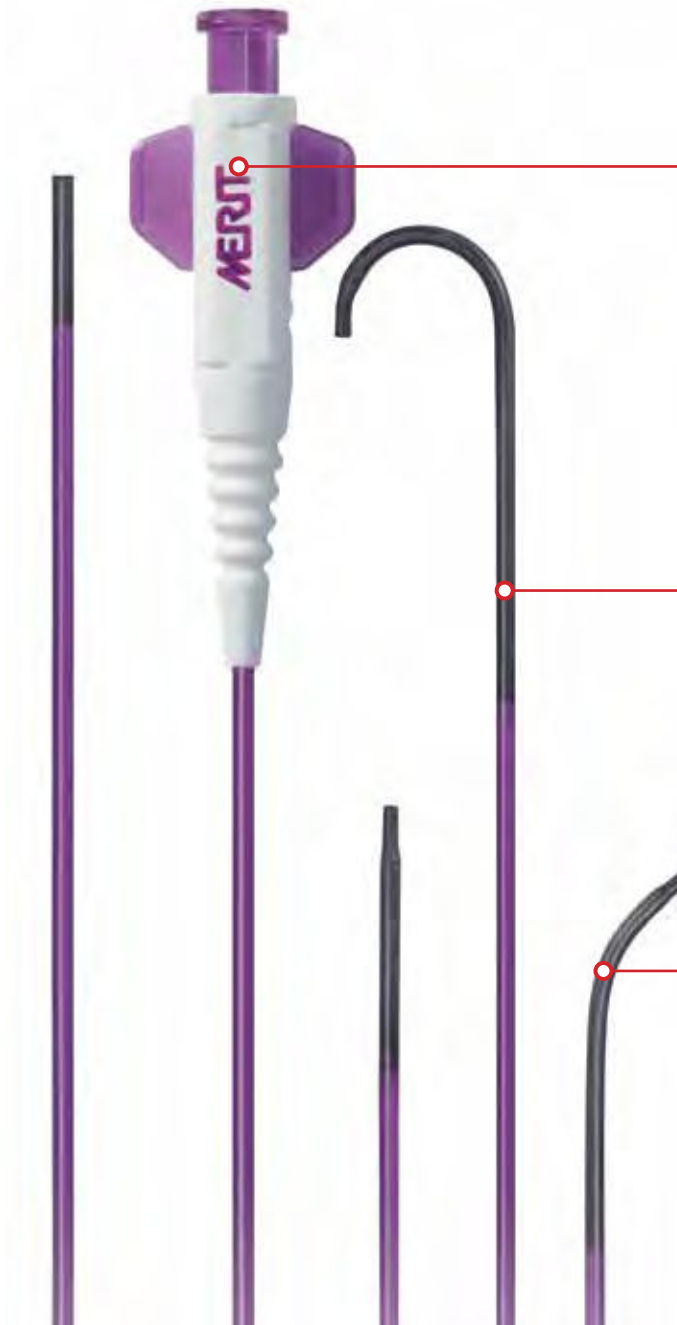


CATHETERS & EXTRUSIONS

148	Impress® Peripheral Angiographic Catheters
150	Performa® Diagnostic Peripheral Catheters
160	Performa® Vessel Sizing Catheters
162	Performa Diagnostic Cardiology Catheters
170	Performa Transradial Cardiology Catheters
173	Concierge® Guiding Catheters
179	Maestro® Microcatheters
181	One-Step™ Centesis Catheters
184	Drainage Catheters
188	Marker Bands
189	Catheter Shafts

Impress® Peripheral Angiographic Catheters

Merit Medical introduces an impressive line of Peripheral Angiographic Catheters. By enhancing each aspect of the product from tip to hub, this catheter will not only meet your needs and expectations, it will impress you.



HUB

- Accordion design, insert-molded hub and strain relief is made of soft polyurethane material which minimizes kinking and provides steerability
- Ergonomically designed wings enhance handling and control
- The internal transition provides smooth guide wire advancement

PROPRIETARY SHAFT MATERIAL

- Braided stainless steel shaft
- Maximizes flexibility while reducing kinking
- Provides excellent torqueability
- Optimal surface smoothness
- Inner lumen provides excellent flow rates

DISTAL TIP

- Tapered tip
- Highly visible under fluoro
- High pull strength at shaft-to-tip transition
- Excellent tip memory
- Multiple shape options

CATHETERS
& EXTRUSIONS



BENTSON 1

BENTSON 2

BERENSTEIN

COBRA 1

COBRA 2

HEADHUNTER 1

HEADHUNTER 3

HOCKEY STICK

HOOK 0.8

HOOK 1.0

KA2

MANI

MIKAELSSON

MOD. CEREBRAL

MOD. HOOK 1

MOD. HOOK 2

MOD. HOOK 3

MODIFIED SIMMONS

MOTARJEME

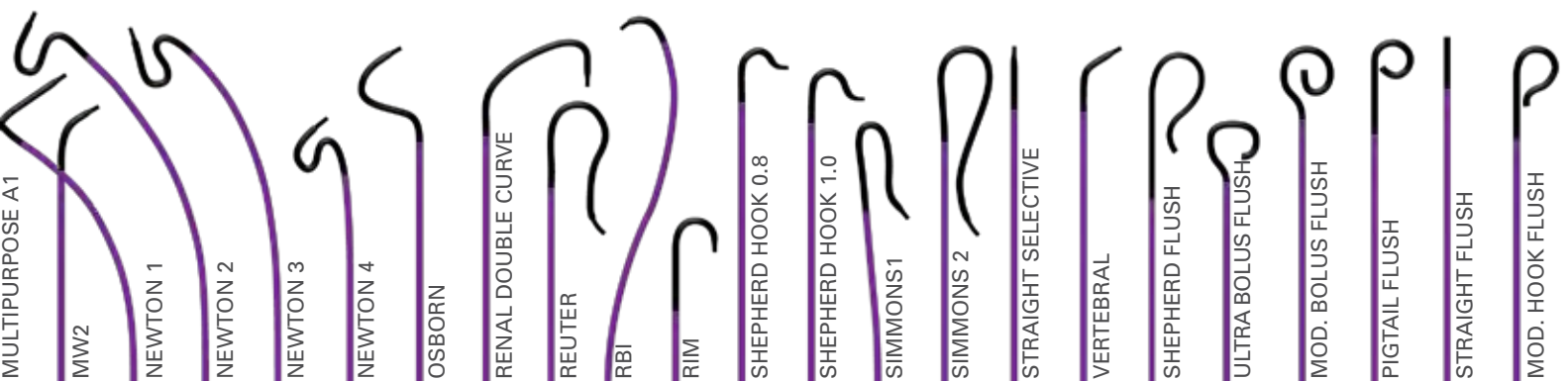
MOTARJEME CANE

Impress® Peripheral Angiographic Catheters

Shape	4F	5F	Catheter Length	Accepts Guide Wire	Side Ports
Headhunter 1	410035HH1	510035HH1	100cm	0.035" (0.89 mm)	-
Headhunter 1	412535HH1	512535HH1	125cm	0.035" (0.89mm)	-
Headhunter 1	410038HH1	510038HH1	100cm	0.038" (0.97mm)	-
Headhunter 1		512538HH1	125cm	0.038" (0.97mm)	-
Headhunter 3	410035HH3	510035HH3	100cm	0.035" (0.89mm)	-
Headhunter 3	410038HH3	510038HH3	100cm	0.038" (0.97mm)	-
Newton 1	410038N1	510038N1	100cm	0.038" (0.97mm)	-
Newton 2	410038N2	510038N2	100cm	0.038" (0.97mm)	-
Newton 3	410038N3	510038N3	100cm	0.038" (0.97mm)	-
Newton 4	410038N4	510038N4	100cm	0.038" (0.97mm)	-
Bentson 1	46535B1	56535B1	65cm	0.035" (0.89mm)	-
Bentson 1	410035B1	510035B1	100cm	0.035" (0.89mm)	-
Bentson 1	410038B1	510038B1	100cm	0.038" (0.97mm)	-
Bentson 2	410035B2	510035B2	100cm	0.035" (0.89mm)	-
Mani	410035MANI	510035MANI	100cm	0.035" (0.89mm)	-
Mani	410038MANI	510038MANI	100cm	0.038" (0.97mm)	-
Vertebral	410035VER	510035VER	100cm	0.035" (0.89mm)	-
Vertebral	412535VER	512535VER	125cm	0.035" (0.89mm)	-
Vertebral	46538VER	56538VER	65cm	0.038" (0.97mm)	-
Vertebral	410038VER	510038VER	100cm	0.038" (0.97mm)	-
Mod. Cerebral	410035MC	510035MC	100cm	0.035" (0.89mm)	-
Mod. Cerebral	410038MC	510038MC	100cm	0.038" (0.97mm)	-
Berenstein	46535BER	56535BER	65cm	0.035" (0.89mm)	-
Berenstein	410035BER	510035BER	100cm	0.035" (0.89mm)	-
Berenstein	46538BER	56538BER	65cm	0.038" (0.97mm)	-
Berenstein	410038BER	510038BER	100cm	0.038" (0.97mm)	-
Berenstein	412538BER	512538BER	125cm	0.038" (0.97mm)	-
MW2	44038MW2		40cm	0.038" (0.97mm)	-
MW2		56538MW2	65cm	0.038" (0.97mm)	-
Osborn 1	410035OSB1	510035OSB1	100cm	0.035" (0.89mm)	-
Simmons 1	46535SIM1	56535SIM1	65cm	0.035" (0.89mm)	-
Simmons 1	46538SIM1	56538SIM1	65cm	0.038" (0.97mm)	-
Simmons 1	410035SIM1	510035SIM1	100cm	0.035" (0.89mm)	-
Simmons 1	410038SIM1	510038SIM1	100cm	0.038" (0.97mm)	-
Simmons 2	46538SIM2	56538SIM2	65cm	0.038" (0.97mm)	-
Simmons 2	410035SIM2	510035SIM2	100cm	0.035" (0.89mm)	-
Simmons 2	410038SIM2	510038SIM2	100cm	0.038" (0.97mm)	-
Modified Simmons	48035MODS		80cm	0.035" (0.89mm)	-
Modified Simmons	48038MODS		80cm	0.038" (0.97mm)	-
Multipurpose A1		56538MPA1	65cm	0.038" (0.97mm)	-
Multipurpose A1	410038MPA1	510038MPA1	100cm	0.038" (0.97mm)	-
Multipurpose A1	412538MPA1	512538MPA1	125cm	0.038" (0.97mm)	-

CONTINUED

CATHETERS & EXTRUSIONS



Impress® Peripheral Angiographic Catheters

Shape	4F	5F	Catheter Length	Accepts Guide Wire	Side Ports
Cobra 1	465382CB1	565382CB1	65cm	0.038" (0.97mm)	2
Cobra 1	46538CB1	56538CB1	65cm	0.038" (0.97mm)	-
Cobra 1	410038CB1	510038CB1	100cm	0.038" (0.97mm)	-
Cobra 2	465352CB2	565352CB2	65cm	0.035" (0.89mm)	2
Cobra 2	465382CB2	565382CB2	65cm	0.038" (0.97mm)	2
Cobra 2	46538CB2	56538CB2	65cm	0.038" (0.97mm)	-
Cobra 2	46535CB2		65cm	0.035" (0.89mm)	-
Cobra 2	410038CB2	510038CB2	100cm	0.038" (0.97mm)	-
Hook 0.8	465352HK0-8	565352HK0-8	65cm	0.035" (0.89mm)	2
Hook 1.0	465352HK1-0	565352HK1-0	65cm	0.035" (0.89mm)	2
Shepherd Hook 0.8	465352SH0-8	565352SH0-8	65cm	0.035" (0.89mm)	2
Shepherd Hook 1.0	465352SH1-0	565352SH1-0	65cm	0.035" (0.89mm)	2
Renal Double Curve	46535RC		65cm	0.035" (0.89mm)	-
Renal Double Curve	465352RC	565352RC	65cm	0.035" (0.89mm)	2
Hockey Stick	410038HS	510038HS (4.5cm tip)	100cm	0.038" (0.97mm)	-
Motarjeme	46535MOT	56535MOT	65cm	0.035" (0.89mm)	-
Motarjeme	410035MOT	510035MOT	100cm	0.035" (0.89mm)	-
Motarjeme	410035MOTC		100cm	0.035" (0.89mm)	-
Reuter		58035RE	80cm	0.035" (0.89mm)	-
Reuter	48038RE	58038RE	80cm	0.038" (0.97mm)	-
Mikaelsson	48038MIK	58038MIK	80cm	0.038" (0.97mm)	-
KA2	44038KA2	54038KA2	40cm	0.038" (0.97mm)	-
KA2	46538KA2	56538KA2	65cm	0.038" (0.97mm)	-
Modified Hook 1	48035MHK1	58035MHK1	80cm	0.035" (0.89mm)	-
Modified Hook 2	48035MHK2	58035MHK2	80cm	0.035" (0.89mm)	-
Modified Hook 3	48035MHK3	58035MHK3	80cm	0.035" (0.89mm)	-
Straight Selective	44035STS	54035STS	40cm	0.035" (0.89mm)	-
Straight Selective	44038STS	54038STS	40cm	0.038" (0.97mm)	-
Straight Selective	46538STS	56538STS	65cm	0.038" (0.97mm)	-
Straight Selective	411035STS	511035STS	110cm	0.035" (0.89mm)	-
Straight Selective	411038STS	511038STS	110cm	0.038" (0.97mm)	-
RIM	44035RIM	54035RIM	40cm	0.035" (0.89mm)	-
RIM	46535RIM	56535RIM	65cm	0.035" (0.89mm)	-
Renal Bifurcation Iliac (RBI)	465354RBI	565354RBI	65cm	0.035" (0.89mm)	4
Renal Bifurcation Iliac (RBI)		5100354RBI	100cm	0.035" (0.89mm)	4
Renal Bifurcation Iliac (RBI)		56535RBI	65cm	0.035" (0.89mm)	-
Renal Bifurcation Iliac (RBI)		510035RBI	100cm	0.035" (0.89mm)	-

Impress® Peripheral Angiographic Hydrophilic Catheters



Shape	4F	5F	Catheter Length	Coating Length	Accepts Guide Wire
Headhunter 1	410038HH1-H	510038HH1-H	100cm	40cm	0.038" (0.97mm)
Headhunter 1	412538HH1-H	512538HH1-H	125cm	40cm	0.038" (0.97mm)
Bentson 1	410038B1-H	510038B1-H	100cm	40cm	0.038" (0.97mm)
Bentson 2	410038B2-H	510038B2-H	100cm	40cm	0.038" (0.97mm)
Mani	410038MANI-H	510038MANI-H	100cm	40cm	0.038" (0.97mm)
Vertebral	46538VER-H	56538VER-H	65cm	25cm	0.038" (0.97mm)
Vertebral	410038VER-H	510038VER-H	100cm	40cm	0.038" (0.97mm)
Berenstein	46538BER-H	56538BER-H	65cm	25cm	0.038" (0.97mm)
Berenstein	410038BER-H	510038BER-H	100cm	40cm	0.038" (0.97mm)
Berenstein	412538BER-H	512538BER-H	125cm	40cm	0.038" (0.97mm)

Impress® Peripheral Angiographic Hydrophilic Catheters



Shape	4F	5F	Catheter Length	Coating Length	Accepts Guide Wire
Simmons 1	410038SIM1-H	510038SIM1-H	100cm	40cm	0.038" (0.97mm)
Simmons 2	410038SIM2-H	510038SIM2-H	100cm	40cm	0.038" (0.97mm)
MultiPurpose A1	410038MPA1-H	510038MPA1-H	100cm	40cm	0.038" (0.97mm)
Cobra 1	46538CB1-H	56538CB1-H	65cm	25cm	0.038" (0.97mm)
Cobra 2	46538CB2-H	56538CB2-H	65cm	25cm	0.038" (0.97mm)
Cobra 2	410038CB2-H	510038CB2-H	100cm	40cm	0.038" (0.97mm)
KA2	44038KA2-H	54038KA2-H	40cm	25cm	0.038" (0.97mm)
KA2	46538KA2-H	56538KA2-H	65cm	25cm	0.038" (0.97mm)
Modified Hook 1	48038MHK1-H*	58038MHK1-H*	80cm	40cm	0.038" (0.97mm)
Modified Hook 2	48038MHK2-H*	58038MHK2-H*	80cm	40cm	0.038" (0.97mm)
Modified Hook 3	48038MHK3-H*	58038MHK3-H*	80cm	40cm	0.038" (0.97mm)
Straight Selective	46538STS-H	56538STS-H	65cm	25cm	0.038" (0.97mm)
Straight Selective	410038STS-H	510038STS-H	100cm	40cm	0.038" (0.97mm)
Straight Selective	412538STS-H	512538STS-H	125cm	40cm	0.038" (0.97mm)
Renal Bifurcation Iliac (RBI)		56538RBI-H	65cm	25cm	0.038" (0.97mm)

Impress® Flush Catheters

Shape	4F	5F	Catheter Length	Accepts Guide Wire	Side Ports
Shepherd Flush	465356SHP-NB	565356SHP-NB	65cm	0.035" (0.89mm)	6
Shepherd Flush	490356SHP-NB		90cm	0.035" (0.89mm)	6
Ultra Bolus Flush	4653510UBF-NB	5653510UBF-NB	65cm	0.035" (0.89mm)	10
Ultra Bolus Flush	4903510UBF-NB	5903510UBF-NB	90cm	0.035" (0.89mm)	10
Mod. Bolus Flush	4653810MUBF-NB	5653810MUBF-NB	65cm	0.038" (0.97mm)	10
Pigtail Flush	4653510PIG-NB	5653510PIG-NB	65cm	0.035" (0.89mm)	10
Pigtail Flush	4903510PIG-NB	5903510PIG-NB	90cm	0.035" (0.89mm)	10
Pigtail Flush	41103510PIG-NB	51103510PIG-NB	110cm	0.035" (0.89mm)	10
Pigtail Flush		5653810PIG-NB	65cm	0.038" (0.97mm)	10
Pigtail Flush		5903810PIG-NB	90cm	0.038" (0.97mm)	10
Pigtail Flush		51103810PIG-NB	110cm	0.038" (0.97mm)	10
Straight Flush	4653510STF-NB	5653510STF-NB	65cm	0.035" (0.89mm)	10
Straight Flush	4903510STF-NB	5903510STF-NB	90cm	0.035" (0.89mm)	10
Mod. Hook Flush	465356MHK-NB	565356MHK-NB	65cm	0.038" (0.97mm)	6
Mod. Hook Flush		565386MHK-NB	65cm	0.035" (0.89mm)	6
Mod. Hook Flush	490356MHK-NB		90cm	0.035" (0.89mm)	6
Mod. Hook Flush		590386MHK-NB	90cm	0.038" (0.97mm)	6

4F catheter internal diameter: 0.040" (1.02mm); 5F catheter internal diameter: 0.046" (1.07mm)

Impress 30cm Angiographic Catheters

Shape	4F	5F	Catheter Length	Accepts Guide Wire	Side Ports
Pigtail	4303510PIG-NB	5303510PIG-NB	30cm	0.035" (0.89mm)	10
Cobra 1	43035MODCB1	53035MODCB1	30cm	0.035" (0.89mm)	
Rim	43035RIM	53035RIM	30cm	0.035" (0.89mm)	
Berenstein	43035BER	53035BER	30cm	0.035" (0.89mm)	
KA2	43035KA2	53035KA2	30cm	0.035" (0.89mm)	
Straight	43035STR	53035STR	30cm	0.035" (0.89mm)	
Min Rim Short Tip		56535MRIMST	65cm	0.035" (0.89mm)	

Performa® Diagnostic Peripheral Catheters

Introducing Merit Medical's line of Diagnostic Peripheral Catheters. Designed to provide superior torque, increased shaft strength for better pushability and large inner lumens for improved flow rates.

INNER-LUMEN SIZES

- 4F .042" (1.07 mm)
- 5F .046" (1.17 mm)
- 6F .054" (1.37 mm)
- Yields higher flow rates at lower pressures
- Superior guide wire trackability



WINGED POLYCARBONATE HUB

- Enhanced handling and control

STRAIN RELIEF

- Increased strength at catheter/hub interface
- Color coded for easy identification

TIP

- Soft tip for smooth atraumatic positioning
- Excellent tip memory



WIRE BRAID DESIGN

- Greater torque for maximum control
- Improved longitudinal stability
- High degree of maneuverability
- Provides superior pushability

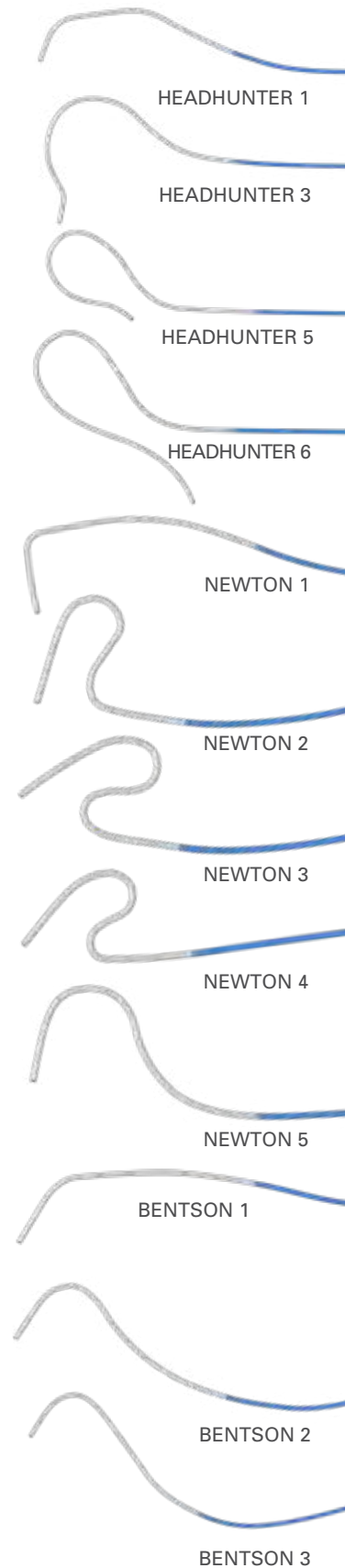


PRESSURE

- High pressure limits at given flow rates

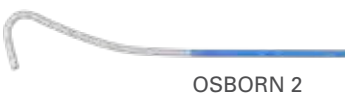
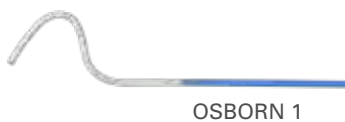
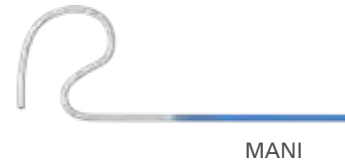
Performa® Diagnostic Peripheral Catheters

Catalog Number	French Size	Internal Diameter	Length	Recommended Guide wire	# of Side Ports	Description
HEADHUNTER 1						
7715-A0	4	.042"/1.07mm	100cm	.035" (0.89mm)	-	
7715-10	4	.042"/1.07mm	100cm	.038" (0.97mm)	-	bumper tip
5575-A3	5	.046"/1.17mm	100cm	.035" (0.89mm)	-	
5575-13	5	.046"/1.17mm	100cm	.038" (0.97mm)	-	
HEADHUNTER 3						
7715-B0	4	.042"/1.07mm	100cm	.035" (0.89mm)	-	
7715-30	4	.042"/1.07mm	100cm	.038" (0.97mm)	-	bumper tip
5575-B3	5	.046"/1.17mm	100cm	.035" (0.89mm)	-	
5575-23	5	.046"/1.17mm	100cm	.038" (0.97mm)	-	
HEADHUNTER 5						
7715-C0	4	.042"/1.07mm	100cm	.035" (0.89mm)	-	
7715-50	4	.042"/1.07mm	100cm	.038" (0.97mm)	-	bumper tip
5575-C3	5	.046"/1.17mm	100cm	.035" (0.89mm)	-	
5575-33	5	.046"/1.17mm	100cm	.038" (0.97mm)	-	
HEADHUNTER 6						
7715-D0	4	.042"/1.07mm	100cm	.035" (0.89mm)	-	
7715-60	4	.042"/1.07mm	100cm	.038" (0.97mm)	-	bumper tip
5575-D3	5	.046"/1.17mm	100cm	.035" (0.89mm)	-	
5575-43	5	.046"/1.17mm	100cm	.038" (0.97mm)	-	
NEWTON 1						
7722-A0	4	.042"/1.07mm	100cm	.035" (0.89mm)	-	
7722-10	4	.042"/1.07mm	100cm	.038" (0.97mm)	-	bumper tip
5577-A3	5	.046"/1.17mm	100cm	.035" (0.89mm)	-	
5577-13	5	.046"/1.17mm	100cm	.038" (0.97mm)	-	
NEWTON 2						
7722-B0	4	.042"/1.07mm	100cm	.035" (0.89mm)	-	
7722-20	4	.042"/1.07mm	100cm	.038" (0.97mm)	-	bumper tip
5577-B3	5	.046"/1.17mm	100cm	.035" (0.89mm)	-	
5577-23	5	.046"/1.17mm	100cm	.038" (0.97mm)	-	
NEWTON 3						
7722-C0	4	.042"/1.07mm	100cm	.035" (0.89mm)	-	
7722-30	4	.042"/1.07mm	100cm	.038" (0.97mm)	-	bumper tip
5577-C3	5	.046"/1.17mm	100cm	.035" (0.89mm)	-	
5577-33	5	.046"/1.17mm	100cm	.038" (0.97mm)	-	
NEWTON 4						
7722-D0	4	.042"/1.07mm	100cm	.035" (0.89mm)	-	
7722-40	4	.042"/1.07mm	100cm	.038" (0.97mm)	-	bumper tip
5577-D3	5	.046"/1.17mm	100cm	.035" (0.89mm)	-	
5577-43	5	.046"/1.17mm	100cm	.038" (0.97mm)	-	
NEWTON 5						
7722-E0	4	.042"/1.07mm	100cm	.035" (0.89mm)	-	
7722-50	4	.042"/1.07mm	100cm	.038" (0.97mm)	-	bumper tip
5577-E3	5	.046"/1.17mm	100cm	.035" (0.89mm)	-	
5577-53	5	.046"/1.17mm	100cm	.038" (0.97mm)	-	
BENTSON 1						
7721-A0	4	.042"/1.07mm	100cm	.035" (0.89mm)	-	
7721-10	4	.042"/1.07mm	100cm	.038" (0.97mm)	-	bumper tip
5578-A3	5	.046"/1.17mm	100cm	.035" (0.89mm)	-	
5578-13	5	.046"/1.17mm	100cm	.038" (0.97mm)	-	
BENTSON 2						
7721-B0	4	.042"/1.07mm	100cm	.035" (0.89mm)	-	
7721-20	4	.042"/1.07mm	100cm	.038" (0.97mm)	-	bumper tip
5578-B3	5	.046"/1.17mm	100cm	.035" (0.89mm)	-	
5578-23	5	.046"/1.17mm	100cm	.038" (0.97mm)	-	
BENTSON 3						
7721-C0	4	.042"/1.07mm	100cm	.035" (0.89mm)	-	
7721-30	4	.042"/1.07mm	100cm	.038" (0.97mm)	-	bumper tip
5578-C3	5	.046"/1.17mm	100cm	.035" (0.89mm)	-	
5578-33	5	.046"/1.17mm	100cm	.038" (0.97mm)	-	



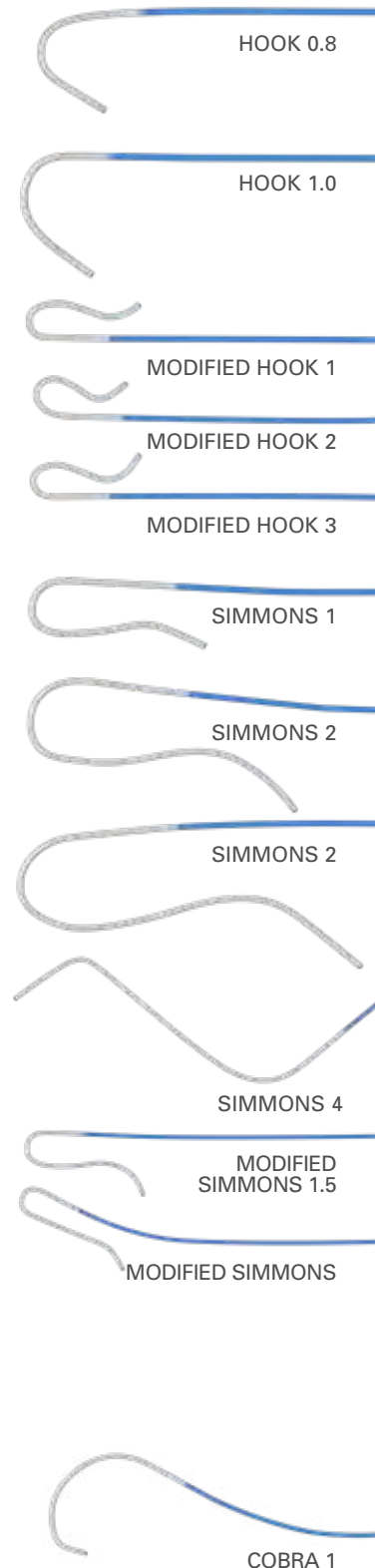
Performa® Diagnostic Peripheral Catheters

Catalog Number	French Size	Internal Diameter	Length	Recommended Guide wire	# of Side Ports	Description
MANI						
7716-A0	4	.042"/1.07mm	100cm	.035" (0.89mm)	-	
7716-10	4	.042"/1.07mm	100cm	.038" (0.97mm)	-	bumper tip
5579-A3	5	.046"/1.17mm	100cm	.035" (0.89mm)	-	
5579-13	5	.046"/1.17mm	100cm	.038" (0.97mm)	-	
VERTEBRAL						
7717-A0	4	.042"/1.07mm	65cm	.035" (0.89mm)	-	
7717-10	4	.042"/1.07mm	65cm	.038" (0.97mm)	-	bumper tip
7717-C0	4	.042"/1.07mm	80cm	.035" (0.89mm)	-	
7717-30	4	.042"/1.07mm	80cm	.038" (0.97mm)	-	bumper tip
7717-B0	4	.042"/1.07mm	100cm	.035" (0.89mm)	-	
7717-20	4	.042"/1.07mm	100cm	.038" (0.97mm)	-	bumper tip
5583-B3	5	.046"/1.17mm	65cm	.035" (0.89mm)	-	
5583-23	5	.046"/1.17mm	65cm	.038" (0.97mm)	-	
5583-A3	5	.046"/1.17mm	100cm	.035" (0.89mm)	-	
5583-13	5	.046"/1.17mm	100cm	.038" (0.97mm)	-	
MODIFIED CEREBRAL						
7723-A0	4	.042"/1.07mm	90cm	.035" (0.89mm)	-	
7723-10	4	.042"/1.07mm	90cm	.038" (0.97mm)	-	bumper tip
5588-A3	5	.046"/1.17mm	100cm	.035" (0.89mm)	-	
5588-13	5	.046"/1.17mm	100cm	.038" (0.97mm)	-	
BERENSTEIN						
7718-C0	4	.042"/1.07mm	40cm	.035" (0.89mm)	-	
7718-30	4	.042"/1.07mm	40cm	.038" (0.97mm)	-	bumper tip
7718-B0	4	.042"/1.07mm	65cm	.035" (0.89mm)	-	
7718-20	4	.042"/1.07mm	65cm	.038" (0.97mm)	-	bumper tip
7718-A0	4	.042"/1.07mm	100cm	.035" (0.89mm)	-	
7718-10	4	.042"/1.07mm	100cm	.038" (0.97mm)	-	bumper tip
5592-C3	5	.046"/1.17mm	40cm	.035" (0.89mm)	-	
5592-33	5	.046"/1.17mm	40cm	.038" (0.97mm)	-	
5592-B3	5	.046"/1.17mm	65cm	.035" (0.89mm)	-	
5592-23	5	.046"/1.17mm	65cm	.038" (0.97mm)	-	
5592-A3	5	.046"/1.17mm	100cm	.035" (0.89mm)	-	
5592-13	5	.046"/1.17mm	100cm	.038" (0.97mm)	-	
STRAIGHT SELECTIVE						
7748-A0	4	.042"/1.07mm	110cm	.035" (0.89mm)	-	
7748-13	4	.042"/1.07mm	110cm	.038" (0.97mm)	-	bumper tip
MW2						
5590-13	5	.046"/1.17mm	40cm	.038" (0.97mm)	-	
5590-23	5	.046"/1.17mm	65cm	.038" (0.97mm)	-	
5590-33	5	.046"/1.17mm	100cm	.038" (0.97mm)	-	
MODIFIED MW2						
7745-A0	4	.042"/1.07mm	40cm	.035" (0.89mm)	2	
7745-10	4	.042"/1.07mm	40cm	.038" (0.97mm)	2	bumper tip
7745-B0	4	.042"/1.07mm	65cm	.035" (0.89mm)	2	
7745-C0	4	.042"/1.07mm	100cm	.035" (0.89mm)	2	
OSBORN 1						
7746-A0	4	.042"/1.07mm	100cm	.035" (0.89mm)	-	
7746-10	4	.042"/1.07mm	100cm	.038" (0.97mm)	-	bumper tip
OSBORN 2						
7746-B0	4	.042"/1.07mm	65cm	.035" (0.89mm)	-	
7746-20	4	.042"/1.07mm	65cm	.038" (0.97mm)	-	bumper tip
7746-C0	4	.042"/1.07mm	100cm	.035" (0.89mm)	-	
7746-30	4	.042"/1.07mm	100cm	.038" (0.97mm)	-	bumper tip



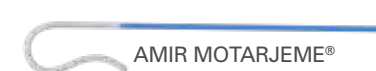
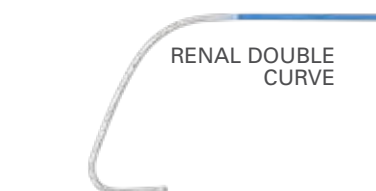
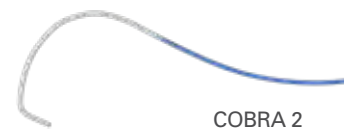
Performa® Diagnostic Peripheral Catheters

Catalog Number	French Size	Internal Diameter	Length	Recommended Guide wire	# of Side Ports	Description
HOOK 0.8						
7711-A0	4	.042"/1.07mm	65cm	.035" (0.89mm)	2	
7711-10	4	.042"/1.07mm	65cm	.038" (0.97mm)	2	bumper tip
5585-A3	5	.046"/1.17mm	65cm	.035" (0.89mm)	2	
5585-13	5	.046"/1.17mm	65cm	.038" (0.97mm)	2	
HOOK 1.0						
7711-B0	4	.042"/1.07mm	65cm	.035" (0.89mm)	2	
7711-20	4	.042"/1.07mm	65cm	.038" (0.97mm)	2	bumper tip
5585-B3	5	.046"/1.17mm	65cm	.035" (0.89mm)	2	
5585-23	5	.046"/1.17mm	65cm	.038" (0.97mm)	2	
MODIFIED HOOK 1						
5585-C3	5	.046"/1.17mm	80cm	.035" (0.89mm)	-	
MODIFIED HOOK 2						
5585-D3	5	.046"/1.17mm	80cm	.035" (0.89mm)	-	
MODIFIED HOOK 3						
5585-D3	5	.046"/1.17mm	80cm	.035" (0.89mm)	-	
SIMMONS 1						
7720-A0	4	.042"/1.07mm	100cm	.035" (0.89mm)	-	
7720-10	4	.042"/1.07mm	100cm	.038" (0.97mm)	-	bumper tip
5576-F3	5	.046"/1.17mm	65cm	.035" (0.89mm)	-	
5576-A3	5	.046"/1.17mm	100cm	.035" (0.89mm)	-	
5576-13	5	.046"/1.17mm	100cm	.038" (0.97mm)	-	
SIMMONS 2						
7720-B0	4	.042"/1.07mm	100cm	.035" (0.89mm)	-	
7720-20	4	.042"/1.07mm	100cm	.038" (0.97mm)	-	bumper tip
5576-G3	5	.046"/1.17mm	65cm	.035" (0.89mm)	-	
5576-B3	5	.046"/1.17mm	100cm	.035" (0.89mm)	-	
5576-23	5	.046"/1.17mm	100cm	.038" (0.97mm)	-	
SIMMONS 3						
7720-C0	4	.042"/1.07mm	100cm	.035" (0.89mm)	-	
7720-30	4	.042"/1.07mm	100cm	.038" (0.97mm)	-	bumper tip
5576-C3	5	.046"/1.17mm	100cm	.035" (0.89mm)	-	
5576-33	5	.046"/1.17mm	100cm	.038" (0.97mm)	-	
SIMMONS 4						
7720-D0	4	.042"/1.07mm	100cm	.035" (0.89mm)	-	
7720-40	4	.042"/1.07mm	100cm	.038" (0.97mm)	-	bumper tip
5576-D3	5	.046"/1.17mm	100cm	.035" (0.89mm)	-	
5576-43	5	.046"/1.17mm	100cm	.038" (0.97mm)	-	
MODIFIED SIMMONS 1.5						
7720-F0	4	.042"/1.07mm	100cm	.035" (0.89mm)	-	
5576-E3	5	.046"/1.17mm	100cm	.035" (0.89mm)	-	
MODIFIED SIMMONS						
7720-E0	4	.042"/1.07mm	80cm	.035" (0.89mm)	-	bumper tip
7720-50	4	.042"/1.07mm	80cm	.038" (0.97mm)	-	bumper tip
7720-70	4	.042"/1.07mm	110cm	.038" (0.97mm)	-	bumper tip
7720-80	4	.042"/1.07mm	120cm	.038" (0.97mm)	-	bumper tip
COBRA 1						
7710-A0	4	.042"/1.07mm	65cm	.035" (0.89mm)	2	
7710-10	4	.042"/1.07mm	65cm	.038" (0.97mm)	2	bumper tip
7710-D0	4	.042"/1.07mm	65cm	.035" (0.89mm)	-	
7710-40	4	.042"/1.07mm	65cm	.038" (0.97mm)	-	bumper tip
5584-A3	5	.046"/1.17mm	65cm	.035" (0.89mm)	2	
5584-D3	5	.046"/1.17mm	65cm	.035" (0.89mm)	-	
5584-13	5	.046"/1.17mm	65cm	.038" (0.97mm)	-	
5584-43	5	.046"/1.17mm	65cm	.038" (0.97mm)	2	



Performa® Diagnostic Peripheral Catheters

Catalog Number	French Size	Internal Diameter	Length	Recommended Guide wire	# of Side Ports	Description
COBRA 2						
7710-B0	4	.042"/1.07mm	65cm	.035" (0.89mm)	2	
7710-E0	4	.042"/1.07mm	65cm	.035" (0.89mm)	-	
7710-20	4	.042"/1.07mm	65cm	.038" (0.97mm)	2	bumper tip
7710-50	4	.042"/1.07mm	65cm	.038" (0.97mm)	-	bumper tip
5584-B3	5	.046"/1.17mm	65cm	.035" (0.89mm)	2	
5584-E3	5	.046"/1.17mm	65cm	.035" (0.89mm)	-	
5584-23	5	.046"/1.17mm	65cm	.038" (0.97mm)	-	
5584-53	5	.046"/1.17mm	65cm	.038" (0.97mm)	2	
COBRA 3						
7710-C0	4	.042"/1.07mm	65cm	.035" (0.89mm)	2	
7710-F0	4	.042"/1.07mm	65cm	.035" (0.89mm)	-	
7710-30	4	.042"/1.07mm	65cm	.038" (0.97mm)	2	bumper tip
7710-60	4	.042"/1.07mm	65cm	.038" (0.97mm)	-	bumper tip
5584-C3	5	.046"/1.17mm	65cm	.035" (0.89mm)	2	
5584-F3	5	.046"/1.17mm	65cm	.035" (0.89mm)	-	
5584-33	5	.046"/1.17mm	65cm	.038" (0.97mm)	-	
5584-63	5	.046"/1.17mm	65cm	.038" (0.97mm)	2	
SHEPHERD HOOK 0.8						
7712-A0	4	.042"/1.07mm	65cm	.035" (0.89mm)	2	
7712-10	4	.042"/1.07mm	65cm	.038" (0.97mm)	2	bumper tip
5586-A3	5	.046"/1.17mm	65cm	.035" (0.89mm)	2	
5586-13	5	.046"/1.17mm	65cm	.038" (0.97mm)	2	
SHEPHERD HOOK 1.0						
7712-B0	4	.042"/1.07mm	65cm	.035" (0.89mm)	2	
7712-20	4	.042"/1.07mm	65cm	.038" (0.97mm)	2	bumper tip
5586-B3	5	.046"/1.17mm	65cm	.035" (0.89mm)	2	
5586-23	5	.046"/1.17mm	65cm	.038" (0.97mm)	2	
SHEPHERD HOOK 1.0 MODIFIED						
7712-C0	4	.042"/1.07mm	65cm	.035" (0.89mm)	2	
7712-D0	4	.042"/1.07mm	65cm	.035" (0.89mm)	-	
7712-30	4	.042"/1.07mm	65cm	.038" (0.97mm)	2	bumper tip
7712-40	4	.042"/1.07mm	65cm	.038" (0.97mm)	-	bumper tip
5586-43	5	.046"/1.17mm	65cm	.038" (0.97mm)	2	
RENAL DOUBLE CURVE						
7713-A0	4	.042"/1.07mm	65cm	.035" (0.89mm)	2	
7713-B0	4	.042"/1.07mm	65cm	.035" (0.89mm)	-	
7713-10	4	.042"/1.07mm	65cm	.038" (0.97mm)	2	bumper tip
7713-20	4	.042"/1.07mm	65cm	.038" (0.97mm)	-	bumper tip
5587-A3	5	.046"/1.17mm	65cm	.035" (0.89mm)	2	
5587-13	5	.046"/1.17mm	65cm	.038" (0.97mm)	-	
5587-23	5	.046"/1.17mm	65cm	.038" (0.97mm)	2	
AMIR MOTARJEME®						
7747-C0	4	.042"/1.07mm	65cm	.035" (0.89mm)	-	
7747-D0	4	.042"/1.07mm	100cm	.035" (0.89mm)	-	
7747-E0	4	.042"/1.07mm	65cm	.035" (0.89mm)	2	
7747-F0	4	.042"/1.07mm	100cm	.035" (0.89mm)	2	
5591-A3	5	.046"/1.17mm	65cm	.035" (0.89mm)	-	
5591-B3	5	.046"/1.17mm	100cm	.035" (0.89mm)	-	
5591-C3	5	.046"/1.17mm	65cm	.035" (0.89mm)	2	
5591-D3	5	.046"/1.17mm	100cm	.035" (0.89mm)	2	
AMIR MOTARJEME CANE						
7747-B0	4	.042"/1.07mm	65cm	.035" (0.89mm)	-	
7747-20	4	.042"/1.07mm	65cm	.038" (0.97mm)	-	bumper tip
7747-A0	4	.042"/1.07mm	100cm	.035" (0.89mm)	-	
7747-10	4	.042"/1.07mm	100cm	.038" (0.97mm)	-	bumper tip
5591-E3	5	.046"/1.17mm	65cm	.035" (0.89mm)	-	
5591-F3	5	.046"/1.17mm	100cm	.035" (0.89mm)	-	



CATHETERS & EXTRUSIONS

Performa® Diagnostic Peripheral Catheters

Catalog Number	French Size	Internal Diameter	Length	Tip Length	Recommended Guide wire	# of Side Ports	Description
HOCKEY STICK							
7752-10	4	.042"/1.07mm	100cm	4.5cm	.038" (0.97mm)	-	bumper tip
7543-13	5	.046"/1.17mm	100cm	4.5cm	.038" (0.97mm)	-	
7541-13	6	.054"/1.37mm	100cm	4.5cm	.038" (0.97mm)	-	

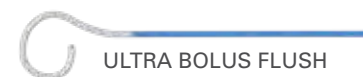


Catalog Number	French Size	Internal Diameter	Length	Recommended Guide wire	# of Side Ports	Description
REUTER						
7714-A0	4	.042"/1.07mm	80cm	.035" (0.89mm)	2	
7714-10	4	.042"/1.07mm	80cm	.038" (0.97mm)	2	bumper tip
7714-B0	4	.042"/1.07mm	80cm	.035" (0.89mm)	-	
7714-20	4	.042"/1.07mm	80cm	.038" (0.97mm)	-	bumper tip
5589-A3	5	.046"/1.17mm	80cm	.035" (0.89mm)	-	
5589-B3	5	.046"/1.17mm	80cm	.035" (0.89mm)	2	
5589-13	5	.046"/1.17mm	80cm	.038" (0.97mm)	-	
5589-23	5	.046"/1.17mm	80cm	.038" (0.97mm)	2	
MIKAELSSON						
7719-A0	4	.042"/1.07mm	80cm	.035" (0.89mm)	-	
7719-10	4	.042"/1.07mm	80cm	.038" (0.97mm)	-	bumper tip
5594-13	5	.046"/1.17mm	80cm	.038" (0.97mm)	-	
KA CATHETERS						
5582-23	5	.046"/1.17mm	65cm	.038" (0.97mm)	-	
5582-33	5	.052"/1.32mm	65cm	.038" (0.97mm)	-	high flow non-braided
KA2 CATHETERS						
5582-13	5	.046"/1.17mm	40cm	.038" (0.97mm)	-	
5582-43	5	.046"/1.17mm	65cm	.038" (0.97mm)	-	
7514-13	6	.054"/1.37mm	40cm	.038" (0.97mm)	-	
7514-23	6	.054"/1.37mm	65cm	.038" (0.97mm)	-	
DVS A1 (10cm taper tip)						
5595-13	5	.046"/1.12mm	65cm	.035" (0.89mm)	-	
5595-33	5	.046"/1.12mm	100cm	.035" (0.89mm)	-	
5595-23	5	.046"/1.12mm	65cm	.038" (0.97mm)	-	
5595-43	5	.046"/1.12mm	100cm	.038" (0.97mm)	-	
DVS A2 (15cm taper tip)						
5595-A3	5	.046"/1.12mm	65cm	.035" (0.89mm)	-	
5595-C3	5	.046"/1.12mm	100cm	.035" (0.89mm)	-	
5595-B3	5	.046"/1.12mm	65cm	.038" (0.97mm)	-	
5595-D3	5	.046"/1.12mm	100cm	.038" (0.97mm)	-	



Performa® Diagnostic Peripheral Flush Catheters

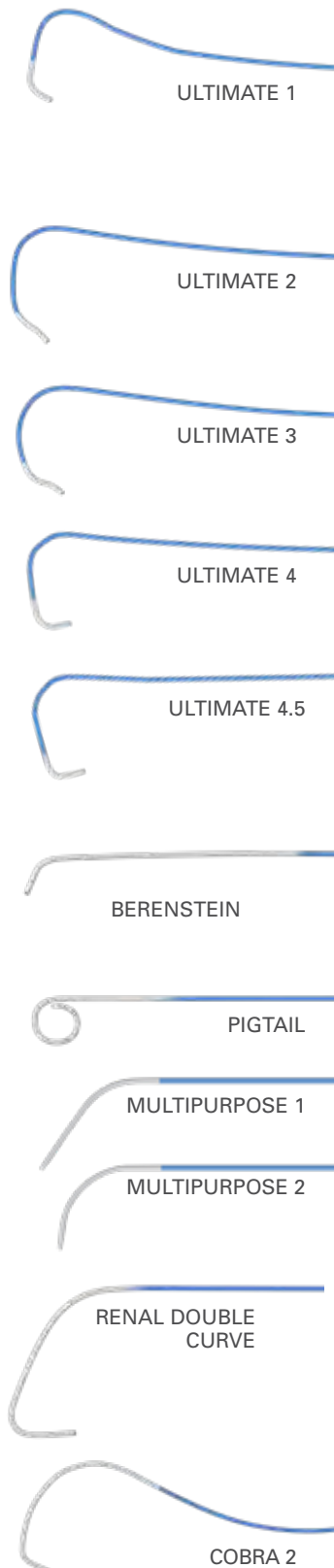
Catalog Number	French Size	Internal Diameter	Length	Recommended Guide wire	# of Side Ports	Description
UHF SHEPHERD FLUSH						
7602-A1	5	.052"/1.32mm	65cm	.035" (0.89mm)	6	non-braided
7602-B1	5	.052"/1.32mm	90cm	.035" (0.89mm)	6	non-braided
7602-C1	5	.052"/1.32mm	65cm	.038" (0.97mm)	6	non-braided
7602-D1	5	.052"/1.32mm	90cm	.038" (0.97mm)	6	non-braided
ULTRA BOLUS FLUSH						
7674-11	5	.052"/1.32mm	65cm	.035" (0.89mm)	10	non-braided
7674-21	5	.052"/1.32mm	90cm	.035" (0.89mm)	10	non-braided
7674-31	5	.052"/1.32mm	65cm	.038" (0.97mm)	10	non-braided
7674-41	5	.052"/1.32mm	90cm	.038" (0.97mm)	10	non-braided
PIGTAIL FLUSH						
7749-A0	4	.042"/1.07mm	80cm	.035" (0.89mm)	10	braided
7749-40	4	.042"/1.07mm	80cm	.038" (0.97mm)	10	braided
ULTRA HIGH FLOW PIGTAIL						
7602-41	5	.052"/1.32mm	65cm	.035" (0.89mm)	10	non-braided
7602-51	5	.052"/1.32mm	90cm	.035" (0.89mm)	10	non-braided
7602-61	5	.052"/1.32mm	110cm	.035" (0.89mm)	10	non-braided
7602-71	5	.052"/1.32mm	65cm	.038" (0.97mm)	10	non-braided
7602-81	5	.052"/1.32mm	90cm	.038" (0.97mm)	10	non-braided
7602-91	5	.052"/1.32mm	110cm	.038" (0.97mm)	10	non-braided
STRAIGHT FLUSH						
7673-11	5	.052"/1.32mm	65cm	.035" (0.89mm)	10	non-braided
7673-21	5	.052"/1.32mm	90cm	.035" (0.89mm)	10	non-braided
7673-31	5	.052"/1.32mm	65cm	.035" (0.89mm)	-	non-braided
7673-41	5	.052"/1.32mm	65cm	.038" (0.97mm)	10	non-braided
7673-51	5	.052"/1.32mm	90cm	.038" (0.97mm)	10	non-braided
7673-61	5	.052"/1.32mm	65cm	.038" (0.97mm)	-	non-braided
MODIFIED HOOK FLUSH						
7603-A1	5	.052"/1.32mm	65cm	.035" (0.89mm)	6	non-braided
7603-B1	5	.052"/1.32mm	90cm	.035" (0.89mm)	6	non-braided
7603-C1	5	.052"/1.32mm	65cm	.038" (0.97mm)	6	non-braided
7603-D1	5	.052"/1.32mm	90cm	.038" (0.97mm)	6	non-braided



Performa® Transradial Peripheral Catheters

Catalog Number	French Size	Inner Diameter (inches/mm)	Catheter Length (cm)	Tip Length (cm)	Number of Side Ports	Shaft/Tip Description	Tip Shape	Max Guide Wire Size
ULTIMATE 1								
PV412538U1	4	.042"/1.07mm	125	2.0	0	Braided / BT	ULT 1	0.038"
PV415038U1	4	.042"/1.07mm	150	2.0	0	Braided / BT	ULT 1	0.038"
PV512538U1	5	.046"/1.17mm	125	2.0	0	Braided / BT	ULT 1	0.038"
PV512538U1SH	5	.046"/1.17mm	125	2.0	1	Braided / BT	ULT 1	0.038"
PV513538U1	5	.046"/1.17mm	135	2.0	0	Braided / BT	ULT 1	0.038"
PV515038U1	5	.046"/1.17mm	150	2.0	0	Braided / BT	ULT 1	0.038"
PV612538U1	6	.054"/1.37mm	125	2.0	0	Braided	ULT 1	0.038"
ULTIMATE 2								
PV412538U2	4	.042"/1.07mm	125	2.0	0	Braided / BT	ULT 2	0.038"
PV512538U2	5	.046"/1.17mm	125	2.0	0	Braided / BT	ULT 2	0.038"
PV512538U2SH	5	.046"/1.17mm	125	2.0	1	Braided / BT	ULT 2	0.038"
PV612538U2	6	.054"/1.37mm	125	2.0	0	Braided	ULT 2	0.038"
ULTIMATE 3								
PV412538U3	4	.042"/1.07mm	125	2.0	0	Braided / BT	ULT 3	0.038"
PV512538U3	5	.046"/1.17mm	125	2.0	0	Braided / BT	ULT 3	0.038"
PV512538U3SH	5	.046"/1.17mm	125	2.0	2	Braided / BT	ULT 3	0.038"
PV612538U3	6	.054"/1.37mm	125	2.0	0	Braided	ULT 3	0.038"
ULTIMATE 4.0								
PV412538U4	4	.042"/1.07mm	125	2.0	0	Braided / BT	ULT 4.0	0.038"
PV512538U4	5	.046"/1.17mm	125	2.0	0	Braided / BT	ULT 4.0	0.038"
PV512538U4SH	5	.046"/1.17mm	125	2.0	1	Braided / BT	ULT 4.0	0.038"
PV612538U4	6	.054"/1.37mm	125	2.0	0	Braided	ULT 4.0	0.038"
ULTIMATE 4.5								
PV412538U45	4	.042"/1.07mm	125	2.0	0	Braided / BT	ULT 4.5	0.038"
PV512538U45	5	.046"/1.17mm	125	2.0	0	Braided / BT	ULT 4.5	0.038"
PV512538U45SH	5	.046"/1.17mm	125	2.0	1	Braided / BT	ULT 4.5	0.038"
PV612538U45	6	.054"/1.37mm	125	2.0	0	Braided	ULT 4.5	0.038"
BERENSTEIN								
PV412538BERN	4	.042"/1.07mm	125	8.0	0	Braided / BT	BERN	0.038"
PV413538BERN	4	.042"/1.07mm	135	8.0	0	Braided / BT	BERN	0.038"
PV415038BERN	4	.042"/1.07mm	150	8.0	0	Braided / BT	BERN	0.038"
PV512538BERN	5	.046"/1.17mm	125	8.0	0	Braided	BERN	0.038"
PV513538BERN	5	.046"/1.17mm	135	8.0	0	Braided	BERN	0.038"
PV515038BERN	5	.046"/1.17mm	150	8.0	0	Braided	BERN	0.038"
PIGTAIL								
PV411038PIG	4	.042"/1.07mm	125	6.5	5	Braided	PIGTAIL	0.038"
PV512538PIG	5	.046"/1.17mm	125	7.5	5	Braided	PIGTAIL	0.038"
PV612538PIG	6	.054"/1.37mm	125	8.0	5	Non-Braided	PIGTAIL	0.038"
MULTIPURPOSE 1								
PV412538MP1	4	.042"/1.07mm	125	5.8	0	Braided/BT	MP 1	0.038"
PV512538MP1	5	.046"/1.17mm	125	5.8	0	Braided/BT	MP 1	0.038"
MULTIPURPOSE 2								
PV412538MP2SH	4	.042"/1.07mm	125	5.8	2	Braided/BT	MP 2	0.038"
PV512538MP2SH	5	.046"/1.17mm	125	5.8	2	Braided/BT	MP 2	0.038"
PV612538MP2SH	6	.054"/1.37mm	125	5.8	2	Braided	MP 2	0.038"
RENAL DOUBLE CURVE								
PV512538REN	5	.046"/1.17mm	125	4.0	0	Braided	RENAL	0.038"
COBRA 2								
PV512538COB2	5	.046"/1.17mm	125	9.0	0	Braided	COBRA 2	0.038"

PV= Peripheral Vasculature; BT = Bumper Tip; MP = Multi Purpose; ULT = Ultimate

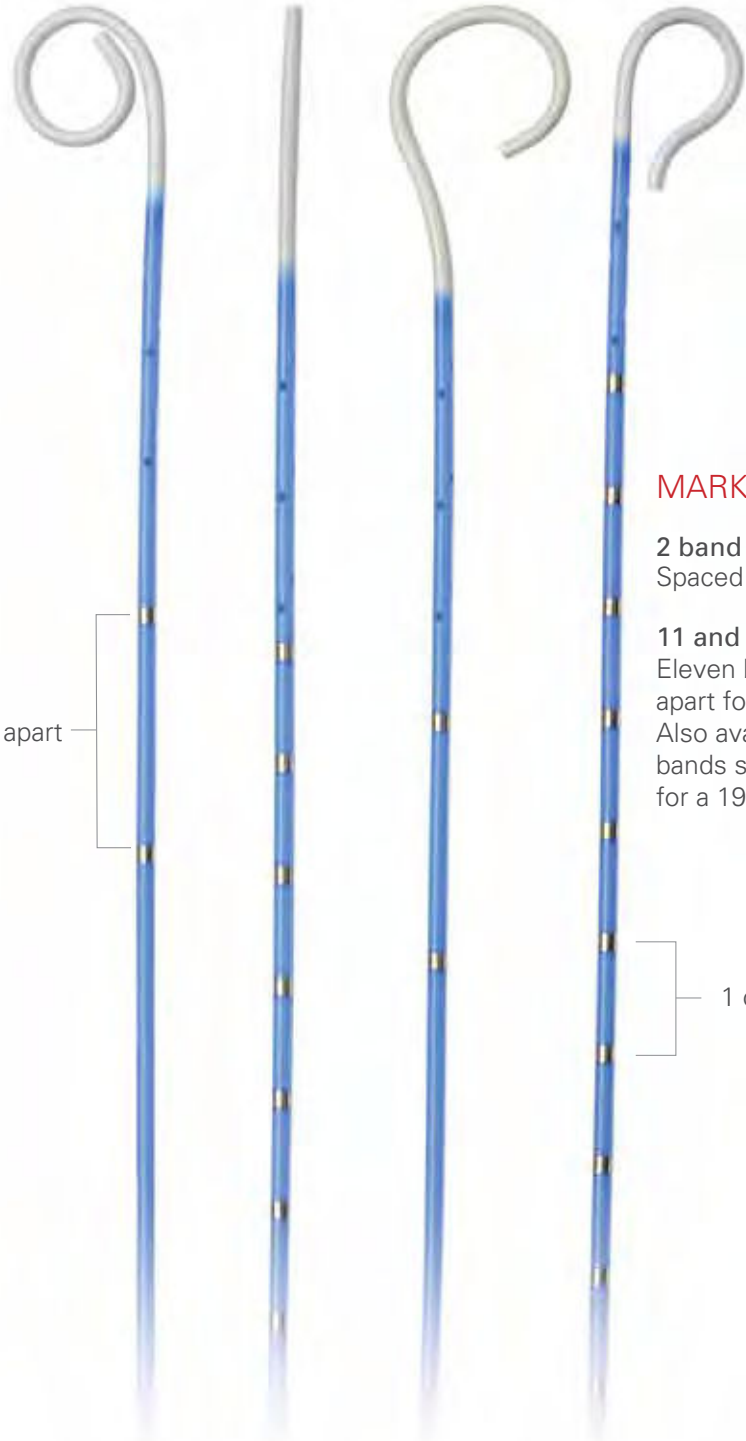


Performa® Vessel Sizing Catheters

Accurate measurement of a patient's anatomy will take the guess work out of selecting the appropriate interventional device. Merit's Vessel Sizing Catheters provide the clinician with the precise instrument for anatomical measurement.

FOUR TIP CONFIGURATIONS

Available in Pigtail, Straight, Modified Hook and Ultra Bolus Flush styles.



MARKER BANDS

2 band option
Spaced 2 cm apart

11 and 20 band options
Eleven bands spaced 1 cm apart for a 10 cm segment.
Also available with twenty bands spaced 1 cm apart for a 19 cm segment.

1 cm apart



STANDARD CONFIGURATION

Platinum marker bands are placed at the distal portion of the catheter to determine accurate vessel sizing.



SH CONFIGURATION

Platinum marker bands are positioned closer to the pigtail curve allowing bands to be visualized closer to the vessel.

Performa® Vessel Sizing Catheters

Catalog Number	Description	French	Length	Recom. Guide Wire	Side Ports	Bands	Band Spacing
PERFORMA® 2 BAND							
7742-2M65SH*	Pigtail Flush	4F	65cm	.035" (0.89mm)	5	2	2cm
7742-2M100SH*	Pigtail Flush	4F	100cm	.035" (0.89mm)	5	2	2cm
7744-2M65SH*	Straight Flush	4F	65cm	.035" (0.89mm)	5	2	2cm
7744-2M100SH*	Straight Flush	4F	100cm	.035" (0.89mm)	5	2	2cm
7743-2M65SH*	Ultra Bolus Flush	4F	65cm	.035" (0.89mm)	5	2	2cm
7743-2M100SH*	Ultra Bolus Flush	4F	100cm	.035" (0.89mm)	5	2	2cm
7755-2M65	Mod. Hook Flush	4F	65cm	.035" (0.89mm)	6	2	2cm
7755-2M100	Mod. Hook Flush	4F	100cm	.035" (0.89mm)	6	2	2cm
7602-2M	Pigtail Flush	5F	100cm	.035" (0.89mm)	10	2	2cm
7602-2M65	Pigtail Flush	5F	65cm	.035" (0.89mm)	10	2	2cm
7674-2M	Ultra Bolus Flush	5F	100cm	.035" (0.89mm)	10	2	2cm
7674-2M65	Ultra Bolus Flush	5F	65cm	.035" (0.89mm)	10	2	2cm
7673-2M	Straight Flush	5F	100cm	.035" (0.89mm)	10	2	2cm
7673-2M65	Straight Flush	5F	65cm	.035" (0.89mm)	10	2	2cm
7603-2M100	Mod. Hook Flush	5F	100cm	.035" (0.89mm)	6	2	2cm
7603-2M65	Mod. Hook Flush	5F	65cm	.035" (0.89mm)	6	2	2cm
PERFORMA® 11 BAND							
7602-11M	Pigtail Flush	5F	100cm	.035" (0.89mm)	10	11	1cm
7602-11M65	Pigtail Flush	5F	65cm	.035" (0.89mm)	10	11	1cm
7673-11M100SH*	Straight Flush	5F	100cm	.035" (0.89mm)	10	11	1cm
7673-11M65SH*	Straight Flush	5F	65cm	.035" (0.89mm)	10	11	1cm
7603-11M100	Mod. Hook Flush	5F	100cm	.035" (0.89mm)	6	11	1cm
7603-11M65	Mod. Hook Flush	5F	65cm	.035" (0.89mm)	6	11	1cm
PERFORMA® 20 BAND							
7742-20M65SH*	Pigtail Flush	4F	65cm	.035" (0.89mm)	5	20	1cm
7742-20M100SH*	Pigtail Flush	4F	100cm	.035" (0.89mm)	5	20	1cm
7602-20M	Pigtail Flush	5F	100cm	.035" (0.89mm)	10	20	1cm
7602-20M65	Pigtail Flush	5F	65cm	.035" (0.89mm)	10	20	1cm
7602-20M100SH*	Pigtail Flush	5F	100cm	.035" (0.89mm)	5	20	1cm
7602-20M65SH*	Pigtail Flush	5F	65cm	.035" (0.89mm)	5	20	1cm
7673-20M100SH*	Straight Flush	5F	100cm	.035" (0.89mm)	10	20	1cm
7673-20M65SH*	Straight Flush	5F	65cm	.035" (0.89mm)	10	20	1cm
7603-20M100SH*	Mod. Hook Flush	5F	100cm	.035" (0.89mm)	6	20	1cm
7603-20M65SH*	Mod. Hook Flush	5F	65cm	.035" (0.89mm)	6	20	1cm

*SH Configurations

Performa Diagnostic Cardiology Catheters

Introducing Merit Medical's Performa line of Diagnostic Cardiology Catheters, designed with all the torque you need, improved shaft strength for better pushability and large inner lumens for increased flow rates.

INNER-LUMEN SIZES

- 4F 0.042" (1.07 mm)
- 5F 0.046" (1.17 mm)
- 5F 0.052" (1.32 mm) high flow
- 6F 0.054" (1.37 mm)
- 6F 0.059" (1.49 mm) high flow
- Yields higher flow rates at lower pressures
- Superior guide wire trackability

WINGED POLYCARBONATE HUB

- Enhanced handling and control

STRAIN RELIEF

- Increased strength at catheter/hub interface
- Color coded for easy identification

TIP

- Soft tip for smooth atraumatic positioning
- Excellent tip memory

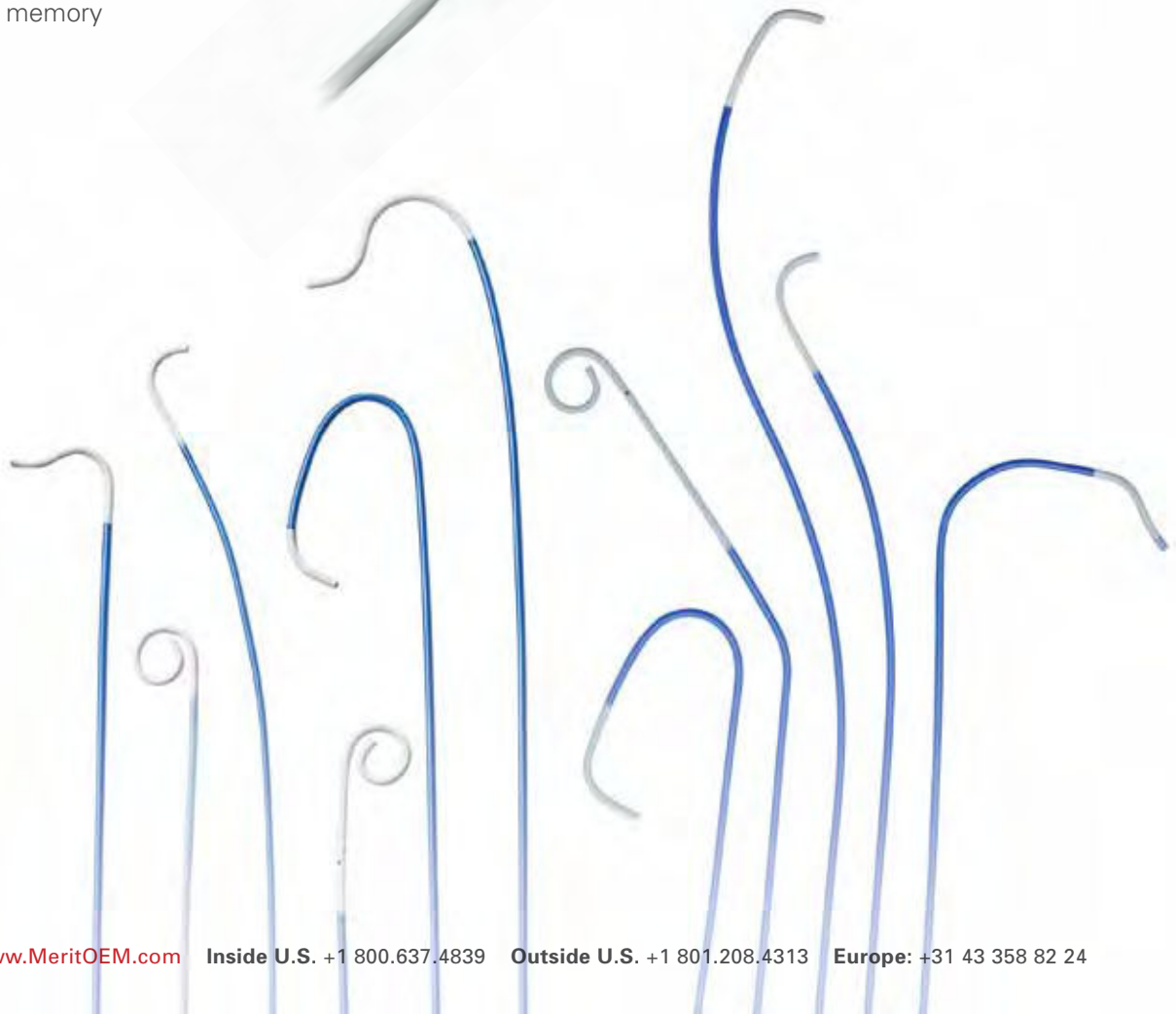
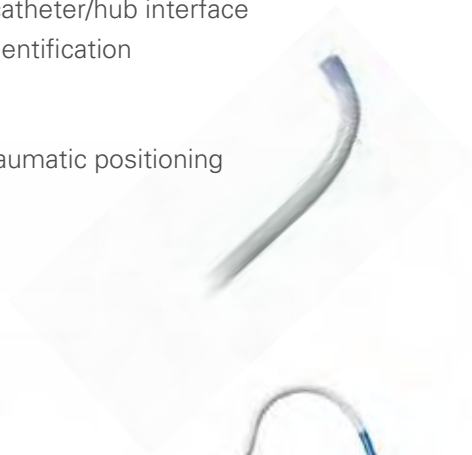
WIRE BRAID DESIGN

- Greater torque for maximum control
- Improved longitudinal stability
- High degree of maneuverability
- Provides superior pushability



PRESSURE

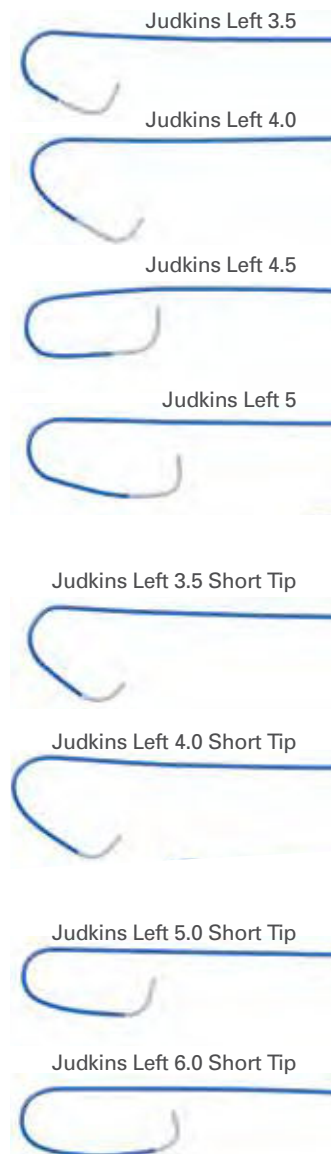
- High pressure limits at given flow rates



Performa Diagnostic Cardiology Catheters

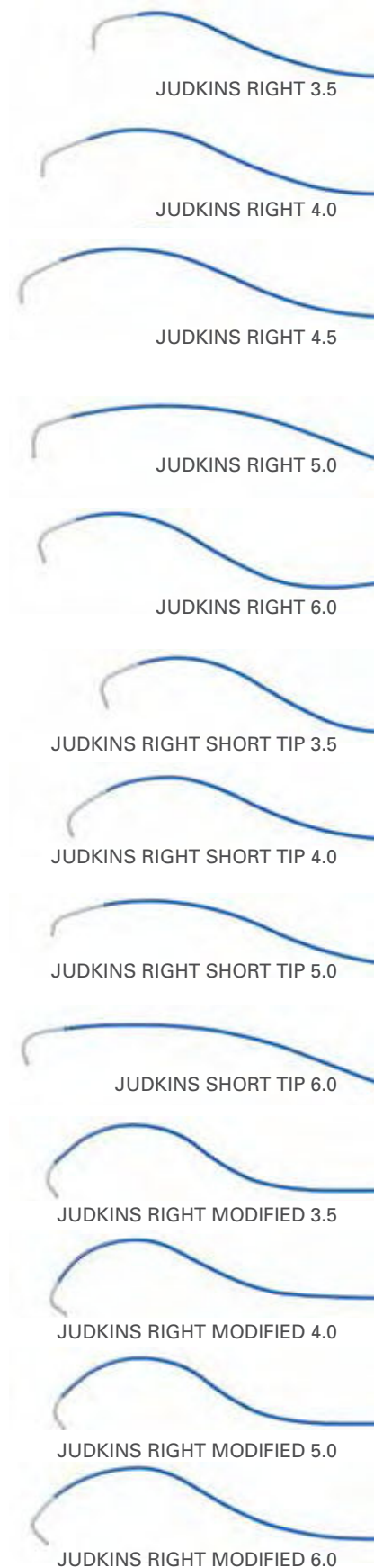
Catalog Number	French Size	Internal Diameter	Length	Length of Tip	Description	
JUDKINS LEFT						
7700-10	4	0.042"/1.07mm	100cm	2.3cm	JL3.5	bumper tip
7700-20	4	0.042"/1.07mm	100cm	2.3cm	JL4.0	bumper tip
7700-30	4	0.042"/1.07mm	100cm	2.3cm	JL5.0	bumper tip
7700-40	4	0.042"/1.07mm	100cm	2.3cm	JL6.0	bumper tip
7521-13	5	0.046"/1.17mm	100cm	2.5cm	JL3.5	
7521-21	5	0.046"/1.17mm	100cm	2.5cm	JL4.0	
7521-F1	5	0.046"/1.17mm	100cm	2.5cm	JL4.5	
7521-33	5	0.046"/1.17mm	100cm	2.5cm	JL5.0	
7521-43	5	0.046"/1.17mm	100cm	2.5cm	JL6.0	
7521-53	5	0.046"/1.17mm	125cm	2.5cm	JL3.5	
7521-63	5	0.046"/1.17mm	125cm	2.5cm	JL4.0	
7521-73	5	0.046"/1.17mm	125cm	2.5cm	L5.0	
7521-83	5	0.046"/1.17mm	125cm	2.5cm	JL6.0	
7601-21	5	0.052"/1.32mm	100cm	2.5cm	JL4.0-high flow	non-braided
7601-33	5	0.052"/1.32mm	100cm	2.5cm	JL5.0-high flow	non-braided
7601-43	5	0.052"/1.32mm	100cm	2.5cm	JL6.0-high flow	non-braided
7501-13	6	0.054"/1.37mm	100cm	1.9cm	JL3.5	
7501-21	6	0.054"/1.37mm	100cm	1.9cm	JL4.0	
7501-H1	6	0.054"/1.37mm	100cm	1.9cm	JL4.5	
7501-33	6	0.054"/1.37mm	100cm	1.9cm	JL5.0	
7501-43	6	0.054"/1.37mm	100cm	1.9cm	JL6.0	
7501-53	6	0.054"/1.37mm	125cm	1.9cm	JL3.5	
7501-63	6	0.054"/1.37mm	125cm	1.9cm	JL4.0	
7501-73	6	0.054"/1.37mm	125cm	1.9cm	JL5.0	
7501-83	6	0.054"/1.37mm	125cm	1.9cm	JL6.0	
7574-13	6	0.059"/1.49mm	100cm	2.5cm	JL3.5-high flow	non-braided
7574-21	6	0.059"/1.49mm	100cm	2.5cm	JL4.0-high flow	non-braided
7574-33	6	0.059"/1.49mm	100cm	2.5cm	JL5.0-high flow	non-braided
7574-43	6	0.059"/1.49mm	100cm	2.5cm	JL6.0-high flow	non-braided
JUDKINS LEFT SHORT TIP						
7501-A3	6	0.054"/1.37mm	100cm	1.9cm	JL3.5 ST	
7501-B1	6	0.054"/1.37mm	100cm	1.9cm	JL4.0 ST	
7501-C3	6	0.054"/1.37mm	100cm	1.9cm	JL5.0 ST	
7501-D3	6	0.054"/1.37mm	100cm	1.9cm	JL6.0 ST	

Recommended guide wire is 0.038" (0.97 mm)



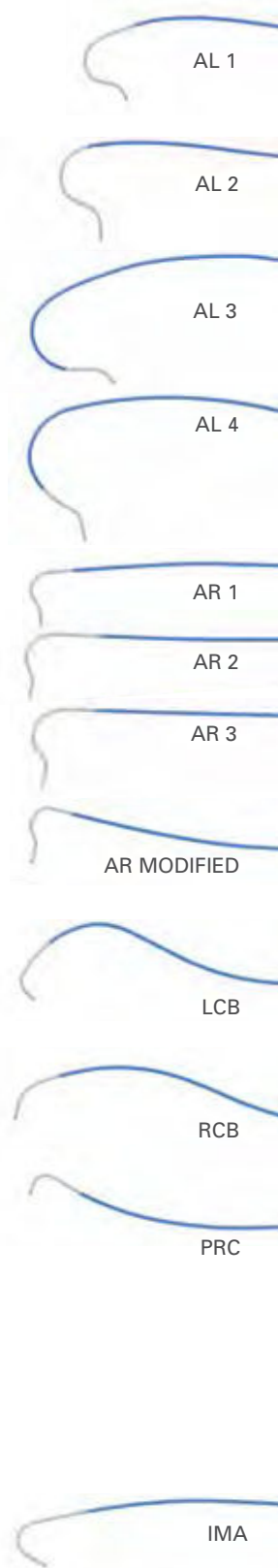
Performa Diagnostic Cardiology Catheters

Catalog Number	French Size	Internal Diameter	Length	Length of Tip	Description	
JUDKINS RIGHT						
7701-10	4	0.042"/1.07mm	100cm	2.5cm	JR3.5	bumper tip
7701-20	4	0.042"/1.07mm	100cm	2.5cm	JR4.0	bumper tip
7701-50	4	0.042"/1.07mm	100cm	2.5cm	JR4.5	bumper tip
7701-30	4	0.042"/1.07mm	100cm	2.5cm	JR5.0	bumper tip
7701-40	4	0.042"/1.07mm	100cm	2.5cm	JR6.0	bumper tip
7523-13	5	0.046"/1.17mm	100cm	2.5cm	JR3.5	
7523-21	5	0.046"/1.17mm	100cm	2.5cm	JR4.0	
7523-93	5	0.046"/1.17mm	100cm	2.5cm	JR4.5	
7523-33	5	0.046"/1.17mm	100cm	2.5cm	JR5.0	
7523-43	5	0.046"/1.17mm	100cm	2.5cm	JR6.0	
7523-53	5	0.046"/1.17mm	125cm	2.5cm	JR3.5	
7523-63	5	0.046"/1.17mm	125cm	2.5cm	JR4.0	
7523-73	5	0.046"/1.17mm	125cm	2.5cm	JR5.0	
7523-83	5	0.046"/1.17mm	125cm	2.5cm	JR6.0	
7503-13	6	0.054"/1.37mm	100cm	1.9cm	JR3.5	
7503-21	6	0.054"/1.37mm	100cm	1.9cm	JR4.0	
7503-93	6	0.054"/1.37mm	100cm	1.9cm	JR4.5	
7503-33	6	0.054"/1.37mm	100cm	1.9cm	JR5.0	
7503-43	6	0.054"/1.37mm	100cm	1.9cm	JR6.0	
7503-53	6	0.054"/1.37mm	125cm	1.9cm	JR3.5	
7503-63	6	0.054"/1.37mm	125cm	1.9cm	JR4.0	
7503-73	6	0.054"/1.37mm	125cm	1.9cm	JR5.0	
7503-83	6	0.054"/1.37mm	125cm	1.9cm	JR6.0	
JUDKINS RIGHT SHORT TIP						
7523-E3	5	0.046"/1.17mm	100cm	2.5cm	JR3.5 ST	
7523-F1	5	0.046"/1.17mm	100cm	2.5cm	JR4.0 ST	
7523-G3	5	0.046"/1.17mm	100cm	2.5cm	JR5.0 ST	
7523-H3	5	0.046"/1.17mm	100cm	2.5cm	JR6.0 ST	
7503-A3	6	0.054"/1.37mm	100cm	1.9cm	JR3.5 ST	
7503-B1	6	0.054"/1.37mm	100cm	1.9cm	JR4.0 ST	
7503-C3	6	0.054"/1.37mm	100cm	1.9cm	JR5.0 ST	
7503-D3	6	0.054"/1.37mm	100cm	1.9cm	JR6.0 ST	
JUDKINS RIGHT MODIFIED						
7502-13	6	0.054"/1.37mm	100cm	1.9cm	JR3.5	MOD
7502-23	6	0.054"/1.37mm	100cm	1.9cm	JR4.0	MOD
7502-33	6	0.054"/1.37mm	100cm	1.9cm	JR5.0	MOD
7502-43	6	0.054"/1.37mm	100cm	1.9cm	JR6.0	MOD



Performa Diagnostic Cardiology Catheters

Catalog Number	French Size	Internal Diameter	Length	Length of Tip	Description	
AMPLATZ LEFT						
7703-10	4	0.042"/1.07 mm	100 cm	5.0 cm	AL1	bumper tip
7703-20	4	0.042"/1.07 mm	100 cm	2.2 cm	AL2	bumper tip
7703-30	4	0.042"/1.07 mm	100 cm	2.3 cm	AL3	bumper tip
7703-40	4	0.042"/1.07 mm	100 cm	2.5 cm	AL4	bumper tip
7527-13	5	0.046"/1.17 mm	100 cm	5.0 cm	AL1	
7527-23	5	0.046"/1.17 mm	100 cm	5.0 cm	AL2	
7527-33	5	0.046"/1.17 mm	100 cm	2.0 cm	AL3	
7527-43	5	0.046"/1.17 mm	100 cm	2.5 cm	AL4	
7507-13	6	0.054"/1.37 mm	100 cm	5.0 cm	AL1	
7507-23	6	0.054"/1.37 mm	100 cm	5.0 cm	AL2	
7507-33	6	0.054"/1.37 mm	100 cm	2.4 cm	AL3	
7507-43	6	0.054"/1.37 mm	100 cm	2.5 cm	AL4	
AMPLATZ RIGHT						
7702-40	4	0.042"/1.07 mm	100 cm	3.3 cm	AR MOD	bumper tip
7702-10	4	0.042"/1.07 mm	100 cm	3.3 cm	AR1	bumper tip
7702-20	4	0.042"/1.07 mm	100 cm	5.0 cm	AR2	bumper tip
7702-30	4	0.042"/1.07 mm	100 cm	5.0 cm	AR3	bumper tip
7526-11	5	0.046"/1.17 mm	100 cm	3.3 cm	AR MOD	
7528-13	5	0.046"/1.17 mm	100 cm	3.3 cm	AR1	
7528-23	5	0.046"/1.17 mm	100 cm	5.0 cm	AR2	
7528-33	5	0.046"/1.17 mm	100 cm	5.0 cm	AR3	
7506-11	6	0.054"/1.37 mm	100 cm	3.3 cm	AR MOD	
7508-13	6	0.054"/1.37 mm	100 cm	3.3 cm	AR1	
7508-23	6	0.054"/1.37 mm	100 cm	3.5 cm	AR2	
7508-33	6	0.054"/1.37 mm	100 cm	4.0 cm	AR3	
LEFT CORONARY BYPASS						
7709-10	4	0.042"/1.07 mm	100 cm	2.5 cm	LCB	bumper tip
7534-13	5	0.046"/1.17 mm	100 cm	2.5 cm	LCB	
7510-13	6	0.054"/1.37 mm	100 cm	2.5 cm	LCB	
RIGHT CORONARY BYPASS						
7709-20	4	0.042"/1.07 mm	100 cm	2.5 cm	RCB	bumper tip
7534-23	5	0.046"/1.17 mm	100 cm	2.5 cm	RCB	
7510-23	6	0.054"/1.37 mm	100 cm	2.5 cm	RCB	
PROGRESSIVE RIGHT CORONARY (NON TORQUE)						
7707-10	4	0.042"/1.07 mm	100 cm	2.5 cm	PRC	bumper tip
7600-11	5	0.052"/1.32 mm	100 cm	2.5 cm	PRC	non-braided
7532-13	5	0.046"/1.17 mm	100 cm	2.5 cm	PRC	
7572-11	6	0.059"/1.49 mm	100 cm	2.5 cm	PRC	non-braided
7512-13	6	0.054"/1.37 mm	100 cm	2.5 cm	PRC	
7512-23	6	0.054"/1.37 mm	125 cm	2.5 cm	PRC	
INTERNAL MAMMARY						
7706-10	4	0.042"/1.07 mm	100 cm	3.3 cm	IMA	bumper tip
7531-30	5	0.046"/1.17 mm	65 cm	3.3 cm	IMA	
7531-13	5	0.046"/1.17 mm	100 cm	3.3 cm	IMA	
7511-13	6	0.054"/1.37 mm	100 cm	3.3 cm	IMA	



Recommended guide wire is 0.038" (0.97 mm)

Performa Diagnostic Cardiology Catheters

Catalog Number	French Size	Internal Diameter	Length	Length of Tip	Description	# Side Ports	Small Pigtail Curve	Angle Length
STRAIGHT CARDIAC PIGTAIL								
7704-70	4	.042"/1.07 mm	80 cm	6.5 cm	braided pig	5		
7704-10	4	.042"/1.07 mm	110 cm	6.5 cm	braided pig	5		
7776-11	5	.046"/1.17 mm	90 cm	5.0 cm	braided pig	5	yes	
7776-21	5	.046"/1.17 mm	110 cm	5.0 cm	braided pig	5	yes	
7776-B1	5	.052"/1.32 mm	110 cm	4.6 cm	non-braided pig	5	yes	
7602-11	5	.052"/1.32 mm	110 cm	7.5 cm	non-braided pig	5		
7529-11	5	.046"/1.17 mm	110 cm	7.5 cm	braided pig	5		
7529-43	5	.046"/1.17 mm	125 cm	7.5 cm	braided pig	5		
7569-11	6	.059"/1.49 mm	110 cm	8.0 cm	non-braided pig	5		
7509-11	6	.054"/1.37 mm	110 cm	7.5 cm	braided pig	5		
7777-B1	6	.059"/1.49 mm	110 cm	4.8 cm	non-braided pig	5	yes	
7777-21	6	.054"/1.49 mm	110 cm	4.6 cm	braided pig	5	yes	
7509-43	6	.054"/1.49 mm	125 cm	7.5 cm	braided pig	5		
7569-43	6	.059"/1.49 mm	125 cm	8.0 cm	non-braided pig	5		
145 DEGREE CARDIAC PIGTAIL								
7704-20	4	.042"/1.07mm	110 cm	6.5 cm	braided pig	5		5.5 cm
7776-C3	5	.052"/1.32 mm	110 cm	4.6 cm	non-braided pig	5	yes	5.5 cm
7776-33	5	.046"/1.17 mm	110 cm	5.0 cm	braided pig	5	yes	5.5 cm
7529-53	5	.046"/1.17 mm	125 cm	7.5 cm	braided pig	5		7.5 cm
7602-23	5	.052"/1.32 mm	110 cm	7.5 cm	non-braided pig	5		7.5 cm
7529-23	5	.046"/1.17 mm	110 cm	7.5 cm	braided pig	5		7.5 cm
7569-23	6	.059"/1.49 mm	110 cm	8.0 cm	non-braided pig	5		5.5 cm
7509-23	6	.054"/1.37 mm	110 cm	7.5 cm	braided pig	5		5.5 cm
7777-C3	6	.059"/1.49 mm	110 cm	7.5 cm	non-braided pig	5	yes	5.5 cm
7777-33	6	.054"/1.37 mm	110 cm	4.6 cm	braided pig	5	yes	5.5 cm
7509-53	6	.054"/1.37 mm	125 cm	7.5 cm	braided pig	5		5.5 cm
7569-53	6	.059"/1.49 mm	125 cm	8.0 cm	non-braided pig	5		5.5 cm
155 DEGREE CARDIAC PIGTAIL								
7704-30	4	.042"/1.07 mm	110 cm	6.5 cm	braided pig	5		5.5 cm
7602-33	5	.052"/1.32 mm	110 cm	7.5 cm	non-braided pig	5		7.5 cm
7529-33	5	.046"/1.17 mm	110 cm	7.5 cm	braided pig	5		7.5 cm
7529-63	5	.046"/1.17 mm	125 cm	7.5 cm	braided pig	5		7.5 cm
7776-D3	5	.052"/1.32 mm	110 cm	4.6 cm	ultra high flow	5	yes	5.5 cm
7776-43	5	.046"/1.17 mm	110 cm	5.0 cm	braided pig	5	yes	5.5 cm
7569-33	6	.059"/1.49 mm	110 cm	8.0 cm	non-braided pig	5		5.5 cm
7509-33	6	.054"/1.37 mm	110 cm	7.5 cm	braided pig	5		5.5 cm
7509-63	6	.054"/1.37 mm	125 cm	7.5 cm	braided pig	5		5.5 cm
7569-63	6	.059"/1.49 mm	125 cm	8.0 cm	non-braided pig	5		5.5 cm
7777-D3	6	.059"/1.49 mm	110 cm	4.8 cm	non-braided pig	5	yes	5.5 cm
7777-43	6	.054"/1.37 mm	110 cm	4.6 cm	braided pig	5	yes	5.5 cm
SONES								
7705-10	4	.042"/1.07 mm	80 cm	7.3 cm	SONES	4	bumper tip	
7705-20	4	.042"/1.07 mm	100 cm	7.3 cm	SONES	4	bumper tip	
7530-13	5	.046"/1.17 mm	80 cm	7.3 cm	SONES	4		
7530-23	5	.046"/1.17 mm	100 cm	7.3 cm	SONES	4		
7520-13	6	.054"/1.37 mm	80 cm	7.3 cm	SONES	4		
7520-23	6	.054"/1.37 mm	100 cm	7.3 cm	SONES	4		



CATHETERS
& EXTRUSIONS

Recommended guide wire is 0.038" (0.97 mm)

Performa Diagnostic Cardiology Catheters

Catalog Number	French Size	Internal Diameter	Length	Length of Tip	Description	# Side Ports	
MULTIPURPOSE							
7708-30	4	.042"/1.07 mm	80 cm	5.8 cm	MULTI A2	2	bumper tip
7708-40	4	.042"/1.07 mm	80 cm	5.8 cm	MULTI B2	2	bumper tip
7708-10	4	.042"/1.07 mm	100 cm	5.8 cm	MULTI A1	-	bumper tip
7708-20	4	.042"/1.07 mm	100 cm	5.8 cm	MULTI A2	2	bumper tip
7708-50	4	.042"/1.07 mm	100 cm	5.8 cm	MULTI B1	-	bumper tip
7708-60	4	.042"/1.07 mm	100 cm	5.8 cm	MULTI B2	2	bumper tip
7533-53	5	.046"/1.17 mm	80 cm	5.8 cm	MULTI A2	2	
7533-63	5	.046"/1.17 mm	80 cm	5.8 cm	MULTI B2	2	
7533-13	5	.046"/1.17 mm	100 cm	5.8 cm	MULTI A1	-	
7533-23	5	.046"/1.17 mm	100 cm	5.8 cm	MULTI A2	2	
7533-33	5	.046"/1.17 mm	100 cm	5.8 cm	MULTI B1	-	
7533-43	5	.046"/1.17 mm	100 cm	5.8 cm	MULTI B2	2	
7513-A3	6	.054"/1.37 mm	80 cm	5.8 cm	MULTI A1	-	
7513-13	6	.054"/1.37 mm	80 cm	5.8 cm	MULTI A2	2	
7513-D3	6	.054"/1.37 mm	80 cm	5.8 cm	MULTI B1	-	
7513-33	6	.054"/1.37 mm	80 cm	5.8 cm	MULTI B2	2	
7513-B3	6	.054"/1.37 mm	100cm	5.8 cm	MULTI A1	-	
7513-23	6	.054"/1.37 mm	100 cm	5.8 cm	MULTI A2	2	
7513-E3	6	.054"/1.37 mm	100 cm	5.8 cm	MULTI B1	-	
7513-43	6	.054"/1.37 mm	100 cm	5.8 cm	MULTI B2	2	
7513-C3	6	.054"/1.37 mm	125 cm	5.8 cm	MULTI A1	-	
7513-53	6	.054"/1.37 mm	125 cm	5.8 cm	MULTI A2	2	
7513-F3	6	.054"/1.37 mm	125 cm	5.8 cm	MULTI B1	-	
7513-63	6	.054"/1.37 mm	125 cm	5.8 cm	MULTI B2	2	

Recommended guide wire is 0.038" (0.97 mm)

Catalog Number	French Size	Description	Catheters and Individual Catalog Numbers
PERFORMA MULTIPACK™			
7751-10	4	CARDIAC MULTIPACK I	PIG (Braided), JL4.0, JR4.0 (7704-10, 7700-20, 7701-20)
7560-13	5	CARDIAC MULTIPACK I	PIG (Braided), JL4.0, JR4.0 (7529-11, 7521-21, 7523-21)
7560-A3	5	CARDIAC MULTIPACK I	PIG (Braided), JL4.0, PRC (7529-11, 7521-21, 7532-13)
7560-23	5	CARDIAC MULTIPACK II	145° PIG (Braided), JL4.0, JR4.0 (7529-23, 7521-21, 7523-21)
7560-C3	5	CARDIAC MULTIPACK II	145° PIG (Braided), JL4.0, PRC (7529-23, 7521-21, 7532-13)
7560-33	5	CARDIAC MULTIPACK III	155° PIG (Braided), JL4.0, JR4.0 (7529-33, 7521-21, 7523-21)
7560-43	5	CARDIAC MULTIPACK IV	PIG (Non-Braided), JL4.0, JR4.0 (7602-11, 7521-21, 7523-21)
7560-53	5	CARDIAC MULTIPACK V	145° PIG (Non-Braided), JL4.0, JR4.0 (7602-23, 7521-21, 7523-21)
7560-G3	5	CARDIAC MULTIPACK V	PIG (Braided), JL4.0 (high flow), JR4.0 (7529-11, 7601-21, 7523-21)
7560-83	5	CARDIAC MULTIPACK V	155° PIG (Non-Braided), JL3.5, JR4.0 (7602-33, 7521-13, 7523-21)
7660-13	6	CARDIAC MULTIPACK I	PIG (Braided), JL4.0, JR4.0 (7509-11, 7501-21, 7503-21)
7660-A3	6	CARDIAC MULTIPACK I	PIG (Braided), JL4.0, PRC (7509-11, 7501-21, 7512-13)
7660-23	6	CARDIAC MULTIPACK II	145° PIG (Braided), JL4.0, JR4.0 (7509-23, 7501-21, 7503-21)
7660-B3	6	CARDIAC MULTIPACK II	145° PIG (Braided), JL4.0, PRC (7509-23, 7501-21, 7512-13)
7660-33	6	CARDIAC MULTIPACK III	155° PIG (Braided), JL4.0, JR4.0 (7509-33, 7501-21, 7503-21)
7660-43	6	CARDIAC MULTIPACK IV	PIG (Non-Braided), JL4.0, JR4.0 (7569-11, 7501-21, 7503-21)
7660-53	6	CARDIAC MULTIPACK V	145° PIG (Non-Braided), JL4.0, JR4.0 (7569-23, 7501-21, 7503-21)
7660-63	6	CARDIAC MULTIPACK VI	155° PIG (Non-Braided), JL4.0, JR4.0 (7569-33, 7501-21, 7503-21)



Performa Diagnostic Cardiology Catheters

Catalog Number	French Size	Diagnostic Catheters			Sheath (11cm) w/ 0.038 Guide Wire	Guide Wire (150 cm) 3 mm J 0.035" (0.89 mm) Fixed Core	Needle
		100 cm	110 cm				
PERFORMA MULTIPACK PLUS™							
4MPPRO-W-S	4	PRC	JL4.0	Straight Pigtail	4F PRO*	Yes	
4MPPRO-W-145	4	JR4.0	JL4.0	145° Pigtail	4F PRO*	Yes	
5MPSW-S	5	JR 4.0	JL 4.0	Straight Pigtail	5F Prelude	Yes	
5MPSW-145	5	JR 4.0	JL 4.0	145° Pigtail	5F Prelude	Yes	
5MPS-S	5	JR 4.0	JL 4.0	Straight Pigtail	5F Prelude	No	
5MPS-145	5	JR 4.0	JL 4.0	145° Pigtail	5F Prelude	No	
5MPSW-SNB	5	JR 4.0	JL 4.0	Straight Pigtail †	5F Prelude	Yes	
5MPSW-S-18G	5	JR 4.0	JL 4.0	Straight Pigtail	5F Prelude	Yes	18G
5MPPROW-S	5	JR 4.0	JL 4.0	Straight Pigtail	5F PRO*	Yes	
5MPPRO-S	5	JR 4.0	JL 4.0	Straight Pigtail	5F PRO*	No	
5MPPRO-145	5	JR 4.0	JL 4.0	145° Pigtail	5F PRO*	No	
5MPPRO-W-145	5	JR 4.0	JL 4.0	145° Pigtail	5F PRO* **	Yes	
5MPPROW-145	5	JR 4.0	JL 4.0	145° Pigtail	5F PRO*	Yes	
6MPSW-S	6	JR 4.0	JL 4.0	Straight Pigtail	6F Prelude	Yes	
6MPSW-145	6	JR 4.0	JL 4.0	145° PPigtail	6F Prelude	Yes	
6MPS-S	6	JR 4.0	JL 4.0	Straight Pigtail	6F Prelude	No	
6MPS-145	6	JR 4.0	JL 4.0	145° Pigtail	6F Prelude	No	
6MPSW-S-18G	6	JR 4.0	JL 4.0	Straight Pigtail	6F Prelude	No	18G
6MPPROW-S	6	JR 4.0	JL 4.0	Straight Pigtail	6F Pro*	Yes	
6MPPROW-145	6	JR 4.0	JL 4.0	145° Pigtail	6F Pro*	Yes	

* Polypropylene (PRO) sheath tubing offers increased resilience and additional support during procedure.

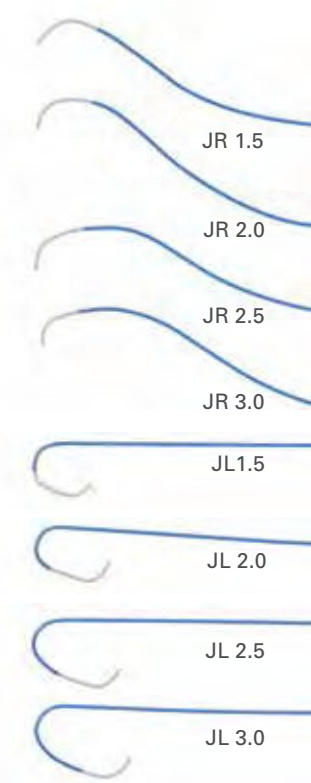
** Contains 5F Prelude PRO™ with 0.035" guide wire.

† non braided



Catalog Number	French Size	Internal Diameter	Length	Length of Tip	Description	# Side Ports	
PEDIATRIC JUDKINS RIGHT AND LEFT CATHETERS							
7700-A0	4	0.042"/1.07 mm	70 cm	2.0 cm	JL 1.5	-	bumper tip
7700-B0	4	0.042"/1.07 mm	70 cm	2.0 cm	JL 2.0	-	bumper tip
7700-C0	4	0.042"/1.07 mm	70 cm	2.0 cm	JL 2.5	-	bumper tip
7700-D0	4	0.042"/1.07 mm	70 cm	2.0 cm	JL 3.0	-	bumper tip
7701-A0	4	0.042"/1.07 mm	70 cm	2.0 cm	JR 1.5	-	bumper tip
7701-B0	4	0.042"/1.07 mm	70 cm	2.0 cm	JR 2.0	-	bumper tip
7701-C0	4	0.042"/1.07 mm	70 cm	2.0 cm	JR 2.5	-	bumper tip
7701-D0	4	0.042"/1.07 mm	70 cm	2.0 cm	JR 3.0	-	bumper tip
7521-L3	5	0.046"/1.17 mm	70 cm	2.0 cm	JL 1.5	-	bumper tip
7521-M3	5	0.046"/1.17 mm	70 cm	2.0 cm	JL 2.0	-	bumper tip
7521-N3	5	0.046"/1.17 mm	70 cm	2.0 cm	JL 2.5	-	bumper tip
7521-P3	5	0.046"/1.17 mm	70 cm	2.0 cm	JL 3.0	-	bumper tip
7523-L3	5	0.046"/1.17 mm	70 cm	2.0 cm	JR 1.5	-	bumper tip
7523-M3	5	0.046"/1.17 mm	70 cm	2.0 cm	JR 2.0	-	bumper tip
7523-N3	5	0.046"/1.17 mm	70 cm	2.0 cm	JR 2.5	-	bumper tip
7523-P3	5	0.046"/1.17 mm	70 cm	2.0 cm	JR 3.0	-	bumper tip

Recommended guide wire is 0.038" (0.97 mm)



CATHETERS & EXTRUSIONS

Performa Diagnostic Cardiology Catheters

Catalog Number	French Size	Internal Diameter	Length	Length of Tip	# Side Ports	
PERFORMA STANDARD PEDIATRIC AND INFANT PIGTAIL CATHETERS - (NYLON)						
7756-10	4	0.041"/1.04 mm	65 cm	6.0 cm	5	std non-braided
7756-20	4	0.041"/1.04 mm	80 cm	6.0 cm	5	std non-braided
7757-10	4	0.041"/1.04 mm	65 cm	5.5 cm	4	infant non-braided
7757-20	4	0.041"/1.04 mm	80 cm	5.5 cm	4	infant non-braided

Recommended guide wire is 0.035" (0.89 mm)

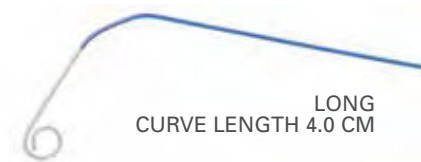
Catalog Number	French Size	Internal Diameter	Length	Recommended Guide Wire	# Side Ports
PEDIATRIC PIGTAIL CATHETERS - (FEP - FLUORINATED ETHYLENE PROPYLENE)					
1310-21-0043	3	0.027"/.69 mm	40 cm	0.021" (0.53 mm)	4
1310-21-0053	3	0.027"/.69 mm	50 cm	0.021" (0.53 mm)	4
1310-21-0054	4	0.040"/1.02 mm	50 cm	0.021" (0.53 mm)	4
1310-21-0064	4	0.040"/1.02 mm	65 cm	0.021" (0.53 mm)	4
1310-25-0054	4	0.040"/1.02 mm	50 cm	0.025" (0.64 mm)	4
1310-25-0064	4	0.040"/1.02 mm	65 cm	0.025" (0.64 mm)	4
1310-25-0084	4	0.040"/1.02 mm	80 cm	0.025" (0.64 mm)	4
1310-25-0065	5	0.046"/1.17 mm	60 cm	0.025" (0.64 mm)	4
1310-25-0085	5	0.046"/1.17 mm	80 cm	0.025" (0.64 mm)	4
1308-25-0085	5	0.046"/1.17 mm	80 cm	0.025" (0.64 mm)	6
1308-35-0065	5	0.046"/1.17 mm	65 cm	0.035" (0.89 mm)	6
1308-35-0085	5	0.046"/1.17 mm	80 cm	0.035" (0.89 mm)	6
1308-35-0005	5	0.046"/1.17 mm	100 cm	0.035" (0.89 mm)	6
1308-35-0086	6	0.056"/1.42 mm	80 cm	0.035" (0.89 mm)	6
1308-35-0006	6	0.056"/1.42 mm	100 cm	0.035" (0.89 mm)	6
1308-38-0006	6	0.056"/1.42 mm	100 cm	0.038" (0.97 mm)	6
1308-35-0007	7	0.065"/1.65 mm	100 cm	0.035" (0.89 mm)	6
1308-38-0007	7	0.065"/1.65 mm	100 cm	0.038" (0.97 mm)	6



Performa Transradial Cardiology Catheters

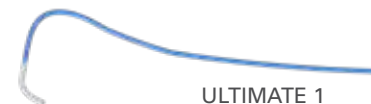
Catalog Number	French Size	Length	# side Ports	
MIV™ VENTRICULOGRAM CATHETER*				
4RPS110	4	110 cm	6	braided pig
4RPS125	4	125 cm	6	braided pig
4RPL125	4	125 cm	6	braided pig
4RPL110	4	110 cm	6	braided pig
4RPS110-NB	4	110 cm	6	non-braided pig
4RPS125-NB	4	125 cm	6	non-braided pig
4RPL125-NB	4	125 cm	6	non-braided pig
4RPL110-NB	4	110 cm	6	non-braided pig
5RPS110	5	110 cm	6	braided pig
5RPS125	5	125 cm	6	braided pig
5RPL110	5	110 cm	6	braided pig
5RPL125	5	125 cm	6	braided pig
5RPS110- NB	5	110 cm	6	non-braided pig
5RPS125-NB	5	125 cm	6	non-braided pig
5RPL110-NB	5	110 cm	6	non-braided pig
5RPL125-NB	5	125 cm	6	non-braided pig
6RPS110	6	110 cm	6	braided pig
6RPS125	6	125 cm	6	braided pig
6RPL110	6	110 cm	6	braided pig
6RPL125	6	125 cm	6	braided pig
6RPS110- NB	6	110 cm	6	non-braided pig
6RPS125-NB	6	125 cm	6	non-braided pig
6RPL110-NB	6	110 cm	6	non-braided pig
6RPL125-NB	6	125 cm	6	non-braided pig

Recommended guide wire is 0.038" (0.97 mm)



Performa Ultimate™ Radial Catheters

Catalog Number	French Size	Internal Diameter	Length	Length of Tip	# side Ports	Description
ULTIMATE 1						
410038ULT1	4	0.042" / 1.07 mm	100 cm	2.0 cm	-	bumper tip
4100381ULT1	4	0.042" / 1.07 mm	100 cm	2.0 cm	1	bumper tip
510038ULT1	5	0.046" / 1.17 mm	100 cm	2.0 cm	-	bumper tip
5100381ULT1	5	0.046" / 1.17 mm	100 cm	2.0 cm	1	bumper tip
5110381ULT1	5	0.046" / 1.17 mm	110 cm	2.0 cm	1	
610038ULT1	6	0.054" / 1.37 mm	100 cm	2.0 cm	-	
6100381ULT1	6	0.054" / 1.37 mm	100 cm	2.0 cm	1	
6110381ULT1	6	0.054" / 1.37 mm	110 cm	2.0 cm	1	



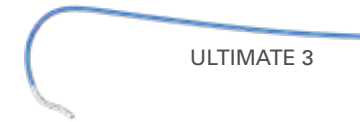
Performa Transradial Cardiology Catheters

Performa Ultimate™ Radial Catheters

Catalog Number	French Size	Internal Diameter	Length	Length of Tip	# side Ports	Description
ULTIMATE 2						
410038ULT2	4	0.042" / 1.07 mm	100 cm	2.0 cm	-	bumper tip
4100381ULT2	4	0.042" / 1.07 mm	100 cm	2.0 cm	1	bumper tip
510038ULT2	5	0.046" / 1.17 mm	100 cm	2.0 cm	-	bumper tip
5100381ULT2	5	0.046" / 1.17 mm	100 cm	2.0 cm	1	bumper tip
5110381ULT2	5	0.046" / 1.17 mm	110 cm	2.0 cm	1	
610038ULT2	6	0.054" / 1.37 mm	100 cm	2.0 cm	-	
6100381ULT2	6	0.054" / 1.37 mm	100 cm	2.0 cm	1	
6110381ULT2	6	0.054" / 1.37 mm	110 cm	2.0 cm	1	
ULTIMATE 3						
410038ULT3	4	0.042" / 1.07 mm	100 cm	2.0 cm	-	bumper tip
4100382ULT3	4	0.042" / 1.07 mm	100 cm	2.0 cm	2	bumper tip
510038ULT3	5	0.046" / 1.17 mm	100 cm	2.0 cm	-	bumper tip
5100382ULT3	5	0.046" / 1.17 mm	100 cm	2.0 cm	2	bumper tip
610038ULT3	6	0.054" / 1.37 mm	100 cm	2.0 cm	-	
6100382ULT3	6	0.054" / 1.37 mm	100 cm	2.0 cm	2	
6110382ULT3	6	0.054" / 1.37 mm	110 cm	2.0 cm	2	
ULTIMATE 4						
(4 cm between primary & secondary curve)						
410038ULT4-T40	4	0.042" / 1.07 mm	100 cm	2.0 cm	-	bumper tip
4100381ULT4-T40	4	0.042" / 1.07 mm	100 cm	2.0 cm	1	bumper tip
510038ULT4-T40	5	0.046" / 1.17 mm	100 cm	2.0 cm	-	bumper tip
5100381ULT4-T40	5	0.046" / 1.17 mm	100 cm	2.0 cm	1	bumper tip
5110381ULT4-T40	5	0.046" / 1.17 mm	110 cm	2.0 cm	1	
610038ULT4-T40	6	0.054" / 1.37 mm	100 cm	2.0 cm	-	
6100381ULT4-T40	6	0.054" / 1.37 mm	100 cm	2.0 cm	1	
6110381ULT4-T40	6	0.054" / 1.37 mm	110 cm	2.0 cm	1	
(4.5 cm between primary & secondary curve)						
410038ULT4-T45	4	0.042" / 1.07 mm	100 cm	2.0 cm	-	bumper tip
4100381ULT4-T45	4	0.042" / 1.07 mm	100 cm	2.0 cm	1	bumper tip
510038ULT4-T45	5	0.046" / 1.17 mm	100 cm	2.0 cm	0	bumper tip
5100381ULT4-T45	5	0.046" / 1.17 mm	100 cm	2.0 cm	1	bumper tip
5110381ULT4-T45	5	0.046" / 1.17 mm	110 cm	2.0 cm	1	
610038ULT4-T45	6	0.054" / 1.37 mm	100 cm	2.0 cm	0	
6100381ULT4-T45	6	0.054" / 1.37 mm	100 cm	2.0 cm	1	
6110381ULT4-T45	6	0.054" / 1.37 mm	110 cm	2.0 cm	1	
IMPRESS® MATERIAL						
ULTIMATE 1						
5IMP10038ULT1	5	0.046" / 1.17 mm	100 cm	2.0 cm	-	
5IMP100381ULT1	5	0.046" / 1.17 mm	100 cm	2.0 cm	1	



ULTIMATE 2



ULTIMATE 3



ULTIMATE 4



ULTIMATE 1

CATHETERS
& EXTRUSIONS

Recommended guide wire is 0.038" (0.97 mm)

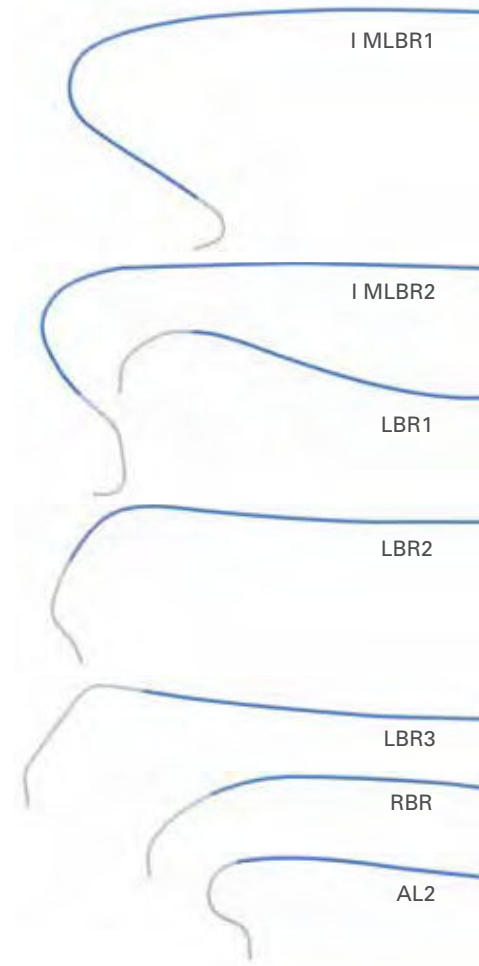
Performa Transradial Cardiology Catheters

Catalog Number	French Size	Internal Diameter	Length	Length of Tip	Description	
PERFORMA INTERNAL MAMMARY LEFT - BRACHIAL / RADIAL CATHETERS*						
7242-10	4	0.042"/1.07 mm	100 cm	4.2 cm	ImLBRI	bumper tip
7242-20	4	0.042"/1.07 mm	100 cm	4.2 cm	ImLBR2	bumper tip
PERFORMA LEFT CORONARY - BRACHIAL / RADIAL CATHETERS*						
7240-10	4	0.042"/1.07 mm	100 cm	3.4 cm	LBRI	bumper tip
7240-20	4	0.042"/1.07 mm	100 cm	3.4 cm	LBR2	bumper tip
7240-30	4	0.042"/1.07 mm	100 cm	6.0 cm	LBR3	bumper tip
PERFORMA RIGHT CORONARY - BRACHIAL / RADIAL CATHETER*						
7241-10	4	0.042"/1.07 mm	100 cm	3.4 cm	RBR	bumper tip
PERFORMA AMPLATZ LEFT CORONARY - BRACHIAL / RADIAL CATHETER*						
7703-B0	4	0.042"/1.07 mm	100 cm	1.5 cm	AL2	bumper tip

*Recommended guide wire is 0.038" (0.97 mm)

Catalog Number	French Size	Catheters 100 cm	Side Port	Sheath Length	Sheath Guide Wire Type
RADIAL MULTIPACK PLUS*					
RADMPP-1	5	ULT 1		11 cm	SS/SS
RADMPP-2	5	ULT 1		11 cm	SS/SS
RADMPP-3	5	ULT 1	1	7 cm	SS/SS
RADMPP-4	5	ULT 1		7 cm	NT/PT
RADMPP-5	5	ULT 1		11 cm	NT/PT
RADMPP-6	5	ULT 1	1	7 cm	NT/PT
RADMPP-7	5	JL 3.5, JR 4.0		7 cm	SS/SS
RADMPP-8	5	JL 3.5, JR 4.0		11 cm	SS/SS
RADMPP-9	5	JL 3.5, JR 4.0		7 cm	NT/PT
RADMPP-10	5	JL 3.5, JR 4.0		11 cm	NT/PT
RADMPP-11	5	ULT 4T-40		7 cm	NT/PT
RADMPP-12	5	ULT 4T-40		11 cm	NT/PT

Contains 1) InQwire® guide wire 0.035" (0.89 mm) X 180 cm/Fixed Core 3 mm J
 SS = Stainless Steel NT = Nitinol PT = Platinum Tip



CATHETERS & EXTRUSIONS

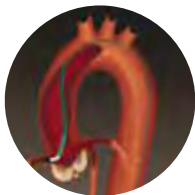
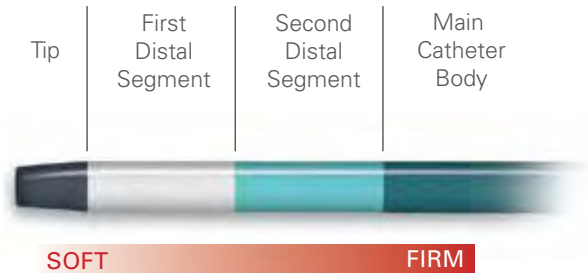
ConcierGE® Guiding Catheters

Our advanced guiding catheters are engineered with braiding technology, distal segments, and a proprietary polymer-blend shaft for exceptional back up support.



1:1 TORQUE

The ConcierGE demonstrates excellent 1:1 torque response, promoting quicker catheter seating with less whipping.



BACKUP SUPPORT

The ConcierGE provides reliable backup support with proprietary nylon blend shaft material and wire braid technology giving you the ability to advance balloons and stents to the diseased artery without losing shaft strength.

ATRAUMATIC TIP

The ConcierGE has one of the softest, most radiused tips for safer tracking and seating so physicians of all experience levels can navigate challenging anatomy with confidence.



KINK RESISTANCE

The ConcierGE has approximately 30% better kink resistance* than the leading brands, facilitating the advancement and withdrawal of interventional devices.

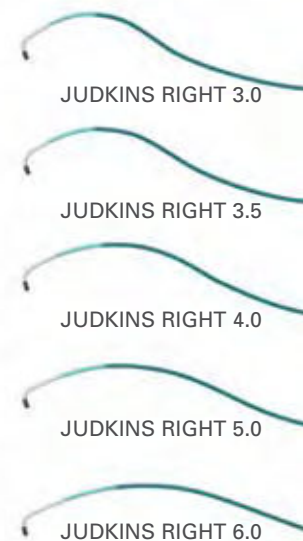
* Test Results are based on 6F guide catheter comparison. Data on file.



CATHETERS & EXTRUSIONS

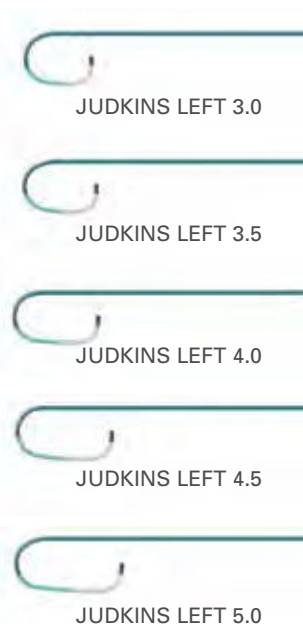
JUDKINS RIGHT

Catalog Number	French Size	Tip	Side Holes	Catalog Number	French Size	Tip	Side Holes
CGC5100JR30	5	3.0	-	CGC7100JR30	7	3.0	-
CGC5100JR35	5	3.5	-	CGC7100JR35	7	3.5	-
CGC5100JR35SH	5	3.5	2	CGC7100JR35SH	7	3.5	2
CGC5100JR40	5	4.0	-	CGC7100JR40	7	4.0	-
CGC5100JR40SH	5	4.0	2	CGC7100JR40SH	7	4.0	2
CGC5100JR50	5	5.0	-	CGC7100JR50	7	5.0	-
CGC5100JR50SH	5	5.0	2	CGC7100JR50SH	7	5.0	2
CGC5100JR60	5	6.0	-	CGC7100JR60	7	6.0	-
CGC6100JR30	6	3.0	-	CGC8100JR30	8	3.0	-
CGC6100JR35	6	3.5	-	CGC8100JR35	8	3.5	-
CGC6100JR35SH	6	3.5	2	CGC8100JR35SH	8	3.5	2
CGC6100JR40	6	4.0	-	CGC8100JR40	8	4.0	-
CGC6100JR40SH	6	4.0	2	CGC8100JR40SH	8	4.0	2
CGC6100JR50	6	5.0	-	CGC8100JR50	8	5.0	-
CGC6100JR50SH	6	5.0	2	CGC8100JR50SH	8	5.0	2
CGC6100JR60	6	6.0	-	CGC8100JR60	8	6.0	-



JUDKINS LEFT

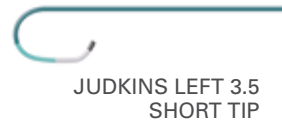
Catalog Number	French Size	Tip	Side Holes	Catalog Number	French Size	Tip	Side Holes
CGC5100JL30	5	3.0	-	CGC7100JL30	7	3.0	-
CGC5100JL35	5	3.5	-	CGC7100JL35	7	3.5	-
CGC5100JL35SH	5	3.5	2	CGC7100JL35SH	7	3.5	2
CGC5100JL40	5	4.0	-	CGC7100JL40	7	4.0	-
CGC5100JL40SH	5	4.0	2	CGC7100JL40SH	7	4.0	2
CGC5100JL45	5	4.5	-	CGC7100JL45	7	4.5	-
CGC5100JL45SH	5	4.5	2	CGC7100JL45SH	7	4.5	2
CGC5100JL50	5	5.0	-	CGC7100JL50	7	5.0	-
CGC5100JL50SH	5	5.0	2	CGC7100JL50SH	7	5.0	2
CGC6100JL30	6	3.0	-	CGC8100JL30	8	3.0	-
CGC6100JL35	6	3.5	-	CGC8100JL35	8	3.5	-
CGC6100JL35SH	6	3.5	2	CGC8100JL35SH	8	3.5	2
CGC6100JL40	6	4.0	-	CGC8100JL40	8	4.0	-
CGC6100JL40SH	6	4.0	2	CGC8100JL40SH	8	4.0	2
CGC6100JL45	6	4.5	-	CGC8100JL45	8	4.5	-
CGC6100JL45SH	6	4.5	2	CGC8100JL45SH	8	4.5	2
CGC6100JL50	6	5.0	-	CGC8100JL50	8	5.0	-
CGC6100JL50SH	6	5.0	2	CGC8100JL50SH	8	5.0	2



ConcierGE® Guiding Catheters

JUDKINS LEFT ST

Catalog Number	French Size	Tip	Side Holes	Catalog Number	French Size	Tip	Side Holes
CGC5100JL35ST	5	3.5	-	CGC7100JL35ST	7	3.5	-
CGC5100JL40ST	5	4.0	-	CGC7100JL40ST	7	4.0	-
CGC6100JL35ST	6	3.5	-	CGC8100JL35ST	8	3.5	-
CGC6100JL40ST	6	4.0	-	CGC8100JL40ST	8	4.0	-



SBS30

Catalog Number	French Size	Tip	Side Holes	Catalog Number	French Size	Tip	Side Holes
CGC5100SBS30	5	3.0	-	CGC7100SBS30	7	3.0	-
CGC5100SBS30SH	5	3.0	2	CGC7100SBS30SH	7	3.0	2
CGC6100SBS30	6	3.0	-	CGC8100SBS30	8	3.0	-
CGC6100SBS30SH	6	3.0	2	CGC8100SBS30SH	6	3.0	2



SBS35

Catalog Number	French Size	Tip	Side Holes	Catalog Number	French Size	Tip	Side Holes
CGC5100SBS35	5	3.5	-	CGC7100SBS35	7	3.5	-
CGC5100SBS35SH	5	3.5	2	CGC7100SBS35SH	7	3.5	2
CGC6100SBS35	6	3.5	-	CGC8100SBS35	8	3.5	-
CGC6100SBS35SH	6	3.5	2	CGC8100SBS35SH	8	3.5	2



SBS 4

Catalog Number	French Size	Tip	Side Holes	Catalog Number	French Size	Tip	Side Holes
CGC5100SBS40	5	4.0	-	CGC7100SBS40	7	4.0	-
CGC5100SBS40SH	5	4.0	2	CGC7100SBS40SH	7	4.0	2
CGC6100SBS40	6	4.0	-	CGC8100SBS40	8	4.0	-
CGC6100SBS40SH	6	4.0	2	CGC8100SBS40SH	8	4.0	2



ConcierGE® Guiding Catheters

AMPLATZ RIGHT 1

Catalog Number	French Size	Tip	Side Holes	Catalog Number	French Size	Tip	Side Holes
CGC5100AR1	5	AR1	-	CGC7100AR1	7	AR1	-
CGC5100AR1SH	5	AR1	2	CGC7100AR1SH	7	AR1	2
CGC6100AR1	6	AR1	-	CGC8100AR1	8	AR1	-
CGC6100AR1SH	6	AR1	2	CGC8100AR1SH	8	AR1	2



AMPLATZ RIGHT 2

Catalog Number	French Size	Tip	Side Holes	Catalog Number	French Size	Tip	Side Holes
CGC5100AR2	5	AR2	-	CGC7100AR2	7	AR2	-
CGC5100AR2SH	5	AR2	2	CGC7100AR2SH	7	AR2	2
CGC6100AR2	6	AR2	-	CGC8100AR2	8	AR2	-
CGC6100AR2SH	6	AR2	2	CGC8100AR2SH	8	AR2	2



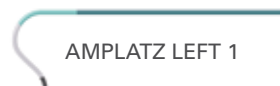
AMPLATZ RIGHT 3

Catalog Number	French Size	Tip	Side Holes	Catalog Number	French Size	Tip	Side Holes
CGC5100AR3	5	AR3	-	CGC7100AR3	7	AR3	-
CGC6100AR3	6	AR3	-	CGC8100AR3	8	AR3	-



AMPLATZ LEFT 1

Catalog Number	French Size	Tip	Side Holes	Catalog Number	French Size	Tip	Side Holes
CGC5100AL1	5	AL1	-	CGC7100AL1	7	AL1	-
CGC5100AL1SH	5	AL1	2	CGC7100AL1SH	7	AL1	2
CGC6100AL1	6	AL1	-	CGC8100AL1	8	AL1	-
CGC6100AL1SH	6	AL1	2	CGC8100AL1SH	8	AL1	2



ConcierGE® Guiding Catheters

AMPLATZ LEFT 2

Catalog Number	French Size	Tip	Side Holes	Catalog Number	French Size	Tip	Side Holes
CGC5100AL2	5	AL2	-	CGC7100AL2	7	AL2	-
CGC5100AL2SH	5	AL2	2	CGC7100AL2SH	7	AL2	2
CGC6100AL2	6	AL2	-	CGC8100AL2	8	AL2	-
CGC6100AL2SH	6	AL2	2	CGC8100AL2SH	8	AL2	2



AMPLATZ LEFT 2

AMPLATZ LEFT 3

Catalog Number	French Size	Tip	Side Holes	Catalog Number	French Size	Tip	Side Holes
CGC5100AL3	5	AL3	-	CGC7100AL3	7	AL3	-
CGC6100AL3	6	AL3	-	CGC8100AL3	8	AL3	-



AMPLATZ LEFT 3

MULTIPURPOSE 1

Catalog Number	French Size	Tip	Side Holes	Catalog Number	French Size	Tip	Side Holes
CGC5100MP1	5	MP	-	CGC7100MP1	7	MP	-
CGC5100MP1SH	5	MP	2	CGC7100MP1SH	7	MP	2
CGC6100MP1	6	MP	-	CGC8100MP1	8	MP	-
CGC6100MP1SH	6	MP	2	CGC8100MP1SH	8	MP	2



MULTIPURPOSE 1

LEFT CORONARY BYPASS

Catalog Number	French Size	Tip	Side Holes	Catalog Number	French Size	Tip	Side Holes
CGC5100LCB	5	LCB	-	CGC7100LCB	7	LCB	-
CGC5100LCBSH	5	LCB	2	CGC5100LCBSH	5	LCB	2
CGC6100LCB	6	LCB	-	CGC8100LCB	8	LCB	-
CGC6100LCBSH	6	LCB	2	CGC8100LCBSH	8	LCB	2



LEFT CORONARY BYPASS

ConcierGE® Guiding Catheters

RIGHT CORONARY BYPASS

Catalog Number	French Size	Tip	Side Holes	Catalog Number	French Size	Tip	Side Holes
CGC5100RCB	5	RCB	-	CGC7100RCB	7	RCB	-
CGC5100RCBSH	5	RCB	2	CGC5100RCBSH	5	RCB	2
CGC6100RCB	6	RCB	-	CGC8100RCB	8	RCB	-
CGC6100RCBSH	6	RCB	2	CGC8100RCBSH	8	RCB	2



INTERNAL MAMMARY

Catalog Number	French Size	Tip	Side Holes	Catalog Number	French Size	Tip	Side Holes
CGC5100IM	5	IM	-	CGC7100IM	7	IM	-
CGC5100IMSH	5	IM	2	CGC7100IMSH	7	IM	2
CGC6100IM	6	IM	-	CGC8100IM	8	IM	-
CGC6100IMSH	6	IM	2	CGC8100IMSH	8	IM	2



EL GAMAL

Catalog Number	French Size	Tip	Side Holes	Catalog Number	French Size	Tip	Side Holes
CGC5100EG	5	EG	-	CGC7100EG	7	EG	-
CGC6100EG	6	EG	-	CGC8100EG	8	EG	-



HOCKEY STICK

Catalog Number	French Size	Tip	Side Holes	Catalog Number	French Size	Tip	Side Holes
CGC5100HS	5	HS	-	CGC7100HS	7	HS	-
CGC6100HS	6	HS	-	CGC8100HS	8	HS	-

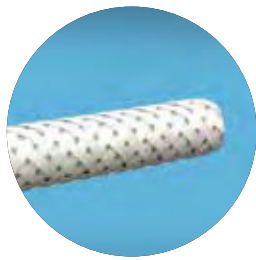


Maestro® Microcatheter

As a multipurpose microcatheter, the Merit Maestro is designed to deploy coils up to 0.018" and embolics up to and including 900 µm. Merit Maestro's swan neck design helps seat the catheter in the vessel reducing the recoiling effect of the microcatheter as the embolic is delivered.

HYDROPHILIC COATING DISTAL

Increases trackability through tortuous anatomy.



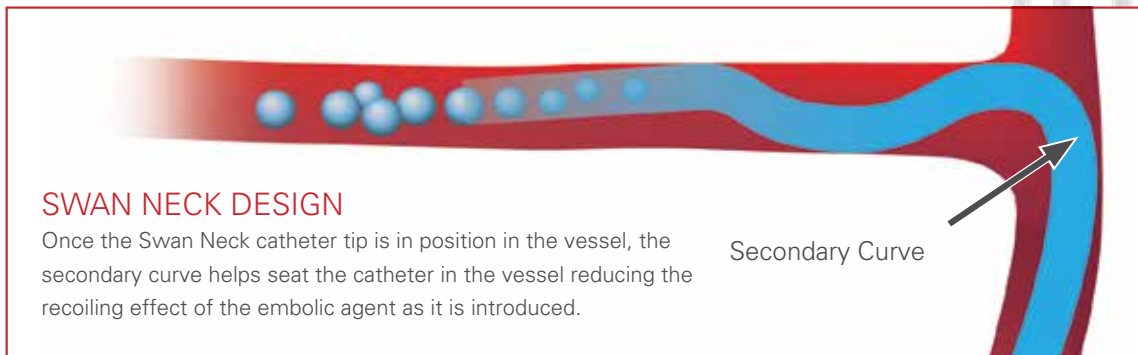
NYLON RIBBON BRAIDING

Proprietary nylon braiding provides excellent pushability, trackability and kink recovery when crossing small tortuous vessels.



FLEXIBLE DISTAL REGION

Designed for atraumatic vessel entry.



CATHETER COMPATIBILITY

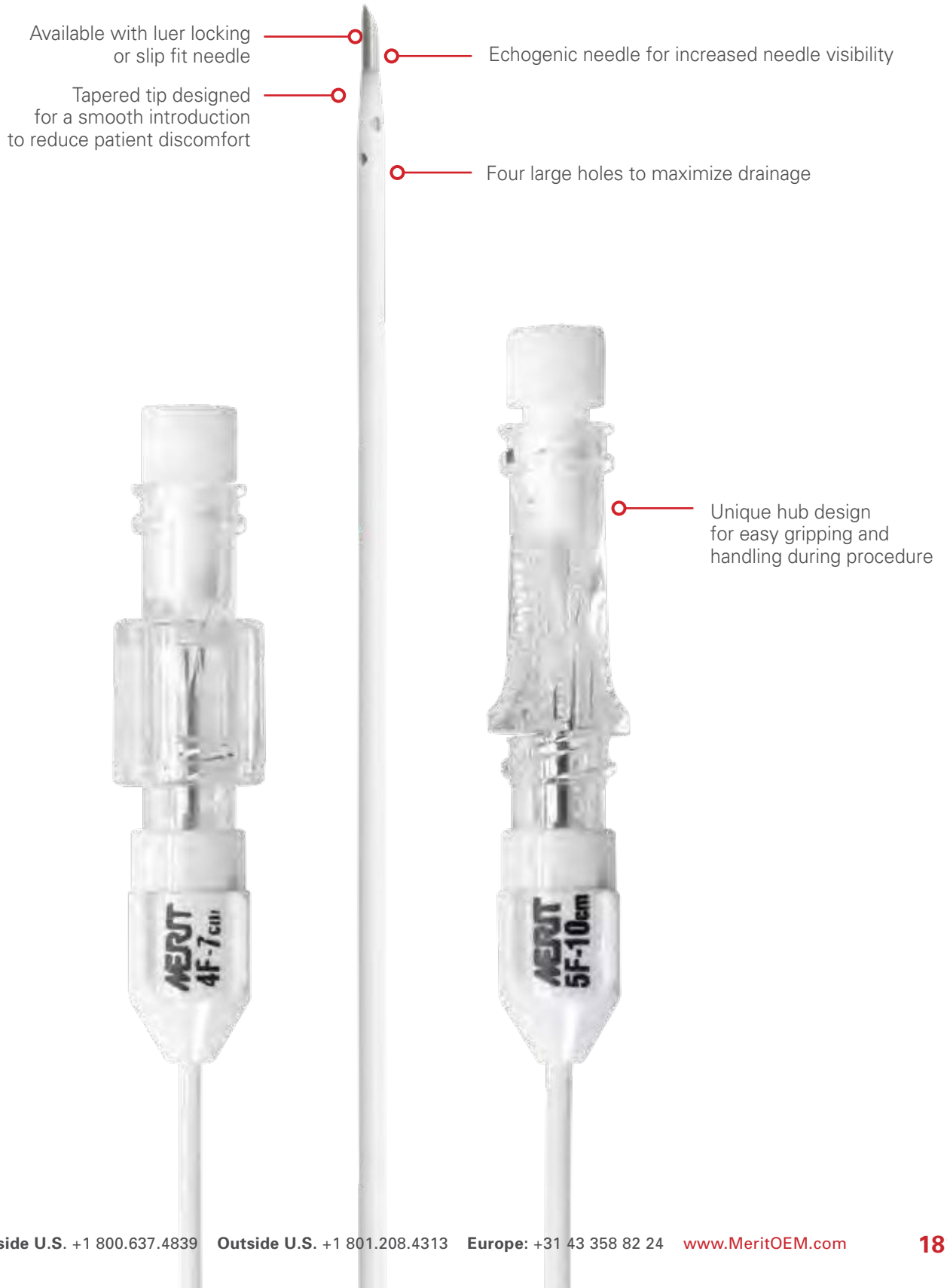
Maestro Size	Max. Coil Size	Max. Microsphere Size	Max. Particle Size	Max. Injection Pressure
2.8F - 2.1F	0.016" (0.41 mm)	≤ 700 µm	≤ 500 µm	800 psi (5515 kPa)
2.8F - 2.4F	0.018" (0.46 mm)	≤ 700 µm	≤ 700 µm	800 psi (5515 kPa)
2.8F - 2.8F	0.018" (0.46 mm)	≤ 700 µm	≤ 700 µm	800 psi (5515 kPa)
2.9F - 2.9F	— — — — —	≤ 900 µm	≤ 900 µm	800 psi (5515 kPa)

Maestro® Microcatheter

Catalog Number	Maestro Proximal OD	Maestro Distal OD	Maestro Usable Length	Maestro Tip Shape	Hydrophilic Coating Length (cm)	Distance From Tip to Marker-band (mm)	Minimum Guide Cath. ID	Maestro ID	Max. Guide Wire Size	Maestro Priming Vol. (mL)
2.8F TAPERED TO 2.1F										
28MC21110ST	2.8F	2.1F	110	Straight	80	1.3	0.040" (1.02mm)	0.018" (0.46mm)	0.016" (0.41mm)	0.63
28MC21130ST	2.8F	2.1F	130	Straight	80	1.3	0.040" (1.02mm)	0.018" (0.46mm)	0.016" (0.41mm)	0.70
28MC21150ST	2.8F	2.1F	150	Straight	80	1.3	0.040" (1.02mm)	0.018" (0.46mm)	0.016" (0.41mm)	0.76
28MC2111045	2.8F	2.1F	110	45 degree	80	1.3	0.040" (1.02mm)	0.018" (0.46mm)	0.016" (0.41mm)	0.63
28MC2113045	2.8F	2.1F	130	45 degree	80	1.3	0.040" (1.02mm)	0.018" (0.46mm)	0.016" (0.41mm)	0.70
28MC2115045	2.8F	2.1F	150	45 degree	80	1.3	0.040" (1.02mm)	0.018" (0.46mm)	0.016" (0.41mm)	0.76
28MC21110SN	2.8F	2.1F	110	Swan	80	1.3	0.040" (1.02mm)	0.018" (0.46mm)	0.016" (0.41mm)	0.63
28MC21130SN	2.8F	2.1F	130	Swan	80	1.3	0.040" (1.02mm)	0.018" (0.46mm)	0.016" (0.41mm)	0.70
28MC21150SN	2.8F	2.1F	150	Swan	80	1.3	0.040" (1.02mm)	0.018" (0.46mm)	0.016" (0.41mm)	0.76
2.8F TAPERED TO 2.4F										
28MC24110ST	2.8F	2.4F	110	Straight	80	1.3	0.040" (1.02mm)	0.020" (0.52mm)	0.018" (0.46mm)	0.63
28MC24130ST	2.8F	2.4F	130	Straight	80	1.3	0.040" (1.02mm)	0.020" (0.52mm)	0.018" (0.46mm)	0.70
28MC24150ST	2.8F	2.4F	150	Straight	80	1.3	0.040" (1.02mm)	0.020" (0.52mm)	0.018" (0.46mm)	0.76
28MC2411045	2.8F	2.4F	110	45 degree	80	1.3	0.040" (1.02mm)	0.020" (0.52mm)	0.018" (0.46mm)	0.63
28MC2413045	2.8F	2.4F	130	45 degree	80	1.3	0.040" (1.02mm)	0.020" (0.52mm)	0.018" (0.46mm)	0.70
28MC2415045	2.8F	2.4F	150	45 degree	80	1.3	0.040" (1.02mm)	0.020" (0.52mm)	0.018" (0.46mm)	0.76
28MC24110SN	2.8F	2.4F	110	Swan	80	1.3	0.040" (1.02mm)	0.020" (0.52mm)	0.018" (0.46mm)	0.63
28MC24130SN	2.8F	2.4F	130	Swan	80	1.3	0.040" (1.02mm)	0.020" (0.52mm)	0.018" (0.46mm)	0.70
28MC24150SN	2.8F	2.4F	150	Swan	80	1.3	0.040" (1.02mm)	0.020" (0.52mm)	0.018" (0.46mm)	0.76
2.8F NO TAPER										
28MC28110ST	2.8F	2.8F	110	Straight	80	1.3	0.040" (1.02mm)	0.024" (0.62mm)	0.021" (0.53mm)	0.63
28MC28130ST	2.8F	2.8F	130	Straight	80	1.3	0.040" (1.02mm)	0.024" (0.62mm)	0.021" (0.53mm)	0.70
28MC28150ST	2.8F	2.8F	150	Straight	80	1.3	0.040" (1.02mm)	0.024" (0.62mm)	0.021" (0.53mm)	0.77
28MC2811045	2.8F	2.8F	110	45 degree	80	1.3	0.040" (1.02mm)	0.024" (0.62mm)	0.021" (0.53mm)	0.63
28MC2813045	2.8F	2.8F	130	45 degree	80	1.3	0.040" (1.02mm)	0.024" (0.62mm)	0.021" (0.53mm)	0.70
28MC2815045	2.8F	2.8F	150	45 degree	80	1.3	0.040" (1.02mm)	0.024" (0.62mm)	0.021" (0.53mm)	0.77
28MC28110SN	2.8F	2.8F	110	Swan	80	1.3	0.040" (1.02mm)	0.024" (0.62mm)	0.021" (0.53mm)	0.63
28MC28130SN	2.8F	2.8F	130	Swan	80	1.3	0.040" (1.02mm)	0.024" (0.62mm)	0.021" (0.53mm)	0.70
28MC28150SN	2.8F	2.8F	150	Swan	80	1.3	0.040" (1.02mm)	0.024" (0.62mm)	0.021" (0.53mm)	0.77
2.9F NO TAPER										
29MC29110ST	2.9F	2.9F	110	Straight	80	1.3	0.042" (1.07mm)	0.027" (0.68mm)	0.021" (0.53mm)	0.69
29MC29130ST	2.9F	2.9F	130	Straight	80	1.3	0.042" (1.07mm)	0.027" (0.68mm)	0.021" (0.53mm)	0.77
29MC29150ST	2.9F	2.9F	150	Straight	80	1.3	0.042" (1.07mm)	0.027" (0.68mm)	0.021" (0.53mm)	0.85
29MC2911045	2.9F	2.9F	110	45 degree	80	1.3	0.042" (1.07mm)	0.027" (0.68mm)	0.021" (0.53mm)	0.69
29MC2913045	2.9F	2.9F	130	45 degree	80	1.3	0.042" (1.07mm)	0.027" (0.68mm)	0.021" (0.53mm)	0.77
29MC2915045	2.9F	2.9F	150	45 degree	80	1.3	0.042" (1.07mm)	0.027" (0.68mm)	0.021" (0.53mm)	0.85
29MC29110SN	2.9F	2.9F	110	Swan	80	1.3	0.042" (1.07mm)	0.027" (0.68mm)	0.021" (0.53mm)	0.69
29MC29130SN	2.9F	2.9F	130	Swan	80	1.3	0.042" (1.07mm)	0.027" (0.68mm)	0.021" (0.53mm)	0.77
29MC29150SN	2.9F	2.9F	150	Swan	80	1.3	0.042" (1.07mm)	0.027" (0.68mm)	0.021" (0.53mm)	0.85

One-Step™ Centesis Catheters

For ease of insertion, the One-Step™ Centesis Catheter has a smooth transition for decreased resistance and an echogenic needle for more accurate placement.



Centesis Catheters Luer Locked

With 4 Spiraling Drainage Holes

May not be available for all OEM applications.



ONE-STEP™
Centesis Catheter
(Luer Locked)

5F x 7cm with 19 Gauge Luer
Locked Introducer Needle

OSC-5F-7L



5F x 10cm with 19 Gauge Luer
Locked Introducer Needle

OSC-5F-10L



5F x 15cm with 19 Gauge Luer
Locked Introducer Needle

OSC-5F-15L



4F x 7cm with 20 Gauge Luer
Locked Introducer Needle

OSC-4F-7L



4F x 10cm with 20 Gauge Luer
Locked Introducer Needle

OSC-4F-10L

Centesis Catheters Slip Fit

May not be available for all OEM applications.



ONE-STEP™
Centesis Catheter
(Slip Fit)

5F x 7cm with 19 Gauge Slip Fit
Introducer Needle

OSC-5F-7S



5F x 10cm with 19 Gauge
Slip Fit Introducer Needle

OSC-5F-10S



5F x 15cm with 19 Gauge
Slip Fit Introducer Needle

OSC-5F-15S



4F x 7cm with 20 Gauge
Slip Fit Introducer Needle

OSC-4F-7S



4F x 10cm with 20 Gauge
Slip Fit Introducer Needle

OSC-4F-10S



Locking Drainage Catheters without Marker Band



6.5F, 7 Drainage Holes
Green Hub

RLC-6-038



8.5F, 8 Drainage Holes
Blue Hub

RLC-8-038



10F, 8 Drainage Holes
Purple Hub

RLC-10-038



12F, 8 Drainage Holes
Yellow Hub

RLC-12-038



14F, 9 Drainage Holes
Orange Hub

RLC-14-038

Locking Drainage Catheters with Marker Band



6.5F, 7 Drainage Holes
Green Hub

RLC-6-038MB



8.5F, 8 Drainage Holes
Blue Hub

RLC-8-038MB



10F, 8 Drainage Holes
Purple Hub

RLC-10-038MB



12F, 8 Drainage Holes
Yellow Hub

RLC-12-038MB



14F, 9 Drainage Holes
Orange Hub

RLC-14-038MB

Non-Locking Drainage Catheters with J Tip



J Tip, 6.5F,
4 Drainage Holes
Non-Locking (NL),
Universal Drainage
Green Hub

RNL-6-038J



J Tip, 8.5F,
4 Drainage Holes
Non-Locking (NL),
Universal Drainage
Blue Hub

RNL-8-038J



J Tip, 10F,
4 Drainage Holes
Non-Locking (NL),
Universal Drainage
Purple Hub

RNL-10-038J



J Tip, 12F,
5 Drainage Holes
Non-Locking (NL),
Universal Drainage
Yellow Hub

RNL-12-038J

Non-Locking Drainage Catheters with Straight Tip



Straight Tip, 6.5F,
4 Drainage Holes
Non-Locking (NL),
Universal Drainage,
Green Hub

RNL-6-038S



Straight Tip, 8.5F,
4 Drainage Holes
Non-Locking (NL),
Universal Drainage,
Blue Hub

RNL-8-038S



Straight Tip, 10F,
4 Drainage Holes
Non-Locking (NL),
Universal Drainage,
Purple Hub

RNL-10-038S



Straight Tip, 12F,
5 Drainage Holes
Non-Locking (NL),
Universal Drainage,
Yellow Hub

RNL-12-038S

Marker Bands

Merit Medical's technology impregnates polyurethane marker bands with Tungsten, Platinum or other precious metal powder to create a tough and flexible marker band that is visible under fluoroscopy.

CUSTOM
BUILT TO ORDER

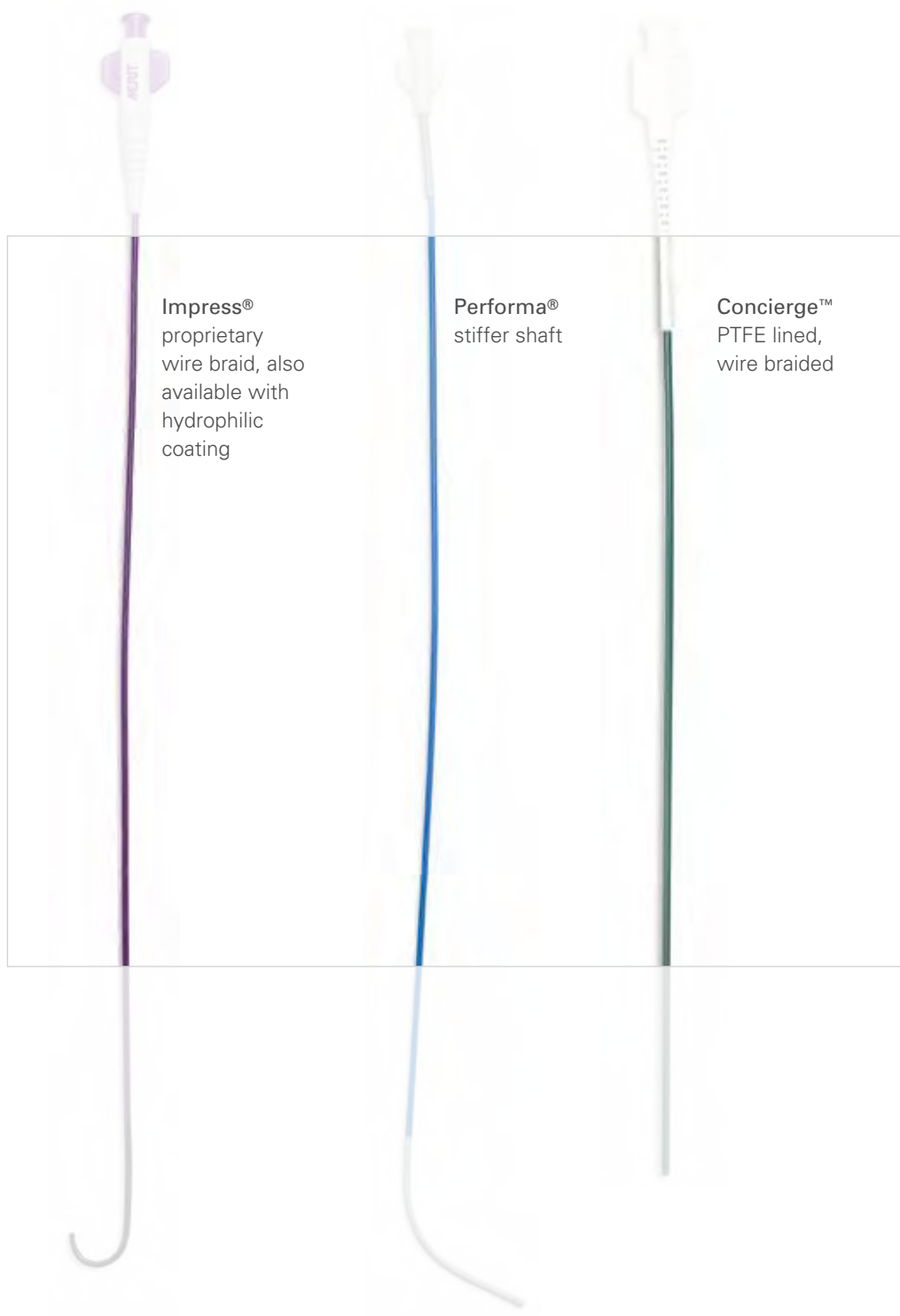
- Catheter shaft OD range of 0.022" to 0.270"
- Wall thickness down to 0.006"
- Ideal for polyurethane catheters

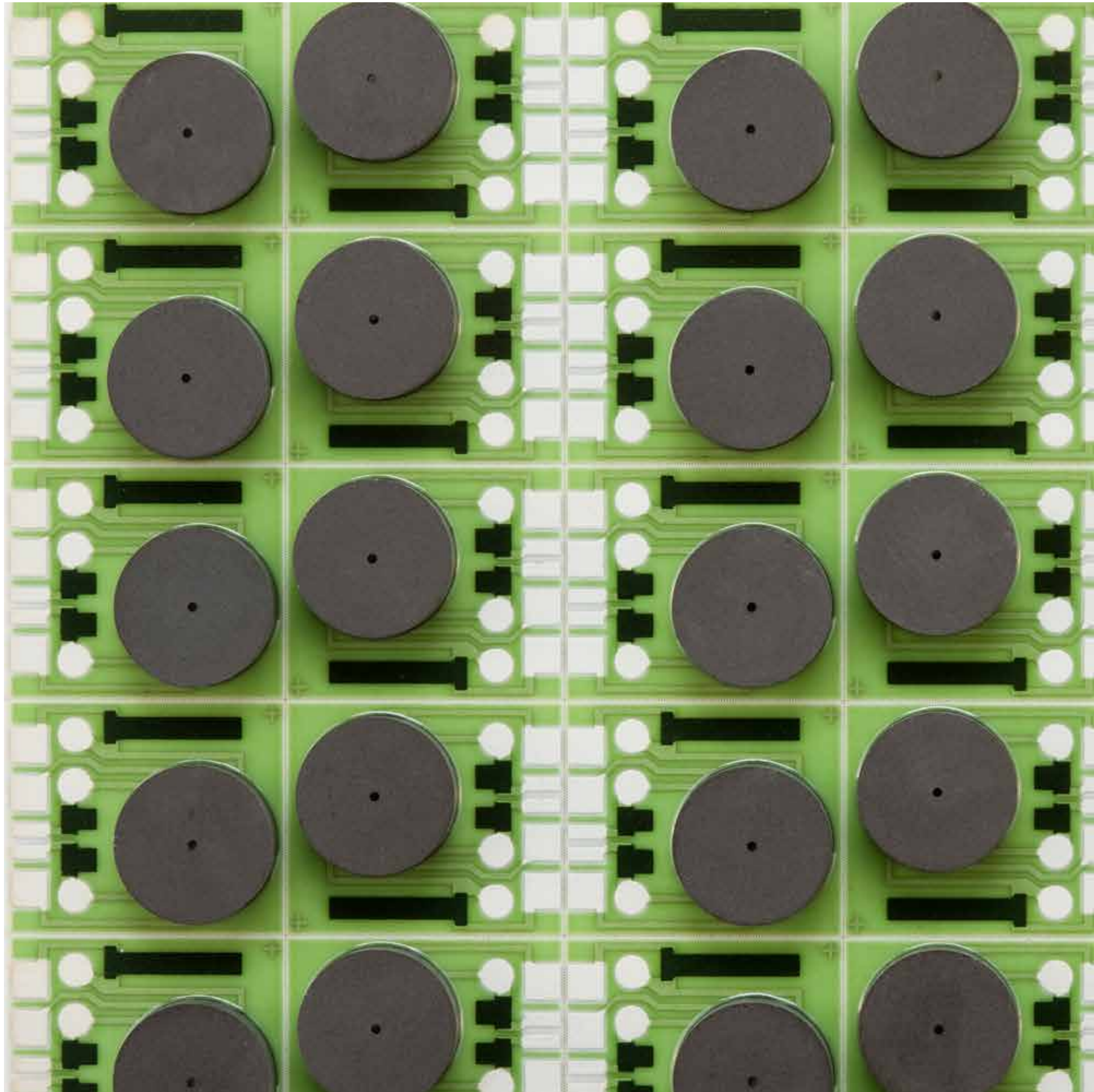


Used in Merit's own
Drainage Catheter Line

Catheter Shafts

- Braided and non-braided
- Accepts .035" and .038" guide wires
- Standard and custom lengths
- 4, 5, 6 French sizes available





PRESSURE SENSORS

- 192 BP Series Disposable Blood Pressure Sensor
- 193 AP Series Compensated Pressure Assembly
- 193 Pressure Transducer Assembly – Amplified Output



Merit Sensor Systems designs and manufactures pressure sensors for a variety of medical pressure and flow sensing applications. A subsidiary of Merit Medical Systems, Merit Sensor's engineering and fabrication facilities are based in Salt Lake City, Utah.

Merit Sensor specializes in pressure sensors that can be customized to virtually any medical monitoring need or application, including one of the industry's highest quality and most reliable AAMI BP22 compliant disposable blood pressure sensor.



BP Series Disposable Blood Pressure Sensor

A stable, accurate, industry-compatible design adaptable to most medical blood pressure sensor applications.

- Excellent burst pressure
- Pressure range of -30 to 300mmHg
- Compliant with AAMI BP22 specifications
- Dielectric gel barrier
- Temperature compensated

Applications

- Disposable blood pressure measurement
- Kidney dialysis machines
- Infusion pumps
- Surgical procedures



Actual size is
10.5 x 8.1mm

AP Series Compensated Pressure Assembly

A low-cost compensated pressure assembly suitable for a number of medical applications for monitoring pressure such as inflation devices and single-use products.

- -15 to 300 psi (-1 to 20.7 bar; -103 to 2,068 KPa)
Also available in higher pressures
- Calibrated at room temperature using laser trimmed resistors
- Customizable packaging options including ceramic with pins and chimney with pins
- Available as gauge and backside gauge, reverse pressure

Applications

- Digital inflation device
- Any low to medium pressure medical application



Standard Part
12.45 x 14.73mm



With Pins



With pins and
ferrule

Pressure Transducer Assembly – Amplified Output

Real-time signal compensation and amplified output for the most critical pressure sensing requirements.

- Integrated electronics provide analog or digital output flexibility
- Amplified 5v signal output
- Active pressure sensing compensation
- Plug-and-play

Applications

- Air, gas, and liquid pump systems
- Diagnostic and analysis equipment
- Other medical equipment





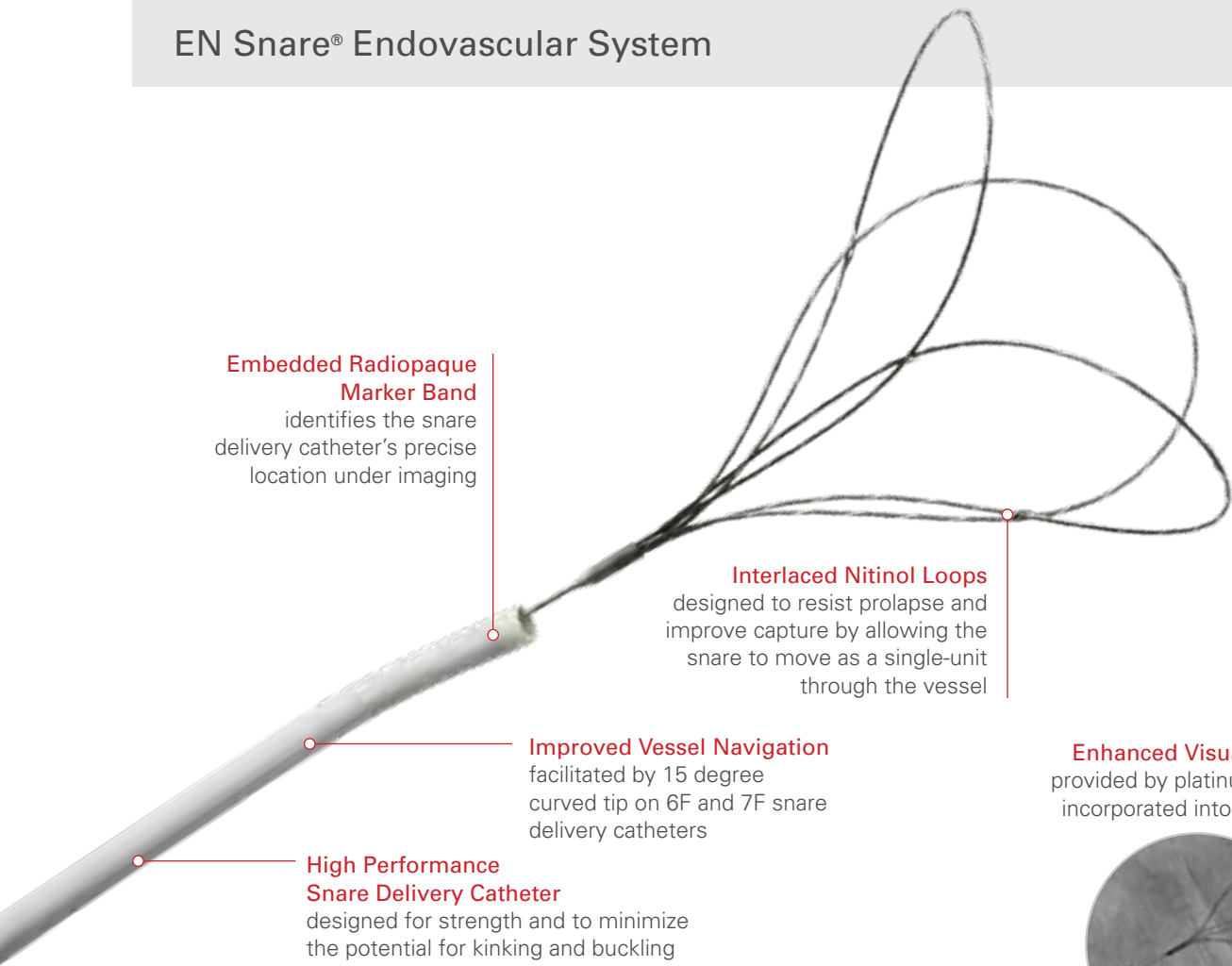
SPECIALTY DEVICES

196	Snares
198	Transducers
213	Therapeutic Infusion Systems
216	Squirt® Fluid Dispensing System
206	Fixation Devices
207	Suture Retention

Snares

Sold individually and includes a snare, torque device, introducer and snare catheter. Snare and catheter packaged separately.

EN Snare® Endovascular System



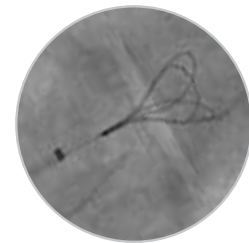
Embedded Radiopaque Marker Band
identifies the snare delivery catheter's precise location under imaging

Interlaced Nitinol Loops
designed to resist prolapse and improve capture by allowing the snare to move as a single-unit through the vessel

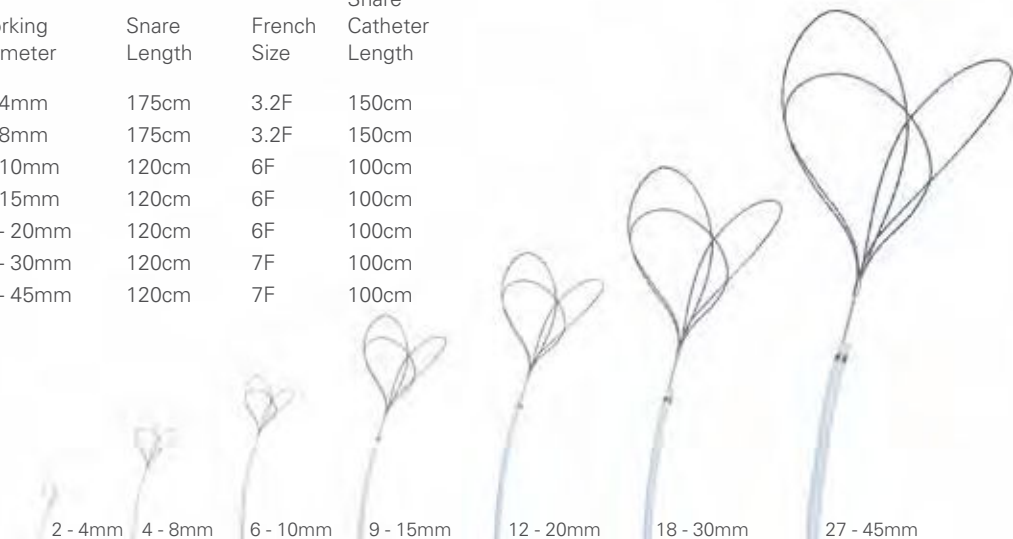
Improved Vessel Navigation
facilitated by 15 degree curved tip on 6F and 7F snare delivery catheters

High Performance Snare Delivery Catheter
designed for strength and to minimize the potential for kinking and buckling

Enhanced Visualization
provided by platinum strands incorporated into the loops



Catalog Number	Working Diameter	Snare Length	French Size	Snare Catheter Length
EN1003004 Mini	2 - 4mm	175cm	3.2F	150cm
EN1003008 Mini	4 - 8mm	175cm	3.2F	150cm
EN2006010 Standard	6 - 10mm	120cm	6F	100cm
EN2006015 Standard	9 - 15mm	120cm	6F	100cm
EN2006020 Standard	12 - 20mm	120cm	6F	100cm
EN2007030 Standard	18 - 30mm	120cm	7F	100cm
EN2007045 Standard	27 - 45mm	120cm	7F	100cm



ONE Snare® Endovascular System

Designed for Better Foreign Body Capture
with 90 degree angle loop



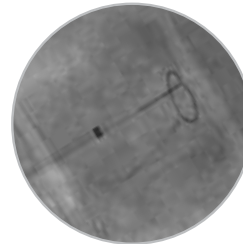
Excellent Support
from Nitinol core wire that provides shape-memory and superelasticity

Kink Resistant Catheter
designed to improve strength and ensure procedural success

Nitinol & Gold-Plated Tungsten Loop
retains snare's circular shape to support capture of foreign bodies, while allowing superior visibility.



High Visibility
under fluoroscopy due to gold-plated tungsten loop



Catalog Number	Working Diameter	Snare Length	French Size	Snare Catheter Length
ONE500	5mm	120cm	4F	100cm
ONE1000	10mm	120cm	4F	100cm
ONE1500	15mm	120cm	6F	100cm
ONE2000	20mm	120cm	6F	100cm
ONE2500	25mm	120cm	6F	100cm
ONE3000	30mm	120cm	6F	100cm
ONE3500	35mm	120cm	6F	100cm
Petite Snare Kits				
ONE1001	10mm	65cm	4F	48cm
ONE2501	25mm	65cm	6F	48cm



Meritrans® Blood Pressure Transducers



Non-Winged Housing and 3-Way and 1-Way Stopcocks with 48" (122cm) cable

K11-00202P



Non-Winged Housing and 3-Way Stopcock (Med Pressure, Rotating Male Adapter) and 1-Way Stopcock with 48" (122cm) cable

K11-00392BP



Winged Housing and 2 Bonded Standard Pressure 1-Way Stopcocks with 12" (30cm) cable

K11-00098AP



Non-Winged Housing and Bonded Standard Pressure 1-Way Stopcock with 48" (122cm) cable

K11-00137AP



Non-Winged Housing with 48" (122cm) cable

MER200P



Non-Winged Housing with 12" (30cm) cable

565242015

Meritrans® Blood Pressure Transducers



Winged Housing with
12" (30cm) cable

MER100P



Winged Housing and 2 Bonded
Standard Pressure 3-Way Stopcocks
with 12" (30cm) cable

K11-00099AP



Winged Housing with 48"
(122cm) cable

MER148P



Medium Pressure Transducer
0 - 100 PSI

501669001



High Pressure Transducer
0 - 440 PSI

501464001

Transducers Flush Device



Adult 3cc/hr flow rate.
White

270428001



Pediatric 30cc/hr flow rate.
Yellow

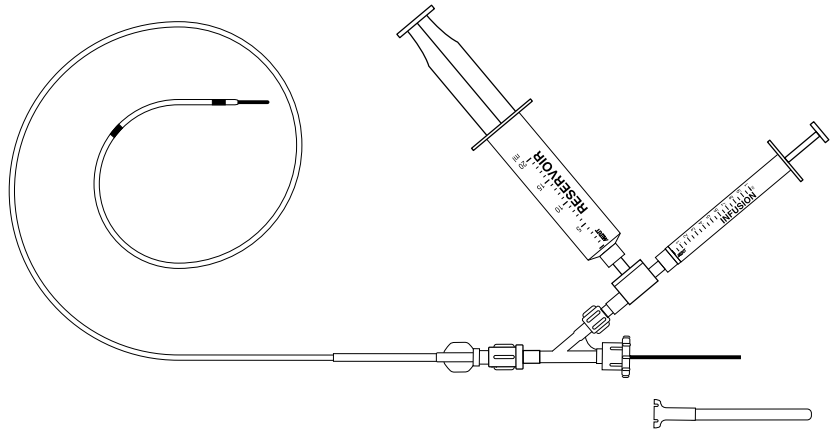
270428002

Therapeutic Infusion Systems

5 French Fountain® Infusion System

Consists of the 5 French Fountain Infusion Catheters, matching occluding wire, check relief valve, AccessPLUS™ Hemostasis Valve, wire protector cap, 1ml infusion syringe and 20ml reservoir syringe. Packaged and sold individually in tray, 5 units per box.

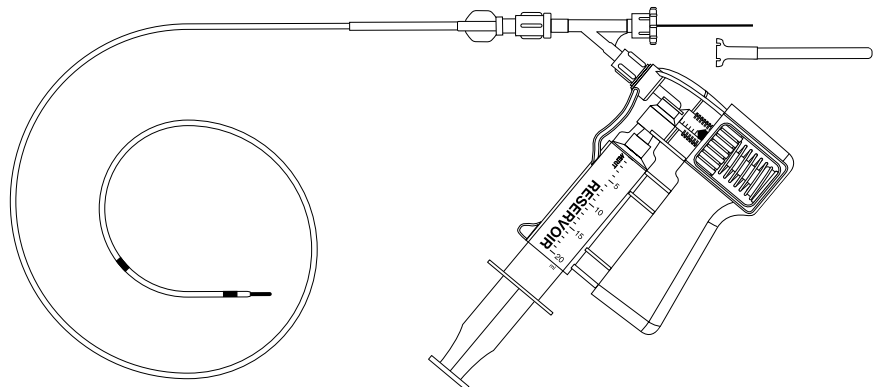
Catalog Number	Catheter Length (cm)	Infusion Length (cm)
FIS5-45-10	45	10
FIS5-45-20	45	20
FIS5-90-5	90	5
FIS5-90-10	90	10
FIS5-90-20	90	20
FIS5-90-30	90	30
FIS5-90-40	90	40
FIS5-90-50	90	50
FIS5-135-5	135	5
FIS5-135-10	135	10
FIS5-135-20	135	20
FIS5-135-30	135	30
FIS5-135-40	135	40
FIS5-135-50	135	50



5 French Fountain® Infusion System with Squirt®

Consists of the 5 French Fountain Infusion Catheters, matching occluding wire, AccessPLUS Hemostasis Valve, wire protector cap, 20ml reservoir syringe and Squirt Fluid Dispensing System. Packaged and sold individually in tray, 5 units per box.

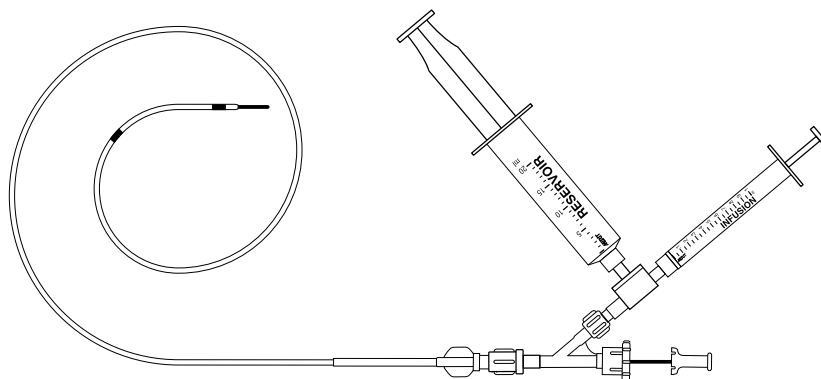
Catalog Number	Catheter Length (cm)	Infusion Length (cm)
FIS5-45-10SQ	45	10
FIS5-45-20SQ	45	20
FIS5-90-5SQ	90	5
FIS5-90-10SQ	90	10
FIS5-90-20SQ	90	20
FIS5-90-30SQ	90	30
FIS5-90-40SQ	90	40
FIS5-90-50SQ	90	50
FIS5-135-5SQ	135	5
FIS5-135-10SQ	135	10
FIS5-135-20SQ	135	20
FIS5-135-30SQ	135	30
FIS5-135-40SQ	135	40
FIS5-135-50SQ	135	50



4 French Fountain® Infusion System

Consists of the 4 French Fountain Infusion Catheter, matching occluding wire, check relief valve, AccessPLUS™ Hemostasis Valve, 1ml infusion syringe and 20ml reservoir syringe. Packaged and sold individually in tray, 5 units per box.

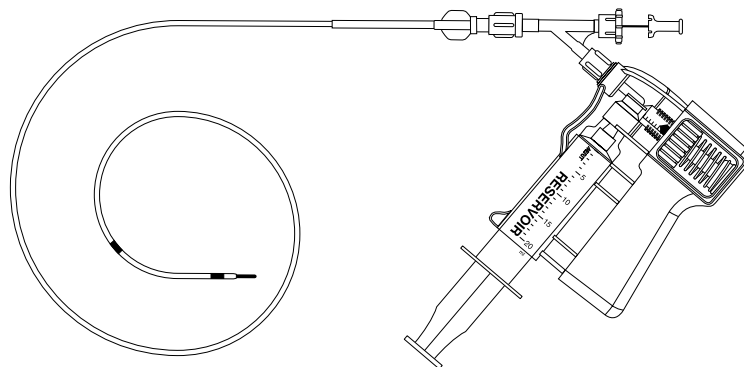
Catalog Number	Catheter Length (cm)	Infusion Length (cm)
FIS4-45-10	45	10
FIS4-45-20	45	20
FIS4-90-5	90	5
FIS4-90-10	90	10
FIS4-90-20	90	20
FIS4-90-30	90	30
FIS4-90-40	90	40
FIS4-90-50	90	50
FIS4-135-5	135	5
FIS4-135-10	135	10
FIS4-135-20	135	20
FIS4-135-30	135	30
FIS4-135-40	135	40
FIS4-135-50	135	50



4 French Fountain® Infusion System with Squirt

Consists of the 4 French Fountain Infusion Catheter, matching occluding wire, AccessPLUS™ Hemostasis Valve, 20ml reservoir syringe and Squirt Fluid Dispensing System. Packaged and sold individually in tray, 5 units per box.

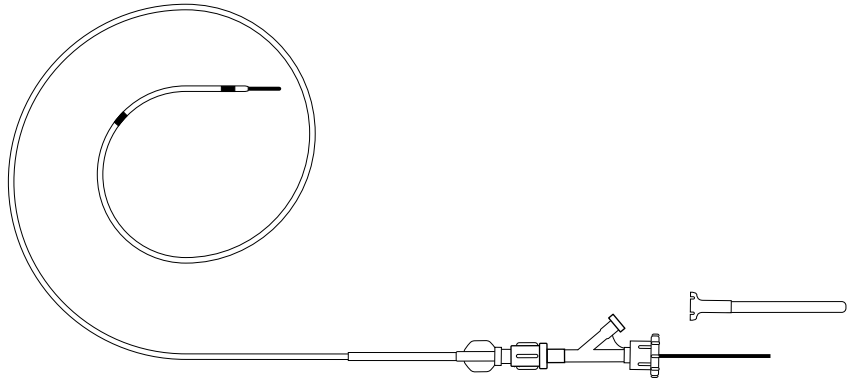
Catalog Number	Catheter Length (cm)	Infusion Length (cm)
FIS4-45-10SQ	45	10
FIS4-45-20SQ	45	20
FIS4-90-5SQ	90	5
FIS4-90-10SQ	90	10
FIS4-90-20SQ	90	20
FIS4-90-30SQ	90	30
FIS4-90-40SQ	90	40
FIS4-90-50SQ	90	50
FIS4-135-5SQ	135	5
FIS4-135-10SQ	135	10
FIS4-135-20SQ	135	20
FIS4-135-30SQ	135	30
FIS4-135-40SQ	135	40
FIS4-135-50SQ	135	50



5 French Fountain® Infusion Catheter

Matching occluding wire, AccessPLUS™ hemostasis valve, and wire protector cap.
Packaged and sold individually in a pouch, 5 units per box.

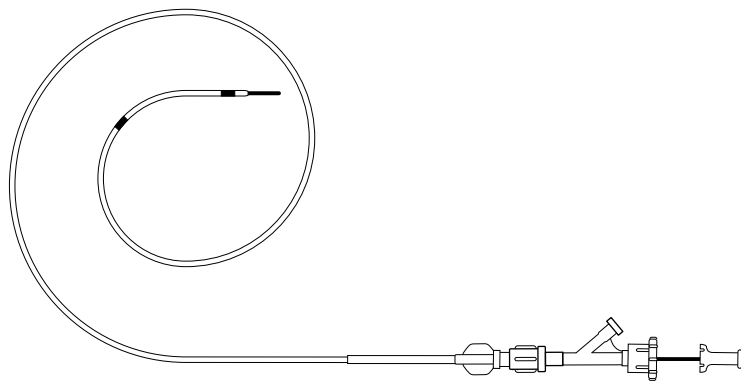
Catalog Number	Catheter Length (cm)	Infusion Length (cm)
IS5-45-10	45	10
IS5-45-20	45	20
IS5-90-5	90	5
IS5-90-10	90	10
IS5-90-20	90	20
IS5-90-30	90	30
IS5-90-40	90	40
IS5-90-50	90	50
IS5-135-5	135	5
IS5-135-10	135	10
IS5-135-20	135	20
IS5-135-30	135	30
IS5-135-40	135	40
IS5-135-50	135	50



4 French Fountain® Infusion Catheter

Matching occluding wire and AccessPLUS™ hemostasis valve. Packaged and sold individually in a pouch, 5 units per box.

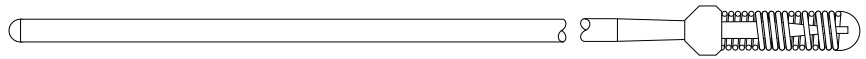
Catalog Number	Catheter Length (cm)	Infusion Length (cm)
IS4-45-10	45	10
IS4-45-20	45	20
IS4-90-5	90	5
IS4-90-10	90	10
IS4-90-20	90	20
IS4-90-30	90	30
IS4-90-40	90	40
IS4-90-50	90	50
IS4-135-5	135	5
IS4-135-10	135	10
IS4-135-20	135	20
IS4-135-30	135	30
IS4-135-40	135	40
IS4-135-50	135	50



Fountain® Occluding Wire

Packaged and sold individually in a pouch, 5 units per box.

Catalog Number	Description	Length (cm)
FW5-45	5F Wire	45
FW5-90	5F Wire	90
FW5-135	5F Wire	135
FW4-90	4F Wire	90
FW4-135	4F Wire	135



Squirt® Fluid Dispensing System

For the repeatable injection of multiple dose therapy. Packaged 10 units per box.

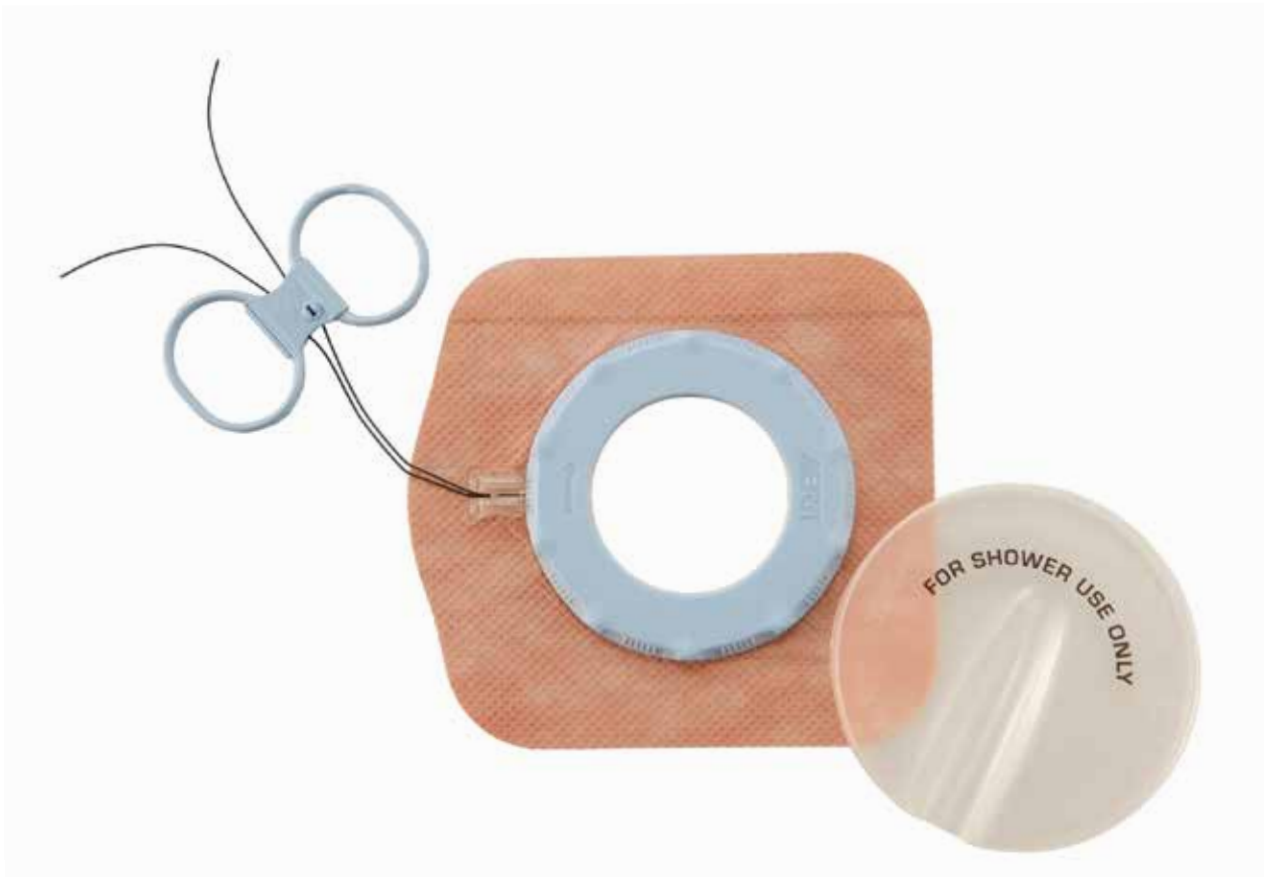
Catalog Number

FDS100



Fixation Devices

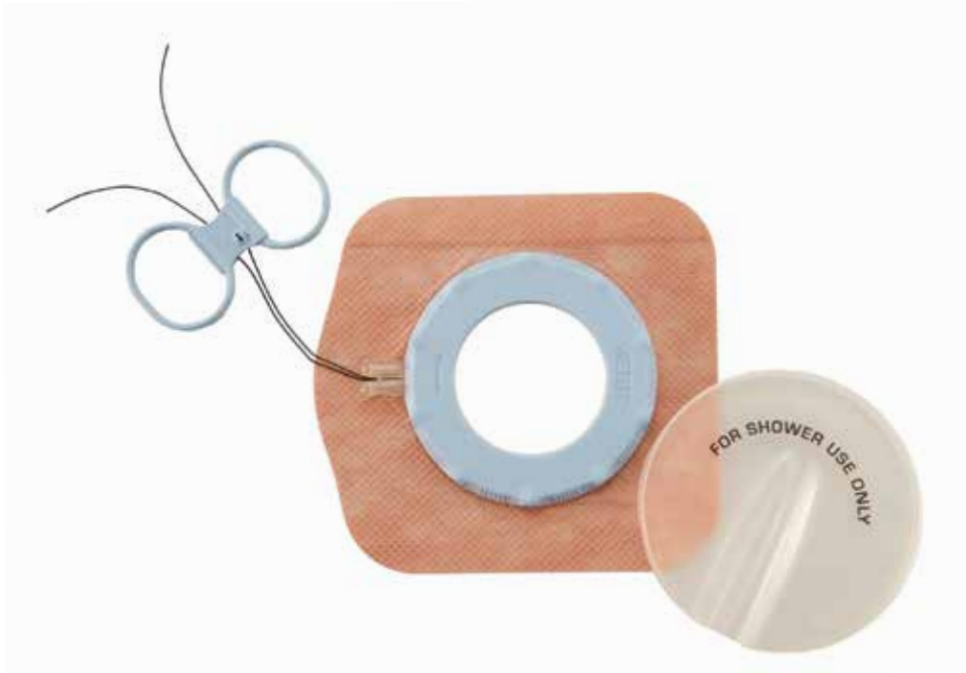
The Revolution™ is a catheter securement device that holds nonvascular catheters in place for up to seven days without sutures. The Revolution helps minimize catheter movement and accidental removal. It includes a lid to keep the site dry when showering.



FEATURES & BENEFITS

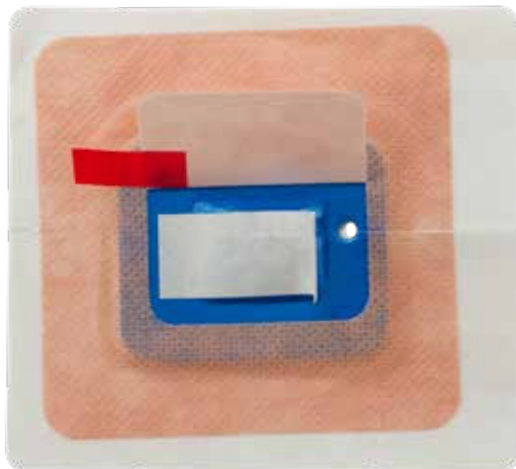
Wide range	Secures nonvascular catheters from 6F-24F
Central adhesive hydrocolloid	Skin-friendly, absorbent around puncture site, and conforms well to body anatomy
Advanced adhesive	Provides safe and secure fixation for up to seven days
Included showercap	Covers insertion site for added protection while showering

Fixation Devices



Revolution™ Needleless
Non Vascular Catheter Securement
Device (6F-24F)

CFG624



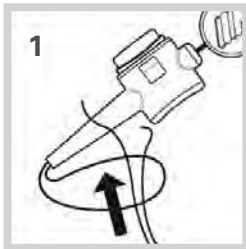
StayFIX® Securement Device for
Percutaneous Catheters

5F-14F **680ME**

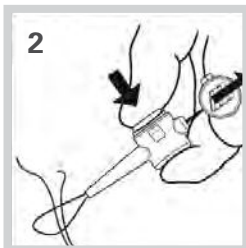
14F-22F **685ME**

Suture Retention Device

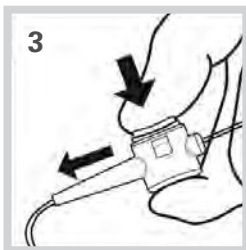
Easy, Step-by-Step Instructions



Place purse-string suture around the sheath; feed free ends of the suture through the snare loop of the device.



Depress the white button; pull the green tab to thread the free ends of the suture through the device. Discard green pull tab.



Depress the white button and slide the SLIP-NOT® forward to produce tension. Release the white button to secure the suture within the device.



SLIP-NOT®
SRD100





 **MERITMEDICAL** | OEM

1600 West Merit Parkway
South Jordan, UT 84095

www.MeritOEM.com

Inside U.S. +1 800.637.4839
Outside U.S. +1 801.208.4313
Europe: +31 43 358 82 24