

## Crestron® Flex Tabletop UC Video Conference System for Zoom Rooms™ Software

The Crestron® Flex Tabletop UC Video Conference System for Zoom Rooms software™ ([UC-M130-Z](#)) delivers a powerful solution for knowledge workers who want the Zoom Rooms software experience in small to midsize meeting and conference rooms.

### Minimum Requirements

- A video display, connected to the UC-ENGINE-SD
- A Zoom Rooms account or activation code
- HDMI® cable to connect an HDMI source\*

\* Crestron recommends using Crestron cables only. For optimum performance, Crestron offers the UC-M-ACCY KIT which includes the required hookup cables.

View the [Crestron Flex Pre-Deployment Checklist](#) to help plan your Crestron Flex installation.

### Optional

- [CCS-UCA-SMK](#) Swivel Mount Kit
- [CCS-UCA-MIC KIT](#) Microphone Pods



### In the Box

#### UC-BRKT-100-SD-Z-ASSY, UC Engine Bracket Assembly

- 1 UC-BRKT-100-SD-Z-ASSY (6511147)
- 1 Power cord
- 1 Mounting Hardware

### CCS-UC-1, Crestron Mercury® Tabletop UC Video Conference Console

- 1 CCS-UC-1-T-V (6508227)
- 1 Cable, USB 2.0 A - Micro B, 6 ft (1.8 m) (2047803)
- 1 Cable, CAT5e, RJ-45 Male - RJ-45 Male, 12 ft (3.6 m) (2033988)
- 1 Cable Management Hardware

### Accessory Box

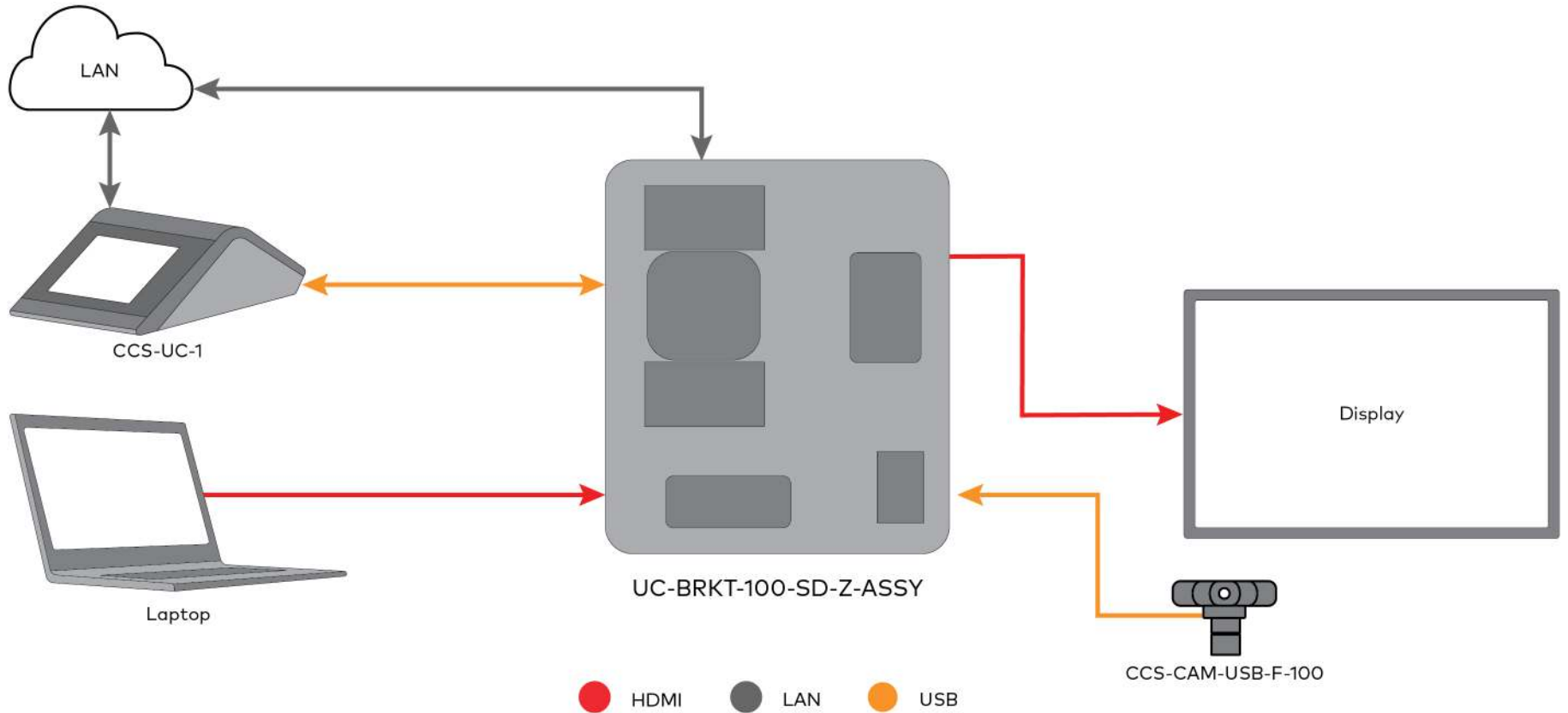
- 1 CCS-CAM-USB-F-100 Logitech® Webcam C930e (6506442)
- 1 CCS-UCA-MEM-USB, USB Drive (6509548)
- 1 PW-2420RU, Power Supply (6500187)
- 1 CBL-CAT5E-7, CAT5e cable RJ-45-to-RJ-45, Black, 7 ft (2.1 m) (6509924)
- 1 CBL-USBC-HD-9, USB 3.0 to HDMI Converter cable, 9 ft (2.7 m) (6510718)
- 1 CBL-USB-A-EXT-15 USB Extension Cable, Type A Male-to-Female, 15 ft (4.6 m) (6508260)

## Crestron® Flex Tabletop UC Video Conference System for Zoom Rooms™ Software



### Overview

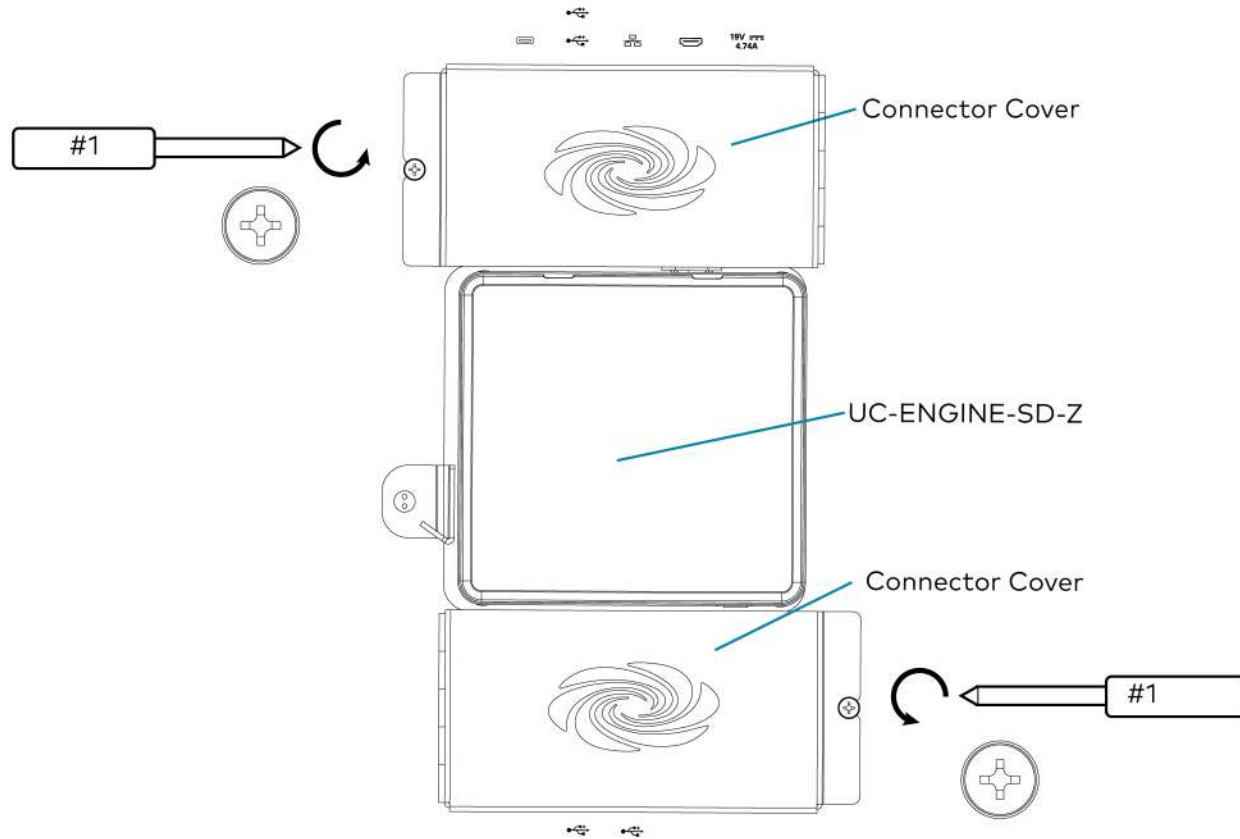
The following diagram illustrates system connections.



## Crestron® Flex Tabletop UC Video Conference System for Zoom Rooms™ Software

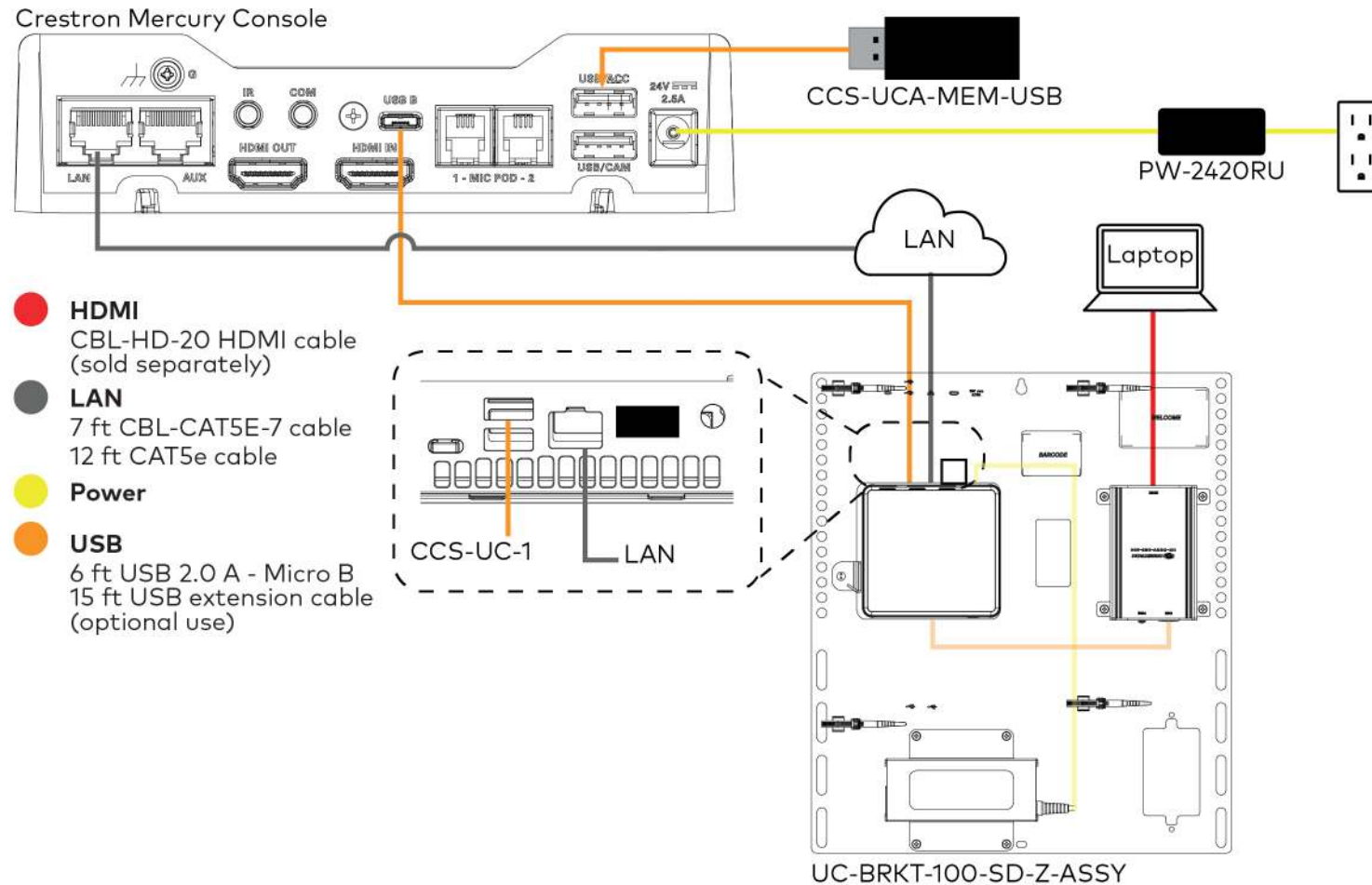
### Connect

1. Remove the connector covers prior to making UC-ENGINE-SD-Z connections on the UC-BRKT-100-SD-Z-ASSY bracket assembly.



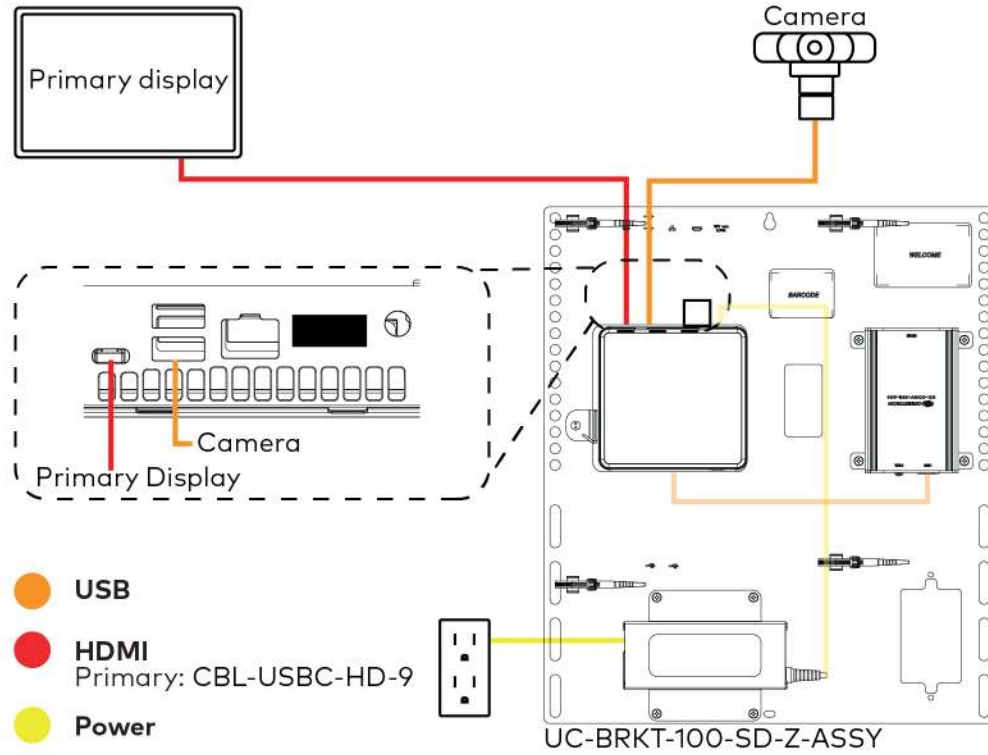
## Crestron® Flex Tabletop UC Video Conference System for Zoom Rooms™ Software

2. Make connections to the Crestron Mercury console and UC-BRKT-100-SD-Z-ASSY bracket assembly as shown in the following illustration.



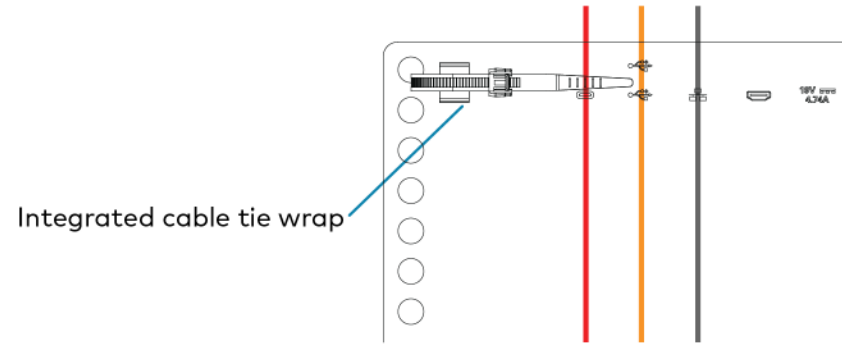
## Crestron® Flex Tabletop UC Video Conference System for Zoom Rooms™ Software

3. Connect the display device and camera to the UC-ENGINE-SD-Z as shown below.



## Crestron® Flex Tabletop UC Video Conference System for Zoom Rooms™ Software

4. Bundle the cables with the integrated cable tie wraps. The cable tie wraps are reusable.



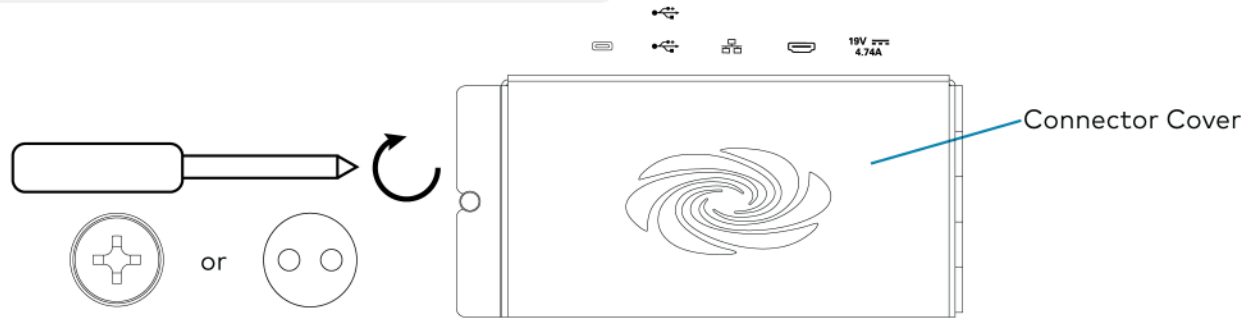
## Crestron® Flex Tabletop UC Video Conference System for Zoom Rooms™ Software



### Complete the Installation

After completing UC-ENGINE-SD-Z connections, secure the connector covers using a #1 Phillips head screwdriver to replace the screws.

**NOTE:** For additional security, replace the screws with the spanner screws included with the bracket assembly. A 1/4 in. bit is also supplied with the bracket assembly to install the spanner screws.



---

## Crestron® Flex Tabletop UC Video Conference System for Zoom Rooms™ Software



### Configure

#### Apply Power

1. Press the power button on the bottom of the UC-ENGINE-SD-Z and apply power to all of the other devices in the system. The connected display device will show a pairing code.
2. Remove the CCS-UCA-MEM-USB from the Crestron Mercury console.

#### Log In to the Zoom Rooms Service

Use the Crestron Mercury console to sign in to the Zoom Rooms service using an activation code or a Zoom Room Sign-In.

1. Enter the pairing code shown on the display to pair the Crestron Mercury console with the UC-ENGINE-Z. The Zoom Rooms controller app is displayed.
2. Log in to the Zoom Rooms service with an activation code or Zoom Rooms Credentials (email and password).
  - **Activation Code:**
    - a. Tap **Enter Activation Code**.
    - b. Enter the 16-digit activation code provided by the administrator to activate the Zoom Room that is assigned to the activation code. The Zoom Rooms Conference Room screen is shown on the display.

- **Sign In:**

- a. Tap **Sign In**.
  - b. Enter the Zoom Room credentials and tap **Sign In**.
  - c. Select the conference room name from the list and tap **Next**. The Zoom Rooms Conference Room screen is shown on the display.
3. Tap **Settings**. If a password is required, enter the password (default is **0000**). The **Settings** screen is displayed.
  4. Tap **Microphone** and select the **Crestron Mercury** console as the source.
  5. Tap **Speaker** and select the **Crestron Mercury** console as the source.
  6. Tap **Meet Now** to exit.



## Crestron® Flex Tabletop UC Video Conference System for Zoom Rooms™ Software



## Visit the Product Page

Scan the QR code to visit the product page.

UC-M130-Z



[www.crestron.com/model/6511148](http://www.crestron.com/model/6511148)

## Additional Information

**Original Instructions**

The U.S. English version of this document is the original instructions. All other languages are a translation of the original instructions.

Crestron product development software is licensed to Crestron dealers and Crestron Service Providers (CSPs) under a limited nonexclusive, nontransferable Software Development Tools License Agreement. Crestron product operating system software is licensed to Crestron dealers, CSPs, and end-users under a separate End-User License Agreement. Both of these Agreements can be found on the Crestron website at [www.crestron.com/legal/software\\_license\\_agreement](http://www.crestron.com/legal/software_license_agreement).

The product warranty can be found at [www.crestron.com/warranty](http://www.crestron.com/warranty).

The specific patents that cover Crestron products are listed at [www.crestron.com/legal/patents](http://www.crestron.com/legal/patents).

Certain Crestron products contain open source software. For specific information, visit [www.crestron.com/opensource](http://www.crestron.com/opensource).

Crestron, the Crestron logo, and Crestron Mercury are either trademarks or registered trademarks of Crestron Electronics, Inc. in the United States and/or other countries. HDMI and the HDMI logo are either trademarks or registered trademarks of HDMI Licensing LLC in the United States and/or other countries. Logitech is either a trademark or registered trademark of Logitech, Inc. in the United States and/or other countries. Zoom Rooms is either a trademark or registered trademark of Zoom Video Communications, Inc. in the United States and/or other countries. Other trademarks, registered trademarks, and trade names may be used in this document to refer to either the entities claiming the marks and names or their products. Crestron disclaims any proprietary interest in the marks and names of others. Crestron is not responsible for errors in typography or photography.

**HDMI**

©2020 Crestron Electronics, Inc.

Doc ID 8529B

02/21/20