

SIEMENS



Fridge-freezer

الثلاجة المزودة بفریزر

KA90N..

siemens-home.bsh-group.com/welcome

en Operating and installation instructions

ar دليل التشغيل والتركيب

Register
your
product
online

en Table of contents

Safety and warning information	3
Directions for disposal	4
Specifications supplied	4
Installing the appliance	4
Installation dimensions	6
Door opening angle	6
Connecting the appliance	7
Fitting the doors	9
Getting to know the appliance	10
Switching on the appliance	12
Setting the temperature	12
Fast cooling function	12
Fast freezing function	13
Button lock (childproof lock)	13
Alarm functions	13
Energy-saving mode	14
Usable capacity	14
Fridge compartment	14
Freezer compartment	14
Max. freezing capacity	15
Freezing and storing	15
Freezing fresh food	15
Defrosting frozen food	16
Fittings	16
Switching off and shutting down the appliance	17
Defrosting	17
Cleaning the appliance	18
Smells	18
Lighting (LED)	18
Saving energy	18
Operation noises	18
Rectifying minor faults yourself	19
After-sales Service	19

Safety and warning information

Before you put the appliance into operation

Carefully read through the instructions for use and assembly instructions. They contain important information on setting up, using and maintaining the appliance.

The manufacturer is not liable for any damage caused by failure to follow the guidance and warnings contained in the instructions for use. Retain all documents for later use or for subsequent owners.

Technical safety

The appliance contains a small quantity of the environmentally-friendly, though flammable, refrigerant R600a. Make sure that the pipes of the refrigerant circuit are not damaged during transport or installation. If refrigerant squirts out, it may cause eye injuries or ignite.

In the event of damage:

- Keep naked flames or sources of ignition away from the appliance,
- Ventilate the room well for a few minutes,
- Switch off the appliance and unplug it from the mains,
- Inform After-sales Service.

The more refrigerant an appliance contains, the larger the room must be in which it stands. If there is a leak and the room is too small, a flammable gas-air mixture may form.

The room must be at least 1 m³ in size for each 8 g of refrigerant. The quantity of refrigerant in your appliance is stated on the rating plate inside the appliance.

If the mains power lead of this appliance is damaged, it must be replaced by the manufacturer, After-sales Service or an equally qualified person. Incorrect installation or repairs may result in significant risks to the user.

Repairs may only be carried out by the manufacturer, After-sales Service or an equally qualified person.

Only genuine replacement parts from the manufacturer may be used. Only such parts are guaranteed by the manufacturer to meet the safety requirements.

Any mains power lead extension may only be obtained from After-sales Service.

During use

- Never use electrical appliances inside the appliance (e.g. heaters, electric ice-makers). Risk of explosion!
- Never defrost or clean the appliance with a steam-cleaning device. The steam may come into contact with electrical components and cause a short circuit. Risk of electric shock!
- Do not use pointed or sharp objects to remove layers of ice and frost! You could damage the refrigerant pipes. If refrigerant shoots out, it may ignite or cause eye injuries.

- Do not store products with flammable propellant gases (e.g. spray cans) or explosive substances inside the appliance. Risk of explosion!
- Do not use the base, rails, doors, etc. as a step or support.
- For defrosting and cleaning, unplug the appliance from the mains or switch off the circuit-breaker. When unplugging the mains plug, always take hold of the plug itself, never pull on the connecting lead.
- High-proof alcohol must always be tightly sealed and stored in an upright position.
- Do not contaminate plastic parts or door seals with oil or grease. Plastic parts and door seals will otherwise become porous.
- Never cover or block ventilation openings for the appliance.
- This appliance may only be used by persons (including children) with impaired physical, sensory, or mental abilities or insufficient knowledge of the appliance if they are supervised by a person responsible for their safety or have been instructed by such a person on how to use the appliance.
- Do not store liquids in bottles or tins in the freezer compartment (in particular carbonated drinks). Bottles and tins may burst.
- Never eat frozen foods immediately after they have been taken out of the freezer compartment. Risk of freezer burn!
- Avoid prolonged hand contact with frozen foods, ice, and the evaporator tubes, etc. Risk of freezer burn!

Avoiding risks to children and other at-risk persons

Persons at risk are:

- Children
- Persons whose powers of perception are physically or psychologically limited
- Persons who do not have sufficient knowledge about how to use the appliance safely.

Action required:

- Make sure that children and other at-risk persons have understood the dangers.
- A person responsible for safety must supervise or instruct children and other at-risk persons when they are using the appliance.
- Do not allow children under 8 years old to use the appliance.
- Supervise children when cleaning and servicing.
- Never let children play with the appliance.

General requirements

The appliance is suitable for the following tasks:

- Chilling and freezing food,
- Making ice cubes.

This appliance is intended for use up to a maximum height of 2000 metres above sea level.

This appliance is intended for domestic use in private households and for a domestic environment.

The appliance is fitted with interference suppression in accordance with EU Directive 2004/108/EC.

The refrigeration circuit has been checked for leak tightness.

This product complies with the applicable safety requirements for electrical appliances (EN 60335-2-24).

Directions for disposal

Disposing of packaging.

The packaging protects your appliance from damage during transport. All the materials used are environmentally friendly and can be recycled. Please help by disposing of the packaging in an environmentally responsible manner.

Information about the available disposal methods and sites can be obtained from your appliance retailer or your local authority.

Disposing of your old appliance

Used appliances are not valueless waste. Valuable raw materials can be recovered through environmentally responsible disposal.



This appliance is labelled in accordance with European Directive 2012/19/EU concerning used electrical and electronic appliances (waste electrical and electronic equipment - WEEE).

The Directive determines the framework for the return and recycling of used appliances as applicable throughout the EU.

Warning

Appliances at the end of their useful life:

1. Unplug the mains plug.
2. Cut the power cord and remove it along with the mains plug.
3. Do not remove the shelves and containers. Leaving them intact makes it more difficult for children to climb in.
4. Never let children play with a disused appliance.
Risk of asphyxiation!

Refrigerators contain refrigerant as well as gases in the insulation material. Refrigerant and gases must be disposed of properly. Do not damage the refrigerant circuit pipes before disposing of them properly.

Specifications supplied

After unpacking the appliance, check all parts for transport damage.

If you find any defects, contact the retailer from whom you purchased the appliance or our After-sales Service.

The appliance supplied consists of the following components:

- Free-standing appliance
- Features (vary depending on the model)
- Bag of assembly materials
- Instructions for use and installation
- Service record
- Guarantee slip
- Information on energy consumption and noise

Installing the appliance

Transport

The appliance is heavy and must be securely fixed when being transported and installed.

Because of the weight and size of the appliance, and in order to minimise the risk of personal injury or damage to the appliance, at least two persons are required for moving and positioning the appliance safely.

The castors are provided for installation purposes only. Do not use the castors for transporting the appliance.

Do not move the appliance over uneven or soft ground on its castors.

Installation site

The ideal installation site is a dry, well ventilated room. The appliance should not be installed in a position that is exposed to direct sunlight or close to a source of heat, such as a cooker or radiator. If installation near to a source of heat is unavoidable, use a suitable insulating panel or keep to the following minimum distances from the source of heat:

- 3 cm from an electric or gas cooker.
- 30 cm from oil or solid fuel cookers.

Floor surface

The floor at the installation site must not give. Reinforce the floor if necessary.

The appliance is very heavy. The weight when empty is detailed in the table below.

Basic model	98 kg
-------------	-------

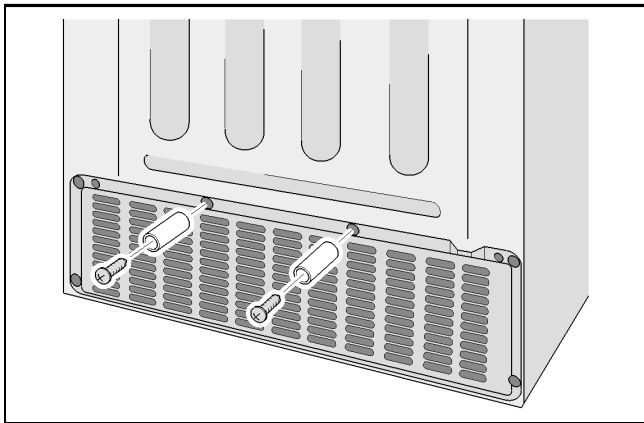
Wall clearance

If the appliance is positioned in the corner of a room or a recess, minimum clearances (see the section headed Installation dimensions) at the sides must be maintained so that the appliance doors can be fully opened.

If the depth of the adjacent kitchen fittings exceeds 65 cm, minimum clearances at the sides must be maintained so that the full opening width of the doors can be utilised (see section headed Door opening angle).

Minimum clearance at rear

Fix the spacers supplied to the holes provided on the rear of the appliance using the screws.



The spacers maintain the minimum clearance of 22 mm from the wall, thus providing adequate ventilation.

Observe the room temperature and ventilation requirements

Room temperature

The appliance is designed for a certain climate class. Depending on the climate class, the appliance can be operated at the following ambient temperatures.

The climate class is specified on the rating plate.

Climate class	Permissible room temperature
SN	+10 °C to 32 °C
N	+16 °C to 32 °C
ST	+16 °C to 38 °C
T	+16 °C to 43 °C

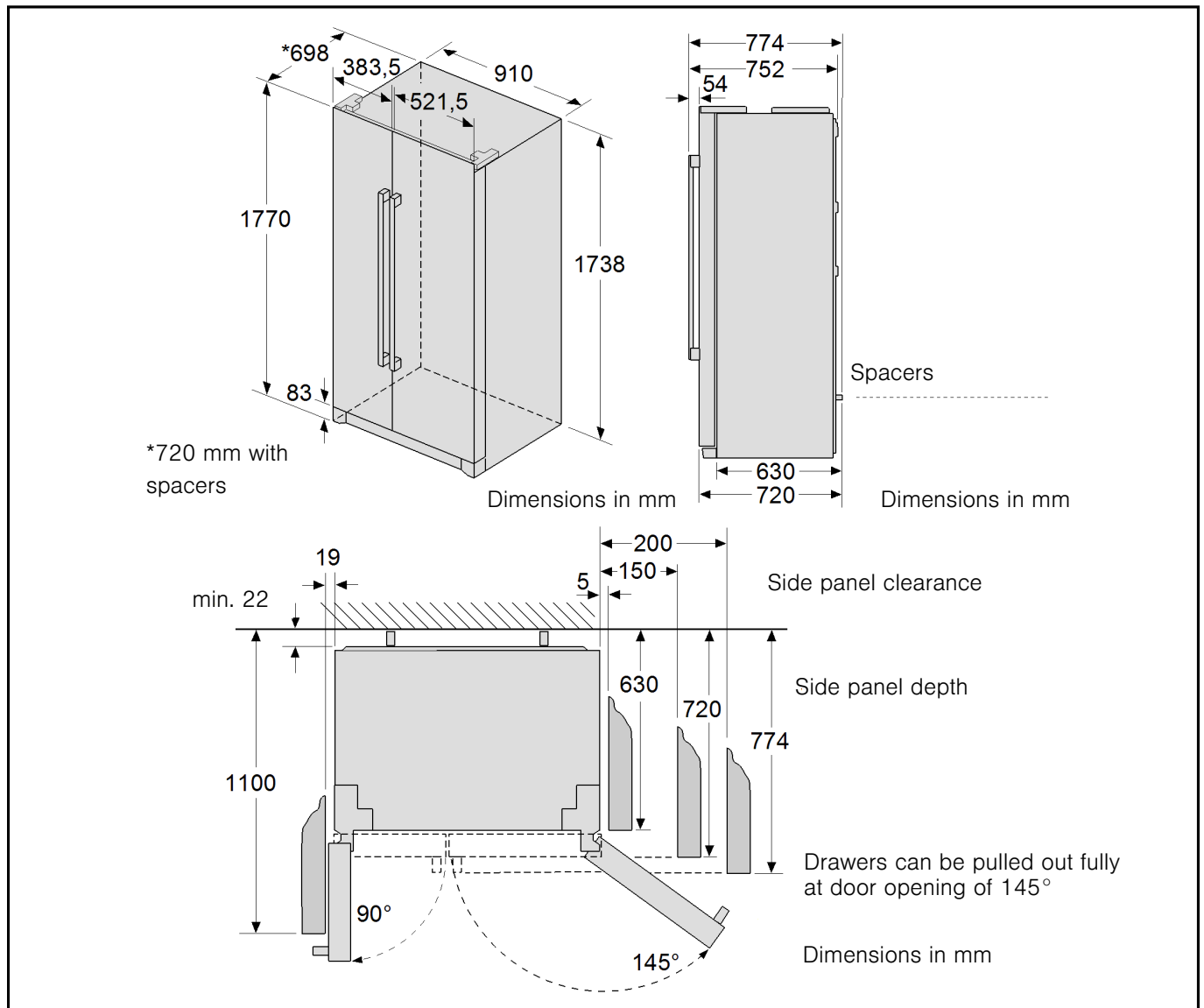
Note

The appliance is fully functional within the room temperature limits of the specified climate class. If an appliance in the SN climate class is operated at lower ambient temperatures, damage to the appliance can be excluded up to a temperature of +5 °C.

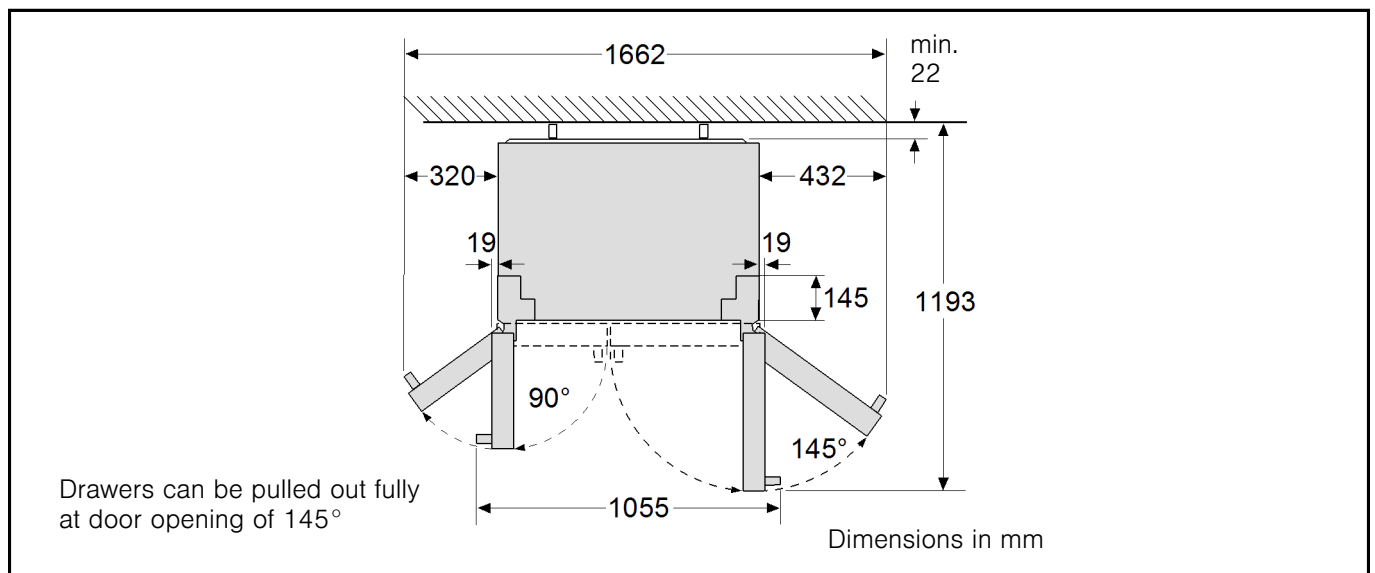
Ventilation

The heated air must be able to escape unimpeded. Otherwise, the refrigerating unit has to work harder, which increases the appliance's power consumption. Therefore, never cover over or block the air vent.

Installation dimensions



Door opening angle



Connecting the appliance

After setting up the appliance, wait for at least 1 hour before starting the appliance up. The oil contained in the compressor may have been displaced into the refrigeration system during transport.

Before starting the appliance up for the first time, clean its interior (see the section headed Cleaning the appliance).

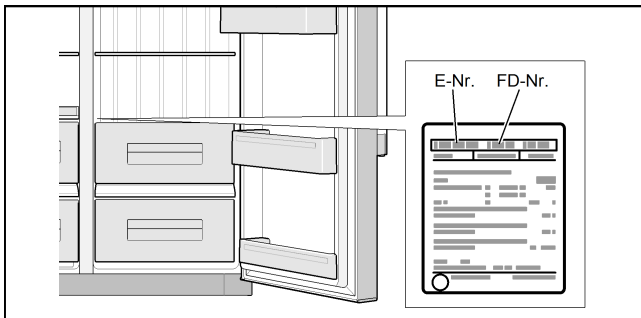
Do not remove the transit locks from the shelves and trays until the appliance has been installed.

Electrical connection

The socket must be near to the appliance and easily accessible after the appliance has been installed.

The appliance conforms to protection class I. Connect the appliance to a 220-240 V/50 Hz alternating current supply using a socket with protective earthing conductor which has been correctly installed. The socket must be protected by a fuse with a rating of 10 A to 16 A.

In the case of appliances operated outside of Europe, check whether the voltage and type of current specified conform to the values of your electricity grid. You will find this information on the rating plate.



Warning

The appliance must never be connected up to an electronic energy-saving socket.

Sinusoidal-commutated and line-commutated inverters can be used with our appliances. Line-commutated inverters are used with photovoltaic systems that are connected directly to the national grid. Sinusoidal-commutated inverters must be used with standalone applications (e.g. on ships or mountain huts) that do not have a direct connection to the national grid.

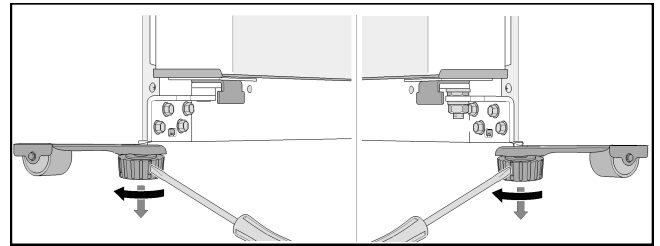
Levelling the appliance

Note

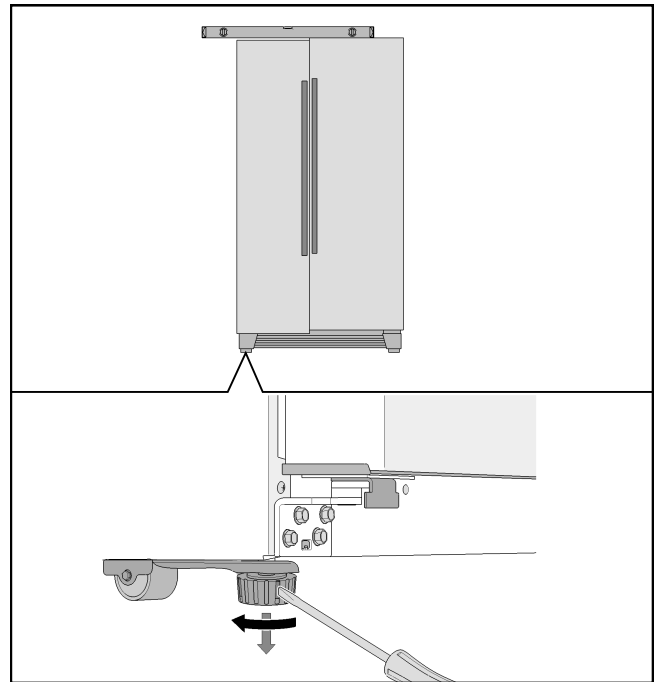
To ensure that it functions properly, the appliance must be set level using a spirit level.

If the appliance is not level, it could prevent the doors from closing properly.

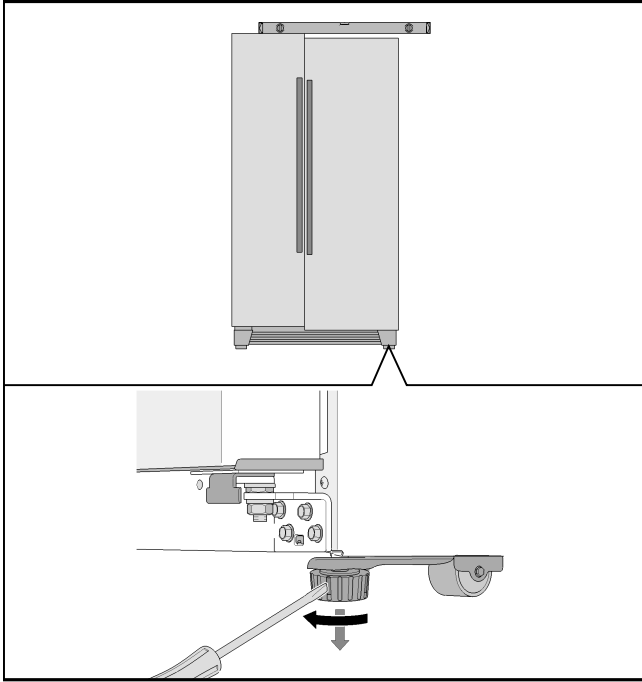
1. Move the appliance into its intended installation position.
2. So that the appliance cannot move, unscrew the two front feet until they are standing firmly on the floor.



3. Screw the feet in/out until the appliance is exactly level. Use the appliance doors as a reference point.
4. If the freezer compartment door is lower:

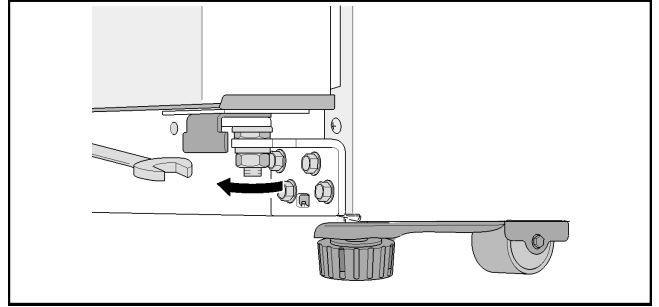


5. If the fridge compartment door is lower:

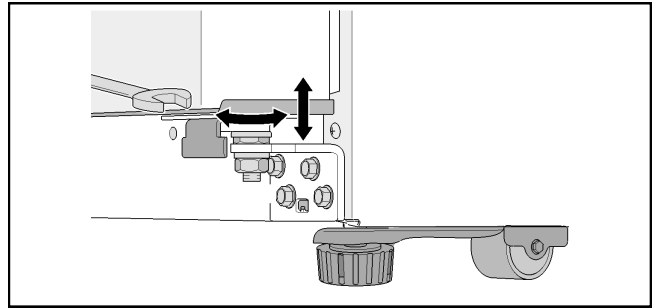


If the appliance is exactly level but one of the doors is lower than the other:

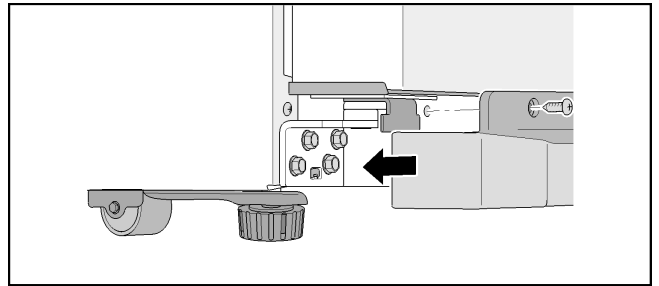
1. Open the appliance doors.
2. Unscrew the 3 screws holding the base panel and remove it.
3. Undo the nut.



4. Turn the adjusting nut until the appliance doors are aligned.

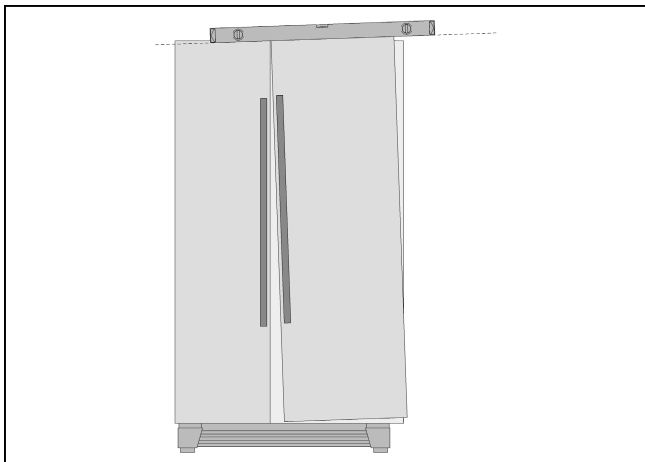


5. If the freezer compartment door is lower: Turn the adjusting nut anti-clockwise.
6. If the fridge compartment door is lower: Turn the adjusting nut clockwise.
7. Tighten the nut.
8. Put the base panel back in place and secure it with the 3 screws.

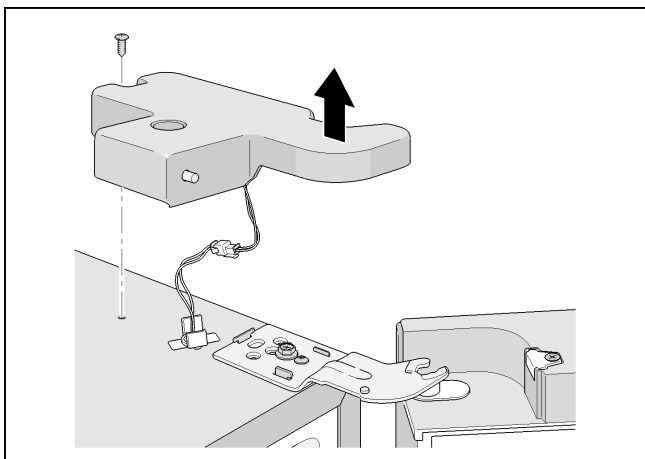


Note

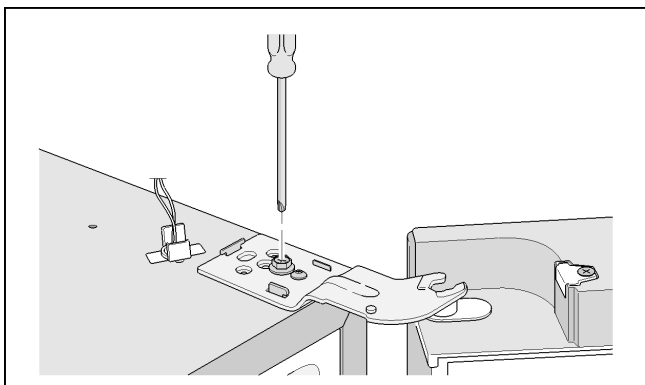
Due to its own weight or when the door is filled with foodstuffs, it is possible that the fridge compartment door leans even when the appliance is standing up vertically. The door gap at the top and at the bottom is not identical.



If the door gap at the top and at the bottom is not identical:



1. Unscrew 2 screws and remove the top hinged cover.



2. Slacken the hinge screw.
Do not unscrew the screw completely!
3. Adjust the fridge compartment door's vertical alignment.
4. Tighten the hinge screw.
5. Apply the hinged cover and fasten with 2 screws.

Fitting the doors

If the appliance is too big to fit through the doors of your home, the door handles or the appliance doors can be unscrewed.

Note

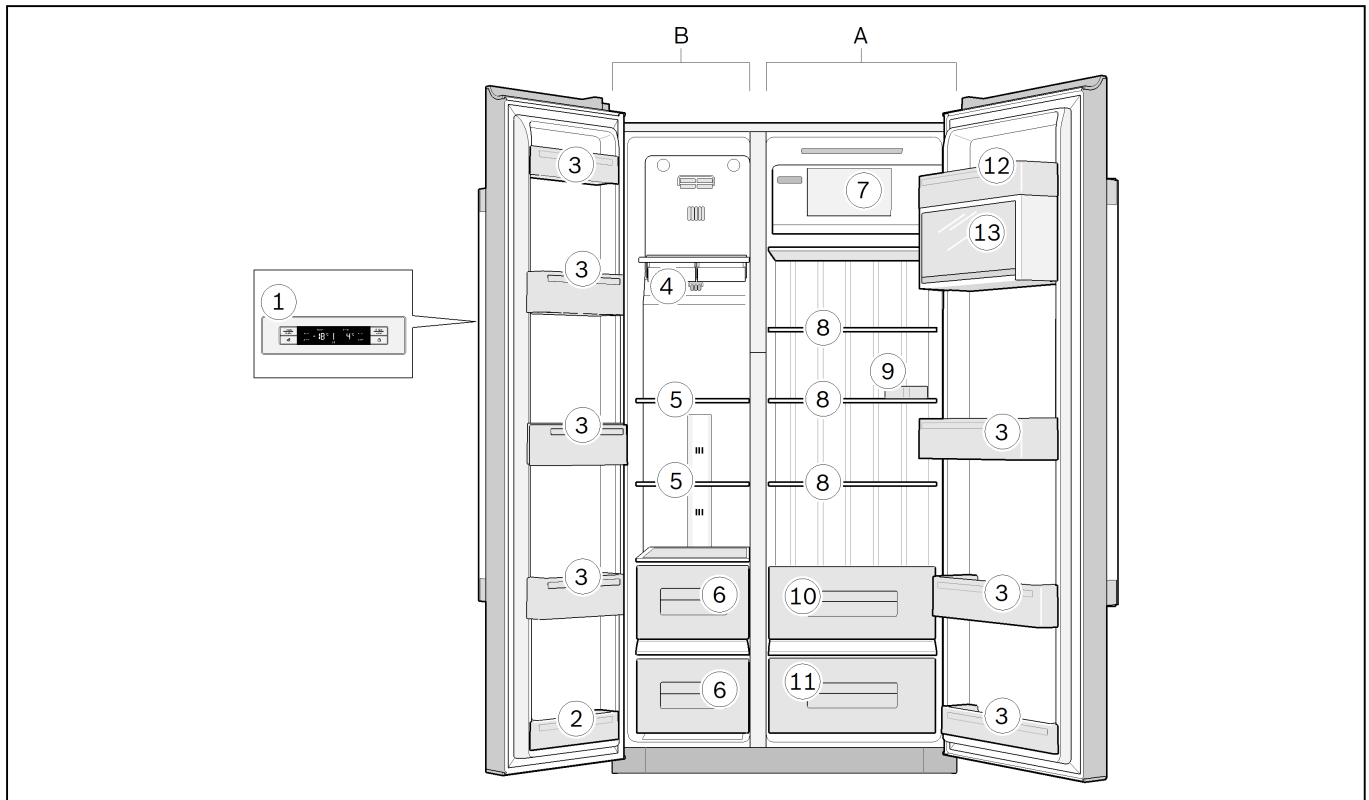
The door handles or the appliance doors may only be removed by an After-sales Service technician. Your local After-sales Service centre will advise you of the cost.

Getting to know the appliance

Appliance

The features of the models may vary.

The illustrations may differ from your particular model.



- A Fridge compartment
- B Freezer compartment (4 stars)

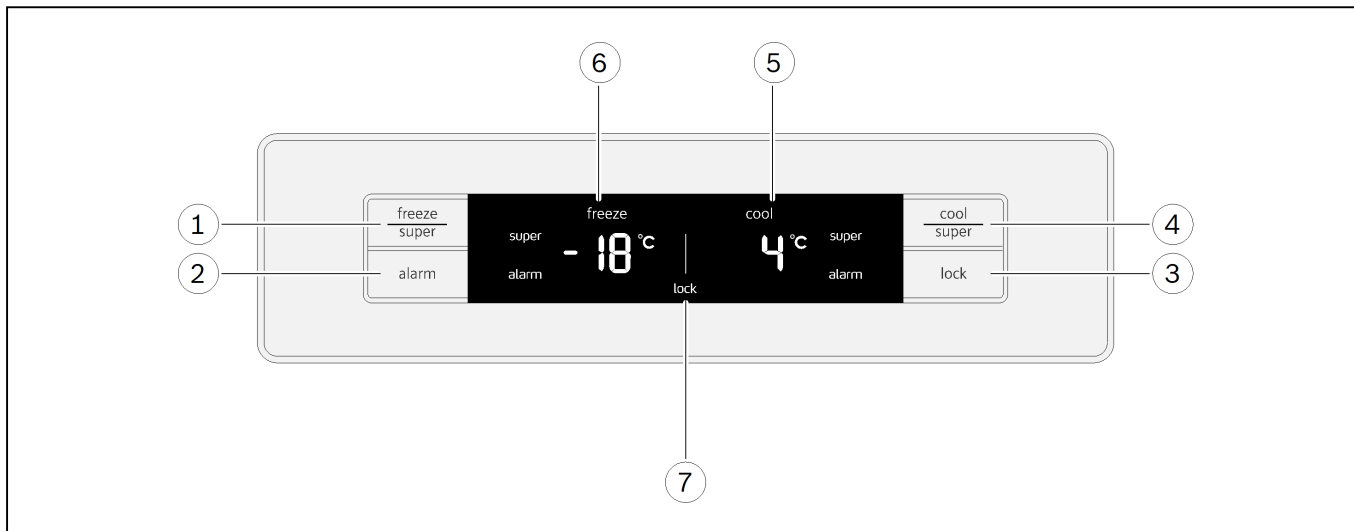
- 1 Operating controls
- 2 Door pocket (2-star compartment)

Note

Only the door pocket is rated as 2 stars, the rest of the freezer compartment is 4-star rated.

- 3 Door pockets
- 4 Ice-cube trays
- 5 Freezer compartment glass shelves
- 6 Freezer compartment drawers
- 7 Shelf
- 8 Fridge compartment glass shelves
- 9 Egg tray
- 10 Vegetable drawer
- 11 Fruit drawer
- 12 Butter and cheese compartment
- 13 Door pocket with lid

Operating controls



1 "freeze/super" button

- For setting the temperature in the freezer compartment.
- For switching fast freezing function on and off.

2 "alarm" button

- Switches off the display of the temperature alarm.

3 "lock" button

- Switches the button lock (childproof lock) on or off.

4 "cool/super" button

- For setting the temperature in the fridge compartment.
- For switching the fast cooling function on and off.

5 Fridge compartment display panel

- Fridge compartment temperature.
- "super" symbol shown when fast cooling function is active.
- "alarm" symbol shown when fridge compartment alarm is active.

6 Freezer compartment display panel

- Freezer compartment temperature.
- "super" symbol shown when fast freezing function is active.
- "alarm" symbol shown when freezer compartment alarm is active.

7 Symbols on the display panel



Button lock (childproof lock)

Button lock is switched on.

Switching on the appliance

Plug the mains plug into the mains outlet socket.
The appliance will start cooling.

When the appliance is switched on for the first time, the alarm function is deactivated until the appliance has reached the set temperature. If the appliance is switched off for an extended period, the temperature alarm may be triggered when it is first switched on again.

The temperatures flash and the display panels show the "alarm" symbol until the appliance has reached the set temperatures.

By pressing the "alarm" button the temperature warning is switched off.

The lights come on when the appliance doors are opened.

The following temperatures are recommended by the manufacturer and pre-set at the factory:

- Fridge compartment +4 °C
- Freezer compartment -18 °C

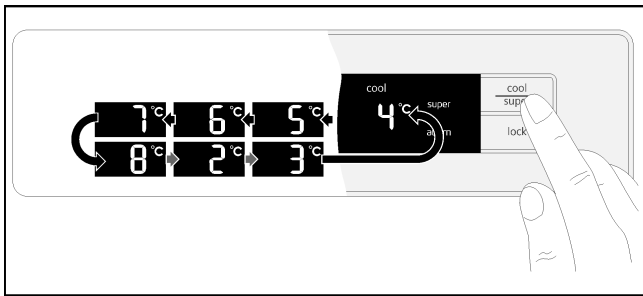
Notes on using the appliance

- After switching on the appliance, it may be several hours before the set temperatures are reached.
Do not put any food in the appliance before then.
- Thanks to the fully automatic NoFrost system, the freezer compartment remains free of ice. Defrosting is not required.
- Some of the casing end faces are slightly heated to prevent condensation forming in the door seal area.
- If you cannot open the freezer compartment door again immediately after closing it, wait a moment for the low pressure created to equalise.

Setting the temperature

Fridge compartment

The temperature can be set from +2 °C up to +8 °C.
Repeatedly press the "cool/super" button until the desired fridge compartment temperature is set.

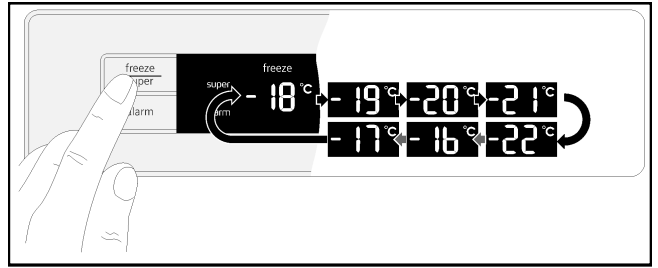


The temperature last set is saved. The set temperature is shown on the fridge compartment display panel.

Freezer compartment

The temperature can be set to between -16 °C and -22 °C.

Repeatedly press the "freeze/super" button until the desired freezer compartment temperature is set.



The temperature last set is saved. The set temperature is shown on the freezer compartment display panel.

Fast cooling function

The fast cooling function cools the fridge compartment to the coldest possible temperature for approximately 40 minutes. After that, the temperature setting automatically reverts to +4 °C.

Switch on fast cooling, for example

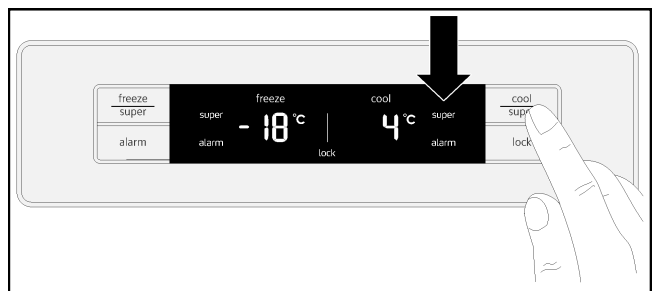
- before putting a large amount of food in the fridge compartment.
- to cool drinks quickly.

Note

When fast cooling is switched on, the appliance may make more noise.

Switching on

Press the "cool/super" button repeatedly until the fridge compartment display panel shows "super".



Switching off

Press the "cool/super" button.

Note

The display panel no longer shows "super". The temperature setting automatically reverts to +4 °C.

Fast freezing function

Food should be frozen thoroughly as quickly as possible. This ensures that vitamins, nutritional values, the look and the taste of the food is retained.

Switch on fast freezing a few hours before placing fresh food in the freezer in order to prevent a drop in temperature.

In general, 4 - 6 hours is sufficient.

When the function is switched on, the appliance operates continuously. As a result, a very cold temperature in the freezer compartment is achieved.

Fast freezing automatically switches off after about 48 hours.

If the maximum freezing capacity is to be used, fast freezing should be switched on 24 hours before placing the fresh food in the freezer.

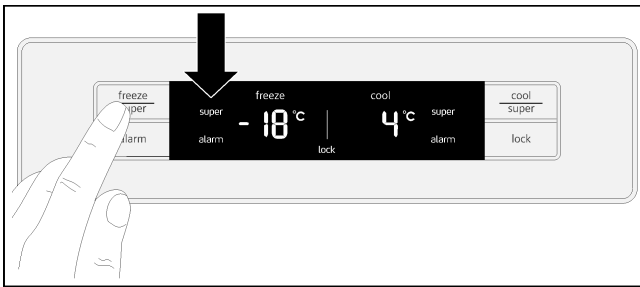
Small quantities of food for freezing (up to 2 kg) can be frozen without using the fast freezing function.

Note

When fast freezing is switched on, the appliance may make more noise.

Switching on

Press the "freeze/super" button repeatedly until the freezer compartment display panel shows "super".



Switching off

Press the "freeze/super" button.

Note

The display panel no longer shows "super". The temperature automatically switches back to the temperature set before the "Fast freezing" function was activated.

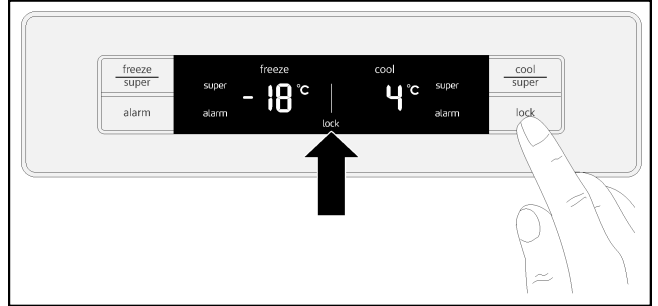
Button lock (childproof lock)

When the button lock is switched on, all buttons are locked.

When the button lock is switched on, the "alarm" button can be used to switch off the audible warning signal.

Switching on

Press the "lock" button.



The display panel shows the "Button lock" symbol.

Switching off

Press and hold the "lock" button for 3 seconds.

Alarm functions

Door alarm

The door alarm switches on if one of the appliance doors is open for longer than one minute. The warning sound repeats every 60 seconds for a period of 5 minutes. Closing the door switches off the warning sound.

Temperature alarm

The display panel shows the temperature alarm if the fridge or freezer compartment becomes too warm and the food is at risk.

The relevant display panel shows the highest temperature and "alarm".

Fridge compartment

If the temperature in the fridge compartment has become too high, before eating any food that has got warm, make sure you heat it through properly. In no doubt, do not use raw food.

Freezer compartment

Do not refreeze defrosted food. It can only be refrozen after it has been made into a ready-to-eat meal (cooked or roasted).

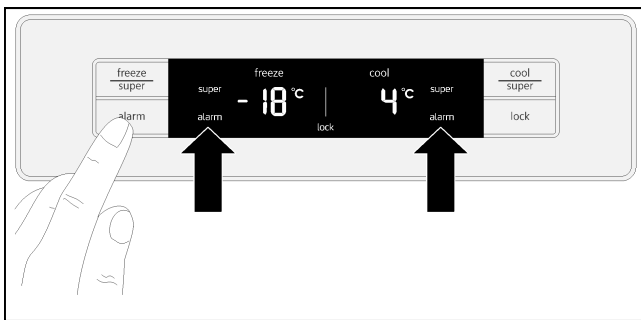
Do not then leave the food in the freezer for the maximum storage period.

Without any risk to the frozen food, the alarm may be triggered:

- when the appliance is first used.
- when putting large quantities of fresh food in the freezer.
- if the freezer compartment door is left open for too long.

Switching off the alarm

Press the "alarm" button.



Note

As soon as the set temperature is reached again, the display stops showing "alarm".

Energy-saving mode

20 seconds after the doors are closed or the last button is pressed, the display panel switches to energy-saving mode. The display panel switches off and leaves only the words "freeze" and "cool" dimly illuminated.

As soon as a door is opened or a button pressed, the display panel switches on and returns to the normal brightness.

Usable capacity

You will find the details of the usable capacity on the rating plate inside the appliance.

Using the entire freezing capacity

To accommodate the maximum quantity of frozen food, you can remove all of the fittings from inside the appliance. You can then stack the food directly on the shelves and the bottom of the freezer compartment.

How to remove and refit the fittings is described in the section headed Fittings.

Fridge compartment

The fridge compartment is the perfect place for keeping ready meals, bread and pastries, jams and preserves, condensed milk and hard cheeses.

When placing food in the fridge, follow these guidelines:

- Keep fresh, untouched food in the fridge. In that way it will keep longer and stay fresher.
- In the case of ready-made products and packaged foods and liquids, pay attention to the manufacturer's specified best-before or use-by date.
- In order to maintain flavour, colour and freshness, keep food well packed or covered over. That also prevents flavours from mixing and the plastic parts from becoming discoloured in the fridge compartment.
- Allow warm food and beverages to cool before putting them into the appliance.

Note

Keep food from coming into contact with the rear panel. Otherwise, the air circulation will be impaired.

Food or packaging could also become frozen to the rear panel.

Pay attention to the temperature zones in the fridge compartment

The air circulation produces different temperature zones in the fridge compartment:

- The coldest zones are close to the rear panel.
- The warmest zone is at the very top of the door.

Note

Keep items such as hard cheese and butter in the warmest zone. That will allow the cheese to continue developing its flavour and the butter will remain spreadable.

Freezer compartment

Use the freezer compartment for the following:

- Storing deep frozen food.
- To make ice cubes.
- To freeze food.

Note

Make sure that the freezer compartment door is always closed. When the door is open, the frozen foods defrost and the freezer compartment ices up heavily. In addition: Energy is wasted due to the power consumption.

Note

The 2-star door pocket can be used to store ice and food at -12 °C for short periods.

The rest of the freezer compartment is 4-star rated.

Max. freezing capacity

You will find information on the maximum freezing capacity in 24 hours on the rating plate.

Conditions for use of max. freezing capacity

- Switch on the fast freezing function before placing the food in the freezer (see section headed Fast freezing).
- Remove the freezer compartment fittings.
- Stack the food directly on the shelves and the bottom of the freezer compartment.

Note

Do not cover over the ventilation slots in the rear panel with the food you are freezing.

- Preferably, large quantities of food for freezing should be placed in the top compartment. There it will freeze quickly and, therefore, without adversely affecting the food quality.

Freezing and storing

Purchasing frozen foods

- Packaging must not be damaged.
- Observe the best before date.
- The temperature in the commercial chest freezer must be -18 °C or colder.
- As far as possible, frozen food must be transported in an insulated container and quickly placed in the freezer compartment.

When arranging the food, note the following:

- Preferably, large quantities of food for freezing should be placed in the top compartment. There it will freeze quickly and, therefore, without adversely affecting the food quality.
- Spread the items out well in the compartments/trays.

Note

Food that is already frozen must not come into contact with the food that is to be freshly frozen. If necessary, move already frozen items to other freezer trays.

Storing frozen food

Push the freezer trays in as far as they will go so as to ensure perfect air circulation.

Freezing fresh food

Only use fresh, undamaged food for freezing.

In order to retain the nutritional value, aroma and colour of the food as much as possible, blanch vegetables before they are frozen.

Blanching is not required for aubergines, peppers, courgettes and asparagus.

You can find literature about freezing and blanching in bookshops.

Note

Do not allow food that is to be frozen to sit right next to food that has already been frozen.

- The following are suitable for freezing:
 - Baked goods, fish and seafood, meat, game, poultry, vegetables, fruit, herbs, eggs without their shells, dairy products such as cheese, butter and curd cheese, prepared dishes and leftovers such as soups, stews, cooked meat and fish, potato dishes, baked casseroles and sweet foods.
- The following are not suitable for freezing:
 - types of vegetable that are usually eaten raw, such as lettuces or radishes, eggs in their shells, grapes, whole apples, pears and peaches, hard-boiled eggs, yoghurt, curds, soured cream, crème fraîche and mayonnaise.

Packing frozen food

Pack food so that it is airtight to prevent it from losing its flavour or drying out.

1. Store food in its packaging.
2. Press out any air.
3. Close the packaging tightly.
4. Label packaging with its contents and date of freezing.

The following are suitable as packaging:

Plastic film, polyethylene hose film, aluminium foil, freezer bags.

You will find these products at your specialist dealer.

The following are not suitable as packaging:

Wrapping paper, greaseproof paper, cellophane, rubbish bags and used shopping bags.

The following are suitable for sealing packaging:

Rubber bands, plastic clips, pack-twines, cold-resistant scotch tape, or similar.

Polyethylene bags and hose film can be fused closed using a bag sealer.

Storage life of frozen foods

The storage life depends on the type of food.

At a temperature of -18 °C:

- Fish, sausages, prepared dishes, baked goods:
 - Up to 6 months.
- Cheese, poultry, meat:
 - Up to 8 months.
- Vegetables, fruit:
 - Up to 12 months.

Defrosting frozen food

You can choose between the following options, depending on the type of food and its intended use:

- at ambient temperature
- in the fridge
- in an electric oven, with/without hot air convection
- In the microwave oven.

⚠ Caution

Do not refreeze defrosted food. It can only be refrozen after it has been made into a ready-to-eat meal (cooked or roasted).

Do not continue to use the complete max. storage time for the frozen food.

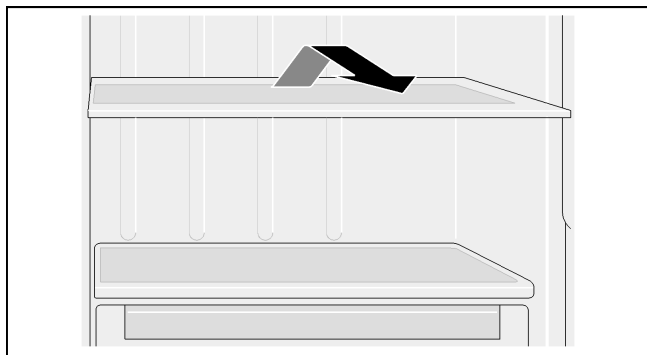
Fittings

Glass shelves

The glass shelves can be removed and fitted at different heights.

Removing

Lift the glass shelf at the back and pull it out.



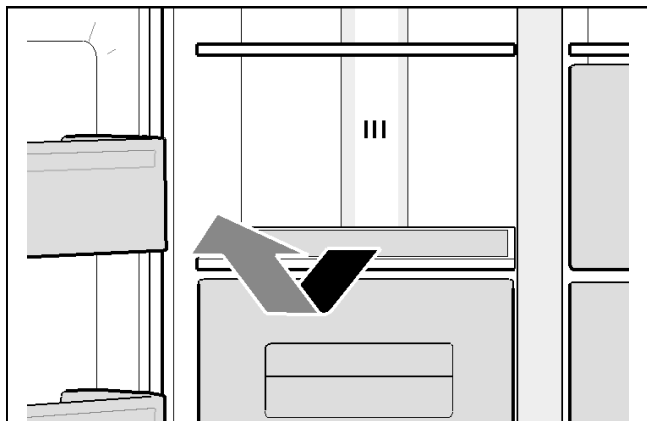
Inserting

Slide the glass shelf backwards on the guide rails until it snaps downwards into place.

Glass shelves over the drawers

The glass shelves can be removed.

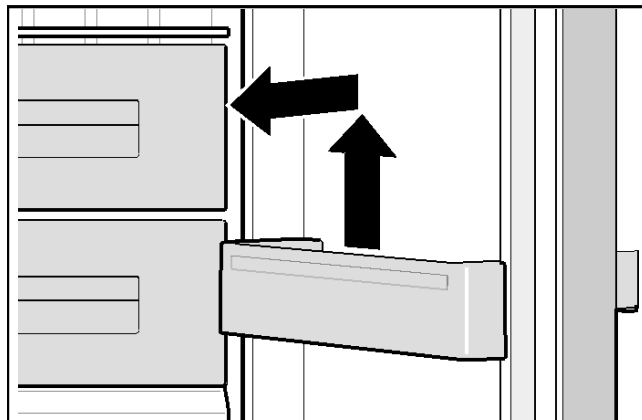
Pull the shelf out and lift it upwards to remove it.



Door pockets

The door pockets can be removed.

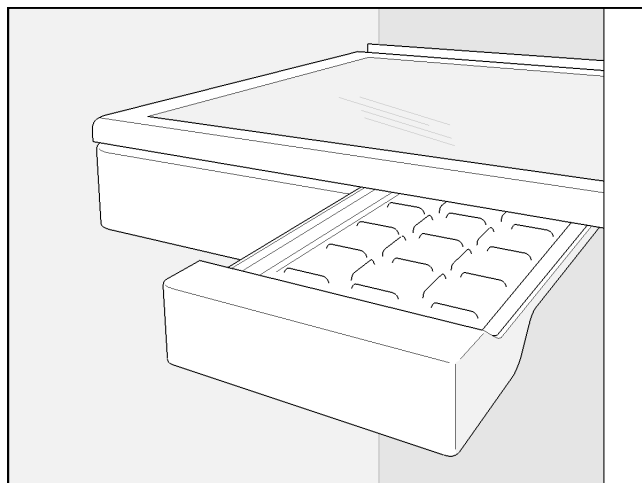
Pull the door pockets upwards to remove.



Ice-cube trays

The ice-cube tray is for producing and keeping ice cubes in.

Pull out the ice-cube trays.



Drawers

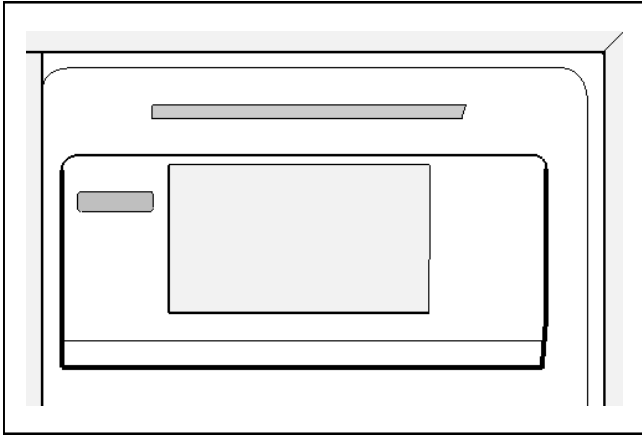
The drawers can be removed.

Pull the drawer out as far as the stop, lift it at the front and remove it completely.

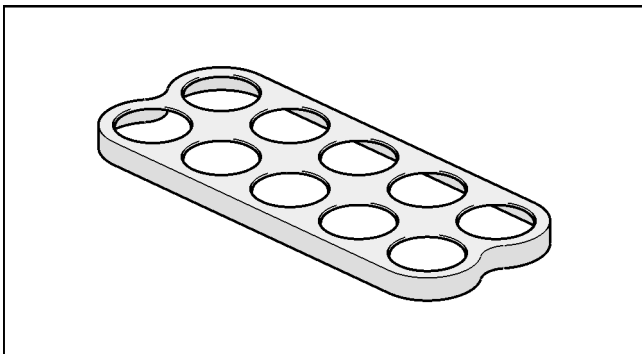


Shelf

For holding drinks cans.



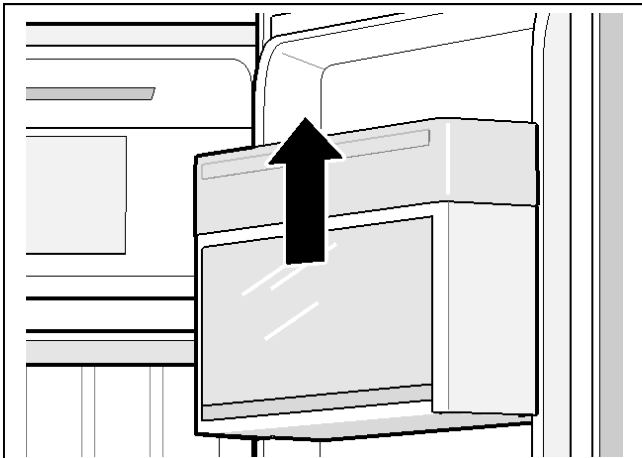
Egg tray



Door pocket with lid

This compartment can be removed.

Pull the compartment upwards to remove.



Switching off and shutting down the appliance

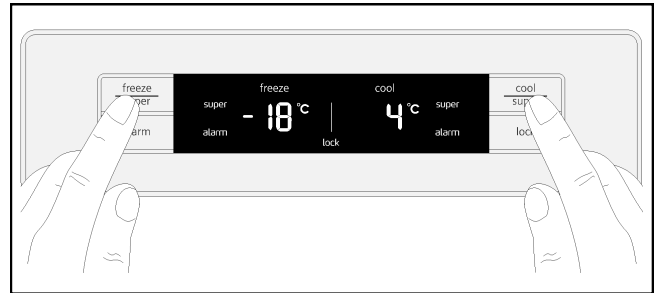
Switch off the appliance

Unplug the appliance from the mains or switch off the circuit-breaker.

The refrigeration system and lights switch off.

If the appliance is to be switched off but not unplugged (e.g. while you are on holiday):

Press and hold the "freeze/super" and "cool/super" buttons for 5 seconds. When the appliance is off, the temperature displays will show "- -". The rest of the display panel is off.



Switching on the appliance:

Press and hold the "freeze/super" and "cool/super" buttons for 5 seconds.

Putting the appliance out of service

If you do not use the appliance for long periods:

1. Remove all food from the appliance
2. Switch off the appliance.
3. Clean the appliance.
4. Leave the appliance doors open.

Defrosting

Fridge compartment

While the appliance is in use, drops of condensation or frost form on the back of the fridge compartment. As the rear panel defrosts automatically, it is not necessary to remove the frost or the condensation.

Freezer compartment

Thanks to the fully automatic NoFrost system, the freezer compartment remains free of ice. There is no longer any need to defrost it.

Cleaning the appliance

Caution

- Do not use gritty, acidic or chlorine-based cleaning agents or solvents.
- Do not use abrasive cleaning pads or sponges that may scratch surfaces. This may lead to corrosion of the metallic surfaces.
- Never clean the shelves or containers in the dishwasher. The parts may warp.

Proceed as follows:

1. Switch off the appliance before cleaning.
2. Unplug the appliance from the mains or switch off the circuit-breaker.
3. Take out the food and store it in a cool place. Place an ice block (if you have one) on the food.
4. Wait until the layer of frost has thawed out.
5. Clean the appliance with a soft cloth, lukewarm water, and a little pH-neutral washing-up liquid. The washing-up liquid solution must not be allowed to get into the lights or run into the evaporation tray through the drain hole.
6. Only wipe the door seal with clean water and then rub it until it is dry.
7. After cleaning, reconnect the appliance to the mains and switch it on.
8. Put the food back in.

Fittings

All the variable components of the appliance can be removed for cleaning (see section headed Fittings).

Smells

If you notice unpleasant smells:

1. Unplug the appliance from the mains or switch off the circuit-breaker.
2. Remove all food from the appliance.
3. Clean the inside of the appliance (see section headed Cleaning the appliance).
4. Clean all packaging.
5. Pack strongly smelling food in air-tight containers to prevent odours.
6. Switch on the appliance again.
7. Arrange the food.
8. After 24 hours, check again to see if the smells have reappeared.

Lighting (LED)

Your appliance is equipped with a maintenance-free LED light.

Any repair work on the lighting must only be carried out by the after-sales service or authorised experts.

Saving energy

- Install the appliance in a dry, well ventilated room. The appliance must be installed out of direct sunlight and away from heat sources (e.g. heating elements, cooker).
Use an insulating plate if necessary.
- Allow hot food and drinks to cool before placing them in the appliance.
- Place frozen food in the fridge compartment to defrost and utilise the low temperature of the frozen food to cool other food.
- Only open the appliance doors for as short a time as possible.
- To prevent the food warming up quickly in the event of a power cut or a fault, place blocks of ice in the top compartment directly on top of the food.
- Make sure that the freezer compartment door is always closed.
- The arrangement of the fittings has no effect on the energy consumption of the appliance.
- To prevent increased power consumption, occasionally clean the air vent with a soft brush or vacuum cleaner.

Operating noises

Completely normal noises

Humming

Motors running (e.g. refrigeration units, ventilator).

Bubbling, whirring or gurgling noises

Refrigerant circulating through the pipes.

Clicking

Motors, switches or solenoid valves are switching on/off.

Preventing noises

The appliance is not standing straight

Make sure the appliance is exactly level by using a spirit level. To adjust the position of the appliance, use the adjustable feet or place something underneath.

The appliance is touching adjacent units or appliances

Move the appliance away from adjacent furniture or appliances.

Containers or shelves are wobbling or sticking

Check the removable parts and re-insert them if necessary.

Containers are touching

Move the containers apart slightly.

Rectifying minor faults yourself

Before calling After-sales Service:

Check whether you can rectify the fault yourself by using the notes below.

You must pay the cost of the After-sales Service call out – even during the guarantee period.

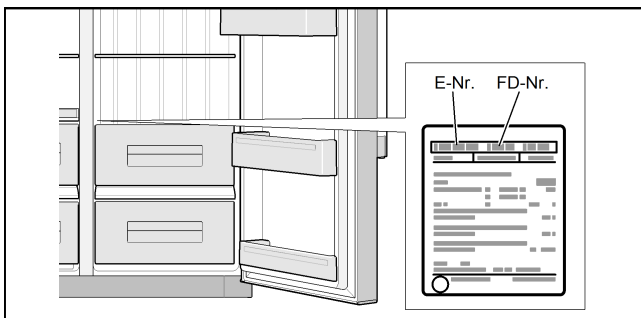
Appliance

Problem	Possible cause	Remedy
Appliance is not cooling/ freezing.	Power cut.	Check whether there is power to the appliance.
The lighting is not working.	Circuit-breaker is switched off.	Check circuit-breaker.
The display does not light up.	Power plug not properly plugged in.	Check whether power plug is properly plugged in.
The refrigeration unit switches on with increasing frequency and for longer periods.	The appliance door is being opened frequently.	Do not open the appliance door unnecessarily.
	The ventilation openings are covered.	Remove any obstructions.
	Placing large quantities of food in the appliance.	Switch on fast cooling/fast freezing function.
The fridge compartment/ freezer compartment is too cold.	The temperature setting is too low.	Set a higher temperature.
The (LED) lighting does not work.	The LED lighting is faulty.	See section headed Lighting (LED).
	Light switch is sticking.	Check whether you can move the light switch.
	The appliance door was opened for too long. The lighting switches off after approx. 10 minutes.	After closing and opening the appliance door, the lighting is switched on again.
Unpleasant smells are noticeable.	Strongly smelling food not packed in air-tight containers.	Clean the appliance. Pack strongly smelling food in air-tight containers (see section headed Smells).
Warning beeper sounds or temperature indicator flashes. It is too warm in the fridge or freezer compartment. Food is at risk.	Appliance door is open.	See section headed Alarm functions.
	Too much food was stored at once.	

After-sales Service

You can find your local After-sales Service centre in the phone book or the After-sales Service directory. Please quote the product number (E no.) and production number (FD no.) of your appliance.

You will find this information on the rating plate.



Please help us to avoid unnecessary journeys by quoting the appliance and production number. By doing so, you will save any associated additional charges.

Booking a repair call-out and advice on faults

The After-sales Service contact details for all countries are listed in the attached After-sales Service directory.

GB	0344 892 8999	Calls charged at local or mobile rate.
IE	01450 2655	0.03 € per minute at peak. Off peak 0.0088 € per minute.
US	866 447 4363	toll-free

إصلاح الاختلالات البسيطة بنفسك

قبل أن تتصل بمركز خدمة العملاء:

راجع ما إذا كان يمكنك إصلاح الخلل بنفسك بناء على الإرشادات التالية. سوف تتحمل تكاليف استشارة مركز خدمة العملاء - حتى أثناء فترة الضمان!

الجهاز

الخلل	السبب المحتمل	كيفية التصرف
لا توجد أي قدرة تبريد بالجهاز.	انقطاع التيار الكهربائي.	افحص ما إذا كان التيار متوفراً.
الإضاءة لا تعمل.	المصهر مفصول.	افحص المصهر.
البيان لا يضيء.	القابس الكهربائي لا يستقر بثبات.	افحص ما إذا كان القابس الكهربائي مستقر بثبات.
ماكينة التبريد يتم تشغيلها دائماً بشكل متكرر ولفترة أطول.	الفتح المتكرر للجهاز.	لا تقم بفتح الجهاز دون داع.
	فتحات التهوية وتصريف الهواء مغطاة.	قم بإزالة العوائق.
	وضع كمية أكبر من المواد الغذائية الطازجة.	قم بتشغيل وظيفة التبريد الفائقة أو التجميد الفائقة.
درجة الحرارة في حيز التبريد أو حيز التجميد أبرد من اللازم.	درجة الحرارة مضبوطة على درجة باردة للغاية.	اضبط درجة الحرارة على درجة أعلى.
الإضاءة (لمبة LED) لا تعمل.	الإضاءة بلمبات LED بها عطل.	انظر فصل الإضاءة (لمبة LED).
	مفتاح الضوء منحصر.	افحص ما إذا كان مفتاح الضوء يتحرك.
	تم فتح الجهاز لفترة أطول من اللازم.	بعد غلق وفتح الجهاز تعود الإضاءة مرة أخرى.
	يتم إطفاء الإضاءة بعد مرور حوالي 10 دقائق.	
يلاحظ وجود روائح غير مستحبة.	لم يتم تغليف المواد الغذائية ذات الرائحة النفاذة بشكل محكم ضد الهواء.	قم بتنظيف الجهاز. قم بتغليف المواد الغذائية ذات الرائحة النفاذة بشكل محكم ضد الهواء (انظر فصل الروائح).
تصدر إشارة تحذير أو يومض بيان درجة الحرارة.	باب الجهاز مفتوح.	انظر فصل وظائف الإنذار.
درجة الحرارة في حيز التبريد أو حيز التجميد دافئة أكثر من اللازم، خطر على المواد الغذائية.	تم وضع الكثير من المواد الغذائية مرة واحدة.	

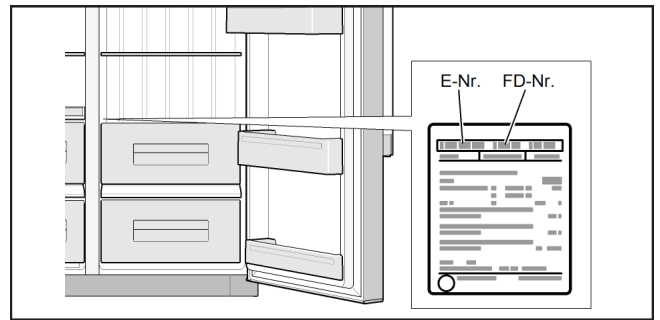
طلب الإصلاح والمشورة في حالة الاختلالات

بيانات الاتصال لجميع البلدان تجدها في دليل مراكز خدمة العملاء المرفق.

خدمة العملاء

تجد مركز خدمة العملاء القريب منك في دليل الهاتف أو في دليل مراكز خدمة العملاء، ويرجى إعطاء مركز خدمة العملاء رقم المنتج (E) ورقم الصنع (FD) الخاص بالجهاز.

تجد هذه البيانات على لوحة الصنع.



رجاءً ساعدنا بذكر رقم المنتج ورقم الصنع تجنباً للزيارات غير الضرورية. لأنك توفر أيضاً النفقات الإضافية المرتبطة بذلك.

تنظيف الجهاز

⚠ تنبيه

- لا تستخدم أية مذيبيات تحتوي على رمل أو كلوريد أو مواد منظفة تحتوي على أحماض.
 - لا تستخدم أية إسفنجات خادشة أو حادة. حيث يمكن أن يتكون الصدأ على الأسطح المعدنية.
 - لا تقم أبداً بتنظيف الأرفف والأوعية في غسالة الأطباق. فقد تتعرض الأجزاء للتشوه!
- تصرف كما يلي:
1. أوقف الجهاز قبل التنظيف.
 2. انزع القابس الكهربائي أو قم بفصل المصهر.
 3. أخرج المواد الغذائية وقم بتخزينها في مكان بارد. ضع بطارية التبريد (إن وجدت) على المواد الغذائية.
 4. انتظر حتى تذهب طبقة الصقيع.
 5. قم بتنظيف الجهاز باستخدام منديل ناعم وماء فاتر وقليل من مادة تنظيف متعادلة الحموضة. لا يجوز أن تصل مادة الشطف إلى الإضاءة أو تمر على ثقب التصريف إلى علبة التبخر.
 6. امسح إطار إحكام الباب باستخدام ماء نقي فقط ثم قم بتجفيفه جيداً.
 7. أعد توصيل الجهاز مرة أخرى وتشغيله بعد تنظيفه.
 8. قم بوضع المواد الغذائية مرة أخرى.

التجهيزات

للتنظيف أخرج كل الأجزاء المتغيرة بالجهاز (انظر فصل التجهيزات)

الروائح

- إذا تحققت من وجود روائح غير مستحبة:
1. انزع القابس الكهربائي أو قم بفصل المصهر.
 2. أخرج جميع المواد الغذائية من الجهاز.
 3. قم بتنظيف الحيز الداخلي (انظر فصل تنظيف الجهاز).
 4. قم بتنظيف جميع عبوات التغليف.
 5. قم بتغليف جميع المواد الغذائية ذات الرائحة النفاذة بحيث تكون محكمة ضد الهواء، لمنع تكون الروائح.
 6. أعد تشغيل الجهاز.
 7. قم بوضع المواد الغذائية في الثلاجة.
 8. افحص بعد مرور 24 ساعة، ما إذا تكونت الروائح من جديد.

الإضاءة (لمبة LED)

جهازك مزود بإضاءة بلمبات LED لا تحتاج لصيانة. لا يجوز إجراء إصلاحات على هذه الإضاءة إلا بمعرفة خدمة العملاء أو الفنيين المعتمدين.

التوفير في الطاقة

- انصب الجهاز في مكان جاف وجيد التهوية. لا يجوز نصب الجهاز في مكان معرض بشكل مباشر للشمس أو بالقرب من مصدر حراري (مثل عنصر تسخين أو موقد).
- إذا لزم الأمر استخدم لوح عازل.
- اترك المواد الغذائية والمشروبات الساخنة تبرد أولاً، ثم ضعها في الجهاز.
- ضع المواد المجمدة في حيز التبريد لإذابة التجمد عنها، واستغل برودة المجمدات في تبريد المواد الغذائية.
- افتح الجهاز لفترت قصيرة قدر الإمكان.
- لمنع ارتفاع درجة حرارة المواد الغذائية في حالة الانقطاع المحتمل للتيار الكهربائي أو في حالة وجود خلل، ضع بطارية التبريد في أعلى درج على المواد الغذائية مباشرة.
- تأكد أن باب حيز التجميد مغلق دائماً.
- لا يوجد تأثير لوضع أجزاء التجهيز على استهلاك الجهاز للطاقة.
- لتجنب الاستهلاك المرتفع للتيار الكهربائي قم بتنظيف فتحة التهوية تصريف الهواء من حين إلى آخر باستخدام فرشاة أو مكنسة.

ضوضاء التشغيل

الضوضاء العادية

الأزيز

دوران المحرك (مثل جهاز التبريد، المروحة).

ضوضاء فقاعات أو قرقرة أو طنين

مادة التبريد تتدفق في الماسورة.

طقطقة

يتم تشغيل/إيقاف المحرك أو المفتاح أو الصمامات المغناطيسية.

تجنب الضوضاء

الجهاز يقف على أرضية غير مستوية

اضبط استواء الجهاز بالاستعانة بميزان ماء. استخدم لهذا الغرض الأقدام ذات البراغي الخاصة بالجهاز أو ضع شيئاً أسفل منه.

الجهاز «ملاصق لشيء»

أبعد الجهاز عن أي قطع أثاث أو أجهزة ملاصقة له.

الأوعية أو الأغذية تتمايل أو تحدث تشويش

افحص الأجهزة القابلة للخلع وقم بتركيبها مرة أخرى إذا لزم الأمر.

الأوعية تلامس بعضها

أبعد الأوعية عن بعضها قليلاً.

إيقاف الجهاز وفصله

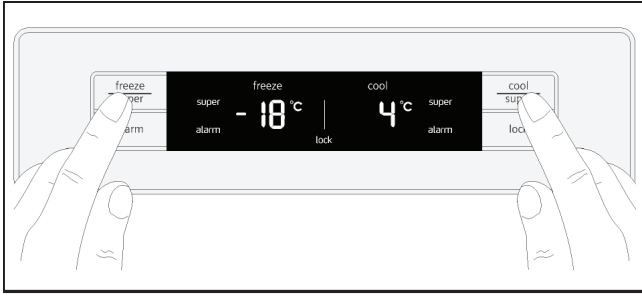
قم بإيقاف الجهاز

افصل القابس الكهربائي أو المصهر.

تتوقف الثلاجة وتنطفئ الإضاءة.

في حالة الرغبة في إيقاف الجهاز، دون فصل القابس الكهربائي (مثلاً أثناء الإجازة):

اضغط على الأزرار "freeze/super" (تجميد/فائق) و "cool/super" (تبريد/فائق) لمدة 5 ثوان. عندما يكون الجهاز متوقفاً، يظهر في بيانات درجة الحرارة " - - ". وتتوقف باقي شاشة البيان.



قم بتشغيل الجهاز:

اضغط على الأزرار "freeze/super" (تجميد/فائق) و "cool/super" (تبريد/فائق) لمدة 5 ثوان.

فصل الجهاز

في حالة عدم استخدام الجهاز لفترة طويلة:

1. أخرج جميع المواد الغذائية من الجهاز.
2. قم بإيقاف الجهاز.
3. قم بتنظيف الجهاز.
4. اترك أبواب الجهاز مفتوحة.

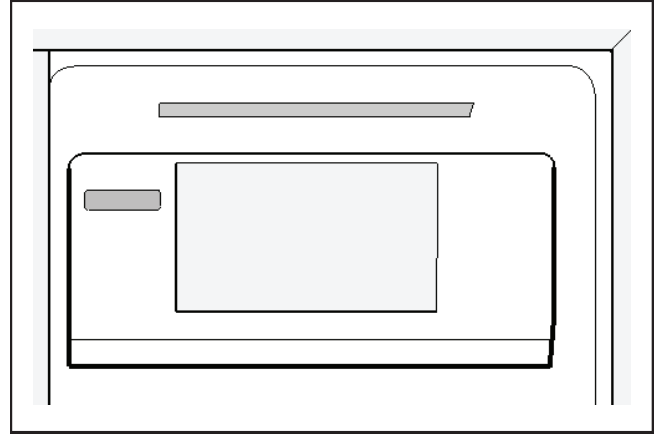
إذابة الجليد

حيز التبريد

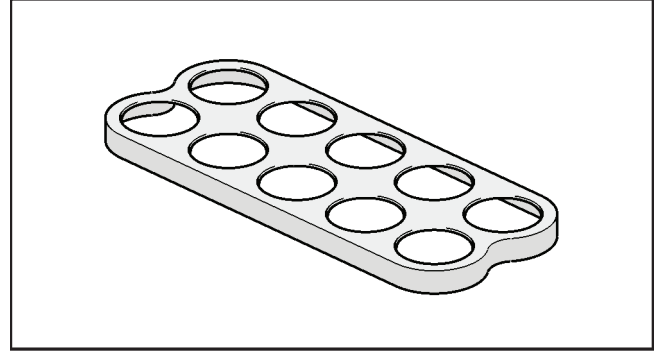
أثناء تشغيل الجهاز تتكون نقاط من الماء المتكثف أو من الصقيع على الجدار الخلفي لحيز التبريد. نظراً لأن الجليد على الجدار الخلفي يذوب أوتوماتيكياً، فليس من الضروري إزالة الصقيع أو قطرات الماء المتكثف.

حيز التجميد

من خلال نظام منع تكون الصقيع يظل حيز التجميد بدون جليد. وبالتالي ليس هناك حاجة لإذابة الجليد.



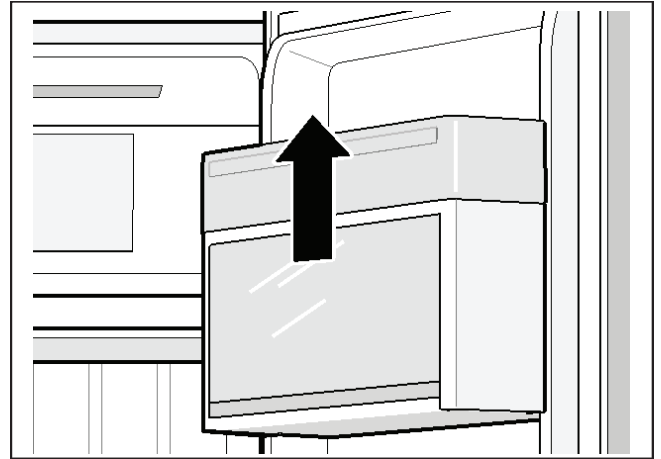
طبق البيض



رف الباب المزود بغطاء

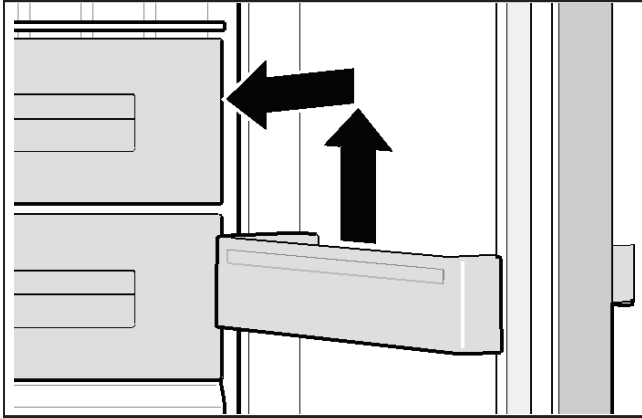
يمكن خلع هذا الدرج.

اجذب الدرج لأعلى.



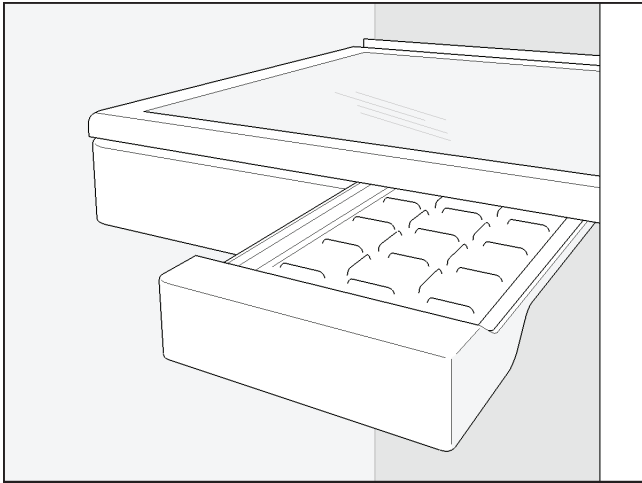
أرفف الباب

يمكن خلع أرفف الباب.
اجذب أرفف الباب لأعلى.



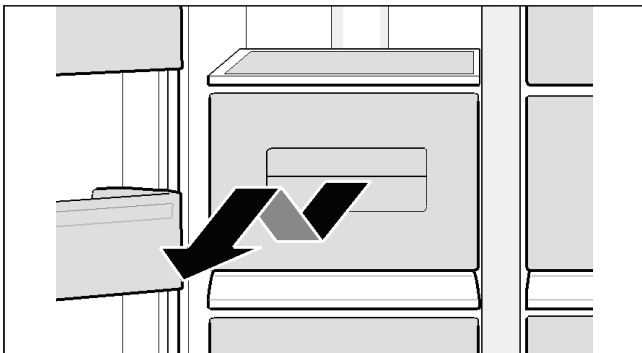
أوعية مكعبات الثلج

تستخدم أوعية مكعبات الثلج في تحضير وحفظ الثلج.
اجذب أوعية مكعبات الثلج للخارج.



الأدراج

يمكن خلع الأدراج.
اجذب الدرج للخارج حتى النهاية، وارفعه من الأمام ثم اسحبه للخارج تماما.



إذابة المجمدات

تبعاً لنوع وغرض الاستخدام يمكن الاختيار من ضمن الإمكانيات التالية:

- في درجة حرارة الغرفة
- في التلاجة
- في الفرن الكهربائي، المزود/غير المزود بمروحة الهواء الساخن
- في جهاز الميكروويف.

⚠ تنبيه

لا تقم بإعادة تجميد المجمدات التي أذيب عنها التجميد. ويمكن إعادة تجميدها فقط بعد تحضيرها كقطع نهائي (مطهية أو محمرة).
ولا تستنفد مدة التخزين القصوى للمجمدات بعد ذلك حتى آخرها.

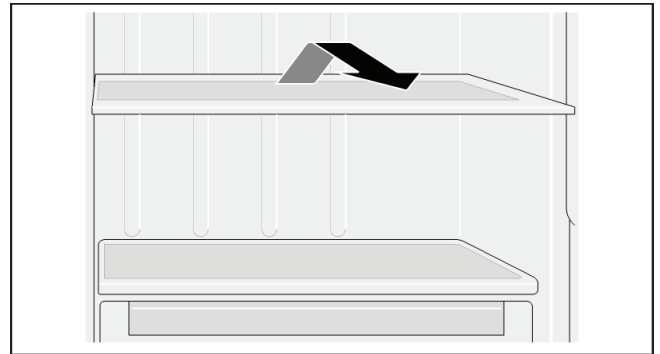
التجهيزات

الأرفف الزجاجية

يمكن خلع الأرفف الزجاجية وتركيبها على ارتفاعات مختلفة.

الخلع

ارفع الرف الزجاجي من الخلف واجذبه للخارج.

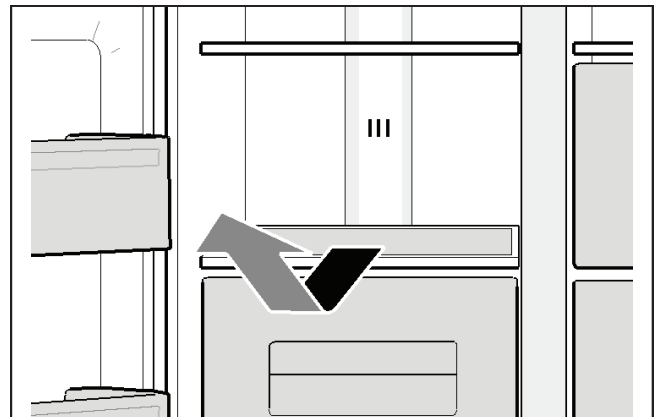


التركيب

ادفع الرف الزجاجي على المجاري الدليلية للخلف حتى يثبت لأسفل.

الأرفف الزجاجية فوق الأدراج

يمكن خلع الأرفف الزجاجية.
اجذب الرف الزجاجي للخارج واخضعه بسحبه لأعلى.



إرشاد

تجنب حدوث تلامس بين المواد الغذائية المراد تجميدها والتي سبق تجميدها.

■ يصلح للتجميد:

المخبوزات والأسماك وفواكه البحر واللحوم ولحوم الحيوانات البرية والطيور والخضروات والفواكه، والأعشاب والبيض بدون قشر ومنتجات الألبان مثل الجبن والزبدة والجبن الطري واللحوم المطبوخة والجاهزة وبقايا الطعام مثل الحساء واليخنة واللحم المطبوخ والأسماك وأطباق البطاطا والبودينج والحلويات.

■ ولا يصلح للتجميد:

الخضروات التي عادة ما تؤكل نيئة مثل الخس أو الفجل والبيض بالقشر والعنب والتفاح الكامل والكمثرى والخوخ والبيض المسلوقة والزبادي واللبن الرائب والقشدة الحامضة والكريمة فريش والمايونيز.

تغليف المجمدات

قم بتغليف المواد الغذائية بحيث تصبح محكمة ضد الهواء، وذلك حتى لا تفقد مذاقها أو تجف.

1. قم بإدخال المواد الغذائية في عبوة التغليف.
2. واضغط عليها لطرد الهواء.
3. أغلق عبوة التغليف بشكل محكم.
4. اكتب على عبوة التغليف المحتوى وتاريخ التجميد.

ويناسب للتغليف:

الرقائق البلاستيكية، والرقائق الأنبوبية من البولي إيثيلين ورقائق الألومنيوم وعلب التجميد تجد هذه المنتجات في المتاجر المتخصصة.

لا يصلح للتغليف:

ورق التغليف والورق المضاد للشحوم وورق السيلوفان وأكياس القمامة وأكياس التسوق المستعملة.

مناسب للغلق:

الحلقات المطاطية والمشابك البلاستيكية وخيوط الربط وأشرطة اللطق المقاومة للبرودة، وما شابه ذلك.

يمكن لحام الأكياس والرقائق الأنبوبية من البولي إيثيلين باستخدام جهاز لحام الرقائق.

صلاحية المجمدات

تتوقف الصلاحية على نوع المادة الغذائية.

في درجة الحرارة -18°م:

- الأسماك واللحوم والوجبات الجاهزة والمخبوزات: حتى 6 أشهر
- الحبن والطيور والأسماك: حتى 8 أشهر
- الخضروات والفاكهة: حتى 12 شهرا.

قدرة التجميد القصوى

تجد البيانات الخاصة بقدرة التجميد القصوى خلال 24 ساعة في لوحة الصنع.

شروط قدرة التجميد القصوى

- تشغيل وظيفية التجميد الفائق قبل وضع المنتجات الطازجة (انظر فصل التجميد الفائق).
- خلغ أجزاء التجهيزات.
- حفظ المواد الغذائية مباشرة على الأرفف وأرضية حيز التجميد.

إرشاد

- لا تقم بتغطية فتحة التهوية بالجدار الخلفي بالمجمدات.
- يفضل تجميد الكميات الكبيرة من المواد الغذائية في أعلى درج. وبذلك يتم تجميدها بشكل أسرع وبالتالي يتم الحفاظ عليها.

التجميد والتخزين

شراء الأطعمة المجمدة

- لا يجوز أن يكون التغليف به ضرر.
- يُراعى تاريخ الصلاحية.
- يجب أن تكون درجة الحرارة في ثلاجة البيع -18°م أو أكثر انخفاضا.
- انقل الأطعمة المجمدة في كيس عازل وضعها سريعا في حيز التجميد.

عند وضع الطعام يراعى

- يفضل تجميد الكميات الكبيرة من المواد الغذائية في أعلى درج. وبذلك يتم تجميدها بشكل أسرع وبالتالي يتم الحفاظ عليها.
- قم بتوزيع المواد الغذائية على مساحة كبيرة في الأدراج أو في أوعية المجمدات.

إرشاد

لا يجوز أن يحدث تلامس بين المواد الغذائية المجمدة والمواد الغذائية الطازجة المراد تجميدها. إذا لزم الأمر قم بوضع المواد الغذائية المجمدة في وعاء مجمدات آخر.

تخزين المجمدات

قم بإدخال أوعية المجمدات حتى النهاية، لضمان تدوير الهواء بشكل سليم.

تجميد المواد الغذائية الطازجة

اقتصر على تجميد المواد الغذائية الطازجة والسليمة.

للحفاظ على القيمة الغذائية والنكهة واللون قدر الإمكان يجب سلق الخضروات قبل تجميدها سلقا خفيفا. مع الباذنجان والفلفل والكوسة والهليون ليس من الضروري القيام بالسلق الخفيف.

تجد كتبنا بخصوص التجميد والسلق الخفيف في متجر الكتب.

حيز التجميد

لا تتم بإعادة تجميد المجمدات التي أذيب عنها التجميد. ويمكن إعادة تجميدها فقط بعد تحضيرها كطعام نهائي (مطهية أو محمرة). ولا تستنفد مدة التخزين بعد ذلك حتى آخرها.

يمكن أن يعمل الإنذار دون أن يكون هناك خطر على المجمدات:

- عند تشغيل الجهاز،
 - عند وضع كميات كبيرة من المواد الغذائية الطازجة،
 - عند فتح باب حيز التجميد لفترة طويلة.
- يراعى عند الحفظ**
- قم بحفظ المواد الغذائية الطازجة والسليمة. وبذلك يتم الحفاظ على الجودة والطازجة لمدة أطول.
 - مع المنتجات الجاهزة والمنتجات المعبأة يراعى تاريخ الاستهلاك أو تاريخ الصلاحية المدون من قبل الجهة الصانعة.
 - للحفاظ على النكهة واللون والطازجة قم بتغليف المواد الغذائية جيداً أو وضعها مغطاة. وبذلك يتم تجنب اختلاط المذاقات وتغيير ألوان الأجزاء البلاستيكية الموجودة بحيز التبريد.
 - اترك الأطعمة والمشروبات الساخنة تبرد أولاً، ثم ضعها في الجهاز.

إرشاد

تجنب أي ملامسة بين المواد الغذائية والجدار الخلفي. وإلا فسوف تتأثر بذلك عملية تدوير الهواء تأثيراً سلبياً. يمكن أن تتجمد المواد الغذائية وعبوات التغليف في الجدار الخلفي.

تراعى مناطق التبريد في حيز التبريد

من خلال تدوير الهواء في حيز التبريد تنشأ مناطق ذات درجة برودة مختلفة:

- أكثر المناطق برودة بجوار الجدار الخلفي.
- أقل المناطق برودة بجوار الباب.

إرشاد

قم بتخزين الجبن الصلب مثلًا والزبدة في المناطق الأقل برودة. فالجبن يمكن أن يحتفظ بنكهته وتظل الزبدة قابلة للدهن.

حيز التجميد

استخدم حيز التجميد

- لتخزين الأطعمة المجمدة.
- لعمل مكعبات الثلج.
- لتجميد المواد الغذائية.

إرشاد

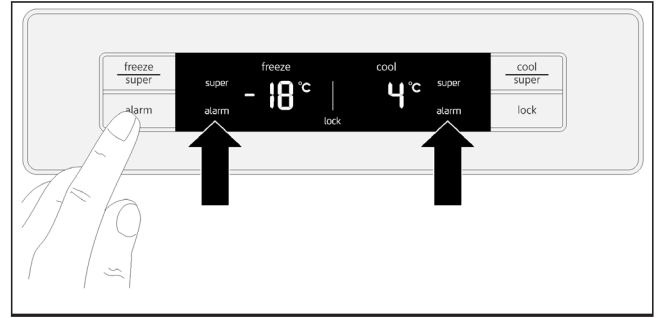
تأكد أن باب حيز التجميد مغلق دائماً! عندما يكون الباب مفتوحاً يذوب الجليد عن المجمدات ويزداد الثلج في حيز التجميد. بالإضافة إلى ذلك: إهدار الطاقة بسبب زيادة استهلاك التيار الكهربائي!

إرشاد

يمكن استخدام رف الباب ذي النجمتين للتخزين القصير الأجل للثلج والمواد الغذائية عند درجة حرارة -12°م. باقي حيز التجميد يحتوي على 4 نجوم.

إيقاف الإنذار

اضغط على الزر "alarm" (الإنذار).



إرشاد

بمجرد الوصول إلى درجة الحرارة المضبوطة، ينطفئ في شاشة البيان "alarm" (إنذار).

وضعية توفير الطاقة

إذا تم غلق الأبواب بعد 20 ثانية أو تم الضغط على آخر زر، تنتقل شاشة البيان إلى وضعية التوفير في الطاقة. تنطفئ شاشة البيان، ولا يضيء بشي خافت إلا كلمتين هما "freeze" (تجميد) و "cool" (تبريد).

بمجرد فتح أحد الأبواب أو الضغط على أحد الأزرار، يتم تشغيل شاشة البيان والتحويل إلى قوة الإضاءة العادية.

السعة الصافية

تجد البيانات الخاصة بالسعة الصافية في لوحة الصنع بجهازك.

استغلال قدرة التجميد بالكامل

لوضع الكمية القصوى من المجمدات، يمكنك خلع جميع أجزاء التجهيزات. يمكنك حفظ المواد الغذائية مباشرة على الأرفف وفي أرضية حيز التجميد.

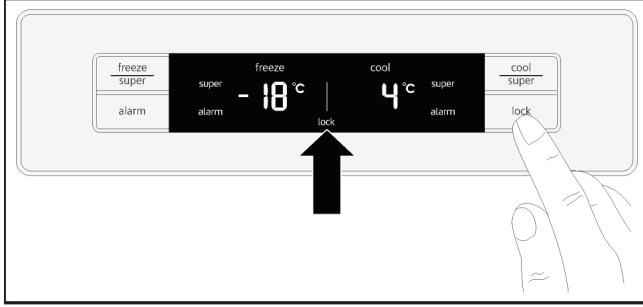
خلع وتركيب أجزاء التجهيزات مشروح في فصل التجهيزات.

قفل الأزرار (وظيفة أمان الأطفال)

عندما يكون قفل الأزرار مشغلا تكون جميع الأزرار مقفلة. عندما يكون قفل الأزرار مشغلا، يمكن إيقاف إشارة التحذير عند صدورها عن طريق الزر "alarm" (الإنذار).

التشغيل

اضغط على الزر "lock" (قفل).



تعرض شاشة البيان الرمز «قفل الأزرار»

الإيقاف

اضغط على الزر "lock" (قفل) لمدة 3 ثوان.

وظائف الإنذار

إنذار الباب

يتم تشغيل إنذار الباب، إذا تم فتح أحد أبواب الجهاز لمدة أطول من دقيقة واحدة. تتكرر الإشارة التحذيرية كل 60 لمدة 5 دقائق. من خلال غلق الباب تتوقف الإشارة التحذيرية مرة أخرى.

إنذار درجة الحرارة

تعرض شاشة البيان إنذار درجة الحرارة، إذا ارتفعت درجة حرارة حيز التبريد أو حيز التجميد أكثر من اللازم وأصبحت المواد الغذائية معرضة للضرر.

تعرض شاشة البيان المعنية درجة الحرارة القصوى و «الإنذار».

حيز التبريد

إذا ارتفعت درجة الحرارة في حيز التبريد أكثر من اللازم، فيجب تسخين المادة المبردة التي ارتفعت درجة حرارتها قبل استهلاكها. لا تستخدم المواد الغذائية النيئة في حالة الشك في سلامتها.

التجميد الفائق

يجب أن يتم تجميد المواد الغذائية تماما بأسرع وقت ممكن، للحفاظ على الفيتامينات والقيم الغذائية والمظهر والمذاق.

قم بتشغيل وظيفة التجميد الفائق قبل وضع المواد الغذائية الطازجة بعدة ساعات، لتجنب أي ارتفاع غير مرغوب فيه في درجة الحرارة.

وفي العموم تكفي 4 - 6 ساعات.

يستمر عمل الجهاز بعد التشغيل. وبذلك يتم الوصول إلى درجة حرارة باردة للغاية في حيز التجميد.

في حالة الرغبة في الاستفادة بأقصى قدرة تبريد، يجب تشغيل وظيفة التجميد الفائق قبل وضع المنتجات الطازجة بـ 24 ساعة.

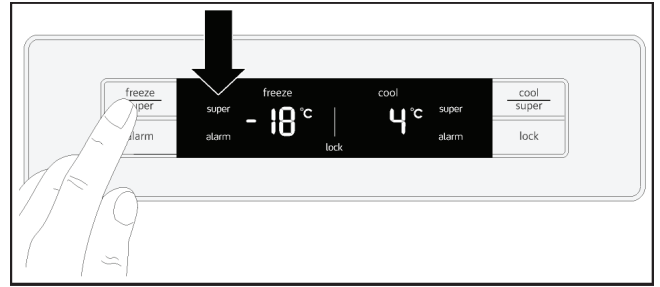
أما الكميات القليلة من المواد الغذائية (حتى 2 كجم) فيمكن تجميدها بدون وظيفة التجميد الفائق.

إرشاد

إذا كانت وظيفة التجميد الفائق مشغلة، قد تصدر ضوضاء تشغيل مرتفعة.

التشغيل

كرر الضغط على الزر "freeze/super" (تجميد/فائق)، حتى تعرض شاشة البيان بحيز التجميد "super" (فائق).



الإيقاف

اضغط على الزر "freeze/super" (تجميد/فائق).

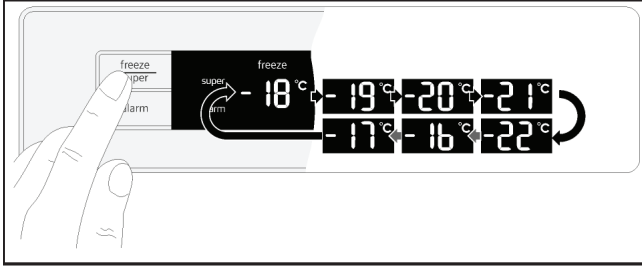
تتوقف وظيفة التجميد الفائق أوتوماتيكيا بعد حوالي 24 ساعة.

إرشاد

يختفي البيان "super" (فائق) من شاشة البيان. يتم ضبط درجة الحرارة أوتوماتيكيا على -18°C.

حيز التجميد

يمكن ضبط درجة الحرارة من -16°C إلى -22°C .
كرر الضغط على الزر "freeze/super" (تجميد/فائق) حتى يتم ضبط درجة الحرارة المرغوبة لحيز التجميد.



يتم تخزين آخر قيمة مضبوطة. تظهر درجة الحرارة المضبوطة في شاشة البيان بحيز التجميد.

التبريد الفائق

في حالة التبريد الفائق يتم تبريد حيز التبريد لمدة 40 دقيقة تقريباً بأقصى قدرة تبريد ممكنة. بعد ذلك يتم ضبط درجة الحرارة أوتوماتيكياً على $+4^{\circ}\text{C}$.

تشغيل وظيفة التبريد الفائق مثلاً

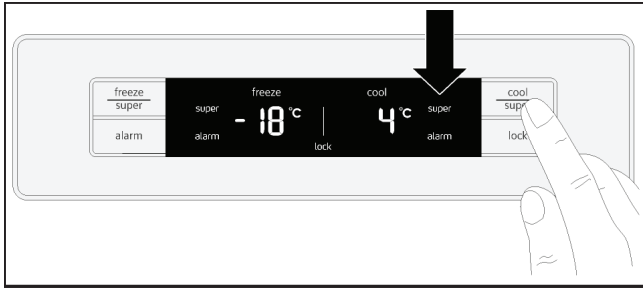
- قبل وضع كميات كبيرة من المواد الغذائية
- للتبريد السريع للمشروبات.

إرشاد

إذا كانت وظيفة التبريد الفائق مشغلة، قد تصدر ضوضاء تشغيل مرتفعة.

التشغيل

كرر الضغط على الزر "cool/super" (تبريد/فائق)، حتى تعرض شاشة البيان بحيز التبريد "super" (فائق).



الإيقاف

اضغط على الزر "cool/super" (تبريد/فائق).

إرشاد

يختفي البيان "super" (فائق) من شاشة البيان. يتم ضبط درجة الحرارة أوتوماتيكياً على $+4^{\circ}\text{C}$.

تشغيل الجهاز

قم بتركيب القابس الكهربائي في المقبس الكهربائي.
فيبدأ الجهاز بالتبريد.

تومض بيانات درجة الحرارة وتعرض شاشات البيان الرمز "alarm" (إنذار)، حتى يصل الجهاز إلى درجات الحرارة المضبوطة.

من خلال الضغط على الزر "alarm" (الإنذار)، يتم إيقاف بيان إنذار درجة الحرارة.

تضيء عناصر الإضاءة عند فتح أبواب الجهاز.

درجات الحرارة التالية موصى بها ومضبوطة من قبل المصنع:

- حيز التبريد $+4^{\circ}\text{C}$
- حيز التجميد -18°C .

إرشادات التشغيل

■ بعد التشغيل قد يستغرق الأمر عدة ساعات للوصول إلى درجات الحرارة المضبوطة.

قبل ذلك لا تضع أية مواد غذائية في الجهاز.

■ من خلال نظام منع تكون الصقيع يظل حيز التجميد بدون جليد. وبالتالي ليس هناك حاجة لإذابة الجليد.

■ تسخن الأجزاء الأمامية لجسم الجهاز جزئياً بشكل طفيف، وهذا يمنع تكثف الماء في نطاق إطار إحكام الباب.

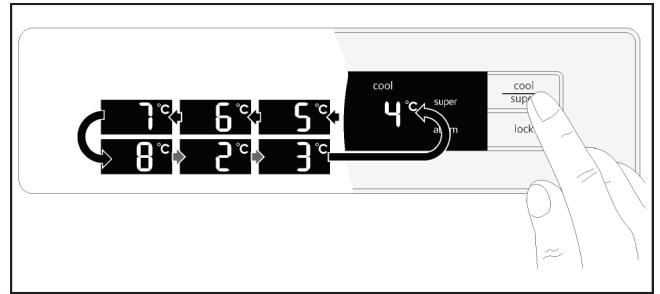
■ إذا لم يفتح باب حيز التجميد بعد الغلق مباشرة، فانتظر لحظة حتى يتم معادلة الضغط المنخفض المتكون.

ضبط درجة الحرارة

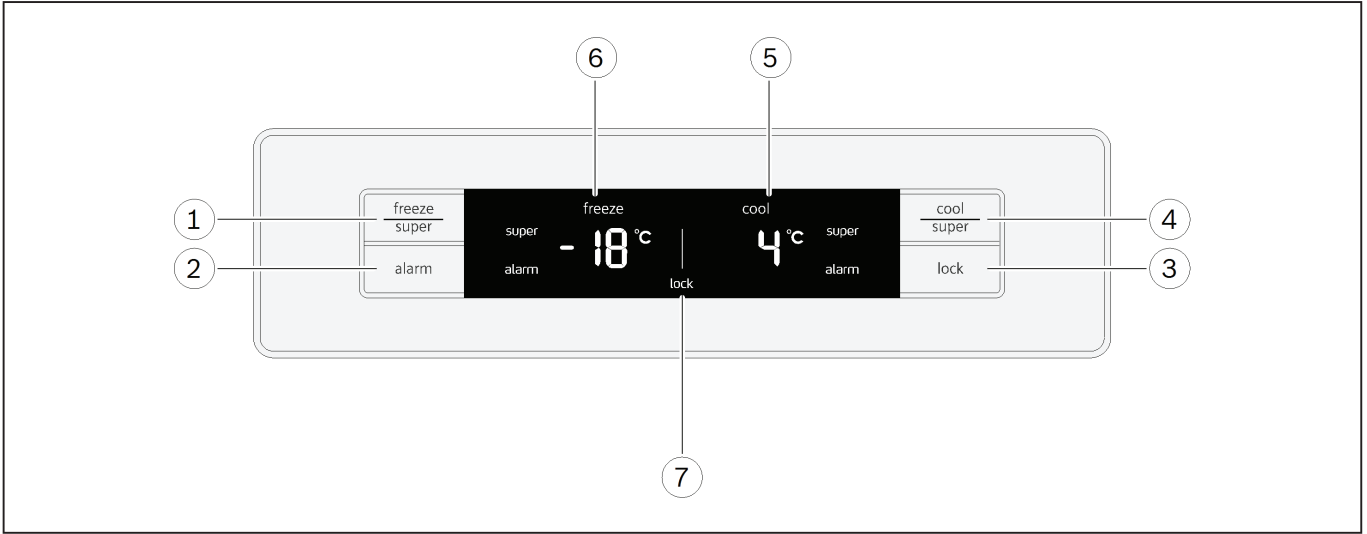
حيز التبريد

يمكن ضبط درجة الحرارة من $+2^{\circ}\text{C}$ حتى $+8^{\circ}\text{C}$.

كرر الضغط على الزر "cool/super" (تبريد/فائق) حتى يتم ضبط درجة الحرارة المرغوبة لحيز التبريد.



يتم تخزين آخر قيمة مضبوطة. تظهر درجة الحرارة المضبوطة في شاشة البيان بحيز التبريد.

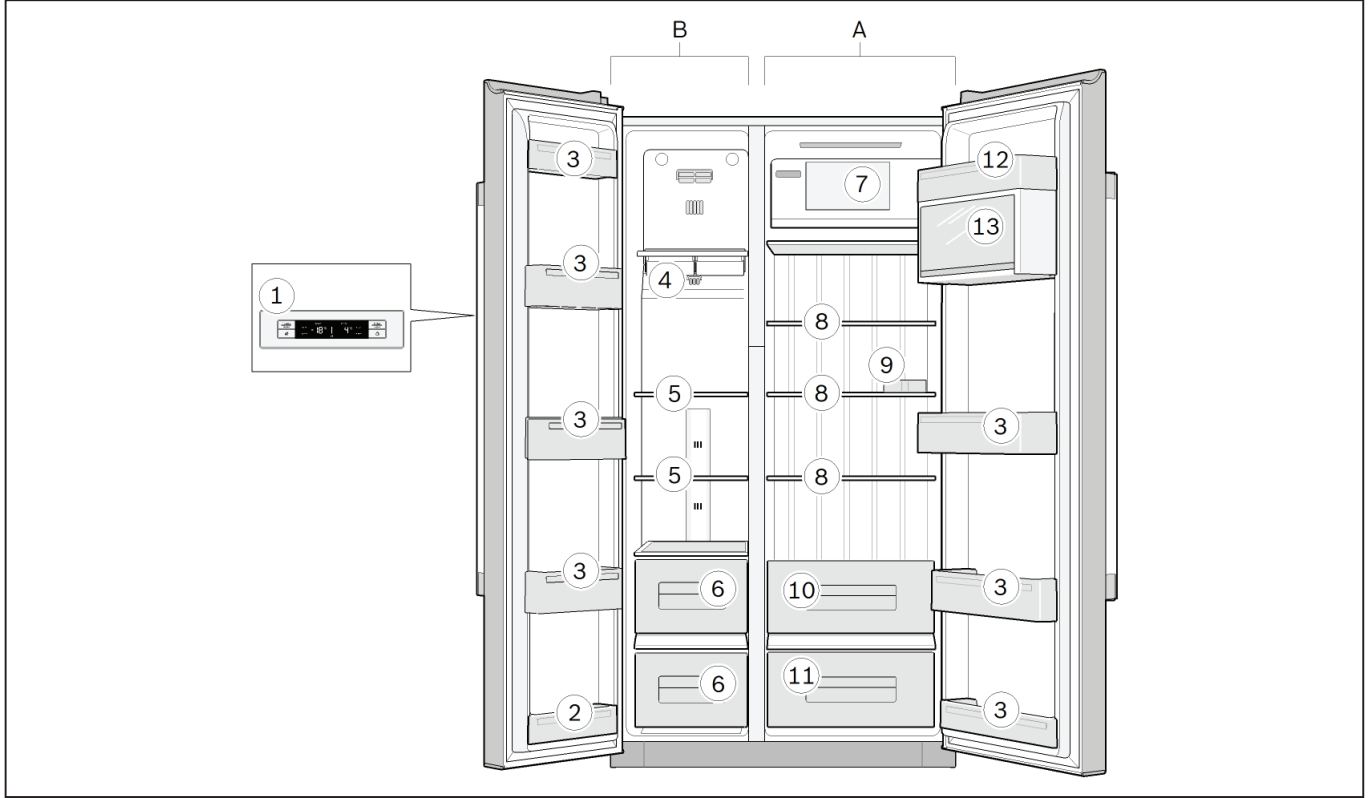


- | | |
|---|--|
| <p>7 الرموز في شاشة البيان</p> <p>قفل الأزرار (وظيفة أمان الأطفال)</p> <p>قفل الأزرار مشغل.</p> | <p>1 الزر "freeze/super" (تجميد/فائق)</p> <ul style="list-style-type: none"> ■ ضبط درجة الحرارة في حيز التجميد. ■ تشغيل وإيقاف وظيفة «التجميد الفائق». <p>2 الزر "alarm" (الإنذار)</p> <ul style="list-style-type: none"> ■ إيقاف بيان إنذار درجة الحرارة. <p>3 الزر "lock" (القفل)</p> <ul style="list-style-type: none"> ■ تشغيل وإيقاف قفل الأزرار (وظيفة أمان الأطفال). <p>4 الأزرار "cool/super" (تبريد/فائق)</p> <ul style="list-style-type: none"> ■ ضبط درجة الحرارة في حيز التبريد. ■ تشغيل وإيقاف وظيفة «التبريد الفائق». <p>5 شاشة بيان حيز التبريد</p> <ul style="list-style-type: none"> ■ درجة الحرارة في حيز التبريد. ■ الرمز "super" (فائق) عندما تكون وظيفة «التبريد الفائق» مشغلة. ■ الرمز "alarm" (إنذار) عندما يكون هناك إنذار في حيز التبريد. <p>6 شاشة البيان بحيز التجميد</p> <ul style="list-style-type: none"> ■ درجة الحرارة في حيز التجميد. ■ الرمز "super" (فائق) عندما تكون وظيفة «التجميد الفائق» مشغلة. ■ الرمز "alarm" (إنذار) عندما يكون هناك إنذار في حيز التجميد. |
|---|--|

التعرف على الجهاز

الجهاز

يمكن أن تختلف تجهيزات الموديلات. قد يكون هناك اختلافات في الصور.



A حيز التبريد
B حيز التجميد (4 نجوم)

1 عناصر الاستعمال
2 رف الباب (درج نجمتان)

إرشاد

رف الباب هذا فقط به نجمتان، أما سائر حيز التجميد فبه 4 نجوم.

3 أرفف الباب
4 أوعية مكعبات الثلج
5 الأرفف الزجاجية بحيز التجميد
6 أدراج حيز التجميد
7 الرف
8 الأرفف الزجاجية بحيز التبريد
9 طبق البيض
10 درج الخضروات
11 درج الفاكهة
12 درج الزبدة والجبن
13 رف الباب المزود بغطاء

تركيب الأبواب

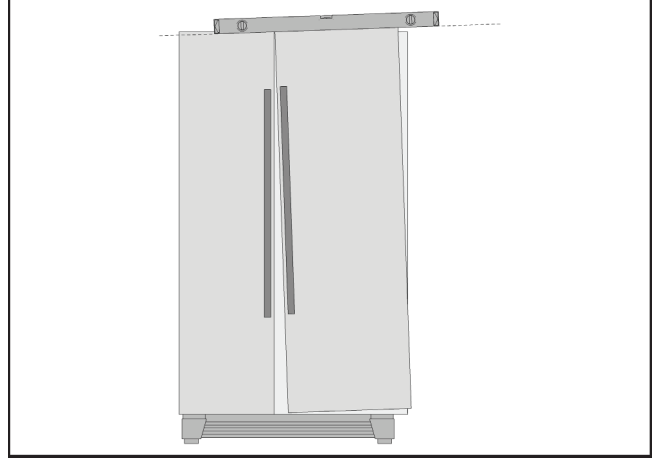
إذا لم يمر الجهاز من أبواب السكن، يمكن خلع مقابض الأبواب أو أبواب الجهاز.

إرشاد

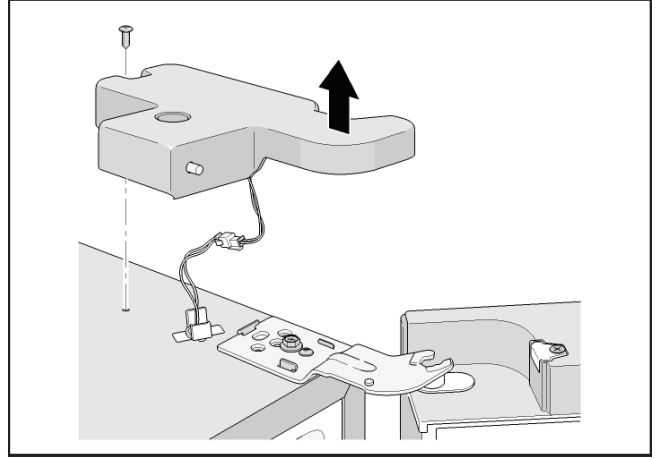
لا يتم فك مقابض الأبواب أو أبواب الأجهزة إلا بمعرفة خدمة العملاء. ويمكنك الاستعلام عن التكلفة لدى مركز خدمة العملاء المتخصص.

إرشاد

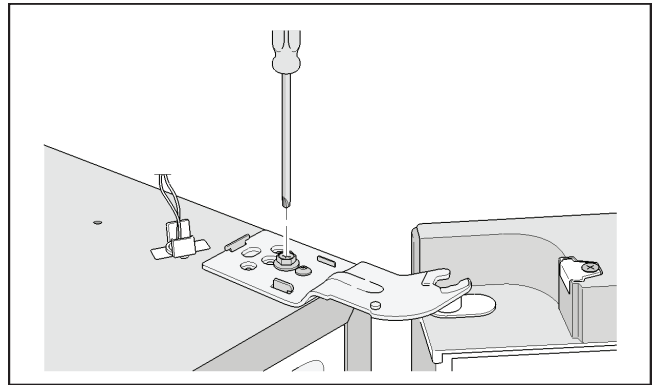
بسبب الوزن الذاتي وتحميل الباب بالمواد الغذائية يمكن أن يميل باب التلاجة حتى وإن كان الجهاز نفسه مستو. فتحة الباب من أعلى ومن أسفل غير متساوية.



عندما تكون فتحة الباب العلوية والسفلية غير متساويتين:



1. قم بفك البرغيين واخلع غطاء المفصلة العلوي.



2. قم بحل برغي المفصلة.

لا تقم بخلع البرغي كاملاً!

3. ضبط ميل باب حيز التبريد.

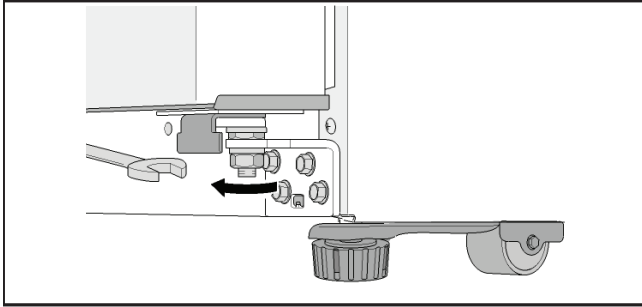
4. أحكم ربط برغي المفصلة.

5. قم بتركيب غطاء المفصلة وثبته بواسطة برغيين.

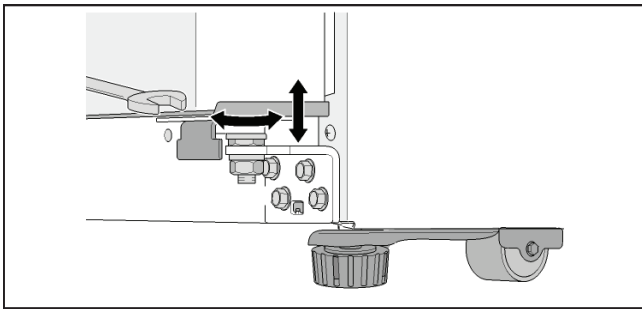
5. باب حيز التبريد أكثر انخفاضاً:

إذا تم ضبط استواء الجهاز تماماً ولكن باب الجهاز على مستوى أكثر انخفاضاً:

1. افتح أبواب الجهاز.
2. قم بفك 3 براغي وإطار القاعدة.
3. قم بحل الصواميل.



4. أدر صواميل الضبط حتى يتم ضبط استواء أبواب الجهاز.

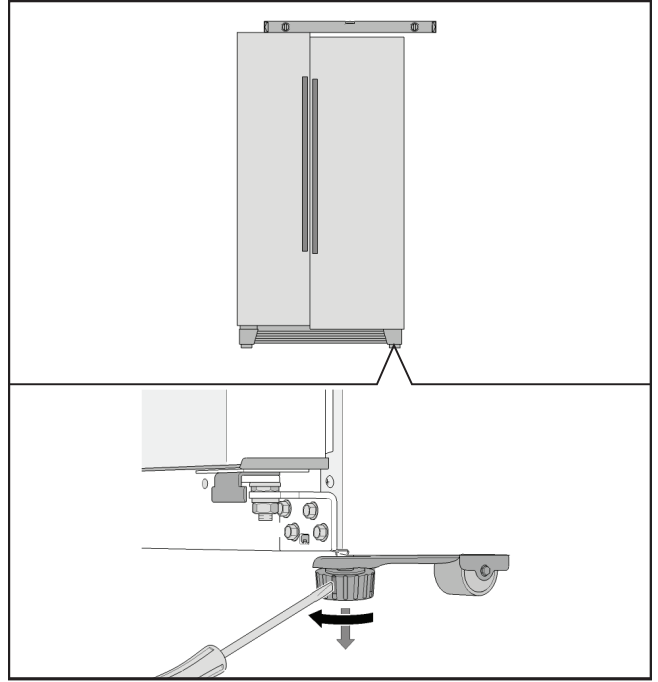
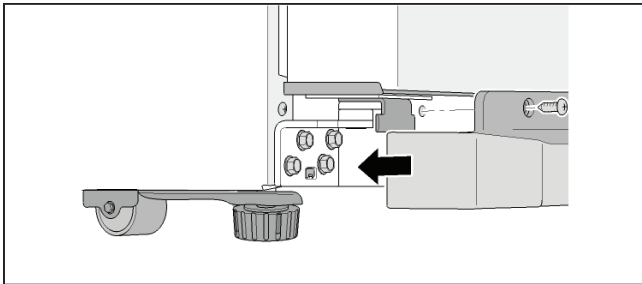


5. باب حيز التجميد أكثر انخفاضاً: أدر صواميل الضبط عكس اتجاه حركة عقارب الساعة.

6. باب حيز التبريد أكثر انخفاضاً: أدر صامولة الضبط في اتجاه حركة عقارب الساعة.

7. أحكم ربط الصواميل.

8. قم بتركيب إطار القاعدة وثبته بواسطة 3 براغي.



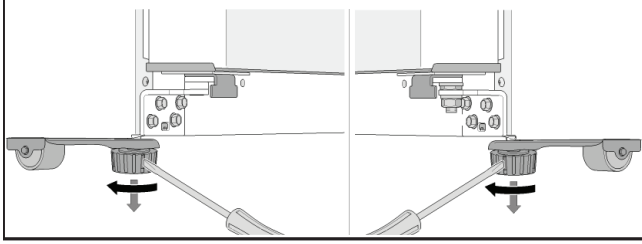
ضبط استواء الجهاز

إرشاد

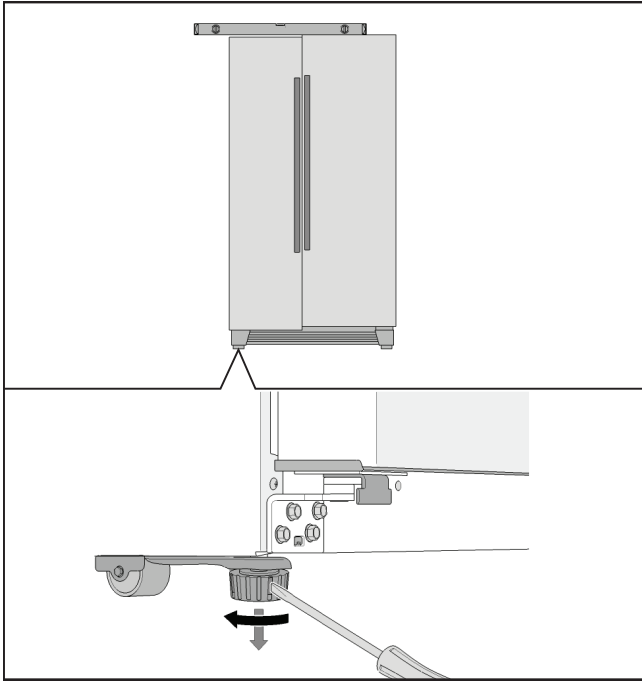
حتى يعمل الجهاز بدون مشاكل يجب أن يتم ضبط استوائه باستخدام ميزان ماء.

فإذا كان الجهاز مائلا، يمكن أن تغلق الأبواب بشكل غير صحيح.

1. قم ب نصب الجهاز في المكان المخصص له.
2. حتى لا يتحرك الجهاز قم بخلع الأرجل الأمامية حتى يستقر الجهاز على الأرض.



3. أدر الأرجل حتى يتم ضبط استواء الجهاز تماما. استخدم أبواب الجهاز كنقطة استرشادية.
4. باب حيز التجميد أكثر انخفاضا:



توصيل الجهاز

بعد نصب الجهاز انتظر ساعة على الأقل قبل تشغيل الجهاز. حيث إنه أثناء النقل قد يحدث أن يتجمع الزيت الموجود في الضاغط في دورة التبريد.

قبل التشغيل لأول مرة قم بتنظيف الحيز الداخلي للجهاز (انظر فصل تنظيف الجهاز).

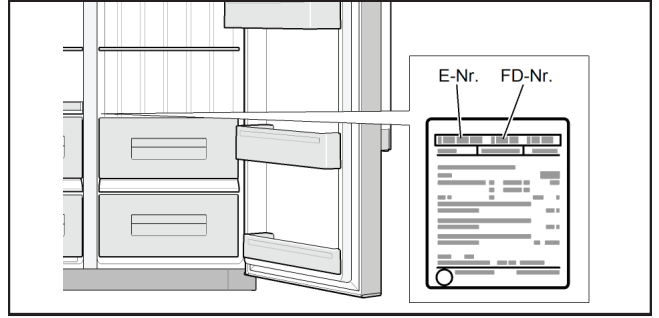
لا تقم بإزالة وسائل تأمين نقل الأرفف والأدراج إلا بعد النصب.

وصلة الكهرباء

يجب أن يكون المقبس الكهربائي قريبا من الجهاز ويمكن الوصول إليه بسهولة بعد تركيب الجهاز.

الجهاز مطابق لفئة الحماية I. عن طريق المقبس الكهربائي المركب طبقا للوائح والمزود بوصلة أرضي قم بتوصيل الجهاز بتيار متردد 220-240 فولت/50 هرتز. قم بتأمين المقبس الكهربائي بواسطة مصهر 10 أمبير حتى 16 أمبير.

في الأجهزة التي يتم تشغيلها في الدول غير الأوروبية، يجب مراجعة ما إذا كان الجهد المذكور ونوع التيار مطابقان للقيم الخاصة بشبكة الكهرباء لديك. تجد هذه البيانات على لوحة الصنع.

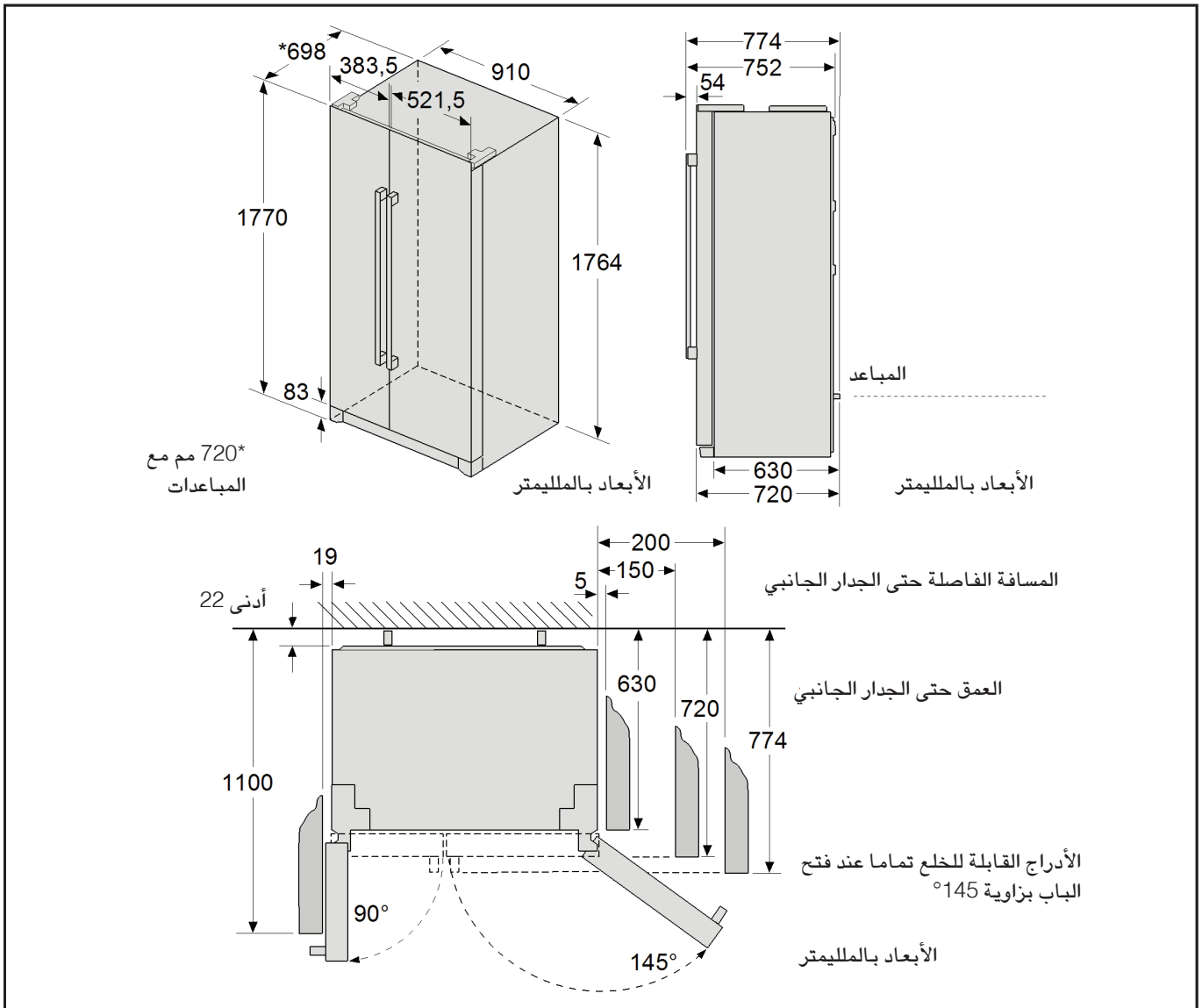


⚠ تحذير

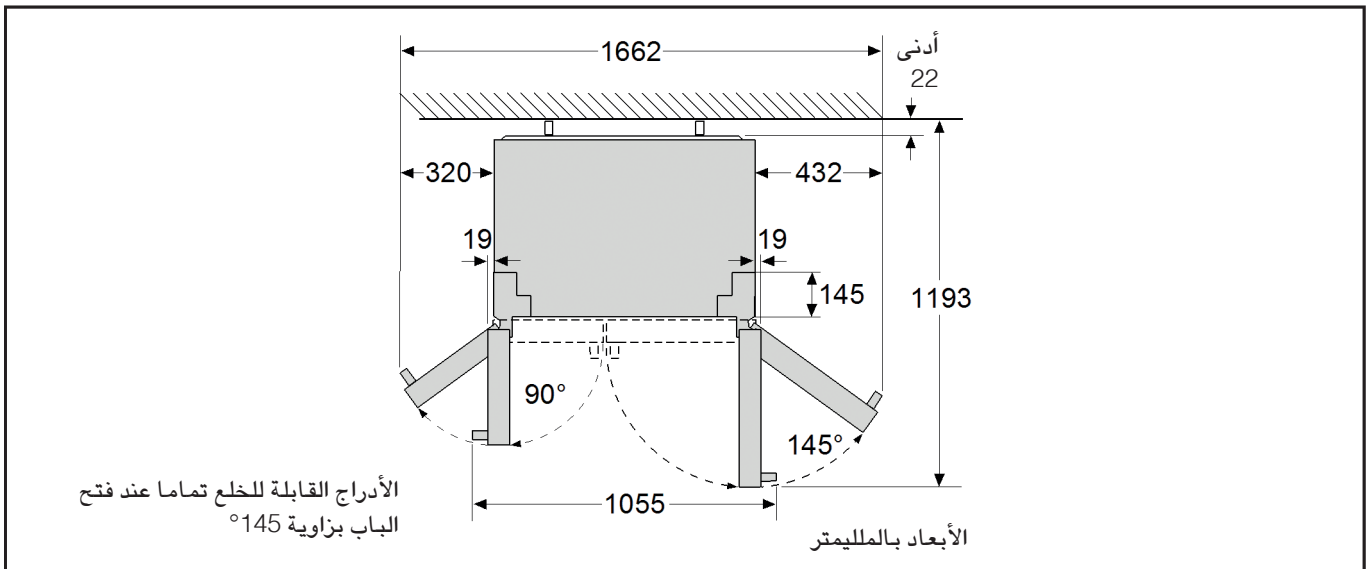
لا يجوز توصيل الجهاز بأي حال من الأحوال بقابس إلكتروني موفر للطاقة.

لاستخدام أجهزةتنا يمكن استخدام عاكس تيار جيبى وتبديلي للخط. يتم استخدام عاكس التيار التبديلي للخط مع النظم الكهربائية الضوئية التي يتم توصيلها مباشرة بالشبكة العمومية. مع الحلول المخصصة للمناطق المعزولة (مثلا في السفن أو في الأكواخ الجبلية)، التي ليس لها اتصال مباشر بالشبكة العمومية، يجب استخدام المحولات الجيبية.

أبعاد النصب



زاوية فتح الباب



الأرضية

يجب ألا تكون أرضية مكان النصب رخوة. إذا لزم الأمر قم بتقوية الأرضية.

الجهاز ثقيل للغاية. تعرف على الوزن الفارغ من الجدول التالي.

98 كجم

الطراز الأساسي

تراعى درجة حرارة الغرفة والتهوية

درجة حرارة الغرفة

هذا الجهاز مصمم لفئة مناخية معينة. وطبقا لهذه الفئة المناخية يمكن تشغيل الجهاز في درجات حرارة الغرفة التالية.

تجد الفئة المناخية على لوحة الصنع.

الفئة المناخية	درجة حرارة الغرفة المسموح بها
SN	+10°م حتى +32°م
N	+16°م حتى +32°م
ST	+16°م حتى +38°م
T	+16°م حتى +43°م

إرشاد

يمكن استخدام الجهاز بكل وظائفه في إطار درجة حرارة الغرفة للفئة المناخية المذكورة. إذا تم تشغيل الجهاز من الفئة المناخية SN في درجات حرارة أكثر انخفاضا، فيمكن استبعاد حدوث أضرار بالجهاز حتى درجة حرارة +5°م.

التهوية

يجب أن يتم سحب الهواء الساخن دون عائق، وإلا فسوف تزداد قدرة التلاجة. مما يرفع من استهلاك التيار الكهربائي. لذلك: لا تقم أبدًا بتغطية أو سد فتحة التهوية وتصريف الهواء!

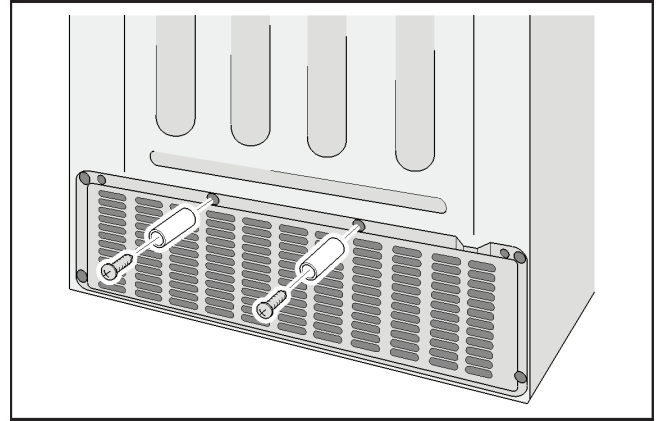
المسافة حتى الجدار

عند نصب الجهاز في أحد أركان الغرفة أو في تجويف فيجب الالتزام بالحد الأدنى للمسافات الجانبية (انظر فصل أبعاد النصب)، حتى يتسنى فتح أبواب الجهاز حتى النهاية.

فإذا تجاوز عمق تجهيزات المطبخ المجاورة 65 سم، فيجب الالتزام بالمسافات الجانبية الفاصلة، للاستفادة من زاوية الفتح الكاملة للأبواب (انظر فصل زاوية فتح الباب).

الحد الأدنى للمسافة الفاصلة عن الجدار الخلفي

قم بتثبيت وسائل المباعدة المرفقة باستخدام البراغي في الفتحات المخصصة لها بظهر الجهاز.



من خلال وسائل المباعدة يتم الالتزام بالحد الأدنى للمسافة البالغ 22 مم والذي يفصل الجهاز عن الجدار ويضمن التهوية.

أحكام عامة

الجهاز يصلح

■ لتبريد وتجميد المواد الغذائية.

■ لتحضير الثلج.

هذا الجهاز مخصص للاستخدام حتى ارتفاع يبلغ 2000 متر فوق مستوى سطح البحر.

هذا الجهاز مخصص للاستخدام المنزلي في المنازل الخاصة ومحيط هذه المنازل.

يعمل الجهاز وفقا لمواصفة الاتحاد الأوروبي 2004/108/EC.

تم فحص دورة التبريد من حيث الأحكام ضد التسريب.

هذه الشهادة تناسب لوائح السلامة ذات الصلة الخاصة بالأجهزة الكهربائية (EN 60335-2-24).

مجموعة التجهيزات

بعد فك مواد التغليف افحص جميع الأجهزة للتأكد من عدم تضررها من النقل.

في حالة وجود أية شكاوى توجه إلى التاجر الذي اشترت منه الجهاز أو إلى مركز خدمة العملاء التابع لنا.

يتم توريد الجهاز بالأجزاء التالية:

■ جهاز مستقل

■ التجهيزات (حسب الموديل)

■ كيس به وسائل التركيب

■ دليل الاستعمال والتركيب

■ كتيب خدمة العملاء

■ ملحق الضمان

■ معلومات حول استهلاك الطاقة والضوضاء

إرشادات التكهين

التخلص من مواد التغليف

تعمل مواد التغليف على حماية جهازك من أضرار النقل. جميع الخامات المستخدمة هي خامات غير ضارة بالبيئة ويمكن إعادة استغلالها. رجاءً ساعدنا بما يلي: تخلص من مواد التغليف بطريقة لا تضر بالبيئة.

يرجى الاستعلام عن أحدث وسائل التخلص من المخلفات لدى التاجر المتخصص أو لدى إدارة البلدية التي تتبع لها.

التخلص من الجهاز القديم

الأجهزة القديمة ليست مجرد مخلفات لا قيمة لها! فمن خلال التخلص من الجهاز بطريقة تحافظ على البيئة يمكن إعادة الانتفاع بالمواد الخام الثمينة

هذا الجهاز مميز طبقا للمواصفة الأوروبية 2012/19/EU فيما يتعلق بالأجهزة الكهربائية والإلكترونية القديمة (waste electrical and electronic equipment - WEEE).

وتحدد هذه المواصفة الإطار العام الساري داخل دول الاتحاد الأوروبي لعملية استرداد الأجهزة القديمة وإعادة استغلالها.

تحذير

في حالة الغسالات القديمة غير المستخدمة:

1. اخلع القابس الكهربائي.
2. افصل كابل التوصيل وقم بإزالة القابس الكهربائي.
3. لا تقم بخلع الأرفف والأوعية لتحول دون تسلق الأطفال عليها بالداخل!
4. لا تسمح للأطفال بالعبث بالجهاز القديم. خطر الاختناق!

تحتوي أجهزة التبريد على مادة تبريد، وعلى غازات معزولة. يجب التخلص من مادة التبريد والغازات بشكل سليم. لا تقم بإتلاف ماسورة دورة مادة التبريد حتى يتم التخلص من الجهاز بشكل سليم.

نصب الجهاز

النقل

وزن الجهاز ثقيل ويجب تأمينه أثناء النقل وعند التركيب.

وبسبب وزن وأبعاد الجهاز ولتقليل خطر الإصابات أو الأضرار، يلزم وجود شخصين على الأقل لتركيب الجهاز بشكل آمن.

العجلات مخصصة فقط لعملية التركيب. لا تنقل الجهاز باستخدام العجلات

لا يجوز تحريك الجهاز باستخدام العجلات على أرض غير مستوية أو لينة.

مكان النصب

يحتاج النصب إلى غرفة جافة وجيدة التهوية. يجب ألا يكون مكان النصب معرضاً لأشعة الشمس المباشرة أو بالقرب من مصدر حراري كموقد أو عنصر تسخين وخلافه. إذا لم يكن بالإمكان تحاشي نصب الجهاز بالقرب من مصدر حراري، فاستخدم لوح عازل مناسب أو التزم بالحد الأدنى للمسافات التي تفصل الجهاز عن المصدر الحراري كما يلي:

- 3 سم عن المواقد الكهربائية أو موقد الغاز.
- 30 سم عن موقد الزيت أو موقد الوقود الصلب.

إرشادات السلامة والتحذير

قبل تشغيل الجهاز

- اقرأ دليل الاستعمال والتركيب بعناية! فهو يحتوي على معلومات هامة عن نصب الجهاز واستخدامه وصيانته.
- لا تتحمل الجهة الصانعة أية مسؤولية في حالة عدم التزامك بالإرشادات والتحذيرات الواردة في دليل الاستعمال. احتفظ بجميع المستندات لاستعمالها فيما بعد أو لإعطائها للمالك الجديد.

السلامة الفنية

- يحتوي الجهاز على كمية قليلة من مادة التبريد R600a الصديقة للبيئة والقابلة للاشتعال. احرص على عدم تعريض ماسورة دورة مادة التبريد للضرر عند النقل أو التركيب. يمكن أن يؤدي رذاذ مادة التبريد إلى إصابات بالعينين أو قد يشتعل.

في حالة الضرر

- احرص على إبعاد النار المشكوفة أو أي مصدر للهب عن الجهاز،
- قم بتهوية الغرفة لعدة دقائق جيداً،
- أوقف الجهاز وانزع القابس الكهربائي،
- أبلغ مركز خدمة العملاء.

- كلما ازدادت كمية مادة التبريد في أحد الأجهزة، تعين أن تكون الغرفة التي سيركب فيها الجهاز أكبر. في الغرف الأصغر من اللازم يمكن في حالة وجود تسرب أن يتكون خليط من الهواء والغاز القابل للاشتعال. كل 8 جم من مادة التبريد يجب أن يقابها زيادة في حجم الغرفة قدرها 1³ م³ على الأقل. توجد كمية مادة التبريد بجهازك على لوحة الصنع بداخل الجهاز.

- إذا كان كابل التوصيل الخاص بهذا الجهاز به ضرر، فإنه يجب استبداله من الجهة الصانعة أو من خدمة العملاء التابعة لها أو بمعرفة شخص له نفس المؤهلات، وذلك تجنباً للمخاطر. التركيبات غير السليمة والإصلاحات يمكن أن تعرض المستخدم لخطر كبير.

- لا يجوز إجراء الإصلاحات إلا بمعرفة الجهة الصانعة أو مركز خدمة العملاء أو فني على نفس مستوى التأهيل.

- اقتصر على استخدام الأجزاء الأصلية للجهة الصانعة. فهذه الأجزاء فقط تضمن الجهة الصانعة استيفائها لشروط الأمان.

- لا يجوز الحصول على أية وصلة إطالة لكابل التوصيل إلا بمعرفة مركز خدمة العملاء.

أثناء الاستخدام

- لا تستخدم أبداً أية أجهزة كهربائية داخل الجهاز (مثل أجهزة التدفئة، جهاز تحضير الثلج الكهربائي). خطر الانفجار!
- لا تقم أبداً بتنظيف الجهاز أو إذابة التجمد عنه باستخدام جهاز التنظيف بالبخار! يمكن أن يصل البخار إلى الأجزاء الكهربائية ويتسبب في حدوث قفلة كهربائية. خطر الصعق الكهربائي!
- لا تستخدم أية أشياء مدببة أو حادة لإزالة طبقات الجليد والثلج. فهذه الأشياء يمكن أن تلحق الضرر بماسورة مادة التبريد. يمكن أن يشتعل رذاذ مادة التبريد و يؤدي إلى إصابات بالعينين.

- لا تقم بتخزين أية منتجات مع الغازات الدافعة القابلة للاشتعال (مثل علب الاسبراي) ولا مع المواد القابلة للانفجار. خطر الانفجار!
- لا تستخدم القاعدة أو الأجزاء البارزة أو الأبواب وخلافه كمسند للقدم أو كسنادة.
- لإذابة الثلج والتنظيف انزع القابس الكهربائي أو قم بفصل المصهر. وانزع القابس الكهربائي من جسم القابس نفسه لا من كابل التوصيل.
- عند تخزين الكحوليات ذات التركيز العالي أحكم غلقها جيداً وتوضع واقفة.
- لا تقم بتلوين الأجزاء البلاستيكية أو إطار إحكام الباب بالزيت أو الشحم، وإلا فسوف تنفذ هذه المواد من الأجزاء البلاستيكية ومن إطار إحكام الباب.
- لا تقم أبداً بتغطية أو سد فتحات التهوية وتصريف الهواء بالجهاز.
- يُسمح باستخدام هذا الجهاز من قِبَل الأشخاص (بما في ذلك الأطفال) الذين يعانون من نقص في القدرات الجسدية أو الحسية أو العقلية أو الأشخاص الذين لديهم قصور في الخبرة أو المعرفة، شريطة أن يقوم شخص مسؤول عن سلامتهم بمراقبتهم أو إذا تم توجيههم إلى كيفية استخدام الجهاز طبقاً لهذا الدليل.
- لا تقم بتخزين أية سوائل في زجاجات أو علب في حيز التجميد (خصوصاً المشروبات المحتوية على حمض الكربون). يمكن أن تنفجر الزجاجات والعلب!
- لا تضع أي مجمدات في فمك مباشرة فور خروجها من حيز التجميد. خطر الإصابة باكتواءات الجليد!
- تجنب ملامسة الأيدي لفترة طويلة لأي مجمدات أو للثلج أو مواشير المبخر وخلافه. خطر الإصابة باكتواءات الجليد!

تجنب الأخطار التي يمكن أن يتعرض لها الأطفال أو الأشخاص المعرضون للخطر

المعرضون للخطر هم:

- الأطفال،
- الأشخاص الذين يعانون من نقص في القدرات الجسدية أو العقلية أو الذين لديهم قصور في الوعي،
- الأشخاص الذين لديهم قصور في معرفة كيفية استخدام هذا الجهاز. الإجراءات:
- تأكد أن الأطفال والأشخاص المعرضون للخطر قد استوعبوا المخاطر،
- يجب أن يقوم شخص مسؤول عن السلامة بمراقبة أو توجيه الأطفال أو الأشخاص المعرضين،
- يسمح فقط للأطفال من سن 8 أعوام باستخدام الجهاز،
- يجب مراقبة الأطفال عند التنظيف والصيانة،
- لا تسمح للأطفال أبداً بالعبث بالجهاز.

ar فهرس المحتويات

3	إرشادات السلامة والتحذير
4	إرشادات التكهين
4	مجموعة التجهيزات
4	نصب الجهاز
6	أبعاد النصب
6	زاوية فتح الباب
7	توصيل الجهاز
9	تركيب الأبواب
10	التعرف على الجهاز
12	تشغيل الجهاز
12	ضبط درجة الحرارة
12	التبريد الفائق
13	التجميد الفائق
13	قفل الأزرار (وظيفة أمان الأطفال)
13	وظائف الإنذار
14	وضعية توفير الطاقة
14	السعة الصافية
14	حيز التبريد
14	حيز التجميد
15	قدرة التجميد القصوى
15	التجميد والتخزين
15	تجميد المواد الغذائية الطازجة
16	إذابة المجمدات
16	التجهيزات
17	إيقاف الجهاز وفصله
17	إذابة الجليد
18	تنظيف الجهاز
18	الروائح
18	الإضاءة (لمبة LED)
18	التوفير في الطاقة
18	ضوضاء التشغيل
19	إصلاح الاختلالات البسيطة بنفسك
19	خدمة العملاء

BSH Hausgeräte GmbH
Carl-Wery-Straße 34
81739 München, GERMANY

siemens-home.bsh-group.com

Manufactured by BSH Hausgeräte GmbH under Trademark License of Siemens AG
تم التصنيع بواسطة <الاسم القانوني لمجموعة بي سي إس إتش BSH Hausgeräte GmbH> ويحمل ترخيص العلامة التجارية سيمنز Siemens AG



9001000322 (9810)

en, ar