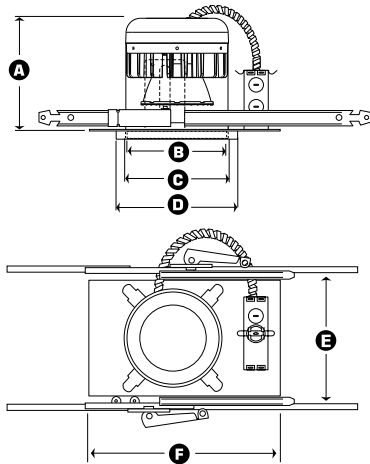


H6-LED

6" ARCHITECTURAL NEW CONSTRUCTION NON-IC LED DOWNLIGHT



- A** Height = 7-1/4"
- B** Trim Aperture = 6"
- C** Cut-out = 6-1/2"
- D** Trim Outside Dia. = 7-1/4"
- E** Width = 7"
- F** Length = 10"



2000 LUMENS

INPUT VOLT.	INPUT FREQ.	INPUT CUR.	THD	POWER FACTOR	INPUT POWER	LUMENS
120/277	50/60Hz	150mA/65mA	<20%	>0.9	32W(+/-5%)	2000
120/277	50/60Hz	116mA/50mA	<20%	>0.9	24W(+/-5%)	1200

DESCRIPTION - 6" LED dedicated New Construction NON-IC housing with integral LED heat management casting and driver (installed on junction box). Designed for new construction installations and suitable for use in non-insulation covered ceilings. Available in 1200 lumens & 2000 lumens. Lighting is smooth and comfortable while using 75% less energy than the equivalent 100W PAR38 and 50% less than the common 32W CFL. Plus, the eco-friendly MAXILUME LED system features 70% lumen maintenance at 50,000hrs of life, with Energy Star and California Title-24 (compliances pending).

FEATURES - Greater light output than an 32W CFL or a 100WPAR38. Elite LED luminaires are ideally suited for use in hospitality, health care, commercial, retail and residential applications.



OPTICS - Gather the light scattered by the LED chip, shape it into a functional beam with state of the art reflectors, integrate the light through a smooth lens to minimize brightness, then top it all off with a glare reducing cone that has a 55-degree cut-off. Now you have the Elite engineered, superior quality, light engine; producing over 1200 & 2000 lumens.

DURABILITY - Die-cast aluminum housing and heat management system are engineered for extremely long life and service period. Heat sink is attached to top of housing. The LED light engine is attached to the die-cast heat sink and is easily replaceable and upgradable. Life tests have shown the Elite light engine output will be maintained at 70% of initial at 50,000hrs of operation. Our superior design allows for installation in construction that requires Elite Air-Shut™ system. Our LED driver is rated for 50 to 60 Hz at 120V/277V input, produces less than 10% THD, has a power factor between 0.90 and 1.00 and is thermally protected for additional safety. Elite's driver is installed on the junction box cover so it may be serviced from below the ceiling.

REPEATABLE - Repeatability means quality. From our chip selection process, to our driver, to the thermal management, the Elite LED Module is engineered for quality. All Elite LED luminaires are rated at 85+, 90+ and 98+ CRI as rated and tested to LM-79 and LM-80 standards by a certified laboratory. California Title 24-2013 and Energy Star compliance are standard.

DIMMABLE - The MAXILUME LED system is shipped standard with a 0-10V driver which can be dimmed down to 1% of initial light output with a 0-10V dimmer when ordered with the following options (DIM10-120, DIM10-277). Fixtures can also be shipped with a Lutron Hi-Lume A series driver which can be dimmed with Lutron Dimming Systems when ordered with the following options (LUTH-120, LUTH-277), Lutron® Hi-Lume A-Series (LUT2W-120) 2-Wire Forward Phase Control 1% Dimming in 120V only, or EldoLed 0-10V 1% Dimming, consult factory for other EldoLed driver and other driver options. Triac & Electronic Low Voltage dimming driver also available when ordered with the following options (DIMTR-120). All fixtures with 3000L and below are dimmable down to 1% and the fixtures with 4000L and above can be dimmed down to 10%.

Example: H6-LED-2000L-DIM10-120-MD-30K-AT-L631-W-WH

THERMAL PROTECTION - Standard thermal protection device guards against improper installation and misuse of insulation material.

MOUNTING BRACKET - Constructed from 16 gauge steel and is supplied with C-channels that are adjustable up to 28". Mounting brackets may be adjusted up to 2-3/4" vertically from inside the housing.

HOUSING - Die-formed aluminum and galvanized steel for maximum heat dissipation and rust protection. Housing adjusts vertically in plaster frame to accommodate 1/2" to 1-3/8" thick ceiling. Housing is NON-IC rated and insulation must be pulled 3" from housing. May be installed in 2" x 8" joist construction.

JUNCTION BOX - UL Listed for through-branch circuit wiring, provided with four 1/2" knockouts, one 3/4" knockout and four Romex knockouts with true pry-out slots and strain clamps. Designed for straight through conduit runs. Driver is installed on the junction box cover so it may be serviced from below the ceiling.

OUR WORD - The MAXILUME LED lighting system carries a five-year carefree warranty for parts and components. (Labor not included.)

DIMMING INFORMATION

DIM10 (0-10V 1% Dimming)

LUTH (Lutron® Hi-Lume A-Series 3-Wire or Eco System 1% Dimming up to 4000 lumens only)

LUT2W (Lutron® Hi-Lume A-Series 2-Wire Forward Phase Control 1% Dimming in 120V only and up to 3000 lumens only)

ELDO10 (EldoLed 0-10V 1% Dimming up to 3000 lumens only, consult factory for the EldoLed driver options)

DIMTR (Triac & Electronic Low Voltage Dimming)

Covered by U.S. Patent Numbers: D642317S, D621089S, D615239S

LISTING

c-UL-us - listed for Damp location.

c-UL-us - listed for feed Through Wiring.

LM79 / LM80

TYPE	1200L SERIES	2000L SERIES	VOLTAGE	OPTICS	CCT	CRI	AIR-SHUT	EMERGENCY	TRIM	BAFFLE	REFLECTOR	TRIM/RING		
H6-LED	<input type="checkbox"/> 1200L-DIMTR* <input type="checkbox"/> 1200L-LUTH <input type="checkbox"/> 1200L-DIM10 <input type="checkbox"/> 1200L-LUT2W* <input type="checkbox"/> 1200L-ELDO10	<input type="checkbox"/> 2000L-LUTH <input type="checkbox"/> 2000L-DIM10 <input type="checkbox"/> 2000L-LUT2W* <input type="checkbox"/> 2000L-ELDO10	<input type="checkbox"/> 120 <input type="checkbox"/> 277 <input type="checkbox"/> 347 <input type="checkbox"/> MVOLT	<input type="checkbox"/> MD (Medium) Standard <input type="checkbox"/> ND (Narrow)	<input type="checkbox"/> 27K <input type="checkbox"/> 30K <input type="checkbox"/> 35K <input type="checkbox"/> 40K <input type="checkbox"/> 50K (85+CRI only)	<input type="checkbox"/> 85+ <input type="checkbox"/> 90+ <input type="checkbox"/> 98+**	<input type="checkbox"/> AT	<input type="checkbox"/> EMG	<input type="checkbox"/> L631 <input type="checkbox"/> L607 <input type="checkbox"/> L611 <input type="checkbox"/> L676 <input type="checkbox"/> L635 <input type="checkbox"/> L636 <input type="checkbox"/> L656 <input type="checkbox"/> L675 <input type="checkbox"/> L657 <input type="checkbox"/> L659	<input type="checkbox"/> L642 <input type="checkbox"/> L658 <input type="checkbox"/> L641 <input type="checkbox"/> L655 <input type="checkbox"/> L652 <input type="checkbox"/> L612 <input type="checkbox"/> L605 <input type="checkbox"/> L605L <input type="checkbox"/> L681 <input type="checkbox"/> L680	<input type="checkbox"/> L696 <input type="checkbox"/> L601 <input type="checkbox"/> L601L <input type="checkbox"/> L687 <input type="checkbox"/> L688 <input type="checkbox"/> L685 <input type="checkbox"/> L681 <input type="checkbox"/> L680	<input type="checkbox"/> W <input type="checkbox"/> P <input type="checkbox"/> SN <input type="checkbox"/> CP <input type="checkbox"/> BZ	<input type="checkbox"/> BZ <input type="checkbox"/> CL <input type="checkbox"/> CP <input type="checkbox"/> RG <input type="checkbox"/> MB <input type="checkbox"/> W <input type="checkbox"/> SN <input type="checkbox"/> SHZ	<input type="checkbox"/> BK <input type="checkbox"/> WH <input type="checkbox"/> CH <input type="checkbox"/> PB <input type="checkbox"/> SN <input type="checkbox"/> CP <input type="checkbox"/> BZ

* DIMTR and LUT2W options only available in 120 Volt.

** 98+ CRI is available in 27K, 30K and 40K only

MVOLT: Only DIM10, LUTH, LUT2W and ELDO10

DIMTR: Only 120V

L631W-WH - PHENOLIC STEPPED BAFFLE



BAFFLE FINISH:
W - WHITE

RING FINISH:
BK, WH, CH, PB, SN, CP, BZ

L631P-BK - PHENOLIC STEPPED BAFFLE



BAFFLE FINISH:
P - BLACK

RING FINISH:
BK, WH, CH, PB, SN, CP, BZ

L631SN-SN - METAL STEPPED BAFFLE



BAFFLE FINISH:
SN - SATIN NICKEL

RING FINISH:
BK, WH, CH, PB, SN, CP, BZ

L631CP-CP - METAL STEPPED BAFFLE



BAFFLE FINISH:
CP - COPPER

RING FINISH:
BK, WH, CH, PB, SN, CP, BZ

L631BZ-BZ - METAL STEPPED BAFFLE



BAFFLE FINISH:
BZ - BRONZE

RING FINISH:
BK, WH, CH, PB, SN, CP, BZ

L607CL-WH - REFLECTOR



REFLECTOR FINISH:
CL - CLEAR (CHROME)

RING FINISH:
BK, WH, CH, PB, SN, CP, BZ

L607MB-WH - REFLECTOR



REFLECTOR FINISH:
MB - BLACK

RING FINISH:
BK, WH, CH, PB, SN, CP, BZ

L607RG-WH - REFLECTOR



REFLECTOR FINISH:
RG - GOLD

RING FINISH:
BK, WH, CH, PB, SN, CP, BZ

L607W-WH - REFLECTOR



REFLECTOR FINISH:
W - WHITE

RING FINISH:
BK, WH, CH, PB, SN, CP, BZ

L607CP-CP - REFLECTOR



REFLECTOR FINISH:
CP - COPPER

RING FINISH:
BK, WH, CH, PB, SN, CP, BZ

L607SN-SN - REFLECTOR



REFLECTOR FINISH:
SN - STAIN NICKEL

RING FINISH:
BK, WH, CH, PB, SN, CP, BZ

L607BZ-BZ - REFLECTOR



REFLECTOR FINISH:
BZ - BRONZE

RING FINISH:
BK, WH, CH, PB, SN, CP, BZ

L607SHZ-WH - REFLECTOR



REFLECTOR FINISH:
SHZ - SATIN HAZE

RING FINISH:
BK, WH, CH, PB, SN, CP, BZ

L611W-WH - BAFFLE WALL WASH



BAFFLE FINISH:
BZ, CP, SN, WH, P

RING FINISH:
WH

L676W-WH - BAFFLE W/ FROSTED LENS



BAFFLE FINISH:
BZ, CP, SN, WH, P

RING FINISH:
BK, WH, CH, PB, SN, CP, BZ

L635W-WH - BAFFLE W/ ALBALITE LENS



BAFFLE FINISH:
BZ, CP, SN, WH, P

RING FINISH:
BK, WH, CH, PB, SN, CP, BZ

L636W-WH - BAFFLE W/ FRESNEL LENS



BAFFLE FINISH:
BZ, CP, SN, WH, P

RING FINISH:
BK, WH, CH, PB, SN, CP, BZ

L656W-WH - BAFFLE W/ FROSTED DOME LENS



BAFFLE FINISH:
BZ, CP, SN, WH, P

RING FINISH:
BK, WH, CH, PB, SN, CP, BZ



LED
6"

6 INCH ARCHITECTURAL LED OPTICS

L675W-WH - BAFFLE W/ PRISMATIC LENS



BAFFLE FINISH:
BZ, CP, SN, WH, P
RING FINISH:
BK, WH, CH, PB, SN, CP, BZ



L657CL-WH - REFLECTOR W/ FROSTED DOME LENS



REFLECTOR FINISH:
CL, MB, RG, W, CP, SN
RING FINISH:
BK, WH, CH, PB, SN, CP, BZ



L659CL-WH - REFLECTOR W/ FROSTED LENS



REFLECTOR FINISH:
CL, MB, RG, W, CP, SN
RING FINISH:
BK, WH, CH, PB, SN, CP, BZ



L642CL-WH - REFLECTOR W/ FRESNEL LENS



REFLECTOR FINISH:
CL, MB, RG, W, CP, SN
RING FINISH:
BK, WH, CH, PB, SN, CP, BZ



L658CL-WH - REFLECTOR W/ PRISMATIC LENS



REFLECTOR FINISH:
CL, MB, RG, W, CP, SN
RING FINISH:
BK, WH, CH, PB, SN, CP, BZ



L641CL-WH - REFLECTOR W/ ALBALITE LENS



REFLECTOR FINISH:
CL, MB, RG, W, CP, SN
RING FINISH:
BK, WH, CH, PB, SN, CP, BZ



L645WH - DESIGNER POINT LENS



LENS FINISH:
DESIGNER POINT
RING FINISH:
BK, WH, CH, PB, SN, CP, BZ



L652WH - SMOOTH FROSTED LENS



LENS FINISH:
SMOOTH FROSTED
RING FINISH:
BK, WH, CH, PB, SN, CP, BZ



L612WH - SMOOTH FROSTED DOME LENS



LENS FINISH:
SMOOTH FROSTED
RING FINISH:
BK, WH, CH, PB, SN, CP, BZ



L605WH - METAL FRESNEL LENS



LENS FINISH:
FRESNEL - CLEAR
RING FINISH:
BK, WH, CH, PB, SN, CP, BZ



L606WH - METAL DROP OPAL LENS



LENS FINISH:
DROP OPAL - FROSTED
RING FINISH:
BK, WH, CH, PB, SN, CP, BZ



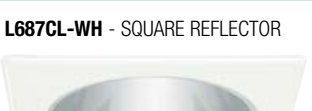
L601WH - METAL ALBALITE LENS



LENS FINISH:
ALBALITE - WHITE
RING FINISH:
BK, WH, CH, PB, SN, CP, BZ



L605L - WHITE PLASTIC FRESNEL LENS



L687CL-WH - SQUARE REFLECTOR



REFLECTOR FINISH:
CL, MB, RG, W, CP, SN
RING FINISH:
BK, WH, CH, PB, SN, CP, BZ



L606L - WHITE PLASTIC DROP OPAL LENS



L688WH - SQUARE ALBALITE LENS



LENS FINISH:
ALBALITE - WHITE
RING FINISH:
BK, WH, CH, PB, SN, CP, BZ



L601L - WHITE PLASTIC ALBALITE LENS



L685WH - SQUARE FRESNEL LENS



LENS FINISH:
FRESNEL - CLEAR
RING FINISH:
BK, WH, CH, PB, SN, CP, BZ



L681BZ-WH - SQUARE BAFFLE



BAFFLE FINISH:
BZ, CP, SN, WH, P
RING FINISH:
BK, WH, CH, PB, SN, CP, BZ



L680WH - SQUARE DESIGNER POINT LENS



LENS FINISH:
FROSTED
RING FINISH:
BK, WH, CH, PB, SN, CP, BZ



L696WH - SQUARE DESIGNER FROSTED LENS



LENS FINISH:
FROSTED
RING FINISH:
BK, WH, CH, PB, SN, CP, BZ



LED
6"

6 INCH ARCHITECTURAL LED OPTICS