

BL4E-S

4" Miniature Low Voltage "Noise-Free" Shallow Non-IC Housing

LAMP WATTAGE: (1) MAXIMUM 12V 35W MR16

Catalog Number:

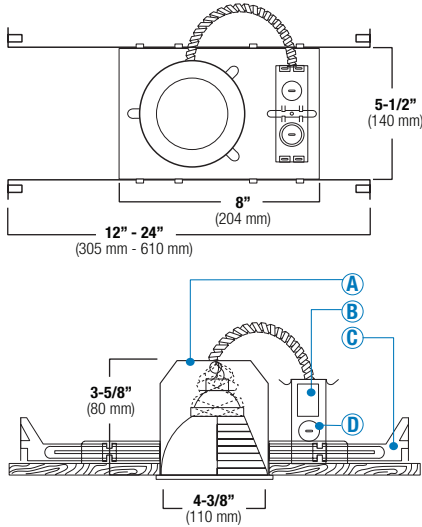
Project Name:

Type:

Note:



DESIGNED FOR 2" X 4" JOIST CONSTRUCTION



DESCRIPTION

Small aperture, low voltage, thermally protected, specification grade recessed shallow housing. For new construction, non-insulated ceilings or where insulation can be kept 3" from the housing. Accommodates up to 35W MR16 lamps. Furnished with preinstalled adjustable bar hangers.

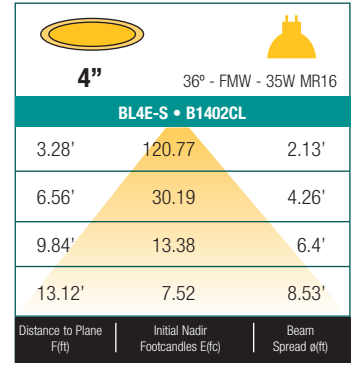
SPECIFICATION

A. HOUSING - High temperature painted 22 gauge deep drawn single piece housing. Adjusts vertically in plaster frame to accommodate 1/2" to 1-3/8" ceiling. Accommodates lamps up to 35W depending on trim used.

B. TRANSFORMER - Class II dimming electronic transformer enhanced in heat dissipating cover attached to junction box cover.

C. BAR HANGERS - Preinstalled bar hangers allow housing to be positioned and locked at any point within a 24" joist span and can be shortened for 12" joists. They contain a double-headed real nail for secure attachment into the joist. Bar hanger nails are installed on a 20° downward angle for better contact, and the 90° pivoting mounting plate makes installation fast and accurate. Bar hangers can fit onto T-Bar spline with additional slots and holes for special mounting methods if necessary.

D. JUNCTION BOX - through-branch cir-cuit wiring and has four 1/2" KOs, one 3/4" KO and four Ro-mex knockouts with true pry-out slots and strain clamps.



FEATURES

- Integral low voltage electronic transformer to eliminate noise and vibration, increasing lamp life and lighting quality.
- Thermally Protected Non-IC housing.
- Designed for accent and task lighting applications.
- Wire through junction box.
- Preinstalled adjustable bar hangers.
- Dependable, favorable design and effortless installation.
- 3-5/8" height allows use in 2" x 4" joist construction.
- Special screw on the frame locks bar hangers in place which prevents the housing from any movement once installed.

OPTIONS

1. AIR-SHUT

- Gasket to prevent air flow from heated or air conditioned spaces.
- Meets all national air flow requirements.



BL4E-S - ITEM SELECTOR: (Please check the boxes below for the option desired)

WATTAGE	TRIM TYPE	BAFFLE	TRIM RING	MR 16 LENS FILTER
<input type="checkbox"/> 20W	<input type="checkbox"/> B1451 ¹ <input type="checkbox"/> B1476 ² <input type="checkbox"/> B1494 <input type="checkbox"/> B1425 <input type="checkbox"/> B1439 <input type="checkbox"/> B1411	<input type="checkbox"/> W	<input type="checkbox"/> WH	<input type="checkbox"/> BP8MR16-BL (Blue) <input type="checkbox"/> BP8MR16-FR (Frosted)
<input type="checkbox"/> 35W	<input type="checkbox"/> B1453 ¹ <input type="checkbox"/> B1478 <input type="checkbox"/> B1496 <input type="checkbox"/> B1469 <input type="checkbox"/> B1463 <input type="checkbox"/> B1416	<input type="checkbox"/> P	<input type="checkbox"/> BK	<input type="checkbox"/> BP8MR16-GR (Green) <input type="checkbox"/> BP8MR16-SP (Spread)
	<input type="checkbox"/> B1454 ¹ <input type="checkbox"/> B1488 <input type="checkbox"/> B1483 <input type="checkbox"/> B1442 <input type="checkbox"/> B1464 <input type="checkbox"/> B1407	<input type="checkbox"/> SN	<input type="checkbox"/> SN	<input type="checkbox"/> BP8MR16-PI (Pink) <input type="checkbox"/> BP8MR16-SF (Soft Focus)
	<input type="checkbox"/> B1455 ¹ <input type="checkbox"/> B1486 <input type="checkbox"/> B1432 <input type="checkbox"/> B1420 <input type="checkbox"/> B1465 <input type="checkbox"/> B1414	<input type="checkbox"/> CP	<input type="checkbox"/> CP	<input type="checkbox"/> BP8MR16-PU (Purple) <input type="checkbox"/> BP8MR16-HC (Honey Comb)
BALLAST	<input type="checkbox"/> B1456 ¹ <input type="checkbox"/> B1489 <input type="checkbox"/> B1434 <input type="checkbox"/> B1422 <input type="checkbox"/> B1466 <input type="checkbox"/> B1415	<input type="checkbox"/> BZ	<input type="checkbox"/> CH	<input type="checkbox"/> BP8MR16-DL (Day Light) <input type="checkbox"/> BP8MR16-LI (Linear)
<input type="checkbox"/> (E) Electronic	<input type="checkbox"/> B1457 ¹ <input type="checkbox"/> B1479 <input type="checkbox"/> B1435 <input type="checkbox"/> B1413 <input type="checkbox"/> B1467 <input type="checkbox"/> B1404	REFLECTOR	<input type="checkbox"/> PB	<input type="checkbox"/> BP8MR16-YE (Yellow) <input type="checkbox"/> BP8MR16-SOL (Solite)
	<input type="checkbox"/> B1458 ¹ <input type="checkbox"/> B1487 <input type="checkbox"/> B1484 <input type="checkbox"/> B1426 <input type="checkbox"/> B1408 <input type="checkbox"/> B1418	<input type="checkbox"/> CL	<input type="checkbox"/> BZ	<input type="checkbox"/> BP8MR16-AM (Amber) <input type="checkbox"/> BP8MR16-CL (Clear)
	<input type="checkbox"/> B1459 ¹ <input type="checkbox"/> B1485 <input type="checkbox"/> B1436 <input type="checkbox"/> B1427 <input type="checkbox"/> B1406 <input type="checkbox"/> B1419	<input type="checkbox"/> RG	<input type="checkbox"/> CH ¹	<input type="checkbox"/> BP8MR16-OR (Orange) <input type="checkbox"/> BP8MR16-UV (Ultraviolet)
VOLTAGE	<input type="checkbox"/> B1460 ¹ <input type="checkbox"/> B1491 <input type="checkbox"/> B1440 <input type="checkbox"/> B1430 <input type="checkbox"/> B1401 <input type="checkbox"/> B1433	<input type="checkbox"/> W	<input type="checkbox"/> SS ²	<input type="checkbox"/> BP8MR16-RE (Red)
<input type="checkbox"/> 120	<input type="checkbox"/> B1470 ² <input type="checkbox"/> B1480 <input type="checkbox"/> B1441 <input type="checkbox"/> B1431 <input type="checkbox"/> B1402 <input type="checkbox"/> B1417	<input type="checkbox"/> MB		
<input type="checkbox"/> 277	<input type="checkbox"/> B1471 ² <input type="checkbox"/> B1495 <input type="checkbox"/> B1421 <input type="checkbox"/> B1462 <input type="checkbox"/> B1412 <input type="checkbox"/> B1477	<input type="checkbox"/> BZ		
OPTION	<input type="checkbox"/> B1472 ² <input type="checkbox"/> B1490 <input type="checkbox"/> B1424 <input type="checkbox"/> B1452 <input type="checkbox"/> B1468	<input type="checkbox"/> CP		
<input type="checkbox"/> AT (Air-Shut)	<input type="checkbox"/> B1474 ² <input type="checkbox"/> B1492 <input type="checkbox"/> B1423 <input type="checkbox"/> B1437 <input type="checkbox"/> B1461	<input type="checkbox"/> SN		
	<input type="checkbox"/> B1475 ² <input type="checkbox"/> B1481 <input type="checkbox"/> B1409 <input type="checkbox"/> B1438 <input type="checkbox"/> B1403	<input type="checkbox"/> SHZ		

¹ = CH - Chrome finished • ² = SS - Stainless Steel finished

BAFFLE	REFLECTOR	TRIM/RING
W White	CL Chrome	WH White
P Black	RG Gold	BK Black
SN Satin Nickel	W White	SN Satin Nickel
CP Copper	MB Black	CP Copper
BZ Bronze	BZ Bronze	CH Chrome
	CP Copper	PB Polish Brass
	SN Satin Nickel	BZ Bronze
	SHZ Satin Haze	

Specifications:

BL4E-S - WATT - BALLAST - VOLTAGE - OPTION - TRIM TYPE - BAFFLE - REFLECTOR - TRIM/RING - FILTER (1) - FILTER (2)

Sample of Catalog Number: BL4E-S-20W-E-B1401-W-WH-BP8MR16-BL



Submittal form is available @ www.iuseelite.com
Tel: 323-888-1973 • Fax: 323-888-1977

Specifications and Dimensions subject to change without notice.

REV: ELITE LIGHTING-SPEC-05-24-2011

4" Low Voltage Trims

(LAMP WATTAGE: 75W 12V MR16 / 50W 120V GU10)

















Catalog Number:

Project Name:

Type:

Note:



B1451CH RUBY I	B1453CH RUBY II	B1454CH SAPPHIRE I	B1455CH SAPPHIRE II
 <p>O.D.: 4-7/8" FINISH TRIM: CH (CHROME)</p>	 <p>O.D.: 4-7/8" FINISH TRIM: CH (CHROME)</p>	 <p>O.D.: 4-7/8" FINISH TRIM: CH (CHROME)</p>	 <p>O.D.: 4-7/8" FINISH TRIM: CH (CHROME)</p>
B1456CH EMERALD I	B1457CH EMERALD II	B1458CH TOPAZ I	B1459CH TOPAZ II
 <p>O.D.: 4-7/8" FINISH TRIM: CH (CHROME)</p>	 <p>O.D.: 4-7/8" FINISH TRIM: CH (CHROME)</p>	 <p>O.D.: 4-7/8" FINISH TRIM: CH (CHROME)</p>	 <p>O.D.: 4-7/8" FINISH TRIM: CH (CHROME)</p>
B1460CH ONYX	B1470SS ADJ. STAINLESS STEEL GIMBAL TRIM	B1471SS STAINLESS STEEL LENSED TRIM	B1472SS STAINLESS STEEL EYEBALL TRIM
 <p>O.D.: 4-7/8" FINISH TRIM: CH (CHROME)</p>	 <p>O.D.: 4-7/8" FINISH TRIM: SS (STAINLESS STEEL)</p>	 <p>O.D.: 4-7/8" FINISH TRIM: SS (STAINLESS STEEL)</p> <p>FOR WET LOCATION</p>	 <p>O.D.: 4-7/8" FINISH TRIM: SS (STAINLESS STEEL)</p>
B1474SS ADJ. STAINLESS STEEL SQUARE GIMBAL TRIM	B1475SS STAINLESS STEEL SQUARE EYEBALL TRIM	B1476SS ADJ. STAINLESS STEEL SQUARE EYEBALL TRIM	B1496SN SQUARE BAFFLE W/ SQUARE TRIM RING
 <p>O.D.: 4-7/8" FINISH TRIM: SS (STAINLESS STEEL)</p>	 <p>O.D.: 4-7/8" FINISH TRIM: SS (STAINLESS STEEL)</p> <p>FOR WET LOCATION</p>	 <p>O.D.: 4-7/8" FINISH TRIM: SS (STAINLESS STEEL)</p>	 <p>TRIM FINISH: WH, BK, SN, CP, CH, PB, BZ</p>

4"

Low Voltage Trims

(LAMP WATTAGE: 75W 12V MR16 / 50W 120V GU10)

Catalog Number:

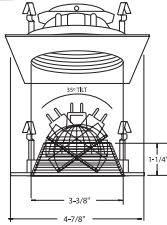
Project Name:

Type:

Note:



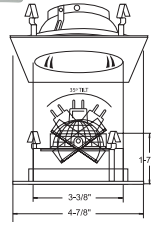
B1478SN-SN
STEPPED BAFFLE (35° TILT)



BAFFLE FINISH:
W, P, SN, CP, BZ

RING FINISH:
WH, BK, SN, CP, CH, PB, BZ

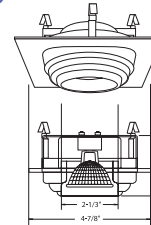
B1479CL-WH
REFLECTOR (35° TILT)



REFLECTOR FINISH:
CL, RG, MB, W, CP, SN

RING FINISH:
WH, BK, SN, CP, CH, PB, BZ

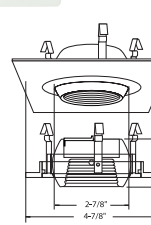
B1494WH-BLUE
DESIGNER SQUARE STEP LITE



TRIM FINISH:
WH, BK, SN, CP, CH, PB

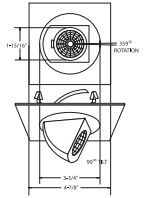
GLASS FINISH:
BLUE, PEACH, GREEN, FROSTED

B1485W-WH
EYEBALL (47° TILT)



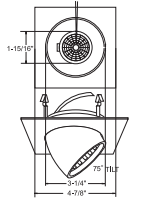
AVAILABLE COLOR COMBINATIONS:
CP-CP, SN-SN, W-WH, P-WH, P-BK

B1488CP
SURFACE ADJUSTABLE (90° TILT, 359° ROT)



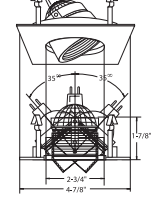
RING FINISH:
WH, BK, SN, CP, CH, PB, BZ

B1486WH
FULLY ADJUSTABLE (75° TILT, 359° ROT)



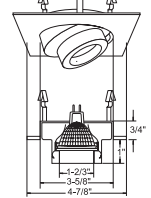
RING FINISH:
WH, BK, SN, CP, CH, PB, BZ

B1489W-WH
ADJ. PINHOLE W/ BAFFLE (35° TILT)



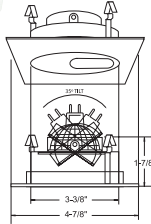
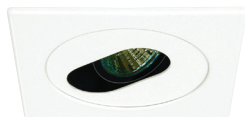
AVAILABLE COLOR COMBINATIONS:
W-WH, P-WH

B1487WH
ADJUSTABLE SPOT (40° TILT)



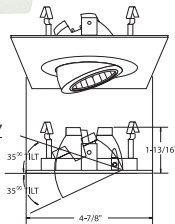
RING FINISH:
WH, BK

B1483WH
SLOT APERTURE (35° TILT)



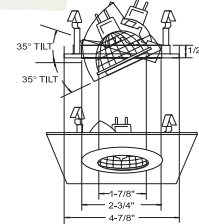
TRIM FINISH:
WH, BK, SN, CP, CH, PB, BZ

B1480WH
FULLY ADJUSTABLE (35° TILT, 359° ROT.)



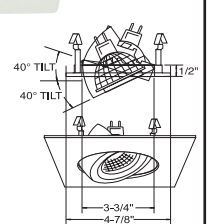
TRIM FINISH:
WH, BK, SN, CP, CH, PB, BZ

B1484P-WH
FULLY ADJ. W/ BAFFLE (35° TILT, 359° ROT.)



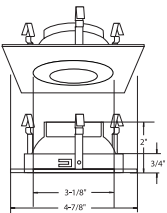
AVAILABLE COLOR COMBINATIONS:
W-WH, P-WH, P-BK, CP-CP, SN-SN, BZ-BZ

B1481WH
ADJUSTABLE GIMBAL (40° TILT)



TRIM FINISH:
WH, BK, SN, CP, CH, PB, BZ

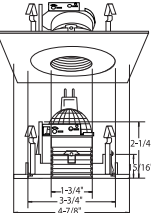
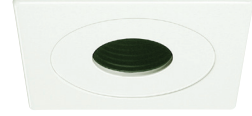
B1495CL-SN
SEMI-FROSTED SHOWER TRIM



REFLECTOR FINISH:
CL, RG, W, MB, CP, SN

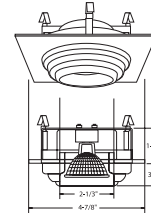
RING FINISH:
WH, BK, SN, CP, CH, PB, BZ

B1491P-WH
PINHOLE WITH BAFFLE



AVAILABLE COLOR COMBINATIONS:
CP-CP, SN-SN, W-WH, P-WH, P-BK

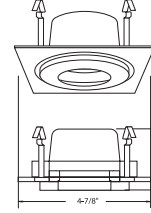
B1492WH-BLUE
METROPOLITAN ICE LITE



TRIM FINISH:
WH, BK, SN, CP, CH, PB

GLASS FINISH:
BLUE, PEACH, GREEN, CLEAR, AMBER, FROSTED

B1490WH-PEACH
METROPOLITAN ICE LITE



TRIM FINISH:
WH, BK, SN, CP, CH, PB

GLASS FINISH:
BLUE, PEACH, GREEN, CLEAR, AMBER, FROSTED



Submittal form is available @ www.iuseelite.com
Tel: 323-888-1973 • Fax: 323-888-1977

Specifications and Dimensions subject to change without notice.

REV: MAXLUME-SPEC-05-26-2011

4"

Low Voltage Trims

(LAMP WATTAGE: 75W 12V MR16 / 50W 120V GU10)

Catalog Number:

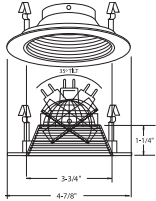
Project Name:

Type:

Note:



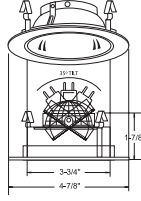
B1401CP-CP
STEPPED BAFFLE



BAFFLE FINISH:
W, P, SN, CP, BZ

RING FINISH:
WH, BK, SN, CP, CH, PB, BZ

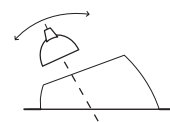
B1402CP-WH
REFLECTOR (35° TILT)



REFLECTOR FINISH:
CL, RG, W, MB, CP, SN, BZ

RING FINISH:
WH, BK, SN, CP, CH, PB, BZ

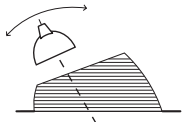
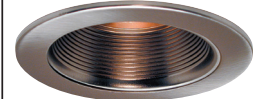
B1463RG-WH
ADJUSTABLE ANGLE-CUT REFLECTOR



REFLECTOR FINISH:
CL, RG, W, MB, CP, SN

RING FINISH:
WH, BK, SN, CP, CH, PB

B1464CP-CP
ADJUSTABLE ANGLE-CUT BAFFLE



BAFFLE FINISH:
W, P, SN, CP

RING FINISH:
WH, BK, SN, CP, CH, PB

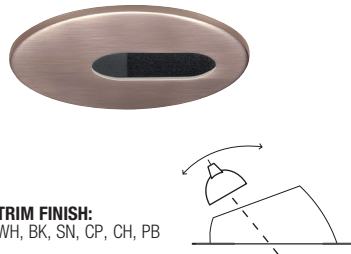
B1465CL-WH
ADJUSTABLE ANGLE-CUT PINHOLE



REFLECTOR FINISH:
CL, RG, W, MB, CP, SN

RING FINISH:
WH, SN, CP

B1466CL-WH
ADJUSTABLE ANGLE-CUT SLOT APERTURE



TRIM FINISH:
WH, BK, SN, CP, CH, PB

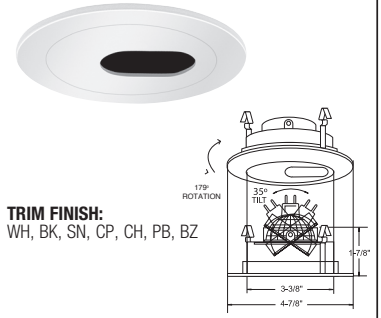
B1467CL-WH
ADJUSTABLE LENSED WALL WASH



REFLECTOR FINISH:
CL, RG, W, MB, CP, SN

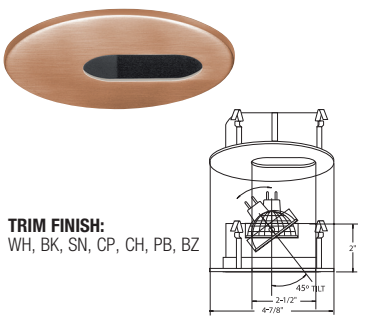
TRIM COVER:
WH, BK

B1411WH
SLOT APERTURE (35° TILT, 179° ROT)



TRIM FINISH:
WH, BK, SN, CP, CH, PB, BZ

B1403CP
ONE PIECE SLOT APERTURE (35° TILT)



TRIM FINISH:
WH, BK, SN, CP, CH, PB, BZ

B1416P-WH
BAFFLE WALL WASH



BAFFLE FINISH:
W, P, SN, CP, BZ

WALL WASH COVER:
WH, BK

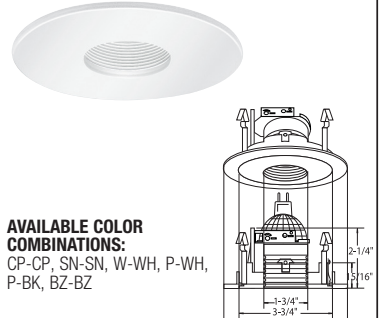
B1407CL-WH
REFLECTOR WALL WASH



REFLECTOR FINISH:
CL, RG, W, MB, CP, SN

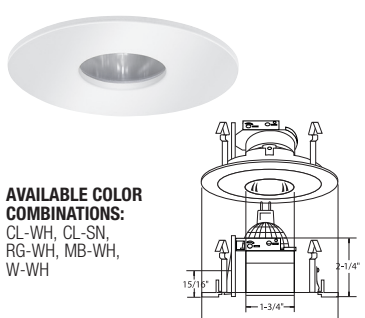
WALL WASH COVER:
WH, BK

B1414W-WH
PINHOLE WITH BAFFLE



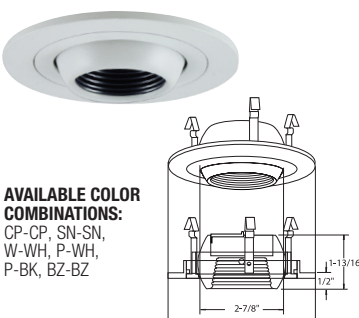
AVAILABLE COLOR COMBINATIONS:
CP-CP, SN-SN, W-WH, P-WH, P-BK, BZ-BZ

B1415CL-WH
PINHOLE WITH REFLECTOR



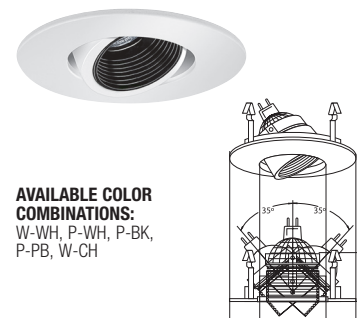
AVAILABLE COLOR COMBINATIONS:
CL-WH, CL-SN, RG-WH, MB-WH, W-WH

B1404P-WH
EYEBALL (47° TILT)



AVAILABLE COLOR COMBINATIONS:
CP-CP, SN-SN, W-WH, P-WH, P-BK, BZ-BZ

B1418P-WH
ADJ.PINHOLE W/ EYEBALL (35° TILT)



AVAILABLE COLOR COMBINATIONS:
W-WH, P-WH, P-BK, P-PB, W-CH

B1412CH
FULLY ADJUSTABLE (35° TILT, 359° ROT.)



TRIM FINISH:
WH, BK, SN, CP, CH, PB, BZ

4" Low Voltage Trims

(LAMP WATTAGE: 75W 12V MR16 / 50W 120V GU10)

Catalog Number:

Project Name:

Type:

Note:

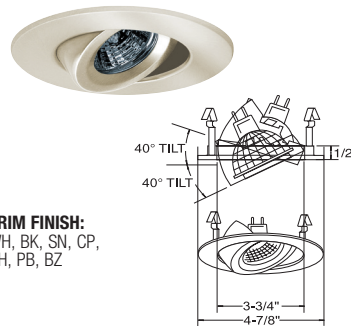


B1468W-WH
FULLY ADJ. W/ BAFFLE (35° TILT, 359° ROT.)



AVAILABLE COLOR COMBINATIONS:
CP-CP, SN-SN, W-WH, P-WH, P-BK, BZ-BZ

B1461SN
ADJUSTABLE GIMBAL (40° TILT)



TRIM FINISH:
WH, BK, SN, CP, CH, PB, BZ

B1408WH
FULLY ADJUSTABLE (75° TILT, 359° ROT.)



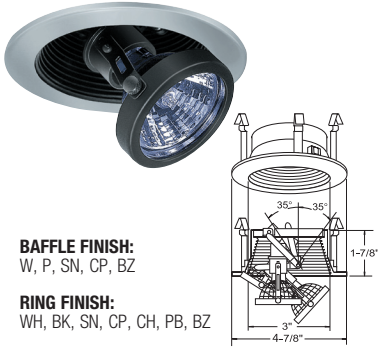
TRIM FINISH:
WH, BK, SN, CP, CH, PB, BZ

B1406CP
SURFACE ADJUSTABLE (90° TILT, 359° ROT.)



TRIM FINISH:
WH, BK, SN, CP, CH, PB, BZ

B1413P-SN
PULL DOWN ADJUSTABLE



BAFFLE FINISH:
W, P, SN, CP, BZ

RING FINISH:
WH, BK, SN, CP, CH, PB, BZ

B1419BK
ADJUSTABLE SPOT (40° TILT)



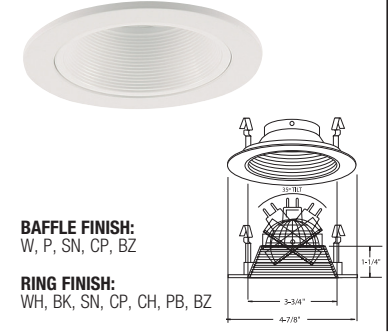
TRIM/RING FINISH:
WH, BK, SN

B1433P-WH
ADJUSTABLE PINHOLE BAFFLE (15° TILT)



AVAILABLE COLOR COMBINATIONS:
W-WH, P-WH

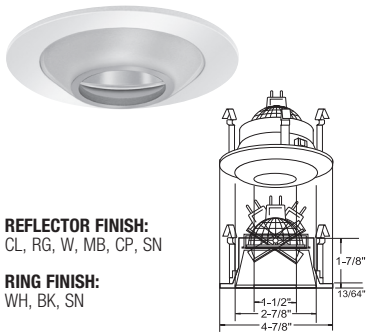
B1417W-WH
METAL STEPPED BAFFLE



BAFFLE FINISH:
W, P, SN, CP, BZ

RING FINISH:
WH, BK, SN, CP, CH, PB, BZ

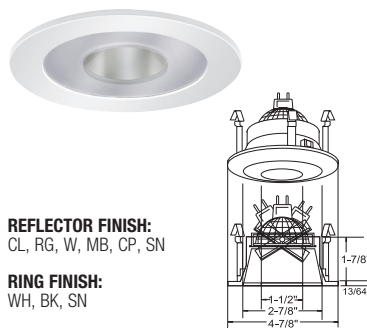
B1426CL-WH
THE ILLUMINATOR II



REFLECTOR FINISH:
CL, RG, W, MB, CP, SN

RING FINISH:
WH, BK, SN

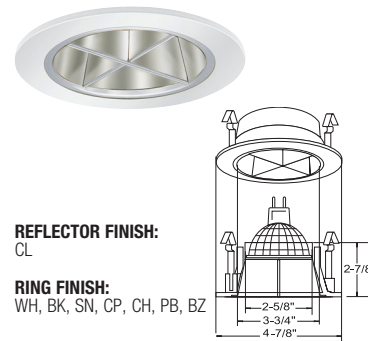
B1427CL-WH
THE ILLUMINATOR



REFLECTOR FINISH:
CL, RG, W, MB, CP, SN

RING FINISH:
WH, BK, SN

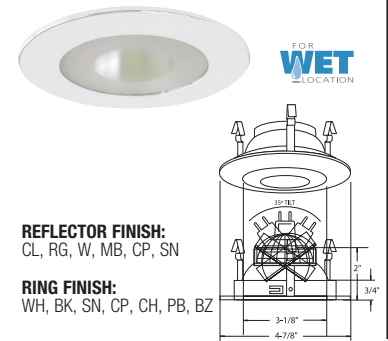
B1477CL-WH
CROSSBLADE REFLECTOR



REFLECTOR FINISH:
CL

RING FINISH:
WH, BK, SN, CP, CH, PB, BZ

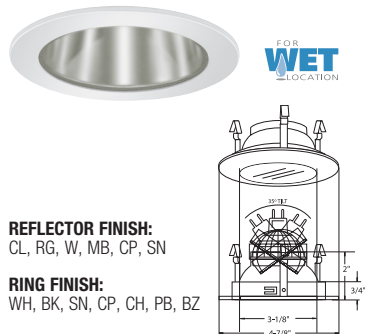
B1462CL-WH
SEMI-FROSTED SHOWER TRIM



REFLECTOR FINISH:
CL, RG, W, MB, CP, SN

RING FINISH:
WH, BK, SN, CP, CH, PB, BZ

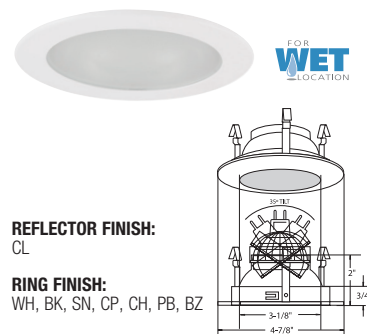
B1452CL-WH
CLEAR LENS SHOWER TRIM



REFLECTOR FINISH:
CL, RG, W, MB, CP, SN

RING FINISH:
WH, BK, SN, CP, CH, PB, BZ

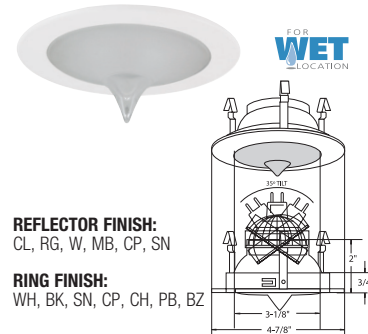
B1437WH
SMOOTH FROST SHOWER LITE



REFLECTOR FINISH:
CL

RING FINISH:
WH, BK, SN, CP, CH, PB, BZ

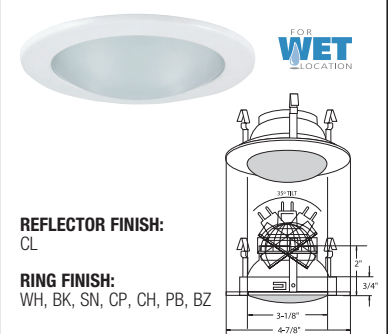
B1438WH
DESIGNER POINT SHOWER LITE



REFLECTOR FINISH:
CL, RG, W, MB, CP, SN

RING FINISH:
WH, BK, SN, CP, CH, PB, BZ

B1439WH
SMOOTH FROST DOME SHOWER LITE



REFLECTOR FINISH:
CL

RING FINISH:
WH, BK, SN, CP, CH, PB, BZ

4"

Low Voltage Trims

(LAMP WATTAGE: 75W 12V MR16 / 50W 120V GU10)

Catalog Number:

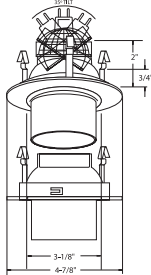
Project Name:

Type:

Note:



B1436WH
CYLINDER LITE



TRIM FINISH:
WH, BK, SN, CP, CH, PB, BZ

GLASS FINISH:
WHITE, PINK, BLUE, GREEN

B1434WH / B1435WH
STRIPE WALL WASH LITE

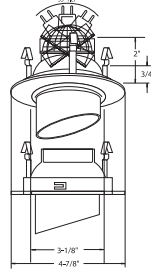


B1435WH



TRIM FINISH:
WH, BK, SN, CP, CH, PB, BZ

GLASS FINISH:
CRYSTAL/FROST

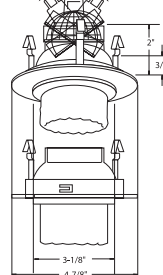


B1440WH-PINK
TULIP LITE



TRIM FINISH:
WH, BK, SN, CP, CH, PB, BZ

GLASS FINISH:
TEAL, PINK, LIME, BLUE

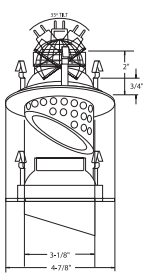


B1441WH-LIME
DESIGNER WALL WASH LITE



TRIM FINISH:
WH, BK, SN, CP, CH, PB, BZ

GLASS FINISH:
TEAL, PINK, LIME, BLUE

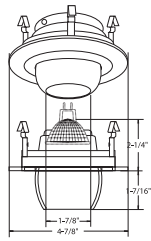


B1424WH-RED
METROPOLITAN HONEY LITE

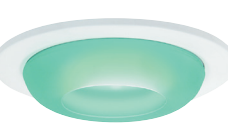


TRIM FINISH:
WH, BK, SN, CP, CH, PB, BZ

GLASS FINISH:
BLUE, RED, WHITE, GREEN

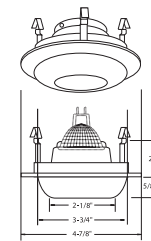


B1420WH-GREEN
METROPOLITAN MOON LITE



TRIM FINISH:
WH, BK, SN, CP, CH, PB, BZ

GLASS FINISH:
BLUE, PEACH, GREEN, CLEAR, AMBER, FROSTED

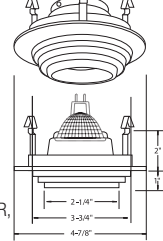


B1425WH-AMBER
METROPOLITAN STEP LITE



TRIM FINISH:
WH, BK, SN, CP, CH, PB, BZ

GLASS FINISH:
BLUE, PEACH, GREEN, CLEAR, AMBER, FROSTED

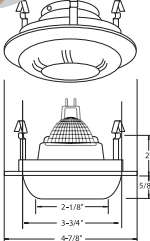


B1442WH-PEACH
DESIGNER MOON LITE



TRIM FINISH:
WH, BK, SN, CP, CH, PB, BZ

GLASS FINISH:
BLUE, PEACH, GREEN, FROSTED

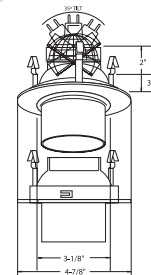


B1431WH
CRYSTAL STRIPE LITE



TRIM FINISH:
WH, BK, SN, CP, CH, PB, BZ

GLASS FINISH:
CRYSTAL/FROST

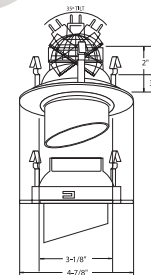


B1432WH
WALL WASH FROST LITE



TRIM FINISH:
WH, BK, SN, CP, CH, PB, BZ

GLASS FINISH:
WHITE, PINK, BLUE, GREEN

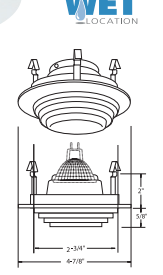


B1421WH-FROSTED
MINI-STEP LENS LITE



TRIM FINISH:
WH, BK, SN, CP, CH, PB, BZ

GLASS FINISH:
FROSTED

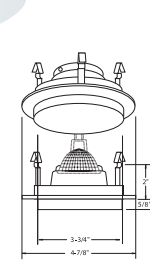


B1423WH-WHITE
METROPOLITAN OPAL LENS LITE



TRIM FINISH:
WH, BK, SN, CP, CH, PB, BZ

GLASS FINISH:
CRYSTAL, WHITE, FROSTED

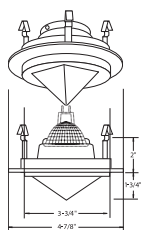


B1409WH-BLUE
PYRAMID GLASS LITE



TRIM FINISH:
WH, BK, SN, CP, CH, PB, BZ

GLASS FINISH:
TEAL, PINK, LIME, BLUE

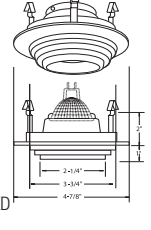


B1469WH-BLUE
DESIGNER STEP LITE



TRIM FINISH:
WH, BK, SN, CP, CH, PB, BZ

GLASS FINISH:
BLUE, PEACH, GREEN, FROSTED

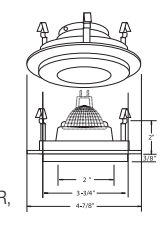


B1422WH-FROSTED
METROPOLITAN ICE LITE



TRIM FINISH:
WH, BK, SN, CP, CH, PB, BZ

GLASS FINISH:
BLUE, PEACH, GREEN, CLEAR, AMBER, FROSTED



B1430WH
CRYSTAL ROSE LITE



TRIM FINISH:
WH, BK, SN, CP, CH, PB, BZ

GLASS FINISH:
CRYSTAL

