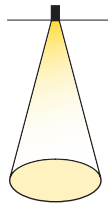
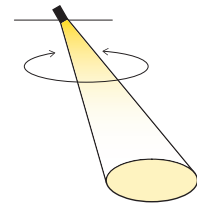




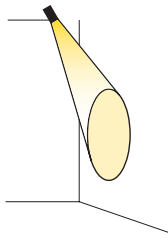
Downlight



360° Rotation



0-90° Tilt

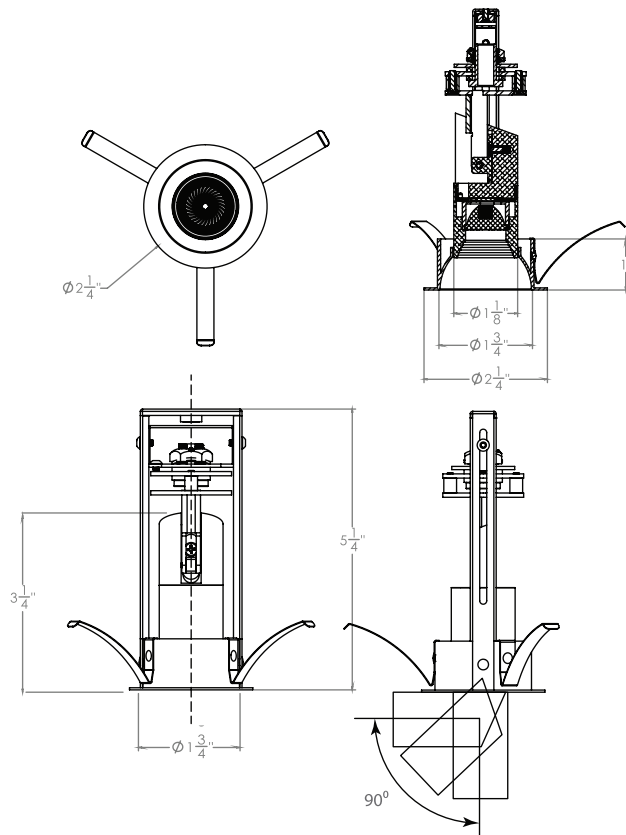


**DOWNLIGHT, PINHOLE, ADJUSTABLE: ALL-IN-ONE**

The A1-LED architectural downlight in a small 1" aperture delivers a powerful, precise beam of light with uniform, glare-free illumination. Functions as a downlight, pinhole, and adjustable downlight all-in-one.

**FULL AIMING** Pull-down mechanism extends upper module up to 2 inches, tilting up to 90° and rotating up to 360°, and locks securely into position. Reflector can be adjusted to cover cavity when adjusting the module.

**INSTALLATION** A unique rotate-and-lock function provides easy installation and adjustability.



LUMENS	800
CCT	27K, 30K, 35K, 40K, 50K
CRI	90
COLOR QUALITY	2 Step MacAdam Ellipse
OPTIC	MD (Medium)
FINISH	White
DIMMING	DIM10 (0-10V dimming), DIMTR ( Triac & Electronic low voltage dimming. Available in 120V only)
SHAPE	Round (Pull-Down)
PHOTOMETRIC TESTS	In Accordance with IES LM79 and LM80



NOMINAL LUMENS	DELIVERED LUMENS	WATTAGE
800	812	10 W

Based on 3000K, 90+ CRI. Actual wattage may vary +/- 5%

**TRIM OPTIONS ( Select only one )**



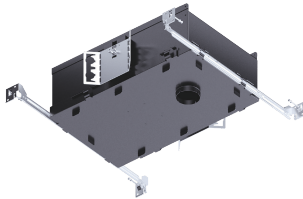
**A1R-F-1106-LED** -  
1" Round LED Adjustable and  
Fixed Downlight

Example: **A1R-F-1106-LED-800L-MD-30K-90-W-WH**

<b>A1R-F-1106-LED</b>					
<b>SERIES</b>	<b>PERFORMANCE</b>	<b>DISTRIBUTION</b>	<b>CCT</b>	<b>CRI</b>	<b>FINISH</b>
A1R-F-1106-LED	800L - 800 Lumens	MD - Medium	27K - 2700K 30K - 3000K 35K - 3500K 40K - 4000K 50K - 5000K <small>*50K - 85CRI</small>	90 - 90 CRI	W-WH - White

**HOUSING OPTIONS ( Select only one )**

IC NEW CONSTRUCTION



Example: **A1R-LED-IC-10W-DIM10-MVOLT-AT**

			<b>AT</b>
<b>POWER PACK</b>	<b>DIMMING</b>	<b>VOLTAGE</b>	<b>AIR-SHUT</b>
A1R-LED-IC-10W - For 800L Lumens	DIM10 DIMTR - Triac (120V only)	120 MVOLT <small>DIMTR - only 120V</small>	AT

NEW CONSTRUCTION



Example: **A1R-LED-10W-DIM10-MVOLT-BP30**

			<b>BP30</b>
<b>POWER PACK</b>	<b>DIMMING</b>	<b>VOLTAGE</b>	<b>MOUNTING</b>
A1R-LED-10W - For 800 Lumens	DIM10 - 0-10V DIMTR - Triac (120V only)	120 MVOLT <small>DIMTR - only 120V</small>	BP30

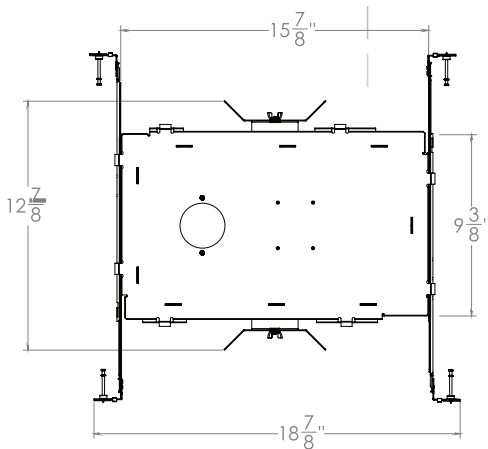
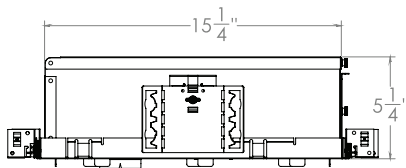
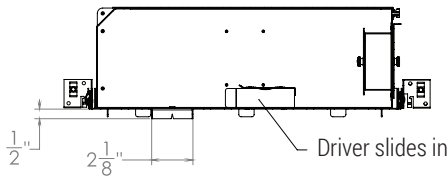
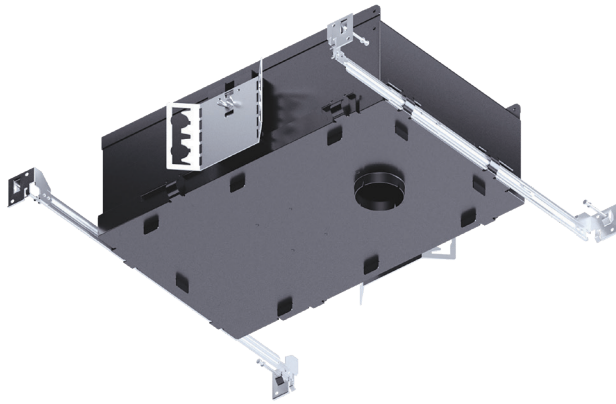
NON-IC REMODEL



Example: **A1-LED-R-10W-DIM10-MVOLT**

<b>POWER PACK</b>	<b>DIMMING</b>	<b>VOLTAGE</b>
A1-LED-R-10W - For 800 Lumens	DIM10 - 0-10V DIMTR - Triac (120V only)	120 MVOLT <small>DIMTR - only 120V</small>

\*Remodel : When installed in hard lid ceilings.



NOMINAL LUMENS	DELIVERED LUMENS	WATTAGE
800	766	10W

Based on 3000K, 90+ CRI. Actual wattage may vary +/- 5%

**IC HOUSING**

Thermally protected, specification grade adjustable recessed housing. For new construction insulated ceilings where housing will be in direct contact with insulation. Die-formed all aluminum construction matte black painted for maximum heat dissipation, rust protection and glare free illumination.

**ELECTRICAL/TRANSFORMER**

Junction box and driver can be accessed from below the ceiling and above the ceiling. Junction box is listed for through branch circuit wiring, 12 AWG 90° C supply conductors, and has four 1/2" KOs, one 3/4" KO and four Romex knockouts with true pry-out slots and strain clamps.

**DIMMING & DRIVER INFORMATION**

DIM10 - 0-10V dimming on either MVOLT 120V . Dimmable down to 5% of initial lumens, standard.

DIMTR - Triac & Electronic low voltage dimming. Available in 120V only.

**ACCESSIBLE DRIVER**

Driver is connected to wire, which is attached to body of luminaire. Driver is housed within the housing, and can be accessed from below the ceiling by a simple pull-down mechanism

**MOUNTING**

Pre-installed bar hangers allow housing to be positioned and locked at any point within a 24" joist span. They can be positioned on either the long or short axis of the housing and can be shortened for 12" joists. A double-headed real nail attaches housing securely into the joist. Bar hanger nails are installed on a 20° downward angle for better contact, and the 90° pivoting mounting plate makes installation fast and accurate. Bar hangers can fit onto T-Bar spline with additional slots and holes for special mounting methods if necessary. 18-gauge steel butterfly brackets can be adjusted vertically. Butterfly brackets may be installed with 3/4" or 1-1/2" lathing channel, 1/2" EMT, or optional C-Channel mounting bars are available.

**LABELS**

- c-UL-us listed for damp location
- c-UL-us listed for feed through wiring
- c-UL-us listed for direct contact with insulation

**WARRANTY**

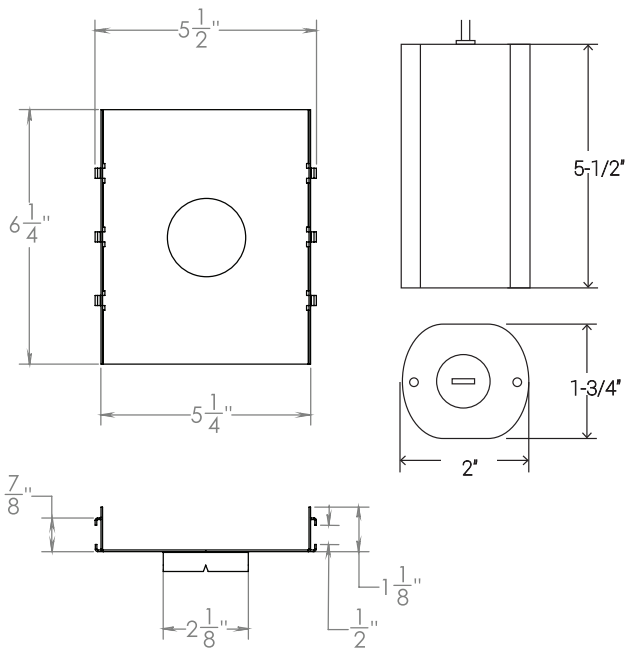
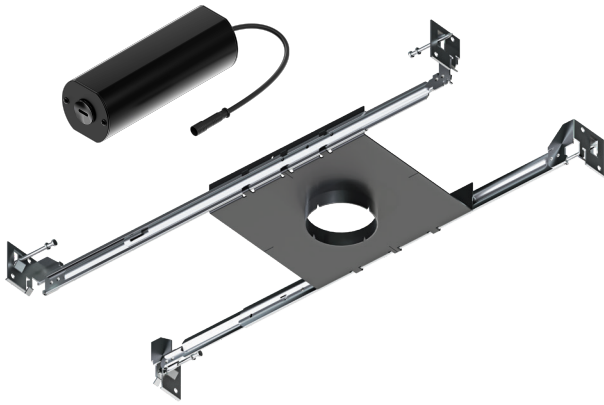
5-year limited warranty for parts and components (labor not included).

LUMENS	800 - <b>A1R-LED-IC-10W</b>
DIMMING	DIM10 (0-10V dimming), DIMTR ( Triac-120V only)
VOLTAGE	120V, MVOLT

**Example: A1R-LED-IC-10W-DIM10-MVOLT-AT**

			<b>AT</b>
<b>POWER PACK</b>	<b>DIMMING</b>	<b>VOLTAGE</b>	<b>AIR-SHUT</b>
A1R-LED-IC-10W- For 800L Lumens	DIM10 DIMTR - Triac (120V only)	120 MVOLT	AT





**FOR NEW CONSTRUCTION NON-IC MOUNTING TRAY**

Die-formed aluminum and galvanized steel for maximum heat dissipation and rust protection. New Construction NON-IC housing designed for new construction installations and suitable for use in non-insulation covered ceilings. Housing is NON-IC rated and insulation must be pulled 3" from housing. May be installed in 2" x 8" joist construction.

**COLLAR BRACKET**

Please consult factory for custom or thicker ceiling applications. Integral laser beam slots allow the use of guide strings or leveling laser guns to ensure that all luminaires are installed in an level and straight plane.

**MOUNTING**

Preinstalled bar hangers allow housing to be positioned and locked at any point within a 24" joist span. They can be positioned on either the long or short axis of the housing and can be shortened for 12" joists. They contain a double-headed real nail for secure attachment into the joist. Bar hanger nails are installed on a 20° downward angle for better contact, and the 90° pivoting mounting plate makes installation fast and accurate. Bar hangers can fit onto T-Bar spline with additional slots and holes for special mounting methods if necessary. Butterfly brackets are also provided and are constructed from 18-gauge steel and can be adjusted vertically. Butterfly brackets may be installed with 3/4" or 1-1/2" lathing channel, 1/2" EMT, or optional C-Channel mounting bars are available.

**LABELS**

c-UL-us listed for damp location  
c-UL-us listed for feed through wiring

**WARRANTY**

A1R-LED luminaires are covered by Elite's 5 year limited warranty. As a system, we stand behind our entire products from housing to bar hangers.

<b>LUMENS</b>	800 - <b>A1R-LED-10W</b>
<b>DIMMING</b>	DIM10 (0-10V dimming), DIMTR ( Triac ) - only 120V
<b>VOLTAGE</b>	120V, MVOLT

NOMINAL LUMENS	DELIVERED LUMENS	WATTAGE
800	766	10W

3000K, 90+ CRI. Actual wattage may vary +/- 5%

**Example: A1R-LED-10W-DIM10-MVOLT-BP30**

			<b>BP30</b>
<b>POWER PACK</b>	<b>DIMMING</b>	<b>VOLTAGE</b>	<b>MOUNTING</b>
A1R-LED-10W - For 800 Lumens	DIM10 - 0-10V DIMTR - Triac (120V only)	120 MVOLT	BP30
		DIMTR - only 120V	





**FOR REMODEL NON-IC MOUNTING**

Small aperture thermally protected remodel housing. For fast, easy installation from below the ceiling in existing plaster or mechanical ceilings. Three remodel clips can be accessed from below the ceiling to remove fixture and access the driver.

**INSTALLATION** - Three pre-installed spring clips secure the housing firmly into ceiling, accommodating different ceiling thicknesses from 1/2" to 1-1/4".

**DIMMING & DRIVER INFORMATION**

DIM10 - 0-10V dimming on either MVOLT 120V. Dimmable down to 5% of initial lumens, standard.

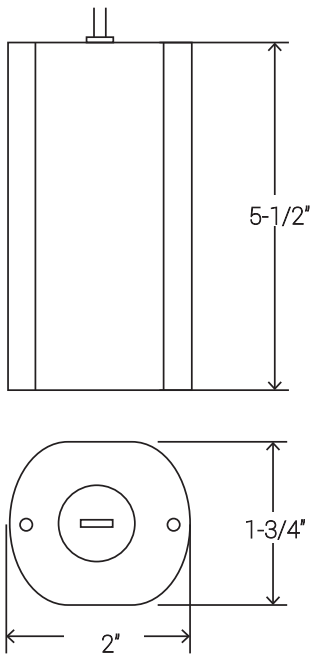
DIMTR - Triac & Electronic low voltage dimming. Available in 120V only.

**LABELS**

c-UL-us listed for damp location  
c-UL-us listed for feed through wiring

**WARRANTY**

5-year limited warranty for parts and components (labor not included).



<b>LUMENS</b>	800 - <b>A1-LED-R-10W</b>
<b>DIMMING</b>	DIM10 (0-10V dimming), DIMTR (Triac-120V only)
<b>VOLTAGE</b>	120V, MVOLT

NOMINAL LUMENS	DELIVERED LUMENS	WATTAGE
800	766	10W

Based on 3000K, 90+ CRI. Actual wattage may vary +/- 5%

**Example: A1-LED-R-10W-DIM10-MVOLT**

POWER PACK	DIMMING	VOLTAGE
<b>A1-LED-R-10W</b> - For 800 Lumens	<b>DIM10</b> - 0-10V <b>DIMTR</b> - Triac (120V only)	<b>120 MVOLT</b>
		DIMTR - only 120V

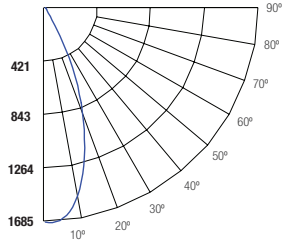


**A1R-F-1106-LED-800L-MD-30K-90-W-WH**

**TEST NO.: EL103119135**

INPUT WATTS: **9.9** LUMENS: **812** CRI: **90** EFFICACY: **82** CCT: **3000K** SPACING CRITERIA: **1.68**

**Candle Power Distribution (Candelas)**



**Zonal Lumens Summary**

Zone	Lumens	%Lamp	%Fixt
0-20	492.86	60.7	60.7
0-30	746.47	92	92
0-40	777.77	95.8	95.8
0-60	799.81	98.6	98.6
0-80	810.7	99.9	99.9
0-90	810.72	99.9	99.9

**Luminance (Average candela/M<sup>2</sup>)**

Angle in Degrees	Average 0°	Average 45°	Average 90°
45	7842	7586	7068
55	7824	7472	6899
65	7047	6958	6658
75	2579	3161	4087
85	39	39	79

**Lumens Per Zone**

Zone	Lumens
0-10	150.89
10-20	341.98
20-30	253.61
30-40	31.3
40-50	11.48
50-60	10.57
60-70	8.08
70-80	2.81
80-90	0.01

**Candela Tabulation**

Q	Q
0	1679.71
5	1648.64
15	1159.47
25	465.7
35	21.1
45	16.2
55	13.11
65	8.7
75	1.95
85	0.01
90	0.01

**Coefficients of Utilization - Zonal Cavity Method**

Effective Floor Cavity Reflectance 0.20

Cone of Light			
2	581	1.4	1.3
3	154	2.6	2.6
5	67.2	4.0	3.9
7	37.4	5.3	5.2
8	24.4	6.6	6.4
10	16.8	8.0	7.8

(FT.) Distance to Plane (FC) Initial Footcandle at Nadir (FT.) Beam Vert. Spread (FT.) Beam Horiz. Spread

BEAM DIA. MEASURED AT 50% OF NADIR F.C.

ROOM CAVITY RATIO	RC RW	80%				70%				50%				30%				10%				0%
		70%	50%	30%	10%	70%	50%	30%	10%	50%	30%	10%	50%	30%	10%	50%	30%	10%				
0		119	119	119	119	116	116	116	116	111	111	111	111	106	106	106	102	102	102	100		
1		114	112	110	108	112	110	108	106	106	104	103	102	102	101	100	98	97	97	95		
2		110	105	102	99	107	104	100	98	100	98	96	97	95	94	95	93	92	92	90		
3		105	100	95	92	103	98	94	91	96	92	90	93	91	88	91	89	87	87	86		
4		101	94	90	86	99	93	89	86	91	88	85	89	86	84	88	85	83	83	81		
5		97	90	85	81	95	89	84	81	87	83	80	86	82	80	84	81	79	79	78		
6		93	86	81	77	92	85	80	77	84	79	76	82	79	76	81	78	75	74	74		
7		90	82	77	73	89	81	77	73	80	76	73	79	75	72	78	75	72	71	71		
8		86	79	74	70	85	78	73	70	77	73	70	76	72	69	75	72	69	68	68		
9		83	75	70	67	82	75	70	67	74	70	67	73	69	67	72	69	66	65	65		
10		80	72	68	64	80	72	67	64	71	67	64	70	67	64	70	66	64	63	63		

RC - Ceiling Cavity Reflectance  
RC - Ceiling Cavity Reflectance