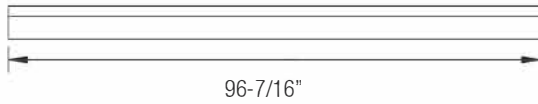
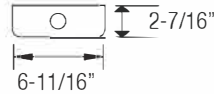




**MULTI-LUMEN
SELECTOR**

**EASY 3 COLORS
SELECTOR**
3500K • 4000K • 5000K



NOMINAL LUMENS	DELIVERED LUMENS	WATTAGE
10000	9875	70 W
8000	8025	57W
6000	6203	44 W

Based on 4000K, 85+ CRI. Actual wattage may vary +/- 5%

FEATURES

The slim profile of the Architectural LED Linear makes it ideal for library stacks or narrow layouts. Flexible design delivers continuous, uniform and glare-free illumination. Available in single pendant or continuous mounting for seamless connection from luminaire to luminaire, with adjustable mounting heights. For use as general or task lighting in hallways, corridors, parking lots, educational, healthcare, office, and industrial applications.

LUMENS	6000/8000/10000
CCT	35K/40K/50K
CRI	85+
COLOR QUALITY	3 Step MacAdam Ellipse
LENGTH	8'
MOUNTING	Suspended or Surface
DIMMING & CONTROL	0-10V Flicker Free 10% Dimming Standard (DIM10)
EMERGENCY	10W - Up to 1000L output 20W - Up to 2000L output
LIFETIME	L70 at 50,000 Hours
PHOTOMETRIC TESTS	In Accordance with IES LM79-08, LM80 and TM-30, TM-21



OPTICS & PERFORMANCE

Frosted acrylic lens provides even, shadow-free illumination. Lens has tool-less removal, ensuring easy upgrading and maintenance.

CONSTRUCTION

Heavy-duty 20-gauge cold rolled steel body. High-gloss white finish is pre-treated with 5-stage iron phosphate coating, which provides superior paint adhesion and protection against weathering.

DRIVER ELECTRICAL INFORMATION

Powered by high-quality constant-current power LED drivers, rated for 50 to 60Hz at 120-277V input, produce less than 20% THD, and have a power factor of .90 to 1.00. Male and female 18-gauge 6 wire plug connectors are included with every luminaire to allow for simple, hassle-free continuous wiring. Each luminaire must be installed male to female.

OPTIONS

Pre-installed with daylight harvesting controls, occupancy sensors, and/or power packs for individual or room control solutions.

MULTI LUMEN/MULTI CCT

Easily field-selectable multi-lumen and multi-CCT selector switches allow you to easily change the intensity and CCT in the field.

DIMMING & DRIVER INFORMATION

DIM10 - Flicker Free 10% Dimming Standard (DIM10) 0-10V dimming on either MVOLT 120, 277V.

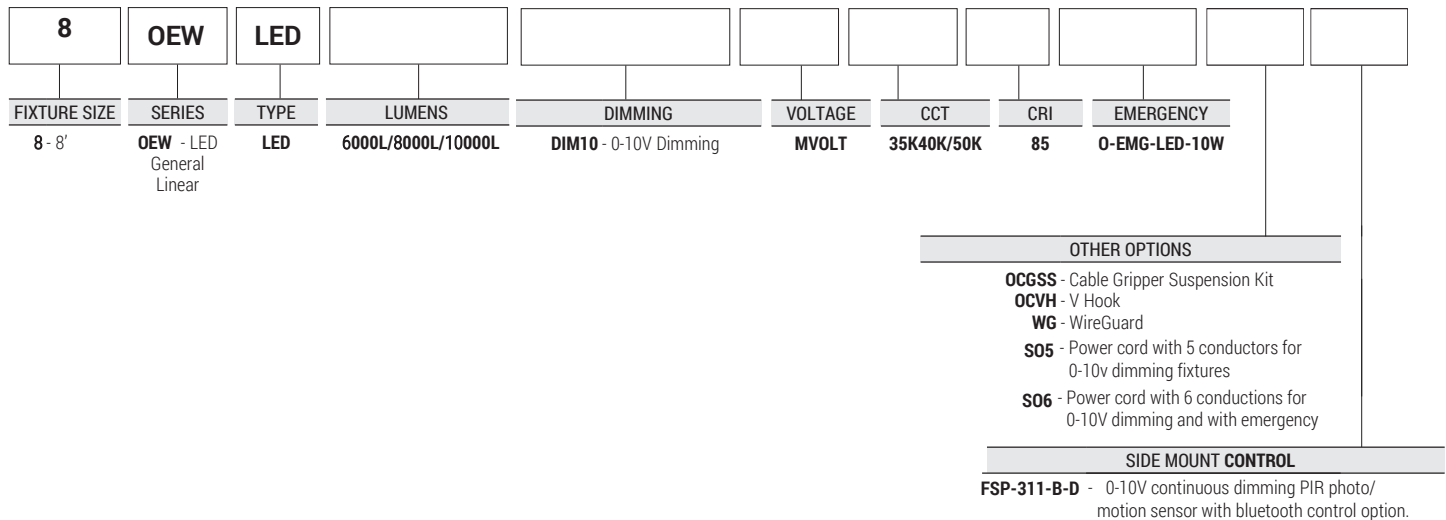
WARRANTY

Five-year warranty for parts and components. (Labor not included)

LISTINGS

c-UL-us - Listed for Feed Through Wiring.
Listed for DLC, California Title 24 compliant.

Example: **8-OEW-LED-6000L/8000L/10000L-DIM10-MVOLT-35K/40K/50K-85**



INTEGRATED SENSOR AND CONTROL OPTIONS

With the integration of controls, Elite Lighting now offers its products with controls-ready performance that increases energy efficiency, smarter space planning, and the enhancement of safety and productivity in the workplace. By utilizing these controls, Elite Lighting luminaires enable your customer's facility to run smarter, with the use of an easily controlled system through any platform.

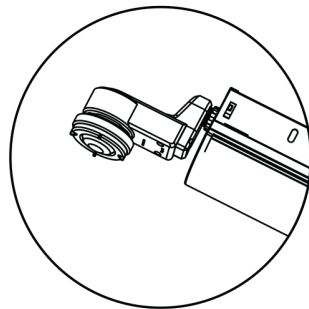
Luminaire will be shipped with Powerpacks pre-installed, ready to be integrated to designated control systems

Luminaire will be shipped with Sensors installed on the luminaire, allowing for individual luminaire control. Luminaires will be ready to be integrated with designated control systems

Luminaire will be shipped with Sensors to be remotely installed on the ceiling. Luminaires will be ready to be integrated with designated control systems

BRAND	
PIR INTEGRATED SENSOR	<input type="checkbox"/> FSP-311-B-D 0-10V continuous dimming PIR photo/motion sensor with bluetooth control option.

SIDE MOUNT



LEGRAND

FSP-311-B-D
 0-10V continuous dimming PIR photo/motion sensor with bluetooth control option.