

PFD 8523 Monitor mount static

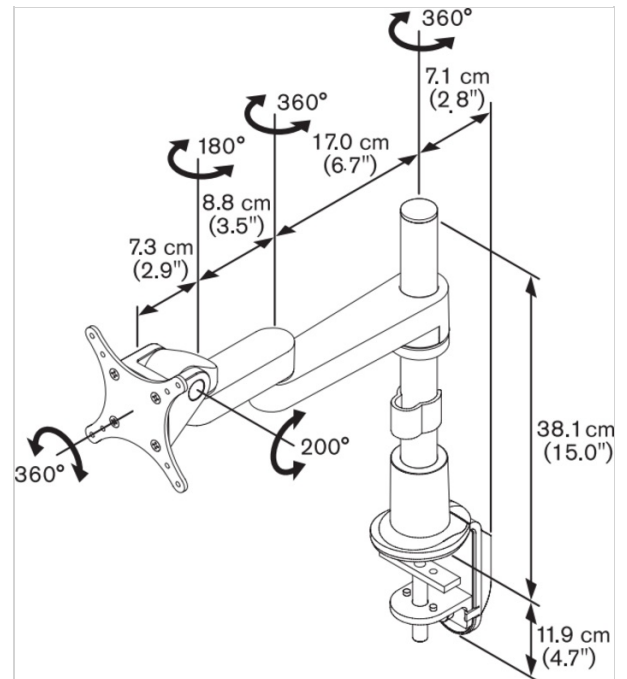
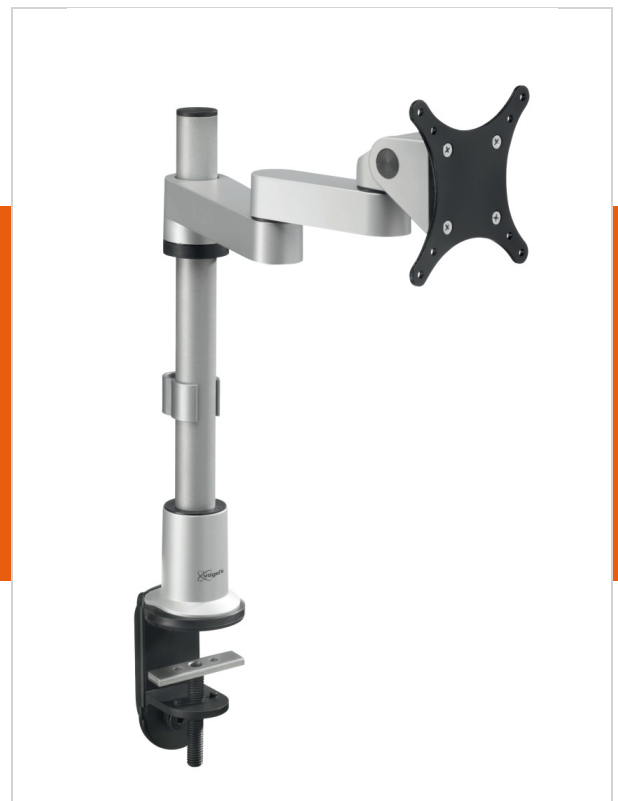
Article number (SKU) 7185234
 Colour Silver

Key benefits

- For a better work posture
- Adjustable in height
- Cables hidden in frame
- Space saving
- TÜV certified

This Vogel's desk mount is designed for intensive professional use. Features like adjustable bearings, three point cable management and the special Flexmount™ provide outstanding performance and longlasting quality. The stylish design fits any décor or type of desk.

The PFD 8523 offers everything you need to position your monitor comfortably and neatly. Set the height and move and rotate the monitor with the touch of a finger. The PFD 8523 offers maximum flexibility and range of motion with 2 arms and 3 pivot points. You'll save the maximum space with the collapsible arms. With the adjustable bearings you can make the mount move as smooth as you like. The Flexmount lets you install the desk mount in 6 different ways. So you can be sure that the Vogel's desk mount will fit just about every desk set-up without having to buy additional accessories. The maximum thickness for a desk on which a flexmount can be mounted is 83mm.



PFD 8523 Monitor mount static



VOGEL'S HOLDING BV 2017 (c) All rights reserved
 Subject to printing errors, technical and price
 amendments
 Date: 15-05-2017

www.vogels.com

Specifications

Product specifications

Product type number	PFD 8523
Article number (SKU)	7185234
Colour	Silver
EAN single box	8712285318368
Tilt	Tilt up to 200°
Turn	Up to 360°
Guarantee	10 years
Min. screen size (inch)	10
Max. screen size (inch)	29
Max. weight load (kg)	13
Min. hole pattern	75mm x 75mm
Max. hole pattern	100mm x 100mm
Standard fixed VESA patterns	75 mm x 75 mm 100 mm x 100 mm
Max. bolt size	M4
Max. height of interface (mm)	115
Max. width of interface (mm)	115

Technical specifications and dimensions

Height (mm)	381
-------------	-----

Features

Functionality	Turn
Number of arms	2
Number of pivot points	3

