



Seagate® Nytro® 3732, 3532, & 3332, SAS SSD

Product Manual

Nytro 3732: Write Intensive(10 DWPD)

Capacity (Formatted)	Standard	Self-Encrypting (SED)	SED FIPS 140-2	ISE
3200 GB	XS3200ME70084	XS3200ME70094	XS3200ME70104	XS3200ME70114
1600 GB	XS1600ME70084	XS1600ME70094	XS1600ME70104	XS1600ME70114
800 GB	XS800ME70084	XS800ME70094	XS800ME70104	XS800ME70114
400 GB	XS400ME70084	XS400ME70094	XS400ME70104	XS400ME70114

Nytro 3532: Mixed Use (3 DWPD)

	Standard	SED	SED FIPS	ISE
6400 GB	XS6400LE70084	XS6400LE70094	XS6400LE70104	XS6400LE70114
3200 GB	XS3200LE70084	XS3200LE70094	XS3200LE70104	XS3200LE70114
1600 GB	XS1600LE70084	XS1600LE70094	XS1600LE70104	XS1600LE70114
800 GB	XS800LE70084	XS800LE70094	XS800LE70104	XS800LE70114

Nytro 3332: Read Intensive(1 DWPD)

	Standard	SED	SED FIPS 140-2	ISE
15360 GB	XS15360SE70084	XS15360SE70094	XS15360SE70104	XS15360SE70114
7680 GB	XS7680SE70084	XS7680SE70094	XS7680SE70104	XS7680SE70114
3840 GB	XS3840SE70084	XS3840SE70094	XS3840SE70104	XS3840SE70114
1920 GB	XS1920SE70084	XS1920SE70094	XS1920SE70104	XS1920SE70114
960 GB	XS960SE70084	XS960SE70094	XS960SE70104	XS960SE70114

Revision History

Version and Date	Description of Changes
Rev B, September 2020	Updated the following sections: <ul style="list-style-type: none">■ Section 7.2.2, Power consumption by model and capacity (updated specs)■ Section 7.2.3, Drive Performance Based on Power Setting (added charts)■ Section 7.4, Mechanical specifications removed drawing
Rev A, June 2020	First release of the document.

© 2020, Seagate Technology LLC All rights reserved. Publication number: 100867109, Rev B, September 2020

Seagate Technology reserves the right to make changes to the product(s) or information disclosed herein at any time without notice.

Seagate, Seagate Technology and the Spiral logo are registered trademarks of Seagate Technology LLC in the United States and/or other countries. Nytro and SeaTools are either trademarks or registered trademarks of Seagate Technology LLC or one of its affiliated companies in the United States and/or other countries. All other trademarks or registered trademarks are the property of their respective owners.

No part of this publication may be reproduced in any form without written permission of Seagate Technology LLC. Call 877-PUB-TEK1(877-782-8351) to request permission.

When referring to drive capacity, one gigabyte, or GB, equals one billion bytes and one terabyte, or TB, equals one trillion bytes. Your computer's operating system may use a different standard of measurement and report a lower capacity. In addition, some of the listed capacity is used for formatting and other functions, and thus will not be available for data storage. Actual quantities will vary based on various factors, including file size, file format, features and application software. Actual data rates may vary depending on operating environment and other factors. The export or re-export of hardware or software containing encryption may be regulated by the U.S. Department of Commerce, Bureau of Industry and Security (for more information, visit www.bis.doc.gov), and controlled for import and use outside of the U.S. Seagate reserves the right to change, without notice, product offerings or specifications.

Contents

Seagate Technology Support Services	6
1. Scope	7
2. Models and Capacities	8
3. Safety, Standards, and Compliance	9
3.1 Agency and Safety Certifications	9
3.1.1 Regulatory Model	9
3.2 Reference documents	10
4. General description	11
4.1 Standard features	11
4.2 Performance	12
4.3 Media description	12
4.4 Warranty	12
4.5 Formatted capacities	12
4.6 Programmable drive capacity	14
4.7 Factory-installed options	14
4.8 Logical Block Provisioning	15
4.8.1 UNMAP	15
4.8.2 FORMAT UNIT command	15
4.8.3 Protection Information (PI) and Security (SED)	15
5. Performance	17
5.1 Internal drive characteristics	17
5.2 Performance characteristics	18
5.2.1 Response time	18
5.2.2 FORMAT UNIT command execution time for 512-byte LBA's (minutes)	18
5.2.3 Throughput Performance	19
5.3 Start/stop time	21
5.3.1 Caching write data	21
5.3.2 Prefetch operation	22
6. Reliability specifications	23
6.1 Read error rates	23
6.2 Endurance	24
6.3 Error rates	25
6.3.1 Unrecoverable Errors	25
6.3.2 Interface errors	25
6.4 Endurance management	25
6.4.1 Wear leveling	25
6.4.2 Garbage collection	25
6.4.3 Write amplification	26
6.4.4 UNMAP	26
6.4.5 Data retention	26
6.4.6 Write stream tagging	26
6.4.7 SSD percentage used endurance indicator	26

6.5 Reliability and service	26
6.5.1 Annualized Failure Rate (AFR) and Mean Time Between Failure (MTBF)	27
6.5.2 Preventive maintenance	27
6.5.3 Hot plugging the drive	27
6.5.4 SMART	27
6.5.4.1 Controlling SMART	28
6.5.4.2 Performance impact	28
6.5.4.3 Reporting control	28
6.5.4.4 Determining rate	28
6.5.4.5 Predictive failures	28
6.5.5 Thermal monitor	29
6.5.6 Drive Self Test (DST)	29
6.5.6.1 DST failure definition	29
6.5.6.2 Implementation	29
6.5.6.3 State of the drive prior to testing	29
6.5.6.4 Invoking DST	30
6.5.6.5 Log page entries	30
6.5.6.6 Abort	30
6.5.7 Product warranty	30
6.5.8 Shipping	31
6.5.8.1 Product repair and return information	31
6.5.8.2 Storage	31
7. Physical and electrical specifications	32
7.1 Power specifications	32
7.1.1 Conducted noise immunity	33
7.1.2 Power sequencing	33
7.2 Power consumption	33
7.2.1 Direct Current consumption by voltage rail	33
7.2.2 Power consumption by model and capacity	34
7.2.3 Drive Performance Based on Power Setting	47
7.2.4 Current profiles	49
7.3 Environmental limits	51
7.3.1 Temperature	51
7.3.1.1 Operating	51
7.3.1.2 Non-operating	51
7.3.2 Relative humidity	51
7.3.3 Effective altitude (sea level)	52
7.3.4 Shock and vibration	52
7.3.4.1 Shock	52
7.3.4.2 Vibration	53
7.3.5 Air cleanliness	53
7.3.6 Corrosive environment	53
7.4 Mechanical specifications	54
7.4.1 Weight	55
8. About FIPS	56
8.1 Purpose	56
8.2 Validation Program	56
8.3 Seagate Enterprise SED	56
8.4 Security Level 2	57
9. About self-encrypting drives	58
9.1 Data encryption	58
9.2 Controlled access	58
9.2.1 Admin SP	58
9.2.2 Locking SP	58
9.2.3 Default password	59

9.3 Random number generator (RNG)	59
9.4 Drive locking	59
9.5 Data bands	59
9.6 Cryptographic erase	60
9.7 Authenticated firmware download	60
9.8 Power requirements	60
9.9 Supported commands	61
9.10 Sanitize - Cryptographic Erase	61
9.11 RevertSP	61
10. Defect and error management	62
10.1 Drive internal defects/errors	62
10.2 Drive error recovery procedures	63
10.3 SAS system errors	63
10.4 Auto-Reallocation	63
10.5 Protection Information (PI)	63
10.5.1 Levels of PI	64
10.5.2 Setting and determining the current Type Level	64
10.5.3 Identifying a Protection Information drive	64
11. Installation	65
11.1 Drive orientation	65
11.2 Cooling	65
11.3 Drive mounting	67
11.4 Grounding	67
12. Interface requirements	68
12.1 SAS features	68
12.1.1 Task management functions	68
12.1.2 Task management responses	68
12.2 Dual port support	69
12.3 SCSI commands supported	69
12.3.1 INQUIRY data	75
12.3.2 MODE SENSE data	76
12.4 Miscellaneous operating features and conditions	78
12.4.1 SAS physical interface	79
12.4.2 Physical characteristics	82
12.4.3 Connector requirements	82
12.4.4 Electrical description	82
12.4.5 Pin descriptions	83
12.4.6 Power--check redundancy with other Power section	83
12.5 Signal characteristics	85
12.5.1 Ready LED Out	85
12.5.2 Differential signals	86
12.6 SAS-3 Specification compliance	87
12.7 Additional information	87

Seagate Technology Support Services

For SSD Support, visit: <https://www.seagate.com/support/products/>

For Compliance, visit: <https://www.seagate.com/support/products/>

For Firmware Download and Tools Download for Secure Erase, visit: <https://www.seagate.com/support/downloads/>

For information regarding online support and services, visit: <http://www.seagate.com/contacts/>

For information regarding Warranty Support, visit: <http://www.seagate.com/support/warranty-and-replacements/>

For information regarding data recovery services, visit:

<http://www.seagate.com/services-software/seagate-recovery-services/recover/>

For Seagate OEM and Distribution partner and Seagate reseller portal, visit: <http://www.seagate.com/partners>

1. Scope

This manual describes Seagate® Nytro® 3732, 3532, and 3332 SAS (Serial Attached SCSI) Solid State Drives (SSD).

Seagate Nytro 3X32 Series SSDs support the SAS Protocol specifications described in this manual.

Product data in this manual refers only to the model numbers listed in this manual. The data in this manual may predict future generation specifications or requirements. If you are designing a system using one of the models listed or future generation products and you need further assistance, please contact the Field Applications Engineer (FAE) or our global support services group.

Unless otherwise stated, the information in this manual applies to standard Secure Download and Diagnostic (SD&D) and SED models.

2. Models and Capacities

Table 1 - Nytro 3732 Write Intensive(10 DWPD)

Capacity	Standard	Self-Encrypting	FIPS 140-2	ISE
3200GB	XS3200ME70084	XS3200ME70094	XS3200ME70104	XS3200ME70114
1600GB	XS1600ME70084	XS1600ME70094	XS1600ME70104	XS1600ME70114
800GB	XS800ME70084	XS800ME70094	XS800ME70104	XS800ME70114
400GB	XS400ME70084	XS400ME70094	XS400ME70104	XS400ME70114

Table 2 - Nytro 3532 Mixed Use (3 DWPD)

Capacity	Standard	Self-Encrypting	FIPS 140-2	ISE
6400GB	XS6400LE70084	XS6400LE70094	XS6400LE70104	XS6400LE70114
3200GB	XS3200LE70084	XS3200LE70094	XS3200LE70104	XS3200LE70114
1600GB	XS1600LE70084	XS1600LE70094	XS1600LE70104	XS1600LE70114
800GB	XS800LE70084	XS800LE70094	XS800LE70104	XS800LE70114

Table 3 - Nytro 3332 Read Intensive (1 DWPD)

Capacity	Standard	Self-Encrypting	FIPS 140-2	ISE
15360GB	XS15360SE70084	XS15360SE70094	XS15360SE70104	XS15360SE70114
7680GB	XS7680SE70084	XS7680SE70094	XS7680SE70104	XS7680SE70114
3840GB	XS3840SE70084	XS3840SE70094	XS3840SE70104	XS3840SE70114
1920GB	XS1920SE70084	XS1920SE70094	XS1920SE70104	XS1920SE70114
960GB	XS960SE70084	XS960SE70094	XS960SE70104	XS960SE70114

NOTE Previous generations of Seagate SED models were called Full Disk Encryption (FDE) models before a differentiation between drive-based encryption and other forms of encryption was necessary.

NOTE The SED models indicated on the cover of this product manual have provisions for "Security of Data at Rest" based on the standards defined by the Trusted Computing Group (see <http://www.trustedcomputinggroup.org>).

For more information on FIPS 140-2 Level 2 certification see [Section 8., About FIPS](#).

For product certification status visit

<https://csrc.nist.gov/projects/cryptographic-module-validation-program/validated-modules/search>.

3. Safety, Standards, and Compliance

This section describes applicable safety, certification, and compliance requirements for this device.

3.1 Agency and Safety Certifications

As a global supplier Seagate strives to deliver products compliant to many standards. Please see the document titled 'HDD and SSD Regulatory Compliance and Safety' found on the following Seagate website:

<https://www.seagate.com/files/www-content/forms/compliance/regulatory-compliance-and-safety-100838899-A.pdf>

3.1.1 Regulatory Model

The following regulatory model numbers represent all features and configurations in these series:

Table 4 - STT006

XS400ME70084	XS800LE70084	XS960SE70084
XS800ME70084	XS1600LE70084	XS1920SE70084
XS1600ME70084	XS3200LE70084	XS3840SE70084
XS400ME70094	XS800LE70094	XS7680SE70084
XS800ME70094	XS1600LE70094	XS960SE70094
XS1600ME70094	XS3200LE70094	XS1920SE70094
XS400ME70104	XS800LE70104	XS3840SE70094
XS800ME70104	XS1600LE70104	XS960SE70104
XS1600ME70104	XS3200LE70104	XS1920SE70104
XS400ME70114	XS800LE70114	XS3840SE70104
XS800ME70114	XS1600LE70114	XS960SE70114
XS1600ME70114	XS3200LE70114	XS1920SE70114
		XS3840SE70114

Table 5 - STT007

XS3200ME70084	XS6400LE70104	XS15360SE70094
XS3200ME70094	XS6400LE70114	XS7680SE70104
XS3200ME70104	XS7680SE70084	XS15360SE70104
XS3200ME70114	XS15360SE70084	XS7680SE70114
XS6400LE70084	XS7680SE70094	XS15360SE70114
XS6400LE70094		

3.2 Reference documents

Seagate Documents

SCSI Commands Reference Manual	Seagate part number: 100293068 https://www.seagate.com/support (Scroll down to Important Support Information.)
SASInterfaceManual	Seagate part number: 100293071 https://www.seagate.com/staticfiles/support/disc/manuals/Interface%20manuals/100293071c.pdf

ANSI SAS documents

SFF-8144	54mm x 78.5mm Form Factor with micro serial connector
SFF-8223	2.5" Drive Form Factor with Serial Connector
SFF-8447	LBA Count for Disk Drives
SFF-8460	HSS Backplane Design Guidelines
SFF-8470	Multi Lane Copper Connector
SFF-8482	SAS Plug Connector
ISO/IEC 14776-154	Serial Attached SCSI (SAS-3) Standard (T10 INCITS 519)
ISO/IEC 14776-416	SCSI Architecture Model-6 (SAM-6) Standard (T10 INCITS 546)
ISO/IEC 14776-455	SCSI Primary Commands-5 (SPC-5) Standard (T10 INCITS 502)
ISO/IEC 14776-432	SCSI Block Commands-4 (SBC-4) Standard (T10 INCITS 506)
ISO/IEC 14776-263	SCSI Protocol Layer-3 (SPL-3) Standard (T10 INCITS 492)

NOTE SFF document available on SNIA's website:
<https://ta.snia.org/higherlogic/ws/public/documents>

ANSI Small Computer System Interface (SCSI) Documents

X3.270-1996 (SCSI-3) Architecture Model

Trusted Computing Group (TCG) Documents (apply to Self-Encrypting Drive models only)

TCG Storage Architecture Core Specification, Rev. 2.01

TCG Storage Security Subsystem Class Enterprise Specification, Rev. 1.01

Self-Encrypting Drives Reference Manual

Seagate part number: 100515636

In case of conflict between this document and any referenced document, this document takes precedence.

4. General description

Seagate Nytro 3032 Series SAS SSDs provide high performance, high capacity data storage for systems SAS interface. The SAS interface meets next-generation computing demands for performance, scalability, flexibility, and high-density storage requirements. Seagate Nytro 3032 Series SAS SSDs are random access storage devices that support the SAS Protocol.

The ANSI specifications and the SAS Interface Manual describe the SAS characteristics of this and other Seagate SAS drives. The Self-Encrypting Drive Reference Manual, describes the interface, general operation, and security features available on Self-Encrypting Drive (SED) models. See Section 3.2, Reference documents.

These SAS SSDs are intelligent peripherals that provide level 2 conformance (highest level) with the ANSI SCSI-1 standard. The SAS system connectors, cables, and electrical interface are compatible with Serial ATA (SATA). Users can populate their systems with SAS or SATA drives. Users can leverage their existing investment in SCSI

NOTE Never disassemble or try to service items in the enclosure. Opening the enclosure voids the drive warranty.

4.1 Standard features

Nytro 3032 Series SSDs have the following standard features:

- 3.0 / 6.0 / 12.0 Gb SAS interface
- Single port or Dual port operation of the two interfaces
- Support for SAS expanders and fanout adapters
- T10 Write Stream support
- 128 - deep task set (queue)
- Supports up to 32 initiators
- Jumperless configuration
- User-selectable logical block size (512, 520, 528, 4096, 4160, or 4224 bytes per logical block)
- Industry standard SFF 2.5-inch dimensions
- ECC and Micro-RAID Error Recovery
- No preventive maintenance or adjustments required
- Self diagnostics performed when power is applied to the drive
- Vertical, horizontal, or top down mounting
- Drive Self Test (DST)
- Power loss data protection
- Thin Provisioning with Block Unmap Support
- SANITIZE Block Erase support

Nytro 3032 Series SSD ISE models have the following additional features:

- SANITIZE Cryptographic Erase support

Nytro 3032 Series SSD SED models have the following additional features:

- Automatic data encryption/decryption
- Controlled access
- Random number generator
- Drive locking
- Up to 16 independent data bands
- Cryptographic erase of user data for a drive that will be repurposed or scrapped
- Authenticated firmware download
- SANITIZE Cryptographic Erase support

4.2 Performance

Nytro 3032 Series SSDs have a firmware-controlled, multi-segmentable cache buffer that provides:

- Up to 2000MB/s maximum instantaneous data transfers on dual 12Gb capable configurations.
- Background processing of queue
- Non-Volatile Write Cache

NOTE There is no significant performance difference between SED and standard (non-SED) models.

4.3 Media description

The block storage media used on the Nytro 3032 Series is Enterprise-grade TLC, 3D NAND Flash cells.

4.4 Warranty

Consult a Seagate sales representative for warranty terms and conditions.

4.5 Formatted capacities

Seagate Nytro 3032 Series models are formatted to 512 bytes per block at time of manufacturing. The block size is user-selectable at format time. Supported block sizes are 512, 520, 528, 4096, 4160, and 4224. Users who have the necessary equipment can modify the data block size before issuing a format command. These users can obtain different formatted capacities from those listed.

For models with capacities less than 8TB, the LBA count is based on the IDEMA document LBA1-03. Larger capacities follow the SFF-8447 specification

The capacity stated is identical when the drive is formatted with or without PI enabled.

NOTE Some block sizes with PI enable might cause minor reductions in endurance and random performance with the SE and TE models.

Table 6 - Formatted Capacity Block Count (15360 GB, 7680 GB and 6400 GB models)

Last Logical Block Address						
Block	15360 GB		7680 GB		6400 GB	
Size	Decimal	Hex	Decimal	Hex	Decimal	Hex
512	30,001,856,512	6FC400000	15,002,931,887	37E3E92AF	12,502,446,767	2E93432AF
520	29,391,585,280	6D7E00000	14,685,538,511	36B5388CF	12,237,948,759	2D9704757
528	28,946,989,056	6BD600000	14,281,594,319	3533FD5CF	12,074,833,071	2C55FDCD7
4096	3,750,232,064	DF880000	1,854,502,927	6E89780F	1,562,805,845	5D268655
4160	3,673,948,160	DAFC0000	1,838,769,231	6D99644F	1,532,307,695	5B5528EF
4224	3,618,373,632	D7AC0000	1,801,818,183	6B659047	1,501,515,151	597F4D8F

Table 7 - Formatted Capacity Block Count (3840GB, 3200GB, 1920GB models)

Last Logical Block Address						
Block	3840 GB		3200 GB		1920 GB	
Size	Decimal	Hex	Decimal	Hex	Decimal	Hex
512	7,501,476,527	1BF1F72AF	6,251,233,967	1749A42AF	3,750,748,847	DF8FE2AF
520	7,342,769,255	1B5A9C467	6,118,974,383	16CB823AF	3,671,384,631	DAD4E237
528	7,140,797,159	1A99FEAE7	5,950,664,303	162AFEE6F	3,570,398,583	D4CFF577
4096	937,684,565	37E3EE55	781,404,245	2E934855	468,843,605	1BF1FC55
4160	919,384,615	36CCB227	772,709,551	2E0E9CAF	463,625,735	1BA25E07
4224	900,909,095	35B2C827	756,488,551	2D171967	453,893,135	1B0DDC0F

Table 8 - Formatted Capacity Block Count (1600GB, 960GB, 800GB models)

Last Logical Block Address						
Block	1600 GB		960 GB		800 GB	
Size	Decimal	Hex	Decimal	Hex	Decimal	Hex
512	3,125,627,567	BA4D4AAF	1,875,385,007	6FC81AAF	1,562,824,367	5D26CEAF
520	3,059,487,191	B65C11D7	1,835,692,319	6D6A711F	1,529,743,599	5B2E08EF
528	2,975,332,151	B157F737	1,785,199,295	6A67FABF	1,487,666,079	58ABFB9F
4096	390,703,445	1749A955	234,423,125	DF90355	195,353,045	BA4D9D5
4160	383,076,927	16D54A3F	229,846,159	DB32C8F	191,538,463	B6AA51F
4224	375,378,791	165FD367	225,227,279	D6CB20F	187,689,399	B2FE9B7

Table 9 - Formatted Capacity Block Count (400GB models)

Last Logical Block Address		
Block	400 GB	
Size	Decimal	Hex
512	781,422,767	2E9390AF
520	764,871,799	2D970477
528	743,833,039	2C55FDCF
4096	97,677,845	5D27215
4160	95,769,231	5B5528F
4224	93,844,703	597F4DF

4.6 Programmable drive capacity

Using the MODE SELECT command, the drive can change its capacity to less than maximum. See the MODE SELECT (6) parameter list table in the SAS Interface Manual, part number 100293071. A value of zero in the Number of Blocks field indicates that the drive does not change the capacity it is currently formatted to have. A number other than zero and less than the maximum number of LBAs in the Number of Blocks field changes the total drive capacity to the value in the Number of Blocks field. A value greater than the maximum number of LBAs is rounded down to the maximum capacity.

Seagate also provides SeaChest, a CLI tool for Windows and Linux operating systems to adjust capacity and perform other drive management operations. Go to this page to download the tool:

<https://www.seagate.com/support/software/seachest/>

Or go here: <https://github.com/Seagate/ToolBin/tree/master/SeaChest>

4.7 Factory-installed options

OEMs may order the following items which are incorporated at the manufacturing facility during production or packaged before shipping. Some options are (not an exhaustive list of possible options):

- Other capacities can be ordered depending on LBA size requested and other factors.
- Single-unit shipping pack. The drive is normally shipped in bulk packaging to provide maximum protection against transit damage. Units shipped individually require additional protection as provided by the single unit shipping pack. Users planning single unit distribution should specify this option.
- The *Safety and Regulatory Agency Specifications*, part number 75789512, is usually included with each standard OEM drive shipped, but extra copies may be ordered.

4.8 Logical Block Provisioning

The drive follows SAS logical block provisioning where each LBA is either mapped or unmapped to physical NAND media blocks based on user writes and unmap operations.

Behavior of logical block provisioning is found but send a READ CAPACITY 16 (9Eh) command to the drive.

Table 10 - Logical block provisioning options

Product Configuration	LBPME	LBPRZ
Non-SED	Supported	Supported
SED	Supported	Supported

A logical block provisioning management enabled (LBPME) bit set to one indicates that the logical unit implements logical block provisioning management. An LBPME bit set to zero indicates that the logical unit is fully provisioned and does not implement logical block provisioning management.

A logical block provisioning read zeros (LBPRZ) bit set to one indicates that, for an unmapped LBA specified by a read operation, the device server sends user data with all bits set to zero to the data-in buffer. An LBPRZ bit set to zero indicates that, for an unmapped LBA specified by a read operation, the device server may send user data with all bits set to any value to the data-in buffer.

4.8.1 UNMAP

The UNMAP command asks the device server to break the association of a specific Logical Block address from a Physical Block. This frees up the Physical Block from use and no longer requires it to contain user data. An unmapped block responds to a READ command with data that is determined by the setting of the LBPRZ bit in the READ CAPACITY parameter data.

4.8.2 FORMAT UNIT command

A device which supports Thin Provisioning is capable of performing a SCSI FORMAT UNIT command which allocates Logical Blocks Addresses that are not linked to Physical Block Locations. A FORMAT command causes all LBAs to become unmapped.

4.8.3 Protection Information (PI) and Security (SED)

In SCSI devices, unmapped LBAs are defined as part of the Logical Block Provisioning model. Support of this model is indicated by the LBPME bit having a value of '1' in the READ CAPACITY (16) parameter data.

When a region of LBA's are erased through cryptographic erase, as part of the erase, the LBAs are not unmapped.

If the host attempts to access an unmapped or trimmed LBA, the drive returns 0 data for unmapped LBAs. The drive shall report a value of '0' in the LBPRZ field returned in the READ CAPACITY (16) parameter data.

If the host attempts to access an unmapped LBA on a drive that has been formatted with Protection Information (PI), the drive shall return scrambled PI data for that LBA. Depending on the value of the RDPROTECT field in the data-access command CDB, this may result in the drive returning a standard PI error to the host.

If the host reduces the addressable capacity of the drive via a MODE SELECT command, the drive shall unmap or trim any LBA within the inaccessible region of the device.

Additionally, an UNMAP command is not permitted on a locked band.

Table 11 - Protection Information behavior

PI Setting	Disabled	Enabled	
PROT_EN bit	0	1	
LBPME bit	1	1	
LBPRZ bit	1	1	
PI Check Requested	N/A	Yes	No
DATA Returned for mapped LBA	0x00	0x00	0x00
PI Returned for mapped LBA	None	None	Scrambled PI data
PI Check Performed	N/A	Yes	No
Error reported to Host	No	Yes	No

5. Performance

This section provides detailed information on performance-related characteristics and features of SeagateNytro 3032 Series SAS SSDs.

5.1 Internal drive characteristics

Flash Memory Type	eTLC 3D NAND
Emulated LBA Size	512, 520, 528, 4096, 4160, or 4224
Native Programmable Page Size	8192 User Bytes
Map Unit Size	4096
Default Transfer Alignment Offset	0

5.2 Performance characteristics

5.2.1 Response time

Response time measurements are taken with nominal power at 25°C ambient temperature. The typical values in the table below are defined as follows:

- Page-to-page response time is an average of all possible page-to-page accesses for a sequentially preconditioned drive.
- Average response time is a true statistical random average of at least 5000 measurements of accesses between programmable pages on a randomly preconditioned drive.

Table 12 - Typical Response Time (µsec)

	Read	Write	Notes
Page to Page	115	25	Execution time measured from receipt of the Command to the Response. Assumes no errors.
Average Latency	115	25	Typical response times are measured under nominal conditions of temperature and voltage as measured on a representative sample of drives.

These drives provide the highest possible performance under typical conditions. However, due to the nature of Flash memory technologies there are many factors that can result in values different than those stated in this specification.

5.2.2 FORMAT UNIT command execution time for 512-byte LBA's (minutes)

The device may be formatted as either a Thin Provisioned device or a Fully Provisioned device.

The default format is Thin Provisioned and is recommended for most applications.

Thin Provisioning provides the most flexibility for the device to manage the flash medium to maximize endurance.

The duration of the FORMAT UNIT command is based on capacity. The format processing rate is typically 20GB per second. For example the 3840GB XS3840SE70004 device completes formatting in 38 seconds.

5.2.3 Throughput Performance

Table 13 - Performance

Performance of 3732 Write Intensive Models					
Standard Model	XS3200ME70084	XS1600ME70084	XS800ME70084	XS400ME70084	
Seagate Secure Encryption	XS3200ME70094	XS1600ME70094	XS800ME70094	XS400ME70094	
Seagate Secure FIPS 140-2	XS3200ME70104	XS1600ME70104	XS800ME70104	XS400ME70104	
Instant Secure Erase	XS3200ME70114	XS1600ME70114	XS800ME70114	XS400ME70114	
Sustained Sequential 128KB Read Transfer Rate (MB/s)	2200	2200	2200	2150	
Sustained Sequential 128KB Write Transfer Rate (MB/s)	1650	1650	1650	1300	
Sustained Random 4KB Read Transfer Rate (KIOPS)	240	240	220	230	
Sustained Random 4KB Write Transfer Rate (KIOPS)	200	200	200	200	
Performance of 3532 Mixed Use Models					
Standard Model	XS6400LE70084	XS3200LE70084	XS1600LE70084	XS800LE70084	
Seagate Secure Encryption	XS6400LE70094	XS3200LE70094	XS1600LE70094	XS800LE70094	
Seagate Secure FIPS 140-2	XS6400LE70104	XS3200LE70104	XS1600LE70104	XS800LE70104	
Instant Secure Erase	XS6400LE70114	XS3200LE70114	XS1600LE70114	XS800LE70114	
Sustained Sequential 128KB Read Transfer Rate (MB/s)	2200	2200	2200	2150	
Sustained Sequential 128KB Write Transfer Rate (MB/s)	1650	1650	1650	1300	
Sustained Random 4KB Read Transfer Rate (KIOPS)	240	240	230	230	
Sustained Random 4KB Write Transfer Rate (KIOPS)	120	130	130	120	

Table 13 - Performance (continued)

Performance of 3332 Read Intensive Models					
Standard Model	XS15360SE70084	XS7680SE70084	XS3840SE70084	XS1920SE70084	XS960SE70084
Seagate Secure Encryption	XS15360SE70094	XS7680SE70094	XS3840SE70094	XS1920SE70094	XS960SE70094
Seagate Secure FIPS 140-2	XS15360SE70104	XS7680SE70104	XS3840SE70104	XS1920SE70104	XS960SE70104
Instant Secure Erase	XS15360SE70114	XS7680SE70114	XS3840SE70114	XS1920SE70114	XS960SE70114
Sustained Sequential 128KB Read Transfer Rate (MB/s)	2100	2100	2200	2200	2150
Sustained Sequential 128KB Write Transfer Rate (MB/s)	1100	1650	1650	1650	1300
Sustained Random 4KB Read Transfer Rate (KIOPS)	150	240	240	230	230
Sustained Random 4KB Write Transfer Rate (KIOPS)	18	80	85	85	70

NOTES

- Power limit unconstrained using both SAS ports.
- Sequential testing performed at Queue Depth = 32 after Sequential Preconditioning.
- Random testing performed at Queue Depth = 64 after Random Preconditioning.

Due to the nature of Flash memory technologies, many factors can result in values different from those specified here. Bandwidth limitations in the host adapter, operating system, driver limitations, and other factors can cause discrepancies.

When evaluating performance of SSD devices, it is recommended to measure performance of the device in a way that resembles the targeted application using real world data and workloads. Test time should also be large enough to make sure sustainable metrics and measures are obtained.

5.3 Start/stop time

The drive accepts the commands listed in the SAS Interface Manual less than four seconds after DC power is applied.

If the drive receives a NOTIFY (ENABLE SPINUP) primitive through either port and has not received a START STOP UNIT command with the START bit equal to 0, the drive becomes ready for normal operations within 10 seconds (excluding the error recovery procedure).

If the drive receives a START STOP UNIT command with the START bit equal to 0 before receiving a NOTIFY (ENABLE SPINUP) primitive, the drive waits for a START STOP UNIT command with the START bit equal to 1. After receiving a START STOP UNIT command with the START bit equal to 1, the drive waits for a NOTIFY (ENABLE SPINUP) primitive. After receiving a NOTIFY (ENABLE SPINUP) primitive through either port, the drive becomes ready for normal operations within 5 seconds.

If the drive receives a START STOP UNIT command with the START bit and IMMED bit equal to 1 and does not receive a NOTIFY (ENABLE SPINUP) primitive within 5 seconds, the drive fails the START STOP UNIT command.

The START STOP UNIT command may be used to command the drive to stop. Stop time is three seconds (maximum) from removal of DC power. SCSI stop time is three seconds.

The drive support pin 3 POWER DISABLE as defined by the T10 SAS-3 specification.

5.3.1 Caching write data

All write data is stored in non-volatile memory before acknowledging the SAS write operation. Non-volatile memory is both NAND and DRAM that is written to NAND during any power interruption.

The drive never sends a deferred write error status.

The Write Cache Enable (WCE) bit in mode page 08h may be set to 0 or 1 but does not change the operation of the drive.

The SYNCHRONIZE_CACHE command does not alter the state or location of written data. The response from the drive for this command indicates that all prior write commands have been completed and acknowledged.

Section [Section 12.3.2 MODE SENSE data, on page 76](#) shows the mode default settings for the drive.

5.3.2 Prefetch operation

If the Prefetch feature is enabled, data in contiguous logical blocks on the medium immediately beyond what was requested by a Read command are retrieved and stored in the buffer for immediate transfer from the buffer to the host on subsequent Read commands that request those logical blocks (this is true even if cache operation is disabled). Though the prefetch operation uses the buffer as a cache, finding the requested data in the buffer is a prefetch hit, not a cache operation hit.

To enable Prefetch, use Mode Select page 08h, byte 12, bit 5 (Disable Read Ahead - DRA bit). DRA bit = 0 enables prefetch.

The drive does not use the Max Prefetch field (bytes 8 and 9) or the Prefetch Ceiling field (bytes 10 and 11).

When prefetch (read look-ahead) is enabled (enabled by DRA = 0), the drive enables prefetch of contiguous blocks from the medium when it senses that a prefetch hit will likely occur. The drive disables prefetch when it decides that a prefetch hit is not likely to occur.

6. Reliability specifications

These reliability specifications assume correct host and drive operational interface, including all interface timings, power supply voltages, environmental requirements, and drive mounting constraints.

6.1 Read error rates

Table 14 - Read Error Rates

	Error Rates	Notes
Unrecovered Data	Less than 1 LBA in 10^{17} bits transferred	
Miscorrected Data	Less than 1 LBA in 10^{21} bits transferred	
Interface error rate	Less than 1 error in 10^{12} bits transferred	
Mean Time Between Failure (MTBF)	2.5M hours	
Annualized Failure Rate (AFR)	0.35%	
Preventive maintenance	None required	
Typical Data Retention with Power removed (at 40C up to 90% of write endurance)	3 months	<ul style="list-style-type: none"> As NAND Flash devices age with use, the capability of the media to retain a programmed value begins to deteriorate. This deterioration is affected by the number of times a particular memory cell is programmed and subsequently erased. When a device is new, it has a powered off data retention capability of up to several years. With use the retention capability of the device is reduced. Temperature also has an effect on how long a Flash component can retain its programmed value with power removed. At high temperature the retention capabilities of the device are reduced. Data retention is not an issue with power applied to the SSD. The SSD drive contains firmware and hardware features that can monitor and refresh memory cells when power is applied.
Endurance Rating	Method 2: TBW (per JEDEC JESD218)	<ul style="list-style-type: none"> Endurance rating is the expected amount of host data that can be written by product when subjected to a specified workload at a specified operating and storage temperature over the specified product life. For the specific workload to achieve this level of endurance, please reference JEDEC Specification JESD218. TBW is defined as 1×10^{12} Bytes. Limited Warranty with Media Usage provides coverage for the warranty period or until the SSD Percentage Used Endurance Indicator, as defined in Section 3.2.6, reaches 100 whichever comes first.

NOTE

Error rate specified with automatic retries and data correction with ECC enabled and all flaws reallocated.

6.2 Endurance

Table 15 - Lifetime write endurance by model

Nytro 3732: Mainstream Endurance (10 DWPD)						
Endurance Class	Capacity in GB	Standard	Seagate Secure SED	FIPS 140-2	ISE	Lifetime PB JEDEC
ME	3200 GB	XS3200ME70084	XS3200ME70094	XS3200ME70104	XS3200ME70114	58
	1600 GB	XS1600ME70084	XS1600ME70094	XS1600ME70104	XS1600ME70114	29
	800 GB	XS800ME70084	XS800ME70094	XS800ME70104	XS800ME70114	14
	400 GB	XS400ME70084	XS400ME70094	XS400ME70104	XS400ME70114	7.3
Nytro 3532: Light Endurance (3 DWPD)						
Endurance Class	Capacity in GB	Standard	Seagate Secure SED	FIPS 140-2	ISE	Lifetime PB JEDEC
MU	6400 GB	XS6400LE70084	XS6400LE70094	XS6400LE70104	XS6400LE70114	35
	3200 GB	XS3200LE70084	XS3200LE70094	XS3200LE70104	XS3200LE70114	17
	1600 GB	XS1600LE70084	XS1600LE70094	XS1600LE70104	XS1600LE70114	8.7
	800 GB	XS800LE70084	XS800LE70094	XS800LE70104	XS800LE70114	4.3
Nytro 3332: Sequential Endurance (1 DWPD)						
Endurance Class	Capacity in GB	Standard	Seagate Secure SED	FIPS 140-2	ISE	Lifetime PB JEDEC
RI	15360 GB	XS15360SE70084	XS15360SE70094	XS15360SE70104	XS15360SE70114	28
	7680 GB	XS7680SE70084	XS7680SE70094	XS7680SE70104	XS7680SE70114	14
	3840 GB	XS3840SE70084	XS3840SE70094	XS3840SE70104	XS3840SE70114	7
	1920GB	XS1920SE70084	XS1920SE70094	XS1920SE70104	XS1920SE70114	3.5
	960GB	XS960SE70084	XS960SE70094	XS960SE70104	XS960SE70114	1.7

For more information on FIPS 140-2 Level 2 certification see [Section 8., About FIPS.](#)

6.3 Error rates

The error rates stated in this manual assume the following:

- The drive is operated in accordance with this manual using DC power as defined in [Section 7.2 Power consumption, on page 33](#).
- Errors caused by host system failures are excluded from error rate computations.
- Assume random data.
- Default OEM error recovery settings are applied. This includes AWRE, ARRE, full read retries, full write retries and full retry time.

6.3.1 Unrecoverable Errors

An unrecoverable data error is a failure of the drive to recover data from the media. These errors occur due to read or write problems. Unrecoverable data errors are only detected during read operations, but not caused by the read. If an unrecoverable data error is detected, a MEDIUM ERROR (03h) in the Sense Key is reported. Multiple unrecoverable data errors resulting from the same cause are treated as one error.

6.3.2 Interface errors

An interface error is defined as a failure of the receiver on a port to recover the data as transmitted by the device port connected to the receiver. The error may be detected as a running disparity error, illegal code, loss of word sync, or CRC error.

6.4 Endurance management

Customer satisfaction with Solid State Drives can be directly related to the internal algorithms which an SSD uses to manage the limited number of Program-Erase (PE) cycles that NAND Flash can withstand. These algorithms consist of Wear Leveling, Garbage Collection, Write Amplification, Unmap, Data Retention, Lifetime Endurance Management.

6.4.1 Wear leveling

The drive uses Wear Leveling to make sure that all Flash cells are written to or exercised as evenly as possible to avoid hot spots where some cells are used up faster than other locations. The drive automatically manages Wear Leveling without user interaction. The Seagate algorithm operates only when needed to ensure reliable product operation.

6.4.2 Garbage collection

The drive uses Garbage Collection to consolidate valid user data into a common cell range freeing up unused or obsolete locations to be erased and used for future storage needs. The drive automatically manages Garbage Collection without user interaction. The Seagate algorithm operates only when needed to ensure reliable product operation.

6.4.3 Write amplification

While Write Amplification is not an algorithm, it is a major characteristic of SSDs. Write Amplification must be accounted for by all the algorithms that the SSD implements. The Write Amplification Factor of an SSD is the ratio of Host/User data requested to be written to the actual amount of data written by the SSD internal to account for the user data and the housekeeping activities such as Wear Leveling and Garbage Collection. The Write Amplification Factor of an SSD can also be directly affected by the characteristics of the host data being sent to the SSD to write. The best Write Amplification Factor is achieved for data that is written in sequential LBAs that are aligned on 4KB boundaries. The worst case Write Amplification Factor occurs for randomly written LBA's of transfer sizes that are less than 4KB and that originate on LBA's that are not on 4KB boundaries.

6.4.4 UNMAP

Use of the UNMAP command reduces the Write Amplification Factor of the drive during housekeeping tasks such as Wear Leveling and Garbage Collection. This happens because the drive does not need to retain data which has been classified by the host as obsolete.

6.4.5 Data retention

Data Retention is another major characteristic of SSDs that must be accounted for by all the algorithms that the SSD implements. While powered up, the Data Retention of SSD cells are monitored and rewritten if the cell levels decay to an unexpected level. Data Retention when the drive is powered off is affected by Program and Erase (PE) cycles and the temperature of the drive when stored.

6.4.6 Write stream tagging

The Write Stream command is an optional SAS bus command for the host to pass a contextual data tag to SSD. The SSD stores data context together to minimize write amplification when data is unmapped or over written. The Nytro 3032 Series supports creating 32 streams but optimal benefit is achieved when 8 or less streams are concurrently active.

6.4.7 SSD percentage used endurance indicator

An application can interrogate the drive through the host to determine an estimate of the percentage of device life that has been used. To accomplish this, issue a LOG SENSE command to log page 0x11. This allows applications to read the contents of the Percentage Used Endurance Indicator parameter code. The Percentage Used Endurance Indicator is defined in the T10 document SBC-4 available from the T10 committee.

6.5 Reliability and service

Integrators can enhance the reliability of Seagate Nytro 3032 Series SAS SSD drives by ensuring that the drive receives adequate cooling. [Section 12.4.2 Physical characteristics, on page 82](#) provides temperature measurements and other information that may be used to enhance the service life of the drive. [Section 11.2 Cooling, on page 65](#) provides recommended air-flow information.

6.5.1 Annualized Failure Rate (AFR) and Mean Time Between Failure (MTBF)

The production drive shall achieve an AFR of 0.35% (MTBF of 2,500,000 hours) when operated in an environment that ensures the case temperatures do not exceed the values specified in [Section 7.3 Environmental limits, on page 51](#). Operation at case temperatures outside the specifications in [Section 7.3 Environmental limits, on page 51](#) may increase the product AFR (decrease the MTBF). The AFR (MTBF) is a population statistic not relevant to individual units.

The AFR (MTBF) specification is based on the following assumptions for Enterprise Storage System environments:

- 8760 power-on hours per year.
- 250 average on/off cycles per year.
- Operations at nominal voltages.

Systems will provide adequate cooling to ensure the case temperatures specified in [Section 11.2 Cooling, on page 65](#) are not exceeded. Temperatures outside the specifications in [Section 11.2 Cooling, on page 65](#) will increase the product AFR and decrease the MTBF.

6.5.2 Preventive maintenance

No routine scheduled preventive maintenance is required.

6.5.3 Hot plugging the drive

When a drive is powered on by switching the power or hot plugged, the drive runs a self test before attempting to communicate on its' interfaces. When the self test completes successfully, the drive initiates a Link Reset starting with the Out Of Band sequence (OOB). An attached device should respond to the link reset. If the link reset attempt fails, or any time the drive loses sync, the drive initiated link reset. The drive will initiate link reset once per second but alternates between port A and B. Therefore each port will attempt a link reset once per 2 seconds assuming both ports are out of sync.

If the self-test fails, the drive does not respond to link reset on the failing port.

NOTE It is the responsibility of the systems integrator to assure that no temperature, energy, voltage hazard, or ESD potential hazard is presented during the hot connect/disconnect operation. Discharge the static electricity from the drive carrier prior to inserting it into the system.

6.5.4 SMART

SMART. is an acronym for Self-Monitoring Analysis and Reporting Technology. This technology is intended to recognize conditions that indicate imminent drive failure and is designed to provide sufficient warning of a failure to allow administrators to back up the data before an actual failure occurs.

NOTE The drive's firmware monitors specific attributes for degradation over time but can't predict instantaneous drive failures.

Each monitored attribute has been selected to monitor a specific set of failure conditions in the operating performance of the drive and the thresholds are optimized to minimize "false" and "failed" predictions.

6.5.4.1 Controlling SMART.

The operating mode of SMART. is controlled by the DEXCPT and PERF bits on the Informational Exceptions Control mode page (1Ch). Use the DEXCPT bit to enable or disable the SMART. feature. Setting the DEXCPT bit disables all SMART. functions. When enabled, SMART. collects on-line data as the drive performs normal read and write operations. When the PERF bit is set, the drive is considered to be in "On-line Mode Only" and will not perform off-line functions.

An application can measure off-line attributes and force the drive to save the data by using the REZERO UNIT command. Forcing SMART. resets the timer so that the next scheduled interrupt is in one hour.

An application can interrogate the drive through the host to determine the time remaining before the next scheduled measurement and data logging process occurs. To accomplish this, issue a LOG SENSE command to log page 0x3E. This allows applications to control when SMART. interruptions occur. Forcing SMART. with the REZERO UNIT command resets the timer.

6.5.4.2 Performance impact

SMART. attribute data is saved to the media so that the events that caused a predictive failure can be recreated. The drive measures and saves parameters once every hour subject to an idle period on the drive interfaces. The process of measuring off-line attribute data and saving data to the media is interruptible. The maximum on-line only processing delay is summarized in the following table:

Table 16 - Maximum processing delay

	Fully-enabled delay DEXCPT = 0
SMART. delay times	75 ms

6.5.4.3 Reporting control

Reporting is controlled by the MRIE bits in the Informational Exceptions Control mode page (1Ch). Subject to the reporting method. For example, if the MRIE is set to one, the firmware will issue to the host an 01-5D00 sense code. The FRU field contains the type of predictive failure that occurred. The error code is preserved through bus resets and power cycles.

6.5.4.4 Determining rate

SMART. monitors the rate at which errors occur and signals a predictive failure if the rate of degraded errors increases to an unacceptable level. To determine rate, error events are logged and compared to the number of total operations for a given attribute. The interval defines the number of operations over which to measure the rate. The counter that keeps track of the current number of operations is referred to as the Interval Counter.

SMART. measures error rates. All errors for each monitored attribute are recorded. A counter keeps track of the number of errors for the current interval. This counter is referred to as the Failure Counter.

Error rate is the number of errors per operation. The algorithm that SMART. uses to record rates of error is to set thresholds for the number of errors and appropriate interval. If the number of errors exceeds the threshold before the interval expires, the error rate is considered to be unacceptable. If the number of errors does not exceed the threshold before the interval expires, the error rate is considered to be acceptable. In either case, the interval and failure counters are reset and the process starts over.

6.5.4.5 Predictive failures

SMART. signals predictive failures when the drive is performing unacceptably for a period of time. The firmware keeps a running count of the number of times the error rate for each attribute is unacceptable. To accomplish this, a counter is incremented each time the error rate is unacceptable and decremented (not to exceed zero) whenever the error rate is acceptable. If the counter continually increments such that it reaches the predictive threshold, a predictive failure is signaled. This counter is referred to as the Failure History Counter. There is a separate Failure History Counter for each attribute.

6.5.5 Thermal monitor

Seagate Nytro 3032 Series SAS SSD drives implement a temperature warning system which:

1. Signals the host if the temperature exceeds a value which would threaten the drive.
2. Signals the host if the temperature exceeds a user-specified value. (i.e., the reference temperature value)
3. Saves a SMART. data frame on the drive which exceeds the threatening temperature value.

A temperature sensor monitors the drive temperature and issues a warning over the interface when the temperature exceeds a set threshold. The temperature is measured at power-up and then at ten-minute intervals after power-up.

The thermal monitor system generates a warning code of 01-0B01 when the temperature exceeds the specified limit in compliance with the SCSI standard.

This feature is controlled by the Enable Warning (EWasc) bit, and the reporting mechanism is controlled by the Method of Reporting Informational Exceptions field (MRIE) on the Informational Exceptions Control (IEC) mode page (1Ch).

6.5.6 Drive Self Test (DST)

Drive Self Test (DST) is a technology designed to recognize drive fault conditions that qualify the drive as a failed unit. DST validates the functionality of the drive at a system level. There are two test coverage options implemented in DST:

1. Extended test
2. Short test

The most thorough option is the extended test that performs various tests on the drive and scans every logical block address (LBA) of the drive. The short test is time-restricted and limited in length—it does not scan the entire media contents, but does some fundamental tests and scans portions of the media. If DST encounters an error during either of these tests, it reports a "diagnostic failed" condition. If the drive fails the test, remove it from service and return it to Seagate for service.

6.5.6.1 DST failure definition

The drive will present a "diagnostic failed" condition through the self-tests results value of the diagnostic log page if a functional failure is encountered during DST. The drive parameters are not modified to test the drive more stringently, and the recovery capabilities are not reduced. All retries and recovery processes are enabled during the test. If data is recoverable, no failure condition will be reported regardless of the recovery processes required to recover the data. The following conditions are considered DST failure conditions:

- Read error after recovery attempts are exhausted
- Write error after recovery attempts are exhausted

6.5.6.2 Implementation

This section provides all of the information necessary to implement the DST function on this drive.

6.5.6.3 State of the drive prior to testing

The drive must be in a ready state before issuing the SEND DIAGNOSTIC command. There are multiple reasons why a drive may not be ready, some of which are valid conditions, and not errors. For example, a drive may be in process of doing a FORMAT UNIT, or another DST. It is the responsibility of the host application to determine the "not ready" cause.

6.5.6.4 Invoking DST

To invoke DST, submit the SEND DIAGNOSTIC command with the appropriate Function Code (001b for the short test or 010b for the extended test) in bytes 1, bits 5, 6, and 7. Each test consists of two segments: an electrical test segment and a read/verify scan segment.

DST has two testing options:

Short test (Function Code: 001b)

The purpose of the short test is to provide a time-limited test that tests as much of the drive as possible within 120 seconds. The short test does not scan the entire media contents, but does some fundamental tests and scans portions of the media. A complete read/verify scan is not performed and only factual failures will report a "diagnostic failed" condition. This option provides a quick confidence test of the drive.

Extended test (Function Code: 010b)

The objective of the extended test option is to empirically test critical drive components. The read operation tests the media contents. The integrity of the media is checked through a read/verify scan of the media. The anticipated length of the Extended test is reported through the Control Mode page.

6.5.6.5 Log page entries

When the drive begins DST, it creates a new entry in the Self-test Results Log page. The new entry is created by inserting a new self-test parameter block at the beginning of the self-test results log parameter section of the log page. Existing data will be moved to make room for the new parameter block. The drive reports 20 parameter blocks in the log page. If there are more than 20 parameter blocks, the least recent parameter block will be deleted. The new parameter block will be initialized as follows:

1. The Function Code field is set to the same value as sent in the DST command
2. The Self-Test Results Value field is set to Fh
3. The drive will store the log page to non-volatile memory

After a self-test is complete or has been aborted, the drive updates the Self-Test Results Value field in its Self-Test Results Log page in non-volatile memory. The host may use LOG SENSE to read the results from up to the last 20 self-tests performed by the drive. The self-test results value is a 4-bit field that reports the results of the test. If the field is set to zero, the drive passed with no errors detected by the DST. If the field is not set to zero, the test failed for the reason reported in the field.

The drive will report the failure condition and LBA (if applicable) in the Self-test Results Log parameter. The Sense key, ASC, ASCQ, and FRU are used to report the failure condition.

6.5.6.6 Abort

There are several ways to abort a diagnostic. Applications can use a SCSI Bus Reset or a Bus Device Reset message to abort the diagnostic.

Applications can abort a DST executing in background mode by using the abort code in the DST Function Code field. This will cause a 01 (self-test aborted by the application client) code to appear in the self-test results values log. All other abort mechanisms will be reported as a 02 (self-test routine was interrupted by a reset condition).

6.5.7 Product warranty

For information regarding warranty support details, visit:
<http://www.seagate.com/support/warranty-and-replacements/>

Limited Warranty with Media Usage: This warranty is based on the shorter of term and endurance usage of the drive.

6.5.8 Shipping

When transporting or shipping a drive, use only a Seagate-approved container. Keep the original box. Seagate approved containers are easily identified by the Seagate Approved Package label. Shipping a drive in a non-approved container voids the drive warranty.

Seagate repair centers may refuse receipt of components improperly packaged or obviously damaged in transit. Contact the authorized Seagate distributor to purchase additional boxes. Seagate recommends shipping by an air-ride carrier experienced in handling computer equipment.

6.5.8.1 Product repair and return information

Seagate customer service centers are the only facilities authorized to service Seagate drives. Seagate does not sanction any third party repair facilities. Any unauthorized repair or tampering with the factory seal voids the warranty.

6.5.8.2 Storage

You can store the drive for a maximum of 180 days in the original unopened Seagate shipping package or 60 days, unpackaged, in the defined non-operating limits (refer to environmental section in this manual). You can extend storage to 1 year packaged or unpackaged under optimal environmental conditions (<40°C, <40% relative humidity non-condensing, and non-corrosive environment). During any storage period you must follow the drive non-operational temperature, humidity, wet bulb, atmospheric conditions, shock, vibration, magnetic and electrical field specifications.

7. Physical and electrical specifications

This section provides information relating to the physical and electrical characteristics of the drive.

7.1 Power specifications

The 2.5" drive receives DC power (+5V and +12V) through the standard SAS interface. The minimum current loading for each supply voltage is not less than 1.7% of the maximum operating current shown. Both +5V and +12V supplies should employ separate ground returns.

Where power is provided to multiple drives from a common supply, careful consideration for individual drive power requirements should be noted. Where multiple units are powered on simultaneously, the peak starting current must be available to each device.

Table 17 - 12V Requirements

Supply Tolerance	+10% / -7%
Absolute Maximum Voltage	15V
Supply Rise Time	0 to 500 ms
Supply Drop Time	0.12 to 500 ms
Typical Capacitance	TBD μ f

Table 18 - 5V Requirements

Supply Tolerance	+10% / -7%
Absolute Maximum Voltage	5.5V
Supply Rise Time	0 to 500 ms
Supply Drop Time	0.05 to 500 ms
Typical Capacitance	TBD μ f

General DC power requirement notes:

- Minimum current loading for each supply voltage is not less than 1.7% of the maximum operating current shown.
- The +5V and +12V supplies should employ separate ground returns.
- Where power is provided to multiple drives from a common supply, careful consideration for individual drive power requirements should be noted. Where multiple units are powered on simultaneously, the peak starting current must be available to each device.
- Parameters, other than start, are measured after a 10-minute warm up.

7.1.1 Conducted noise immunity

Noise is specified as a periodic and random distribution of frequencies covering a defined frequency. Maximum allowed noise values given below are peak-to-peak measurements and apply at the drive power connector.

Table 19 - Maximum allowed peak-to-peak noise

+5 V	250 mV pp from 100 Hz to 20 MHz.
	450 mV pp from 100 Hz to 100 KHz.
+12 V	250 mV pp from 100 KHz to 20 MHz.
	150 mV pp from 20 MHz to 80 MHz.

7.1.2 Power sequencing

The drive does not require power sequencing. The drive protects against inadvertent writing during power-up and down.

7.2 Power consumption

Power requirements for the drives are listed in the tables in this section. Typical power measurements are based on an average of drives tested, under nominal conditions, using the listed input voltage at 60°C internal temperature.

■ Startup power

Startup power is measured from the time of power-on to the time that the drive reaches operating condition and can process media access commands.

■ Peak operating mode

During peak operating mode, the drive is tested in various read and write access patterns to simulate the worst-case power consumption.

■ Idle mode power

Idle mode power is measured with the drive powered up and ready for media access commands, with no media access commands having been received from the host.

7.2.1 Direct Current consumption by voltage rail

The tables in [Section 7.2.2 Power consumption by model and capacity, on page 34](#) list the single port active power consumption measured under various workloads for each mode.

Points to be noted about the tables:

- Measured with average reading DC ammeter. Instantaneous +12V current peaks will exceed these values. Power supply at nominal voltage. N (number of drives tested) = 6, 60 Degrees C internal.
- For +12 V, a -10% tolerance is allowed during initial start but must return to $\pm 5\%$ before reaching ready state. The $\pm 5\%$ must be maintained after the drive signifies that its power-up sequence has been completed and that the drive is able to accept selection by the host initiator.
- Delayed Motor Start condition occurs after OOB and Speed Negotiation completes but before the drive has received the Notify Spinup primitive.
- See [Section 7.1.1 Conducted noise immunity, on page 33](#). Specified voltage tolerance includes ripple, noise, and transient response.

7.2.2 Power consumption by model and capacity

Table 20 - Power consumption by model and capacity

Nytro 3732 400 GB Power Consumption			
400 GB Nytro 3732 Write Intensive (12Gb/s)			
Parameter	400 GB Nytro 3732 Write Intensive (12Gb/s)		
Voltage	+5V	+12V	
Regulation	+/-5%	+/-5%	
	Current (A)	Current (A)	Power (W)
Average Idle Current	0.74	0.06	4.5
Maximum Start Current			
DC (Peak DC)	1.2	0.26	
AC (Peak AC)	1.3	0.68	
Delayed Start (DC Max)	0.81	0.29	7.5
Operating Current (Random Read)			
Typical DC	0.96	0.25	7.8
Maximum DC	0.97	0.25	7.9
Maximum DC (peak)	1.4	0.52	
Operating Current (Random Write)			
Typical DC	0.78	0.26	7.0
Maximum DC	0.81	0.26	7.2
Maximum DC (peak)	1.3	0.56	
Operating Current (Sequential Read)			
Typical DC	1.04	0.31	8.9
Maximum DC	1.5	0.31	9.0
Maximum DC (peak)	1.6	0.65	
Operating Current (Sequential Write)			
Typical DC	0.78	0.33	7.9
Maximum DC	0.8	0.34	8.0
Maximum DC (peak)	1.4	0.58	

Table 20 - Power consumption by model and capacity

Nytro 3732 800 GB Power Consumption			
800 GB Nytro 3732 Write Intensive (12Gb/s)			
Parameter	800 GB Nytro 3732 Write Intensive (12Gb/s)		
Voltage	+5V	+12V	
Regulation	+/-5%	+/-5%	
	Current (A)	Current (A)	Power (W)
Average Idle Current	0.77	0.06	4.6
Maximum Start Current			
DC (Peak DC)	1.2	0.33	
AC (Peak AC)	1.3	0.64	
Delayed Start (DC Max)	0.84	0.25	7.2
Operating Current (Random Read)			
Typical DC	1.0	0.26	8.1
Maximum DC	1.01	0.26	8.2
Maximum DC (peak)	1.5	0.48	
Operating Current (Random Write)			
Typical DC	0.80	0.26	7.1
Maximum DC	0.87	0.26	7.5
Maximum DC (peak)	1.6	0.73	
Operating Current (Sequential Read)			
Typical DC	0.82	0.40	9.3
Maximum DC	0.83	0.40	8.8
Maximum DC (peak)	1.3	0.63	
Operating Current (Sequential Write)			
Typical DC	0.8	0.31	7.7
Maximum DC	0.83	0.33	8.1
Maximum DC (peak)	1.3	0.63	

Table 20 - Power consumption by model and capacity

Nytro 3732 1600 GB Power Consumption			
1600 GB Nytro 3732 Write Intensive (12Gb/s)			
Parameter	1600 GB Nytro 3732 Write Intensive (12Gb/s)		
Voltage	+5V	+12V	
Regulation	+/-5%	+/-5%	
	Current (A)	Current (A)	Power (W)
Average Idle Current	0.76	0.06	4.6
Maximum Start Current			
DC (Peak DC)	1.2	0.39	
AC (Peak AC)	1.4	0.72	
Delayed Start (DC Max)	0.8	0.23	6.8
Operating Current (Random Read)			
Typical DC	0.98	0.27	8.1
Maximum DC	0.99	0.27	8.2
Maximum DC (peak)	1.6	0.65	
Operating Current (Random Write)			
Typical DC	0.80	0.28	7.3
Maximum DC	0.87	0.31	8.1
Maximum DC (peak)	1.5	0.68	
Operating Current (Sequential Read)			
Typical DC	1.04	0.32	9.0
Maximum DC	1.05	0.32	9.1
Maximum DC (peak)	1.6	0.73	
Operating Current (Sequential Write)			
Typical DC	0.80	0.44	9.3
Maximum DC	0.81	0.45	9.4
Maximum DC (peak)	1.6	0.73	

Table 20 - Power consumption by model and capacity

Nytro 3732 3200 GB Power Consumption			
3200 GB Nytro 3732 Write Intensive (12Gb/s)			
Parameter	3200 GB Nytro 3732 Write Intensive (12Gb/s)		
Voltage	+5V	+12V	
Regulation	+/-5%	+/-5%	
	Current (A)	Current (A)	Power (W)
Average Idle Current	0.78	0.07	4.7
Maximum Start Current			
DC (Peak DC)	1.2	0.43	
AC (Peak AC)	1.4	0.7	
Delayed Start (DC Max)	0.82	0.24	7.0
Operating Current (Random Read)			
Typical DC	1.02	0.32	8.2
Maximum DC	1.03	0.32	9.0
Maximum DC (peak)	1.7	0.67	
Operating Current (Random Write)			
Typical DC	0.82	0.30	7.7
Maximum DC	0.83	0.30	7.8
Maximum DC (peak)	1.4	0.59	
Operating Current (Sequential Read)			
Typical DC	1.10	0.38	10.1
Maximum DC	1.11	0.39	10.2
Maximum DC (peak)	1.6	0.71	
Operating Current (Sequential Write)			
Typical DC	0.84	0.49	10.1
Maximum DC	0.85	0.50	10.2
Maximum DC (peak)	1.5	0.71	

Table 20 - Power consumption by model and capacity

Table 21 - Nytro 3532 800 GB Power Consumption			
800 GB Nytro 3532 Mixed Use (12Gb/s)			
Parameter	800 GB Nytro 3532 Mixed Use (12Gb/s)		
Voltage	+5V	+12V	
Regulation	+/-5%	+/-5%	
	Current (A)	Current (A)	Power (W)
Average Idle Current	0.74	0.06	4.5
Maximum Start Current			
DC (Peak DC)	1.2	0.26	
AC (Peak AC)	1.3	0.68	
Delayed Start (DC Max)	0.81	0.29	7.5
Operating Current (Random Read)			
Typical DC	0.96	0.25	7.8
Maximum DC	0.97	0.25	7.9
Maximum DC (peak)	1.4	0.52	
Operating Current (Random Write)			
Typical DC	0.84	0.29	7.7
Maximum DC	0.85	0.29	7.8
Maximum DC (peak)	1.3	0.56	
Operating Current (Sequential Read)			
Typical DC	1.04	0.31	8.9
Maximum DC	1.05	0.31	9.0
Maximum DC (peak)ax	1.6	0.65	
Operating Current (Sequential Write)			
Typical DC	0.78	0.33	7.9
Maximum DC	0.79	0.34	8.0
Maximum DC (peak)	1.4	0.58	

Table 20 - Power consumption by model and capacity

Nytro 3532 1600 GB Power Consumption			
1600 GB Nytro 3532 Mixed Use (12Gb/s)			
Parameter	1600 GB Nytro 3532 Mixed Use (12Gb/s)		
Voltage	+5V	+12V	
Regulation	+/-5%	+/-5%	
	Current (A)	Current (A)	Power (W)
Average Idle Current	0.77	0.06	4.6
Maximum Start Current			
DC (Peak DC)	1.2	0.33	
AC (Peak AC)	1.3	0.64	
Delayed Start (DC Max)	0.84	0.25	7.2
Operating Current (Random Read)			
Typical DC	0.98	0.26	8.0
Maximum DC	0.99	0.26	8.1
Maximum DC (peak)	1.5	0.48	
Operating Current (Random Write)			
Typical DC	0.88	0.30	8.0
Maximum DC	0.89	0.30	8.1
Maximum DC (peak)	1.5	0.59	
Operating Current (Sequential Read)			
Typical DC	1.06	0.33	9.2
Maximum DC	1.1	0.33	9.4
Maximum DC (peak)	1.6	0.73	
Operating Current (Sequential Write)			
Typical DC	0.80	0.28	7.3
Maximum DC	0.83	0.33	8.1
Maximum DC (peak)	1.3	0.63	

Table 20 - Power consumption by model and capacity

Nytro 3532 3200 GB Power Consumption			
3200 GB Nytro 3532 Mixed Use (12Gb/s)			
Parameter	3200 GB Nytro 3532 Mixed Use (12Gb/s)		
Voltage	+5V	+12V	
Regulation	+/-5%	+/-5%	
	Current (A)	Current (A)	Power (W)
Average Idle Current	0.76	0.06	4.6
Maximum Start Current			
DC (Peak DC)	1.2	0.39	
AC (Peak AC)	1.4	0.72	
Delayed Start (DC Max)	0.8	0.23	6.8
Operating Current (Random Read)			
Typical DC	0.98	0.28	8.2
Maximum DC	0.99	0.28	8.3
Maximum DC (peak)	1.6	0.65	
Operating Current (Random Write)			
Typical DC	0.86	0.31	8.0
Maximum DC	0.87	0.31	8.1
Maximum DC (peak)	1.5	0.68	
Operating Current (Sequential Read)			
Typical DC	1.04	0.32	9.0
Maximum DC	1.05	0.32	9.1
Maximum DC (peak)	1.6	0.73	
Operating Current (Sequential Write)			
Typical DC	0.80	0.44	9.3
Maximum DC	0.85	0.45	9.6
Maximum DC (peak)	1.6	0.73	

Table 20 - Power consumption by model and capacity

Nytro 3532 6400 GB Power Consumption			
6400 GB Nytro 3532 Mixed Use (12Gb/s)			
Parameter	6400 GB Nytro3532 Mixed Use (12Gb/s)		
Voltage	+5V	+12V	
Regulation	+/-5%	+/-5%	
	Current (A)	Current (A)	Power (W)
Average Idle Current	0.78	0.07	4.7
Maximum Start Current			
DC (Peak DC)	1.2	0.43	
AC (Peak AC)	1.4	0.7	
Delayed Start (DC Max)	0.82	0.24	7
Operating Current (Random Read)			
Typical DC	1.06	0.32	9.1
Maximum DC	1.07	0.32	9.2
Maximum DC (peak)	1.7	0.67	
Operating Current (Random Write)			
Typical DC	0.92	0.34	8.7
Maximum DC	0.93	0.35	8.8
Maximum DC (peak)	1.4	0.59	
Operating Current (Sequential Read)			
Typical DC	1.12	0.38	10.2
Maximum DC	1.13	0.39	10.3
Maximum DC (peak)	1.6	0.71	
Operating Current (Sequential Write)			
Typical DC	0.86	0.48	10.1
Maximum DC	0.87	0.49	10.2
Maximum DC (peak)	1.5	0.71	

Table 20 - Power consumption by model and capacity

Nytro 3332 960 GB Power Consumption			
960 GB Nytro 3332 Read Intensive(12Gb/s)			
Parameter	960 GB Nytro3332 RI (12Gb/s)		
Voltage	+5V	+12V	
Regulation	+/-5%	+/-5%	
	Current (A)	Current (A)	Power (W)
Average Idle Current	0.74	0.06	4.5
Maximum Start Current			
DC (Peak DC)	1.2	0.26	
AC (Peak AC)	1.3	0.68	
Delayed Start (DC Max)	0.81	0.29	7.5
Operating Current (Random Read)			
Typical DC	0.96	0.25	7.8
Maximum DC	0.96	0.25	7.8
Maximum DC (peak)	1.40	0.52	
Operating Current (Random Write)			
Typical DC	0.86	0.28	7.7
Maximum DC	0.87	0.29	7.8
Maximum DC (peak)	1.3	0.56	
Operating Current (Sequential Read)			
Typical DC	1.04	0.31	8.9
Maximum DC	1.05	0.31	9.0
Maximum DC (peak)	1.6	0.65	
Operating Current (Sequential Write)			
Typical DC	0.78	0.33	7.9
Maximum DC	0.80	0.34	8.0
Maximum DC (peak)	1.4	0.58	

Table 20 - Power consumption by model and capacity

Nytro 3332 1920 GB Power Consumption			
1920 GB Nytro 3332 Read Intensive (12Gb/s)			
Parameter	1920 GB Nytro3332 RI (12Gb/s)		
Voltage	+5V	+12V	
Regulation	+/-5%	+/-5%	
	Current (A)	Current (A)	Power (W)
Average Idle Current	0.77	0.06	4.6
Maximum Start Current			
DC (Peak DC)	1.2	0.33	
AC (Peak AC)	1.3	0.64	
Delayed Start (DC Max)	0.84	0.25	7.2
Operating Current (Random Read)			
Typical DC	1.00	0.26	8.1
Maximum DC	1.01	0.26	8.2
Maximum DC (peak)	1.5	0.48	
Operating Current (Random Write)			
Typical DC	0.88	0.30	8.0
Maximum DC	0.89	0.30	8.1
Maximum DC (peak)	1.5	0.59	
Operating Current (Sequential Read)			
Typical DC	1.06	0.32	9.1
Maximum DC	1.1	0.32	9.3
Maximum DC (peak)	1.6	0.73	
Operating Current (Sequential Write)			
Typical DC	0.82	0.40	8.9
Maximum DC	0.83	0.40	9.0
Mmum DC (peak)	1.3	0.63	

Table 20 - Power consumption by model and capacity

Nytro 3332 3840 GB Power Consumption			
3840 GB Nytro 3332 Read Intensive (12Gb/s)			
Parameter	3840 GB Nytro3332 RI (12Gb/s)		
Voltage	+5V	+12V	
Regulation	+/-5%	+/-5%	
	Current (A)	Current (A)	Power (W)
Average Idle Current	0.76	0.06	4.6
Maximum Start Current			
DC (Peak DC)	1.2	0.39	
AC (Peak AC)	1.4	0.72	
Delayed Start (DC Max)	0.8	0.23	6.8
Operating Current (Random Read)			
Typical DC	1.00	0.28	8.3
Maximum DC	1.01	0.28	8.4
Maximum DC (peak)	1.6	0.65	
Operating Current (Random Write)			
Typical DC	0.88	0.31	8.1
Maximum DC	0.89	0.31	8.2
Maximum DC (peak)	1.5	0.68	
Operating Current (Sequential Read)			
Typical DC	1.06	0.33	9.2
Maximum DC	1.07	0.33	9.3
Maximum DC (peak)	1.6	0.73	
Operating Current (Sequential Write)			
Typical DC	0.82	0.45	9.5
Maximum DC	0.85	0.45	9.7
Maximum DC(peak)	1.6	0.73	

Table 20 - Power consumption by model and capacity

Nytro 3332 7680 GB Power Consumption			
7680 GB Nytro 3332 Read Intensive(12Gb/s)			
Parameter	7680 GB Nytro3332 RI (12Gb/s)		
Voltage	+5V	+12V	
Regulation	+/-5%	+/-5%	
	Current (A)	Current (A)	Power (W)
Average Idle Current	0.78	0.07	4.7
Maximum Start Current			
DC (Peak DC)	1.2	0.43	
AC (Peak AC)	1.4	0.7	
Delayed Start (DC Max)	0.82	0.24	7
Operating Current (Random Read)			
Typical DC	1.02	0.32	8.9
Maximum DC	1	0.27	8.2
Maximum DC (peak)	1.7	0.67	
Operating Current (Random Write)			
Typical DC	0.90	0.34	8.6
Maximum DC	0.91	0.35	8.7
Maximum DC (peak)	1.4	0.59	
Operating Current (Sequential Read)			
Typical DC	1.08	0.38	10.0
Maximum DC	1.09	0.39	10.1
Maximum DC (peak)	1.6	0.71	
Operating Current (Sequential Write)			
Typical DC	0.82	0.48	9.9
Maximum DC	0.83	0.49	10.0
Maximum DC (peak)	1.5	0.71	

Table 20 - Power consumption by model and capacity

Table 22 - Nytro 3332 15360 GB Power Consumption			
15360 GB Nytro 3332 Read Intensive (12Gb/s)			
Parameter	15 360 GB Nytro 3131 VRI (12Gb/s)		
Voltage	+5V	+12V	
Regulation	+/-5%	+/-5%	
	Current (A)	Current (A)	Power (W)
Average Idle Current	0.78	0.08	4.8
Maximum Start Current			
DC (Peak DC)	1.14	0.35	
AC (Peak AC)	1.46	0.67	
Delayed Start (DC Max)	0.82	0.21	6.6
Operating Current (Random Read)			
Typical DC	1.04	0.38	9.8
Maximum DC	1.05	0.39	9.9
Maximum DC (peak)	1.7	0.87	
Operating Current (Random Write)			
Typical DC	0.86	0.20	6.7
Maximum DC	0.87	0.23	7.1
Maximum DC (peak)	1.51	0.75	
Operating Current (Sequential Read)			
Typical DC	1.14	0.50	11.7
Maximum DC	1.15	0.51	11.8
Maximum DC (peak)	1.65	0.97	
Operating Current (Sequential Write)			
Typical DC	0.82	0.38	8.7
Maximum DC	0.83	0.39	8.8
Maximum DC (peak)	1.64	0.69	

7.2.3 Drive Performance Based on Power Setting

Figure 1 Write Intensive Models: Performance vs Power Limit Settings chart

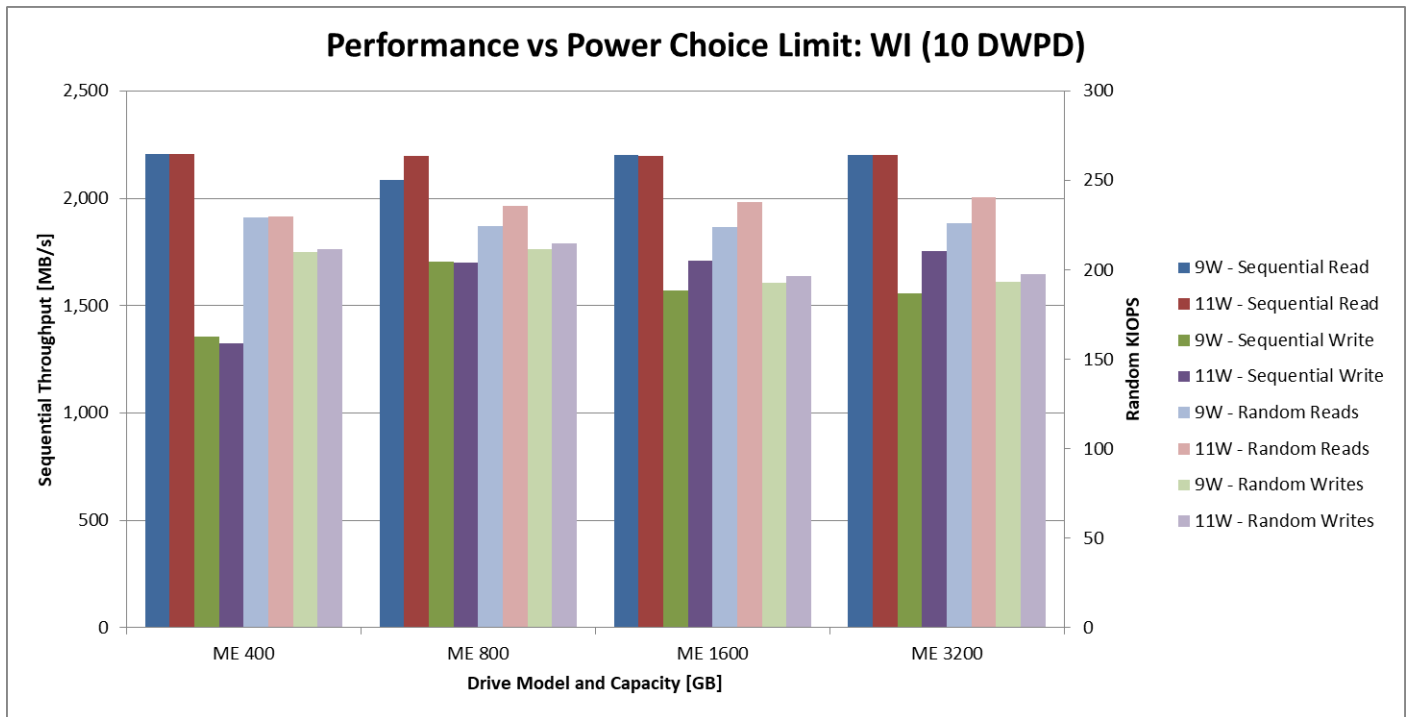


Figure 2 Mixed Use Models: Performance vs Power Limit Setting chart

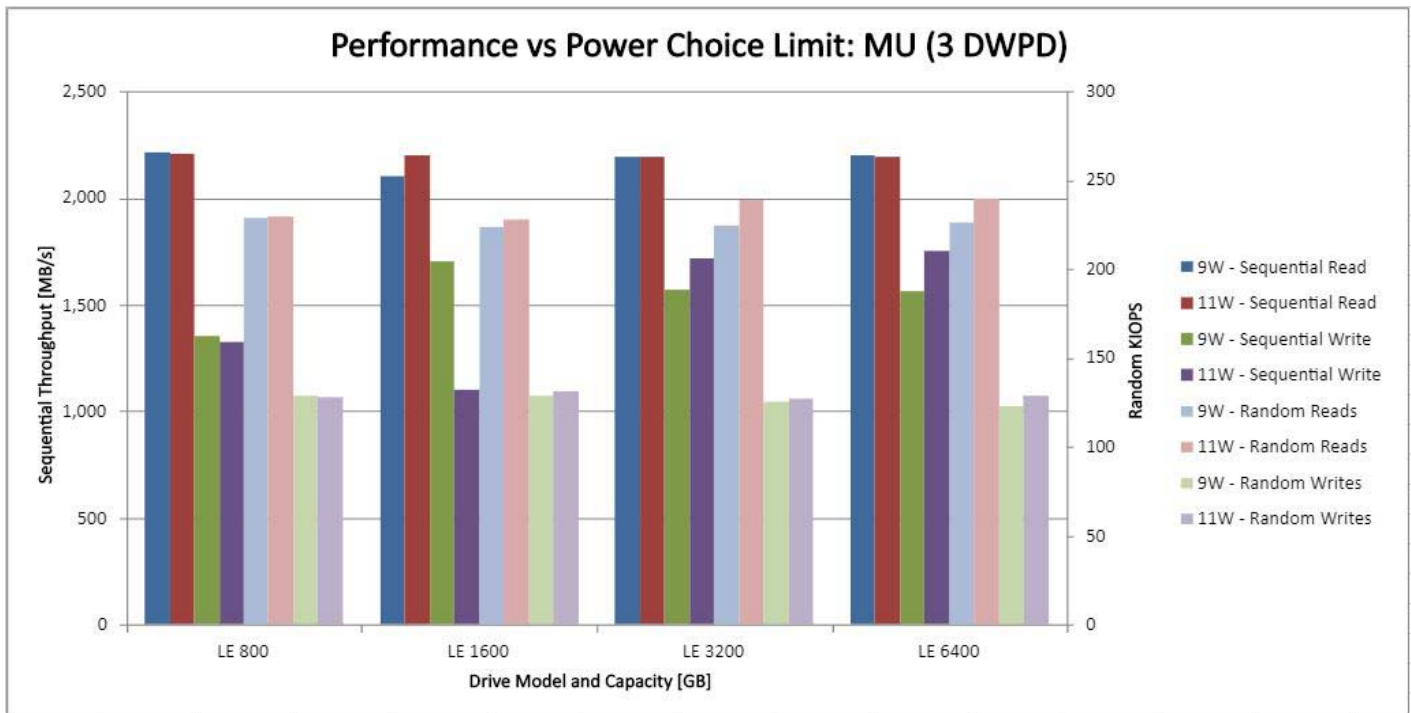
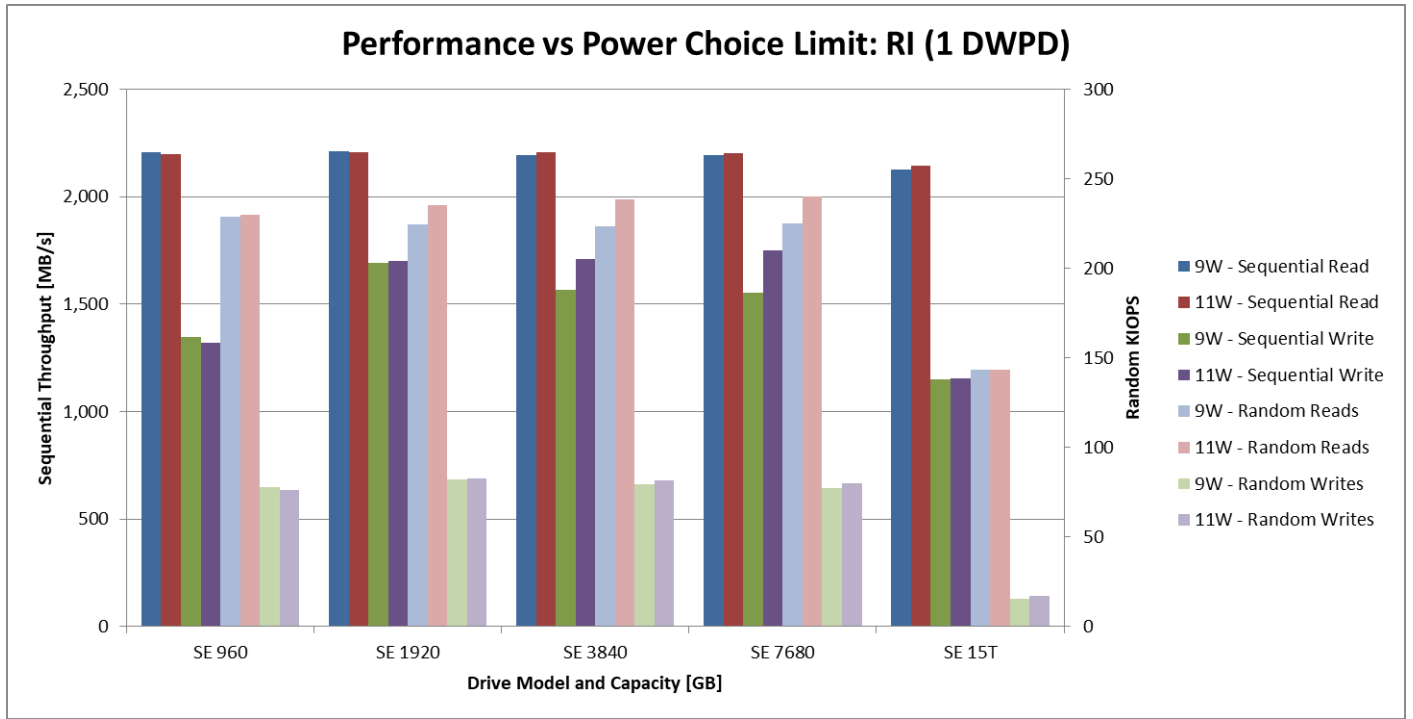


Figure 3 Read Intensive Models: Performance vs Power Limit Setting chart



7.2.4 Current profiles

The +12V and +5V current profiles for the Seagate Nytro 3000 SAS SSD 2.5" drives are shown below.

Figure 4 12Volt Start Up Current Example

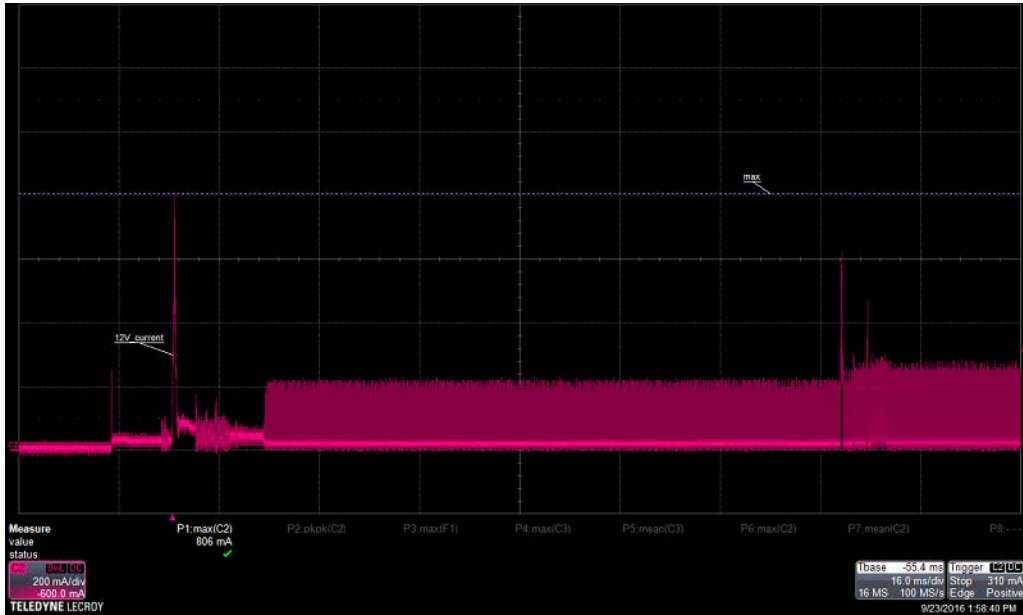
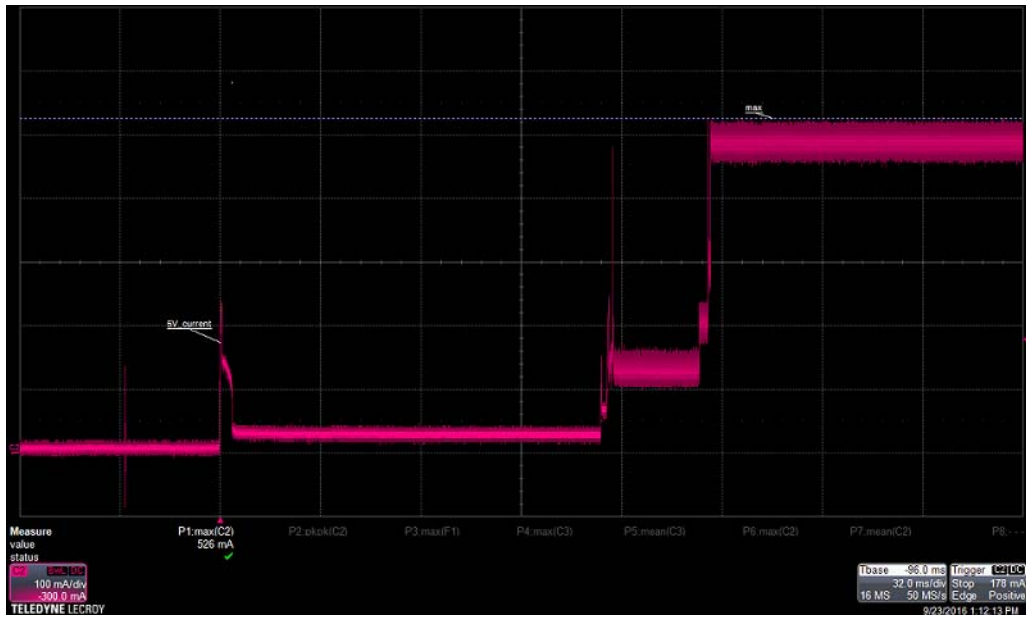


Figure 5 5Volt Start Up Current Example



7.3 Environmental limits

Temperature and humidity values experienced by the drive must be such that condensation does not occur on any drive part. Altitude and atmospheric pressure specifications are referenced to a standard day at 58.7°F (14.8°C). Maximum wet bulb temperature is 84.2°F (29°C).

NOTE To maintain optimal performance drives should be run at nominal case temperatures.

7.3.1 Temperature

7.3.1.1 Operating

The drive meets the operating specifications over a 32°F to 167°F (0°C to 70°C) drive internal temperature range with a maximum temperature gradient of 36°F (20°C) per hour.

NOTE Internal temperature swings greater than 55°C during over a 3 day time period may cause an elevated read error rate.

The maximum allowable drive internal temperature is 70°C. If the enclosure environment is unable to keep the internal temperature below this value the drive will reduce write activity to avoid over temperature condition. When the internal temperature is equal or greater than 65°C the drive will issue a SMART thermal warning.

The MTBF specification for the drive assumes the operating environment is designed to maintain nominal internal temperature. The rated MTBF is based upon a sustained internal temperature of 122°F (50°C). Occasional excursions in operating temperature between the rated MTBF temperature and the maximum drive operating internal temperature may occur without impact to the rated MTBF temperature. However continual or sustained operation at internal temperatures beyond the rated MTBF temperature will degrade the drive MTBF and reduce product reliability.

Air flow across the drive is expected under moderate to heavy write data workloads to stay under internal temperature limits described in this section. To confirm that the required cooling is provided, place the drive in its final mechanical configuration, and perform highest data throughput for the given application. If unknown writing large transfers sequentially on both port will consume the most current. After the temperatures stabilize, read the internal temperature of the drive using Seagate SeaChest or SeaTools utilities available at <http://www.seagate.com>.

7.3.1.2 Non-operating

-40° to 167°F (-40° to 75°C) package ambient with a maximum gradient of 36°F (20°C) per hour. This specification assumes that the drive is packaged in the shipping container designed by Seagate for use with drive.

7.3.2 Relative humidity

The values below assume that no condensation on the drive occurs.

- Operating
5% to 95% non-condensing relative humidity with a maximum gradient of 20% per hour.
- Non-operating
5% to 95% non-condensing relative humidity.

7.3.3 Effective altitude (sea level)

- Operating
-1000 to +10,000 feet (-304.8 to +3048 meters)
- Non-operating
-1000 to +40,000 feet (-304.8 to +12,192 meters)

7.3.4 Shock and vibration

Shock and vibration limits specified in this document are measured directly on the drive chassis. If the drive is installed in an enclosure to which the stated shock and/or vibration criteria is applied, resonances may occur internally to the enclosure resulting in drive movement in excess of the stated limits. If this situation is apparent, it may be necessary to modify the enclosure to minimize drive movement.

The limits of shock and vibration defined within this document are specified with the drive mounted by any of the four methods shown in [Figure 10, Recommended mounting, on page 67](#), and in accordance with the restrictions the [Section 11.3 Drive mounting, on page 67](#).

7.3.4.1 Shock

- Operating - normal

The drive, as installed for normal operation, shall operate error free while subjected to intermittent shock not exceeding:

1000 Gs at a maximum duration of 0.5ms (half sinewave)

Shock may be applied in the X, Y, or Z axis. Shock is not to be repeated more than once every 2 seconds.

NOTE This specification does not cover connection issues that may result from testing at this level.

- Non-operating

The limits of non-operating shock shall apply to all conditions of handling and transportation. This includes both isolated drives and integrated drives.

The drive subjected to non-repetitive shock not exceeding:

1000 Gs at a maximum duration of 0.5ms (half sinewave), shall not exhibit device damage or performance degradation.

Shock may be applied in the X, Y, or Z axis.

- Packaged

Seagate finished drive bulk packs are designed and tested to meet or exceed applicable ISTA and ASTM standards. Volume finished drives will be shipped from Seagate factories on pallets to minimize freight costs and ease material handling. Seagate finished drive bulk packs may be shipped individually. For less than full shipments, instructions are printed on the bulk pack carton for minimum drive quantities and proper drive placement.

7.3.4.2 **Vibration**

- Operating - normal

The drive s installed for normal operation, shall comply with the complete specified performance while subjected to vibration applied in the X, Y, or Z axis.

Operating normal translational random shaped profile: 20 - 2000 Hz, 11.08 GRMS

- Operating - abnormal

Equipment as installed for normal operation shall not incur physical damage while subjected to periodic vibration:

Vibration occurring at these levels may degrade operational performance during the abnormal vibration period. Specified operational performance will continue when normal operating vibration levels are resumed. This assumes system recovery routines are available.

Operating abnormal translational random shaped profile: 20 - 2000 Hz, 11.08 GRMS

- Non-operating

The limits of non-operating vibration shall apply to all conditions of handling and transportation. This includes both isolated drives and integrated drives.

The drive shall not incur physical damage or degraded performance as a result of vibration.

Vibration may be applied in the X, Y, or Z axis.

Non-operating translational random shaped profile: 20 - 2000 Hz, 11.08 GRMS

NOTE This specification does not cover connection issues that may result from testing at this level.

7.3.5 **Air cleanliness**

The drive is designed to operate in a typical office environment with minimal environmental control.

7.3.6 **Corrosive environment**

Seagate electronic drive components pass accelerated corrosion testing equivalent to 10 years exposure to light industrial environments containing sulfurous gases, chlorine and nitric oxide, classes G and H per ASTM B845. However, this accelerated testing cannot duplicate every potential application environment.

Users should use caution exposing any electronic components to uncontrolled chemical pollutants and corrosive chemicals as electronic drive component reliability can be affected by the installation environment. The silver, copper, nickel and gold films used in Seagate products are especially sensitive to the presence of sulfide, chloride, and nitrate contaminants. Sulfur is found to be the most damaging. Materials used in cabinet fabrication, such as vulcanized rubber, that can outgas corrosive compounds should be minimized or eliminated. The useful life of any electronic equipment may be extended by replacing materials near circuitry with sulfide-free alternatives.

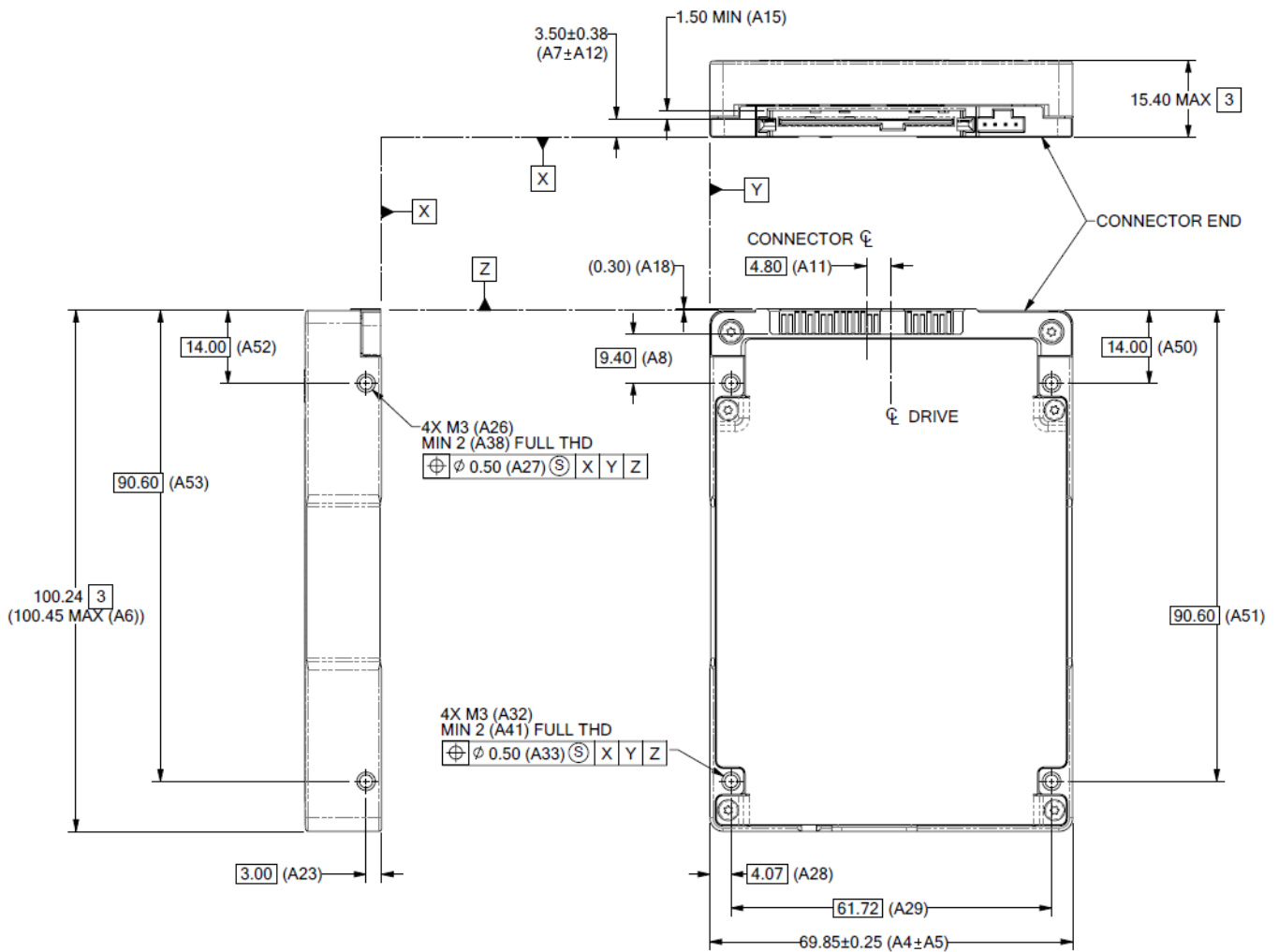
Seagate recommends that data centers be kept clean by monitoring and controlling the dust and gaseous contamination. Gaseous contamination should be within ANSI/ISA 571.04-2013 G2 classification levels (as measured on copper and silver coupons), and dust contamination to ISO 14644-1 Class 8 standards, and MTBF rated conditions as defined in the Annualized Failure Rate (AFR) and Mean Time Between Failure (MTBF) section.

7.4 Mechanical specifications

Refer to the following figures and for detailed mounting configuration dimensions. See [Section 11.3 Drive mounting, on page 67](#).

NOTE All (AXX) References (except where noted by [3]) are from SFF-8201 Specification For 2.5" Form Factor Drives Dimension Rev 3.3, AUGUST 30 2014, or from SFF-8223 Specification Rev 2.7, AUGUST 30, 2014. You can find these documents at: <http://www.sffcommittee.org>.

Figure 6 Mounting configuration dimensions (2.5" - 15mm models)



7.4.1 Weight

Table 23 Physical Weight of Drives

Standard	Seagate Secure SED	FIPS 140-2	ISE	Grams
XS3200ME70084	XS3200ME70094	XS3200ME70104	XS3200ME70114	163
XS1600ME70084	XS1600ME70094	XS1600ME70104	XS1600ME70114	136
XS800ME70084	XS800ME70094	XS800ME70104	XS800ME70114	136
XS400ME70084	XS400ME70094	XS400ME70104	XS400ME70114	136
XS6400LE70084	XS6400LE70094	XS6400LE70104	XS6400LE70114	163
XS3200LE70084	XS3200LE70094	XS3200LE70104	XS3200LE70114	136
XS1600LE70084	XS1600LE70094	XS1600LE70104	XS1600LE70114	136
XS800LE70084	XS800LE70094	XS800LE70104	XS800LE70114	136
XS15360SE70084	XS15360SE70094	XS7680SE70104	XS15360SE70114	170
XS7680SE70084	XS7680SE70094	XS3840SE70104	XS7680SE70114	163
XS3840SE70084	XS3840SE70094	XS1920SE70104	XS3840SE70114	136
XS1920SE70084	XS1920SE70094	XS960SE70104	XS1920SE70114	136
XS960SE70084	XS960SE70094	XS960SE70104	XS960SE70114	136

8. About FIPS

The Federal Information Processing Standard (FIPS) Publication 140-2 is a U.S. Government Computer Security Standard used to accredit cryptographic modules. It is titled 'Security Requirements for Cryptographic Modules (FIPS PUB 140-2)' and is issued by the National Institute of Standards and Technology (NIST).

8.1 Purpose

This standard specifies the security requirements that will be satisfied by a cryptographic module utilized within a security system protecting sensitive but unclassified information. The standard provides four increasing, qualitative levels of security: Level 1, Level 2, Level 3 and Level 4. These levels are intended to cover the wide range of potential applications and environments in which cryptographic modules may be employed.

8.2 Validation Program

Products that claim conformance to this standard are validated by the Cryptographic Module Validation Program (CMVP) which is a joint effort between National Institute of Standards and Technology (NIST) and the Communications Security Establishment (CSE) of the Government of Canada. Products validated as conforming to FIPS 140-2 are accepted by the Federal agencies of both countries for the protection of sensitive information (United States) or Designated Information (Canada).

In the CMVP, vendors of cryptographic modules use independent, accredited testing laboratories to have their modules tested. National Voluntary Laboratory Accreditation Program (NVLAP) accredited laboratories perform cryptographic module compliance/conformance testing.

8.3 Seagate Enterprise SED

The SEDs referenced in this Product Manual have been validated by CMVP and have been thoroughly tested by a NVLAP accredited lab to satisfy FIPS 140-2 Level 2 requirements. In order to operate in FIPS Approved Mode of Operation, these SEDs require security initialization. For more information, refer to *Security Rules* section in the *Security Policy* document uploaded on the NIST website. For product certification status visit <https://csrc.nist.gov/projects/cryptographic-module-validation-program/validated-modules/search>.

8.4 Security Level 2

Security Level 2 enhances the physical security mechanisms of a Security Level 1 cryptographic module by adding the requirement for tamper-evidence, which includes the use of tamper-evident coatings or seals on removable covers of the module.

Tamper evident coatings or seals are placed on a cryptographic module so that the coating or seal must be broken to attain physical access to the critical security parameters (CSP) within the module.

Tamper-evident seals (example shown in [Figure 7, Example of FIPS tamper evidence labels, on page 57](#)) are placed on covers to protect against unauthorized physical access.

In addition Security Level 2 requires, at a minimum, role-based authentication in which a cryptographic module authenticates the authorization of an operator to assume a specific role and perform a corresponding set of services.

Figure 7 Example of FIPS tamper evidence labels



NOTE Image is for reference only, does not represent actual drive.

9. About self-encrypting drives

Self-encrypting drives (SEDs) offer encryption and security services for the protection of stored data, commonly known as *protection of data at rest*. These drives are compliant with the Trusted Computing Group (TCG) Enterprise Storage Specifications as detailed in Section.

The Trusted Computing Group (TCG) is an organization sponsored and operated by companies in the computer, storage and digital communications industry. The Seagate SED models comply with the standards published by the TCG.

To use the security features in the drive, the host must be capable of constructing and issuing the following two SCSI commands:

- SECURITY PROTOCOL OUT
- SECURITY PROTOCOL IN

These commands are used to convey the TCG protocol to and from the drive in the appropriate command payloads.

9.1 Data encryption

Encrypting drives use one in-line encryption engine for each port, employing AES-256 data encryption in Cipher Block Chaining (CBC) mode to encrypt all data prior to being written on the media and to decrypt all data as it is read from the media. The encryption engines are always in operation and cannot be disabled.

The 32-byte Data Encryption Key (DEK) is a random number which is generated by the drive, never leaves the drive, and is inaccessible to the host system. The DEK is itself encrypted when it is stored on the media and when it is in volatile temporary storage (DRAM) external to the encryption engine. A unique data encryption key is used for each of the drive's possible 16 data bands (see [Section 9.5 Data bands, on page 59](#)).

9.2 Controlled access

The drive has two security providers (SPs) called the "Admin SP" and the "Locking SP." These act as gatekeepers to the drive security services. Security-related commands will not be accepted unless they also supply the correct credentials to prove the requester is authorized to perform the command.

9.2.1 Admin SP

The Admin SP allows the drive's owner to enable or disable firmware download operations (see Section 6.4). Access to the Admin SP is available using the SID (Secure ID) password or the MSID (Manufacturers Secure ID) password.

9.2.2 Locking SP

The Locking SP controls read/write access to the media and the cryptographic erase feature. Access to the Locking SP is available using the BandMasterX or EraseMaster passwords. Since the drive owner can define up to 16 data bands on the drive, each data band has its own password called BandMasterX where X is the number of the data band (0 through 15).

9.2.3 Default password

When the drive is shipped from the factory, all passwords are set to the value of MSID. This 32-byte random value can only be read by the host electronically over the interface. After receipt of the drive, it is the responsibility of the owner to use the default MSID password as the authority to change all other passwords to unique owner-specified values.

9.3 Random number generator (RNG)

The drive has a 32-byte hardware RNG that it uses to derive encryption keys or, if requested to do so, to provide random numbers to the host for system use, including using these numbers as Authentication Keys (passwords) for the drive's Admin and Locking SPs.

9.4 Drive locking

In addition to changing the passwords, as described in [Section 9.2.3 Default password, on page 59](#), the owner should also set the data access controls for the individual bands.

The variable *LockOnReset* should be set to *PowerCycle* to ensure that the data bands will be locked if power is lost. In addition *ReadLockEnabled* and *WriteLockEnabled* must be set to true in the locking table in order for the bands *LockOnReset* setting of *PowerCycle* to actually lock access to the band when a *PowerCycle* event occurs. This scenario occurs if the drive is removed from its cabinet. The drive will not honor any data READ or WRITE requests until the bands have been unlocked. This prevents the user data from being accessed without the appropriate credentials when the drive has been removed from its cabinet and installed in another system.

When the drive is shipped from the factory, the firmware download port is unlocked allowing the drive to accept any attempt to download new firmware. The drive owner must use the SID credential to lock the firmware download port before firmware updates will be rejected.

9.5 Data bands

When shipped from the factory, the drive is configured with a single data band called Band 0 (also known as the Global Data Band) which comprises LBA 0 through LBA max. The host may allocate Band1 by specifying a start LBA and an LBA range. The real estate for this band is taken from the Global Band. An additional 14 Data Bands may be defined in a similar way (Band2 through Band15) but before these bands can be allocated LBA space, they must first be individually enabled using the *EraseMaster* password.

Data bands cannot overlap but they can be sequential with one band ending at LBA (x) and the next beginning at LBA (x+1).

Each data band has its own drive-generated encryption key and its own user-supplied password. The host may change the Encryption Key or the password when required. The bands shall be aligned to 4KB LBA boundaries.

9.6 Cryptographic erase

A significant feature of SEDs is the ability to perform a cryptographic erase. This involves the host telling the drive to change the data encryption key for a particular band. Once changed, the data is no longer recoverable since it was written with one key and will be read using a different key. Since the drive overwrites the old key with the new one, and keeps no history of key changes, the user data can never be recovered. This is tantamount to an instantaneous data erase and is very useful if the drive is to be scrapped or redispositioned. Erased sectors will be unmapped and return all zeros if read.

9.7 Authenticated firmware download

In addition to providing a locking mechanism to prevent unwanted firmware download attempts, the drive also only accepts download files which have been cryptographically signed by the appropriate Seagate Design Center.

Three conditions must be met before the drive will allow the download operation:

1. The download must be an SED file. A standard (base) drive (non-SED) file will be rejected.
2. The download file must be digitally signed and authenticated.
3. As with a non-SED drive, the download file must pass the acceptance criteria for the drive. For example it must be applicable to the correct drive model, and have compatible revision and customer status.

9.8 Power requirements

The standard drive models and the SED drive models have identical hardware, however the security and encryption portion of the drive controller ASIC is enabled and functional in the SED models. This represents a small additional drain on the 5V supply of about 30mA and a commensurate increase of about 150mW in power consumption. There is no additional drain on the 12V supply. See the tables in [Section 7.2 Power consumption, on page 33](#) for power requirements on the standard (non-SED) drive models.

9.9 Supported commands

The SED models support the following two commands in addition to the commands supported by the standard (non-SED) models as listed in [Table 27, Supported commands, on page 69](#).

- SECURITY PROTOCOL OUT (B5h)
- SECURITY PROTOCOL IN (A2h)

9.10 Sanitize - Cryptographic Erase

This command cryptographically erases all user data on the drive by destroying the current data encryption key and replacing it with a new data encryption key randomly generated by the drive. Sanitize CRYPTOGRAPHIC ERASE is a SCSI CDB Op code 48h and selecting the service action code 3 (CRYPTOGRAPHIC ERASE).

9.11 RevertSP

SED models will support the RevertSP feature which erases all data in all bands on the device and returns the contents of all SPs (Security Providers) on the device to their original factory state. In order to execute the RevertSP method the unique PSID (Physical Secure ID) printed on the drive label must be provided. PSID is not electronically accessible and can only be manually read from the drive label or scanned in via the 2D barcode.

10. Defect and error management

Seagate continues to use innovative technologies to manage defects and errors. These technologies are designed to increase data integrity, perform drive self-maintenance, and validate proper drive operation.

SCSI defect and error management involves drive internal defect/error management and SAS system error considerations (errors in communications between the initiator and the drive). In addition, Seagate provides the following technologies used to increase data integrity and drive reliability:

- Auto-Reallocation (see [Section 10.4 Auto-Reallocation, on page 63](#))

The read error rates and specified storage capacities are not dependent on host (initiator) defect management routines.

10.1 Drive internal defects/errors

During the initial drive manufacturing test operation at the factory, media defects are identified, tagged as being unusable, and their locations recorded on the drive primary defects list (referred to as the 'P' list). At factory format time, these known defects are also deallocated, that is, marked as retired and the location listed in the defects reallocation table. The 'P' list is not altered after factory formatting. Locations of defects found and reallocated during error recovery procedures after drive shipment are listed in the 'G' list (defects growth list). The 'P' and 'G' lists may be referenced by the initiator using the READ DEFECT DATA command.

Details of the SCSI commands supported by the drive are described in the SAS Interface Manual. Also, more information on the drive Error Recovery philosophy is presented in the SAS Interface Manual.

The drive uses a vendor unique format to report defects via the READ DEFECT DATA command pending T10 standardization of a format for Solid State Devices. This format defect type is defined as 110b in the SCSI FORMAT UNIT command. The definition of the 110b format is defined in the following table.

Table 24 - SSD Physical format address descriptor

ByteBit	0	1	2	3	4	5	6	7
0	MEDIA ID							
1								
2	CHANNEL							
3	DIE							
4	BLOCK							
5								
6	RESERVED							
7	VENDOR UNIQUE							

- The MEDIA ID field contains an identifier for the flash controller for devices that utilize more than one flash controller.
- The CHANNEL field contains the channel number within the corresponding Flash Controller.
- The DIE field contains the die number within channel.
- The BLOCK field contains the block number within the die.
- The VENDOR UNIQUE field may contain vendor unique information.

10.2 Drive error recovery procedures

When an error occurs during drive operation, the drive performs error recovery procedures to attempt to recover the data. The error recovery procedures used are not user changeable.

10.3 SAS system errors

Information on the reporting of operational errors across the interface is given in the SAS Interface Manual. The SSP Response returns information to the host about numerous kinds of errors. The Receive Diagnostic Results reports the results of diagnostic operations performed by the drive.

Status returned by the drive to the initiator is described in the SAS Interface Manual. Status reporting plays a role in systems error management and its use in that respect is described in sections where the various commands are discussed.

10.4 Auto-Reallocation

Auto-Reallocation allows the drive to reallocate unreadable locations on a subsequent write command if the recovery process deems the location to be defective. The drive performs auto-reallocation on every WRITE command. With each write to a Logical LBA, the drive writes the data to a different physical media location. Physical locations that return unrecoverable errors are retired during future WRITE attempts and associated recovery process.

This is in contrast to the system having to use the REASSIGN BLOCKS command to reassign a location that was unreadable and then generate a WRITE command to rewrite the data. This operation requires that AWRE and ARRE are enabled which is the default setting from the Seagate factory.

10.5 Protection Information (PI)

Protection Information is intended as a standardized approach to system level LRC traditionally provided by systems using 520 byte formatted LBAs.

Drives formatted with PI information provide the same, common LBA count (i.e. same capacity point) as non-PI formatted drives.

Sequential performance of a PI drive will be reduced by approximately 1.56% due to the extra overhead of PI being transferred from the media that is not calculated as part of the data transferred to the host.

To determine the full transfer rate of a PI drive, transfers should be calculated by adding the 8 extra bytes of PI to the transferred LBA length, i.e. $512 + 8 = 520$.

PI formatted drives are physically formatted to 520 byte LBAs that store 512 bytes of customer data with 8 bytes of Protection Information appended to it.

The advantage of PI is that the Protection Information bits can be managed at the HBA and HBA driver level.

Allowing a system that typically does not support 520 LBA formats to integrate this level of protection.

Protection Information is valid with any supported LBA size, except 528.

512 LBA size is used here as common example.

10.5.1 Levels of PI

There are 4 types of Protection Information.

Type 0 - Describes a drive that is not formatted with PI information bytes. This allows for legacy support in non-PI systems.

Type 1 - Provides support of PI protection using 10 and 16 byte commands. The RDPROTECT and WRTPROTECT bits allow for checking control through the CDB. Eight bytes of Protection Information are transmitted at LBA boundaries across the interface if RDPROTECT and WRTPROTECT bits are nonzero values. Type 1 does not allow the use of 32 byte commands.

Type 2 - Provides checking control and additional expected fields within the 32 byte CDBs. Eight bytes of Protection Information are transmitted at LBA boundaries across the interface if RDPROTECT and WRTPROTECT bits are nonzero values. Type 2 does allow the use of 10 and 16 byte commands with zero values in the RDPROTECT and WRTPROTECT fields. The drive will generate 8 bytes of Protection Information (e.g. 0xFFFFFFFF) to be stored on the media, but the 8 bytes will not be transferred to the host during a READ command.

Type 3 - Seagate products do not support Type 3.

10.5.2 Setting and determining the current Type Level

A drive is initialized to a type of PI by using the FORMAT UNIT command on a PI capable drive. Once a drive is formatted to a PI Type, it may be queried by a READ CAPACITY (16) command to report the PI type which it is currently formatted to. A drive can only be formatted to a single PI Type. It can be changed at anytime to a new Type but requires a FORMAT UNIT command which destroys all existing data on the drive. No other vehicle for changing the PI type is provided by the T10 SBC-4 specification.

- Type 1 PI FORMAT UNIT CDB command: 04 90 00 00 00 00, parameter data: 00 A0 00 00
- Type 2 PI FORMAT UNIT CDB command: 04 D0 00 00 00 00, parameter data: 00 A0 00 00

10.5.3 Identifying a Protection Information drive

The Standard INQUIRY data provides a bit to indicate if PI is support by the drive. Vital Product Descriptor (VPD) page 0x86 provides bits to indicate the PI Types supported and which PI fields the drive supports checking.

NOTE For further details with respect to PI, please refer to SCSI Block Commands - 4 (SBC-4) Standard documentation.

11. Installation

Seagate Nytro 3000 SAS SSD drive installation is a plug-and-play process. There are no jumpers on the drive.

SAS drives are designed to be used in a host system that provides a SAS-compatible backplane with bays designed to accommodate the drive. In such systems, the host system typically provides a carrier or tray into which the drive must be mounted. Mount the drive to the carrier or tray provided by the host system using four M3 x 0.5 metric screws. When tightening the screws, use a maximum torque of 4.5 in-lb +/- 0.45 in-lb. Do not over-tighten or force the screws. The drive can be mounted in any orientation.

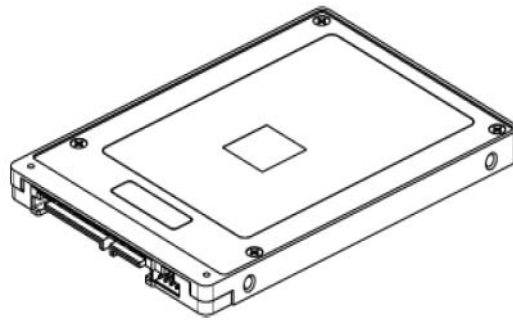
NOTE SAS drives are designed to be attached to the host system without I/O or power cables. If the intent is to use the drive in a non-backplane host system, connecting the drive using high-quality cables is acceptable as long as the I/O cable length does not exceed 10 meters (32.8 feet).

Slide the carrier or tray into the appropriate bay in the host system using the instructions provided by the host system. This connects the drive directly to the system's SAS connector. The SAS connector is normally located on a SAS backpanel. See [Section 12.4.1 SAS physical interface, on page 79](#) for additional information about these connectors.

Power is supplied through the SAS connector.

The drive is shipped from the factory low-level formatted in 512-byte logical blocks. Reformatting the drive is only required if the application requires a different logical block size.

Figure 8 Physical interface



11.1 Drive orientation

The drive may be mounted in any orientation. All drive performance characterizations, however, have been done with the drive in horizontal (level) and vertical (drive on its side) orientations, which are the two preferred mounting orientations.

11.2 Cooling

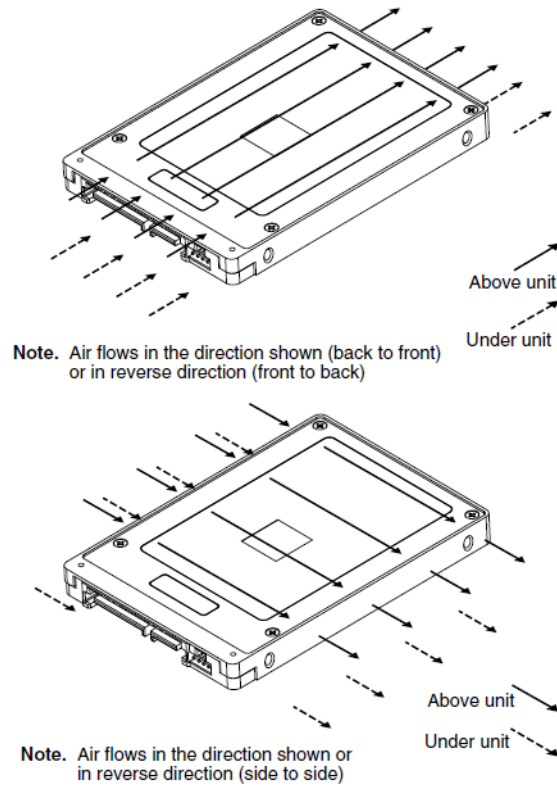
Cabinet cooling must be designed by the customer so that the temperature of the drive will not exceed temperature conditions specified in [Section 7.3.1 Temperature, on page 51](#).

The rack, cabinet, or drawer environment for the drive must provide heat removal from the assembly. The system designer should confirm that adequate heat removal is provided using the temperature measurement guidelines described in [Section 7.3.1 Temperature, on page 51](#).

Forced air flow may be required to keep temperatures at or below the temperatures specified in [Section 7.3.1 Temperature, on page 51](#) in which case the drive should be oriented, or air flow directed, so that the least amount of air flow resistance is created while providing air flow. Also, the shortest possible path between the air inlet and exit should be chosen to minimize the travel length of air heated by the drive and other heat sources within the rack, cabinet, or drawer environment.

If forced air is determined to be necessary, possible air-flow patterns are shown in [Figure 9, Air Flow, on page 66](#). The air-flow patterns are created by one or more fans, either forcing or drawing air as shown in the illustrations. Conduction, convection, or other forced air-flow patterns are acceptable as long as the temperature measurement guidelines of [Section 7.3.1 Temperature, on page 51](#) are met.

Figure 9 Air Flow



NOTE

Image may not represent actual product, for reference only.

11.3 Drive mounting

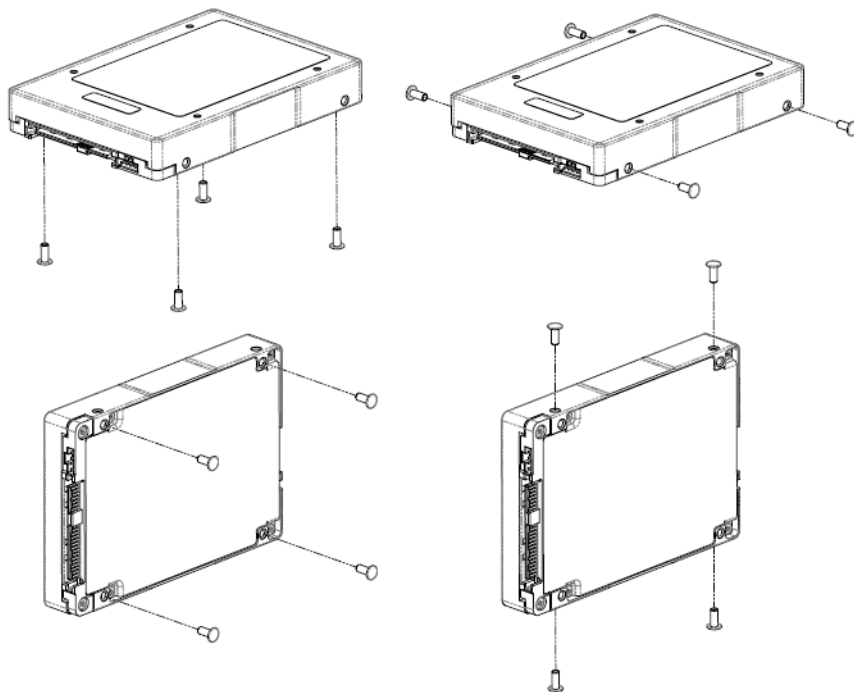
Mount the drive using the bottom or side mounting holes. If mounting the drive using the bottom holes, ensure not to physically distort the drive by attempting to mount it on a stiff, non-flat surface.

The allowable mounting surface stiffness is 80 lb/in (14.0 N/mm). The following equation and paragraph define the allowable mounting surface stiffness:

$$K \times X = F < 15\text{lb} = 67\text{N}$$

where K is the mounting surface stiffness (units in lb/in or N/mm) and X is the out-of-plane surface distortion (units in inches or millimeters). The out-of-plane distortion (X) is determined by defining a plane with three of the four mounting points fixed and evaluating the out-of-plane deflection of the fourth mounting point when a known force (F) is applied to the fourth point.

Figure 10 Recommended mounting



NOTE Image may not represent actual product, for reference only.

11.4 Grounding

Signal ground (PCBA) and case ground are connected together in the drive and cannot be separated by the user. The equipment in which the drive is mounted is connected directly to the drive with no electrically isolating shock mounts. If it is desired for the system chassis to not be connected to the drive ground, the systems integrator or user must provide a nonconductive (electrically isolating) method of mounting the drive in the host equipment.

Increased radiated emissions may result if designers do not provide the maximum surface area ground connection between system ground and drive ground. This is the system designer's and integrator's responsibility.

12. Interface requirements

This section partially describes the interface requirements as implemented on Seagate Nytro 3000 SAS SSD drives. Additional information is provided in the SAS Interface Manual (part number 100293071).

12.1 SAS features

This section lists the SAS-specific features supported by Seagate Nytro 3000 SAS SSD drives.

12.1.1 Task management functions

The following table lists the SAS task management functions supported by Seagate Nytro 3000 SAS SSD drives.

Table 25 - SAS task management functions supported

Task name	Supported
Abort Task	Yes
Abort task set	Yes
Clear ACA	Yes
Clear task set	Yes
I_T Nexus Reset	Yes
Logical Unit Reset	Yes
Query Task	Yes
Query Task Set	Yes
Query Asynchronous Event	Yes

12.1.2 Task management responses

The following table lists the SAS response codes returned for task management functions supported.

Table 26 - Task management response codes

Function name	Response code
Function complete	00
Invalid frame	02
Function not supported	04
Function failed	05
Function succeeded	08
Invalid logical unit	09

12.2 Dual port support

Seagate Nytro 3000 SAS SSD SAS drives have two independent ports. These ports may be connected in the same or different SCSI domains. Each drive port has a unique SAS address. The two ports have the capability of independent port clocking (e.g. both ports can run at 12Gb/s or the first port can run at 12Gb/s while the second port runs at 6Gb/s.) The supported link rates are 1.5, 3.0, 6.0 or 12.0 Gb/s. Subject to buffer availability, the Seagate Nytro 3000 SAS SSD drives support:

- Concurrent port transfers -- The drive supports receiving COMMAND, TASK management transfers on both ports at the same time.
- Full duplex -- The drive supports sending XFER_RDY, DATA and RESPONSE transfers while receiving frames on both ports.

12.3 SCSI commands supported

The following table lists the SCSI commands supported by Seagate Nytro 3000 SAS SSD drives. For details about command fields definition and options, refer to the Seagate document SCSI Commands Reference Manual, 100293068 Rev. H.pdf available on the SAS1200.2 product page at Seagate.com.

Table 27 Supported commands

Command name	Command code	Supported Y = Supported N = Not supported A = Support available on special request	Notes
CHANGE DEFINITION	40h	N	
FORMAT UNIT	04h	Y	Seagate Nytro 3000 SAS SSD drives can format to 512, 520, 524, 528, 4096, 4160, 4192 and 4224 bytes per logical block.
DPRY bit supported		N	
DCRT bit supported		Y	
STPF bit supported		Y	
IP bit supported		Y	
DSP bit supported		Y	
IMMED bit supported		Y	
VS (vendor specific)		N	
INQUIRY	12h	Y	
Block Limits page (B0h)		Y	
Block Device Characteristics page (B1h)		Y	
Date Code page (C1h)		Y	
Device Behavior page (C3h)		Y	
Device Identification page (83h)		Y	
Extended Inquiry Data page (86h)		Y	
Firmware Numbers page (C0h)		Y	
Jumper Settings page (C2h)		N	
Power Conditions page (8Ah/00h)		Y	

Table 27 Supported commands (continued)

Command name	Command code	Supported Y = Supported N = Not supported A = Support available on special request	Notes
Power Consumption page (8Dh)		Y	
Power Consumption page (1AH/01h)		Y	
Supported Vital Product Data page (00h)		Y	
Thin Provisioning page (B2h)		Y	
Unit Serial Number page (80h)		Y	
Vendor Unique page (D1h)		Y	
Vendor Unique page (D2h)		Y	
LOG SELECT	4Ch	Y	
PCR bit		Y	
DU bit		N	
DS bit		Y	
TSD bit		Y	
ETC bit		N	
TMC bit		N	
LP bit		N	
LOG SENSE	4Dh	Y	
Application Client Log page (0Fh)		Y	
Background Scan Results log page (15h)		Y	
Buffer Over-run/Under-run page (01h)		N	
Cache Statistics page (37h)		Y	
Factory Log page (3Eh)		Y	
Information Exceptions Log page (2Fh)		Y	
Last N Deferred Errors or Asynchronous Events page (0Bh)		N	
Last N Error Events page (07h)		N	
Non-medium Error page (06h)		Y	
Pages Supported list (00h)		Y	
Power Conditions Transitions page (1Ah)		Y	
Protocol-Specific Port log pages (18h)		Y	
Read Error Counter page (03h)		Y	
Read Reverse Error Counter page (04h)		N	
Self-test Results page (10h)		Y	
Solid State Media log page (11h)		Y	
Start-stop Cycle Counter page (0Eh)		Y	
Temperature page (0Dh)		Y	
Vendor Unique page (38h)		Y	
Vendor Unique page (3Ch)		Y	
Verify Error Counter page (05h)		Y	

Table 27 Supported commands (continued)

Command name	Command code	Supported Y = Supported N = Not supported A = Support available on special request	Notes
Write error counter page (02h)		Y	
Mode Select (6) (Same Pages As Mode Sense (6))	15h	Y	Reference MODE SENSE command 1Ah for mode pages supported.
Mode Select (10) (Same Pages As Mode Sense (6))	55h	Y	
Mode Sense (6) 1Ah		Y	Reference MODE SENSE command 1Ah for mode pages supported.
Caching Parameters page (08h)		Y	
Control Mode page (0Ah)		Y	
Disconnect/Reconnect (02h)		Y	
Error Recovery page (01h)		Y	
Format page (03h)		N	
Information Exceptions Control page (1Ch)		Y	
Background Scan mode subpage (1Ch/01h)		Y	
Notch and Partition Page (0Ch)		N	
Protocol-Specific LUN mode page (18h)		Y	
Protocol-Specific Port page (19h)		Y	
Phy Control and Discover subpage (19h/01h)		Y	
Enhanced Phy Control subpage (19h/03h)		Y	
Power Condition page (1A/00h)		Y	
Power Consumption page (1AH/01h)		Y	
Rigid Disc Drive Geometry page (04h)		N	
Unit Attention page (00h)		Y	
Verify Error Recovery page (07h)		Y	
Xor Control page (10h)		N	
Mode Sense (10) (Same Pages As Mode Sense (6))	5Ah	Y	
Persistent Reserve In	5Eh	Y	
Read Full Status	5Eh/03h	Y	
Read Keys	5Eh/00h	Y	
Read Reservations	5Eh/001	Y	
Read Capabilities	5Eh/02h	Y	
Persistent Reserve	Out 5Fh	Y	
Clear	5Fh/03h	Y	
Preempt	5Fh/04h	Y	
Preempt And About	5Fh/05h	Y	
Register	5Fh/00h	Y	
Register and Ignore Existing Keys	5Fh/06h	Y	
Register and Move	5Fh/07h	Y	
Release	5Fh/02h	Y	

Table 27 Supported commands (continued)

Command name	Command code	Supported Y = Supported N = Not supported A = Support available on special request	Notes
Replace Lost Reservation	5Fh/08h	Y	
Reserve	5Fh/01h	Y	
Pre-fetch (10)	34h	N	
Read (6)	08h	Y	
Read (10)	28h	Y	
DPO bit supported		Y	
FUA bit supported		Y	
Read (12)	A8h	N	
Read (16)	88h	Y	
Read (32)	7Fh/0009h	Y	
Read Buffer (Modes 0; 2; 3; Ah And Bh Supported)	3Ch	Y (non-SED drives only)	
Error history	3Ch/1Ch	Y	
Read Capacity (10)	25h	Y	
Read Capacity (16)	9Eh/10h	Y	
Read Defect Data (10)	37h	Y	
Read Defect Data (12)	B7h	Y	
Read Long (10)	3Eh	Y (non-SED drives only)	
Read Long (16)	9Eh/11h	Y (non-SED drives only)	
Reassign Blocks	07h	Y	
Receive Diagnostic Results	1Ch	Y	
Supported Diagnostics pages (00h)		Y	
Translate page (40h)		N	
Release (6)	17h	Y	
Release (10)	57h	Y	
Report Identifying Information	A3h/05h	Y	
Report LUNs A0h	Y		
Report Supported Operation Codes A3h/0Ch	Y		
Report Supported Task Management Functions	A3h/0Dh	Y	
Request Sense	03h	Y	
Actual Retry Count bytes		Y	
Extended Sense		Y	
Field Pointer bytes		Y	
Reserve (6)	16h	Y	
3rd Party Reserve		Y	
Extent Reservation		N	
Reserve (10)	56h	Y	

Table 27 Supported commands (continued)

Command name	Command code	Supported Y = Supported N = Not supported A = Support available on special request	Notes
3rd Party Reserve		Y	
Extent Reservation		N	
Rezero Unit	01h	Y	
Sanitize	48h	Y	
Overwrite	48h/01h	N	
Block Erase	48h/02h	Y	
Cryptographic Erase	48h/03h	Y (ISE or SED models only)	
Exit Failure Mode	48h/1Fh	Y	
Security Protocol In	A2h	Y (SED models only)	
Security Protocol Out	B5h	Y (SED models only)	
Seek (6)	0Bh	Y	
Seek (10)	2Bh	Y	
Send Diagnostics	1Dh	Y	
Supported Diagnostics pages (00h)		Y	
Translate page (40h)		N	
Set Identifying Information	A4h/06h	Y	
Set Timestamp	A4h/0Fh	Y	
Start Unit/stop Unit	1Bh	Y	
Synchronize Cache	35h	Y	
Synchronize Cache (16)	91h	Y	
Test Unit Ready	00h	Y	
Unmap	42H	Y	
Verify (10)	2Fh	Y	
BYTCHK bit		Y	
Verify (12)	AFh	N	
Verify (16)	8Fh	Y	
Verify (32)	7Fh/000Ah	Y	
Write (6)	0Ah	Y	
Write (10)	2Ah	Y	
DPO bit		Y	
FUA bit		Y	
Write (12)	AAh	N	
Write (16)	8Ah	Y	
Write (32)	7Fh/000Bh	Y	
Write And Verify (10)	2Eh	Y	
DPO bit		Y	
Write And Verify (12)	AEh	N	

Table 27 Supported commands (continued)

Command name	Command code	Supported Y = Supported N = Not supported A = Support available on special request	Notes
Write And Verify (16)	8Eh	Y	
Write And Verify (32)	7Fh/000Ch	Y	
Write Buffer (Modes 0 & 2 Supported)	3Bh	Y (non-SED drives only)	
Write Buffer	3Bh		
Download Application Log	3Bh/1Ch	Y	
Firmware Download option (modes 5; 7; Ah and Bh)		Y (non-SED drives only)	Warning. Power loss during a firmware upgrade can result in firmware corruption. This usually makes the drive inoperable.
Firmware Download option (modes 4; 5 & 7)		Y (SED drives only)	
Write Long (10)	3Fh	Y	
Write Long (16)	9Fh/11h	Y	
Write Same (10)	41h	Y	
PBdata		N	
LBdata		N	
Write Same (16)	93h	Y	
Write Same (32)	7Fh/000Dh	Y	
Xdread	52h	N	
Xdwrite	50h	N	
Xpwrite	51h	N	

12.3.1 INQUIRY data

The following table lists the INQUIRY command data the drive returns to the initiator per the SAS Interface Manual.

Table 28 Inquiry command data

Byte	16	17	18	19	20	21	22	23	24	25	26	27	28	29	30	31
XS3200ME70084	58	53	33	32	30	30	4D	45	37	30	30	38	34	20	20	20
XS3200ME70094	58	53	33	32	30	30	4D	45	37	30	30	39	34	20	20	20
XS3200ME70104	58	53	33	32	30	30	4D	45	37	30	31	30	34	20	20	20
XS3200ME70114	58	53	33	32	30	30	4D	45	37	30	31	31	34	20	20	20
XS1600ME70084	58	53	31	36	30	30	4D	45	37	30	30	38	34	20	20	20
XS1600ME70094	58	53	31	36	30	30	4D	45	37	30	30	39	34	20	20	20
XS1600ME70104	58	53	31	36	30	30	4D	45	37	30	31	30	34	20	20	20
XS1600ME70114	58	53	31	36	30	30	4D	45	37	30	31	31	34	20	20	20
XS800ME70084	58	53	38	30	30	4D	45	37	30	30	38	34	20	20	20	20
XS800ME70094	58	53	38	30	30	4D	45	37	30	30	39	34	20	20	20	20
XS800ME70104	58	53	38	30	30	4D	45	37	30	31	30	34	20	20	20	20
XS800ME70114	58	53	38	30	30	4D	45	37	30	31	31	34	20	20	20	20
XS400ME70084	58	53	34	30	30	4D	45	37	30	30	38	34	20	20	20	20
XS400ME70094	58	53	34	30	30	4D	45	37	30	30	39	34	20	20	20	20
XS400ME70104	58	53	34	30	30	4D	45	37	30	31	30	34	20	20	20	20
XS400ME70114	58	53	34	30	30	4D	45	37	30	31	31	34	20	20	20	20
XS6400LE70084	58	53	36	34	30	30	4C	45	37	30	30	38	34	20	20	20
XS6400LE70094	58	53	36	34	30	30	4C	45	37	30	30	39	34	20	20	20
XS6400LE70104	58	53	36	34	30	30	4C	45	37	30	31	30	34	20	20	20
XS6400LE70114	58	53	36	34	30	30	4C	45	37	30	31	31	34	20	20	20
XS3200LE70084	58	53	33	32	30	30	4C	45	37	30	30	38	34	20	20	20
XS3200LE70094	58	53	33	32	30	30	4C	45	37	30	30	39	34	20	20	20
XS3200LE70104	58	53	33	32	30	30	4C	45	37	30	31	30	34	20	20	20
XS3200LE70114	58	53	33	32	30	30	4C	45	37	30	31	31	34	20	20	20
XS1600LE70084	58	53	31	36	30	30	4C	45	37	30	30	38	34	20	20	20
XS1600LE70094	58	53	31	36	30	30	4C	45	37	30	30	39	34	20	20	20
XS1600LE70104	58	53	31	36	30	30	4C	45	37	30	31	30	34	20	20	20
XS1600LE70114	58	53	31	36	30	30	4C	45	37	30	31	31	34	20	20	20
XS800LE70084	58	53	38	30	30	4C	45	37	30	30	38	34	20	20	20	20
XS800LE70094	58	53	38	30	30	4C	45	37	30	30	39	34	20	20	20	20
XS800LE70104	58	53	38	30	30	4C	45	37	30	31	30	34	20	20	20	20
XS800LE70114	58	53	38	30	30	4C	45	37	30	31	31	34	20	20	20	20
XS15360SE70084	58	53	31	35	33	36	30	53	45	37	30	30	38	34	20	20
XS15360SE70094	58	53	31	35	33	36	30	53	45	37	30	30	39	34	20	20
XS15360SE70104	58	53	31	35	33	36	30	53	45	37	30	31	30	34	20	20
XS15360SE70114	58	53	31	35	33	36	30	53	45	37	30	31	31	34	20	20
XS7680SE70084	58	53	37	36	38	30	53	45	37	30	30	38	34	20	20	20

Table 28 Inquiry command data (continued)

XS7680SE70094	58	53	37	36	38	30	53	45	37	30	30	39	34	20	20	20
XS7680SE70104	58	53	37	36	38	30	53	45	37	30	31	30	34	20	20	20
XS7680SE70114	58	53	37	36	38	30	53	45	37	30	31	31	34	20	20	20
XS3840SE70084	58	53	33	38	34	30	53	45	37	30	30	38	34	20	20	20
XS3840SE70094	58	53	33	38	34	30	53	45	37	30	30	39	34	20	20	20
XS3840SE70104	58	53	33	38	34	30	53	45	37	30	31	30	34	20	20	20
XS3840SE70114	58	53	33	38	34	30	53	45	37	30	31	31	34	20	20	20
XS1920SE70084	58	53	31	39	32	30	53	45	37	30	30	38	34	20	20	20
XS1920SE70094	58	53	31	39	32	30	53	45	37	30	30	39	34	20	20	20
XS1920SE70104	58	53	31	39	32	30	53	45	37	30	31	30	34	20	20	20
XS1920SE70114	58	53	31	39	32	30	53	45	37	30	31	31	34	20	20	20
XS960SE70084	58	53	39	36	30	53	45	37	30	30	38	34	20	20	20	20
XS960SE70094	58	53	39	36	30	53	45	37	30	30	39	34	20	20	20	20
XS960SE70104	58	53	39	36	30	53	45	37	30	31	30	34	20	20	20	20
XS960SE70114	58	53	39	36	30	53	45	37	30	31	31	34	20	20	20	20

Bytes 16 through 26 (Product ID) reflect the model of drive in ASCII.

12.3.2 MODE SENSE data

The MODE SENSE command provides a way for the drive to report its operating parameters to the initiator. The drive maintains four sets of mode parameters:

1. Default values

Default values are hard-coded in the drive firmware stored in flash E-PROM (nonvolatile memory) on the drive's PCB. These default values can be changed only by downloading a complete set of new firmware into the flash E-PROM. An initiator can request and receive from the drive a list of default values and use those in a MODE SELECT command to set up new current and saved values, where the values are changeable.

2. Saved values

Saved values are stored on the drive's media using a MODE SELECT command. Only parameter values that are allowed to be changed can be changed by this method. Parameters in the saved values list that are not changeable by the MODE SELECT command get their values from default values storage.

When power is applied to the drive, it takes saved values from the media and stores them as current values in volatile memory. It is not possible to change the current values (or the saved values) with a MODE SELECT command before the drive is "ready." An attempt to do so results in a "Check Condition" status.

On drives requiring unique saved values, the required unique saved values are stored into the saved values storage location on the media prior to shipping the drive. Some drives may have unique firmware with unique default values also.

On standard OEM drives, the saved values are taken from the default values list and stored into the saved values storage location on the media prior to shipping.

3. Current values

Current values are volatile values being used by the drive to control its operation. A MODE SELECT command can be used to change the values identified as changeable values. Originally, current values are installed from saved or default values after a power on reset, hard reset, or Bus Device Reset message.

4. Changeable values

Changeable values form a bit mask, stored in nonvolatile memory, that dictates which of the current values and saved values can be changed by a MODE SELECT command. A one (1) indicates the value can be changed. A zero (0) indicates the value is not changeable. These are hex numbers representing the changeable values for Mode page 81. Note in columns 5 and 6 (bytes 04 and 05), there is 00h which indicates that in bytes 04 and 05 none of the bits are changeable. Note also that bytes 06, 07, 09, 10, and 11 are not changeable, because those fields are all zeros. In byte 02, hex value FF equates to the binary pattern 11111111. If there is a zero in any bit position in the field, it means that bit is not changeable. Since all of the bits in byte 02 are ones, all of these bits are changeable.

The changeable values list can only be changed by downloading new firmware.

NOTE Because there are often several different versions of drive control firmware in the total population of drives in the field, the MODE SENSE values given in the following tables may not exactly match those of some drives.

12.4 Miscellaneous operating features and conditions

The table below lists various features and conditions. A "Y" in the support column indicates the feature or condition is supported. An "N" in the support column indicates the feature or condition is not supported.

Table 29 - Miscellaneous features

Supported	Feature or condition
N	Automatic contingent allegiance
N	Asynchronous event notification
Y	Segmented caching
N	Zero latency read
Y	Queue tagging (up to 128 queue tags supported)
Y	Deferred error handling
Y	Parameter rounding (controlled by Round bit in MODE SELECT page 0)
N	Reporting actual retry count in Extended Sense bytes 15, 16, and 17

Table 30 - Miscellaneous status

Supported	Status
Y	Good
Y	Check condition
Y	Condition met/good
Y	Busy
Y	Reservation conflict
Y	Task set full
N	ACA active
N	ACA active, faulted initiator
N	Task Aborted

12.4.1 SAS physical interface

Figure 11, *Physical Interface*, on page 79 shows the location of the SAS device connector J1. Figure 12, *SAS device plug dimensions*, on page 80 and Figure 13, *SAS device plug dimensions (detail)*, on page 81 provide the dimensions of the SAS connector. Details of the physical, electrical, and logical characteristics are provided within this section. The operational aspects of the Seagate SAS drives are provided in the SAS Interface Manual.

Figure 11 Physical Interface

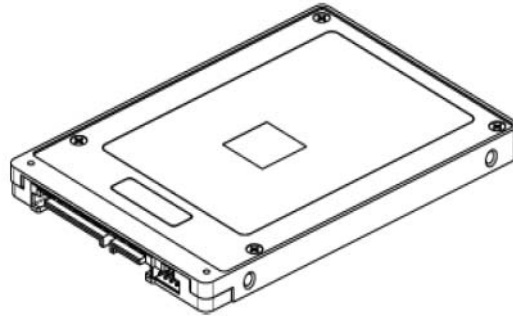


Figure 12 SAS device plug dimensions

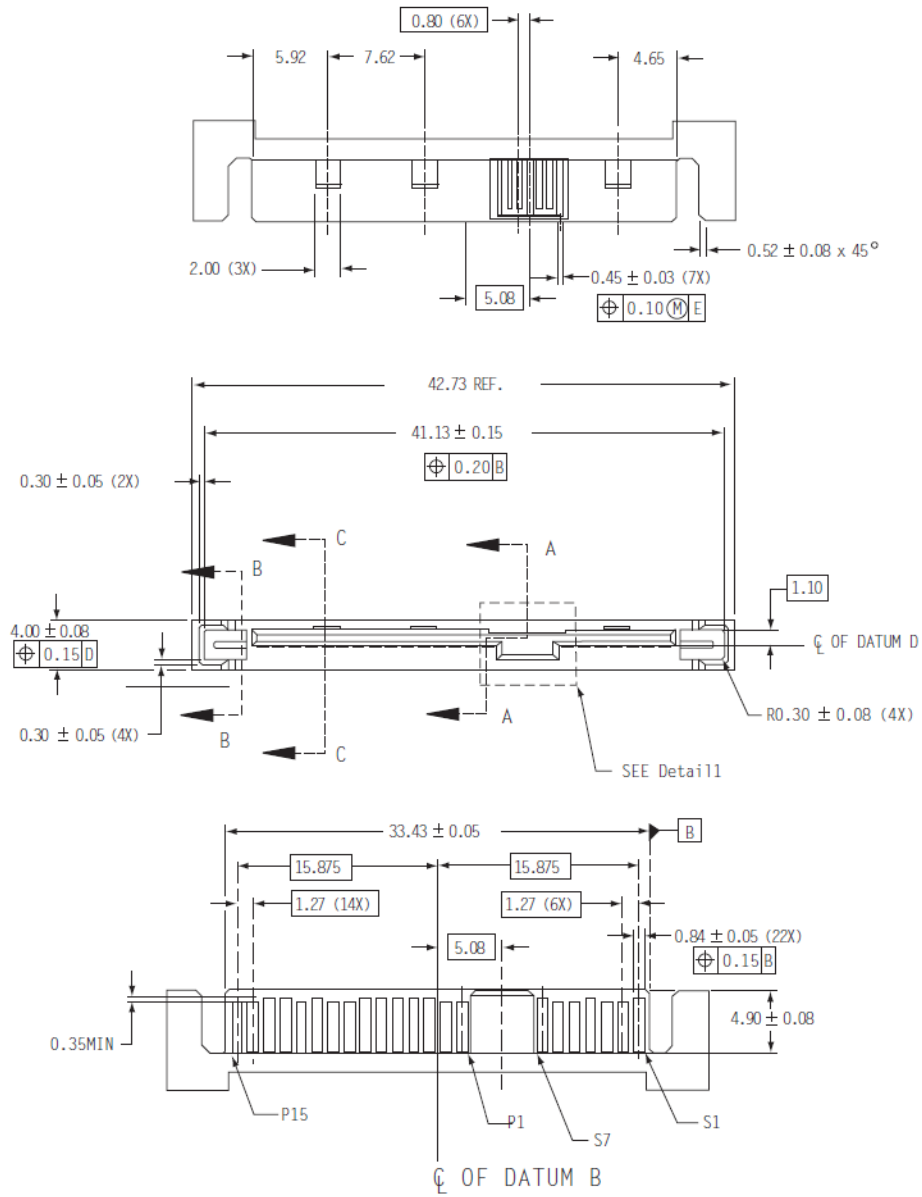
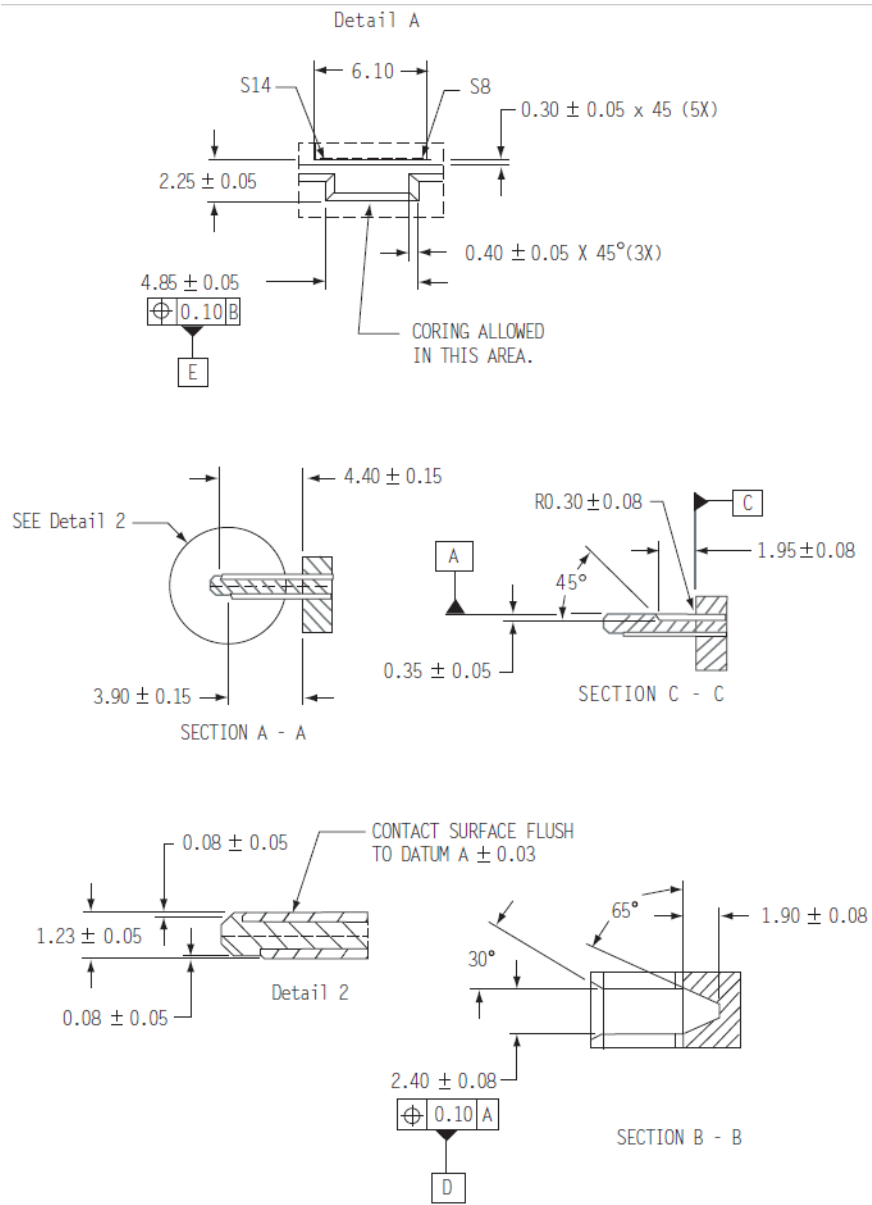


Figure 13 SAS device plug dimensions (detail)



12.4.2 Physical characteristics

This section defines physical interface connector.

12.4.3 Connector requirements

Contact a preferred connector manufacturer for mating part information. Part numbers for SAS connectors will be provided in a future revision of this publication when production parts are available from major connector manufacturers.

12.4.4 Electrical description

SAS drives use the device connector for:

- DC power
- SAS interface
- Activity LED

This connector is designed to either plug directly into a backpanel or accept cables.

12.4.5 Pin descriptions

This section provides a pin-out of the SAS device and a description of the functions provided by the pins.

Table 31 - SAS pin descriptions

Pin	Signal name	Signal type	Pin	Signal name
S1	Port A Ground		P1	Reserved
S2	+PortA_in	Diff. input pair	P2	Reserved
S3	-PortA_in		P3	SAS Power Disable
S4	Port A Ground		P4	Ground
S5	-PortA_out	Diff. output pair	P5	Ground
S6	+PortA_out		P6	Ground
S7	Port A Ground		P7	5 Volts charge
S8	Port B Ground		P8	5 Volts
S9*	+PortB_in	Diff. input pair	P9	5 Volts
S10*	-PortB_in		P10	Ground
S11	Port B Ground		P11	Ready LED
S12	-PortB_out	Diff. output pair	P12	Ground
S13	+PortB_out		P13	12 Volts charge
S14	Port B Ground		P14	12 Volts
			P15	12 Volts

NOTES

- Pins marked **Bold** are short pins that support hot plugging.
- Pins P1 and P2: When behind a SAS Drive plug connector, these pins connect only to each other.

12.4.6 Power--check redundancy with other Power section

The drive receives power (+5 volts and +12 volts) through the SAS device connector.

Three +12 volt pins provide power to the drive, 2 short and 1 long.

The current return for the +12 volt power supply is through the common ground pins.

The supply current and return current must be distributed as evenly as possible among the pins.

Three +5 volt pins provide power to the drive, 2 short and 1 long. The current return for the +5 volt power supply is through the common ground pins. The supply current and return current must be distributed as evenly as possible among the pins.

Current to the drive through the long power pins may be limited by the system to reduce inrush current to the drive during hot plugging.

There is no power on sequencing requirements between the +12 volts and +5 volts inputs.

There is no power control switch on the drive. However, power can be cycled on the drive by utilizing the SAS Power Disable feature (i.e. drive Pin 3 high) as defined by T10 SAS-3.

12.5 Signal characteristics

This section describes the electrical signal characteristics of the drive's input and output signals. See [Table 31, SAS pin descriptions, on page 83](#) for signal type and signal name information.

12.5.1 Ready LED Out

The Ready LED Out signal is driven by the drive as indicated in the table below.

Table 32 - Ready LED Out conditions

Normal command activity	LED status	
	0	1
Ready LED Meaning bit mode page 19h	0	1
Drive stopped, not ready, and no activity	Off	Off
Drive stopped, not ready, and activity (command executing)	On	On
Drive started, ready, and no activity	On	Off
Drive started, ready, and activity (command executing)	Off	On
Drive transitioning from not-ready state to ready state or the reverse.	Blinks steadily (50% on and 50% off, 0.5 seconds on and off for 0.5 seconds)	
FORMAT UNIT in progress,	Toggles on/off	

The Ready LED Out signal is designed to pull down the cathode of an LED. The anode is attached to the proper +3.3 volt supply through an appropriate current limiting resistor. The LED and the current limiting resistor are external to the drive.

See [Table 33, LED drive signal, on page 85](#) for the output characteristics of the LED drive signals.

Table 33 - LED drive signal

State	Test condition	Output voltage
■ LED off, high	$0\text{ V} \leq V_{OH} \leq 3.6\text{ V}$	$-100\ \mu\text{A} < I_{OH} < 100\ \mu\text{A}$
■ LED on, low	$I_{OL} = 15\text{ mA}$	$0 \leq V_{OL} \leq 0.225\text{ V}$

12.5.2 Differential signals

The drive SAS differential signals comply with the intra-enclosure (internal connector) requirements of the SAS standard.

The following table defines the general interface characteristics.

Table 34 - General interface characteristics

Characteristic	Units	1.5Gb/s	3.0Gb/s	6.0Gb/s	12.0Gb/s
Bit rate (nominal)	Mbaud	1,500	3,000	6,000	12,000
Unit interval (UI)(nominal)	ps	666.6	333.3	166.6	83.3
Impedance (nominal, differential)	ohm	100	100	100	100
Transmitter transients, maximum	V	+/- 1.2	+/- 1.2	+/- 1.2	+/- 1.2
Receiver transients, maximum	V	+/- 1.2	+/- 1.2	+/- 1.2	+/- 1.2

12.6 SAS-3 Specification compliance

Seagate SAS-3 compatible drives are compliant with the latest SAS-3 Specification (T10/BSR INCITS 519 rev. 06).

The main difference from SAS-2 is the Tx and Rx training that allows the host and drive to adjust the amplitude and emphasis values to the channel. The receiver still employs Decision Feedback Equalizer (DFE) and Feed Forward Equalizer (FFE) circuitry to accomplish this training.

12.7 Additional information

Please contact the Seagate representative for SAS electrical details, if required.

For more information about the Phy, Link, Transport, and Applications layers of the SAS interface, refer to the Seagate SAS Interface Manual, part number 100293071.

For more information about the SCSI commands used by Seagate SAS drives, refer to the Seagate SCSI Commands Reference Manual, part number 100293068.



Seagate Technology LLC

AMERICAS Seagate Technology LLC 47488 Kato Road, Fremont, California 94538, United States, 510-661-1000

ASIA/PACIFIC Seagate Singapore International Headquarters Pte. Ltd. 7000 Ang Mo Kio Avenue 5, Singapore 569877, 65-6485-3888

EUROPE, MIDDLE EAST AND AFRICA Seagate Technology (Netherlands) B.V. Koolhovenlaan 1, 1119 NB Schiphol-Rijk, Netherlands, 31-20-316-7300

Publication Number: 100867109 Rev B

September 2020