



Ergotron® Flat Panel Monitor Mounting Solutions

Maximize the effectiveness of Flat Panel Monitors



Ergotron is a registered trademark of Ergotron, Inc.
Reproduction of this material in whole or in part for any purpose
other than that authorized by Ergotron, Inc. is prohibited.

© 2005 Ergotron, Inc. All rights reserved.

Orderguide

Flat Panel Mounting Solutions

Table of Contents

Introduction	4
How to Select Mounting Solutions	4
Flat Panel Mounting Solutions Product Overview	5
Mounting Solutions Product Selection	6
400 Series	6
300 Series	10
200 Series	14
100 Series	20
NO LONGER AVAILABLE — DS400 Series	21
MD Series	21
DS100 Series	22
HD Series	26
FX Series	32
VL Series	34
Carts: Mobile WorkStand	36
Surface Attachment Options	40
Direct Mounting, Wall Plates, Furniture Mounts	40
Wall Tracks	41
Command Posts	42
Pole Mounts	44
Slatwall Components	45
Accessory Selections	46
Keyboard/Mouse Trays, Laptop Trays & Accessories	46
Monitor Interface Accessories	47
CPU Holders	47
Storage Components	48
Peripheral Table	48
Cable Channel	48
Monitor Interface & VESA® Standard Guide	49
Ergonomics Data & Mounting Heights	50
Ergonomic Ground Rules – English Units	50
Ergonomic Ground Rules – Metric Units	51
Mounting Height Illustrations	52
Technical Specifications	54
Weight Capacity	54
Performance Information	55
Interface Dimensions for Direct Mounting	56
Product Dimensions	59
Sample Configurations	66
International Notes	68
Notes	69

Introduction

Flat panel monitors provide space-saving convenience. Ergotron's Flat Panel Mounting Solutions deliver this technology where you need it. Patented Mounting Solution products instantly lift, swing, tilt and rotate for optimum ergonomic positioning without the need for knobs or adjustment levers. Our patented Paraview Technology allows multiple monitors to be attached to a single arm or stand. In short, Ergotron's Flat Panel Mounting Solutions increase work space while improving productivity.

How to Select Mounting Solutions for your Application

When deciding which Mounting Solutions to order, consider three topics:

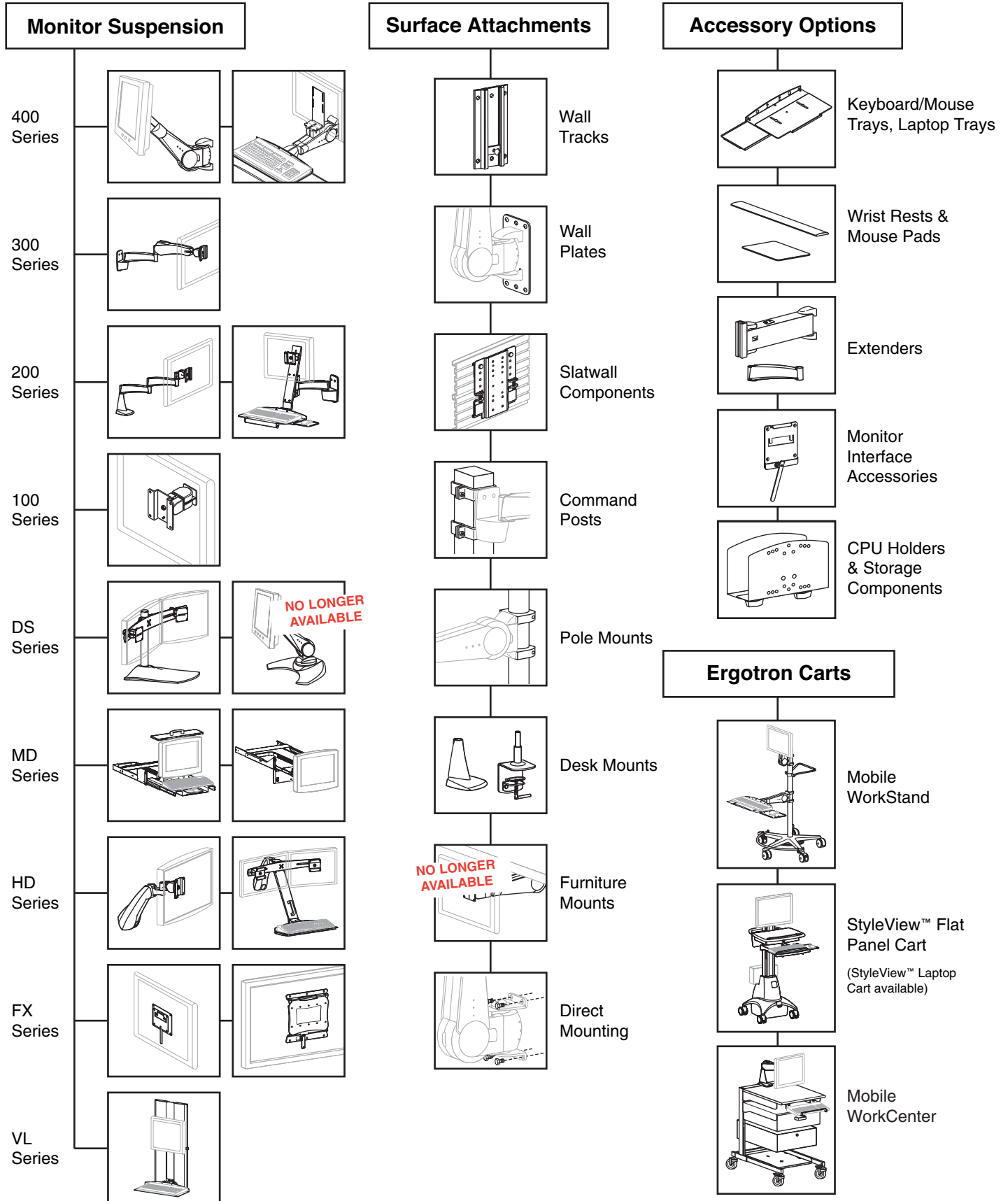
1. Determine which method of Monitor Mounting you need...
 - **400 Series** for long reach adjustability
 - **300 Series** for full adjustability
 - **200 Series** for monitor extension/retraction adjustability
 - **100 Series** for short reach with partial adjustability
 - **DS400 Series:** Desk stand for improved adjustment
 - **MD Series:** for mounting monitors and/or keyboards into enclosures
 - **DS100 Series:** Desk stand that mounts multiple monitors
 - **HD Series** for multiple monitors, laptops & heavy flat panel systems
 - **FX Series:** Fixed mounting
 - **VL Series:** Vertical lift system
 - **Mobile WorkStand:** Computer carts for any application
2. Choose a Surface Attachment Option...
 - Attach to a **wall**
 - Place on a **desk**
 - Fasten to a **post**
 - Clamp to a **frame**
 - Hang under a **shelf**
 - Suspend from a **ceiling**
3. Select Accessories for your system...
 - Keyboard/Mouse Trays, Laptop Trays & Accessories
 - Monitor Interface Accessories
 - CPU Holders
 - Storage Components
 - Peripheral Table
 - Cable Channel

For a more comprehensive set of configurations for specific market environments, please see the following Orderguides:

- Healthcare Markets, see our Healthcare Orderguide (870-03-022)
- Dental Markets, see our Dental Orderguide (870-03-021)
- Financial Markets, see our Financial Orderguide (870-03-023)

There are many Flat Panel Mounting Solution configurations found in these separate Orderguides that cannot be found here. All of Ergotron's literature may be found on our website, www.ergotron.com.

Flat Panel Mounting Solutions Product Overview



Mounting Solutions Product Selection

400 Series



Ergotron's new LX Arm, featuring Constant Force (CF™) proprietary lift-and-pivot motion technology, will be replacing many of our 400 Series Arms. The LX Arm not only offers increased functionality, but also a lower MSRP.

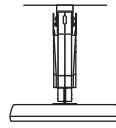
Please visit our website at www.ergotron.com to learn more about the LX Arm and Ergotron's breakthrough CF technology.

The 400 Series provides up to 24 inches (610 mm) of vertical, sit-to-stand adjustability – enough to accommodate sitting and standing users at the same workstation! 400 Series Mounting Solutions also provide smooth adjustment while maintaining touch-screen stability. Other features include: cable management that conceals and routes cables; internal steel construction; easy-to-clean plastic exterior.

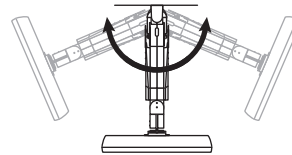
Range of Motion

Vertical Mount Monitor Arms...

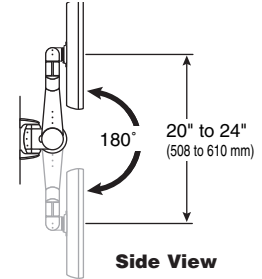
Note: Height adjustment of Single Pivot Arms = 20"; Double Pivot Arms = 24"



0°
Fixed Arm
Top View

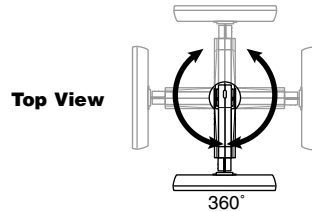


180°
Rotate Arm
Top View

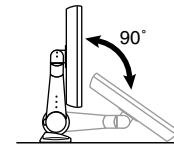


Side View

Horizontal & Suspend Mount Arms...



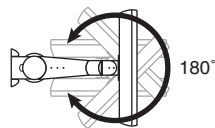
Top View



Side View

Monitor Tilt/Pivot...

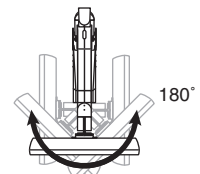
- Single Pivot: 180° up/down tilt
- Double Pivot w/ P/L: 180° up/down tilt, 360° P/L, & 180° left/right tilt



Side View
Up/down tilt

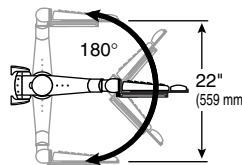


Front View
Portrait/landscape



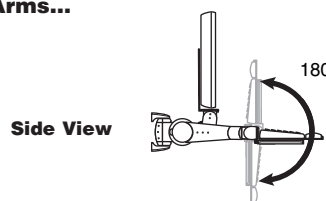
Top View
Left/right tilt

Keyboard/Laptop Arms...



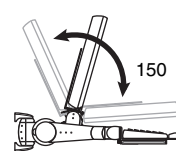
Side View

Combo Arms...

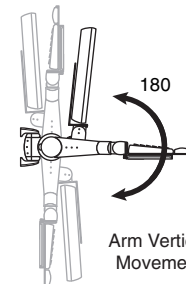


Side View

Keyboard Tray
Movement



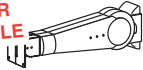
Monitor
Movement



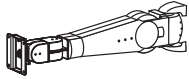
Arm Vertical
Movement

Attention: For 400 Series dimensional information, see page 59.

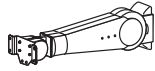
NO
LONGER
AVAILABLE



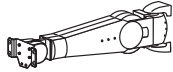
45-003-xxx



45-007-xxx

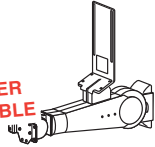


45-005-xxx

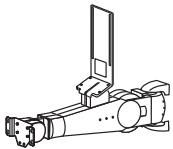


45-006-xxx

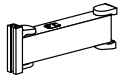
NO
LONGER
AVAILABLE



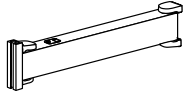
45-032-xxx



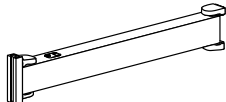
45-029-xxx



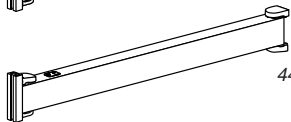
44-253-xxx



44-254-xxx



44-255-xxx



44-256-xxx

400 Series Vertical Mount Arms

Part Number	Description	Shipping Weight	
Monitor Mounts		Weight Capacity	
45-003-099, grey 45-003-085, black	Fixed, Single Pivot	28 lbs (12.7 kg)	11 lbs (5 kg)
45-007-099, grey 45-007-085, black	Rotate, Double Pivot w/ P/L	23 lbs (10.4 kg)	13 lbs (5.9 kg)
Keyboard/Laptop Mounts			
45-005-099, grey* 45-005-085, black*	Fixed, Keyboard/Laptop Pivot	7.5 lbs (3.4 kg)	11 lbs (5 kg)
45-006-099, grey* 45-006-085, black*	Rotate, Keyboard/Laptop Pivot	7.5 lbs (3.4 kg)	12 lbs (5.4 kg)
Combo Mounts			
45-032-099, grey*† 45-032-085, black*†	Fixed, Combo Flat Panel/Keyboard Arm	Mon: 20 lbs (9 kg) Kybd: 7.5 lbs (3.4 kg)	14 lbs (6.4 kg)
45-029-099, grey*† 45-029-085, black*†	Rotate, Combo Flat Panel/Keyboard Arm	Mon: 20 lbs (9 kg) Kybd: 7.5 lbs (3.4 kg)	15 lbs (6.8 kg)
Extenders		Dimensions (L x W x D)	
44-253-100, grey** 44-253-101, black**	Extender, 12-inch	12" x 2" x 6-1/4" (305 x 51 x 159 mm)	7 lbs (3.2 kg)
44-254-100, grey** 44-254-101, black**	Extender, 18-inch	18" x 2" x 6-1/4" (457 x 51 x 159 mm)	9 lbs (4.1 kg)
44-255-100, grey** 44-255-101, black**	Extender, 24-inch	24" x 2" x 6-1/4" (610 x 51 x 159 mm)	12 lbs (5.4 kg)
44-256-100, grey** 44-256-101, black**	Extender, 30-inch	30" x 2" x 6-1/4" (762 x 51 x 159 mm)	14 lbs (6.4 kg)

* Keyboard/Mouse Tray or Laptop Tray ordered separately. See page 46.

** Extenders are compatible with 400 Series Rotate Arms (45-007-xxx, 45-006-xxx and 45-029-xxx) only.

† Compatible with monitors that have a removable base and the measurement between the bottom of the monitor and its lower mounting holes is no more than 6" (152 mm).

Note: Monitor interfaces that are not VESA FDMI compliant require a separately ordered, adapter bracket. Contact your Sales Representative for more information. (See page 49 for details.)

Mounting Options & Accessories for 400 Series Vertical Mount Arms

Surface Attachment Options	Page #	Accessory Options	Page #
Direct Mounting, Wall Plates, Furniture Mounts	40	Extenders	above
Wall Tracks	41	Keyboard/Mouse Trays, Laptop Trays & Accessories	46
Command Posts	42	Monitor Interface Accessories	47
Pole Mounts	44	CPU Holders	47
Slatwall Components	45	Storage Components	48
Mobile WorkStands	36	Peripheral Table	48

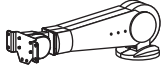
Attention: For 400 Series dimensional information, see page 59.



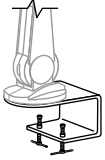
45-012-xxx



45-016-xxx



45-036-xxx



60-060

400 Series Horizontal Mount Arms

Attach above worksurface, countertop or other horizontal surface.

Part Number	Description	Shipping Weight	
Monitor Mounts		Weight Capacity	
45-012-099, grey 45-012-085, black	Single Pivot	28 lbs (12.7 kg)	12 lbs (5.4 kg)
45-016-099, grey 45-016-085, black	Double Pivot w/ P/L	23 lbs (10.4 kg)	15 lbs (6.8 kg)
Keyboard/Laptop Mounts			
45-036-099, grey* 45-036-085, black*	Keyboard/Laptop Pivot	7.5 lbs (3.4 kg)	13 lbs (5.9 kg)
Desk Clamp		Attach to ...	
60-060, black	Surface Clamp	Surface edge ≤ 1-3/4" (44 mm) thick	2 lbs (.9 kg)

* Keyboard/Mouse Tray or Laptop Tray ordered separately. See page 46.

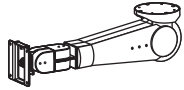
Note: Monitor interfaces that are not VESA FDMI compliant require a separately ordered, adapter bracket. Contact your Sales Representative for more information. (See page 49 for details.)

400 Series Suspend Mount Arms

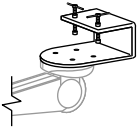
Suspend from a ceiling, shelf or other horizontal surface.

Part Number	Description	Shipping Weight	
Monitor Mounts		Weight Capacity	
45-014-099, grey 45-014-085, black	Double Pivot w/ P/L	23 lbs (10.4 kg)	15 lbs (6.8 kg)
Ceiling Clamp		Attach to ...	
60-060, black	Surface Clamp	Surface edge ≤ 1-3/4" (44 mm) thick	2 lbs (.9 kg)

Note: Monitor interfaces that are not VESA FDMI compliant require a separately ordered, adapter bracket. Contact your Sales Representative for more information. (See page 49 for details.)



45-014-xxx



60-060

Mounting Options & Accessories for 400 Horizontal/Suspend Mount Arms

Surface Attachment Options	Page #	Accessory Options	Page #
Surface Clamps	above	Keyboard/Mouse Trays, Laptop Trays & Accessories	46
Direct Mounting	40	Monitor Interface Accessories	47
Furniture Mounts	40	CPU Holders	47
		Storage Components	48
		Peripheral Table	48

Attention: For 400 Series dimensional information, see page 59.

Photo Reference for 400 Series



The 400 Series Arm with Keyboard/Laptop Pivot features 22 inches (559 mm) of vertical adjustability.



Note the VESA FDMI monitor interface where the monitor attaches to the arm. Shown with optional Surface Clamp.



400 Series Combo Arm mounted on Wall Track.



A 400 Series Arm is teamed with an Extender to enhance placement capability.



400 Series Arm mounted to Ergotron TechStation.



400 Series Arms shown mounted to Ergotron's Mobile WorkStand.

Mounting Solutions Product Selection

300 Series

300 Series Mounting Solutions provide 16" to 20" (406 to 508 mm) of height adjustment. Extensions add telescopic motion for extension and retraction. The 300 Series features Pivot-ease® technology, which provides long-life monitor adjustment while maintaining touch-screen stability.

Range of Motion

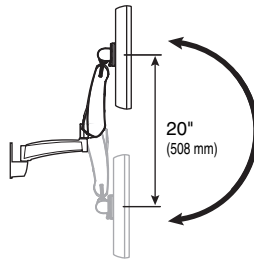


Ergotron's new LX Arm, featuring Constant Force (CF™) proprietary lift-and-pivot motion technology, will be replacing many of our 300 Series Arms.

The LX Arm offers increased functionality and a lower MSRP.

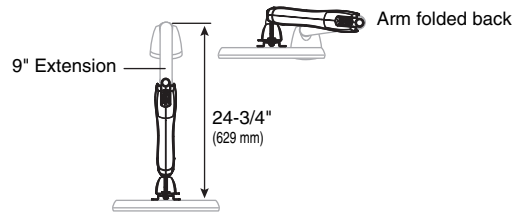
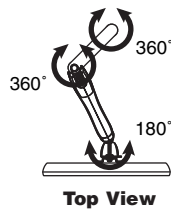
Please visit our website at www.ergotron.com to learn more about the LX Arm and Ergotron's breakthrough CF technology.

Height Adjustment...

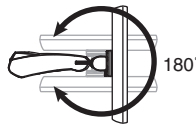


Rotation...

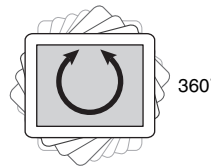
- Telescopic motion



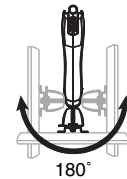
Monitor Pivot...



Side View
Up/down tilt

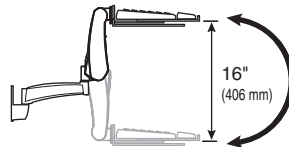


Front View
Portrait/landscape

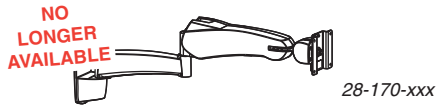
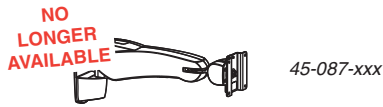


Top View
Left/right tilt

Keyboard/Laptop Adjustment...



Attention: For 300 Series dimensional information, see page 60.



300 Series Pre-configurations – Vertical Mount

Mount to vertical surface: directly to surface, Wall Plate, Wall Track, Pole Clamps, etc. See chart below.


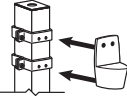
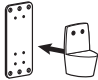
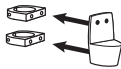
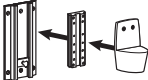
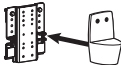
Part Number	Description	Weight Capacity	Shipping Weight
Monitor Mounts			
45-087-180, grey 45-087-200, black	Vertical Mount Arm	23 lbs (10.4 kg)	9 lbs (4.1 kg)
28-170-180, grey 28-170-200, black	Vertical Mount Arm with 9" Extension	23 lbs (10.4 kg)	16 lbs (7.3 kg)
Keyboard/Laptop Mounts			
45-099-180, grey* 45-099-200, black*	Vertical Mount Keyboard/Laptop Pivot Arm	7.5 lbs (3.4 kg)	8 lbs (3.6 kg)

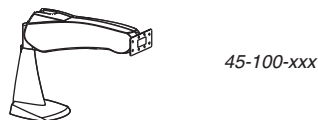
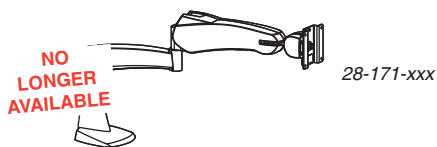
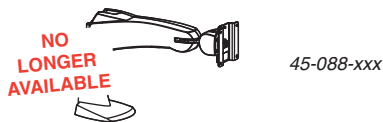
* Order Keyboard/Mouse Tray or Laptop Tray separately (p.46).

Note: Monitor interfaces that are not VESA FDMI compliant require a separately ordered, adapter bracket. Contact your Sales Representative for more information. (See page 49 for details.)

Vertical Mount Attachment Options for the 300 Series

Go to page listed to get more information about the different brackets and clamps.

1.  Directly to vertical surfaces	4.  Command Post See page 42
2.  Wall Plates See page 40	5.  Pole Clamps See page 44
3.  Wall Track See page 41	6.  Slatwall Bracket See page 45



300 Series Pre-configurations – Desk Mount


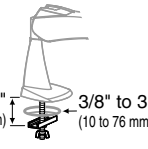
Desk Mounts attach to worksurfaces with either the Desk Clamp or the Grommet Mount. Desk Clamps attach to the edge of worksurfaces ≤ 2-1/8" (54 mm) thick. Grommet Mounts attach through a hole in the worksurface 3/8" to 3" (10 to 76 mm) wide, up to 4" (102 mm) thick.

Part Number	Description	Weight Capacity	Shipping Weight
Monitor Mounts			
45-088-180, grey 45-088-200, black	Desk Mount (Clamp/Grommet) Arm	23 lbs (10.4 kg)	13 lbs (5.9 kg)
28-171-180, grey 28-171-200, black	Desk Mount (Clamp/Grommet) Arm with 9" Extension	23 lbs (10.4 kg)	20 lbs (9.1 kg)
Keyboard/Laptop Mounts			
45-100-180, grey* 45-100-200, black*	Desk Mount (Clamp/Grommet) Keyboard/Laptop Pivot Arm	7.5 lbs (3.4 kg)	12 lbs (5.4 kg)

* Order Keyboard/Mouse Tray or Laptop Tray separately (p.46).

Note: Monitor interfaces that are not VESA FDMI compliant require a separately ordered, adapter bracket. Contact your Sales Representative for more information. (See page 49 for details.)

Desk Mount Attachment

Desk Clamp	Grommet Mount
	
≤ 2-1/8" (54 mm)	4" (102 mm)
	3/8" to 3" (10 to 76 mm)

Both the Desk Clamp and Grommet Mount bases are included with the Desk Mount option.

NO
LONGER
AVAILABLE



45-067-xxx



45-098-xxx



45-121-xxx



45-056-xxx

NO
LONGER
AVAILABLE



45-120-xxx



60-249-xxx



33-069-xxx

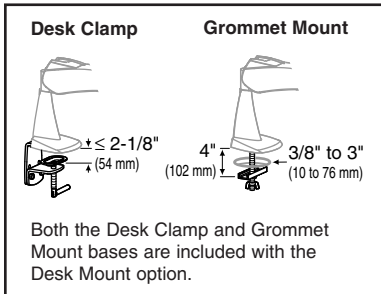
300 Series – Individual Components

Part Number	Description	Shipping Weight	
300 Arms		Weight Capacity	
45-067-180, grey 45-067-200, black	300 Arm	23 lbs (10.4 kg)	8 lbs (3.6 kg)
45-098-180, grey* 45-098-200, black*	300 Arm, Keyboard/Laptop Pivot	7.5 lbs (3.4 kg)	7 lbs (3.2 kg)
Extensions		Notes	
45-121-180, grey 45-121-200, black	5" Extension	Combine with other arms for telescopic motion** (See **Attention in lower left corner)	5 lbs (2.3 kg)
45-056-180, grey 45-056-200, black	9" Extension	Combine with other arms for telescopic motion** (See **Attention in lower left corner)	5 lbs (2.3 kg)
45-120-180, grey 45-120-200, black	7" Extension w/ Pole Clamp (attach to 1-1/2" Round Pole, p.44)	Combine with other arms for telescopic motion** (See **Attention in lower left corner)	5 lbs (2.3 kg)
Bases		Attach to...	
60-249-180, grey 60-249-200, black	Vertical Mount	Slatwall Bracket, Wall Track, Wall Plate Pole Clamp, Command Post, or direct	2 lbs (.9 kg)
33-069-180, grey 33-069-200, black	Desk Mount (Clamp/Grommet)	Clamp: Horizontal surface at edge ≤ 2-1/8" (54 mm) Grommet: Horizontal surface through hole 3/8" to 3" (10 to 76 mm) wide, up to 4" (102 mm) thick	5 lbs (2.3 kg)

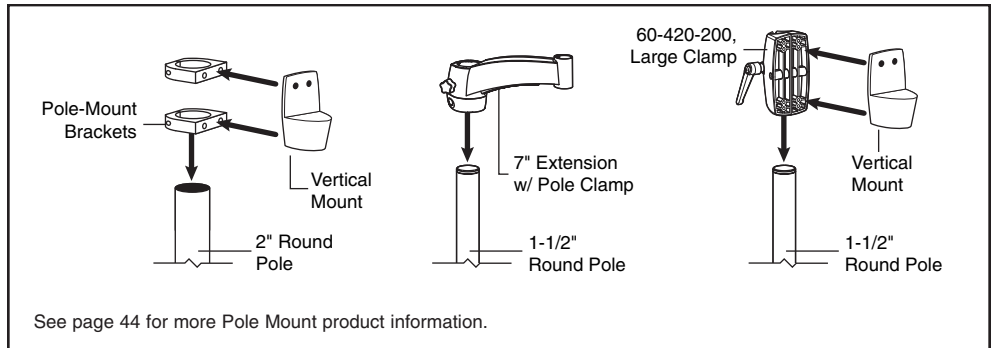
* Order Keyboard/Mouse Tray or Laptop Tray separately (p.46).

Note: Monitor interfaces that are not VESA FDMI compliant require a separately ordered, adapter bracket. Contact your Sales Representative for more information. (See page 49 for details.)

Desk Mount Attachment



Pole Mounts for the 300 Series



Mounting Options & Accessories for 300 Series

Surface Attachment Options	Page #	Accessory Options	Page #
Direct Mounting, Wall Plates	40	Extensions	above
Wall Tracks	41	Keyboard/Mouse Trays, Laptop Trays & Accessories	46
Command Posts	42	Monitor Interface Accessories	47
Pole Mounts	44	CPU Holders	47
Slatwall Components	45	Storage Components	48
Mobile WorkStands	36	Peripheral Table	48

**Attention:

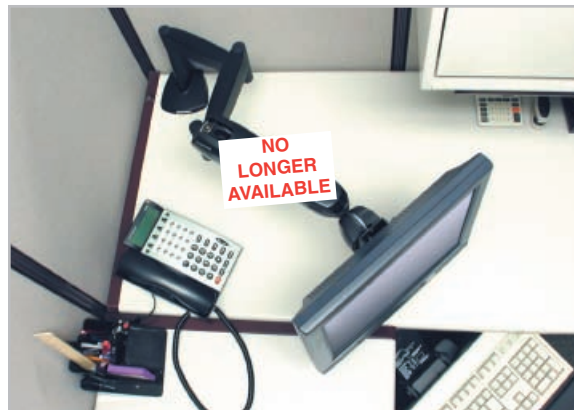
System weight capacity may vary depending on system configuration (e.g., the number of Extensions used). See page 54 to calculate capacity.

Attention: For 300 Series dimensional information, see page 60.

Photo Reference for 300 Series



A 300 Series Arm with two 9" Extensions is mounted to a Command Post. This configuration can extend the keypad out over 30 inches.



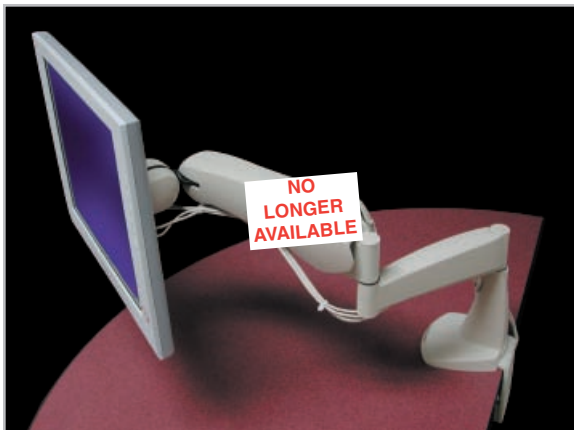
The top view of a cubicle where a 300 Series Arm with two 9" Extensions brings the monitor to the point of use.



A 300 Series Vertical Mount Arm clamped to a 2" round pole.



A 300 Series Arm with one 9" Extension attached to Wall Mount Plate.



A 300 Series Arm with 9" Extension is clamped to a worksurface.



Rear view of a 300 Series Arm. Note the cable routing.

Mounting Solutions Product Selection

200 Series

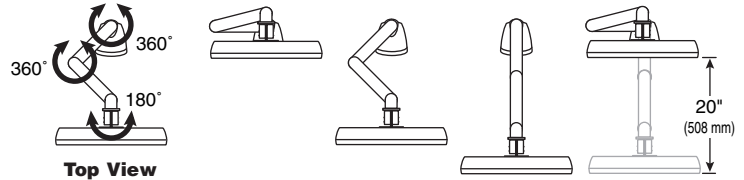
200 Series products feature multiple points of rotation for extension and retraction motion. This sturdy, fixed-height solution can mount multiple monitors on a single arm. Interchangeable components allow you to customize a system to your exact needs.



Range of Motion

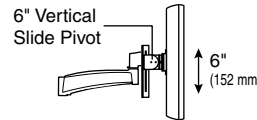
Rotation...

- Telescopic motion

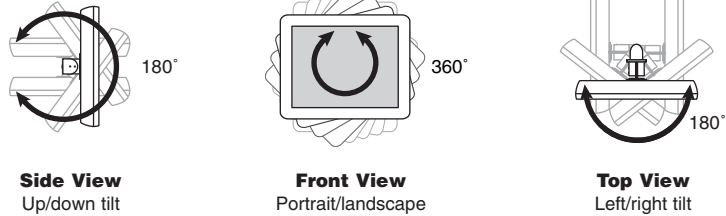


Height Adjustment...

- Controlled by adjustment knob

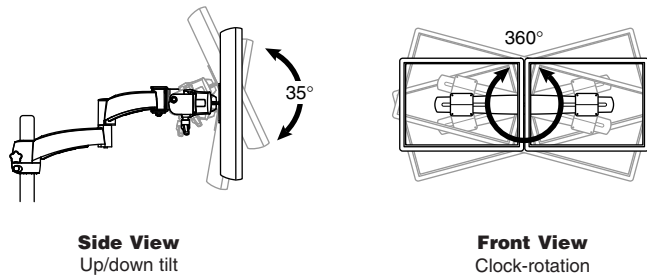


Monitor Pivot...

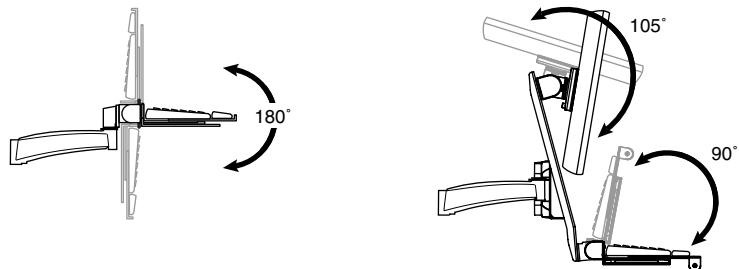


Bow Pivot...

- Up/down tilt controlled by adjustment lever: +25°/-10°
- Portrait/landscape motion available with single-arm configurations only



Keyboard/Laptop and Combo Pivots...



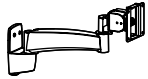
Attention: For 200 Series dimensional information, see page 61.



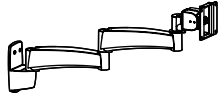
28-106-xxx



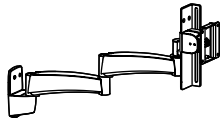
28-185-xxx



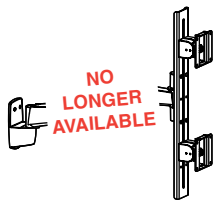
28-108-xxx



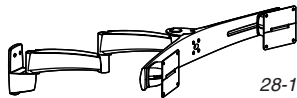
28-096-xxx



28-153-xxx



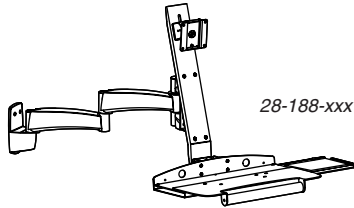
28-144-xxx



28-147-xxx



28-177-xxx



28-188-xxx

200 Series Pre-configurations – Vertical Mount

Mount to vertical surface: directly to surface, Wall Plate, Wall Track, Pole Clamps, etc. See chart below.

Part Number	Description	Weight Capacity per Pivot	Shipping Weight
Monitor Mounts			
28-106-180, grey 28-106-200, black	Single Pivot w/ P/L	25 lbs (11.3 kg)	4 lbs (1.8 kg)
28-185-180, grey 28-185-200, black	6" Vertical Slide Pivot w/ P/L	25 lbs (11.3 kg)	6 lbs (2.7 kg)
28-108-180, grey 28-108-200, black	9" Extension, Single Pivot w/ P/L	25 lbs (11.3 kg)	7 lbs (3.2 kg)
28-096-180, grey 28-096-200, black	(2) 9" Extensions, Single Pivot w/ P/L	25 lbs (11.3 kg)	13.5 lbs (6.1 kg)
28-153-180, grey 28-153-200, black	(2) 9" Extensions, 6" Vertical Slide Pivot w/ P/L	25 lbs (11.3 kg)	16 lbs (7.3 kg)
28-144-180, grey 28-144-200, black	(2) 9" Extensions, Vertical Bar, (2) Single Pivots w/ P/L	14 lbs (6.3 kg)	19 lbs (8.6 kg)
28-147-180, grey* 28-147-200, black*	(2) 9" Extensions, Horizontal Dual-Monitor 28" Crossbar, (2) Sliding Pivots	13 lbs (5.9 kg)	21 lbs (9.5 kg)
Keyboard/Laptop Mounts			
28-177-180, grey** 28-177-200, black**	(2) 9" Extensions, Keyboard/Laptop Pivot	7.5 lbs (3.4 kg)	13.5 lbs (6.1 kg)
Combo Mounts			
28-188-180, grey 28-188-200, black	(2) 9" Extensions, Combination Bracket, Single Pivot w/ P/L, Keyboard Pivot, Keyboard/Mouse Tray	Mon: 25 lbs (11.3 kg) Kybd: 15 lbs (6.8 kg)	28 lbs (12.7 kg)

* For allowable monitor widths, see page 61.

** Order Keyboard/Mouse Tray or Laptop Tray separately (p.46).

Note: Monitor interfaces that are not VESA FDMI compliant require a separately ordered, adapter bracket. Contact your Sales Representative for more information. (See page 49 for details.)

Vertical Mount Attachment Options for the 200 Series

Go to page listed to get more information about the different brackets and clamps.

- | | |
|---|--|
| <p>1. Directly to vertical surfaces</p> <p>2. Wall Plates
See page 40</p> <p>3. Wall Track
See page 41</p> | <p>4. Command Post
See page 42</p> <p>5. Pole Clamps
See page 44</p> <p>6. Slatwall Bracket
See page 45</p> |
|---|--|

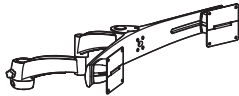
Attention: For 200 Series dimensional information, see page 61.



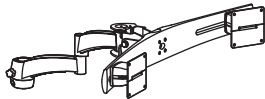
28-282-xxx

200 Series Pre-configurations – Pole Mount

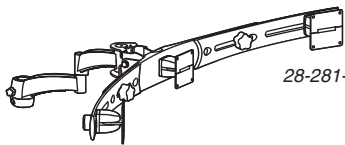
Attach directly to 1-1/2" diameter poles.



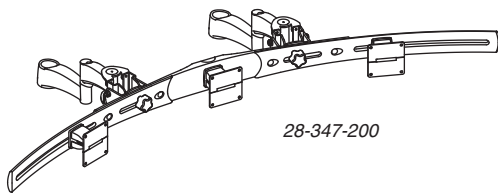
28-280-xxx



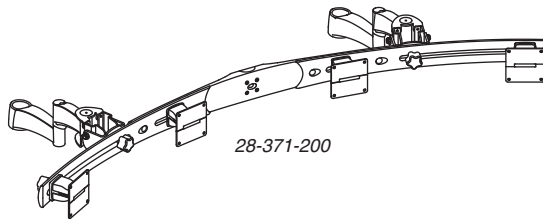
28-370-200



28-281-200



28-347-200



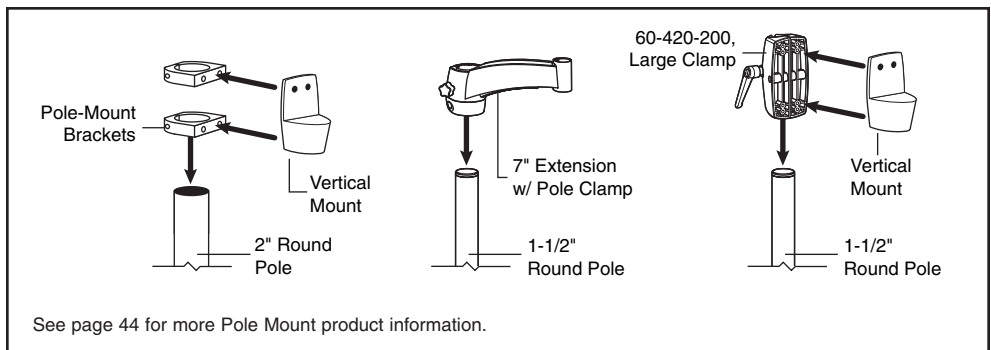
28-371-200

Part Number	Description	Weight Capacity per Pivot	Shipping Weight
28-282-180, grey 28-282-200, black	7" Extension w/ Pole Clamp, 5" Extension, 6" Vertical Slide Pivot w/ P/L	25 lbs (11.3 kg)	14 lbs (6.3 kg)
28-280-180, grey* 28-280-200, black*	7" Extension w/ Pole Clamp, 5" Extension, Dual-Monitor 28" Crossbar, (2) Sliding Pivots	See chart below	21 lbs (9.5 kg)
28-370-200, black*	7" Extension w/ Pole Clamp, 5" Extension w/ Bow Pivot, Dual-Monitor 28" Crossbar, (2) Sliding Pivots (Upgradeable to Triple-Monitor Config using 97-195-200, p.18)	See chart below	18 lbs (8.2 kg)
28-281-200, black*	7" Extension w/ Pole Clamp, 5" Extension w/ Bow Pivot, Triple-Monitor 46" Crossbar w/ Center Pivot, (2) Sliding Pivots	See chart below	22 lbs (10 kg)
28-347-200, black*	(2) 7" Extensions w/ Pole Clamp, (2) 5" Extensions w/ Bow Pivot, Triple-Monitor 55" Crossbar w/ Center Pivot, (2) Sliding Pivots	See chart below	31 lbs (14.1 kg)
28-371-200, black*	(2) 7" Extensions w/ Pole Clamp, (2) 5" Extensions w/ Bow Pivot, Quad-Monitor 55" Crossbar, (4) Sliding Pivots	See chart below	32 lbs (14.5 kg)

* For allowable monitor widths, see page 61.

Note: Monitor interfaces that are not VESA FDMI compliant require a separately ordered, adapter bracket. Contact your Sales Representative for more information. (See page 49 for details.)

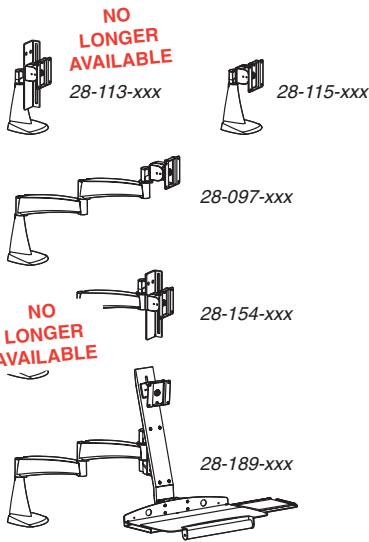
Pole Mounts for the 200 Series



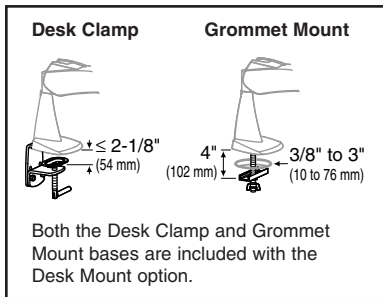
Weight Capacities for 200 Series Pole Mount Pre-configurations

Part Number	Slatwall Installation Weight Capacity per Pivot	Grommet/Desk Clamp Installation Weight Capacity per Pivot
28-371-200	24 lbs (10.9 kg)	17 lbs (7.7 kg)
28-347-200	27 lbs (12.2 kg)	19 lbs (8.6 kg)
28-281-200	13 lbs (5.9 kg)	9 lbs (4.1 kg)
28-370-200	22 lbs (10 kg)	16 lbs (7.2 kg)
28-280-xxx	25 lbs (11.3 kg)	18 lbs (8.1 kg)

Attention: For information regarding installation products listed in this table, see pages 44-45.



Desk Mount Attachment



Attention:

System weight capacity may vary depending on system configuration (e.g., the number of Extensions used). See page 54 to calculate capacity.

Attention: For 200 Series dimensional information, see page 61.

200 Series Pre-configurations – Desk Mount

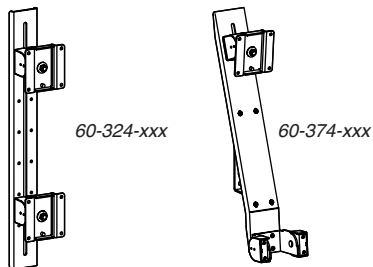
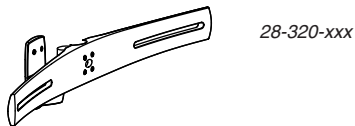
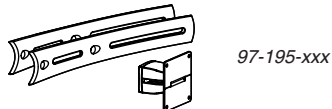
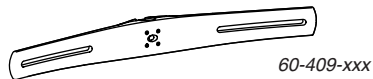
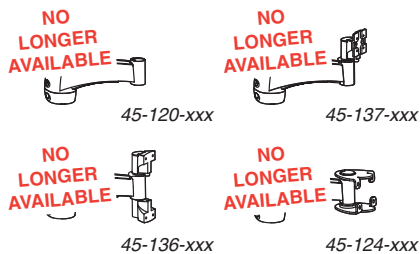
Desk Mounts attach to worksurfaces with either the Desk Clamp or the Grommet Mount. Desk Clamps attach to the edge of worksurfaces ≤ 2-1/8" (54 mm) thick. Grommet Mounts attach through a hole in the worksurface 3/8" to 3" (10 to 76 mm) wide, up to 4" (102 mm) thick.

Part Number	Description	Weight Capacity per Pivot	Shipping Weight
Monitor Mounts			
28-113-180, grey 28-113-200, black	6" Vertical Slide Pivot w/ P/L	25 lbs (11.3 kg)	6 lbs (2.7 kg)
28-115-180, grey 28-115-200, black	Single Pivot w/ P/L	25 lbs (11.3 kg)	7 lbs (3.2 kg)
28-097-180, grey 28-097-200, black	(2) 9" Extensions, Single Pivot w/ P/L	25 lbs (11.3 kg)	16.5 lbs (7.5 kg)
28-154-180, grey 28-154-200, black	(2) 9" Extensions, 6" Vertical Slide Pivot w/ P/L	25 lbs (11.3 kg)	20 lbs (9.1 kg)
Combo Mounts			
28-189-180, grey 28-189-200, black	(2) 9" Extensions, Combination Bracket, Single Pivot w/ P/L, Keyboard Pivot, Keyboard/Mouse Tray	Mon: 25 lbs (11.3 kg) Kybd: 15 lbs (6.8 kg)	28 lbs (12.7 kg)

Note: Monitor interfaces that are not VESA FDMI compliant require a separately ordered, adapter bracket. Contact your Sales Representative for more information. (See page 49 for details.)

200 Series – Individual Components (continued on next page)

Part Number	Description	Attach to...	Shipping Weight
Bases		Attach to...	
60-249-180, grey 60-249-200, black	Vertical Mount	Slatwall Bracket, Wall Track, Wall Plate, Pole Clamp, directly to vertical surface	2 lbs (.9 kg)
33-069-180, grey 33-069-200, black	Desk Mount (Clamp/Grommet)	Clamp: Horizontal surface at edge ≤ 2-1/8" (54 mm) Grommet: Horizontal surface through hole 3/8" to 3" (10 to 76 mm) wide, up to 4" (102 mm) thick	5 lbs (2.3 kg)
Extensions (continued on next page)		Notes	
45-121-180, grey 45-121-200, black	5" Extension	Combine w/ other Extension(s)	5 lbs (2.3 kg)
45-056-180, grey 45-056-200, black	9" Extension	Combine w/ other Extension(s)	5 lbs (2.3 kg)
45-135-180, grey 45-135-200, black	5" Extension w/ Pivot Interface	Use with Single Pivot (47-011-xxx), 6" Vertical Slide Pivot (60-321-009) or 100 Series Keyboard/Laptop Pivot (47-009-xxx) (p.20)	6 lbs (2.7 kg)
45-058-180, grey 45-058-200, black	9" Extension w/ Pivot Interface	Use with Single Pivot (47-011-xxx), 6" Vertical Slide Pivot (60-321-009) or 100 Series Keyboard/Laptop Pivot (47-009-xxx) (p.20)	5 lbs (2.3 kg)
45-134-180, grey 45-134-200, black	5" Extension w/ Combo Interface	Use with Vertical Bar (60-324-xxx) or Combo Bracket (60-374-xxx)	6 lbs (2.7 kg)
45-057-180, grey 45-057-200, black	9" Extension w/ Combo Interface	Use with Vertical Bar (60-324-xxx) or Combo Bracket (60-374-xxx)	5 lbs (2.3 kg)
45-123-180, grey 45-123-200, black	5" Extension w/ Crossbar Interface	Use with Horizontal Crossbar (60-409-xxx)	6 lbs (2.7 kg)
45-125-180, grey 45-125-200, black	9" Extension w/ Crossbar Interface	Use with Horizontal Crossbar (60-409-xxx)	6 lbs (2.7 kg)
45-151-180, grey 45-151-200, black	5" Extension w/ Bow Pivot Assembly	Use for mounting 3 or 4 monitors on a Crossbar Requires two 45-121-xxx per Crossbar	6 lbs (2.7 kg)



Height Adjustment

The 200 Series can be fitted with the 6" Vertical Slide Pivot to add height adjustment capability. With a turn of a knob, the monitor can be repositioned at the optimum height.

Attention: System weight capacity may vary depending on system configuration (e.g., the number of Extensions used). See page 54 to calculate capacity.

Attention: For 200 Series dimensional information, see page 61.

200 Series – Individual Components (cont.)

Part Number	Description	Attaches to...	Shipping Weight
Extensions (continued from previous page)			
45-120-180, grey 45-120-200, black	7" Extension w/ Pole Clamp	1-1/2" Round Pole (p.44)	6 lbs (2.7 kg)
45-137-180, grey 45-137-200, black	7" Extension w/ Pole Clamp w/ Pivot Interface	1-1/2" Round Pole (p.44); use with Single Pivot (47-011-xxx), 6" Vertical Slide (60-321-009) or 100 Series Keyboard/Laptop Pivot (47-009-xxx) (p.20)	7 lbs (3.2 kg)
45-136-180, grey 45-136-200, black	7" Extension w/ Pole Clamp w/ Combo Interface	1-1/2" Round Pole (p.44); use w/ Vertical Bar (60-324-xxx) or Combo Bracket (60-374-xxx)	7 lbs (3.2 kg)
45-124-180, grey 45-124-200, black	7" Extension w/ Pole Clamp w/ Crossbar Interface	1-1/2" Round Pole (p.44); use with Horizontal Crossbar (60-409-xxx)	7 lbs (3.2 kg)
Multi Component Mounts			
60-409-180, grey* 60-409-200, black*	Horizontal Dual-Monitor 28" Crossbar	Requires (2) separately-ordered Sliding Pivots (below); attaches to Extension w/ Crossbar Interface	6 lbs (2.7 kg)
97-195-180, grey* 97-195-200, black*	Dual-to-Triple Horizontal Crossbar Upgrade Kit: (2) Short Crossbar Extensions, Center Pivot	Transforms Dual-Monitor System 28-370-200 (p.16) into Triple-Monitor System. Note: The weight capacity of the 28-370-200 when using the 97-195-xxx is the same as the 28-281-200 (p.16).	6 lbs (2.7 kg)
28-320-180, grey* 28-320-200, black*	Horizontal Dual-Monitor 28" Crossbar, Vertical Mount	Requires (2) separately-ordered Sliding Pivots (below)	10 lbs (4.5 kg)
60-324-180, grey 60-324-200, black	Vertical Dual-Monitor 21" Bar, Sliding Pivots w/ P/L	Includes Pivots; attaches to Extension w/ Combo Interface	8 lbs (3.6 kg)
60-374-180, grey 60-374-200, black	Combo Monitor/Keyboard Bracket, Single Pivot w/ P/L	Includes Pivots; attaches to Extension w/ Combo Interface; order Keyboard Tray separately (p.46)	8 lbs (3.6 kg)
Pivots			
47-011-099, grey 47-011-085, black	Single Pivot w/ P/L	Extension w/ Pivot Interface	2 lbs (.9 kg)
60-321-009, black	6" Vertical Slide Pivot w/ P/L	Extension w/ Pivot Interface	3 lbs (1.4 kg)
47-046-099, grey 47-046-085, black	Sliding Pivot	Horizontal Crossbars	2 lbs (.9 kg)
47-047-099, grey 47-047-085, black	Sliding Pivot w/ P/L	Horizontal Crossbars	2 lbs (.9 kg)
Other			
60-323-007, aluminum	400 Series Interface Plate	Attaches to Extension w/ Combo Interface; use with 400 Series Rotate Arm only; limit system to (1) Extension	1 lbs (.5 kg)
97-151-007, aluminum	Rotation Stop Bracket	Controls rotation of Extension	1 lbs (.5 kg)

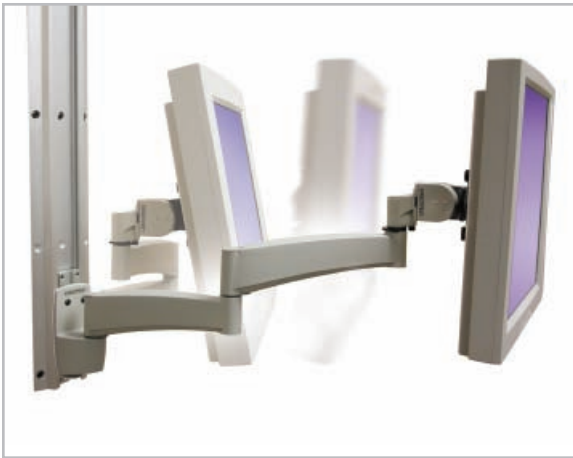
* For allowable monitor widths, see page 61.

Note: Monitor interfaces that are not VESA FDMI compliant require a separately ordered, adapter bracket. Contact your Sales Representative for more information. (See page 49 for details.)

Mounting Options & Accessories for 200 Series

Surface Attachment Options	Page #	Accessory Options	Page #
Direct Mounting, Wall Plates	40	Extensions	17 & 18
Wall Tracks	41	Keyboard/Mouse Trays, Laptop Trays & Accessories	46
Command Posts	42	Monitor Interface Accessories	47
Pole Mounts	44	CPU Holders	47
Slatwall Components	45	Storage Components	48
Mobile WorkStands	36	Peripheral Table	48

Photo Reference for 200 Series



The 200 Series features extension and retraction motion.



200 Series Combo Arm and CPU Holder attached to Wall Track.



Vertical Mount 200 Series Single Pivot w/ P/L.



Vertical Mount 200 Series 6" Vertical Slide Pivot.



A triple-monitor configuration attached to slatwall using a 1-1/2" Round Pole and Slatwall Pole Clamp.



200 Series Dual-Monitor with 5" Extension and 7" Extension with Pole Clamp mounted to a DS100 Pole and Desk Clamp Base.

Mounting Solutions Product Selection

100 Series

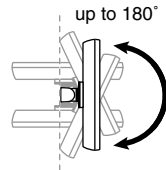
100 Series Mounting Solution Pivots provide tilt and portrait/landscape adjustment. Mount them to most vertical surfaces. Their low profile is perfect for space-constrained areas.



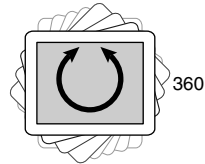
Range of Motion

Pivot/Tilt...

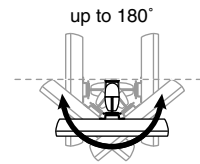
- Single Pivot w/ P/L: 180° up/down tilt; 360° portrait/landscape
- Double Pivot w/ P/L: 180° up/down tilt; 360° portrait/landscape; 180° left/right tilt
- Keyboard/Laptop Pivot: 180° up/down tilt



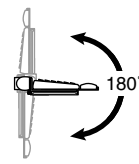
Side View
Up/down tilt



Front View
Portrait/landscape



Top View
Left/right tilt



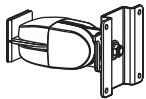
Side View
Up/down tilt

100 Series

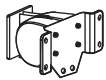
Pivots attach to walls, machines and other vertical surfaces.



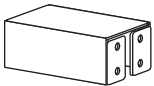
47-092-800



47-093-800



47-094-800



60-197-xxx

Part Number	Description	Weight Capacity	Shipping Weight
Monitor Mounts			
47-092-800, grey/black	Single Pivot w/ P/L, includes grey and black plastic covers	25 lbs (11.3 kg)	2 lbs (.9 kg)
47-093-800, grey/black	Double Pivot w/ P/L, includes grey and black plastic covers	23 lbs (10.4 kg)	3 lbs (1.4 kg)
Keyboard/Laptop Mounts			
47-094-800, grey/black*	Keyboard/Laptop Pivot, includes grey and black plastic covers	7.5 lbs (3.4 kg)	2 lbs (.9 kg)
Extenders		Dimensions (L x W x D)	
60-197-100, grey	Extender, 5-inch	5" x 2" x 1-3/4" (127 x 51 x 44 mm)	
60-197-101, black			

* Keyboard/Mouse Tray or Laptop Tray ordered separately. (See page 46.)

Note: Monitor interfaces that are not VESA FDMI compliant require a separately ordered, adapter bracket. Contact your Sales Representative for more information. (See page 49 for details.)

Mounting Options & Accessories for 100 Series

Surface Attachment Options	Page #	Accessory Options	Page #
Direct Mounting, Wall Plates	40	Extender	above
Wall Tracks	41	Keyboard/Mouse Trays, Laptop Trays & Accessories	46
Command Posts	42	Monitor Interface Accessories	47
Pole Mounts	44	CPU Holders	47
Slatwall Components	45	Storage Components	48
Mobile WorkStands	36	Peripheral Table	48

Attention: For 100 Series dimensional information, see page 62.

Mounting Solutions Product Selection

DS400 Series



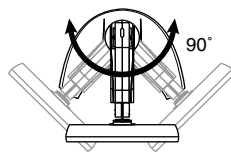
Ergotron's Neo-Flex LCD Stand, (P/N 33-288-CBL) featuring Constant Force (CF™) proprietary lift-and-pivot motion technology, has replaced the DS400 Stand.

Please visit our website at www.ergotron.com to learn more about the Neo-Flex LCD Stand and Ergotron's breakthrough CF technology.

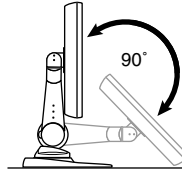
DeskStand 400 (DS400 Series) is a free standing module that requires no bolting or clamping to a surface. It allows the user to easily adjust a flat panel monitor for maximum comfort and productivity. The sturdy construction is built to last, while its sleek design complements any desktop arrangement.

Range of Motion

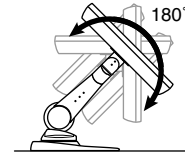
Arm and Pivot Adjustment...



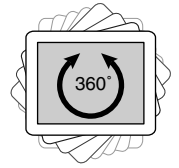
Top View
Side-to-side



Side View
Vertical



Side View
Up/down tilt



Front View
Portrait/landscape

DS400 Series

Includes mounting Arm, Pivot and Base in one complete package.

Part Number	Description	Weight Capacity	Shipping Weight
45-053-099, grey	DS400 Series	20 lbs	32 lbs
45-053-085, black		(9 kg)	(14.5 kg)

Note: Monitor interfaces that are not VESA FDMI compliant require a separately ordered, adapter bracket. Contact your Sales Representative for more information. (See page 49 for details.)

MD Series



NO LONGER AVAILABLE
57-014-200
MD101 Monitor Drawer

Monitor Drawers (MD Series) securely integrate a flat panel monitor and/or keyboard into a 19" rack-mount or enclosure. Store your flat panel folded down horizontally, ready to be pulled out for viewing. Drawers require only 3U of rack space. The MD Series provides a rock-solid platform, even for monitors with touch-screen capability. Cables are safely routed through the integrated cable management system.

MD Series

Drawers require only 3U of rack space.

Part Number	Description	Max. Monitor Weight	Shipping Weight
57-014-200, black	MD Series, MD101 Monitor-Only Drawer	25 lbs (11.3 kg)	14 lbs (6.4 kg)
57-013-200, black	MD Series, MD102 Monitor/Keyboard Drawer	25 lbs (11.3 kg)	25 lbs (11.3 kg)

Note: Monitor interfaces that are not VESA FDMI compliant require a separately ordered, adapter bracket. Contact your Sales Representative for more information. (See page 49 for details.)

Maximum Monitor Dimensions: MD101 accepts a monitor up to 16-1/2" H x 17-1/4" W x 3" D (419 x 438 x 76 mm); MD102 accepts a monitor up to 14-1/8" H x 17-1/4" W x 3" D (359 x 438 x 76 mm).

Attention: For MD Series dimensional information, see page 65.

Mounting Options & Accessories for DS400 Series (DS4) & MD Series (MD)

Surface Attachment Options	Accessory Options	Page #
DS4 – Free Standing	DS4 & MD – Wrist Rests & Mouse Accessories	46
MD – 19" Racks	DS4 – CPU Holders	47
	DS4 – Storage Components	48

Mounting Solutions Product Selection

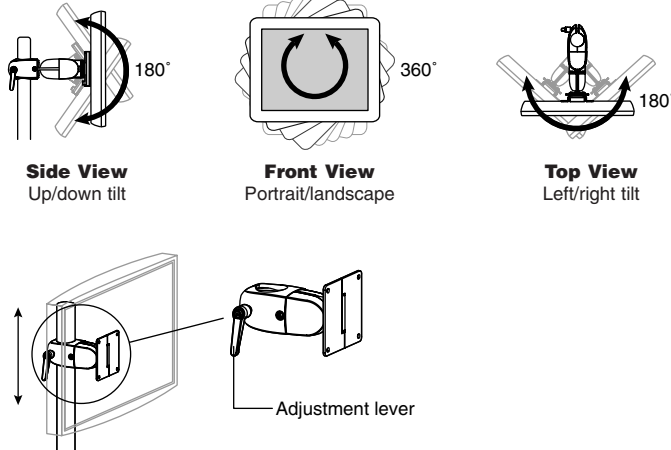
DS100 Series



The DeskStand 100 (DS100 Series) positions up to five monitors on one base and up to eight monitors on a two-base configuration. Choose from three base options: Free Standing, Desk Clamp, or Grommet Mount. The DS100 Series utilizes Ergotron's patented Paraview Technology: view multiple monitors simultaneously, adjusting their position to a comfortable, ergonomically appropriate location.

Range of Motion

Clamping Pivots...

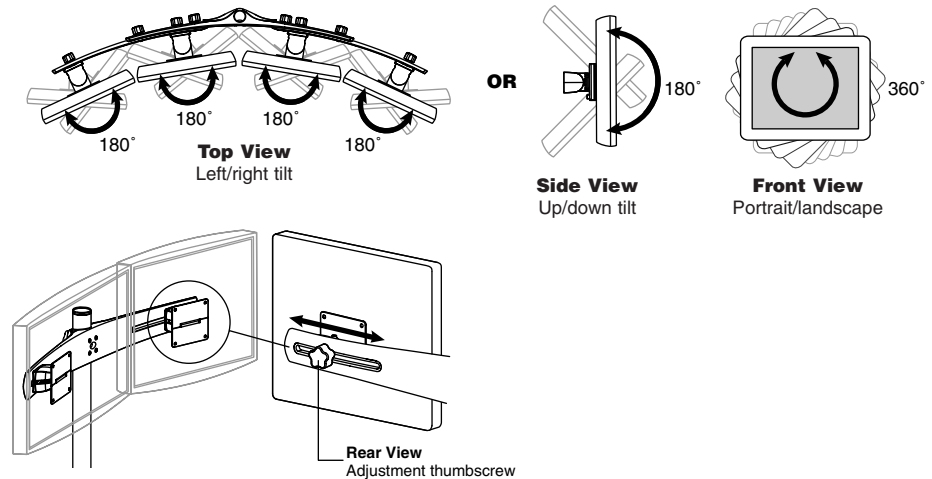


Motion range varies...

- Clamping Pivot: up/down tilt
- Clamping Pivot with P/L: up/down tilt; portrait/landscape
- Clamping Double Pivot: up/down tilt; left/right tilt
- Clamping Double Pivot with P/L: up/down tilt; left/right tilt; portrait/landscape

Sliding Pivots...

(Can be installed for left/right or up/down tilt)



Motion range varies...

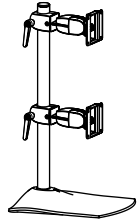
- Sliding Pivot: left/right or up/down tilt
- Sliding Pivot with P/L: left/right or up/down tilt; portrait/landscape

Attention: For DS100 Series dimensional information, see page 63.

**NO
LONGER
AVAILABLE**

33-090-200

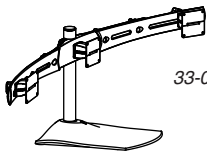
Replaced with the Neo-Flex LCD Stand P/N: 33-288-CBL See www.ergotron.com for more information.



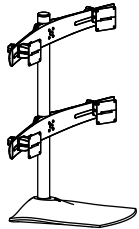
33-091-200



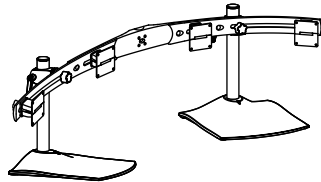
33-092-200



33-095-200



33-096-200



33-284-200

DS100 Series – Pre-configurations

Selections include Pivot(s), Free Standing Base, Pole and Crossbar(s) in one complete package. Standard color is black.

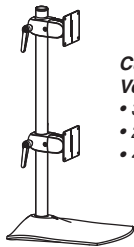
Part Number	Description	Weight Capacity per Pivot	Shipping Weight
33-090-200, black	Single Monitor Configuration: Free Standing Base, 14" Pole, Clamping Double Pivot w/ P/L	23 lbs (10.4 kg)	11 lbs (5 kg)
33-091-200, black	Dual Monitor Vertical Configuration: Free Standing Base, 28" Pole, (2) Clamping Double Pivots w/ P/L	23 lbs (10.4 kg)	16 lbs (7.3 kg)
33-092-200, black*	Dual Monitor Horizontal Configuration: Free Standing Base, 14" Pole, 28" Crossbar, (2) Sliding Pivots	28 lbs (12.7 kg)	16 lbs (7.3 kg)
33-095-200, black*	Triple Monitor Horizontal Configuration: Free Standing Base, 14" Pole, 46" Crossbar w/ Center Pivot, (2) Sliding Pivots	28 lbs (12.7 kg)	20 lbs (9.1 kg)
33-096-200, black*	Quad Monitor Square Configuration: Free Standing Base, 28" Pole, (2) 28" Crossbars, (4) Sliding Pivots	28 lbs (12.7 kg)	24 lbs (10.9 kg)
33-284-200, black*	Quad Monitor Horizontal Configuration: (2) Free Standing Bases, (2) 14" Poles, 55" Outboard Pole Clamps, (4) Sliding Pivots	28 lbs (12.7 kg)	31 lbs (14.1 kg)

* For allowable monitor widths, see page 63.

Note: Monitor interfaces that are not VESA FDMI compliant require a separately ordered, adapter bracket. Contact your Sales Representative for more information. (See page 49 for details.)

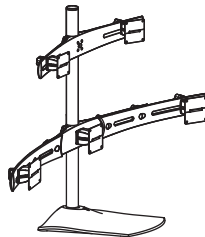
DS100 Series – Custom Configurations

Build your own DeskStand to your exact specifications with Ergotron's selection of interchangeable parts. Below are examples of possible configurations created with DS100 Series individual components (see next section).



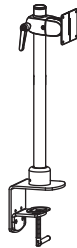
**Custom Example 1:
Vertical (V) Dual Monitor** includes:

- 33-262-200, Free Standing Base
- 20-137-200, 28" Pole
- 47-057-200, (2), Clamping Pivots



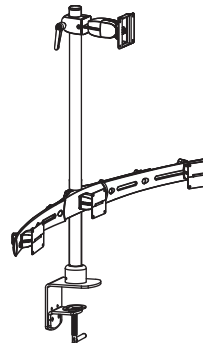
**Custom Example 3:
Pyramidal (P) Quint Monitor** includes:

- 33-262-200, Free Standing Base
- 20-137-200, 28" Pole
- 60-409-200, 28" Crossbar
- 60-410-200, 46" Crossbar w/ Center Pivot
- 47-046-085 (4), Sliding Pivots



**Custom Example 2:
Single Monitor** includes:

- 60-349-200, Desk Clamp Base
- 20-136-200, 22" Pole
- 47-057-200, Clamping Pivot



**Custom Example 4:
Pyramidal (P) Quad Monitor** includes:

- 60-349-200, Desk Clamp Base
- 20-161-200, 36" Pole
- 60-410-200, 46" Crossbar w/ Center Pivot
- 47-046-085 (2), Sliding Pivots
- 47-051-200, Clamping Double Pivot w/ P/L

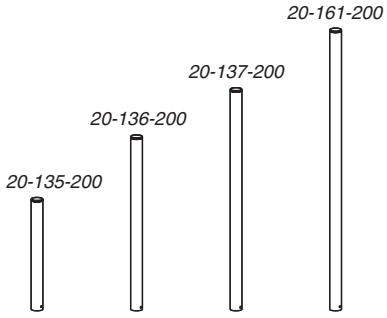
Attention: For DS100 Series dimensional information, see page 63.



33-262-200

60-349-200

60-350-200

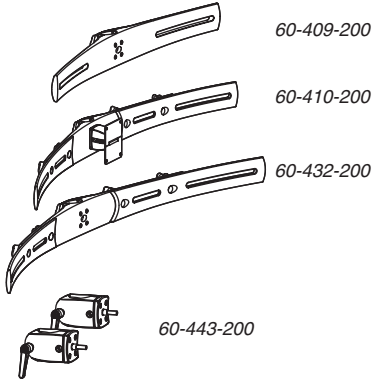


20-135-200

20-136-200

20-137-200

20-161-200



60-409-200

60-410-200

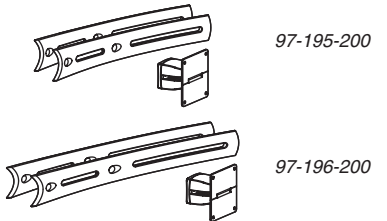
60-432-200

60-443-200



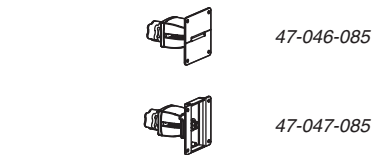
60-411-200

60-436-200



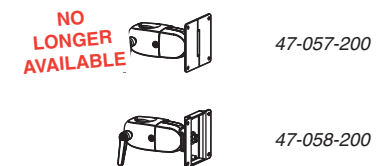
97-195-200

97-196-200



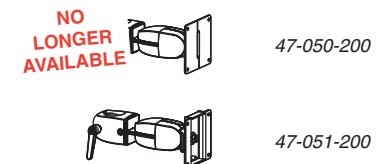
47-046-085

47-047-085



47-057-200

47-058-200



47-050-200

47-051-200

DS100 Series – Individual Components

Part Number	Description	Attach to...	Shipping Weight	
Bases				
33-262-200, black	Free Standing Base	No attachment necessary	2 lbs (0.9 kg)	
60-349-200, black	Desk Clamp Base	Worksurface edge ≤ 2-1/8" (54 mm) thick	5 lbs (2.3 kg)	
60-350-200, black	Grommet Mount Base	Worksurface through hole 3/8" to 3" (10 to 76 mm) wide, up to ≤ 3-1/4" (83 mm) thick	5 lbs (2.3 kg)	
Poles				
Recommended Configurations				
20-135-200, black	14" Pole, 1-1/2" diameter	Single, dual (H), triple (H), quad (H)	2 lbs (0.9 kg)	
20-136-200, black	22" Pole 1-1/2" diameter	Single, dual (H), triple (H), quad (H)	5 lbs (2.3 kg)	
20-137-200, black	28" Pole 1-1/2" diameter	Dual (V), triple (P), quad (S), quint	5 lbs (2.3 kg)	
20-161-200, black	36" Pole 1-1/2" diameter	Dual (V), triple (P), quad (P, S), quint	5 lbs (2.3 kg)	
Crossbars				
Recommended Configurations				
60-409-200, black*	28" Crossbar (mounts 2 Pivots)	Dual (H), triple (P), quad (S), quint	6 lbs (2.7 kg)	
60-410-200, black*	46" Crossbar w/ Center Pivot	Triple (H), quad (P), quint Pivot (mounts 3 Pivots)	10 lbs (4.5 kg)	
60-432-200, black*	55" Crossbar (mounts 4 Pivots)	Quad (H) – requires Outboard Pole Clamps & 2 Bases/Poles	11 lbs (5 kg)	
60-443-200, black	Outboard Pole Clamps (1 set of 2 clamps)	Quad (H) – attaches 55" Crossbar to 2 Bases/Poles	3 lbs (1.4 kg)	
Crossbar Extenders				
Application				
Converts...				
60-411-200, black*	Short Crossbar Extenders, Center Pivot	28" Crossbar to 46" Crossbar	4 lbs (1.8 kg)	
60-436-200, black*	Long Crossbar Extenders, Center Pivot	28" Crossbar to 55" Crossbar	4 lbs (1.8 kg)	
97-195-200, black*	Short Crossbar Extenders, Center Pivot	28" Crossbar to 46" Crossbar & adds Pivot to center	6 lbs (2.7 kg)	
97-196-200, black*	Long Crossbar Extenders, Center Pivot	28" Crossbar to 55" Crossbar & adds Pivot to center	6 lbs (2.7 kg)	
Pivots				
Attach to...				
Weight Capacity				
47-046-085, black	Sliding Pivot	Crossbar	28 lbs (12.7 kg)	2 lbs (0.9 kg)
47-047-085, black	Sliding Pivot w/ P/L	Crossbar	25 lbs (11.3 kg)	2 lbs (0.9 kg)
47-057-200, black	Clamping Pivot w/ P/L	Crossbar	28 lbs (12.7 kg)	3 lbs (1.4 kg)
47-058-200, black	Clamping Pivot w/ P/L	Pole	25 lbs (11.3 kg)	4 lbs (1.8 kg)
47-050-200, black	Clamping Double Pivot	Pole	25 lbs (11.3 kg)	5 lbs (2.3 kg)
47-051-200, black	Clamping Double Pivot w/ P/L	Pole	23 lbs (10.4 kg)	5 lbs (2.3 kg)

* For allowable monitor widths, see page 63.

Note: Monitor interfaces that are not VESA FDMI compliant require a separately ordered, adapter bracket. Contact your Sales Representative for more information. (See page 49 for details.)

Key for Recommended Configurations: (H) = horizontal; (V) = vertical; (P) = pyramidal; (S) = square.

Mounting Options & Accessories for DS100 Series

Surface Attachment Options	Page #	Accessory Options	Page #
Free Standing, Desk Clamp, Grommet Mount	above	Wrist Rests & Mouse Accessories	46
		CPU Holders	47
		Storage Components	48

Photo Reference for DS100 Series



Rear view of a horizontal dual-monitor DS100 configuration. Cables are routed through the crossbar.



A horizontal quad-monitor configuration – two bases support four monitors across a level plane while creating a viewing parabola with Ergotron's patented Paraview Technology.



A dual-monitor vertical configuration provides full tilt adjustability.



Close-up view of the Sliding Pivot on the Paraview bow. With the turn of the knob, a monitor is easily moved to accommodate multiple, different-sized screens on the same stand.



A triple-monitor configuration demonstrates the curve of a "viewing parabola," which maintains a single focal length for viewing.



Mount up to eight monitors on two bases for high-density work environments.

Mounting Solutions Product Selection

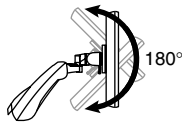
HD Series



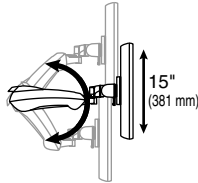
HD Series Mounting Solutions feature full adjustment capability; moving monitors and laptops through a 15" vertical range. The heavy-duty HD45 and HD Pivots accommodate heavier monitors than standard Mounting Solutions products. A laptop version provides a secure docking station. Attach the HD Series to virtually any vertical or horizontal surface. For HD Pivot "Range of Motion" drawings, see page 30.

Range of Motion

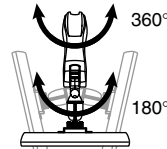
HD45 Arm...



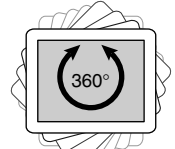
Side View
Up/down tilt



Side View
Height adjustment

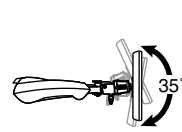


Top View
Side-to-side

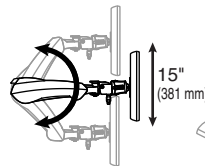


Front View
Portrait/landscape

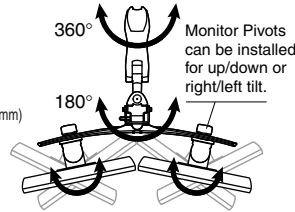
HD Dual-Monitor Arm...



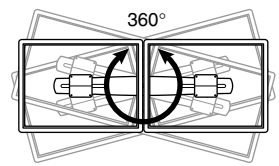
Side View
Up/down tilt



Side View
Height adjustment

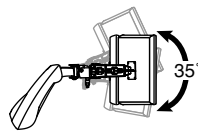


Top View
Side-to-side

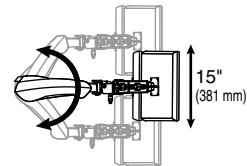


Front View
Clock-rotation

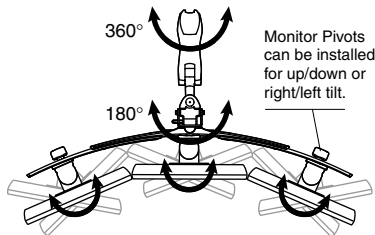
NO LONGER AVAILABLE — HD Triple-Monitor Arm...



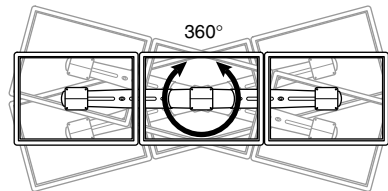
Side View
Up/down tilt



Side View
Height adjustment



Top View
Side-to-side

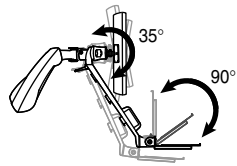


Front View
Clock-rotation

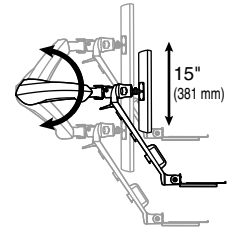
Attention: For HD Series dimensional information, see pages 64-65.

Range of Motion

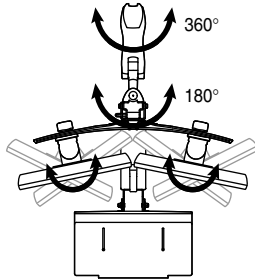
HD Combo Dual-Monitor Arm...



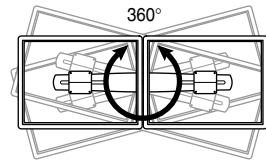
Side View
Up/down tilt



Side View
Height adjustment

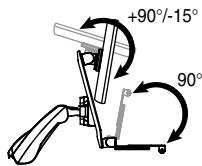


Top View
Side-to-side

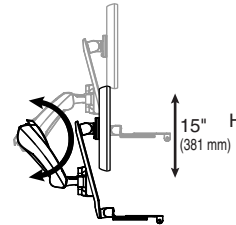


Front View
Clock-rotation

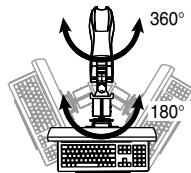
HD Combo Arm...



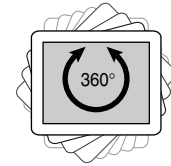
Side View
Up/down tilt



Side View
Height adjustment

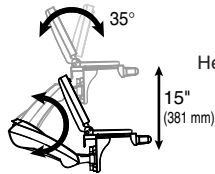


Top View
Side-to-side

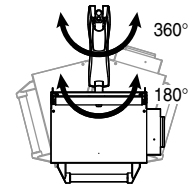


Front View
Portrait/landscape

HD Laptop Arm...

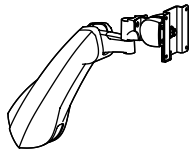


Side View
Height adjustment/tilt

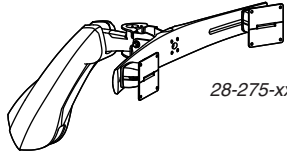


Top View
Side-to-side

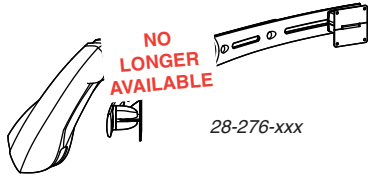
Attention: For HD Series dimensional information, see pages 64-65.



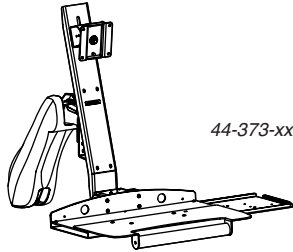
44-371-xxx



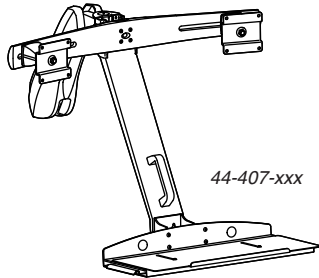
28-275-xxx



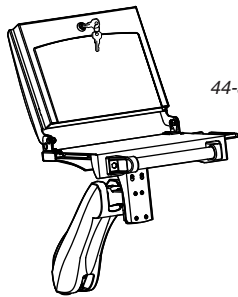
28-276-xxx



44-373-xxx



44-407-xxx



44-389-xxx

HD Series – Arms (order Base separately)

Select the HD45 Arm for heavy monitors. The HD Dual-Monitor and Triple-Monitor Arms hold multiple monitors. The HD Combo accommodates a single flat panel and keyboard on the same arm. The HD Combo Dual-Monitor Arm supports two flat panel monitors and a single keyboard at the same time. The HD Laptop Arm offers a secure docking station. All HD Arms are compatible with the 18" Extender (44-396-xxx) (p.29).

Part Number	Description	Weight Capacity per Pivot	Shipping Weight
Monitor Mounts			
44-371-180, grey 44-371-200, black	HD45 Arm (order Base separately, page 29)	20–xx lbs (9–xx kg) for “xx”, see chart below	9 lbs (4.1 kg)
Multi Monitor Mounts			
28-275-180, grey* 28-275-200, black*	HD Dual-Monitor Arm (order Base separately, page 29)	20 lbs (9 kg)	22 lbs (10 kg)
28-276-180, grey* 28-276-200, black*	HD Triple-Monitor Arm (order Base separately, page 29)	15 lbs (6.8 kg)	27 lbs (12.3 kg)
Combo Mounts			
44-373-180, grey 44-373-200, black	HD Combo Arm, Keyboard Tray w/ Sliding Mouse Tray (order Base separately, page 29)	Mon: 25 lbs (11.4 kg) Kybd: 15 lbs (6.8 kg)	19 lbs (8.6 kg)
44-407-180, grey* 44-407-200, black*	HD Combo Dual-Monitor Arm, Keyboard Tray w/ Sliding Mouse Tray (order Base separately, page 29)	Mon: 20 lbs (9 kg) Kybd: 5 lbs (2.3 kg)	36 lbs (16.3 kg)
Laptop Mounts			
44-389-180, grey 44-389-200, black	HD Laptop Arm, Security Shroud (order Base separately, page 29)	20 lbs (9 kg)	42 lbs (19.1 kg)

* For allowable monitor widths, see Page 63.

Note: Monitor interfaces that are not VESA FDMI compliant require a separately ordered, adapter bracket. Contact your Sales Representative for more information. (See page 49 for details.)

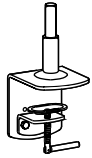
Note: All HD Monitor Arms are compatible with the VESA FDMI, MIS-D, 100/75, C (hole pattern: 100x100 mm or 75x75 mm) interface standard.

Weight Capacity	
applies to HD45 Arm and HD Pivots	
Maximum Monitor Thickness	Maximum Monitor Weight
4" (102 mm)	40 lbs (18.1 kg)
3-1/2" (89 mm)	43 lbs (19.5 kg)
3-1/4" (83 mm)	45 lbs (20.4 kg)
3" (76 mm)	48 lbs (21.8 kg)
2-1/2" (64 mm)	53 lbs (24 kg)

Attention:

For additional weight capacity information, see page 55.

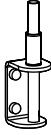
Attention: For HD Series dimensional information, see pages 64-65.



60-257-xxx



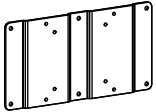
33-269-xxx



60-378-xxx



44-396-xxx



97-197-200, converts
200 x 100 mm monitors
into 75 x 75 mm or
100 x 100 mm hole pattern

HD Series – Other Components for HD Arms

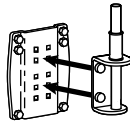
Order a Base separately to complement your HD Arm. An optional HD Extender increases the reach of your HD Series Arms.

Part Number	Description	Attaches to...	Shipping Weight
Bases			
60-257-180, grey* 60-257-200, black*	Desk Clamp	Horizontal surface at edge ≤ 3" (76 mm) thick	5 lbs (2.3 kg)
33-269-180, grey* 33-269-200, black*	Grommet Mount	Horizontal surface through hole 3/8" to 3" (10 to 76 mm) wide, up to 4" (102 mm) thick	5 lbs (2.3 kg)
60-378-180, grey* 60-378-200, black*	Vertical Mount	Vertical surface: Command Post, Wall Track, Wall Mount Bracket, etc.	2 lbs (.9 kg)
Extenders			
44-396-180, grey* 44-396-200, black*	HD Extender, 18-inch	Vertical surface: Command Post, Wall Track, Wall Mount Bracket, etc. It is NOT necessary to purchase a base with this product.	14 lbs (6.4 kg)
Interface Plate			
97-197-200, black	200 x 100 mm Adapter Plate Kit	Monitors using the VESA MIS-E, C Interface Standard	2 lbs (.9 kg)

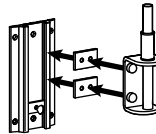
* Not compatible with HD Pivots.

HD Series Arms Vertical Mount Attachment

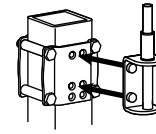
Use Vertical Mount (60-378-xxx) in tandem with Ergotron mounting systems.



Wall Mount Bracket
(page 40)



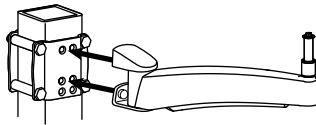
Wall Track
(page 41)



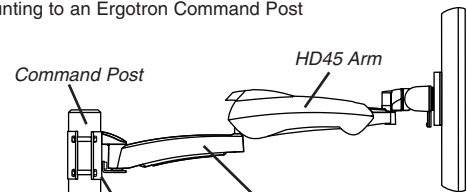
Command Post
(page 42)

HD Series Extender Attachment

Example of the HD Extender (44-396-xxx) mounting to an Ergotron Command Post



The HD Series is well-suited to industrial applications using the Command Post.



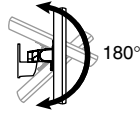
Post Mounting
Solutions Bracket

Attention: For HD Series dimensional information, see pages 64-65.

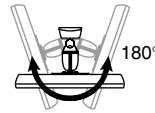


Range of Motion

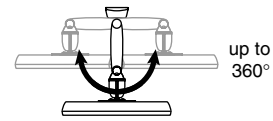
HD Pivots



Side View
Up/down tilt



Top View
Left/right tilt



Top View
Side-to-side rotation
with extension

HD Series – Pivots

HD Pivots provide a fixed height solution for heavy monitors.

Part Number	Description	Weight Capacity per Pivot	Shipping Weight
28-274-180, grey* 28-274-200, black*	HD Pivot, Vertical Mount	See chart below	3 lbs (1.4 kg)
45-142-180, grey* 45-142-200, black*	HD Pivot, 9" Extension, Vertical Mount	See chart below	9 lbs (4.1 kg)
45-143-180, grey* 45-143-200, black*	HD Pivot, 5" Extension, Vertical Mount	See chart below	6 lbs (2.7 kg)
45-144-180, grey* 45-144-200, black*	HD Pivot, 7" Pole Mount Extension, for 1-1/2" diameter poles	See chart below	6 lbs (2.7 kg)

* VESA FDMI 100 x 100 mm monitor hole pattern only. Not compatible with 75 x 75 mm interface.

Note: Monitor interfaces that are not VESA FDMI compliant require a separately ordered, adapter bracket. Contact your Sales Representative for more information. (See page 49 for details.)

HD Series – Other Components for HD Pivots

The 200 x 100 mm Adapter Plate Kit converts 200 x 100 mm hole pattern monitors into a 75 x 75 mm or 100 x 100 mm hole pattern.

Part Number	Description	Attaches to...	Shipping Weight
Interface Plate			
97-197-200, black	200 x 100 mm Adapter Plate Kit	Monitors using the VESA MIS-E, C Interface Standard	2 lbs (.9 kg)

Weight Capacity	
applies to HD45 Arm and HD Pivots	
Maximum Monitor Thickness	Maximum Monitor Weight
4" (102 mm)	40 lbs (18.1 kg)
3-1/2" (89 mm)	43 lbs (19.5 kg)
3-1/4" (83 mm)	45 lbs (20.4 kg)
3" (76 mm)	48 lbs (21.8 kg)
2-1/2" (64 mm)	53 lbs (24 kg)

Mounting Options & Accessories for HD Series

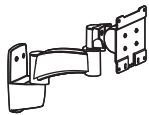
Surface Attachment Options	Page #	Accessory Options	Page #
Desk Clamp, Grommet Mount	above	Extenders	above
Direct Mount (Vertical Mount, above), Wall Plates	40	Wrist Rests & Mouse Accessories	46
Wall Tracks	41	CPU Holders	47
Command Posts	42	Storage Components	48
		Peripheral Table	48



28-274-xxx



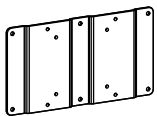
45-142-xxx



45-143-xxx



45-144-xxx



97-197-200

Attention:
For additional weight capacity information, see page 55.

Attention: For HD Series dimensional information, see pages 64-65.

Photo Reference for HD Series



The HD Combo Arm supports both a single monitor and keyboard. Inset photo shows HD Combo Arm with 18" Extender.



The HD Dual-Monitor Arm mounts securely to most any desk surface with the Desk Clamp Mount. Inset photo shows the HD Dual-Monitor Arm with it's crossbar rotated 90° to hold monitors over/under.



Here, the HD45 Arm is shown vertically mounted to an Ergotron Command Post.



HD Triple-Monitor Arm shown with Vertical Mount on Wall Track. This multiple-monitor mounting system utilizes Ergotron's patented Paraview Technology.



HD Pivot, Vertical Mount, with 9" Extension using 200 x 100 mm Adapter Plate Kit.



The HD Combo Dual-Monitor Arm supports two monitors and a single keyboard. Shown mounted on Wall Track.

Mounting Solutions Product Selection

FX Series

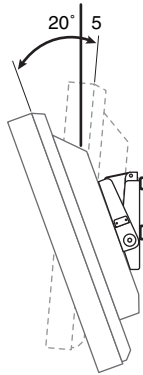
FX Series products, FX30, FX75, and FXT75 allow a flat panel monitor or display to be mounted to a vertical surface like a picture hung on a wall. The FX75 and FXT75 can also be pole or Command Post mounted. Once installed, these modules provide a rock-solid platform, even for monitors/displays with touch-screen capability. To remove a monitor or display from the wall, the user simply moves the quick-release lever to the side and lifts off the monitor or display. Reinstallation is just as easy!

The unique patent pending tilt mechanism design of the FXT75 provides smooth (finger-touch) continuous tilt adjustment whether wall or pole mounted.

Range of Motion

Monitor/Display Tilt...

- FXT75 provides for up to 25 degrees (+20°/-5°) of tilt capability for large displays.

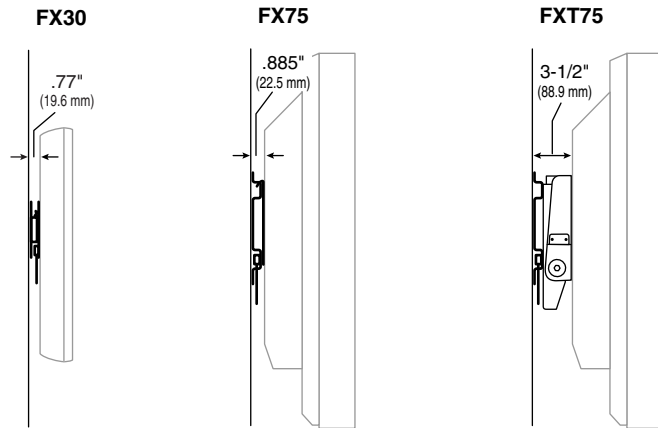
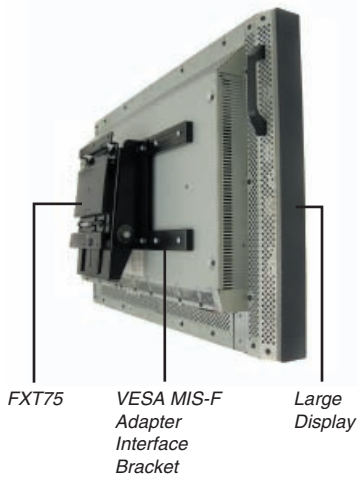


Side View
Forward/Backward tilt

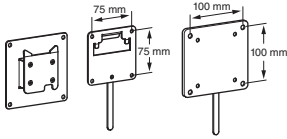


Profile Dimensions...

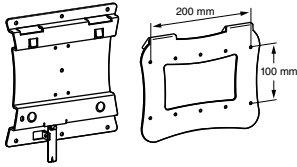
- FX Series products create a very sleek, low-profile system



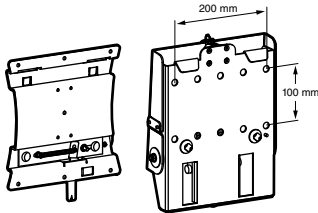
Attention: For FX Series dimensional information, see page 62.



60-239-007, 75/100 mm mounting interface



60-494-200, 200x100 mm mounting interface



60-521-200, 200x100 mm mounting interface



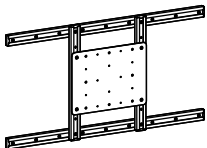
60-542-009, 200x200 mm VESA MIS-F Adapter Interface Plate



60-545-009, 400x200 mm (left) and 400x400 mm (right) VESA MIS-F Adapter Interface Bracket



60-546-009, 600x200 mm (left) and 600x400 mm (right) VESA MIS-F Adapter Interface Bracket



60-548-009, 800x400 mm VESA MIS-F Adapter Interface Bracket

Attention: For FX Series dimensional information, see page 62.

FX Series

A two-part bracket set: To install the FX30, the user simply moves the lever to the side, lifts the monitor into place and sets it into position. The user must then engage lever into its locked position. The unique “quick-connect” design of the FX75 and FXT75 makes installation a snap. Simply hook the two plates together and “snap” the display in place.

Part Number	Description	Attaches to...	Weight Capacity	Shipping Weight
60-239-007, black*	FX30 Fixed Mount	Wall	30 lbs (13.6 kg)	2 lbs (.9 kg)
60-494-200, black*	FX75 Fixed Mount	Wall, Pole and Command Post	75 lbs (34 kg)	7 lbs (3.2 kg)
60-521-200, black*	FXT75 Tilt Mount	Wall, Pole and Command Post	30–75 lbs** (13.6–34 kg)	16 lbs (7.3 kg)

* Kit does not include screws or fasteners to mount bracket to wall surface. Customer supplied.

** Weight capacity of 75 lbs (34 kg) assumes a monitor/display thickness of 5-1/2" (140 mm) or less. For further information regarding the weight capacity of the FXT75, see page 55.

Note: Monitor display interfaces that are not VESA FDMI compliant require a separately ordered, adapter bracket. Contact your Sales Representative for more information. (See page 49 for details.)

Adapter Interface Plates and Brackets

Adapter Interface Plates and Brackets allow the mounting of FX75 and FXT75 systems to large displays that use the VESA MIS-F interface standard. Interface brackets are available for the following VESA patterns: 200x200 mm, 400x200 mm, 400x400 mm, 600x200 mm, 600x400 mm, and 800x400 mm. These Brackets can accommodate large displays based on a horizontal or vertical VESA mounting hole configuration (Illustrations to the left show horizontal configuration only).

Part Number	Description	Application	Shipping Weight
60-542-009, black	VESA MIS-F Adapter Interface Plate	Attaches the FX75/FXT75 products to large TVs/displays based on a 200x200 mm VESA MIS-F hole pattern	4 lbs (1.8 kg)
60-545-009, black	VESA MIS-F Adapter Interface Bracket	Attaches the FX75/FXT75 products to large TVs/displays based on a 400x200 mm or 400x400 mm VESA MIS-F hole pattern	11 lbs (5 kg)
60-546-009, black	VESA MIS-F Adapter Interface Bracket	Attaches the FX75/FXT75 products to large TVs/displays based on a 600x200 mm or 600x400 mm VESA MIS-F hole pattern	12 lbs (5.4 kg)
60-548-009, black	VESA MIS-F Adapter Interface Bracket	Attaches the FX75/FXT75 products to large TVs/displays based on a 800x400 mm VESA MIS-F hole pattern	13 lbs (5.9 kg)

Note: The Adapter Interface Brackets will increase the distance from the wall to the back of the display when used with the FX75 and FXT75. The 400x200 mm and 600x200 mm Brackets will add 3/4" (19 mm) and the 400x400 mm, 600x400 mm, and 800x400 mm Brackets will add 1-3/8" (35 mm) of depth.

Note: The VESA MIS-F Interface Brackets will impact the weight capacity of the FXT75. See page 55 for more information.

Mounting Options & Accessories for FX Series

Surface Attachment Options	Page #	Accessory Options	Page #
Direct Mounting	40	Wrist Rests & Mouse Accessories	46
Command Posts (FX75 and FXT75 only)	42	CPU Holders	47
Pole Mounts (FX75 and FXT75 only)	44	Storage Components	48
		Cable Channel	48

Mounting Solutions Product Selection

VL Series

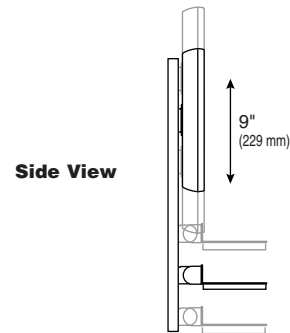


Vertical Lift Mounting Solutions (VL Series) are wall-mounted modules that allow quick positioning of a monitor and keyboard. When the keyboard is folded in the storage position and with the appropriate monitor selection, the total system depth can be as little as 4 inches (102 mm), making it the ideal solution for confined or high-traffic areas. When installed at the correct height, the 9 inches (229 mm) of vertical adjustment accommodates the ergonomic height needs of everyone from the average-height female to the average-height male, in both sitting or standing applications.

Range of Motion

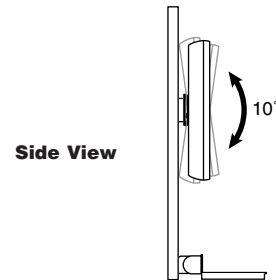
Vertical Lift Range...

- 9" (229 mm) of height adjustment
 - monitor and keyboard move in tandem



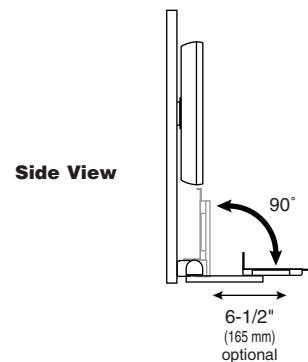
Monitor Tilt...

- Monitor tilts up and down 10°
 - monitor tilt varies between monitors



Keyboard Adjustment...

- Keyboard tilts 90°
- Keyboard extends 6-1/2" (165 mm)
 - optional



Attention: For VL Series dimensional information, see page 65.

VL Series

The monitor and keyboard move up and down in tandem for ease of use. An optional Slide-Out Keyboard Tray allows the user to pull out the keyboard to a more comfortable position. The system's smooth steel construction is both durable and easy to clean. A quick-connect interface makes monitor attachment/removal easy.

Part Number	Description	Weight Capacity**	Shipping Weight
25-022-100, grey* 25-022-101, black*	VL Series, VL-9 w/ Standard Keyboard Tray	9–34 lbs (4.1–15.4 kg)	34 lbs (15.4 kg)
25-027-100, grey* 25-027-101, black*	VL Series, VL-9 w/ Slide-Out Keyboard Tray	5–30 lbs (2.3–13.6 kg)	40 lbs (18.2 kg)
97-175-100, grey 97-175-101, black	Retrofit Kit to add Slide-Out Keyboard Tray	5–30 lbs (2.3–13.6 kg)	10 lbs (4.5 kg)

* Includes Keyboard Tray w/ Sliding Mouse Tray & Wrist Rest Holder (77-050-xxx) and Mouse Pad (85-025-079).

** Combined weight of monitor and keyboard.

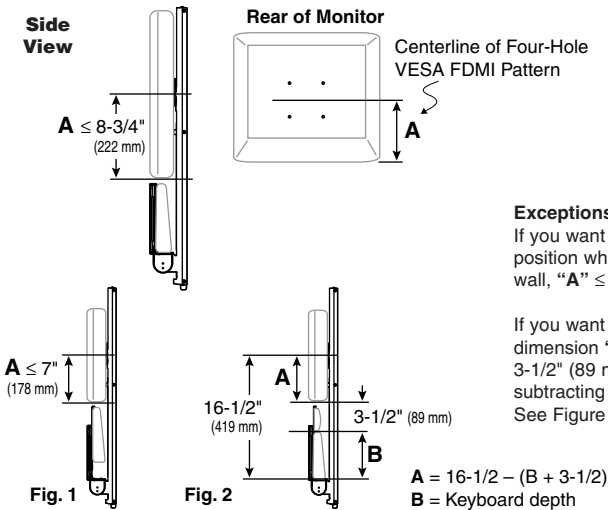
Notes:

- Use of a VESA FDMI Standard compliant flat panel monitor is strongly recommended. We strongly urge you to contact Ergotron to verify monitor compatibility prior to ordering. (See page 49 for details.)
- Monitors with cables that exit straight out the back of the monitor, as well as monitors that have non-removable bases/stands, may not be compatible with the VL Series. The VL Series works best with cables that exit in a downward or sideward direction.
- Choose a monitor with four-hole mounting pattern at or near top-to-bottom center-line (C/L).

VL Series Attachment

For VL Series to remain less than 4" (102 mm) from the wall when in storage position, follow these guidelines:

1. Monitor must not be more than 2-1/2" (63 mm) thick.
2. Keyboard should not be more than 7-1/4" (184 mm) deep.
3. Dimension "A" must be no greater than 8-3/4" (222 mm).
4. Slide-Out Keyboard option cannot be used as its depth = 4-1/2" (114 mm).



Mounting Options & Accessories for VL Series

Surface Attachment Options	Page #	Accessory Options	Page #
Direct Mounting	40	Wrist Rests & Mouse Accessories	46
Command Posts	42	CPU Holders	47
		Storage Components	48
		Peripheral Table	48
		Cable Channel	48

Attention: For VL Series dimensional information, see page 65.

Mounting Solutions Product Selection

Mobile WorkStand



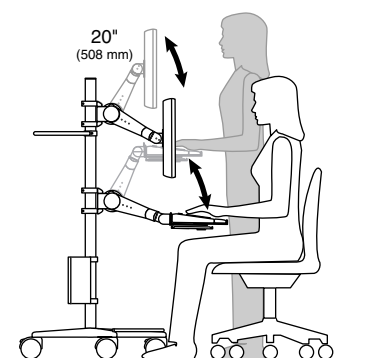
No matter how demanding the mobile computing application, or what type of computing equipment you need to mobilize, Ergotron has a computer cart to get the job done.

The Mobile WorkStand integrates technology and convenience, allowing the user to move a computer system from room to room. It quickly adjusts to a sitting or standing user height, providing an ergonomically-correct work environment at all times.

Range of Motion

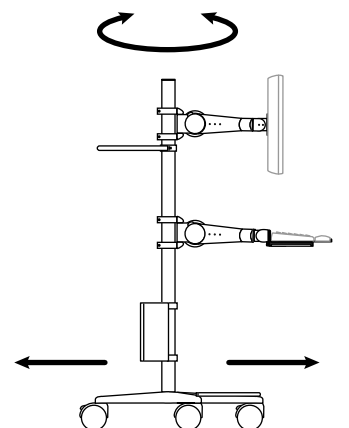
Height adjustment...

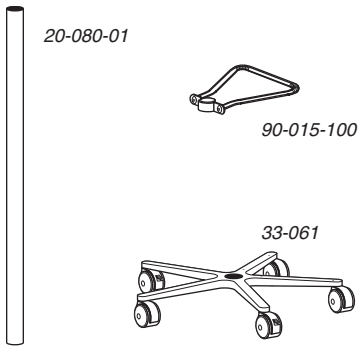
- Up to 20" (508 mm)



Mobile WorkStand
Standing or sitting use

Fully mobile - casters allow unlimited system relocation...



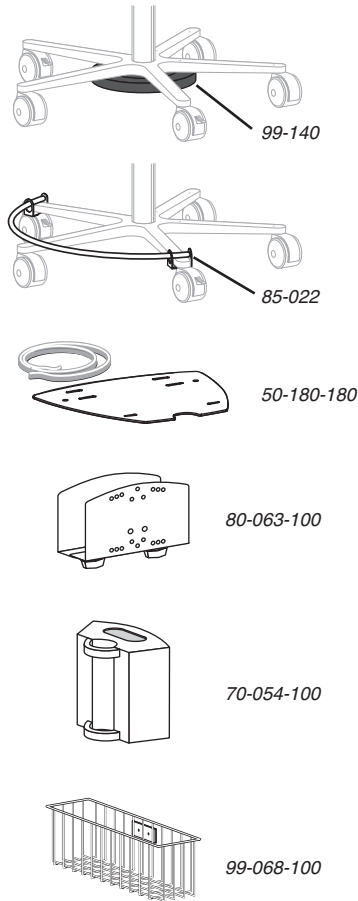


Configure Your Own Mobile WorkStand

Start with the basic components below. Then add peripherals and components found below. Next, choose arms/pivots to mount your monitor, keyboard and/or laptop: 400, 300, 200 and 100 Series are compatible with Mobile WorkStand.

Note: When selecting arms/pivots, consult an Ergotron Representative to ensure proper configuration. Custom Pole lengths can also be ordered.

Part Number	Description	Dimensions H x W x D	Shipping Weight
20-080-01, chrome	2" Round Pole	50" x 2" x 2" (1270 x 51 x 51 mm)	7 lbs (3.2 kg)
33-061, black	Base & Casters	7" x 27" x 27" (178 x 686 x 686 mm)	13 lbs (5.9 kg)
90-015-100, chrome	Handle	1" x 9-1/4" x 11" (25 x 235 x 279 mm)	2 lbs (.9 kg)



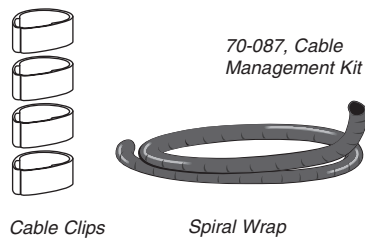
Optional Peripherals & Components for Mobile WorkStand

Order these options to complete your cart to your exact specifications. A separately ordered Pole Mount Bracket is required for CPU Holders and the Wire Storage Basket.

Part Number	Description	Dimensions H x W x D	Shipping Weight
99-140, black*	Stabilizer Weight 25 lbs (11.4 kg)	1" x 11-1/4" x 11-1/4" (25 x 286 x 286 mm)	26 lbs (11.8 kg)
85-022, chrome	Footrest		2 lbs (.9 kg)
50-180-180, grey	Base Tray w/ Mounting Straps	1" x 14" x 12" (25 x 356 x 305 mm)	10 lbs (4.5 kg)
80-053-100, grey**	CPU Holder, Extra Small	4" x 10" x 1/2-2-1/4" (102 x 254 x 13-57 mm)	3 lbs (1.4 kg)
80-063-100, grey**	CPU Holder, Small	6" x 10" x 1-3/8-3-3/4" (152 x 254 x 35-95 mm)	6 lbs (2.7 kg)
80-058-100, grey**	CPU Holder, Medium	6-1/2" x 10" x 3-3/8-7-5/8" (165 x 254 x 86-194 mm)	10 lbs (4.5 kg)
70-054-100, grey	Cable Box (Pole Mount Brackets included)	9-1/8" x 7-7/8" x 4-3/8" (232 x 200 x 111 mm)	3 lbs (1.4 kg)
99-068-100, grey**	Wire Storage Basket	6-1/8" x 13-1/8" x 4-1/8" (156 x 333 x 105 mm)	3 lbs (1.4 kg)
60-144-003	Pole Mount Bracket for CPU Holders & Wire Storage Basket		1 lbs (.5 kg)

* Recommended for system stability.

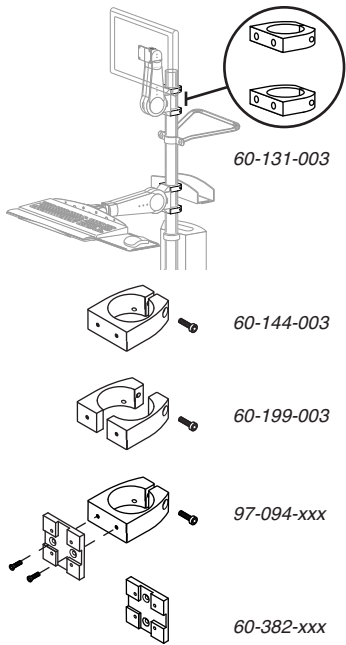
** Requires separately ordered Pole Mount Bracket. May be mounted to Bracket shared by other peripheral or Arm.



Cable Management Kit

The Cable Management Kit includes three feet of spiral wrap to conceal cables (standard color is black) and four cable clips to secure spiral wrap to pole (standard color is grey).

Part Number	Description	Attaches to...	Shipping Weight
70-087	Cable Management Kit	Cables and 2" Dia. Pole	1 lbs (.5 kg)



Brackets to Mount Arms & Peripherals to Mobile WorkStand

For both arms/pivots and peripherals**, select the appropriate bracket listed below. Attach anywhere along the Pole.

Part Number	Description	Application	Shipping Weight
60-131-003, aluminum	Pole Mount Brackets (2 Brackets)	Mounts 400, 300, 200 Series and 400 Combo	2 lbs (.9 kg)
60-144-003, aluminum	Pole Mount Bracket (1 Bracket)	Mounts CPU Holders and Wire Storage Basket	1 lbs (.5 kg)
60-199-003*, aluminum	Split Pole Mount Bracket (1 Bracket)	Mounts 400, 300 & 200 Series, 400 Combo, CPU Holders and Storage Basket <i>For use with Pole having no open end – facilitates mounting after Mounting Solutions are in place</i>	2 lbs (.9 kg)
97-094-099, grey 97-094-085, black	Pole Mount Bracket Kit for Pivot (1 Bracket & Pivot Mount Plate)	Mounts 100 Series Pivots & Extender for 100 Series	2 lbs (.9 kg)
60-382-099, grey 60-382-085, black	Pivot Mount Plate	Mounts 100 Series Pivots to Bracket	1 lbs (.5 kg)

* 400, 300, 200 Series, and 400 Combo require two Brackets for installation.

** Refer to the peripheral's description to see whether Bracket is necessary.

Note: Brackets provide attachment holes on two sides. This allows an additional Arm or peripheral to be mounted on the opposite side. However, a 100 Series Pivot may only be mounted to one side.

Other Ergotron Carts

Ergotron StyleView™ Cart:

Ergotron's StyleView Cart incorporates new lift technology (patent pending) providing single-motion adjustability. Choose a Flat Panel Monitor or Laptop Cart and select optional accessories to create an ergonomically correct, customized mobile workstation. You can access data on the run and quickly move monitors into position for easy viewing. Consult the Ergotron StyleView Cart Orderguide (870-03-027), on our website, www.ergotron.com, for ordering information.

Mobile WorkCenter:

The Mobile WorkCenter is a complete workstation on wheels, with extra storage space for equipment, tools and supplies. Consult the Mobile WorkCenter Orderguide (870-03-010), on our website, www.ergotron.com, for ordering information.

Mounting Options & Accessories for Mobile WorkStand

Surface Attachment Options	Page #	Accessory Options	Page #
n/a		400 Vertical Mount Arms	7
		300 Vertical Mount Arms	11
		200 Vertical Mount Arms	15
		100 Pivots	20
		CPU Holders, Base Tray, Footrest, Storage Basket	37
		Stabilizer Weight, Cable Box	37
		Keyboard/Mouse Trays, Laptop Trays & Accessories	46

Photo Reference for Ergotron Carts

Mobile WorkStands



Mobile WorkStand shown with 400 Series Monitor Arm.



Mobile WorkStand shown with 100 Series Monitor Pivot.



Mobile WorkStand configured with Dual-Monitors and Ergotron Power System.

StyleView™ Carts

(available in Flat Panel Monitor or Laptop models)



StyleView Cart – Flat Panel Monitor Configuration shown with Scanner Holder and Universal CPU Holder.



StyleView Cart – Laptop Configuration.



StyleView Cart – Flat Panel Monitor Configuration shown with Tablet PC.

Mobile WorkCenters



Mobile WorkCenter shown with 300 Series Desk Mount.



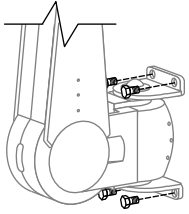
Mobile WorkCenter shown with Monitor Platform for CRTs.



Mobile WorkCenter shown with 6" adjustable Suspension Arm for CRTs.

Surface Attachment Options

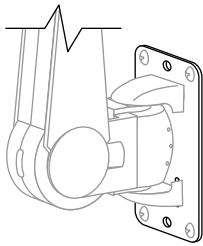
Direct Mounting



400, 300, 200, 100, VL, HD, and FX Series Mounting Solutions can mount directly to surfaces. Since applications vary, fasteners that attach Mounting Solutions to any surface should be supplied by the user. For direct-mount hole patterns, see pp. 56–58.

Always consult the appropriate construction, engineering, or architectural personnel to ensure the product is mounted securely to handle applied loads. For most vertical-surface applications, Ergotron recommends an additional mounting interface, such as a Wall Plate or Wall Track, for added support.

Wall Plates



97-101-003,
Wall Mount Plate
w/ 400 Series Arm

Wall Plates provide better support by spreading weight over a larger area.

Part Number	Description	Dimensions H x W	Shipping Weight
97-101-003, aluminum*	Wall Mount Plate for 400**, 300, 200, 100 Series & HD Pivots	8-3/8" x 3-1/2" (213 x 89 mm)	1 lbs (.5 kg)
60-152-100, grey*	Wall Mount Bracket for HD Series Arms** (excludes HD Pivots)	8" x 6-5/8" (203 x 168 mm)	1 lbs (.5 kg)

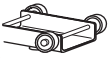
* Does not include fasteners for attaching to vertical surface. Customer supplied.

** 97-101-003 also mounts Extenders for 400 Series Arms and 60-152-100 mounts Extenders for HD Series Arms.

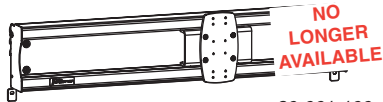
Note: Refer to page 58 for additional specifications.

Furniture Mounts

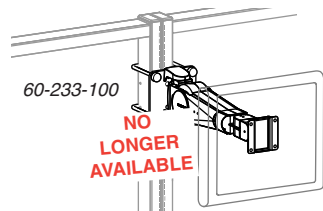
NO
LONGER
AVAILABLE



42-021-100



30-061-100



60-233-100

NO
LONGER
AVAILABLE

400 Series Vertical Mount Arm clamped to double frame

Integrate Flat Panel Mounting Solutions within Ergotron technical furniture systems: LAN Organizer™ 3000 and TechStation.

Part Number	Description	Application	Shipping Weight
42-021-100, grey	Shelf Mount Truck	Mounts 400 Series Suspend Mount Arms below Suspension Shelf or Security Cabinet. Features side-to-side sliding motion across rail	3 lbs (1.4 kg)
30-062-100, grey	30" Rail with Truck	Mounts 100 Series Pivots and 200, 300 and 400 Series Vertical Mount Arms between frame uprights. Features side-to-side sliding motion across rail	7 lbs (3.2 kg)
30-061-100, grey	42" Rail with Truck	Mounts 100 Series Pivots and 200, 300 and 400 Series Vertical Mount Arms between frame uprights. Features side-to-side sliding motion across rail	7 lbs (3.2 kg)
60-231-100, grey	Arm Mount Kit, Front Mount	Mounts 200, 300 or 400 Series Vertical Mount Arms to front of frame	3 lbs (1.4 kg)
60-230-100, grey	Arm Mount Kit, Inside Mount	Mounts 200, 300 or 400 Series Vertical Mount Arms to inside of frame	3 lbs (1.4 kg)
60-233-100, grey	Arm Mount Kit, Double Frame Mount	Mounts 200, 300 or 400 Series Vertical Mount Arms to double frame	3 lbs (1.4 kg)

Wall Tracks



31-016-182



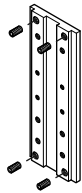
31-017-182



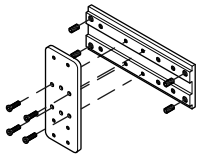
31-018-182



31-019-182



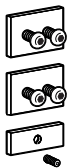
97-091



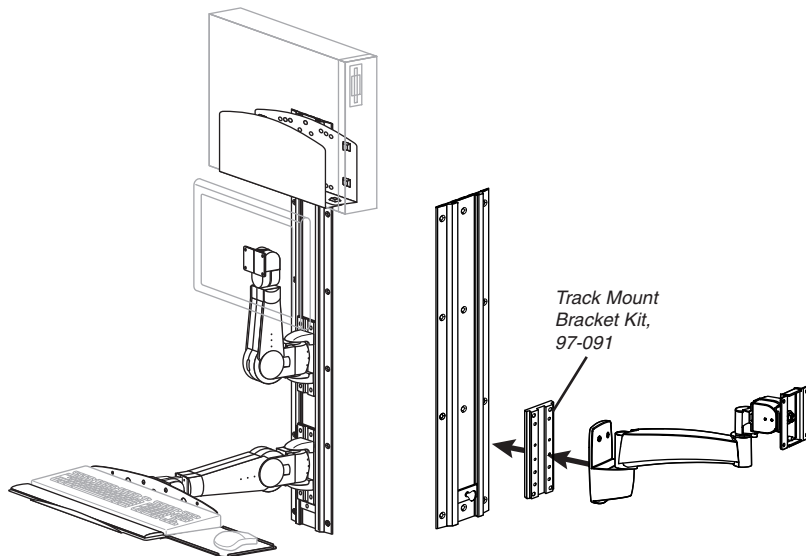
97-090



97-083



60-156



Wall Track provides a common interface for mounting multiple Ergotron components. When mounting components to Wall Track, you must order the appropriate Track Mount Bracket Kits. Peripherals for Wall Track can be found on pages 47–48.

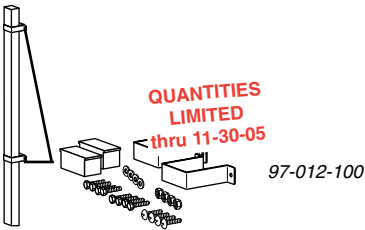
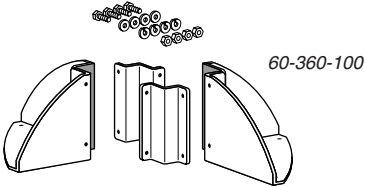
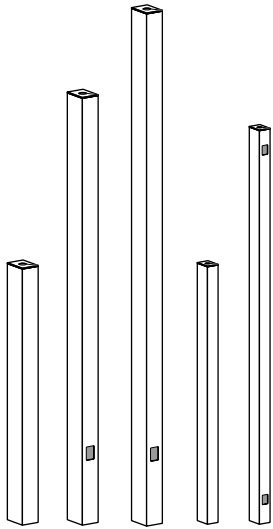
Part Number	Description	Dimensions H x W	Shipping Weight
31-016-182, silver	10" Wall Track	10" x 5" (254 x 127 mm)	2 lbs (.9 kg)
31-038-182, silver	18" Wall Track	18" x 5" (457 x 127 mm)	4 lbs (1.8 kg)
31-017-182, silver	26" Wall Track	26" x 5" (660 x 127 mm)	4 lbs (1.8 kg)
31-018-182, silver	34" Wall Track	34" x 5" (864 x 127 mm)	7 lbs (3.2 kg)
31-039-182, silver	42" Wall Track	42" x 5" (1067 x 127 mm)	8 lbs (3.6 kg)
31-019-182, silver	50" Wall Track	50" x 5" (1270 x 127 mm)	9 lbs (4.1 kg)

Wall Track Mounting Kits	Application	Shipping Weight
90-010	Wall Track Mounting Kit, (10) Phillips self-tapping 14 x 1.5 LG screw	Sheet metal or wood studs 1 lbs (.5 kg)
90-011	Wall Track Mounting Kit, (10) Phillips 1/4"-20 x 1.5 LG screw/toggle anchor	Hollow walls 1 lbs (.5 kg)

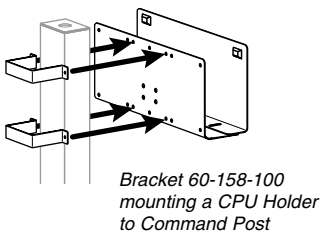
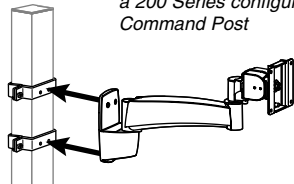
Track Mount Bracket Kits	Application	Shipping Weight
97-091, aluminum	Track Mount Bracket Kit	Mounts 400, 300, 200, 100 Series and HD Pivot to vertically oriented Wall Track, OR 100 Series to horizontally oriented Wall Track 1 lbs (.5 kg)
97-090, aluminum	Horizontal Track Mount Bracket Kit	Mounts 400, 300, 200 Series and HD Pivot to horizontally oriented Wall Track 1 lbs (.5 kg)
60-151, zinc	Vertical Track Mount Bracket Kit	Mounts HD Arms and HD Extenders to vertically oriented Wall Track 1 lbs (.5 kg)
97-083, aluminum	Vertical Track Mount Bracket Kit	Mounts Extenders for 400 Series to vertically oriented Wall Track 1 lbs (.5 kg)
60-156, zinc	Peripheral Track Mount Bracket Kit	Mounts CPU Holders to vertically oriented Wall Track 1 lbs (.5 kg)

Note: Refer to page 58 for additional specifications.

Command Posts



Bracket 60-364-100 mounting a 200 Series configuration to Command Post



Bracket 60-158-100 mounting a CPU Holder to Command Post

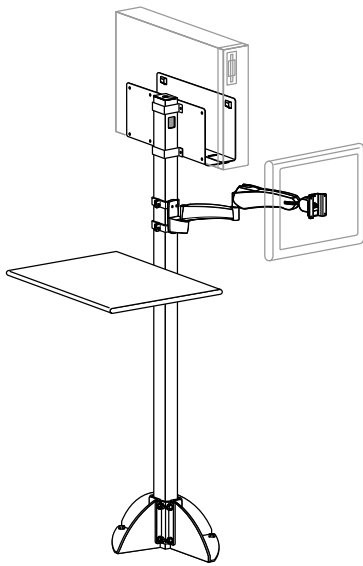
Command Post gives you the flexibility to mount one or more computer systems to a floor, bench, machine or ceiling – using little or no floor space. It is constructed from heavy-duty 11-gauge steel for long-lasting durability.

Brackets are required to mount Mounting Solutions and peripherals to the Command Post. A Bracket Interface, which adapts the component to the standard bracket, is also required for the Vertical Lift and the Cable Box. Peripherals for Command Post can be found on pages 43 and 47–48.

Part Number	Description	Dimensions (H x W x D)		Shipping Weight
Bases				
20-142-100, grey	48" Post, 2" x 2"	48" x 2" x 2" (1219 x 51 x 51 mm)	QUANTITIES LIMITED THRU 11-30-05	10 lbs (4.5 kg)
20-143-100, grey	74" Post, 2" x 2"	74" x 2" x 2" (1880 x 51 x 51 mm)	QUANTITIES LIMITED THRU 11-30-05	20 lbs (9.1 kg)
20-075-100, grey	48" Post, 3" x 3"	48" x 3" x 3" (1219 x 76 x 76 mm)	QUANTITIES LIMITED THRU 11-30-05	20 lbs (9.1 kg)
20-076-100, grey	80" Post, 3" x 3"	80" x 3" x 3" (2032 x 76 x 76 mm)		32 lbs (14.5 kg)
20-077-100, grey	96" Post, 3" x 3"	96" x 3" x 3" (2438 x 76 x 76 mm)	QUANTITIES LIMITED THRU 11-30-05	38 lbs (17.3 kg)
Bases – Horizontal Surface				
60-359-100, grey	Base for 2" x 2" Post	7" x 16" x 16" (178 x 406 x 406 mm)		22 lbs (10 kg)
60-360-100, grey	Base for 3" x 3" Post	7" x 17" x 17" (178 x 432 x 432 mm)		24 lbs (10.9 kg)
90-018	Hardware Kit for concrete surface attachment, (4) stud anchors			1 lbs (.5 kg)
Mounting Kit Brackets – Vertical Surface				
97-012-100, grey	Wall/Bench Mounting Kit for 2" x 2" Post		QUANTITIES LIMITED THRU 11-30-05	2 lbs (.9 kg)
97-011-100, grey	Wall/Bench Mounting Kit for 3" x 3" Post			3 lbs (1.4 kg)
Brackets for Mounting Solutions				
60-363-100, grey	2" x 2" Post Mounting Solutions Bracket	Mounts 100 Series		2 lbs (.9 kg)
60-364-100, grey	2" x 2" Post Mounting Solutions Bracket	Mounts 200, 300, 400 Series, HD Series Pivots, FX75 and FXT75		4 lbs (1.8 kg)
60-153-100, grey	2" x 2" Post Mounting Solutions Bracket	Mounts HD Series Arms	QUANTITIES LIMITED THRU 11-30-05	4 lbs (1.8 kg)
60-365-100, grey	3" x 3" Post Mounting Solutions Bracket	Mounts 100 Series		2 lbs (.9 kg)
60-366-100, grey	3" x 3" Post Mounting Solutions Bracket	Mounts 200, 300, 400 Series, HD Series Pivots, Extenders for 400 Series, FX75 and FXT75		4 lbs (1.8 kg)
60-154-100, grey	3" x 3" Post Mounting Solutions Bracket	Mounts HD Series Arms and Extenders for HD Series Arms		4 lbs (1.8 kg)
Brackets for Peripherals				
60-157-100, grey	2" x 2" Post Peripheral Bracket	Mounts CPU Holders, CPU Cabinet, Peripheral Table and Footrest	QUANTITIES LIMITED THRU 11-30-05	3 lbs (1.4 kg)
60-158-100, grey	3" x 3" Post Peripheral Bracket	Mounts CPU Holders, CPU Cabinet, Peripheral Table and Footrest		3 lbs (1.4 kg)

Note: See "Mounting Options and Uses Table," on the following page, to determine which Post, Base/Bracket and Arm(s) to choose.

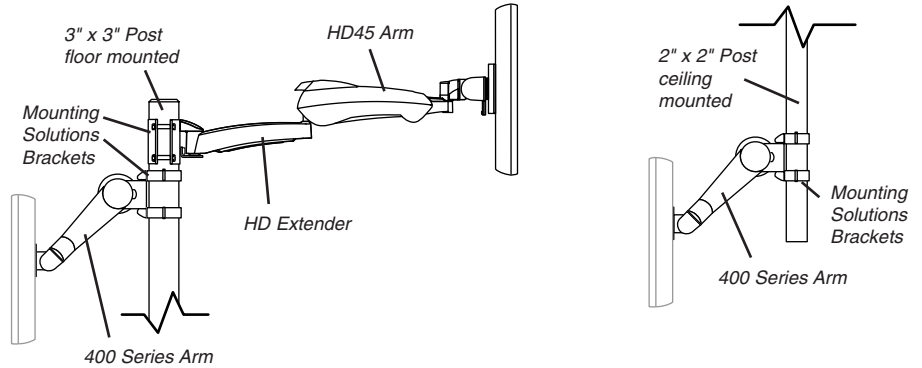
Mounting Options and Uses Table



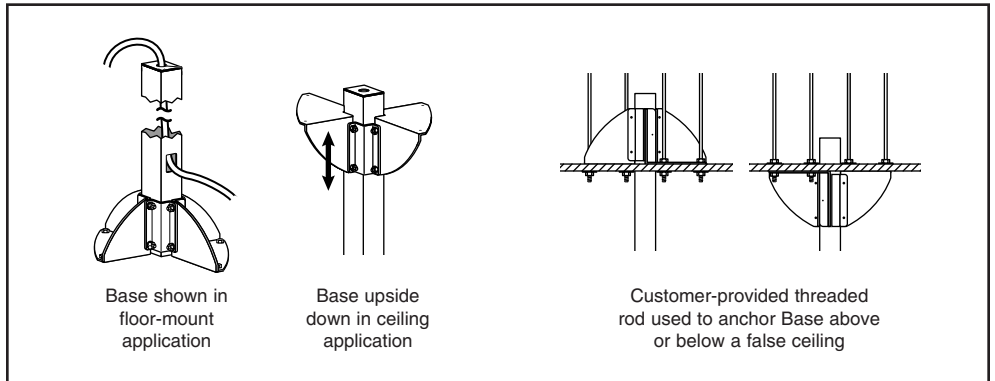
Post Part Number	Dimensions H x W x D	Base/Bracket Part Number	Floor/Ceiling allowable configuration	Wall/Bench/Machine allowable configuration
20-142-100	48" x 2" x 2"	60-359-100/97-012-100	Arm, no Extender	Arm w/ Extender
20-143-100	72" x 2" x 2"	60-359-100/97-012-100	Arm, no Extender	Arm w/ Extender
20-075-100	48" x 3" x 3"	60-360-100/97-011-100	Arm(s) w/ Extender	Arm(s) w/ Extender
20-076-100	80" x 3" x 3"	60-360-100/97-011-100	Arm(s) w/ Extender	Arm(s) w/ Extender
20-077-100	96" x 3" x 3"	60-360-100/97-011-100	Arm(s) w/ Extender	Arm(s) w/ Extender

Configuration Examples

Examples of allowable configurations according to the Mounting Options and Uses Table



Floor vs. Ceiling-Mount Applications



Footrest



QUANTITIES LIMITED thru 11-30-05

85-023-100

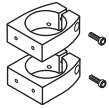
Install a Footrest to the Command Post to provide more ergonomic comfort to the user.

Part Number	Description	Dimensions L x W x H	Weight Capacity	Shipping Weight
85-023-100, grey*	Footrest	14" x 2-1/8" x 2-1/8" (356 x 54 x 54 mm)	200 lbs (90.8 kg)	7 lbs (3.2 kg)

* To attach to Command Post, order either Bracket 60-157-100 or 60-158-100.

Pole Mounts

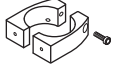
Attach equipment to 2", 1-3/4" or 1-1/2" Round Poles. Use your own pole or choose from the selection below.



60-131-003



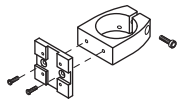
60-144-003



60-199-003



97-089



97-094-xxx



60-347-003



60-420-200



60-423-003

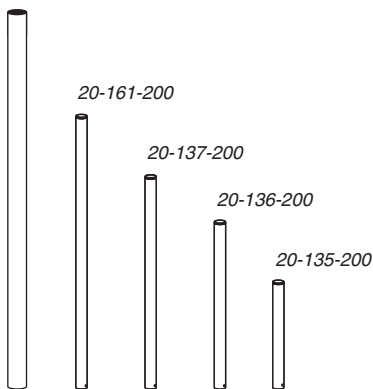


60-382-xxx



60-383-003

20-080



60-349-200



60-350-200

Part Number	Description	Application	Shipping Weight
2" Pole-Mount Brackets			
60-131-003, aluminum	Pole-Mount Brackets (2 Brackets)	200, 300, 400 Series, HD Series Pivots, Extenders, FX75 and FXT75 on vertical 2" Round Pole	2 lbs (.9 kg)
60-144-003, aluminum	Pole-Mount Bracket	CPU Holders, Wire Storage Basket on vertical 2" Round Pole	1 lbs (.5 kg)
60-199-003, aluminum*	Split Pole-Mount Bracket (1 Bracket)—use w/ Pole having no open end	200, 300, 400 Series, HD Series Pivots, Extenders, FX75, FXT75, CPU Holders, and Wire Storage Basket on vertical 2" Round Pole.	2 lbs (.9 kg)
97-089, aluminum	Horizontal Pole-Mount Bracket Kit	200, 300, 400 Series, HD Series Pivots, on horizontal 2" Round Pole	1 lbs (.5 kg)
97-094-099, grey 97-094-085, black	Pole-Mount Bracket Kit for 100 Series	100 Series Pivots on vertical or horizontal 2" Round Pole	2 lbs (.9 kg)
* Order two Brackets for 200, 300, 400 Series, HD Series Pivots, Extenders, FX75 and FXT75 installation.			
1-3/4" Pole-Mount Brackets			
60-347-003, aluminum*	Split Pole-Mount Bracket (1 Bracket)	200, 300, 400 Series, HD Series Pivots, Extenders, FX75, FXT75, CPU Holders and Wire Storage Basket on vertical 1-3/4" Round Pole	2 lbs (.9 kg)
* Order two Brackets for 200, 300, 400 Series, HD Series Pivots, Extenders, FX75 and FXT75 installation.			
1-1/2" Pole-Mount Brackets			
60-420-200, black	Large Clamp. Features adjustment lever for easy height repositioning	200, 300 Series, HD Series Pivots, FX75 and FXT75 on 1-1/2" Round Pole	3 lbs (1.4 kg)
60-423-003, aluminum*	Split Pole-Mount Bracket (1 Bracket)	200, 300, 400 Series, HD Series Pivots, Extenders, FX75, FXT75, CPU Holders and Wire Storage Basket on vertical 1-1/2" Round Pole	2 lbs (.9 kg)
* Order two Brackets for 200, 300, 400 Series, HD Series Pivots, Extenders, FX75 and FXT75 installation.			
Note: 7" Extensions w/ Pole Clamp attaches directly to 1-1/2" Round Poles. No bracket necessary. See 200 Series section (pp.14–19) for product information.			
Adapter Interface Plates			
60-382-099, grey 60-382-085, black	Pivot Mount Plate	Allows mounting of 100 Series to Brackets on 1-1/2" or 2" Round Pole	1 lbs (.5 kg)
60-383-003, aluminum	Arm Mount Plate	Allows mounting of 200, 300, 400 Series to Bracket on horizontal 1-1/2" or 2" Round Pole	1 lbs (.5 kg)

Poles

20-080, chrome	2" Round Pole, 50"L	7 lbs (3.2 kg)
20-135-200, black	1-1/2" Round Pole, 14"L	2 lbs (.9 kg)
20-136-200, black	1-1/2" Round Pole, 22"L	5 lbs (2.3 kg)
20-137-200, black	1-1/2" Round Pole, 28"L	5 lbs (2.3 kg)
20-161-200, black	1-1/2" Round Pole, 36"L	5 lbs (2.3 kg)

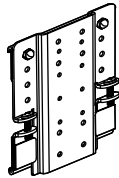
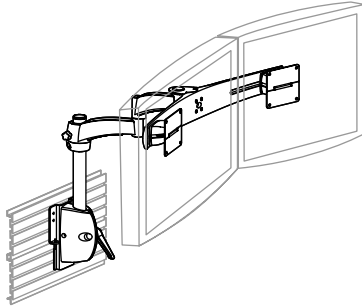
Bases for 1-1/2" Round Poles

	Attach to...	
60-349-200, black	Desk Clamp Base for 1-1/2" Round Pole	Worksurface edge ≤ 2-1/8" (54 mm) thick
60-350-200, black	Grommet Mount Base for 1-1/2" Round Pole	Worksurface through hole 3/8" to 3" (10 to 76 mm) wide, up to ≤ 4" (102 mm) thick

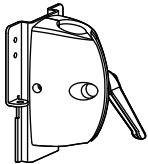
Note: Slatwall Pole Clamps also available. See Slatwall Components section (p.45) for product information.

Slatwall Components

Slatwall Brackets attach 400, 300, 200 and 100 Series Mounting Solutions to slatwall. Slatwall Pole Clamps support a 1-1/2" Round Pole, to which arms may be mounted. Order according to slatwall manufacturers. Standard color is black.



Slatwall Bracket

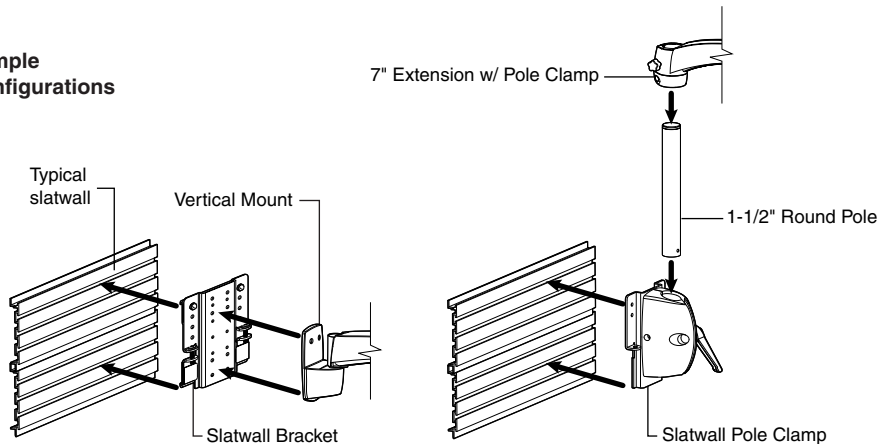


Slatwall Pole Clamp

Part Number	Description	Shipping Weight
Slatwall Brackets		
60-271-009, black	Woodtronics, Knoll, Infra-structure, Evans, Eurocraft, Teknion, Steelcase, EDP, CBA	2 lbs (.9 kg)
60-272-009, black	Novalink NO LONGER AVAILABLE	2 lbs (.9 kg)
60-274-009, black	Wall Street Trading, LaCOUR NO LONGER AVAILABLE	2 lbs (.9 kg)
60-450-009, black	SBF1 NO LONGER AVAILABLE	2 lbs (.9 kg)
60-293-009, black	Herman Miller	2 lbs (.9 kg)
Slatwall Pole Clamps <i>Note: Use with 1-1/2" Round Poles (p.44).</i>		
60-413-200, black	Woodtronics, Knoll, Infra-structure, Evans, Eurocraft, Teknion, Steelcase, EDP, CBA	4 lbs (1.8 kg)
60-415-200, black	LaCOUR	4 lbs (1.8 kg)
60-416-200, black	SBF1 NO LONGER AVAILABLE	4 lbs (1.8 kg)
60-417-200, black	Herman Miller NO LONGER AVAILABLE	4 lbs (1.8 kg)

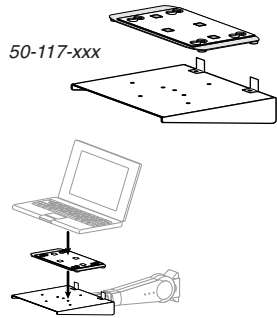
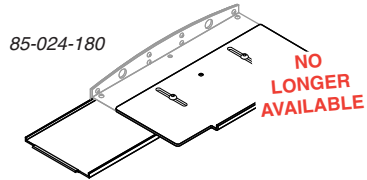
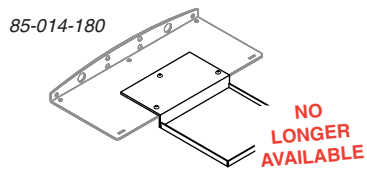
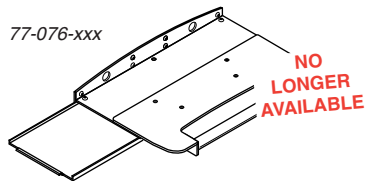
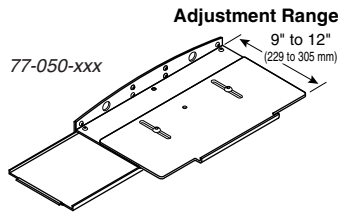
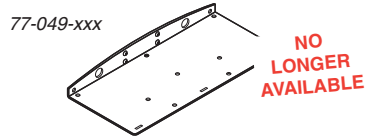
Note: Minimum of 3 slats are required to attach slatwall components.

Sample Configurations



Accessory Selections

Keyboard/Mouse Trays, Laptop Trays & Accessories



Use in conjunction with 400, 300, 200 and 100 Series Keyboard/Laptop Arms and Pivots.

Part Number	Description	Dimensions W x D x H	Shipping Weight
Keyboard/Mouse Trays			
77-049-180, grey 77-049-200, black	Keyboard Tray	16-1/2" x 7-1/4" x 2" (419 x 184 x 51 mm)	3 lbs (1.4 kg)
77-050-180, grey 77-050-200, black	Keyboard Tray w/ Sliding Mouse Tray and Wrist Rest Holder	17-1/2" x 9 to 12" x 2-1/2" (445 x 229 to 305 x 64 mm)	7 lbs (3.2 kg)
77-076-180, grey 77-076-200, black	Keyboard Tray w/ Handle and Sliding Mouse Tray	17-1/2" x 12-1/2" x 3-3/8" (445 x 318 x 86 mm)	12 lbs (5.4 kg)

Upgrade Kits

85-014-180, grey	Front Mouse Tray	7-1/8" x 7-1/8" x 1" (181 x 181 x 25 mm)	3 lbs (1.4 kg)
85-024-180, grey*	Sliding Mouse Tray and Wrist Rest Holder		5 lbs (2.3 kg)

Laptop Trays

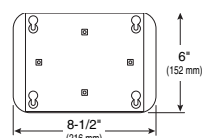
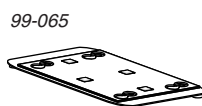
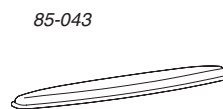
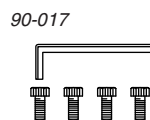
50-117-100, grey 50-117-101, black	Laptop Tray (includes Adhesive Mounting Kit)	8" x 9" x 2-1/8" (203 x 229 x 54 mm)	2 lbs (.9 kg)
---------------------------------------	--	---	------------------

* Add to Keyboard Tray 77-049-180 to create 77-050-180.

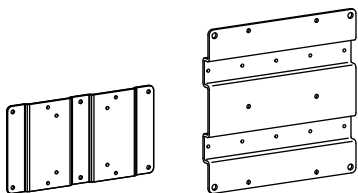
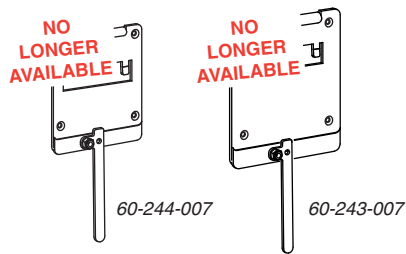
Laptop Tray Accessories		Application	
90-017	Tamper Resistant Screw Kit	Attaches Adhesive Pad to Laptop Tray utilizing special screws	1 lbs (.5 kg)
99-065	Replacement Adhesive Mounting Kit	Replacement Adhesive Mounting Kit if Tray's original adhesive becomes worn	1 lbs (.5 kg)

Wrist Rests & Mouse Accessories

85-043, blue	Gel Wrist Rest		1 lbs (.5 kg)
85-025-079, grey	Mouse Pad		1 lbs (.5 kg)
99-033-078, white	Mouse Pouch		1 lbs (.5 kg)



Monitor Interface Accessories



97-197-200, converts 200x100 mm monitors into 75x75 mm or 100x100 mm VESA hole patterns

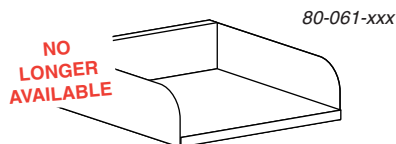
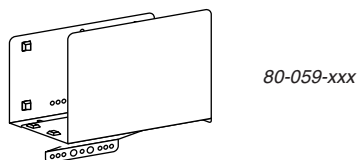
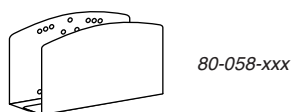
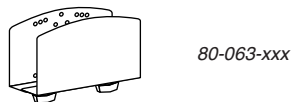
60-542-009, 200x200 mm, VESA MIS-F Adapter Interface Plate

Attach your monitor to Ergotron Mounting Solutions with the Quick Mounting Kit – no tools necessary. The Quick Release Kit makes removal and reattachment of your monitor fast and easy. The Tamper Resistant Kit secures the lever of the Quick Release Kit.

Part Number	Description	Application	Shipping Weight
97-182-085, black	Quick Mounting Kit, (4) Screws w/ easy-turn knob head	Connects Mounting Solutions to monitor's VESA FDMI interface	1 lbs (.5 kg)
60-244-007, black*	Quick Release Kit 75 mm	Mounts between 75 mm monitor interface & 75 mm Mounting Solutions product interface	1 lbs (.5 kg)
60-243-007, black*	Quick Release Kit 100 mm	Mounts between 100 mm monitor interface & 100 mm Mounting Solutions product interface	1 lbs (.5 kg)
90-022	Quick Release Tamper Resistant Kit (1 screw & hex wrench)	Prevents tampering of monitor mounted with Quick Release Kit	1 lbs (.5 kg)
90-023	Quick Release Tamper Resistant Kit (10 screws)	Prevents tampering of monitors mounted with Quick Release Kits	1 lbs (.5 kg)
60-254-007, black	75 x 75 mm to 100 x 100 mm, Conversion Plate Kit	Mounts 100 x 100 mm monitor to Ergotron Arm with 75 x 75 mm interface	1 lbs (.5 kg)
97-197-200, black	200 x 100 mm Adapter Plate Kit	Attaches to monitors using the VESA MIS-E, C Interface Standard	2 lbs (.9 kg)
60-542-009, black	VESA MIS-F Adapter Interface Plate	Attaches to large TVs/displays based on a 200x200 mm VESA MIS-F hole pattern	4 lbs (1.8 kg)

* Fasteners to attach VESA FDMI compliant monitors and most Ergotron adapter interfaces are provided. However, user may need to supply own fasteners for some applications.

CPU Holders



CPU Holders

Mount CPUs in a vertical, tower position. Each holder's width is adjustable. Four sizes are available to accommodate equipment 1/2" to 10-3/4" wide.

Part Number	Description	Dimensions H x W x D	Weight Capacity	Shipping Weight
80-053-180, grey 80-053-200, black	CPU Holder, Extra Small	4" x 10" x 1/2–2-1/4" (102 x 254 x 13–57 mm)	40 lbs (18.1 kg)	3 lbs (1.4 kg)
80-063-180, grey 80-063-200, black	CPU Holder, Small	6" x 10" x 1-3/8–3-3/4" (152 x 254 x 35–95 mm)	50 lbs (22.7 kg)	6 lbs (2.7 kg)
80-058-180, grey 80-058-200, black	CPU Holder, Medium	6-1/2" x 10" x 3-3/8–7-5/8" (165 x 254 x 86–194 mm)	100 lbs (45.4 kg)	10 lbs (4.5 kg)
80-059-180, grey* 80-059-200, black*	CPU Holder, Large	14-5/8" x 12" x 5–10-3/4" (371 x 305 x 127–273 mm)	150 lbs (68.1 kg)	14 lbs (6.4 kg)

* The Large CPU Holder (80-059-xxx) is not compatible with the Mobile WorkStand.

Note: To attach to Wall Track, Bracket 60-156 is required. To attach to Command Post, order either Bracket 60-157-100 or 60-158-100. Also mounts directly to surface: fasteners supplied by user when direct mounting.

CPU Shelves

Mount CPUs in horizontal, desktop position. Cable through-holes are located in the rear.

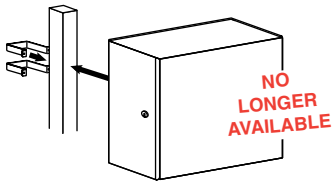
Part Number	Description	Dimensions W x D x H	Weight Capacity	Shipping Weight
80-060-100, grey 80-060-101, black	CPU Shelf, Medium	17" x 17" x 5" (432 x 432 x 127 mm)	100 lbs (45.4 kg)	16 lbs (7.3 kg)
80-061-100, grey* 80-061-101, black*	CPU Shelf, Large	22" x 20" x 7-1/2" (559 x 508 x 191 mm)	150 lbs (68.1 kg)	20 lbs (9.1 kg)

* Do not use CPU Shelf, Large (80-061-xxx) with 2" x 2" Command Posts (20-142-100, 20-143-100). See Note below.
Note: To attach to Wall Track, Bracket 60-156 is required. To attach to Command Post, order either Bracket 60-157-100 (for CPU Shelf, Medium only) or 60-158-100. Also mounts directly to surface: fasteners supplied by user when direct mounting.

Storage Components



99-068-100



80-062-100

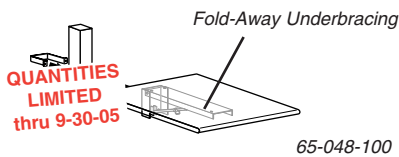
The CPU Cabinet is vented and lockable. The Wire Storage Basket and Cable Box add extra storage options to a configuration.

Part Number	Description	Dimensions H x W x D	Shipping Weight
99-068-100, grey*	Wire Storage Basket	6-1/8" x 13-1/8" x 4-1/8" (156 x 333 x 105 mm)	3 lbs (1.4 kg)
80-062-100, grey**	CPU Cabinet	18-3/8" x 21" x 8" (467 x 533 x 203 mm)	34 lbs (15.4 kg)
65-029-100, grey	Fixed Underbracing for 3" x 3" Command Post	QUANTITIES LIMITED THRU 11-30-05	11 lbs (5 kg)
65-059-100, grey	Fixed Underbracing for Wall Track	QUANTITIES LIMITED THRU 11-30-05	11 lbs (5 kg)

* Compatible with Wall Track, Command Post and 2" Pole. To attach to Wall Track, Bracket 97-091 is required. To attach to Command Post, order either Bracket 60-363-100 or 60-365-100.

** Compatible with Wall Track and Command Post. To attach to Wall Track: for vertical orientation, Bracket 60-156 is required; for horizontal orientation, order Fixed Underbracing 65-059-100. To attach to Command Post: for vertical orientation, order Bracket 60-157-100 or 60-158-100; for horizontal orientation, order Fixed Underbracing 65-029-100.

Peripheral Table



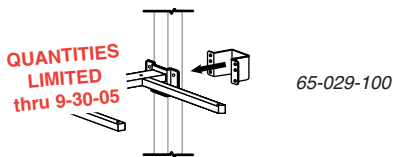
65-048-100

The Peripheral Table provides a solid, laminated surface for writing or holding equipment on Wall Track or Command Post. Configure it with either a Fixed or Fold-Away Underbracing.

Part Number	Description	Dimensions L x W x H	Shipping Weight
55-035-998, laminated	Peripheral Table	20" x 18" x 3/4" (508 x 457 x 19 mm)	10 lbs (4.5 kg)
65-048-100, grey*	Fold-Away Underbracing		7 lbs (3.2 kg)
65-059-100, grey**	Fixed Underbracing for Wall Track		7 lbs (3.2 kg)
65-029-100, grey**	Fixed Underbracing for 3" x 3" Command Post		11 lbs (5 kg)

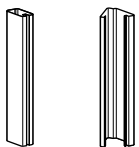
* Compatible with Wall Track and Command Post. To attach to Wall Track, Bracket 60-156 is required. To attach to Command Post, order either Bracket 60-157-100 or 60-158-100.

** No extra bracket is required when attaching Peripheral Table with Fixed Underbracing.



65-029-100

Cable Channel



70-038-089

Organize and route excess cables easily with Cable Channel

Part Number	Description	Dimensions L x W x D	Shipping Weight
70-038-089, grey	12" Cable Management Channel	12" x 1-5/8" x 1" (305 x 41 x 25 mm)	1 lbs (.5 kg)
70-008-089, grey	24" Cable Management Channel	24" x 1-5/8" x 1" (610 x 41 x 25 mm)	2 lbs (.9 kg)
70-011-089, grey	32" Cable Management Channel	32" x 1-5/8" x 1" (813 x 41 x 25 mm)	2 lbs (.9 kg)
70-017-089, grey	12" Cable Management Channel, Set of 6	12" x 1-5/8" x 1" (305 x 41 x 25 mm)	2 lbs (.9 kg)

Monitor Interface & VESA® Standard Guide

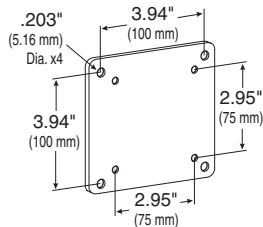
VESA® FDMI™ Standard



Rear view of a flat panel monitor that is VESA MIS-D, 100/75, C compliant. It is attached to a 400 Series Arm.



Rear view of a flat panel monitor that is VESA MIS-E, C compliant. It is attached using the 200 x 100 mm Adapter Plate Kit.



The 75 mm to 100 mm Conversion Plate Kit (60-254-007) attaches the Monitor Bracket of the Arm to a 100 mm VESA® FDMI™ Monitor. See Page 47 for more information.

The VESA® FDMI™ Standard* defines mounting interfaces, hole patterns, and associated cable/power supply locations for LCD monitors, plasma displays and other flat panel devices. Ergotron Flat Panel Mounting Solutions are designed to fit this standard to make monitor attachment quick and easy.

Oftentimes a monitor's hole pattern is revealed by removing its base (refer to your monitor's manual for details). Contact Ergotron at 800-888-8458 (option 2) or visit www.ergotron.com and select the Compatible Monitor Tool under Resources to verify that your monitor is VESA FDMI Standard compliant.

Standard Interfaces:

VESA MIS-D, 100/75, C compliant monitors are equipped with either a 75 x 75 mm or 100 x 100 mm mounting hole pattern. Ergotron Mounting Solutions attach directly to these monitors. Note: This is the most common interface.

VESA MIS-E, C compliant monitors are equipped with a 200 x 100 mm mounting hole pattern. Larger LCD monitors may use this interface. Ergotron HD45 Arms and HD Pivots attach to these monitors using the 200 x 100 mm Adapter Plate Kit (ordered separately, see page 47). The Ergotron FX75 and FXT75 will attach directly to this interface.

VESA MIS-F, C compliant monitors have varied hole patterns that are spaced in 200 mm increments (e.g., 400 x 200 mm and 600 x 400 mm are examples of VESA MIS-F compliant configurations). Larger LCD and plasma displays could follow this standard. See page 33 for Mounting Solutions.

Monitors that conform to the VESA Standard bolt directly to Ergotron Mounting Solutions. Ergotron provides (4) 4 mm x 10 mm screws for VESA MIS-D, 100/75 interface monitor attachment. For VESA MIS-E, C interface attachment, Ergotron supplies (6) 4 mm x 10 mm screws. For VESA MIS-F, C interface display attachment, Ergotron supplies 6 mm x 25 mm screws. The number of screws provided will depend on the size of the interface bracket. Your monitor may require different screws, which may be provided by the monitor manufacturer.

Custom Adapter Interface Bracket

If your monitor does not include a VESA FDMI Standard mounting hole pattern, a separately-ordered custom adapter bracket may be available. Contact the monitor manufacturer to see if they have this option available. If it is not available from the monitor manufacturer, Ergotron has developed a number of custom adapter brackets to interface with existing flat panel monitors. Contact Ergotron at 800-888-8458 (option 2) to see if one is available for your monitor.

* VESA FDMI Standard stands for Video Electronics Standards Association Flat Display Mounting Interface Standard.

Ergotron, Inc., is a full member of the Video Electronics Standards Association (VESA®), which is comprised of over 300 high-tech member companies who work on standards for the video electronics market that will shape the technology of tomorrow.

VESA, FDMI and the VESA Mounting Compliant logo are trademarks of the Video Electronics Standards Association.



If you have a monitor with a 100 x 100 mm hole pattern that you would like attached to a Mounting Solutions product with a 75 x 75 mm interface, a Conversion Plate Kit is available. Please note that all Mounting Solutions now ship with both 75 mm and 100 mm interface plates (except for the HD Series Pivots, page 30). See Monitor Interface Accessories on page 47.

Ergonomics Data & Mounting Heights

Ergonomic Ground Rules – English Units

To obtain optimum performance from a workstation, consider the following topics during installation of your Flat Panel Mounting Solutions:

- The adjustment range of the Mounting Solutions product.
- The use-mode of the Mounting Solutions product...
 - > Monitoring/viewing only?
 - > Data entry?
 - > User will be sitting?
 - > User will be standing?
 - > User will be sitting *and* standing at different times?
- Vertical mounting height of the Mounting Solutions product in respect to user(s)...
 - > Female or male only?
 - > Female and male both?
 - > Average height of users?

Using the Eye-Height / Elbow-Height Tables:

Use these tables to help determine mounting heights of Mounting Solutions products.

Follow these Ergonomic Ground Rules during installation of Mounting Solutions products:

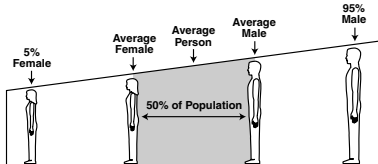
- Screen Height: Top of screen should be level with, or slightly below, *Eye Height* of user.
- Keyboard Height: Center-line of keyboard should be level with *Elbow Height* of the operator with forearms and wrists in a level position.
- Screen/Keyboard Height Variance: The distance from top of monitor screen to center-line of keyboard reflects *Eye-to-Elbow Measurement* of the average female to male users.

Remember that the actual attachment-point height of Mounting Solutions products varies because:

- Dimensions of monitors vary.
- Configurations of Mounting Solution products vary.

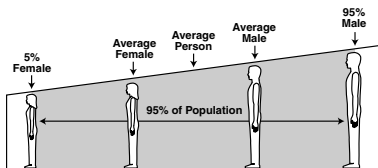
Eye-Height / Elbow-Height Tables

For average range of users – anthropometric† data expressed in inches



1	Eye Height 4			Elbow Height 4			Eye-to-Elbow Measurement	
	Stand	Sit	Var.	Stand	Sit	Var.	Stand	Sit
Av. Female	59.4	44.0	15.4	38.8	23.0	15.8	20.6	21.0
Av. Person	61.7	46.1	15.6	40.4	24.9	15.5	21.3	21.2
Av. Male	64.4	48.5	15.9	42.5	27.0	15.5	21.9	21.5
Variance F/M	5.0	4.5	—	3.7	4.0	—	—	—

For 5% female to 95% male range of users



	Stand	Sit	Var.	Stand	Sit	Var.	Stand	Sit
5% Female*	55.7	40.8	14.9	36.5	20.8	15.7	19.2	20.0
95% Male**	68.6	52.1	16.5	45.4	29.5	15.9	23.2	22.6
Variance F/M	12.9	11.3	—	8.9	8.7	—	—	—

† Anthropometry: The study of human body measurements. Data based on studies of US population.

* Denotes the female who is at the 5% mark of a scale ranging 0% to 100%.

** Denotes the male who is at the 95% mark of a scale ranging 0% to 100%.

Look for numbers in tables that correlate with numbers in illustrations on the following pages.

1 Fixed-height applications: Mount at height for average person.

Height-adjustable applications...

2 Sitting or standing for average range of users: ≥ 5" vertical adjustment range required.

3 Sitting or standing for 95% range of users: ≥ 12.9" vertical adjustment range required.

4 Sitting & standing for average range of users: ≥ 19.5" vertical adjustment range required.

Keyboard placement...

5 Keyboard to monitor relationship: The optimal distance is 21" in all applications.

Ergonomics Data & Mounting Heights

Ergonomic Ground Rules – Metric Units

To obtain optimum performance from a workstation, consider the following topics during installation of your Flat Panel Mounting Solutions:

- The adjustment range of the Mounting Solutions product.
- The use-mode of the Mounting Solutions product...
 - > Monitoring/viewing only?
 - > Data entry?
 - > User will be sitting?
 - > User will be standing?
 - > User will be sitting *and* standing at different times?
- Vertical mounting height of the Mounting Solutions product in respect to user(s)...
 - > Female or male only?
 - > Female and male both?
 - > Average height of users?

Using the Eye-Height / Elbow-Height Tables:

Use these tables to help determine mounting heights of Mounting Solutions products.

Follow these Ergonomic Ground Rules during installation of Mounting Solutions products:

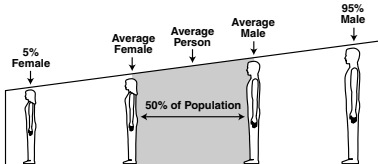
- Screen Height: Top of screen should be level with, or slightly below, *Eye Height* of user.
- Keyboard Height: Center-line of keyboard should be level with *Elbow Height* of the operator with forearms and wrists in a level position.
- Screen/Keyboard Height Variance: The distance from top of monitor screen to center-line of keyboard reflects *Eye-to-Elbow Measurement* of the average female to male users.

Remember that the actual attachment-point height of Mounting Solutions products varies because:

- Dimensions of monitors vary.
- Configurations of Mounting Solution products vary.

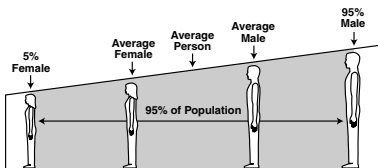
Eye-Height / Elbow-Height Tables

For average range of users – anthropometric† data expressed in millimeters



1	Eye Height 4			Elbow Height 4			Eye-to-Elbow Measurement	
	Stand	Sit	Var.	Stand	Sit	Var.	Stand	Sit
Av. Female	1509	1118	391	986	584	401	523	533
Av. Person	1567	1171	396	1026	632	394	541	538
Av. Male	1636	1232	404	1080	686	394	556	546
Variance F/M	127	114	—	94	102	—	—	—

For 5% female to 95% male range of users



	Stand	Sit	Var.	Stand	Sit	Var.	Stand	Sit
5% Female*	1415	1036	378	927	528	399	488	508
95% Male**	1742	1323	419	1153	749	404	589	574
Variance F/M	328	287	—	226	221	—	—	—

† Anthropometry: The study of human body measurements. Data based on studies of US population.

* Denotes the female who is at the 5% mark of a scale ranging 0% to 100%.

** Denotes the male who is at the 95% mark of a scale ranging 0% to 100%.

Look for numbers in tables that correlate with numbers in illustrations on the following pages.

1 Fixed-height applications: Mount at height for average person.

Height-adjustable applications...

2 Sitting or standing for average range of users: ≥ 127 mm vertical adjustment range.

3 Sitting or standing for 95% range of users: ≥ 328 mm vertical adjustment range.

4 Sitting & standing for average range of users: ≥ 495 mm vertical adjustment range.

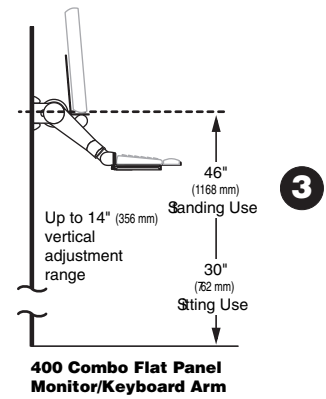
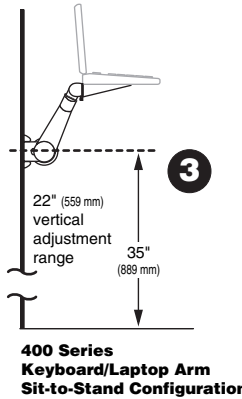
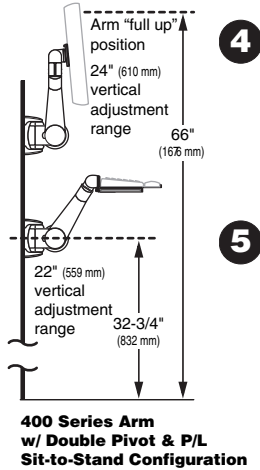
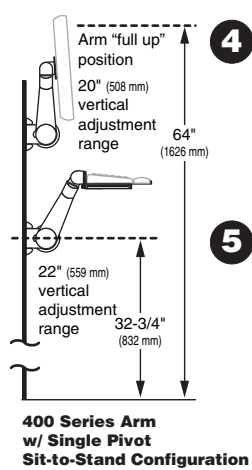
Keyboard placement...

5 Keyboard to monitor relationship: The optimal distance is 533 mm in all applications.

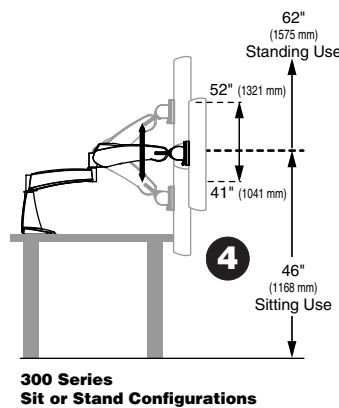
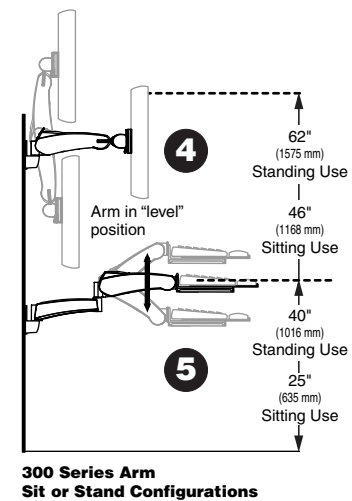
Mounting Height Illustrations

Numbers in the diagrams below can be cross-referenced with numbers in the Eye-Height / Elbow-Height Tables on the preceding pages. For more detailed information, consult our Ergonomic Mounting Heights Guide, literature #888-99-014, which is included with each Mounting Solutions purchase.

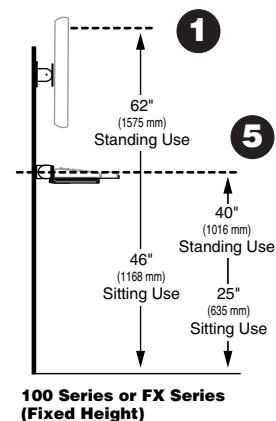
400 SERIES



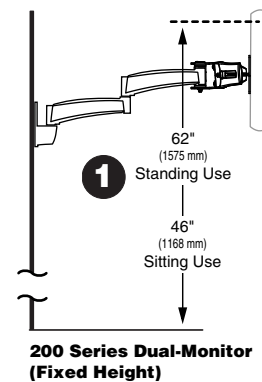
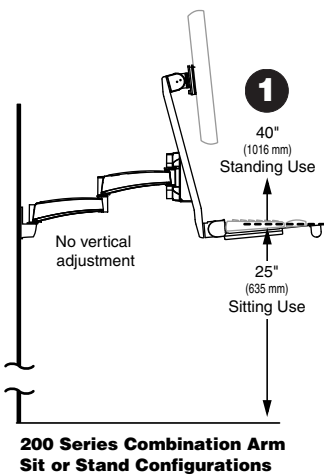
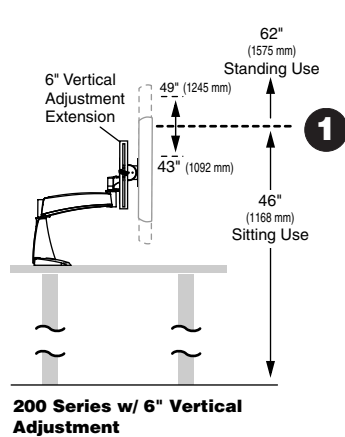
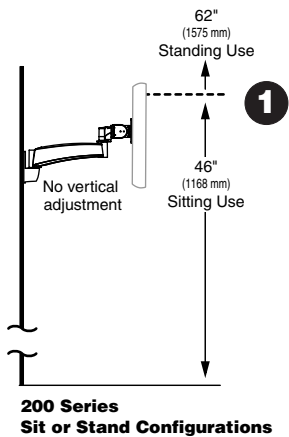
300 SERIES



100 SERIES or FX SERIES



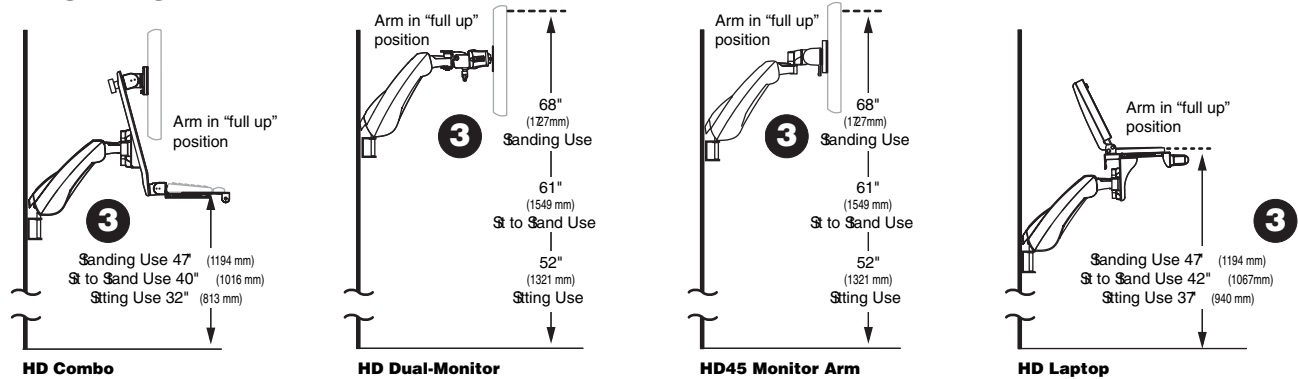
200 SERIES



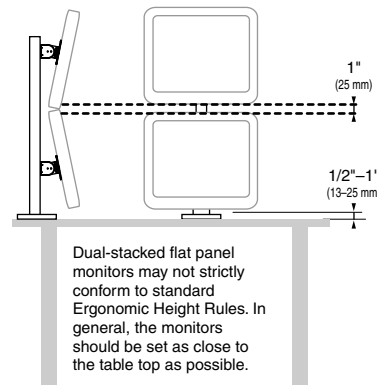
Mounting Height Illustrations

Numbers in the diagrams below can be cross-referenced with numbers in the Eye-Height / Elbow-Height Tables on the preceding pages. For more detailed information, consult our Ergonomic Mounting Heights Guide, literature # 888-99-014, which is included with each Mounting Solutions purchase.

HD SERIES

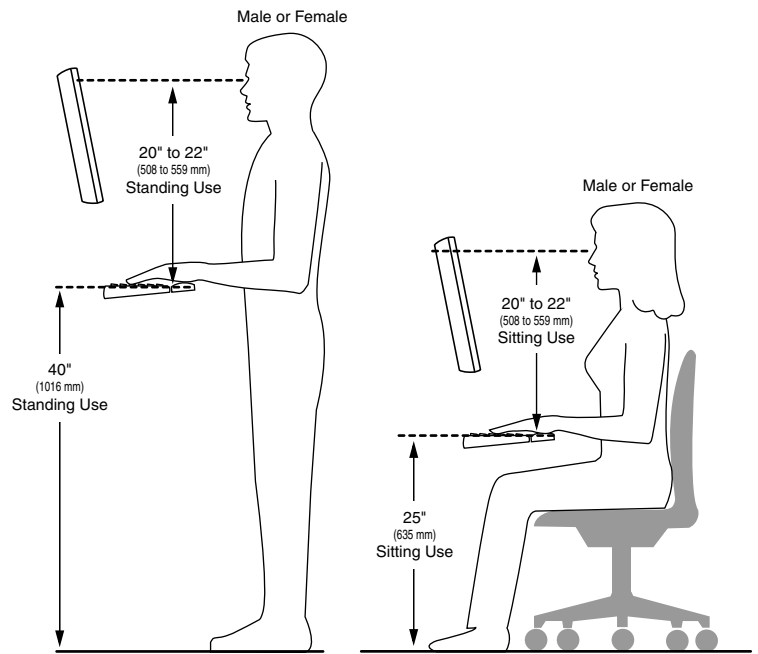


DS100 or 200 SERIES



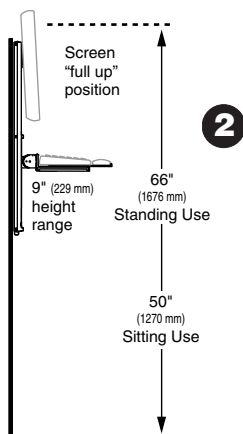
Dual-Stacked (DS100 & 200 Series) Flat Panels—Sit Configurations

GENERAL GUIDELINES



GENERAL GUIDE:
 Set the monitor and keyboard at the ergonomic heights shown.

VL SERIES



VL Series 9" Vertical Lift

Technical Specifications

Weight Capacity

Weight capacities for Mounting Solution products should be regarded as general guidelines only. Several variables can effect weight capacity, so capacity may vary between applications.

Where weight range is shown (e.g. 5–30 lbs), the lower end of the range represents minimum weight required for proper function.

400 Series*

- Single Pivot: 28 lbs (12.7 kg)
- Double Pivot w/ P/L: 23 lbs (10.4 kg)
- Keyboard/Laptop Pivot: 7.5 lbs (3.4 kg)**
- Combo Arm: monitor = 20 lbs (9.1 kg)
keyboard = 7.5 lbs (3.4 kg)

300 Series*

- Double Pivot with P/L: 23 lbs (10.4 kg)
- Keyboard/Laptop Pivot: 7.5 lbs (3.4 kg)**

If a 300 Series system is customized using two or more 9" Extensions, special load limitations may apply. See **TABLE A** to determine weight capacity.

200 Series*

- Single Pivot with P/L: 25 lbs (11.3 kg)
- 6" Vertical Slide Pivot: 25 lbs (11.3 kg)
- Multi-Monitor Arms: range from 9 lbs (4.1 kg) to 27 lbs (12.2 kg) per pivot. See pages 15-16 for specific product weight capacities.
- Keyboard/Laptop Pivot: 7.5 lbs (3.4 kg)**
- Combo Arm: monitor = 25 lbs (11.3 kg)
keyboard = 15 lbs (6.8 kg)

If a 200 Series system is customized using three or more 9" Extensions, special load limitations may apply. See **TABLE A** to determine weight capacity.

100 Series*

- Single Pivot: 28 lbs (12.7 kg)
- Single Pivot with P/L: 25 lbs (11.3 kg)
- Double Pivot: 25 lbs (11.3 kg)
- Double Pivot with P/L: 23 lbs (10.4 kg)
- Keyboard/Laptop Pivot: 7.5 lbs (3.4 kg)**

DS400 Series*

- 20 lbs (9.1 kg)

DS100 Series*

Up to five monitors may be placed on a single base. Each pivot can hold the following:

- Sliding Pivot: 28 lbs (12.7 kg)
- Sliding Pivot w/ P/L: 25 lbs (11.3 kg)
- Clamping Pivot: 28 lbs (12.7 kg)
- Clamping Pivot w/ P/L: 25 lbs (11.3 kg)
- Clamping Double Pivot: 25 lbs (11.3 kg)
- Clamping Double Pivot w/ P/L: 23 lbs (10.4 kg)

* Monitor depth affects weight capacity. See **TABLE B**.

** Weight capacity is in addition to weight of Keyboard/Laptop Tray.

TABLE A: Weight Capacity When Adding Extensions

When adding Extensions to a 300 or 200 Series system, use the formula below to calculate the maximum allowable load:

D x L = maximum inch-lbs (not to exceed 900)

Distance (D) = The measurement in inches on a horizontal plane from the center-line of the mounting bracket to the center-of-gravity (C/G) of the monitor.

Load (L) = The weight in pounds of the monitor.

Example:

Monitor weighing 25 lbs using three 9" Extensions and a Single Pivot with P/L.

Therefore:

$$D = (3 \times 9") + 5" = 32"$$

$$L = 25 \text{ lbs}$$

$$32" \times 25 \text{ lbs} = 800 \text{ inch-lbs}$$

As 800 is less than 900, your component can be used in this configuration.

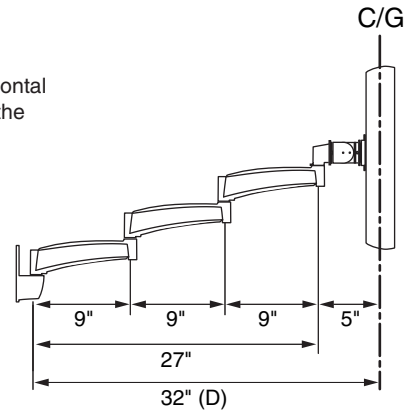
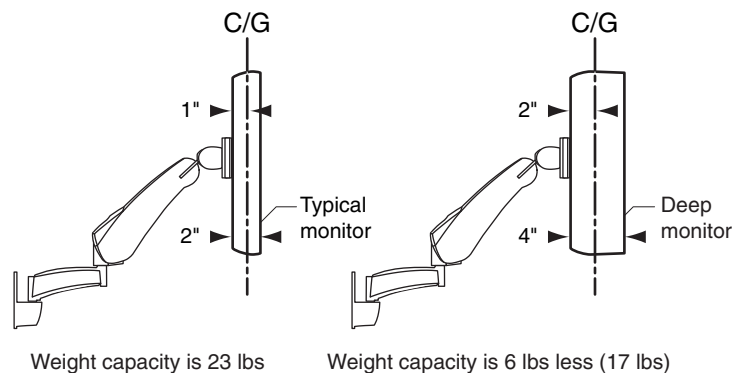


TABLE B: Monitor Depth Affects Weight Capacity

Weight capacity may be diminished if monitor depth is greater than 2 inches:

The listed capacities are based on a monitor's center-of-gravity (C/G) not exceeding 1" (25 mm) from the end of a Pivot. For every 1" (25 mm) of additional distance between a monitor's C/G and the end of the Pivot, reduce the weight capacity by 6 lbs (2.7 kg).



Technical Specifications

Weight Capacity

Weight capacities for Mounting Solution products should be regarded as general guidelines only. Several variables can effect weight capacity, so capacity may vary between applications.

Where weight range is shown (e.g. 5–30 lbs), the lower end of the range represents minimum weight required for proper function.

FX Series

- FX30: 30 lbs (13.6 kg)
- FX75: 75 lbs (34 kg)
- FXT75: 30–75 lbs (13.6–34 kg), see **TABLE C**

VL Series

- VL-9: 9–34 lbs (4.1–15.4 kg)
- VL-9 w/ Pull-out Keyboard Tray: 5–30 lbs (2.3–13.6 kg)

Weight capacity for the Vertical Lift is the sum weight of the monitor and keyboard.

MD Series

- 25 lbs (11.3 kg)

HD Series

- HD45 Arm: 20–xx lbs (9–xx kg) For “xx”, see **TABLE D**
- HD Pivots: see **TABLE D**
- HD Dual-Monitor Arm: 20 lbs (9 kg) per pivot*
- HD Triple-Monitor Arm: 15 lbs (6.8 kg) per pivot*
- HD Combo: monitor = 25 lbs (11.3 kg)*
keyboard = 15 lbs (6.8 kg)*
- * HD Combo Dual-Monitor:
monitors = 20 lbs (9 kg)*
per pivot
keyboard = 5 lbs (2.3 kg)*
- HD Laptop: 20 lbs (9 kg)

* Monitor depth affects weight capacity. See **TABLE B** on previous page.

TABLE C: FXT75 Maximum Weight Capacity

When using the FXT75, use the following table to determine weight capacity. If using a display that falls outside of the range of the table, consult with an Ergotron representative.

Actual Display Thickness (inches)	Maximum Weight Cap. of FXT75 (lbs)	Maximum Weight Capacity of FXT75 when used with the following VESA MIS-F Brackets (lbs)	
		400 x 200 mm 600 x 200 mm	400 x 400 mm 600 x 400 mm 800 x 400 mm
4" (102 mm)	98 lbs (44.5 kg)	77 lbs (35.0 kg)	65 lbs (29.5 kg)
4-1/2" (114 mm)	90 lbs (40.8 kg)	71 lbs (32.2 kg)	63 lbs (28.6 kg)
5" (127 mm)	84 lbs (38.1 kg)	65 lbs (29.5 kg)	58 lbs (26.3 kg)
5-1/2" (140 mm)	75 lbs (34.0 kg)	61 lbs (27.7 kg)	55 lbs (25.0 kg)
6" (152 mm)	73 lbs (33.1 kg)	56 lbs (25.4 kg)	51 lbs (23.1 kg)
6-1/2" (165 mm)	68 lbs (30.8 kg)	53 lbs (24.1 kg)	48 lbs (21.8 kg)

The Table assumes that the Center of Gravity (CG) of the display is slightly off center (60%) towards the front.

TABLE D: Center-of-Gravity Affects Weight Capacity

When using HD45 Arms or HD Pivots use the following table to determine weight capacity. If using a monitor that falls outside of the range of the table, consult with an Ergotron representative.

Weight Capacity applies to HD45 Arm and HD Pivots	
Maximum Monitor Thickness	Maximum Monitor Weight
4" (102 mm)	40 lbs (18.1 kg)
3-1/2" (89 mm)	43 lbs (19.5 kg)
3-1/4" (83 mm)	45 lbs (20.4 kg)
3" (76 mm)	48 lbs (21.8 kg)
2-1/2" (64 mm)	53 lbs (24 kg)

The Table assumes that the Center of Gravity (CG) of the monitor is slightly off center (60%) towards the front.

Performance Information

Temperature Range

The optimal temperature range for Ergotron Mounting Solutions is 40° to 110°F (4° to 43°C). Operating outside this range may affect performance of product.

Warranty Information

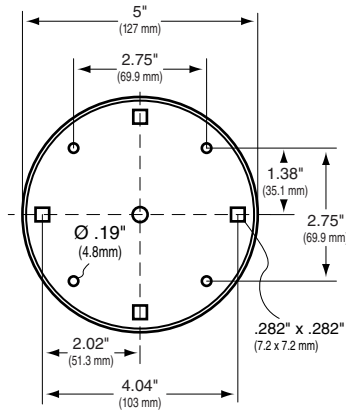
We are so confident that Ergotron products will outlast your computer hardware that we back our structural components with a lifetime warranty and a five (5)-year warranty on Arms and Pivots. OEM products are warranted by their respective manufacturer.

Interface Dimensions for Direct Mounting

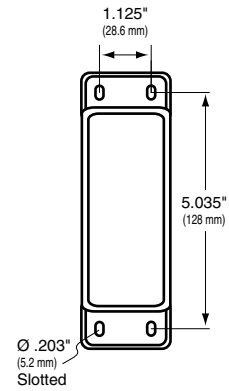
Note: Surface construction varies. It is recommended that you consult the appropriate architectural, engineering or construction personnel to ensure Mounting Solutions are properly mounted to handle the applied loads.

400 SERIES

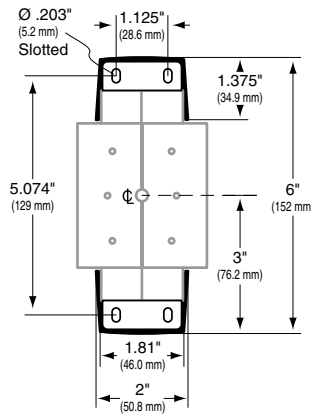
Horizontal Mount Surface/ Suspend Arm Interface



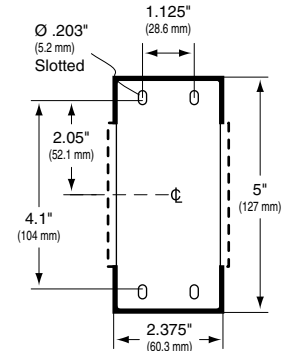
Extender Hole Pattern



Vertical Mount Rotate Arm Interface (includes Combo Rotate Arm)

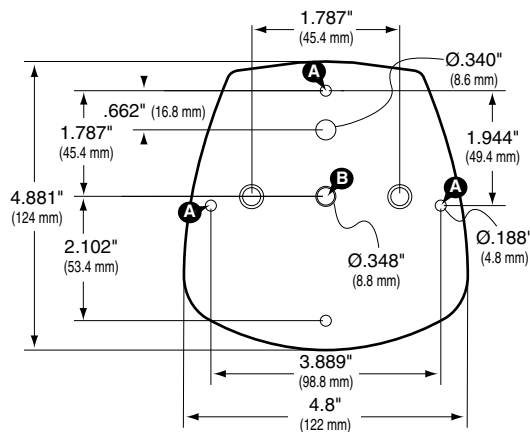


Vertical Mount Fixed Arm Interface (includes Combo Fixed Arm)



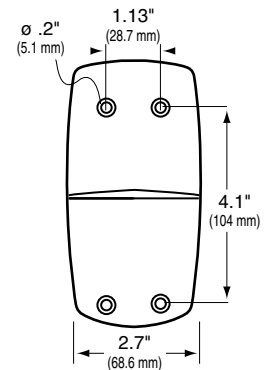
300 and 200 SERIES

Desk Mount (Desk Clamp and Grommet Mount) Base



- A** #10-24 UNC Tap .35 Deep, Break through allowed
- B** #3/8-16 UNC Tap 1.0 Deep, No break through allowed

Vertical Mount Base

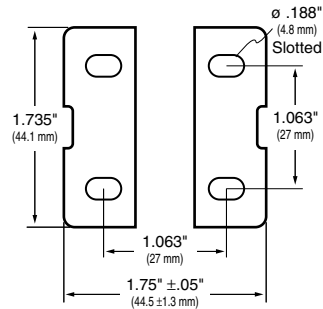


Interface Dimensions for Direct Mounting

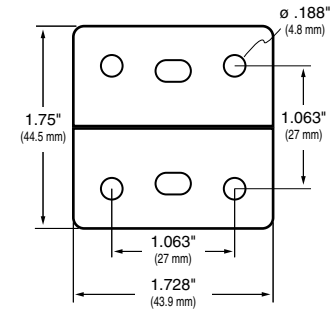
Note: Surface construction varies. It is recommended that you consult the appropriate architectural, engineering or construction personnel to ensure Mounting Solutions are properly mounted to handle the applied loads.

100 SERIES

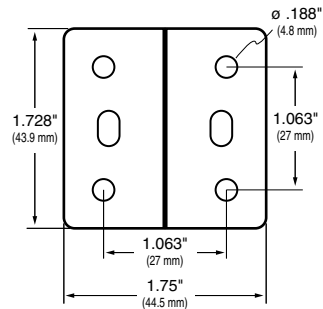
Single Pivot & Single Pivot w/ P/L Interface



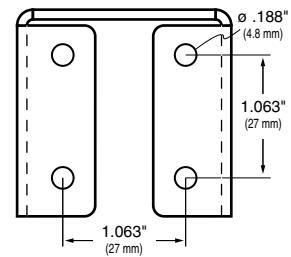
Double Pivot & Double Pivot w/ P/L Interface



Keyboard/Laptop Mounting Interface

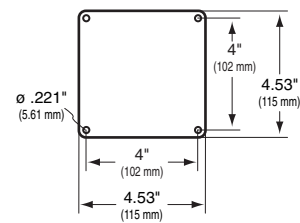


Extender Hole Pattern

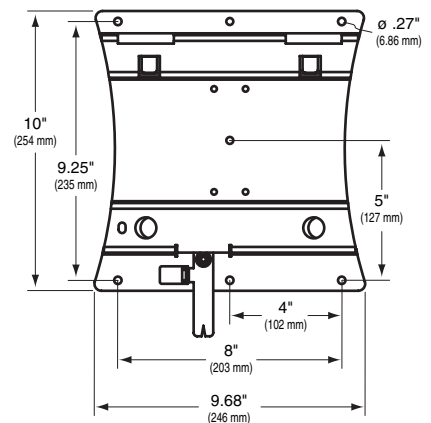


FX SERIES

FX30 Hole Pattern



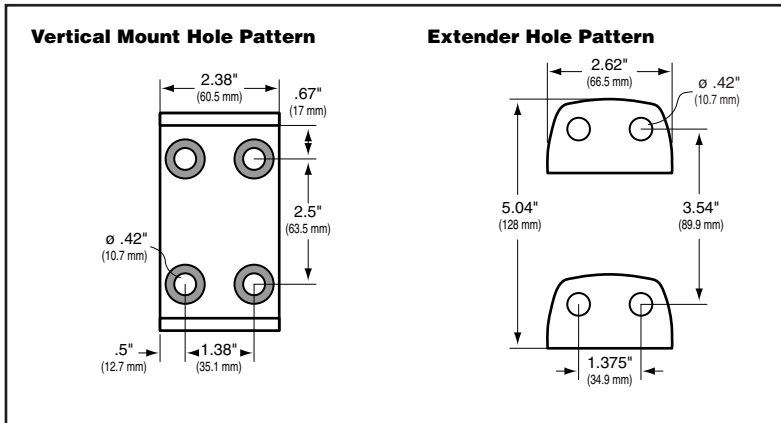
FX75 and FXT75 Hole Pattern (Anchor Bracket)



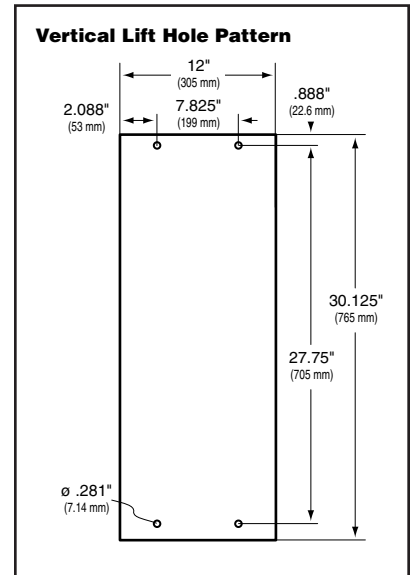
Interface Dimensions for Direct Mounting

Note: Surface construction varies. It is recommended that you consult the appropriate architectural, engineering or construction personnel to ensure Mounting Solutions are properly mounted to handle the applied loads.

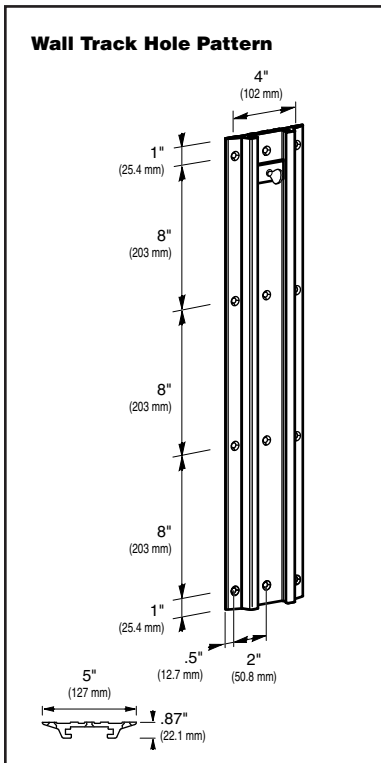
HD SERIES



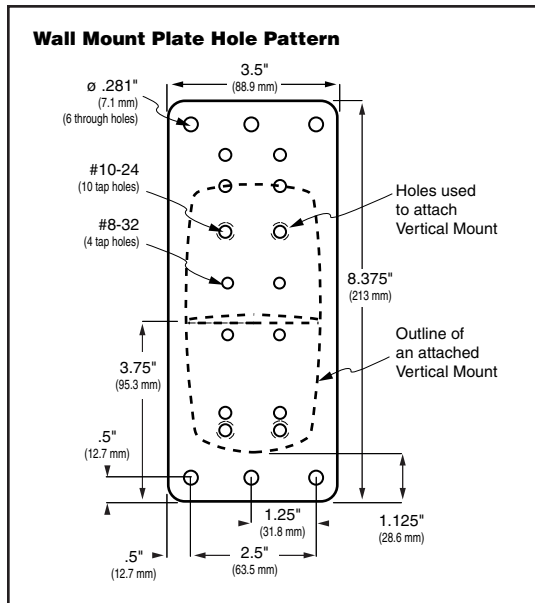
VL SERIES



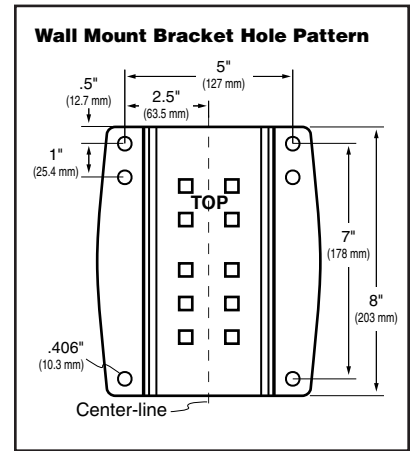
WALL TRACK



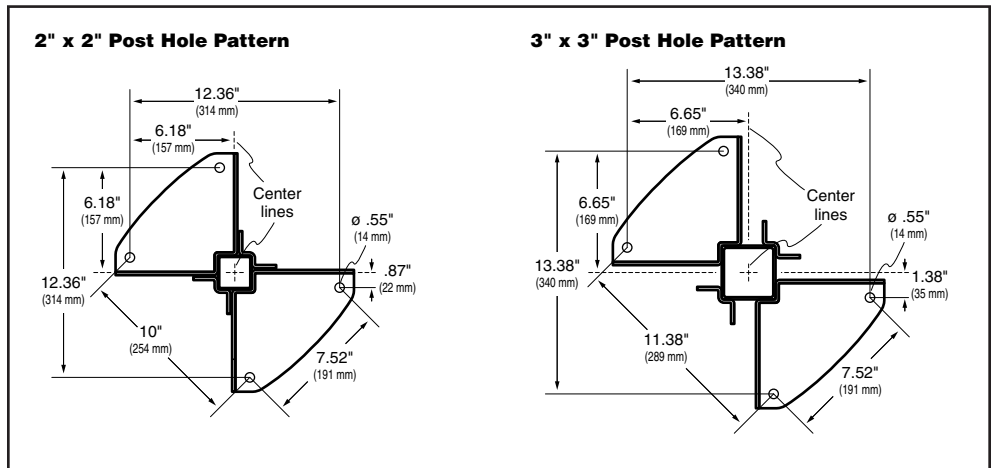
WALL MOUNT PLATE



WALL MOUNT BRACKET



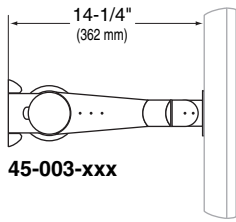
COMMAND POST BASE



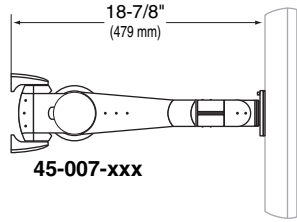
Product Dimensions

400 SERIES

Vertical Mount Monitor Arms

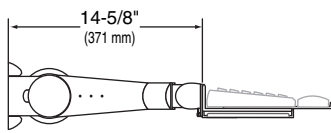


45-003-xxx

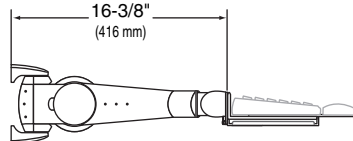


45-007-xxx

Vertical Mount Keyboard/Laptop Arms

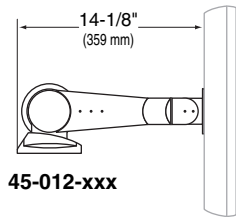


45-005-xxx

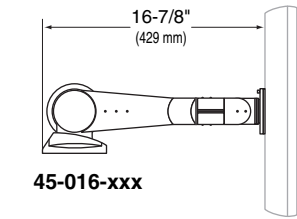


45-006-xxx

Horizontal Mount Monitor Arms

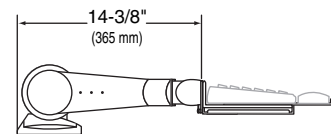


45-012-xxx



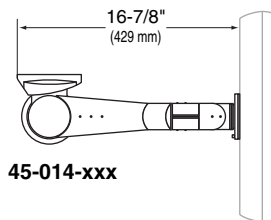
45-016-xxx

Horizontal Mount Keyboard/Laptop Arm



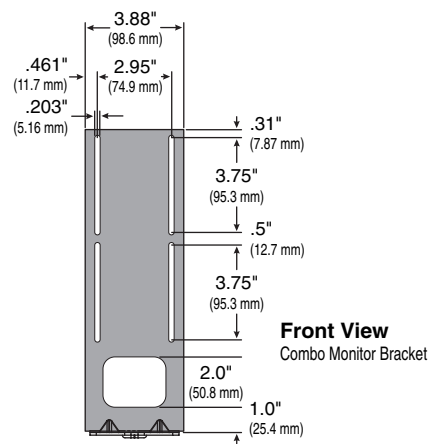
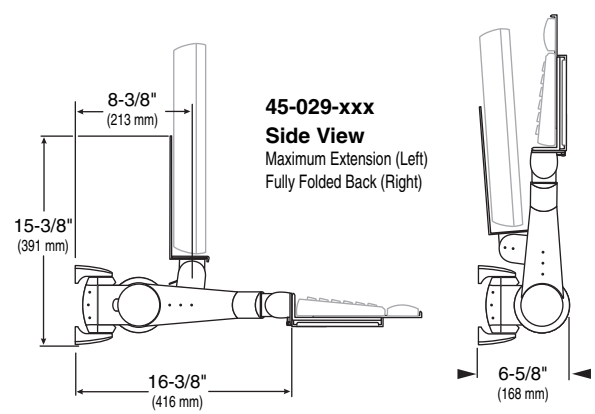
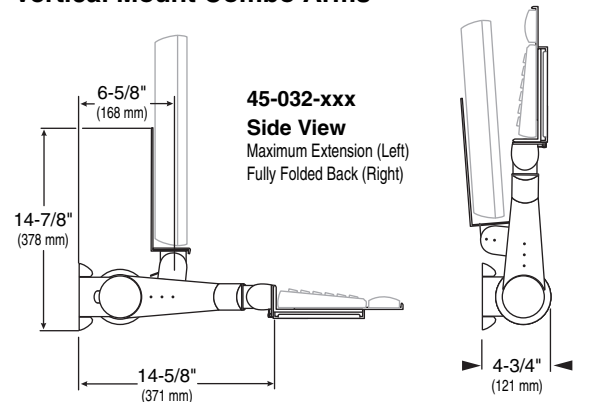
45-036-xxx

Suspend Mount Monitor Arm



45-014-xxx

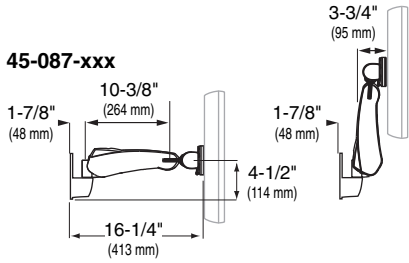
Vertical Mount Combo Arms



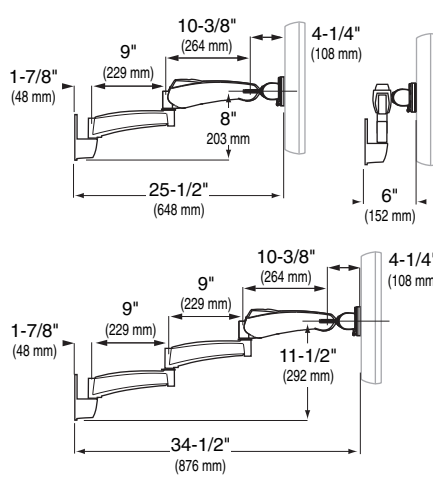
Product Dimensions

300 SERIES

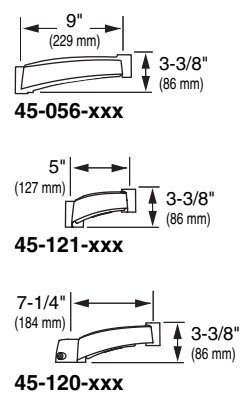
Vertical Mount Monitor Arm



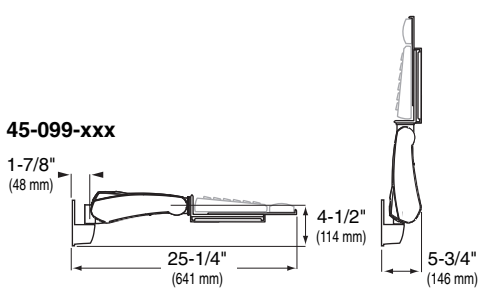
Miscellaneous Configurations



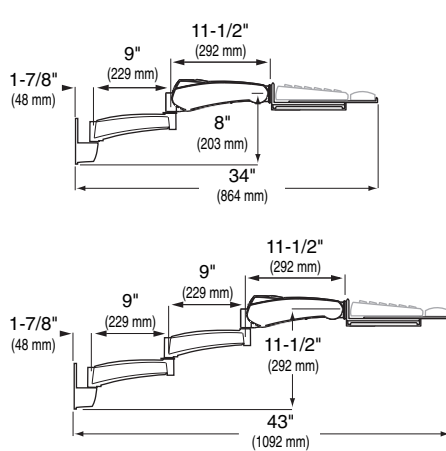
Extensions



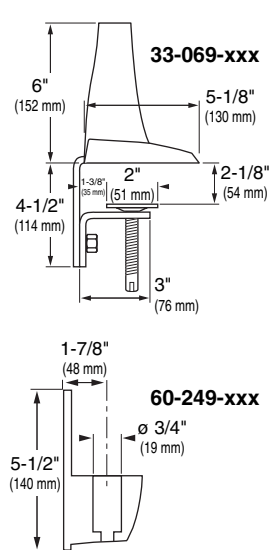
Vertical Mount Keyboard/Laptop Arm



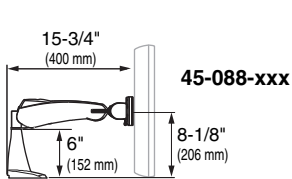
Miscellaneous Configurations



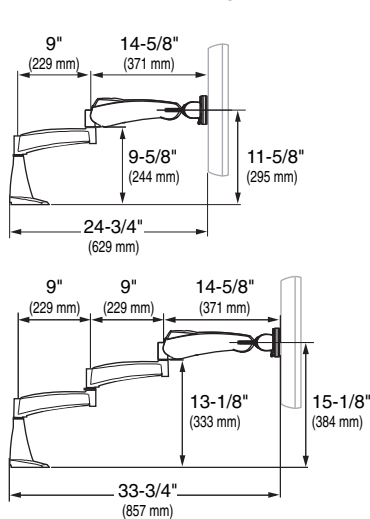
Mounts



Desk Mount Monitor Arm



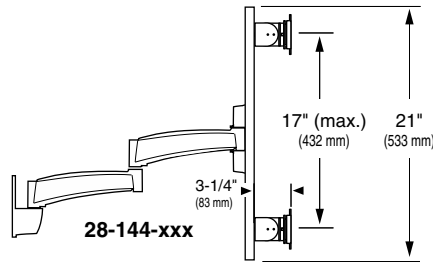
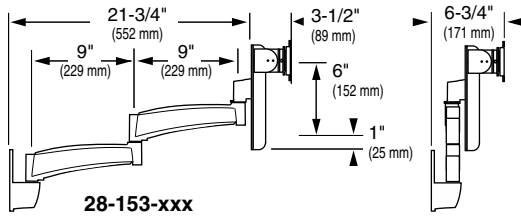
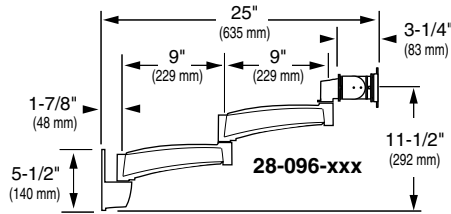
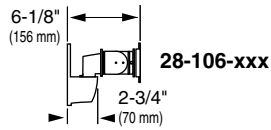
Miscellaneous Configurations



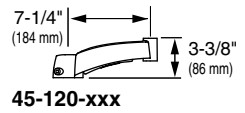
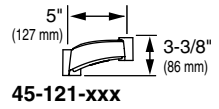
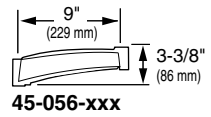
Product Dimensions

200 SERIES

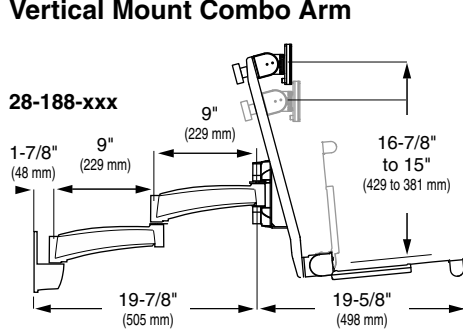
Vertical Mount Monitor Arms



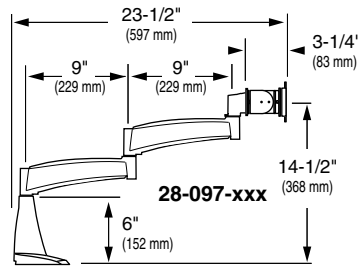
Extensions



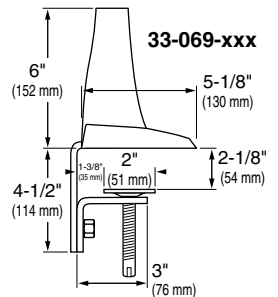
Vertical Mount Combo Arm



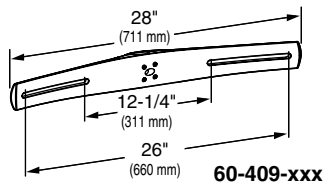
Desk Mount Monitor Arm



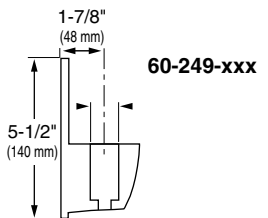
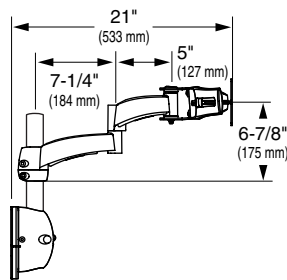
Mounts



Crossbar



Miscellaneous Slatwall Config.



Attention:

Listed allowable widths assume monitor thickness is 4" (102 mm). If monitor thickness is less, allowable width may be more. Contact Ergotron for details.

200 Series Pre-configurations that use Crossbars come standard with Sliding Pivots (i.e., without P/L).

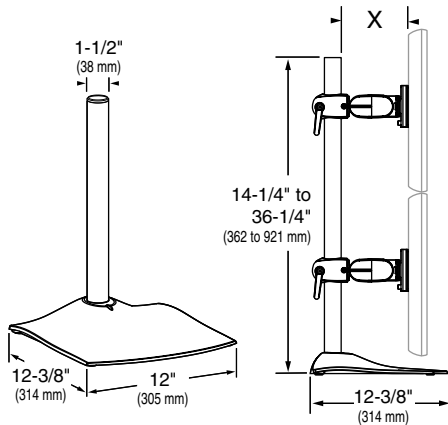
Available Monitor Widths Using Crossbars

Number of Monitors (Horizontal Crossbar)	Sliding Pivots Allowable Monitor Width*	Single Pivots w/ P/L Allowable Monitor Width*
Dual-Monitor (28" Crossbar)	23-1/4" (590 mm)	23" (584 mm)
Triple-Monitor (46" Crossbar)	20" (508 mm)	19-1/2" (495 mm)
Triple-Monitor (55" Crossbar)	24-1/2" (622 mm)	24" (609 mm)
Quad-Monitor (55" Crossbar)	16" (406 mm)	15-1/2" (393 mm)





* Width refers to monitor's physical outside dimension – not screen size.

Product Dimensions

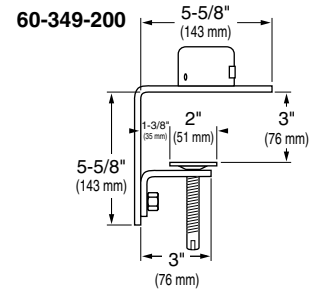
DS100 SERIES



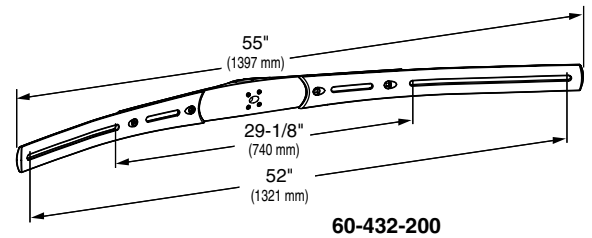
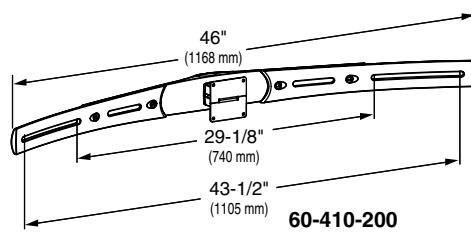
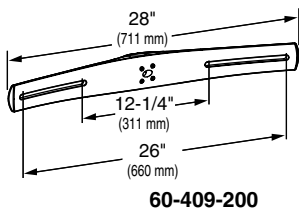
Pivots

- 47-057-200  Single Pivot; X = 2-3/4" (70 mm)
- 47-058-200  Single Pivot with P/L; X = 3-5/8" (92 mm)
- 47-050-200  Double Pivot; X = 5-1/8" (130 mm)
- 47-051-200  Double Pivot with P/L; X = 6" (152 mm)

Desk Clamp Base



Crossbars



Attention:

Listed allowable widths assume monitor thickness is 4" (102 mm). If monitor thickness is less, allowable width may be more. Contact Ergotron for details.

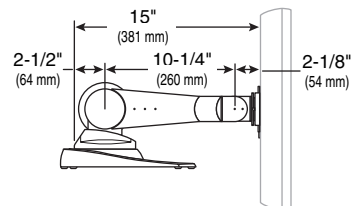
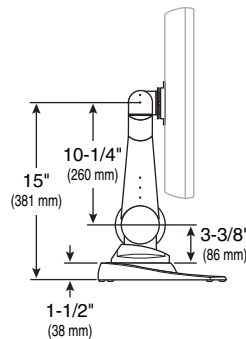
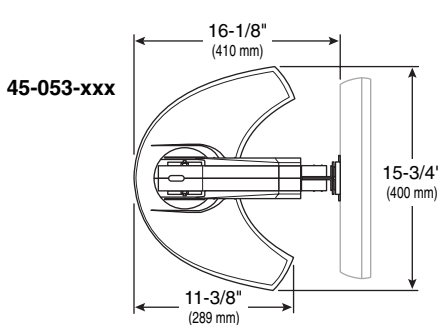
DS100 Series Pre-configurations that use Crossbars come standard with Sliding Pivots (i.e., without P/L).

Available Monitor Widths Using Crossbars

Number of Monitors (Horizontal Crossbar)	Sliding Pivots Allowable Monitor Width*	Single Pivots w/ P/L Allowable Monitor Width*
Dual-Monitor (28" Crossbar)	23-1/4" (590 mm)	23" (584 mm)
Triple-Monitor (46" Crossbar)	20" (508 mm)	19-1/2" (495 mm)
Triple-Monitor (55" Crossbar)	24-1/2" (622 mm)	24" (609 mm)
Quad-Monitor (55" Crossbar)	16" (406 mm)	15-1/2" (393 mm)

* Width refers to monitor's physical outside dimension – not screen size.

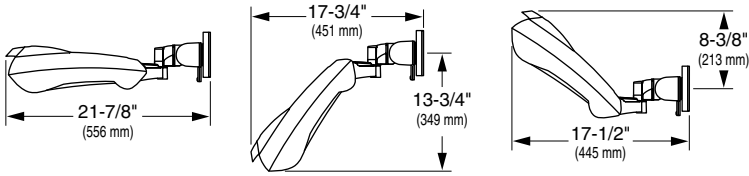
DS400 SERIES



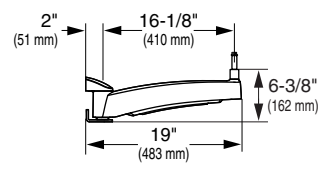
Product Dimensions

HD SERIES - ARMS

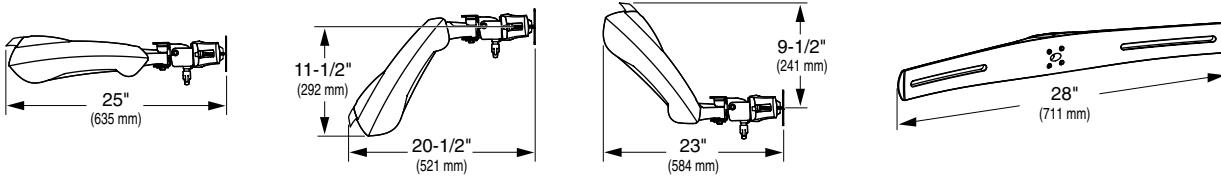
HD Arms - HD45 Arm (44-371-xxx)



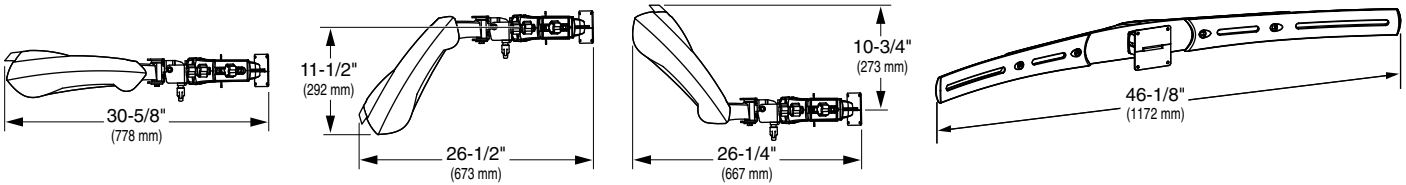
HD Extender (44-396-xxx)



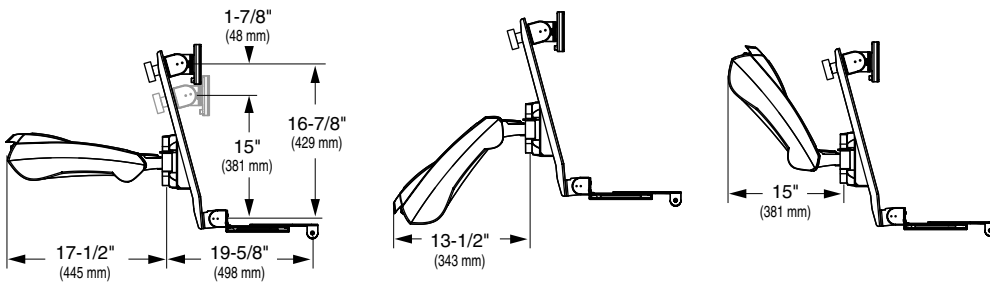
HD Arms - HD Dual-Monitor Arm (28-275-xxx)



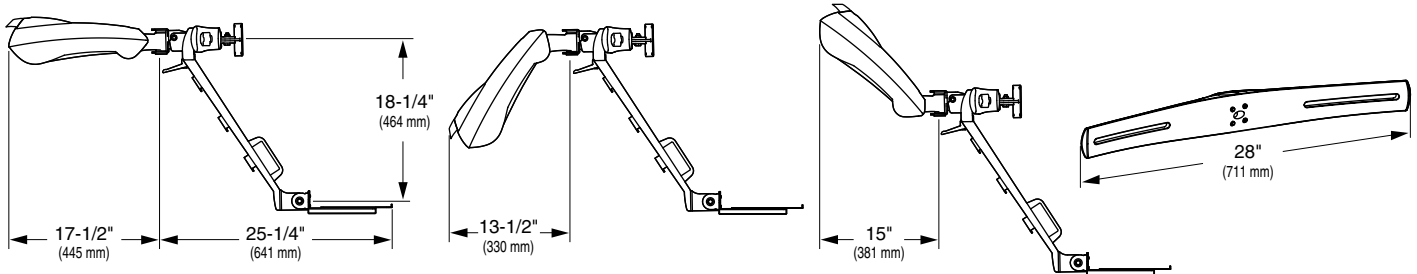
HD Arms - HD Triple-Monitor Arm (28-276-xxx)



HD Arms - HD Combo Arm (44-373-xxx)



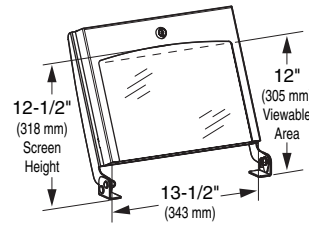
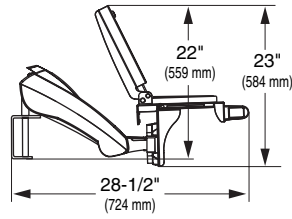
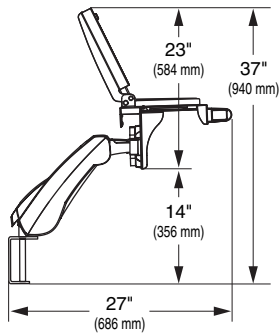
HD Arms - HD Dual-Monitor Combo Arm (44-407-xxx)



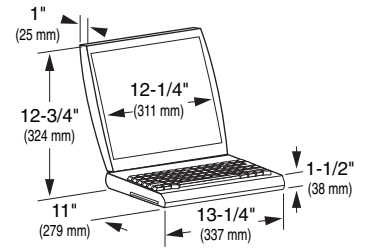
Product Dimensions

HD SERIES – ARMS (continued) & PIVOTS

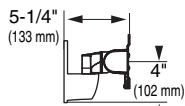
HD Arms - HD Laptop Arm (44-389-xxx)



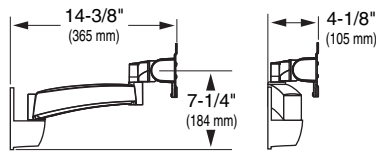
Maximum Laptop Size



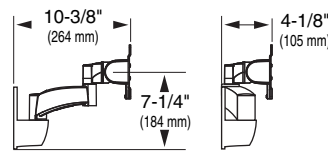
HD Pivots



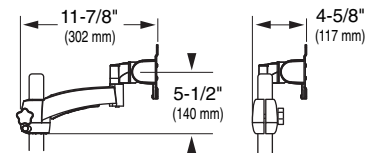
28-274-xxx



45-142-xxx



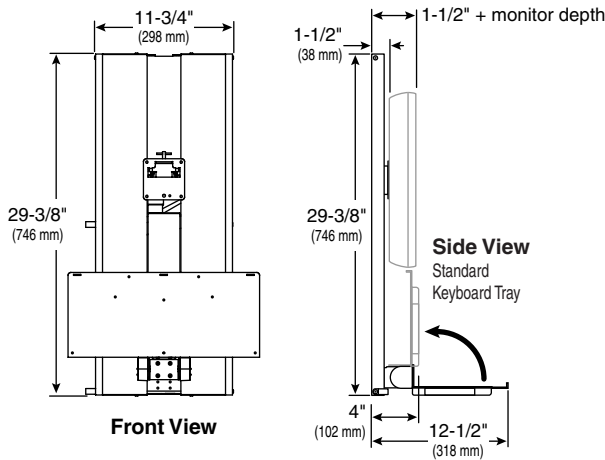
45-143-xxx



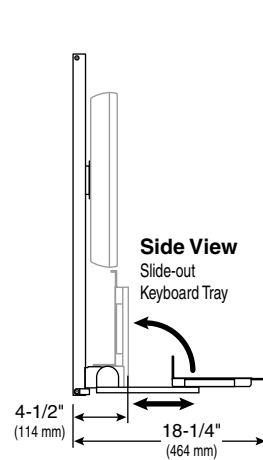
45-144-xxx

VL SERIES

VL-9 w/ Standard Keyboard Tray (25-022-xxx)

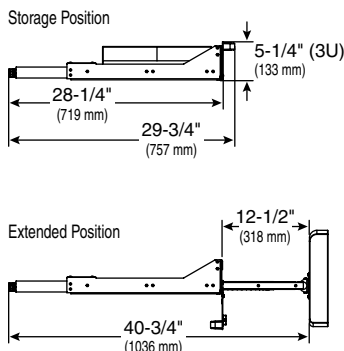


VL-9 w/ Slide-Out Keyboard Tray (25-027-xxx)

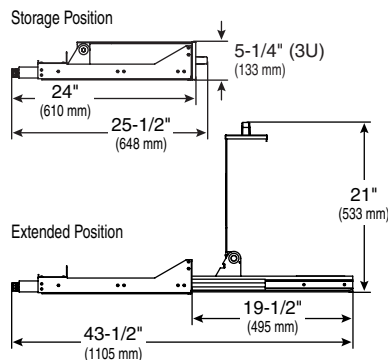


MD SERIES

MD101 Monitor-Only Drawer (57-014-200)



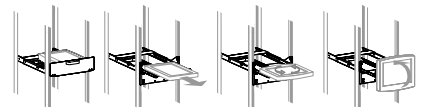
MD102 Monitor Keyboard Drawer (57-013-200)



Range of Motion

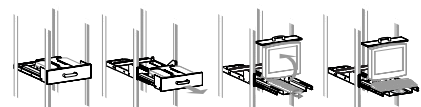
MD101...

- Pulls out from storage position when needed.
- Monitor tilts up/down: 180°
- Screen adjustment portrait/landscape: 360°



MD102...

- Pulls out from storage position when needed.

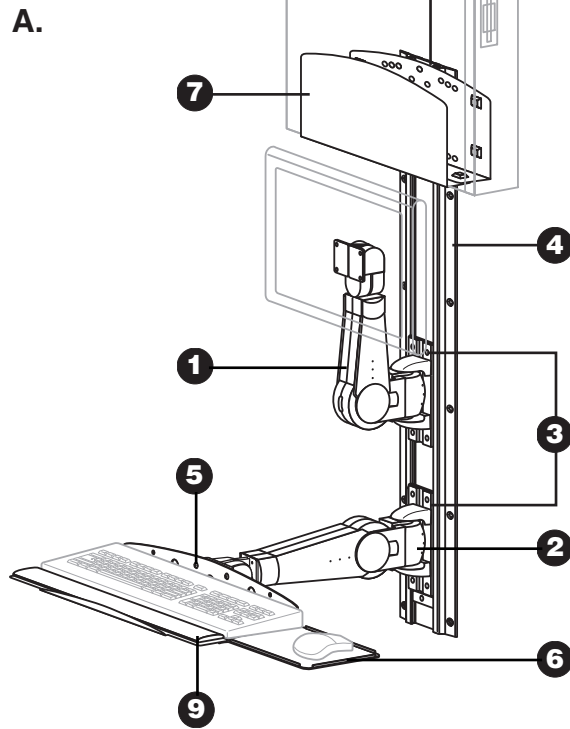


Sample Configurations

Configure your own system with Ergotron's modular components. Examples listed here are some configuration ideas.

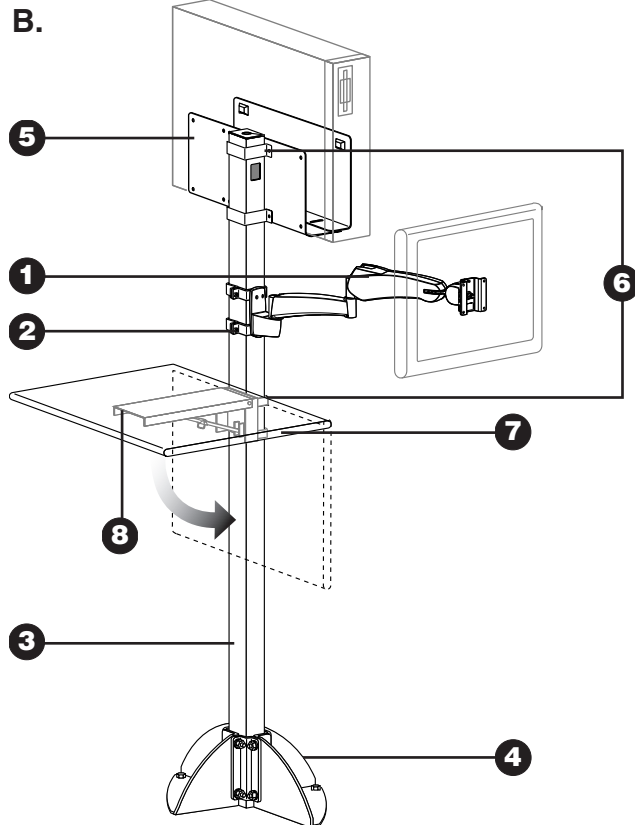
A. 400 Series Mounting Solutions on Wall Track configuration:

- 1 45-007-099, 400 Series Arm, Vertical Mount, Rotate, Double Pivot with P/L
- 2 45-006-099, 400 Series Arm, Vertical Mount, Rotate, Keyboard/Laptop Pivot
- 3 97-091, Track Mount Bracket Kit (2)
- 4 31-019-182, 50" Wall Track
- 5 77-050-180, Keyboard Tray w/ Sliding Mouse Tray & Wrist Rest Holder
- 6 85-025-079, Mouse Pad
- 7 80-058-100, CPU Holder – Medium
- 8 60-156, Peripheral Track Mount Bracket Kit
- 9 85-010-087, Wrist Rest



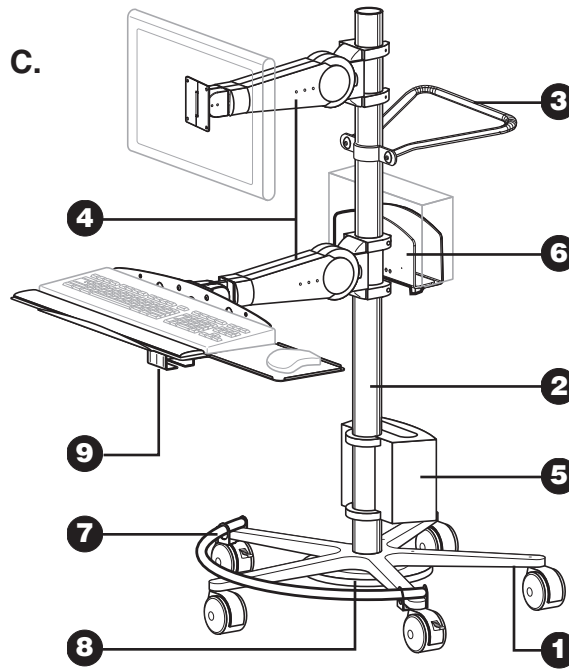
B. 300 Series Mounting Solution on Command Post configuration:

- 1 28-170-180, 300 Series Vertical Mount Arm with 9" Extension
- 2 60-366-100, 3" x 3" Post Mounting Solutions Bracket
- 3 20-077-100, 96" Post, 3" x 3"
- 4 60-360-100, Base for 3" x 3" Post
- 5 80-059-100, CPU Holder – Large
- 6 60-158-100, 3" x 3" Post Peripheral Bracket
- 7 55-035-998, Peripheral Table
- 8 65-048-100, Fold-Away Underbracing



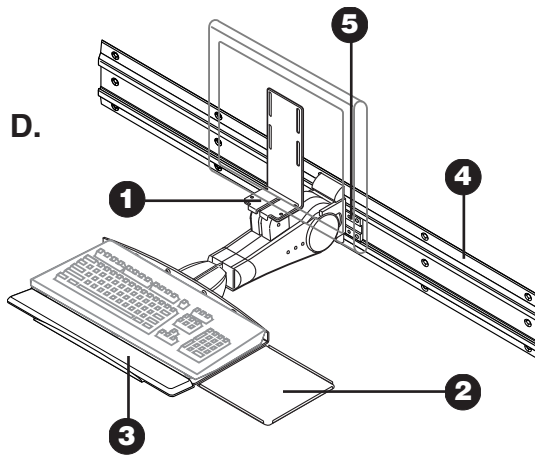
C. Mobile WorkStand configuration:

- ① 33-061, Base & Casters
- ② 20-080, 2" Round Pole
- ③ 90-015-100, Handle
- ④ 45-003-099, 400 Series Arm, Vertical Mount, Fixed, Single Pivot (top) & 45-005-099, 400 Series Arm, Vertical Mount, Fixed, Keyboard/Laptop Pivot (bottom)
- ⑤ 70-054-100, Cable Box
- ⑥ 80-063-100, CPU Holder – Small
- ⑦ 85-022, Footrest
- ⑧ 99-140, Stabilizer Weight (25 lbs)
- ⑨ 99-033-078, Mouse Pouch



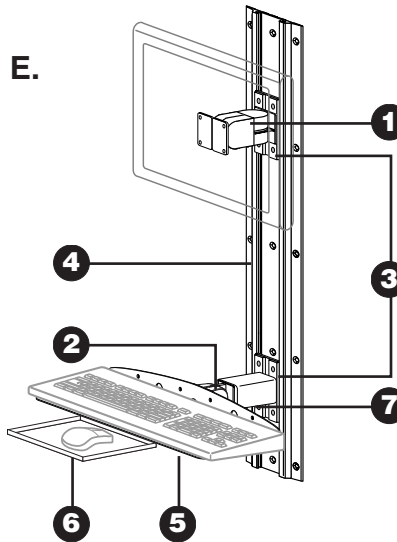
D. 400 Series Combination Arm on horizontally positioned Wall Track configuration:

- ① 45-032-099, 400 Series Arm, Combination Flat Panel/Keyboard, Fixed
- ② 77-050-180, Keyboard Tray w/ Sliding Mouse Tray & Wrist Rest Holder
- ③ 85-010-087, Wrist Rest
- ④ 31-018-182, 34" Wall Track
- ⑤ 97-090, Horizontal Track Mount Bracket Kit



E. 100 Series Mounting Solutions on Wall Track configuration:

- ① 47-012-099, 100 Series, Double Pivot
- ② 47-009-099, 100 Series, Keyboard/Laptop Pivot
- ③ 97-091, Track Mount Bracket Kit (2)
- ④ 31-017-182, 26" Wall Track
- ⑤ 77-049-180, Keyboard Tray
- ⑥ 85-014-180, Front Mouse Tray
- ⑦ 60-197-100, 100 Series 5" Extender



International Notes

1. Product part numbers found in this document that begin with "28-" may not be available in Europe. Please contact the office to determine availability and shipment time-frames:

Ergotron Europe, Hogehilweg 8
1101 CC Amsterdam ZO
The Netherlands
Phone: 31 20 312 29 39
Fax: 31 20 312 29 40
E-mail: info.eu@ergotron.com

2. Ergotron holds the German TÜV GS safety certificate for the following Flat Panel Monitor Mounting Solutions:

100 Series, DS100 Series, 200 Series, 300 Series, 400 Series, DS400 Series, VL Series and Mobile WorkStand.



What is it? The GS Mark demonstrates that a product complies with the German Safety of Equipment Act. Only those products which fall within the scope of the Act are eligible to bear the GS Mark. At present, this is the case for over five thousand consumer and industrial products. TÜV Rheinland documents the safety and quality of new and existing products, systems and services is a notified certification body.

The benefits to you:

- Independent product testing is carried out by accredited labs only.
- Production process audited by the certification body.
- Provides the manufacturer/importer with the confidence that the products they sell are safe, of high quality and legal.

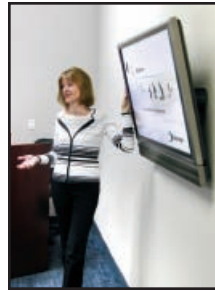
3. CE Marking: The CE marking may only be placed on a product that falls under one or more of the directives that address the basis for which the CE marking must be placed on a product. Ergotron arm and pivot products do not fall under the definition of any directive, including the definition of machinery as defined in directive BS EN 292 of CE. A machine has controls that an operator would interface with to cause some type of powered operation, whether it be pneumatic, hydraulic, mechanical or electrical, to cause some type of motion to occur. Consequently, there is no CE Marking on Ergotron equipment.

Notes

Notes

Notes

Maximize the effectiveness of your computer systems with Ergotron Products.



Since 1982, Ergotron has designed and engineered products specifically for improving the human interface with computers. Innovative engineering concepts incorporate the human factor into each and every product. With our patented Monitor Suspension technology as the core, Ergotron designs Mounting Solutions that consistently meet the ever changing needs of our customers.

Our experienced Sales Representatives will work with you to define your requirements and custom configure standard components to cost-effectively meet those requirements. If you do not see a product that meets your requirements, call us and we will tailor a solution to your needs.

© 2005 Ergotron, Inc.
rev. 09/29/2005 E-03-005

**Content is subject to change
without notification.**

Ergotron, Inc.: St. Paul, MN; (800) 888-8458;
www.ergotron.com; sales@ergotron.com

Ergotron Europe: Amsterdam, The Netherlands;
Tel. +31 20 312.29.39; info.eu@ergotron.com

Ergotron Asia: (800) 468-3917 ext. 7617;
info.apac@ergotron.com

