

ergotron®

moving you forward

Tandem Tablet Holder

- Easily connect your Surface tablet within your workspace, allowing the Surface to drive one or multiple monitors
- A simple push of a thumb releases the tablet from the easel, allowing you to quickly go mobile with your tablet
- Includes a box to hold Microsoft's proprietary Surface Dock on the back of the monitor, providing quick system connection while saving desktop space
- Sturdy metal construction maintains touch-screen stability. Works great with a stylus and drawing applications
- Lightweight design ensures effortless mounting arm adjustment
- The tablet easel can be installed at the bottom or either side of your monitor. The holder assembly easily attaches to the VESA plate of your monitor mount
- Includes 5-year warranty



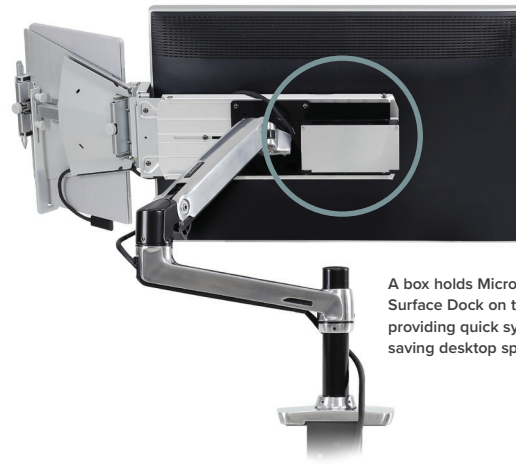
POSITION YOUR MICROSOFT® SURFACE™ OR OTHER TABLET WITHIN YOUR DIGITAL WORKFLOW

The Tandem Tablet Holder is an accessory that converts a VESA mount to position your Surface alongside or below your monitor. It is designed specifically for Microsoft® Surface™, but its open architecture also makes it compatible with many popular tablet brands and models from Apple®, HP®, Samsung®, Wacom and more.

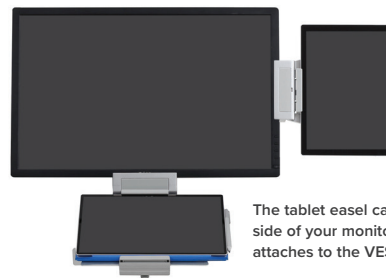
Sturdy metal construction maintains touch-screen stability. It especially works great with a stylus and drawing applications.

Tandem Tablet Holder

- The tablet easel can be installed at the bottom or either side of your monitor; the holder assembly easily attaches to the VESA plate of your monitor mount
- Install the monitor at any point along the easel crossbar to counterbalance the tablet, creating a stable, yet easily adjusted, tandem-screen configuration
- Sturdy metal construction maintains touch-screen stability
- Works great with a stylus and drawing applications
- Lightweight design ensures effortless mounting arm adjustment
- Generally compatible with monitor screen sizes of 20" to 27" diagonal. Monitor thickness should be 2" to 4" (5 to 10 cm); monitor's maximum outside height = 12" (30 cm) and maximum outside width = 27" (69 cm) when VESA hole pattern is centered on back of display
- Includes tablet easel, easel crossbar, Surface Dock box, VESA interface plate and mounting hardware



A box holds Microsoft's proprietary Surface Dock on the back of the monitor, providing quick system connection while saving desktop space

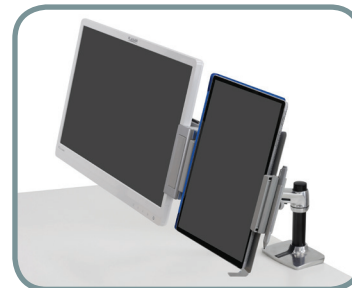


The tablet easel can be installed below or on either side of your monitor. The holder assembly easily attaches to the VESA plate of your monitor mount



ACHIEVE A 60° TILT RANGE WHEN TABLET IS MOUNTED BELOW THE MONITOR

Part # (color)	85-046-231 (brushed aluminum)
Typical LCD Size	≤ 12.9" See website for details
<small>LCD SIZE IS APPROXIMATION. DIMENSION IS DIAGONAL MEASUREMENT OF SCREEN. LCD SIZE MAY BE EXCEEDED AS LONG AS SCREEN WEIGHT DOES NOT EXCEED MAXIMUM WEIGHT CAPACITY OF THE MOUNT.</small>	
Weight Capacity	≤ 3 lbs (1,4 kg) See website for details
Tilt	60° See website for details
Pan	60° See website for details
VESA	MIS-D
Product Weight	6.5 lbs (3 kg)
Shipping Dimensions	20" x 16.3" x 4.5" (51 x 41 x 11,5 cm)
Shipping Weight	8.5 lbs (3,9 kg)
Warranty	5 years



A SIMPLE PUSH OF A THUMB RELEASES THE TABLET FROM THE EASEL, ALLOWING YOU TO QUICKLY GO MOBILE WITH YOUR TABLET

Download additional resources at ergotron.com.

For more information:

Americas: 800.888.8458 / +1.651.681.7600 / insidesales@ergotron.com

EMEA: +31.33.45.45.600 / info.eu@ergotron.com

APAC: apaccustomerservice@ergotron.com

Custom: custom@ergotron.com

© Ergotron, Inc. 03.29.2020

Literature made in the U.S.A. Content subject to change.

Ergotron devices are not intended to cure, treat, mitigate or prevent any disease.

Patent information available at www.ergotron.com/patents.

WorkFit, StyleView, LearnFit, Neo-Flex, PowerShuttle, LiFeKinex, CareFit and eKinex are trademarks of Ergotron.

