

KVM Console to USB 2.0 Portable Laptop Crash Cart Adapter

StarTech ID: NOTECONS01



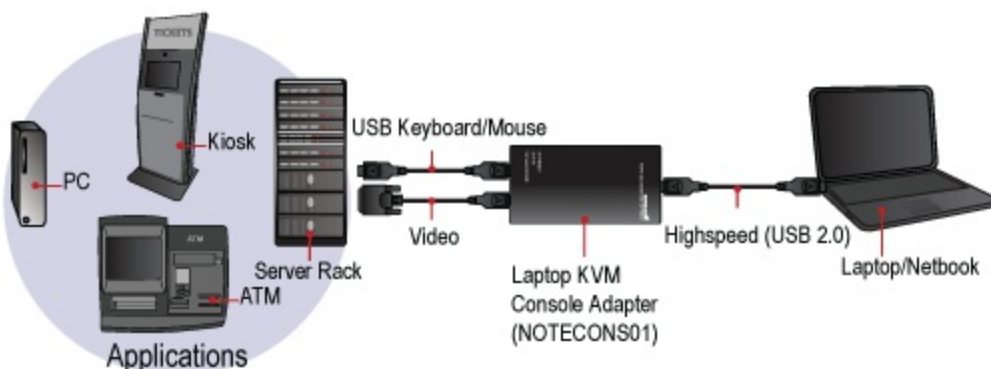
The NOTECONS01 KVM Console to USB 2.0 Portable Laptop Crash Cart Adapter turns your notebook or netbook into a portable server crashcart, eliminating the need to lug around a large, heavy and awkward video screen, keyboard, and mouse. This adapter delivers the VGA stream from any host computer to a laptop and emulates the laptop mouse and keyboard outputs for simple access and control of connected servers, PCs or other "headless" devices.

With portability for the mobile administrator or repair technician in mind, this USB-powered adapter features a small-footprint design that requires no additional accessories to connect to most servers, and requires no server-side software installation. Plus, the pocket-sized adapter draws its power from the server-side USB connections, allowing the laptop/netbook to last longer without consuming battery power.

Ensuring full control of the connected units, the Laptop KVM Server Console Adapter provides immediate access to the POST screen and BIOS, plus the ability to handle full configuration of the attached PC or machine; administrators can connect to a headless server/device without the need of an expensive LCD rackmount console or bulky monitor, keyboard and mouse solution.

Backed by a StarTech.com 2-year warranty and free lifetime technical support.

How it works:



"StarTech.com's USB KVM may be your new best friend for trips to the datacenter... you can use this from the back of the rack. So if you are handling issues that require moving cables or network connections... this can be a major timesaver."
— everythingUSB.com

"The CRN Test Center recommends StarTech's Crash Cart Adapter for any company with a data center or with technicians servicing computers in the field"
— CRN



Användning

- Eliminates the need for huge, bulky crash carts in the server room or distributed networks
- Cost effective solution for areas where dedicated rack mounted LCD Consoles are too pricey or cumbersome to install
- Headless Server maintenance
- Mobile server repair
- ATM and VLT maintenance and repair

Funktioner

- Very small footprint with integrated KVM cables
- Self-powered – draws its power from the server USB connections
- Multi-platform support USB and PS/2 to the server or KVM (PS/2 for Keyboard Only)
- Upgradable Firmware
- LED indicators for USB link, Host Video link, and Host Keyboard/Mouse Link
- Manual video adjustments to control the picture position, sharpness and image noise for optimal performance settings
- Snapshot feature allows you to capture screen shots of your server, error messages, and activity
- Pre-loaded special key commands
- Keyboard emulation support for USB, PS/2 and SUN systems
- Auto image centering adjustment for 4x3 images on a wide screen display
- Automatic video scaling when resizing the viewing pane from the console PC (laptop) for immediate, automatic compatibility
- Manual video override adjustments allows it to work with legacy and industrial devices where other portable consoles do not
- True USB mouse synchronization ensures accurate navigation of the connected server

Tekniska specifikationer

| | |
|----------------------------|--|
| Warranty | 2 Years |
| Audio | No |
| KVM Ports | 1 |
| PC Interface | USB and PS/2 |
| PC Video Type | VGA |
| Multi-Monitor | No |
| Rack-Mountable | No |
| Cables Included | Yes |
| Daisy-Chain | No |
| Console Interface(s) | 1 - USB A (4 pin) Male |
| Host Connectors | 1 - PS/2 (6 pin; Mini-DIN) Male |
| Host Connectors | 1 - USB A (4 pin) Male |
| Host Connectors | 1 - VGA (15 pin; High Density D-Sub) Male |
| IP Control | No |
| Maximum Analog Resolutions | 1920x1200 @ 60Hz |
| Maximum Number of Users | 1 |
| OS Compatibility | Windows® 8 / 8.1 (32/64bit), 7 (32/64), Vista(32/64), XP(32/64) Windows Server® 2012, 2008 R2 Mac OS® 10.x (Tested up to 10.9) Linux 2.6.x - 3.5.x (32/64bit) |
| Color | Black |
| Enclosure Type | Plastic |
| Cable Length | 1 x 15in (385mm) USB host cable, 1 x 3in (76mm) VGA host cable, 1 x 6ft (1.8m) USB Console cable |
| Product Width | 74 mm [2.9 in] |
| Product Height | 15 mm [0.6 in] |
| Product Depth | 115 mm [4.5 in] |
| Product Weight | 170 g [6 oz] |
| LED Indicators | 1 - Host/Server Keyboard/Mouse (USB,PS/2) Link |
| LED Indicators | 1 - Host/Server Video (VGA) Link |
| LED Indicators | 1 - User Console/USB Link |
| Operating Temperature | 0°C to 40°C (32°F to 104°F) |
| Storage Temperature | -40°C to 70°C (-40°F to 158°F) |
| Humidity | 80% RH |
| Shipping (Package) Weight | 0.4 kg [0.9 lb] |
| Included in Package | 1 - USB PS/2 KVM Console Adapter |
| Included in Package | 1 - USB Cable |

- Included in Package 1 - USB to PS/2 Adapter
- Included in Package 1 - USB Software Key

Certifikat, rapporter och kompatibilitet

