

	Page
240 Volt Lighting and Distribution NQ Panelboard	
• Main Lugs Only - 20" Wide Enclosures	2-3
• Main Circuit Breakers - 20" Wide Enclosures	4
• Service Entrance NQ Panelboards	5
• QOB — Bolt-On Branch Breakers	6
• Branch Circuit Breaker Accessories	7
• Panelboard Accessories	8
• Box Sizing Requirements	9
• SurgeLogic – Surge protection device for NQ panelboards	10
• Main Lugs and Main Circuit Breakers - 14" Wide Enclosures	
• NQ Single row	
• Fingersafe IP2X	
600Y/347 Volt Lighting and Distribution NF Panelboard	
• Main Lugs Only - 20" Wide Enclosures	11
• Main Circuit Breakers - 20" Wide Enclosures	12
• E-Frame Branch Breakers	13
• Accessories	14-15
• Box Selection Table	
• NF Single row	
Separated Distribution and Split Bus Panelboards	
• Separated Distribution and Split Bus NQ and NF Panelboards	16
I-Line - 600 Volt Breaker Power Panelboard	
• Ready to Install - Main Lugs - Main Breakers	17-19
• Accessories, Panel Equipment Data	20-22
• Branch Breakers	23-29
• Factory Assembled I-Line Panelboards	31
• Factory Assembled I-Line Combo Panelboards	32
QMB/QMJ - Fusible Power Panelboard	
• Branch Switches, HP Ratings, Lug Data	33-35
Special Features for Factory Assembled Panels	
• Metering, Customer Equipment Space	36
• Key Interlock, Motor Operators for I-Line Breakers	36
• Enclosure Modifications	37
• Enclosure Options	38-39
• Panels to fit existing enclosures	40-41
• Special Enclosures	42
Other Panelboards	
• Obsolete Panelboards Information	41

NQ Panelboards – Ready to Install (RTI)

20" Wide Enclosures – 240 Vac, 48 Vdc

NQ Ready to Install Main Lug Interiors

Mains Rating	Max no. of Single Pole QO/QOB Circuit Breakers	Interior Only (order branch circuit breakers separately) Catalogue No.▲	Type 1 Enclosure			Type 3R, 5, 12 Enclosure*	
			Box 20"W x 5.75"D■	Front ◆		Box 20"W x 6.5"D	
			Catalogue No.	Catalogue No.	Catalogue No.	Catalogue No.	Height (in.)
NQ RTI 20" wide Single Phase 3-Wire							
100	18	NQ18L1	MH26	NC26(S) or (F) or (HR)	MH26WP	26	
	18	NQ18L1C	MH26	NC26(S) or (F) or (HR)	MH26WP	26	
	30	NQ30L1	MH32	NC32(S) or (F) or (HR)	MH32WP	32	
	30	NQ30L1C	MH32	NC32(S) or (F) or (HR)	MH32WP	32	
225	30	NQ30L2	MH32	NC32(S) or (F) or (HR)	MH32WP	32	
	30	NQ30L2C	MH32	NC32(S) or (F) or (HR)	MH32WP	32	
	42	NQ42L2	MH38	NC38(S) or (F) or (HR)	MH38WP	38	
	42	NQ42L2C	MH38	NC38(S) or (F) or (HR)	MH38WP	38	
	72	NQ72L2	MH44	NC44(S) or (F) or (HR)	MH44WP	44	
	72	NQ72L2C	MH44	NC44(S) or (F) or (HR)	MH44WP	44	
	84	NQ84L2	MH50	NC50(S) or (F) or (HR)	MH50WP	50	
400	30	NQ30L4	MH50	NC50(S) or (F) or (HR)	MH50WP	50	
	30	NQ30L4C	MH50	NC50V(S) or (F) or (HR)	MH50WP	50	
	42	NQ42L4	MH50	NC50V(S) or (F) or (HR)	MH50WP	50	
	54	NQ54L4	MH56	NC56V(S) or (F) or (HR)	MH56WP	56	
	54	NQ54L4C	MH56	NC56V(S) or (F) or (HR)	MH56WP	56	
600 ◆	30	NQ30L6C	MH50	NC50V(S) or (F) or (HR)	MH62WP**	50/62	
	42	NQ42L6C	MH50	NC50V(S) or (F) or (HR)	MH62WP**	50/62	
	54	NQ54L6C	MH56	NC56V(S) or (F) or (HR)	MH80WP**	56/68	
	84	NQ84L6C	MH68	NC68V(S) or (F) or (HR)	MH80WP**	80	
NQ RTI 20" wide Three Phase 4-Wire							
100	18	NQ418L1	MH26	NC26(S) or (F) or (HR)	MH26WP	26	
	18	NQ418L1C	MH26	NC26(S) or (F) or (HR)	MH26WP	26	
	30	NQ430L1	MH32	NC32(S) or (F) or (HR)	MH32WP	32	
	30	NQ430L1C	MH32	NC32(S) or (F) or (HR)	MH32WP	32	
225	30	NQ430L2	MH32	NC32(S) or (F) or (HR)	MH32WP	32	
	30	NQ430L2C	MH32	NC32(S) or (F) or (HR)	MH32WP	32	
	42	NQ442L2	MH38	NC38(S) or (F) or (HR)	MH38WP	38	
	42	NQ442L2C	MH38	NC38(S) or (F) or (HR)	MH38WP	38	
	54	NQ454L2	MH38	NC38(S) or (F) or (HR)	MH38WP	38	
	54	NQ454L2C	MH38	NC38(S) or (F) or (HR)	MH38WP	38	
	72	NQ472L2	MH44	NC44(S) or (F) or (HR)	MH44WP	44	
	72	NQ472L2C	MH44	NC44(S) or (F) or (HR)	MH44WP	44	
400	30	NQ430L4	MH50	NC50(S) or (F) or (HR)	MH50WP	50	
	30	NQ430L4C	MH50	NC50V(S) or (F) or (HR)	MH50WP	50	
	42	NQ442L4	MH50	NC50V(S) or (F) or (HR)	MH50WP	50	
	42	NQ454L4	MH56	NC56V(S) or (F) or (HR)	MH56WP	56	
	54	NQ454L4C	MH56	NC56V(S) or (F) or (HR)	MH56WP	56	
	54	NQ472L4C	MH62	NC62V(S) or (F) or (HR)	MH62WP	62	
600 ◆	30	NQ430L6C	MH50	NC50V(S) or (F) or (HR)	MH62WP**	50/62	
	42	NQ442L6C	MH50	NC50V(S) or (F) or (HR)	MH62WP**	50/62	
	54	NQ454L6C	MH56	NC56V(S) or (F) or (HR)	MH68WP**	56/68	

- ▲ "C" suffix indicates copper bussing.
 - Embossed mounting holes add a .25 inch standoff to back of MH box.
 - ◆ Copper bus standard on 600 A interiors.
 - ★ Enclosure includes trim kit.
 - * Equipment ground bars must be ordered separately.
 - ** Box height may change with subfeed lugs, feed-thru lugs and subfeed breakers.
- Order SurgeLoc SPD for surge suppression on all NQ interiors. Refer to DE5-8.

- * NCxxV(S) or (F) is a vented trim used on 400 & 600 amp NQ.
- * NCxx(S) or (F) is a non vented trim used on 100A & 225A NQ.
- ** Requires the 12 in. rail and deadfront extension NQ12RDE.

DE5 PANELBOARDS



NQ 225A 42CCT MLO



NQ SurgeLogic SPD

NQ Panelboards – Ready to Install (RTI)

20" Wide Enclosures – 240 Vac, 48 Vdc

NQ Ready to Install Main Circuit Breaker Box Selection Table

Main Circuit Breaker Interior, Order MLO Interior + MCB Mounting Kit + MCB

(Refer to Section DE3 for Main Breakers)

Mains Rating	Max no. of Single Pole QO/QOB Circuit Breakers	Interior Only (order branch circuit breakers separately) Catalogue No.	Main Vertical Circuit Breaker Information		Type 1 Enclosure		Type 3R, 5, 12 Enclosure
			Kit	Breaker Frames	Box 20"W x 5.75"D	Front	Box 20"W x 6.5"D
					Catalogue No.	Catalogue No.	Catalogue No.
NQ RTI 20" wide Single Phase 3-Wire (NOT Service Entrance Rated) (2)							
100	18	NQ18L1	NQMB2HJ	HD/HG/HJ/HL* 100A max	MH38	NC38(S) or (F)	MH38WP
	18	NQ18L1C			MH38	NC38(S) or (F)	MH38WP
	30	NQ30L1			MH44	NC44(S) or (F)	MH44WP
	30	NQ30L1C			MH44	NC44(S) or (F)	MH44WP
225	30	NQ30L2	NQMB2HJ and desired HD/HG/HJ/HL or JD/JG/JJ/JL breakers*	NQMB2Q and desired QB/QD/QG/QJ breakers.	MH44	NC44(S) or (F)	MH44WP
	30	NQ30L2C			MH44	NC44(S) or (F)	MH44WP
	42	NQ42L2			MH50	NC50(S) or (F)	MH50WP
	42	NQ42L2C			MH50	NC50(S) or (F)	MH50WP
	72	NQ72L2			MH56	NC56(S) or (F)	MH56WP
	72	NQ72L2C			MH56	NC56(S) or (F)	MH56WP
	84	NQ84L2			MH62	NC62(S) or (F)	MH62WP
84	NQ84L2C	MH62	NC62(S) or (F)	MH62WP			
400	30	NQ30L4	NQMB4LA	LAL/LHL (1)	MH62	NC62V(S) or (F)	MH62WP
	30	NQ30L4C			MH62	NC62V(S) or (F)	MH62WP
	42	NQ42L4			MH62	NC62V(S) or (F)	MH62WP
	54	NQ54L4			MH68	NC68V(S) or (F)	MH68WP
54	NQ54L4C	MH68	NC68V(S) or (F)	MH68WP			
600	600 A MCB available factory assembled						
NQ RTI 20" wide Three Phase 4-Wire (NOT Service Entrance Rated)							
100	18	NQ418L1	NQMB2HJ	HD/HG/HJ/HL* 100A max	MH38	NC38(S) or (F)	MH38WP
	18	NQ418L1C			MH38	NC38(S) or (F)	MH38WP
	30	NQ430L1			MH44	NC44(S) or (F)	MH44WP
	30	NQ430L1C			MH44	NC44(S) or (F)	MH44WP
225	30	NQ430L2	NQMB2HJ and desired HD/HG/HJ/HL or JD/JG/JJ/JL breakers	NQMB2Q and desired QB/QD/QG/QJ breakers.	MH44	NC44(S) or (F)	MH44WP
	30	NQ430L2C			MH44	NC44(S) or (F)	MH44WP
	42	NQ442L2			MH50	NC50(S) or (F)	MH50WP
	42	NQ442L2C			MH50	NC50(S) or (F)	MH50WP
	54	NQ454L2			MH50	NC50(S) or (F)	MH50WP
	54	NQ454L2C			MH50	NC50(S) or (F)	MH50WP
	72	NQ472L2			MH56	NC56(S) or (F)	MH56WP
	72	NQ472L2C			MH56	NC56(S) or (F)	MH56WP
84	NQ484L2	MH62	NC62(S) or (F)	MH56WP			
84	NQ484L2C	MH62	NC62(S) or (F)	MH56WP			
400	30	NQ430L4	NQMB4LA	LAL/LHL (1)	MH62	NC62V(S) or (F)	MH62WP
	30	NQ430L4C			MH62	NC62V(S) or (F)	MH62WP
	42	NQ442L4			MH62	NC62V(S) or (F)	MH62WP
	42	NQ442L4C			MH62	NC62V(S) or (F)	MH62WP
	72	NQ472L4			MH74	NC74V(S) or (F)	MH74WP
	72	NQ472L4C			MH74	NC74V(S) or (F)	MH74WP
84	NQ484L4C	MH80	NC80V(S) or (F)	MH80WP			
600	600 A MCB available factory assembled						

* For single phase order 3-phase breaker

(1) For 250-400A order short handle circuit breaker (i.e. LAL36400MB)

(2) For 14" refer to page DE5-x

NQ RTI Service Entrance Main Breaker and Main Lug Panelboards

Mains Rating	1 phase or 3 phase	Max # of single pole QO/QOB circuit breakers	Factory installed Main Breaker	Catalogue Number	Type 1 Enclosure Width	Surface or Flush Mount Trim
100A	3 phase	42	QBL32100	NQSE342100S	14"	S
200A	3 phase	42	QBL32200	NQSE342200S	14"	S
225A	3 phase	42	s.o.	NQML342225S*	14"	S
400A	1 phase	42	LAL26400	NQSE142400F	20"	F
400A	3 phase	42	LAL36400	NQSE342400S	20"	S
400A	1 phase	84	LAL26400	NQSE184400F	20"	F
400A	3 phase	72	LAL36400	NQSE372400S	20"	S
300A	1 phase	42	LAP26300MT	NQSE142300S	20"	S
300A	1 phase	84	LAP26300MT	NQSE184300F	20"	F
300A	1 phase	84	LAP26300MT	NQSE184300S	20"	S

Note: no field-installable kits available for above listed RTI SE MB or ML Panelboards

* 225A Main lug device - Not Service Entrance rated.

DE5 PANELBOARDS

QOB Bolt-On Circuit Breakers

With VISI-TRIP® Indicator for NQ Panelboards

Note: For QO plug-on circuit breakers, see DE3

Ampere Rating A	One-pole Catalogue No.	Two-pole-Common Trip Catalogue No.	Three-pole-Common Trip Catalogue No.
-----------------	------------------------	------------------------------------	--------------------------------------

QOB-GFI—QOB QWIK-GARD® Circuit Breaker With Ground Fault Circuit Interrupter—Class A 4-6 mA Residual Protection. ■

120 Vac-10,000 AIR			
15	QOB115GFI	QOB215GFI	QOB315GFI
20	QOB120GFI	QOB220GFI	QOB320GFI
25	QOB125GFI	QOB225GFI	
30	QOB130GFI	QOB230GFI	QOB330GFI
40	QOB240GFI	QOB340GFI
50	QOB250GFI	QOB350GFI
60	QOB260GFI ♦

QOB-VHGF1

120 Vac-22,000 AIR			
15	QOB115VHGF1
20	QOB120VHGF1
25	QOB125VHGF1
30	QOB130VHGF1

QOB-EPD - QOB Equipment protection circuit breakers with 30 mA equipment protection.

120 Vac-10,000 AIR			
15	QOB115EPD	QOB215EPD	QOB315EPD
20	QOB120EPD	QOB220EPD	QOB320EPD
25	QOB125EPD	QOB225EPD
30	QOB130EPD	QOB230EPD	QOB330EPD
40	QOB240EPD	QOB340EPD
50	QOB250EPD	QOB350EPD
60	QOB260EPD	QOB360EPD

QOB-HM - High magnetic trip circuit breakers are recommended for applications where high initial inrush may occur and for individual dimmer applications.

15	QOB115HM□
20	QOB120HM□

QOB-CAFI - QOB Combination Arc Fault Circuit Interrupters

	1 Pole 120 Vac		2 Pole 120/240 Vac	
	15	QOB115CAFI	QOB215CAFI
20	QOB120CAFI	QOB220CAFI
22,000 AIR				
15	QOB115VHCAFI
20	QOB120VHCAFI

QOB-DF - QOB Dual Function Circuit Breakers

	1 Pole 120 Vac Pigtail Neutral		
	10,000 AIR		
15	QOB115DF
20	QOB120DF
22,000 AIR			
15	QOB115VHDF
20	QOB120VHDF

QOB-K - Key operated QOB circuit breakers can be turned ON or OFF or to RESET with a special key (Catalogue No. QOK10) included with the circuit breaker.

120 Vac - 10,000 AIR			
10	QOB110K
15	QOB115K
20	QOB120K
25	QOB125K
30	QOB130K

QO/QOB Circuit Breaker Wire Sizes

Breaker Type	Ampere Rating	Wire Size (AWG)	
		Al	Cu
QOB 1-pole	10-30	#14-8	#14-8
	35-70	#8-2	(2) #14-10 #8-2
	80-125	#4-2/0	#4-2/0
QOB 2-pole	10-30	#14-8	#14-8
	35-70	#8-2	(2) #14-10 #8-2
	80-125	#4-2/0	#4-2/0
QOB 3-pole	10-30	#14-8	#14-8
	35-70	#8-2	#8-2
	80-125	#4-2/0	#4-2/0
QOB-VH	110-150	#4-300 kcmil	#4-300 kcmil
QOT	15-20	#12-8	#14-8
QOB-GFI & QOB-EPD	15-30	#12-8	#14-8
	40, 50, 60	#12-4	#14-6

High Ampacity Plug on 2 pole QO

Catalog Number	Ampere Rating	AIC Rating
QO2150	150	10 kA
QO2150VH	150	22 kA
QO2175	175	10 kA
QO2200	200	10 kA
QO2175VH	175	22 kA
QO2200VH	200	22 kA

Note: May only be installed on Single Phase 400 A or 600 A NQ Panelboards with three point latch trim fonts.

Ampere Rating	One-pole Catalogue No.	Two-pole—Common Trip Catalogue No.	Two-pole—Common Trip* Catalogue No.	Three-pole—Common Trip Catalogue No.
---------------	------------------------	------------------------------------	-------------------------------------	--------------------------------------

QOB Bolt-On

	120 Vac*—10,000 AIR 48 Vdc—5,000 AIR	120/240 Vac*—10,000 AIR 48 Vdc—5,000 AIR▼	240 Vac*—10,000 AIR	240 Vac—10,000 AIR 48 Vdc—5,000 AIR▼
	10	QOB110	QOB210
15	QOB115△□	QOB215△	QOB215H	QOB315△
20	QOB120△□	QOB220△	QOB220H	QOB320△
25	QOB125△	QOB225△	QOB225H	QOB325△
30	QOB130△	QOB230△	QOB230H	QOB330△
35	QOB135△	QOB235△	QOB335△
40	QOB140△	QOB240△	QOB240H	QOB340△
45	QOB145△	QOB245△	QOB345△
50	QOB150△	QOB250△	QOB250H	QOB350△
60	QOB160△	QOB260△	QOB260H	QOB360△
70	QOB170△	QOB270△	QOB270H	QOB370△▼
80	QOB280△▼	QOB280H	QOB380△▼
90	QOB290△▼	QOB290H	QOB390△▼
100	QOB2100△▼	QOB2100H	QOB3100△▼
110	QOB2110△▼
125	QOB2125△▼
Molded Case Switch 60 A max - 240 Vac			QOB200	QOB300
Molded Case Switch 100 A max - 240 Vac			QOB2000	QOB3000

QOB-VH

	120 Vac*—22,000 AIR	120/240 Vac*—22,000 AIR		240 Vac*—22,000AIR
	15	QOB115VH△□		QOB215VH△
20	QOB120VH△□	QOB220VH△	QOB320VH△
25	QOB125VH△	QOB225VH△	QOB325VH△
30	QOB130VH△	QOB230VH△	QOB330VH△
40	QOB140VH	QOB240VH△	QOB340VH△
50	QOB150VH	QOB250VH△	QOB350VH△
60	QOB160VH	QOB260VH△	QOB360VH△
70	QOB170VH	QOB270VH△	QOB370VH△
80	QOB280VH△	QOB380VH△
90	QOB290VH△	QOB390VH△
100	QOB2100VH△♦	QOB3100VH△
110	QOB2110VH△♦	QOB3110VH△★
125	QOB2125VH△♦	QOB3125VH△★
150	QOB2150VH★	QOB3150VH★

QHB

	120 Vac—65,000 AIR	120 Vac/240 Vac—65,000 AIR		240 Vac—65,000 AIR
	15	QHB115△□		QHB215△
20	QHB120△□	QHB220△	QHB320△
25	QHB125△	QHB225△	QHB325△
30	QHB130△	QHB230△	QHB330△

QOB-HID—HID circuit breakers are for use on circuit feeding fluorescent and High Intensity Discharge (HID) lighting systems such as mercury vapor, metal halide, or high pressure sodium.

	120 Vac—10,000 AIR	120/240 Vac—10,000 AIR		240 Vac—10,000 AIR
	15	QOB115HID□		QOB215HID
20	QOB120HID□	QOB220HID	QOB320HID
25	QOB125HID	QOB225HID	QOB325HID
30	QOB130HID	QOB230HID	QOB330HID
40	QOB140HID	QOB240HID
50	QOB150HID	QOB250HID

QOB-SWN—Switch Neutral—Common Trip—NEC 514-5

	Ampere Rating	2-pole—2-Wire 2 Spaces—120 Vac*		3-pole—3-Wire 3 Spaces—120/240 Vac*
		
10	QOB210SWN	QOB310SWN
15	QOB215SWN	QOB315SWN
20	QOB220SWN	QOB320SWN
25	QOB225SWN	QOB325SWN
30	QOB230SWN	QOB330SWN
40	QOB240SWN	QOB340SWN
50	QOB250SWN	QOB350SWN

QO/QOB Ring Terminal (20% Price Adder) Factory Installed Only

Ampere Rating	Pole	Suffix
10-30	1P, 2P, 3P	5237
35-60	1P, 2P	5238
35-60	3P	5238
70-110	2P	5273
60-100	3P	5273

- ▲ 10-30 ampere circuit breakers are suitable for use with 60°C or 75°C conductors. 35-60 ampere circuit breakers are suitable for use with 75°C conductors.
- Do not connect to more than 250 feet of load conductor for the total one-way run to prevent nuisance tripping.
- ♦ Suitable only for feeding 240 Vac and 208 Vac two-wire loads. Does not contain load neutral connection.
- ◆ CSA Listed 5,000 AIR on 30 corner grounded delta systems.
- ▼ DC Rating is not available on indicated products.
- △ CSA Listed as HACR type for use with air conditioning, heating and refrigeration equipment having motor group combinations and marked for use with HACR type circuit breakers.
- CSA Listed as SWD (switching duty) rated suitable for switching 120 Vac fluorescent lighting loads.
- ◇ 100 A max circuit breaker mounted opposite.
- ★ QOB2150VH uses 4 pole spaces. QOB3110VH, QOB3125VH and QOB3150VH each use 6 pole spaces. 20 A max circuit breaker mounted opposite. Wire size is #4-300 kcmil Al/Cu. Use with 75°C wire only.

See page DE5-14 for accessories.

* May be applied on 208Y/120 Vac systems.

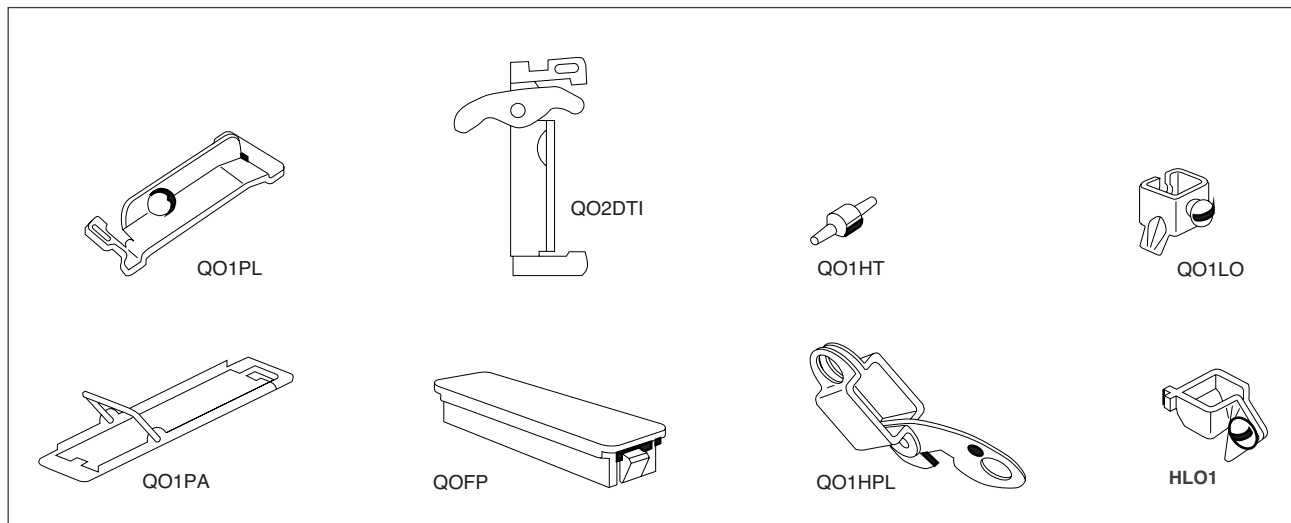
QO/QOB Breaker Accessories - Field Installed

Handle Attachments	Description	Catalogue Number
Handle Tie	Converts any two adjacent 120/20Vac single pole QOB breakers to independent trip two-pole.	QO1HT
	Three-pole	QO3HT
Handle Lock-off	Clip for fixing QOB single pole handle in ON or OFF position.	QO1LO
	Clip for fixing QOB 1, 2 or 3-pole breaker handles in ON or OFF position.	HLO1
Handle Padlock Attachment	For padlocking single pole QOB breaker in ON or OFF position.	
	Loose attachment.....	QOHPL
	Fixed attachment.....	QO1PA
	For 2 and 3-pole QOB breakers which require padlocking in either ON or OFF position.	
	Loose Attachment	QO1HPL
	Fixed Attachment	QO1PL
	For padlocking 2-pole QOB-GFI in either ON or OFF position.	GF12PA
Mechanical Interlock Attachment	For interlocking the handles of two 2-pole or one 2-pole and one 1-pole QOB breakers mounted side-by-side so that only one breaker can be ON at a time.	QO2DTI

QO/QOB Breaker Accessories - Factory Installed▲

Device	Description	Available On Breaker...	Suffix
Shunt Trip	• Breaker trips when power is applied.	QOB, PL	1021
	• Includes a coil clearing contact.		
	• 240 Vac max., 90 Vac min..		
Auxiliary Contact A	• 24 Vac / Vdc max., 9 Vac / Vdc min..	QOB, PL	1042
	• Closed when breaker is ON.	QOB, GFI, EPD, PL	1200
Auxiliary Contact B	• 120 Vac, 5 A max.		
	• Closed when breaker is OFF or TRIPPED.	QOB, GFI, EPD, PL	1201
Alarm Switch	• 120 Vac, 5 A max..		
	• Closed when breaker is TRIPPED.	QOB, GFI, EPD, PL	2100

▲ One per breaker, requires one additional pole space. Terminals for (2) # 14 - 12 Cu.



NQ Panelboards – Ready to Install (RTI)

20" Wide Enclosures – 240 Vac, 48 Vdc

NQ

RTI Optional Main Lug Kits for NQ Main Lug Panelboards

Amps	Aluminum				Copper			
	Aluminum Mechanical		Aluminum Compression		Copper Mechanical		Copper Compression	
	Cat. #	Lug Wire Range for wire bending space	Cat. #	Lug Wire Range for wire bending space	Cat. #	Lug Wire Range for wire bending space	Cat. #	Lug Wire Range for wire bending space
100	NQALM1	(1) #6 - 2/0 kcmil	NQALV1	(1) #8 - 1/0 AWG	NQCUM1	(1) #6 - 2/0 AWG	NQCUV1	1/0 AWG
225	NQALM2	(1) #6 - 350 MCM	NQALV2	(1) #4 - 300 kcmil	NQCUM2	250 kcmil	NQCUV2	(1) 2/0 - 300 kcmil
400	NQALM4	(1) 1/0-750 MCM or (2) 1/0-350 MCM	NQALV4	(2) 2/0-500 kcmil	NQCUM4	(1) 1/0-750 kcmil or (2) 1/0-350 kcmil	NQCUV4	(1) 400-750 kcmil
600	NQALM6	(2) 1/0-750 MCM	NQALV6	(2) 2/0-500kcmil	NQCUM6	(1) 1/0 - 750 kcmil or (2) 1/0 - 350 kcmil	NQCUV6	(2) 250-500 kcmil
600 ^a	NQALM6A	(3) 1/0-250 MCM		---	---	---	---	---

a. Optional lug for 600A. Can also be used for 400A.

NQ RTI Accessories Main Breaker Kits and 200% Neutrals

Main Breaker Kits

Mains Ampacity	Main Breaker Kit (less circuit breaker)		
	Catalogue No.	Fits Breaker Frames	Add Box Ht
100	NQMB2HJ	H 100 A max	12"
225	NQMB2HJ	H 150 A max and J 225A max	
	NQMB2Q	Q 225 A max	
400	NQMB4LA	LAL/LHL	
600		Factory Assembled Only	

200% Neutrals (1)

Mains Ampacity	200% Neutral Kit	Add Box Ht	Copper 100% Neutral Kit	
	Catalogue No.		Catalogue No.	Add Box Ht
100	NQNL1	no adder	NQN1CU	no adder
225	NQNL2 or NQNL2ACCY **		NQN2CU	
			NQN6CU	
400	NQNL4 *		NQN6CU*	

(1) 200% copper neutral is available as factory assembly only.

* Not to be used with SFL, FTL or SFB. These combinations - Factory Assembled Only.

** For 225A panel with SFL, FTL or SFB, use NQNL2ACCY.

Sub Feed Lugs, Feed-Through Lugs and Sub Feed Breakers

(Note: Check box sizing table)

Mains Ampacity	Sub Feed Lugs (N/A in MCB Interiors)	Feed-thru Lugs	Sub Feed Circuit breaker kits (breaker not included)*	
			Single SFB	Two SFBs
			Catalogue No.	Catalogue No.
100	NQSFL1	100A Not Available, Use 225A Interior	---	---
225	NQSFL2	NQFTL2L (a)	NQSFB2Q or NQSFB2HJ	---
		NQFTL2H (b)		---
400	NQSFL4	NQFTL4L (a)	Use the 2 SFB kit	NQSFB4Q or NQSFB4HJ
		NQFTL4H (b)		
600		Factory Assembled Only		

(a) final character L indicates the kit is used for low circuit count interiors 30-42 cct

(b) final character H indicates the kit is used for high circuit count interiors 54, 72 and 84 cct

* Not available in Type 3R, 5, 12 if total handle rating of subfeed breaker(s) are over 150A.

Box Sizing Requirements

Basic NQ MLO Panelboard Enclosure Sizes and Height Adders for Accessories

Mains Rating	Available Branch Circuits	Required Enclosure Height (in.)	Interior Only		Type 1 Enclosure			Space Factor (height adder for feature)				
			Single Phase	Three Phase	Box	Trim	3R/5/12 Complete Enclosure	Vertical MCB	AI SFL	FTL	SFB*	200% Neutral
100	18	26	NQ18L1	NQ418L1	MH26	NC26()	MH26WP	12"	0"	Use 225A interiors	Not Available	0"
	30	32	NQ30L1	NQ430L1	MH32	NC32()	MH32WP					
	30	32	NQ30L2	NQ430L2	MH32	NC32()	MH32WP					
225	42	38	NQ42L2	NQ442L2	MH38	NC38()	MH38WP	12"	6"	6"	18"	0"
	54	38	NQ54L2	NQ454L2	MH38	NC38()	MH38WP					
	72	44	NQ72L2	NQ472L2	MH44	NC44()	MH44WP					
	84	50	NQ84L2	NQ484L2	MH50	NC50()	MH50WP					
400	30	50	NQ30L4	NQ430L4	MH50	NC50V()	MH50WP	12"	0	6"	24"	0"
	42	50	NQ42L4	NQ442L4	MH50	NC50V()	MH50WP					
	54	56	NQ54L4	NQ454L4	MH56	NC56V()	MH56WP					
	72	62	N/A	NQ472L4	MH62	NC62V()	MH62WP					
600	84	68	NQ84L4C	NQ484L4C	MH68	NC68V()	MH68WP	Factory Assembly	Factory Assembly	Factory Assembly	Factory Assembly	Not Available
	30	50	NQ30L6C	NQ430L6C	MH50	NC50V()	MH62WP					
	42	50	NQ42L6C	NQ442L6C	MH50	NC50V()	MH62WP					
	54	56	NQ54L6C	NQ454L6C	MH56	NC56V()	MH68WP					
600	72	62	N/A	NQ472L6C	MH62	NC62V()	MH74WP	Factory Assembly	Factory Assembly	Factory Assembly	Factory Assembly	Not Available
	84	68	NQ84L6C	NQ484L6C	MH68	NC68V()	MH80WP					
	84	68	NQ84L6C	NQ484L6C	MH68	NC68V()	MH80WP					

Example:

NQ 225A 30 circuit MCB Panelboard with FTL in Type 1 surface enclosure:

Basic interior: 32"

MCB adder: 12"

FTL adder: 6"

Required height: 50" Box MH50, trim NC50S

* Applies to PowerPact H, J, or Q frame SFB's

NQ Panelboards – Ready to Install (RTI)

20" Wide Enclosures – 240 Vac, 48 Vdc

NQ

NQ SurgeLogic Surge Protection

Voltage	Surge Current per Phase	Modes of Protection	Configuration	Model Number
120/240V	80kA	6	1 phase, 3 wire + ground	SSP01SBA08D
208Y/120V	80kA	10	3 phase, Wye, 4-wire + ground	SSP02SBA08D
120/240V	100kA	6	1 phase, 3 wire + ground	SSP01SBA10D
208Y/120V	100kA	10	3 phase, Wye, 4-wire + ground	SSP02SBA10D
120/240V	120kA	6	1 phase, 3 wire + ground	SSP01SBA12D
208Y/120V	120kA	10	3 phase, Wye, 4-wire + ground	SSP02SBA12D
120/240V	160kA	6	1 phase, 3 wire + ground	SSP01SBA16D
208Y/120V	160kA	10	3 phase, Wye, 4-wire + ground	SSP02SBA16D
120/240V	200kA	6	1 phase, 3 wire + ground	SSP01SBA20D
208Y/120V	200kA	10	3 phase, Wye, 4-wire + ground	SSP02SBA20D
120/240V	240kA	6	1 phase, 3 wire + ground	SSP01SBA24D
208Y/120V	240kA	10	3 phase, Wye, 4-wire + ground	SSP02SBA24D
240-120HLD	240kA	10	3 phase, HLD, 4-wire + ground	SSP03SBA24D



NQ SurgeLoc SPD

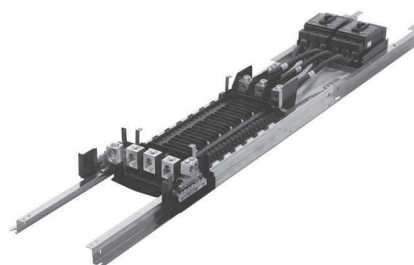
Note: The 208Y/120V SurgeLogic SPD series also applies to the voltage 220Y/127V

Note: When selecting a panelboard with a SurgeLogic SPD, an additional 12 circuit positions (6 adjacent mounting spaces per side) or 4.5 inches of space on each side are required. For example, if desired number of circuits is 30, a 42 circuit panelboard is required.

Note: SurgeLogic SPDs are only available in Type 1 SPD format.

NQ RTI Accessories

Description	Application	Catalogue No.
Equipment Ground Bars	Aluminum	PK27GTA
	Copper	PK27GTACU
	Insulator Kit	PKGTAB
PK23GTA + #1 to #4/0 Al/Cu lug	Ground Bar with Lug	PK23GTAL
Filler Plate (15 per package)	Plastic Filler	NQFP15
Directory Cards	NQ Panelboard	PANELDCTB
Plastic stick-on directory pouch	NQ Panelboard	PANELDCTB
Circuit Numbering Strips	Odd-Even 1-102	NQ102OE
	Sequential 1-102	NQ102S
	Odd-Even 103-204	NQ204OE
	Sequential 103-204	NQ204S
Key - NSR-251	NEMA 1Locks	LP9618
Key - DSR-251	NEMA 3R Locks	DSR251SP
Rail and Deadfront extensions	6" Extension	NQ6RDE
	12" Extension	NQ12RDE
	18" Extension	NQ18RDE
	24" Extension	NQ24RDE
Handle Padlock Attachment	Branches	See DE5-x
Mounting Nut (4 per pkg.)	Interiors	NQPANELBAG
Trim mounting screws / hardware		
250A Max. Interiors (10 per pkg.)		NFTMS1
400A/600A Interiors (8 per pkg.)		LP9502
Branch mount bolt-on sub-feed	2-pole	QOB2125SL
	3-pole	QOB3125SL
Drip Hood for std encl.	20" Wide	MHT2DH20
Touch-up Paint	USAS #49 Grey	PK49SP



NQ 400A 42CCT MLO w/2 subfeed CB's

DE5 PANELBOARDS

NQ Panelboards – Ready to Install (RTI)

NQ 14" Wide – 240 Vac, 48 Vdc

NQ 14-inch wide – 240 Vac, 48 Vdc

Features

14-inch-wide NQ panelboards are available for those customers whose equipment space is limited. Developed with customer input, Square DTM brand NQ panelboards are built to last, featuring innovations for ease of installation and durability.

- 240 Vac, 48 Vdc maximum
- 225 A maximum main circuit breaker or main lugs
- 100 A maximum branch circuit breakers
- Visi-Trip™ indication on branch circuit breakers
- 10,000 – 65,000 A Short Circuit Current Rating (SCCR)
- Interiors supplied with silver flashed copper bus as standard
- Interiors accept bolt-on and plug-on branch circuit breakers
- Three-phase, four-wire and single-phase, three-wire interiors available
- Panelboards available with Mono-Flat™ front
- May be suitable for use as service entrance equipment with neutral bonding kit and main circuit breaker barrier installed
- Branch circuit filler plates provide fast and easy installation
- Both fully and series-rated systems are available

Main lug Interiors – Accepts Plug-On and Bolt-On Branch Breakers

Max. of breakers	Main Ratings	Interior Only (Order Branch Circuit Breakers Separately)	Type 1 Enclosure	
			Box 14"W x 5.75" D	Mono Flat Front ▲◆
		Catalogue No.	Catalogue No.	Catalogue No.
14" Wide Cabinet – Single Phase 3-Wire				
18	100 A	NQ18L1C14	NQB532	NQC32()
30		NQ30L1C14	NQB532	NQC32()
30	225 A	NQ30L2C14	NQB532	NQC32()
42		NQ42L2C14	NQB538	NQC38()
14" Wide Cabinet – Three Phase 4-Wire				
18	100 A	NQ418L1C14	NQB532	NQC32()
30		NQ430L1C14	NQB532	NQC32()
30	225 A	NQ430L2C14	NQB532	NQC32()
42		NQ442L2C14	NQB538	NQC38()

Main Circuit Breaker Interiors – Accepts Plug-On and Bolt-On Branch Breakers

Max. of breakers	Main Ratings	Interior Only (Order Branch Circuit Breakers Separately)	Main Circuit Breaker Adapter Kit (Less Circuit Breaker) ▲	Type 1 Enclosure		
				Box 14"W x 5.75" D*		Mono Flat Front ▲◆
		Catalogue No.	Catalogue No.	Breaker Frame	Catalogue No.	Catalogue No.
14" Wide Cabinet – Single Phase 3-Wire						
16 *	100 back-fed	NQ18L1C14	-	Select QOB 2-pole or QOB-VH	NQB532	NQC32()
28 *		NQ30L1C14	-		NQB532	NQC32()
30	225	NQ30L2C14	NQMB2HJ14 or NQMB2Q14**	HD, HG, HJ, HL, OR JD, JG, JJ, JL, QB, QD, QG, QJ	NQB544	NQC44()
42		NQ42L2C14			NQB550	NQC50()
14" Wide Cabinet – Three Phase 4-Wire						
15 *	100 back-fed	NQ418L1C14	-	Select QOB 3-pole or QOB-VH	NQB532	NQC32()
27 *		NQ430L1C14	-		NQB532	NQC32()
30	225	NQ430L2C14	NQMB2HJ14 or NQMB2Q14**	HD, HG, HJ, HL, OR JD, JG, JJ, JL, QB, QD, QG, QJ	NQB544	NQC44()
42		NQ442L2C14			NQB550	NQC50()

* Pole spaces shown are available for branch circuits, with spaces deducted for the back-fed main breaker.

▲ Add "F" for flush, "S" for surface.

▲ Select the appropriate main circuit breaker and add the circuit breaker price to the total price of the panelboard.

◆ Embossed mounting holes add a 0.25" standoff to back of MH box.

Maximum amperage of branch breakers in a 14" wide NQ panel is 60A.

* All 14" boxes come with blank endwalls.

** NQMB2HJ14 is for use with H or J frame, NQMB2Q14 is for use with Q frame.

NQ Panelboards – Ready to Install (RTI)

NQ 14" Wide – 240 Vac, 48 Vdc

NQ Single Row—240 Vac Bolt-On

NQ Application Data

- Application:** For use on ac only. Meet Federal Specification W-P-115c, Type 1, Class 1.
- Service:** 1Ø3W, 3Ø3W, 3Ø4W, 3 Grd. "B" Ø —240 Vac max.
- Mains:** Bolt-on main lugs: 100 A, 225 A
225 A main circuit breaker: 100 A—QOU, 225 A—QB. See pages DE3-12 for main circuit breaker interrupting rating.
- Branches:** Bolt-on QOB, 60 A maximum.
QOB 10-60 A 1-, 2- and 3-pole
See page DE5-4 for branch circuit breaker terminal data.
- Cabinet:** Front—Screw cover. Box—galvanized steel with removable endwalls.
- Gutters:** 100 A—4" Min. mains end, 3" Min. opposite mains;
225 A—10" Min. mains end, 5" Min. opposite mains.

NQ Single Row—240 Vac Bolt-On

60 A Maximum Branch—Copper Bus Standard

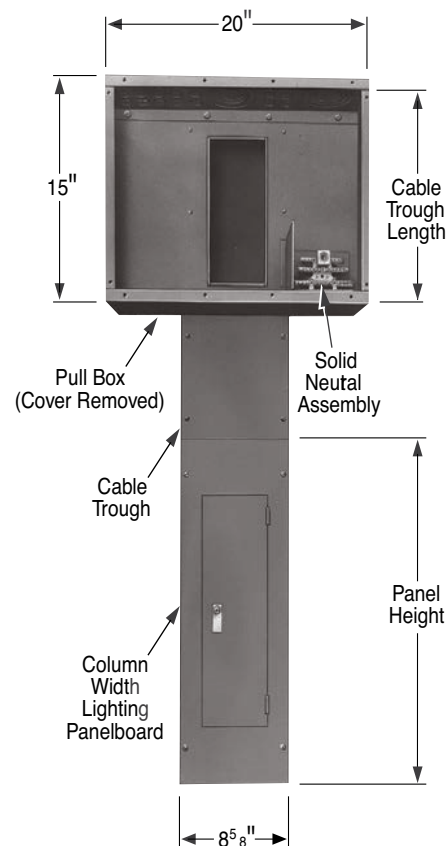
Max. No. of Poles	Mains Rating	Box and Interior with S/N 8.625" W. x 5" D.		Front (Surface Mount)
		Catalogue Number	Box Ht.	Catalogue Number
1 Phase 3-Wire Main Lugs Only				
30	225	NQ830L2C	45	LX45TS
Main Circuit Breaker—2-pole				
20	100	NQ820B1C	40	LX40TS
3 Phase 4-Wire Main Lugs Only				
30	100	NQ8430L1C	40	LX40TS
42	225	NQ8442L2C	58	LX58TS
Main Circuit Breaker—3-pole				
30	100	NQ8430B1C	45	LX45TS
42	225	NQ8442B2C	62	LX62TS

NQ Single Row

Cable Troughs and Pull Boxes

L (IN)	Cable Troughs (L=Length)▲		Pull Boxes with Solid Neutral	
	8.625" x 5" Catalogue Number	S/N Terminals	S/N Terminals	Catalogue Number
36	MTX836 MTX848 MTX856 MTX866	42	42	MPX81542
48				
56				
66				

▲ Cable troughs are standard with a trough barrier.



Fingersafe IP2X per IEC 60529 Barriers for NQ Panelboards

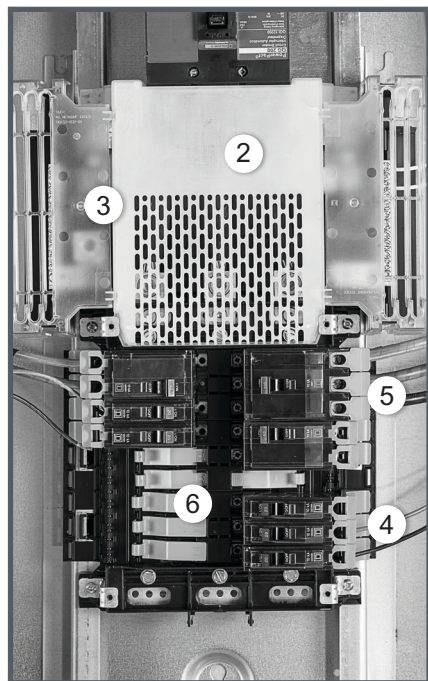
Factory-installed IP2X barriers for NQ Panelboards reduce the risk of accidental contact with energized components if a cover is removed.

Features

- Plastic barriers cover Mains (lugs or circuit breaker), copper bus and branch circuit breakers
 - IP2X per IEC 60529 on all ungrounded parts
- 240 Vac maximum
- Three-phase (Wye and Delta)
- NEMA 1, 2, 3R, 4/4X, 5 or 12 up to 225 A
 - NEMA 1 panelboards up to 400 A
- Branch circuits up to 100 A: 1-, 2- and 3-pole
- Selectively coordinated up to 30k AIC
- Available with main lugs or PowerPact Q-, H-, J-frame and LA/LH main circuit breakers
- Series rated up to 200 kAIC with integral main circuit breaker - fully rated up to 65 kAIC
- Sub feed lugs up to 225 A
- cULus Listed to UL 67 and CSA C22.2 No. 29
- Enhanced IP2X design meets IEC 60529 with or without a branch circuit breaker installed.
- Unique jaw kit allows QOB branch circuit breakers to plug onto NQ interior with IP2X barriers

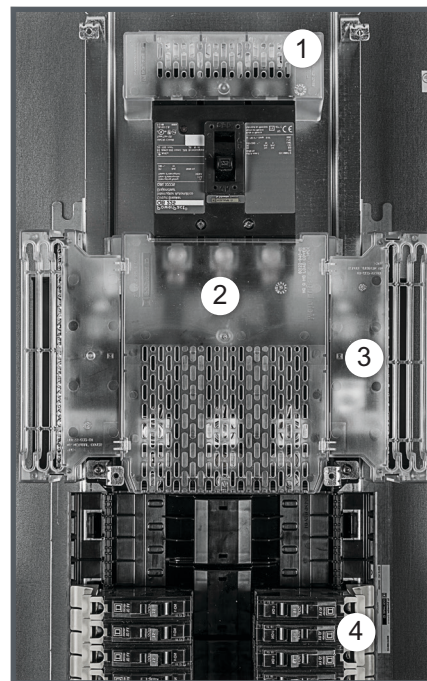
Factory-installed IP2X barriers for NQ Panelboards reduce the risk of accidental contact with energized components if a cover is removed.

Standard IP2X per IEC 60529
(Bus Finger Covers Empty Spaces)



- 1 Main Breaker Line Side Cover
- 2 Main Breaker Load Side Cover
- 3 Neutral Cover
- 4 Low Amp QO (B) Cover
- 5 Bus Finger Cover

Enhanced IP2X per IEC 60529
(Bus Covered Without Branch Circuit Breaker)



DE5 PANELBOARDS

Specifications

NQ Fingersafe Bus Ratings, Enclosures and Circuit Counts

IP2X Design	Mains rating	Enclosures: NEMA types	Circuit Count					
			18	30	42	54	72	84
Standard	100	1, 2, 3R, 4/4X, 5, 12	X	X	—	—	—	—
	225		—	X	X	X	X	X
	400	1	—	X	X	—	X	X
Enhanced	225	1, 2, 3R, 4/4X, 5, 12	—	—	X	—	—	—
	400	1	—	—	X	—	—	—

QO(B) Branch Circuit Breaker Ratings [1]

Branch Circuit Breaker	Amperes	1 – Pole	1 – Pole	3 – Pole
QO / QOB	10 – 60	L	L	L
	70	L	L	H
	80 – 100	—	H	H
QO-H / QOB-H	15 – 30	—	L	—
	40 – 100	—	H	—
QO-HID / QOB-HID	15 – 30	L	L	L
	40 – 50	L	L	—
QO-HM / QOB-HM	15 – 20	L	—	—
QO- VH / QOB-VH	15 – 30	—	L	L
	15 – 70	L	—	—
	40 – 100	—	H	H
QOH [2]	40 – 100	—	H	—
QHB[2]	15 – 30	L	L	—
IP2X QO(B) Lug Covers	L (Low Amp) – QOFSLALB12 H (High Amp) – QOFSHALB12			

Replacement Parts

Catalog Number	Quantity Per Package	Description
QOFSBF12	12	NQ IP2X Bus Finger Filler[3]
QOFSLALB12	12	NQ IP2X QO(B) Lug Cover Low Amp
QOFSHALB12	12	NQ IP2X QO(B) Lug Cover High Amp
HJQLLC	1	HJQ Main Breaker IP2X Line Lug Cover
LALLC	1	LA/LH Main Breaker IP2X Line Lug Cover
NQHJLSC	1	HJ Main Breaker IP2X Load Side Cover
NQQLSC	1	Q Main Breaker IP2x Load Side Cover
NQLALHLSC	1	LA/LH Main Breaker IP2X Load Side Cover
NQMLLSC	1	Main Lugs IP2X Cover
NQNCC	1	NQ IP2X Neutral Cover
QO1PJ15	15	QOB Jaw Kit [4]

[1] QOB circuit breakers and jaw kits required for Enhanced IP2X design
 [2] Available only in standard IP2X design
 [3] Used only with Standard IP2X design
 [4] Used only with Enhanced IP2X design

DE5 PANELBOARDS

NF Panelboards – Ready to Install (RTI)

Branch Circuit Breakers



EDB, EGB, EJB
1-pole
15–70 Amperes



EDB, EGB, EJB
2-pole
15–100 Amperes



EDB, EGB, EJB
3-pole
15–100 Amperes

E-frame—100 A, Thermal-magnetic (600Y/347 Vac)

Cont. Current Rating @ 40°C	AC Magnetic Trip Settings		"D" Interrupting Level 14 kA @ 600Y/347 Vac	"G" Interrupting Level 18 kA @ 600Y/347 Vac	"J" Interrupting Level 25 kA @ 600Y/347 Vac	Standard Lug Wire Range	
	Hold	Trip	Catalogue Number	Catalogue Number	Catalogue Number		
1-pole, 347 Vac							
15	270	875	EDB16015▲■	EGB16015■	EJB16015▲■	#12–#6 AWG Al or #14–#6 AWG Cu	
20	270	875	EDB16020▲■	EGB16020■	EJB16020▲■		
25	270	875	EDB16025■	EGB16025■	EJB16025■		
30	270	875	EDB16030■	EGB16030■	EJB16030■		
35	630	1800	EDB16035	EGB16035	EJB16035	#12–#2/0 AWG Al or #14–#2/0 AWG Cu	
40	630	1800	EDB16040	EGB16040	EJB16040		
45	630	1800	EDB16045	EGB16045	EJB16045		
50	630	1800	EDB16050	EGB16050	EJB16050		
60	630	1800	EDB16060	EGB16060	EJB16060		
60	630	1800	EDB16070	EGB16070	EJB16070		
70	630	1800	EDB16070	EGB16070	EJB16070		
2-pole, 600Y/347 Vac ♦							
15	270	875	EDB26015■	EGB26015■	EJB26015■	#12–#6 AWG Al or #14–#6 AWG Cu	
20	270	875	EDB26020■	EGB26020■	EJB26020■		
25	270	875	EDB26025■	EGB26025■	EJB26025■		
30	270	875	EDB26030■	EGB26030■	EJB26030■		
35	630	1800	EDB26035	EGB26035	EJB26035	#12–#2/0 AWG Al or #14–#2/0 AWG Cu	
40	630	1800	EDB26040	EGB26040	EJB26040		
45	630	1800	EDB26045	EGB26045	EJB26045		
50	630	1800	EDB26050	EGB26050	EJB26050		
60	630	1800	EDB26060	EGB26060	EJB26060		
70	630	1800	EDB26070	EGB26070	EJB26070		
80	1000	2300	EDB26080	EGB26080	EJB26080		
90	1000	2300	EDB26090	EGB26090	EJB26090		
100	1000	2300	EDB26100	EGB26100	EJB26100		
3-pole, 600Y/347 Vac							
15	270	875	EDB36015■	EGB36015■	EJB36015■		#12–#6 AWG Al or #14–#6 AWG Cu
20	270	875	EDB36020■	EGB36020■	EJB36020■		
25	270	875	EDB36025■	EGB36025■	EJB36025■		
30	270	875	EDB36030■	EGB36030■	EJB36030■		
35	630	1800	EDB36035	EGB36035	EJB36035	#12–#2/0 AWG Al or #14–#2/0 AWG Cu	
40	630	1800	EDB36040	EGB36040	EJB36040		
45	630	1800	EDB36045	EGB36045	EJB36045		
50	630	1800	EDB36050	EGB36050	EJB36050		
60	630	1800	EDB36060	EGB36060	EJB36060		
70	630	1800	EDB36070	EGB36070	EJB36070		
80	1000	2300	EDB36080	EGB36080	EJB36080		
90	1000	2300	EDB36090	EGB36090	EJB36090		
100	1000	2300	EDB36100	EGB36100	EJB36100		

All EDB, EGB, and EJB circuit breakers are cUL Listed as HACR Type.
 ▲ cUL Listed as SWD (Switching duty rated).
 ■ cUL Listed as HID (High Intensity Discharge rated).
 ♦ cUL Listed for use on 240 V Corner-grounded Delta Systems (Grounded B Phase).

Interrupting Ratings (kA)

	EDB	EGB	EJB
120 V	25	65	100
240 V	18 (1P), 25	35 (1P), 65	65 (1P), 100
480Y/277 V	18	35	65
600Y/347 V	14	18	25

Branch Circuit Breaker Interrupting Capacity

Circuit Breaker Frame Type	No. of Poles	Continuous Ampere Rating	UL Listed Interrupting Rating-RMS Symmetrical Amperes						
			AC Volts, 50/60 Hz						
			120	120/240	240	277	480Y/347	600Y/347	347
EDB	1	15-70 A	25 k	25 k	18 k	18 k	-	-	14 k
	2, 3	15-125 A▲	25 k	25 k	25 k	-	18 k	14 k	-
EGB	1	15-70 A	65 k	65 k	35 k	35 k	-	18 k	-
	2, 3	15-125 A▲	65 k	65 k	65 k	-	35 k	18 k	-
EJB	1	15-70 A	100 k	100 k	65 k	65 k	-	-	25 k
	2, 3	15-125 A▲	100 k	100 k	100 k	-	65 k	25 k	-

▲ 100 A maximum at 600Y/347 Vac

Factory installed Electrical Accessories

Accessory Package [1][2]	Description	Suffix
Auxiliary Switch (1A/1B) [3]	Monitors circuit breaker contact status and provides a remote signal indicating the circuit breaker contacts are OPEN or CLOSED. Max Load = 10 A at 120 Vac 50/60 Hz Terminals for #14 AWG Cu wire.	AABA
Alarm Switch (NO) [3]	Used with control circuits and is activated only when the circuit breaker has tripped. Max Load = 7 A at 120 Vac 50/60 Hz Terminals for #14 AWG Cu wire.	
Shunt Trip	Trips the circuit breaker from a remote location by means of a coil energized from a separate circuit. A 120 V shunt trip will operate at 55% or more of rated voltage. For use with momentary or maintained push button. 120 Vac 50/60 Hz Terminals for #14 AWG Cu wire.	SA
Auxiliary Switch + Alarm Switch + Shunt trip		AABASA

[1] Accessory package takes an additional pole space.
 [2] Coil Burden: 288 VA max. Recommended supply transformer: 50 VA min.
 [3] We do not offer an auxiliary contact for these breakers without an alarm switch.

NF Panelboards – Ready to Install (RTI)

20" Wide Enclosures – 600Y/347 Vac Max.

NF Main Lug Interiors

Use I-LINE® Panelboards on 600 V 3Ø3W systems*

Single Phase 3-Wire – Available Factory Assembled Only

Note: Three Phase 4-Wire

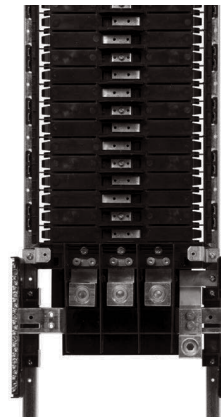
Mains Rating (Amps) (3)	Max No. of Circuits	Interior only (order branch circuit breakers separately) (See note 1 below)	Enclosure			Height (in)
			Type 1 (5)		Type 3R, 5, 12	
			Box 20" W x 5.75" D (4)	Mono Flat Front (2)	Enclosure & Trim 20" W x 6.5" D	
			Catalogue No.	Catalogue No.	Catalogue No.	
125	18	NF418L1	MH26	NC26()	MH26WP	26
	18	NF418L1C	MH26	NC26()	MH26WP	26
	30	NF430L1	MH32	NC32()	MH32WP	32
	42	NF442L1C	MH38	NC38()	MH38WP	38
250	30	NF430L2	MH38	NC38()	MH38WP	38
	30	NF430L2C	MH38	NC38()	MH38WP	38
	42	NF442L2	MH44	NC44()	MH44WP	44
	42	NF442L2C	MH44	NC44()	MH44WP	44
	54	NF454L2	MH50	NC50()	MH50WP	50
	54	NF454L2C	MH50	NC50()	MH50WP	50
	66	NF466L2	MH62	NC62()	MH62WP	62
	66	NF466L2C	MH62	NC62()	MH62WP	62
400	30	NF430L4	MH50	NC50V()	MH50WP	50
	30	NF430L4C	MH50	NC50V()	MH50WP	50
	42	NF442L4	MH56	NC56V()	MH56WP	56
	42	NF442L4C	MH56	NC56V()	MH56WP	56
	66	NF466L4	MH74	NC74V()	MH74WP	74
	66	NF466L4C	MH74	NC74V()	MH74WP	74
	84	NF484L4	MH86	NC86V()	MH86WP	86
	84	NF484L4C	MH86	NC86V()	MH86WP	86
600	30	NF430L6C	MH50	NC50V()	Factory Assembled Only	50
	42	NF442L6C	MH56	NC56V()		56
	66	NF466L6C	MH74	NC74V()		74
	84	NF484L6C	MH86	NC86V()		86
800	Factory Assembled Only					

- "C" suffix indicates Copper bussing.
- Trim catalogue numbers consist of "NC" plus the box height plus "S" for surface trim or "F" for flush trim (example: NC44S). Trims for 400A and 600A panels are vented and require a "V" after the height in the catalogue number (example: NC62VS). Add "HR" suffix to part number for hinged trims.
- The maximum total amperage of two branch breakers mounted across from each other is 170A.
- Embossed mounting holes add a 0.25 inch standoff to back of MH box.
- Enclosures types 4 and 4X, stainless steel are available factory assembled only.
- Equipment ground bars must be ordered separately.
- Additional panelboards with various maximum circuit numbers are available as Factory-assembled. Please contact your Schneider Electric Sales professional for details.
- NF panelboards may be used on 3 Ph 3 Wire Wye systems (where the neutral is not carried to the final distribution panelboards), but not one 3 phase Delta systems, except 240 Vac).

400A, 42 circuits
Main lug interior with
deadfront



400A interior
Main lugs
close-up



NF Panelboards – Ready to Install (RTI)

20" Wide Enclosures – 600Y/347 Vac Max.

NF Main Circuit Breaker Interiors

Use I-LINE® Panelboards on 600 V 3Ø3W systems

Single Phase 3-Wire – Available Factory Assembled Only

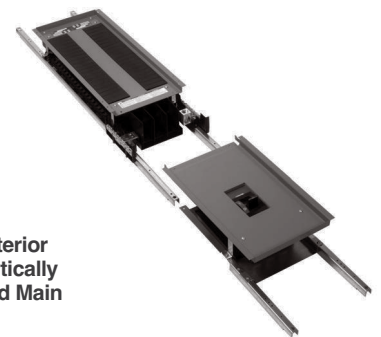
Note: Three Phase 4-Wire (NOT Service Entrance rated)

Mains Rating (Amps) ⁽⁴⁾	Max. No. of circuits ⁽⁸⁾	Interior ⁽¹⁾⁽⁷⁾	Main Breaker Adapter Kit ⁽²⁾	Enclosure			Height (in)	
				Type 1		Type 3R, 5, 12		
			3 Phase 4 Wire	Box 20" W x 5.75"D ⁽⁵⁾	Mono Flat Front (F) flush (S) surface ⁽³⁾	Enclosure & Trim 20" W x 6.5"D		
100 ⁽⁷⁾	18	NF418L1	Back-fed Main Breaker (6)	MH26	NC26()	MH26WP	26	
	18	NF418L1C	No kit needed. Select a 3-pole EDB, EGB or EJB breaker. Uses three poles of mounting space.	MH26	NC26()	MH26WP	26	
	30	NF430L1		MH32	NC32()	MH32WP	32	
	42	NF442L1C		MH38	NC38()	MH38WP	38	
125 (125A)	18	NF418L1	N150MH and desired 3 pole (125A max) HDL, HGL, HJL or HLL breaker	MH38	NC38()	MH38WP	38	
	18	NF418L1C		MH38	NC38()	MH38WP	38	
	30	NF430L1		MH44	NC44()	MH44WP	44	
	42	NF442L1C		MH50	NC50()	MH50WP	50	
250	30	NF430L2	N250MJ and desired 3 pole JDL, JGL, JLL or JLL breaker.	MH50	NC50()	MH50WP	50	
	30	NF430L2C		MH50	NC50()	MH50WP	50	
	42	NF442L2		MH56	NC56()	MH56WP	56	
	42	NF442L2C		MH56	NC56()	MH56WP	56	
	54	NF454L2		MH62	NC62()	MH62WP	62	
	54	NF454L2C		MH62	NC62()	MH62WP	62	
	66	NF466L2		MH74	NC74()	MH74WP	74	
	66	NF466L2C		MH74	NC74()	MH74WP	74	
400	30	NF430L4	N400M and desired 3 pole LAL/LHL breakers	MH62	NC62V()	MH62WP	62	
	30	NF430L4C		MH62	NC62V()	MH62WP	62	
	42	NF442L4		MH68	NC68V()	MH68WP	68	
	42	NF442L4C		MH68	NC68V()	MH68WP	68	
	66	NF466L4		MH86	NC86V()	MH86WP	86	
	66	NF466L4C		MH86	NC86V()	MH86WP	86	
	84			Factory Assembled Only				
	84			Factory Assembled Only				
600	30	NF430L6C	LG/LJ/LL/LR	MH68D9	NC68V()	–	68/74	
	42	NF442L6C		MH74D9	NC74V()	–	74/80	
	54	NF454LC6		MH80D9	NC80V()	–	80/86	
	66	NF466L6C		MH86D9	NC86V()	–	86	
800		Factory Assembled Only						

1. "C" suffix indicates Copper bussing.
2. Select the appropriate main circuit breaker from the breakers section.
3. Trim catalogue numbers consist of "NC" plus the box height plus "S" for surface trim or "F" for flush trim (example: NC44S). Trims for 400A and 600A panels are vented and require a "V" after the height in the catalogue number (example: NC62VS). Add "HR" suffix to part number for hinged trims.
4. The maximum total amperage of two branch breakers mounted across from each other is 170A.
5. Embossed mounting holes add a 0.25 inch standoff to back of MH box.
6. In back-fed main breaker application the use of NFBFMB20 barrier is recommended. Please refer to local Electrical Codes or Authorities for specific local requirements. Maximum 60A branch breaker to be mounted across from a 100A back-fed main breaker. In back-fed main breaker applications, 2 poles (1P3W) or 3 poles (3P4W) branchmounting space are used up by the back-fed main.
7. Equipment ground bars must be ordered separately.
8. Additional panelboards with various maximum circuit numbers are available as Factory-assembled.



400A Interior with vertically mounted Main Breaker



400A Main Lug interior, with Field-installable Main Breaker Kit

NF Interiors with Surge Protection Device

Mains Rating	Max. No. of circuits	TVSS Ratings		Interior*	Components for adding Vertical Main Circuit Breaker (MCB)	
		Voltage/System	Surge Rating (kA)		MCB Kit	MCB Frames
250A	42	480Y/277 3P4W	120 160	NF442L2TVS412 NF442L2TVS416	N250MJ	JD/G/J/L
400A	42	480Y/277 3P4W	120	NF442L4TVS412	N400M	LAL/LHL (PowerPact L available F/A only.)
		600Y/347 3P4W	120	NF442L4TVS812		

* For copper interiors please add "c" suffix to the part number.

Dry contacts standard.

NF with TVSS Surge Protection Device Box Selection Table

Mains Rating	Max. No. of circuits	Main Lug Panelboard Box Requirements			Main Circuit Breaker Panelboard Box Requirements		
		Type 1 Enclosure		Type 3R, 5, 12 Enclosure	Type 1 Enclosure		Type 3R, 5, 12 Enclosure
		Box	Front*	Enclosure	Box	Front*	Enclosure
250A	42	MH56	NC56()	MH56WP	MH68	NC68()	MH68WP
400A	42	MH68	NC68V()	MH68WP	MH80	NC80V()	MH80WP

* Add "S" for surface, "F" for flush, "SHR" for surface hinged right, or "FHR" for flush hinged right.

Main Breakers and Neutral Kits (breaker not included)

MLO Interior Amps	Main Breaker Kit □		200% Neutral Kit	Copper 100% Neutral Kit
	Catalog No.	Main Breaker Type	Catalog No.	Catalog No.
125	N150MH	HD/G/J/L 125A max	NFNL1	NFN1CU
250	N250MJ	JD/G/J/L	NFNL2	NFN2CU
400	N400M	LAL/LHL	NFNL4*	NFN6CU
600	Factory Assembled Only			NFN6CU*▲▼
800	NF 800A MB available Configure to Order		Factory Assembled Only	

□ Order appropriate circuit breakers separately.

* Not to be used in combinations with SFL, FTL or SFB. Order Factory assembled only.

▲ Not to be used in type 3R, 4, 4x, 12 enclosures.

▼ Add 6" to box height (except when used with LC/LI MB)

Feed-Thru Lugs

(Standard Aluminum Mechanical Lugs)

A second set of lugs installed at the opposite end from the panelboard mains. Available on main lugs and main circuit breaker panelboards.

Mains Rating (A)	Feed-Thru Wire Range
125	(1) #6–2/0 Al/Cu
250	(1) #6–350 kcmil Al/Cu
400	(1) 1/0–750 kcmil or (2) 1/0–350 kcmil Al/Cu
600	(2) 1/0–600 kcmil Al/Cu

Sub-Feed (Double) Lugs

(Standard Aluminum Mechanical Lugs)

An additional mains end termination point that can be used to feed out to another panelboard or device from the incoming service lines. Available on main lug interiors only

Mains Rating (A)	Feed-Thru Wire Range
125	#6–2/0 kcmil Al/Cu
250	(2) 1/0–350 kcmil Al/Cu
400	(2) 1/0–600 kcmil Cu
600	(4) 4/0–500 kcmil Al/Cu
800	(6) 3/0–500 kcmil Al/Cu

Sub Feed Lugs, Feed-Thru Lugs and Sub Feed Breakers

Amps	Sub Feed Lugs	Feed-Thru Lugs	Sub Feed Circuit Breaker Kits (breaker not incl.) ●	
	Aluminum	Aluminum	Single SFB	Two SFBs ■
125	NF125SFL	NF125FTL	---	---
250	NF250SFL	NF250FTL	NF250SFBH, NF250SFBJ	---
400	NF400SFL ◆	NF400FTL	---	NF600SFBH, NF600SFBJ
600	Factory Assembled Only		Factory Assembled only for all 600 and 800 rows	
800	Factory Assembled Only			

● Subfeed breaker kits are using HD/G/J/L or JD/G/J/L breakers respectively. Please order appropriate circuit breakers separately.

◆ Use copper wire only.

■ Available only on 30 and 42 circuit interiors. 400A MLO/MB and 600A MLO.

Box Selection Table: NF Main Lug Panelboards with Accessories (Standard Mechanical Lugs Only)

No. of Circuits	Sub Feed Lugs					Feed Through Lugs					Sub Feed Circuit Breakers*				
	125 A	250 A	400 A	600 A	800 A	125 A	250 A	400 A	600 A	800 A	125 A	250 A	400 A	600 A	800 A
18	MH26	---	---	---	---	MH32	---	---	---	---	---	---	---	---	---
30	MH32	MH38	MH50	Factory Assembly Only		MH38	MH50	MH56	Factory Assembly Only		---	MH56	MH68	Factory Assembly Only	
42	---	MH44	MH56			---	MH56	MH74			---	MH62	MH74		
66	---	MH62	MH74			---	MH74	MH80			---	MH80	---		
84	---	---	MH86			---	---	MH92			---	---	---		

* For use with copper wire only

Box Selection Table: NF Main Breaker Panelboards with Accessories

No. of Circuits	Vertical Main Circuit Breaker ●								Back-fed Main Circuit Breaker	
	Feed Through Lugs				Sub Feed Circuit Breakers				Feed Through Lugs	
	125 A	250 A	400 A●	600A	125 A	250 A	400A●	600A	125A	250A
18	MH44	---	---	Factory assembled only	---	---	---	Factory assembled only	MH32	MH38
30	MH50	MH62	MH68		---	MH68	MH80		MH38	MH44
42	---	MH68	MH74		---	MH74	MH86		---	---
66	---	MH86	---		---	---	---		---	---
84	---	---	---	---	---	---	---	---	---	

● 400A dimensions for LAL/LH main breakers only.

NOTE:

Please contact our Customer Information Centre at 1-800-565-6699 for any questions regarding our Ready to Install or Factory Assembled offer.

Various additional NF panelboard sizes and combinations are available exclusively as Factory-Assembled.

NF Panelboards – Ready To Install (RTI)

Accessories

NF Main Neutral Conductors – Required Size and Quantity

Panelboard Ampacity	Neutral Conductors Required	Actual Lug Wire Range
125	(2) 1/0 Cu or (2) 1/0 Al	(2) #6–2/0
250	(2) 4/0 Cu or (2) 300 kcmil Al	(2) #6–350 kcmil
400	(4) 250 kcmil Al or (4) 3/0 Cu or (2) 600 kcmil Al	(1) 1/0–750 kcmil (2) 1/0–300 kcmil
600	(4) 500 kcmil or (4) 350 kcmil Cu	(2) 1/0 - 750 kcmil

NF Standard Mechanical Lugs—Main Circuit Breaker

Ampere Rating	Circuit Breaker Type	Lug Wire Range *
125	ED,EG,EJ	one #14–2/0 Al/Cu
150	HD, HG, HJ, HL	one #14–3/0 Al/Cu
250	JD, JG, JJ, JL	one 3/0–350 kcmil Al/Cu
400	LA, LH	one #1–600 kcmil or two #1–250 kcmil Al/Cu
600	LD/LG/LJ/LL/LR	two 4/0–500 kcmil Al/Cu

*: The lug range shown is for the highest ampere of the circuit breaker frame shown in the table.

Optional Main Lug Kits for NF Main Lug Panelboards

Amps	Aluminum				Copper			
	Aluminum Mechanical ●		Aluminum Compression		Copper Mechanical		Copper Compression	
	Cat. #	Lug Wire Range	Cat. #	Lug Wire Range	Cat. #	Lug Wire Range	Cat. #	Lug Wire Range
125	NFALM1	(1) #6–2/0	NFALV1 ▼	(1) #4–300 kcmil	NFCUM1	(1) #6–2/0 AWG	NFCUV1 ■	(1) #6–1/0
250	NFALM2	(1) #6–350 kcmil	NFALV2	(1) 250–350 kcmil	NFCUM2	(1) #6–250 kcmil	NFCUV2 ■	(1) 2/0–300 kcmil
400	NFALM4	(1) 1/0–750 kcmil or (2) 1/0–350 kcmil	NFALV4	(2) 2/0–500 kcmil	NFCUM4	(1) 1/0–750 kcmil or (2) 1/0–350 kcmil	NFCUV4	(1) 400–750 kcmil
600	NFALM6	(2) 1/0–750 kcmil	NFALV6	(2) 2/0–500 kcmil	NFCUM6	(2) 1/0–750 kcmil	NFCUV6	(2) 250–500 kcmil
800	Factory Assembled Only – Contact Local Sales Office.							

▼ Use of this kit requires an additional 6" added to the box height. ■ Use of this kit to terminate larger than standard wire sites requires an additional 6" added to the box height.
● Standard mechanical lugs for Main Lugs panels.

NF RTI (ready to install) Accessories

Description	Application	Catalogue No.
Equipment Ground Bars	Aluminum	PK27GTA
	Copper	PK27GTACU
	Large Al Lug	PK23GTAL
	Insulator Kit	PKGTAB
Plastic stick-on directory pouch		PANELDCTB
Directory Cards		PANELDCTB
Filler Plate (15 per package)		NFFP15
Circuit Numbering Strips	Odd-Even 1-102	NF102OE
	Sequential 1-102	NF102S
	Odd-Even 103-204	NF204OE
	Sequential 103-204	NF204S
Rail & Deadfront extensions	6" Extension	NF6RDE
	12" Extension	NF12RDE
	18" Extension	NF18RDE
Branch Breaker Accessories		
Standard AL lugs 15–30A (3 per kit)		AL30FD
Standard AL lugs 35–110A (3 per kit)		AL100FD
Optional Cu lugs 15–110A (3 per kit)		CU100FD
Handle lockoff/padlock attachment		HPAFD
Terminal nut insert kit (3 per kit)		TIKFD
AL compression lug kit #8-1/0 AWG (3 lugs per kit)		VC100FD
Cu compression lug kit #6-1/0 AWG (3 lugs per kit)		CVC100FD

Description	Application	Catalogue No.
Lock - Enclosures	Type 1	PK22FL
Key - NSR-251	Type 1 encl.	LP 9618
Key - DSR-251	Type 3R encl.	DSR251
Mounting Nut (4 per pkg.)	Interiors	23220 000 03
Leveling Nut (4 per pkg.)	Flush only	NFLN
Trim Mounting Screws & Hardware		
250A Max. Interiors (10 per pkg.)		NFTMS1
800A Max Interiors (8 per pkg.)		LP9502
Drip Hood for std encl.	20" Wide	MHT2DH20
Aluminum Entry Plate		MHCOEW20A
Fibre Entry Plate		MHCOEW20F
Barrier for Backfed Main Breaker	20" Enclosure ●	NFBFMB20
Nipple Kit for Flush Mount Trims		DTNKF
Nipple Kit for Surface Mount Trims		DTNKS

Note:
● In back-fed main breaker application the use of NFBFMB20 barrier is recommended. Please refer to local Electrical Codes or Authorities for specific local requirements.

Oversized Lugs for Neutral or Ground Bar

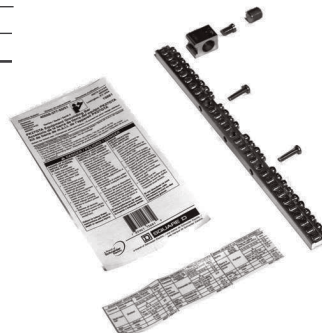
Lug Wire Range	Catalogue No.
#10–#2 AWG Al or #14–#4 Cu	QO70AN
#4–#1/10 AWG Al/Cu	Q1100AN
#1–4/0 AWG Al/Cu	Q1150AN

Handle Accessories

Lock ON/OFF – Fixed Padlock attachment	EDPA
Lock OFF only – Fixed Padlock attachment	EDPAF
Lock OFF only – Removable Padlock attachment	HPAFD
Handle tie for 2 – 1P breakers	ECB2HT
Handle tie for 3 – 1P breakers	ECB3HT



200% Neutral Kit



Ground bar PK27GTA

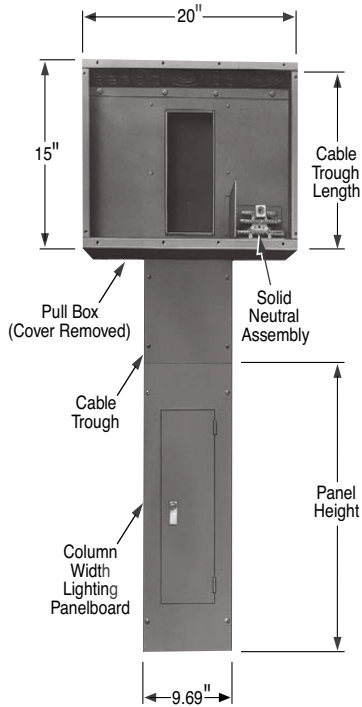


Stainless Steel Type 4x Enclosure

Single Row - (Column-Width) NQ/NF Panelboards – Ready To Install (RTI)

600Y/347 Vac

NF Single Row—600Y/347 Vac 3Ø4W (60 A Max. Branch Circuit Breaker)



- Application:** For use on AC only. Meet Federal Specification W-P-115c, Type 1, Class 1. cULus Listed.
- Service:** 600Y/347 Vac, 3Ø4W
- Mains:** Bolt-on main lugs: 125 A, 225 A
- Main circuit breaker: 125A - HD, 225A - JD.
 - See pages DE3-12 for main circuit breaker interrupting rating.
 - Main circuit breakers with higher interrupt ratings are available as factory assembled panelboards.
- Branches:** EDB, EGB and EJB, 60 A maximum.
See page DE5-4 for branch circuit breaker terminal data.
- Cabinet:**
- Main circuit breaker: 125A - HD, 225A - JD.
 - Box - Galvanized steel with removable endwalls
- Gutters:**
- 100 A - 4" min. mains end, 3" min. opposite mains
 - 225 A - 10" min. mains end, 5" min. opposite mains
- Bussing:** Copper bus standard.

NF Single Row—600Y/347 Vac 3Ø4W 60 A Max. Branch Circuit Breaker

Max. No. of Poles	Mains Rating	Box and Interior with S/N 9.69" W. x 5.625" D.		Front (Surface Mount)
		Catalogue Number	Box Ht.	Catalogue Number
Main Lugs Only—3 Phase 4-Wire				
30	125	NF8430L1C	59"	NC59TS
42	225	NF8442L2C	71"	NC71TS
Main Circuit Breaker—3-pole /3phase-4 wire				
30	125	NF8430M1HDC▲	65"	NC65TS
42	225	NF8442M2JDC■	85"	NC85TS

▲ Uses 100A HD type main breaker.
▼ Uses 225A JD type main breaker.

NF Single Row

Cable Troughs and Pull Boxes

Length (in)	Cable Troughs (L=Length)▲	Pull Boxes with Solid Neutral	
	9.69" x 5.625" Catalogue Number▼	S/N Terminals	Catalogue Number
36" 48" 56" 66"	MTX836 MTX848 MTX856 MTX866	42	MPX81542

▲ Use with 100A H-Frame breaker.
■ Use with 225A J-Frame breaker.
△ Cable troughs are standard with a trough barrier.
▼ Box width = 8.625", width at front including flange is 9.69".

Factory assembled NQ/NF single row panels are available. Contact your nearest Schneider Electric sales office.

Separated Distribution and Split Bus NF and NQ Panelboards



Square D NF and NQ Separated Distribution and Split Bus Panelboards provide compact, affordable options to protect lighting, HVAC, renewable energy, and appliance circuits in buildings. They come Factory Assembled with copper bus, with or without an integral Main Circuit Breaker.

Separated Distribution Panelboards facilitate Separation of Electrical Circuits for Electrical Energy Monitoring to simplify compliance with Section 130.5-B of California's 2016 Building Energy Efficiency Standards.

Split Bus panelboards enable configurations of two or three back fed main circuit breakers, with independent branch distribution sections, in a single enclosure.

Features

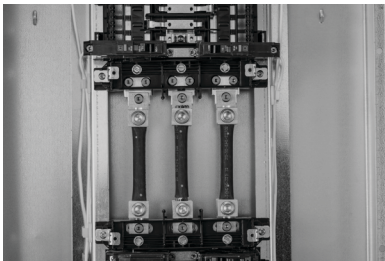
- Multiple branch section configurations (pole space per section)
 - Split Bus: 18-30; 30-30; 30-18-18
 - Separated Distribution: 30-18-18; 18-18-18
- Up to 400A Mains rating for NQ three-phase (Wye and Delta)
- Up to 250A Main in NF panelboards

Notes

Enclosure width / depth: 20" / 5.75" minimum.

Subfeed breaker or lugs, feed through lugs not available at top or bottom ends of panel.

- Split Bus - feeder breaker (125A max.) in downstream split section back-fed from feeder breaker in upstream main or split section.
- Segregated Distribution - cables may be removed in the field. Downstream Split section may have same rating as Main.



Separated Distribution Panelboards use special lug pad adaptors which allow field removal of cables, for easy installation of solid core or split CTs for electrical energy measurement, by load type.

Refer to Data Bulletin 1600HO1701 for more information.

Separated Distribution Interiors (Cabled Between Sections)

Product Family	Mains Ampacity MLO	Voltage Phases	Max No. of Available Pole Spaces			Box Height (in)	
			Main	Split 1	Split 2	Main Lug Only	Main Circuit Breaker
NQ	225 A	3 Ph	30	18	18	62	74
			18	18	18	62	74
	30		18	18	80	92	
	18		18	18	80	92	
NF	250 A	3 Ph	30	18	18	80	92
			18	18	18	74	86

Separated Distribution Interiors (Cabled Between Sections)

Product Family	Mains Ampacity MLO	Voltage Phases	Max No. of Available Pole Spaces			Box Height (in)	
			Main	Split 1	Split 2	Main Lug Only	Main Circuit Breaker
NQ	225 A	1, 3 Ph	18	30	—	44	56
		1, 3 Ph	30	18	—	44	56
		1, 3 Ph	30	30	—	44	56
		3 Ph	30	18	18	50	62
NF	250 A	3 Ph	18	30	—	56	68
		1, 3 Ph	30	18	—	56	68
		1, 3 Ph	30	30	—	62	74
		3 Ph	30	18	18	74	86

Selection

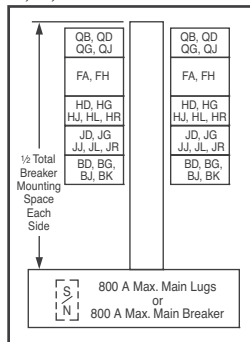
Separated Distribution and Split Bus NQ and NF panelboards are available in all standard NF and NQ enclosures including NEMA 1, 3R, 4/4X, 5, and 12. Both styles are fully selectable with Schneider Electric product configurators/selectors. Seismic qualification is available.

HCM Main Lugs Only (Can be equipped with branch mounted backfed Main Circuit Breaker) ▣

Mains Ampere Rating	Total branch breaker mounting space (in)	Interior Assembly	Trim ◆ ▲		Enclosure ※ ●		Box Height (in)
			4 Piece No Door ■	With Door ○	Type 1	Type 3R/12★ (Includes trim)	
225	27	HCM14482N	HCM48T()	HCM48T()D	HC3248B	HC3248WP	48
400		HCM14484					
600		HCM14486					
800		HCM14488					
225	45	HCM23642N	HCM64T()	HCM64T()D	HC3264B	HC3264WP	64
400		HCM23644					
600		HCM23646					
800		HCM23648					
225	63	HCM32732N	HCM73T()	HCM73T()D	HC3273B	HC3273WP	73
400		HCM32734					
600		HCM32736					
800		HCM32738					
225	99	HCM50912N	HCM91T()	HCM91T()D	HC3291B	HC3291WP	91
400		HCM50914					
600		HCM50916					
800		HCM50918					

TYPE HCM

250 A max. branch circuit breaker
BD, BG, BJ, BK, FA, FH, QB, QD,
QG, QJ, HD, HG, HJ, HL, HR, JD, JG,
JJ, JL, JR



Box Size: 32" Wide, 8.25" Deep

HCM Main Circuit Breaker ▼▼ (Includes 3 pole, vertically mounted Main Circuit Breaker)

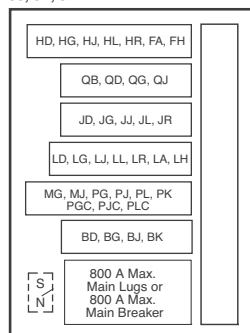
Mains Ampere Rating	Total branch breaker mounting space (in)	Interior Assembly	Trim ◆ ▲		Enclosure ※ ●		Box Height (in)
			4 Piece No Door ■	With Door ○	Type 1	Type 3R/12★ (Includes trim)	
400	27	HCM14644M	HCM64T()	HCM64T()D	HC3264B	HC3264WP	64
225	36	HCM18642MN	HCM73T()	HCM73T()D	HC3273DB9	Not available use HCP	73
600		HCM18736MP					
800		HCM18738MP					
400	45	HCM23734M	HCM91T()	HCM91T()D	HC3273B	HC3273WP	91
225	54	HCM27732MN					
600	72	HCM36916MP	HCM91T()	HCM91T()D	HC3291DB9	Not available use HCP	91
800		HCM36918MP					
400	81	HCM41914M			HC3291B	HC3291WP	

HCP-SU Universal Panelboard-Main Lugs or Backfed Main Circuit Breaker □ ▣

Mains Ampere Rating	Total branch breaker mounting space (in)	Interior Assembly	Trim ◆ ▲		Enclosure ※ ●		Box Height (in)
			4 Piece No Door ■	With Door ○	Type 1	Type 3R/12★ (Includes trim)	
800	54	HCP54868SU	HC2686T()4P	HC2686T()HR	HC2686DB	HC2886WP	86

TYPE HCP-SU

800 A max. backfed main circuit breaker
600 A max. branch circuit breaker
BD, BG, BJ, BK, FA, FH, LA, LH, LD, LG, LJ, LL, LR, LA, LH, PG, PJ, PL, PGC, PJC, PLC★, QB, QD, QG, QJ, HD, HG, HJ, HL, HR, JD, JG, JJ, JL, JR



Box Size: 26" Wide, 9.5" Deep

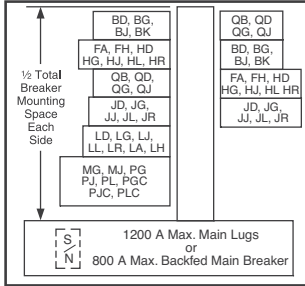
- ※ **Tubs** - Unpainted, galvanized steel without knockouts.
- ◆ **Trims** - Grey baked enamel finish 4 piece trim and lockable door kit.
- ▲ Add "F" for Flush or "S" for Surface.
- Add-on door kit available. Example: For HCM48TS surface trim kit, order HCM48DS door kit.
- For Type 1 applications, order interior, trim, and enclosure. For Type 3R/12 applications, order interior and enclosure only. The front is included with the box.
- ★ Remove drain screws for Type 3R rating.
- ▼ Bottom feed standard.
- For main lugs panel, order sub-feed lug kit and back-feed as main lugs.
- ☆ PG, PJ, PL circuit breakers are available with both thermal-magnetic equivalent and MICROLOGIC trip. The MICROLOGIC circuit breakers are available 80% and 100% rated. "C" suffix denotes a 100% rating.
- ▽ For circuit breaker interrupting ratings, see pages 5-23 through 5-30.
- ⚡ Interior complete with Solid Neutral when part number has "N" suffix. 100A and 225A interiors include solid neutral, all others without solid neutral. Order solid neutral from page 5-20.
- ▣ In Backfed Main Breaker applications, the use of backfed barriers may be required and is strongly recommended. Refer to local Electrical Codes or Authorities for specific requirements.
- For Type 1 applications order interior, trim and box. For type 3R/5/12, order interior and box only.

Panelboards

I-Line[®] – 600 Vac, 250 Vdc - Ready to Install (RTI)

TYPE HCP (Main Lugs Only)

800 A max. branch circuit breaker
 BD, BG, BJ, BK, FA □, FH, QB, QD, QG, QJ,
 LA, LH, LD, LG, LJ, LL, LR, PG, PJ, PL, PGC,
 PJC, PLC h, MG, MJ, HD, HG, HJ, HL, HR, JD,
 JG, JJ, JL, JR



Box Size: 42" Wide, 9.5" Deep

HCP Main Lugs Only (Can be equipped with branch mounted backfed Main Circuit Breaker) ▣

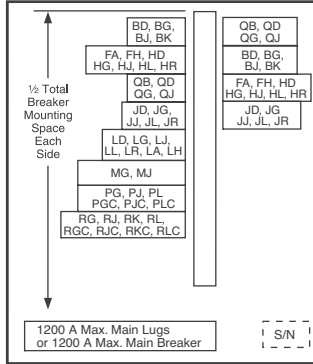
Mains Ampere Rating	Mounting Inches	Max # of PL Breakers on left side	Interior Assembly ⚡	Trim ◆ ▲		Enclosure ※ ●		Box Height (in)
				4 Piece No Door ■	With Door	Type 1	Type ○ 3R/12	
400	27	1 PL	HCP14504	HCW50T()	HCW50T()D	HC4250DB	HC4250WP	50
600			HCP14506					
800			HCP14508					
1200			HCP145012N					
400	45	2 PL	HCP23594	HCW59T()	HCW59T()D	HC4259DB	HC4259WP	59
600			HCP23596					
800			HCP23598					
1200			HCP235912N					
400	63	3 PL	HCP32684	HCW68T()	HCW68T()D	HC4268DB	HC4268WP	68
600			HCP32686					
800			HCP32688					
1200			HCP326812N					
400	99	5 PL	HCP50864	HCW86T()	HCW86T()D	HC4286DB	HC4286WP	86
600			HCP50866					
800			HCP50868					
1200			HCP508612N					

HCP Main Circuit Breaker r (Includes 3 pole, vertically mounted Main Circuit Breaker)

Mains Ampere Rating	Mounting Inches	Max # of LC Breakers on left side	Interior Assembly ⚡	Trim ◆ ▲		Enclosure ※ ●		Box Height (in)
				4 Piece No Door ■	With Door	Type 1	Type ○ 3R/12	
600	36	2 LC	HCP18686M	HCW68T()	HCW68T()D	HC4268DB	HC4268WP	68
800			HCP18688M					
600	72	4 LC	HCP36866M	HCW86T()	HCW86T()D	HC4286DB	HC4286WP	86
800			HCP36868M					

- ※ **Tubs** - Unpainted, galvanized steel without knockouts.
- ◆ **Trims** - Grey baked enamel finish 4 piece trim and lockable door kit
- ▲ Add "F" for Flush or "S" for Surface.
- Add-on door kit available. Example: For HCW50TS trim kit, order HCW50D door kit.
- ◆ See page 5-21 for 42" wide weatherproof enclosures.
- ☆ 15" of mounting space is taken up by the back fed main lug kit or RG, RJ, RL main circuit breaker, leaving 93" of branch circuit breaker mounting space.
- FA and JDA circuit breakers with field installable ground fault kits may be mounted in type HCP, HCP-SU, HCW and HCR-U panelboards as shown, and require L-frame mounting space.
- ◇ PG, PJ, PL circuit breakers are available with both thermal-magnetic equivalent and MICROLOGIC trip. The MICROLOGIC circuit breakers are available 80% and 100% rated. "C" suffix denotes a 100% rating.
- ⚡ Interior complete with Solid Neutral when part number has "N" suffix. 100A and 225A interiors include solid neutral, all others without solid neutral. Order solid neutral from page 5-21.
- Remove drain screws for Type 3R rating.
- ▣ In Backfed Main Breaker applications, the use of backfed barriers may be required and is strongly recommended. Refer to local Electrical Codes or Authorities for specific requirements.
- For Type 1 applications, order interior, trim, and enclosure. For Type 3R/5/12 applications, order interior and enclosure only. The trim is included with the box.
- HCP available with 200% rated neutral, 600A, MLO, MB, as factory assembled only.

TYPE HCR-U Universal Mains
 1200 A max. branch circuit breaker
 BD, BG, BJ, BK, FA, FH, FB, FD, FE, FG, FH, FI, FJ, FK, FL, FM, FN, FO, FP, FQ, FR, FS, FT, FU, FV, FW, FX, FY, FZ, GA, GB, GC, GD, GE, GF, GH, GI, GJ, GK, GL, GM, GN, GO, GP, GQ, GR, GS, GT, GU, GV, GW, GX, GY, GZ, HA, HB, HC, HD, HE, HF, HG, HH, HI, HJ, HK, HL, HM, HN, HO, HP, HQ, HR, HS, HT, HU, HV, HW, HX, HY, HZ, IA, IB, IC, ID, IE, IF, IG, IH, II, IJ, IK, IL, IM, IN, IO, IP, IQ, IR, IS, IT, IU, IV, IW, IX, IY, IZ, JA, JB, JC, JD, JE, JF, JG, JH, JI, JJ, JK, JL, JM, JN, JO, JP, JQ, JR, JS, JT, JU, JV, JW, JX, JY, JZ, KA, KB, KC, KD, KE, KF, KH, KI, KJ, KK, KL, KM, KN, KO, KP, KQ, KR, KS, KT, KU, KV, KW, KX, KY, KZ, LA, LB, LC, LD, LE, LF, LH, LI, LJ, LK, LL, LM, LN, LO, LP, LQ, LR, LS, LT, LU, LV, LW, LX, LY, LZ, MA, MB, MC, MD, ME, MF, MH, MI, MJ, MK, ML, MM, MN, MO, MP, MQ, MR, MS, MT, MU, MV, MW, MX, MY, MZ, NA, NB, NC, ND, NE, NF, NH, NI, NJ, NK, NL, NM, NO, NP, NQ, NR, NS, NT, NU, NV, NW, NX, NY, NZ, OA, OB, OC, OD, OE, OF, OH, OI, OJ, OK, OL, OM, ON, OO, OP, OQ, OR, OS, OT, OU, OV, OW, OX, OY, OZ, PA, PB, PC, PD, PE, PF, PH, PI, PJ, PK, PL, PM, PN, PO, PP, PQ, PR, PS, PT, PU, PV, PW, PX, PY, PZ, QA, QB, QC, QD, QE, QF, QH, QI, QJ, QK, QL, QM, QN, QO, QP, QQ, QR, QS, QT, QU, QV, QW, QX, QY, QZ, RA, RB, RC, RD, RE, RF, RH, RI, RJ, RK, RL, RM, RN, RO, RP, RQ, RR, RS, RT, RU, RV, RW, RX, RY, RZ, SA, SB, SC, SD, SE, SF, SH, SI, SJ, SK, SL, SM, SN, SO, SP, SQ, SR, SS, ST, SU, SV, SW, SX, SY, SZ, TA, TB, TC, TD, TE, TF, TH, TI, TJ, TK, TL, TM, TN, TO, TP, TQ, TR, TS, TT, TU, TV, TW, TX, TY, TZ, UA, UB, UC, UD, UE, UF, UH, UI, UJ, UK, UL, UM, UN, UO, UP, UQ, UR, US, UT, UY, UZ, VA, VB, VC, VD, VE, VF, VH, VI, VJ, VK, VL, VM, VN, VO, VP, VQ, VR, VS, VT, VU, VV, VW, VX, VY, VZ, WA, WB, WC, WD, WE, WF, WH, WI, WJ, WK, WL, WM, WN, WO, WP, WQ, WR, WS, WT, WU, WV, WW, WX, WY, WZ, XA, XB, XC, XD, XE, XF, XH, XI, XJ, XK, XL, XM, XN, XO, XP, XQ, XR, XS, XT, XU, XV, XW, XX, XY, XZ, YA, YB, YC, YD, YE, YF, YH, YI, YJ, YK, YL, YM, YN, YO, YP, YQ, YR, YS, YT, YU, YV, YW, YX, YY, YZ, ZA, ZB, ZC, ZD, ZE, ZF, ZH, ZI, ZJ, ZK, ZL, ZM, ZN, ZO, ZP, ZQ, ZR, ZS, ZT, ZU, ZV, ZW, ZX, ZY, ZZ



Box Size: 44" Wide, 9.5" Deep

HCR-U Universal Main Lugs Only (Can be equipped with branch mounted backfed Main Circuit Breaker)▼

MAIN LUGS panel, order sub-feed lug kit catalogue number S33930 and back feed as main lugs.
 MAIN CIRCUIT BREAKER panel, order plug-on I-LINE type PG, PJ, PL, RGC, RJC or RLC circuit breakers from page 5-30: back-feed as the main circuit breaker (Order solid neutral separately). The use of backfed MB barriers from page 5-21 is strongly recommended. Please refer to local Electrical Codes or Authorities for specific local requirements.

Mains Ampere Rating	Mounting Inches ☆	Max # of PL, RL Breakers on left side	Interior Assembly ‡	Trim ◆ ▲		Enclosure ※ ●		Box Height (in)
				4 Piece No Door ■	With Door	Type 1	Type ○ 3R/12	
1200	108	6 PL or 3 RLC	HCR548612U	HCR86T()	HCR86T()D	HC4486DB	HC4486WP	86

Note: 1. Subfed kit # S33930 or back fed R-frame main breaker require 15" mounting space – branch space reduced to 93".
 2. 1200A HCR-U interior – copper bus standard

Main Circuit Breaker Interiors— Standard Frame Types

Main Circuit Breaker Ampacity	Panelboard Type	Factory Supplied Main Circuit Breaker
225	HCM	JDA36225
400	HCM	LAP36400MB
600 or 800	HCM, HCP	MGP36600 or MGP36800

Standard Copper Bus Interiors ▲

Type	Main Ampacity
HCM, HCP-SU	800
HCP, HCR-U	800 & Above

Note:
 Merchandised copper interiors are not available in all ampacities.

- ※ Tubs - Unpainted, galvanized steel without knockouts.
- ◆ Trims - Grey baked enamel finish 4 piece trim and lockable door kit.
- ▲ Add "F" for Flush or "S" for Surface.
- Add-on door kit available. Example: For HCR86TS trim kit, order HCW86D door kit.
- ◆ See page 5-22 for 42" wide weatherproof enclosures.
- ▼ When RL main circuit breakers with equipment ground fault are applied on a 3Ø4W system, order solid neutral catalogue number HCR12SNCT. The HCR12SNCT includes a neutral current transformer.
- FA circuit breakers with field installable ground fault kits may be mounted in type HCP, HCP-SU, and HCR-U panelboards as shown, and require L-frame mounting space.
- ◇ PG, PJ, PL circuit breakers are available with both thermal-magnetic equivalent and MICROLOGIC trip. The MICROLOGIC circuit breakers are available 80% and 100% rated. "C" suffix denotes a 100% rating.
- ‡ Interior complete with Solid Neutral when part number has "N" suffix. 100A and 225A interiors include solid neutral, all others without solid neutral. Order solid neutral from page 5-20.
- Remove drain screws for Type 3R rating.
- For Type 1 applications, order interior, trim, and enclosure. For Type 3R/5/12 applications, order interior and enclosure only. The trim is included with the box.
- HCR-U with 200% neutral – factory assembled only.

Circuit Breaker / Sub-Feed Lug Kit Mounting Inch Requirement

Type of Circuit Breaker	Maximum Ampacity	No. of Poles	Mounting Requirement
FY	30 A	1	1.5"
BK	30 A	1	1.5"
BK	30 A	2	3"
FA, FH	100 A	1	1.5"
FA, FH	100 A	2	3"
FA, FH, FI, SL100	100 A	2, 3	4.5"
BD, BG, BJ	125 A	1	1.5"
BD, BG, BJ	125 A	2	3"
BD, BG, BJ	125 A	3	4.5"
HD, HG	150 A	2	3"
HD, HG, HJ, HL, HR	150 A	2, 3	4.5"
QB, QD, QG, QJ	225 A	2	3"
QB, QD, QG, QJ	225 A	3	4.5"
JD, JG, JJ, JL, JR, SL250, KI	250 A	2, 3	4.5"
LA, LH, SL400	400 A	2, 3	6"
LC, LI, LXI	600 A	2, 3	7.5"
LD, LG, LJ, LL, LR	600 A	2, 3	6"
MA, MH, MG, MJ, SL800M5	800 A	2, 3	9"
PGC, PJ,C, PLC	800 A	2, 3	9"
PG, PJ, PL, PK	1200 A	2, 3	15"
RG, RJ, RL, RK, S33930	1200 A	2, 3	15"
SL1200P5, SL1200P6, SL1200P7	1200 A		9"

DE5 PANELBOARDS

Panelboards

I-Line[®] – Ready to Install (RTI)



Blank Fillers



Solid Neutral



Blank Extensions



Equipment Ground Bar

I-Line Merchandised Panelboard Accessories

Description	Catalogue No.
Blank Fillers—1.5 in. (One kit contains quantity of 3 filler places.) ▼	HNM1BL
Blank Fillers—4.5 in. (One kit contains quantity of 5 filler places.) ▼	HNM4BL
Solid Neutral Assemblies	
225 A	HC2SN
400 A	HC4SN▲, HCW4SN■
600 A	HC6SN▲, HCW6SN■
	HC8SN▲, HCW8SN■
800 A	HCPSU8SN◆
	HCPSU8SNCT◆
1200 A	HCW12SN■
1200 A, for use with HCR-U universal panel only	HCWM12SN★
1200 A, including neutral CT for 3Ø4W systems	HCR12SNCTW★
Equipment Ground Bar Kits - HCM, HCP, HCP-SU (Single Row), HCR-U	PK32DGTA
Blank Extensions (For replacement purposes)	
1.5 in. for mounting on wide side of I-Line panelboard (kit contains quantity of 3) ▼	HLW1BL
4.5 in. for mounting on wide side of I-Line panelboard (kit contains quantity of 5) ▼	HLW4BL
1.5 in. for mounting on narrow side of I-Line panelboard (kit contains quantity of 3) ▼	HLN1BL
4.5 in. for mounting on narrow side of I-Line panelboard (kit contains quantity of 5) ▼	HLN4BL
4.5 in. for mounting on wide side of I-Line panelboard (kit contains quantity of 5) ▼	HLW4EBL
4.5 in. for mounting on narrow side of I-Line panelboard (kit contains quantity of 5) ▼	HLN4EBL

- ▲ Used on Type HCM.
- Used on 400 A, 600 A, 800 A, and 1200 A HCP (main lugs), and 600 A and 800 A (main circuit breaker).
- ◆ Used on Type HCP-SU.
- ★ Used on Type HCR-U.
- ▼ Blank extension pricing is per unit. Multiply the list price by the quantity ordered. Note minimum order quantity.

Blank Extensions

Application	Circuit Breaker Mounting Ht.	Branch Circuit Side	Catalog Number
All applications, except Powerpact H/J with Micrologic trip unit 5/6	1.5"	Wide Side	HLW1BL
	4.5"		HLW4BL
All applications, except Powerpact H/J with Micrologic trip unit 5/6	1.5"	Narrow Side	HLN1BL
	4.5"		HLN4BL
Only Powerpact H/J circuit breakers with Micrologic trip unit 5/6	4.5"	Narrow Side	HLN4EBL
Only Powerpact H/J circuit breakers with Micrologic trip unit 5/6	4.5"	Wide Side	HLW4EBL

Crimp Lug Adapter Kits

		Panelboard Type	
		HCM	HCP, HCR-U *
(For use with MLO panels, order VCEL lugs separately)	400A	HCM400VCA	HCW400VCA
	600A	HCM600VCA	HCW600VCA
	800A	HCM800VCA	HCW800VCA
	1200A	- - -	HCW1200VCA

* Not for use with P- or R-frame circuit breakers or sub-feed kits S33930 or S33931

Type 3R/12 Enclosures

Catalogue Number	Interior Type	Dimensions (inches)		
		H	W	D
HC4250WP	HCP	50	42	12.95
HC4259WP	HCP	59	42	12.95
HC4268WP	HCP	68	42	12.95
HC4286WP	HCP	86	42	12.95
HC4486WP	HCR-U	86	44	14.50

Box Extensions - Type 1

Catalogue Number	Interior Type	Extension
HC2609DEX (F or S)	HCP-SU	9"
HC3209EX (F or S)	HCM	9"
HC4212DEX (F or S)	HCP	12"
HC4406DEX (F or S)	HCR-U	6"
HC4412DEX (F or S)	HCR-U	12"



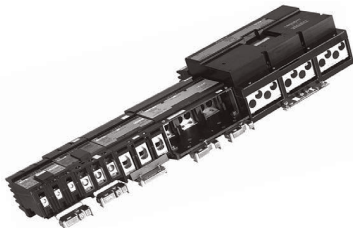
Box Extension



I-Line Plug-On Unit with Surgelocic SPD

Surgelocic™ SPD

Surgelocic SPD unit in I-Line plug-on construction: An integrally mounted surge protection solution that mounts on to an I-Line Panelboard bus stack just like any I-Line circuit breaker. Requires 13.5 in. of mounting height. Available as factory assembled and merchandised. For SPD unit information, refer to SPD section.



Sub-feed Lug Kits

**Sub-Feed Lug Kits☆, also used for Feed Through Lugs
(Plug-on in same manner as a branch circuit breaker)**

Ampere Rating	Height		Catalogue Number	Max. Short Circuit System Ratings RMS Symmetrical Amperes			Protected by Circuit Breaker	For use in Panelboard Types
	In	mm		240 Vac	480 Vac	600 Vac		
100 A	4.5	114	SL100	100 K	65 K	18 K	FA, FH, FD, FG, FJ	HCM, HCP, HCP-SU, HCR-U
250 A	4.5	114	SL250	200 K	200 K	100 K	FA, FD, FG, FH, FJ, HD, HG, HJ, HL, HR, JD, JG, JJ, JL, JR, JJ, JL, JR, KI	HCM, HCP, HCP-SU, HCR-U
400 A	6	152	SL400 s	200 K	200 K	100 K	FA, FD, FG, FH, FJ, KA, KH, KC, KI, HD, HG, HJ, HL, HR, JD, JG, JJ, JL, JR, LA, LH, LC, LX, LI, LXI, DG, DJ, DL, LD, LG, LJ, LL, LR ("L" & "D" FRAME 400A MAX.)	HCP, HCP-SU, HCR-U (wide side only)
800 A	9	229	SL800M5	125 K	100 K	25 K	FA, FD, FG, FH, FJ, KA, KH, KC, KI, HD, HG, HJ, HL, HR, JD, JG, JJ, JL, JR, MA, MH, MX, MG, PG, MJ, PJ, PK, PL, DG, DJ, DL, LD, LG, LJ, LL, LR	HCM, HCP, HCP-SU, HCR-U
1200 A	15	381	S33930	125 K	100 K	50 K	FA, FD, FG, FH, FJ, KA, KH, KC, KI, HD, HG, HJ, HL, HR, JD, JG, JJ, JL, JR, LA, LH, LC, LX, LI, LXI, MA, MH, MX, NA, NC, NX, MG, PG, MJ, PJ, PK, PL, RG, RJ, RL, RK, DG, DJ, DL, LD, LG, LJ, LL, LR	HCR-U
1200 A	9	229	SL1200P5 SL1200P6 SL1200P7	125 K	100 K	50 K	FA, FD, FG, FH, FJ, KA, KH, KC, KI, HD, HG, HJ, HL, HR, JD, JG, JJ, JL, JR, MG, PG, MJ, PJ, PK, PL, RG, RJ, RL, RK, DG, DJ, DL, LD, LG, LJ, LL, LR	HCP, HCP-SU, HCR-U

NOTE: S33930, SL1200P5, SL1200P6, SL1200P7, SL Kits are rated 1200A and may be applied to 1200 ampere loads when installed into HCRU panelboards. However, when installed into HCP and HCPSU panelboards they are only rated 800 amperes maximum due to restricted wire bending space.

- ☆ For other ratings, see the latest edition of I-Line Information Manual #80043-309-xx
- △ SL400 cannot be used in HCM panelboards due to inadequate wire bending space.

Sub-feed lug kit terminal data

Catalogue Number	Poles	Ampere Rating	Std. Lug Kit Cat #	Standard Lug Wire Size □
SL100	3	100	AL100FA	#14 - 1/0 AWG Cu or #12-1/0 AWG Al
SL250	3	250	- - -	#4 AWG - 300 kcmil
SL400	3	400	AL400LA	(1) #1 AWG - 600 kcmil or (2) #1 AWG - 250 kcmil
SL800M5	3	800	AL800M23K	(3) #3/0 AWG - 500 kcmil
S33930	3	1200	AL1200R53K	(4) #3/0 AWG - 600 kcmil
SL1200P5	3	1200	AL1200P25KU	(4) #3/0 AWG - 500 kcmil
SL1200P6	3	1200	AL1200P6KU	(3) 350-600 kcmil
SL1200P7	3	1200	AL1200P7KU	(3) #3/0 AWG - 750 kcmil (750 kcmil; compact AL only)

□ Unless otherwise specified, wire sizes apply to both aluminum and copper conductors.

Panelboards

I-Line® – Ready to Install (RTI)

Terminal Data

Standard Mechanical Lugs—Main Lugs

Panel Type	Ampere Rating	Lug Wire Range■	Wire Range Wire Bending Space per CSA
I-LINE	100
	225	(1) #6–300 kcmil Al/Cu	(1) #6–300 kcmil Al/Cu
	400	(2) #2–600 kcmil Al/Cu	(1) #2–600 kcmil Al/Cu (2) #2–500 kcmil Al/Cu
	600	(2) #2–600 kcmil Al/Cu	(2) #2–500 kcmil Al/Cu
	800	(4) 3/0–750 kcmil Al/Cu	(3) 3/0–500 kcmil Al/Cu
	1200	(4) 3/0–750 kcmil Al/Cu	(4) 3/0–500 kcmil Al/Cu

Standard Mechanical Lugs—Main Circuit Breaker

Panel Type	Ampere Rating	Circuit Breaker Type	Lug Wire Range	Wire Range Wire Bending Space per CSA
I-LINE	100	FA, FH, FI	(1) #14–1/0 Al/Cu	(1) #14–1/0 Al/Cu
	150	HD, HG, HJ, HL, HR	(1) #14–3/0 Al/Cu	(1) #14–3/0 Al/Cu
	225	KI	(1) #4–300 kcmil Al/Cu	(1) #4–300 kcmil Al/Cu
	250	JD, JG, JJ, JL, JR	(1) 4–4/0 Al/Cu (175A), 3/0–350 kcmil Al/Cu (250A)	(1) 1/0–300 kcmil Al/Cu
	250	LXI	(2) #1–350 kcmil Al/Cu	(2) #1–350 kcmil Al/Cu
	400	LA, LH	(1) #1–600 kcmil Al/Cu (2) #1–250 kcmil Al/Cu	(1) #1–600 kcmil Al/Cu (2) #1–250 kcmil Al/Cu
	600	LC, LX, LE, LI, LXI	(2) 4/0–500 kcmil Al/Cu	(2) 4/0–500 kcmil Al/Cu
	800	MG, MJ, PG, PJ, PK	(3) 3/0–500 kcmil Al/Cu	(3) 3/0–500 kcmil Al/Cu
	1200	PG, PJ, PL, PK, RG, RJ, RL, RK	(4) 3/0–500 kcmil Al/Cu	(4) 3/0–500 kcmil Al/Cu

Backfed Main Breaker kits

To be used in Canada only, to utilize a branch breaker in the I-Line panel as a Main Breaker by back feeding it. The use and correct application of these kits and attached labels are mandatory in such applications.

Backfed Main breaker kits part numbers	Branch breakers to be used with
FITC & HCBFMBL	FI
FAHCTC & HCBFMBL	FA, FH, FC
HDTC & HCBFMBL	HD, HG, HJ, HL
QTC & HCBFMBL	QD, QG, QJ
KAHCITC & HCBFMBL	KA, KH, KC, KI
JDTC & HCBFMBL	JD, JG, JJ, JL
LAHTC & HCBFMBL	LA, LH
LCIXETC & HCBFMBL	LC, LI, LX, LE
MGJTC & HCBFMBL	MG, MJ
PA8TC & HCBFMBL	PG, PJ, PL, PK (800A max bkrs)
PA12TC & HCBFMBL	PG, PJ, PL, PK (1200A max bkrs)
RA12TC & HCBFMBL	RG, RJ, RK, RL (1200A max bkrs)
LGJTC & HCBFMBL	LD

Solid Neutral Lug Quantities and Sizes

Solid Neutral Assembly	Terminal Wire Range
HC2SN	(9)-#14-1/0, (1)-#6-300, (45)-#14-#4
HC4SN	(7)-#6 - 350, (45)-#14 - #4
HC6SN, HC6SNCU	(9)-#14 - 1/0, (7)-#6 - 350, (28)-#14 - #4
HC8SN	(9)-#14 - 1/0, (7)-#6 - 350, (34)-#14 - #4
HC8SNCU	(9)-#14 - 1/0, (7)-#6 - 350, (28)-#14 - #4
HCW12SN	(9)-#14 - 1/0, (7)-#6 - 350, (34)-#14 - #4, (4)-3/0-750
HCW12SNCU	(9)-#14 - 1/0, (7)-#6 - 350, (28)-#14 - #4, (4)-2/0-500
HCW4SN	(2)-#14-600, (7)-#6-350, (45)-#14-#4
HCW4SNCU	(9)-#14 - 1/0, (7)-#6 - 350, (28)-#14 - #4, (2)-#2-600
HCW6SN	(9)-#14 - 1/0, (7)-#6 - 350, (34)-#14 - #4, (4)-3/0-750
HCW6SNCU	(9)-#14 - 1/0, (7)-#6 - 350, (28)-#14 - #4, (2)-#2-600
HCW8SN	(9)-#14 - 1/0, (7)-#6 - 350, (34)-#14 - #4, (4)-3/0-750
HCW8SNCU	(9)-#14 - 1/0, (7)-#6 - 350, (28)-#14 - #4, (4)-3/0-750
HCWM12SN	(9)-#14 - 1/0, (7)-#6 - 350, (34)-#14 - #4, (4)-3/0-750
HCPUS8SN	(7) #6-350, (34) #4-#14, (9) #14-1/0
HCPUS8SNCW	(3)-3/0-750, (7)-#6-350, (34) #14-#4, (9) #14-1/0

PowerPact™ B-frame (Coming Soon)

B-frame Interrupting Rating

	Interrupting Rating			
	D	G	J	K
240 Vac	25 KA	65 KA	100 KA	100 KA
480/277 Vac	18 KA	35 KA	65 KA	65 KA
480 Vac	18 KA	35 KA	65 KA	65 KA
600y/347 Vac	14 KA	18 KA	25 KA	65 KA

PowerPact B-frame, 125A max, Thermal Magnetic CSA/UL Circuit Breaker

(PowerPact B-frame 1-pole branch circuit breakers utilize 1.5" of I-Line mounting space, 2-pole branch circuit breakers utilize 3" of I-Line mounting space and 3-pole B-frame circuit breakers utilize 4.5" of I-Line mounting space.)

D - SCCR

600 Y/347 Vac	1-Pole▲	2-Pole▲	3-Pole	Fixed AC Magnetic Trip	
				Hold	Trip
Amps	377 Vac	600 Y/347 Vac	600 Y/347 Vac		
15	BDA16015	BDA26015	BDA36015	400A	600A
20	BDA16020	BDA26020	BDA36020	400A	600A
25	BDA16025	BDA26025	BDA36025	400A	600A
30	BDA16030	BDA26030	BDA36030	400A	600A
35	BDA16035	BDA26035	BDA36035	400A	600A
40	BDA16040	BDA26040	BDA36040	400A	600A
45	BDA16045	BDA26045	BDA36045	400A	600A
50	BDA16050	BDA26050	BDA36050	480A	720A
60	BDA16060	BDA26060	BDA36060	640A	960A
70	BDA16070	BDA26070	BDA36070	640A	960A
80	BDA16080	BDA26080	BDA36080	800A	1200A
90	BDA16090	BDA26090	BDA36090	1000A	1500A
100	BDA16100	BDA26100	BDA36100	1000A	1500A
110	BDA16110	BDA26110	BDA36110	1000A	1500A
125	BDA16125	BDA26125	BDA36125	1000A	1500A

▲ For 1P/2P I-Line breakers, phasing suffix must be added.

J - SCCR

600 Y/347 Vac	1-Pole▲	2-Pole▲	3-Pole	Fixed AC Magnetic Trip	
				Hold	Trip
Amps	347 Vac	600/347 Vac	600/347 Vac		
15	BJA16015	BJA26015	BJA36015	400A	600A
20	BJA16020	BJA26020	BJA36020	400A	600A
25	BJA16025	BJA26025	BJA36025	400A	600A
30	BJA16030	BJA26030	BJA36030	400A	600A
35	BJA16035	BJA26035	BJA36035	400A	600A
40	BJA16040	BJA26040	BJA36040	400A	600A
45	BJA16045	BJA26045	BJA36045	400A	600A
50	BJA16050	BJA26050	BJA36050	480A	720A
60	BJA16060	BJA26060	BJA36060	640A	960A
70	BJA16070	BJA26070	BJA36070	640A	960A
80	BJA16080	BJA26080	BJA36080	800A	1200A
90	BJA16090	BJA26090	BJA36090	1000A	1500A
100	BJA16100	BJA26100	BJA36100	1000A	1500A
110	BJA16110	BJA26110	BJA36110	1000A	1500A
125	BJA16125	BJA26125	BJA36125	1000A	1500A

▲ For 1P/2P I-Line breakers, phasing suffix must be added.

G - SCCR

600 Y/347 Vac	1-Pole▲	2-Pole▲	3-Pole	Fixed AC Magnetic Trip	
				Hold	Trip
Amps	347 Vac	600 Y/347 Vac	600 Y/347 Vac		
15	BGA16015	BGA26015	BGA36015	400A	600A
20	BGA16020	BGA26020	BGA36020	400A	600A
25	BGA16025	BGA26025	BGA36025	400A	600A
30	BGA16030	BGA26030	BGA36030	400A	600A
35	BGA16035	BGA26035	BGA36035	400A	600A
40	BGA16040	BGA26040	BGA36040	400A	600A
45	BGA16045	BGA26045	BGA36045	400A	600A
50	BGA16050	BGA26050	BGA36050	480A	720A
60	BGA16060	BGA26060	BGA36060	640A	960A
70	BGA16070	BGA26070	BGA36070	640A	960A
80	BGA16080	BGA26080	BGA36080	800A	1200A
90	BGA16090	BGA26090	BGA36090	1000A	1500A
100	BGA16100	BGA26100	BGA36100	1000A	1500A
110	BGA16110	BGA26110	BGA36110	1000A	1500A
125	BGA16125	BGA26125	BGA361250	1000A	1500A

▲ For 1P/2P I-Line breakers, phasing suffix must be added

K - SCCR

600 Y/347 Vac	1-Pole▲	2-Pole▲
Amps	347 Vac	600Y/347 Vac
15	BKA16015	BKA26015
20	BKA16020	BKA26020
25	BKA16025	BKA26025
30	BKA16030	BKA26030

QO™ Distribution Panel—240 Vac Max. Only Mounts in Type HCM, HCP, HCP-SU, or HCR-U I-Line panelboards, 30 A max. branch circuit breaker. Order QO plug-on circuit breakers from section DE3.

Maximum No. 1-pole QO Circuit Breakers	Phase Connection	Mounting Height		2-pole Catalogue Number	3-pole Catalogue Number	Price ▲
		In.	mm			
6	AB	4.5	114	HQO206AB	—	
6	BC	4.5	114	HQO206BC	—	
6	AC	4.5	114	HQO206AC	—	
6	ABC	4.5	114	—	HQO306	

▲ Includes (5) QO1DB dummy circuit breakers.

CSA Listed Interrupting Rating Amperes

Breaker Catalogue No. Prefix	System Voltage AC		
	120Vac	277Vac	347Vac
FG	65kA	35kA	18kA
FJ	100kA	65kA	25kA
FK		65kA	



FA/FH One Pole
1 1/2" Mounting Height

FA/FH Two Pole
3" Mounting Height

FA/FH Three Pole
4 1/2" Mounting Height

CSA Listed Interrupting Rating Amperes

Breaker Catalogue No. Prefix	System Voltage AC			DC	
	120/240	277/480	347/600	125	250
FA (240V)					
1-Pole	10k			5k	
2, 3-Pole	10k			5k	5k†
FA (480V)					
1-Pole	25k	18k		10k	
2, 3-Pole	25k	18k		10k	10k†
FA (600V)					
1-Pole	25k	18k	14k	10k	
2, 3-Pole	25k	18k	14k	10k	10k†
FH					
1-Pole					
15-30	65k	65k	18k	10k	
35-100	65k	25k	18k	10k	
2, 3-Pole	65k	25k	18k	10k	10k

† 25Vdc

★ Example: 30A, 480 volt breakers as shown.

Phase Connection	System Voltage AC		
	1-Pole	2-Pole	3-Pole
A	FA14030A		
B	FA14030B		
C	FA14030C		
AB		FA24030AB	
AC		FA24030AC	
BC		FA24030BC	
ABC			FA34030
CBA			FA34030CBA

For bolt-on, add letter B to Catalogue number. Example: FAB17015.

I-LINE Circuit Breakers

30 Ampere Frame

Ampere Rating	AC Magnetic Trip Settings Amperes	G - Interrupting Rating	J - Interrupting Rating	K - Interrupting Rating
---------------	-----------------------------------	-------------------------	-------------------------	-------------------------

FG, FJ, FK - 15A-30A, Thermal-magnetic (347V)

Ampere Rating	Hold	Trip	1-Pole, 347 Vac		
			FG	FJ	FK
15	250	500	FGA16015(*)	FJA16015(*)	FKA16015(*)
20	250	500	FGA16020(*)	FJA16020(*)	FKA16020(*)
25	250	500	FGA16025(*)	FJA16025(*)	FKA16025(*)
30	250	500	FGA16030(*)	FJA16030(*)	FKA16030(*)

* 1-Pole FG, FJ, and FK Catalogue Numbers are completed by adding the required phase connection number as a suffix to the circuit breaker.

A = 1
B = 3
C = 5

Ampere Rating	AC Magnetic Trip Settings Amperes	One Pole★ Catalogue No.	Price	Two Pole★ Catalogue No.	Price	Three Pole Catalogue No.	Price	Standard Lug Kit Wire Range
---------------	-----------------------------------	-------------------------	-------	-------------------------	-------	--------------------------	-------	-----------------------------

100 Ampere Frame

FA Standard Interrupting 120/240 Volt

Ampere Rating	Hold	Trip	120Vac			240Vac		
			120Vac	240Vac	240 Vac			
15	275	600	FA12015()	FA22015()	FA32015			
20	275	600	FA12020()	FA22020()	FA32020		AL50FA	
25	275	600	FA12025()	FA22025()	FA32025		1-#14-#4 Cu or 1-#12-#4 Al	
30	275	600	FA12030()	FA22030()	FA32030			
35	400	850	FA12035()	FA22035()	FA32035			
40	400	850	FA12040()	FA22040()	FA32040			
45	400	850	FA12045()	FA22045()	FA32045			
50	400	850	FA12050()	FA22050()	FA32050		AL100FA or 1-#14-#1/0 Cu 1-#12-#1/0 Al	
60	800	1450	FA12060()	FA22060()	FA32060			
70	800	1450	FA12070()	FA22070()	FA32070			
80	800	1450	FA12080()	FA22080()	FA32080			
90	900	1700	FA12090()	FA22090()	FA32090			
100	900	1700	FA12100()	FA22100()	FA32100			

FA Standard Interrupting 277/480 Volt

Ampere Rating	Hold	Trip	277Vac, 125Vdc			480Vac, 250Vdc		
			277Vac, 125Vdc	480Vac, 250Vdc	480Vac, 250Vdc			
15	275	600	FA14015()	FA24015()	FA34015			
20	275	600	FA14020()	FA24020()	FA34020		AL50FA	
25	275	600	FA14025()	FA24025()	FA34025		1-#14-#4 Cu or 1-#12-#4 Al	
30	275	600	FA14030()	FA24030()	FA34030			
35	400	850	FA14035()	FA24035()	FA34035			
40	400	850	FA14040()	FA24040()	FA34040			
45	400	850	FA14045()	FA24045()	FA34045			
50	400	850	FA14050()	FA24050()	FA34050		AL100FA or 1-#14-#1/0 Cu 1-#12-#1/0 Al	
60	800	1450	FA14060()	FA24060()	FA34060			
70	800	1450	FA14070()	FA24070()	FA34070			
80	800	1450	FA14080()	FA24080()	FA34080			
90	900	1700	FA14090()	FA24090()	FA34090			
100	900	1700	FA14100()	FA24100()	FA34100			

FA Standard Interrupting 347/600 Volt

Ampere Rating	Hold	Trip	347Vac, 125Vdc			600Vac, 250Vdc		
			347Vac, 125Vdc	600Vac, 250Vdc	600Vac, 250Vdc			
15	275	600	FA17015()	FA26015()	FA36015			
20	275	600	FA17020()	FA26020()	FA36020		AL50FA	
25	275	600	FA17025()	FA26025()	FA36025		1-#14-#4 Cu or 1-#12-#4 Al	
30	275	600	FA17030()	FA26030()	FA36030			
35	400	850	FA17035()	FA26035()	FA36035			
40	400	850	FA17040()	FA26040()	FA36040			
45	400	850	FA17045()	FA26045()	FA36045			
50	400	850	FA17050()	FA26050()	FA36050		AL100FA	
60	800	1450	FA17060()	FA26060()	FA36060		1-#14-#1/0 Cu or 1-#12-#1/0 Al	
70	800	1450	FA17070()	FA26070()	FA36070			
80	800	1450	FA17080()	FA26080()	FA36080			
90	900	1700	FA17090()	FA26090()	FA36090			
100	900	1700	FA17100()	FA26100()	FA36100			

FH High Interrupting 347/600 Volt

Ampere Rating	Hold	Trip	347Vac, 125Vdc			600Vac, 250Vdc		
			347Vac, 125Vdc	600Vac, 250Vdc	600Vac, 250Vdc			
15	275	600	FH17015()	FH26015()	FH36015			
20	275	600	FH17020()	FH26020()	FH36020		AL50FA	
25	275	600	FH17025()	FH26025()	FH36025		1-#14-#4 Cu or 1-#12-#4 Al	
30	275	600	FH17030()	FH26030()	FH36030			
35	400	850	FH17035()	FH26035()	FH36035			
40	400	850	FH17040()	FH26040()	FH36040			
45	400	850	FH17045()	FH26045()	FH36045			
50	400	850	FH17050()	FH26050()	FH36050		AL100FA	
60	800	1450	FH17060()	FH26060()	FH36060		1-#14-#1/0 Cu or 1-#12-#1/0 Al	
70	800	1450	FH17070()	FH26070()	FH36070			
80	800	1450	FH17080()	FH26080()	FH36080			
90	900	1700	FH17090()	FH26090()	FH36090			
100	900	1700	FH17100()	FH26100()	FH36100			

* 15-30 ampere breakers suitable for use with 60°C or 75°C conductors. 35-100 ampere breakers suitable for use with 75°C conductors.

★ 1- and 2-Pole Breaker Catalogue Numbers are completed by adding the required phase connection letters as a suffix to the circuit breakers.

225 Ampere Frame

Ampere Rating AC Magnetic Trip Settings Amperes B - Interrupting D - Interrupting G - Interrupting J - Interrupting

POWERPACT™ Q-frame ■ - 225A, Thermal-magnetic (240V)

2-Pole, 240 Vac						
	Hold	Trip	10,000 AIC	25,000 AIC	65,000 AIC	100,000 AIC
70	1200	2400	QBA22070(*)	QDA22070(*)	QGA22070(*)	QJA22070(*)
80	1200	2400	QBA22080(*)	QDA22080(*)	QGA22080(*)	QJA22080(*)
90	1200	2400	QBA22090(*)	QDA22090(*)	QGA22090(*)	QJA22090(*)
100	1200	2400	QBA22100(*)	QDA22100(*)	QGA22100(*)	QJA22100(*)
110	1200	2400	QBA22110(*)	QDA22110(*)	QGA22110(*)	QJA22110(*)
125	1200	2400	QBA22125(*)	QDA22125(*)	QGA22125(*)	QJA22125(*)
150	1200	2400	QBA22150(*)	QDA22150(*)	QGA22150(*)	QJA22150(*)
175	1200	2400	QBA22175(*)	QDA22175(*)	QGA22175(*)	QJA22175(*)
200	1200	2400	QBA22200(*)	QDA22200(*)	QGA22200(*)	QJA22200(*)
225	1200	2400	QBA22225(*)	QDA22225(*)	QGA22225(*)	QJA22225(*)

3-Pole, 240 Vac						
	Hold	Trip	10,000 AIC	25,000 AIC	65,000 AIC	100,000 AIC
70	1200	2400	QBA32070(**)	QDA32070(**)	QGA32070(**)	QJA32070(**)
80	1200	2400	QBA32080(**)	QDA32080(**)	QGA32080(**)	QJA32080(**)
90	1200	2400	QBA32090(**)	QDA32090(**)	QGA32090(**)	QJA32090(**)
100	1200	2400	QBA32100(**)	QDA32100(**)	QGA32100(**)	QJA32100(**)
110	1200	2400	QBA32110(**)	QDA32110(**)	QGA32110(**)	QJA32110(**)
125	1200	2400	QBA32125(**)	QDA32125(**)	QGA32125(**)	QJA32125(**)
150	1200	2400	QBA32150(**)	QDA32150(**)	QGA32150(**)	QJA32150(**)
175	1200	2400	QBA32175(**)	QDA32175(**)	QGA32175(**)	QJA32175(**)
200	1200	2400	QBA32200(**)	QDA32200(**)	QGA32200(**)	QJA32200(**)
225	1200	2400	QBA32225(**)	QDA32225(**)	QGA32225(**)	QJA32225(**)

■ Replacement lugs are not available on QB, QD, QG, or QJ circuit breakers. Lugs for QB, QD, QG, or QJ circuit breakers accept one #4 AWG–300 kcmil. No accessories are available for PowerPact Q Frame breakers.

* 2-pole Breaker Catalogue Numbers are completed by adding the required phase connection number as a suffix to the circuit breaker.

- AB=1
- AC=2
- BA=3
- BC=4
- CA=5
- CB=6

** 3-pole Breaker Catalogue Numbers are completed by adding the required phase connection number as a suffix to the circuit breaker.

- ABC=Standard no suffix required
- CBA=6

Panelboards

I-Line® – PowerPact H- and J-Frame Circuit Breakers



HD/HG 2-pole
3 in (76 mm)
Mounting Height



H-frame 3-pole
4.5 in (114 mm)
Mounting Height



J-frame 3-pole
4.5 in (114 mm)
Mounting Height

H-frame 150 A Thermal Magnetic CSA/UL Current-Limiting Circuit Breakers (600 Vac, 250 Vdc) with Factory Sealed Trip Units Suitable for Reverse Connection

Ampere Rating	AC Magnetic Trip Setting		D Interrupting	G Interrupting	J Interrupting ▲	L Interrupting ▲	Terminal Wire Range
	Hold	Trip	Catalogue No.	Catalogue No.	Catalogue No.	Catalogue No.	
H-Frame, 150A 2P, 600 Vac 50/60 Hz, 250 Vdc							
15	350	750	HDA26015()	HGA26015()	HJA26015()	HLA26015()	AL150HD #14–#3/0 AWG Al or Cu
20	350	750	HDA26020()	HGA26020()	HJA26020()	HLA26020()	
25	350	750	HDA26025()	HGA26025()	HJA26025()	HLA26025()	
30	350	750	HDA26030()	HGA26030()	HJA26030()	HLA26030()	
35	400	850	HDA26035()	HGA26035()	HJA26035()	HLA26035()	
40	400	850	HDA26040()	HGA26040()	HJA26040()	HLA26040()	
45	400	850	HDA26045()	HGA26045()	HJA26045()	HLA26045()	
50	400	850	HDA26050()	HGA26050()	HJA26050()	HLA26050()	
60	800	1450	HDA26060()	HGA26060()	HJA26060()	HLA26060()	
70	800	1450	HDA26070()	HGA26070()	HJA26070()	HLA26070()	
80	800	1450	HDA26080()	HGA26080()	HJA26080()	HLA26080()	
90	800	1450	HDA26090()	HGA26090()	HJA26090()	HLA26090()	
100	900	1700	HDA26100()	HGA26100()	HJA26100()	HLA26100()	
110	900	1700	HDA26110()	HGA26110()	HJA26110()	HLA26110()	
125	900	1700	HDA26125()	HGA26125()	HJA26125()	HLA26125()	
150	900	1700	HDA26150()	HGA26150()	HJA26150()	HLA26150()	

Ampere Rating	AC Magnetic Trip Setting		D Interrupting	G Interrupting	J Interrupting ▲	L Interrupting ▲	Terminal Wire Range
	Hold	Trip	Catalogue No.	Catalogue No.	Catalogue No.	Catalogue No.	
H-Frame, 150A 3P, 600 Vac 50/60 Hz, 250 Vdc							
15	350	750	HDA36015	HGA36015	HJA36015	HLA36015	AL150HD #14–#3/0 AWG Al or Cu
20	350	750	HDA36020	HGA36020	HJA36020	HLA36020	
25	350	750	HDA36025	HGA36025	HJA36025	HLA36025	
30	350	750	HDA36030	HGA36030	HJA36030	HLA36030	
35	400	850	HDA36035	HGA36035	HJA36035	HLA36035	
40	400	850	HDA36040	HGA36040	HJA36040	HLA36040	
45	400	850	HDA36045	HGA36045	HJA36045	HLA36045	
50	400	850	HDA36050	HGA36050	HJA36050	HLA36050	
60	800	1450	HDA36060	HGA36060	HJA36060	HLA36060	
70	800	1450	HDA36070	HGA36070	HJA36070	HLA36070	
80	800	1450	HDA36080	HGA36080	HJA36080	HLA36080	
90	800	1450	HDA36090	HGA36090	HJA36090	HLA36090	
100	900	1700	HDA36100	HGA36100	HJA36100	HLA36100	
110	900	1700	HDA36110	HGA36110	HJA36110	HLA36110	
125	900	1700	HDA36125	HGA36125	HJA36125	HLA36125	
150	900	1700	HDA36150	HGA36150	HJA36150	HLA36150	

J-frame 250 A Thermal Magnetic CSA/UL Current Limiting Circuit Breakers (600 Vac, 250 Vdc) with Factory Sealed Trip Units Suitable for Reverse Connection

Ampere Rating	AC Magnetic Trip Setting		D Interrupting	G Interrupting	J Interrupting ▲	L Interrupting ▲	R Interrupting ▲	Terminal Wire Range
	Hold	Trip	Catalogue No.	Catalogue No.	Catalogue No.	Catalogue No.	Catalogue No.	
J-Frame 250A 2P, 600 Vac 50/60 Hz, 250 Vdc								
150	750	1500	JDA26150()	JGA26150()	JJA26150()	JLA26150()	JRA26150()	AL175JD #4–4/0 AWG Al or Cu
175	875	1750	JDA26175()	JGA26175()	JJA26175()	JLA26175()	JRA26175()	
200	1000	2000	JDA26200()	JGA26200()	JJA26200()	JLA26200()	JRA26200()	AL250JD #3/0–350 kcmil Al or Cu
225	1125	2250	JDA26225()	JGA26225()	JJA26225()	JLA26225()	JRA26225()	
250	1250	2500	JDA26250()	JGA26250()	JJA26250()	JLA26250()	JRA26250()	

Ampere Rating	AC Magnetic Trip Setting		D Interrupting	G Interrupting	J Interrupting ▲	L Interrupting ▲	R Interrupting ▲	Terminal Wire Range
	Hold	Trip	Catalogue No.	Catalogue No.	Catalogue No.	Catalogue No.	Catalogue No.	
J-Frame 250A 3P, 600 Vac 50/60 Hz, 250 Vdc								
150	750	1500	JDA36150	JGA36150	JJA36150	JLA36150	JRA36150	AL175JD #4–4/0 AWG Al or Cu
175	875	1750	JDA36175	JGA36175	JJA36175	JLA36175	JRA36175	
200	1000	2000	JDA36200	JGA36200	JJA36200	JLA36200	JRA36200	AL250JD #3/0–350 kcmil Al or Cu
225	1125	2250	JDA36225	JGA36225	JJA36225	JLA36225	JRA36225	
250	1250	2500	JDA36250	JGA36250	JJA36250	JLA36250	JRA36250	

H-frame 150A and J-frame 250 A Electronic Trip CSA/UL Current Limiting Circuit Breakers (600 Vac) with Factory Sealed Trip Units Suitable for Reverse Connection

Electronic Trip Unit			Ampere Rating	D Interrupting	G Interrupting	J Interrupting ▲	L Interrupting ▲	R Interrupting ▲	Terminal
Type	Function	Trip Unit		Catalogue No.	Catalogue No.	Catalogue No.	Catalogue No.	Catalogue No.	
Micrologic Standard	LI	3.2◇	60	HDA36060U31X	HGA36060U31X	HJA36060U31X	HLA36060U31X	HRA36060U31X	AL150HD△
			100	HDA36100U31X	HGA36100U31X	HJA36100U31X	HLA36100U31X	HRA36100U31X	
			150	HDA36150U31X	HGA36150U31X	HJA36150U31X	HLA36150U31X	HRA36150U31X	AL250JD□
			250	JDA36250U31X	JGA36250U31X	JJA36250U31X	JLA36250U31X	JRA36250U31X	
Micrologic Ammeter	LSI	3.2S◇	60	HDA36060U33X	HGA36060U33X	HJA36060U33X	HLA36060U33X	HRA36060U33X	AL150HD△
			100	HDA36100U33X	HGA36100U33X	HJA36100U33X	HLA36100U33X	HRA36100U33X	
			150	HDA36150U33X	HGA36150U33X	HJA36150U33X	HLA36150U33X	HRA36150U33X	AL250JD□
			250	JDA36250U33X	JGA36250U33X	JJA36250U33X	JLA36250U33X	JRA36250U33X	
Micrologic Energy	LSI	5.2E	60	HDA36060U43X	HGA36060U43X	HJA36060U43X	HLA36060U43X	HRA36060U43X	AL150HD△
			100	HDA36100U43X	HGA36100U43X	HJA36100U43X	HLA36100U43X	HRA36100U43X	
			150	HDA36150U43X	HGA36150U43X	HJA36150U43X	HLA36150U43X	HRA36150U43X	AL250JD□
			250	JDA36250U43X	JGA36250U43X	JJA36250U43X	JLA36250U43X	JRA36250U43X	
Micrologic Energy	LSIG	6.2A	60	HDA36060U44X	HGA36060U44X	HJA36060U44X	HLA36060U44X	HRA36060U44X	AL150HD△
			100	HDA36100U44X	HGA36100U44X	HJA36100U44X	HLA36100U44X	HRA36100U44X	
			150	HDA36150U44X	HGA36150U44X	HJA36150U44X	HLA36150U44X	HRA36150U44X	AL250JD□
			250	JDA36250U44X	JGA36250U44X	JJA36250U44X	JLA36250U44X	JRA36250U44X	
Micrologic Energy	LSIG	6.2E	60	HDA36060U54X	HGA36060U54X	HJA36060U54X	HLA36060U54X	HRA36060U54X	AL150HD△
			100	HDA36100U54X	HGA36100U54X	HJA36100U54X	HLA36100U54X	HRA36100U54X	
			150	HDA36150U54X	HGA36150U54X	HJA36150U54X	HLA36150U54X	HRA36150U54X	AL250JD□
			250	JDA36250U54X	JGA36250U54X	JJA36250U54X	JLA36250U54X	JRA36250U54X	

▲ Circuit breakers with J, L, and R interrupting ratings are CSA/UL certified as current limiting.

△ AL150HD wire range is 14–3/0 AWG Al or Cu.

□ AL250JD wire range is 3/0 AWG–350 kcmil Al or Cu. For smaller wire range (4–4/0 AWG Al or Cu), replace the lug's wire binding screws with the larger binding screws provided.

◇ 3P circuit breakers with this trip unit can be used for 2P applications.

J-Frame Mission Critical Circuit Breaker

J-frame 250 A Electronic Trip Mission Critical Circuit Breakers (480/277 Vac) With Factory Sealed Trip Units Suitable for Reverse Connection▲

Electronic Trip Unit Type	Trip Function	Trip Unit	Continuous Current	D Interrupting	G Interrupting	J Interrupting	L Interrupting	Terminal
				Cat. No.	Cat. No.	Cat. No.	Cat. No.	
Standard	LI	3.2 W	250	JDA34250WU31X	JGA34250WU31X	JJA34250WU31X	JLA34250WU31X	AL250JD■
Standard	LSI	3.2S-W	250	JDA34250WU33X	JGA34250WU33X	JJA34250WU33X	JLA34250WU33X	AL250JD■
High Perf. Ammerter	LSI	5.2A-W	250	JDA34250WU43X	JGA34250WU43X	JJA34250WU43X	JLA34250WU43X	AL250JD■
High Perf. Energy	LSI	5.2E-W	250	JDA34250WU53X	JGA34250WU53X	JJA34250WU53X	JLA34250WU53X	AL250JD■
High perf. Ammerter	LSIG	6.2A-W	250	JDA34250WU44X	JGA34250WU44X	JJA34250WU44X	JLA34250WU44X	AL250JD■
High Perf. Energy	LSIG	6.2E-W	250	JDA34250WU54X	JGA34250WU54X	JJA34250WU54X	JLA34250WU54X	AL250JD■

▲ Standard rated (80%). Not available in 100% rated.
 ■ AL250JD terminal wire range is (1) 3/0 AWG–350 kcmil Al or Cu.

L-Frame Mission Critical Circuit Breaker

L-frame 600 A Electronic Trip Mission Critical Circuit Breakers (480/277 Vac) With Factory Sealed Trip Units Suitable for Reverse Connection▲

Electronic Trip Unit Type	Trip Function	Trip Unit	Continuous Current	D Interrupting	G Interrupting	J Interrupting	L Interrupting	Terminal
				Cat. No.	Cat. No.	Cat. No.	Cat. No.	
Standard	LI	3.3 W	250	LDA34250WU31X	LGA34250WU31X	LJA34250WU31X	LLA34250WU31X	AL400L61K3■
			400	LDA34400WU31X	LGA34400WU31X	LJA34400WU31X	LLA34400WU31X	AL600LF52K3◆
			600	LDA34600WU31X	LGA34600WU31X	LJA34600WU31X	LLA34600WU31X	AL400L61K3■
Standard	LSI	3.3S-W	250	LDA34250WU33X	LGA34250WU33X	LJA34250WU33X	LLA34250WU33X	AL400L61K3■
			400	LDA34400WU33X	LGA34400WU33X	LJA34400WU33X	LLA34400WU33X	AL600LF52K3◆
			600	LDA34600WU33X	LGA34600WU33X	LJA34600WU33X	LLA34600WU33X	AL600LF52K3◆
High Perf. Ammeter	LSI	5.3A-W	400	LDA34400WU43X	LGA34400WU43X	LJA34400WU43X	LLA34400WU43X	AL600LF52K3◆
			600	LDA34600WU43X	LGA34600WU43X	LJA34600WU43X	LLA34600WU43X	AL600LF52K3◆
High Perf. Energy	LSI	5.3E-W	400	LDA34400WU53X	LGA34400WU53X	LJA34400WU53X	LLA34400WU53X	AL600LF52K3◆
			600	LDA34600WU53X	LGA34600WU53X	LJA34600WU53X	LLA34600WU53X	AL600LF52K3◆
High Perf. Ammeter	LSIG	6.3A-W	400	LDA34400WU44X	LGA34400WU44X	LJA34400WU44X	LLA34400WU44X	AL600LF52K3◆
			600	LDA34600WU44X	LGA34600WU44X	LJA34600WU44X	LLA34600WU44X	AL600LF52K3◆
High Perf. Energy	LSIG	6.3E-W	400	LDA34400WU54X	LGA34400WU54X	LJA34400WU54X	LLA34400WU54X	AL600LF52K3◆
			600	LDA34600WU54X	LGA34600WU54X	LJA34600WU54X	LLA34600WU54X	AL600LF52K3◆

▲ Standard rated (80%). Not available in 100% rated.
 ■ AL400L61K3 terminal wire range is (1) #2 AWG–500 kcmil Al or #2 AWG–600 kcmil Cu..
 ◆ AL600LF52K3 terminal wire range is (2) #3/0 AWG–500 kcmil Al or Cu.

PowerPact™ H-, J-, and L-frame Automatic Molded Case Switches, 600 Vac

Circuit Breaker	Poles	Ampere Rating	G Withstand		L Withstand		R Withstand		Terminal	Wire Range
			Cat. No.	Trip Point	Cat. No.	Trip Point	Cat. No.	Trip Point		
H-frame J-frame	2	150 A	HGA26000S15	2250 A	HLA26000S15	2250 A	—	—	—	—
		175 A	JGA26000S17	3125 A	JLA26000S17	3125 A	—	—	—	—
		250 A	JGA26000S25	3125 A	JLA26000S25	3125 A	—	—	—	—
	3	150 A	HGA36000S15	2250 A	HLA36000S15	2250 A	—	—	AL150HD	14 AWG–3/0 AWG Al/Cu
		175 A	JGA36000S17	3125 A	JLA36000S17	3125 A	JRA36000S17	3125 A	AL175JD	4–4/0 AWG Al/Cu
		250 A	JGA36000S25	3125 A	JLA36000S25	3125 A	JRA36000S25	3125 A	AL250JD	3/0 AWG–350 kcmil Al/Cu
L-frame	3	400 A	LGA36000S40X	4800 A	LLA36000S40X	4800 A	LRA36000S40X	4800 A	AL150HD	AL600LS52K3
		600 A	LGA36000S60X	6600A	LLA36000S60X	6600 A	LRA36000S60X	6600 A	AL250JD	(2) 2/0 AWG–500 kcmil Al/Cu

Interrupt Ratings (kA)

	D	G	J	L	R
240 V	25	65	100	125	200
480 V	18	35	65	100	100
600 V	14	18	25	50	100

Phase Options—Example HDA26150()

Phase Option Number	Phase Connection	2-pole	3-pole
1	AB	HDA261501	—
2	AC	HDA261502	—
3	BA	HDA261503	—
4	BC	HDA261504	—
5	CA	HDA261505	—
6	CB	HDA261506	—
Standard	ABC	—	JDA36250
6	CBA	—	JDA362506

Panelboards

I-Line[®] – L-Frame Circuit Breakers, Thermal-Magnetic

Ampere Rating	AC Magnetic Trip Settings Amperes		Two Pole	Three Pole	Standard Lug Kit Wire Range
	Low	High	Catalogue No.	Catalogue No.	
LA Standard Interrupting					
	Low	High	600Vac, 250Vdc*	600Vac, 250Vdc	
125	625	1250	LA26125()	LA36125	
150	750	1500	LA26150()	LA36150	
175	875	1750	LA26175()	LA36175	
200	1000	2000	LA26200()	LA36200	AL400LA
225	1125	2250	LA26225()	LA36225	1-#1-600 kcmil or
250	1250	2500	LA26250()	LA36250	2-#1-250 kcmil
300	1500	3000	LA26300()	LA36300	
350	1750	3500	LA26350()	LA36350	
400	2000	4000	LA26400()	LA36400	
LH High Interrupting					
	Low	High	600Vac, 250Vdc*	600Vac, 250Vdc	
125	625	1250	LH26125()	LH36125	
150	750	1500	LH26150()	LH36150	
175	875	1750	LH26175()	LH36175	
200	1000	2000	LH26200()	LH36200	AL400LA
225	1125	2250	LH26225()	LH36225	1-#1-600 kcmil or
250	1250	2500	LH26250()	LH36250	2-#1-250 kcmil
300	1500	3000	LH26300()	LH36300	
350	1750	3500	LH26350()	LH36350	
400	2000	4000	LH26400()	LH36400	

* 2-pole circuit breaker catalog numbers are completed by adding required phase connection letters as suffix to catalog number.

CSA Listed Interrupting Rating Amperes

Breaker Catalogue No.	System Voltage AC		
	240	480	600
Prefix			
LA	42k	30k	22k
LH	65k	35k	25k

I-Line® – PowerPact L- and M-frame Circuit Breakers

PowerPact L-Frame 600A Circuit Breakers with Factory Sealed Electronic Trip Units Suitable for Reverse Connection
(L-Frame circuit breaker utilizes 6" of available I-Line bussing)

Electronic Trip Unit			D Interrupting	G Interrupting	J Interrupting ◆	L Interrupting ◆	R Interrupting ◆	Terminal	
Type	Function	Trip Unit	Amps	Catalogue Number■	Catalogue Number■	Catalogue Number■	Catalogue Number■		
Micrologic Standard	LI	3.3★	250	LDA36250U31X	LGA36250U31X	LJA36250U31X	LLA36250U31X	LRA36250U31X	AL400L61K3▼
			400	LDA36400U31X	LGA36400U31X	LJA36400U31X	LLA36400U31X	LRA36400U31X	AL600LF52K3△
			600	LDA36600U31X	LGA36600U31X	LJA36600U31X	LLA36600U31X	LRA36600U31X	
Micrologic Standard	LSI	3.3S★	250	LDA36250U33X	LGA36250U33X	LJA36250U33X	LLA36250U33X	LRA36250U33X	AL400L61K3▼
			400	LDA36400U33X	LGA36400U33X	LJA36400U33X	LLA36400U33X	LRA36400U33X	AL600LF52K3△
			600	LDA36600U33X	LGA36600U33X	LJA36600U33X	LLA36600U33X	LRA36600U33X	
Micrologic Ammeter	LSI	5.3A	400	LDA36400U43X	LGA36400U43X	LJA36400U43X	LLA36400U43X	LRA36400U43X	AL600LF52K3△
			600	LDA36600U43X	LGA36600U43X	LJA36600U43X	LLA36600U43X	LRA36600U43X	
Micrologic Energy	LSI	5.3E	400	LDA36400U53X	LGA36400U53X	LJA36400U53X	LLA36400U53X	LRA36400U53X	
			600	LDA36600U53X	LGA36600U53X	LJA36600U53X	LLA36600U53X	LRA36600U53X	
Micrologic Ammeter	LSIG	6.3A	400	LDA36400U44X	LGA36400U44X	LJA36400U44X	LLA36400U44X	LRA36400U44X	
			600	LDA36600U44X	LGA36600U44X	LJA36600U44X	LLA36600U44X	LRA36600U44X	
Micrologic Energy	LSIG	6.3E	400	LDA36400U54X	LGA36400U54X	LJA36400U54X	LLA36400U54X	LRA36400U54X	
			600	LDA36600U54X	LGA36600U54X	LJA36600U54X	LLA36600U54X	LRA36600U54X	

- For 100% rated circuit breakers (250 A and 400 A only), add a "C" in the 9th character place (for example, LRA36400CU31X).
- ◆ Circuit breakers with J, L, and R interrupting ratings are CSA/UL certified as current limiting.
- ★ 3P circuit breakers with this trip unit can be used for 2P applications.
- ▼ AL400L61K3 terminal wire ranges are (1) 2 AWG–600 kcmil Cu or 1) 2 AWG–500 kcmil Al.
- △ AL600LF52K3 terminal wire range is (2) 3/0 AWG–500 kcmil Al/Cu.

Powerpact M -Frame 800A with ET1.0 Trip Unit (factory sealed, not field adjustable)

(PowerPact M-frame circuit breakers utilize 9" of the available I-Line bussing)

Ampere Rating	Adjustable Instantaneous Trip Range		G Interrupting	J Interrupting	Terminal Wire Range
	Low	High	600Vac	600Vac	
300	600	3000	MGA26300()	MJA26300()	AL800M23K 3-#3/0-500 kcmil
350	700	3500	MGA26350()	MJA26350()	
400	800	4000	MGA26400()	MJA26400()	
450	900	4500	MGA26450()	MJA26450()	
500	1000	5000	MGA26500()	MJA26500()	
600	1200	6000	MGA26600()	MJA26600()	
700	1400	7000	MGA26700()	MJA26700()	
800	1600	8000	MGA26800()	MJA26800()	
300	600	3000	MGA36300	MJA36300	AL800M23K 3-#3/0-500 kcmil
350	700	3500	MGA36350	MJA36350	
400	800	4000	MGA36400	MJA36400	
450	900	4500	MGA36450	MJA36450	
500	1000	5000	MGA36500	MJA36500	
600	1200	6000	MGA36600	MJA36600	
700	1400	7000	MGA36700	MJA36700	
800	1600	8000	MGA36800	MJA36800	

- CSA/UL magnetic trip setting tolerances are ±10% from the nominal values shown.
- * Fill in parentheses with the following phase connection options: (2) for AC and (5) for CA.

Interrupt Ratings

Voltage	G	J	L*
240 V	65	100	125
480 V	35	65	100
600 V	18	25	25

* L interrupting rating is not available in M-Frame

Automatic Molded Case Switches—600 Vac, 50/60 Hz

Ampere Rating	2-pole	3-pole	Withstand Rating ◇			Terminal Wire Range
	Catalogue Number □	Catalogue Number	240 Vac	480 Vac	600 Vac	
600 A	PJA26000S60()	PJA36000S60	100	65	25	3–3/0 through 500 kcmil Al or Cu
800 A	PJA26000S80()	PJA36000S80	100	65	25	
1000 A	PJA26000S10()	PJA36000S10	100	65	25	4–3/0 through 500 kcmil Al or Cu
1200 A	PJA26000S12()	PJA36000S12	100	65	25	

- ◇ The withstand rating is the fault current, at rated voltage, that the molded case switch will withstand without damage when protected by a circuit breaker with an equal ampere rating.
- Fill in parentheses with the following phase connection options: (2) for AC or (5) for CA.

PowerPact P- and R-frame Interrupt Ratings

Voltage	P-frame Interrupt Rating				R-frame Interrupt Rating			
	G	J	K	L	G	J	K	L
240 Vac	65 kA	100 kA	65 kA	125 kA	65 kA	100 kA	65 kA	125 kA
480 Vac	35 kA	65 kA	50 kA	100 kA	35 kA	65 kA	65 kA	100 kA
600 Vac	18 kA	25 kA	50 kA	---	18 kA	25 kA	65 kA	50 kA

Panelboards

I-Line® – PowerPact P- and R-frame Circuit Breakers

PowerPact P Frame – 1200A (600Vac, 50/60 Hz) 3P Circuit Breakers with Electronic Trip Units

PowerPact P- frame circuit breakers utilize 9" of the available I-Line Bussing.

Electronic Trip Unit			Sensor Rating	Amps	G Interrupting	J Interrupting	K Interrupting	L Interrupting	Terminal wire range				
Type	Function	Code			Catalogue Number ■	Catalogue Number ■	Catalogue Number ■	Catalogue Number ■▲					
Basic Electronic Trip Unit (Not Interchangeable)	Fixed long-time, Adjustable Instantaneous	ET1.0I	600 A	600	PGA36060	PJA36060	PKA36060	PLA34060	(3) 3/0 AWG–500 kcmil Al or Cu AL800M23K				
			800 A	800	PGA36080	PJA36080	PKA36080	PLA34080					
			1000 A	1000	PGA36100	PJA36100	PKA36100	PLA34100	(4) 3/0 AWG–500 kcmil Al or Cu AL1200P24K				
			1200 A	1200	PGA36120	PJA36120	PKA36120	PLA34120					
Micrologic Interchangeable Standard Trip Unit	LI	3.0	250 A	250	PGA36025U31A	PJA36025U31A	PKA36025U31A	PLA34025U31A	(3) 3/0 AWG–500 kcmil Al or Cu AL800M23K				
			400 A	400	PGA36040U31A	PJA36040U31A	PKA36040U31A	PLA34040U31A					
			600 A	600	PGA36060U31A	PJA36060U31A	PKA36060U31A	PLA34060U31A					
			800 A	800	PGA36080U31A	PJA36080U31A	PKA36080U31A	PLA34080U31A					
			1000 A	1000	PGA36100U31A	PJA36100U31A	PKA36100U31A	PLA34100U31A					
			1200 A	1200	PGA36120U31A	PJA36120U31A	PKA36120U31A	PLA34120U31A					
	LSI	5.0	250 A	250	PGA36025U33A	PJA36025U33A	PKA36025U33A	PLA34025U33A	(3) 3/0 AWG–500 kcmil Al or Cu AL800M23K				
			400 A	400	PGA36040U33A	PJA36040U33A	PKA36040U33A	PLA34040U33A					
			600 A	600	PGA36060U33A	PJA36060U33A	PKA36060U33A	PLA34060U33A					
			800 A	800	PGA36080U33A	PJA36080U33A	PKA36080U33A	PLA34080U33A					
			1000 A	1000	PGA36100U33A	PJA36100U33A	PKA36100U33A	PLA34100U33A					
			1200 A	1200	PGA36120U33A	PJA36120U33A	PKA36120U33A	PLA34120U33A					
Micrologic Interchangeable Ammeter Trip Unit	LI	3.0A	250 A	250	PGA36025U41A	PJA36025U41A	PKA36025U41A	PLA34025U41A	(3) 3/0 AWG–500 kcmil Al or Cu AL800M23K				
			400 A	400	PGA36040U41A	PJA36040U41A	PKA36040U41A	PLA34040U41A					
			600 A	600	PGA36060U41A	PJA36060U41A	PKA36060U41A	PLA34060U41A					
			800 A	800	PGA36080U41A	PJA36080U41A	PKA36080U41A	PLA34080U41A					
			1000 A	1000	PGA36100U41A	PJA36100U41A	PKA36100U41A	PLA34100U41A					
			1200 A	1200	PGA36120U41A	PJA36120U41A	PKA36120U41A	PLA34120U41A					
			LSI	5.0A	250 A	250	PGA36025U43A	PJA36025U43A		PKA36025U43A	PLA34025U43A	(3) 3/0 AWG–500 kcmil Al or Cu AL800M23K	
					400 A	400	PGA36040U43A	PJA36040U43A		PKA36040U43A	PLA34040U43A		
	600 A	600			PGA36060U43A	PJA36060U43A	PKA36060U43A	PLA34060U43A					
	800 A	800			PGA36080U43A	PJA36080U43A	PKA36080U43A	PLA34080U43A					
	1000 A	1000			PGA36100U43A	PJA36100U43A	PKA36100U43A	PLA34100U43A					
	1200 A	1200			PGA36120U43A	PJA36120U43A	PKA36120U43A	PLA34120U43A					
	LSIG	6.0A			250 A	250	PGA36025U44A	PJA36025U44A	PKA36025U44A	PLA34025U44A	(3) 3/0 AWG–500 kcmil Al or Cu AL800M23K		
					400 A	400	PGA36040U44A	PJA36040U44A	PKA36040U44A	PLA34040U44A			
			600 A	600	PGA36060U44A	PJA36060U44A	PKA36060U44A	PLA34060U44A					
			800 A	800	PGA36080U44A	PJA36080U44A	PKA36080U44A	PLA34080U44A					
			1000 A	1000	PGA36100U44A	PJA36100U44A	PKA36100U44A	PLA34100U44A					
			1200 A	1200	PGA36120U44A	PJA36120U44A	PKA36120U44A	PLA34120U44A					
			Micrologic Interchangeable Power Trip Unit	LSI	5.0P	250 A	250	PGA36025U63AE1	PJA36025U63AE1	PKA36025U63AE1		PLA34025U63AE1	(3) 3/0 AWG–500 kcmil Al or Cu AL800M23K
						400 A	400	PGA36040U63AE1	PJA36040U63AE1	PKA36040U63AE1		PLA34040U63AE1	
	600 A	600				PGA36060U63AE1	PJA36060U63AE1	PKA36060U63AE1	PLA34060U63AE1				
	800 A	800				PGA36080U63AE1	PJA36080U63AE1	PKA36080U63AE1	PLA34080U63AE1				
	1000 A	1000				PGA36100U63AE1	PJA36100U63AE1	PKA36100U63AE1	PLA34100U63AE1				
	1200 A	1200				PGA36120U63AE1	PJA36120U63AE1	PKA36120U63AE1	PLA34120U63AE1				
LSIG	6.0P	250 A		250	PGA36025U64AE1	PJA36025U64AE1	PKA36025U64AE1	PLA34025U64AE1	(3) 3/0 AWG–500 kcmil Al or Cu AL800M23K				
		400 A		400	PGA36040U64AE1	PJA36040U64AE1	PKA36040U64AE1	PLA34040U64AE1					
		600 A		600	PGA36060U64AE1	PJA36060U64AE1	PKA36060U64AE1	PLA34060U64AE1					
		800 A		800	PGA36080U64AE1	PJA36080U64AE1	PKA36080U64AE1	PLA34080U64AE1					
		1000 A		1000	PGA36100U64AE1	PJA36100U64AE1	PKA36100U64AE1	PLA34100U64AE1					
		1200 A		1200	PGA36120U64AE1	PJA36120U64AE1	PKA36120U64AE1	PLA34120U64AE1					
Micrologic Interchangeable Harmonic Trip Unit	LSI	5.0H	250 A	250	PGA36025U73AE1	PJA36025U73AE1	PKA36025U73AE1	PLA34025U73AE1	(3) 3/0 AWG–500 kcmil Al or Cu AL800M23K				
			400 A	400	PGA36040U73AE1	PJA36040U73AE1	PKA36040U73AE1	PLA34040U73AE1					
			600 A	600	PGA36060U73AE1	PJA36060U73AE1	PKA36060U73AE1	PLA34060U73AE1					
			800 A	800	PGA36080U73AE1	PJA36080U73AE1	PKA36080U73AE1	PLA34080U73AE1					
			1000 A	1000	PGA36100U73AE1	PJA36100U73AE1	PKA36100U73AE1	PLA34100U73AE1					
			1200 A	1200	PGA36120U73AE1	PJA36120U73AE1	PKA36120U73AE1	PLA34120U73AE1					
	LSIG	6.0H	250 A	250	PGA36025U74AE1	PJA36025U74AE1	PKA36025U74AE1	PLA34025U74AE1	(3) 3/0 AWG–500 kcmil Al or Cu AL800M23K				
			400 A	400	PGA36040U74AE1	PJA36040U74AE1	PKA36040U74AE1	PLA34040U74AE1					
			600 A	600	PGA36060U74AE1	PJA36060U74AE1	PKA36060U74AE1	PLA34060U74AE1					
			800 A	800	PGA36080U74AE1	PJA36080U74AE1	PKA36080U74AE1	PLA34080U74AE1					
			1000 A	1000	PGA36100U74AE1	PJA36100U74AE1	PKA36100U74AE1	PLA34100U74AE1					
			1200 A	1200	PGA36120U74AE1	PJA36120U74AE1	PKA36120U74AE1	PLA34120U74AE1					

■ For 250-800A 100% rated circuit breakers add a "C" in the 9th character place. For example, the catalog number for a 100% standard-type trip unit with LI trip functions at 250A would be PGA36025CU31A. 100% rating is not available for 600-800A P-Frame MCCB with Basic Electronic TU and all 1000-1200A P-Frame MCCB.

▲ The L interrupt rating is supplied in 480 V only; for example, PLA34025U31A.

DE5 PANELBOARDS

PowerPact R Frame – 1200A (600 Vac, 50/60 Hz) 3P Circuit Breaker with Electronic Trip Unit, 100% Rated

Amps	Trip Unit	Trip Function	G Interrupting	J Interrupting	K Interrupting	L Interrupting	Terminal wire range
			Catalogue Number	Catalogue Number	Catalogue Number	Catalogue Number	
1200	Basic Electronic Non-interchangeable	Fixed Long-Time, Adjustable Instantaneous	RGA36120	RJA36120	RKA36120	RLA36120	AL1200R53K (4) 3/0-600 kcmil Al or Cu
1000	Standard	3.0 LI	RGA36100CU31A	RJA36100CU31A	RKA36100CU31A	RLA36100CU31A	
		5.0 LSI	RGA36100CU33A	RJA36100CU33A	RKA36100CU33A	RLA36100CU33A	
	Ammeter	3.0A LI	RGA36100CU41A	RJA36100CU41A	RKA36100CU41A	RLA36100CU41A	
		5.0A LSI	RGA36100CU43A	RJA36100CU43A	RKA36100CU43A	RLA36100CU43A	
	Power	6.0A LSI	RGA36100CU44A	RJA36100CU44A	RKA36100CU44A	RLA36100CU44A	
		5.0P LSI	RGA36100CU63AE1	RJA36100CU63AE1	RKA36100CU63AE1	RLA36100CU63AE1	
	Harmonic	6.0P LSI	RGA36100CU64AE1	RJA36100CU64AE1	RKA36100CU64AE1	RLA36100CU64AE1	
		5.0H LSI	RGA36100CU73AE1	RJA36100CU73AE1	RKA36100CU73AE1	RLA36100CU73AE1	
1200	Standard	6.0H LSI	RGA36100CU74AE1	RJA36100CU74AE1	RKA36100CU74AE1	RLA36100CU74AE1	
		3.0 LI	RGA36120CU31A	RJA36120CU31A	RKA36120CU31A	RLA36120CU31A	
	Ammeter	5.0 LSI	RGA36120CU33A	RJA36120CU33A	RKA36120CU33A	RLA36120CU33A	
		3.0A LI	RGA36120CU41A	RJA36120CU41A	RKA36120CU41A	RLA36120CU41A	
	Power	5.0A LSI	RGA36120CU43A	RJA36120CU43A	RKA36120CU43A	RLA36120CU43A	
		6.0A LSI	RGA36120CU44A	RJA36120CU44A	RKA36120CU44A	RLA36120CU44A	
	Harmonic	5.0P LSI	RGA36120CU63AE1	RJA36120CU63AE1	RKA36120CU63AE1	RLA36120CU63AE1	
		6.0P LSI	RGA36120CU64AE1	RJA36120CU64AE1	RKA36120CU64AE1	RLA36120CU64AE1	
Harmonic	5.0H LSI	RGA36120CU73AE1	RJA36120CU73AE1	RKA36120CU73AE1	RLA36120CU73AE1		
	6.0H LSI	RGA36120CU74AE1	RJA36120CU74AE1	RKA36120CU74AE1	RLA36120CU74AE1		

Panelboards

I-Line® – Circuit Breaker Type

Factory Assembled Panels

600 Vac, 250 Vdc Max.
1200 Amp Mains Max.

The table below is intended as a quick reference for our I-Line Factory Assembled offer. For complete details please consult the I-Line panelboard product selector in Q2C or EQM, or contact your Schneider Electric sales representative.

I-LINE Panelboard Types - Factory assembled offer (FA)

Type	Amp Rating/ Main type	Branch Mounting Inches	Avail. w/ Vertical Main?	Encl. W x D inches	Encl. Heights inches	Left Side Branch Types	Right Side Branch Types
HCM	225 MB, MLO 400 MB, MLO 600 MB, MLO 800 MB, MLO	MLO: 27, 45, 63, 99 VMB: 27, 36, 45, 54, 72, 81	Yes, except H frame and J frame	32 x 8.25(9.5)	48, 64, 73, 91	QB, QD, QG, QJ FA, FH FG, FJ, FK, HD, HG, HJ, HL, HR JD, JG, JJ, JL, JR	QB, QD, QG, QJ FA, FH, HD, HG, HJ, HL, HR FJ, FK JD, JG, JJ, JL, JR
HCP-SU	800 MLO/MB	54	No	26 x 9.5	86	FA, FH FG, FJ, FK QB, QD, QG, QJ HD, HG, HJ, HL, HR, LD, LG, LJ, LL, LR, LA, LH, MG, MJ PG, PJ, PL, PK, PGC, PJC, PLC	Single row - no branches on right side
HCP	400 MLO 600 MLO 800 MLO 1200 MLO	27, 45, 63, 99	No	42 x 9.5	50, 59, 68, 86	FA, FH FG, FJ, FK QB, QD, QG, QJ HD, HG, HJ, HL, HR, JD, JG, JJ, JL, JR, LD, LG, LJ, LL, LR, LA, LH, MG, MJ PG, PJ, PL, PK, PGC, PJC, PLC to 800A max	FA, FH FJ, FK, HD, HG, HJ, HL, HR QB, QD, QG, QJ JD, JG, JJ, JL, JR
HCP	600 MB 800 MB	36, 72	Yes	42 x 9.5	68, 86	FA, FH FG, FJ, FK QB, QD, QG, QJ HD, HG, HJ, HL, HR, JD, JG, JJ, JL, JR, LD, LG, LJ, LL, LR, LA, LH, MG, MJ	FA, FH FJ, FK, HD, HG, HJ, HL, HR QB, QD, QG, QJ JD, JG, JJ, JL, JR
HCR-U	1200 MLO/MB	108 incl. BFM/MB	No	44 x 9.5	86	FA, FH FJ, FK QB, QD, QG, QJ HD, HG, HJ, HL, HR, JD, JG, JJ, JL, JR, LD, LG, LJ, LL, LR, LA, LH, MG, MJ, PG, PJ, PL, PK, PGC, PJC, PLC, RGC, RJC, RKC, RLC to 1200 max	FA, FH FJ, FK, HD, HG, HJ, HL, HR QB, QD, QG, QJ JD, JG, JJ, JL, JR

Notes:
VMB - Vertically mounted main breaker
BFM - Back-fed main breaker

⚠ For pricing information on the Factory Assembled offer please refer to the I-Line panelboard product selector in Q2C or EQM, or contact your Schneider Electric sales representative.

I-LINE 200% Rated Neutral – Standard Terminal Configuration □

Panel Type	Ampacity	Type	Branch Space		Neutral Terminals Quantity & Size		Type 1 Enclosure					
			IN	mm	Main	Branch	H		W		D	
							IN	mm	IN	mm	IN	mm
HCM	600 A	MLO	72	1829	(8) 750 kcmil	(35) 350 kcmil (9) #14-1/0 (17) #14-#4	91.00	2311	32.00	813	8.25	210
	800 A	MLO	72	1829								
	600 A (MG, MJ)	M/B	72	1829								
	800 A (MG, MJ)	M/B	72	1829								
HCR-U◊	1200 A	Universal	108	2743	(8) 750 kcmil	(8) 600 kcmil (15) 350 kcmil (9) #14-1/0 (17) #14-#4	86.00	2184	44.00	1118	9.50	241
HCP	600 A	M/B MLO	63	1600	(8) 750 kcmil	(35) 350 kcmil (9) #14-1/0 (17) #14-#4	68.00	1727	42.00	1067	9.50	241
	800A	M/B, MLO	99	2515	(8) 750 kcmil	(35) 350 kcmil, (9)#14-1/0, (17)#14-#4	86	2184	42	1067	9.50	241
HCP-SU◊	800 A	M/B MLO	54	1371	(8) 750 kcmil	(8) 750 kcmil (21) 350 kcmil (9) #14-1/0 (17) #14-#4	86.00	2184	26.00	660	9.50	241

- Available in Type 1 enclosures only.
- ◊ 9" box extension is required for HCP-SU panelboard with 200% rated neutral
- 6" box extension is required for HCR-U panelboard with 200% rated neutral

600 Vac, 250 Vdc Max.
 120/240 Vac Single Phase 3 Wire
 1200 Amp Mains Max.

Factory Assembled Panels

The I-Line Combo single phase and three phase panelboard, combines NQ for single phase and NQ or NF for three phase lighting section with an I-Line distribution section in a single panelboard. It is available in single or duplex configurations, which determine the number of included lighting sections. The I-Line Combo panelboards are designed to accept the following circuit breakers: FA, FH, FI, FY, HD, HG, HJ, HL, HR, JD, JG, JJ, JL, JR, LA, LH, LD, LG, LJ, LL, LR, MG, MJ, PG, PJ, PK, PL, Q4, QB, QG, QJ, EDB, EGB, EJB, QO and QOB.

Panelboard Configuration	I-Line Mounting Space	Maximum Ampere ³	Lighting Section Circuit Count		Nema 1 Dimensions in inches (mm)		
			Section 1	Section 2	Height	Width	Depth
Single	18 in. (457 mm)	600	30	—	86 (2184)	26 (660)	9.5 (241)
			42	—	86 (2184)	26 (660)	9.5 (241)
Single	22.5 in. (572 mm)	600	30	—	73 (1854)	32 (813)	9.5 (241)
			42	—	91 (2311)	32 (813)	9.5 (241)
Duplex	31.5 in. (800 mm)	800	42	42	86 (2184)	44 (1118)	9.5 (241)
			42	Optional Mounting Space ¹	86 (2184)	44 (1118)	9.5 (241)
Duplex	31.5 in. (800 mm)	1200▲■	42	42	92 (2337)	44 (1118)	12 (305)

Main circuit breaker panel for 48 Vdc is 400A max.

▲ 1200 A Combo panels is available in Main Lug and Main Breaker, 1200 A Main Lug panel for Condo Combo application is available with larger neutral and extra terminations to feed up to four large loads (pumps and compressors).

■ 1200A Main lug version is for NQ Combo's only, whereas the 1200 A Main Breaker is for NF and NQ

Enclosure Protection

Type 1, 3R*, 4/4X*, 5*, 12*

* Only available in 26 in. (660 mm) and 44 in. (1118 mm) width configurations up to 800A. 1200A unit has Type 1, 2 enclosure.

Features and Benefits

Reduced Footprint

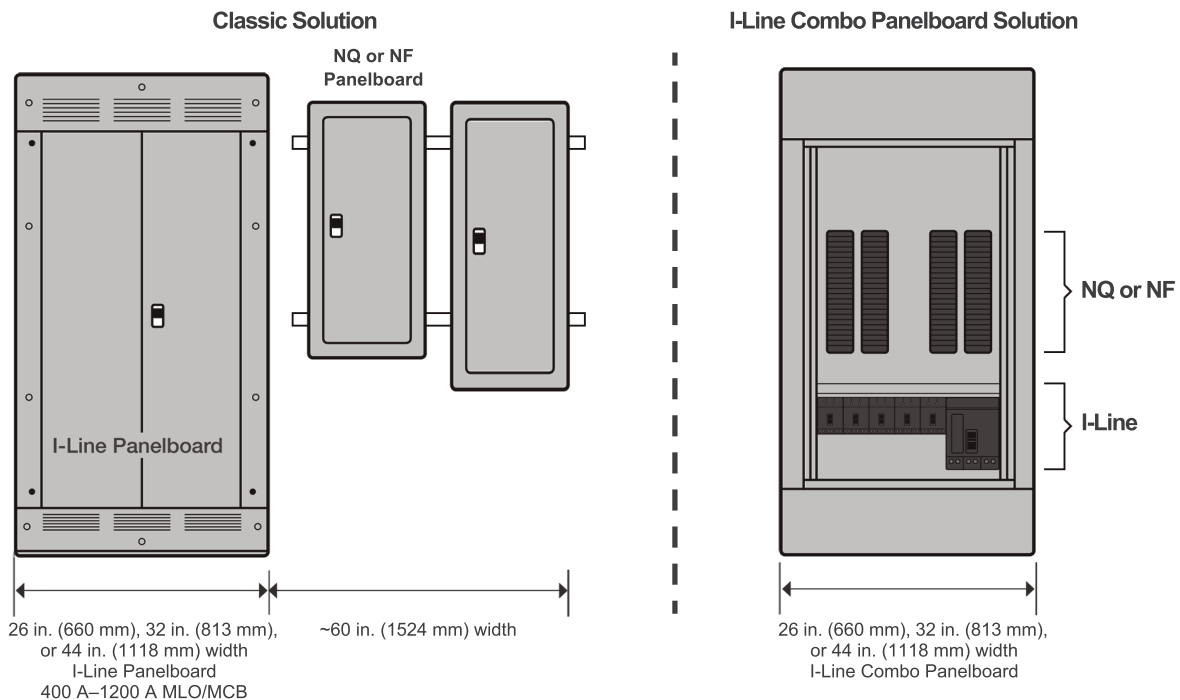
By combining a power panel with up to two lighting panels in a single enclosure, the I-Line Combo panelboard saves significant space at any site.

Simple to Retrofit

I-Line Combo panelboard enclosures fit into the same footprint on sites where an existing I-Line power panelboard resides, providing easy upgrades of electrical equipment.

Flexible Circuit Breaker Configuration

Due to the I-Line Combo panelboard's ability to house I-Line molded case circuit breakers as well as cost effective miniature circuit breakers, it provides not only a more economical solution but an adaptable solution tailored to each customer.



DE5 PANELBOARDS

Panelboards

QMB – Fusible Switch Type

Factory Assembled

600 Vac, 250 Vdc Max.
1200 Amp Mains Max.

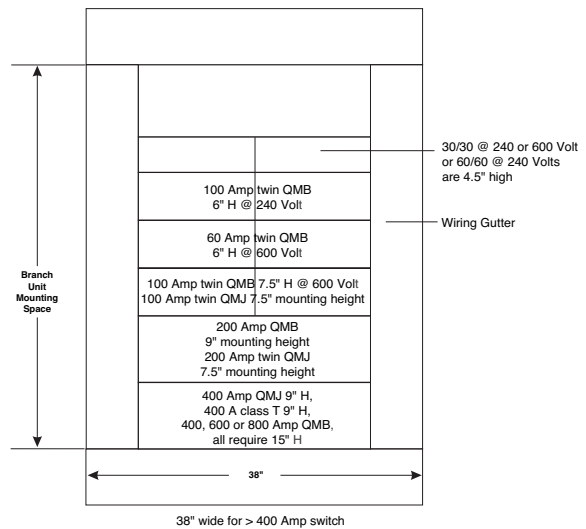
I-LINE 200% Rated Neutral—Standard Terminal Configuration □



QMB Panelboard

QMB Fusible Power Panelboards deliver outstanding Square D quality to serve your Industrial, Commercial and other application needs. To better match your requirements this panel is available exclusively Factory assembled. Please contact your Schneider Electric sales professional or an authorized distributor for assistance.

QMB Layout Information



DE5 PANELBOARDS

Application Information

- Lug data, page DE5-35.

Branch Switches and Accessories

QMB Branch Switch Units

Unit Ampere Rating	Unit Height (In.)	Catalogue Number	Class R Fuse Kits		Electrical Interlock Kit Catalogue Number ▲	Horsepower Ratings★													
			No. Kits Req'd.	Catalogue Number		240 Vac				480 Vac				600 Vac				250 Vdc	
						Std.	Max.	Std.	Max.	Std.	Max.	Std.	Max.						
				1Ø	3Ø	1Ø	3Ø	1Ø	3Ø	1Ø	3Ø	1Ø	3Ø	1Ø	3Ø	1Ø	3Ø		
2-pole, 240 Vac																			
30 A-30 A	4.5	QMB221TW	2	HRK30	QMB300EK(1 or 2)	1.5	3	3	7.5	—	—	—	—	—	—	—	5		
30 A-Blank	4.5	QMB221HW■	1			—	—	—	—	—	—	—	—	—	—	—	5		
60 A-60 A	4.5	QMB222TW	1	QMB36R	QMB300EK(1 or 2)	3	7.5	10	15	—	—	—	—	—	—	—	10		
60 A-Blank	4.5	QMB222HW■	1			—	—	—	—	—	—	—	—	—	—	—	10		
100 A-100 A	6	QMB223TW	1	QMB100R	QMB610EK(1 or 2)	7.5	15	15	30	—	—	—	—	—	—	—	20		
100 A-Blank	6	QMB223HW■	1			—	—	—	—	—	—	—	—	—	—	—	20		
200 A	9	QMB224W	1	HRK1020	QMB200EK(1 or 2)	—	25	15	60	—	—	—	—	—	—	—	40		
400 A	15	QMB225W	1	QMB4060R	—	—	—	—	—	—	—	—	—	—	—	—	—		
600 A		Use 3-pole devices for 2-pole application.			—	—	—	—	—	—	—	—	—	—	—	—	—		
3-pole, 240 Vac																			
30 A-30 A	4.5	QMB321TW	2	HRK30	QMB300EK(1 or 2)	—	3	—	7.5	—	—	—	—	—	—	—	—		
30 A-Blank	4.5	QMB321HW■	1			—	3	—	7.5	—	—	—	—	—	—	—	—	—	
60 A-60 A	4.5	QMB322TW	1	QMB36R		—	7.5	—	15	—	—	—	—	—	—	—	—	—	
60 A-Blank	4.5	QMB322HW■	1			—	7.5	—	15	—	—	—	—	—	—	—	—	—	
100 A-100 A	6	QMB323TW	1	QMB100R	QMB610EK(1 or 2)	—	15	—	30	—	—	—	—	—	—	—	—		
100 A-Blank	6	QMB323HW■	1			—	15	—	30	—	—	—	—	—	—	—	—		
200 A	9	QMB324W	1	HRK1020	QMB200EK(1 or 2)	—	25	—	60	—	—	—	—	—	—	—	—		
400 A	15	QMB325W	1	QMB4060R	—	—	50	—	125	—	—	—	—	—	—	—	—		
	9	QMB325WT3♦	—	—	—	—	50	—	—	—	—	—	—	—	—	—	—		
600 A	15	QMB326W	1	QMB4060R	—	—	75	—	150	—	—	—	—	—	—	—	—		
	15	QMB326WT3♦	—	—	—	—	75	—	—	—	—	—	—	—	—	—	—		
800 A	15	QMB327WT3♦	—	—	—	—	75	—	—	—	—	—	—	—	—	—	—		
2-pole, 600 Vac, 250 Vdc★																			
30 A-30 A	4.5	QMB261TW	1	QMB36R	QMB300EK(1 or 2)	1.5	—	3	—	3	5	7.5	15	3	—	10	—	5	
30 A-Blank	4.5	QMB261HW■	1			—	—	—	—	—	—	—	—	—	—	—	—	—	
60 A-60 A	6	QMB262TW	1	QMB60R	QMB610EK(1 or 2)	3	—	10	—	5	15	20	30	10	—	25	—	10	
60 A-Blank	6	QMB262HW■	1			—	—	—	—	—	—	—	—	—	—	—	—	—	—
100 A-100 A	7.5	QMB263TW	2	HRK1020		—	7.5	—	15	—	10	25	30	60	15	—	40	—	20
100 A-Blank	7.5	QMB263HW■	1			—	—	—	—	—	—	—	—	—	—	—	—	—	—
200 A	9	QMB264W	1	HRK1020	QMB200EK(1 or 2)	15	—	—	—	25	50	50	125	30	—	50	—	40	
400 A		Use 3-pole devices for 2-pole application.			—	—	—	—	—	—	—	—	—	—	—	—	—	—	
600 A▼					—	—	—	—	—	—	—	—	—	—	—	—	—	—	
3-pole, 600 Vac★																			
30 A-30 A	4.5	QMB361TW	1	QMB36R	QMB300EK(1 or 2)	—	3	—	7.5	—	5	—	15	—	7.5	—	20	—	
	4.5	QM361T	—	—		—	—	—	—	—	—	—	—	—	—	—	—	20	5
30 A-Blank	4.5	QMB361HW■	1	QMB36R	QMB300EK(1 or 2)	—	3	—	7.5	—	5	—	15	—	7.5	—	20	—	
60 A-60 A	6	QMB362TW	1	QMB60R	QMB610EK(1 or 2)	—	7.5	—	15	—	15	—	30	—	15	—	50	—	
	6	QM362T	—	—		—	—	—	—	—	—	—	—	—	—	—	—	—	10
60 A-Blank	6	QMB362HW■	1	QMB60R		QMB610EK(1 or 2)	—	7.5	—	15	—	15	—	30	—	15	—	50	—
60 A-30 A	6	QMB362T21W	1 ea.	QMB60R and QMB36R		QMB610EK(1 or 2)	—	—	—	—	—	—	—	—	—	—	—	—	—
100 A-100 A	7.5	QMB363TW	2	HRK1020	QMB610EK(1 or 2)	—	15	—	30	—	25	—	60	—	30	—	75	—	
	6	QM363T	—	—		—	—	—	—	—	—	—	—	—	—	—	—	—	20
100 A-Blank	7.5	QMB363HW■	1	HRK1020		QMB610EK(1 or 2)	—	15	—	30	—	25	—	60	—	30	—	75	—
	6	QM363H■	—	—		—	—	—	—	—	—	—	—	—	—	—	—	—	20
100 A-30 A	7.5	QMB363T31W	1 ea.	HRK1020 and QMB36R	QMB610EK(1 or 2)	—	—	—	—	—	—	—	—	—	—	—	—	—	
	7.5	—	—	—		—	—	—	—	—	—	—	—	—	—	—	—	—	—
100 A-60 A	7.5	QMB363T32W	1 ea.	HRK1020 and QMB60R	QMB610EK(1 or 2)	—	—	—	—	—	—	—	—	—	—	—	—	—	
	7.5	—	—	—		—	—	—	—	—	—	—	—	—	—	—	—	—	—
200 A	9	QMB364W	1	HRK1020	QMB200EK(1 or 2)	—	25	—	60	—	50	—	125	—	60	—	150	—	
200 A-200 A	7.5	QM364T	—	—	QMB610EK(1 or 2)	—	25	—	60	—	50	—	125	—	60	—	150	40	
200 A-Blank	7.5	QM364H■	—	—		—	—	—	—	—	—	—	—	—	—	—	—	—	—
400 A△	15	QMB365W	1	QMB4060R	—	—	—	—	—	100	—	250	—	125	—	350	50		
400 A	9	QM365	—	—	QMB200EK(1 or 2)	—	50	—	125	—	100	—	250	—	125	—	350	50	
400 A△	9	QMB365WT6◇	—	—	—	—	—	—	—	—	—	—	—	—	—	—	—	—	
600 A▼△	15	QMB366W	1	QMB4060R	—	—	—	—	—	150	—	400	—	250	—	500	—		
60 A□	15	QM366	—	—	—	—	75	—	150	—	—	—	—	—	—	—	—	—	
800 A□	15	QMB367W	—	—	—	—	—	—	—	150	—	400	—	250	—	500	—		

- ▲ "1" indicates one normally open and one normally closed contact.
- "2" indicates two normally open and two normally closed contacts.
- ◆ Blank units cannot be modified to accept a switch interior.
- ♦ Use 300 Vac Class T fuses only.
- ★ Class J fuse provisions—to field modify switch, move load side fuse base to position indicated in switch. Not available on 100-30, 100-60, or 800 A switch units.
- ▼ To adapt switch for 600 Vac Class T fuses, order kit Catalogue Number **QMB600T6**. (Use T6 fuses with standard horsepower ratings only).
- △ 250 Vdc rating.
- ◇ To adapt switch for 600 Vac Class T fuses, order kit Catalogue Number **QMB800T6**. (Use T6 fuses with standard horsepower ratings only).
- Use 600 Vac Class T fuses only.
- ☆ Horsepower rating applicable to 3ph 4W Y system only.

Panelboards

QMB - Fusible Switch Type

Factory Assembled

QMB Factory Assembled Panelboards

Main Lugs		Main Switch ▲	
Mains Rating (Amperes)	Maximum Mounting Space (In.)	Mains Rating (Amperes)	Maximum Mounting Space (In.)
—	—	100	51
—	—	200	51
225	60	—	—
400	60	400	45
600	60	600	45
800	60	800 < 0 u ⚡ ⚡ ⚡ ⚡ ⚡ ⚡ >	45
1200	45	—	—

- a Class J fuses available only on 600 V switches.
 b 800 A switch unit with provision for CSA/UL Class L fuses.

Standard Mechanical Lugs—Main Lugs

Panel Type	Mains Ampere Rating	Lug Wire Range <numbers>a	Wire Range Wire Bending Space per CSA <numbers>a
QMB	225 A	one #6–300 kcmil Al or Cu	one #6–300 kcmil Al or Cu
	400 A	one #6–300 kcmil Al or Cu and, one 3/0–750 kcmil Al or Cu	one #6–300 kcmil Al or Cu and, one 3/0–750 kcmil Al or Cu
	600 A	two 3/0–500 kcmil Al or Cu	two 3/0–500 kcmil Al or Cu
	800 A	(4) 3/0–750 kcmil Al or Cu	(3) 3/0–500 kcmil Al or Cu or two 3/0–750 kcmil Al or Cu
	1200 A	(4) 3/0–750 kcmil Al or Cu	(4) 3/0–500 kcmil Al or Cu or (4) 3/0–750 kcmil Al or Cu
	1600 A	VCEL compression lugs Standard.	

Standard Mechanical Lugs—Main Switch

Panel Type	Mains Ampere Rating	Lug Wire Range <numbers>a	Wire Range Wire Bending Space per CSA <numbers>a
QMB	200 A	#4–300 kcmil Al or Cu	one #4–300 kcmil Al or Cu
	400 A	3/0–600 kcmil Al or Cu	two 3/0–600 kcmil Al or Cu
	600 A	3/0–600 kcmil Al or Cu	two 3/0–600 kcmil Al or Cu
	800 A	3/0–600 kcmil Al or Cu	(3) 3/0–500 kcmil Al or Cu

Standard Mechanical Lugs—QMB Branch Switch Units

Panel Type	Switch Ampere Rating	Lug Wire Range <numbers>a	Wire Range Wire Bending Space per CSA <numbers>a
QMB	30 A	one #14–#2 Al or Cu	one #14–#2 Al or Cu
	60 A	one #14–#2 Al or Cu	one #14–#2 Al or Cu
	100 A	one #14–1/0 Al or Cu	one #14–1/0 Al or Cu
	200 A	one #4–300 kcmil Al or Cu	one #4–300 kcmil Al or Cu
	400 A	two 3/0–600 kcmil Al or Cu	two 3/0–500 kcmil Al or Cu
	600 A	two 3/0–600 kcmil Al or Cu	two 3/0–500 kcmil Al or Cu
	800 A	(3) 3/0–600 kcmil Al or Cu	(3) 3/0–500 kcmil Al or Cu

Standard Mechanical Lugs—QMJ Branch Switch Units <numbers>b

Panel Type	Switch Ampere Rating	Lug Wire Range <numbers>a	Wire Range Wire Bending Space per CSA <numbers>a
QMJ	30 A	one #14–#2 Al or Cu	one #14–#2 Al or Cu
	60 A	one #14–#2 Al or Cu	one #14–#2 Al or Cu
	100 A	one #14–1/0 Al or Cu	one #14–1/0 Al or Cu
	200 A	one #6–300 kcmil Al or Cu	one #6–300 kcmil Al or Cu
	400 A	one 1/0–750 kcmil Al or Cu	one 1/0–750 kcmil Al or Cu
	400 A	two 1/0–300 kcmil Al or Cu	two 1/0–300 kcmil Al or Cu
	600 A	two 3/0–600 kcmil Al or Cu	two 3/0–600 kcmil Al or Cu

- a (#) = Number of conductors per phase.
 b Use only 90 °C insulated conductors based on an ampacity of 75 °C conductors.

NQ, NF, I-Line, QMB Panelboards

Special Features For Factory Assembled Panels

General Instructions

The special feature options covered in this section are applicable to factory-assembled panelboards only.

Special features are listed in three major categories:

- Mains
- Branches
- Cabinets

Ordering Instructions

Certain features already appear in the Q2C or EQM panelboard quotation system and they are flagged appropriately (▲). For those features not listed on the quotation system, enter the information as it appears in this publication in the "Other Special Features" screen in Q2C or EQM.

Please contact your local Schneider Electric sales office for pricing.

Metric Conversion

Inches (in) x 25.4 = millimeters (mm).

If you have any questions, please contact your local Schneider Electric sales office, or our Customer Information Centre at 1-800-565-6699.

Metering - Type 1 Enclosures Only. (1200 A Maximum)

Boxes and Interiors are shipped fully assembled.

NQ, NF and POWERLINK® require a 7" left side gutter extension and a 6" main end extension for POWERLOGIC Power Meter applications.

I-LINE and QMB require a 14" side gutter extension for POWERLOGIC Circuit Monitor and Power Meter applications.

Current Transformers In Mains (ac only and line side only)▲

Default selection based on transformers having a 5 Ampere secondary and mounted under a separate cover.

Primary Amperes (5 A – Secondary)	Additional Box Height Required ■
100–1200	6"

Customer Equipment Space (end user must specify end use equipment to be installed)▲

Available with NQ and NF lighting panelboards only and must be opposite the mains end, both main breaker and main lug, to prevent interference with incoming cables. Customer equipment space is not available with thru-feed lugs or sub-feed breakers.

A barrier exists between the equipment space and the panelboard compartment; a separate door is provided as standard (requires 18" additional box height).

- ▲ Feature supported by Product selectors in Q2C and EQM.
- For NQ and NF panelboards.

Keyed Interlock

Not available for use in NQ, NF, I-LINE. Not available on I-Line™ with door when key interlock MG/MJ/P/R/ frame branch mounted circuit breakers are installed. Must use 4-piece trim or NEMA 3R/12.

Keyed mechanical interlocking of two or more circuits is available on request. Individual locks are furnished for each circuit. All locks operate by one key, which can be removed only when the circuit is locked in the desired position.

I-LINE Circuit Breakers — A 3" filler adjacent to the circuit is necessary for mounting the interlock; contact your local Schneider Electric sales office for assistance with power distribution panelboards with doors. Feature not available on vertically mounted main circuit breaker.

QMB Fusible Switches — Available on 100A singles▲ thru 800A switches plus LA circuit breaker adapters. Requires 3" of branch mounting space per switch for interlock installation.

▲ 100 A single QMB requires 9" of mounting space.

Motor Operators — I-LINE Circuit Breakers Only

Motor operators provide remote *open*, *close*, and *reset* control of molded case circuit breakers.

Legacy F-, L-Frame Circuit Breakers:

- Motor operators require 4.5" of circuit breaker mounting space. This can be provided on I-LINE main circuit breaker only when the main is branch-mounted and back-fed.

PowerPact H-, J-, P-Frame Circuit Breakers:

- motor operators must be factory installed.
- can not be mounted in I-Line panel with a door.

Type Circuit Breaker	Motor operator voltage
FA, FH	120 Vac
LA, LH	120 Vac
H-Frame (3P), J-Frame, P-Frame	48/60, 110/130, 208/277, 380/480 Vac; 24/30, 48/60, 110/130, 250 Vdc

NQ, NF, I-Line, QMB Panelboards

Special Features for Factory Assembled Panels - Mains

Enclosure Modifications

Increased Box Depth (Type MH or HC26 enclosures only)

Type 1 Enclosure — 8" depth (HC26 only)▲
12" depth (HC32, 42, 44—12" only)▲

Type 3R, 5, or 12 Enclosure 8" or 12" depth increments▲

Note: No other depths available.

Increased Side Gutters (Type 1 Enclosures Only)

Note: Available on MH enclosures, (right or left) in 3, 6 and 12-inch added width, 26" wide HC enclosures up to a maximum of 14 additional inches and 32" wide HC enclosures up to a maximum of 10 additional inches. Not available on 42" wide HC enclosures. **No barrier will be supplied unless specified.** Includes one piece trim.

Steel barrier in enclosure

Note: The box will be extended on one side only. If extension is required on both sides, contact your local Schneider Electric sales office for assistance.

Extended Top and Bottom End Gutters (Type 1 Enclosures Only)

Type MH enclosures — 6", 12", 18" or 24" extension, includes one piece trim.▲

Type HCM enclosures — 9" extension, includes trim and extension cover.▲

Type HCP, HCR-U- enclosures — 12" extension, includes trim and extension cover.▲

Type QMB enclosures — 38" W x 11.5" D may have a 6" increased end gutter maximum.

This is the only QMB enclosure with an increased end gutter option and is only available with a 4-piece trim.

For lengths other than listed above, refer to the Wireway section.

▲Feature supported by Product selectors in Q2C and EQM.

Drip Hood▲

For each surface mounted only panelboard.

Finishes — Standard

The standard finish of the enclosure trims is ANSI 49. The boxes are galvanized steel. Options are as follows:

ANSI 49 enclosure.▲

ANSI 61 trim or enclosure.▲

Enclosure other than ANSI 49 or ANSI 61▲

Trim and enclosure with polyester acrylic powder paint finish (provides increased salt spray performance in coastal areas and increased resistance to UV fading).

Special or custom paint for trim and/or box is available.

Free-standing Enclosures

Supports extending out front and back, welded to bottom of enclosure▲

Stainless Steel Trim Fronts

NQ 20" Wide Flush and Surface▲

NF Flush and Surface▲

I-LINE HCM—Standard Trim with Door▲

I-LINE HCP—Standard Trim with Door▲

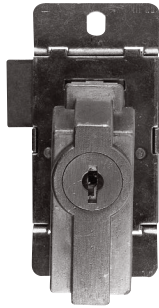
▲ Feature supported by Product Selectors in Q2C and EQM.

NQ, NF, I-Line, QMB Panelboards

Special Features for Factory Assembled Panels - Cabinets

Padlock Hasp

Hasp, staple and standard lock (padlock not included).



Corbin 15767 Lock

Special Locks

Special locks: Corbin 60, Corbin 15767, Yale 511S, GE 75 or Best 7L7RL3. On trim with 3-point latch, special locks will be installed as a secondary latch. (standard key change).▲

All other locks — contact your local Schneider Electric sales office for assistance. Quarter turn fasteners.

Note: Special locks for all HC trims and NF panelboards with three-point latches, will be installed as secondary locks. Special locks are not available on I-LINE 42" and 44" wide panelboards or QMB type panelboards.

Note: Many key configurations can be accommodated with our standard Square D lock. Contact your local Schneider Electric sales office for assistance.

Multi-section Panels

Equal height enclosures.

NQ or NF.▲

I-LINE or QMB.

Common trim in place of two individual fronts (to cover two equal height enclosures mounted side-by-side); available on MH non-hinged trims only. Sheared on inside edges, allowing boxes to be butted together.

▲ Feature supported by Product selectors in Q2C and EQM.



Common Trim Front for Use with Multiple-Section Panelboards Mounted Side-By-Side

NQ, NF, I-Line, QMB Panelboards

Special Features for Factory Assembled Panels - Cabinets

Panel Skirt for Standard Width Panelboards▲

Panel skirts are intended for cosmetic purposes only; they are meant to hide cables which are **enclosed in conduit**. Do not use a panel skirt as a wireway. (For wireway, see below.)

Skirt Length	NQ, NF	I-LINE, QMB
	4" to 60"	X
61" to 92"	X	X

Note: Panel skirts are for Type 1 surface mounted applications with standard depth and width, **Square D enclosures only.**



Panel Skirt Framework To Be Bolted To The Wall



Panel Skirt Bolted In Place Below An MH20 Enclosure



Panel Skirt Completely Installed

Wireway▲

Allows for terminating conduit in the wireway endwall. Only the cable passes through the wireway into the panelboard enclosure. Includes trim and wireway cover.

Wireway Length	NQ, NF	I-LINE, QMB
	4" to 60"	X
61" to 92"	X	X

Note: Wireway is for Type 1, surface mounted applications, with standard depth and width, **Square D enclosures only.**

▲Feature supported by Product Selectors in Q2C and EQM.

NQ, NF, I-Line, QMB Panelboards

Special Features for Factory Assembled Panels - Cabinets

Panels to Fit Existing Enclosures

Panelboard interiors and special fronts can be furnished to fit existing enclosures.

Use the Retrofit Existing Enclosure data sheet where pertinent dimensions can be recorded. Photocopy the page, then list required dimensions on the photocopy and forward, with the order, to your local Schneider Electric sales office. For interiors requiring vented enclosures, contact your local Schneider Electric sales office for assistance.

Note: Existing enclosure depth on flush installations must be measured from inside surface of box to outer wall or plaster surface.

Special Fronts

Existing enclosure same depth or deeper than our standard, also has the option of special trim.

Note: Elevating brackets to be supplied by customer for existing boxes deeper than our standard.

Existing enclosure shallower than our standard; requires a box extension (surface applications) or a formed trim (flush applications); hinged trim front option is not available for these applications.

Note: Formed trim available on NQ (225 A max) and NF (250 A max). When flush trim is required for an existing enclosure that is shallower than our standard, be sure to indicate the position of the enclosure with respect to the wall in which it is mounted. This is required in order to determine whether a enclosure extension with flat trim should be supplied, or whether a flush formed trim is more applicable. **The interior must be centered in the enclosure** and, if the box is deeper than our standard, the interior must be leveled within the box. **The enclosure must be at least 1.5" longer than the deadfront (interior trim) on each end.** Special trims that are manufactured to fit an existing enclosure will be within $\pm 0.25"$ of the specification. Refer to the table below for standard box depths and for maximum depth for which no special mounting brackets are required.

Panelboard Type	Standard Box Depth	Maximum Box Depth for which No Special Mounting Brackets Required
NQ standard width—main lugs only	5.75"	5.75"
NQ standard width—main circuit breaker	5.75"	5.75"
NF	5.75"	5.75"
I-LINE—Maximum F, H or Q-frame branch circuit breaker	6.5"	7.25"
I-LINE—Maximum J-Frame branch circuit breaker	8.25"	9.0"
I-LINE—Maximum P or R-Frame branch circuit breaker	9.25"	10.25"

Space Heater

Note: Enclosure, interior, and trim ship fully assembled. 120 volt is standard. Top feed applications only.

NQ and NF require 18 inches equipment space in NEMA 3R/12 constructions. NQ and NF require 6 inch bottom end gutter in NEMA 1 construction.

Unwired (provisions for wiring to external source).

Wired (with overcurrent device, thermostat).

NQ, NF, I-Line, QMB Panelboards

Retrofit Existing Enclosure Data

Data Sheet for Panelboards to Retrofit Existing Enclosures

Distributor: _____

Job Name: _____

Contractor: _____

Panel Marking: _____

The following dimensions are necessary for quotation and production of a panel to fit an existing box (provide dimensions in inches only):

1. Existing Flush-Mounted Boxes

Height dimension "A":

Width dimension "B":

Depth dimension "C":

Flange width dimension "D":

If box is not flush with Plaster Line, dimension "E":

2. Existing Surface-Mounted Boxes

Height dimension "A":

Width dimension "B":

Depth dimension "C":

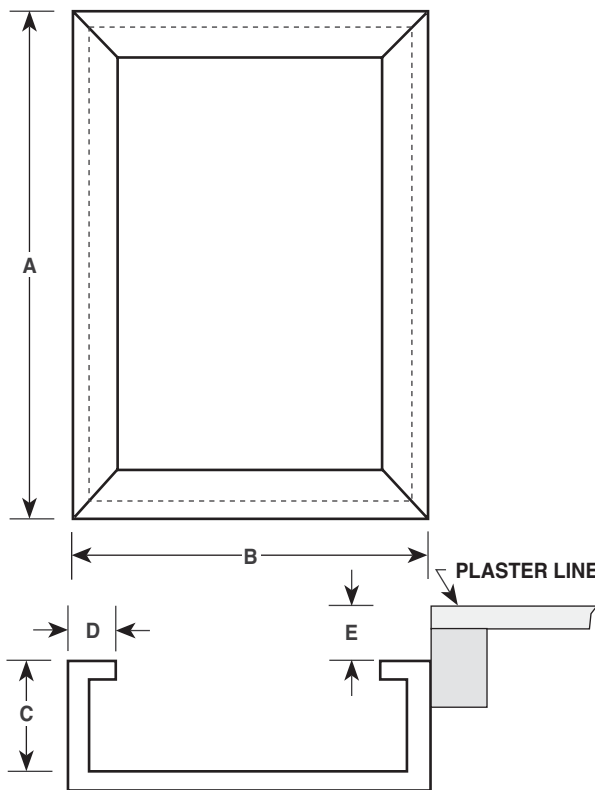
Flange dimension may be either dimension "D" or "F" (select one)

a. Dimension "D":

b. Dimension "F":

Note: Trims are furnished so that the interior must be centered within the box. If the box is deeper than the standard panelboard box for the required type of panelboard, *customer supplied mounting brackets may be necessary to bring the interior out to the front of the box.* If interior requires a vented enclosure, contact your local Schneider Electric sales office for assistance.

FRONT VIEW



TOP VIEW



TOP VIEW

DE5 PANELBOARDS

NQ, NF, I-Line, QMB Panelboards

Special Features for Factory Assembled Panels - Cabinets

Special Enclosures▲

Type 1 gasketed enclosure (gasketing between trim and enclosure)

Note: For 250 A and below enclosures with doors only.

Stainless steel enclosure—Type 3R-12

- NQ and NF
- I-LINE ★
- QMB ◆

Note: #316 stainless steel is available, contact your local Schneider Electric sales office for pricing information.

Fiberglass enclosures—Type 4X Non-Vented

- NQ† and NF *
- I-LINE and QMB Not Available

Type 12 Door-In-Door enclosures. See Table Below

Interior Type	Enclosure Size		
	Height	Width	Depth
NQ†	56"	20"	6.5"
NF *	56"	20"	6.5"
I-LINE (HCM)	91"	32"	11.5"
I-LINE (HCP)	68"	42"	12.7"
I-LINE (HCP)	86"	42"	12.7"

- ▲ Feature supported by Product Selectors in Q2C and EQM.
- ★ Not available for HCR-U interiors.
- ◆ Not available for QMB interiors over 800 amperes.
- † Maximum 225 A for NQ.
- * Maximum 250 A for NF.



I-Line door in door enclosure

Obsolete Panelboards Information

For information on replacement breakers and parts for NBC, NBLP, NBDP, NHC, NHDP and CDP and HCN Panelboards, please contact our Customer Information Centre at 1-800-565-6699.

- 240V NBC, NBLP and NBDP panels are replaced by Square D NQ panels.
- 600V NHC panels are replaced by Square D NF panels.
- 600V NHDP panels are replaced by Square D NF panels for 347/600V wye applications and Square D I-Line panels for 600V delta applications.
- 600V CDP panels are replaced by Square D I-Line panels
- HCN I-Line Panelboards are replaced by HCM or Combo Panels

This page is left intentionally blank.