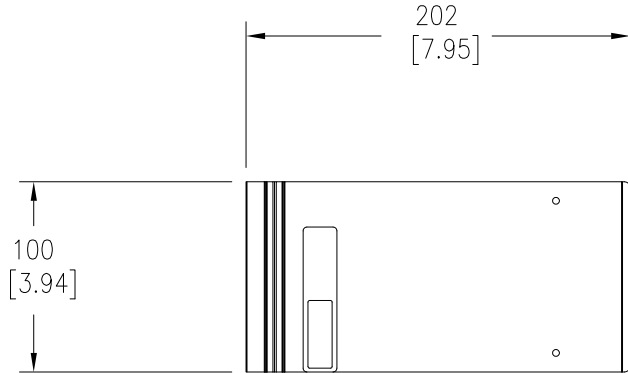
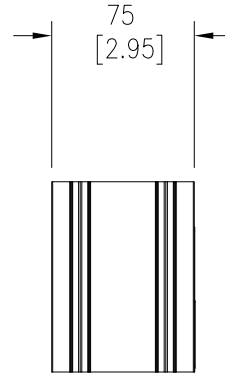


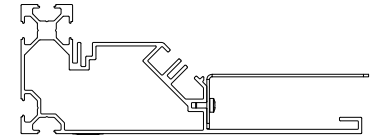
CEILING PANEL MOUNTING RAIL



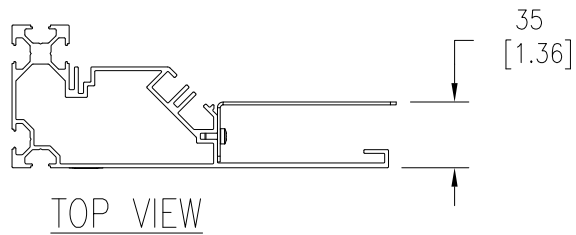
FRONT VIEW



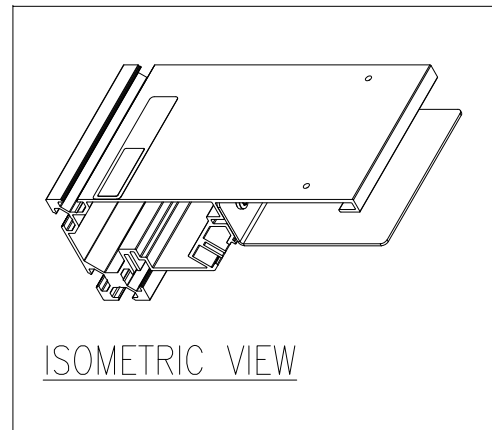
LEFT SIDE VIEW



TOP VIEW  
(ENLARGED)



TOP VIEW



ISOMETRIC VIEW

NOTES:

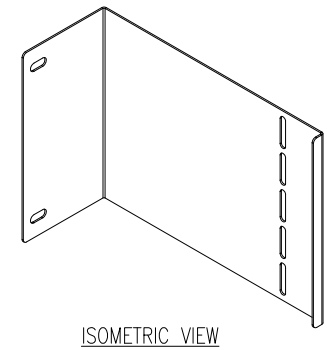
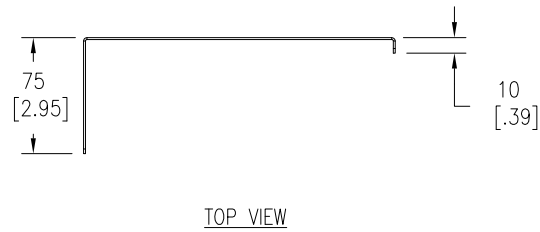
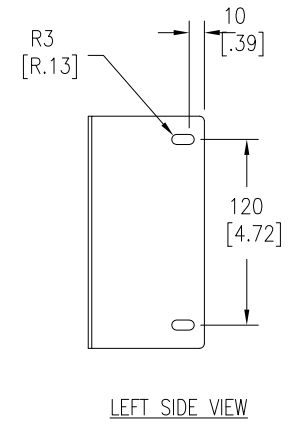
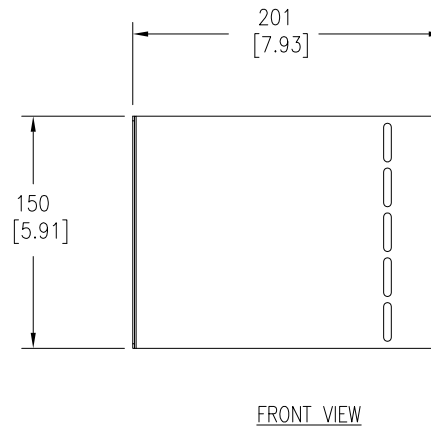
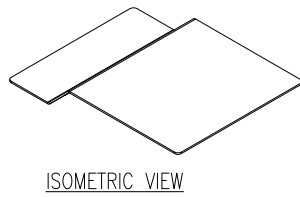
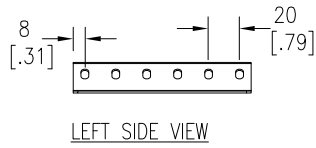
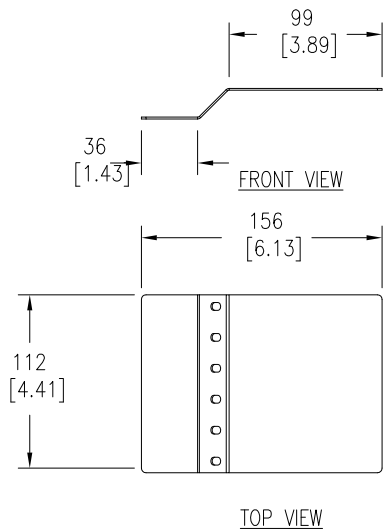
1. COMPLY WITH ALL APPLICABLE NATIONAL AND LOCAL ELECTRICAL REGULATIONS.
2. REFER TO PRODUCT DOCUMENTATION FOR ADDITIONAL DETAILS PRIOR TO INSTALLATION AND SITE PREPARATION WORK.
3. ALL DIMENSIONS ARE IN MILLIMETERS [INCHES].
4. NET WEIGHT (ALL BRACKETS INCLUDED) IS 4.9kg [10.78lbs]

THIS DRAWING AND SPECIFICATIONS HEREIN ARE THE PROPERTY OF SCHNEIDER ELECTRIC AND SHALL NOT BE COPIED, REPRODUCED OR USED IN WHOLE OR IN PART, AS THE BASIS FOR THE MANUFACTURE OR SALE OF ITEMS WITHOUT WRITTEN PERMISSION FROM SCHNEIDER ELECTRIC. THIS DRAWING IS BASED UPON LATEST AVAILABLE INFORMATION AND IS SUBJECT TO CHANGE WITHOUT NOTICE.



TITLE:  
Eco-Aisle (TM) Aisle Containment System  
CEILING PANEL  
ASSEMBLY  
PROJECT: SUBMITTAL DRAWINGS SHEET 1 OF 2

DWG NO:	ACDC2003	REV.	0
DRAWN BY:	K.NAGENDRA	08-JUL-13	FIRST
ENGINEER:	RUSTIN SHI/MARK MENG	08-JUL-13	ANGLE
APPROVED BY:	AARON GRAFF	08-JUL-13	PROJ



**NOTES:**

1. COMPLY WITH ALL APPLICABLE NATIONAL AND LOCAL ELECTRICAL REGULATIONS.
2. REFER TO PRODUCT DOCUMENTATION FOR ADDITIONAL DETAILS PRIOR TO INSTALLATION AND SITE PREPARATION WORK.
3. ALL DIMENSIONS ARE IN MILLIMETERS [INCHES].

THIS DRAWING AND SPECIFICATIONS HEREIN ARE THE PROPERTY OF SCHNEIDER ELECTRIC AND SHALL NOT BE COPIED, REPRODUCED OR USED IN WHOLE OR IN PART, AS THE BASIS FOR THE MANUFACTURE OR SALE OF ITEMS WITHOUT WRITTEN PERMISSION FROM SCHNEIDER ELECTRIC. THIS DRAWING IS BASED UPON LATEST AVAILABLE INFORMATION AND IS SUBJECT TO CHANGE WITHOUT NOTICE.



TITLE:  
Eco-Aisle (TM) Aisle Containment System  
CEILING PANEL  
ASSEMBLY BRACKETS

PROJECT: SUBMITTAL DRAWINGS SHEET 2 OF 2

DWG NO:	ACDC2003		REV.	0
DRAWN BY:	K.NAGENDRA	08-JUL-13	FIRST	ANGLE
ENGINEER:	BUSTIN SHI/MARK MENG	08-JUL-13	APPROVED BY:	AARON GRAFF
PROJECT:	SUBMITTAL DRAWINGS	SHEET 2 OF 2	DATE:	08-JUL-13