
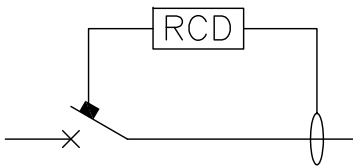


## Modular Remote Power Panel, 277kW, 400A, 400V, 72 Pole, 300mm wide

Sheet No.	Component /Detail	Description
1	Draw ing Guide	Modular Remote Pow er Panel, 277kW, 400A, 400V, 72 Pole
2-6	Mechanical Layouts	Modular Remote Pow er Panel, 277kW, 400A, 400V, 72 Pole
7-8	Internal View s	Modular Remote Pow er Panel, 277kW, 400A, 400V, 72 Pole - Internal view s & User Interface
9-12	System One Line Diagram	Modular Remote Pow er Panel, 277kW, 400A, 400V, 72 Pole - System One Line Diagram

LEGEND	
SYMBOL	DESCRIPTION
	CIRCUIT BREAKER
	CIRCUIT BREAKER WITH RCD

THIS DRAWING AND SPECIFICATIONS HEREIN ARE THE PROPERTY OF SCHNEIDER ELECTRIC AND SHALL NOT BE COPIED, REPRODUCED OR USED IN WHOLE OR IN PART, AS THE BASIS FOR THE MANUFACTURE OR SALE OF ITEMS WITHOUT WRITTEN PERMISSION FROM SCHNEIDER ELECTRIC. THIS DRAWING IS BASED UPON LATEST AVAILABLE INFORMATION AND IS SUBJECT TO CHANGE WITHOUT NOTICE.

**Schneider**  
Electric

TITLE: MODULAR POWER DISTRIBUTION  
MODULAR REMOTE POWER PANEL  
Input: 400A, 3PH-400V  
Output: 277kW, 400A, 400/230V, 72 POLE  
DRAWINGS GUIDE

PROJECT: DRAWINGS SHEET 1 OF 12

DWG NO:	PDP M277H		REV.	0
DRAWN:	JAYAPRAKASH	23-NOV-11	ANGLE	
ENGINEER:	S.LEE	19-MAR-12	PROJECTION:	N/A
APPROVED:	C.LARSEN	19-MAR-12		

# MODULAR POWER DISTRIBUTION UNIT - SPECIFICATIONS

## 1. AC Input

- 1.1 Mains voltage : 400V/230V, 3Ph, N, PE (provided by others)
- 1.2 Frequency : 47–63Hz
- 1.3 Input Circuit Breaker : 400A
- 1.4 Maximum continuous current : 400A
- 1.5 Maximum Input conductor : 500 MCM

## 2. AC Output

- 2.1 Nominal voltage : 400V, 3PH, 3W+N+PE
- 2.2 Maximum continuous current : 400A
- 2.3 Full Load rating : 277kW @ 400V 3PH
- 2.4 Power Distribution Module (PDM) : 3–pole breaker
- 2.5 Power Distribution poles available : 72
- 2.6 Maximum number of PDMs : 24

## 3. ENVIRONMENTS

- 3.1 The assembly is made for an ambient temperature for operation of : 0°C to 40°C.
- 3.2 The assembly is made for an ambient temperature for storage of : 0°C to 45°C.

## 4. ENCLOSURE

- 4.1 The assembly material is steel with surface coating.
- 4.2 The assembly is made for Indoor floor Installation.

## 5. CONNECTIONS

- 5.1 Incoming and outgoing cables to be connected to terminals in component section.
- 5.2 Input cable entry is through top or bottom of the unit.

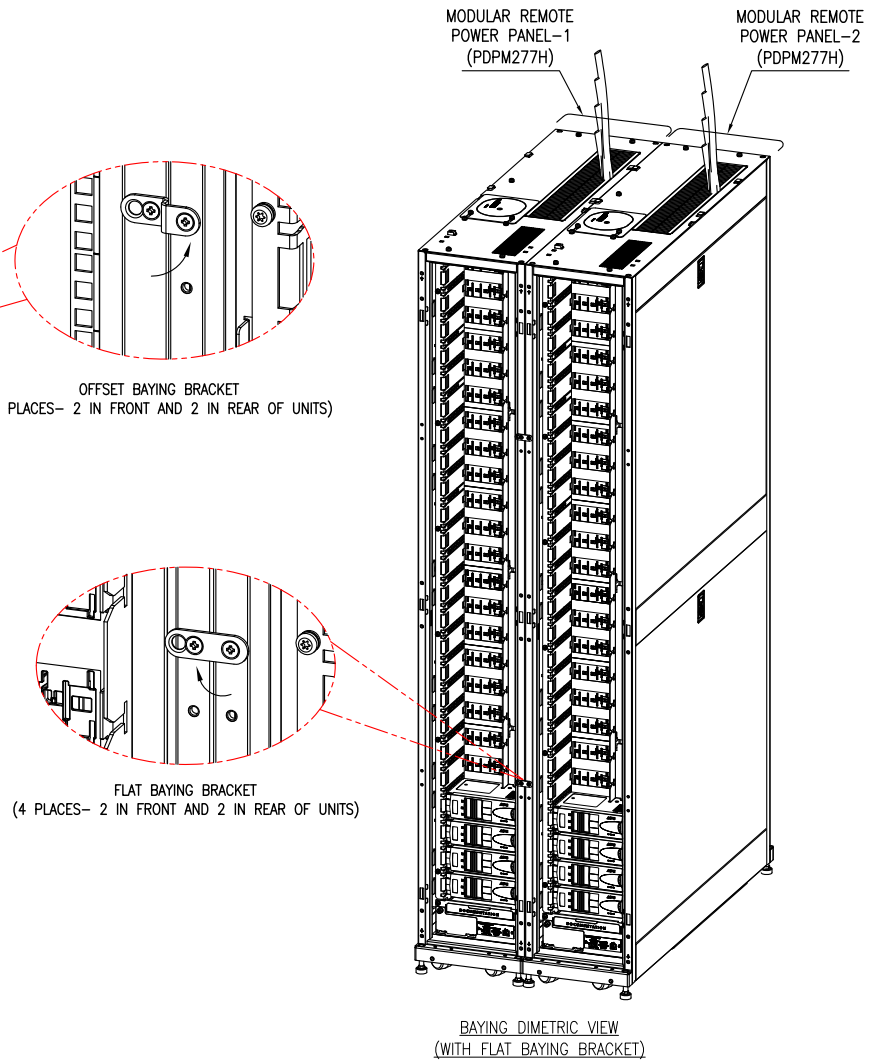
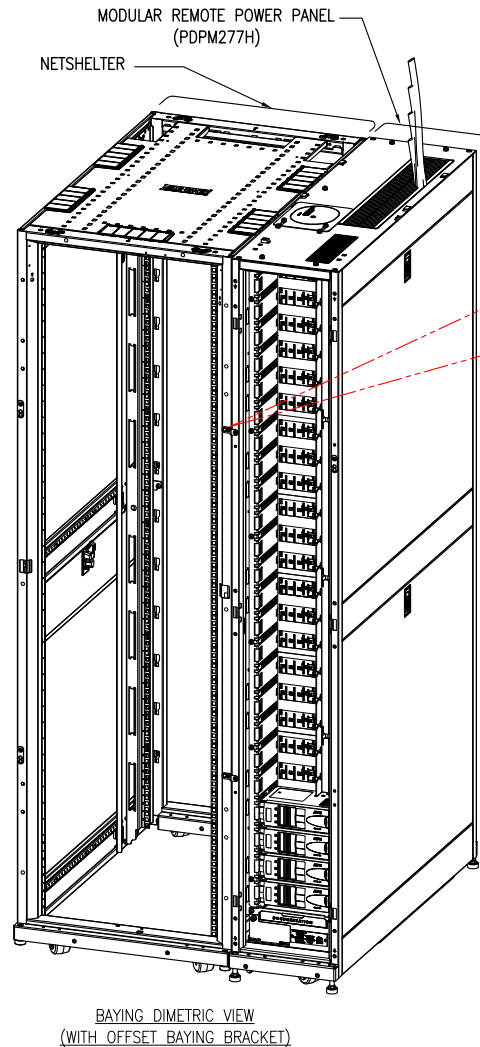
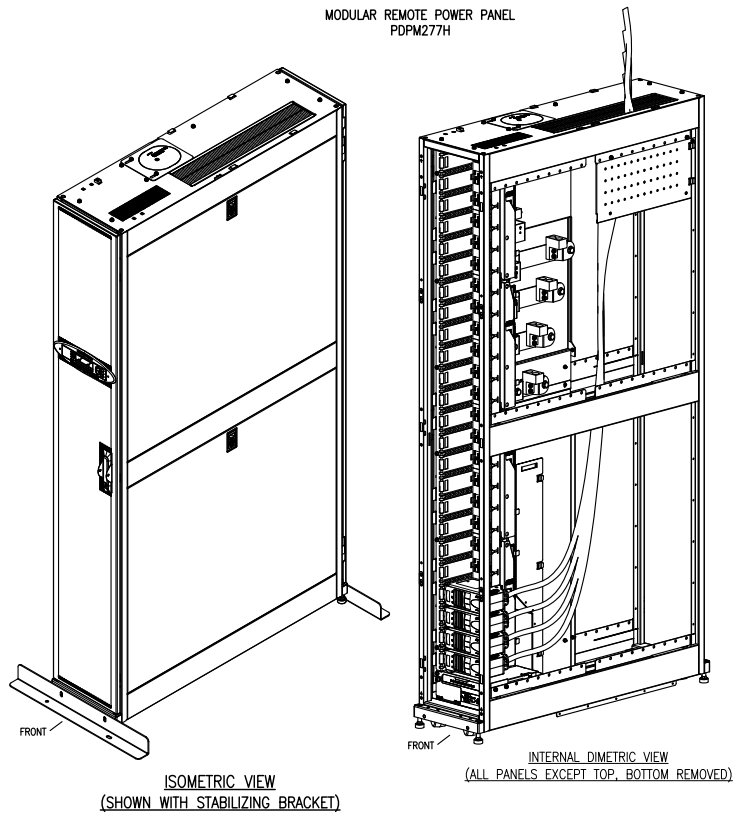
- NOTES:**
1. COMPLY WITH ALL APPLICABLE NATIONAL, STATE AND LOCAL ELECTRICAL REGULATIONS.
  2. REFER TO PRODUCT MANUALS FOR ADDITIONAL DETAILS PRIOR TO INSTALLATION AND SITE PREPARATION WORK.

THIS DRAWING AND SPECIFICATIONS HEREIN ARE THE PROPERTY OF SCHNEIDER ELECTRIC AND SHALL NOT BE COPIED, REPRODUCED OR USED IN WHOLE OR IN PART, AS THE BASIS FOR THE MANUFACTURE OR SALE OF ITEMS WITHOUT WRITTEN PERMISSION FROM SCHNEIDER ELECTRIC. THIS DRAWING IS BASED UPON LATEST AVAILABLE INFORMATION AND IS SUBJECT TO CHANGE WITHOUT NOTICE.



TITLE: MODULAR POWER DISTRIBUTION MODULAR REMOTE POWER PANEL Input: 400A, 3PH-400V Output: 277kW, 400A, 400/230V, 72 POLE SPECIFICATIONS	DWG NO: PDPM277H	REV. 1
PROJECT: DRAWINGS SHEET 2 OF 12	DRAWN: JAYAPRAKASH/SCUNHA ENGINEER: S.LEE	27-AUG-14 19-MAR-12
	APPROVED: C.LARSEN	ANGLE PROJECTION N/A

# TYPICAL ARRANGEMENT



## NOTES:

1. COMPLY WITH ALL APPLICABLE NATIONAL, STATE AND LOCAL ELECTRICAL REGULATIONS.
2. REFER TO PRODUCT MANUALS FOR ADDITIONAL DETAILS PRIOR TO INSTALLATION AND SITE PREPARATION WORK.

THIS DRAWING AND SPECIFICATIONS HEREIN ARE THE PROPERTY OF SCHNEIDER ELECTRIC AND SHALL NOT BE COPIED, REPRODUCED OR USED IN WHOLE OR IN PART, AS THE BASIS FOR THE MANUFACTURE OR SALE OF ITEMS WITHOUT WRITTEN PERMISSION FROM SCHNEIDER ELECTRIC. THIS DRAWING IS BASED UPON LATEST AVAILABLE INFORMATION AND IS SUBJECT TO CHANGE WITHOUT NOTICE.

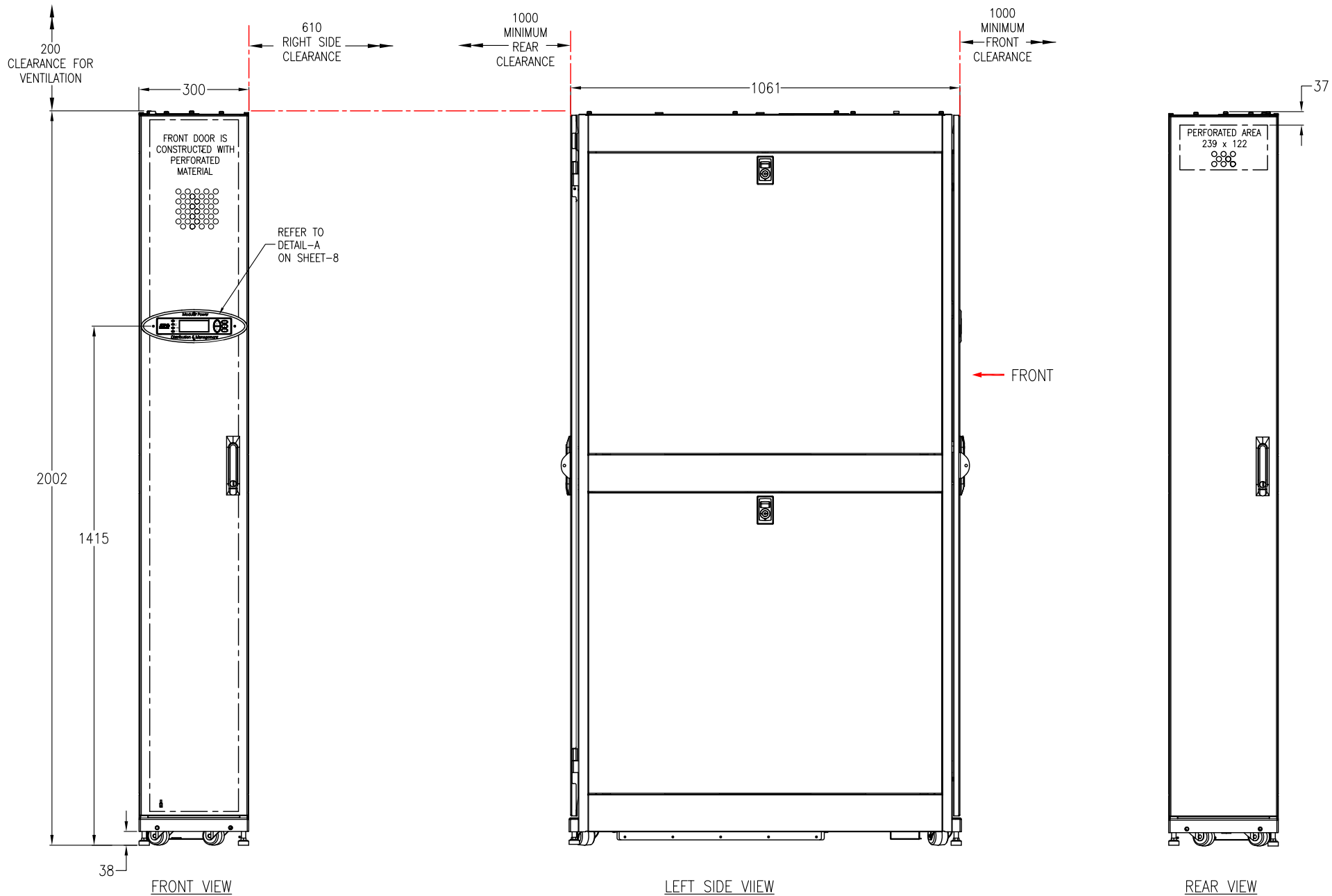
**Schneider Electric**

TITLE: MODULAR POWER DISTRIBUTION  
MODULAR REMOTE POWER PANEL  
Input: 400A, 3PH-400V  
Output: 277kW, 400A, 400/230V, 72 POLE  
DIMETRIC VIEW

DWG NO:	PDPM277H		REV:	0
DRAWN:	JAYAPRAKASH	23-NOV-11	ENGINEER:	S.LEE
APPROVED:	C.LARSEN	19-MAR-12	PROJECT:	DRAWINGS

PROJECT: DRAWINGS SHEET 3 OF 12

FIRST ANGLE PROJECTION



**NOTES:**

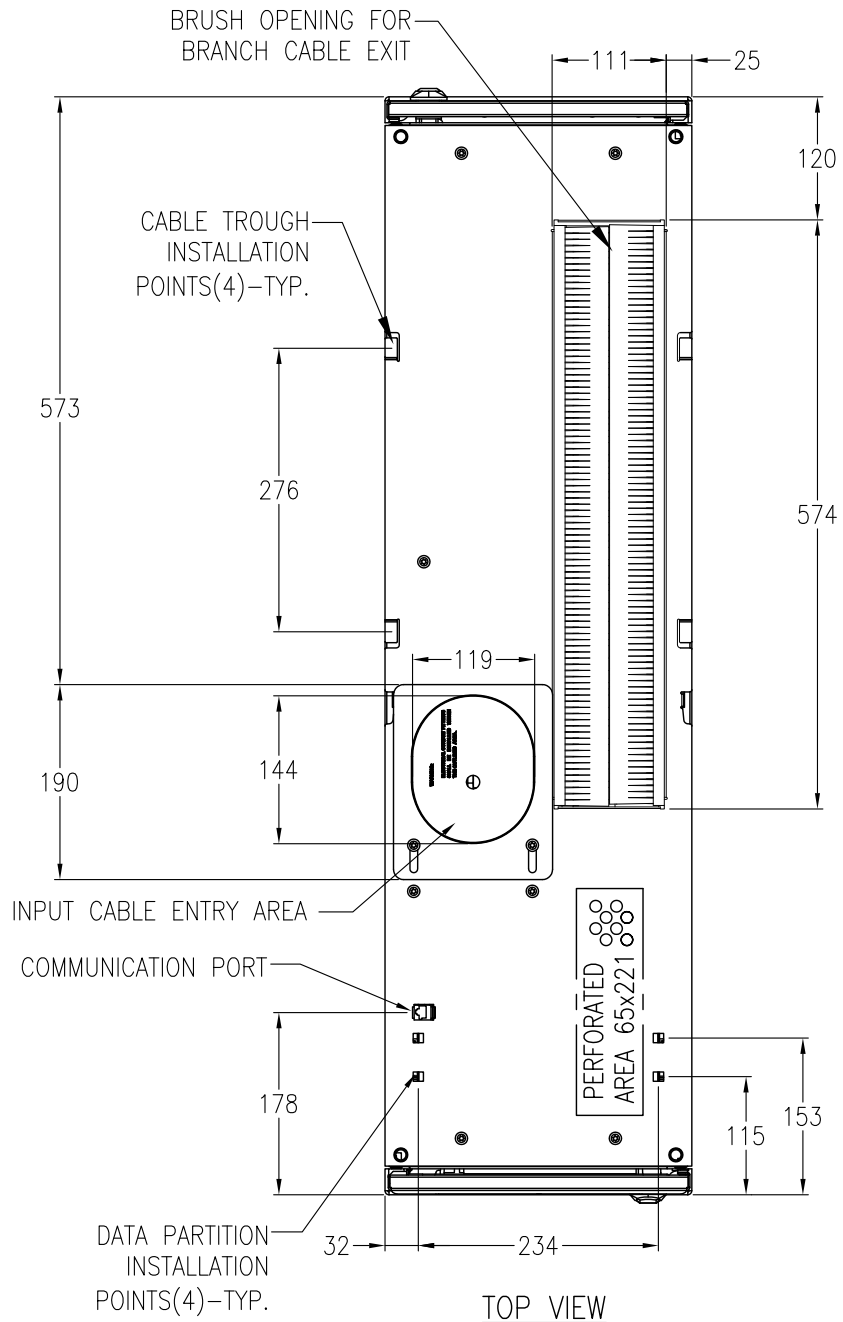
1. COMPLY WITH ALL APPLICABLE NATIONAL, STATE AND LOCAL ELECTRICAL REGULATIONS.
2. REFER TO PRODUCT MANUALS FOR ADDITIONAL DETAILS PRIOR TO INSTALLATION AND SITE PREPARATION WORK
3. ALL DIMENSIONS ARE IN MILLIMETERS, UNLESS OTHERWISE SPECIFIED.
4. CABLE ENTRY IS FROM TOP OR BOTTOM OF THE UNIT.
5. FRONT AND REAR ACCESS ARE REQUIRED FOR SERVICE.
6. WEIGHT OF THE UNIT IS 160kg WITHOUT POWER DISTRIBUTION MODULES.
7. FLOOR LOADING: 1948kg/meter<sup>2</sup> FOR FULLY LOADED UNIT.
8. COLOR: BLACK.

THIS DRAWING AND SPECIFICATIONS HEREIN ARE THE PROPERTY OF SCHNEIDER ELECTRIC AND SHALL NOT BE COPIED, REPRODUCED OR USED IN WHOLE OR IN PART, AS THE BASIS FOR THE MANUFACTURE OR SALE OF ITEMS WITHOUT WRITTEN PERMISSION FROM SCHNEIDER ELECTRIC. THIS DRAWING IS BASED UPON LATEST AVAILABLE INFORMATION AND IS SUBJECT TO CHANGE WITHOUT NOTICE.

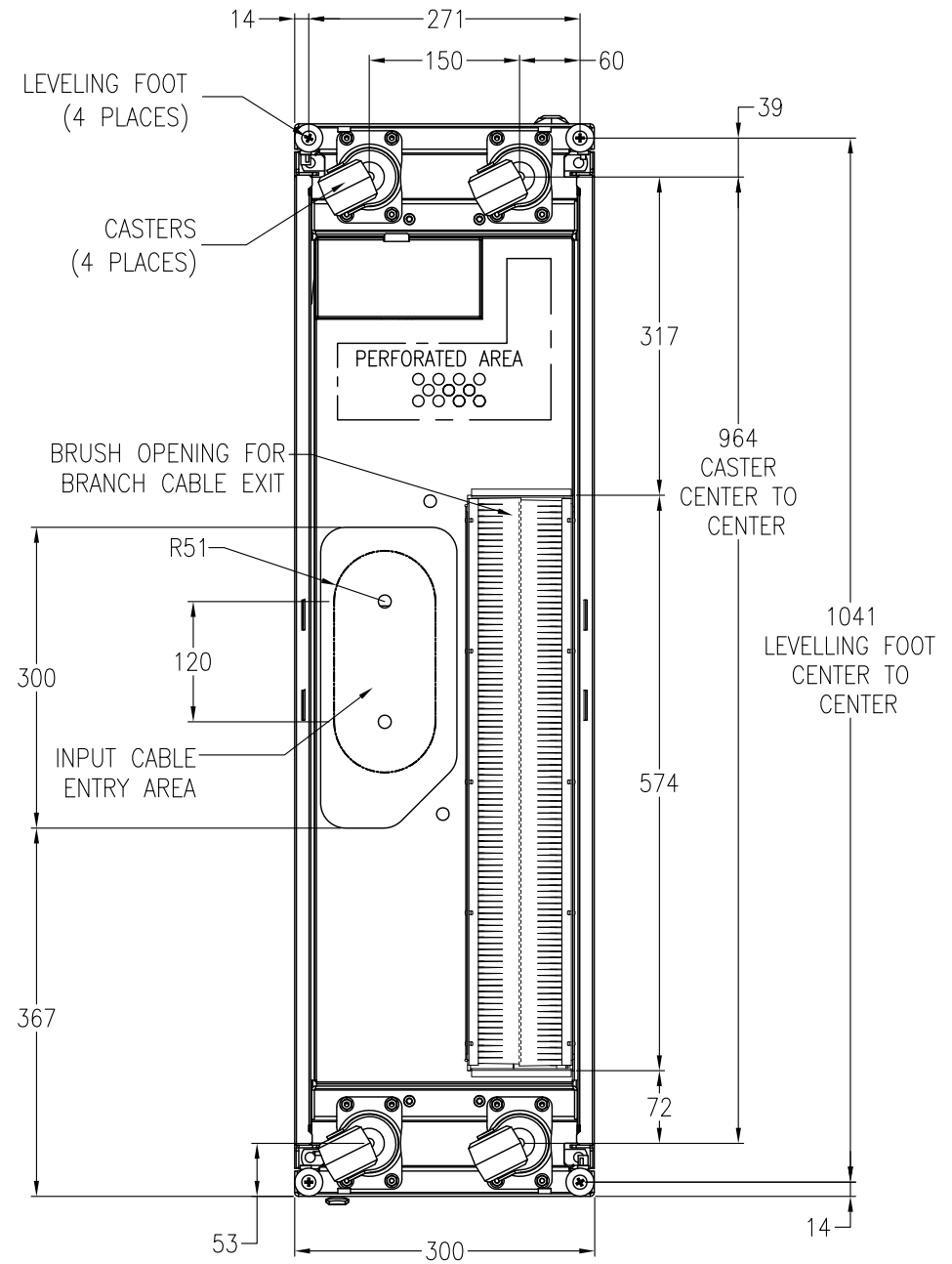


TITLE: MODULAR POWER DISTRIBUTION  
MODULAR REMOTE POWER PANEL  
Input: 400A, 3PH-400V  
Output: 277kW, 400A, 400/230V, 72 POLE  
GENERAL ARRANGEMENT

DWG NO:	PDPM277H		REV.	0
DRAWN:	JAYAPRAKASH	23-NOV-11	FIRST ANGLE PROJECTION	
ENGINEER:	S.LEE	19-MAR-12		
APPROVED:	C.LARSEN	19-MAR-12		



TOP VIEW



BOTTOM VIEW

NOTES:

1. COMPLY WITH ALL APPLICABLE NATIONAL, STATE AND LOCAL ELECTRICAL REGULATIONS.
2. REFER TO PRODUCT MANUALS FOR ADDITIONAL DETAILS PRIOR TO INSTALLATION AND SITE PREPARATION WORK
3. ALL DIMENSIONS ARE IN MILLIMETERS, UNLESS OTHERWISE SPECIFIED.

THIS DRAWING AND SPECIFICATIONS HEREIN ARE THE PROPERTY OF SCHNEIDER ELECTRIC AND SHALL NOT BE COPIED, REPRODUCED OR USED IN WHOLE OR IN PART, AS THE BASIS FOR THE MANUFACTURE OR SALE OF ITEMS WITHOUT WRITTEN PERMISSION FROM SCHNEIDER ELECTRIC. THIS DRAWING IS BASED UPON LATEST AVAILABLE INFORMATION AND IS SUBJECT TO CHANGE WITHOUT NOTICE.

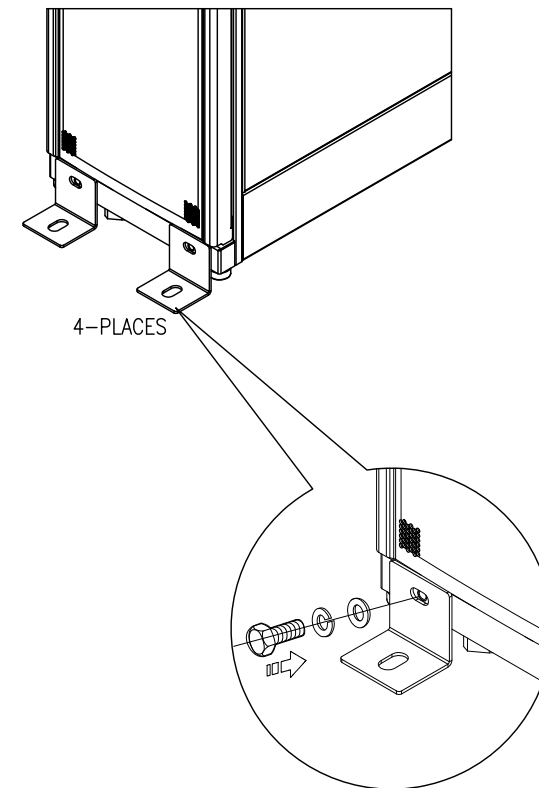
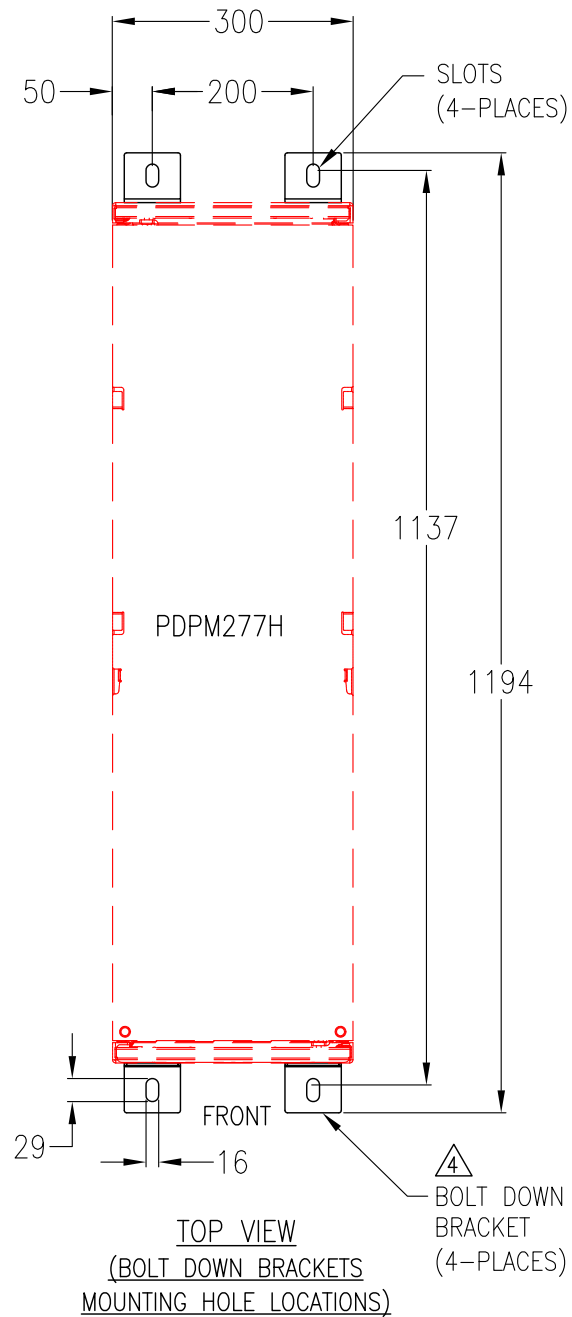
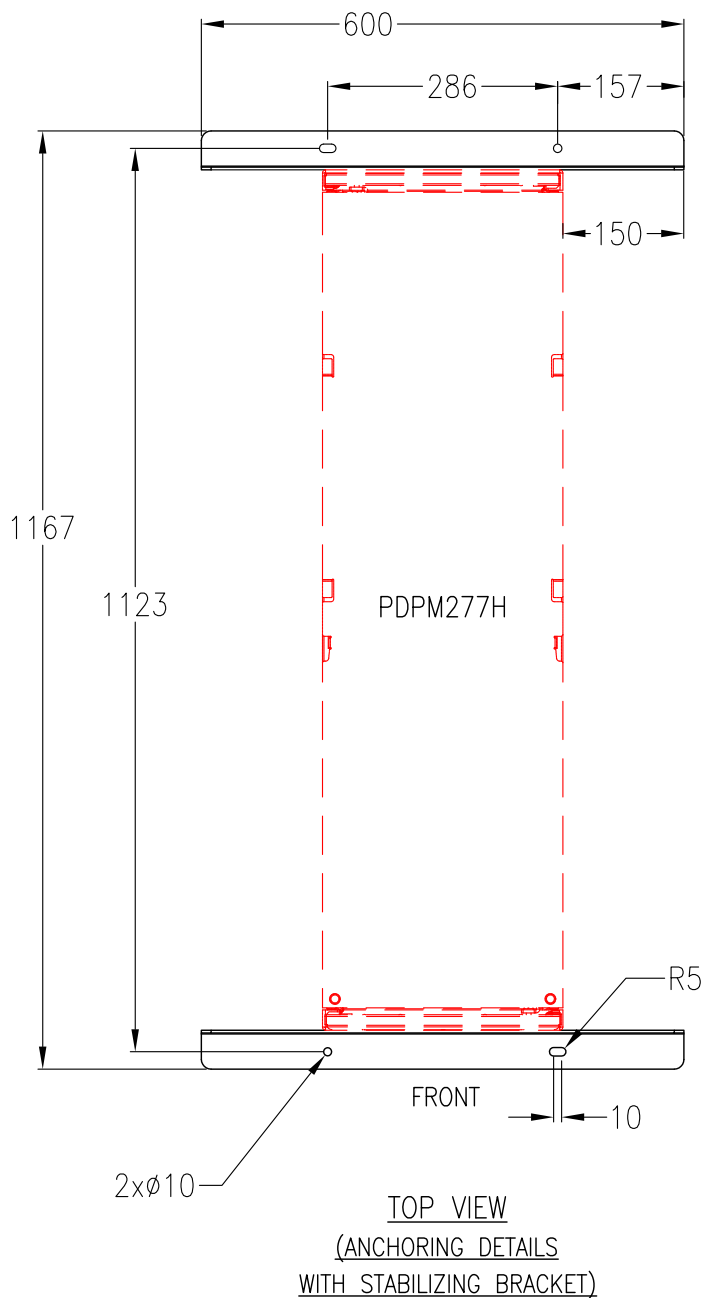


TITLE: MODULAR POWER DISTRIBUTION  
MODULAR REMOTE POWER PANEL  
Input: 400A, 3PH-400V  
Output: 277kW, 400A, 400/230V, 72 POLE  
TOP AND BOTTOM VIEWS

DWG NO:	PDPM277H		REV:	0
DRAWN:	JAYAPRAKASH	23-NOV-11	ENGINEER:	S.LEE
APPROVED:	C.LARSEN	19-MAR-12	PROJECT:	DRAWINGS

PROJECT: DRAWINGS SHEET 5 OF 12

FIRST ANGLE PROJECTION



**ISOMETRIC VIEW**  
(BOLT DOWN BRACKETS MOUNTING DETAIL)

**NOTES:**

1. COMPLY WITH ALL APPLICABLE NATIONAL, STATE AND LOCAL ELECTRICAL REGULATIONS.
2. REFER TO PRODUCT MANUALS FOR ADDITIONAL DETAILS PRIOR TO INSTALLATION AND SITE PREPARATION WORK
3. ALL DIMENSIONS ARE IN MILLIMETERS. UNLESS OTHERWISE SPECIFIED.
- △ 4. TO STABILIZE THE ENCLOSURE (IF IT IS NOT JOINED WITH ANOTHER COMPONENT) USE THE INCLUDED AR7701 BOLT-DOWN KIT. ATTACH THE BRACKETS TO THE UNIT AS SHOWN. USE CODE COMPLIANT FASTENERS TO SECURE THE UNIT TO THE FLOOR.

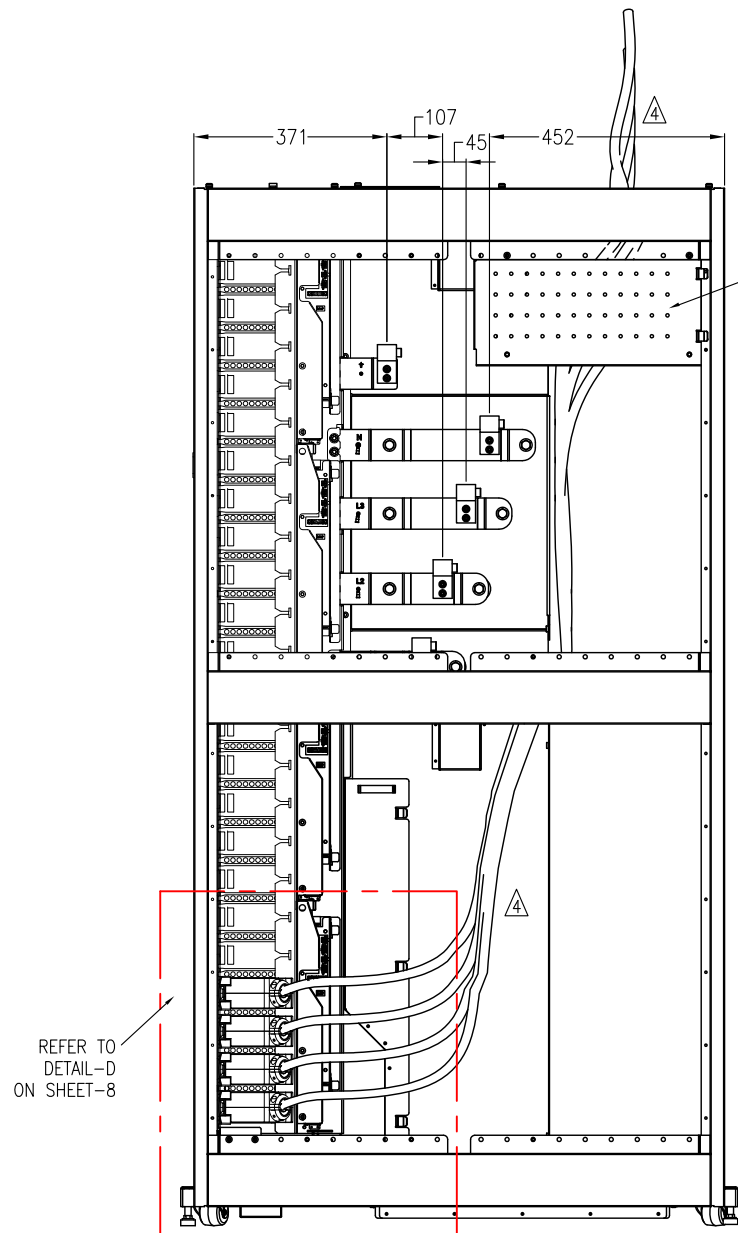
THIS DRAWING AND SPECIFICATIONS HEREIN ARE THE PROPERTY OF SCHNEIDER ELECTRIC AND SHALL NOT BE COPIED, REPRODUCED OR USED IN WHOLE OR IN PART, AS THE BASIS FOR THE MANUFACTURE OR SALE OF ITEMS WITHOUT WRITTEN PERMISSION FROM SCHNEIDER ELECTRIC. THIS DRAWING IS BASED UPON LATEST AVAILABLE INFORMATION AND IS SUBJECT TO CHANGE WITHOUT NOTICE.



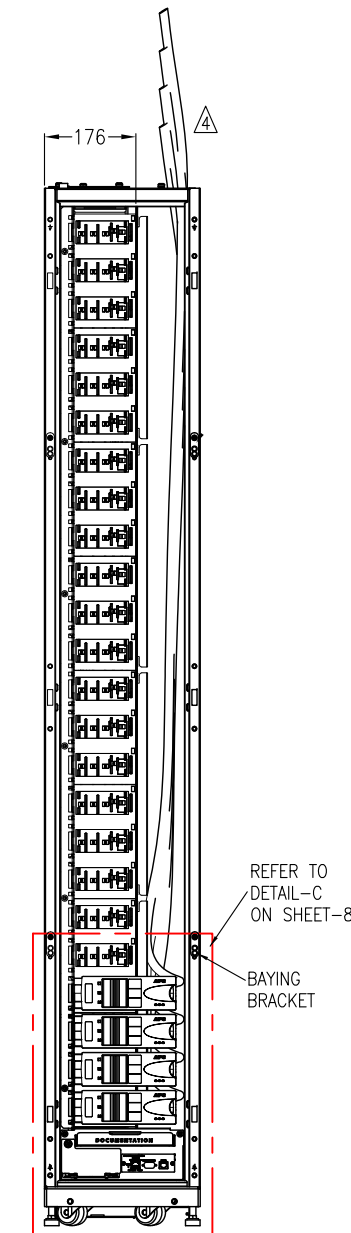
TITLE: MODULAR POWER DISTRIBUTION  
MODULAR REMOTE POWER PANEL  
Input: 400A, 3PH-400V  
Output: 277kW, 400A, 400/230V, 72 POLE  
ANCHORING DETAILS

DWG NO:	PDPM277H		REV:	0
DRAWN:	JAYAPRAKASH	23-NOV-11	ENGINEER:	S.LEE
APPROVED:	C.LARSEN	19-MAR-12	PROJECT:	DRAWINGS SHEET 6 OF 12

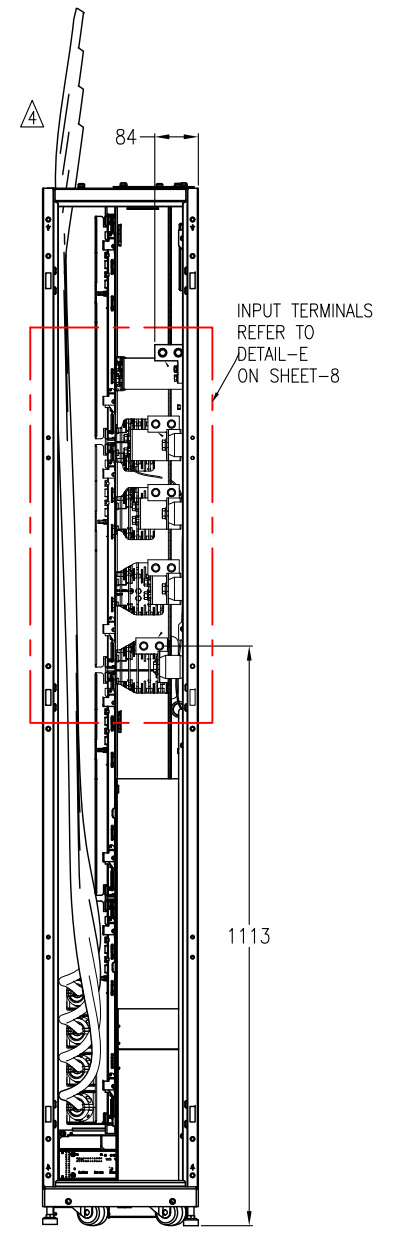
FIRST ANGLE PROJECTION



INTERNAL RIGHT SIDE VIEW



INTERNAL FRONT VIEW



INTERNAL REAR VIEW

NOTES:

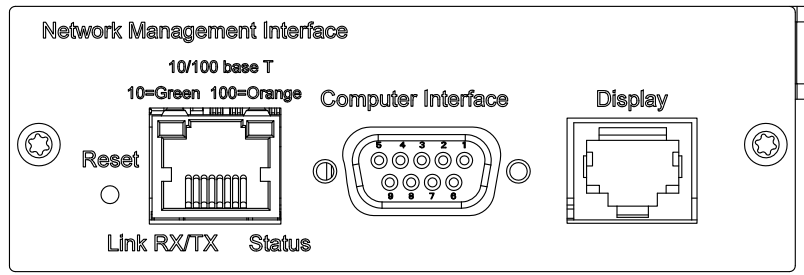
1. COMPLY WITH ALL APPLICABLE NATIONAL, STATE AND LOCAL ELECTRICAL REGULATIONS.
2. REFER TO PRODUCT MANUALS FOR ADDITIONAL DETAILS PRIOR TO INSTALLATION AND SITE PREPARATION WORK
3. ALL DIMENSIONS ARE IN MILLIMETERS, UNLESS OTHERWISE SPECIFIED.
- △ 4. ALL POWER DISTRIBUTION MODULES AND EXTENDER CABLES ARE NOT PART OF THIS SKU AND ARE ORDERED SEPERATELY.
5. SOME STRUCTURAL DETAILS HAVE BEEN OMITTED FOR THE PURPOSE OF CLARITY.

THIS DRAWING AND SPECIFICATIONS HEREIN ARE THE PROPERTY OF SCHNEIDER ELECTRIC AND SHALL NOT BE COPIED, REPRODUCED OR USED IN WHOLE OR IN PART, AS THE BASIS FOR THE MANUFACTURE OR SALE OF ITEMS WITHOUT WRITTEN PERMISSION FROM SCHNEIDER ELECTRIC. THIS DRAWING IS BASED UPON LATEST AVAILABLE INFORMATION AND IS SUBJECT TO CHANGE WITHOUT NOTICE.

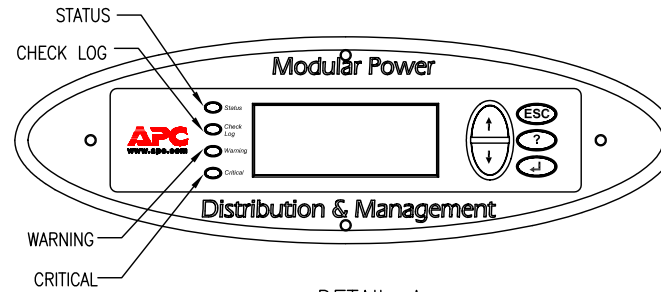


TITLE: MODULAR POWER DISTRIBUTION  
MODULAR REMOTE POWER PANEL  
Input: 400A, 3PH-400V  
Output: 277kW, 400A, 400/230V, 72 POLE  
INTERNAL VIEW  
PROJECT: DRAWINGS SHEET 7 OF 12

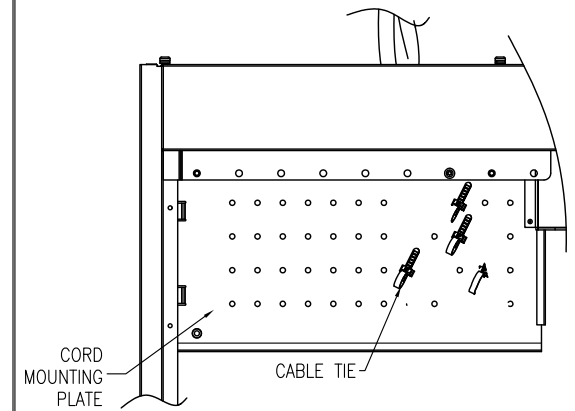
DWG NO:	PDPM277H		REV:	0
DRAWN:	JAYAPRAKASH	23-NOV-11	ENGINEER:	S.LEE
APPROVED:	C.LARSEN	19-MAR-12	PROJECT:	INTERNAL PROJECTION



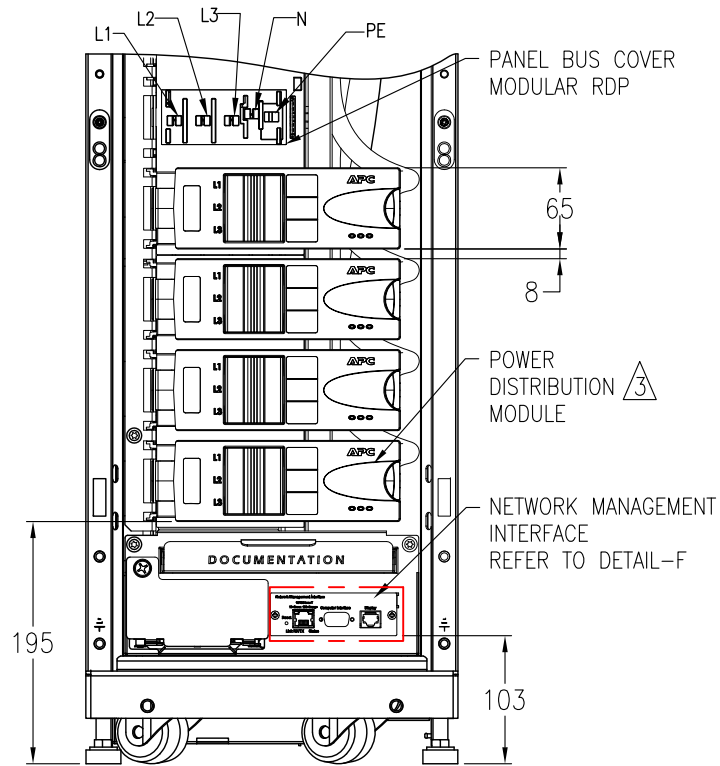
DETAIL-F



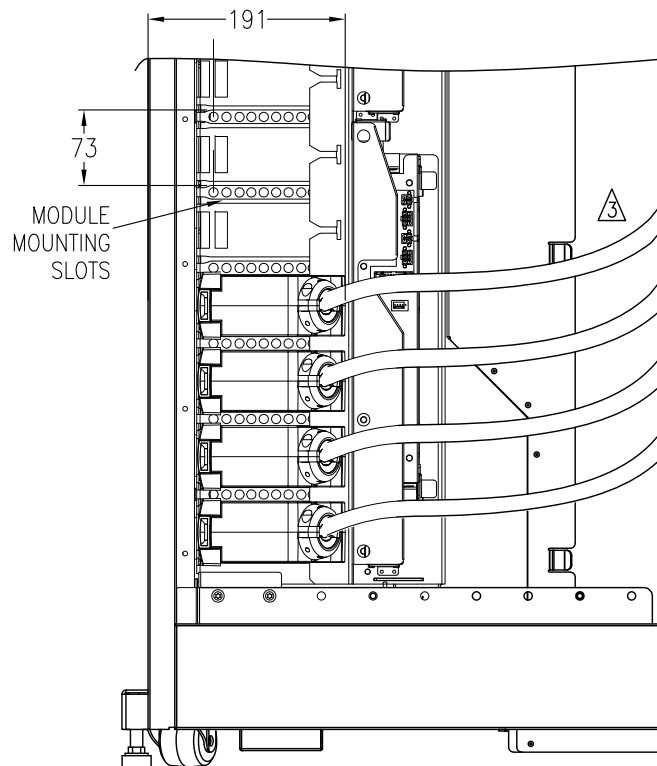
DETAIL-A



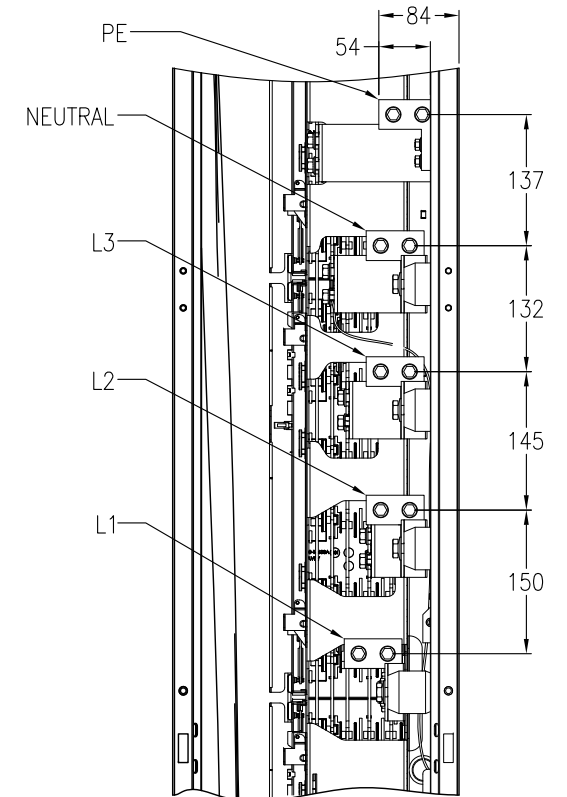
DETAIL-B



DETAIL-C



DETAIL-D



DETAIL-E

NOTES:

1. COMPLY WITH ALL APPLICABLE NATIONAL, STATE AND LOCAL ELECTRICAL REGULATIONS.
2. REFER TO PRODUCT MANUALS FOR ADDITIONAL DETAILS PRIOR TO INSTALLATION AND SITE PREPARATION WORK

△ 3. ALL POWER DISTRIBUTION MODULES AND EXTENDER CABLES ARE NOT PART OF THIS SKU AND ARE ORDERED SEPARATELY.

THIS DRAWING AND SPECIFICATIONS HEREIN ARE THE PROPERTY OF SCHNEIDER ELECTRIC AND SHALL NOT BE COPIED, REPRODUCED OR USED IN WHOLE OR IN PART, AS THE BASIS FOR THE MANUFACTURE OR SALE OF ITEMS WITHOUT WRITTEN PERMISSION FROM SCHNEIDER ELECTRIC. THIS DRAWING IS BASED UPON LATEST AVAILABLE INFORMATION AND IS SUBJECT TO CHANGE WITHOUT NOTICE.



TITLE: MODULAR POWER DISTRIBUTION  
MODULAR REMOTE POWER PANEL  
Input: 400A, 3PH-400V  
Output: 277kW, 400A, 400/230V, 72 POLE  
INTERNAL DETAILS, USER INTERFACE & NMC

DWG NO:	PDPM277H		REV:	0
DRAWN:	JAYAPRAKASH	23-NOV-11	APPROVED:	C.LARSEN
ENGINEER:	S.LEE	19-MAR-12	DATE:	19-MAR-12
PROJECT:	DRAWINGS	SHEET 8 OF 12	ANGLE:	FIRST ANGLE PROJECTION



**LEGEND:**  
 - - - - - AC CABLE -- PROVIDED BY OTHERS.  
 \_\_\_\_\_ AC BUS

PRODUCT RATING		
DEVICE	NOMINAL CURRENT	RATED SHORT CIRCUIT CURRENT
PDPM INPUT	400A	10ka SYMMETRICAL
PDPM OUTPUT	400A	10ka SYMMETRICAL

DISTRIBUTION DETAILS					
DEVICE ID	RATING	TYPE	MAKE	MODEL	RATED SHORT CIRCUIT CURRENT
CB-1	4A/5A	AC CIRCUIT BREAKER 3POLE	SQUARE-D	M9F53304/MGN61426	10ka SYMMETRICAL
MODULE-X	16A/32A	POWER DISTRIBUTION MODULE 3POLE BREAKER, 3PH 5WIRE CABLE WITH IEC-309 CONNECTOR	SCHNEIDER ELECTRIC	SEE NOTE 7	10ka SYMMETRICAL

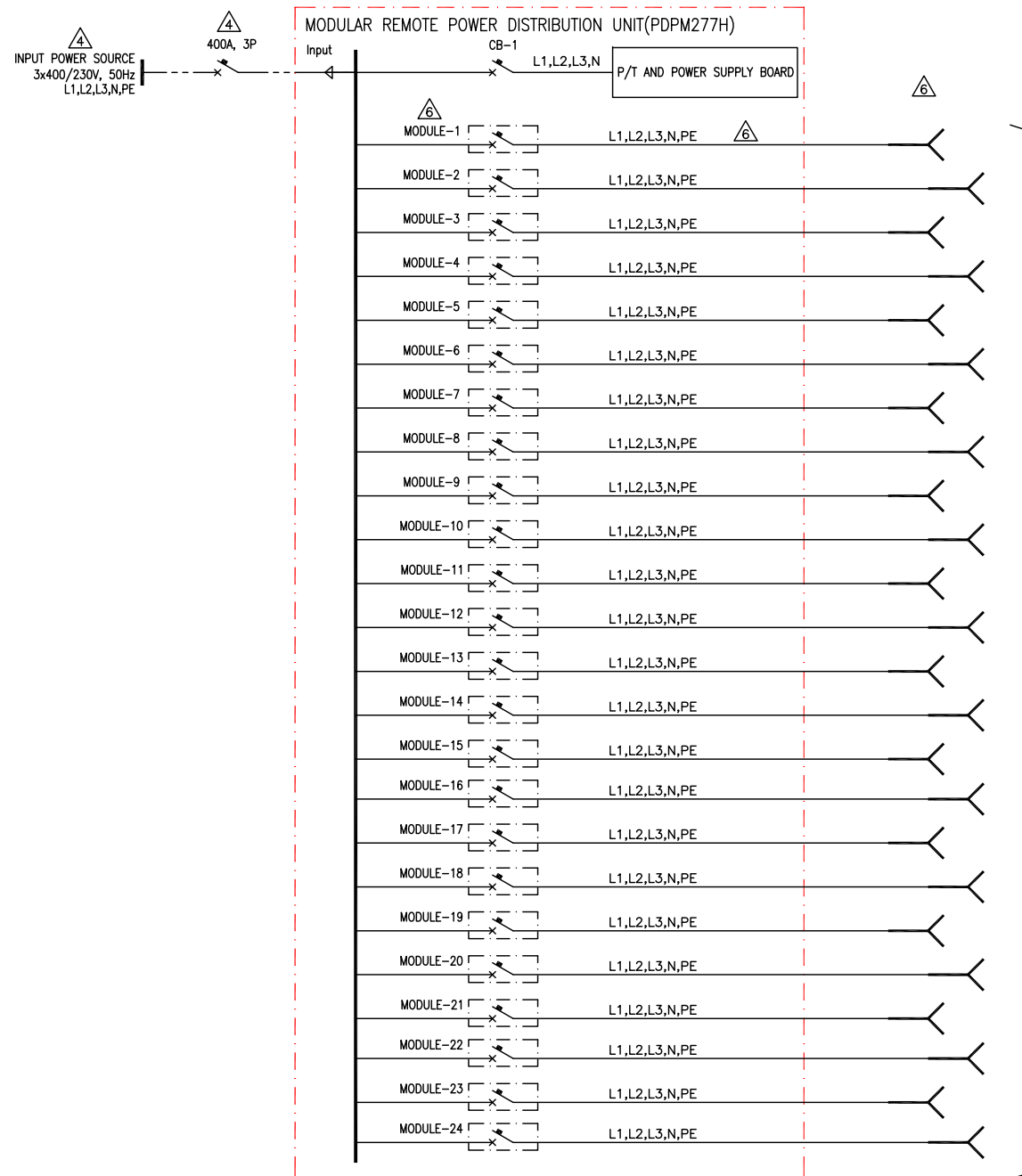
**NOTES:**

- COMPLY WITH ALL APPLICABLE NATIONAL, STATE AND LOCAL ELECTRICAL REGULATIONS.
- REFER TO PRODUCT MANUALS FOR ADDITIONAL DETAILS PRIOR TO INSTALLATION AND SITE PREPARATION WORK
- DRAWING DEPICTS POWER SYSTEM CONNECTIONS AND IS NOT REPRESENTATIVE OF PHYSICAL LAYOUT, PLEASE REFER TO MECHANICAL DRAWINGS FOR PHYSICAL LAYOUT.

- △ 4. 3x400/230V L1, L2, L3, N, PE (PROVIDED BY OTHERS).
- 5. ALL AC POWER CABLING IS L1,L2, L3, N, PE.
- △ 6. ALL POWER DISTRIBUTION MODULES AND EXTENDER CABLES ARE NOT PART OF THIS SKU AND ARE ORDERED SEPARATELY. PLEASE CONTACT SCHNEIDER ELECTRIC.
- 7. OPTIONS DETAILS.  
CONTACT SCHNEIDER ELECTRIC FOR LATEST LIST OF MODULE OPTIONS.

SKU number	
16A-3P BREKER, 16A-3PH PLUG WITH 2.5 SQ. MM CABLE	32A-3P BREAKER, 32A-3PH PLUG WITH 6 SQ. MM CABLE
PDM3516IEC-80	PDM3532IEC-80
PDM3516IEC-140	PDM3532IEC-140
PDM3516IEC-200	PDM3532IEC-200
PDM3516IEC-260	PDM3532IEC-260
PDM3516IEC-320	PDM3532IEC-320
PDM3516IEC-380	PDM3532IEC-380
PDM3516IEC-440	PDM3532IEC-440
PDM3516IEC-500	PDM3532IEC-500
PDM3516IEC-560	PDM3532IEC-560
PDM3516IEC-620	PDM3532IEC-620
PDM3516IEC-680	PDM3532IEC-680
PDM3516IEC-740	PDM3532IEC-740
PDM3516IEC-800	PDM3532IEC-800
PDM3516IEC-860	PDM3532IEC-860
PDM3516IEC-920	PDM3532IEC-920
PDM3516IEC-980	PDM3532IEC-980
PDM3516IEC-1040	PDM3532IEC-1040

- PDM3516IEC-1040
- CABLE LENGTH IN CENTIMETERS (1040cms)
  - BREAKER RATING IN AMPERE (16A)
  - NUMBER OF WIRES (5 WIRE)
  - BREAKER POLES (3 POLE)
  - POWER DISTRIBUTION MODULE WITH IEC309 CONNECTOR



THIS DRAWING AND SPECIFICATIONS HEREIN ARE THE PROPERTY OF SCHNEIDER ELECTRIC AND SHALL NOT BE COPIED, REPRODUCED OR USED IN WHOLE OR IN PART, AS THE BASIS FOR THE MANUFACTURE OR SALE OF ITEMS WITHOUT WRITTEN PERMISSION FROM SCHNEIDER ELECTRIC. THIS DRAWING IS BASED UPON LATEST AVAILABLE INFORMATION AND IS SUBJECT TO CHANGE WITHOUT NOTICE.



TITLE: MODULAR REMOTE POWER PANEL  
 Input: 400A, 3PH-400V  
 Output: 277kW, 400A, 400/230V, 72 POLE  
 3 POLE BREAKER MODULE  
 SYSTEM ONLE LINE DIAGRAM

PROJECT: DRAWINGS SHEET 9 OF 12

DWG NO: PDPM277H

ENGINEER: C.PASTORELLO

APPROVED: CLARSEN

DATE: 05-AUG-19

REV. 1

ANGLE PROJECTION: N/A

PRODUCT RATING		
DEVICE	NOMINAL CURRENT	RATED SHORT CIRCUIT CURRENT
PDPM INPUT	400A	10kA SYMMETRICAL
PDPM OUTPUT	400A	10kA SYMMETRICAL

DISTRIBUTION DETAILS					
DEVICE ID	RATING	TYPE	MAKE	MODEL	RATED SHORT CIRCUIT CURRENT
CB-1	4A/5A	AC CIRCUIT BREAKER 3POLE	SQUARE-D	M9F5.3304/MGN61426	10kA SYMMETRICAL
MODULE-X	16A/32A	POWER DISTRIBUTION MODULE 3POLE +NEUTRAL BREAKER WITH 30mA 3P+N RCD, 3PH 5WIRE CABLE WITH IEC-309 CONNECTOR	SCHNEIDER ELECTRIC	SEE NOTE 8	10kA SYMMETRICAL

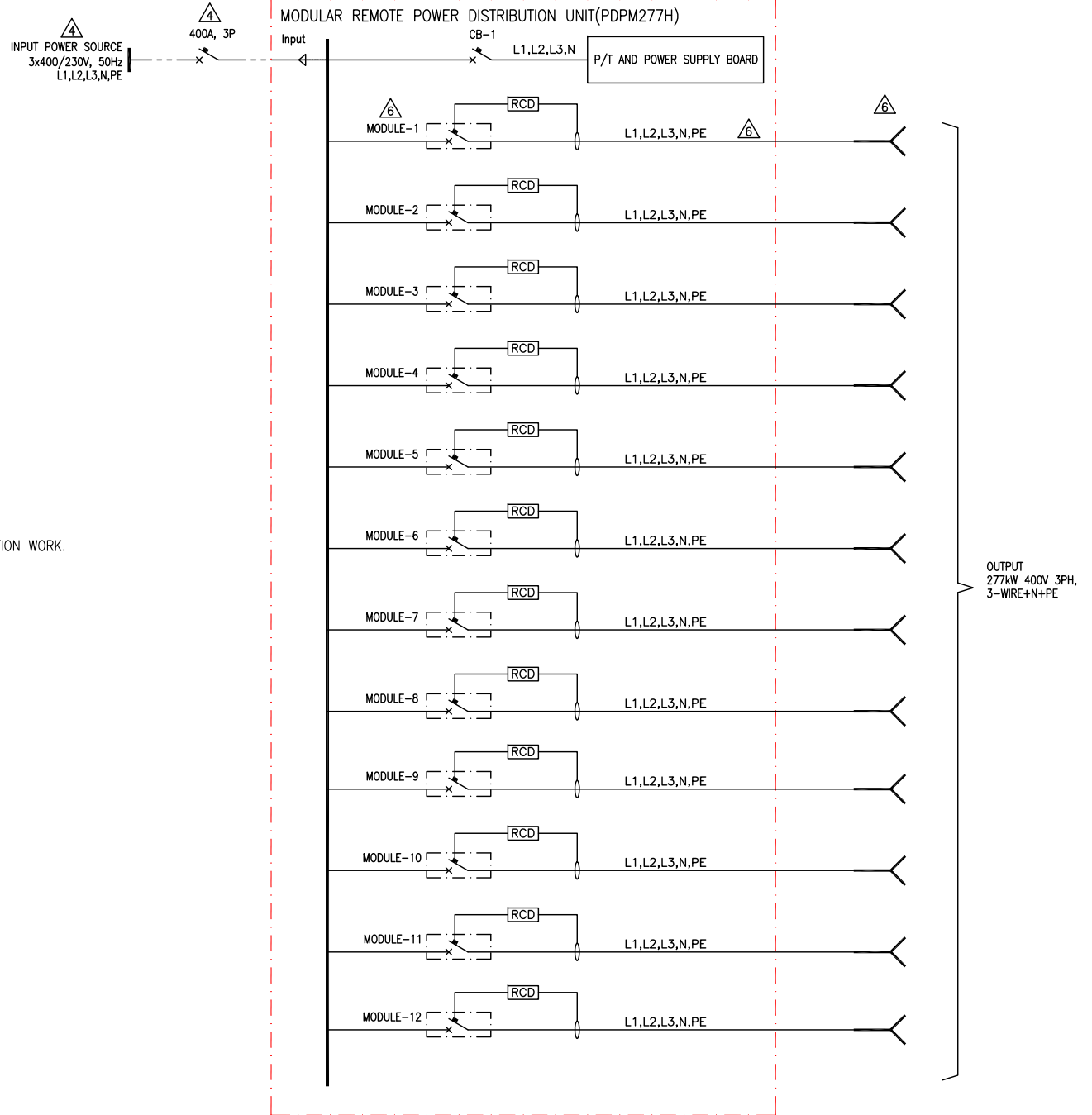
**LEGEND:**  
 - - - - - AC CABLE - PROVIDED BY OTHERS.  
 \_\_\_\_\_ AC BUS

- NOTES:**
- COMPLY WITH ALL APPLICABLE NATIONAL, STATE AND LOCAL ELECTRICAL REGULATIONS.
  - REFER TO PRODUCT MANUALS FOR ADDITIONAL DETAILS PRIOR TO INSTALLATION AND SITE PREPARATION WORK.
  - DRAWING DEPICTS POWER SYSTEM CONNECTIONS AND IS NOT REPRESENTATIVE OF PHYSICAL LAYOUT, PLEASE REFER TO MECHANICAL DRAWINGS FOR PHYSICAL LAYOUT.
  - 3x400/230V L1, L2, L3, N, PE (PROVIDED BY OTHERS). FOR OTHER EARTHING PRINCIPLES, PLEASE CONTACT SCHNEIDER ELECTRIC. RECOMMENDED UPSTREAM PROTECTION IS A MINIMUM RATING TO SUPPORT MAXIMUM CURRENT WITHOUT SELECTIVITY. IF SELECTIVITY IS REQUIRED, PLEASE CONTACT SCHNEIDER ELECTRIC.
  - ALL AC POWER CABLING IS L1,L2, L3, N, PE.
  - ALL POWER DISTRIBUTION MODULES AND EXTENDER CABLES ARE NOT PART OF THIS SKU AND ARE ORDERED SEPARATELY. PLEASE CONTACT SCHNEIDER ELECTRIC.
  - POWER DISTRIBUTION MODULES WITH RCDs REQUIRE 2 MODULE POSITIONS.
  - OPTIONS DETAILS. CONTACT SCHNEIDER ELECTRIC FOR LATEST LIST OF MODULE OPTIONS.

SKU Number	
16A-3P BREAKER WITH 30mA RCD, 16A-3PH 3WIRE PLUG WITH 2.5 SQ. MM CABLE	32A-3P BREAKER WITH 30mA RCD, 32A-3PH 3WIRE PLUG WITH 6 SQ. MM CABLE
PDM316IEC-30R-140	PDM332IEC-30R-140
PDM316IEC-30R-320	PDM332IEC-30R-320
PDM316IEC-30R-500	PDM332IEC-30R-500
PDM316IEC-30R-680	PDM332IEC-30R-680
PDM316IEC-30R-860	PDM332IEC-30R-860
PDM316IEC-30R-1040	PDM332IEC-30R-1040

PDM332IEC-30R-1040

- \_\_\_\_\_ CABLE LENGTH IN CENTIMETERS (1040cms)
- \_\_\_\_\_ 30mA RCD
- \_\_\_\_\_ BREAKER AMPERAGE (32 AMPS)
- \_\_\_\_\_ BREAKER POLE (3 POLE)
- \_\_\_\_\_ POWER DISTRIBUTION MODULE WITH IEC309 CONNECTOR



THIS DRAWING AND SPECIFICATIONS HEREIN ARE THE PROPERTY OF SCHNEIDER ELECTRIC AND SHALL NOT BE COPIED, REPRODUCED OR USED IN WHOLE OR IN PART, AS THE BASIS FOR THE MANUFACTURE OR SALE OF ITEMS WITHOUT WRITTEN PERMISSION FROM SCHNEIDER ELECTRIC. THIS DRAWING IS BASED UPON LATEST AVAILABLE INFORMATION AND IS SUBJECT TO CHANGE WITHOUT NOTICE.



**TITLE:** MODULAR REMOTE POWER PANEL  
 Input: 400A, 3PH-400V  
 Output: 277kW, 400A, 400/230V, 72 POLE  
 3 POLE BREAKER MODULE WITH RCD  
 SYSTEM ON LINE DIAGRAM

**PROJECT:** DRAWINGS **SHEET 10 OF 12**

**DWG NO:** PDPM277H **REV:** 1  
**DRAWN:** JAYAPRAKASH 05-AUG-19 **ANGLE PROJECTION**  
**ENGINEER:** C.PASTORELLO 05-AUG-19 **N/A**  
**APPROVED:** CLARSEN 05-AUG-19

PRODUCT RATING		
DEVICE	NOMINAL CURRENT	RATED SHORT CIRCUIT CURRENT
PDPM INPUT	400A	10kA SYMMETRICAL
PDPM OUTPUT	400A	10kA SYMMETRICAL

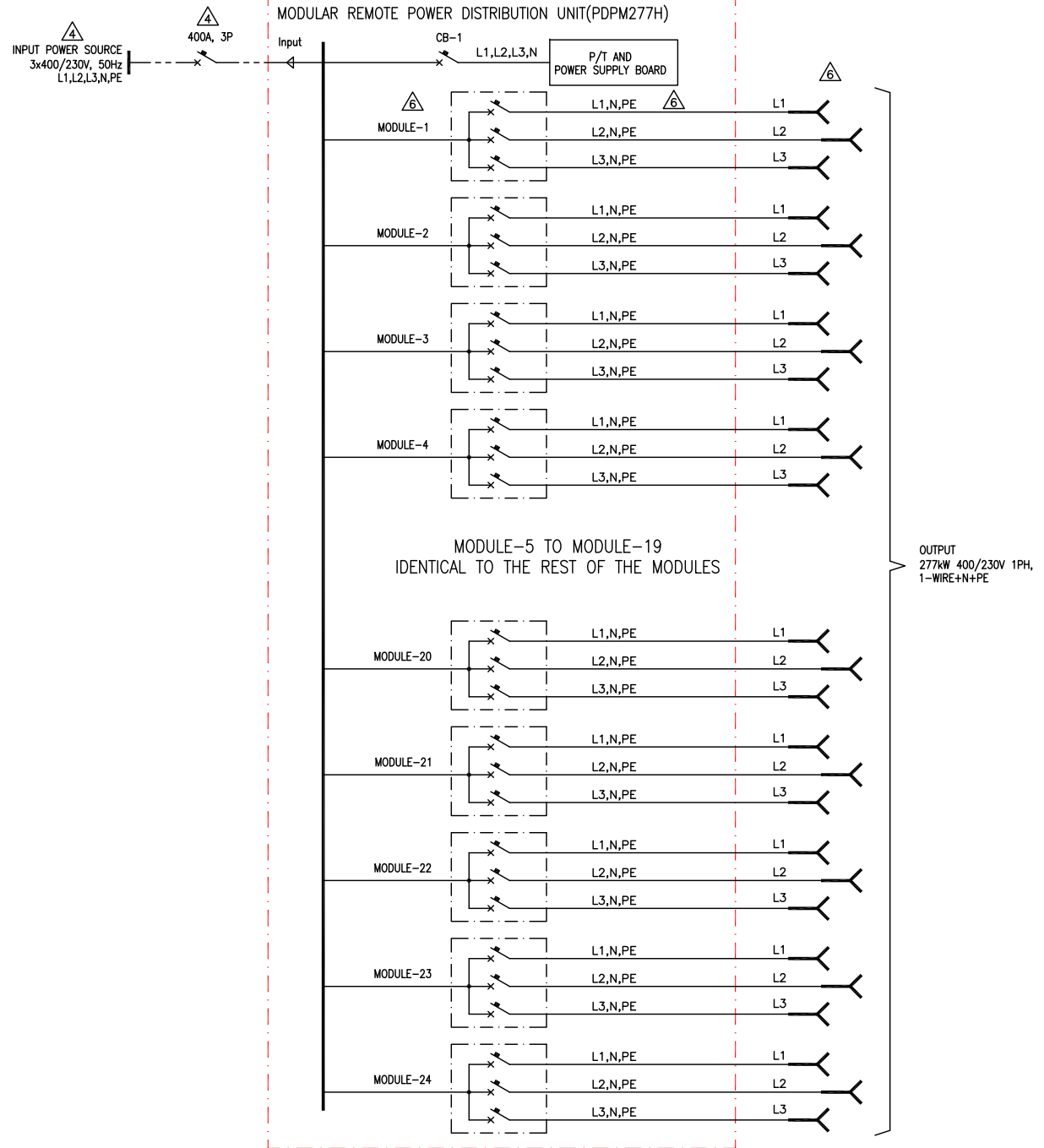
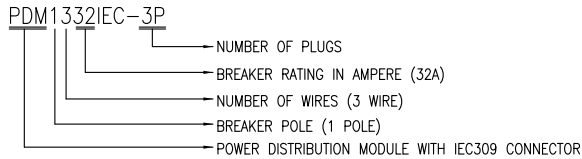
DISTRIBUTION DETAILS					
DEVICE ID	RATING	TYPE	MAKE	MODEL	RATED SHORT CIRCUIT CURRENT
CB-1	4A/5A	AC CIRCUIT BREAKER 3POLE	SQUARE-D	M9F53304/MGN61426	10kA SYMMETRICAL
MODULE-X	16A/32A	POWER DISTRIBUTION MODULE 3-1POLE + NEUTRAL BREAKER, 3-1PH 3WIRE CABLE WITH IEC-309 CONNECTOR	SCHNEIDER ELECTRIC	SEE NOTE 7	10kA SYMMETRICAL

**LEGEND:**

----- AC CABLE - PROVIDED BY OTHERS.  
 \_\_\_\_\_ AC BUS

- NOTES:**
- COMPLY WITH ALL APPLICABLE NATIONAL, STATE AND LOCAL ELECTRICAL REGULATIONS.
  - REFER TO PRODUCT MANUALS FOR ADDITIONAL DETAILS PRIOR TO INSTALLATION AND SITE PREPARATION WORK.
  - DRAWING DEPICTS POWER SYSTEM CONNECTIONS AND IS NOT REPRESENTATIVE OF PHYSICAL LAYOUT, PLEASE REFER TO MECHANICAL DRAWINGS FOR PHYSICAL LAYOUT.
  - 3x400/230V L1, L2, L3, N, PE (PROVIDED BY OTHERS). FOR OTHER EARTHING PRINCIPLES, PLEASE CONTACT SCHNEIDER ELECTRIC. RECOMMENDED UPSTREAM PROTECTION IS A MINIMUM RATING TO SUPPORT MAXIMUM CURRENT WITHOUT SELECTIVITY. IF SELECTIVITY IS REQUIRED, PLEASE CONTACT SCHNEIDER ELECTRIC.
  - ALL AC POWER CABLING IS L1,L2, L3, N, PE.
  - ALL POWER DISTRIBUTION MODULES AND EXTENDER CABLES ARE NOT PART OF THIS SKU AND ARE ORDERED SEPARATELY. PLEASE CONTACT SCHNEIDER ELECTRIC.
  - OPTIONS DETAILS.  
CONTACT SCHNEIDER ELECTRIC FOR LATEST LIST OF MODULE OPTIONS.

SKU Number	Cable length in Centimeters /Phase	IEC309Plug Sepsification	Cable specification
PDM1316IEC-3P	300/L1, 360/L2 & 420/L3	16A-1PH 3 WIRE	2.5 S.Q. MM
PDM1332IEC-3P	300/L1, 360/L2 & 420/L3	32A-1PH 3 WIRE	6 S.Q. MM
PDM1332IEC-3P-2	480/L1, 540/L2 & 600/L3	32A-1PH 3 WIRE	6 S.Q. MM
PDM1332IEC-3P-3	660/L1, 720/L2 & 780/L3	32A-1PH 3 WIRE	6 S.Q. MM



THIS DRAWING AND SPECIFICATIONS HEREIN ARE THE PROPERTY OF SCHNEIDER ELECTRIC AND SHALL NOT BE COPIED, REPRODUCED OR USED IN WHOLE OR IN PART, AS THE BASIS FOR THE MANUFACTURE OR SALE OF ITEMS WITHOUT WRITTEN PERMISSION FROM SCHNEIDER ELECTRIC. THIS DRAWING IS BASED UPON LATEST AVAILABLE INFORMATION AND IS SUBJECT TO CHANGE WITHOUT NOTICE.



**TITLE:** MODULAR REMOTE POWER PANEL  
 Input: 400A, 3PH-400V  
 Output: 277kW, 400A, 400/230V, 72 POLE  
 1 POLE BREAKER MODULE  
 SYSTEM ONLE LINE DIAGRAM

**PROJECT:** DRAWINGS **SHEET** 11 OF 12

**DWG NO:** PDPM277H **REV.** 1

**DRAWN:** JAYAPRAKASH 05-AUG-19 **ANGLE PROJECTION**  
**ENGINEER:** C.PASTORELLO 05-AUG-19  
**APPROVED:** CLARSEN 05-AUG-19 **N/A**

PRODUCT RATING		
DEVICE	NOMINAL CURRENT	RATED SHORT CIRCUIT CURRENT
PDPM INPUT	400A	10kA SYMMETRICAL
PDPM OUTPUT	400A	10kA SYMMETRICAL

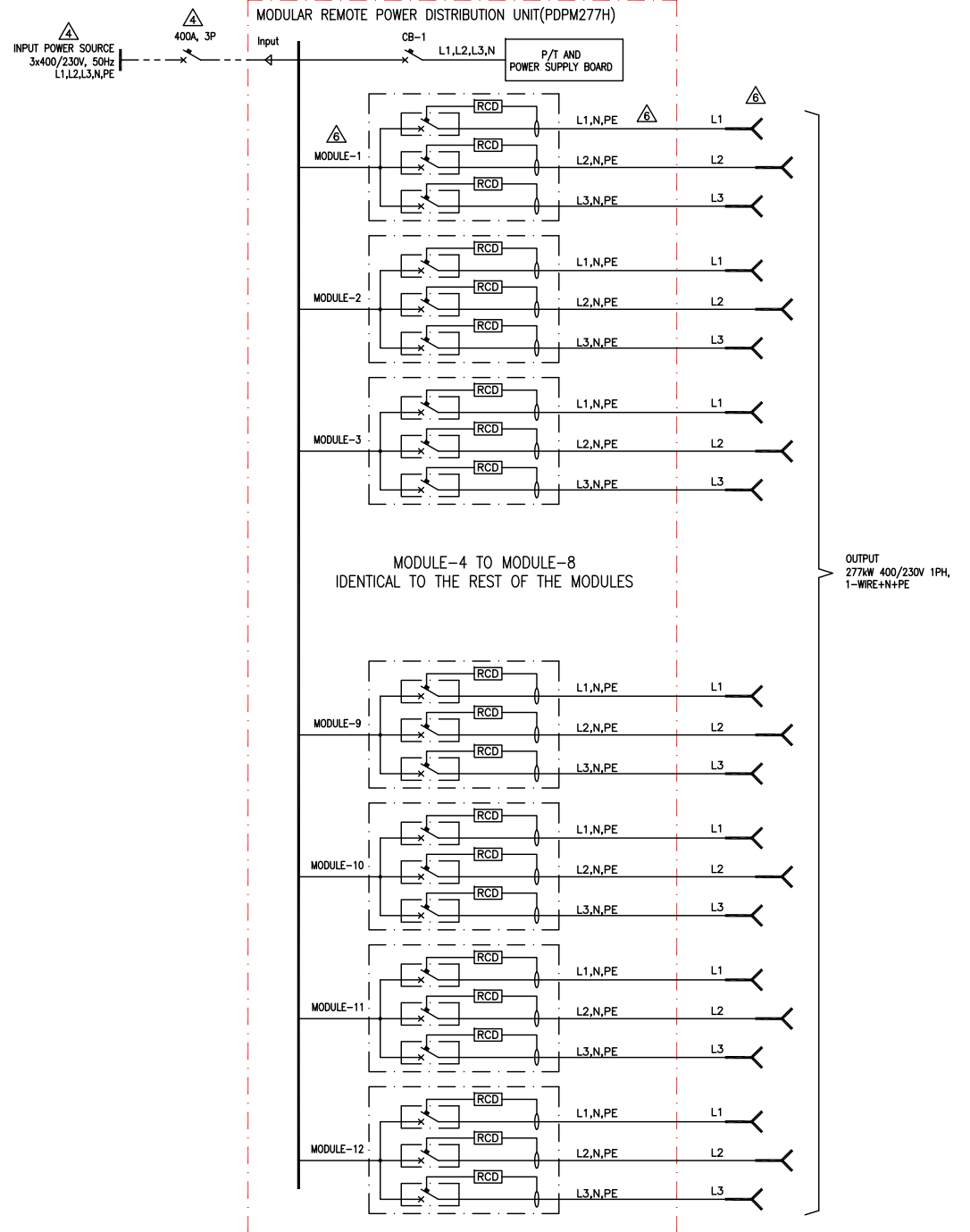
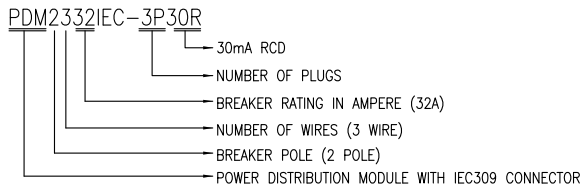
DISTRIBUTION DETAILS					
DEVICE ID	RATING	TYPE	MAKE	MODEL	RATED SHORT CIRCUIT CURRENT
CB-1	4A/5A	AC CIRCUIT BREAKER 3POLE	SQUARE-D	M9F53304/MGN61426	10kA SYMMETRICAL
MODULE-X	32A	POWER DISTRIBUTION MODULE 3-1POLE + NEUTRAL BREAKER WITH 30mA 1P+NEUTRAL RCD, 3-1PH 3WIRE CABLE WITH IEC-309 CONNECTOR	SCHNEIDER ELECTRIC	SEE NOTE 8	10kA SYMMETRICAL

**LEGEND:**

-----	AC CABLE - PROVIDED BY OTHERS.
—————	AC BUS

- NOTES:**
- COMPLY WITH ALL APPLICABLE NATIONAL, STATE AND LOCAL ELECTRICAL REGULATIONS.
  - REFER TO PRODUCT MANUALS FOR ADDITIONAL DETAILS PRIOR TO INSTALLATION AND SITE PREPARATION WORK.
  - DRAWING DEPICTS POWER SYSTEM CONNECTIONS AND IS NOT REPRESENTATIVE OF PHYSICAL LAYOUT, PLEASE REFER TO MECHANICAL DRAWINGS FOR PHYSICAL LAYOUT.
  - 3x400/230V L1, L2, L3, N, PE (PROVIDED BY OTHERS). FOR OTHER EARTHING PRINCIPLES, PLEASE CONTACT SCHNEIDER ELECTRIC. RECOMMENDED UPSTREAM PROTECTION IS A MINIMUM RATING TO SUPPORT MAXIMUM CURRENT WITHOUT SELECTIVITY. IF SELECTIVITY IS REQUIRED, PLEASE CONTACT SCHNEIDER ELECTRIC.
  - ALL AC POWER CABLING IS L1,L2, L3, N, PE.
  - ALL POWER DISTRIBUTION MODULES AND EXTENDER CABLES ARE NOT PART OF THIS SKU AND ARE ORDERED SEPARATELY. PLEASE CONTACT SCHNEIDER ELECTRIC.
  - POWER DISTRIBUTION MODULES WITH RCDs REQUIRE 2 MODULE POSITIONS.
  - OPTIONS DETAILS. CONTACT SCHNEIDER ELECTRIC FOR LATEST LIST OF MODULE OPTIONS.

SKU Number	Cable length in Centimeters /Phase	IEC309Plug Sepsification	Cable specification
PDM2332IEC-3P30R-1	300/L1, 360/L2 & 420/L3	3x32A-1PH 3 WIRE	6 S.Q. MM
PDM2332IEC-3P30R-2	480/L1, 540/L2 & 600/L3	3x32A-1PH 3 WIRE	6 S.Q. MM
PDM2332IEC-3P30R-3	660/L1, 720/L2 & 780/L3	3x32A-1PH 3 WIRE	6 S.Q. MM



THIS DRAWING AND SPECIFICATIONS HEREIN ARE THE PROPERTY OF SCHNEIDER ELECTRIC AND SHALL NOT BE COPIED, REPRODUCED OR USED IN WHOLE OR IN PART, AS THE BASIS FOR THE MANUFACTURE OR SALE OF ITEMS WITHOUT WRITTEN PERMISSION FROM SCHNEIDER ELECTRIC. THIS DRAWING IS BASED UPON LATEST AVAILABLE INFORMATION AND IS SUBJECT TO CHANGE WITHOUT NOTICE.



TITLE: MODULAR REMOTE POWER PANEL  
 Input: 400A, 3PH-400V  
 Output: 277kW, 400A, 400/230V, 72 POLE  
 1 POLE BREAKER MODULE WITH RCD  
 SYSTEM ONLE LINE DIAGRAM

PROJECT: DRAWINGS SHEET 12 OF 12

DWG NO: PDPM277H REV. 2  
 DRAWN: JAYAPRAKASH 05-AUG-19 ANGLE  
 ENGINEER: C.PASTORELLO 05-AUG-19 PROJECTION  
 APPROVED: CLARSEN 05-AUG-19 N/A